



宇 | 星 | 模 | 王



豹2坦克
NO. LEOPARD 2 TANK

20020



OPEN

Customer Service
客户服务

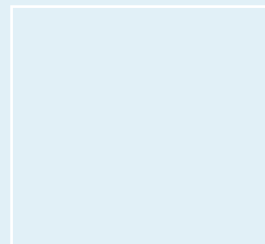
 www.yx-mk.com



Qr code APP (APP二维码)

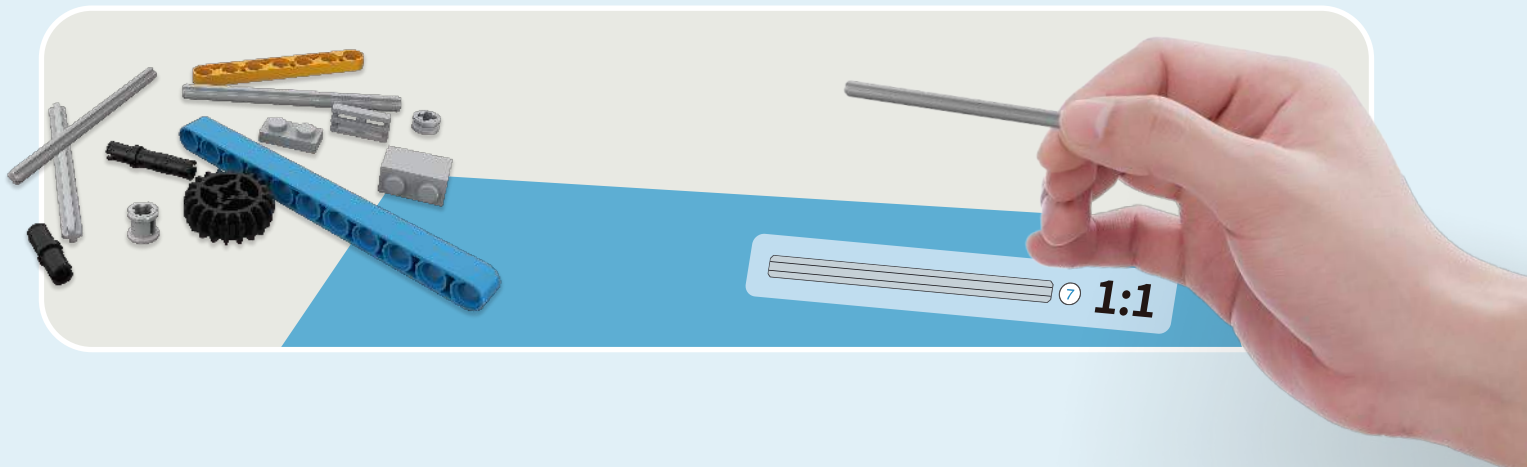
Need the apple version 9.0
and above, the android
version 5.0 and above.

* This APP supports most of the mainstream Android models on the market, but due to the large number of Android models, different models of systems and hardware reasons, there may be some models do not support, specific according to the actual test!



广东宇星科技

微信扫描二维码, 关注公众号,
获取第一手的新品资讯, 享受
便捷的补件服务。





豹2A6是一款坦克,最大的特点是换装了55倍口径的120毫米滑膛炮,炮口初速达到1750米每秒,强力的装甲和动力系统。
Leopard 2 A6 is a tank. The biggest feature is that it is equipped with 120 tanks with 55 caliber Millimeter smooth bore gun, muzzle velocity reaches 1750 meters per second, powerful armor and movementForce system.

火炮是德国莱茵公司120毫米滑膛炮, 55倍口径Rh120-L55滑膛炮, 炮口初速达到1750米/秒, 使用DM53钨合金弹, 在2000米上穿深约670毫米, 而且精度相当高。最大射程5000米, 为目前射程最远的坦克火炮。火控系统先进, 反应时间6秒。

机枪1挺莱茵金属公司的MG3A1式7.62mm并列机枪, 安装在120mm火炮左侧, 射速为1200发/min; 一挺安装在装填手舱盖环形支架上的MG3A1式7.62mm高射机枪, 用于防空, 高低射界为 $-10^{\circ}\sim+75^{\circ}$ 。

The artillery is a 120 mm smooth bore gun of German Rhine Company, 55 times the caliber Rh120-L55 smooth bore gun, with muzzle velocity of 1750 m/s, and DM53 tungsten alloy projectile, with a penetration depth of about 670 mm at 2000 m, and high accuracy. The maximum range is 5000 meters, which is the tank artillery with the longest range at present. The fire control system is advanced, and the reaction time is 6 seconds.

One MG3A1 type 7.62mm parallel machine gun of Rhine Metal, installed on the left side of 120mm gun, with a firing rate of 1200 rounds/min; A MG3A1 7.62mm anti-aircraft machine gun installed on the annular support of the loading hand hatch cover is used for air defense, with a high and low firing range of $-10^{\circ}\sim+75^{\circ}$.





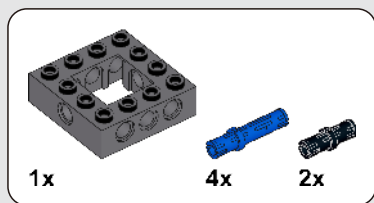
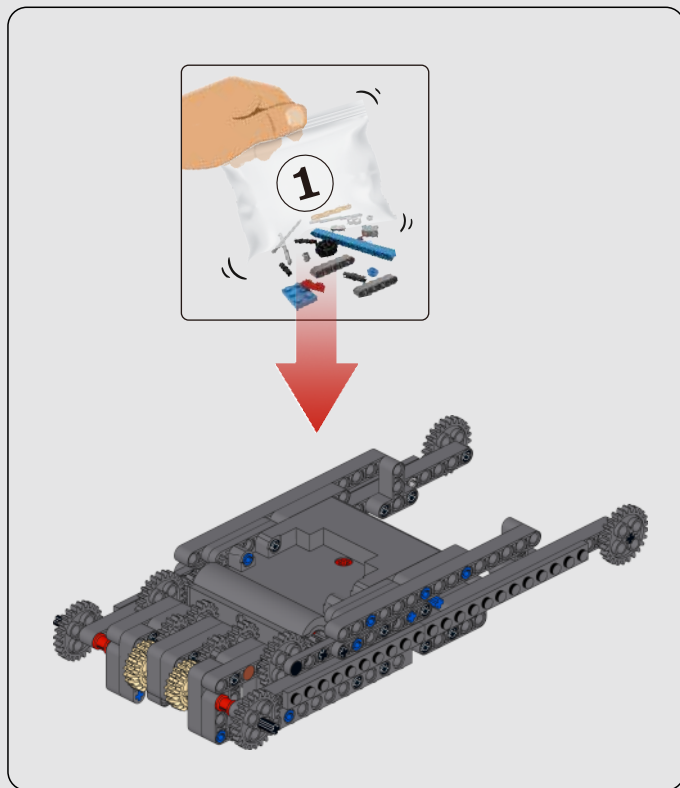
MB873Ka-501型4冲程12缸V型90°夹角水冷预燃室式增压中冷柴油机,是目前世界上最好的柴油发动机之一。具有比较好的加速性能,从零加速到32公里/小时仅需6秒。发动机功率1100千(1500马力)。最大速度可达72公里/小时。

MB873Ka-501 4-stroke 12 cylinder V-type 90 ° angle water-cooled precombustion chamber turbocharged intercooled diesel engine is one of the best diesel engines in the world. It has good acceleration performance. It only takes 6 seconds to accelerate from zero to 32 km/h. The engine power is 1100 kW (1500 HP). The maximum speed can reach 72 km/h.

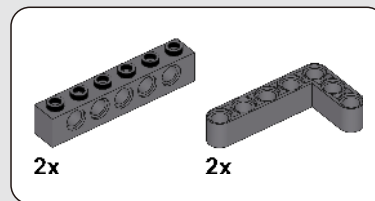
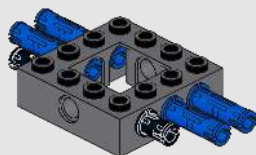


间隙式复合主装甲, 抗穿甲弹能力达到了600-700MM均制钢板。炮塔正面安装了楔型空心防护组件用于提高对化学能弹的防护, 炮塔内表面装有防崩落衬层, 履带裙板也采用改进的复合装甲, 提高了对动能弹和化学能弹的防护能力。豹2A6M的突出特点是对地雷的防护能力达到了世界领先水平, 这些组件包括安装在坦克底板下的附加被动装甲, 新型车体逃离舱口, 改进的驾驶员、车长、炮手和装填手座椅等;

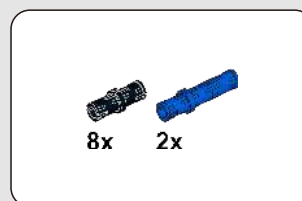
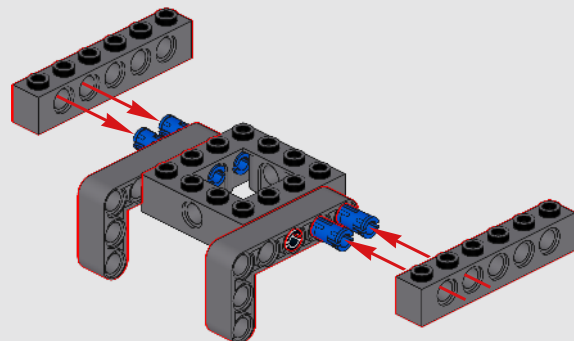
Intermittent composite main armor, with armor piercing capability of 600-700MM uniform steel plate. Wedge shaped hollow protective components are installed on the front of the turret to improve the protection against chemical energy bombs. The inner surface of the turret is equipped with anti collapse lining. The track skirt also uses improved composite armor, which improves the protection against kinetic energy bombs and chemical energy bombs. The outstanding feature of Panther IIA6M is that its mine protection ability has reached the world's leading level. These components include the additional passive armor installed under the tank floor, the new vehicle body to escape the hatch, and the improved driver, captain, gunner and loader seats;



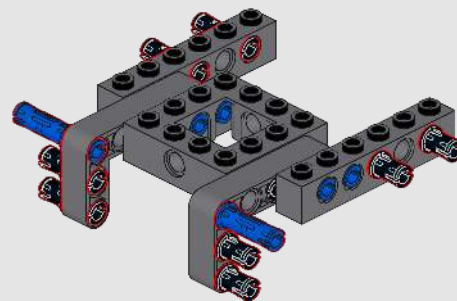
1

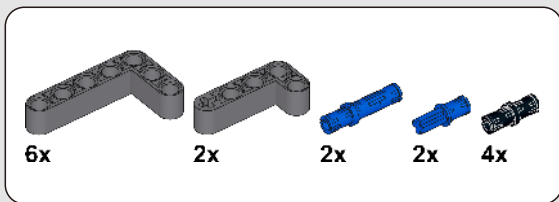


2

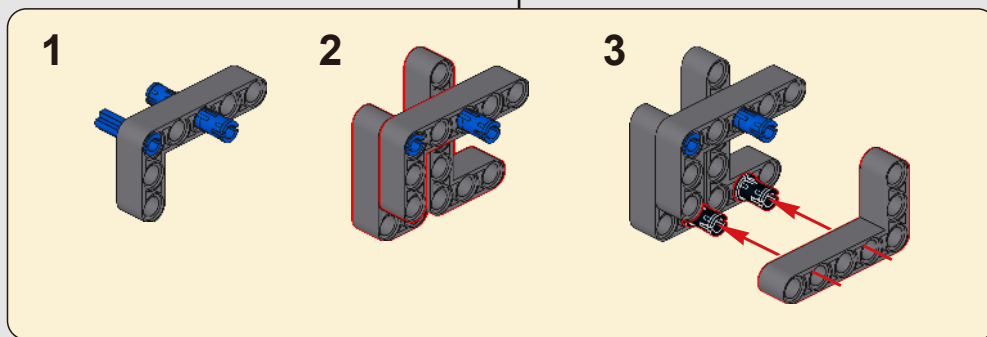
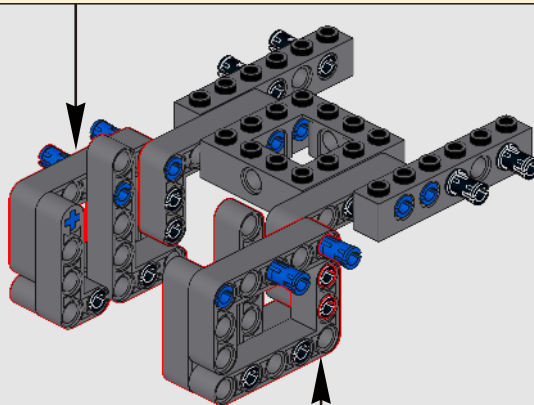
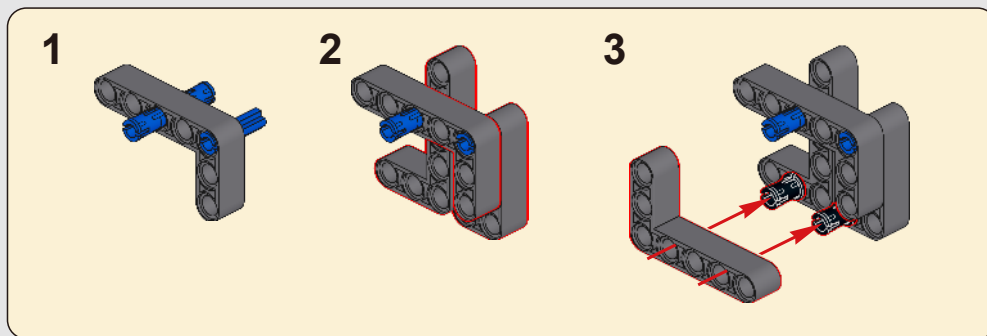


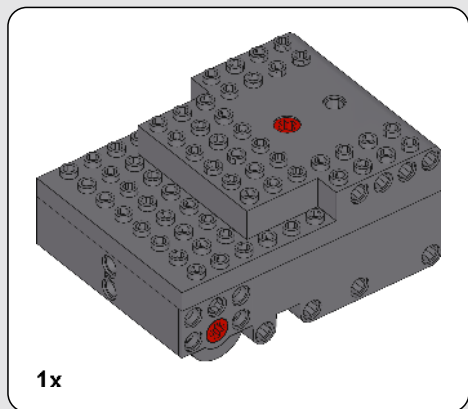
3



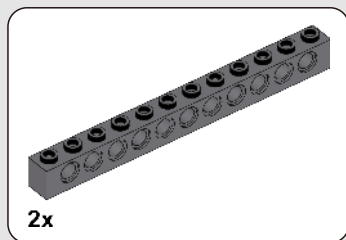
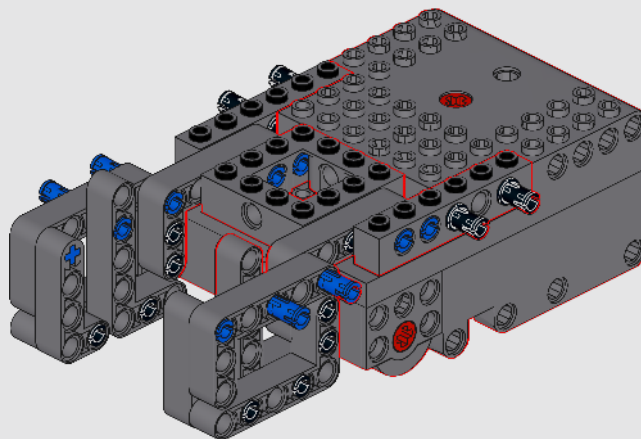


4

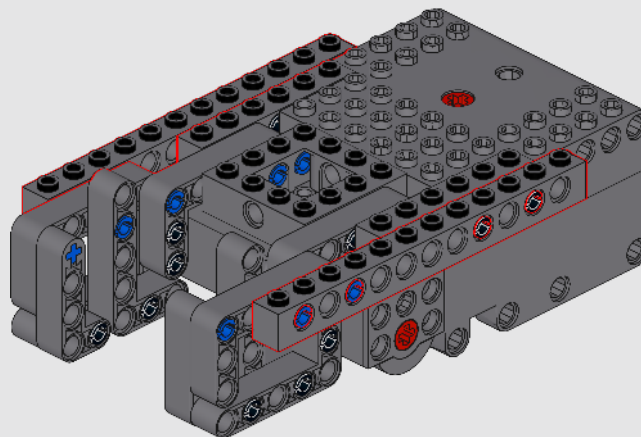


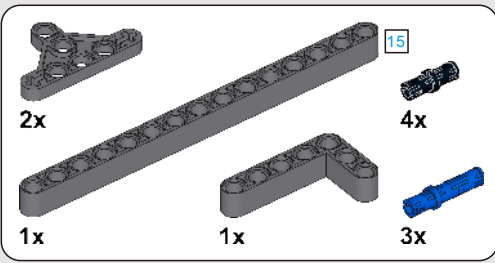


5

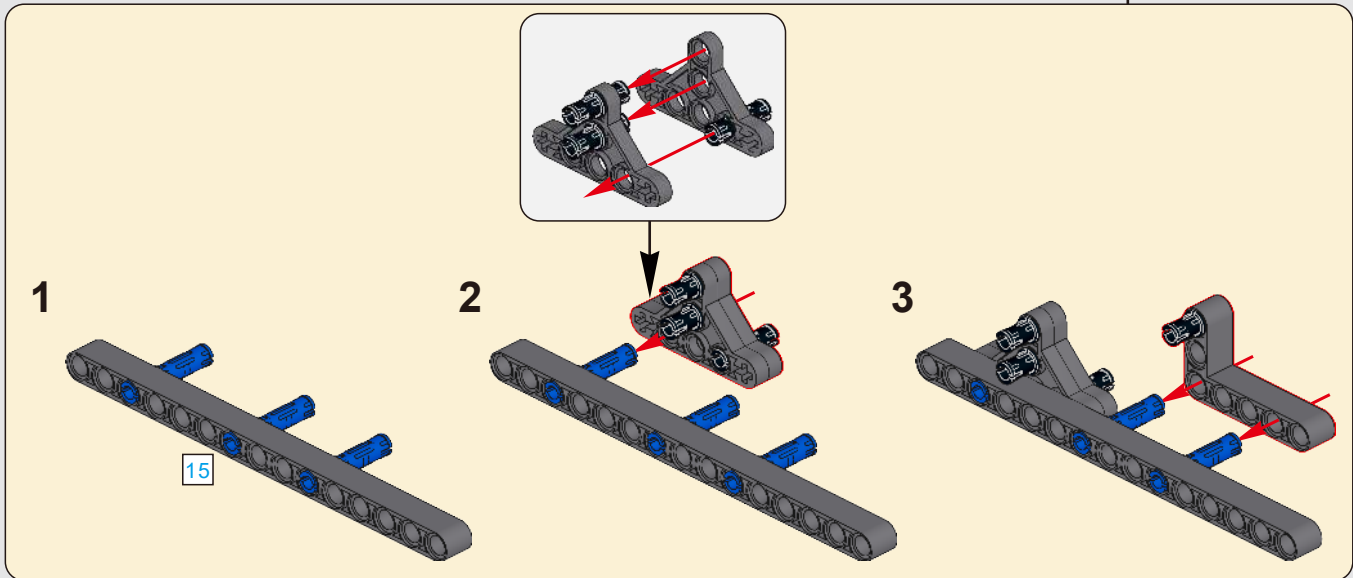
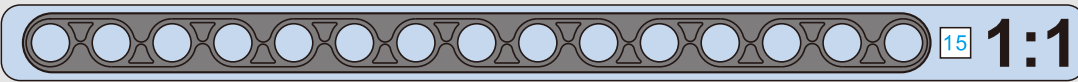
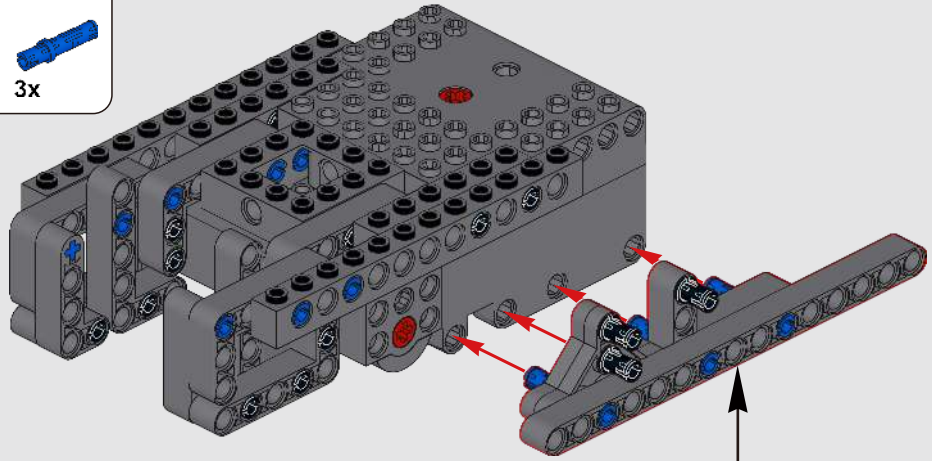


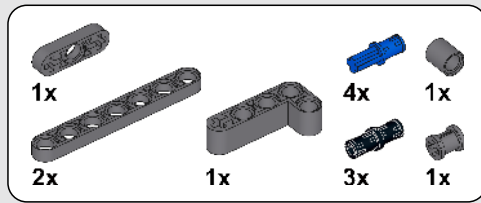
6



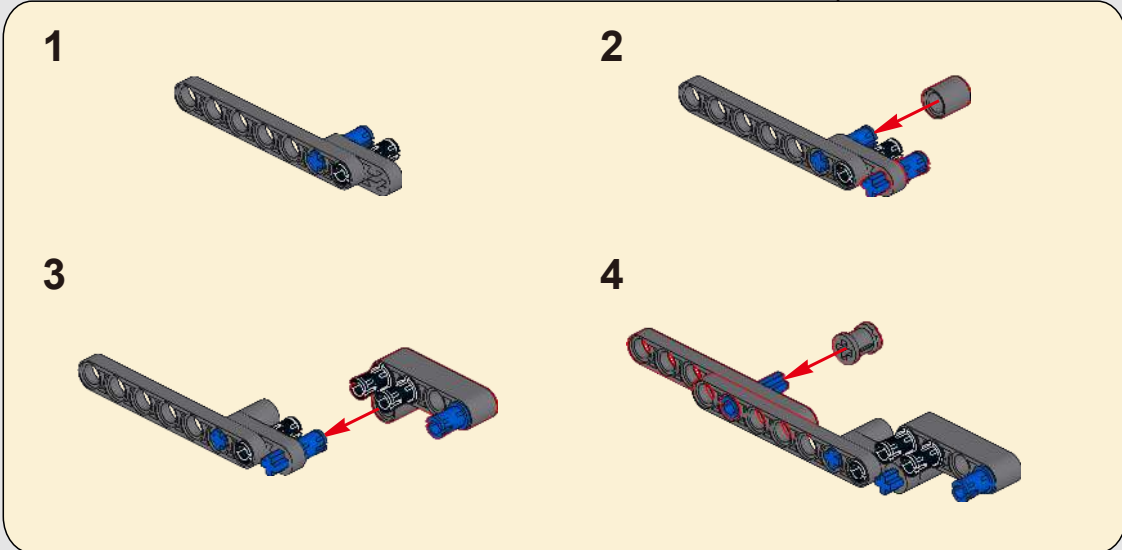
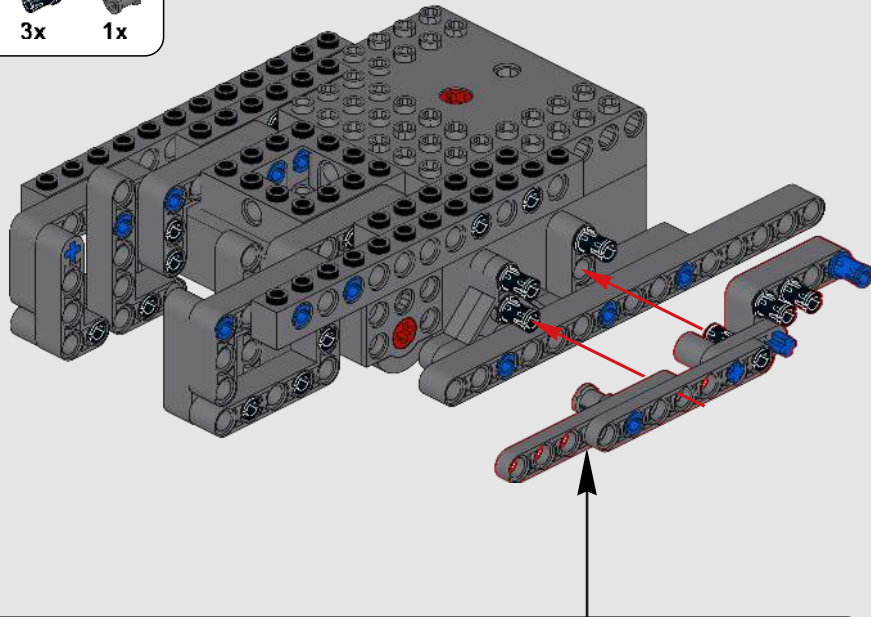


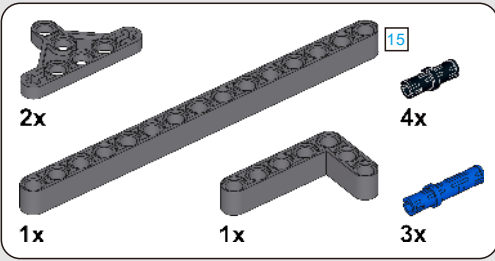
7



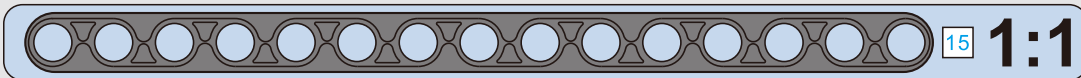
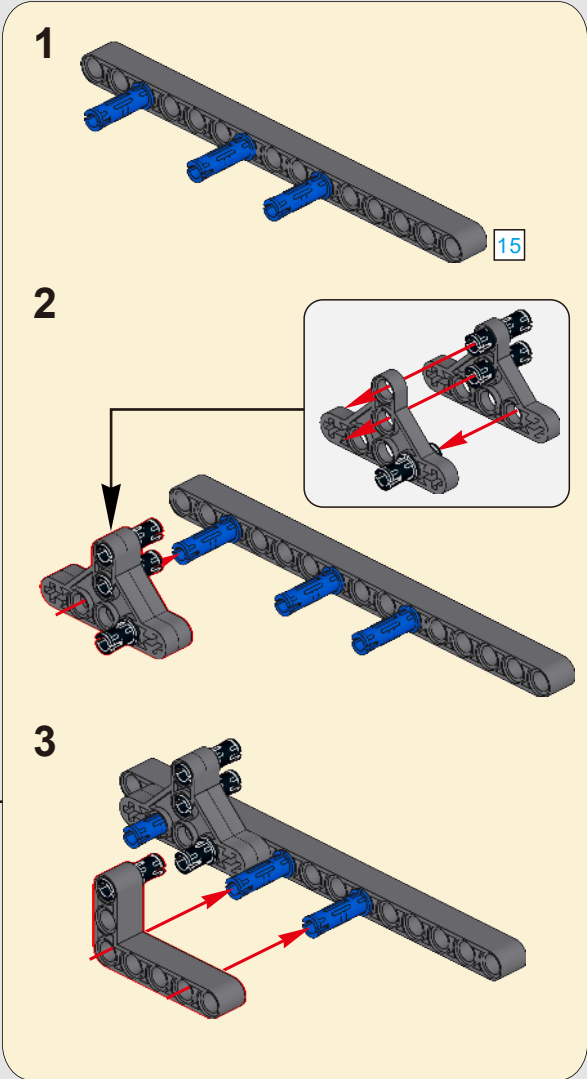
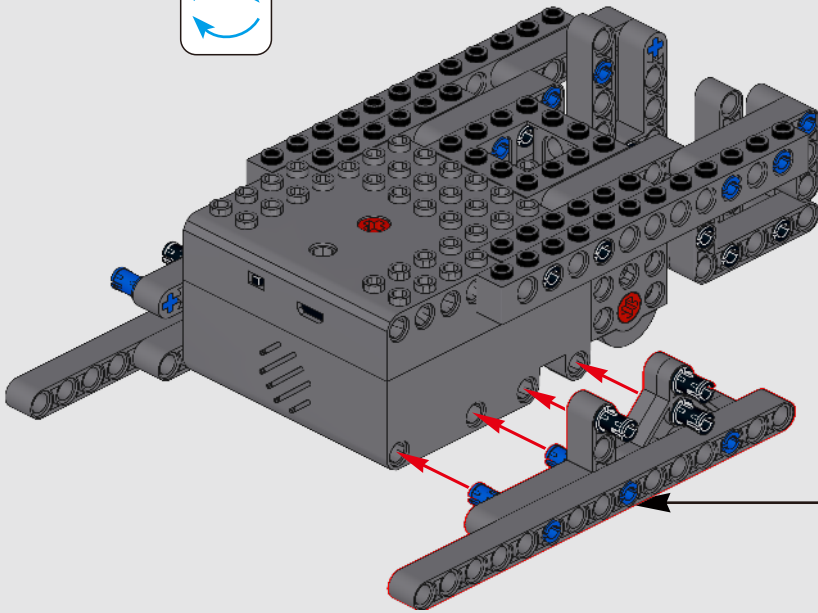


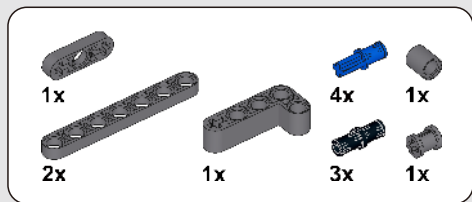
8



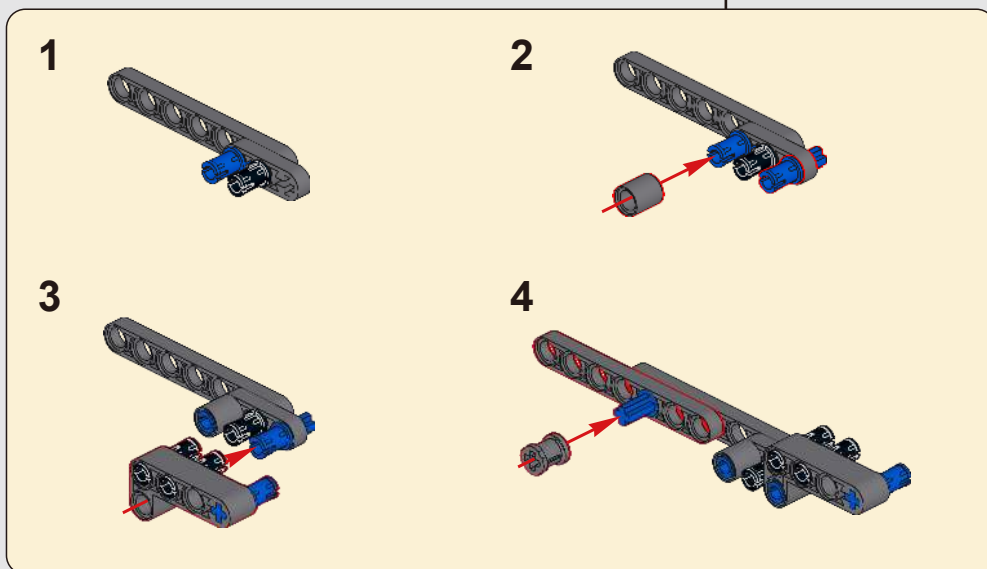
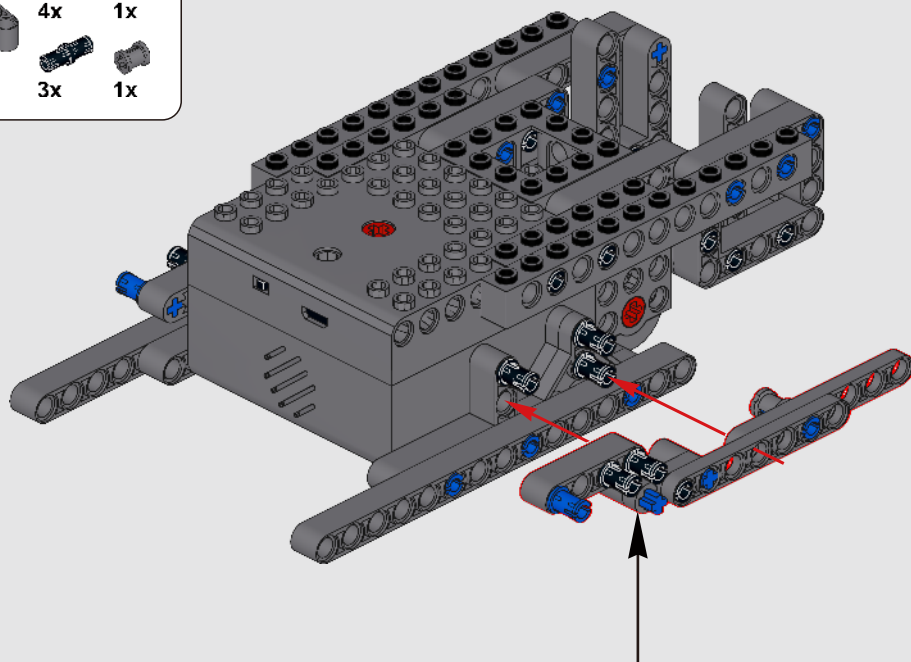


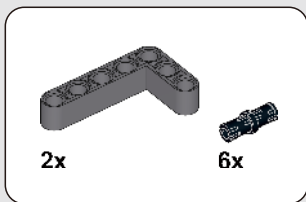
9



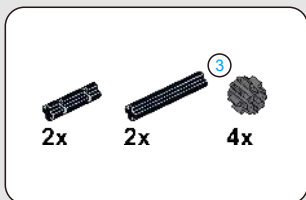
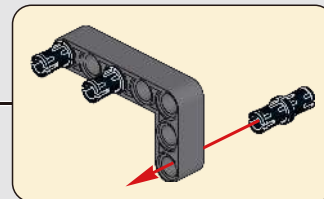
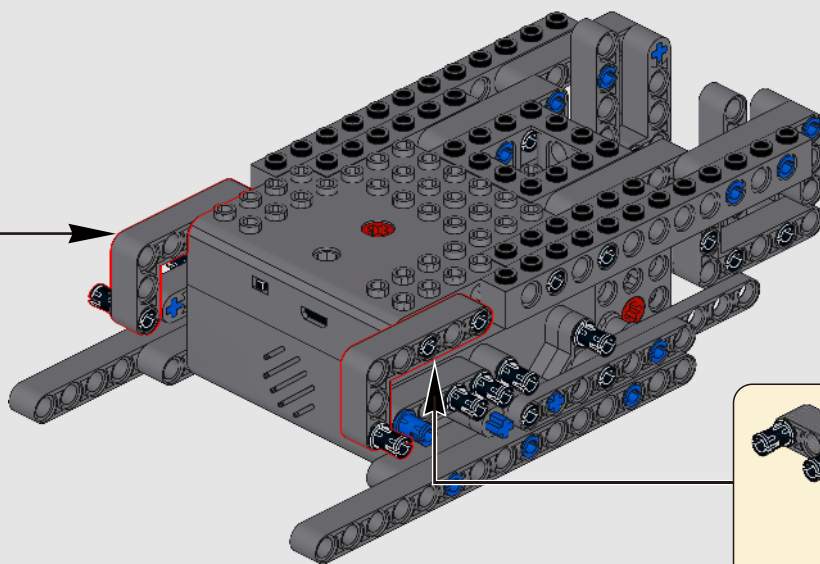
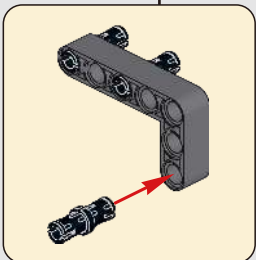


10

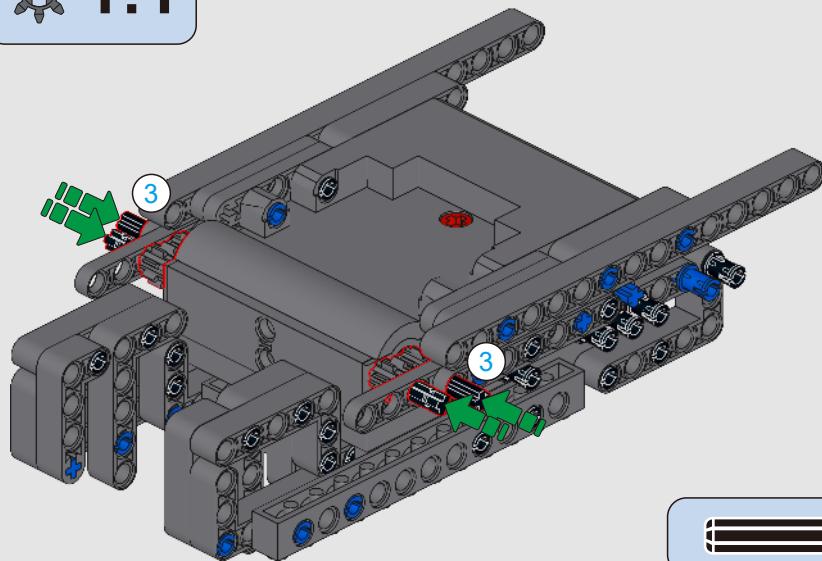


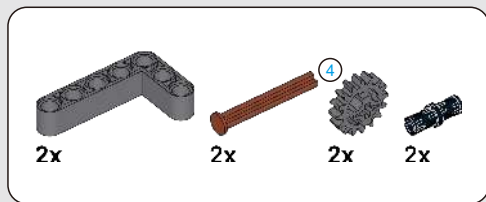


11

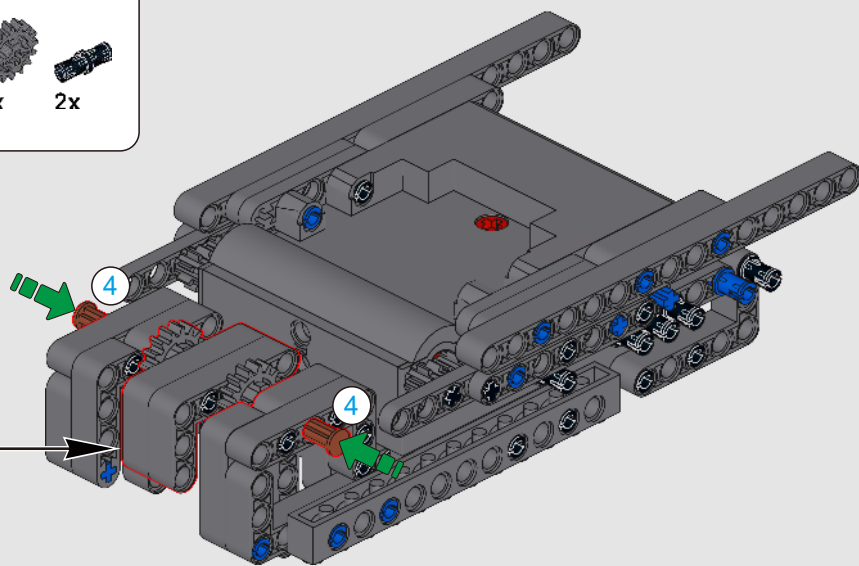
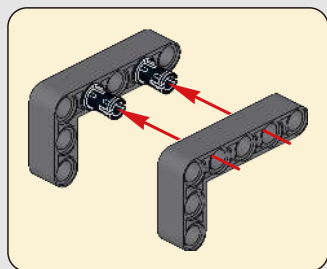


12

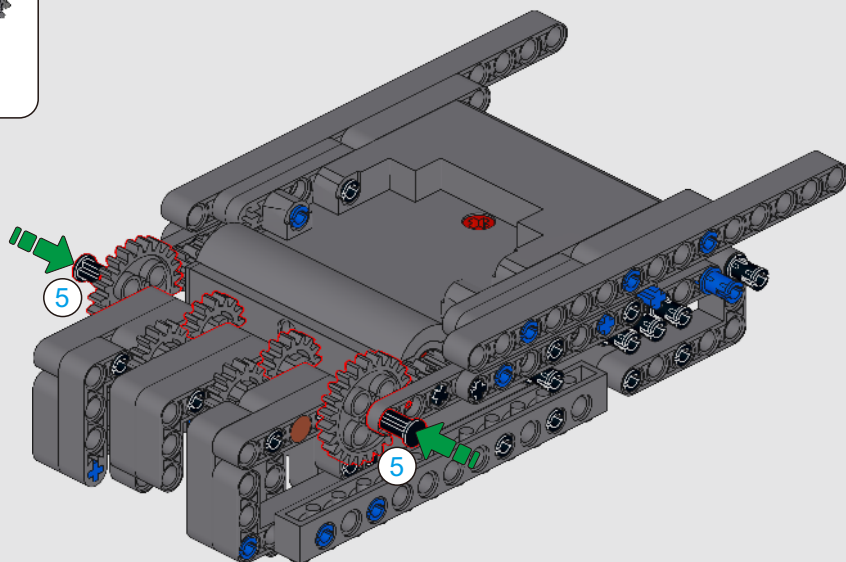
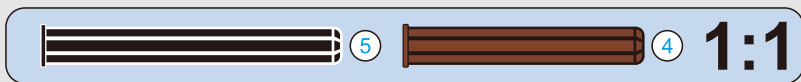


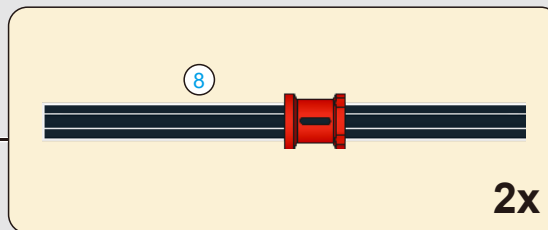
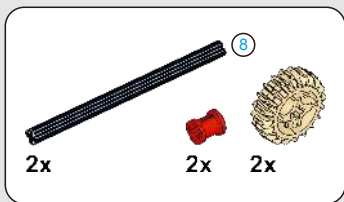


13

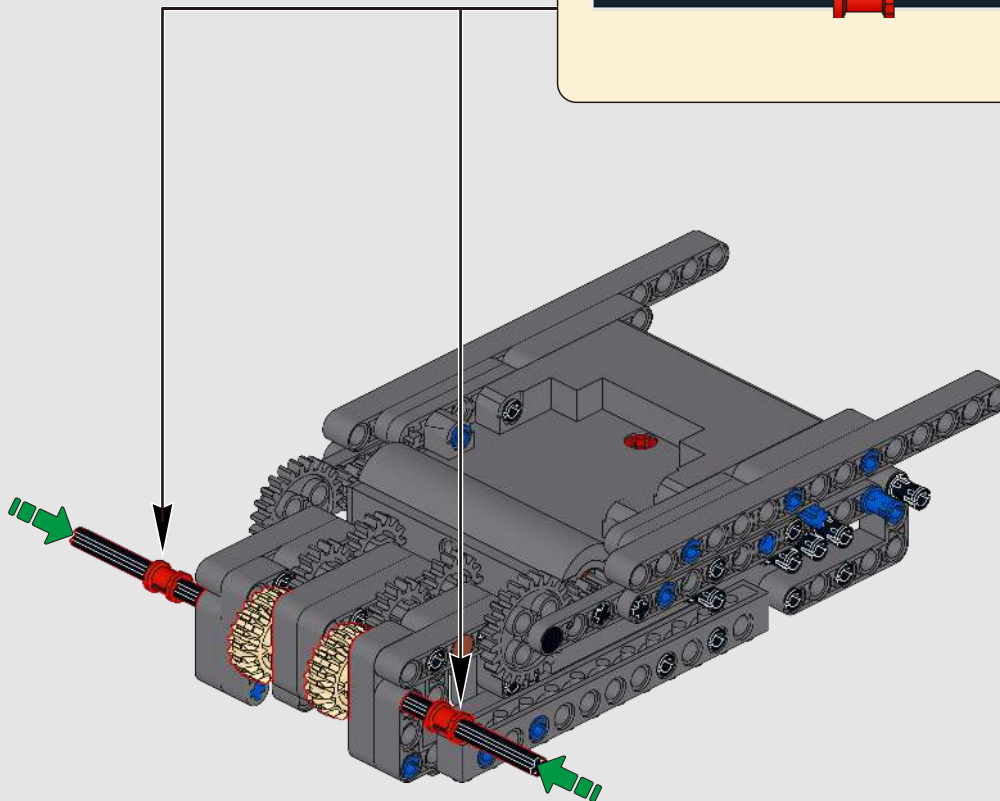


14

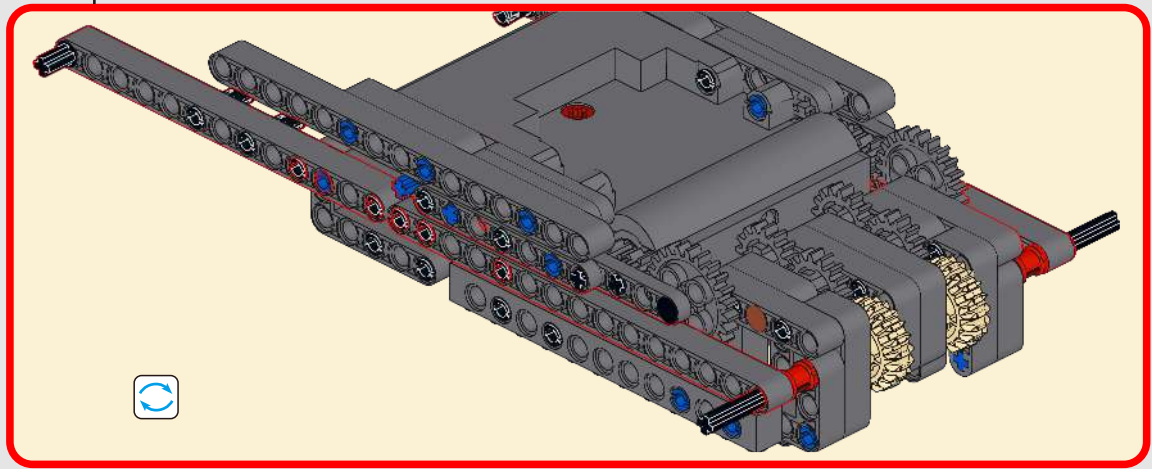
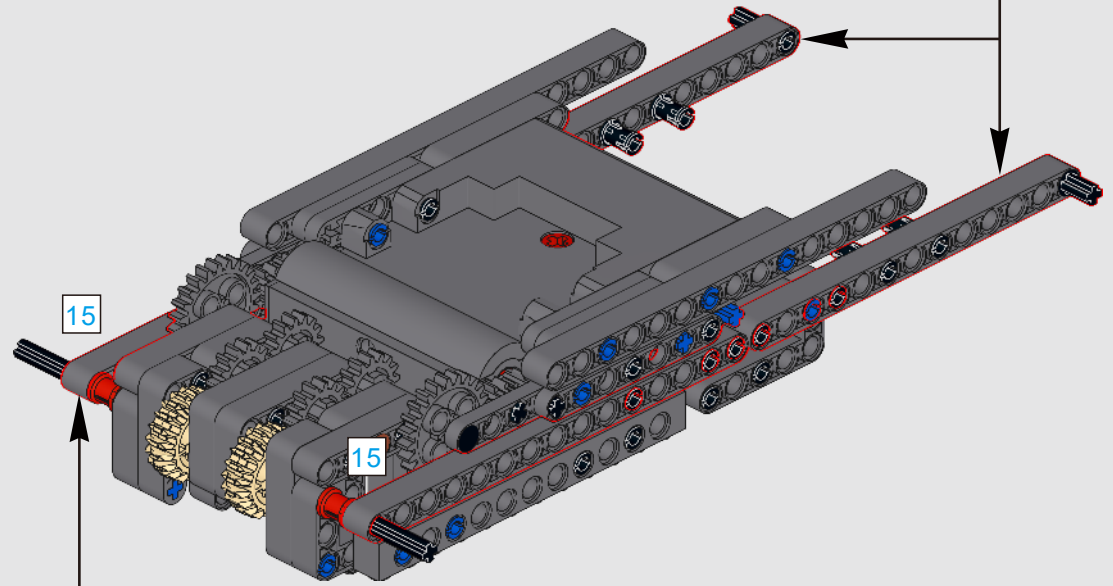
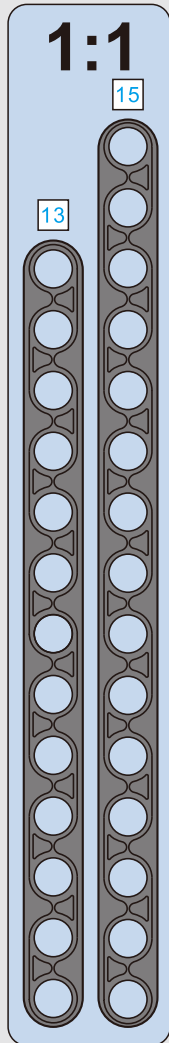
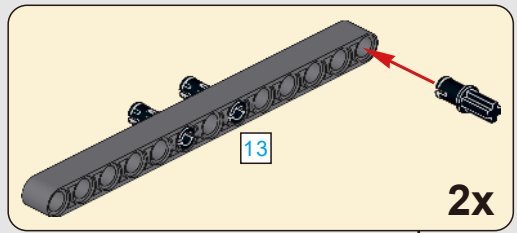
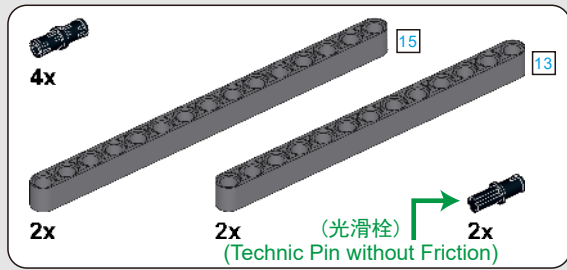


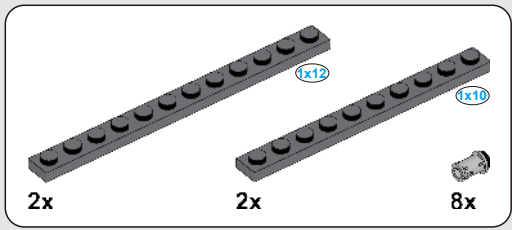


15

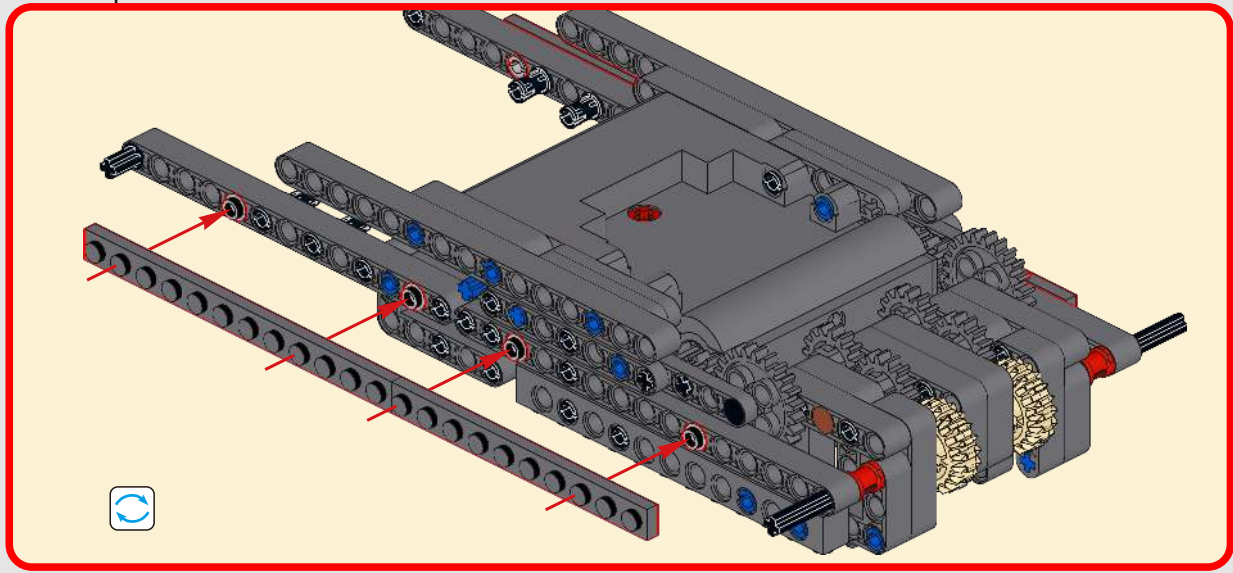
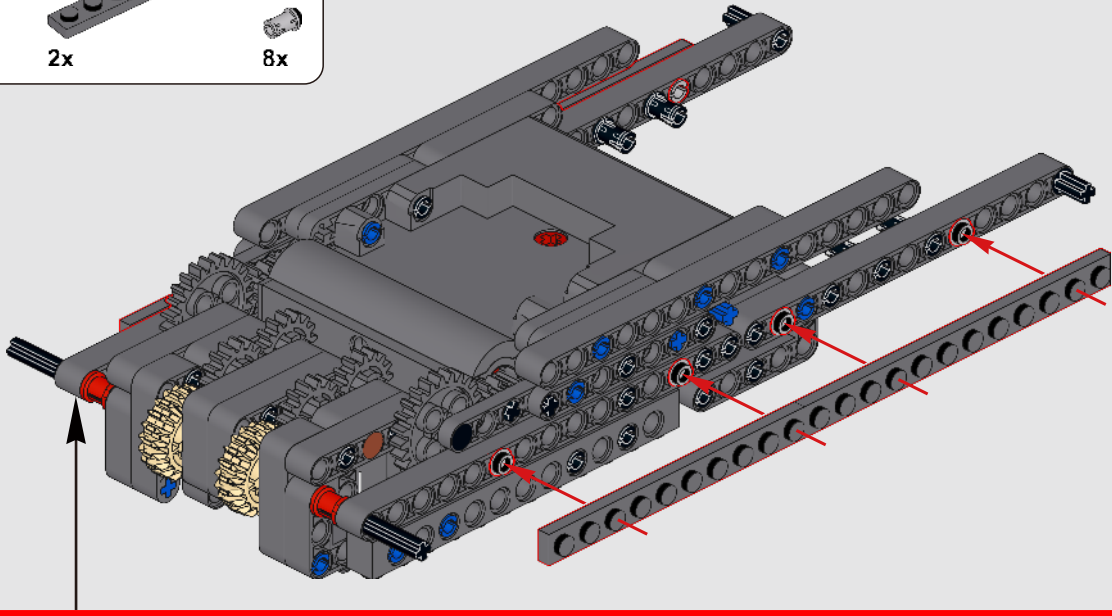


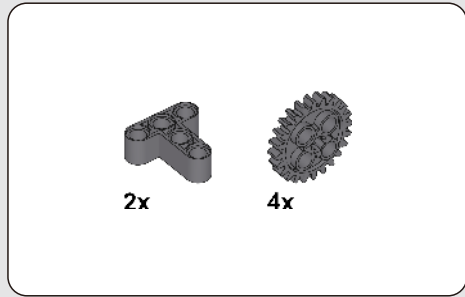
16



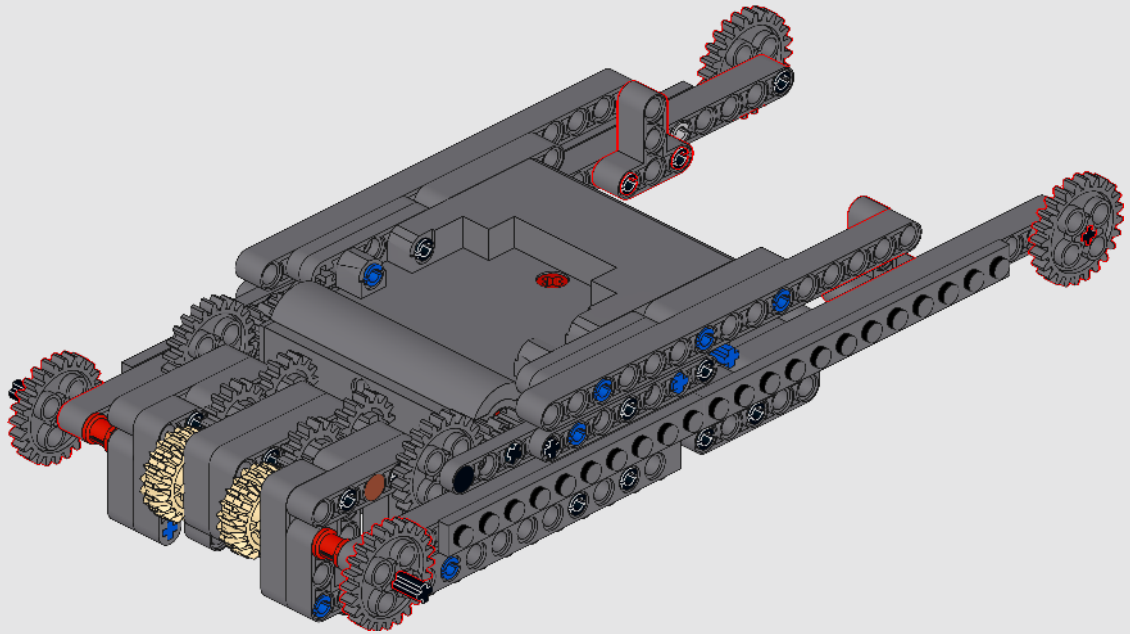


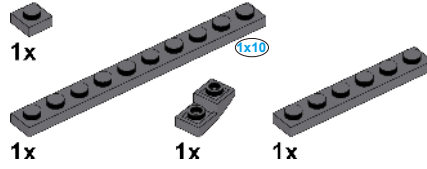
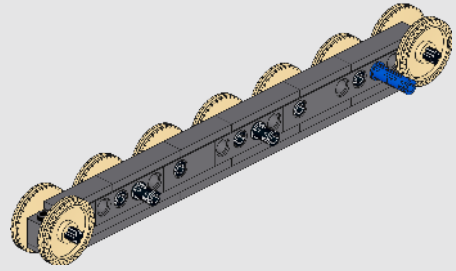
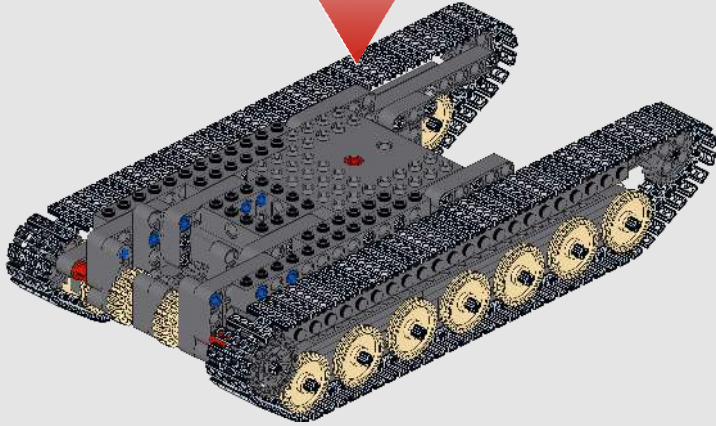
17



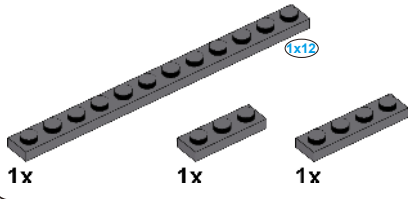
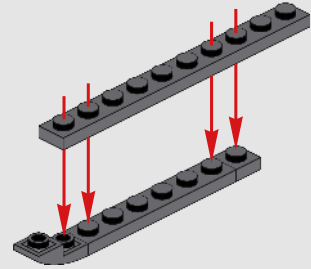


18

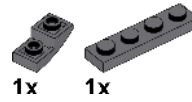
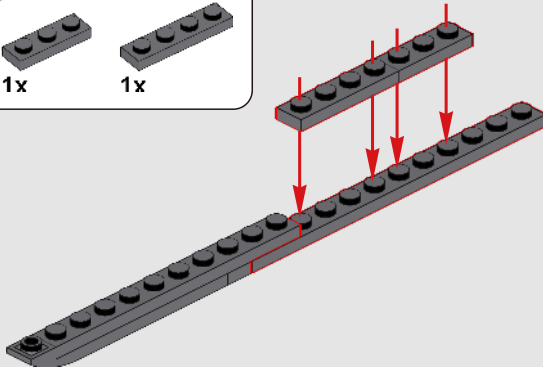




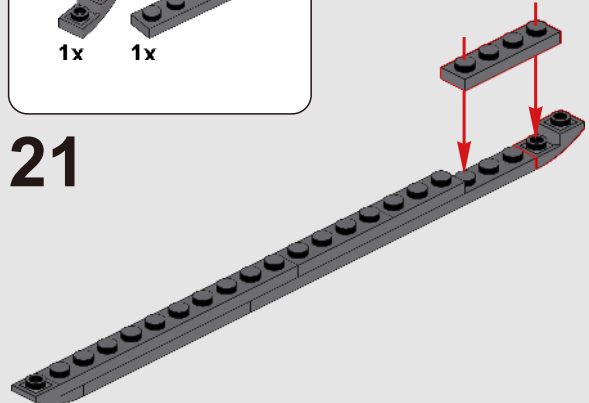
19

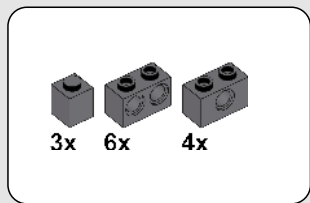


20

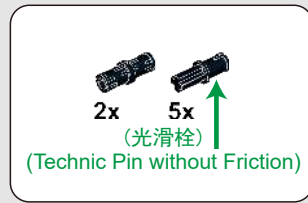
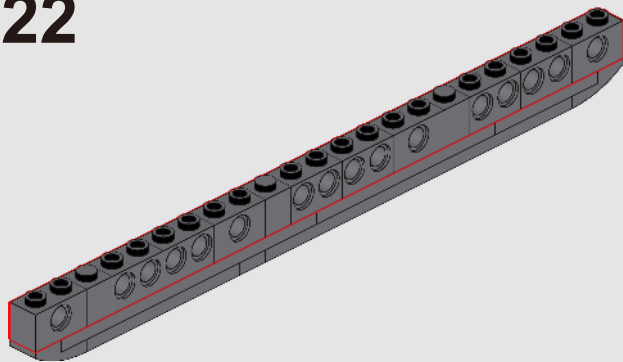


21

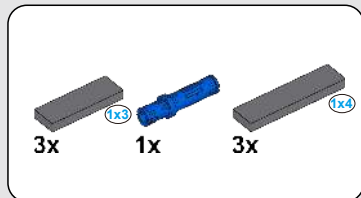
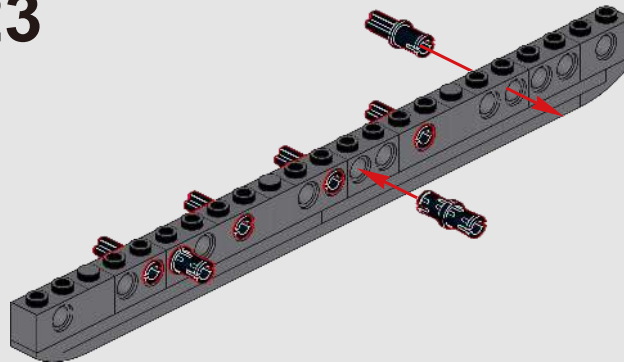




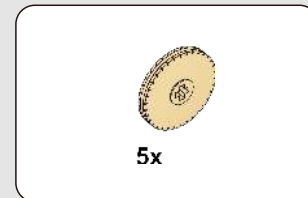
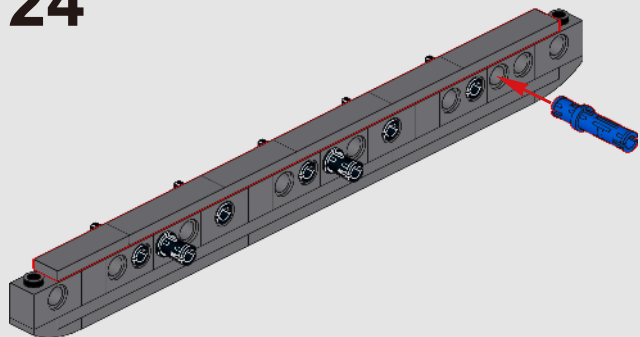
22



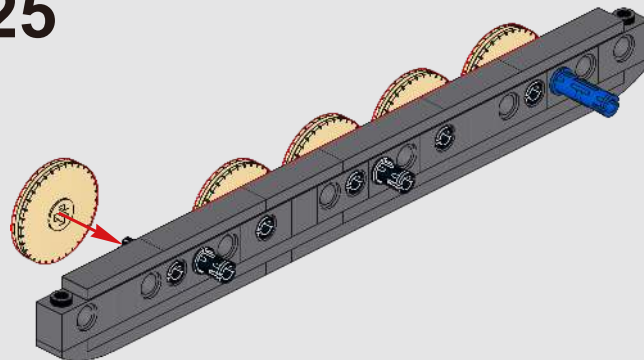
23

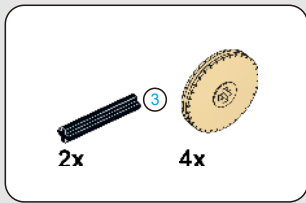


24

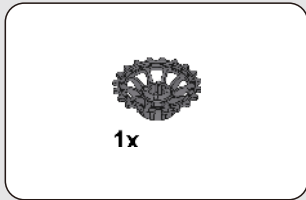
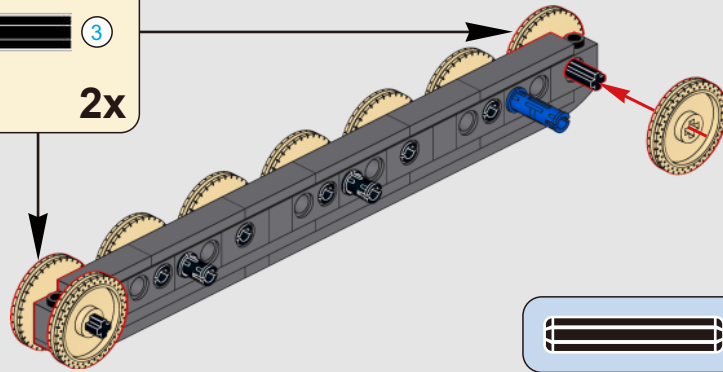
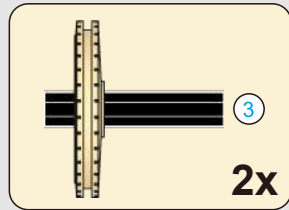


25

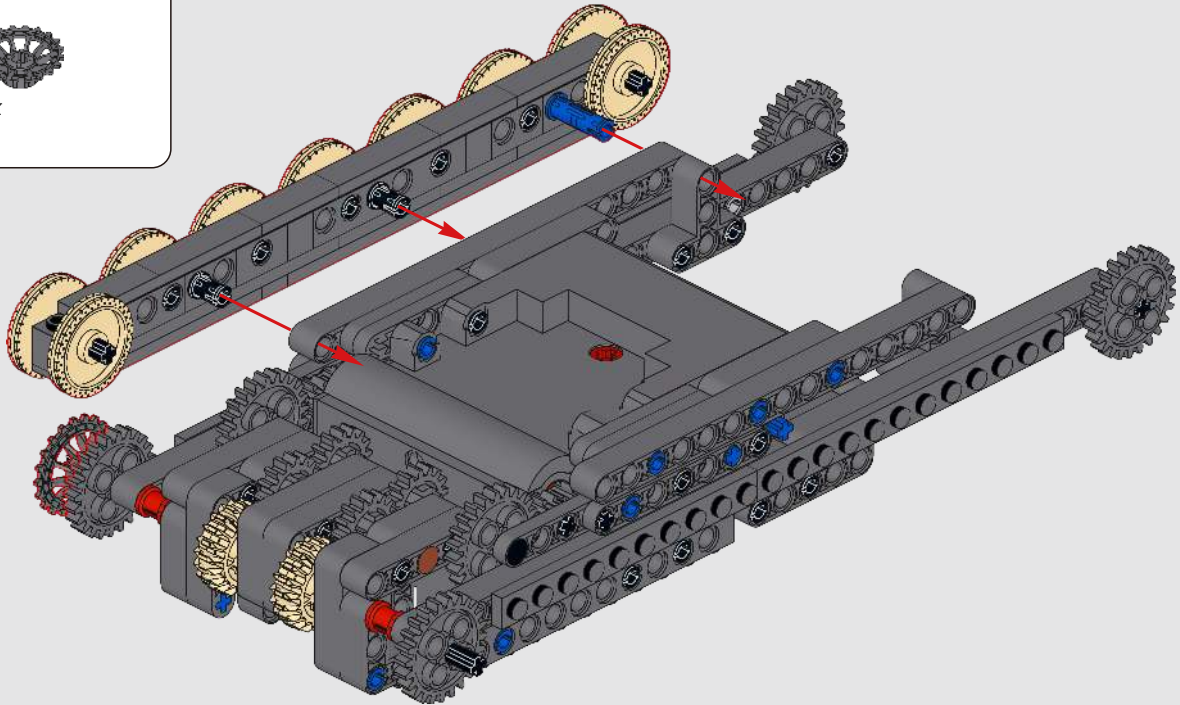


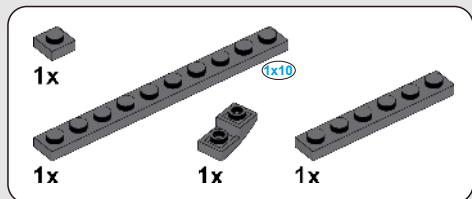
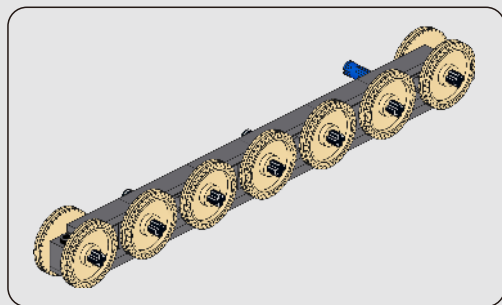


26

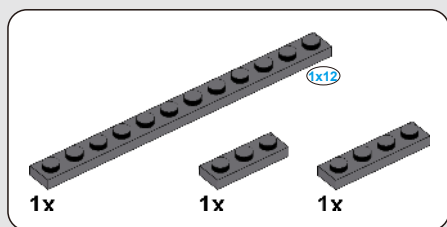
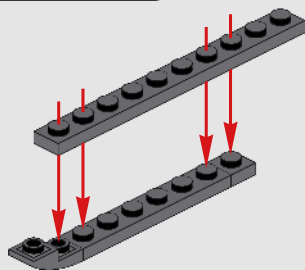


27

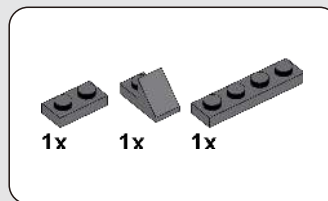
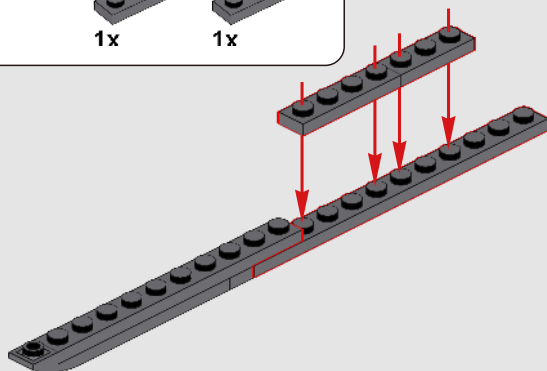




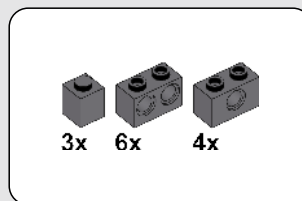
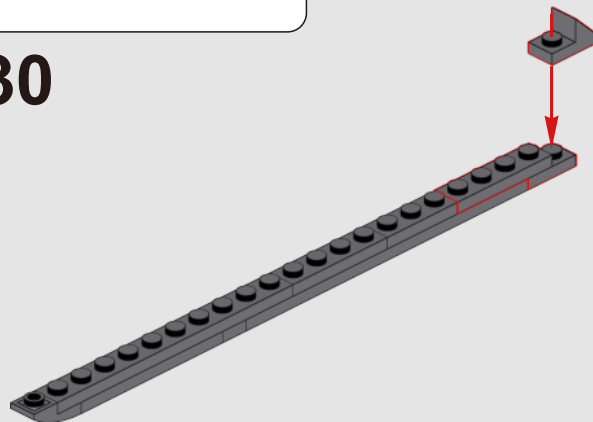
28



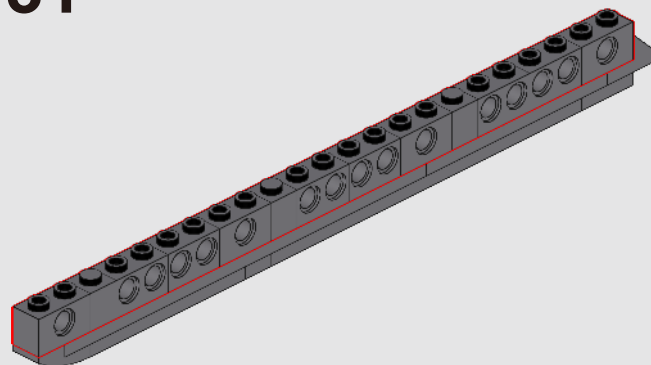
29



30

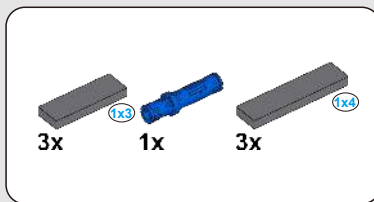
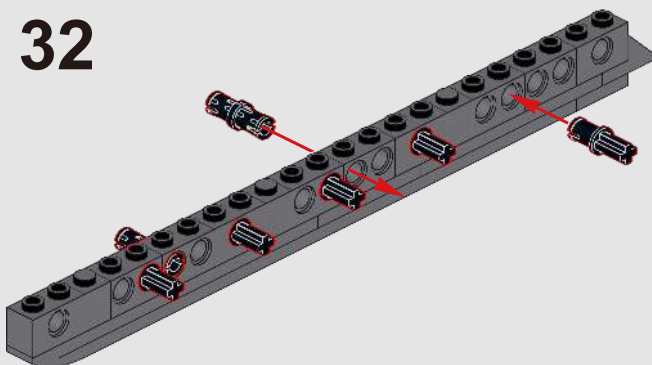


31

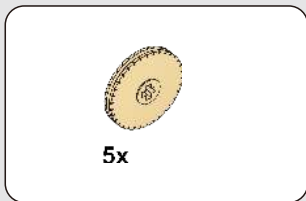
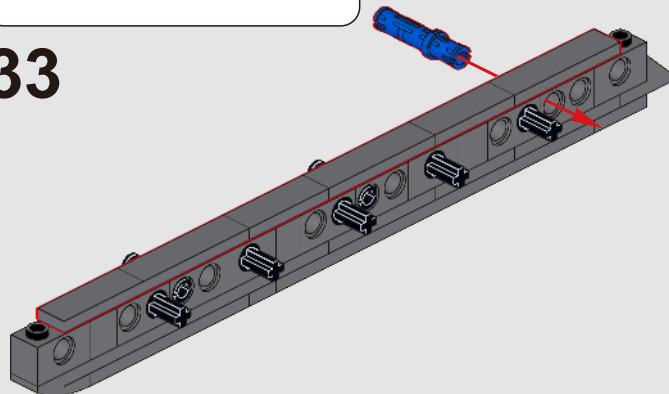




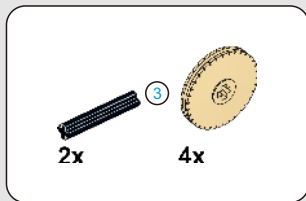
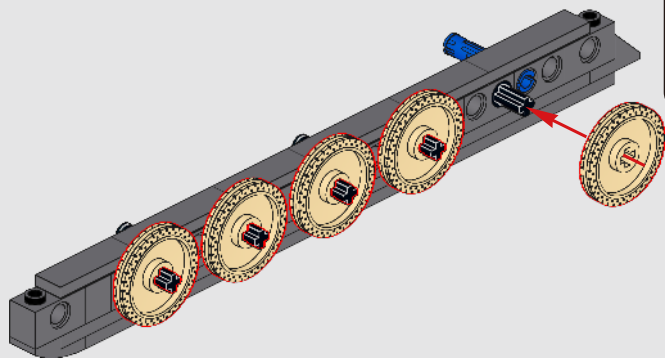
32



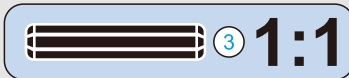
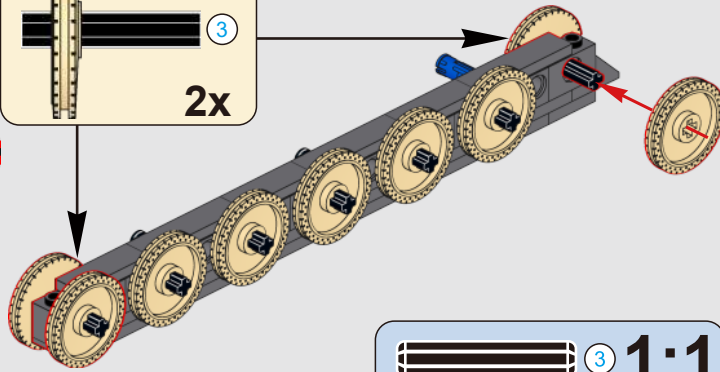
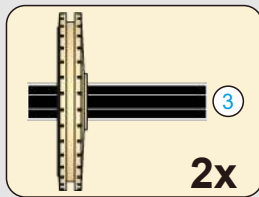
33

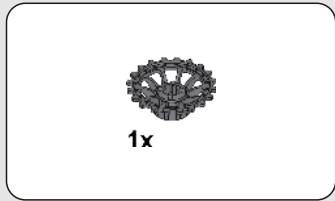


34

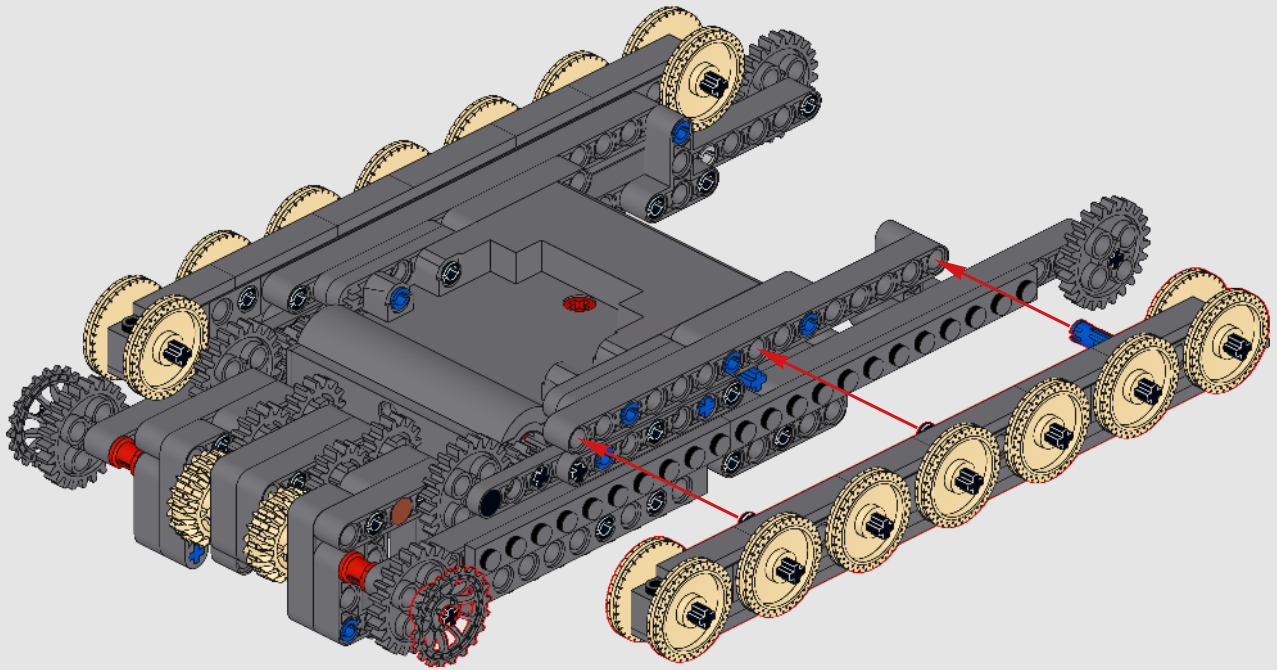


35





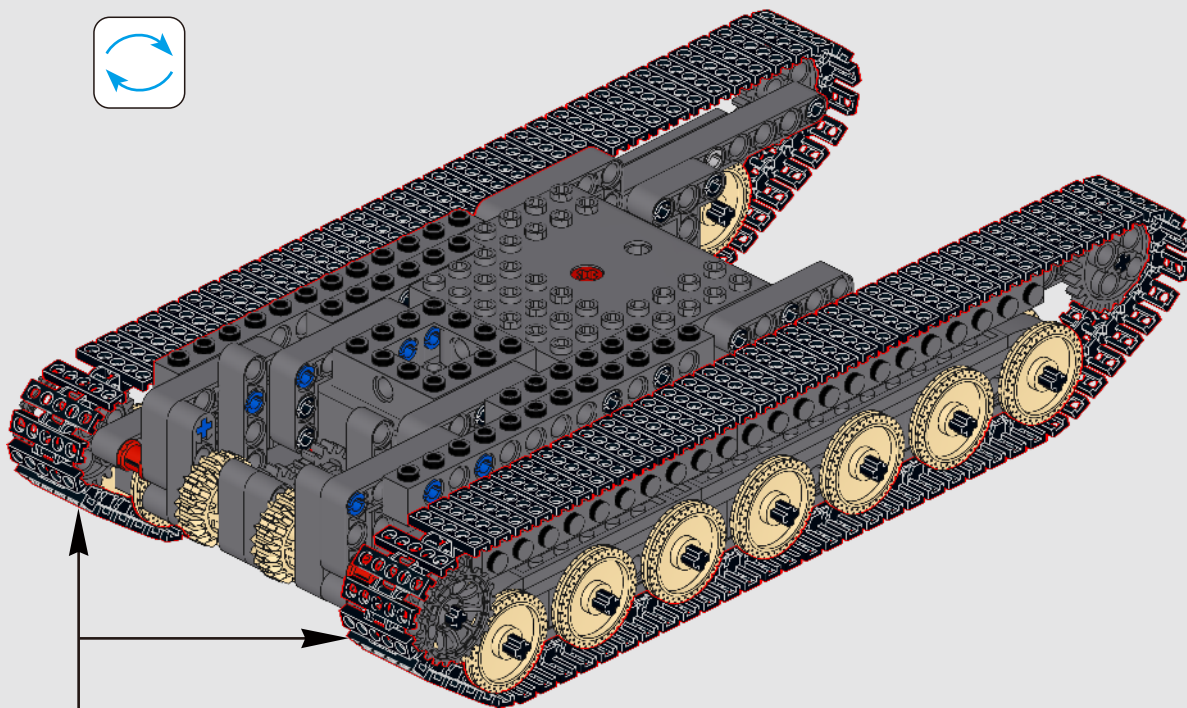
36



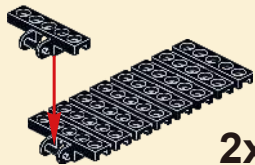


162x

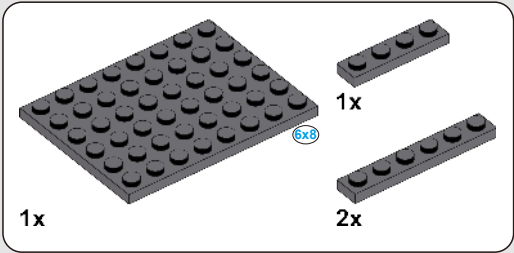
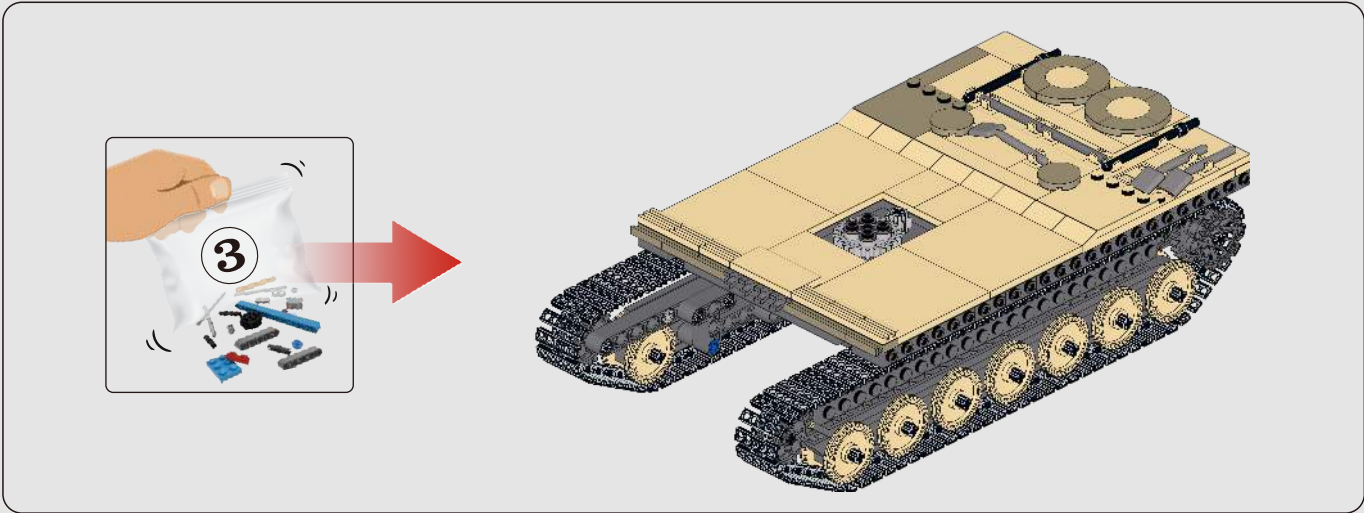
37



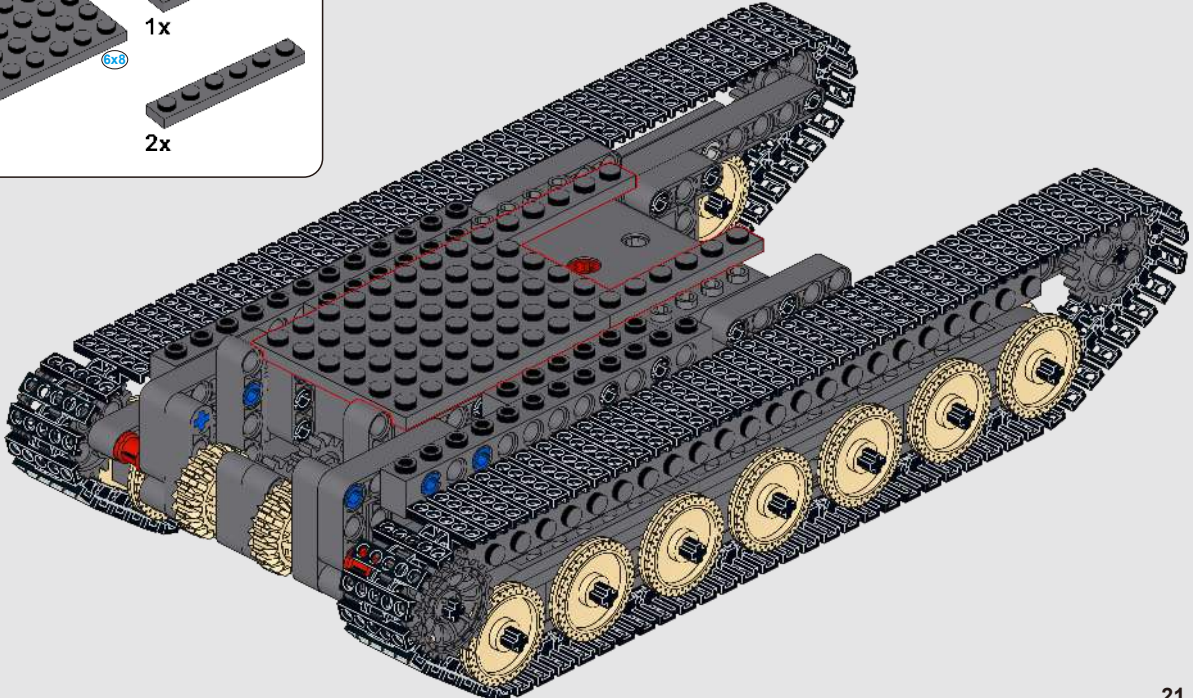
81x

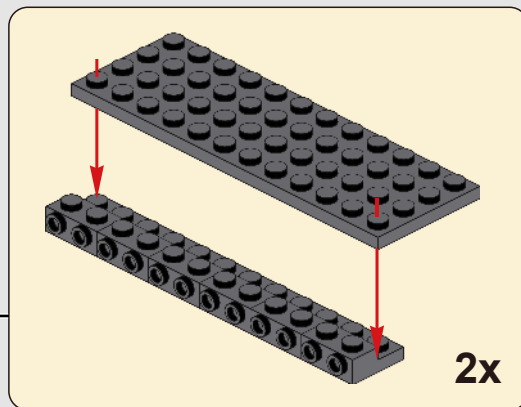
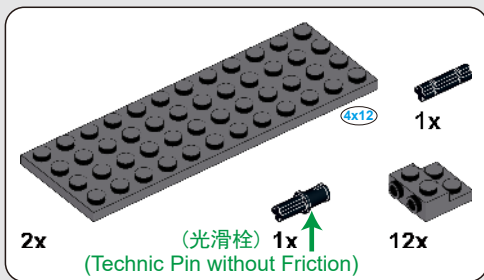


2x

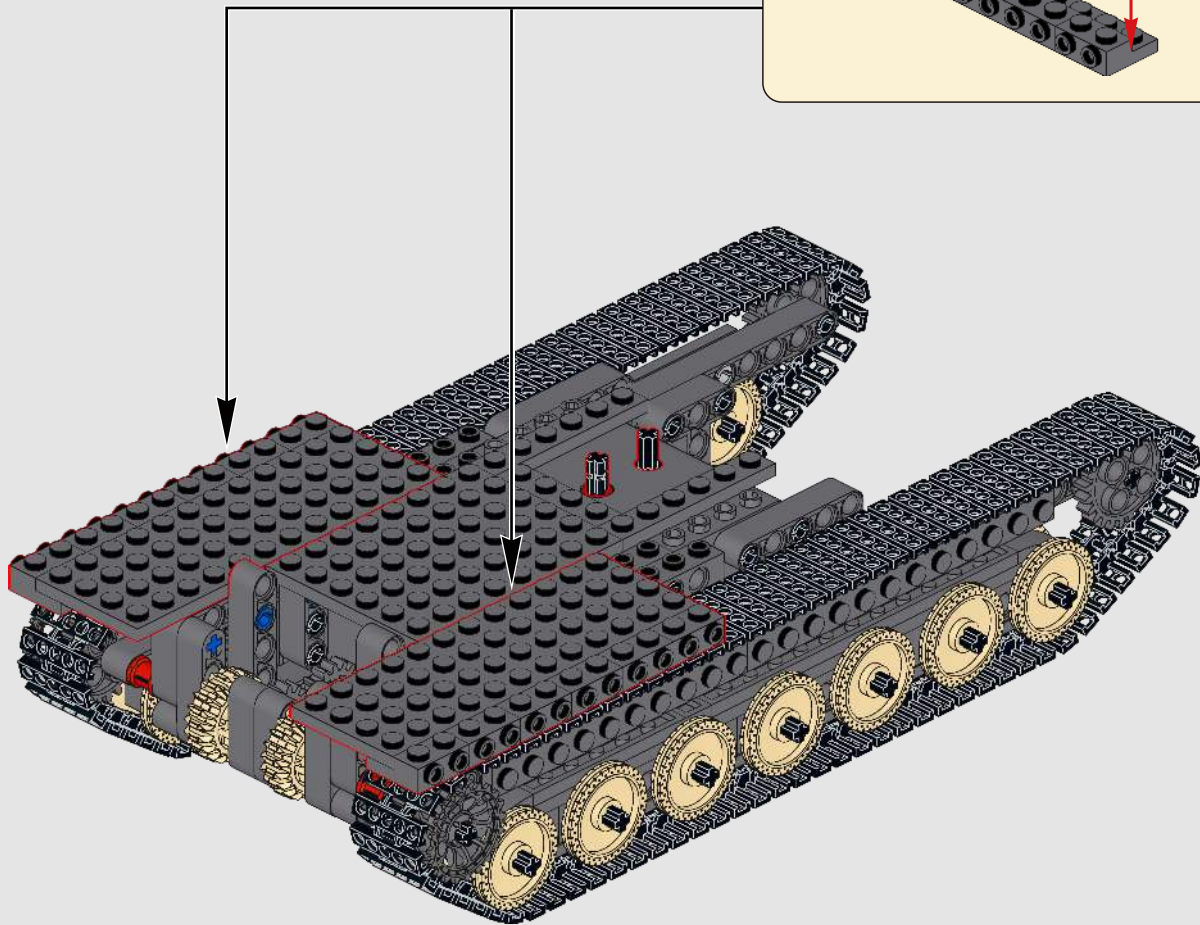


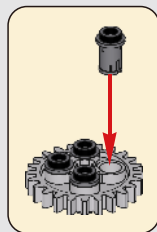
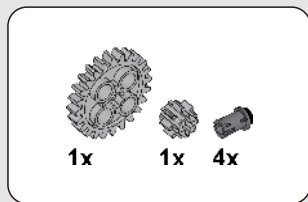
38



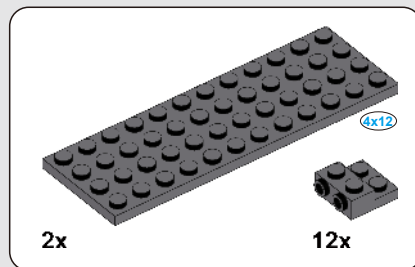
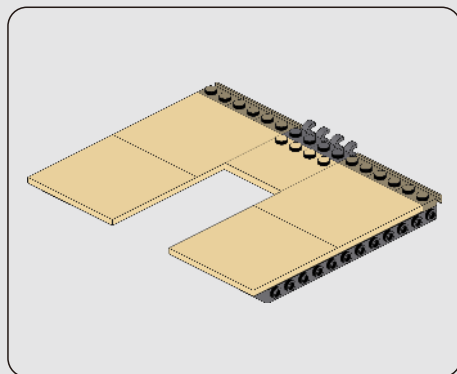
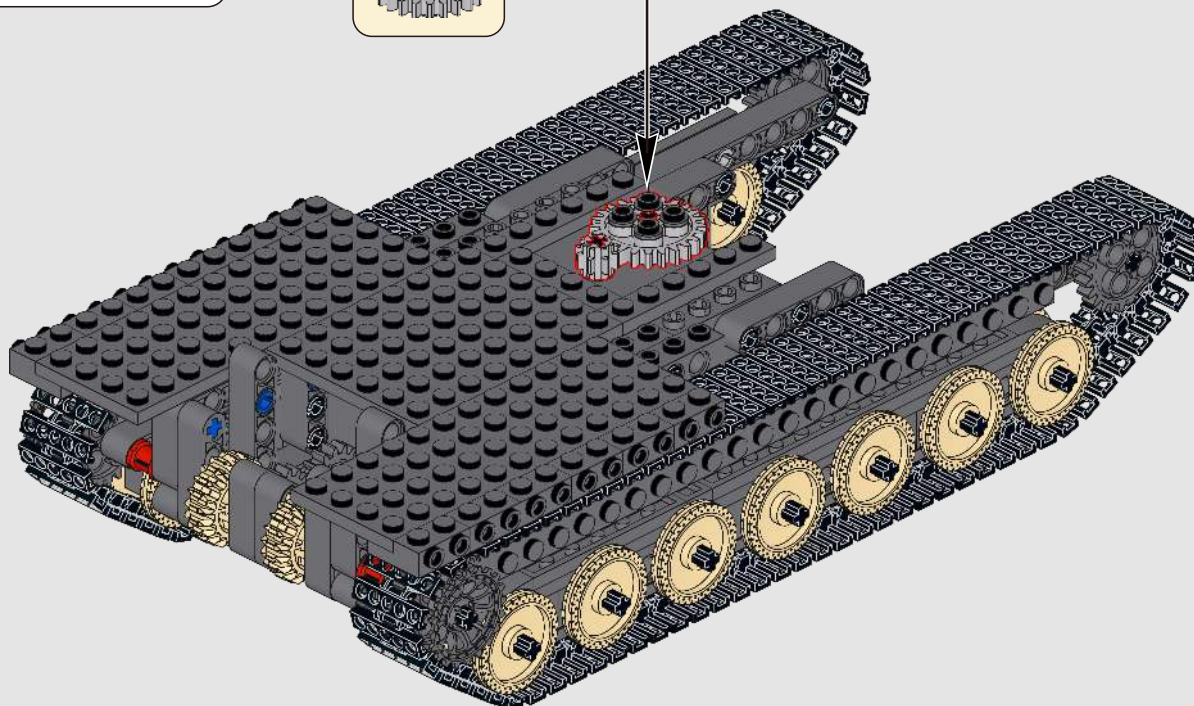


39

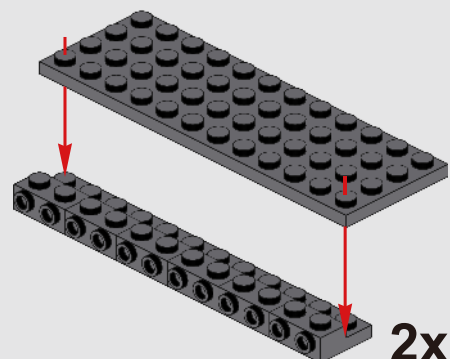


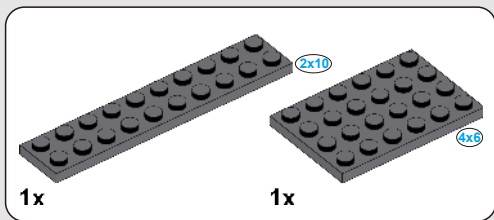


40

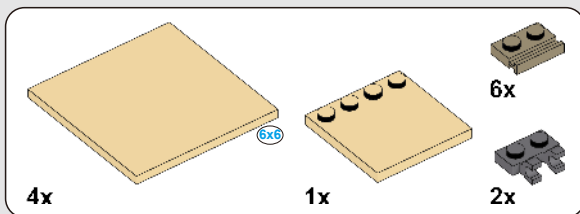
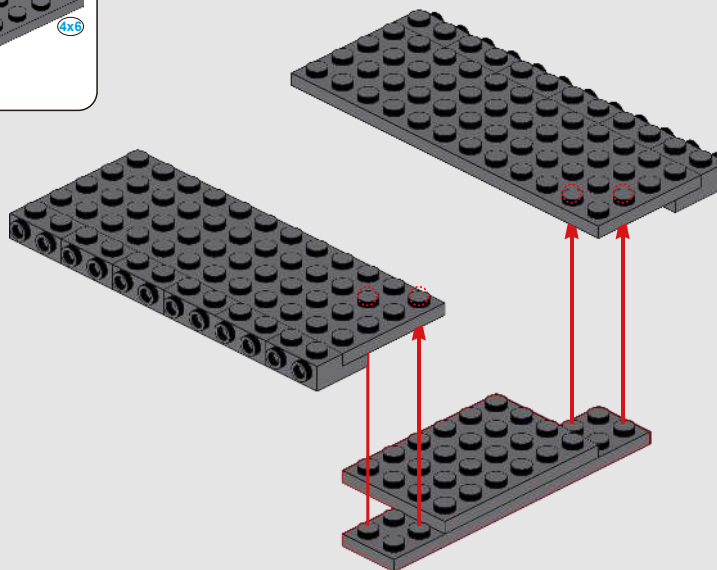


41

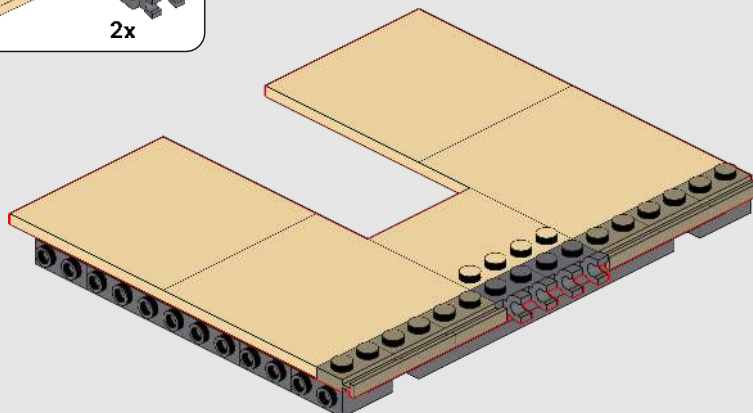




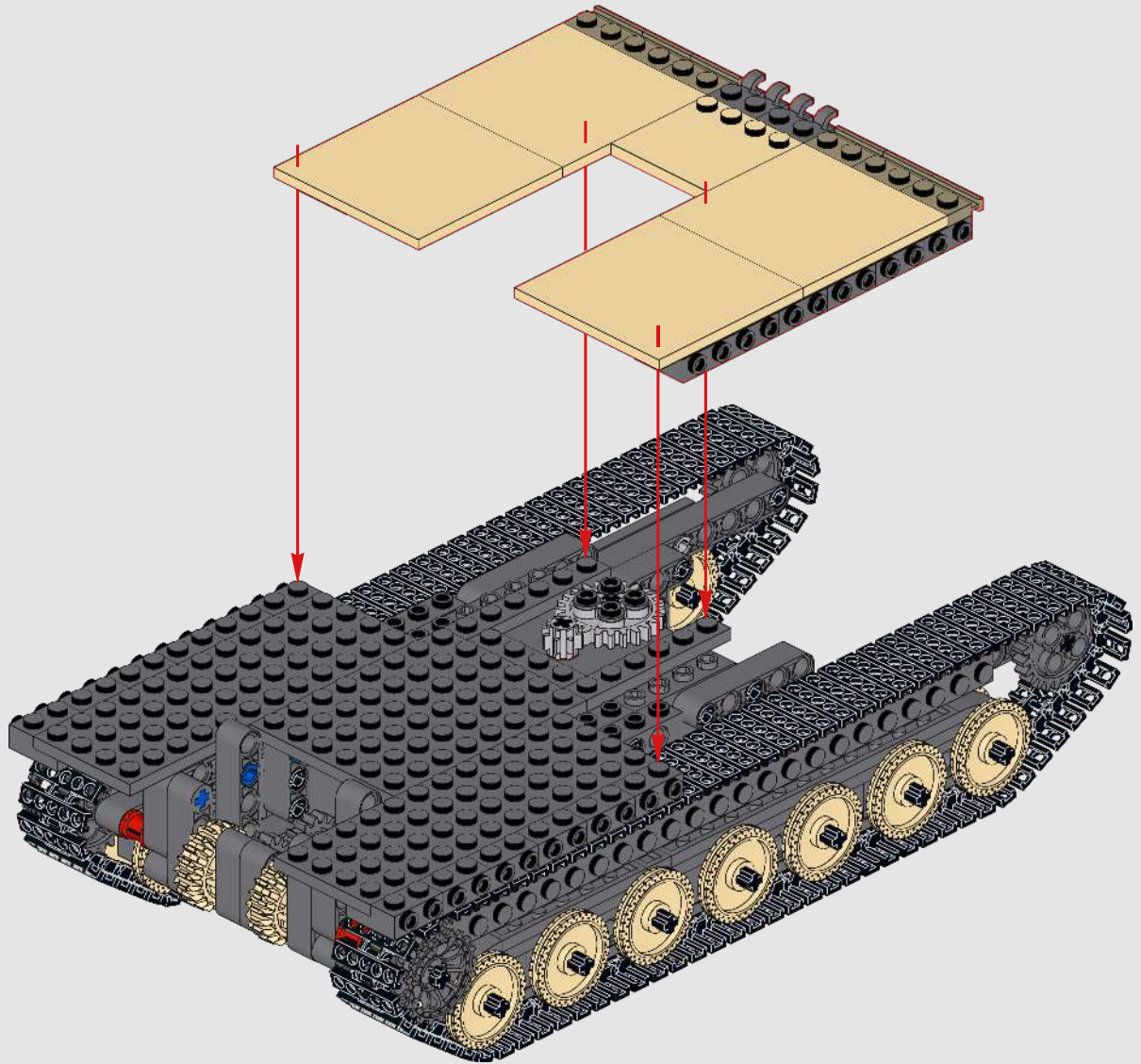
42

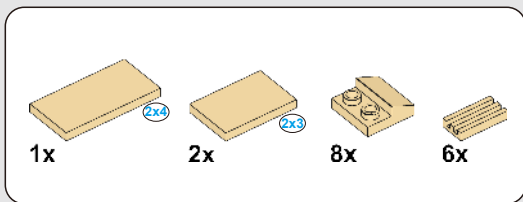


43

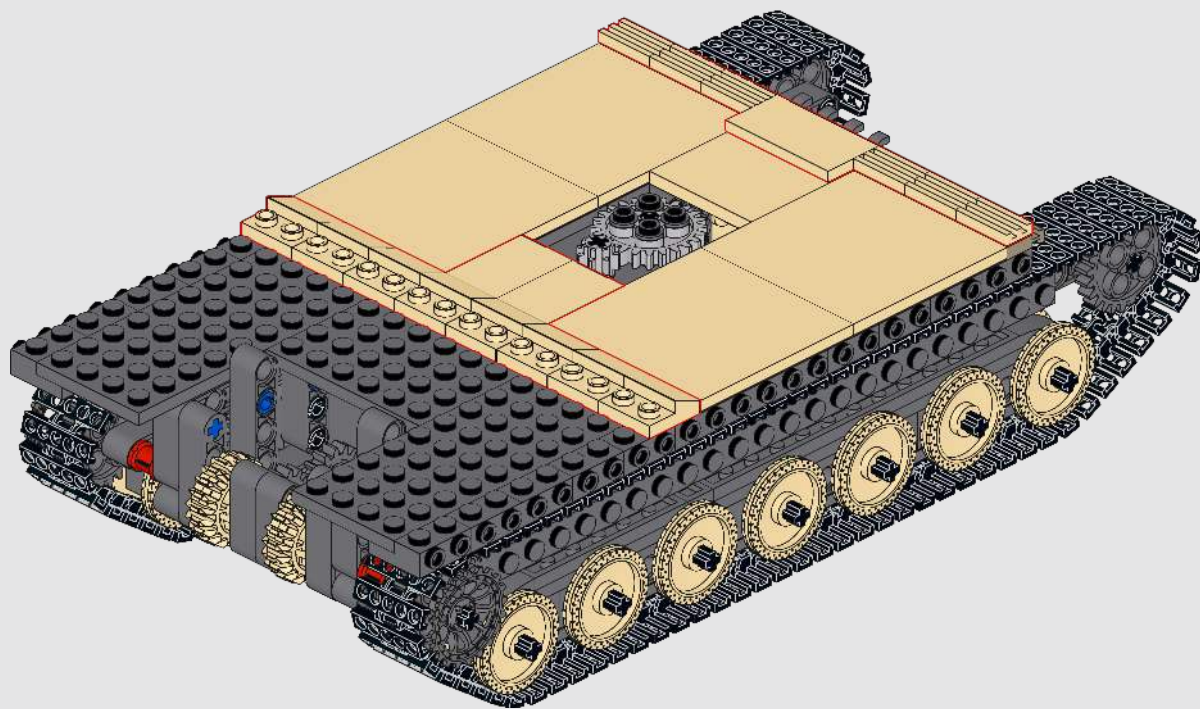


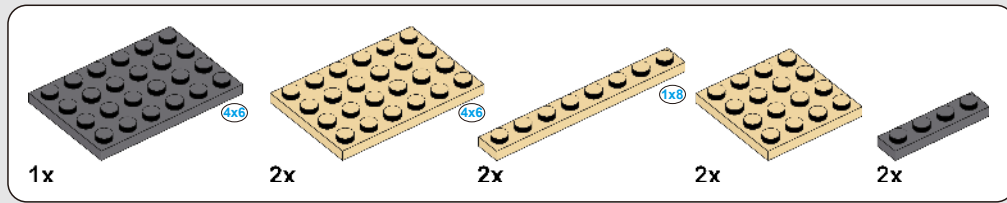
44



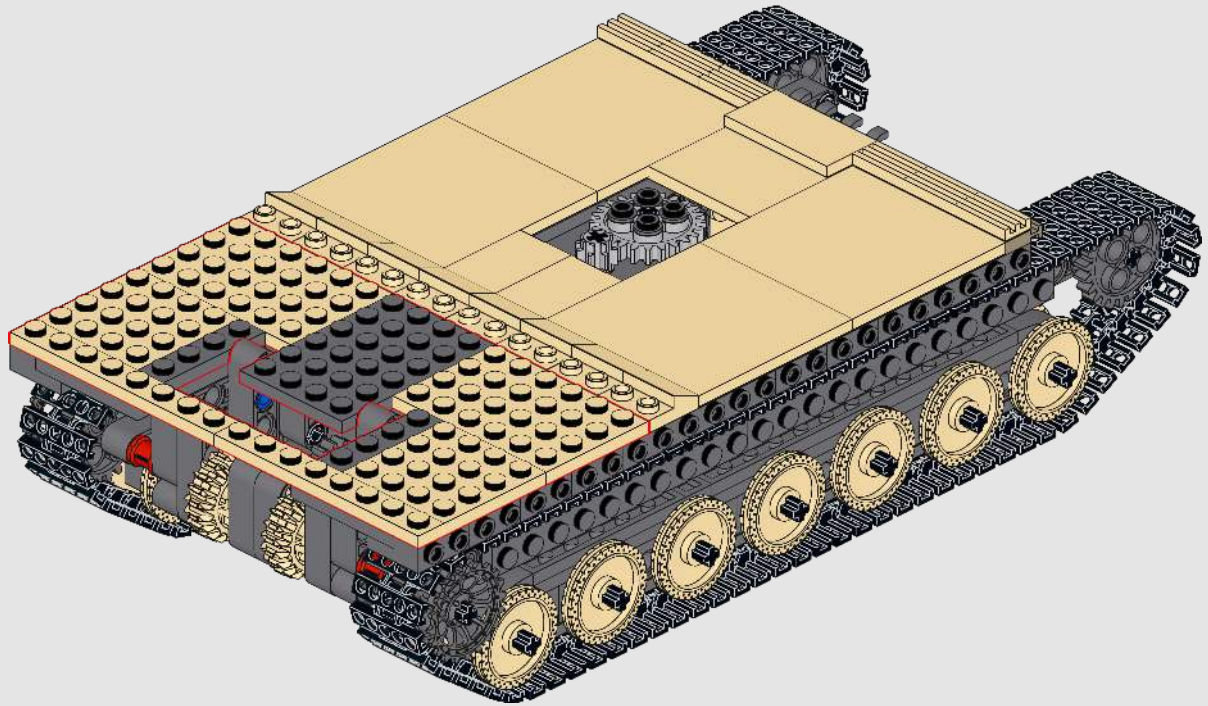


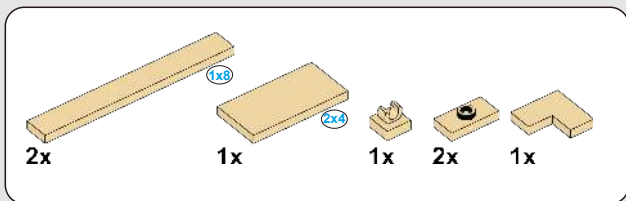
45



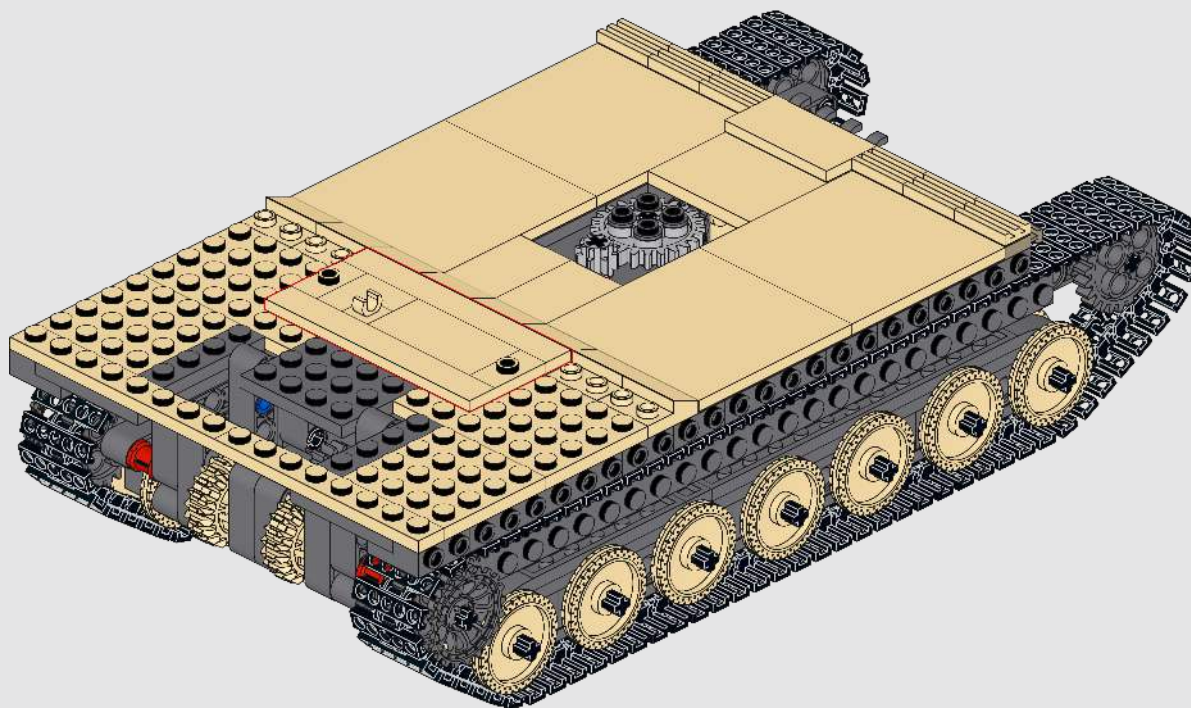


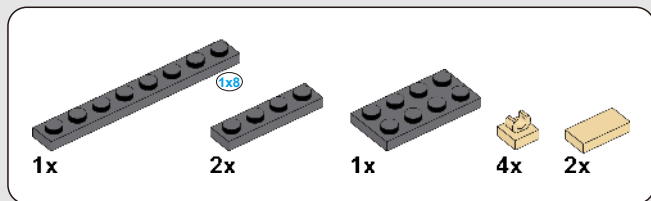
46



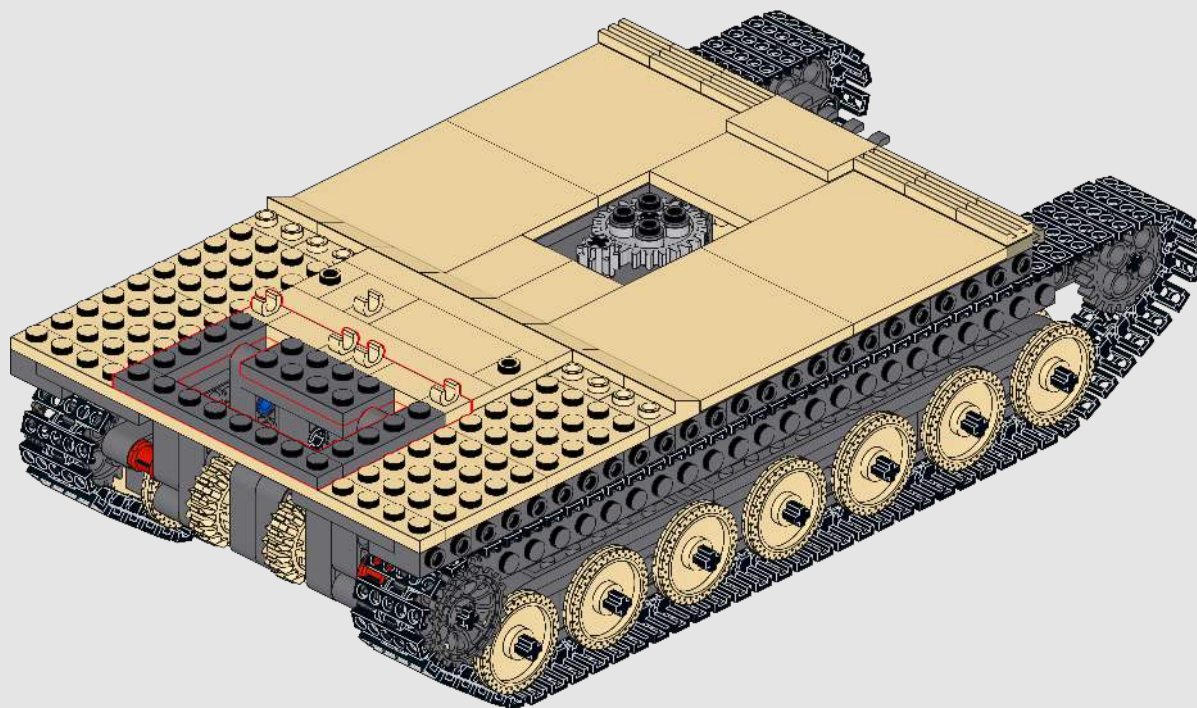


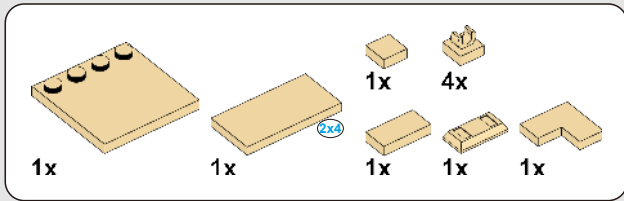
47



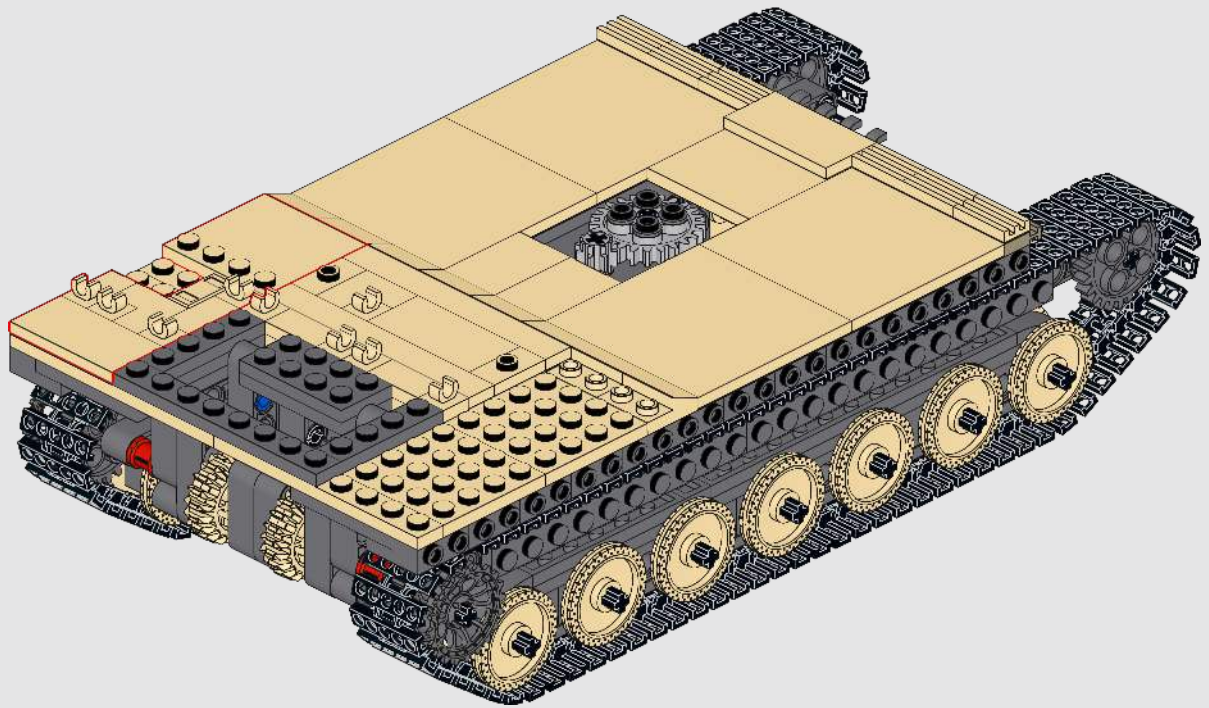


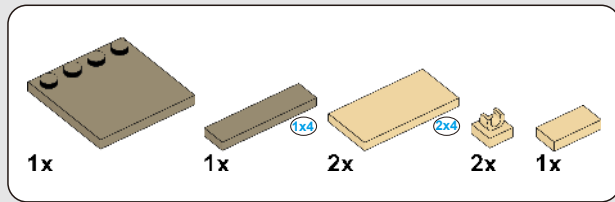
48



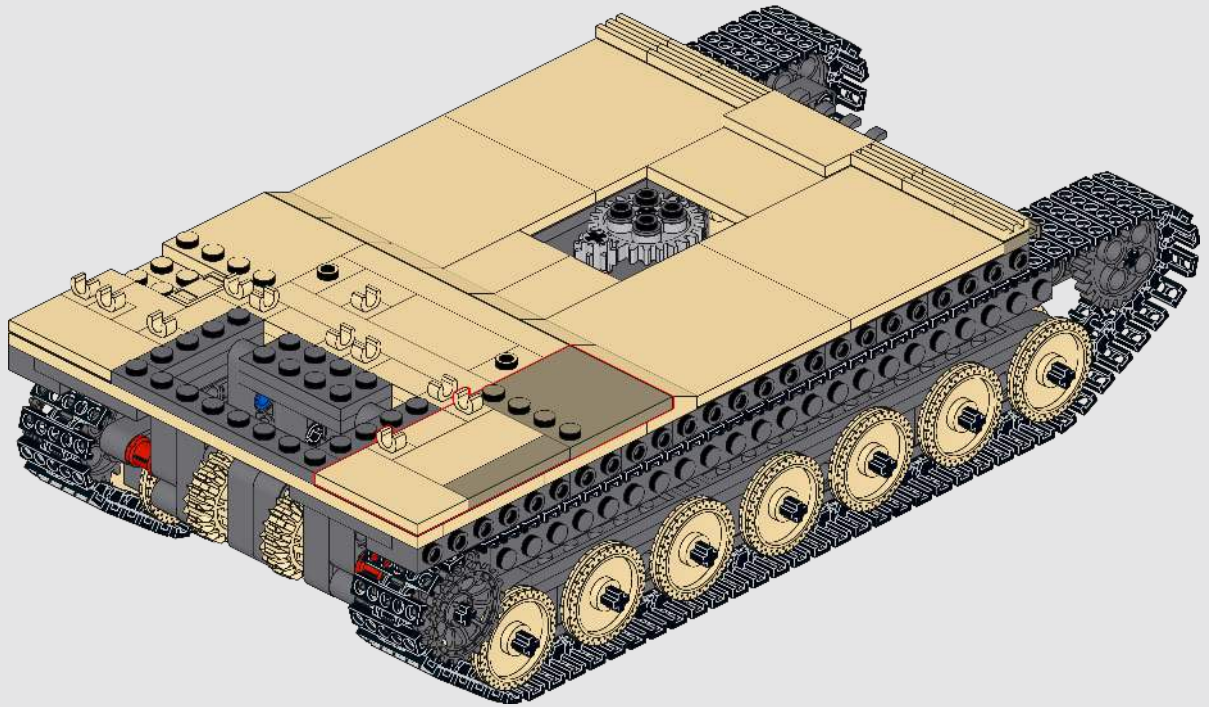


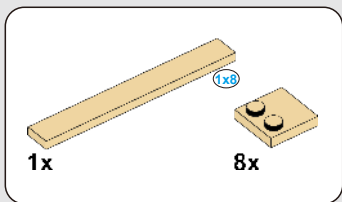
49



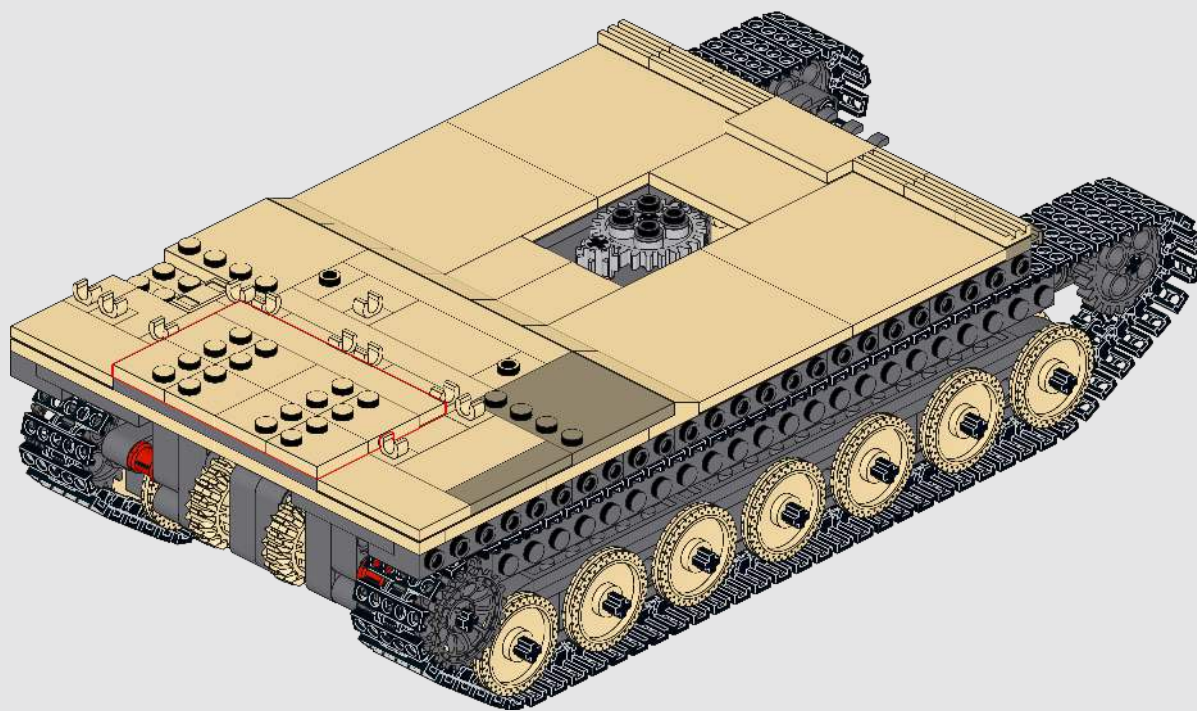


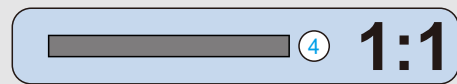
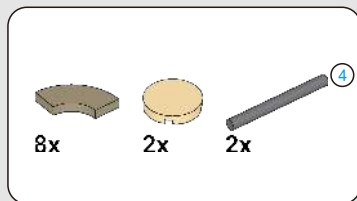
50



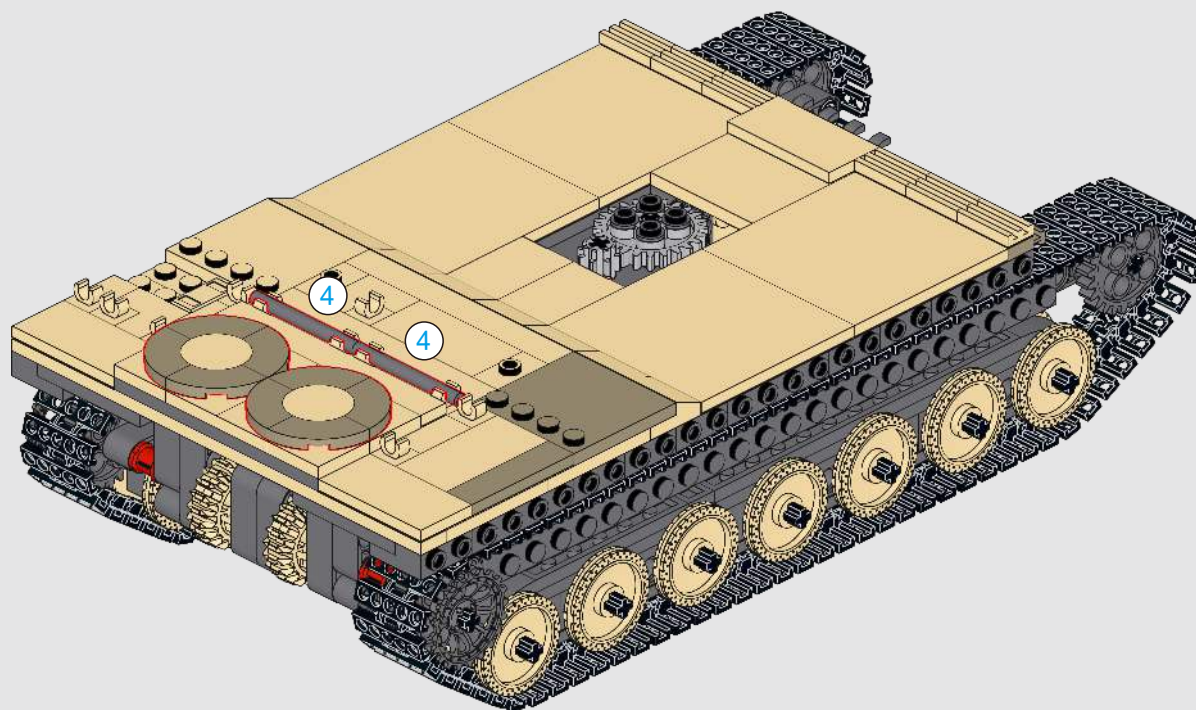


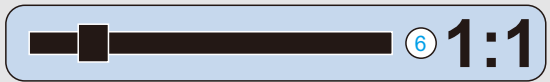
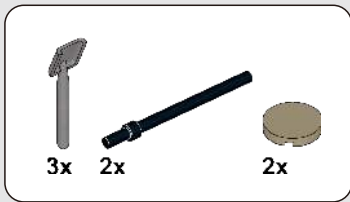
51



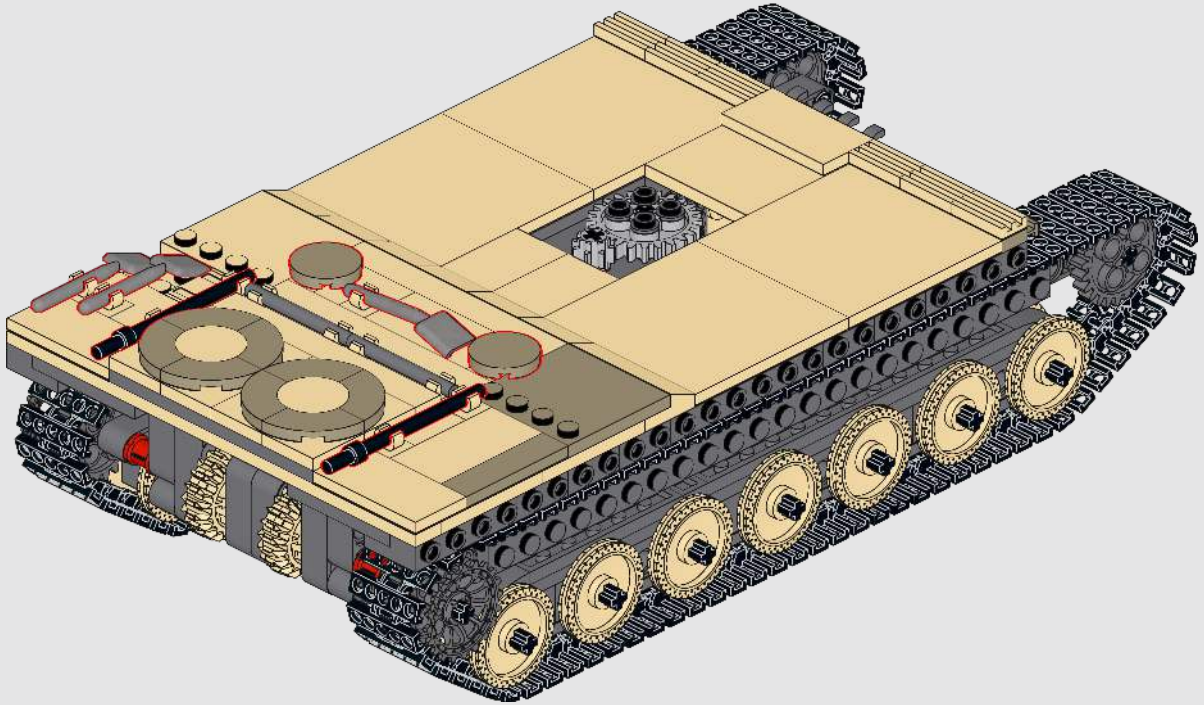


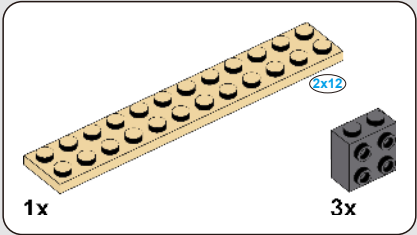
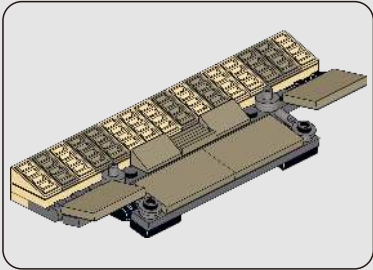
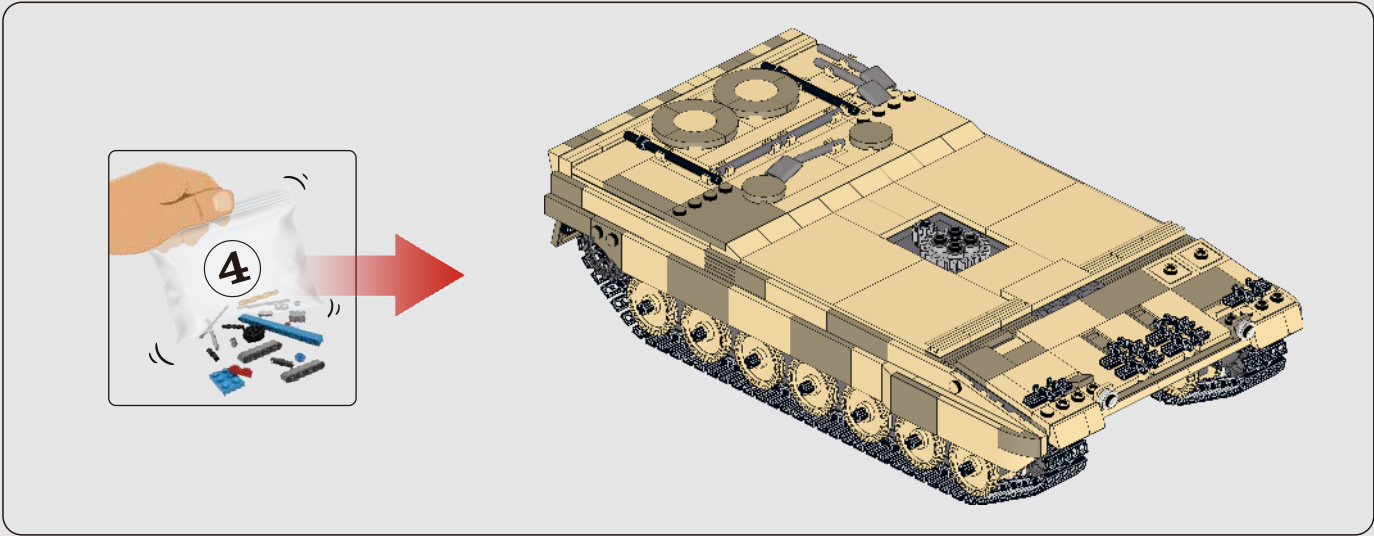
52



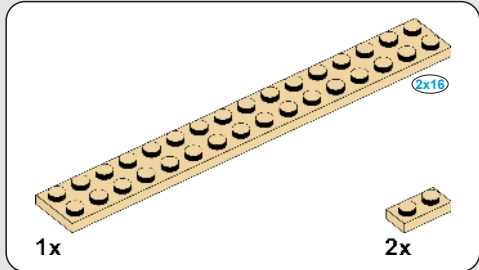
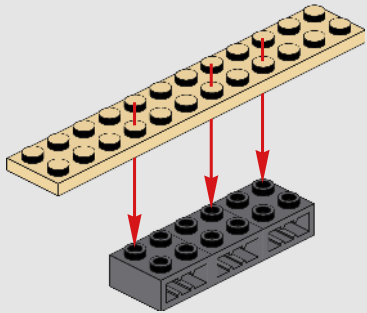


53

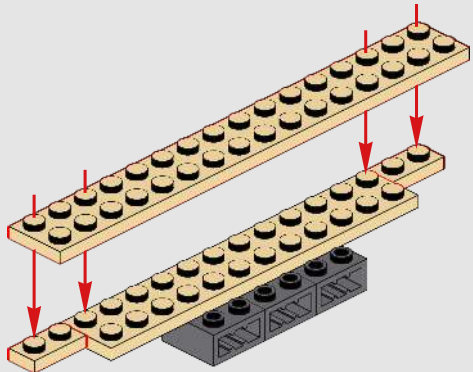


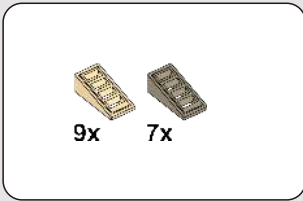


54

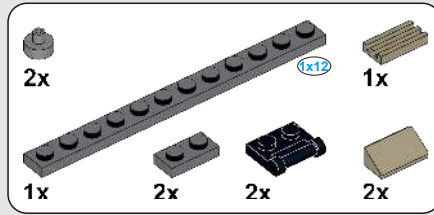
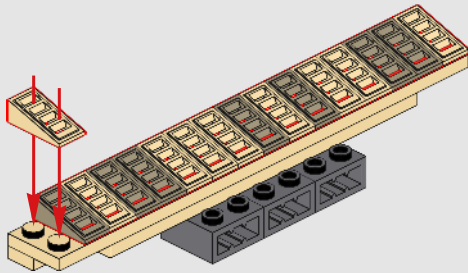


55

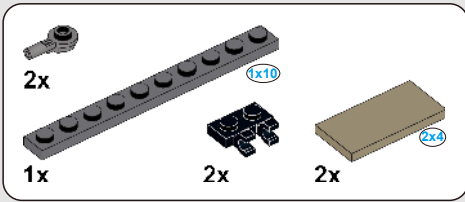
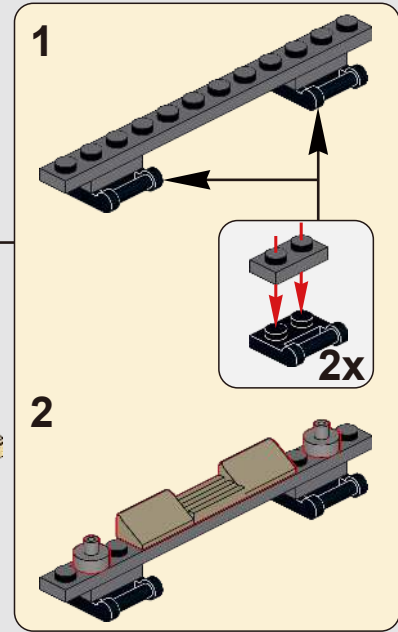
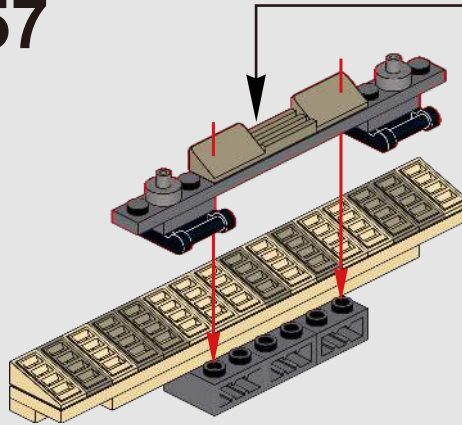




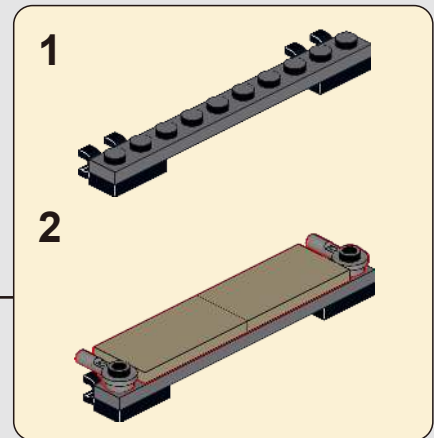
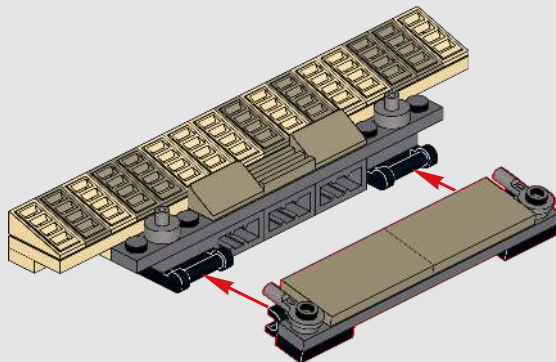
56

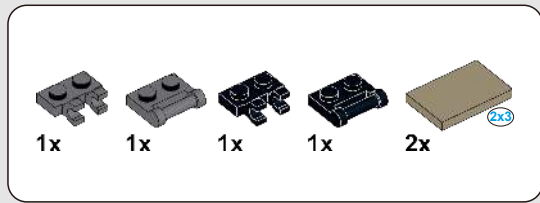


57

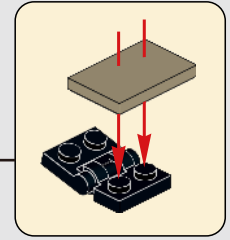
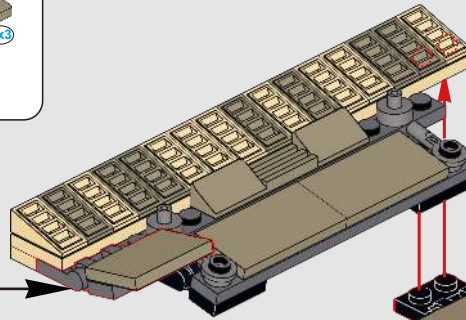
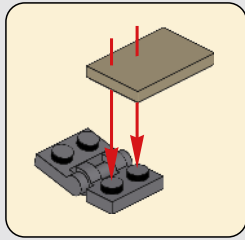


58

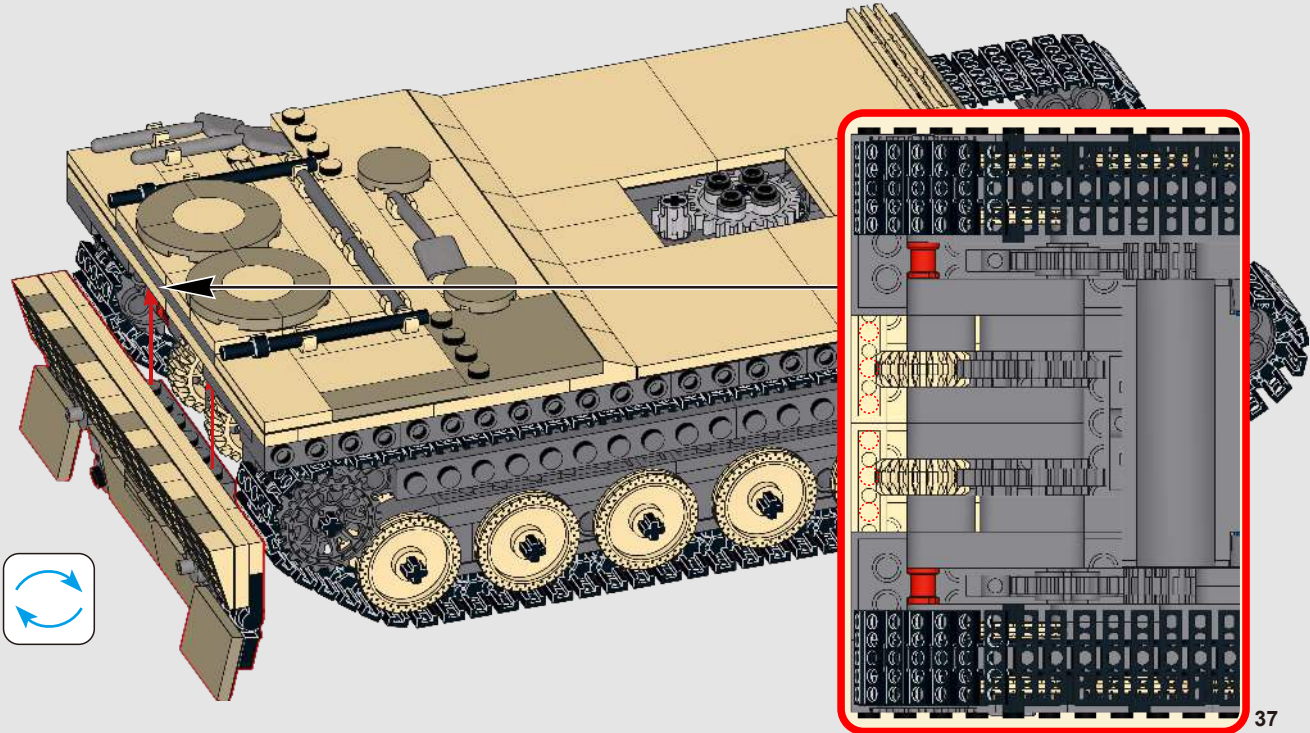


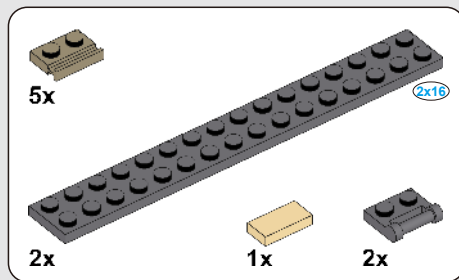
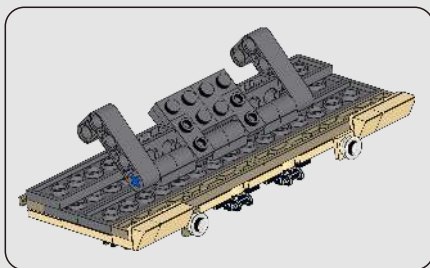


59

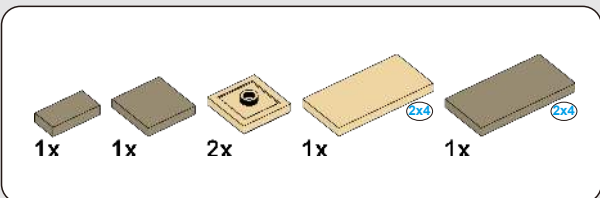
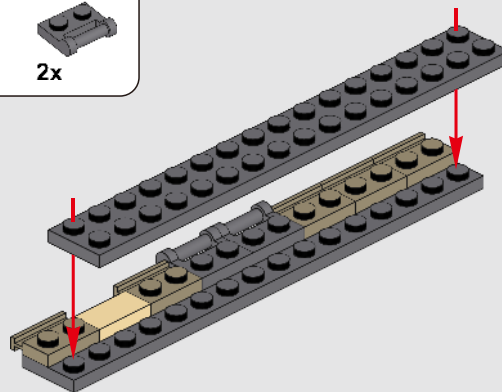


60

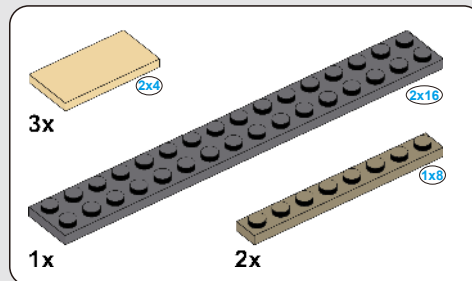
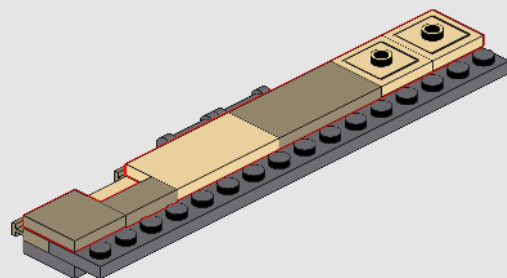




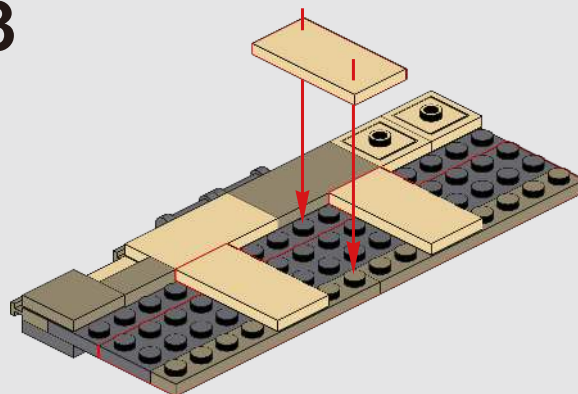
61

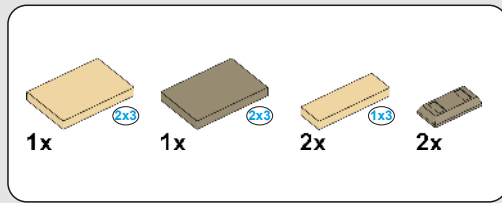


62

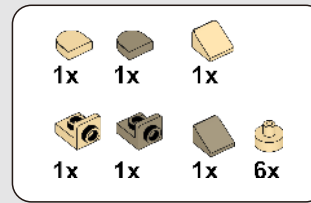
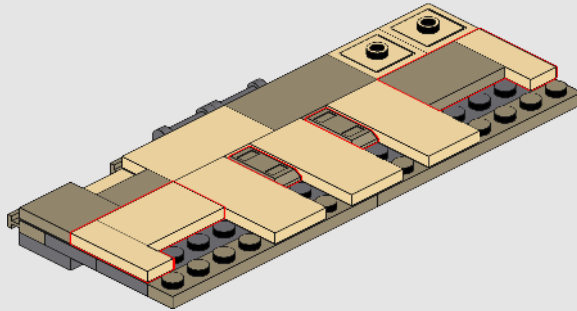


63

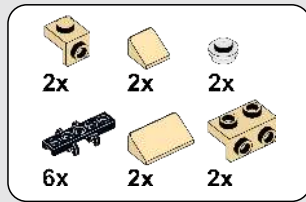
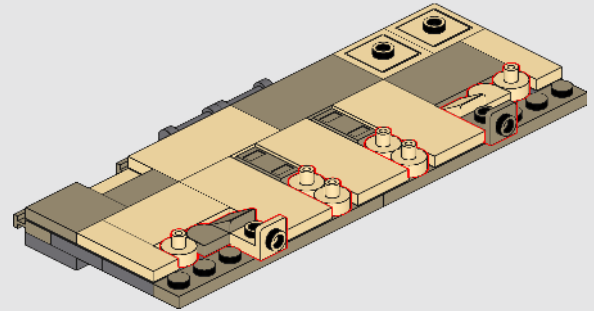




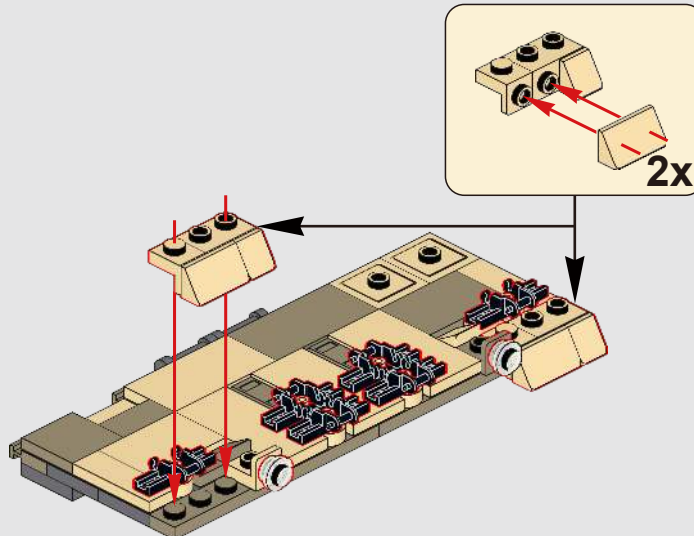
64

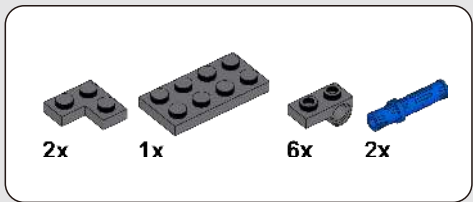


65

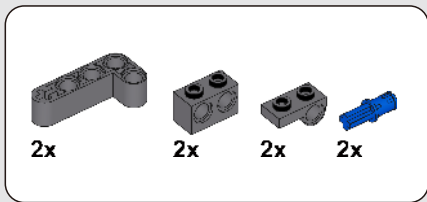
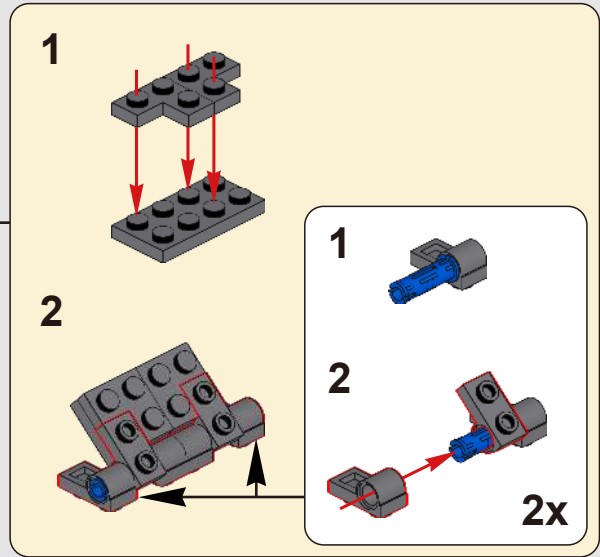
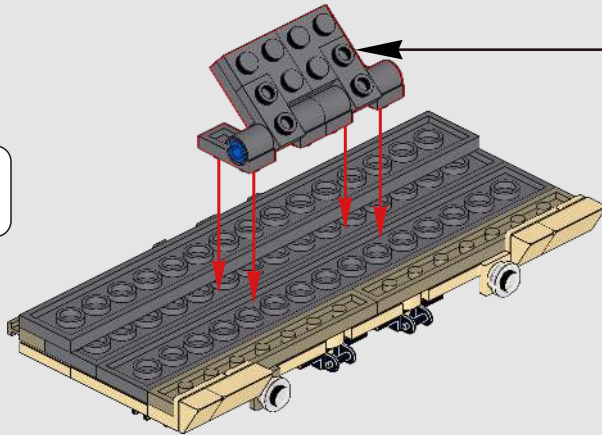


66

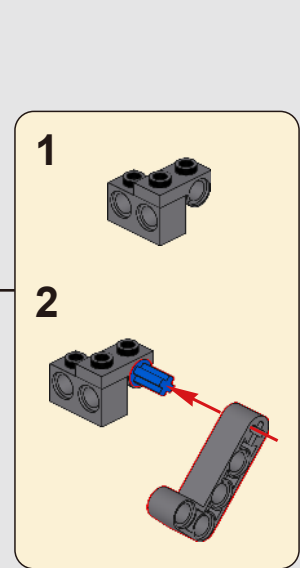
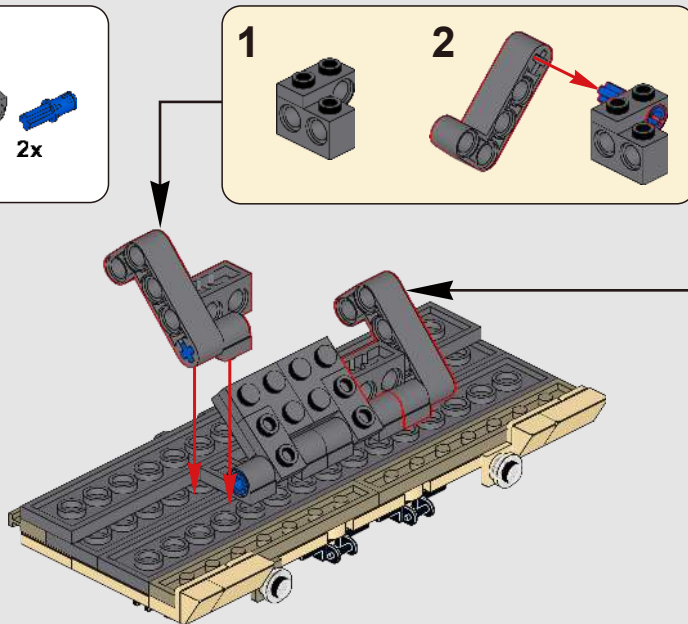




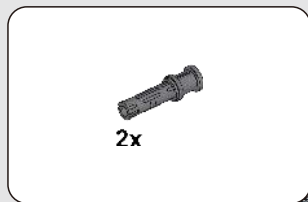
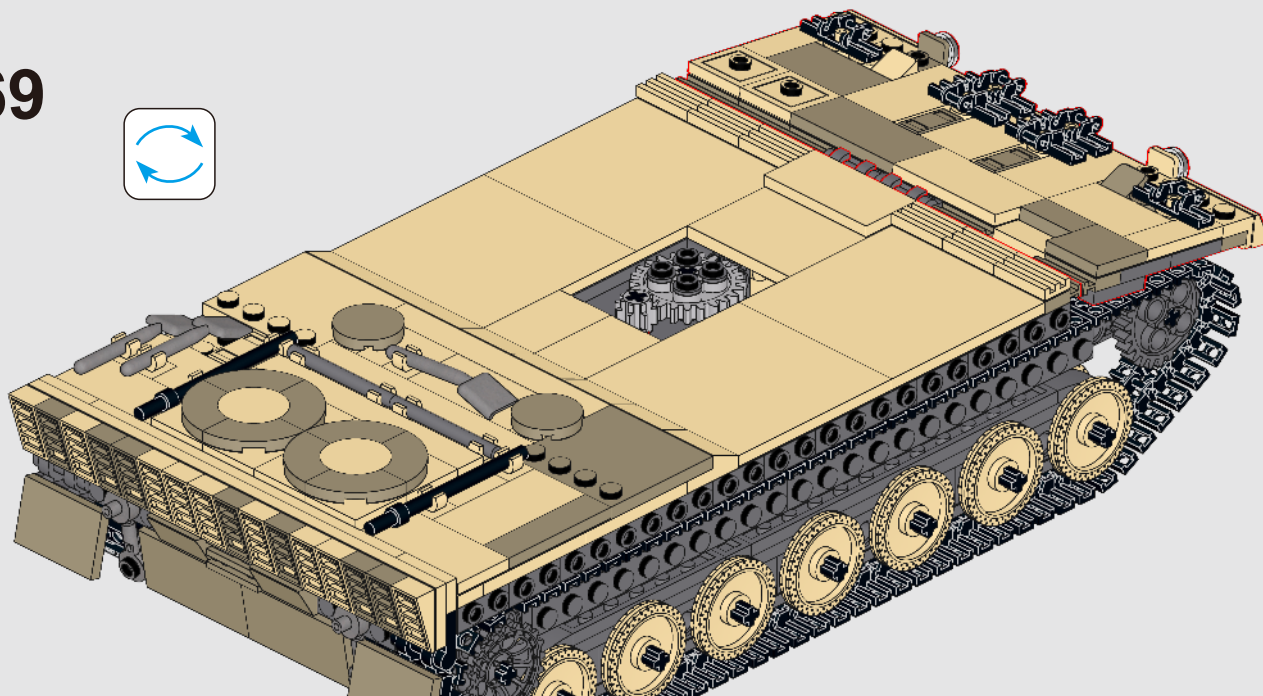
67



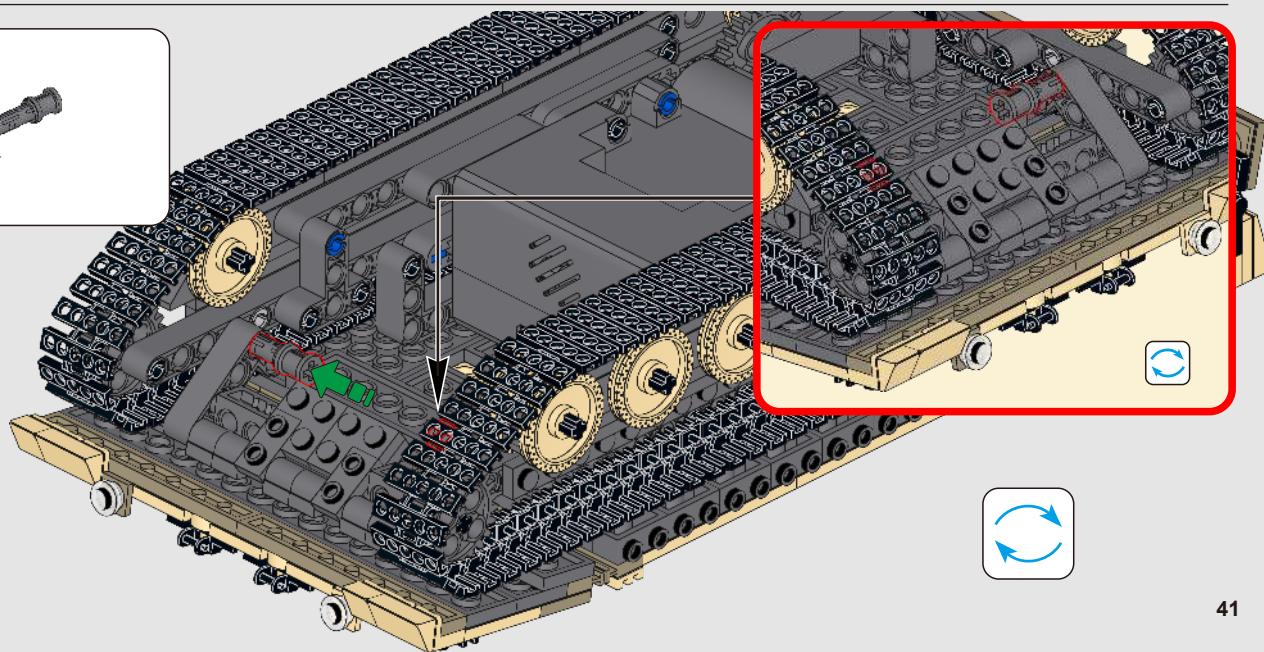
68

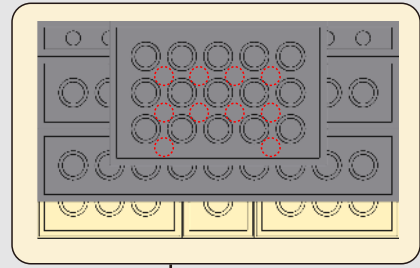
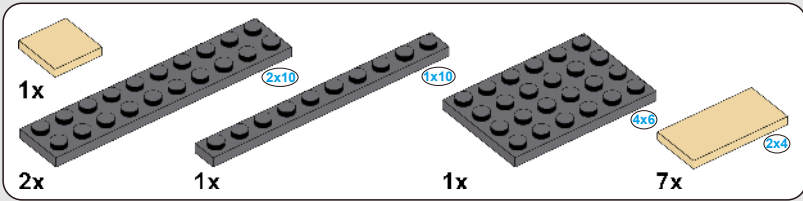


69

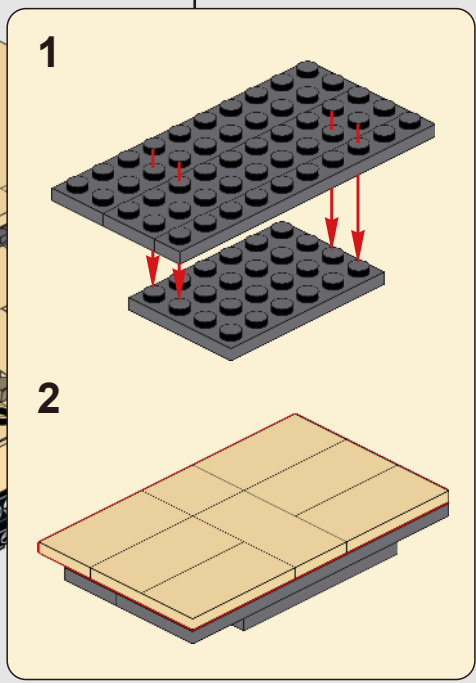
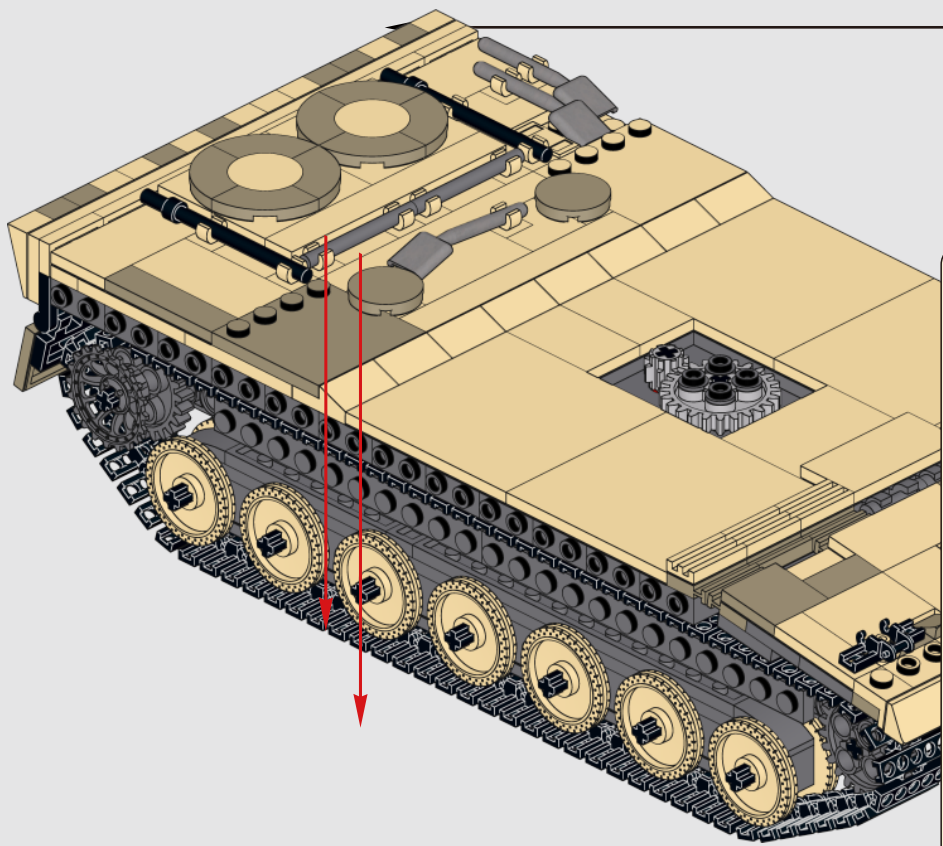


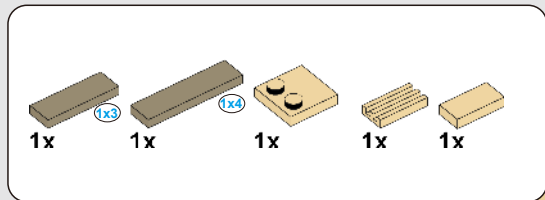
70



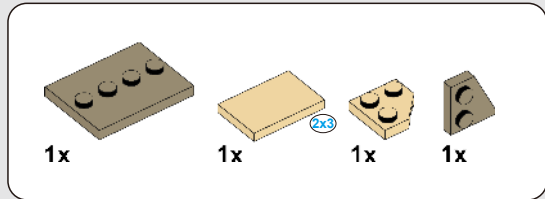
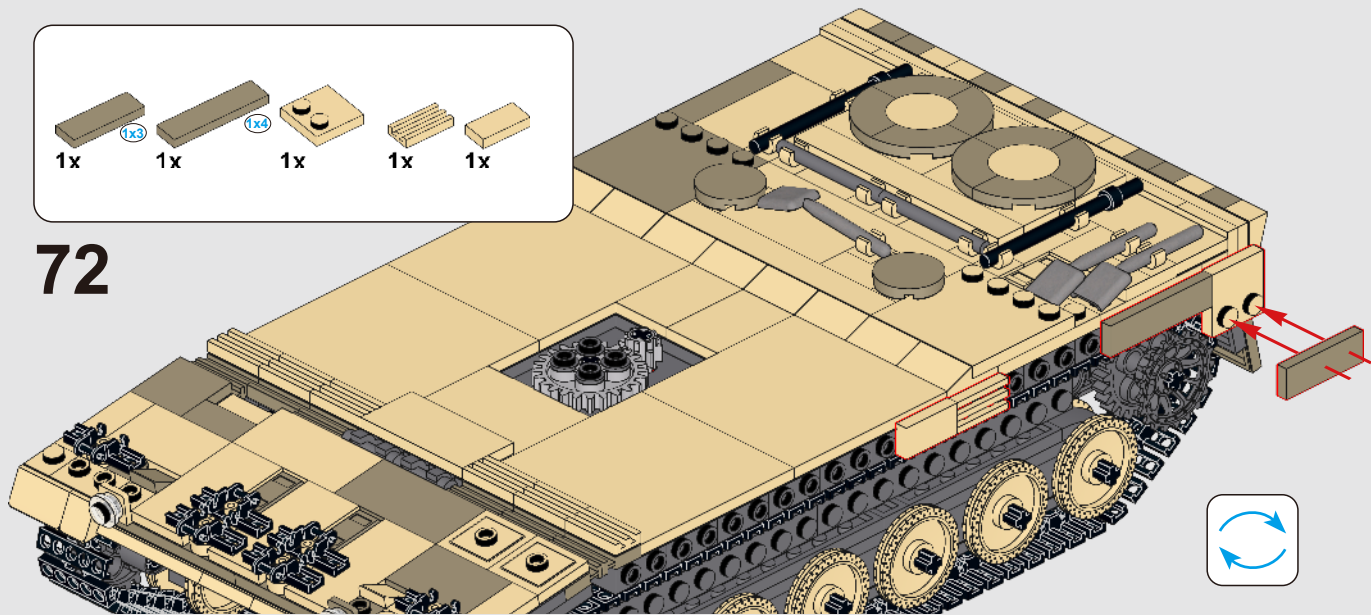


71

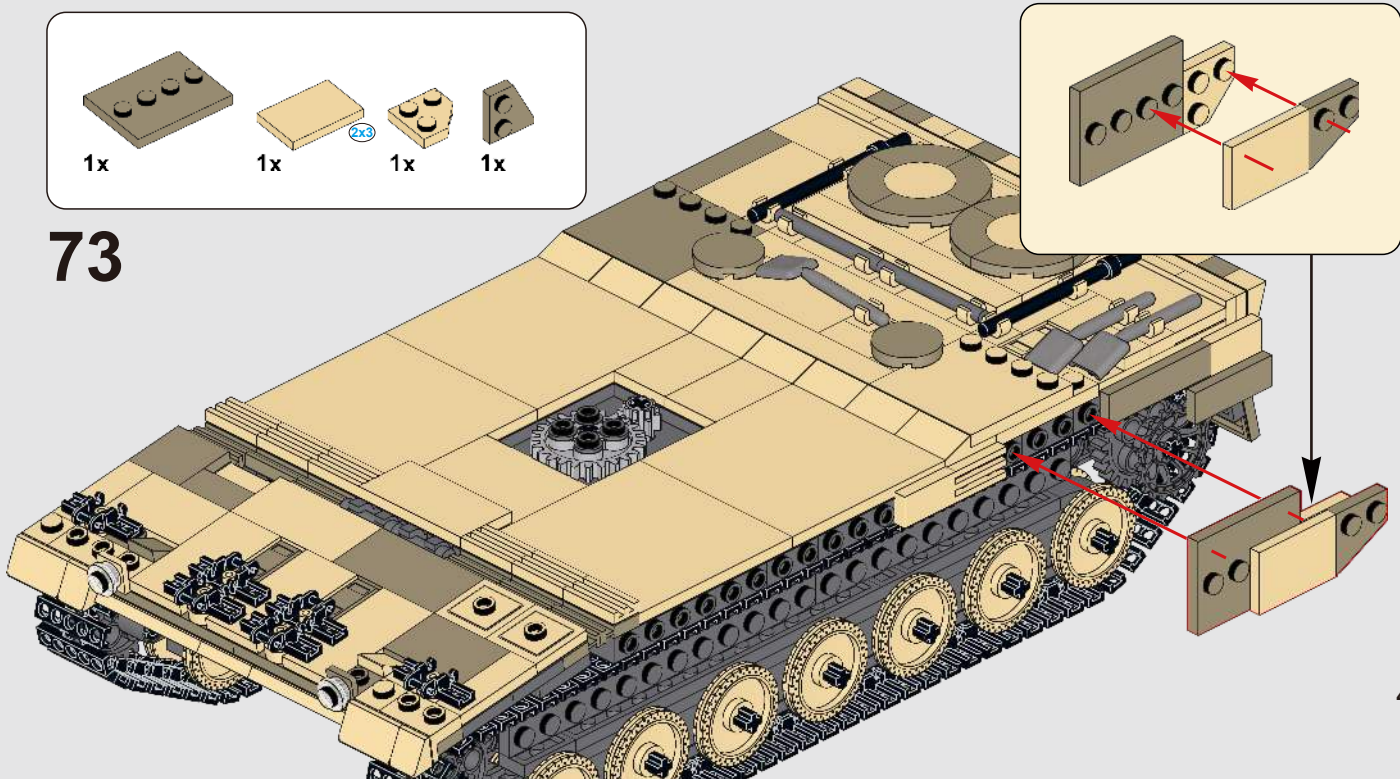
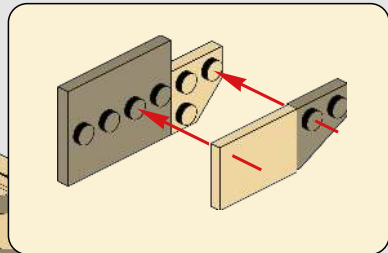


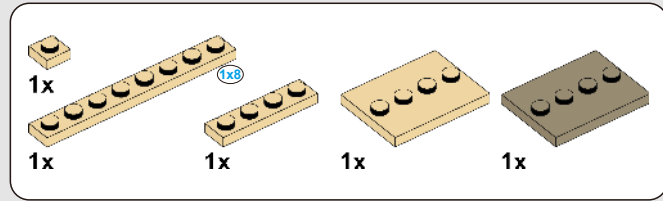
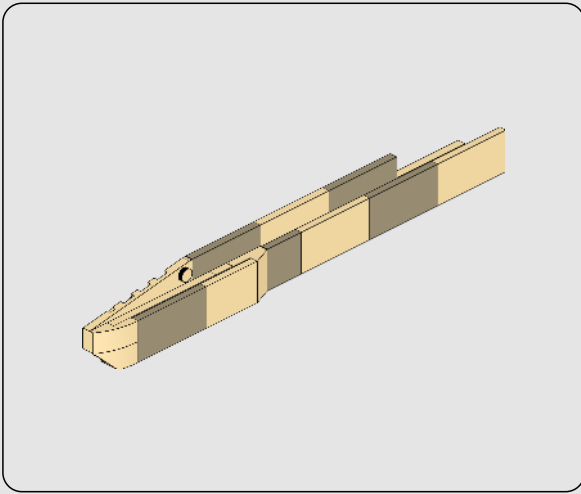


72

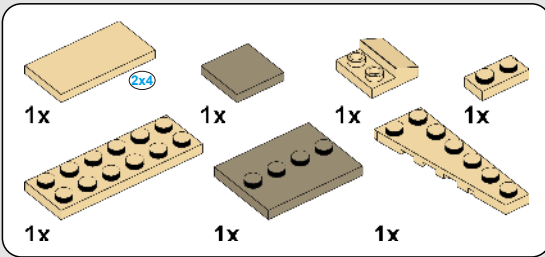
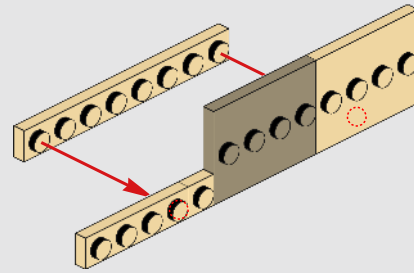


73

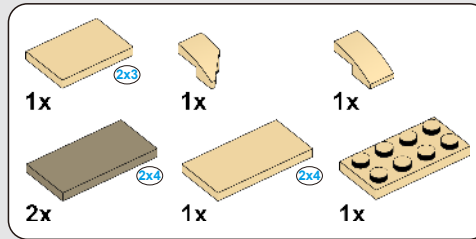
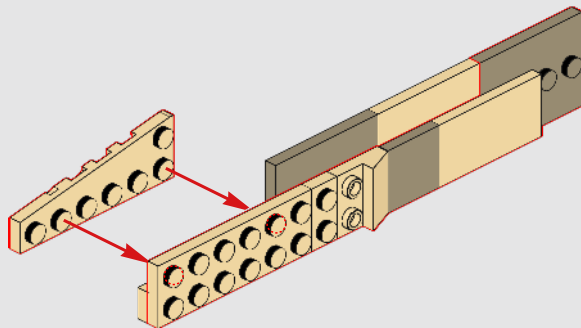




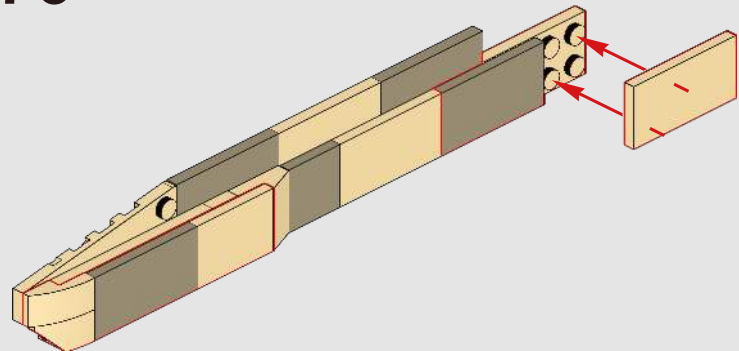
74



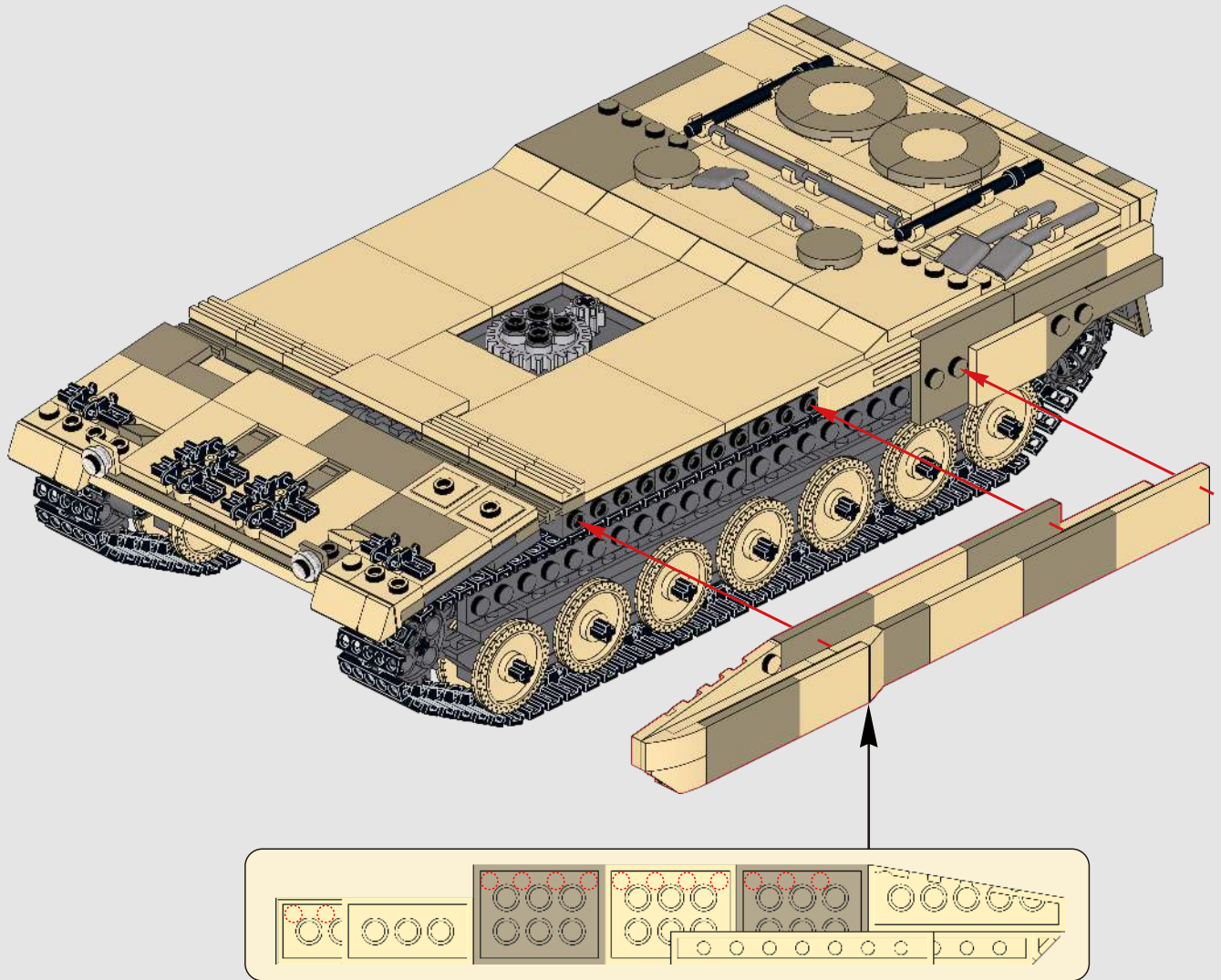
75

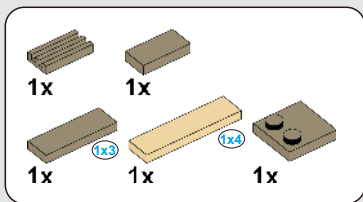


76

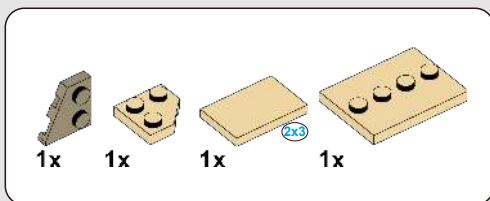
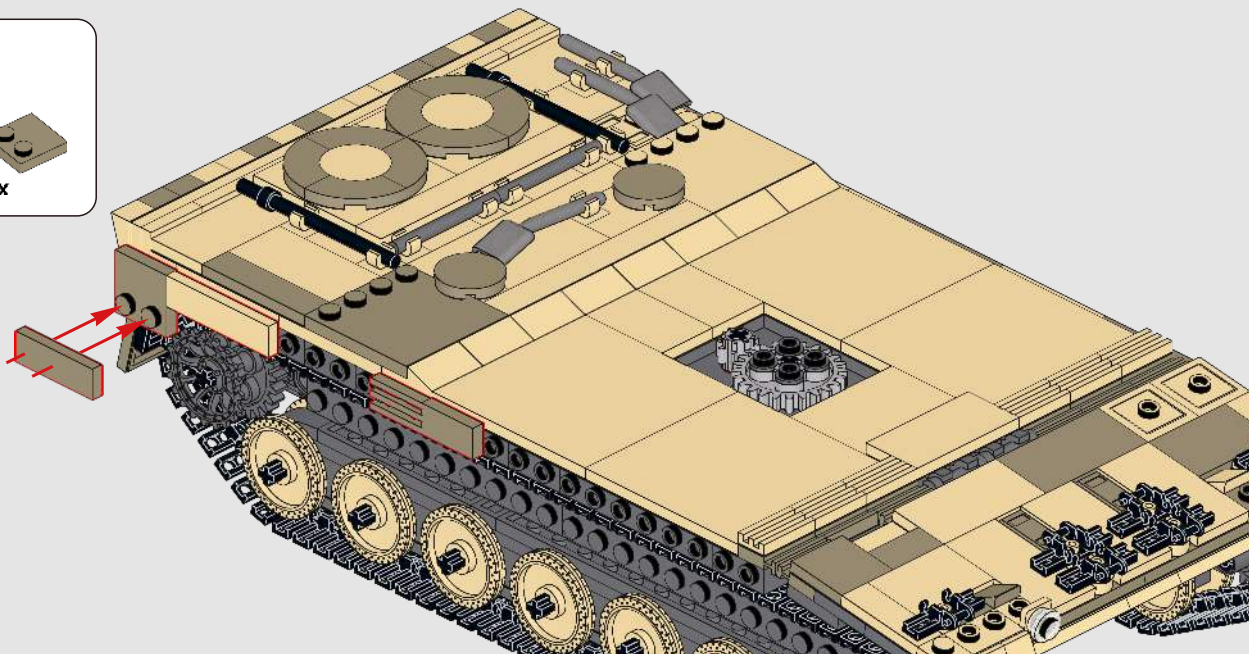


77

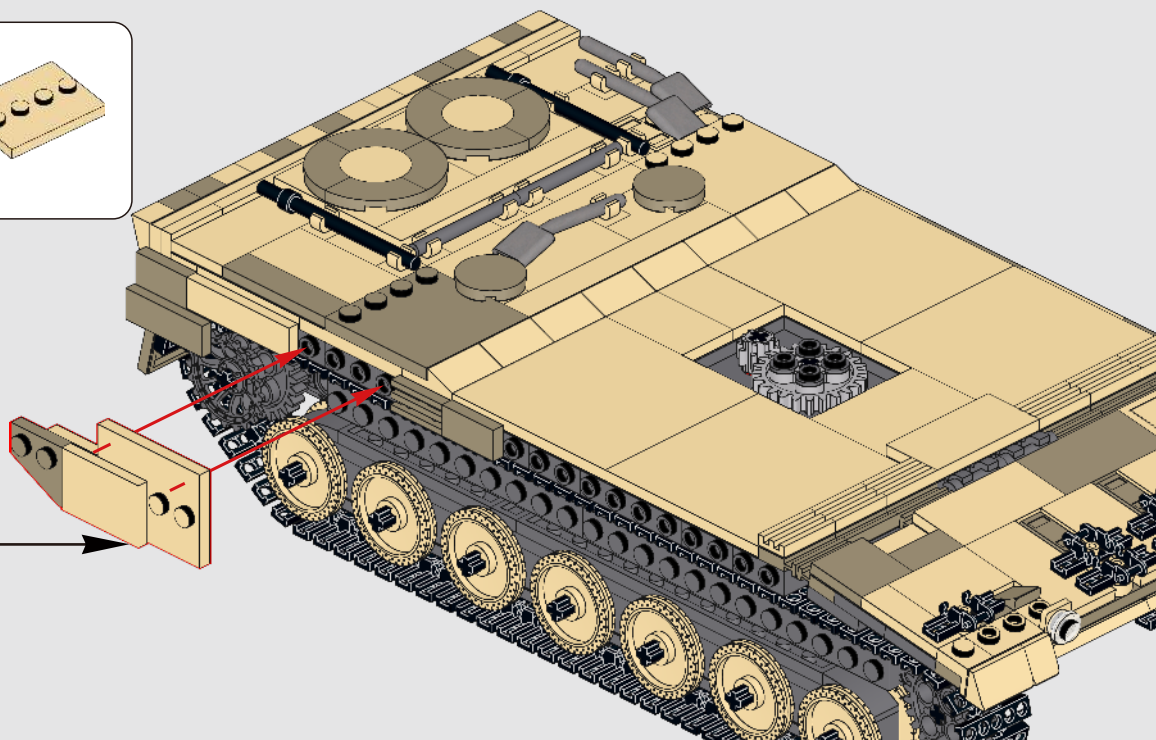
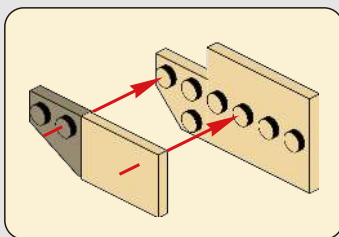


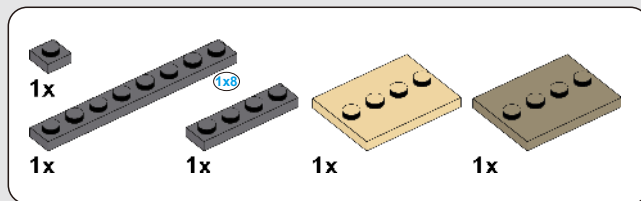
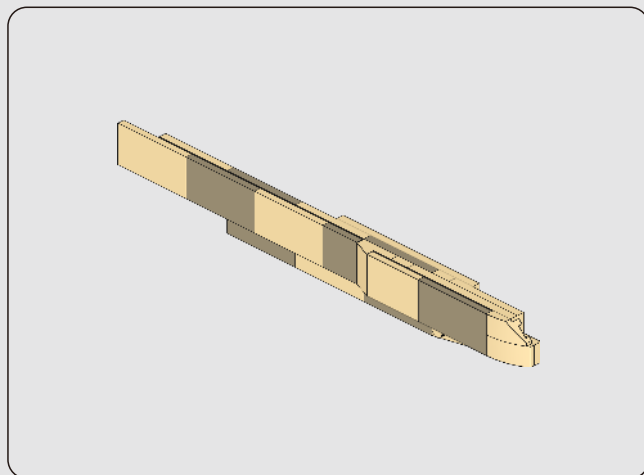


78

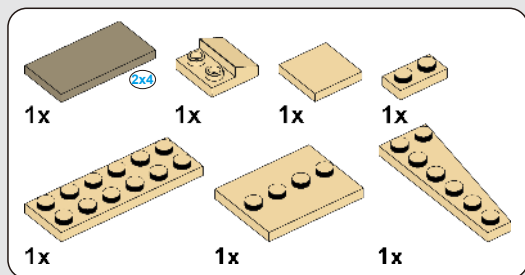
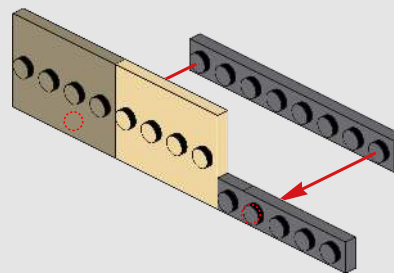


79

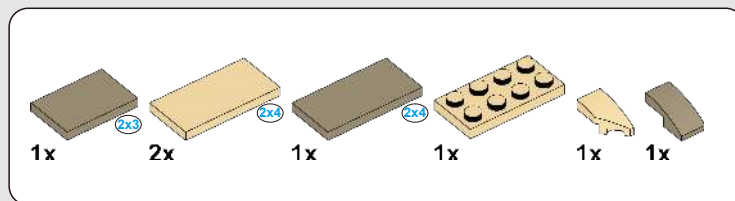
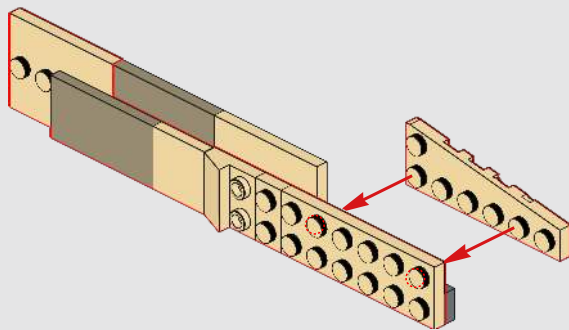




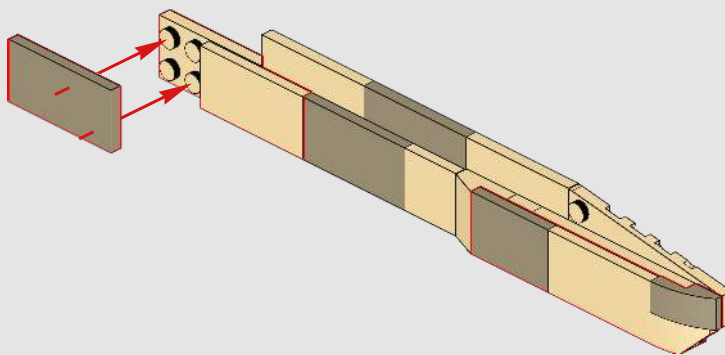
80

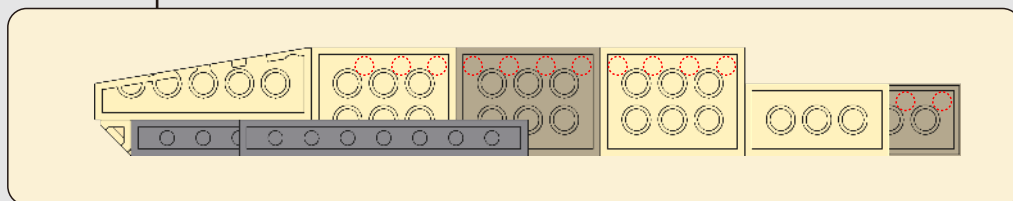
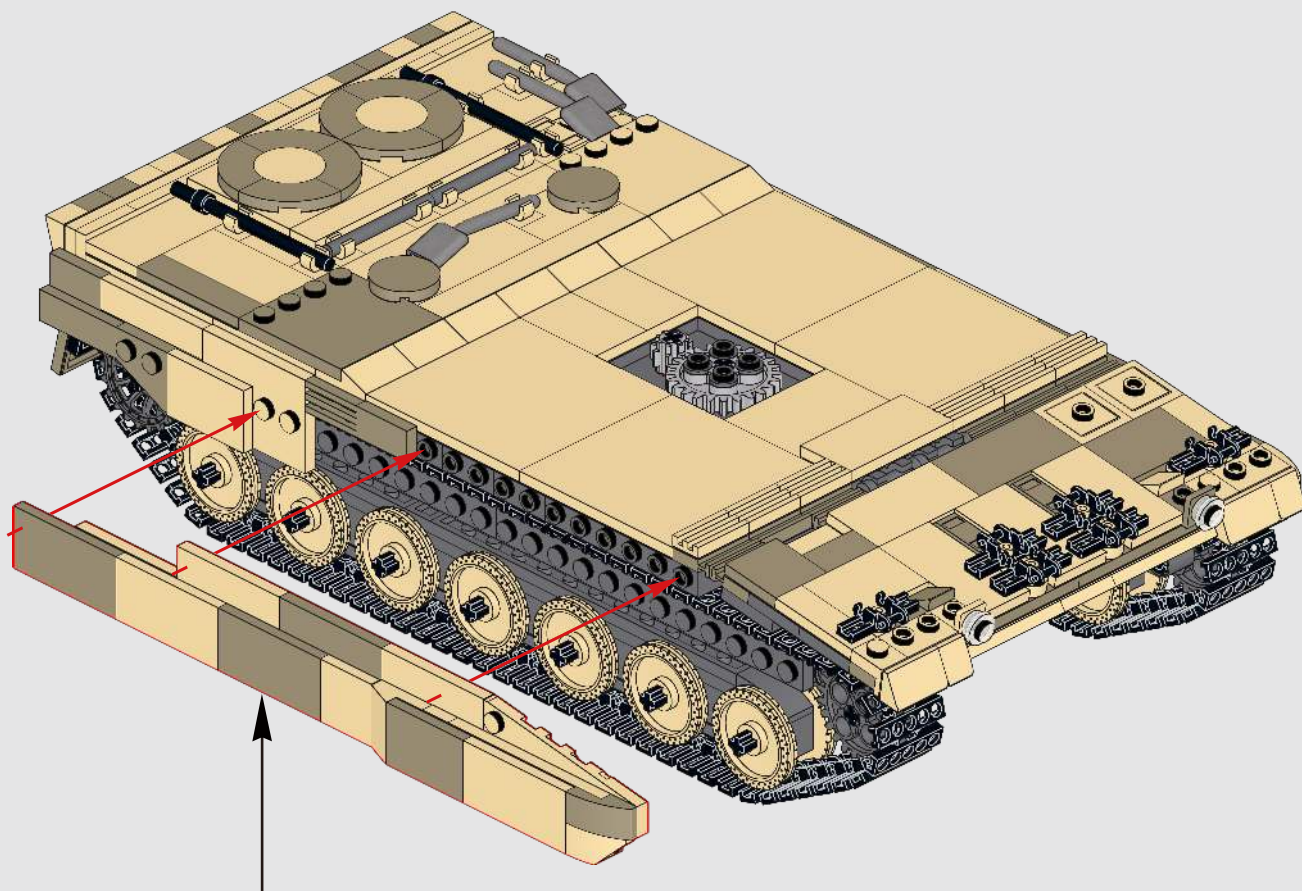


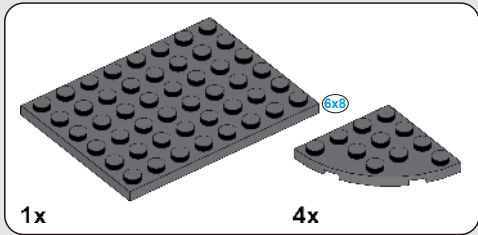
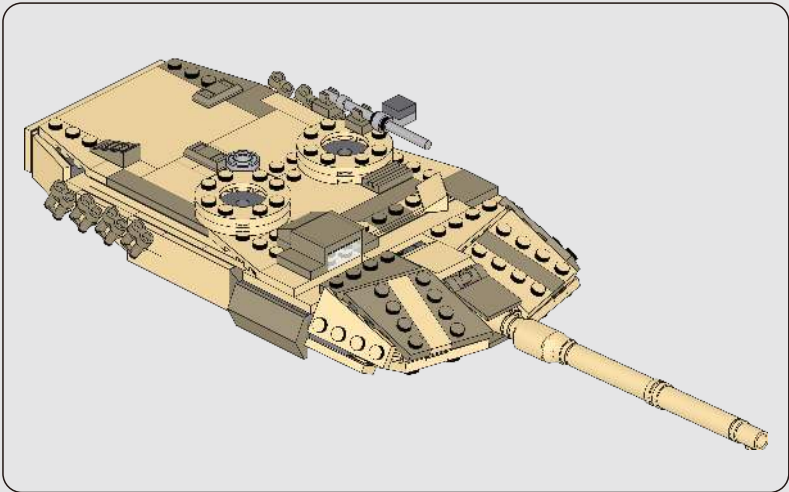
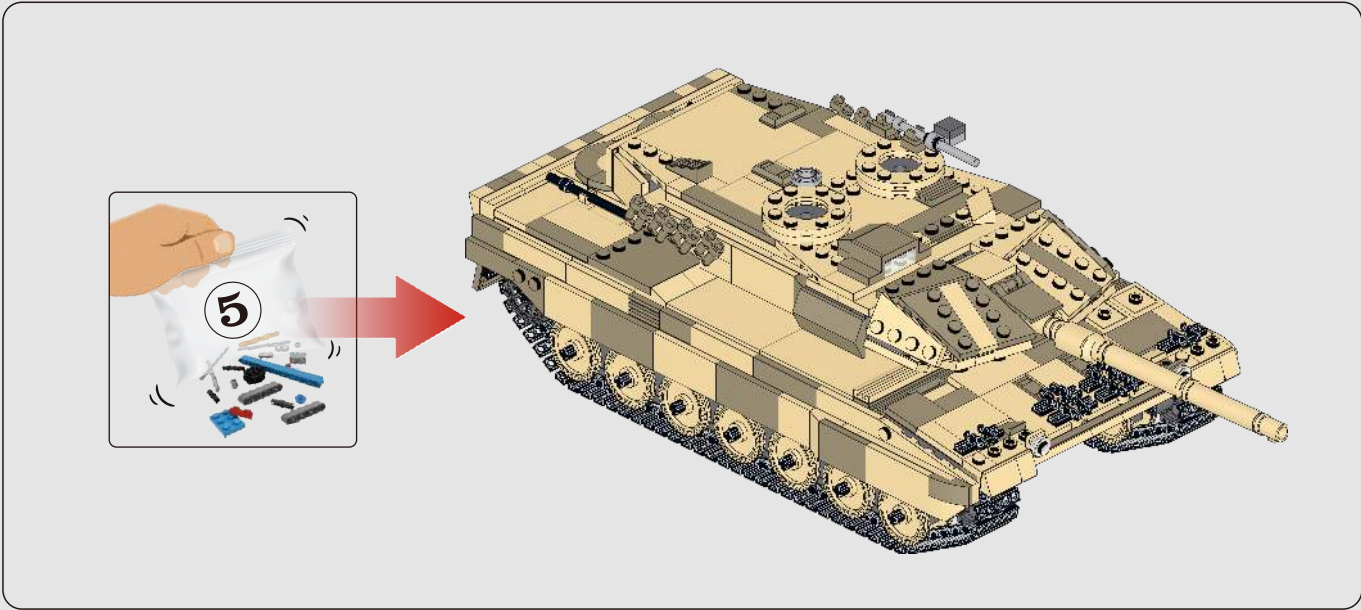
81



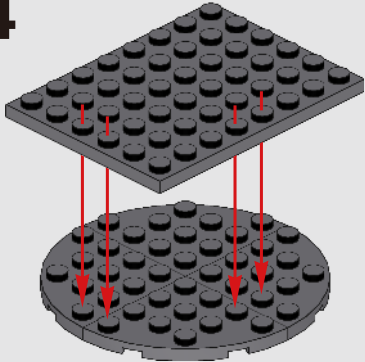
82

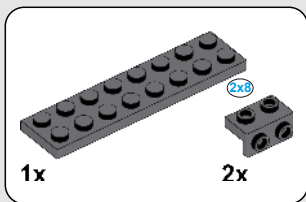




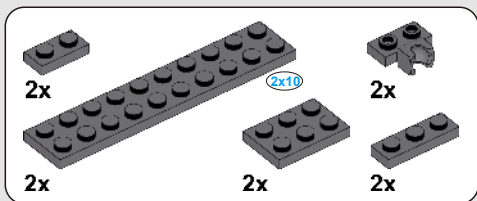
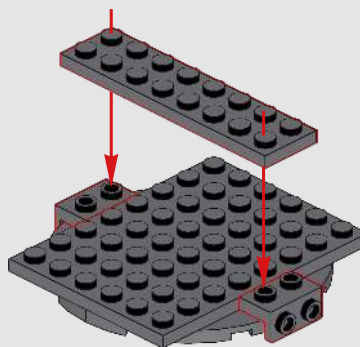


84

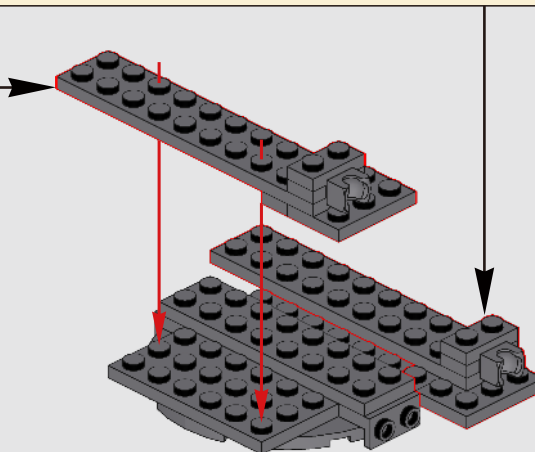
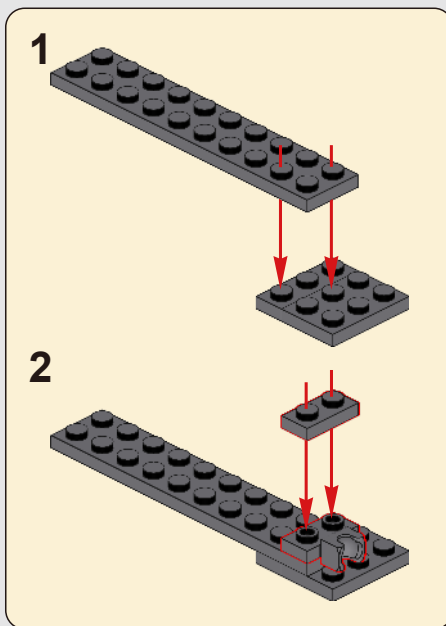
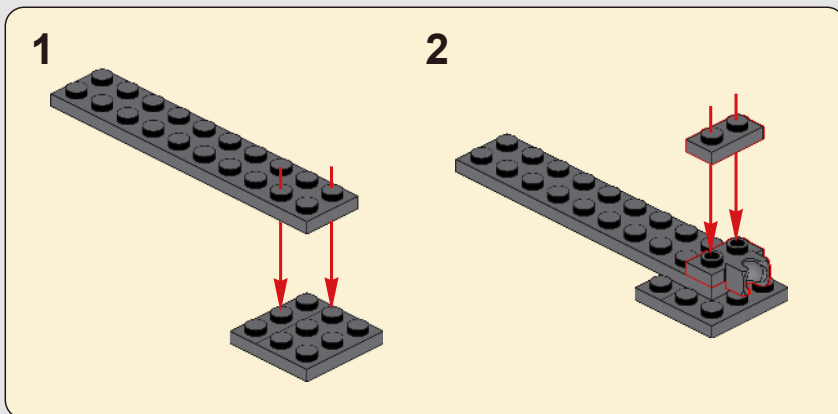


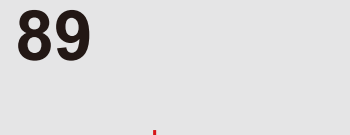
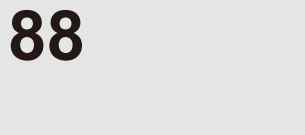
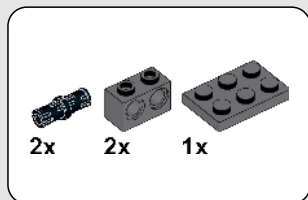
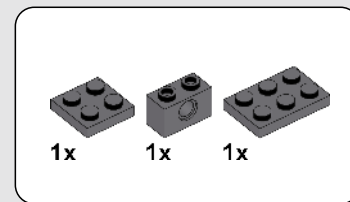
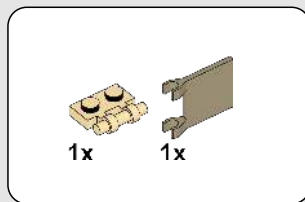
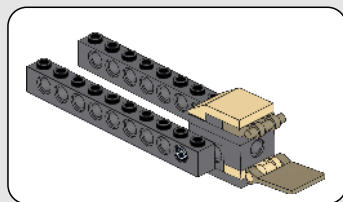


85



86

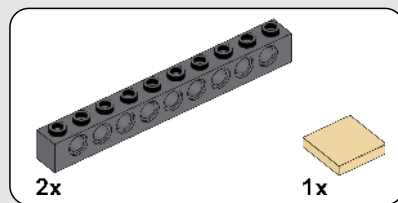
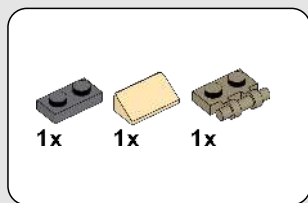
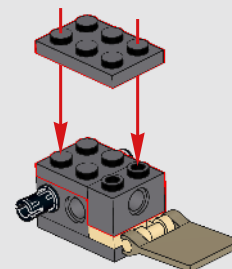
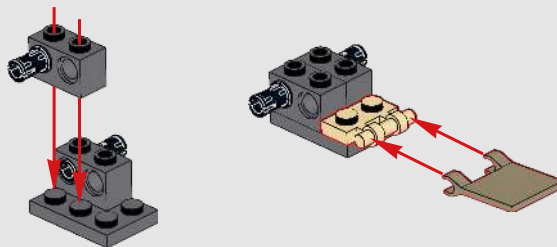




87

88

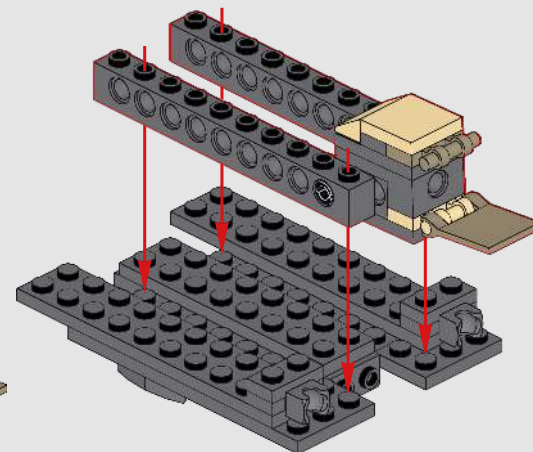
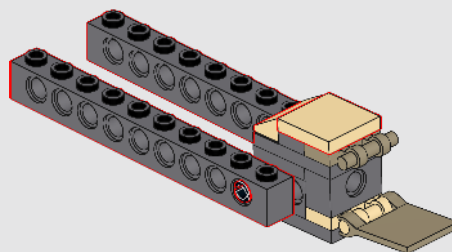
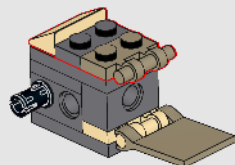
89

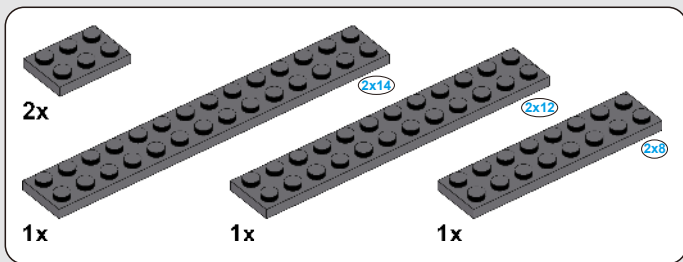


92

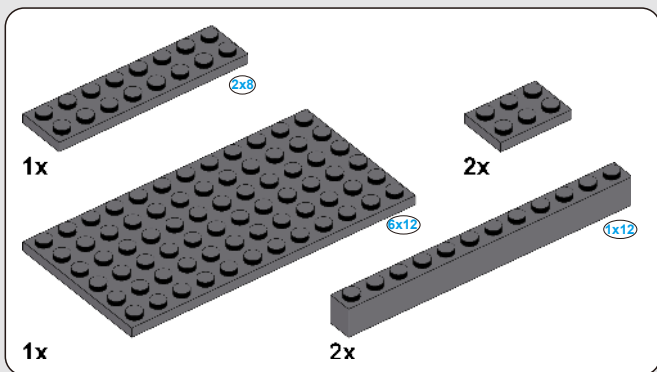
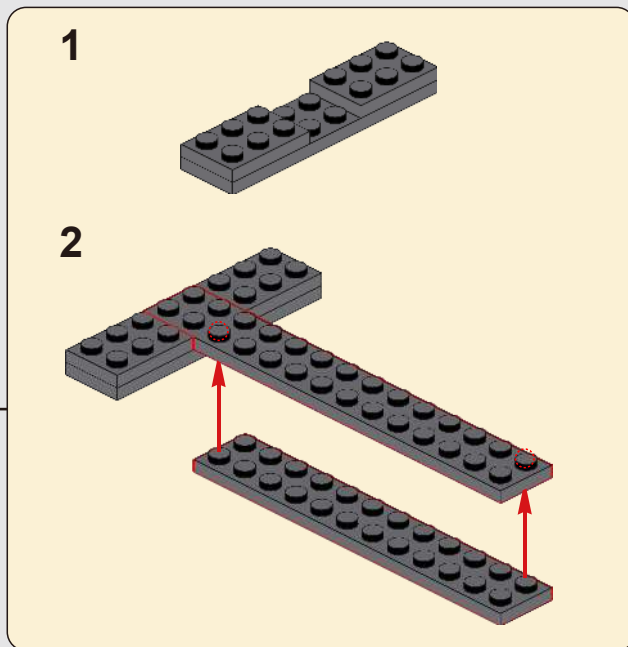
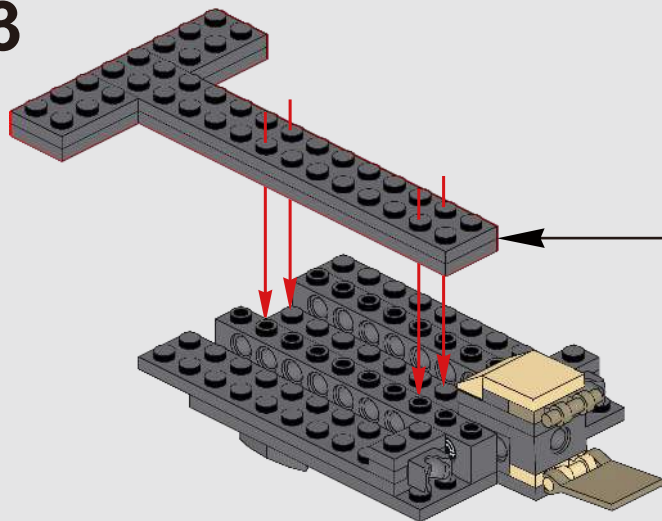
90

91



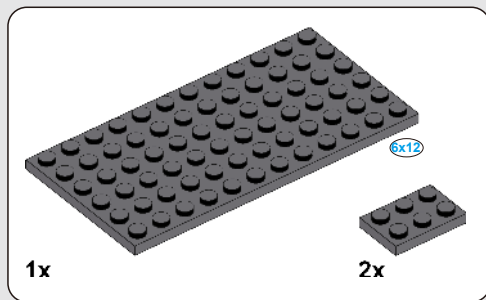


93

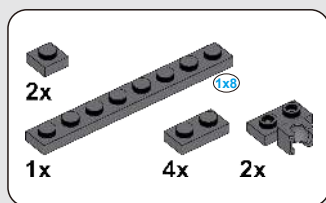
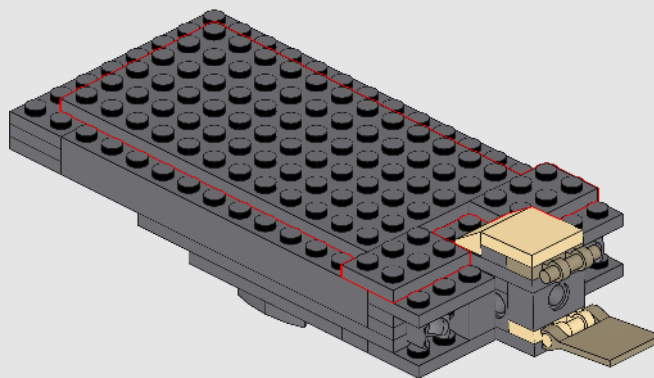


94

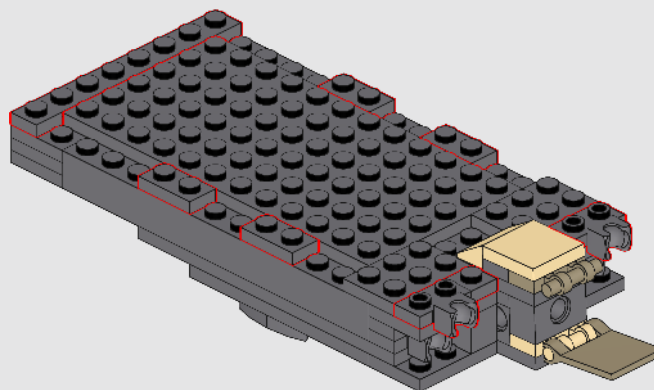


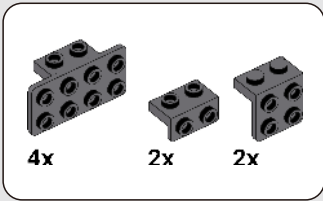


95

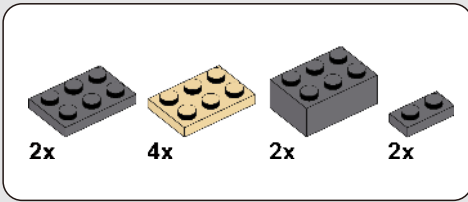
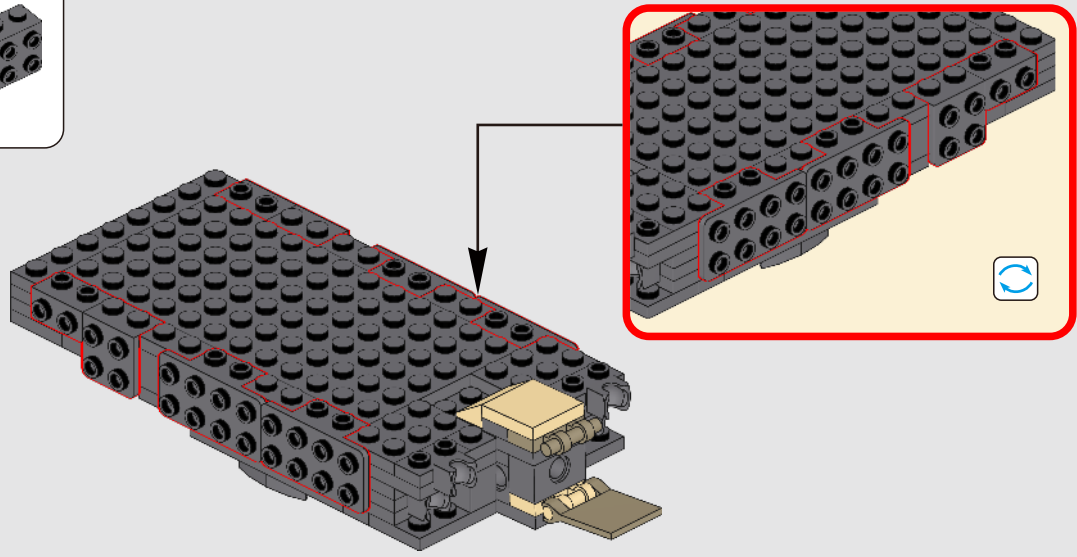


96

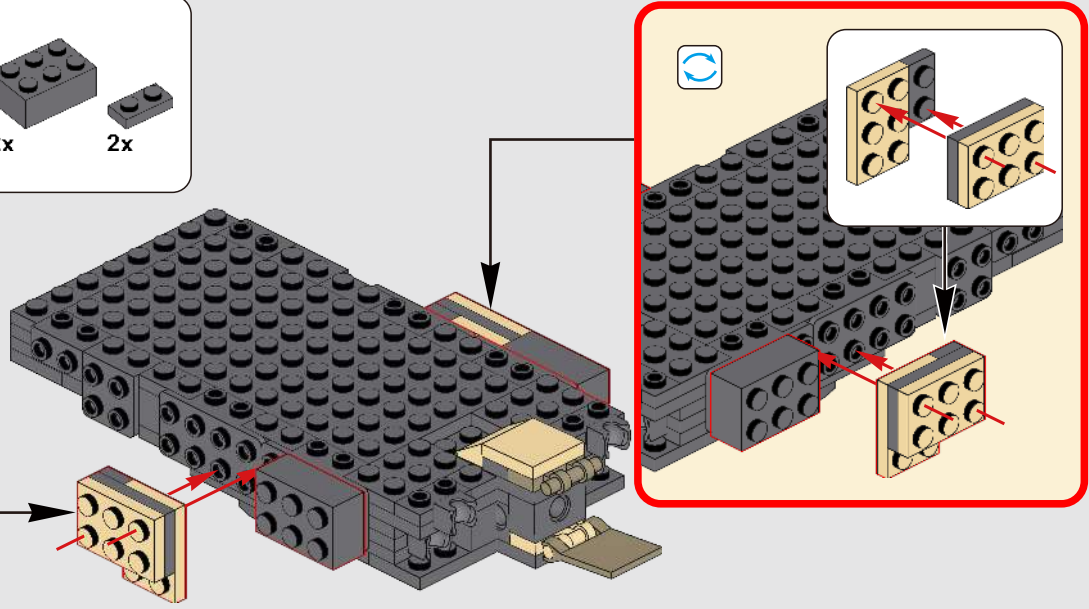
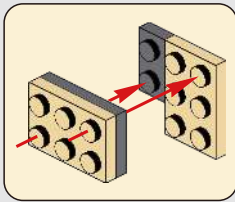


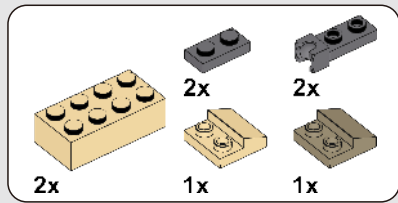


97

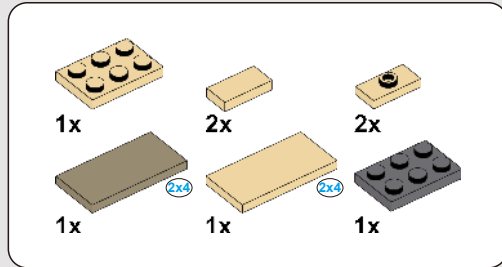
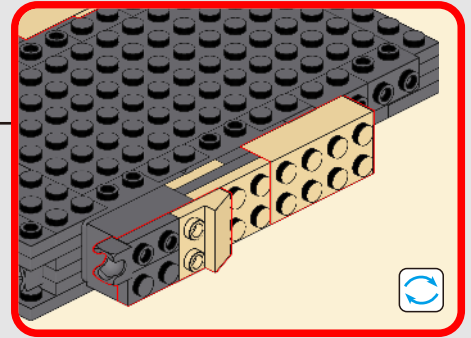
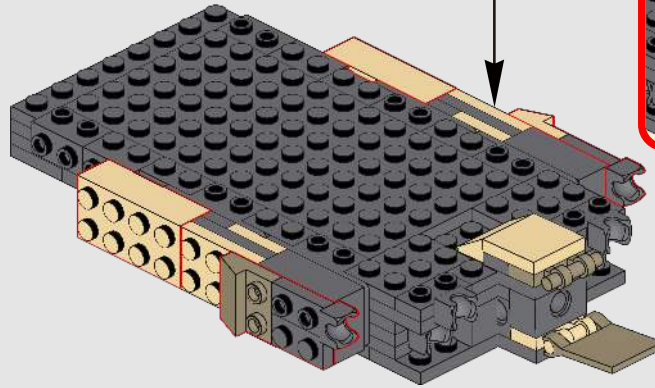


98

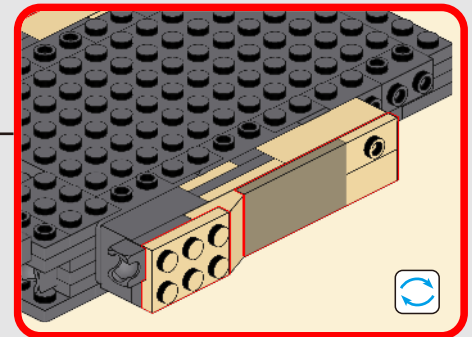
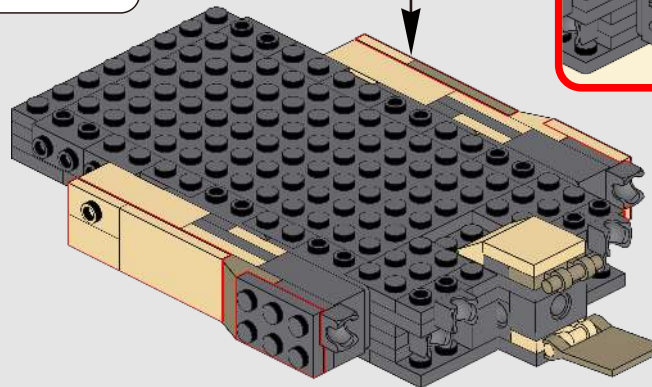


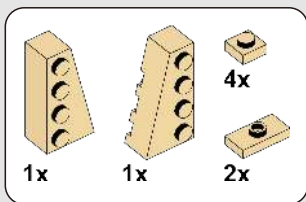


99

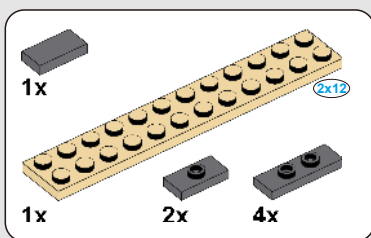
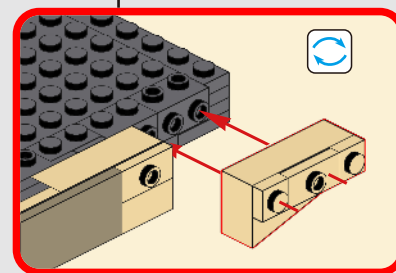
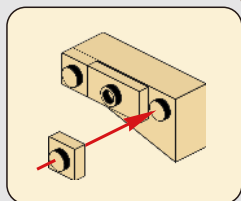
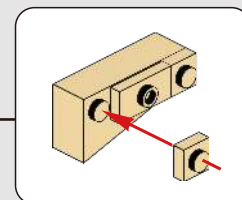
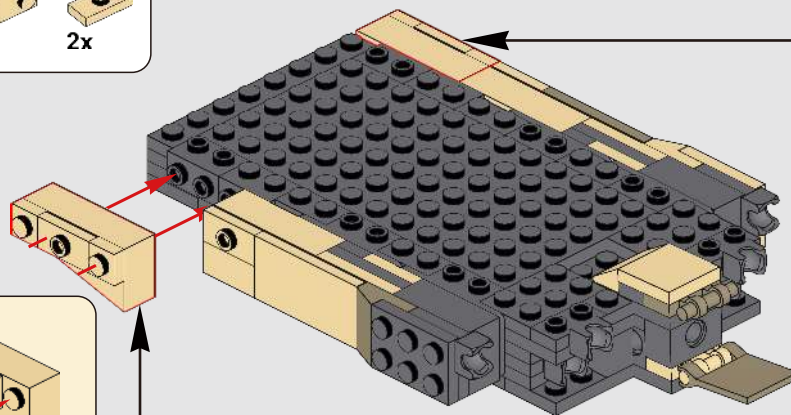


100

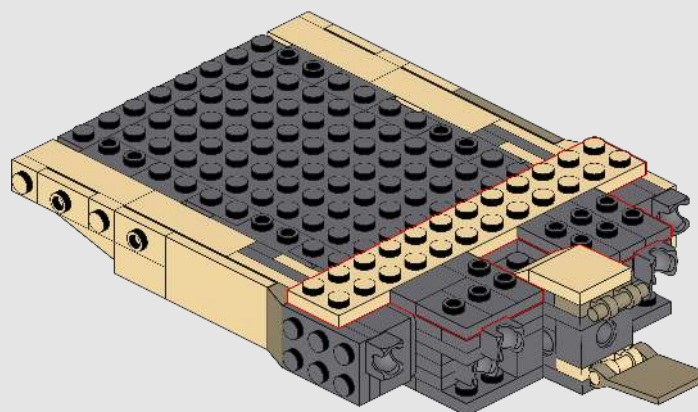


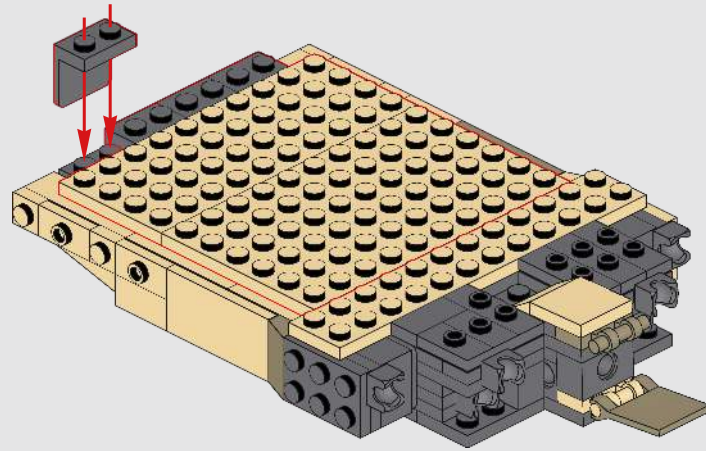
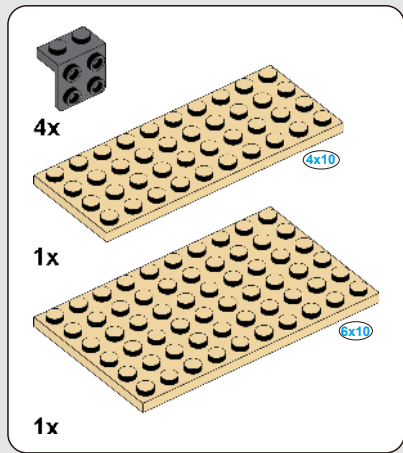


101

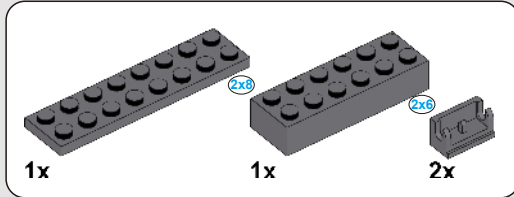
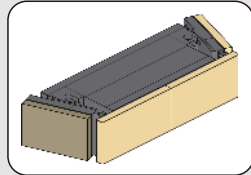


102

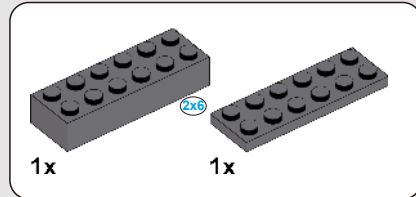




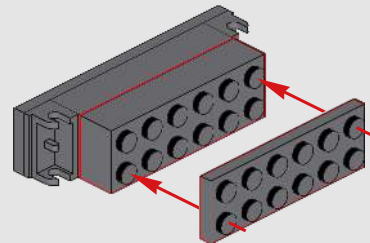
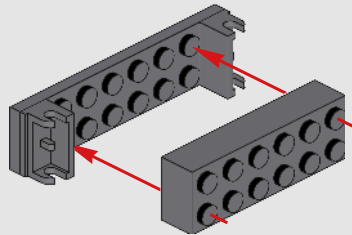
103

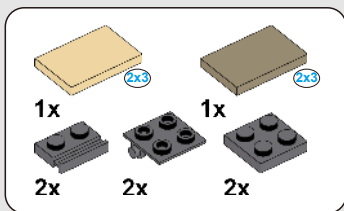


104

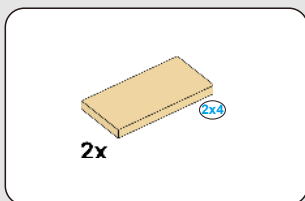
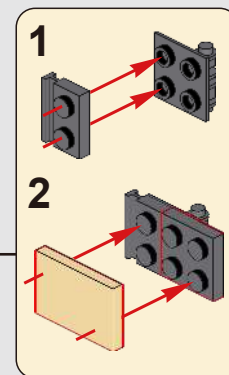
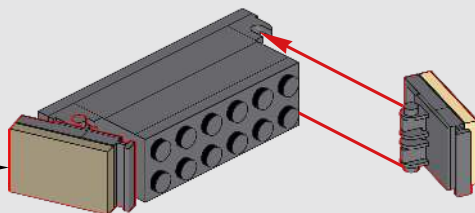
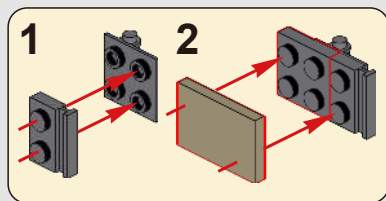


105

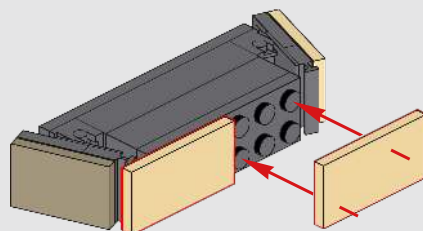




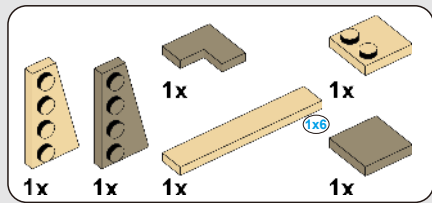
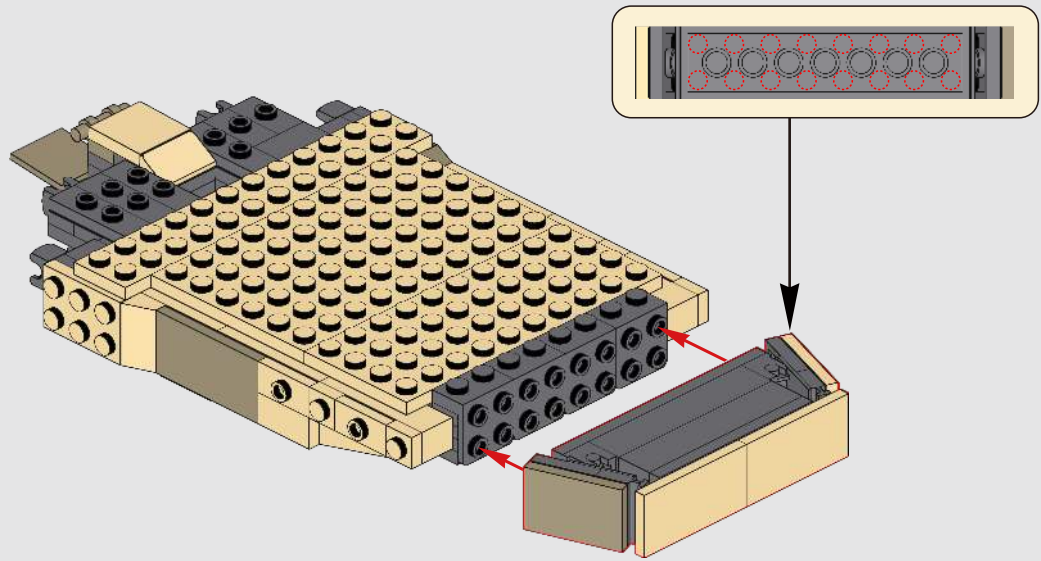
106



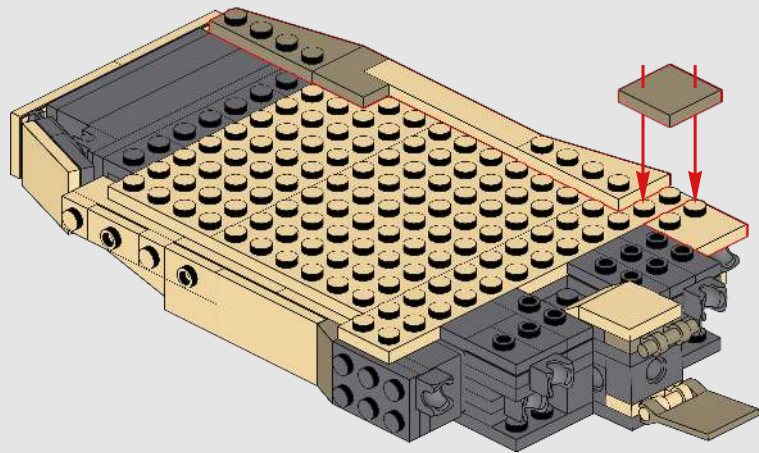
107

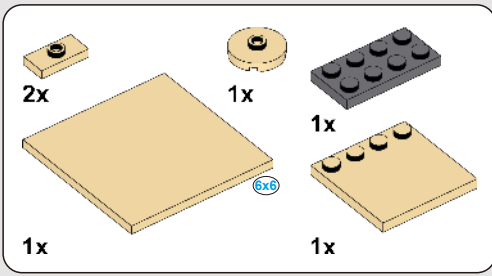


108

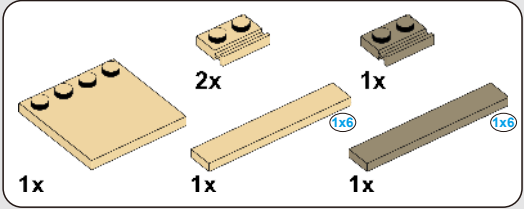
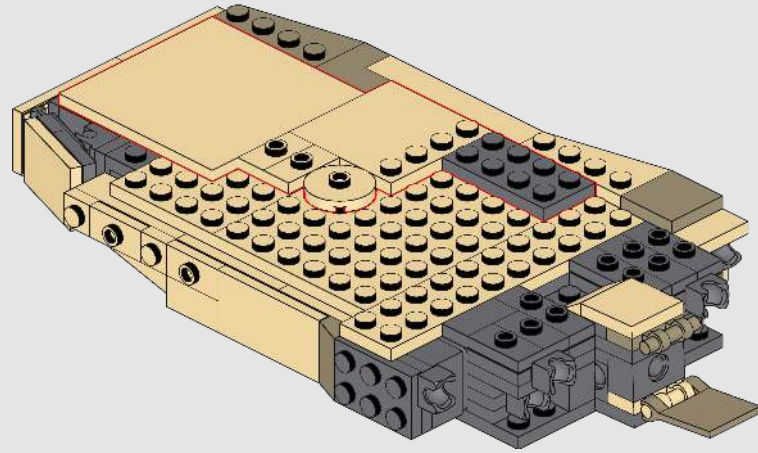


109

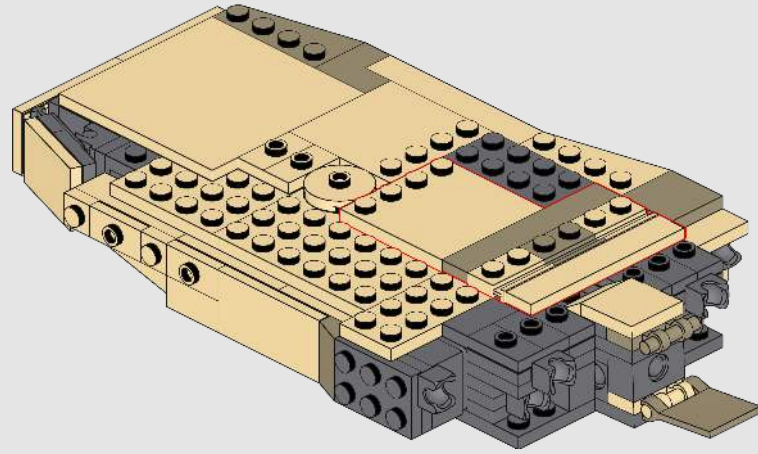


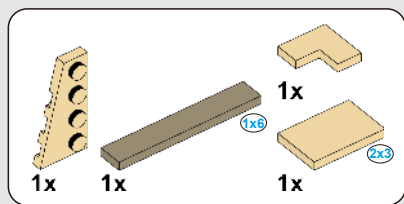


110

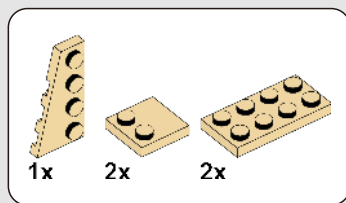
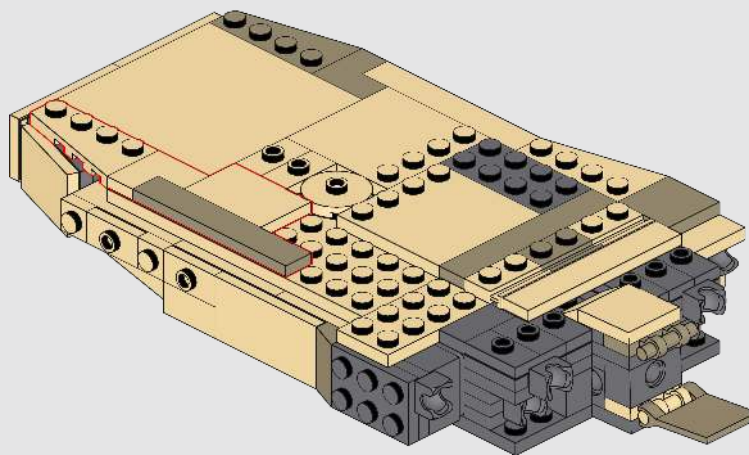


111

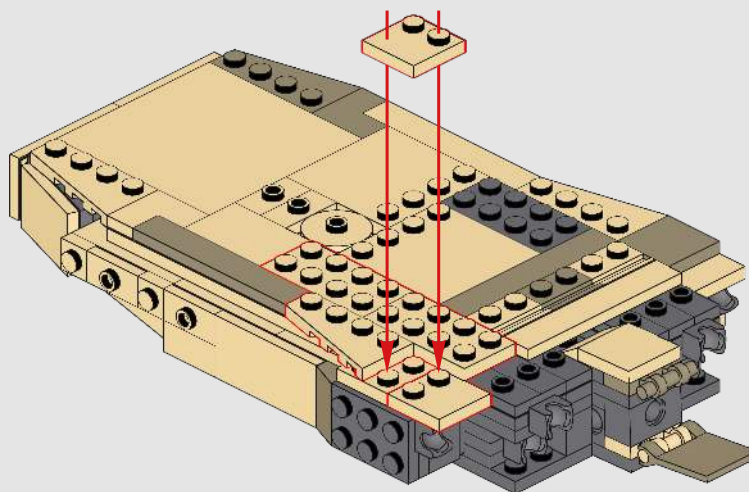


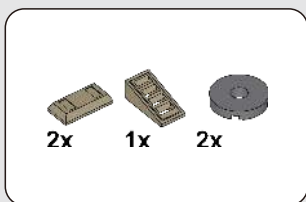


112

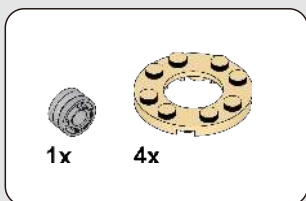
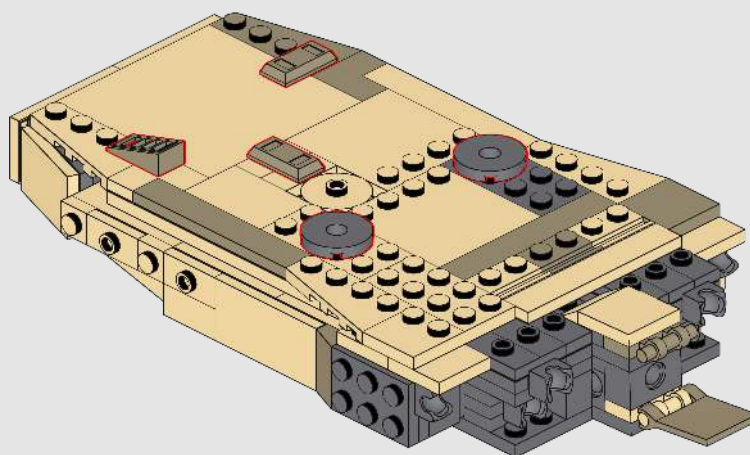


113

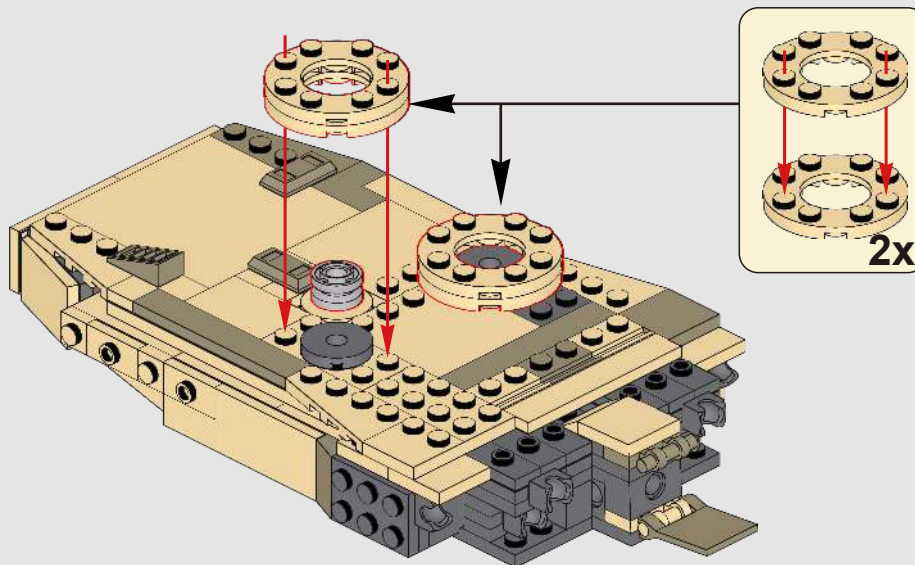


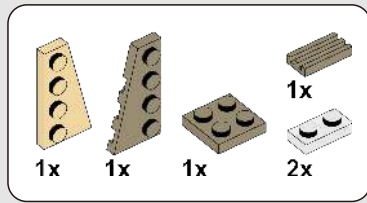


114

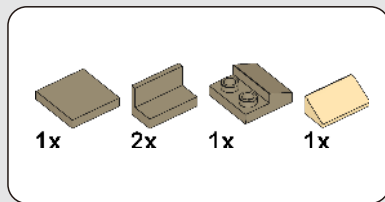
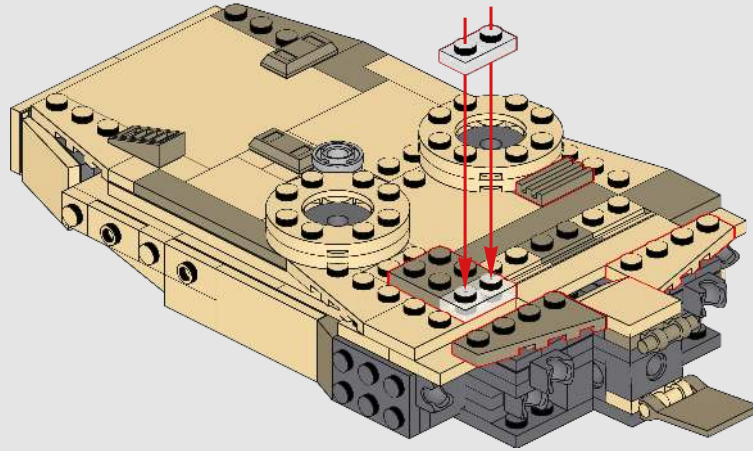


115

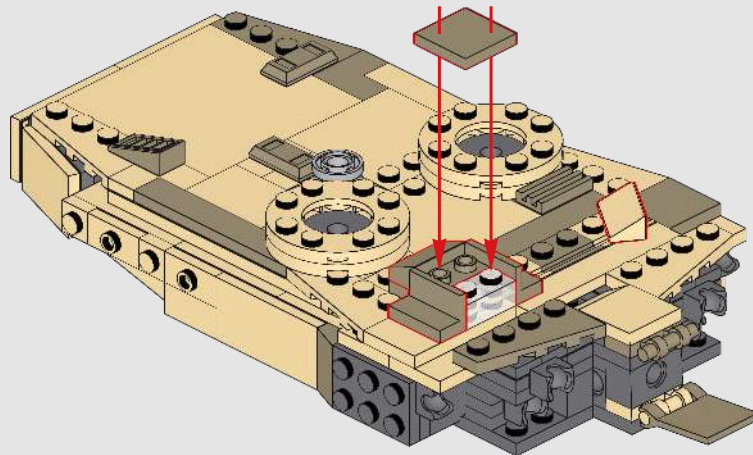


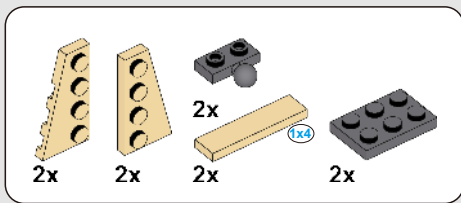


116

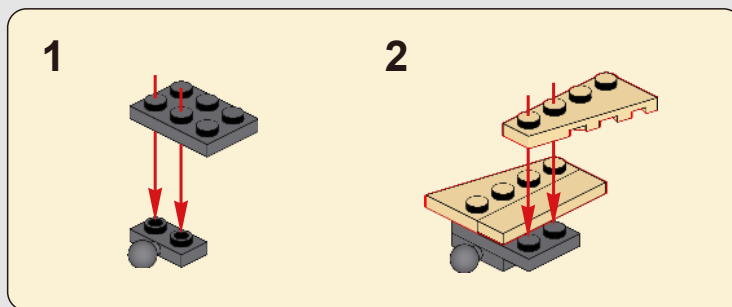
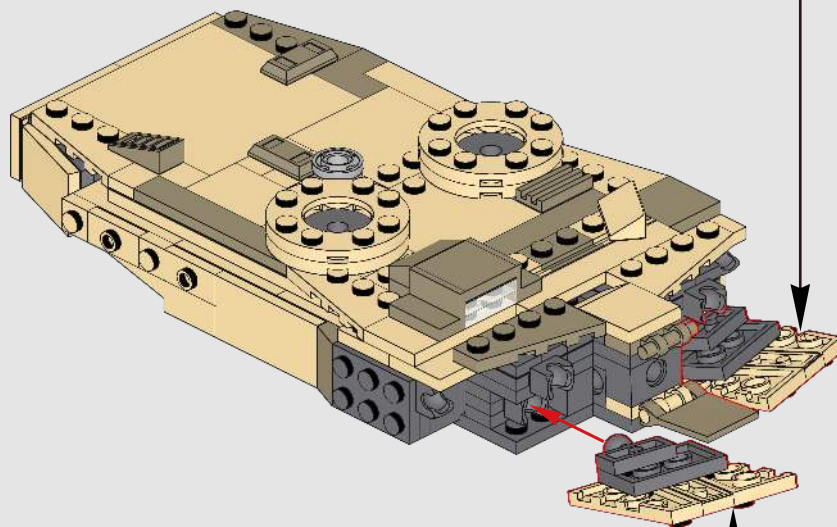
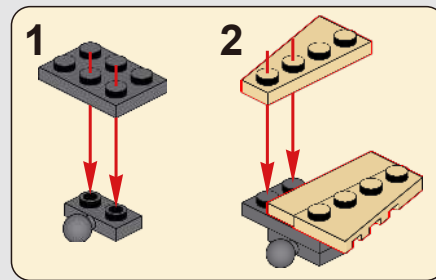


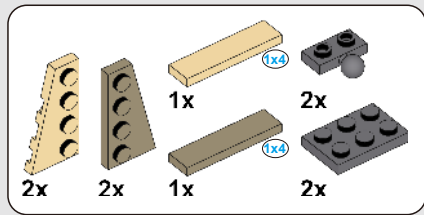
117



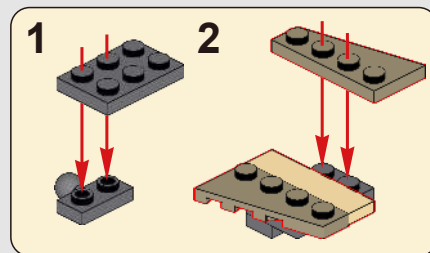
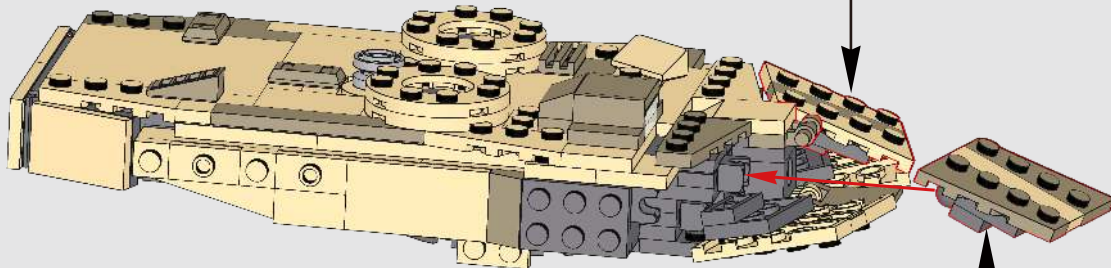
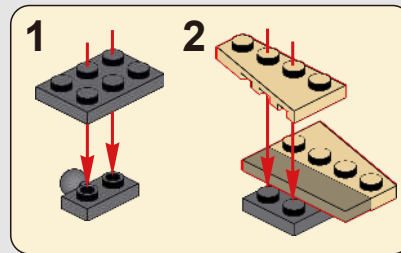


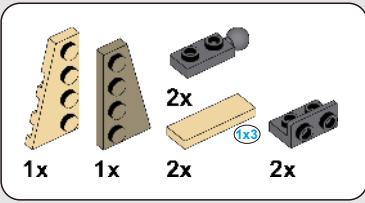
118



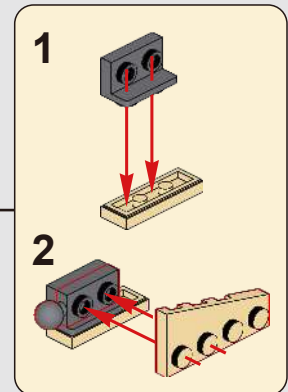
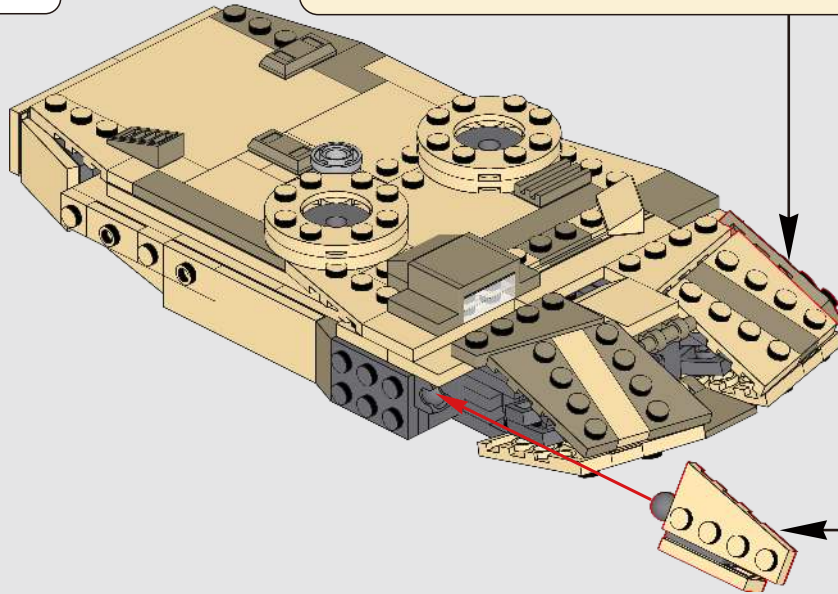
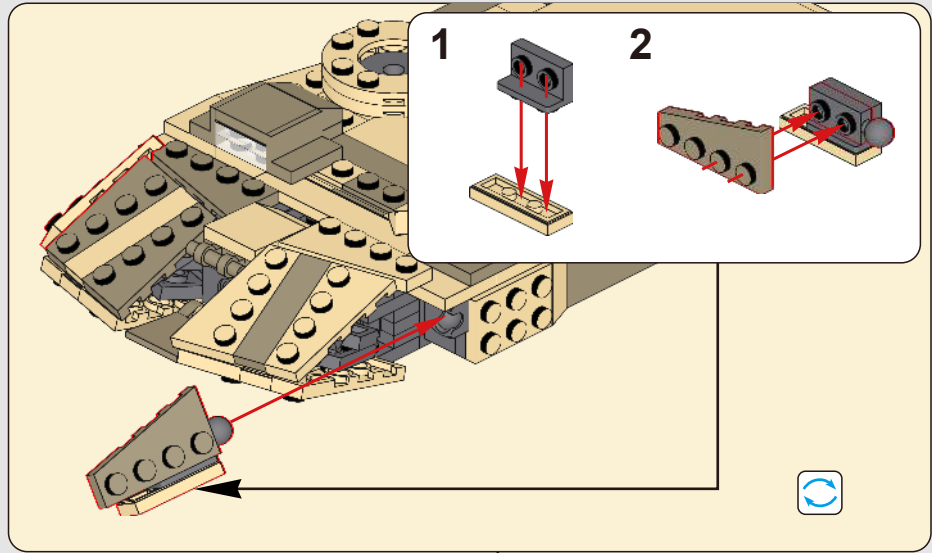


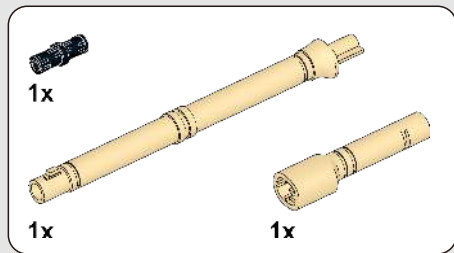
119



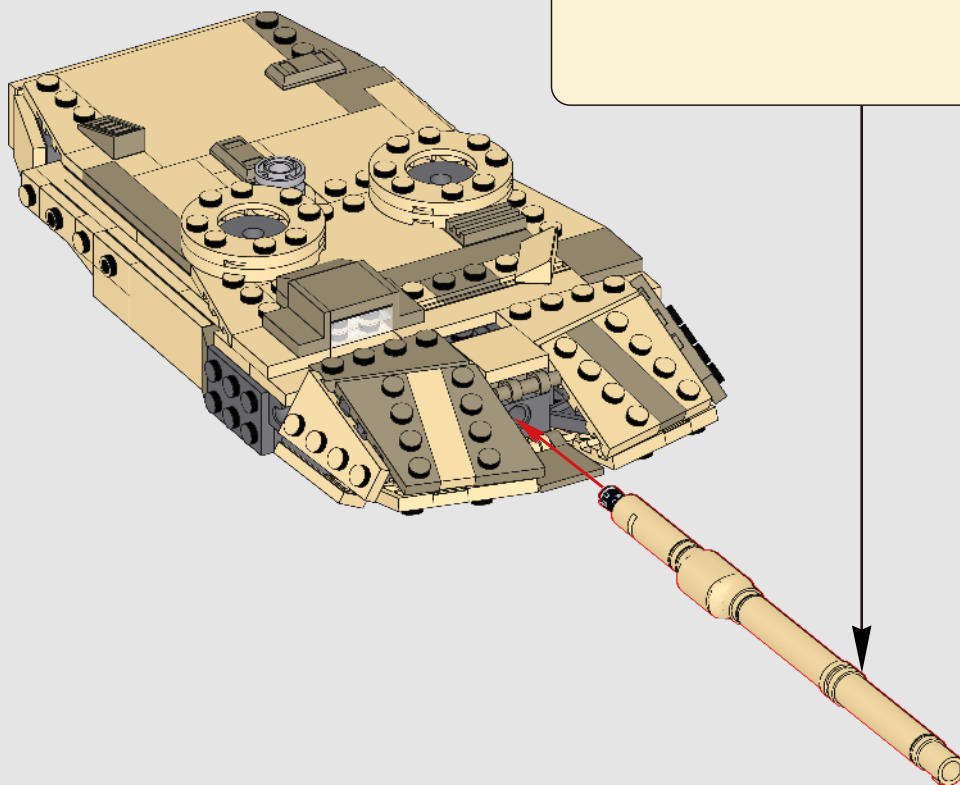
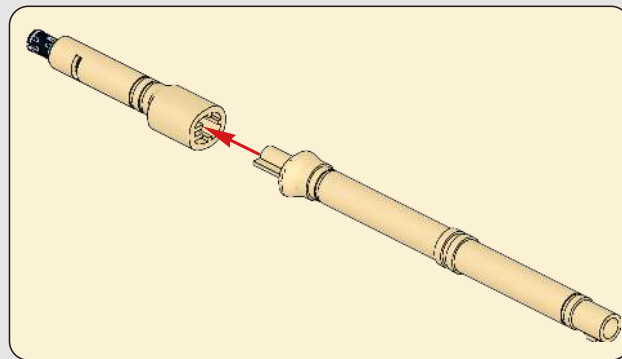


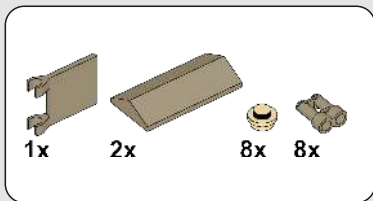
120



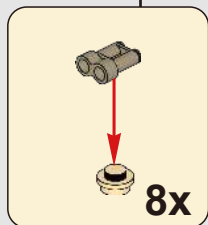
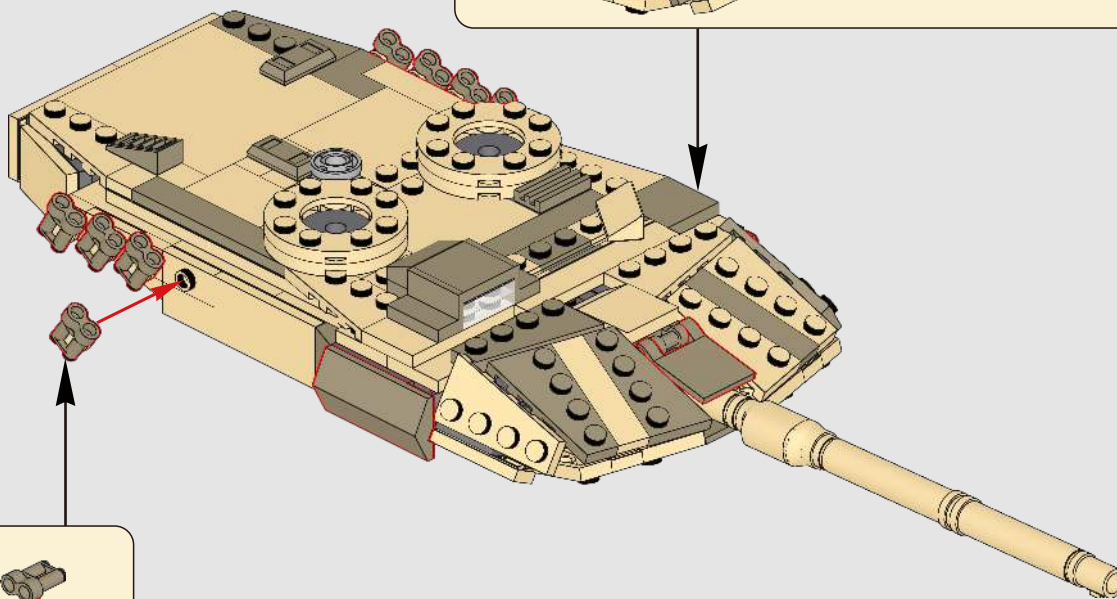
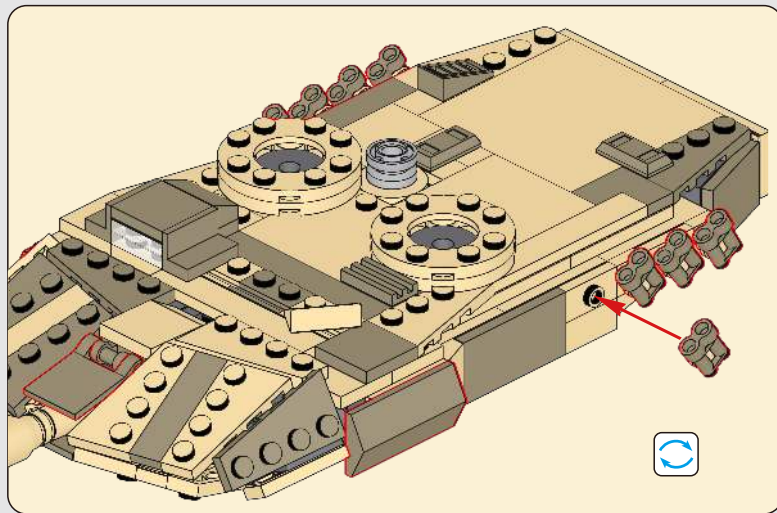


121

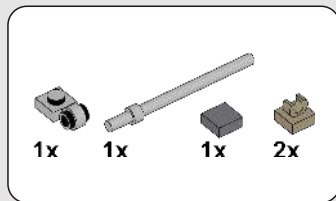




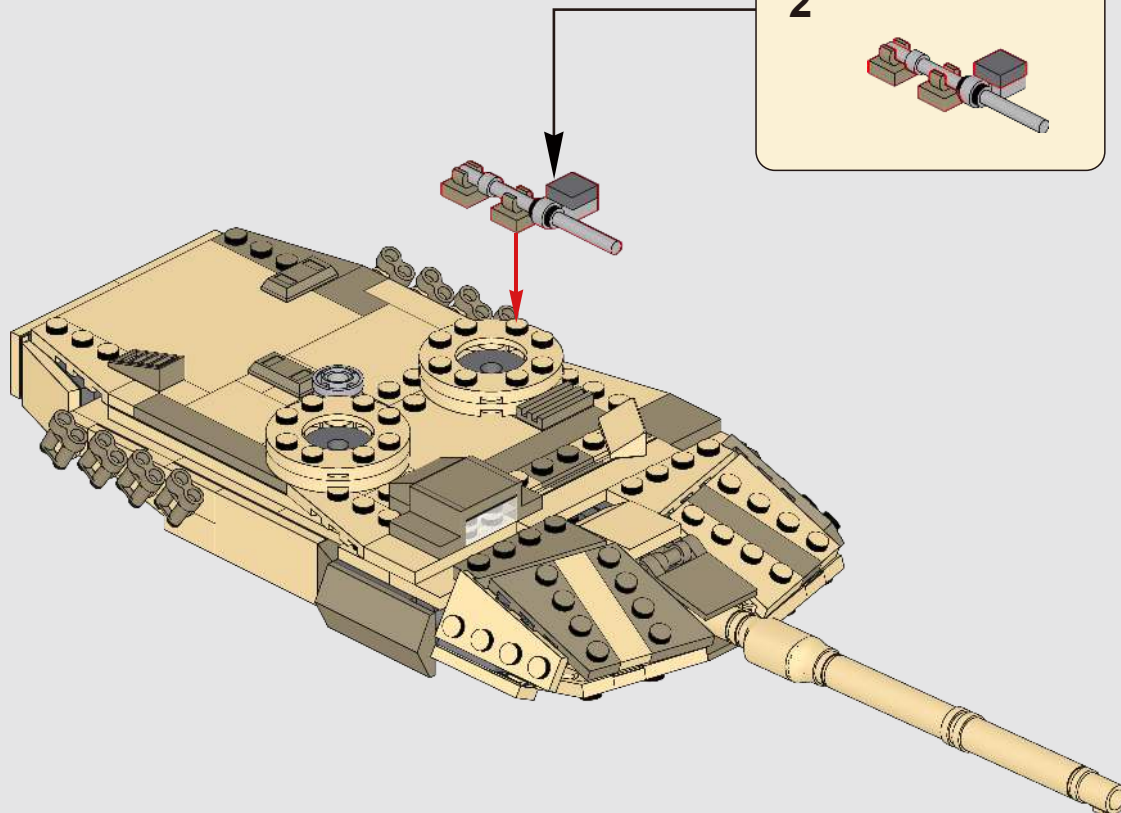
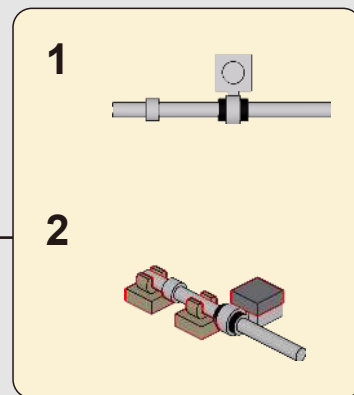
122



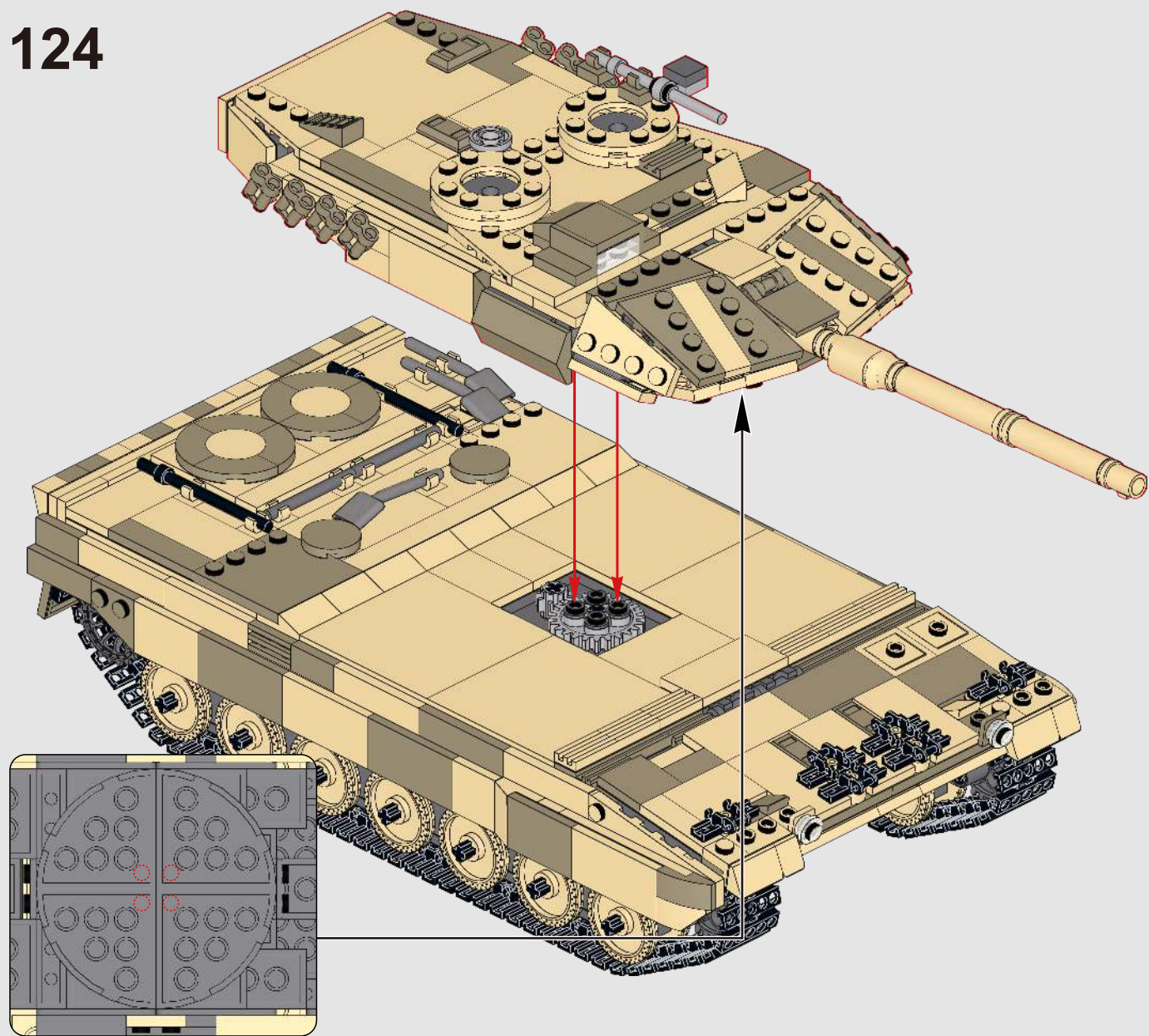
8x



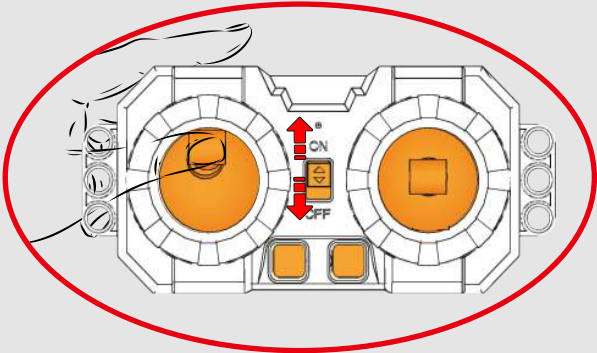
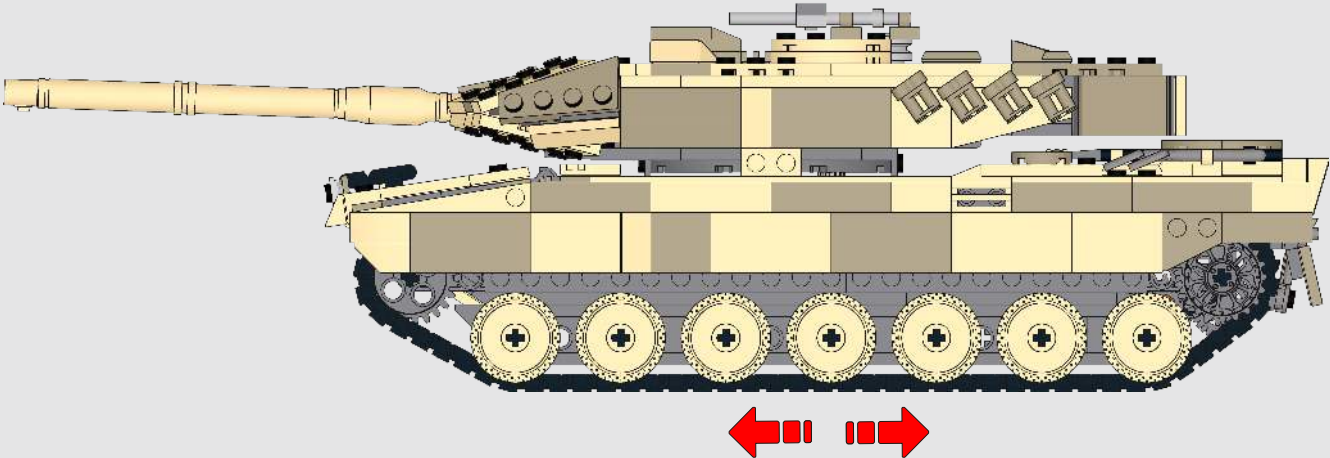
123



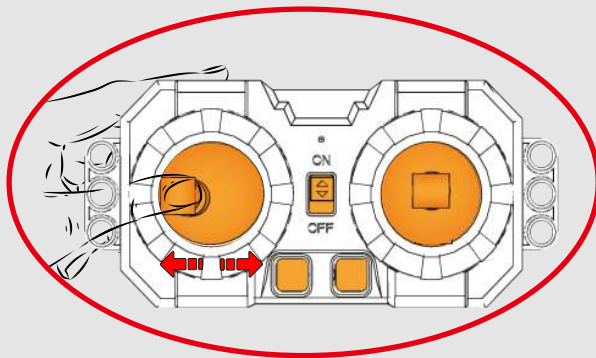
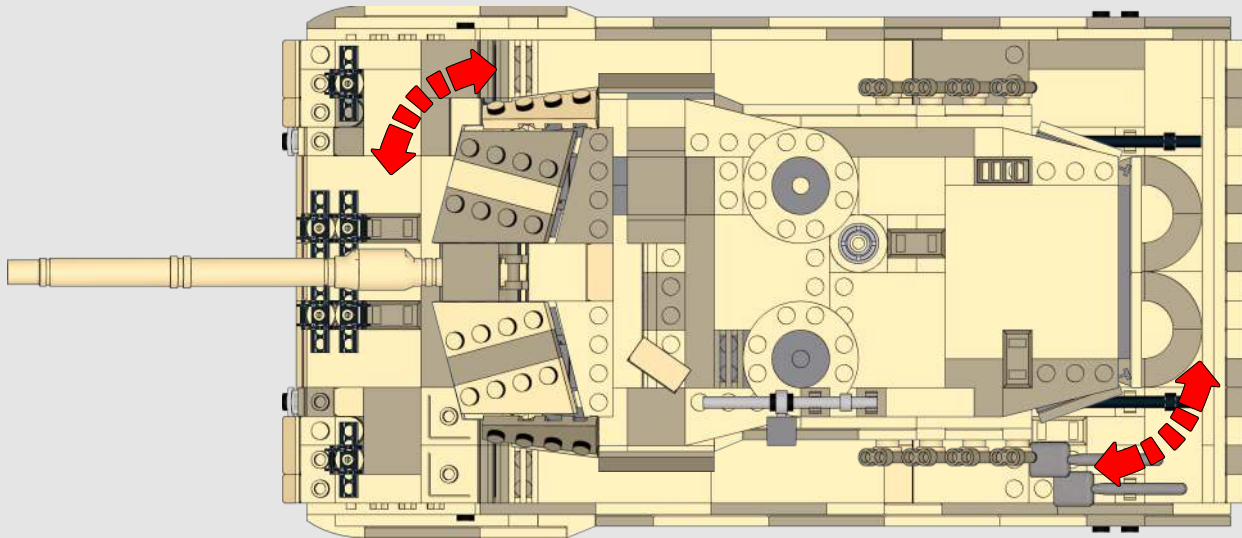
124



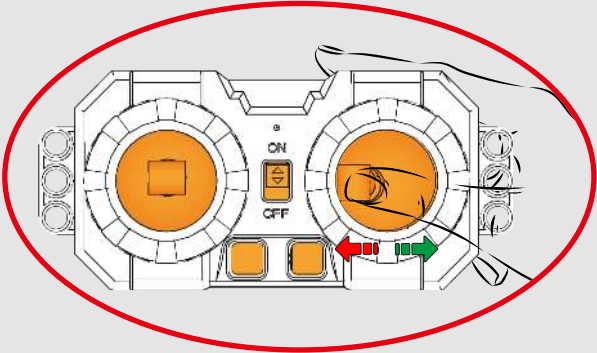
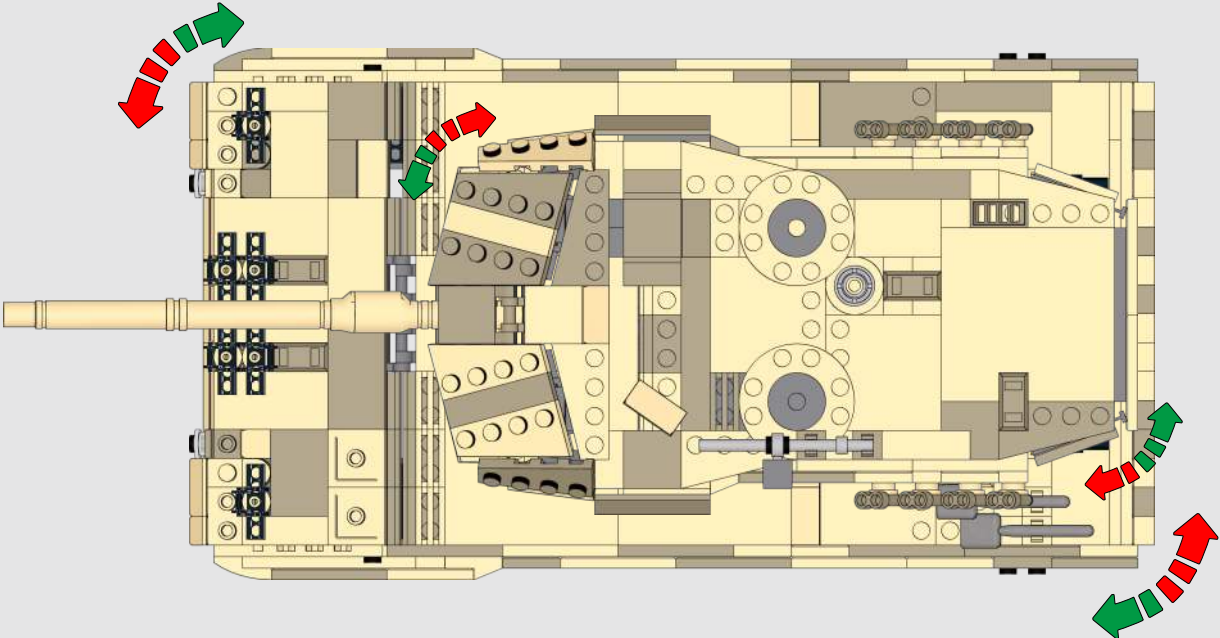
125



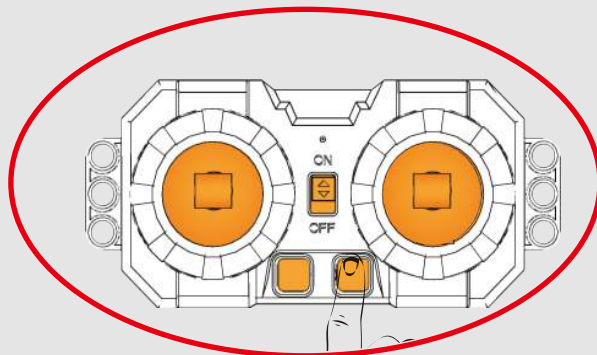
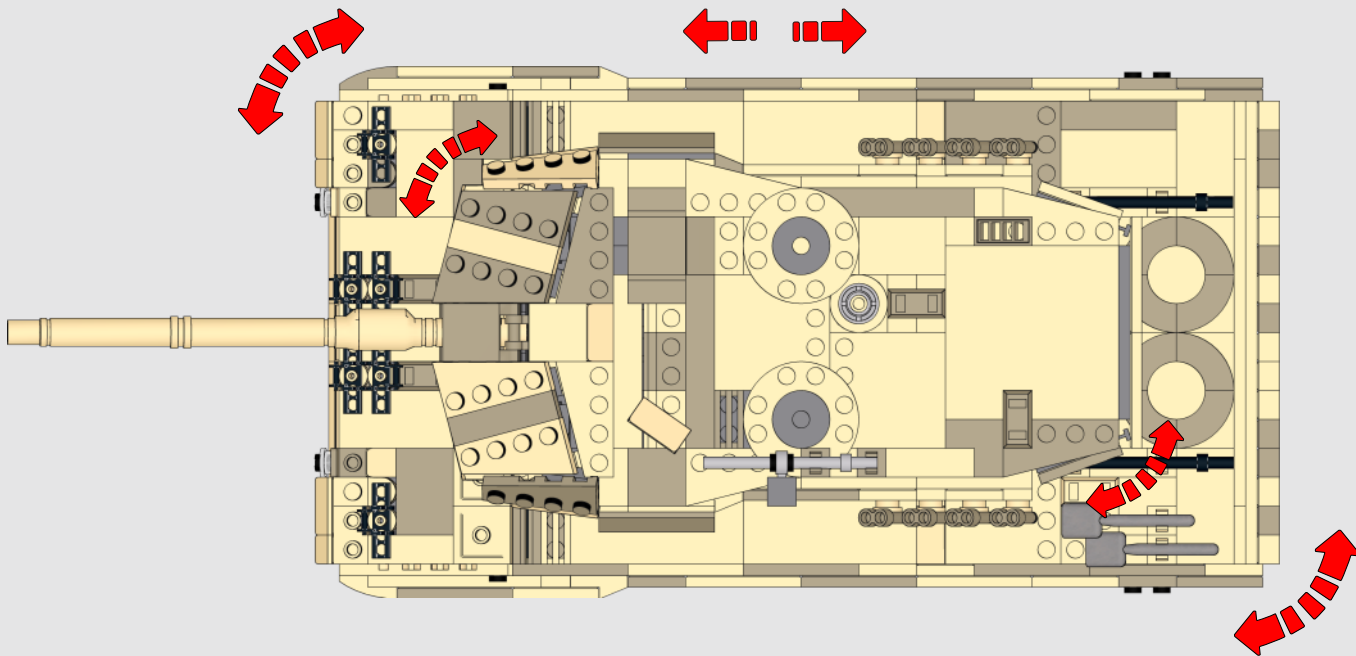
126



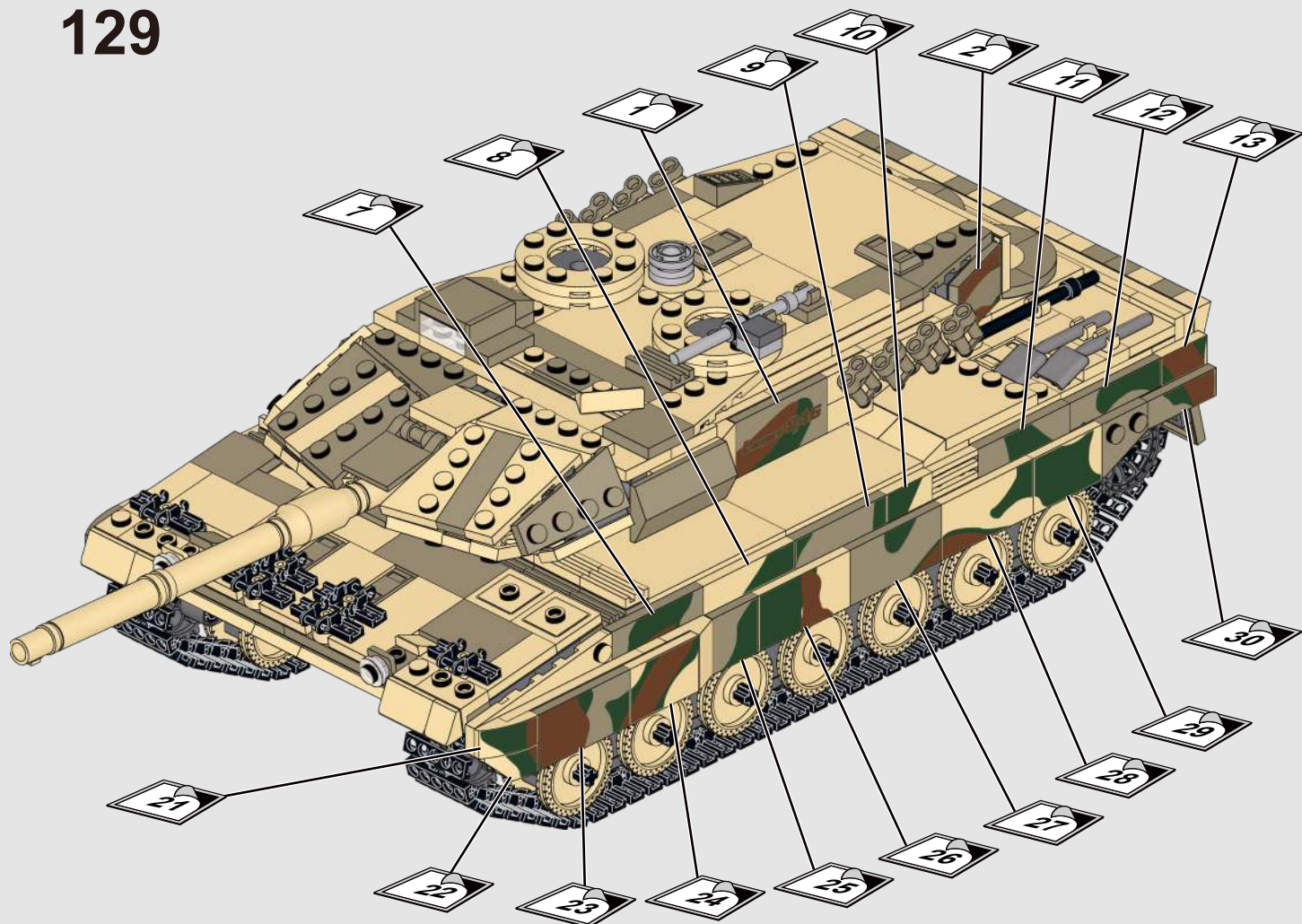
127



128



129

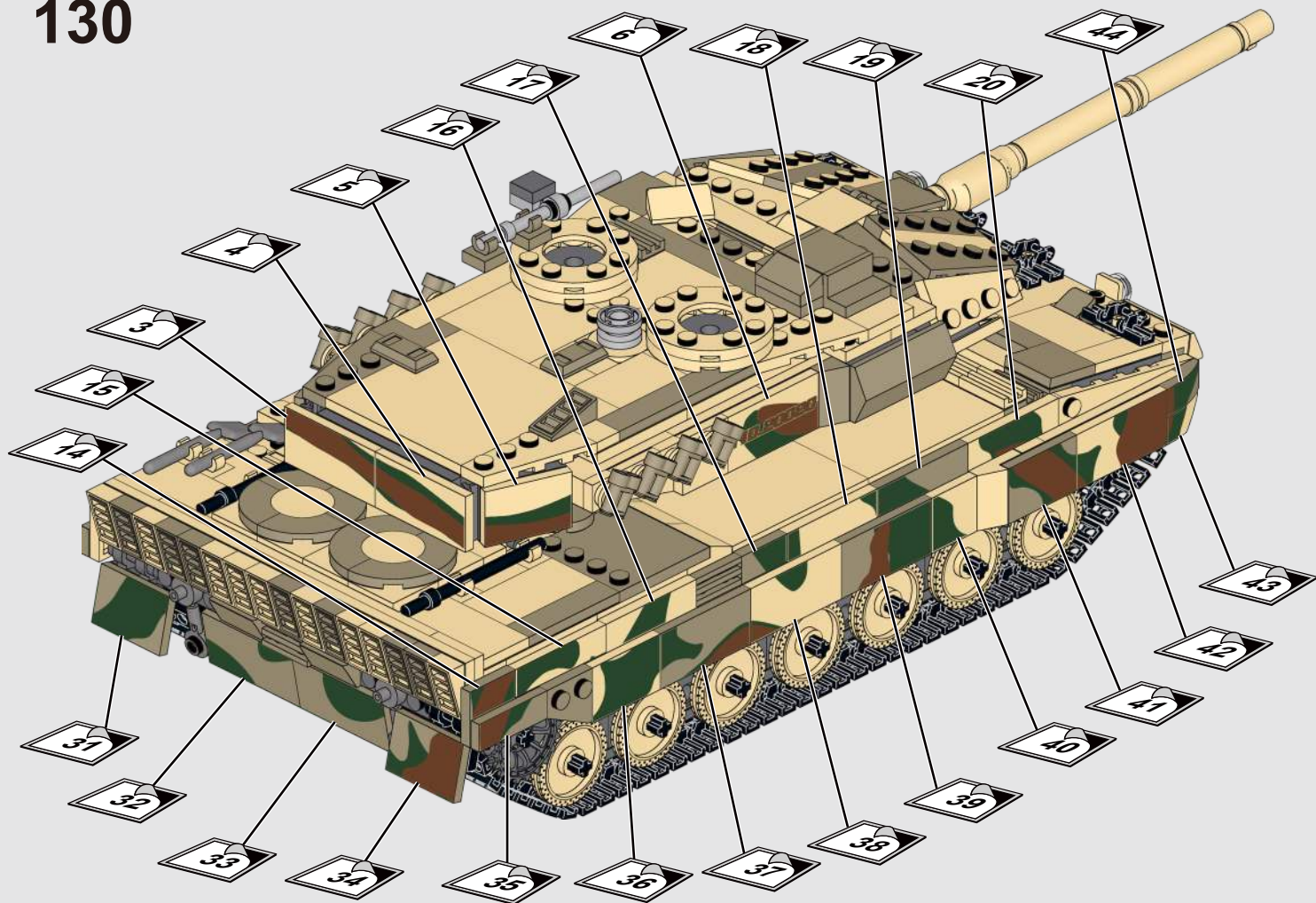


此贴纸为热感压标贴纸，不可重复粘贴

This sticker is a thermal pressure label sticker and cannot be pasted repeatedly

贴纸使用方法：撕起贴纸，对准位置随后均匀刮动，撕掉透明膜即可。

How to use the sticker: Tear off the sticker, align the position and then scrape it evenly, tear off the transparent film.



此贴纸为热感压标贴纸，不可重复粘贴

This sticker is a thermal pressure label sticker and cannot be pasted repeatedly

贴纸使用方法：撕起贴纸，对准位置随后均匀刮动，撕掉透明膜即可。

How to use the sticker: Tear off the sticker, align the position and then scrape it evenly, tear off the transparent film.

