

**MOULD
KING**

®

宇星军事系列
MILITARY

NO.KV-1

宇星模王

20025

8+ 年龄
Ages/Edades



遥控
CONTROL

OPEN

Customer Service
客户服务

 www.yx-mk.com



酷砖家系列是宇星设立的全新子品牌/系列，本系列所有套装均由国内外顶级设计师操刀设计或授权，旨在为消费者带来高水准的积木设计套装和与众不同的拼搭体验。

BriXpert series is a new sub-brand/series set up by Mould King. Models of this series are all designed or authorized by top designers/MOCers around the world, aiming at bringing consumers with high-level brick sets and a unique building experience.

广东宇星科技

微信扫描二维码，关注公众号，
获取第一手的新品资讯，享受
便捷的补件服务。



Or code APP (APP二维码)

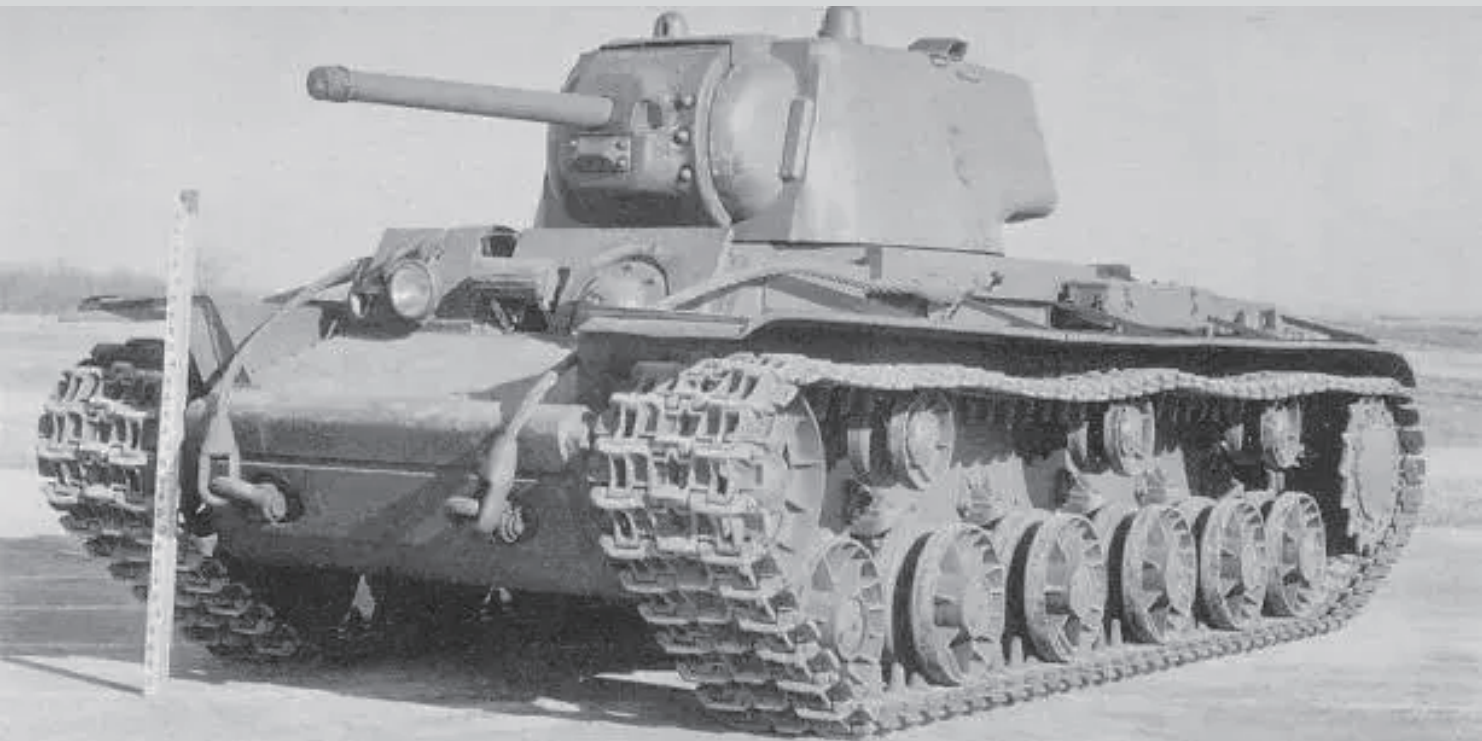
Need the apple version 9.0
and above, the android
version 5.0 and above.

* This APP supports most of the mainstream Android models on the market, but due to the large number of Android models, different models of systems and hardware versions, there may be some models do not support, specific according to the actual test!



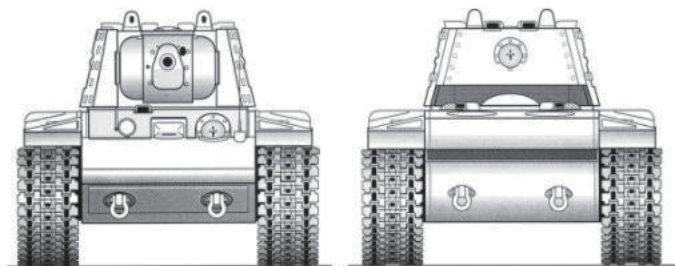
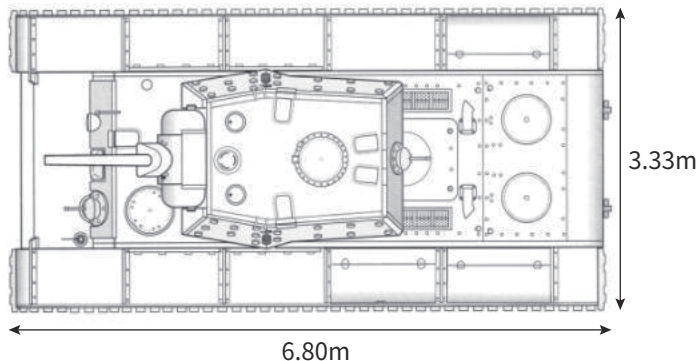
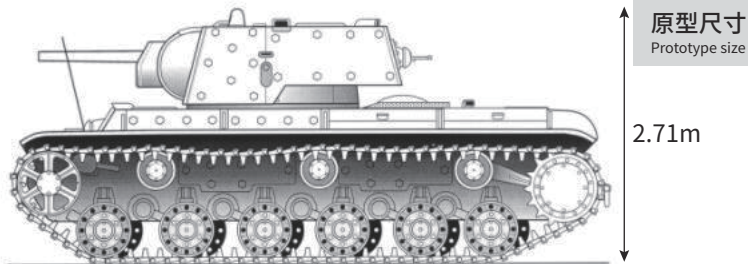
KV-1重型坦克(英文:KV-1 Heavy Tank),第二次世界大战初期苏联约瑟夫·雅科夫列维奇·科京设计的重型坦克。以苏联国防委员克利缅特·叶夫列莫维奇·伏罗希洛夫元帅的名字命名。

KV-1 heavy tank, a heavy tank designed by Joseph Yakovlevich Kotin of the Soviet Union at the beginning of World War II. Named after Marshal Kliment Yefremovich Voroshilov, Commissar of Defense of the USSR.



KV-1重型坦克的战斗全重为47.5吨,乘员为5人:车长兼装填手,位于火炮右侧,左手推弹入膛;炮长,位于火炮左侧;驾驶员,位于车体前部中央;前机枪手,位于驾驶员的左侧;后机枪手,位于炮塔内车长的后方,可以辅助装弹。这种乘员分工和布置,在其他坦克上较少见。

The combat weight of the KV-1 heavy tank is 47.5 tons, and the crew is 5 people. The commander and loader are located on the right side of the artillery, and the left hand pushes the bomb into the chamber; the gunner is located on the left side of the artillery; the driver is located in front of the vehicle body. The center of the front; the front machine gunner, located on the left side of the driver; the rear machine gunner, located behind the commander in the turret, can assist in loading. This division of labor and arrangement of the crew is rare on other tanks.



KV-1A重型坦克(1940年型)主要改进处是改装了加长身管的火炮。F34型(M1940年式)76.2毫米火炮,身管长为41.倍口径,弹丸的最大初速为965米/秒,穿甲威力提高,在500米的射击距离上,穿深为92毫米;在1 000米的射击距离上,穿深为65毫米。此外,局部的装甲防护得到强化。

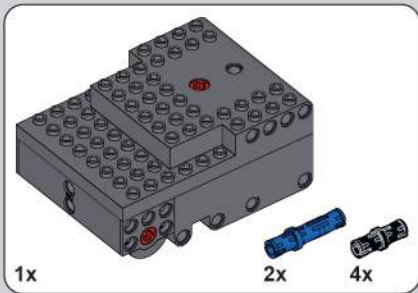
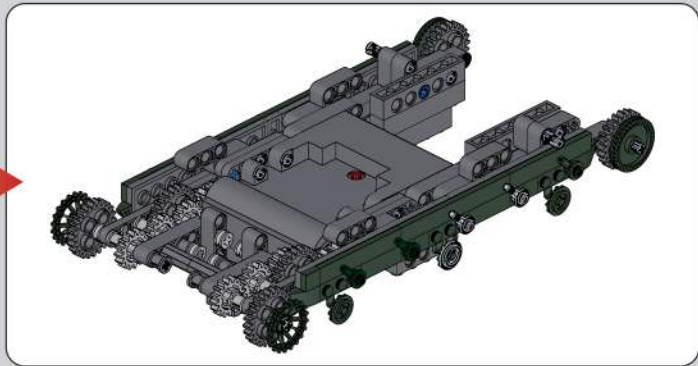
The main improvement of the KV-1A heavy tank (1940 model) is the replacement of the artillery with an extended barrel. The F34 (M1940) 76.2mm gun has a barrel length of 41 times the caliber, and the maximum muzzle velocity of the projectile is 965 m/s, and the armor-piercing power is improved. At a shooting distance of 500 meters, the penetration depth is 92 mm; At a firing range of 1 000 meters, the penetration is 65 mm. In addition, local armor protection has been enhanced.



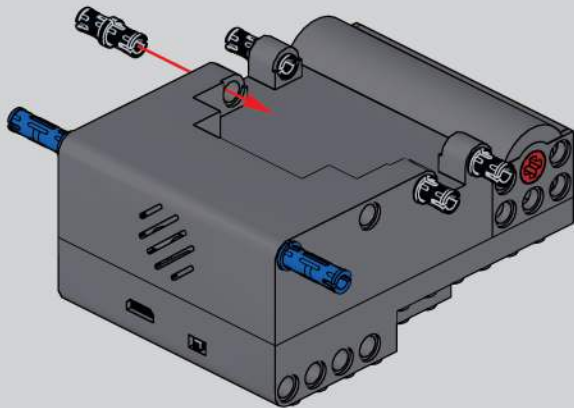
KV-1重型坦克自1937年5月开始研制,1940年2月批量生产,到1941年德军入侵苏联,总共生产636辆。

The KV-1 heavy tank was developed in May 1937 and mass-produced in February 1940. By 1941,when the German army invaded the Soviet Union,a total of 636 vehicles were produced.



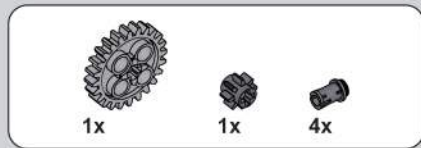
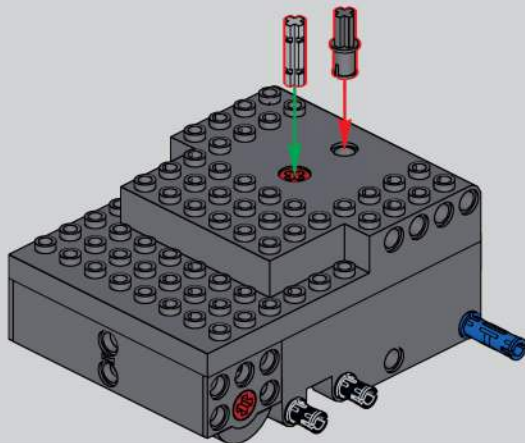


1

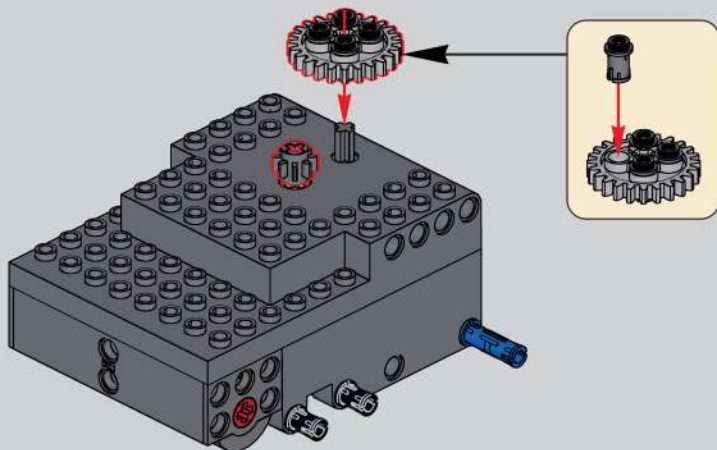




2



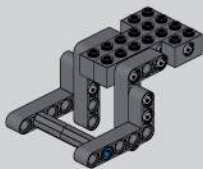
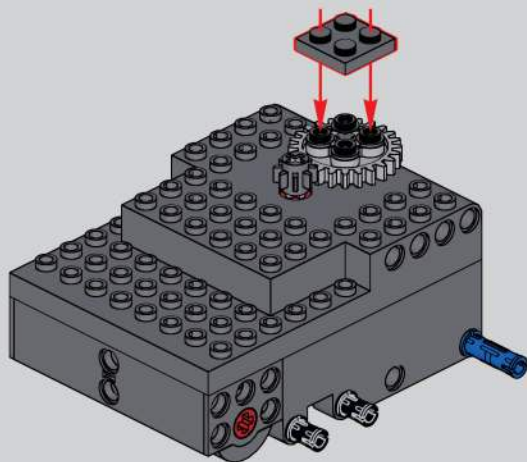
3





1x

4

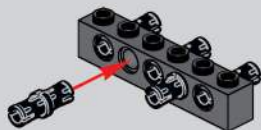


1x



5x

5



1x



3x

6





2x

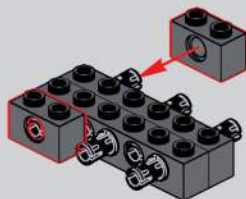


2x

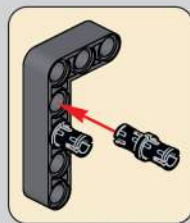
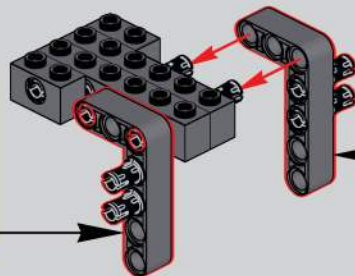
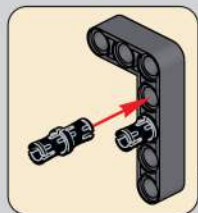


4x

7

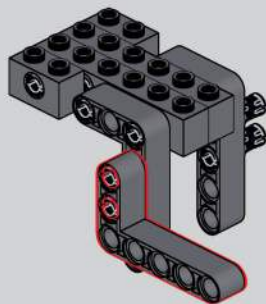


8



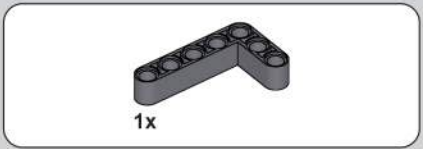
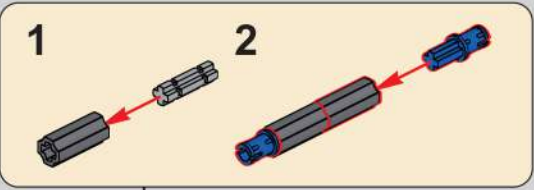
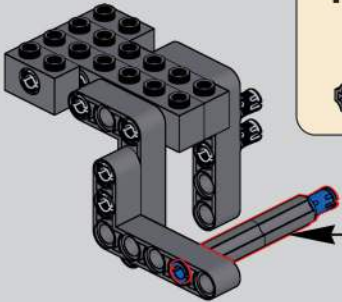
1x

9

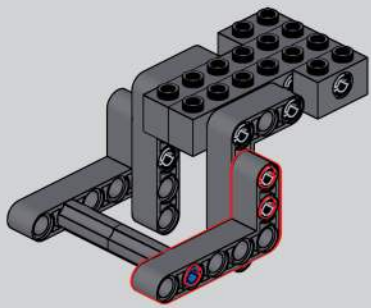




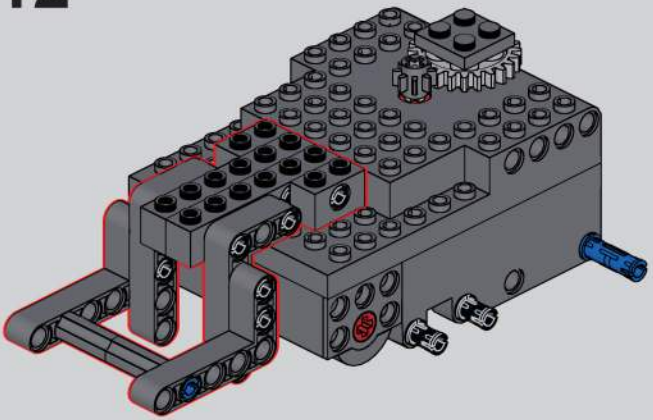
10



11



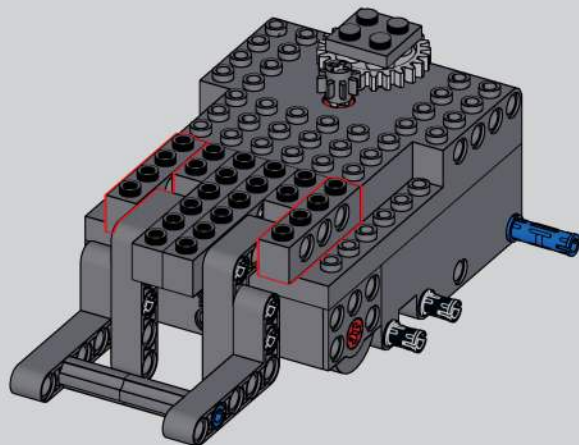
12





2x

13

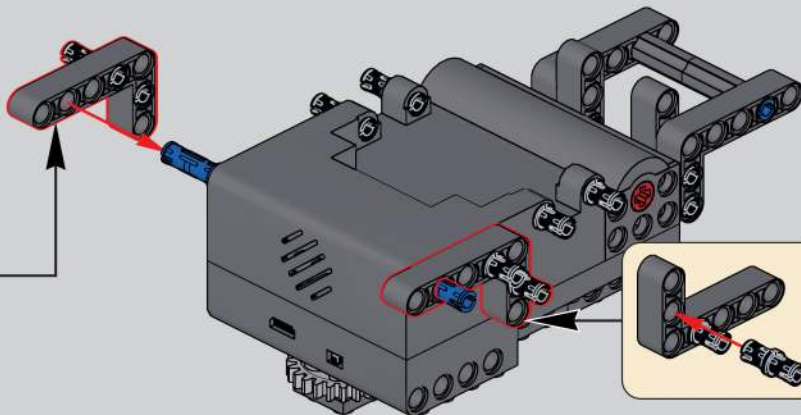
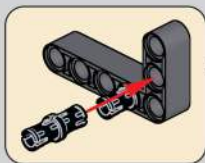


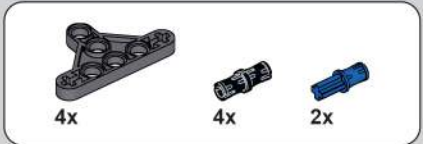
2x



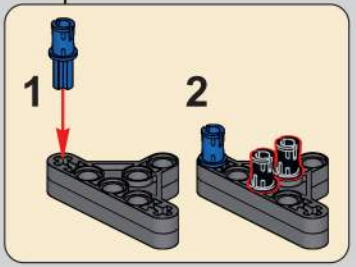
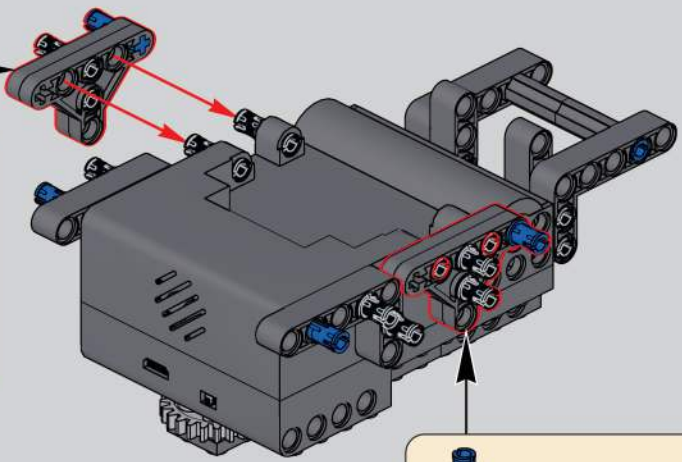
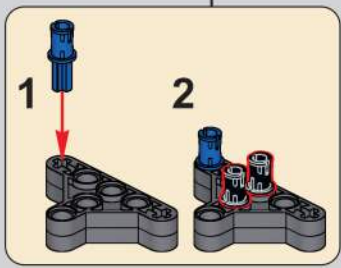
4x

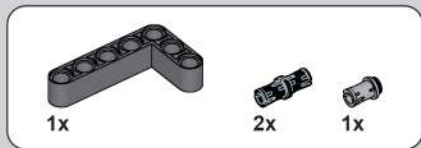
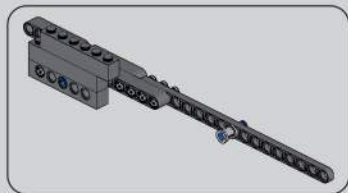
14



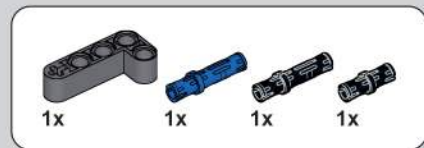
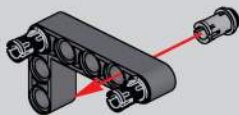


15

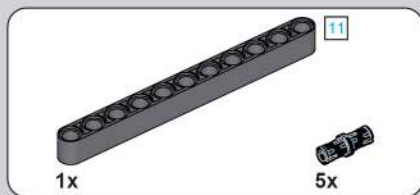
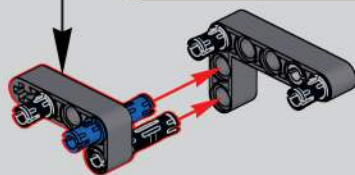
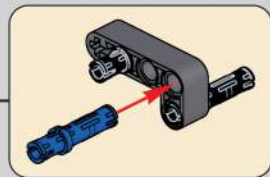




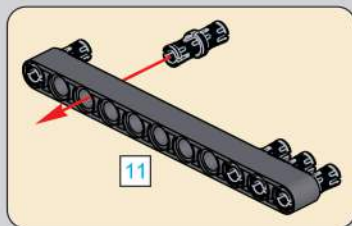
16

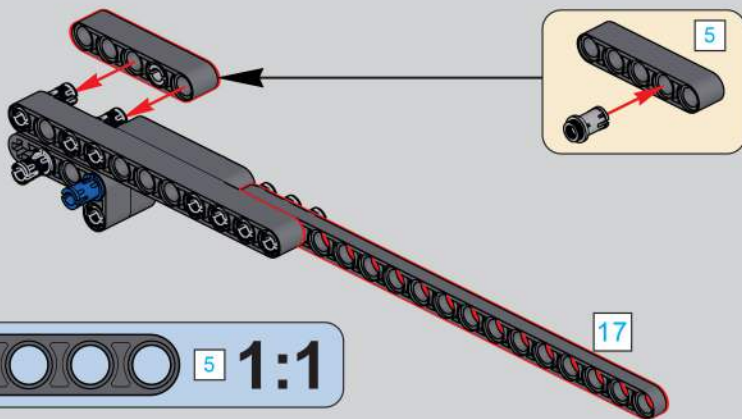
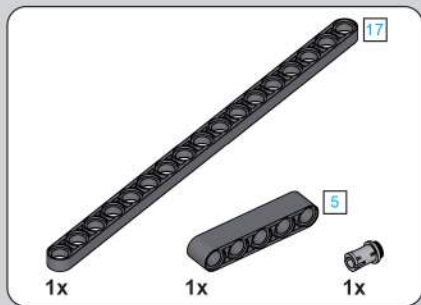


17

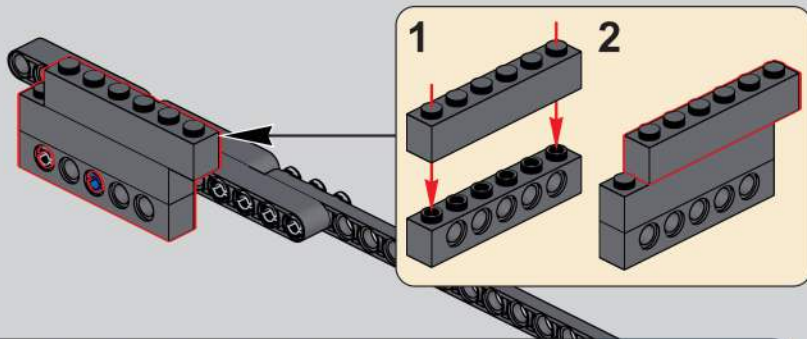
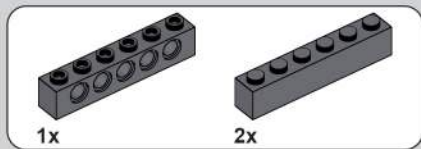


18





19

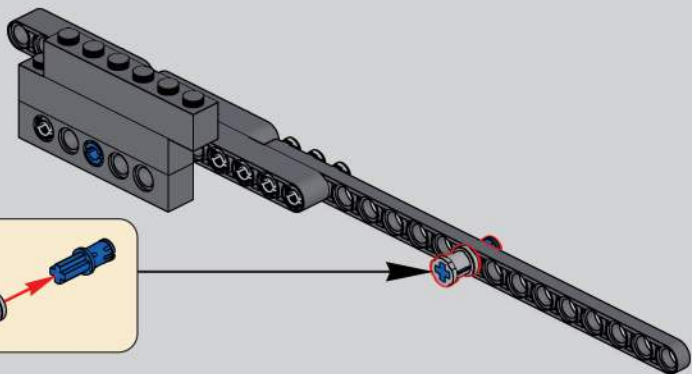
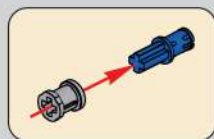


20

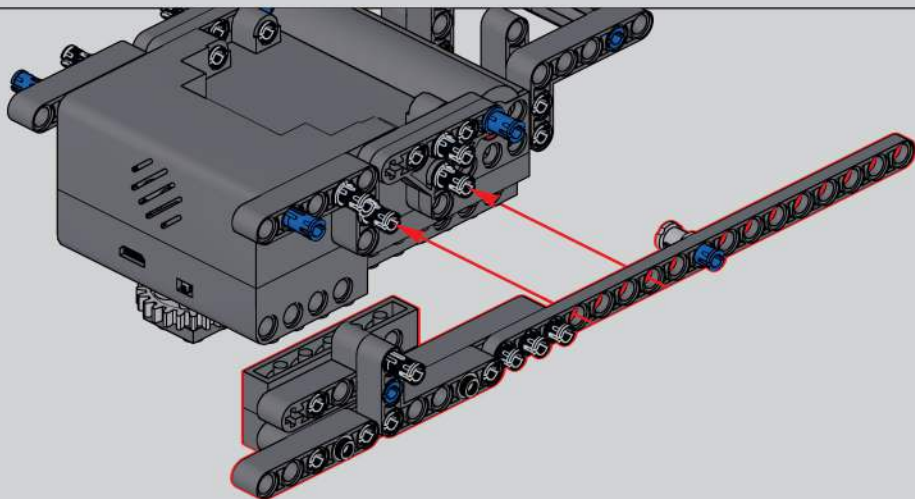


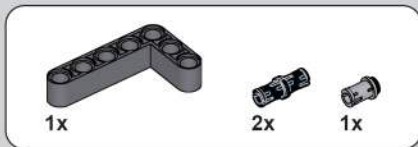
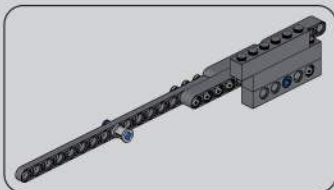


21

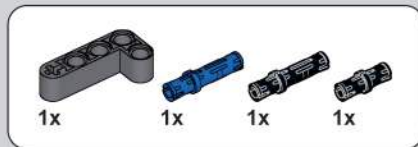
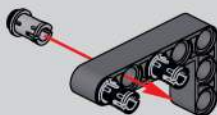


22

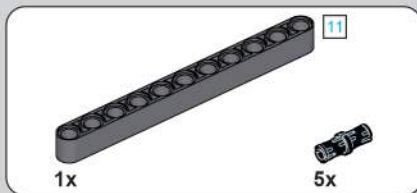
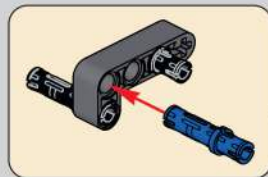
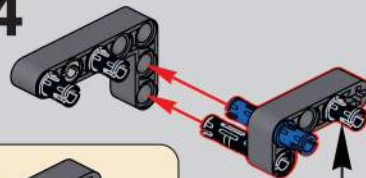




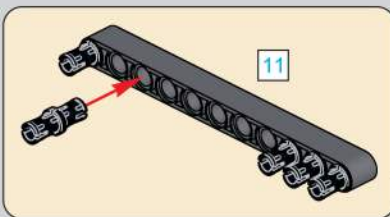
23



24

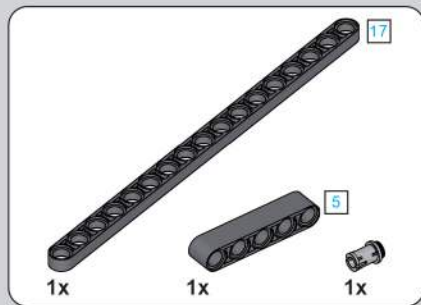


25

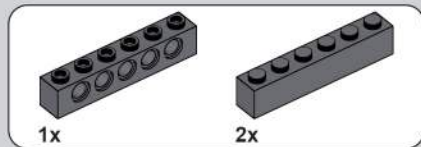
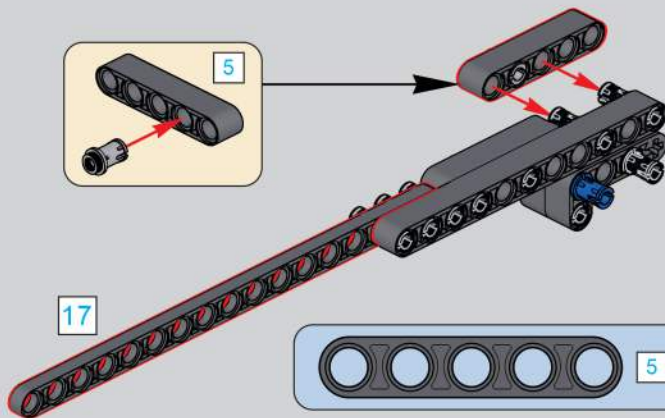


11 1:1

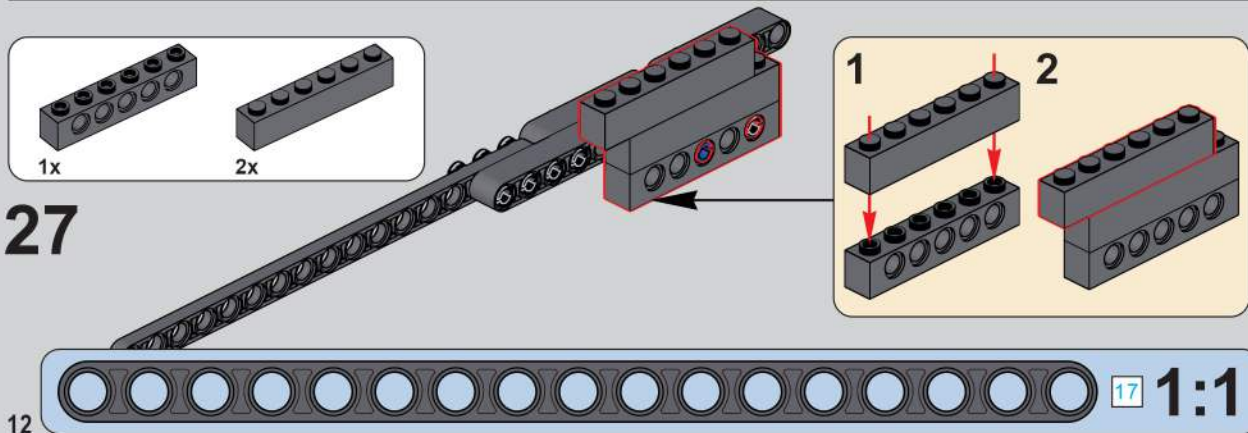




26

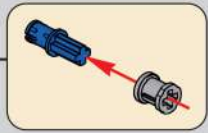
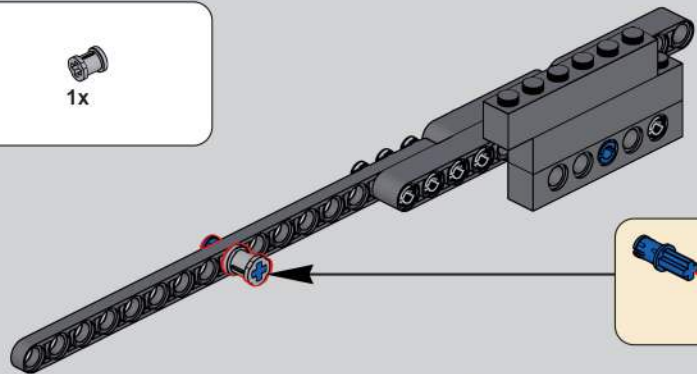


27

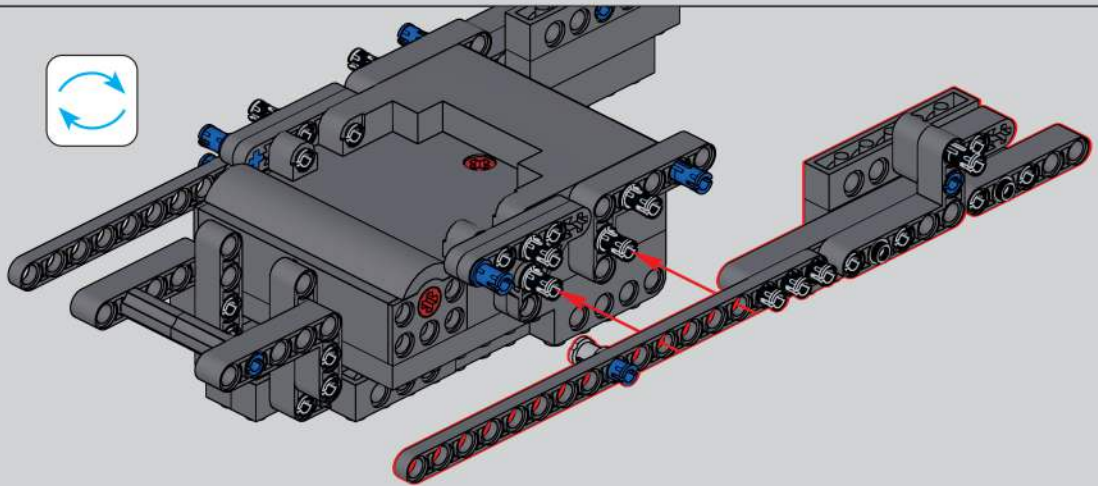




28



29





2x

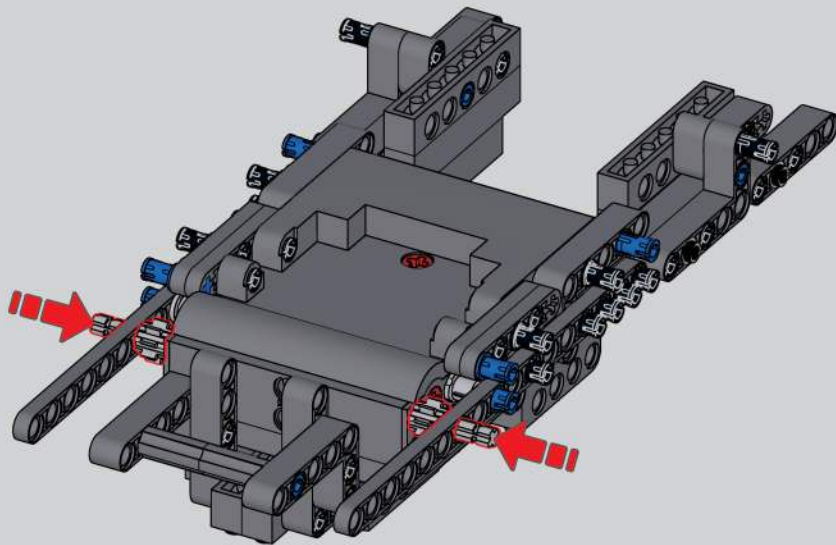


2x



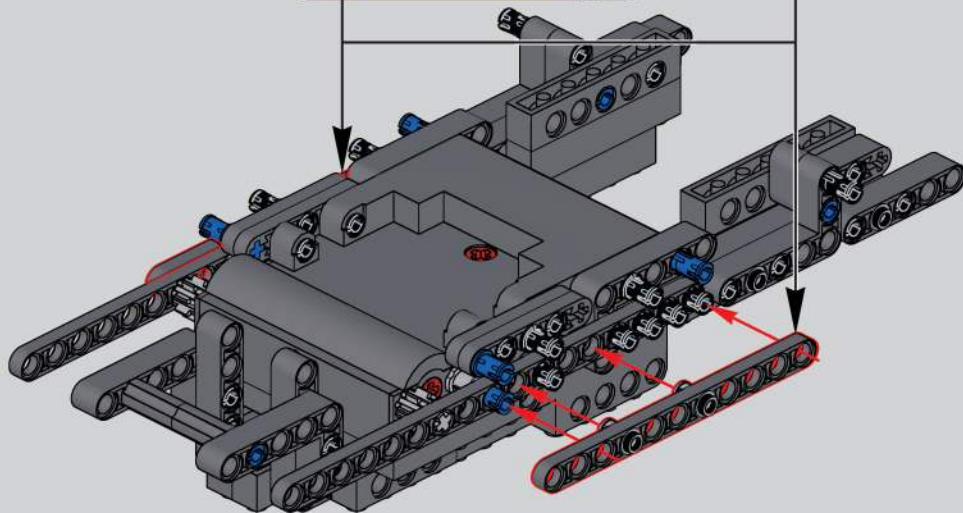
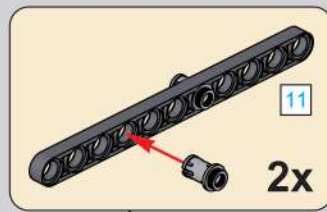
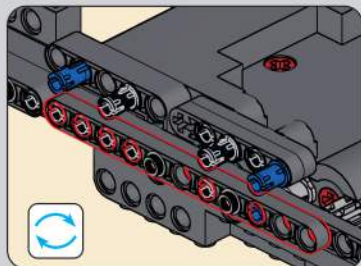
1:1

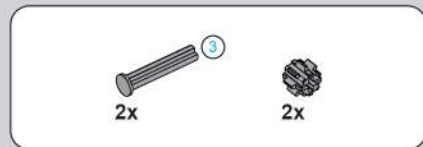
30



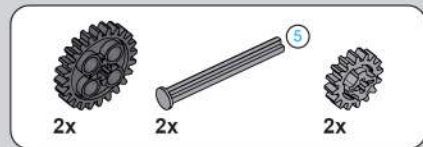
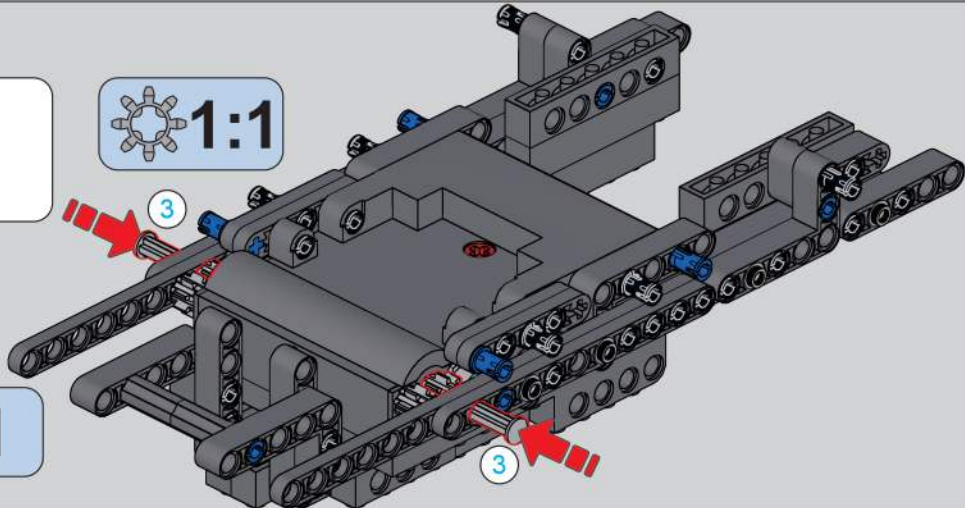
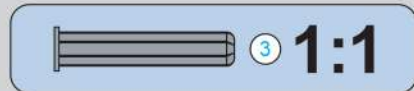


31

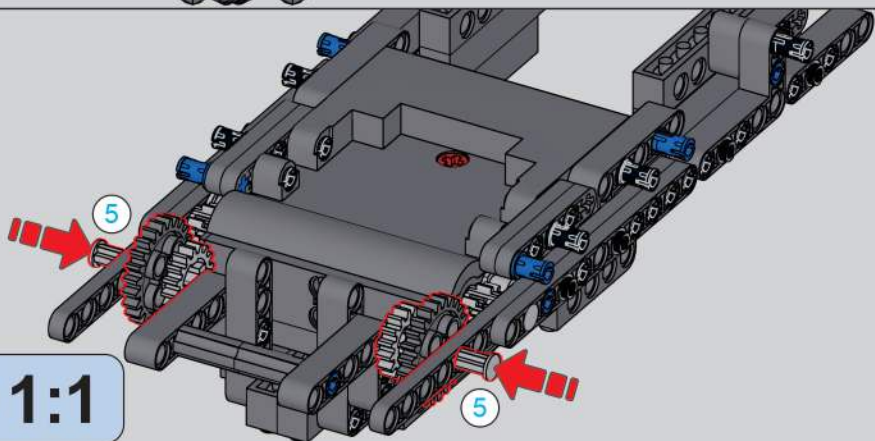
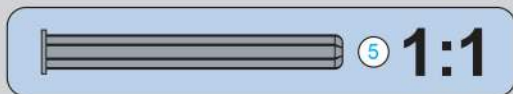




32

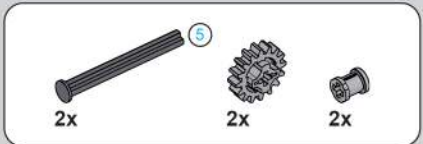
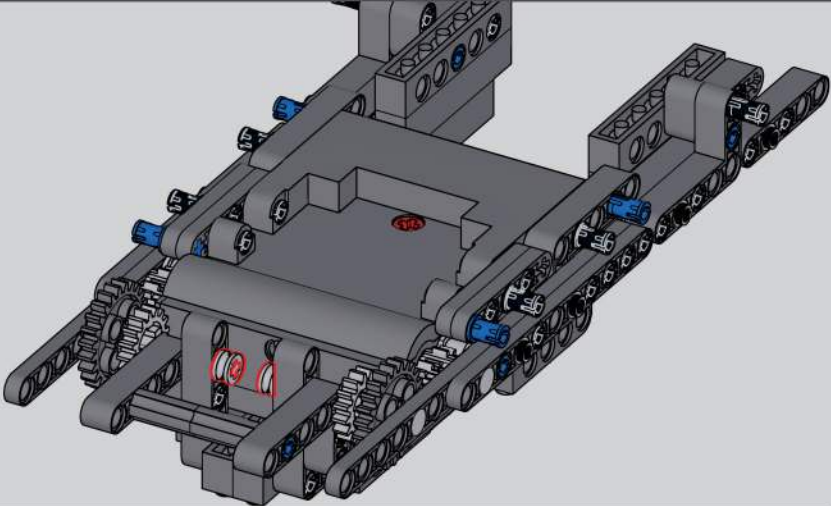


33

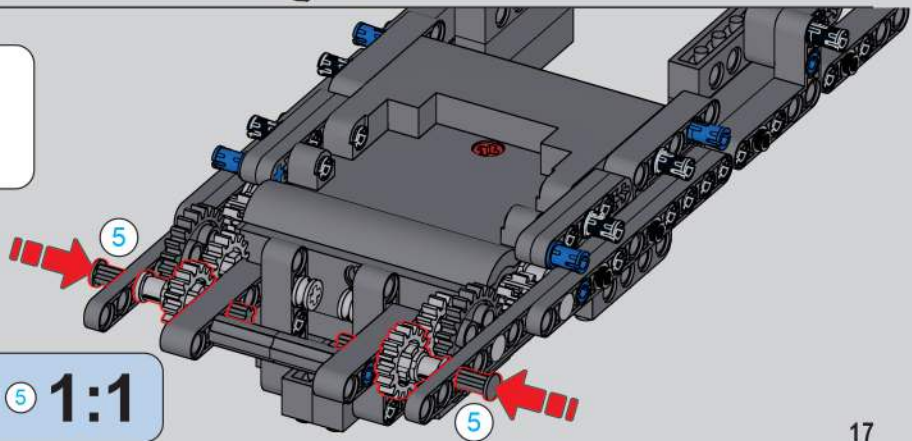




34



35



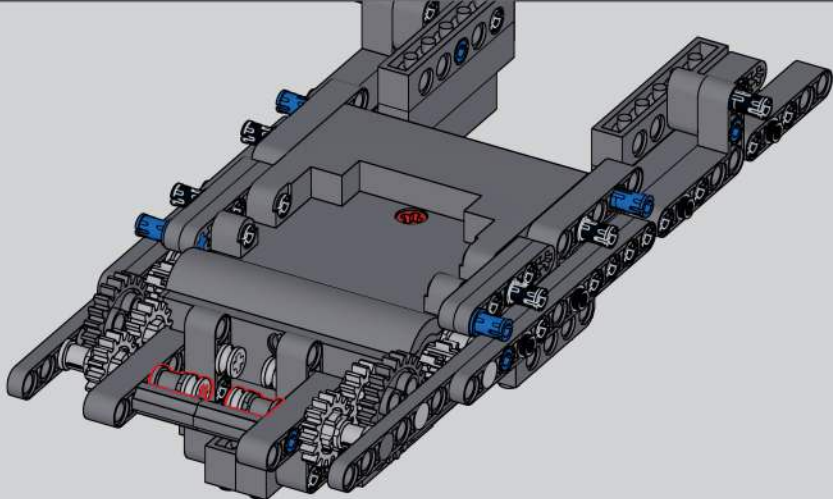


2x



2x

36



2x



2x

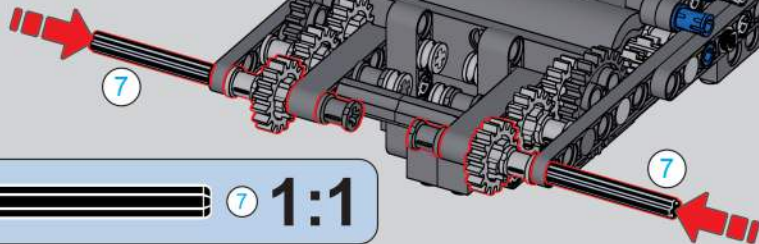


2x



2x

37



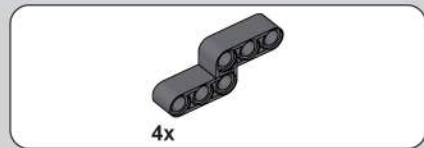
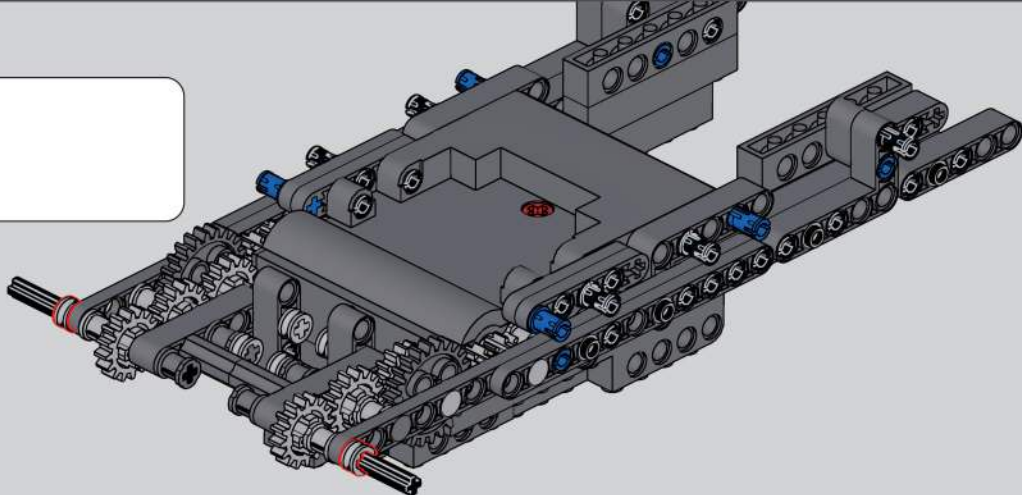
7

1:1

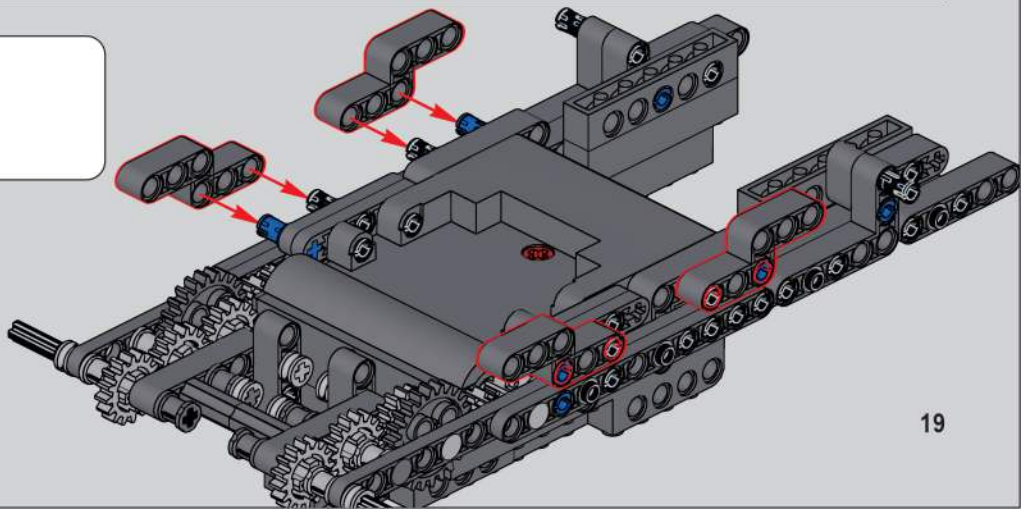
18



38

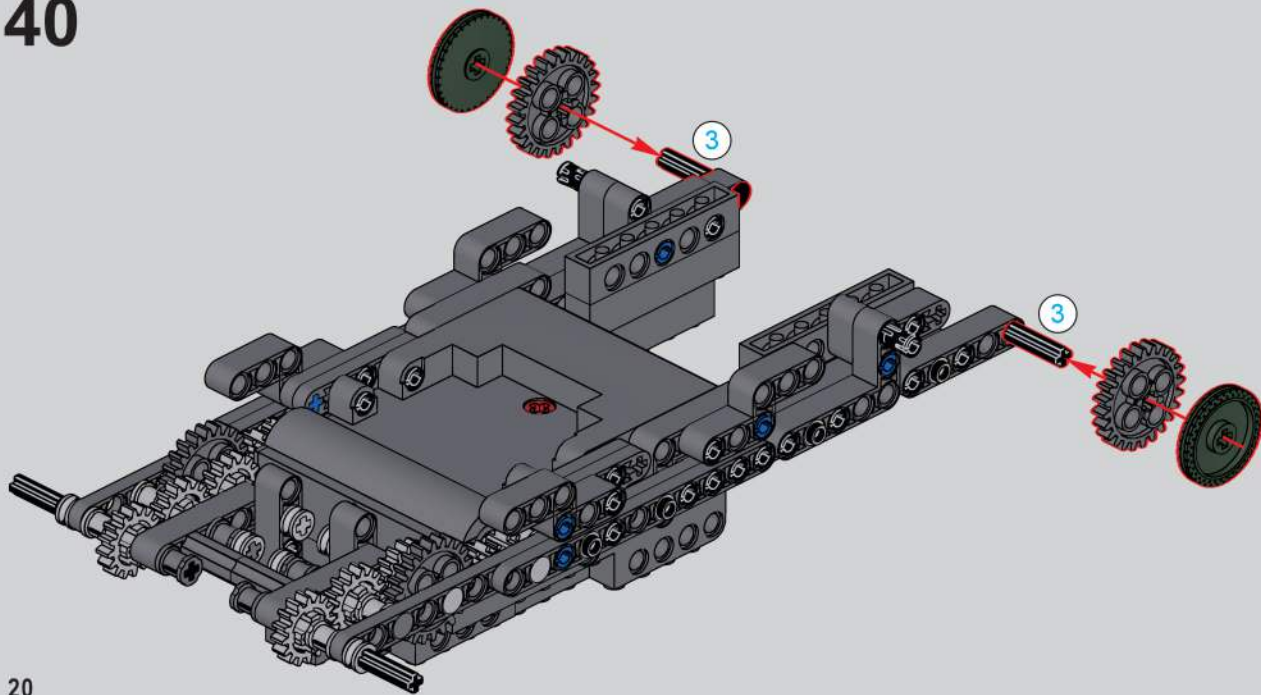


39





40



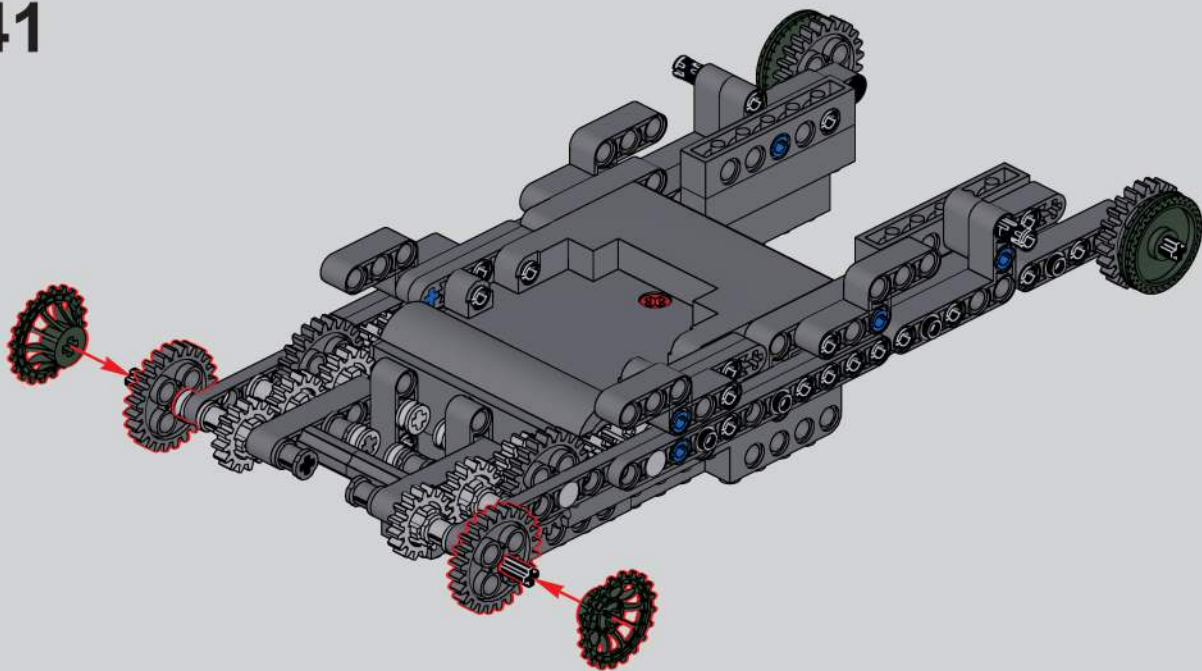


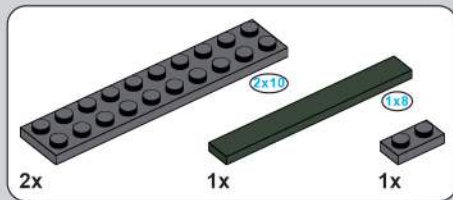
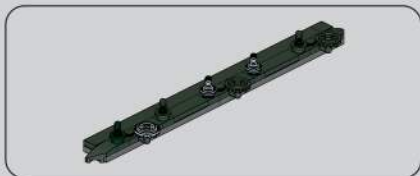
2x



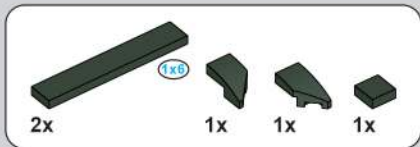
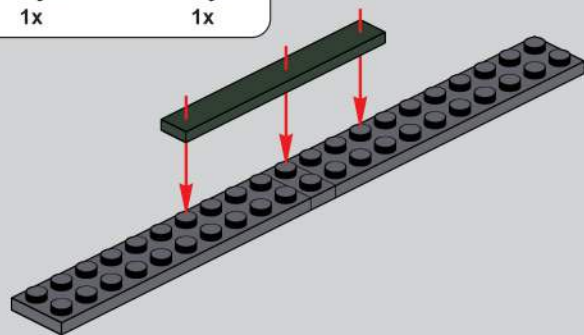
2x

41

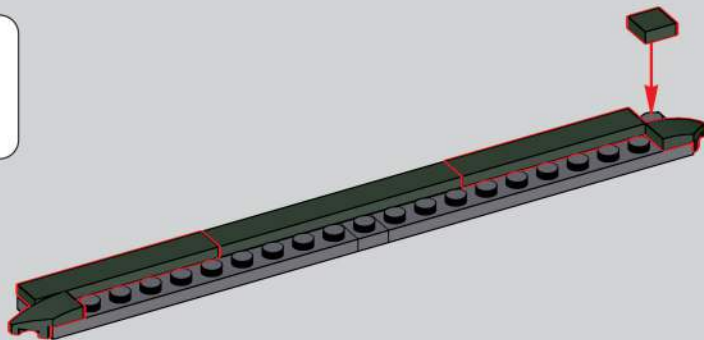




42

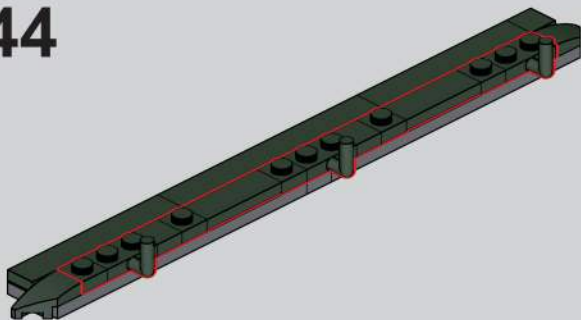


43

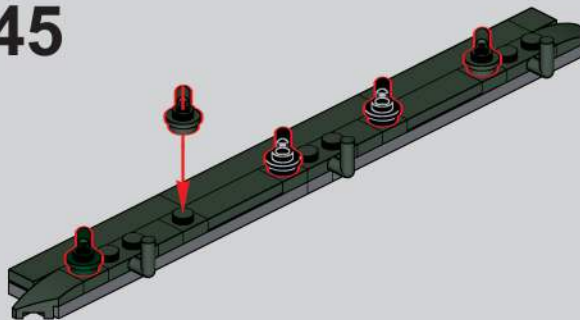




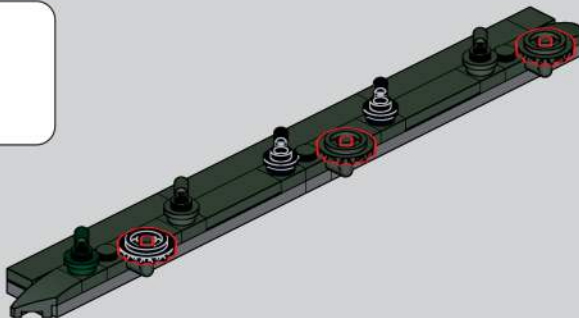
44

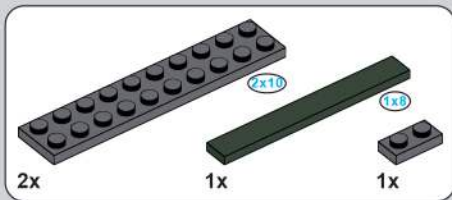
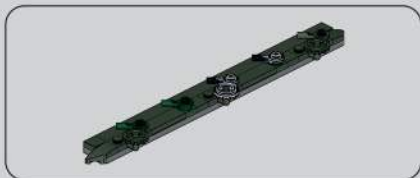


45

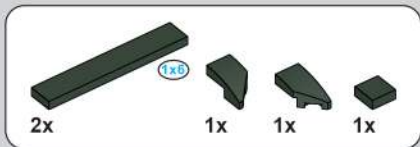
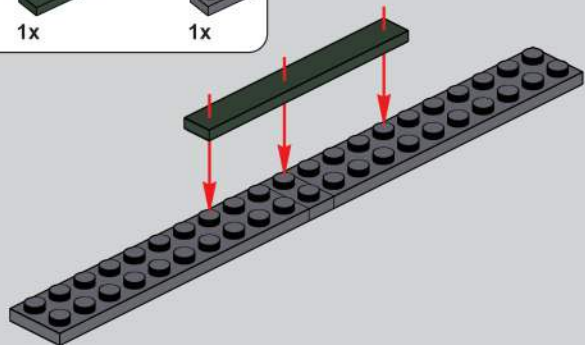


46

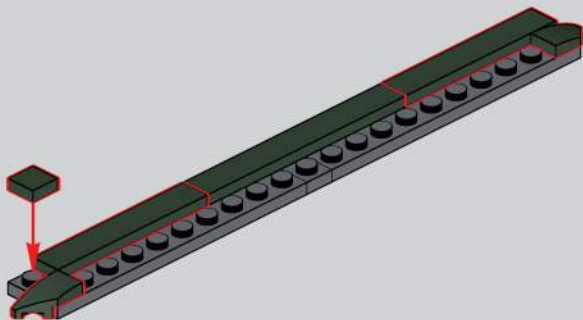




47

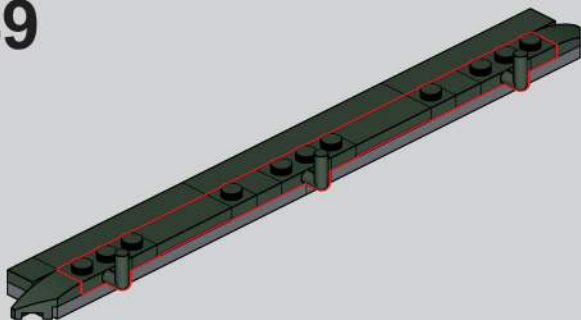


48

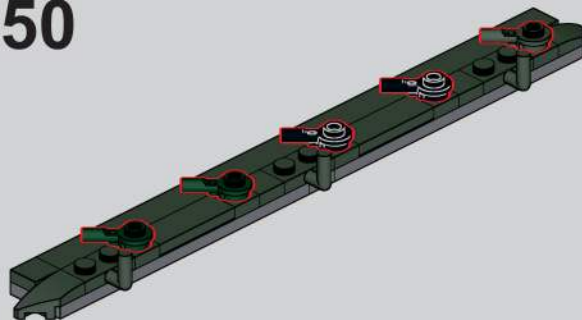




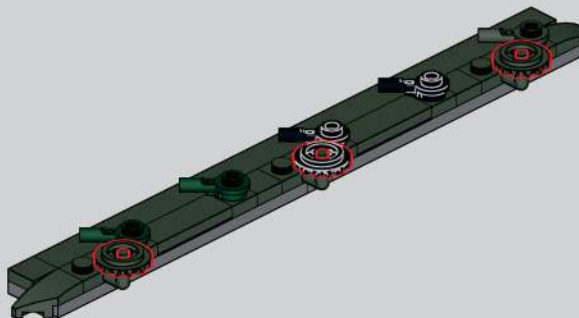
49



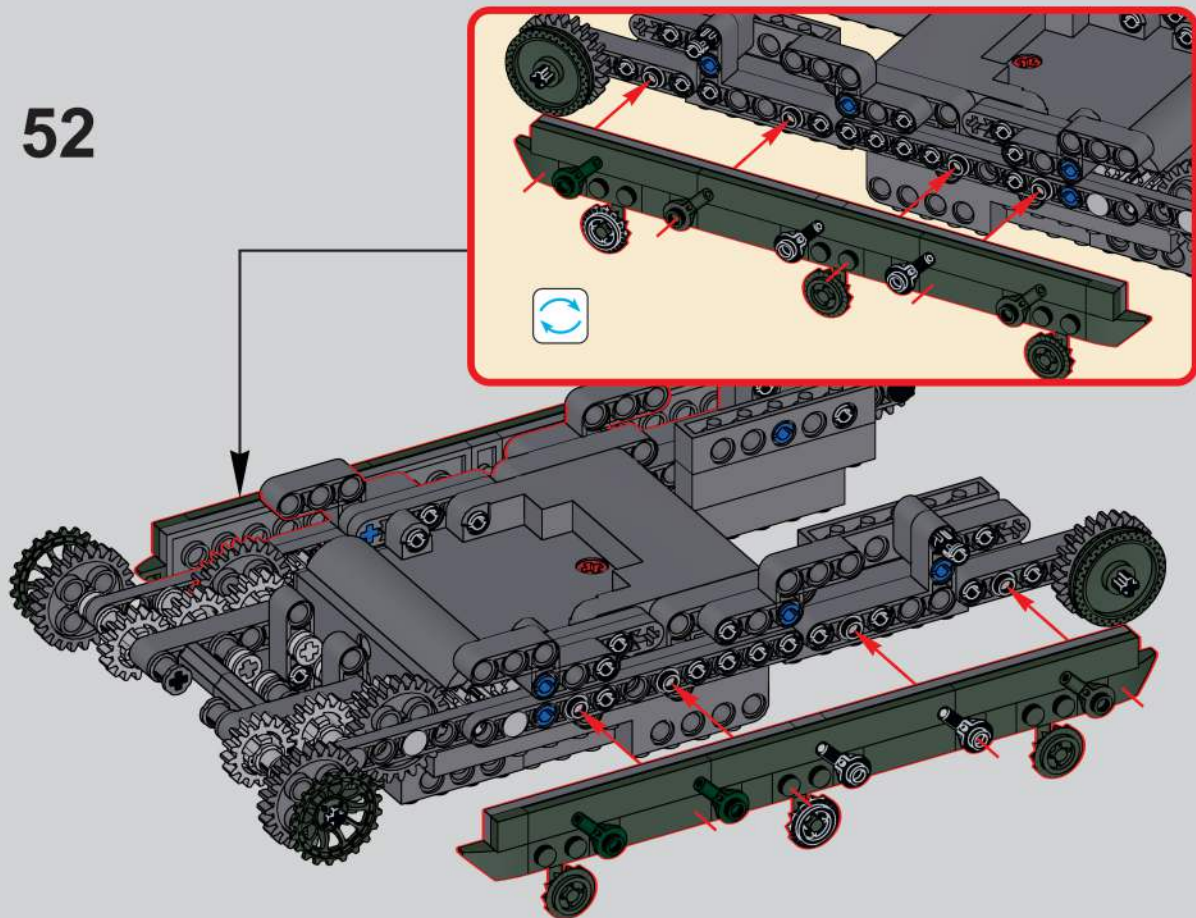
50

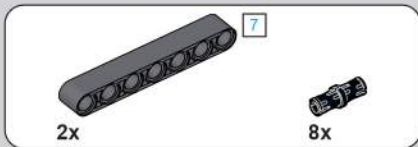
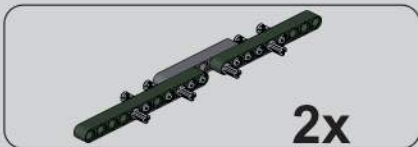
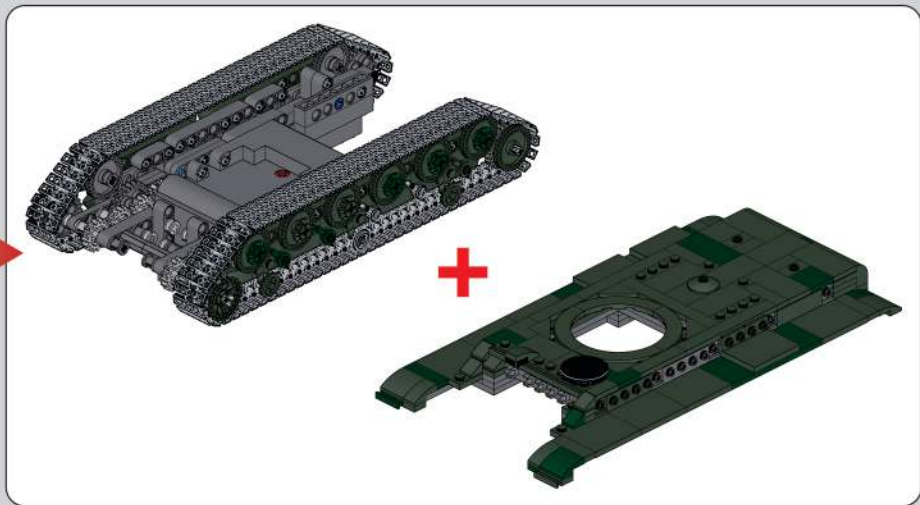


51

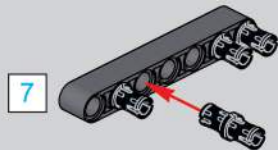


52



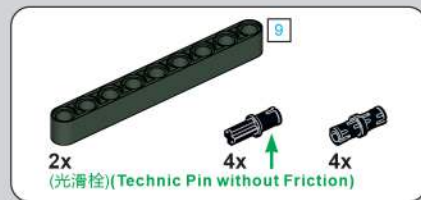
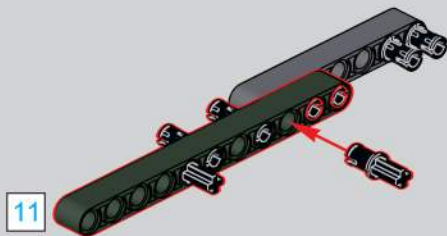


53

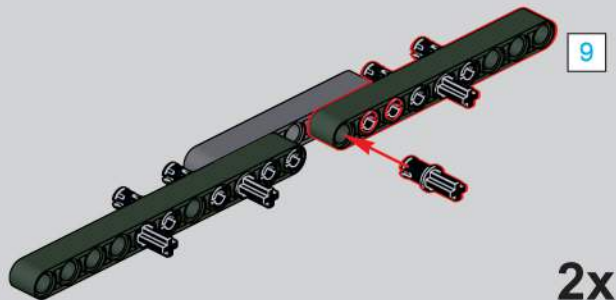




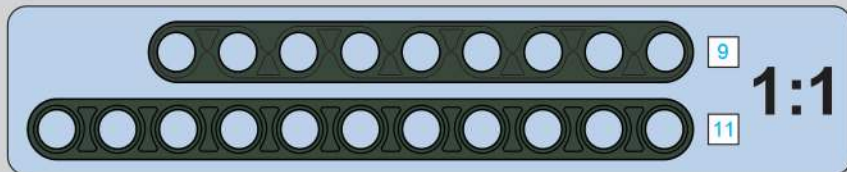
54



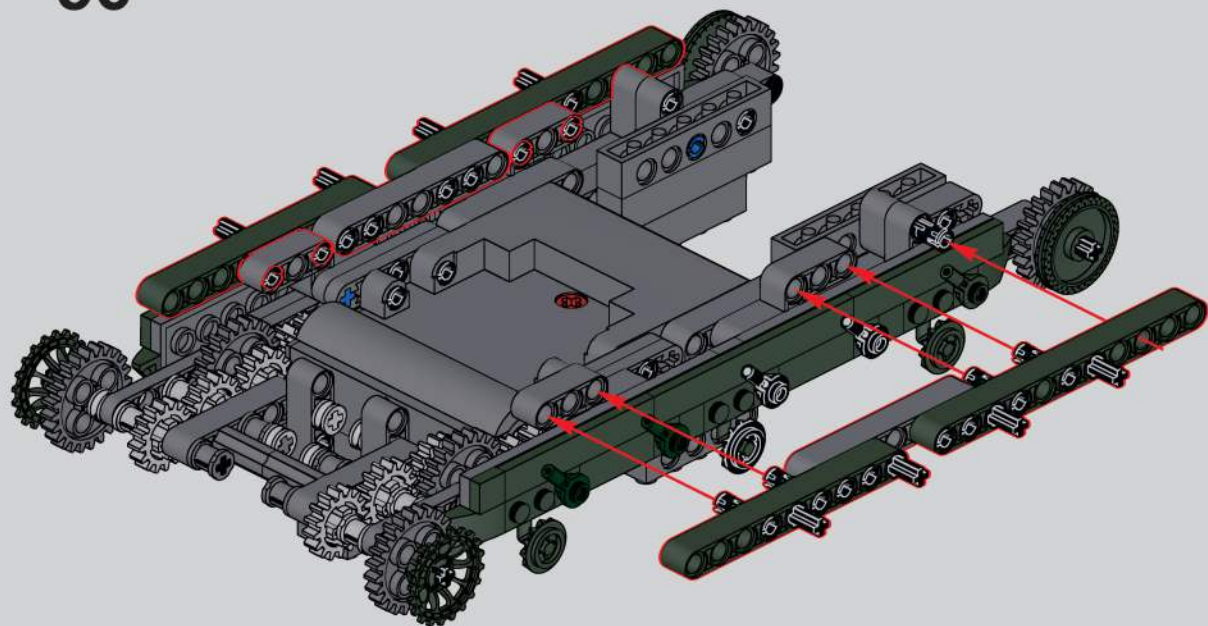
55

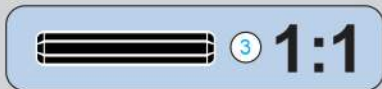
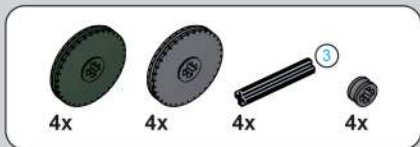


2x

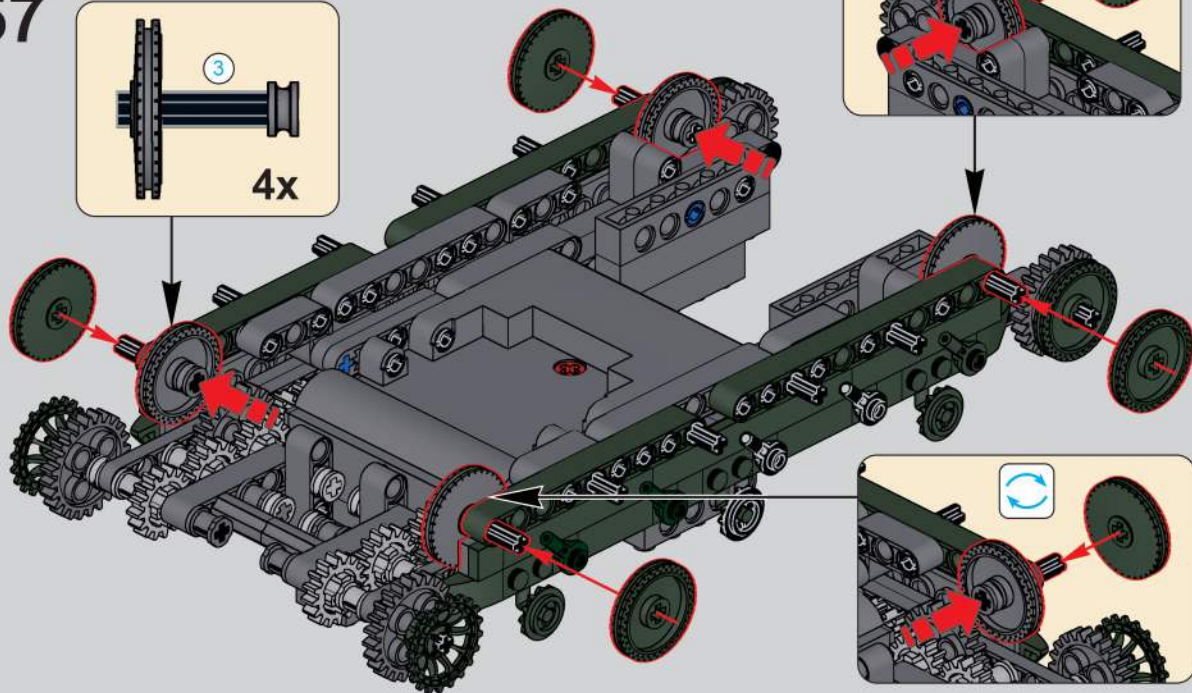
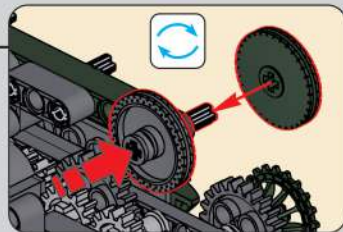
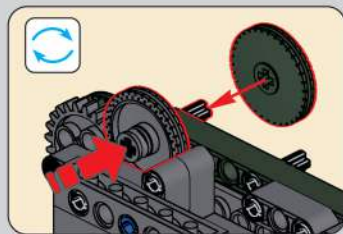
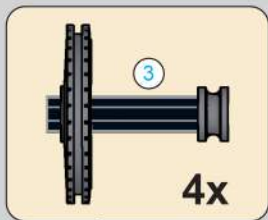


56



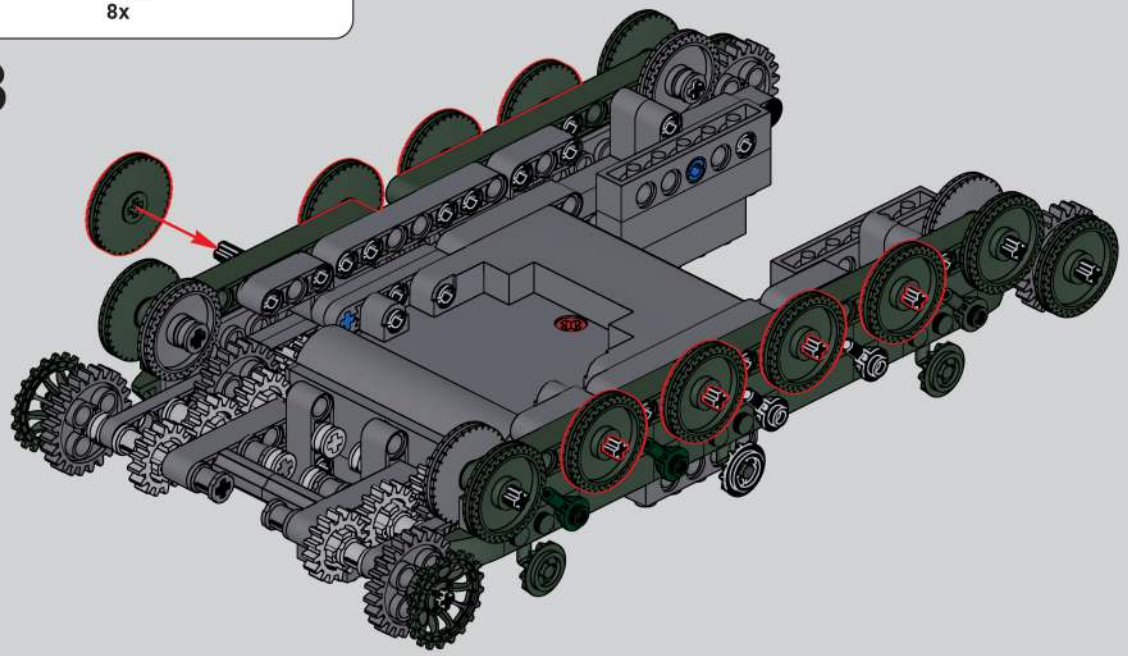


57





58



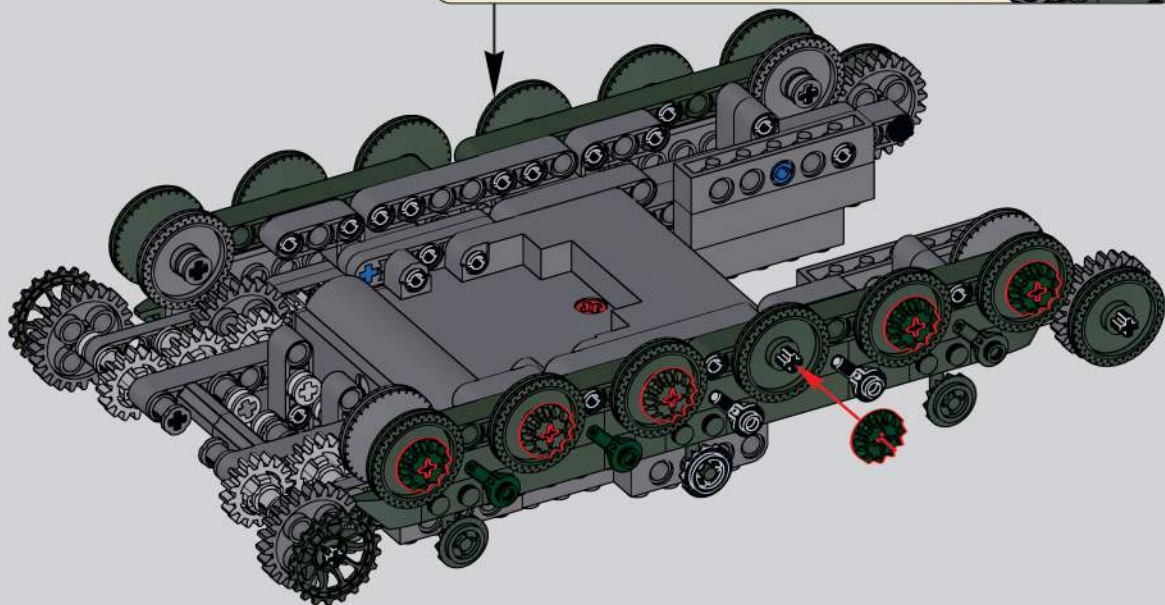
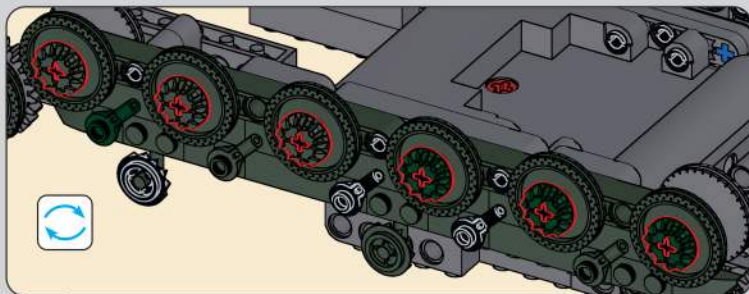


7x



5x

59

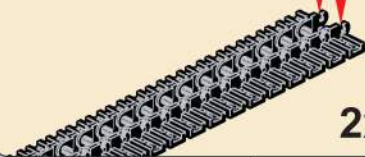




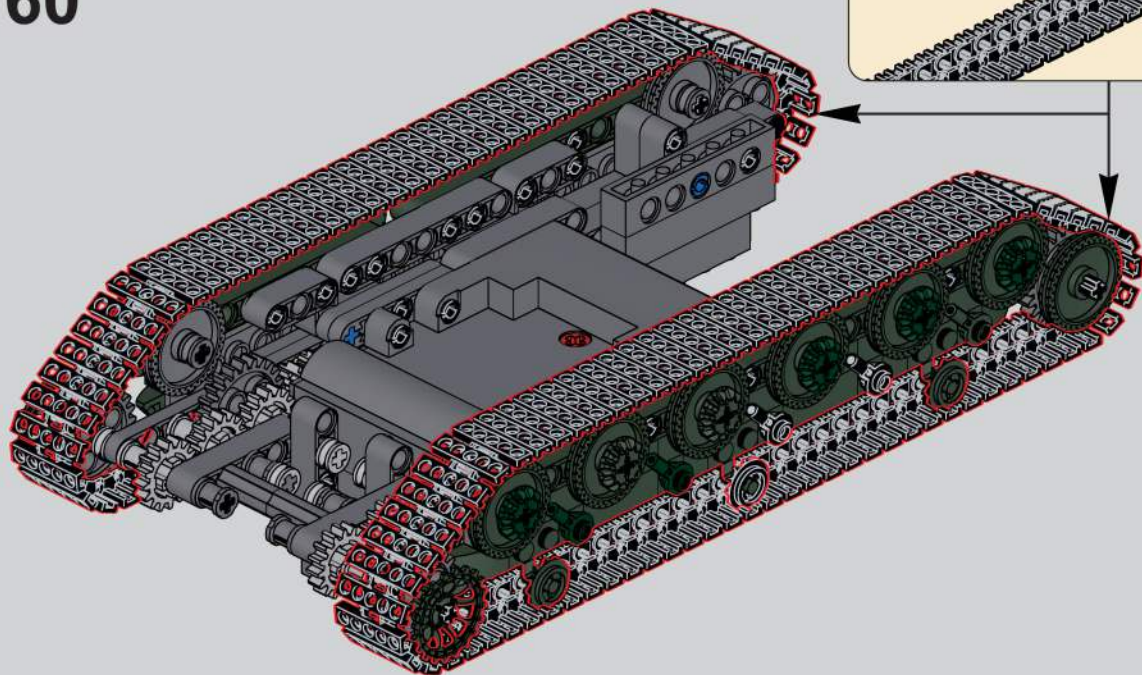
154x

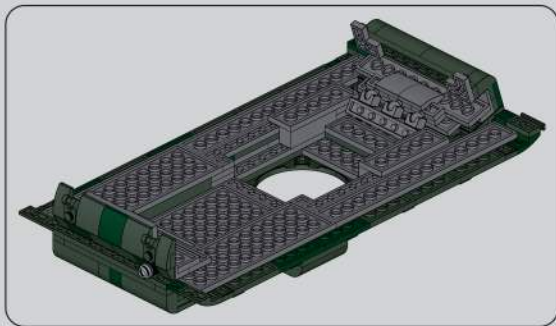
60

77x

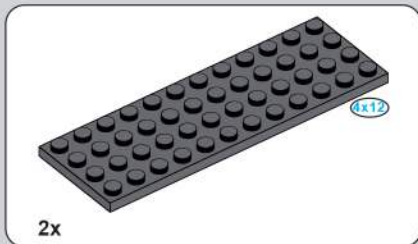
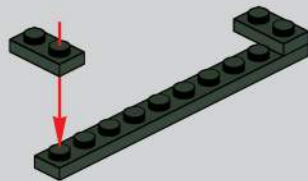


2x

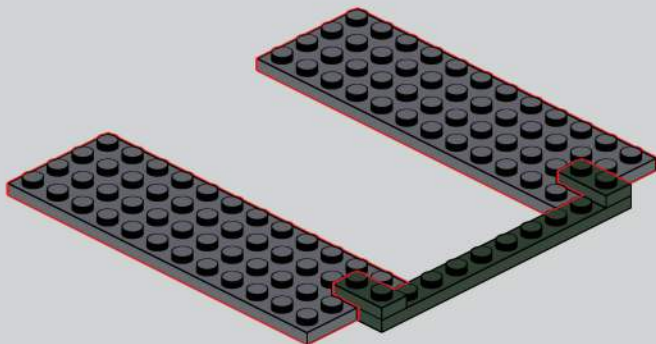


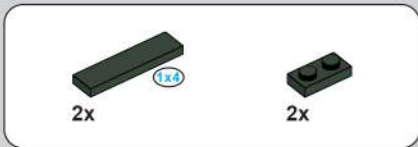


61

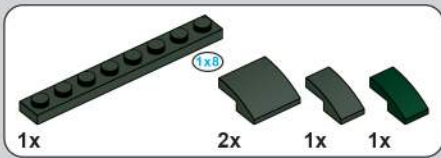
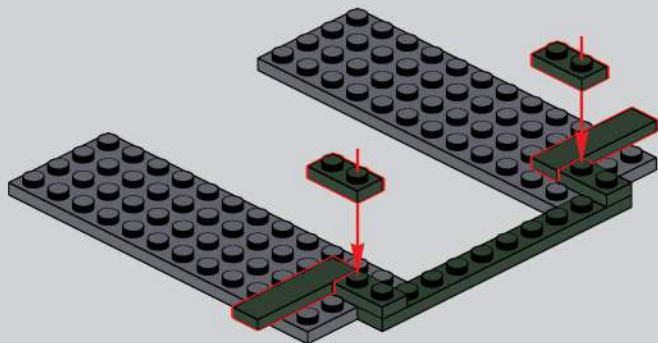


62

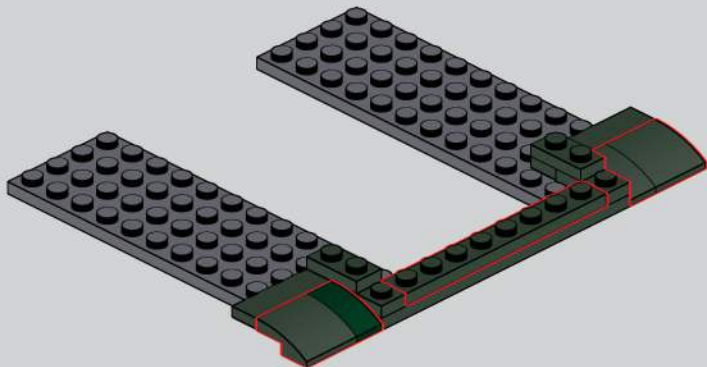


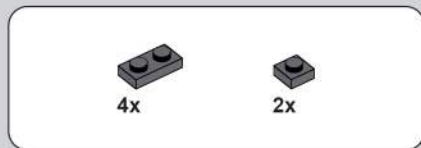


63

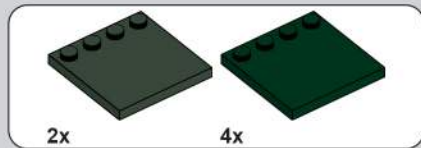
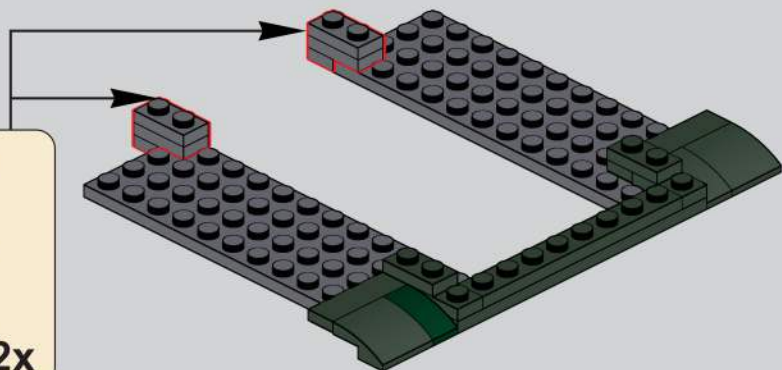
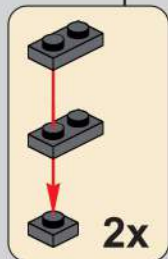


64

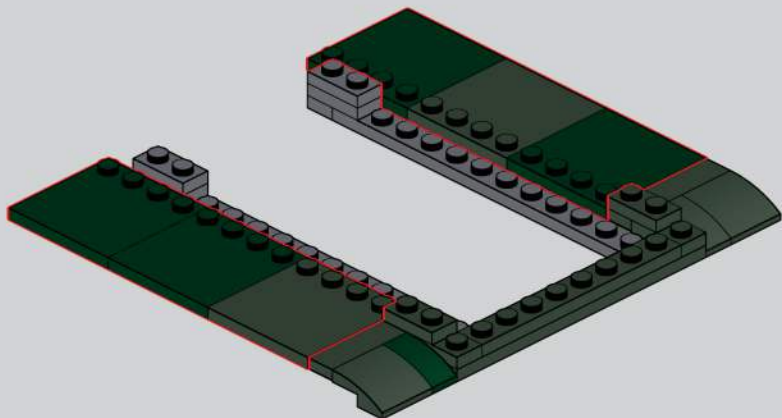


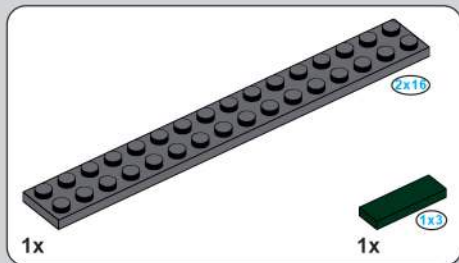
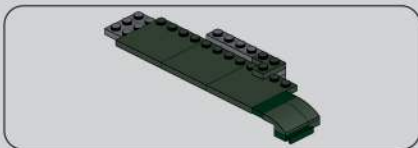


65

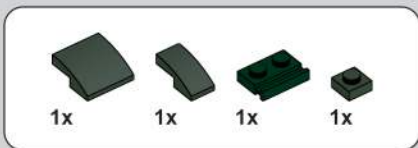
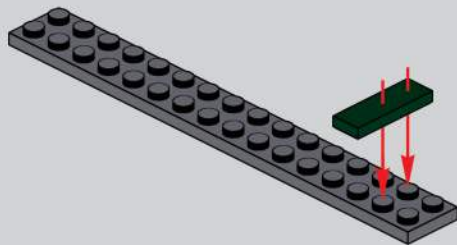


66

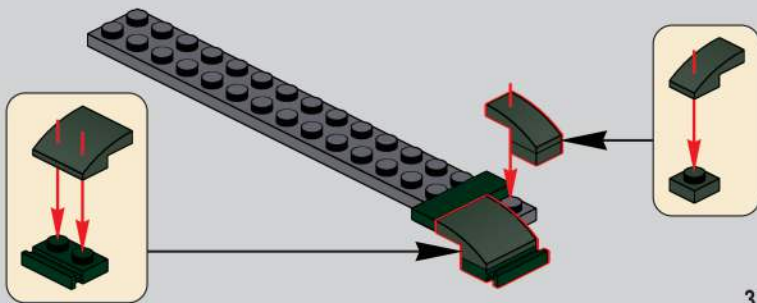


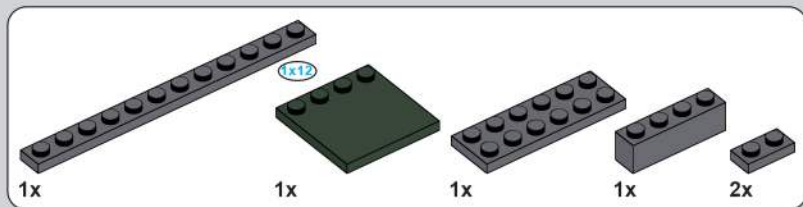


67

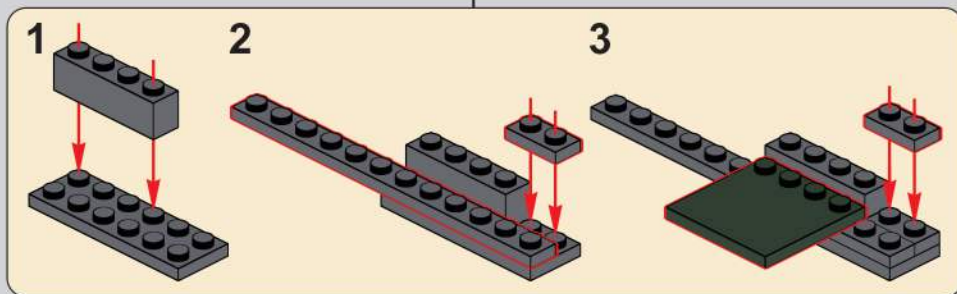
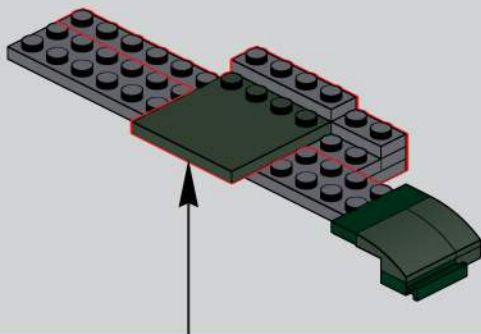


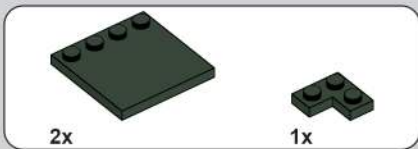
68



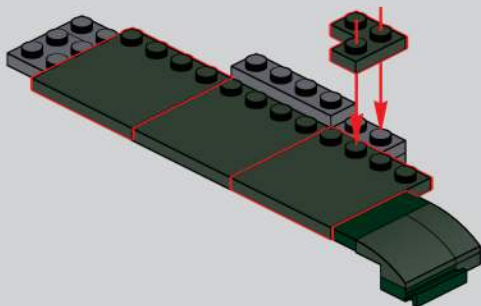


69

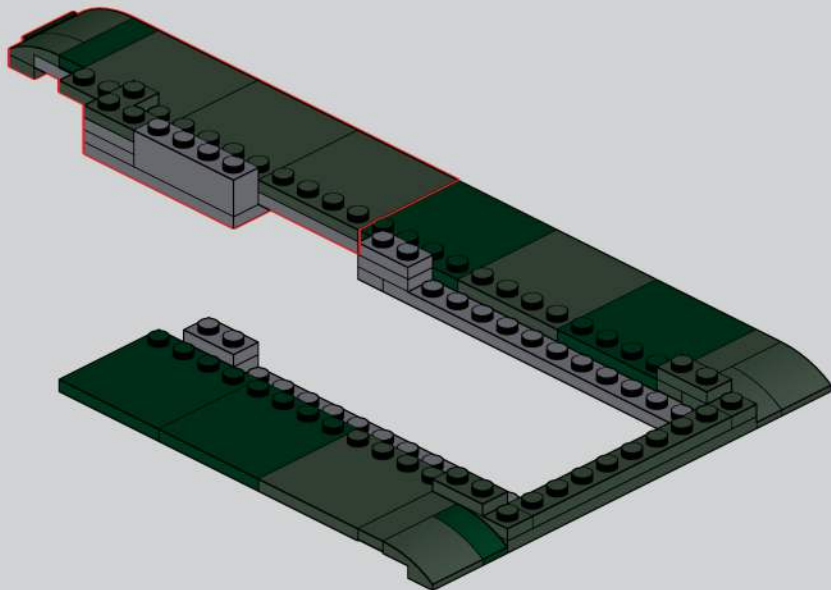


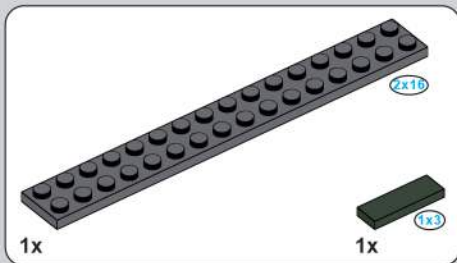
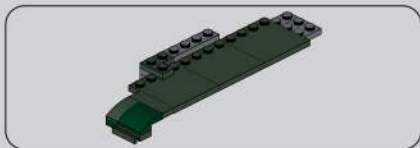


70

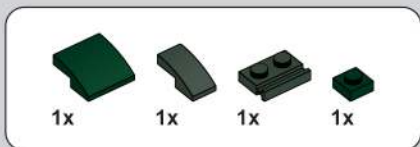
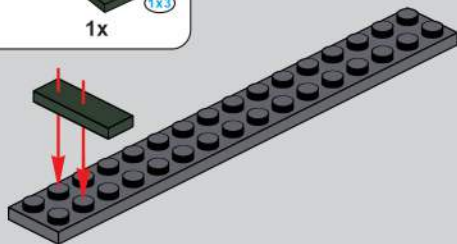


71

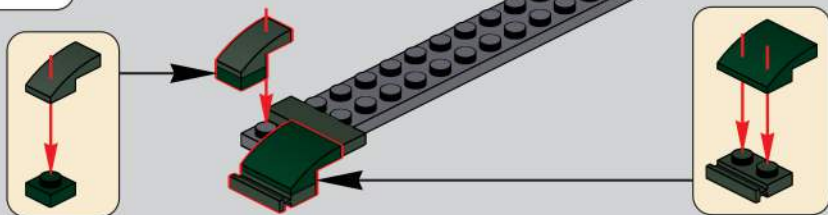


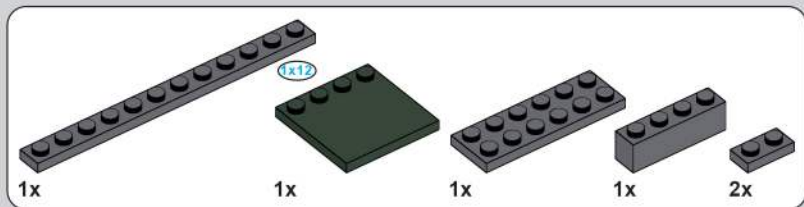


72

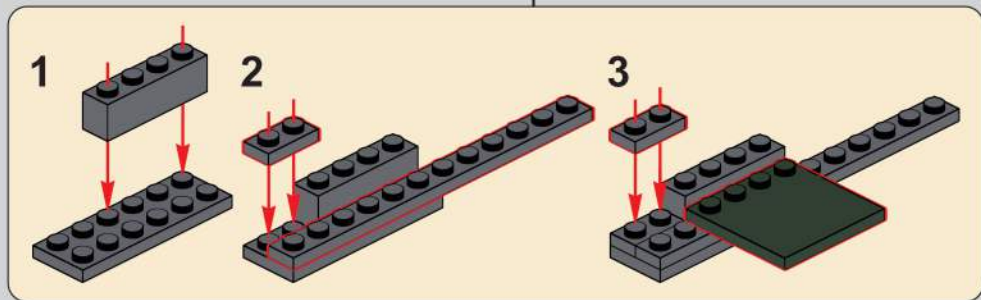
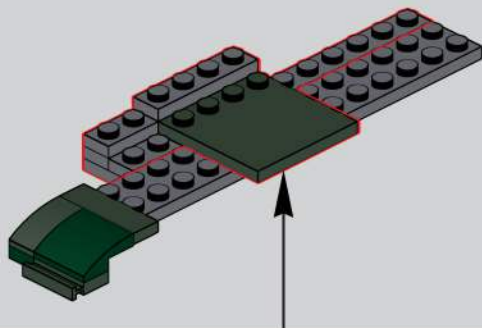


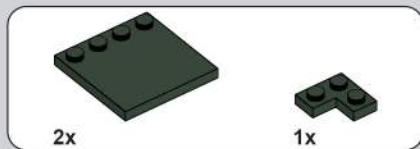
73



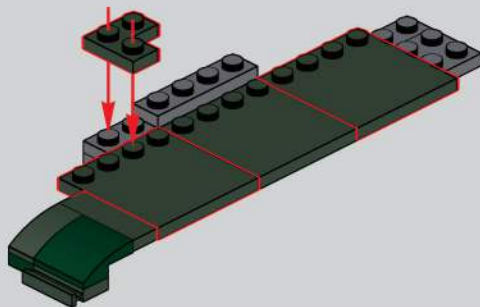


74

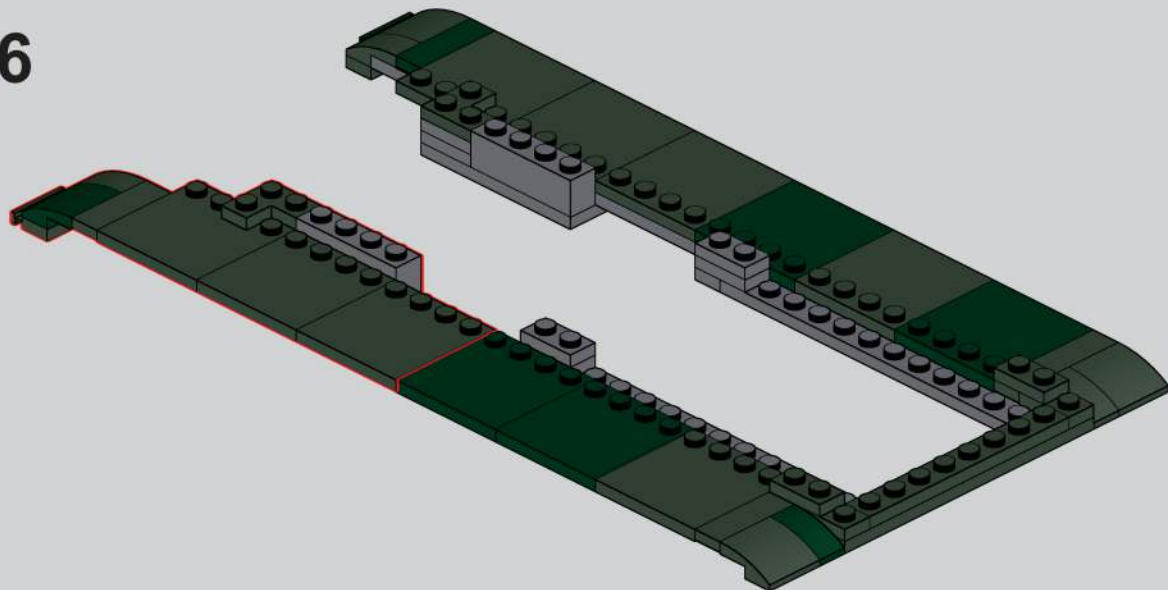




75



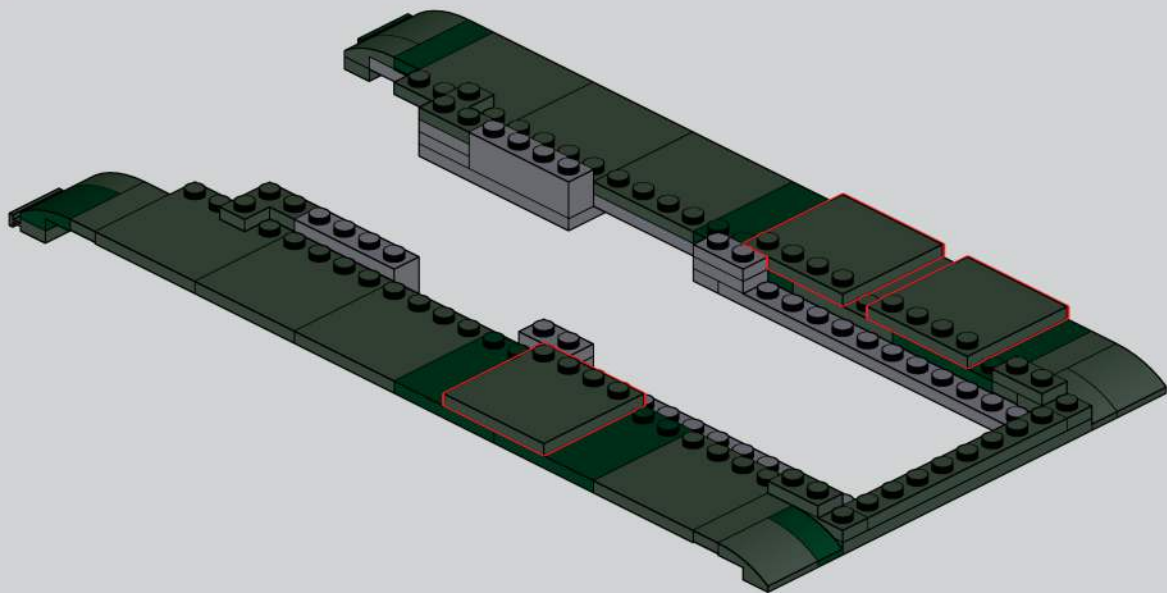
76

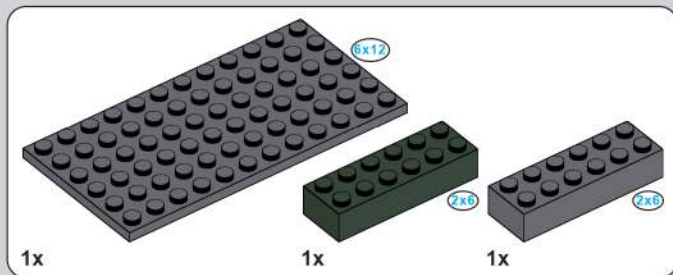
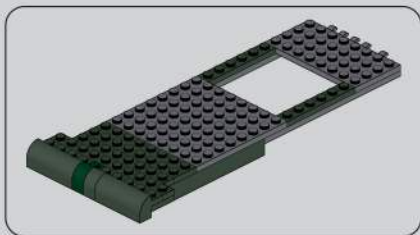




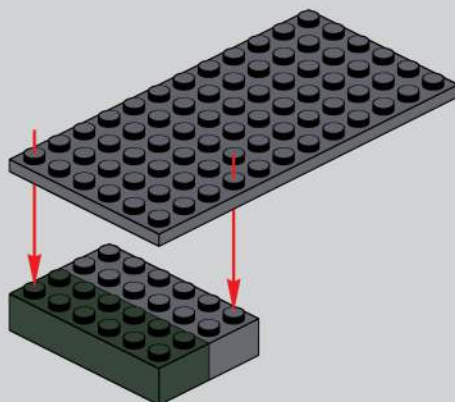
3x

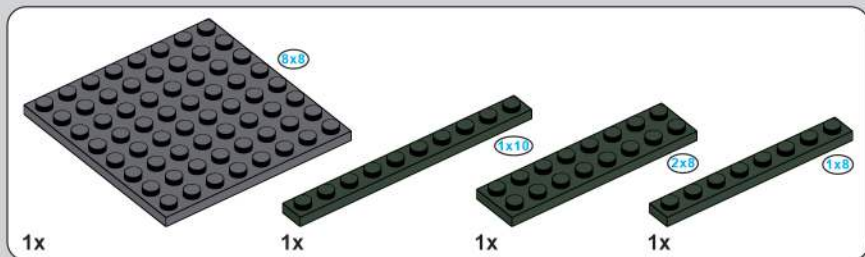
77



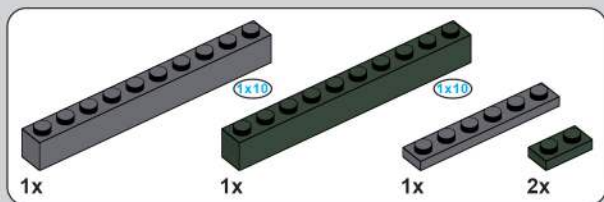
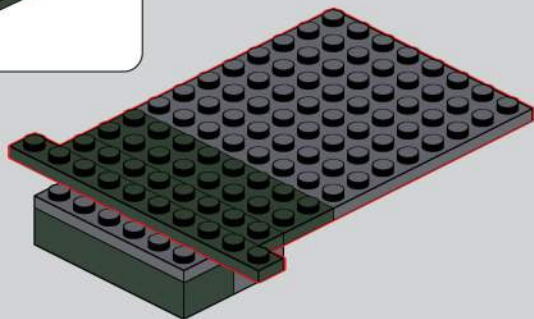


78

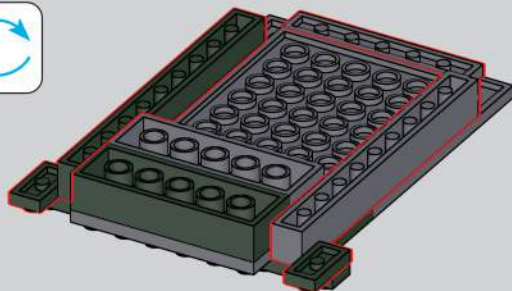


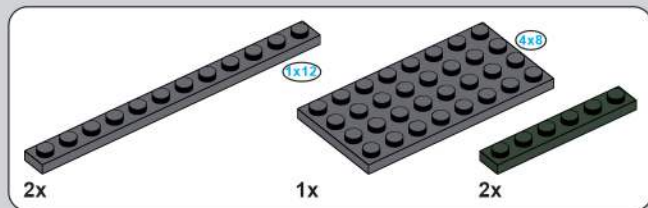


79

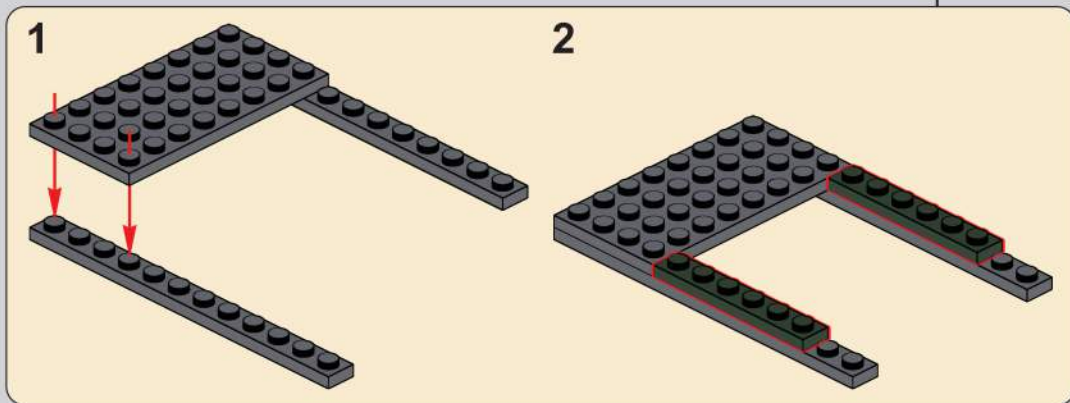
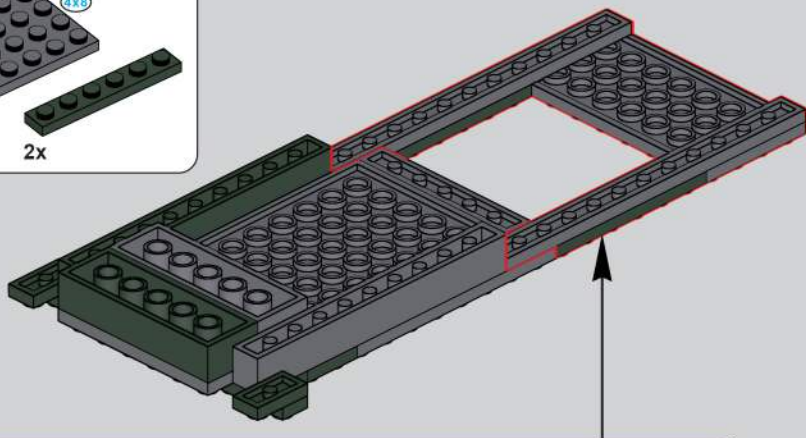


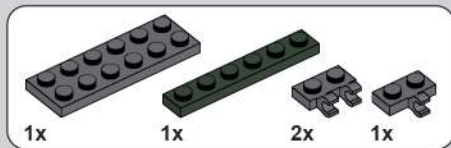
80



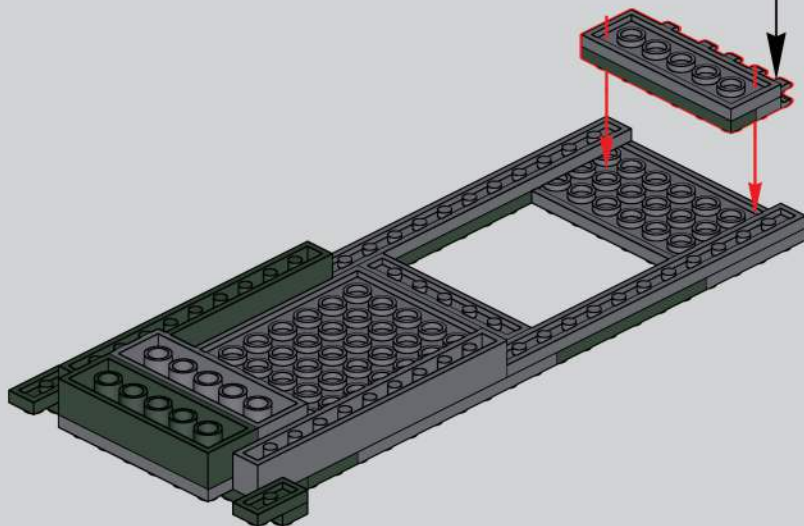
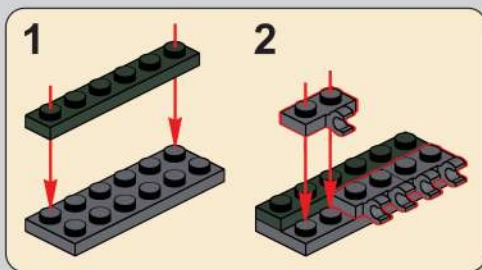


81





82



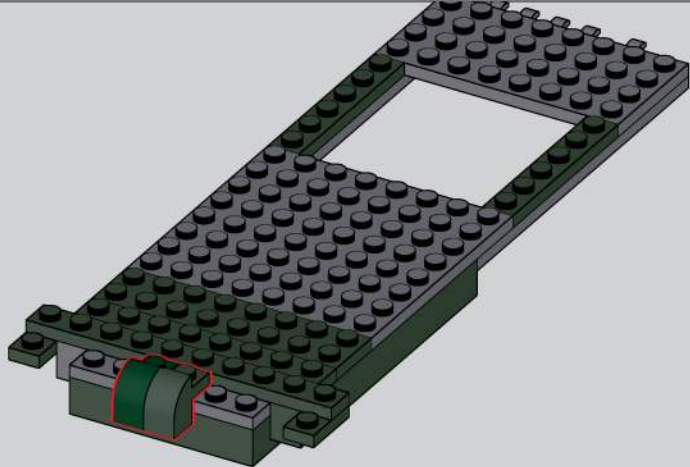


1x



1x

83

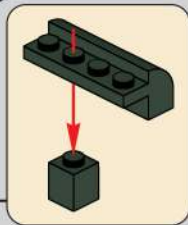
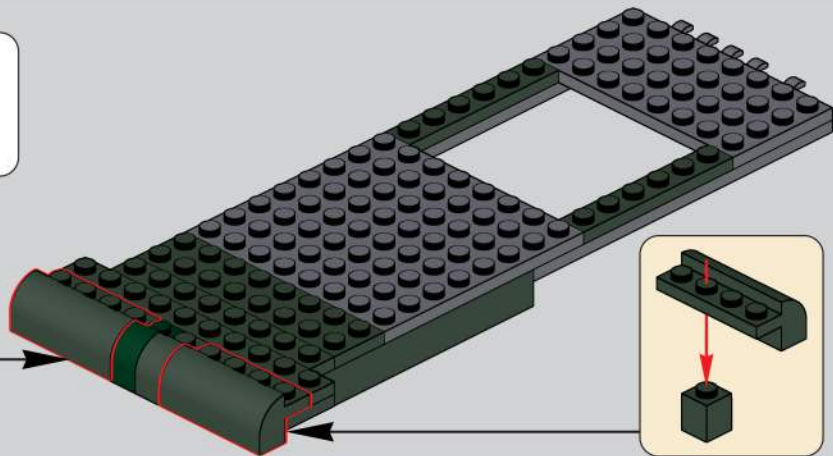
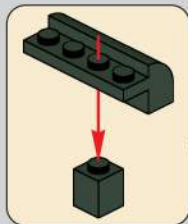


2x

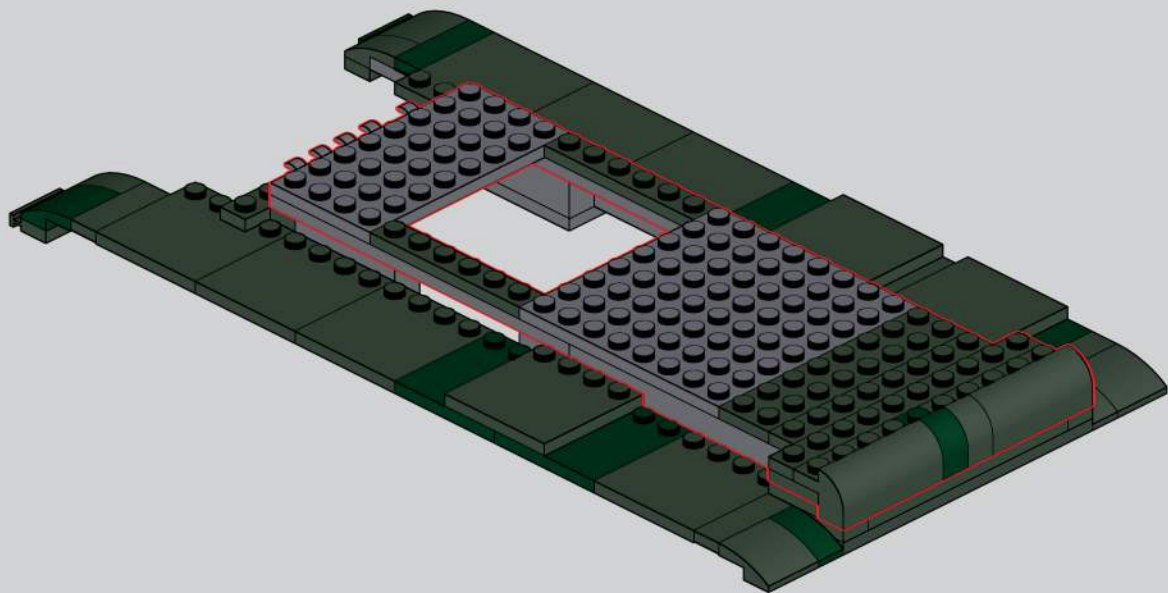


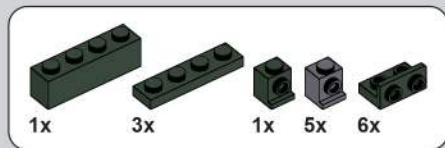
2x

84

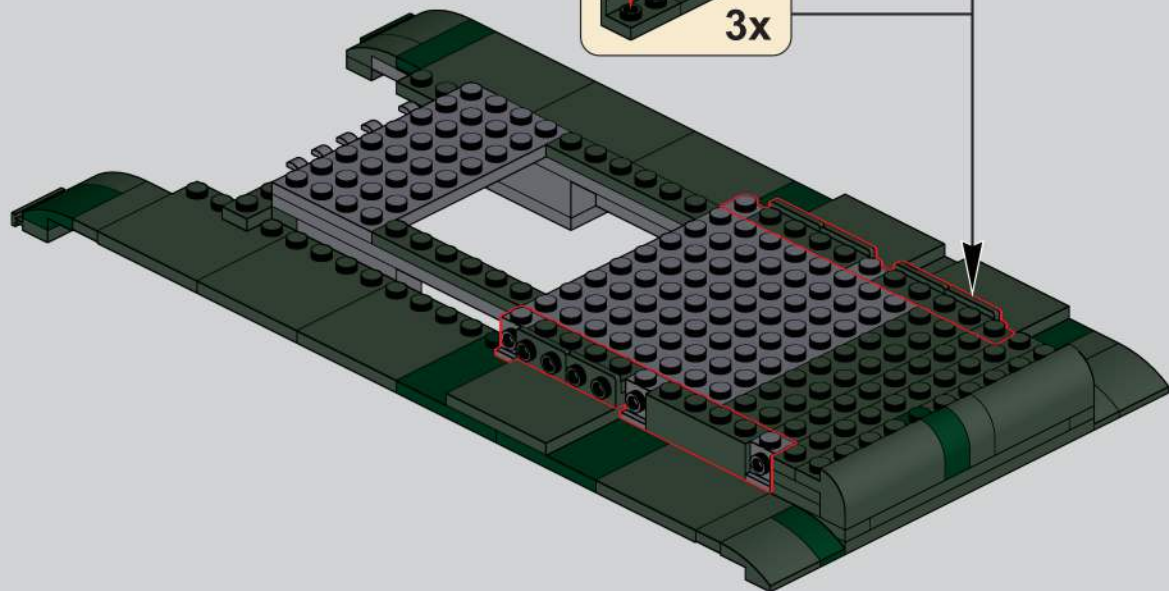
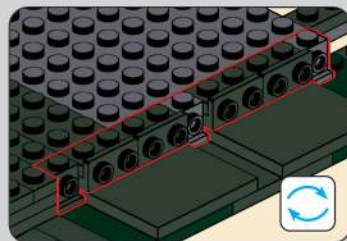
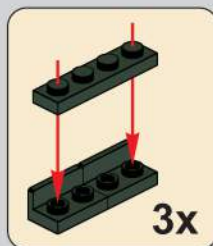


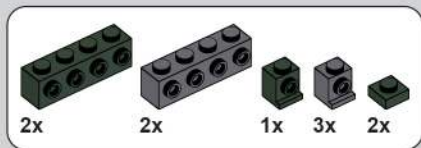
85



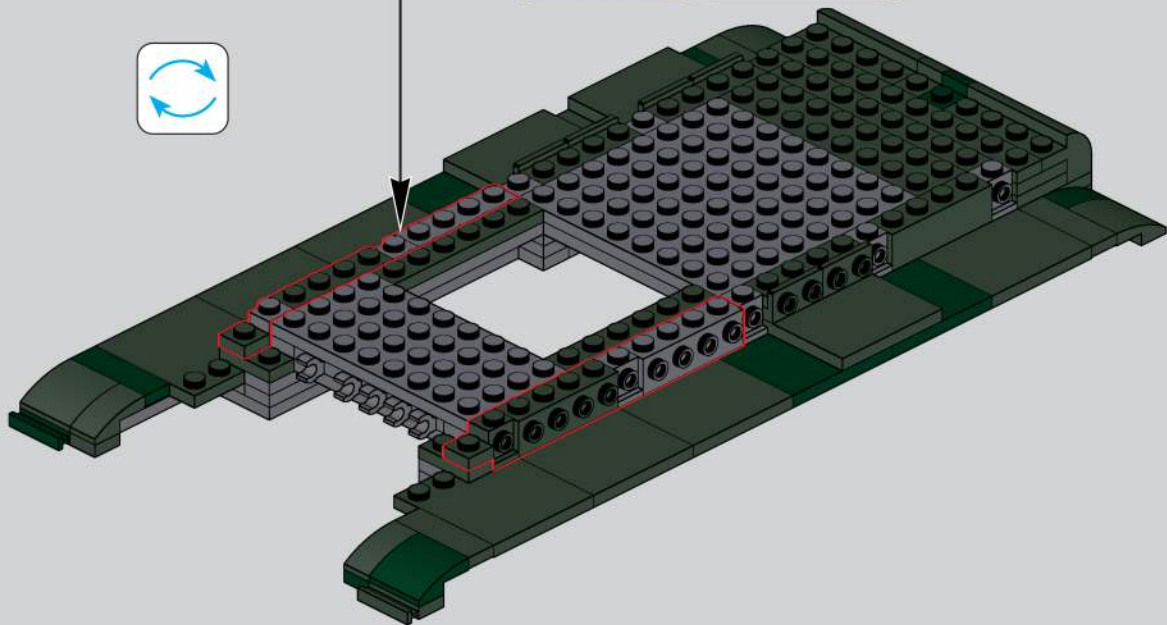
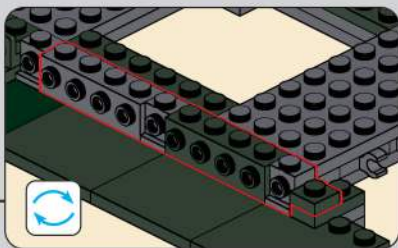


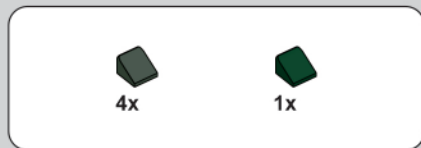
86



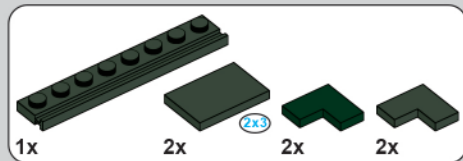
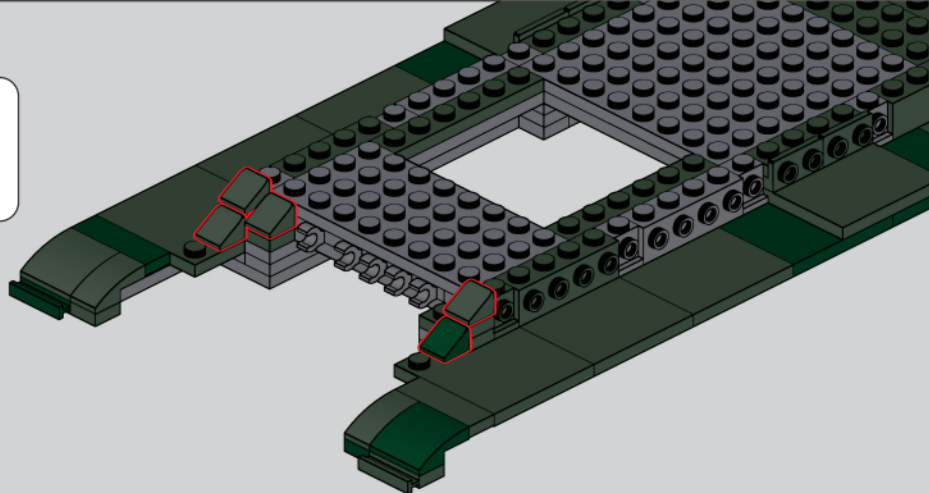


87

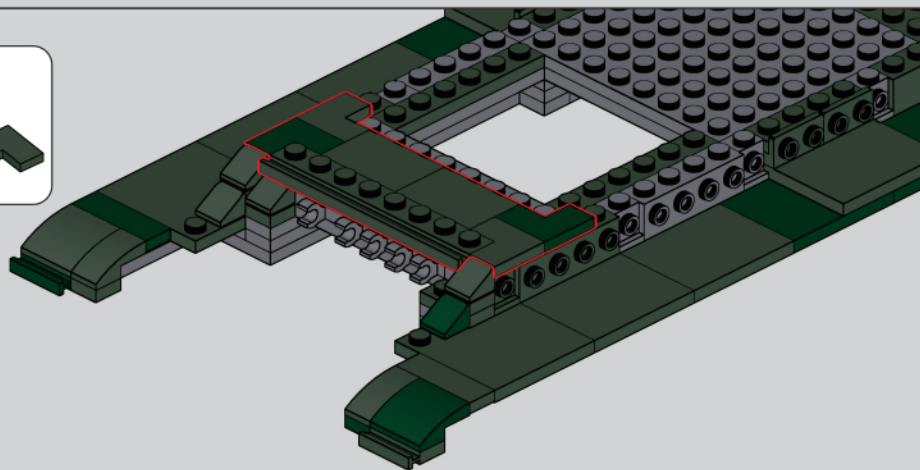


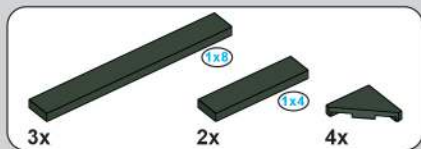


88

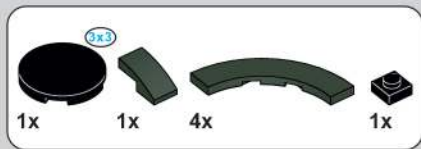
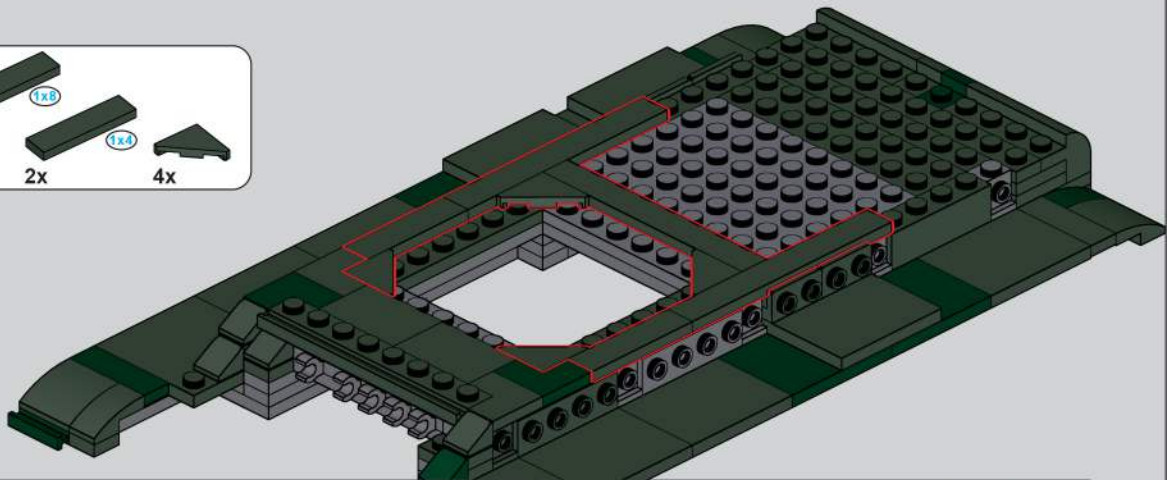


89

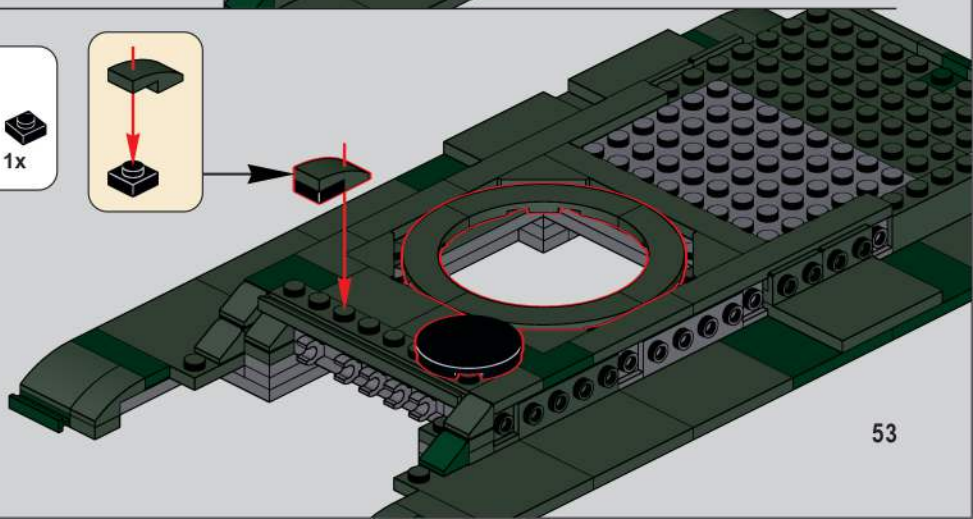


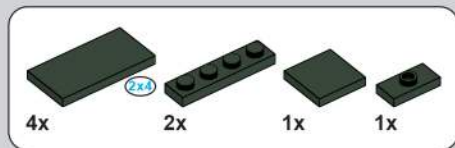


90

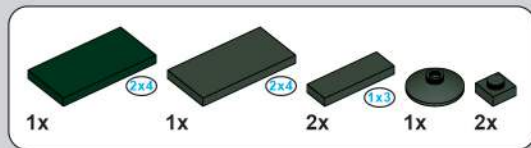
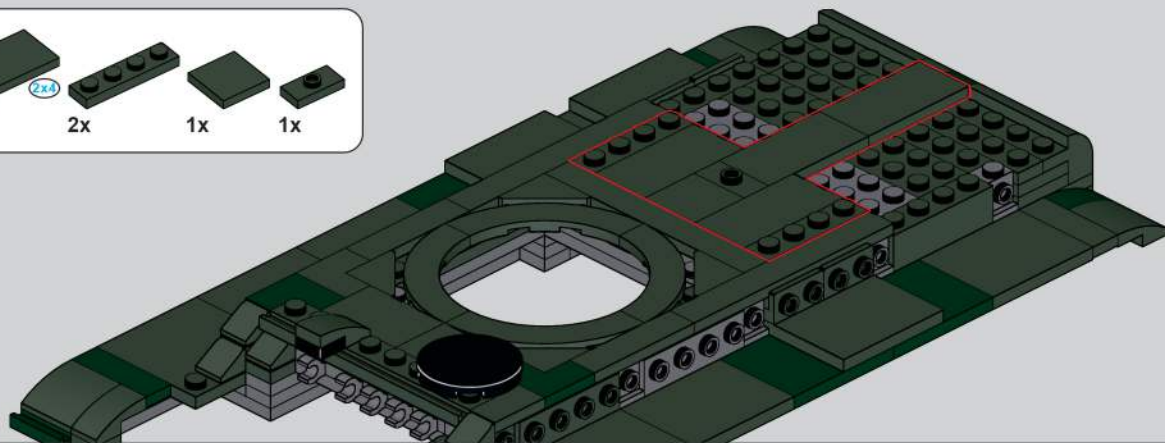


91

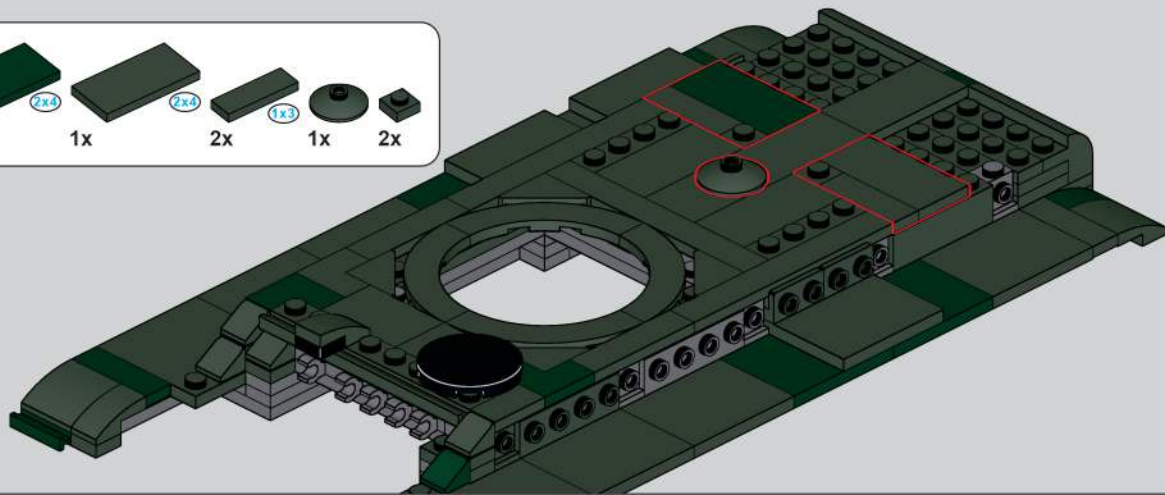


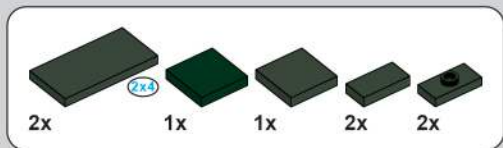


92

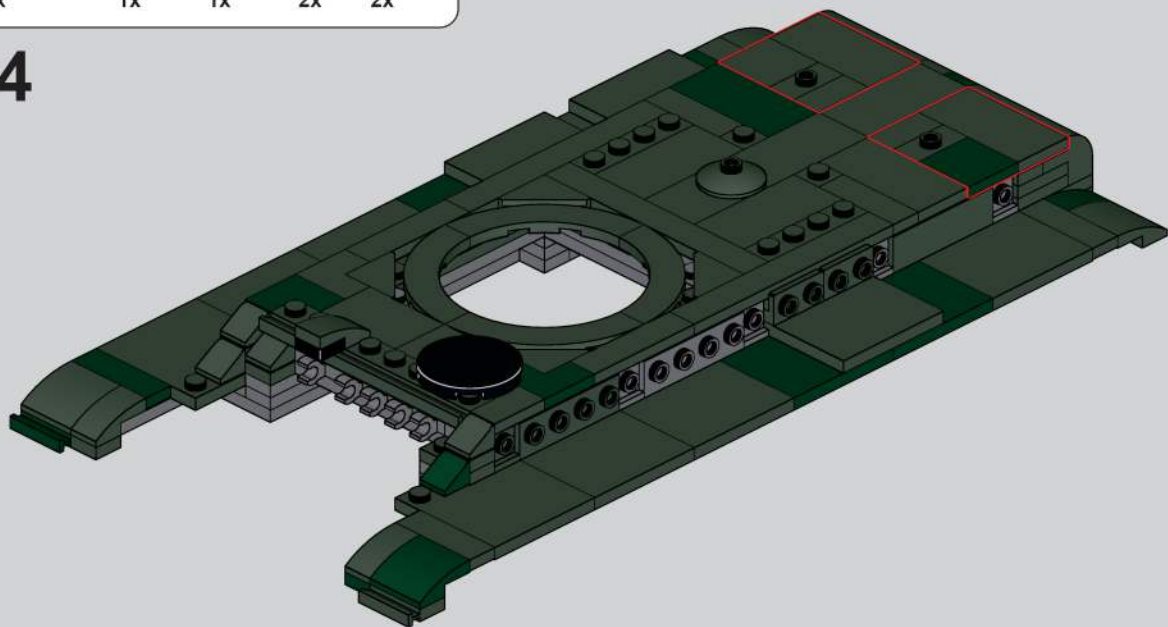


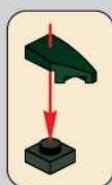
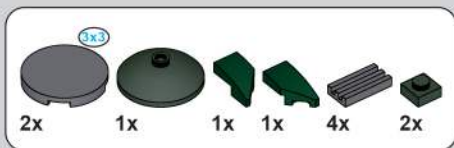
93





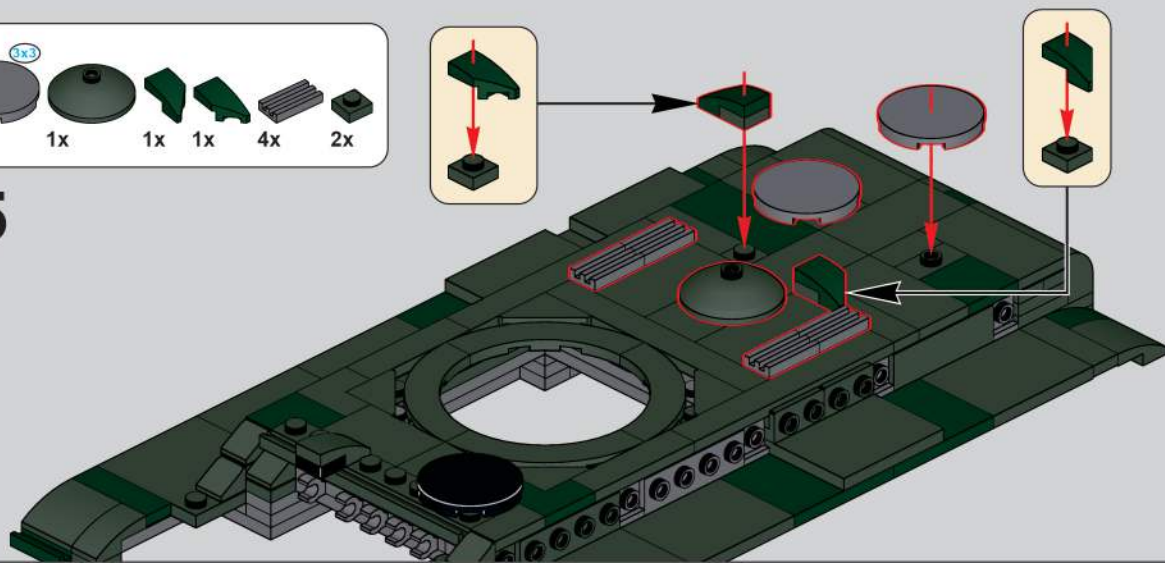
94

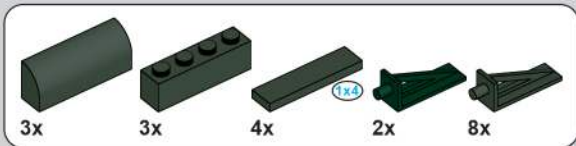




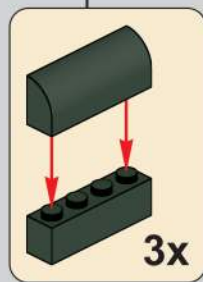
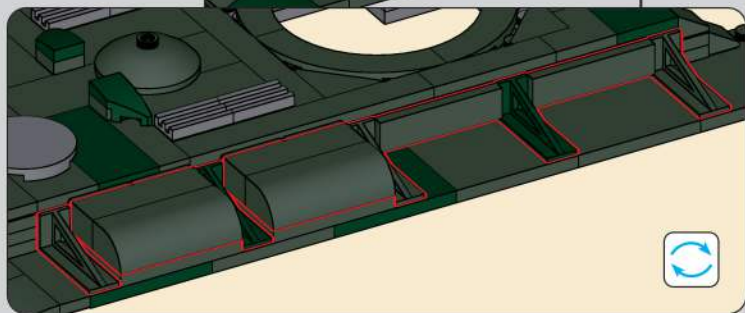
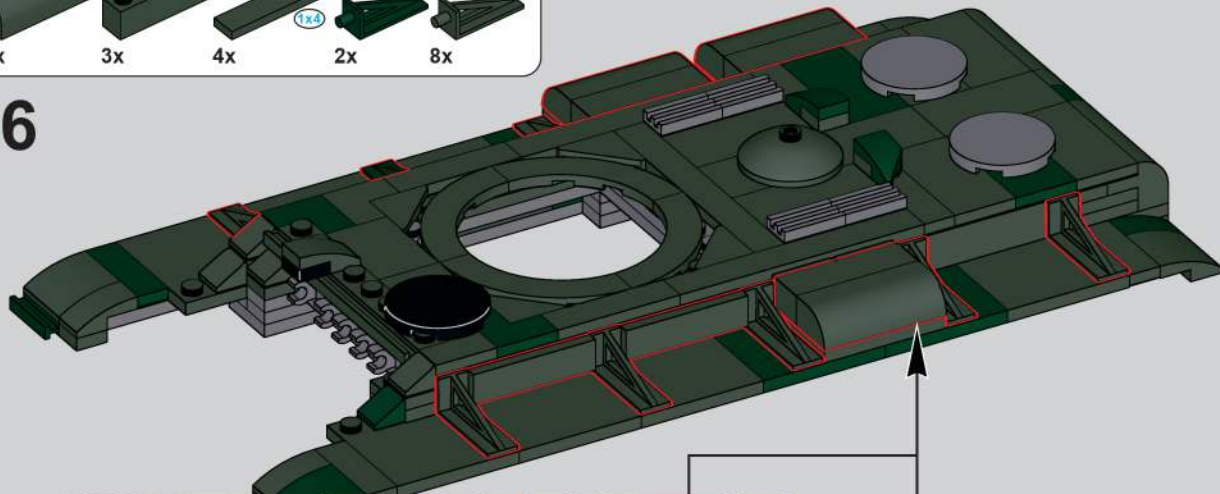
95

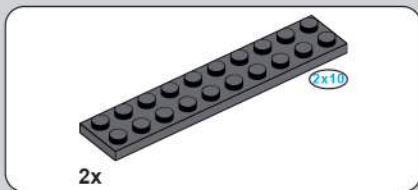
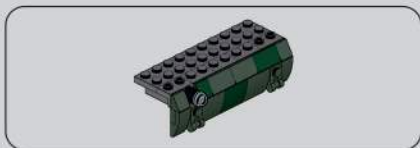
56





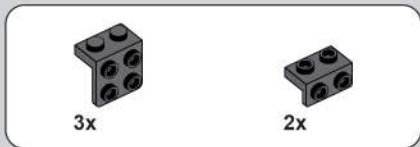
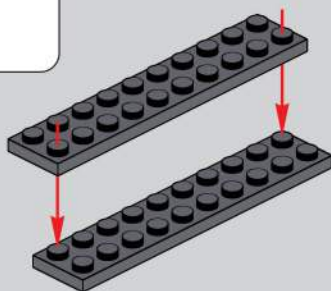
96





2x

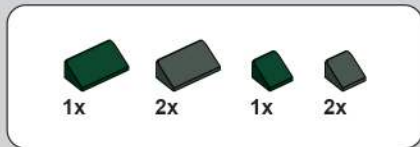
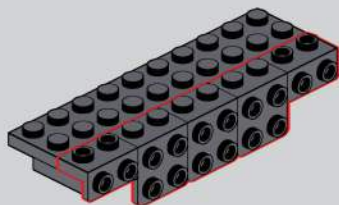
97



3x

2x

98



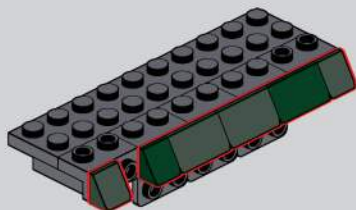
1x

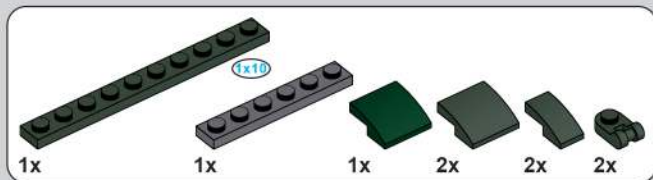
2x

1x

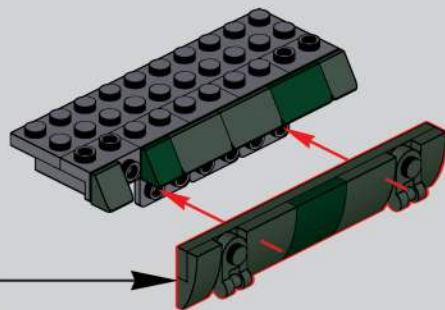
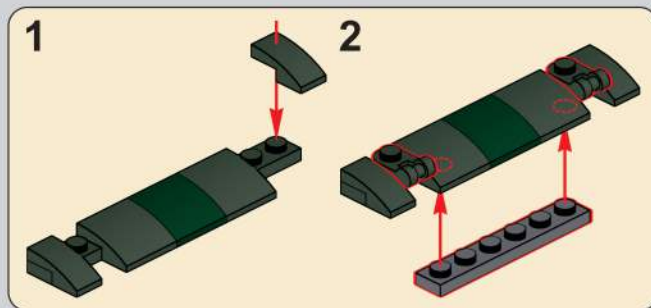
2x

99

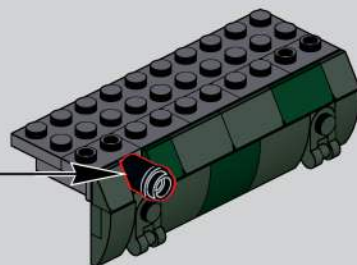
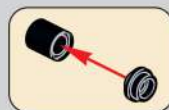




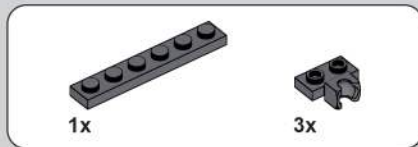
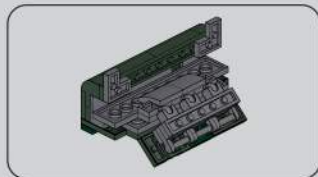
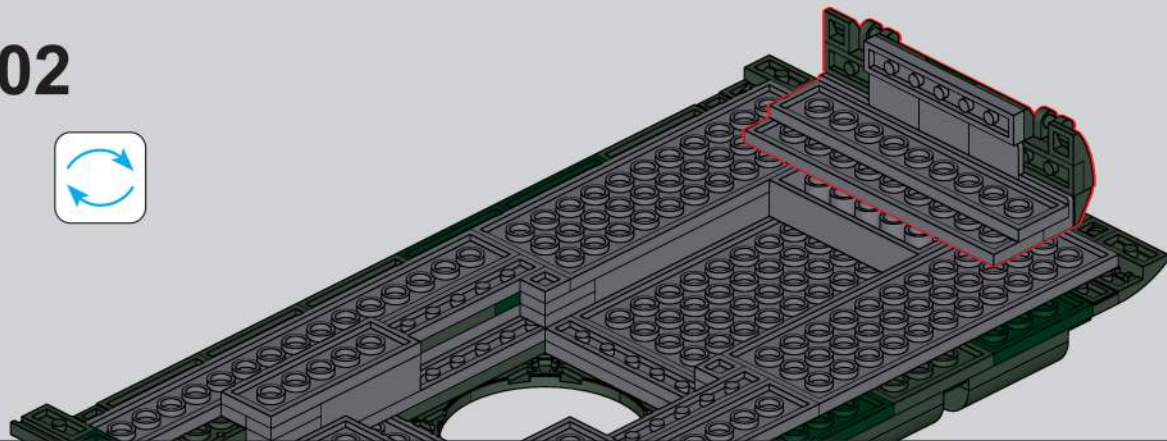
100



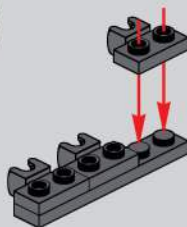
101



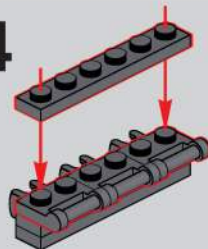
102

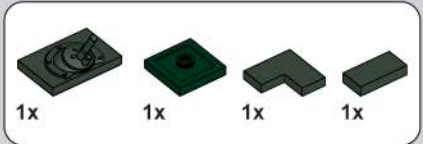


103

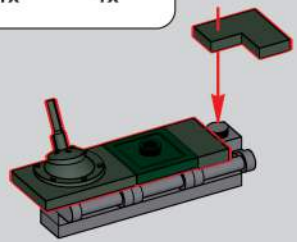


104

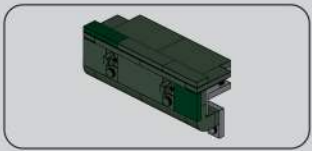
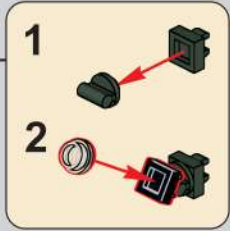




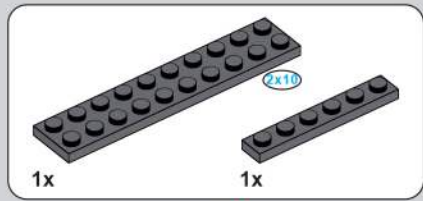
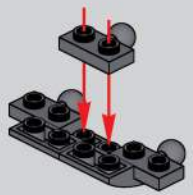
105



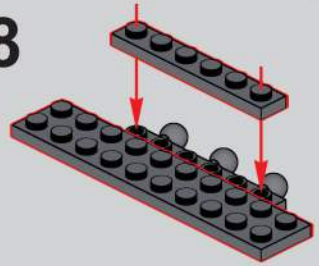
106



107

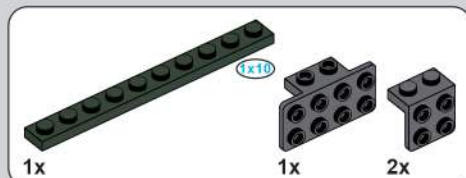
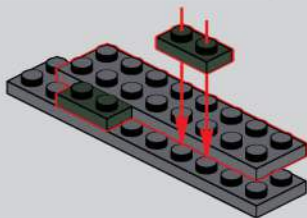


108

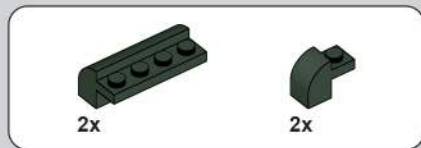
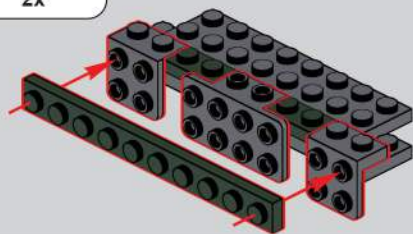




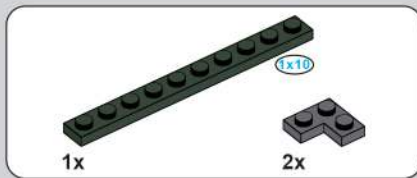
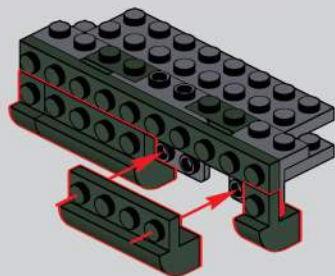
109



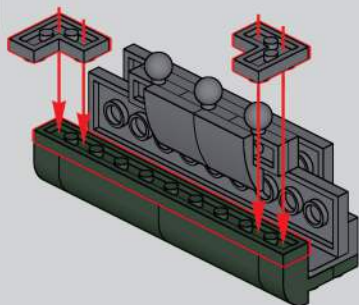
110

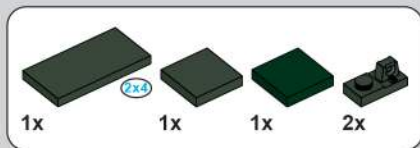


111

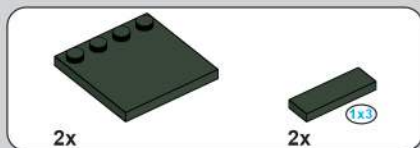
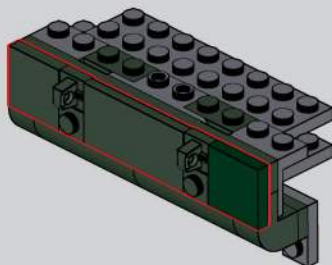


112

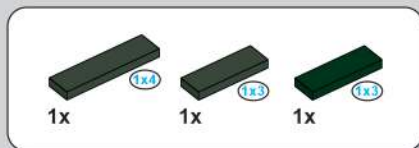
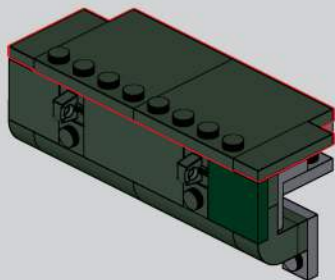




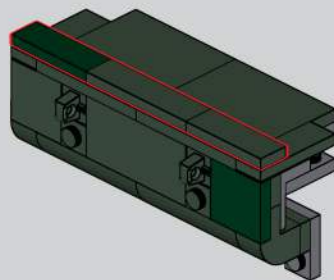
113



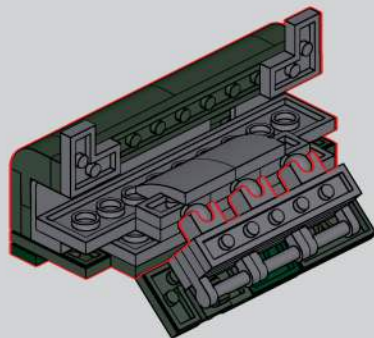
114



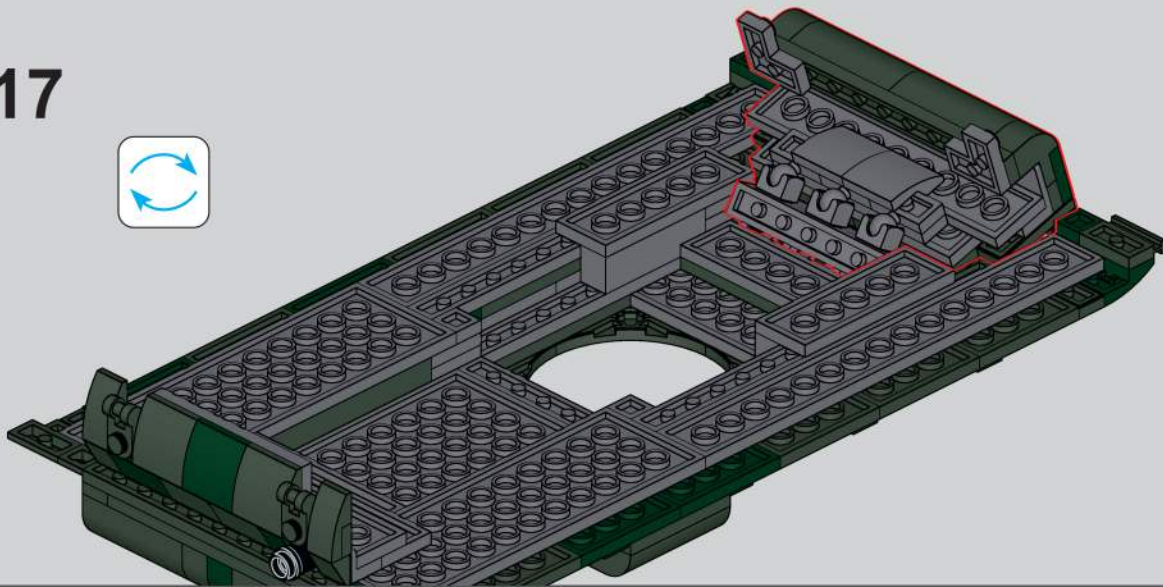
115



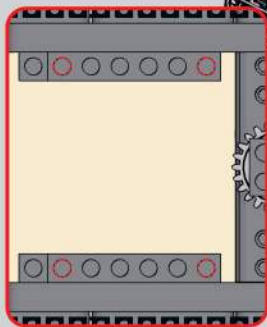
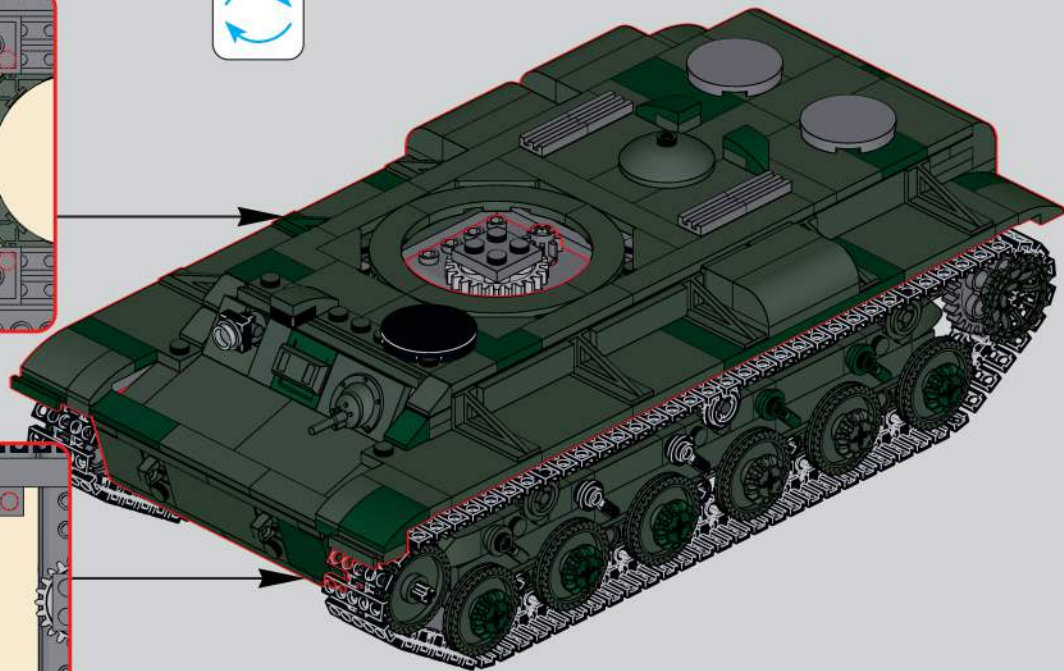
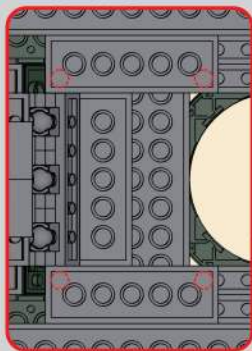
116

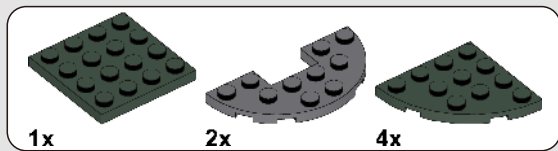


117

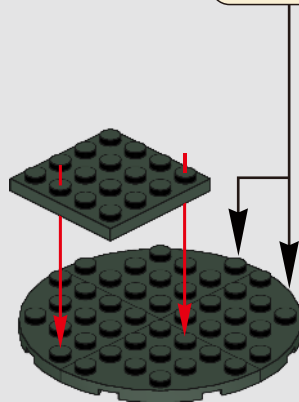
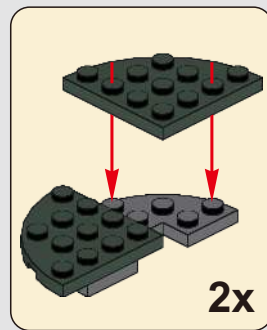


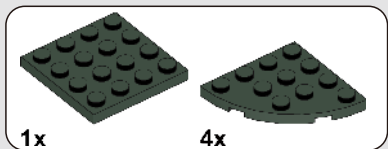
118



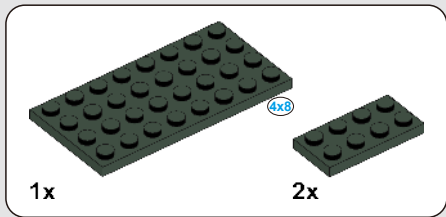
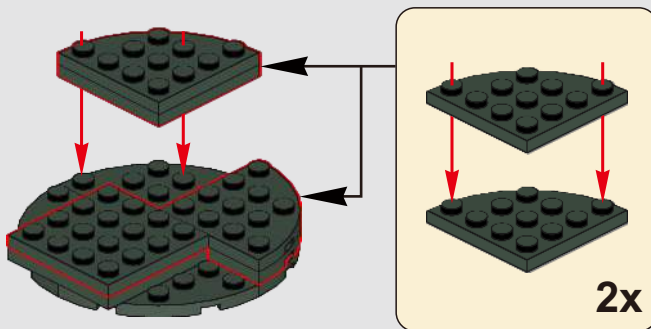


119

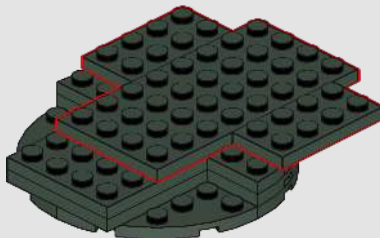


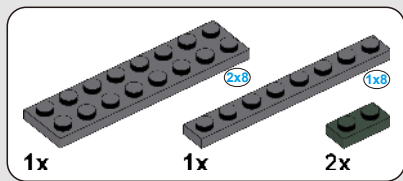


120

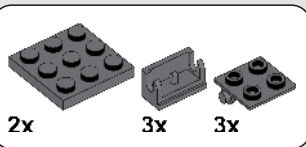
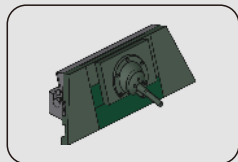
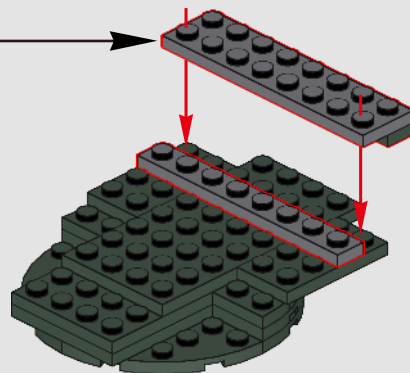
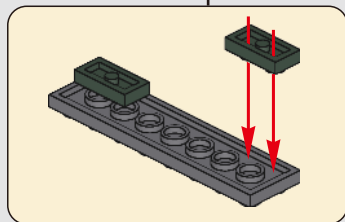


121

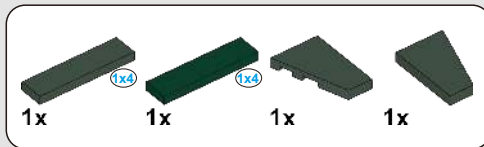
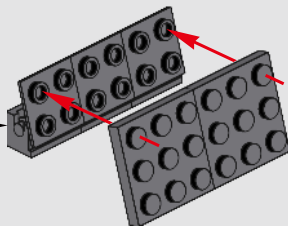
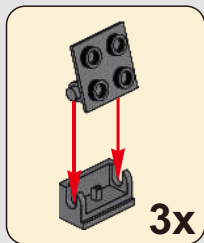




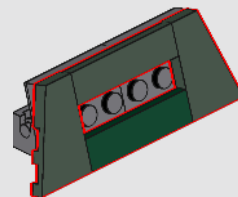
122

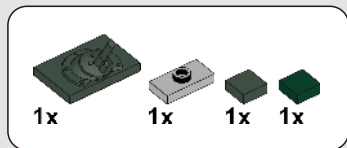


123

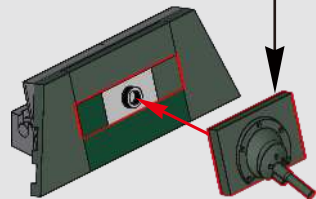


124

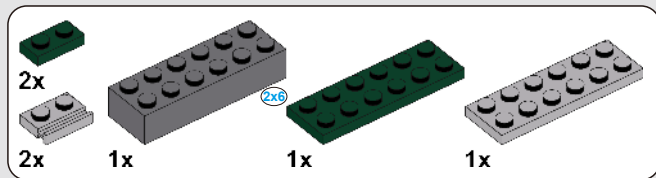
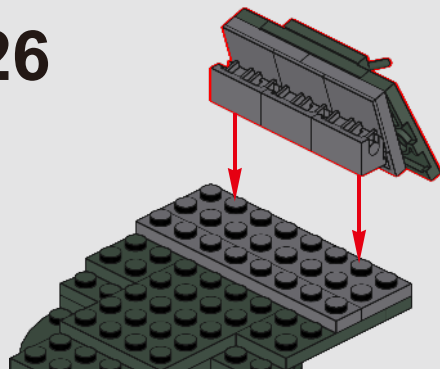




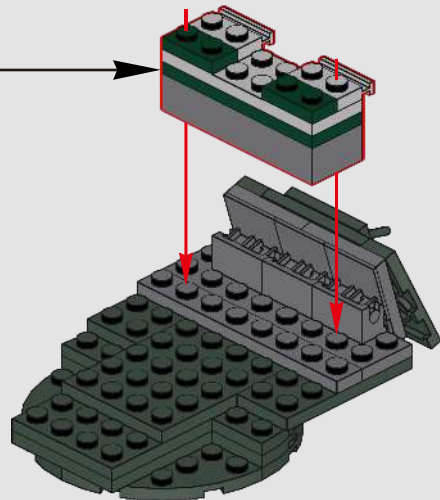
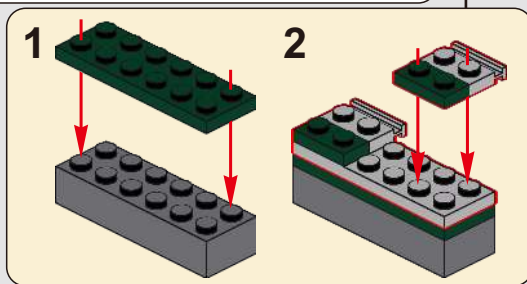
125

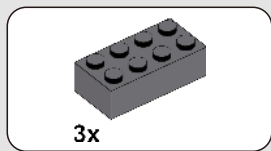


126

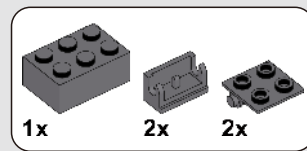
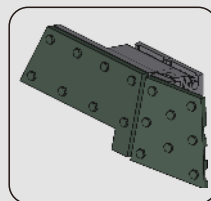
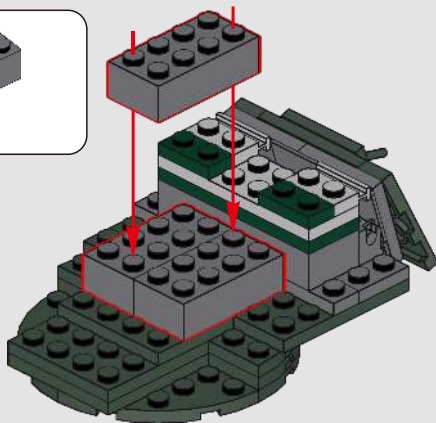


127

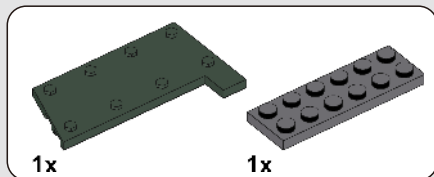
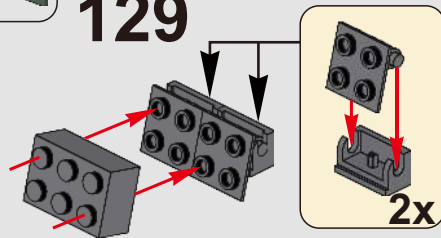




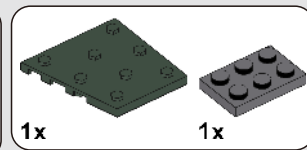
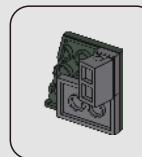
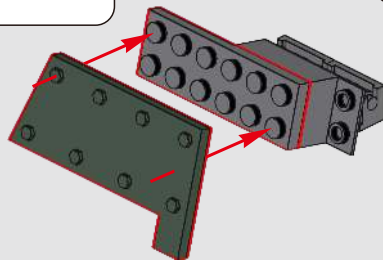
128



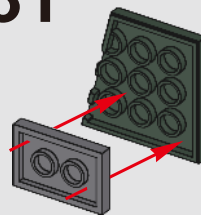
129

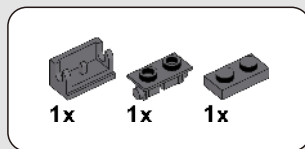


130

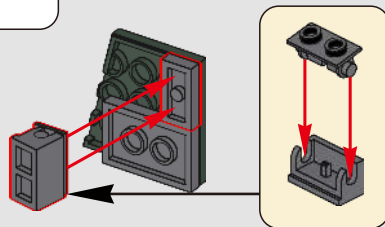


131

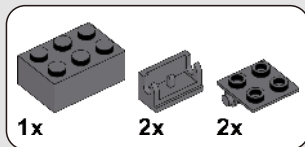
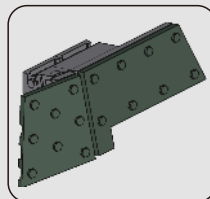
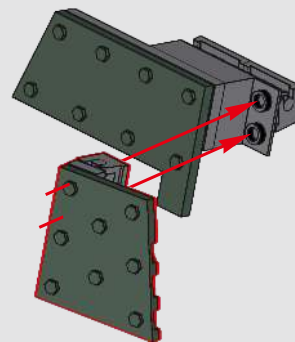




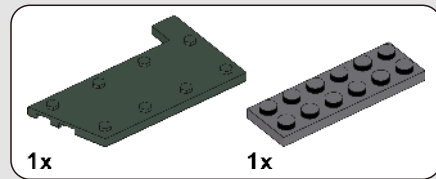
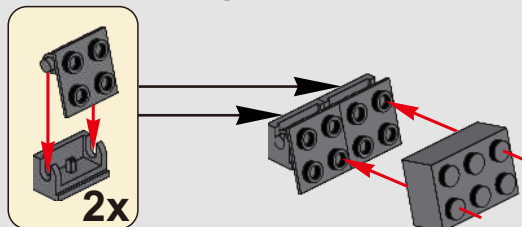
132



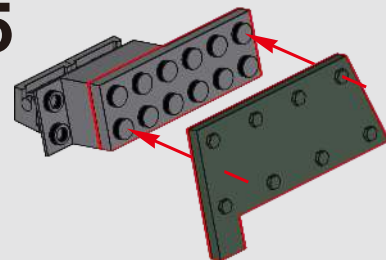
133

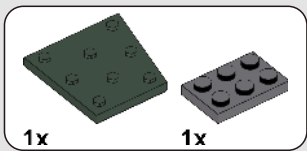
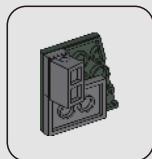


134

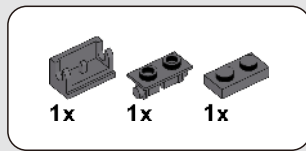
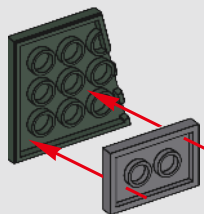


135

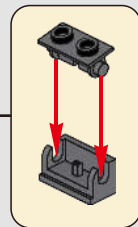
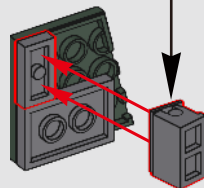




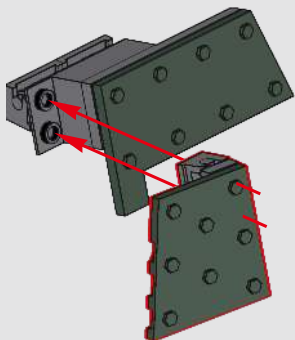
136



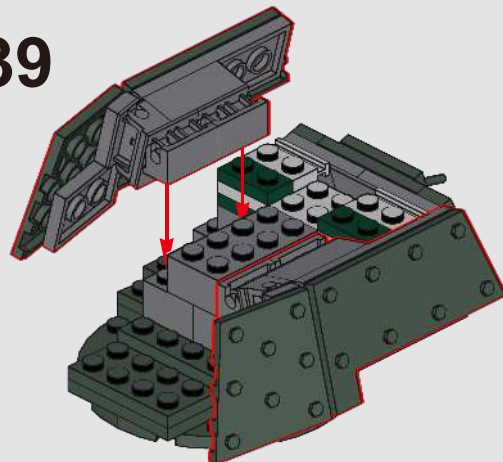
137

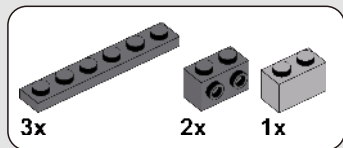


138

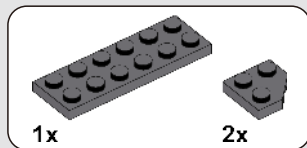
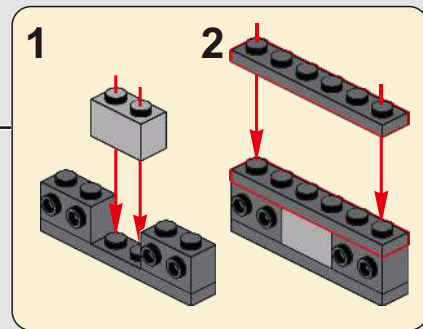
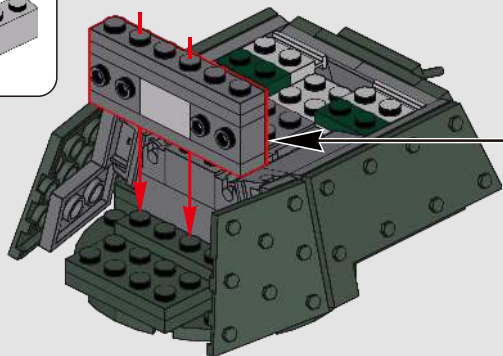


139

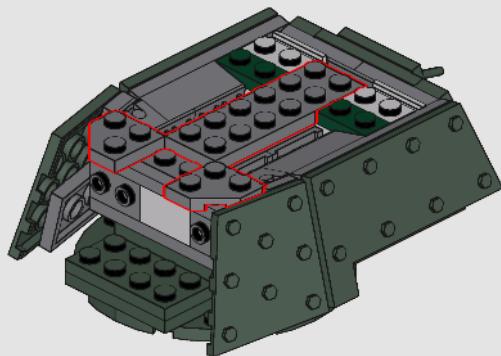


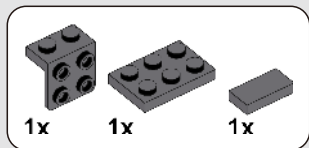


140

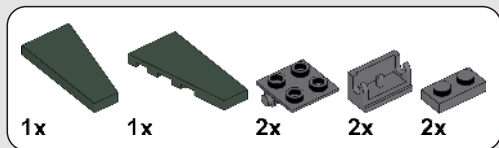
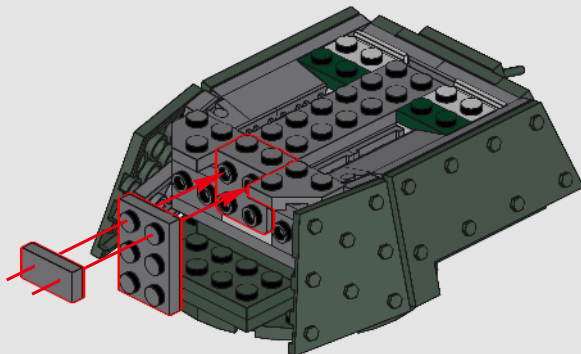


141

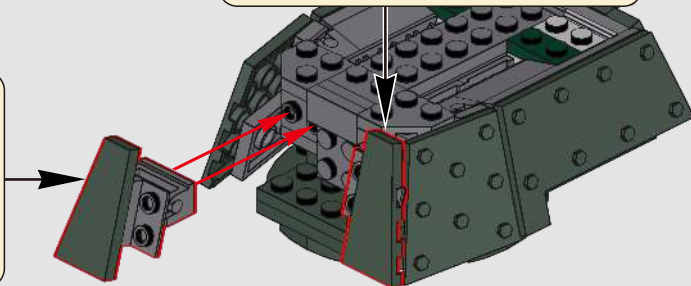
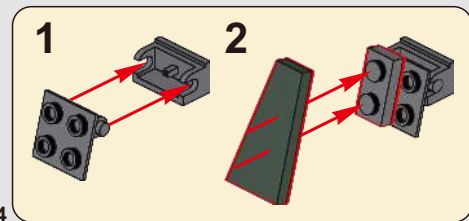
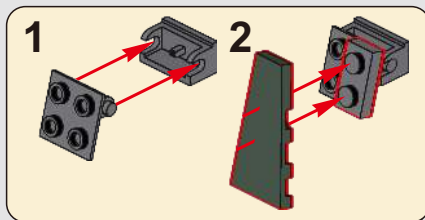


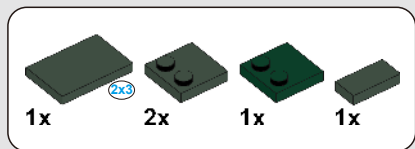


142

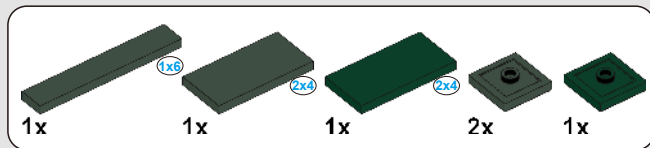
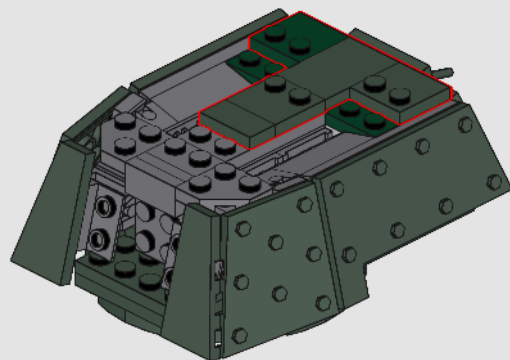


143

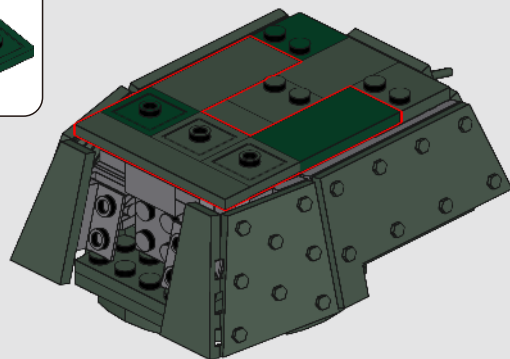


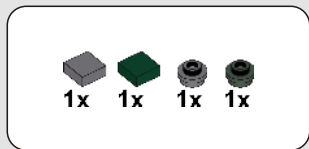


144

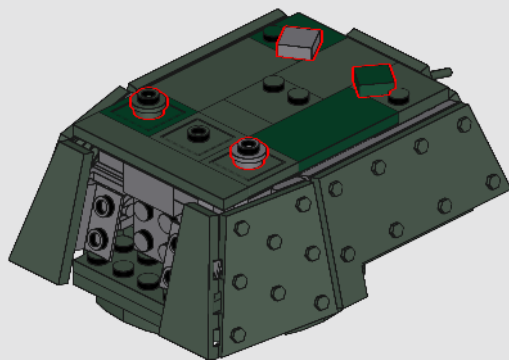


145

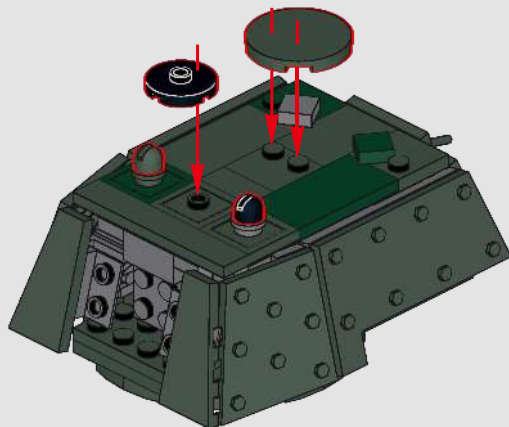


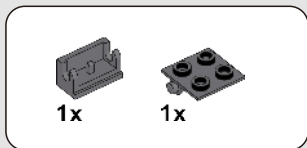
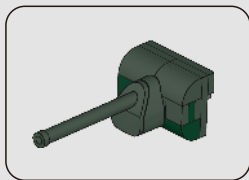


146

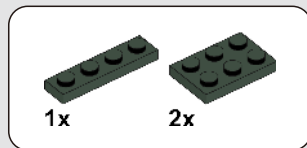
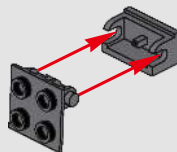


147

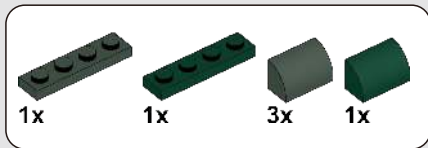
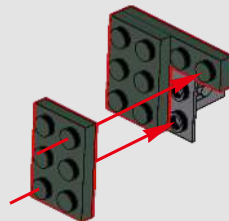




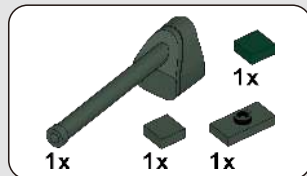
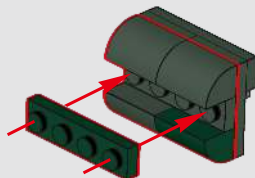
148



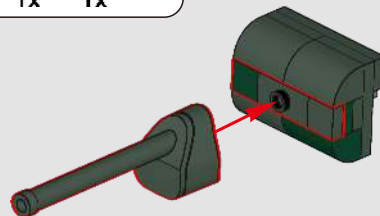
149



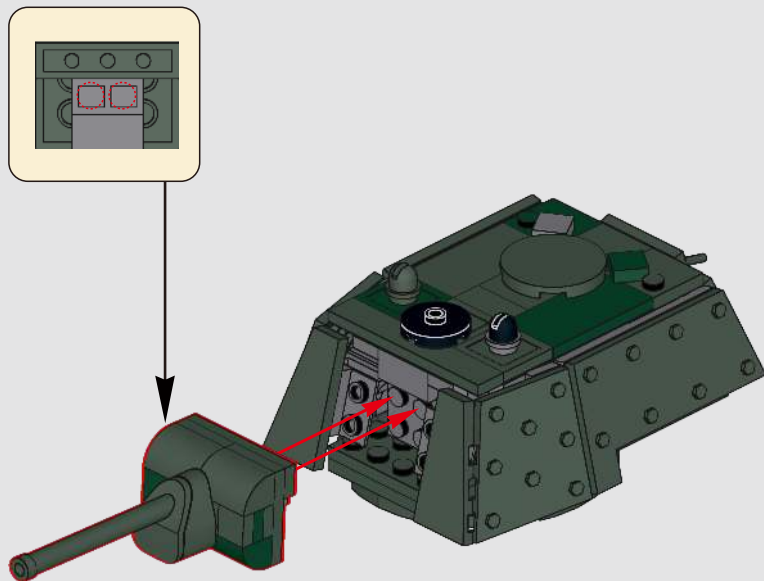
150



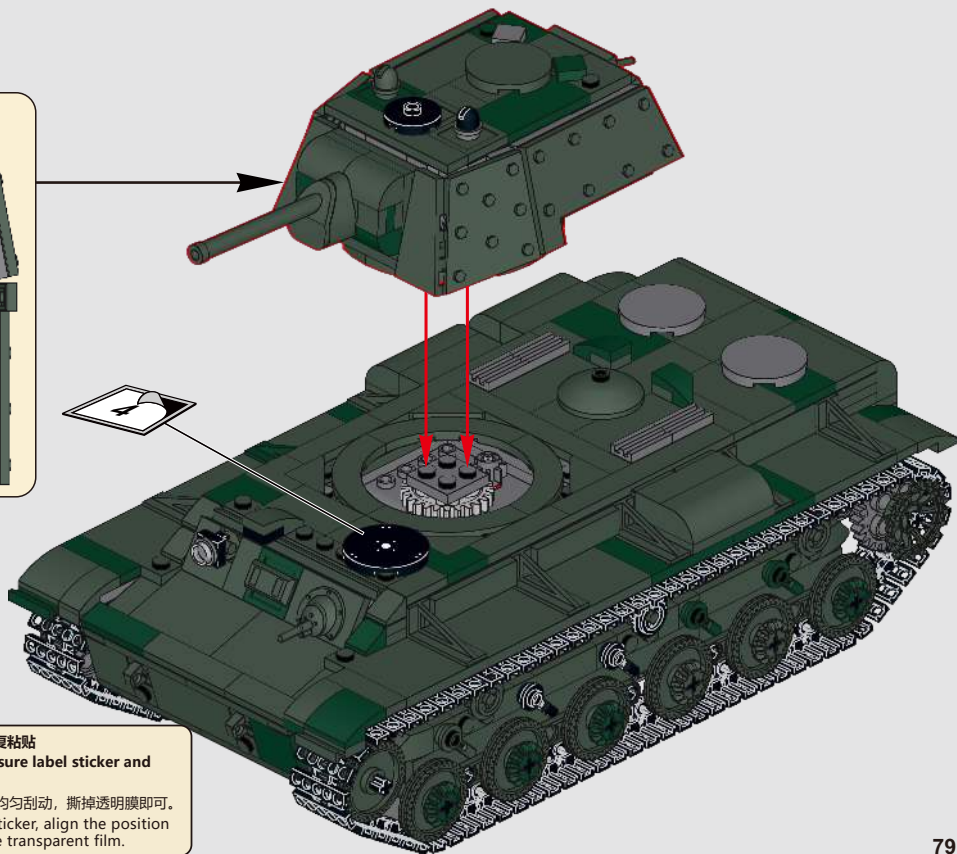
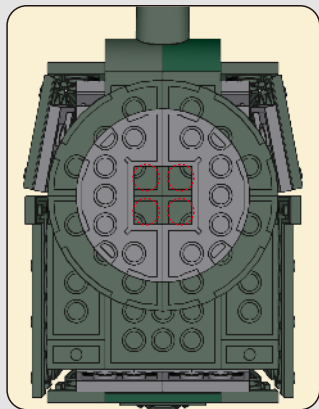
151



152



153

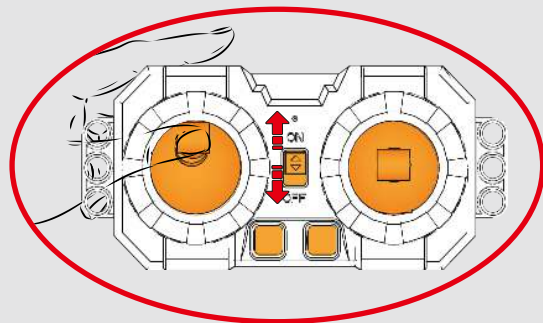
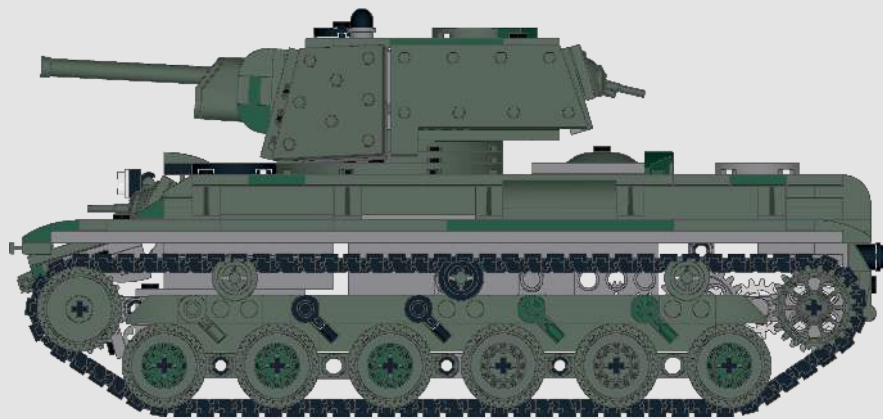


此贴纸为热感压标贴纸，不可重复粘贴

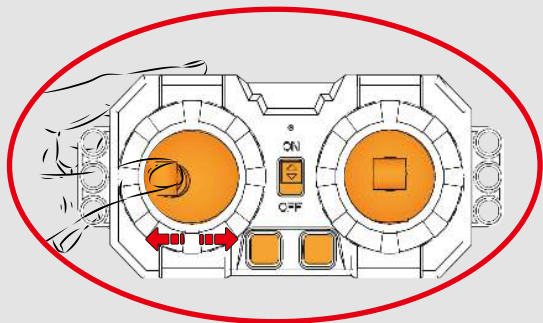
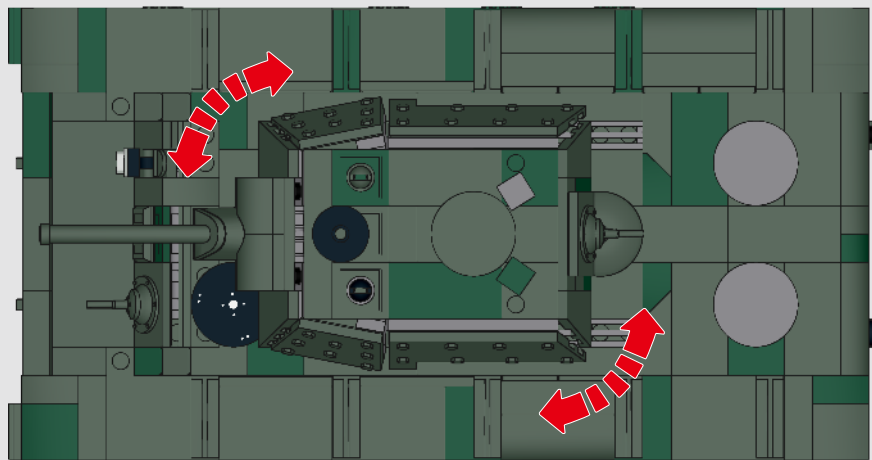
This sticker is a thermal pressure label sticker and cannot be pasted repeatedly

贴纸使用方法：撕起贴纸，对准位置随后均匀刮动，撕掉透明膜即可。
How to use the sticker: Tear off the sticker, align the position and then scrape it evenly, tear off the transparent film.

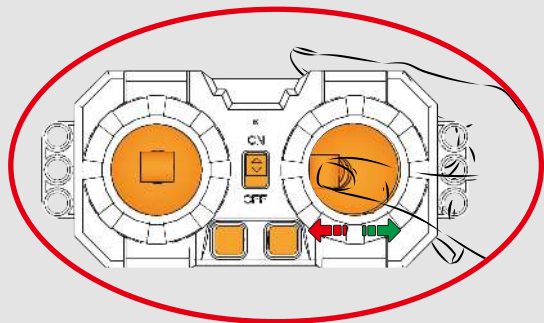
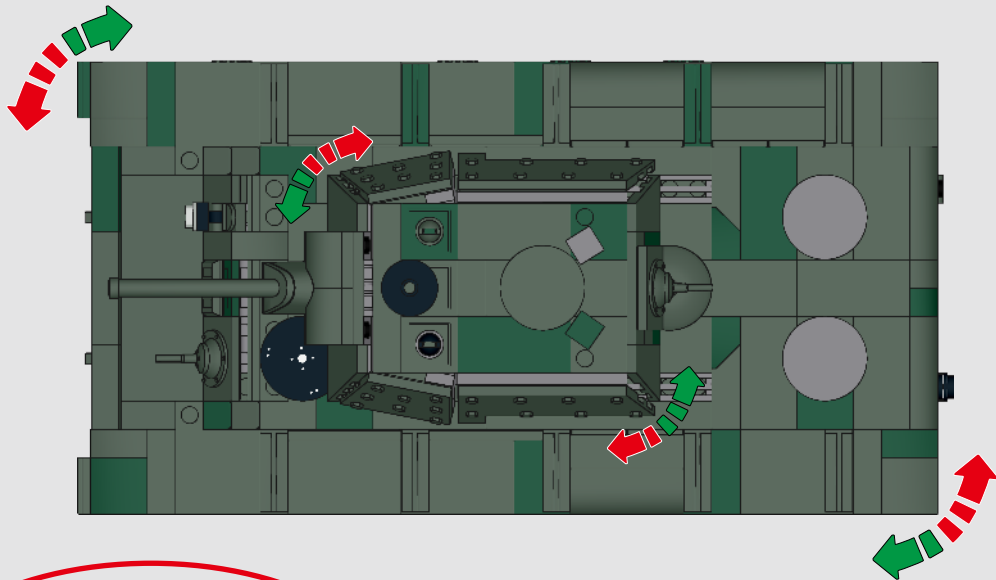
154



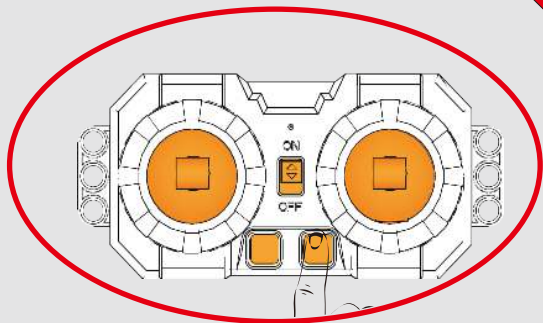
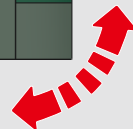
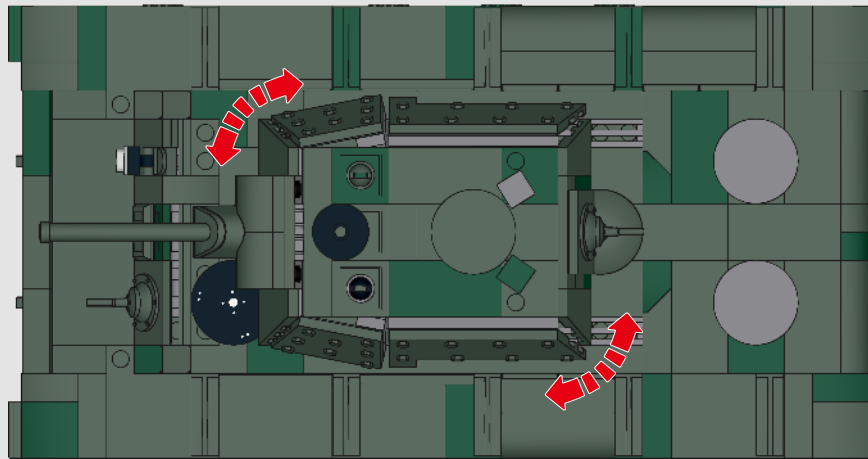
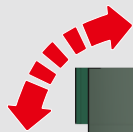
155



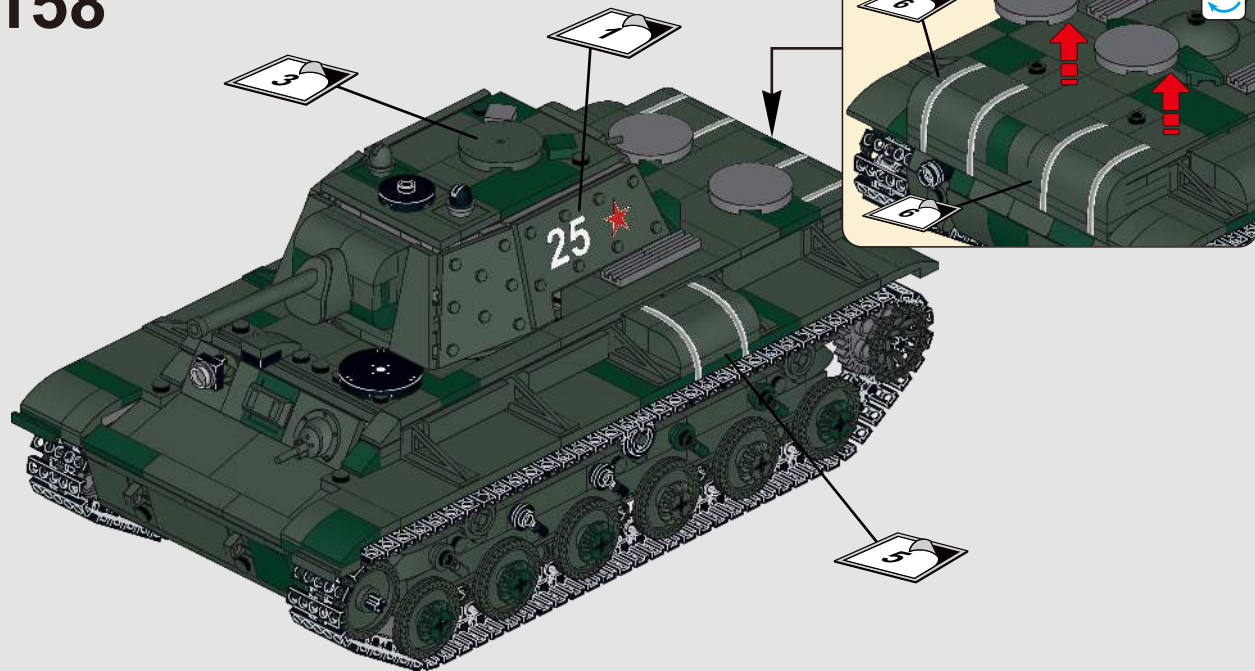
156



157



158



此贴纸为热感压标贴纸，不可重复粘贴

This sticker is a thermal pressure label sticker and cannot be pasted repeatedly

贴纸使用方法：撕起贴纸，对准位置随后均匀刮动，撕掉透明膜即可。
How to use the sticker: Tear off the sticker, align the position and then scrape it evenly, tear off the transparent film.

159



此贴纸为热感压标贴纸，不可重复粘贴

This sticker is a thermal pressure label sticker and cannot be pasted repeatedly

贴纸使用方法：撕起贴纸，对准位置随后均匀刮动，撕掉透明膜即可。
How to use the sticker: Tear off the sticker, align the position and then scrape it evenly, tear off the transparent film.

**MOULD
KING**

®

宇 | 星 | 模 | 王

