

**MULD
KING**

®

宇星军事系列
MILITARY

NO.KV-2

宇星模王

20026

8 + 年龄
Ages/Etades



CONTROL

OPEN

Customer Service
客户服务

 www.yx-mk.com



酷砖家系列是宇星设立的全新子品牌/系列，本系列所有套装均由国内外顶级设计师操刀设计或授权，旨在为消费者带来高水准的积木设计套装和与众不同的拼搭体验。

BriXpert series is a new sub-brand/series set up by Mould King. Models of this series are all designed or authorized by top designers/MOCers around the world, aiming at bringing consumers with high-level brick sets and a unique building experience.

广东宇星科技

微信扫描二维码，关注公众号。
获取第一手的新品资讯，享受便捷的补件服务。



Or code APP (APP二维码)

Need the apple version 9.0 and above, the android version 5.0 and above.

* This APP supports most of the mainstream Android models on the market, but due to the large number of Android models, different models of systems and hardware reasons, there may be some models do not support, specific according to the actual test!



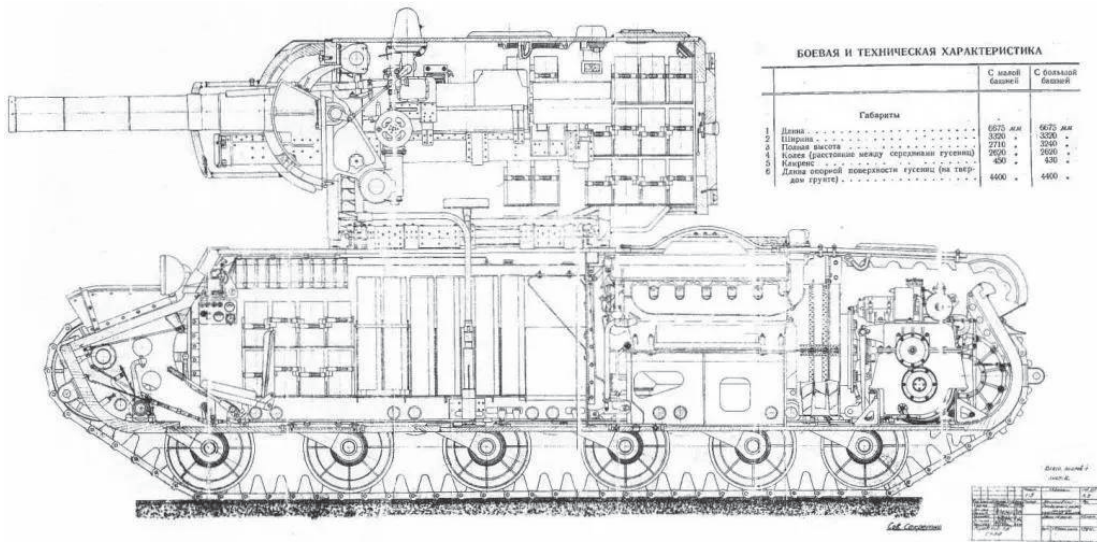
车长7.0m;车高 3.3m;车宽3.25m;引擎V-2K。
 Length 7.0m, vehicle height 3.3m; Width 3.25m; engine V-2K.

最大速度/公路/越野:26 公里/h;最大行程/公路/越野:250 公里;
 车内 6人。
 Maximum speed/road/off-road: 26 km/h; Maximum
 travel/on/off-road: 250 km; 6 people in the car.

火力装备:3x7.62mm DT MG机枪;152mm Howitzer M-10 火炮。
 Fire armament: 3x7.62mm DT MG machine gun; 152mm
 Howitzer M-10 gun.

弹药152mm, 36发;7.62mm, 2475-3087。
 ammunition 152mm, 36 rounds; 7.62mm,
 2475-3087.

装甲30-110mm;爬坡度30度;通过垂直墙高1.2m;
 越壕宽2.7m;涉水深1.6m。
 armor 30-110mm; Climbing degree 30 degrees;
 The height of the vertical wall is 1.2m, the
 width of the trench is 2.7m, and the wading
 depth is 1.6m.





KV-2坦克为了保留这些威力巨大的火炮和刀枪不入的装甲，也的确付出了很大的代价。由于车体一致，KV-2坦克继承了KV-1坦克在齿轮，传动系统及乘员舱等方面存在的许多问题。在加上其重量的剧增（从53-58吨不等），而传动装置则仍然采用未经改进的373千瓦V-12柴油机，所有这些因素都造成了KV-2坦克在作战时机动性的严重缺陷。

尽管如此，KV-2坦克的出现还是给德军坦克手造成了可怕的心理恐惧。当时除了88mm高射炮，几乎没有任何武器能成功摧毁这种巨兽。

The KV-2 tank did pay a great price in order to retain these powerful guns and invulnerable armor. Due to the consistent hull, the KV-2 tank inherited many of the problems that the KV-1 tank had in terms of gears, transmission system and crew compartment. Coupled with the sharp increase in its weight (ranging from 53-58 tons), the transmission still uses the unimproved 373 kW V-12 diesel, all these factors contributed to the serious shortcomings of the KV-2's maneuverability in combat. Nevertheless, the appearance of the KV-2 tank caused terrible psychological fear among German tankers. At that time, apart from the 88mm anti-aircraft gun, almost no weapons could successfully destroy this behemoth.

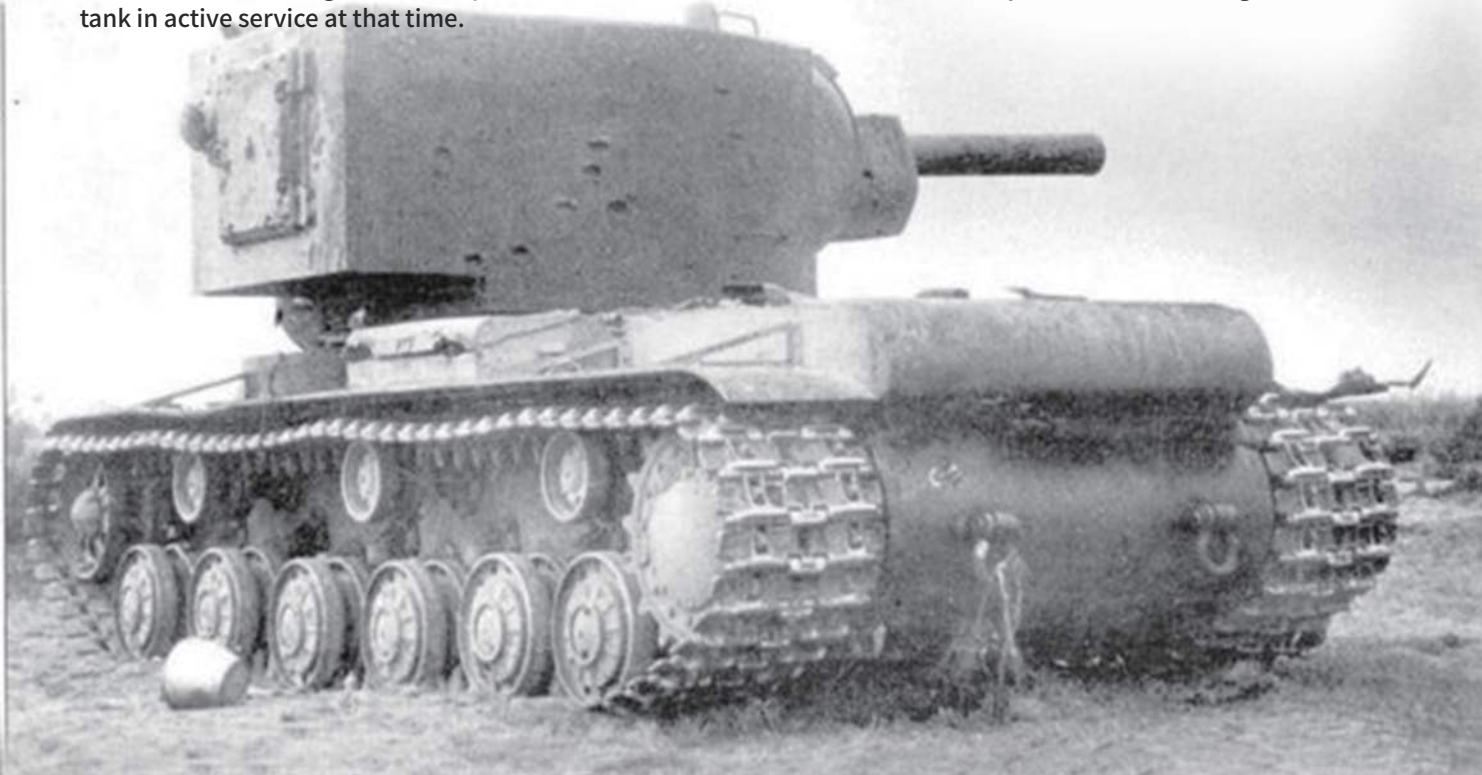
KV-2重型坦克,是1942年苏联研制装备的一型重型坦克。

在KV系列坦克中,最为著名且让德国军队为之“胆寒”的一型坦克当属KV-2,在德国“虎”式坦克尚未投入到战场之前,KV-2绝对可以称得上是当时现役最强坦克!

The KV-2 heavy tank is a heavy tank developed and equipped by the Soviet Union in 1942.

Among the KV series of tanks, the most famous type I tank that frightened the German army was the KV-2.

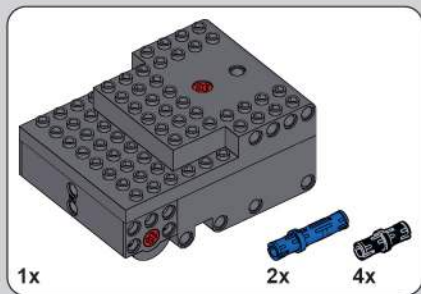
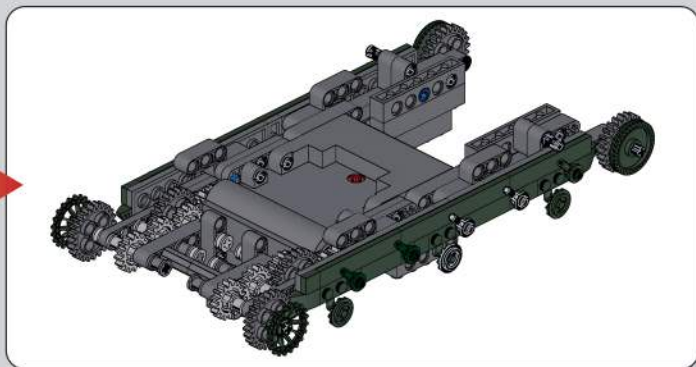
Before the German Tiger tank was put into the battlefield, the KV-2 could definitely be called the strongest tank in active service at that time.



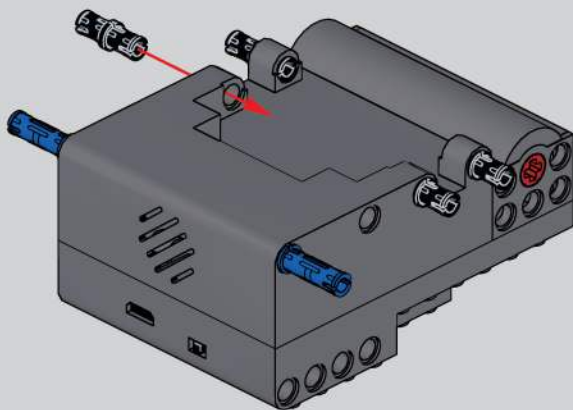


第二次世界大战中,在德军第六装甲师向多比萨河方向推进时就遭遇到苏联第二装甲师的截击,当时苏联的这支部队内除了大量的轻型坦克之外,还装备有约20辆的KV-1/2重型坦克。仅凭这些“杀器”,苏联在此次遭遇战中共击毁德军40辆坦克以及40门火炮,而这些火炮大部分是被KV系列坦克给压毁了,这足以证明KV系列坦克的超强杀伤力。

In World War II, when the German Sixth Armored Division was advancing towards the Dobissa River, it was intercepted by the Soviet Second Armored Division. At that time, in addition to a large number of light tanks, this Soviet force was also equipped with about 20 KV-1/2 heavy tanks. With these "killers" alone, the Soviet Union destroyed 40 German tanks and 40 artillery pieces in this encounter, and most of these artillery pieces were destroyed by the KV series tanks. This is enough to prove the super lethality of the KV series tanks force.

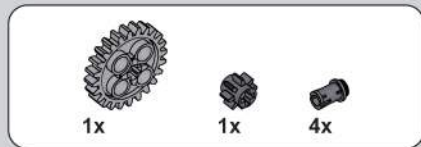
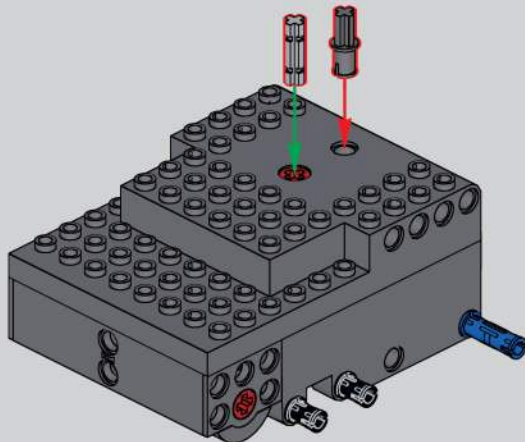


1

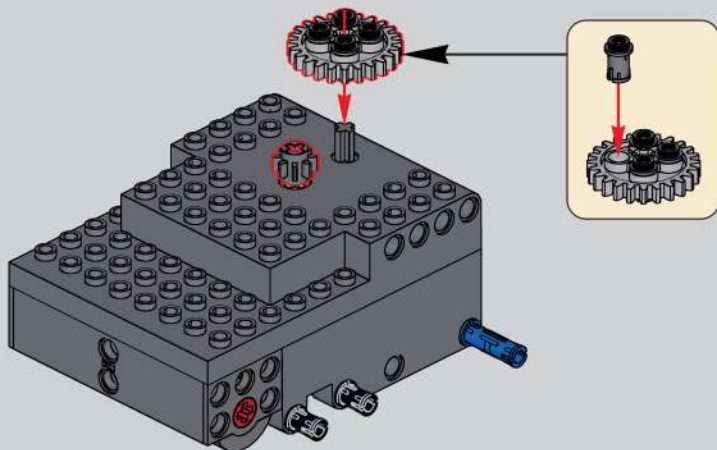




2



3

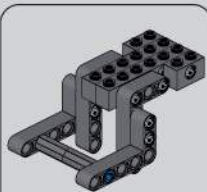
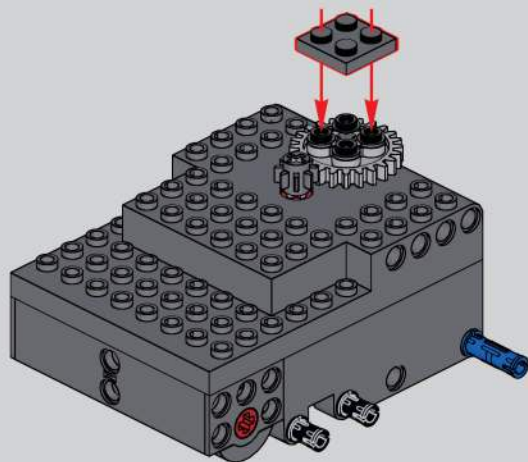


2



1x

4

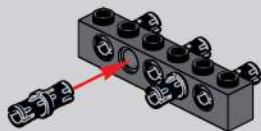


1x



5x

5



1x



3x

6





2x

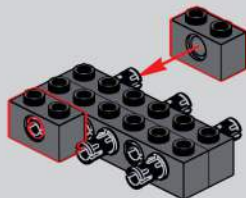


2x

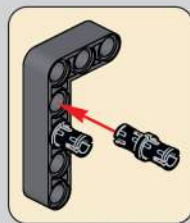
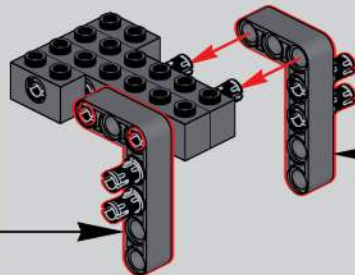
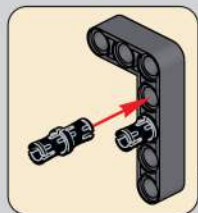


4x

7

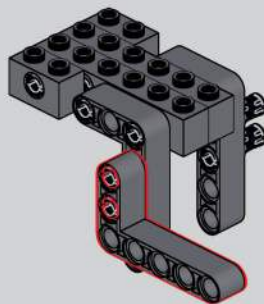


8



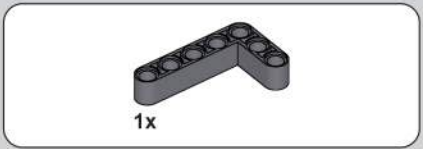
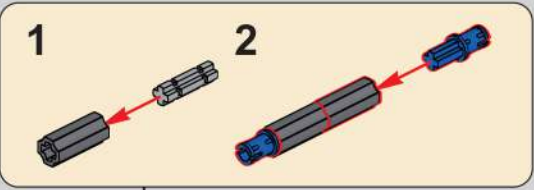
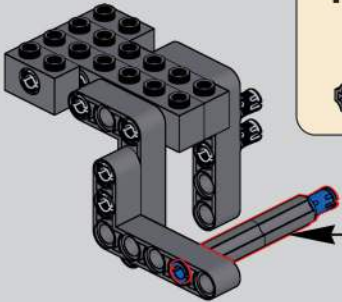
1x

9

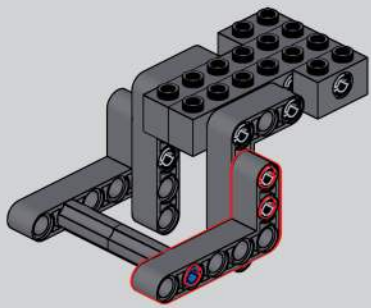




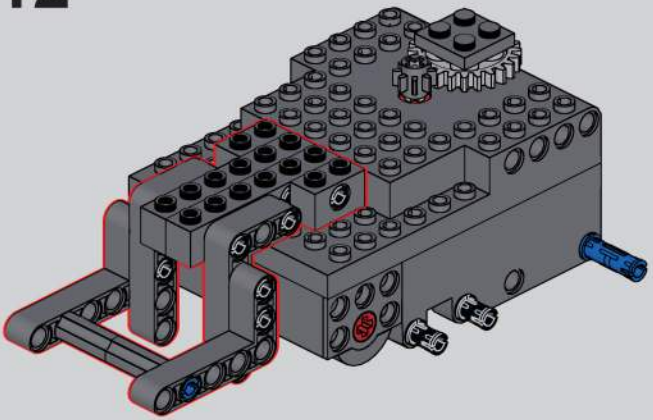
10



11



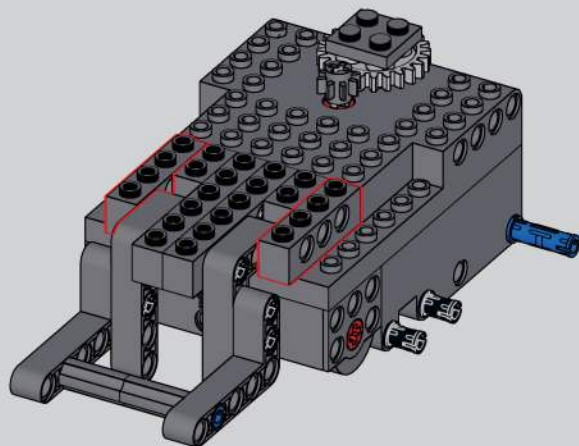
12





2x

13

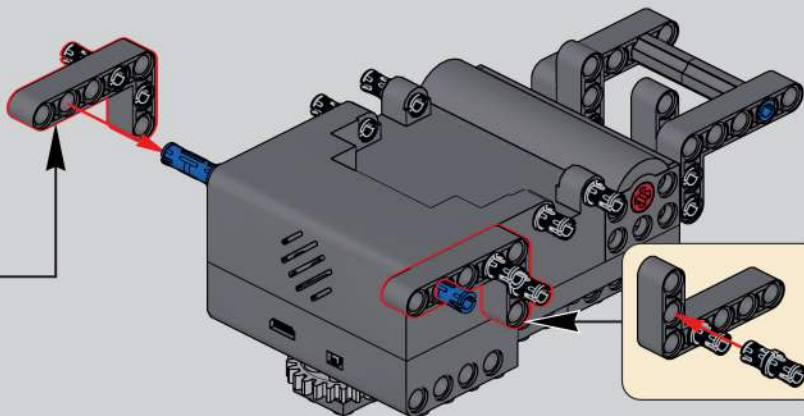
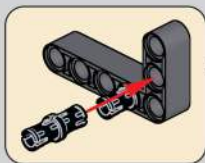


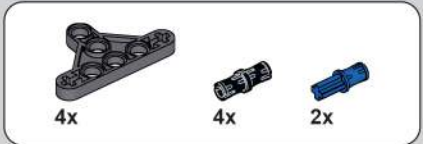
2x



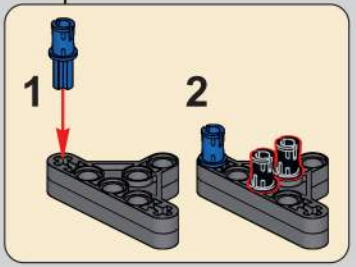
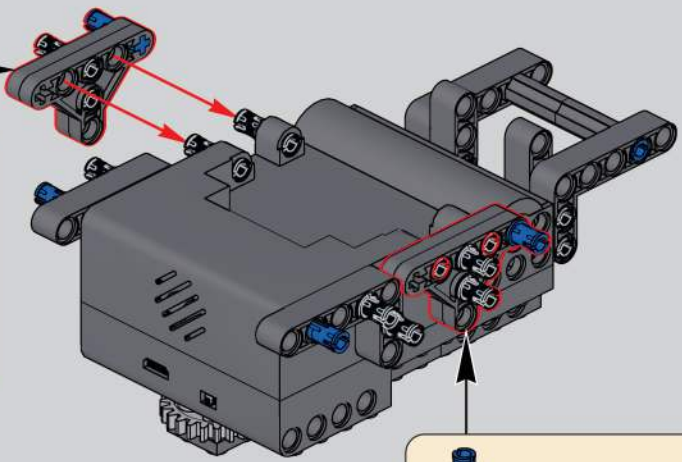
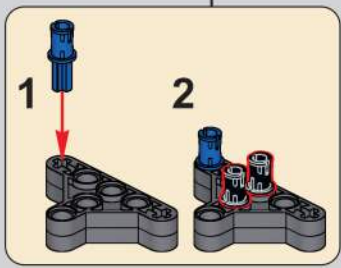
4x

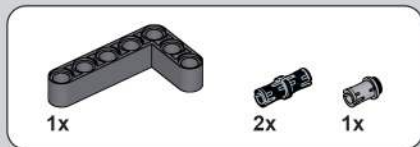
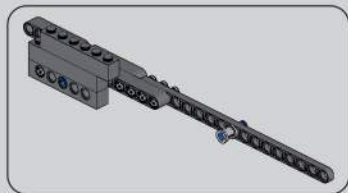
14



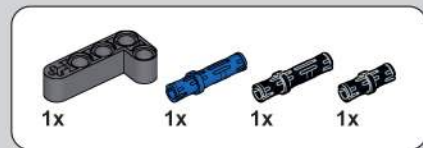
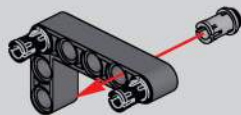


15

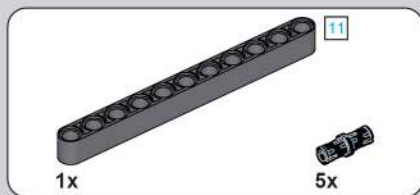
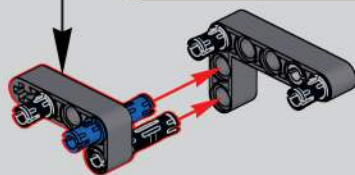
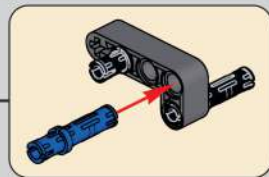




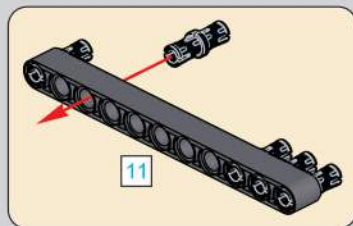
16

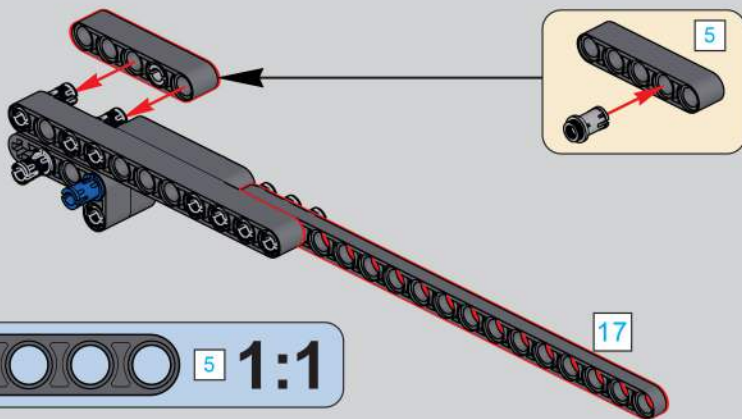
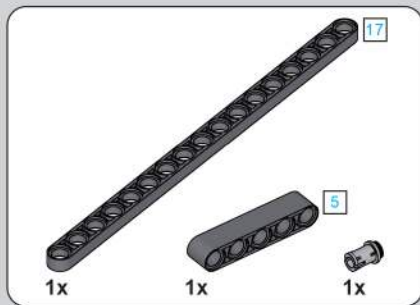


17

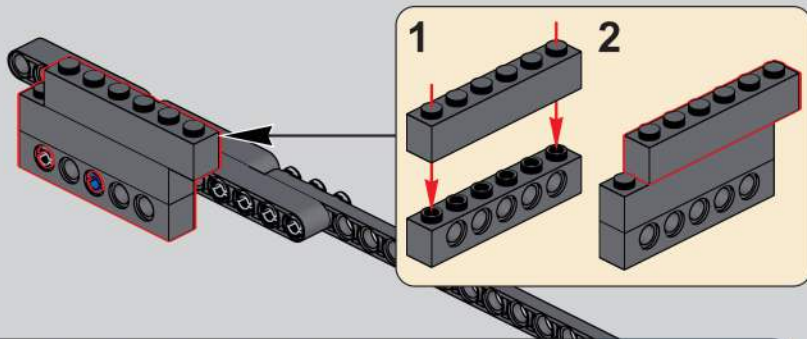
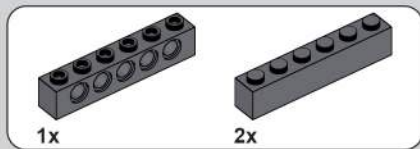


18





19

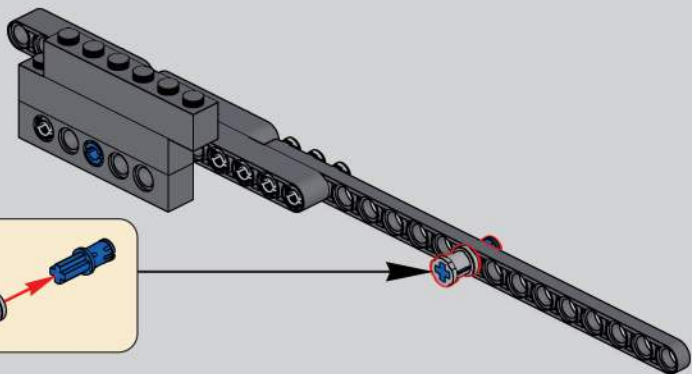
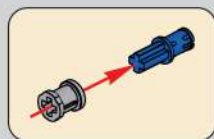


20

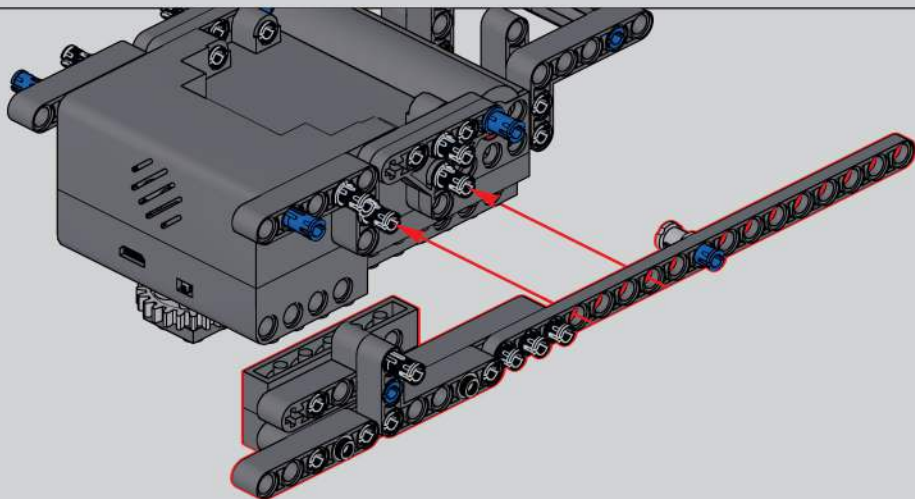


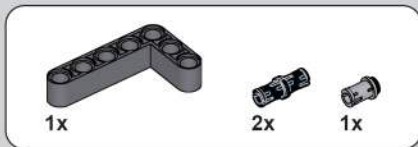
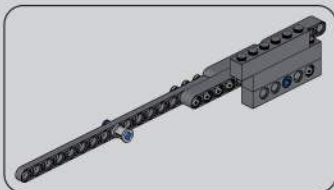


21

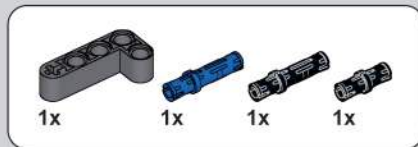
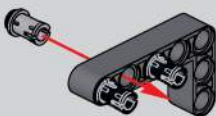


22

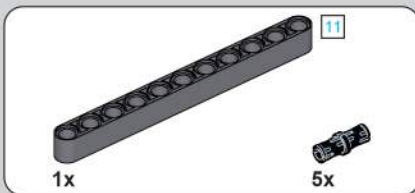
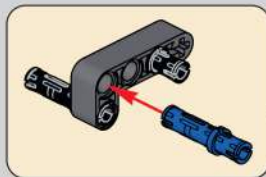
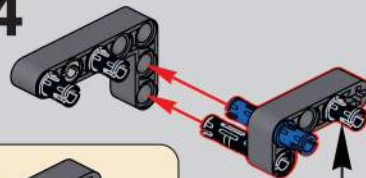




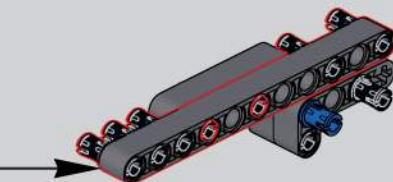
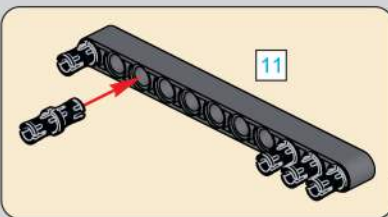
23

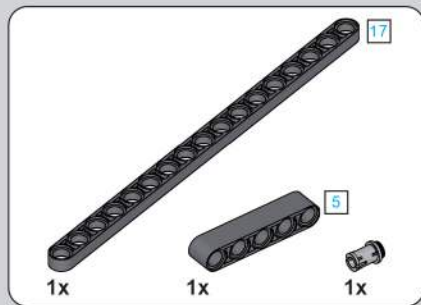


24

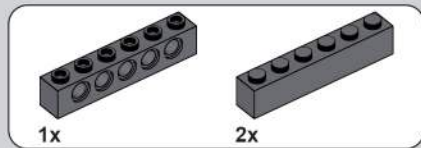
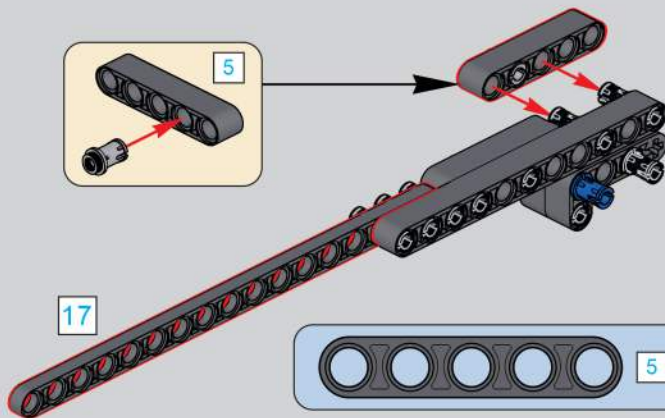


25

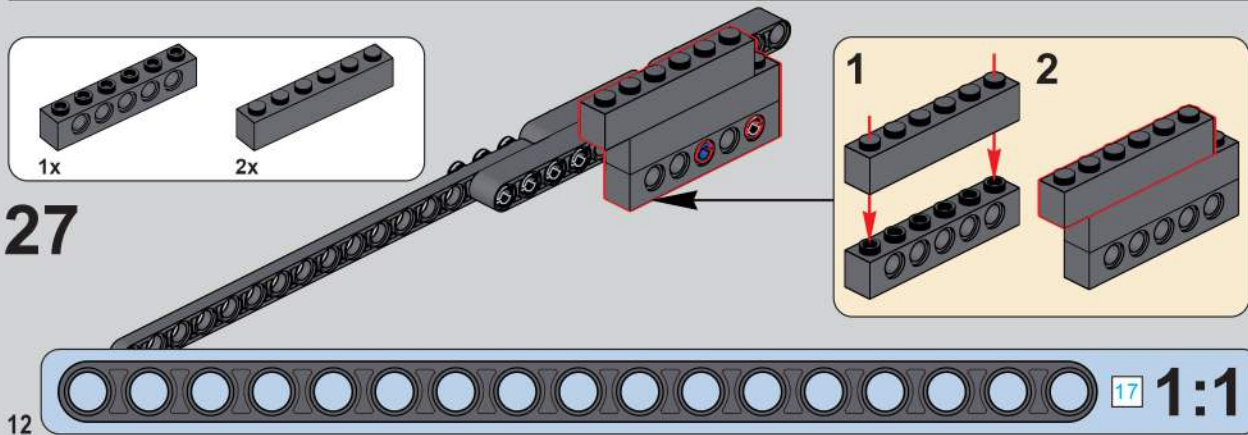




26



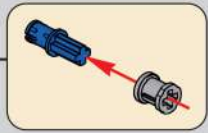
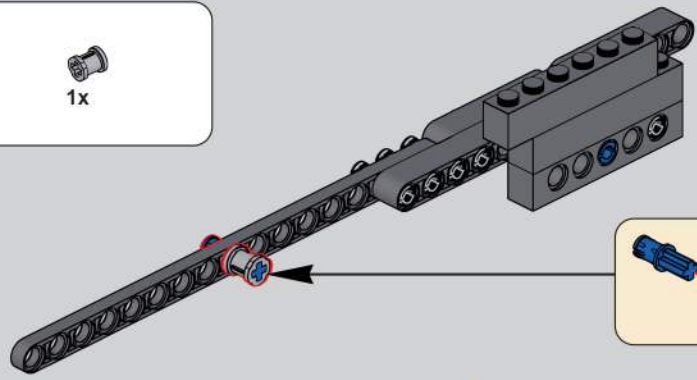
27



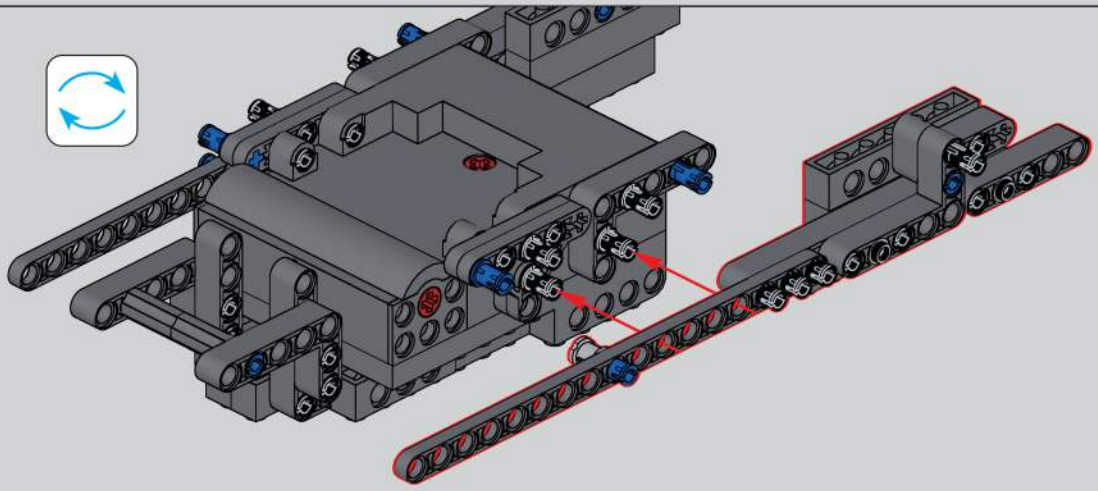
12



28



29





2x

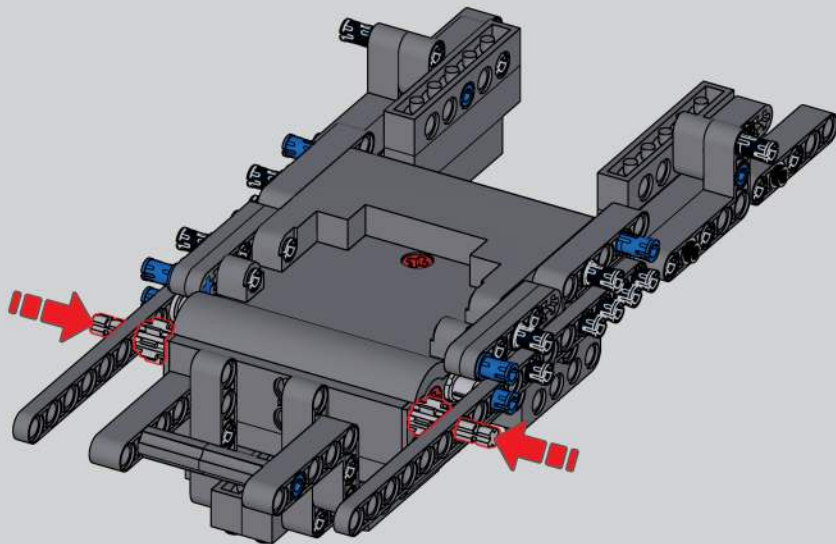


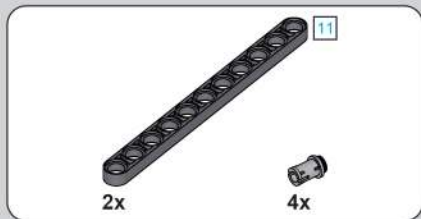
2x



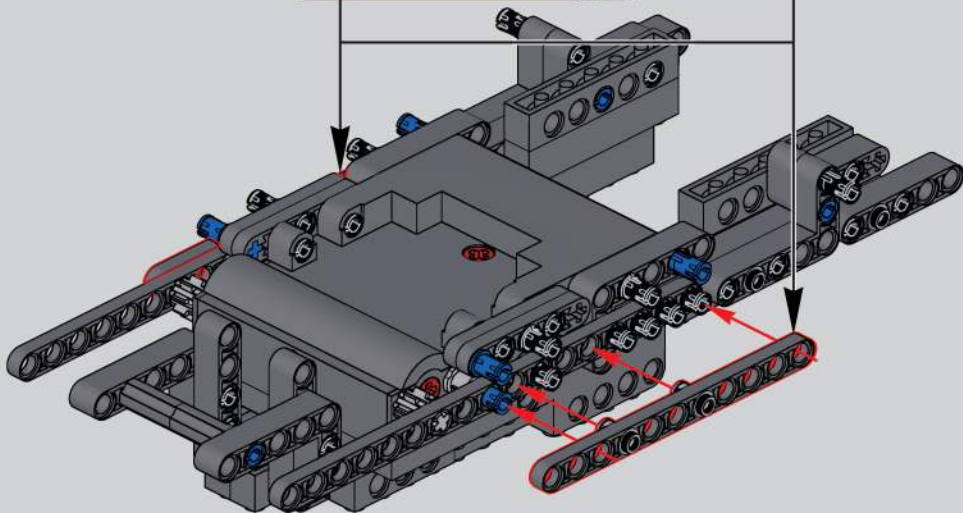
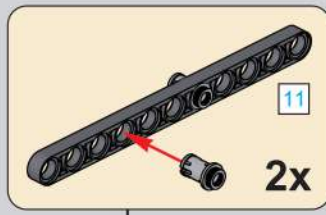
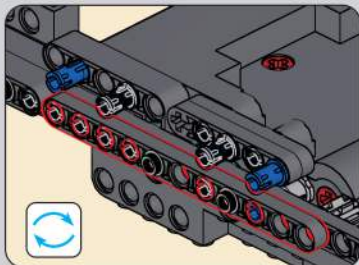
1:1

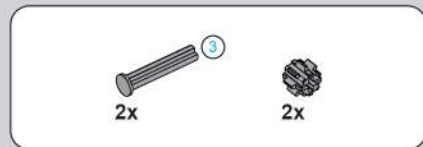
30



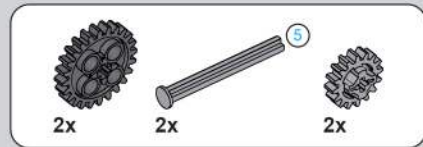
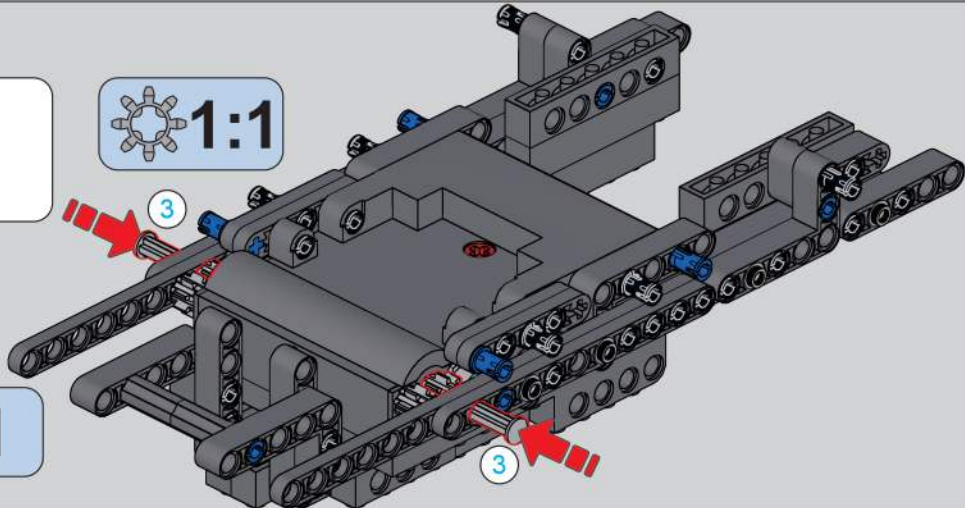
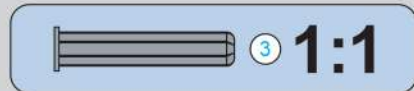


31

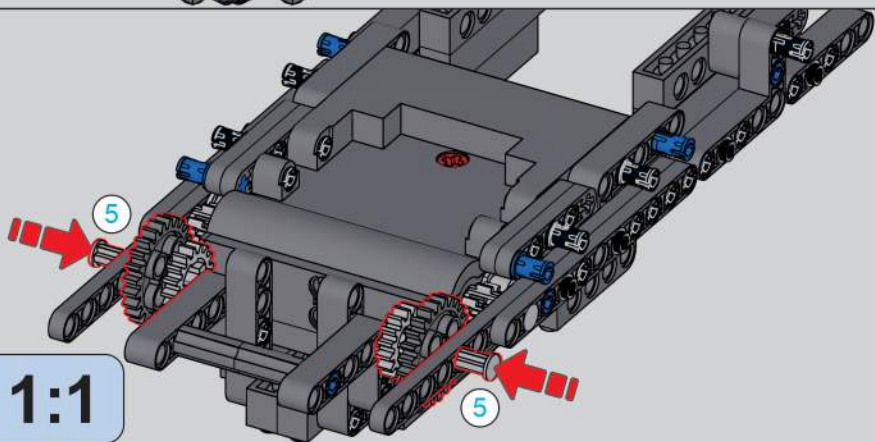
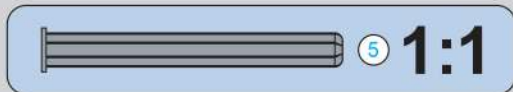




32

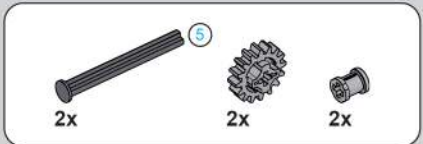
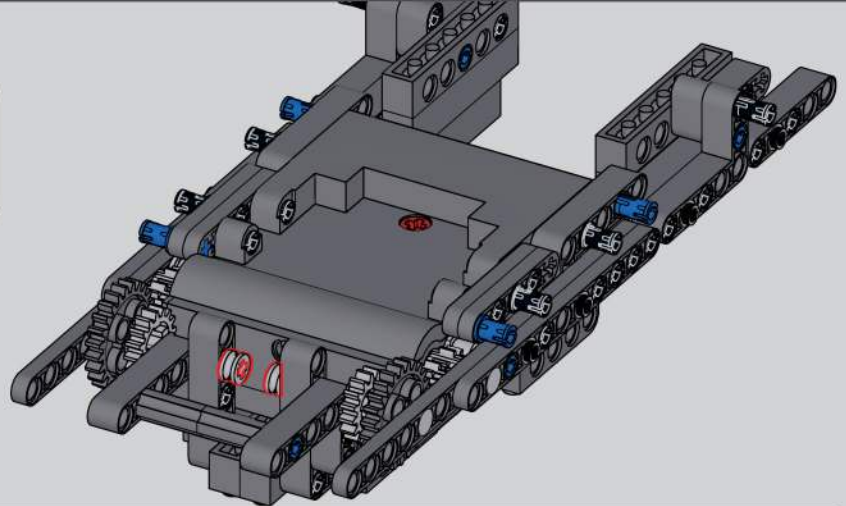


33

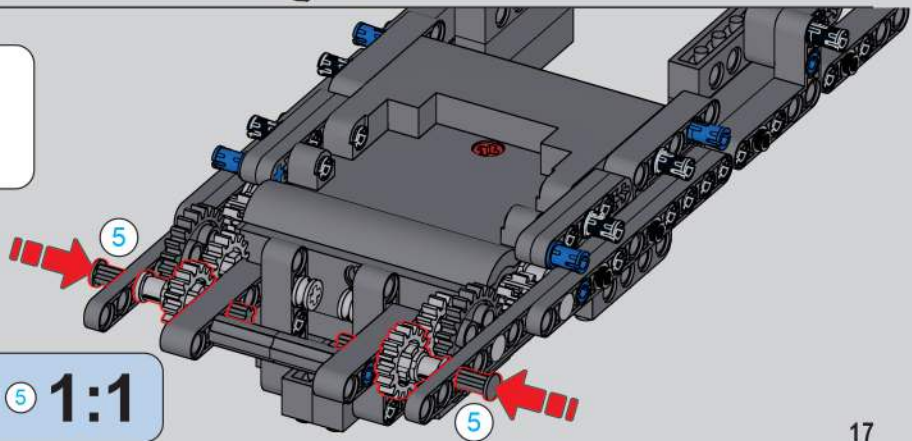




34



35



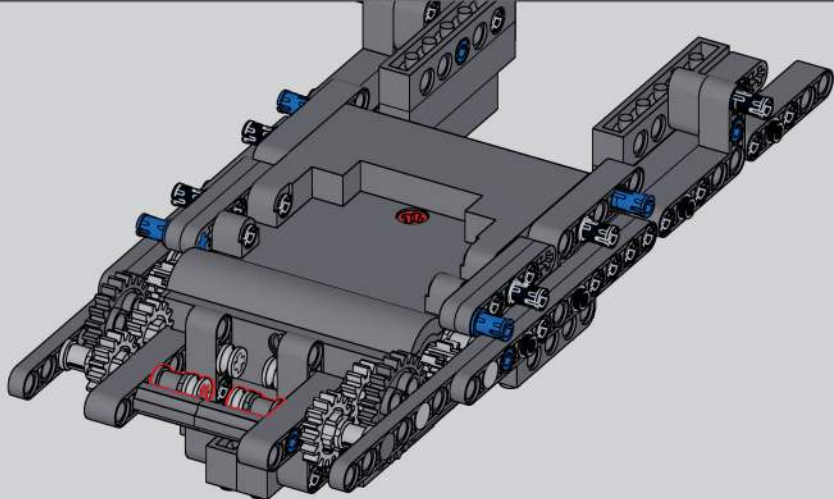


2x



2x

36



2x



2x

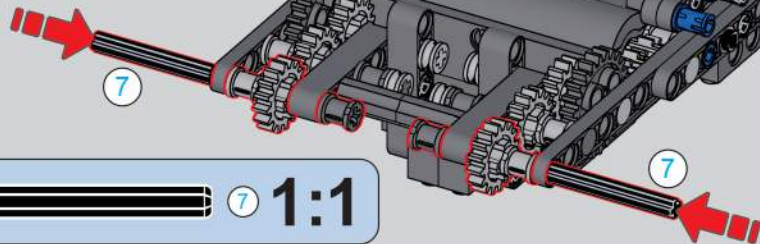


2x



2x

37



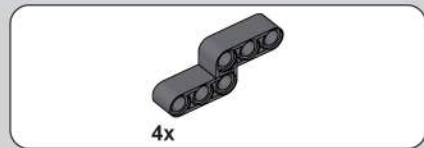
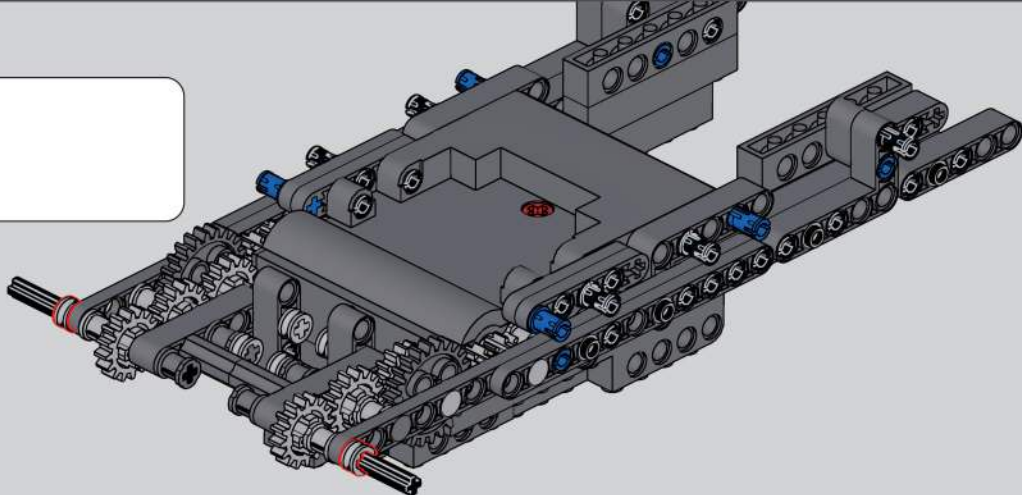
7

1:1

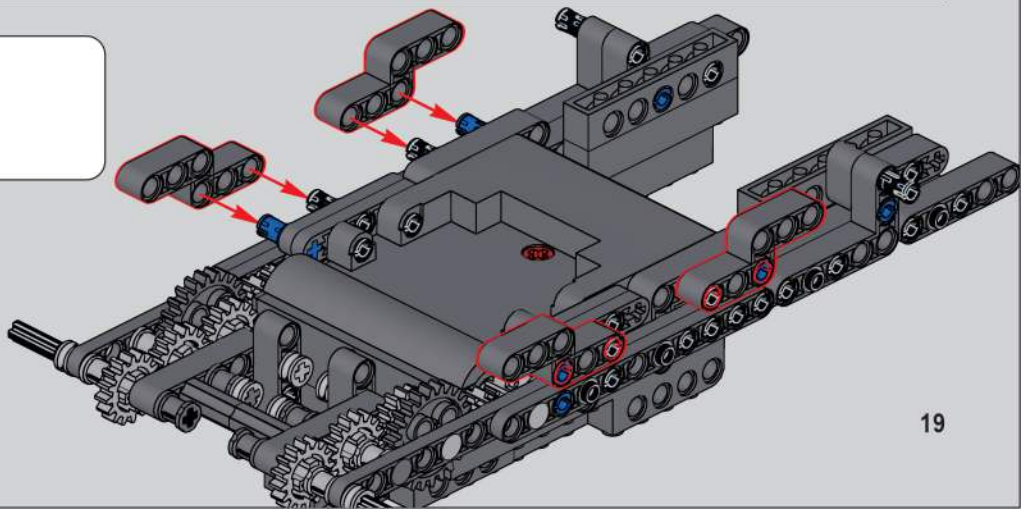
18



38

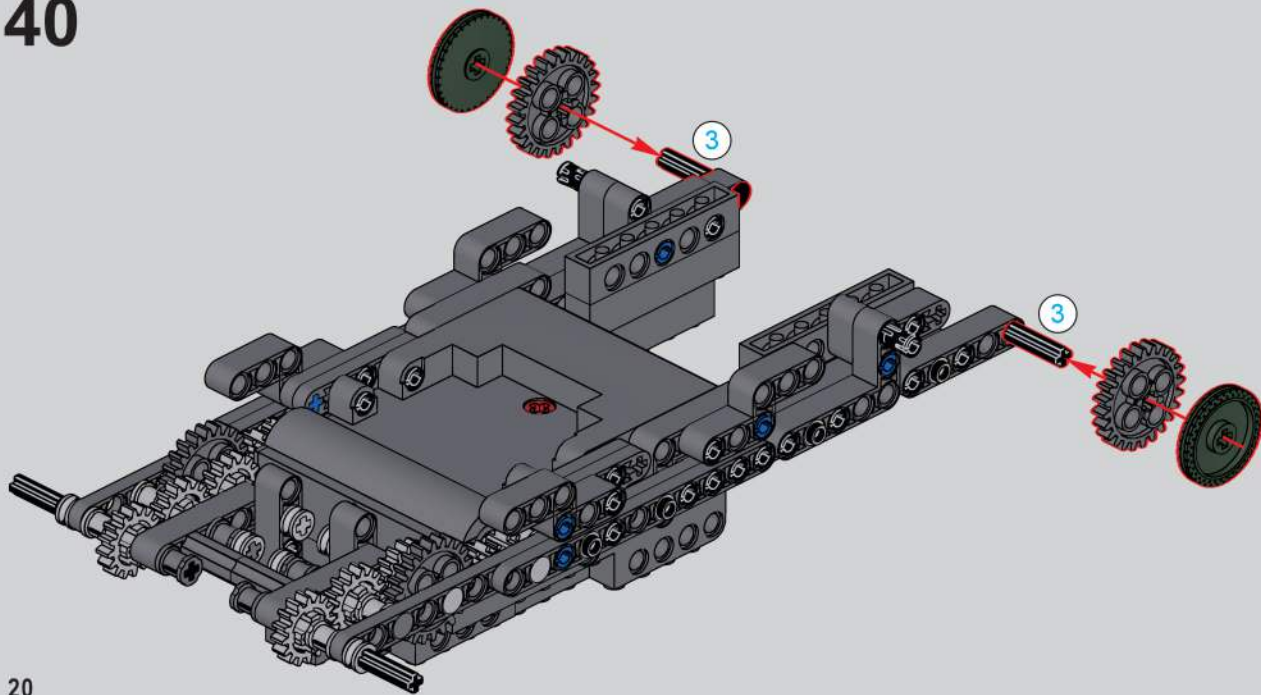


39





40



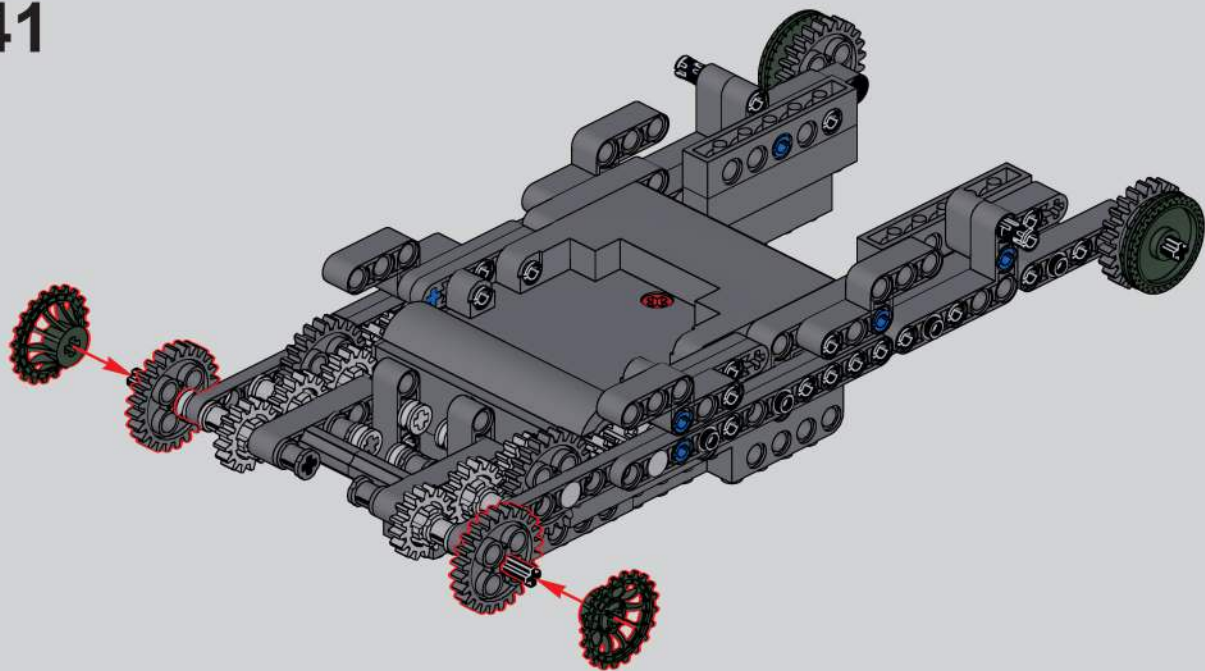


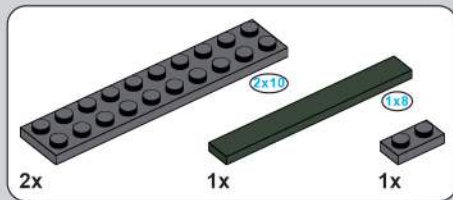
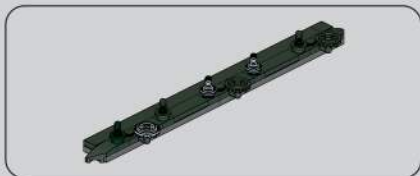
2x



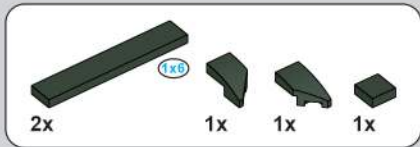
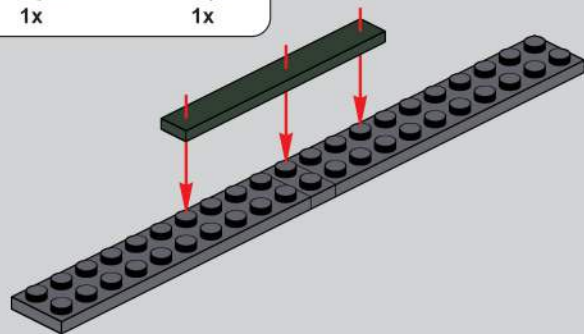
2x

41

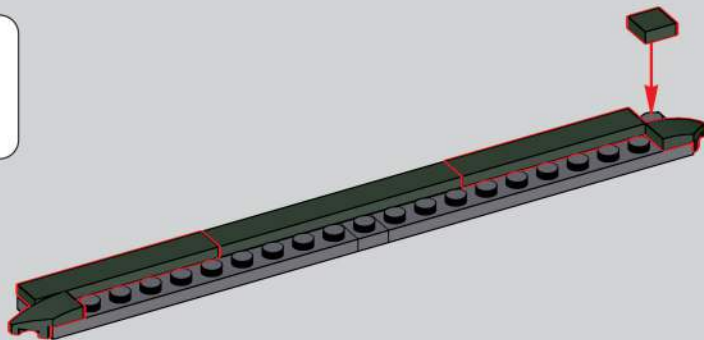




42

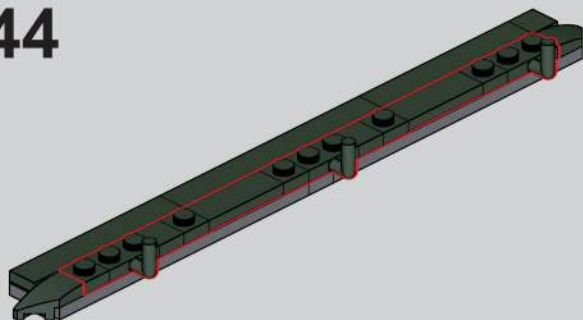


43

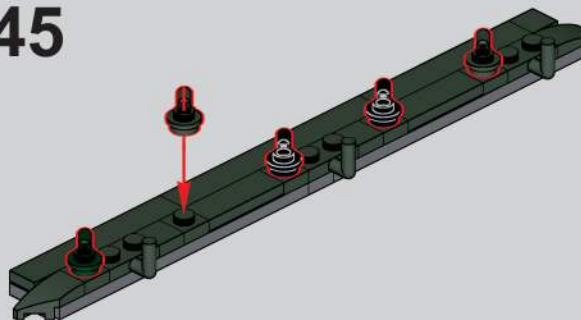




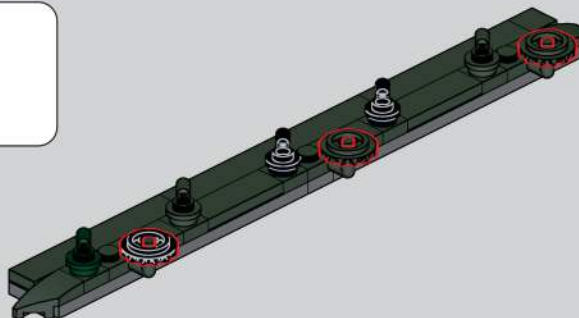
44

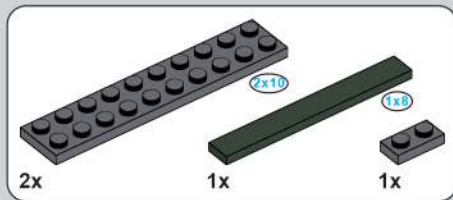
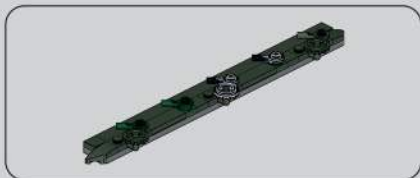


45

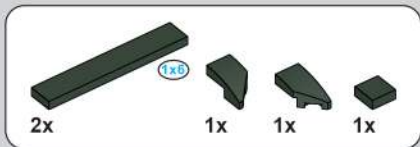
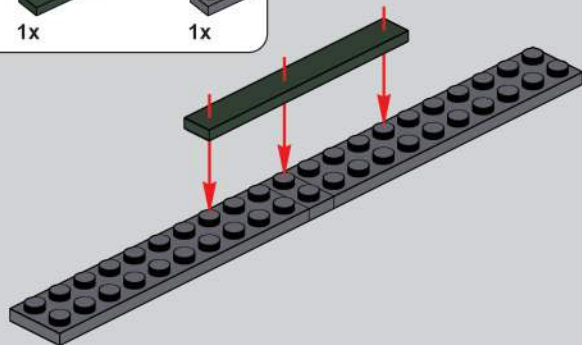


46

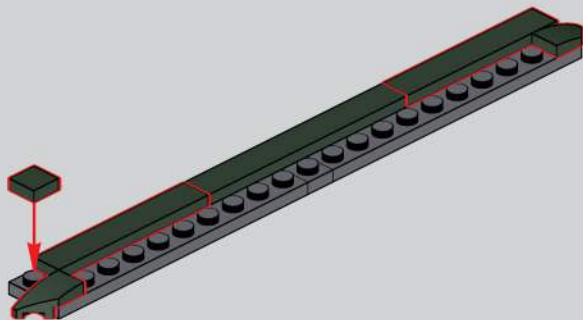




47

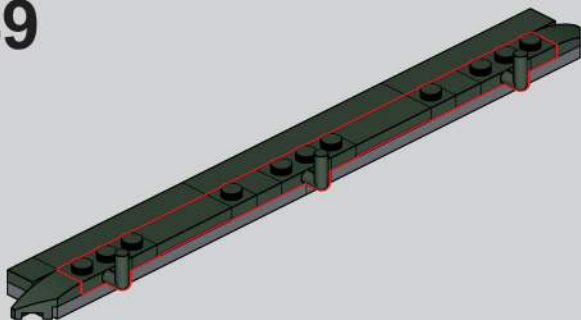


48

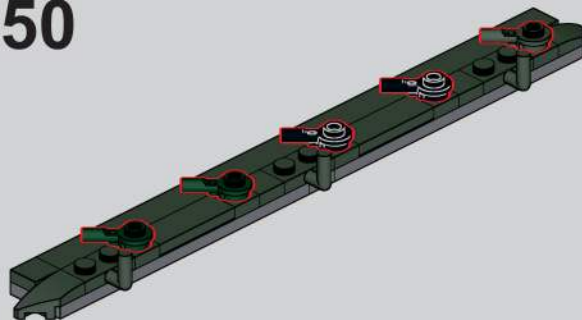




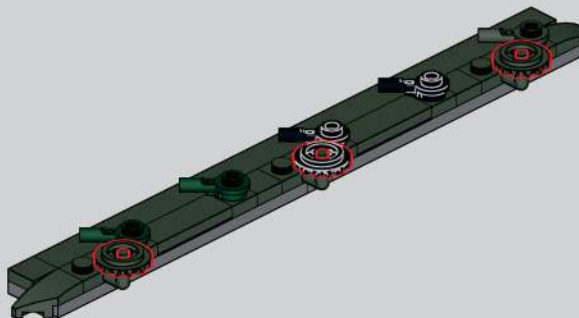
49



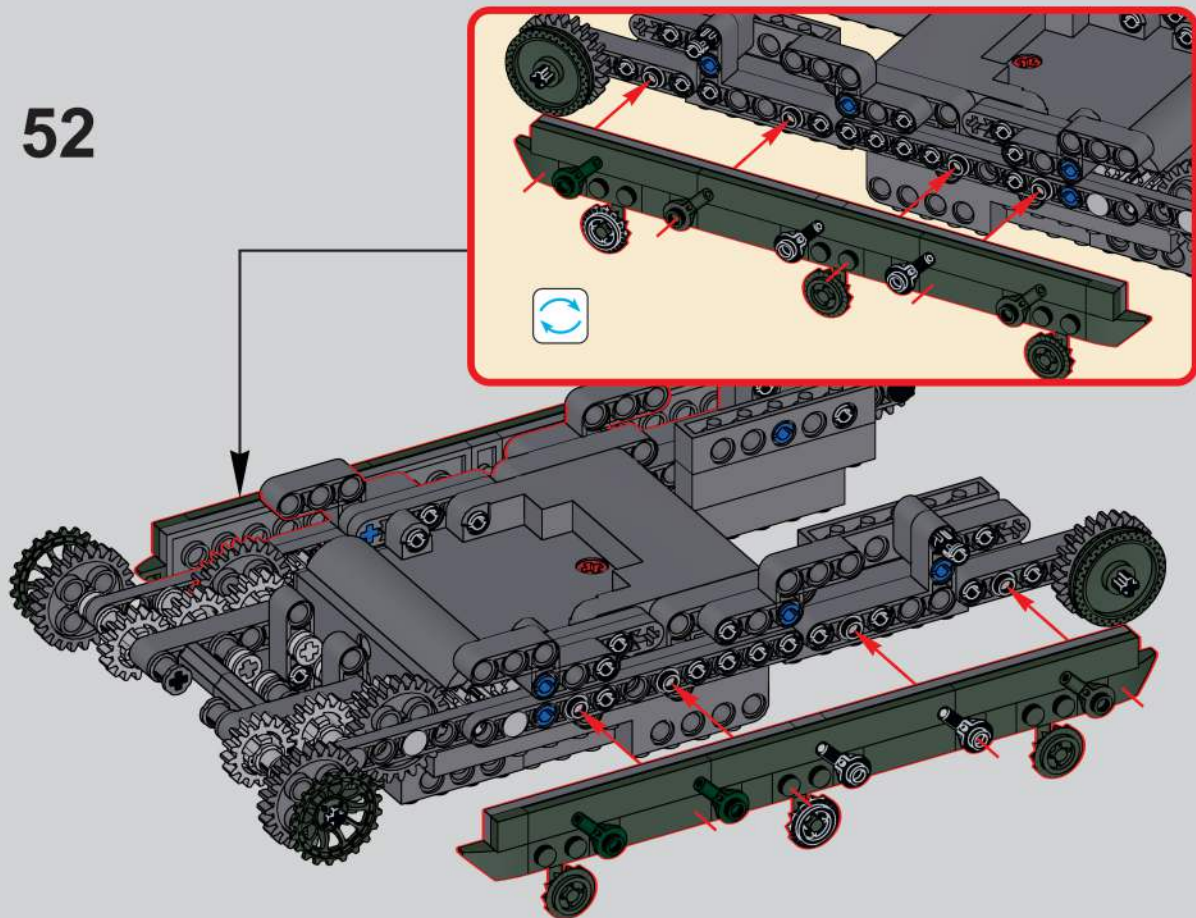
50

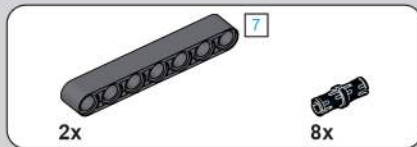
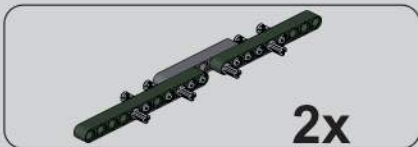
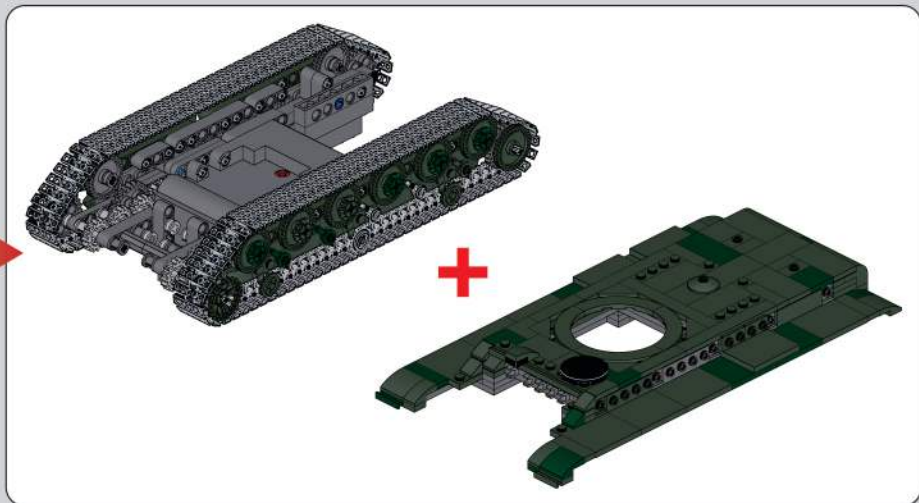


51

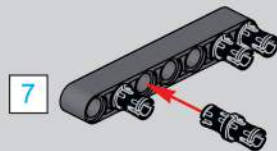


52



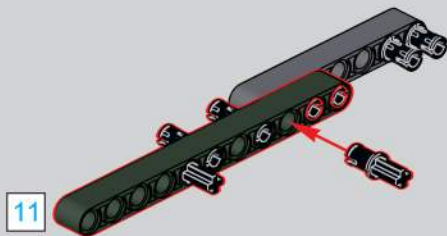


53

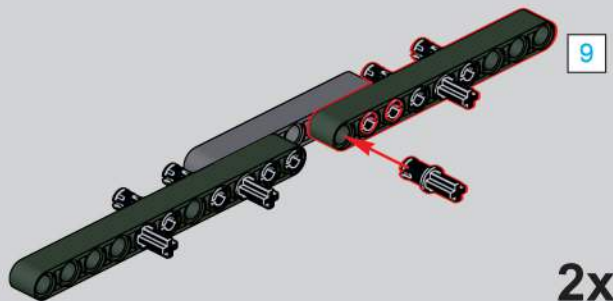




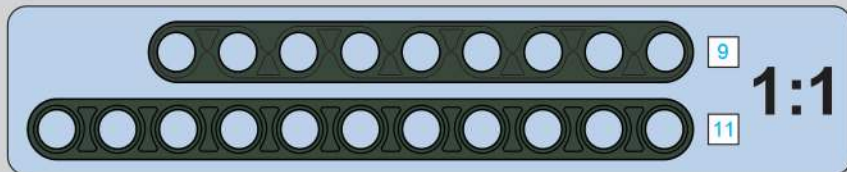
54



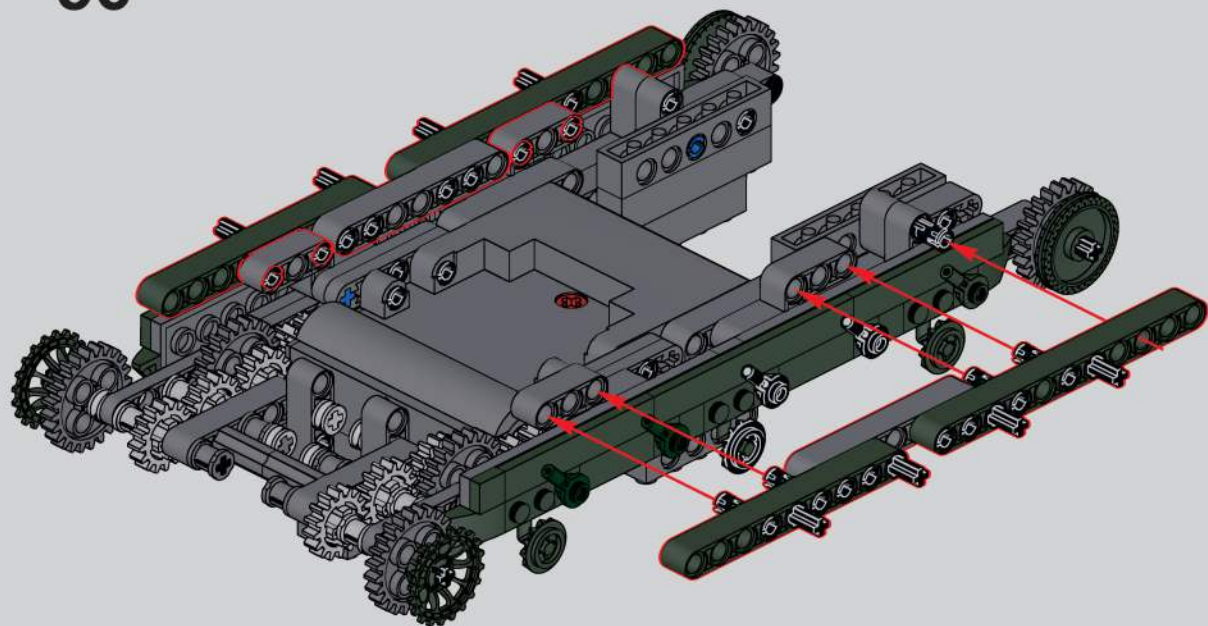
55

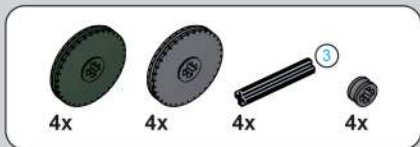


2x

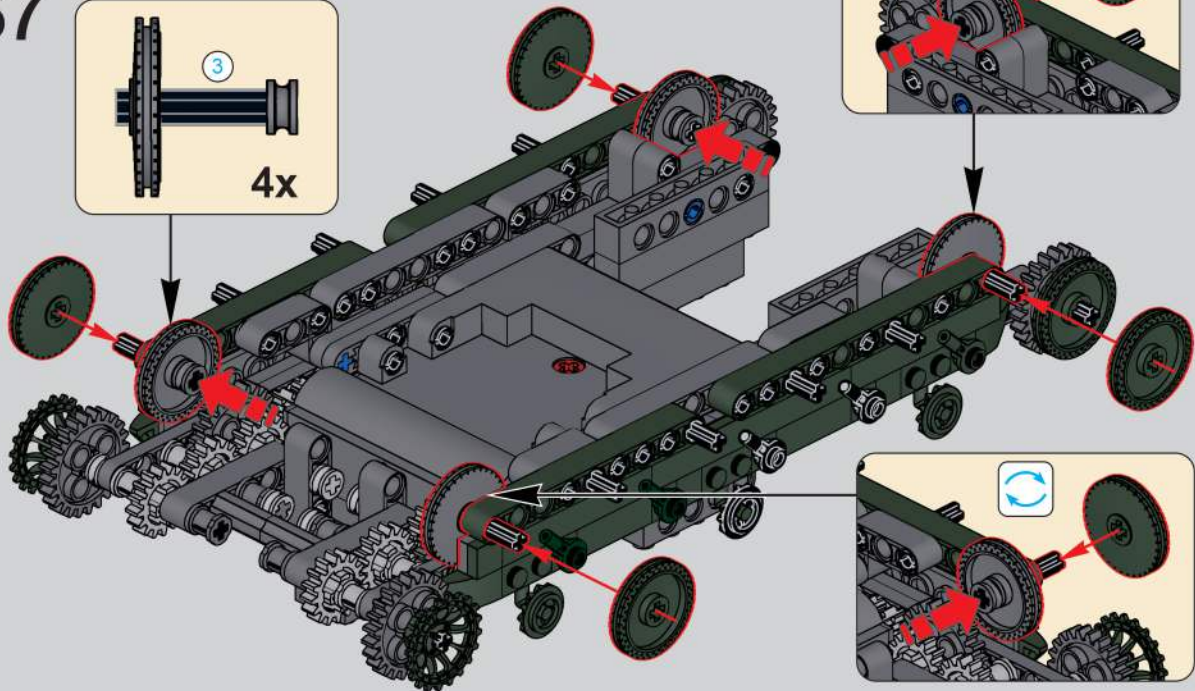
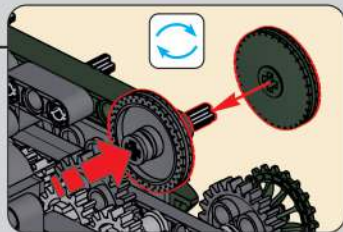
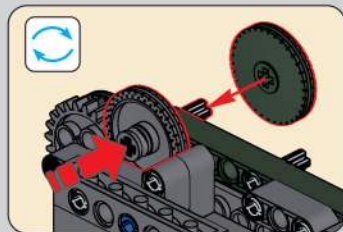
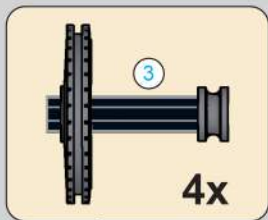


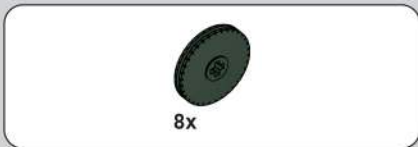
56



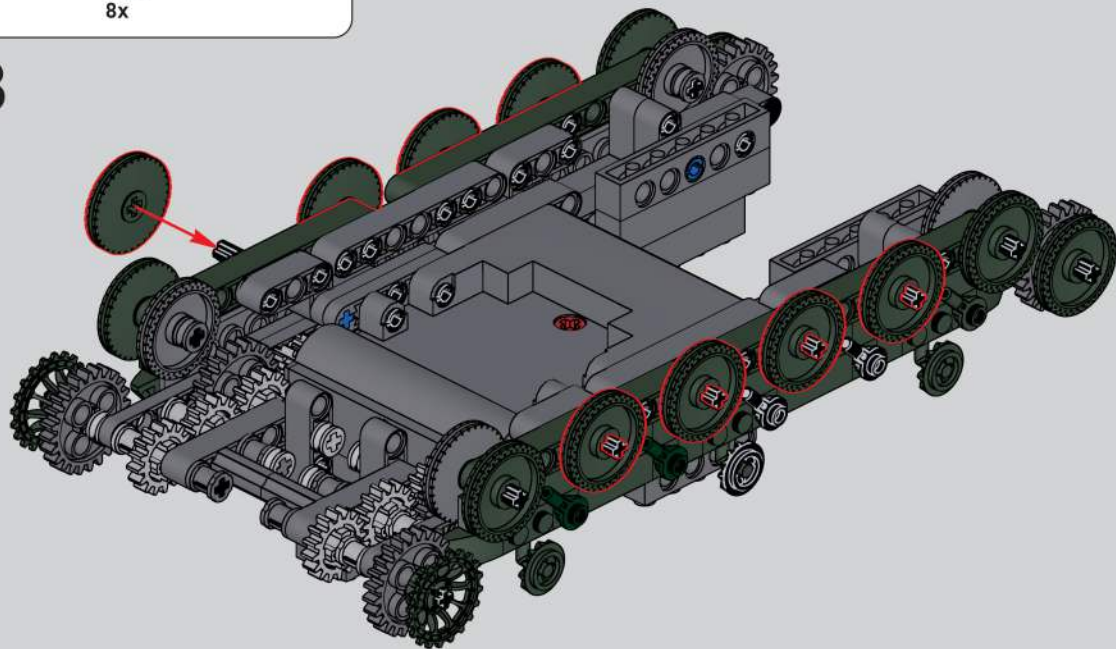


57





58



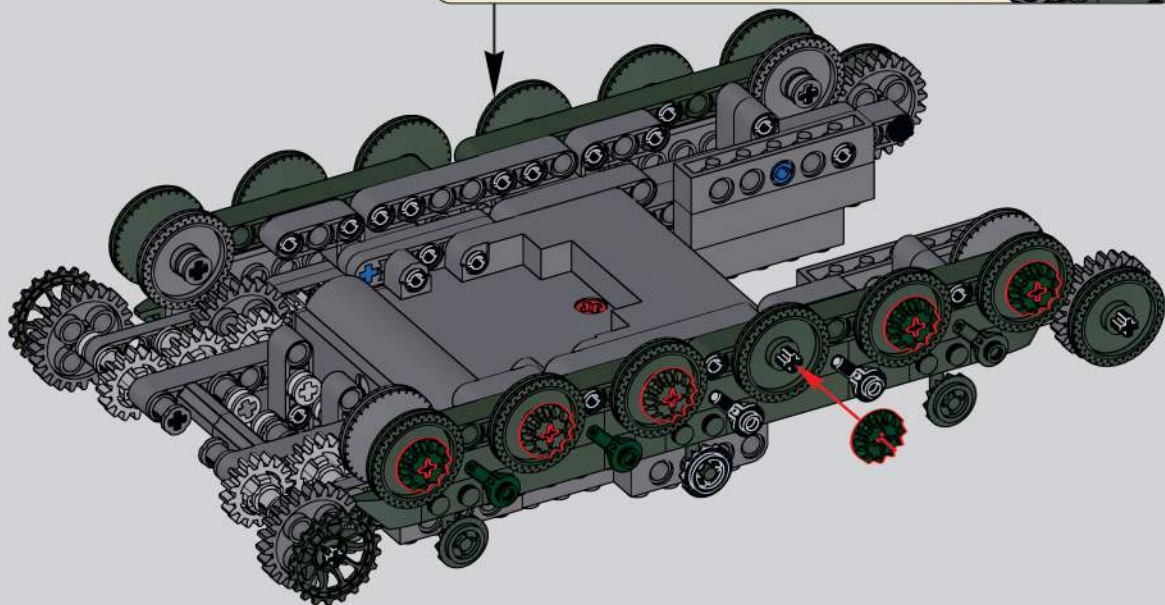
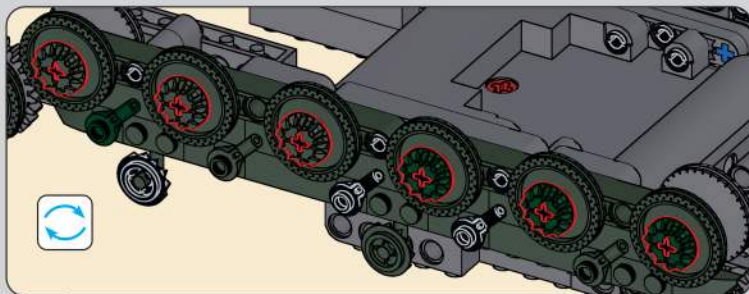


7x



5x

59

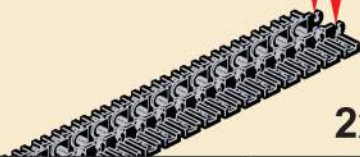




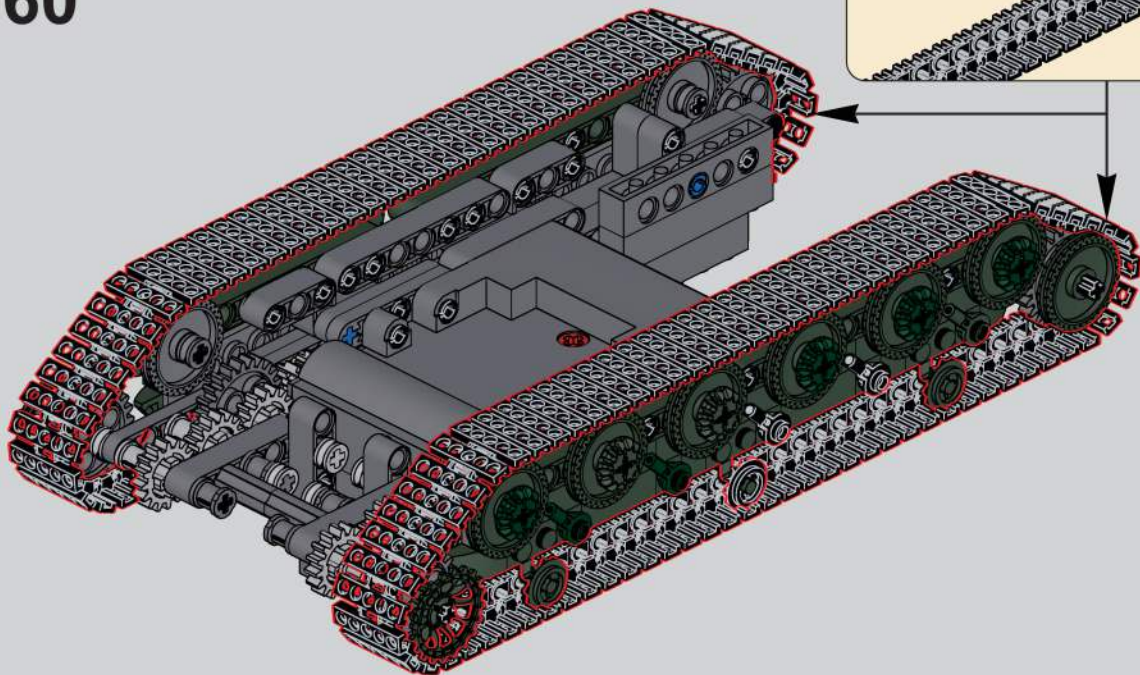
154x

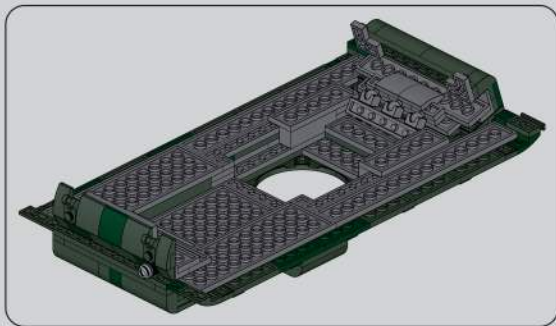
60

77x

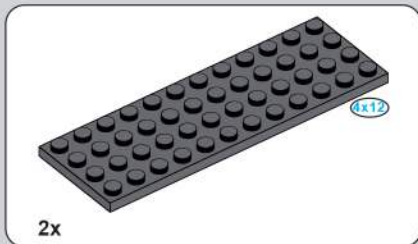
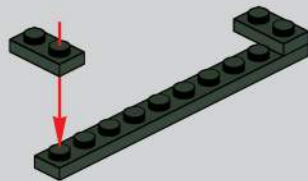


2x

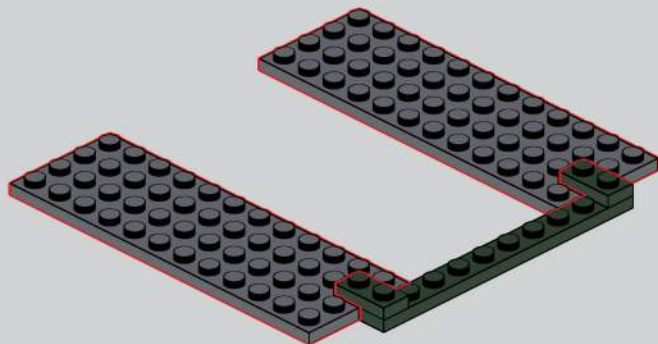


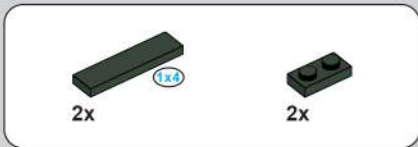


61

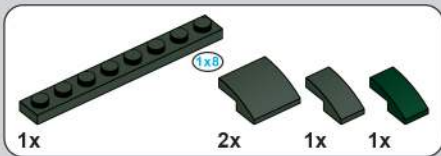
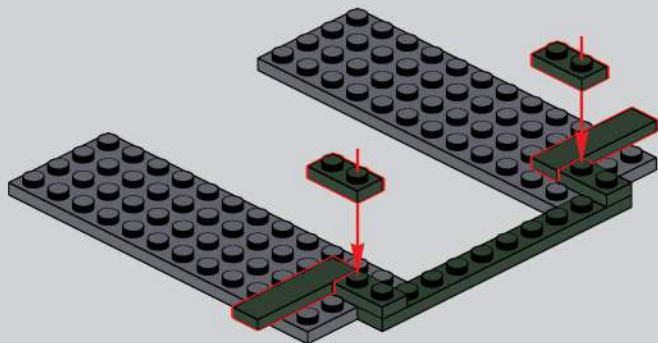


62

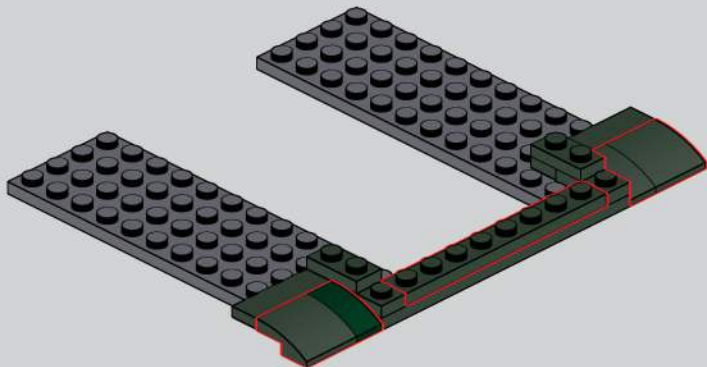


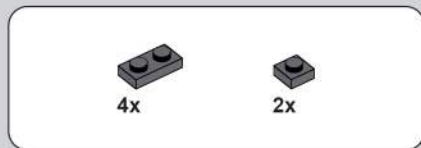


63

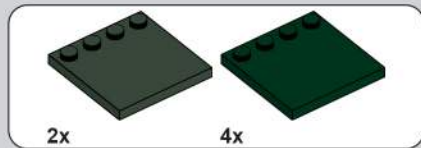
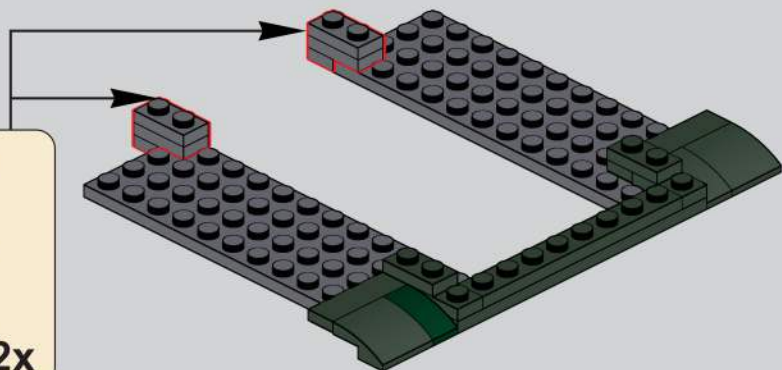
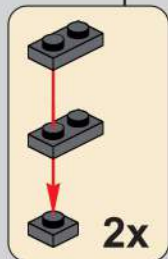


64

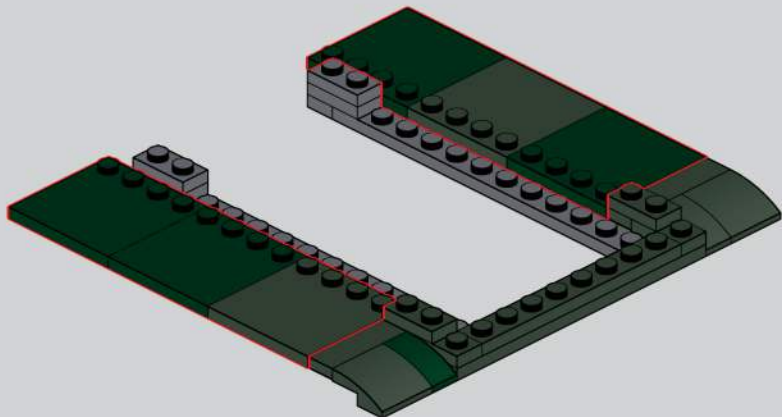


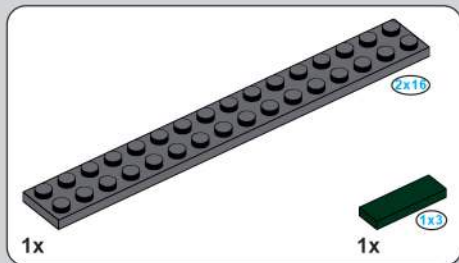
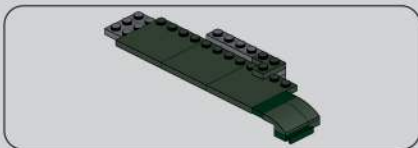


65

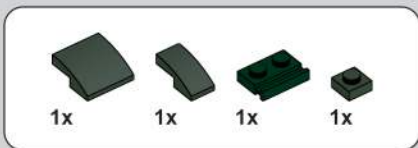
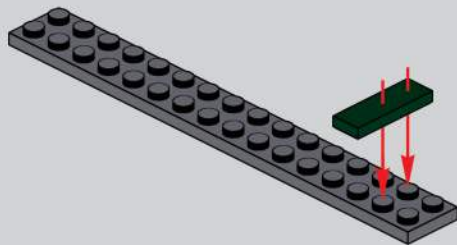


66

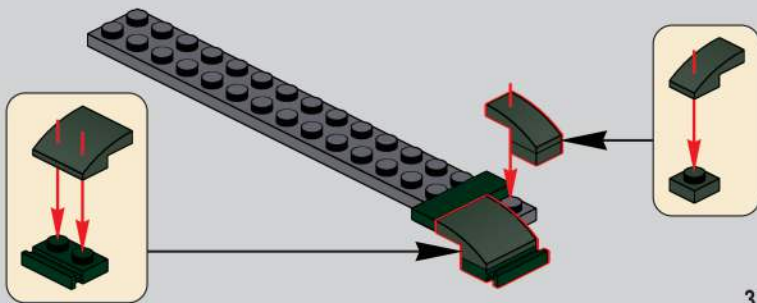


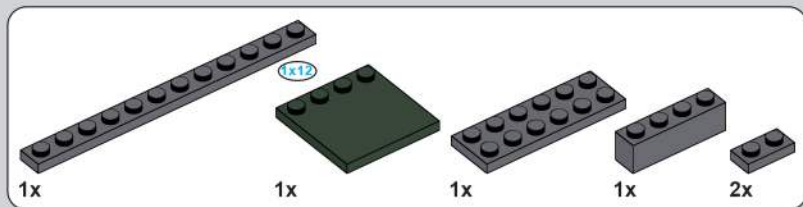


67

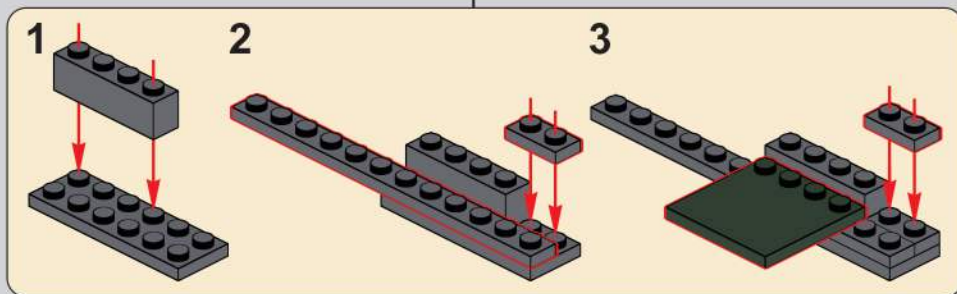
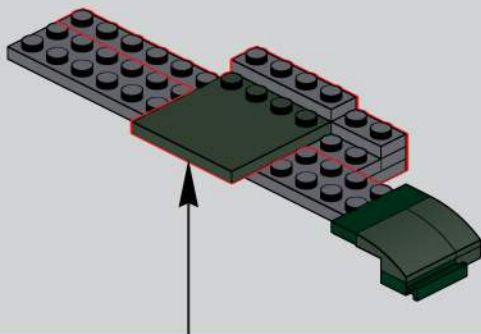


68



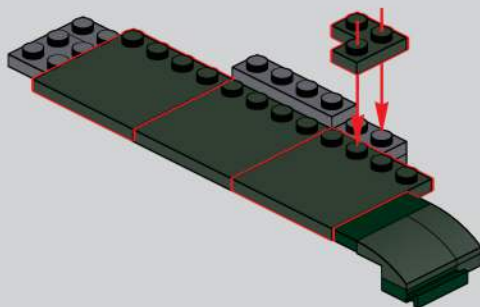


69

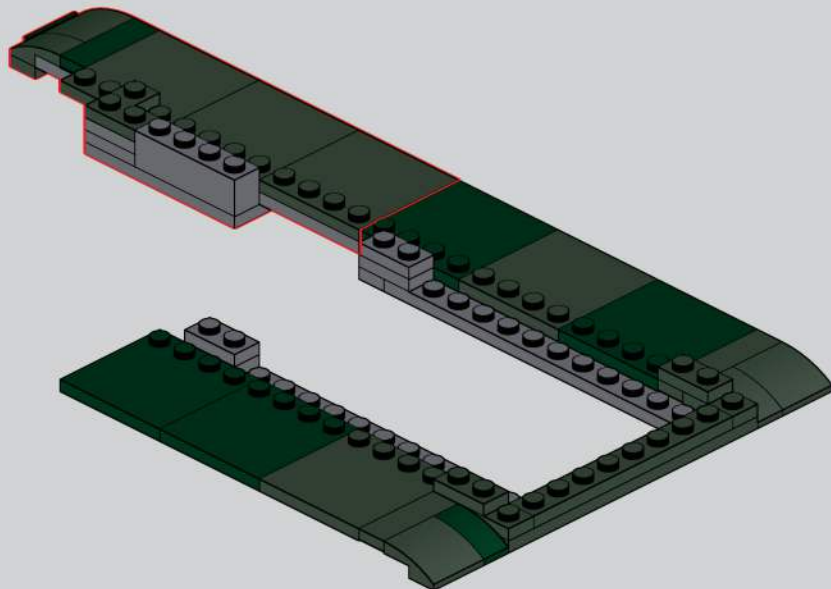


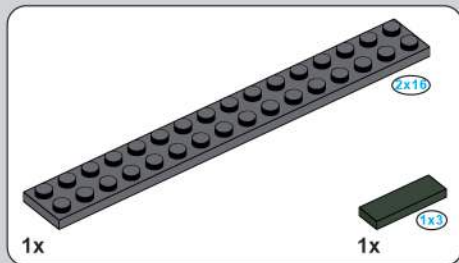
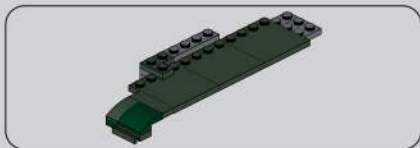


70

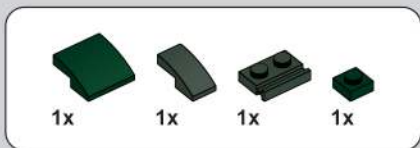
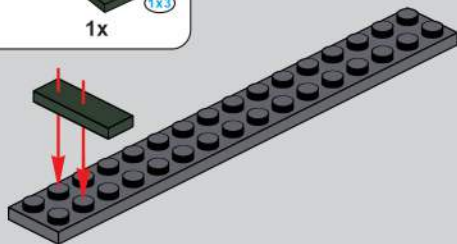


71

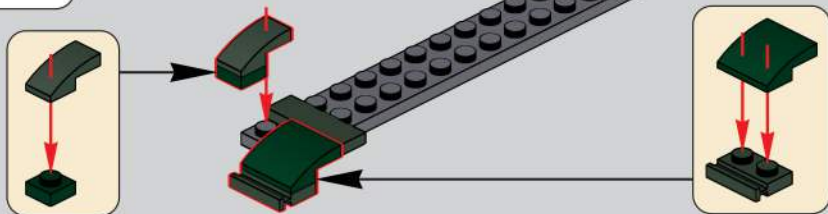


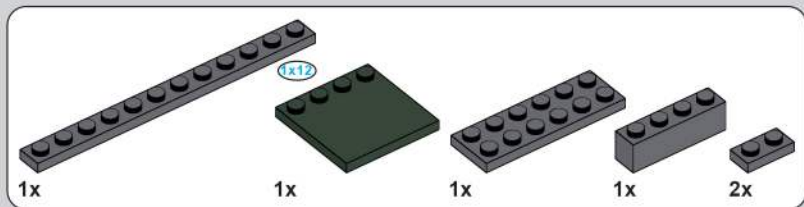


72

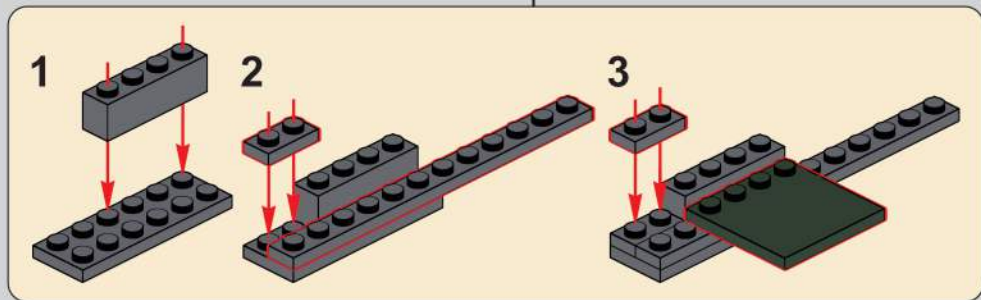
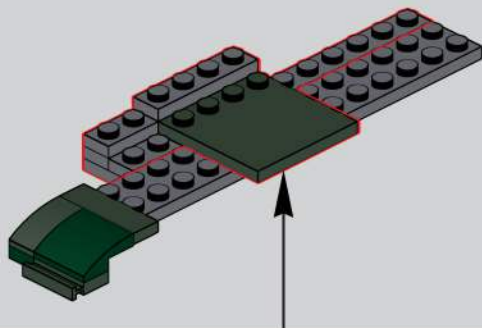


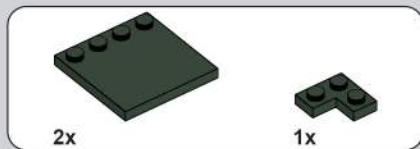
73



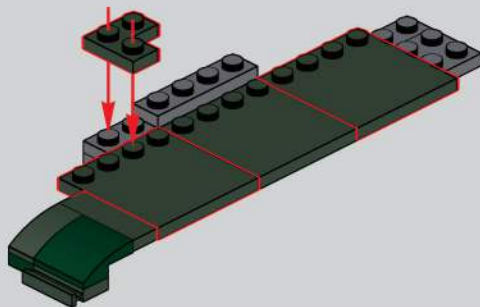


74

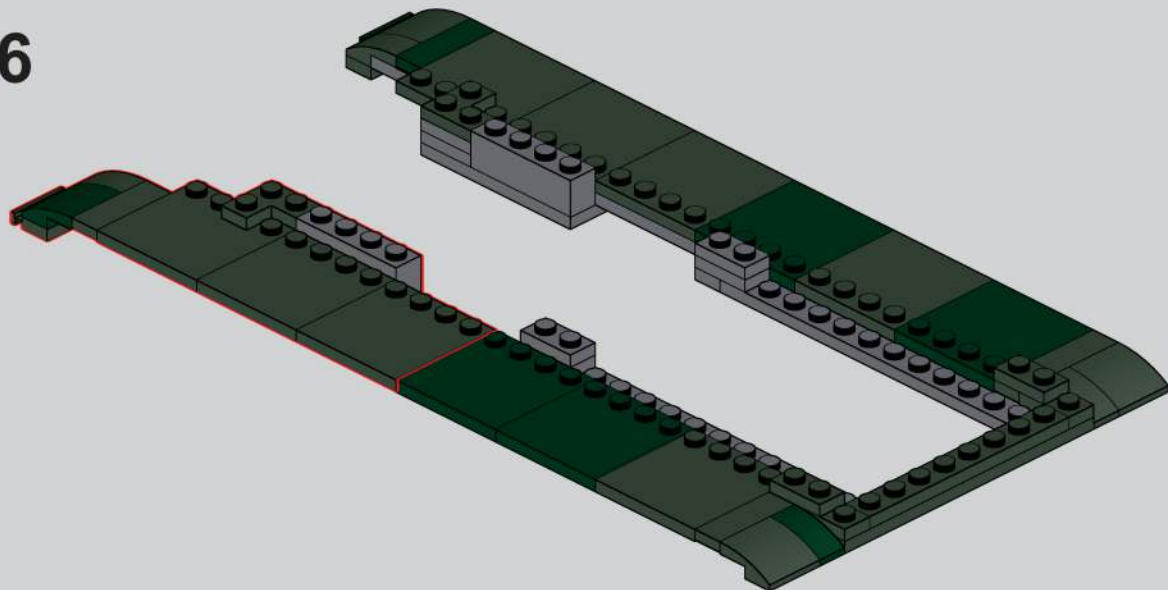




75

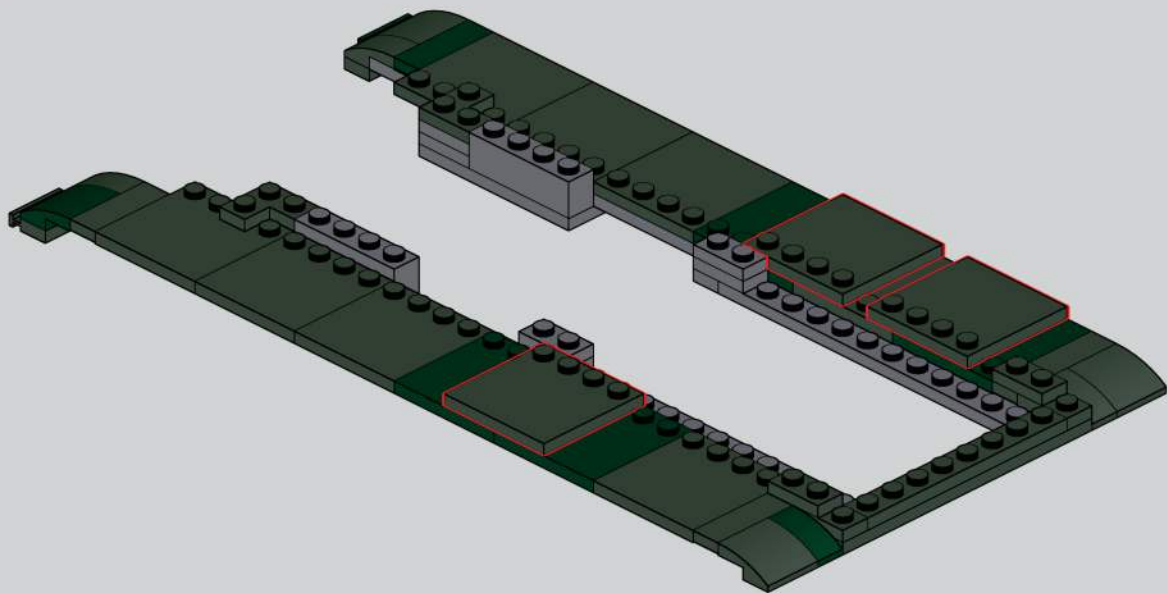


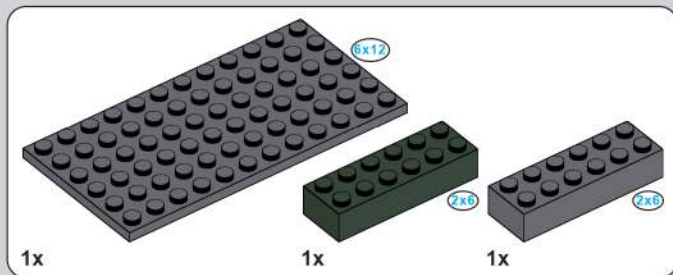
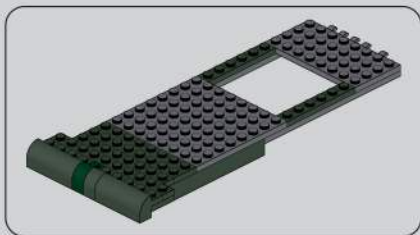
76



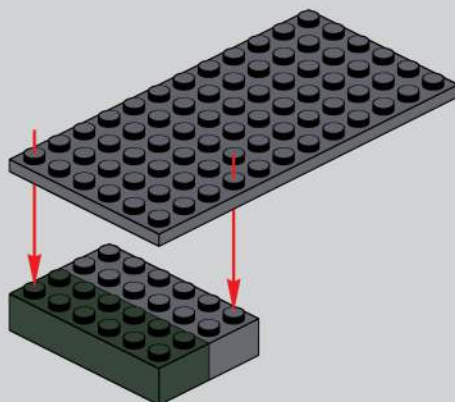


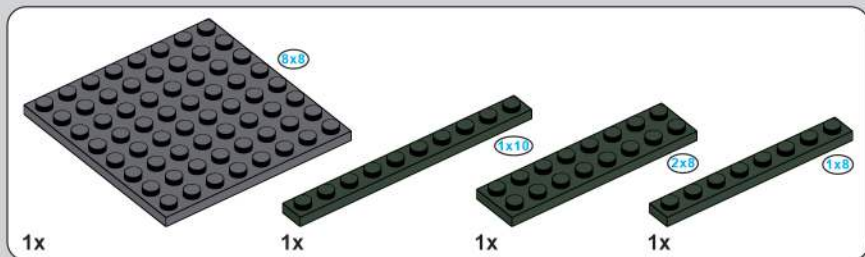
77



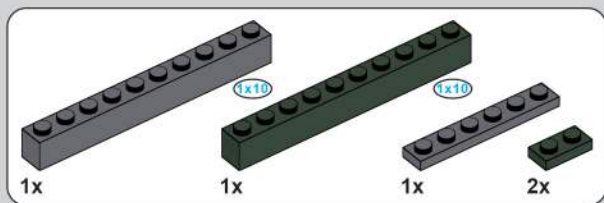
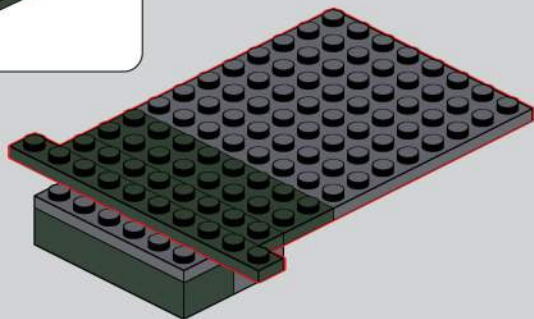


78

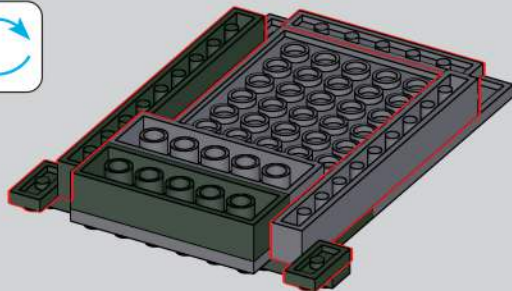


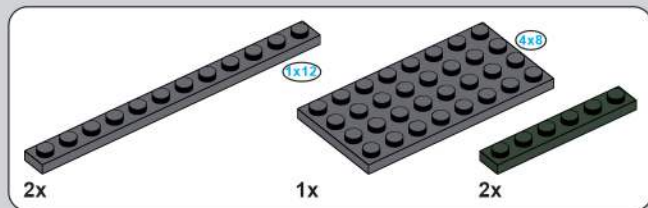


79

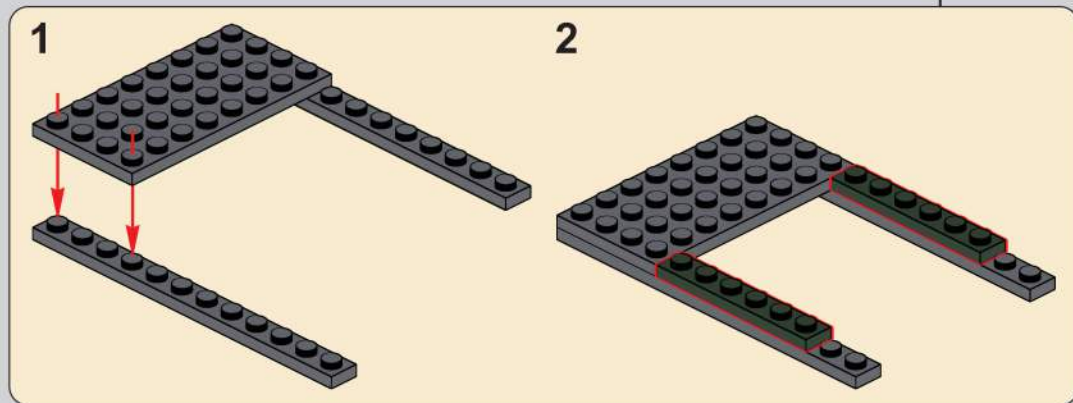
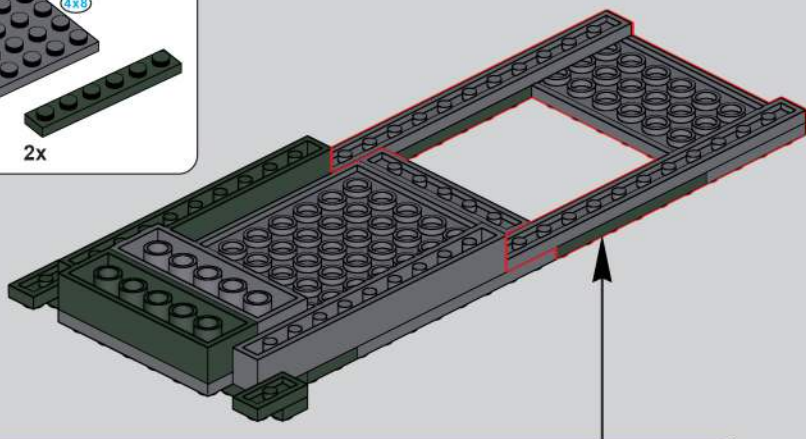


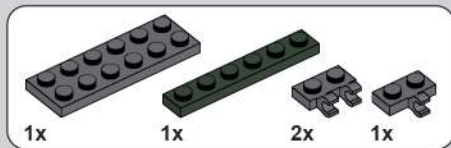
80



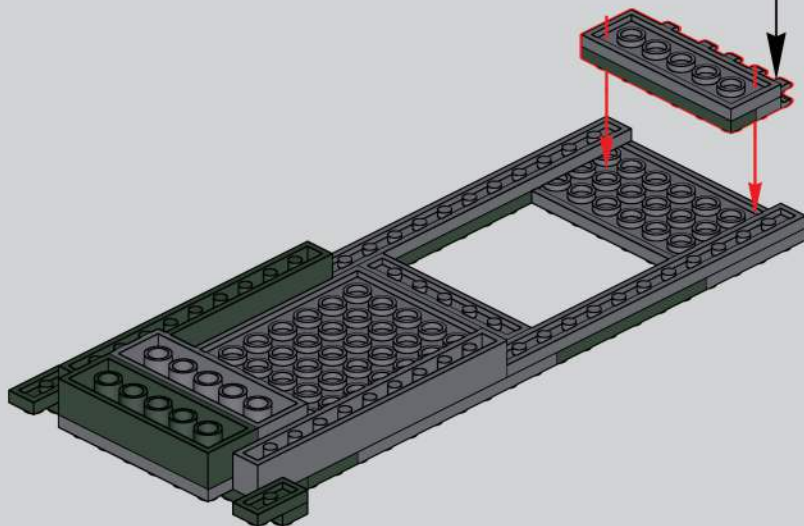
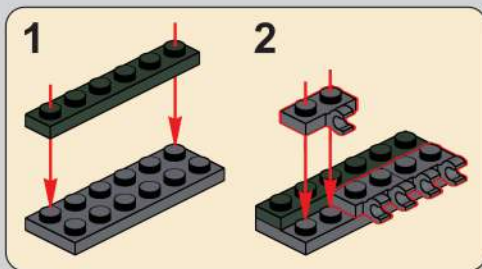


81





82



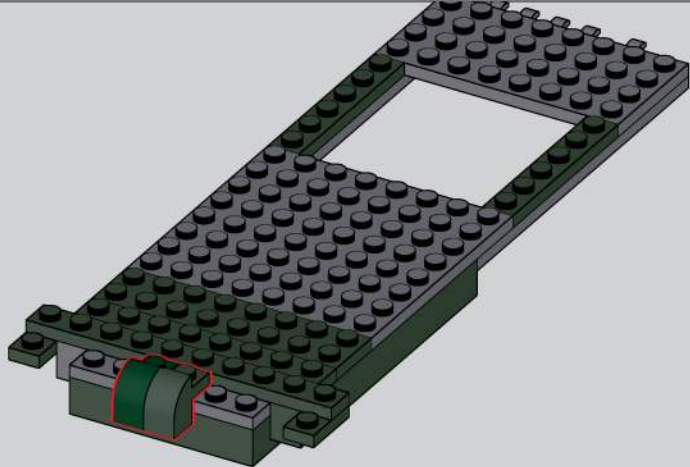


1x



1x

83

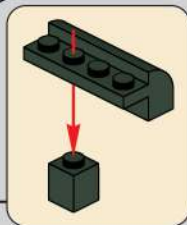
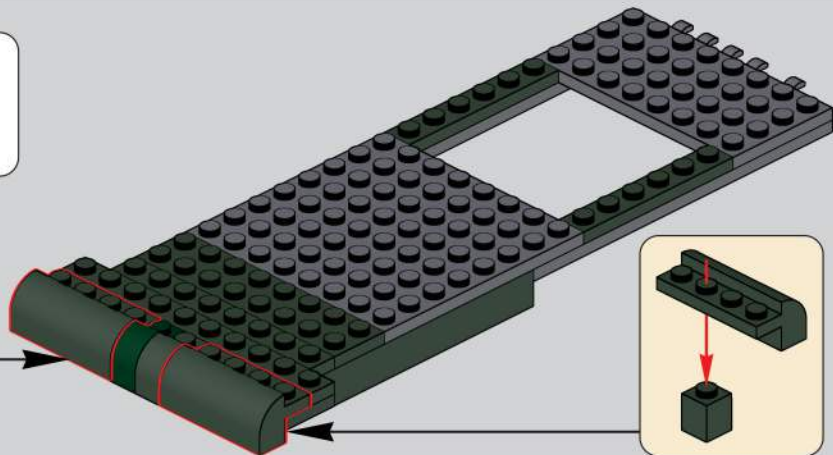
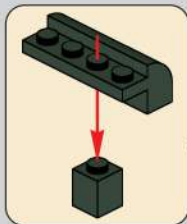


2x

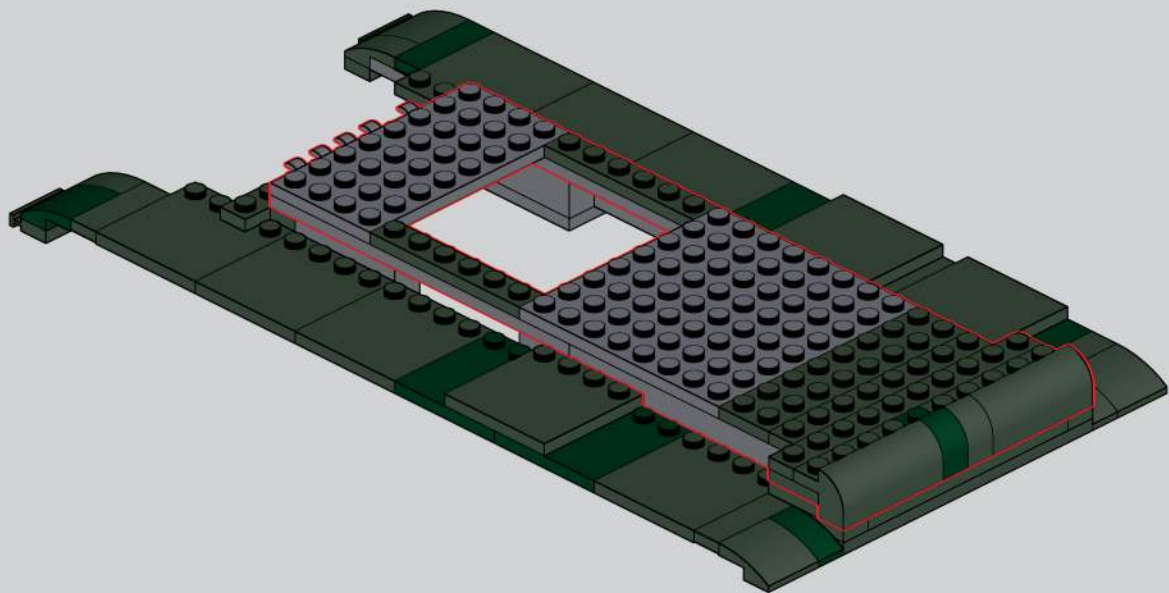


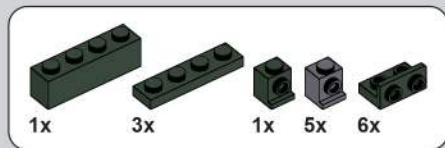
2x

84

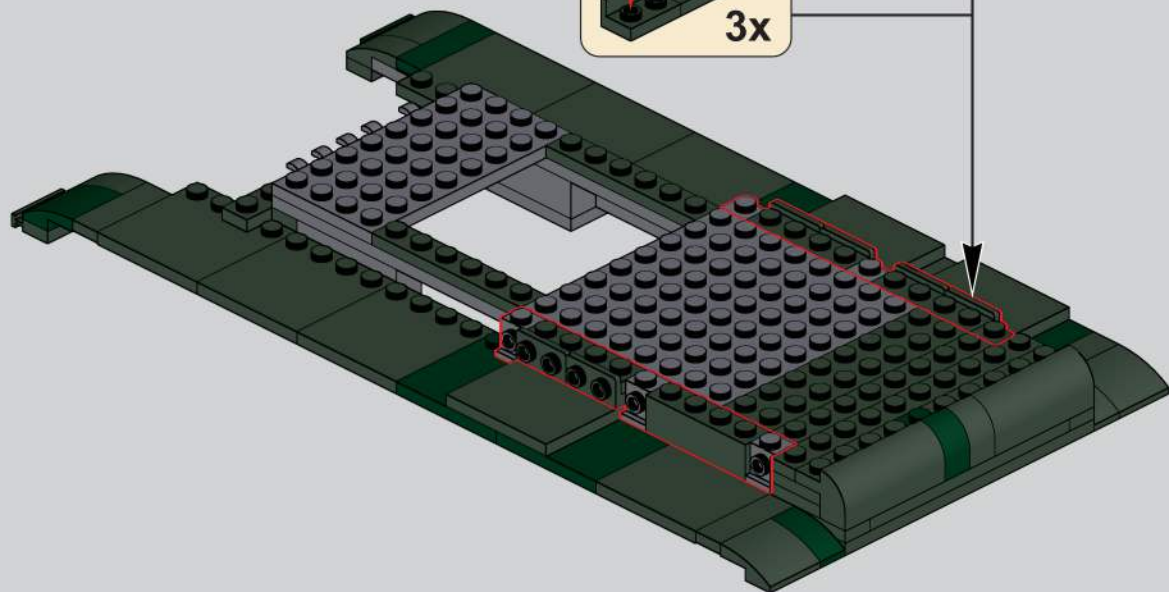
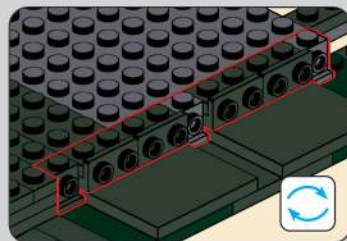
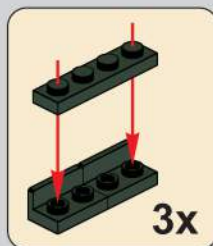


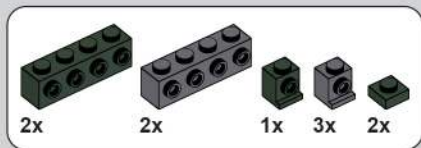
85



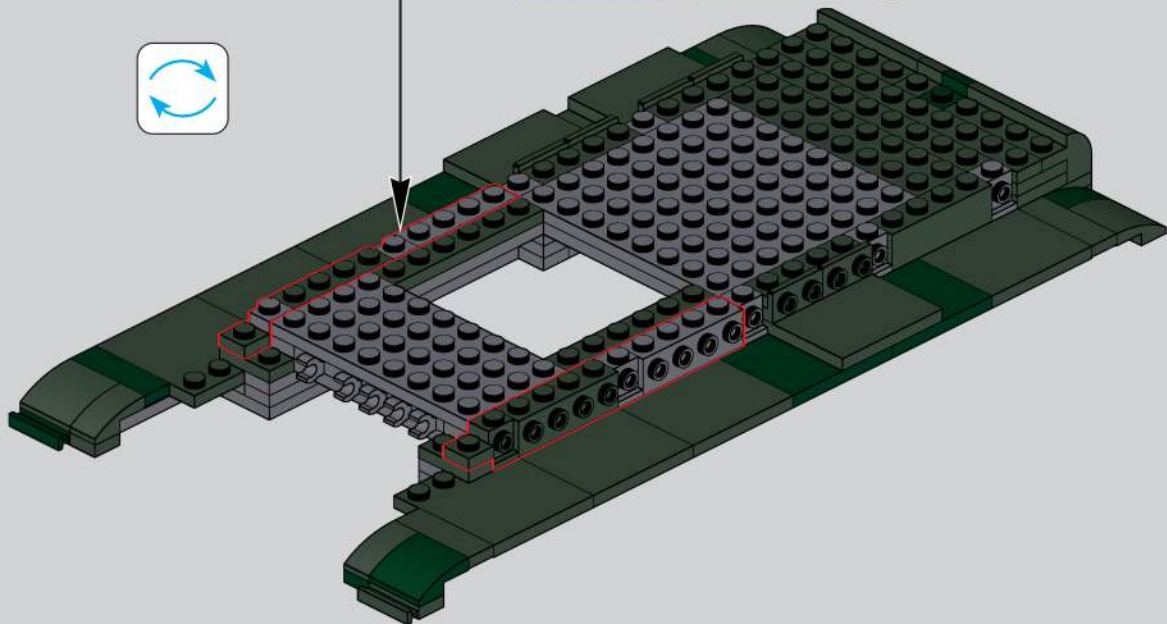
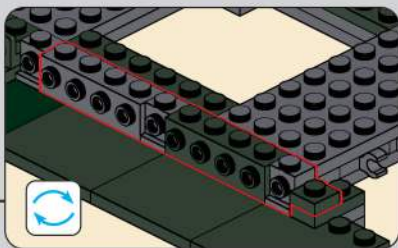


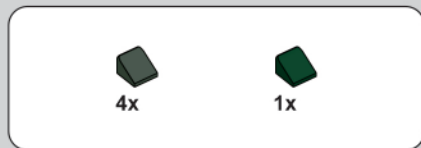
86



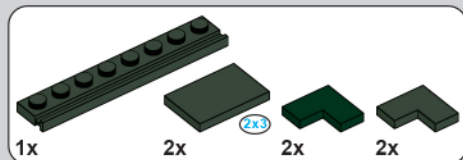
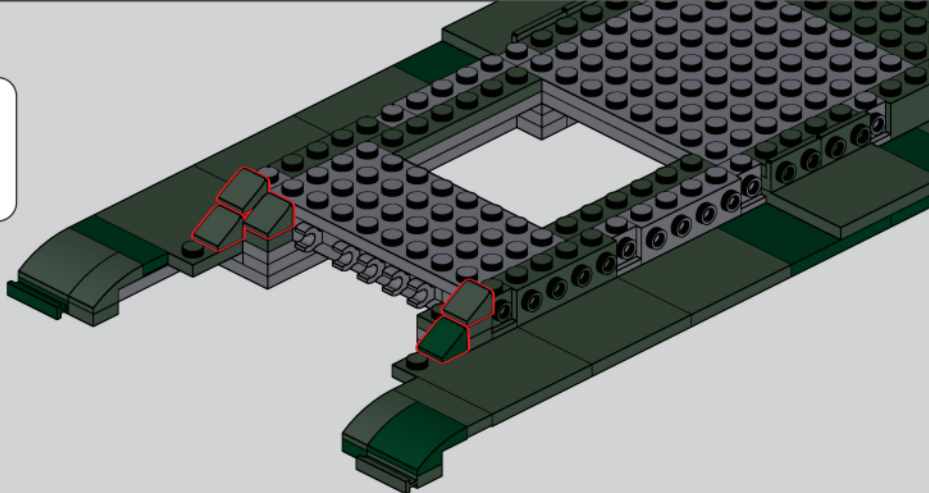


87

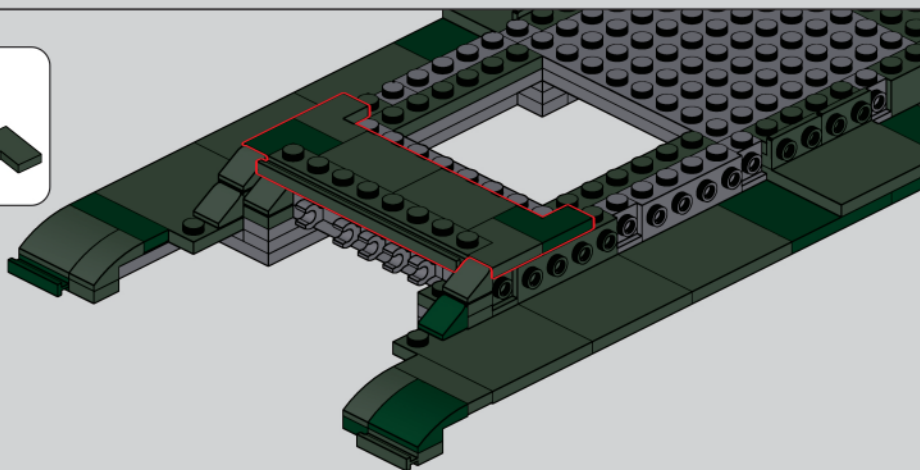


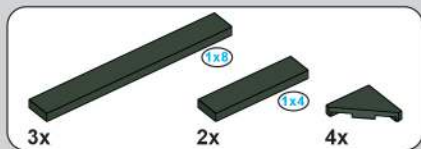


88

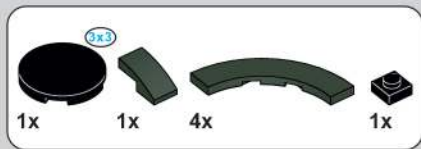
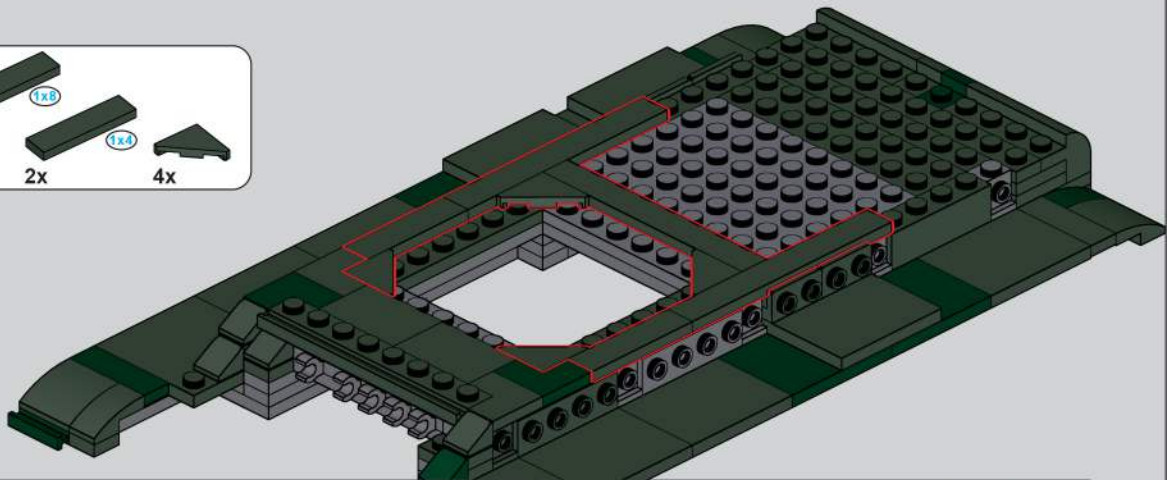


89

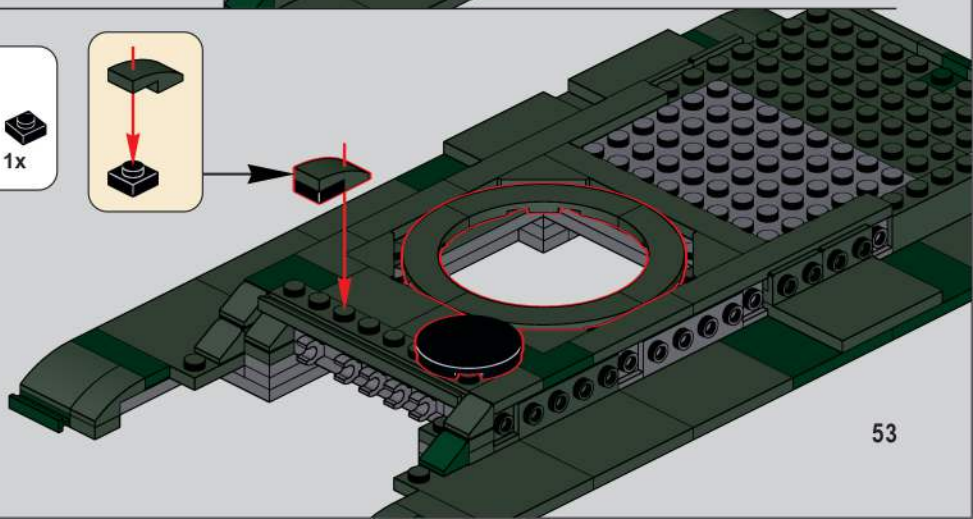


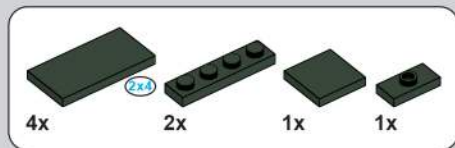


90

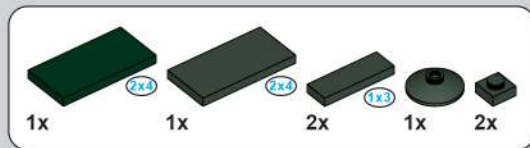
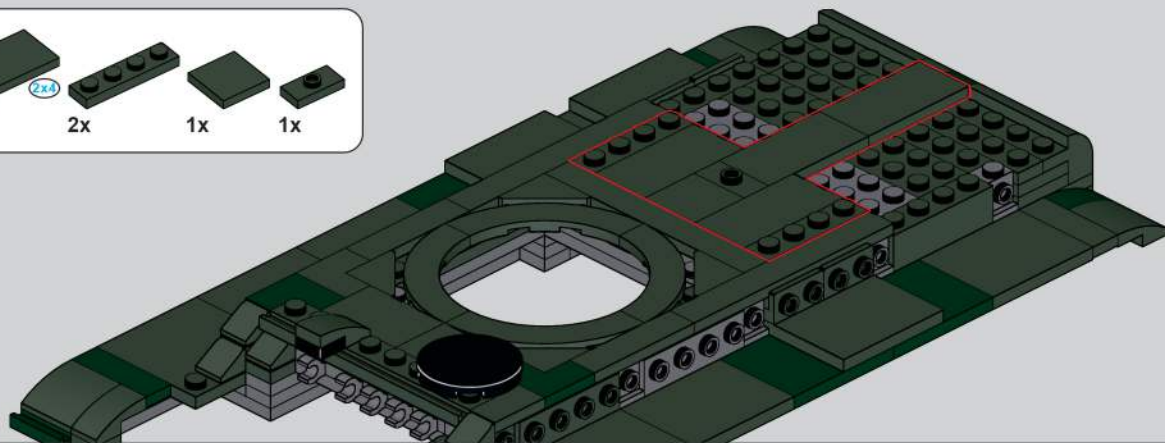


91

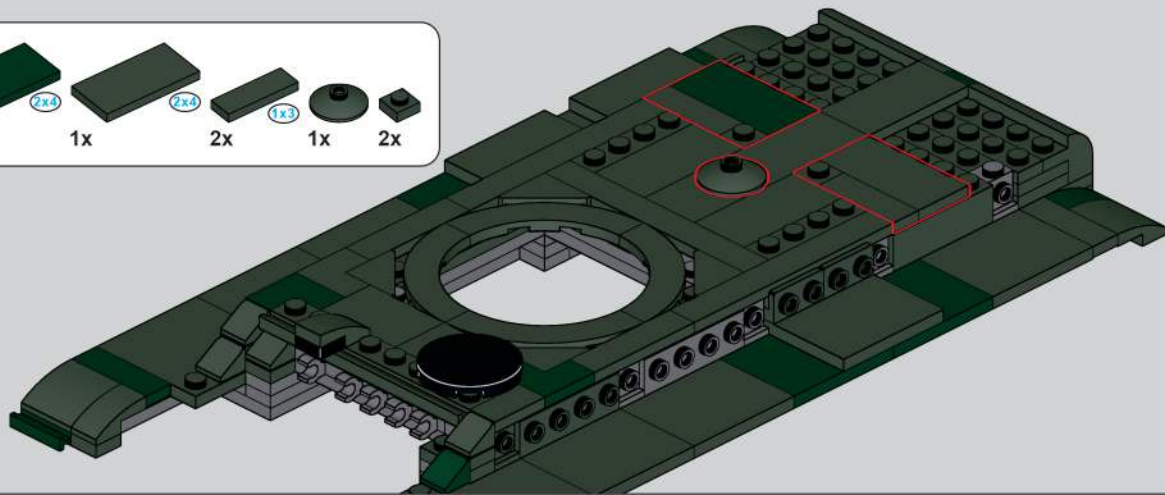


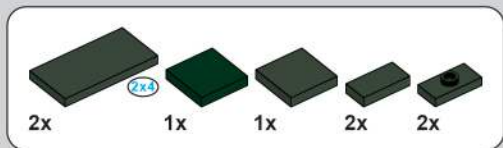


92

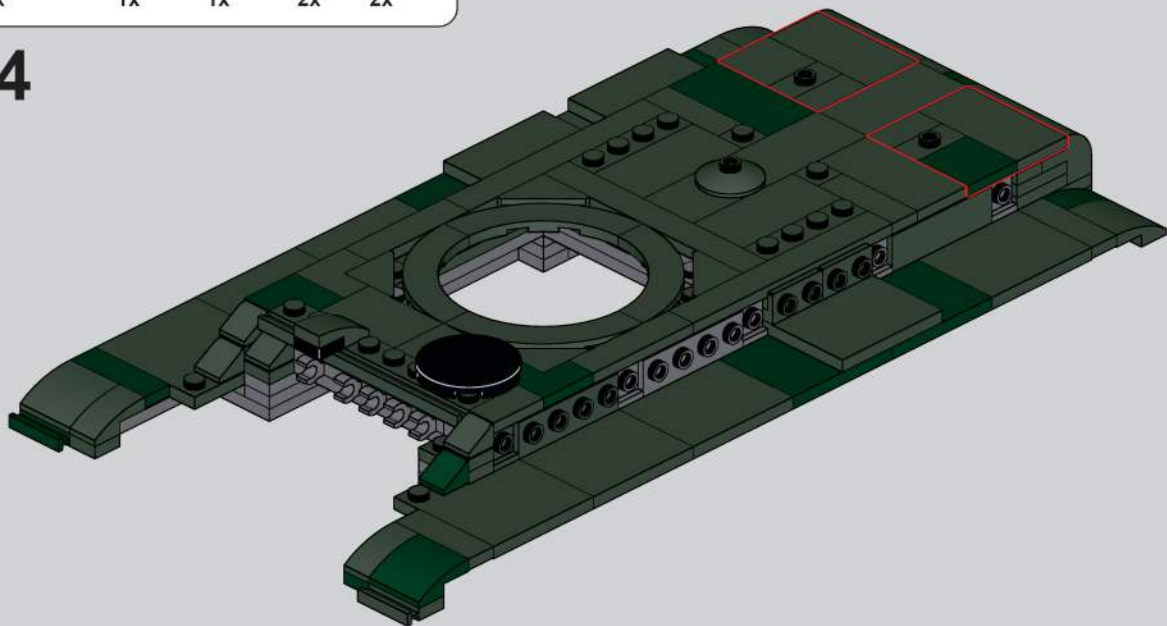


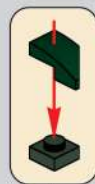
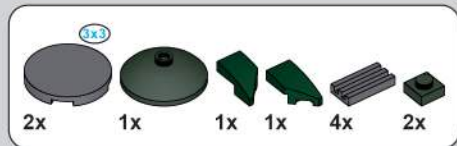
93





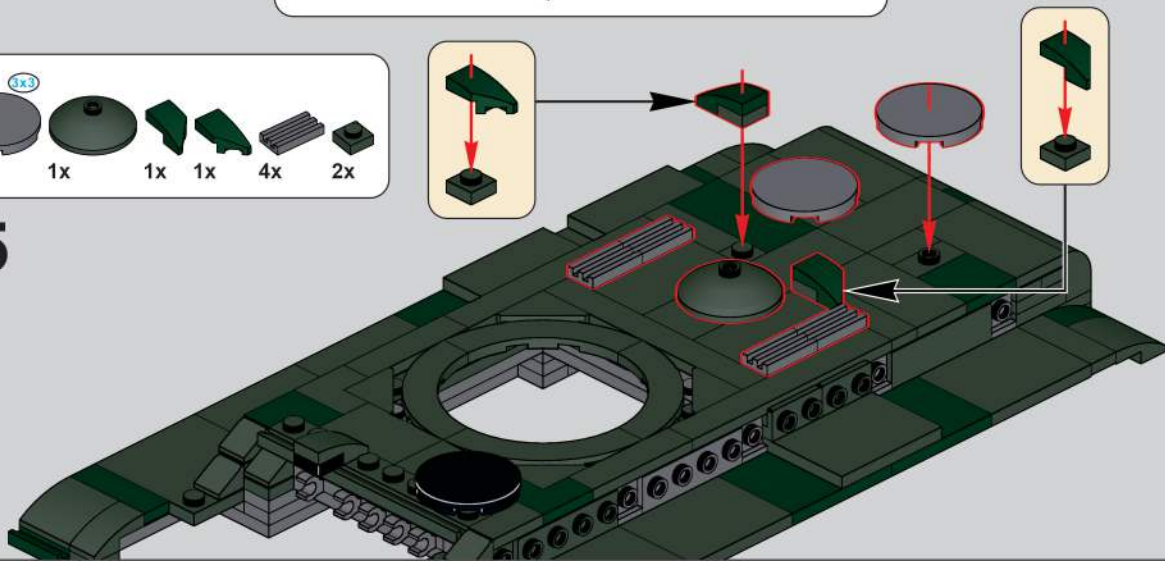
94

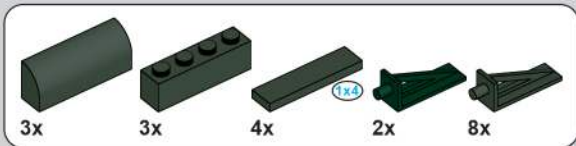




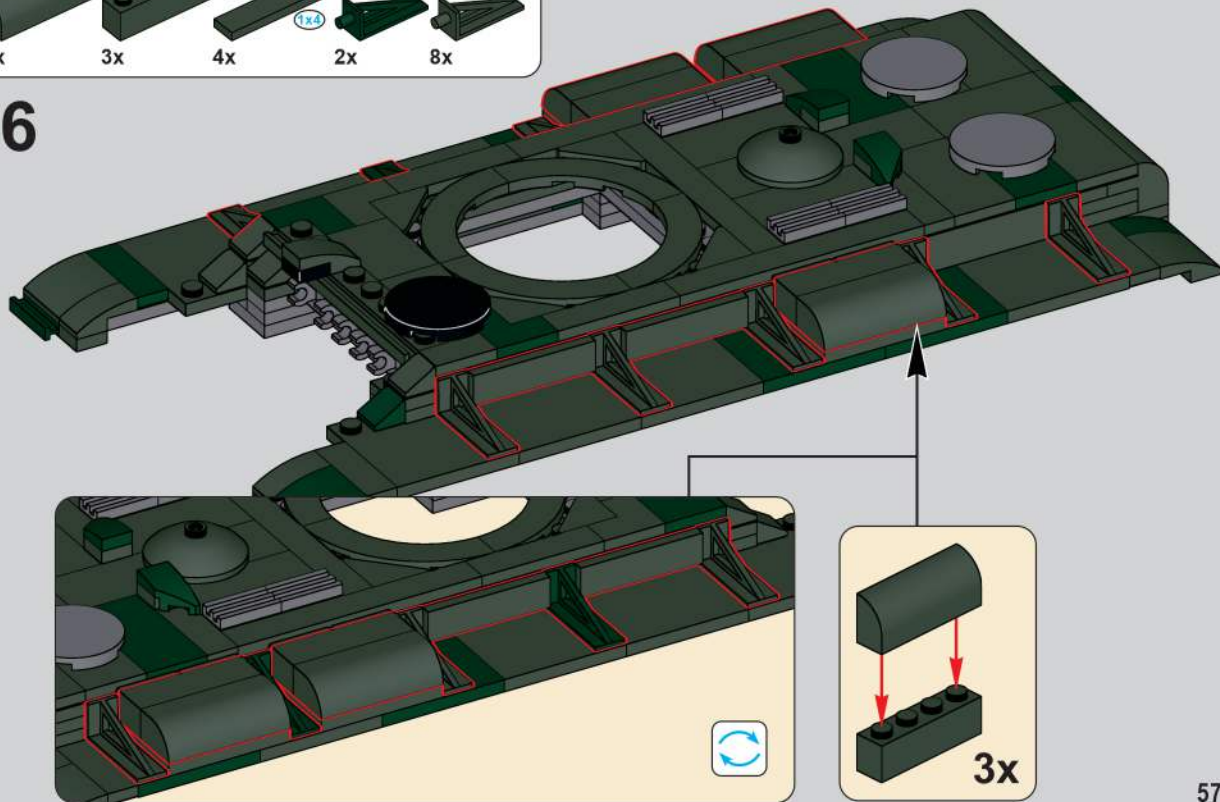
95

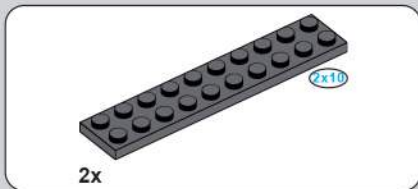
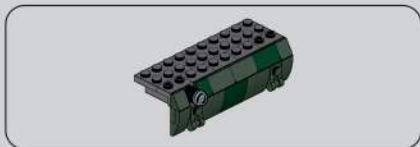
56



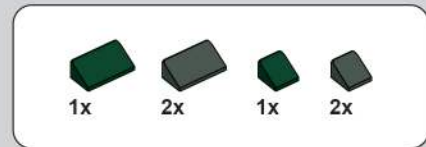
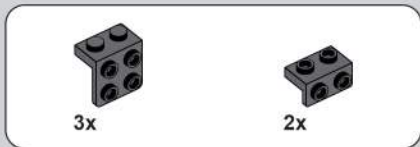
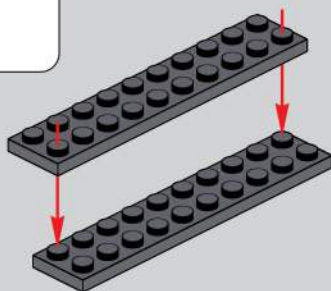


96

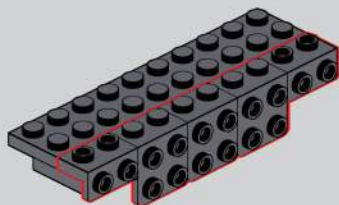




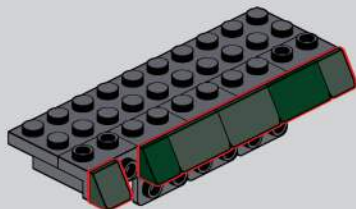
97

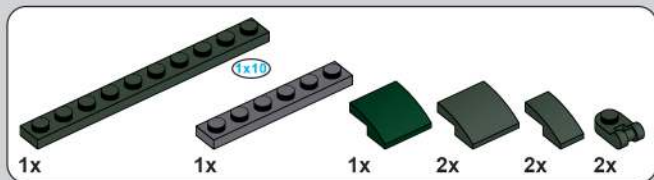


98

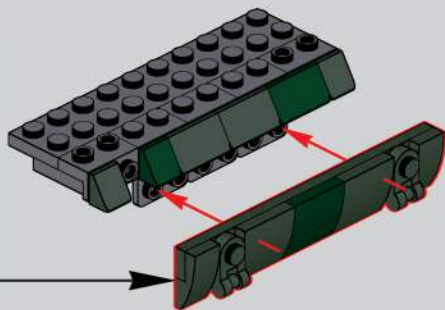
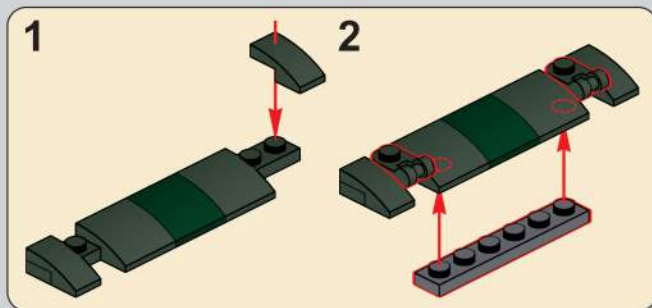


99

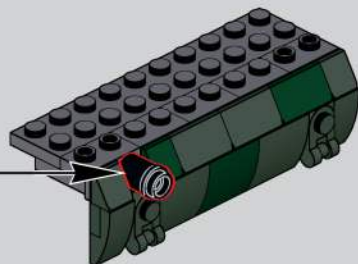
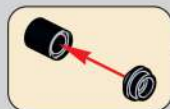




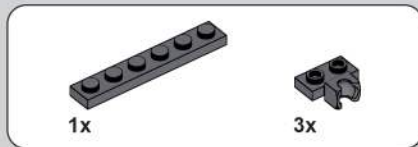
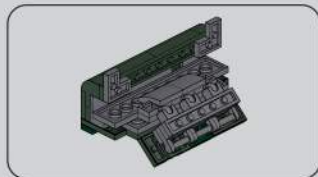
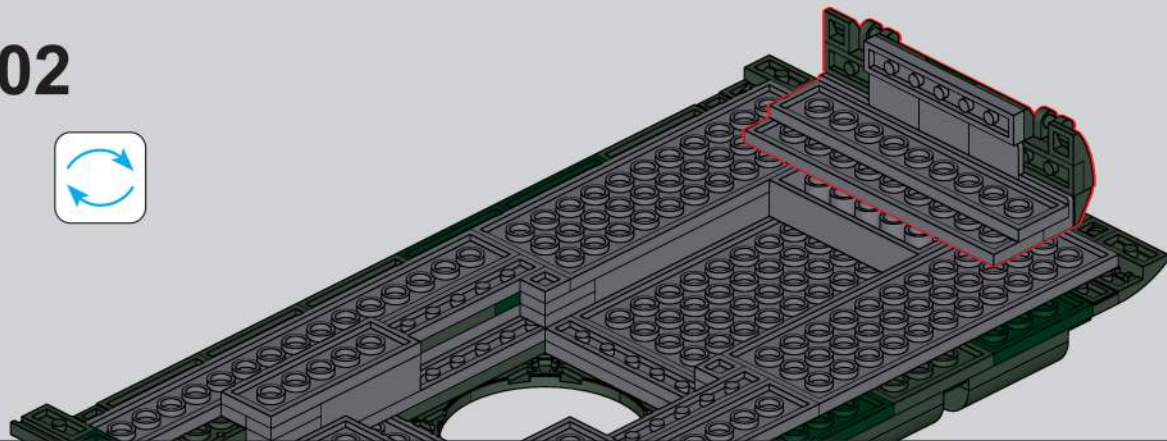
100



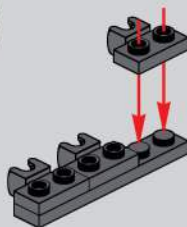
101



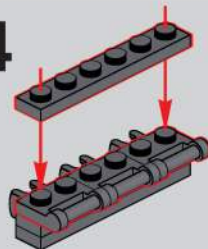
102

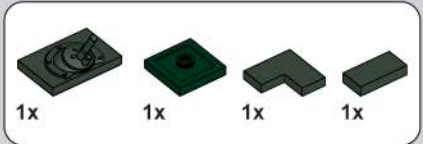


103

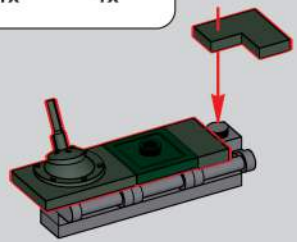


104

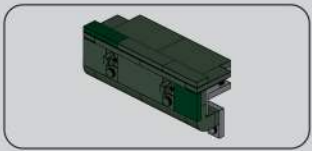
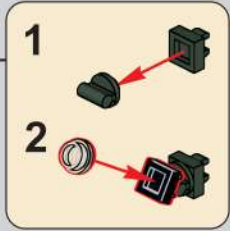




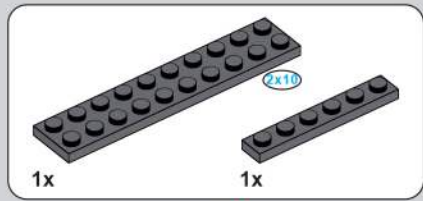
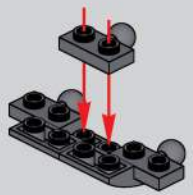
105



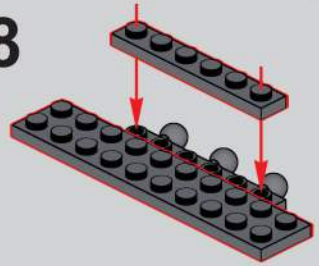
106



107

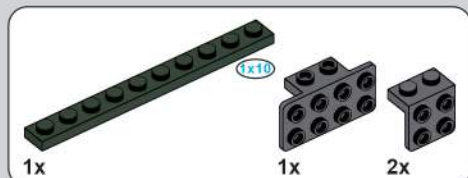
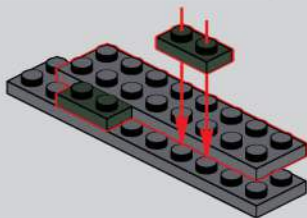


108

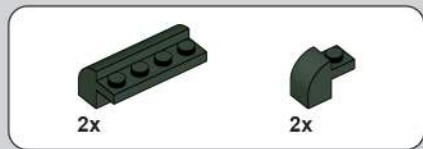
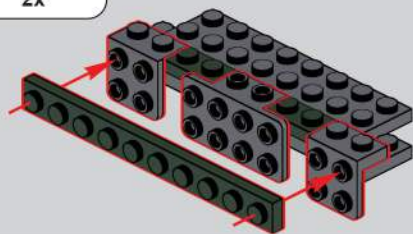




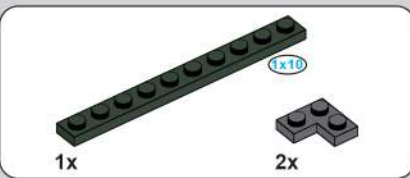
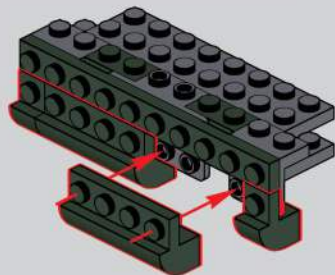
109



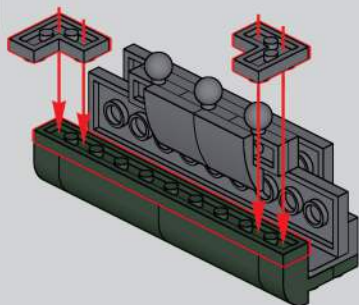
110

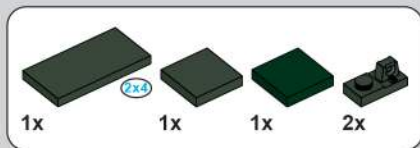


111

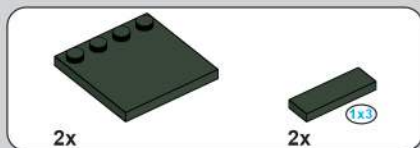
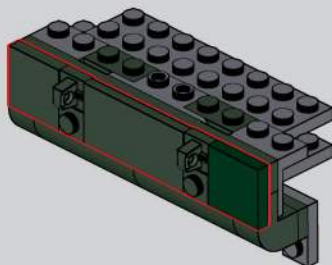


112

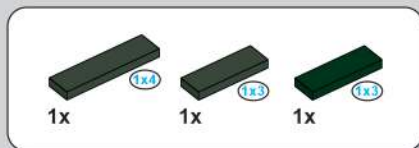
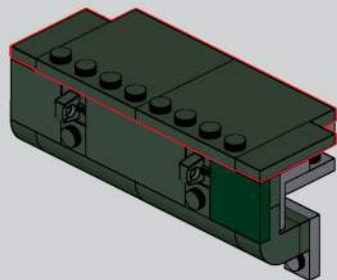




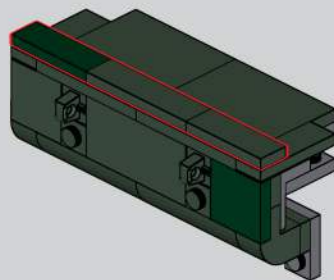
113



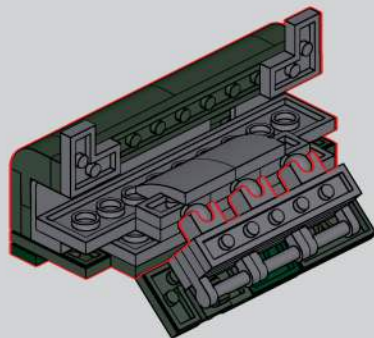
114



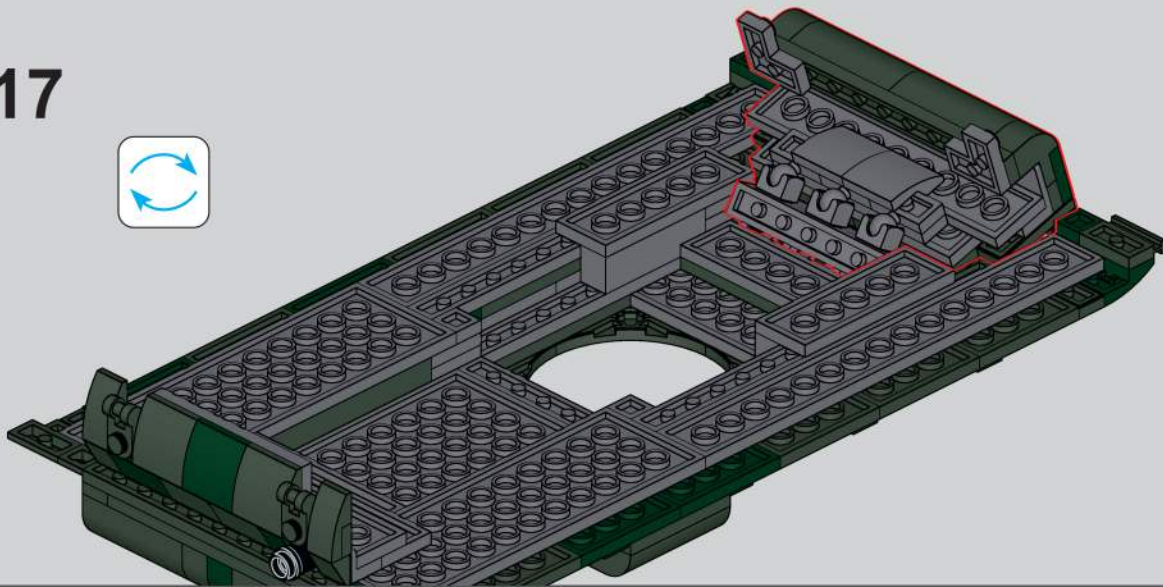
115



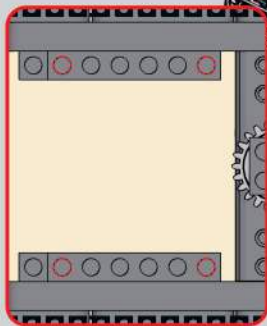
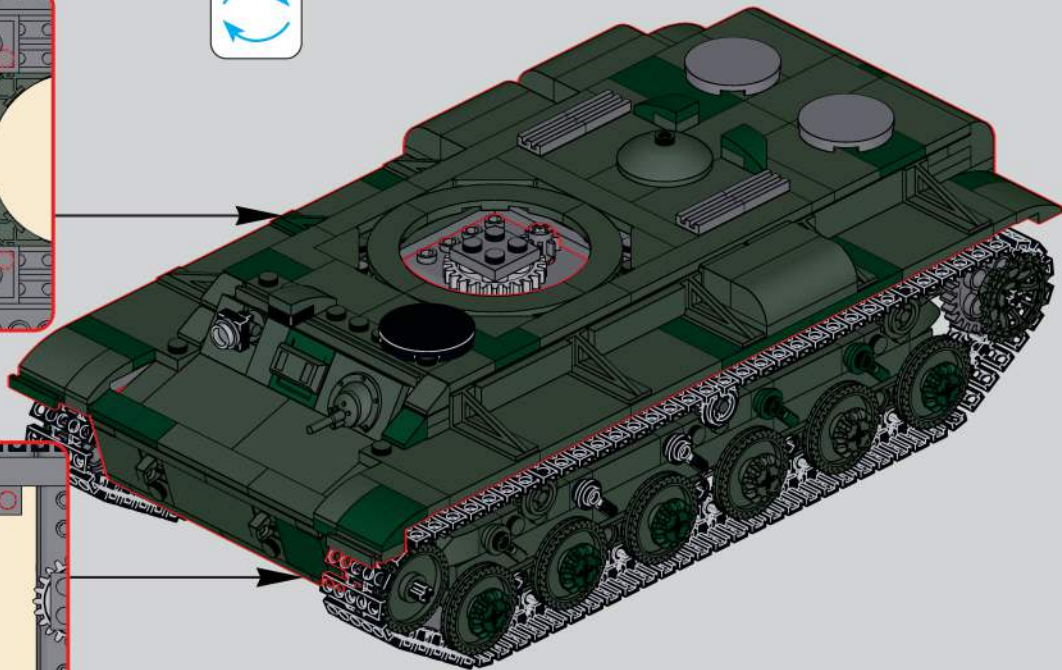
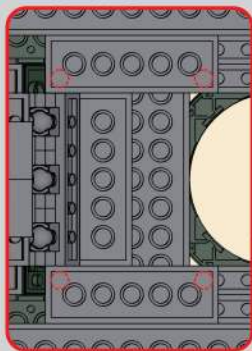
116

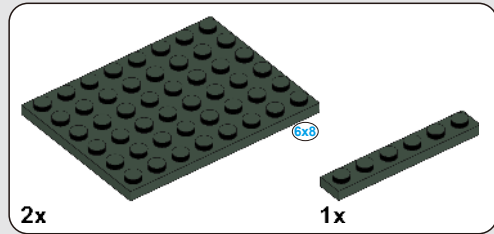
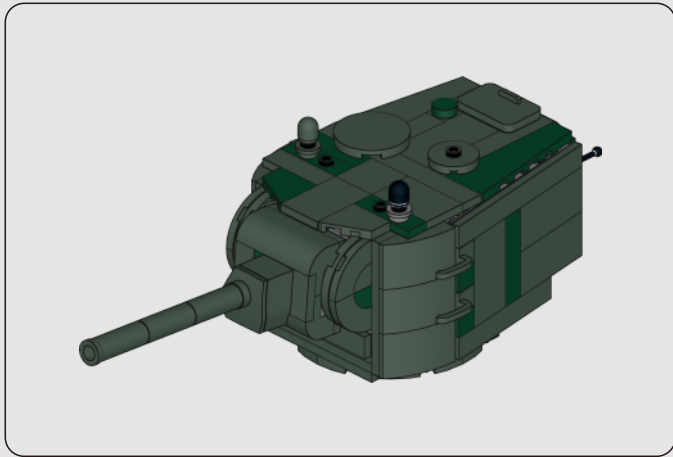


117

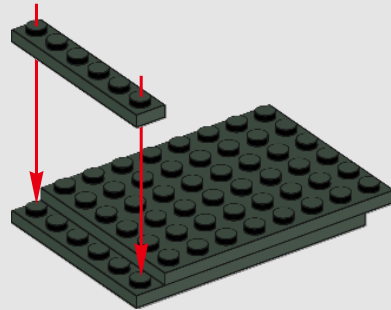


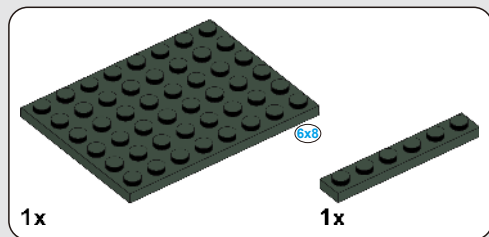
118



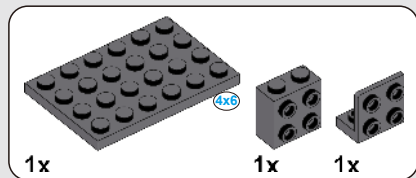
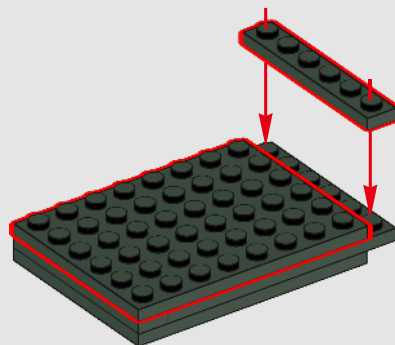


119

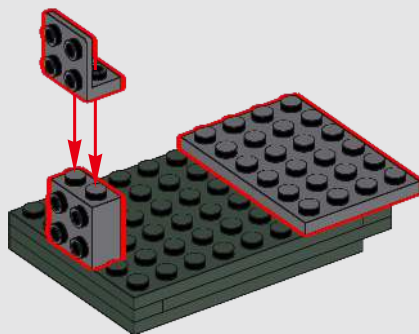


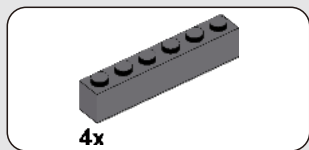


120

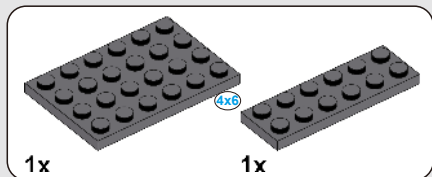
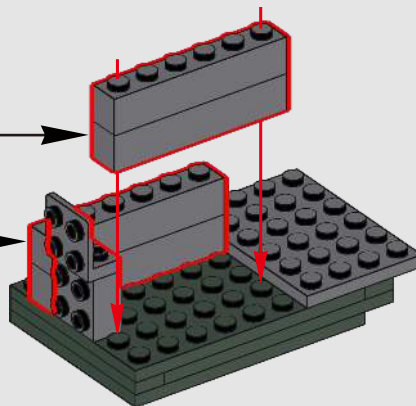
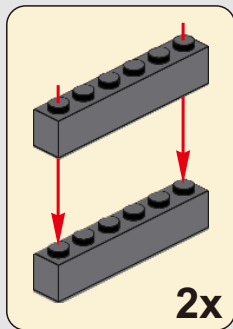


121

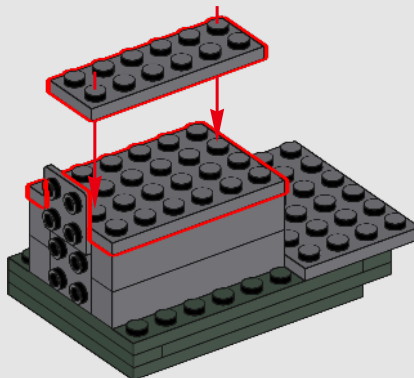


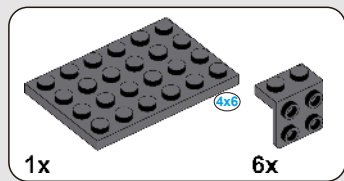


122

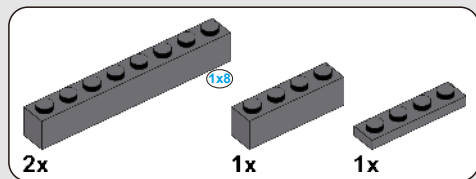
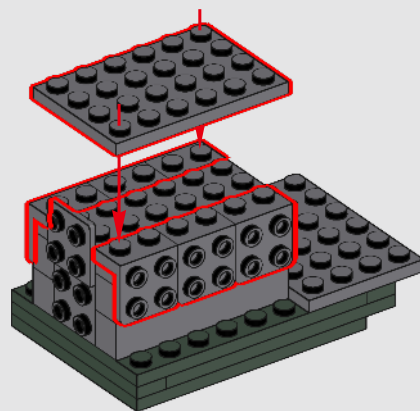


123

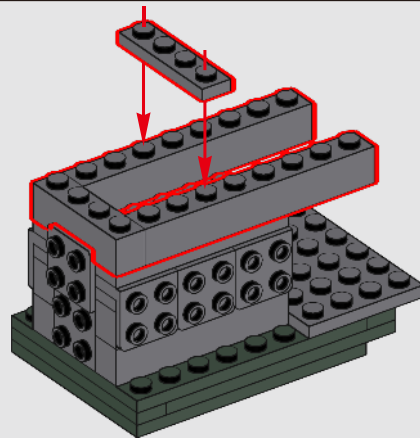


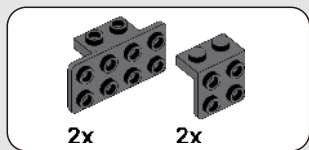


124

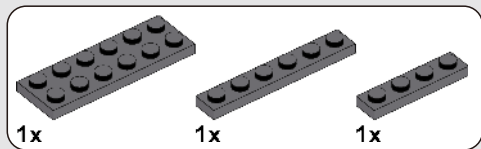
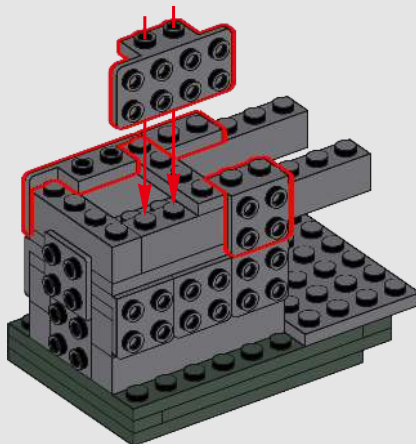


125

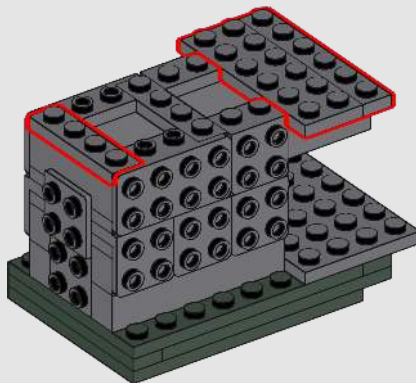


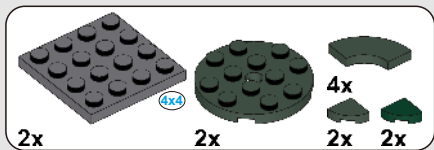


126

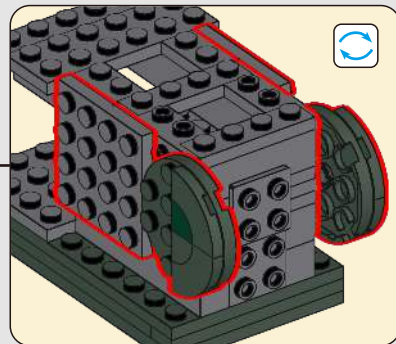
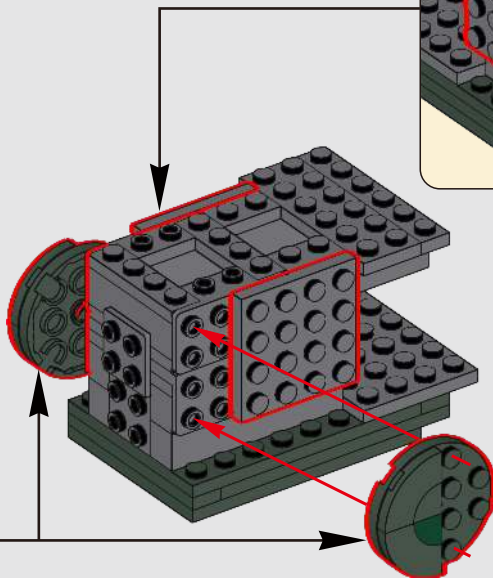
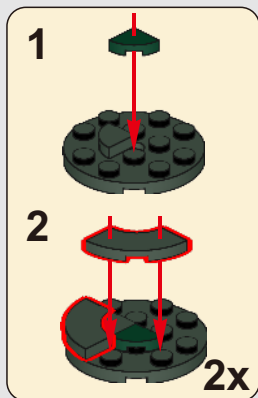


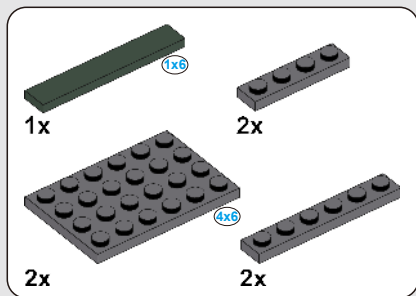
127



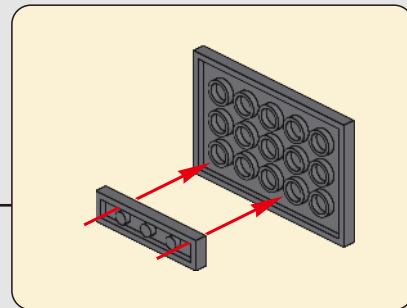
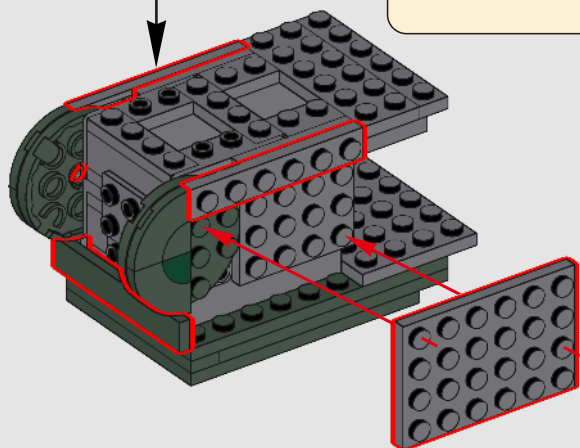
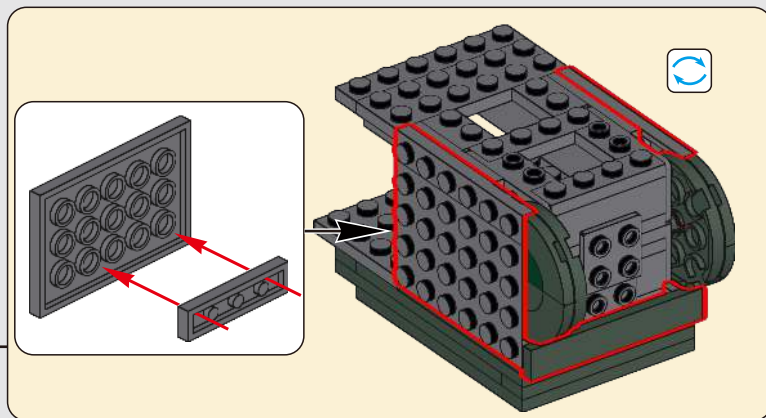


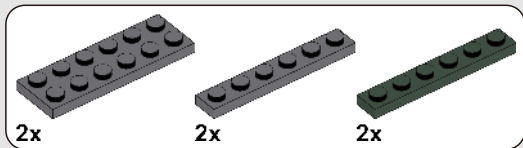
128



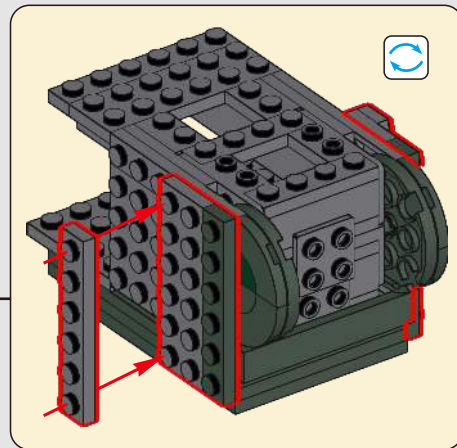
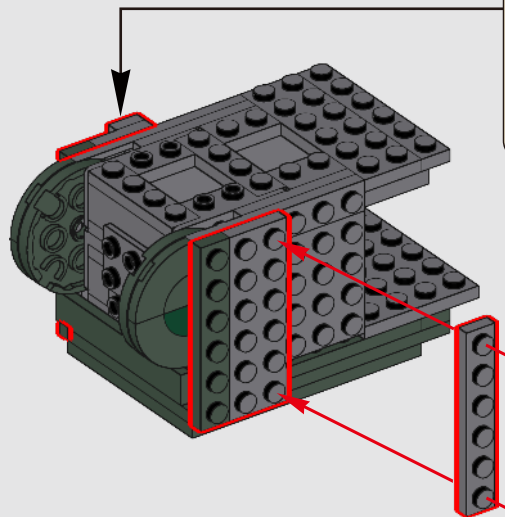


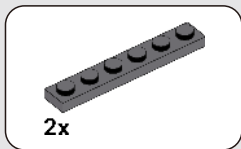
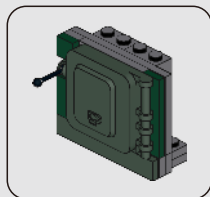
129



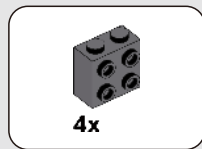
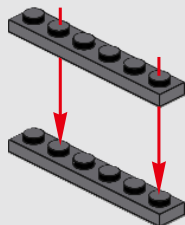


130

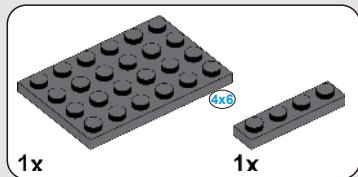
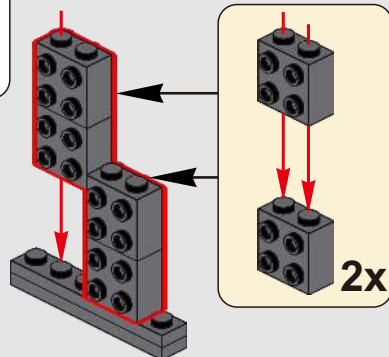




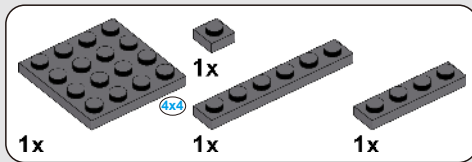
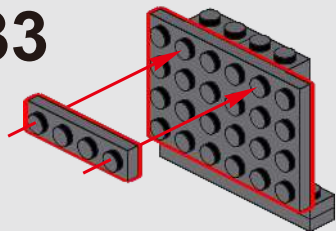
131



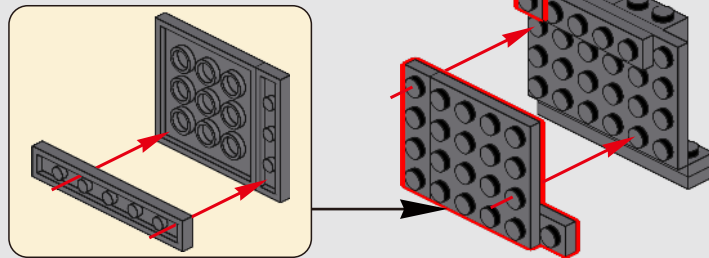
132

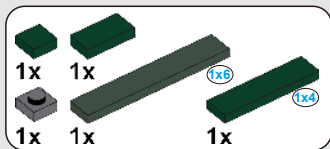


133

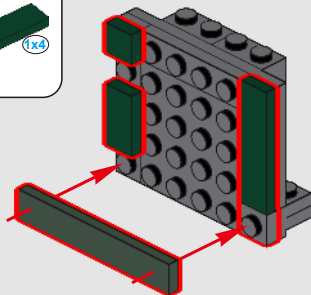


134

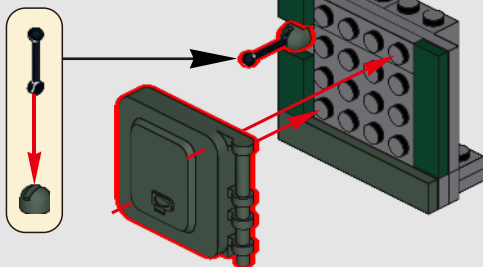




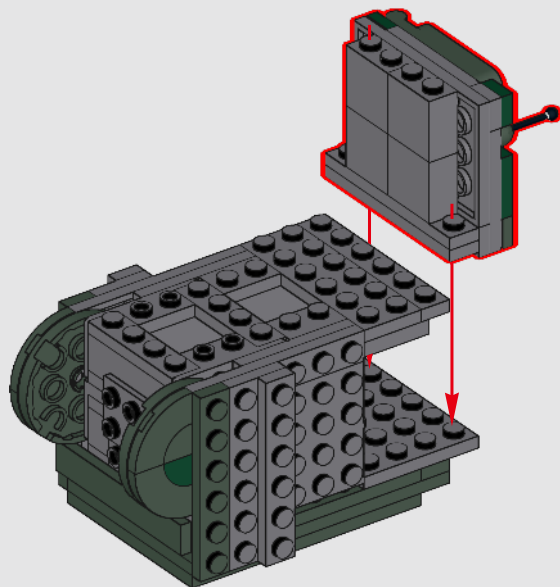
135



136

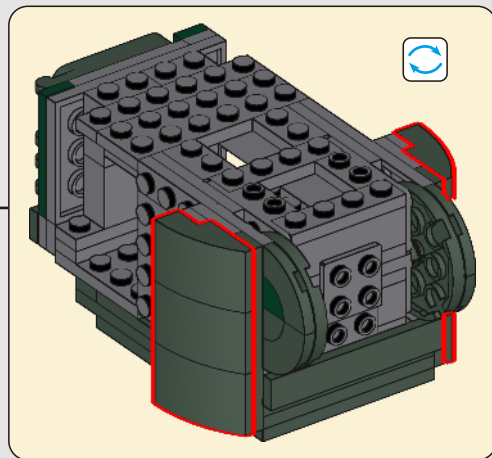
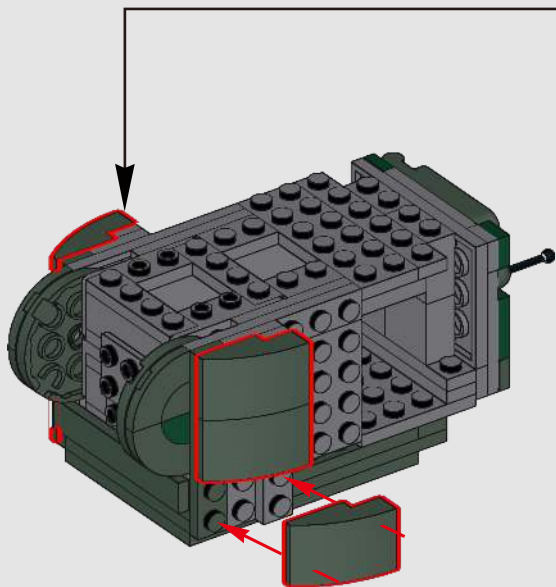


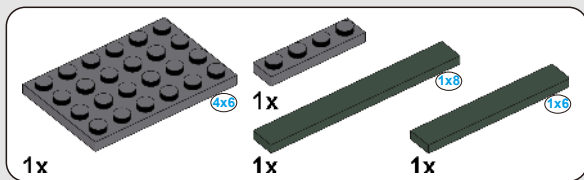
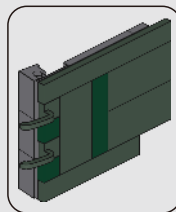
137



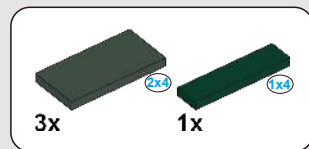
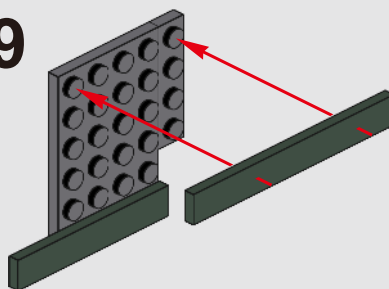


138

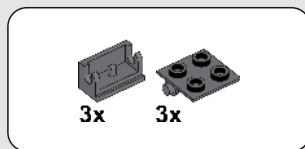
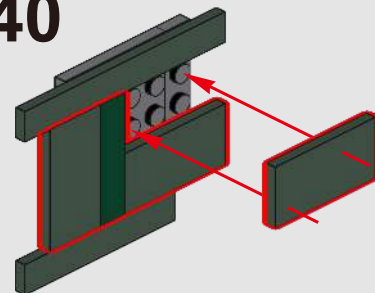




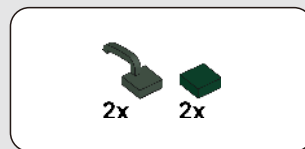
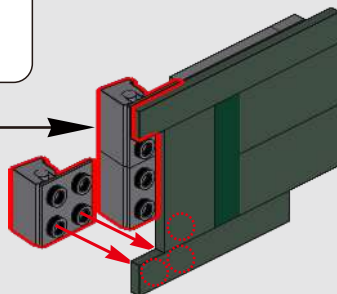
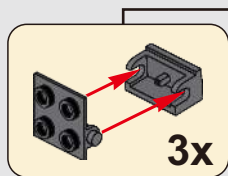
139



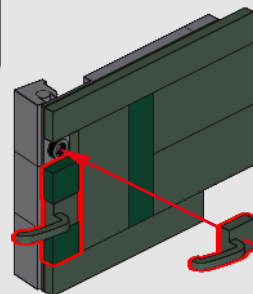
140

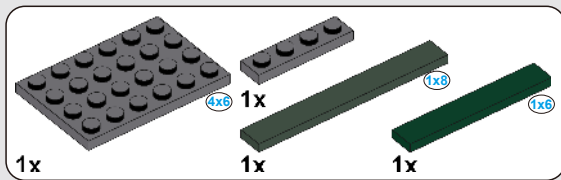
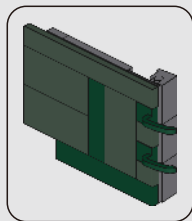


141

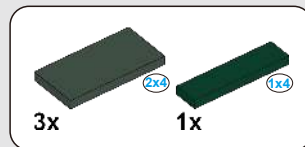
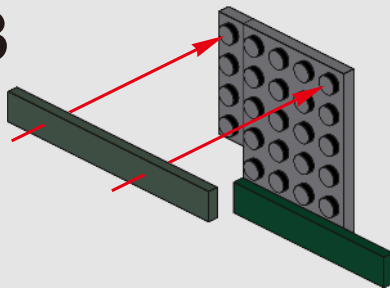


142

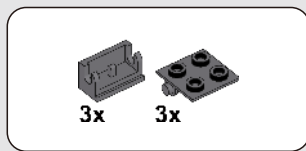
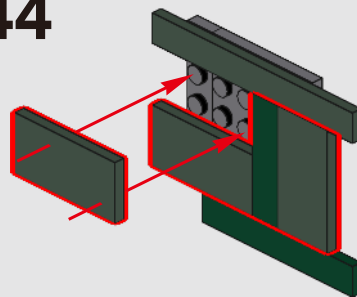




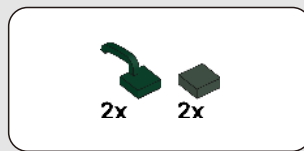
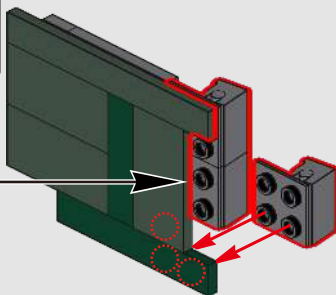
143



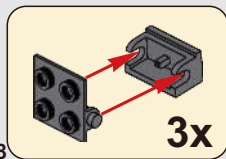
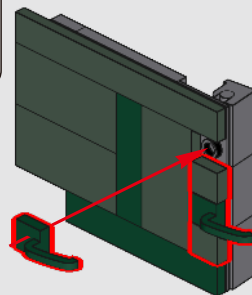
144



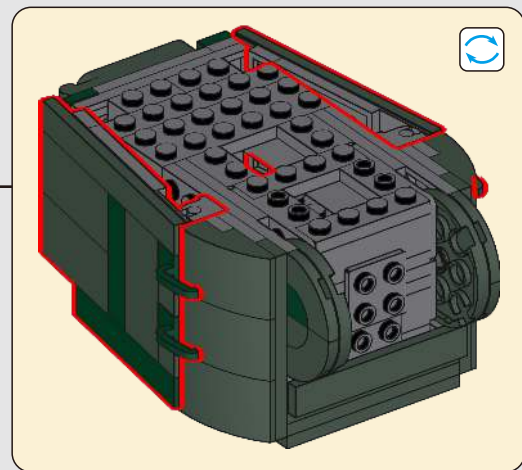
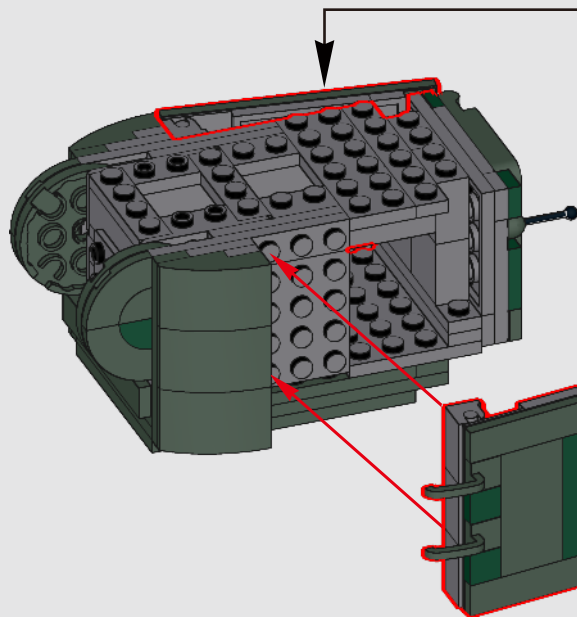
145

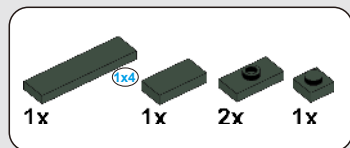


146

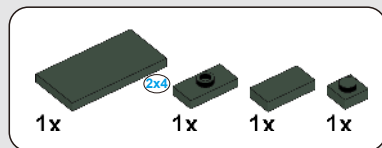
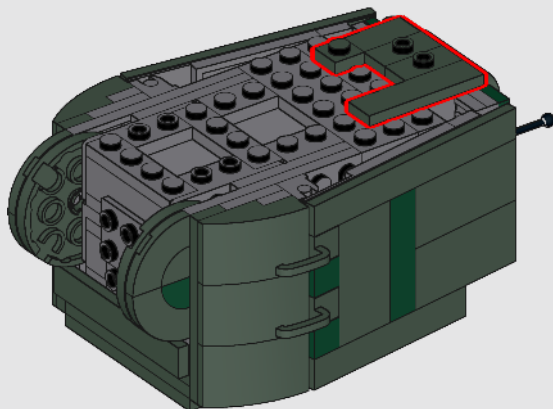


147

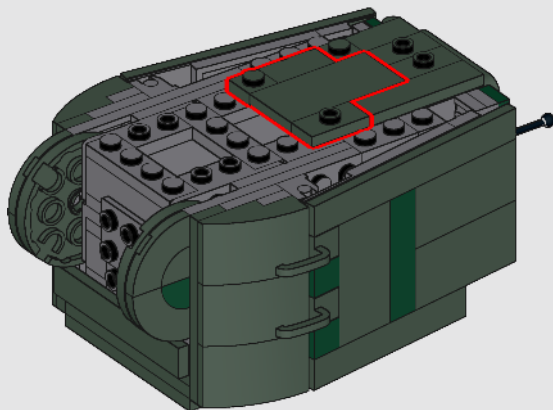


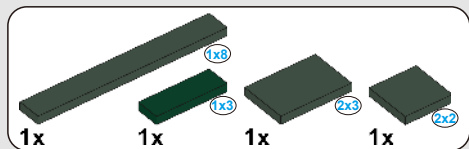


148

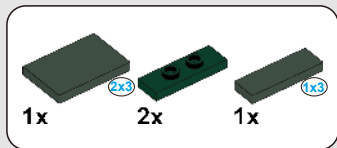
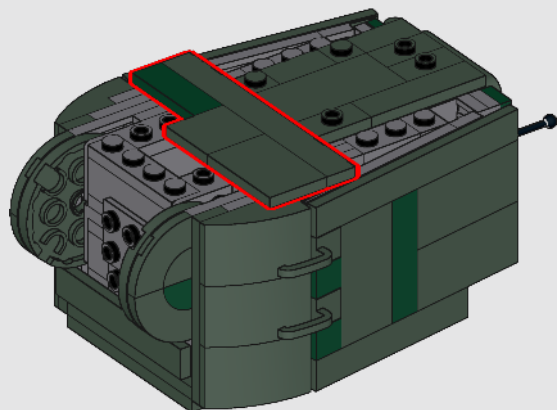


149

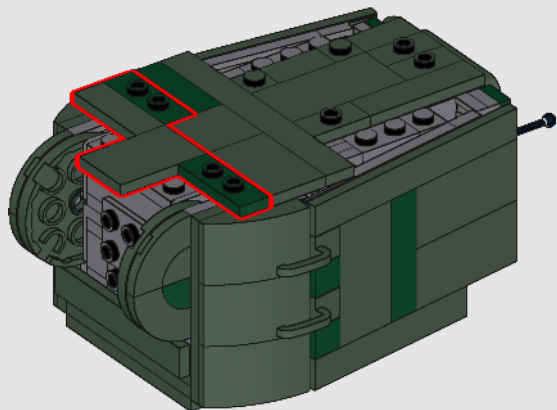


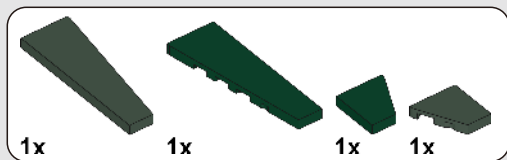


150

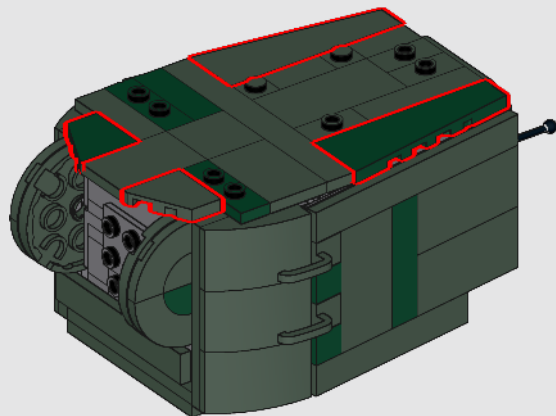


151

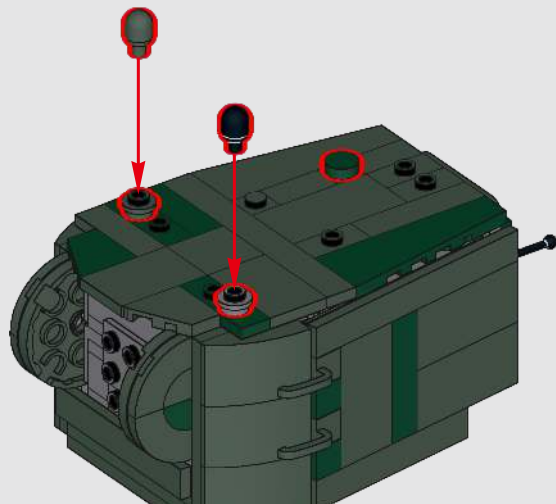


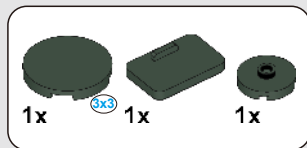


152

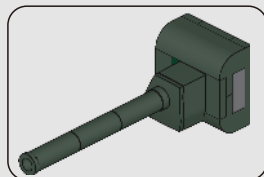
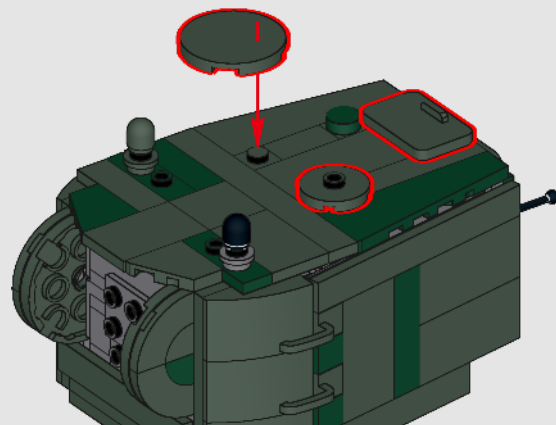


153

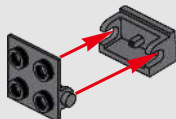
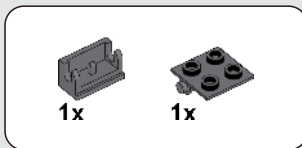




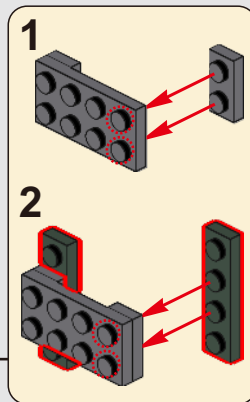
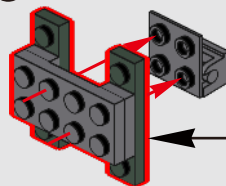
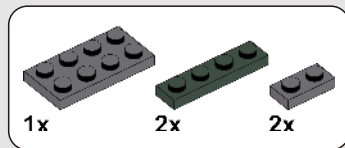
154

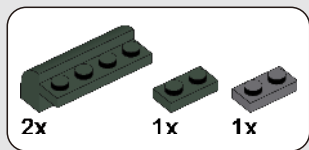


155

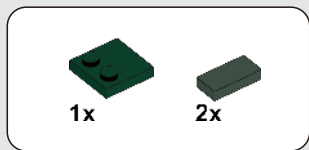
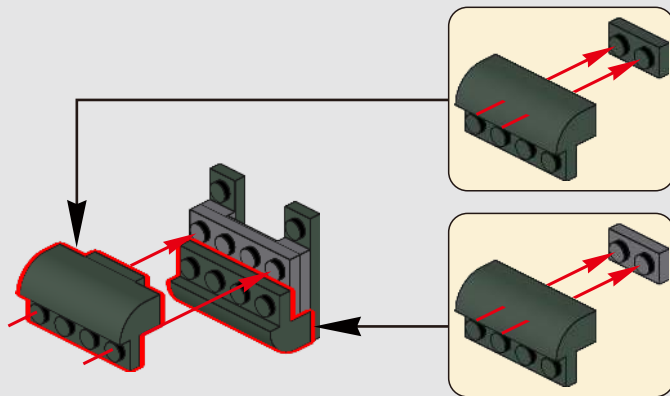


156

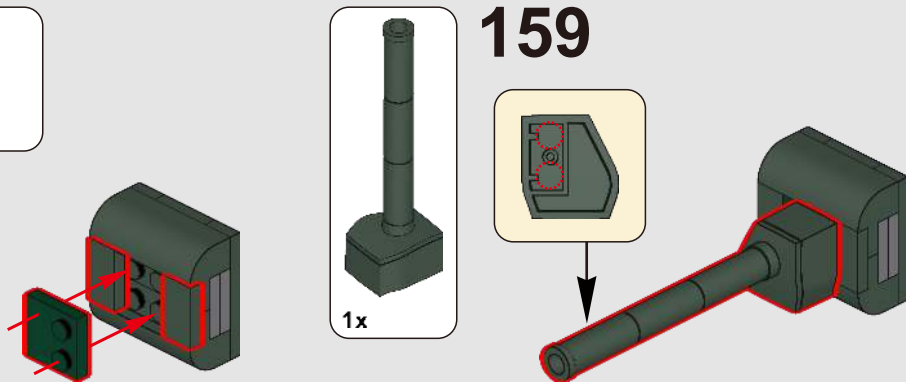




157

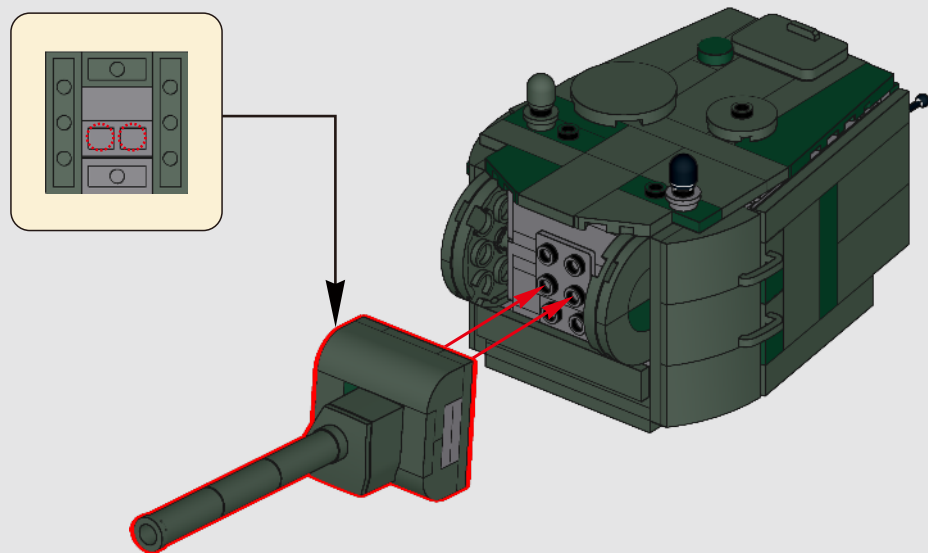


158



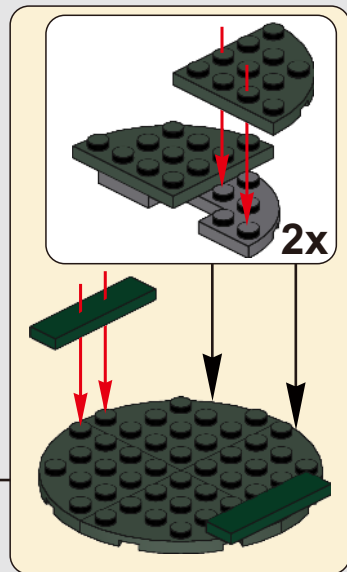
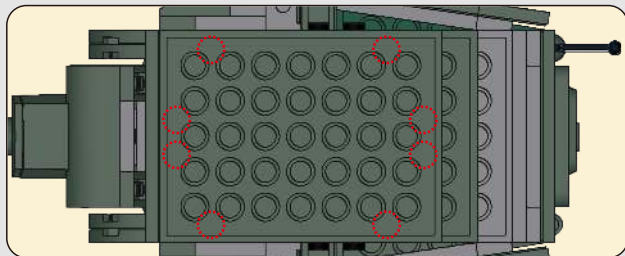
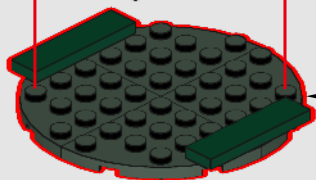
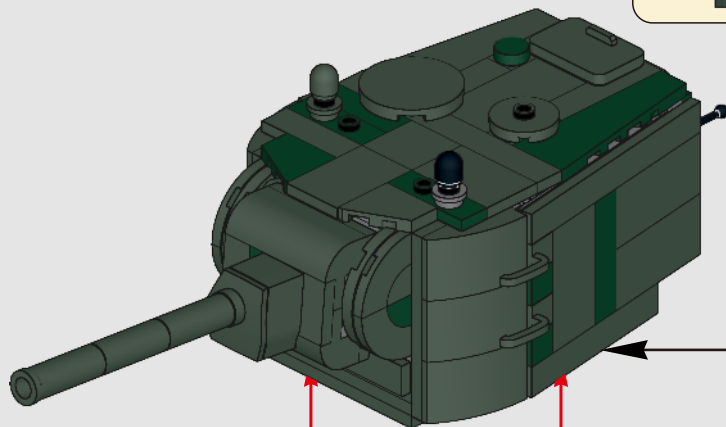
159

160

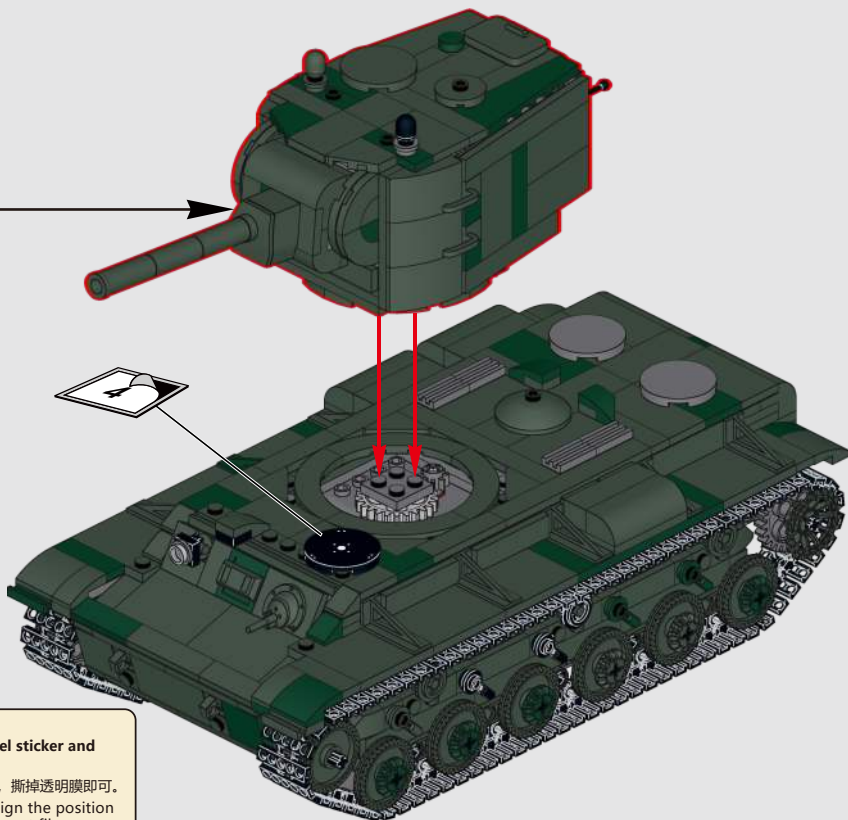
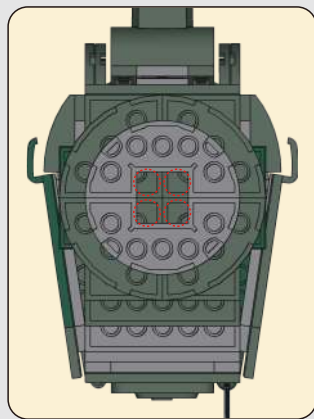




161



162

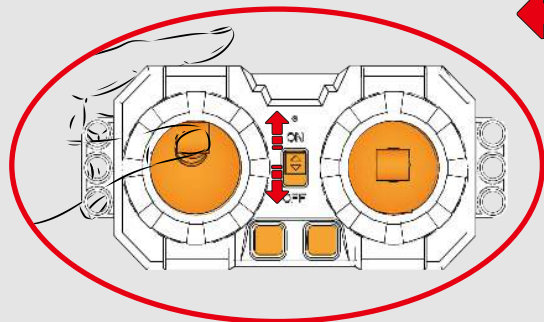


此贴纸为热感压标贴纸，不可重复粘贴

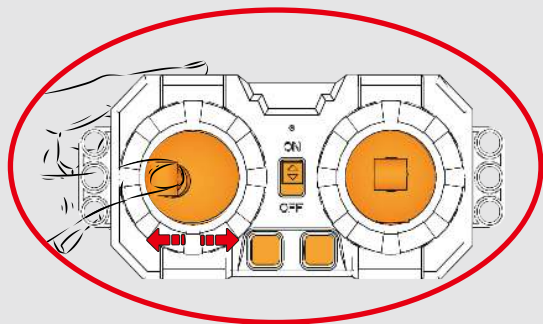
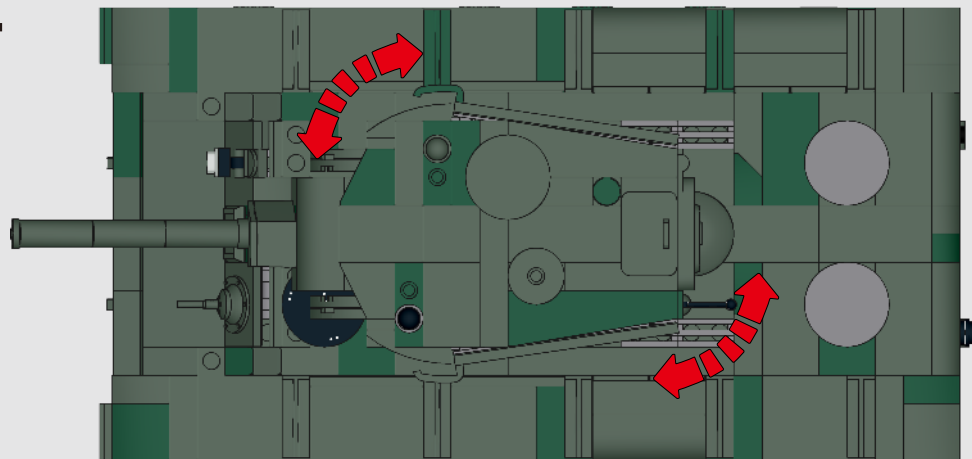
This sticker is a thermal pressure label sticker and cannot be pasted repeatedly

贴纸使用方法：撕起贴纸，对准位置随后均匀刮动，撕掉透明膜即可。
How to use the sticker: Tear off the sticker, align the position and then scrape it evenly, tear off the transparent film.

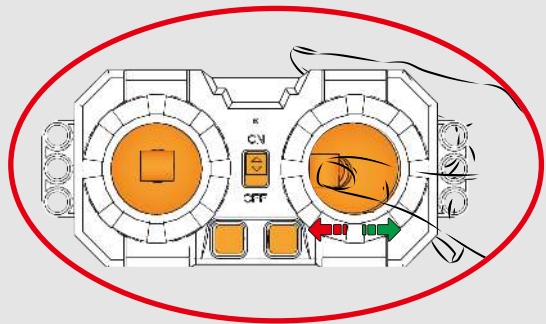
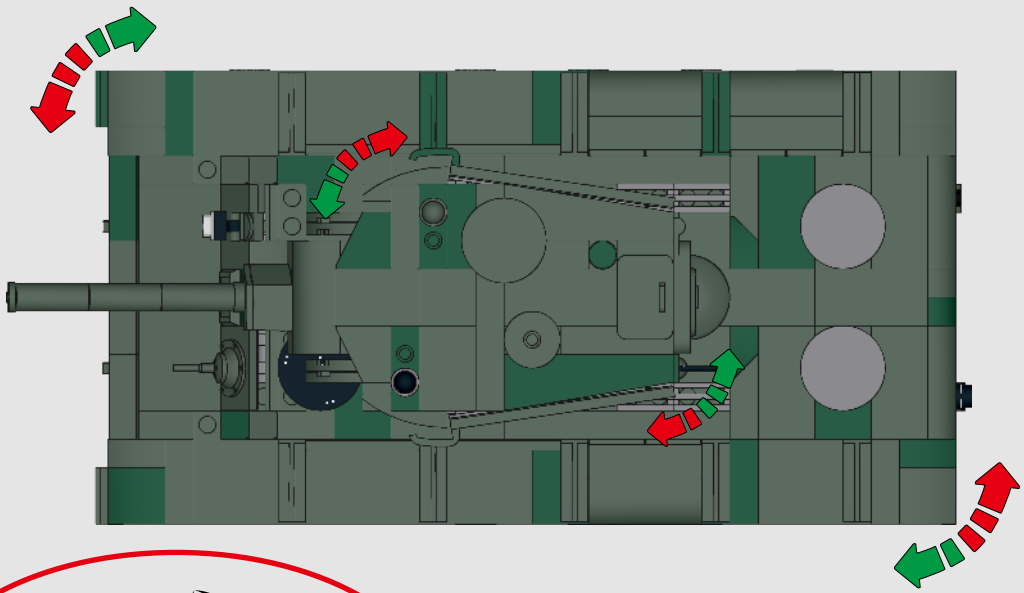
163



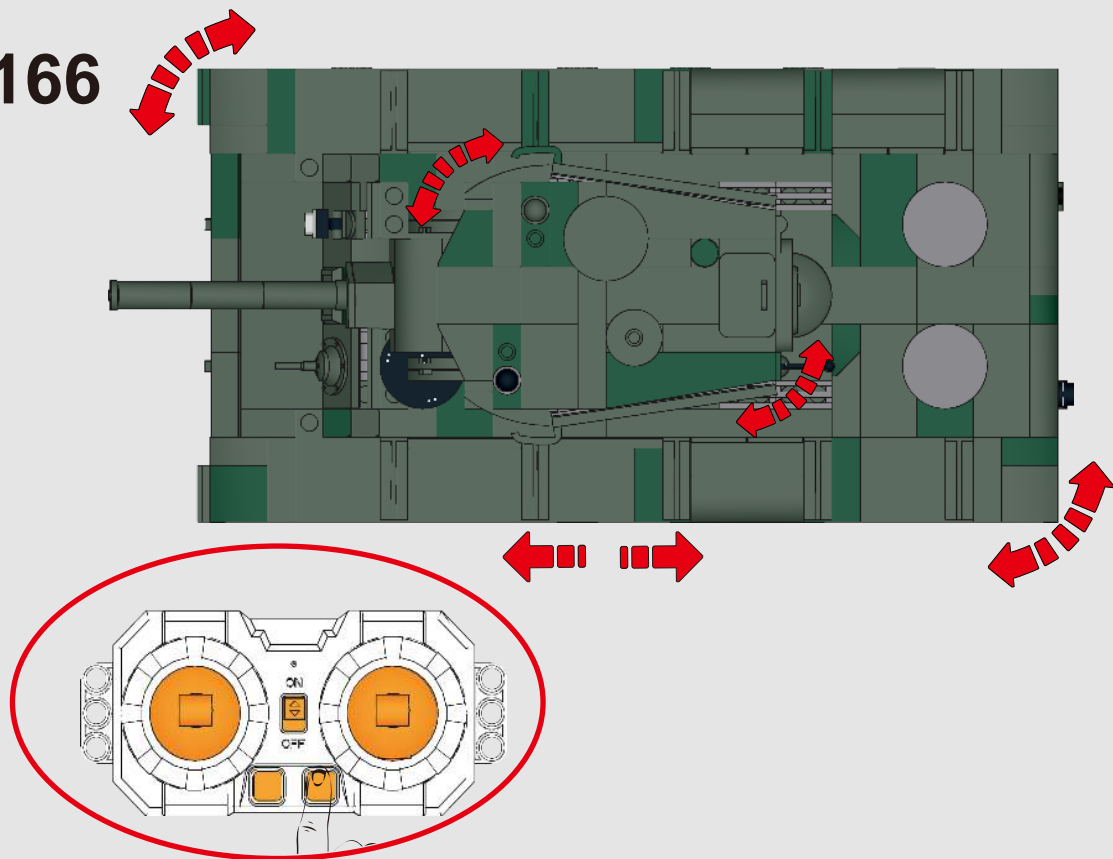
164



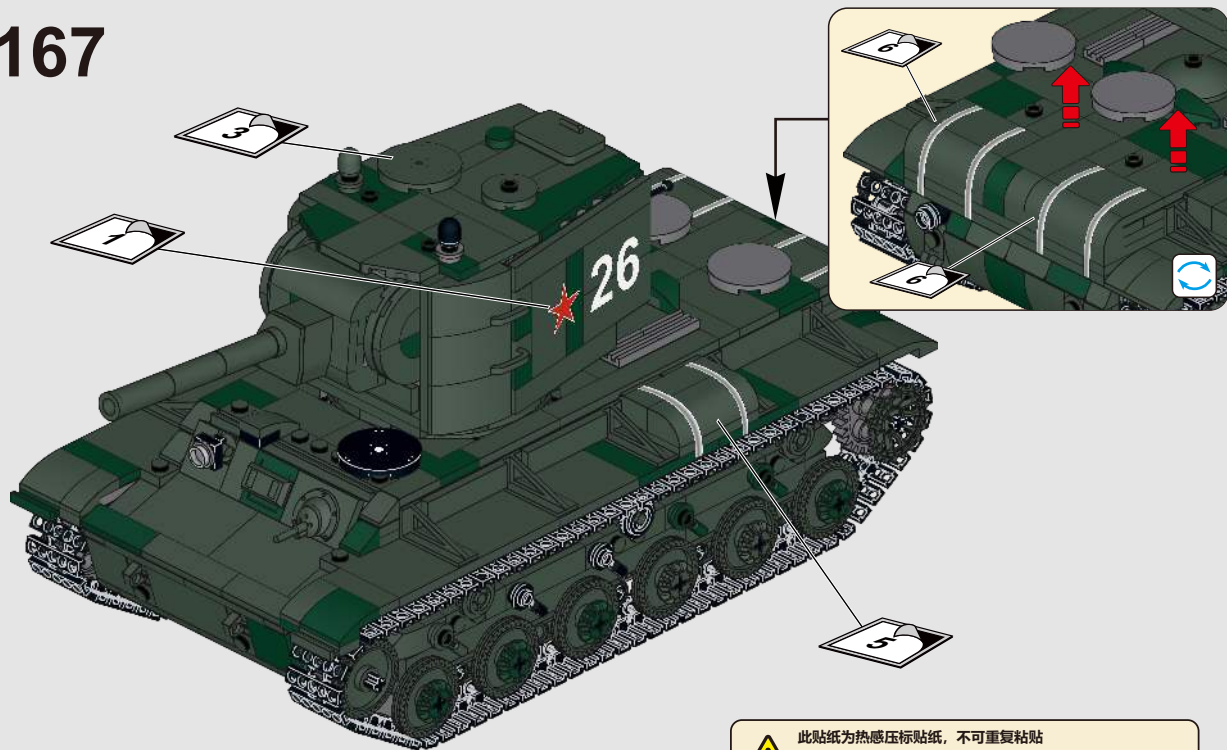
165



166



167

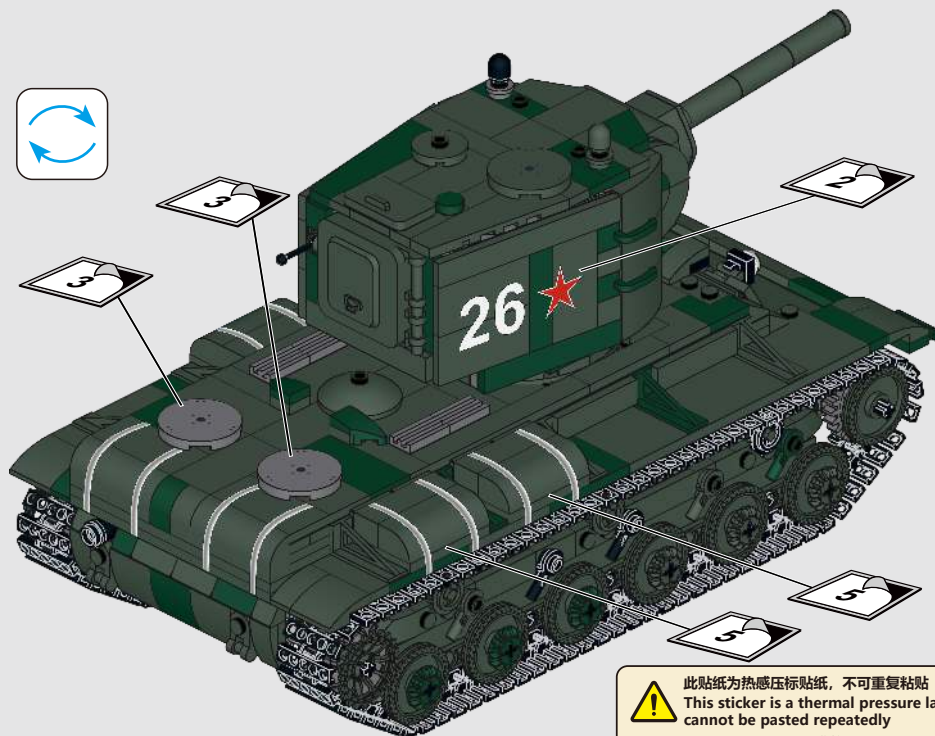


此贴纸为热感压标贴纸，不可重复粘贴

This sticker is a thermal pressure label sticker and cannot be pasted repeatedly

贴纸使用方法：撕起贴纸，对准位置随后均匀刮动，撕掉透明膜即可。
How to use the sticker: Tear off the sticker, align the position and then scrape it evenly, tear off the transparent film.

168



此贴纸为热感压标贴纸，不可重复粘贴

This sticker is a thermal pressure label sticker and cannot be pasted repeatedly

贴纸使用方法：撕起贴纸，对准位置随后均匀刮动，撕掉透明膜即可。

How to use the sticker: Tear off the sticker, align the position and then scrape it evenly, tear off the transparent film.

**MOULD
KING**

®

宇 | 星 | 模 | 王

