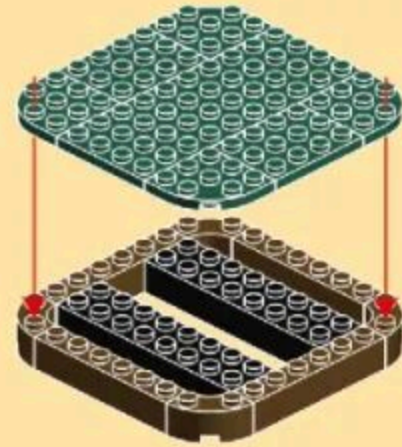




- 1
- 4x10 x1
 - 2x8 x2
 - 1x6 x4
 - 3x4 x2
 - 3x4 x4
 - 1x2 x4



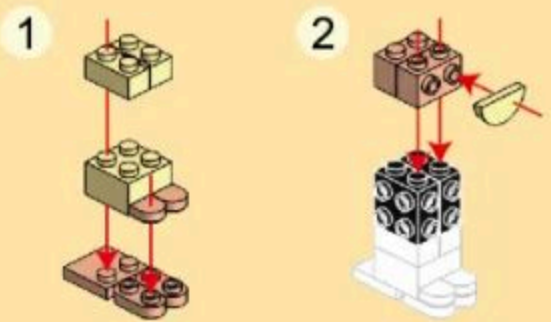
- 2
- 3x4 x1
 - 3x4 x1
 - 3x4 x5
 - 3x4 x2
 - 1x2 x1



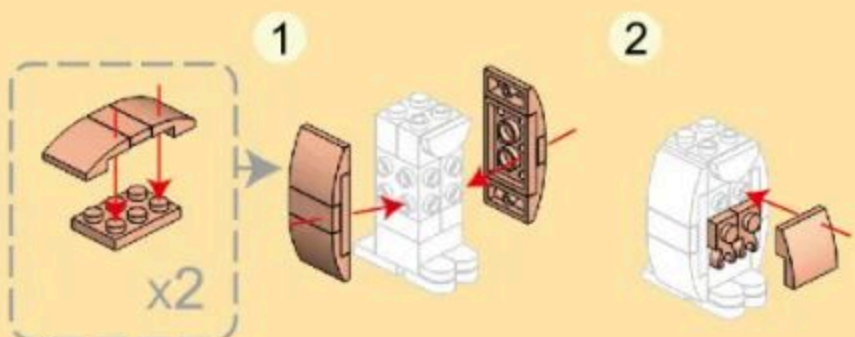
- 3
- 1x2 x1
 - 1x2 x1
 - Red circle x1
 - Yellow circle x1
 - White circle x2




- 4
- Yellow 1x2 x1
 - Black 1x2 x2
 - Brown 1x2 x1
 - Brown 1x2 x1
 - Black 1x2 x2
 - Brown 1x2 x1
 - Brown 1x2 x2
 - Yellow 1x2 x1
 - Brown 1x2 x2

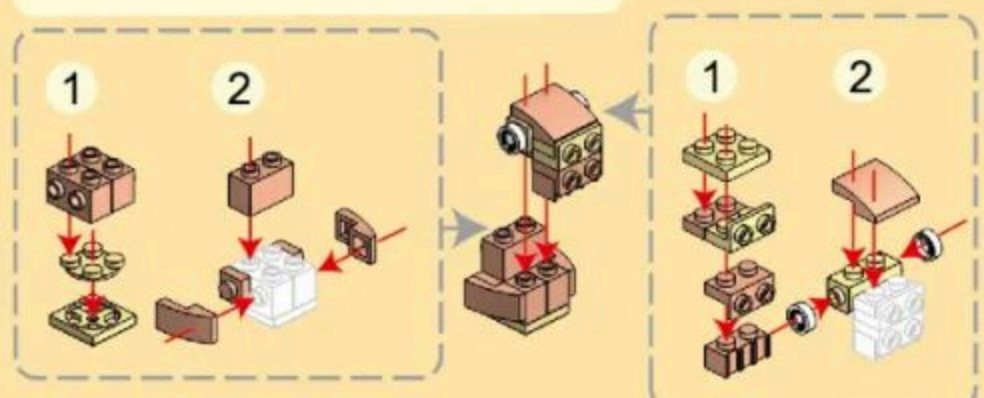
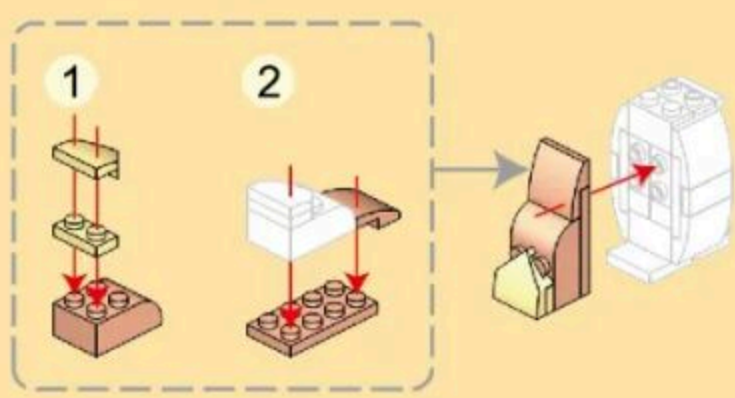


- 5
- Brown 1x2 x2
 - Brown 1x2 x5
 - Brown 1x2 x2
 - Brown 1x2 x2

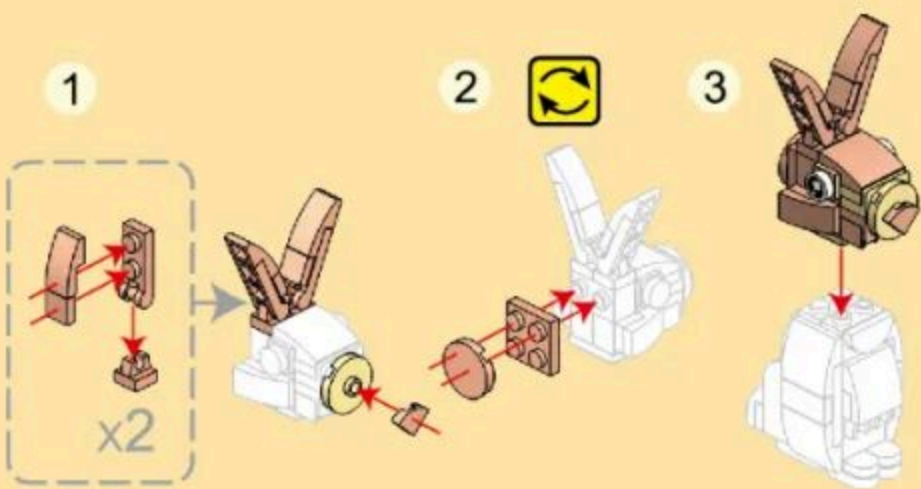


- 6
- Brown 1x2 x1
 - Brown 1x2 x1
 - Brown 1x2 x1
 - Yellow 1x2 x1
 - Brown 1x2 x1
- 

- 7
- Brown 1x2 x1
 - Brown 1x2 x3
 - Brown 1x2 x1
 - Brown 1x2 x1
 - Yellow 1x2 x1
 - Yellow 1x2 x1
 - Brown 1x2 x1
 - Brown 1x2 x2
 - Brown 1x2 x2
 - Brown 1x2 x2



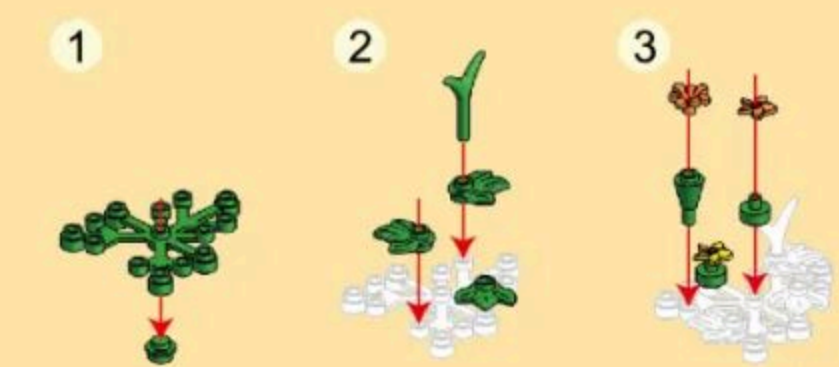
- 8
- x1
 - x2
 - x2
 - x1
 - x1
 - x2
 - x2
 - x1



- 9
- 3 + 8



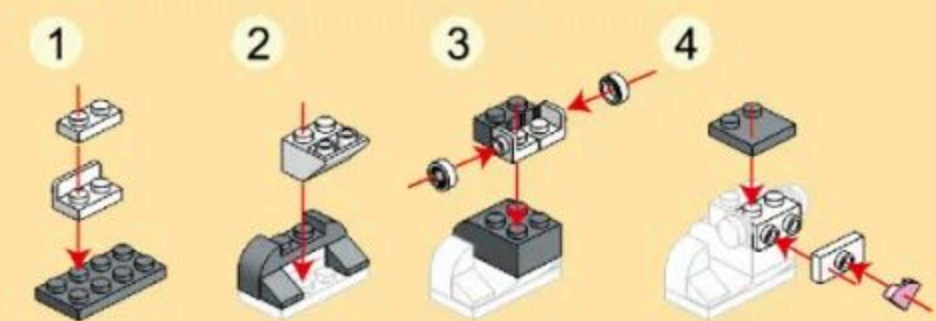
- 10
- x1
 - x1
 - x3
 - x1
 - x2
 - x1
 - x1
 - x1
 - x1



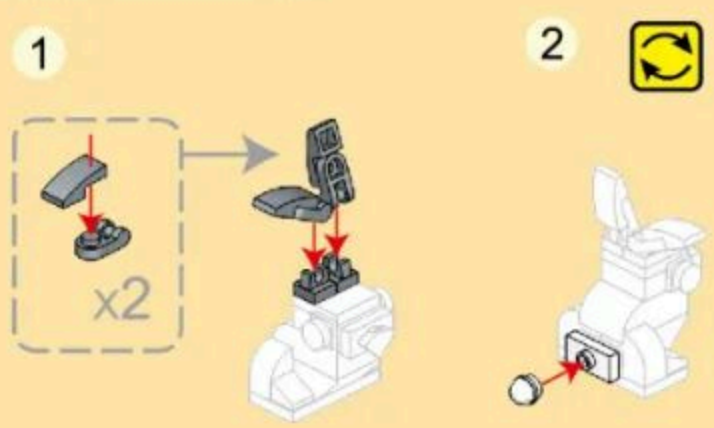
- 11
- 9 + 10



- 12
- x1
 - x1
 - x1
 - x2
 - x1
 - x1
 - x1
 - x1
 - x1
 - x2
 - x2
 - x1
 - x2



- 13
- x2
 - x1
 - x2
 - x2
 - x1



- 14
- 11 + 13

