



SUPERCAR

Can exercise the following abilities of baby

1. Motor skills: grasping, stacking, pulling, pushing, rolling, sliding, etc.

2. Fine motor skills: pinching, holding, etc.

3. Cognitive skills: recognizing colors, shapes, sizes, etc.

4. Social skills: playing with others, etc.

2870

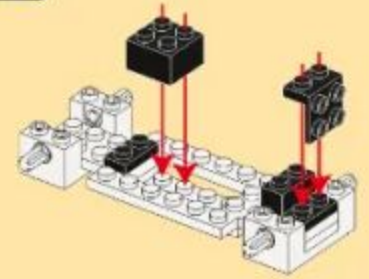


6+ | 174 PCS



- 1 x1
- x2
- x1
- x2
- x4

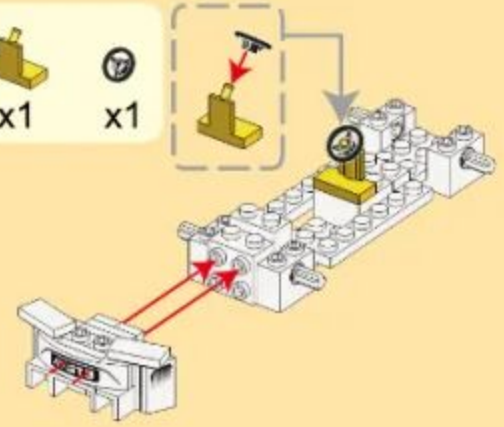
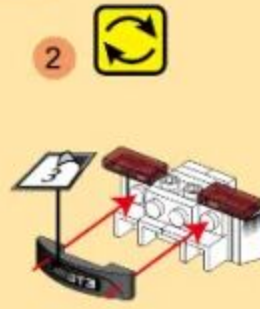
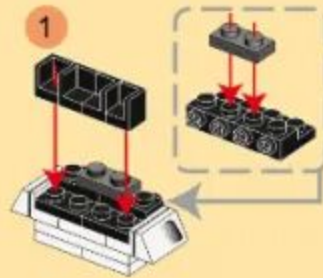
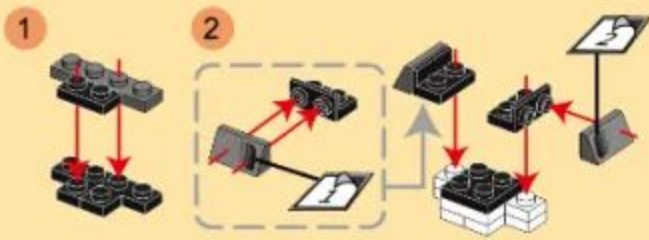
- 2 x1
- x1
- x1
- x2



- 3 x1
- x1
- x2
- x2
- x2
- x1

- 4 x1
- x2
- x4
- x2
- x1

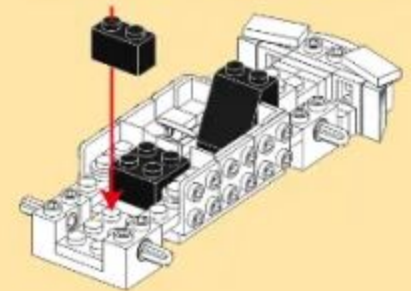
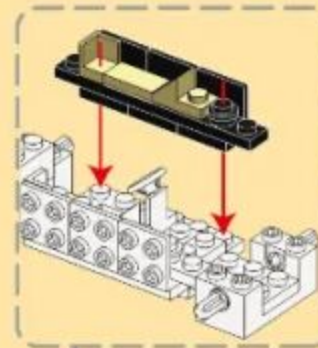
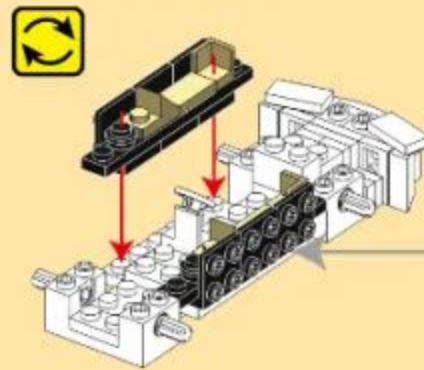
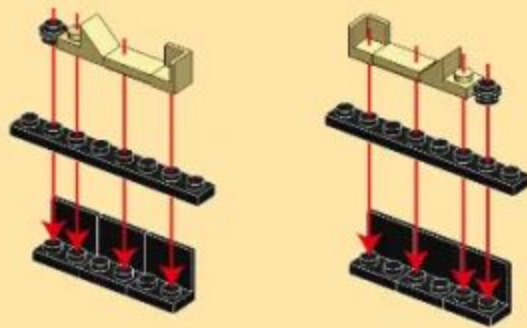
- 5 x1
- x1



- 6 1x8
- x2
- x6
- x2
- x2
- x2
- x2

- 7 5 + 6

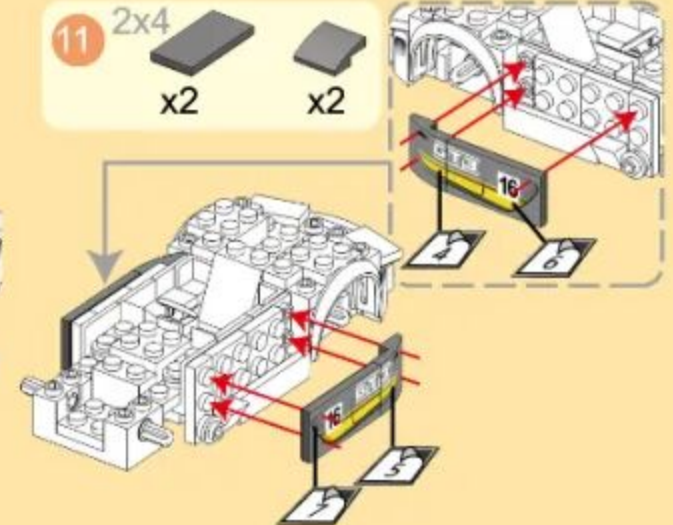
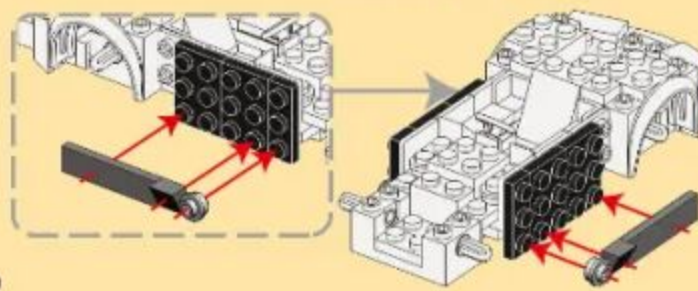
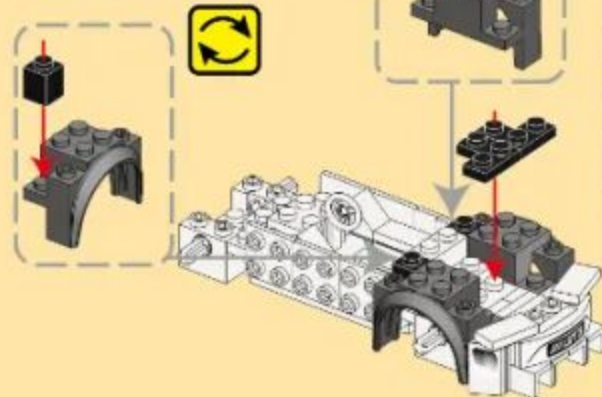
- 8 x1
- x1
- x1



- 9 x2
- x2
- x2

- 10 1x4
- x2
- x4
- x2
- x2
- x2

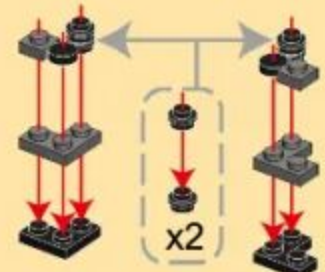
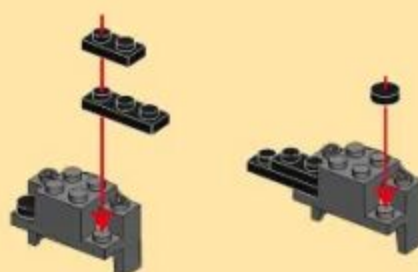
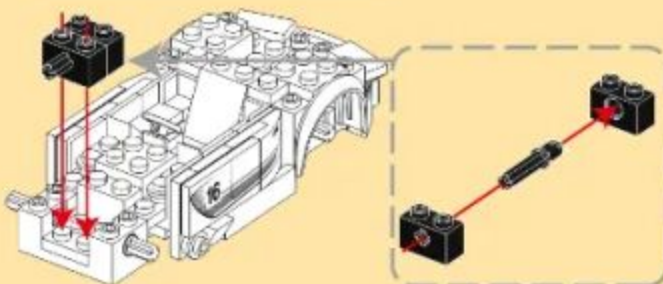
- 11 2x4
- x2
- x2



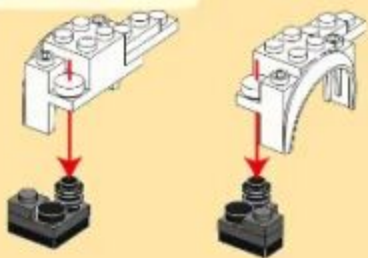
- 12 x1
- x1
- 1x3
- x1

- 13 x2
- x2
- x2
- x2

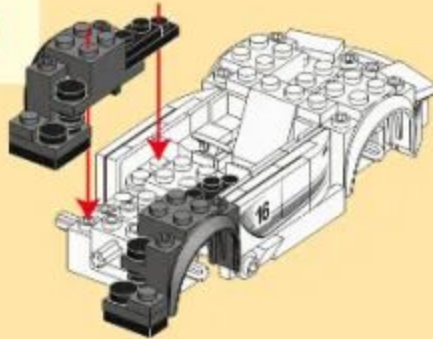
- 14 x2
- x2
- x2
- x2
- x4



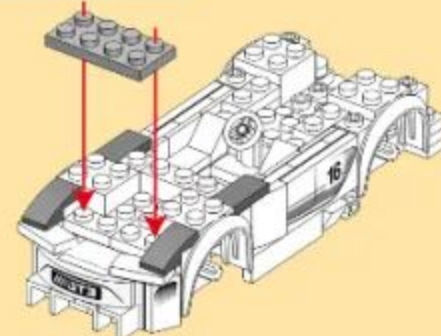
15 13 + 14



16 12 + 15



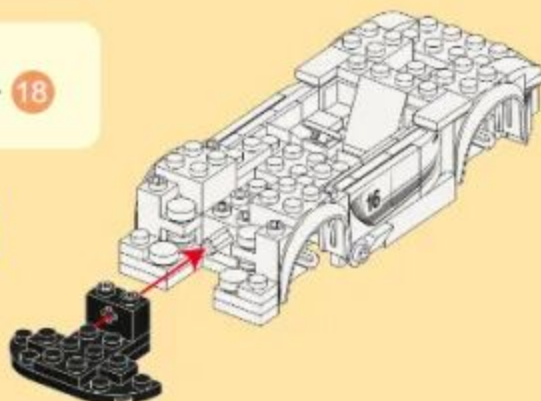
17 x1 x2 x2



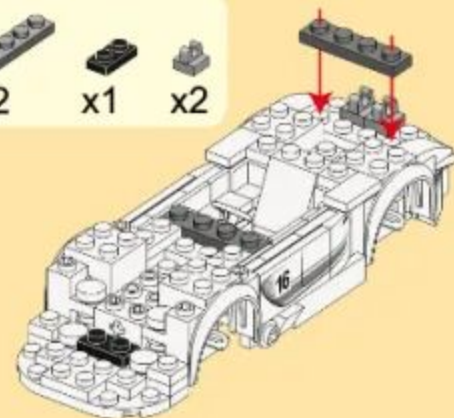
18 x1 x1 x1 x1 x2



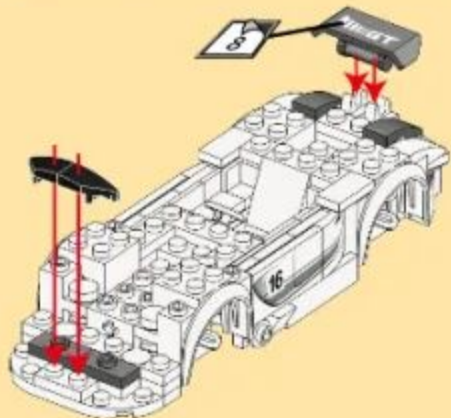
19 17 + 18



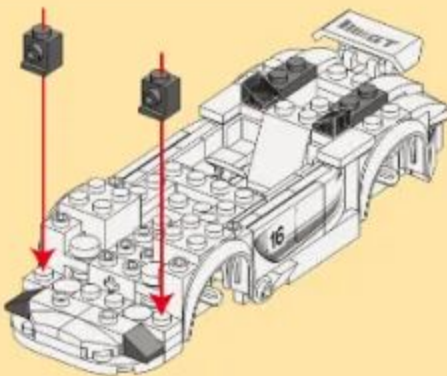
20 x2 x1 x2



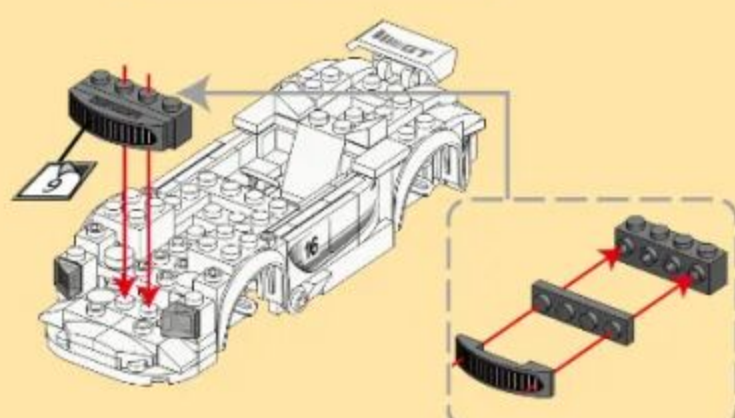
21 x1 x2 x1 x1 x2



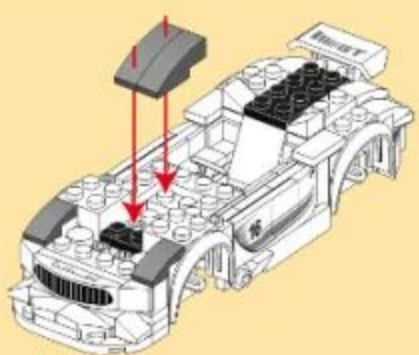
22 x2 x2 x2 x2



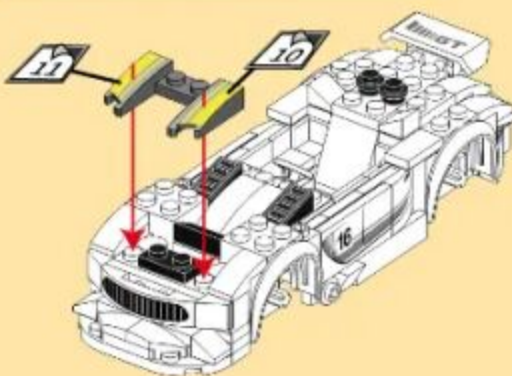
23 x1 x1 x1 x2



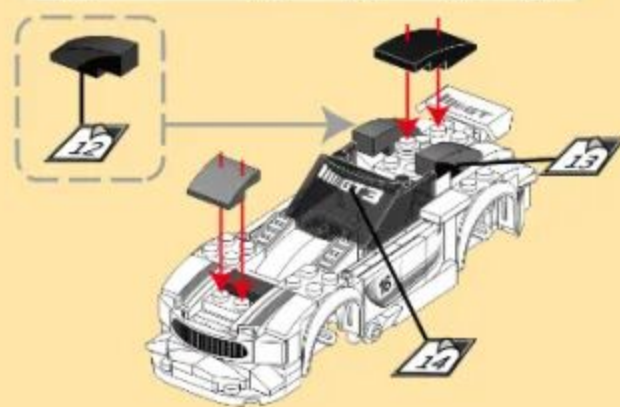
24 x2 x1 x2 x1



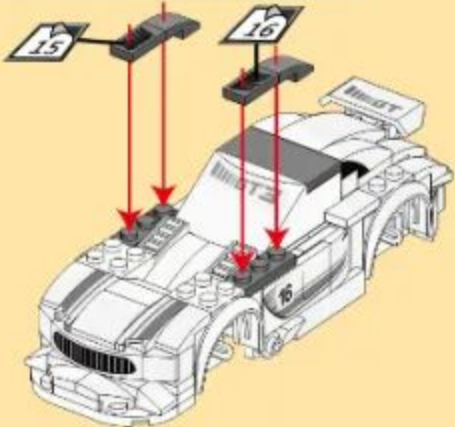
25 x1 x2 x1 x1 x2



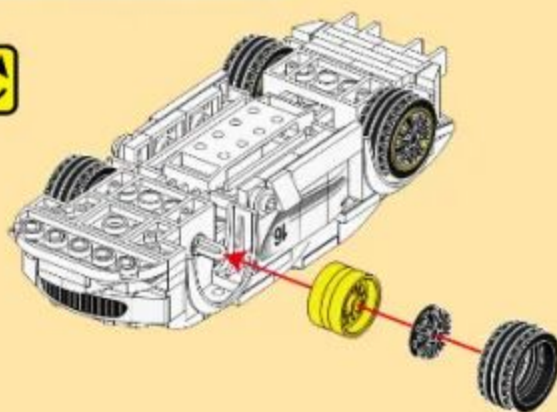
26 x1 x1 x2 x1 x1



27 2x4 x1 x2 x2 x2



28 x4 x4 x4



29

