



SUPERCAR

Can remove the following children of help

2874



6+ | 166 PCS



1

x1 x1
x1 x1 x2

2 1 X 4
x2 x2 x2 x2

3 1 + 2

4

x1 x2 x1 x2

5

x1 x1 x2 x2 x2



6

x4 x2 x2 x2 x2

7 2 X 3
x2 x2 x2 x1 x1

8 6 + 7



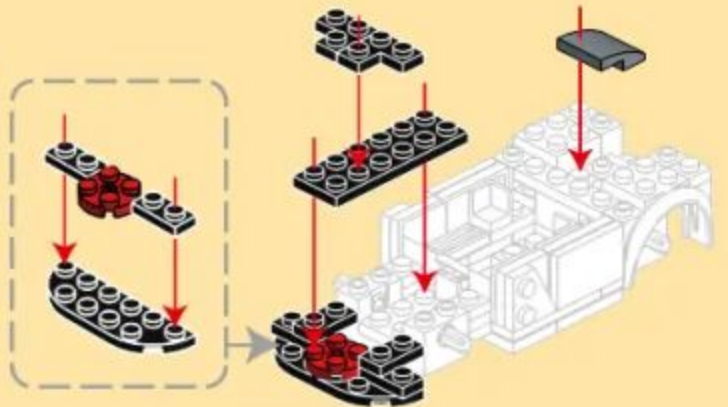
9

x2 x2 x2

10

x1 x1 x2

11 2 X 6
x1 x1 x1 x1 x2 x4



12

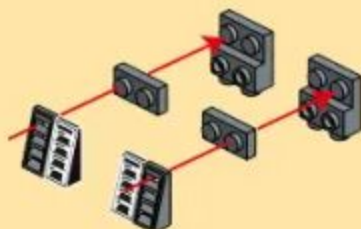
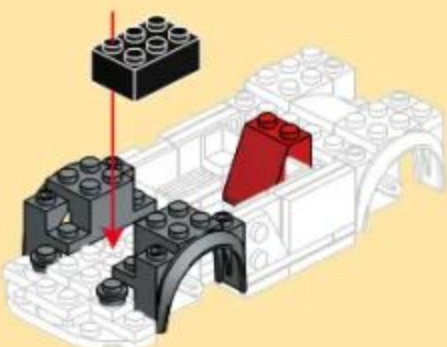
x2 x1 x1 x2

13

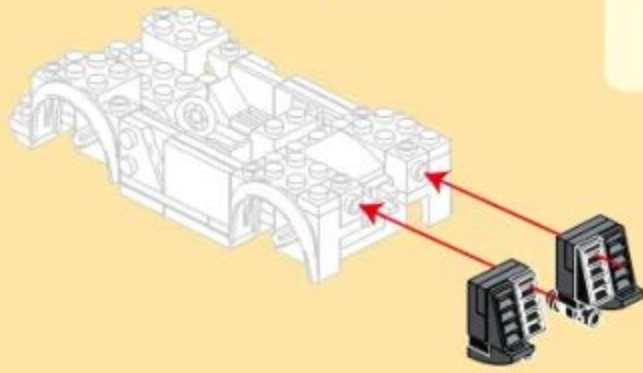
x2 x2 x2 x2

14

x2 x2 x2



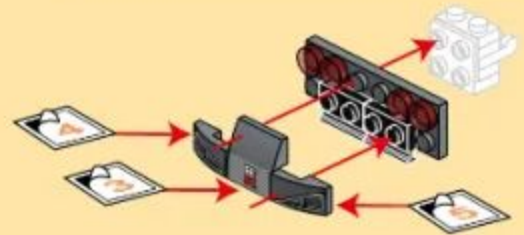
15 12 + 14



16 x1 x1 x3



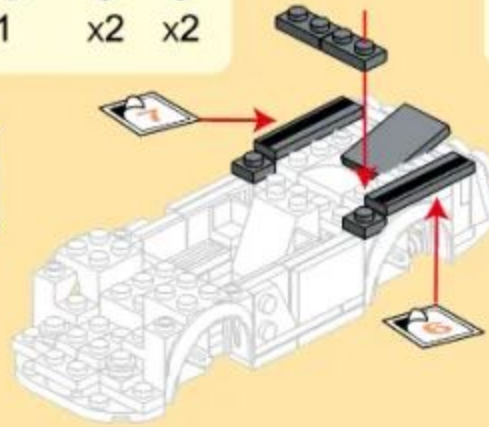
17 2 X 6 x1 x1 x2 x2 x4



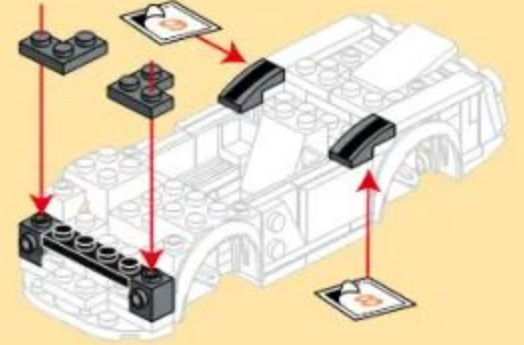
18 15 + 17



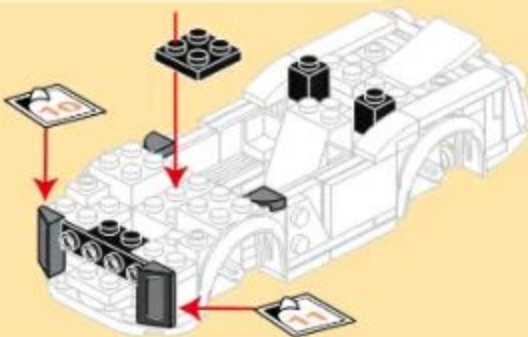
19 1 X 4 2 X 3 x2 x1 x2 x2



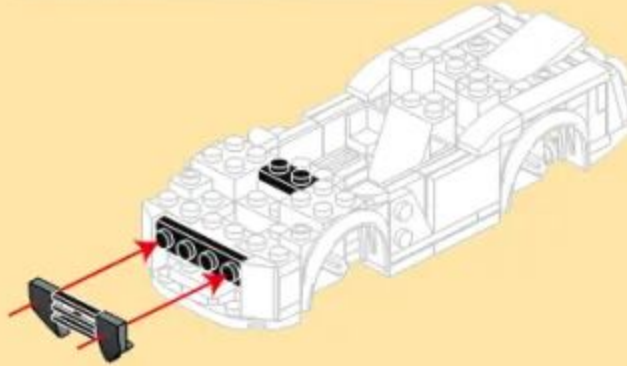
20 x1 x2 x2 x2



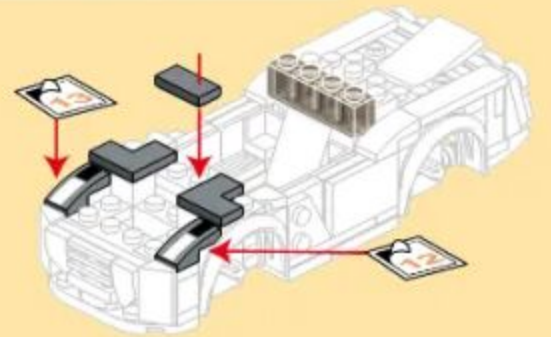
21 x1 x1 x2 x2 x2



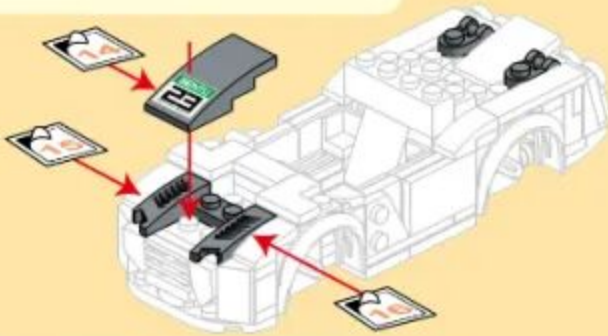
22 x1 x1 x1 x1 x1



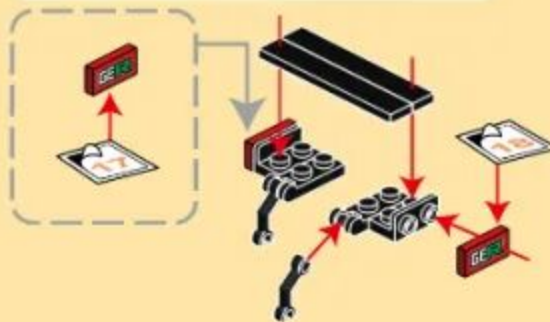
23 x1 x2 x2 x1



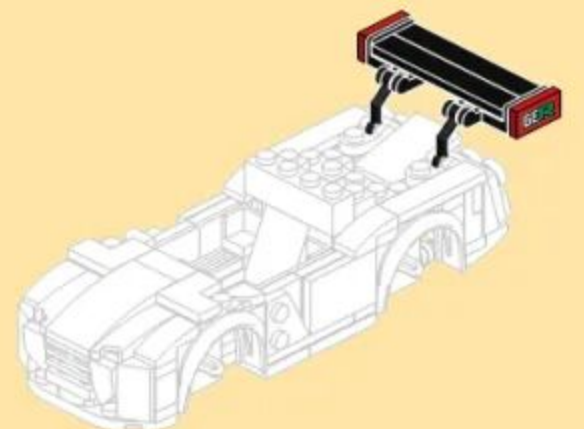
24 x1 x2 x2



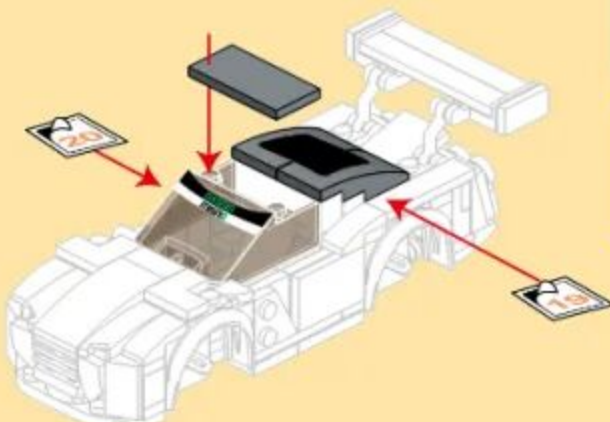
25 1 X 6 x2 x2 x2 x2 x2



26 24 + 25



27 x1 x2 x1 2 X 4



28 x4 x4 x4

