



SUPERCAR

Can exercise the following abilities of baby
• Following visual model for high order of detail
• Following visual model for low order of detail
• Following visual model for intermediate order of detail
• Following visual model for high order of detail
• Following visual model for low order of detail
• Following visual model for intermediate order of detail

2881



6+ | 187 PCS

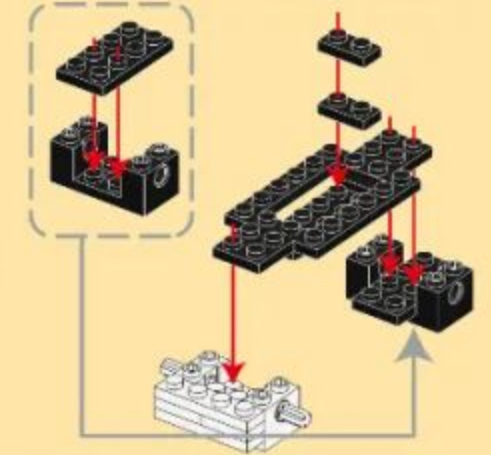
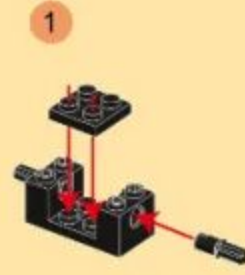


1

x1 x2 x1 x2 x2

2

x1 x1 x1 x2



3

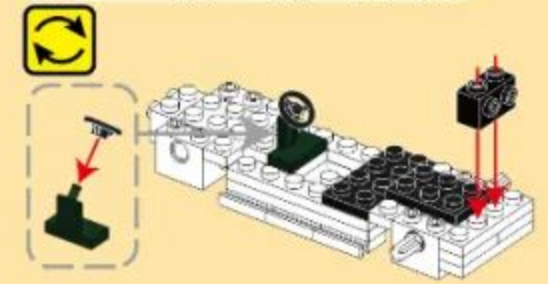
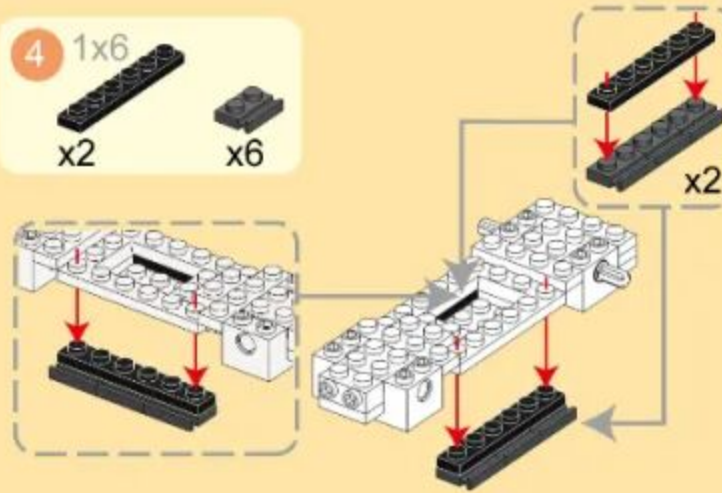
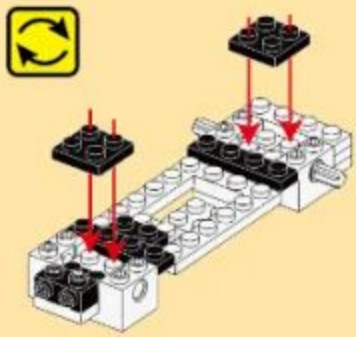
x1 x2 x2 x1

4

x2 x6

5

x1 x1 x1 x1 x1



6

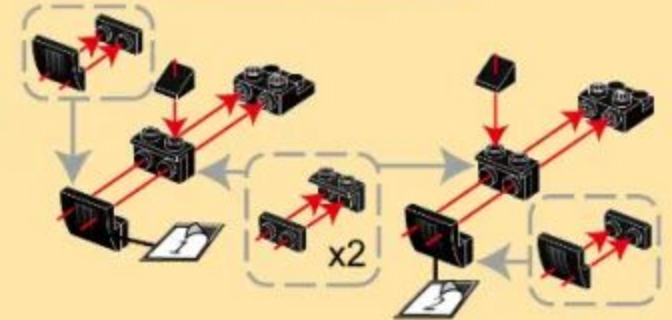
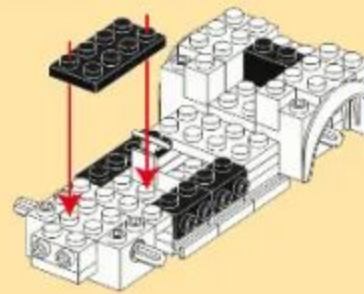
x2 x4 x2 x2

7

x1 x1 x4

8

x2 x2 x2 x2 x4



9

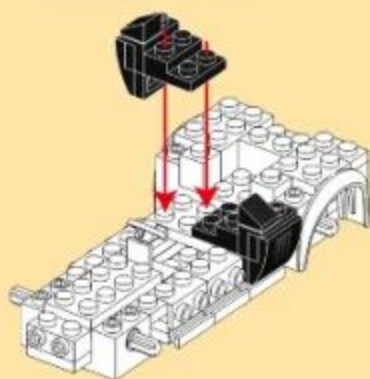
7 + 8

10

x1 x1 x3 x2 x2 x1

11

x2 x1 x3 x5 x2



12

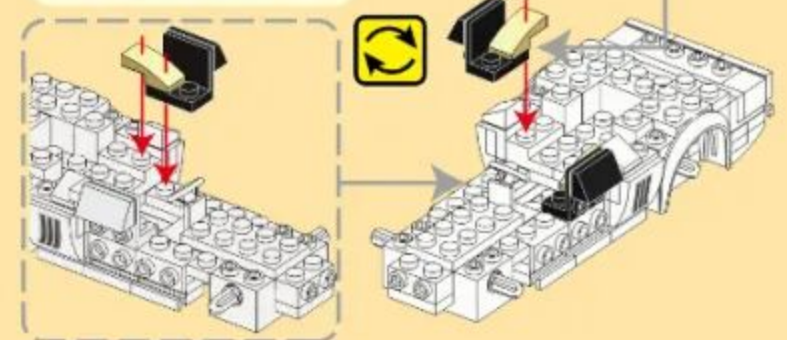
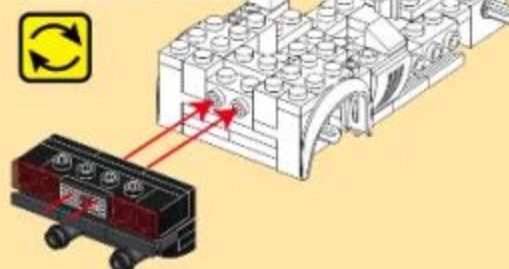
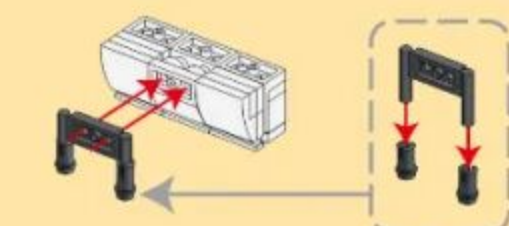
x1 x2

13

9 + 12

14

x2 x2 x2



15
 x2 x2 x2

16
 x2 x2 x2

17
 2x4
 x1 x2 x1 x1

18
 x1 x2 x1 x1

19
 1x6
 x1 x1 x1 x3 x1 x2 x2

1 2

20
 x2 x3 x2

21
 x1 x1 x2 x2 x2

22
 2x4
 x1 x2 x2 x2 x1

23
 x1
 x1 x2 x2

24
 x1 x2 x1 x1

25
 1x4 1x4
 x1 x2 x2 x1

26
 x2 x1 x2 x2

27
 x1
 x1
 x1

28
 x4 x4 x4

29