



SUPERCAR

Can exercise the following abilities of baby

① Following word and figure into other words and figures help child learning words
② They have gradually from an exercise the child and understand the use of the words.
③ It is suitable for development of "space ability".

2883



6+ | 175 PCS



1

x1 x2 x1 x1

2

x2 1x6 1x6

x2 x2

3

x2 x1 x4 x4

4

x1 x1 x1

x1 x1 x1

5

x3 x1 x2 x2 x2 x2

1

2

6

4 + 5

7

x1 x1

x2 x2

8

x2 x2 x2 x2

9

x1 2x2 x1 x2

10

x1 x4 x2 x2 x2 x2

1

2

11

x1 x1 x2

12

x2 x2 x2

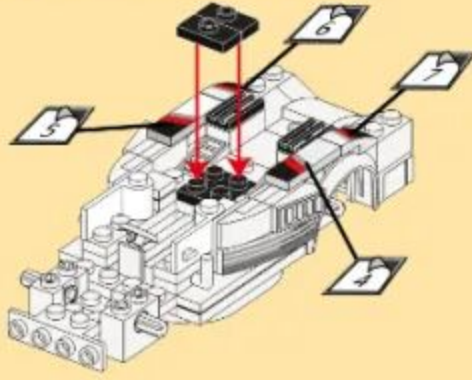
13

x2 x2 x2

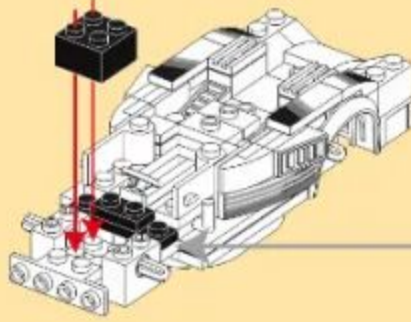
14

9 + 13

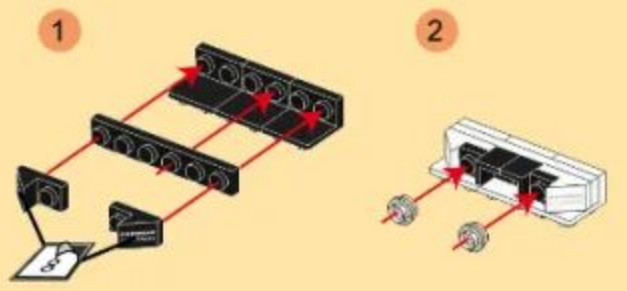
- 15
 1x3
 x1 x2 x2 x2 x2



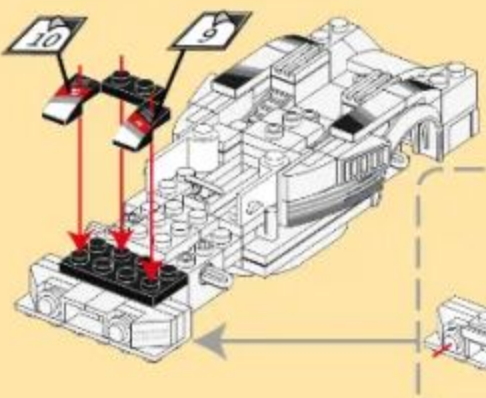
- 16
 x1 x1 x1



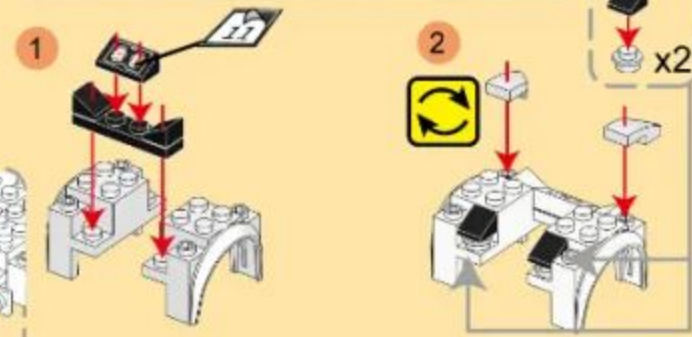
- 17
 1x6
 x1 x3 x2 x2 x2 x2



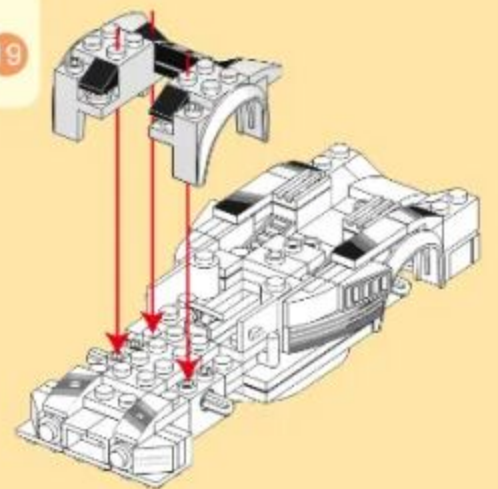
- 18
 x1 x2 x1



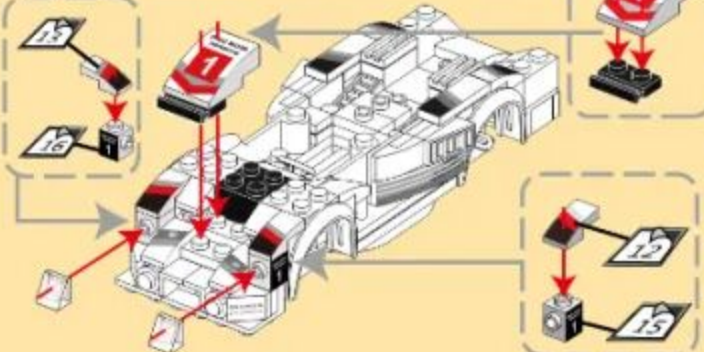
- 19
 x2 x1 x1 x1 x1 x4 x2



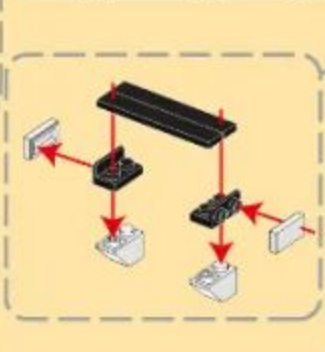
- 20
 18 + 19



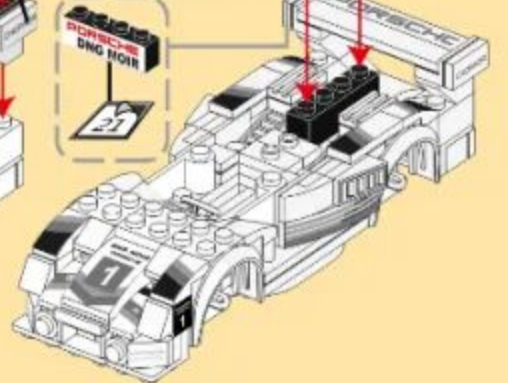
- 21
 x1 x1 x2 x1 x2 x2



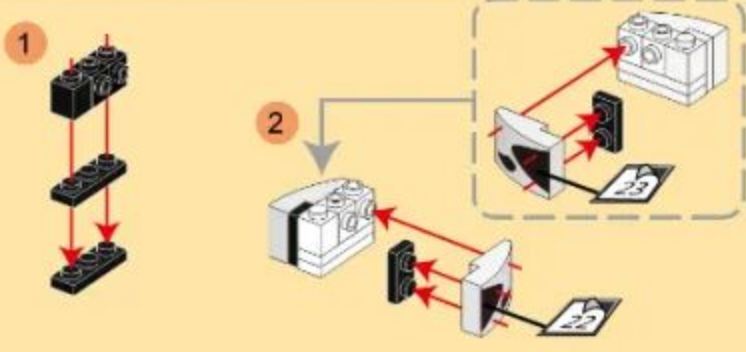
- 22
 1x6
 x2 x2 x2 x2



- 23
 x2



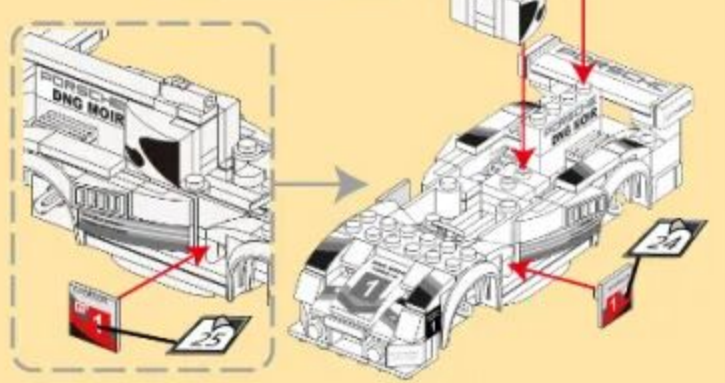
- 24
 x2 x2 x2 x1 x2



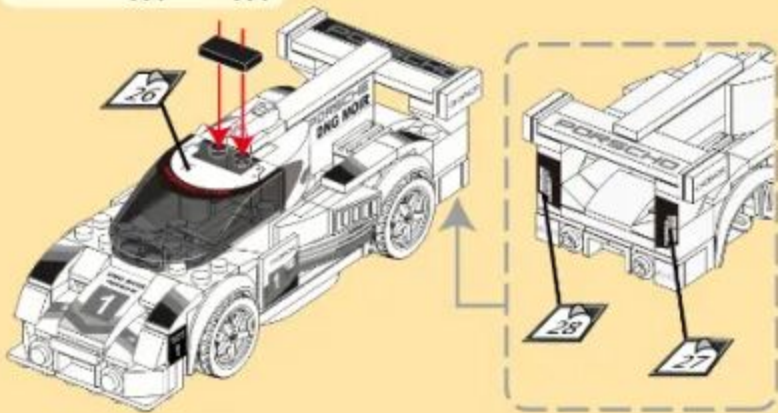
- 25
 x1 x1 x1



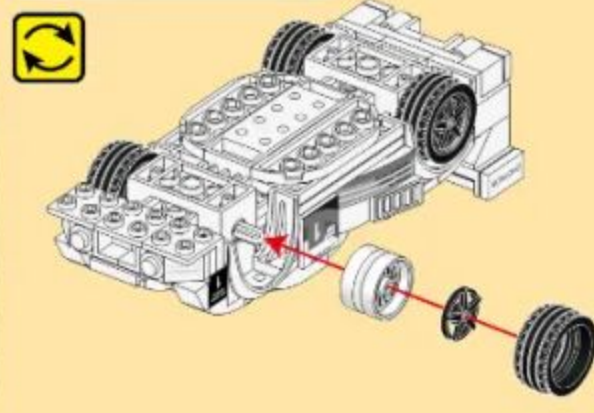
- 26
 1x6
 x1 x2



- 27
 x1 x1



- 28
 x4 x4 x4



29

