



# CITYCAR

Ver.288920220829

Can exercise the following abilities of baby  
• Fine motor skill  
• Hand-eye coordination  
• Spatial imagination  
• Logical thinking  
• Problem-solving ability



6+ / 94PCS / 2889



**1**

x1      x2      x4

x2

**2**

4x6  
x1  
x2      x2

**3**

1 + 2

**4**

x1      x2

**5**

x4      x1      x2      x1

**6**

x2      x2      x1

**7**

x1      x1      x2      x4      x2      x2

**8**

6x12  
x1

**9**

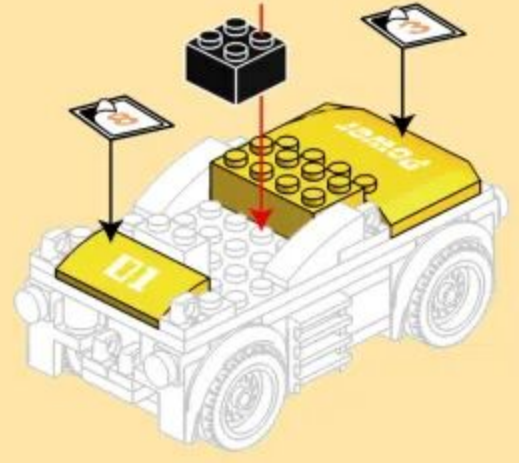
x4      x4

x4

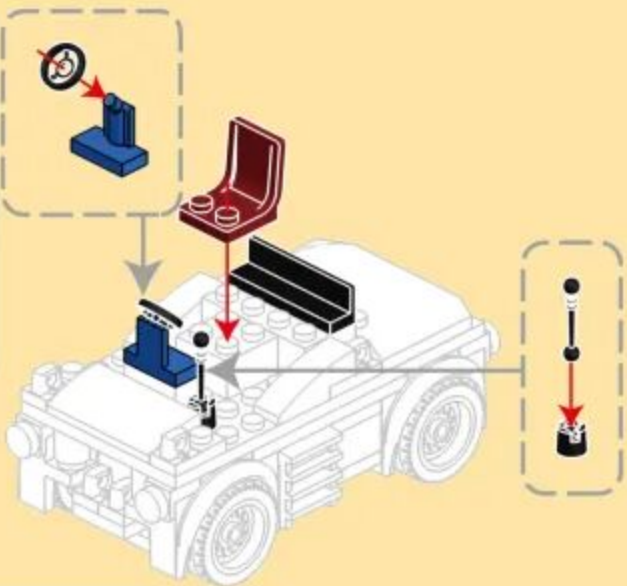
- 10  
 x1 x4 x2



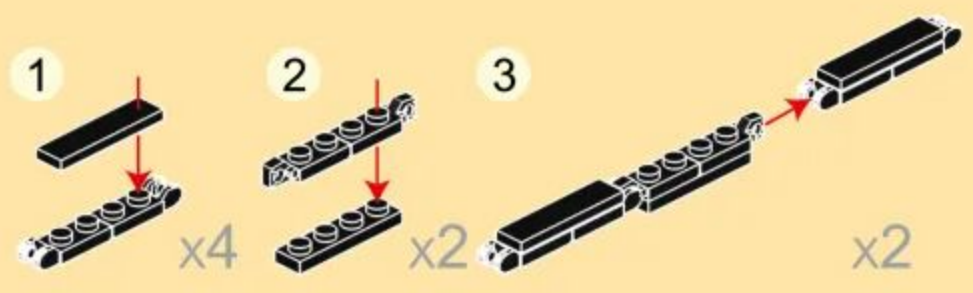
- 11  
 x1 x1  
 x1 x1



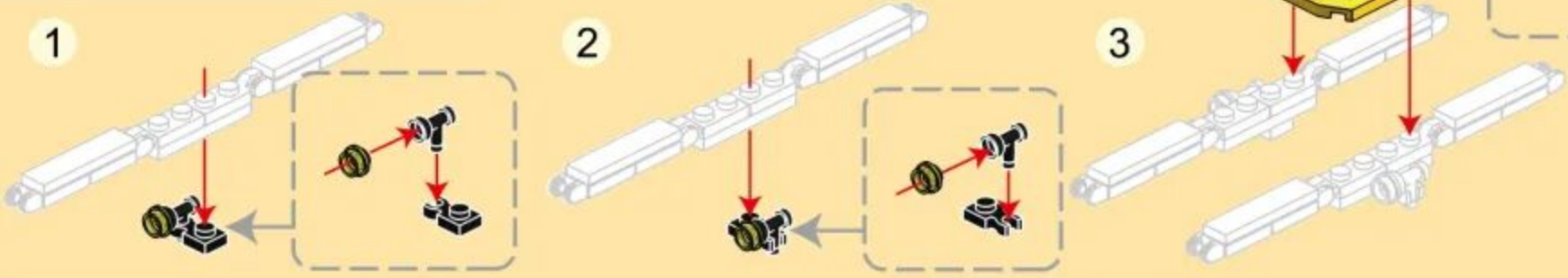
- 12  
 x1 x1  
 x1 x1 x1 x1



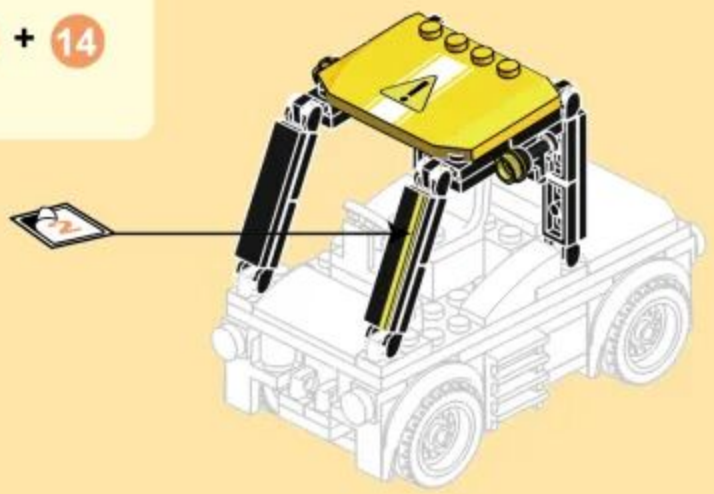
- 13  
 x2 x4 x4 x8



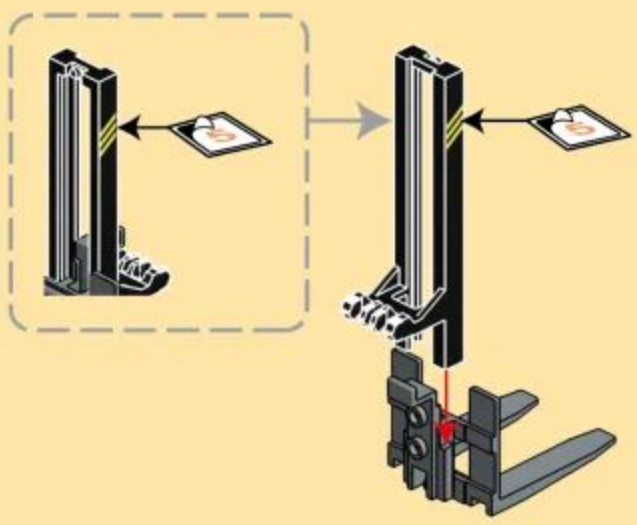
- 14  
 x1 x1 x2 x2 x2



- 15  
 12 + 14



- 16  
 x1 x1



- 17  
 15 + 16

