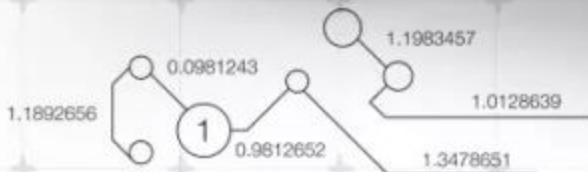


# STEAM TECHNICAL PARTS

# 2IN1

POWER MACHINERY



## 3801

### FUNCTIONS & FEATURES

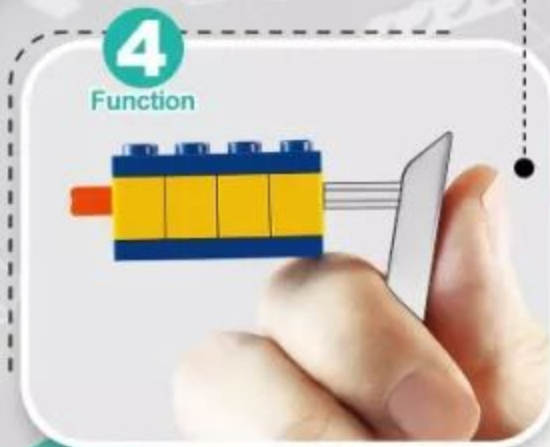
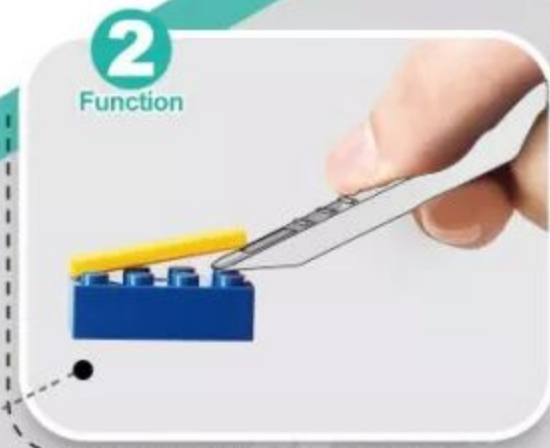
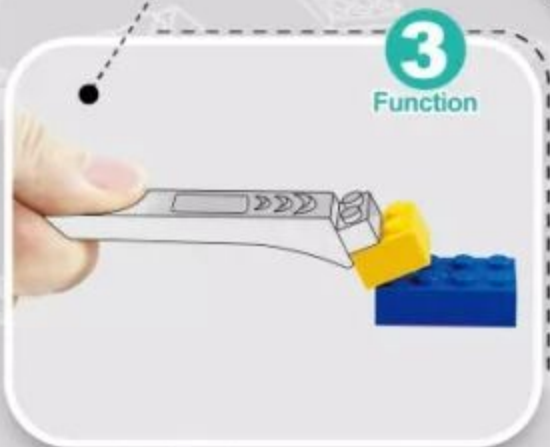
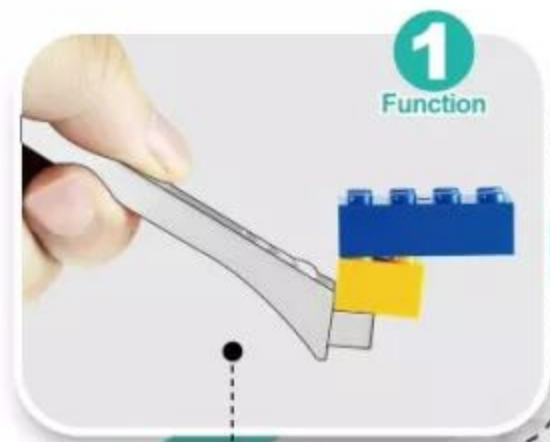
- SPEED VARIABLE PRINCIPLE
- CENTRIFUGAL FORCE
- APPLICATION OF THE CROWN GEAR



Instructions For Use

# Brickseparator

积木起件器使用说明



4 ways to make installation easier  
让安装更简单



# Building Blocks

拼装小技巧



- First open the product packaging according to the instructions.

按指导用正确方式拆解产品外包装。



- Summarize all parts to count the number of familiar accessories.

拆开积木包装对照说明书清单确认积木数量。



- Arranging all accessories by color helps to quickly install the product.

把确认好的积木以颜色进行分类排好以便安装。



- Carefully install the product and learn about building.











按说明书步骤拼装并完成你的积木模型。



INSTALLATION  
TIPS .

# 1:1 Physical Reference Table

十字棒配件1:1尺寸参照表

<b>2</b>	$(1 \times 2) = 2$	
<b>3</b>	$(1 \times 3) = 3$	
<b>4</b>	$(1 \times 4) = 4$	
<b>5</b>	$(1 \times 5) = 5$	
<b>6</b>	$(1 \times 6) = 6$	
<b>7</b>	$(1 \times 7) = 7$	
<b>8</b>	$(1 \times 8) = 8$	
<b>9</b>	$(1 \times 9) = 9$	
<b>10</b>	$(1 \times 10) = 10$	
<b>12</b>	$(1 \times 12) = 12$	
<b>16</b>	$(1 \times 16) = 16$	



**1:1**

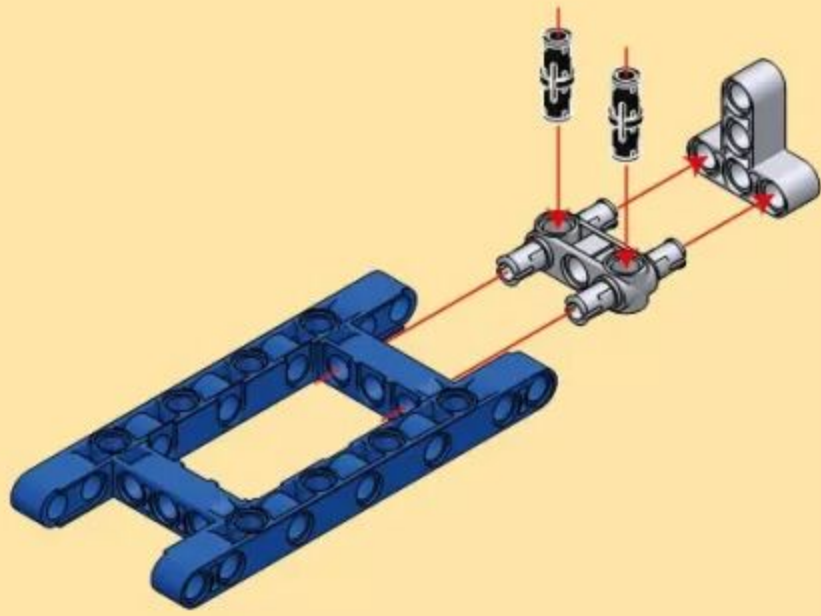
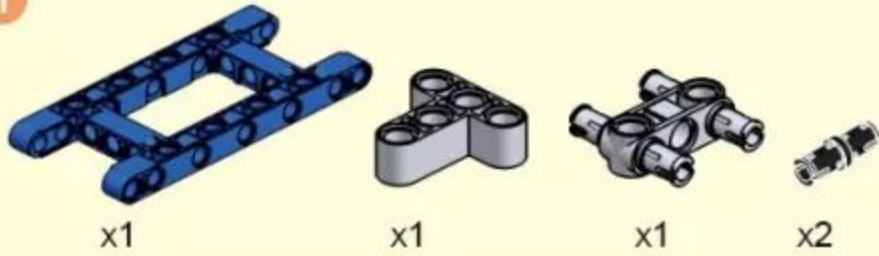
Instructions For Use

让安装更简单

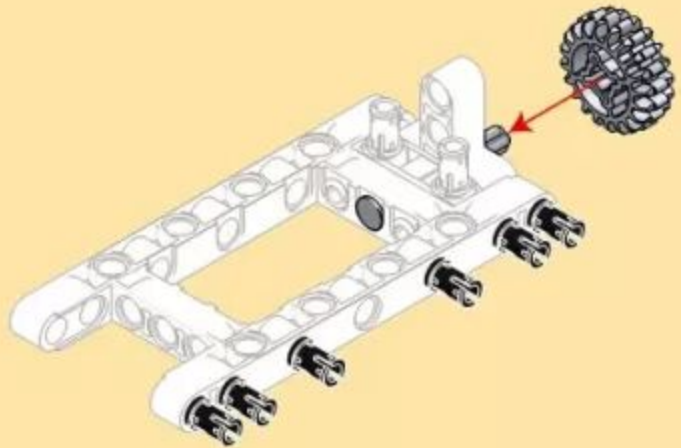
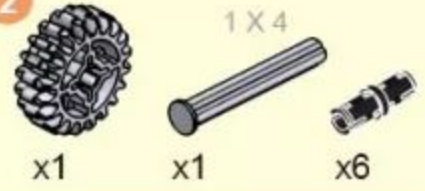




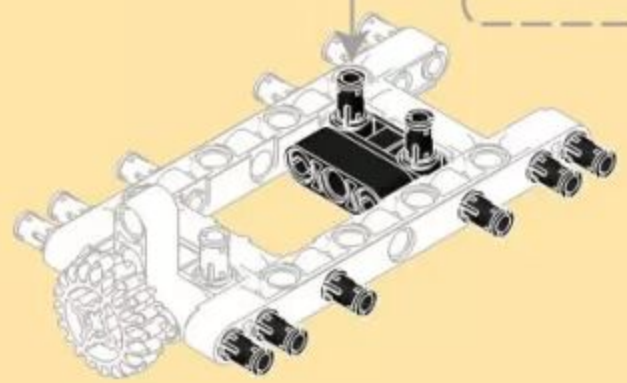
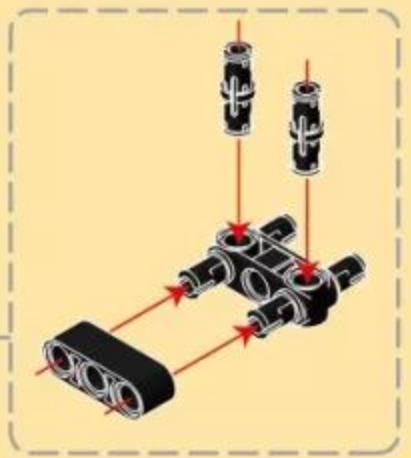
1



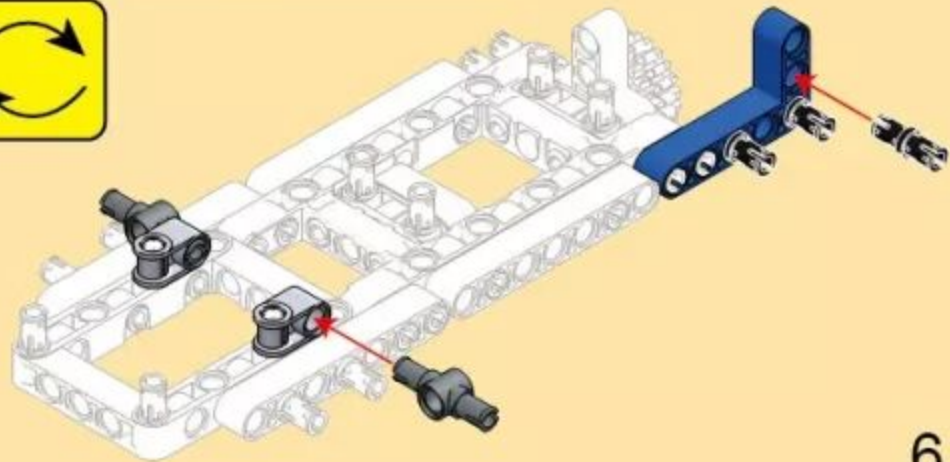
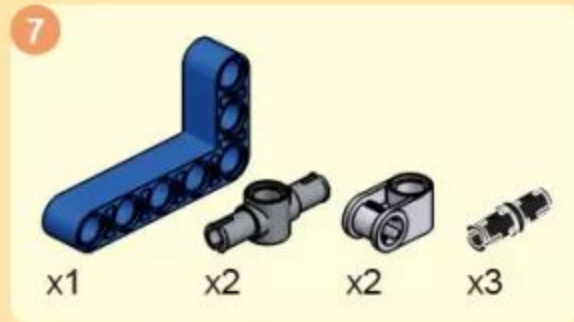
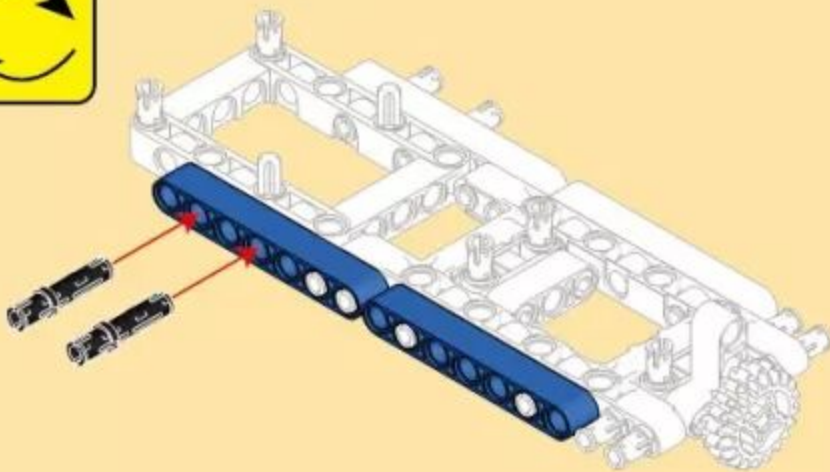
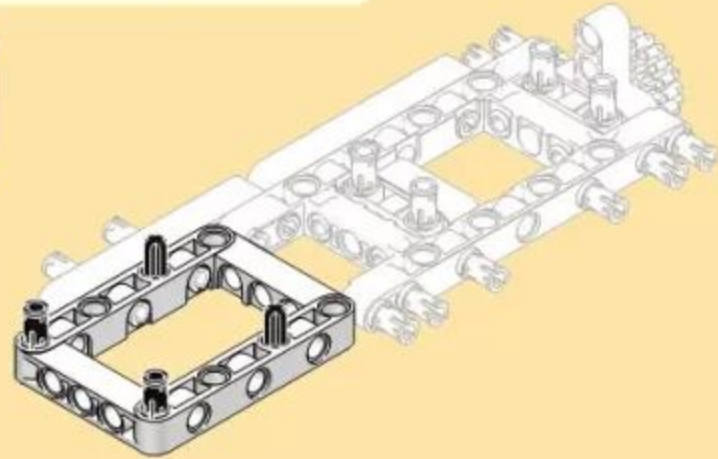
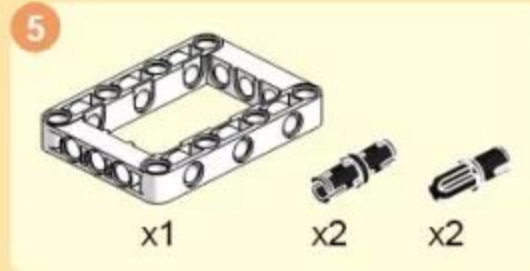
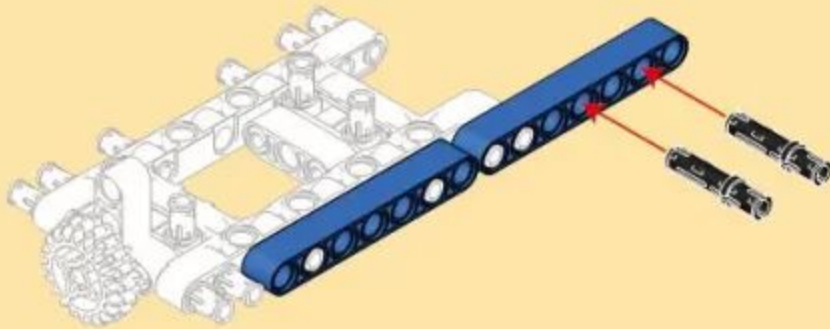
2



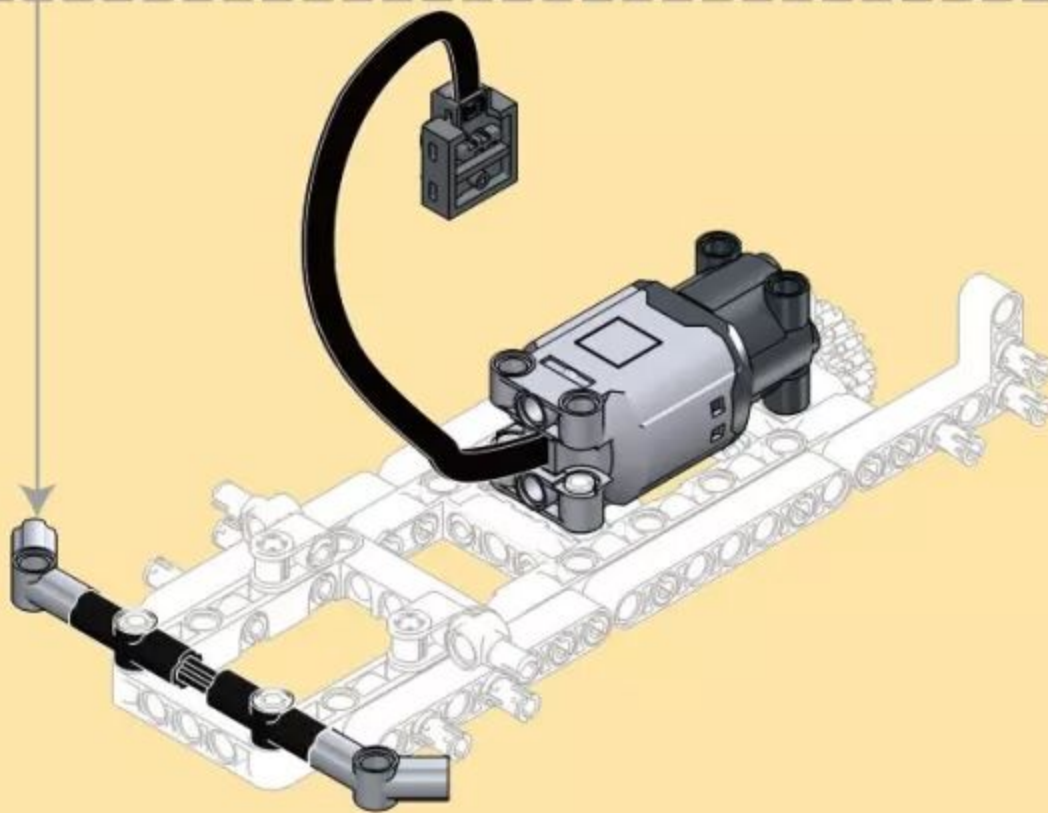
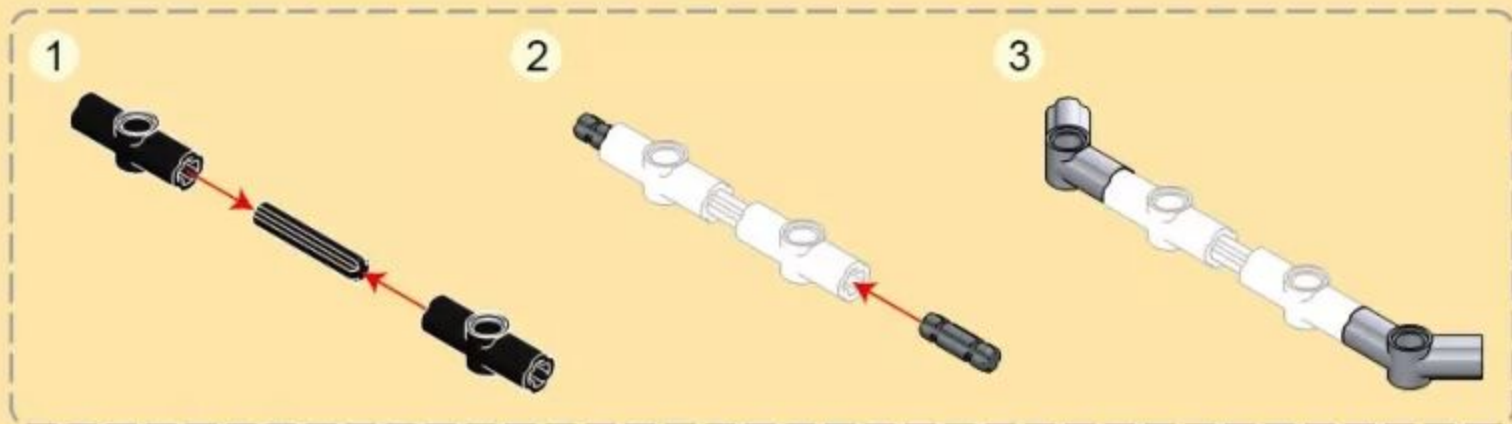
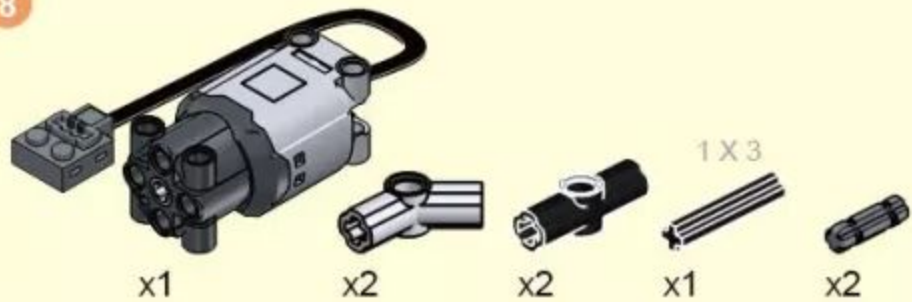
3



5




8




7

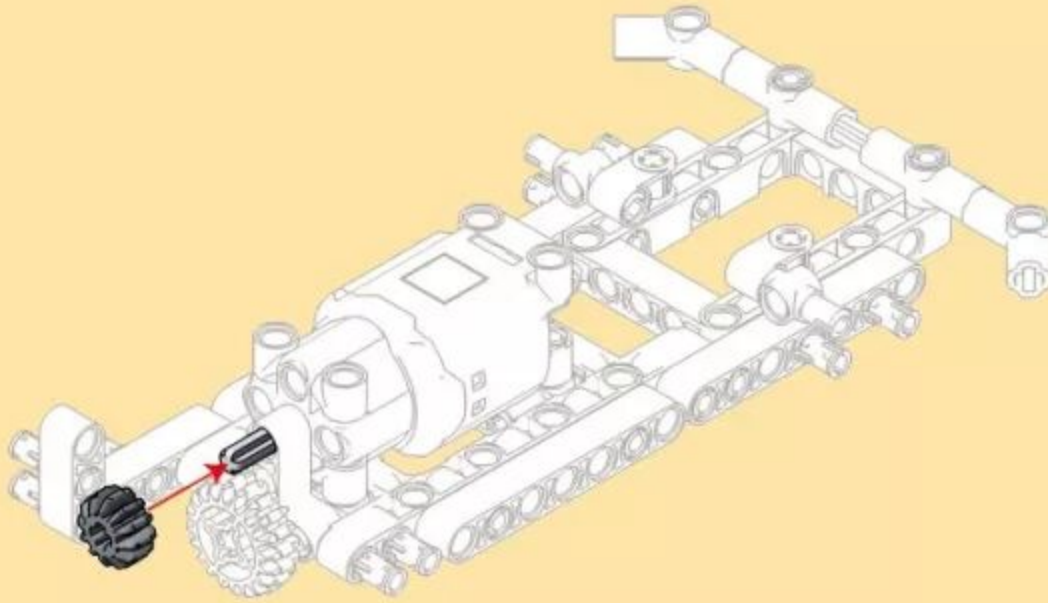
9 1 X 3



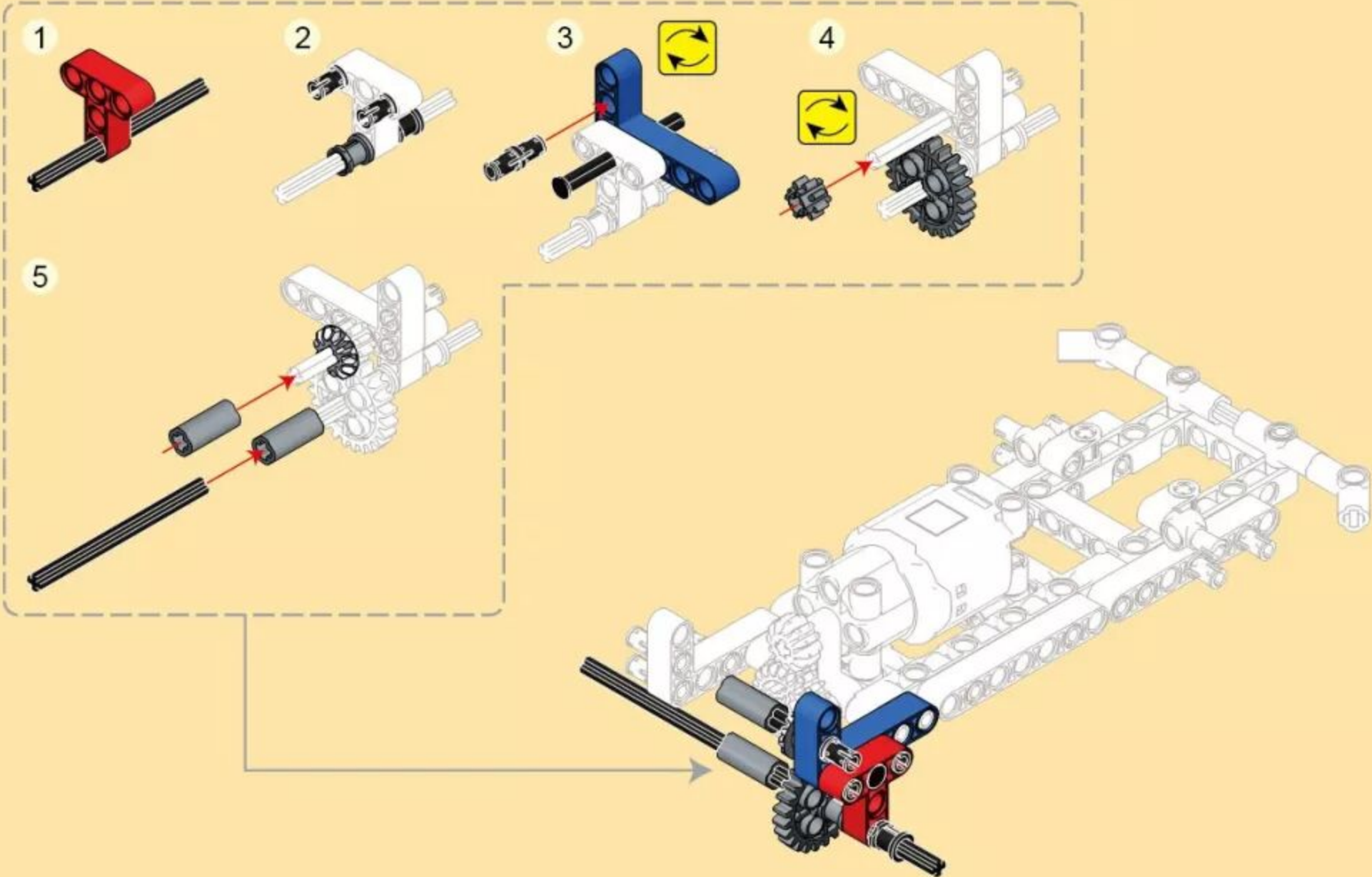
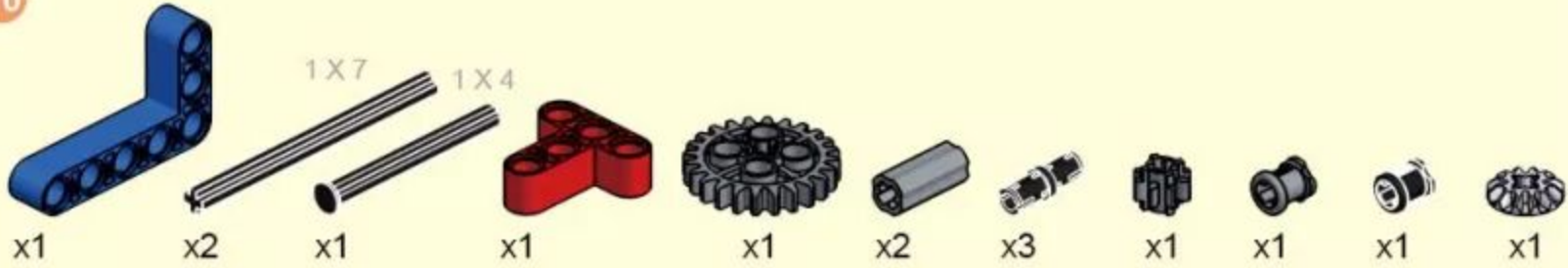
x1



x1



10



11

1 X 7



x2



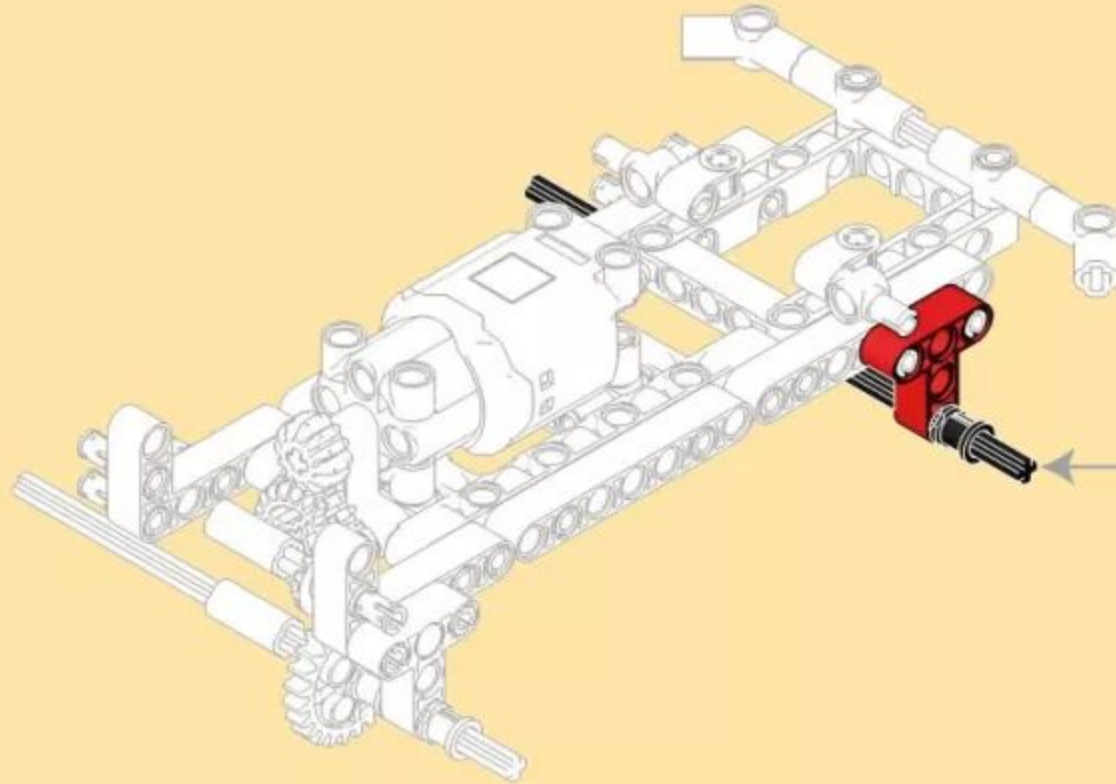
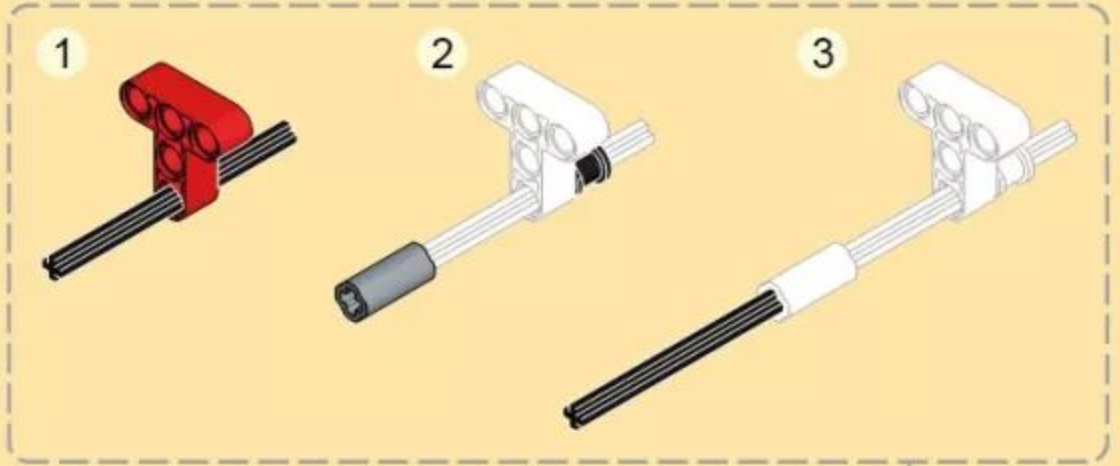
x1



x1



x1



12



x2

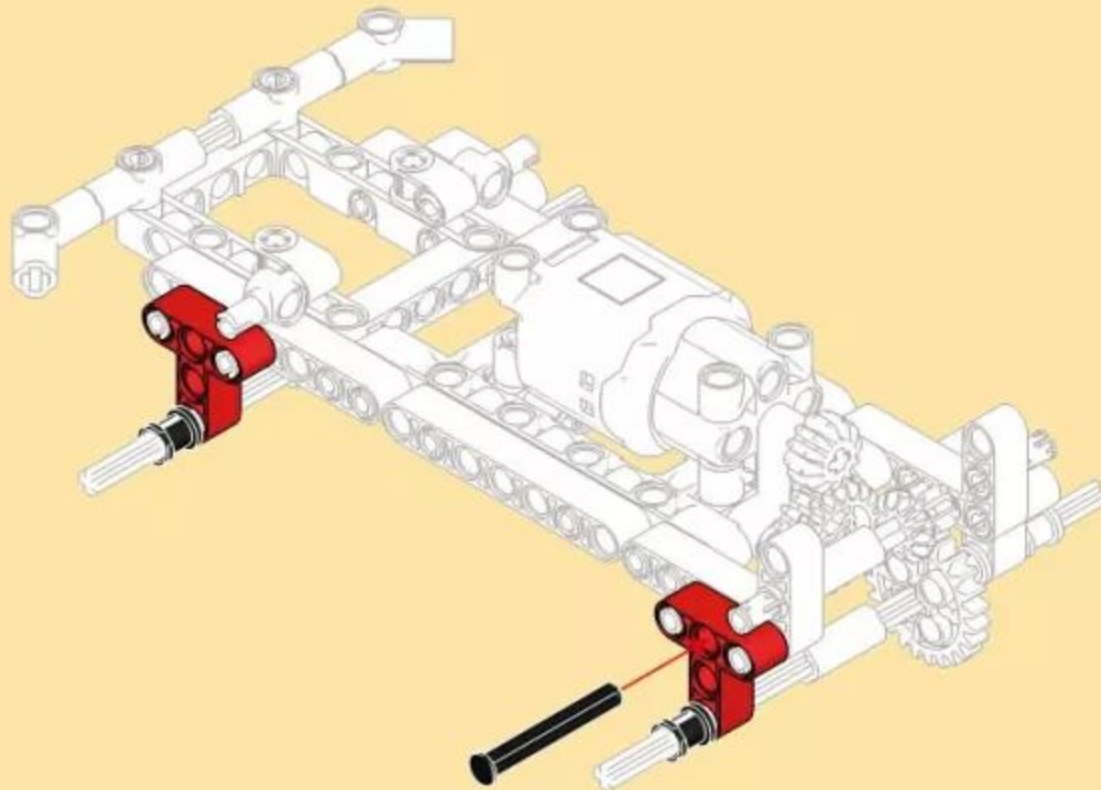
1 X 5



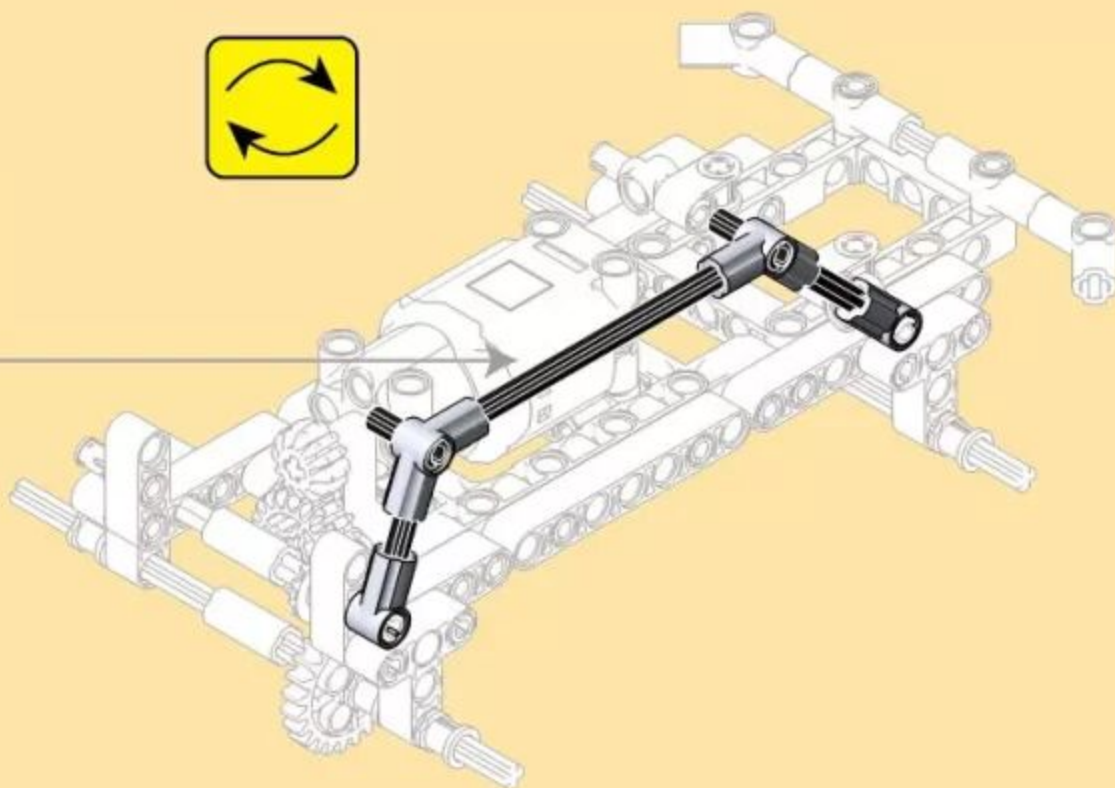
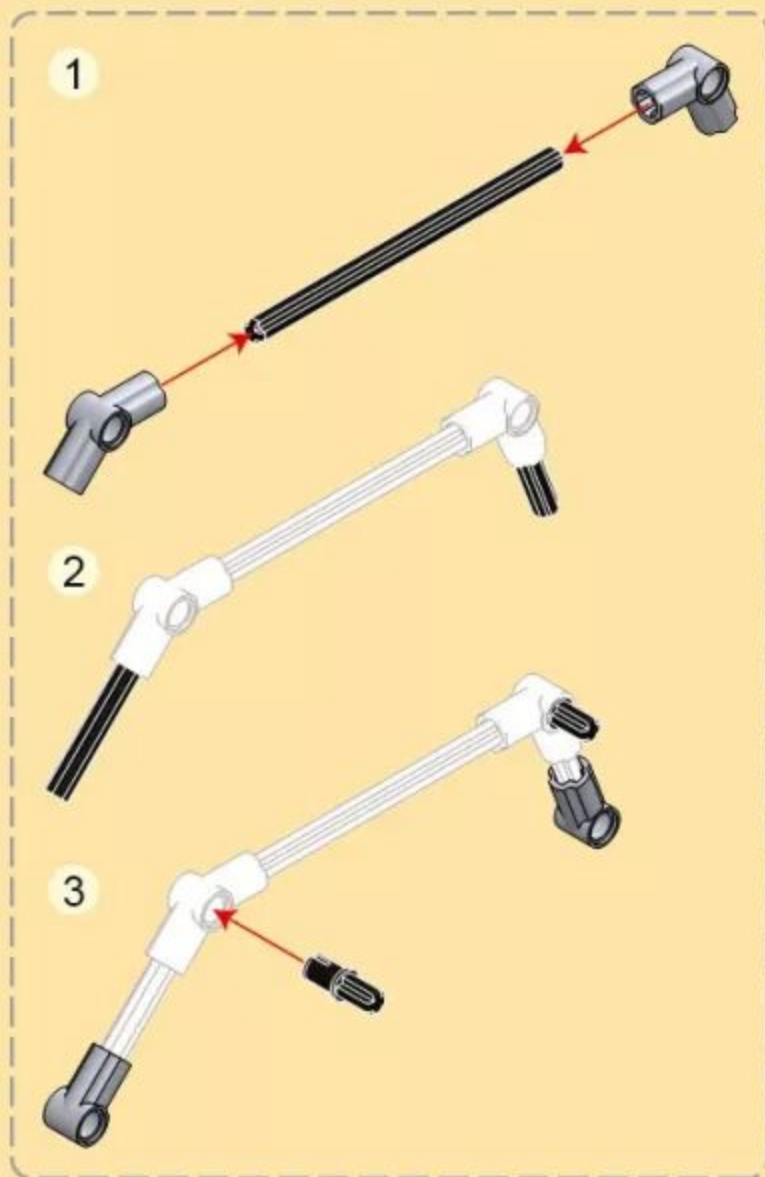
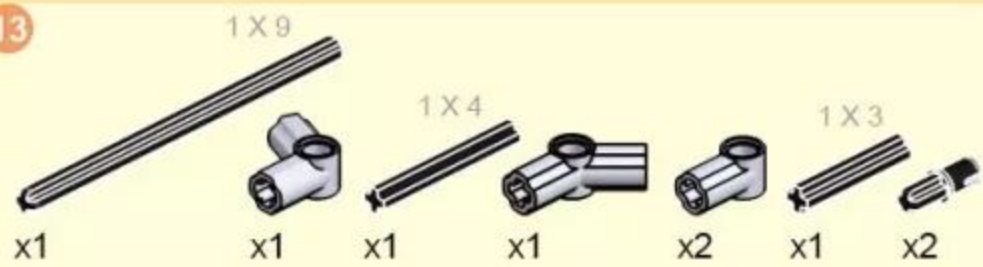
x1



x2



13



14



x2



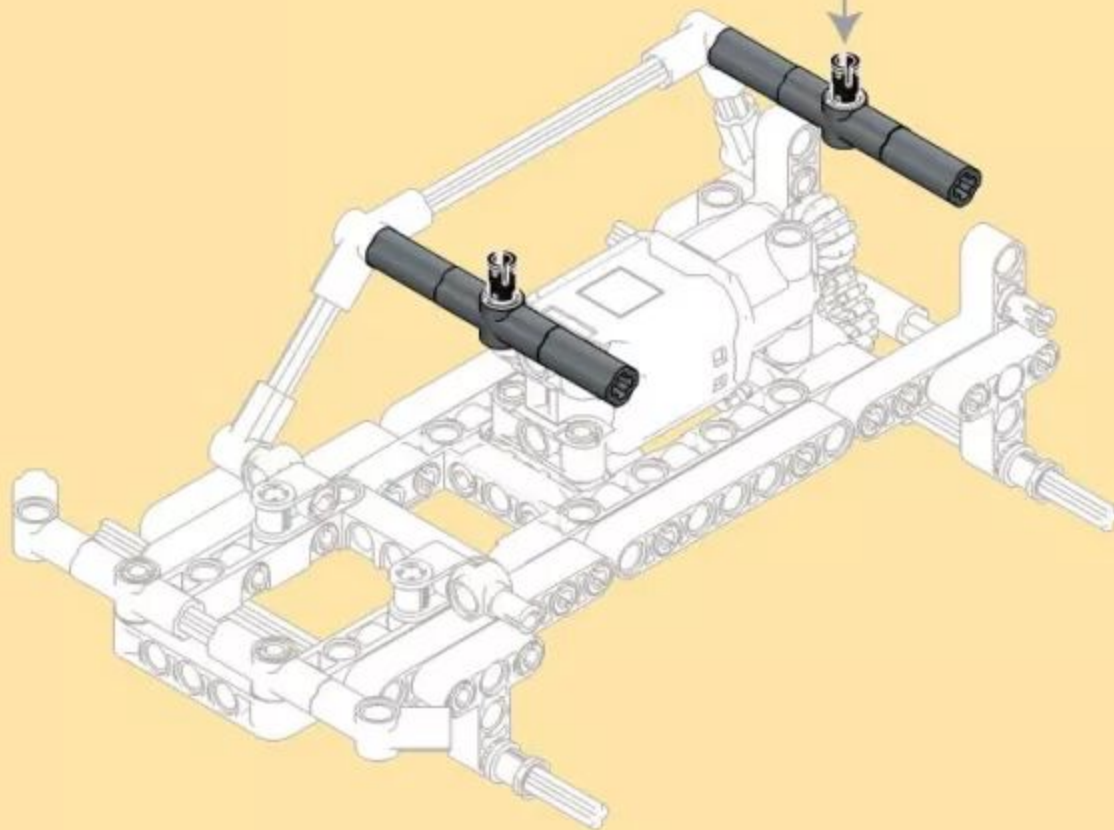
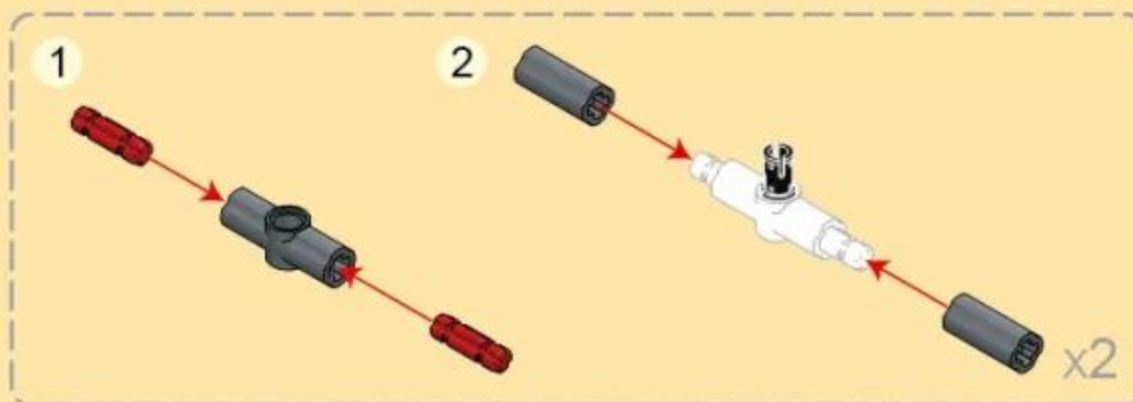
x4



x2



x4



15

1 X 9



x1



x1

1 X 4



x1



x1



x2

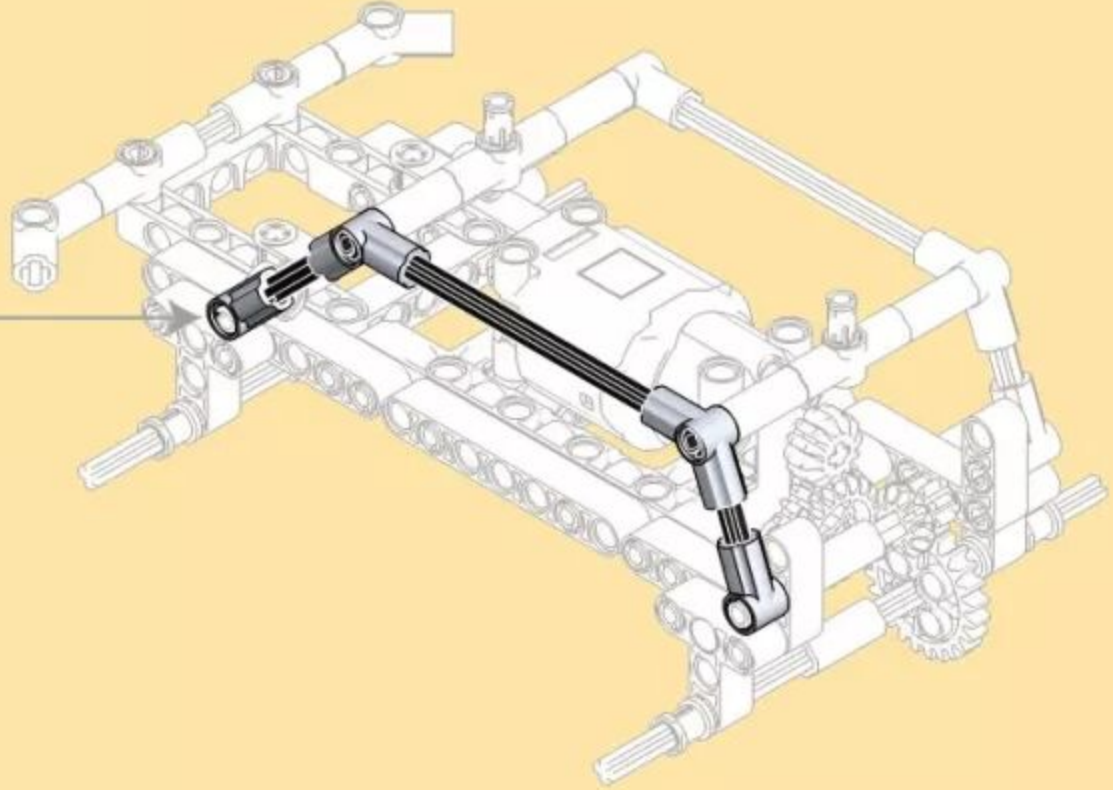
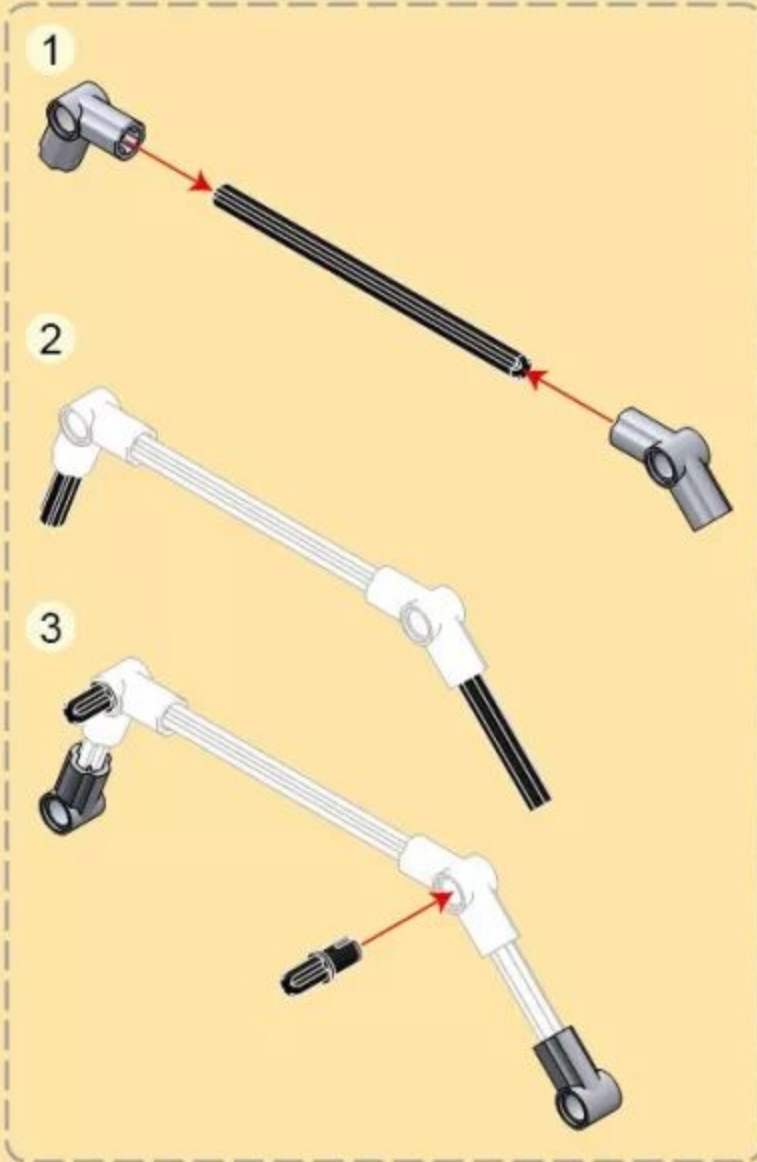
1 X 3



x1



x2



16



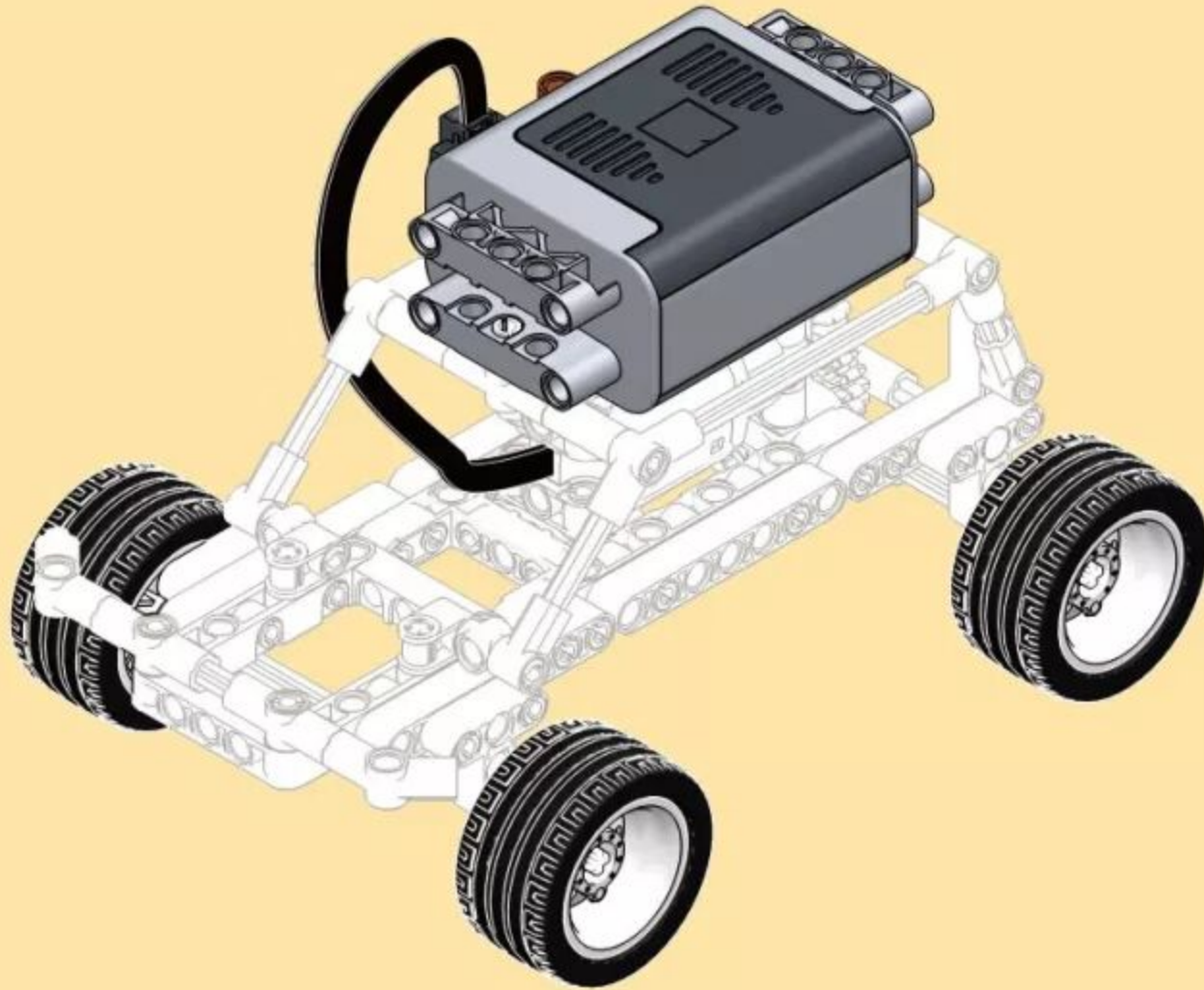
x1

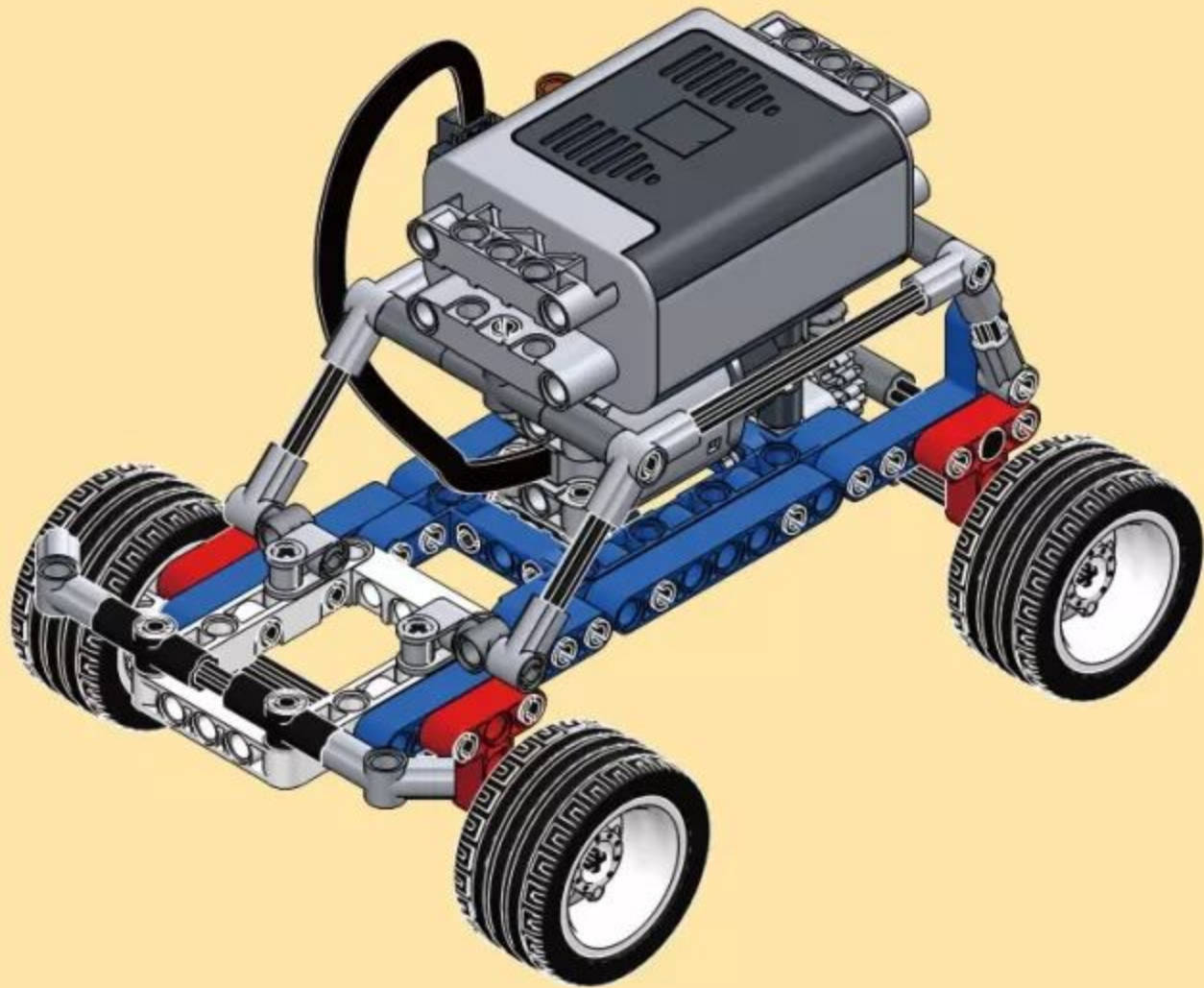


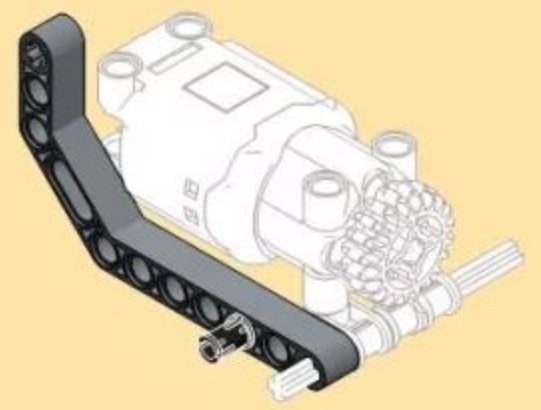
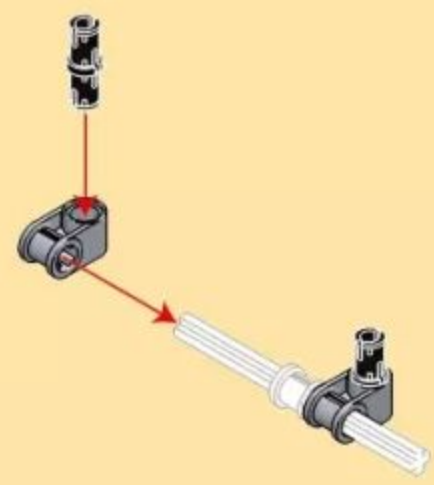
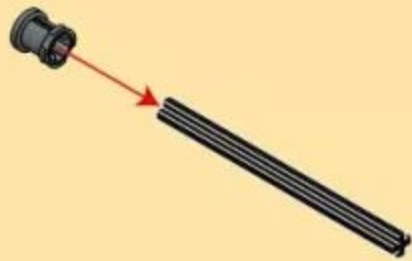
x4

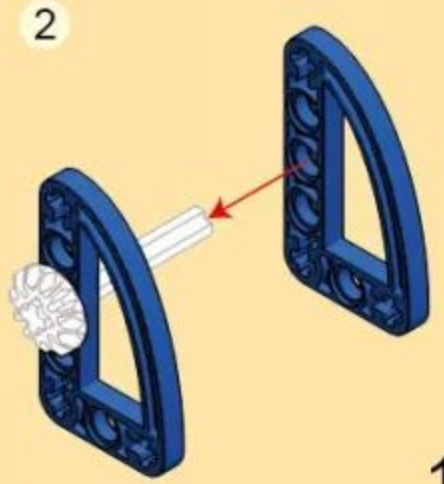
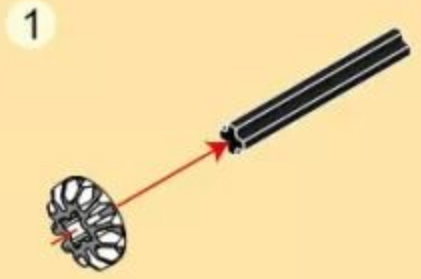
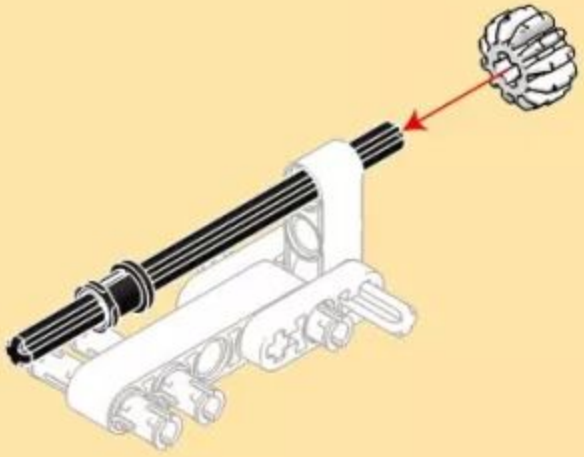
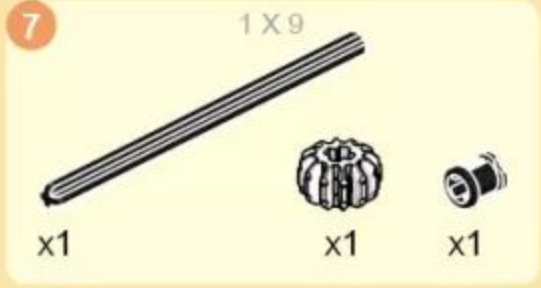
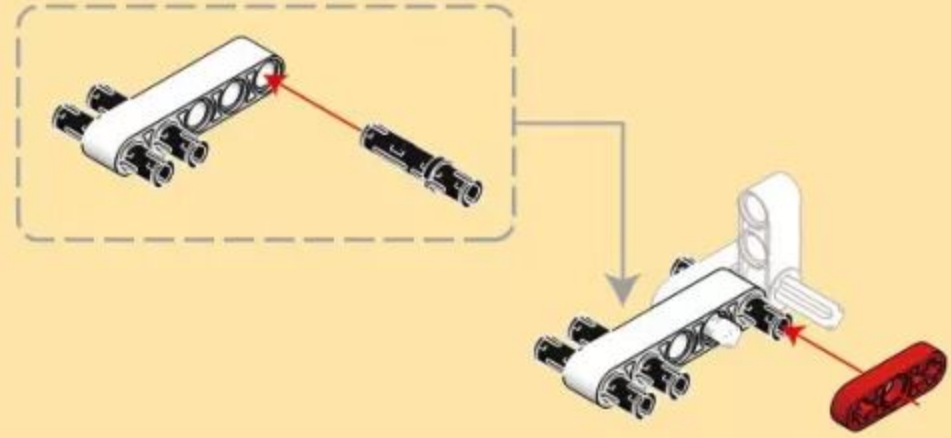
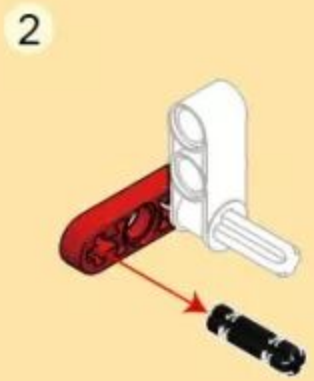
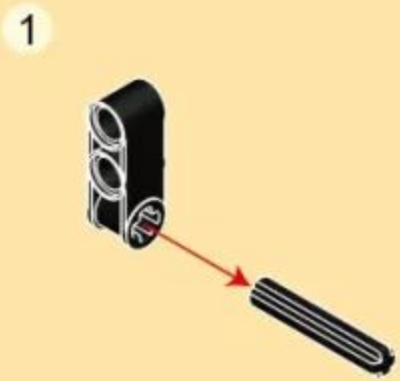
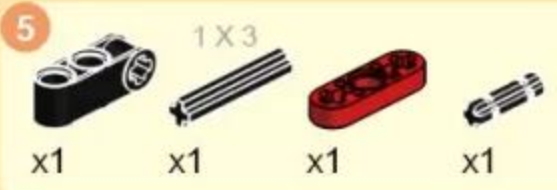


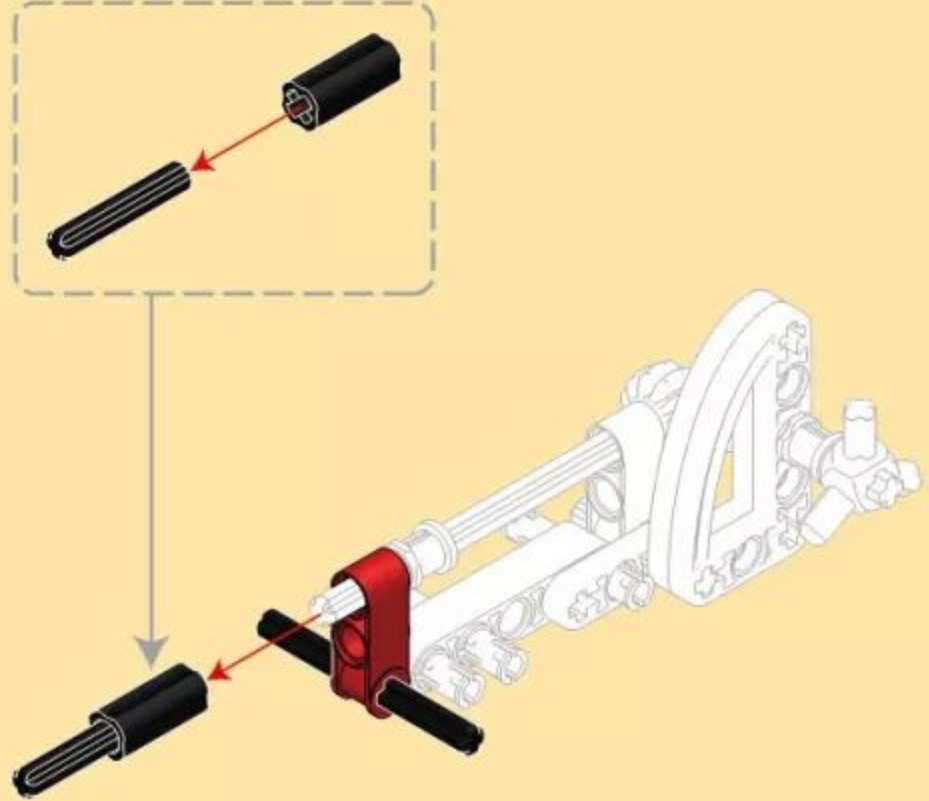
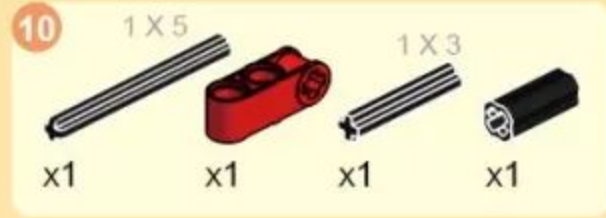
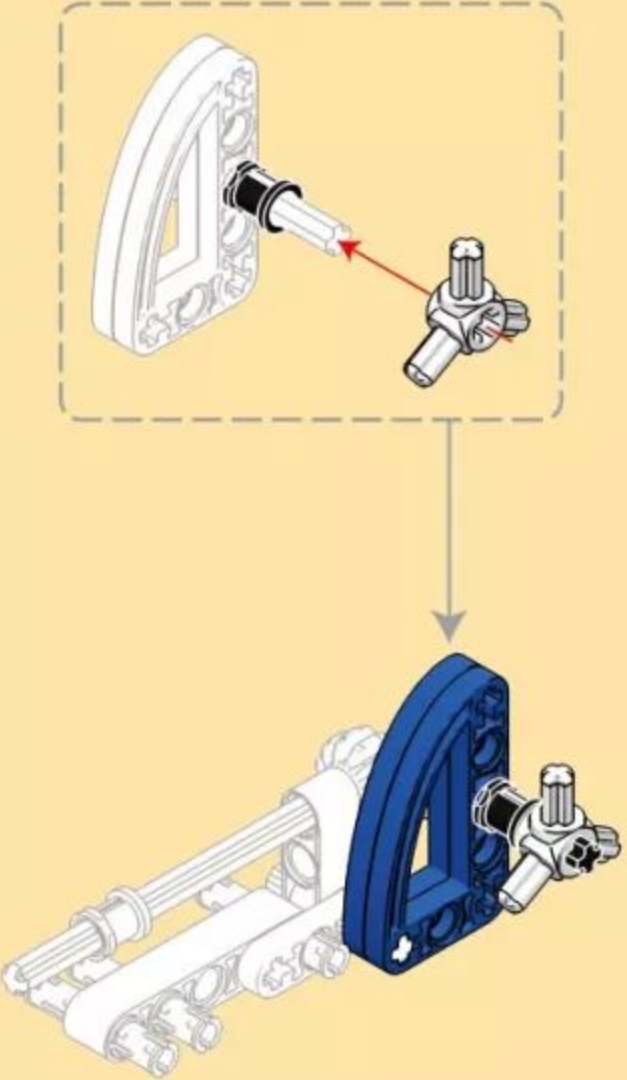
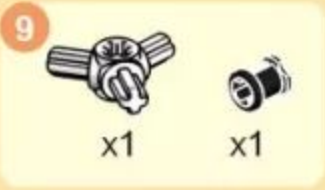
x4

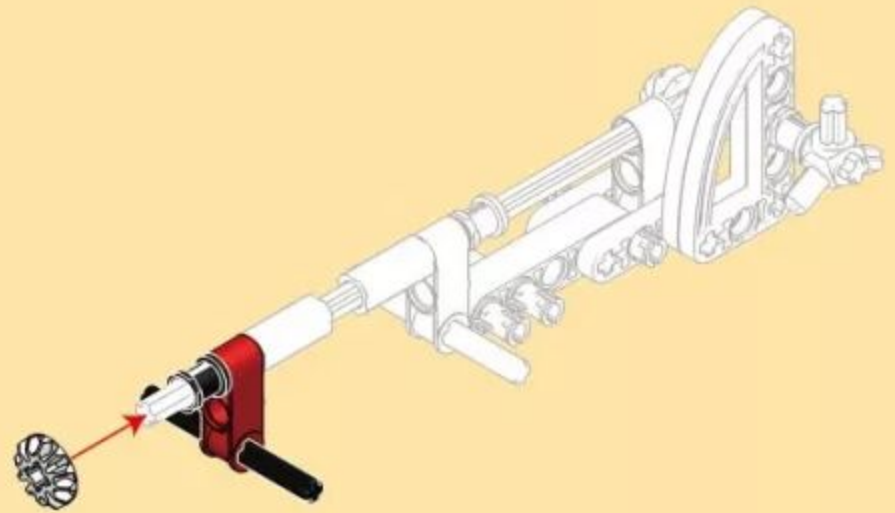
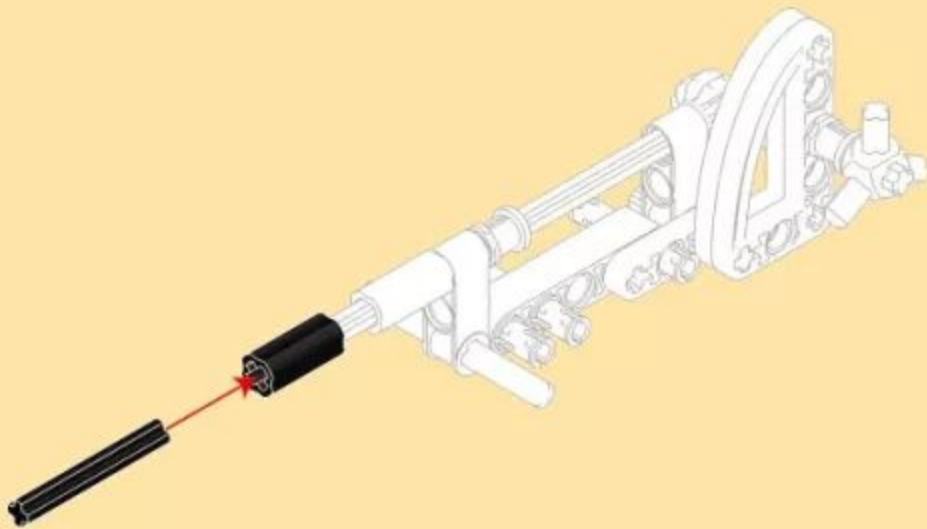
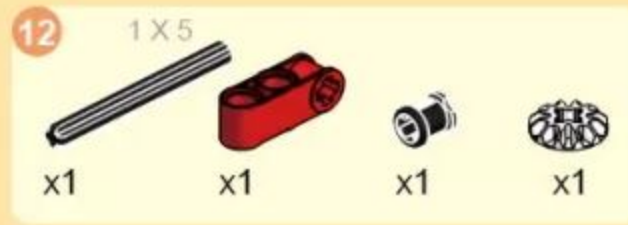










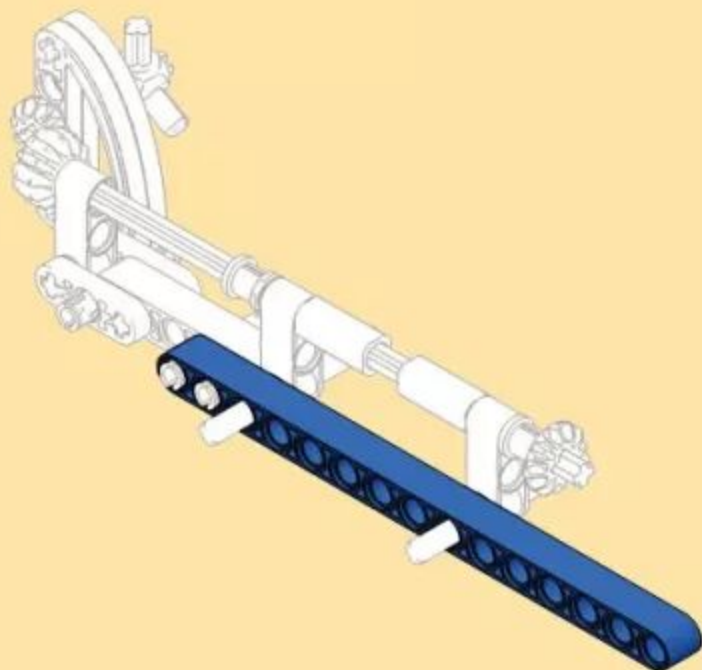


13

1 X 15



x1



14

1 X 5

1 X 4

1 X 3



x1



x2

x1



x1



x1



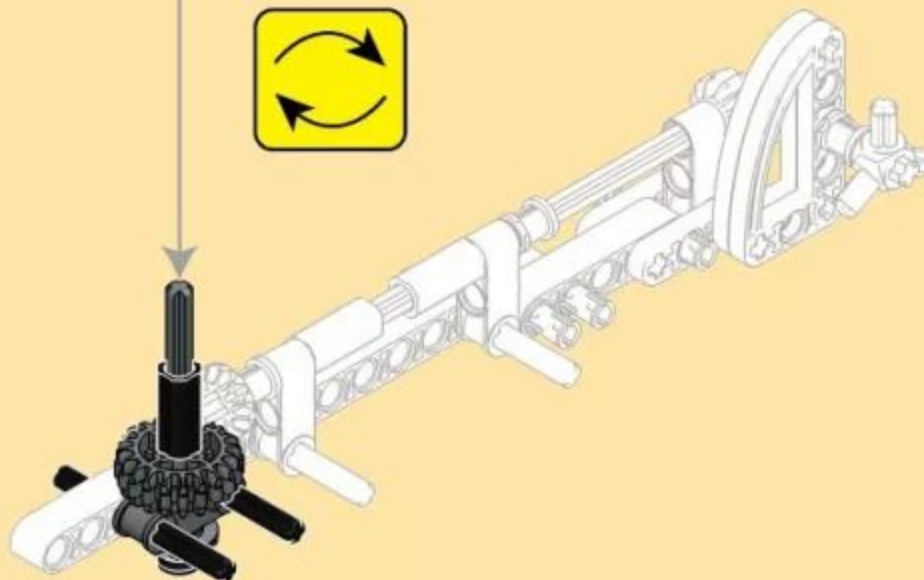
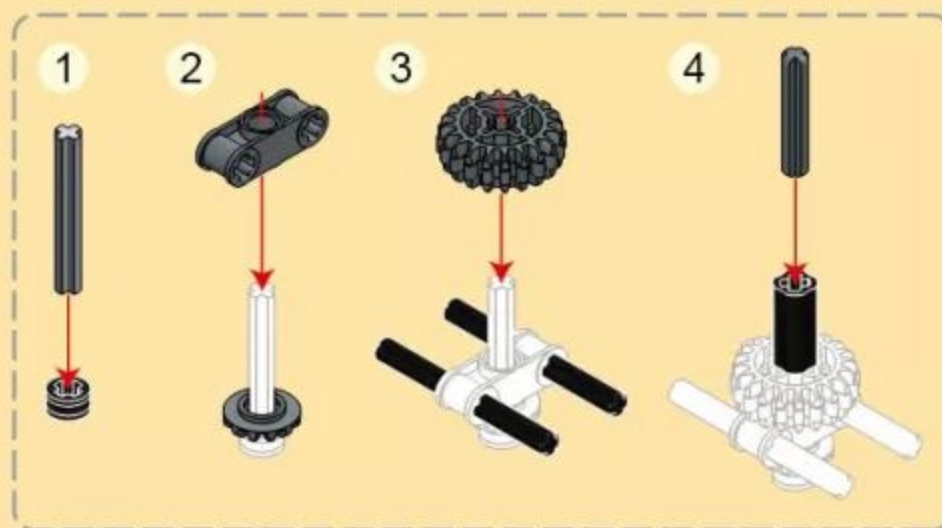
x1



x1

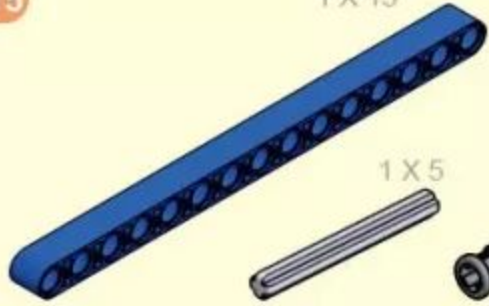


x1



15

1 X 15



x1

x1

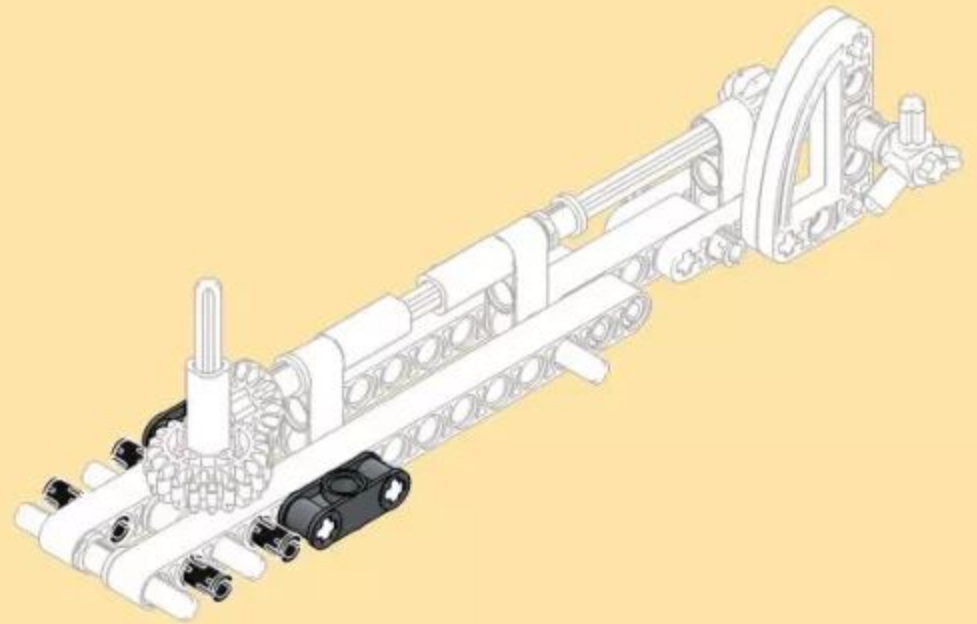
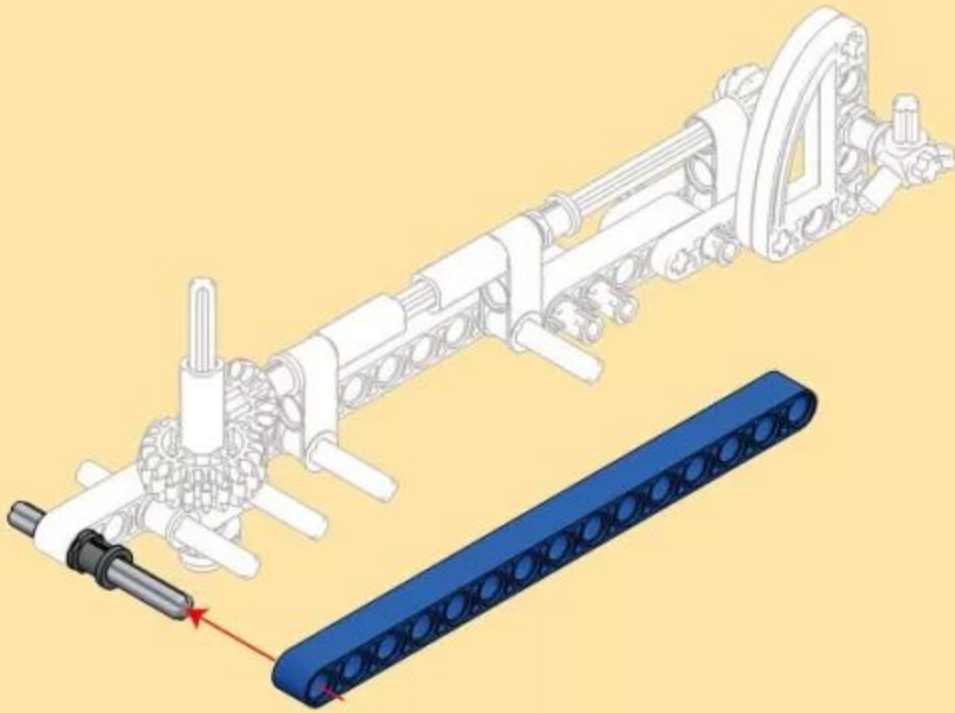
x1

16



x2

x4

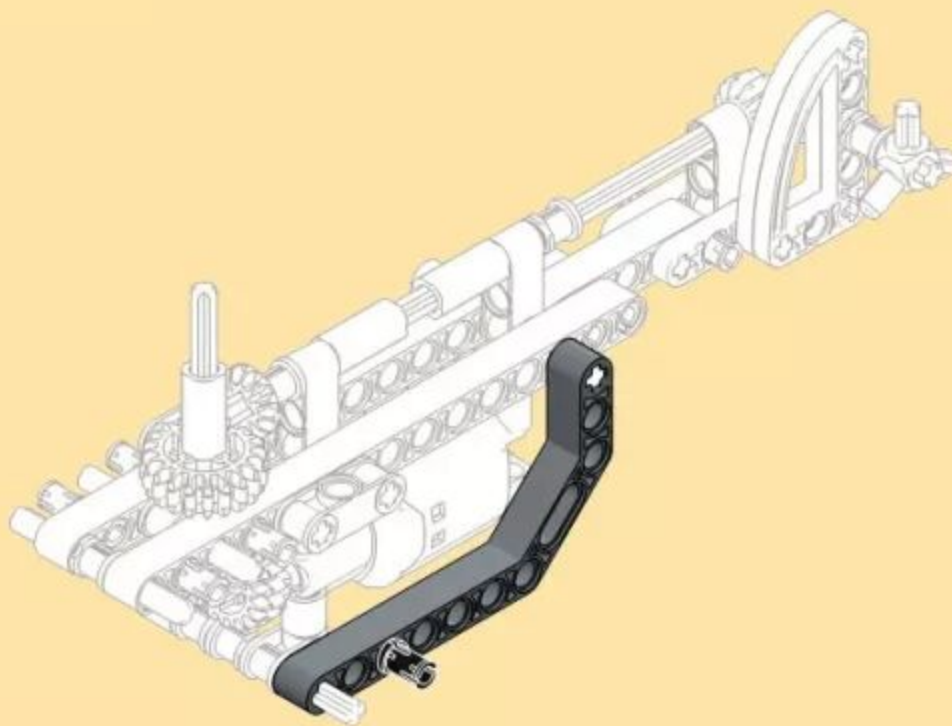
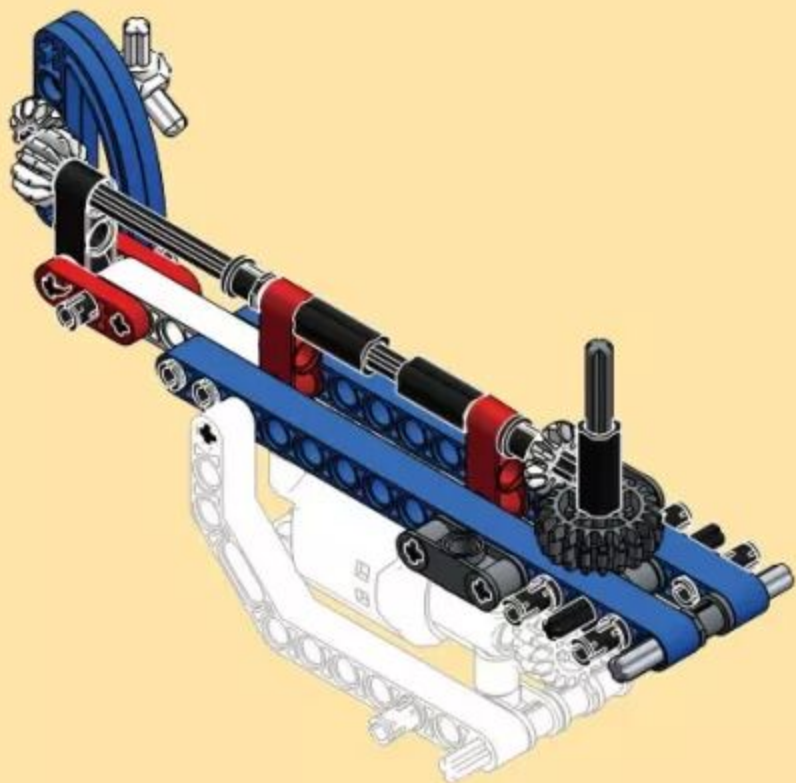


17  
4 + 16

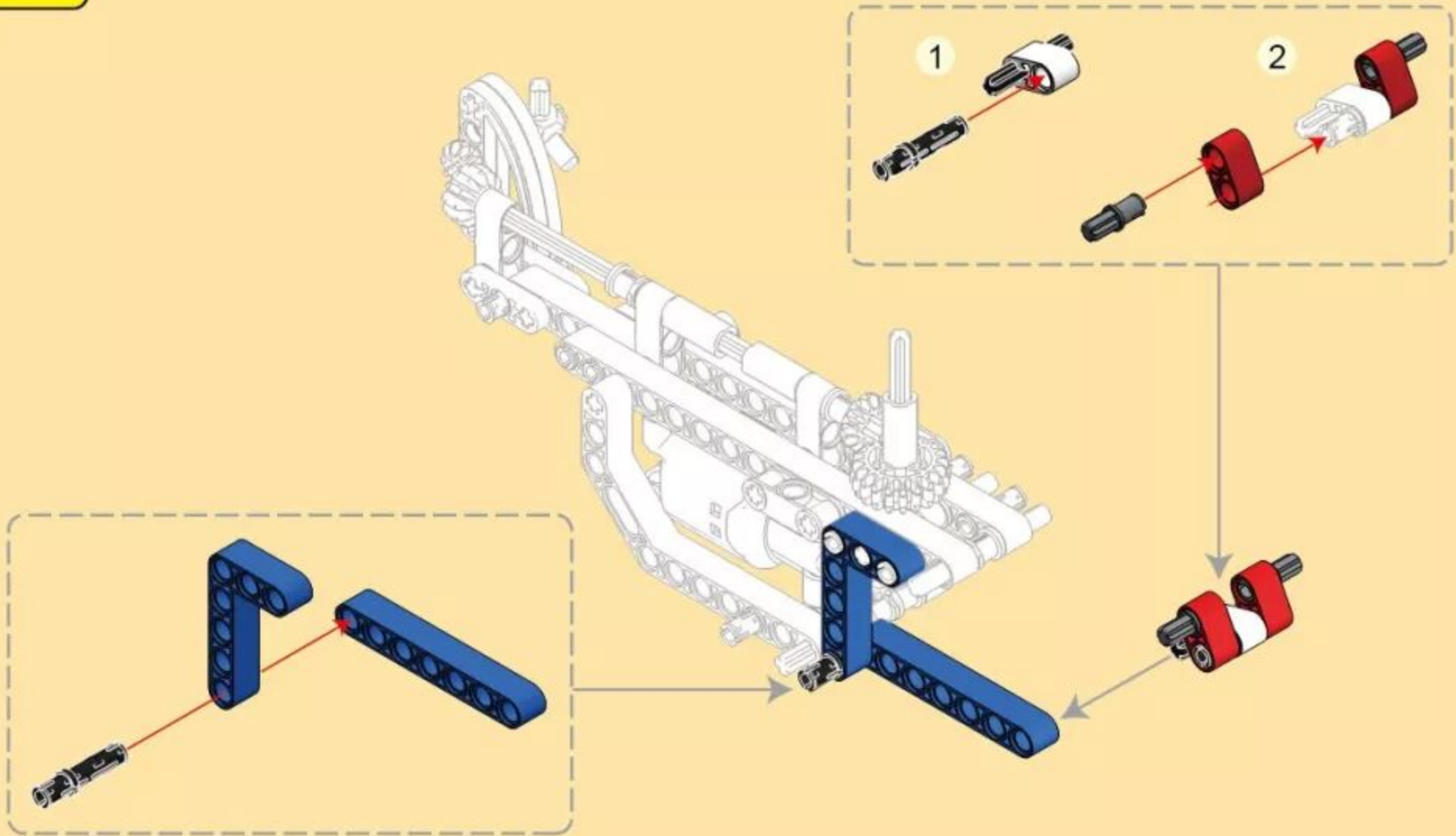


18

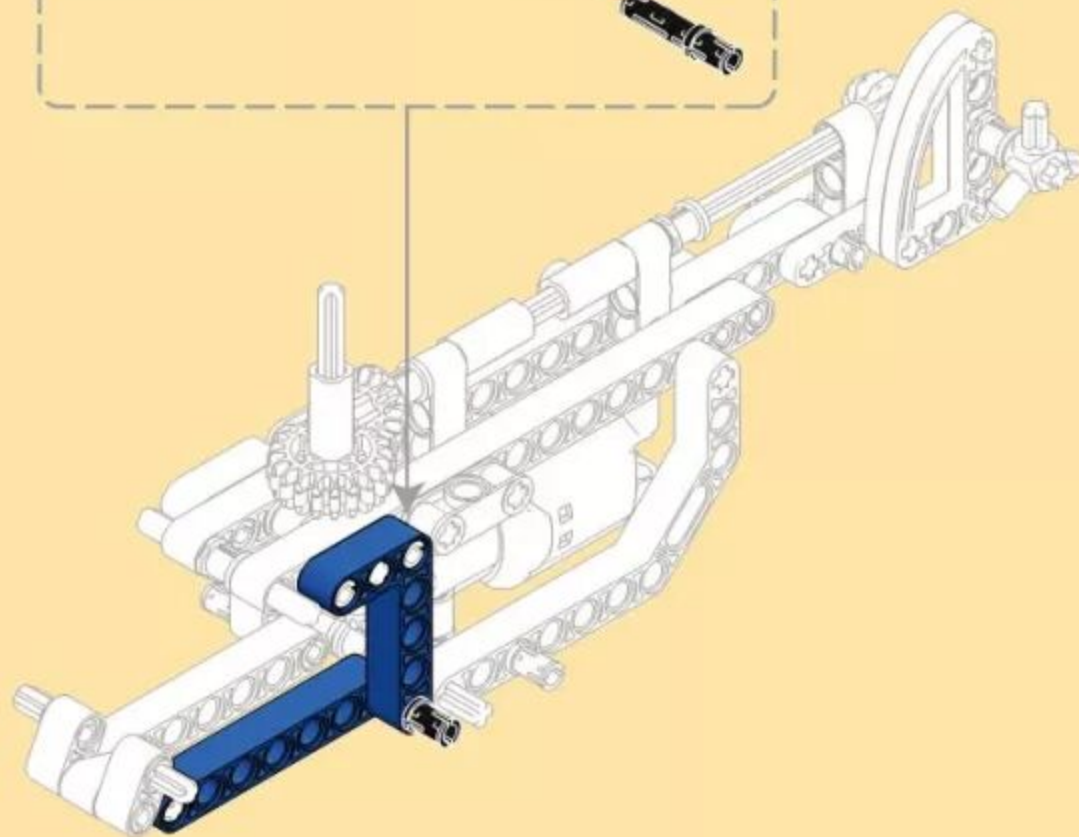
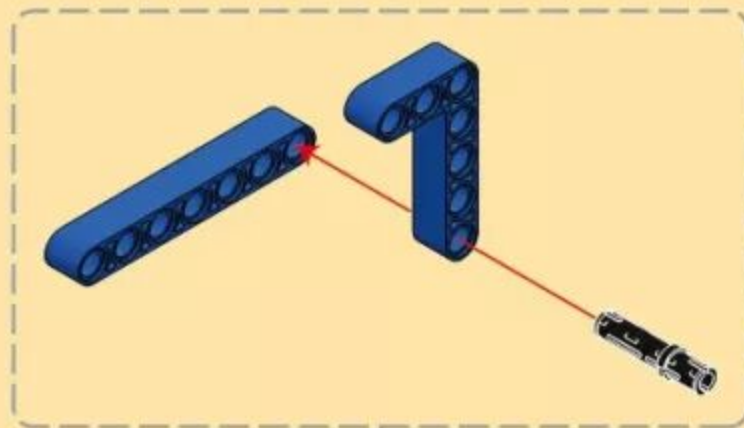
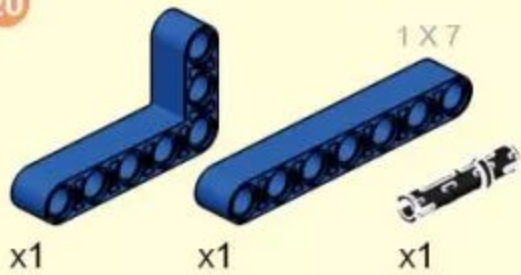
x1      x1



19



20



21



x2



x4



x2



x4

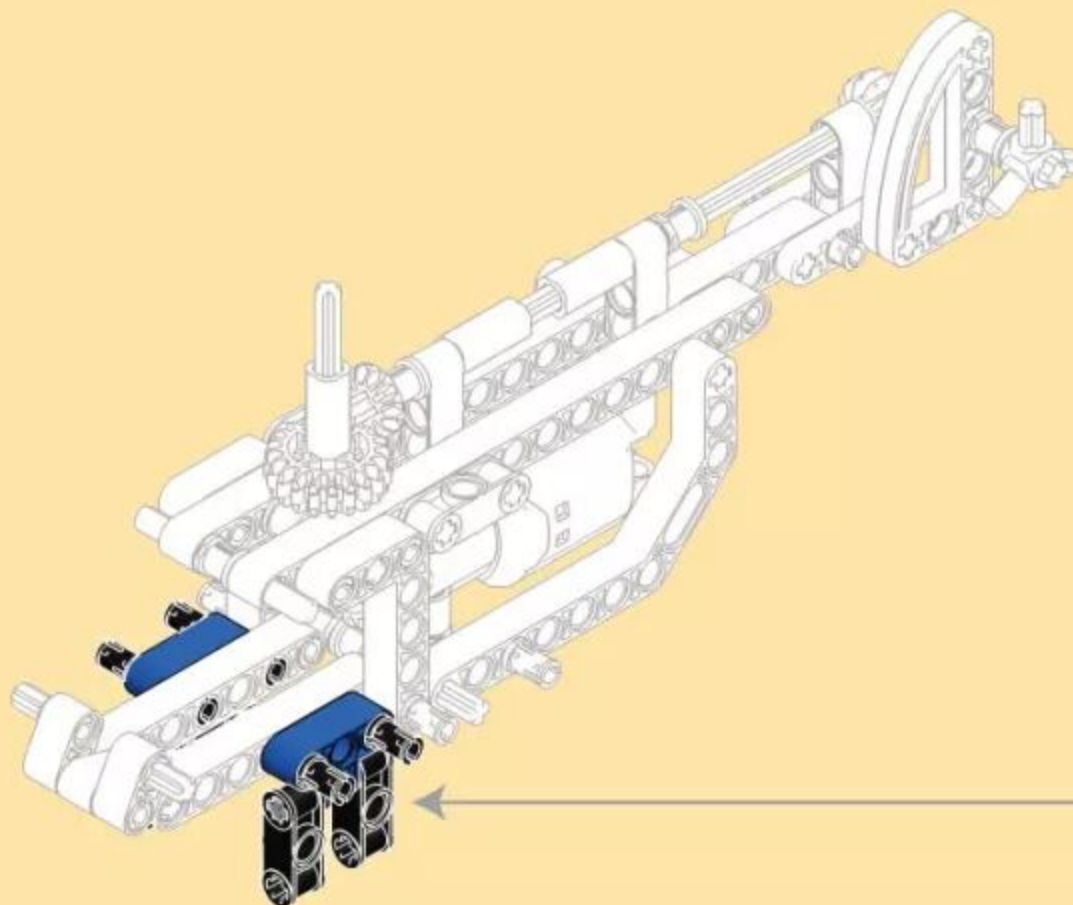
1



2



x2



22

1 X 10



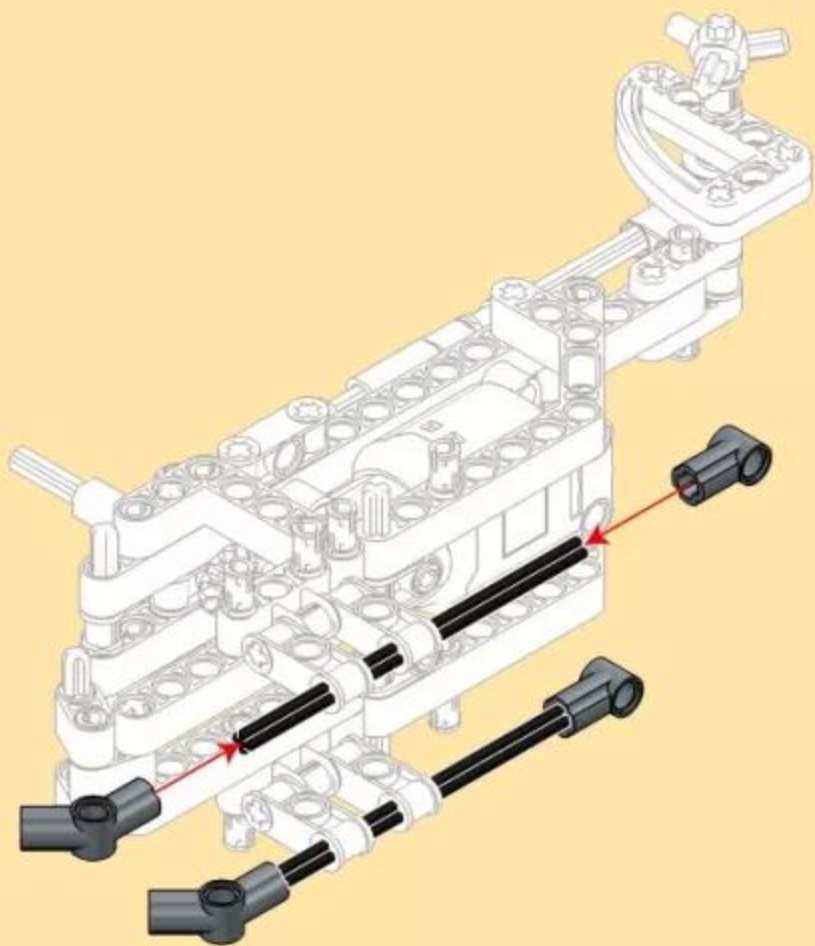
x2



x2

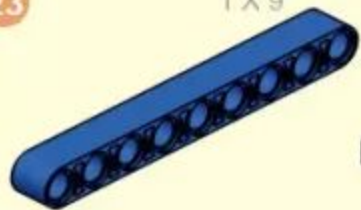


x2



23

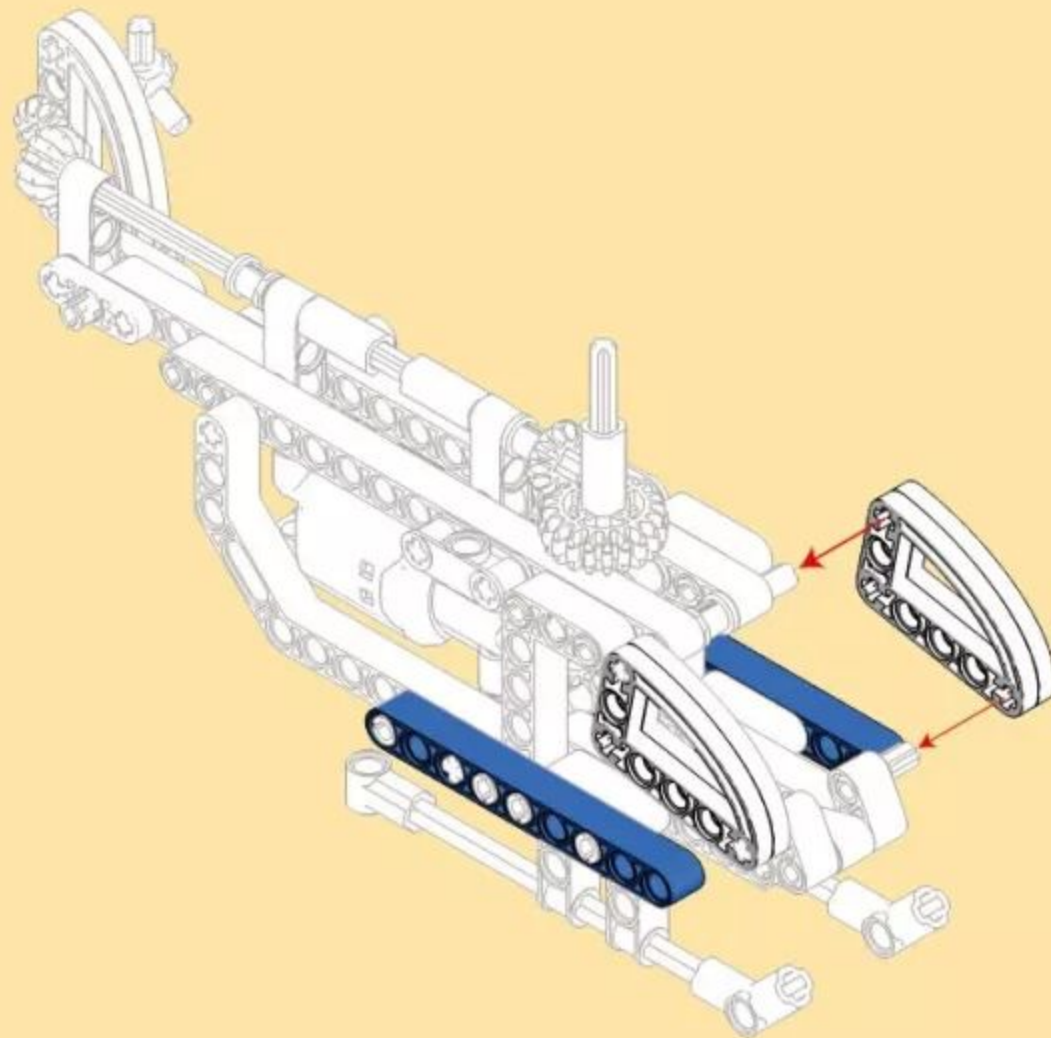
1 X 9



x2



x4



24



x1



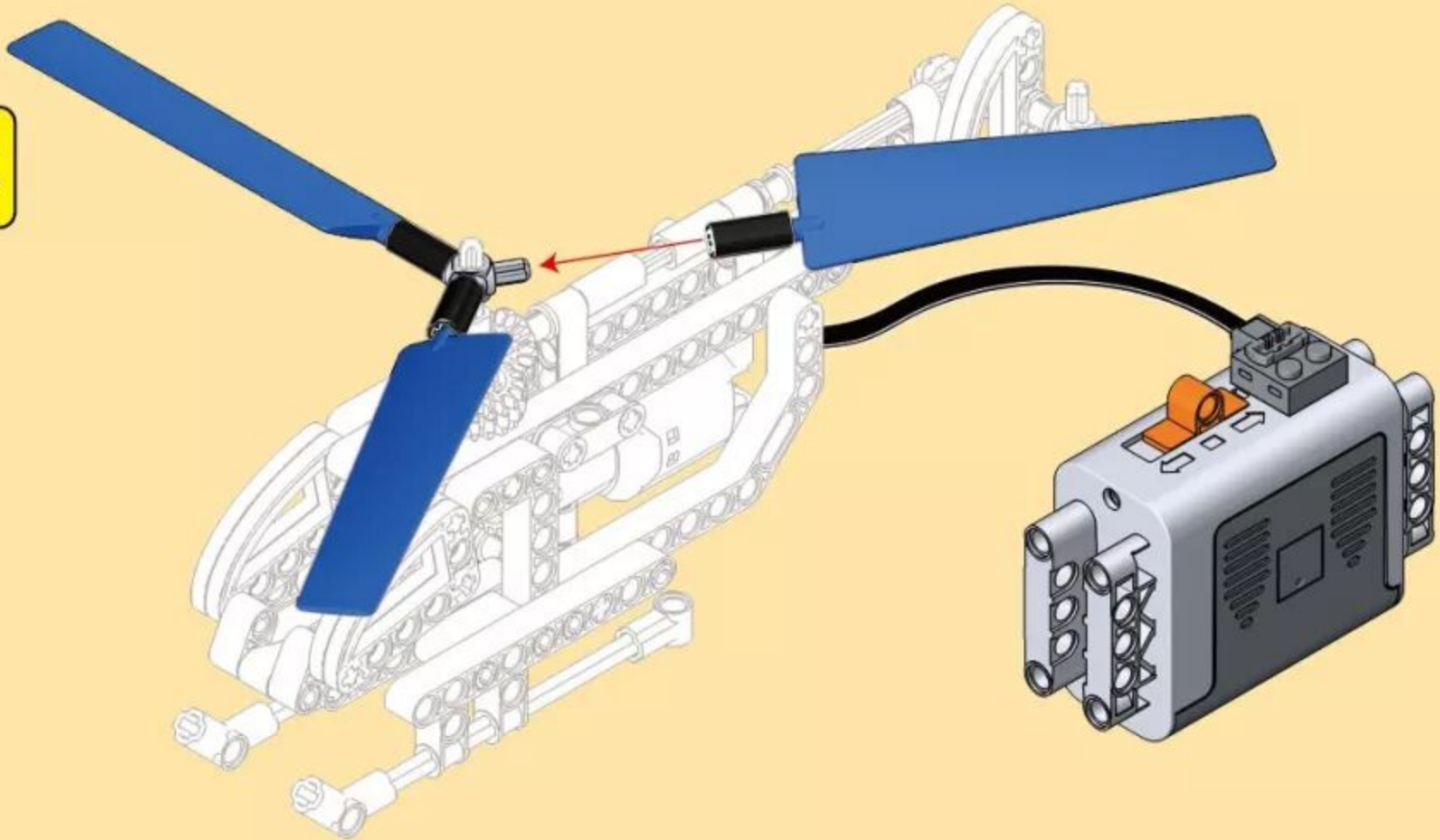
x3

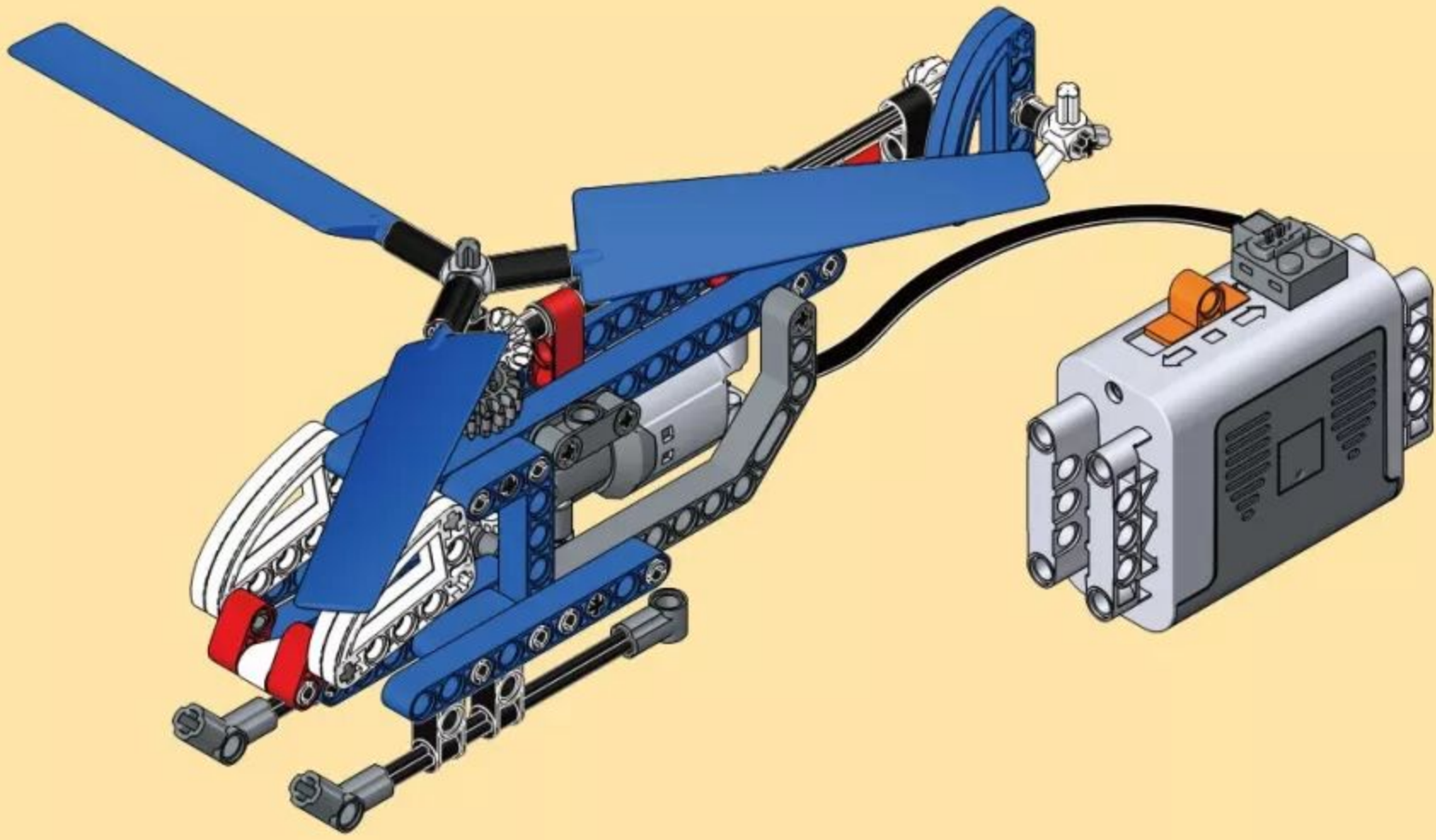


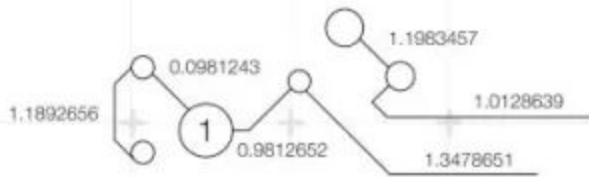
x1



x3







# STEAM TECHNICAL PARTS

## FUNCTIONS & FEATURES

- SPEED VARIABLE PRINCIPLE
- CENTRIFUGAL FORCE
- APPLICATION OF THE CROWN GEAR

