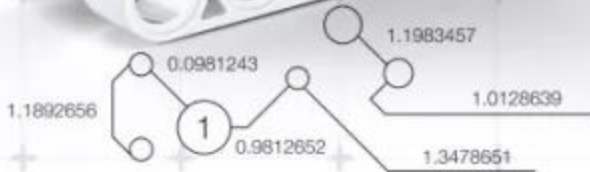
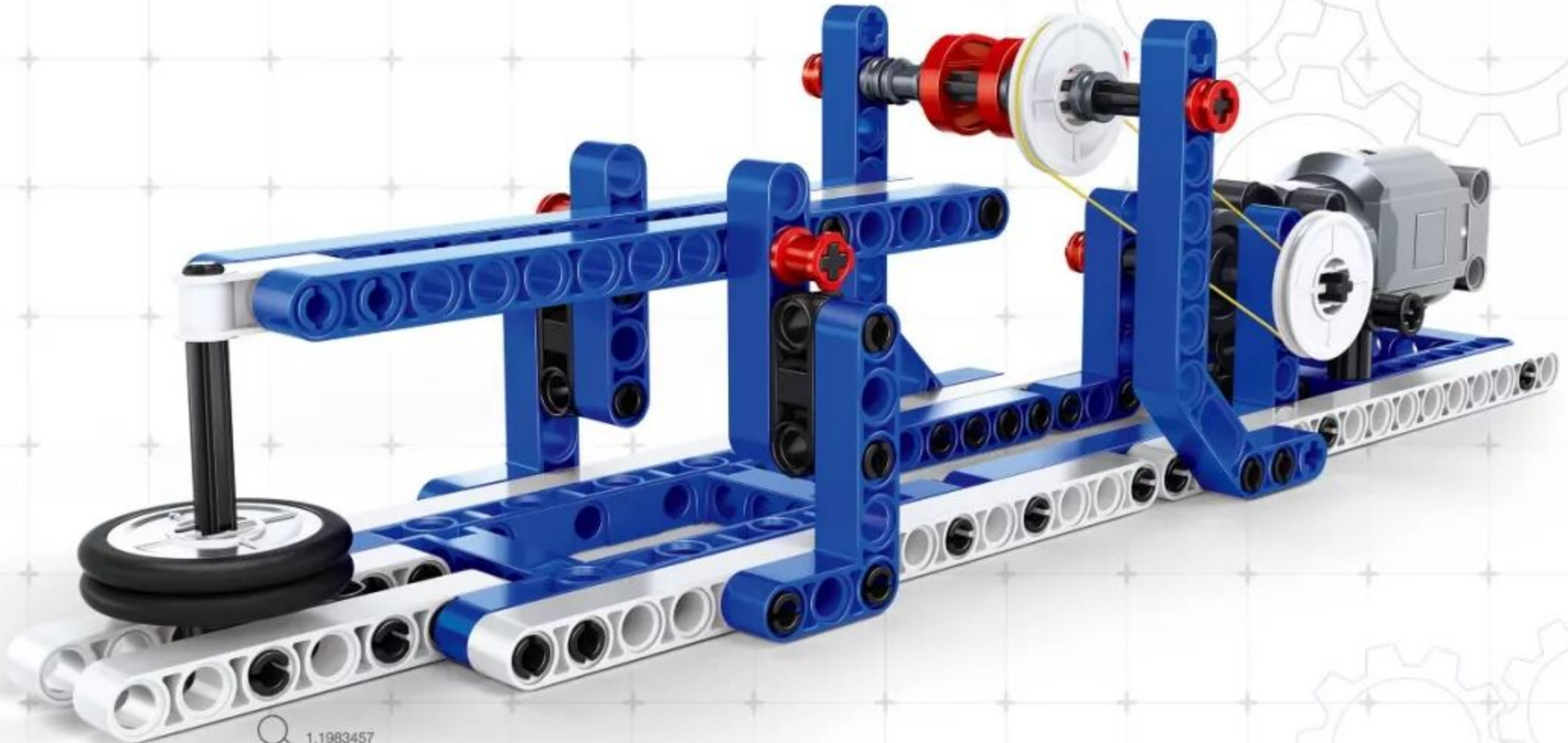


STEAM  
**TECHNICAL**  
PARTS

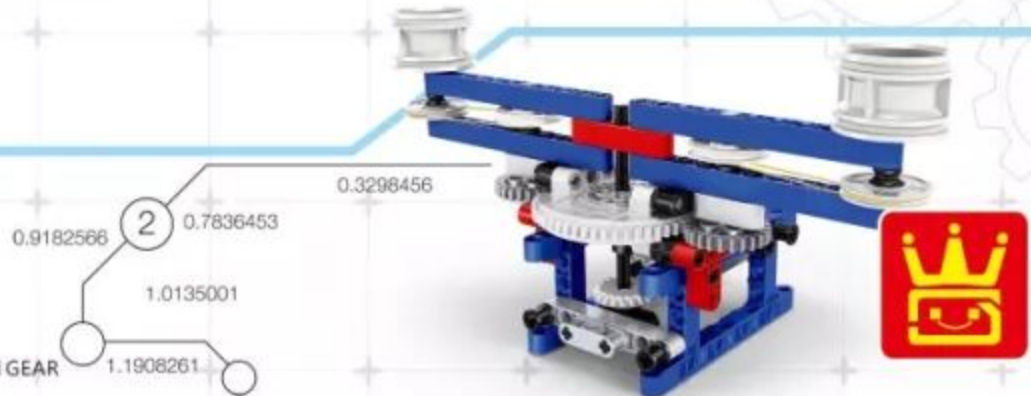
**2IN1**  
POWER MACHINERY



**3802**

**FUNCTIONS & FEATURES**

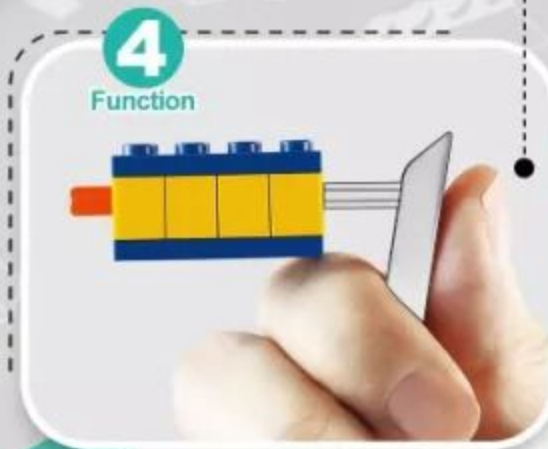
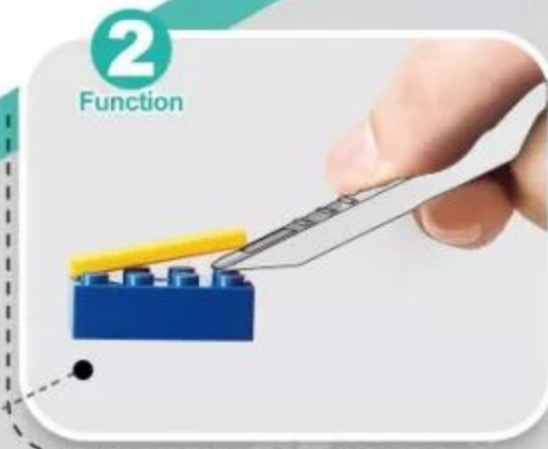
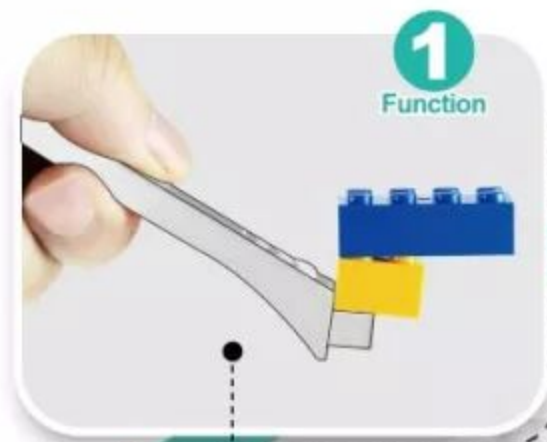
- SPEED VARIABLE PRINCIPLE
- CENTRIFUGAL FORCE
- APPLICATION OF THE CROWN GEAR



Instructions For Use

# Brickseparator

积木起件器使用说明



4 ways to make installation easier  
让安装更简单



# Building Blocks

拼装小技巧



- First open the product packaging according to the instructions.

按指导用正确方式拆解产品外包装。



- Summarize all parts to count the number of familiar accessories.

拆开积木包装对照说明书清单确认积木数量。



- Arranging all accessories by color helps to quickly install the product.

把确认好的积木以颜色进行分类排好以便安装。



- Carefully install the product and learn about building.







按说明书步骤拼装并完成你的积木模型。



INSTALLATION  
. TIPS .

# 1:1 Physical Reference Table

十字棒配件1:1尺寸参照表

<b>2</b>	$(1 \times 2) = 2$	
<b>3</b>	$(1 \times 3) = 3$	
<b>4</b>	$(1 \times 4) = 4$	
<b>5</b>	$(1 \times 5) = 5$	
<b>6</b>	$(1 \times 6) = 6$	
<b>7</b>	$(1 \times 7) = 7$	
<b>8</b>	$(1 \times 8) = 8$	
<b>9</b>	$(1 \times 9) = 9$	
<b>10</b>	$(1 \times 10) = 10$	
<b>12</b>	$(1 \times 12) = 12$	
<b>16</b>	$(1 \times 16) = 16$	



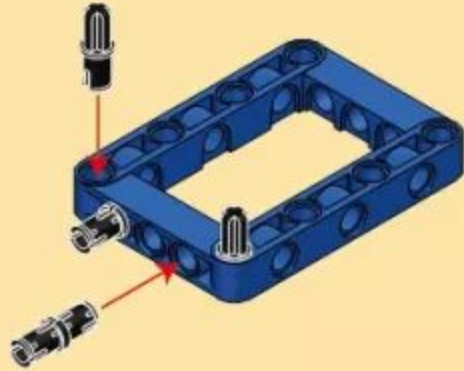
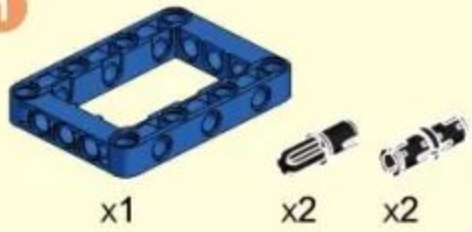
**1:1**

Instructions For Use  
让安装更简单

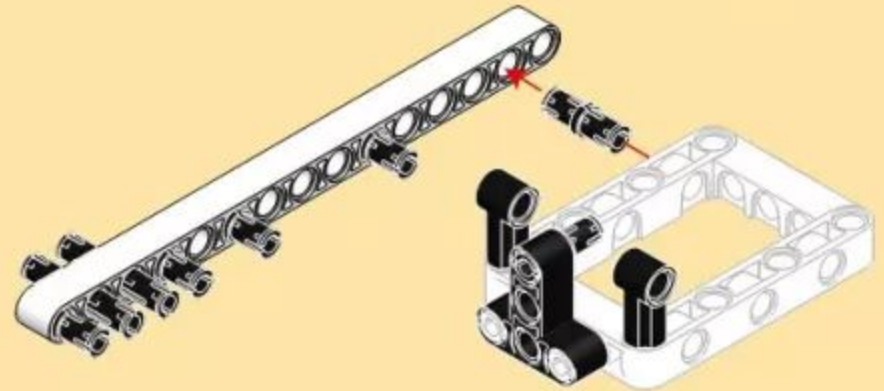
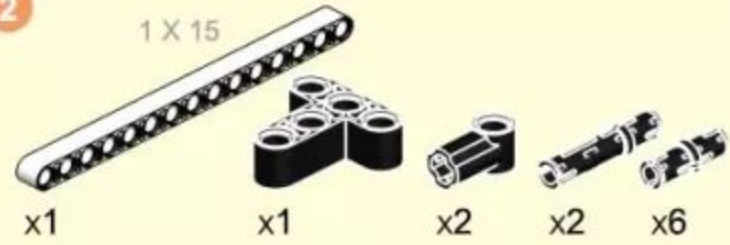




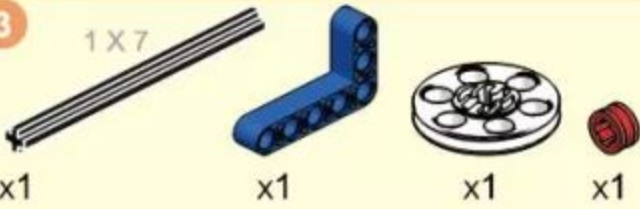
1



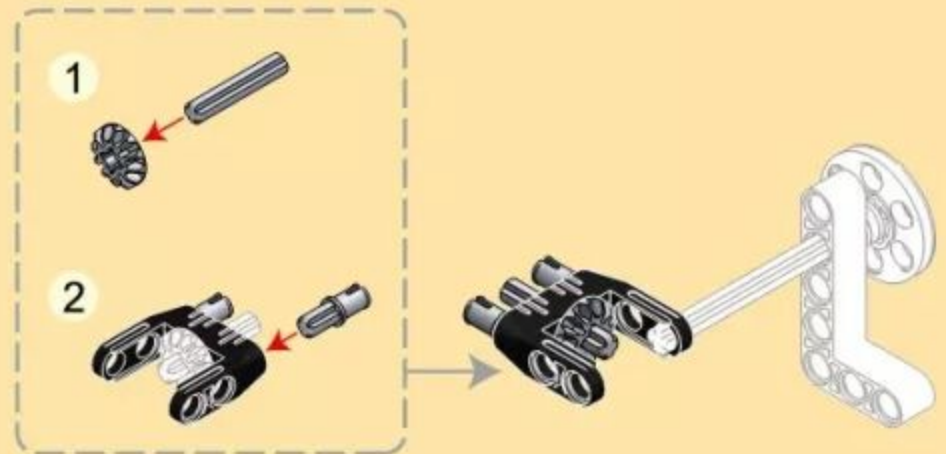
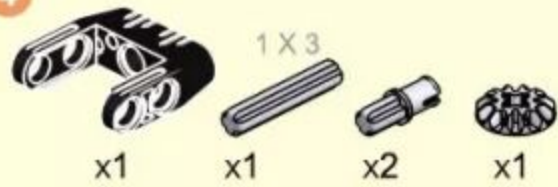
2



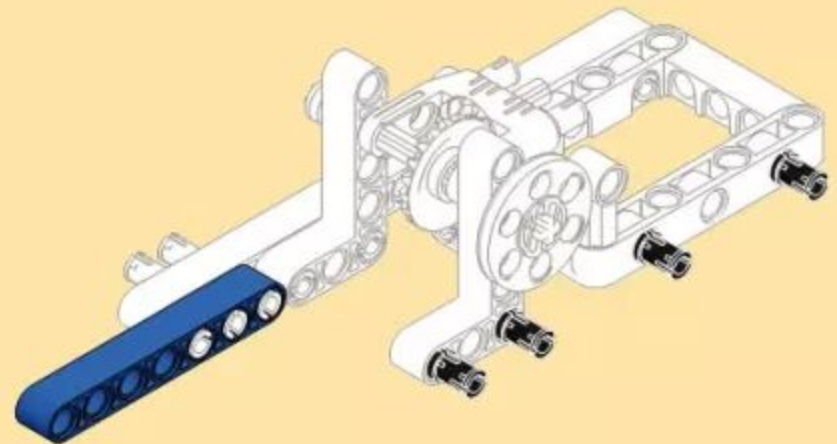
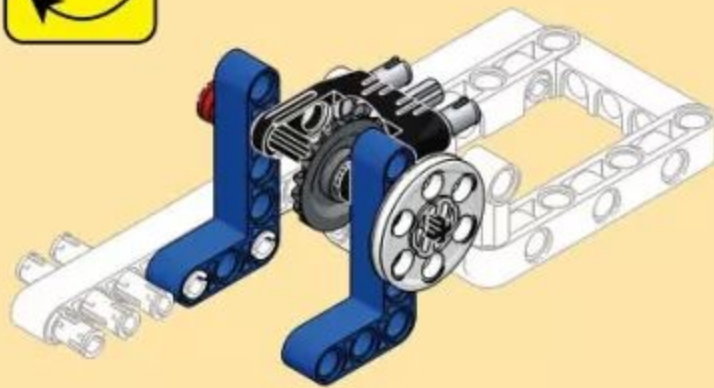
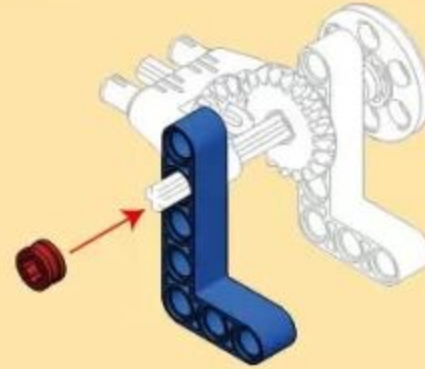
3



4



5



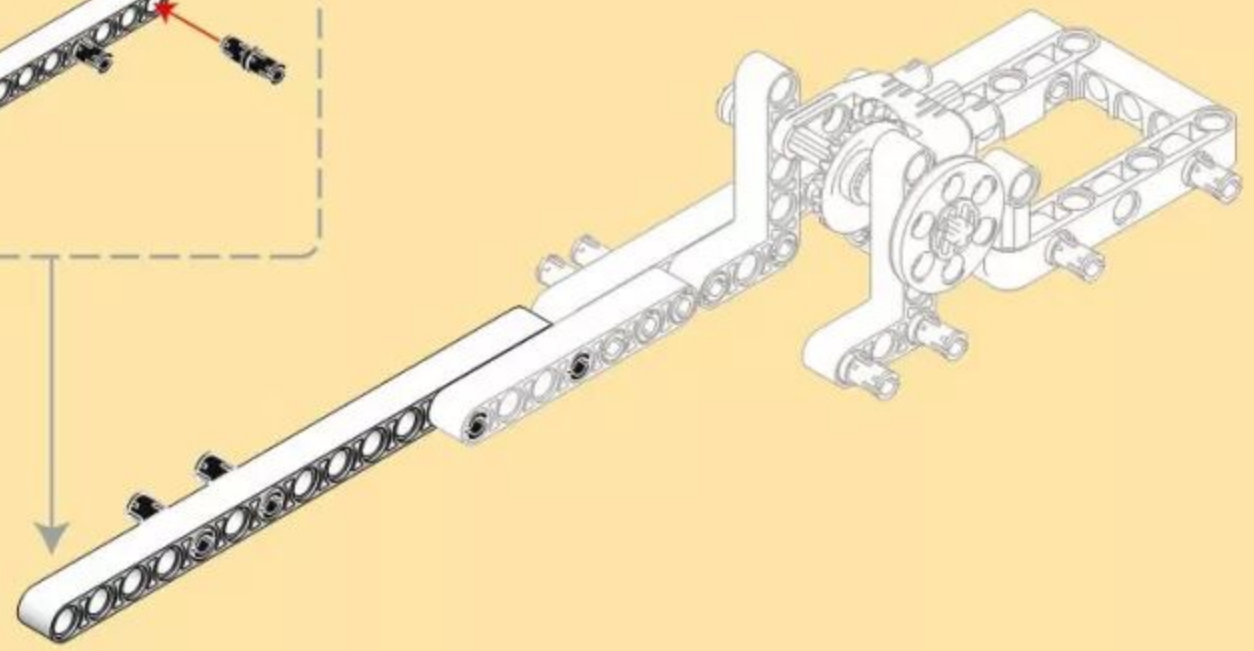
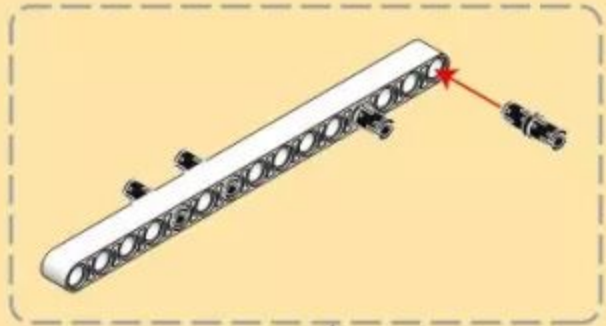
9

1 X 15

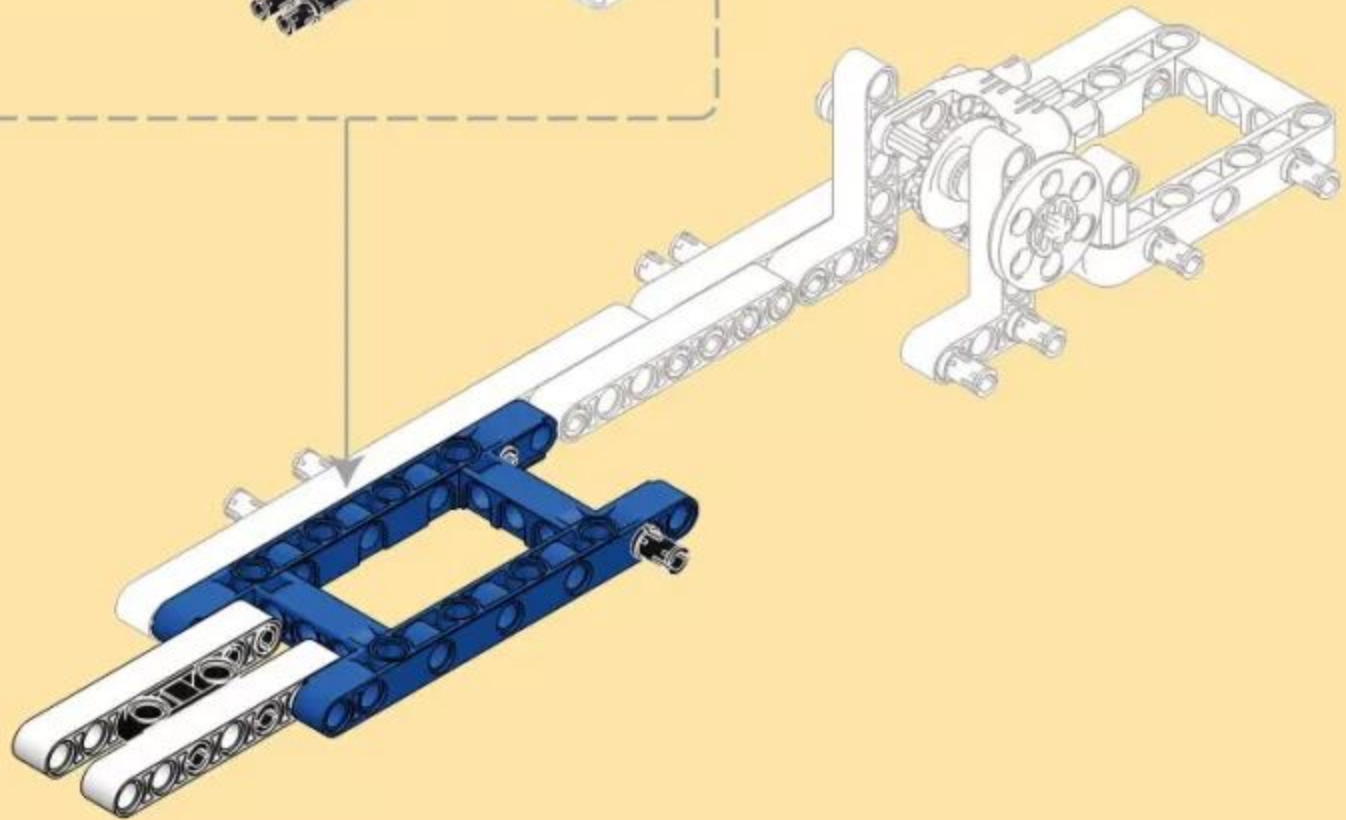
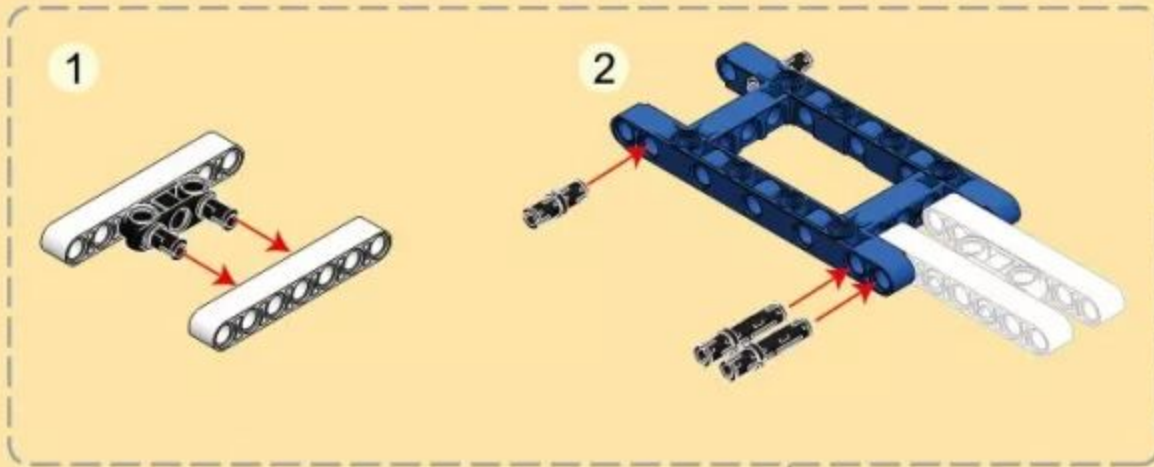


x1

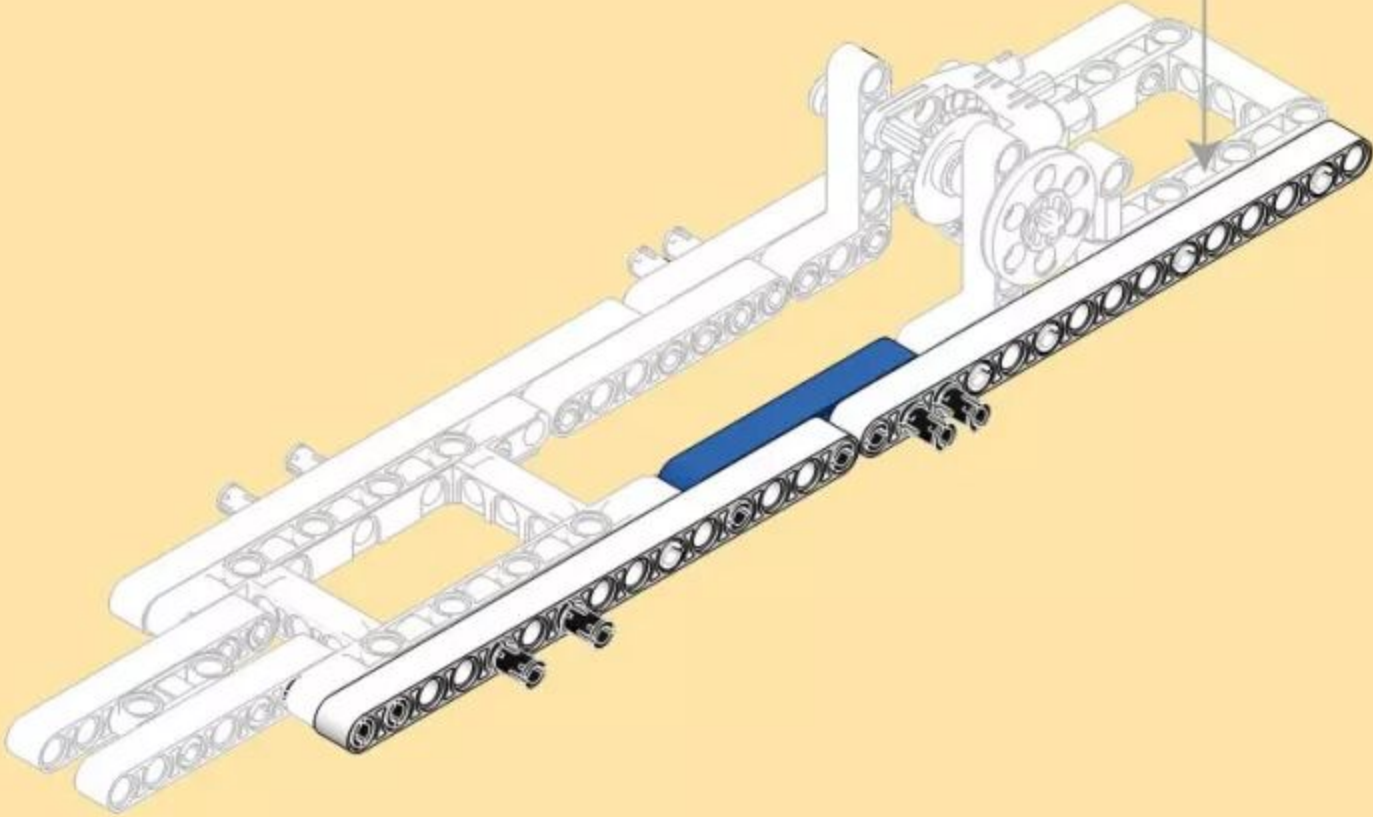
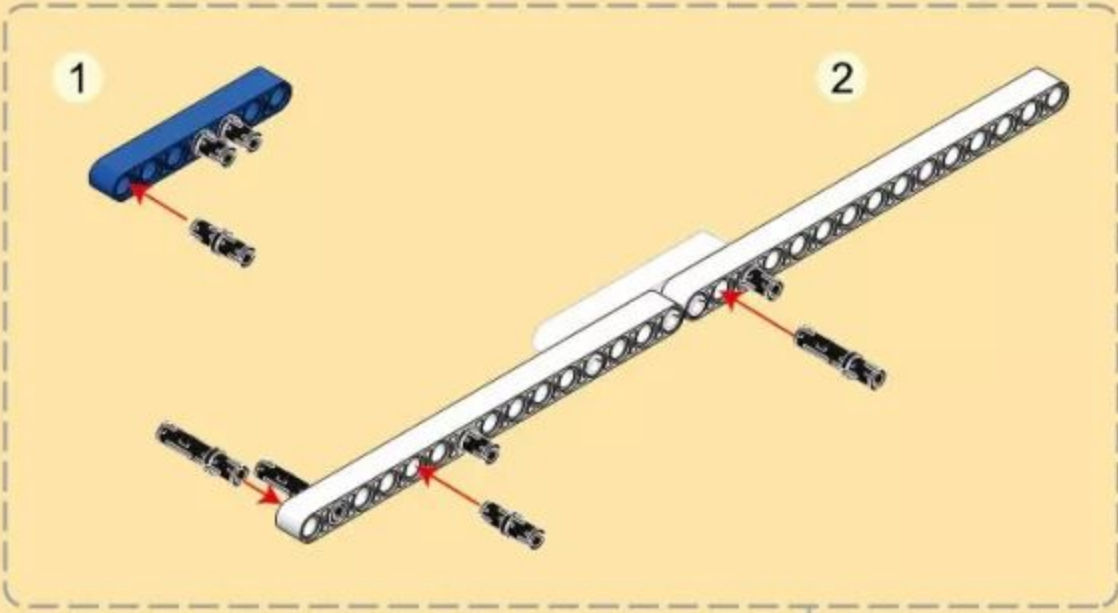
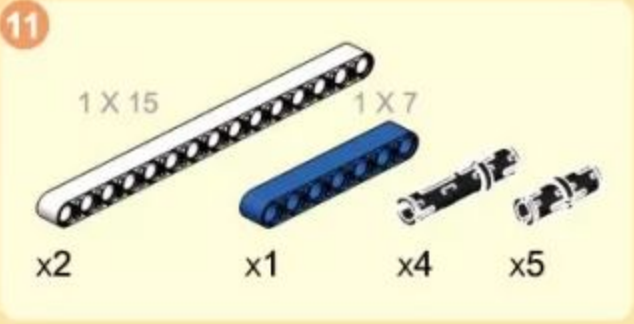
x4



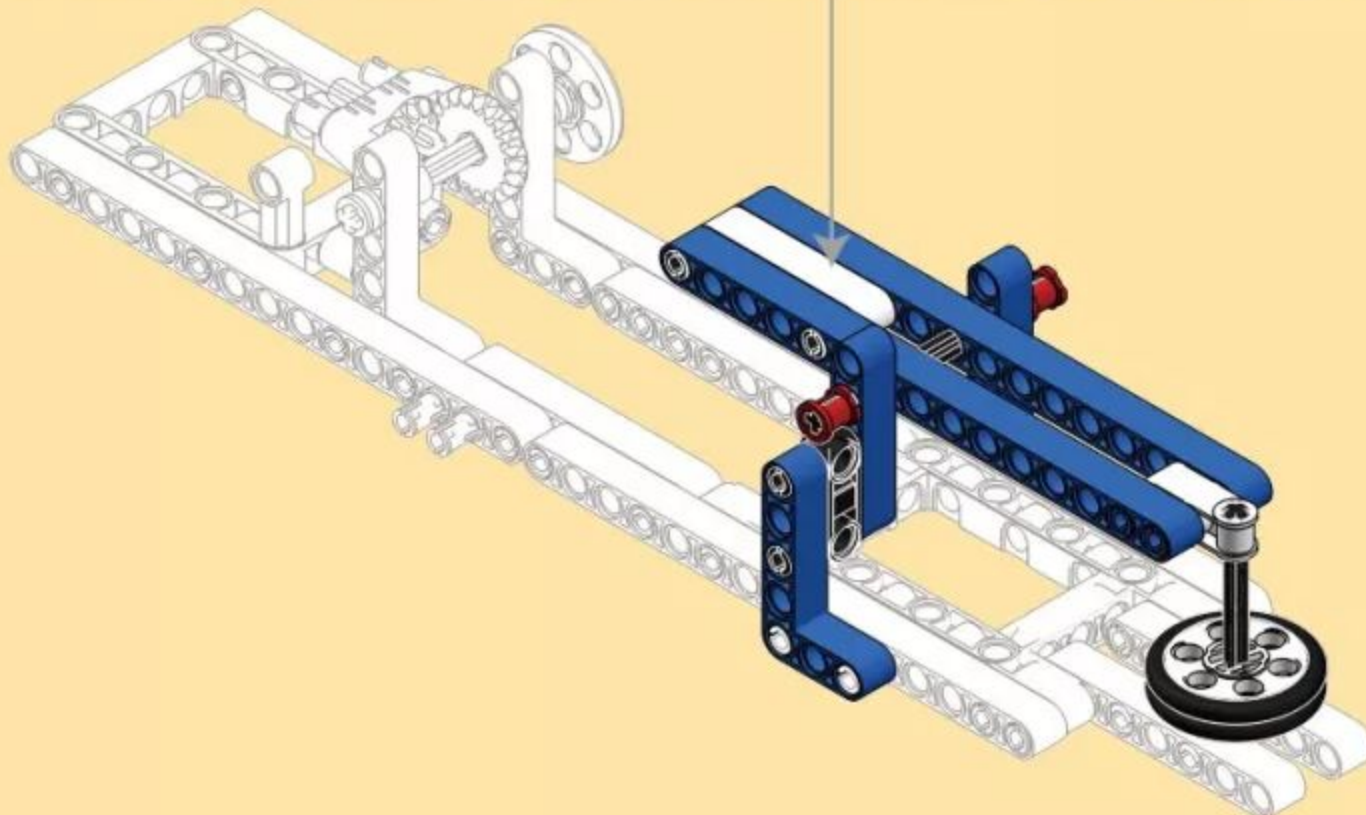
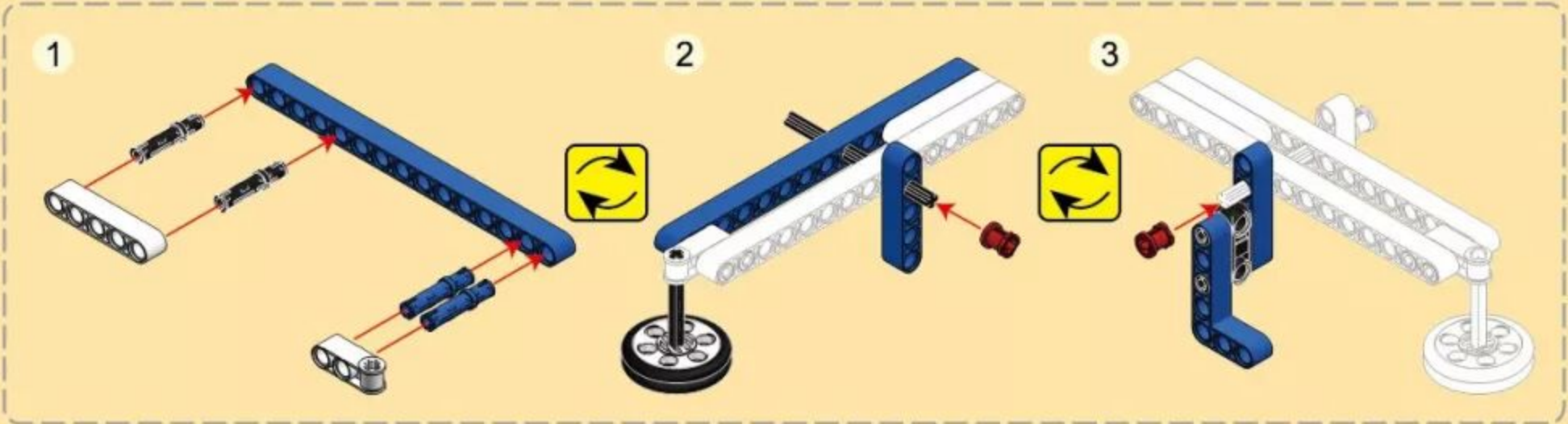
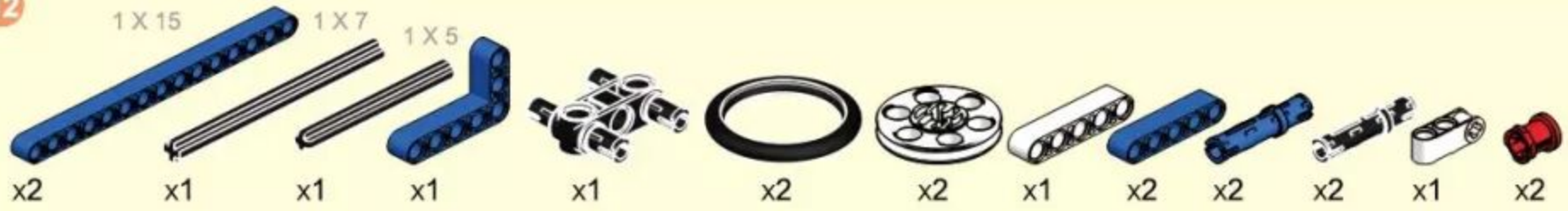
10



11



12



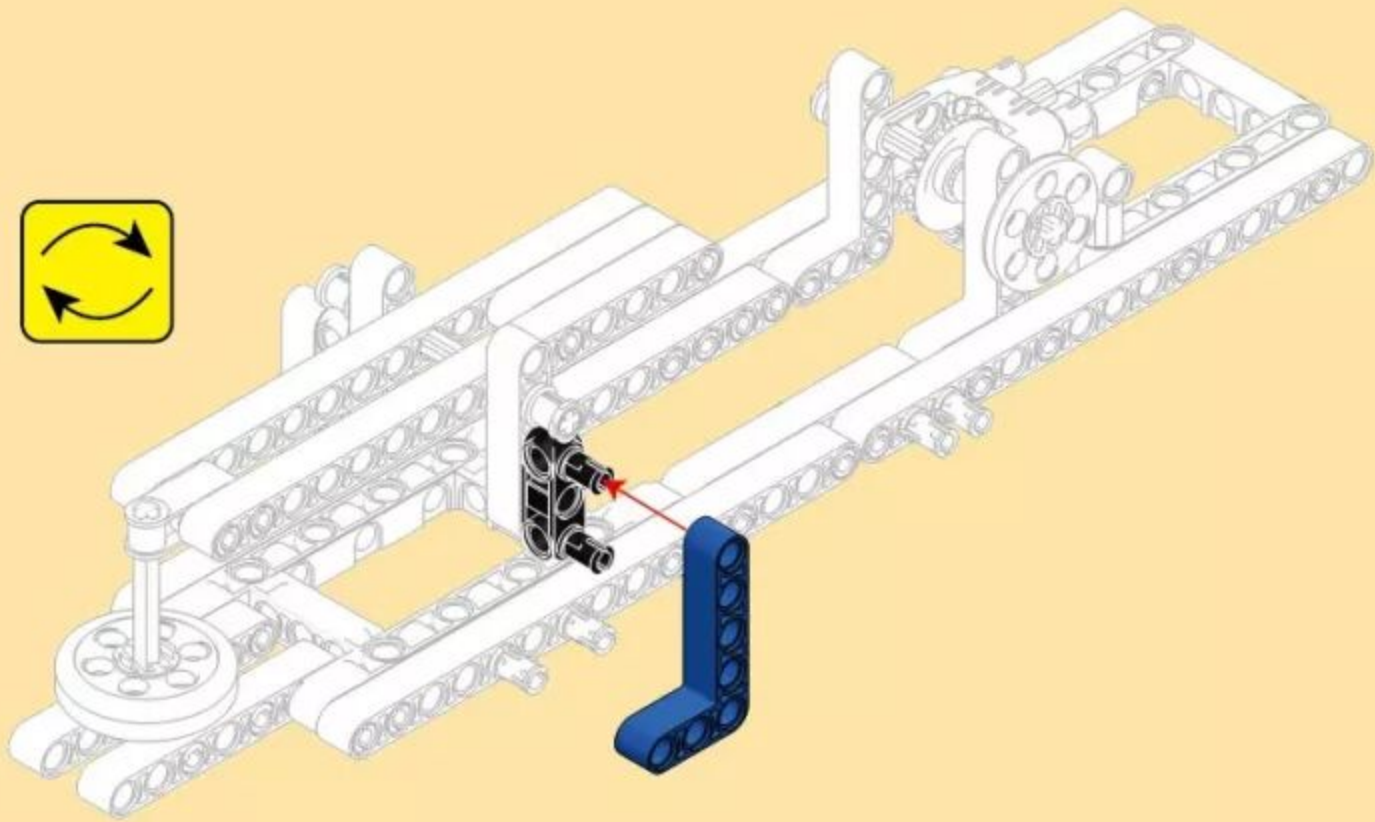
13

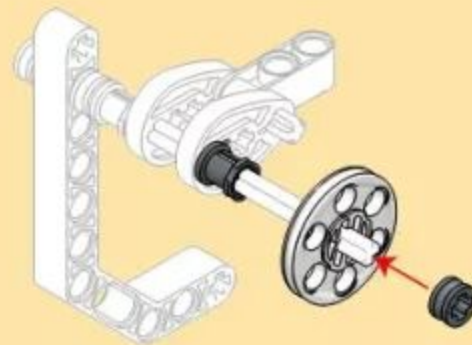
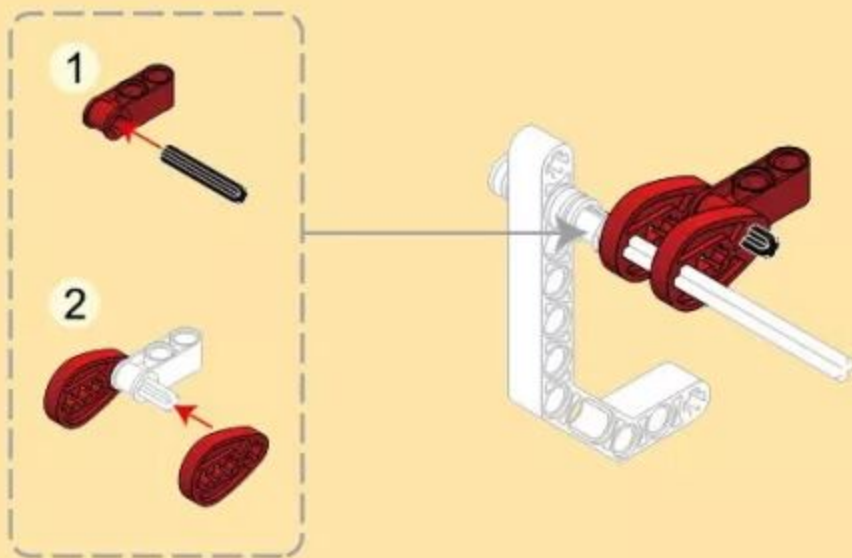
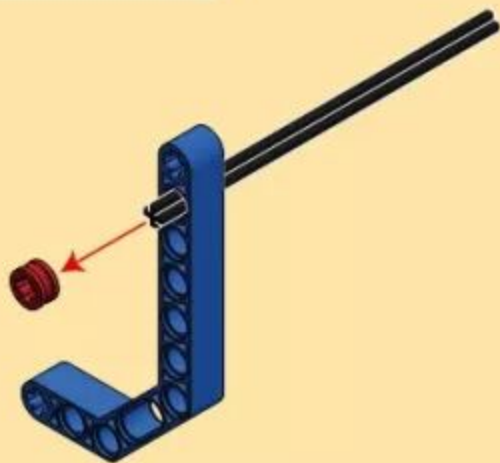
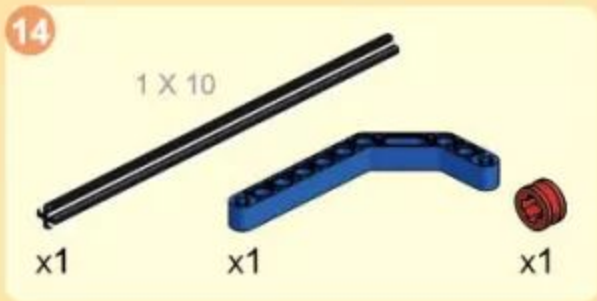


x1

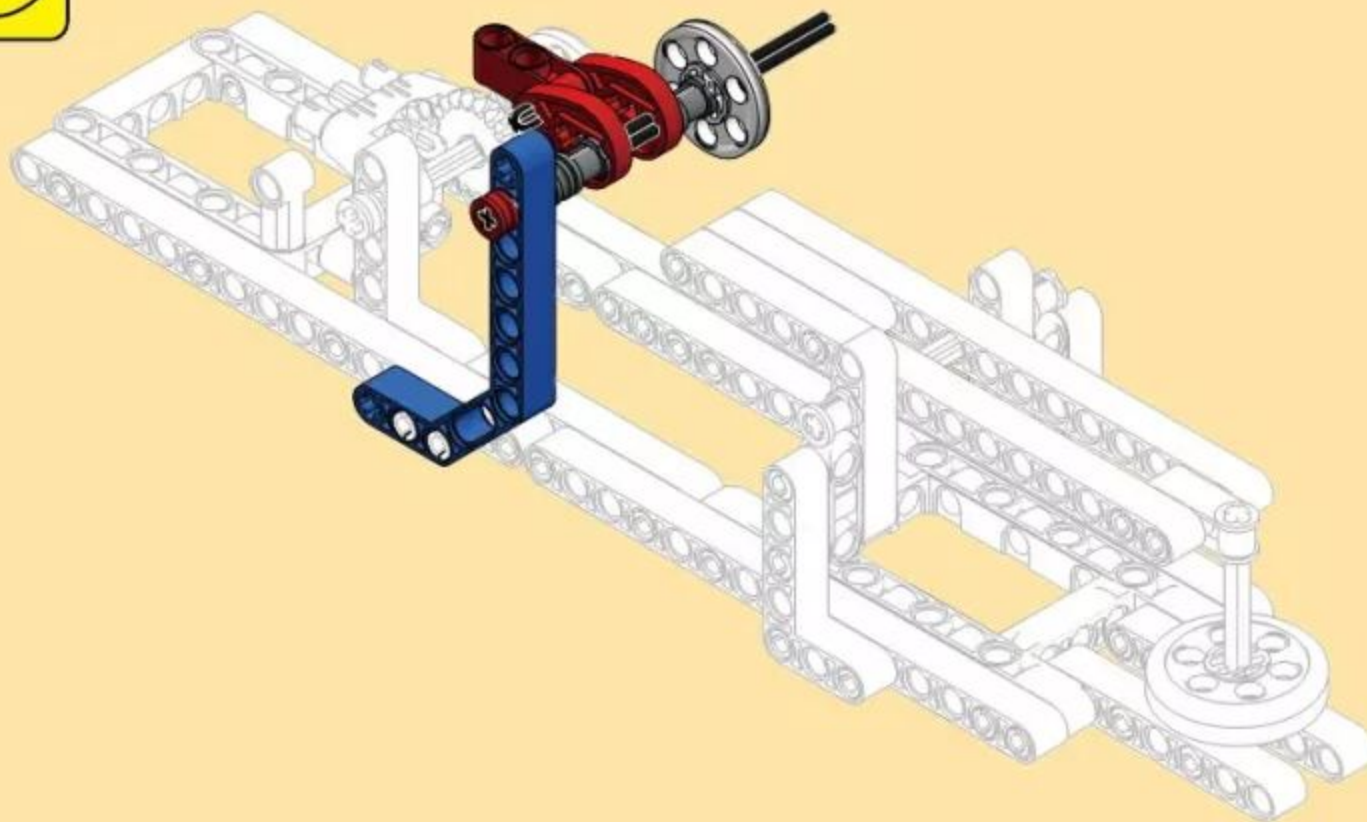


x1





18  
12 + 17



19



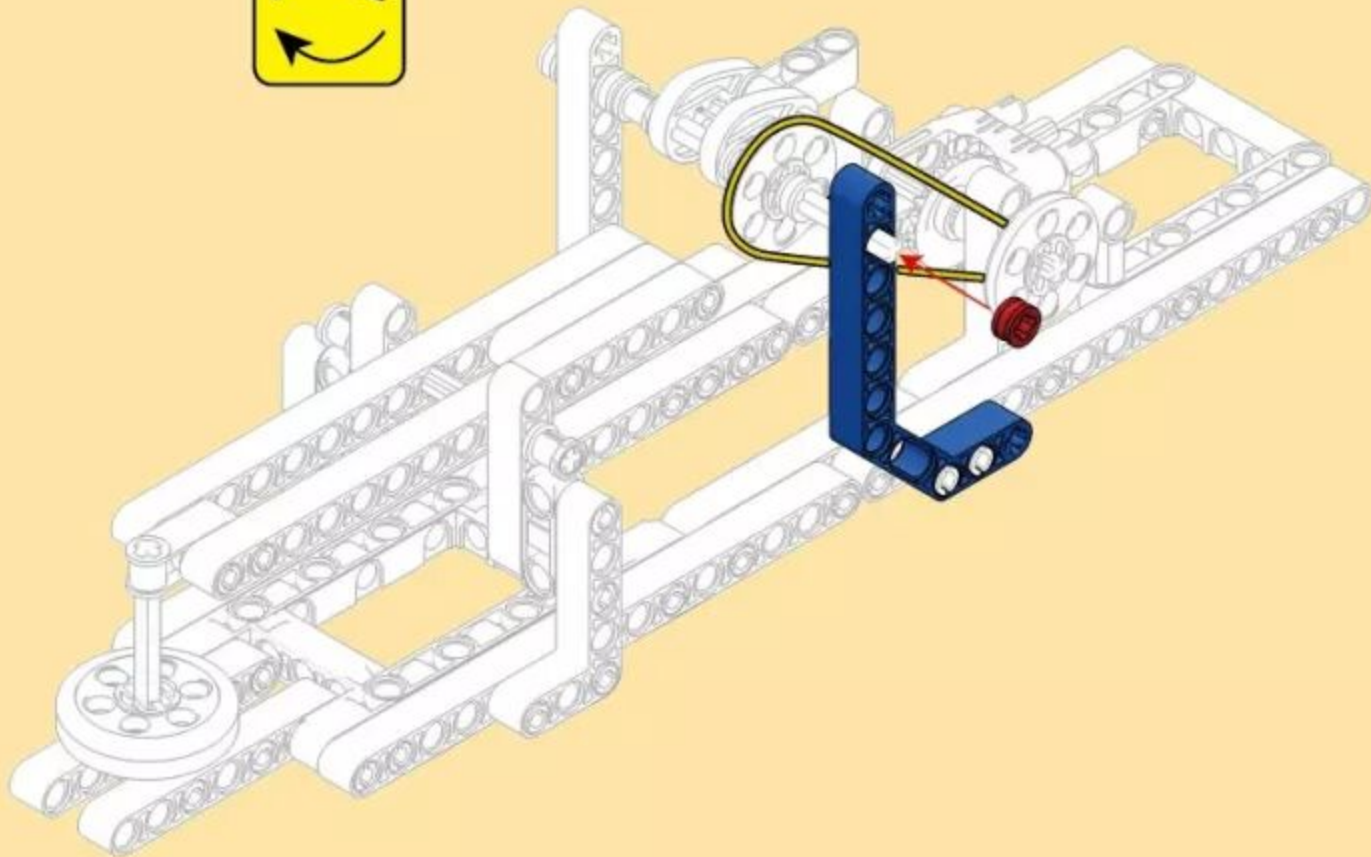
x1



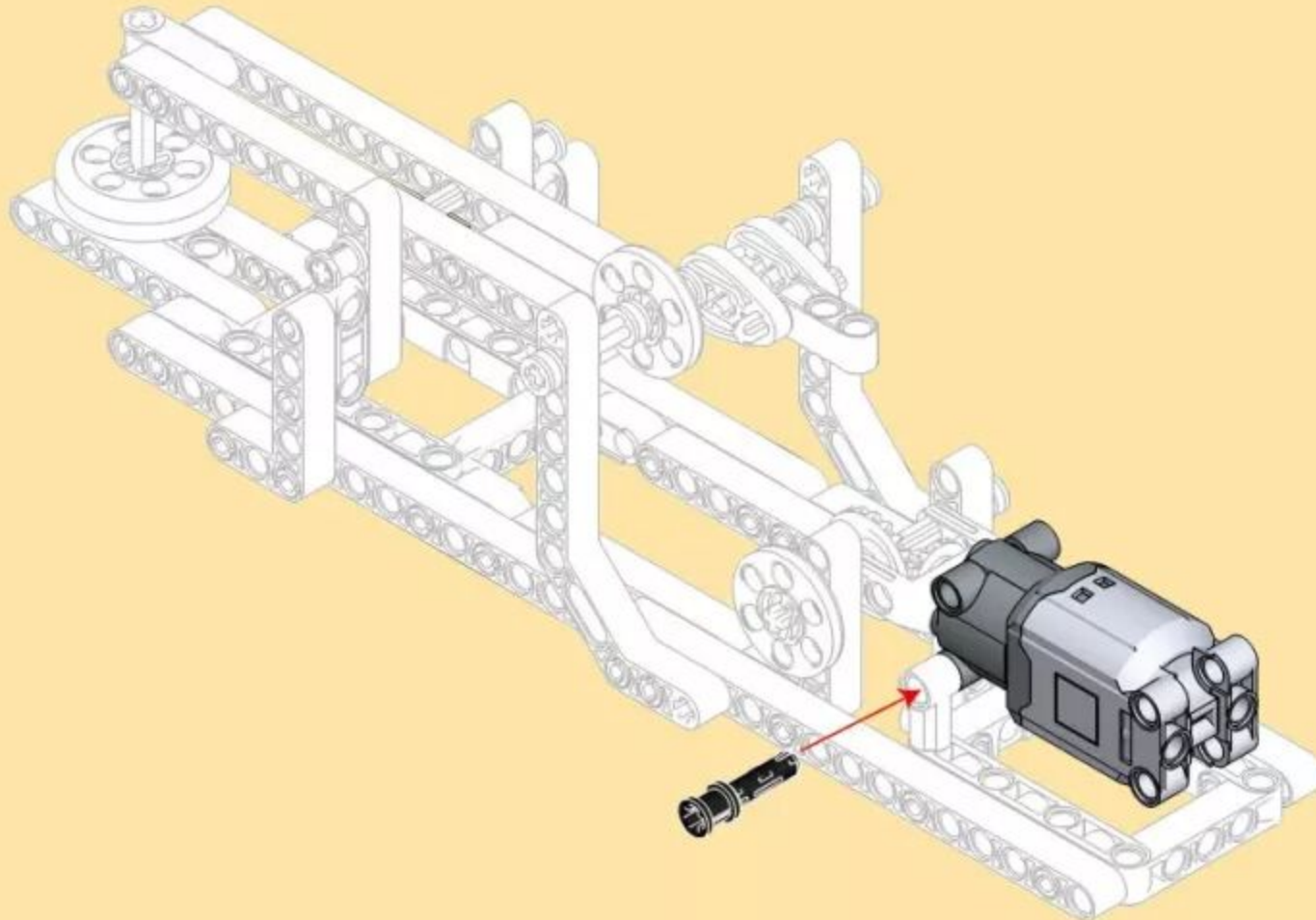
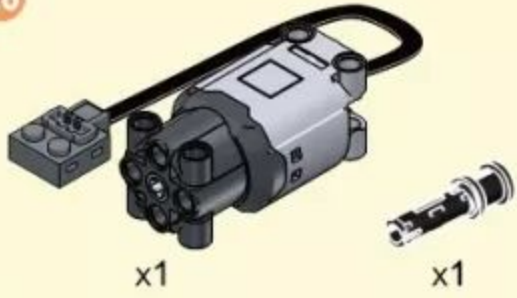
x1



x1



20

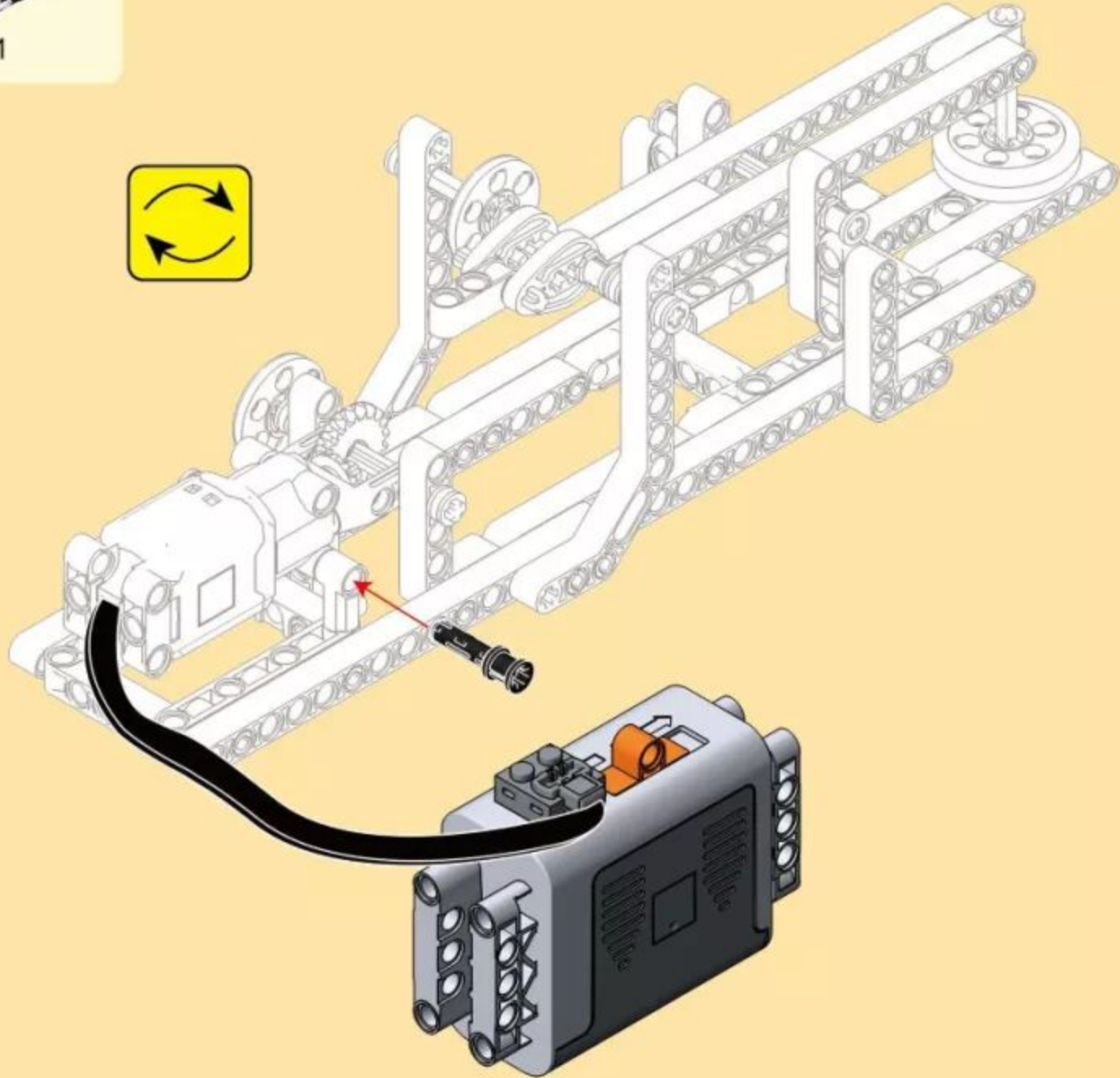


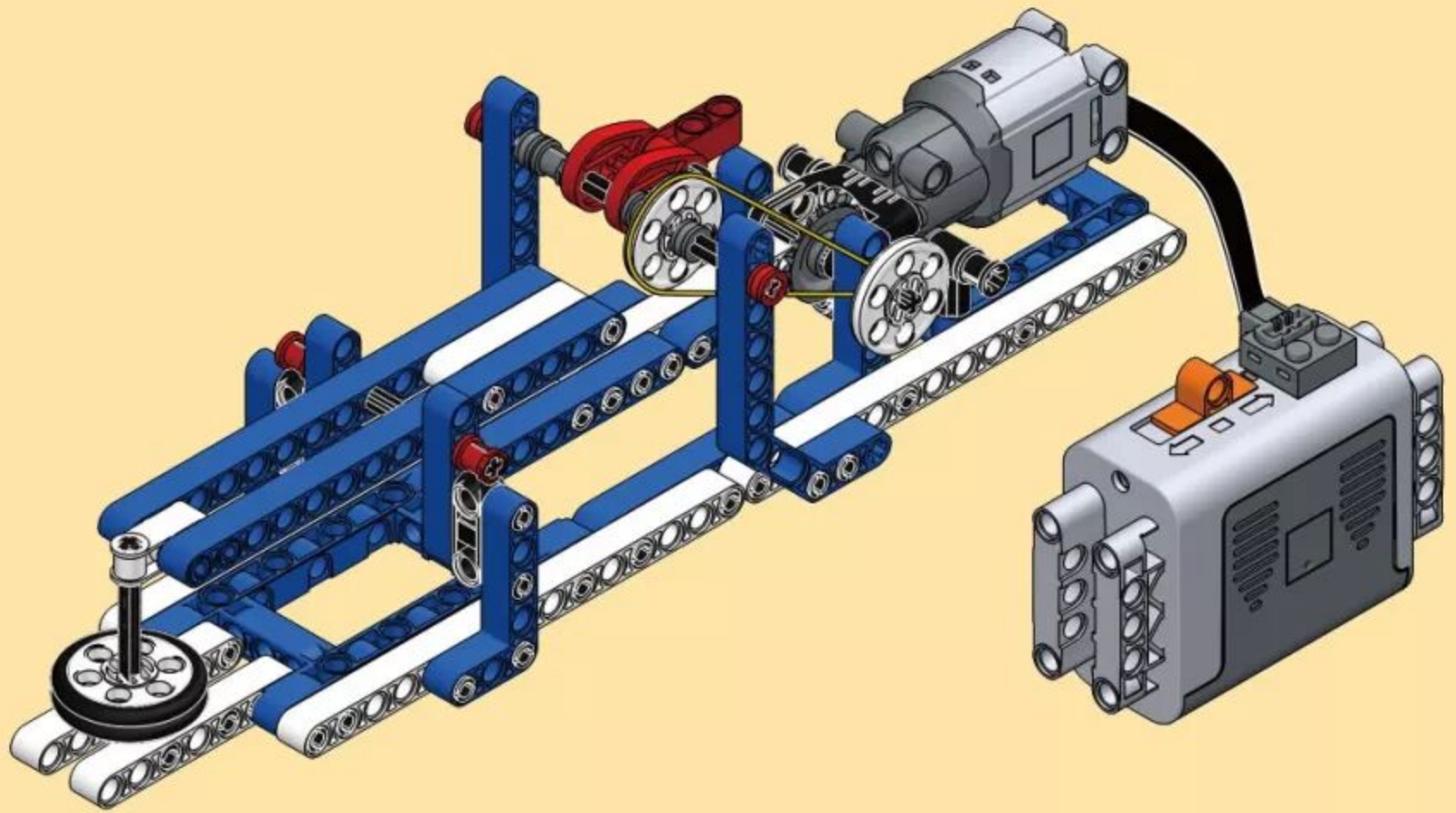
21



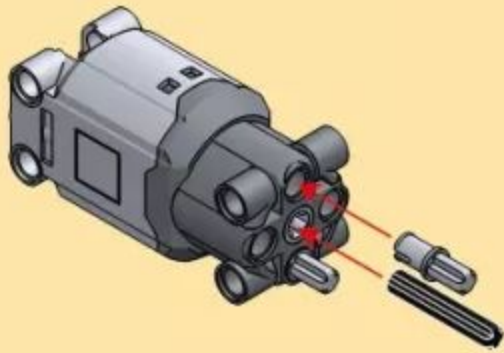
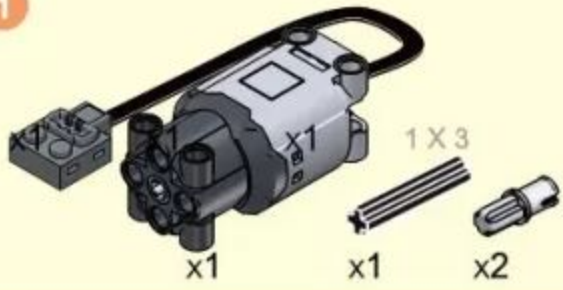
x1

x1

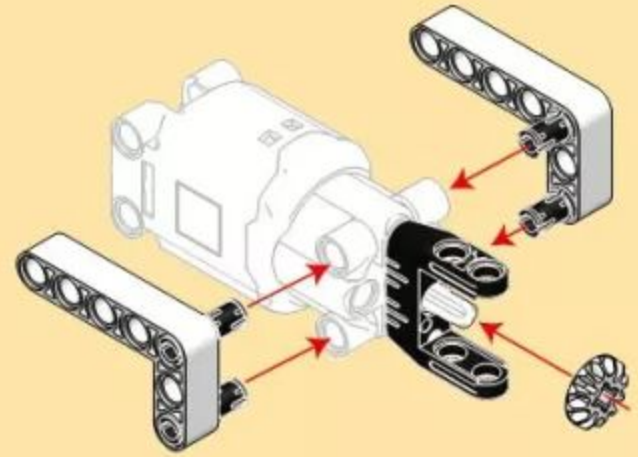
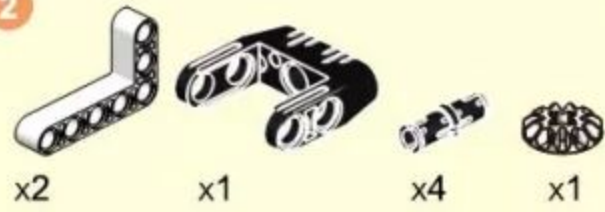




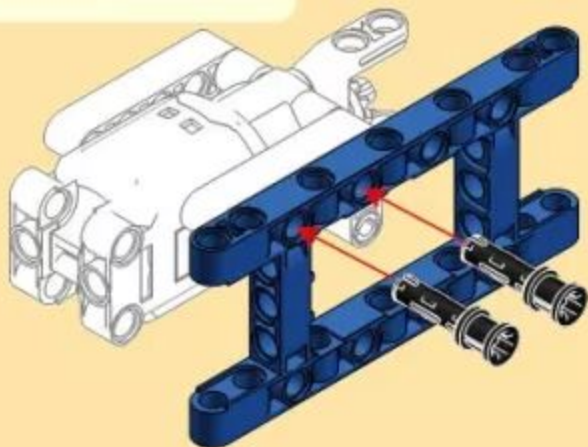
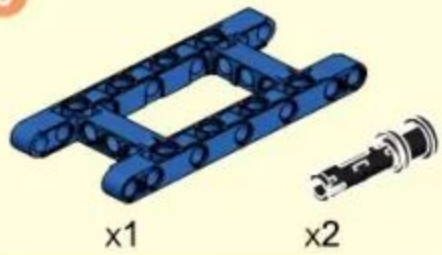
1



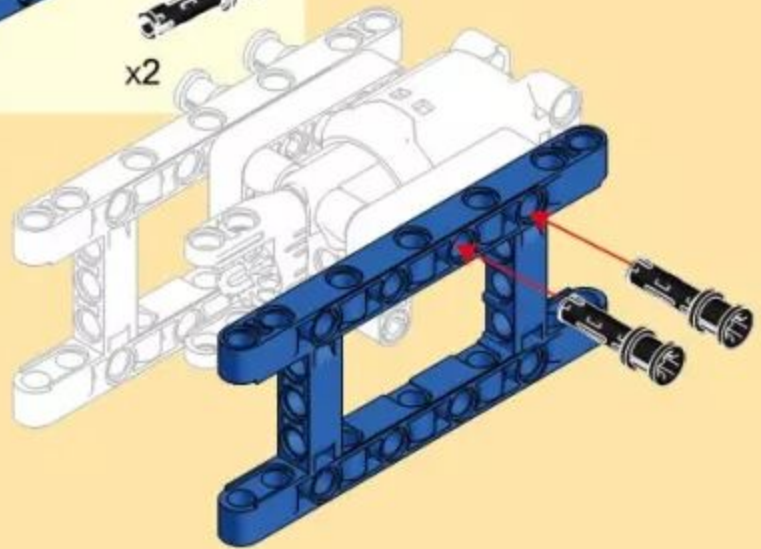
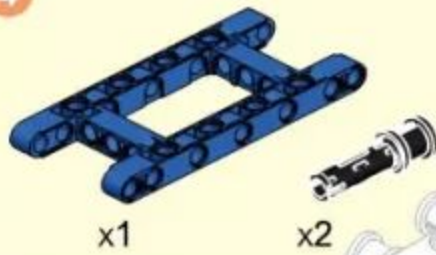
2



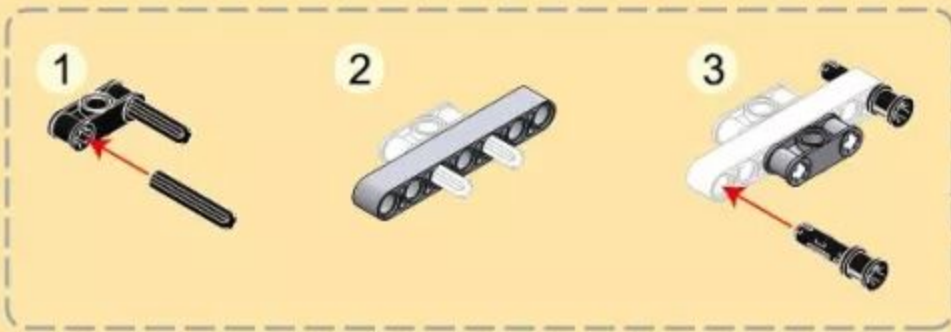
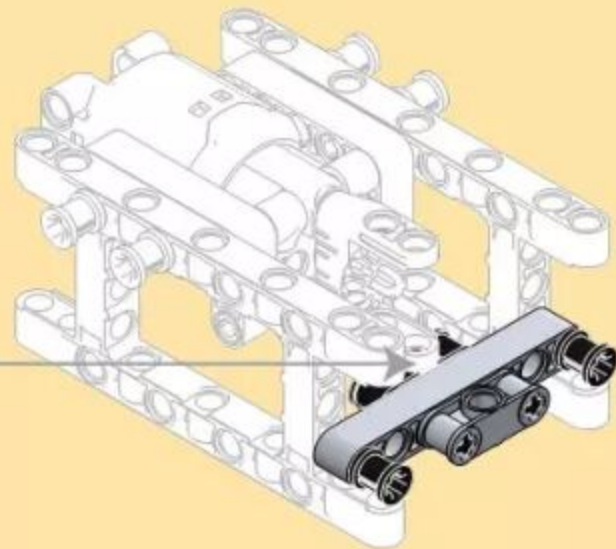
3



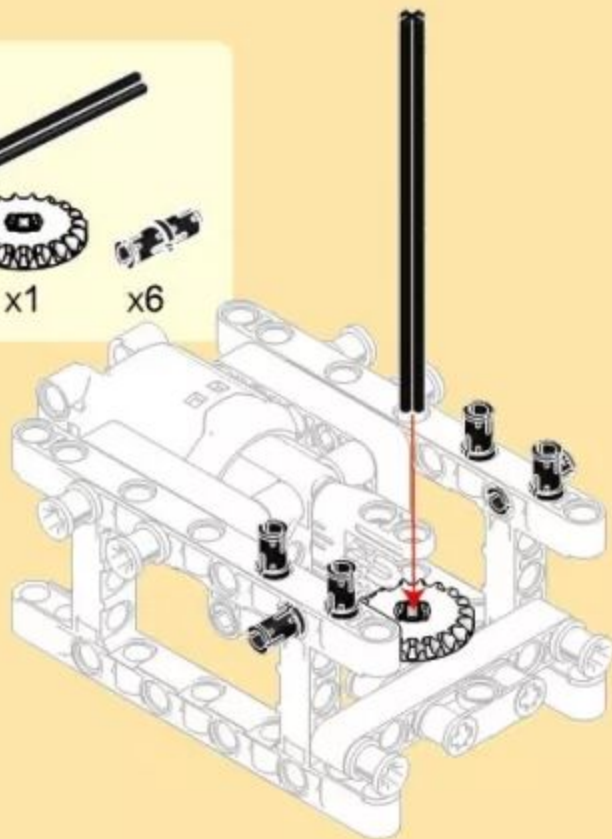
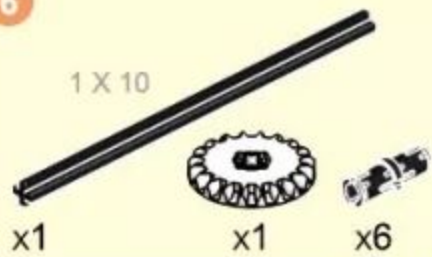
4



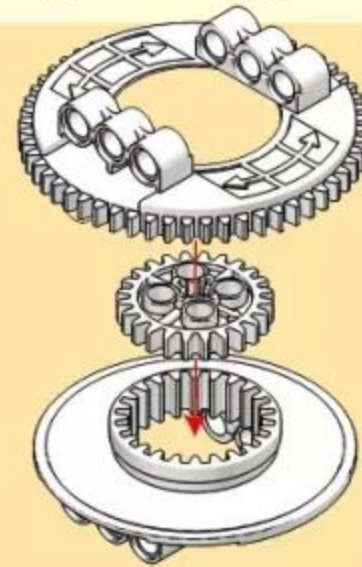
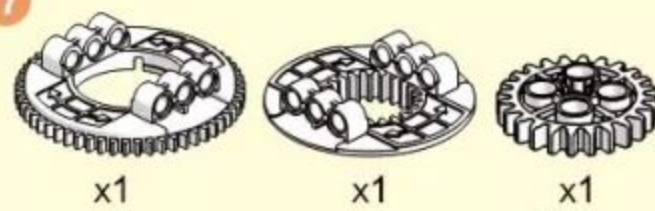
5

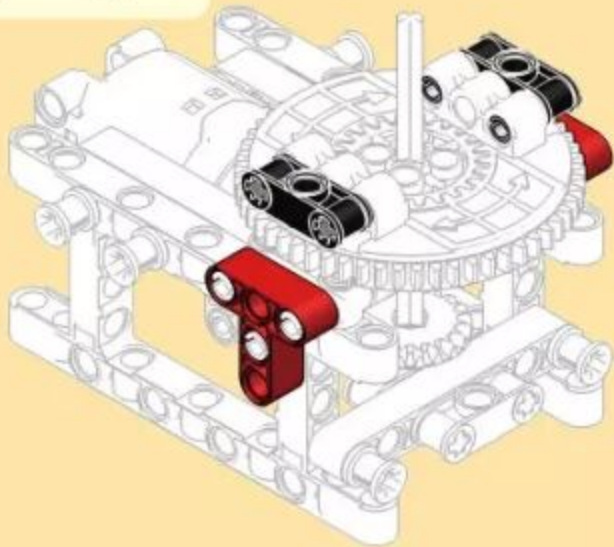
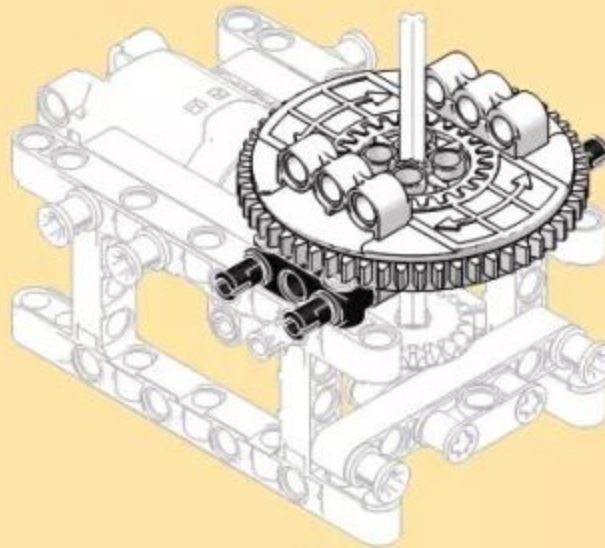
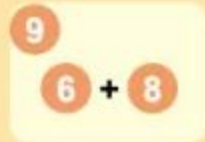


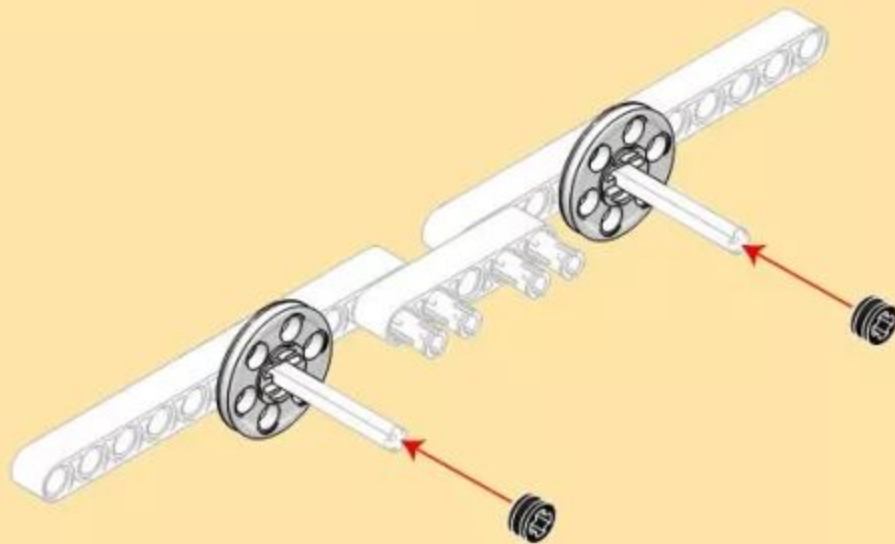
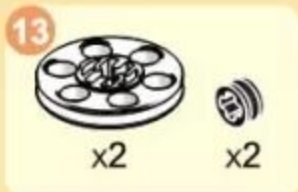
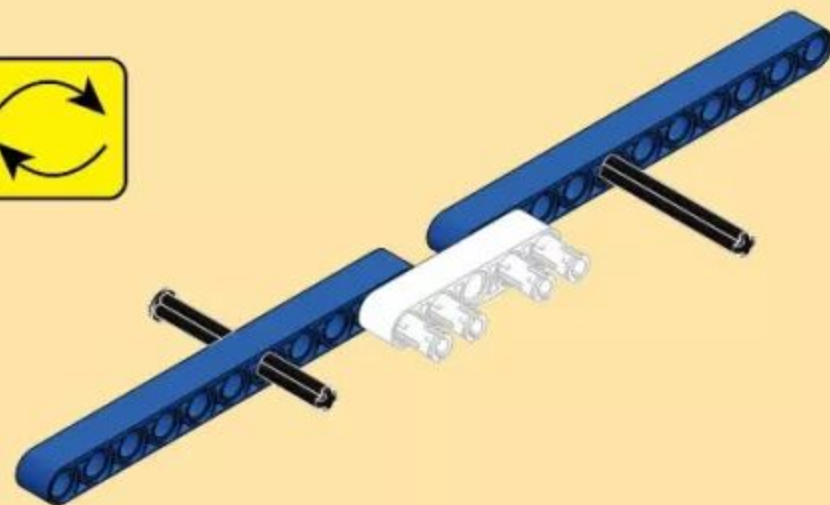
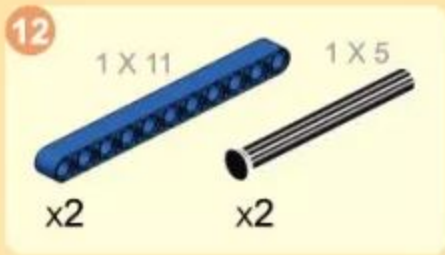
6



7

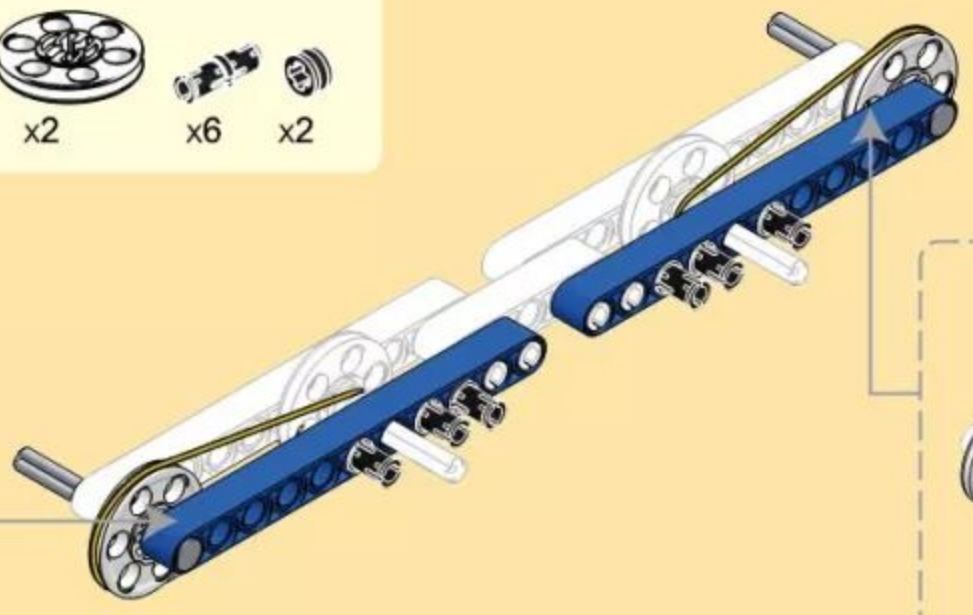






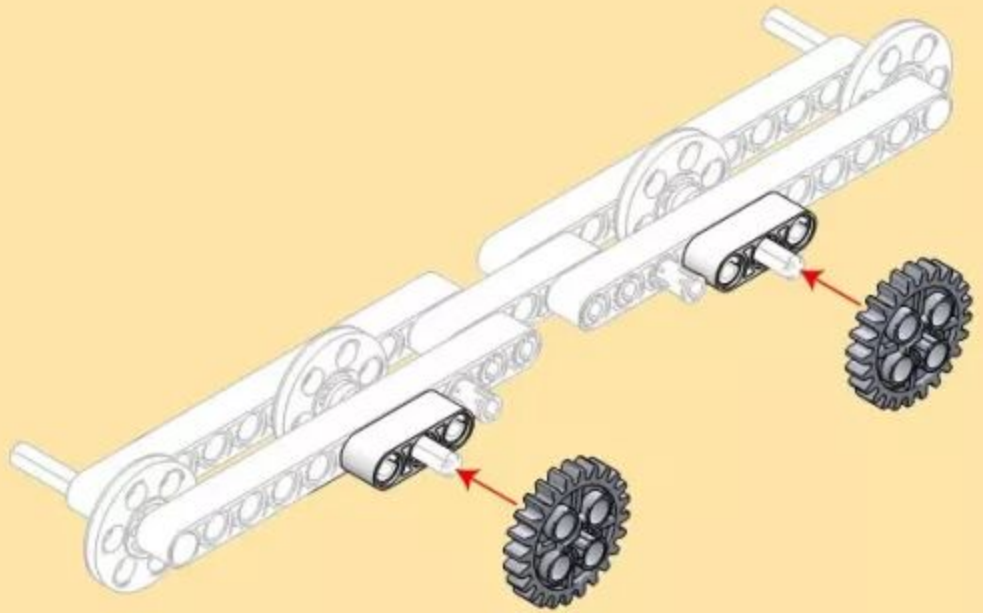
16

- 1 X 15 (blue Technic beam) x2
- 1 X 5 (grey Technic axle) x2
- 1 X 5 (yellow rubber band) x2
- 1 X 5 (grey Technic plate) x2
- 6 X 1 (grey Technic axle pin) x6
- 1 X 1 (grey Technic bush) x2



17

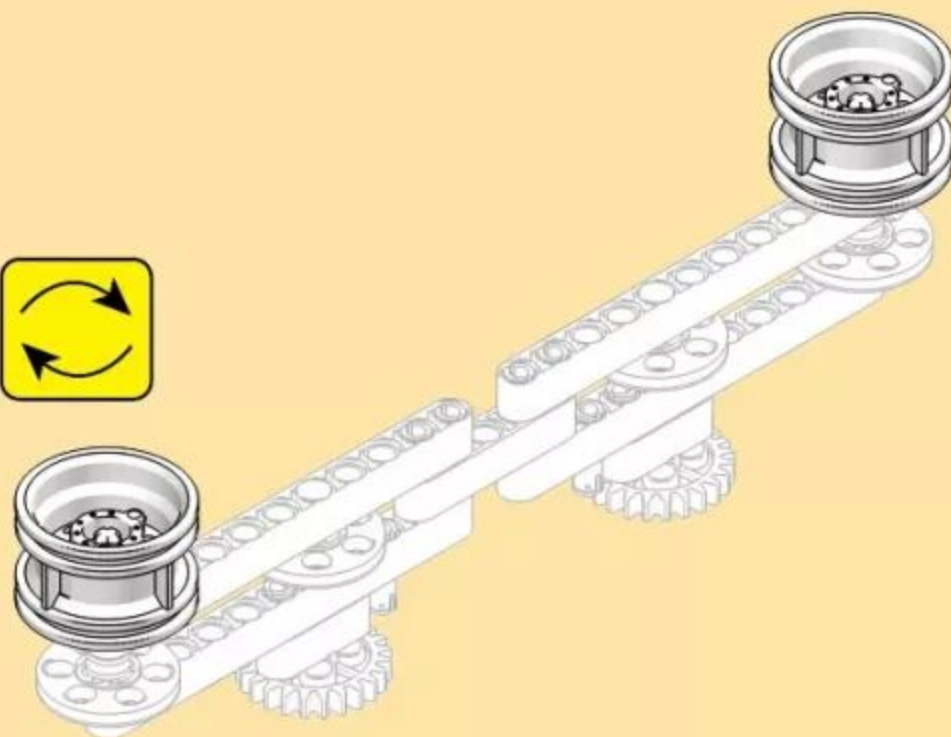
- 2 X 20 (grey Technic gear) x2
- 1 X 2 (grey Technic axle pin) x2



18

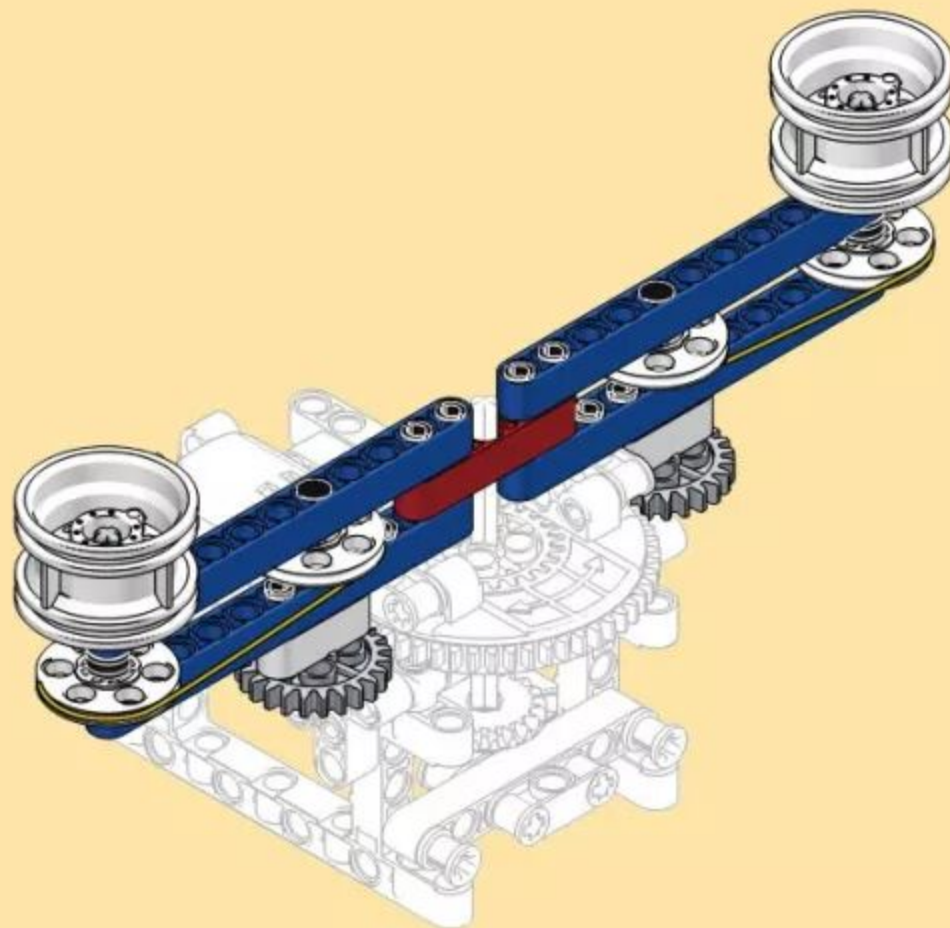


x2



19

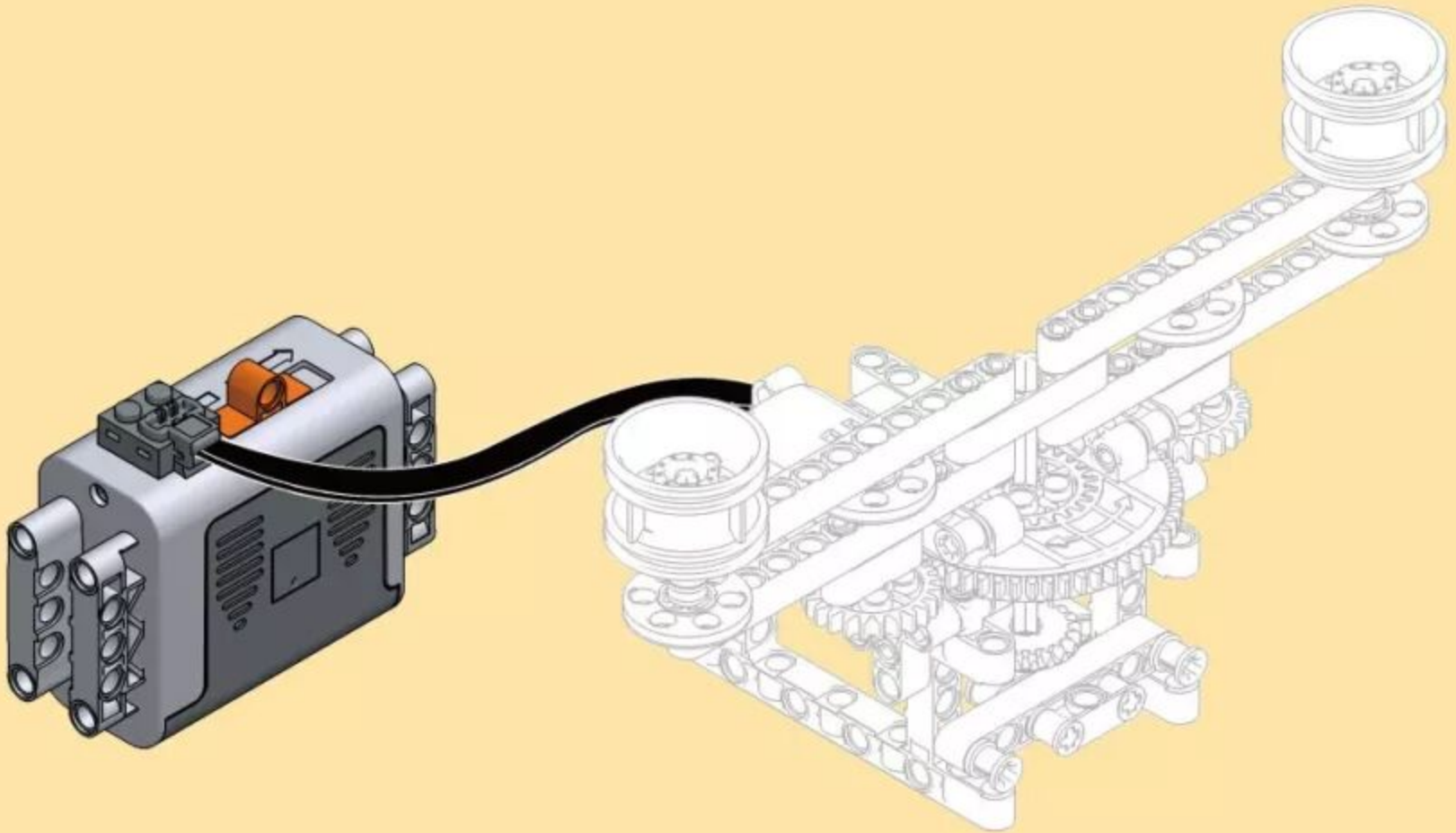
10 + 18

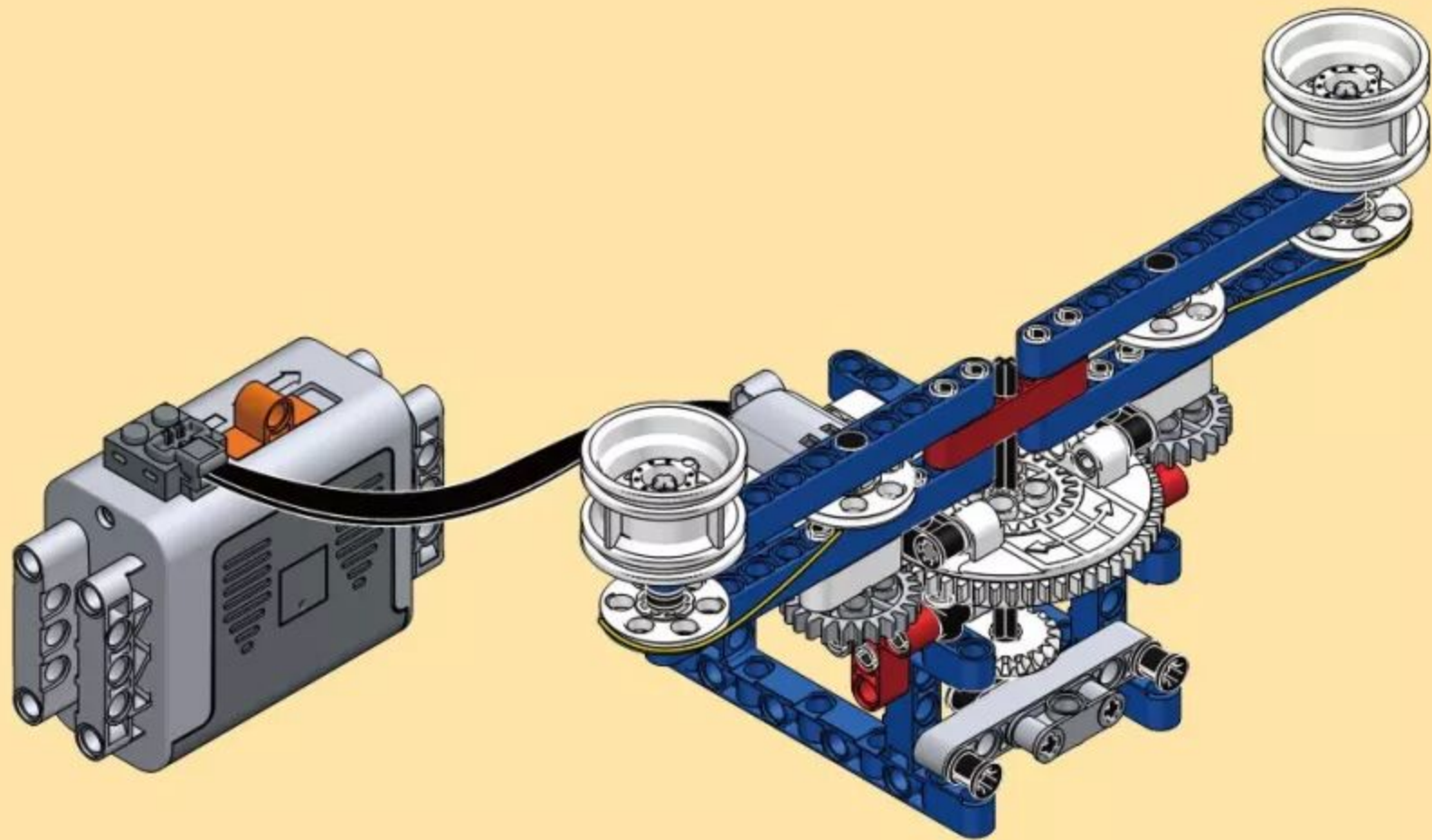


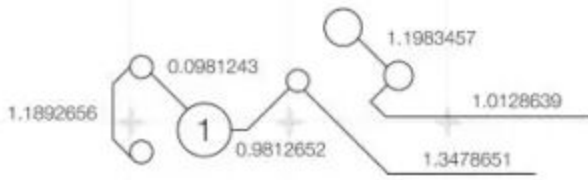
20



x1







# STEAM TECHNICAL PARTS

## FUNCTIONS & FEATURES

- SPEED VARIABLE PRINCIPLE
- CENTRIFUGAL FORCE
- APPLICATION OF THE CROWN GEAR

