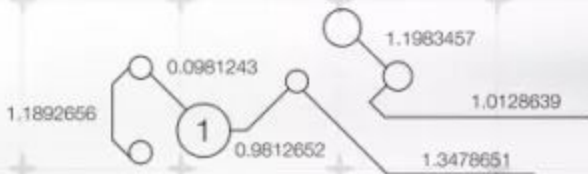


STEAM
TECHNICAL
PARTS

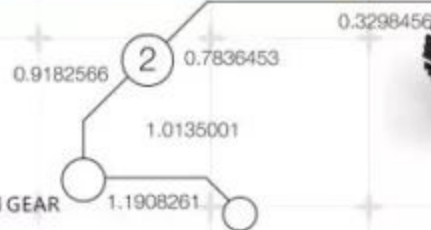
2IN1
POWER MACHINERY



3803

FUNCTIONS & FEATURES

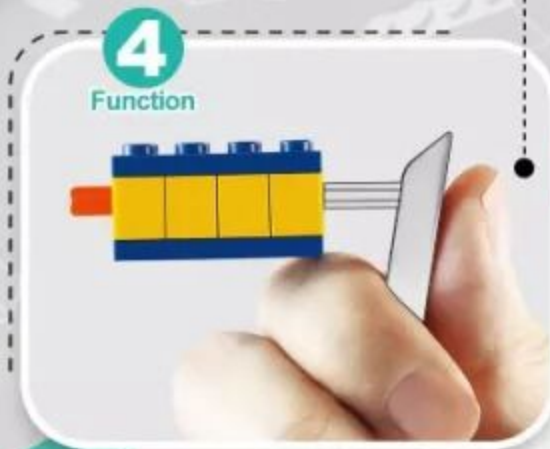
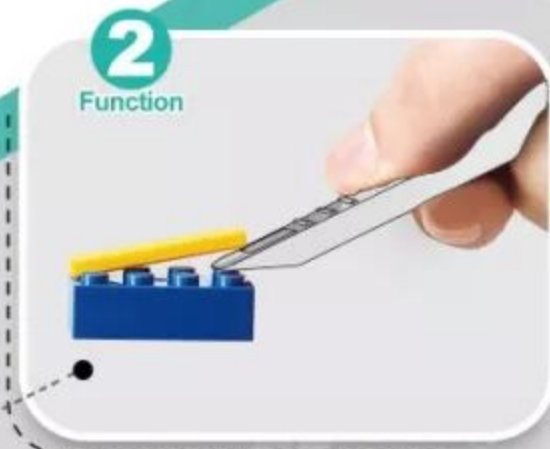
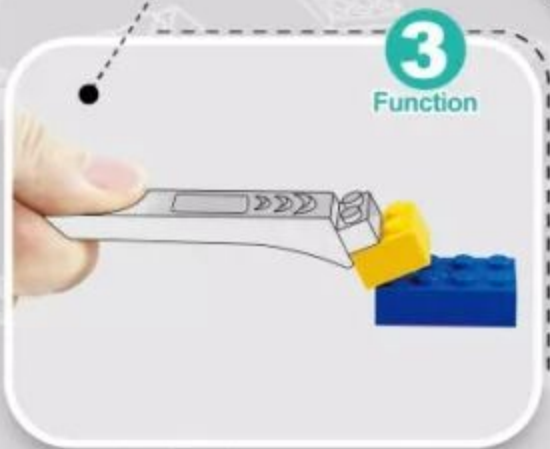
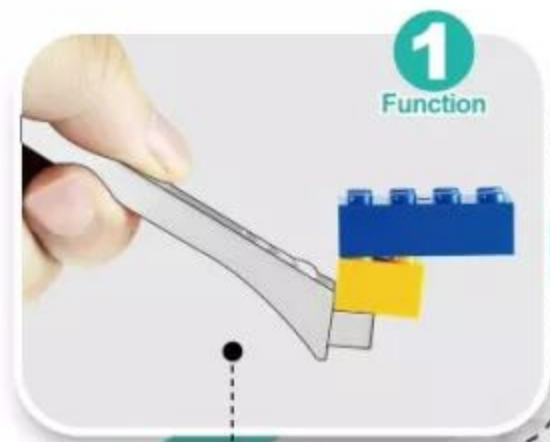
- SPEED VARIABLE PRINCIPLE
- CENTRIFUGAL FORCE
- APPLICATION OF THE CROWN GEAR



Instructions For Use

Brickseparator

积木起件器使用说明



4 ways to make installation easier
让安装更简单



Building Blocks

拼装小技巧



- First open the product packaging according to the instructions.

按指导用正确方式拆解产品外包装。



- Summarize all parts to count the number of familiar accessories.

拆开积木包装对照说明书清单确认积木数量。



- Arranging all accessories by color helps to quickly install the product.

把确认好的积木以颜色进行分类排好以便安装。



- Carefully install the product and learn about building.











按说明书步骤拼装并完成你的积木模型。



INSTALLATION
TIPS .

1:1 Physical Reference Table

十字棒配件1:1尺寸参照表

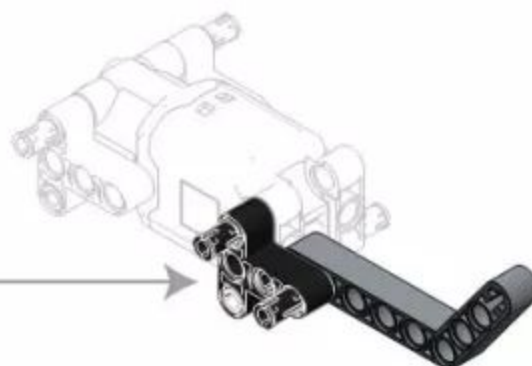
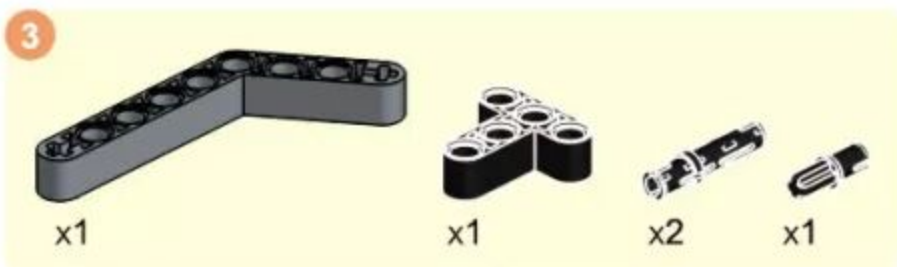
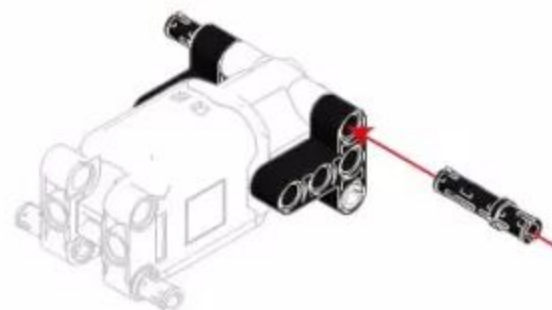
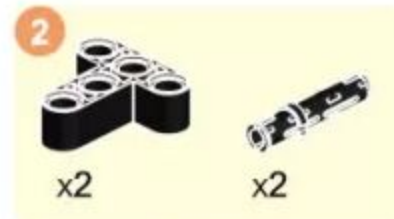
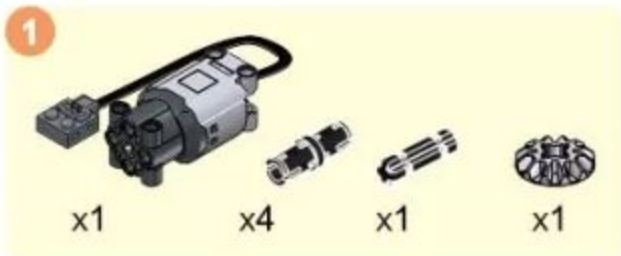
2	$(1 \times 2) = 2$	
3	$(1 \times 3) = 3$	
4	$(1 \times 4) = 4$	
5	$(1 \times 5) = 5$	
6	$(1 \times 6) = 6$	
7	$(1 \times 7) = 7$	
8	$(1 \times 8) = 8$	
9	$(1 \times 9) = 9$	
10	$(1 \times 10) = 10$	
12	$(1 \times 12) = 12$	
16	$(1 \times 16) = 16$	

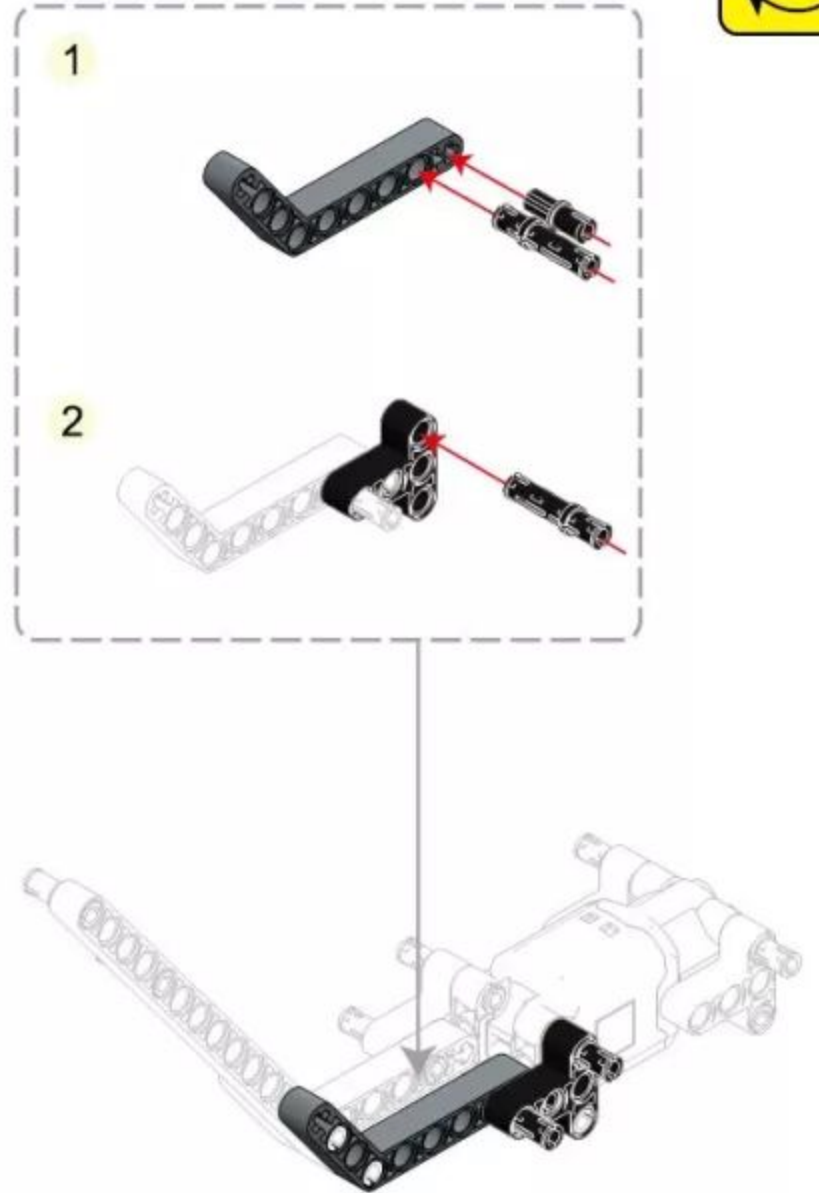
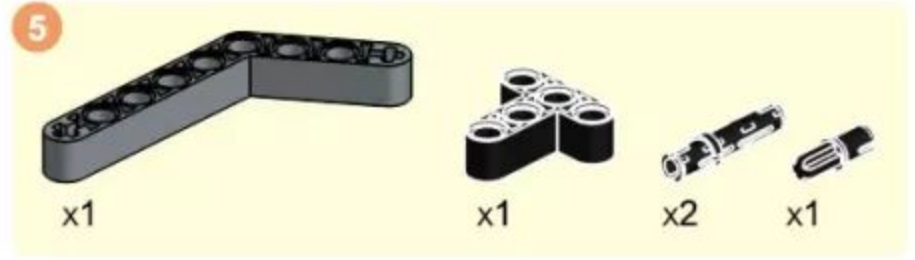
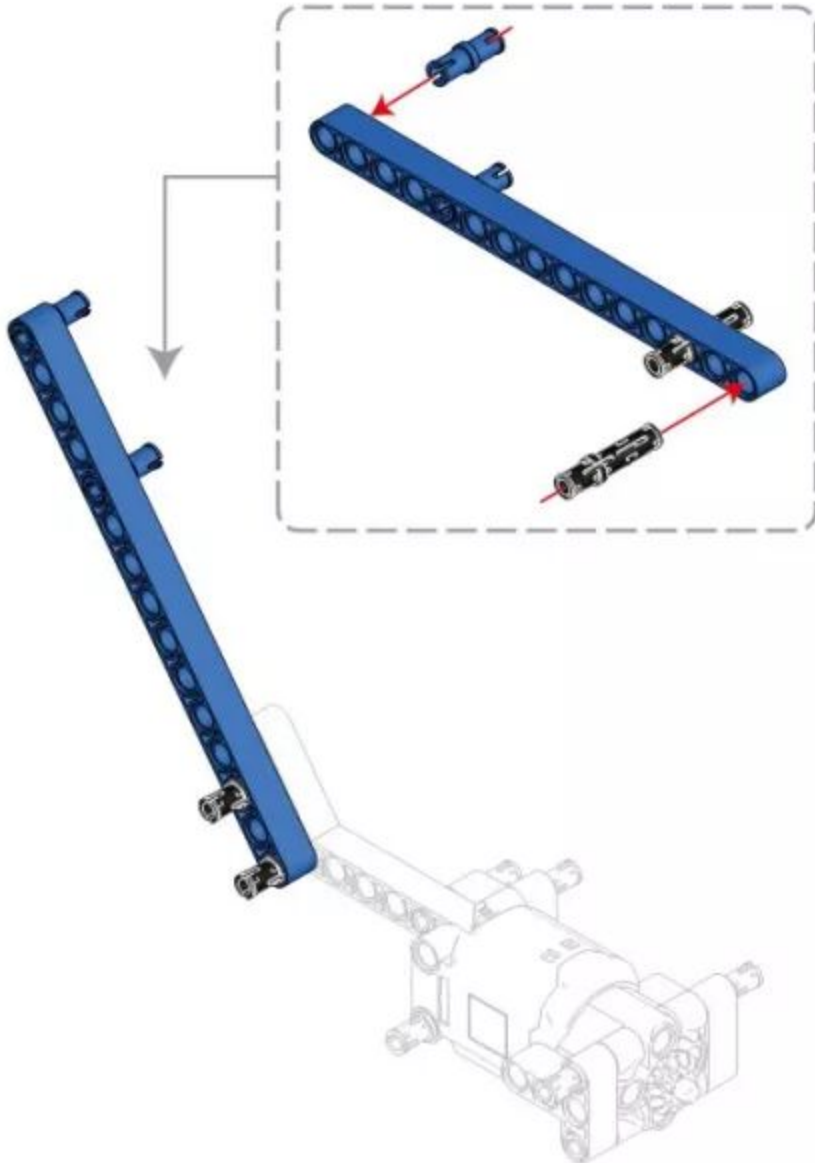


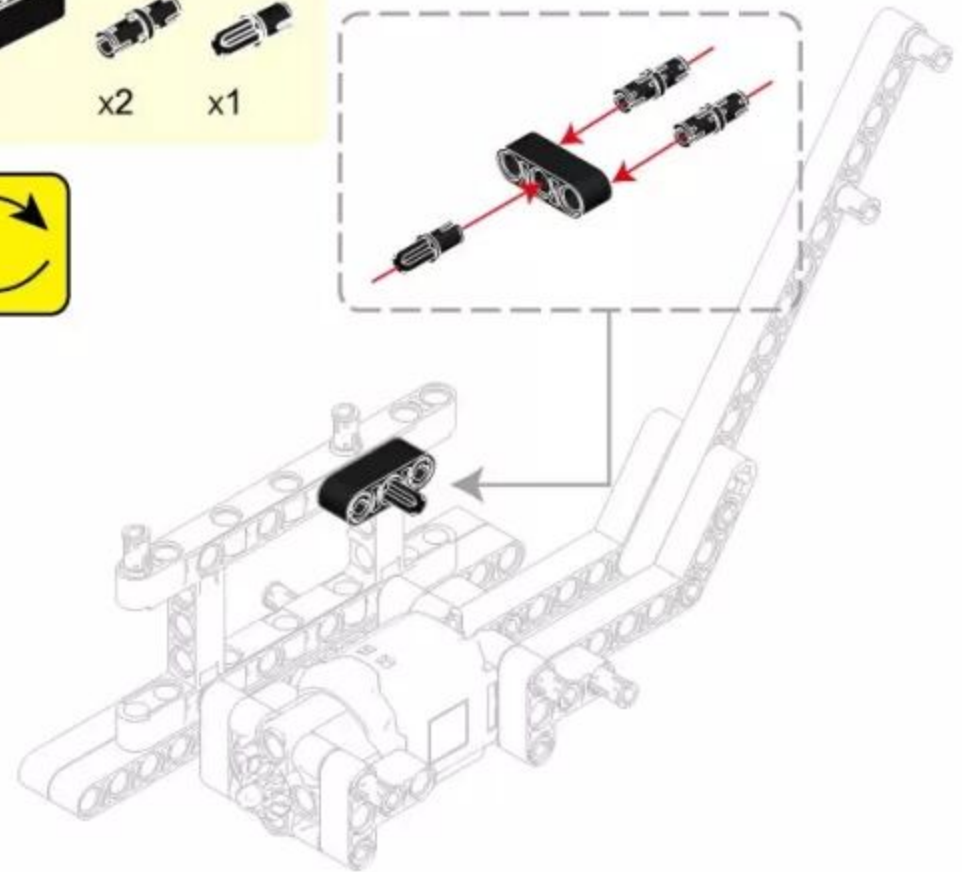
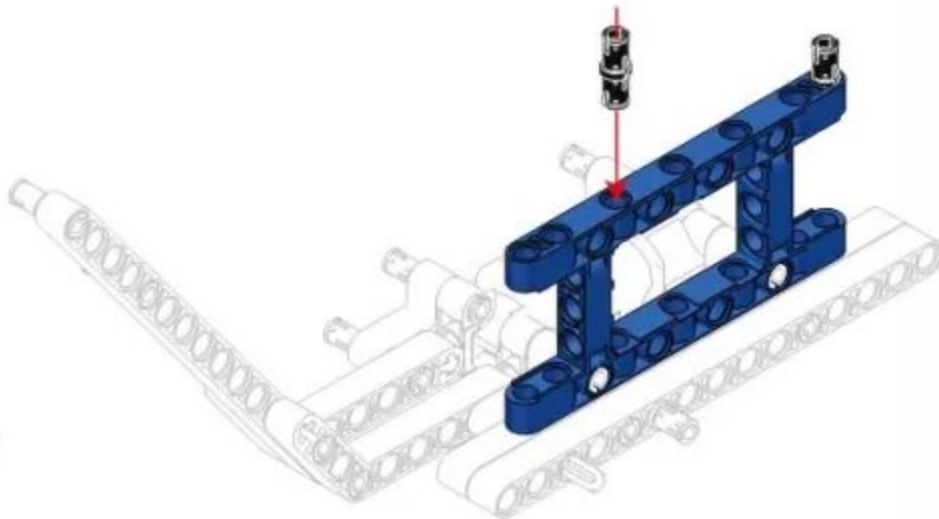
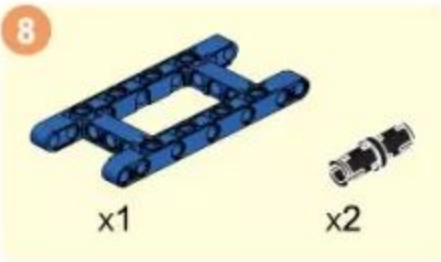
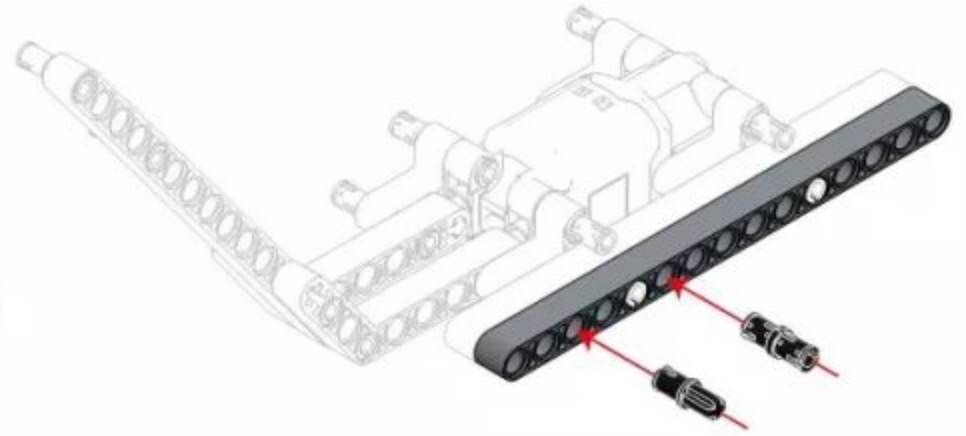
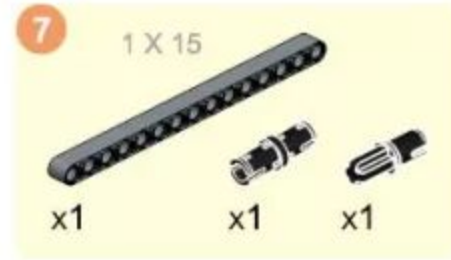
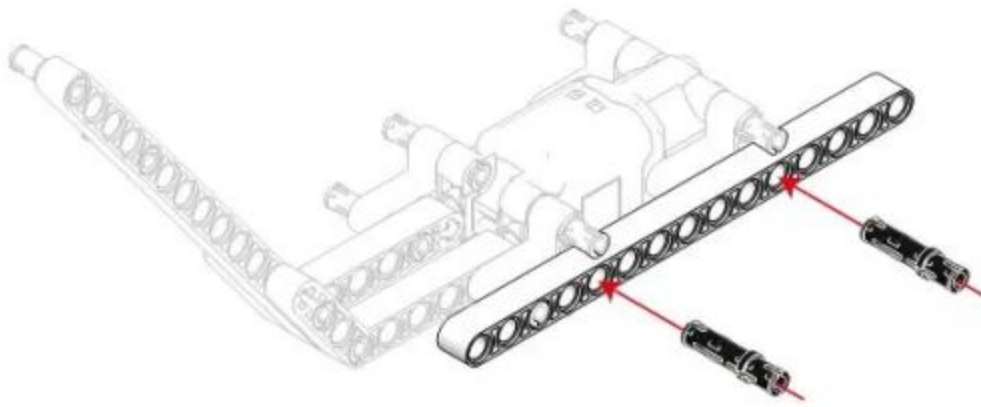
1:1

Instructions For Use
让安装更简单

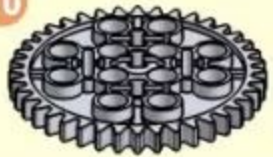








10



x1

1 X 15



x1



x1



x1

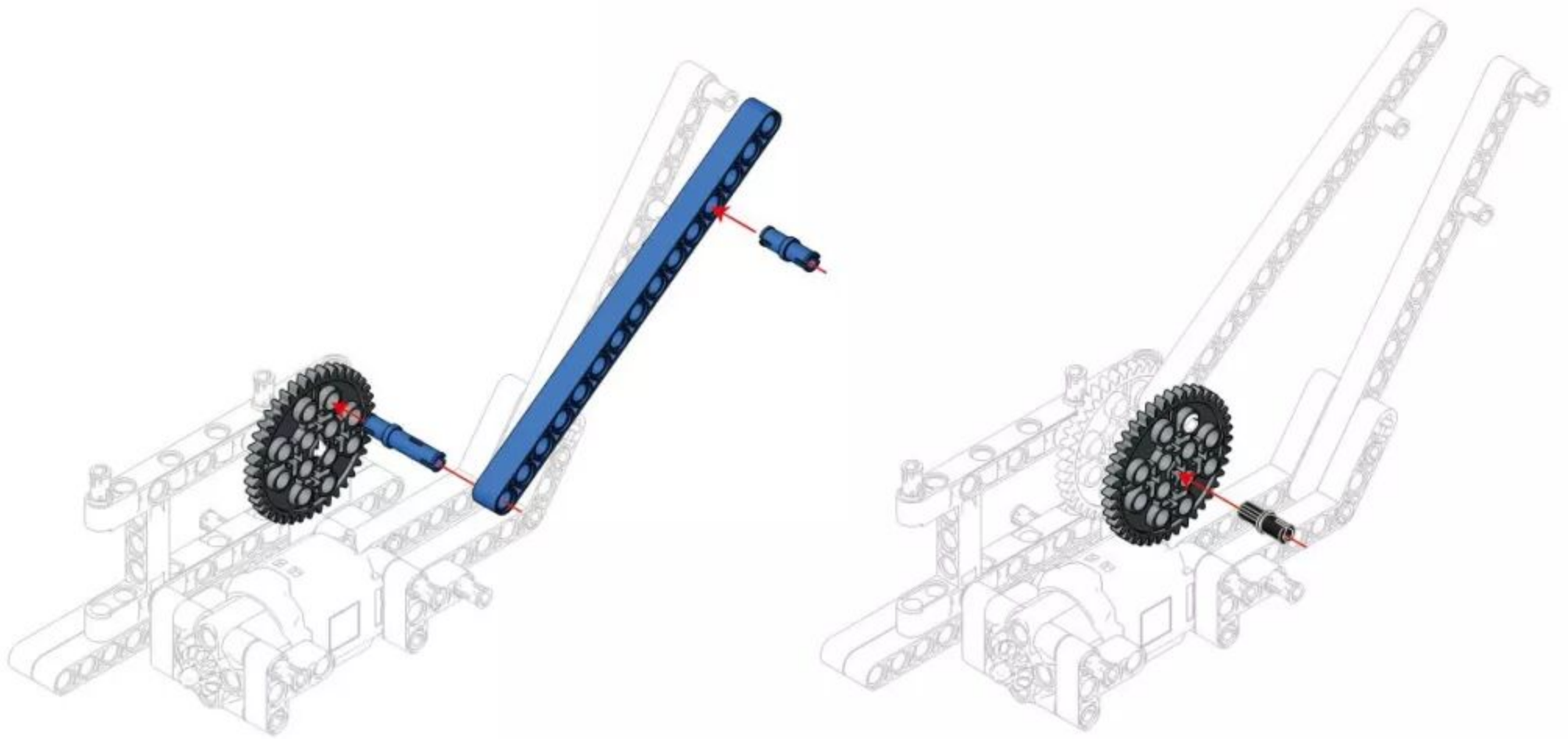
11



x1



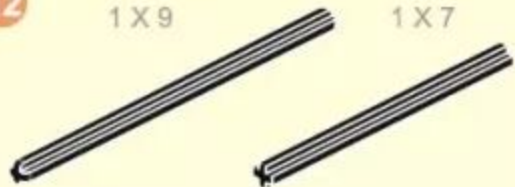
x1



12

1 X 9

1 X 7



x1

x1



x1



x1



x2



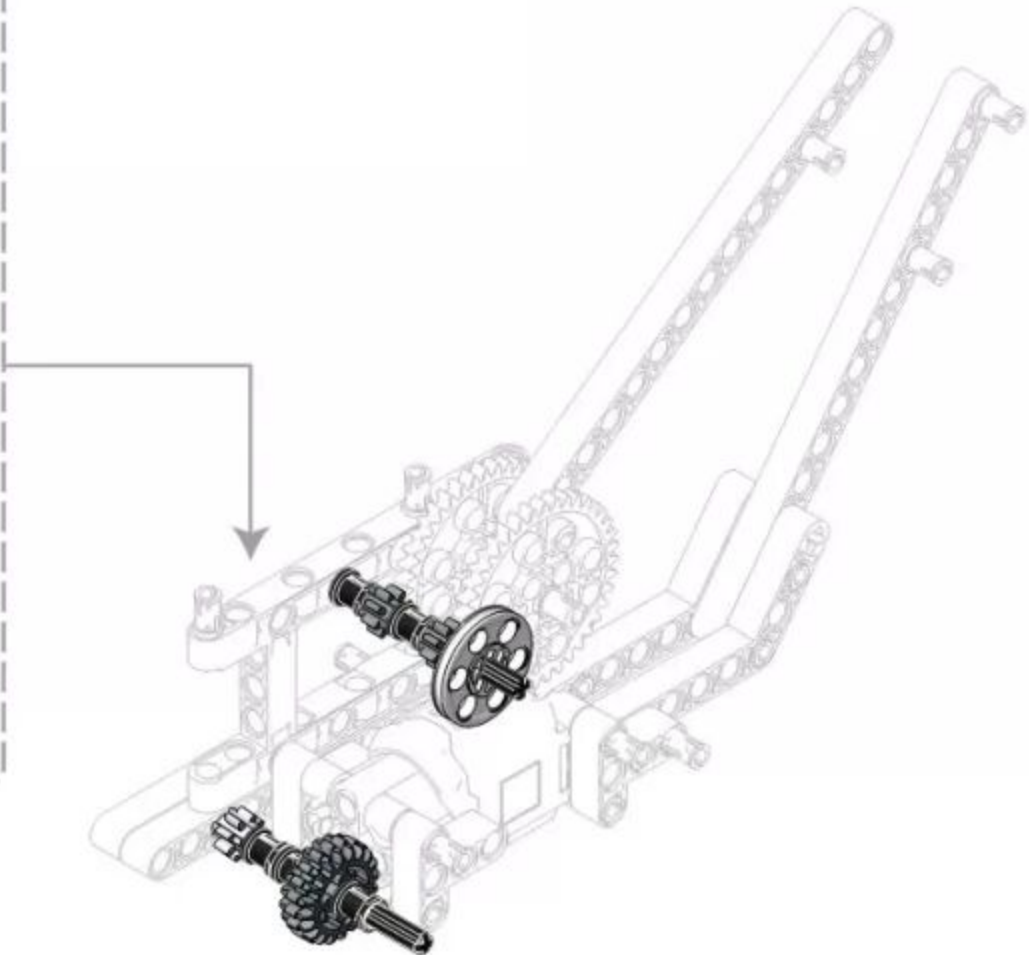
x1

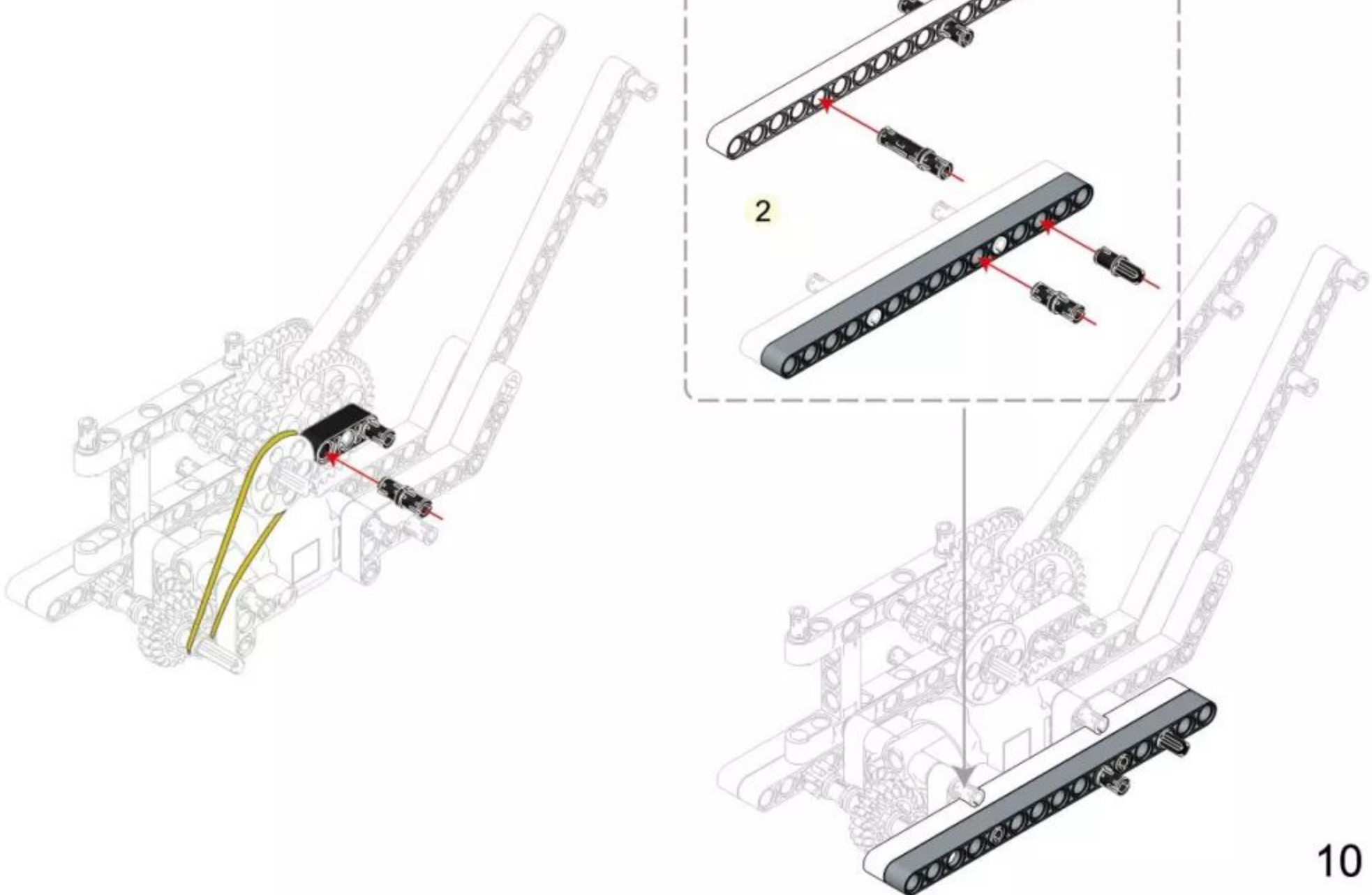
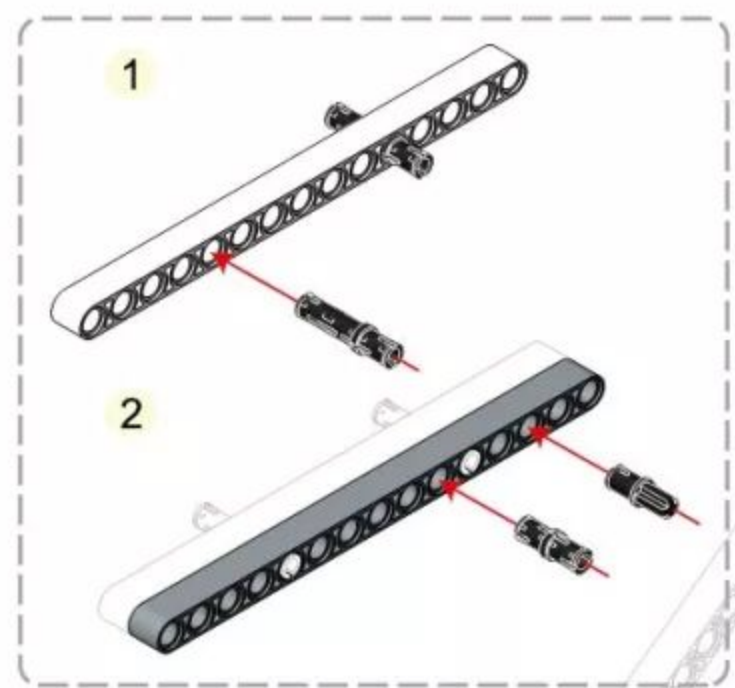
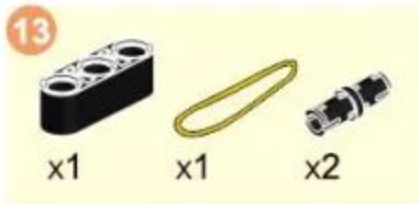


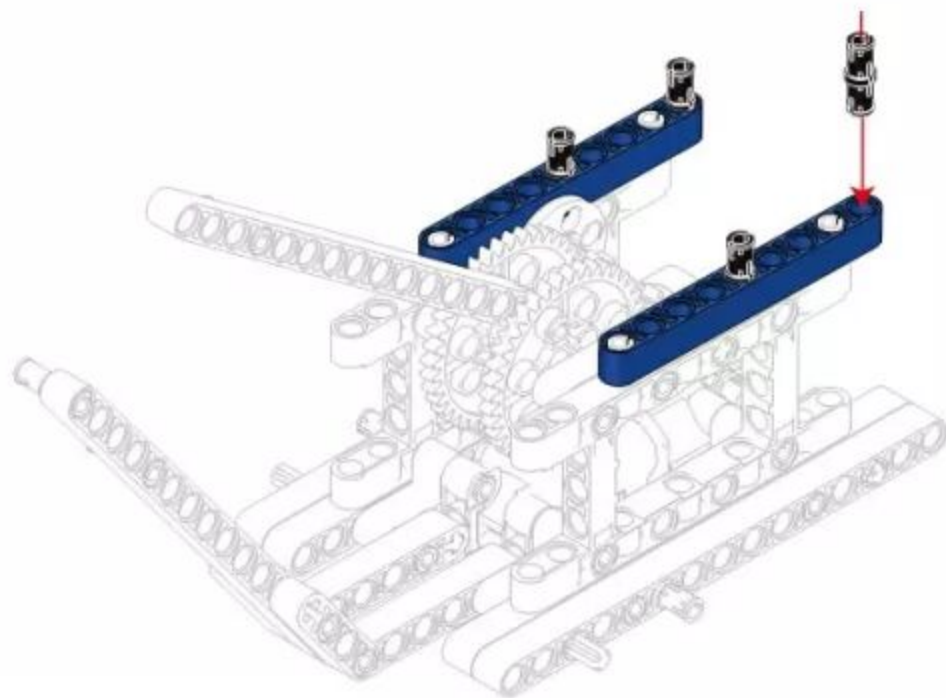
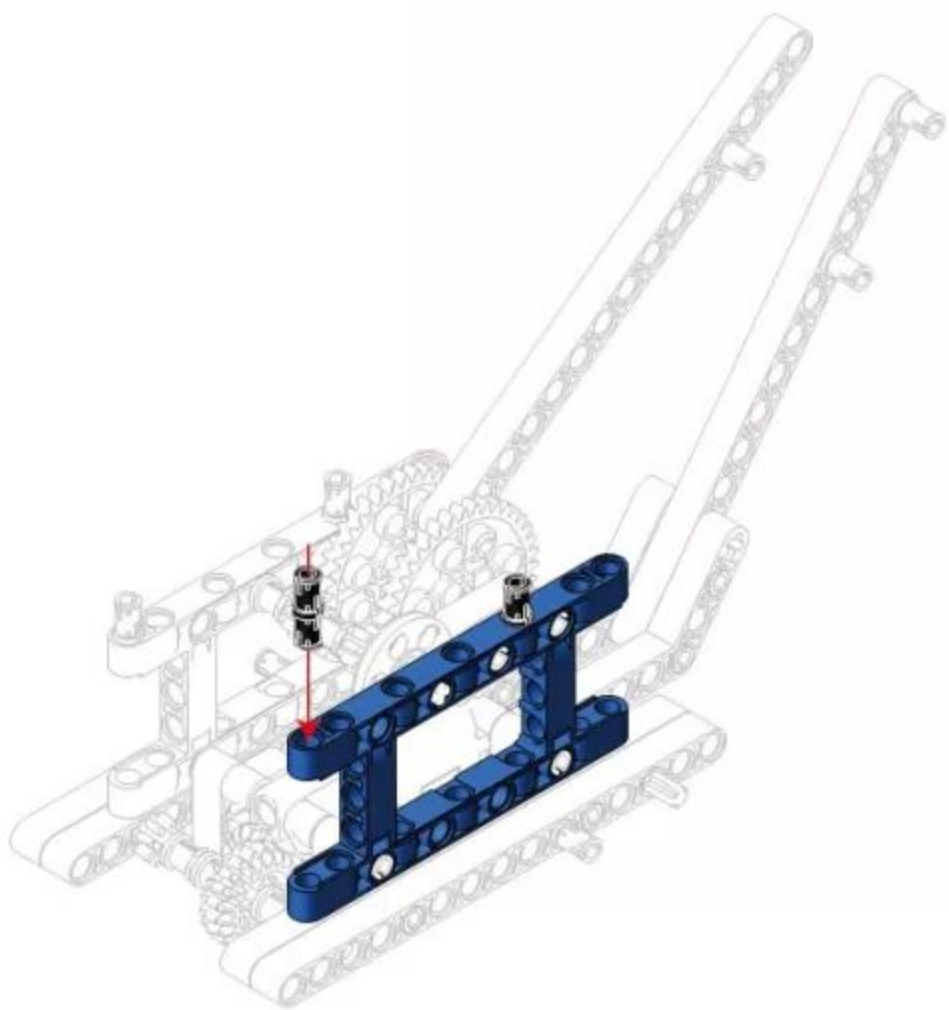
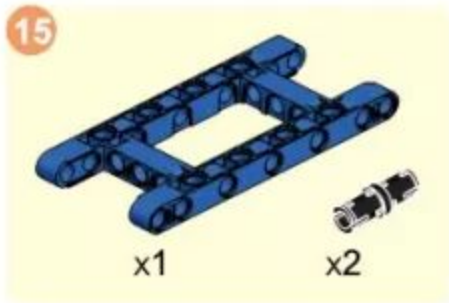
x5

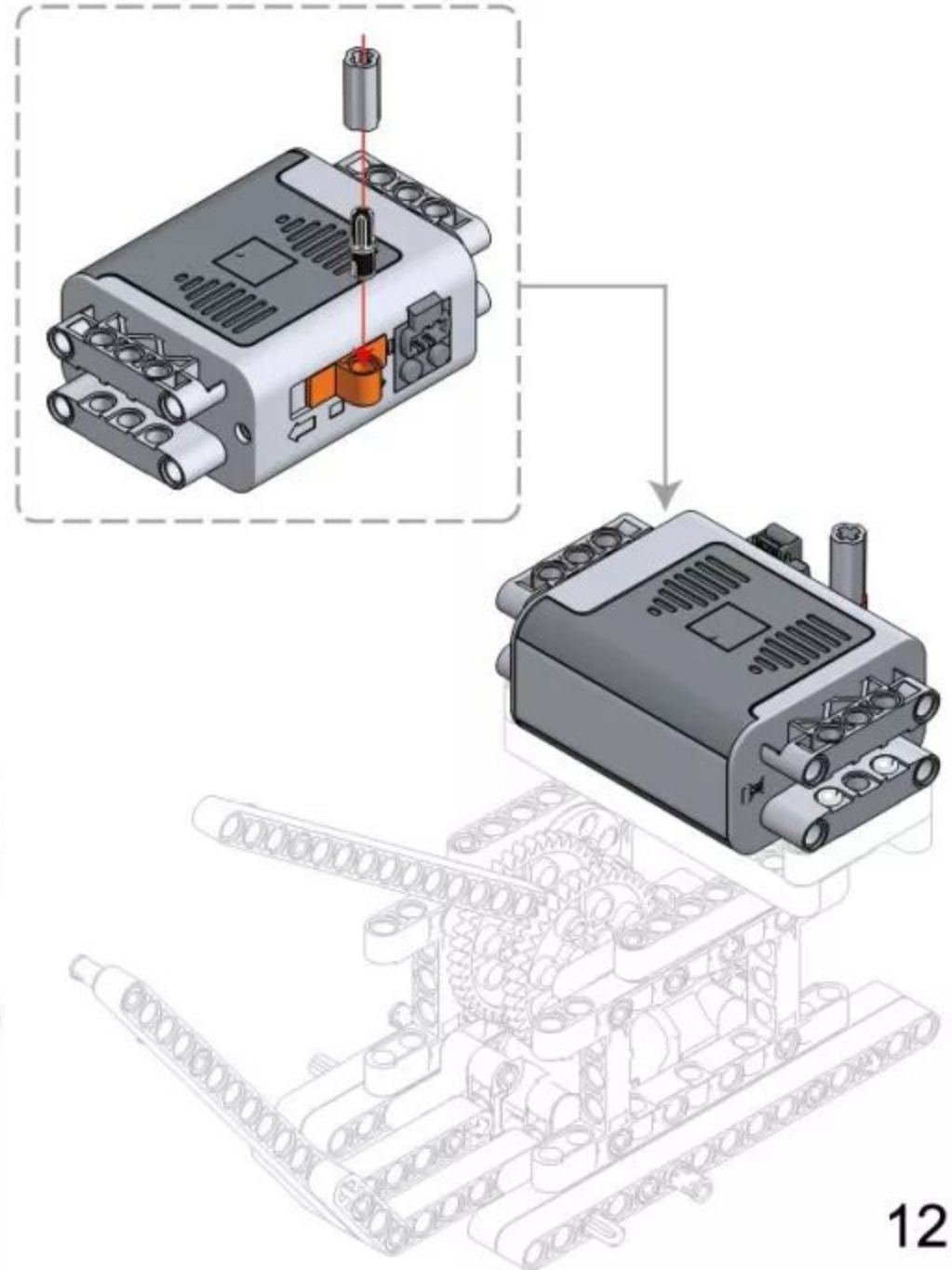
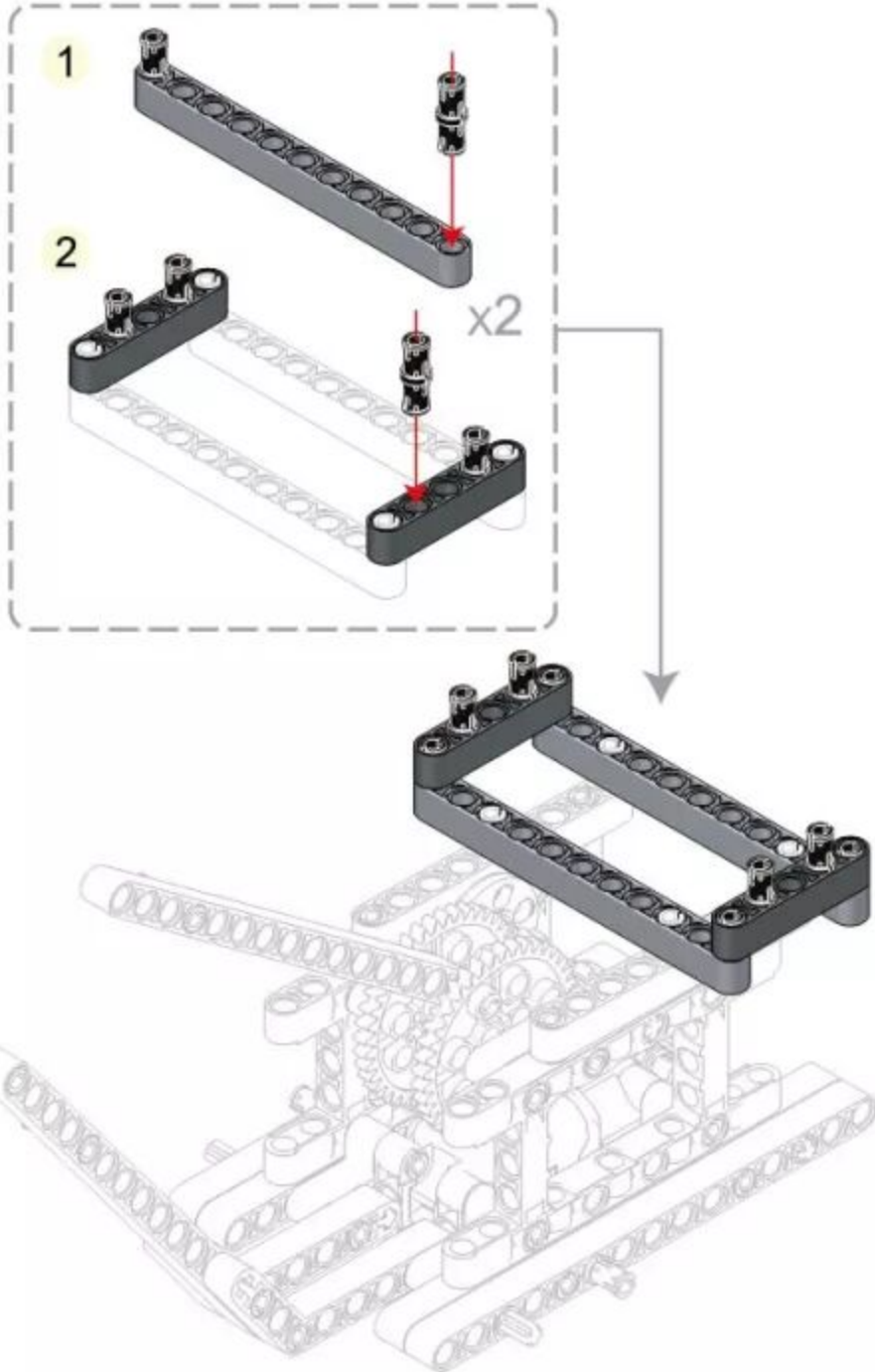
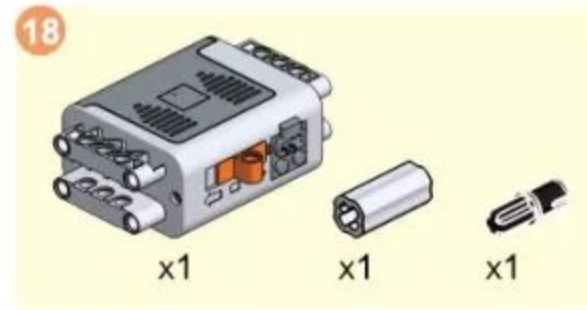


x1

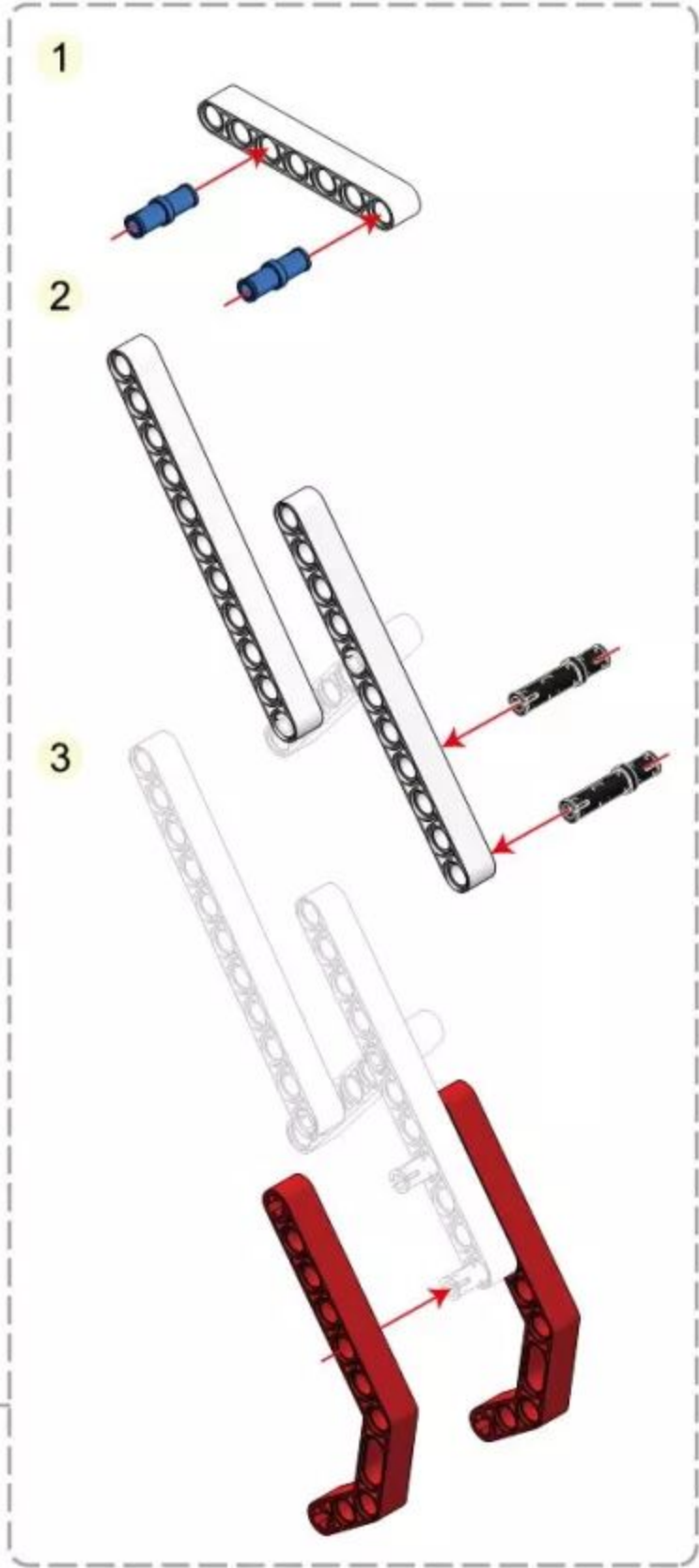
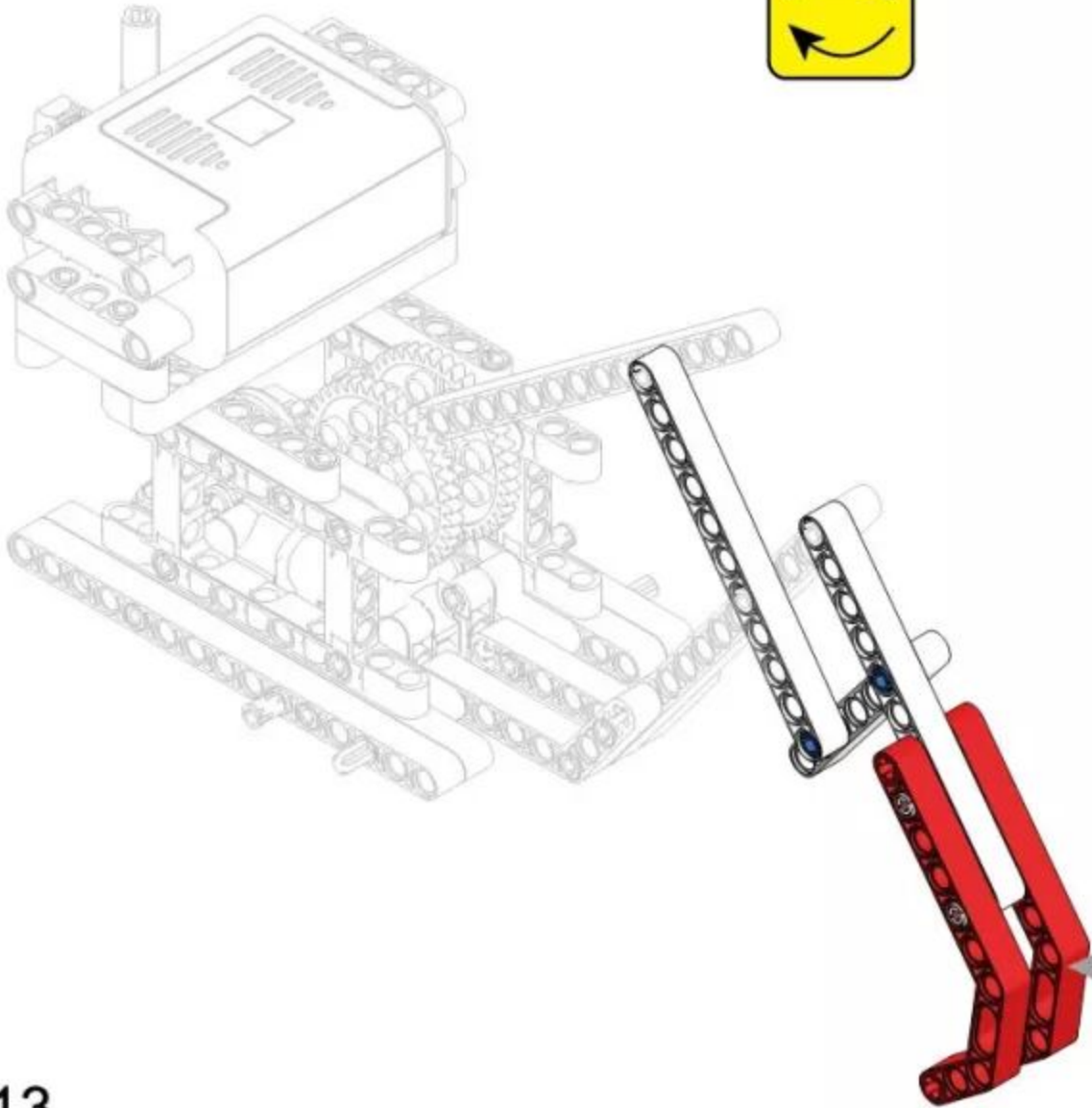
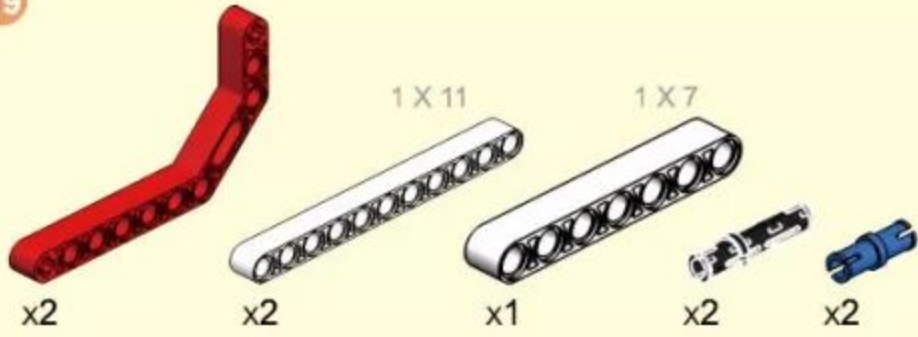








19



20

1 X 16



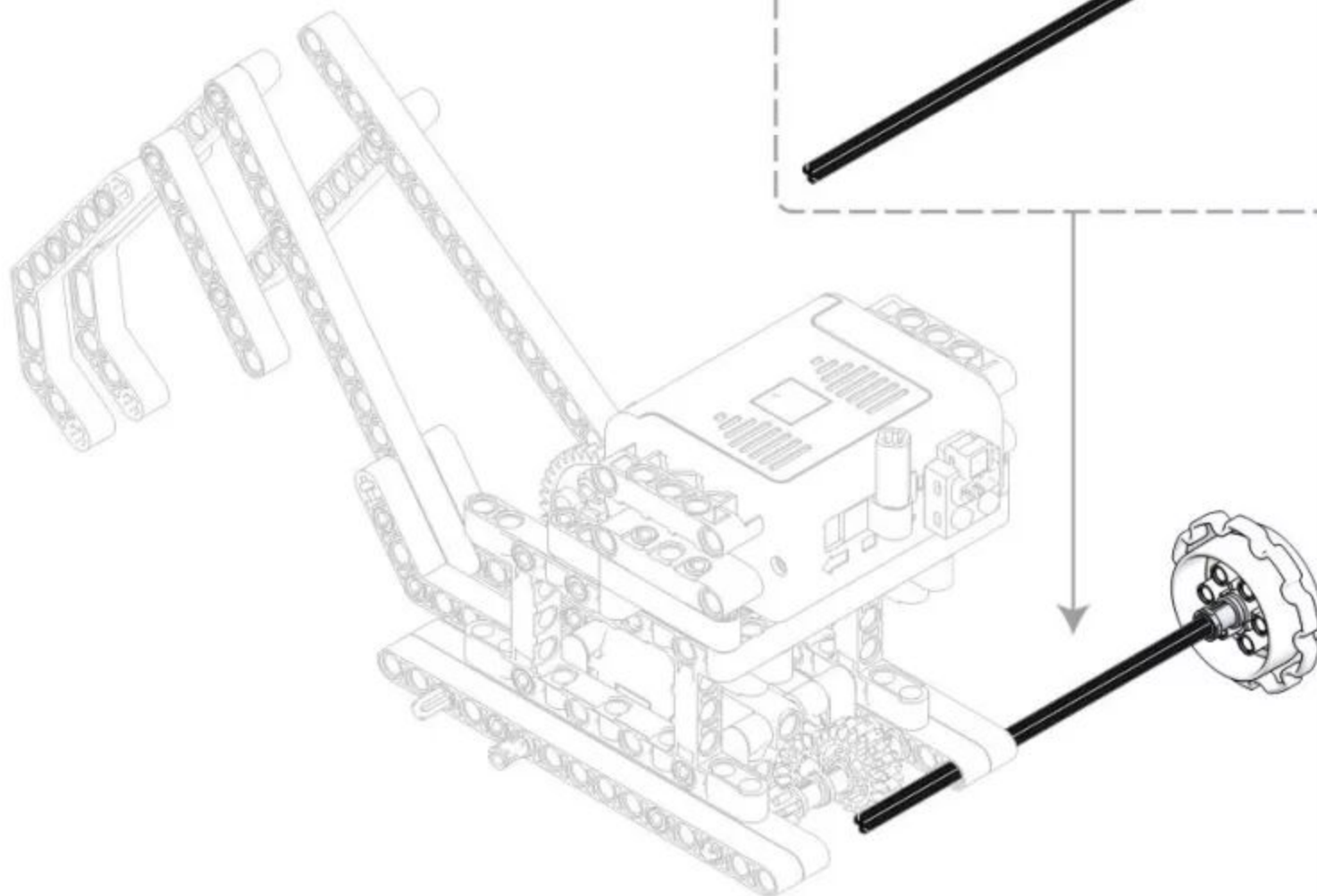
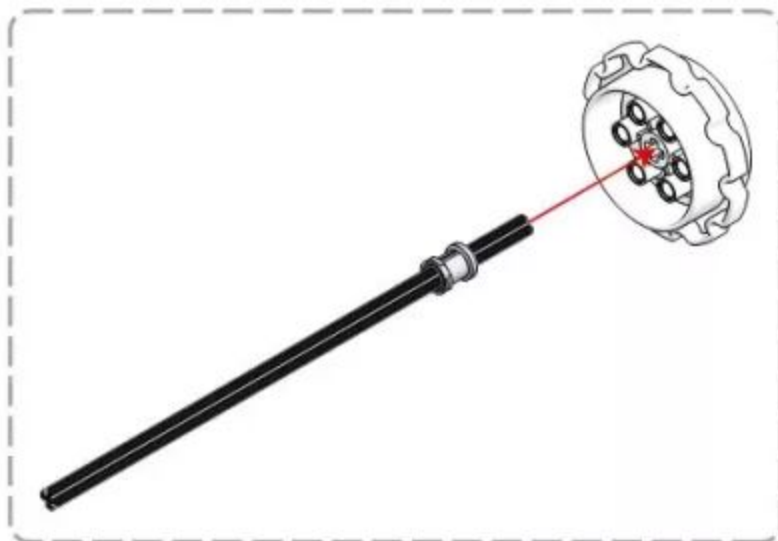
x1



x1



x1



21



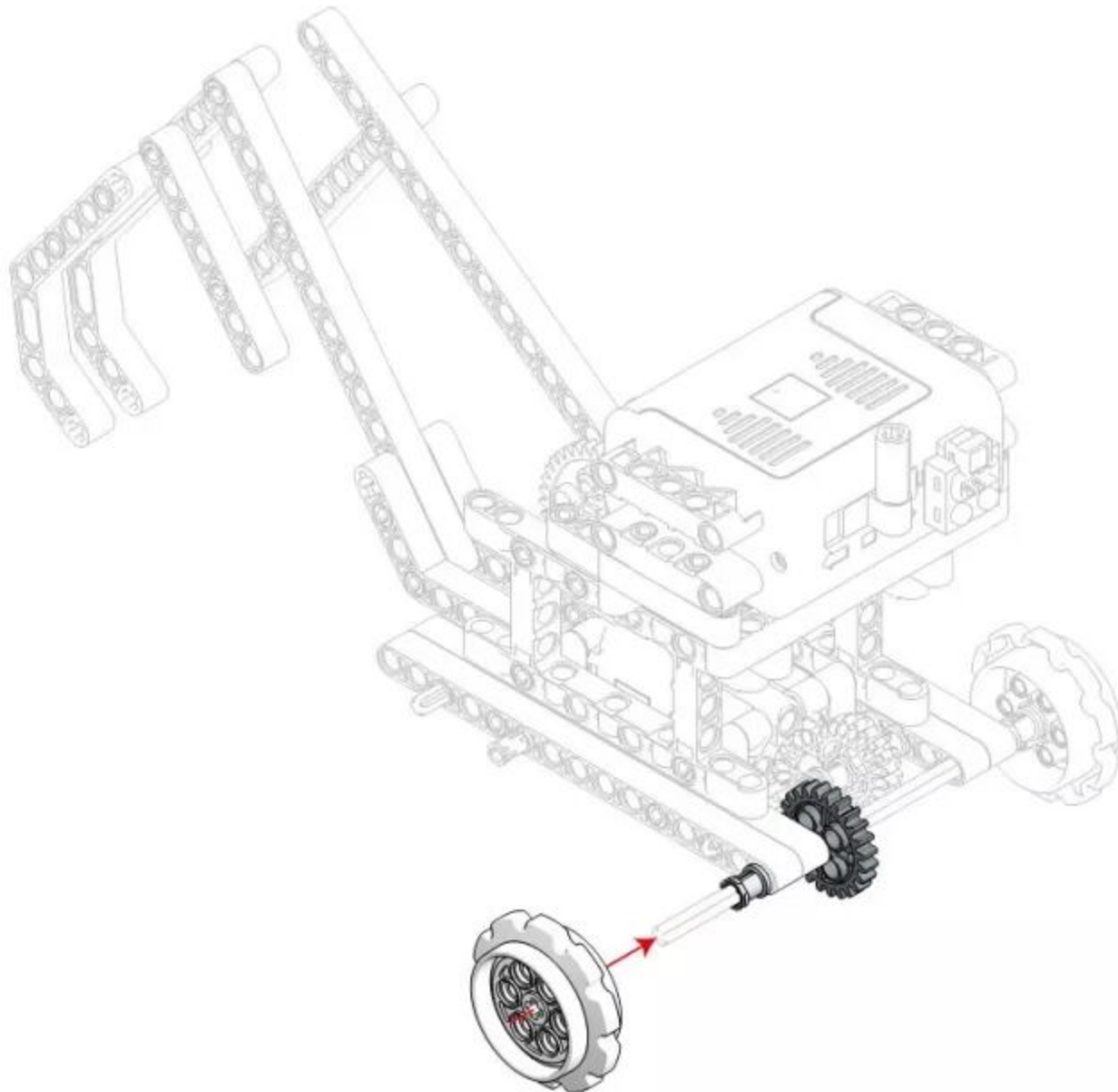
x1



x1



x1



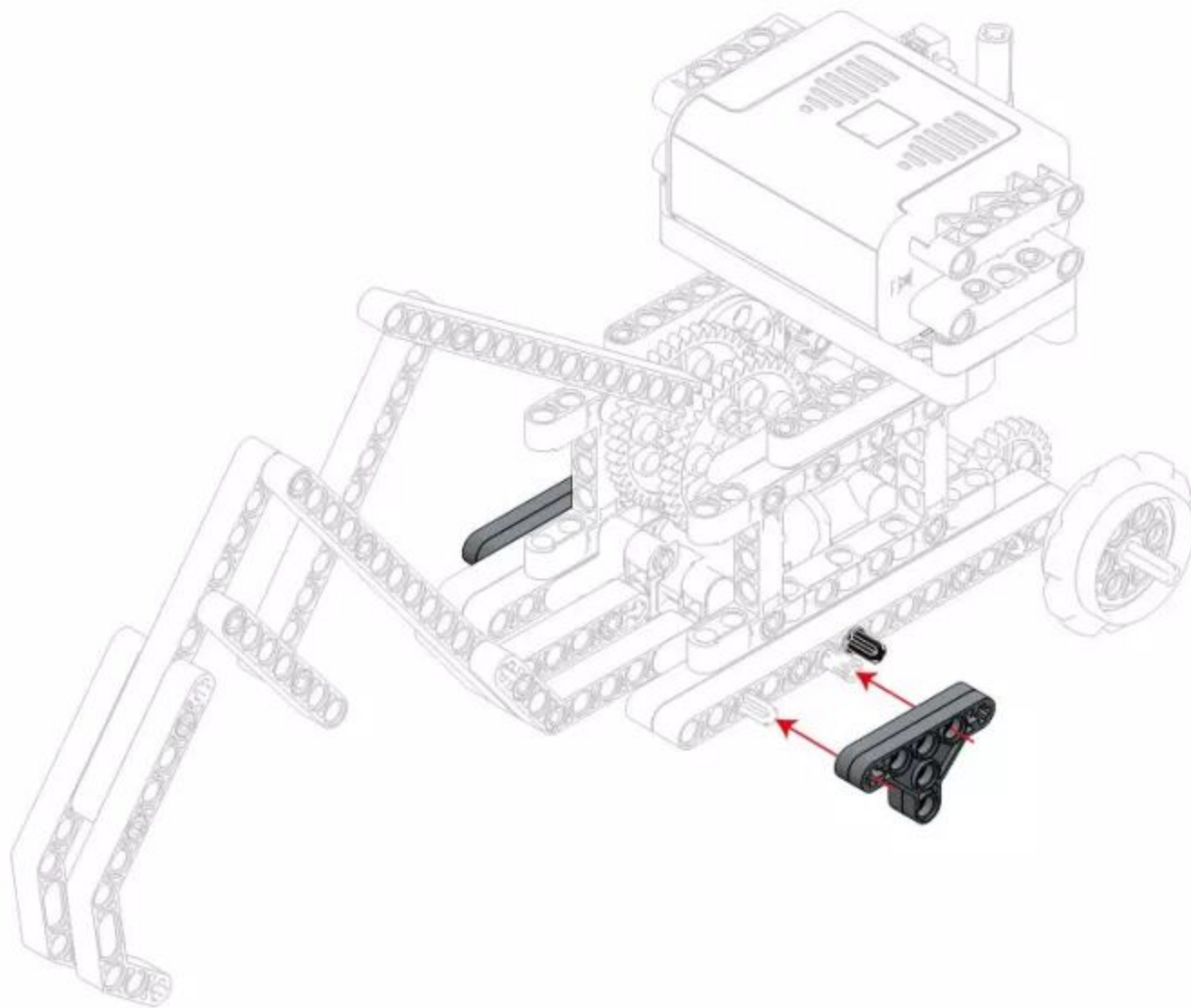
22



x4



x2



23

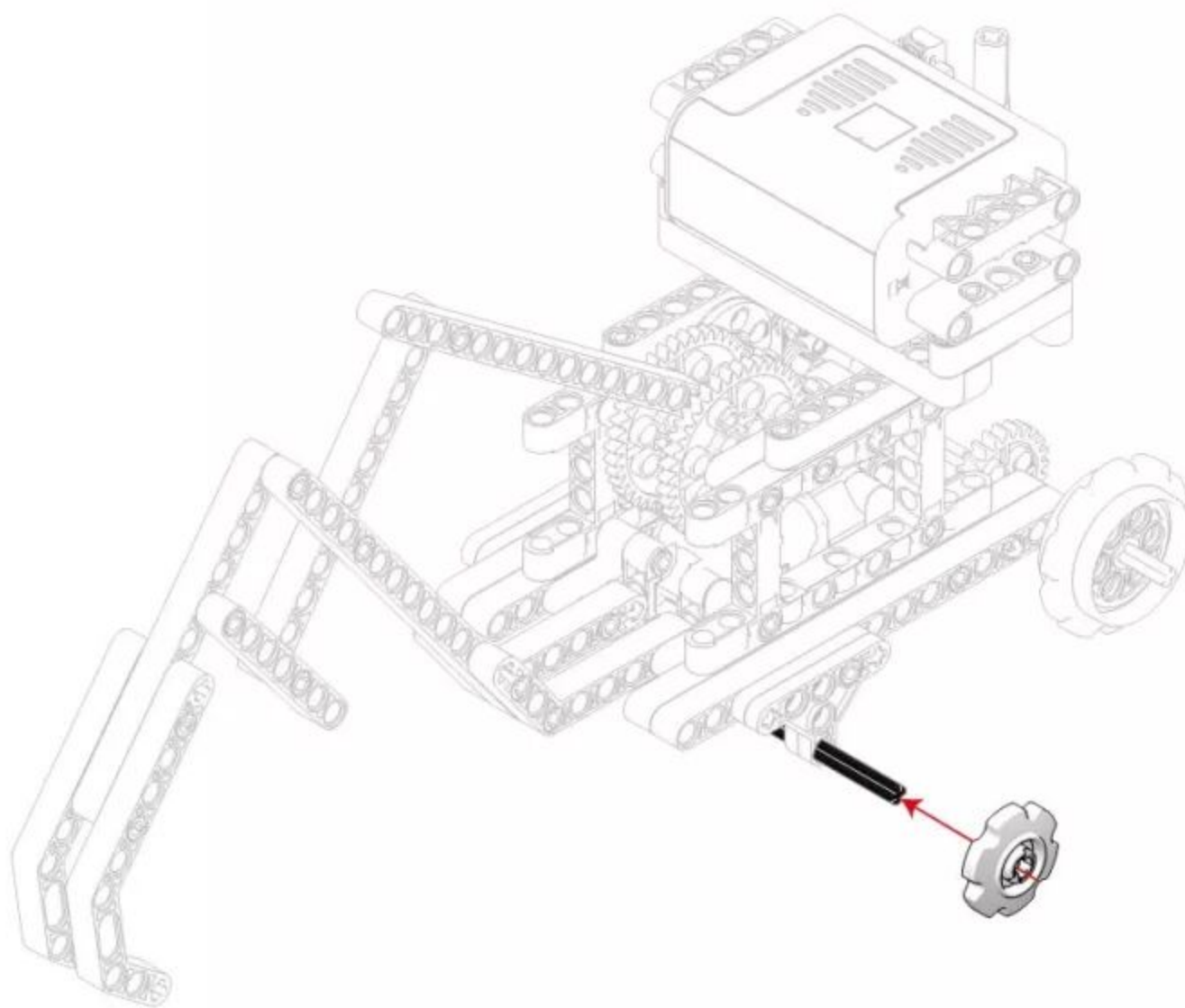
1 X 16



x1



x1



24

1 X 16



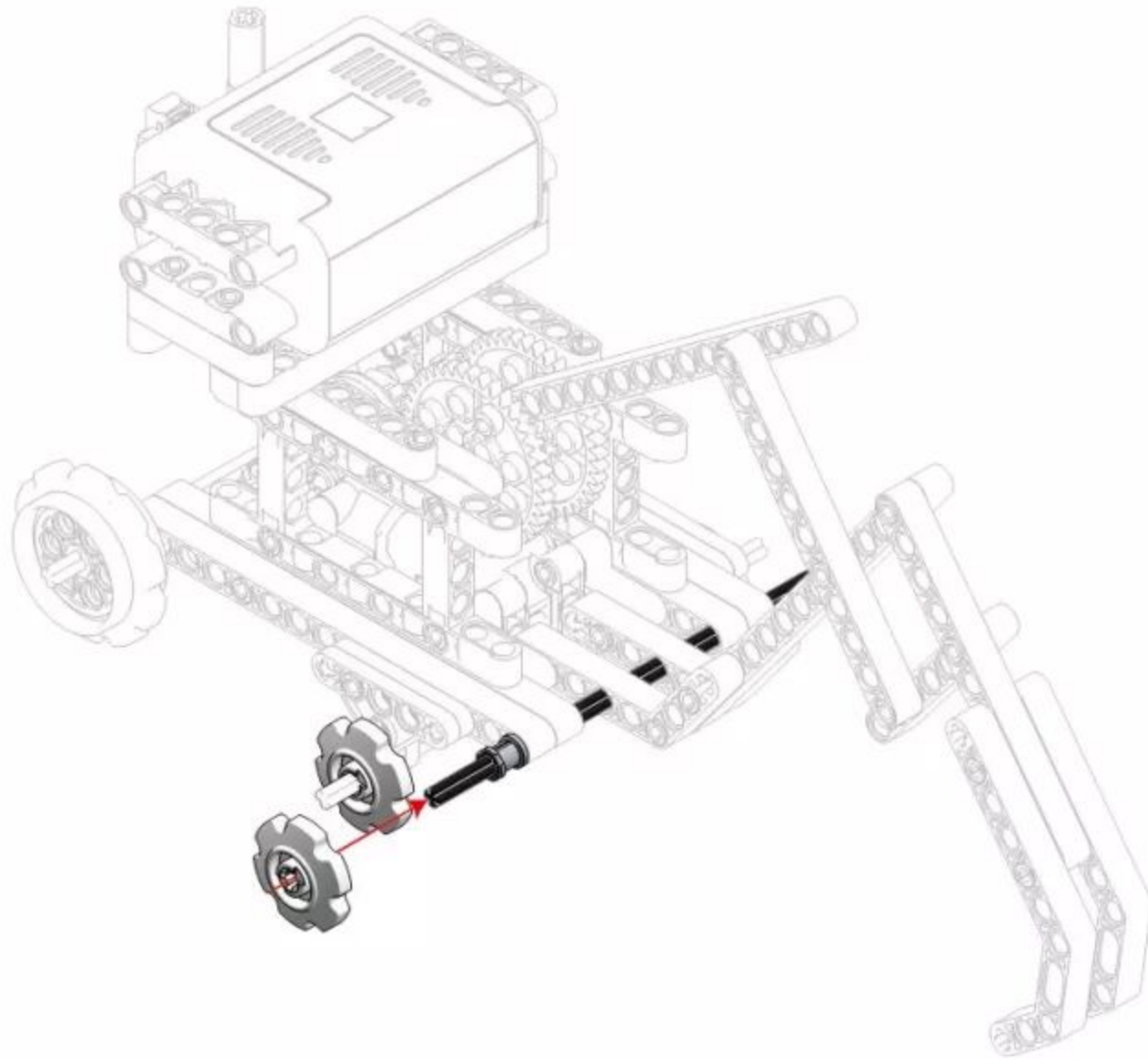
x1



x2



x1



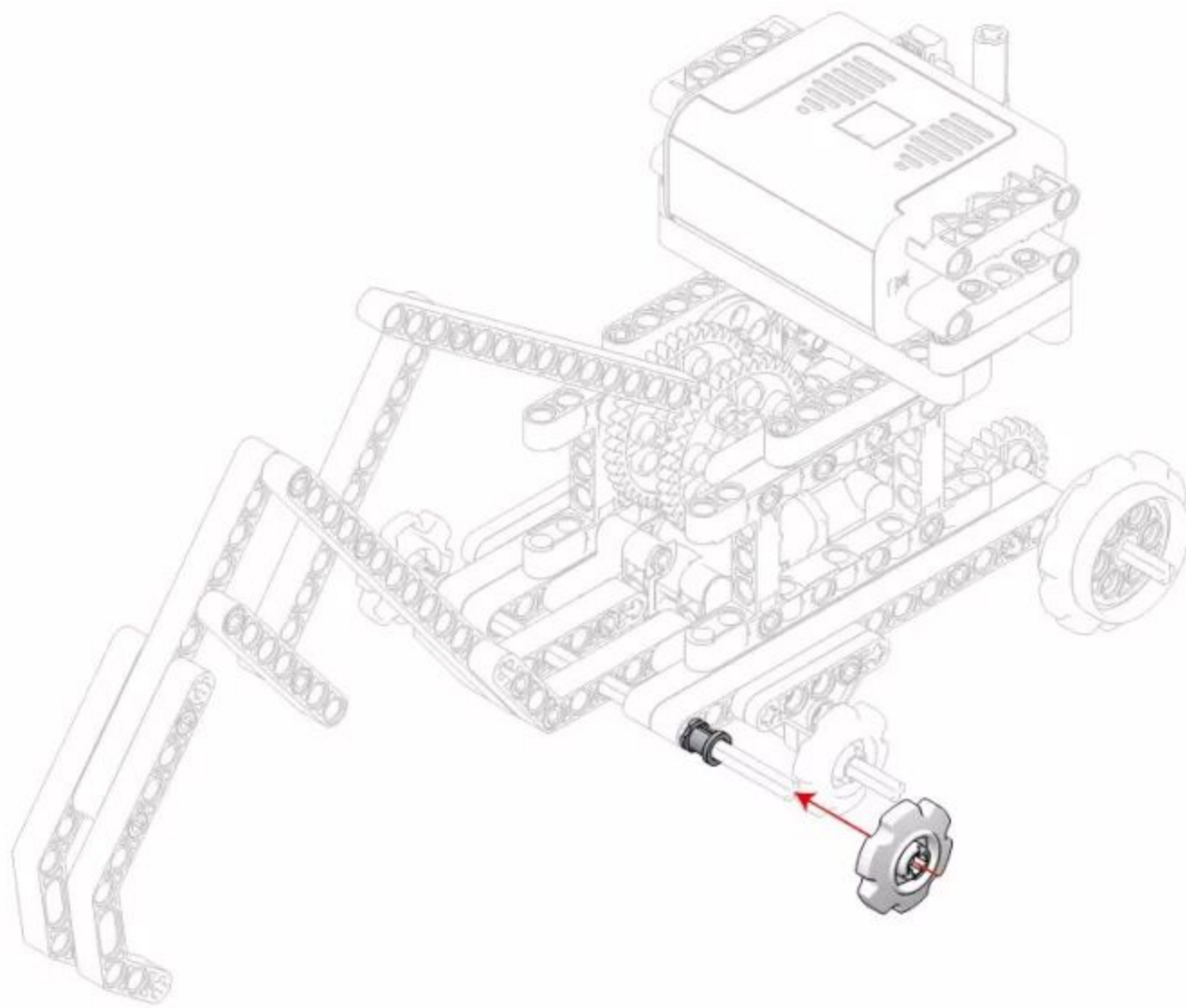
25



x1



x1



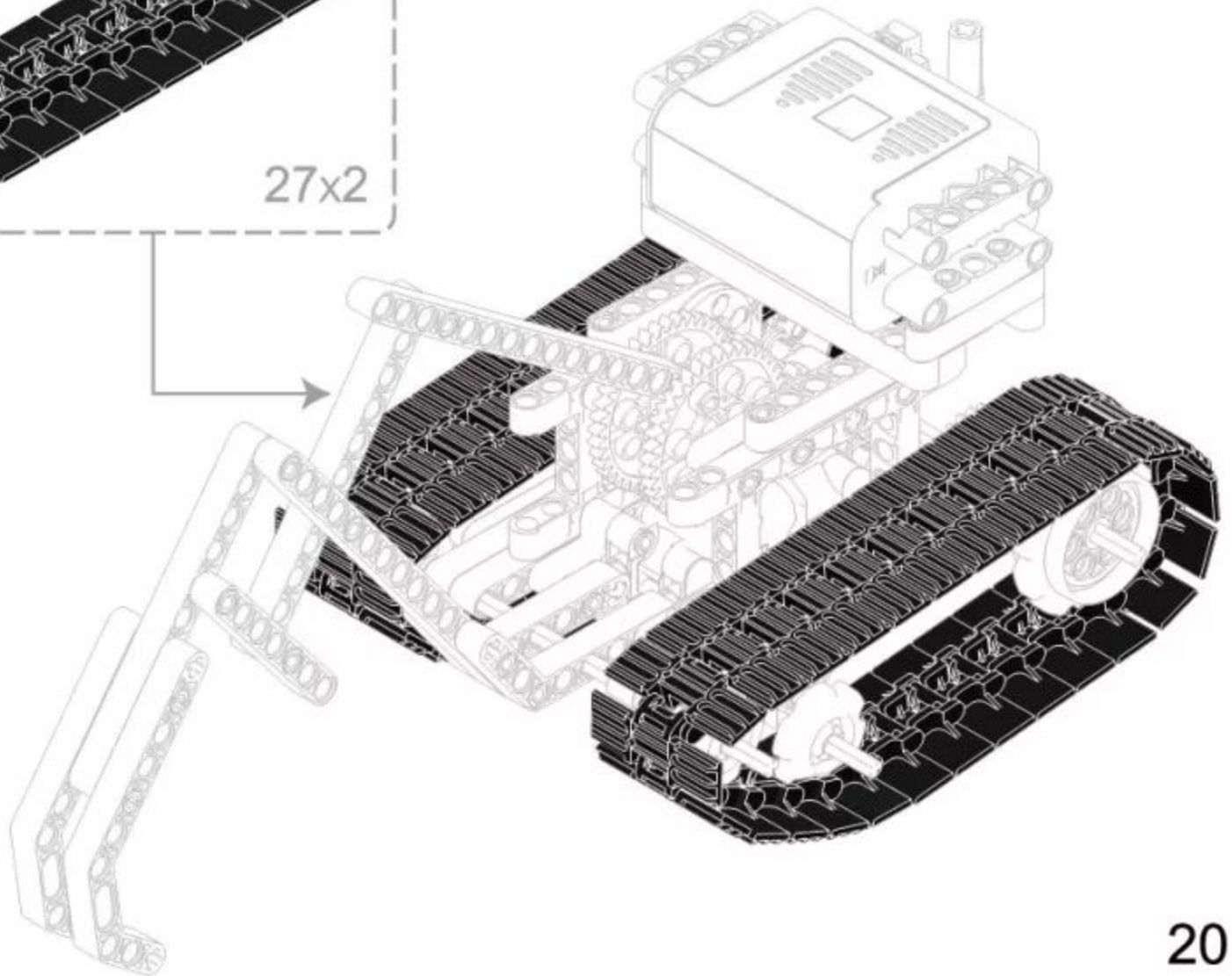
26

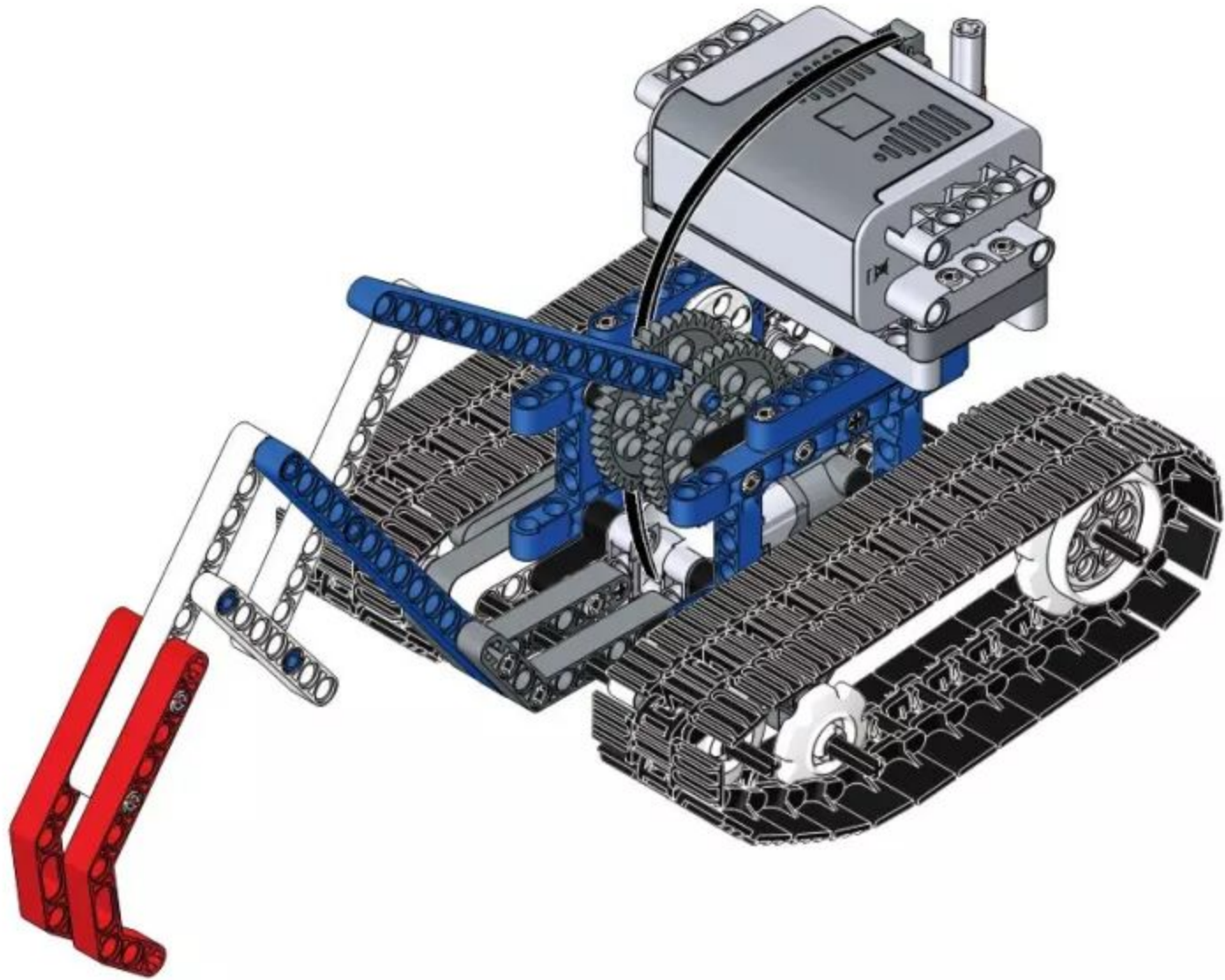


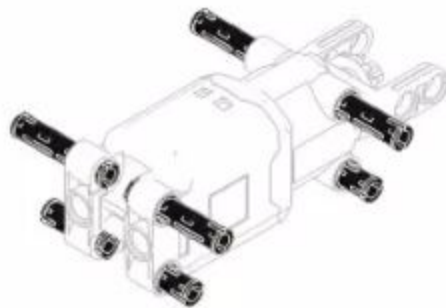
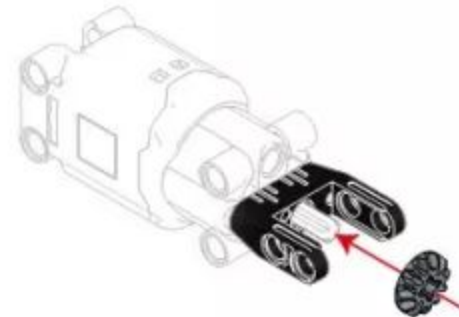
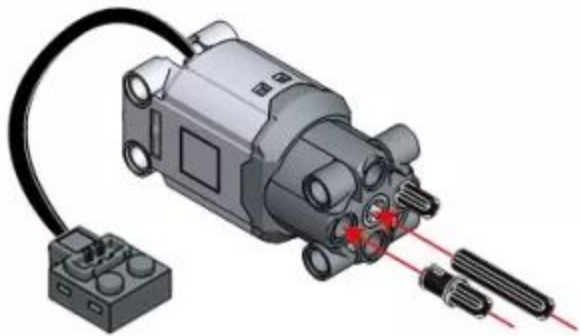
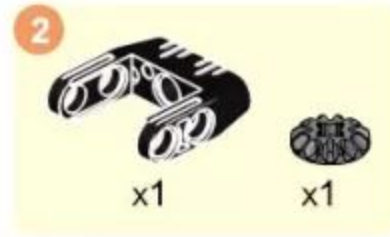
x54

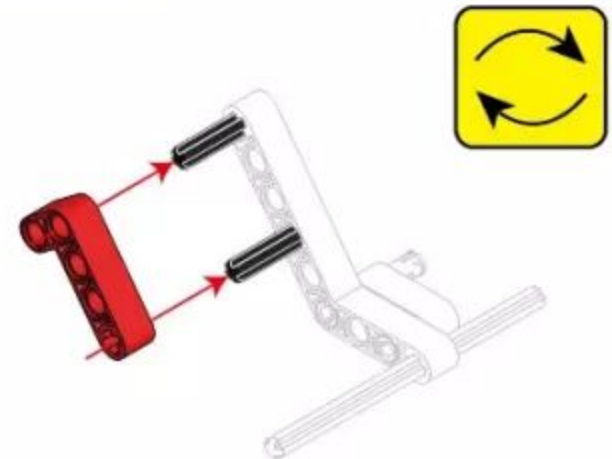
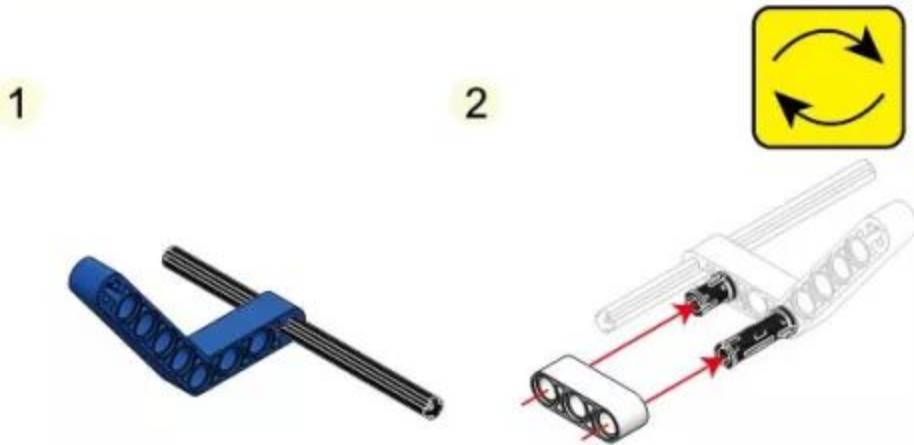
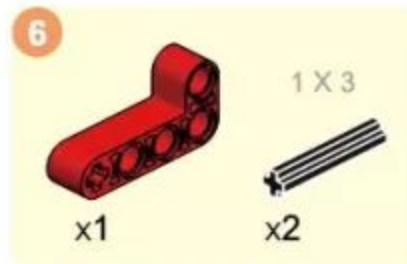
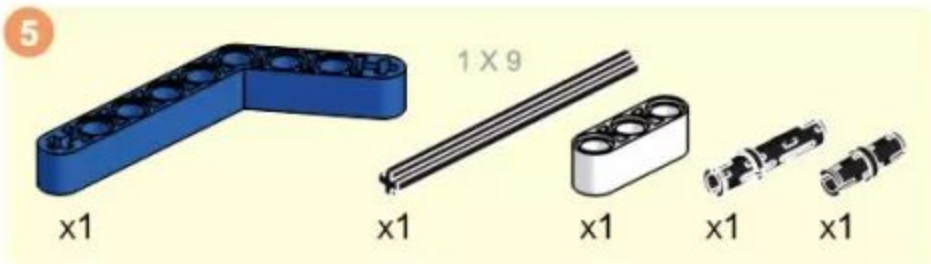
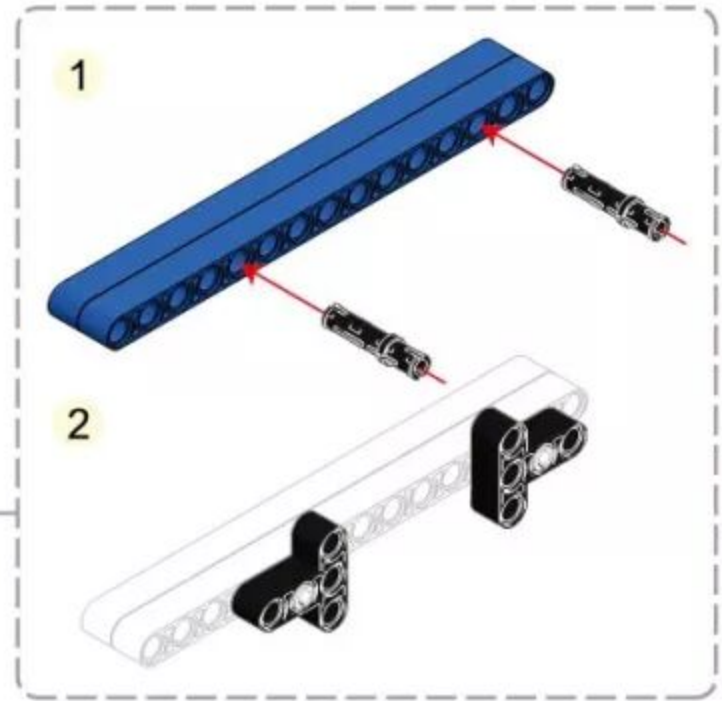
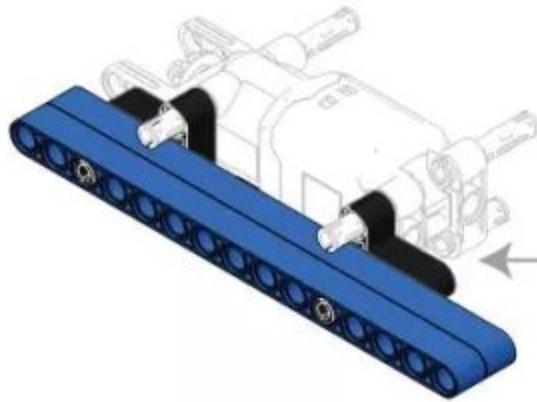
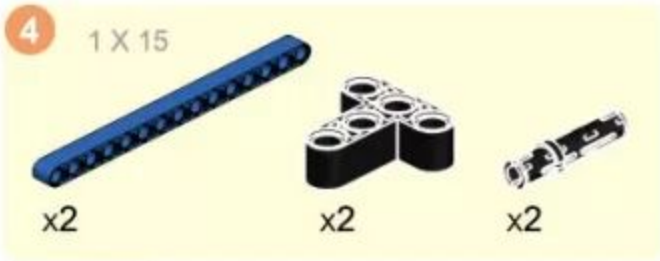


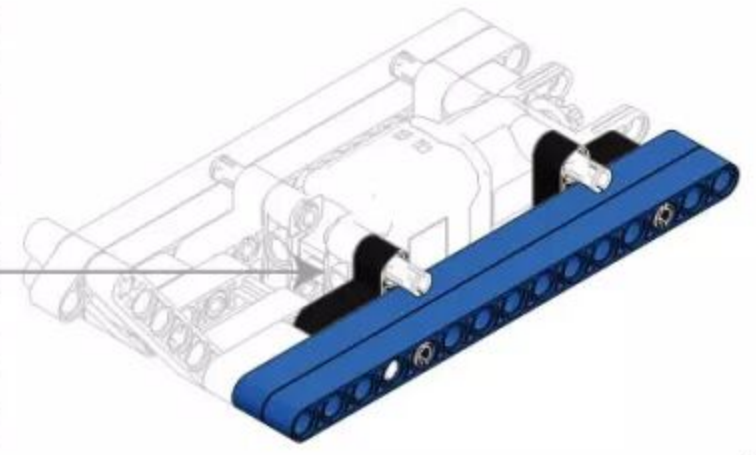
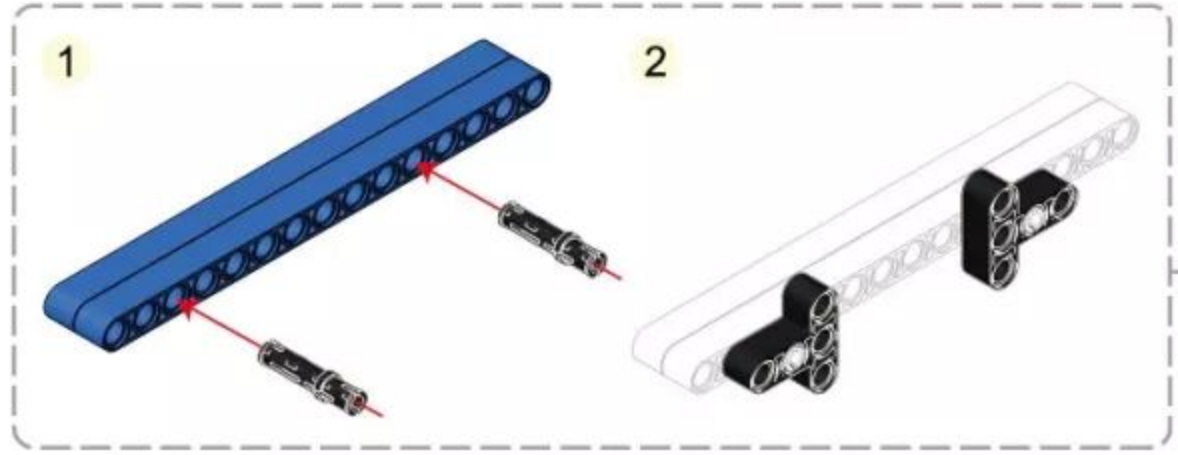
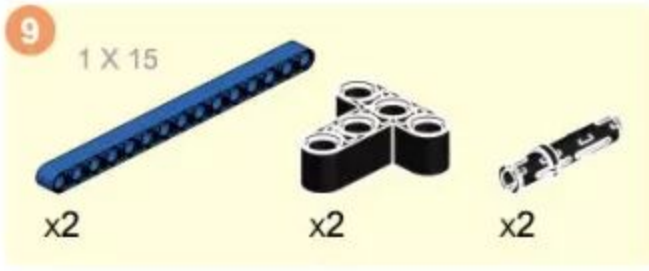
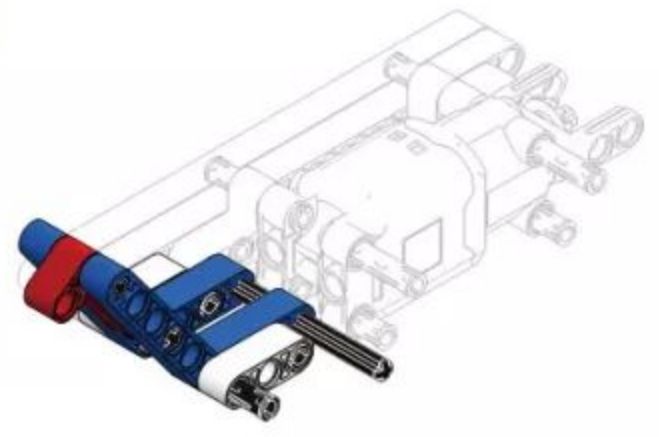
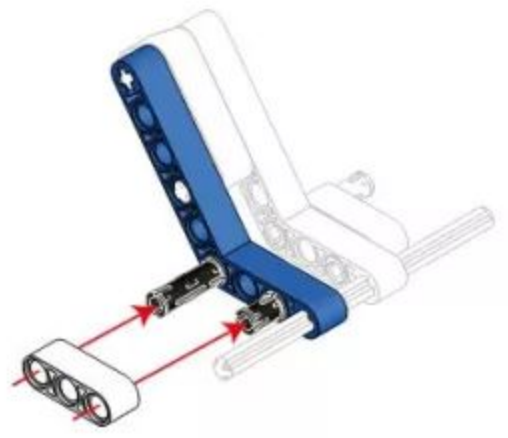
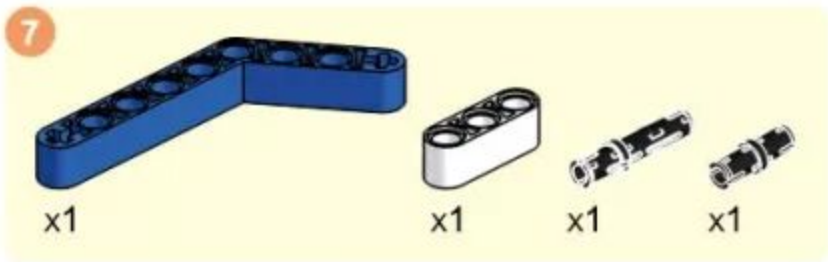
27x2

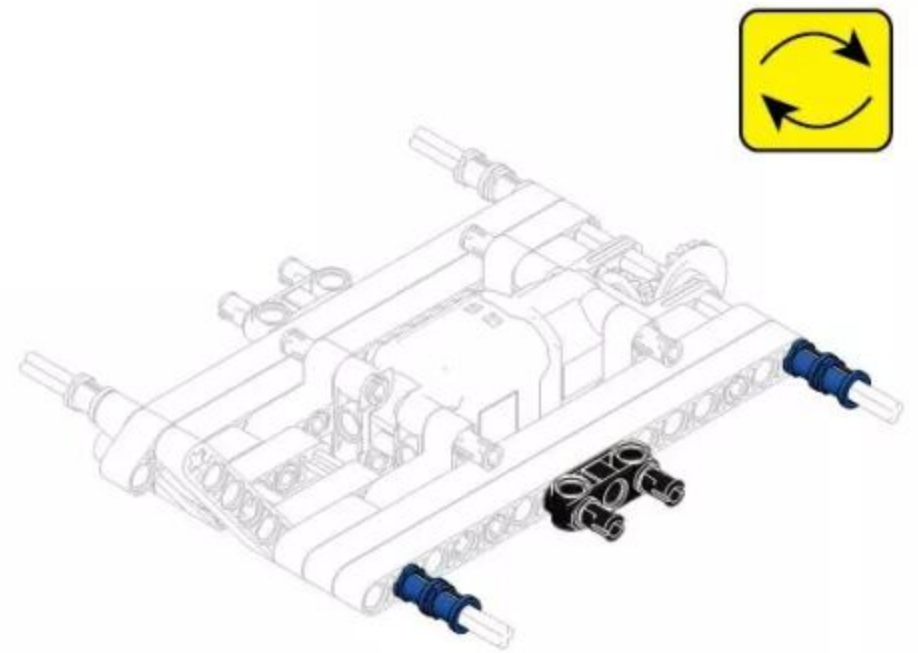
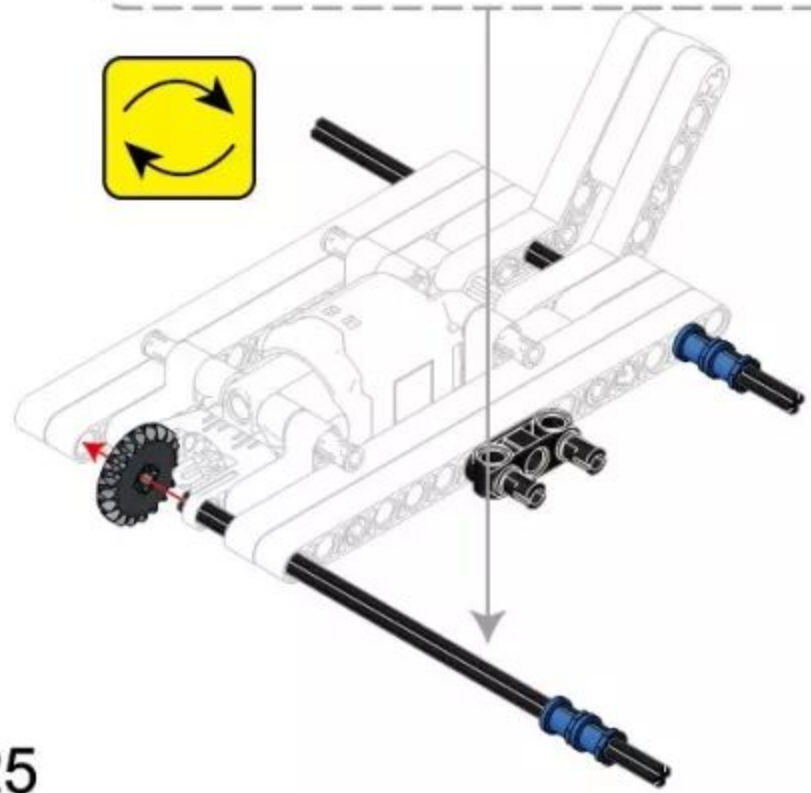
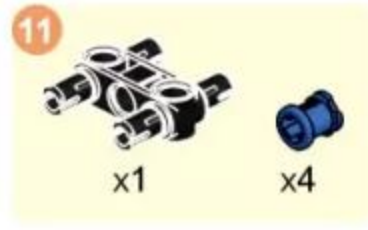


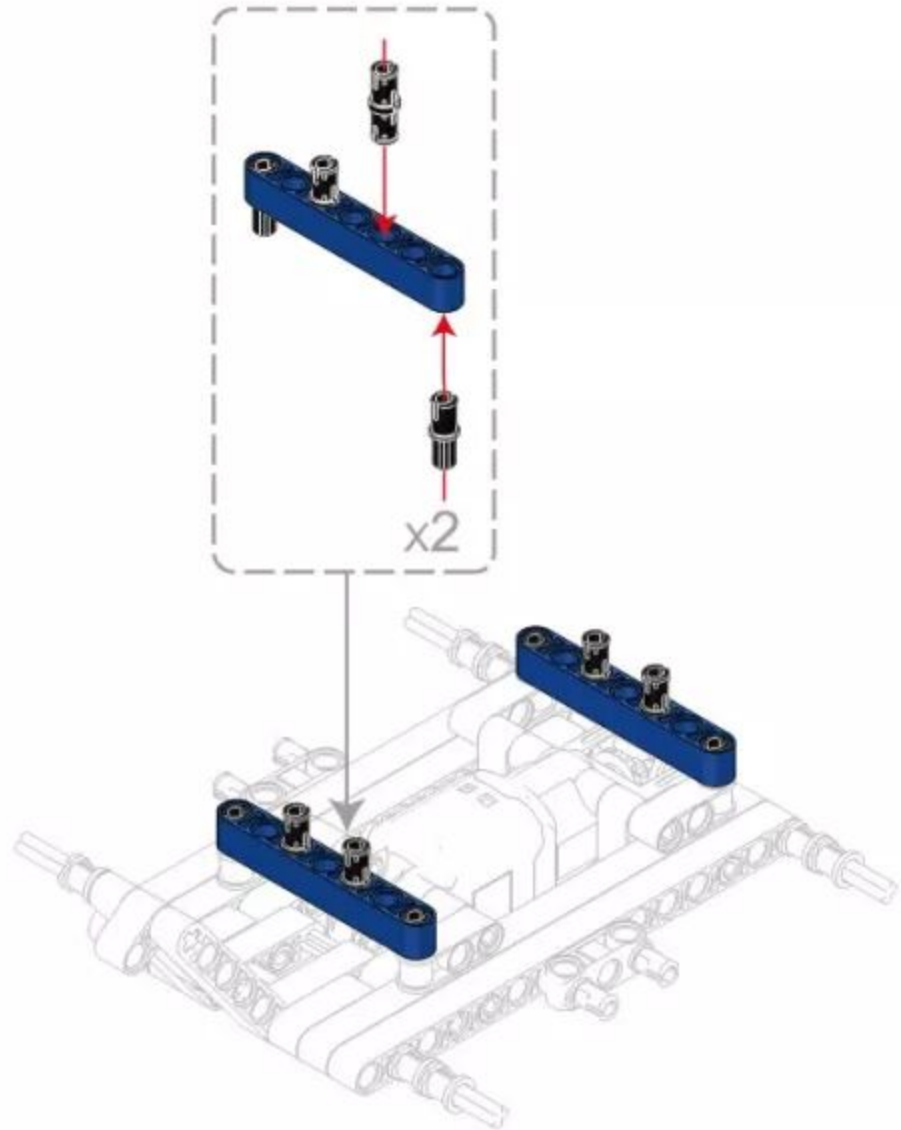
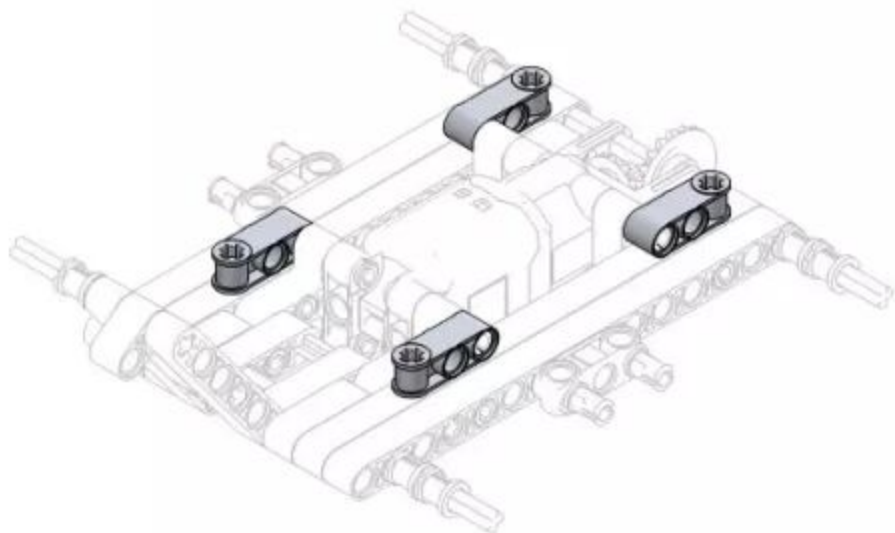
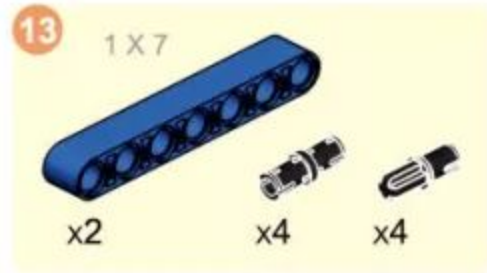




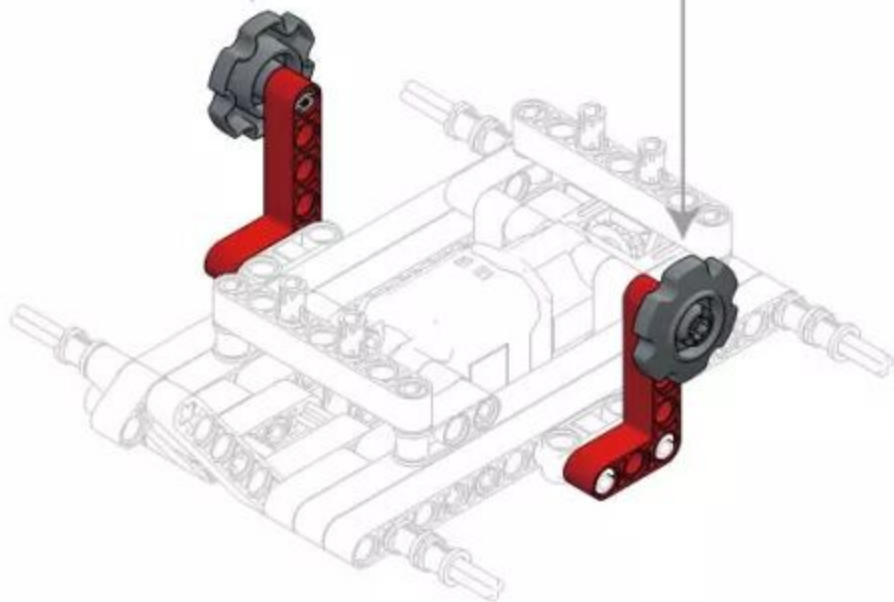
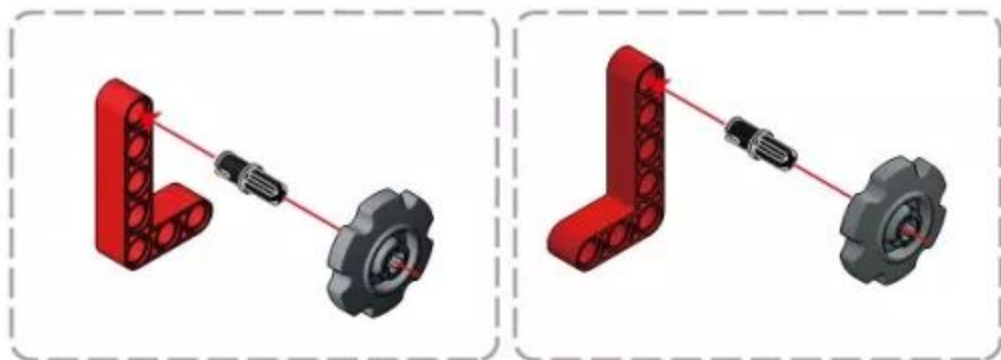
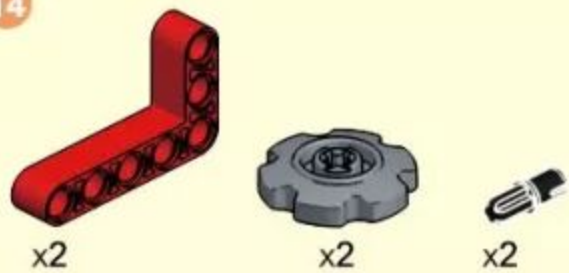




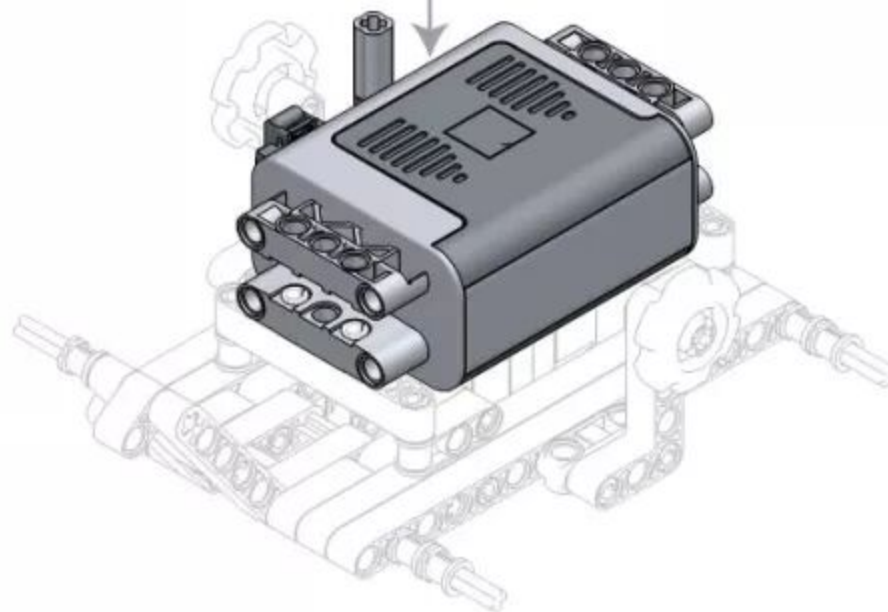
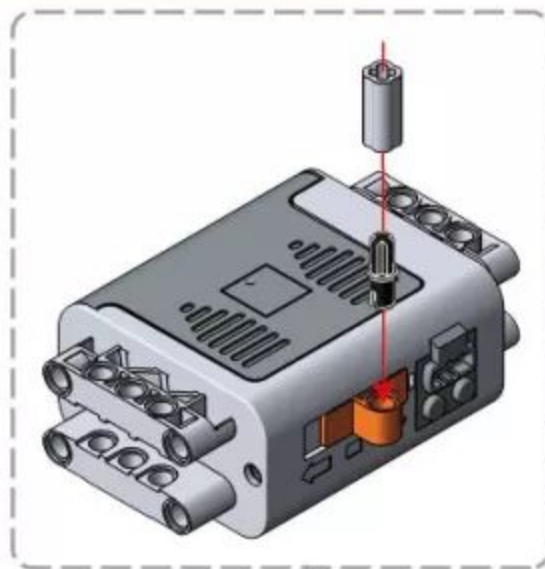
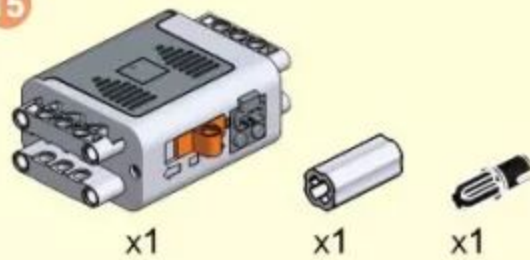




14



15



16



x4



x4



x4

1 X 7



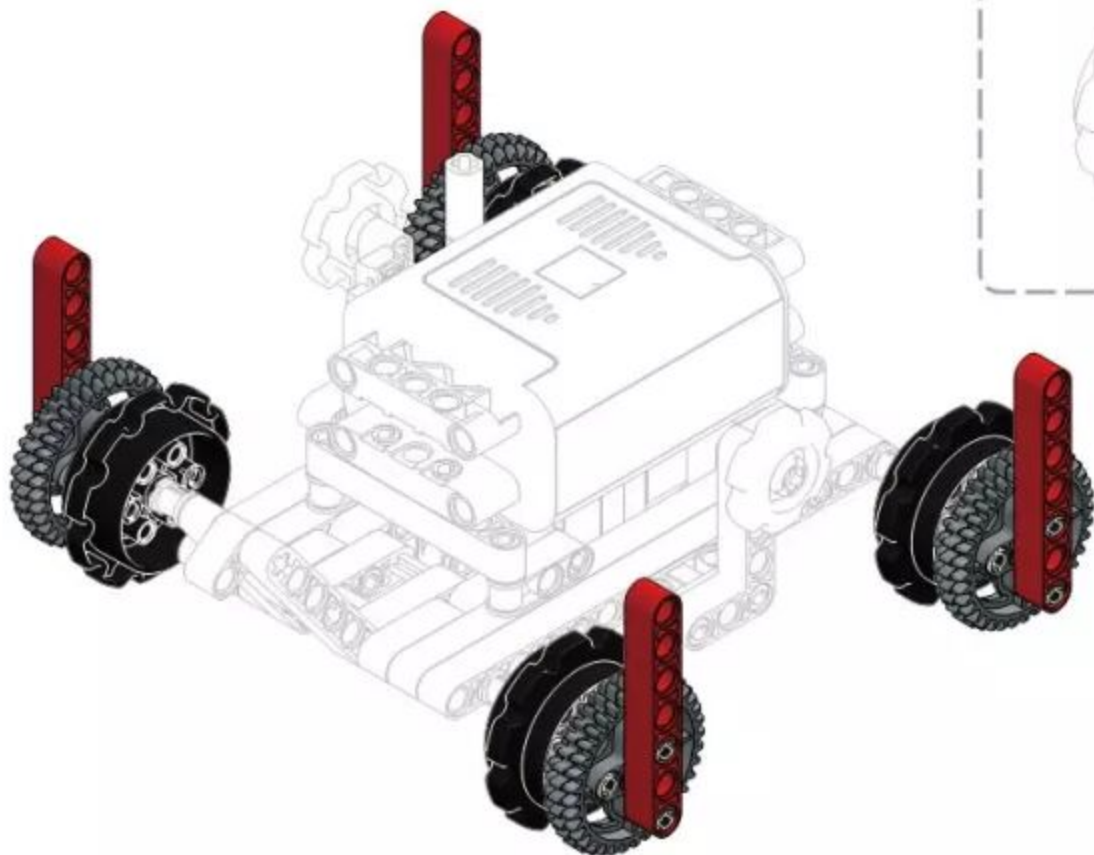
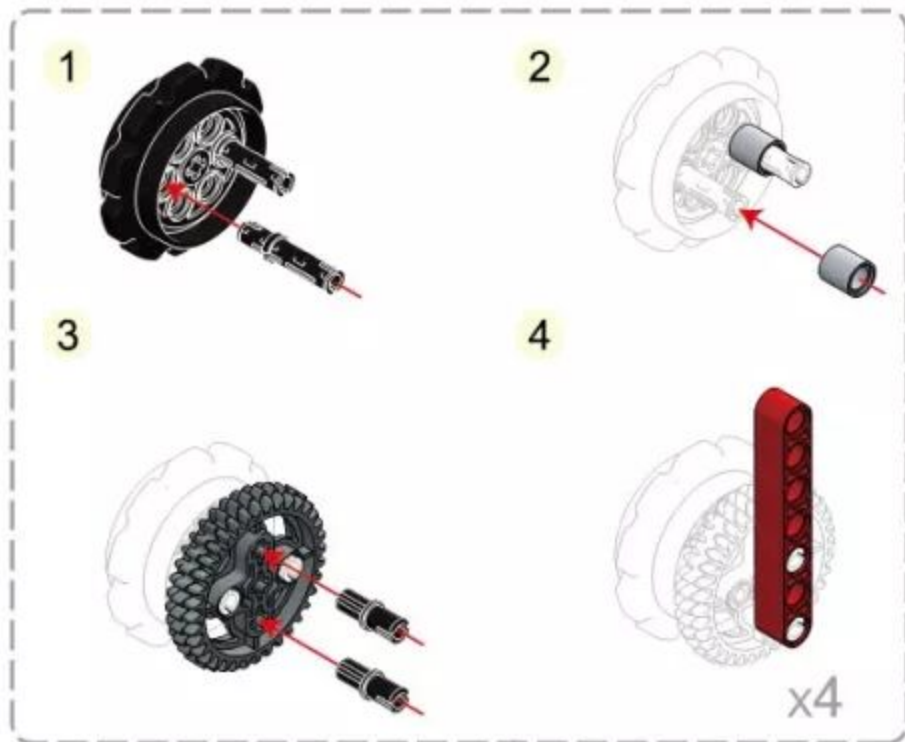
x8



x8



x8



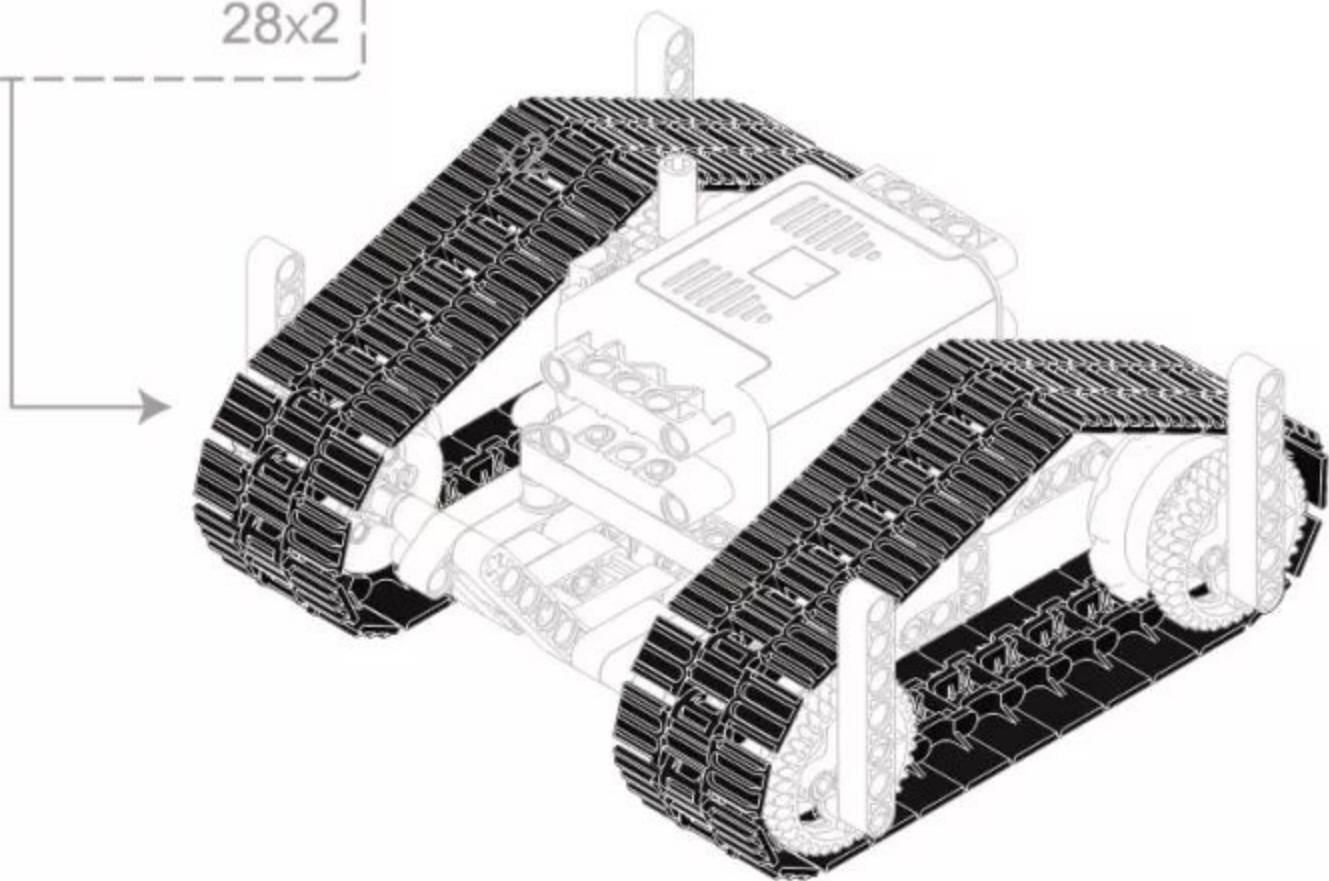
17

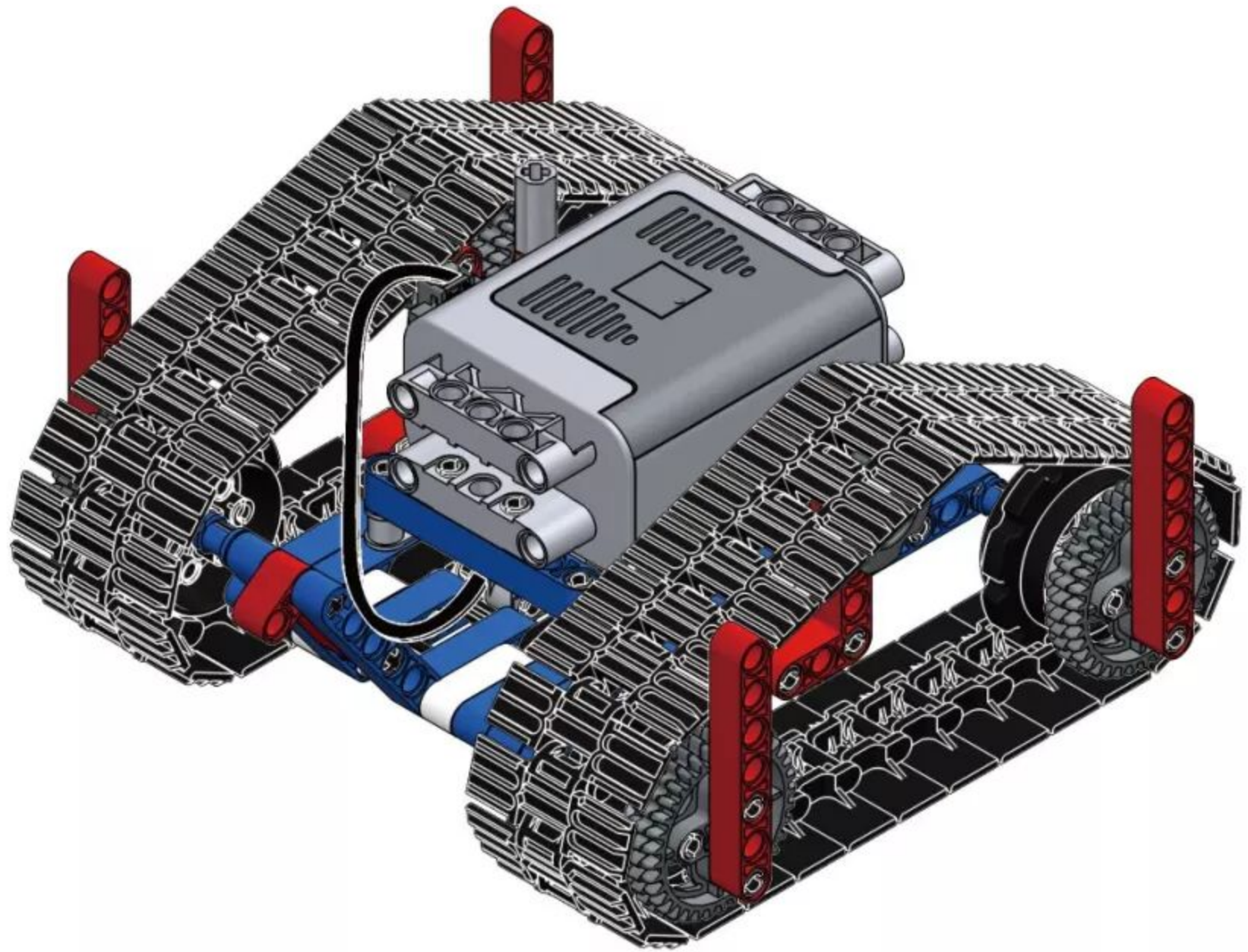


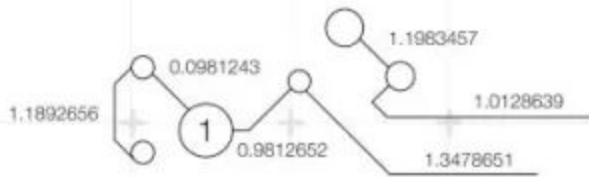
x56



28x2







STEAM TECHNICAL PARTS

FUNCTIONS & FEATURES

- SPEED VARIABLE PRINCIPLE
- CENTRIFUGAL FORCE
- APPLICATION OF THE CROWN GEAR

