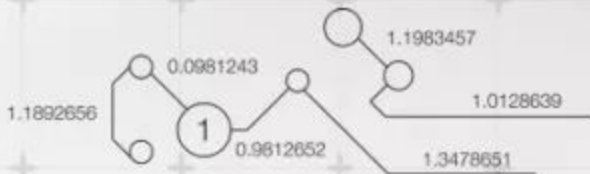


# STEAM TECHNICAL PARTS

# 2IN1

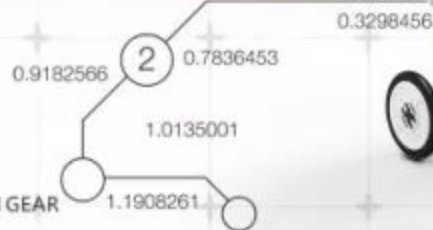
POWER MACHINERY



## 3805

### FUNCTIONS & FEATURES

- SPEED VARIABLE PRINCIPLE
- CENTRIFUGAL FORCE
- APPLICATION OF THE CROWN GEAR

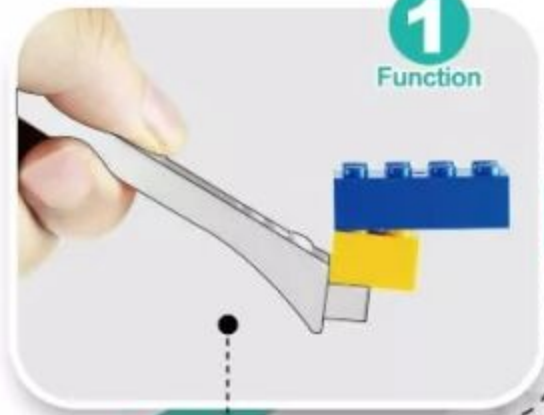


Instructions For Use

# Brickseparator

积木起件器使用说明

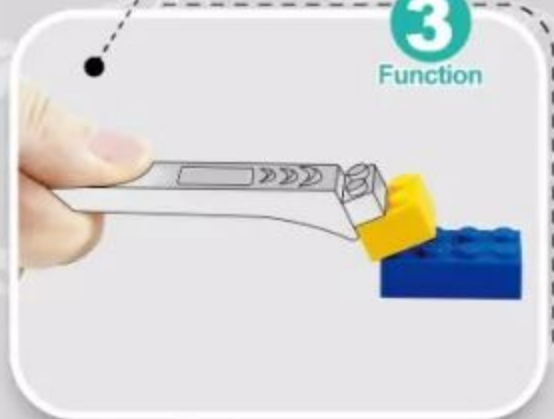
1  
Function



2  
Function



3  
Function



4  
Function



4 ways to make installation easier  
让安装更简单



# Building Blocks

拼装小技巧



- 1
- First open the product packaging according to the instructions.

按指导用正确方式拆解产品外包装。



- 2
- Summarize all parts to count the number of familiar accessories.

拆开积木包装对照说明书清单确认积木数量。



- 3
- Arranging all accessories by color helps to quickly install the product.

把确认好的积木以颜色进行分类排好以便安装。



- 4
- Carefully install the product and learn about building.











按说明书步骤拼装并完成你的积木模型。



INSTALLATION  
TIPS

# 1:1 Physical Reference Table

十字棒配件1:1尺寸参照表

<b>2</b>	$(1 \times 2) = 2$	
<b>3</b>	$(1 \times 3) = 3$	
<b>4</b>	$(1 \times 4) = 4$	
<b>5</b>	$(1 \times 5) = 5$	
<b>6</b>	$(1 \times 6) = 6$	
<b>7</b>	$(1 \times 7) = 7$	
<b>8</b>	$(1 \times 8) = 8$	
<b>9</b>	$(1 \times 9) = 9$	
<b>10</b>	$(1 \times 10) = 10$	
<b>12</b>	$(1 \times 12) = 12$	
<b>16</b>	$(1 \times 16) = 16$	



**1:1**

Instructions For Use

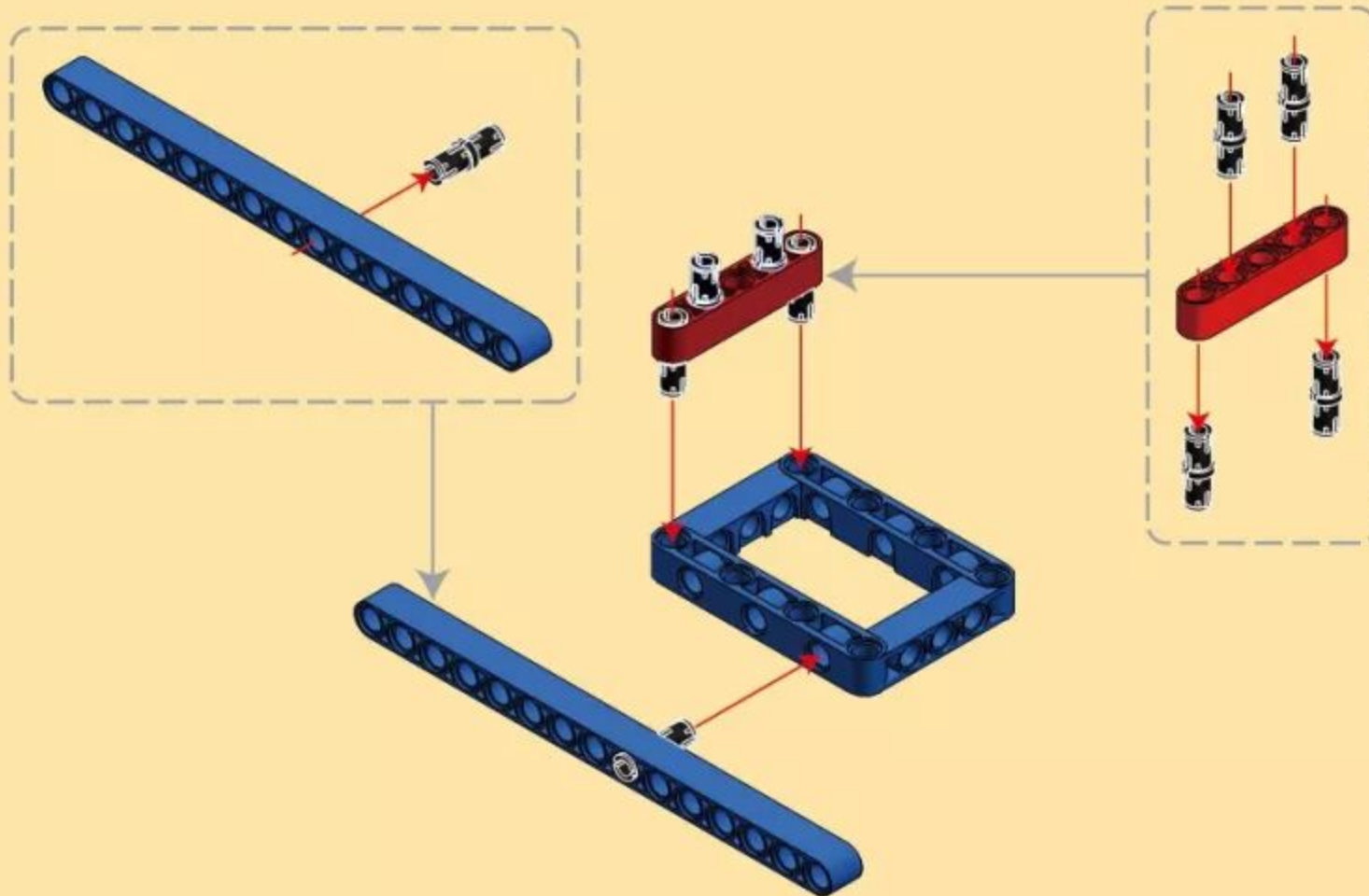
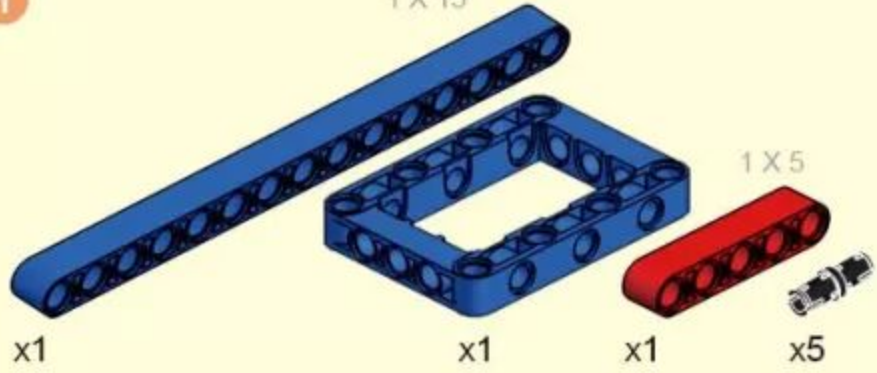
让安装更简单



1

1 X 15

1 X 5



2

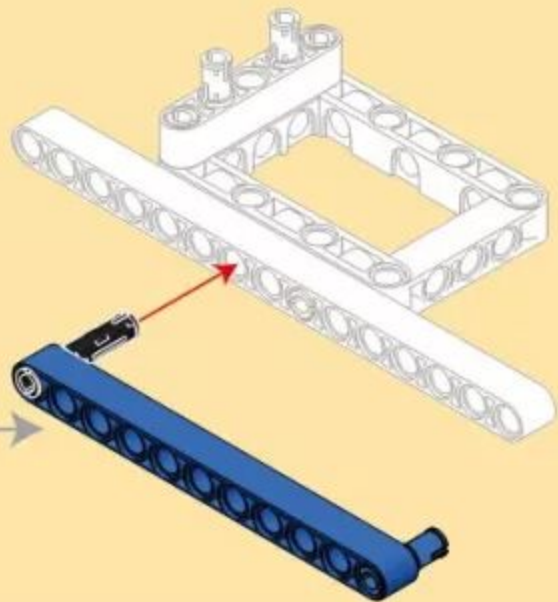
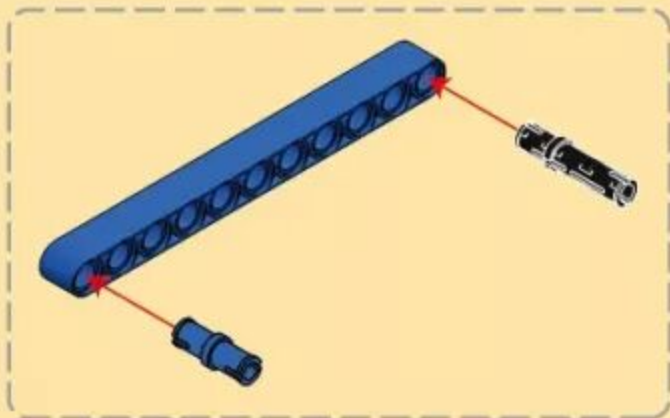
1 X 11



x1

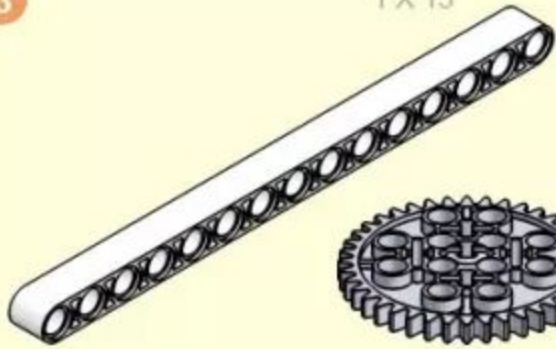
x1

x1

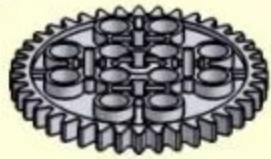


3

1 X 15



x1



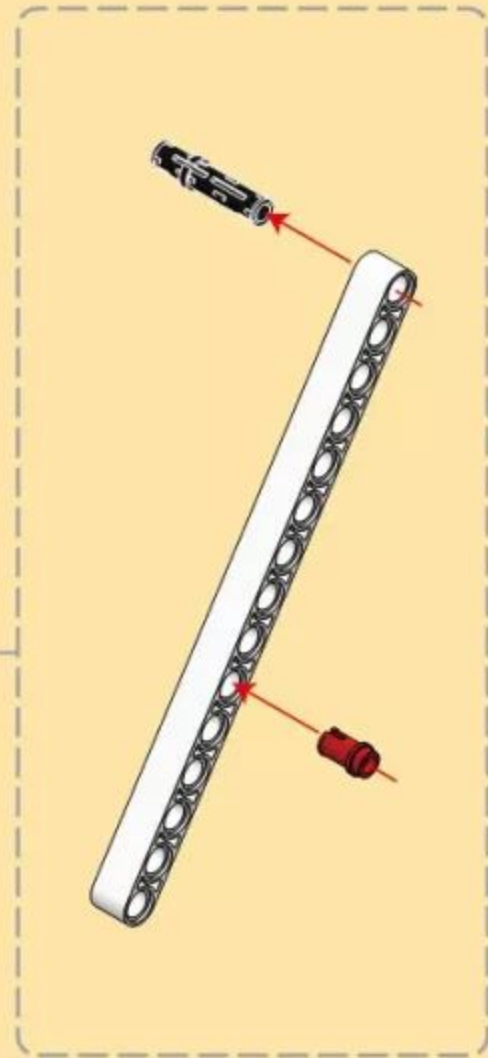
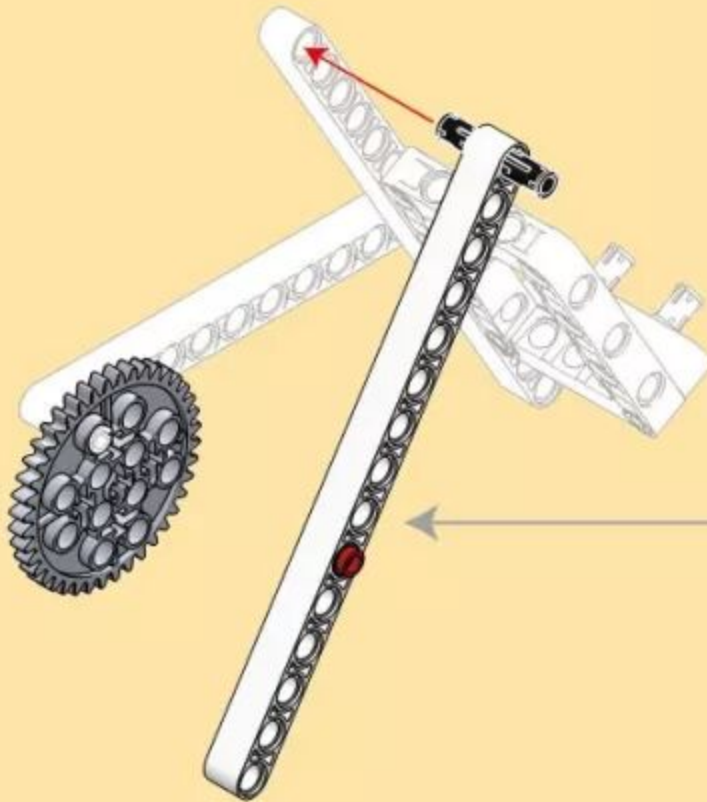
x1



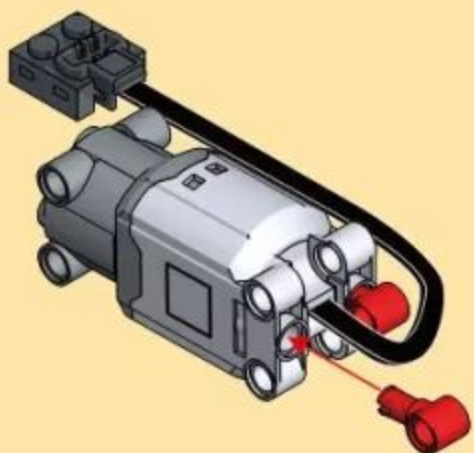
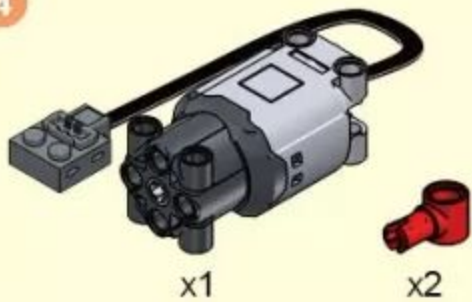
x1



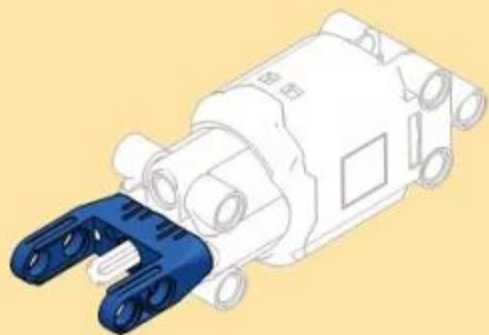
x1



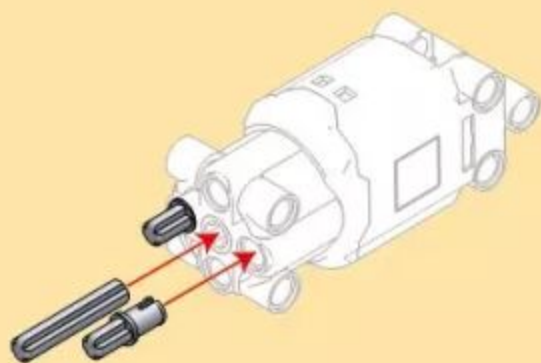
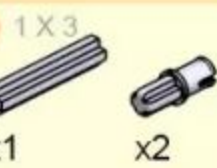
4



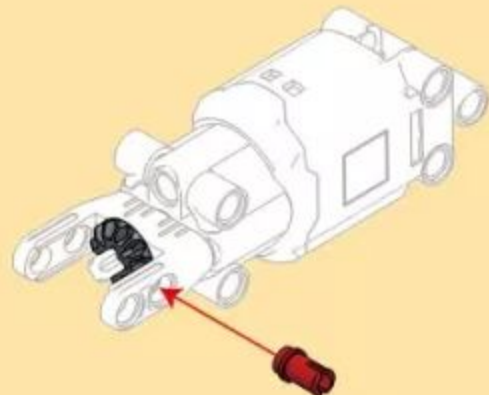
6



5



7



8

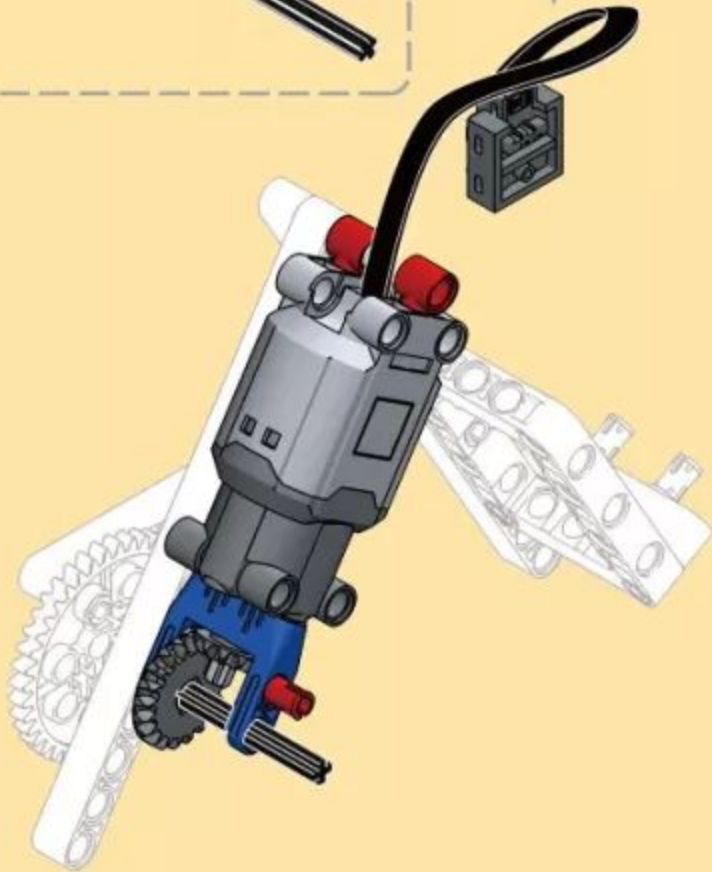
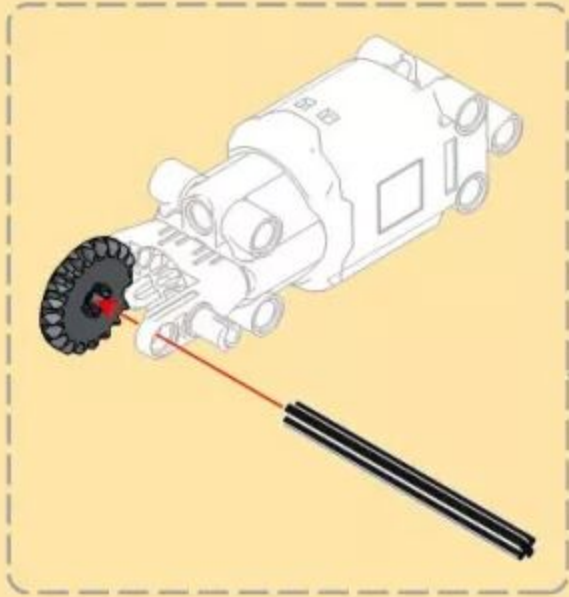
1 X 7



x1



x1



9

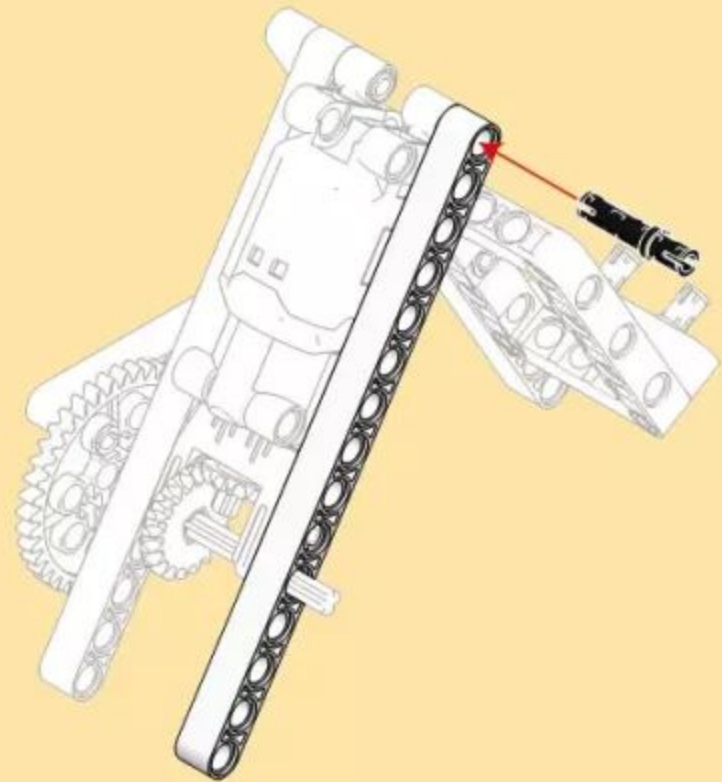
1 X 15



x1



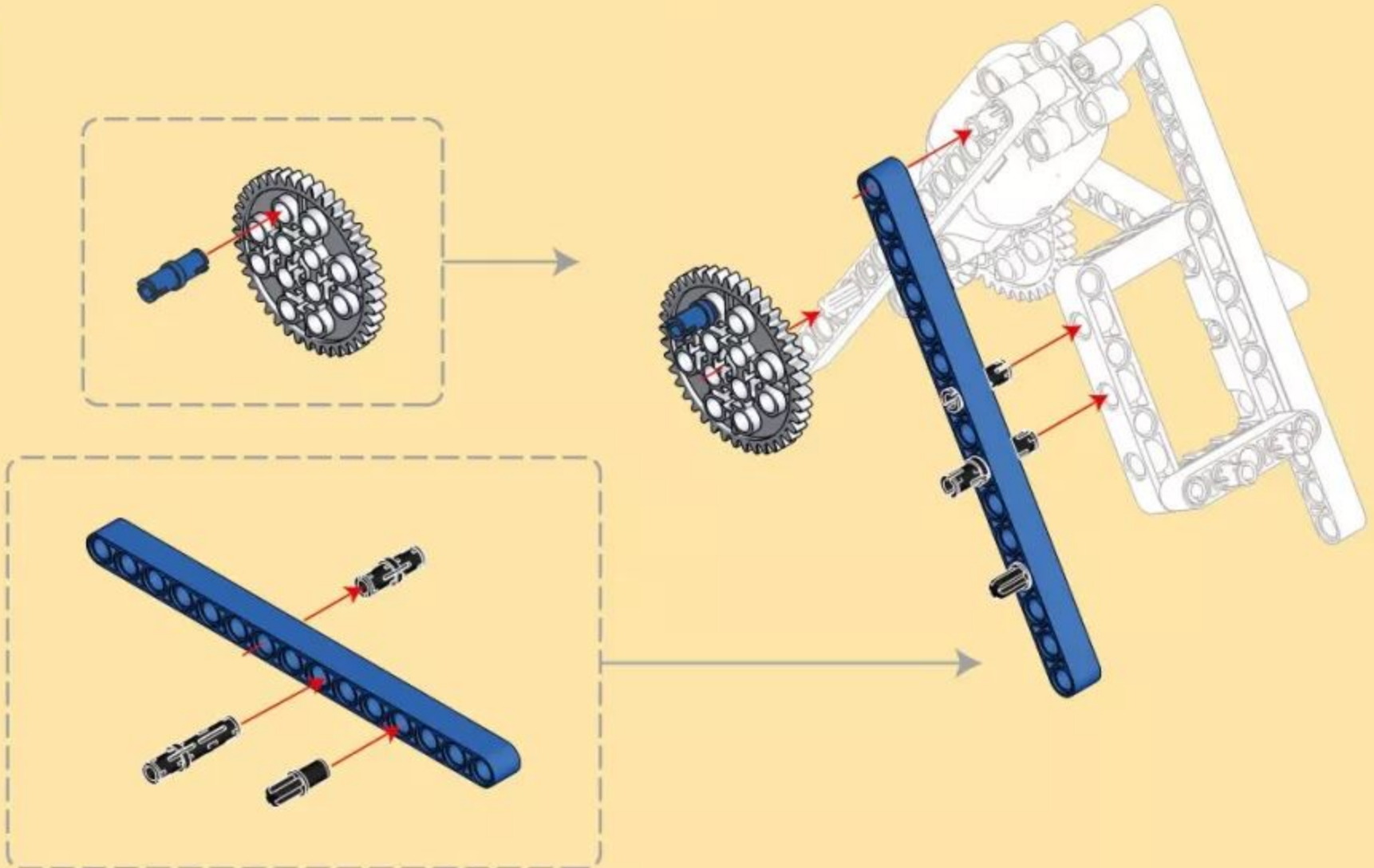
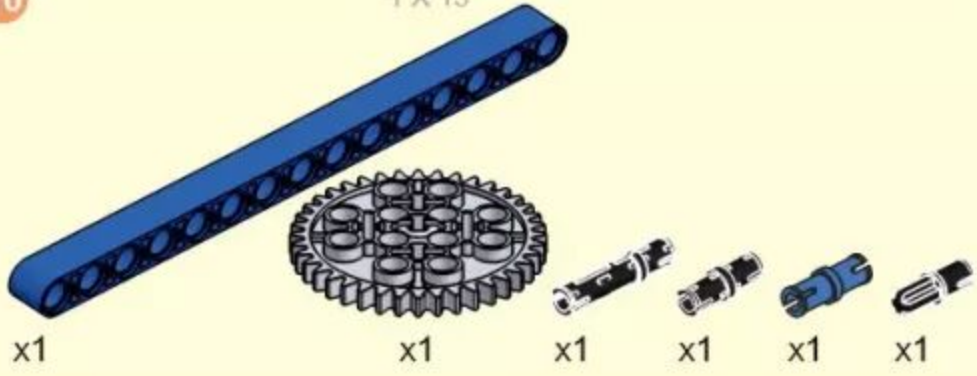
x1



9

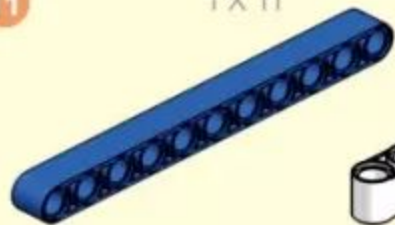
10

1 X 15



11

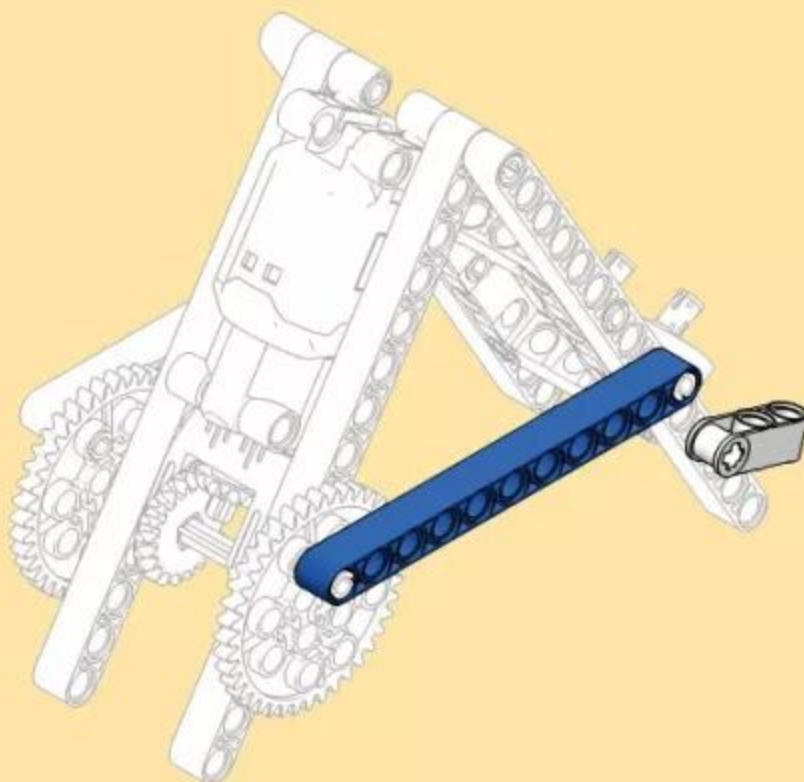
1 X 11



x1



x1



12

1 X 10



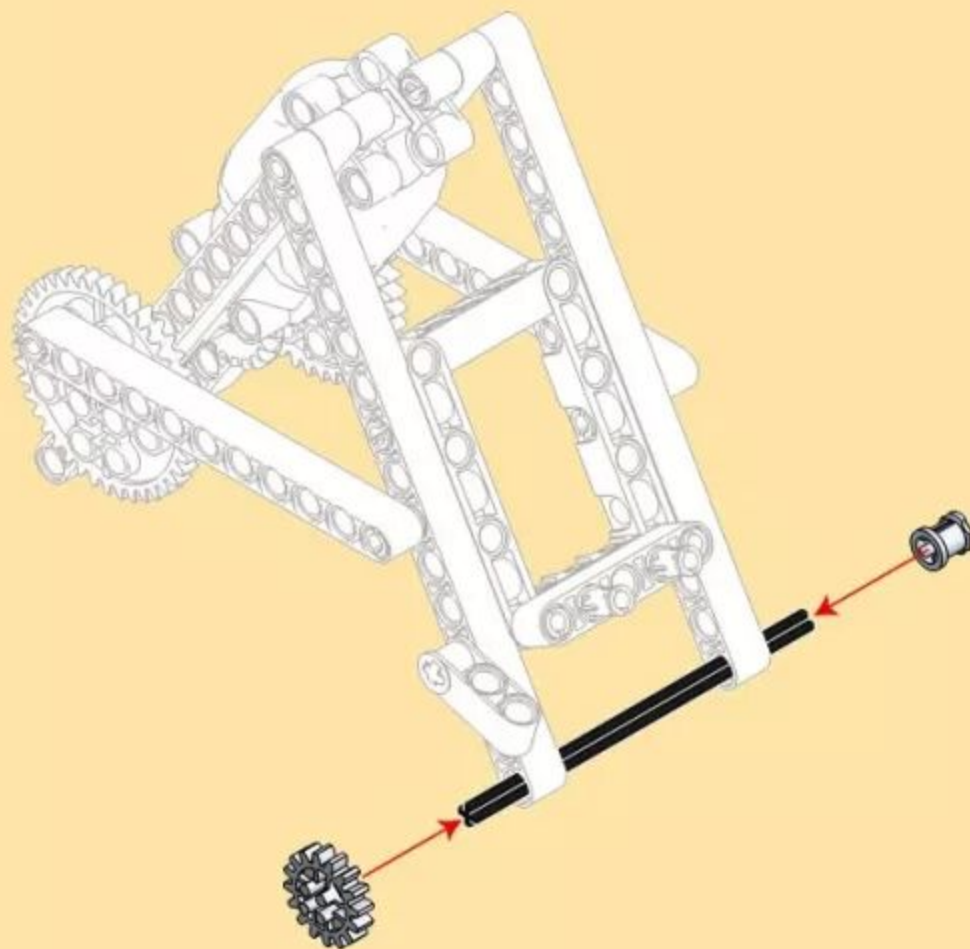
x1



x1



x1



13

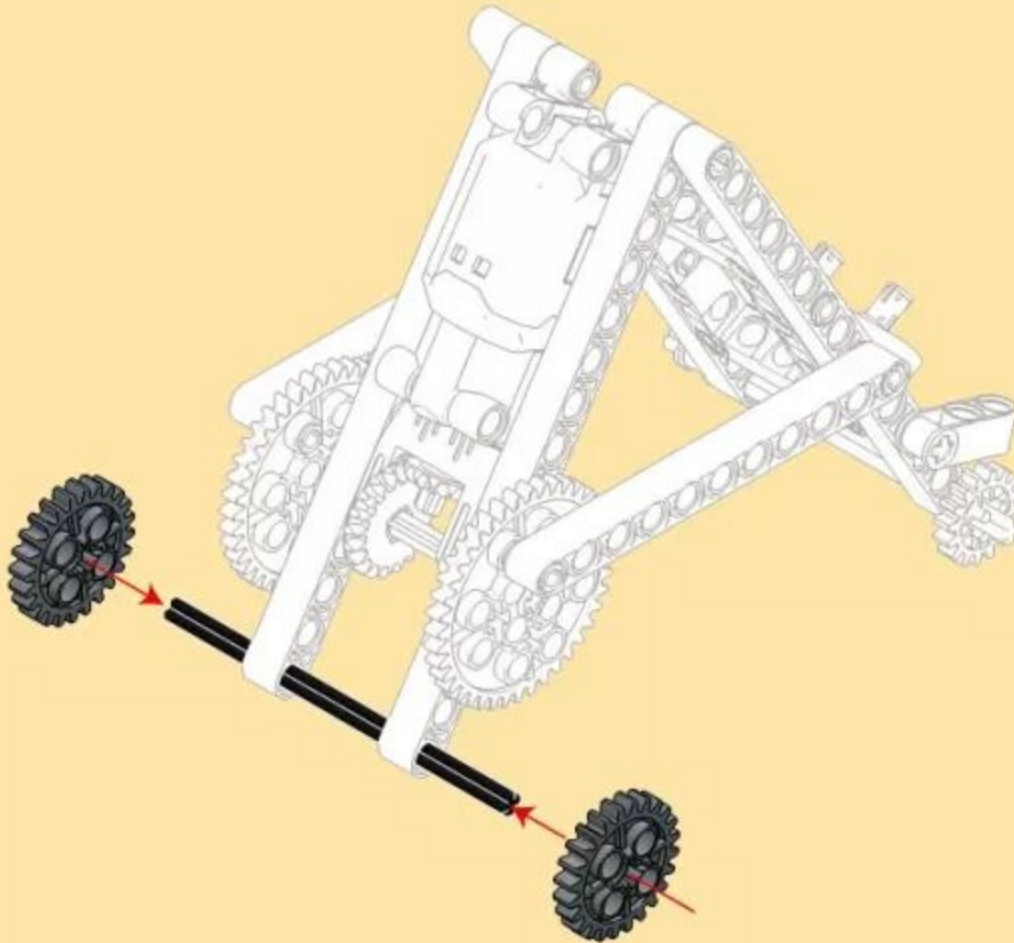
1 X 10



x1



x2



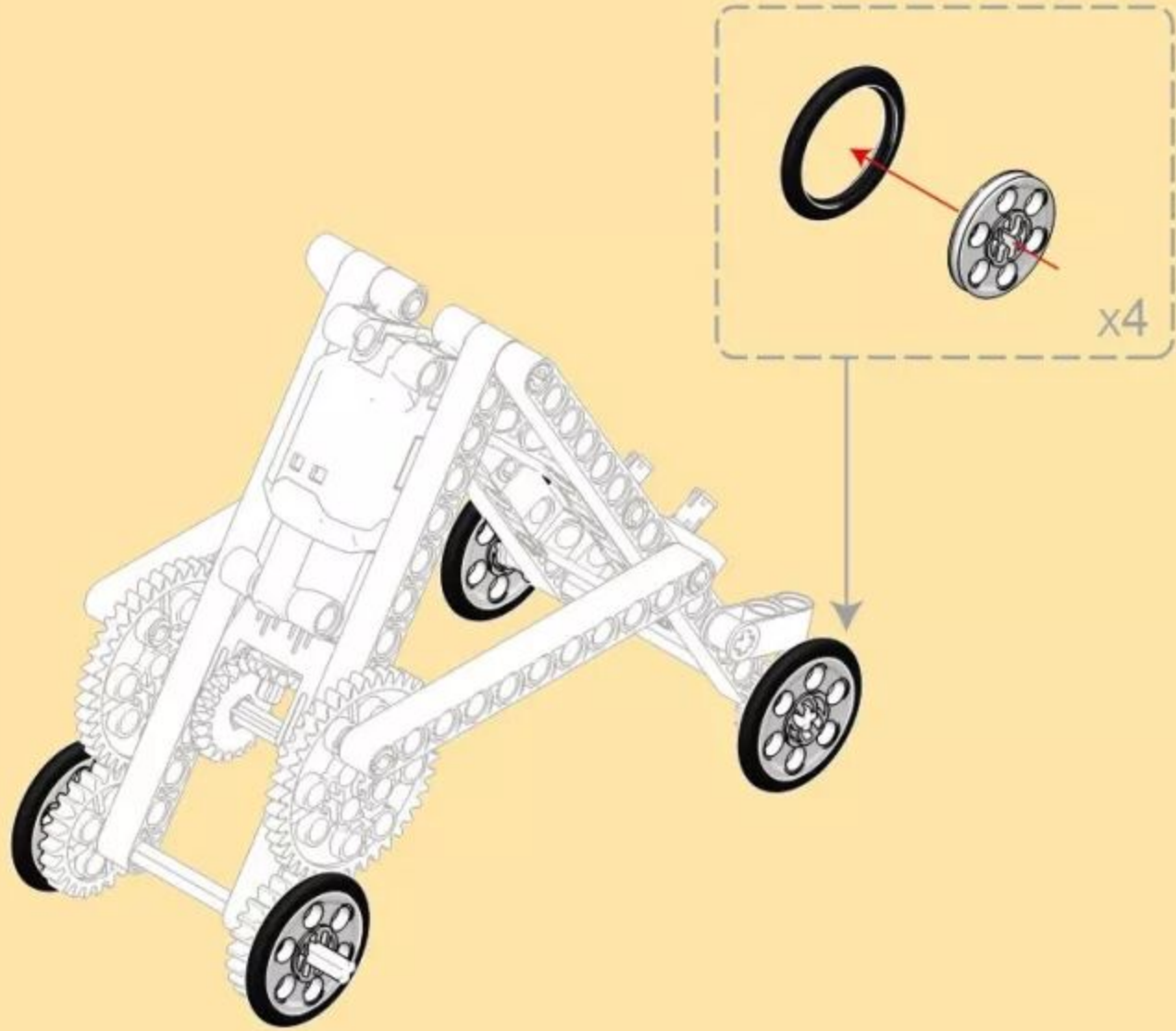
14



x4



x4

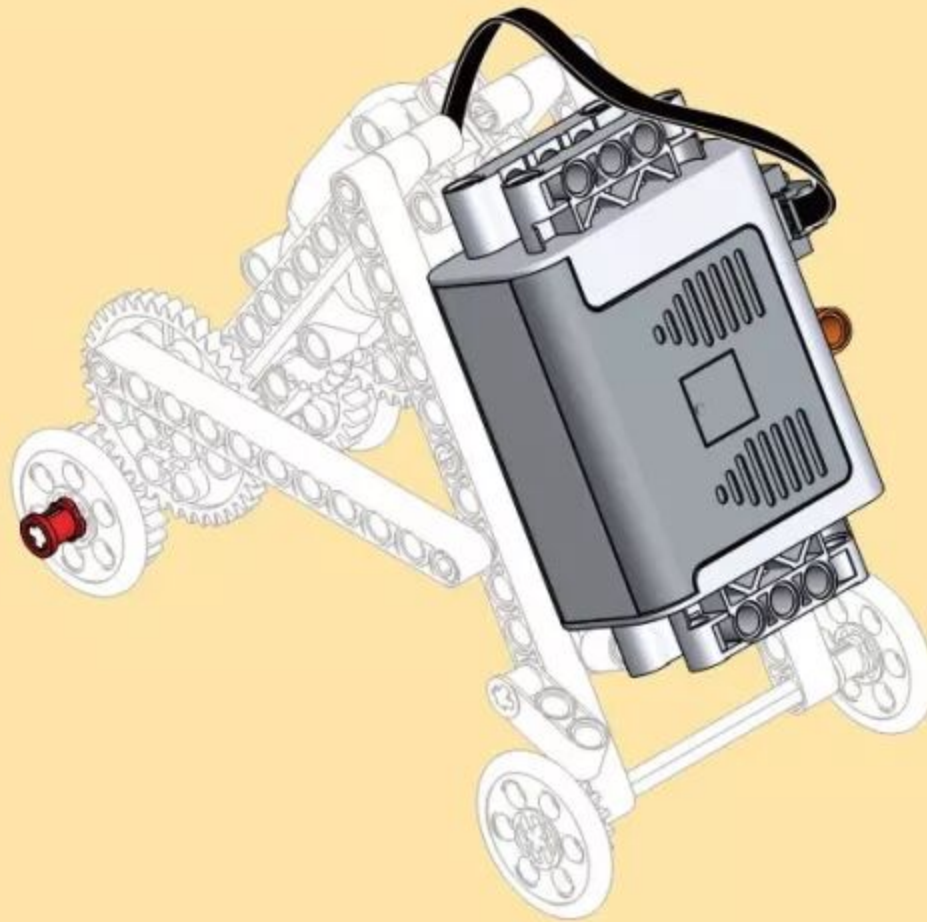


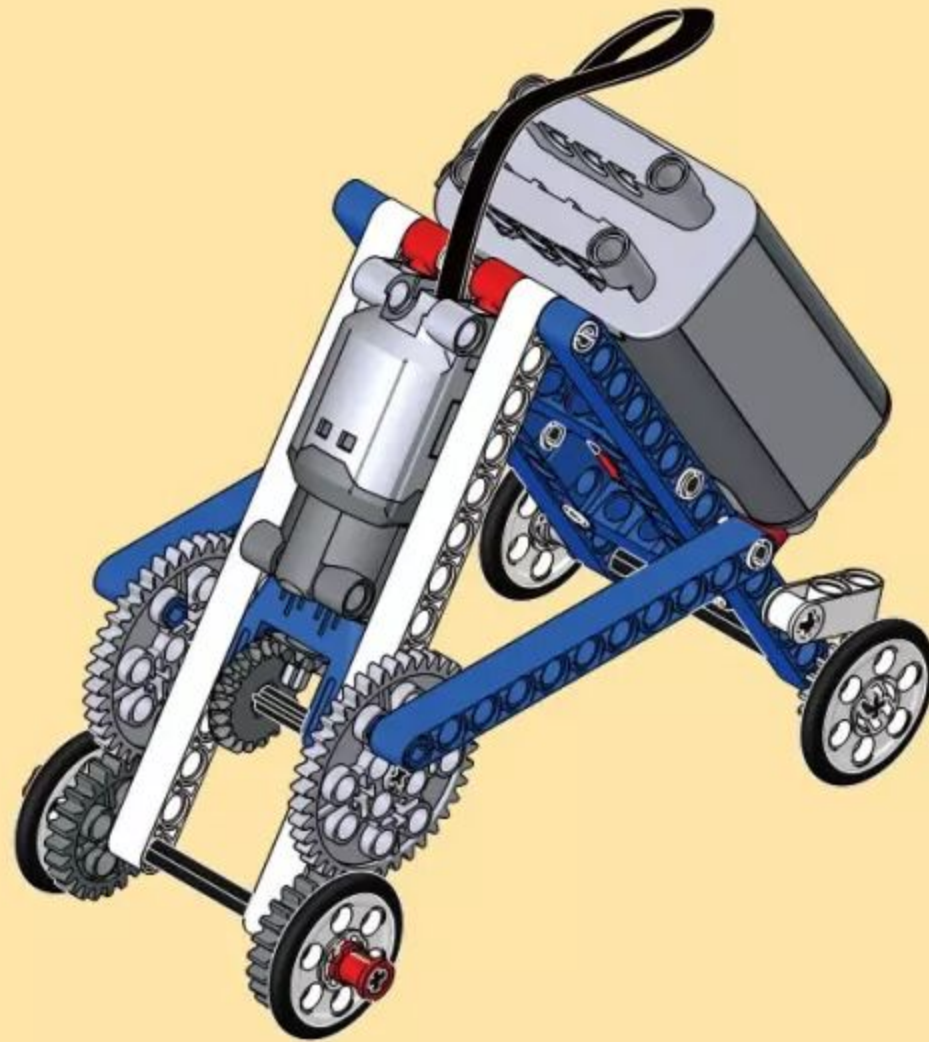
15

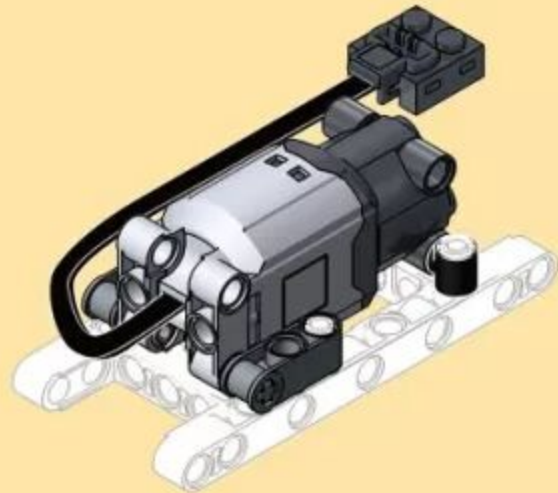
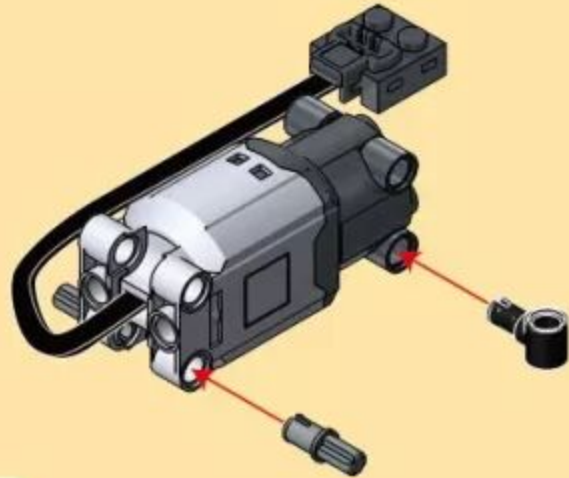
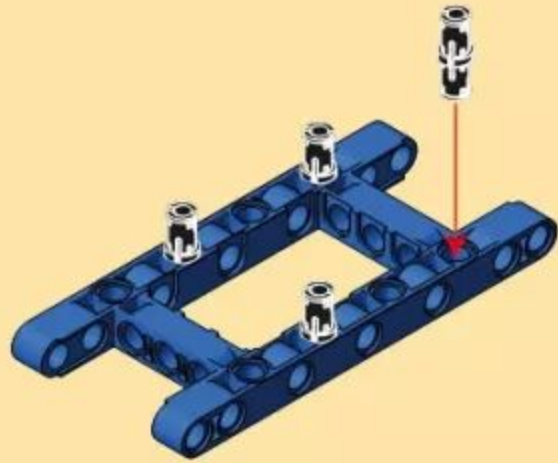
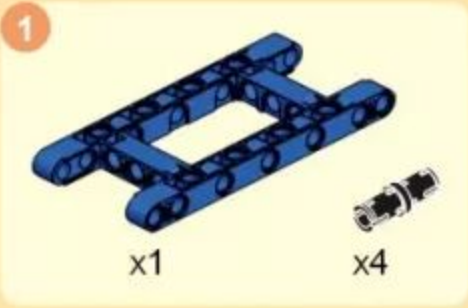


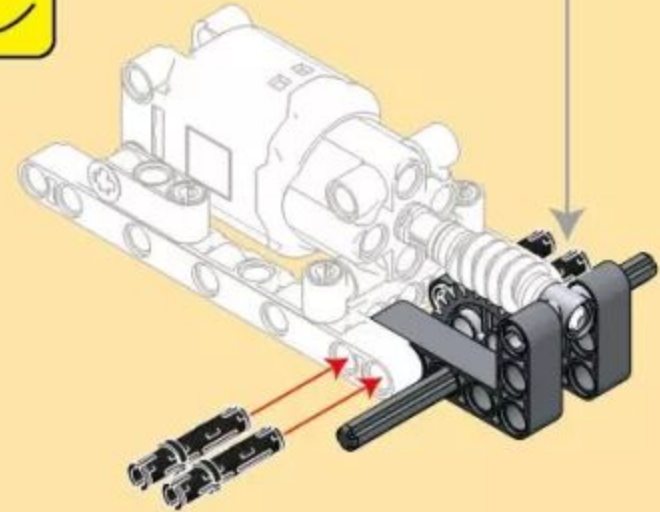
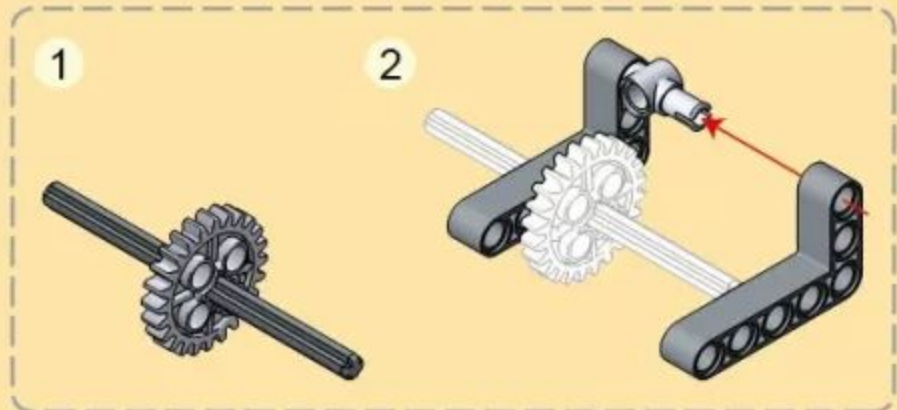
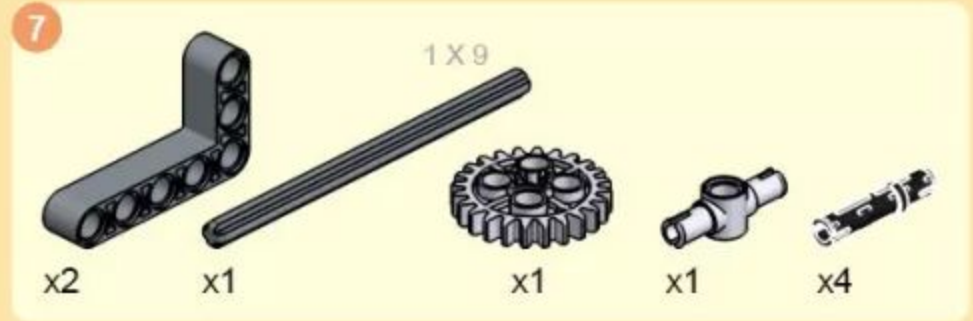
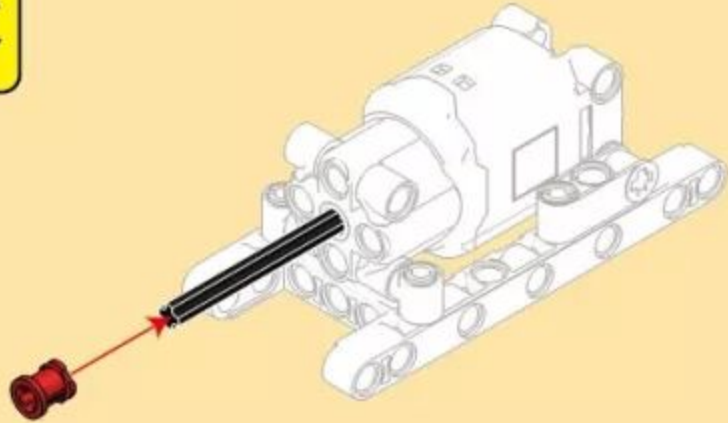
x1

x2

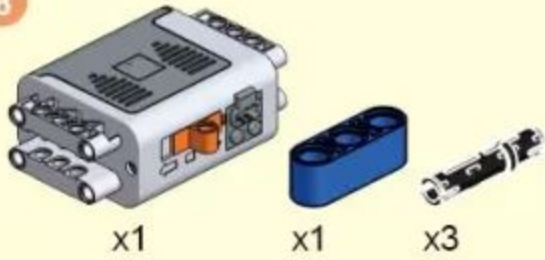




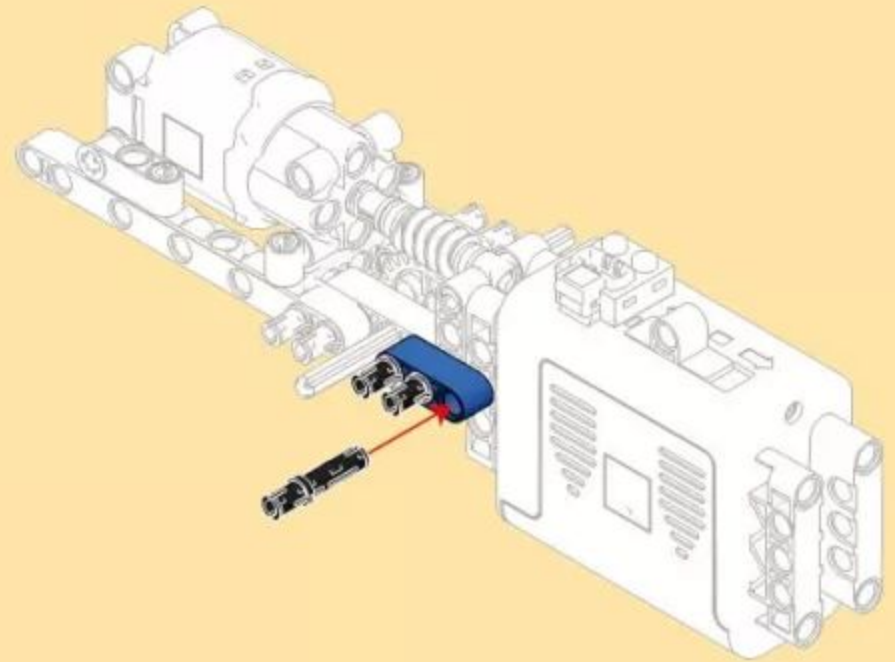
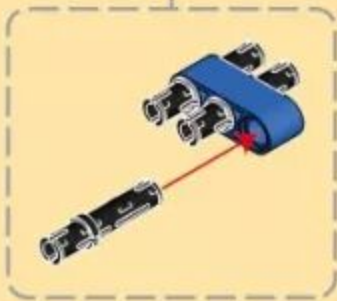
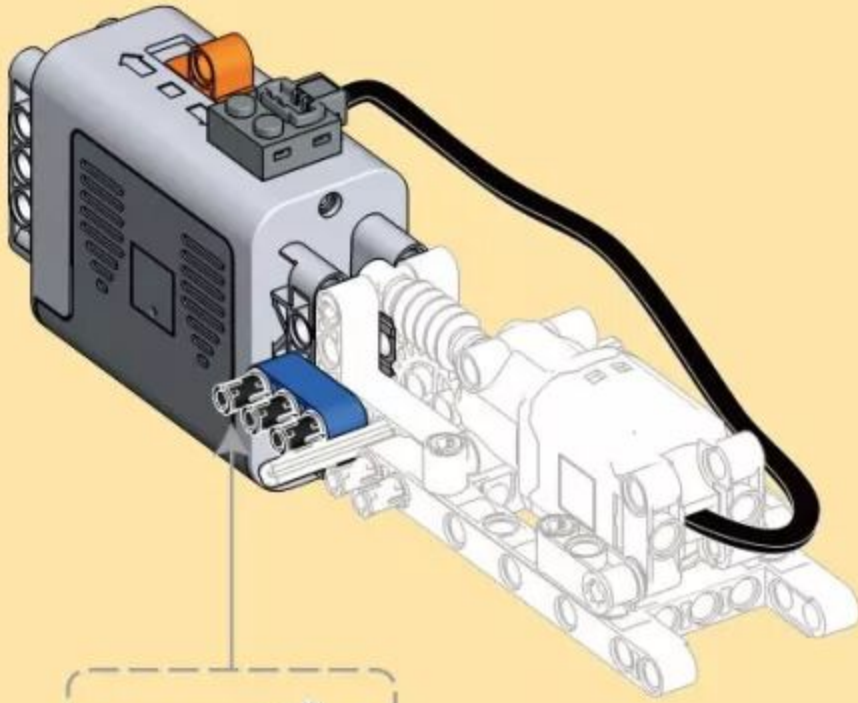




8



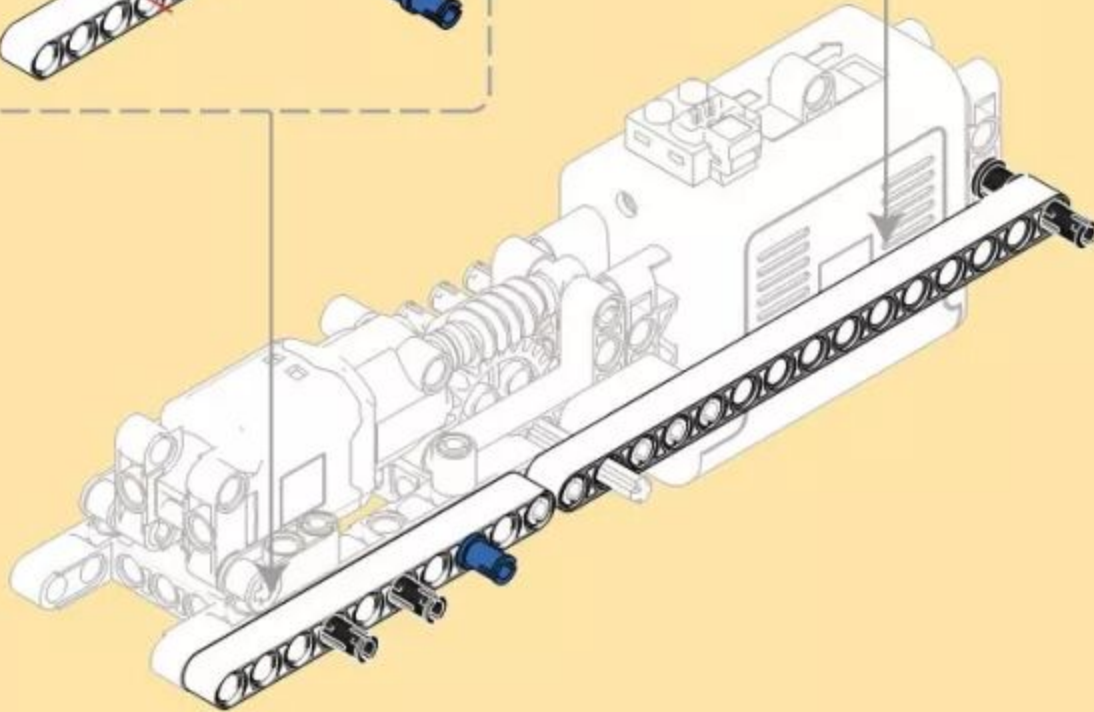
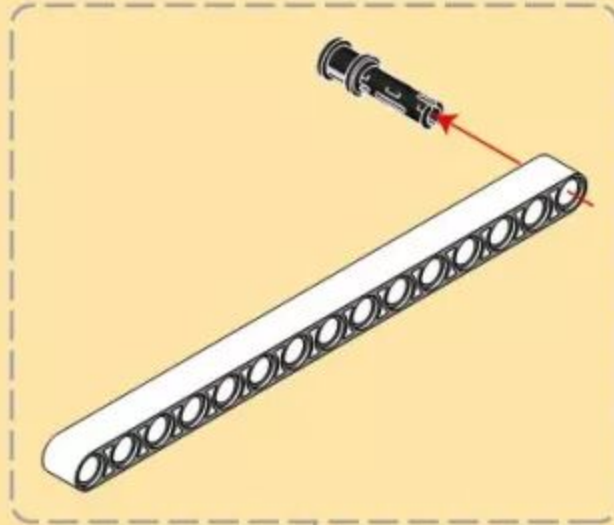
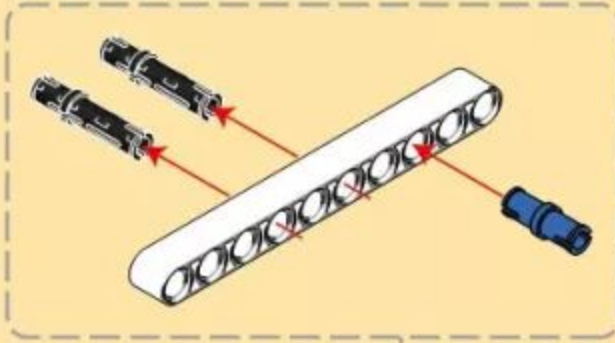
9



10

1 X 15

1 X 10

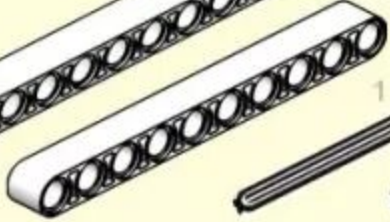
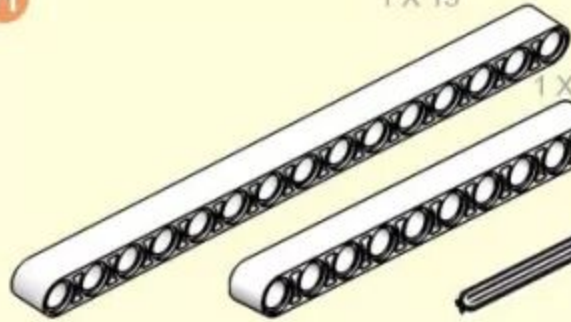


11

1 X 15

1 X 10

1 X 5



x1

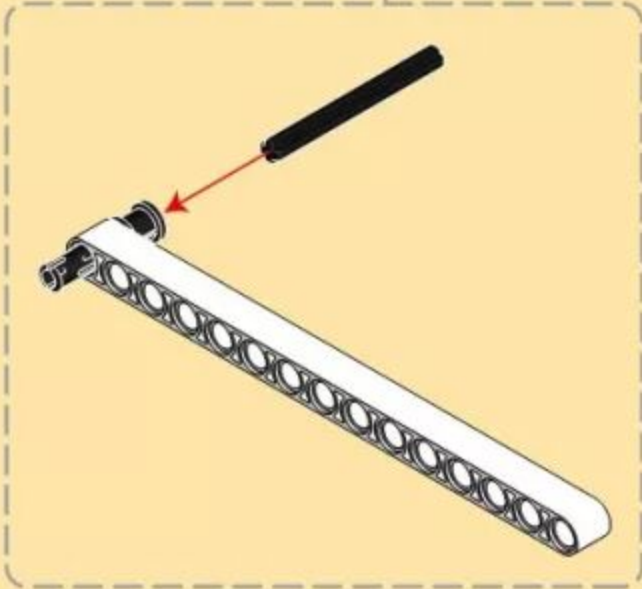
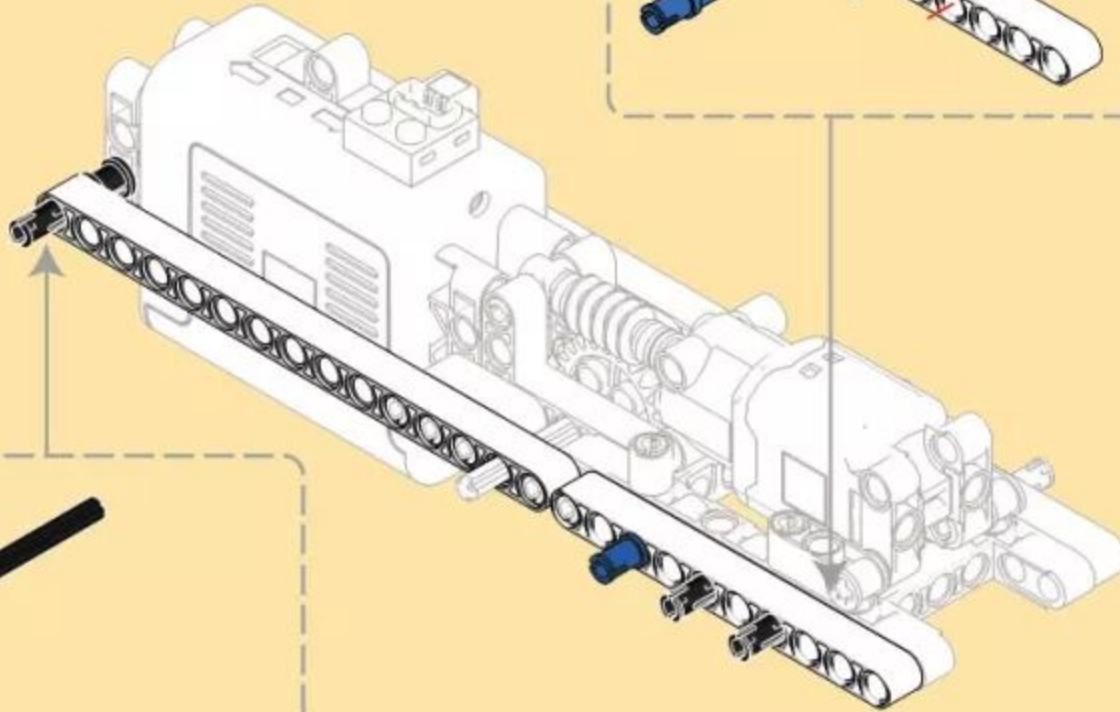
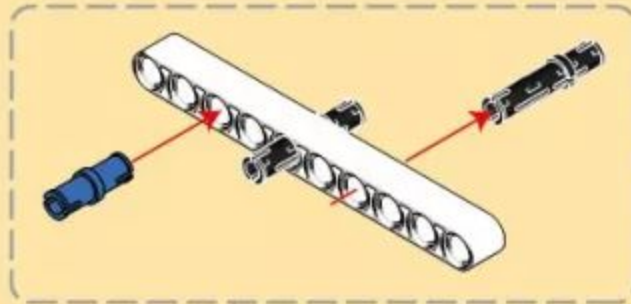
x1

x1

x1

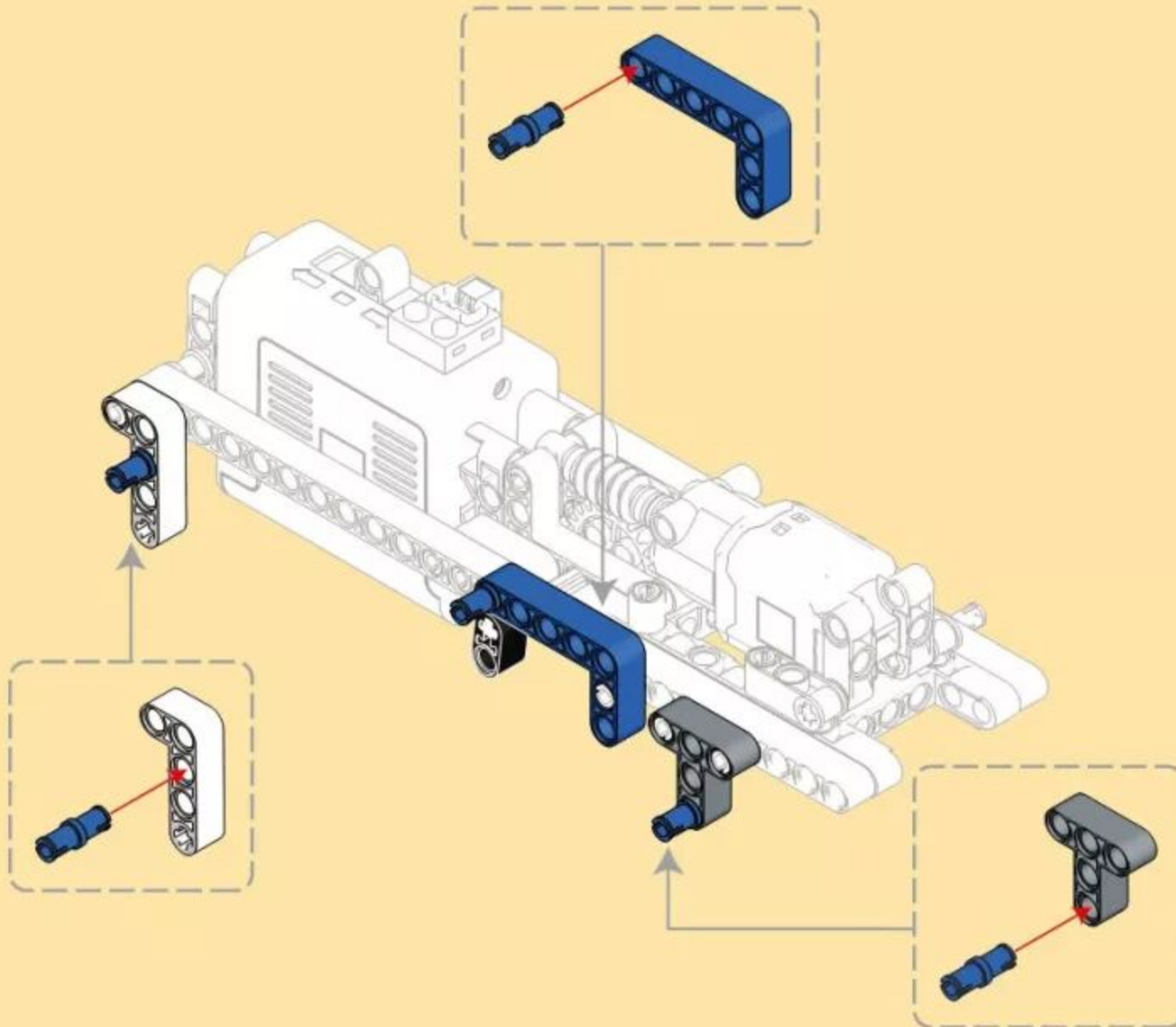
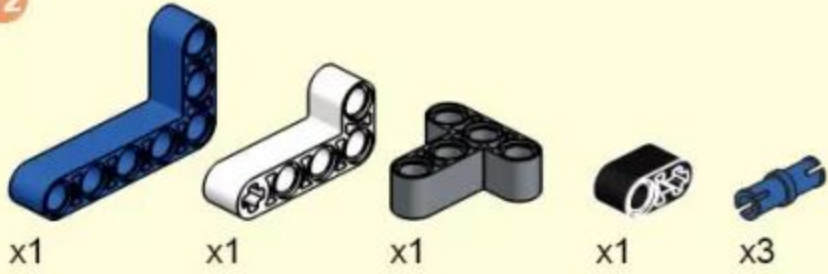
x2

x1



21

12



13

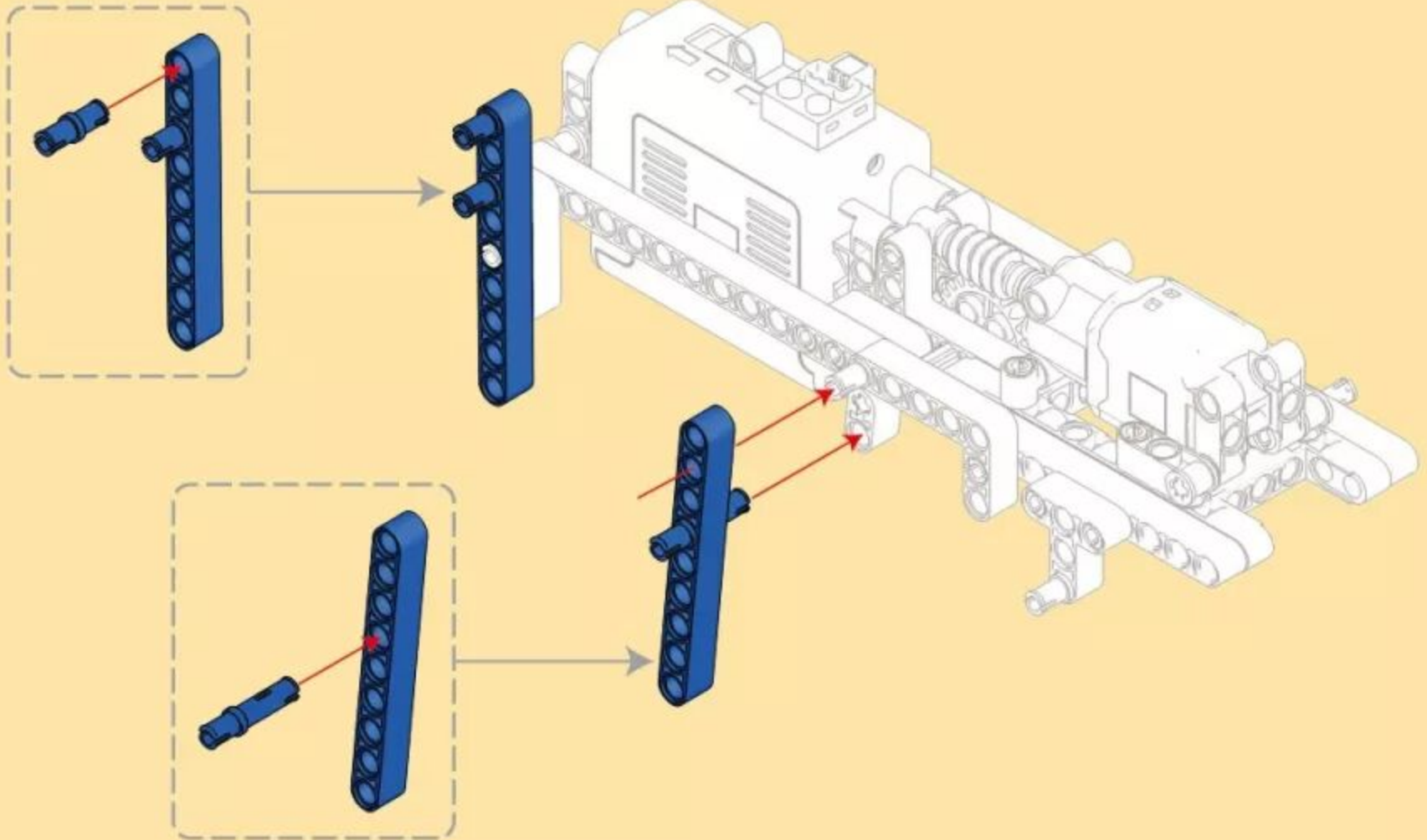
1 X 9



x2

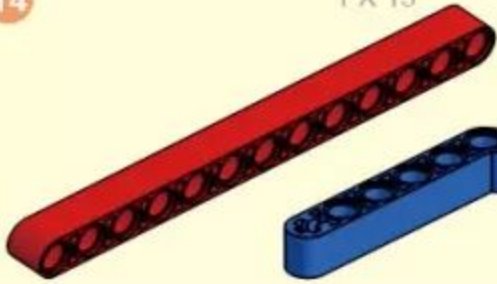
x1

x2

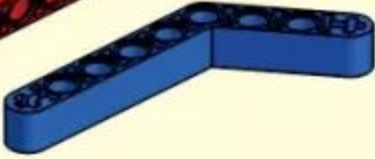


14

1 X 13



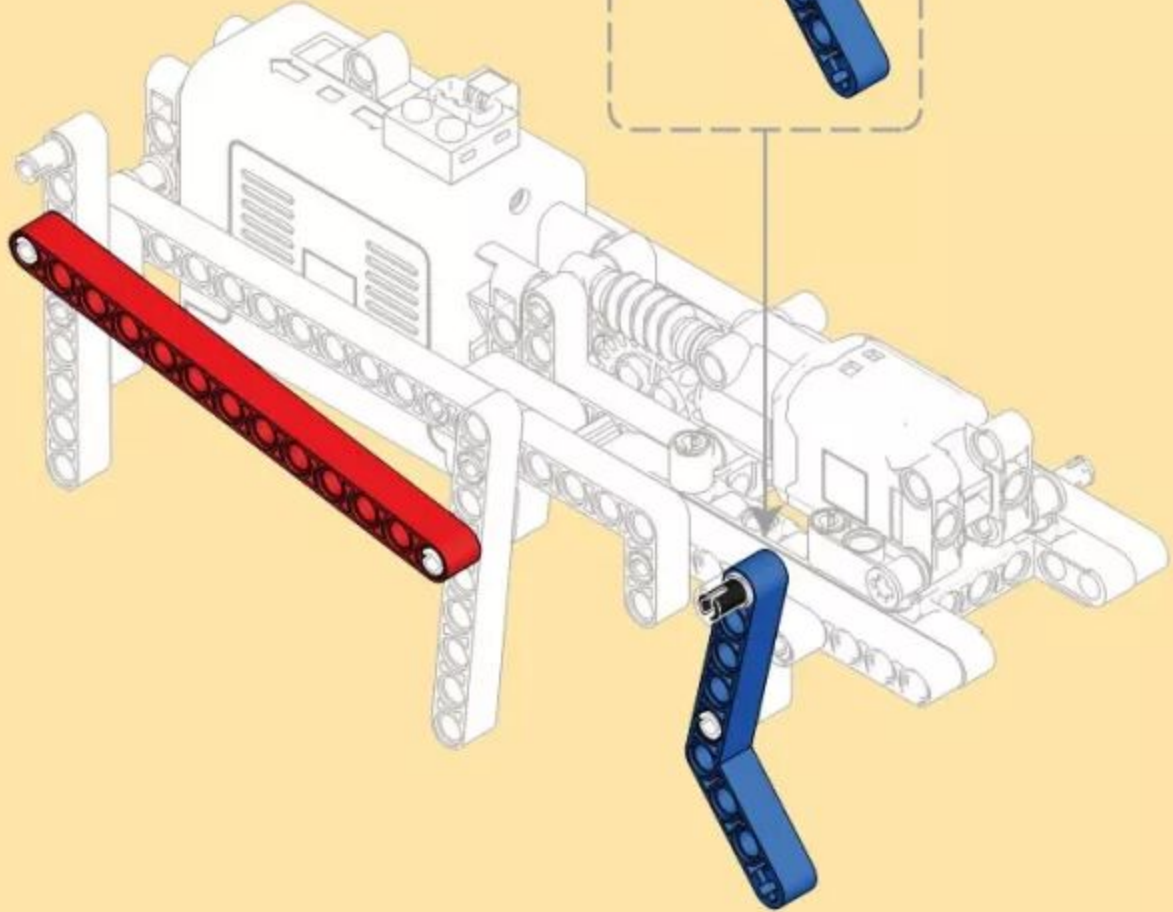
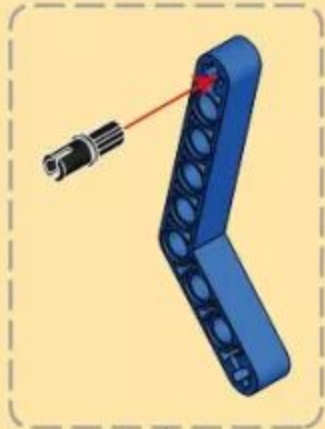
x1



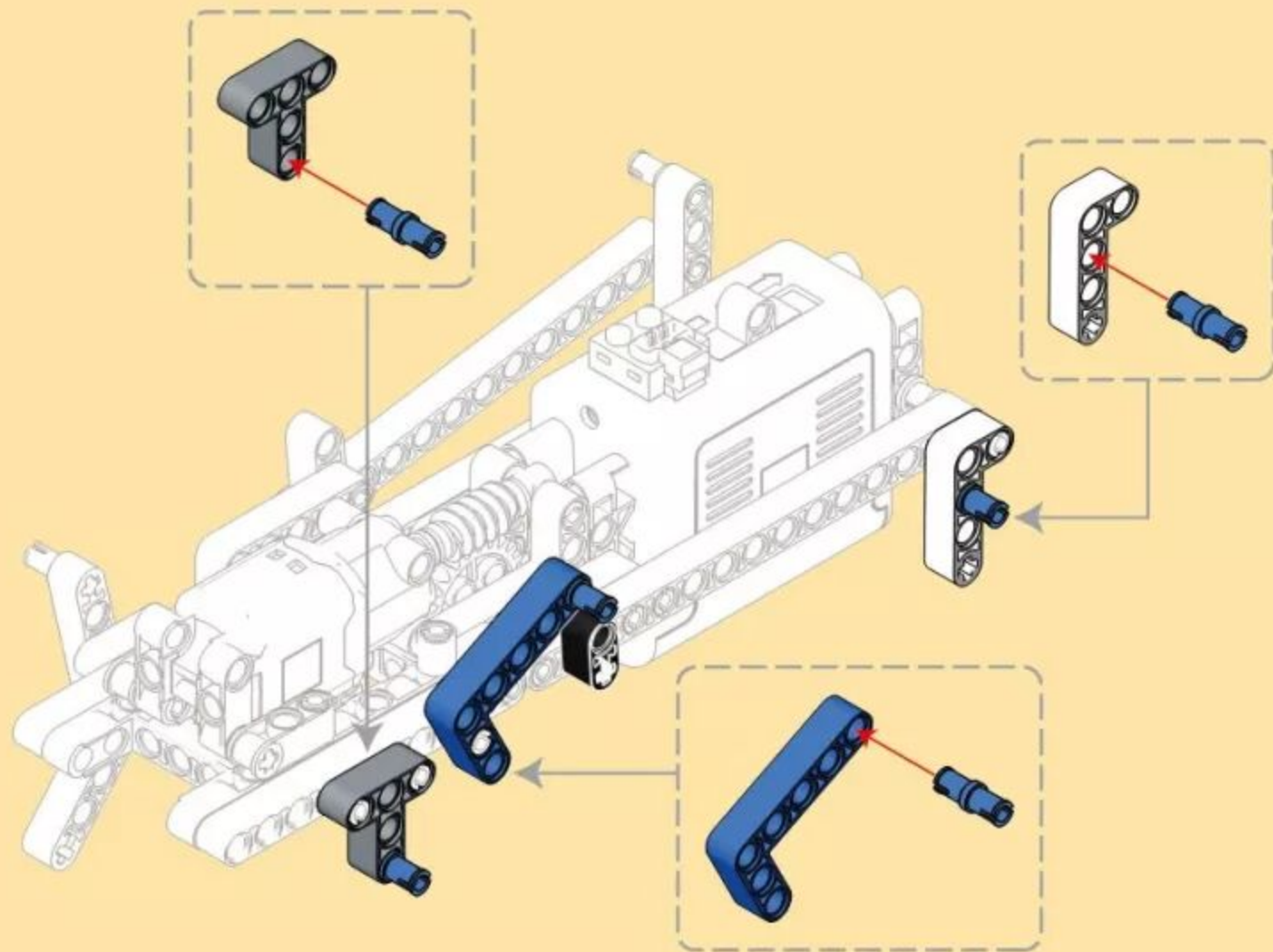
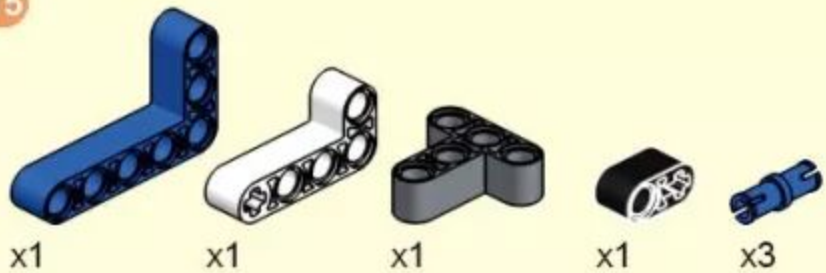
x1



x1

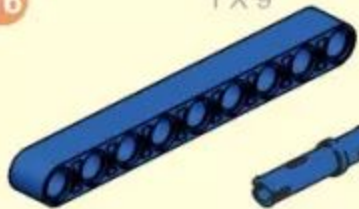


15



16

1 X 9



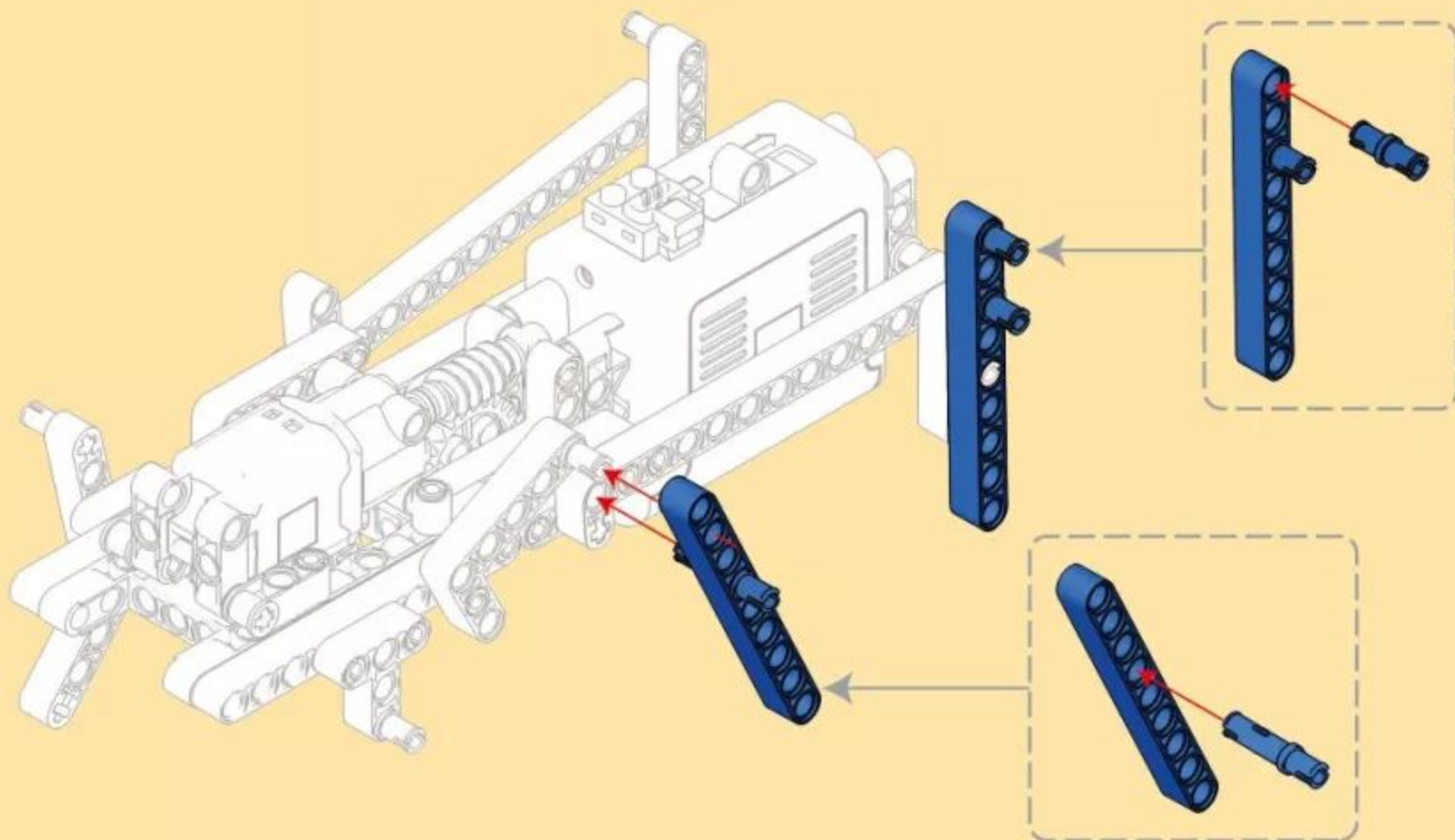
x2



x1

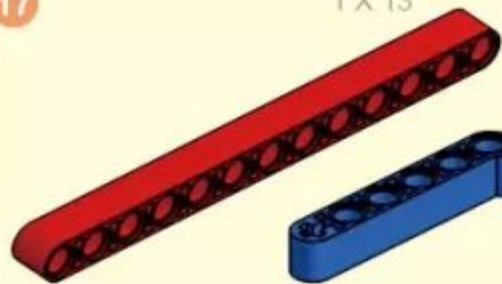


x2



17

1 X 13



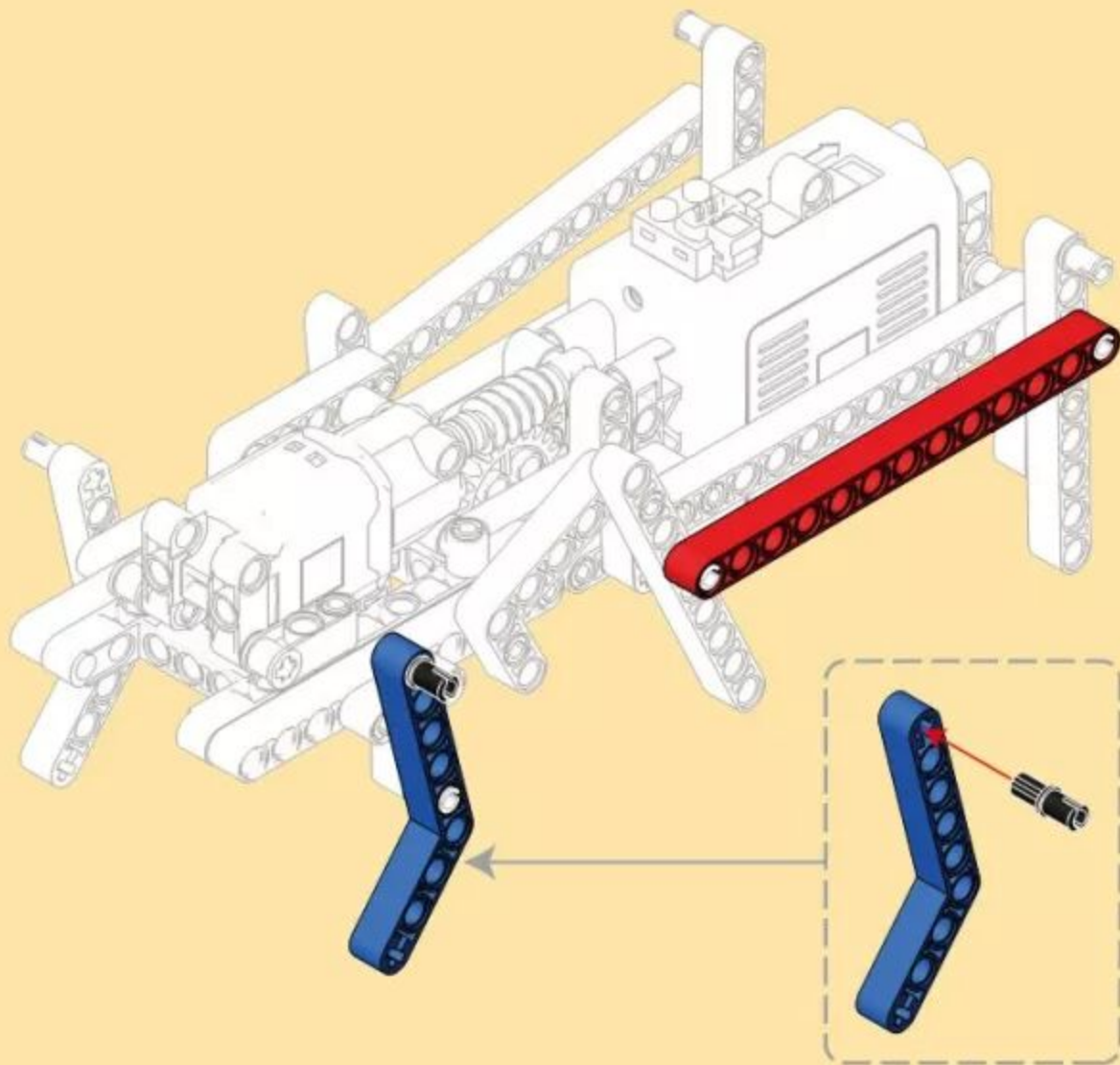
x1

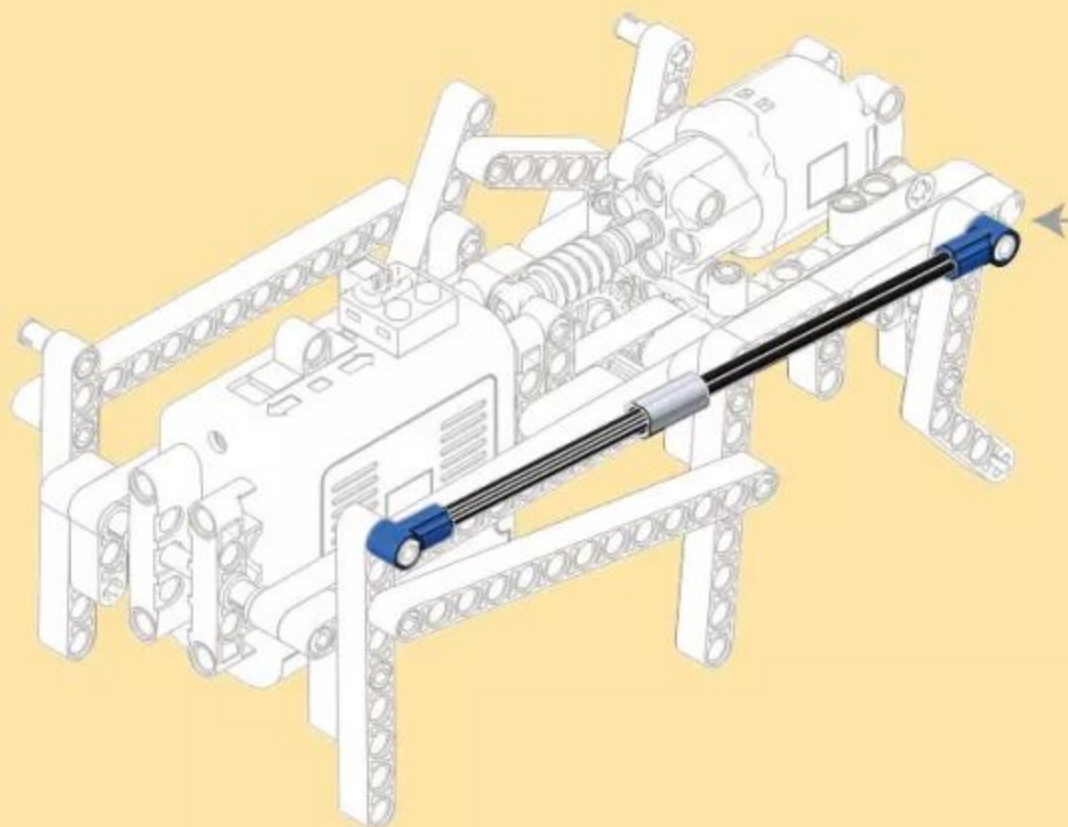
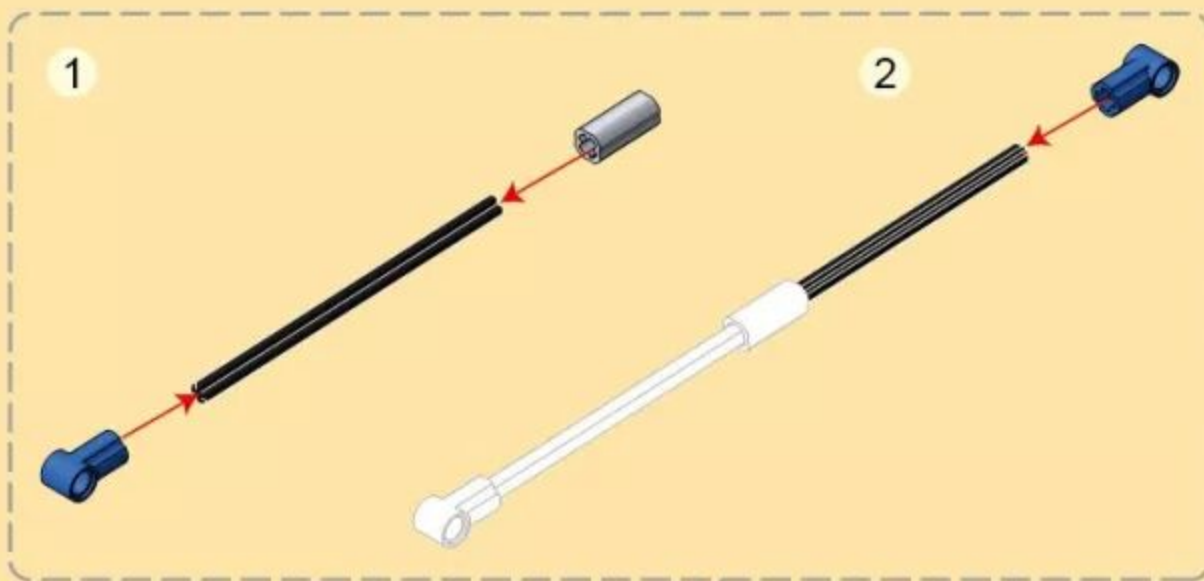


x1



x1





19

1 X 10

1 X 9

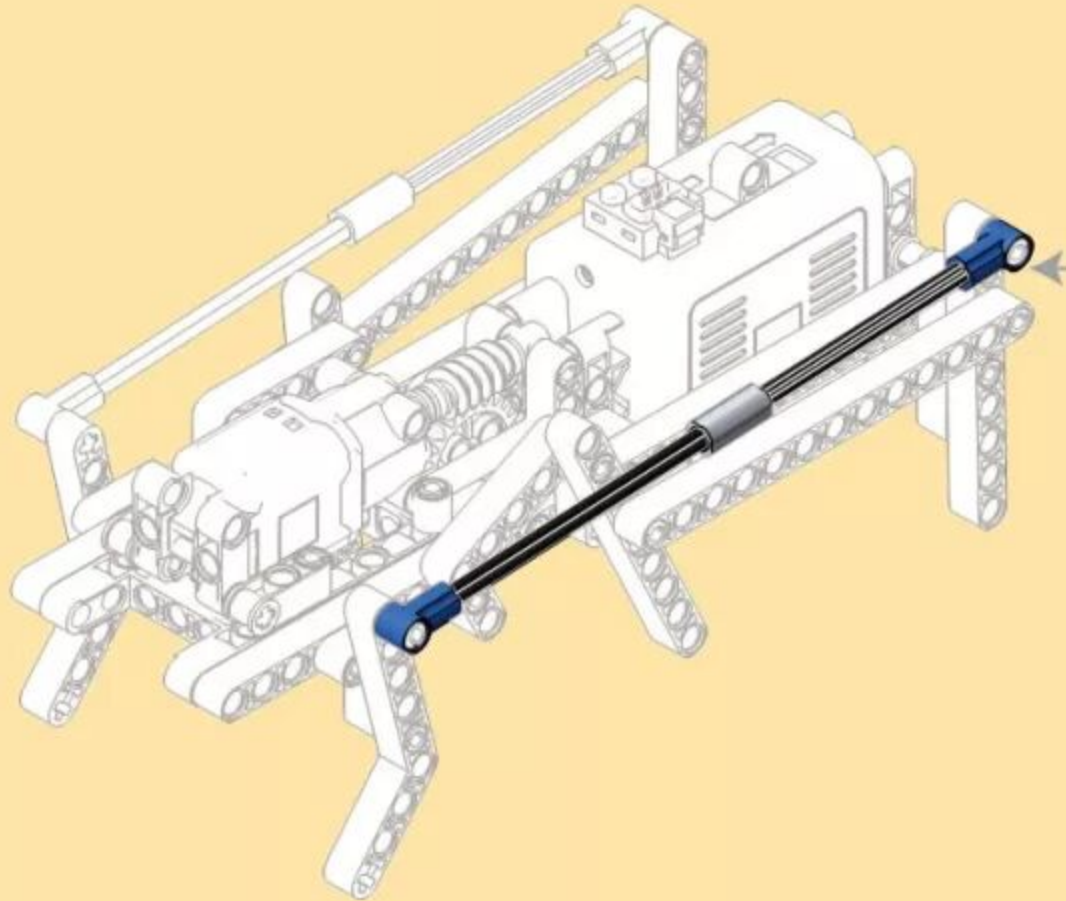


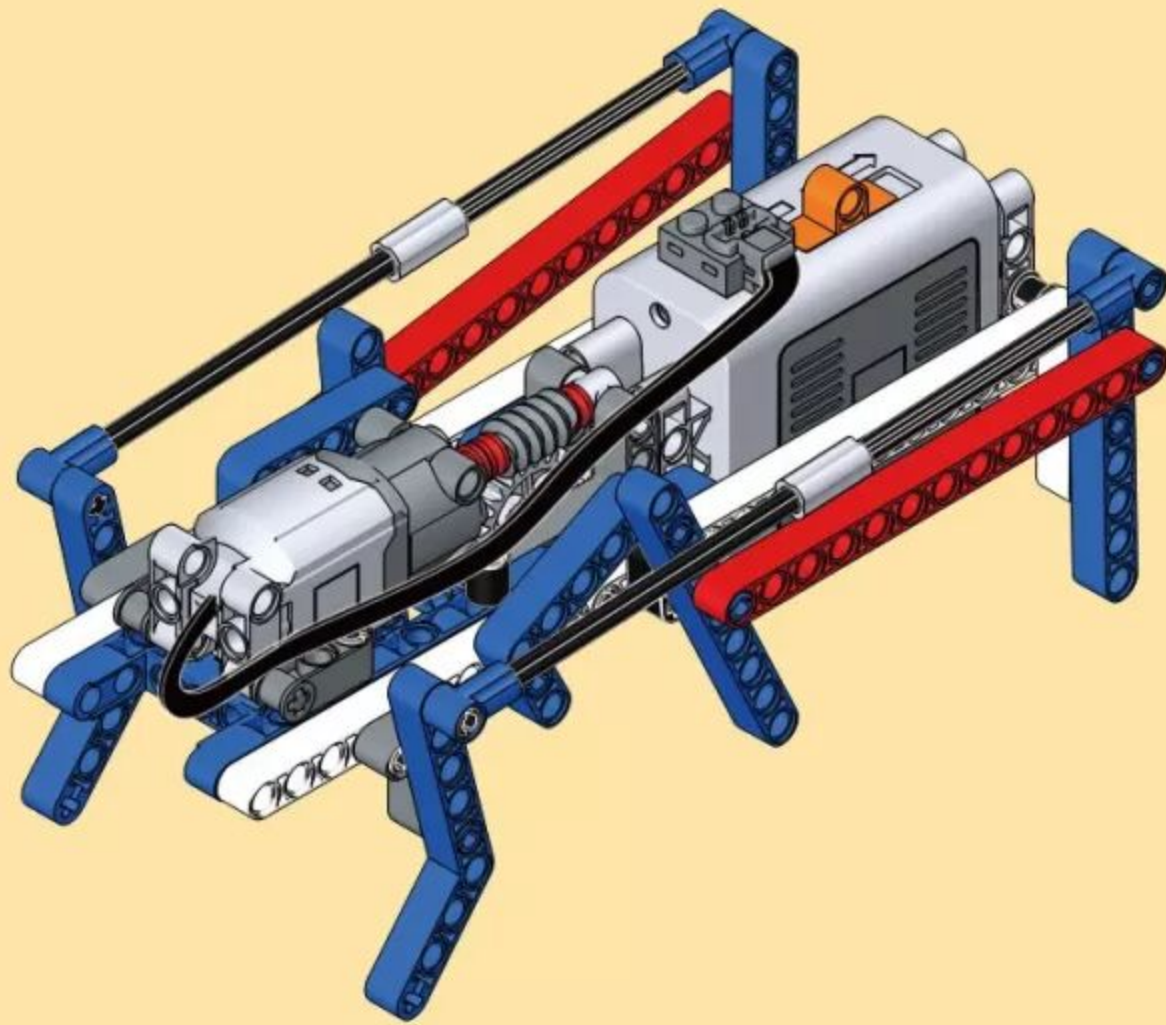
x1

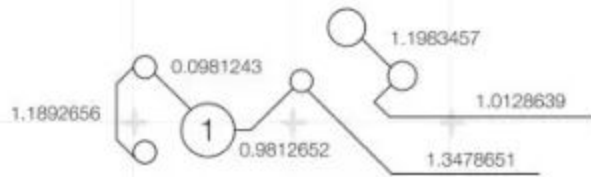
x1

x2

x1







# STEAM **TECHNICAL** PARTS

## FUNCTIONS & FEATURES

- SPEED VARIABLE PRINCIPLE
- CENTRIFUGAL FORCE
- APPLICATION OF THE CROWN GEAR

