

# AIR FORCE

## P-51 MUSTANG FIGHTER

Building blocks model

Perfect shape, high simulation, classic collection



6+ / 4006 / 258PCS  
Suitable Age / Product Number / Parts Total

# The Schematic diagram of Mustang P-51 fighter-1

## Brief Introduction

The P-51 fighter (code: P-51, codename/nickname: Mustang, translation: Mustang, commonly known as: North American Airlines P-51 "Mustang", renamed: F-51), is an American type Propeller fighter. The P-51 fighter uses an advanced stratospheric wing type, a highly compact fuselage design, and a reasonable in-flight equipment layout, which greatly reduces its aerodynamic resistance and triples its fuel load when it is the size and weight of a similar aircraft. This brings its range to 1,370km, enough to cover the longest-range attack by a B-17 bomber.

## General Information

Crew: 1

Length: 32 ft 3 in (9.83 m)

Wingspan: 37 ft (11 m)

Height: 13 ft 4.5 in (4.077 m) tail wheel on ground, vertical propeller blade

Wing area: 235 sq ft (21.8 m<sup>2</sup>)

Aspect ratio: 5.83

Airfoil: NAA/NACA 45-100 / NAA/NACA 45-100

Empty weight: 7,635 lb (3,463 kg)

Gross weight: 9,200 lb (4,173 kg)

Max takeoff weight: 12,100 lb (5,488 kg) 5,490

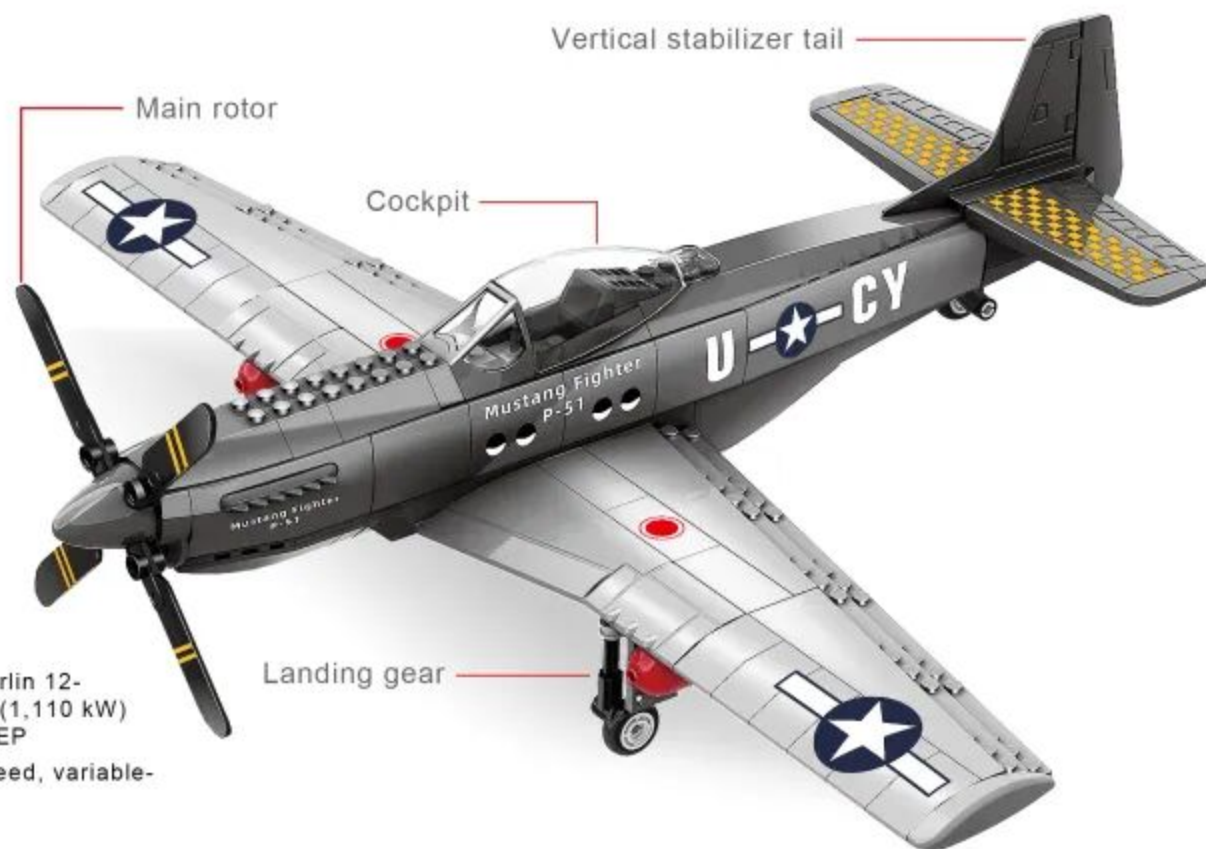
Fuel capacity: 269 US gal (224 imp gal; 1,020 l)

Zero-lift drag coefficient: 0.0163

Drag area: 3.80 sqft (0.35 m<sup>2</sup>)

Powerplant: 1 × Packard (Rolls Royce) V-1650-7 Merlin 12-cylinder liquid cooled engine, 1,490 hp (1,110 kW) at 3,000 rpm; 1,720 hp (1,280 kW) at WEP

Propellers: 4-bladed Hamilton Standard constant-speed, variable-pitch, 11 ft 2 in (3.40 m) diameter



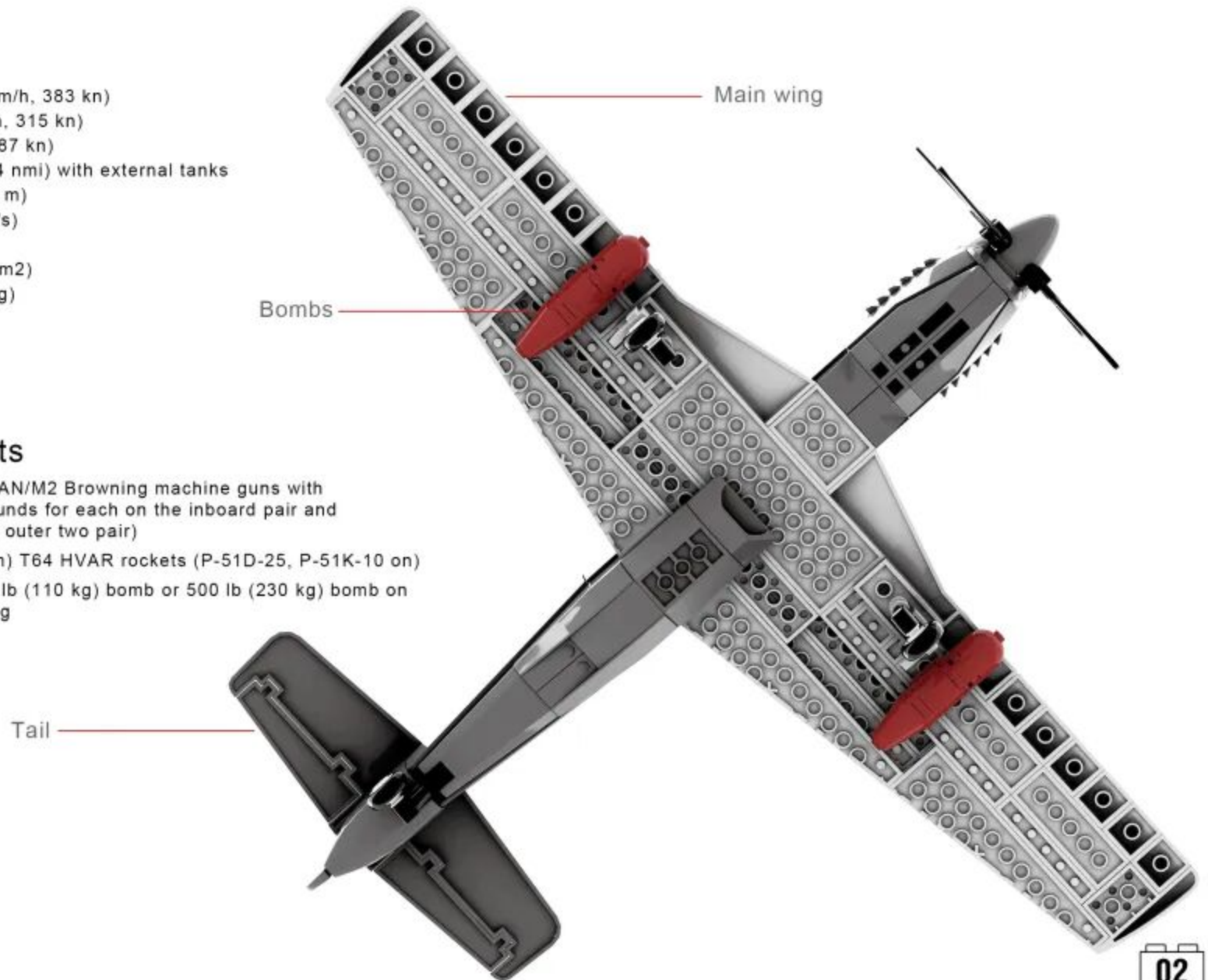
# The Schematic diagram of Mustang P-51 fighter-2

## Performance

Maximum speed: 440 mph (710 km/h, 383 kn)  
Cruise speed: 362 mph (583 km/h, 315 kn)  
Stall speed: 100 mph (160 km/h, 87 kn)  
Range: 1,650 mi (2,660 km, 1,434 nmi) with external tanks  
Service ceiling: 41,900 ft (12,800 m)  
Rate of climb: 3,200 ft/min (16 m/s)  
Lift-to-drag: 14.6  
Wing loading: 39 lb/sq ft (190 kg/m<sup>2</sup>)  
Power/mass: 0.18 hp/lb (300 W/kg)  
Recommended Mach limit 0.8

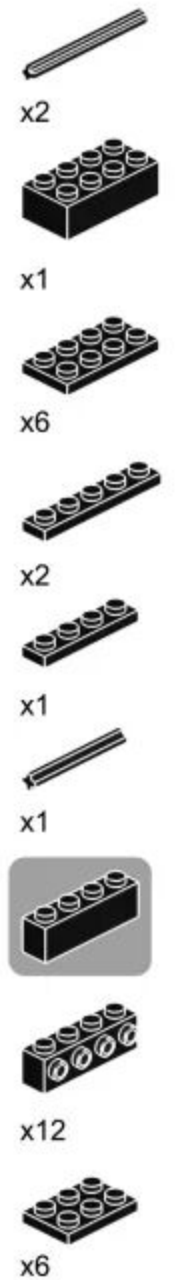
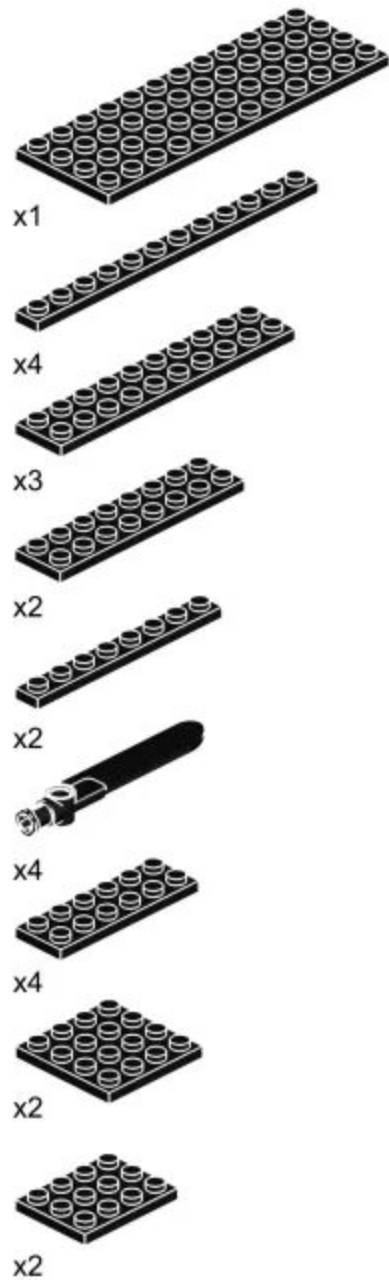
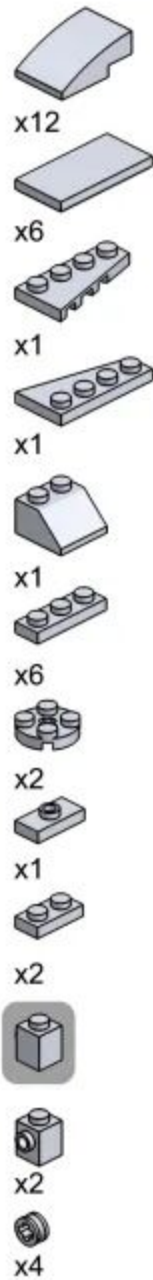
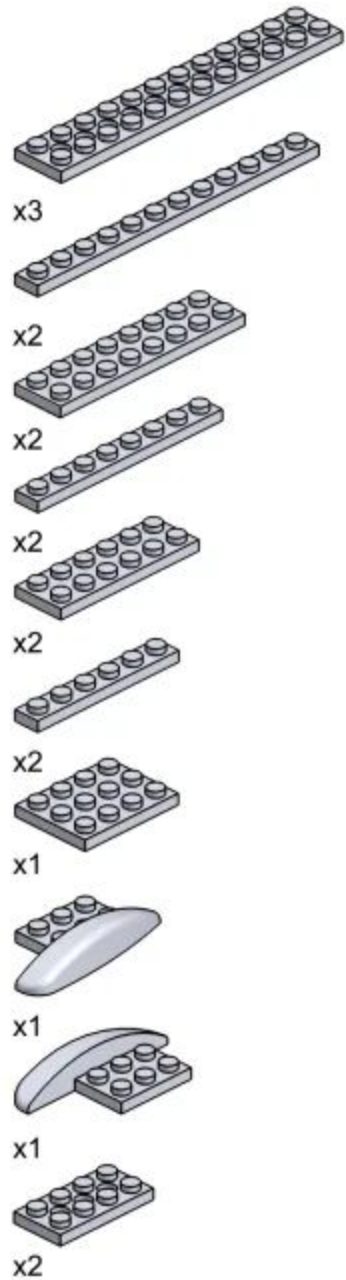
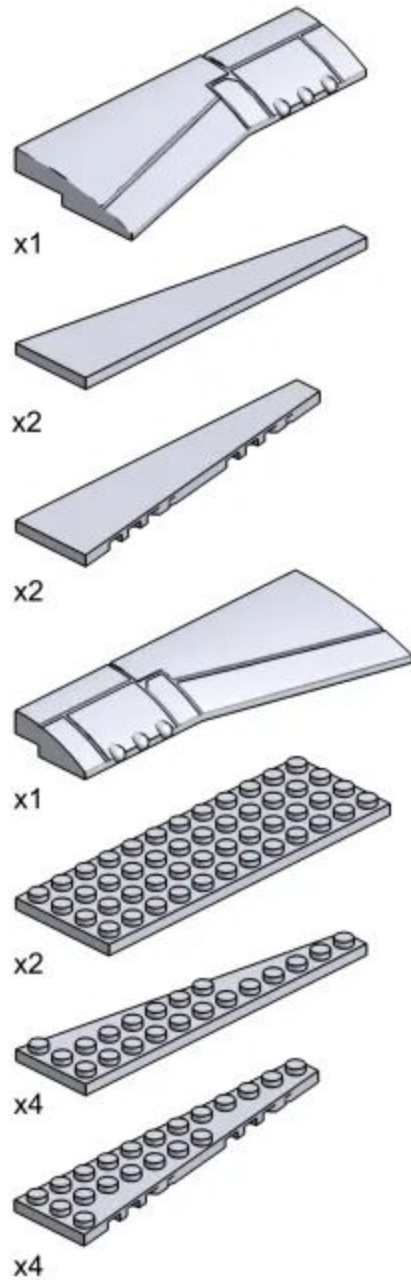
## Weapons equipments

Guns: 6 × 0.50 caliber (12.7mm) AN/M2 Browning machine guns with 1,840 total rounds (380 rounds for each on the inboard pair and 270 rounds for each of the outer two pair)  
Rockets: 6 or 10 × 5.0 in (127 mm) T64 HVAR rockets (P-51D-25, P-51K-10 on)  
Bombs: 1 × 100 lb (45 kg) or 250 lb (110 kg) bomb or 500 lb (230 kg) bomb on hardpoint under each wing



# PARTS LIST

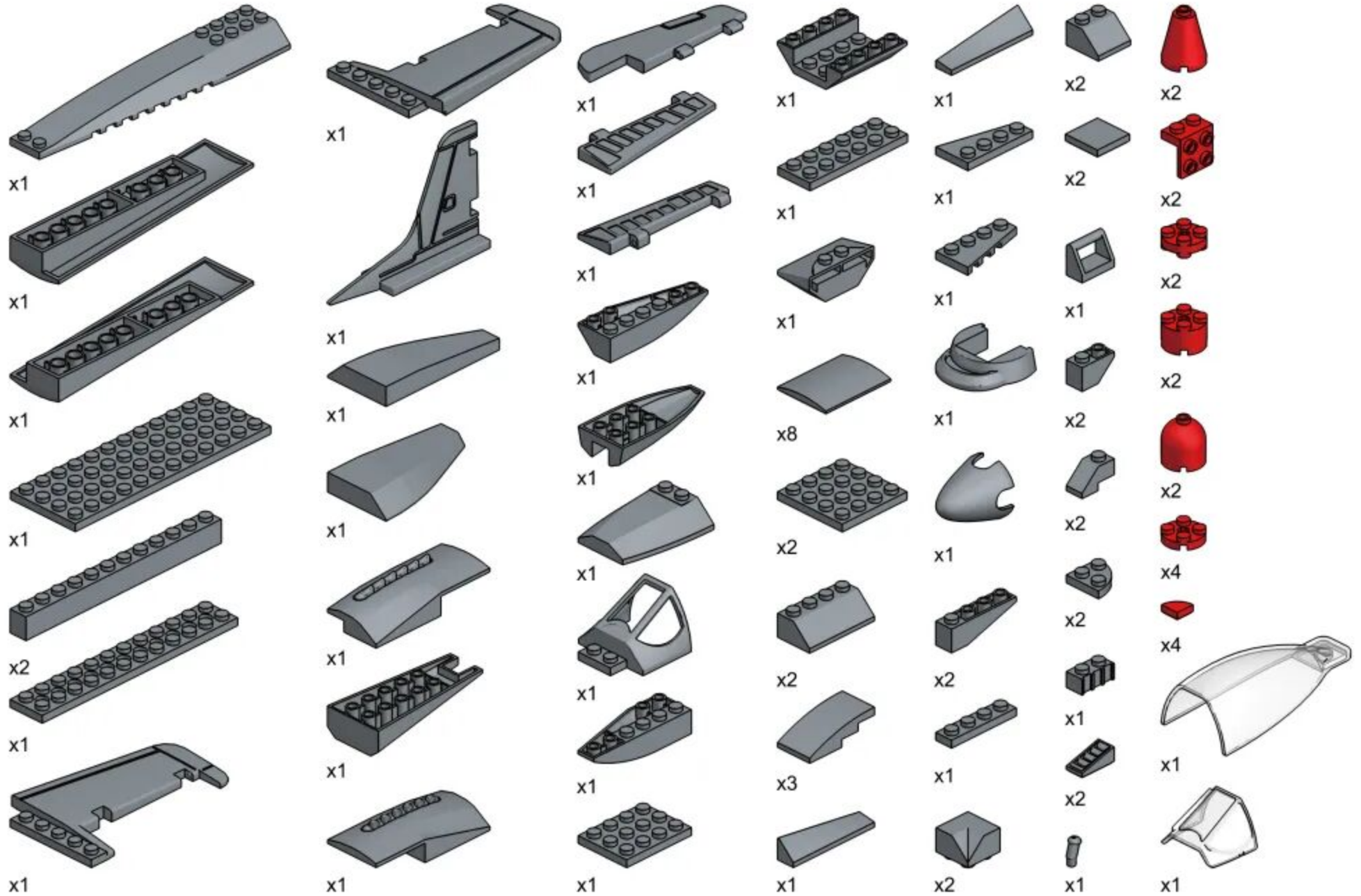
配件清单



产品有增补件请以实物为准  
If product has additional parts, please in kind prevail.

# PARTS LIST

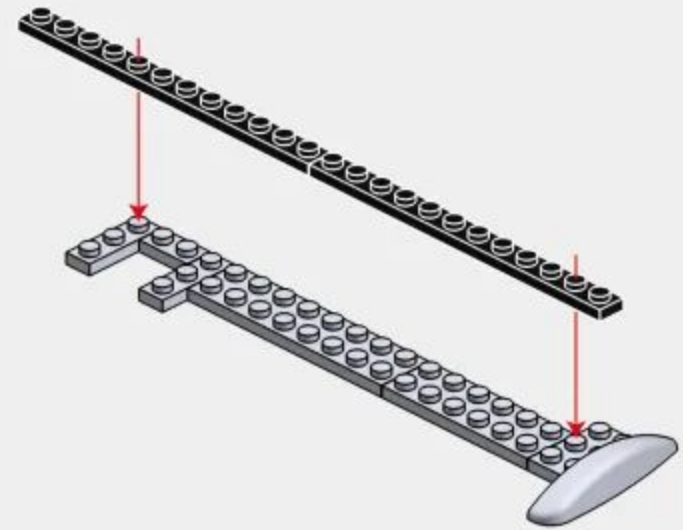
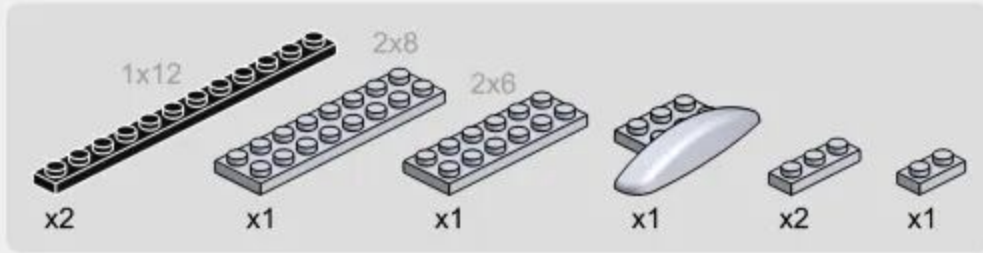
配件清单



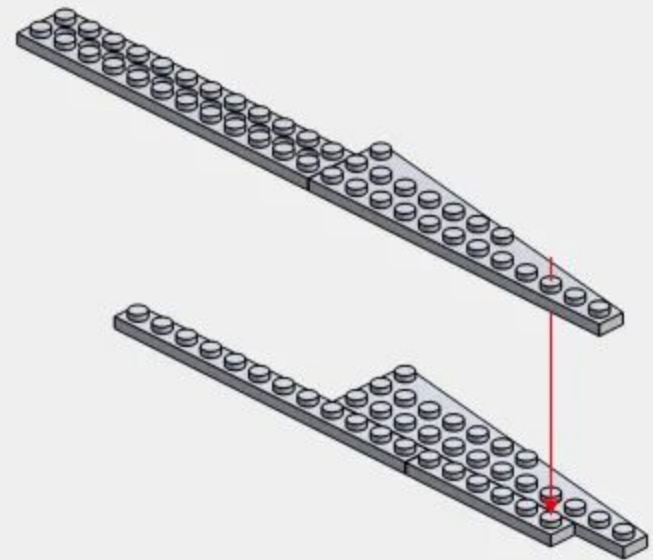
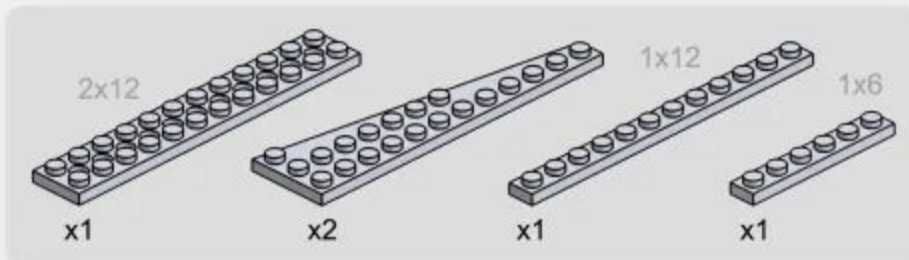
产品有增补件请以实物为准

If product has additional parts, please in kind prevail.

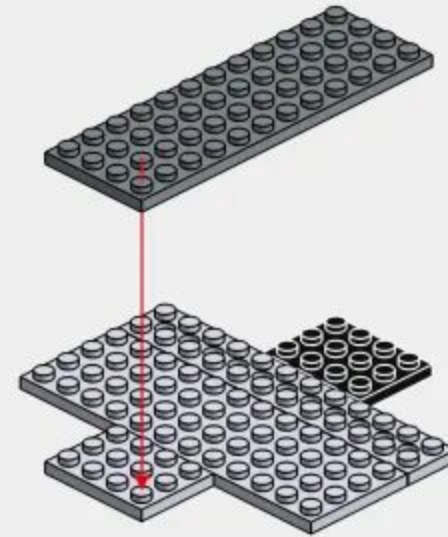
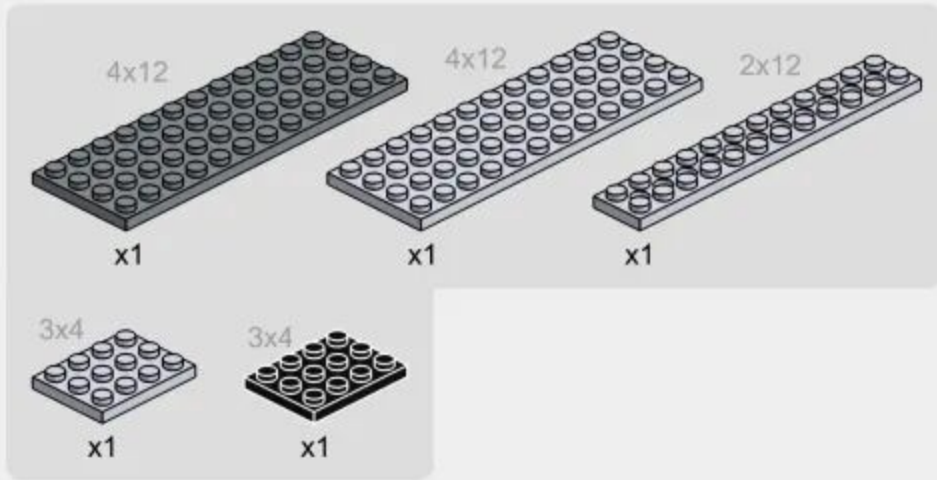
# 1-1



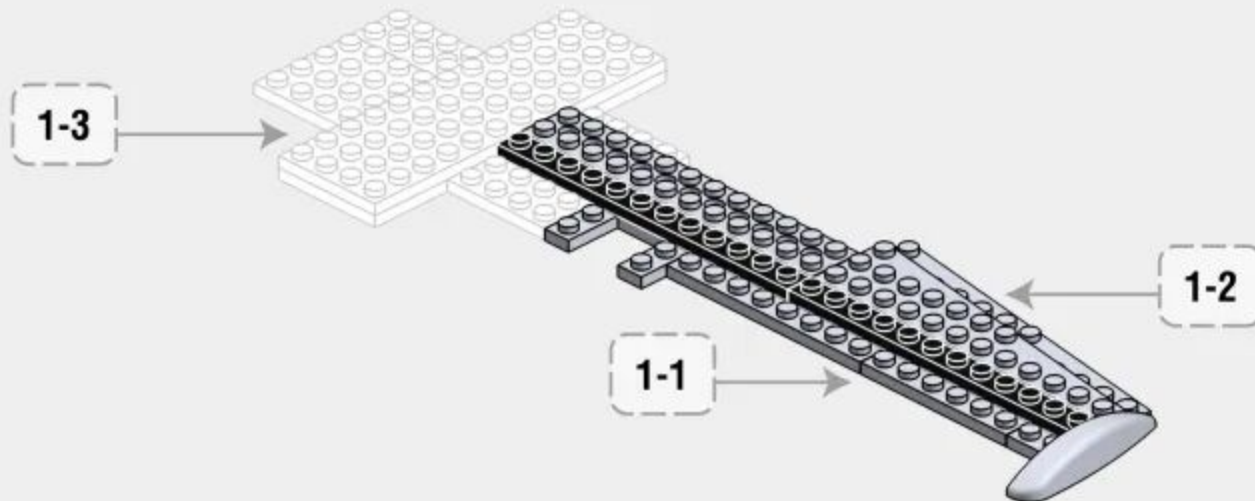
# 1-2



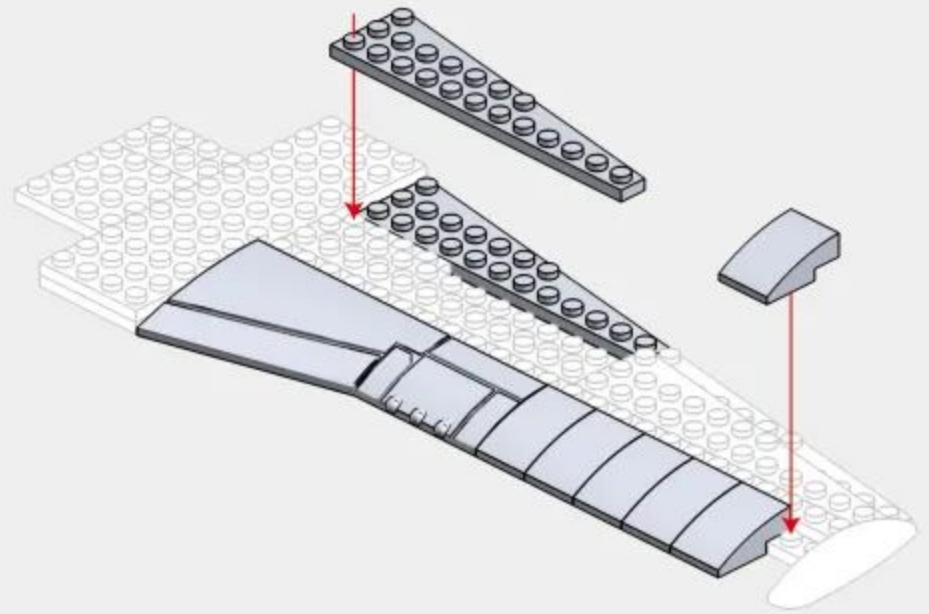
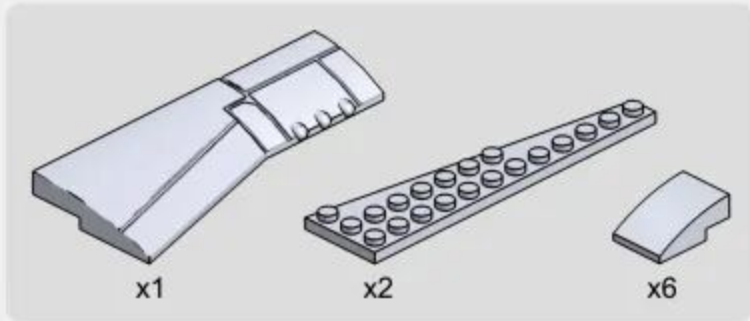
### 1-3



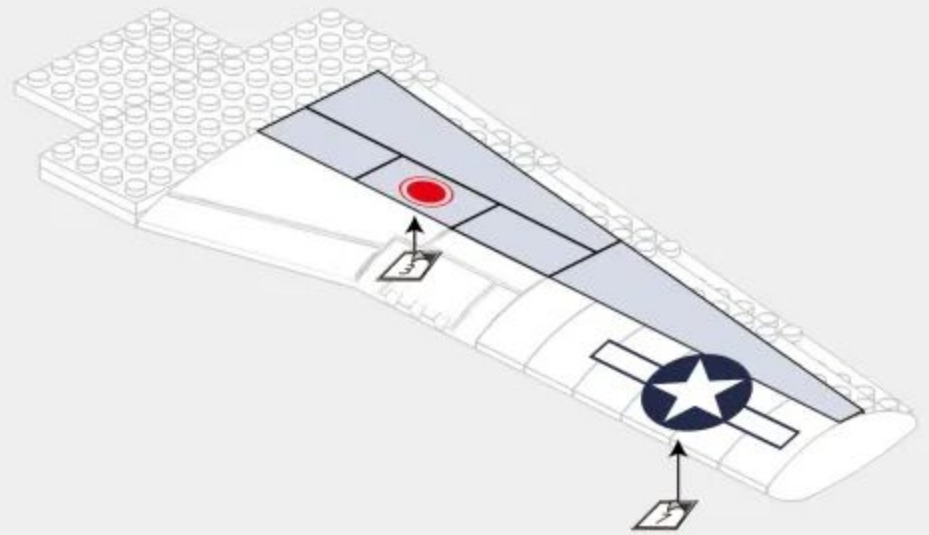
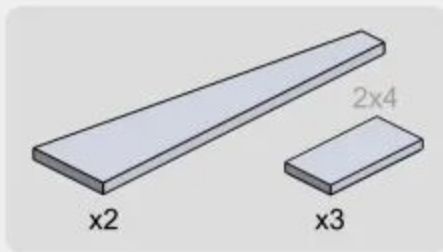
### 1-4



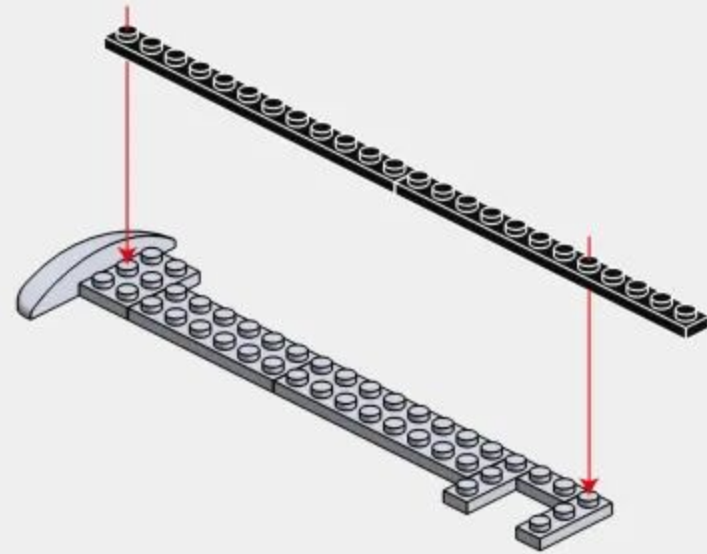
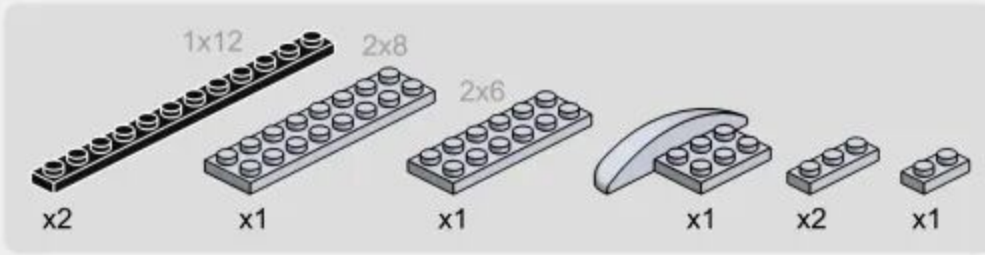
1-5



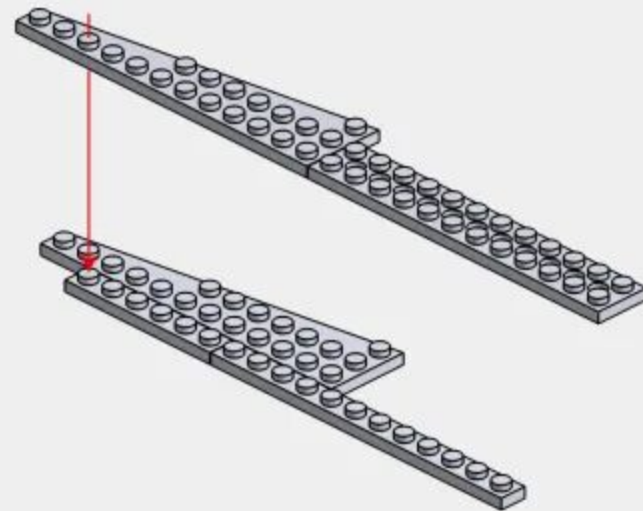
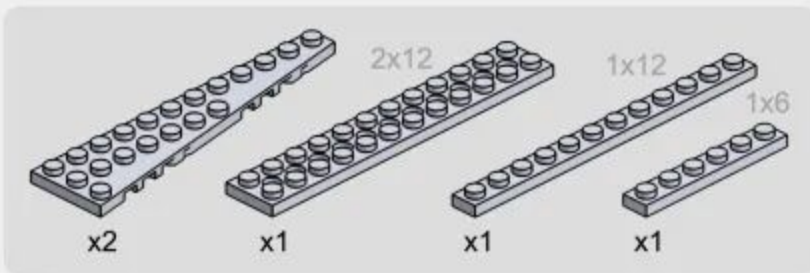
1-6



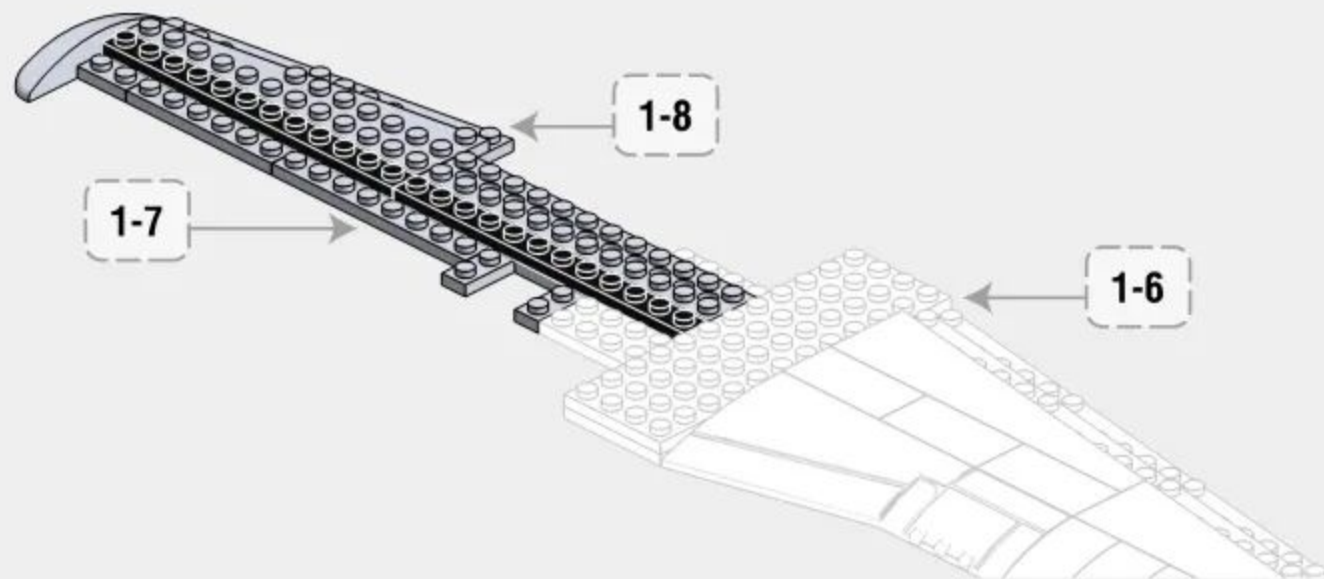
# 1-7



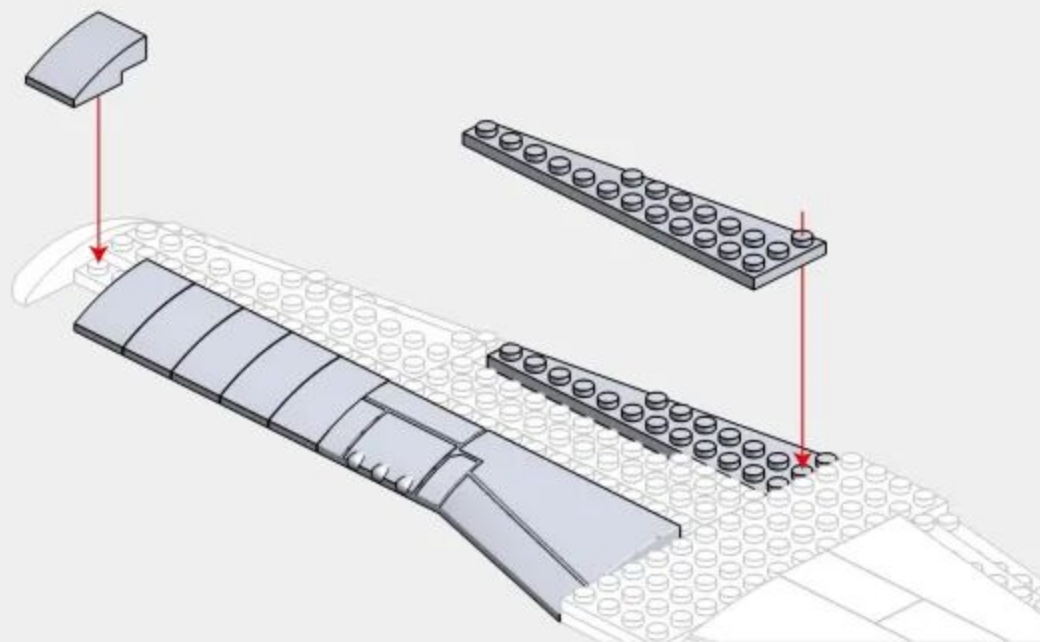
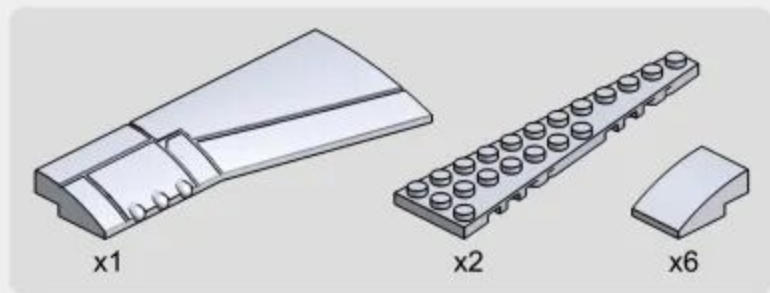
# 1-8



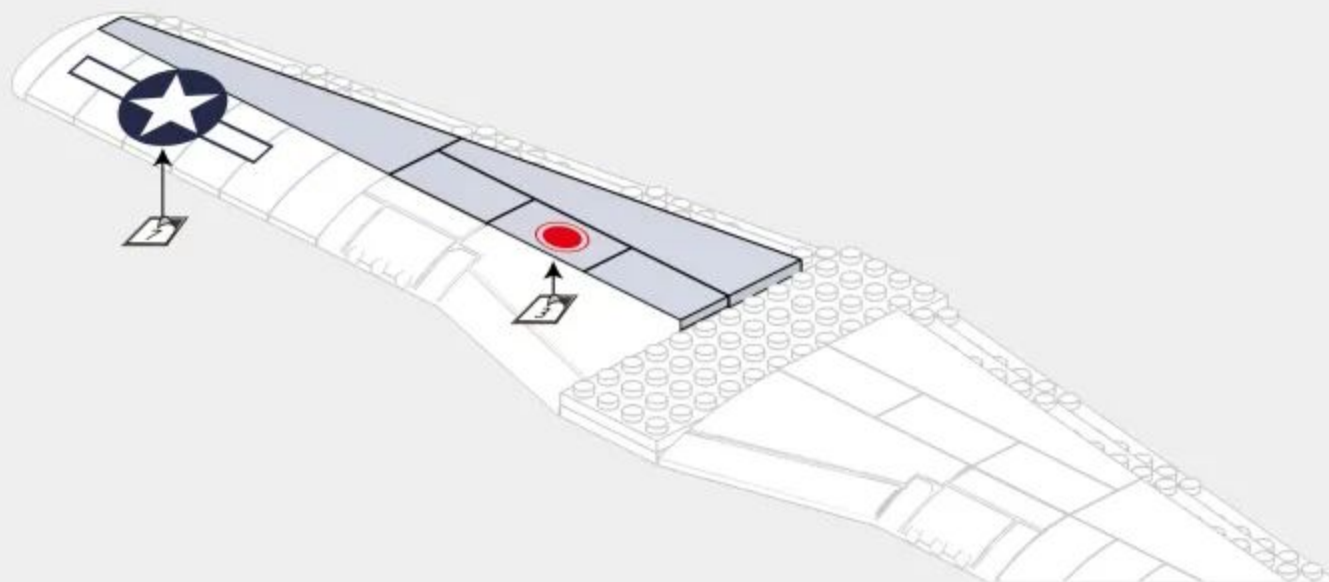
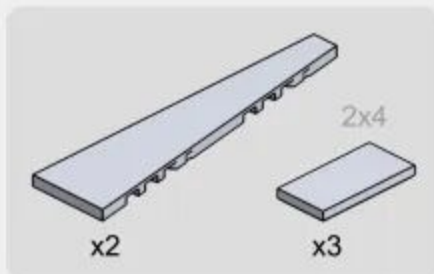
1-9



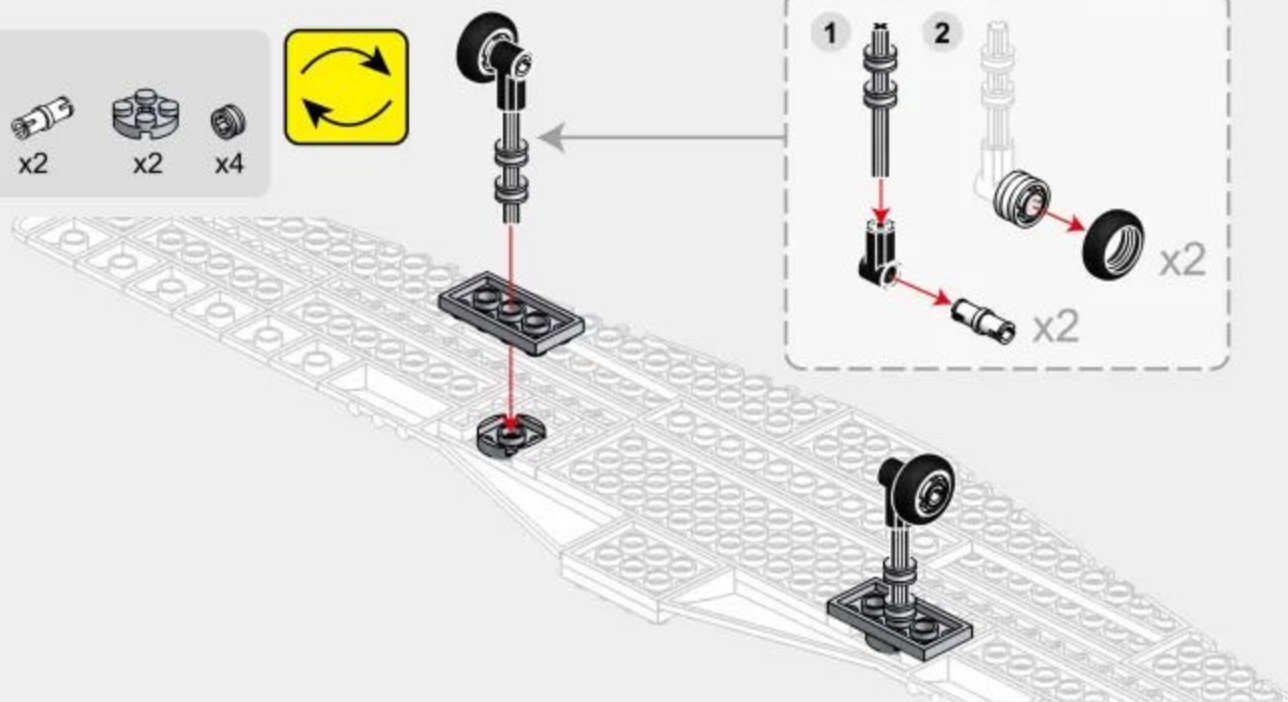
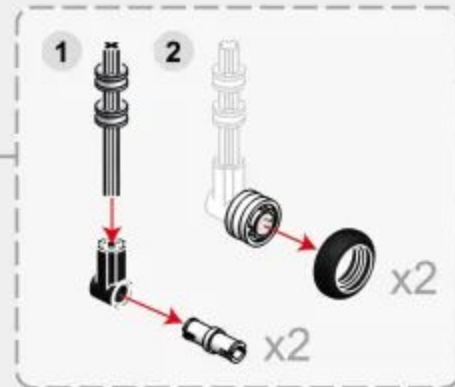
1-10



# 1-11

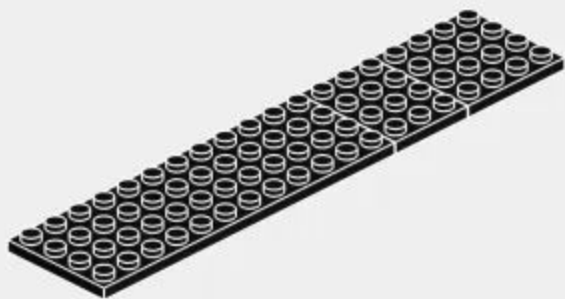
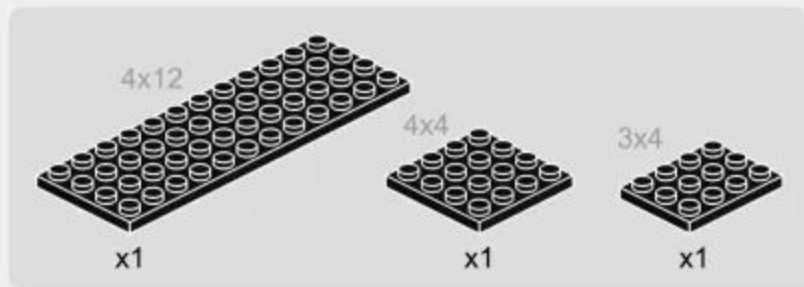


# 1-12

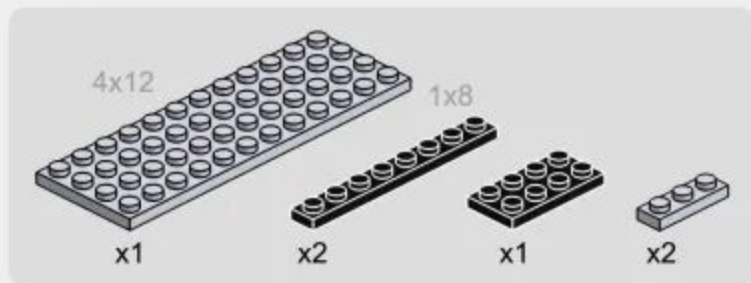




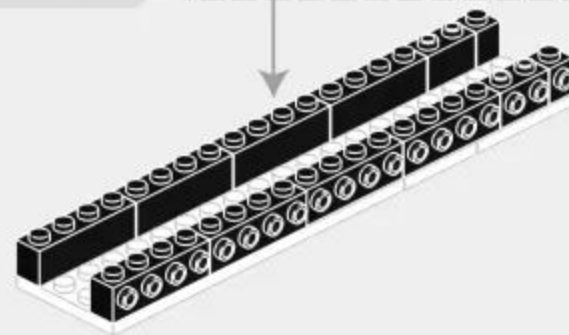
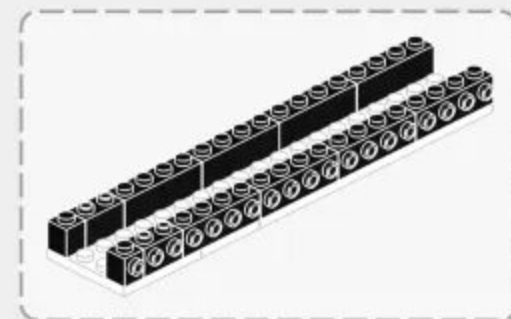
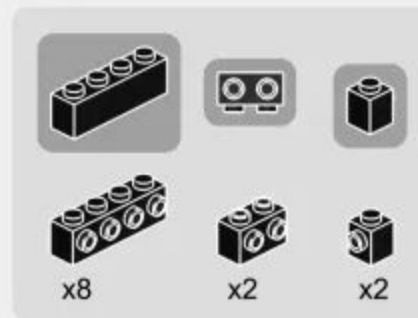
### 1-14



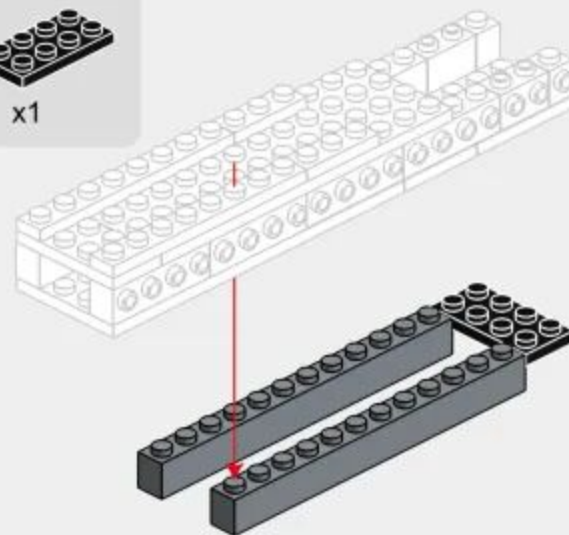
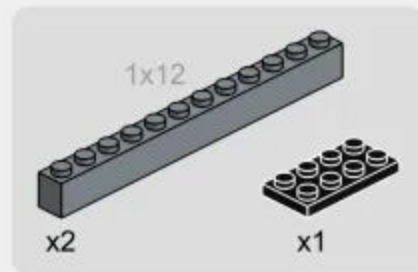
### 1-16



### 1-15

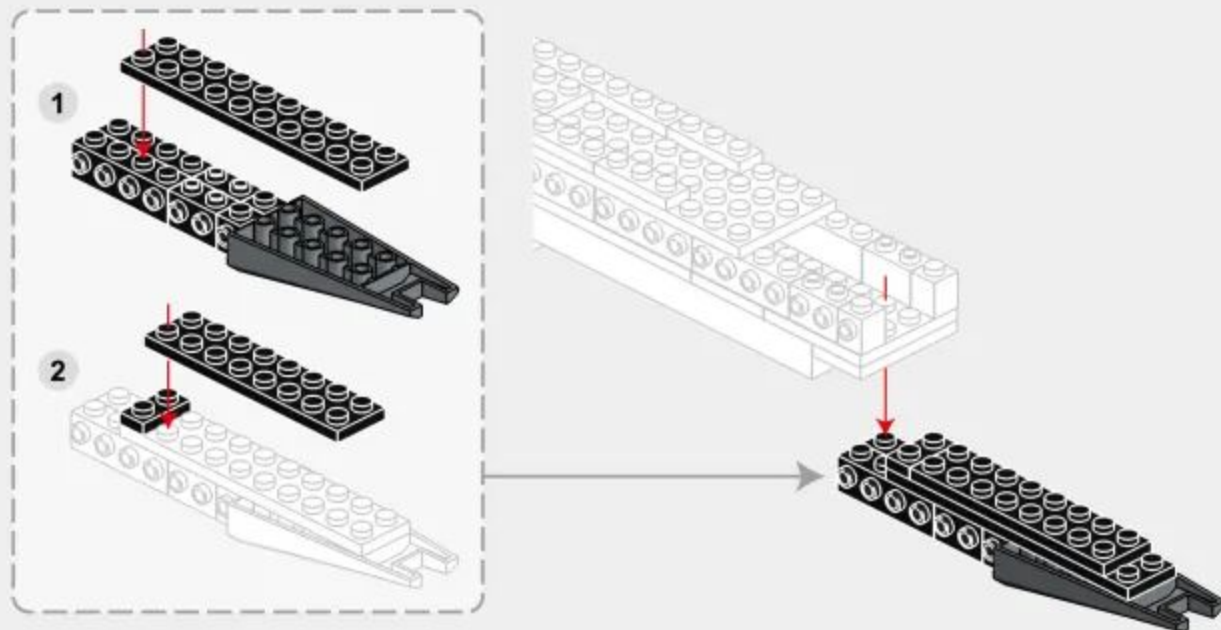
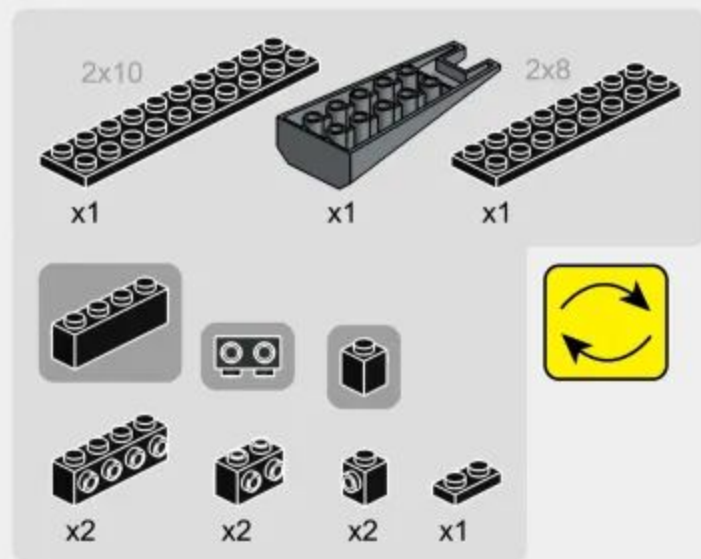


### 1-17

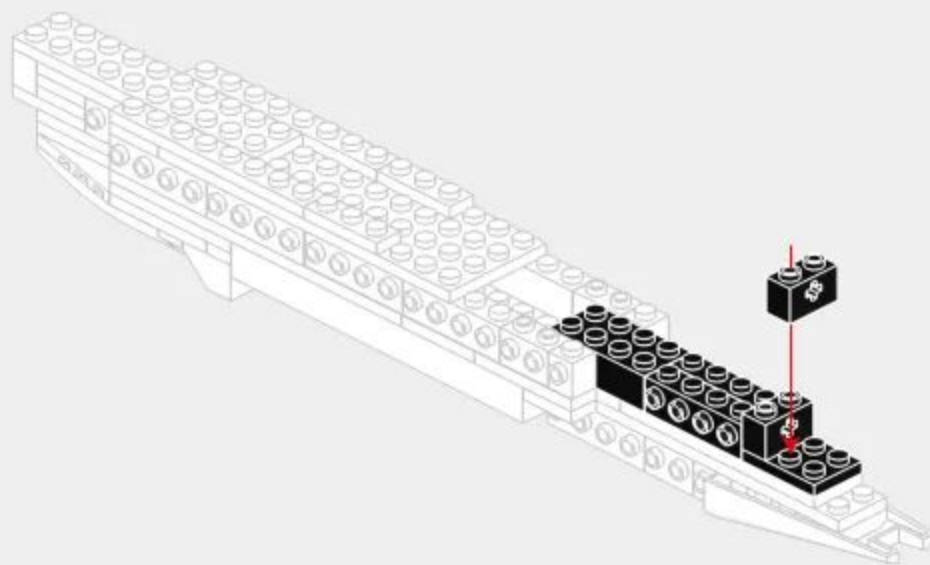
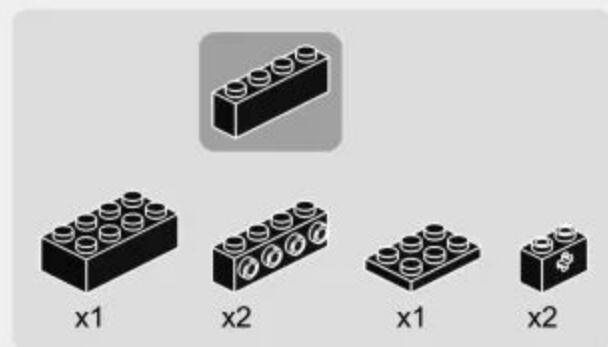




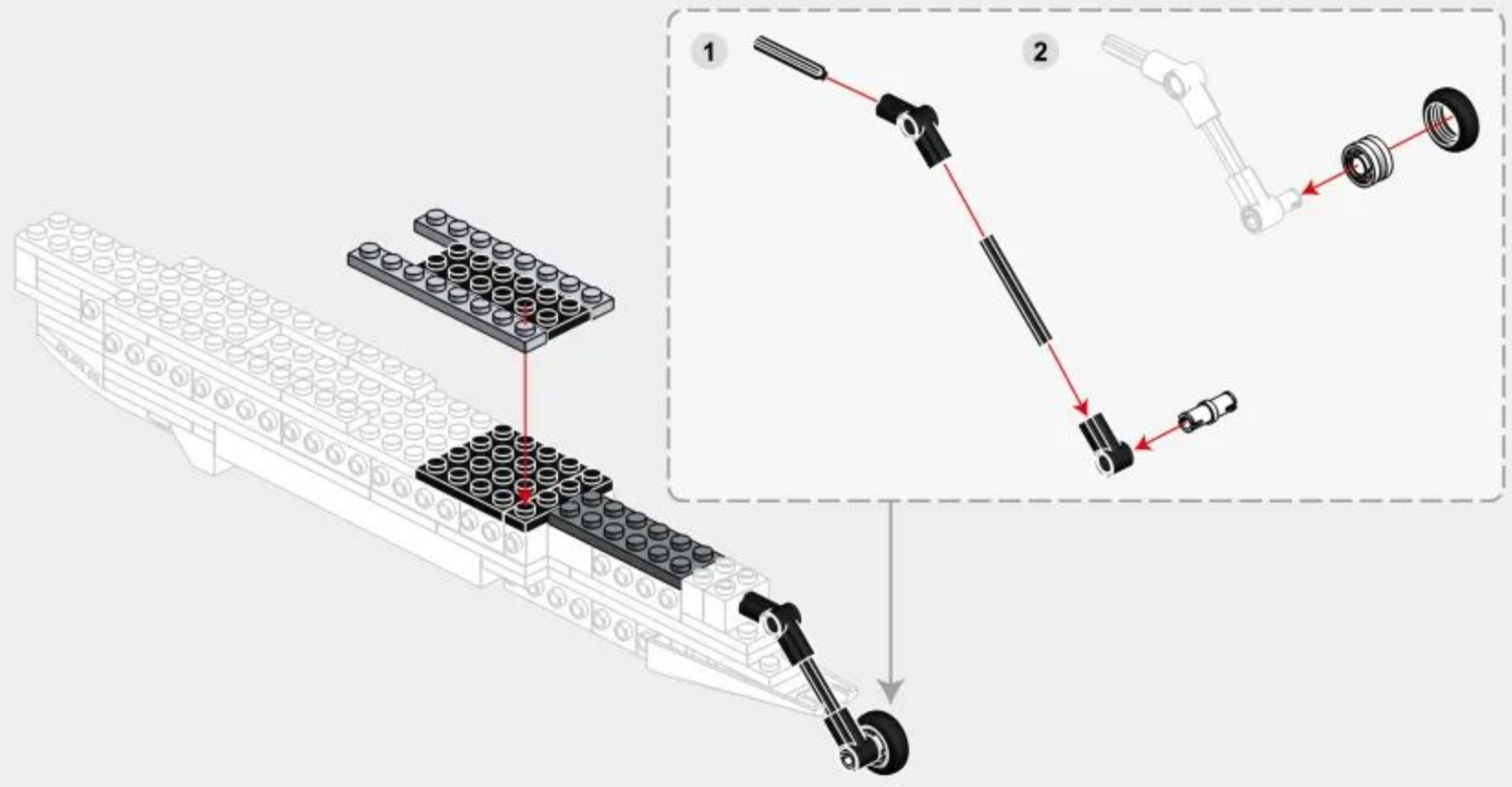
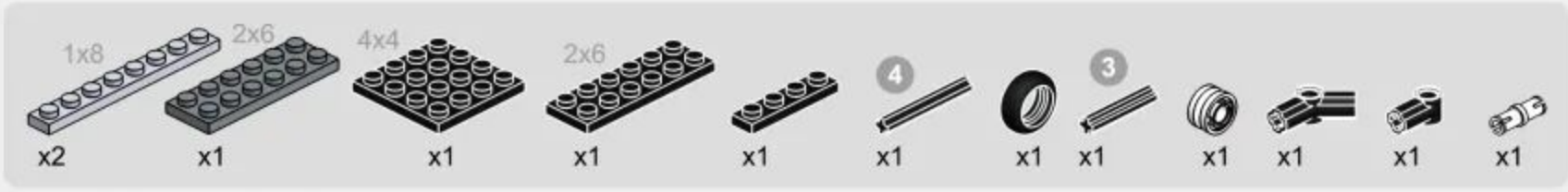
# 1-20



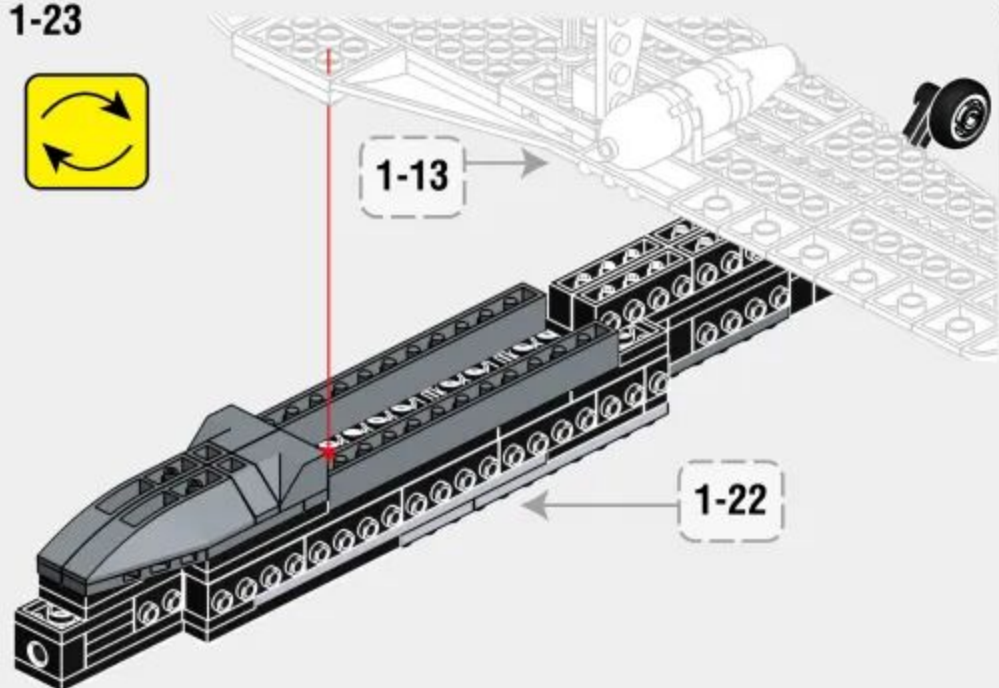
# 1-21



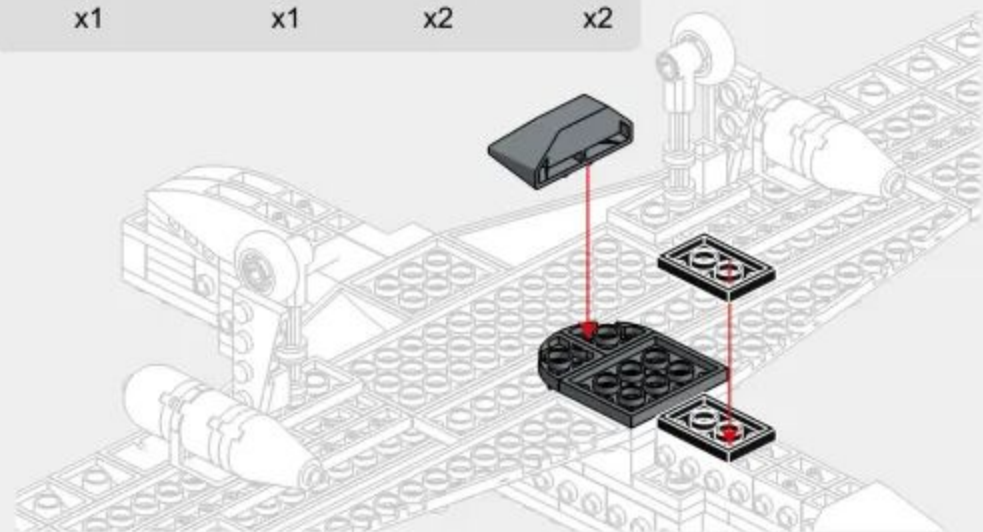
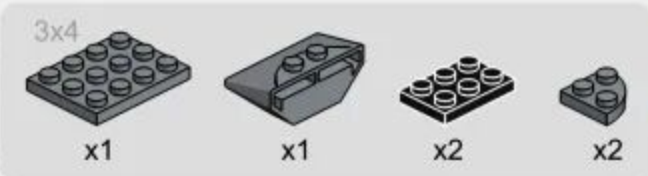
# 1-22



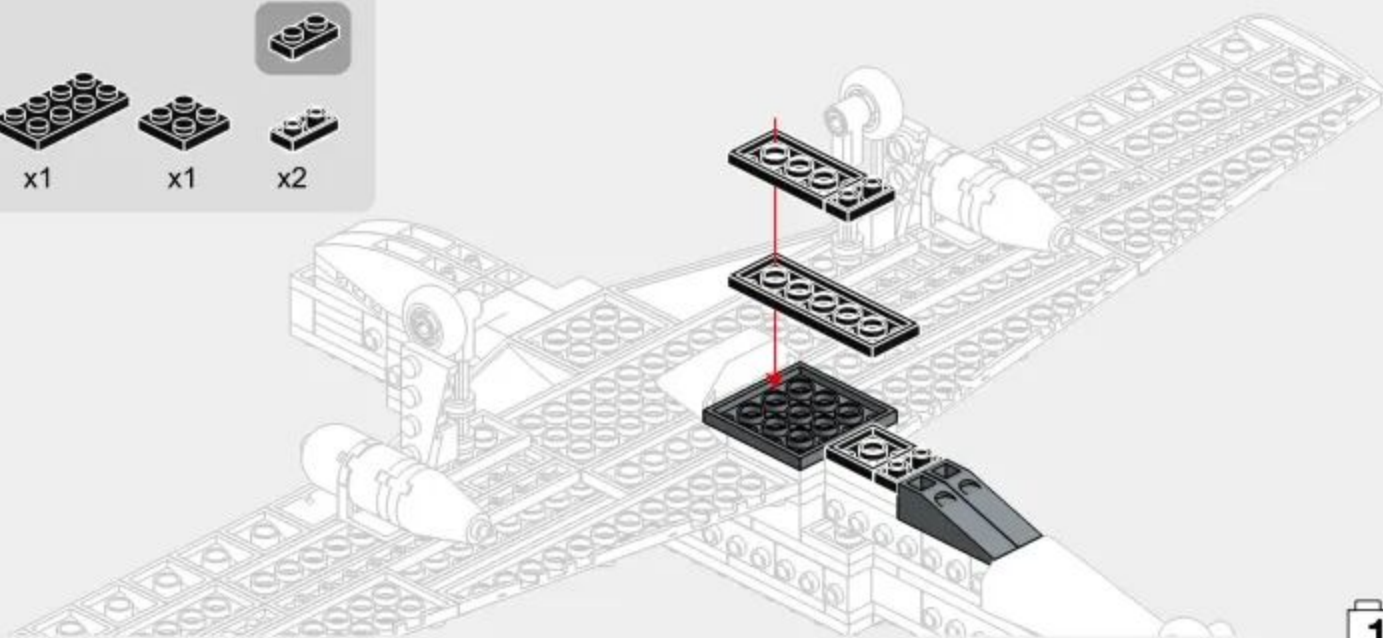
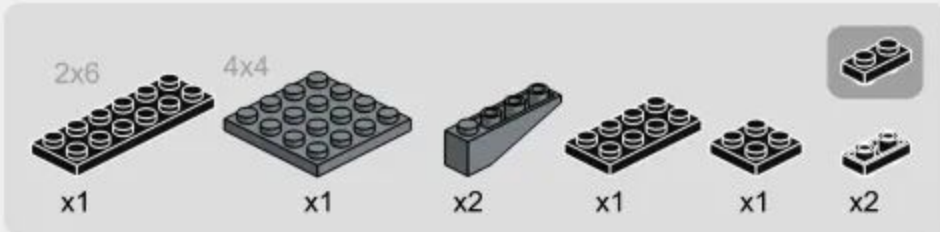
1-23



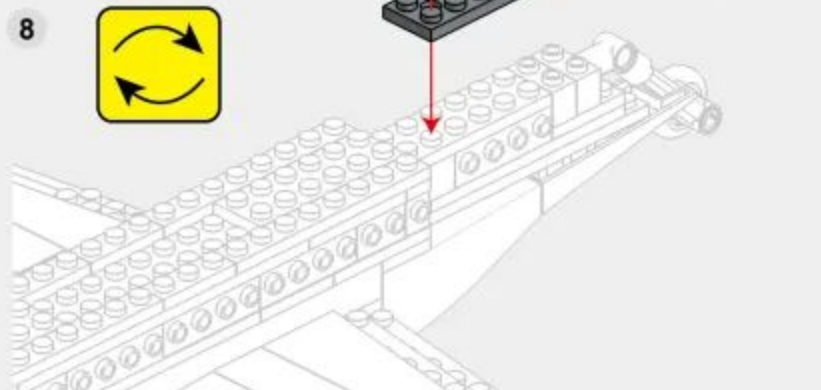
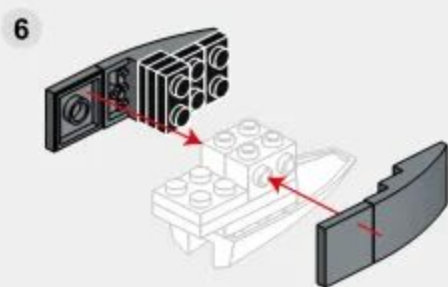
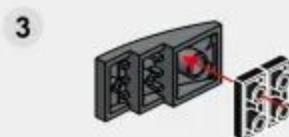
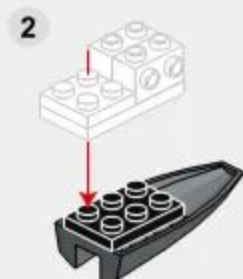
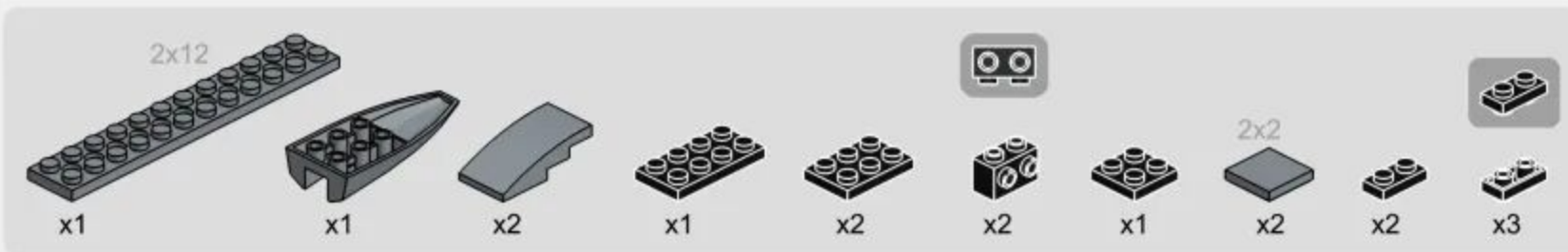
1-24



1-25

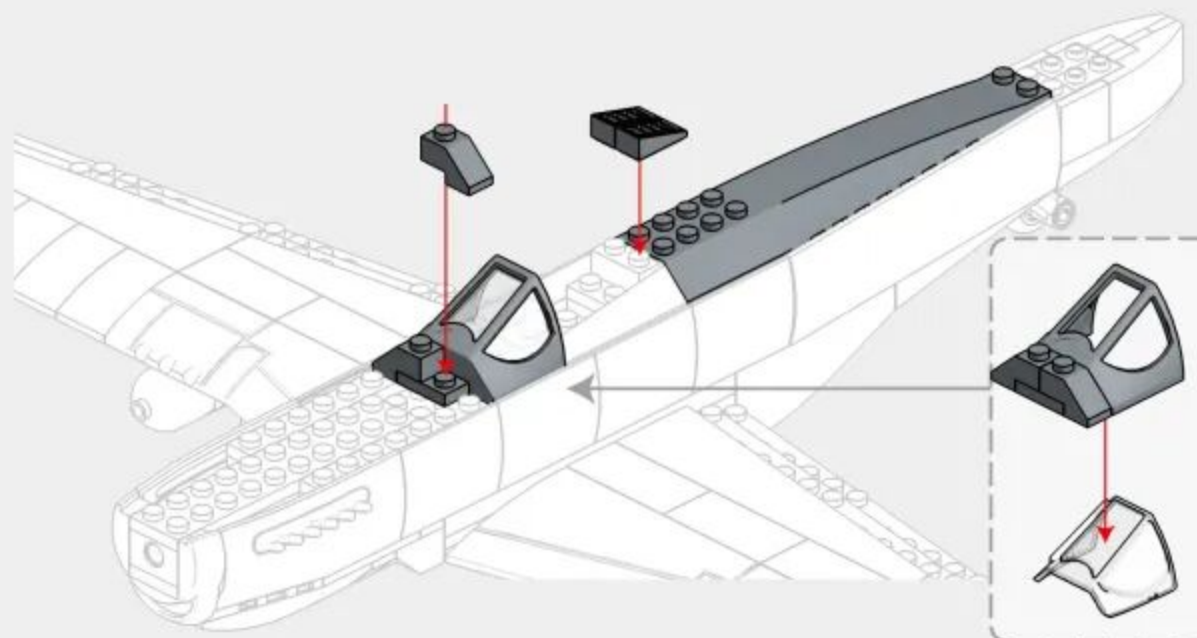
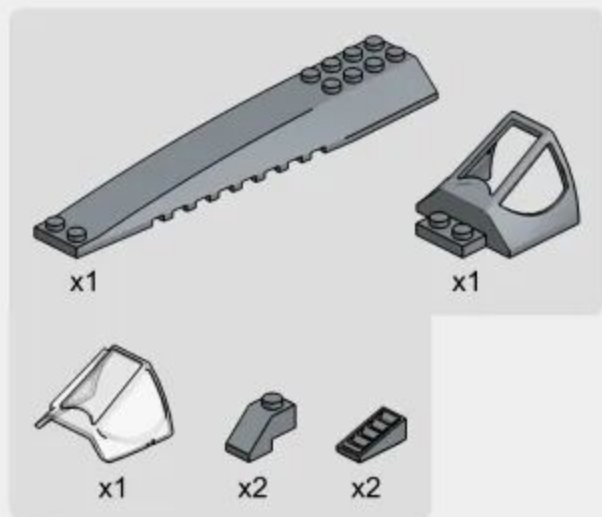


1-27

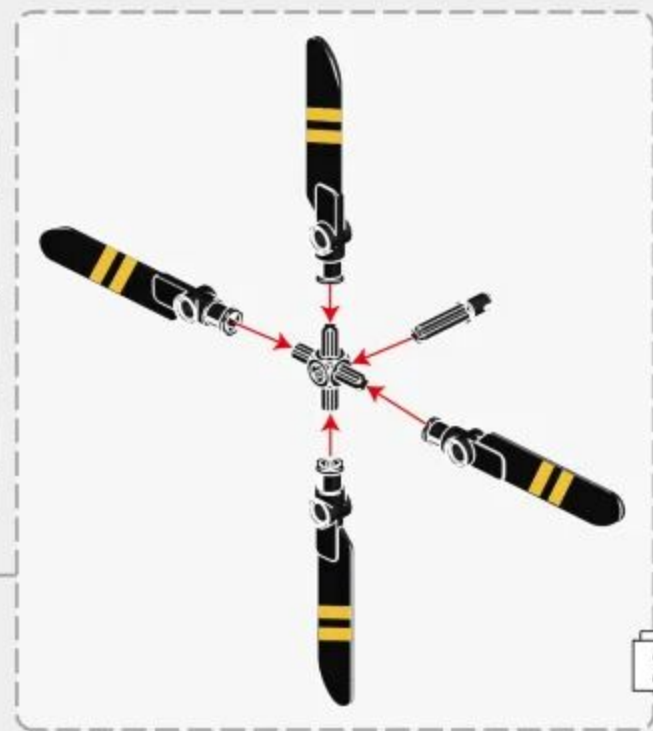
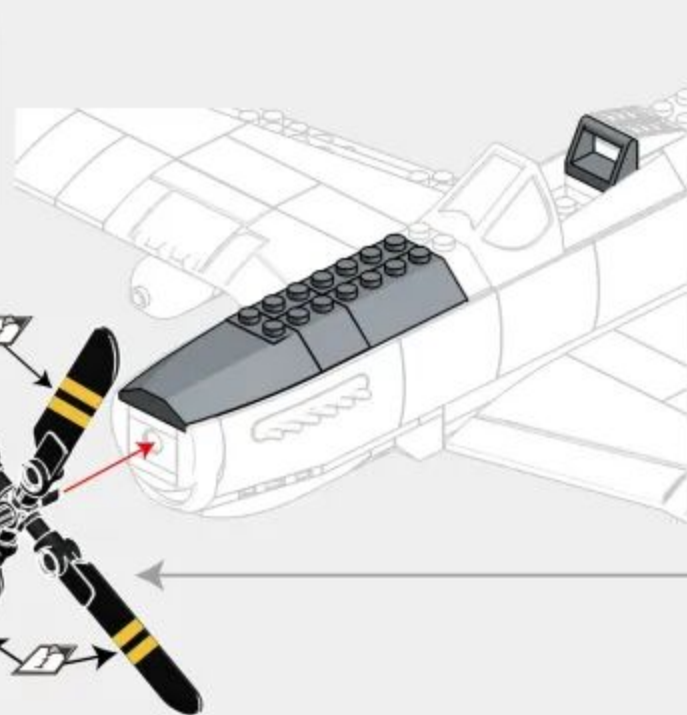
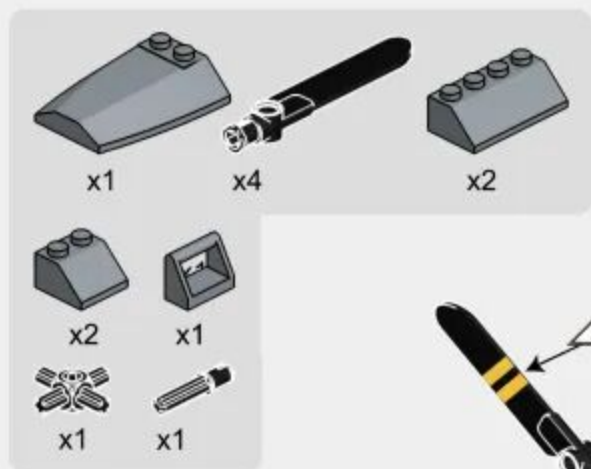




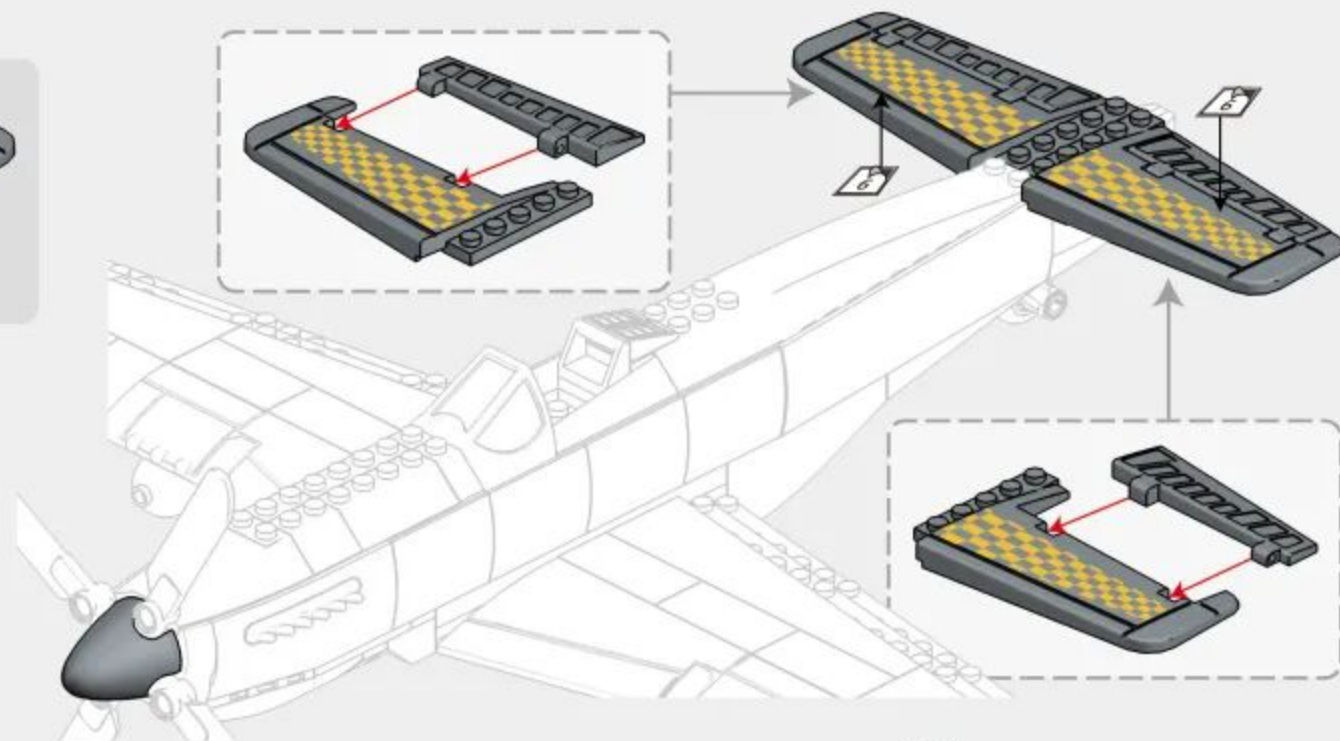
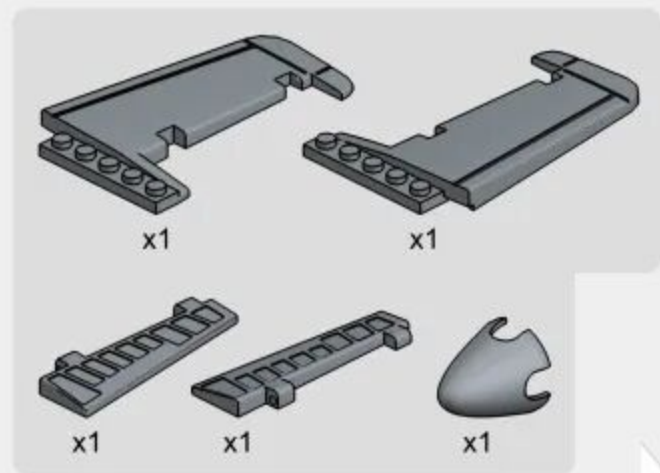
# 1-29



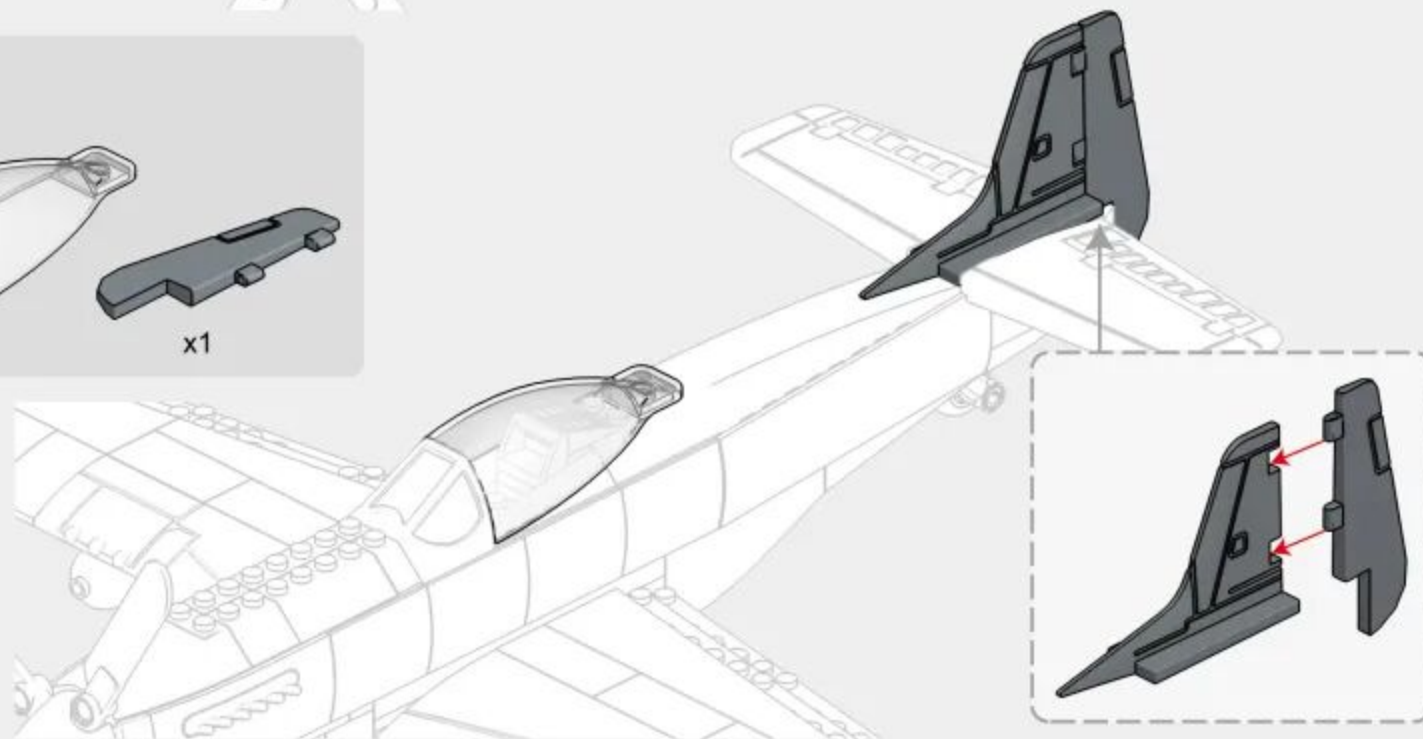
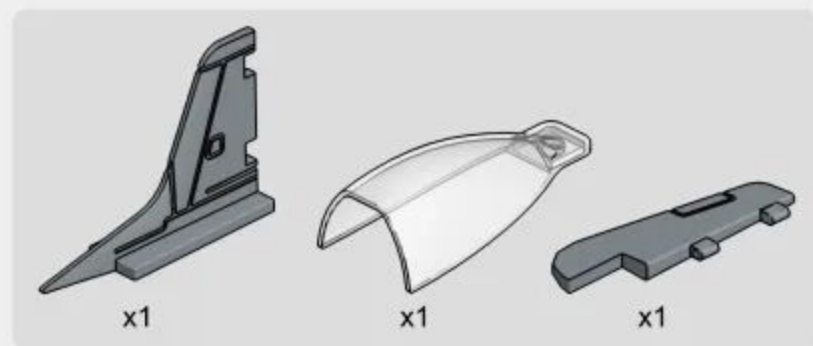
# 1-30



1-31



1-32





THIS PRODUCT DOES NOT CONTAIN BRACKET ACCESSORIES AND NEEDS TO BE PURCHASED SEPARATELY.

本品不含支架配件，需另外购买。

## FLIGHT STAND

### JX008

Perfect structure , easy assembly.

The Flight stand is compatible with our entire aircraft series.



METHOD 1

METHOD 2

## EXTENDED GAMEPLAY



4001



CARRIER-BASED FIGHTER

1:54

4002



GUNSHIP

1:38

4003



HEAVY STEALTH FIGHTER

1:50

4004



INTERCEPTOR FIGHTER

1:48

4005



SR-71 BLACKBIRD

1:74

4006



P-51 MUSTANG FIGHTER

1:26

5005



AIRBORNE EARLY WARNING AND CONTROL AIRCRAFT

1:100

5006



TILTROTOR AIRCRAFT

1:44



微信扫一扫  
补件更简单

Ver.4006220608