

AIR FORCE

AH-64 HELICOPTER GUNSHIPS

Building blocks model

Perfect shape, high simulation, classic collection



6+ / 4007 / 259 PCS
Suitable Age / Product Number / Parts Total

AH-64 HELICOPTER GUNSHIPS

Brief Introduction

The Boeing AH-64 Apache is an American twin-turboshaft attack helicopter with a tailwheel-type landing gear arrangement and a tandem cockpit for a crew of two. It features a nose-mounted sensor suite for target acquisition and night vision systems. It is armed with a 30 mm (1.18 in) M230 chain gun carried between the main landing gear, under the aircraft's forward fuselage, and four hardpoints mounted on stub-wing pylons for carrying armament and stores, typically a mixture of AGM-114 Hellfire missiles and Hydra 70 rocket pods. The AH-64 has significant systems redundancy to improve combat survivability. The Apache began as the Model 77 developed by Hughes Helicopters for the United States Army's Advanced Attack Helicopter program to replace the AH-1 Cobra. The prototype YAH-64 was first flown on 30 September 1975. The U.S. Army selected the YAH-64 over the Bell YAH-63 in 1976, and later approved full production in 1982. After purchasing Hughes Helicopters in 1984, McDonnell Douglas continued AH-64 production and development. The helicopter was introduced to U.S. Army service in April 1986. The advanced AH-64D Apache Longbow was delivered to the Army in March 1997. Production has been continued by Boeing Defense, Space & Security, with over 2,400 AH-64s being produced by 2020.

General Information

Crew: 2 people (pilot, weapons operator)
Length: 17.76 meters
Rotor diameter: 14.63 meters
Height: 4.05 meters
Rotor area: 168.11 square meters
Empty weight: 5,165 kilograms
Maximum takeoff weight: 10,433 kilograms
Power system: 2×T-700-GE-701 engines
Output: 1510/1723 shaft horsepower×2



AH-64 HELICOPTER GUNSHIPS

Structure

Reference Performance

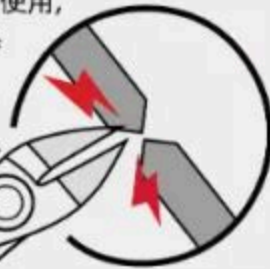
Maximum flight speed: 365 kilometers per hour
Practical ceiling: 6,400 meters
Ferry range: 1,900 kilometers
Combat radius: 480 kilometers
Rate of climb: 12.7 meters per second
Wing loading: 526 kilograms per square meter
Rotor loading: 47.9 kilograms per square meter
Thrust-to-weight ratio: 0.29



温馨提示/Friendly Reminder

a. 此产品含有连板配件，请您小心摘下使用，如有必要您可以使用钳子或者相关工具取下配件。

This product contains continuous board accessories. Please carefully remove them. If necessary, you can use pliers or relevant tools to take off the accessories.



b. 如取下配件后有塑料点，您可以使用钳子或相关工具修剪相关配件，避免影响使用。

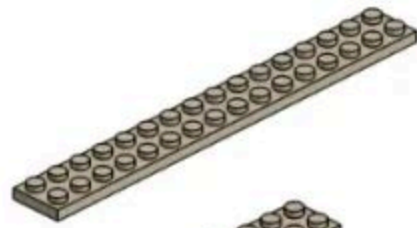
If there are plastic points after removing the accessories, you can use pliers or relevant tools to trim the related components to avoid affecting usage.



儿童请在家长的监护下取下胶件，避免划伤。 / For children, please remove the adhesive parts under parental supervision to avoid any scratches.

PARTS LIST

配件清单



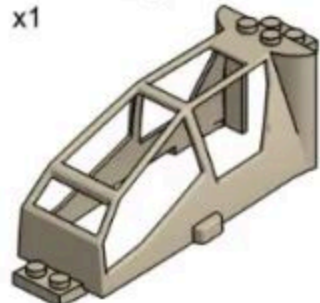
x1



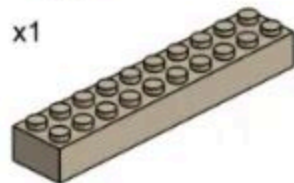
x1



x1



x1



x1



x1



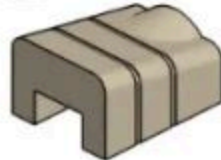
x5



x2



x2



x1



x1



x1



x1



x1



x1



x2



x3



x1



x1



x1



x1



x2



x2



x1



x1



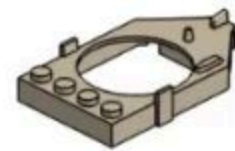
x1



x2



x2



x1



x2



x1



x1



x3



x4



x2



x4



x1



x5



x2



x1



x4



x1



x1



x1



x2



x1



x1



x1



x1



x1



x4



x1



x1

产品有增补件请以实物为准

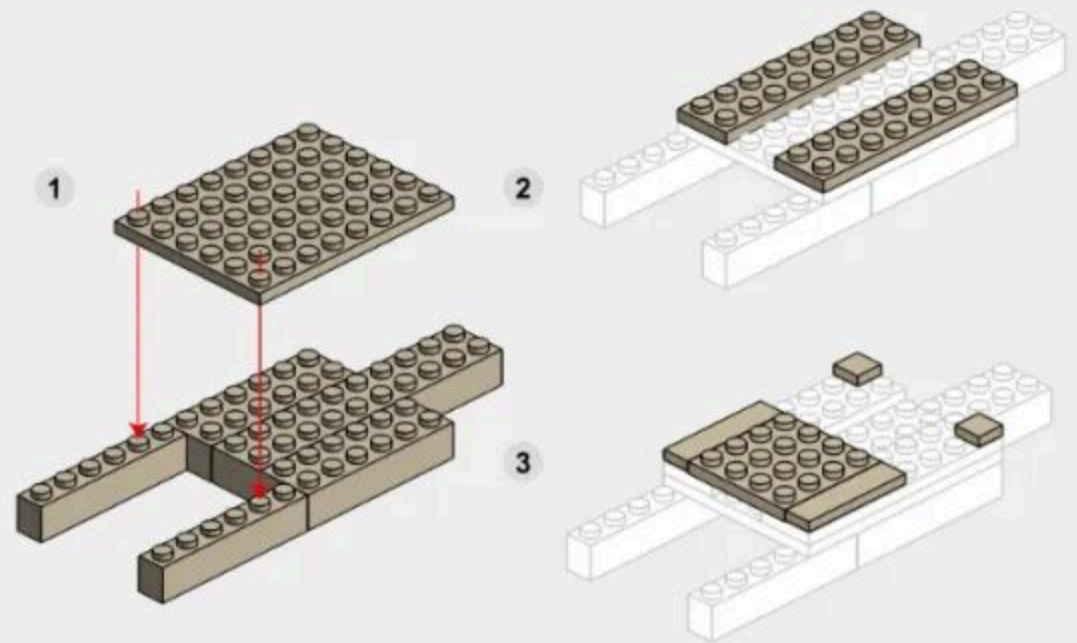
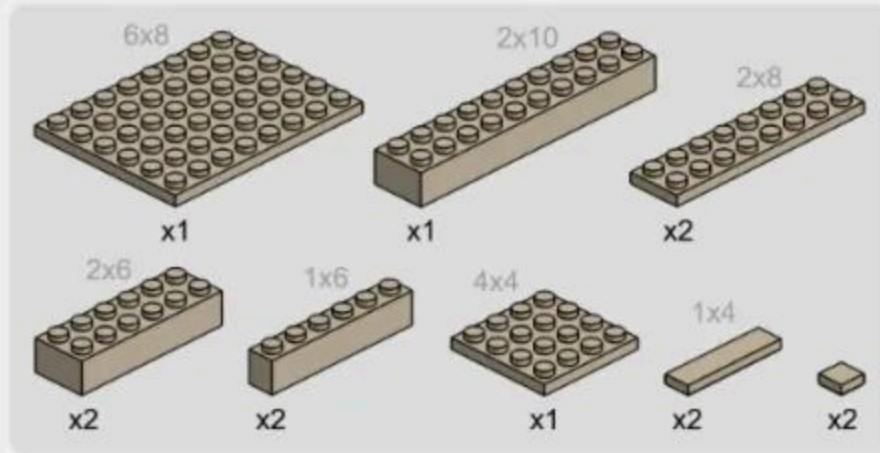
If product has additional parts, please in kind prevail.

PARTS LIST

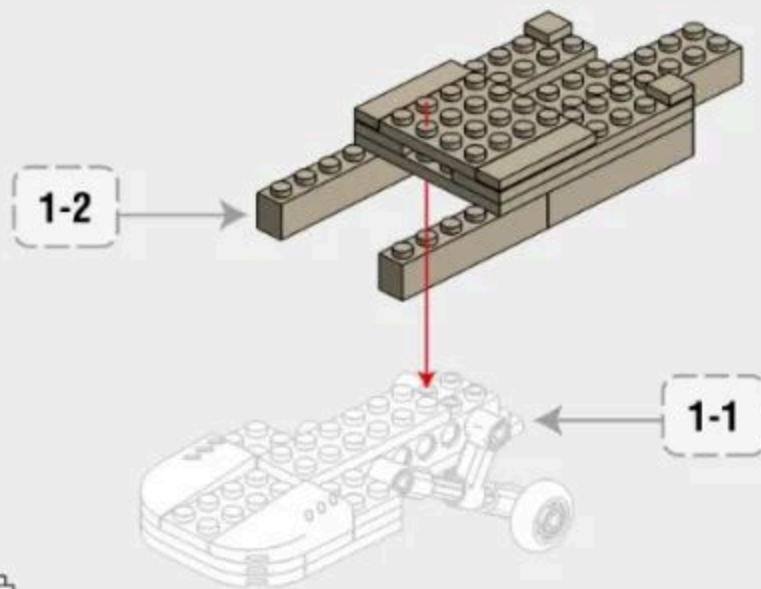
配件清单

| | | | | | | | |
|----|----|----|----|----|----|----|-----|
| | | | | | | | |
| x1 | x1 | x1 | x1 | x1 | x1 | x2 | x2 |
| | | | | | | | |
| x1 | x1 | x3 | x7 | x2 | x2 | x2 | x11 |
| | | | | | | | |
| x1 | x1 | x2 | x1 | x2 | x2 | x2 | 2 |
| | | | | | | | |
| x6 | x4 | x1 | x1 | x1 | x1 | x1 | x1 |
| | | | | | | | |
| x1 | x4 | x4 | x1 | x1 | x1 | x1 | x2 |
| | | | | | | | |
| x4 | x2 | x2 | x1 | x1 | x1 | x1 | x1 |
| | | | | | | | |
| x1 | x3 | x1 | x1 | x1 | x1 | x1 | x1 |
| | | | | | | | |
| x6 | x1 | x2 | x2 | x2 | x2 | x2 | x1 |
| | | | | | | | |
| x2 | x2 | x7 | x6 | x3 | x3 | x3 | x8 |
| | | | | | | | |
| x1 | x2 | x1 | x2 | x1 | x1 | x1 | x1 |
| | | | | | | | |
| x1 | x2 | x1 | x1 | x1 | x1 | x1 | x1 |
| | | | | | | | |
| x1 | x2 | x1 | x1 | x1 | x1 | x1 | x1 |
| | | | | | | | |
| x1 | x2 | x1 | x1 | x1 | x1 | x1 | x1 |
| | | | | | | | |
| x1 | x2 | x1 | x1 | x1 | x1 | x1 | x1 |
| | | | | | | | |
| x1 | x2 | x1 | x1 | x1 | x1 | x1 | x1 |
| | | | | | | | |
| x1 | x2 | x1 | x1 | x1 | x1 | x1 | x1 |
| | | | | | | | |
| x1 | x2 | x1 | x1 | x1 | x1 | x1 | x1 |
| | | | | | | | |
| x1 | x2 | x1 | x1 | x1 | x1 | x1 | x1 |
| | | | | | | | |
| x1 | x2 | x1 | x1 | x1 | x1 | x1 | x1 |
| | | | | | | | |
| x1 | x2 | x1 | x1 | x1 | x1 | x1 | x1 |
| | | | | | | | |
| x1 | x2 | x1 | x1 | x1 | x1 | x1 | x1 |
| | | | | | | | |
| x1 | x2 | x1 | x1 | x1 | x1 | x1 | x1 |
| | | | | | | | |
| x1 | x2 | x1 | x1 | x1 | x1 | x1 | x1 |
| | | | | | | | |
| x1 | x2 | x1 | x1 | x1 | x1 | x1 | x1 |
| | | | | | | | |
| x1 | x2 | x1 | x1 | x1 | x1 | x1 | x1 |
| | | | | | | | |
| x1 | x2 | x1 | x1 | x1 | x1 | x1 | x1 |
| | | | | | | | |
| x1 | x2 | x1 | x1 | x1 | x1 | x1 | x1 |
| | | | | | | | |
| x1 | x2 | x1 | x1 | x1 | x1 | x1 | x1 |
| | | | | | | | |
| x1 | x2 | x1 | x1 | x1 | x1 | x1 | x1 |
| | | | | | | | |
| x1 | x2 | x1 | x1 | x1 | x1 | x1 | x1 |
| | | | | | | | |
| x1 | x2 | x1 | x1 | x1 | x1 | x1 | x1 |
| | | | | | | | |
| x1 | x2 | x1 | x1 | x1 | x1 | x1 | x1 |
| | | | | | | | |
| x1 | x2 | x1 | x1 | x1 | x1 | x1 | x1 |
| | | | | | | | |
| x1 | x2 | x1 | x1 | x1 | x1 | x1 | x1 |
| | | | | | | | |
| x1 | x2 | x1 | x1 | x1 | x1 | x1 | x1 |
| | | | | | | | |
| x1 | x2 | x1 | x1 | x1 | x1 | x1 | x1 |
| | | | | | | | |
| x1 | x2 | x1 | x1 | x1 | x1 | x1 | x1 |
| | | | | | | | |
| x1 | x2 | x1 | x1 | x1 | x1 | x1 | x1 |
| | | | | | | | |
| x1 | x2 | x1 | x1 | x1 | x1 | x1 | x1 |
| | | | | | | | |
| x1 | x2 | x1 | x1 | x1 | x1 | x1 | x1 |
| | | | | | | | |
| x1 | x2 | x1 | x1 | x1 | x1 | x1 | x1 |
| | | | | | | | |
| x1 | x2 | x1 | x1 | x1 | x1 | x1 | x1 |
| | | | | | | | |
| x1 | x2 | x1 | x1 | x1 | x1 | x1 | x1 |
| | | | | | | | |
| x1 | x2 | x1 | x1 | x1 | x1 | x1 | x1 |
| | | | | | | | |
| x1 | x2 | x1 | x1 | x1 | x1 | x1 | x1 |
| | | | | | | | |
| x1 | x2 | x1 | x1 | x1 | x1 | x1 | x1 |
| | | | | | | | |
| x1 | x2 | x1 | x1 | x1 | x1 | x1 | x1 |
| | | | | | | | |
| x1 | x2 | x1 | x1 | x1 | x1 | x1 | x1 |
| | | | | | | | |
| x1 | x2 | x1 | x1 | x1 | x1 | x1 | x1 |
| | | | | | | | |
| x1 | x2 | x1 | x1 | x1 | x1 | x1 | x1 |
| | | | | | | | |
| x1 | x2 | x1 | x1 | x1 | x1 | x1 | x1 |
| | | | | | | | |
| x1 | x2 | x1 | x1 | x1 | x1 | x1 | x1 |
| | | | | | | | |
| x1 | x2 | x1 | x1 | x1 | x1 | x1 | x1 |
| | | | | | | | |
| x1 | x2 | x1 | x1 | x1 | x1 | x1 | x1 |
| | | | | | | | |
| x1 | x2 | x1 | x1 | x1 | x1 | x1 | x1 |
| | | | | | | | |

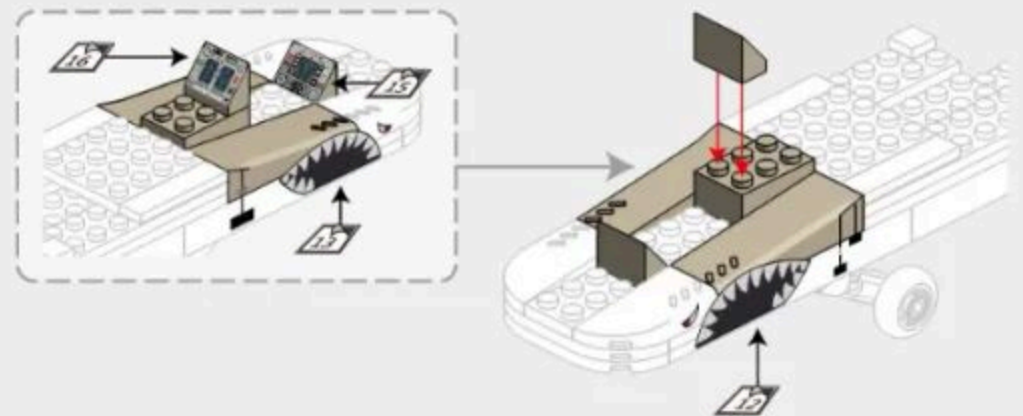
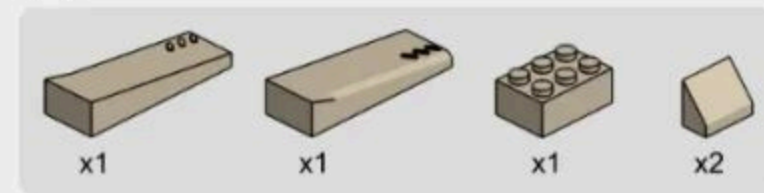
1-2



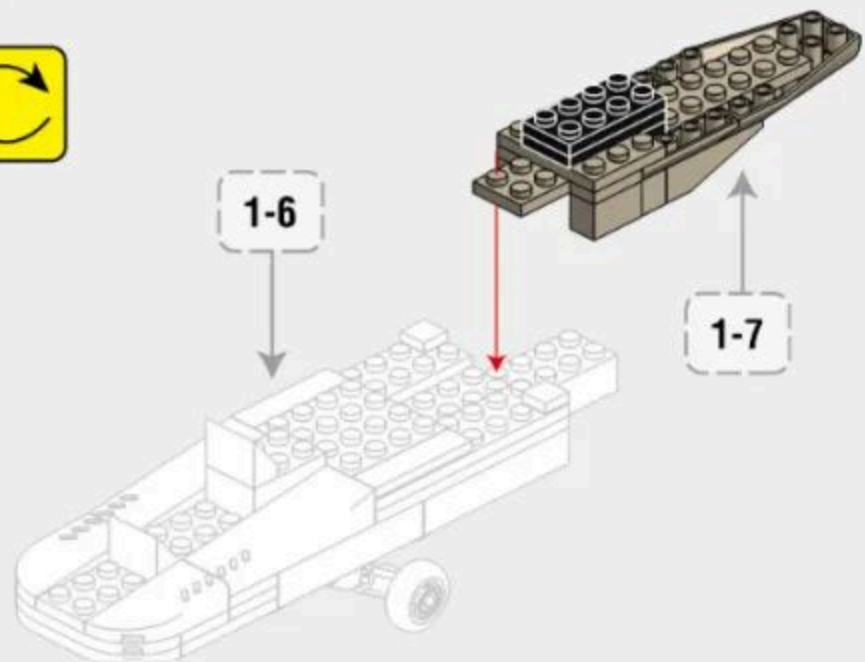
1-3



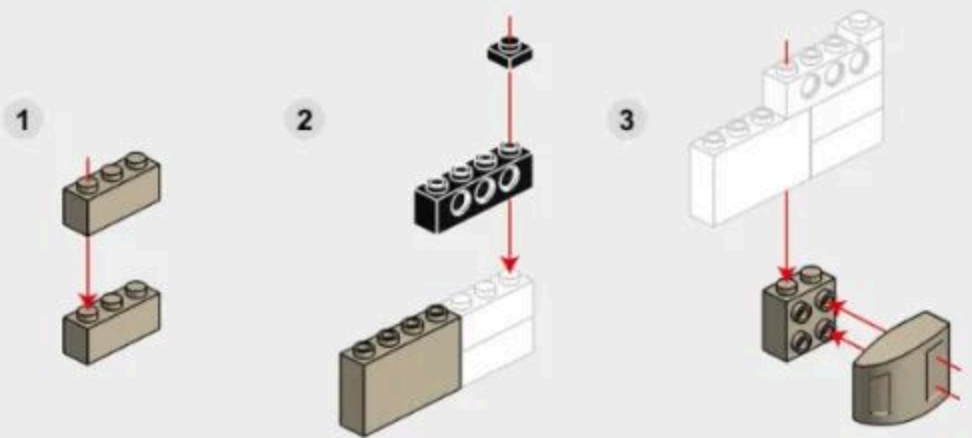
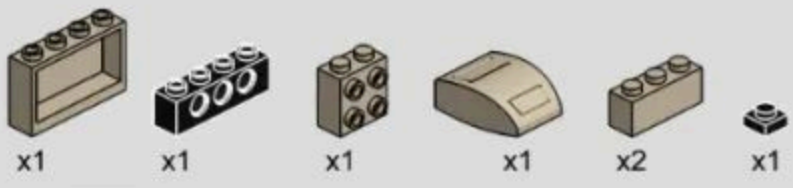
1-4



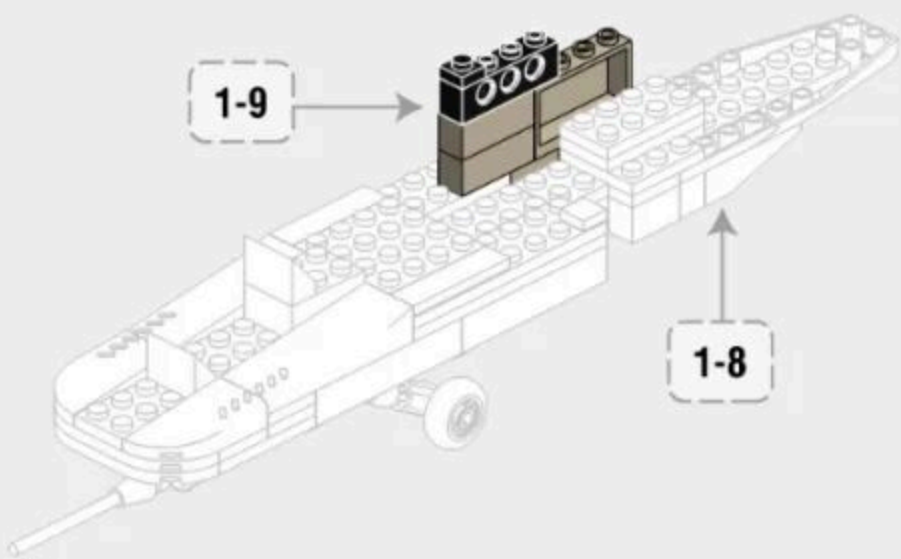
1-8



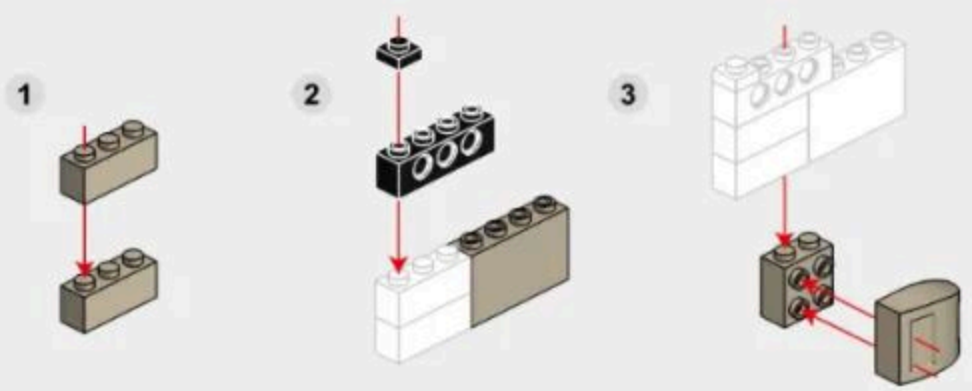
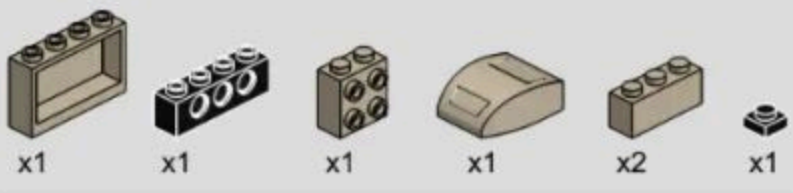
1-9



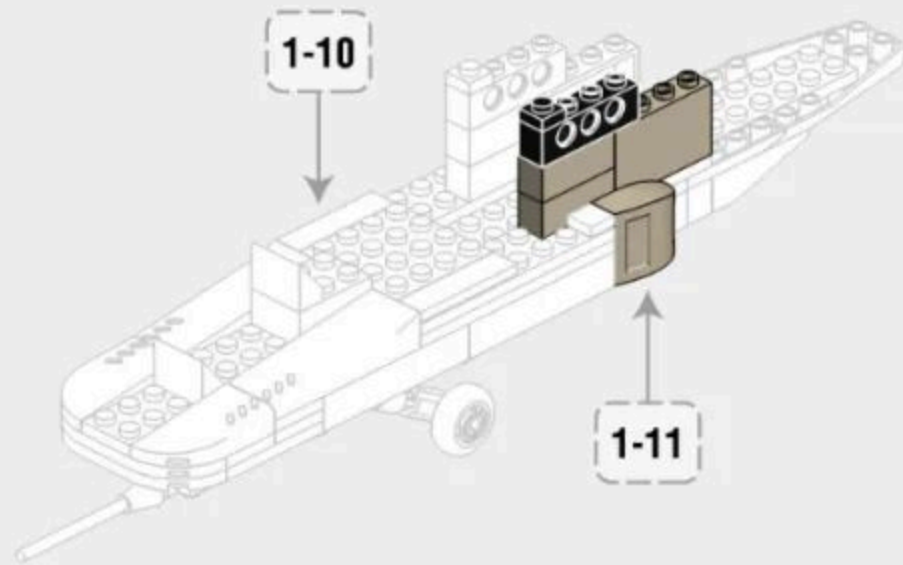
1-10



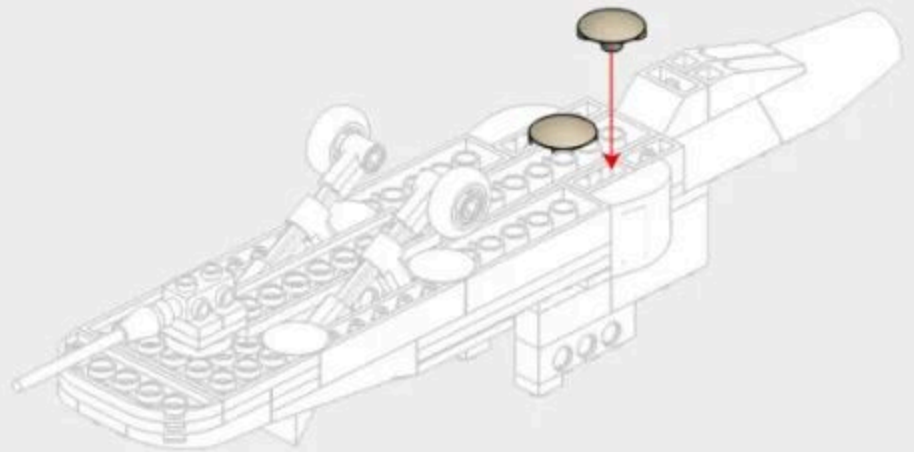
1-11



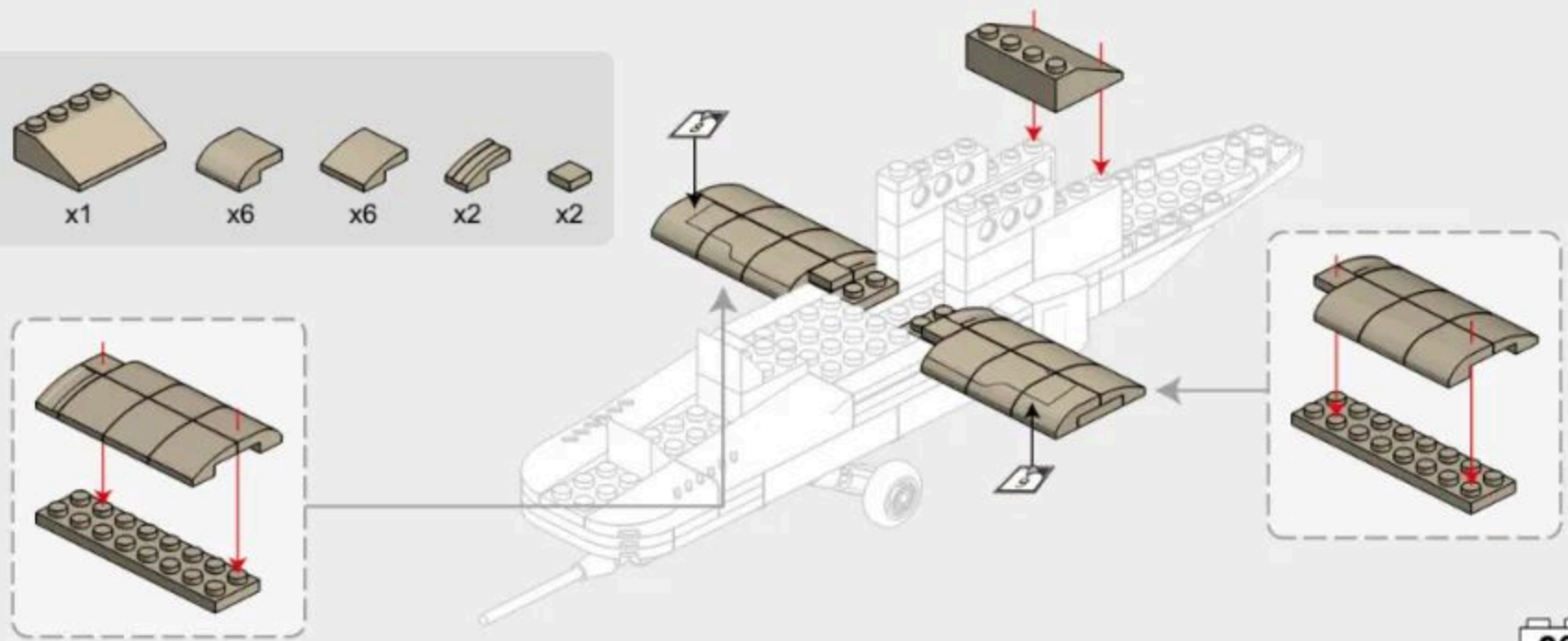
1-12



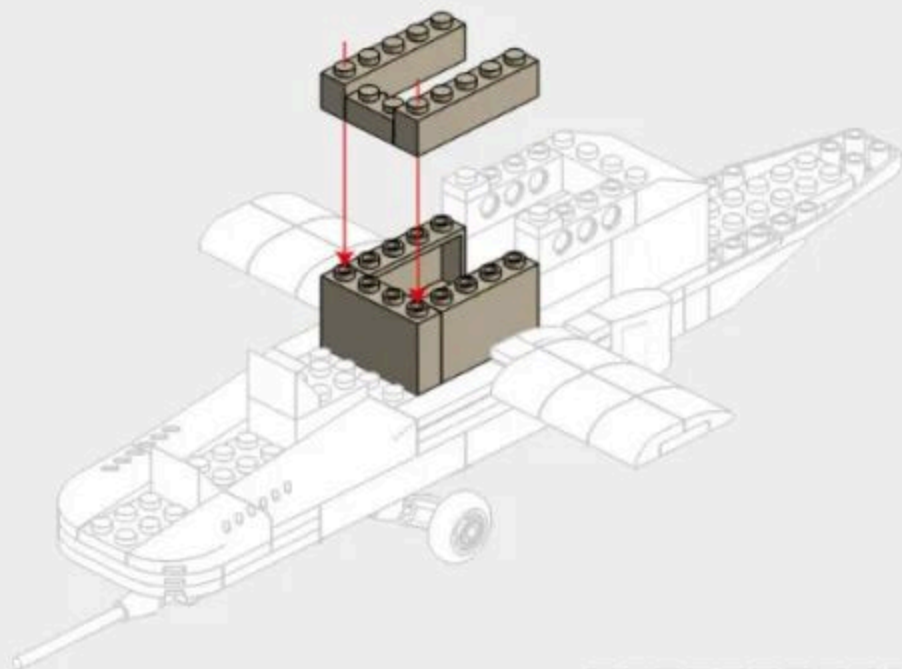
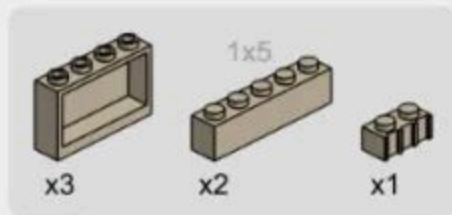
1-13



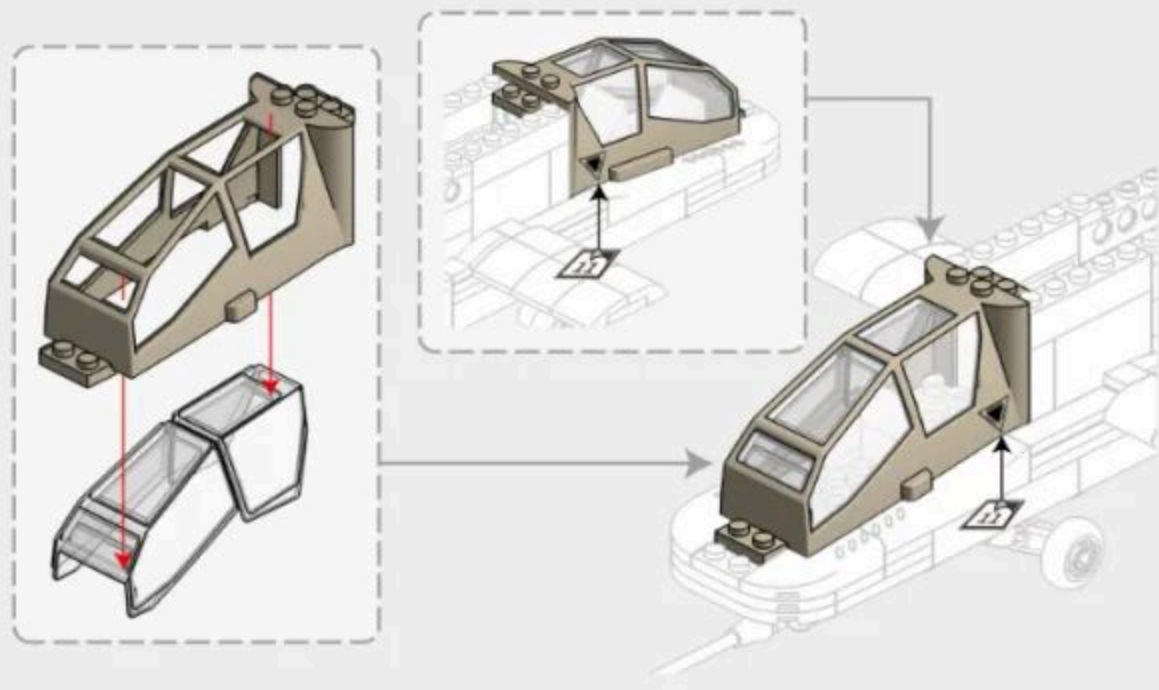
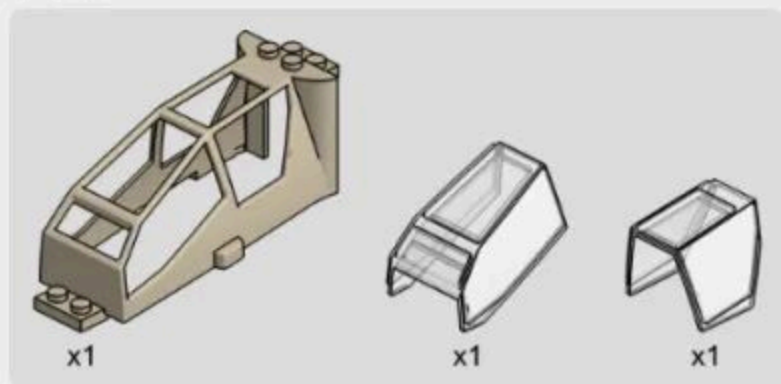
1-14



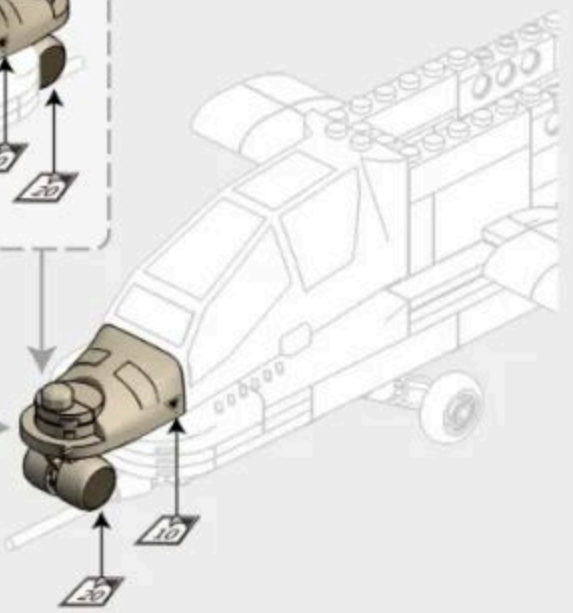
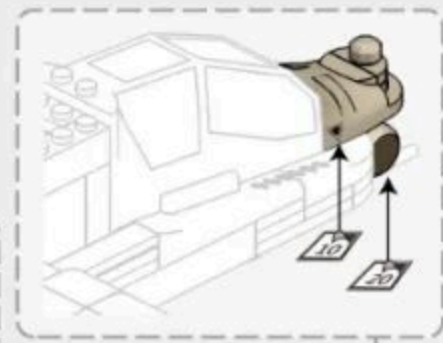
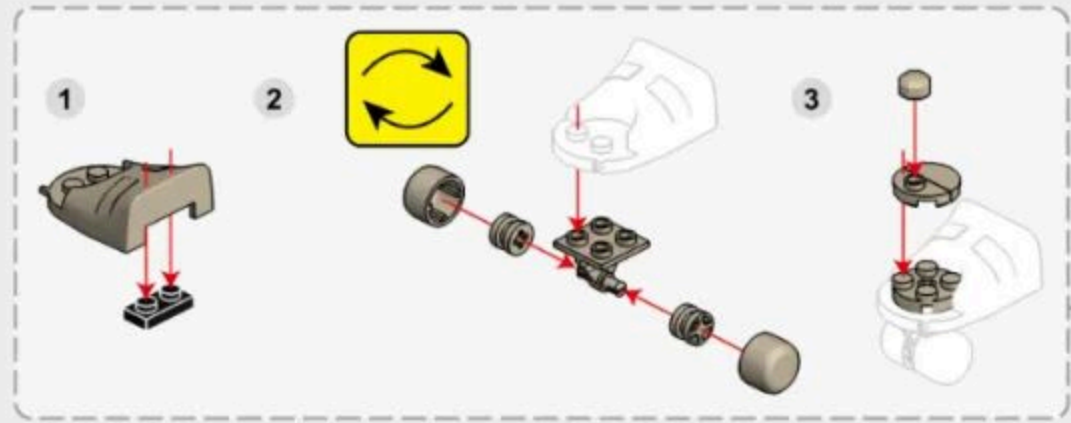
1-15



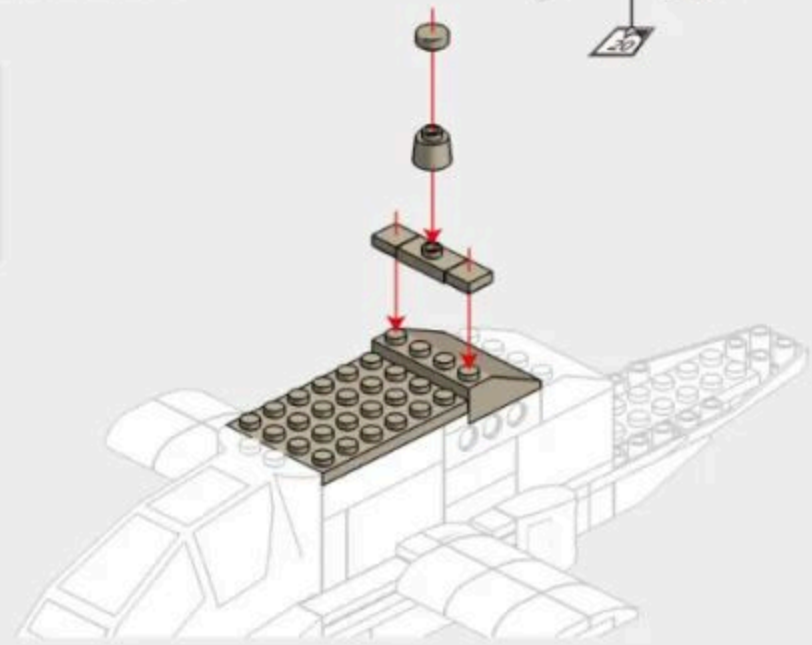
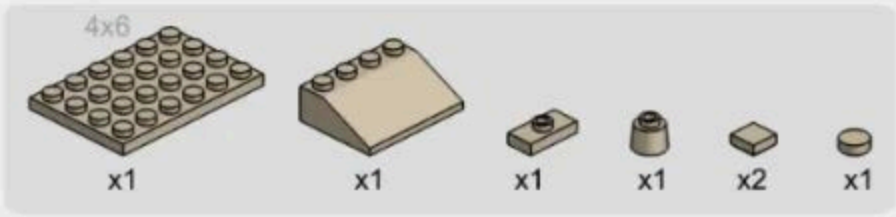
1-16

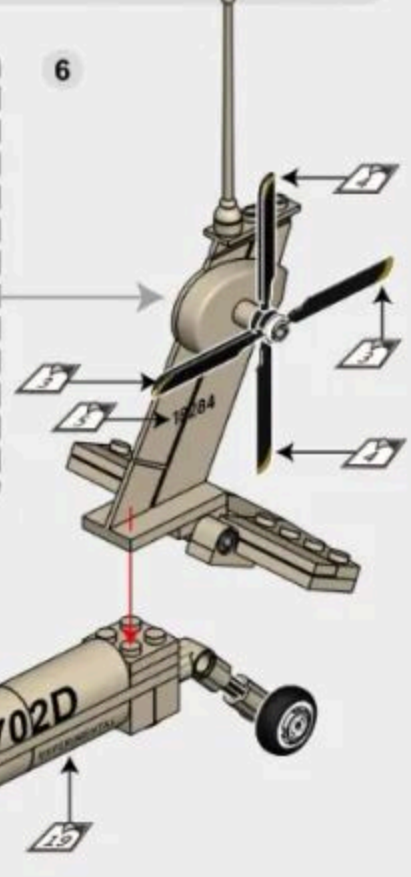
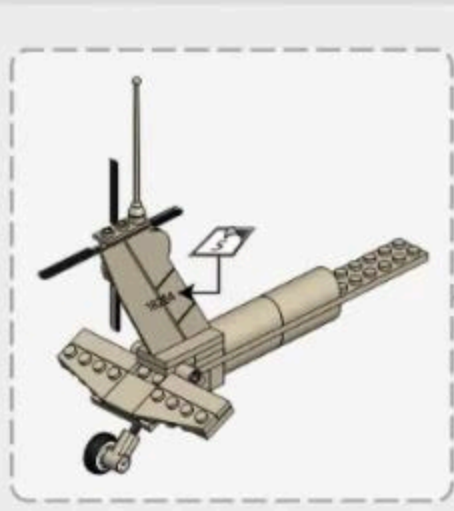
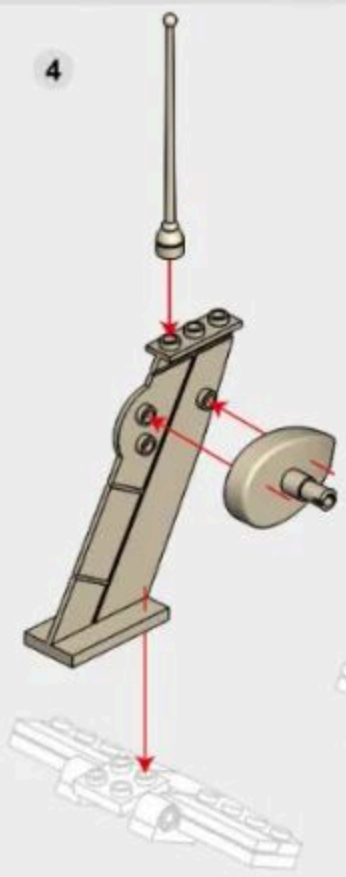
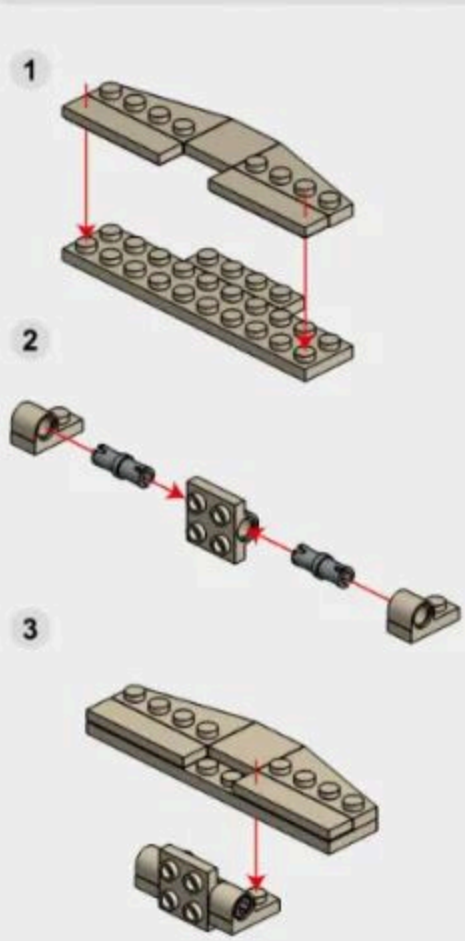
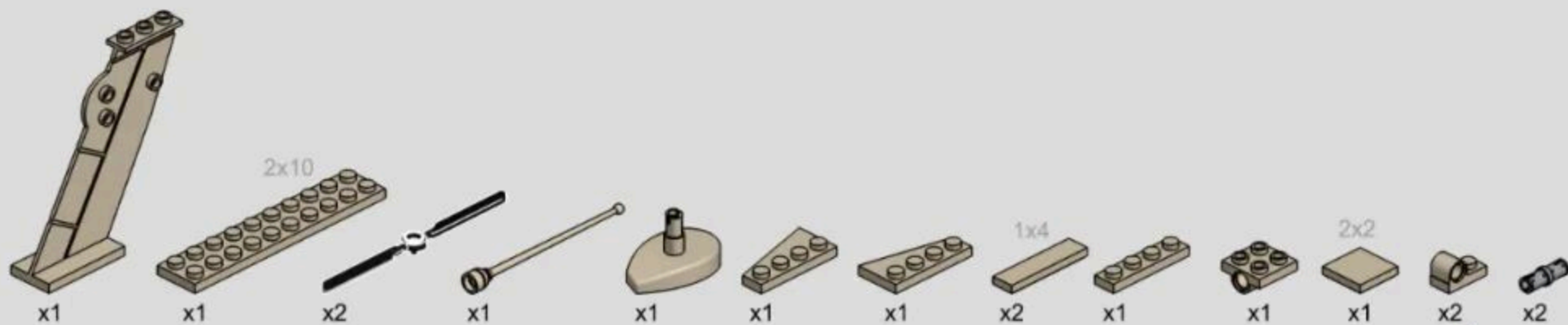


1-17

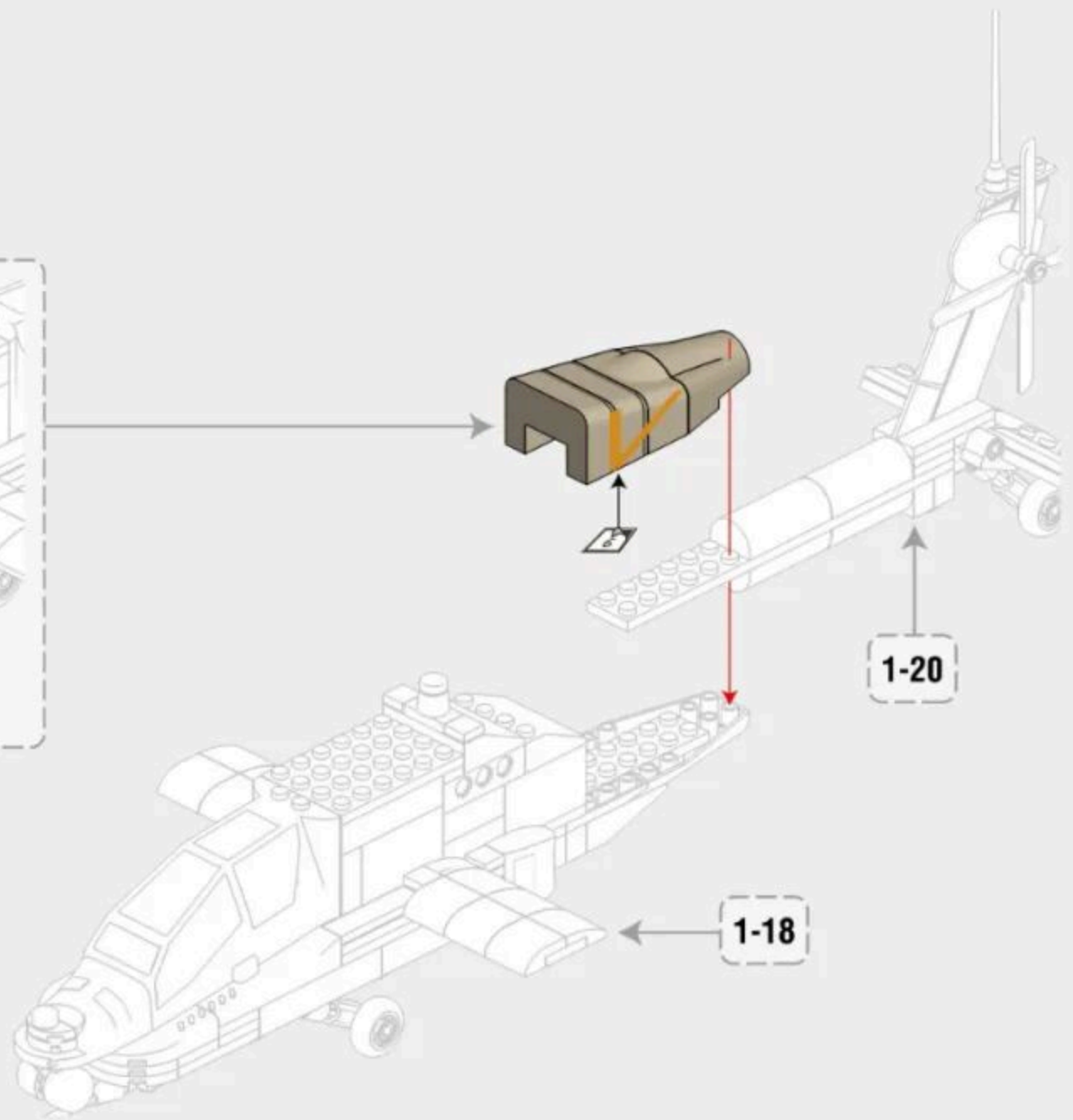
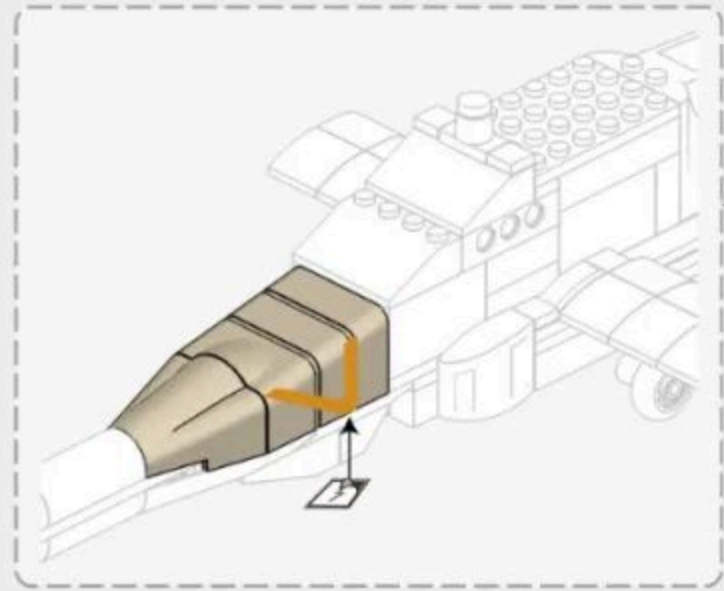
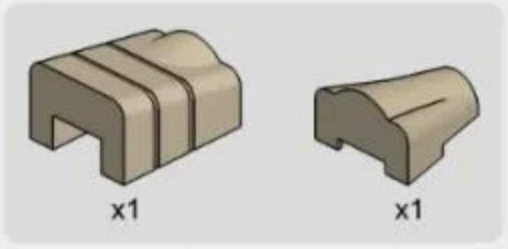


1-18

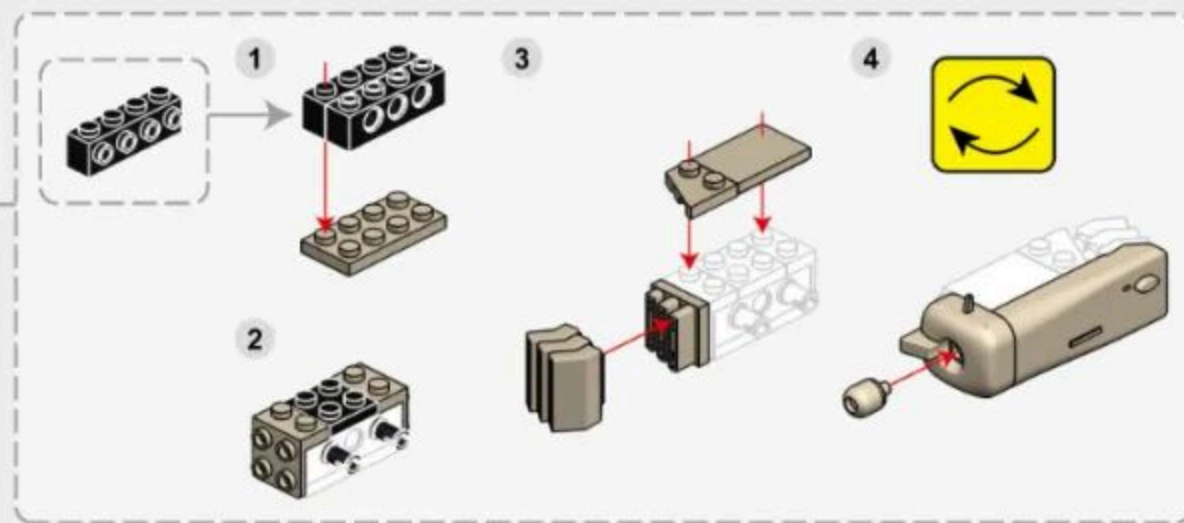
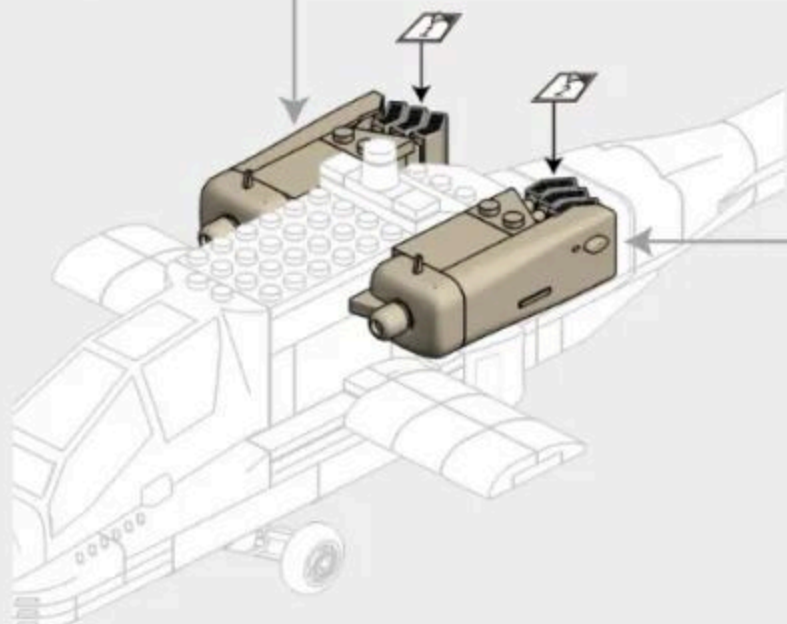
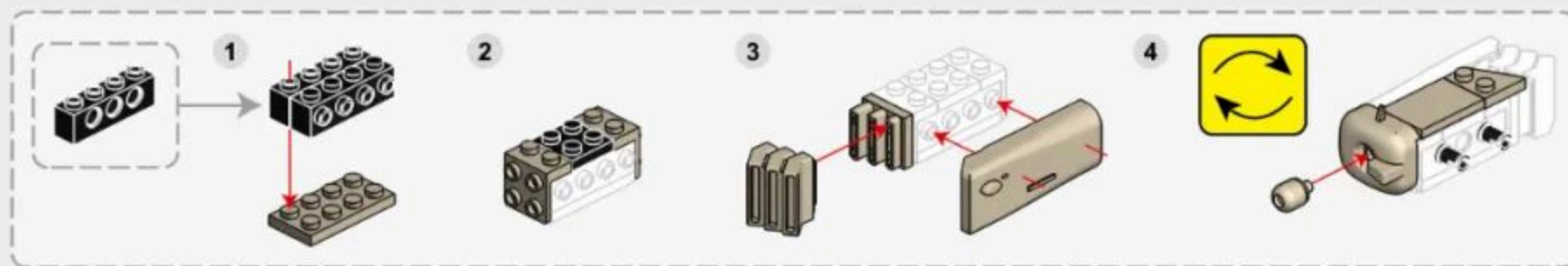
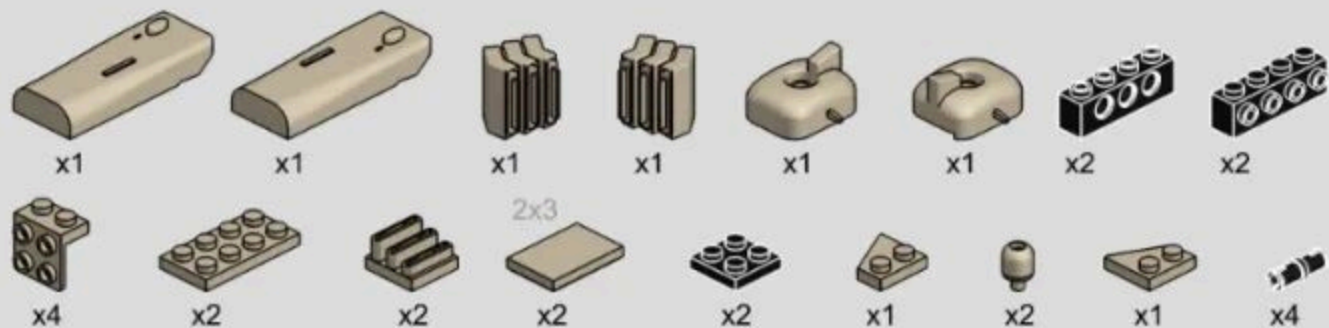




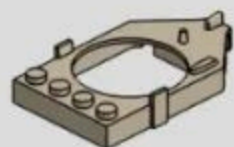
1-21



1-22



1-23



x1



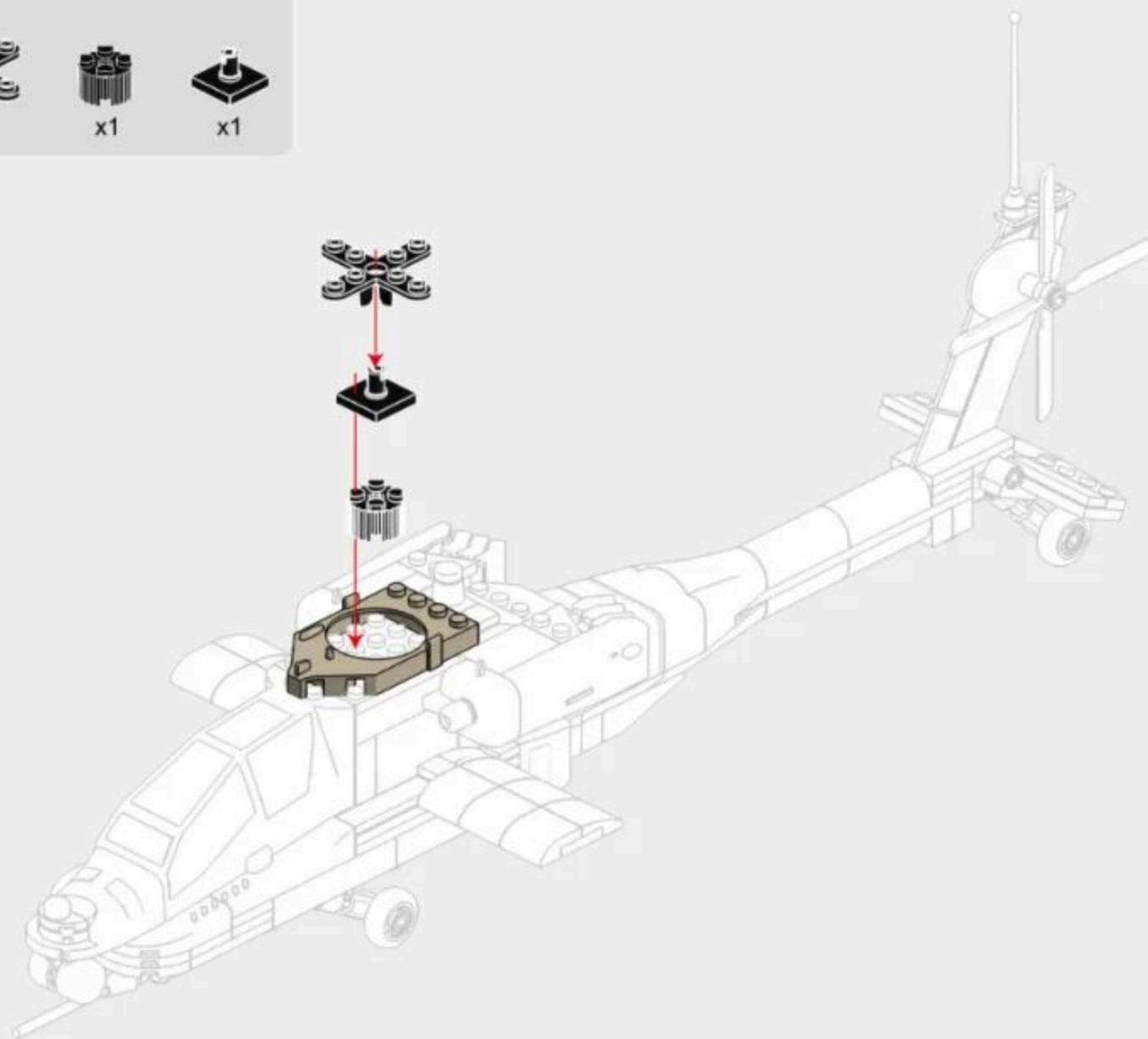
x1



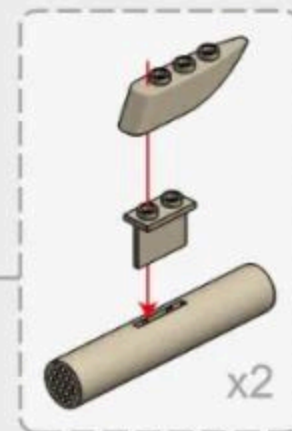
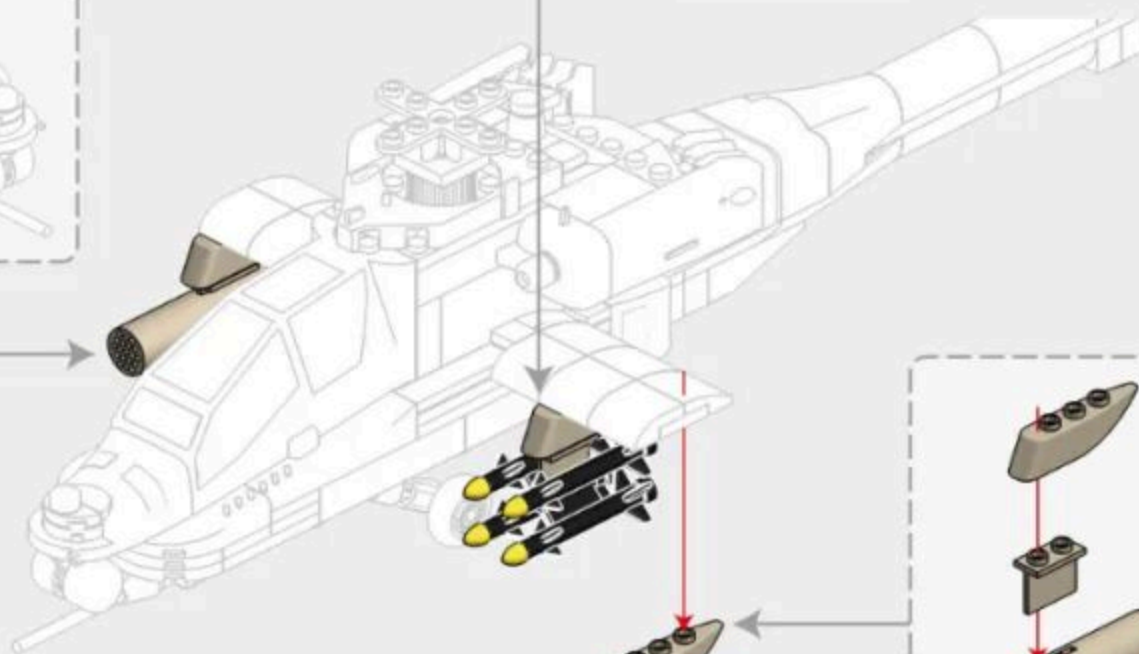
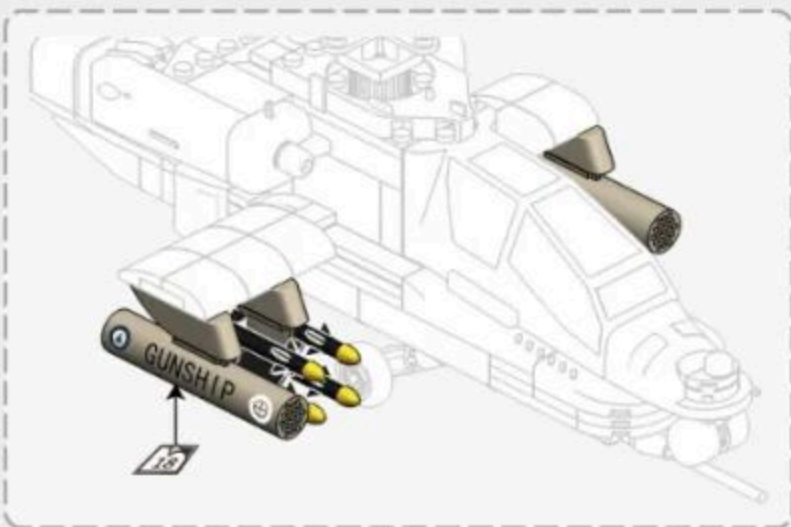
x1



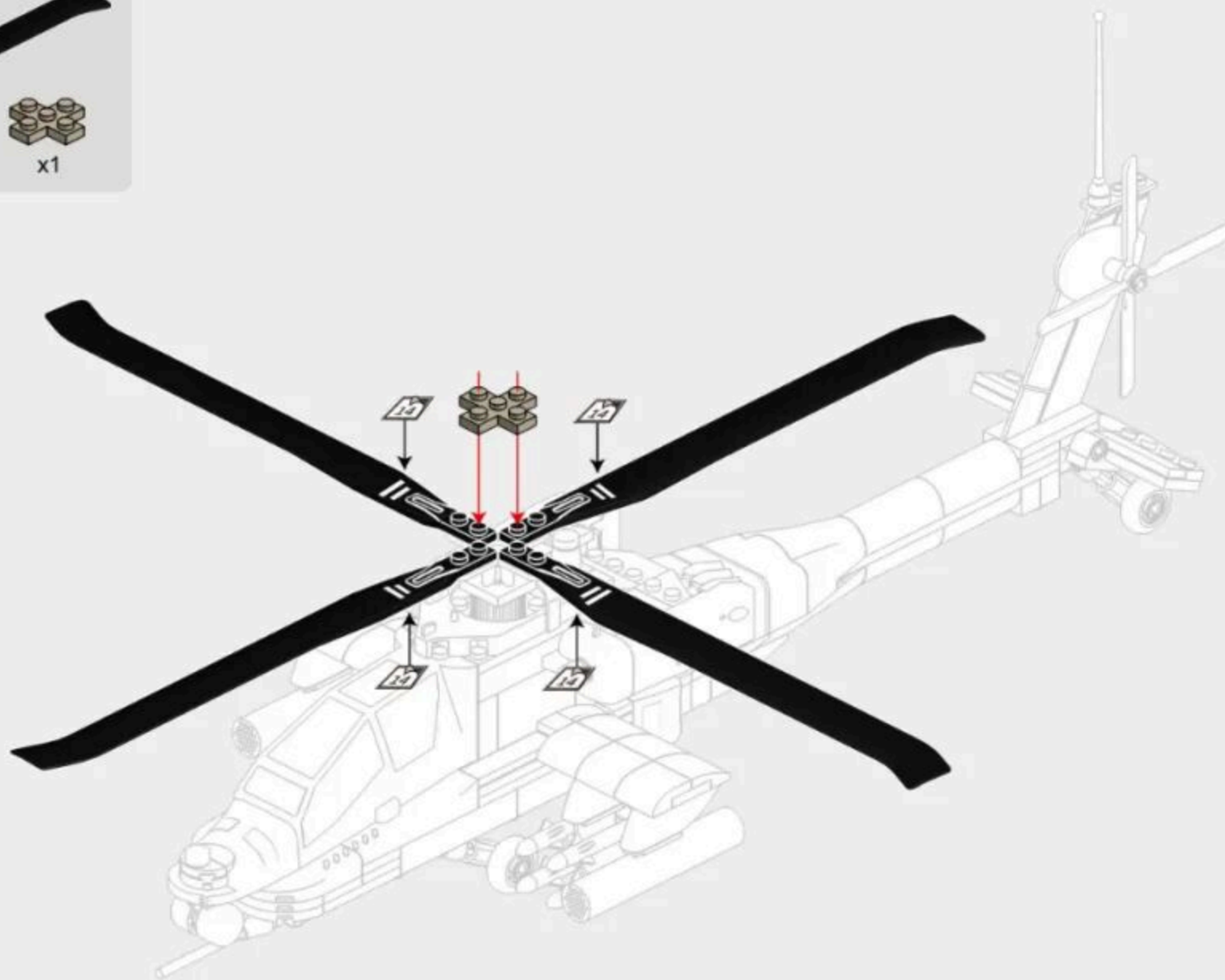
x1



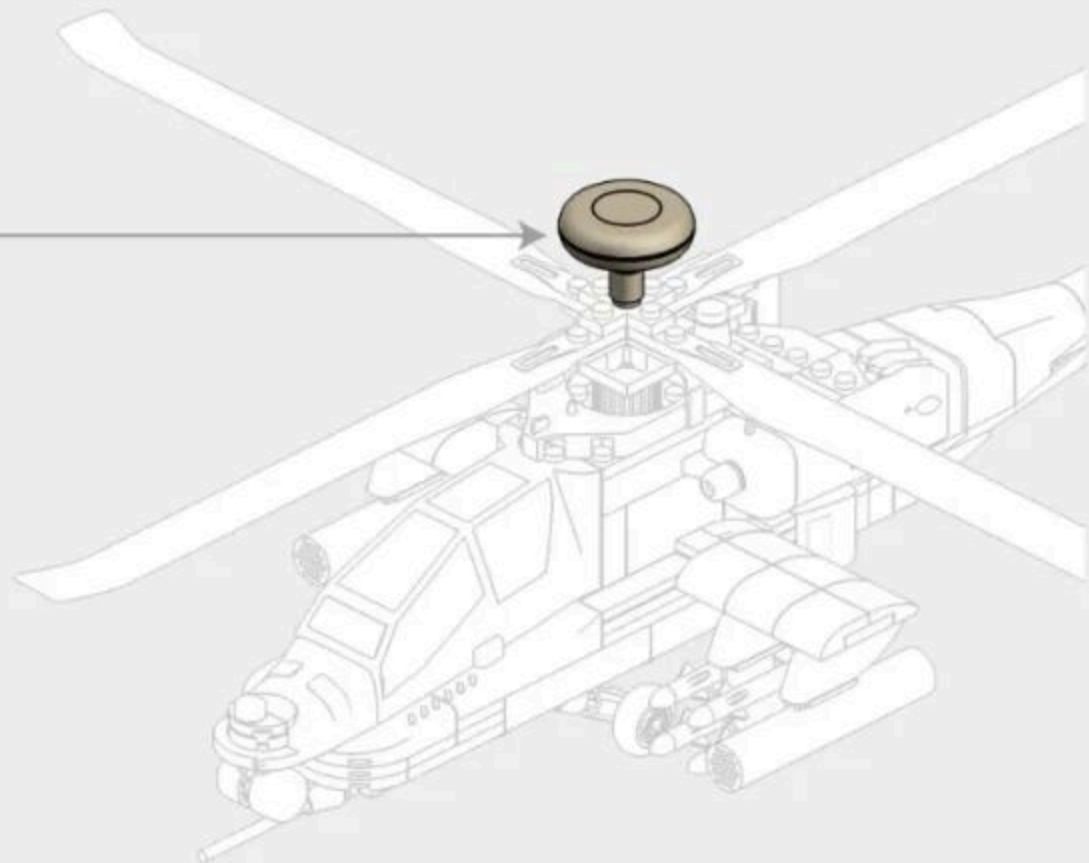
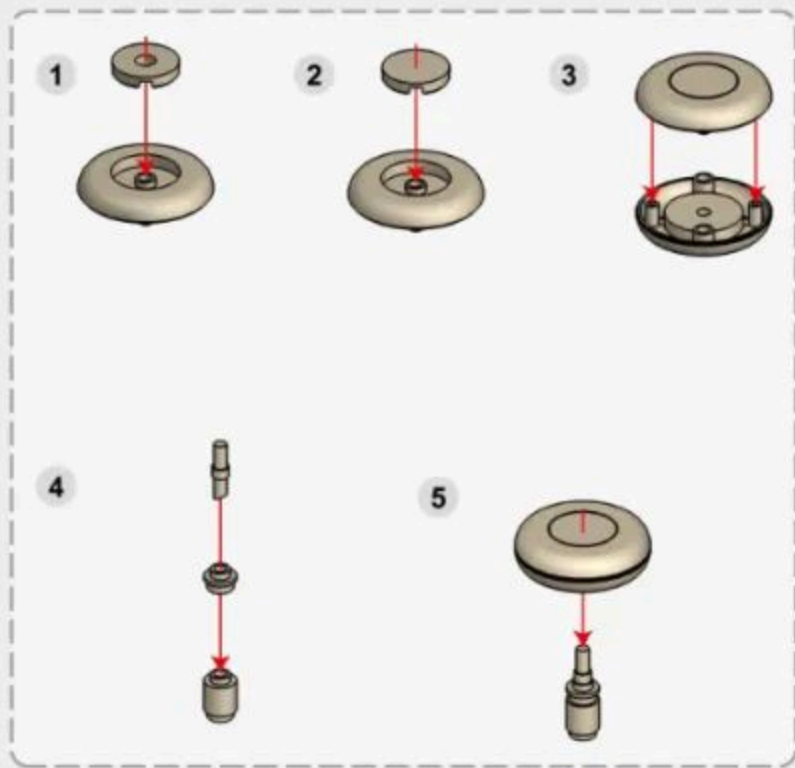
1-24

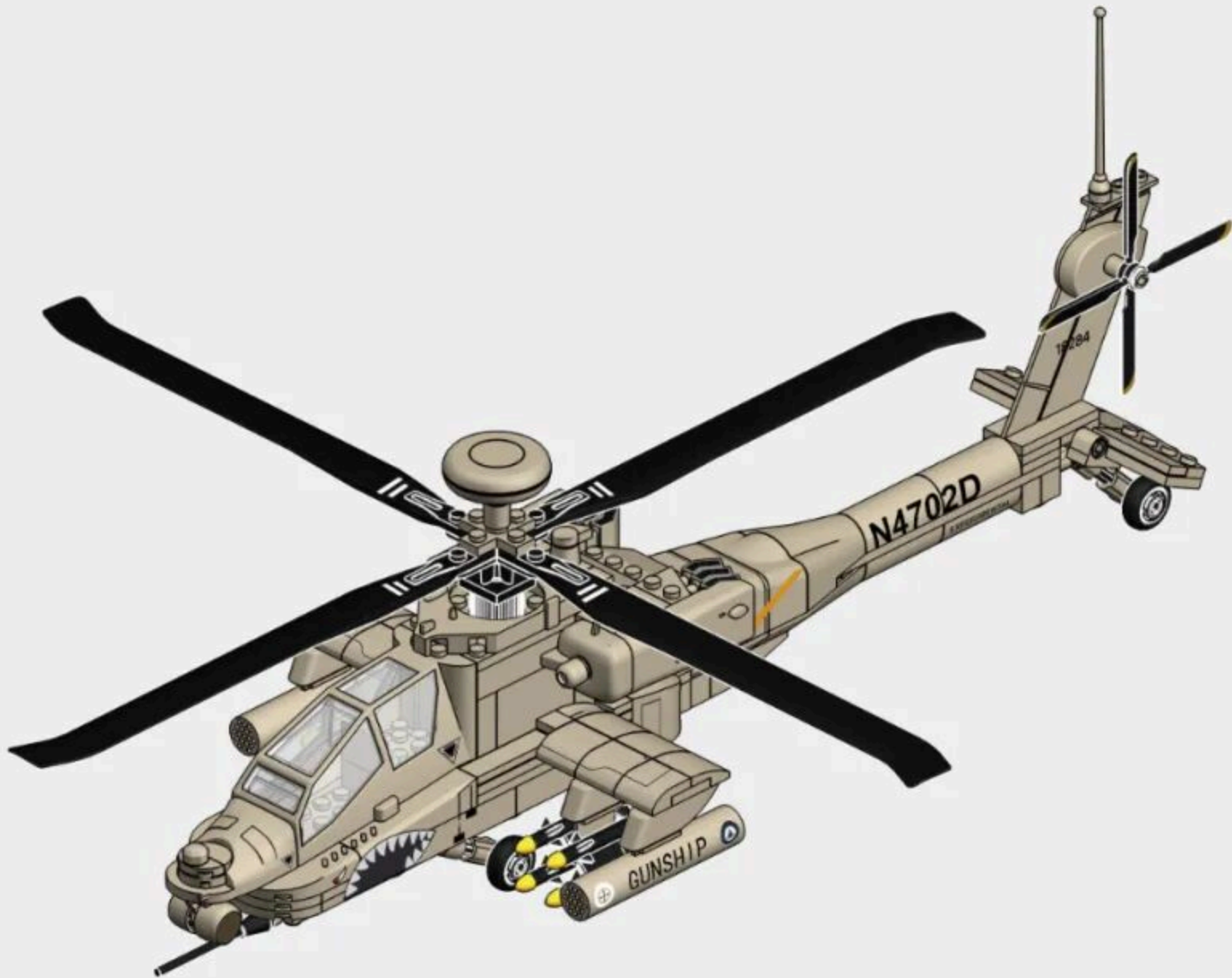


1-25



1-26





THIS PRODUCT DOES NOT CONTAIN BRACKET ACCESSORIES AND NEEDS TO BE PURCHASED SEPARATELY.

本品不含支架配件，需另外购买。

FLIGHT STAND

2978

Perfect structure, easy assembly.

The Flight stand is compatible with our entire aircraft series.



◆ METHOD 1

◆ METHOD 2

EXTENDED GAMEPLAY

4008



JETLINER 320

1:112

4001



CARRIER-BASED FIGHTER 1:54

4002



GUNSHIP

1:38

4003



HEAVY STEALTH FIGHTER 1:50

4004



INTERCEPTOR FIGHTER 1:48

4005



SR-71 BLACKBIRD 1:74

4006



P-51 MUSTANG FIGHTER 1:26

4007



AH-64 HELICOPTER GUNSHIPS

1:30

5005



AIRBORNE EARLY WARNING AND CONTROL AIRCRAFT 1:100

5006



TILTROTOR AIRCRAFT 1:44

5007



CONSOLIDATED PBY-5A CATALINA 1:50