



# THE BURJ KHALIFA TOWER

OF DUBAI برج خليفة

United Arab Emirates  
The world's great architecture

Ages  
**6+**



Creative Ability



Family Interaction



Observation Ability



Thinking Ability



Practical Ability



NO.4222  
**580 PCS**

# Perseverance

积木匠心·颗粒匠者



The Temple of Heaven



The Eiffel Tower



The Brandenburg Gate



The Leaning Tower Of Pisa



The Taj Mahal



The Big Ben



The White House



The Burj Al-Arab Hotel



The Golden Gate Bridge



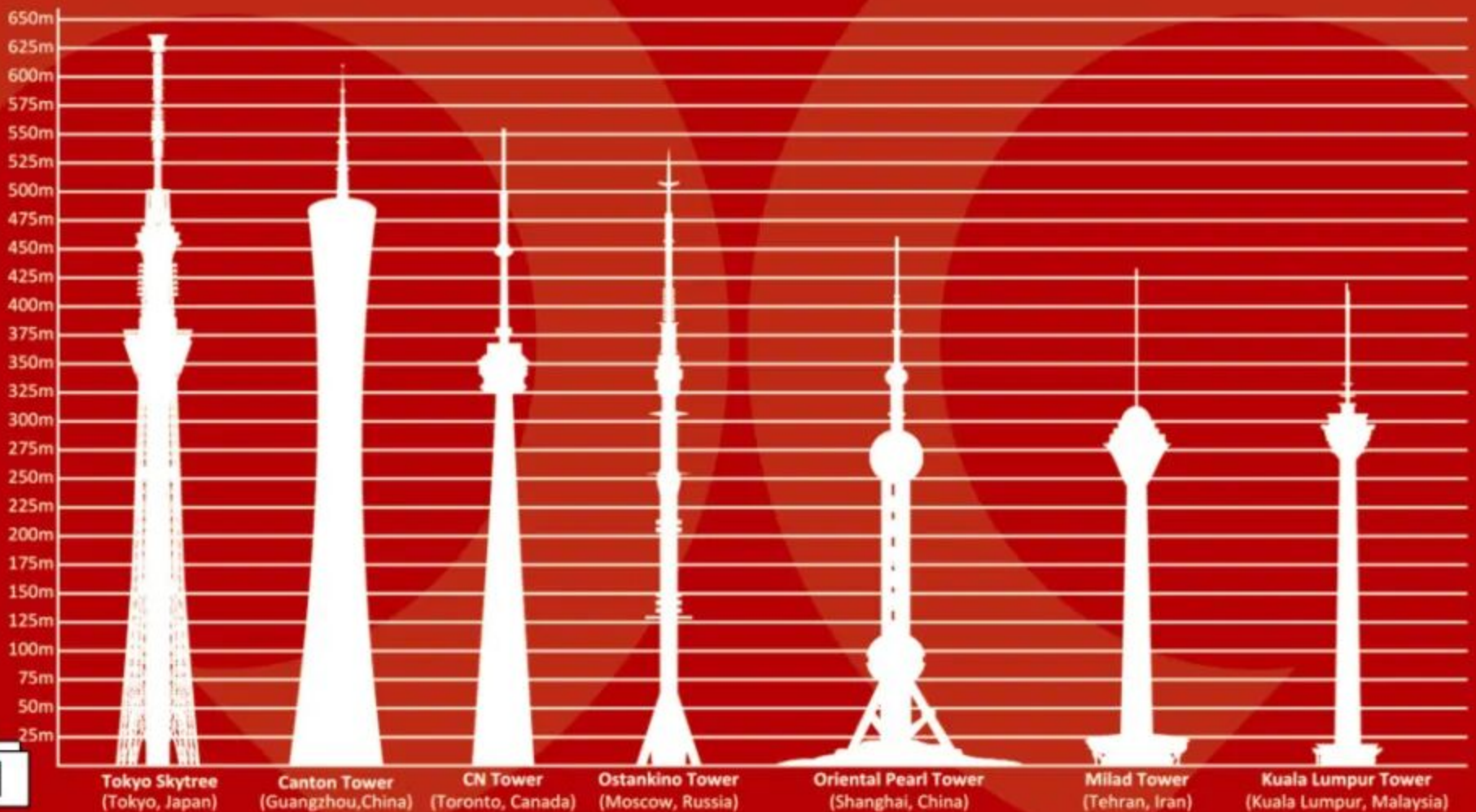
The CN Tower



The Spasskaya Tower



The Triumphal Arch





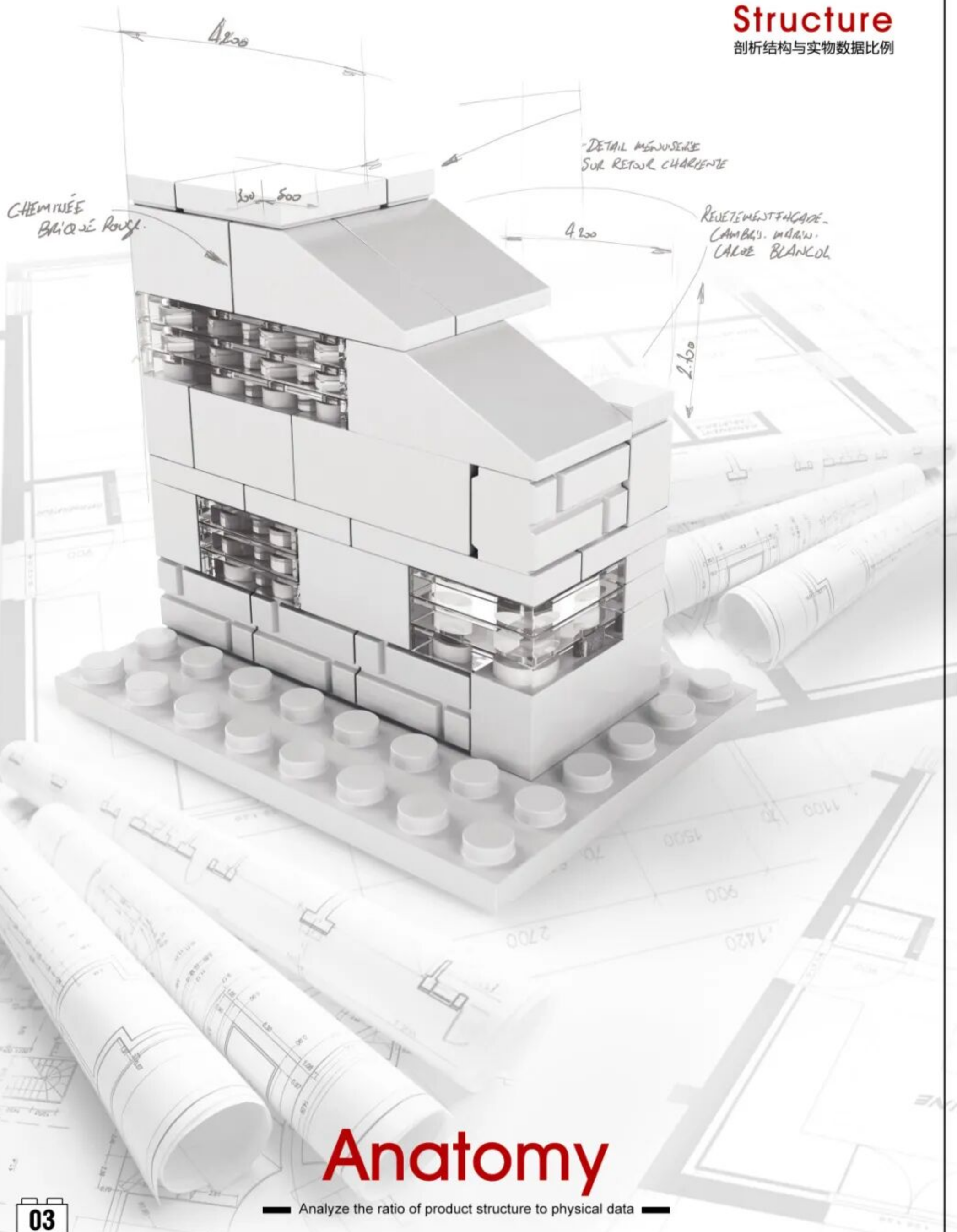
# Architecture

It will be a city...

这将构成一座城市...

# Structure

剖析结构与实物数据比例

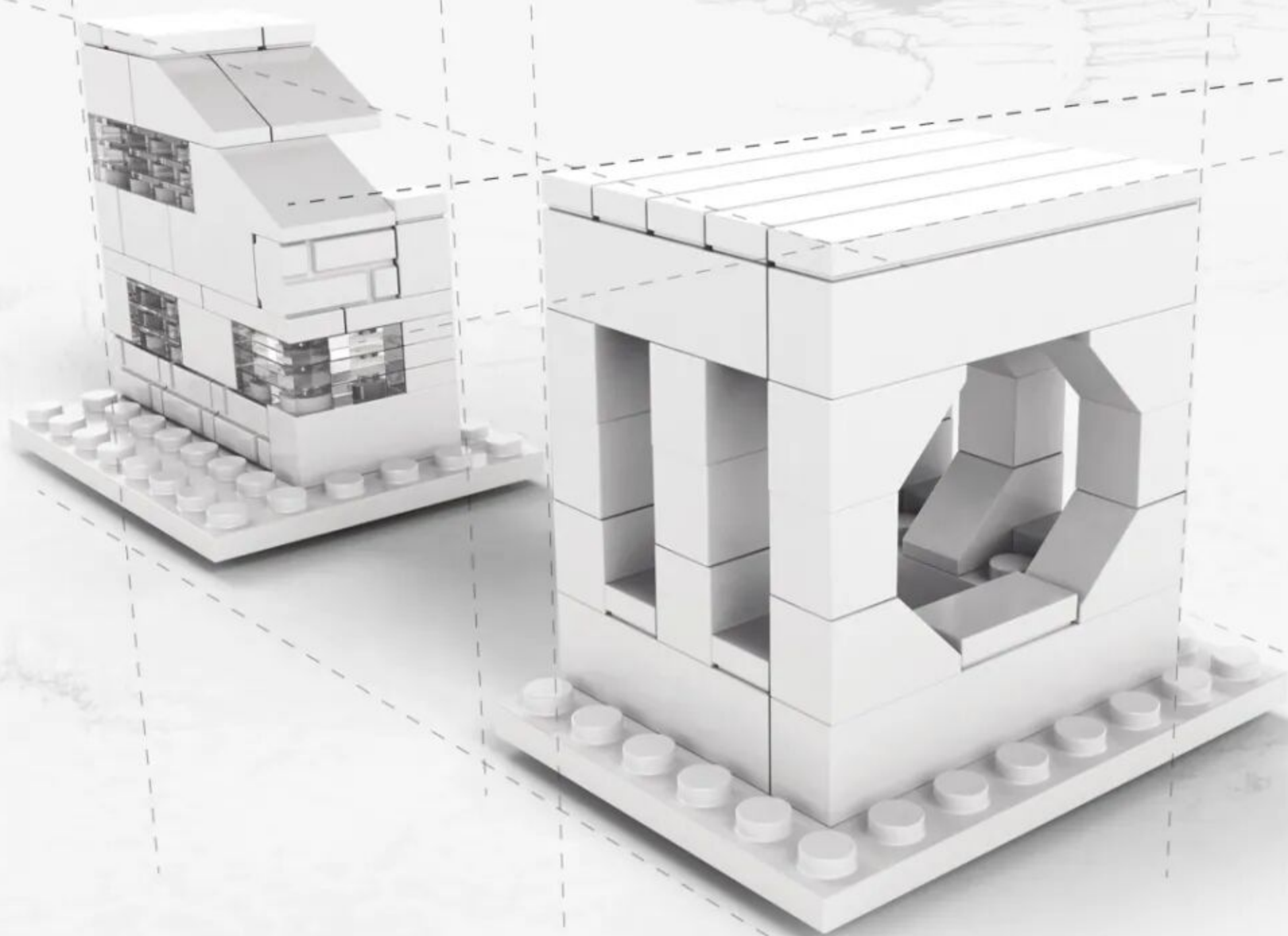




Building Block

The world's great architecture

**3D construction**



# proportion

对产品精确分析运用3维技术最大限度还原实物比例

Accurate analysis of the product, using 3D technology to maximize the reduction of physical objects.

# Creativity

外观设计结合黄金比例更好展现美感

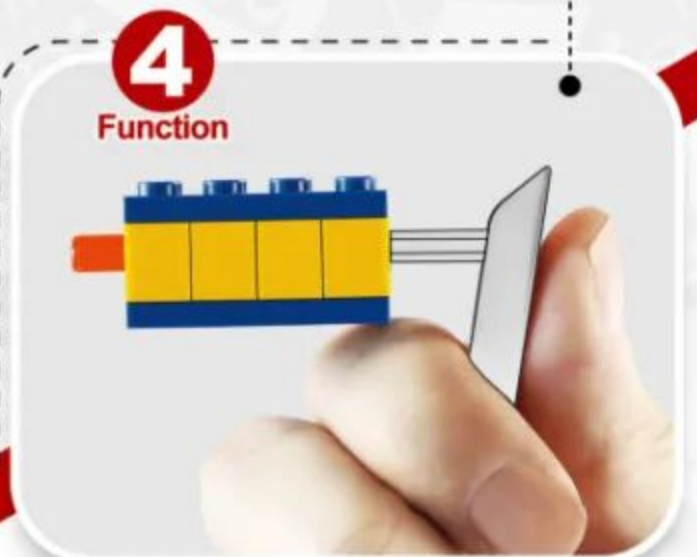
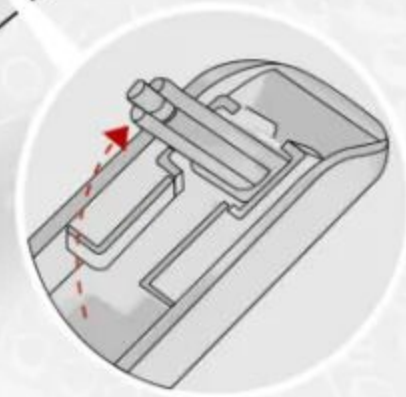
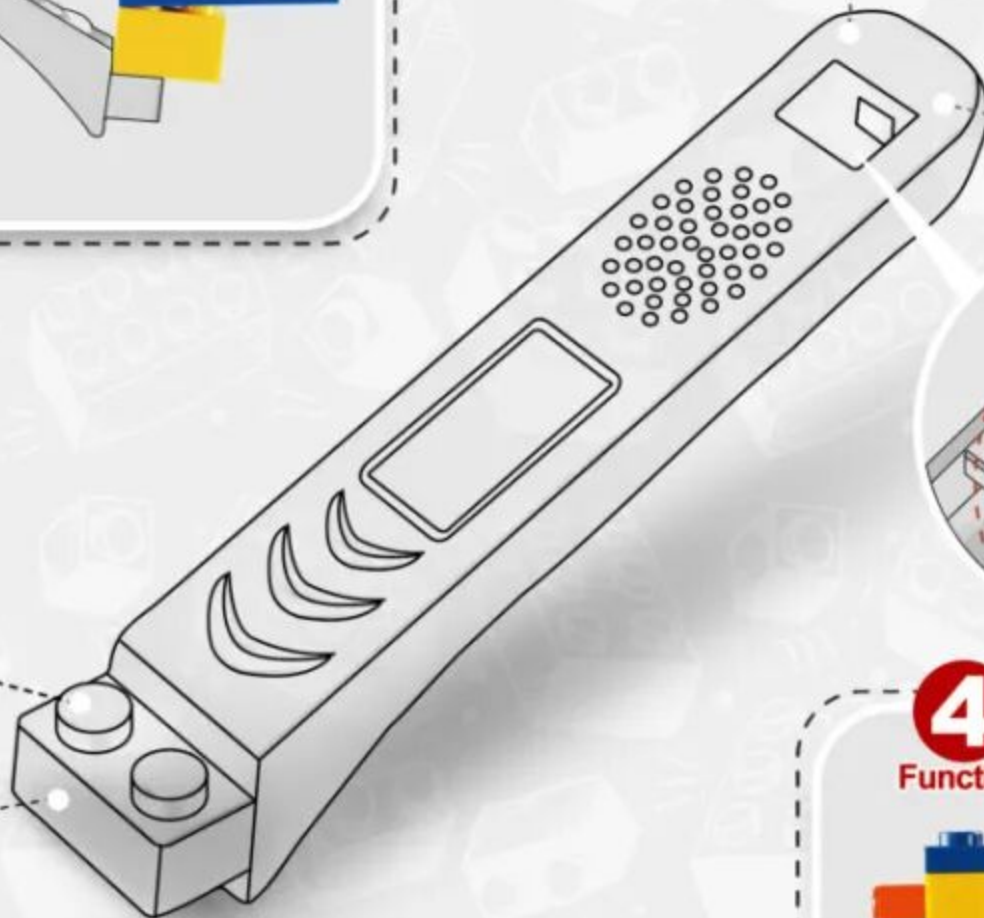
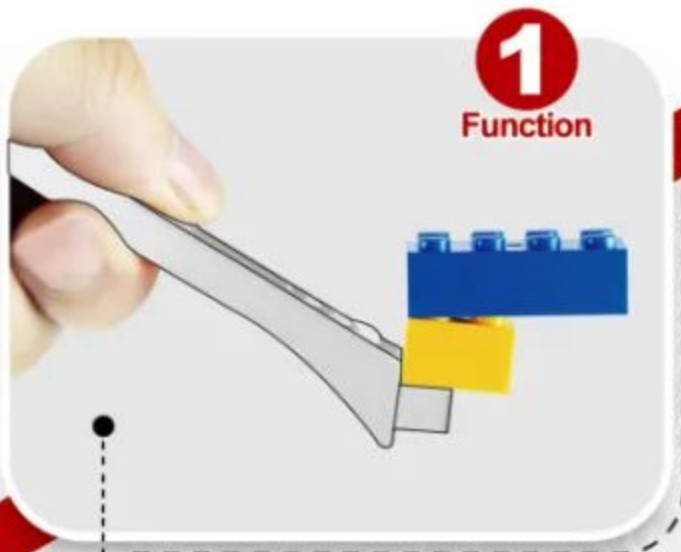


# Architecture

Use the golden ratio in the design and development of the product to better show the beauty of the product.

# Instructions For Use

积木起件器使用说明  
Brickseparator



4 ways to make installation easier  
让安装更简单



- First open the product packaging according to the instructions.

按指导用正确方式拆解产品外包装。



- Summarize all parts to count the number of familiar accessories.

对照说明书清单确认积木包数量与积木数量。



- Arranging all accessories by color helps to quickly install the product.

把确认好的积木以类型、颜色进行分类排好以便安装。



- Carefully install the product and learn about building.

按说明书步骤拼装并完成你的积木模型。



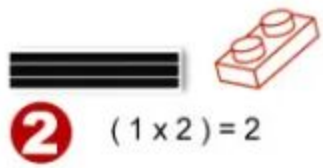
# 1:1 Physical Reference Table

十字棒配件1:1尺寸参照表

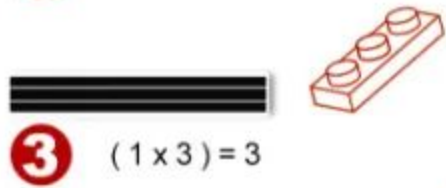


Instructions For Use

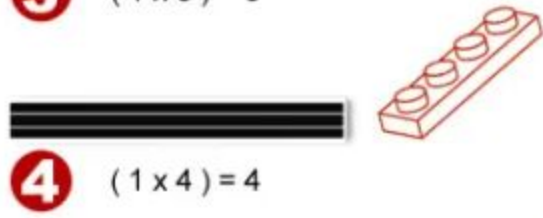
让安装更简单



**2** (1x2)=2



**3** (1x3)=3



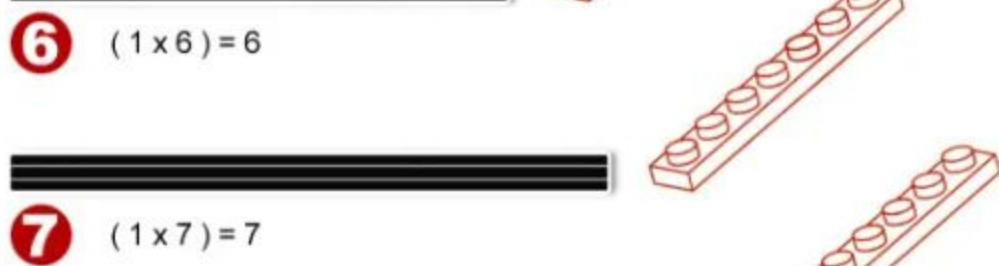
**4** (1x4)=4



**5** (1x5)=5



**6** (1x6)=6



**7** (1x7)=7



**8** (1x8)=8



**9** (1x9)=9



**10** (1x10)=10



**12** (1x12)=12

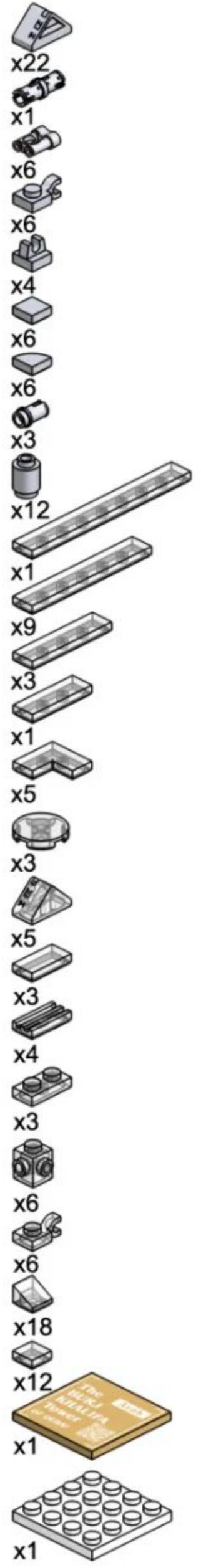
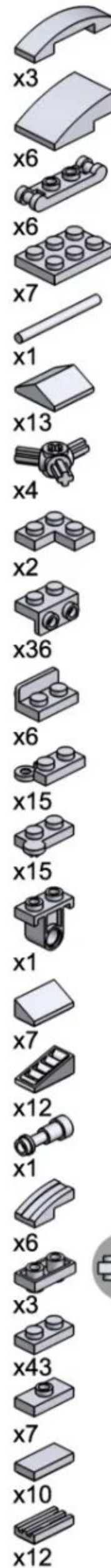
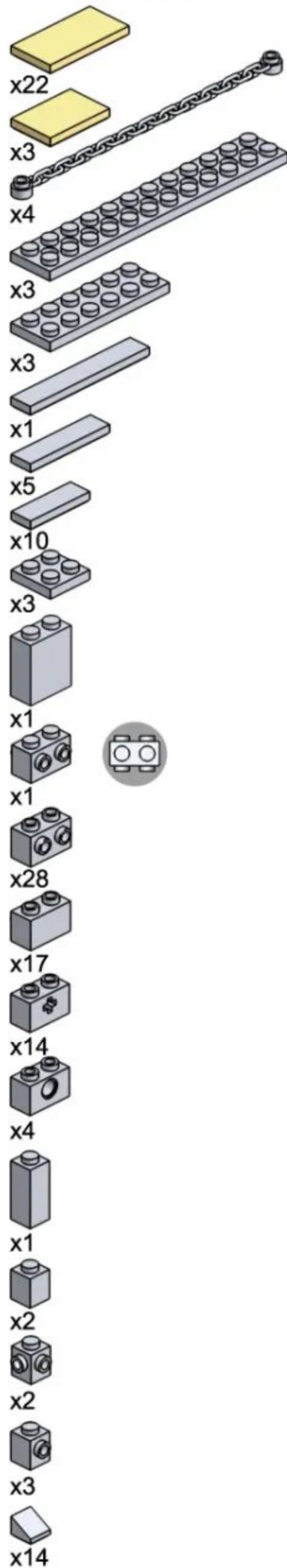
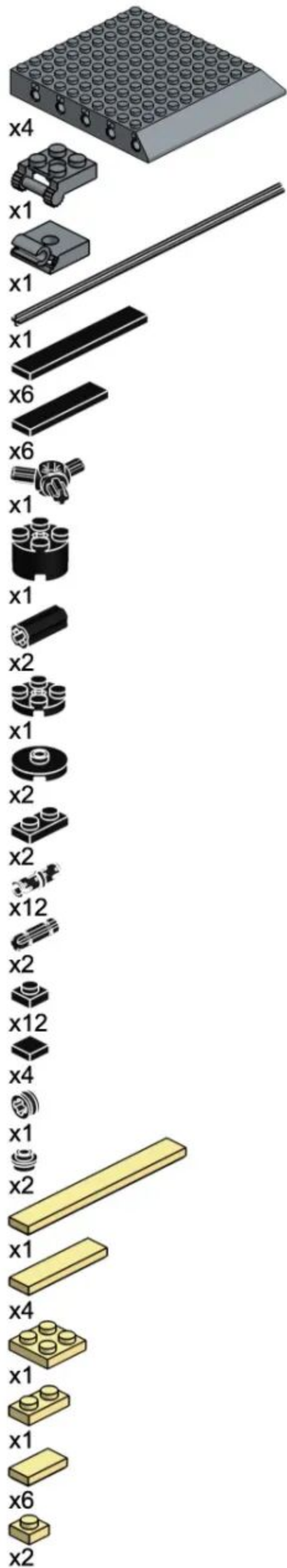


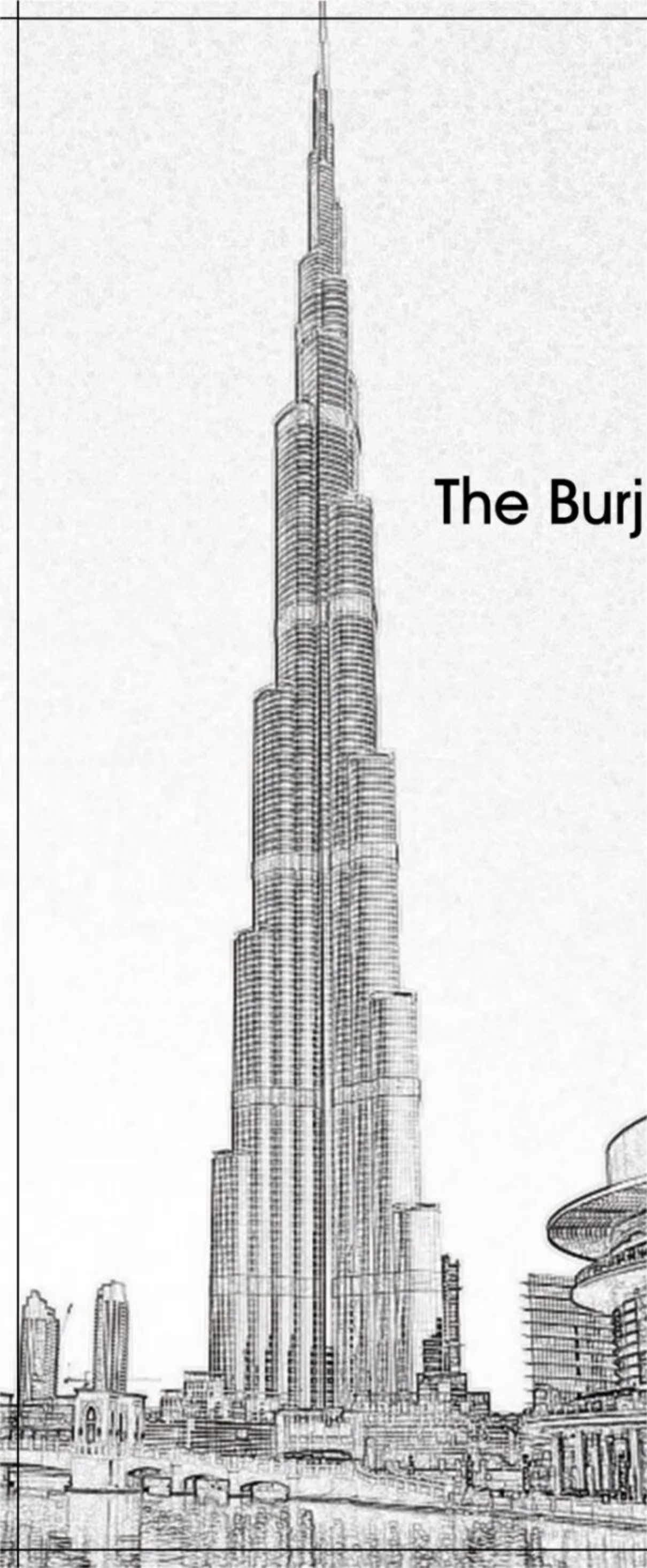
**16** (1x16)=16



# PARTS LIST

配件清单





阿联酋哈利法塔

# The Burj Khalifa Tower ■

United Arab Emirates

The contents of this chapter refer to the Wikipedia website.

本章内容参考维基百科网站，  
更多资讯可自行查阅。

The world's great architecture

# About The Building



**The Burj Khalifa Tower**, known as the Burj Dubai prior to its inauguration in 2010, is a skyscraper in Dubai, United Arab Emirates. With a total height of 829.8 m (2,722 ft) and a roof height (excluding antenna, but including a 244 m spire) of 828 m (2,717 ft), the Burj Khalifa has been the tallest structure and building in the world since its topping out in 2009. Construction of the Burj Khalifa began in 2004, with the exterior completed five years later in 2009. The primary structure is reinforced concrete. The building was opened in 2010 as part of a new development called Downtown Dubai. It is designed to be the centerpiece of large-scale, mixed-use development. The decision to construct the building is based on the government's decision to diversify from an oil-based economy, and for Dubai to gain international recognition. The building was originally named Burj Dubai but was renamed in honour of the ruler of Abu Dhabi and president of the United Arab Emirates, Khalifa bin Zayed Al Nahyan; Abu Dhabi and the UAE government lent Dubai money to pay its debts. The building broke numerous height records, including its designation as the tallest building in the world.



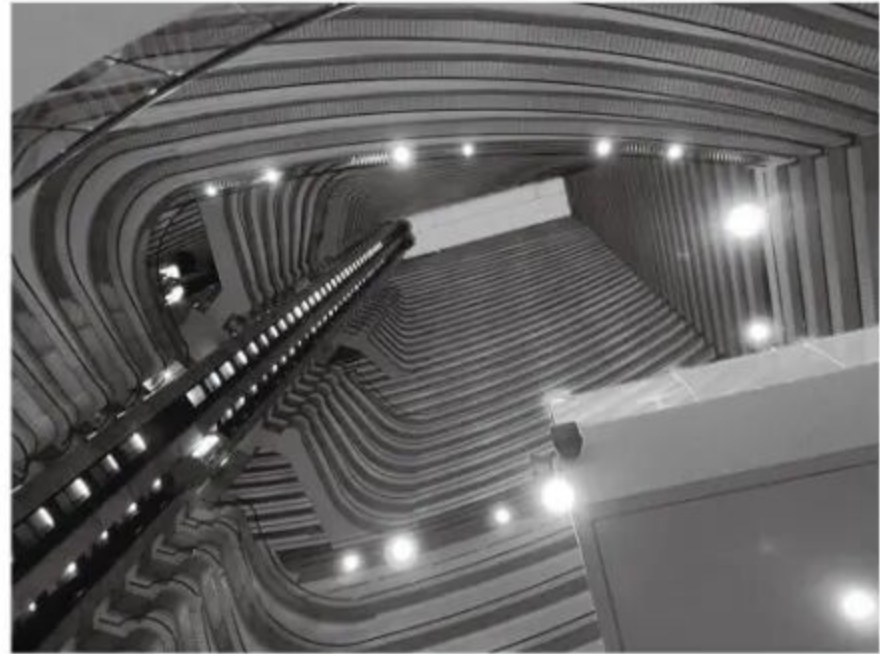
## Design and construction

The design is derived from the Islamic architecture of the region, such as in the Great Mosque of Samarra. The Y-shaped tripartite floor geometry is designed to optimize residential and hotel space. A buttressed central core and wings are used to support the height of the building. Although this design was derived from Tower Palace III, the Burj Khalifa's central core houses all vertical transportation with the exception of egress stairs within each of the wings. The structure also features a cladding system which is designed to withstand Dubai's hot summer temperatures. It contains a total of 57 elevators and 8 escalators.



## Initial response

The original Emaar developers ran into financial issues, and required more money and economic funding. Sheikh Khalifa, the ruler of the United Arab Emirates, granted monetary aid and funding, hence resulting in the changing of the name to "Burj Khalifa". The concept of profitability derived from building high density developments and malls around the landmark have proven successful. Its surrounding malls, hotels and condominiums in Downtown Dubai have generated the most revenue from the project as a whole, while the Burj Khalifa itself made little or no profit. Critical reception to Burj Khalifa has been generally positive, and the building has received many awards. There were complaints concerning migrant workers from South Asia who were the primary building labor force.



Construction began on 6 January 2004, with the exterior of the structure completed on 1 October 2009. The building officially opened on 4 January 2010 and is part of the 2 km<sup>2</sup> (490-acre) Downtown Dubai development at the 'First Interchange' along Sheikh Zayed Road, near Dubai's main business district. The tower's architecture and engineering were performed by Skidmore, Owings & Merrill of Chicago, with Adrian Smith as chief architect, and Bill Baker as chief structural engineer. The primary contractor was Samsung C&T of South Korea.

## Original tenants and subsequent history



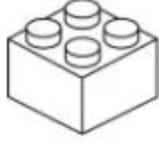
Burj Khalifa was designed to be the centerpiece of a large-scale, mixed-use development to include 30,000 homes[citation needed], nine hotels (including The Address Downtown Dubai), 3 hectares (7.4 acres) of parkland, at least 19 residential skyscrapers, the Dubai Mall, and the 12-hectare (30-acre) artificial Burj Khalifa Lake. The decision to build Burj Khalifa was reportedly based on the government's decision to diversify from an oil-based economy to one that is service and tourism based.

# Main Color Matching

配色方案



Pantone 2333C



White



Pantone 7509C



Pantone black6C



Pantone 7500C



Pantone 431C

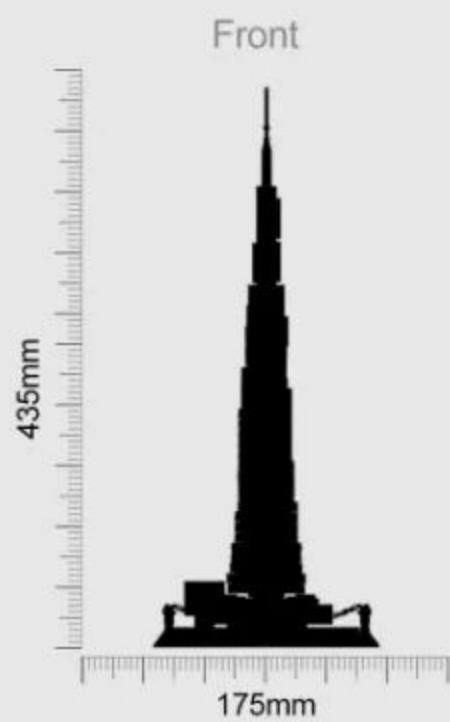
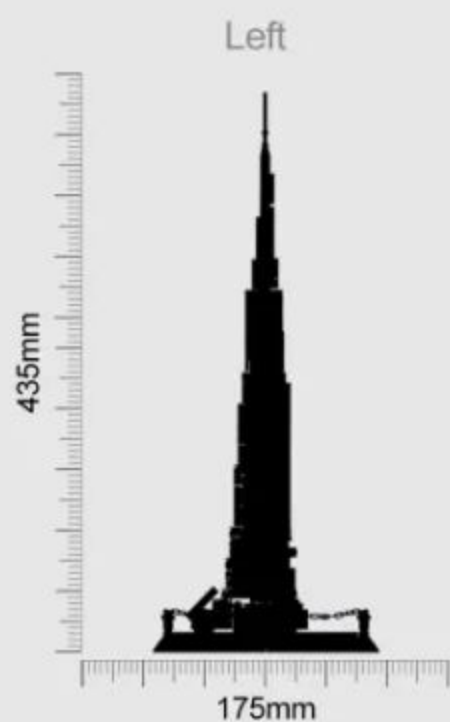
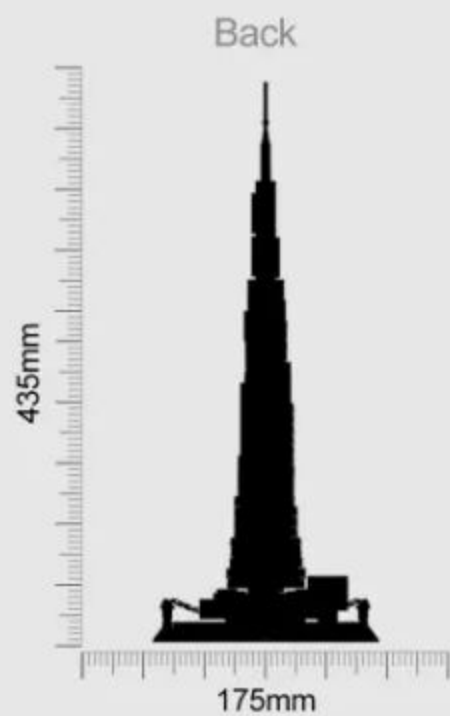


## Color matching

Adopting 7 main colors, light gray, dark gray, soil yellow, light yellow, Transparent white, black and white as the main color, the more reasonable and bold color matching on the original building, making the product more atmospheric and the whole design is more reasonable.

# The Burj Khalifa Tower

迪拜哈利法塔

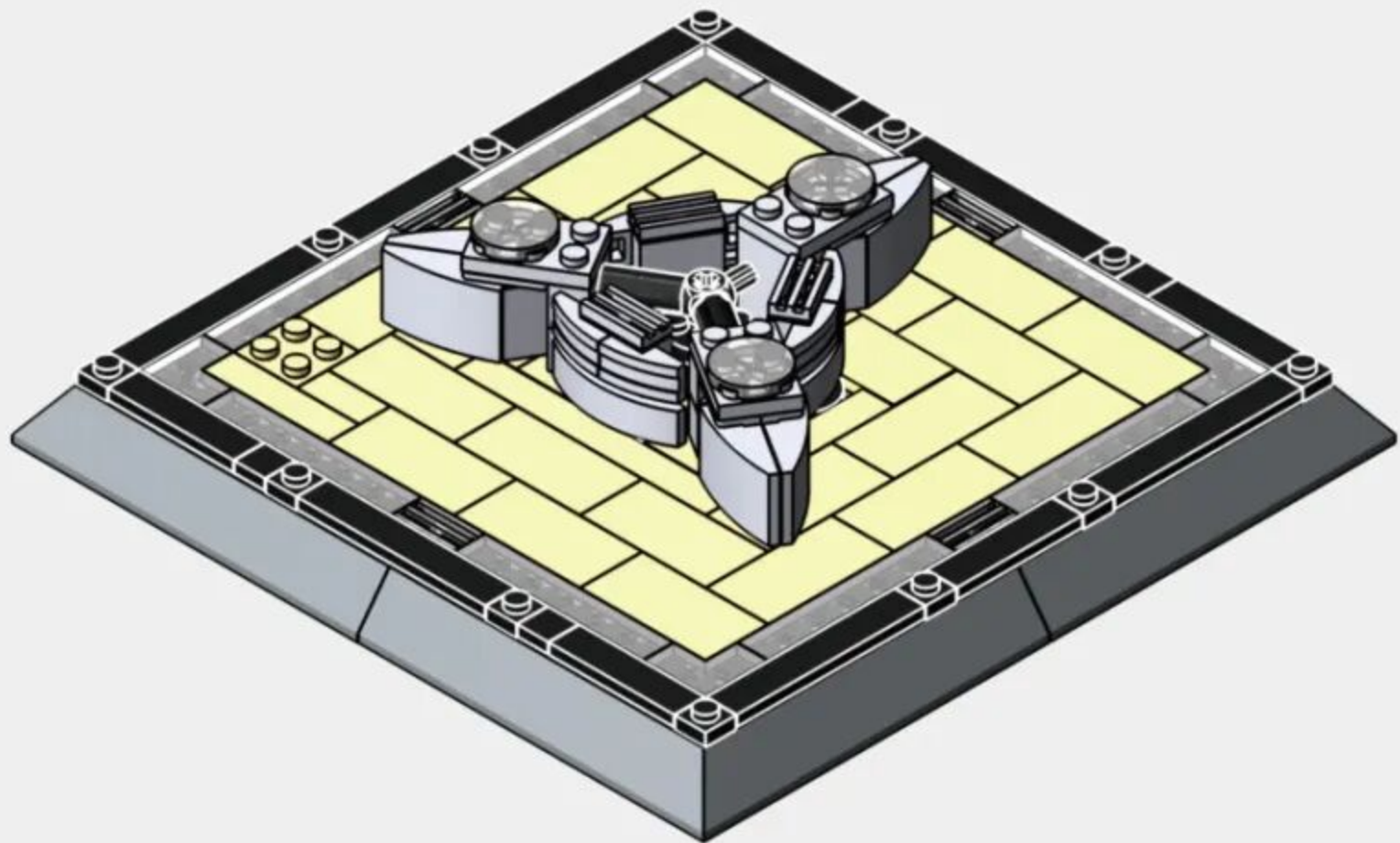


Product Size: 175X175x435mm

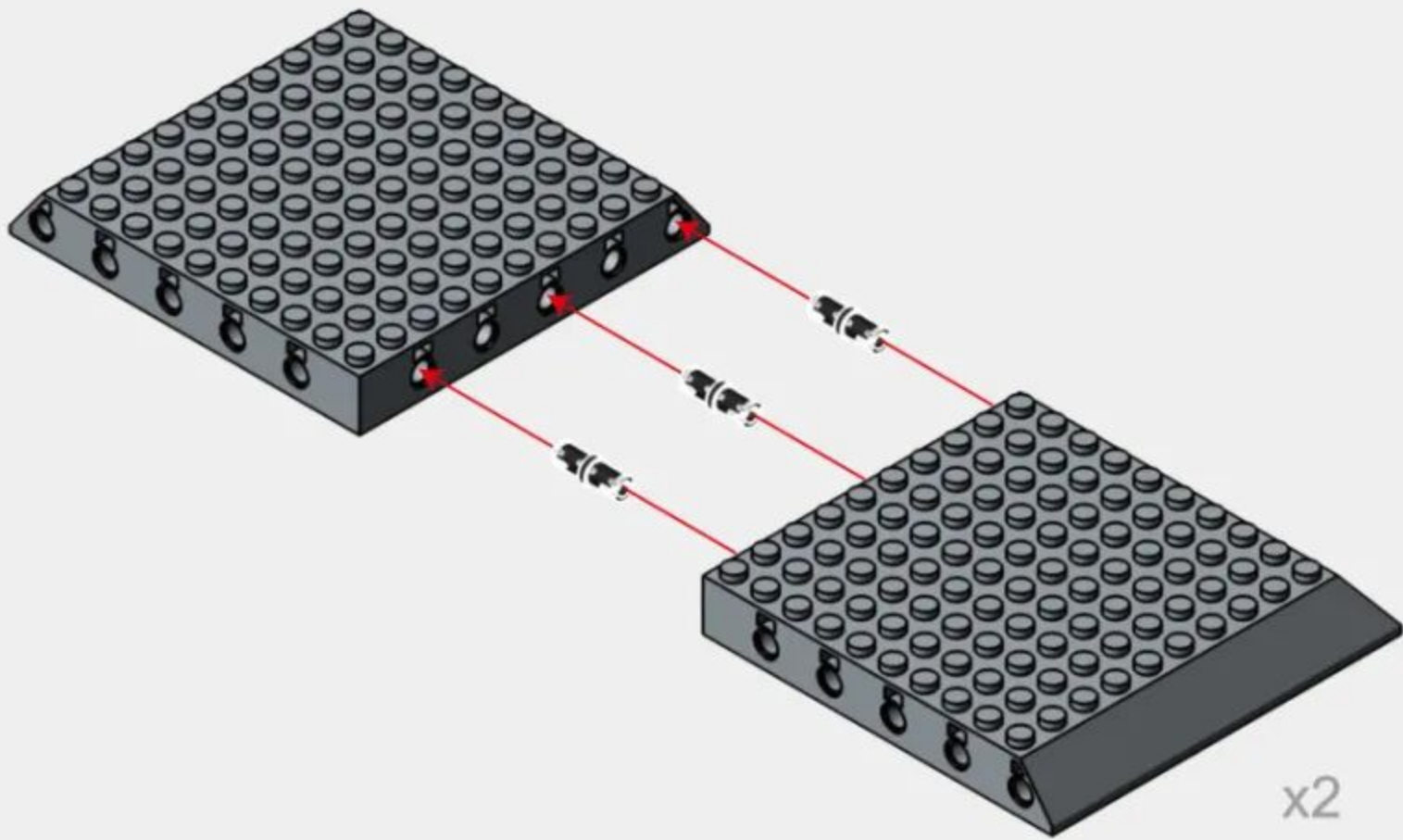
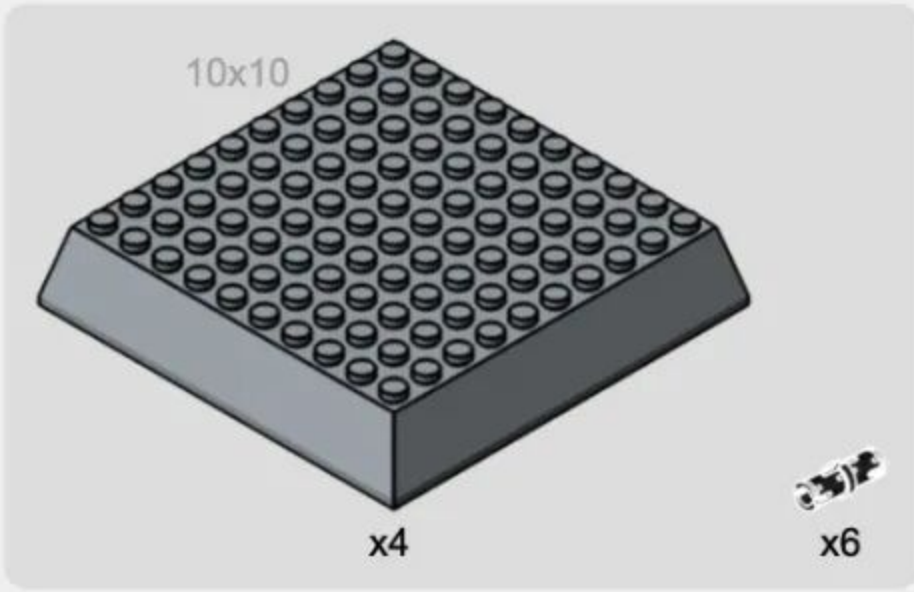




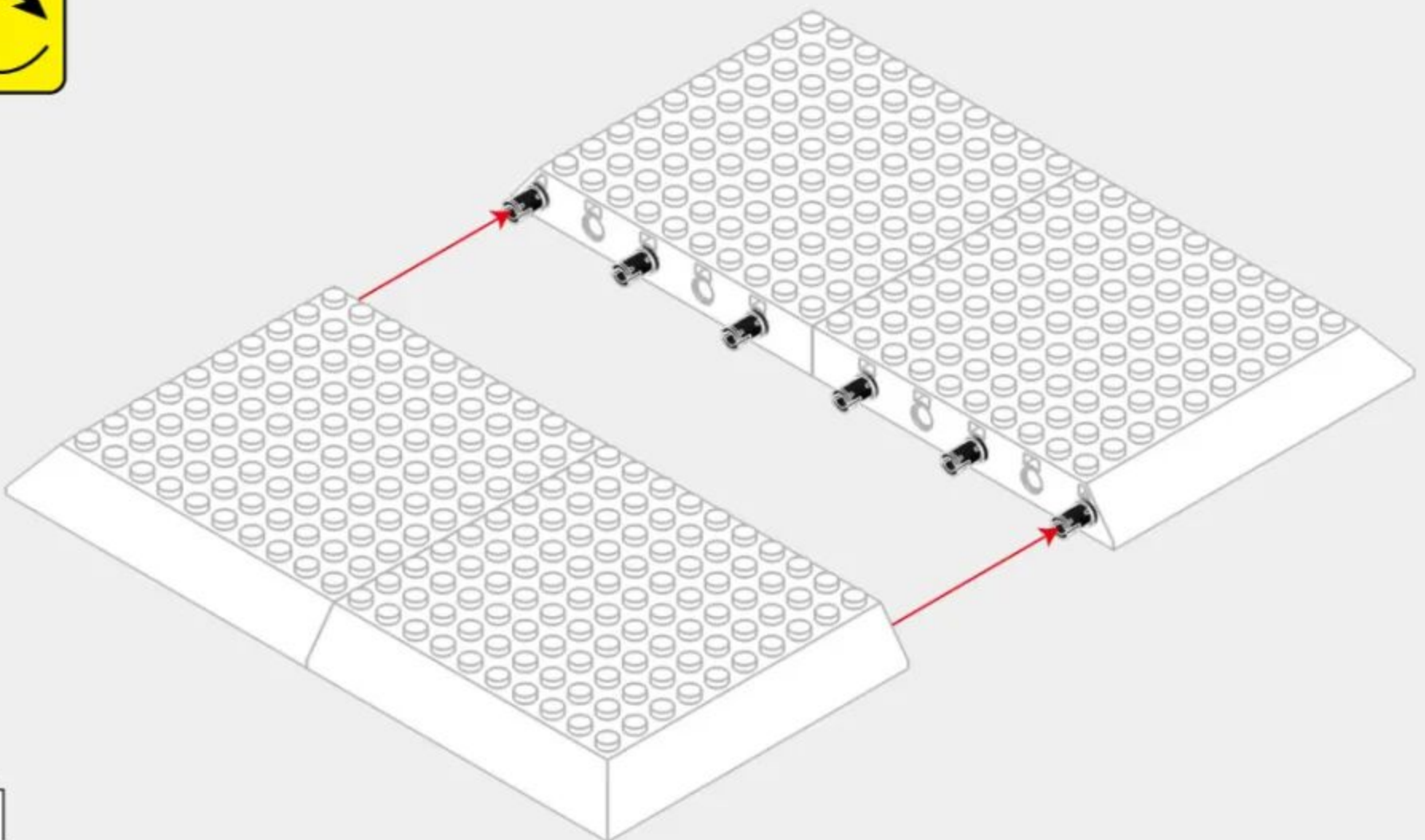
166PCS



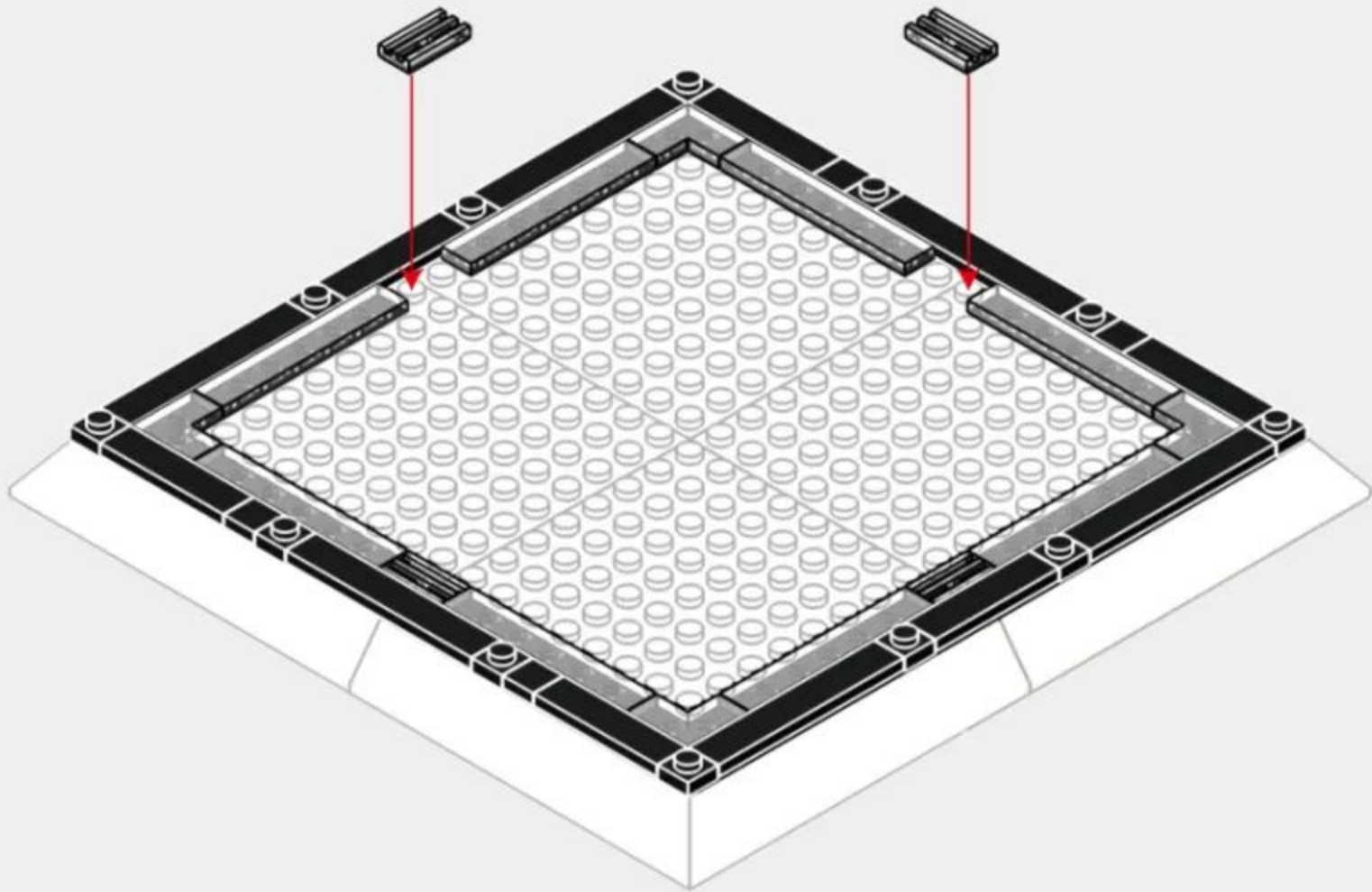
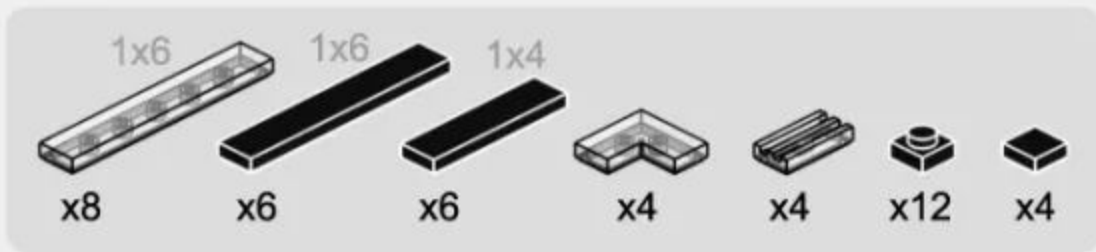
1-1



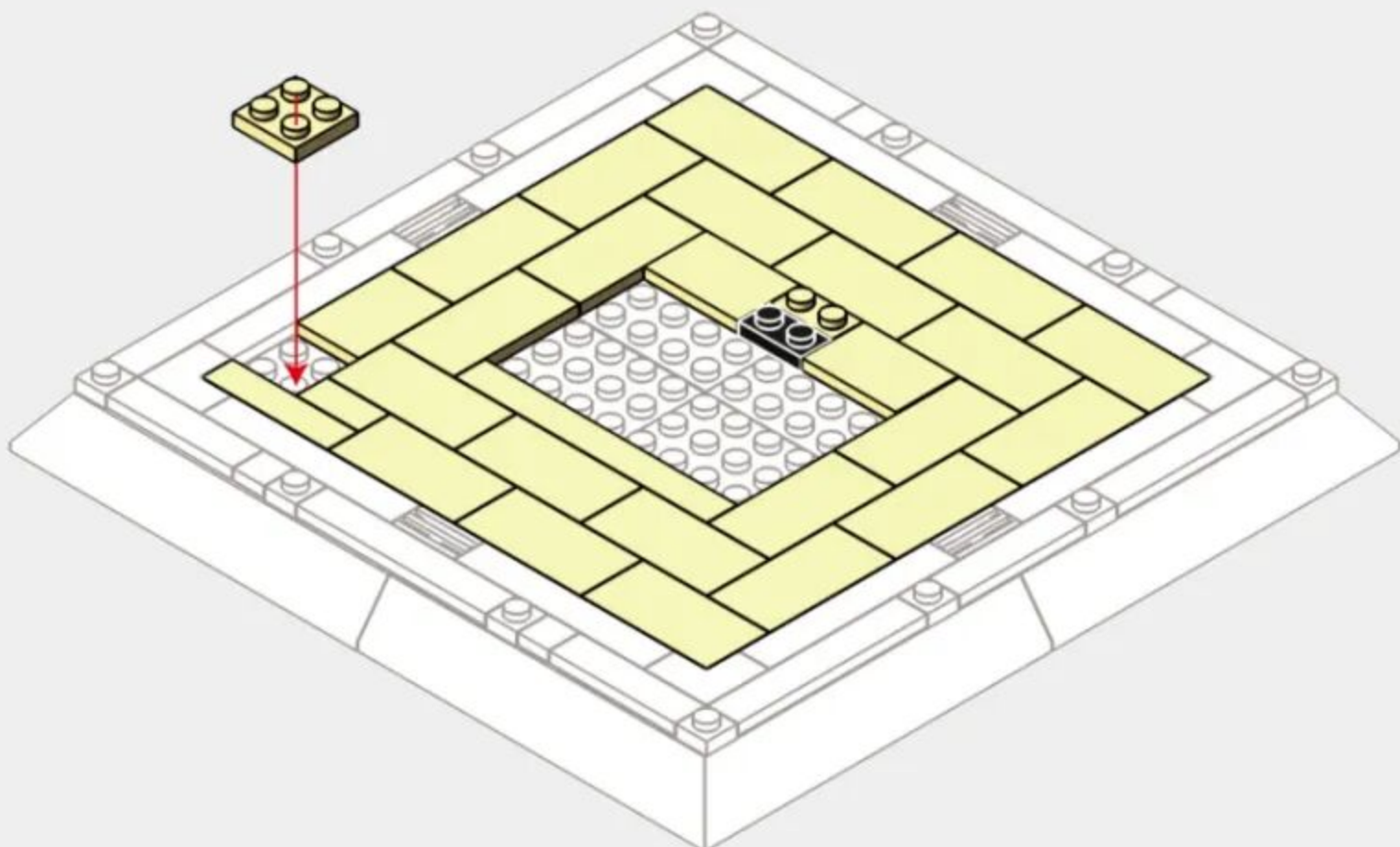
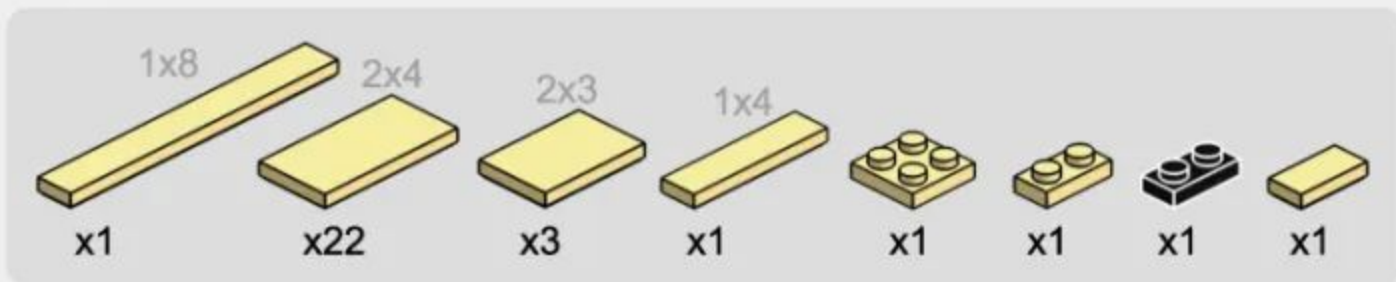
1-2



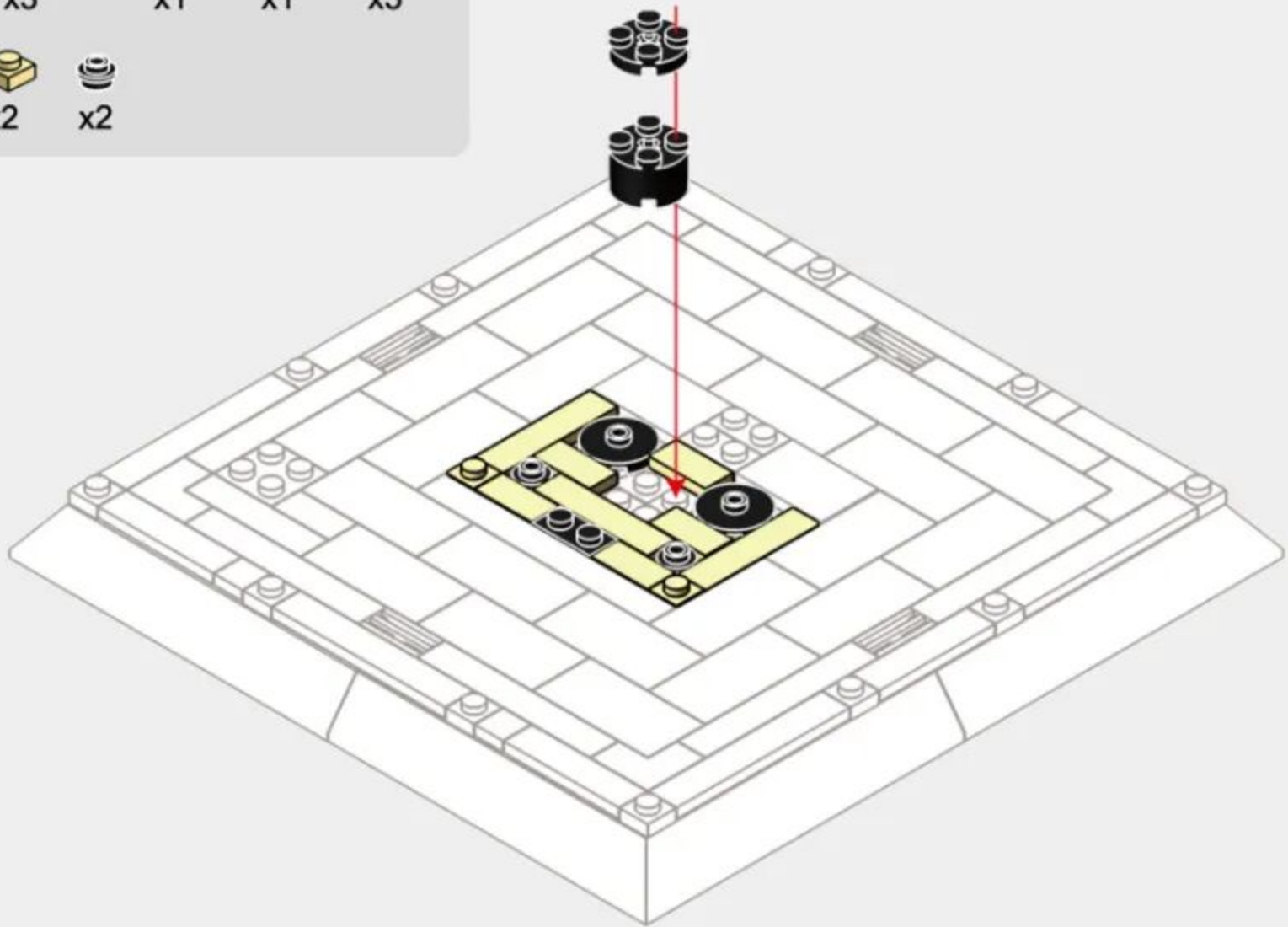
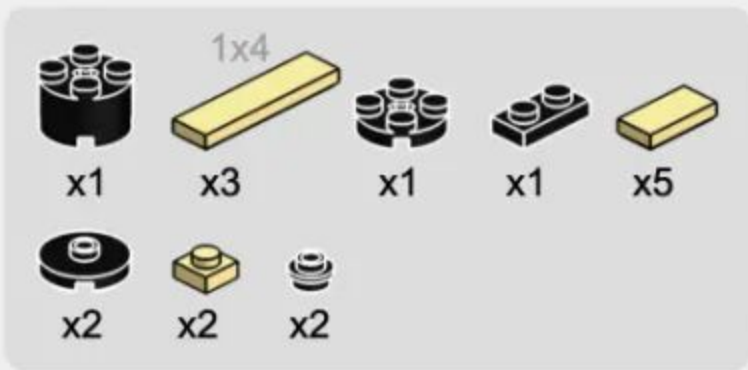
# 1-3



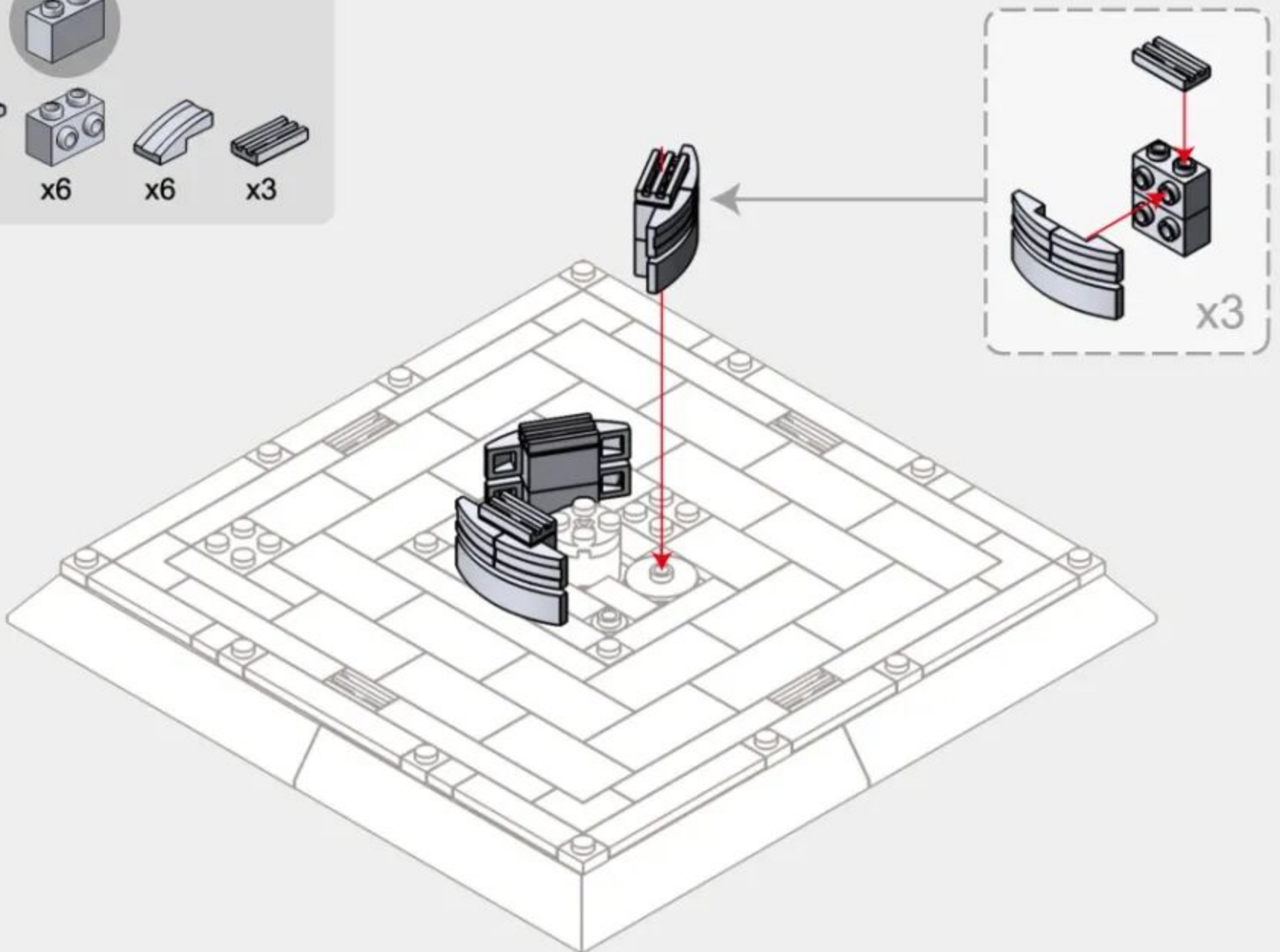
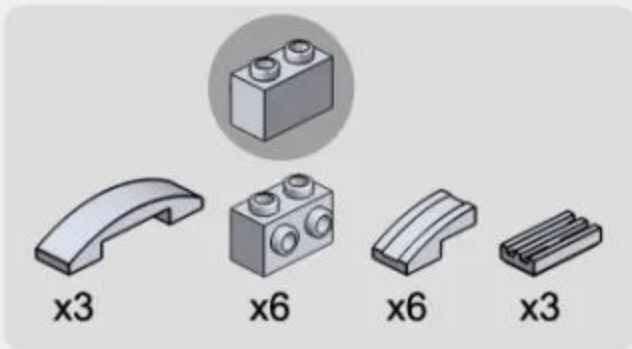
# 1-4



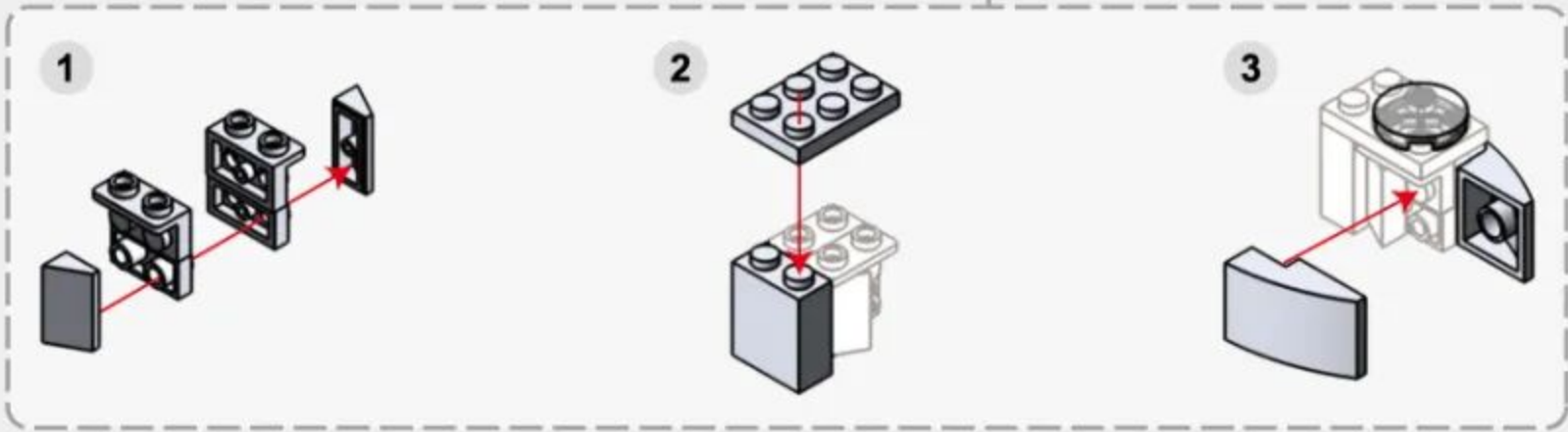
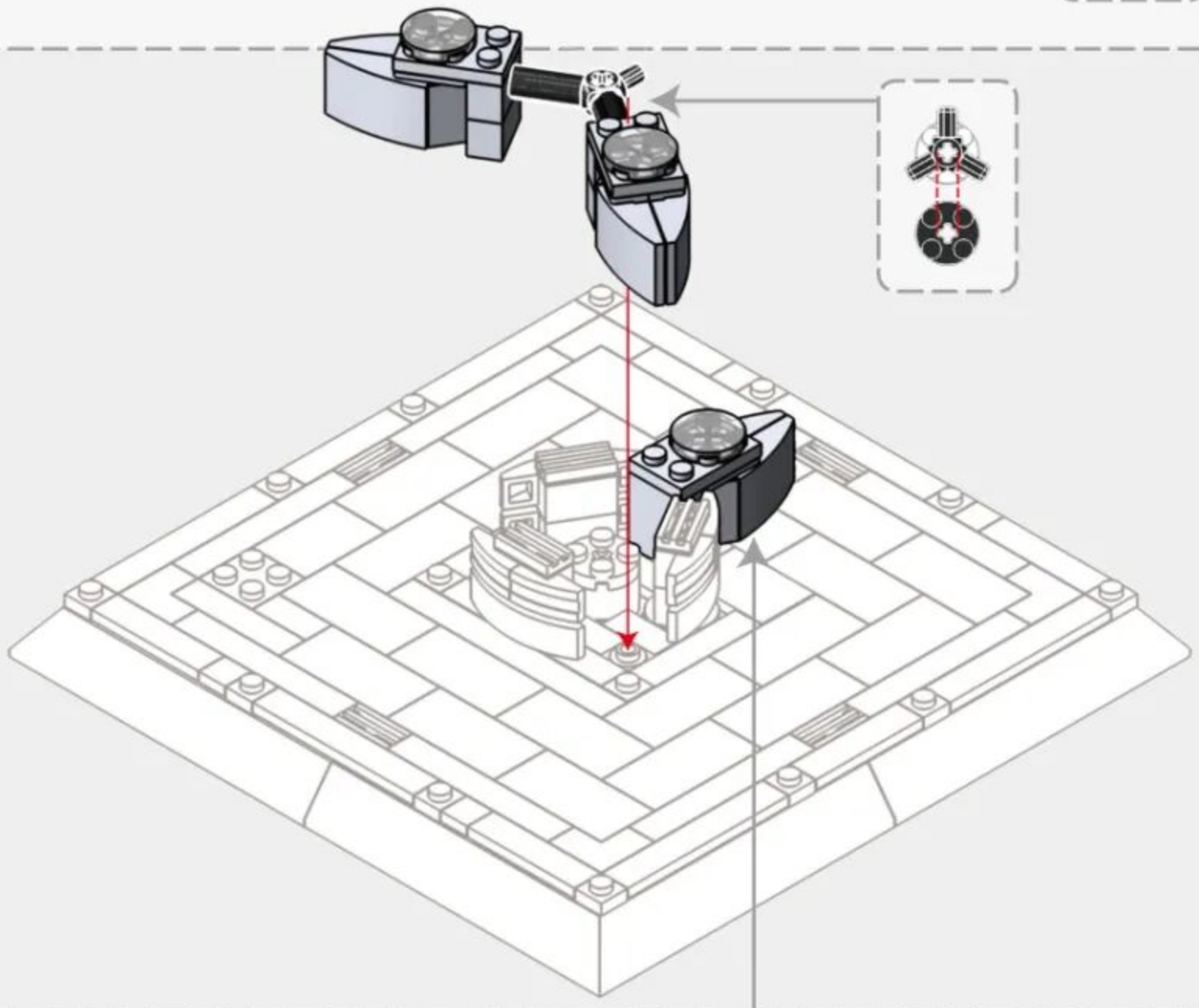
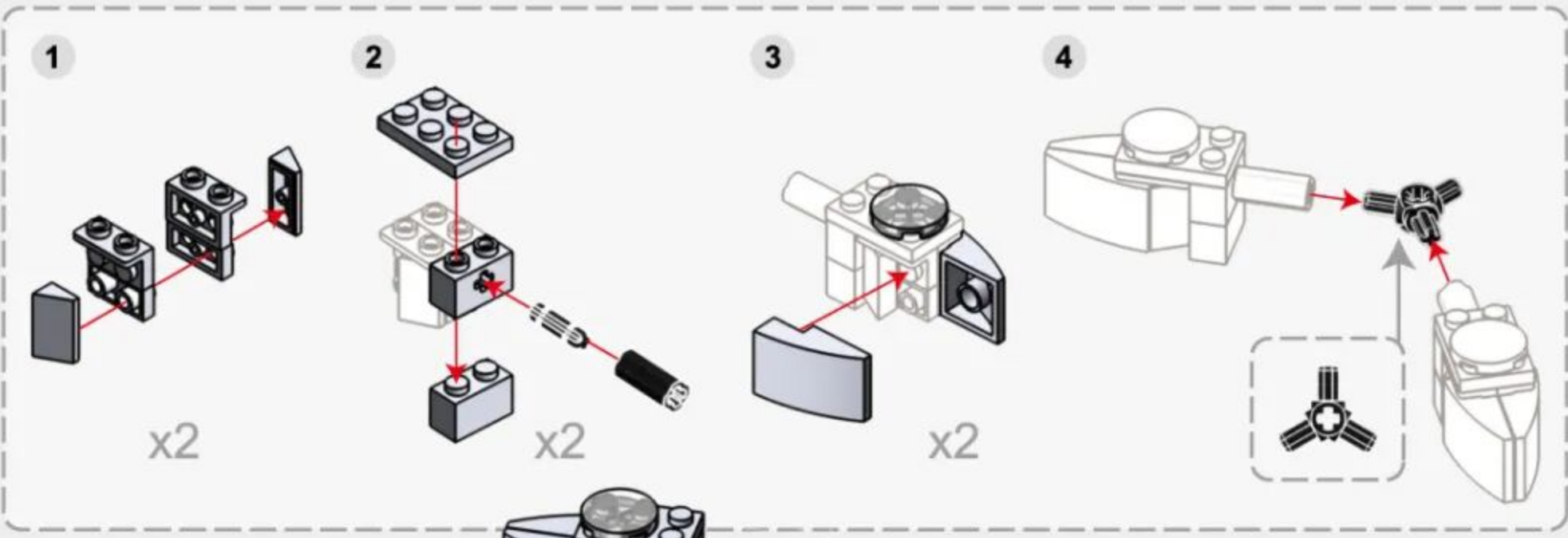
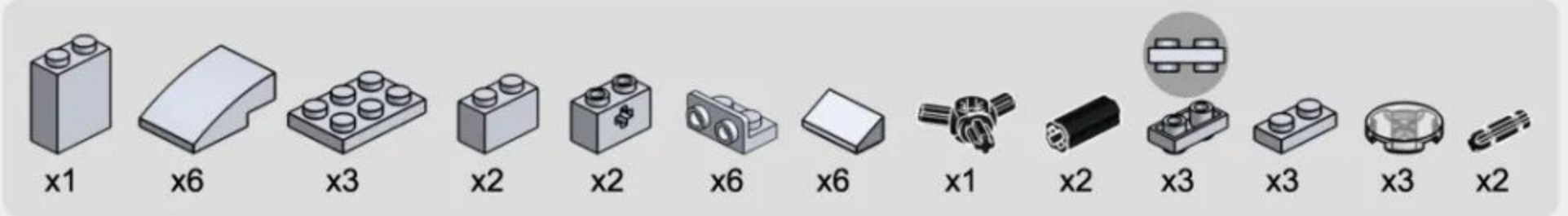
# 1-5



# 1-6

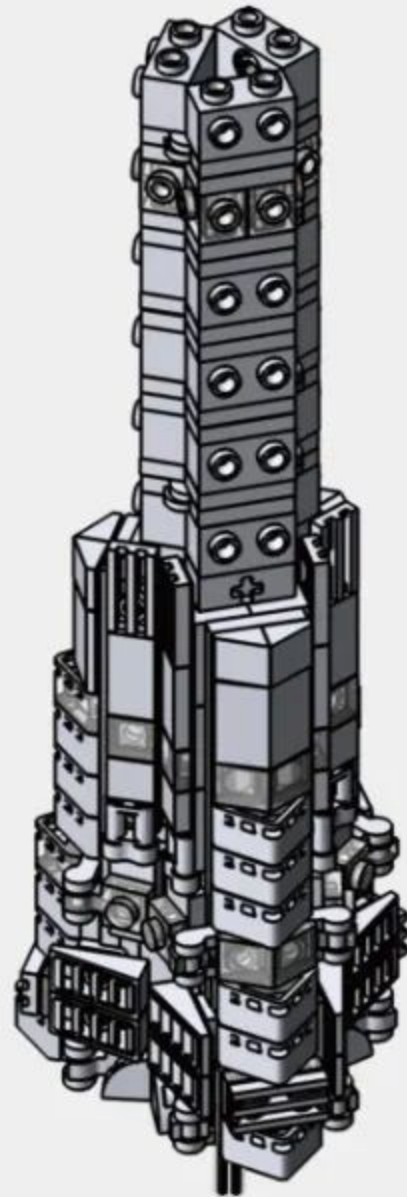


1-7

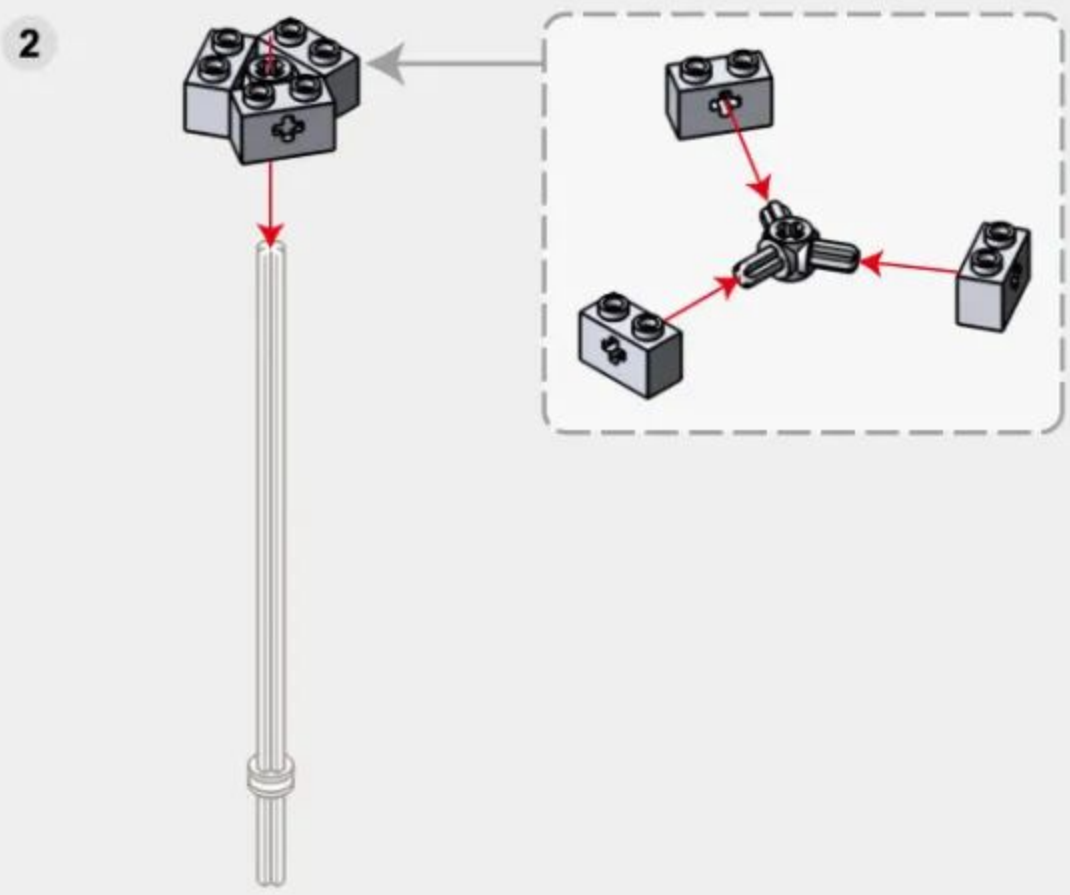
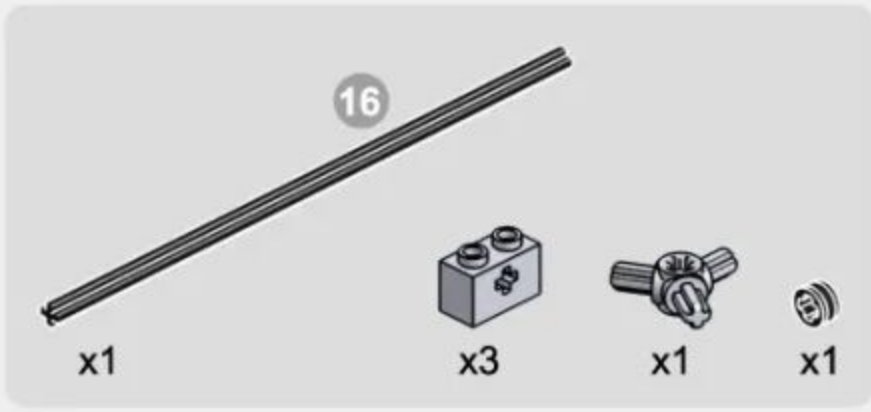




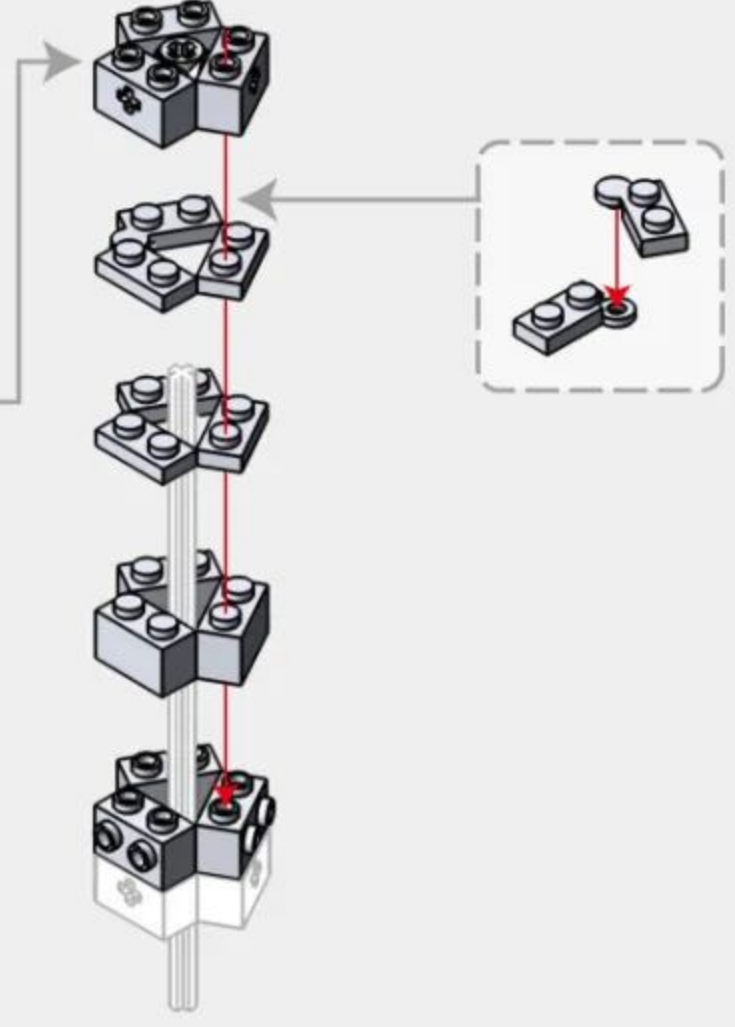
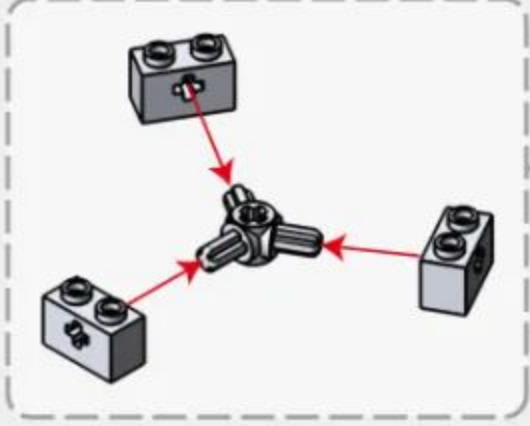
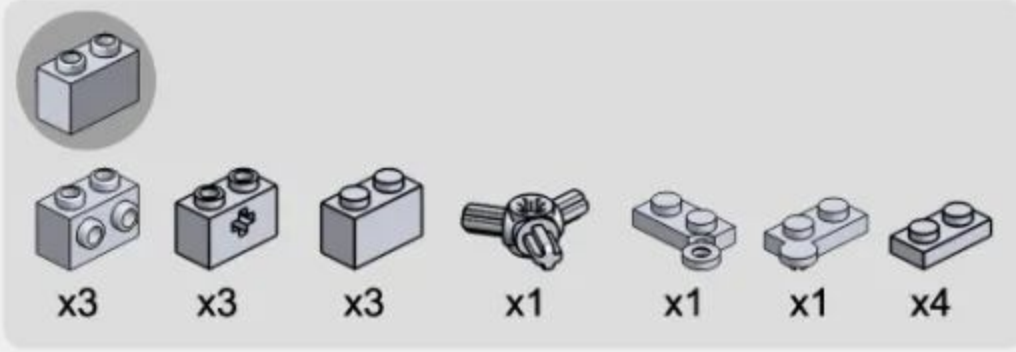
255PCS



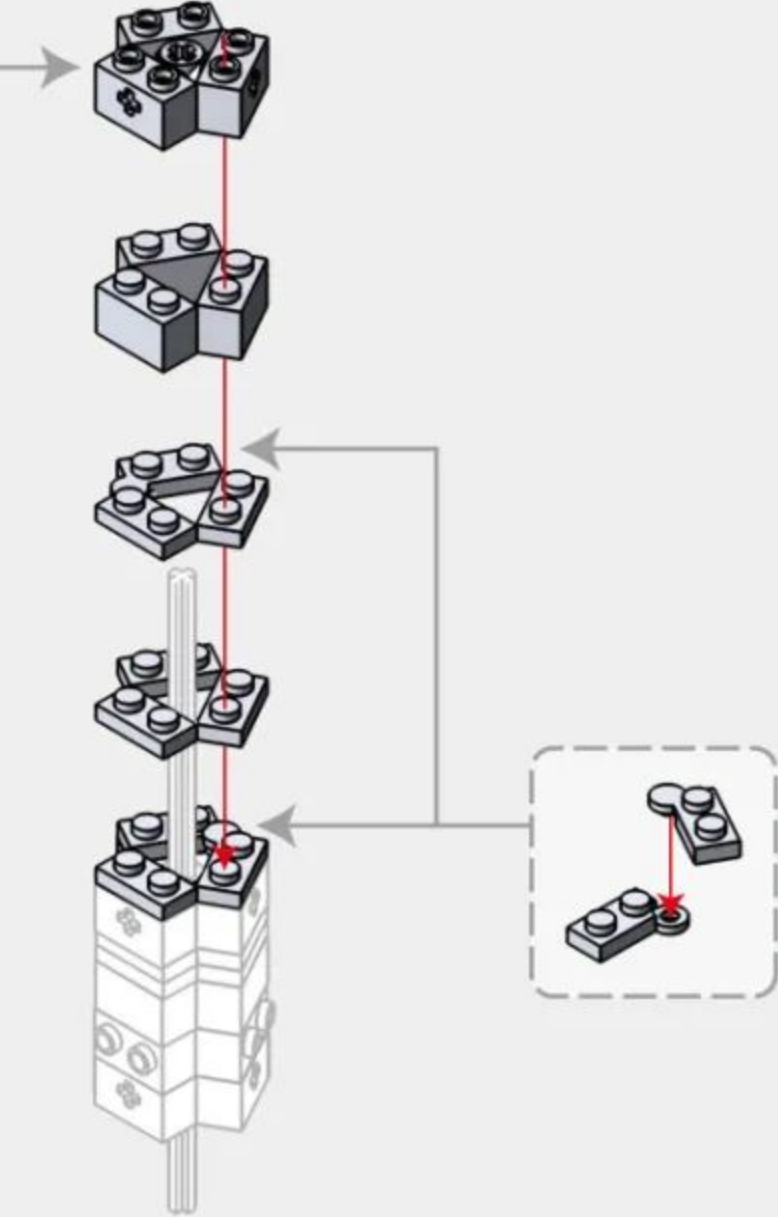
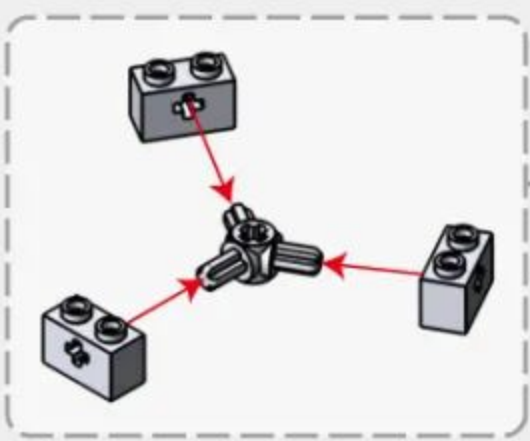
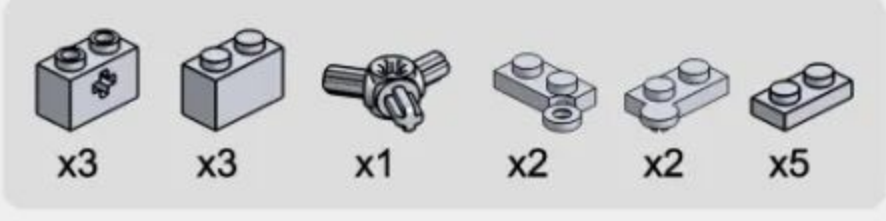
2-1



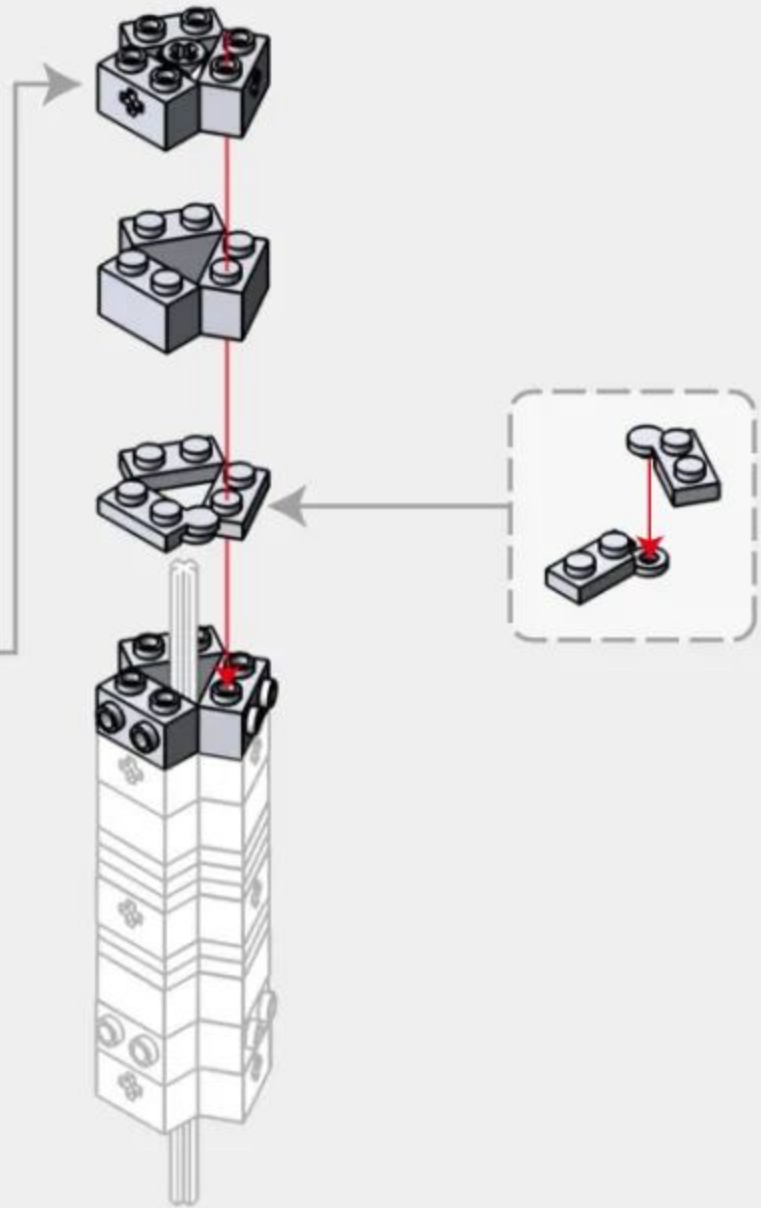
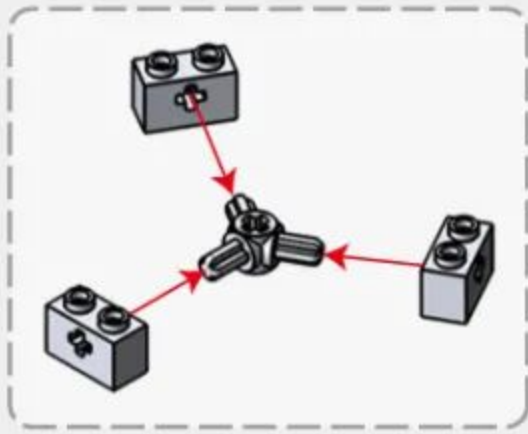
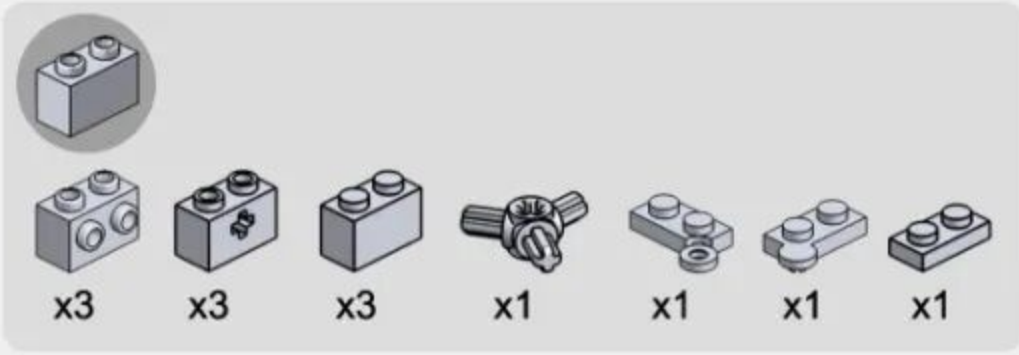
# 2-2



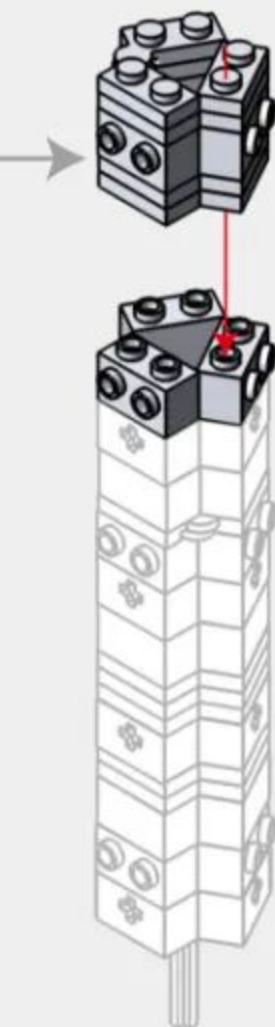
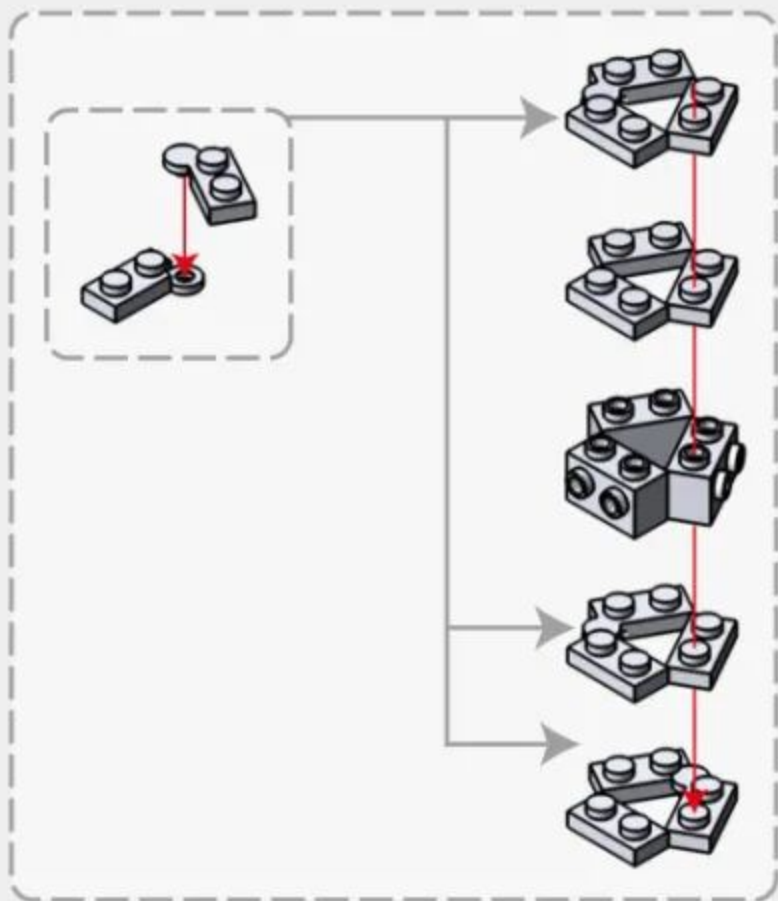
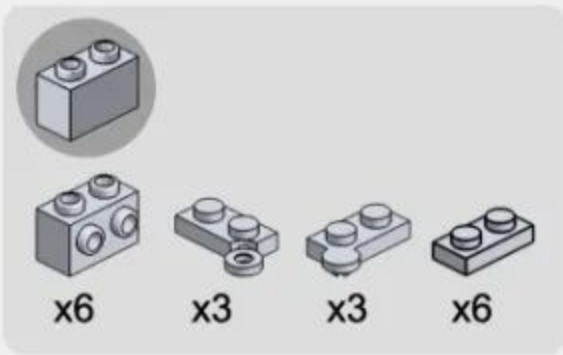
# 2-3



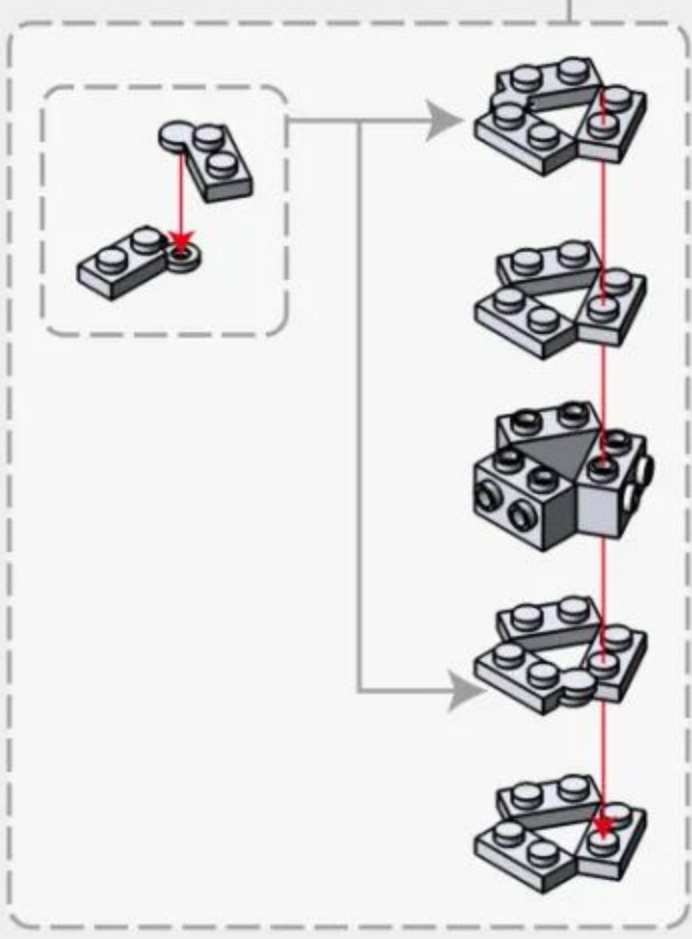
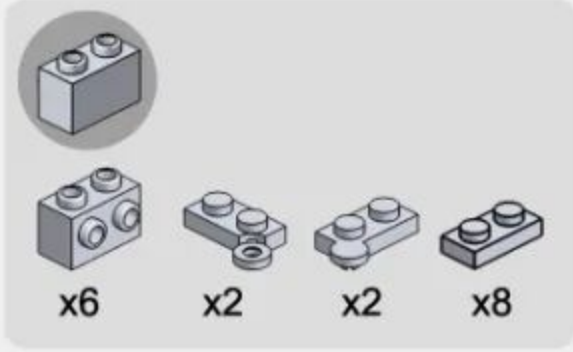
# 2-4



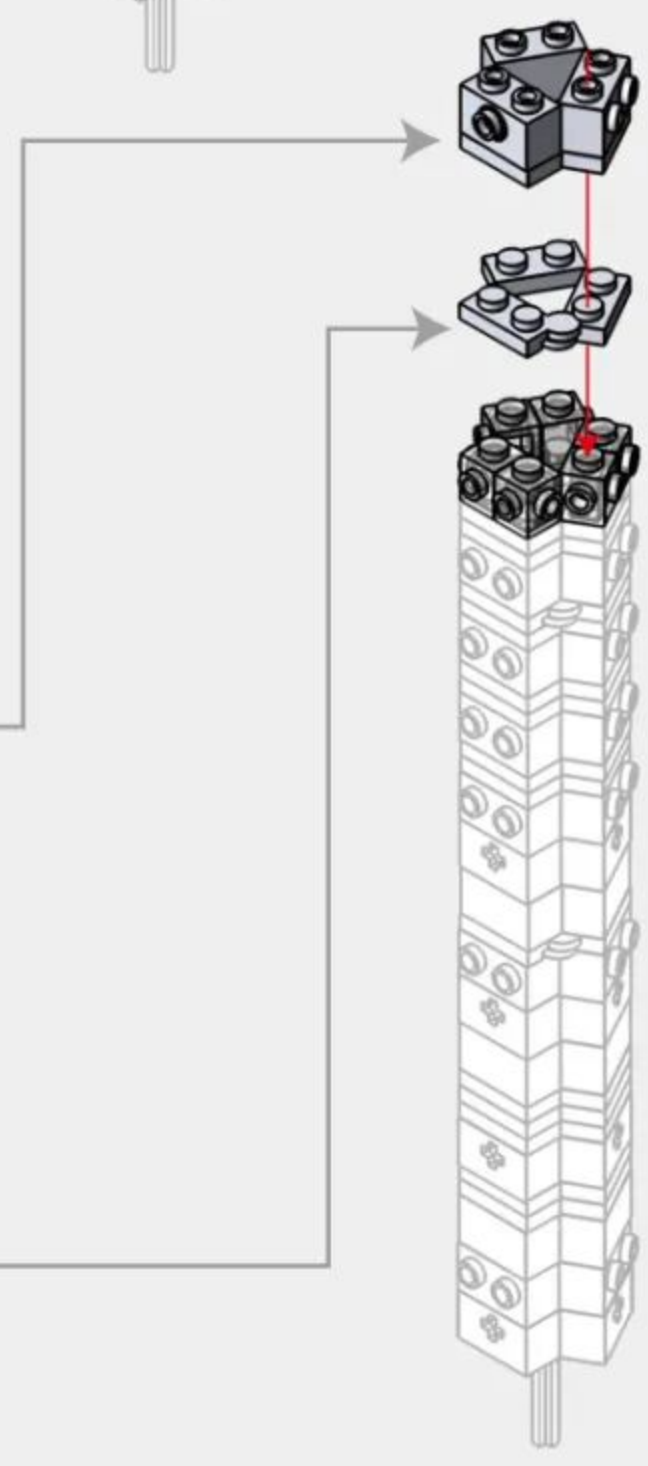
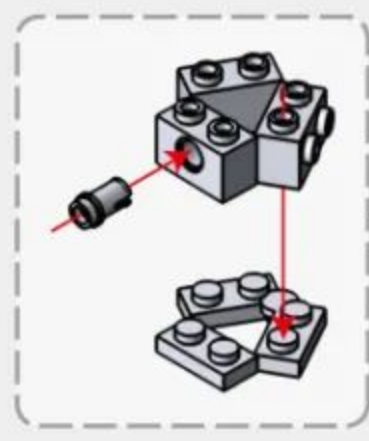
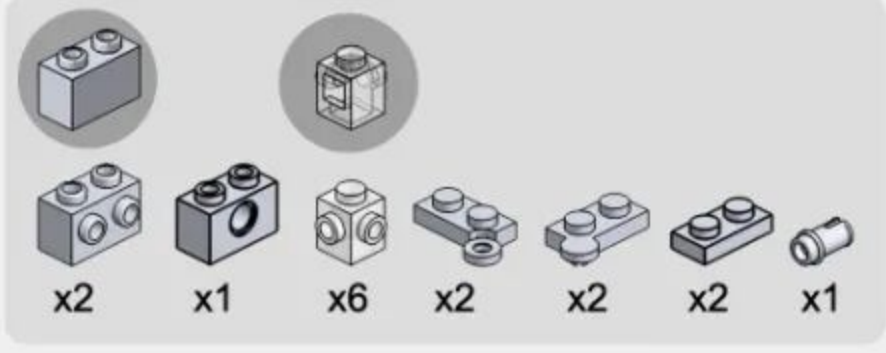
# 2-5



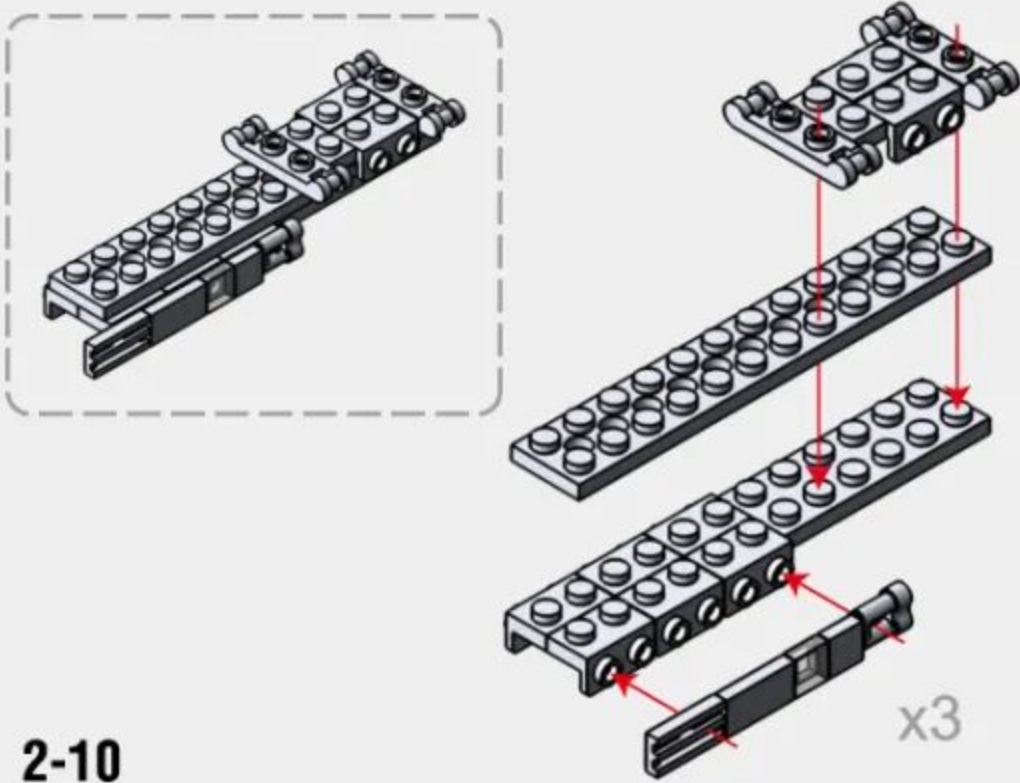
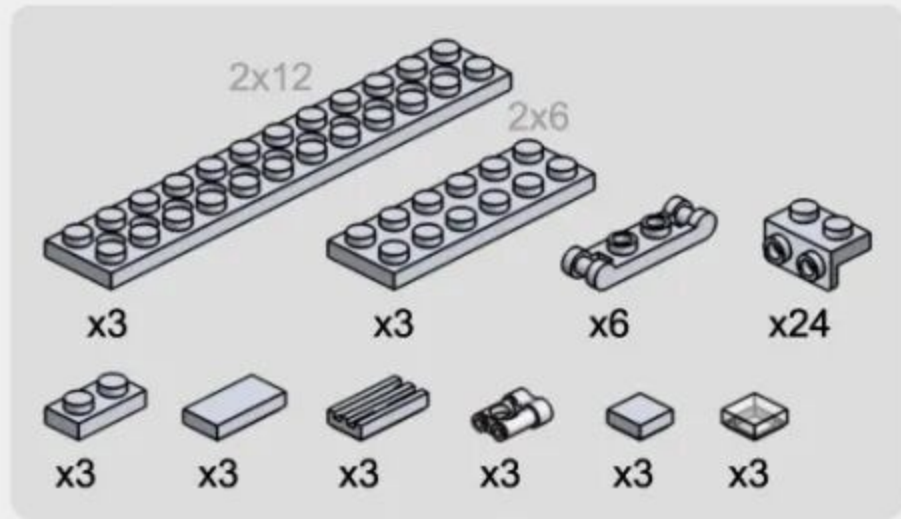
2-6



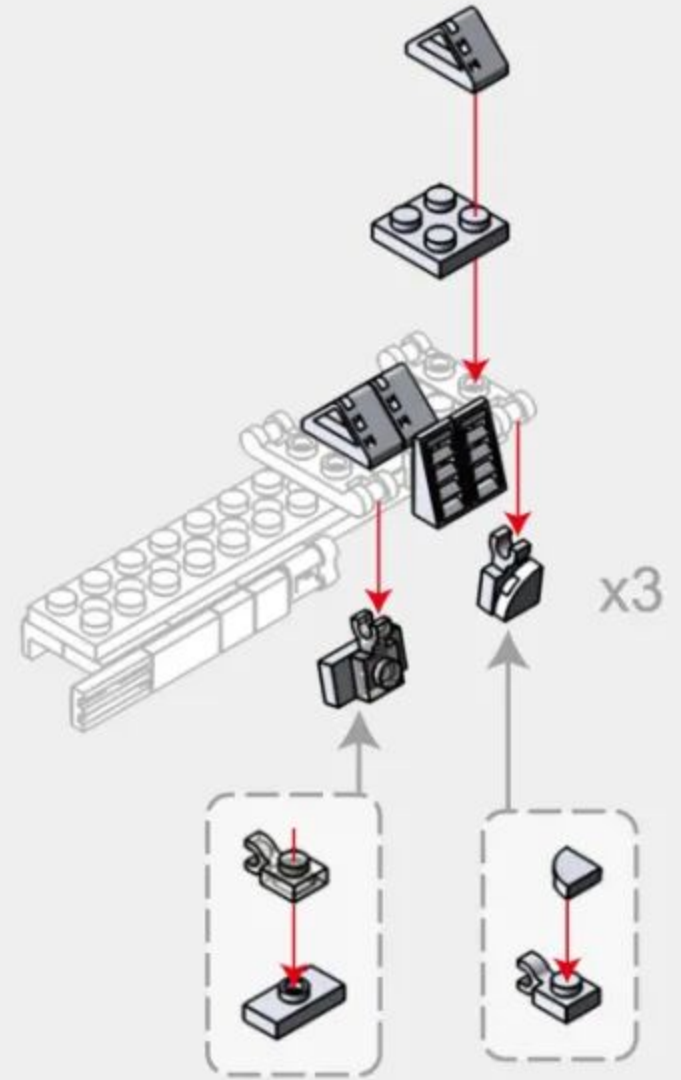
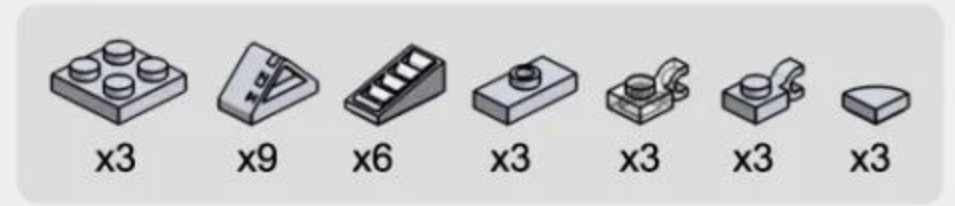
2-7



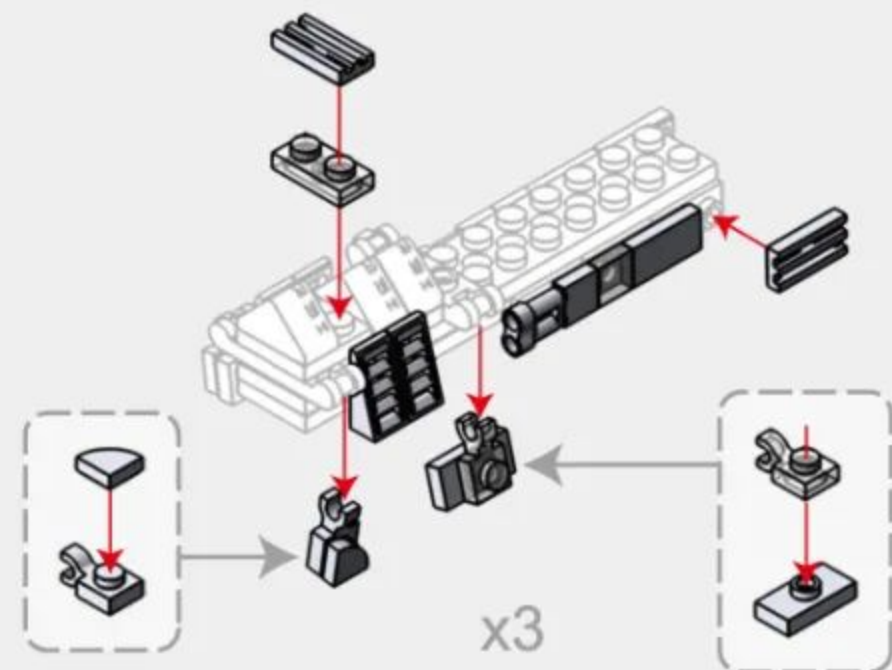
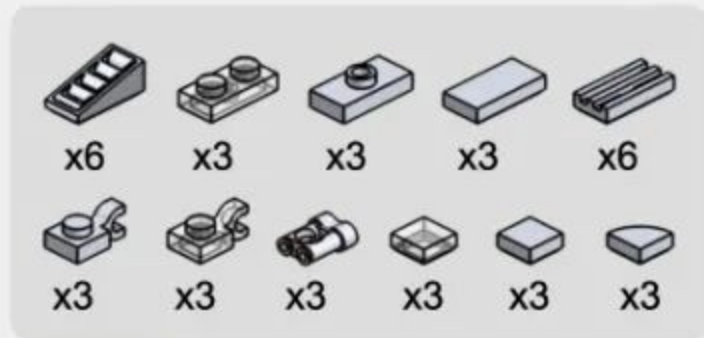
### 2-8



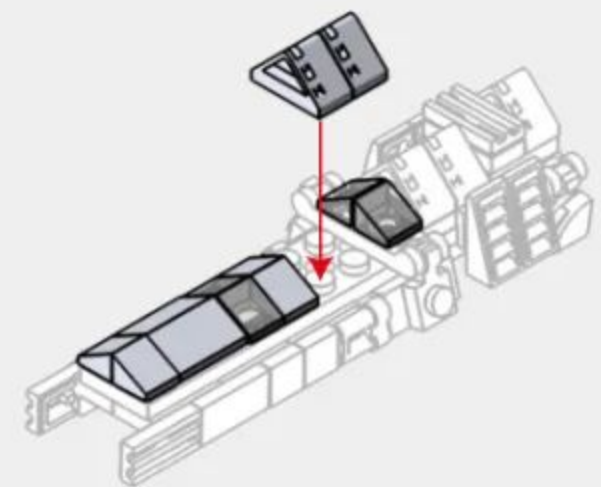
### 2-9



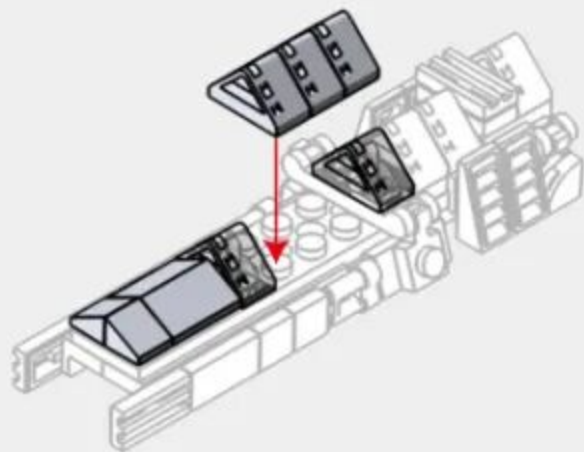
### 2-10



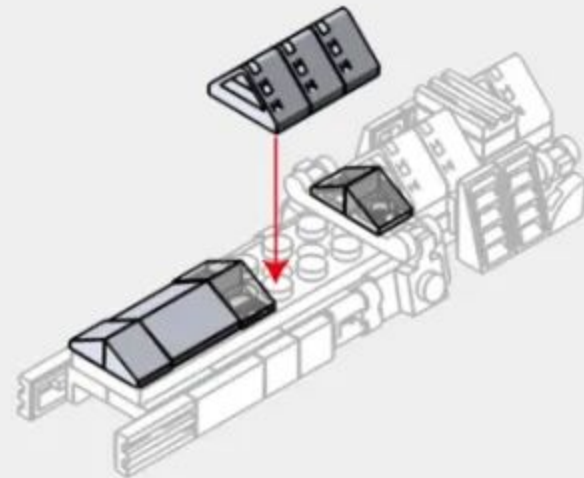
### 2-11



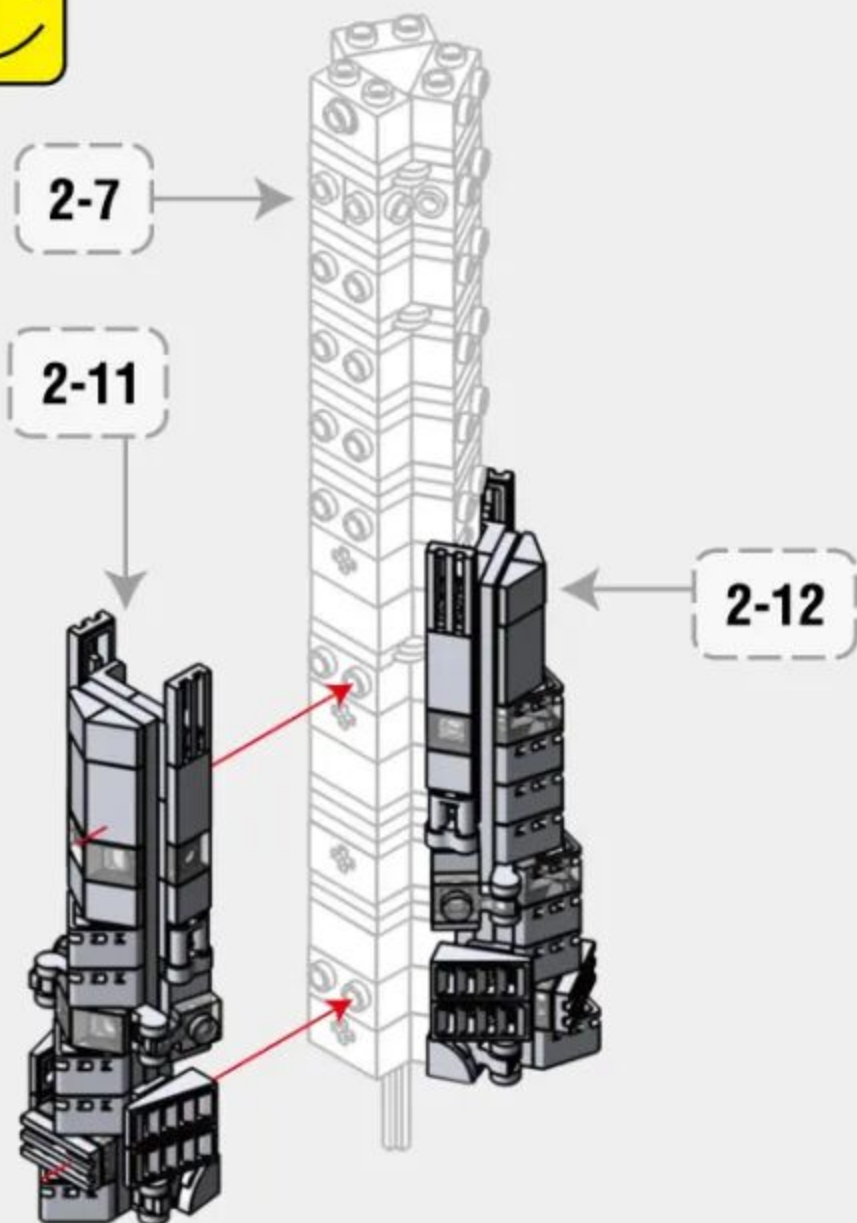
2-12



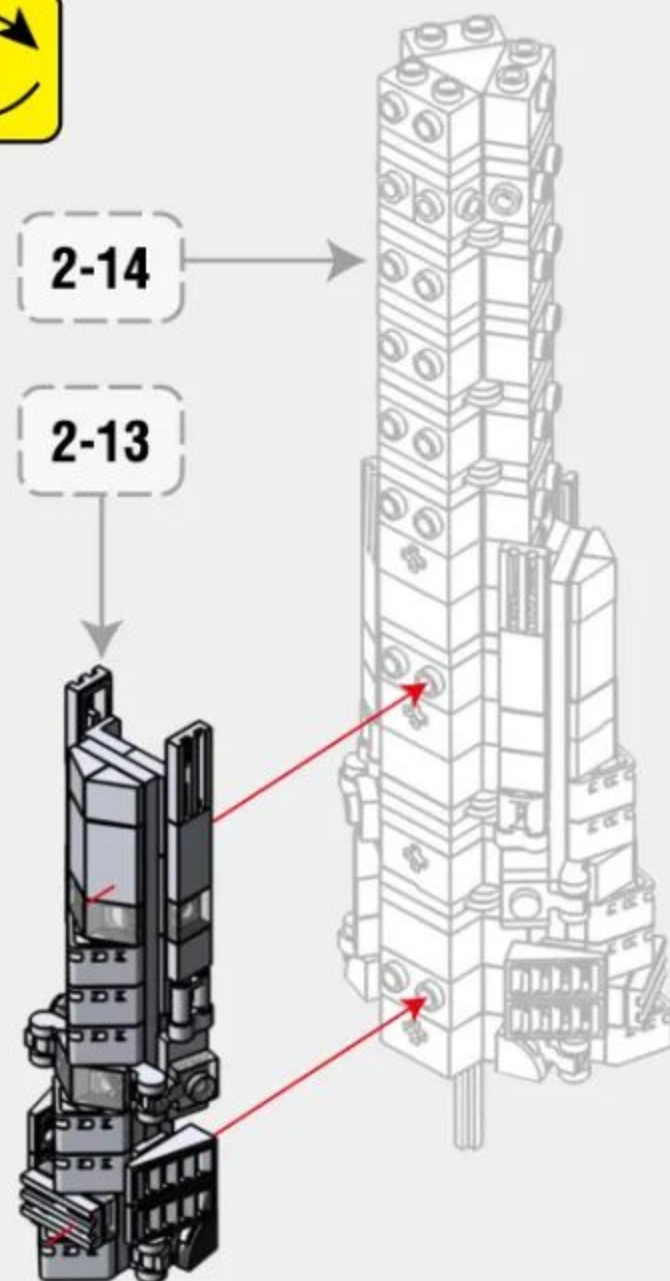
2-13



2-14

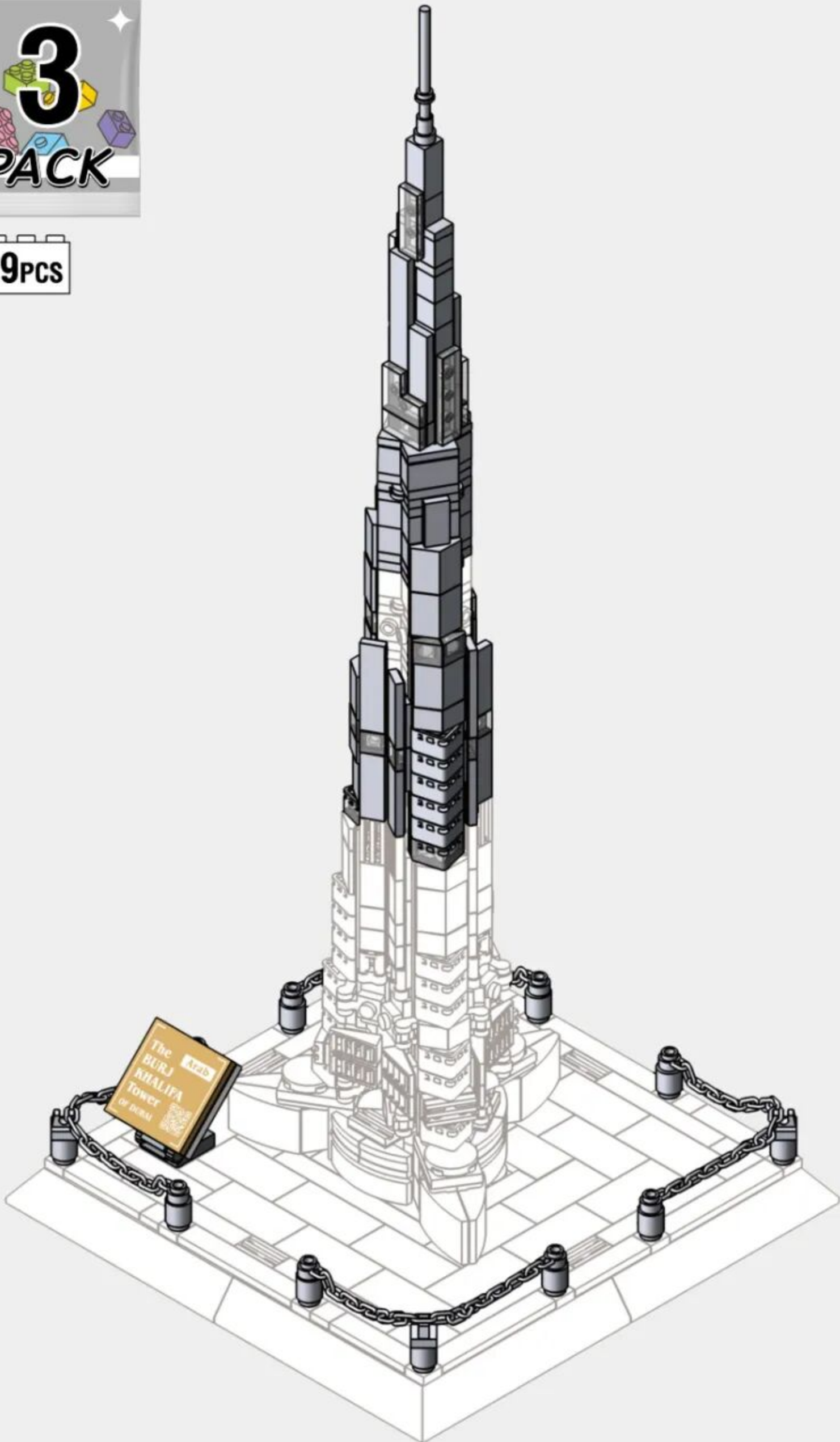


2-15

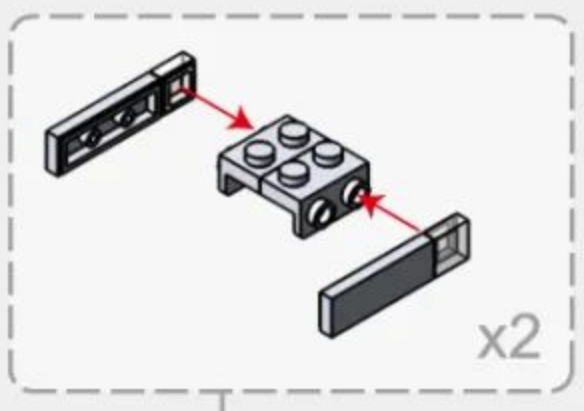
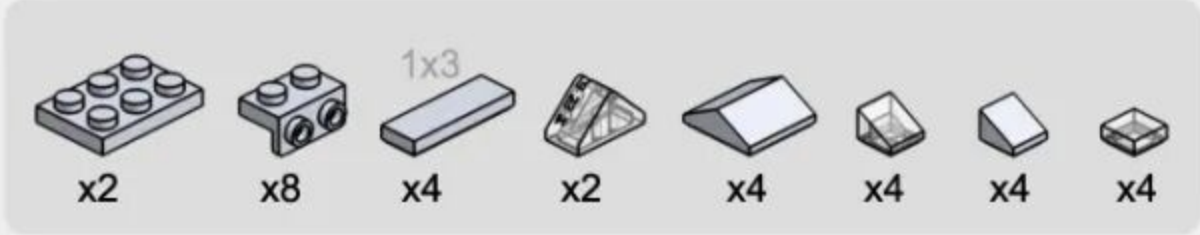




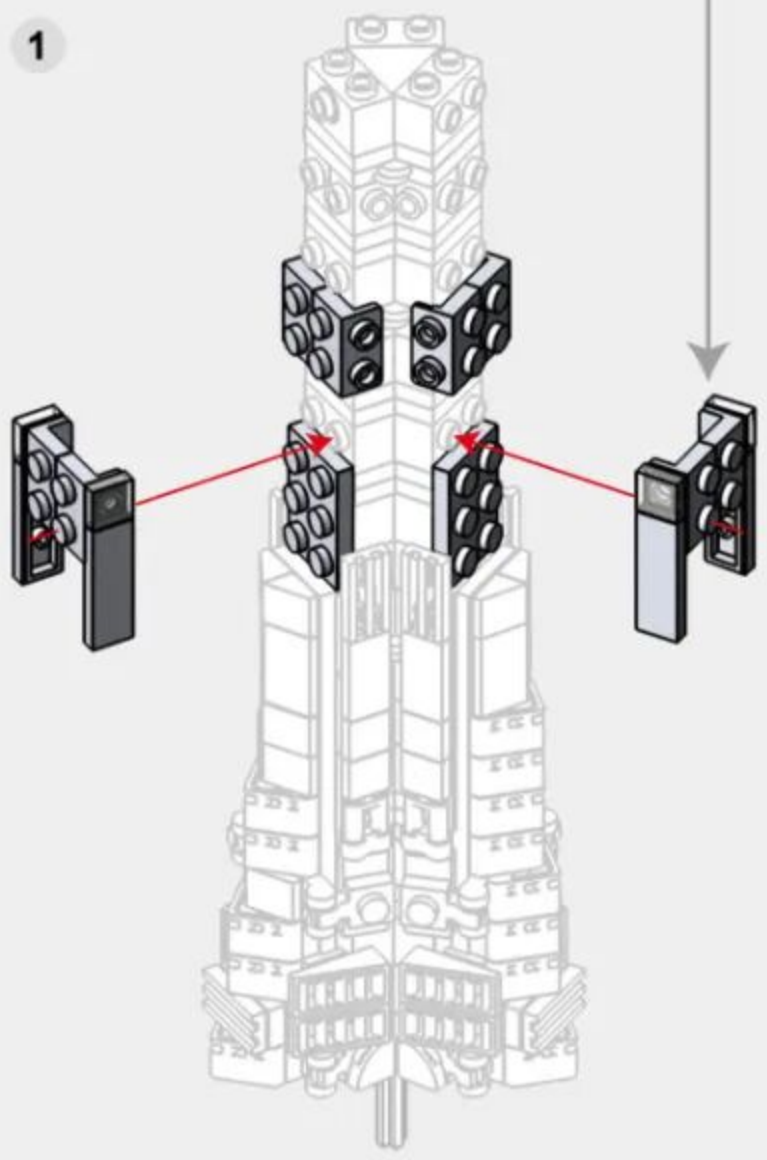
159PCS



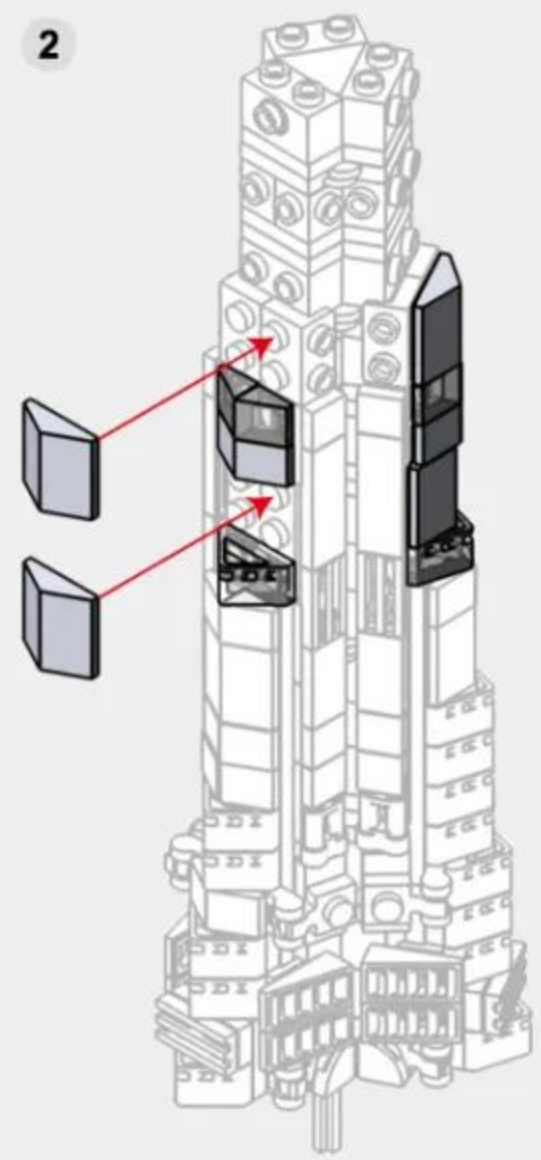
# 3-1



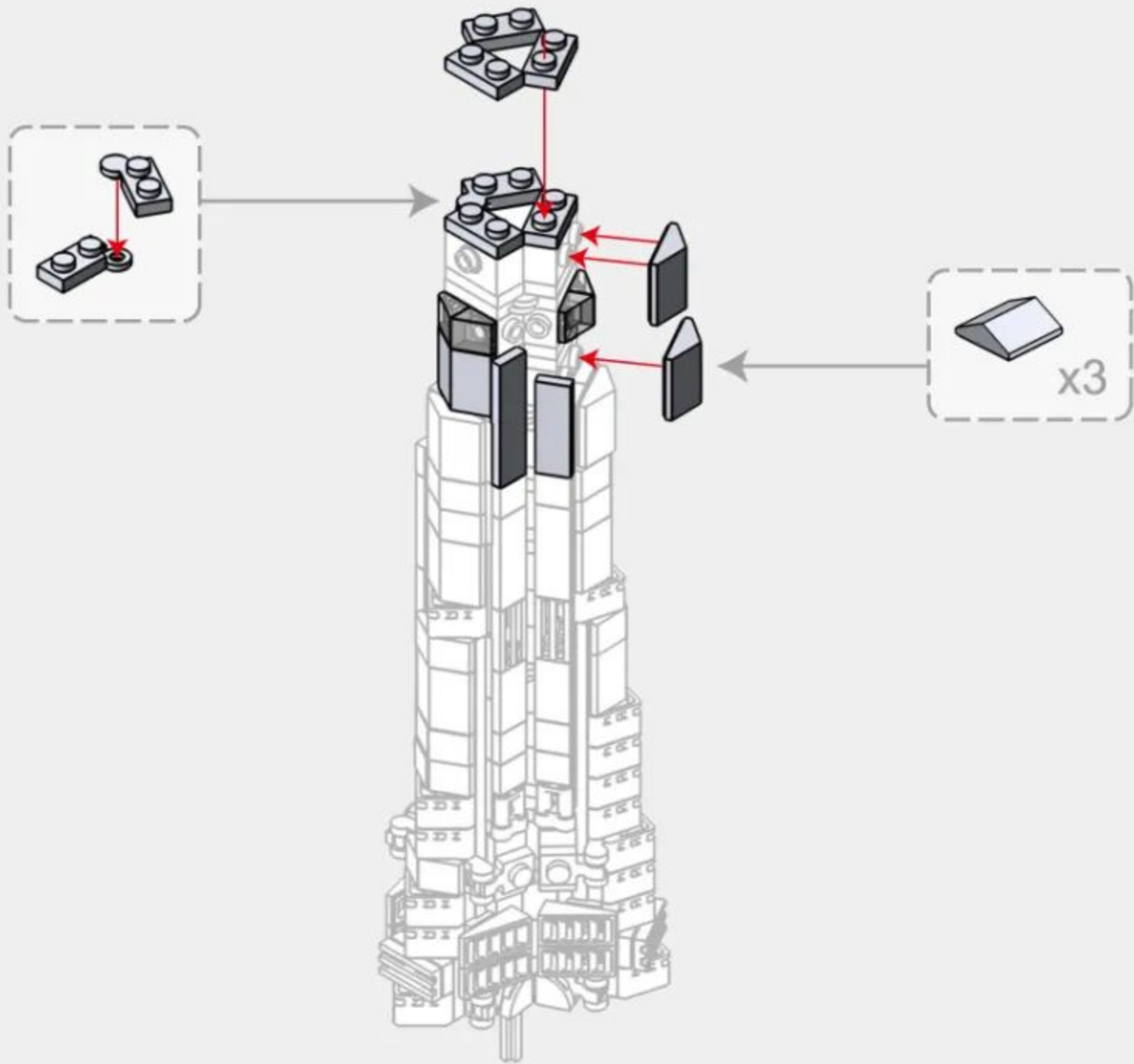
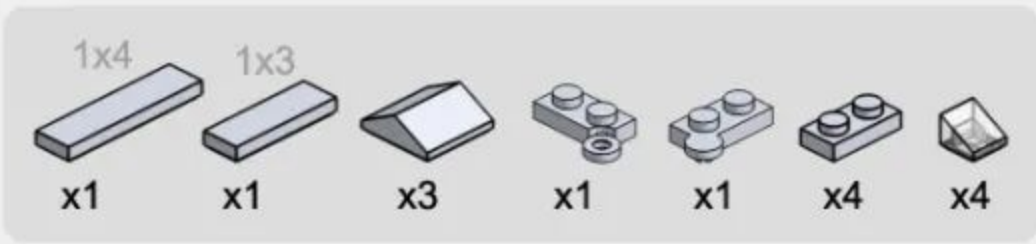
1



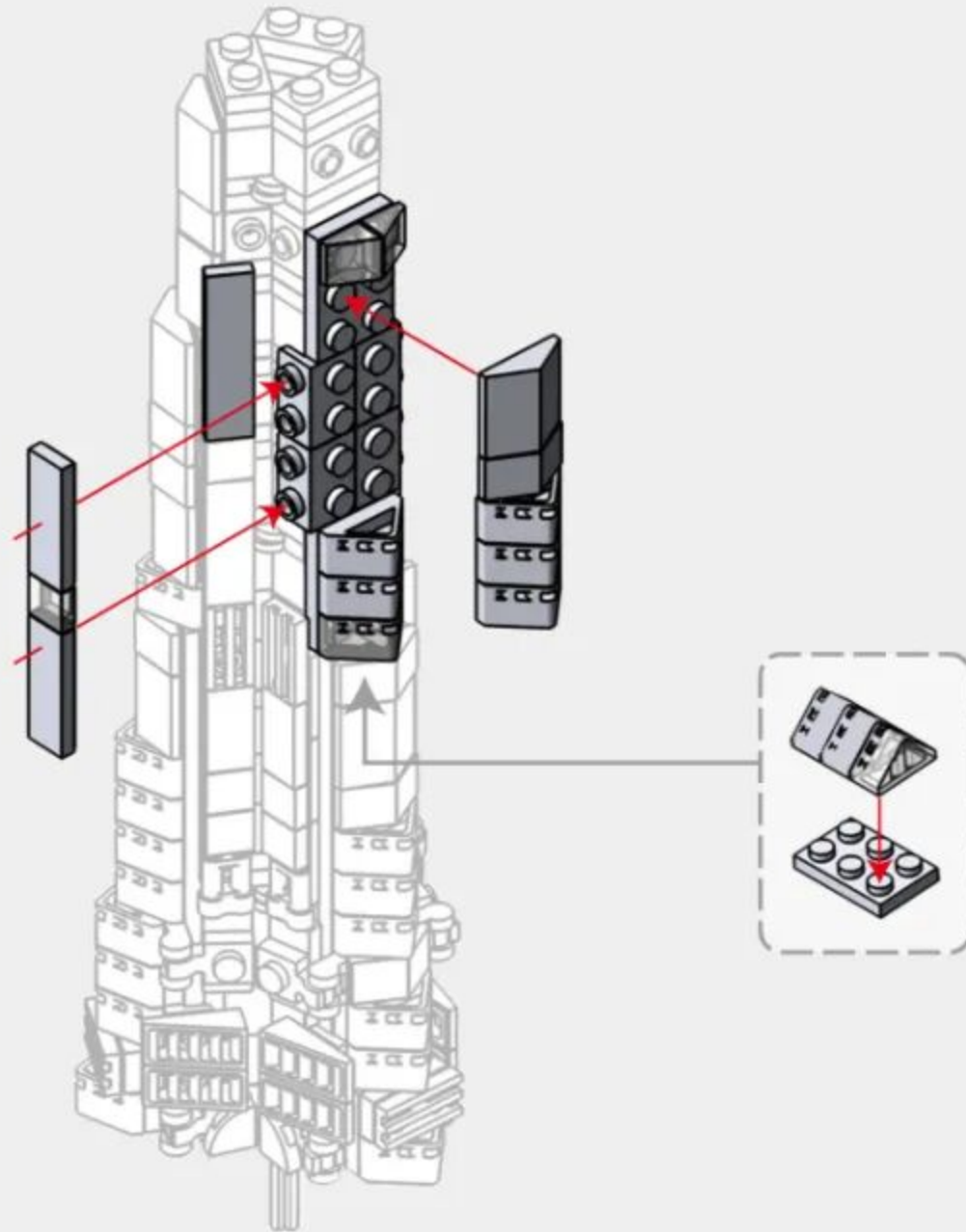
2



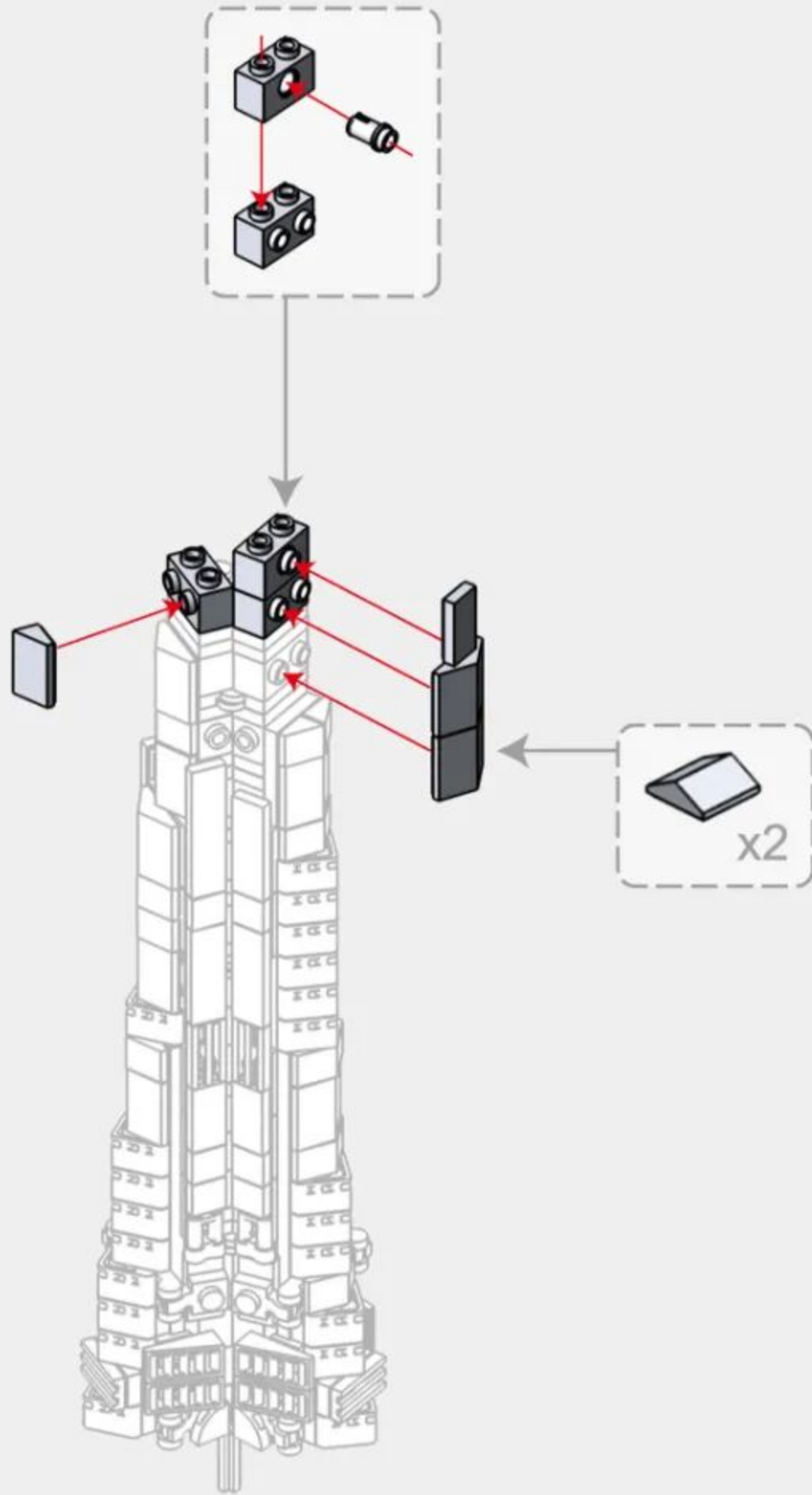
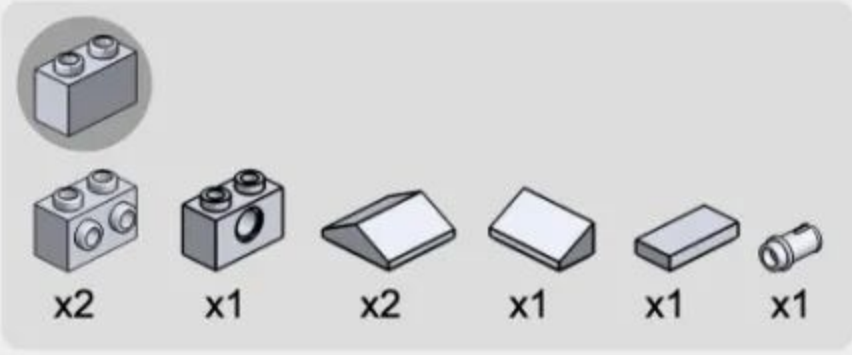
# 3-2



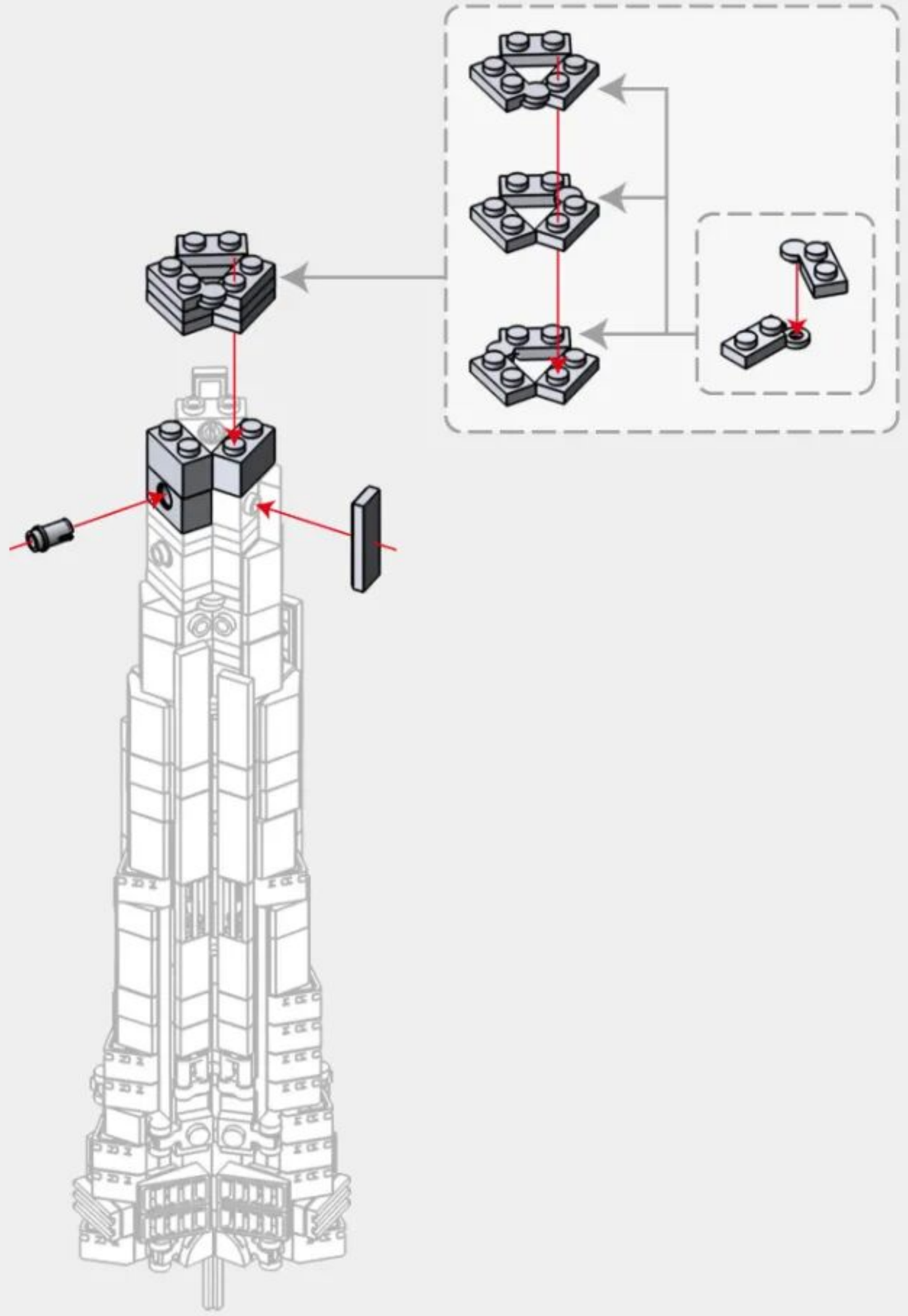
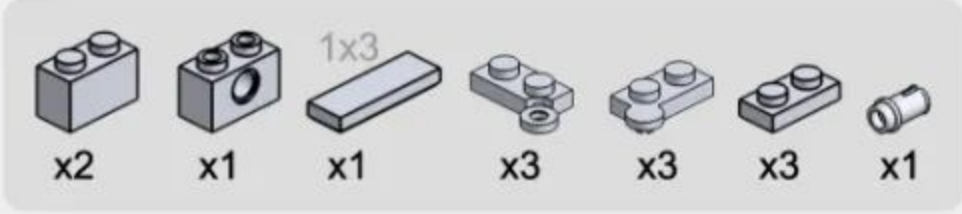
3-3



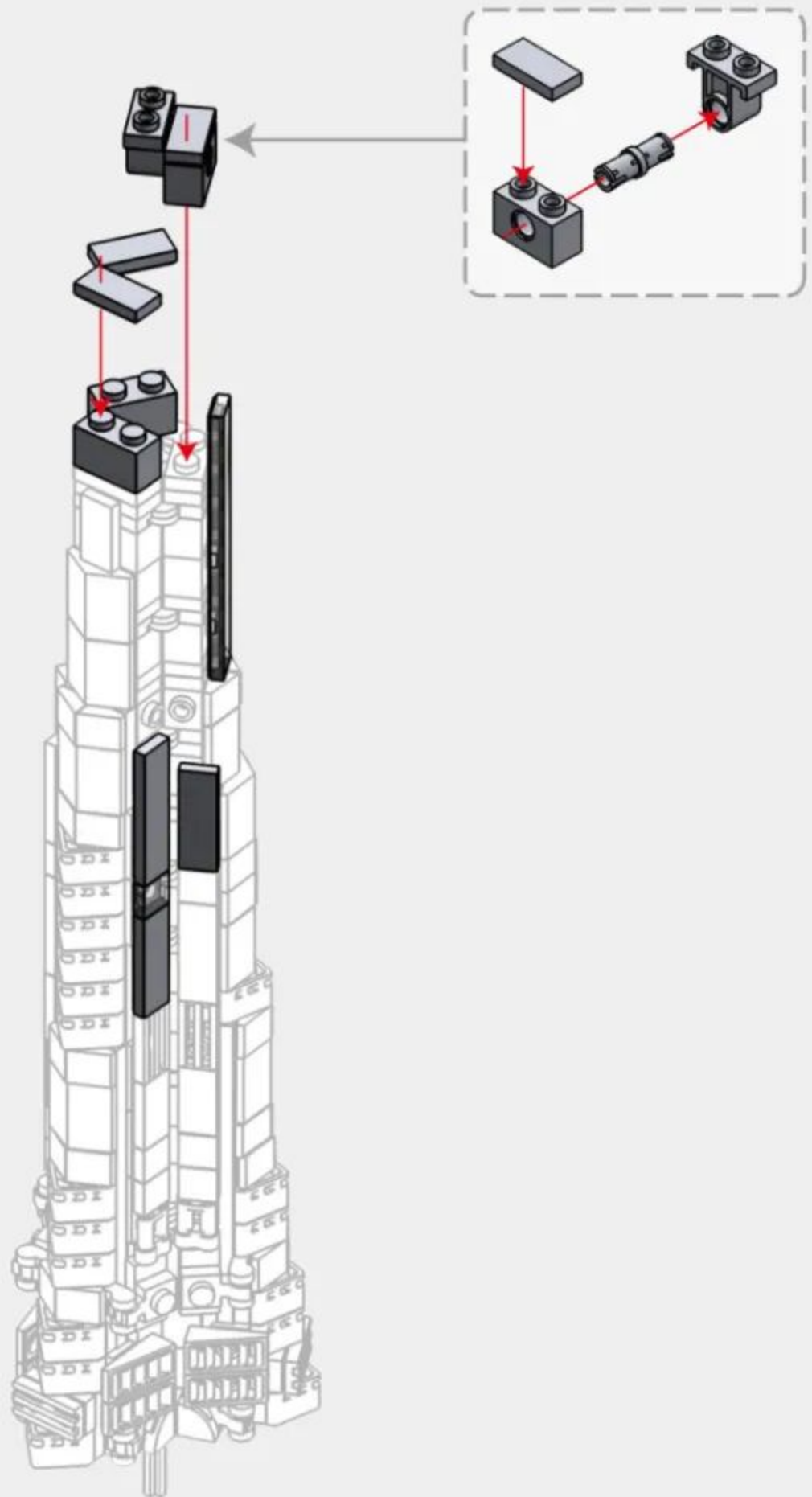
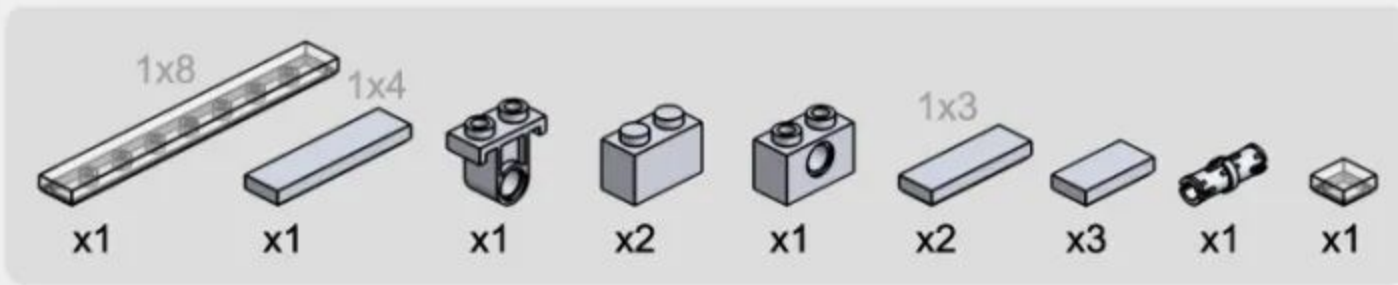
3-4



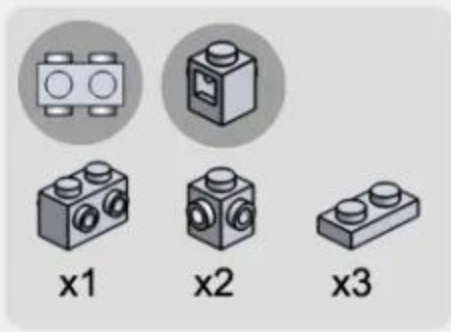
3-5



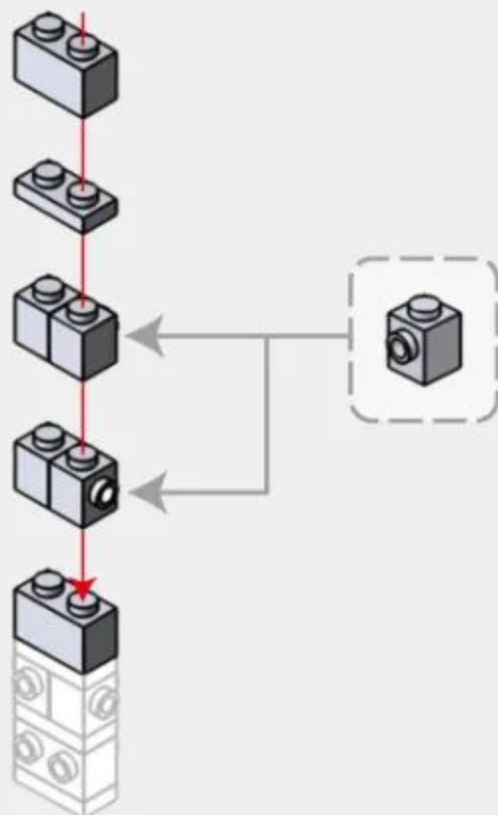
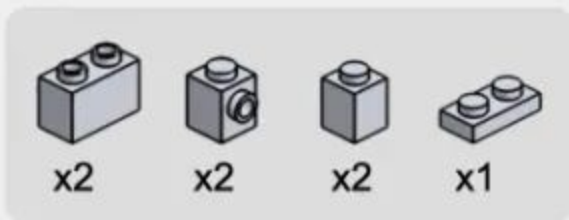
# 3-6



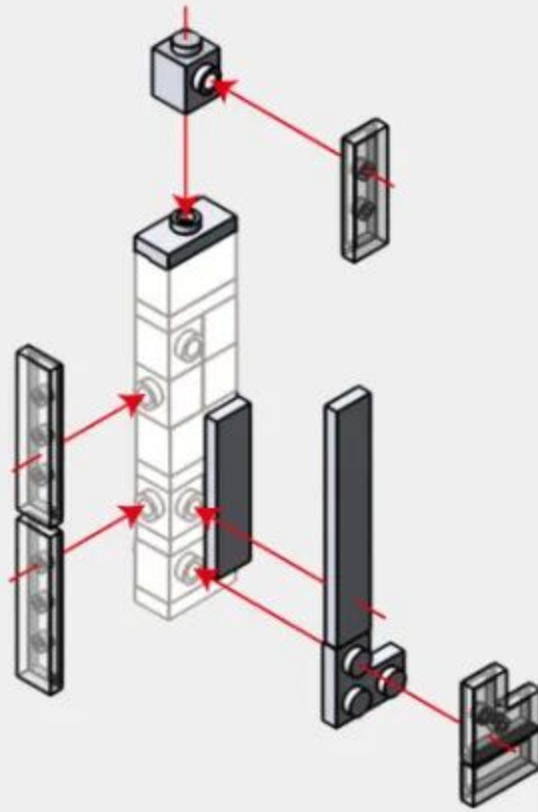
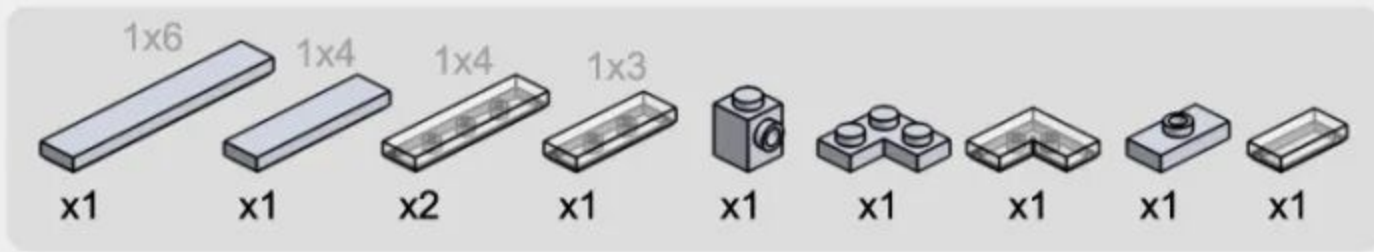
### 3-7



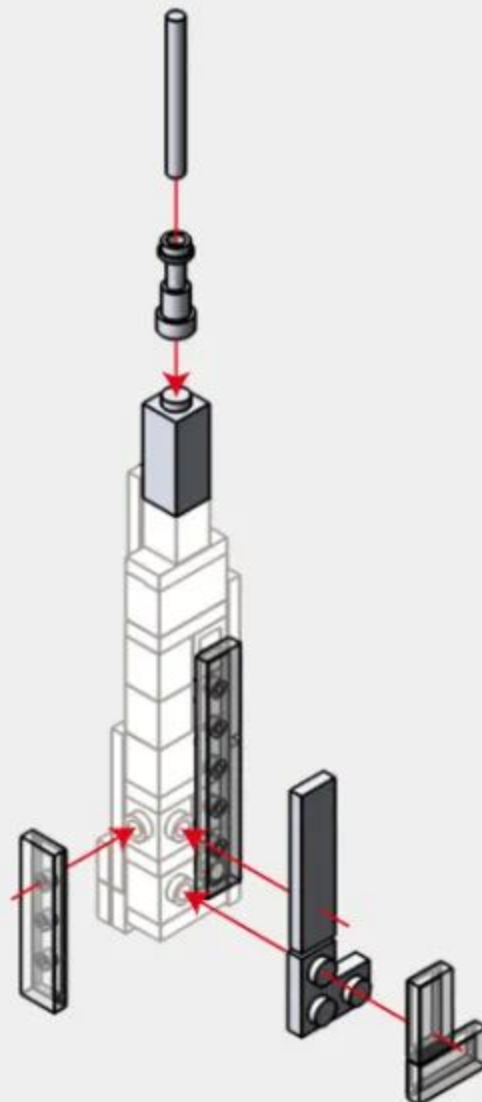
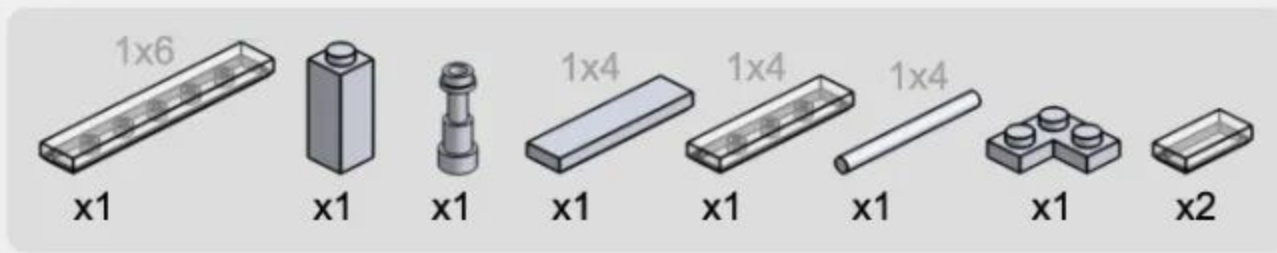
### 3-8

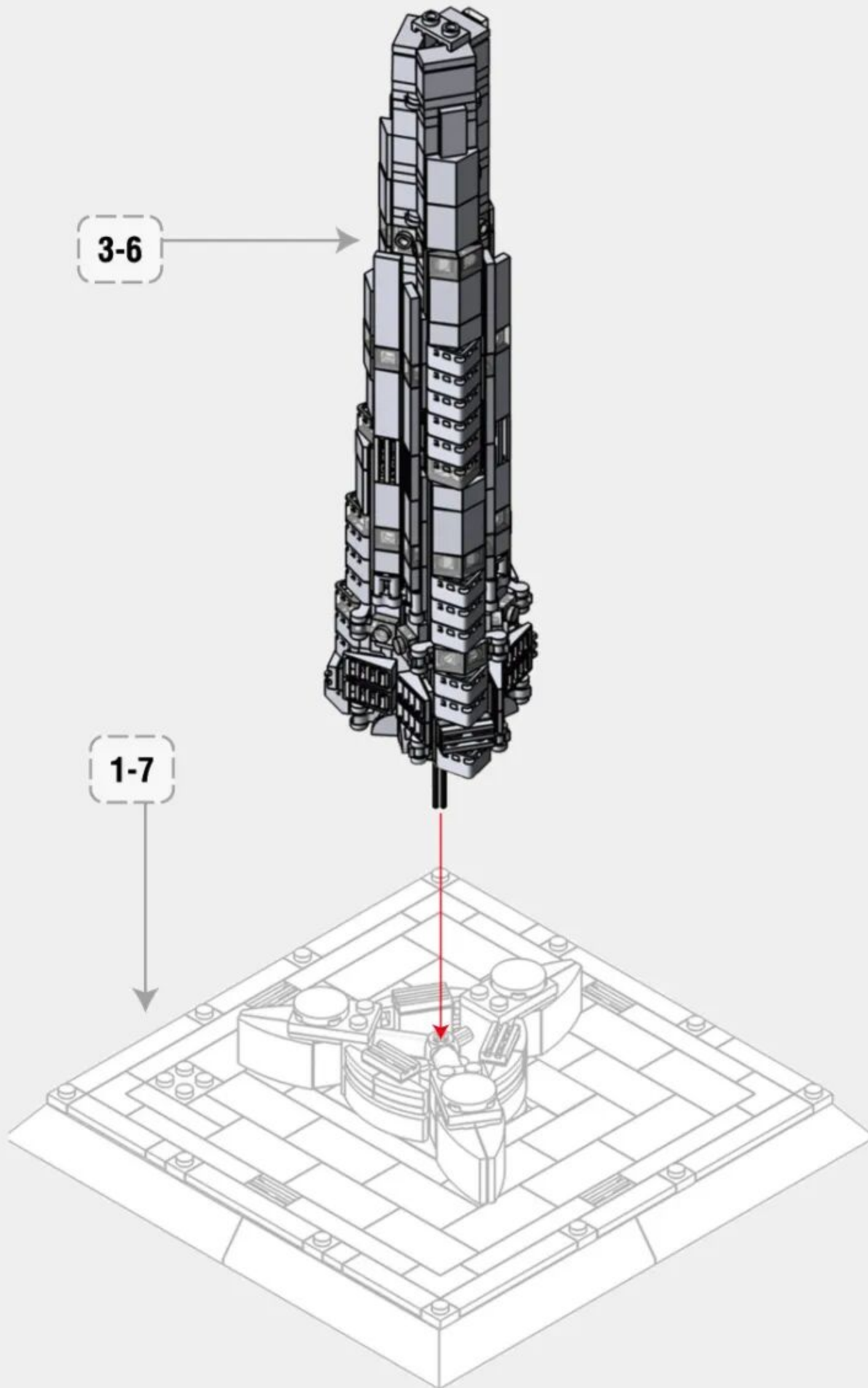


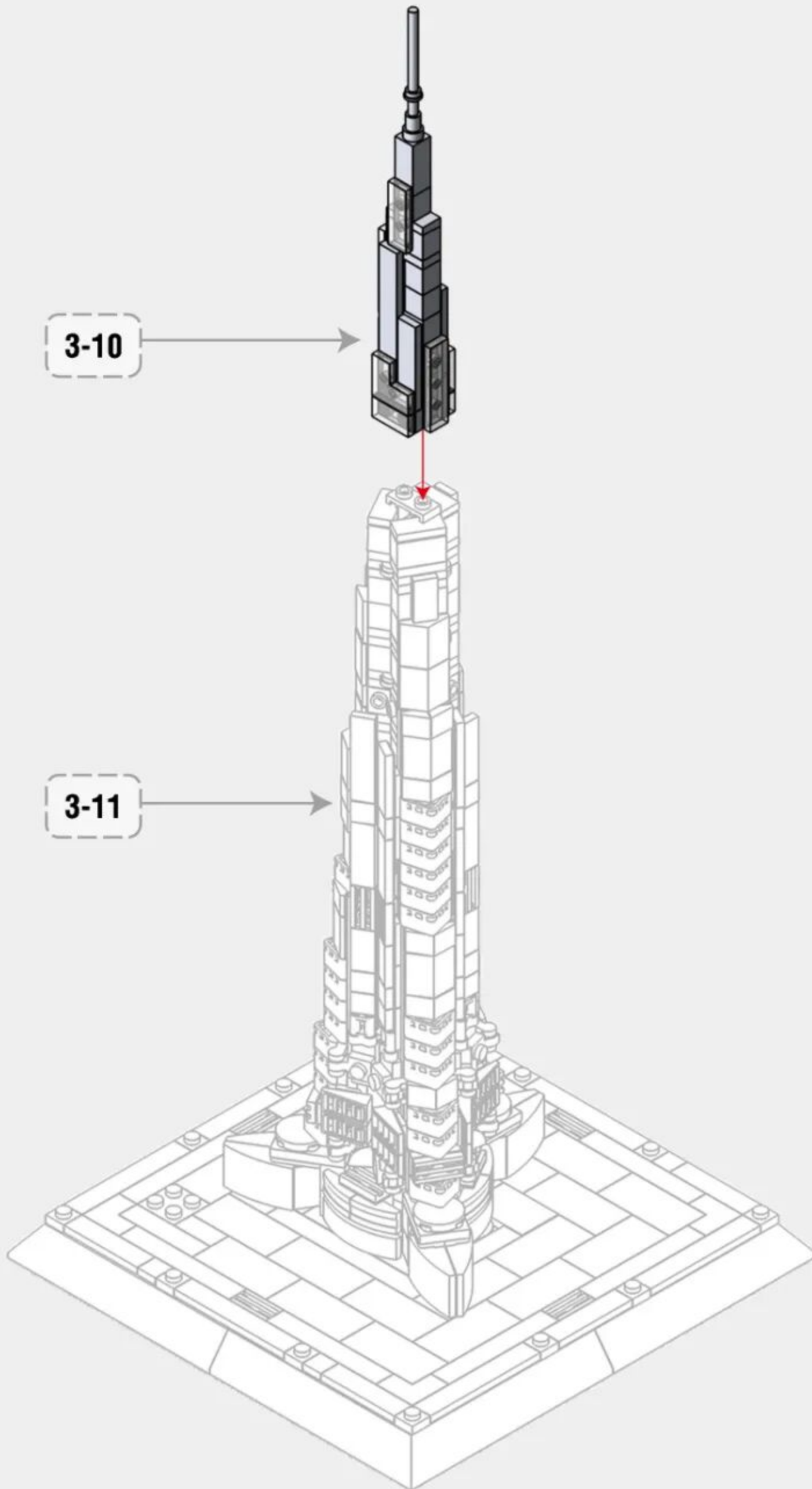
### 3-9



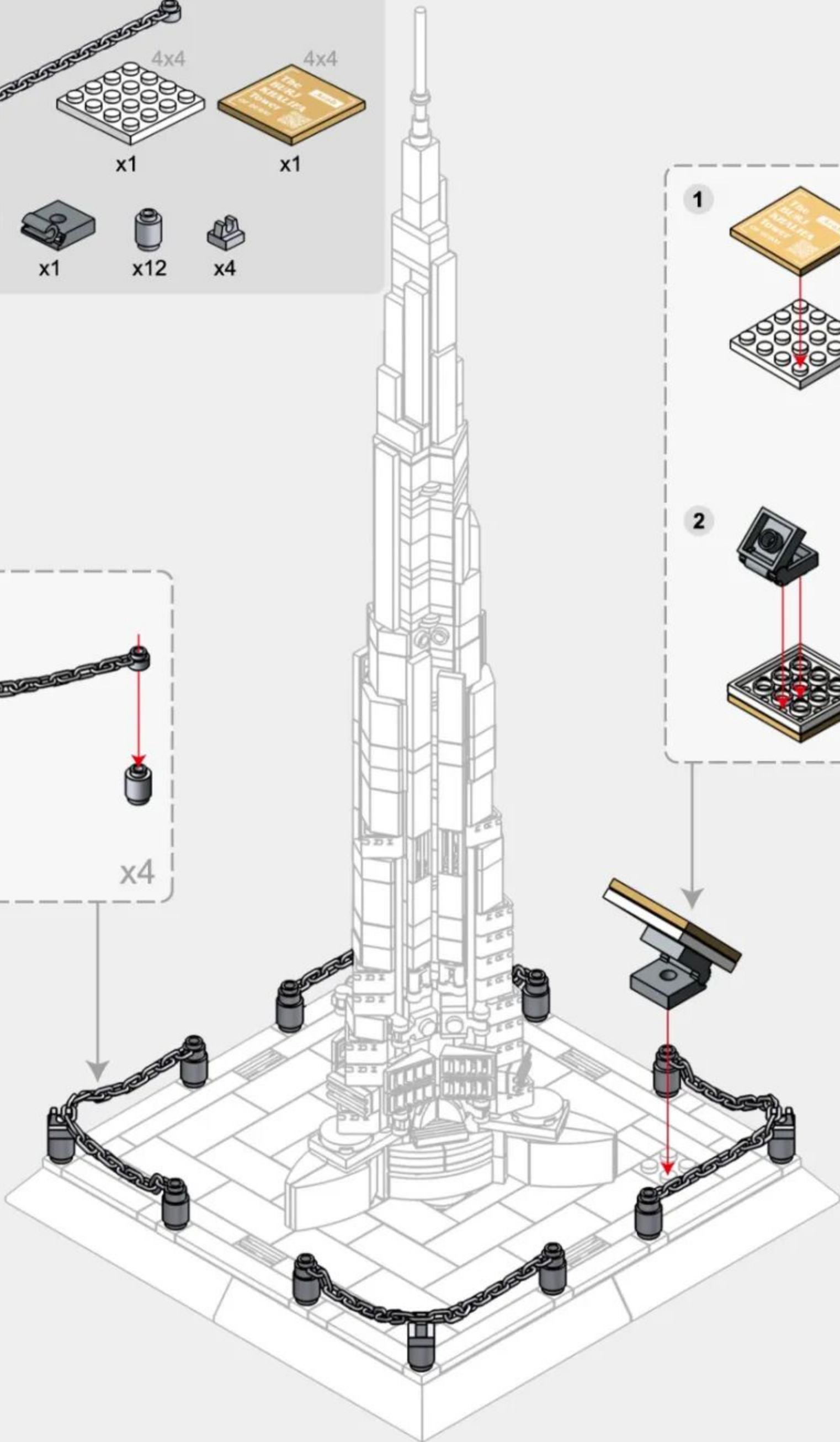
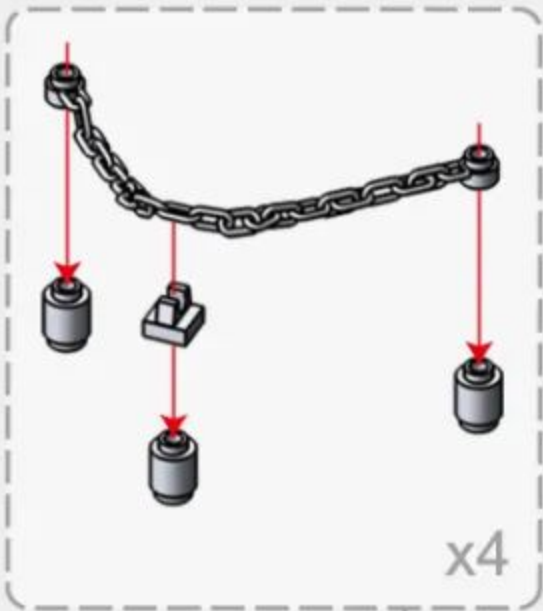
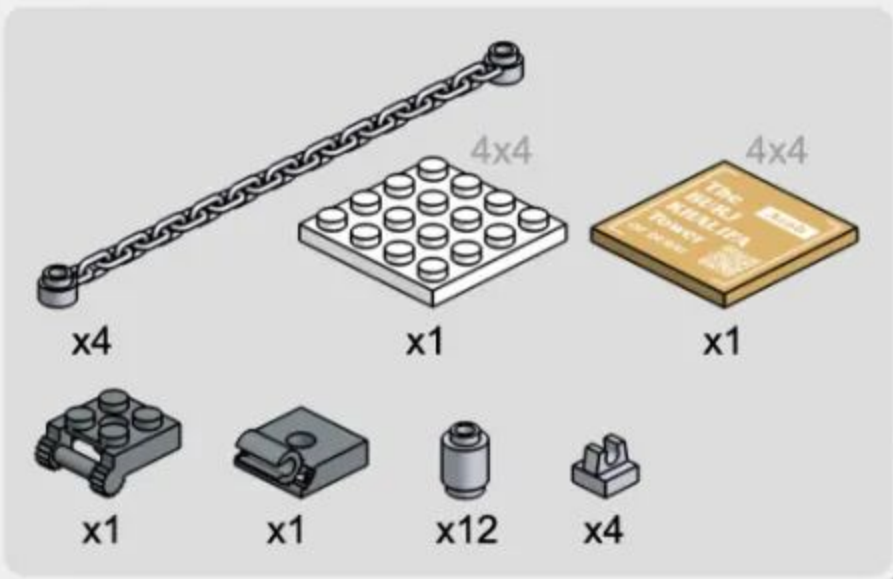
### 3-10

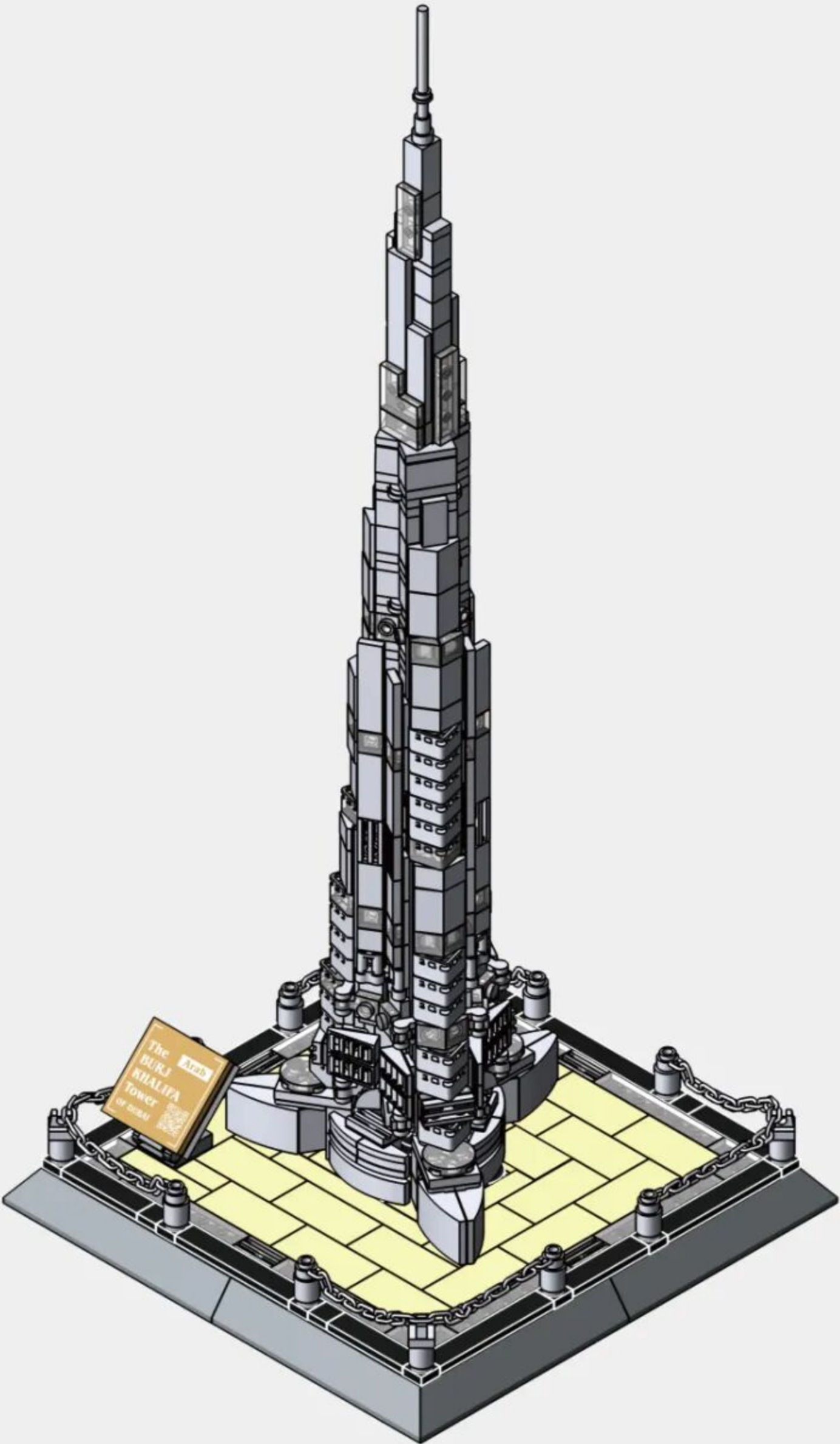






3-13





# ARCHITECTURE

The World's great architecture

- Shaping Skills
- Imagination & Curiosity
- Mathematical
- Self Discovery & Perception
- Parent-Child Interaction
- Problem Solving
- Creativity



✦ THE NIOMON OF KYOTO  
Item NO.6212 50X40X11.6CM 2409PCS  
京都仁王门



✦ THE COLOSSEUM OF ROME  
Item NO.5225 50X35X8CM 1758PCS  
罗马斗兽场



✦ THE STATUE OF LIBERTY  
Item NO.5227 50X35X8CM 1686PCS  
纽约自由女神



✦ THE YELLOW CRANE TOWER OF WUHAN  
Item NO.6214 50X40X11.6CM 2912PCS  
黄鹤楼



✦ GREAT PYRAMIDS OF GIZA  
Item NO.4210 40X25X8.7CM 643PCS  
埃及吉萨金字塔



✦ ELIZABETH TOWER  
Item NO.4211 40X25X8.7CM 910PCS  
英国伦敦伊丽莎白塔



✦ FONTANA DI TREVİ  
Item NO.4212 40X25X8.7CM 688PCS  
罗马许愿池



✦ THE LOUVRE  
Item NO.4213 40X25X8.7CM 821PCS  
法国巴黎卢浮宫



✦ THE WHITE HOUSE  
Item NO.4214 40X25X8.7CM 979PCS  
美国华盛顿白宫



✦ THE CN TOWER-CANADA  
Item NO.4215 40X25X8.7CM 424PCS  
加拿大多伦多电视塔



✦ LINCOLN MEMORIAL  
Item NO.4216 40X25X8.7CM 979PCS  
美国林肯纪念馆



✦ MARINA BAY SANDS  
Item NO.4217 40X25X8.7CM 881PCS  
新加坡金沙酒店



✦ MERLION STATUE-SINGAPORE  
Item NO.4218 40X25X8.7CM 503PCS  
新加坡鱼尾狮雕像



✦ THE TOWER BRIDGE OF LONDON  
Item NO.4219 40X25X8.7CM 969PCS  
伦敦塔桥



✦ FLATIRON BUILDING  
Item NO.4220 40X25X8.7CM 838PCS  
美国熨斗大厦



✦ NOTRE-DAME DE PARIS  
Item NO.5210 50X35X8CM 1380PCS  
法国巴黎圣母院大教堂



✦ THE PARLIAMENT BUILDING OF OTTAWA  
Item NO.4221 40X25X8.7CM 608PCS  
国会大厦



✦ THE PARLIAMENT BUILDING  
Item NO.4222 40X25X8.7CM 580PCS  
迪拜哈利法塔



✦ THE EMPIRE STATE BUILDING  
Item NO.5212 50X35X8CM 1995PCS  
美国纽约帝国大厦



✦ PETRONAS TOWERS  
Item NO.5213 50X35X8CM 1160PCS  
马来西亚吉隆坡国油双峰塔



✦ THE LEANING TOWER  
Item NO.5214 50X35X8CM 1392PCS  
意大利比萨斜塔



✦ THE TOWER BRIDGE  
Item NO.5215 50X35X8CM 1033PCS  
英国伦敦双子桥



✦ THE BIG BEN  
Item NO.5216 50X35X8CM 1642PCS  
英国伦敦大笨钟



✦ THE EIFFEL TOWER  
Item NO.5217 50X35X8CM 978PCS  
法国巴黎埃菲尔铁塔



✦ THE ORIENTAL PEARL TOWER  
Item NO.5224 50X35X8CM 1109PCS  
中国上海东方明珠



✦ THE TIAN AN MEN  
Item NO.5218 50X35X8CM 758PCS  
中国北京天安门



✦ TAJ MAHAL OF AGRA  
Item NO.5211 50X35X8CM 1505PCS  
印度阿格拉泰姬陵



✦ THE SPASSKAYA TOWER  
Item NO.5219 50X35X8CM 1044PCS  
俄罗斯克里姆林宫



✦ THE BURJAL ARAB HOTEL  
Item NO.5220 50X35X8CM 1307PCS  
迪拜帆船酒店



✦ THE TAIPEI 101  
Item NO.5221 50X35X8CM 1511PCS  
中国台北101大楼



✦ THE TEMPLE OF HEAVEN  
Item NO.5222 50X35X8CM 1052PCS  
中国北京故宫天坛



✦ THE GOLDEN GATE BRIDGE  
Item NO.6210 50X40X11.6CM 1977PCS  
美国旧金山金门大桥



✦ THE BRANDENBURG  
Item NO.6211 50X40X11.6CM 1552PCS  
德国勃兰登堡门



✦ THE IMPERIAL HOTEL  
Item NO.5226 50X35X8CM 1375PCS  
东京帝国饭店



✦ THE TRIUMPHAL ARCH  
Item NO.5223 50X35X8CM 1401PCS  
法国巴黎凯旋门



422220200630 01

# THE BURJ KHALIFA TOWER

COUNTRY: United Arab Emirates  
CITY: Dubai

 United Arab Emirates  
The world's great architecture

