



4970



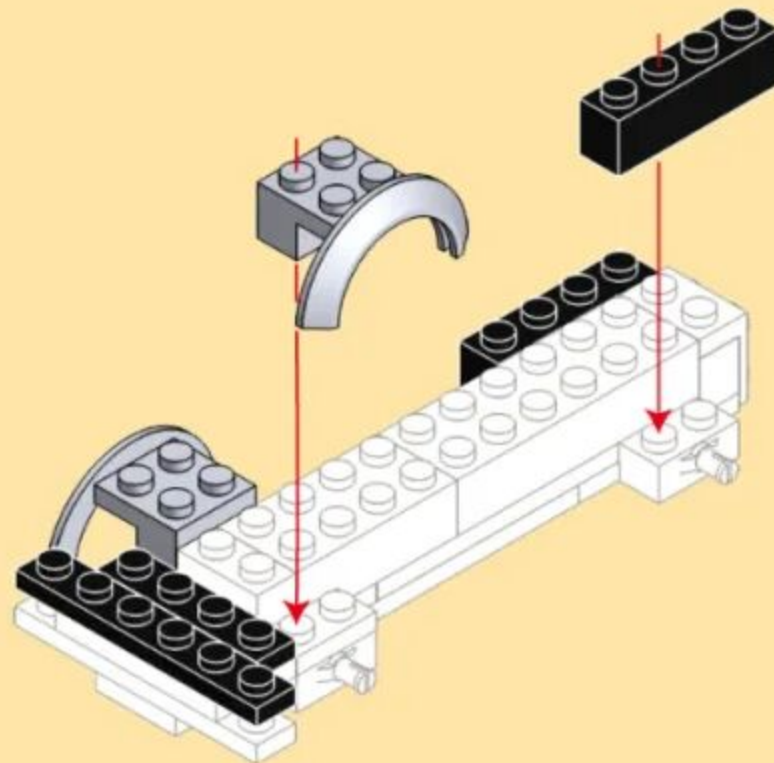
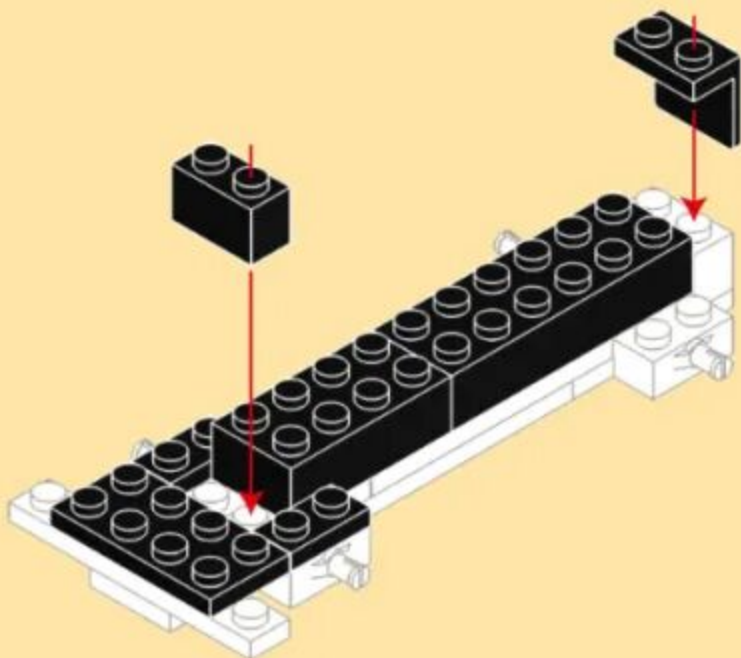
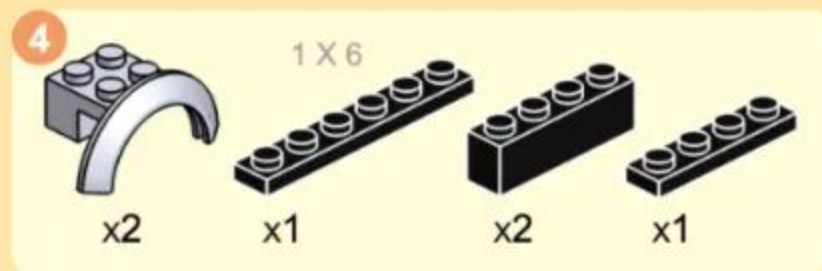
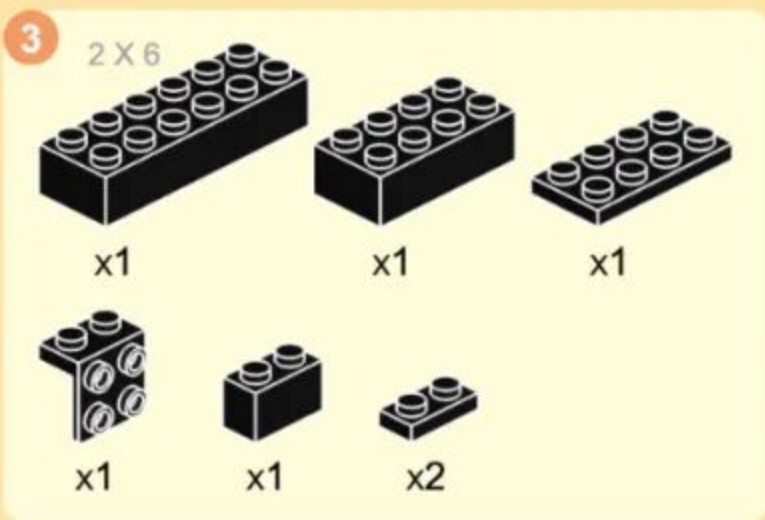
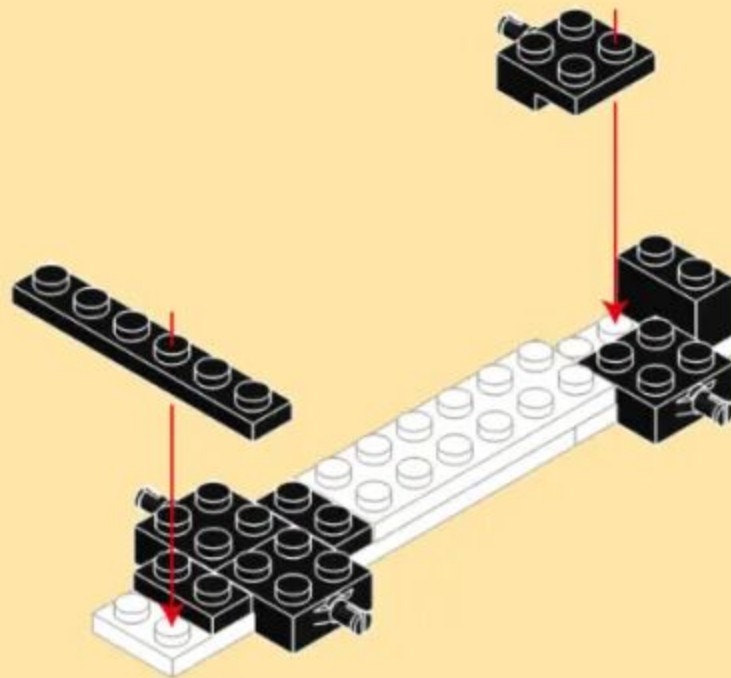
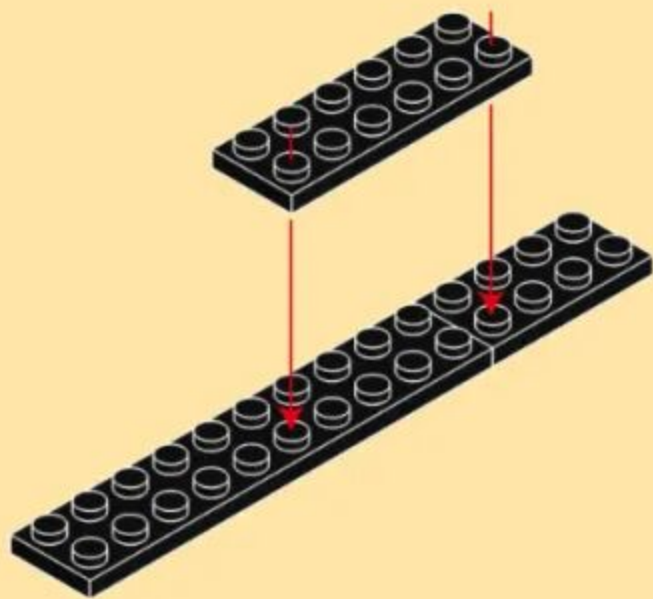
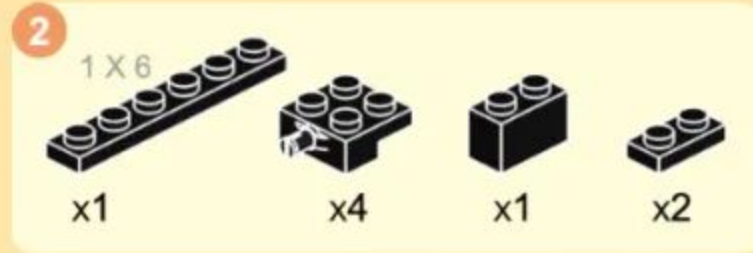
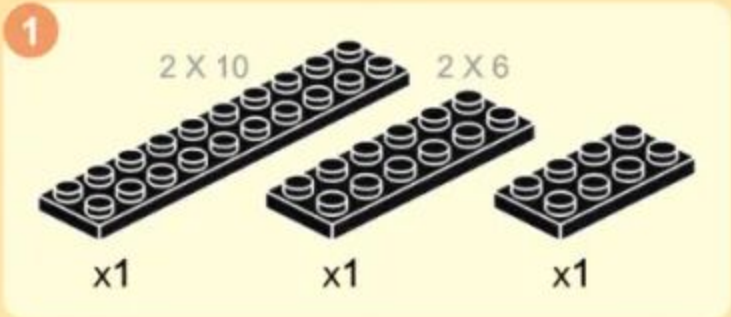
Heavy Truck

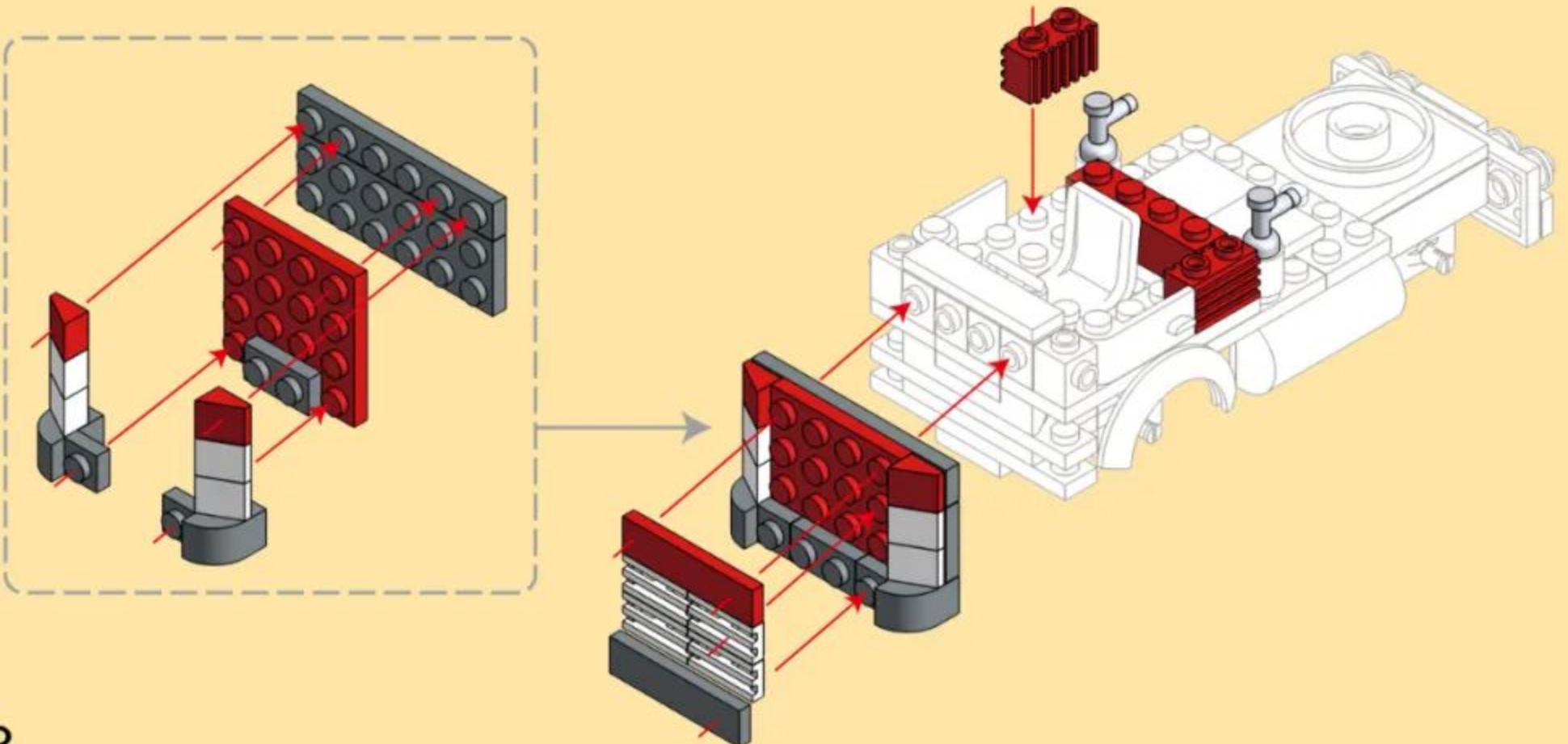
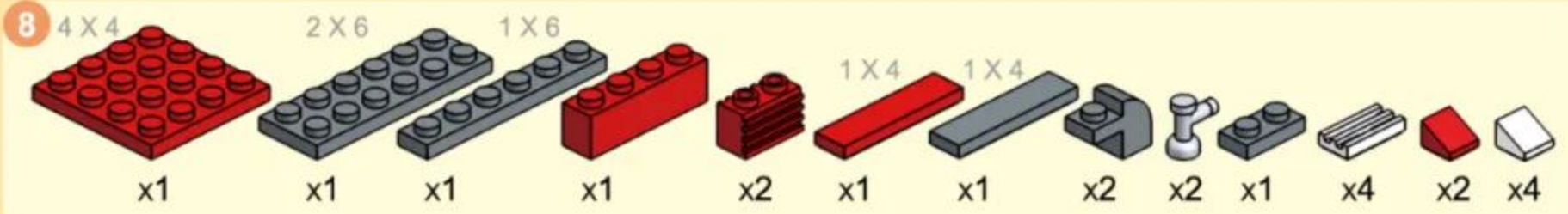
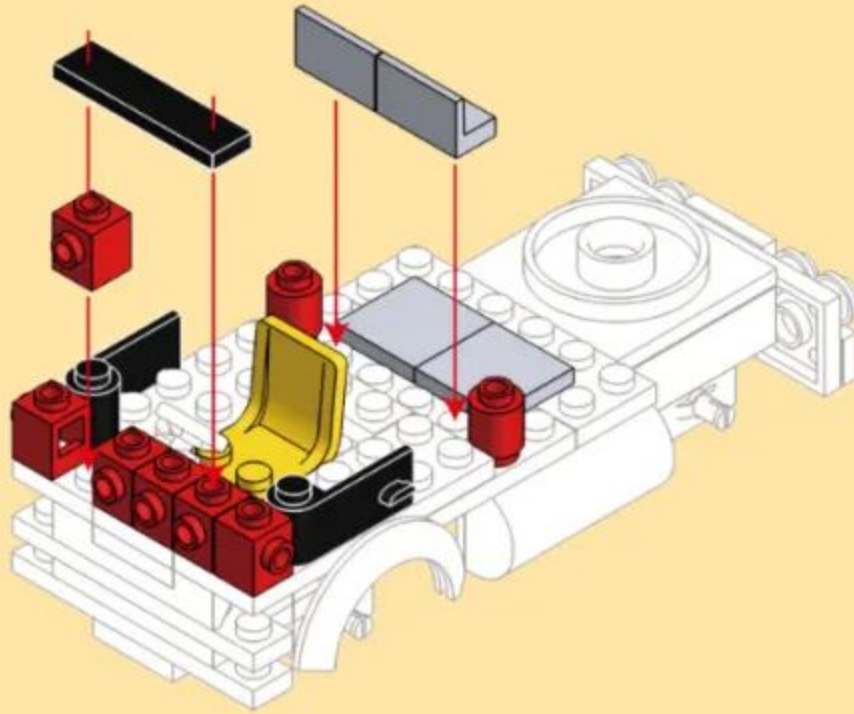
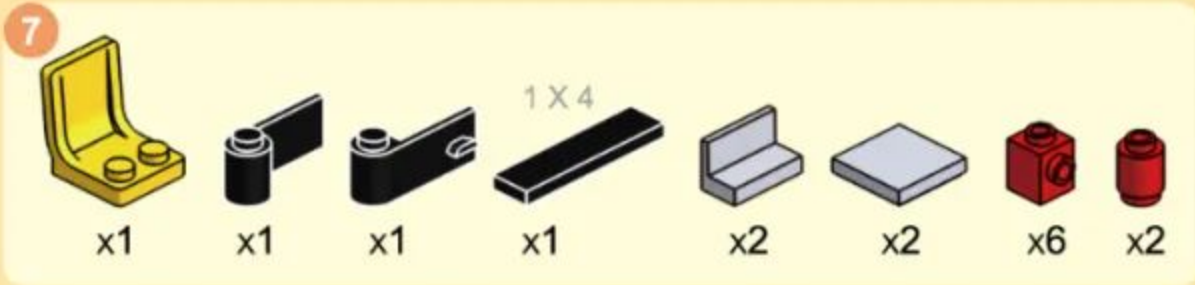
Can exercise the following abilities of baby

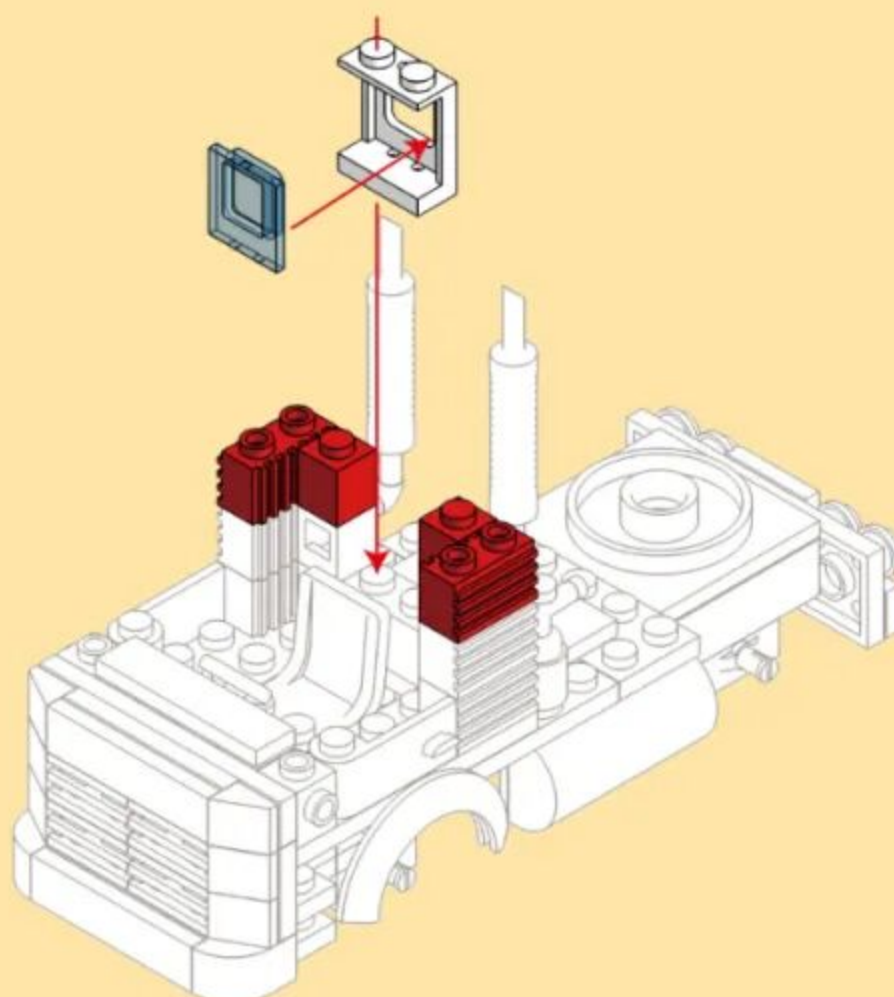
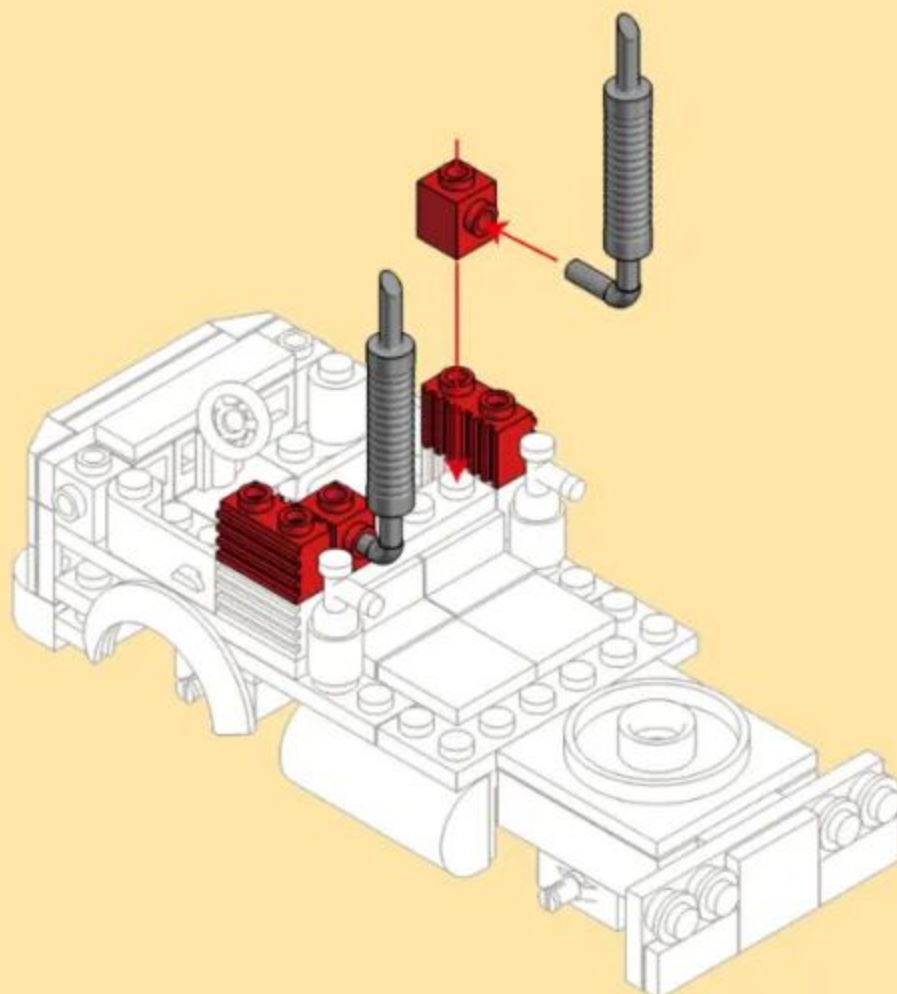
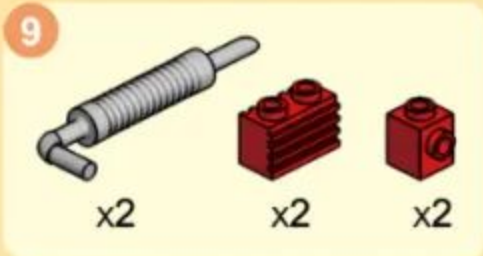
- Processing visual input through some actions. Creativity and imagination help children keep trying new ideas.
- Help them gradually form an innovative thinking and constantly find new ways to solve problems.
- It is conducive to the development of "space wisdom".

6+ | 323 PCS

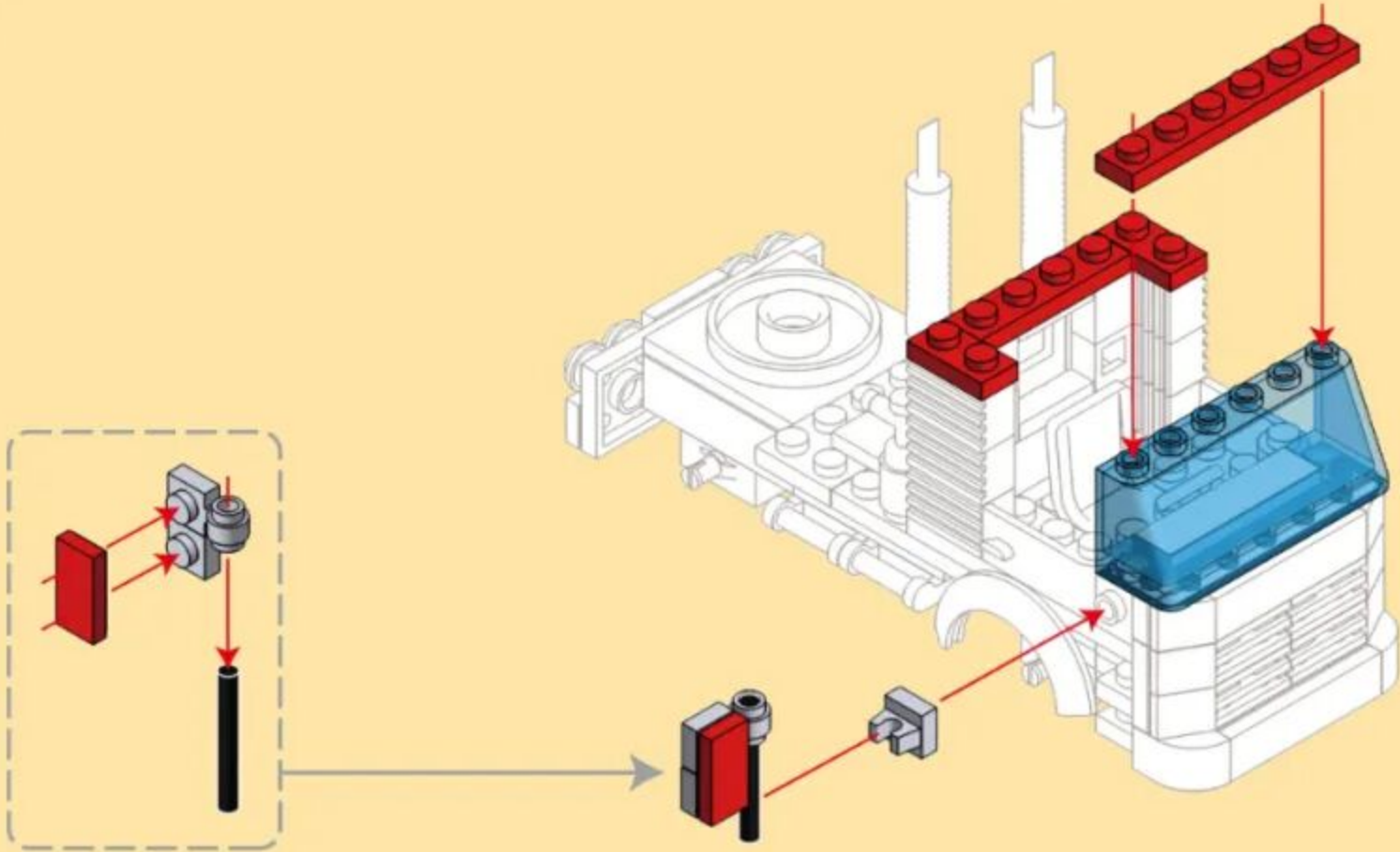
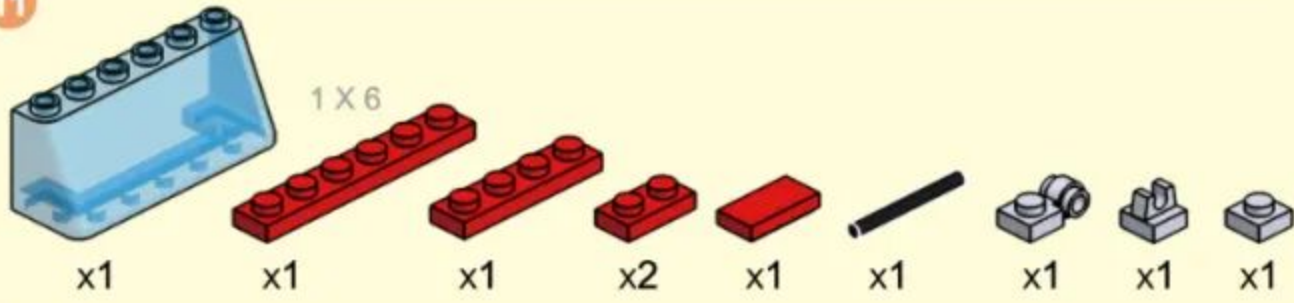
**CONTAINER
TRUCK**



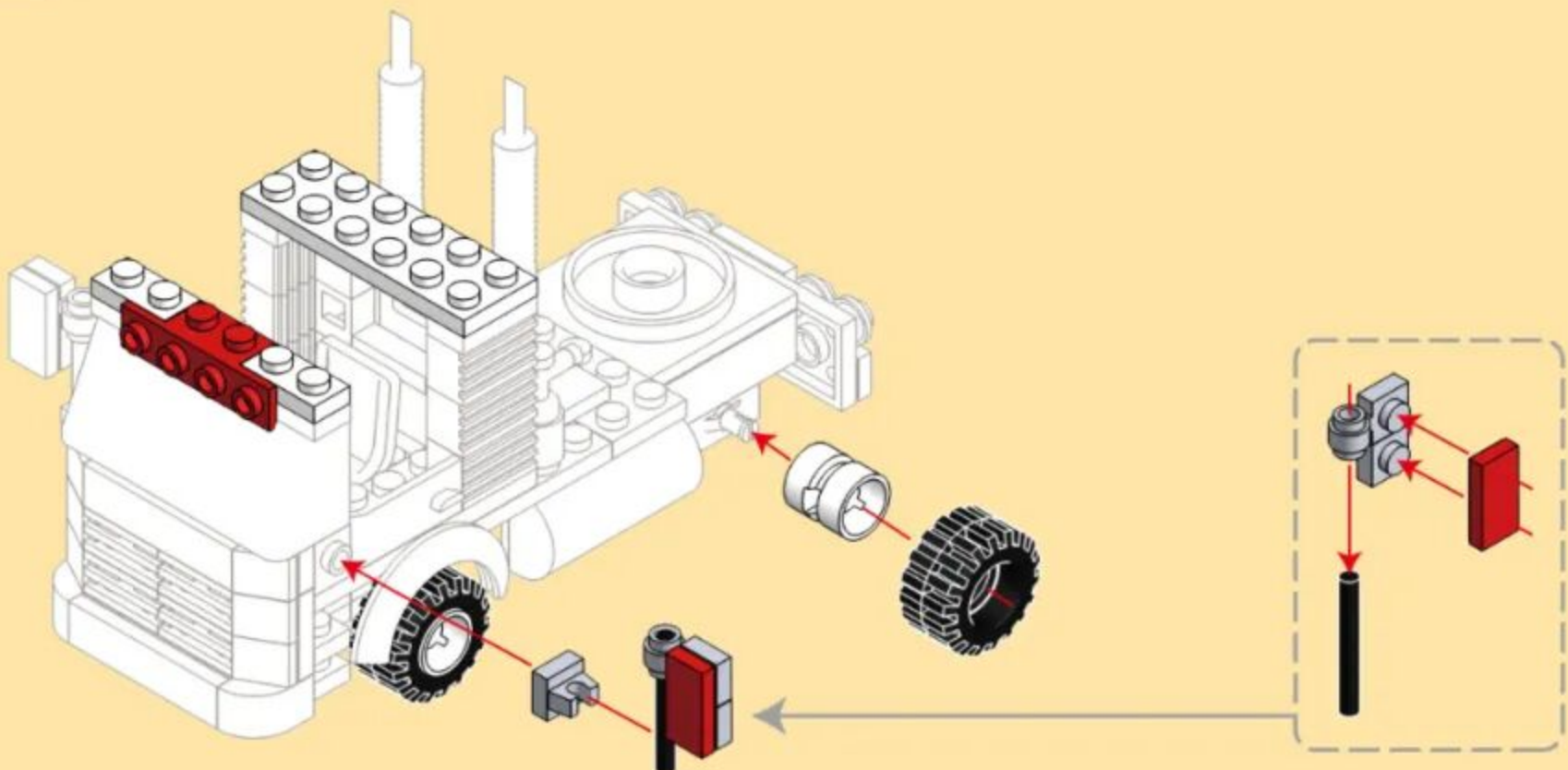




11



12



13



x2



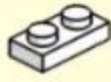
x6



x1



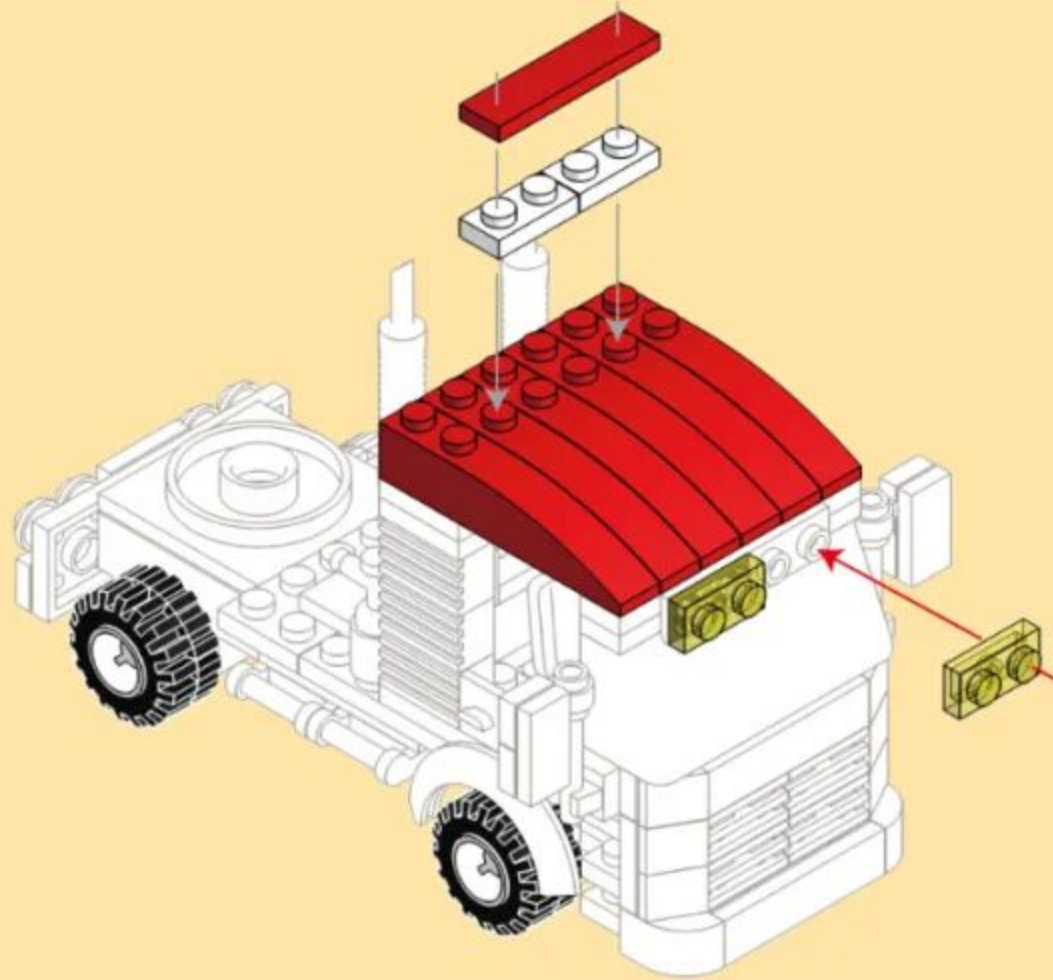
x2



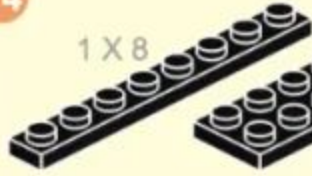
x2



x2



14



x6



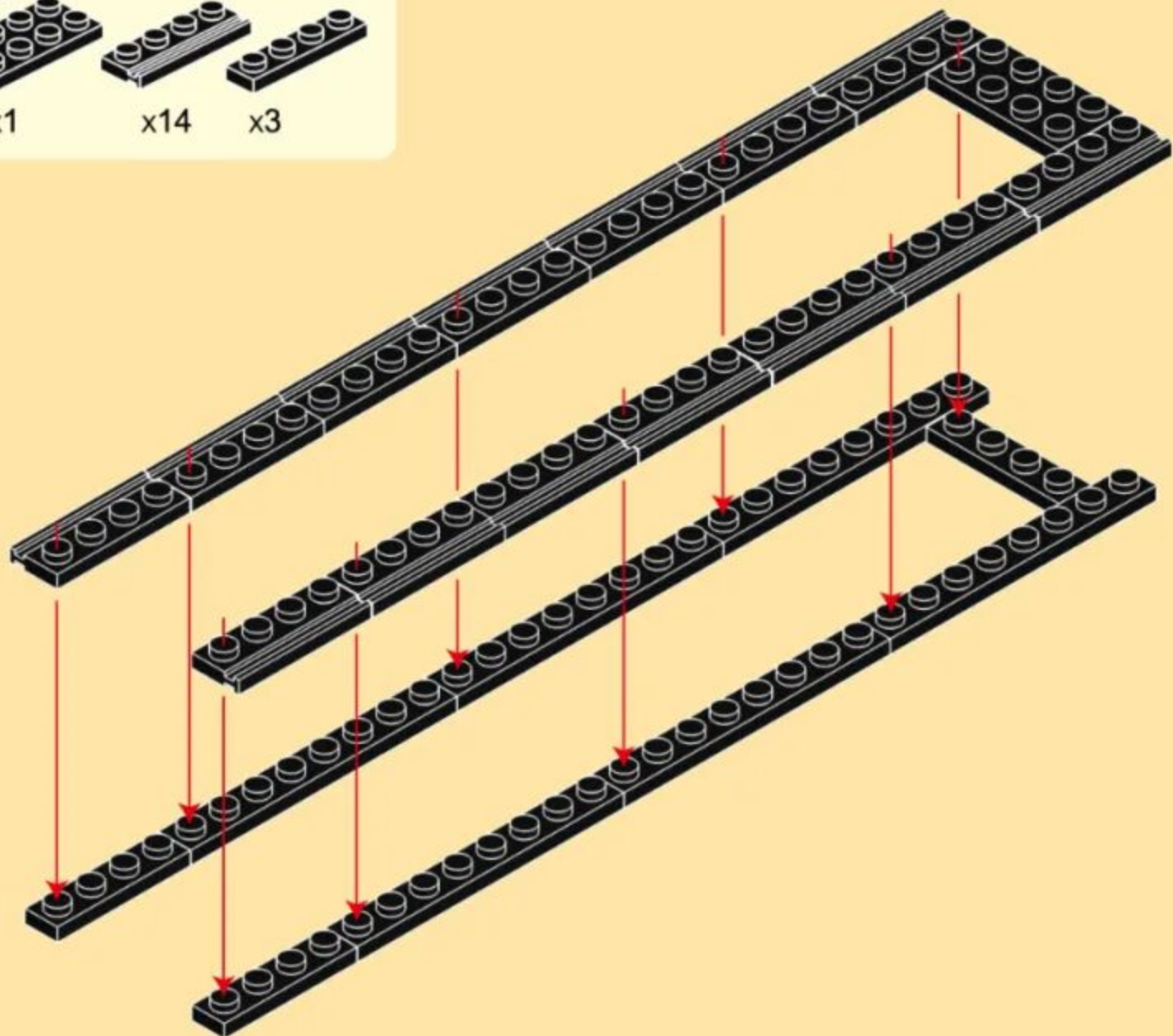
x1



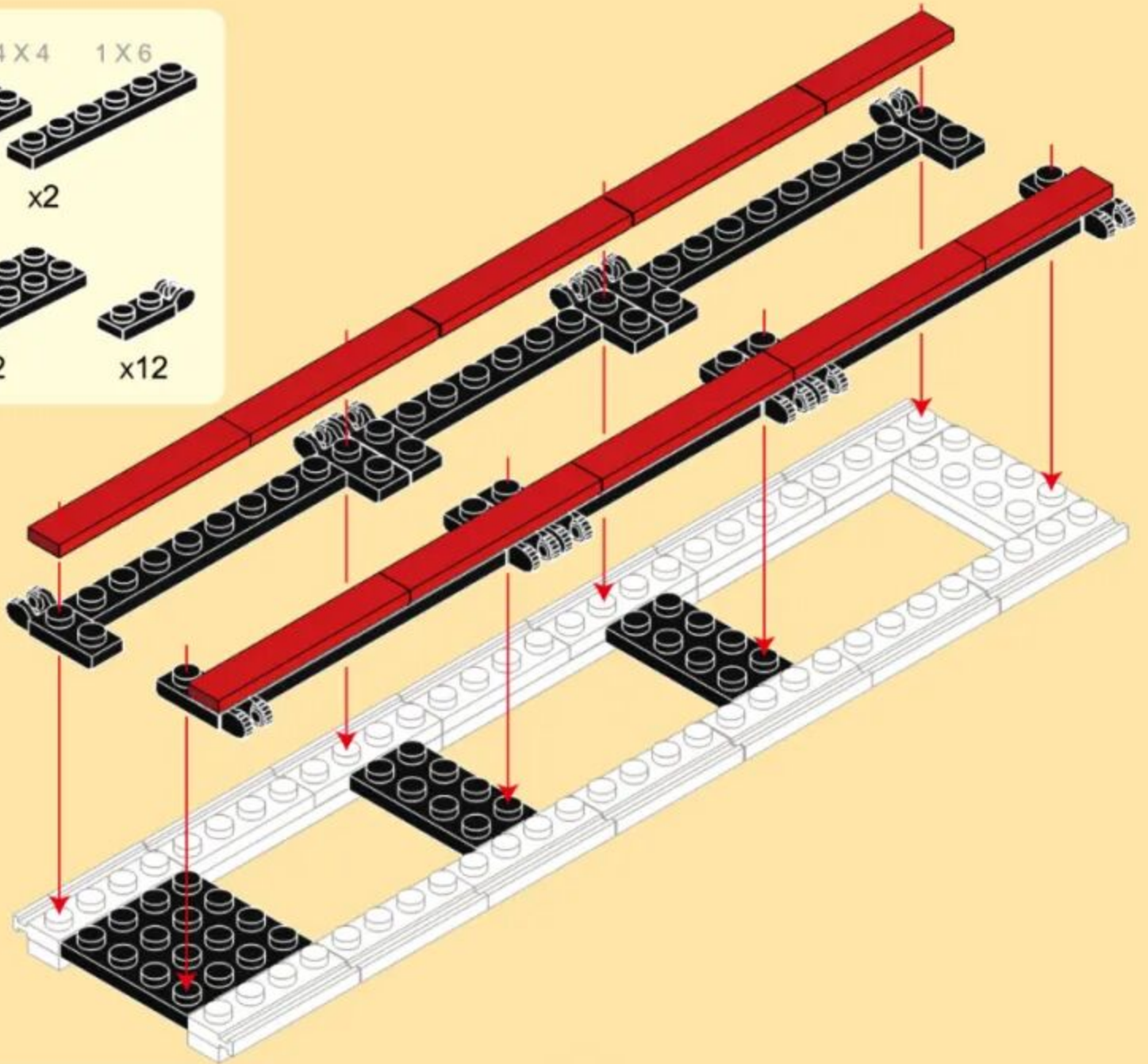
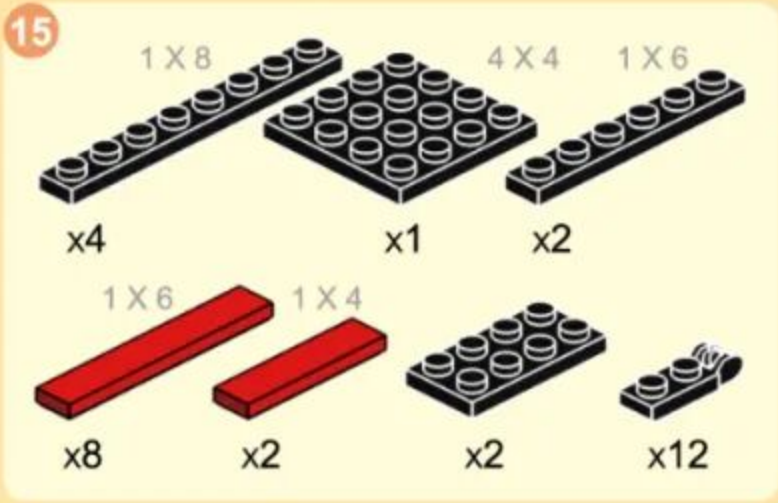
x14



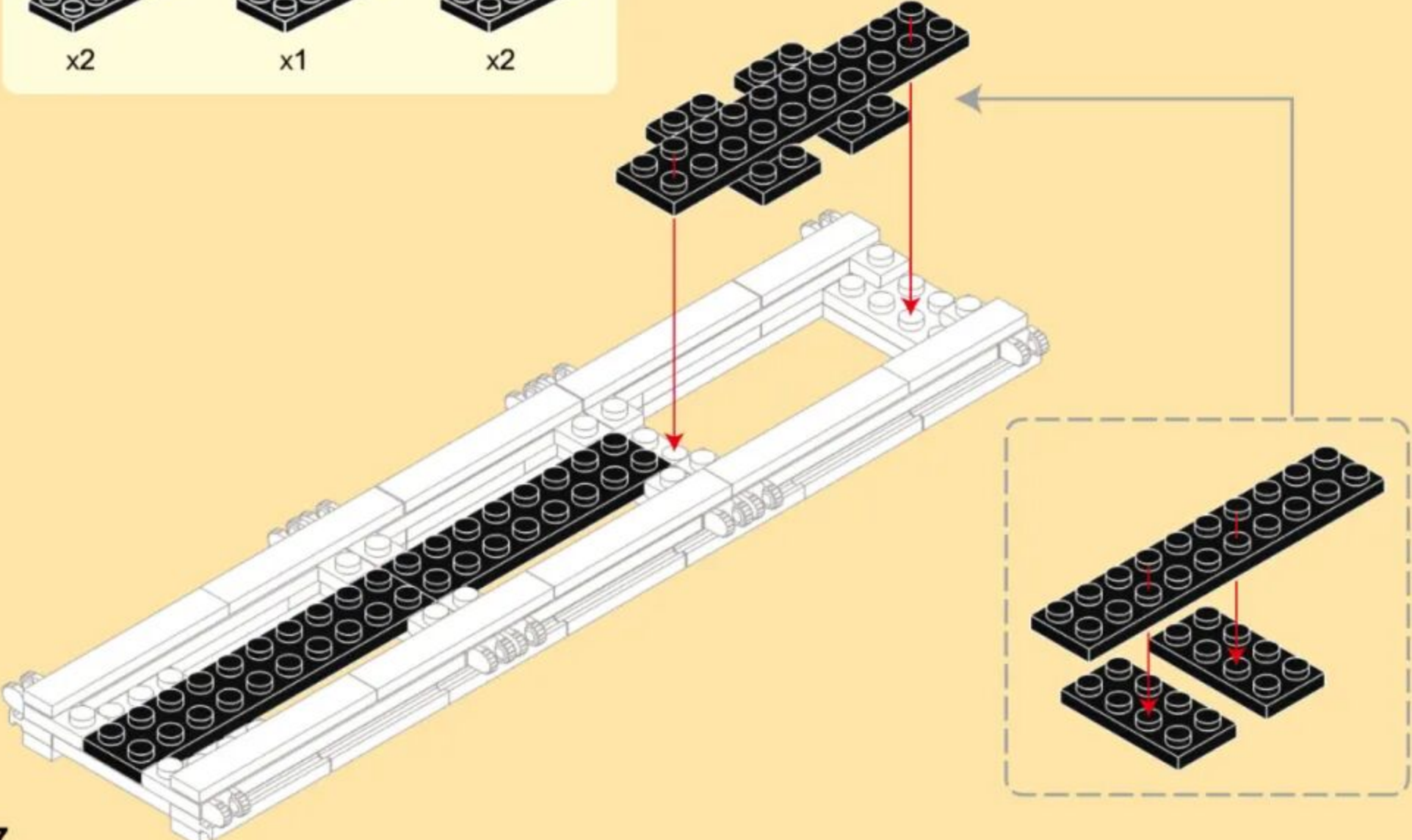
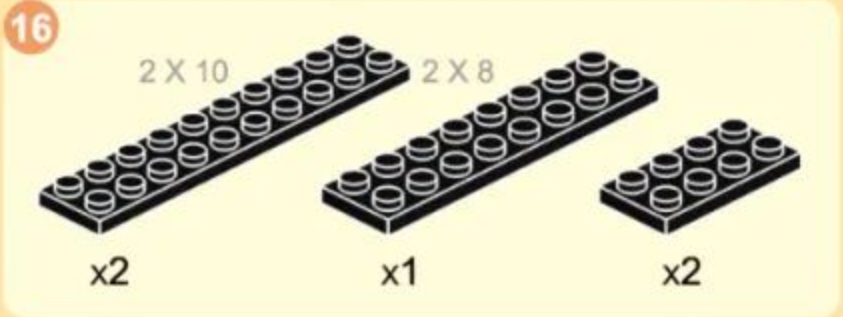
x3



15



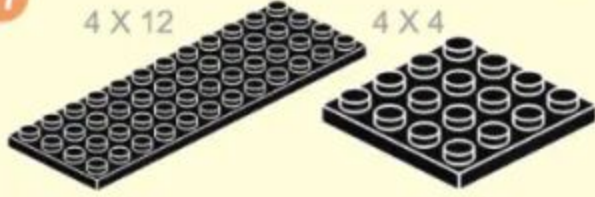
16



17

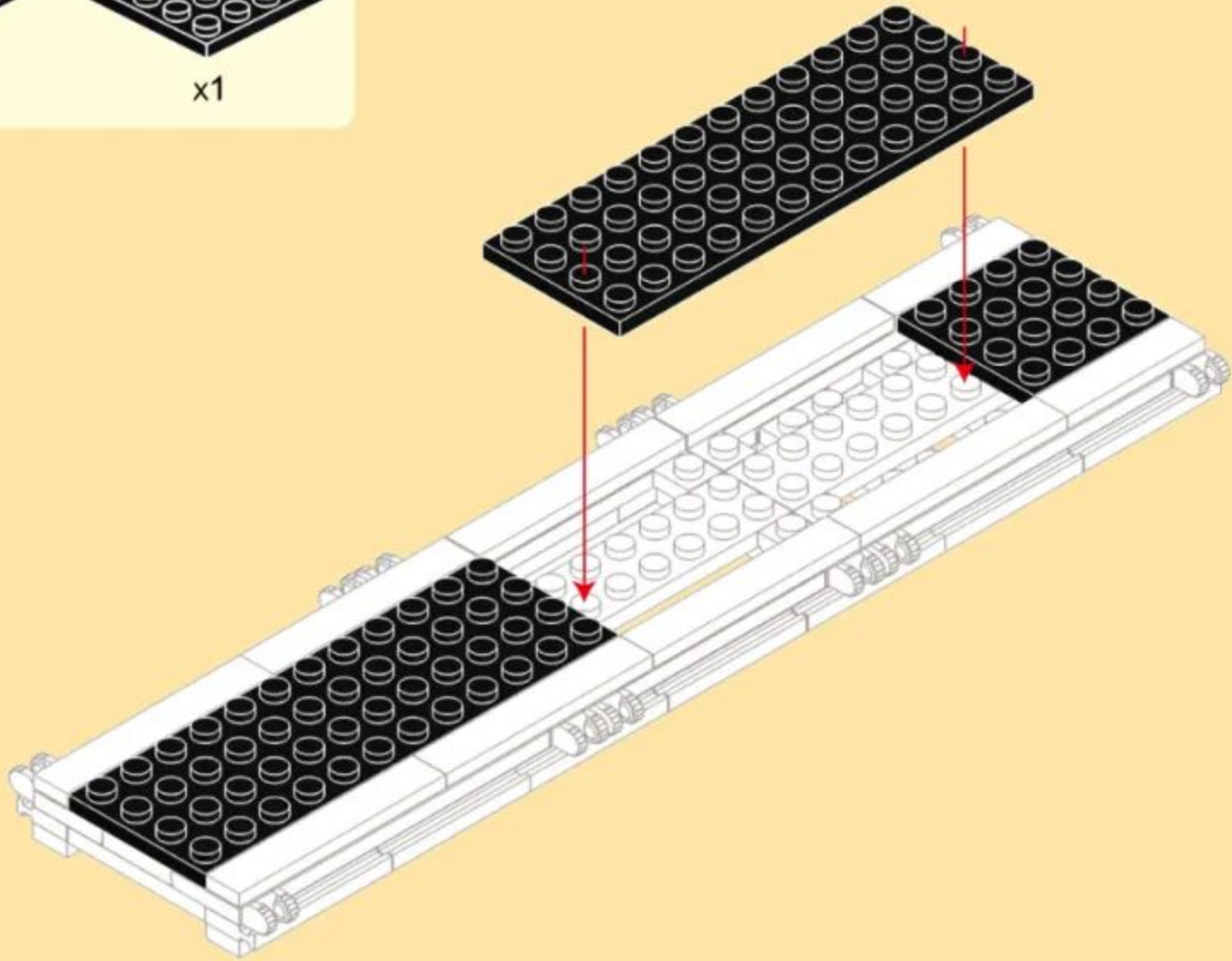
4 X 12

4 X 4



x2

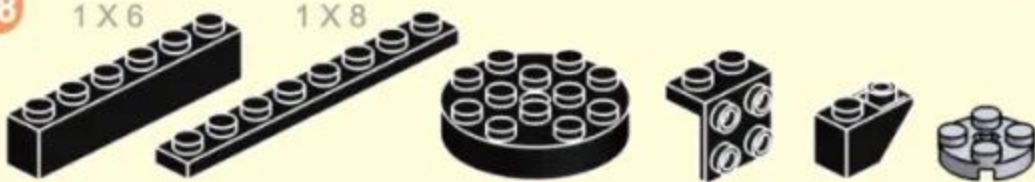
x1



18

1 X 6

1 X 8



x2

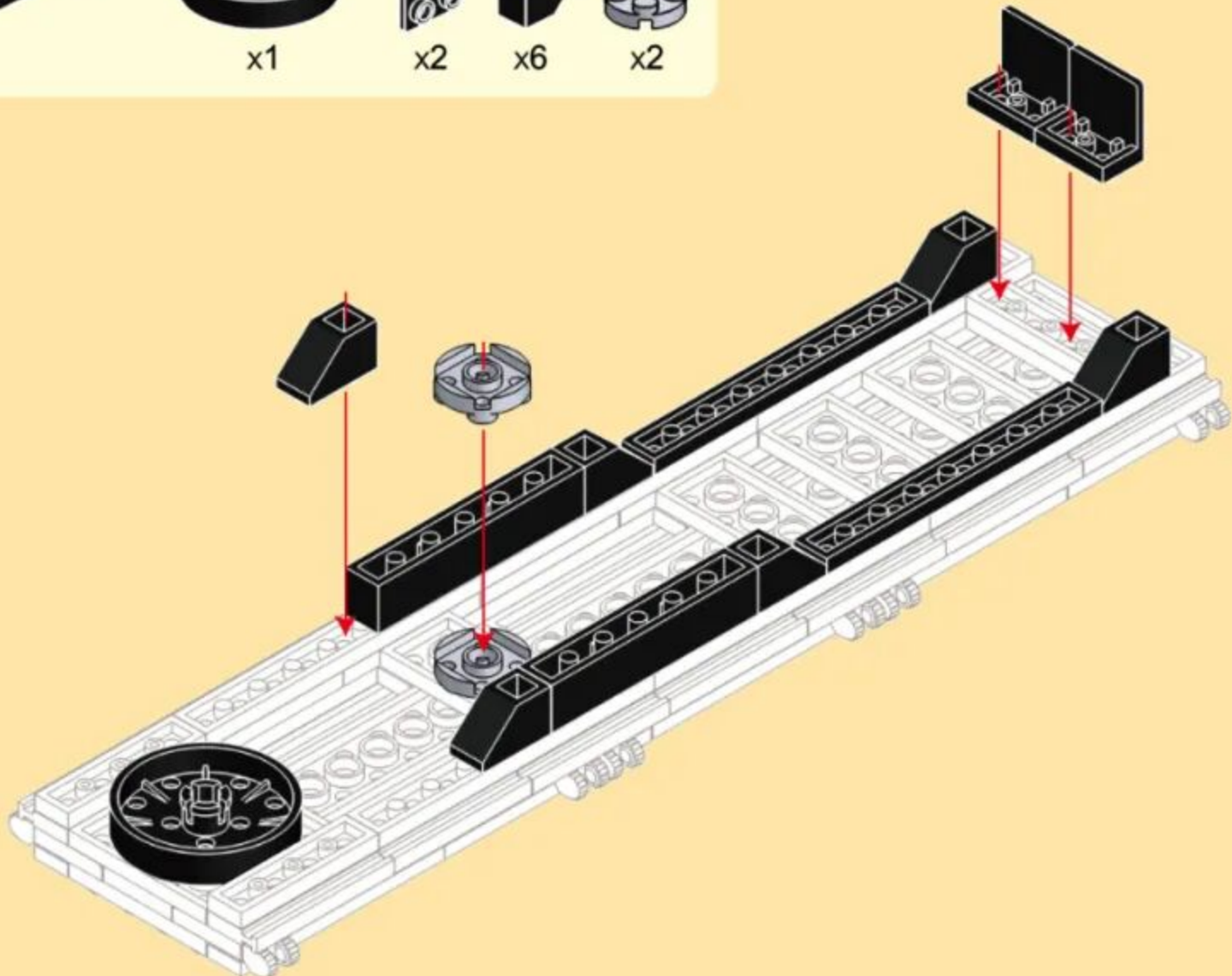
x2

x1

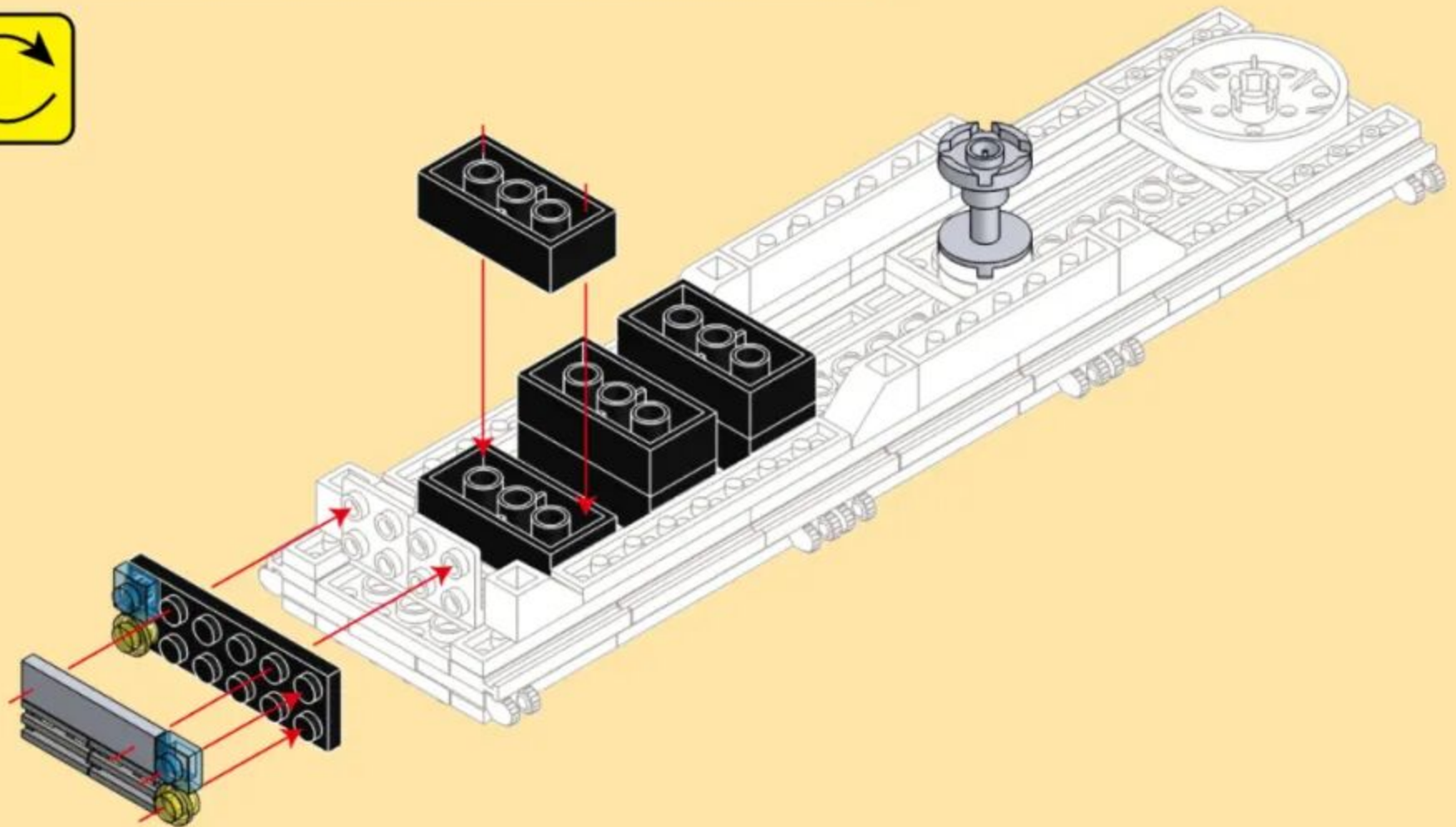
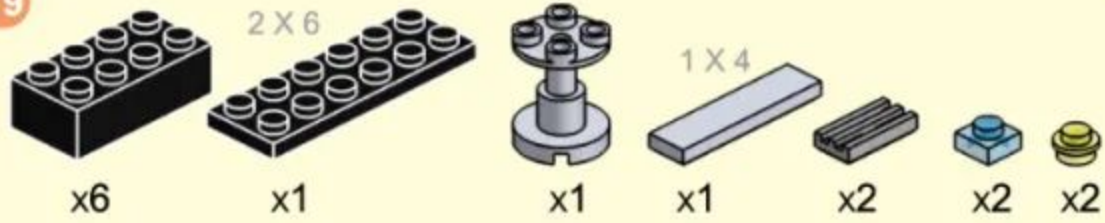
x2

x6

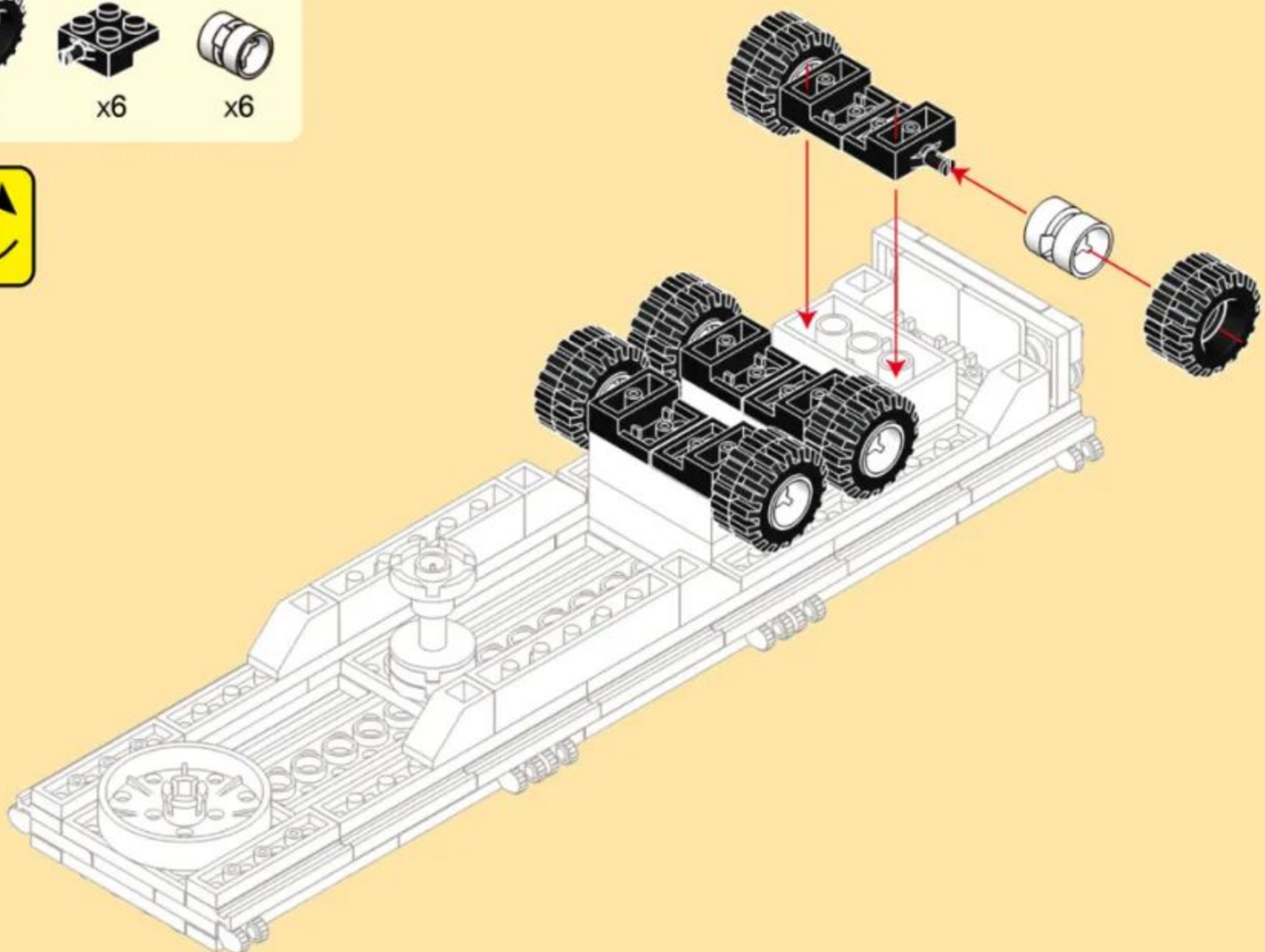
x2



19

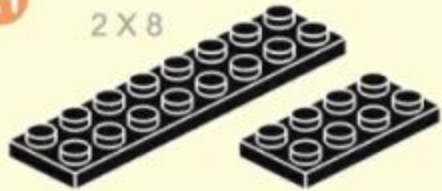


20



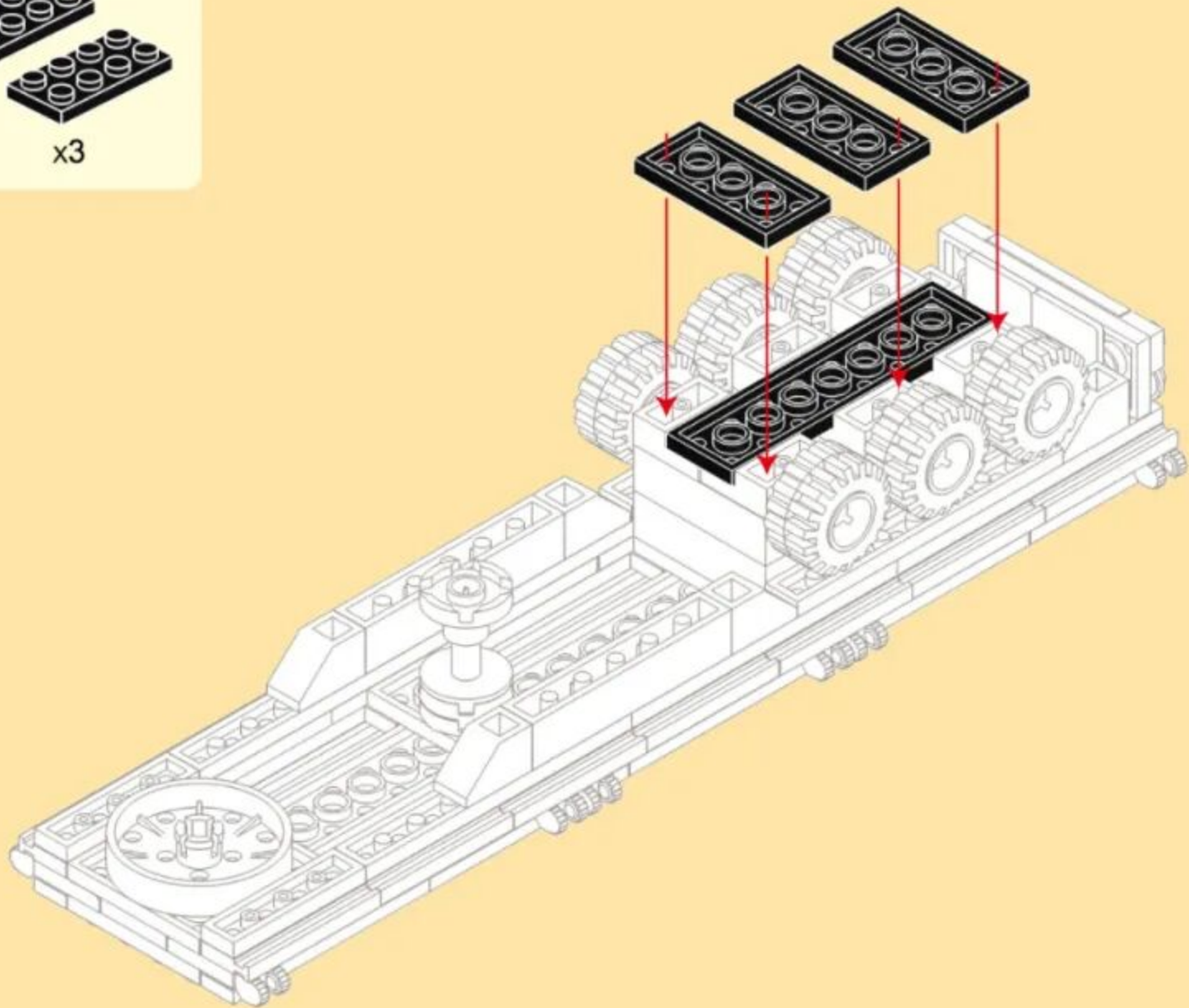
21

2 X 8



x1

x3



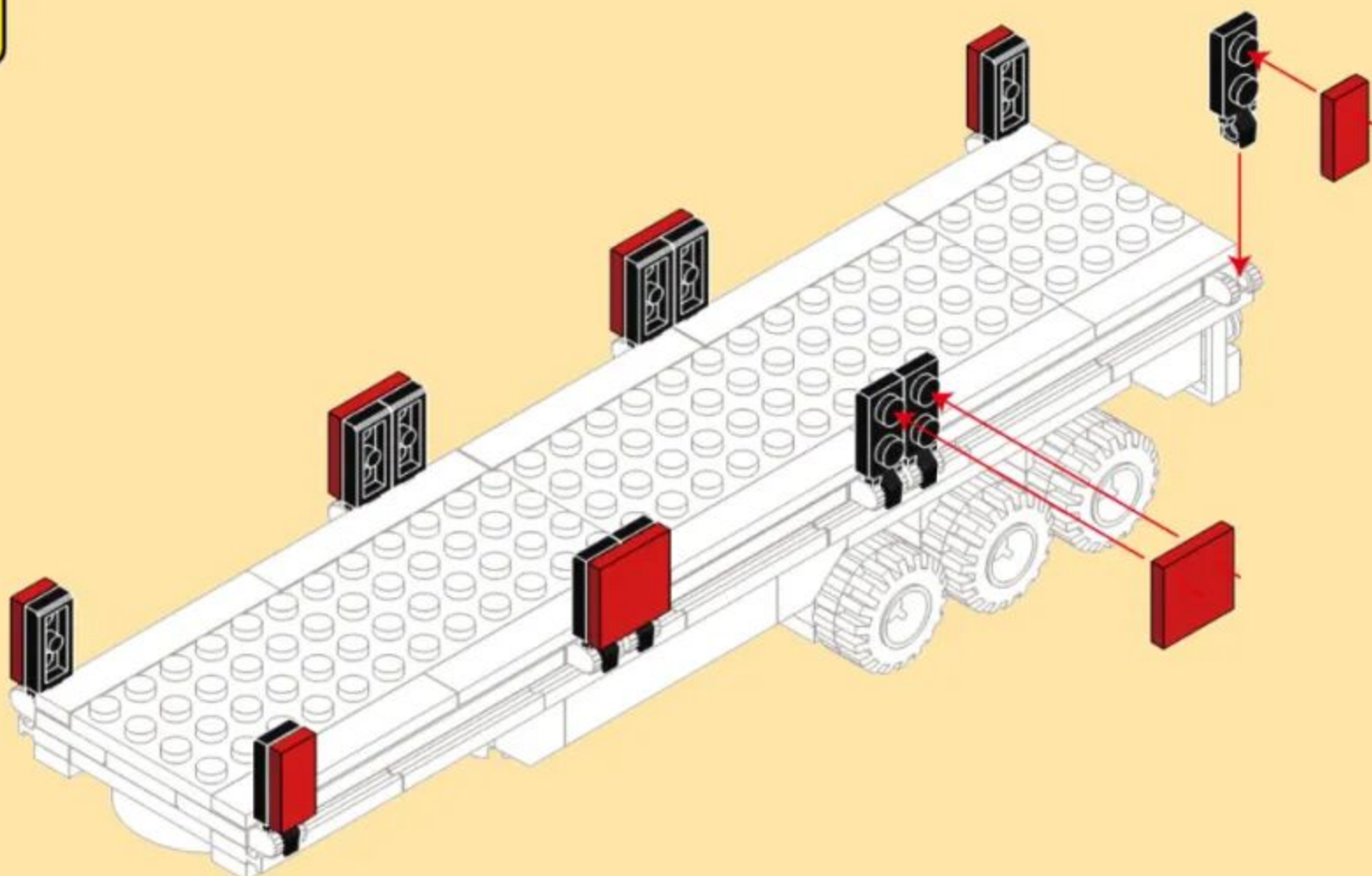
22



x4

x12

x4



23

2 X 10

2 X 8

1 X 6

1 X 4

x4

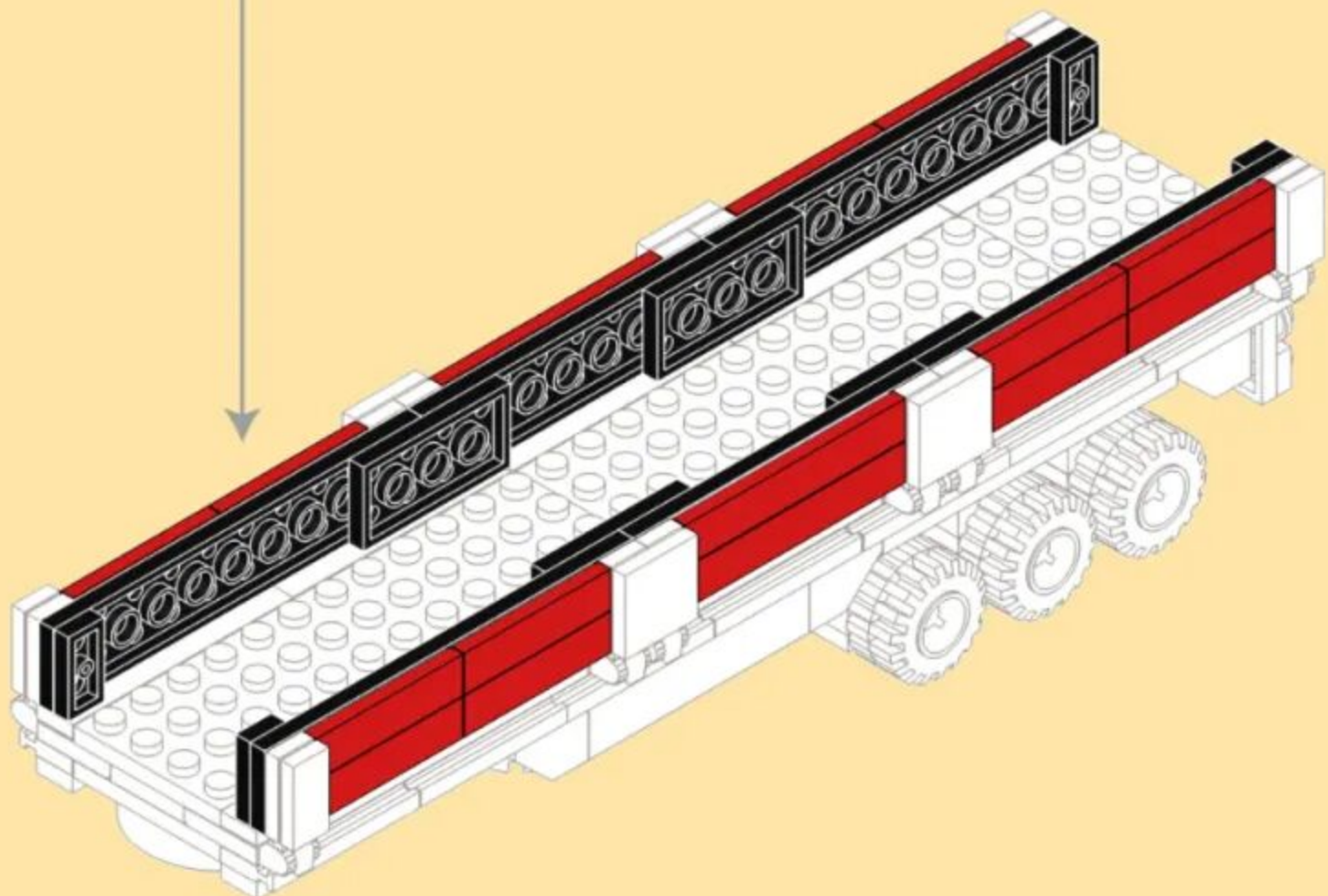
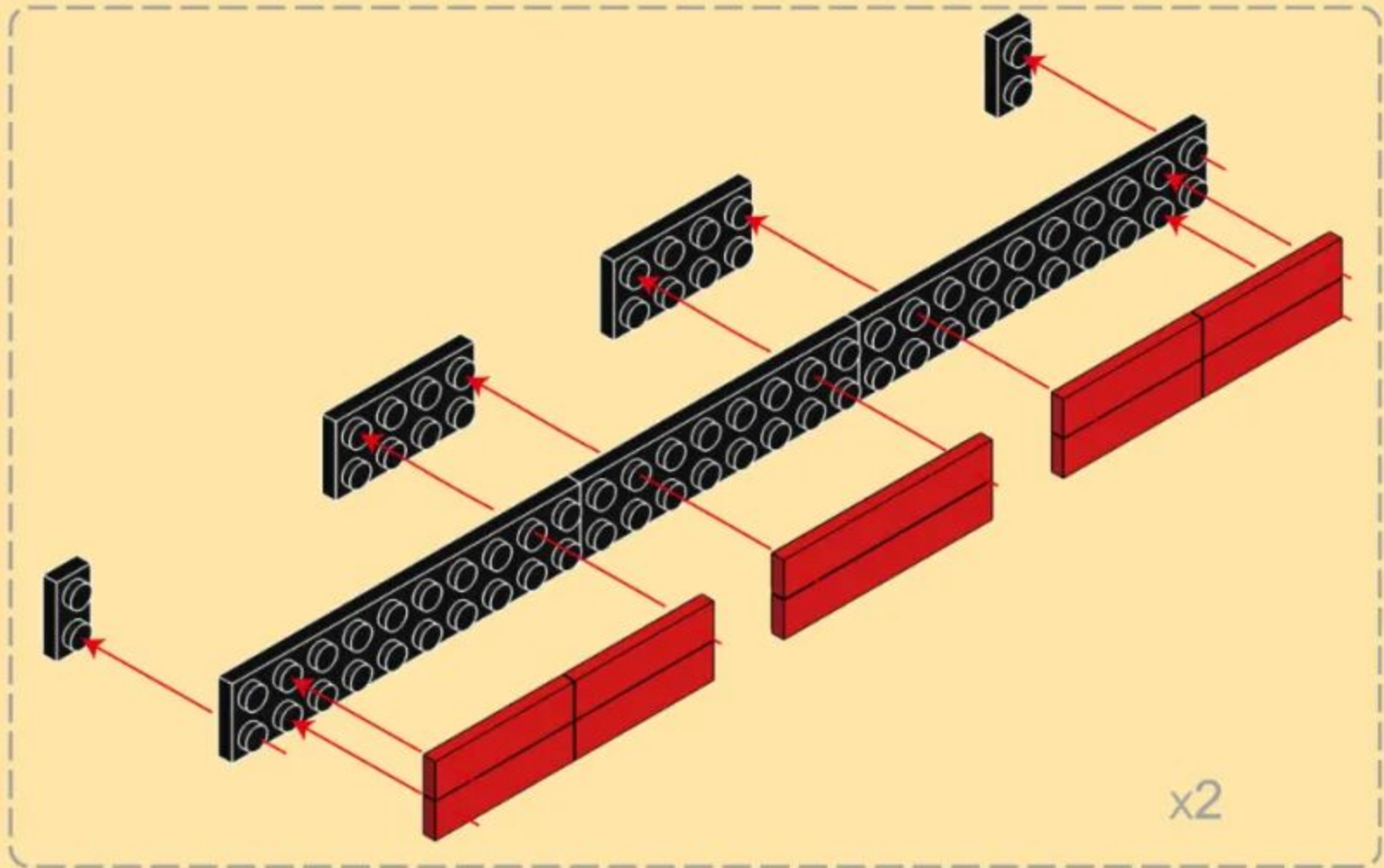
x2

x4

x4

x16

x4



24

2 X 6



x2



x2



x4

1 X 6



x4

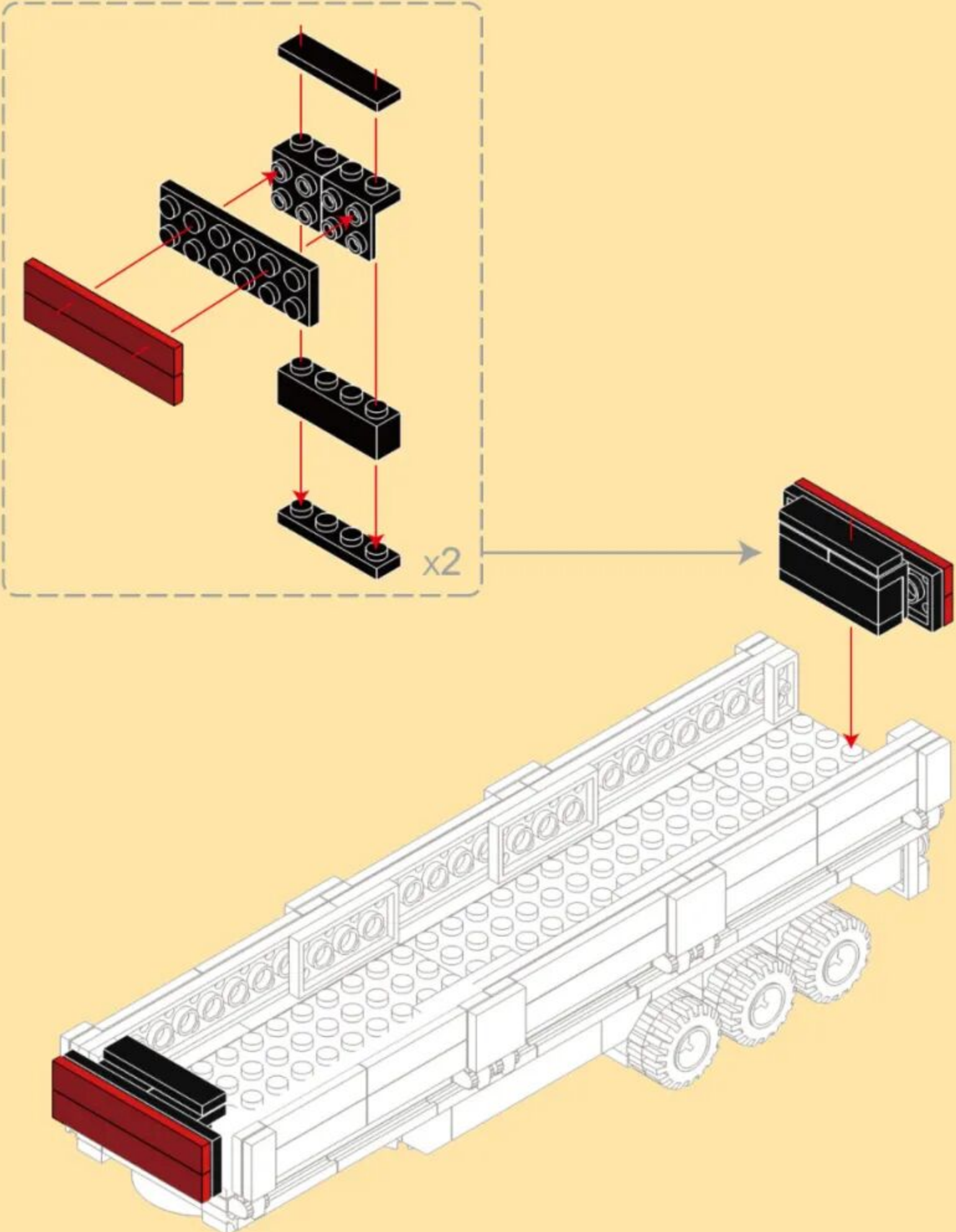


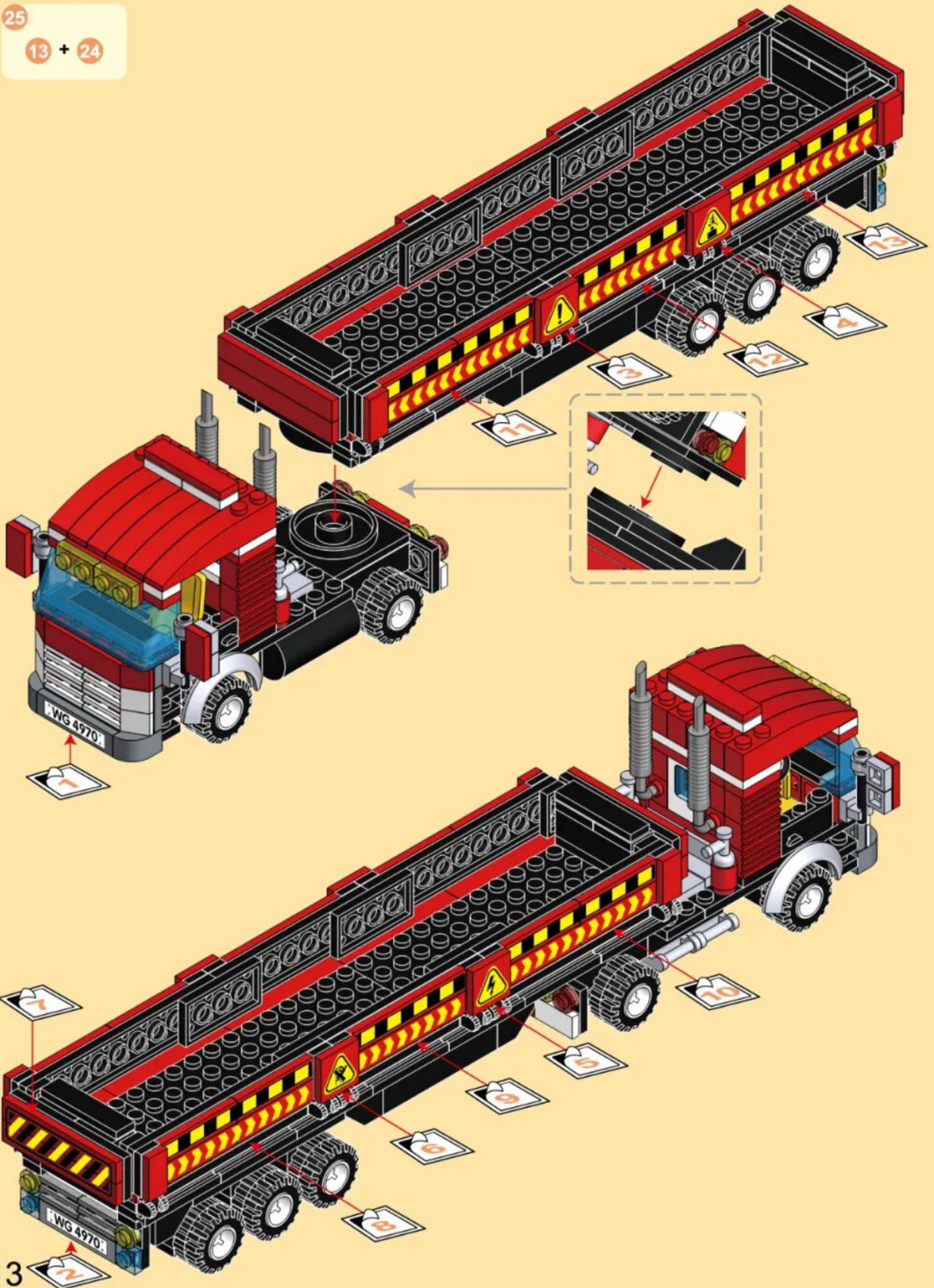
x2

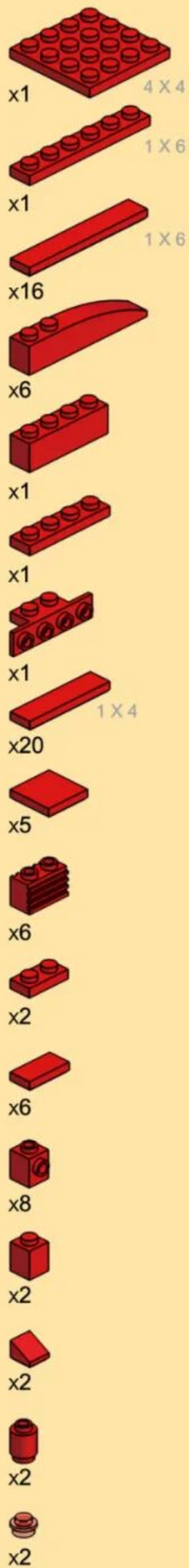
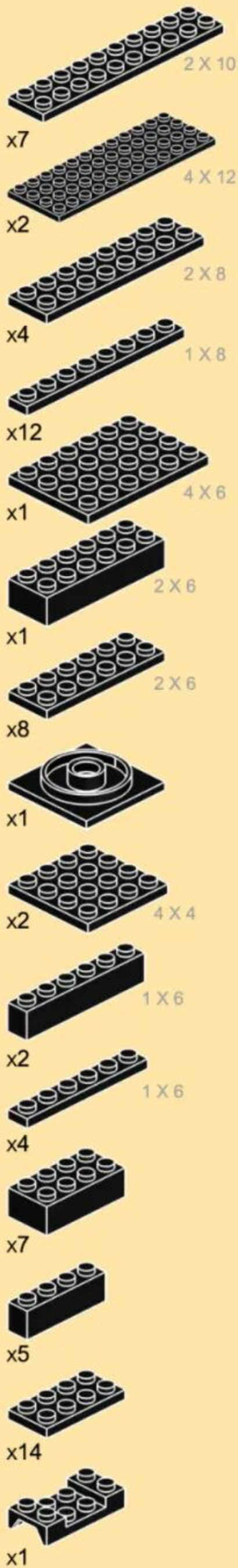
1 X 4



x2







Heavy Truck

Can exercise the following abilities of baby

- ★ Processing visual input through some actions. Creativity and imagination help children keep trying new ideas.
- ★ Help them gradually form an innovative thinking and constantly find new ways to solve problems.
- ★ It is conducive to the development of "space wisdom".