

AIR FORCE

CONSOLIDATED PBY-5A CATALINA

Building blocks model

Perfect shape, high simulation, classic collection



6+ / 5007 / 364 PCS
Suitable Age / Product Number / Parts Total

THIS PRODUCT DOES NOT CONTAIN BRACKET ACCESSORIES AND NEEDS TO BE PURCHASED SEPARATELY.

本品不含支架配件，需另外购买。

FLIGHT STAND

JX008

Perfect structure
easy assembly.

The Flight stand is
compatible with our
entire aircraft series

◆ METHOD 1

◆ METHOD 2

EXTENDED GAMEPLAY

5007



CONSOLIDATED
PBY-5A CATALINA

1:50

4001



CARRIER-BASED FIGHTER

1:54

4002



GUNSHIP

1:38

4003



HEAVY STEALTH FIGHTER

1:50

4004



INTERCEPTOR FIGHTER

1:48

4005



SR-71 BLACKBIRD

1:74

4006



P-51 MUSTANG FIGHTER

1:26

5005



AIRBORNE EARLY WARNING
AND CONTROL AIRCRAFT

1:100

5006



TILTROTOR AIRCRAFT

1:44

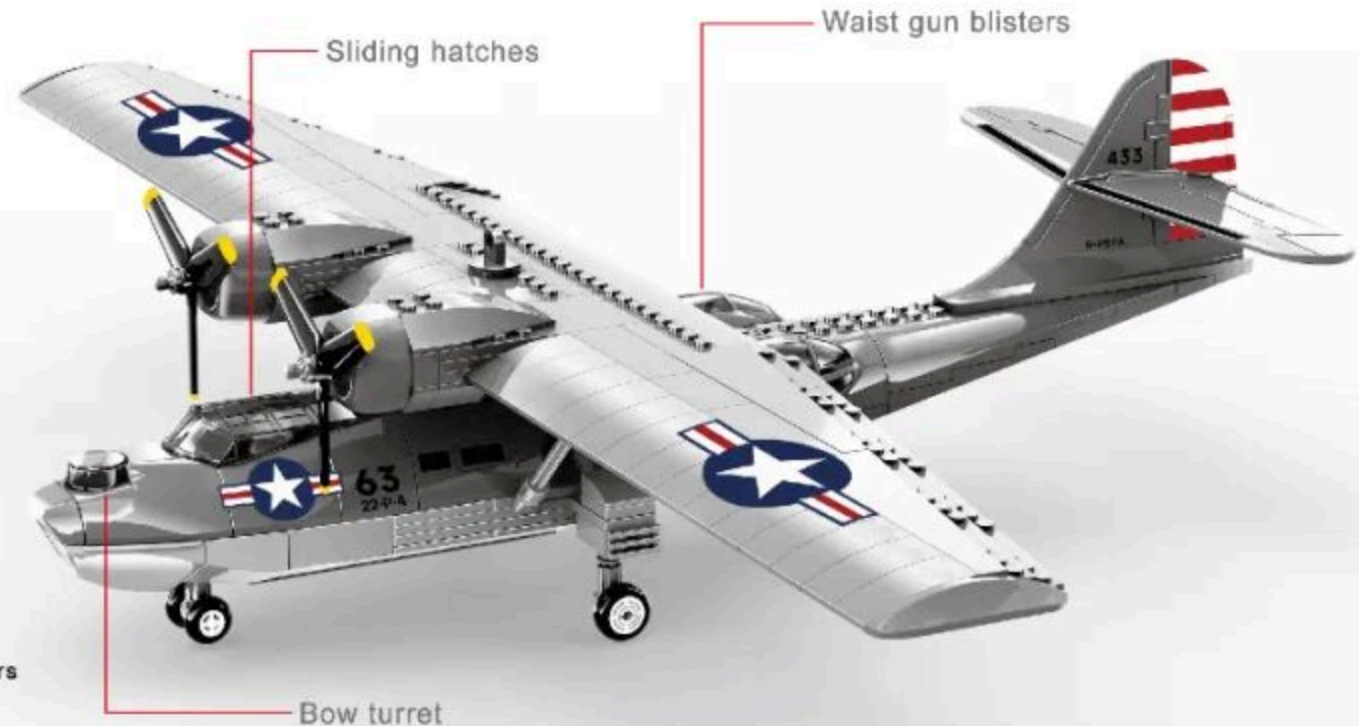
The Schematic diagram of Consolidated PBY-5A Catalina-1

Brief Introduction

The Consolidated PBY-5A Catalina is an American seaplane developed by the United Aircraft Corporation. During the Second World War, the aircraft was widely used by the United States, British Navy and air Force and the Soviet air force. The Consolidated PBY-5A Catalina is a modified amphibious version of the last production PBY-4 seaplane, fitted with retractable front three-point landing gear. The nose landing gear is fully in the nose belly and the main landing gear is in the wheel well on both sides of the fuselage. After the modification, the empty weight of the aircraft was increased by 1043 kg, and the model was changed to PBY-5A. The prototype first flew on 22 November 1939. The Consolidated PBY-5A Catalina has become the most prolific, widely used and most famous seaplane in history because of its outstanding record, and is mostly used for anti-submarine, bombing, reconnaissance, anti-ship, personnel transport, etc.

General characteristics

Crew: 10
Length: 63 ft 10.875 in (19.47863 m)
Wingspan: 104 ft (32 m)
Height: 21 ft 1 in (6.43 m)
Wing area: 1,400 sq ft (130 m²)
Aspect ratio: 7.73
Empty weight: 20,910 lb (9,485 kg)
Max takeoff weight: 35,420 lb (16,066 kg)
Zero-lift drag coefficient: 0.0309
Drag area: 43.26 ft² (4.02 m²)
Powerplant: 2 × Pratt & Whitney R-1830-92
Twin Wasp 14-cylinder air-cooled radial piston engines, 1,200 hp (890 kW) each
Propellers: 3-bladed constant-speed propellers



The Schematic diagram of Consolidated PBY-5A Catalina-2

Performance

Maximum speed: 196 mph (315 km/h, 170 kn)

Cruise speed: 125 mph (201 km/h, 109 kn)

Range: 2,520 mi (4,060 km, 2,190 nmi)

Service ceiling: 15,800 ft (4,800 m)

Rate of climb: 1,000 ft/min (5.1 m/s)

Lift-to-drag: 11.9

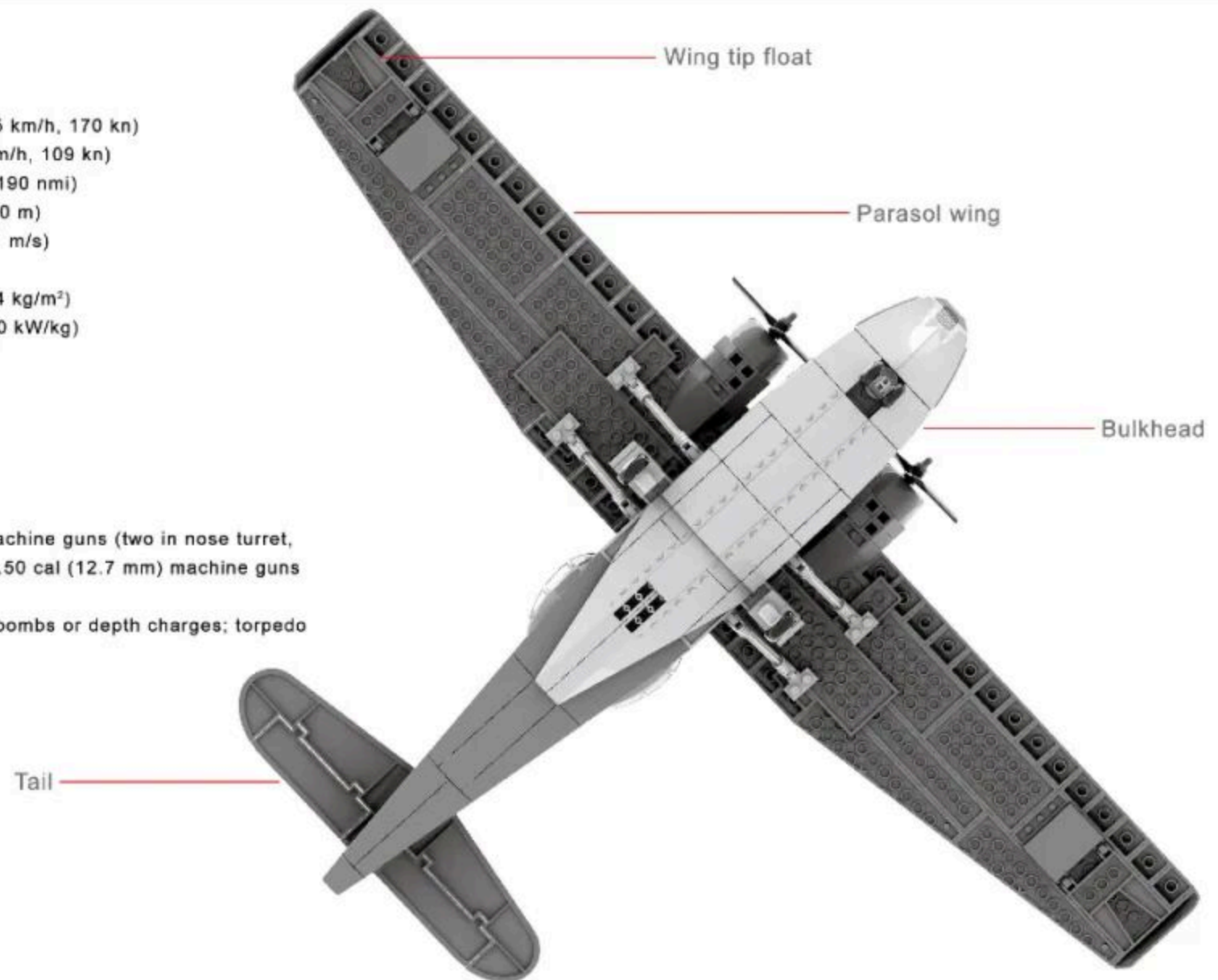
Wing loading: 25.3 lb/sq ft (124 kg/m²)

Power/mass: 0.067 hp/lb (0.110 kW/kg)

Weapons equipments

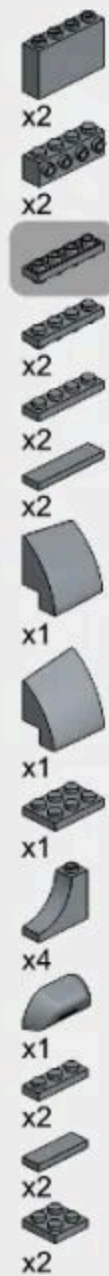
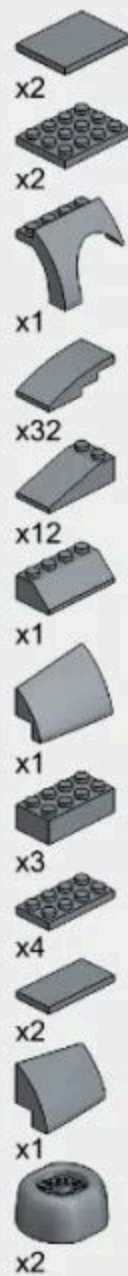
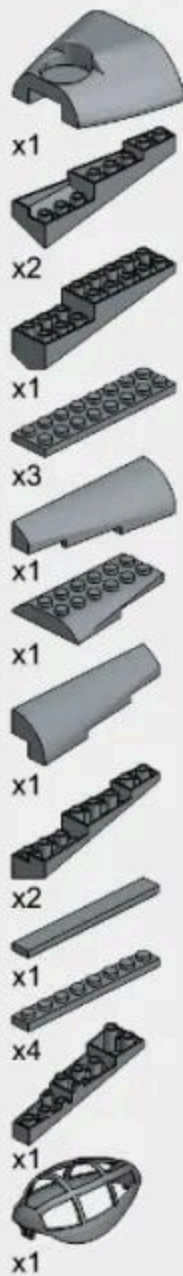
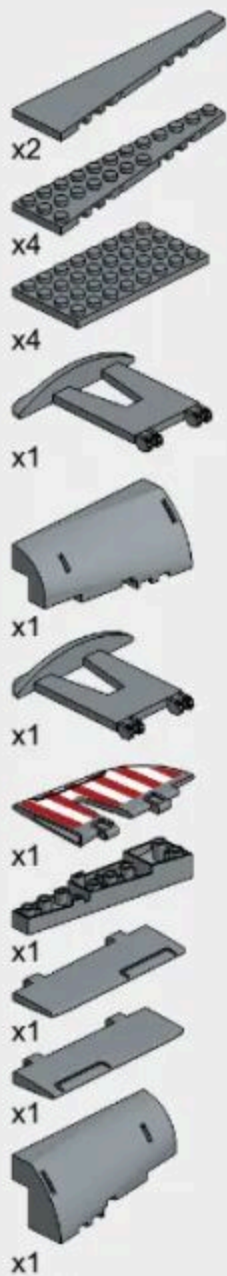
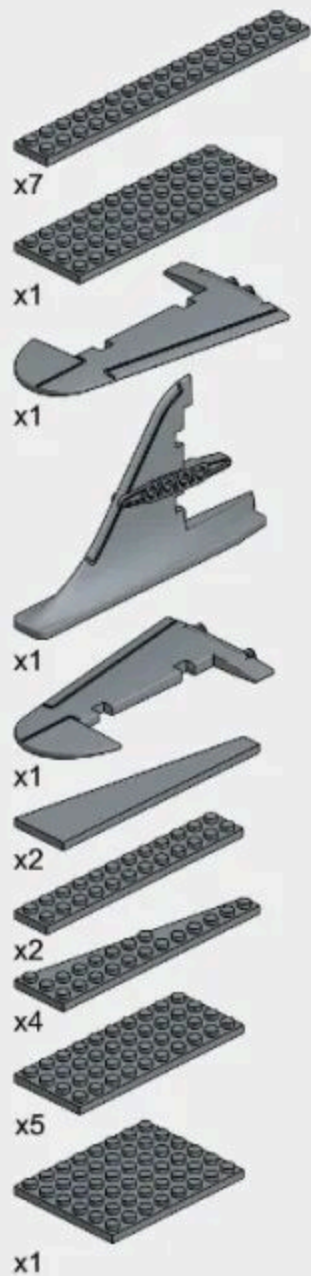
Guns: 3 x .30 cal (7.62 mm) machine guns (two in nose turret, one in ventral hatch at tail) 2 x .50 cal (12.7 mm) machine guns (one in each waist blister)

Bombs: 4,000 lb (1,814 kg) of bombs or depth charges; torpedo racks were also available








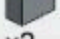



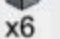
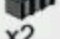
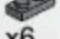






PARTS LIST











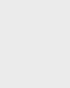
配件清单







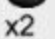

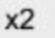
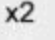


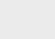





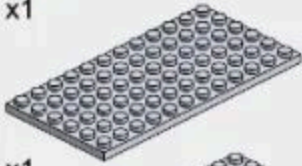


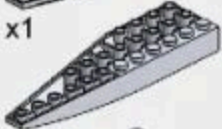

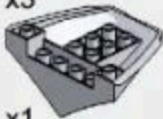



PARTS LIST
















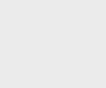
配件清单

-  x1
-  x2
-  x2
-  x2
-  x4
-  x2
-  x1
-  x2
-  x6
-  x2
-  x6
-  x6
-  x6
-  x1
-  x2
-  x2
-  x2
-  x2

-  x2
-  x1
-  x2
-  x1
-  x2
-  x2
-  x1
-  x1
-  x1
-  x1
-  x1

-  x3
-  x2
-  x2
-  x1
-  x2
-  x5
-  x2
-  x1
-  x2
-  x2
-  x2
-  x1
-  x1

-  x1
-  x2
-  x1
-  x1
-  x1
-  x1
-  x1
-  x3
-  x1
-  x2
-  x2
-  x4

-  x6
-  x1
-  x4
-  x1
-  x4
-  x1
-  x1
-  x4
-  x1
-  x4
-  x1
-  x4
-  x2
-  x1
-  x2
-  x1

-  x1
-  x2
-  x2
-  x2
-  x2
-  x2
-  x2
-  x2
-  x2
-  x2
-  x1
-  x2
-  x2
-  x10
-  x4
-  x1
-  x2
-  x4
-  x10
-  x2

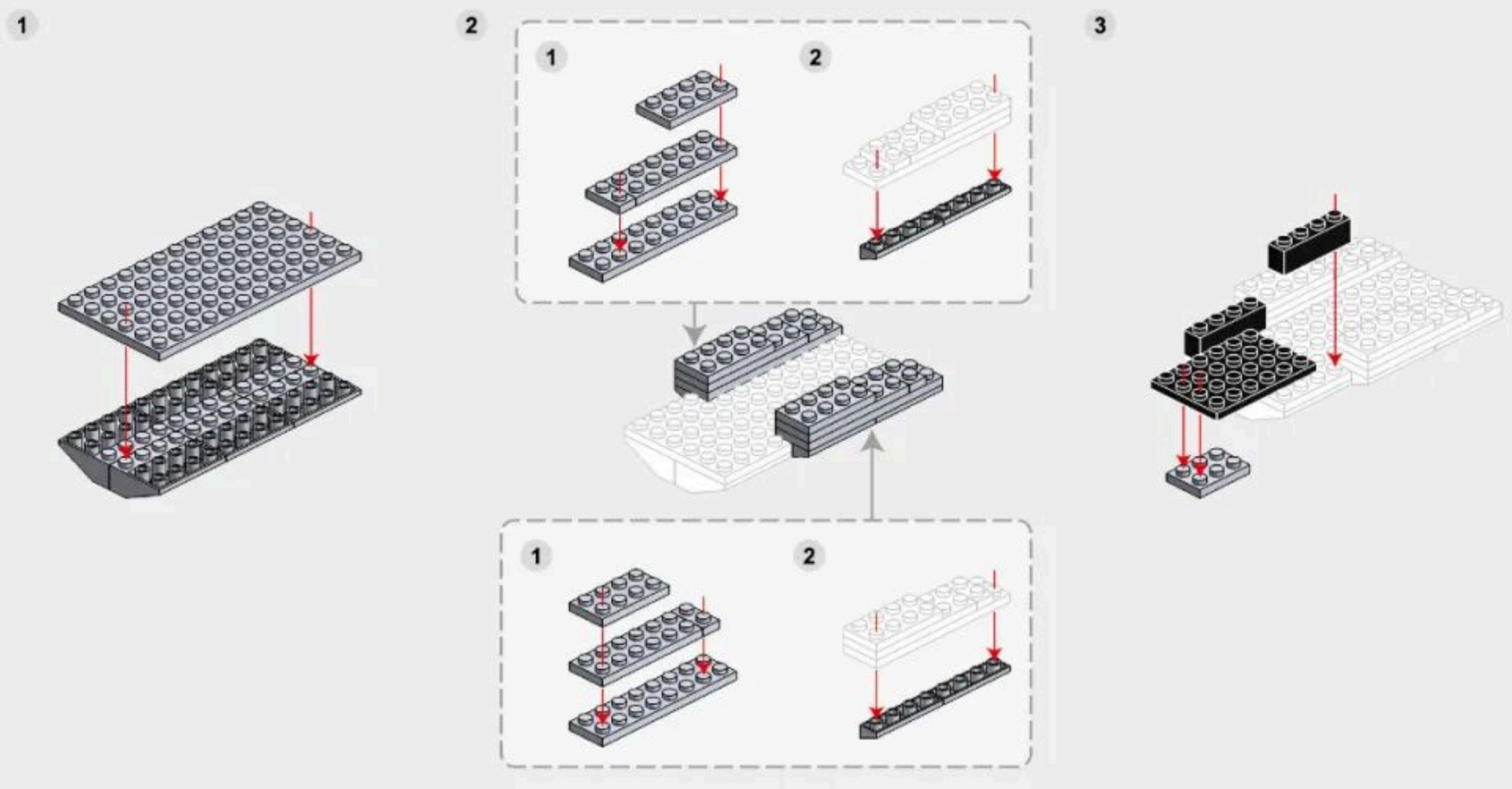
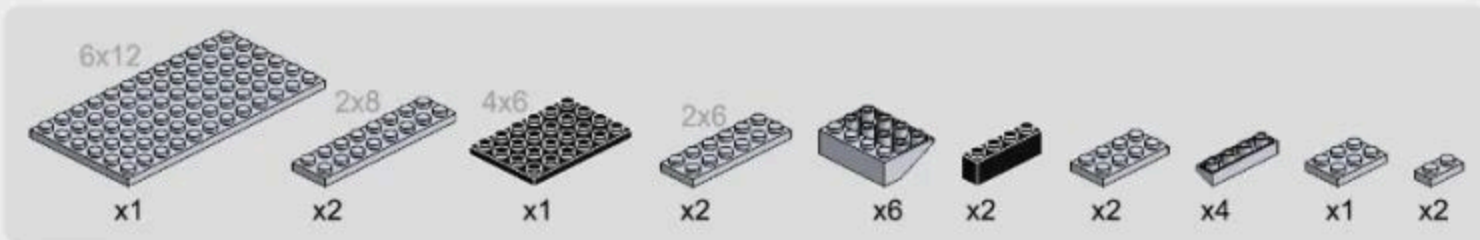
产品有增补件请以实物为准
If product has additional parts, please in kind prevail.



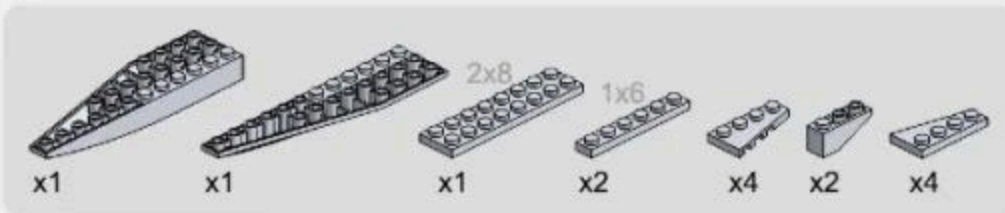
173PCS



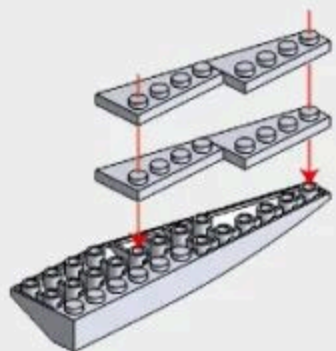
1-1



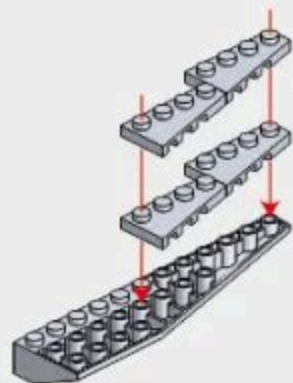
1-2



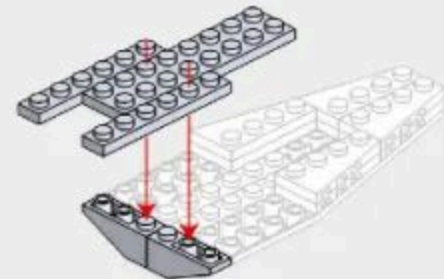
1



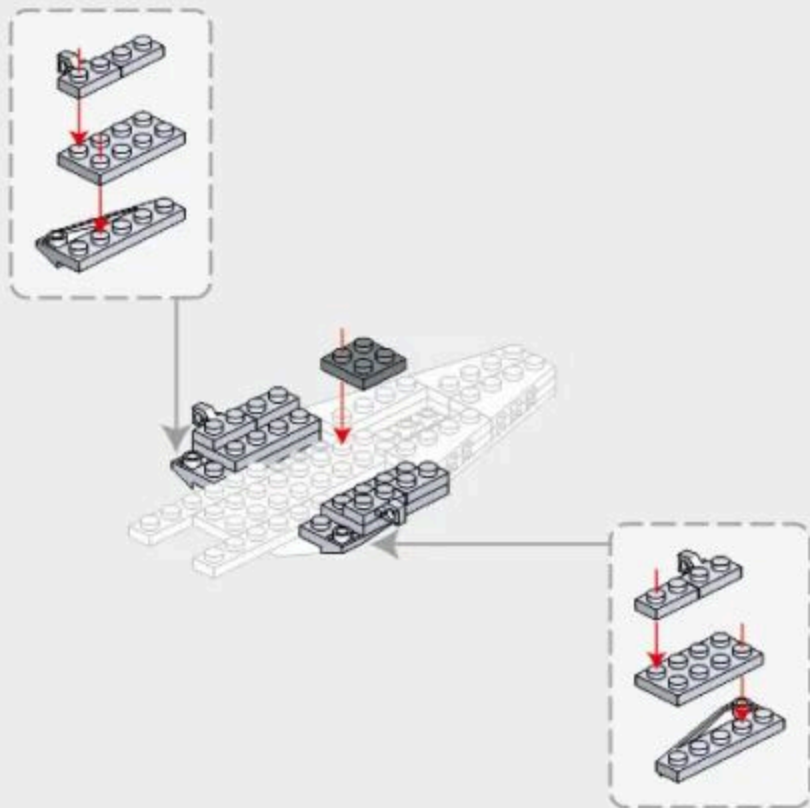
2



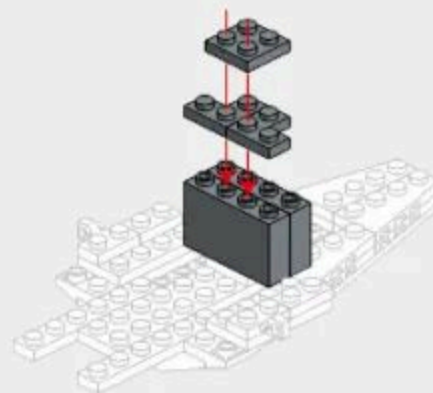
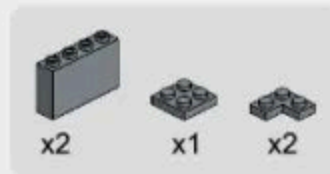
3



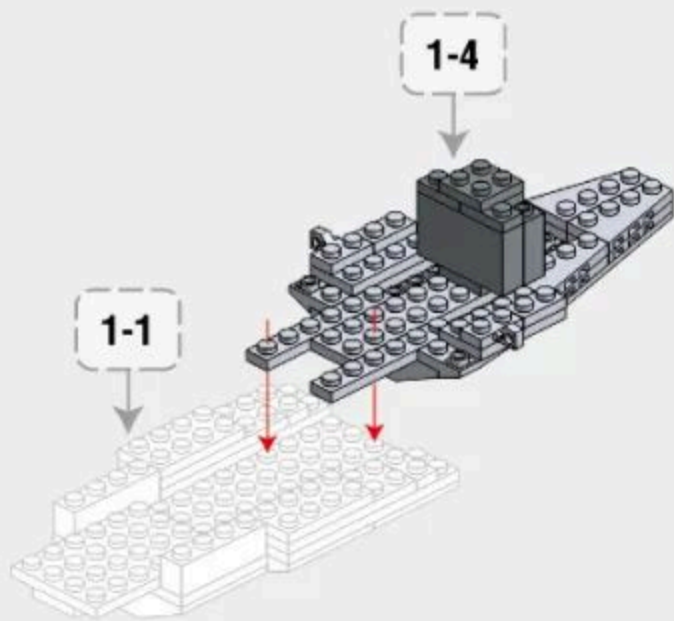
1-3



1-4



1-5



1-6



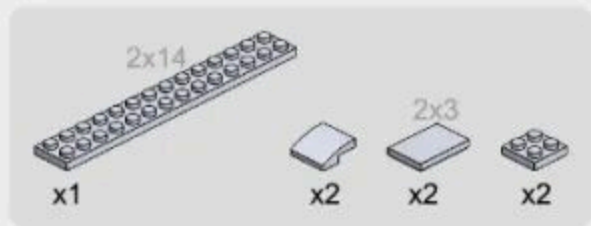
1



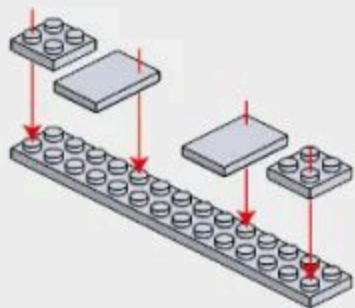
2



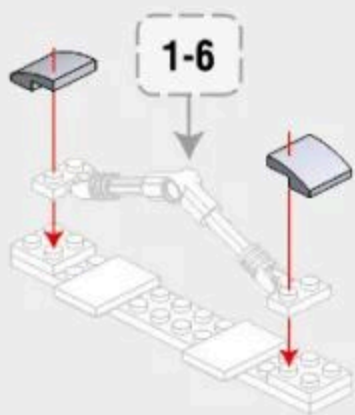
1-7



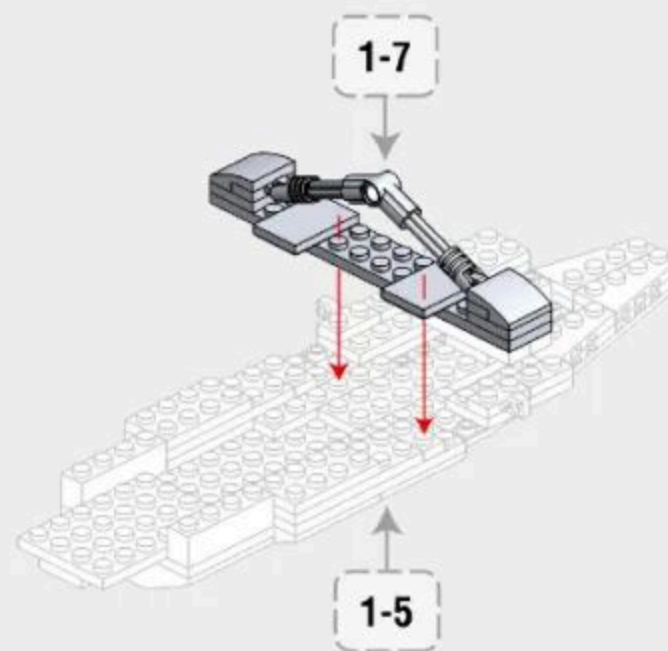
1



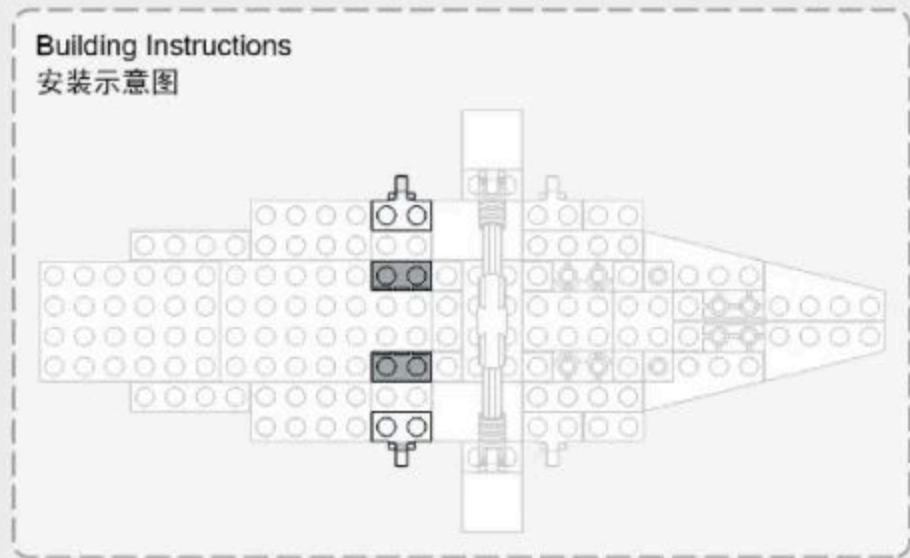
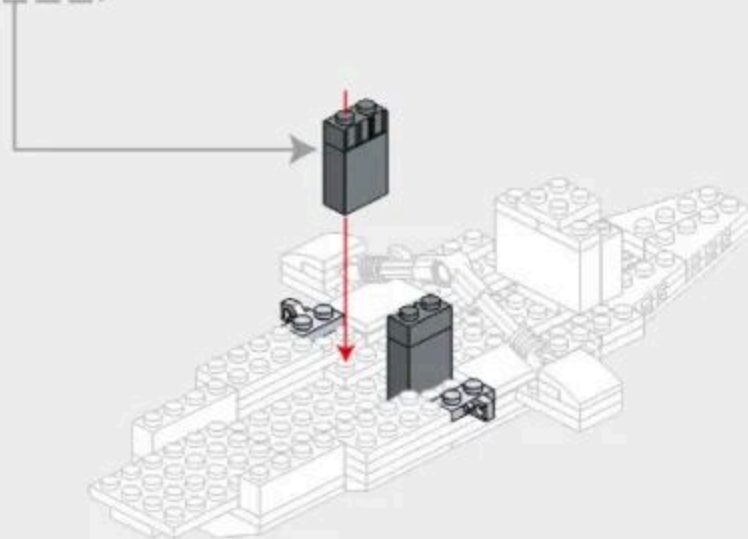
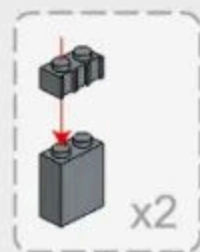
2



1-8



1-9



1-11



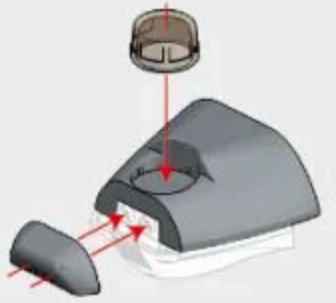
1



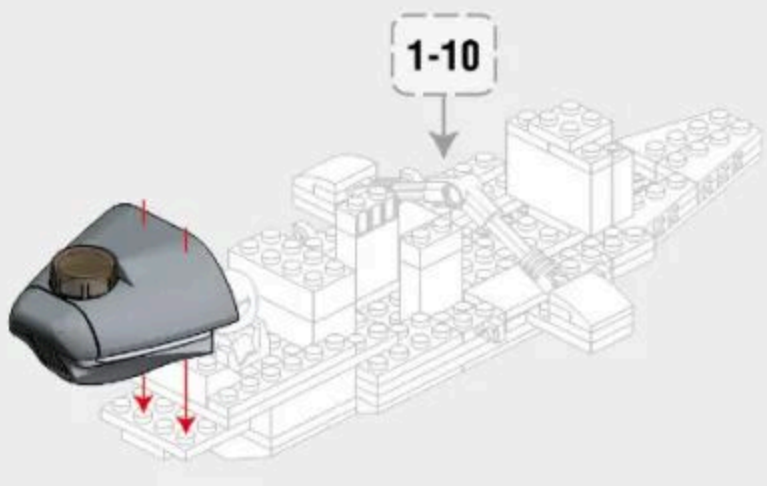
2



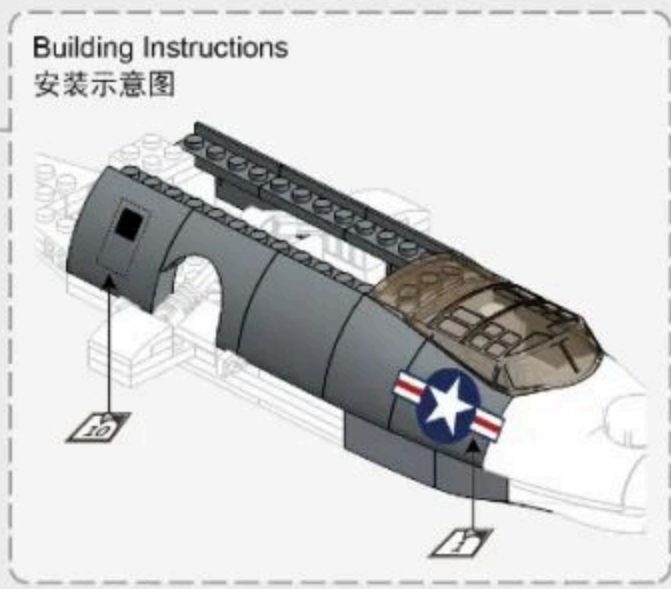
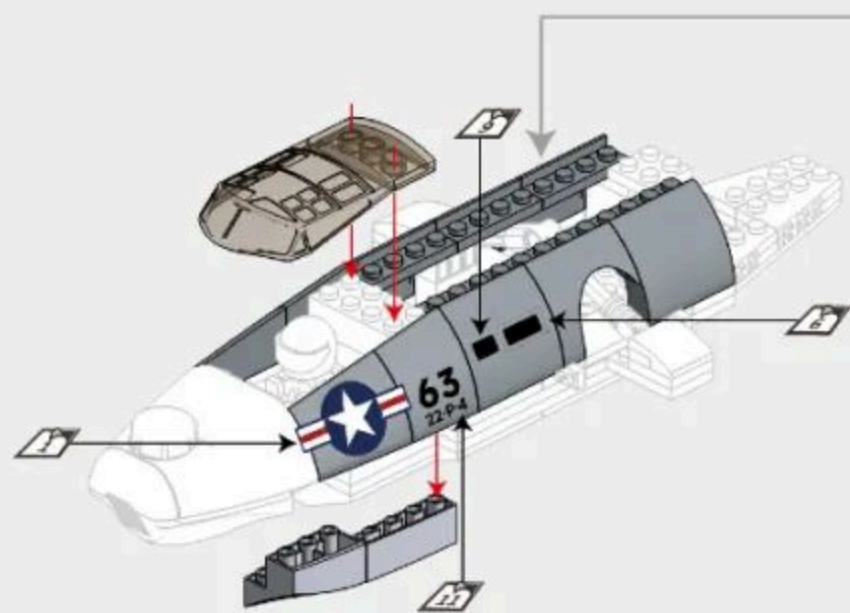
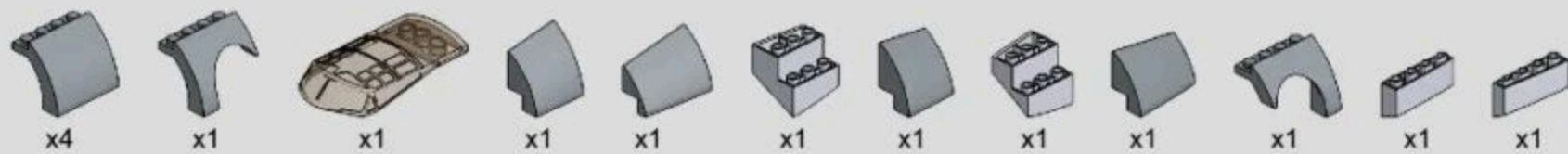
3



4



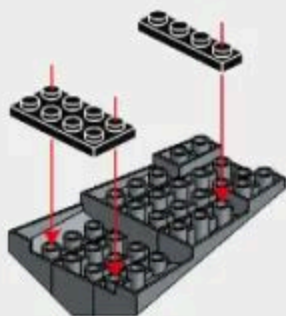
1-12



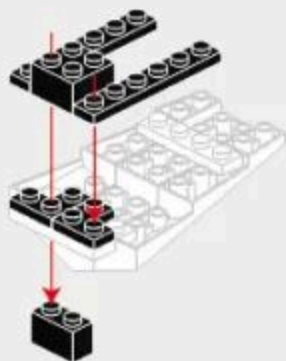
1-13



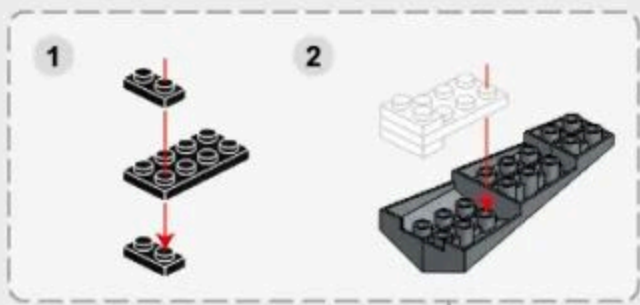
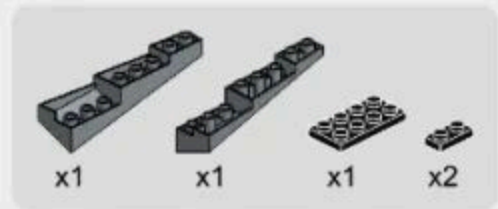
1



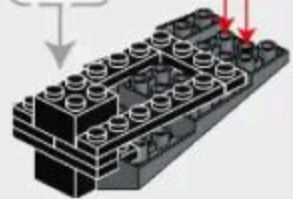
2



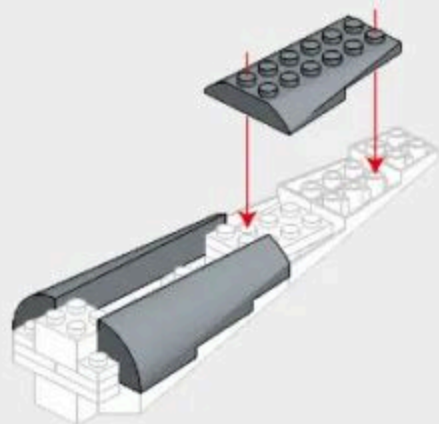
1-14



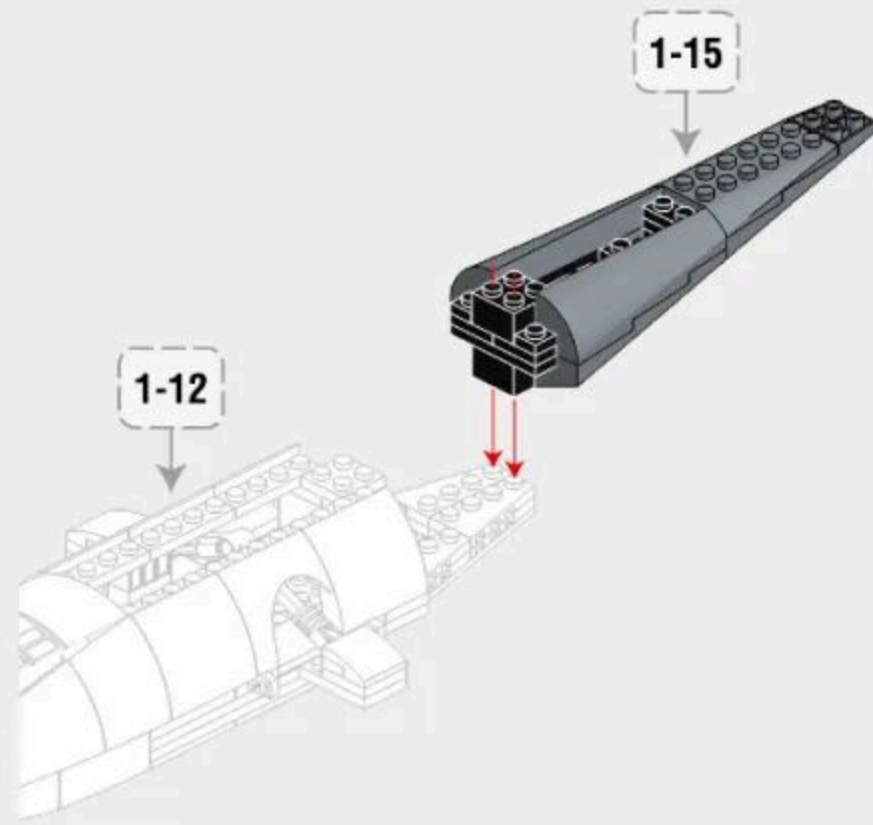
1-13

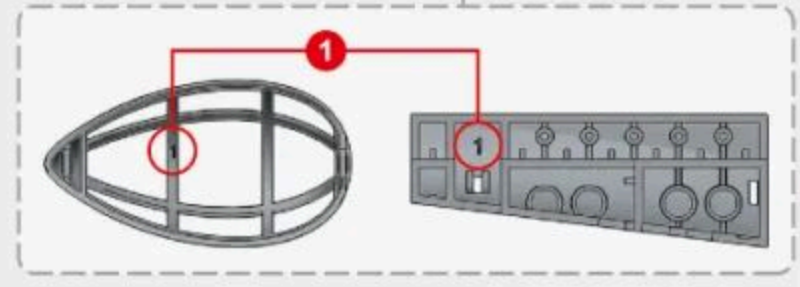
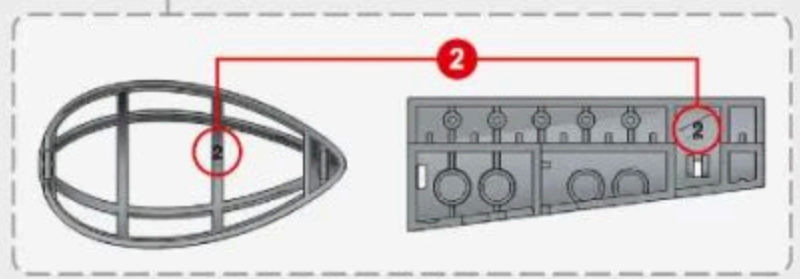
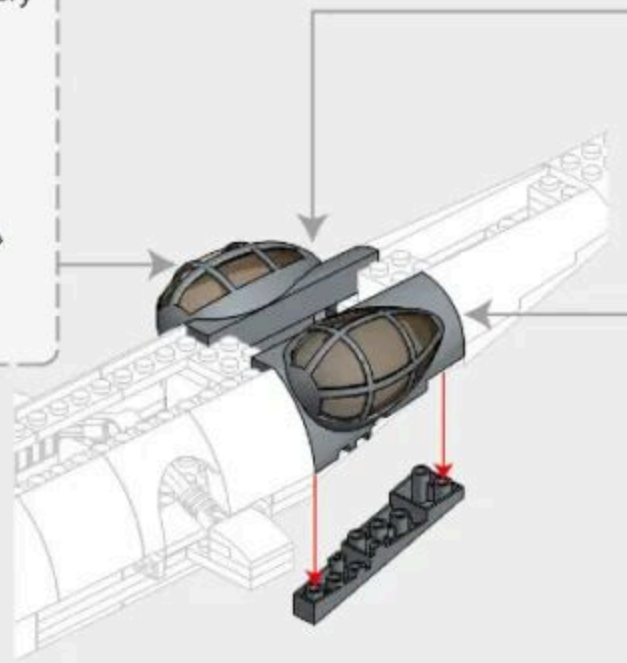
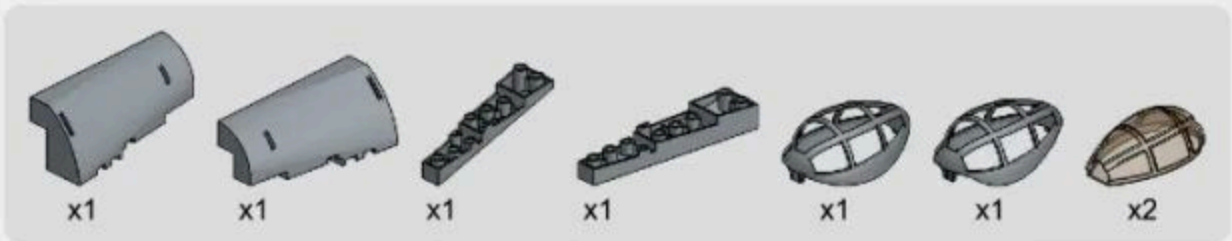


1-15

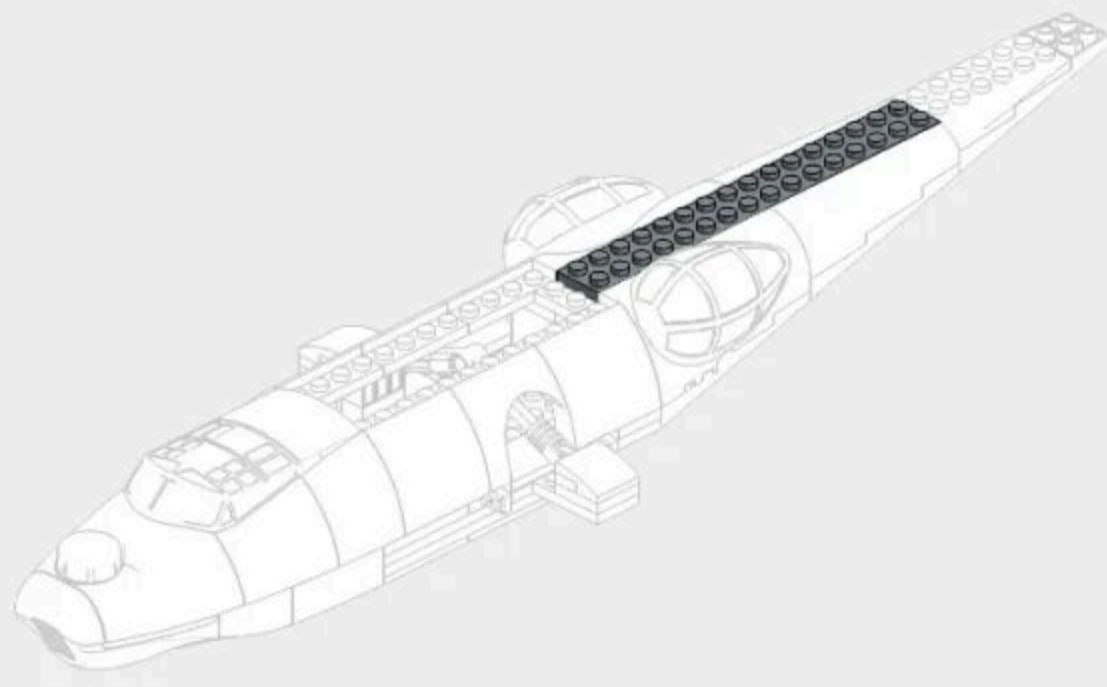
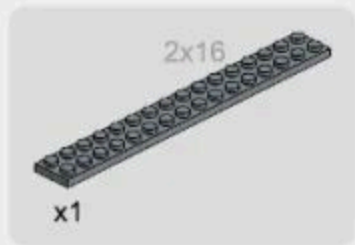


1-16

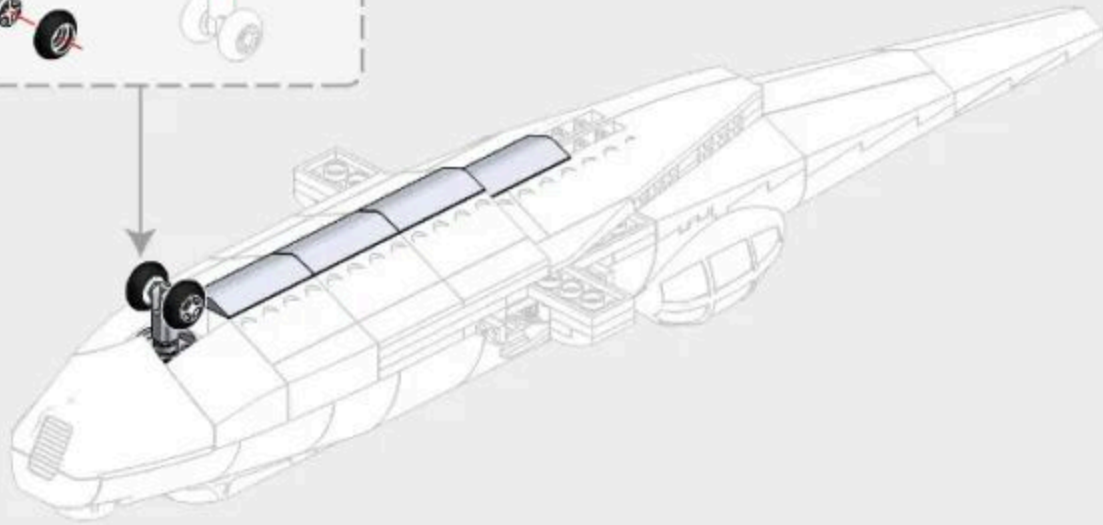
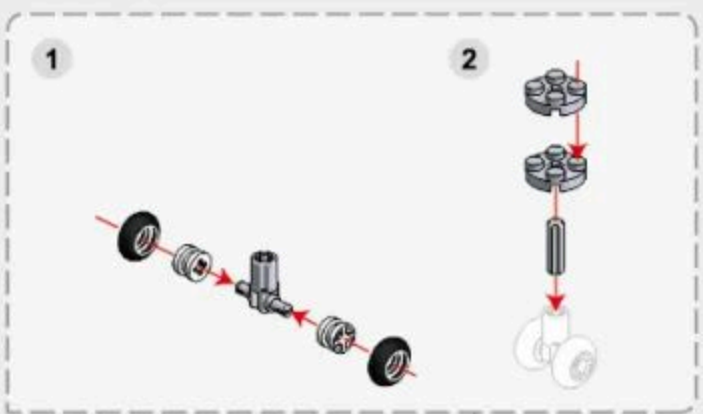
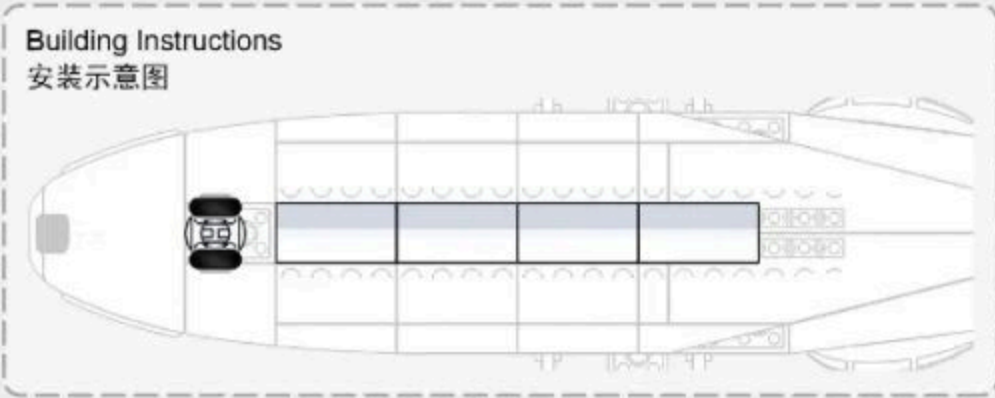




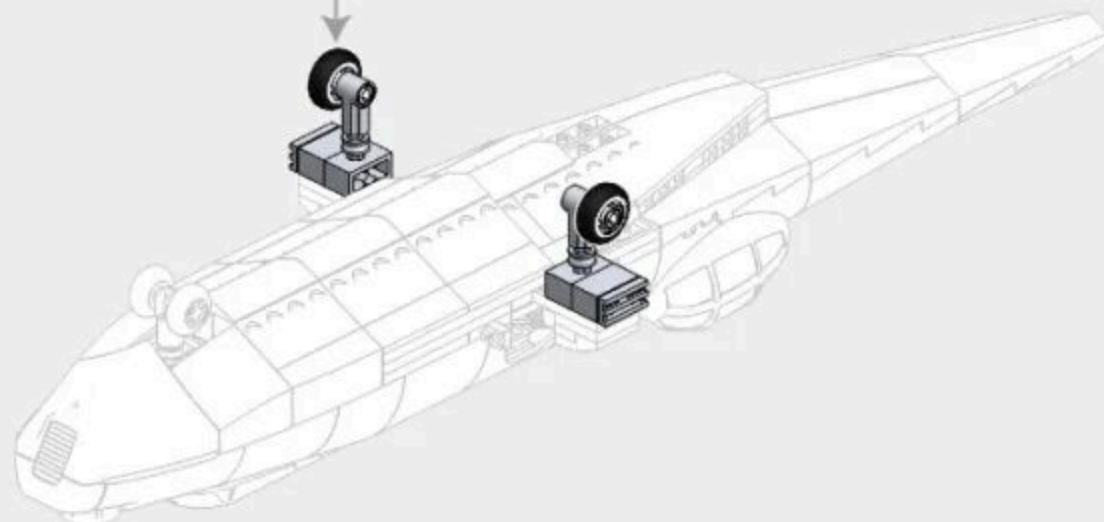
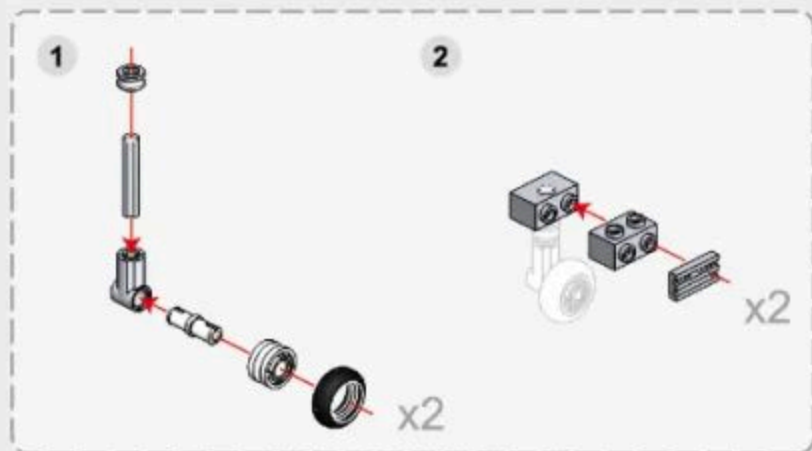
1-18



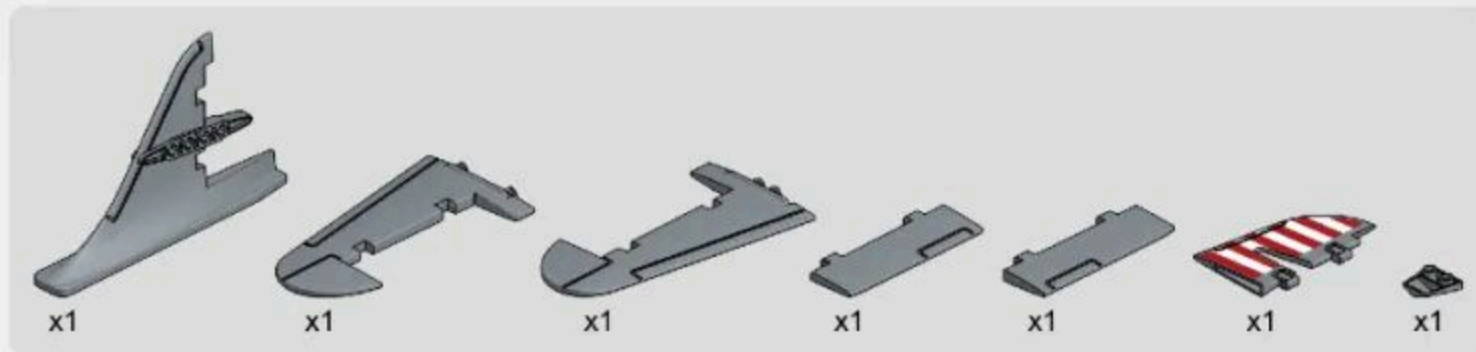
1-19



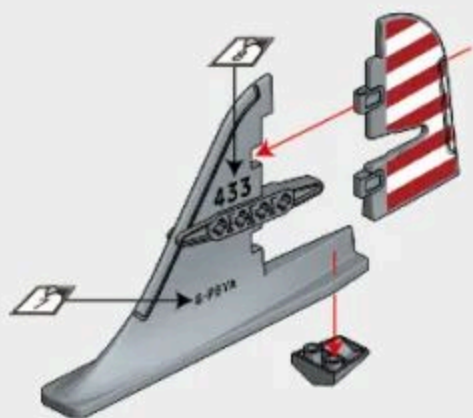
1-20



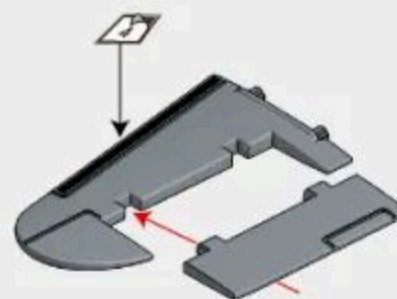
1-21



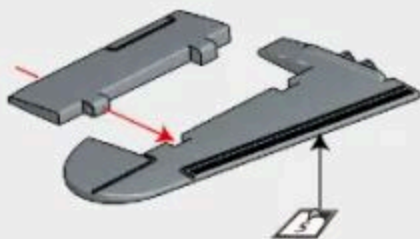
1



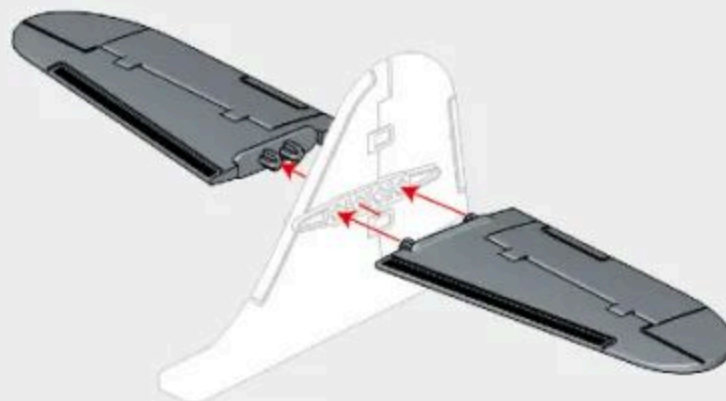
2



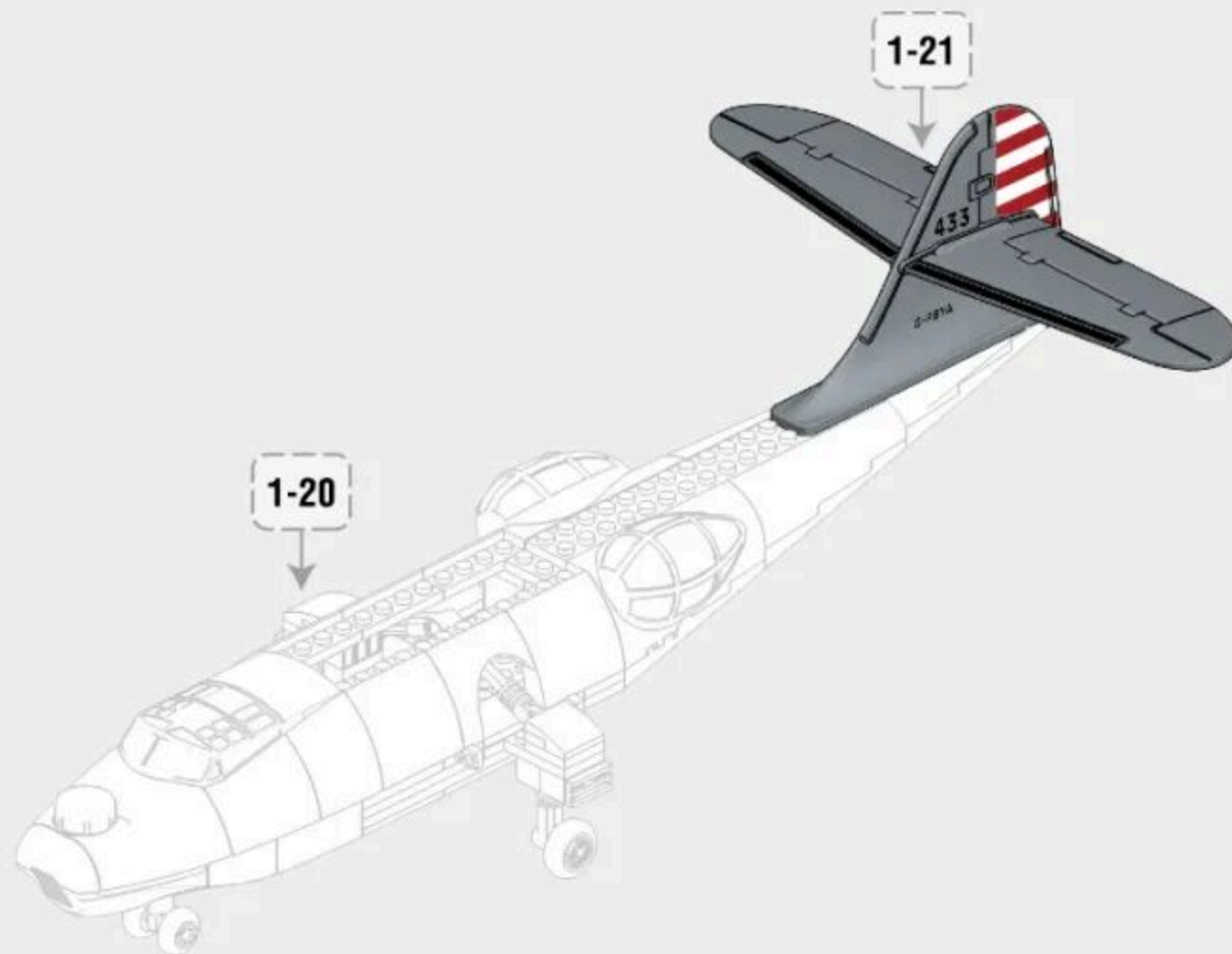
3



4

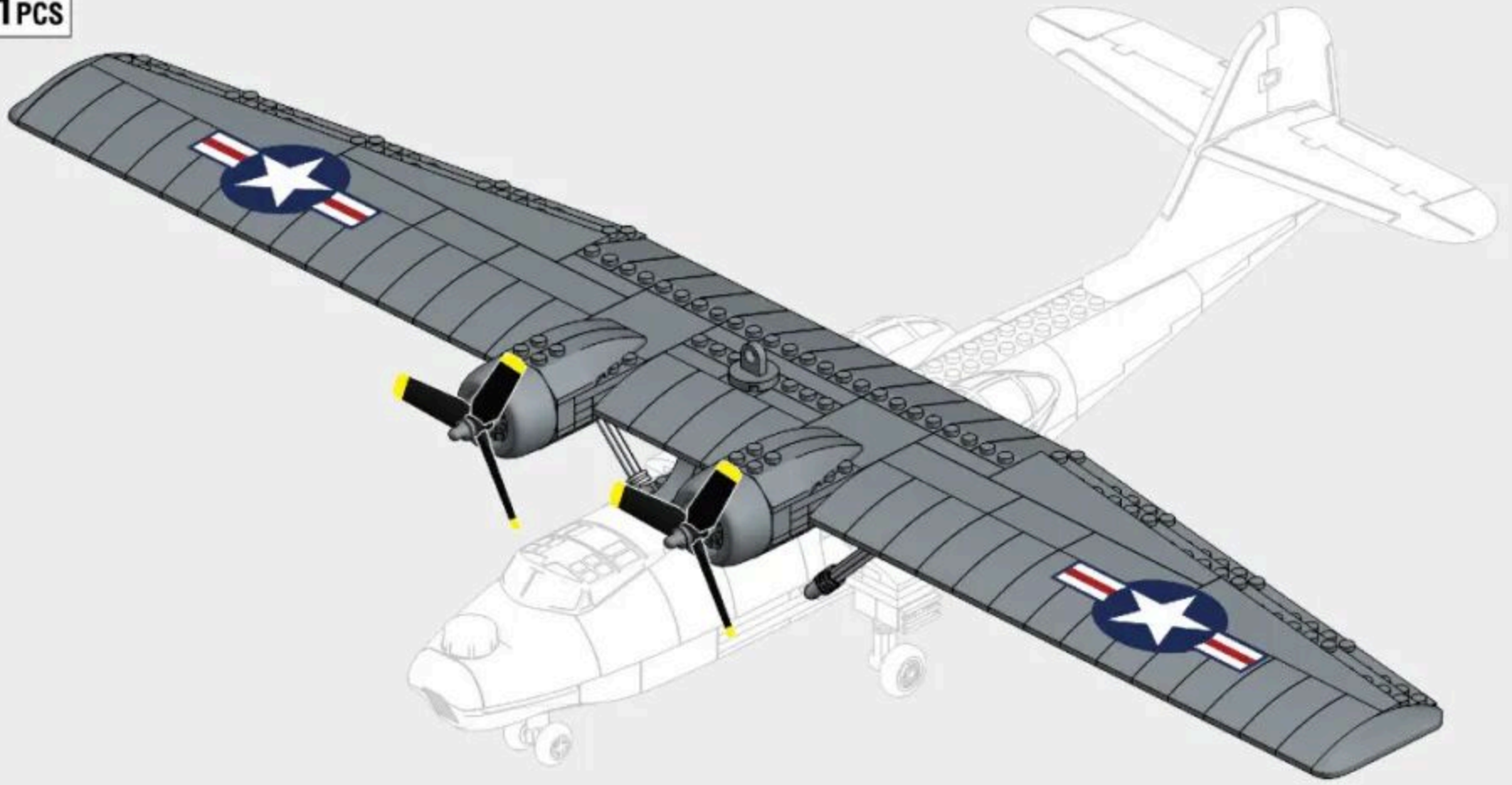


1-22

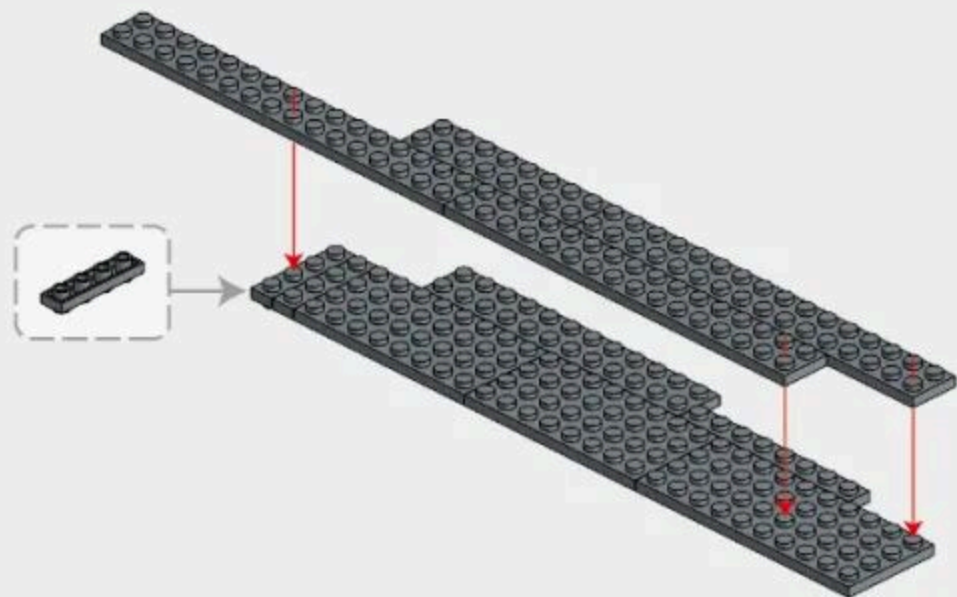
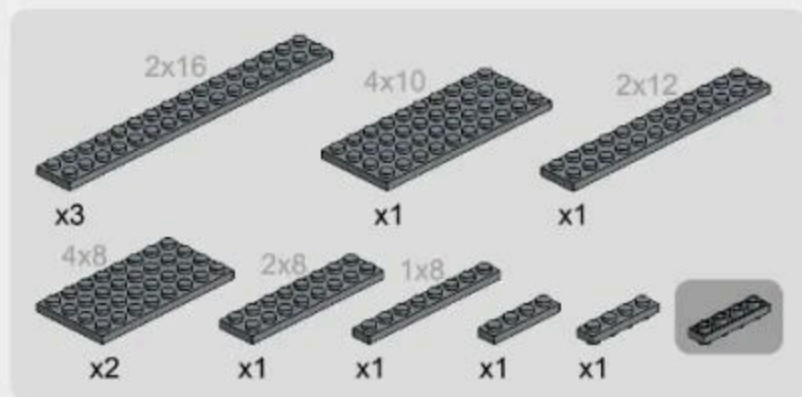




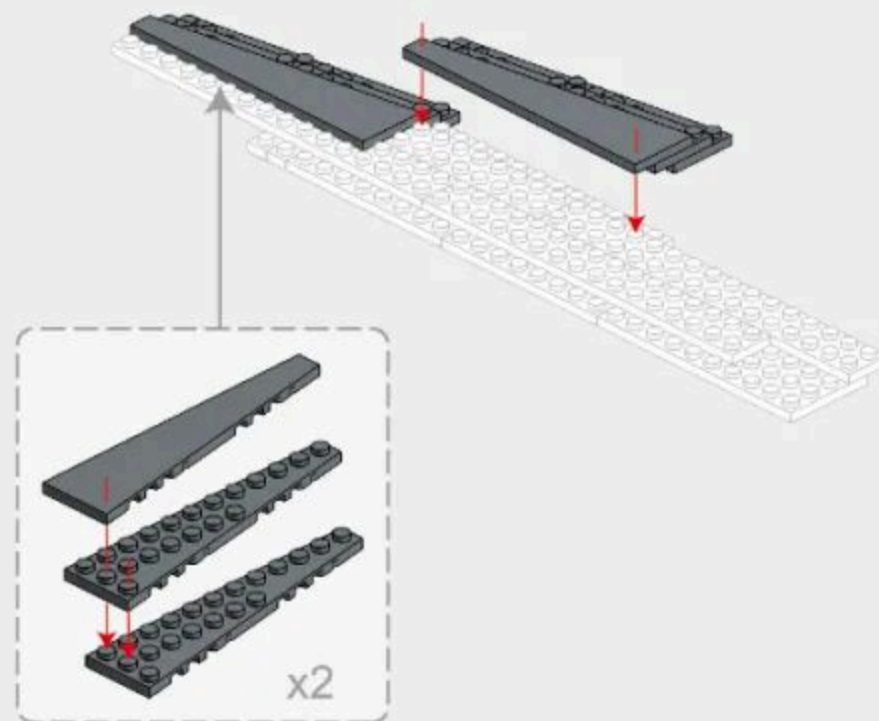
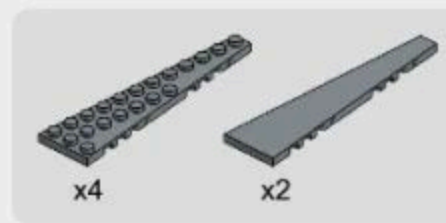
191 PCS



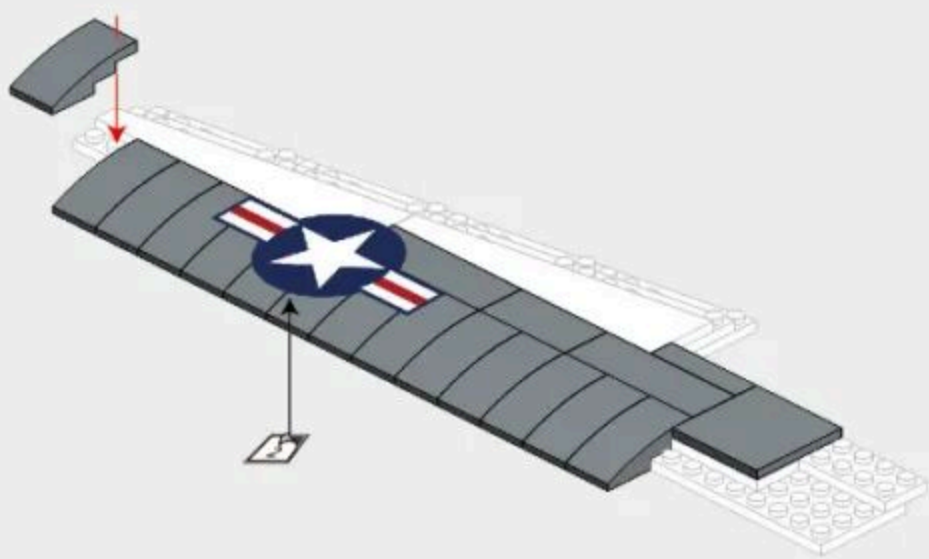
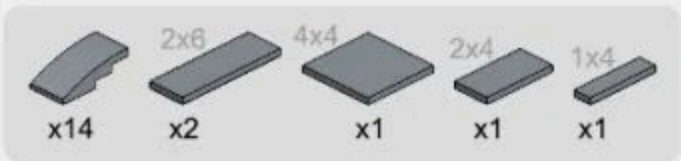
2-1



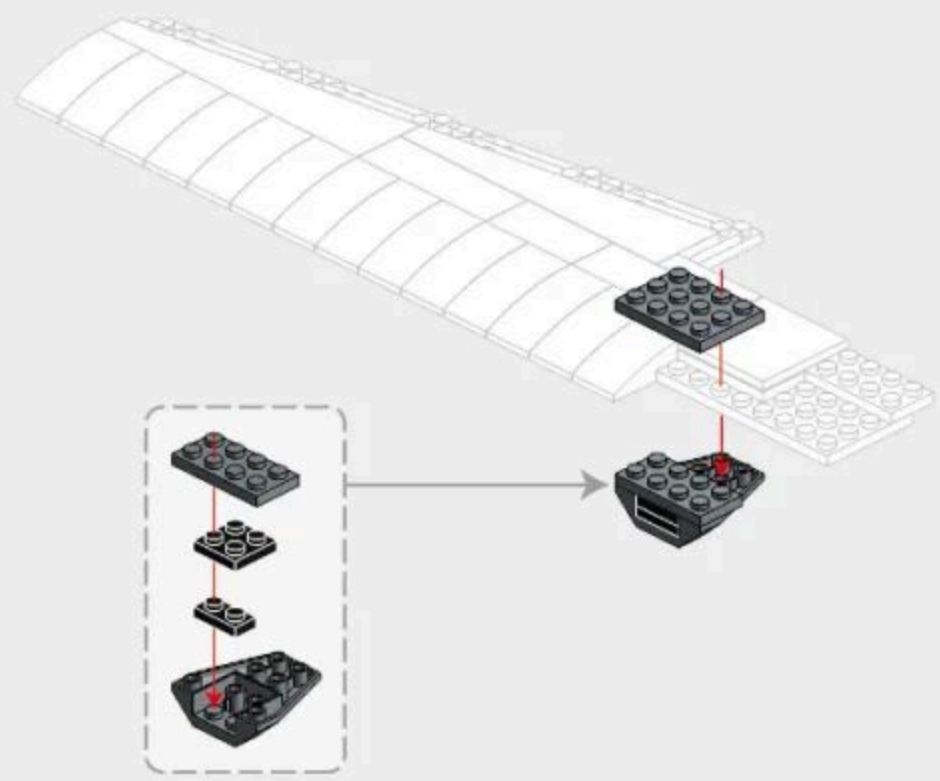
2-2



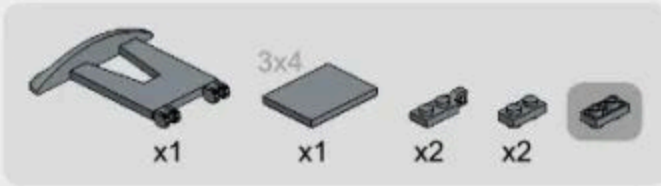
2-3



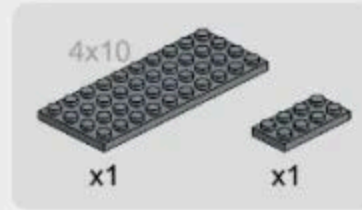
2-4



2-5



2-6



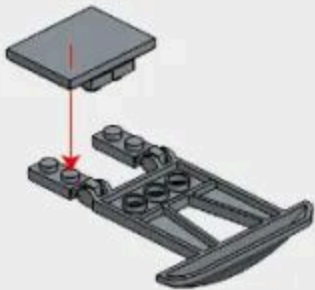
1



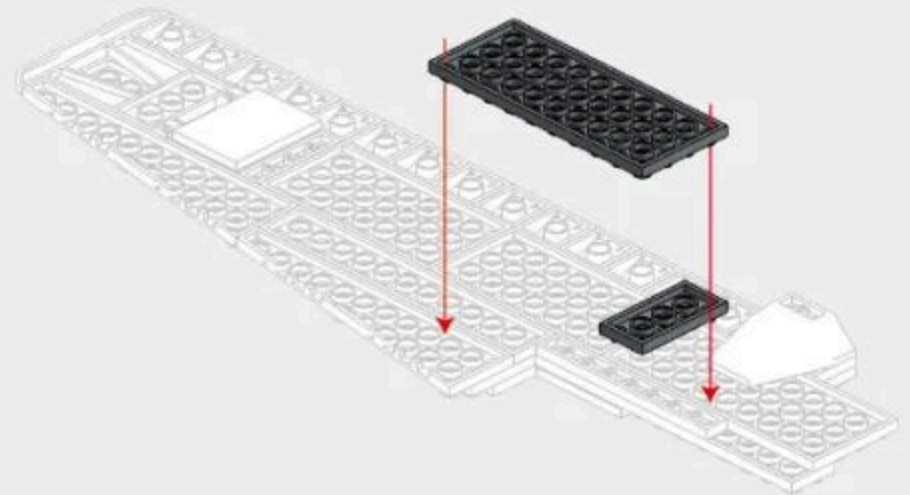
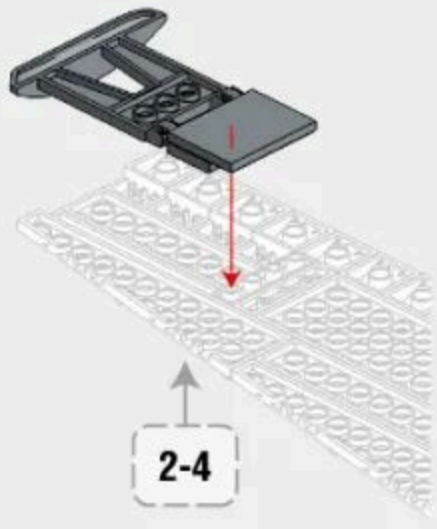
2



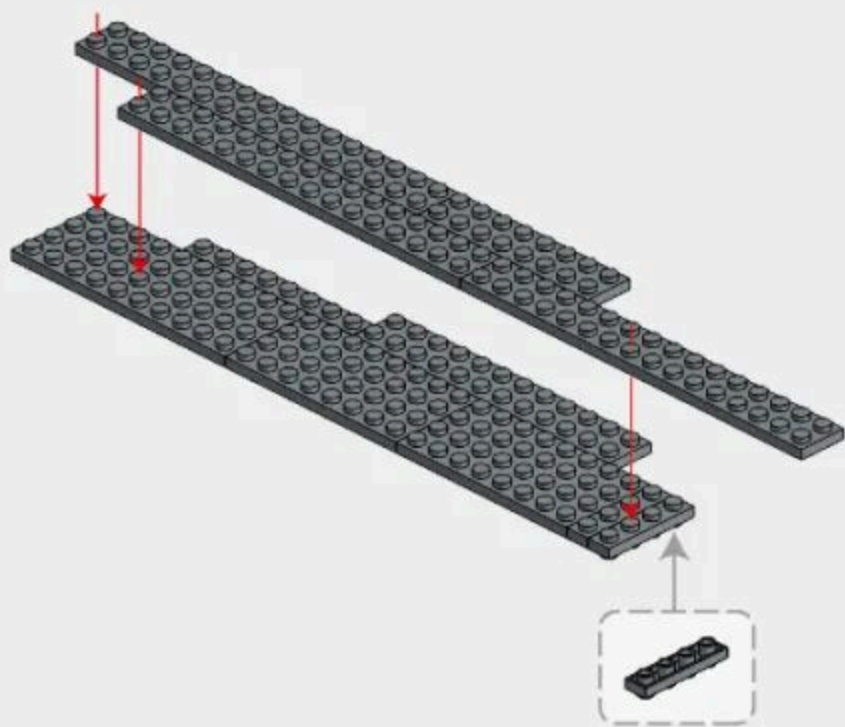
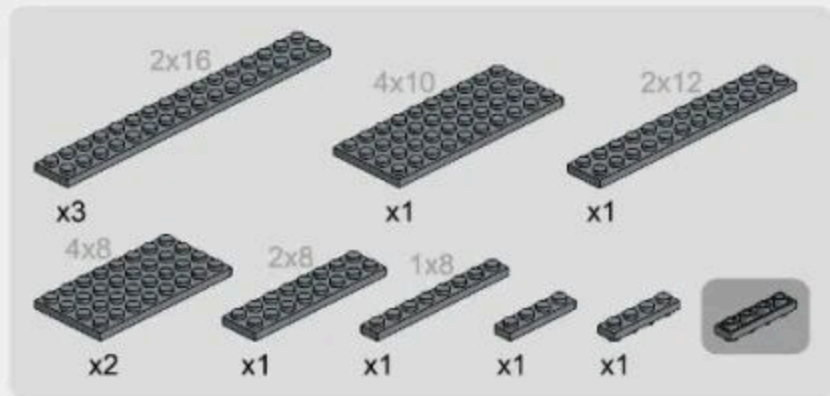
3



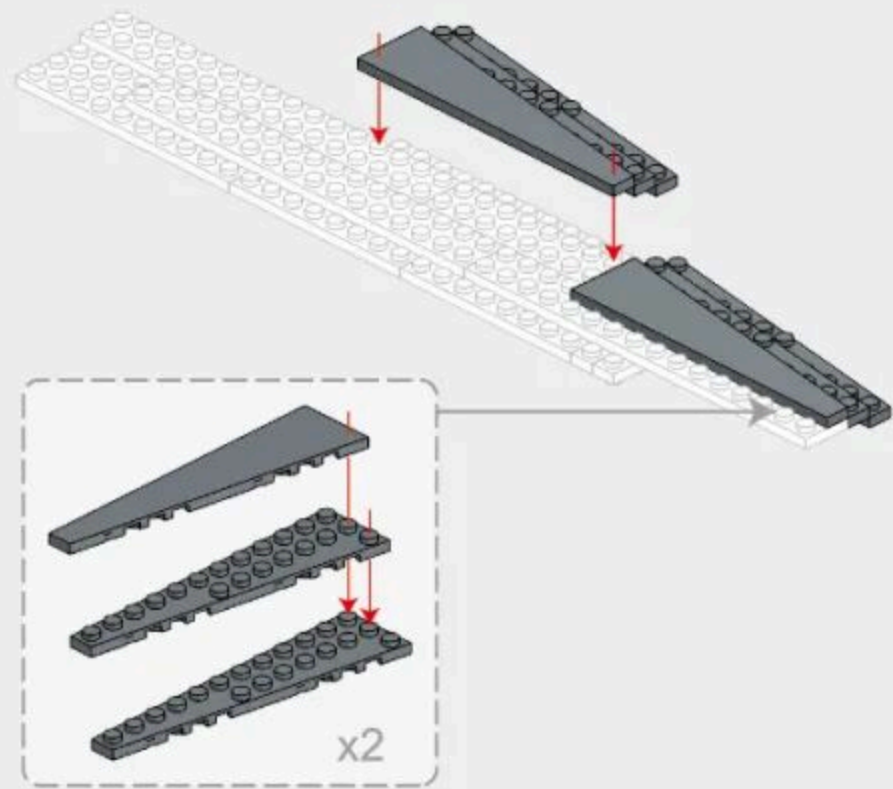
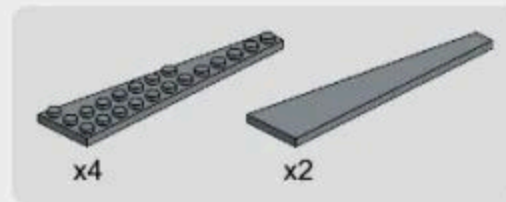
4



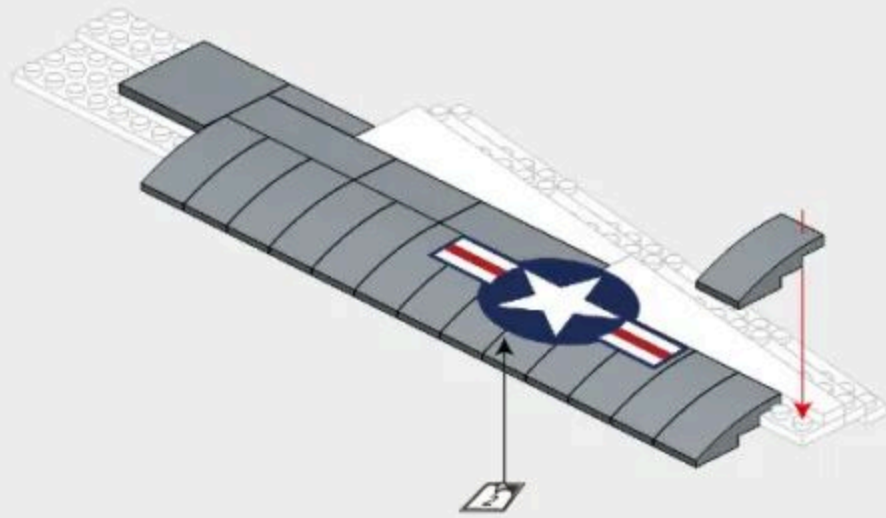
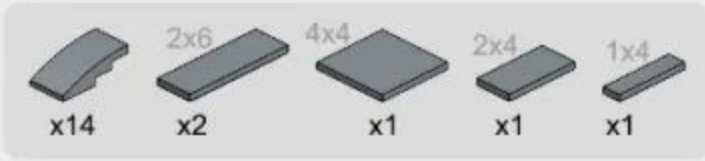
2-7



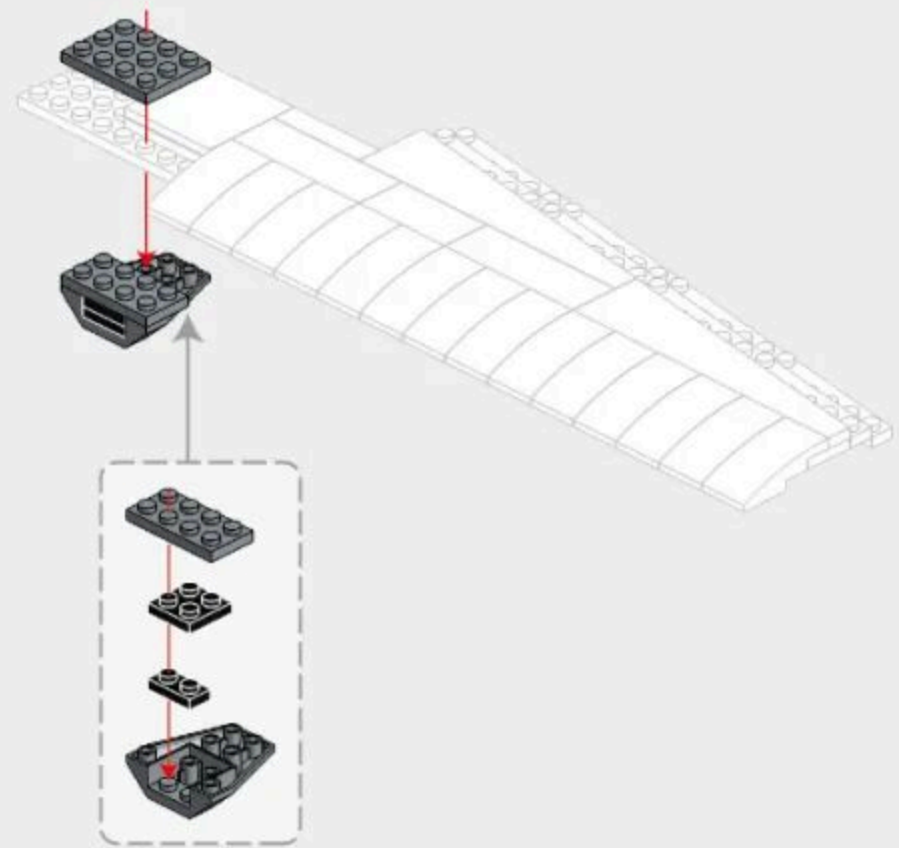
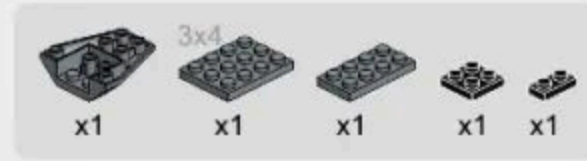
2-8



2-9



2-10



2-11



1



2



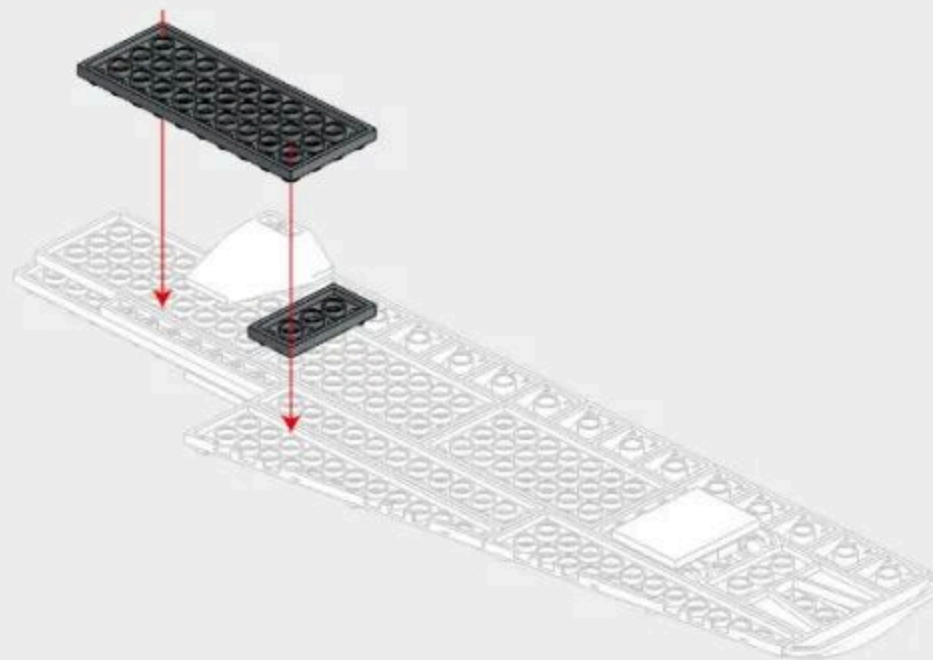
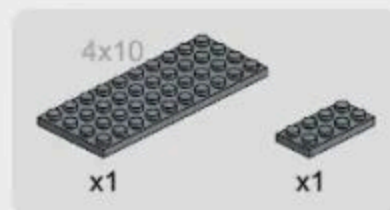
3



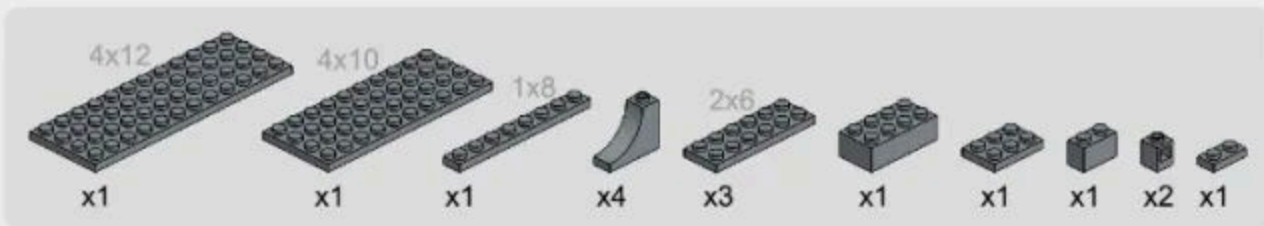
4



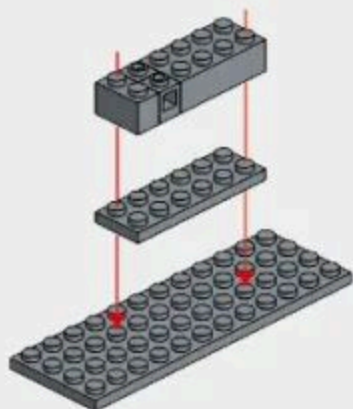
2-12



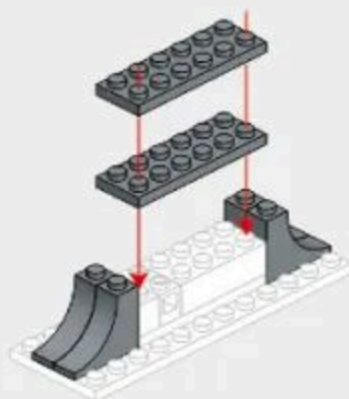
2-13



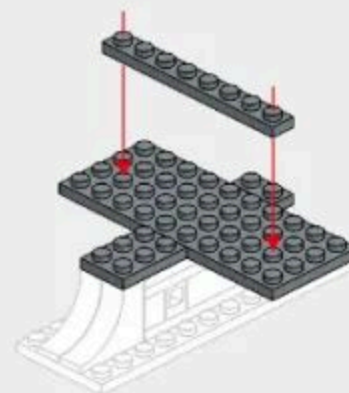
1



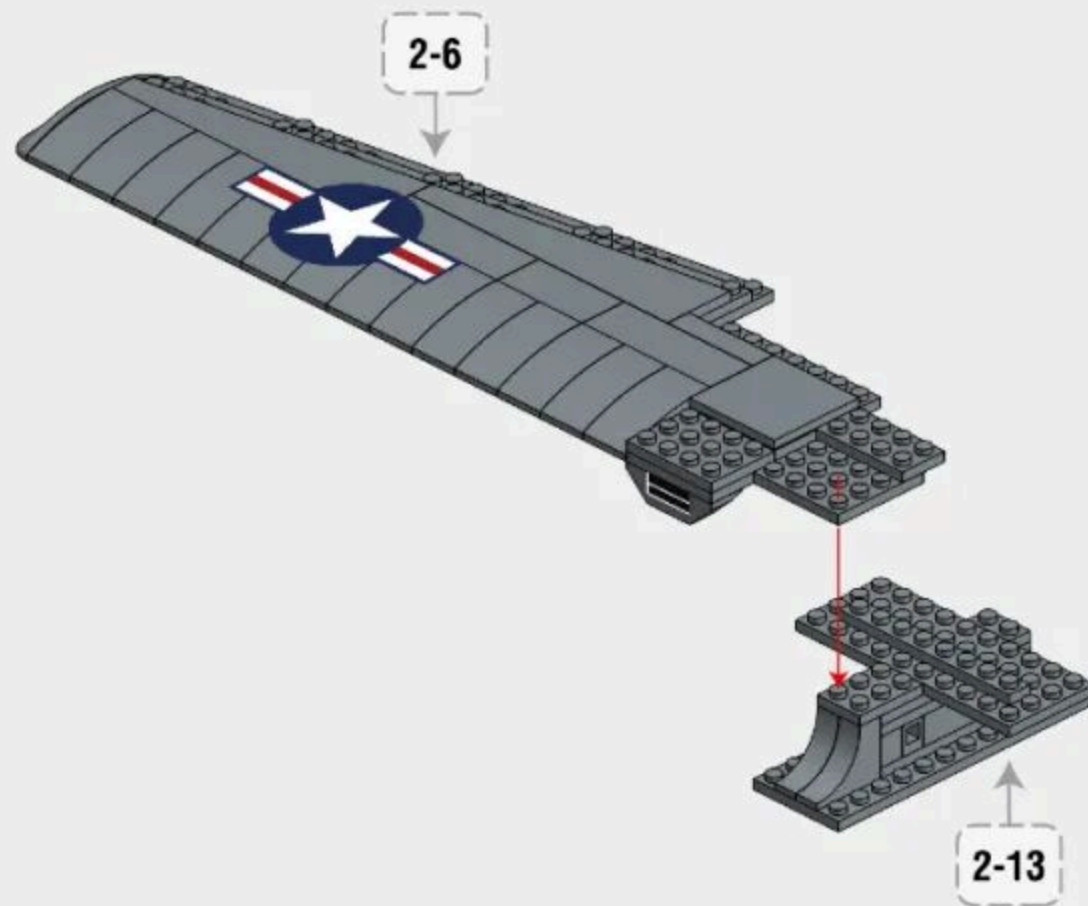
2



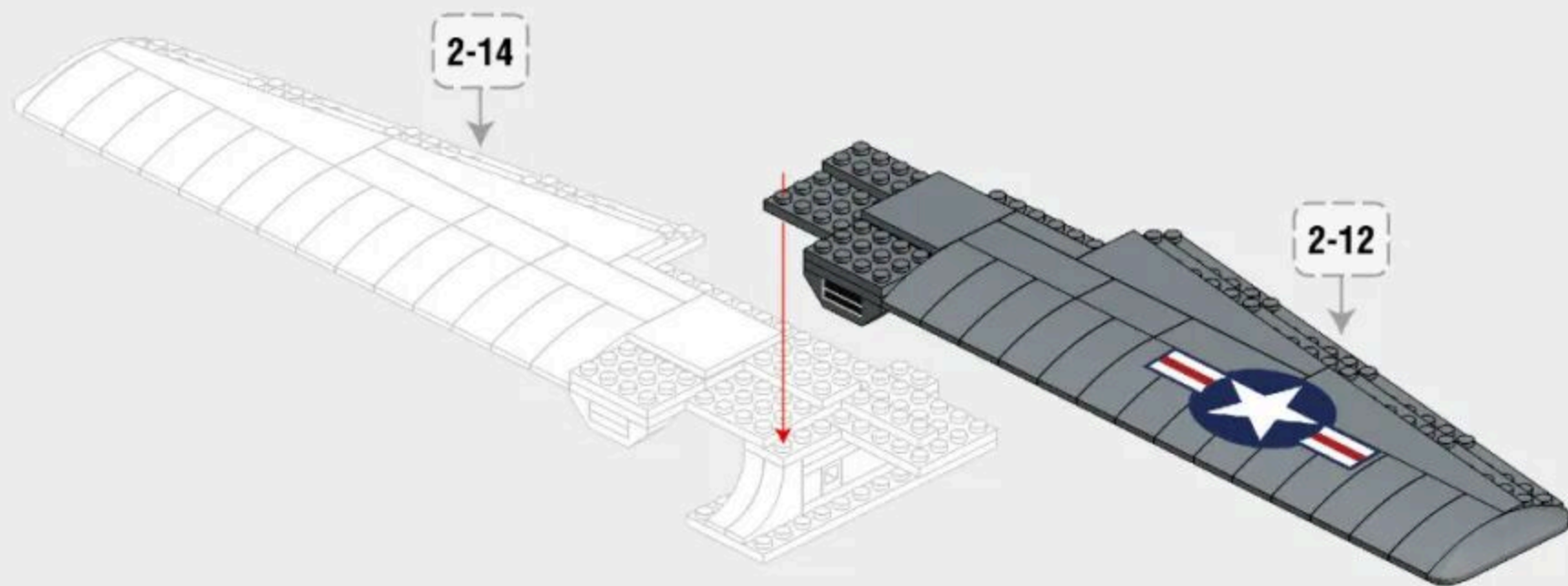
3



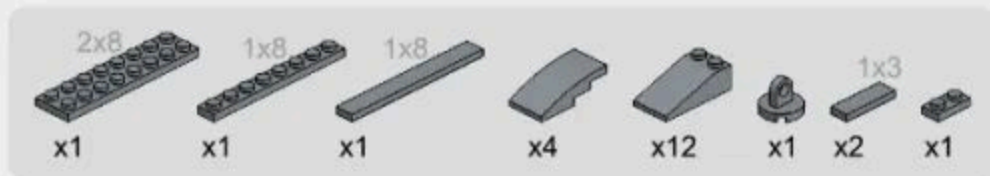
2-14



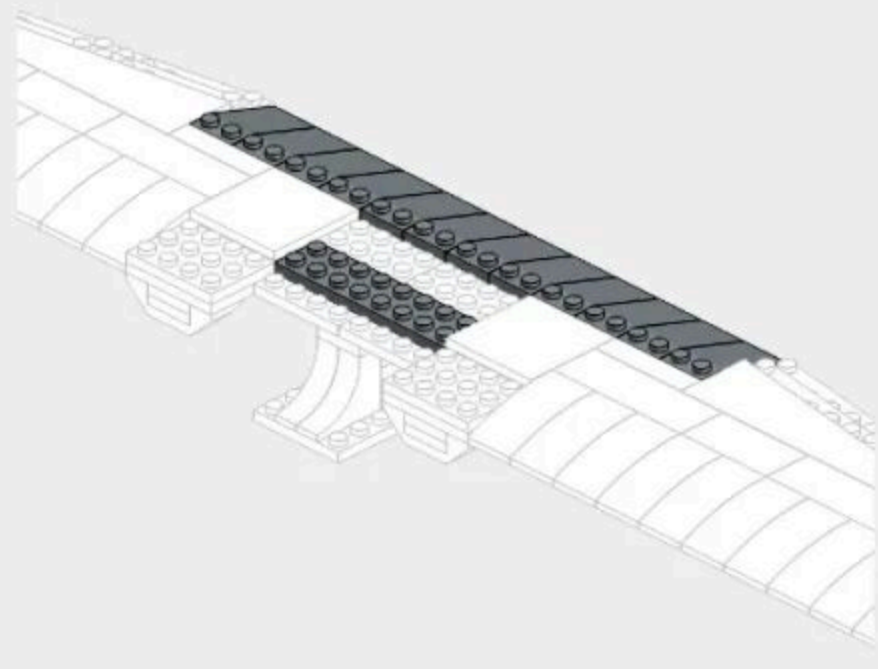
2-15



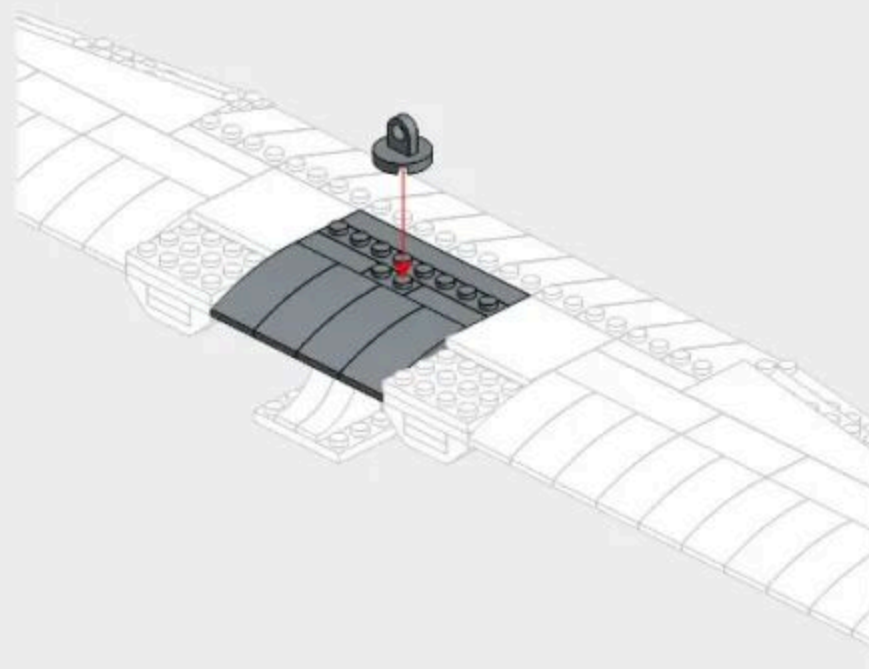
2-16



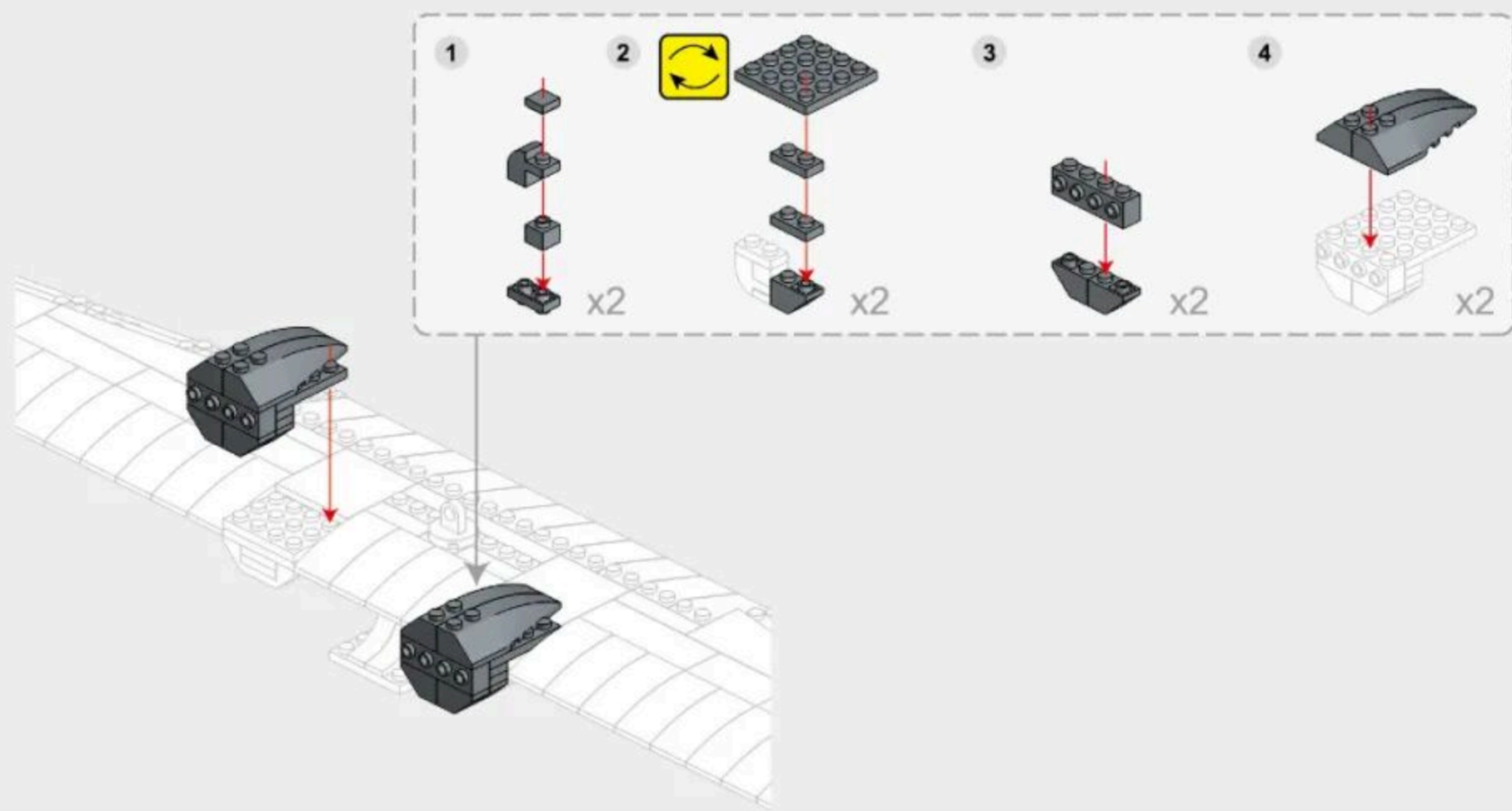
1



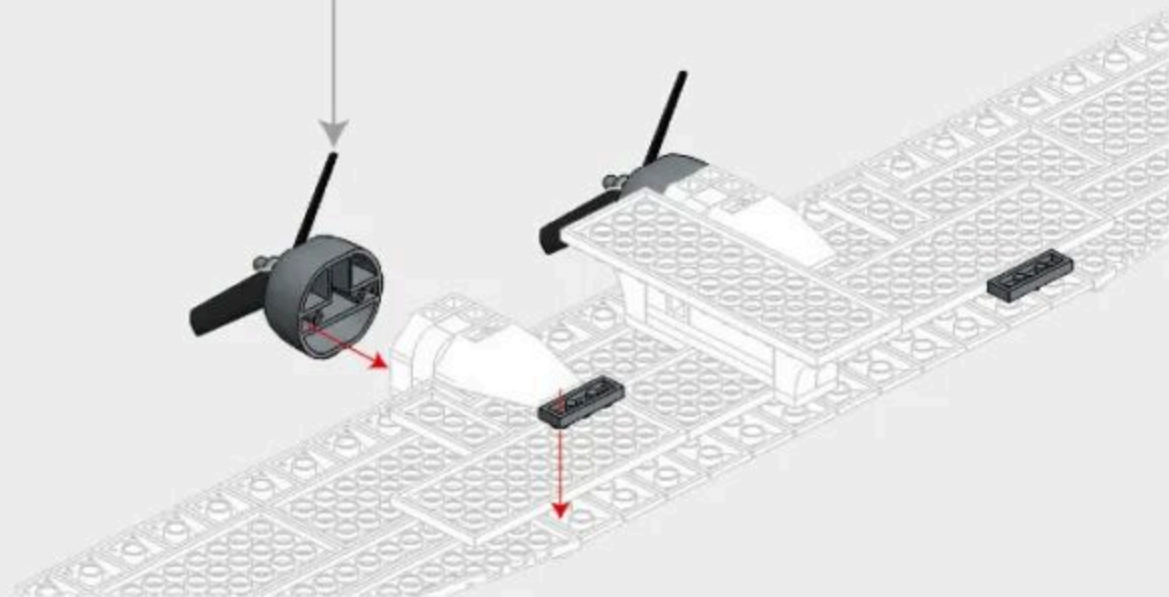
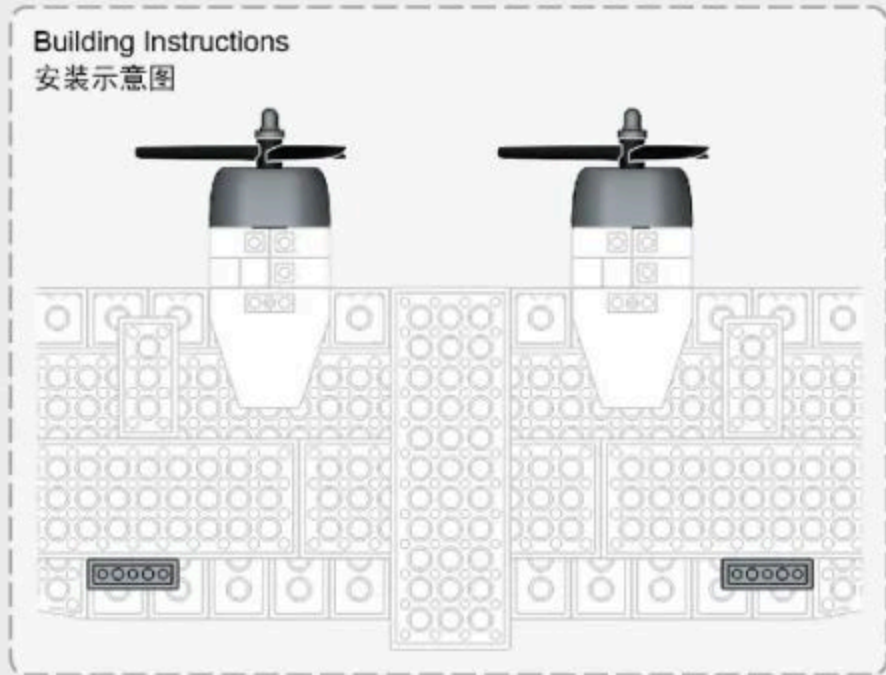
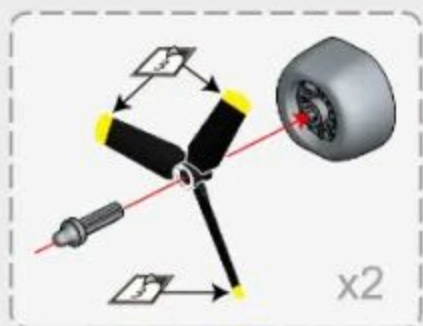
2



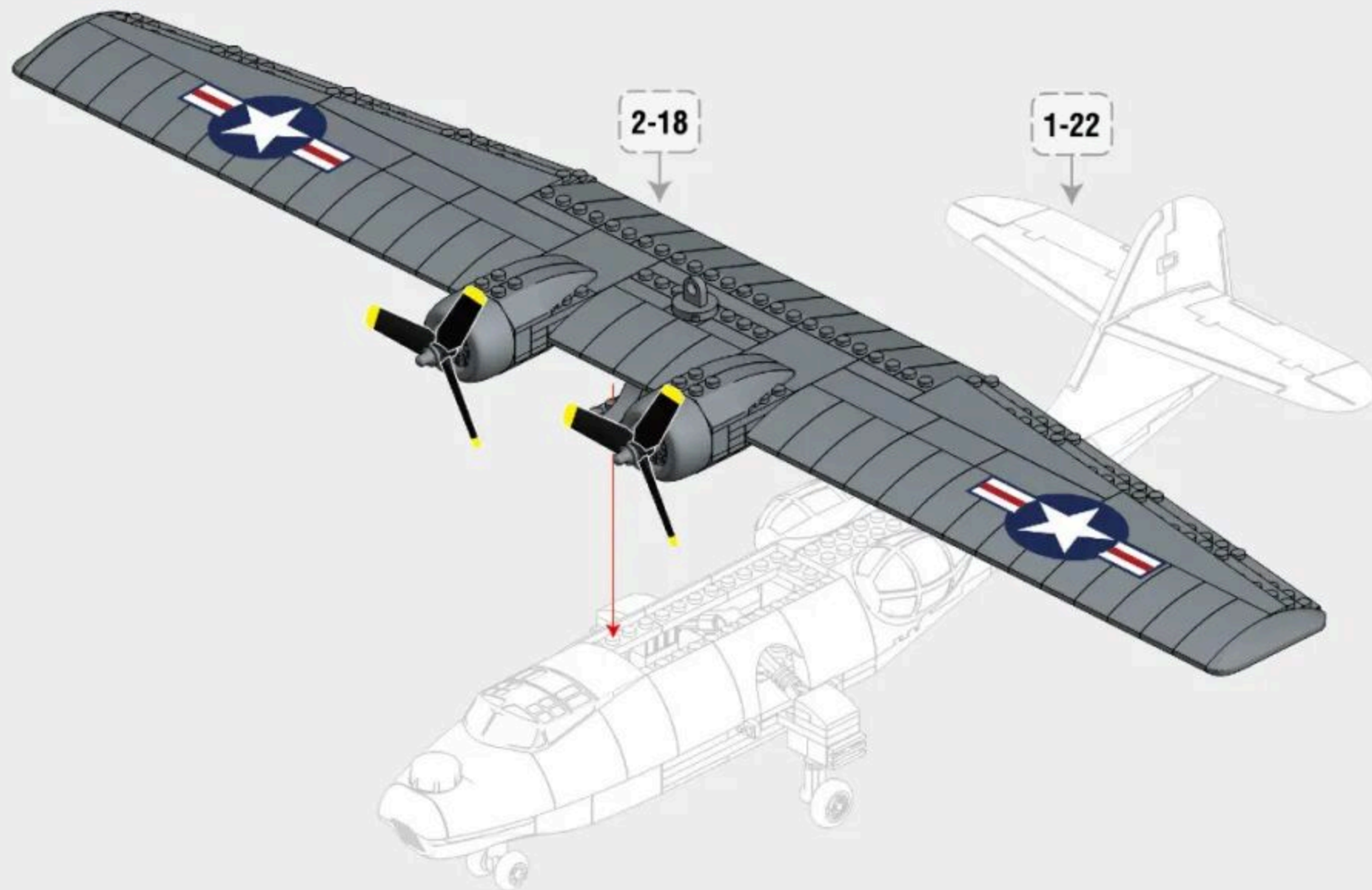
2-17



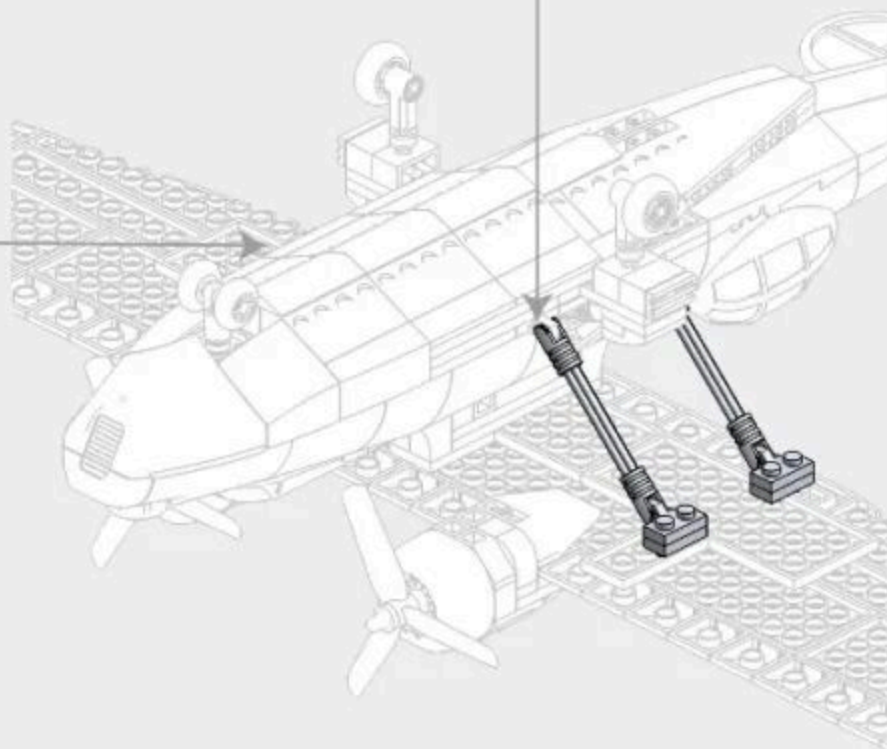
2-18



2-19



2-20



Building Instructions
安装示意图

