



DREAM-CAR



XB-03001

Richard H. H. H.

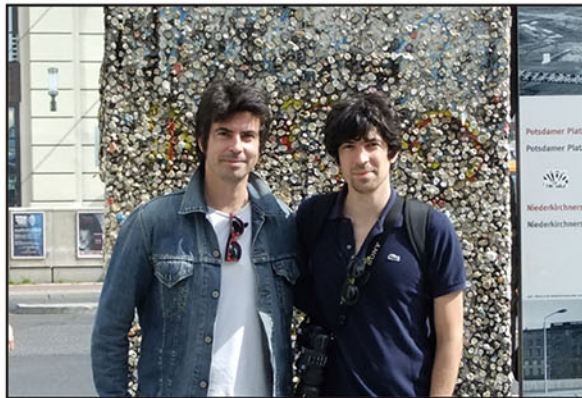
JINTIAN

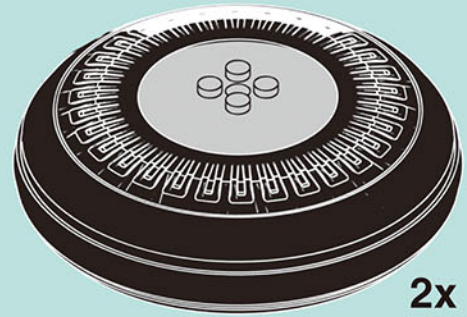
The author' s profile :

Name : Amador & Ramón Nationality : Spain

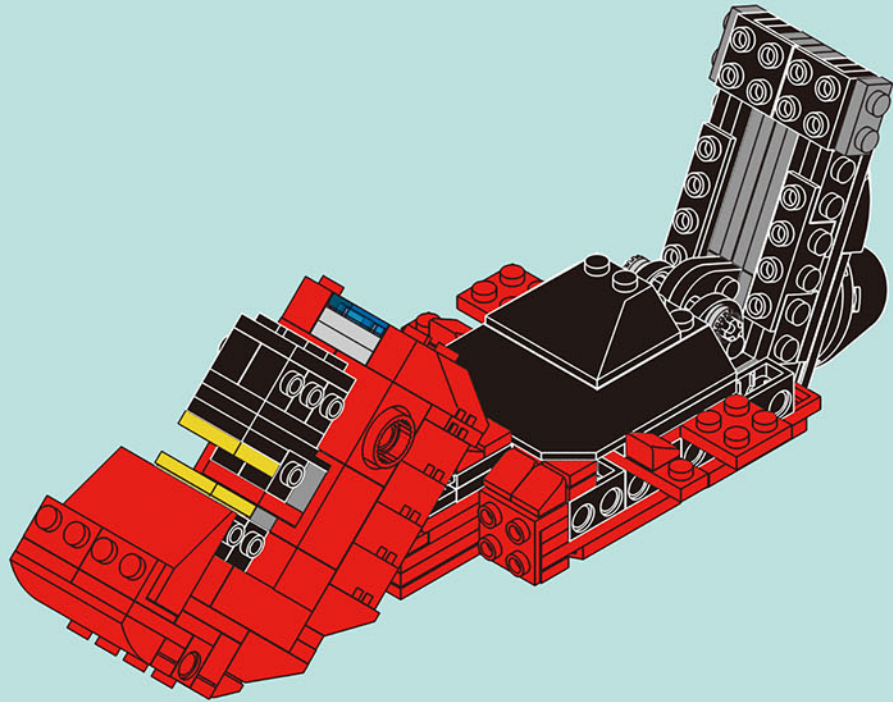
Amador & Ramón are the famous building block artwork creator.

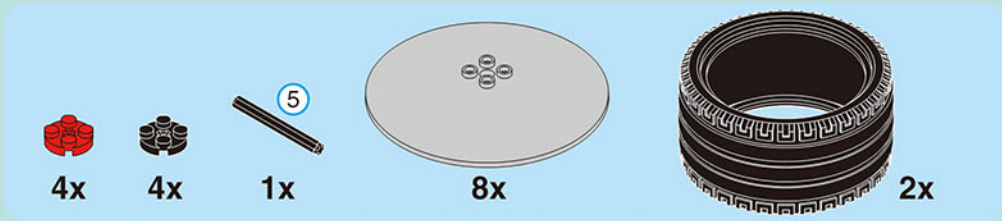
He start to touch building block when they were children in the early 80s.



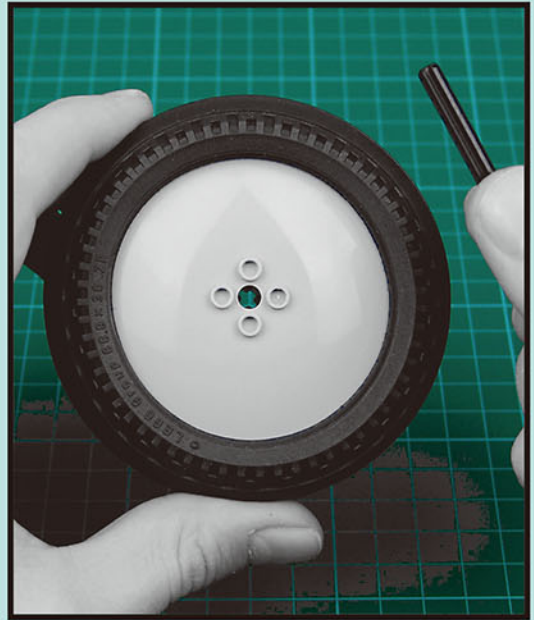
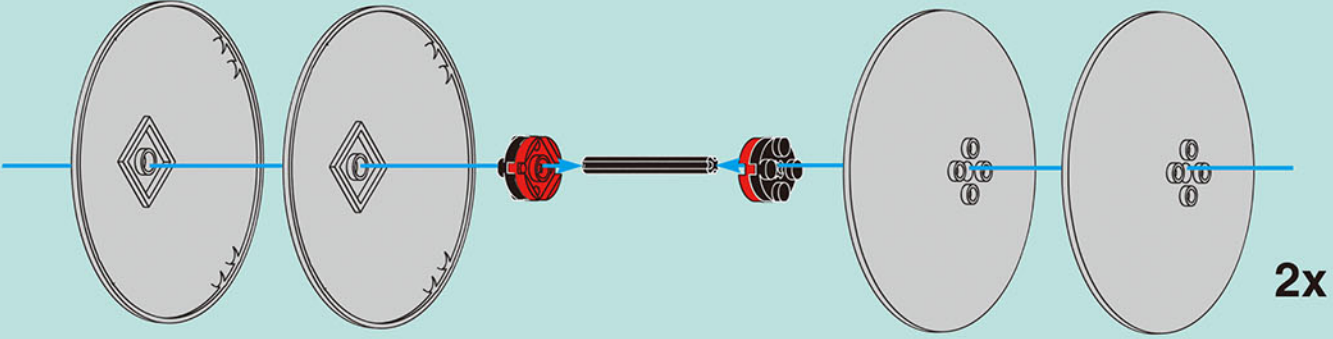


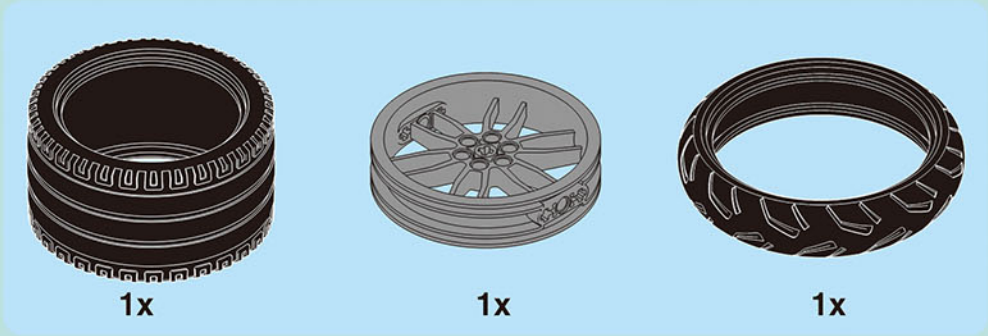
x4





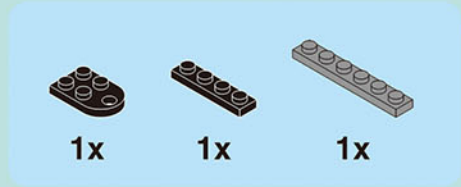
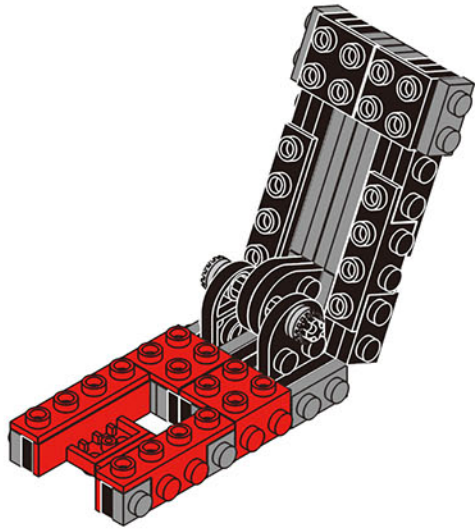
1-1



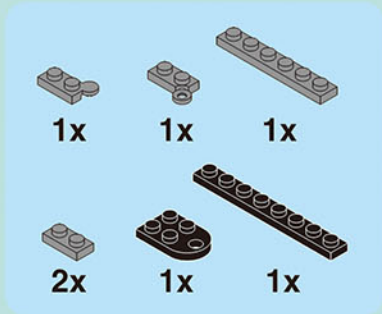
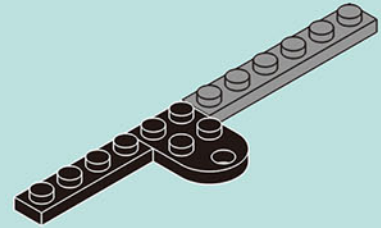


1-2

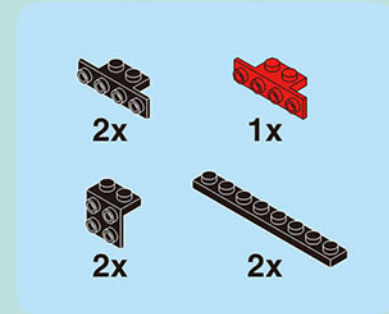
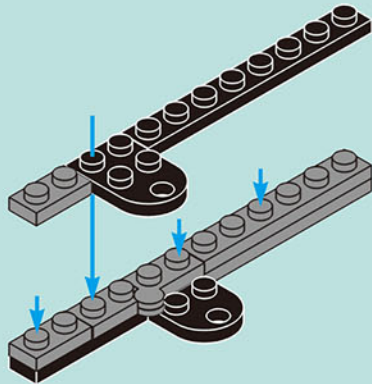




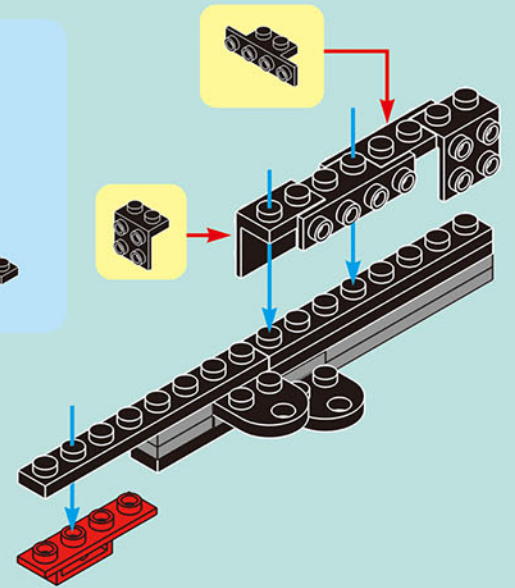
1-3.1A

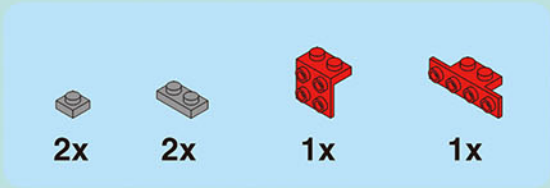


1-3.2A

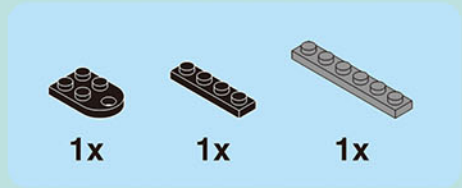
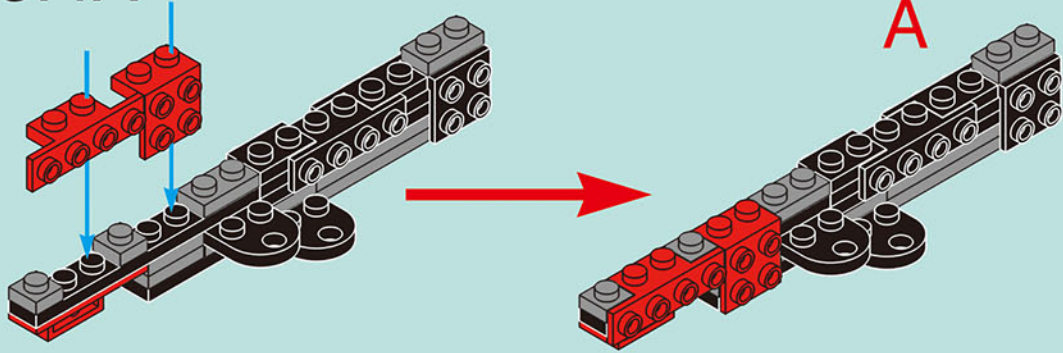


1-3.3A

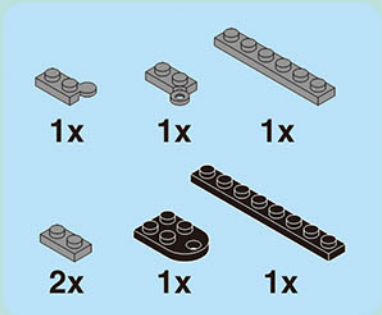
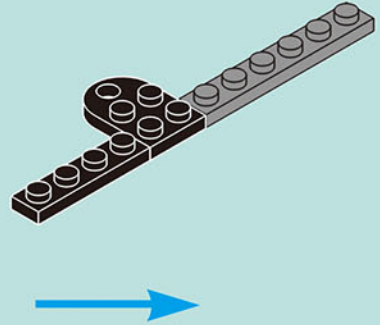




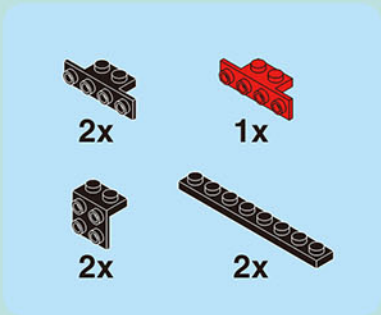
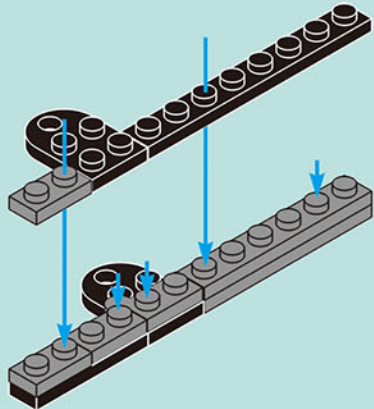
1-3.4A



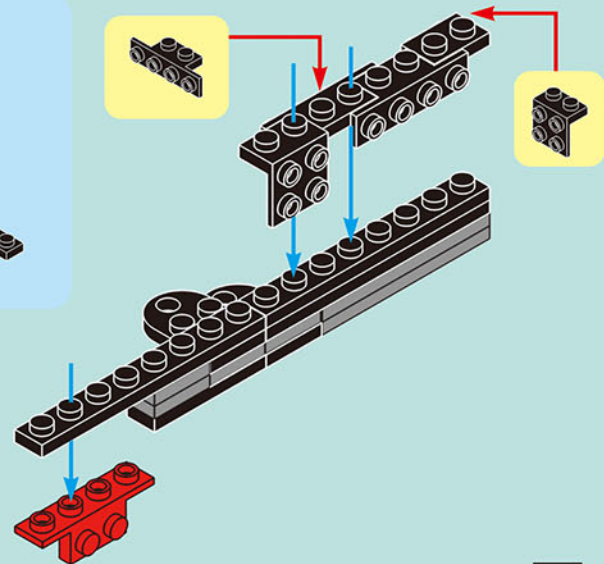
1-3.1B



1-3.2B



1-3.3B





2x



2x

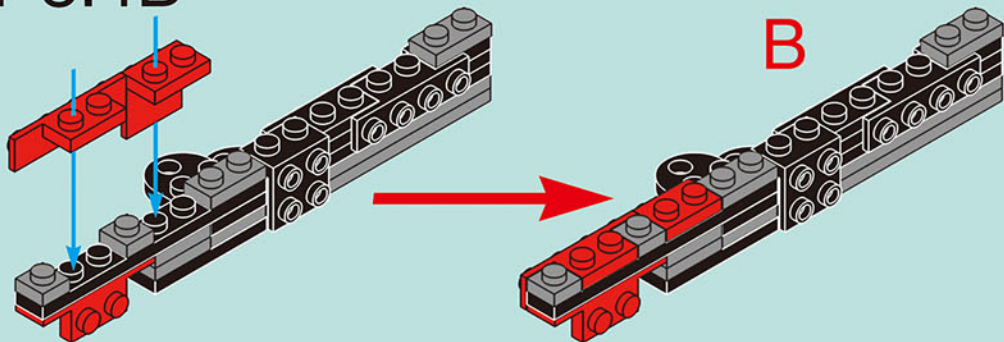


1x

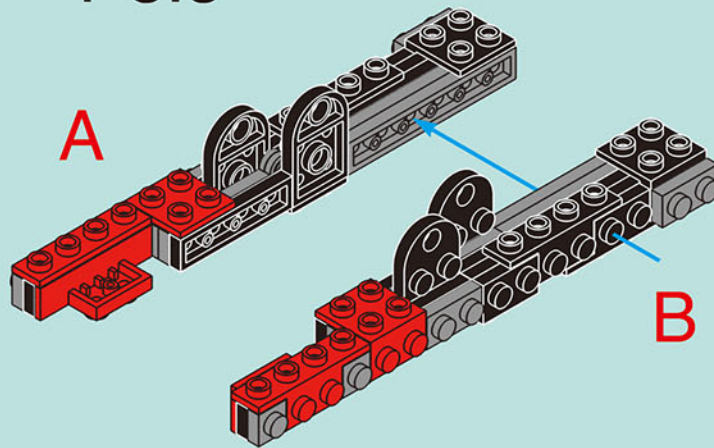


1x

1-3.4B



1-3.5



2x



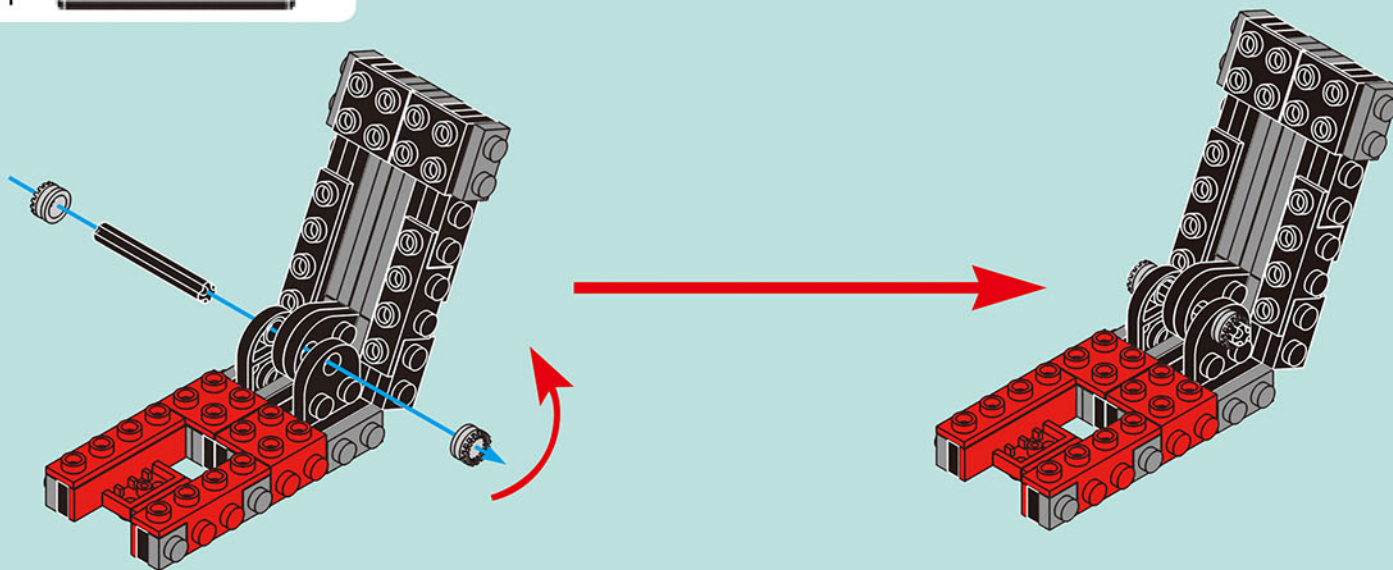
1x

4

④ 1:1



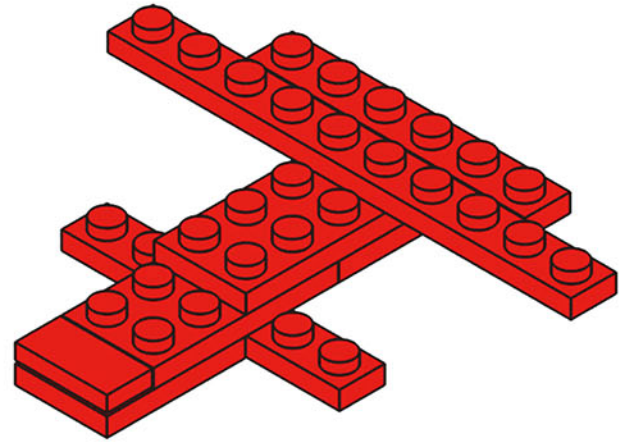
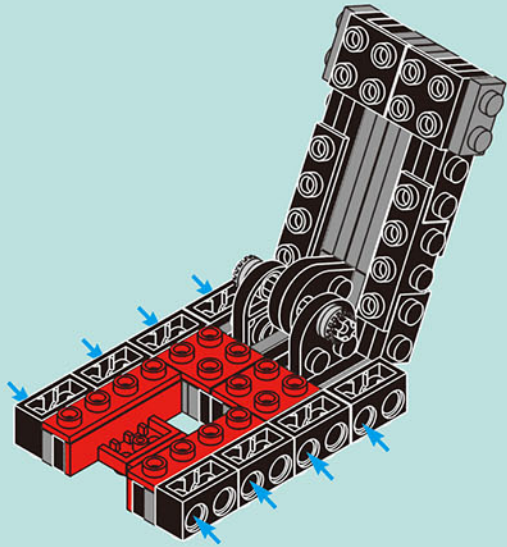
1-3



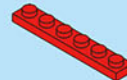


8x

1-4

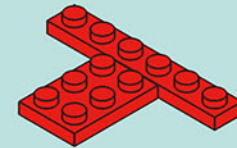


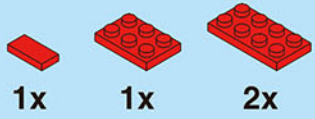
1x



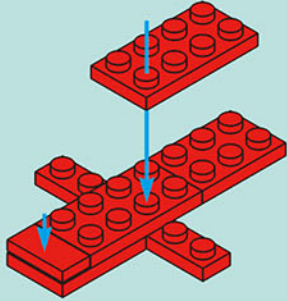
1x

1-5.1

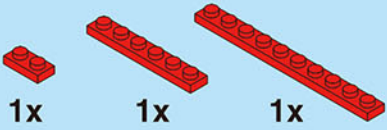




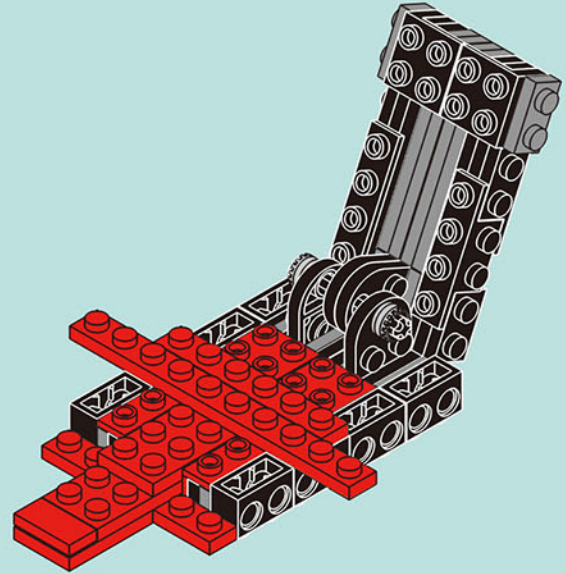
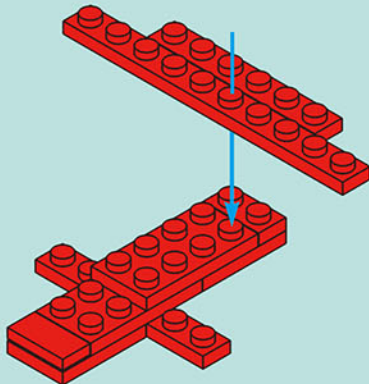
1-5.2



1-5



1-5.3

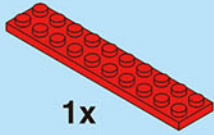




2x

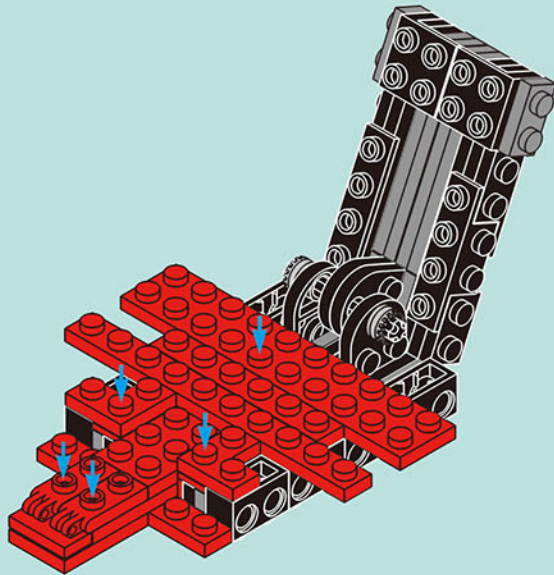


2x



1x

1-6



2x



2x

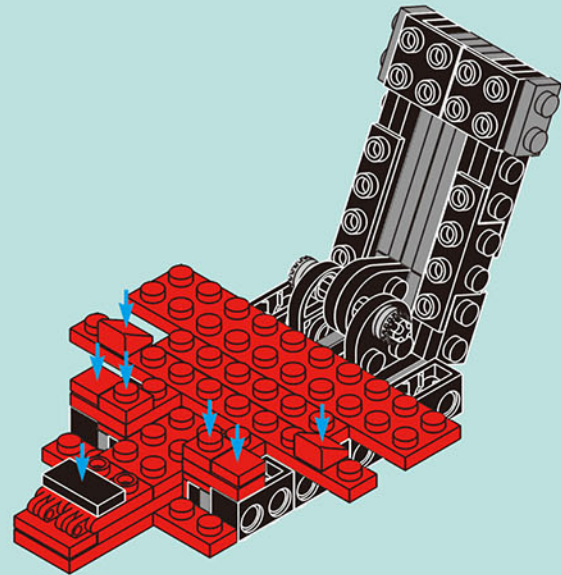


2x



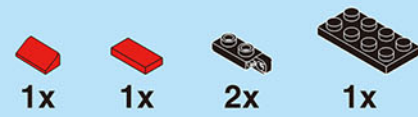
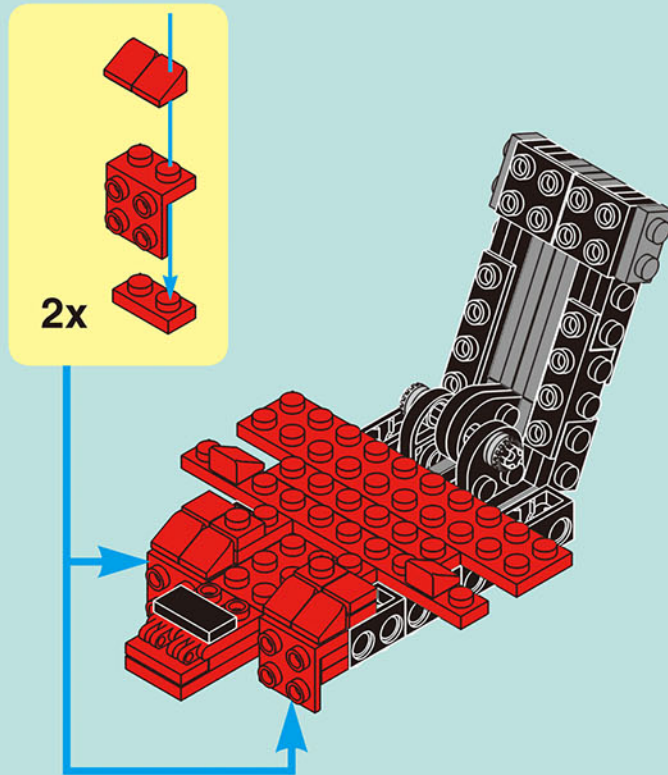
1x

1-7

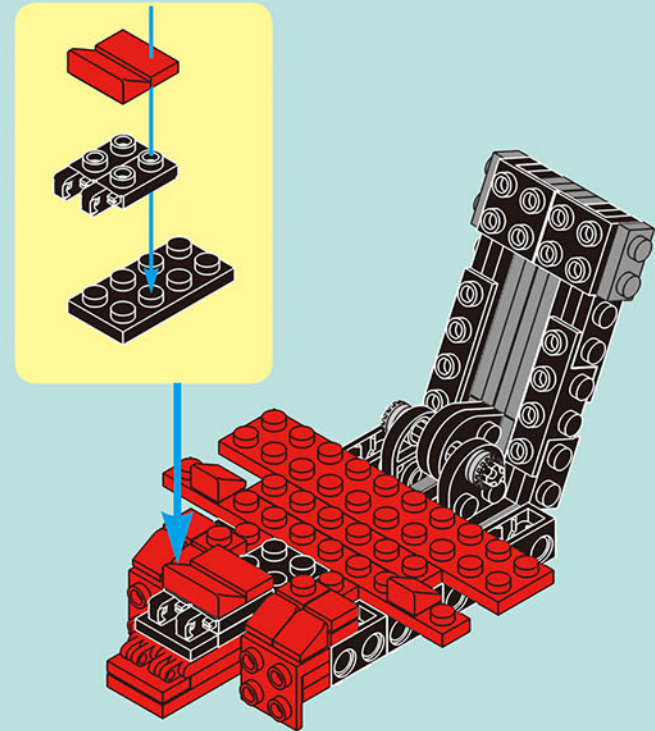


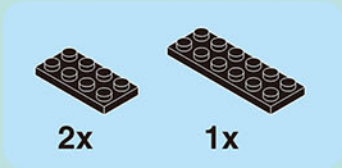
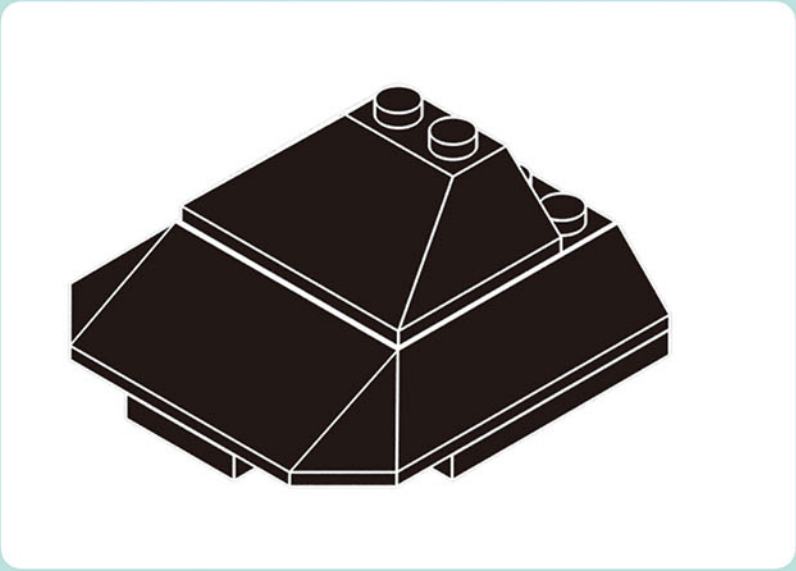


1-8

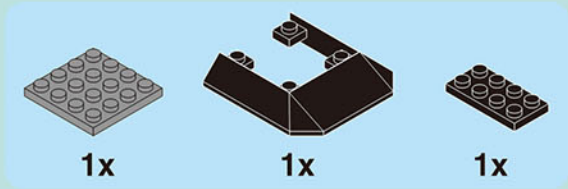
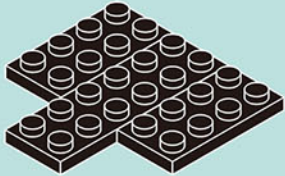


1-9

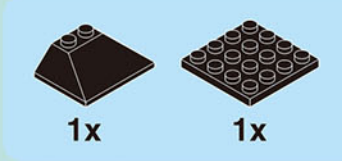
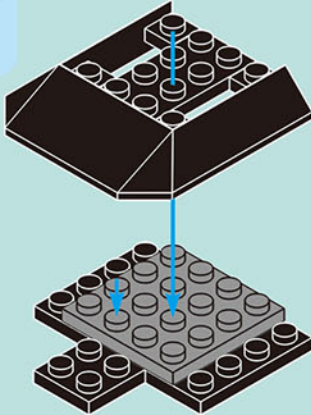




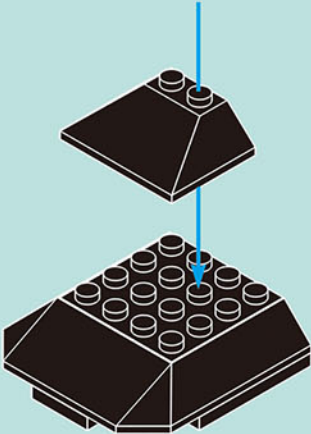
1-10.1



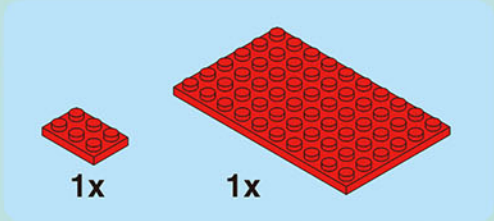
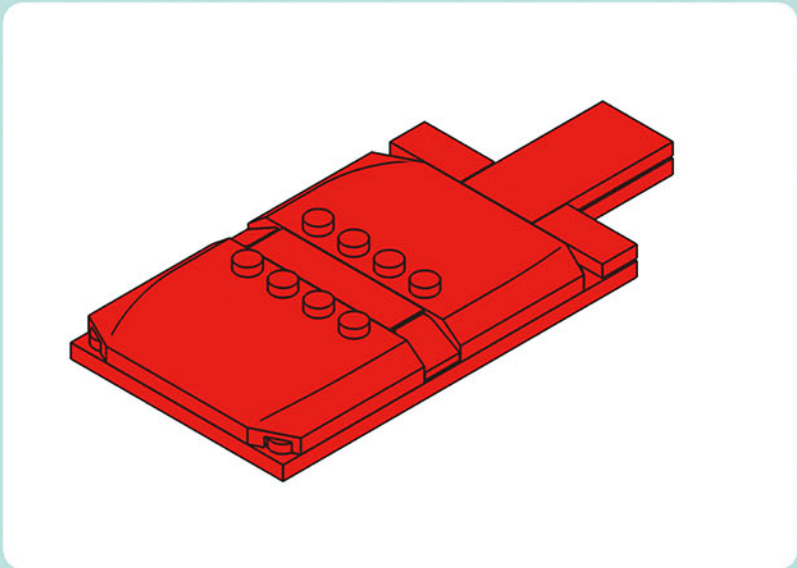
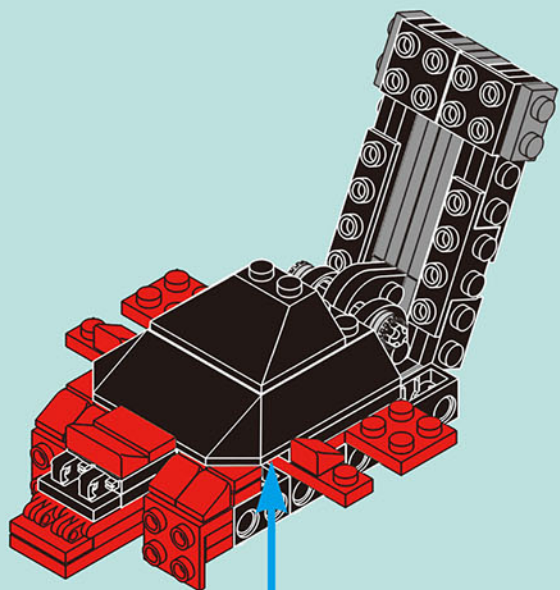
1-10.2



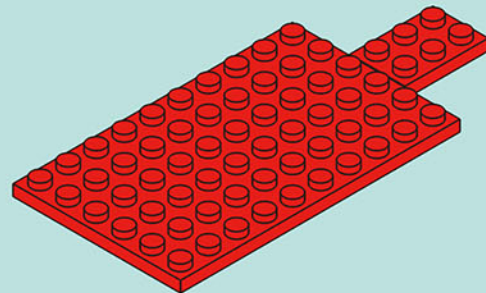
1-10.3

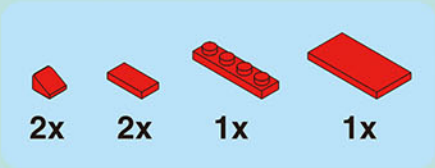


1-10

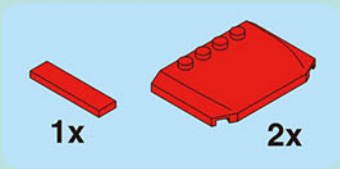
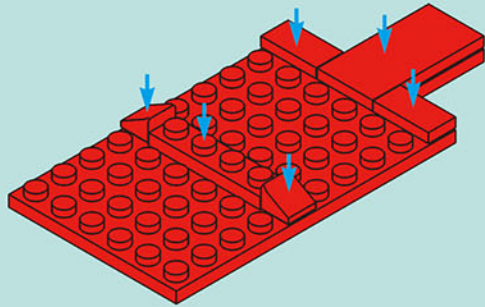


1-11.1

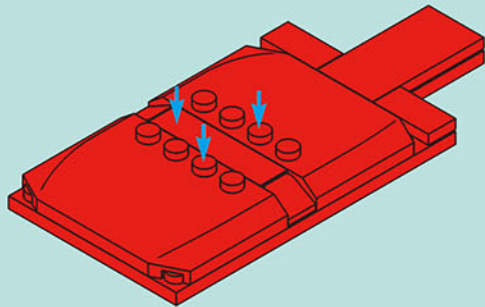




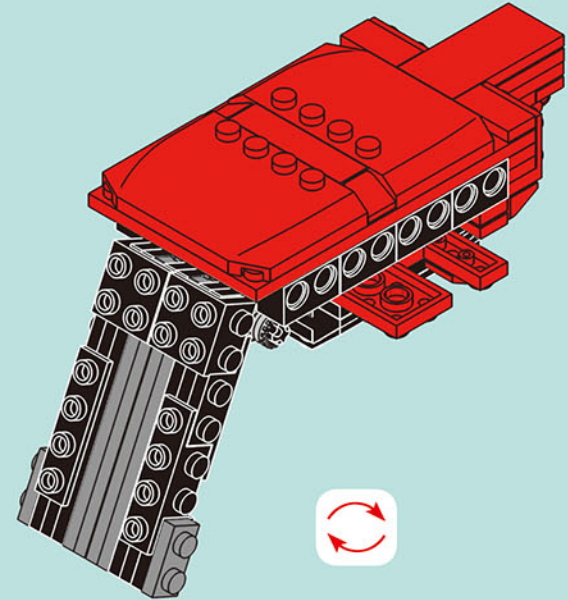
1-11.2

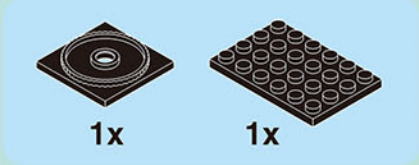
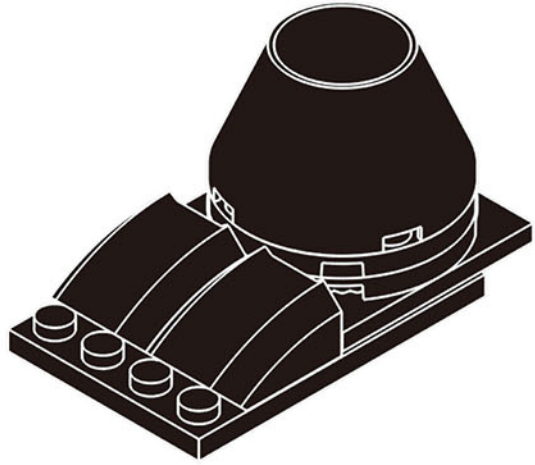


1-11.3

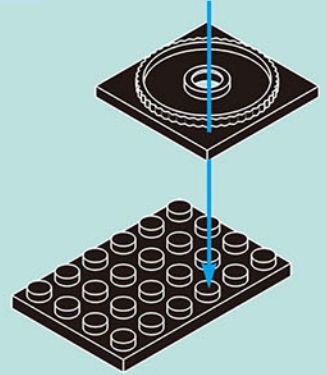


1-11

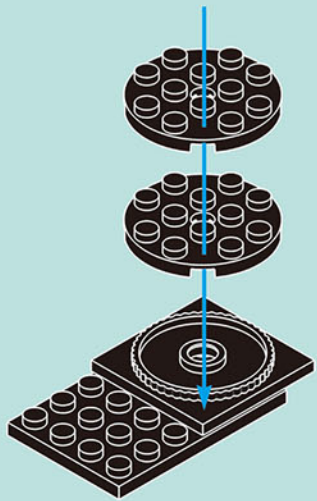




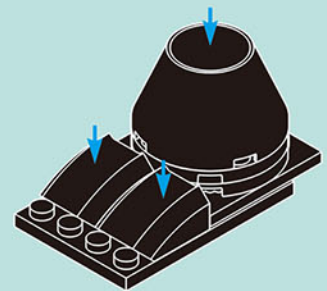
1-12.1



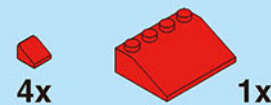
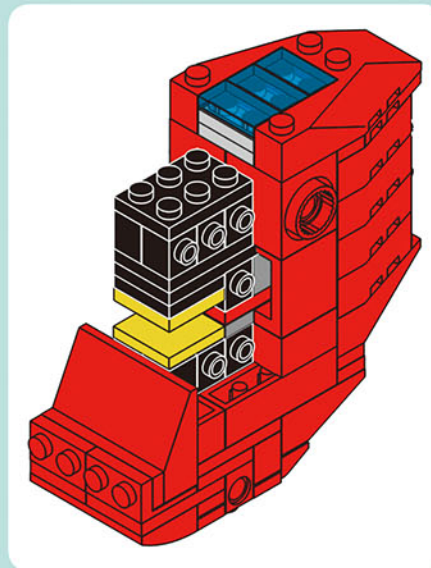
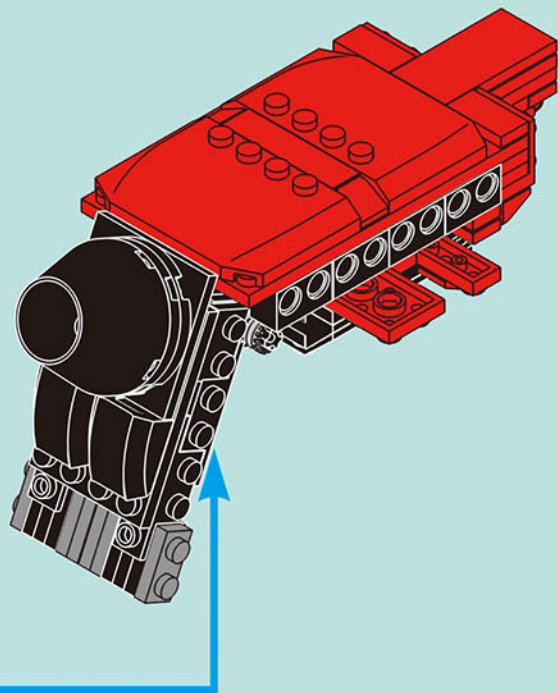
1-12.2



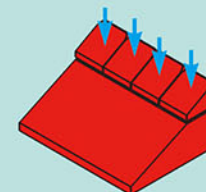
1-12.3



1-12



1-13.1



2x

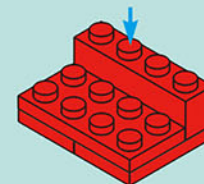
1-13.2



1x

1x

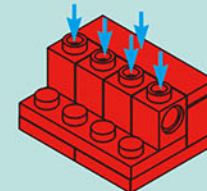
1-13.3

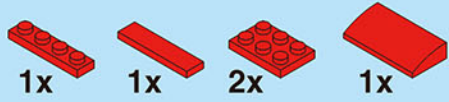


4x

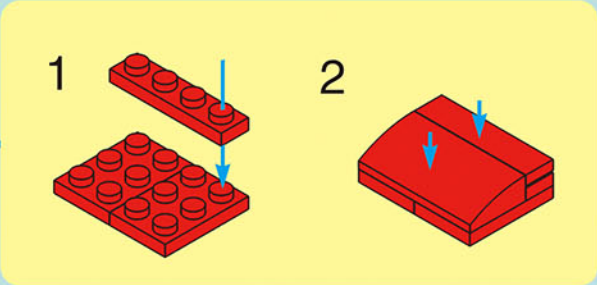
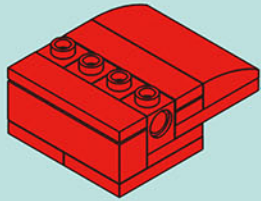
1x

1-13.4

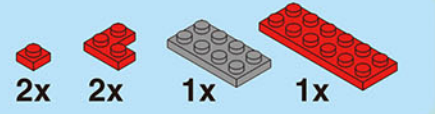
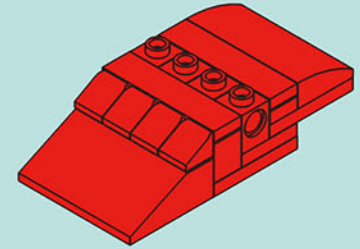




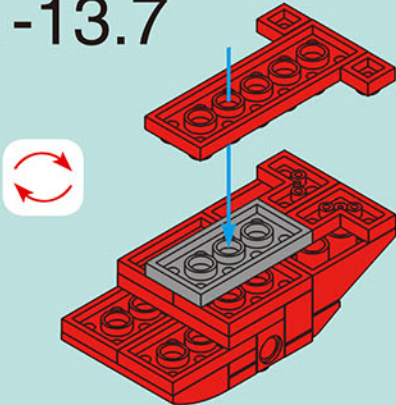
1-13.5



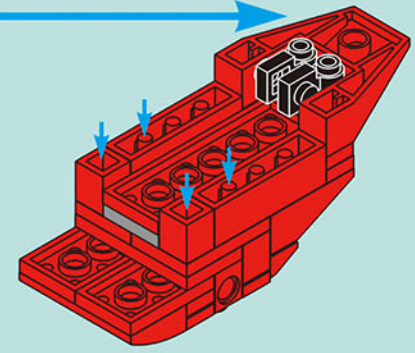
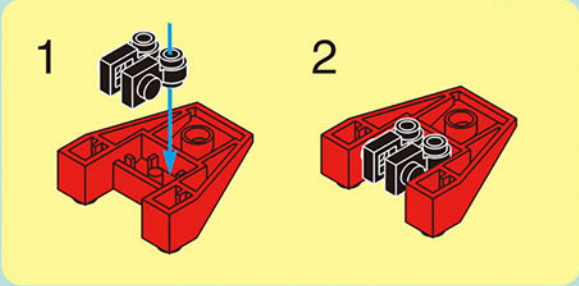
1-13.6

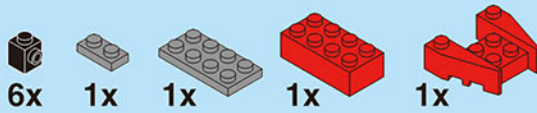


1-13.7

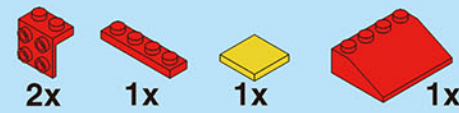
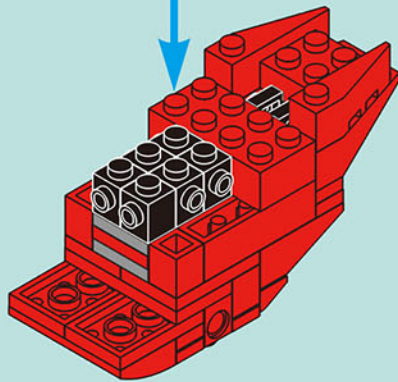
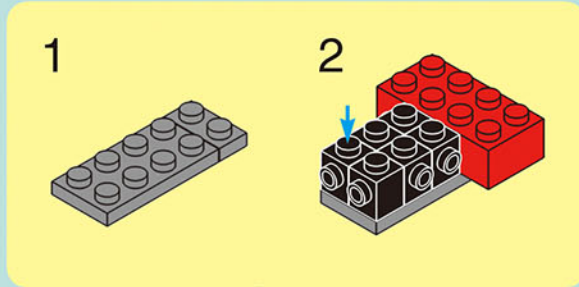


1-13.8

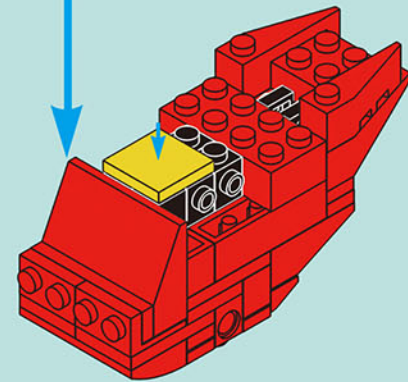
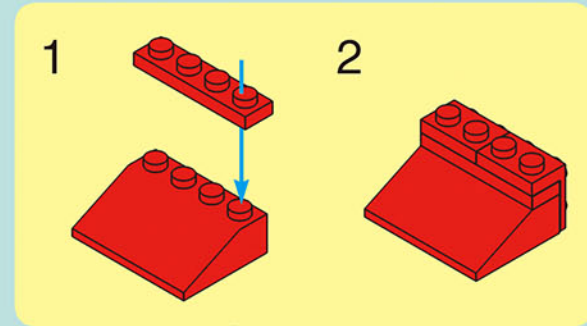




1-13.9



1-13.10





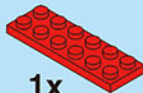
2x



1x



1x



1x

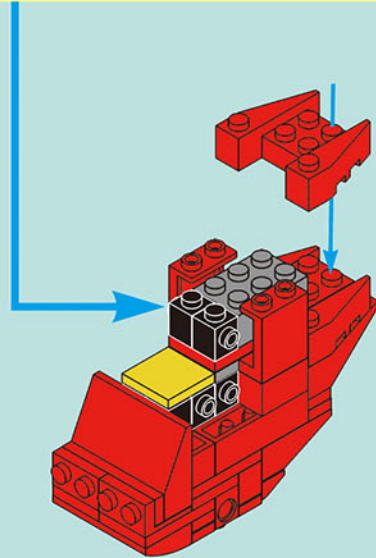
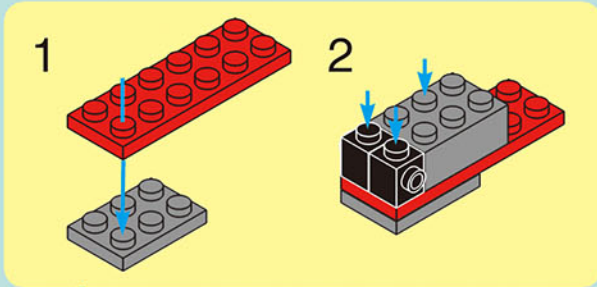


2x



1x

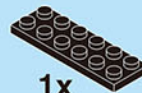
1-13.11



1x

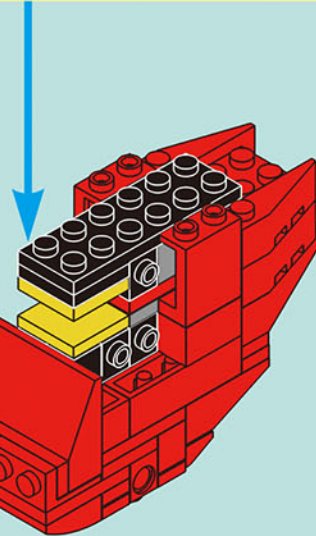
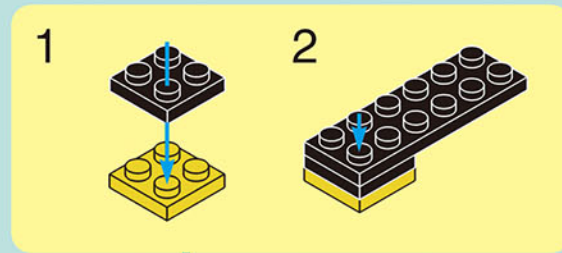


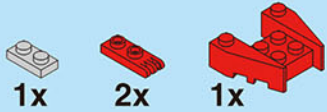
1x



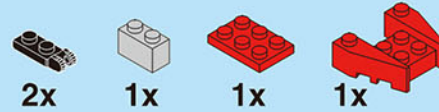
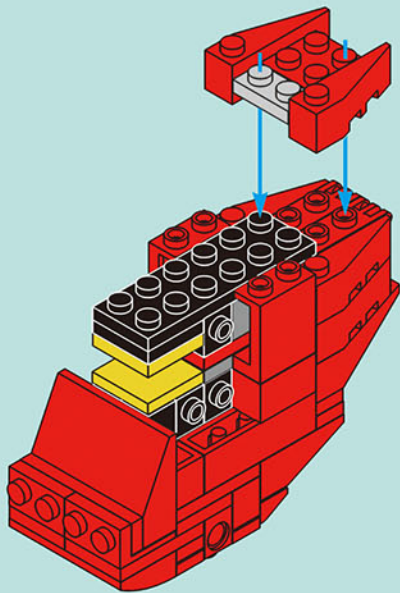
1x

1-13.12

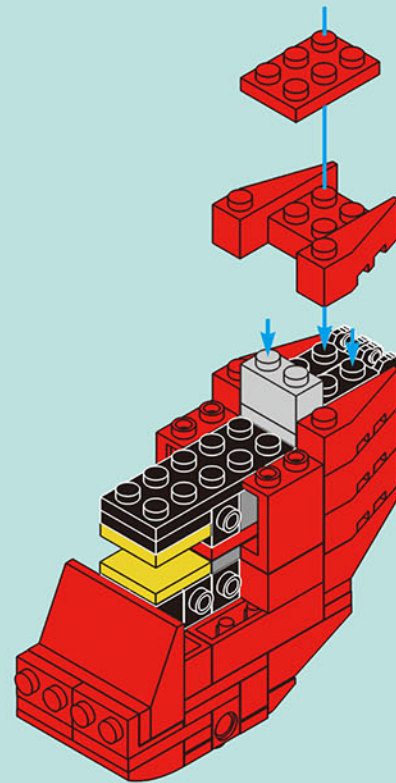


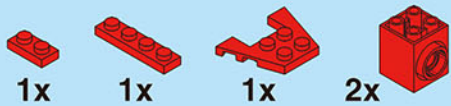


1-13.13

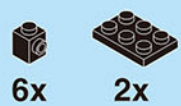
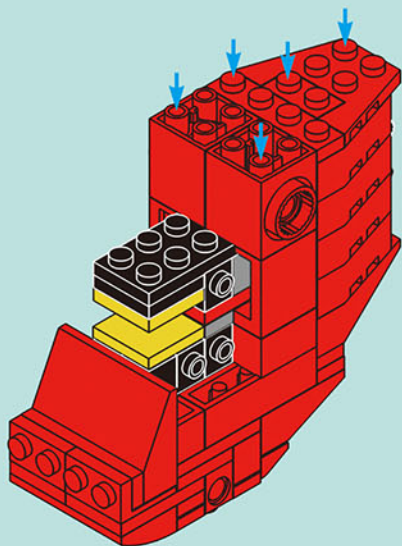


1-13.14

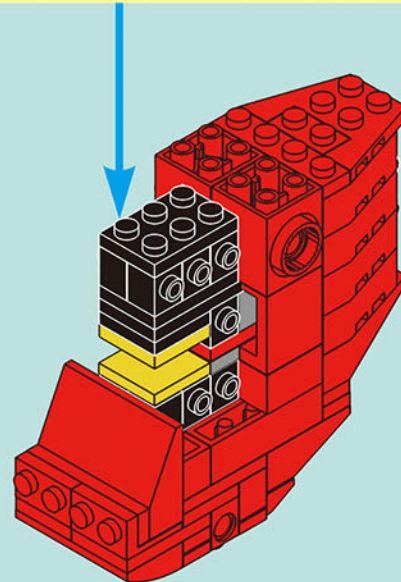
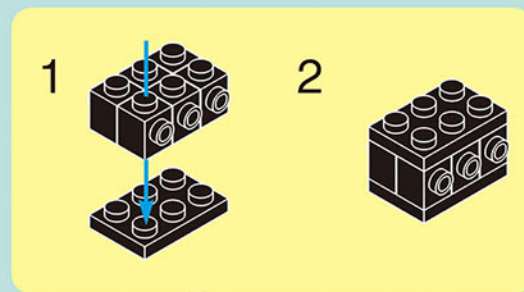


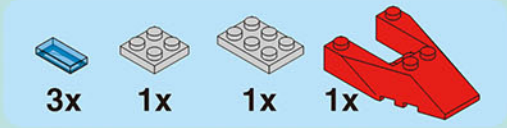


1-13.15

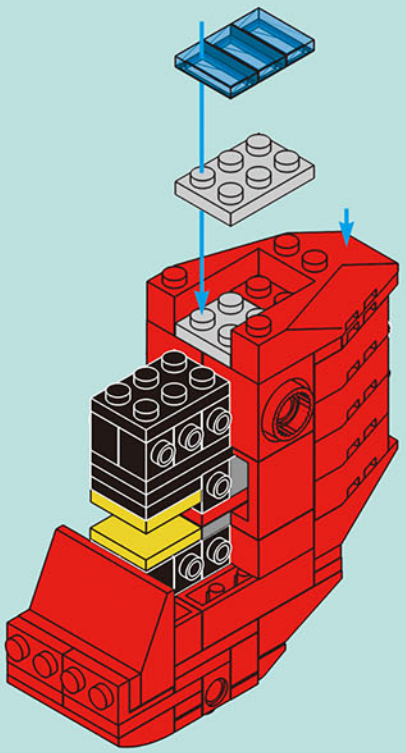


1-13.16

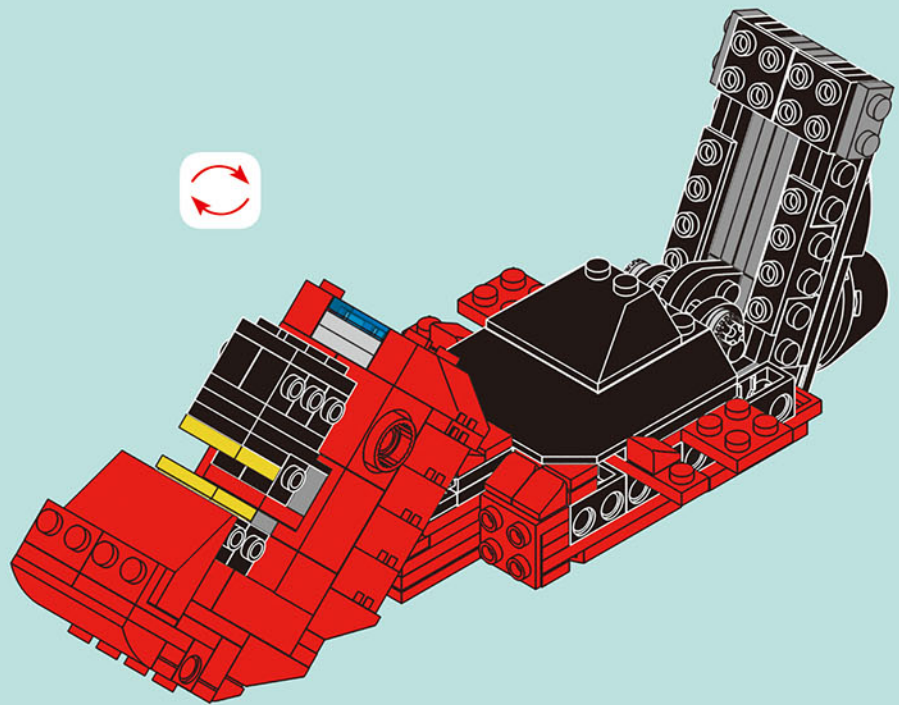




1-13.17



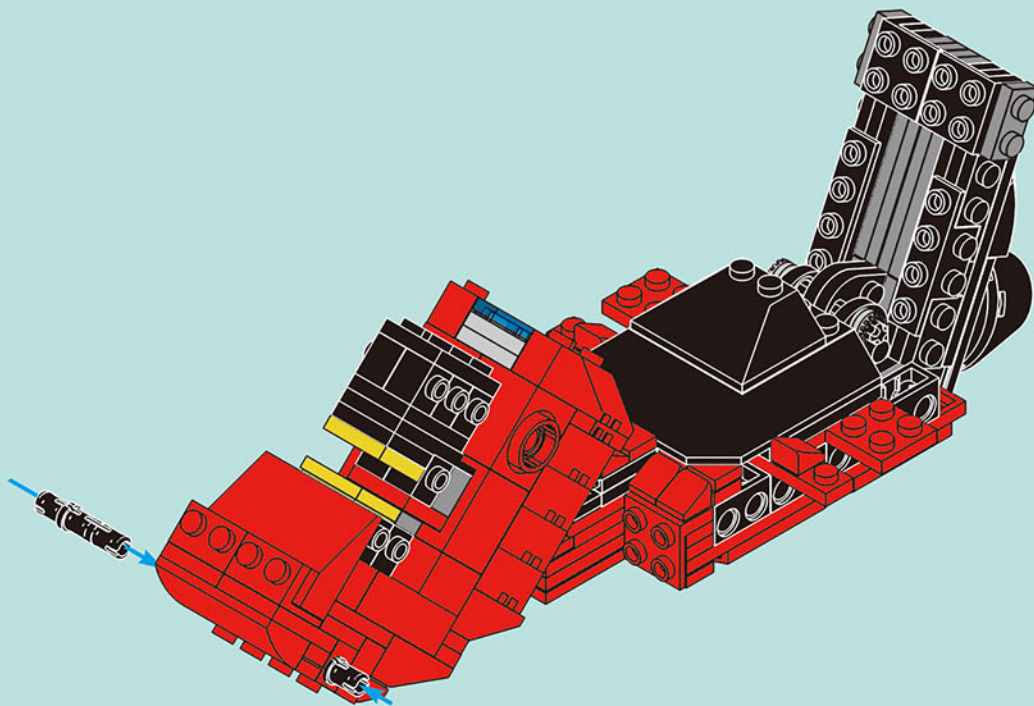
1-13





2x

1-14

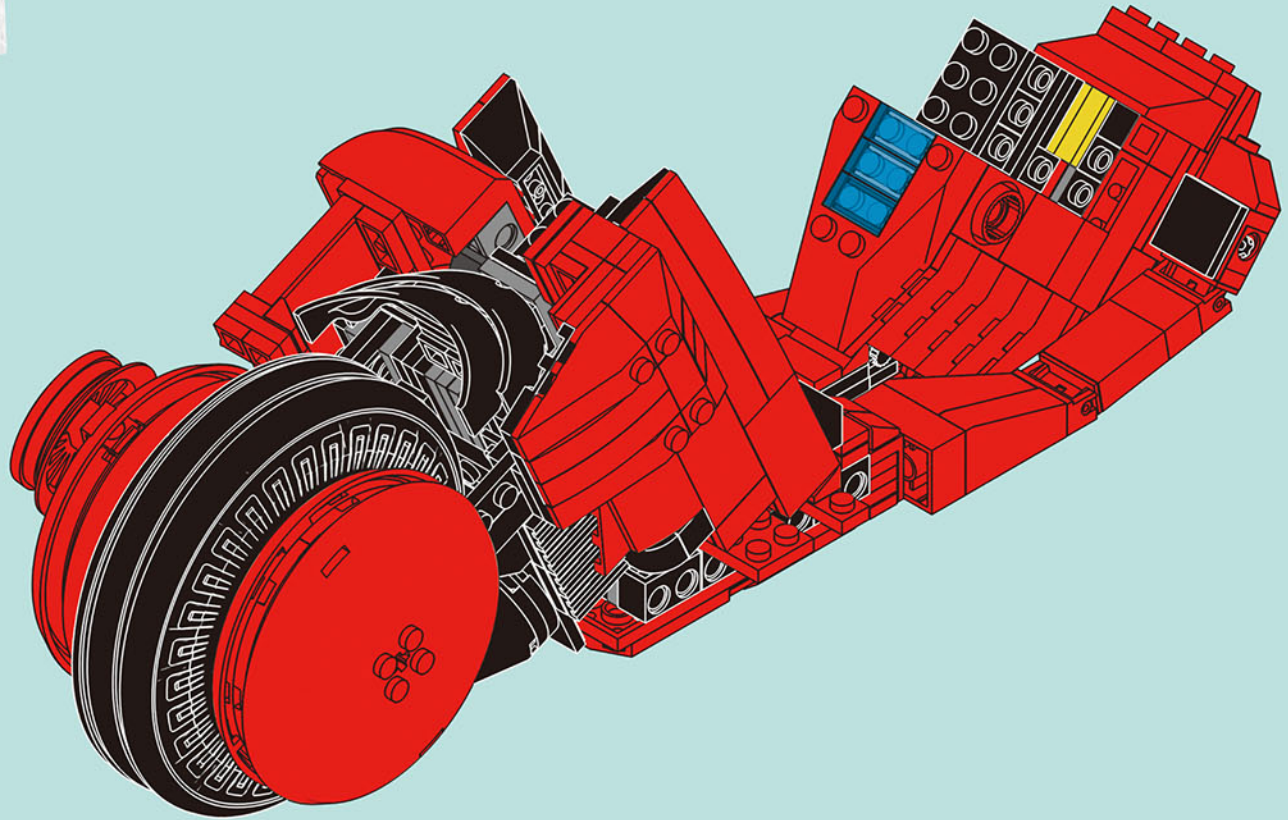


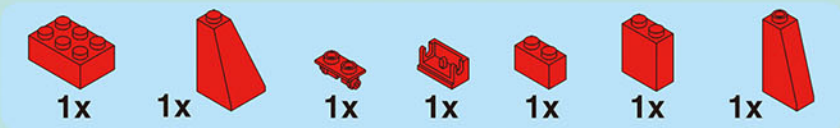
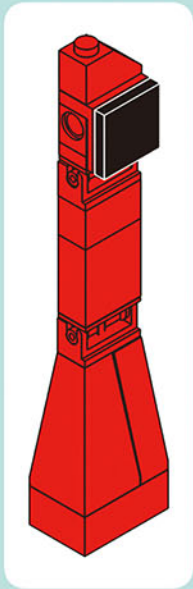


2

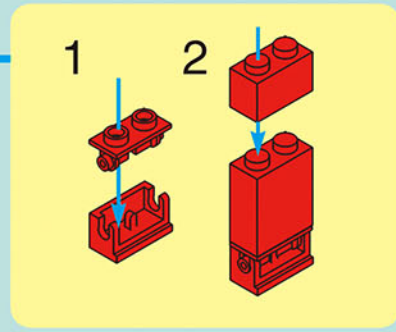
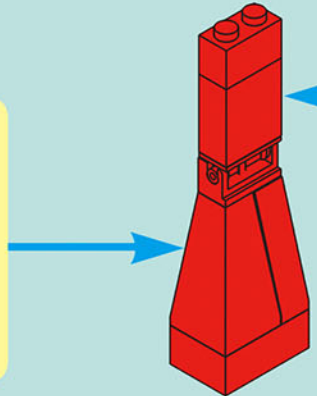
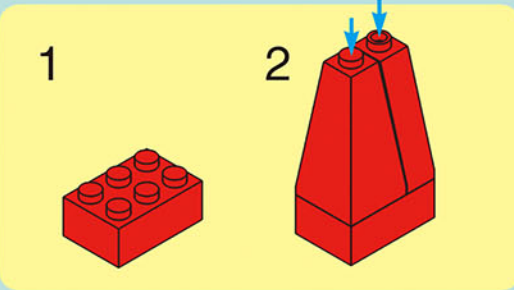


x4

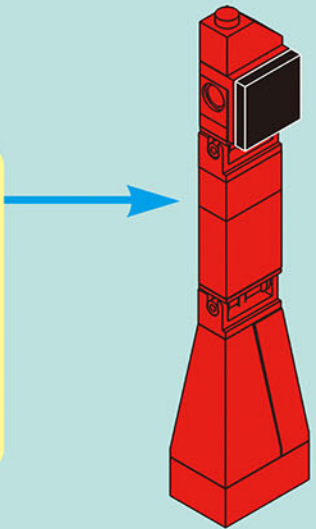
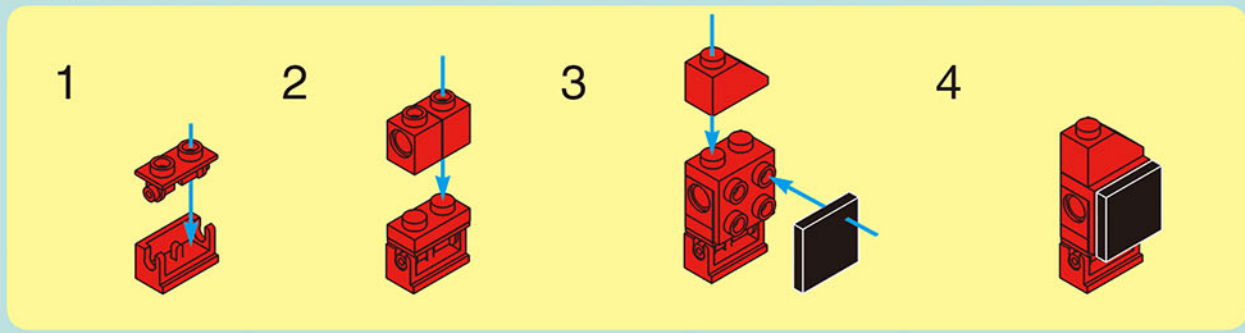




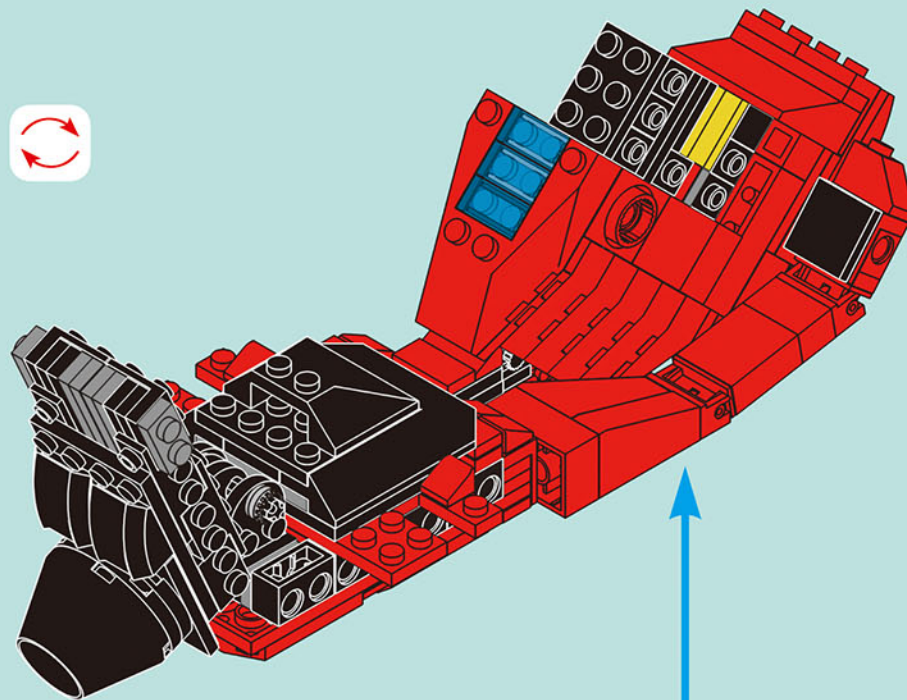
2-1.1

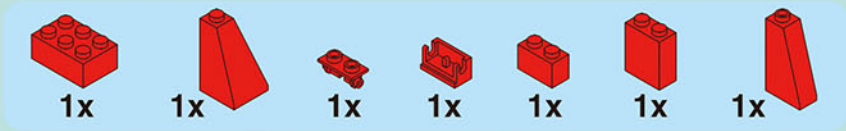
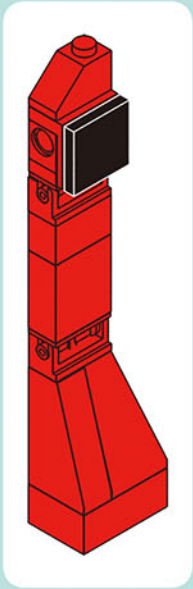


2-1.2

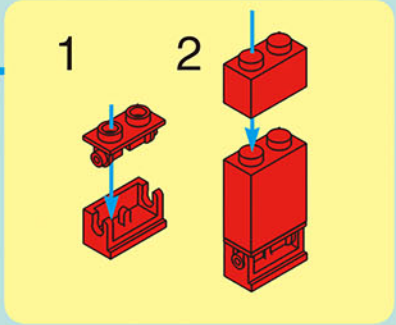
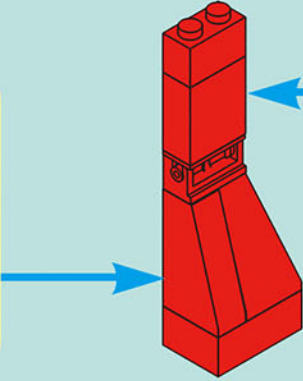
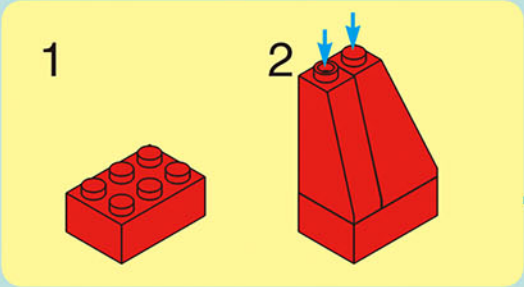


2-1

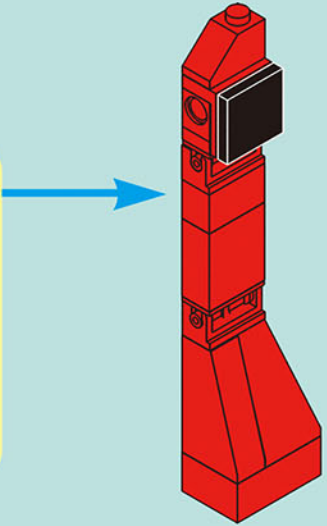
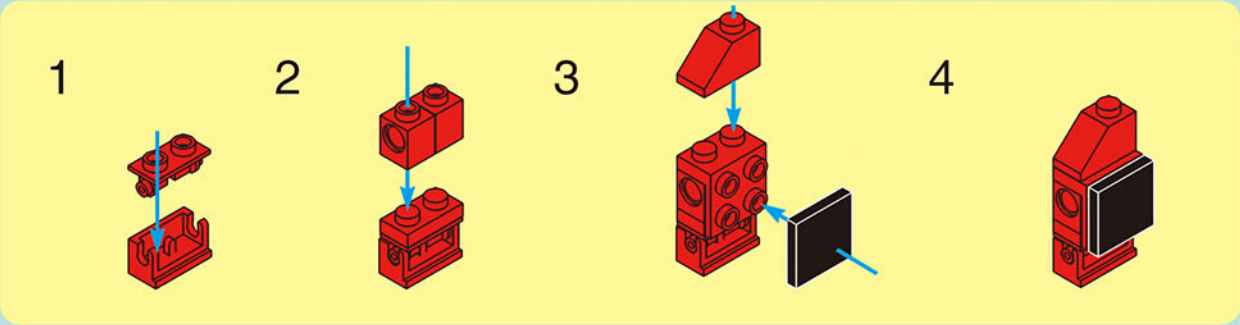




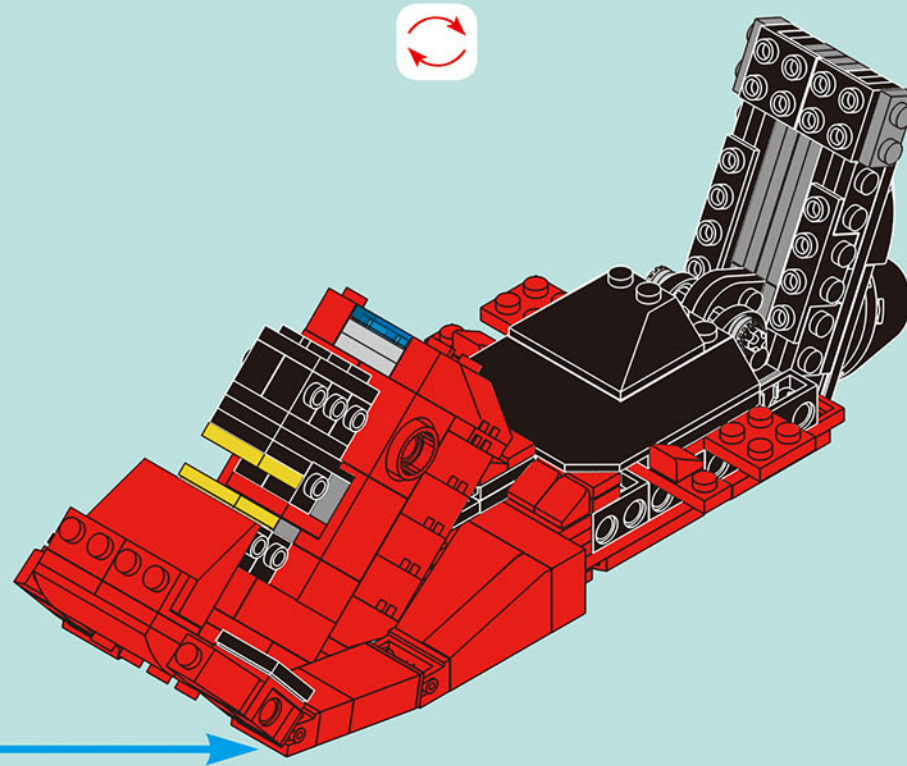
2-2.1

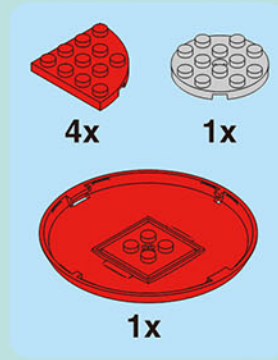
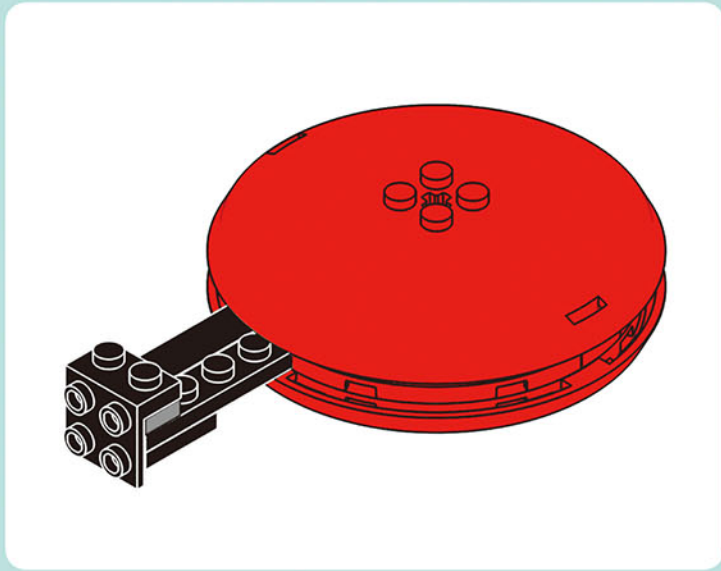


2-2.2

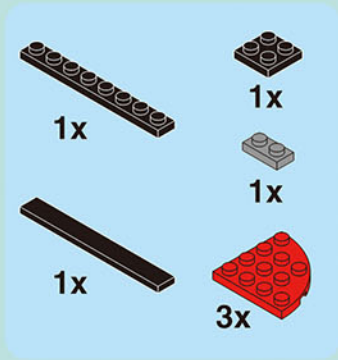
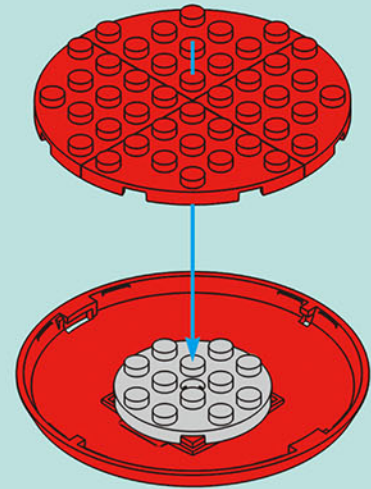


2-2

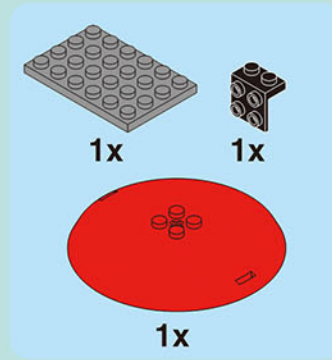
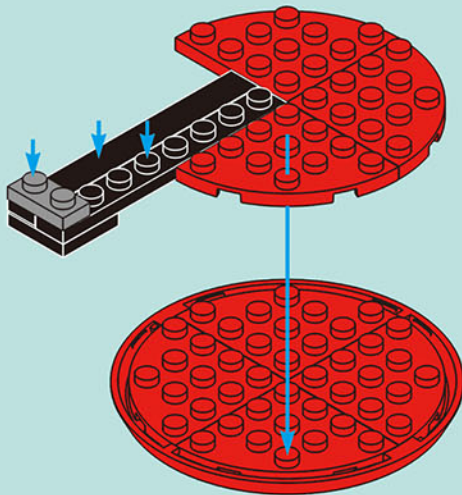




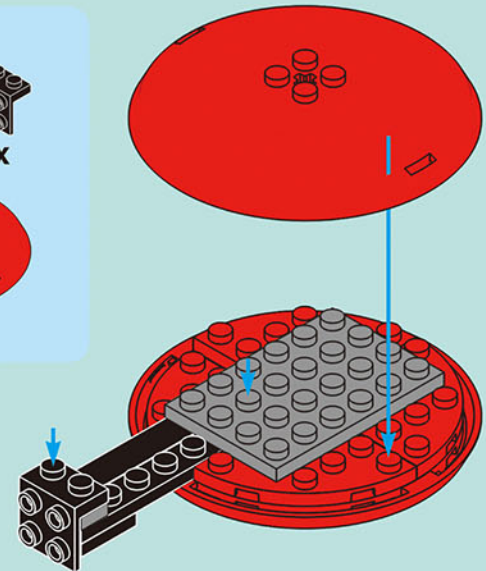
2-3.1



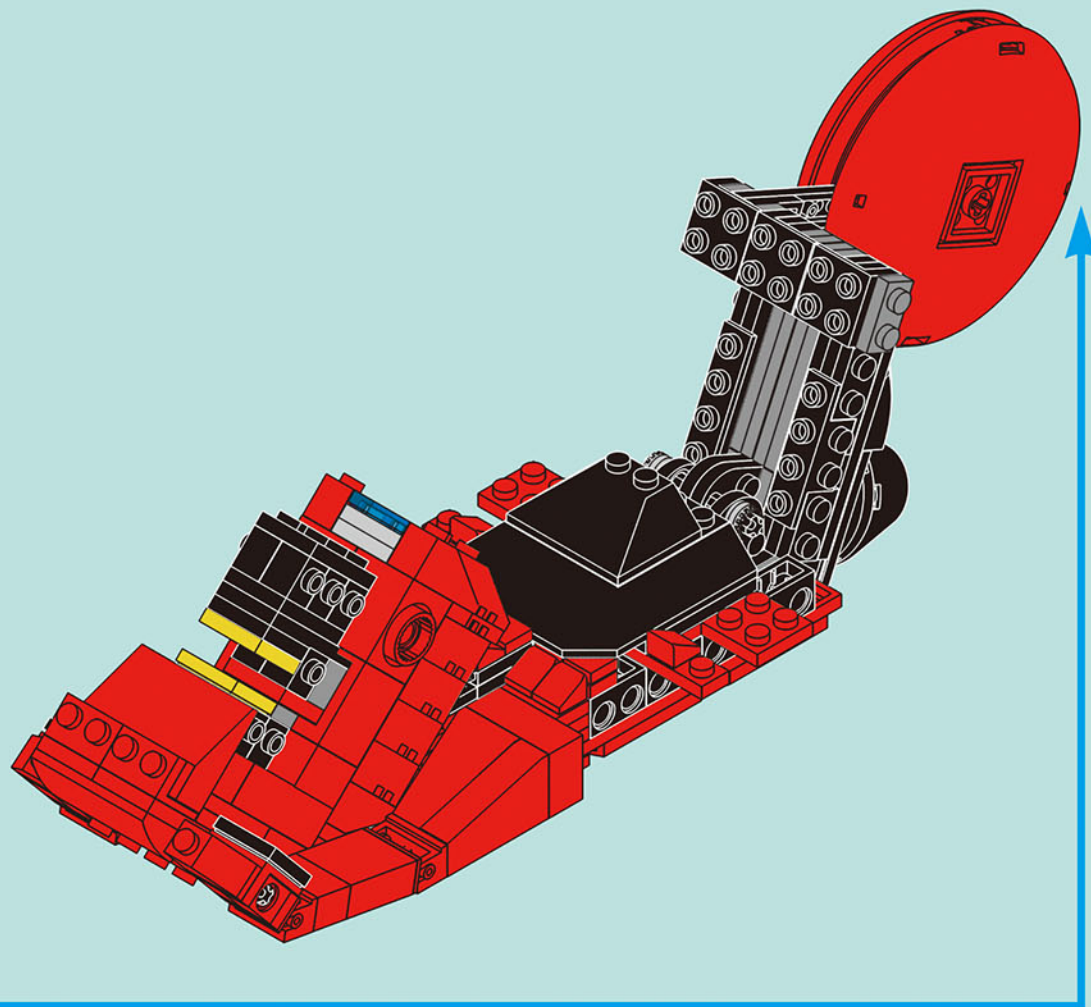
2-3.2



2-3.3



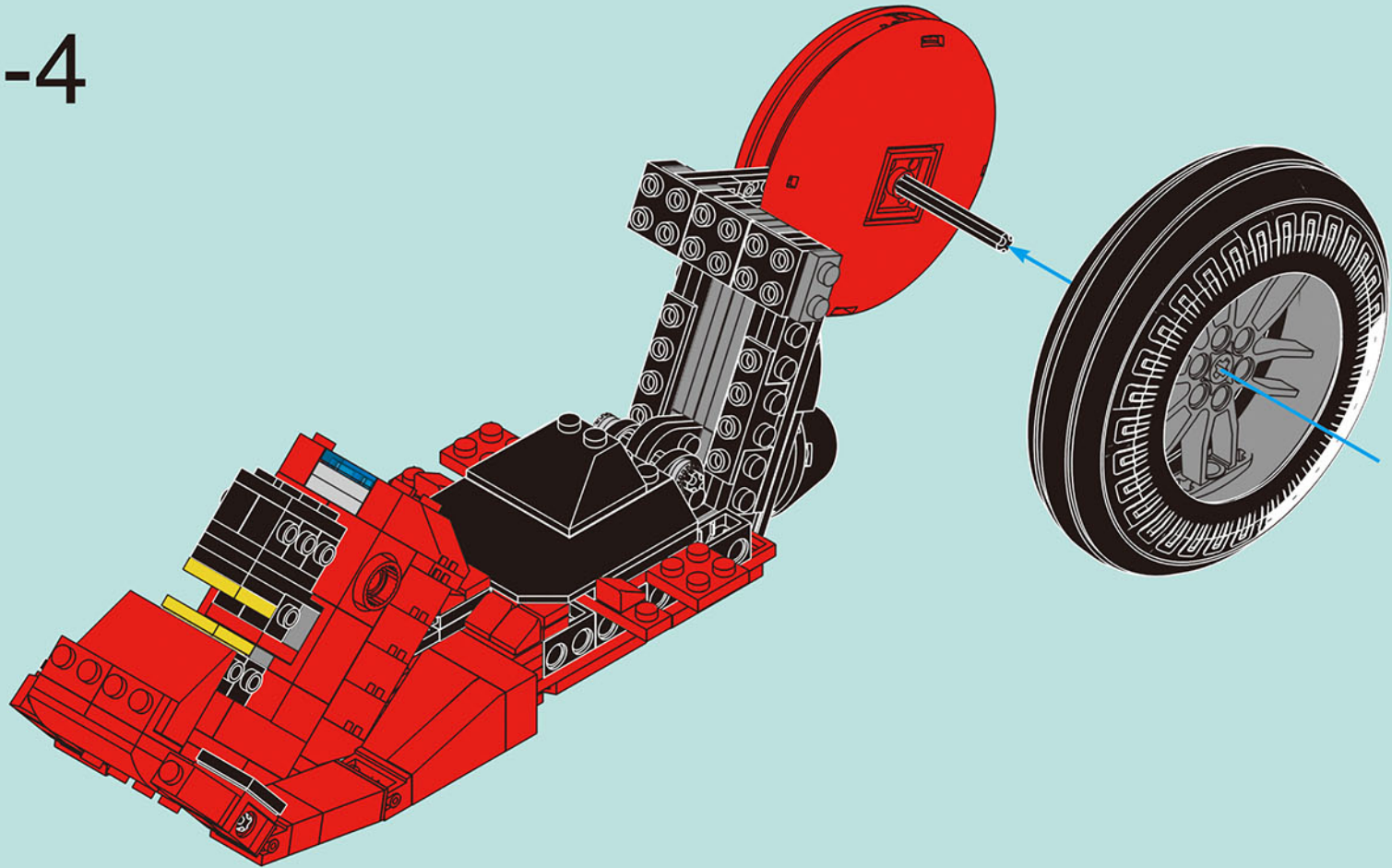
2-3

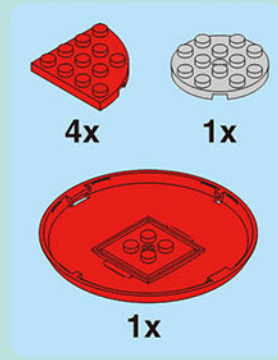
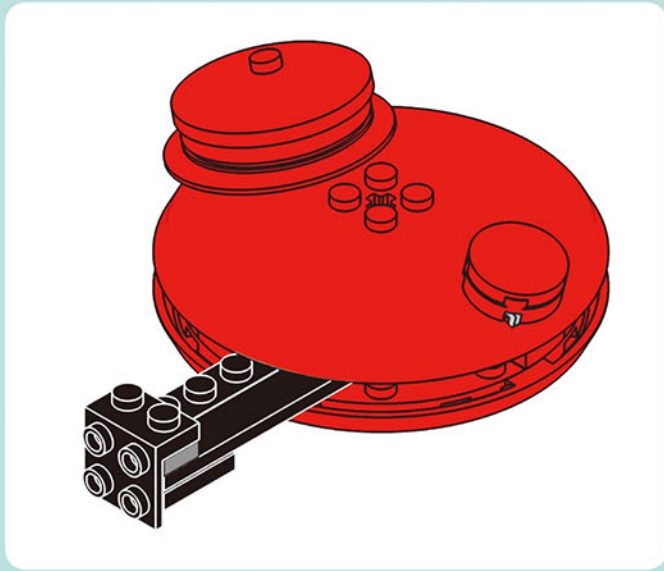




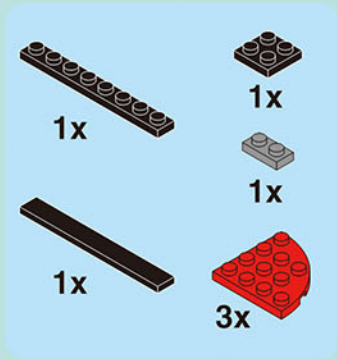
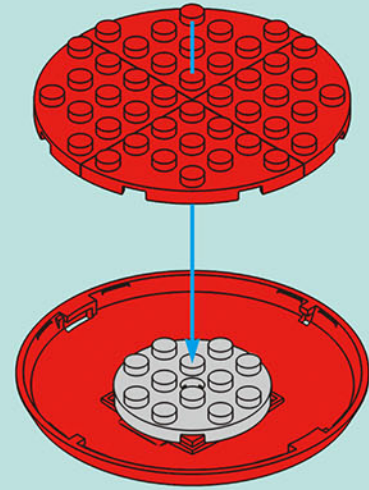
⑤ 1:1 

2-4

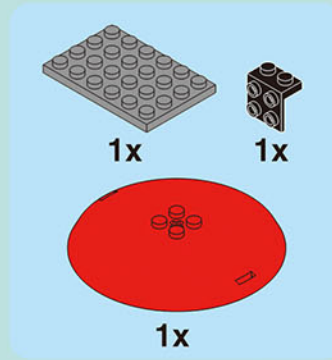
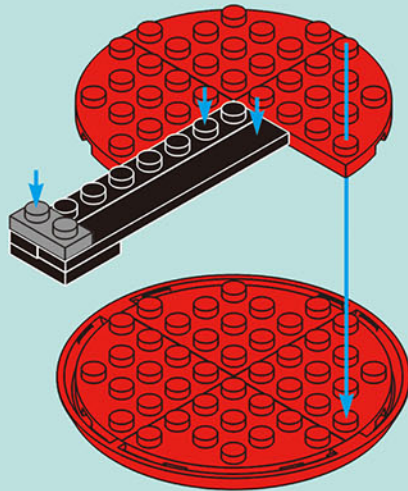




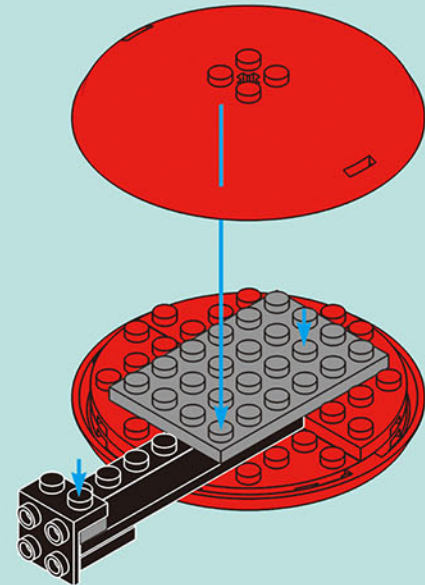
2-5.1

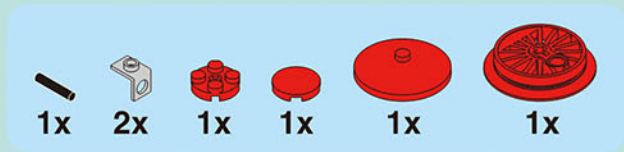


2-5.2



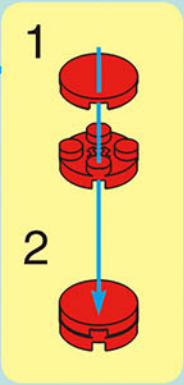
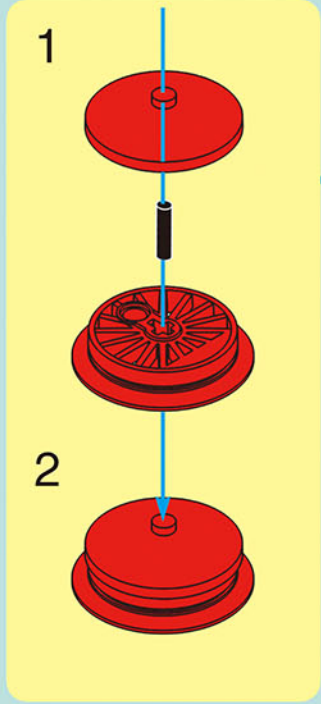
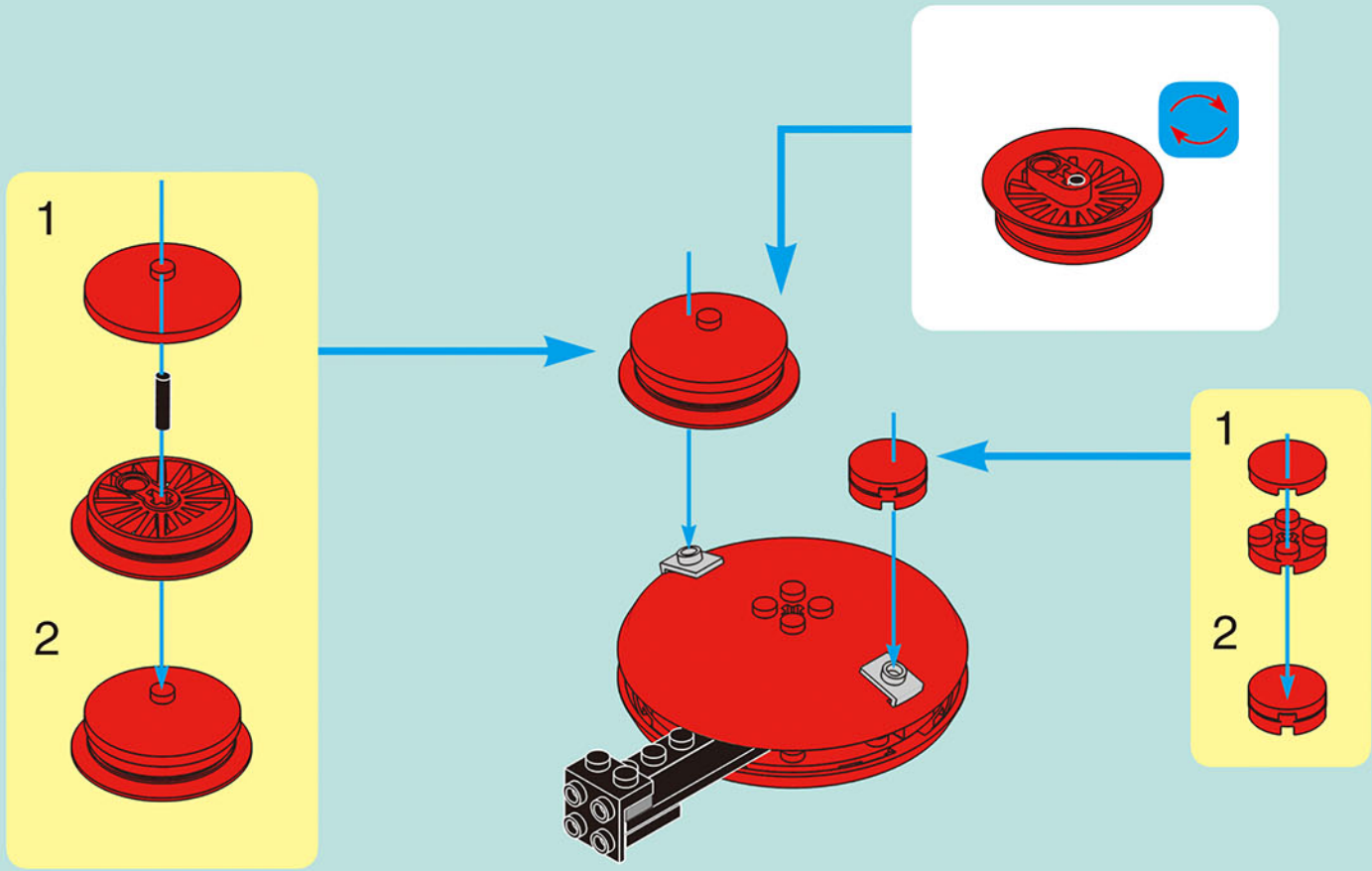
2-5.3



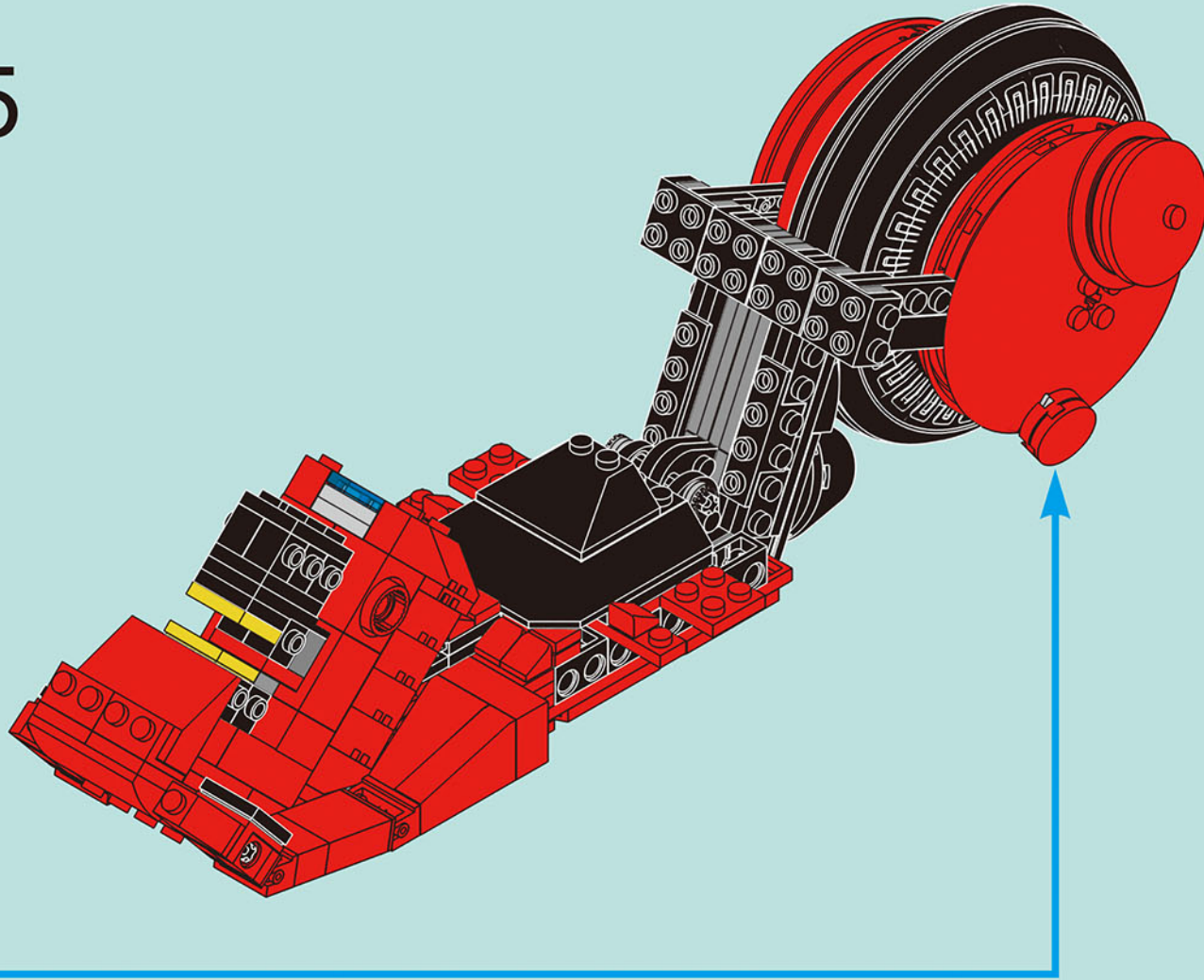


软管 1:1 

2-5.4



2-5



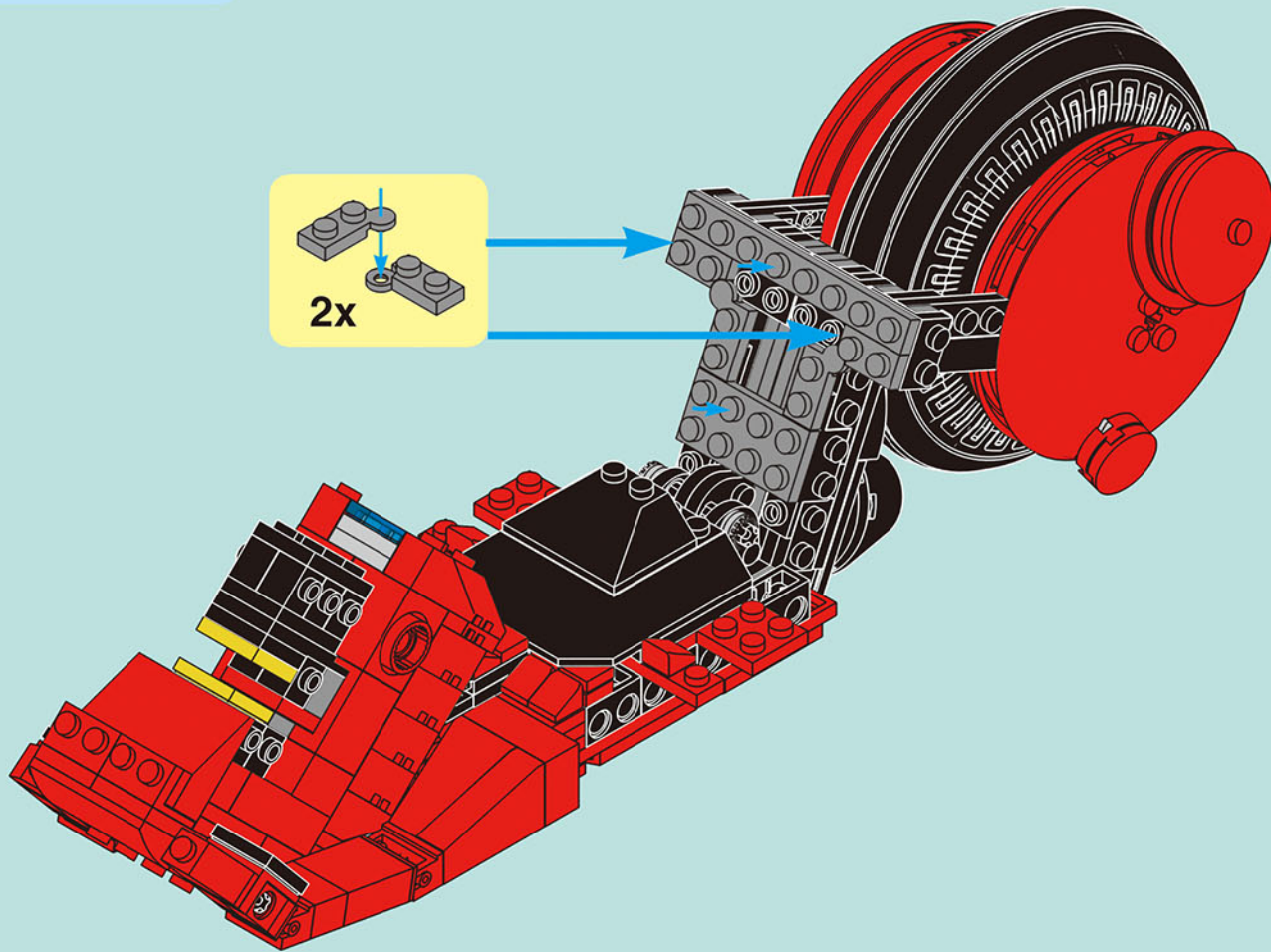
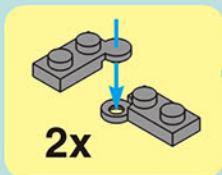
2x

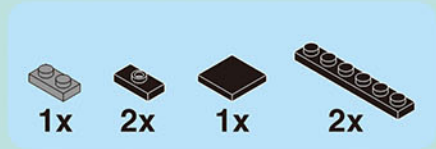
2x

1x

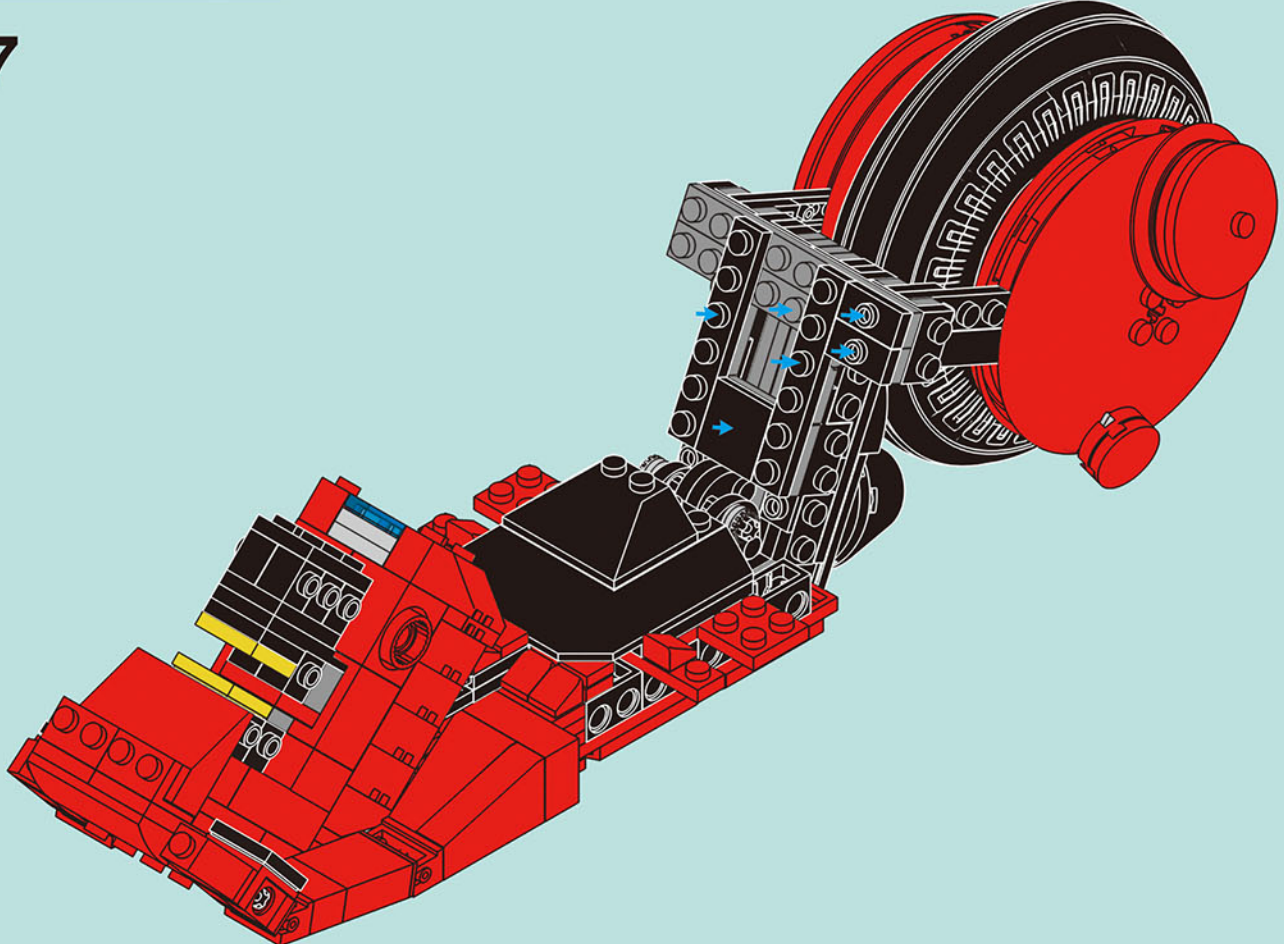
1x

2-6





2-7

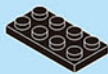




4x

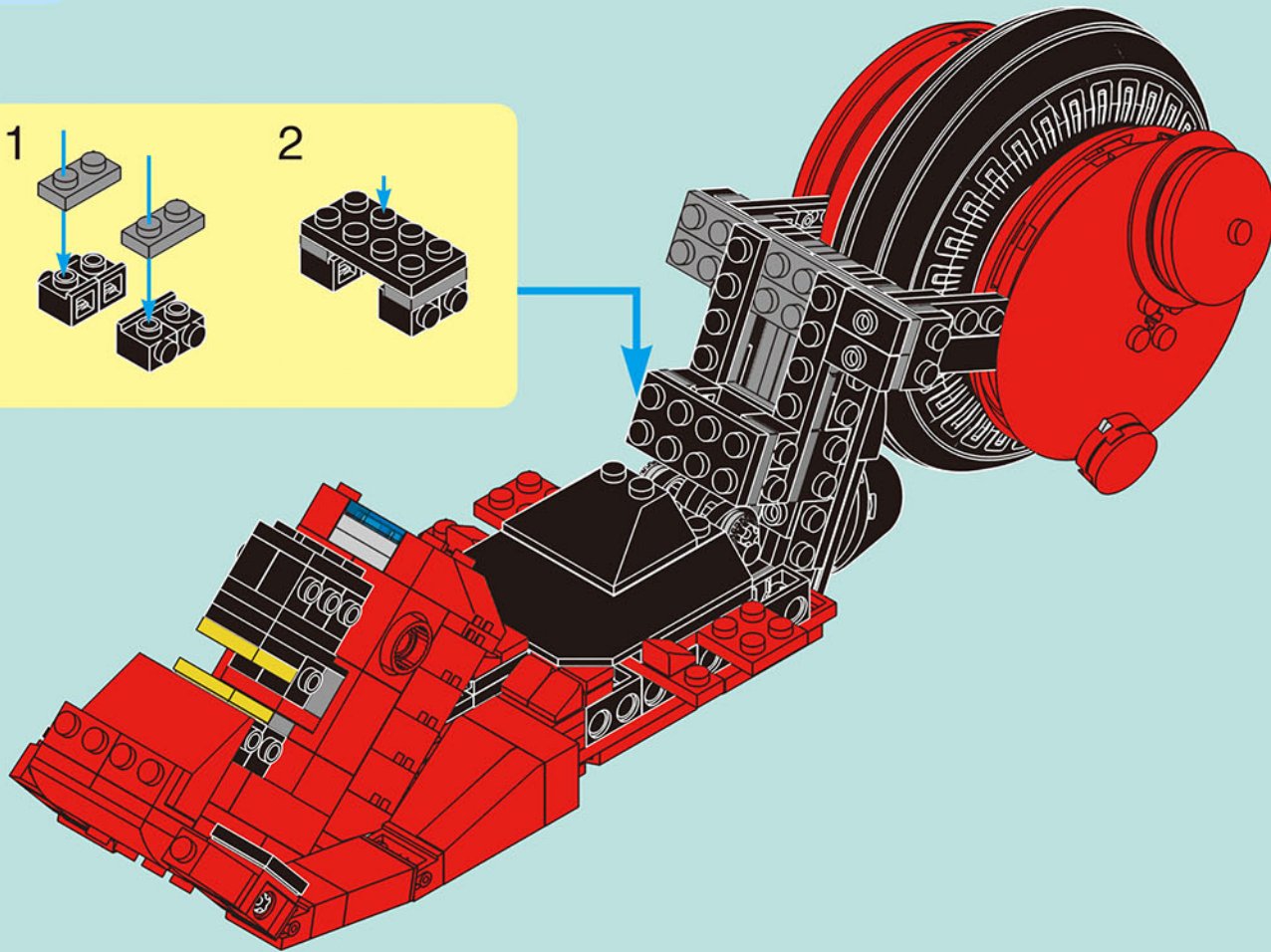
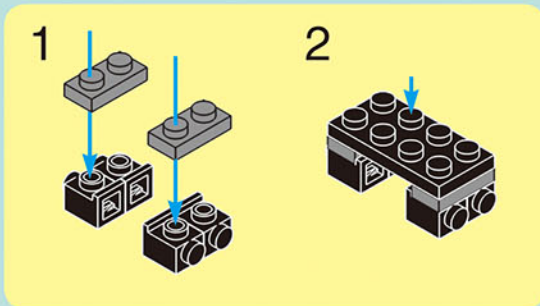


2x



1x

2-8





4x



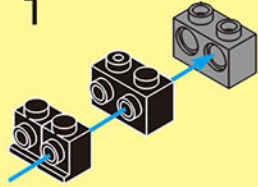
1x



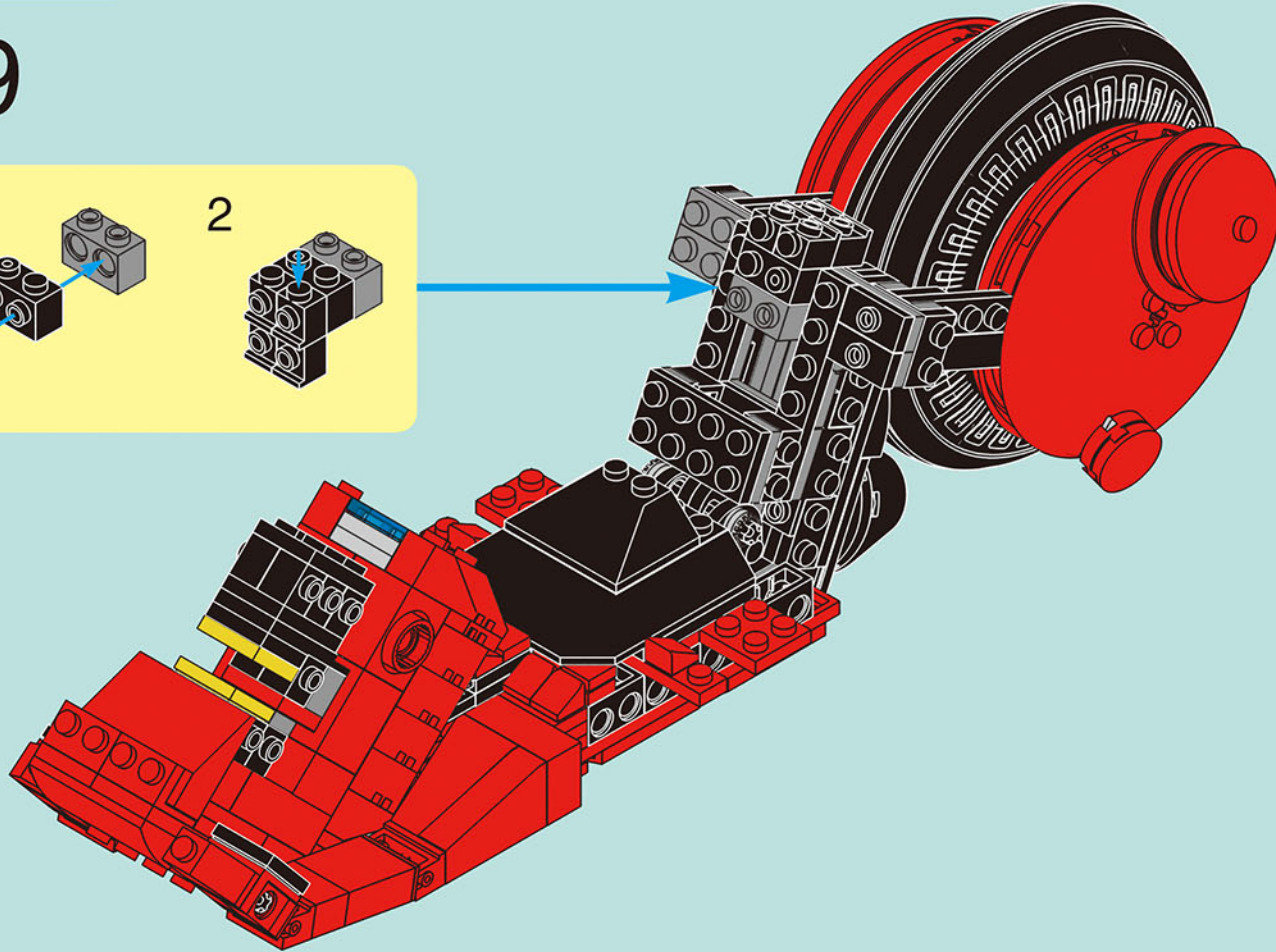
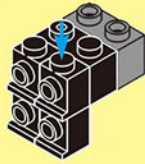
1x

2-9

1

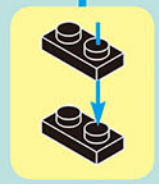
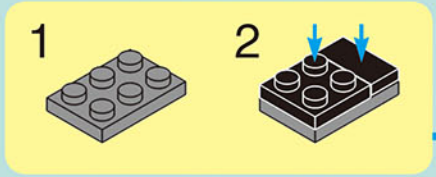
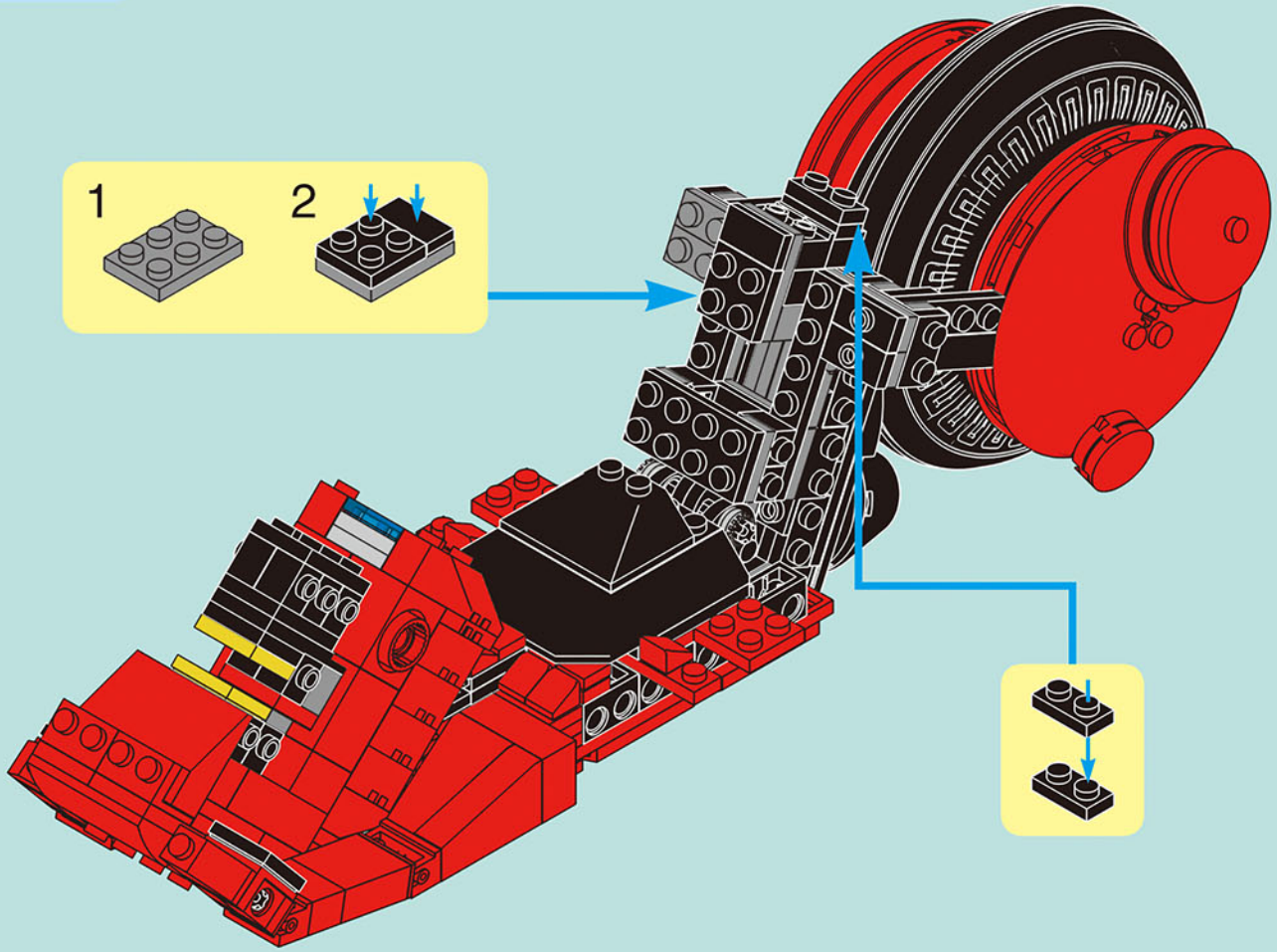


2



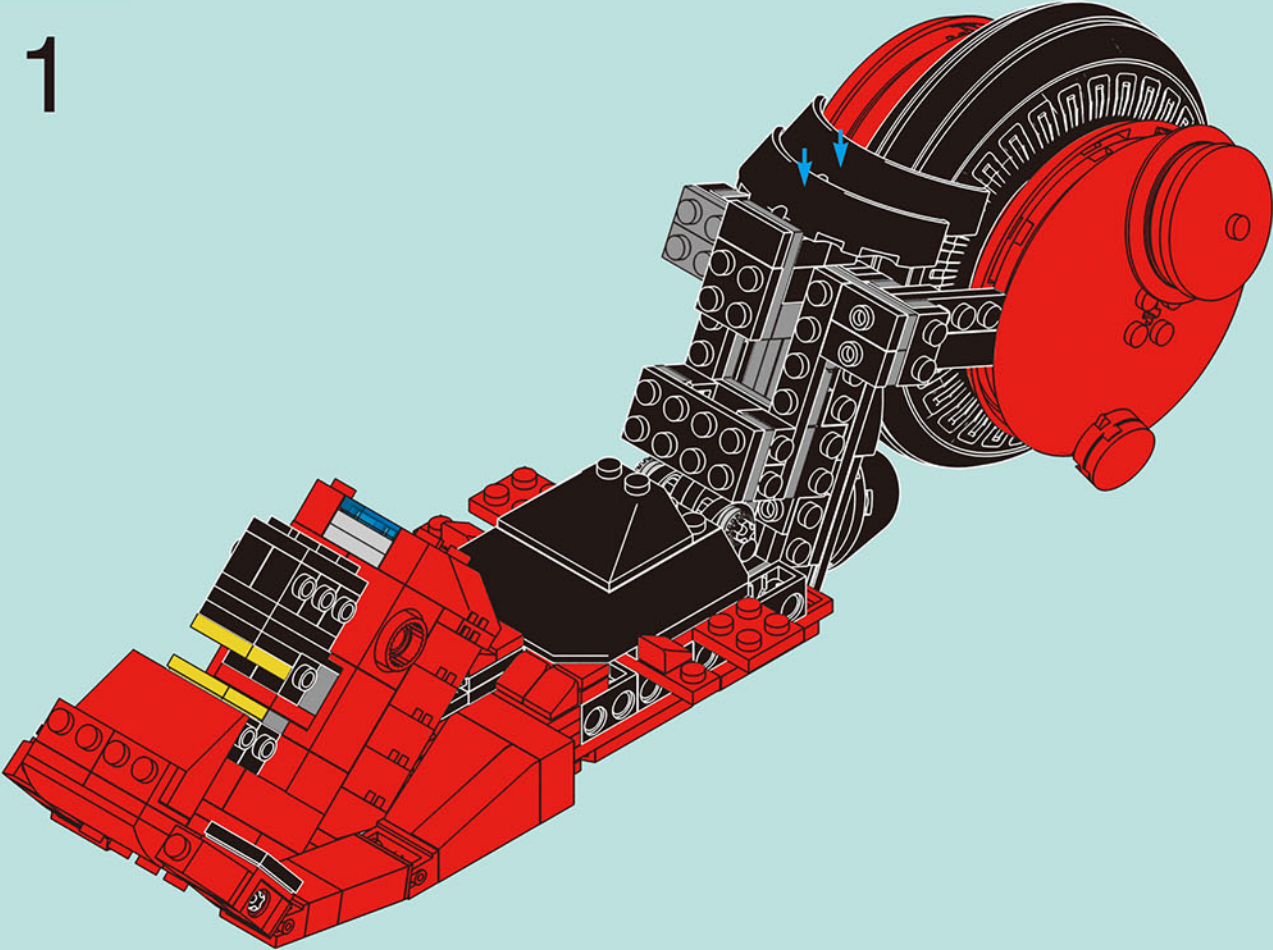
- 1x [1x 1x black Technic brick]
- 2x [2x 1x black Technic brick]
- 1x [1x 2x grey Technic brick]
- 1x [1x 3x grey Technic brick]

2-10





2-11





2x



1x

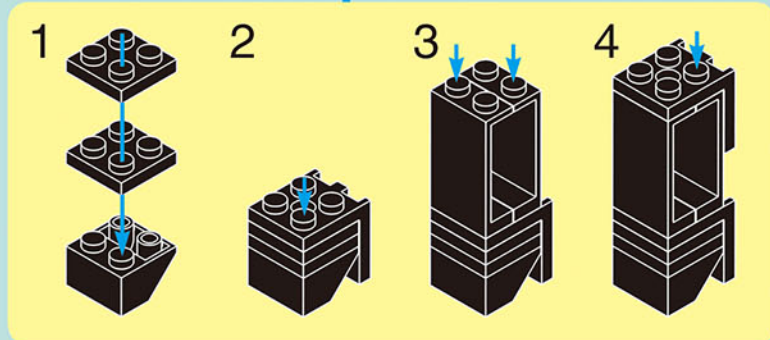
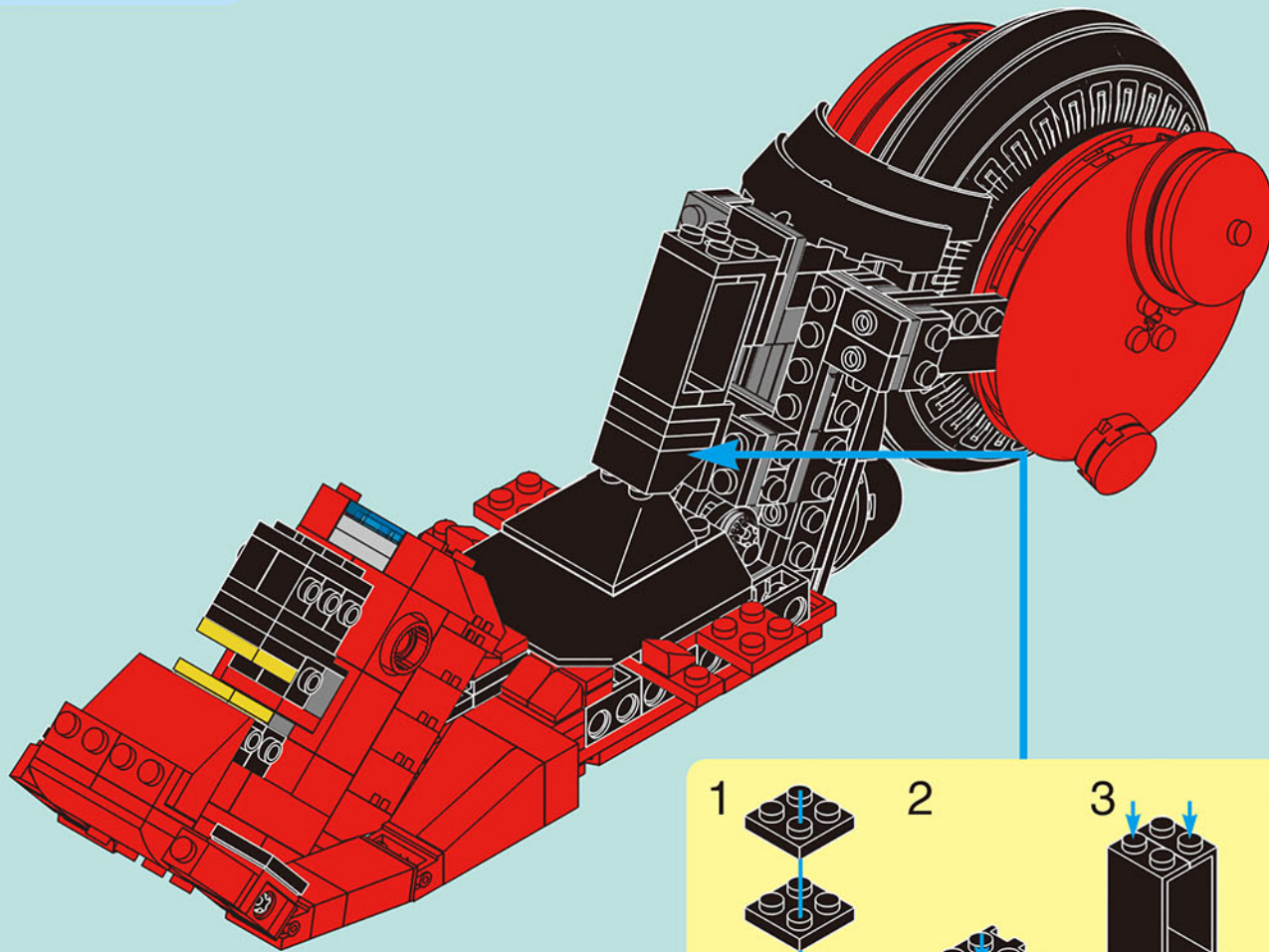






2x



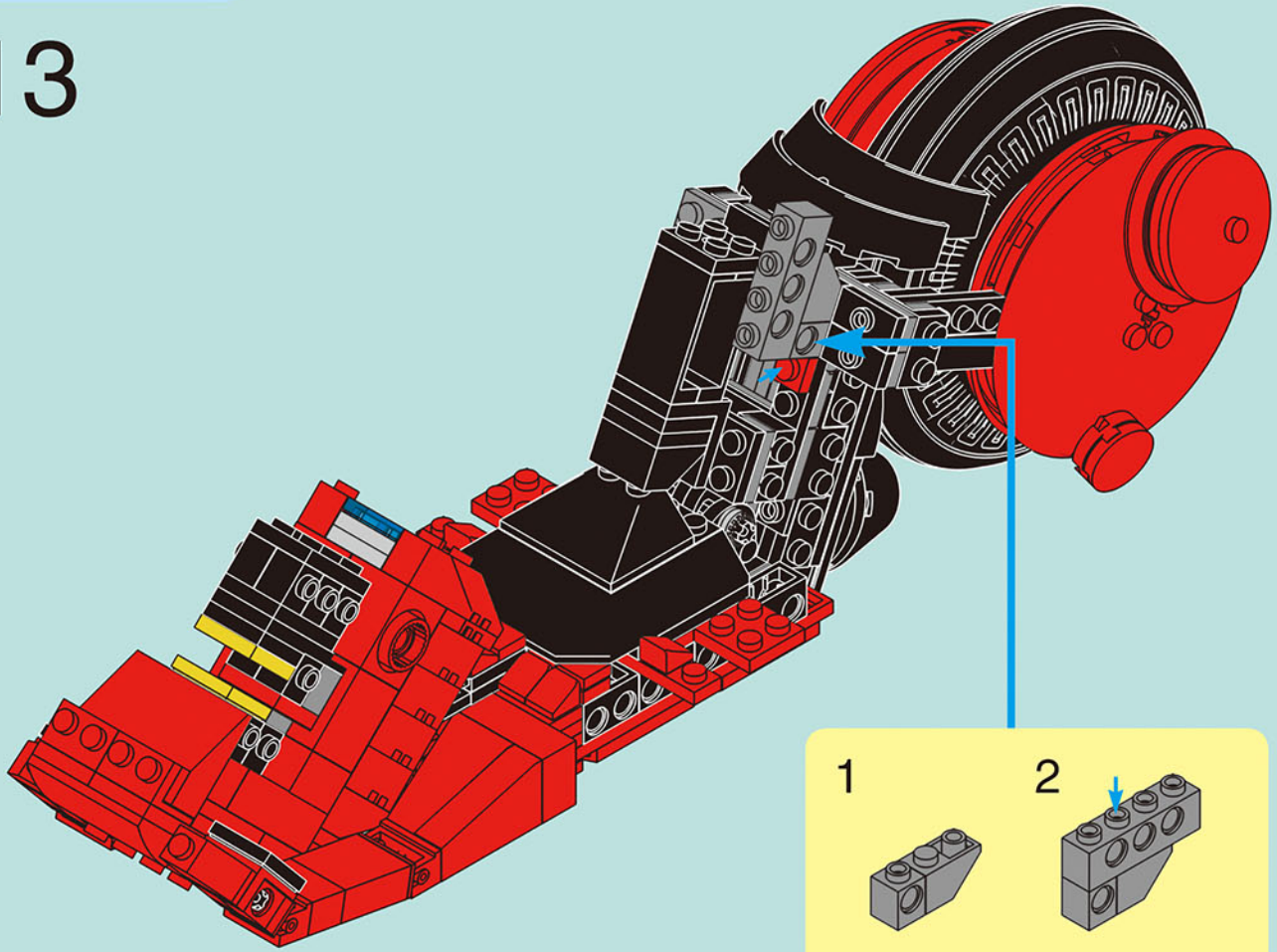
2x

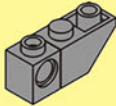
2-12

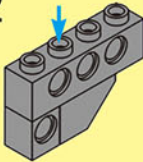


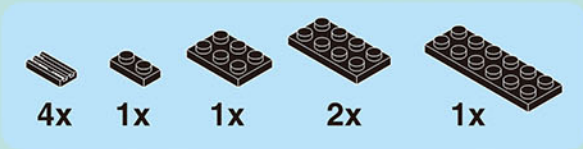
- 1x 
- 1x 
- 1x 
- 1x 

2-13

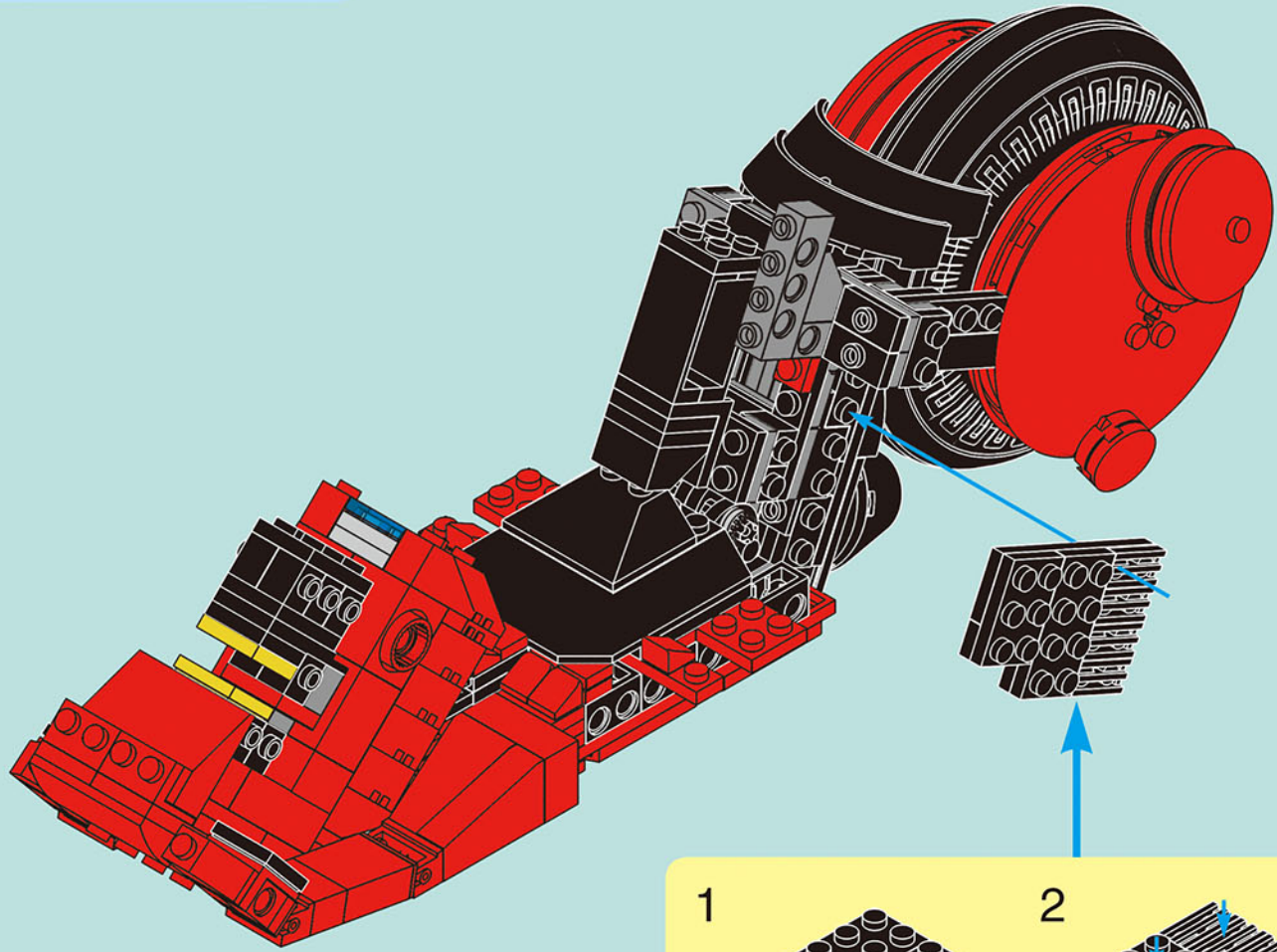


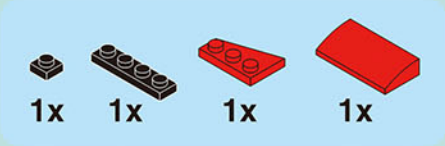
1 

2 

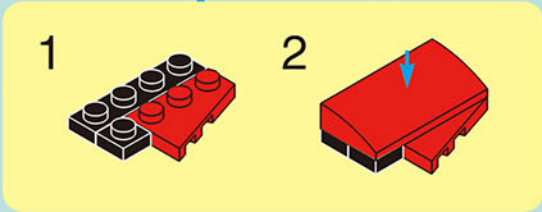
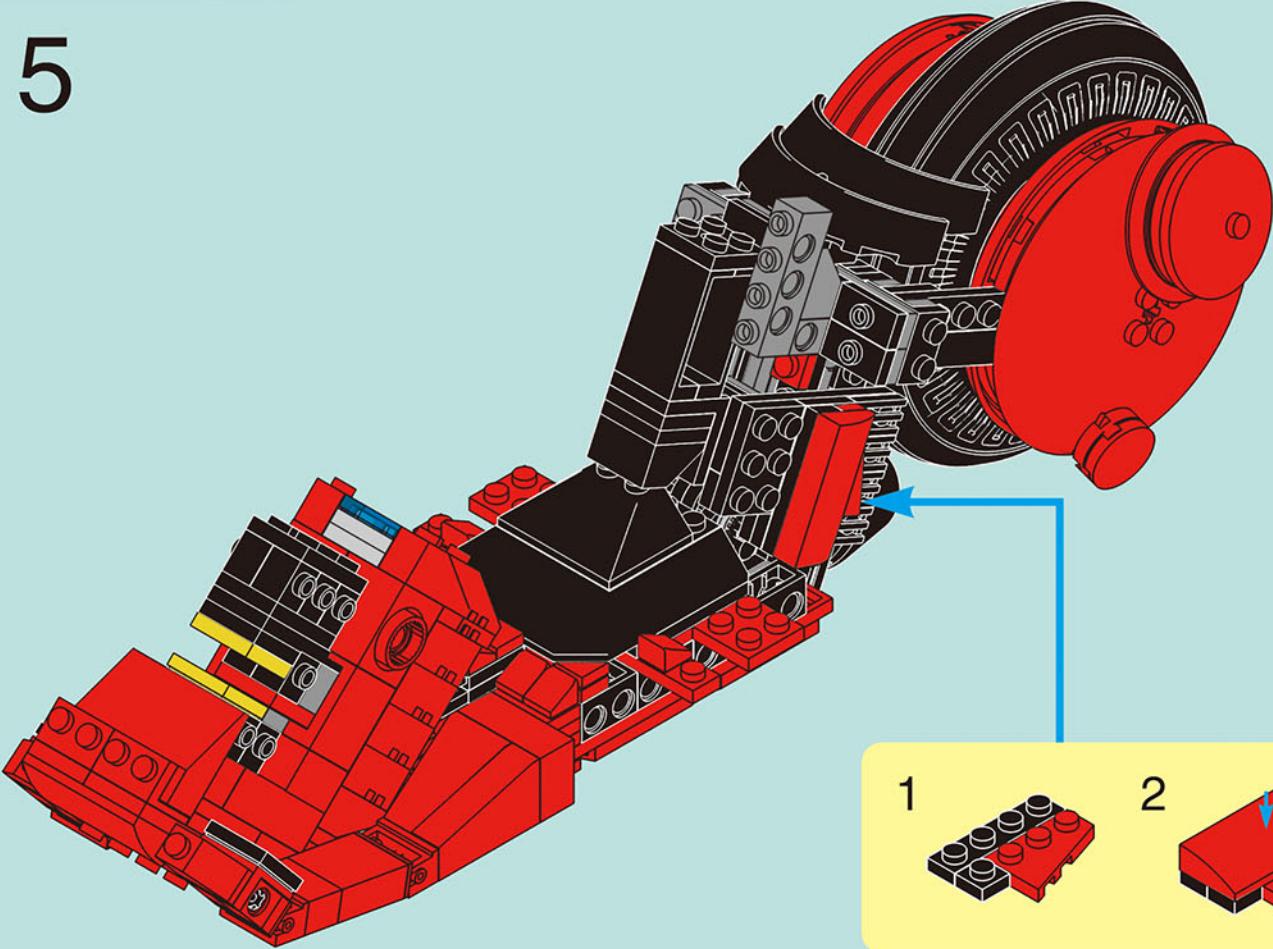


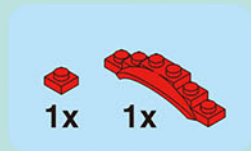
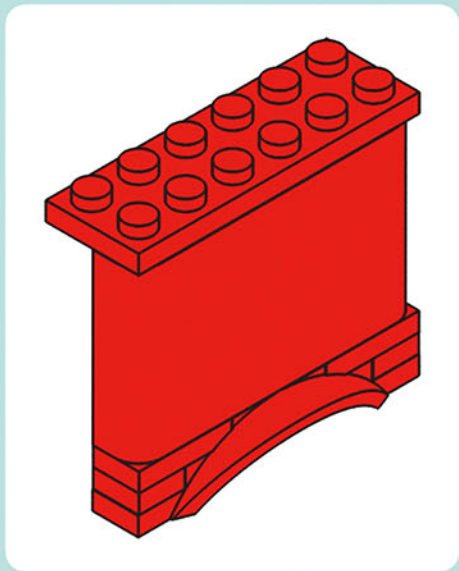
2-14



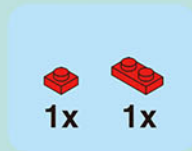
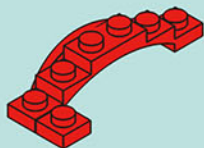


2-15

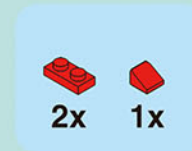
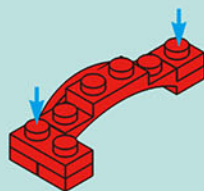




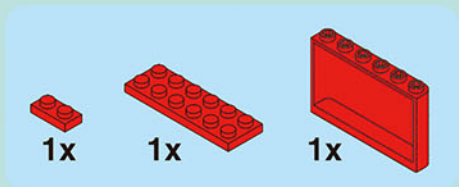
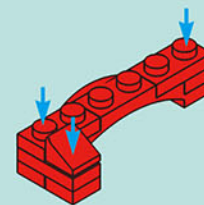
2-16.1



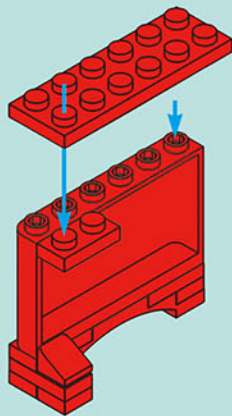
2-16.2



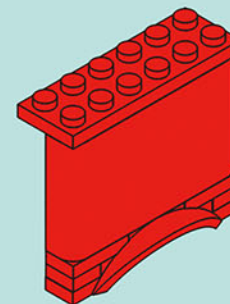
2-16.3



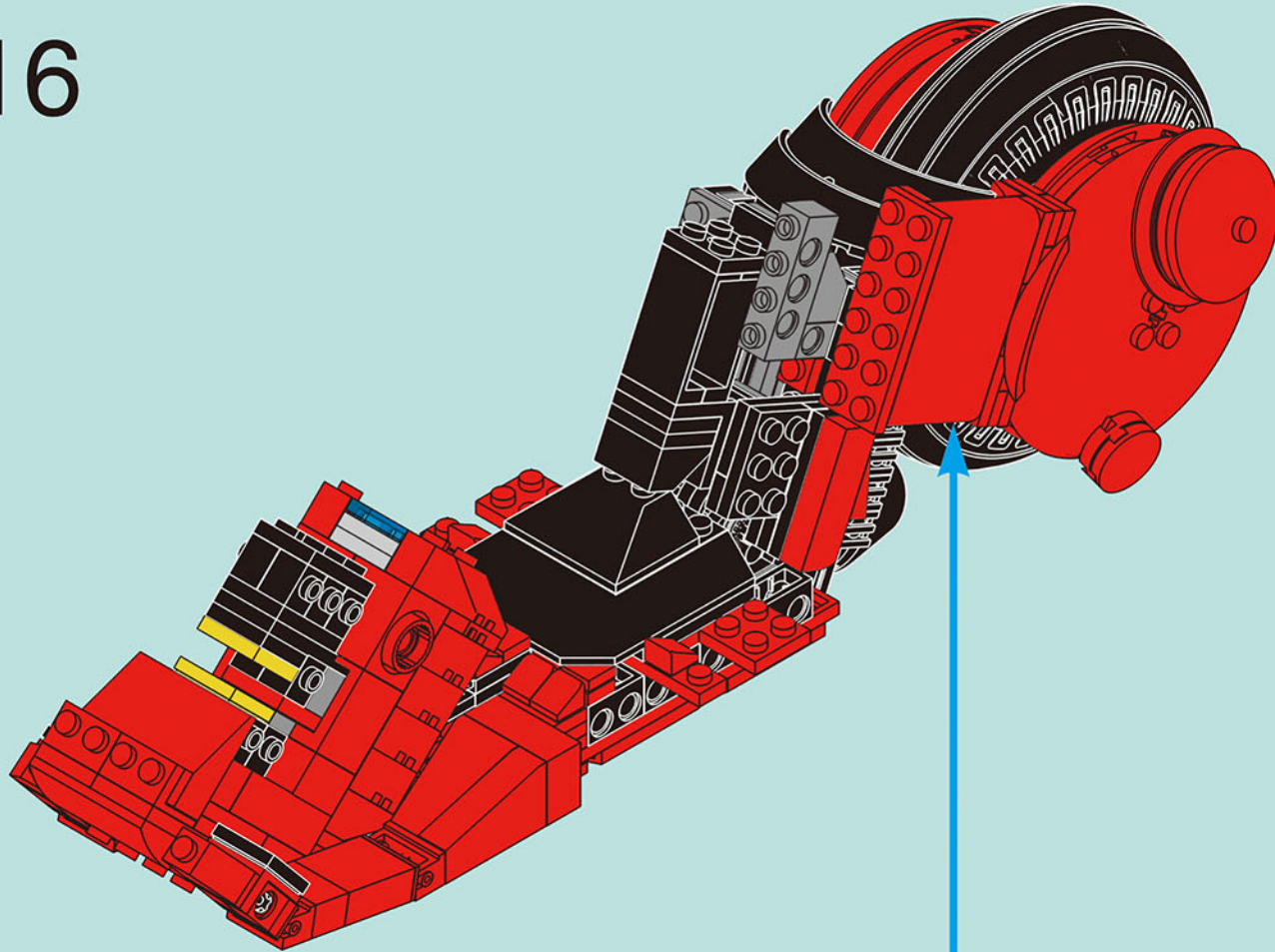
2-16.4

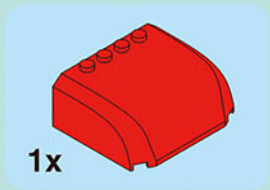


2-16.5

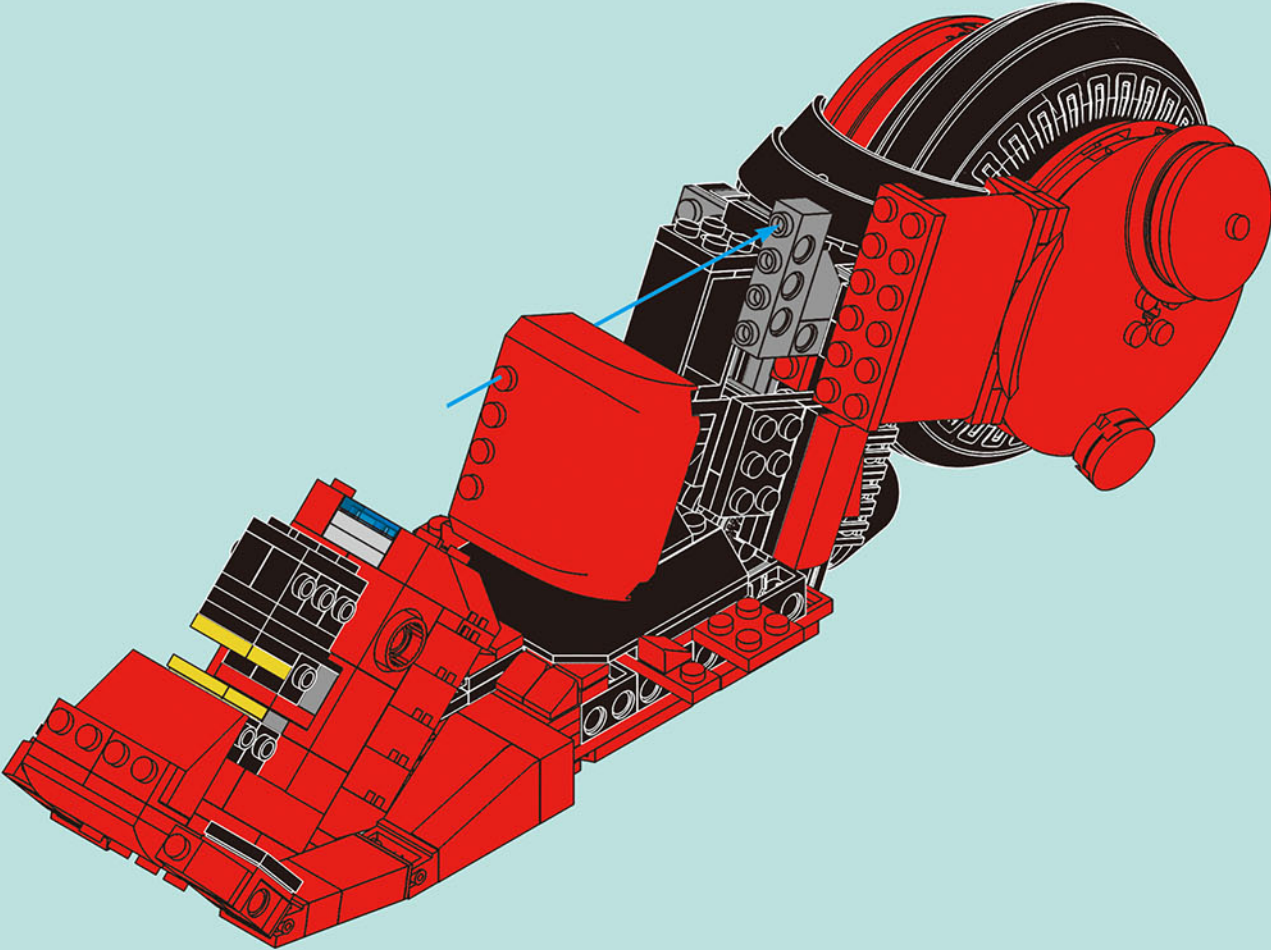


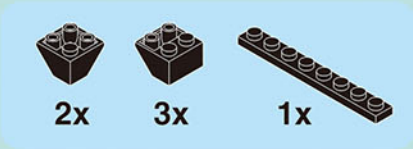
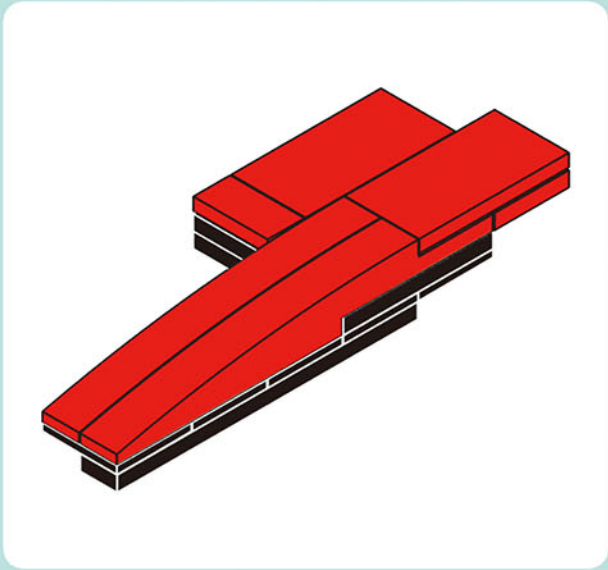
2-16



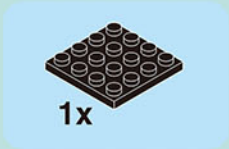
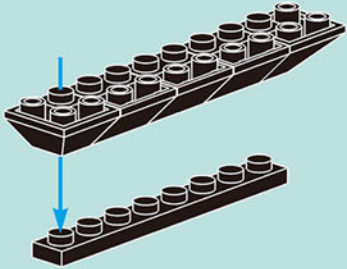


2-17

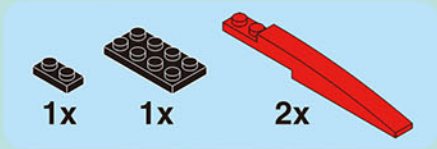
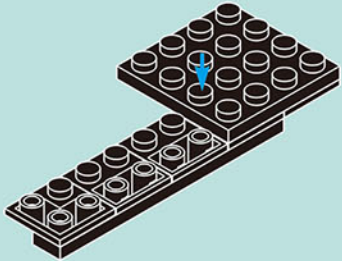




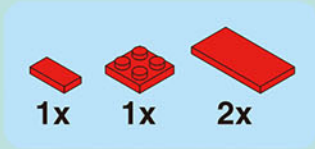
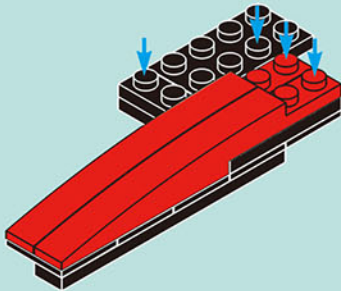
2-18.1



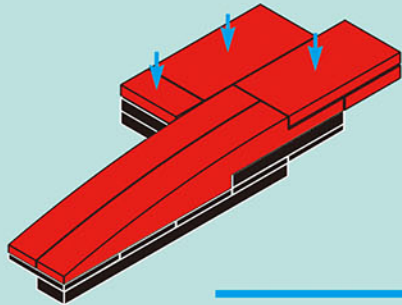
2-18.2



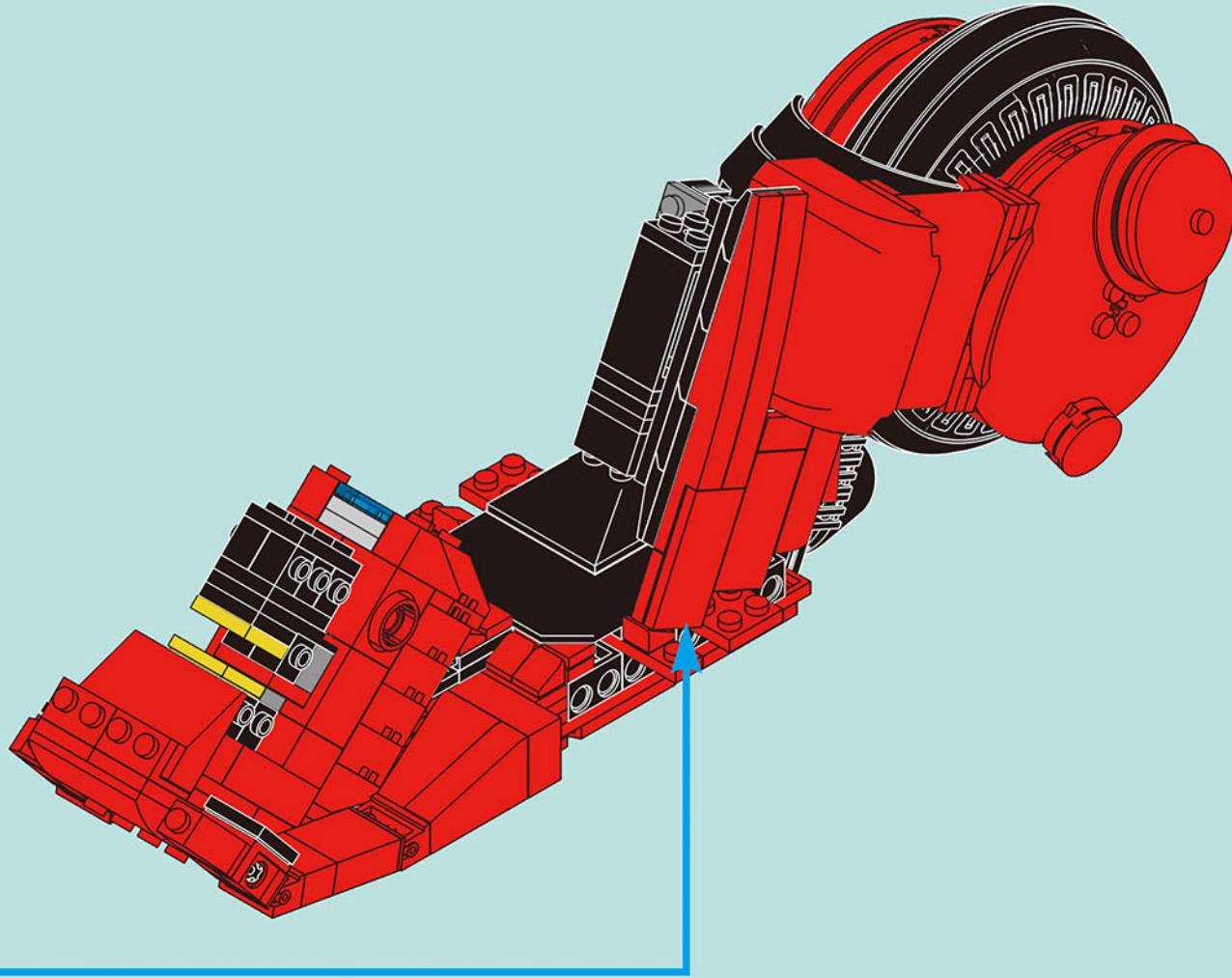
2-18.3

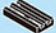






2-18.4

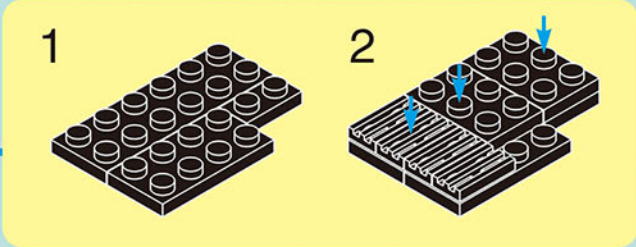
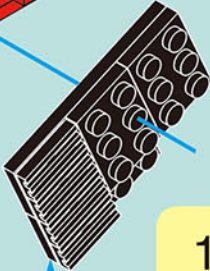
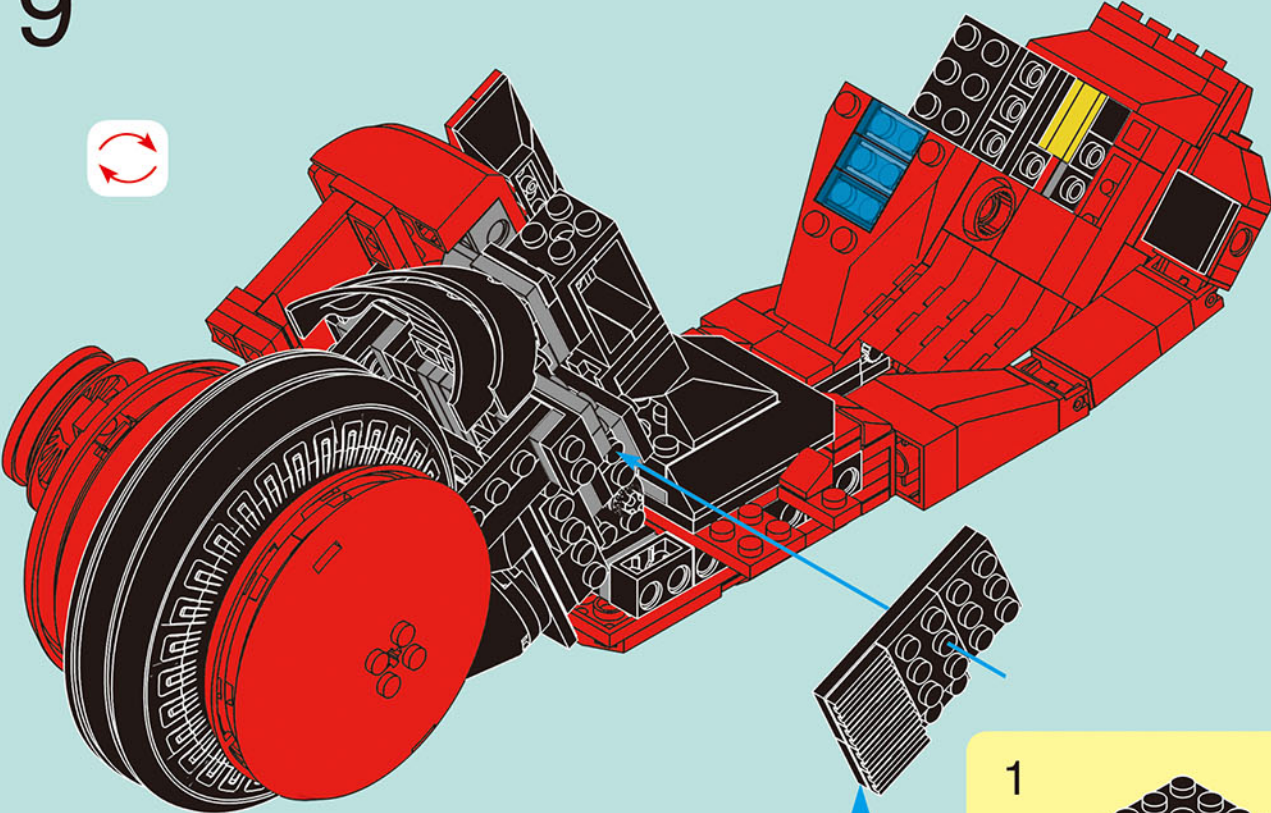








2-18



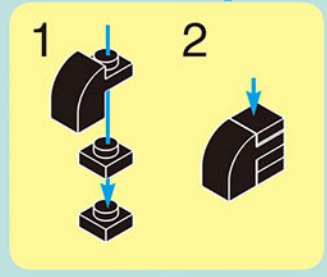
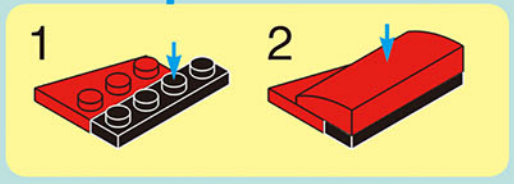
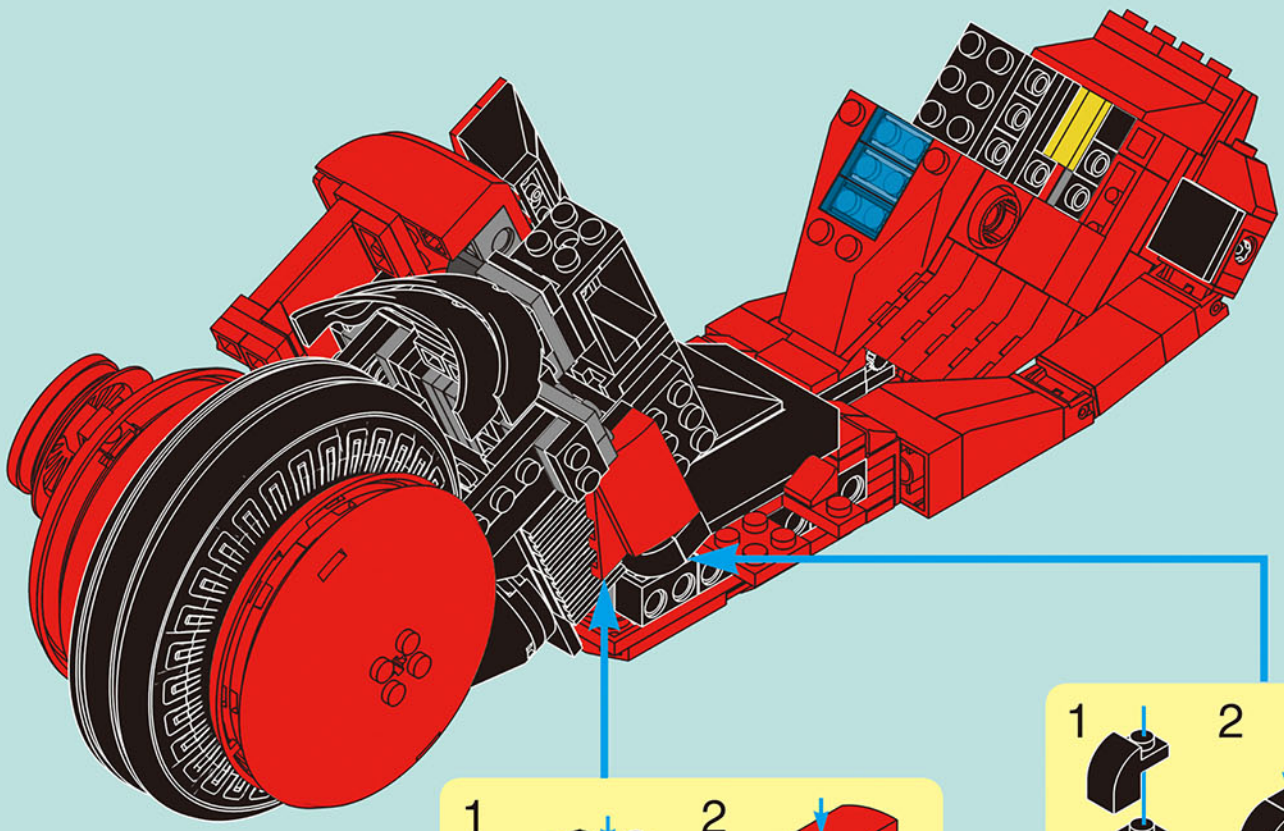
- 4x 
- 1x 
- 2x 
- 1x 
- 1x 

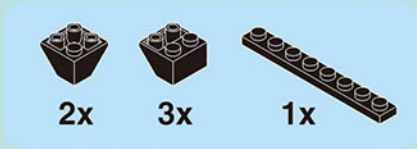
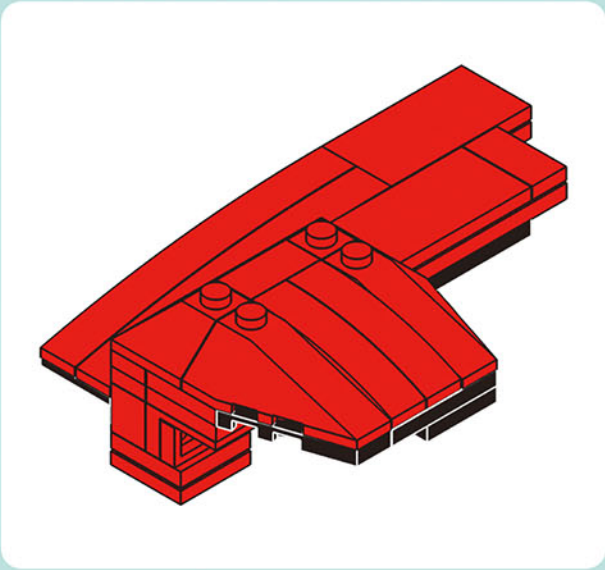
2-19



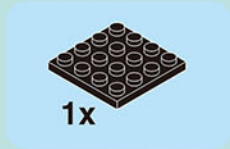
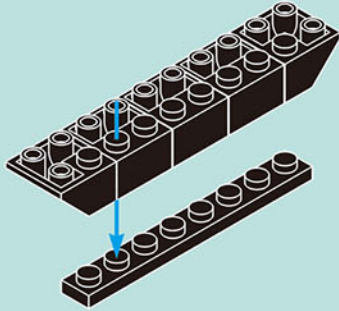
- 
1x
- 
2x
- 
1x
- 
1x
- 
1x
- 
1x

2-20

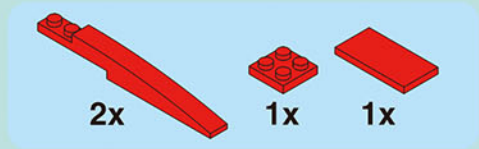
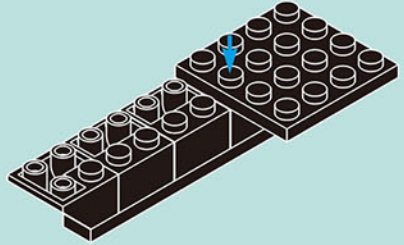




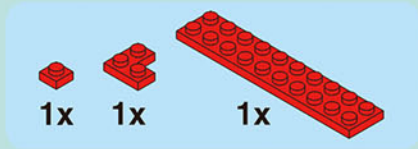
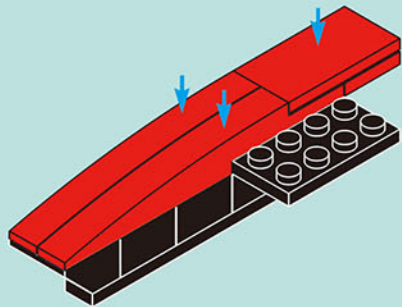
2-21.1



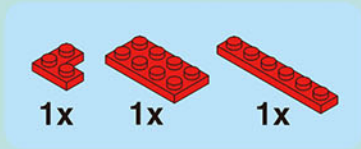
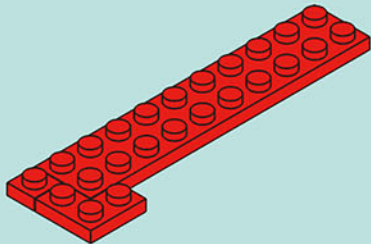
2-21.2



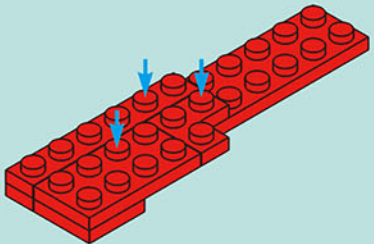
2-21.3



2-21.4

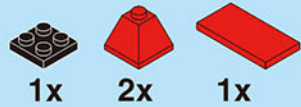
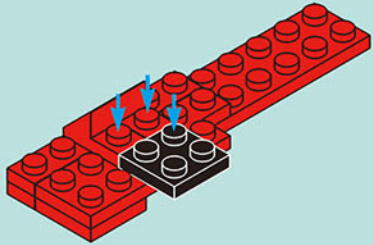


2-21.5

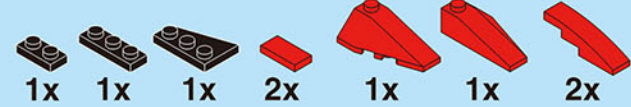
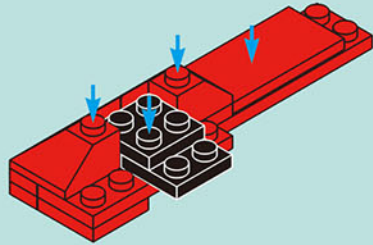




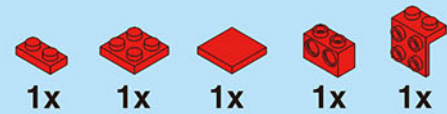
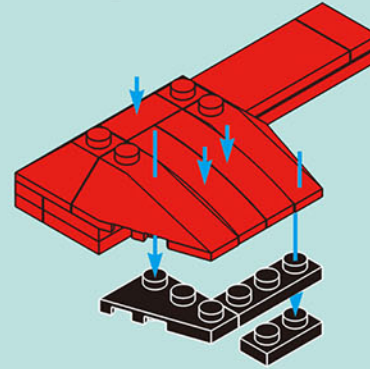
2-21.6



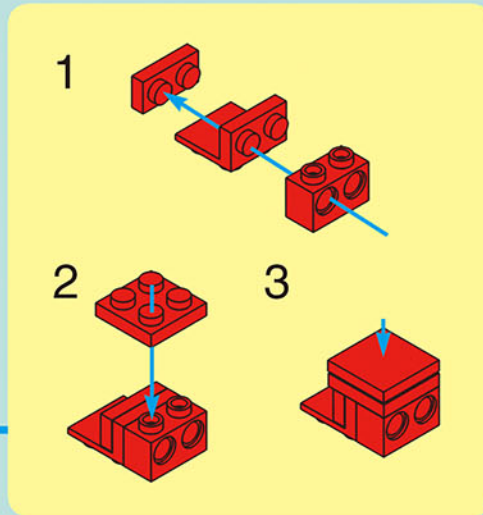
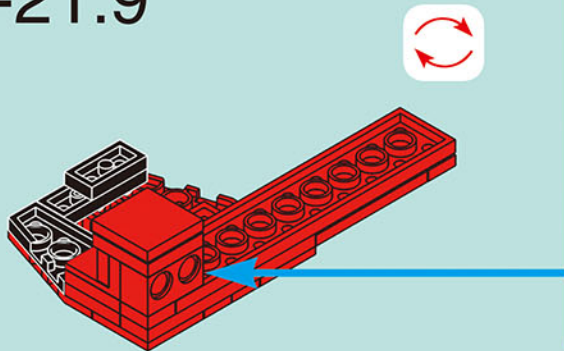
2-21.7



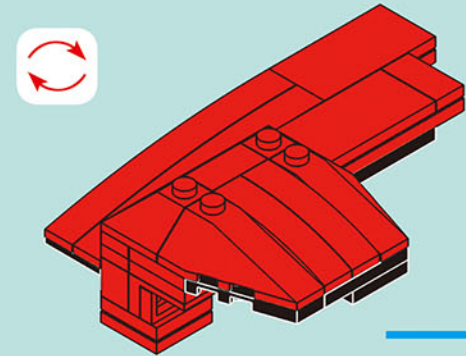
2-21.8



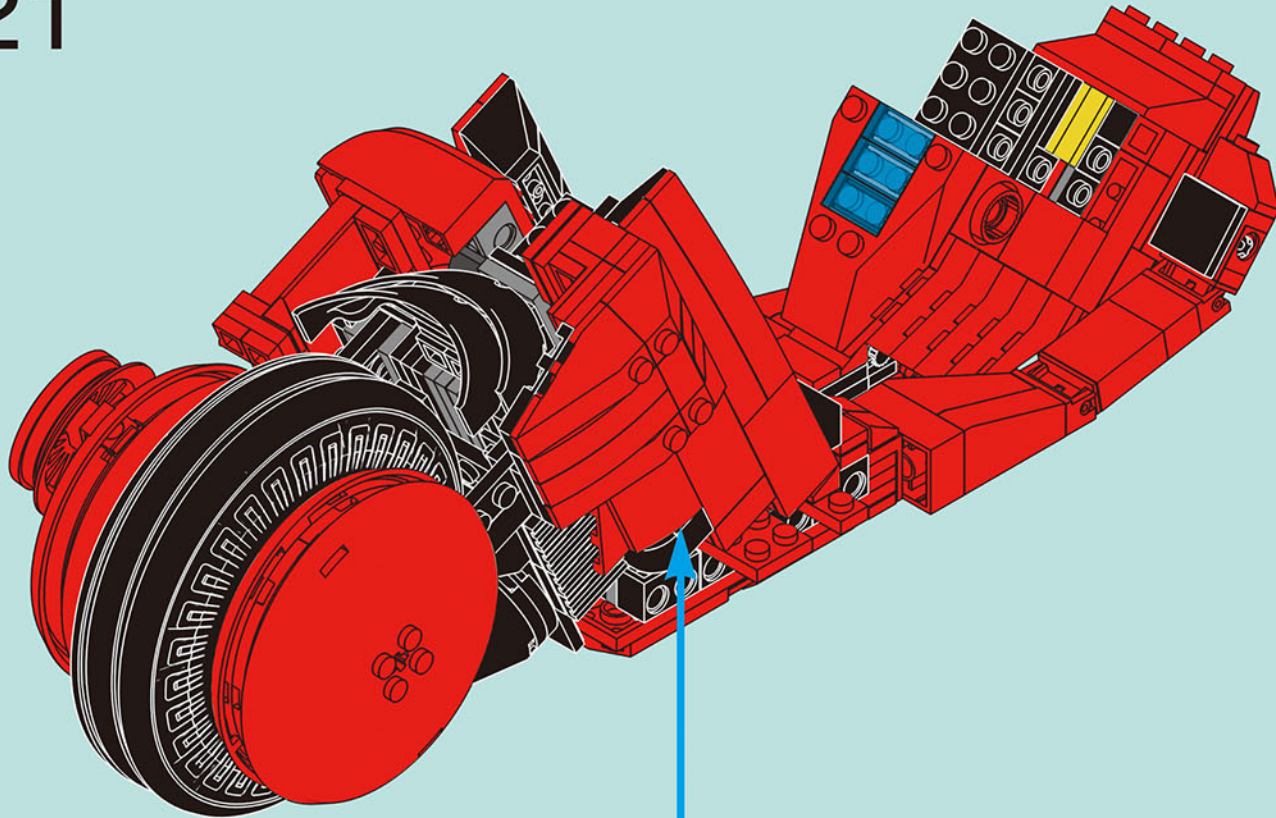
2-21.9

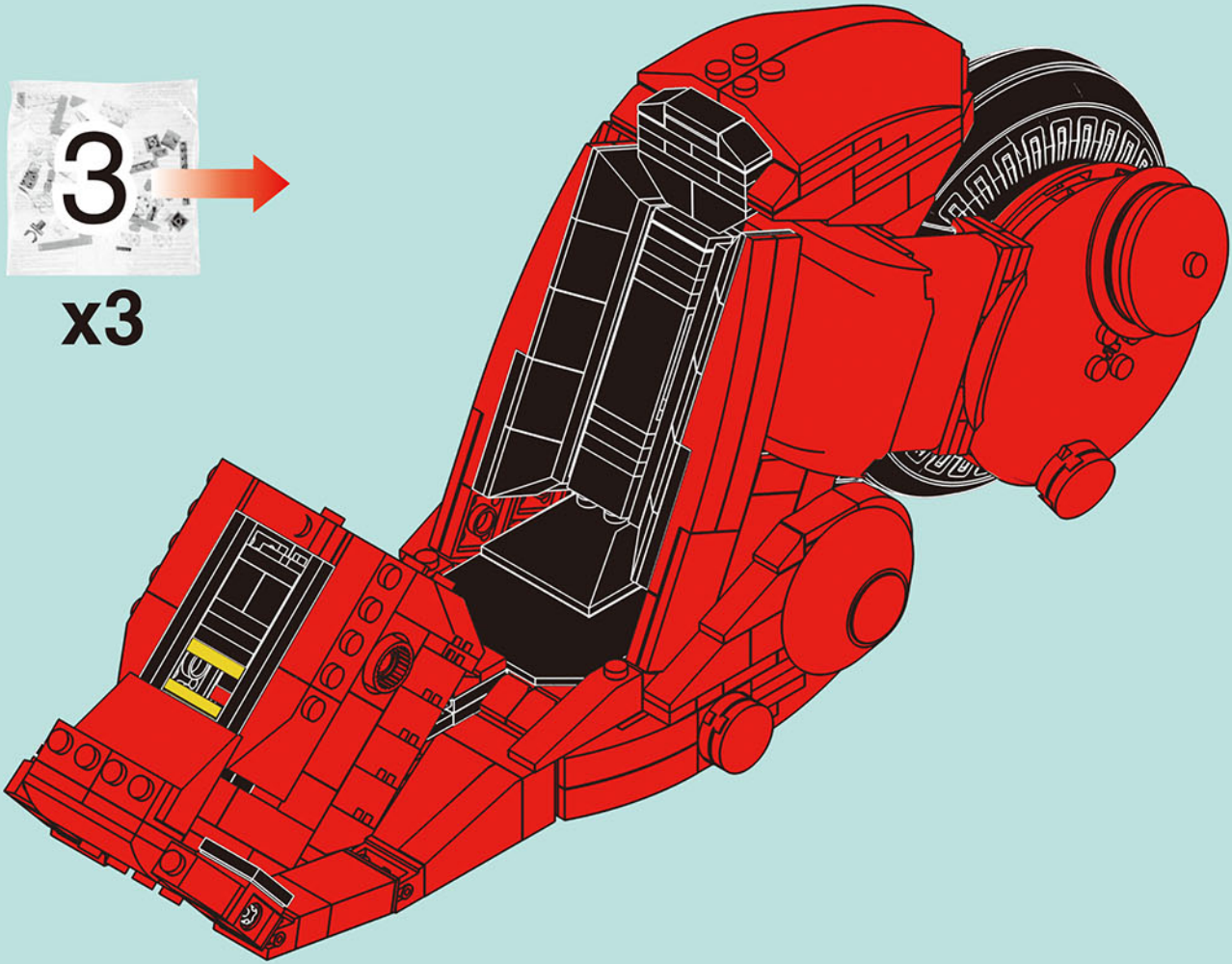


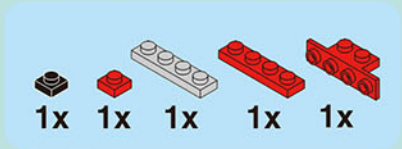
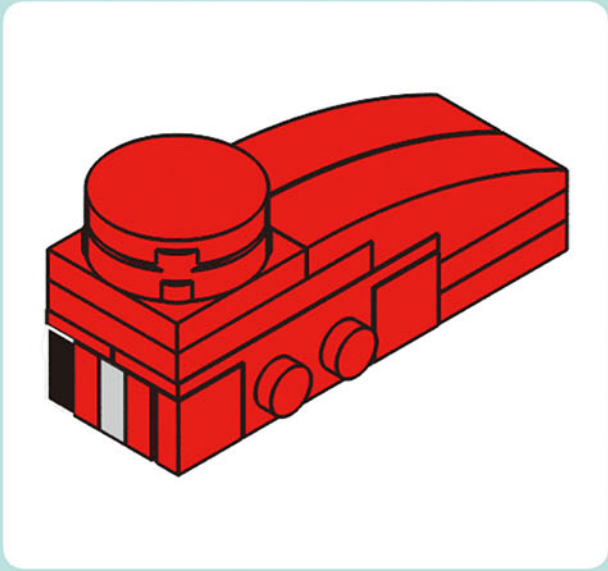
2-21.10



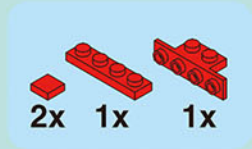
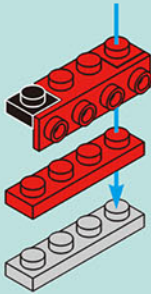
2-21



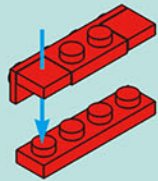




3-1.1



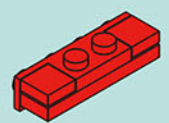
3-1.3



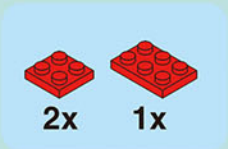
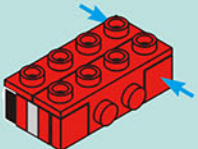
3-1.2



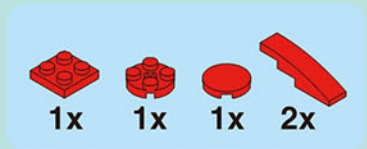
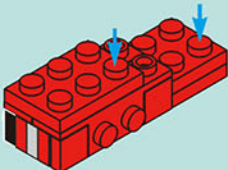
3-1.4



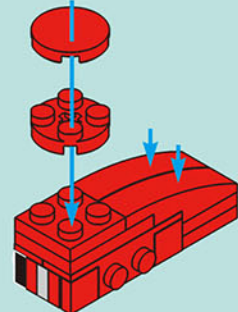
3-1.5



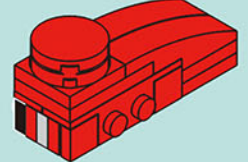
3-1.6



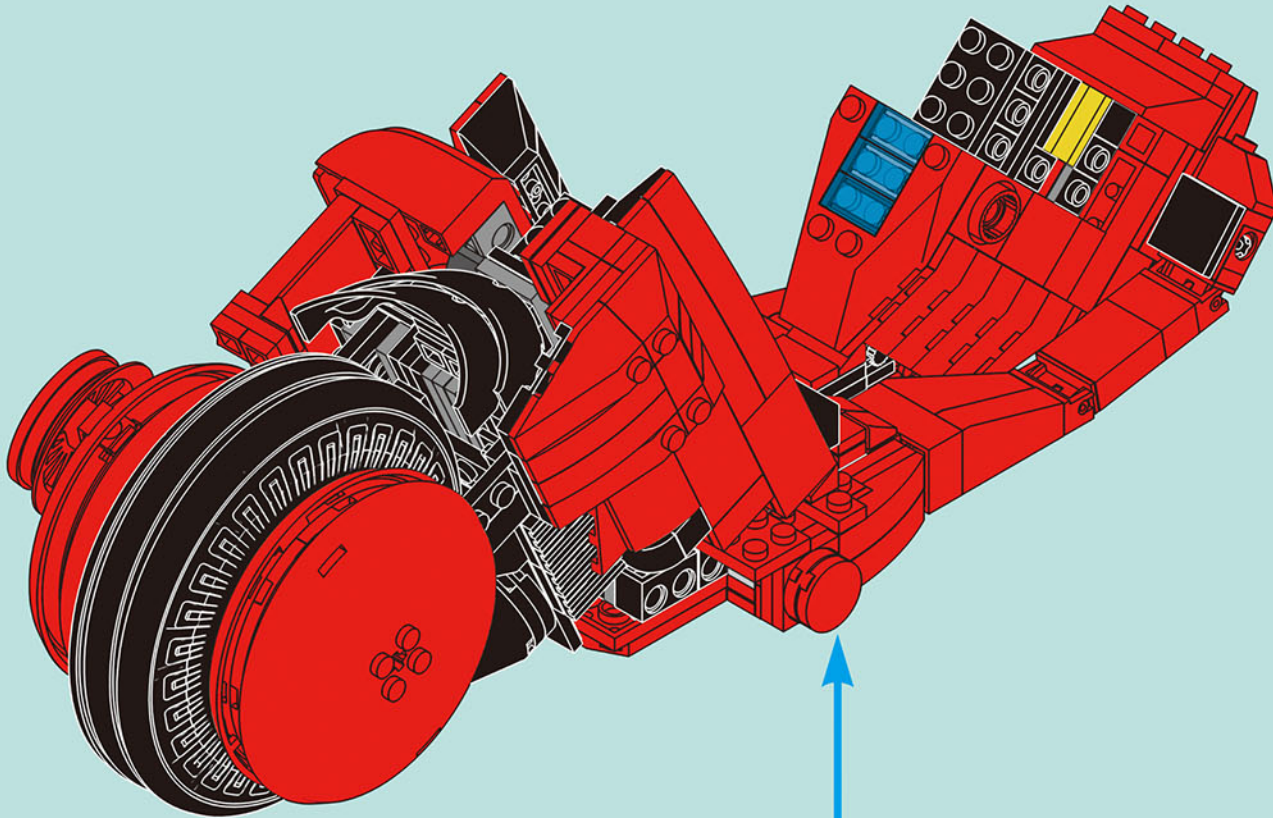
3-1.7

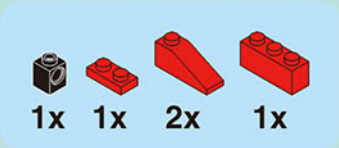
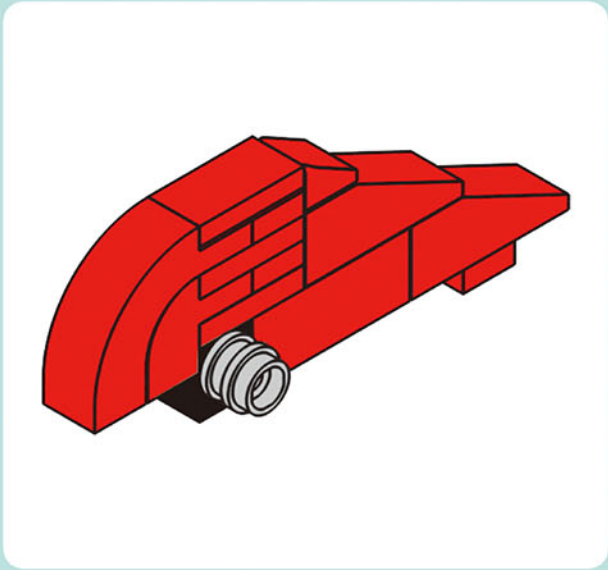


3-1.8

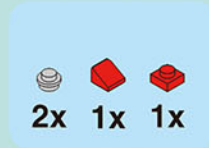
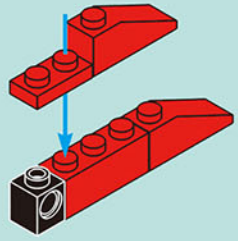


3-1

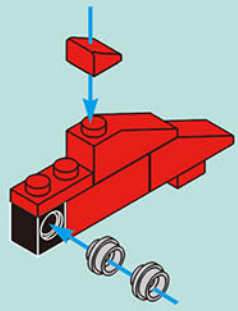




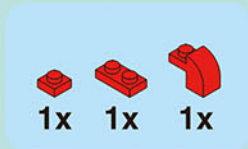
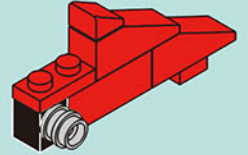
3-2.1



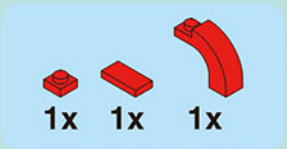
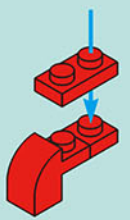
3-2.2



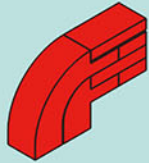
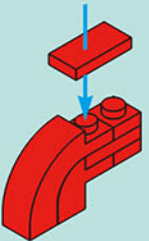
3-2.3



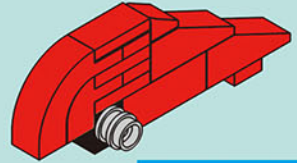
3-2.4



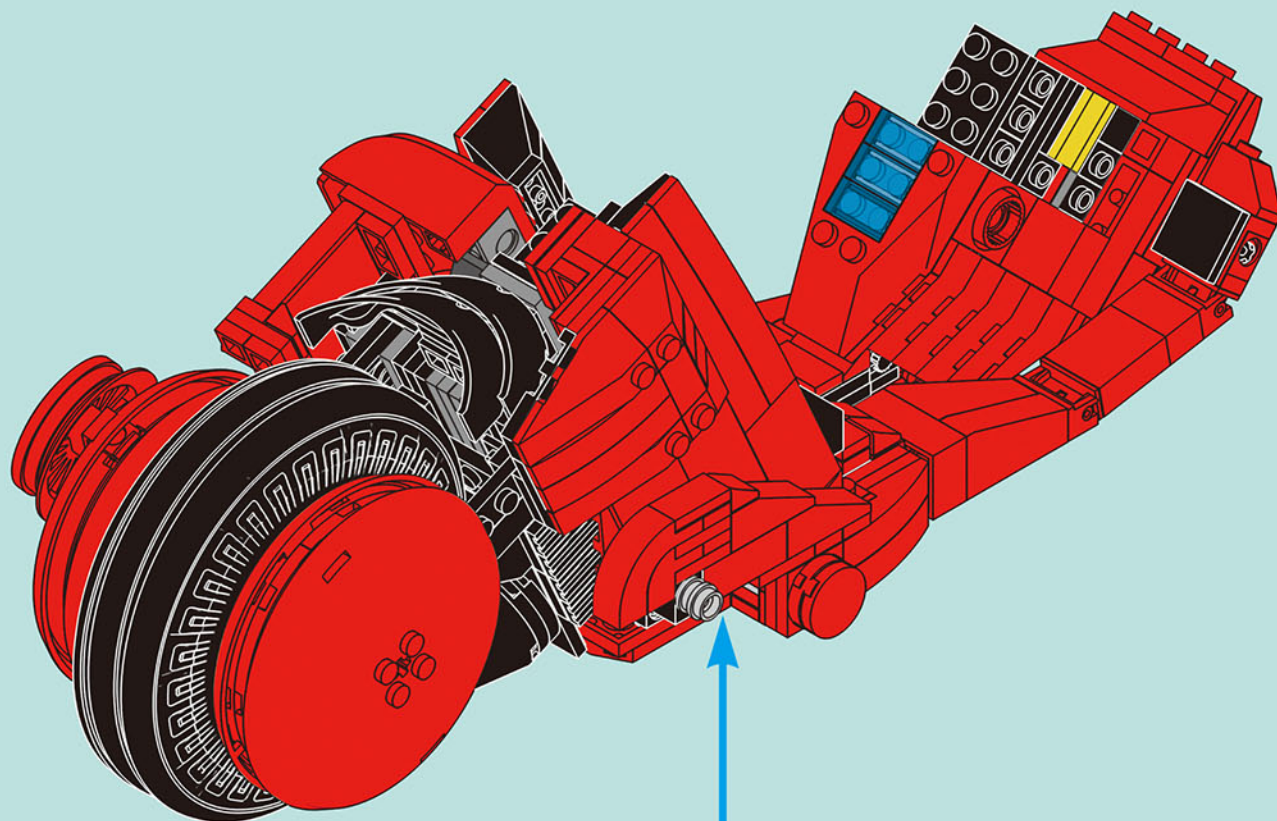
3-2.5












3-2.6

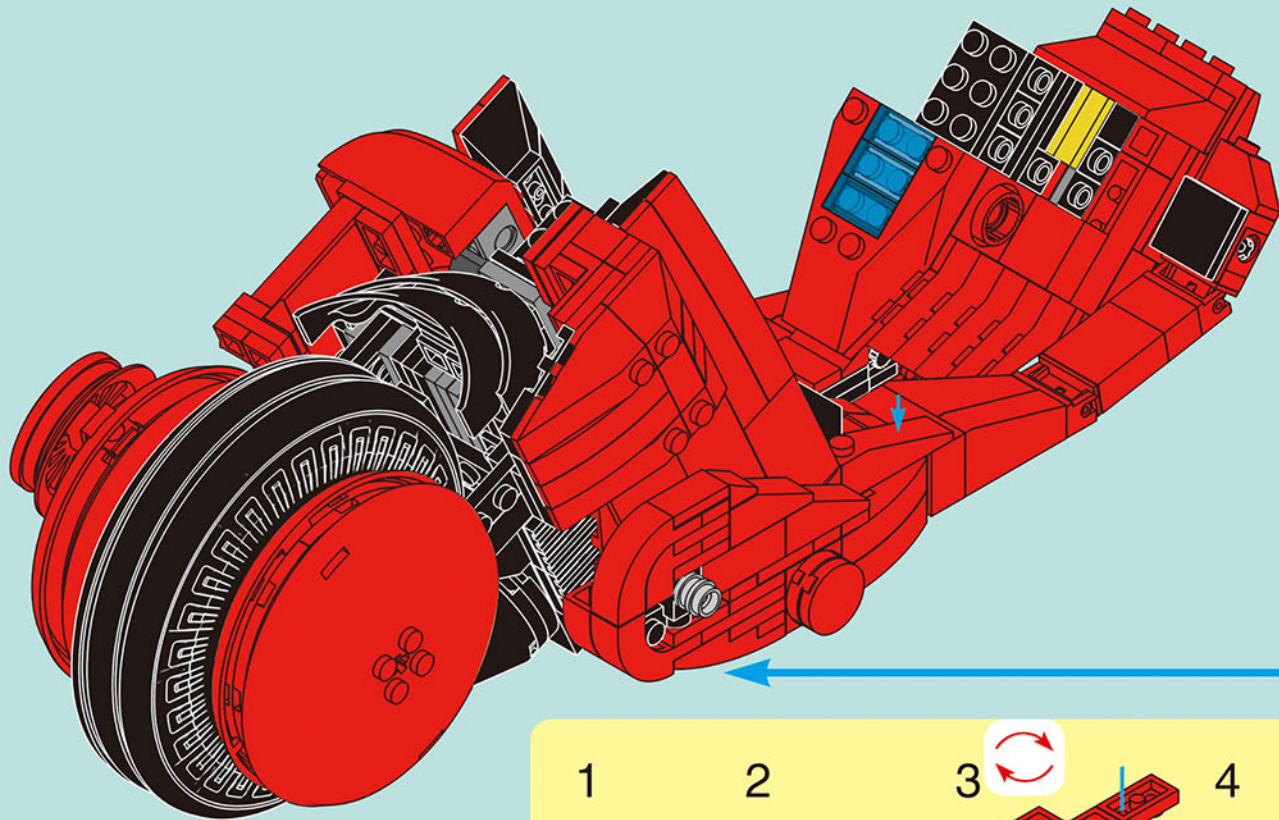


3-2




- 
2x
- 
1x
- 
2x
- 
1x
- 
1x
- 
1x
- 
2x
- 
2x
- 
1x

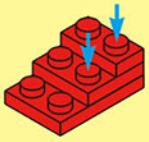
3-3

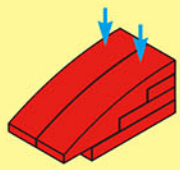


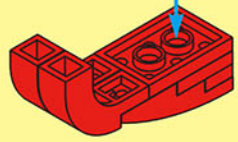
1
2

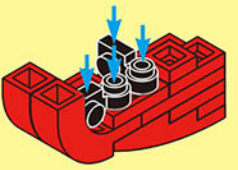
3


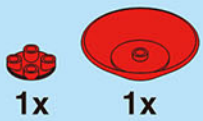
4



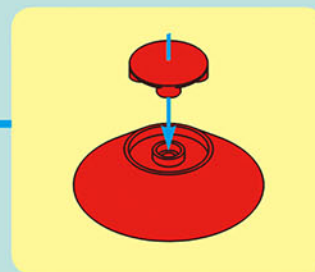
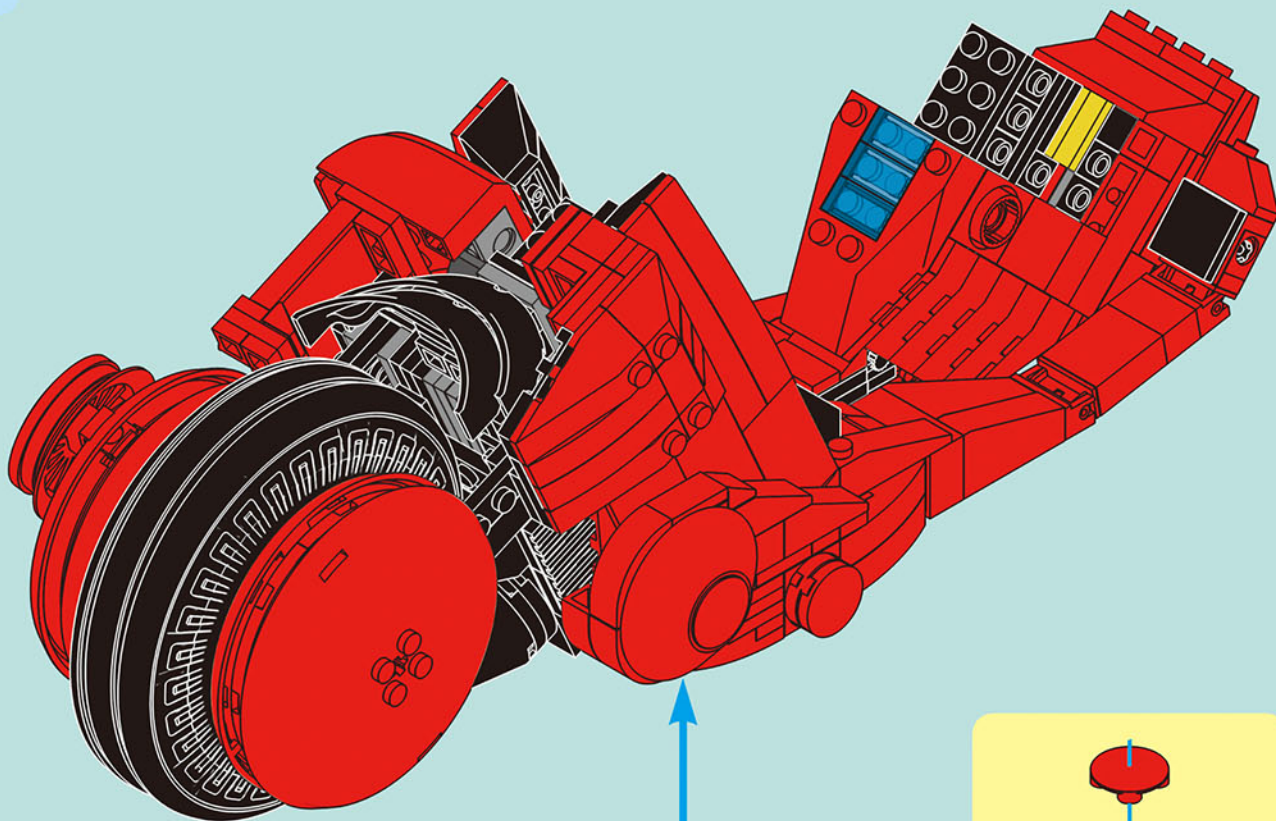


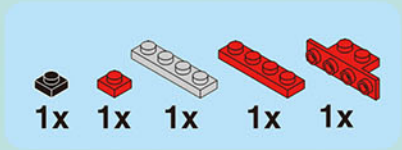
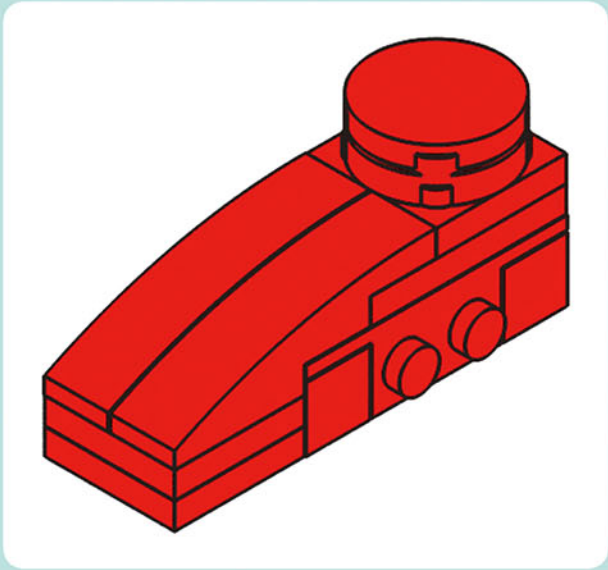




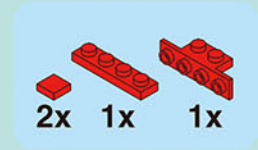
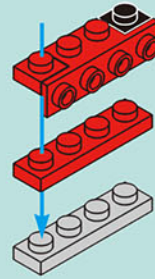


3-4



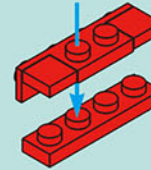
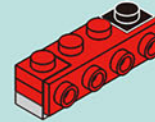


3-5.1

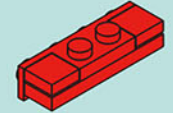


3-5.3

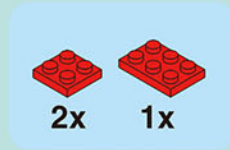
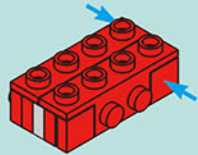
3-5.2



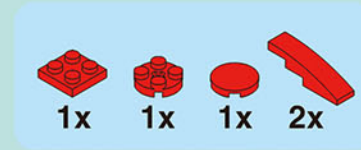
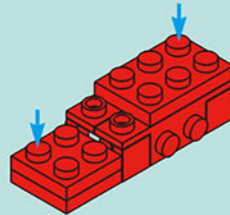
3-5.4



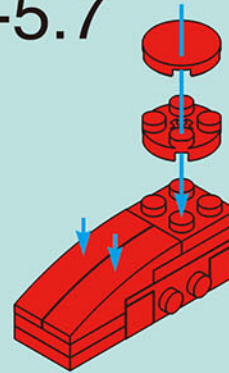
3-5.5



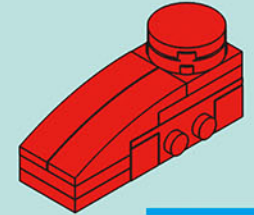
3-5.6



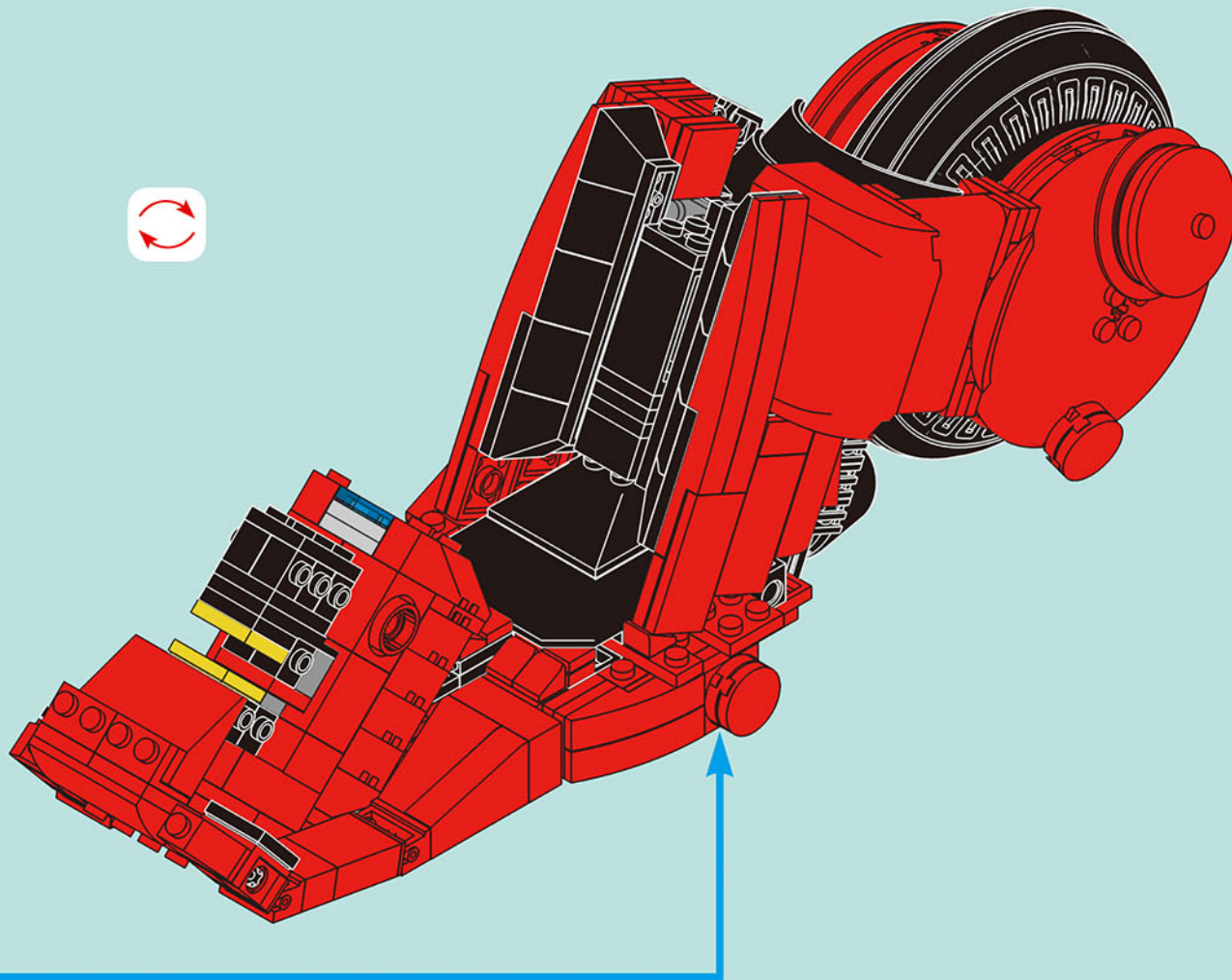
3-5.7

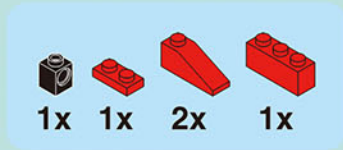
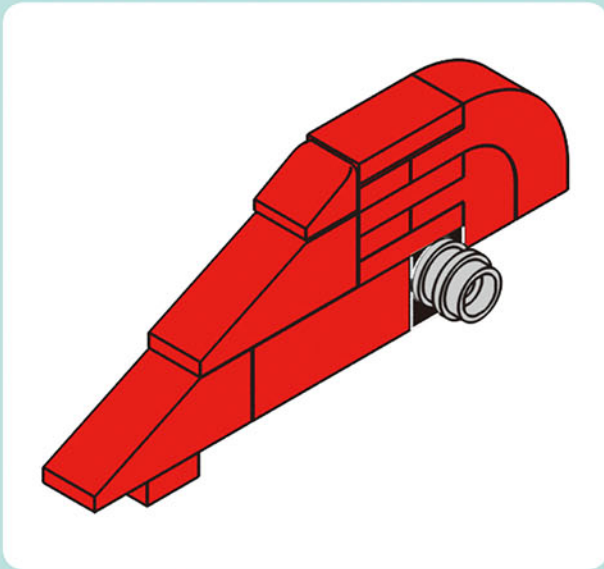


3-5.8

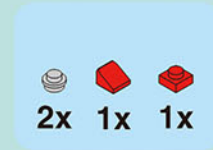
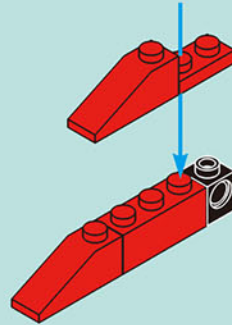


3-5

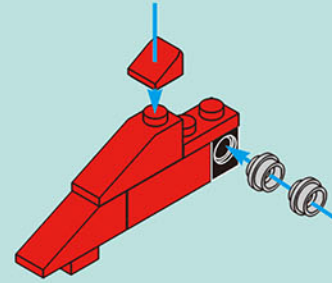




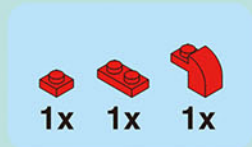
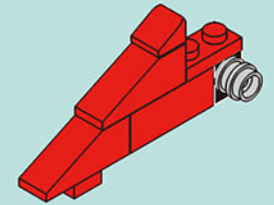
3-6.1



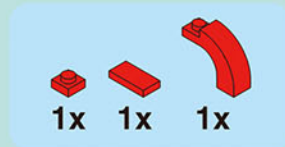
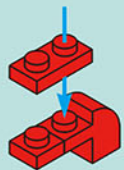
3-6.2



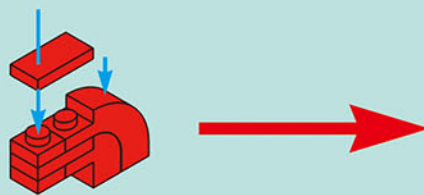
3-6.3



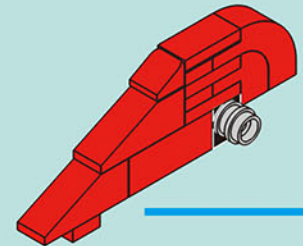
3-6.4



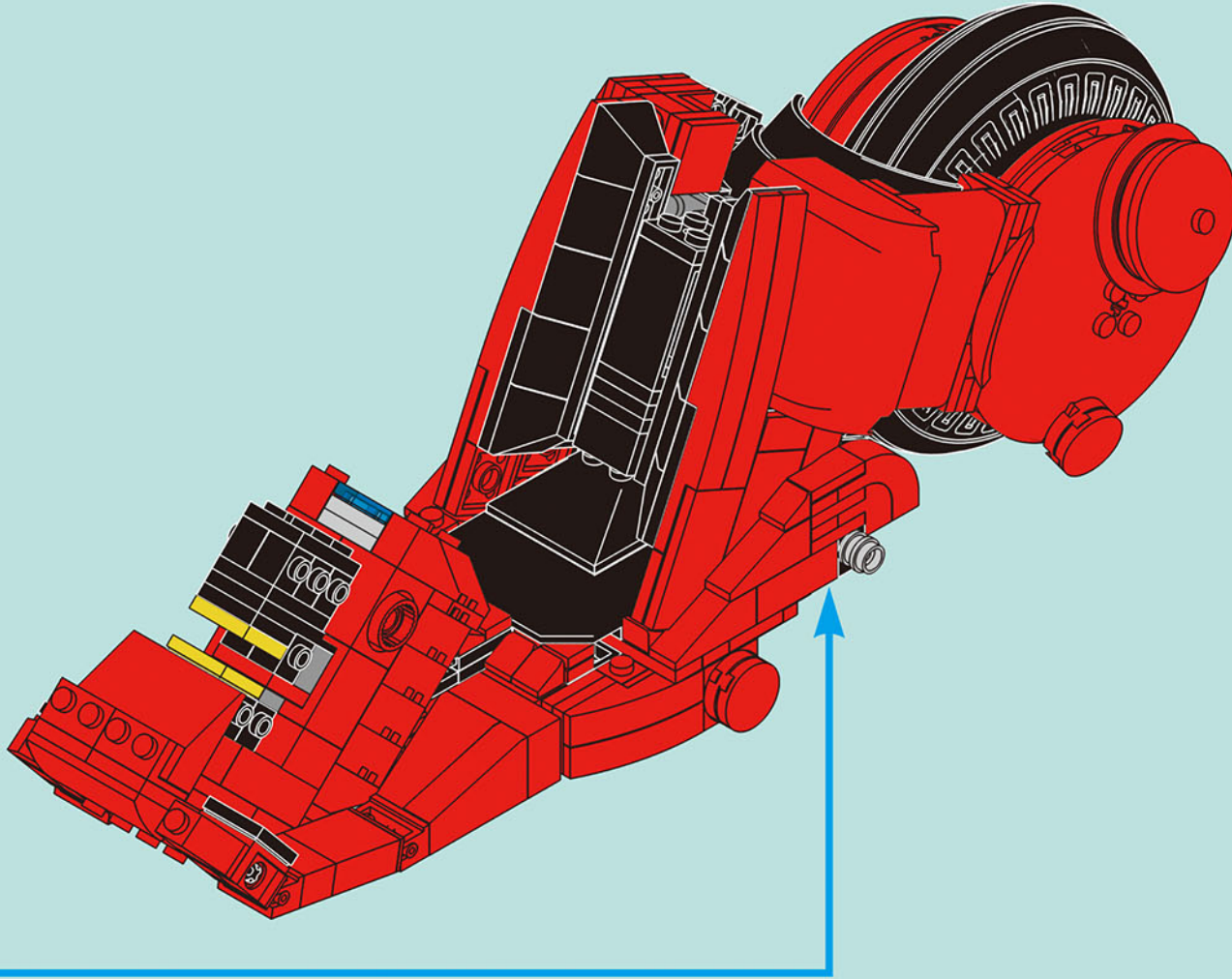
3-6.5











3-6.6

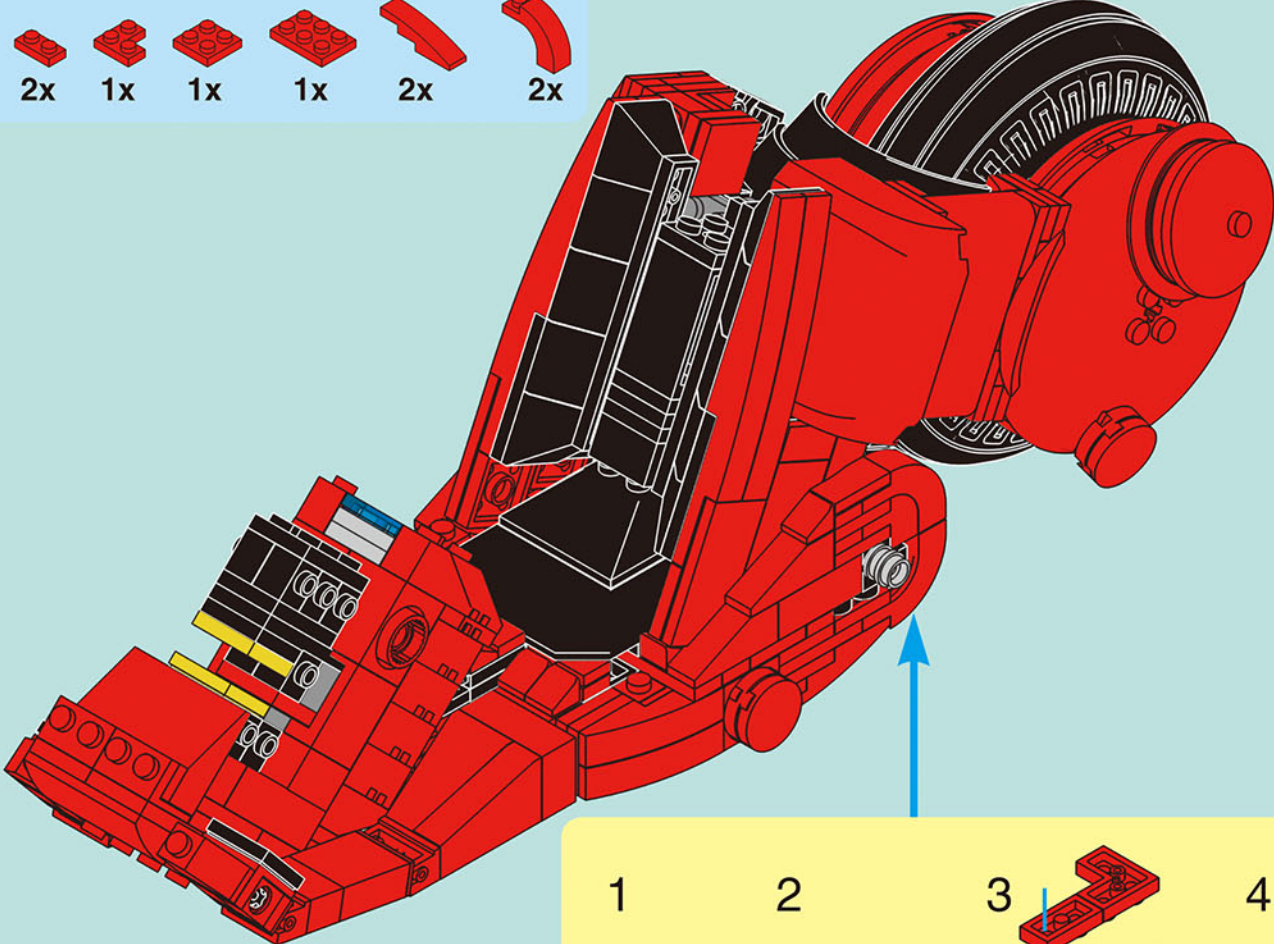


3-6

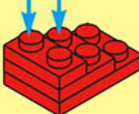


- 
2x
- 
1x
- 
2x
- 
1x
- 
1x
- 
1x
- 
2x
- 
2x

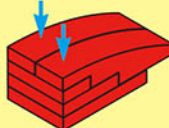
3-7



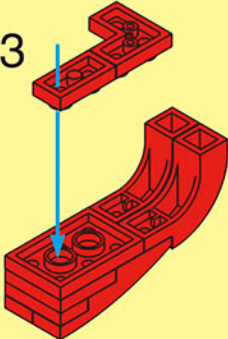
1



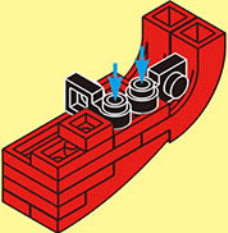
2



3



4





1x

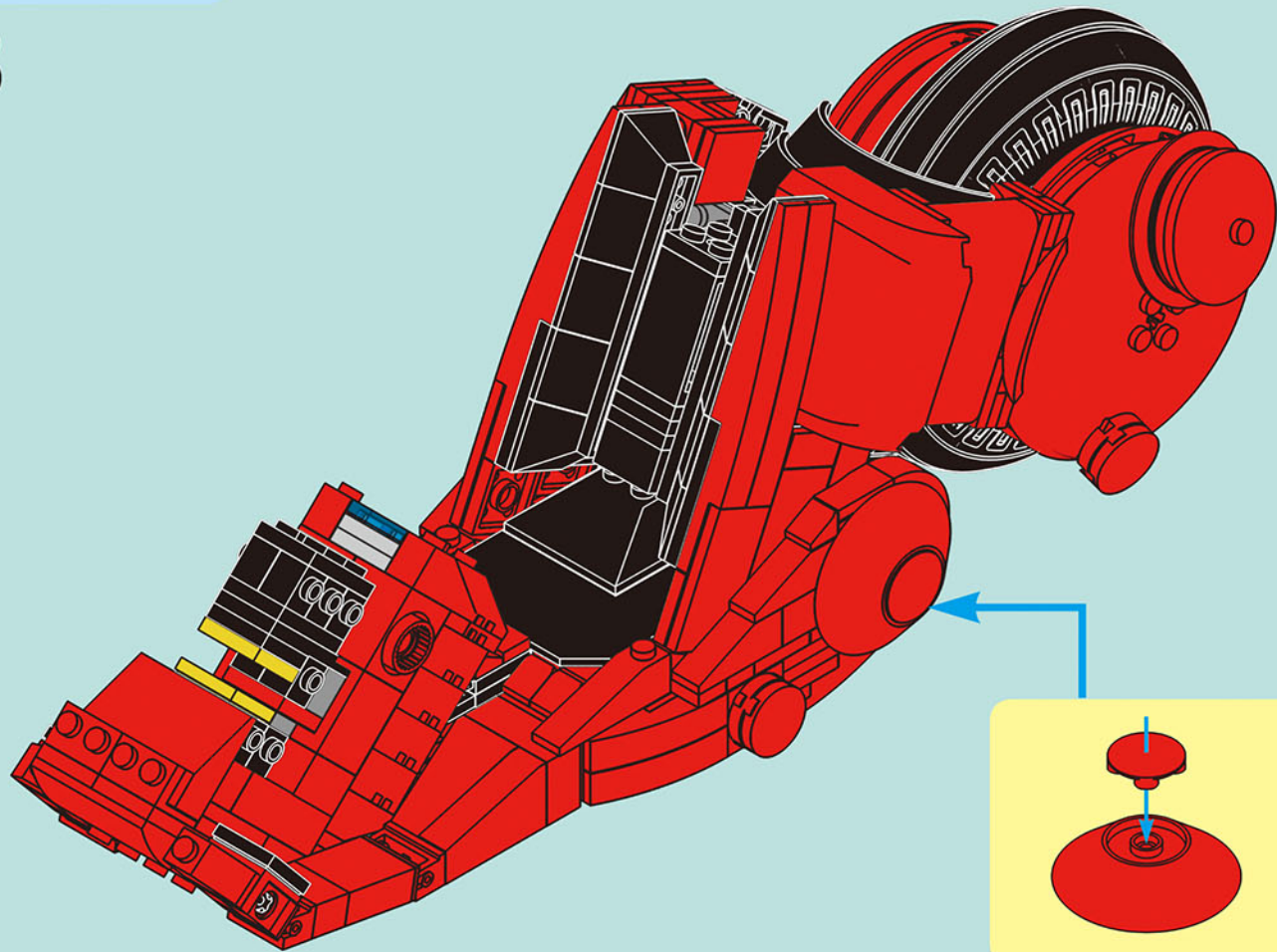



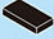


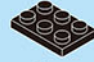
1x



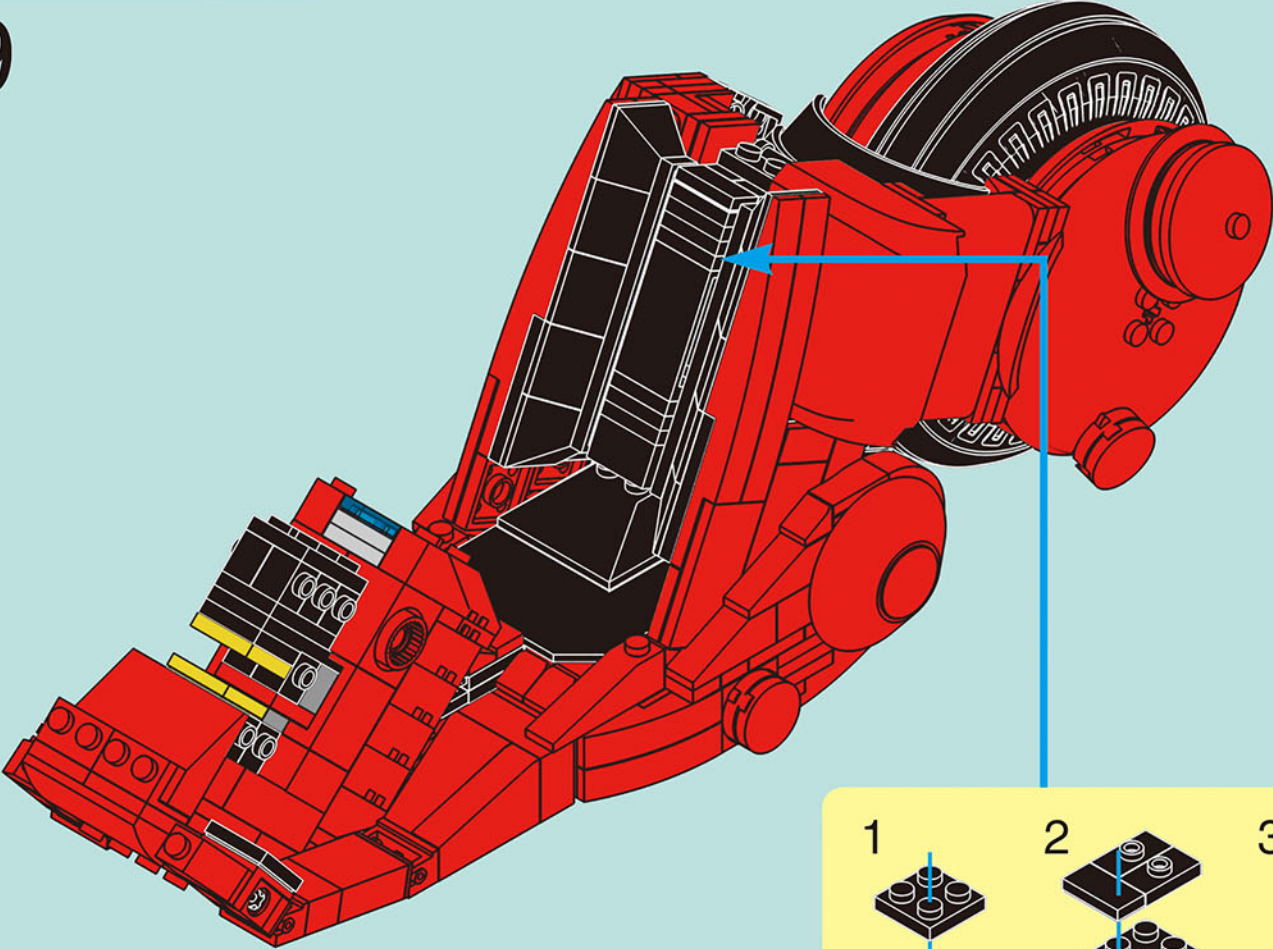
1x

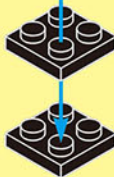
3-8





- 2x 
- 1x 
- 1x 
- 2x 
- 1x 

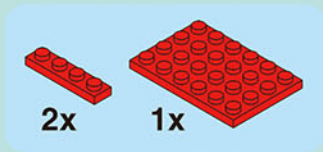
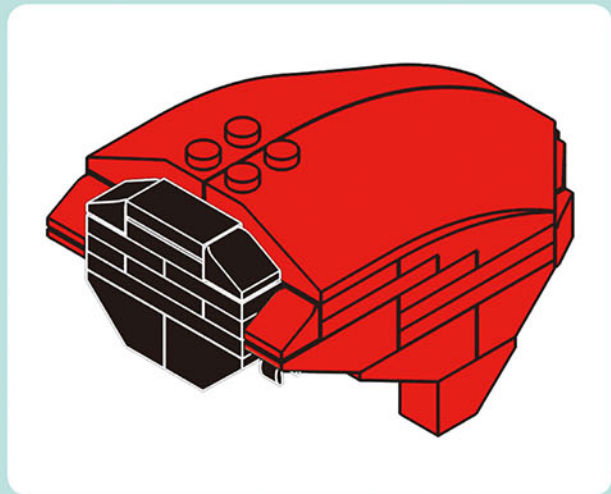
3-9



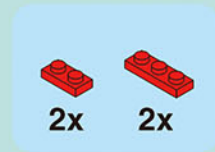
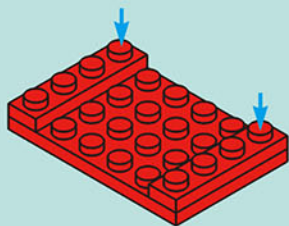
1 

2 

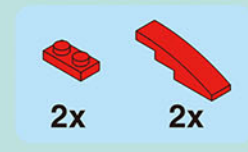
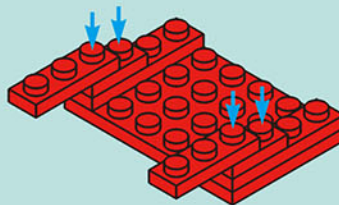
3 



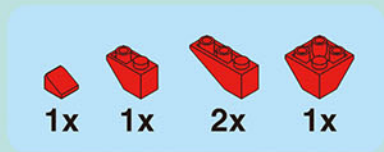
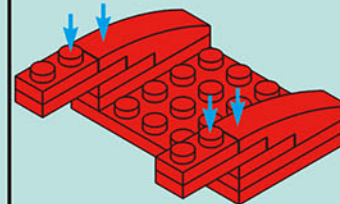
3-10.1



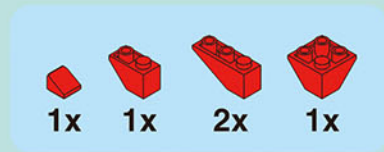
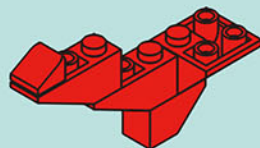
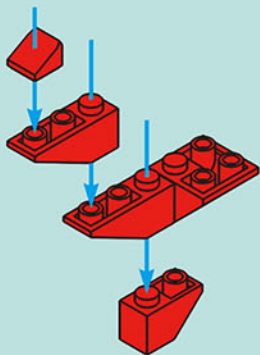
3-10.2



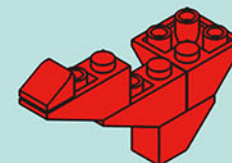
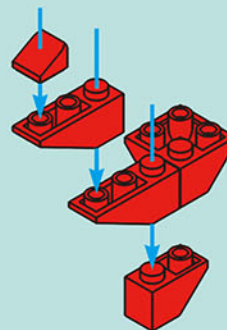
3-10.3



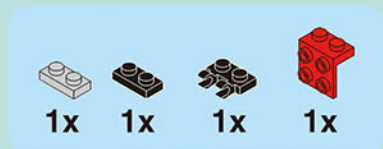
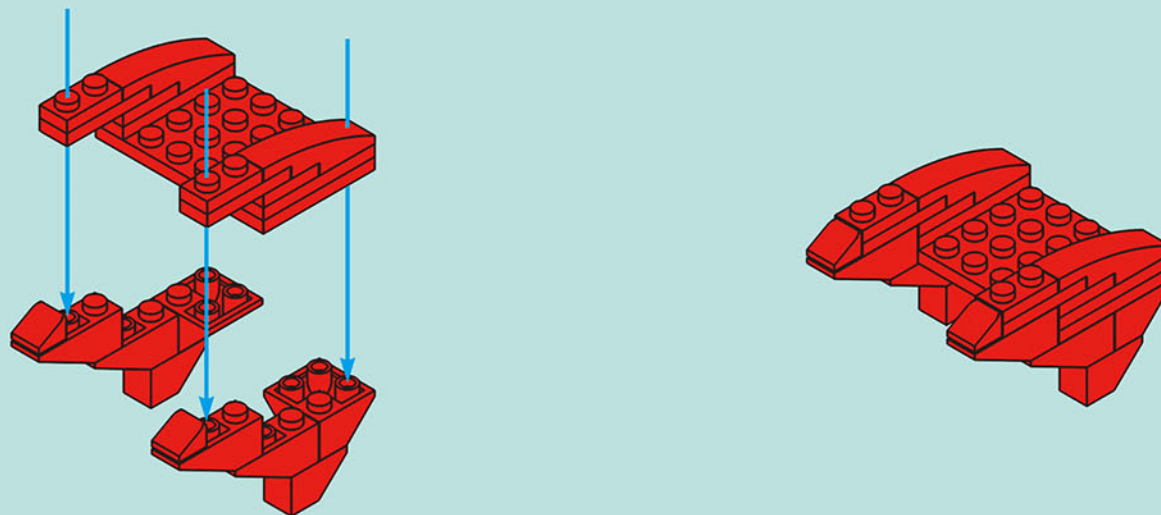
3-10.4



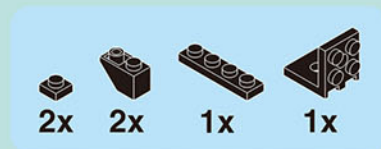
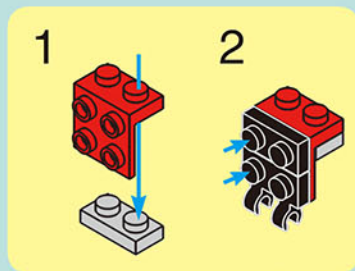
3-10.5



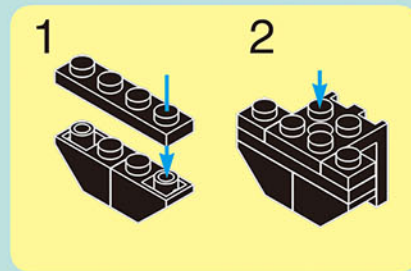
3-10.6

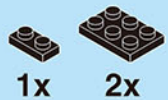


3-10.7

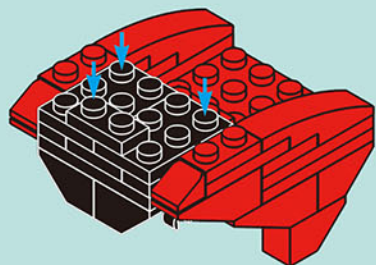


3-10.8

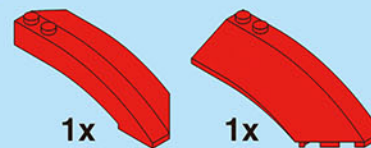




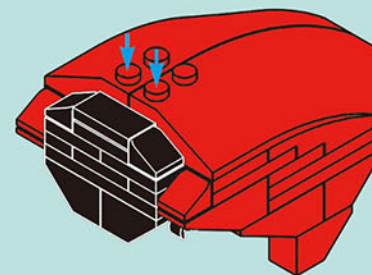
3-10.9



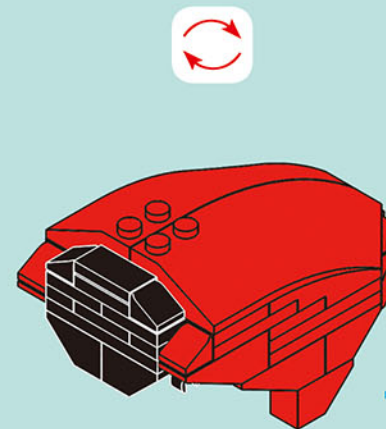
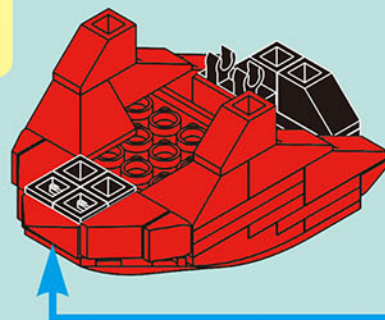
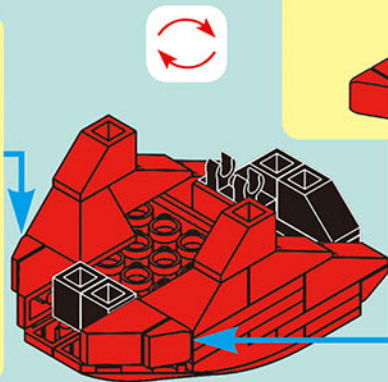
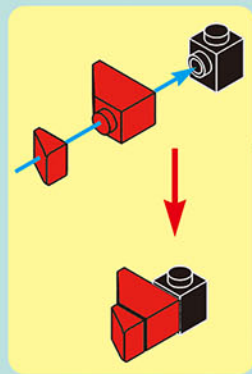
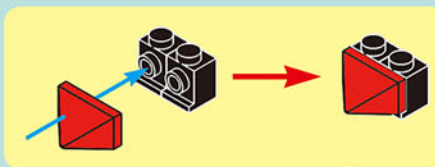
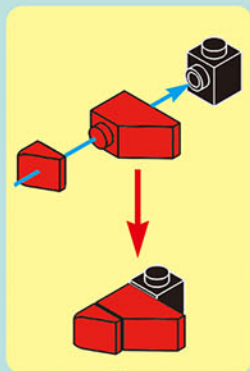
3-10.10



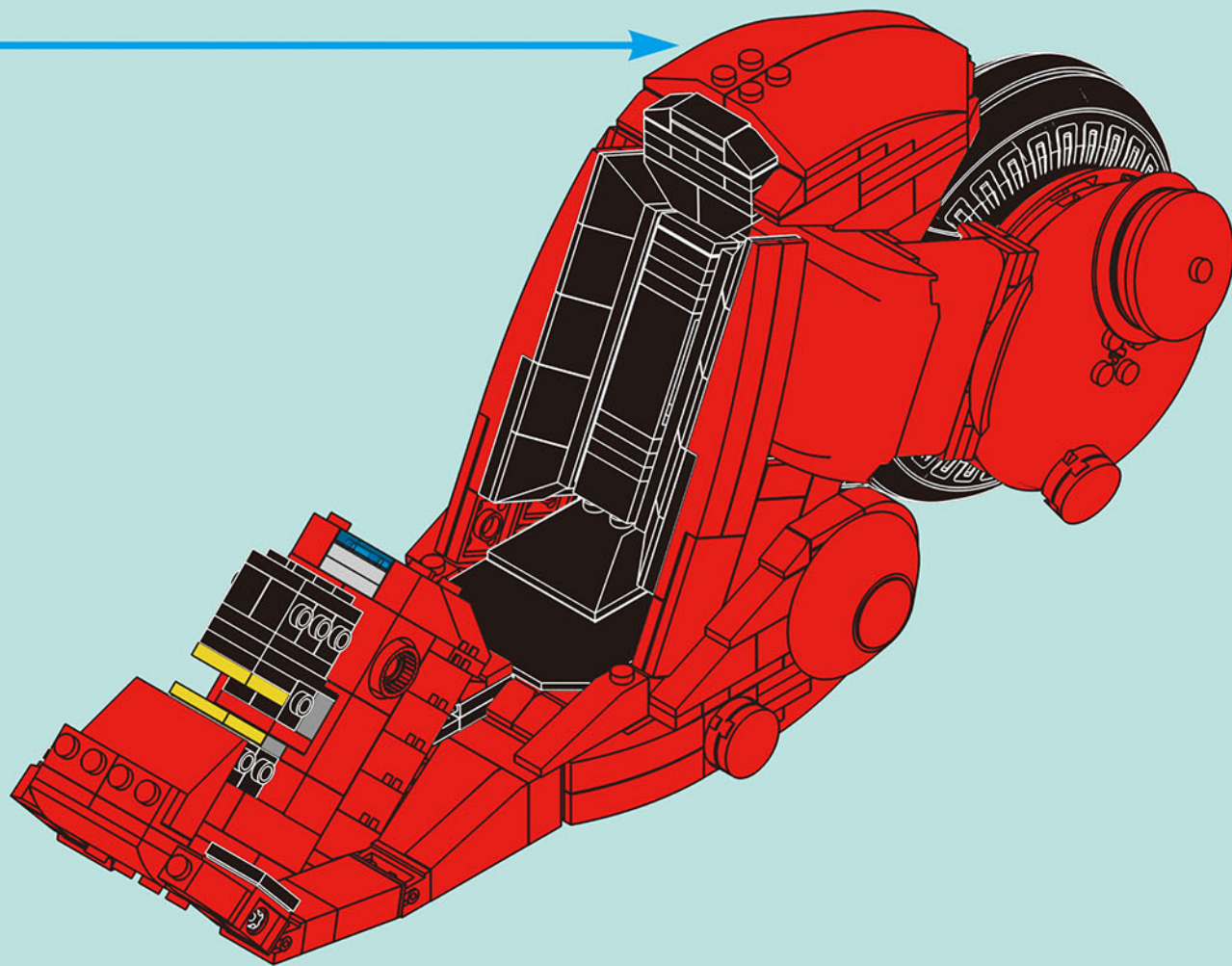
3-10.11

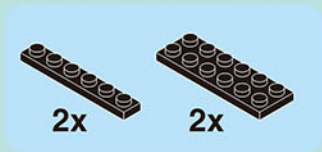
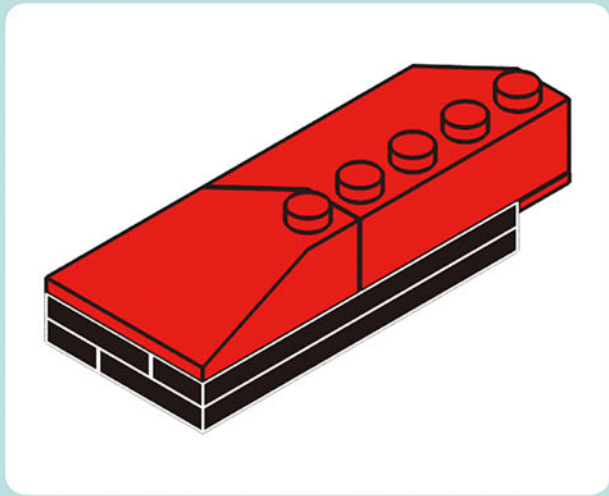


3-10.12

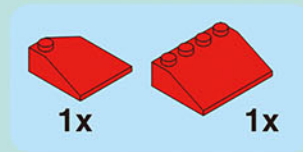
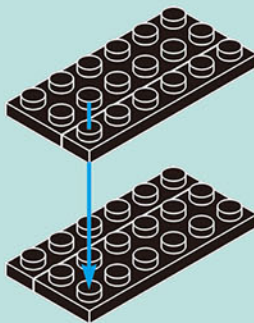


3-10

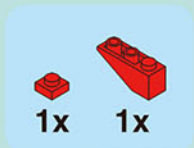
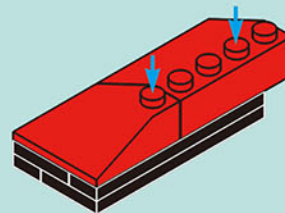




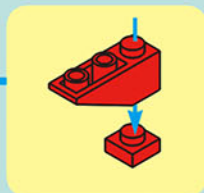
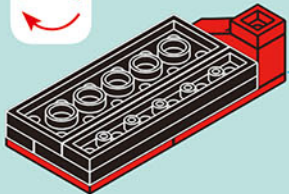
3-11.1



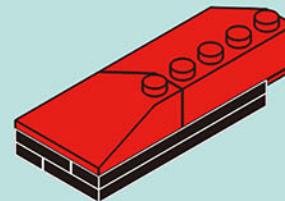
3-11.2



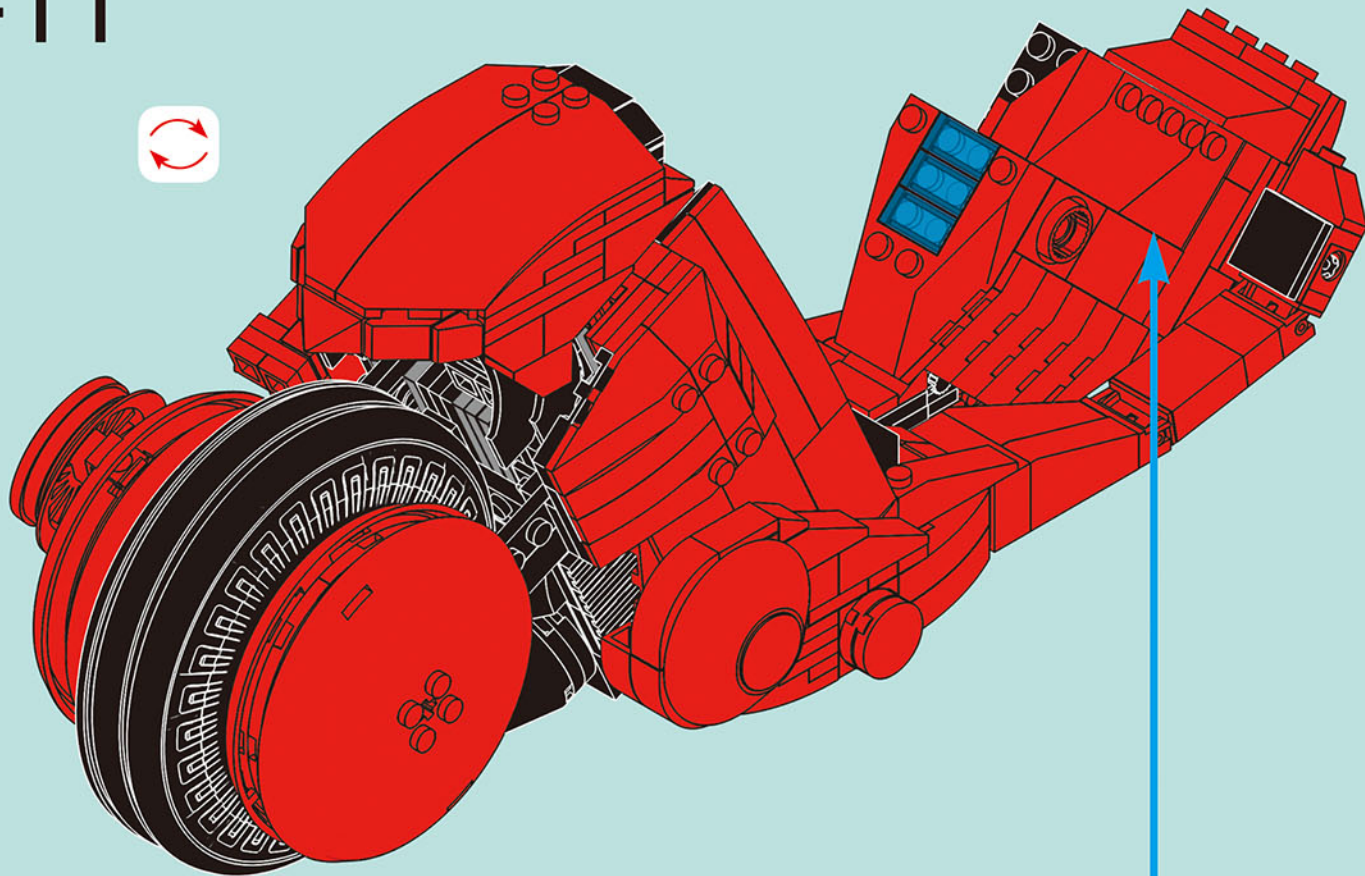
3-11.3

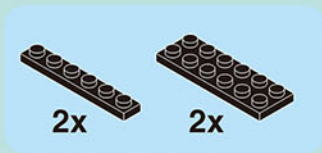
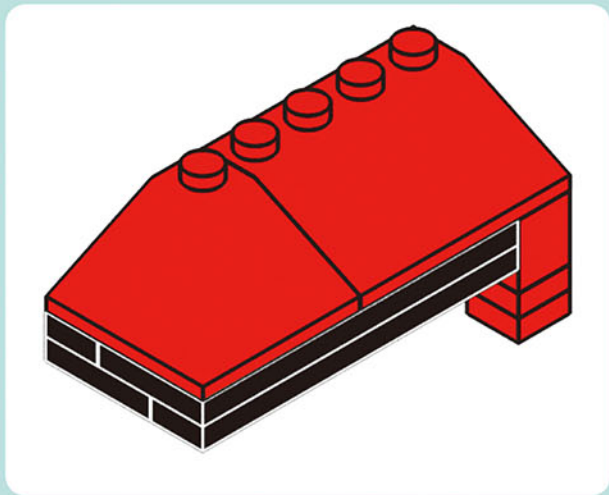


3-11.4

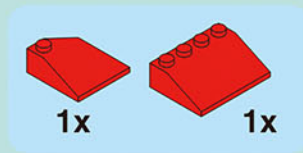
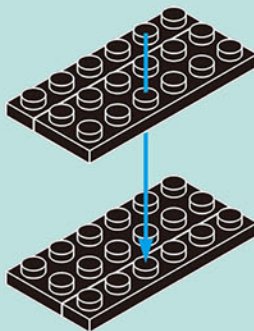


3-11

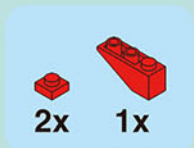
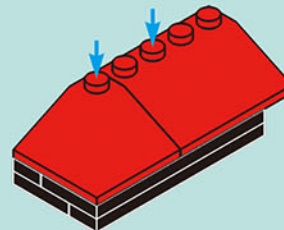




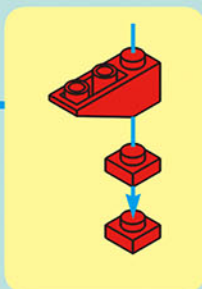
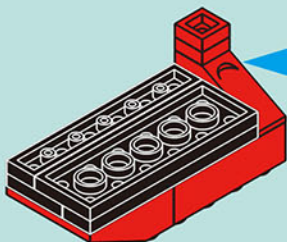
3-12.1



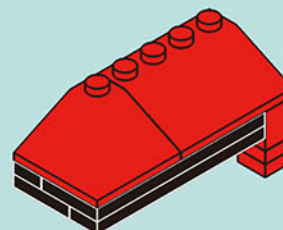
3-12.2



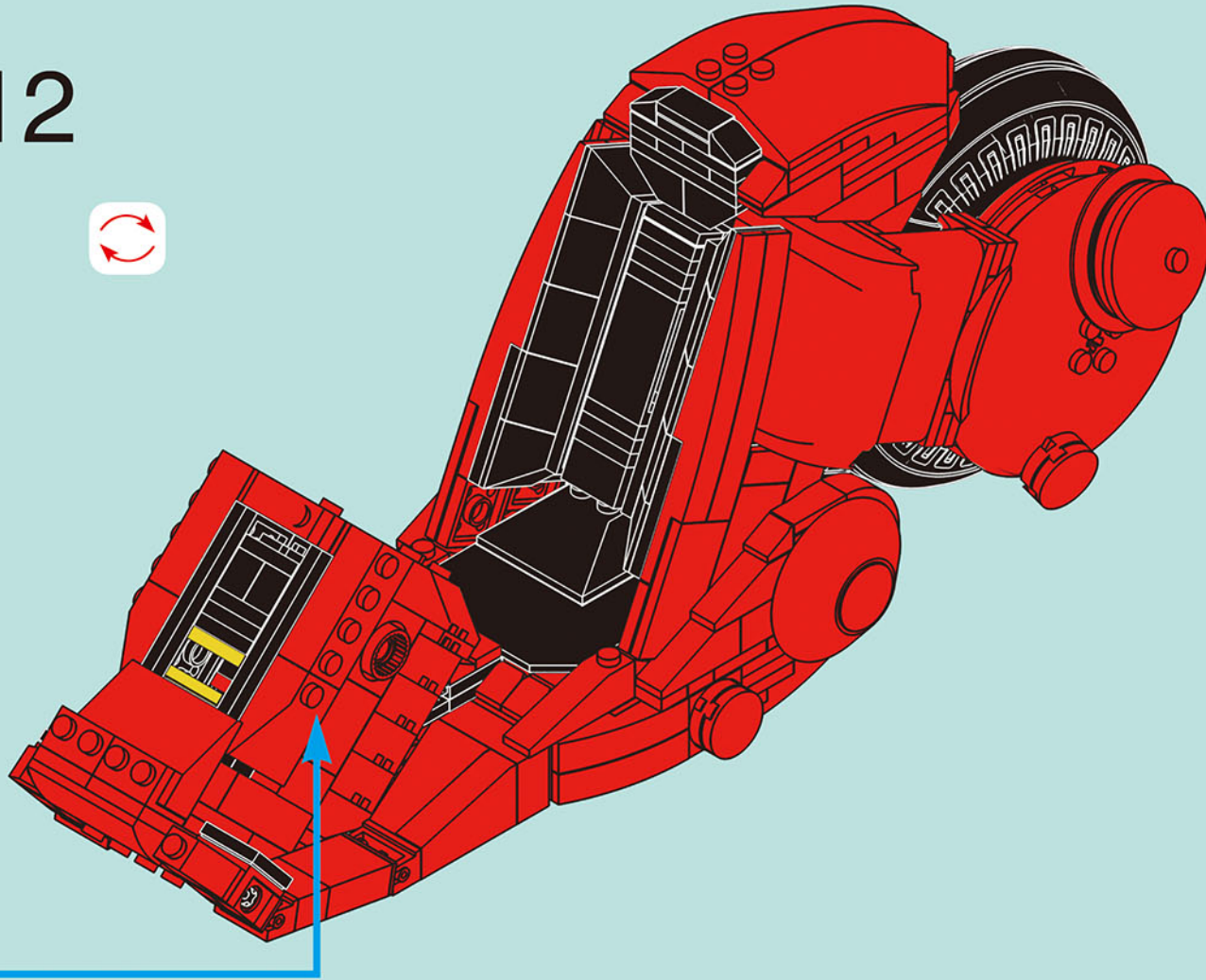
3-12.3

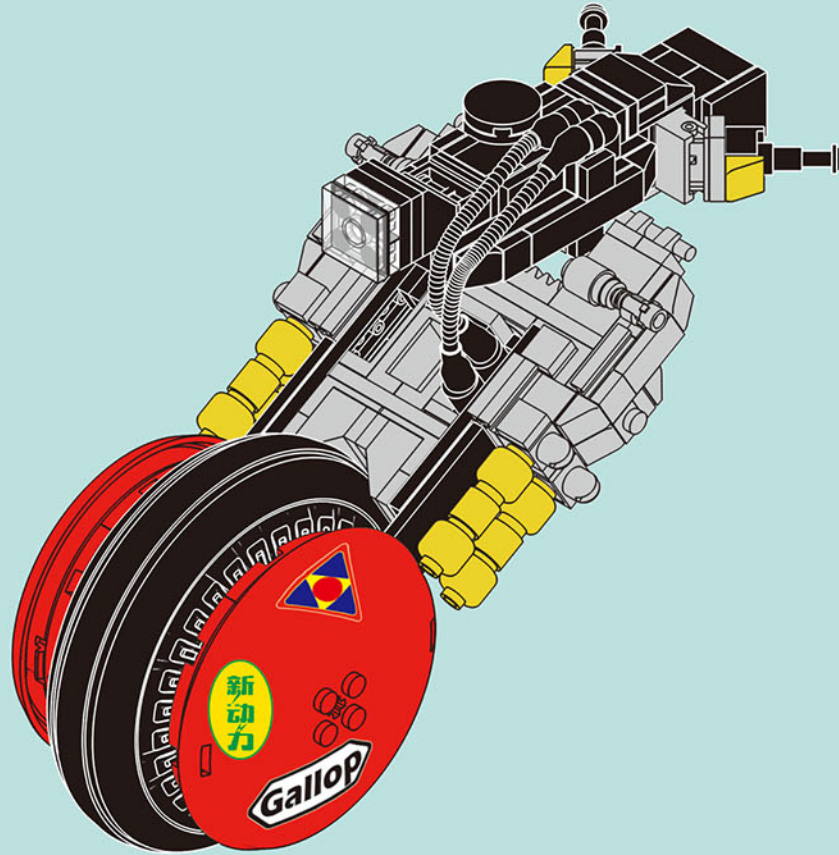
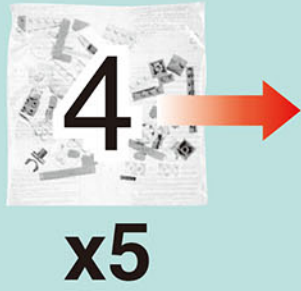


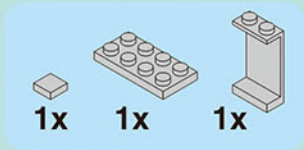
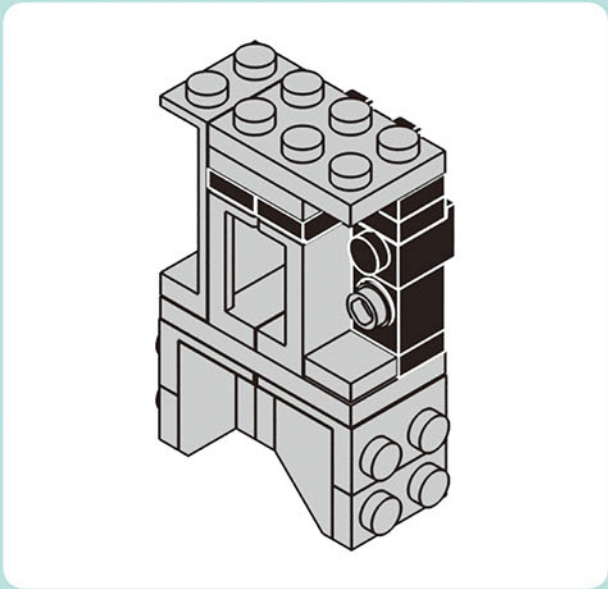
3-12.4



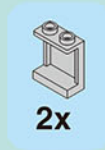
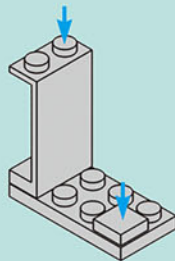
3-12



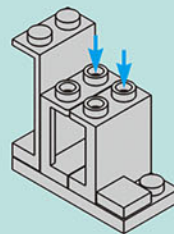




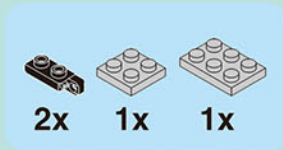
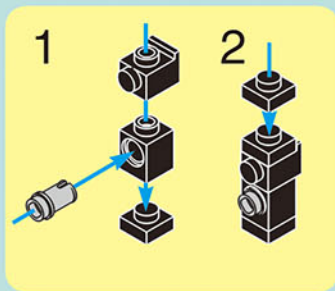
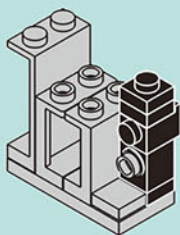
4-1.1



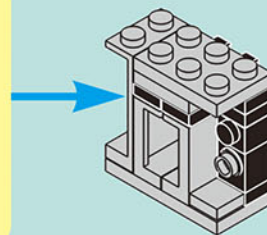
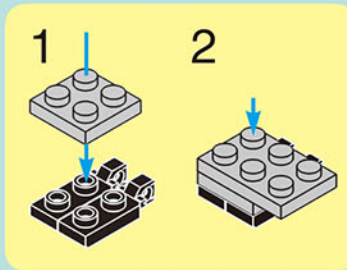
4-1.2

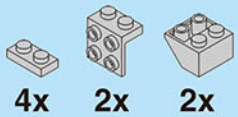


4-1.3

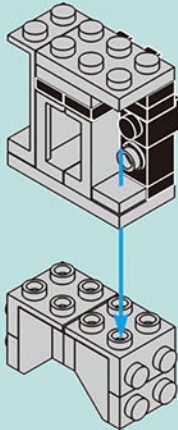
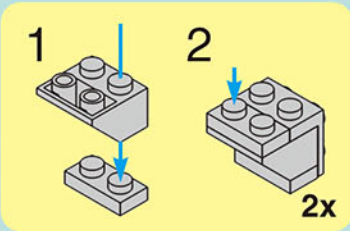


4-1.4

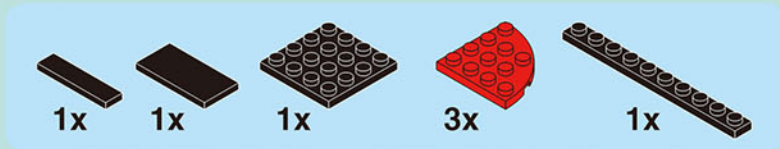
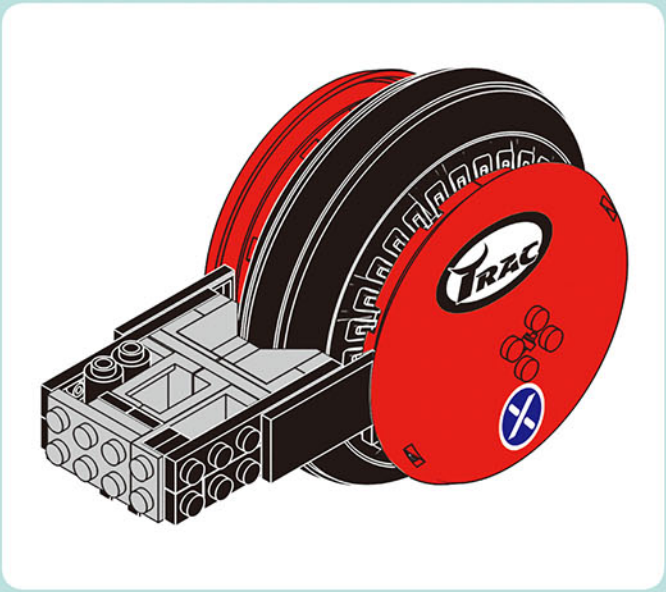
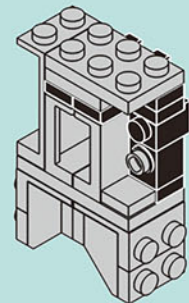




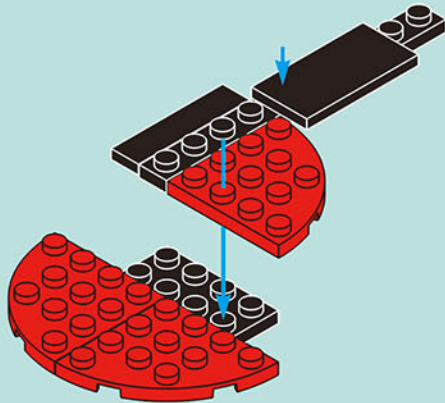
4-1.5

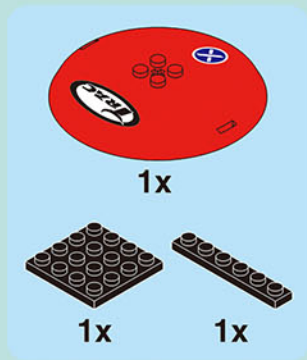


4-1

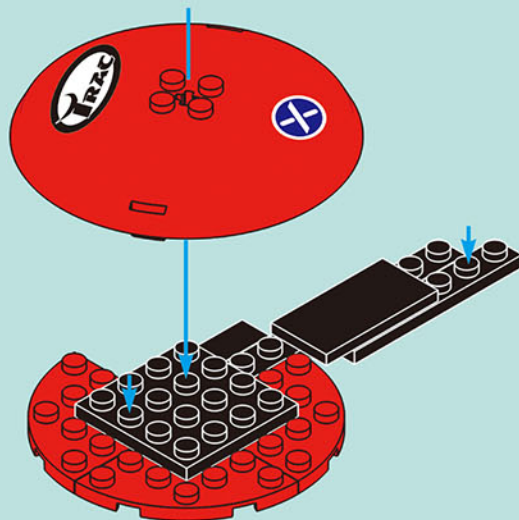


4-2.1



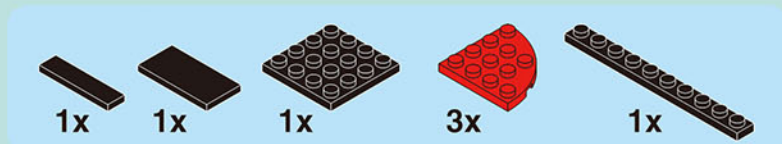
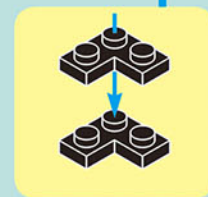
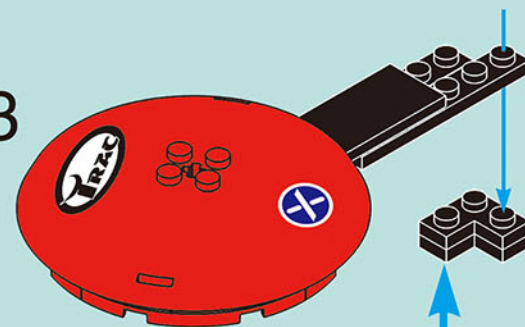


4-2.2

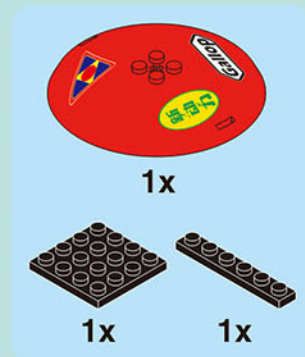
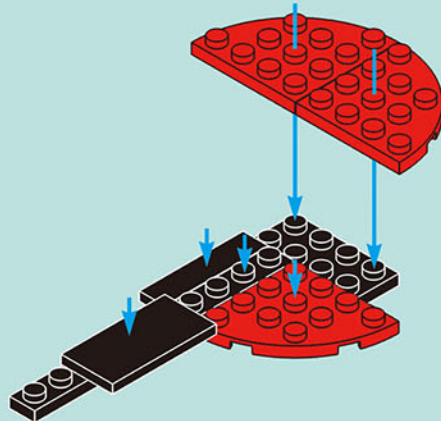


4-2.3

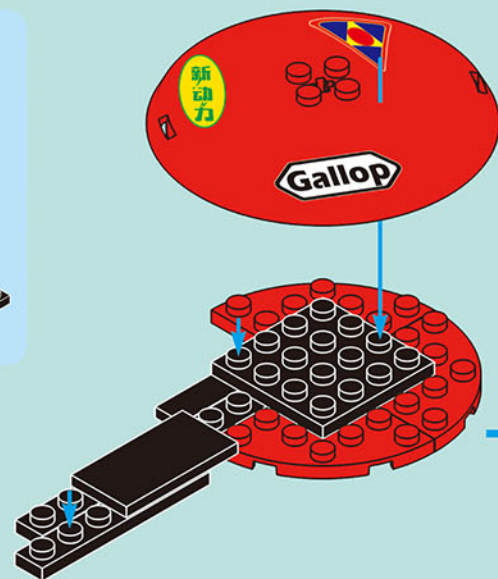
A



4-2.4

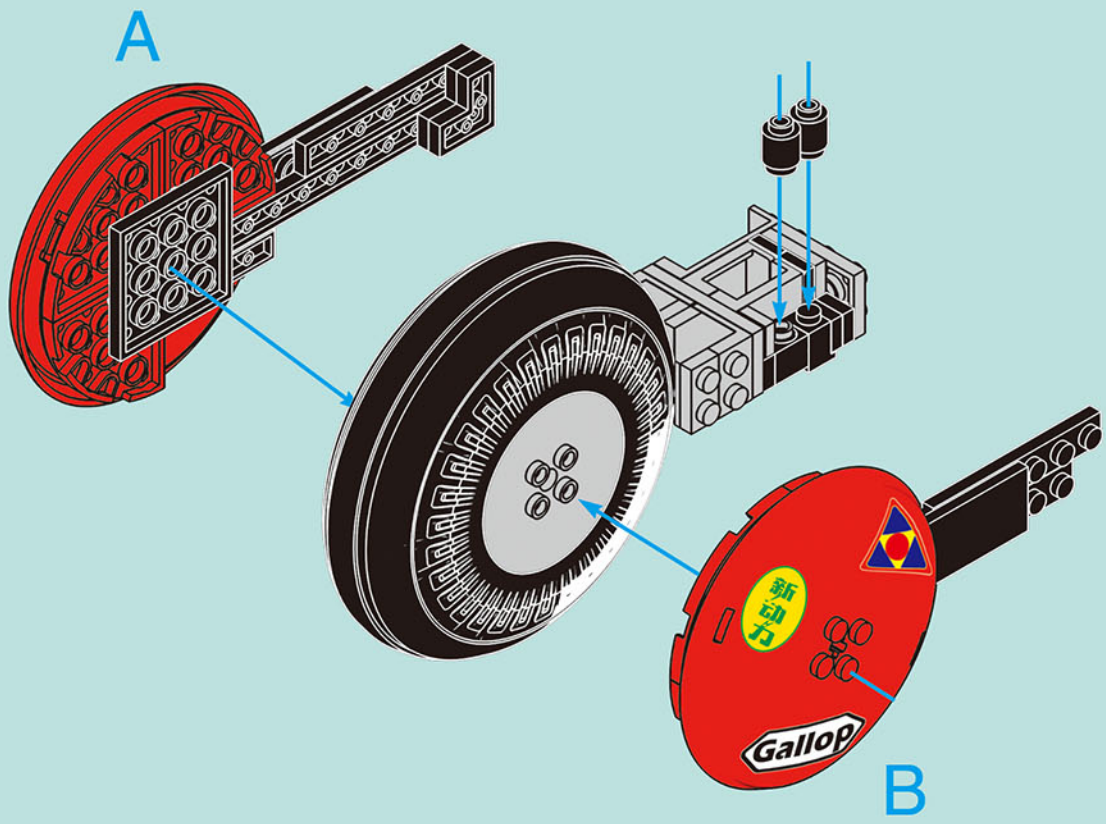
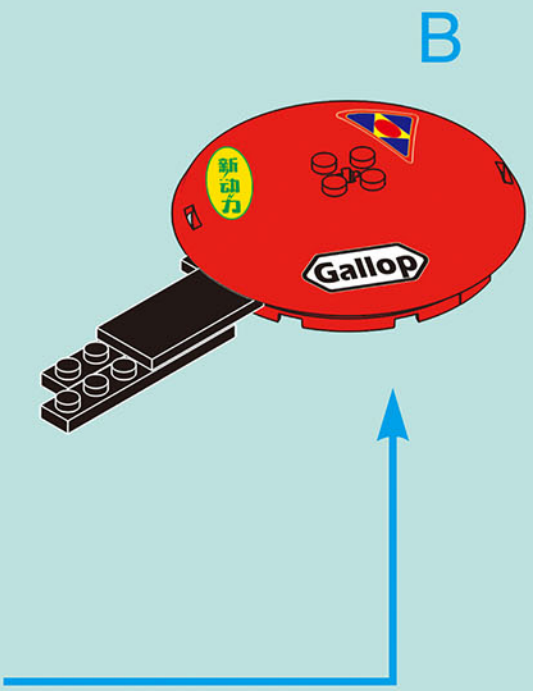


4-2.5



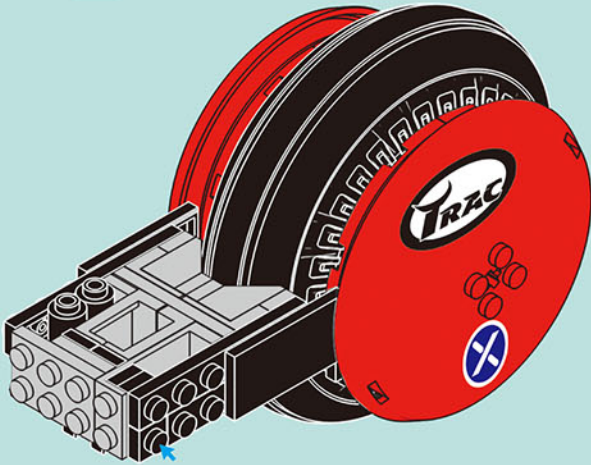


4-2.6



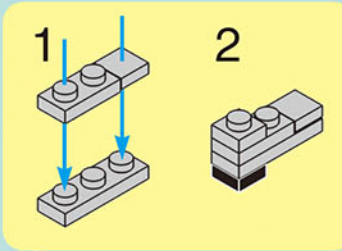
1x

4-2

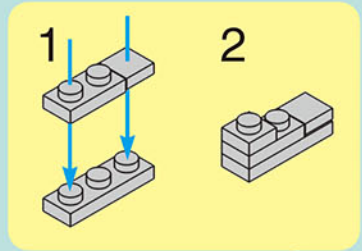
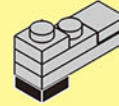


2x 2x 2x 2x 4x 2x 1x

4-3

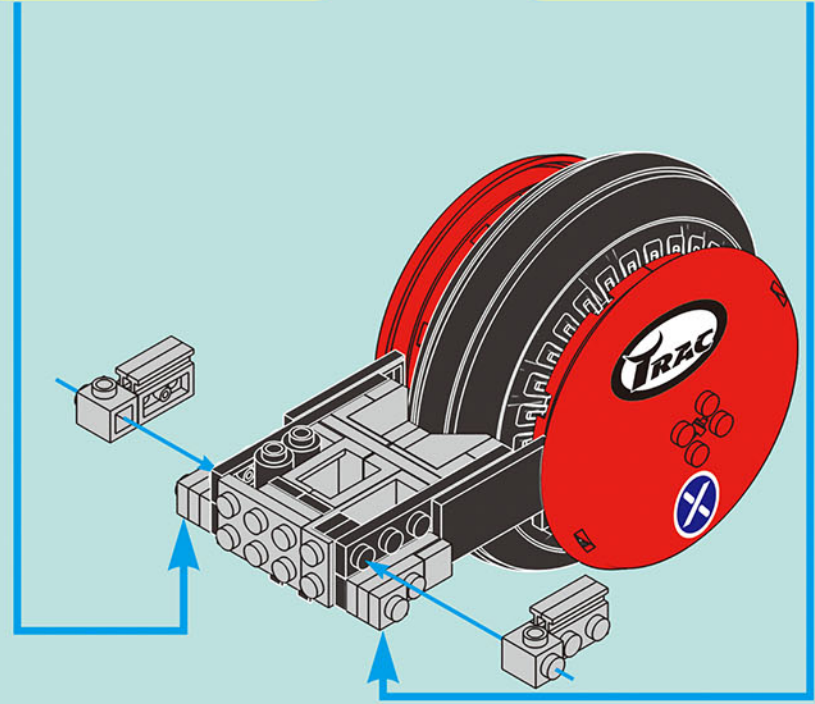
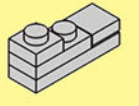


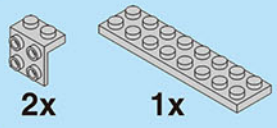
2



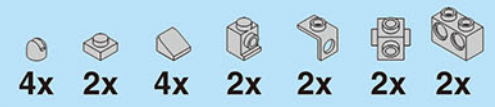
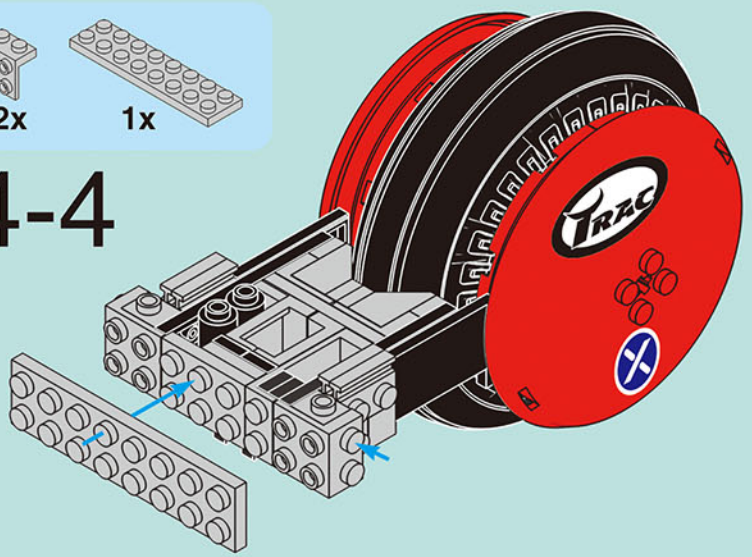
1

2

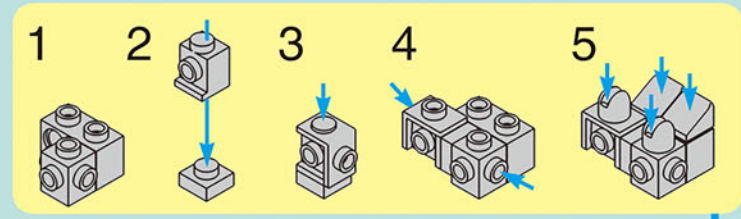
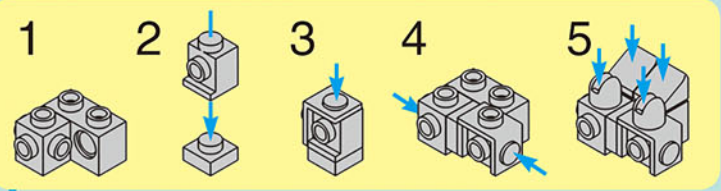




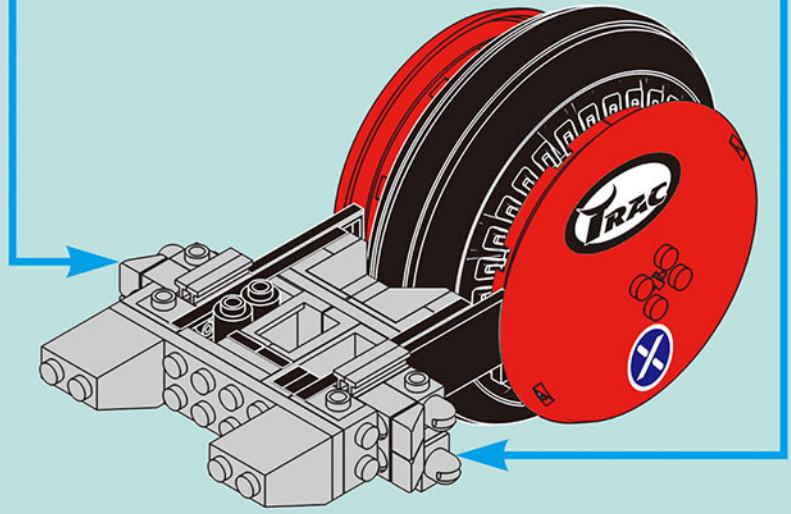
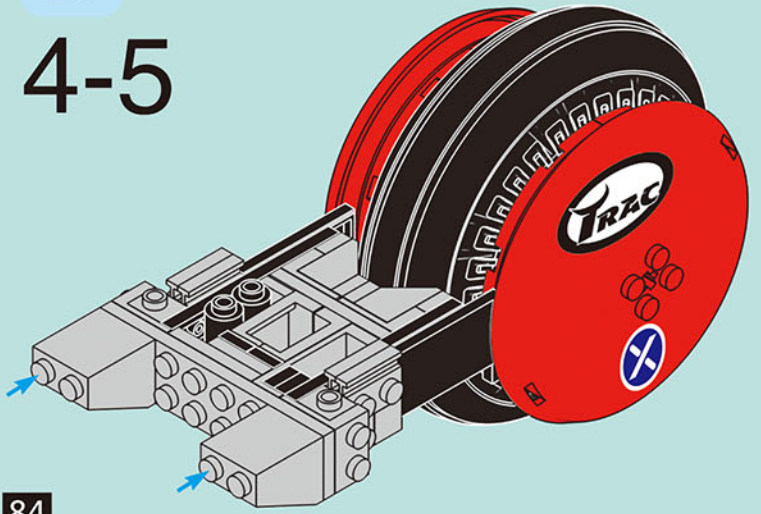
4-4



4-6



4-5





2x



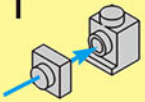
2x



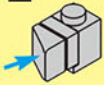
2x

4-7

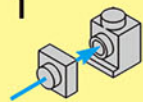
1



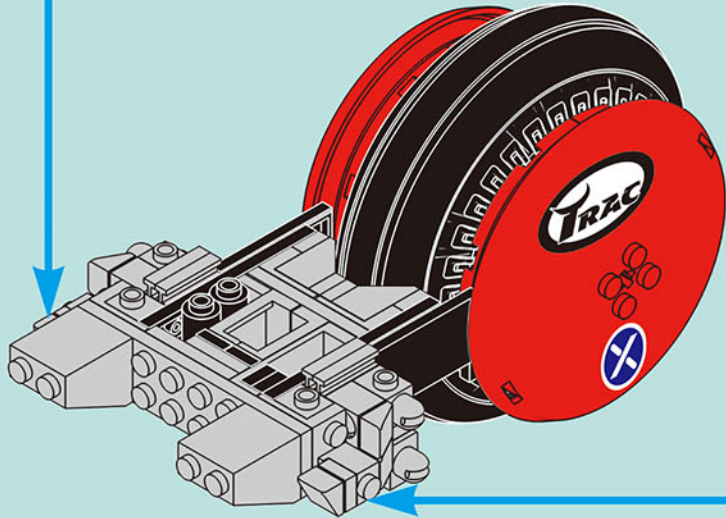
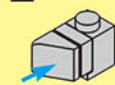
2



1



2



2x



2x



2x



2x



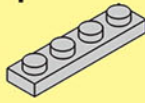
2x



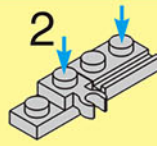
2x

4-8

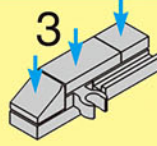
1



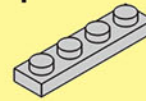
2



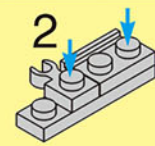
3



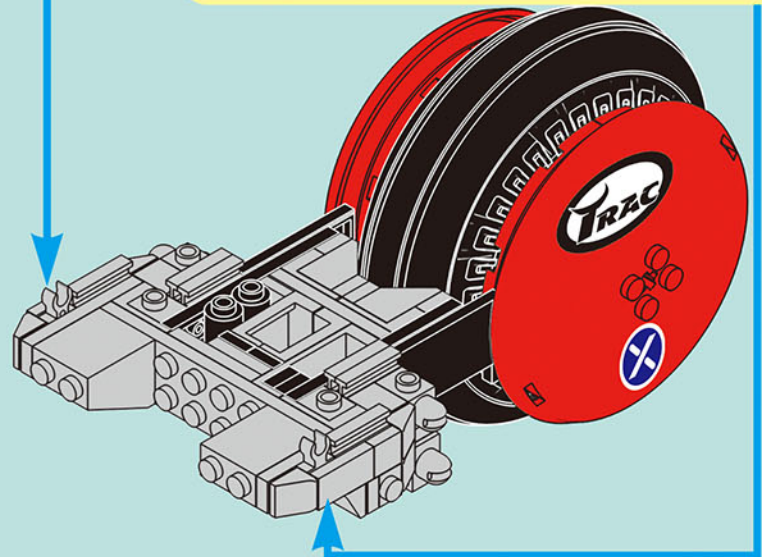
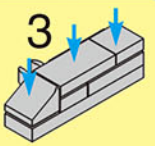
1



2



3





4x



2x



2x

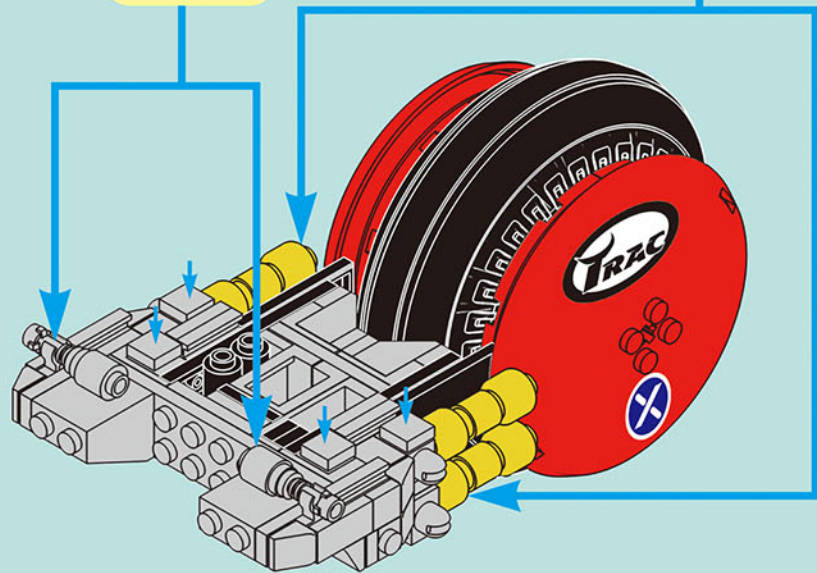
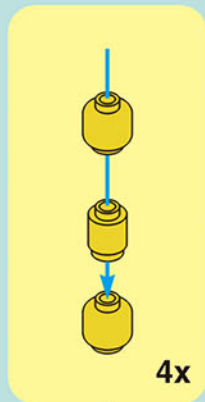
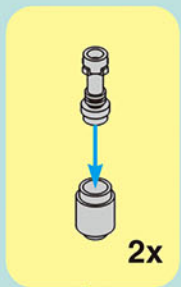


8x

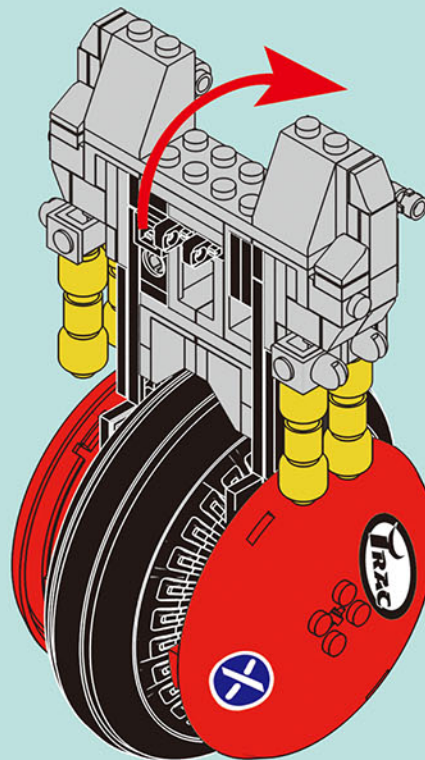


4x

4-9



4-10



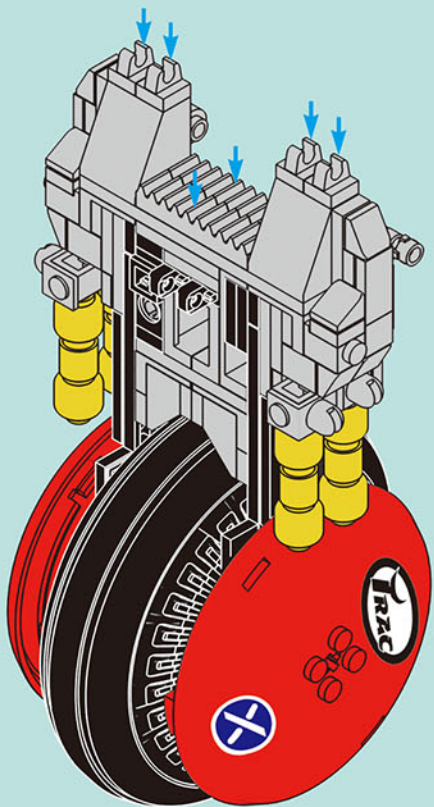


4x



2x

4-11

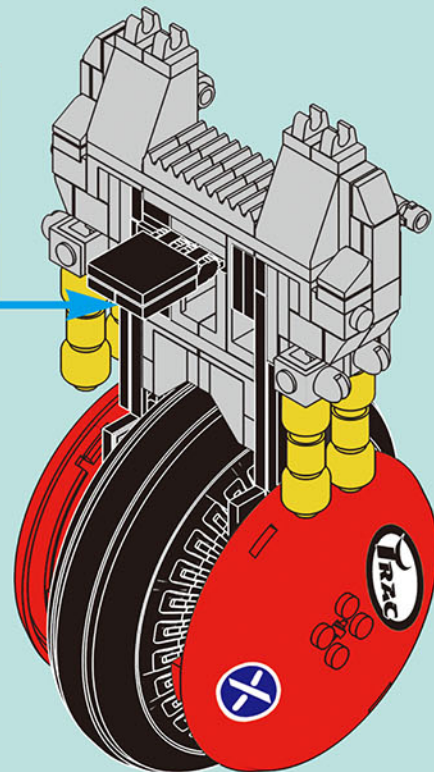
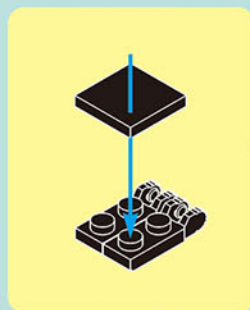


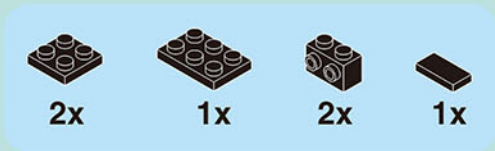
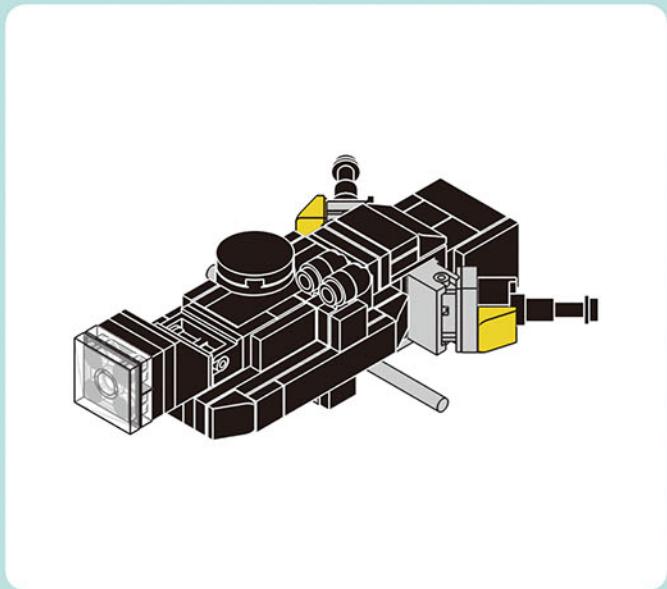
1x



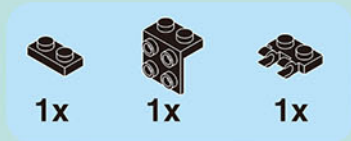
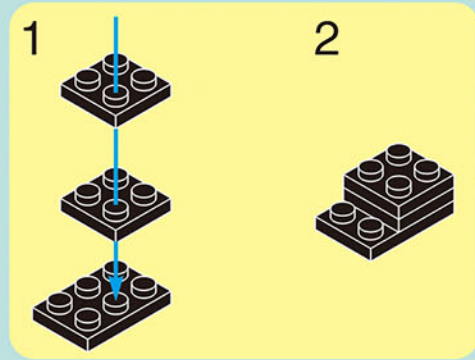
2x

4-12

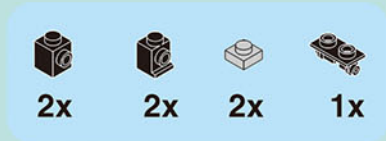
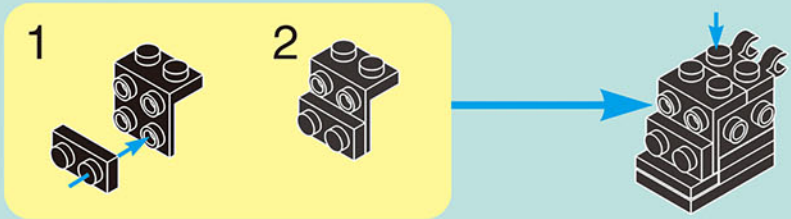




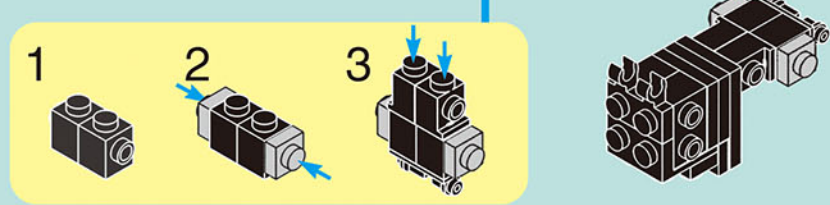
4-13



4-14

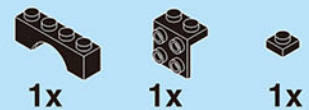
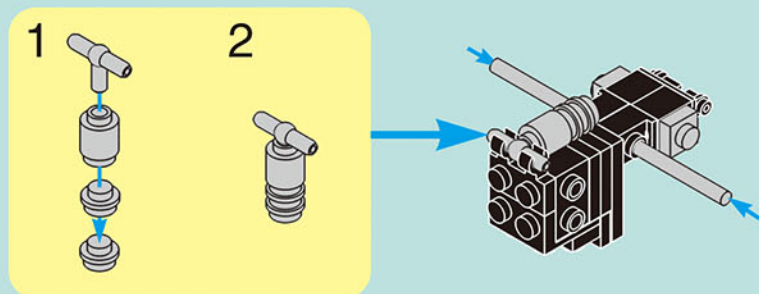


4-15





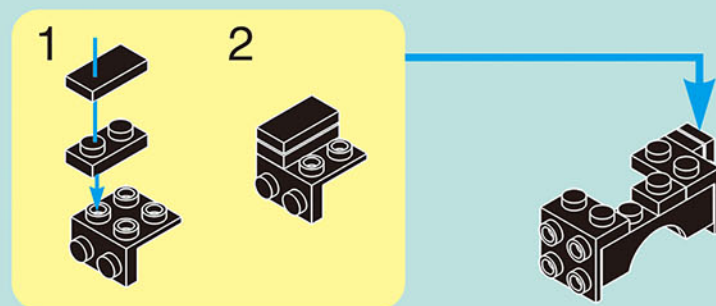
4-16



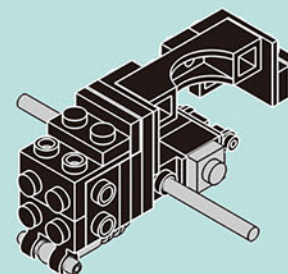
4-17.1

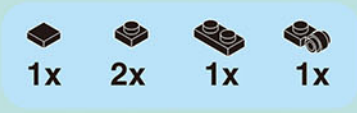


4-17.2

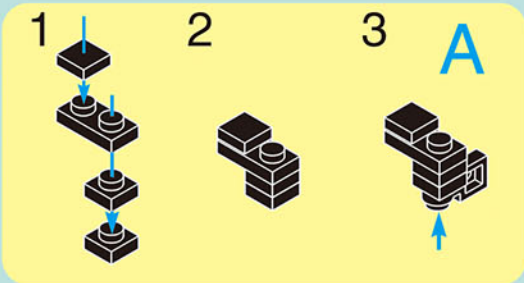


4-17

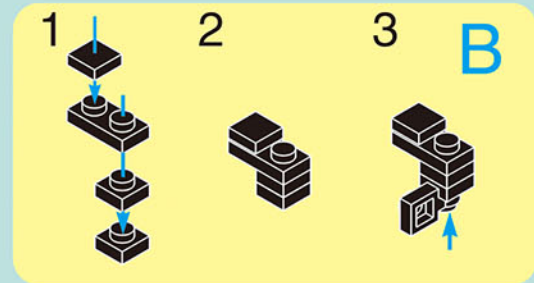




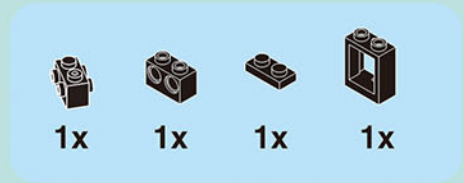
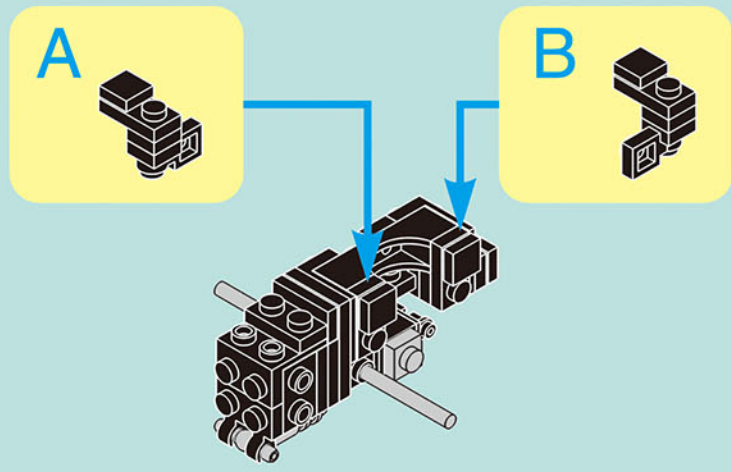
4-18.1



4-18.2



4-18



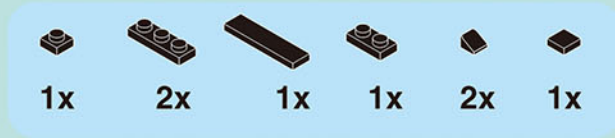
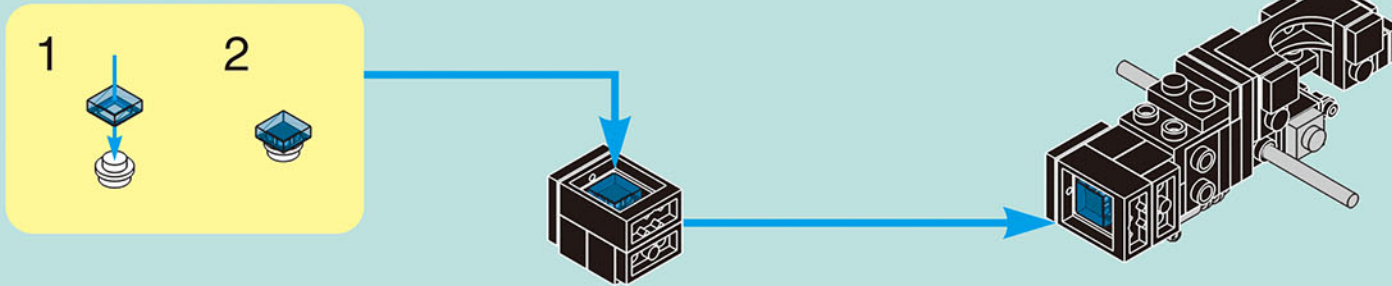
4-19.1



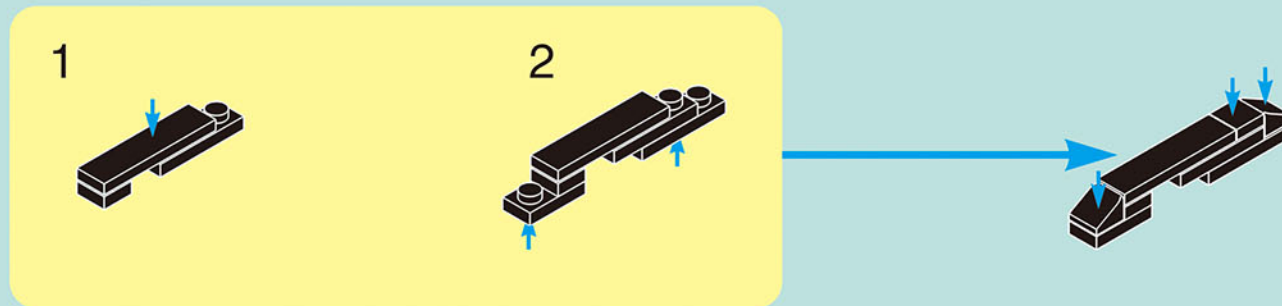


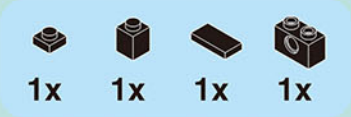
4-19

4-19.2

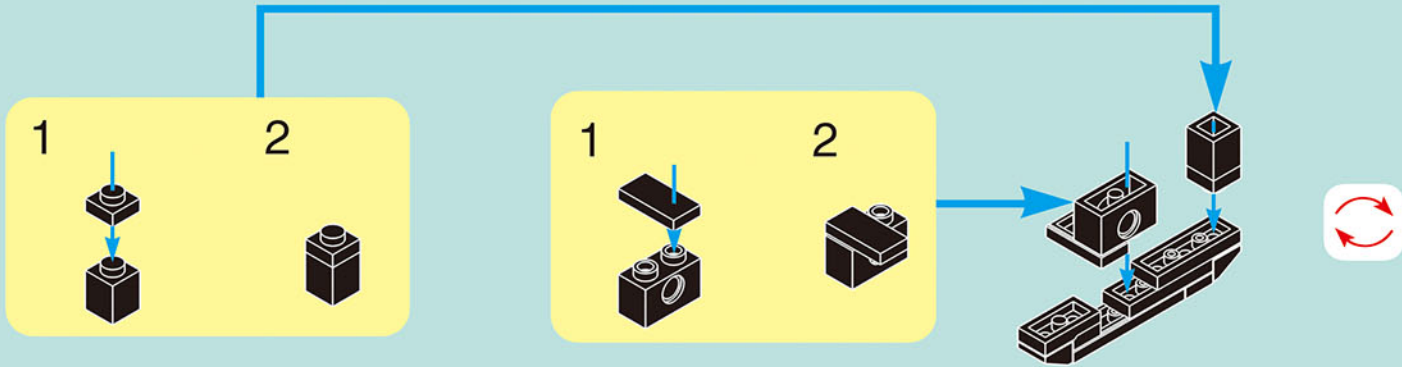


4-20.1

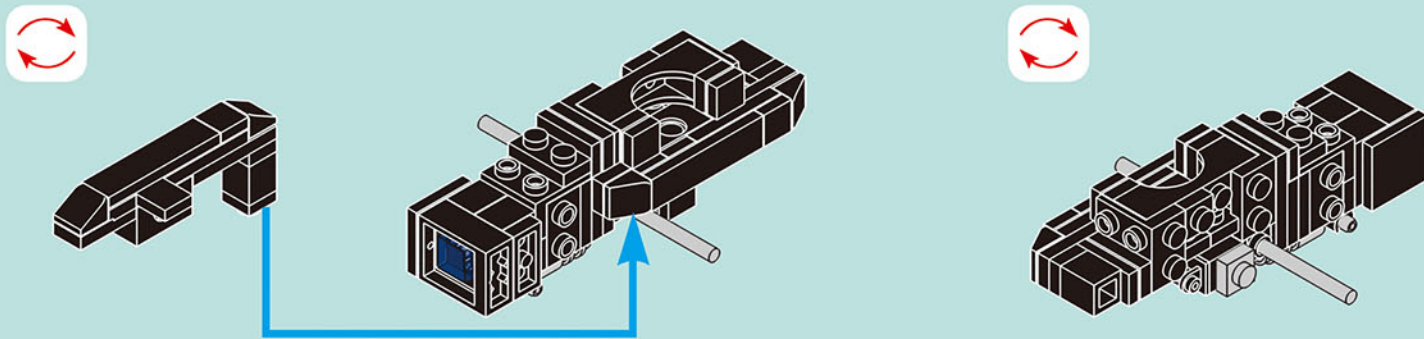




4-20.2

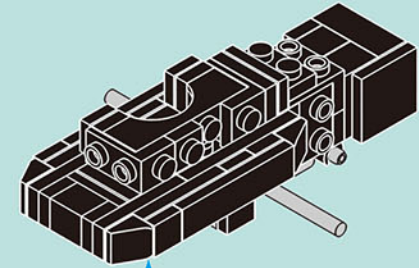
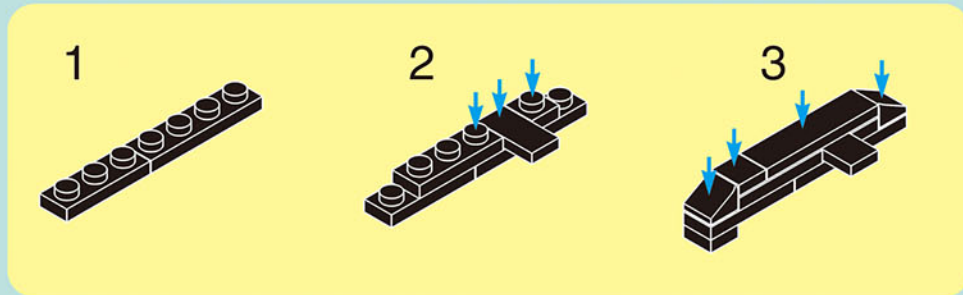


4-20

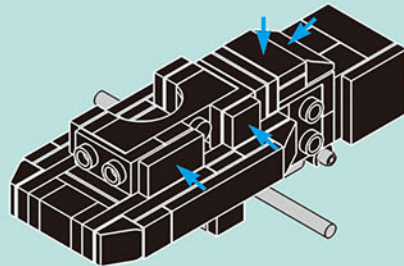




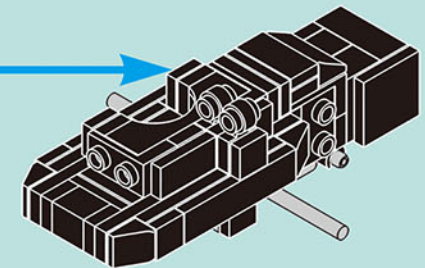
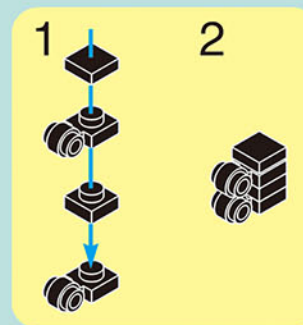
4-21

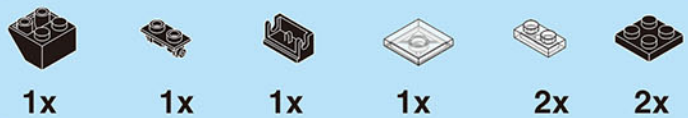


4-22

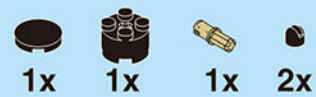
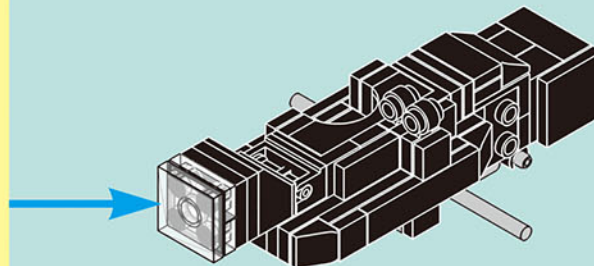
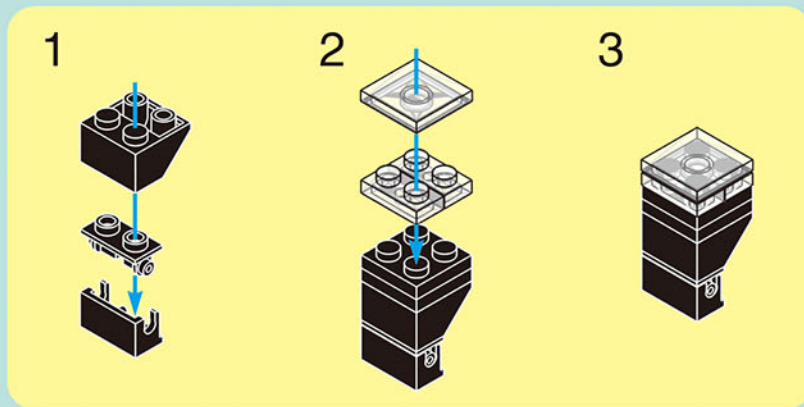


4-23

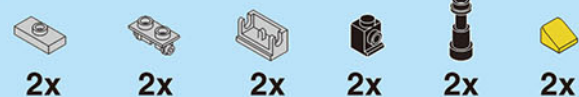
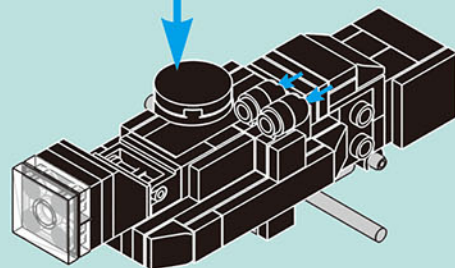
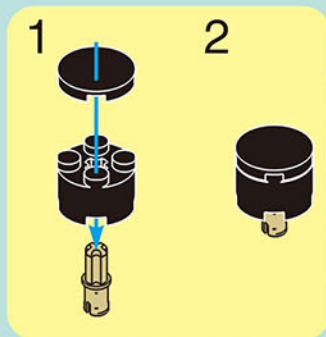




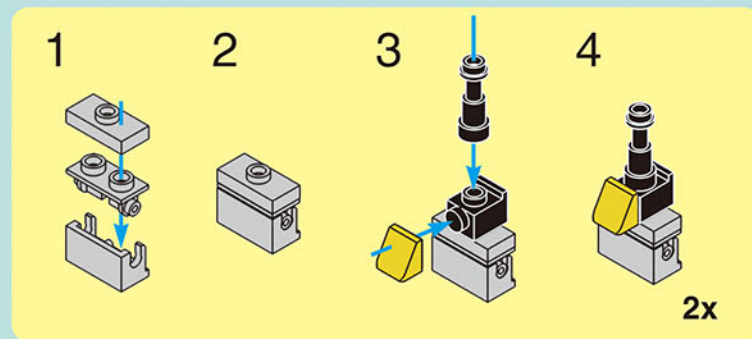
4-24



4-25

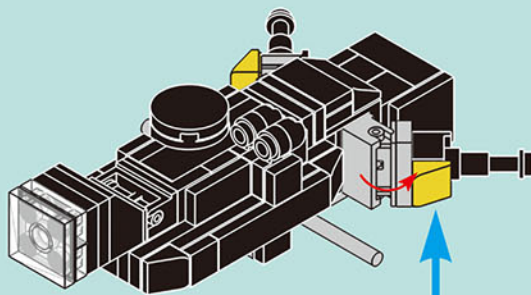


4-26.1

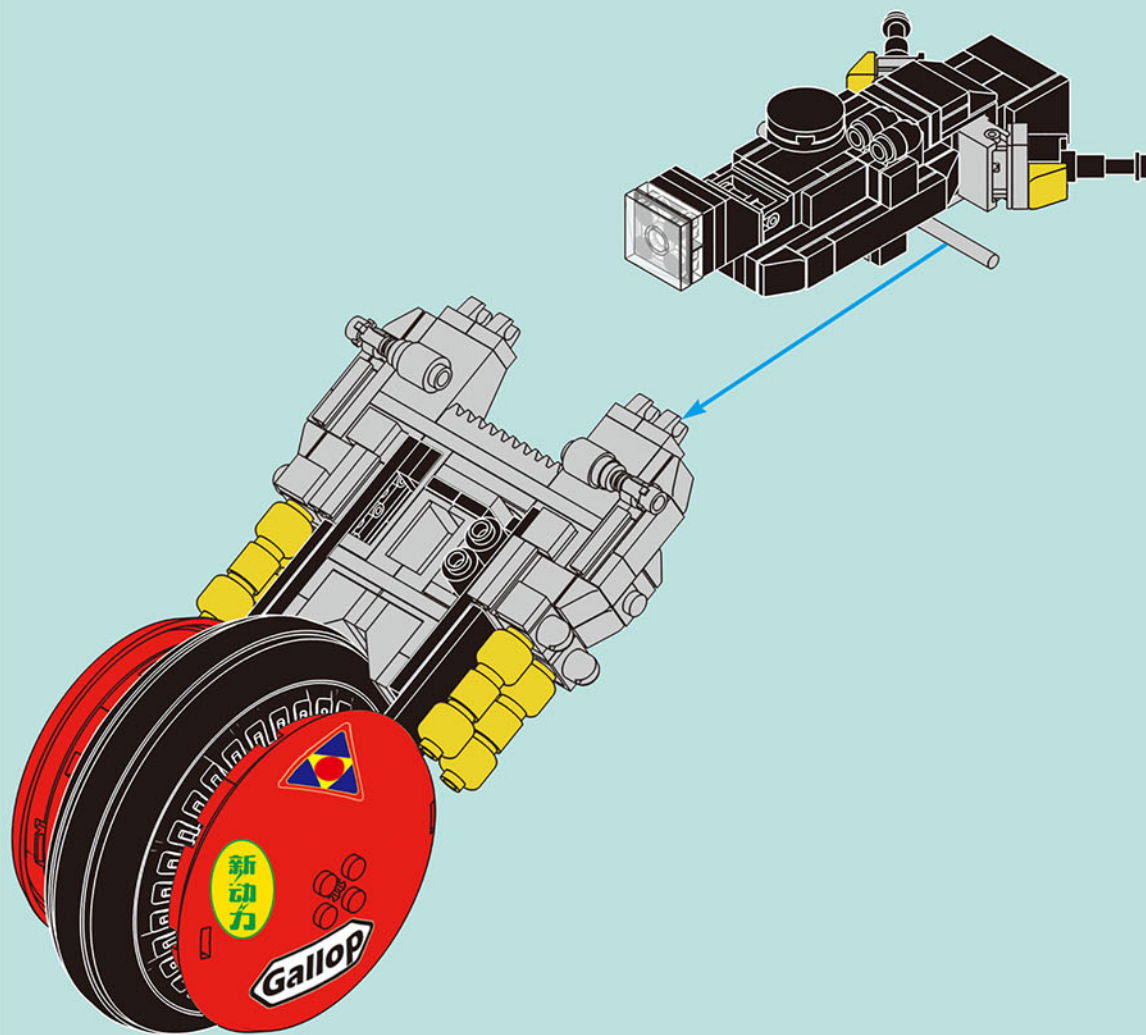


2x

4-26



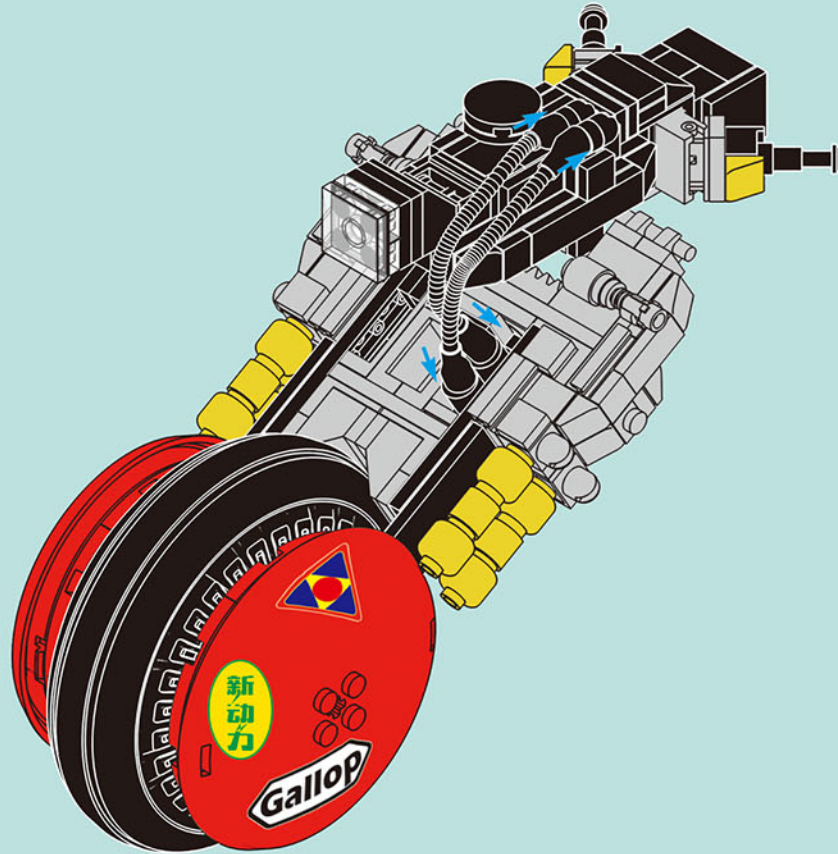
4-27



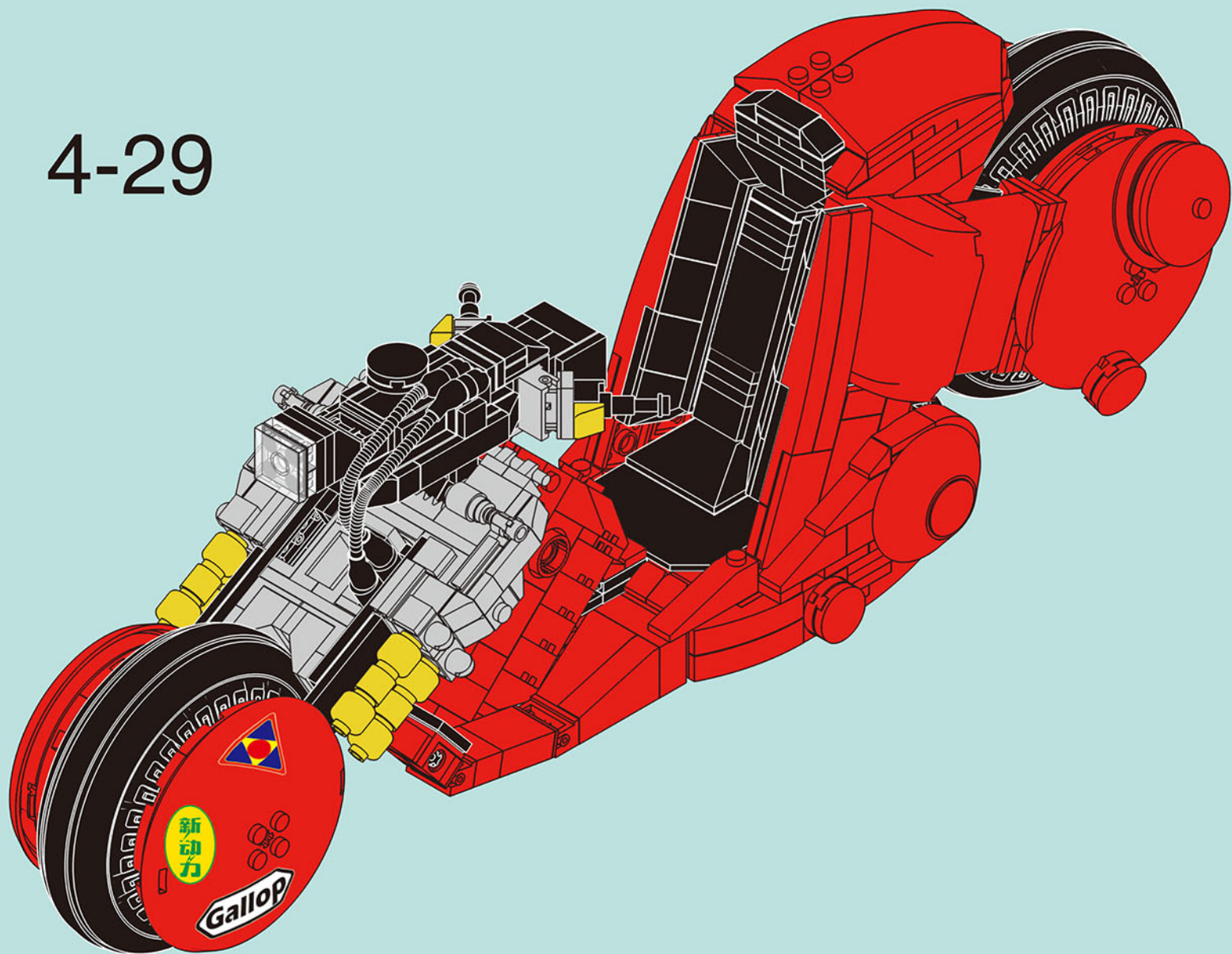


2x

4-28



4-29

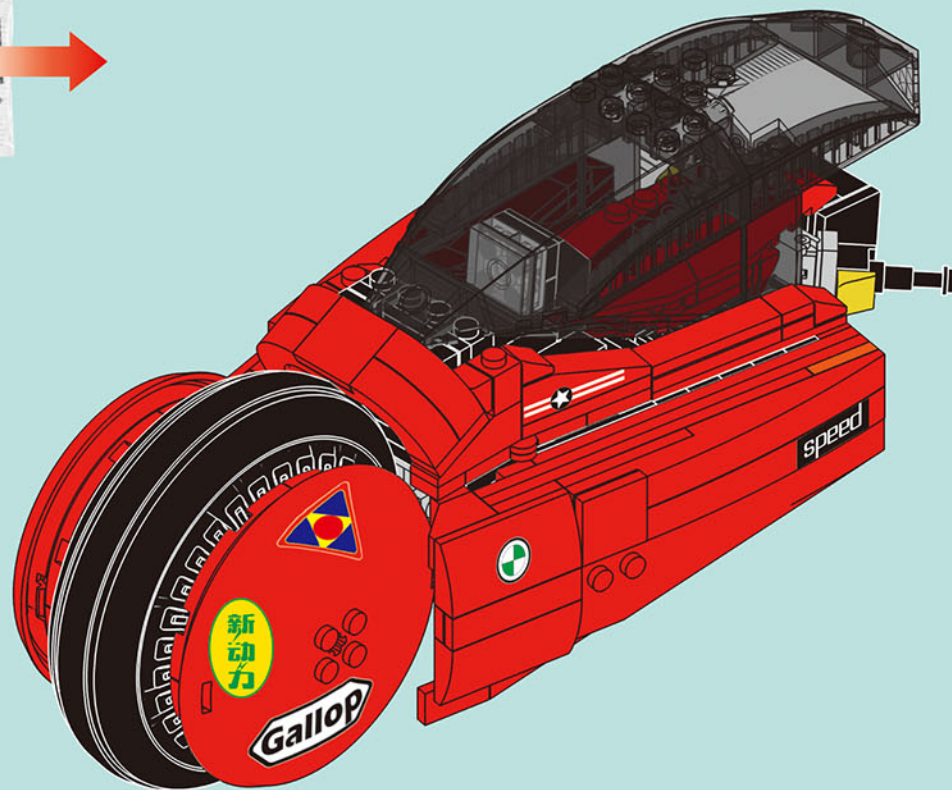


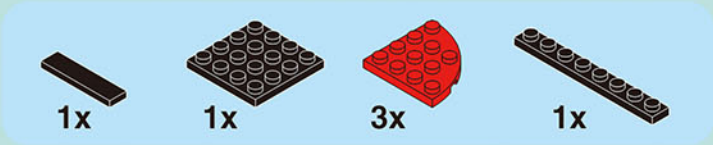
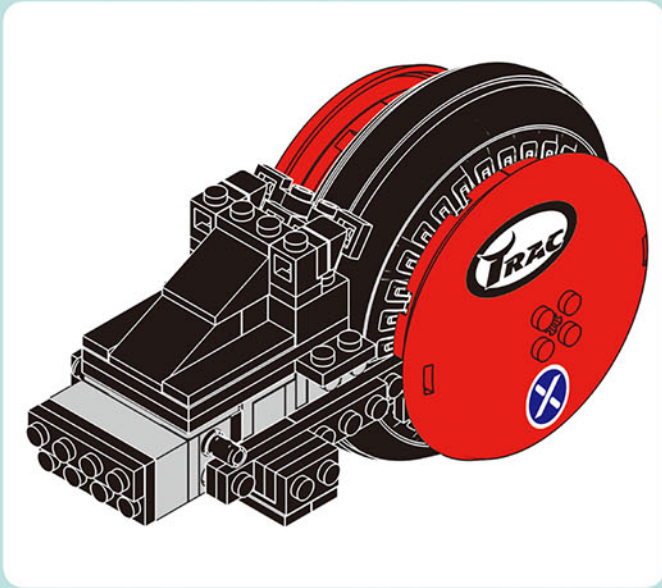


5

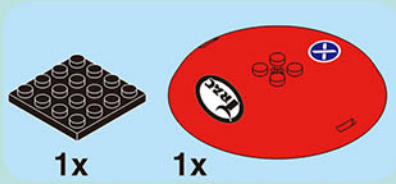
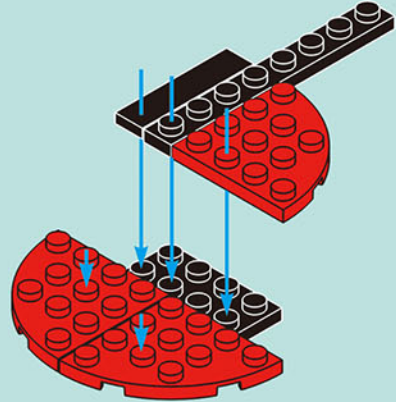


x6

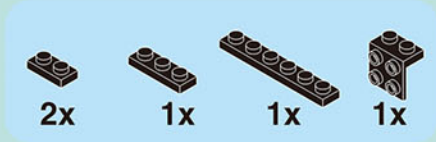
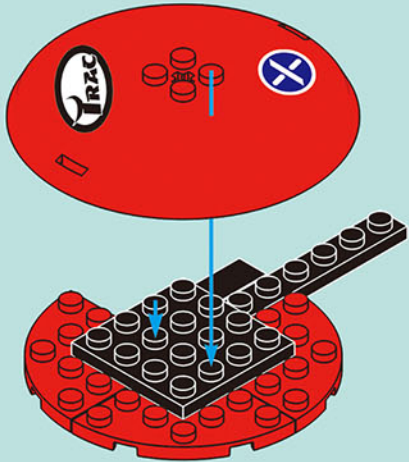




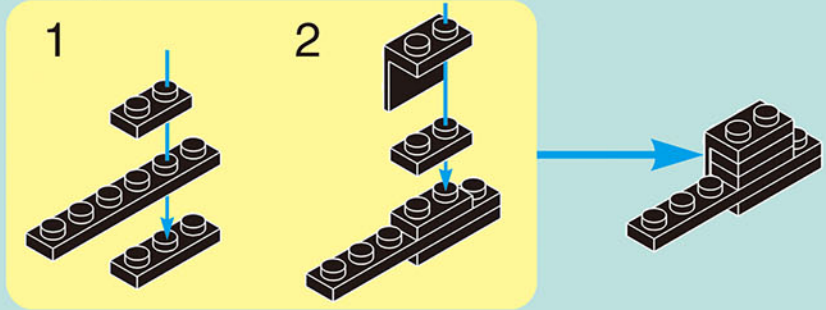
5-1.1



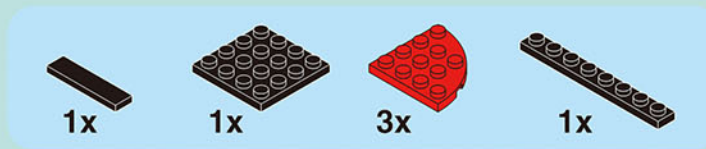
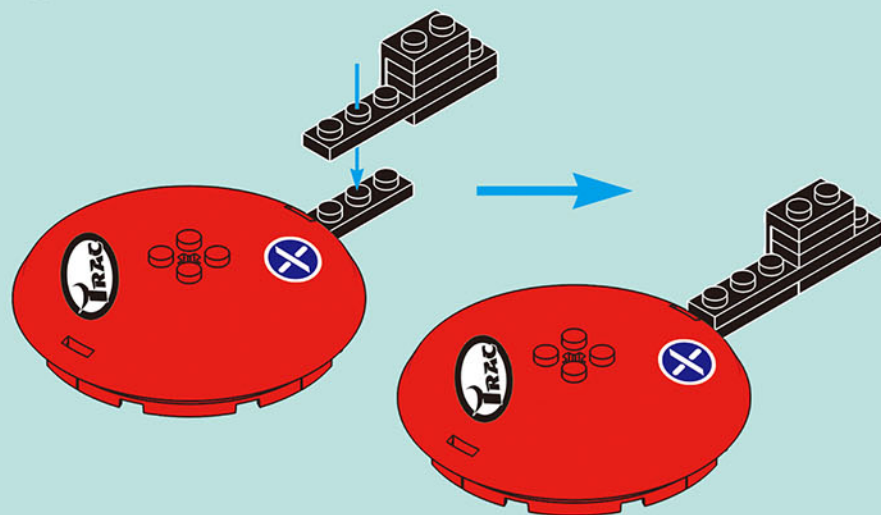
5-1.2



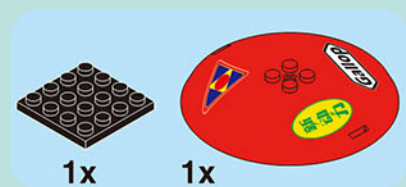
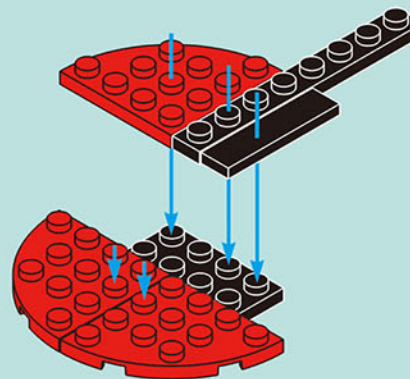
5-1.3



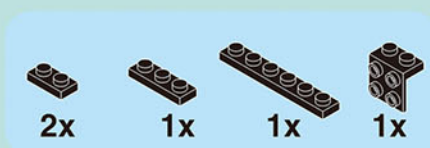
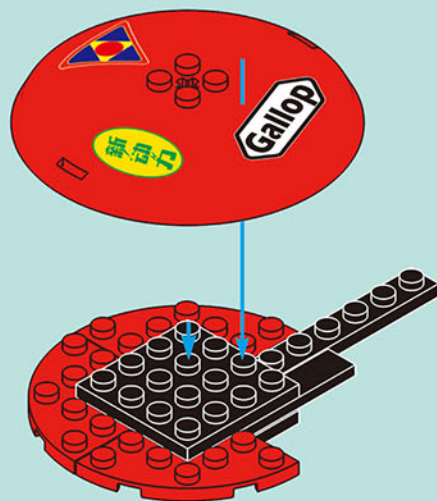
5-1



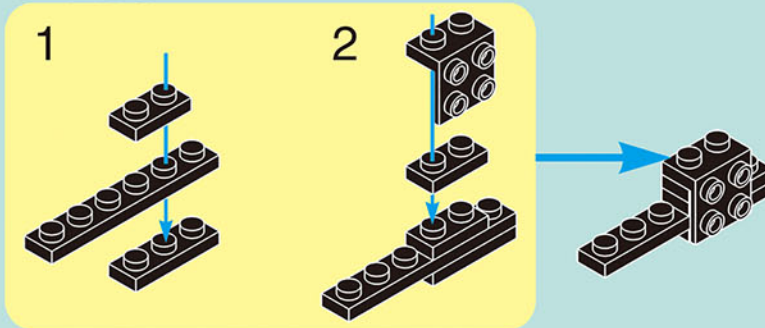
5-2.1



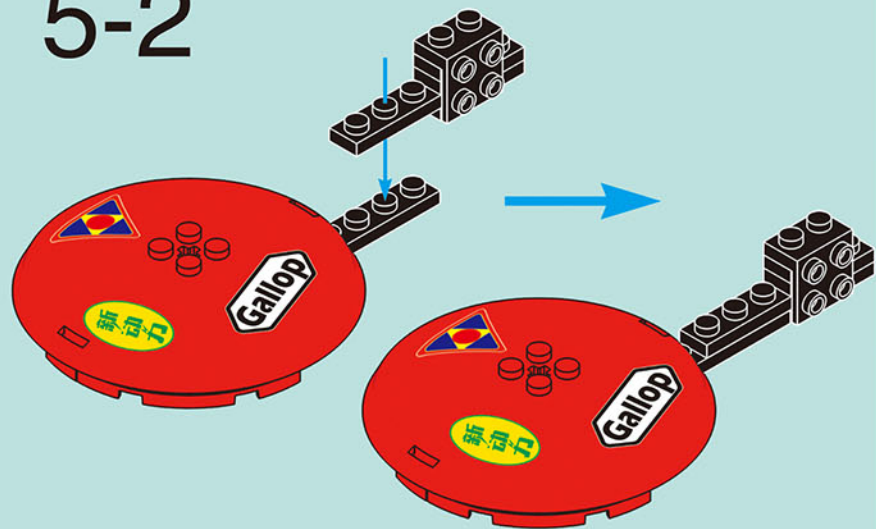
5-2.2






5-2.3

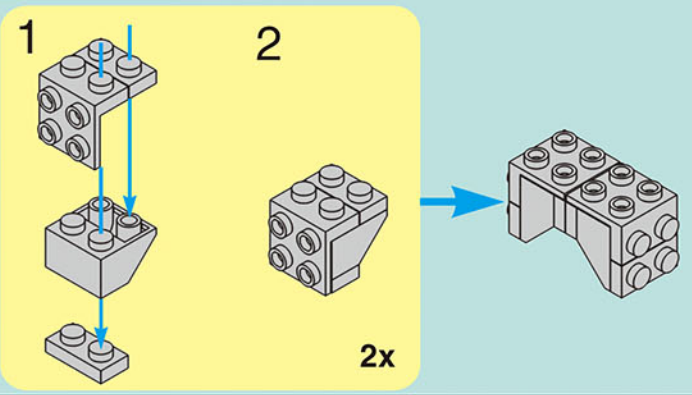



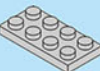




5-2



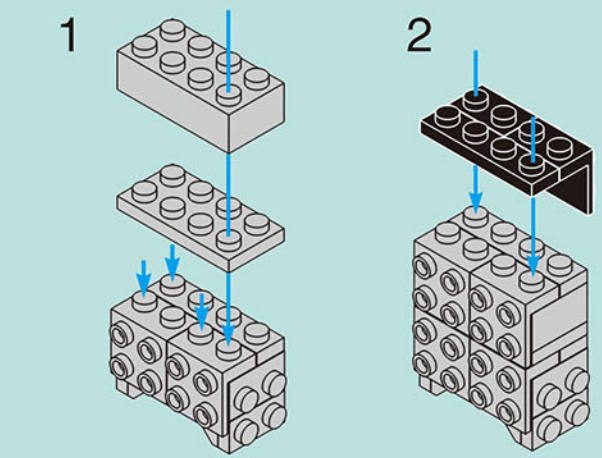
- 
2x
- 
4x
- 
2x

5-3









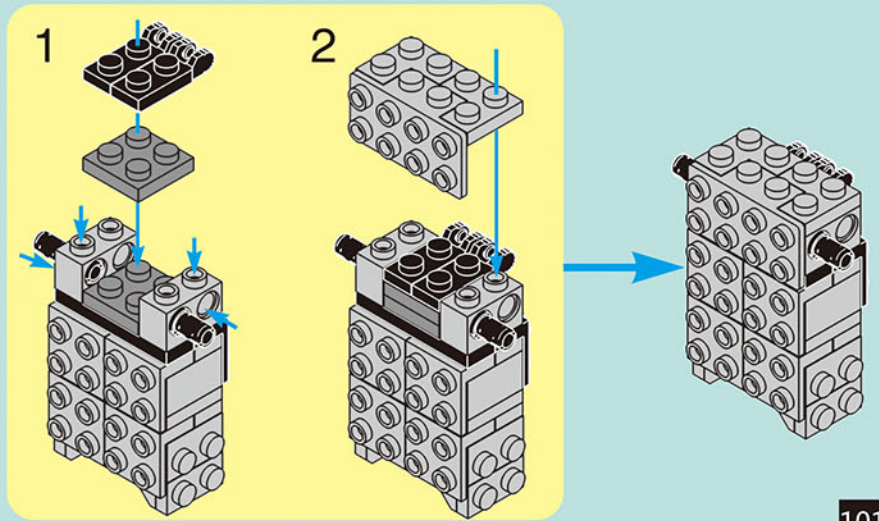
- 
1x
- 
1x
- 
2x
- 
4x
- 
1x
- 
2x

5-4

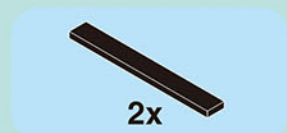
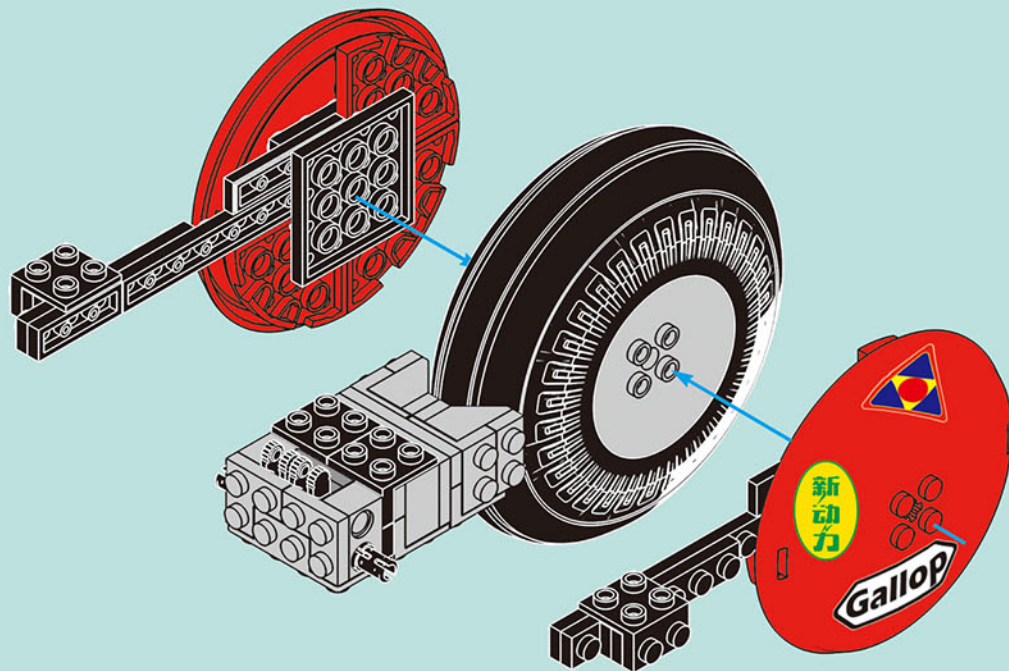


5-5

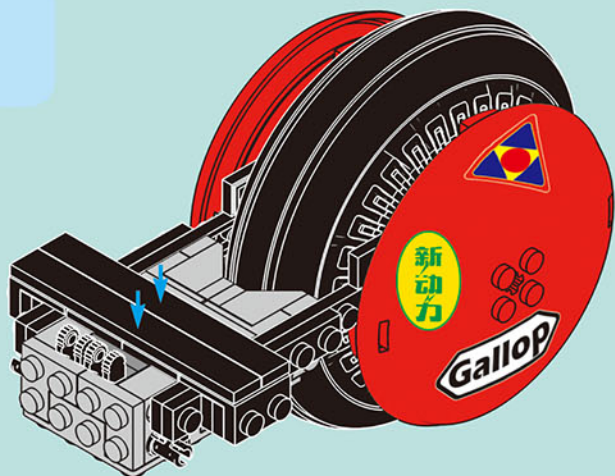
- 
2x
- 
2x
- 
2x
- 
2x
- 
1x
- 
2x



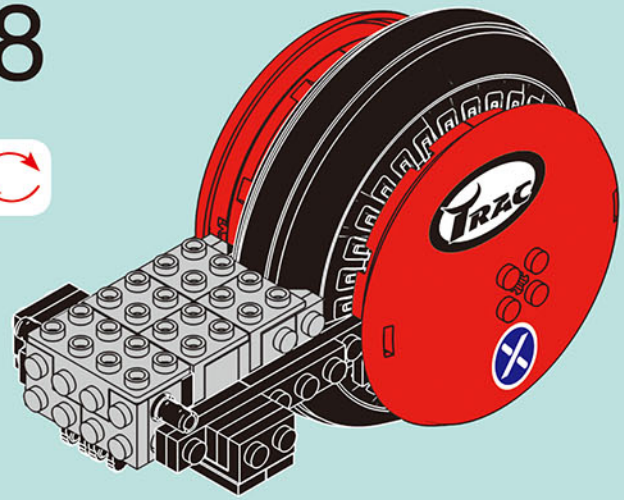
5-6



5-7

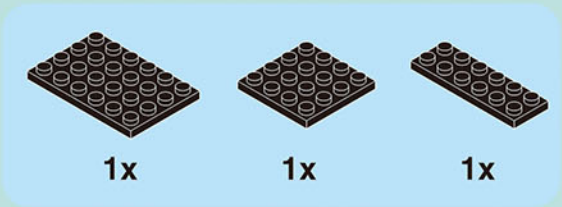
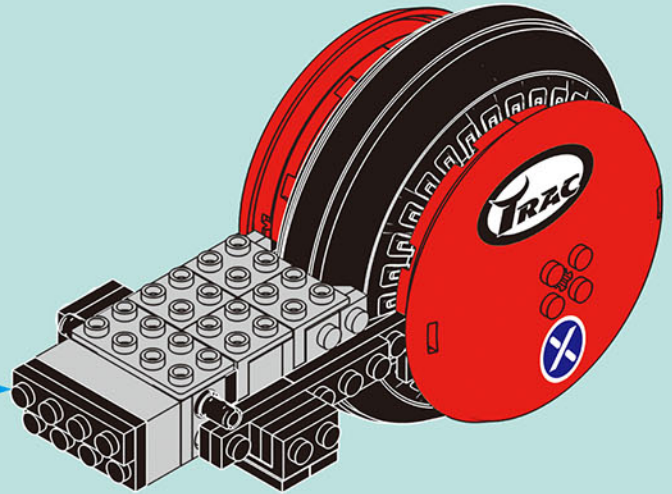
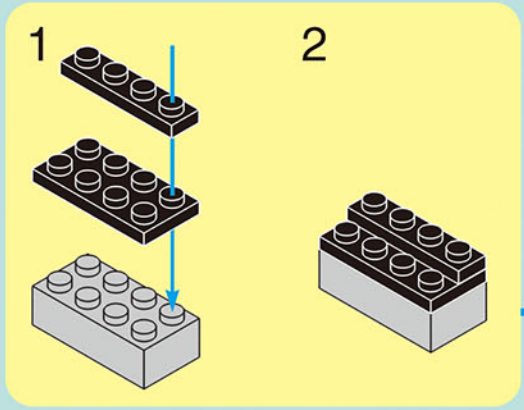


5-8

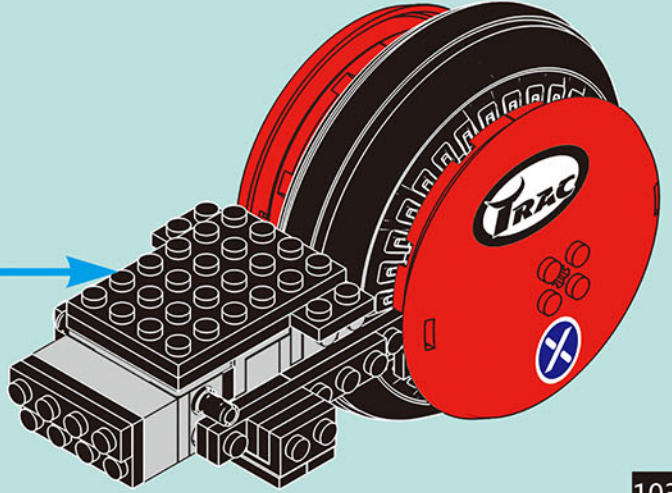
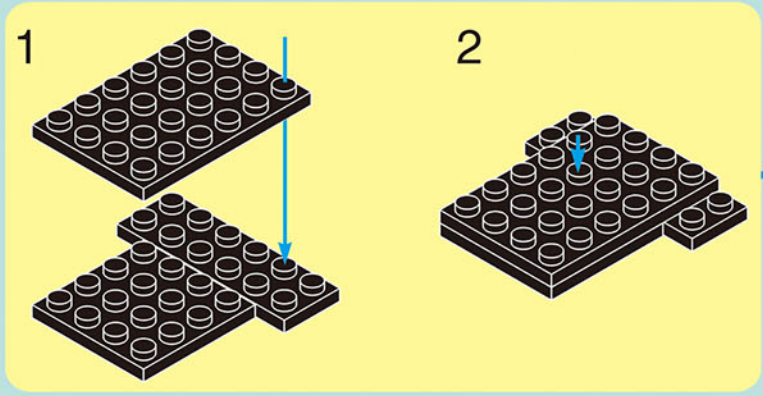




5-9

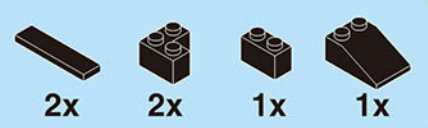
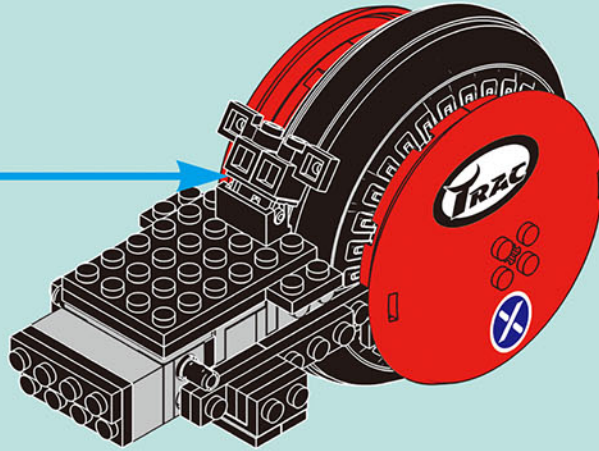
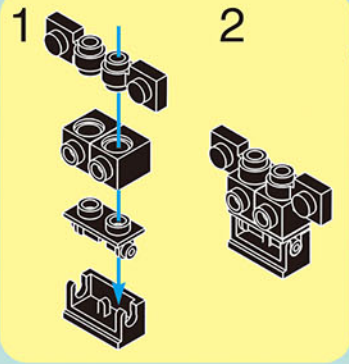


5-10

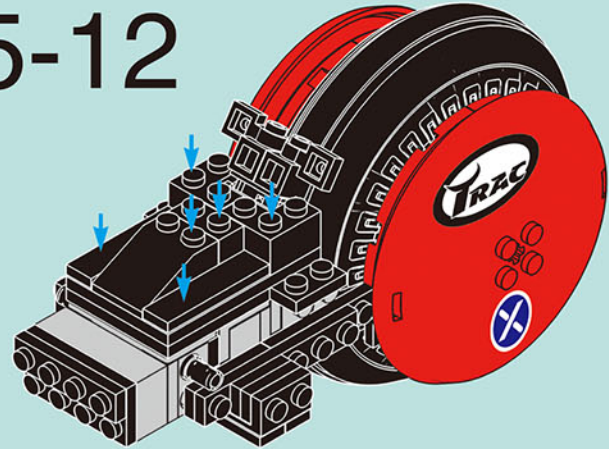




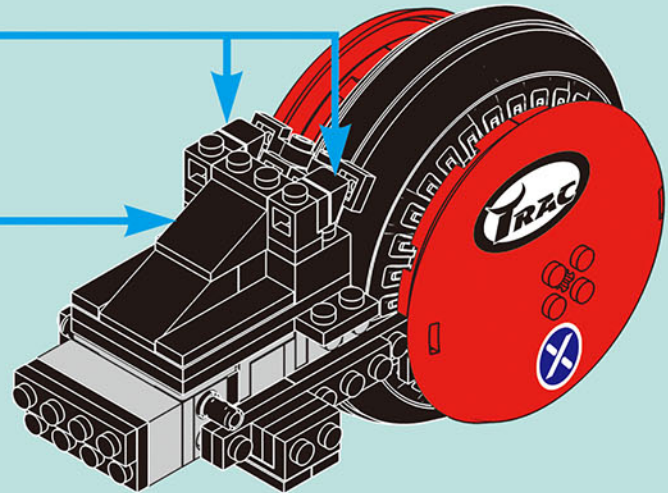
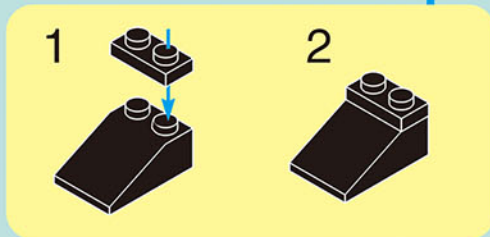
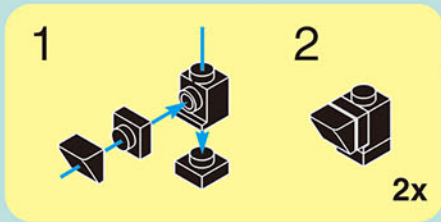
5-11

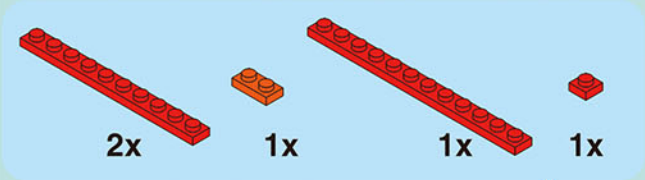
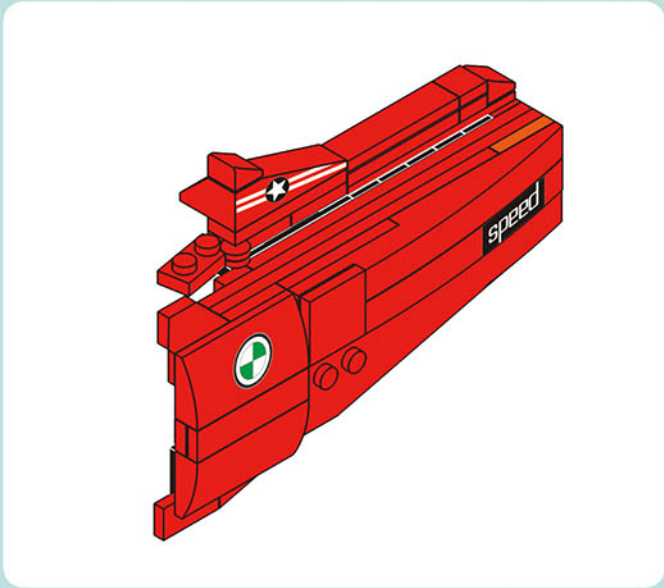


5-12



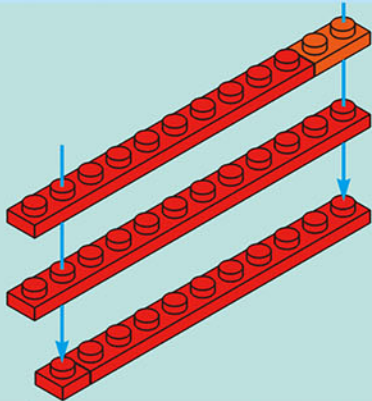
5-13



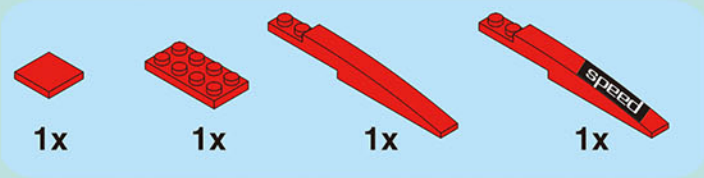
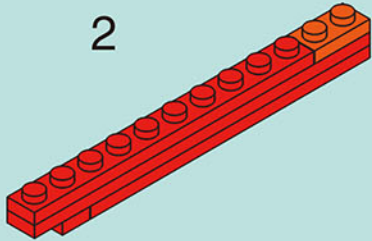


5-14.1

1

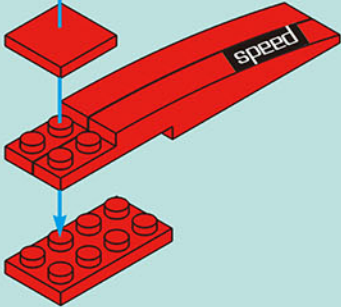


2

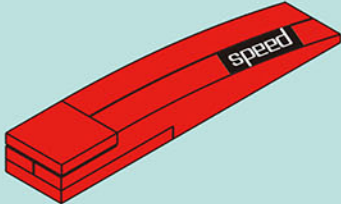


5-14.2

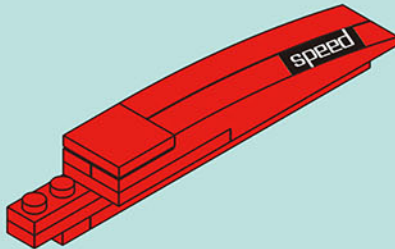
1

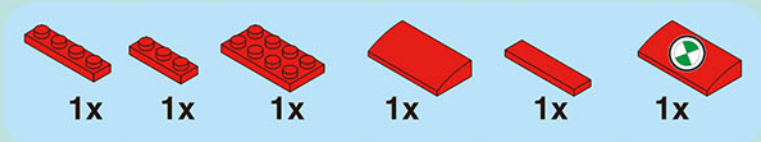


2

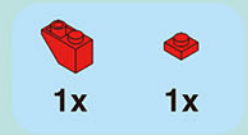
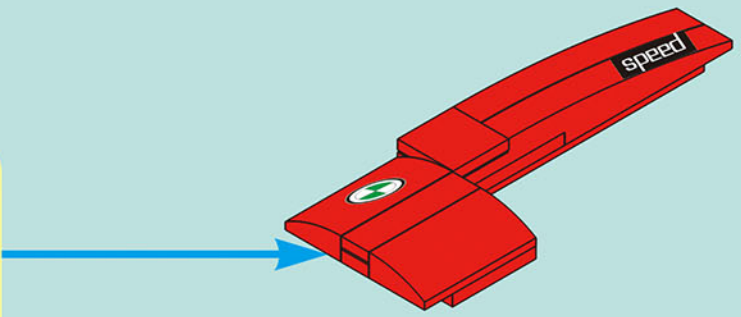
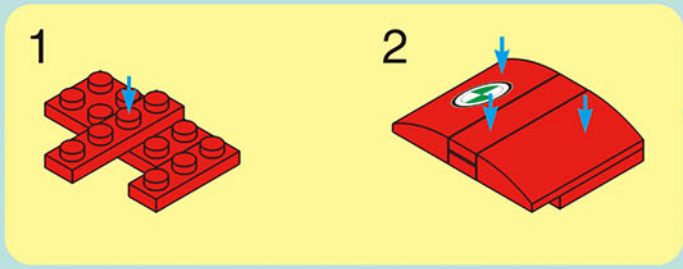


5-14

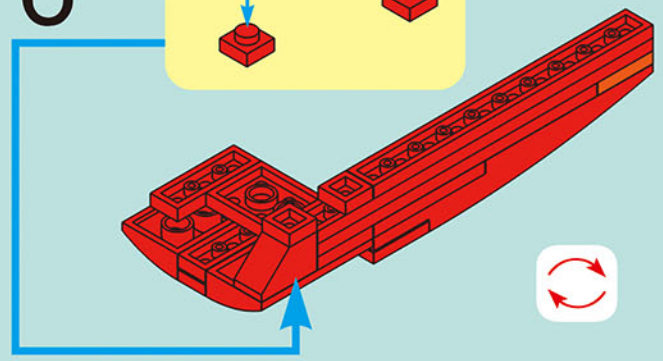
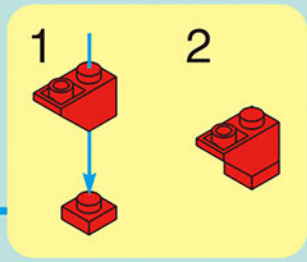




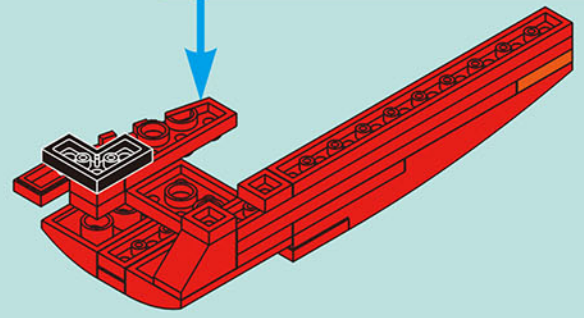
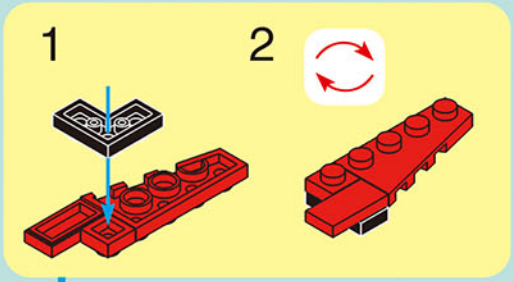
5-15

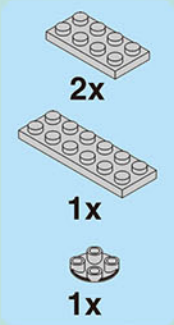


5-16

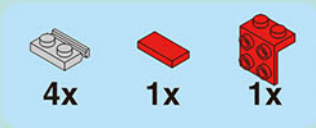
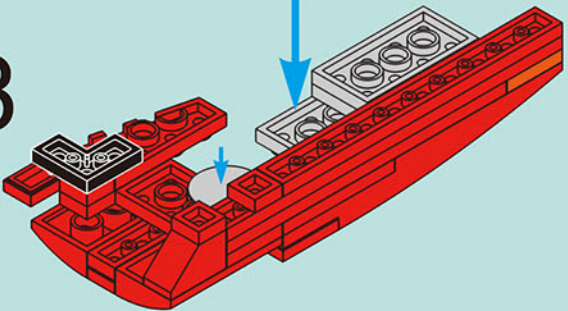
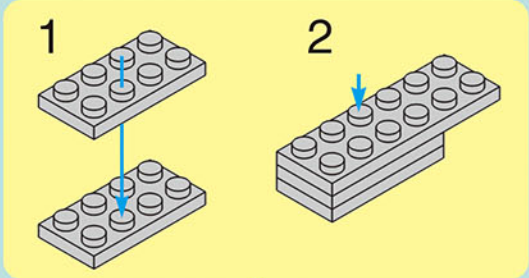


5-17

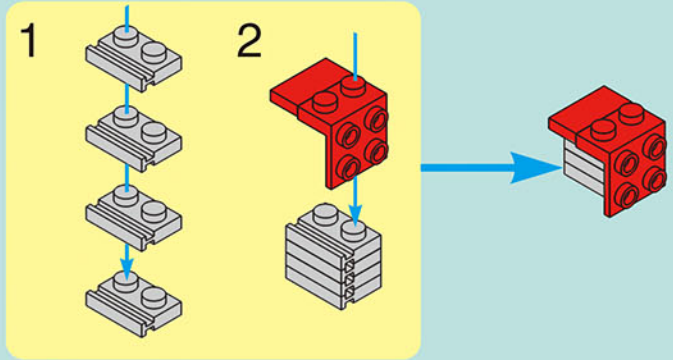




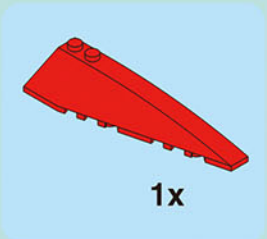
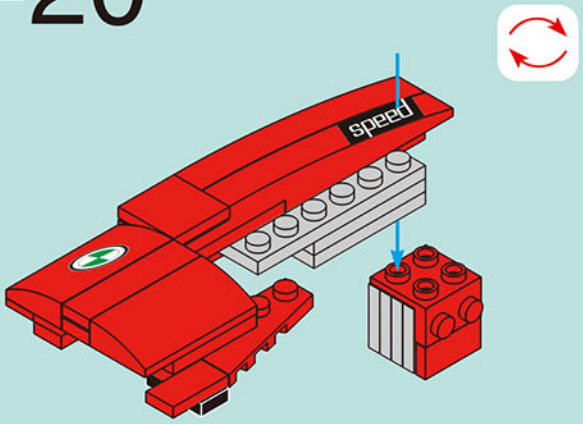
5-18



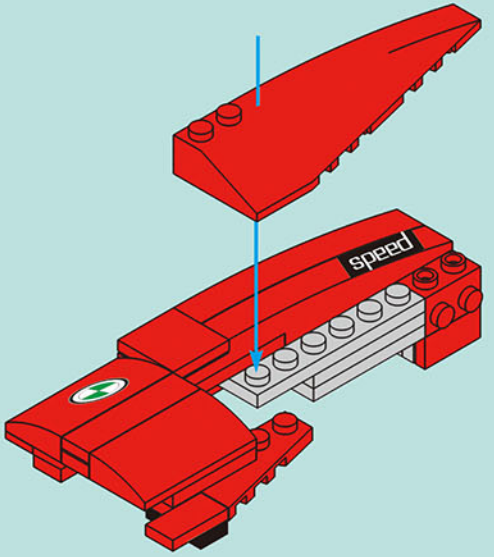
5-19

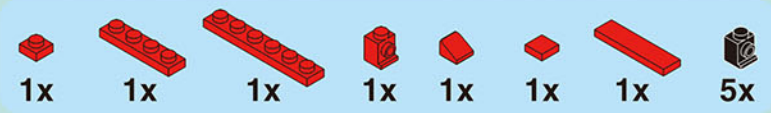


5-20



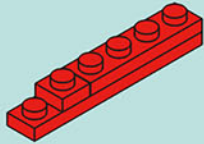
5-21



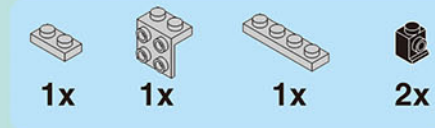
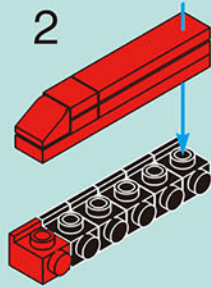


5-22.1

1

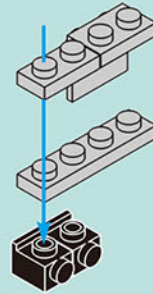


2

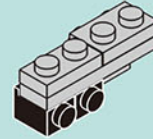


5-22.2

1

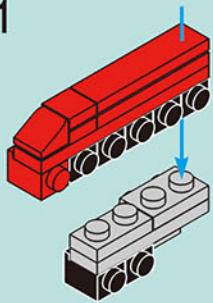


2

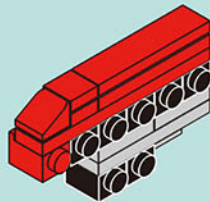


5-22

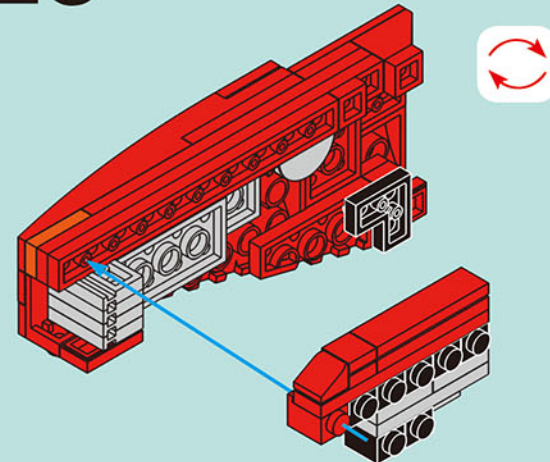
1

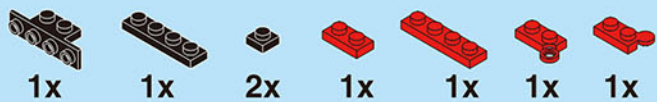


2

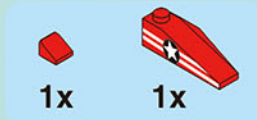
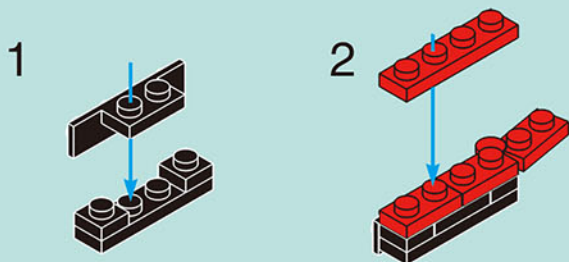


5-23

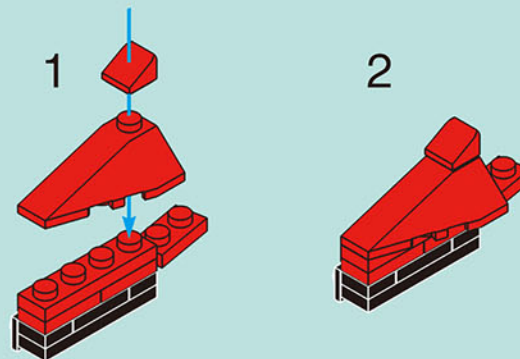




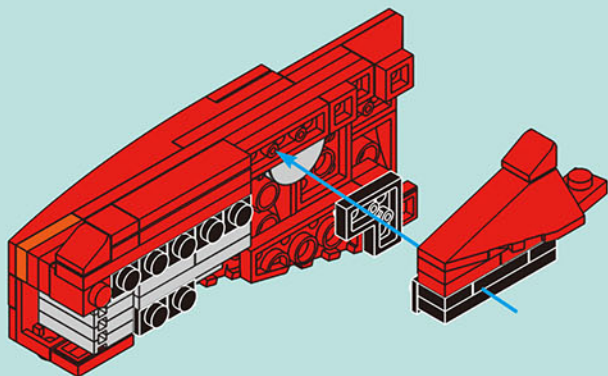
5-24.1



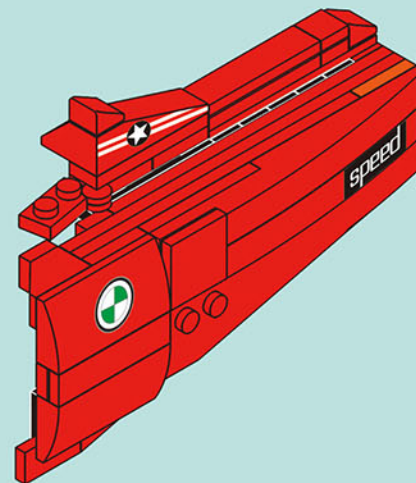
5-24.2



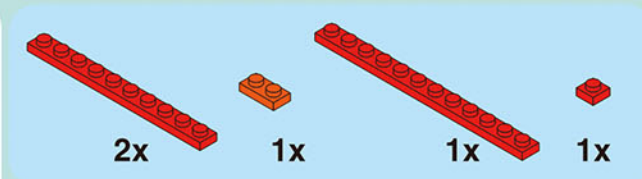
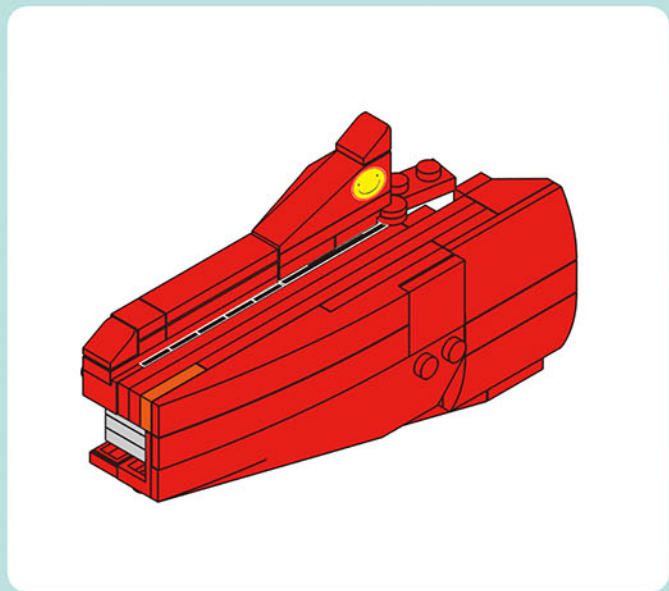
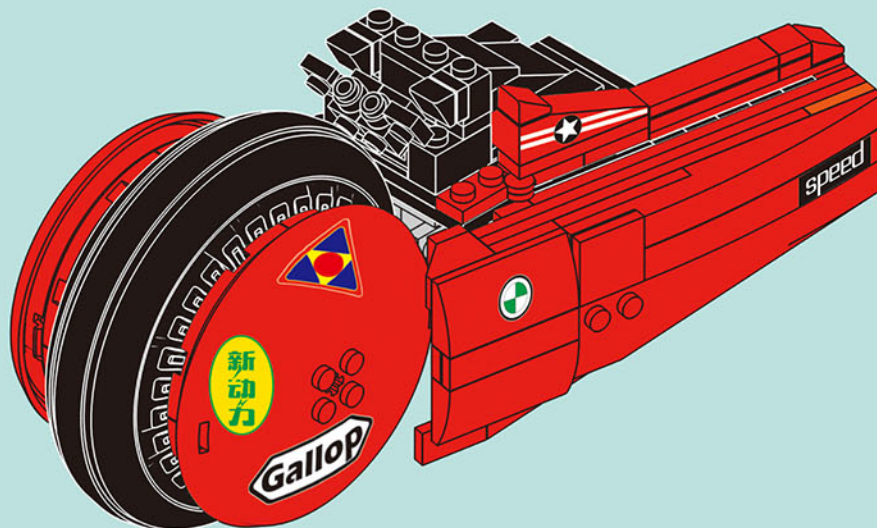
5-24



5-25

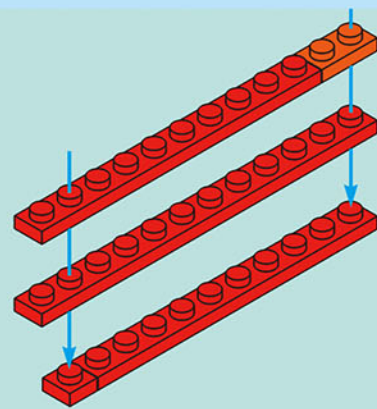


5-26

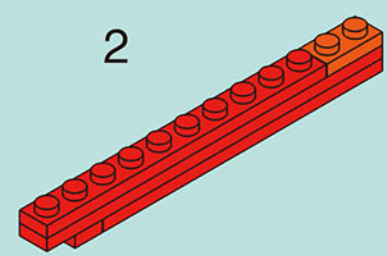


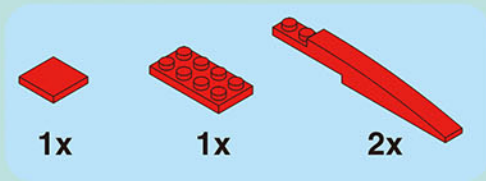
5-27.1

1

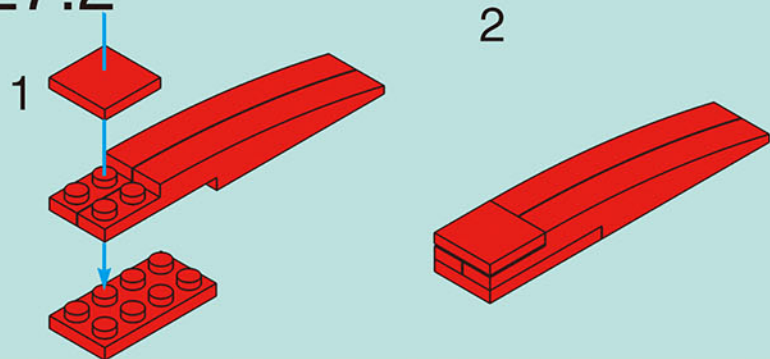


2

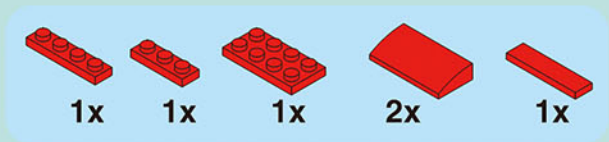
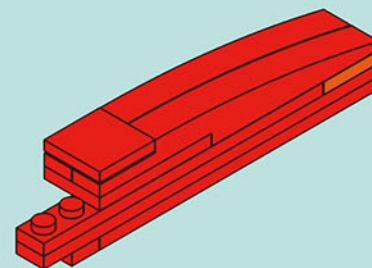




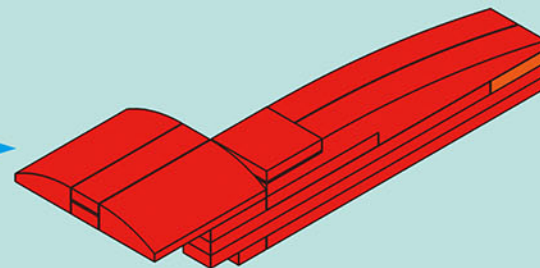
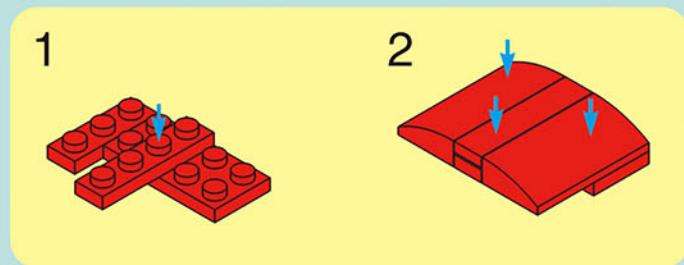
5-27.2



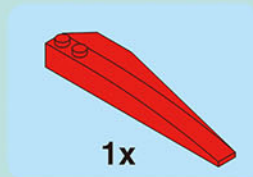
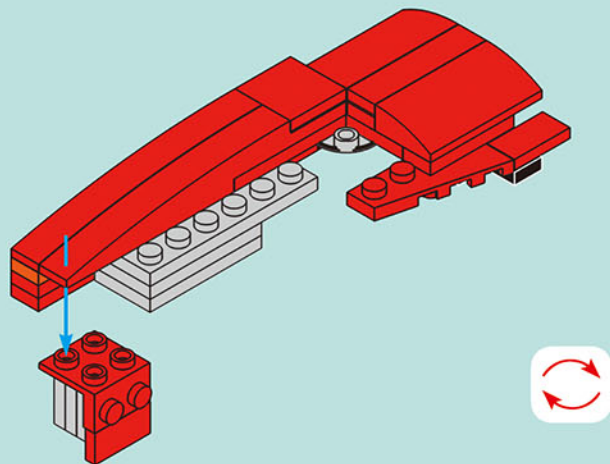
5-27



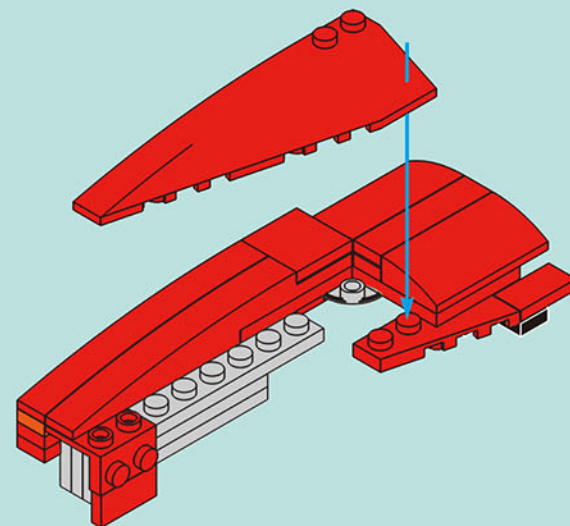
5-28



5-33

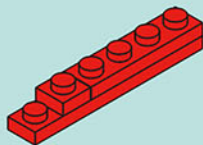


5-34

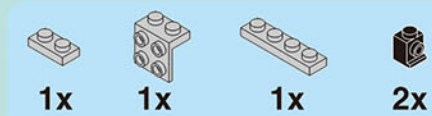
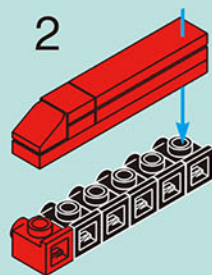


5-35.1

1

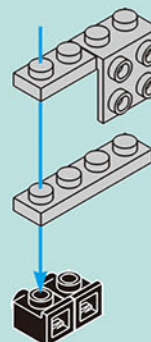


2

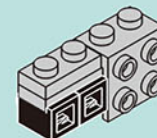


5-35.2

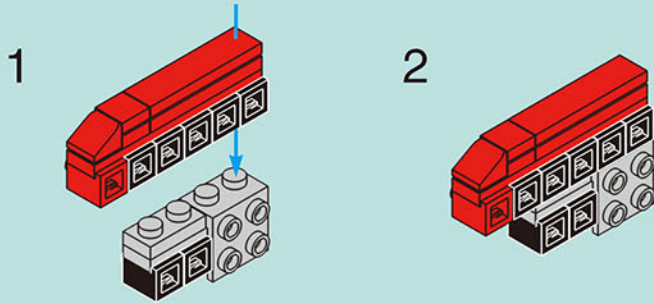
1



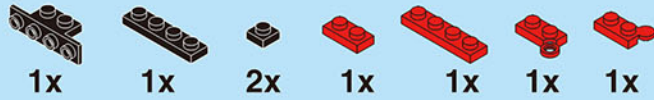
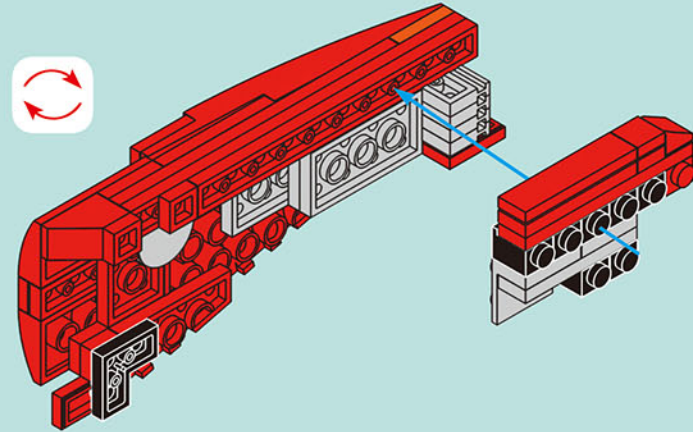
2



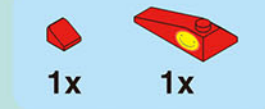
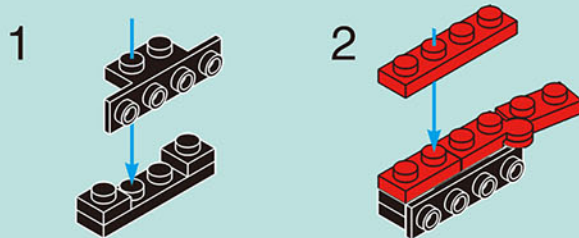
5-35



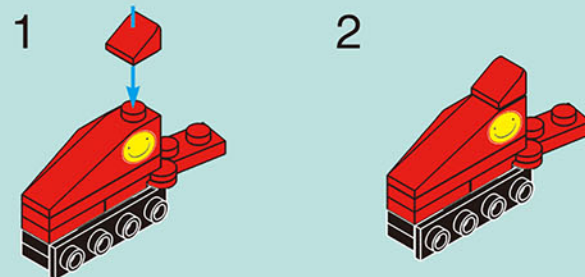
5-36



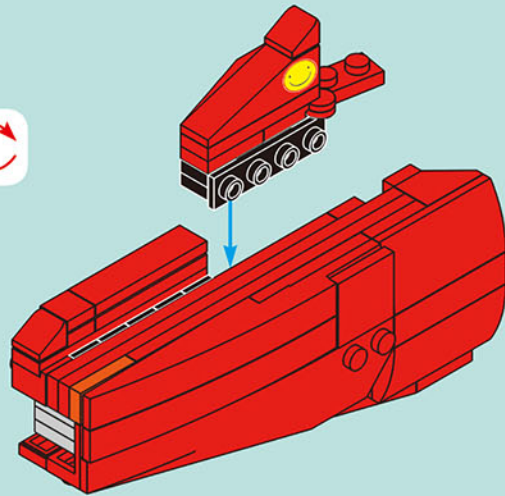
5-37.1



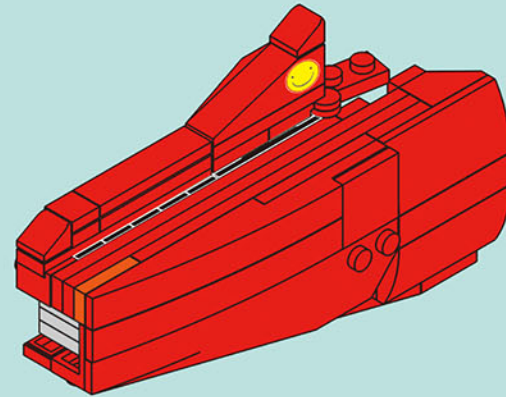
5-37.2



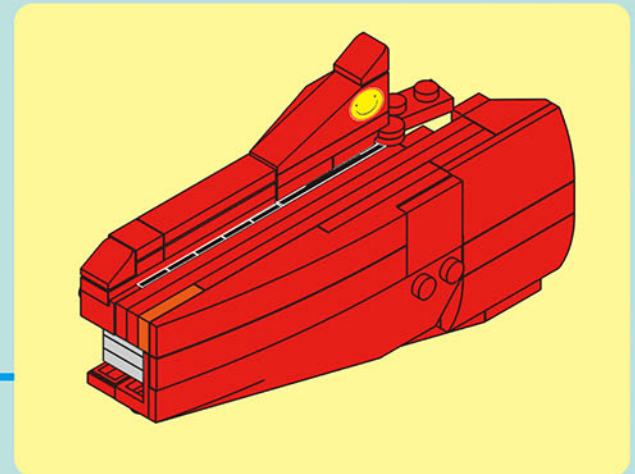
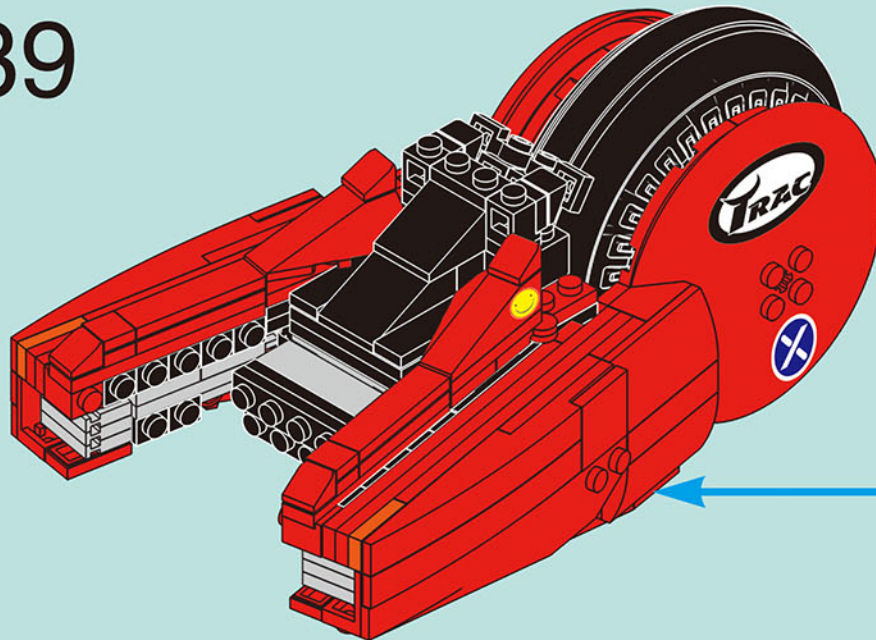
5-37




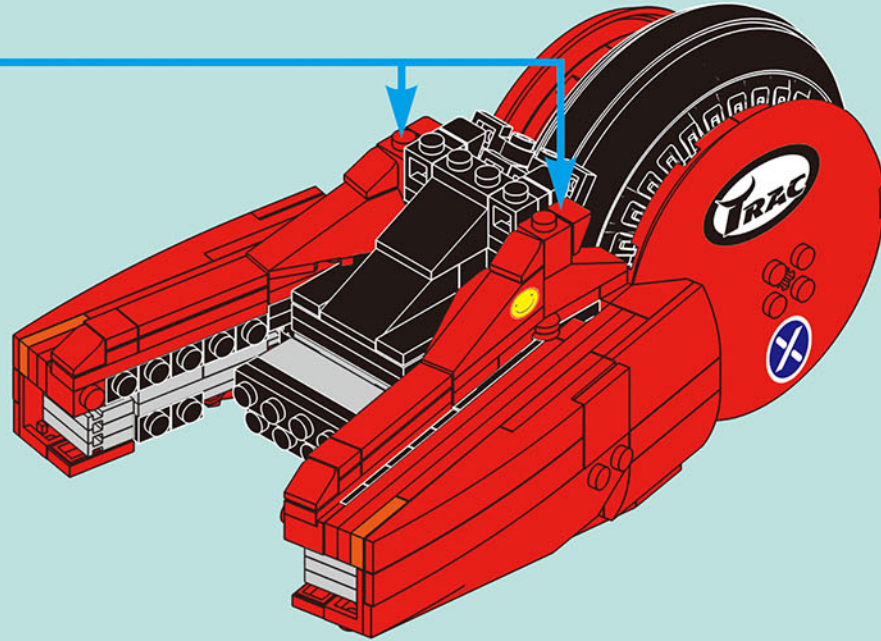
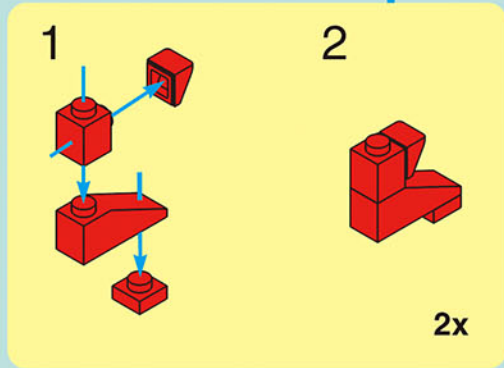
5-38




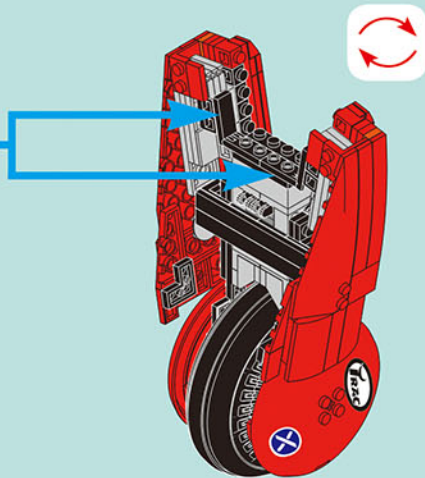
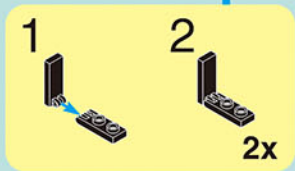
5-39



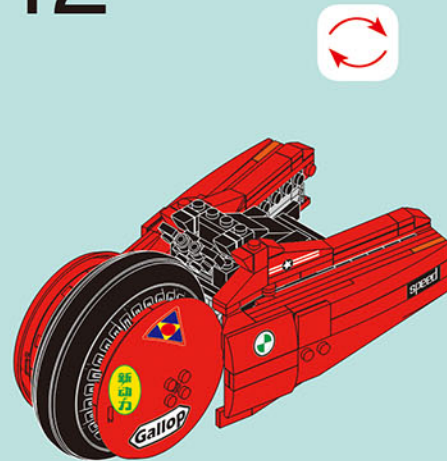

 2x 2x 2x 2x
5-40

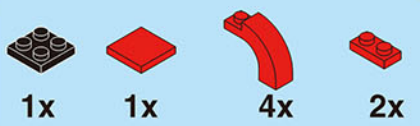



 2x 2x
5-41

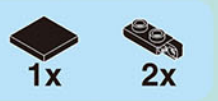
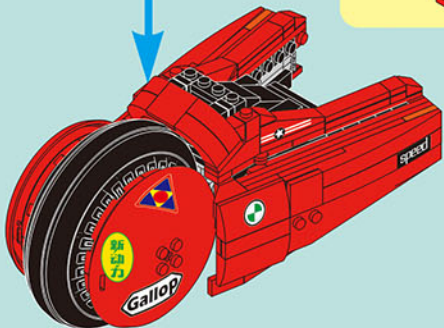
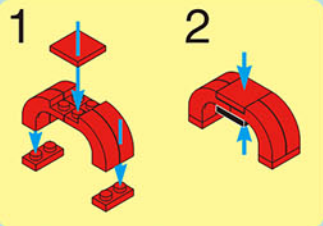


5-42

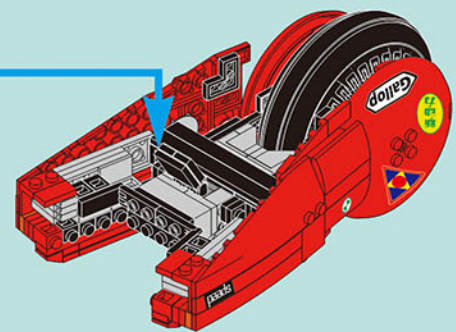
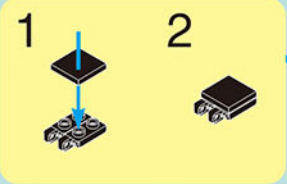




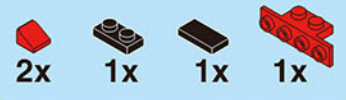
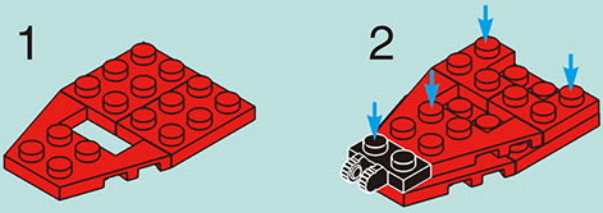
5-43



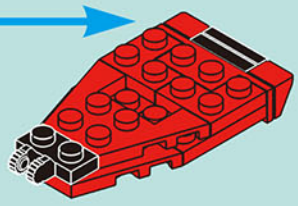
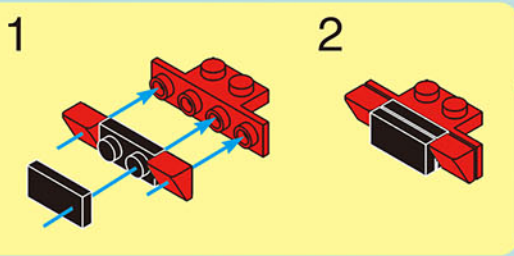
5-44

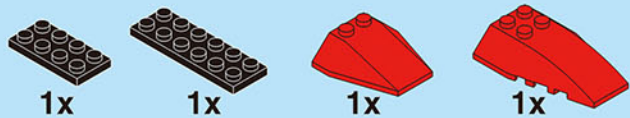


5-45.1



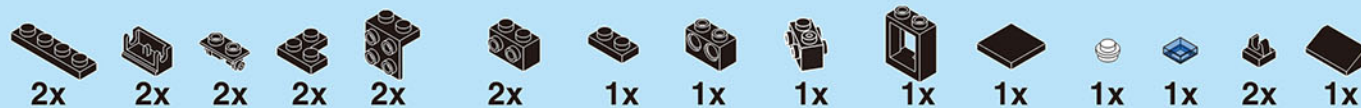
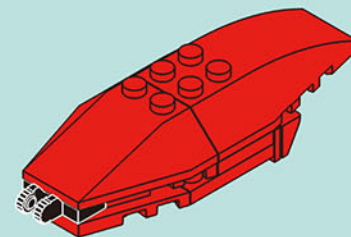
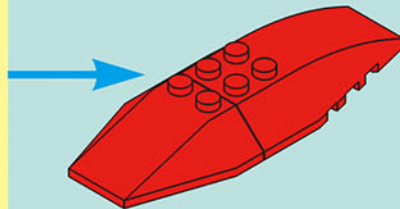
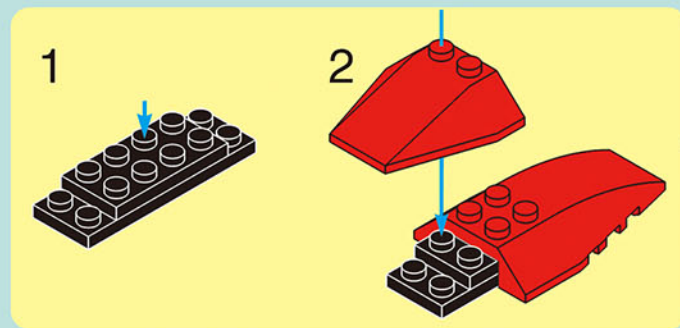
5-45.2



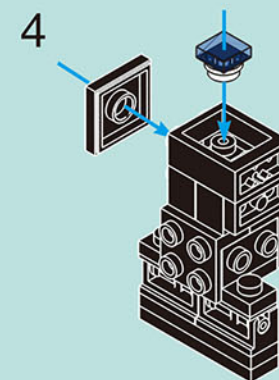
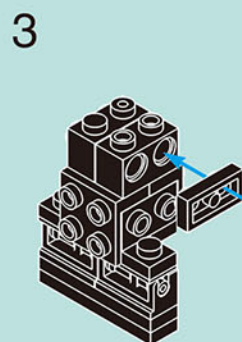
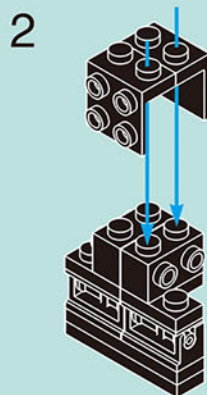
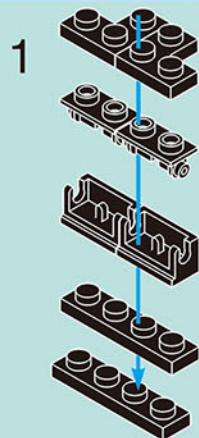


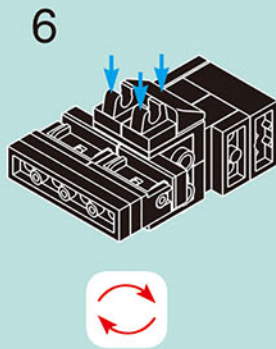
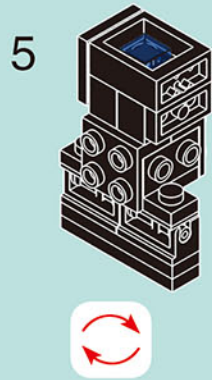
5-45

5-45.3

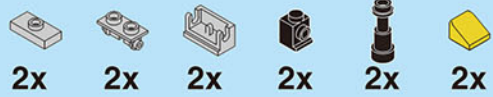
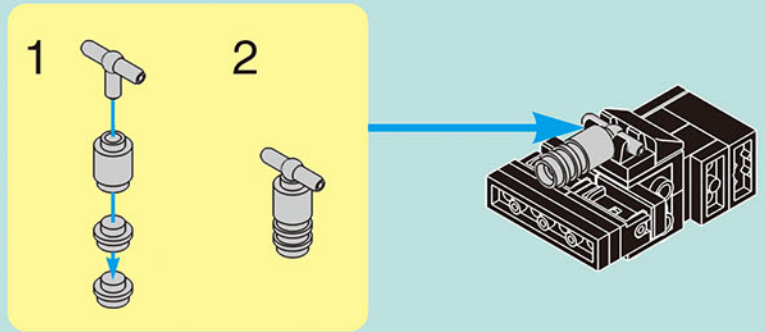


5-46.1

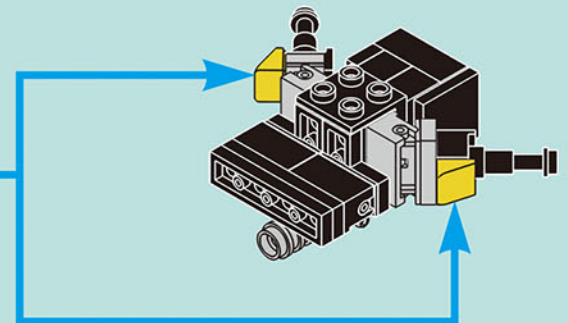
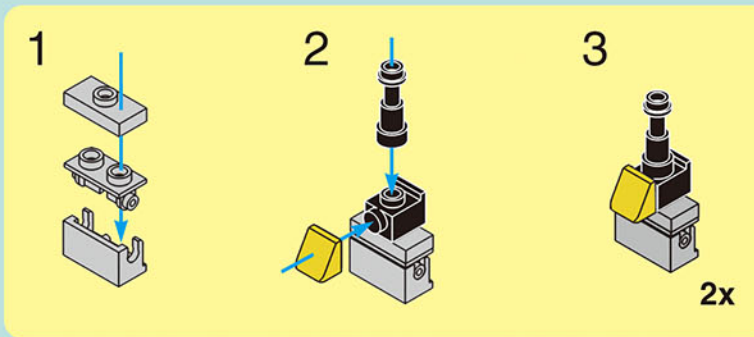




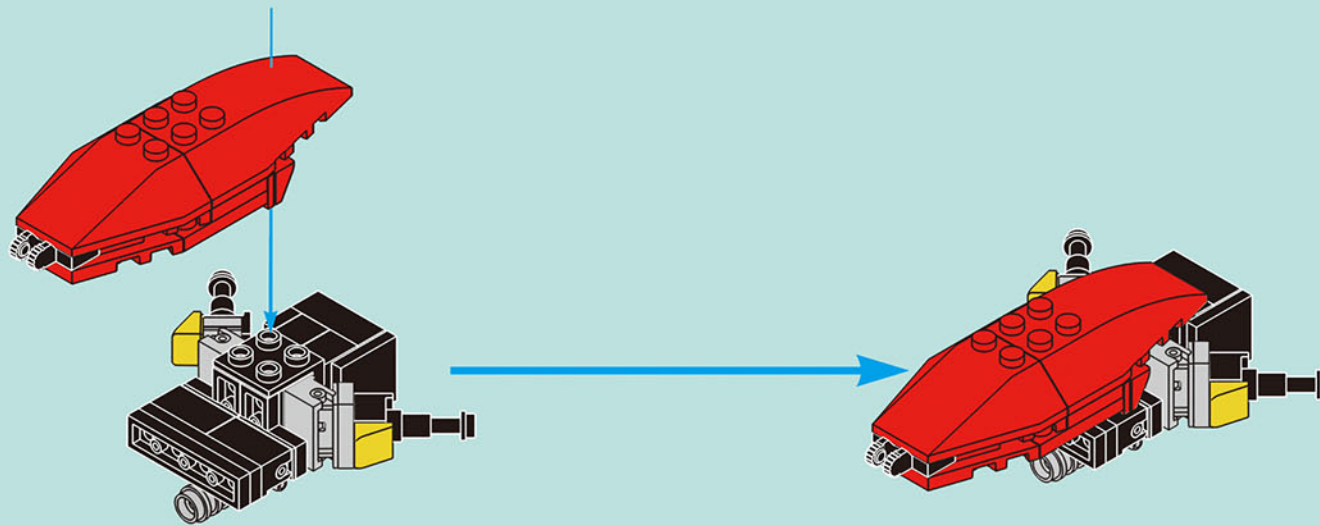
5-46.2



5-46



5-47



1x



1x



1x



1x



2x

5-48

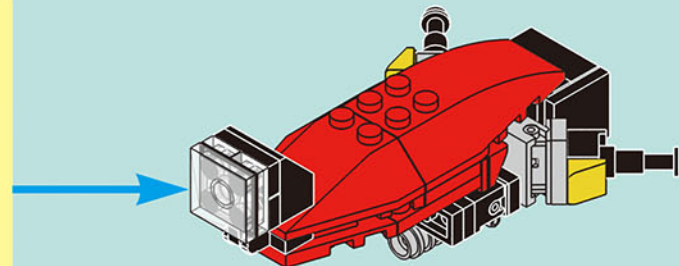
1



2



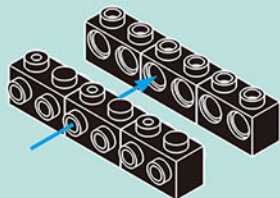
3





5-52.1

1

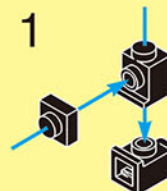


2



5-52.2

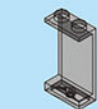
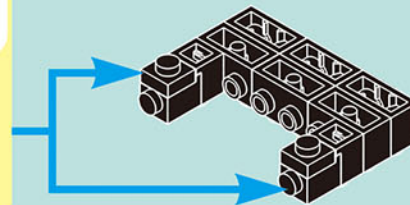
1



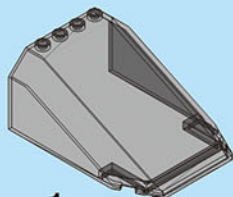
2



2x



2x

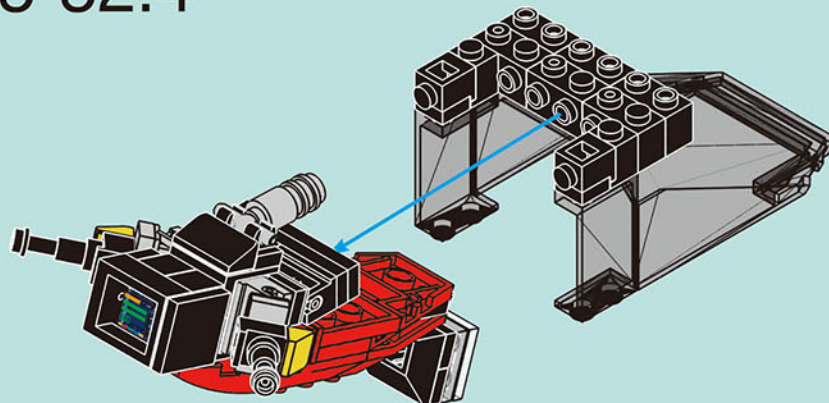


1x

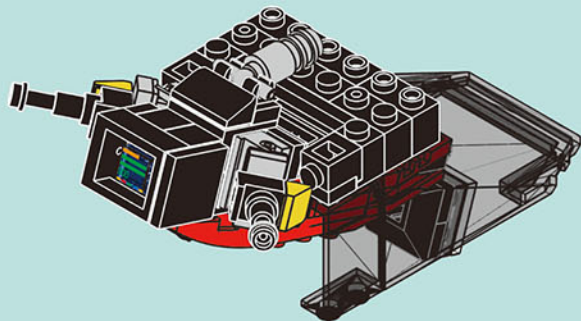
5-52.3



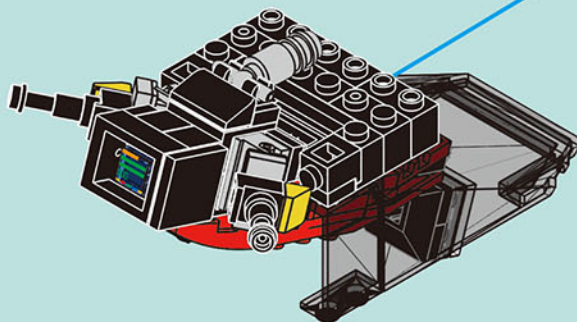
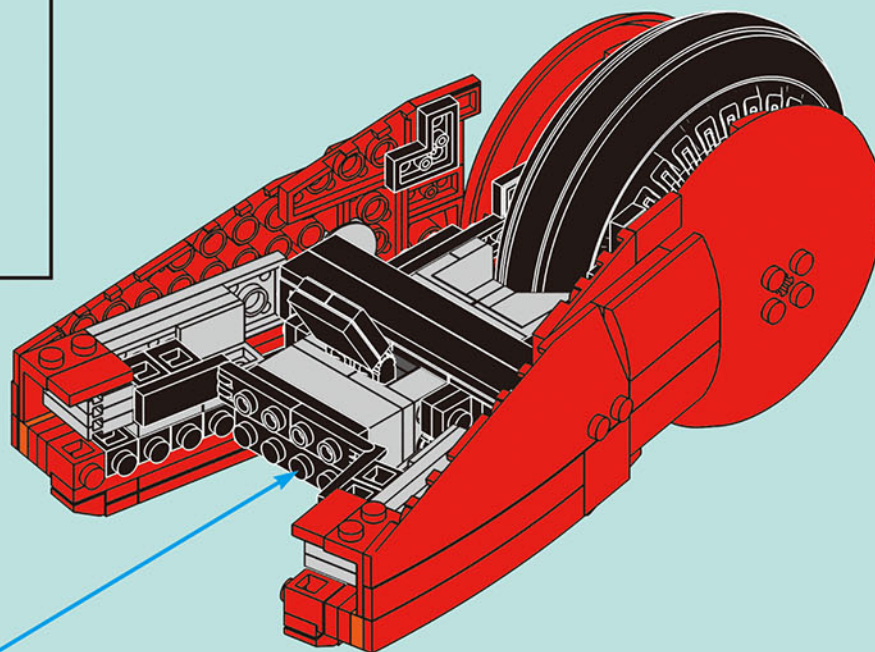
5-52.4



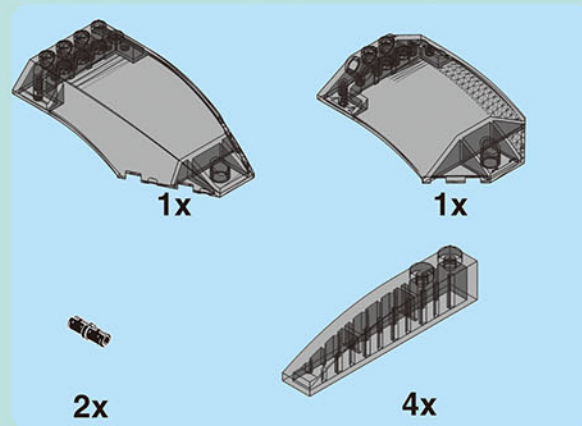
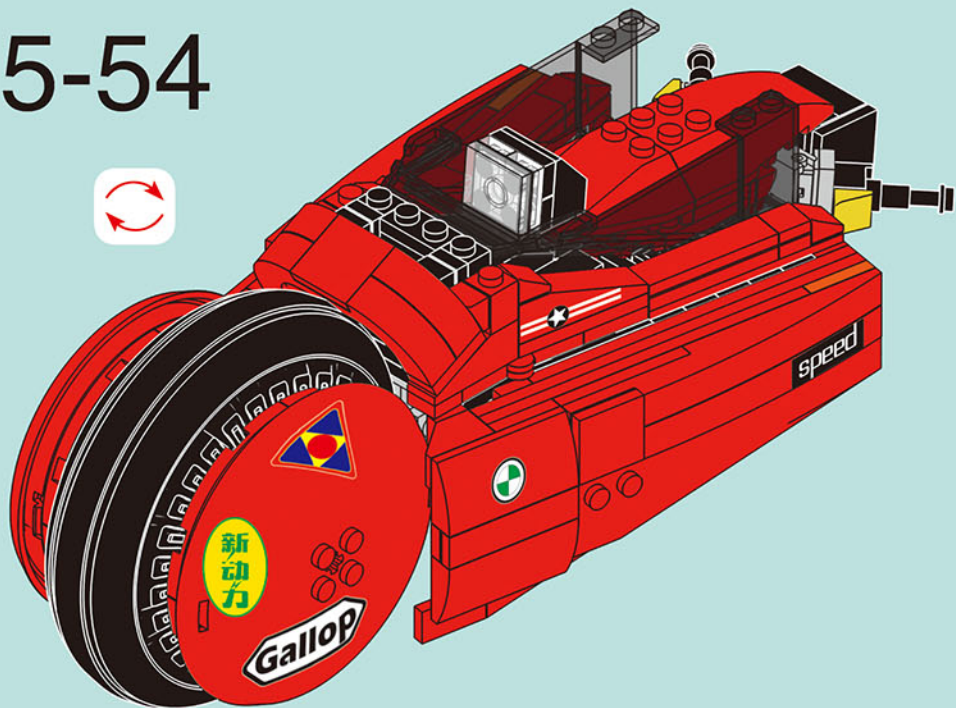
5-52



5-53.1

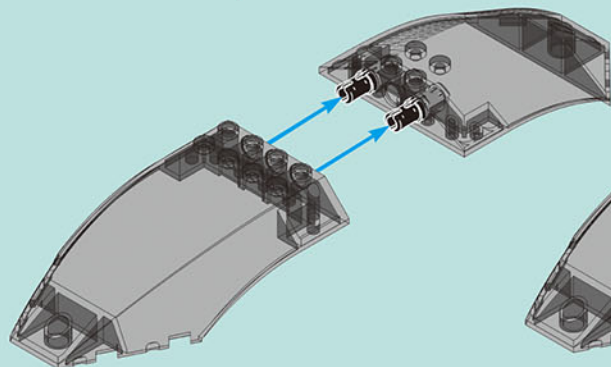


5-54

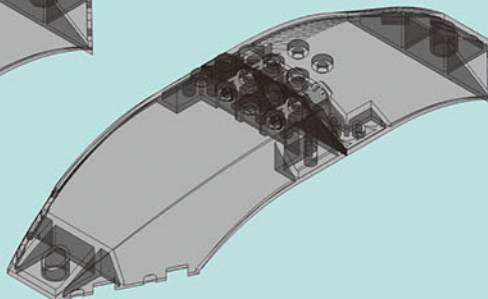


5-55

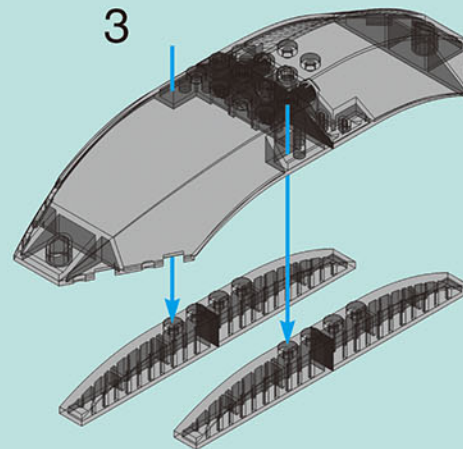
1



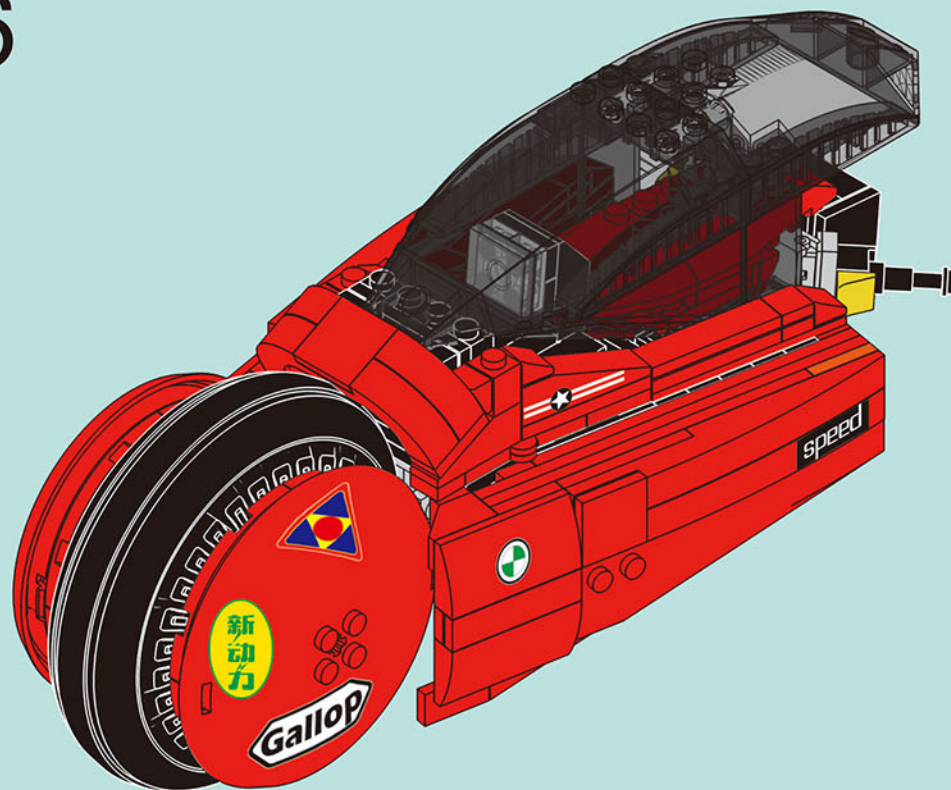
2

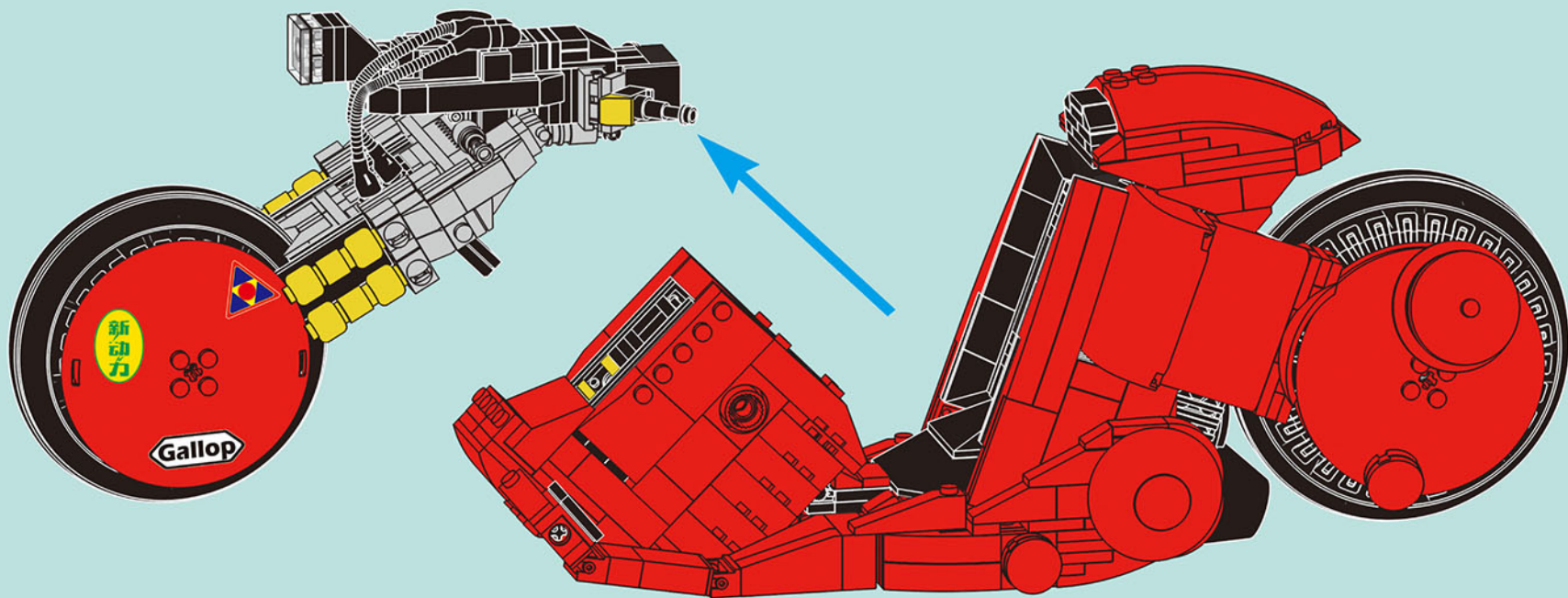


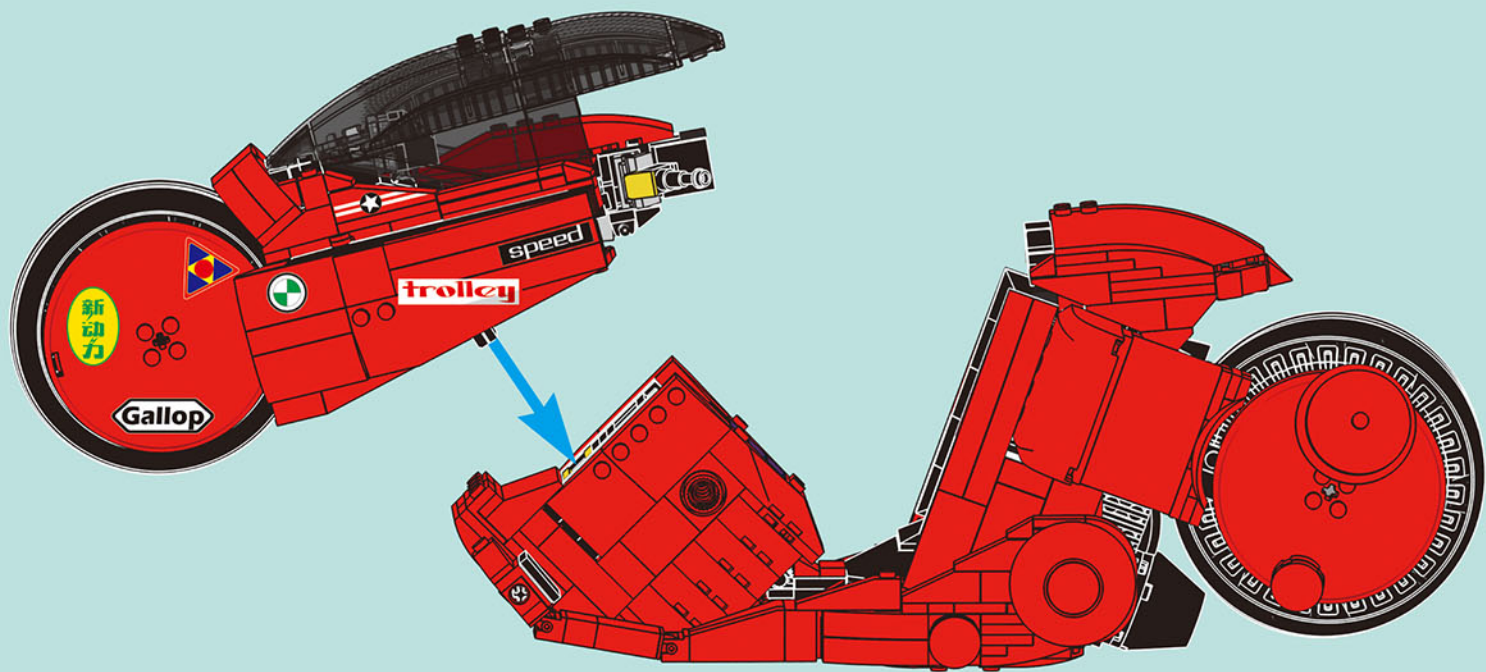
3

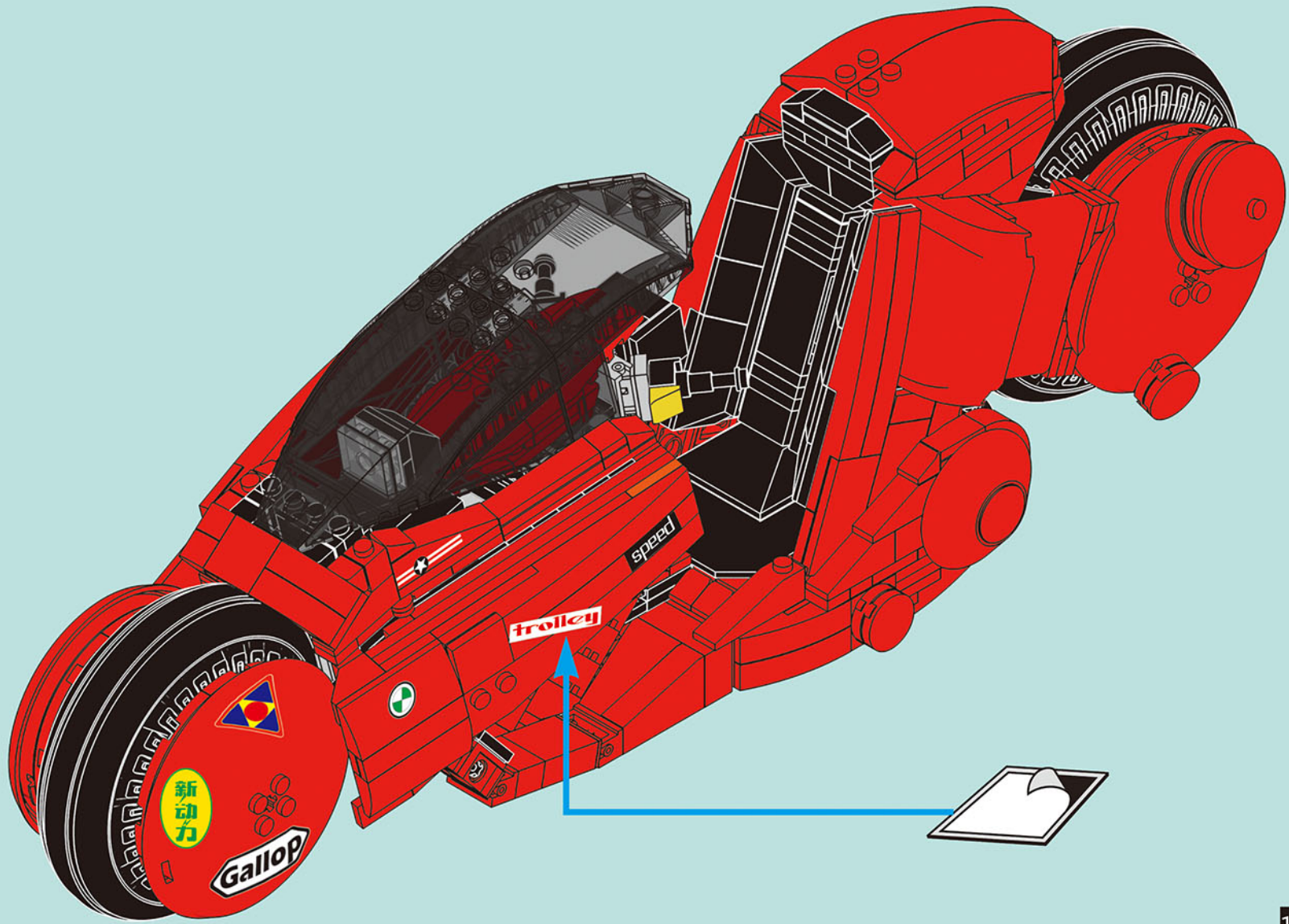


5-56











DREAM-CAR

03001-1812-V2

