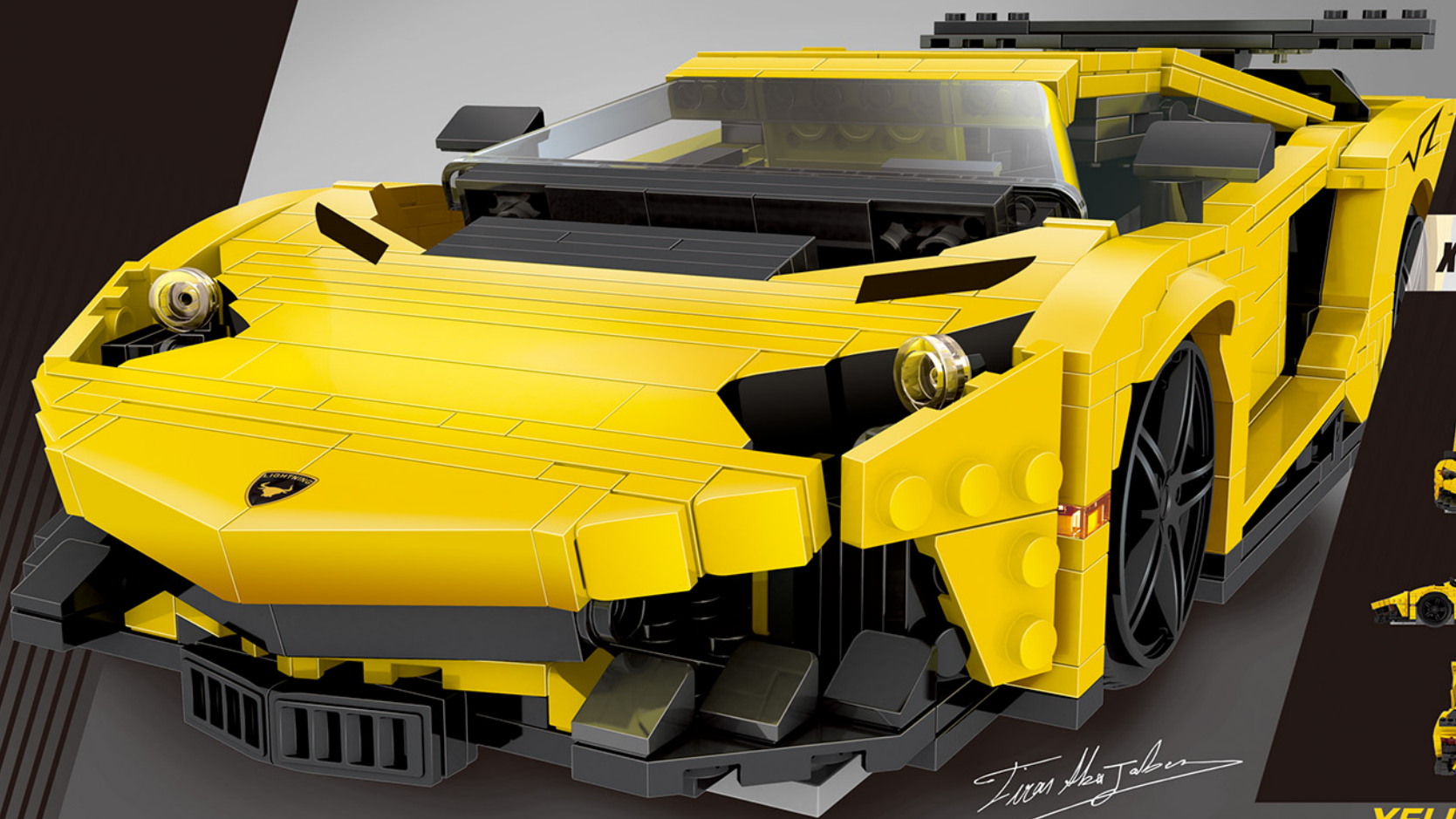




DREAM-CAR



KB-03008



Tuan Ha Jaber

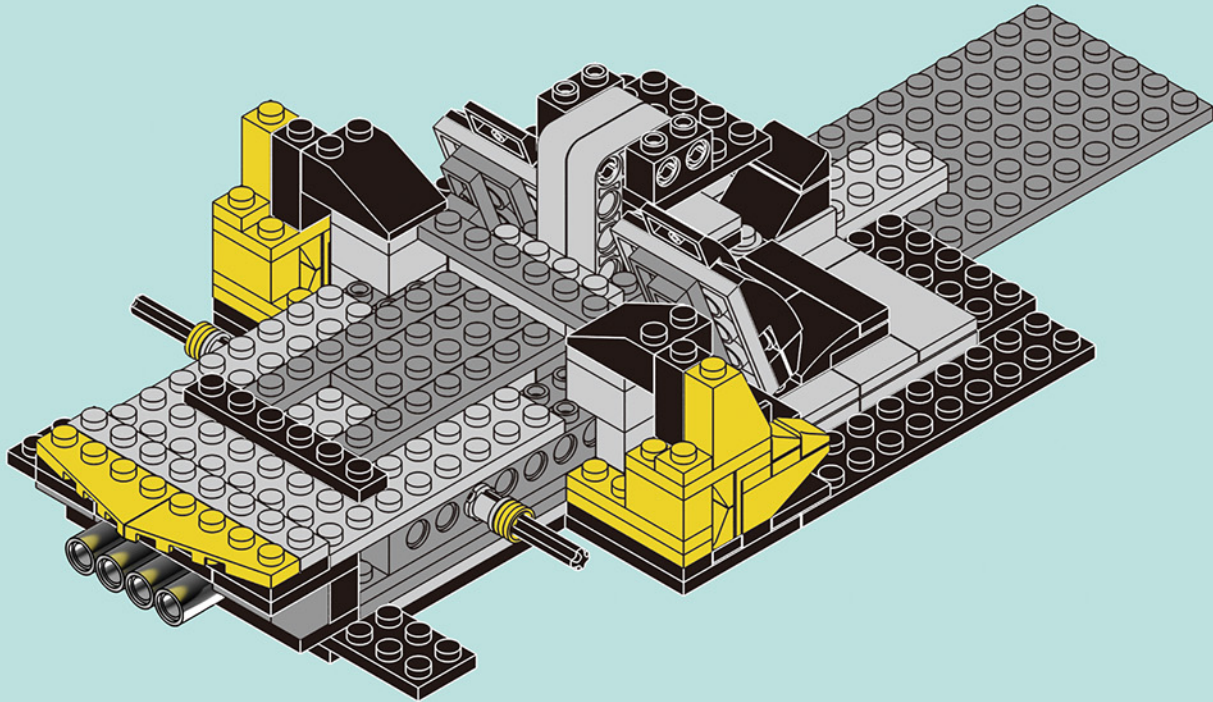
**YELLOW
LIGHTNING**

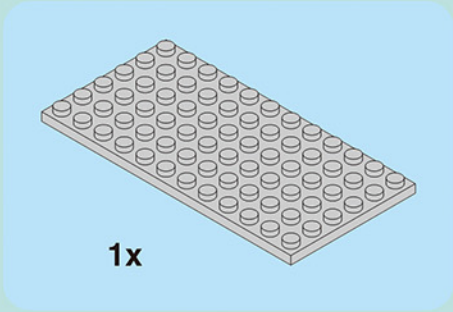


The author' s profile :
Name: Firas Munir Abu-Jaber
Nationality: Jordan

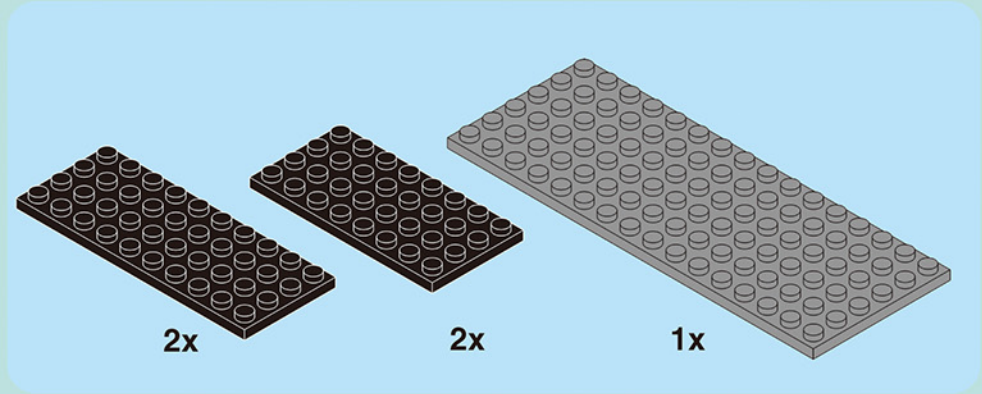
He played bricks when he was children ,most of the works are to build supermodel with bricks,
the most famous model is the 2005 Ford GT,
the work was uploaded to many international websites
and magazines, including the Lego official website.In addition to the car model,
Firas is also keen on the creation of other themed works,
such as jet fighters, helicopters, luxury yachts and so on.
Works are published on a variety of websites, magazines and books,
including "Topgear",
"Blocks" magazine, "Bricks" magazine, "The Art of LEGO Scale Modeling"
Rolls-Royce is the first prize at "brothers-brick"



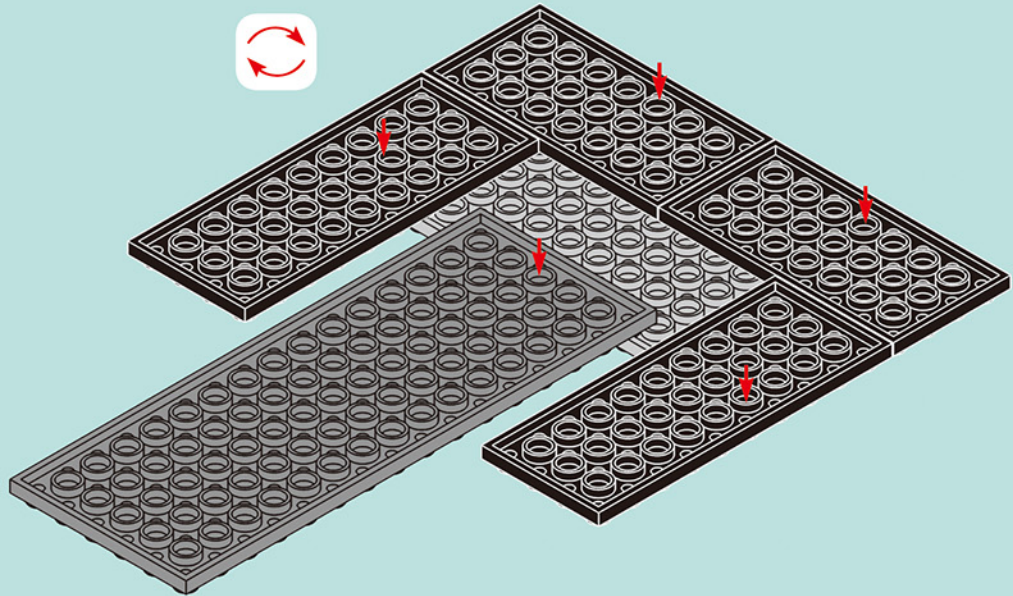
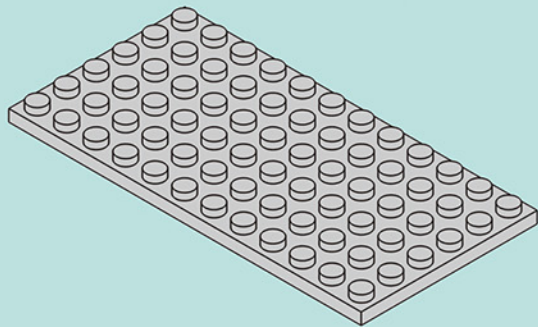


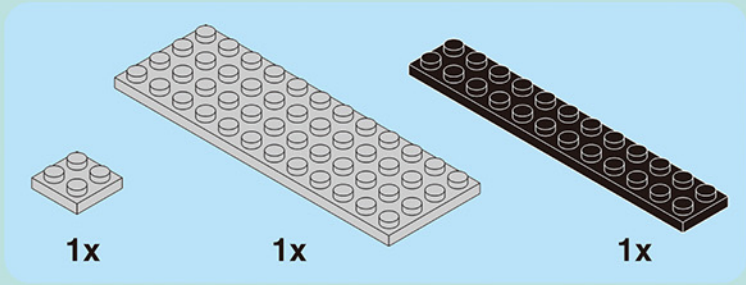


1-1.1

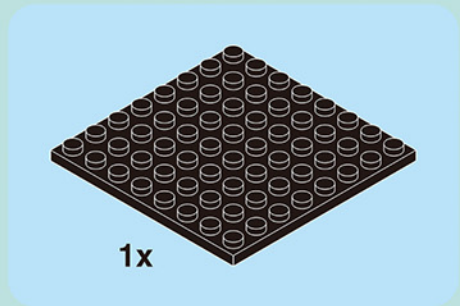
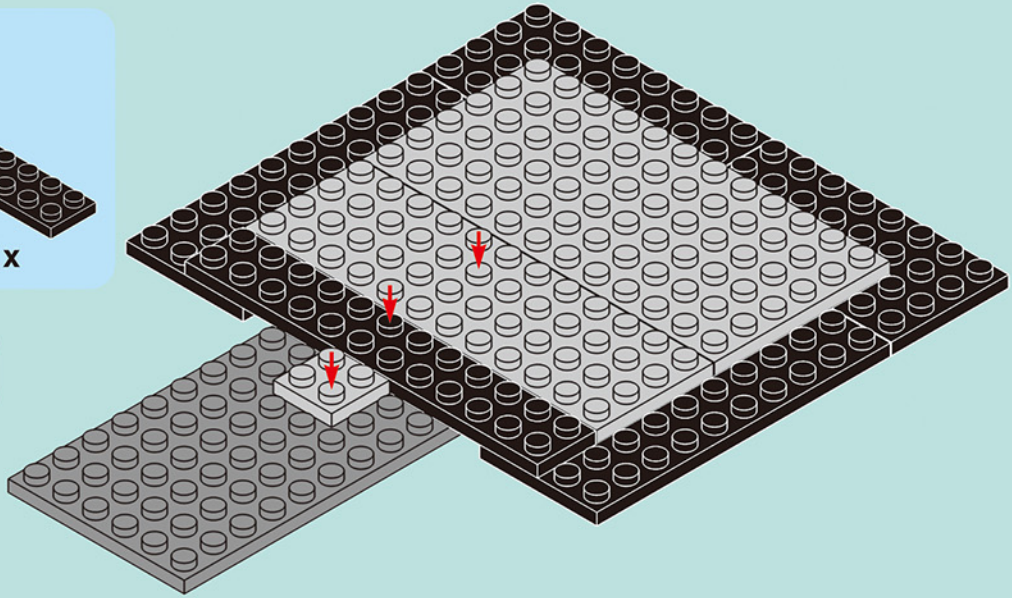


1-1.2

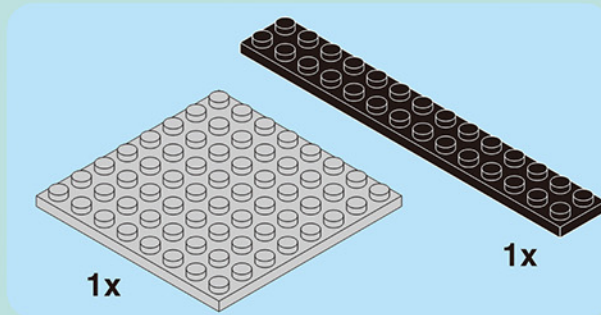
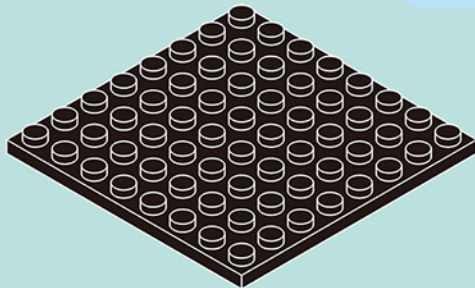




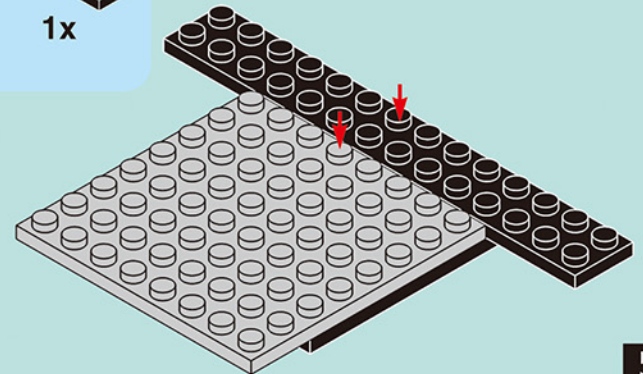
1-1

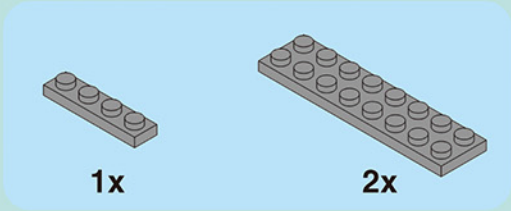


1-2.1

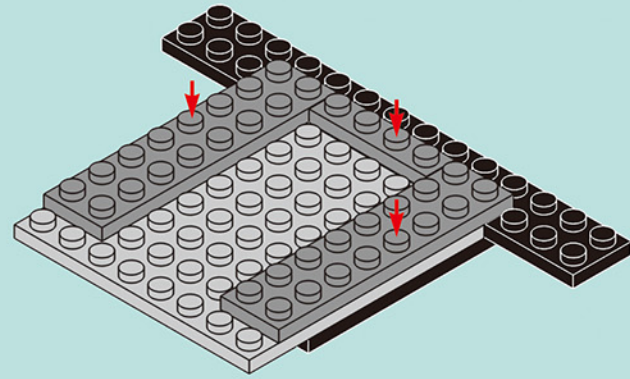


1-2.2

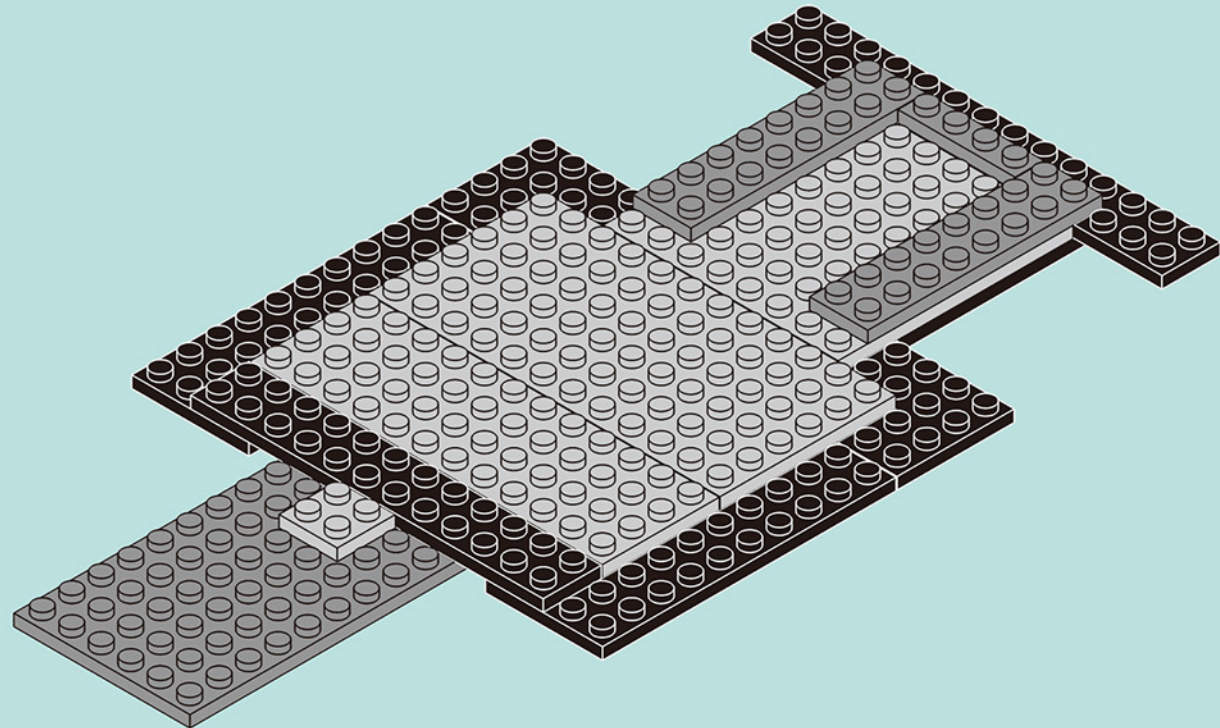


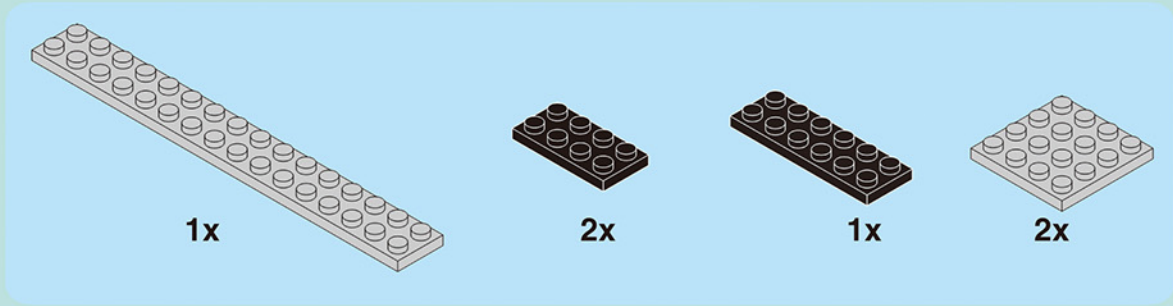


1-2.3

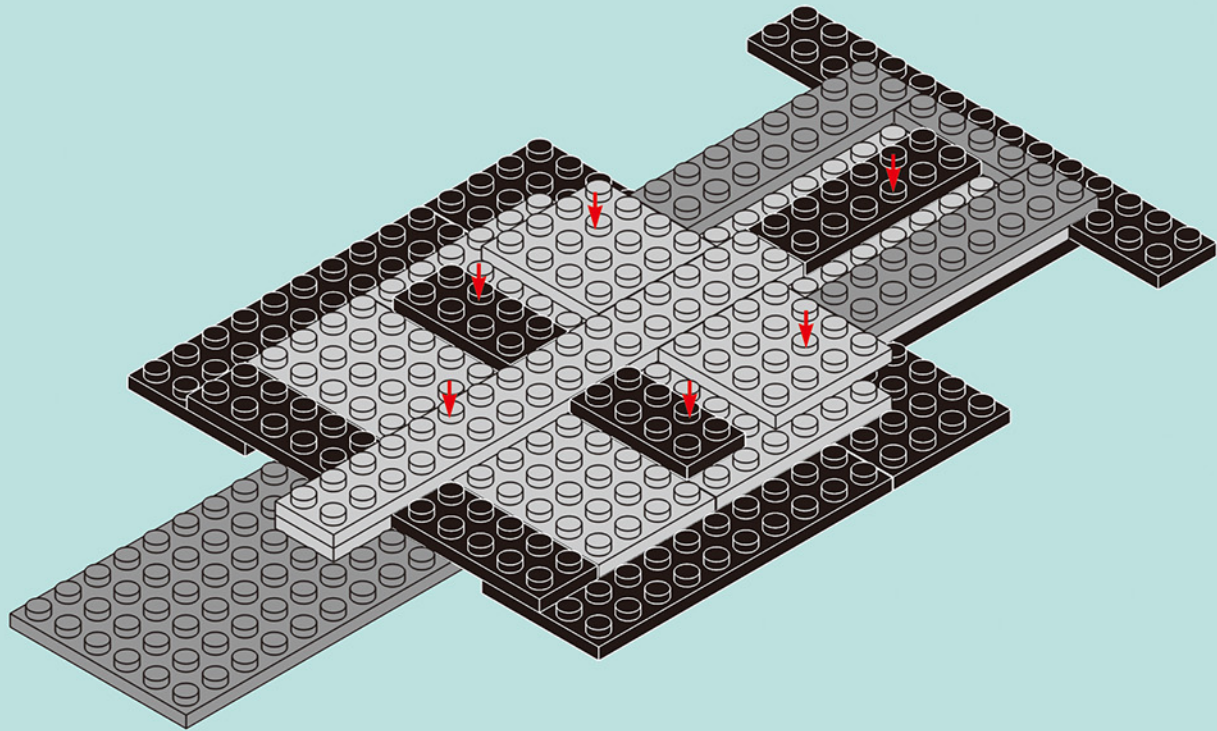


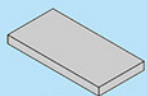
1-2





1-3





2x



2x

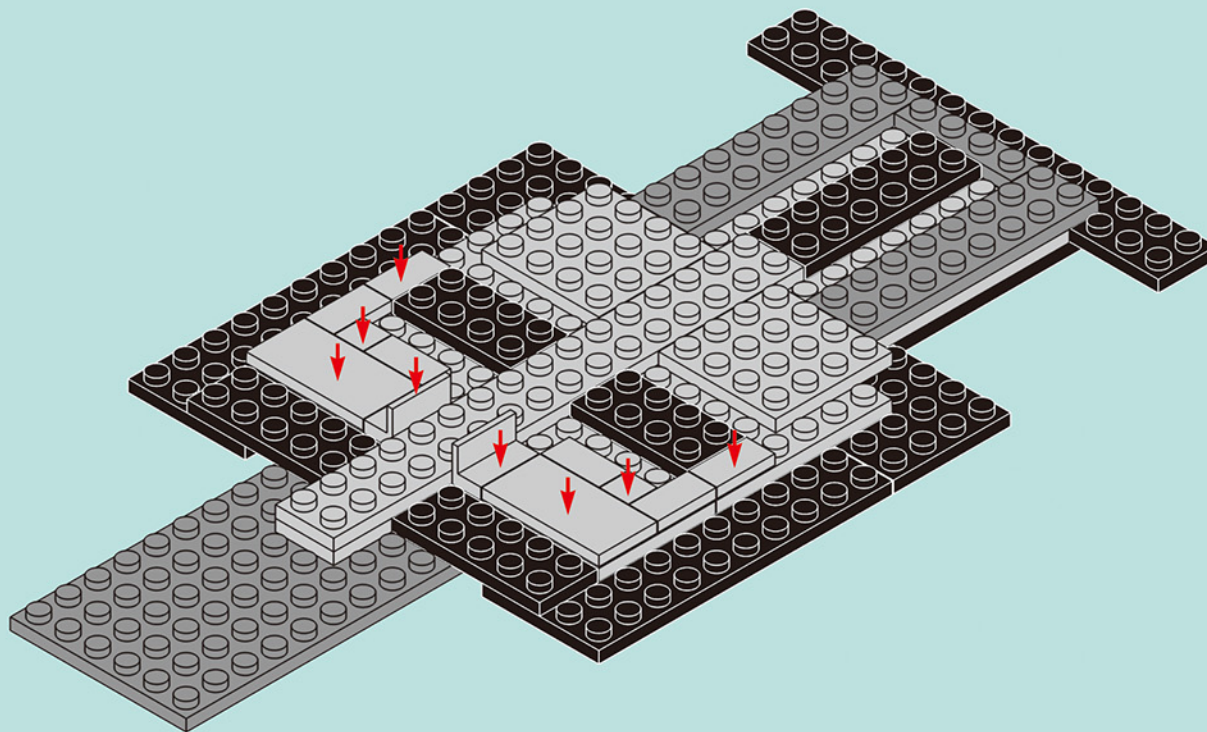


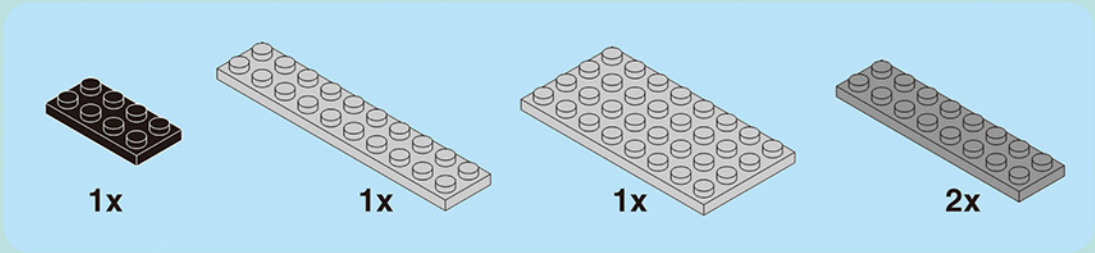
6x



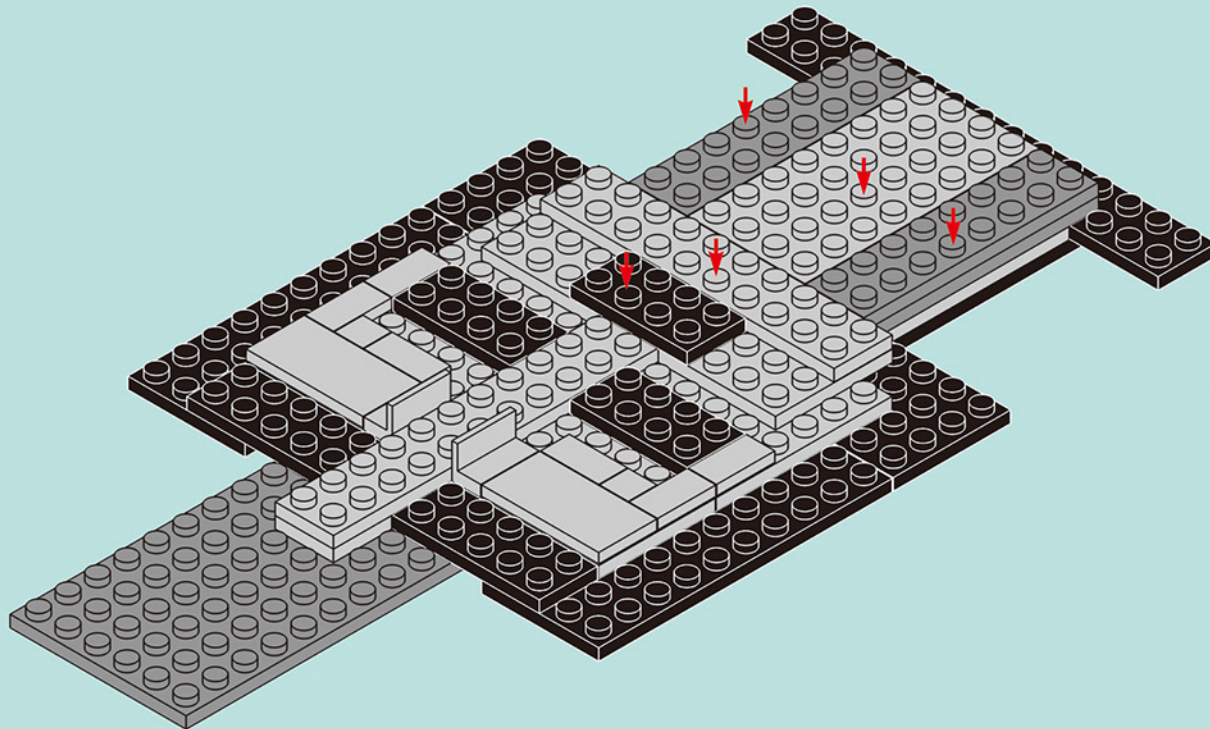
2x

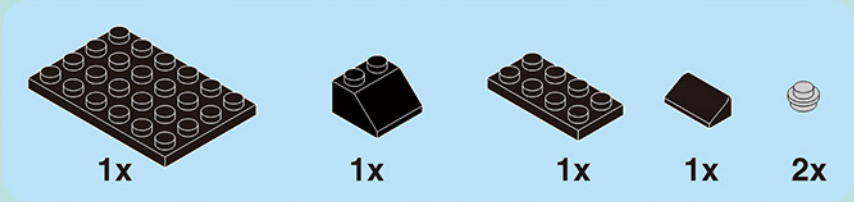
1-4



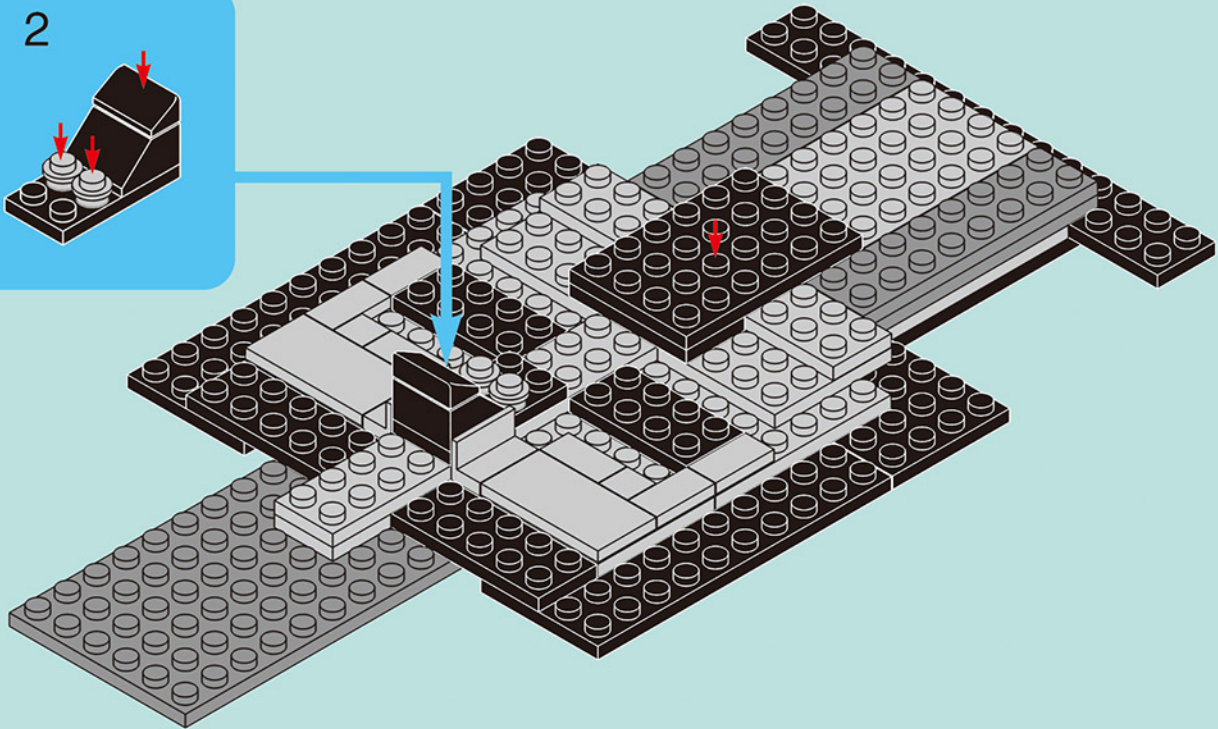
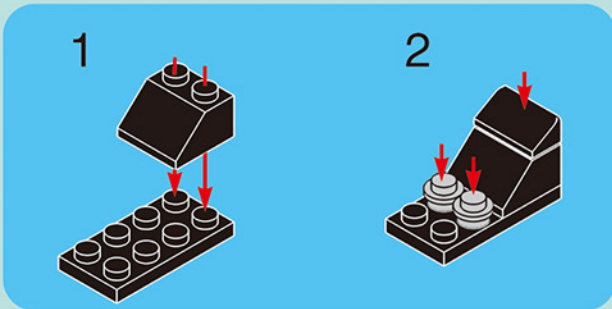


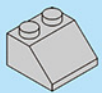
1-5



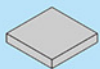


1-6





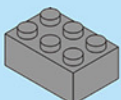
1x



1x



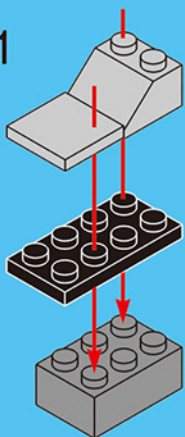
1x



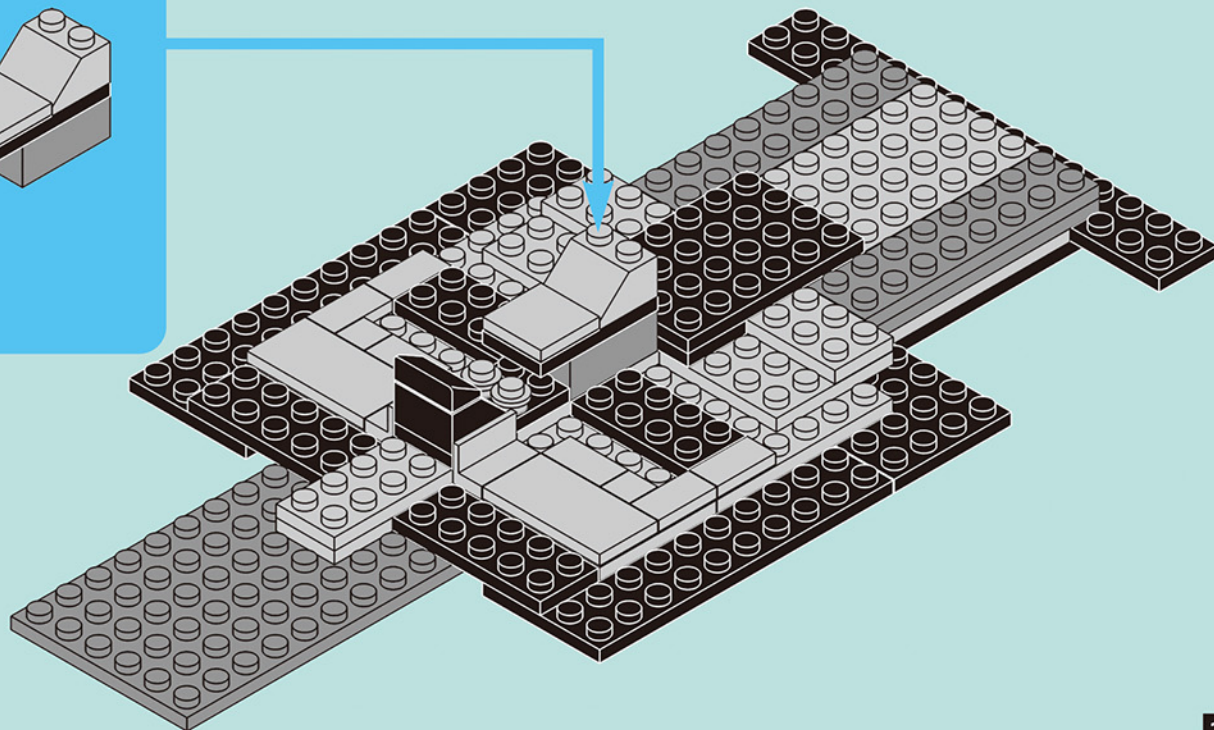
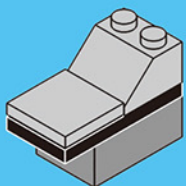
1x

1-7

1

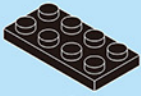


2





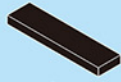
2x



1x



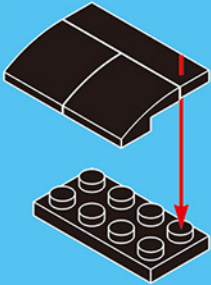
1x



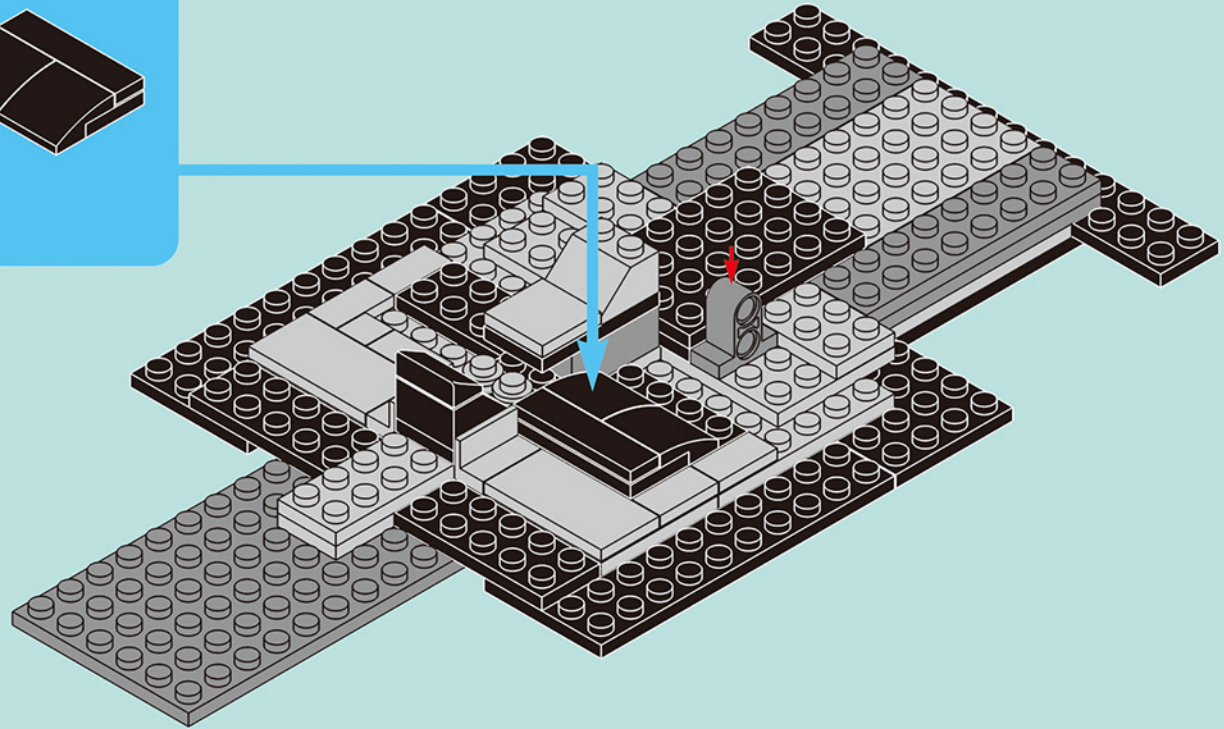
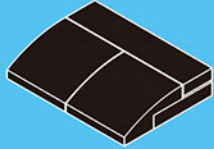
1x

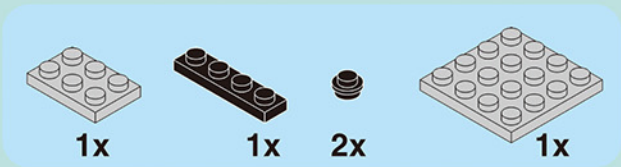
1-8

1

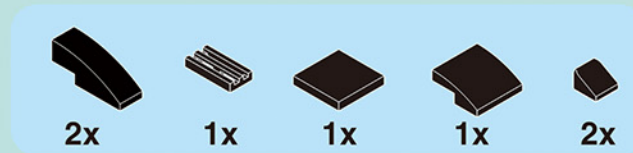
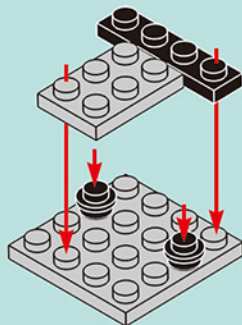


2

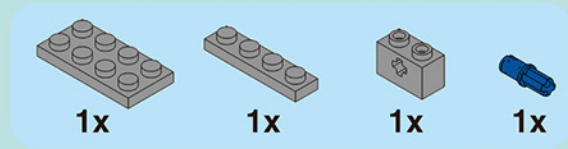
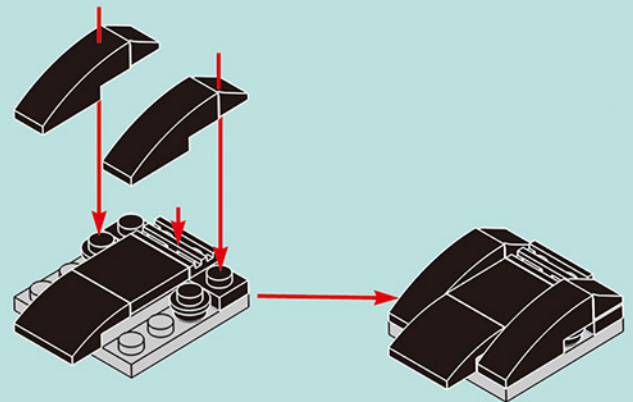




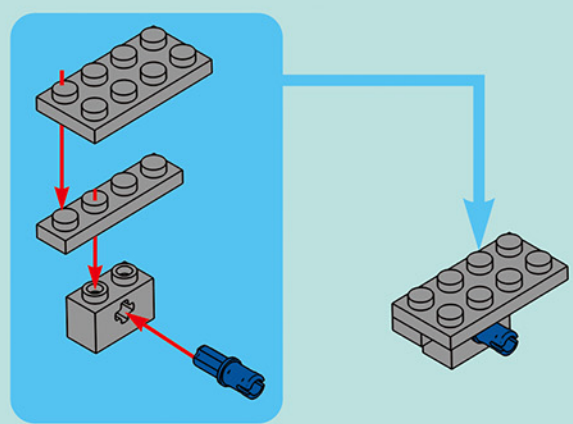
1-9.1



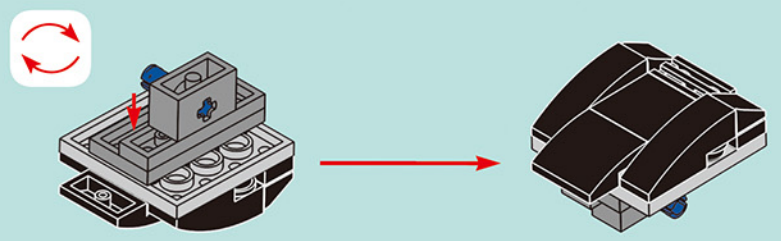
1-9.2



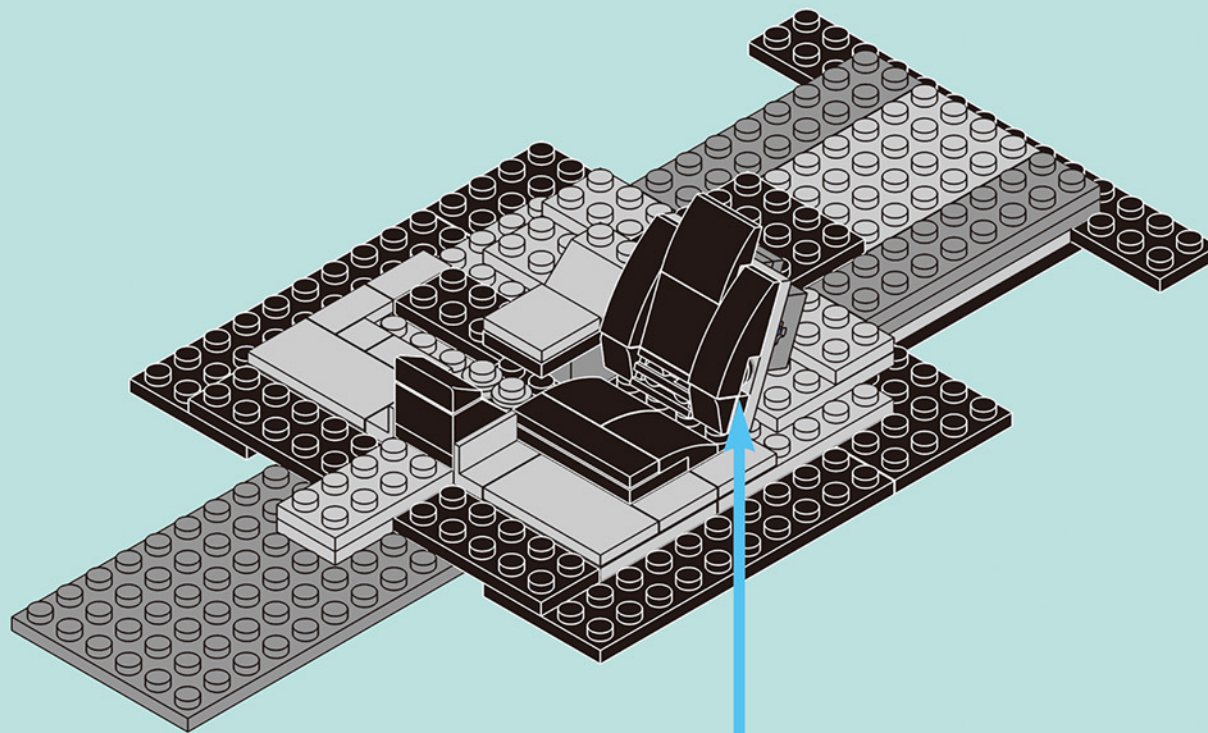
1-9.3



1-9.4



1-9



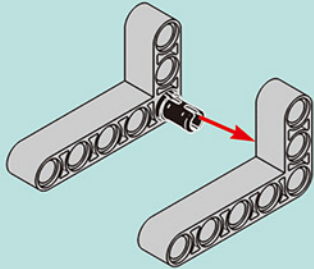


2x



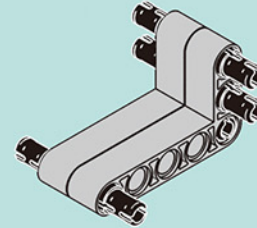
1x

1-10.1



6x

1-10.2

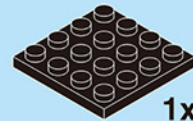
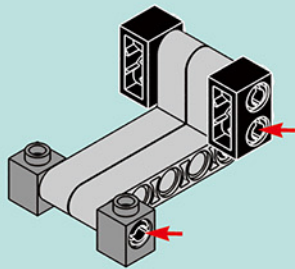


2x



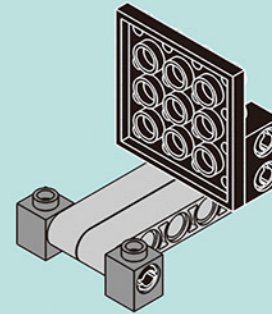
2x

1-10.3

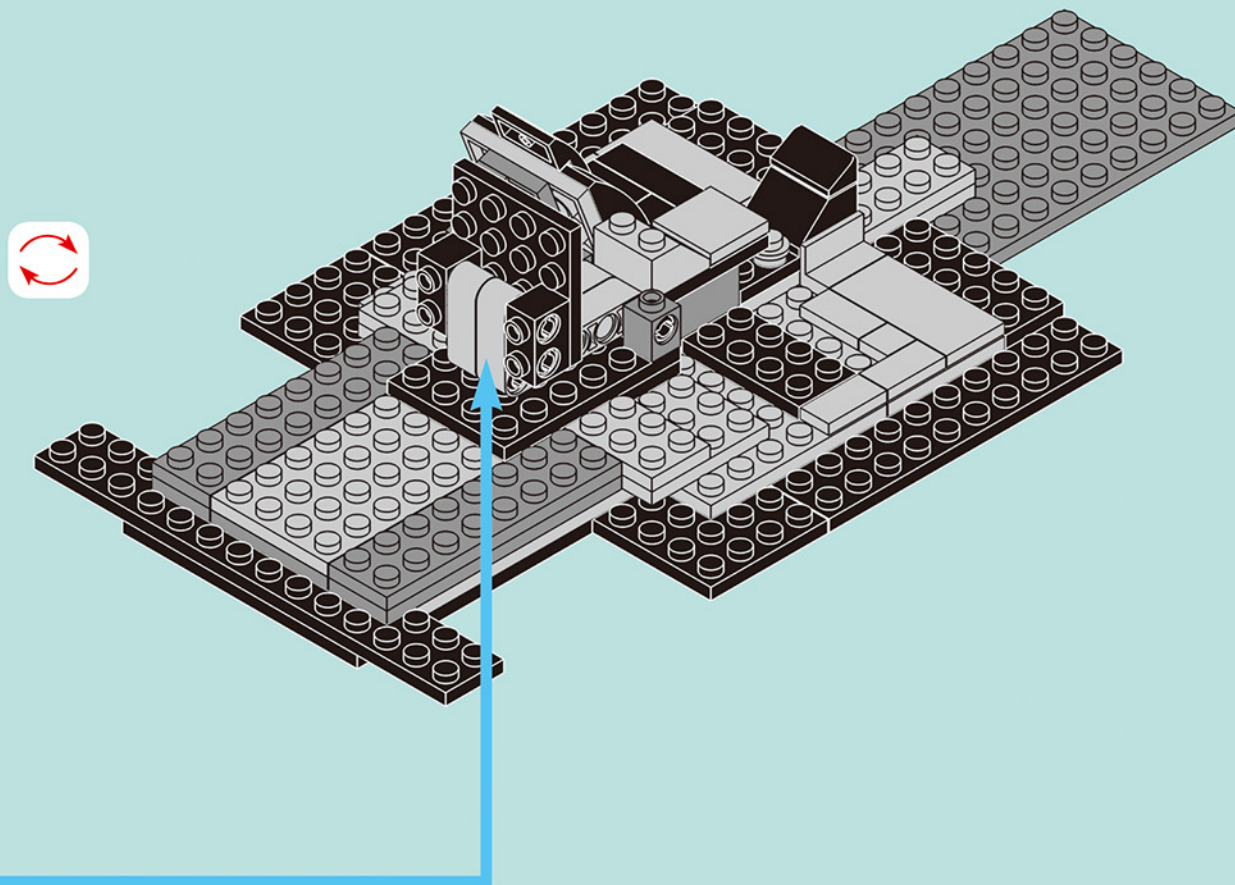


1x

1-10.4

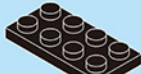


1-10





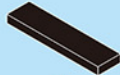
2x



1x



1x



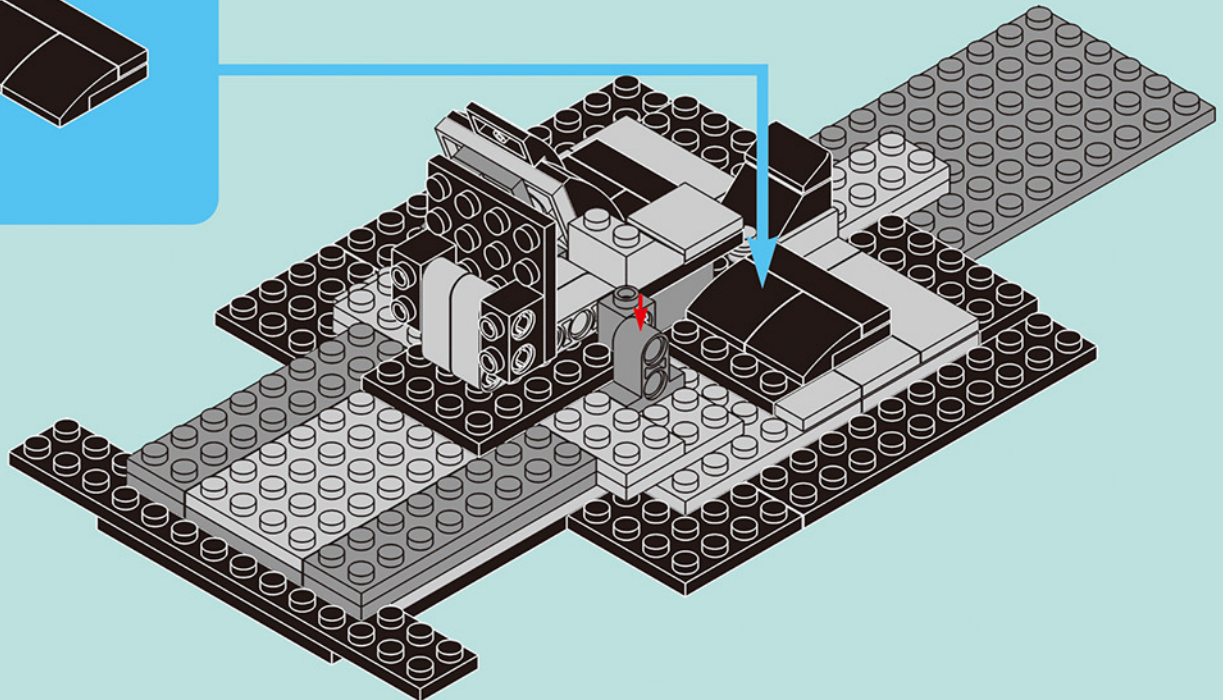
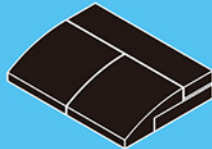
1x

1-11

1

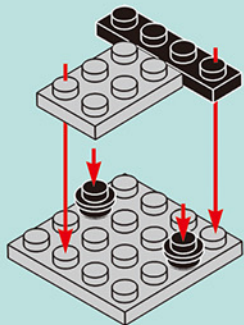


2

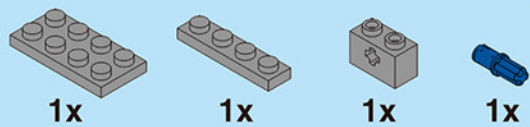
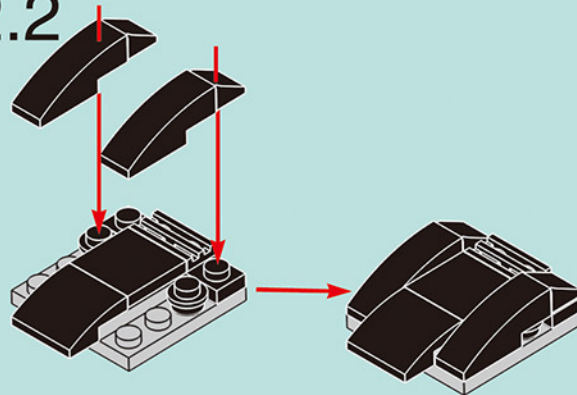




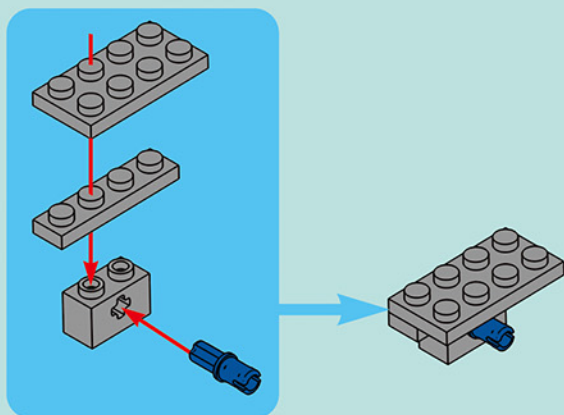
1-12.1



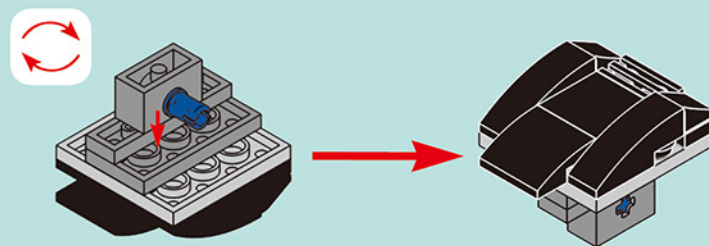
1-12.2



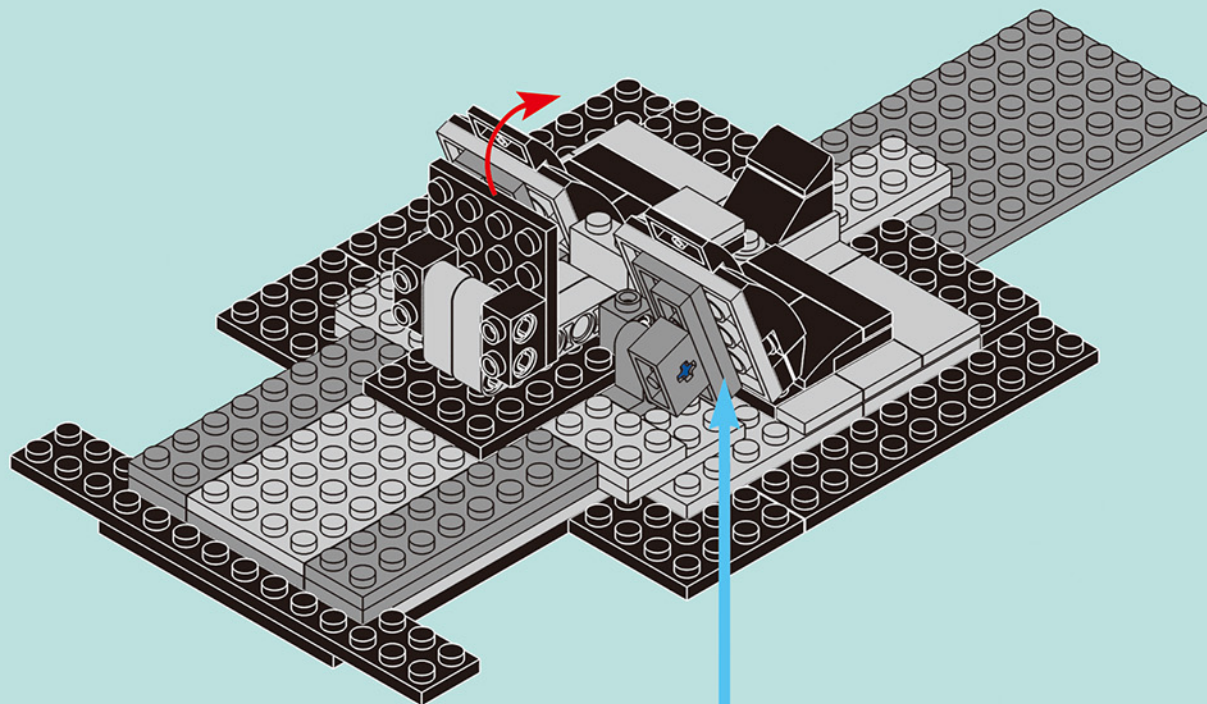
1-12.3

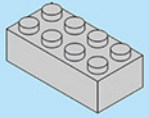


1-12.4

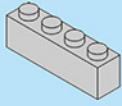


1-12

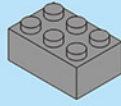




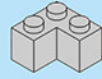
1x



1x

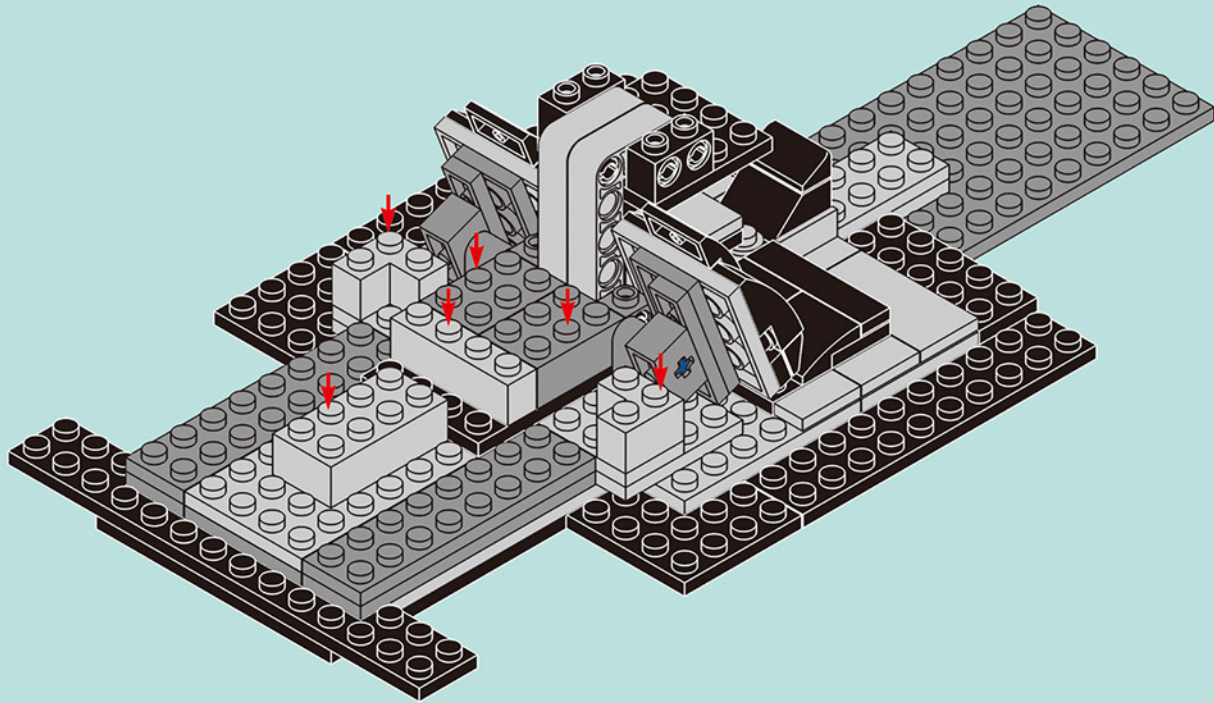


2x

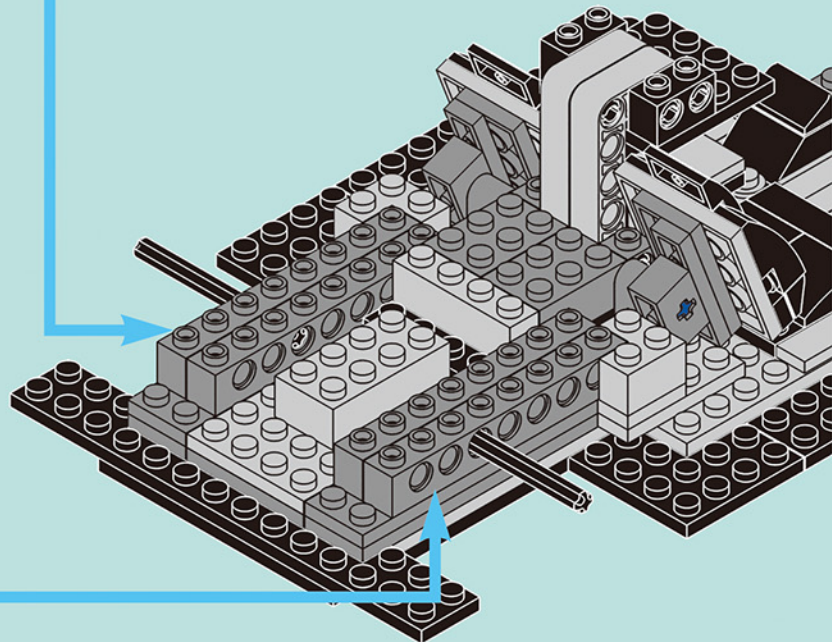
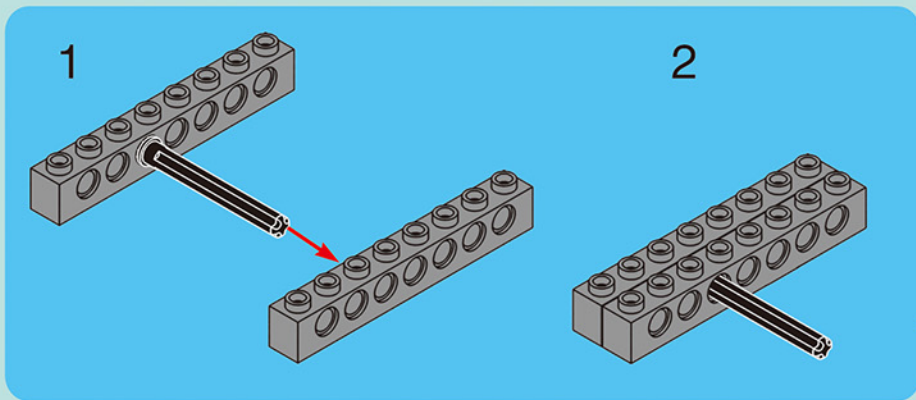
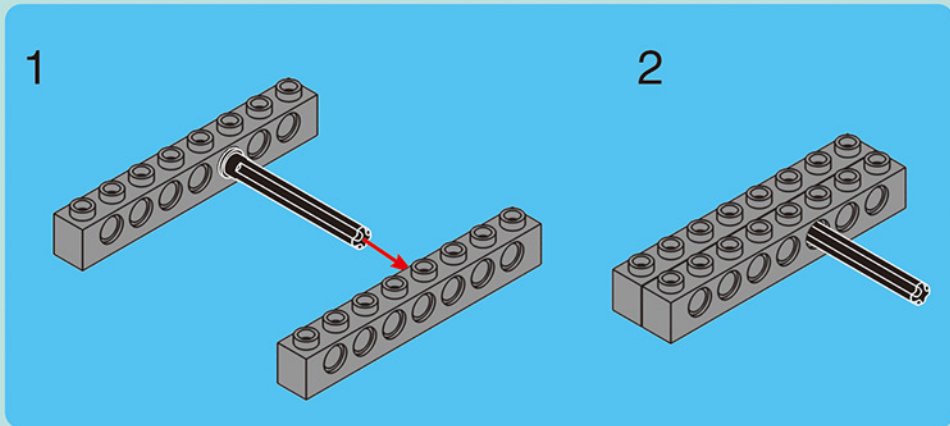
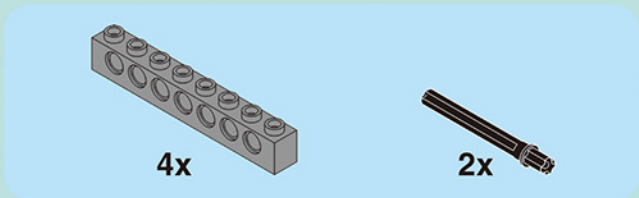


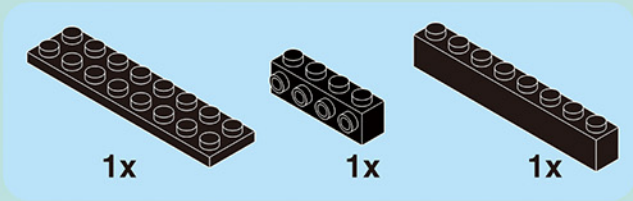
2x

1-13

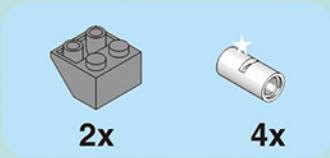
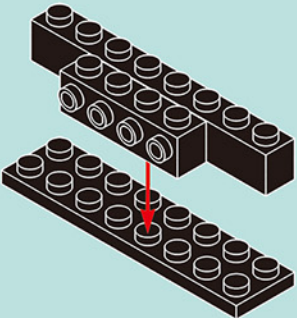


1-14

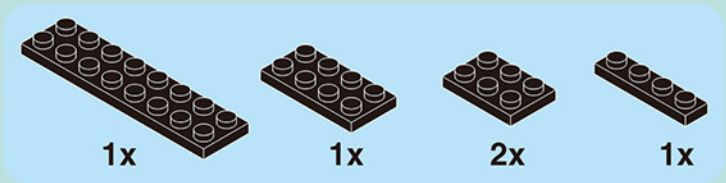
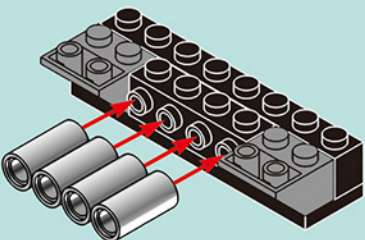




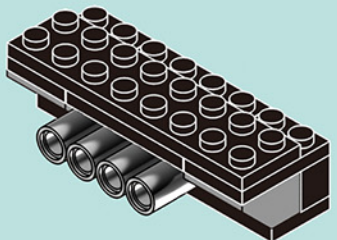
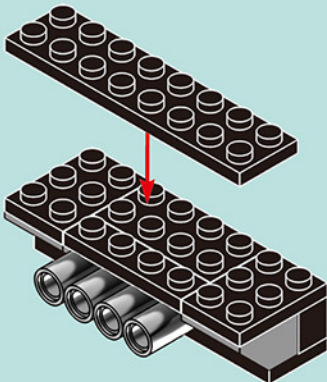
1-15.1

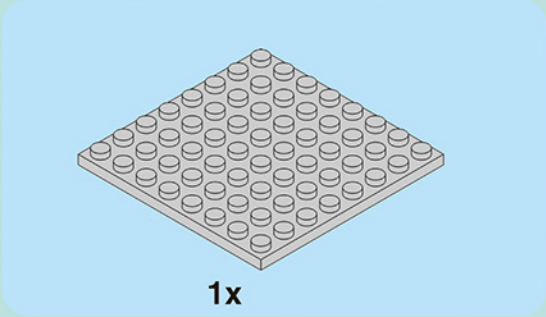


1-15.2

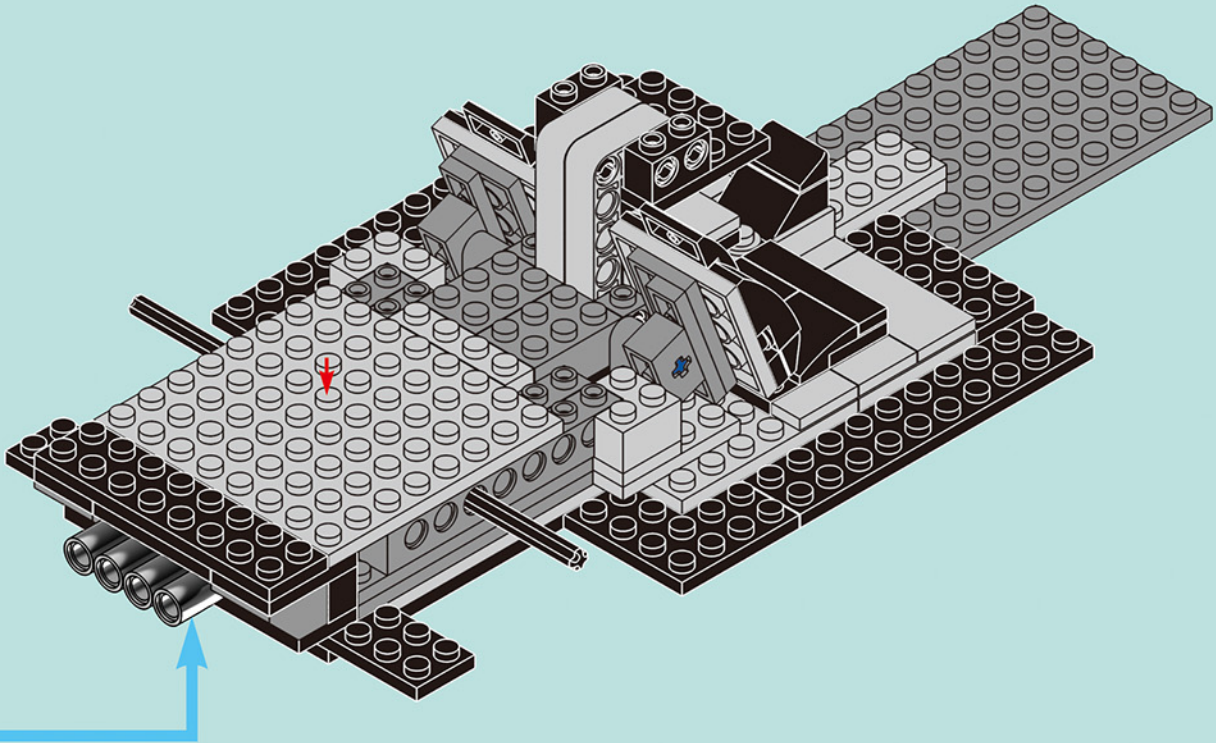


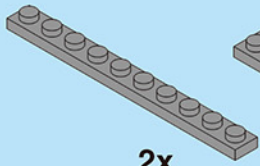
1-15.3



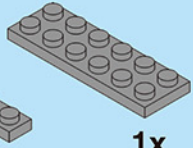


1-15





2x



1x



2x



1x

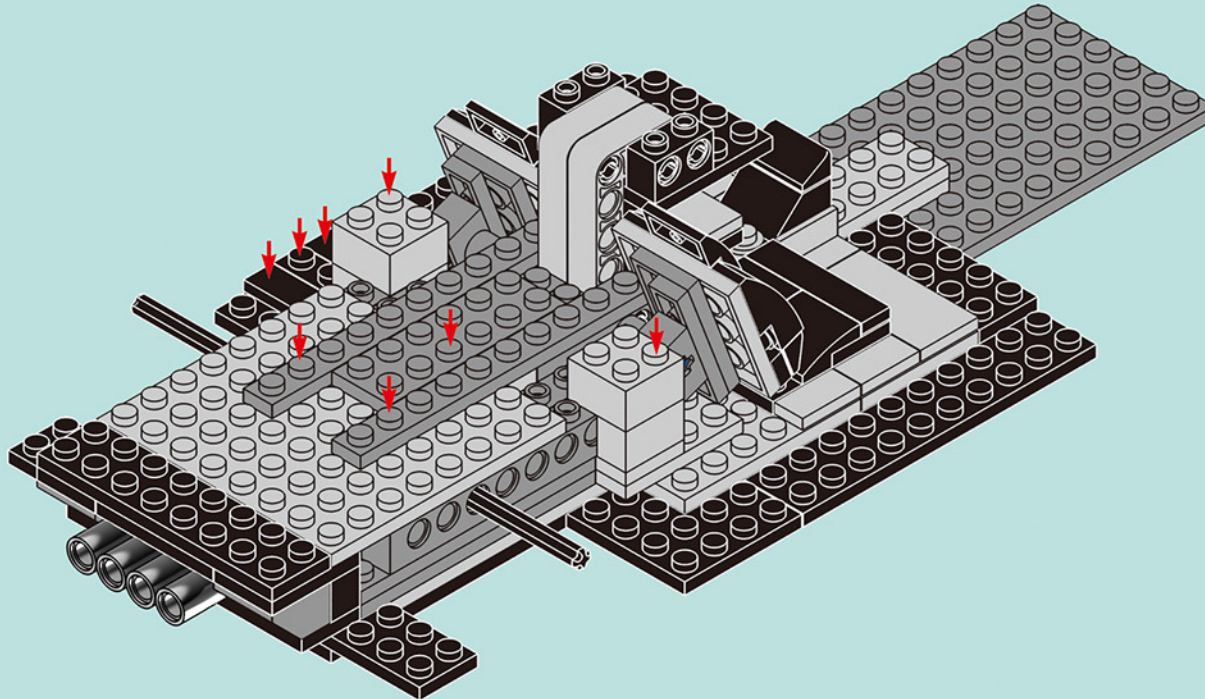


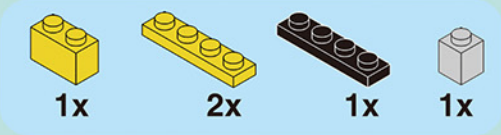
1x



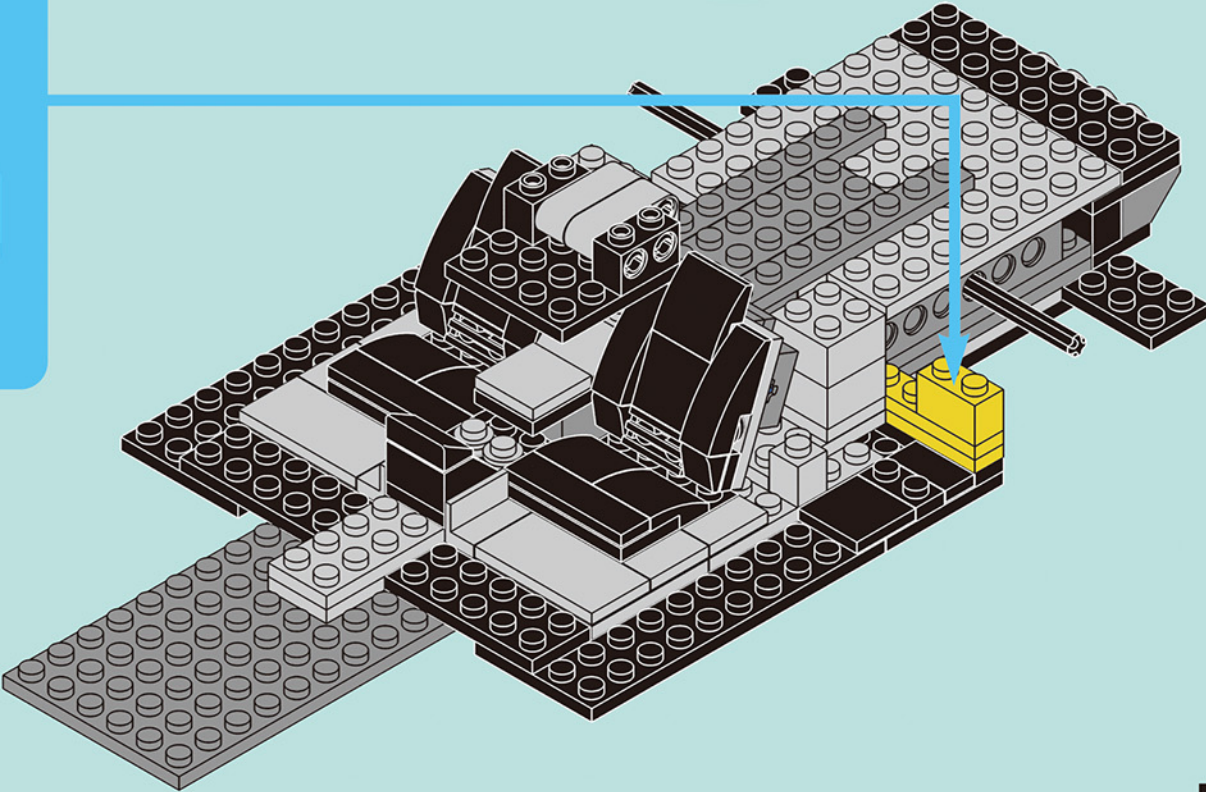
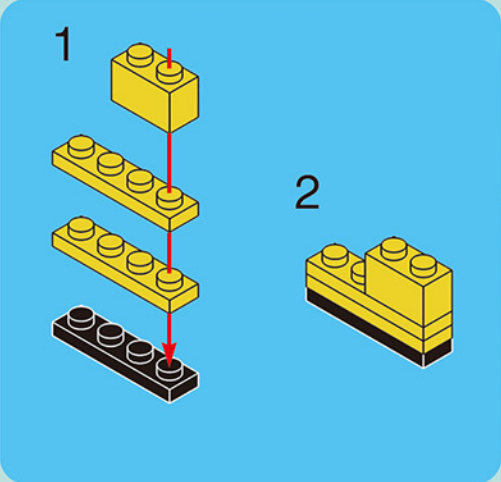
1x

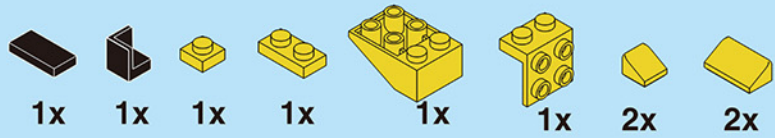
1-16



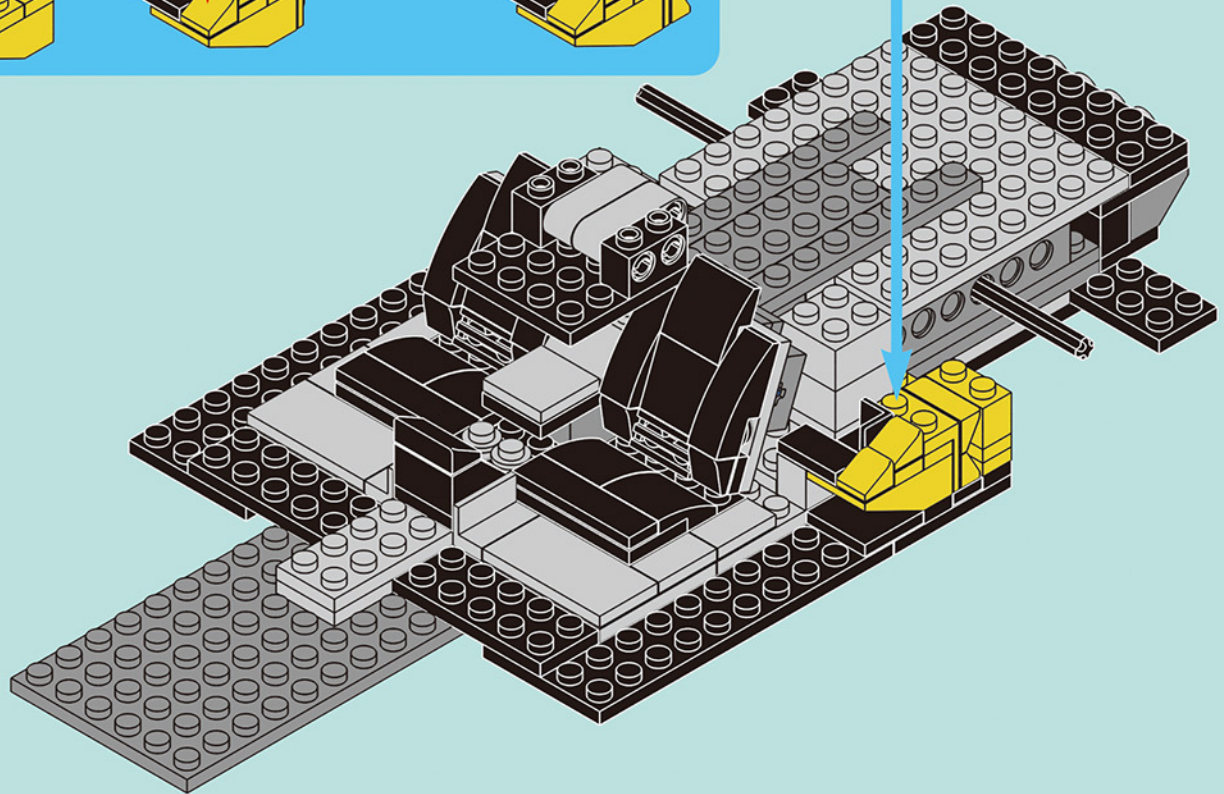
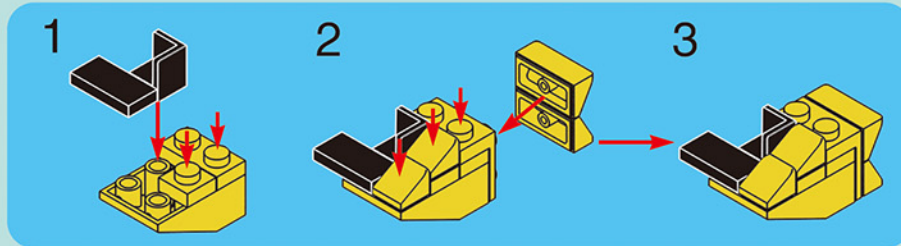


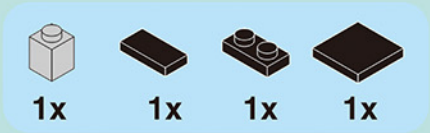
1-17



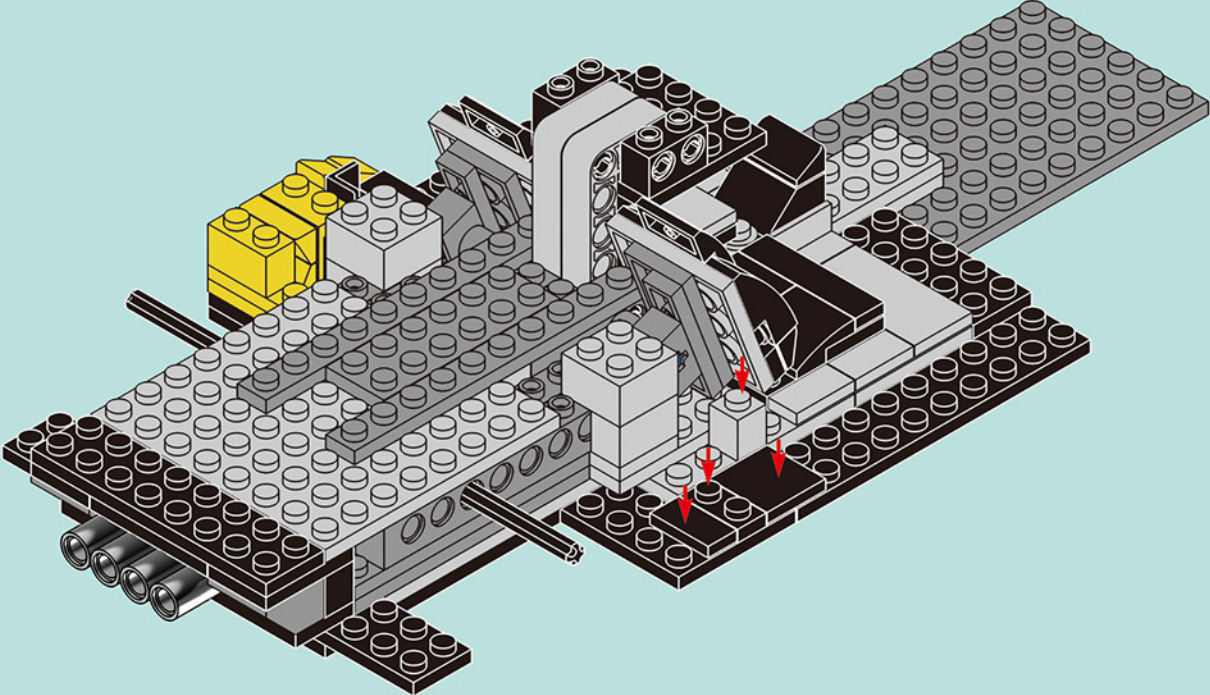


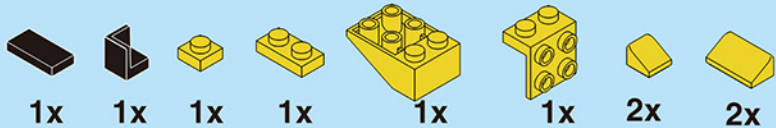
1-18



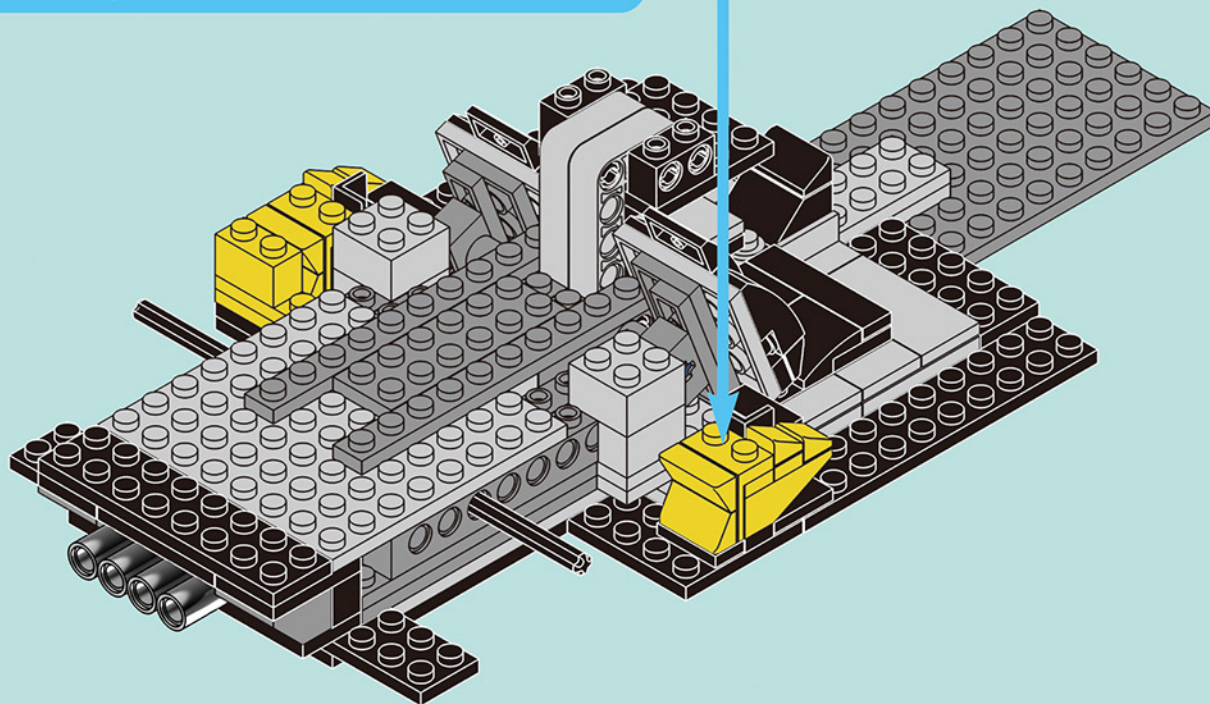
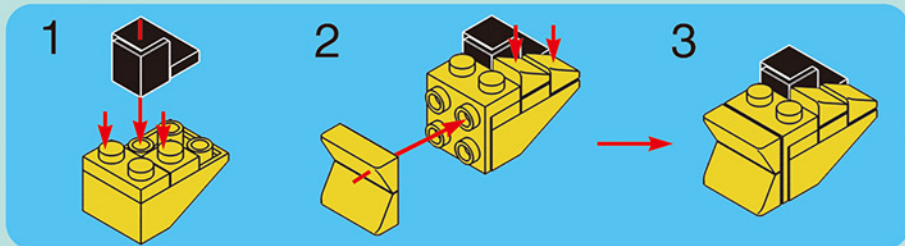


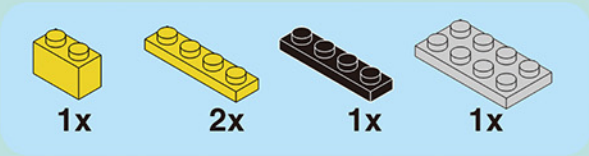
1-19



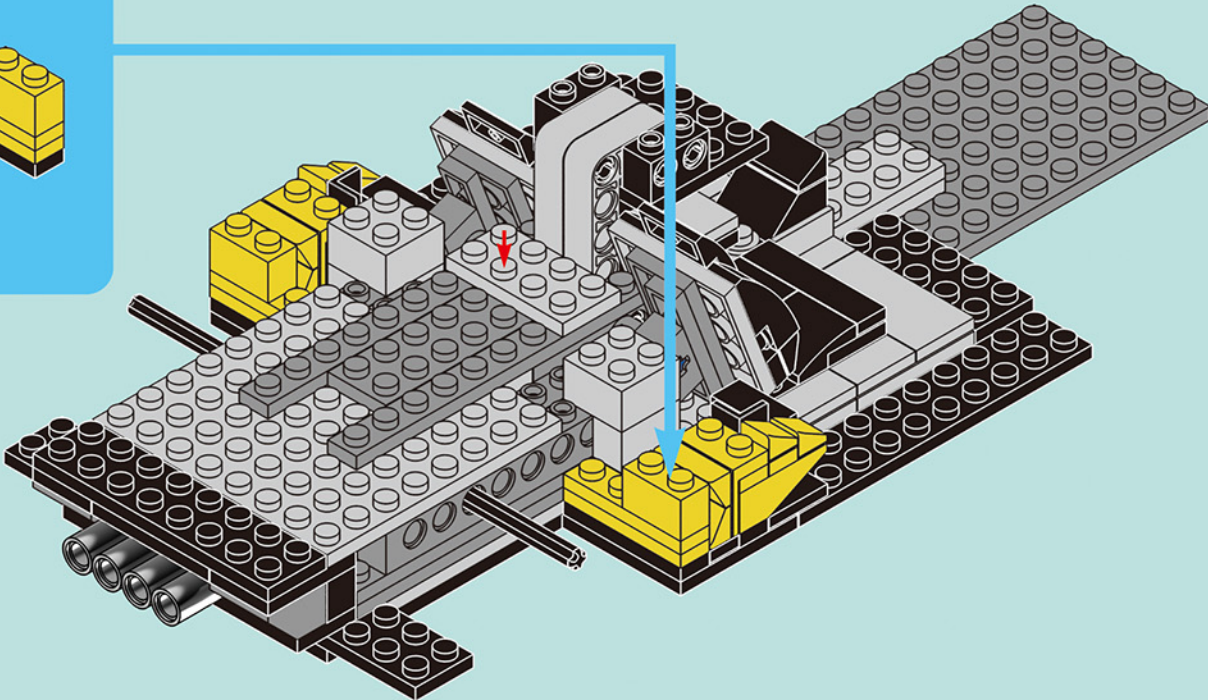
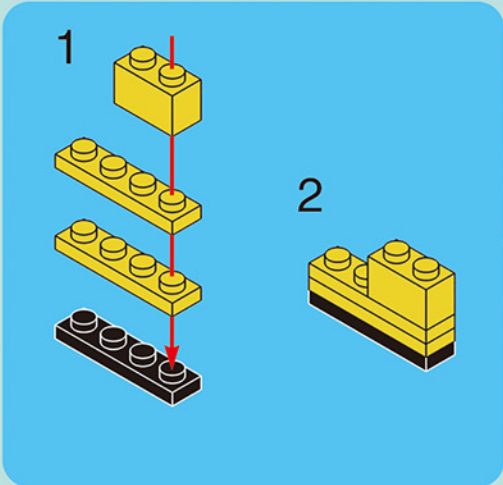


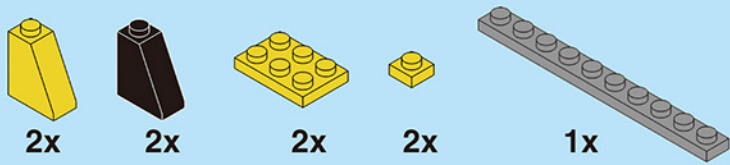
1-20



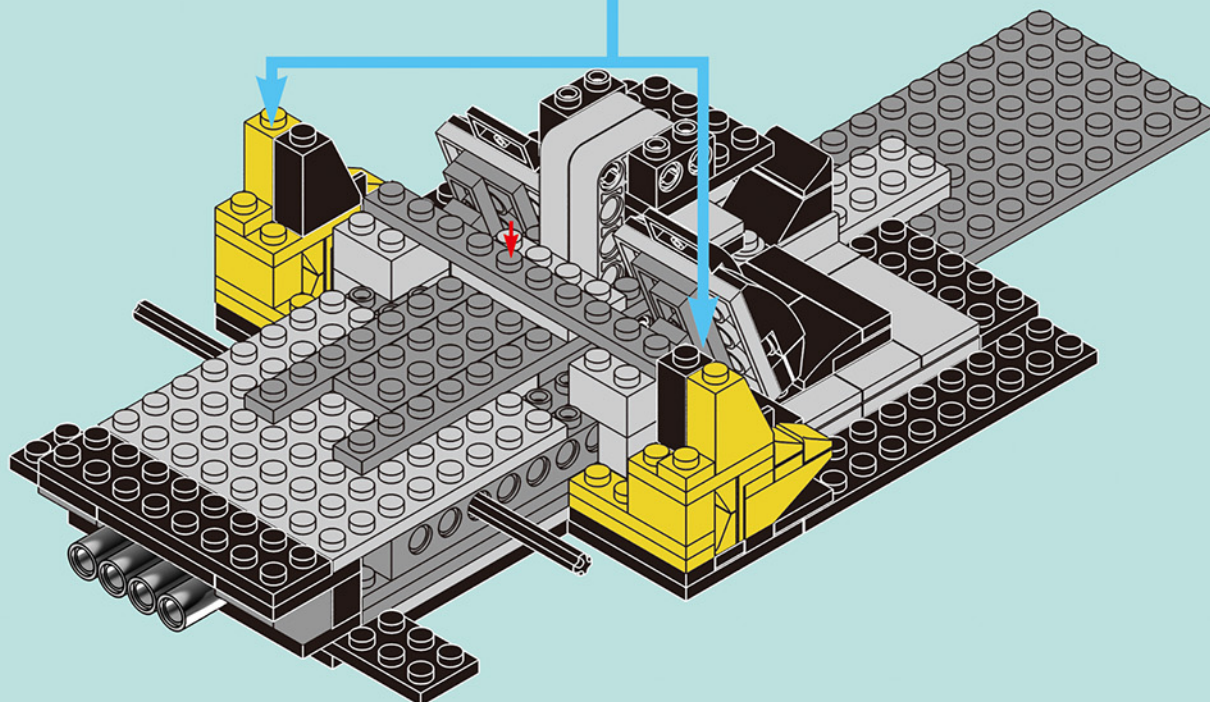
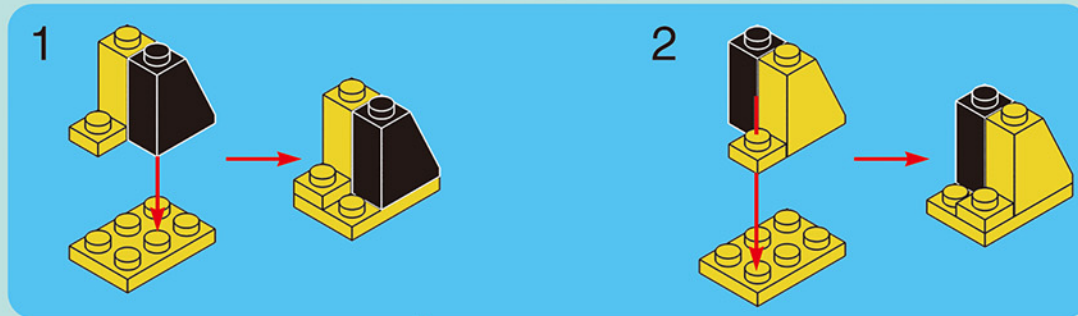


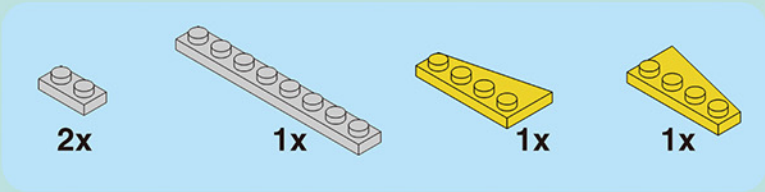
1-21



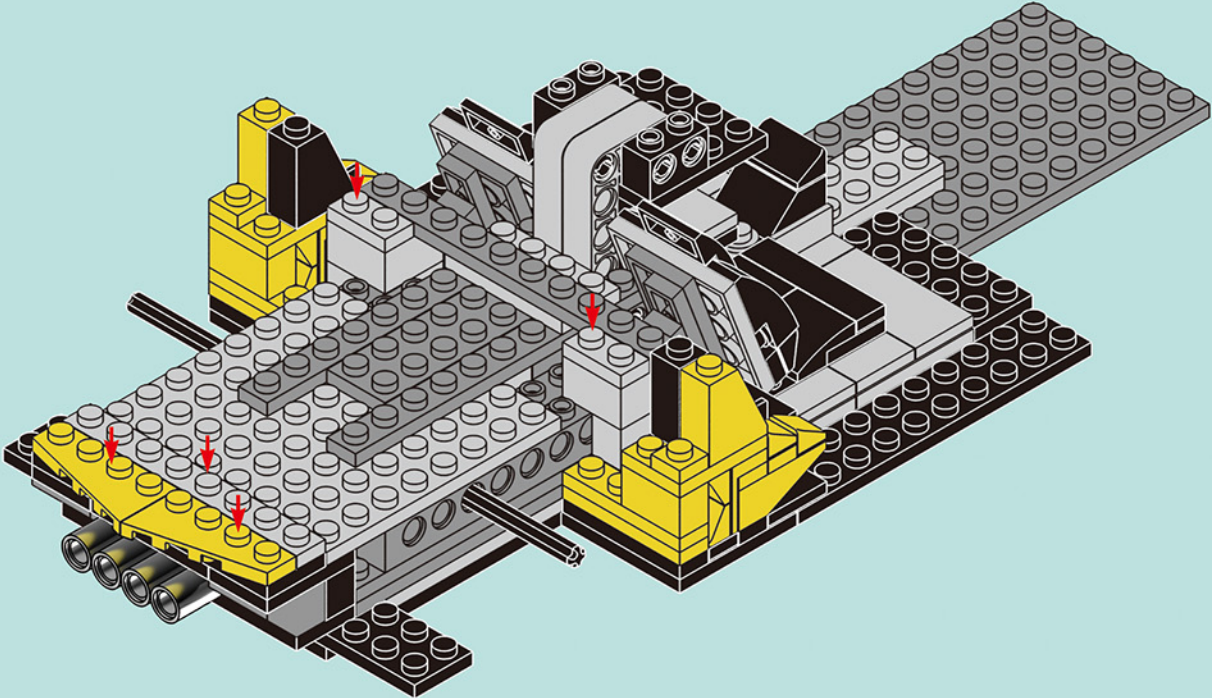


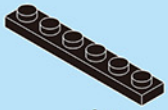
1-22



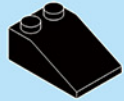


1-23





1x



2x

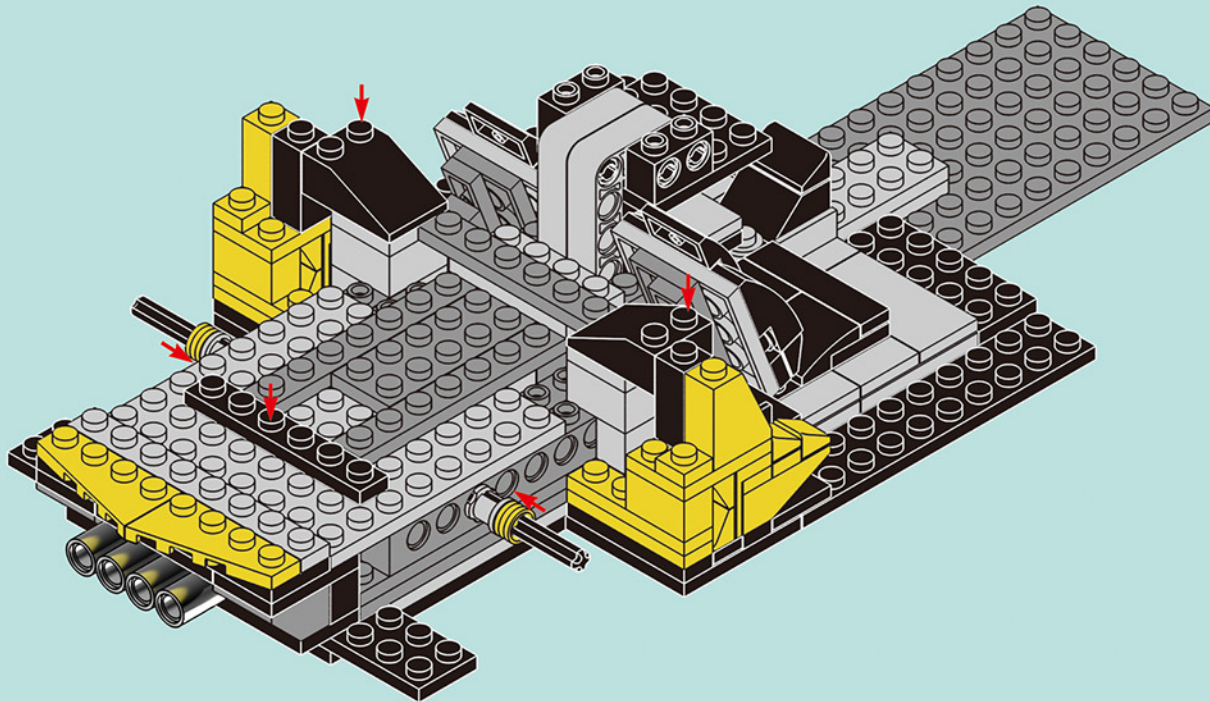


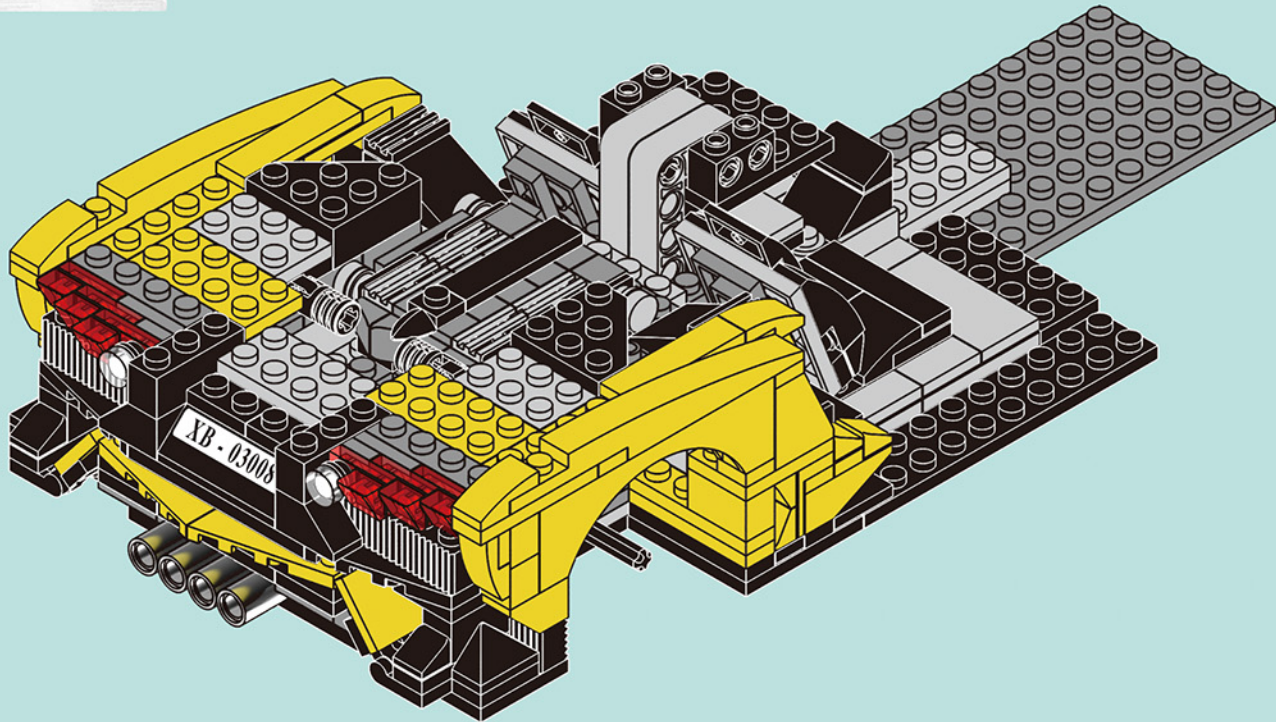
2x

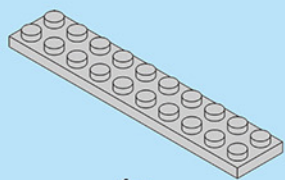


2x

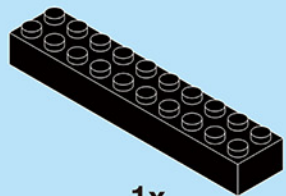
1-24



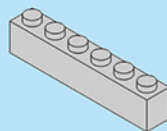




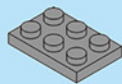
1x



1x



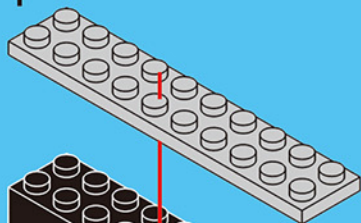
2x



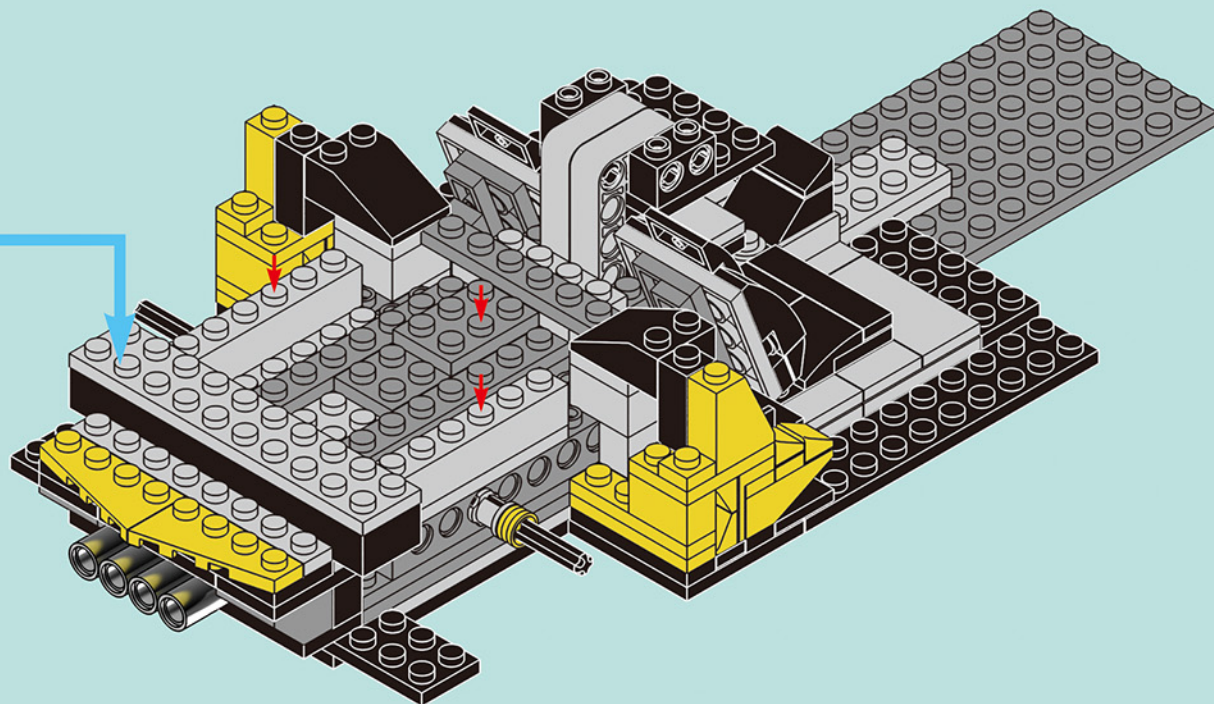
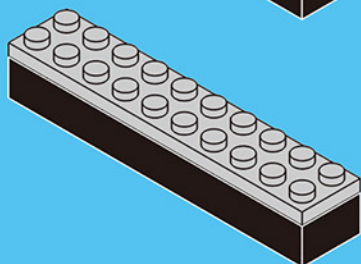
1x

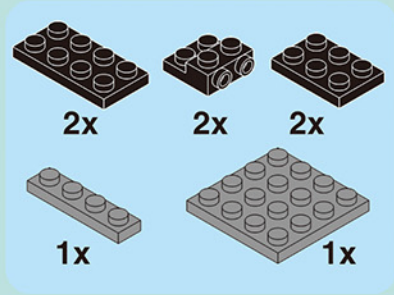
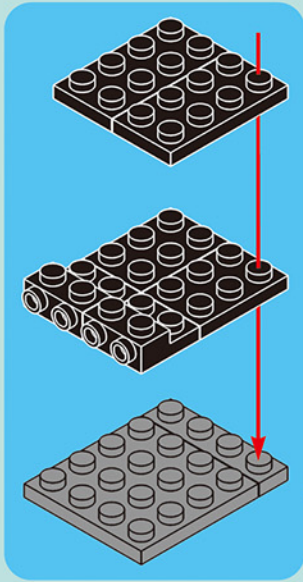
2-1

1

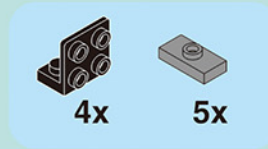
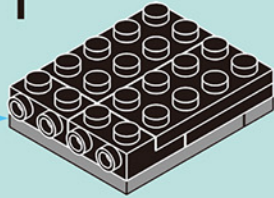


2

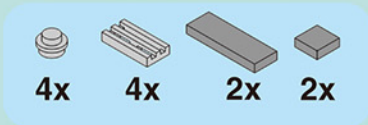
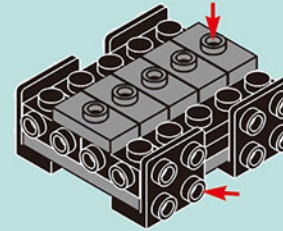




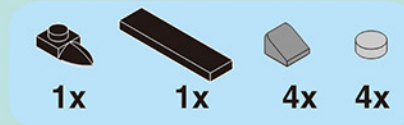
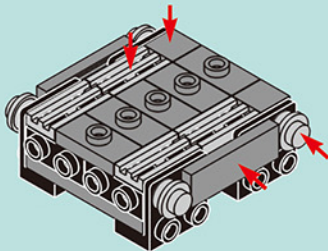
2-2.1



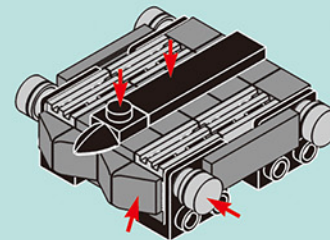
2-2.2



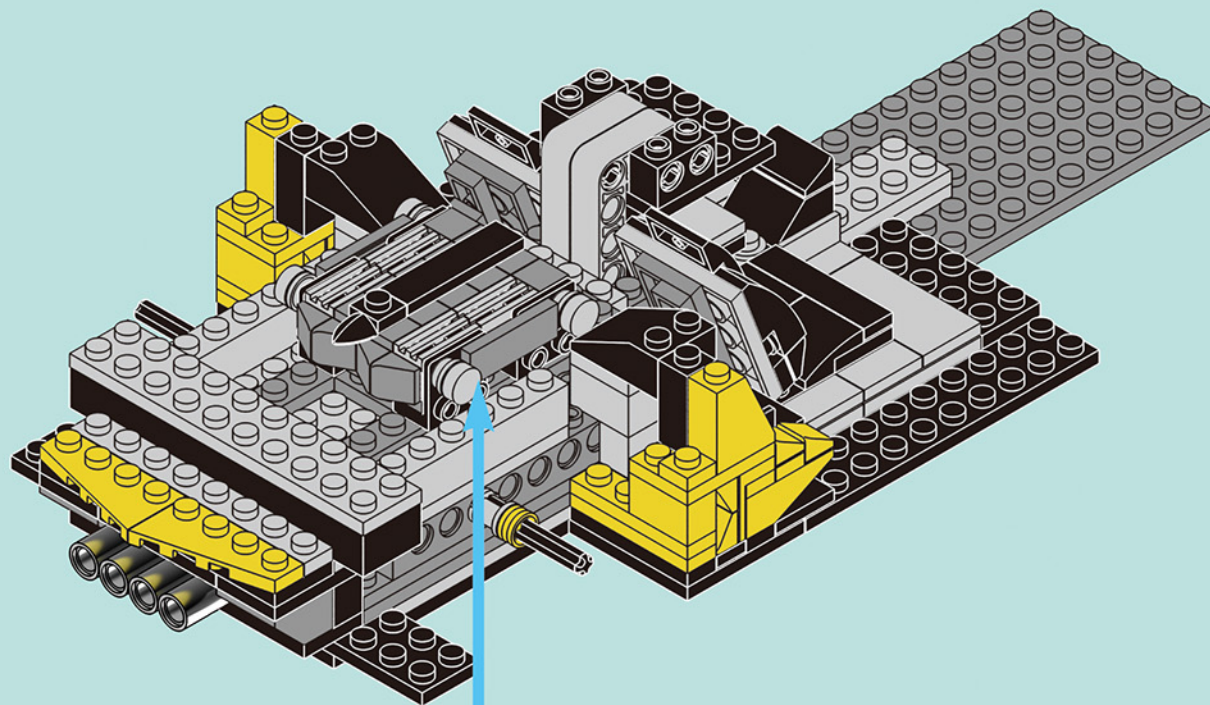
2-2.3



2-2.4



2-2





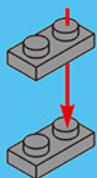
4x



4x

2-3

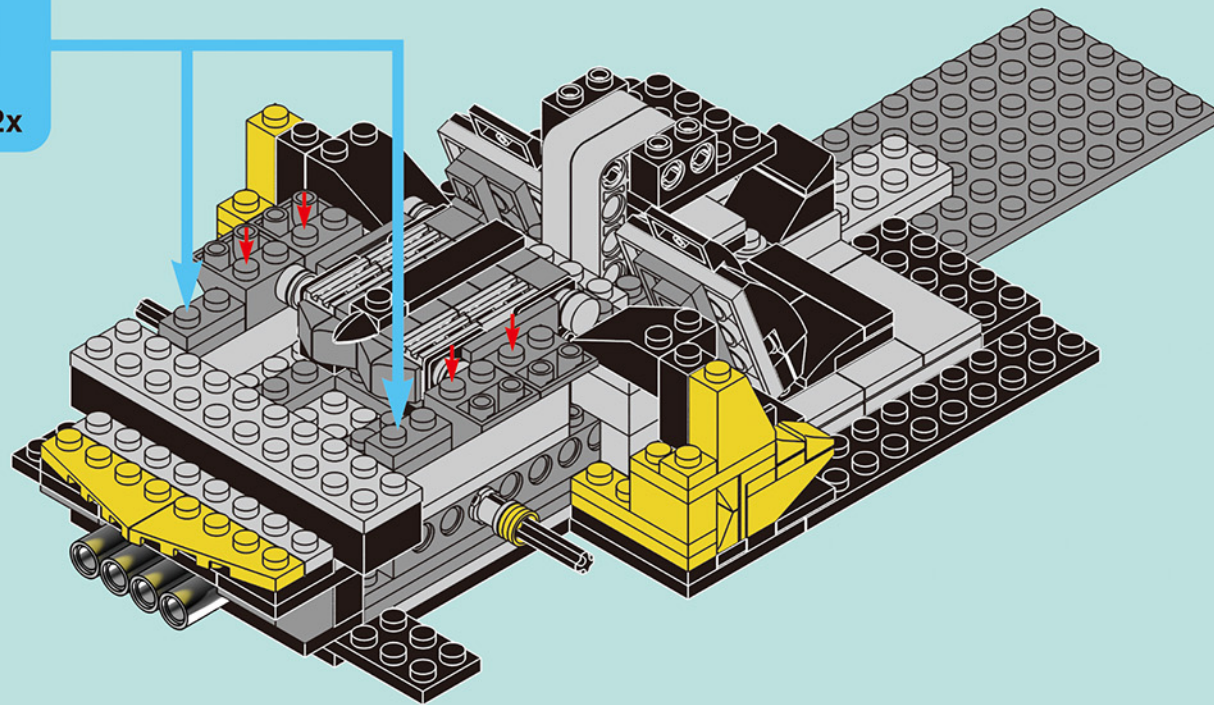
1

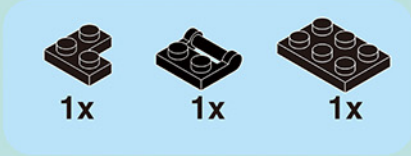


2

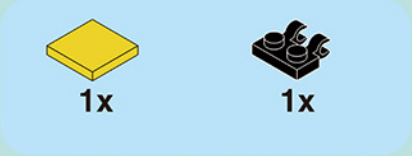


2x

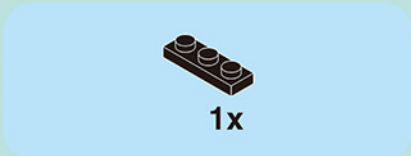
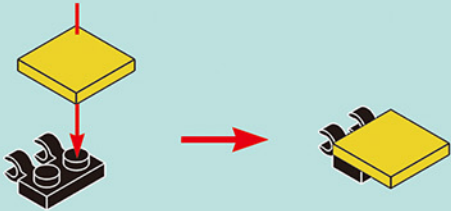




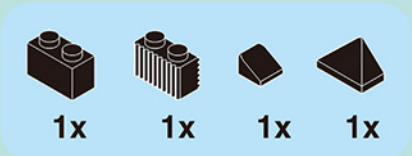
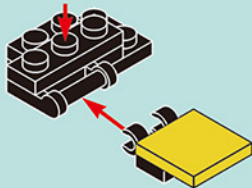
2-3.1.1



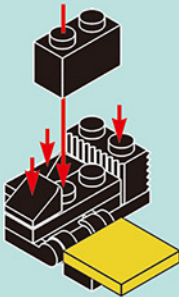
2-3.1.2

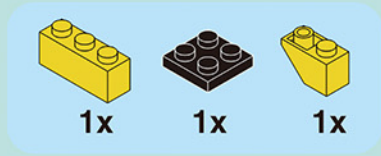


2-3.1.3

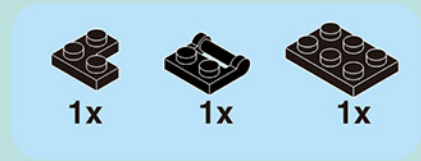
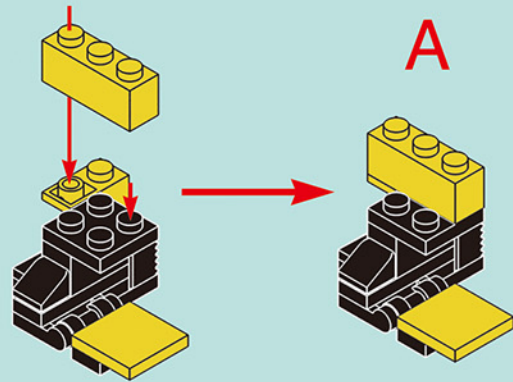


2-3.1.4

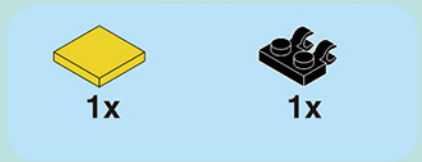
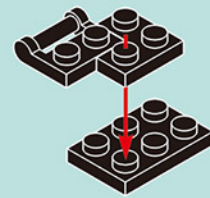




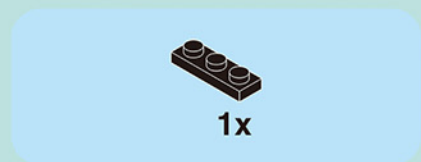
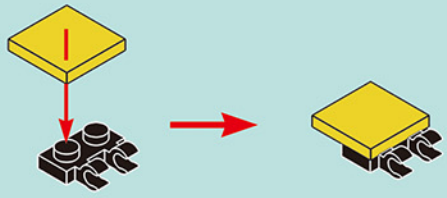
2-3.1.5



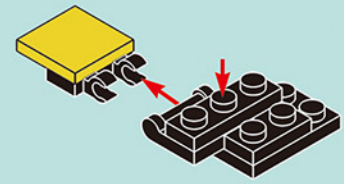
2-3.2.1

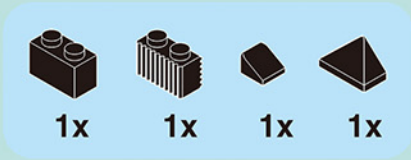


2-3.2.2

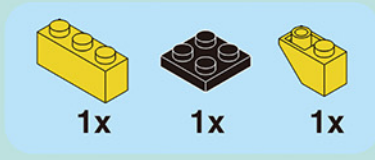
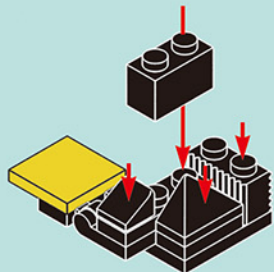


2-3.2.3

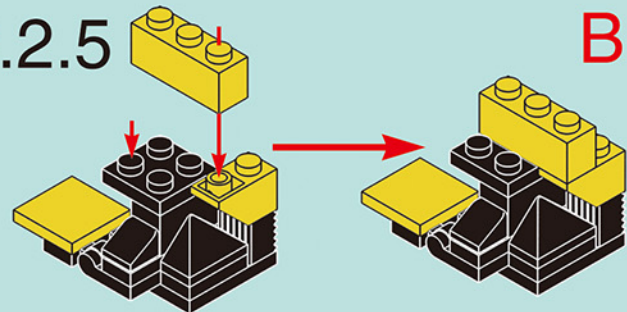




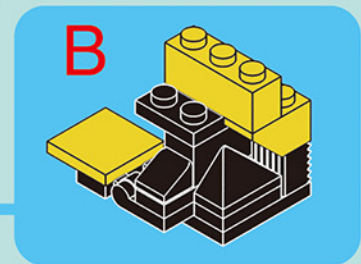
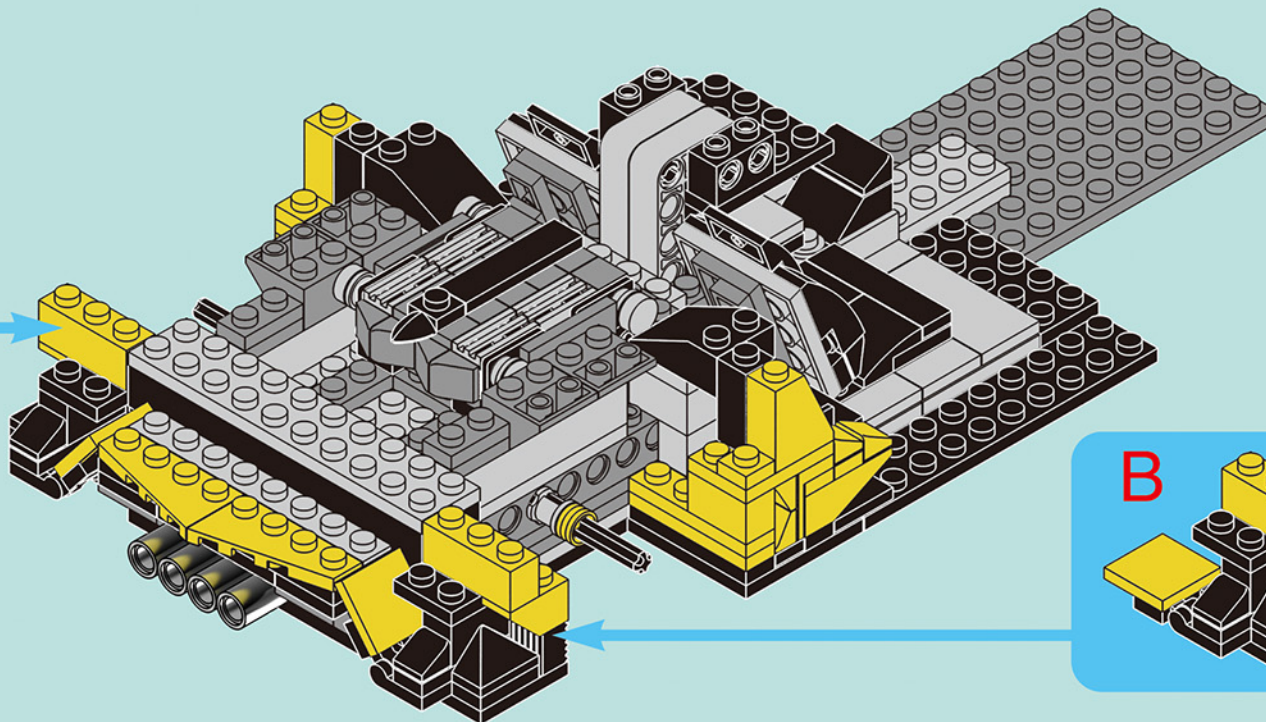
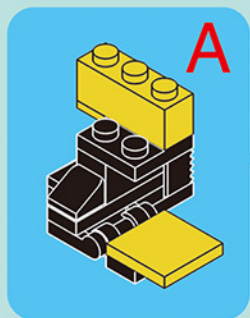
2-3.2.4

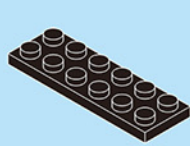


2-3.2.5



2-3

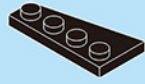




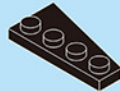
1x



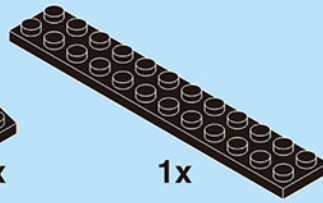
1x



1x



1x



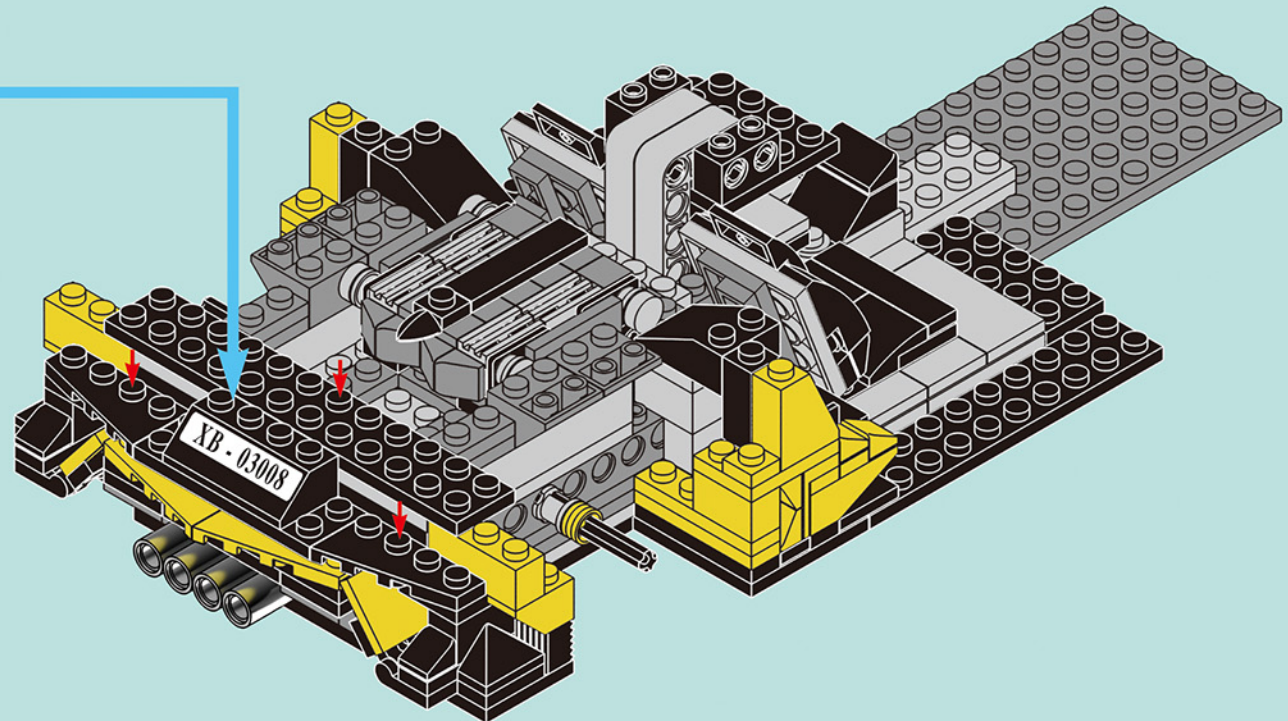
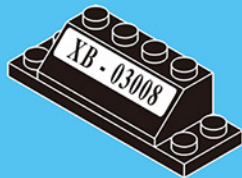
1x

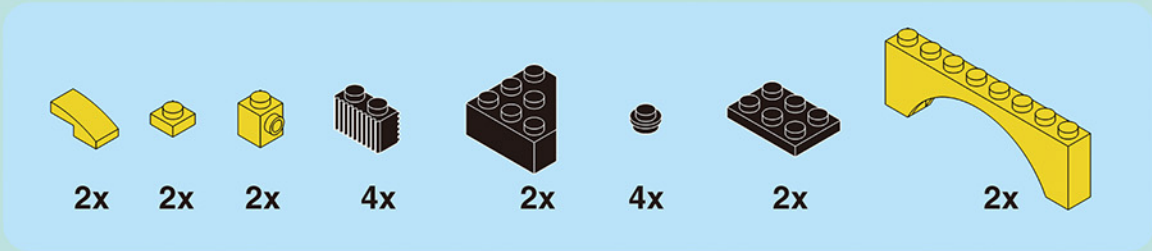
2-4

1

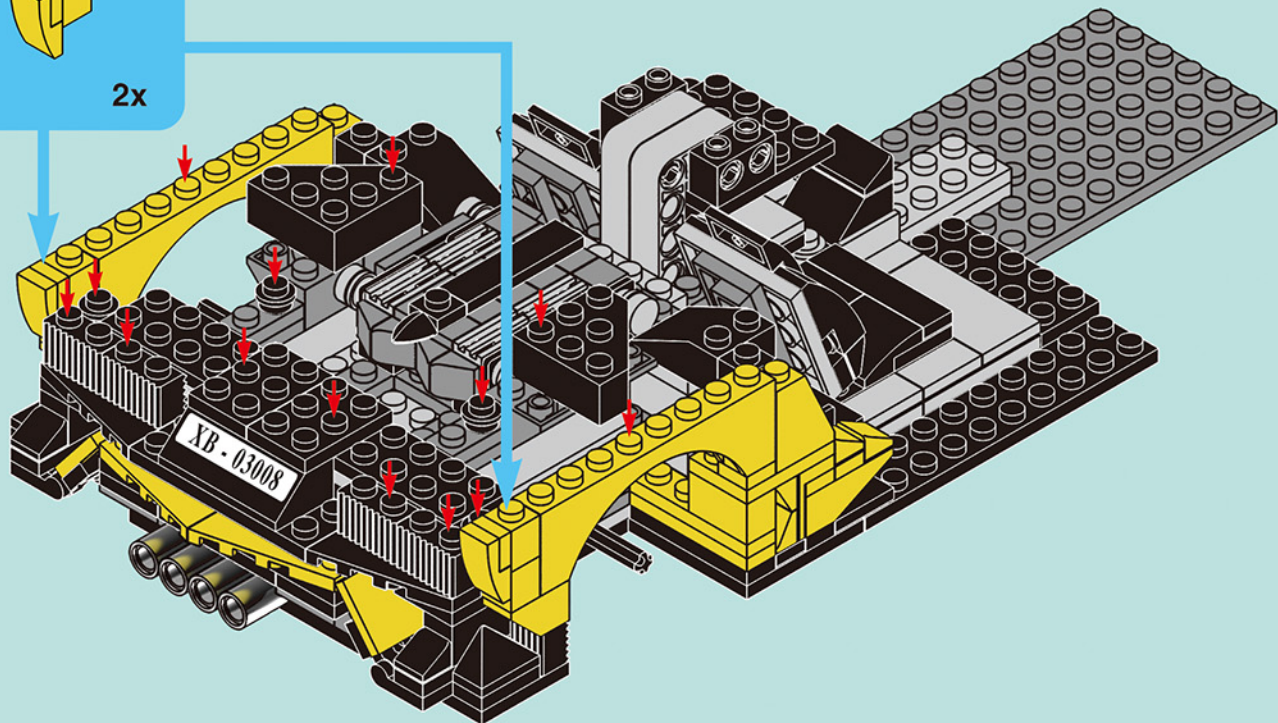
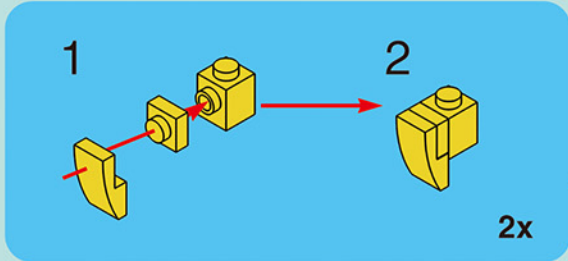


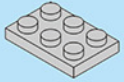
2





2-5





2x



2x

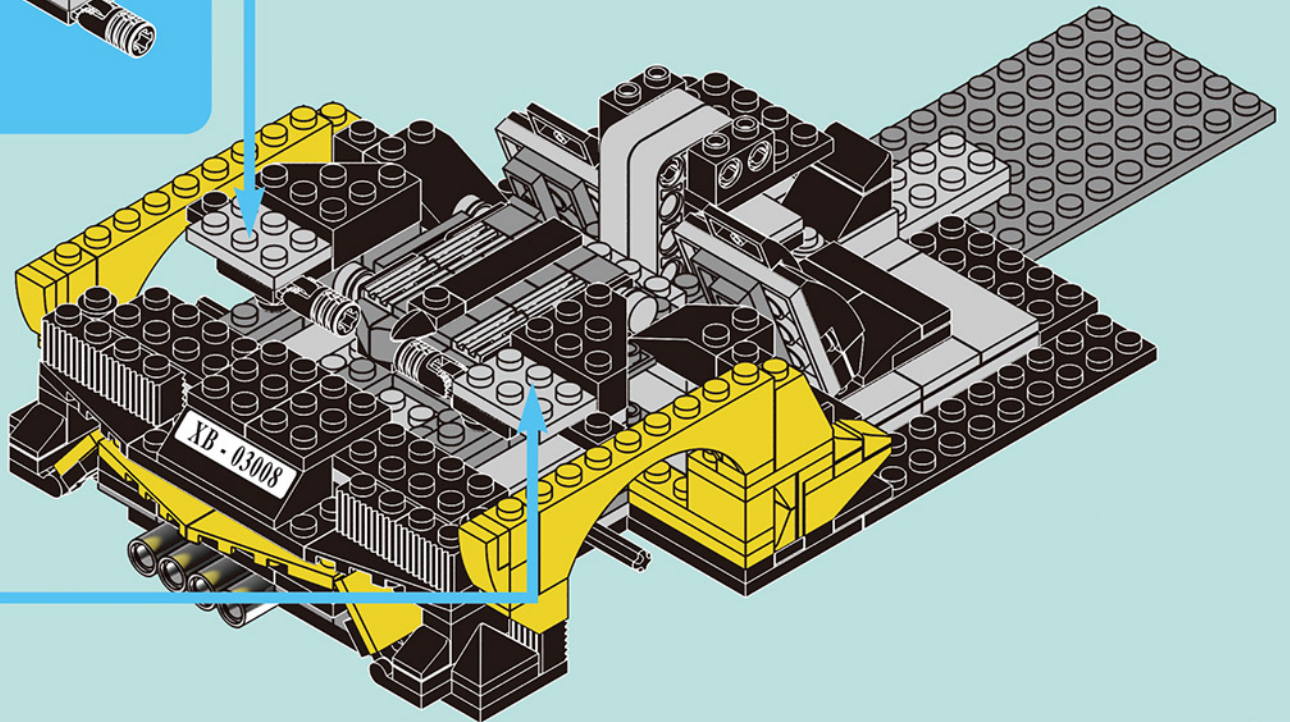
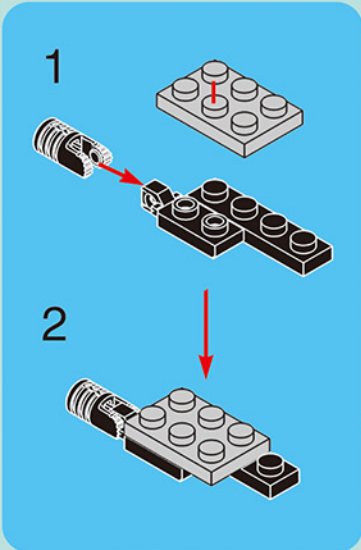
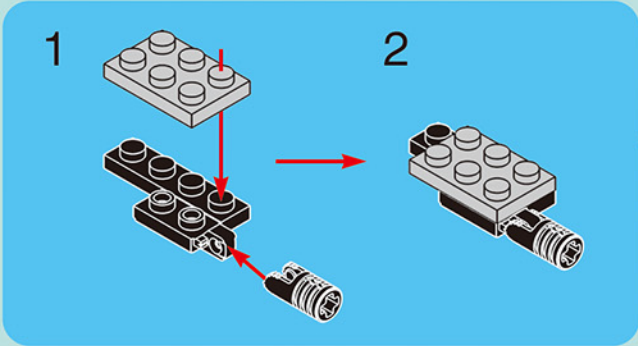


2x



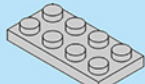
2x

2-6





2x

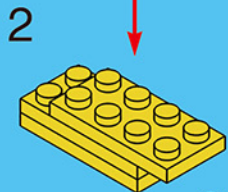
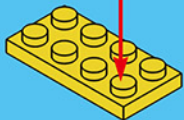
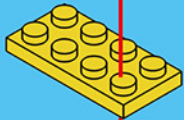
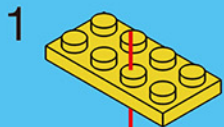


1x

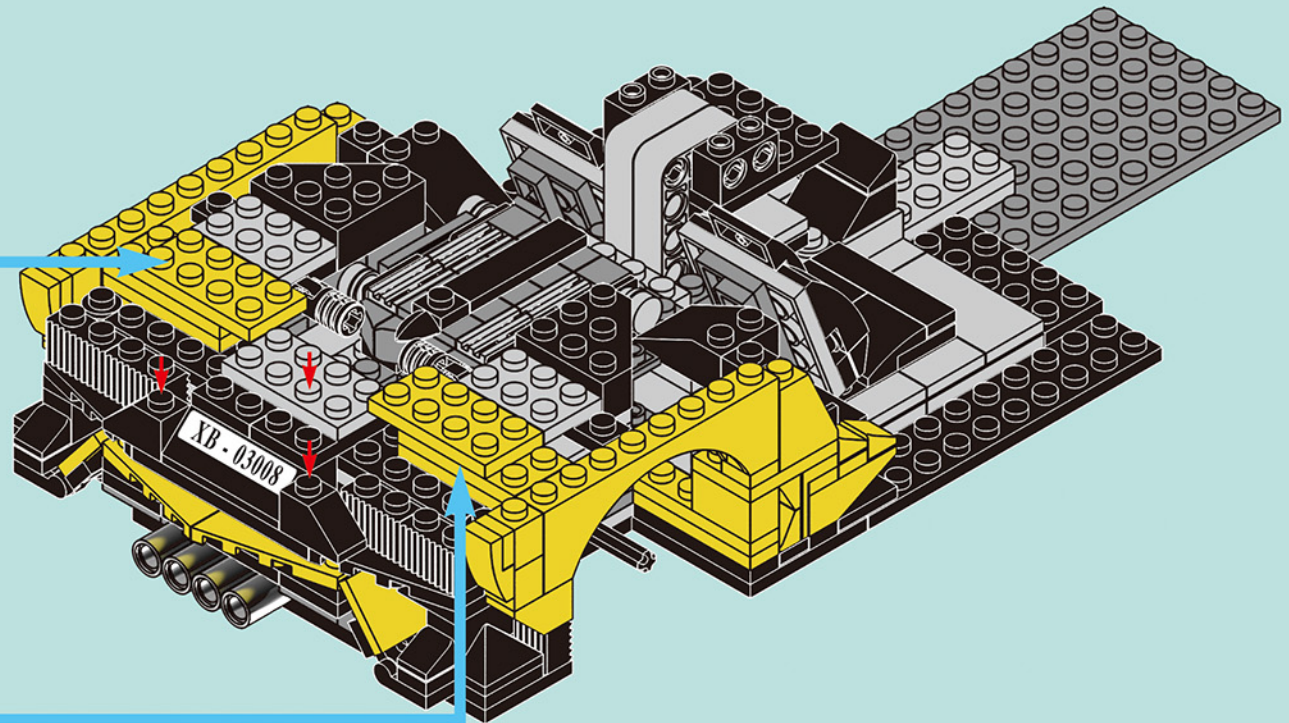


6x

2-7

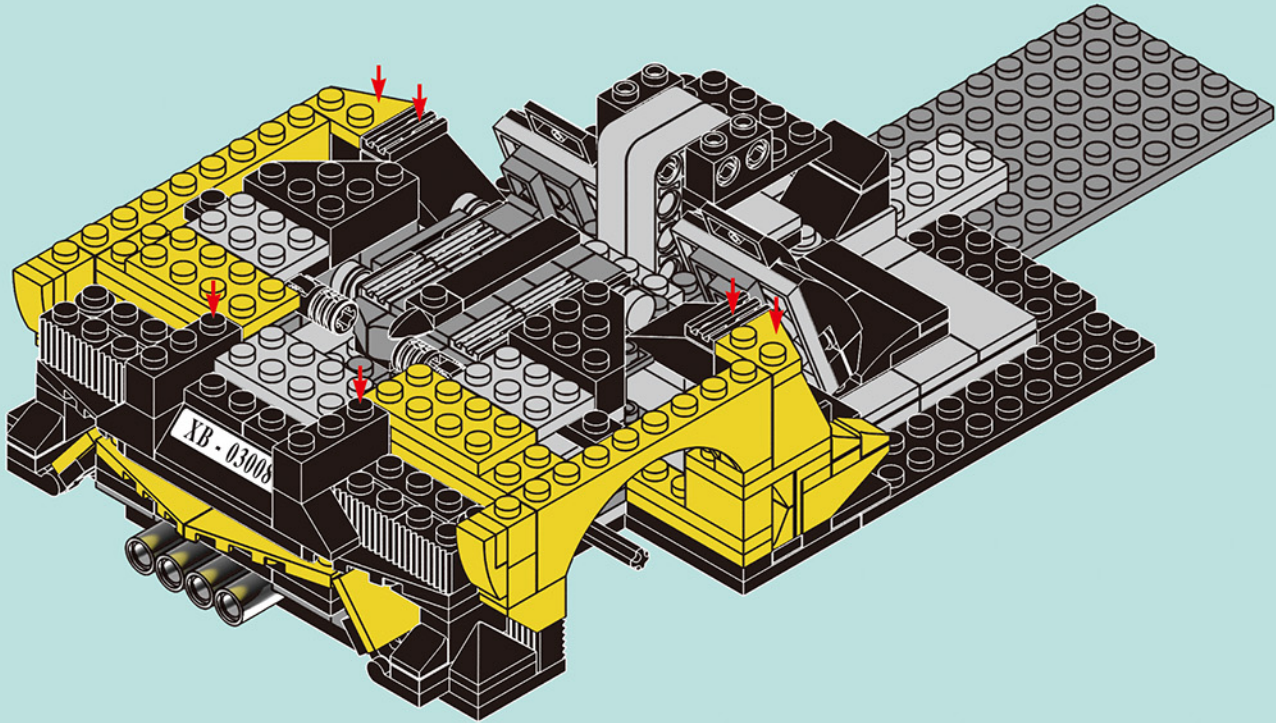


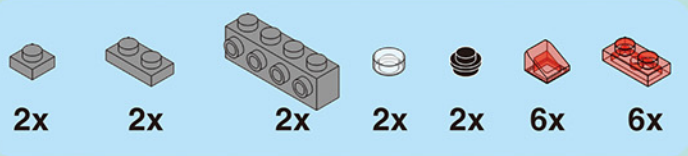
2x



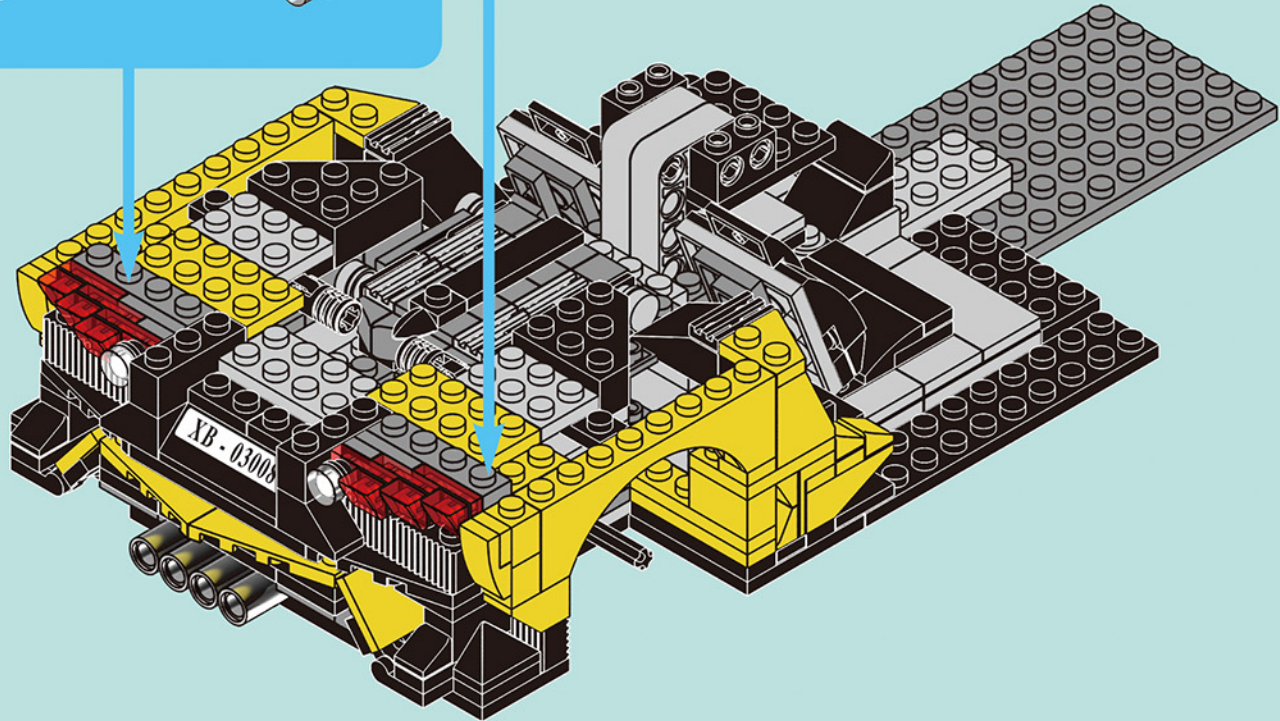
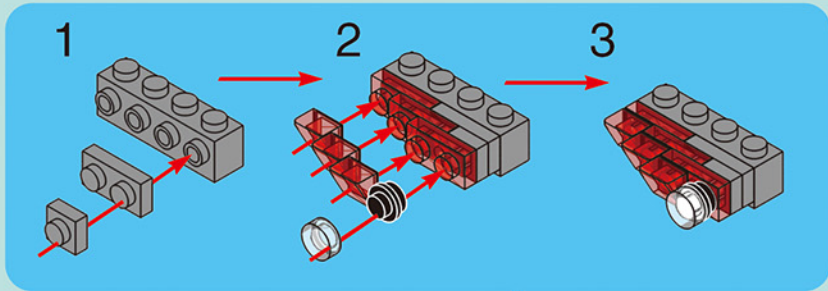
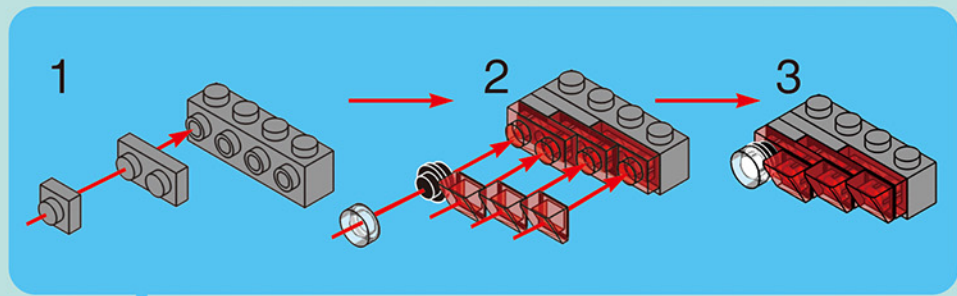
2x 2x 1x 1x

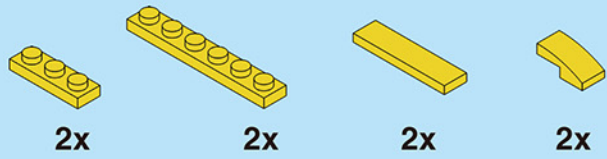
2-8



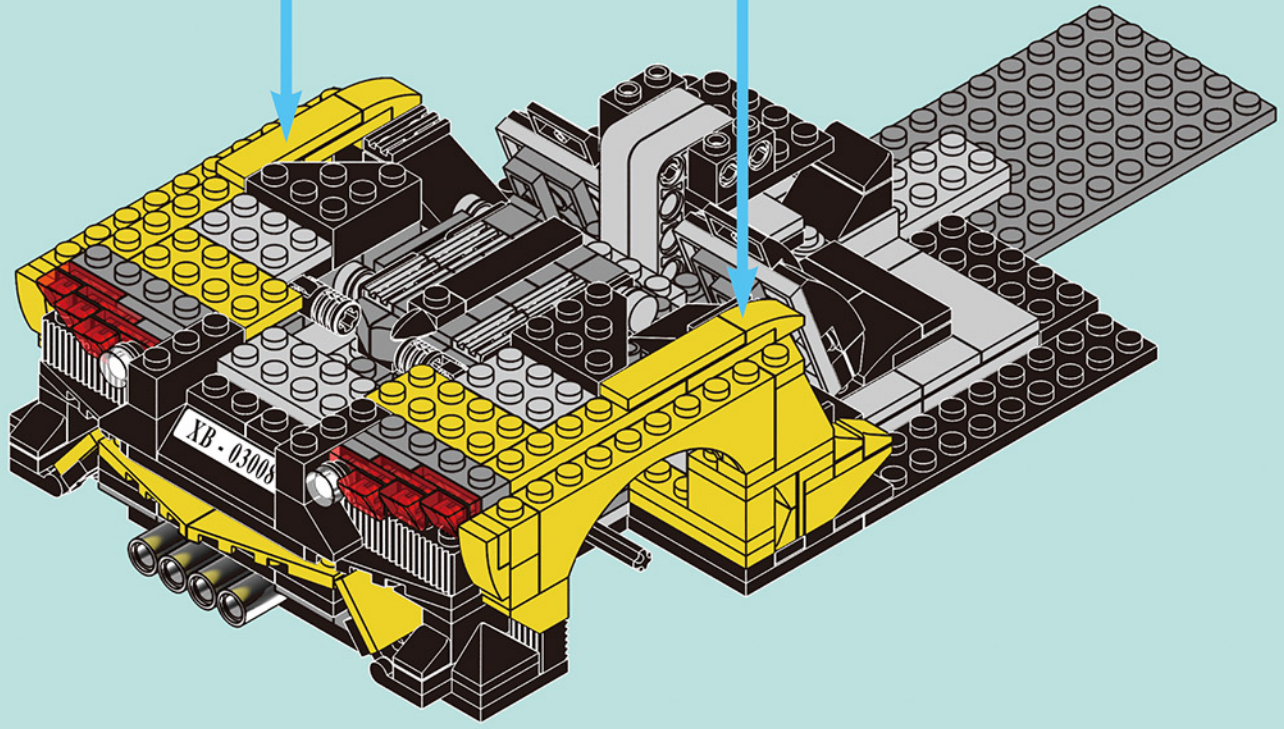
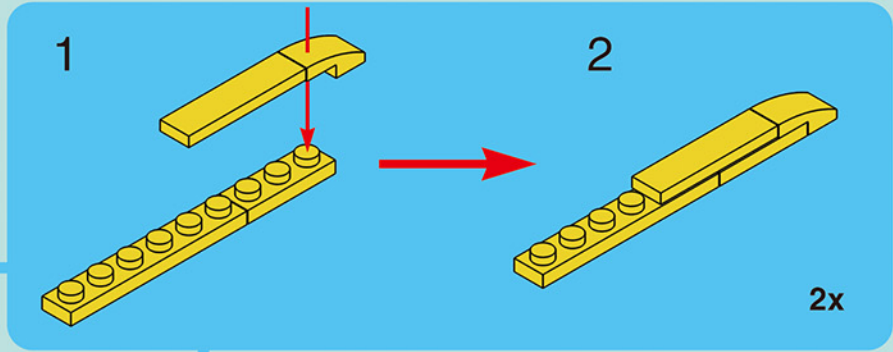


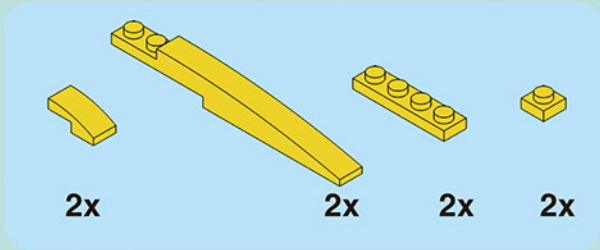
2-9



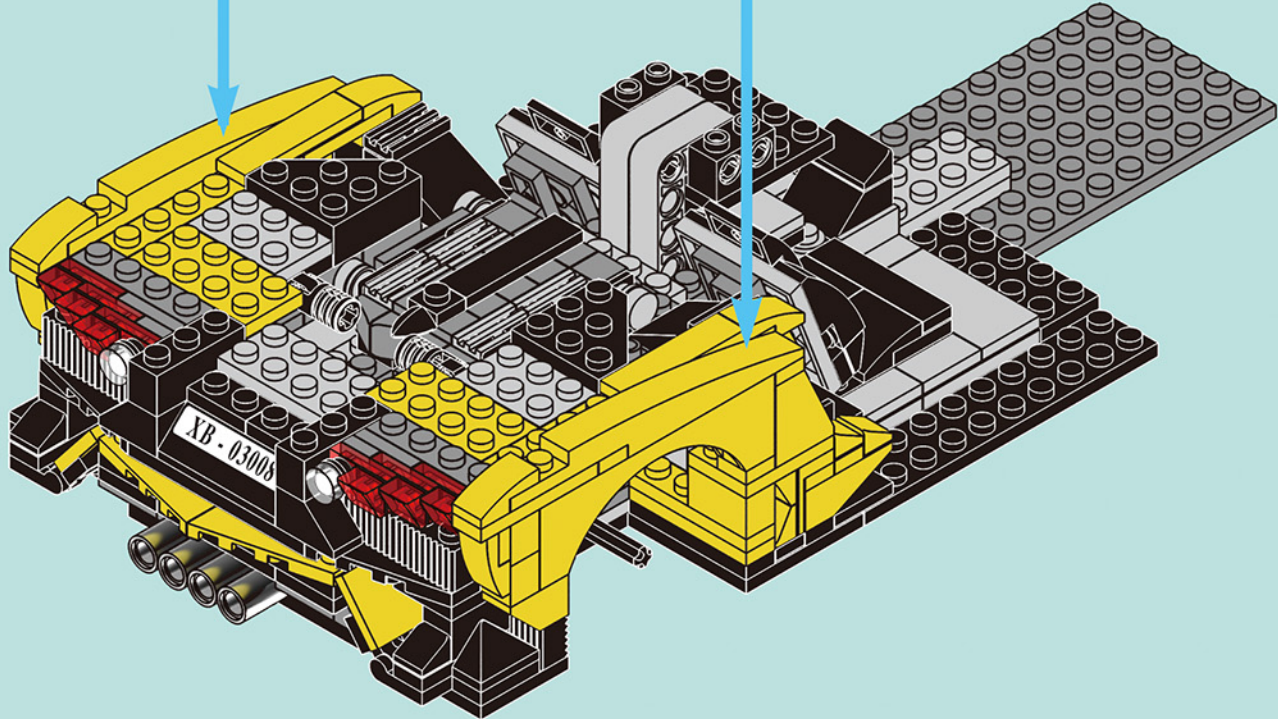
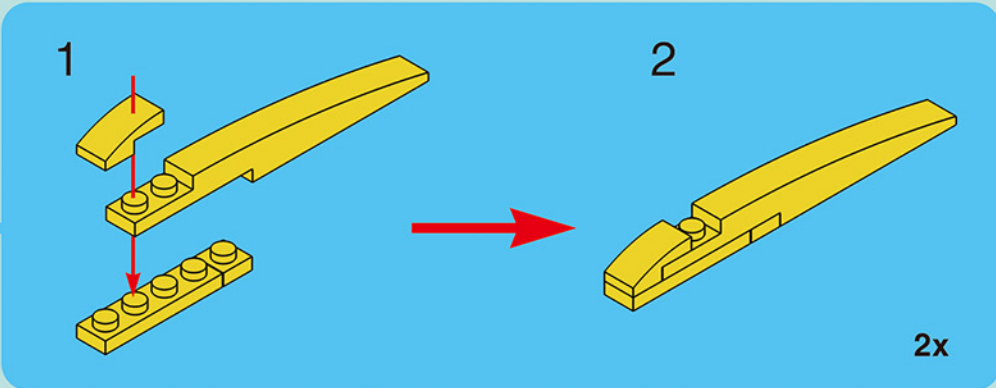


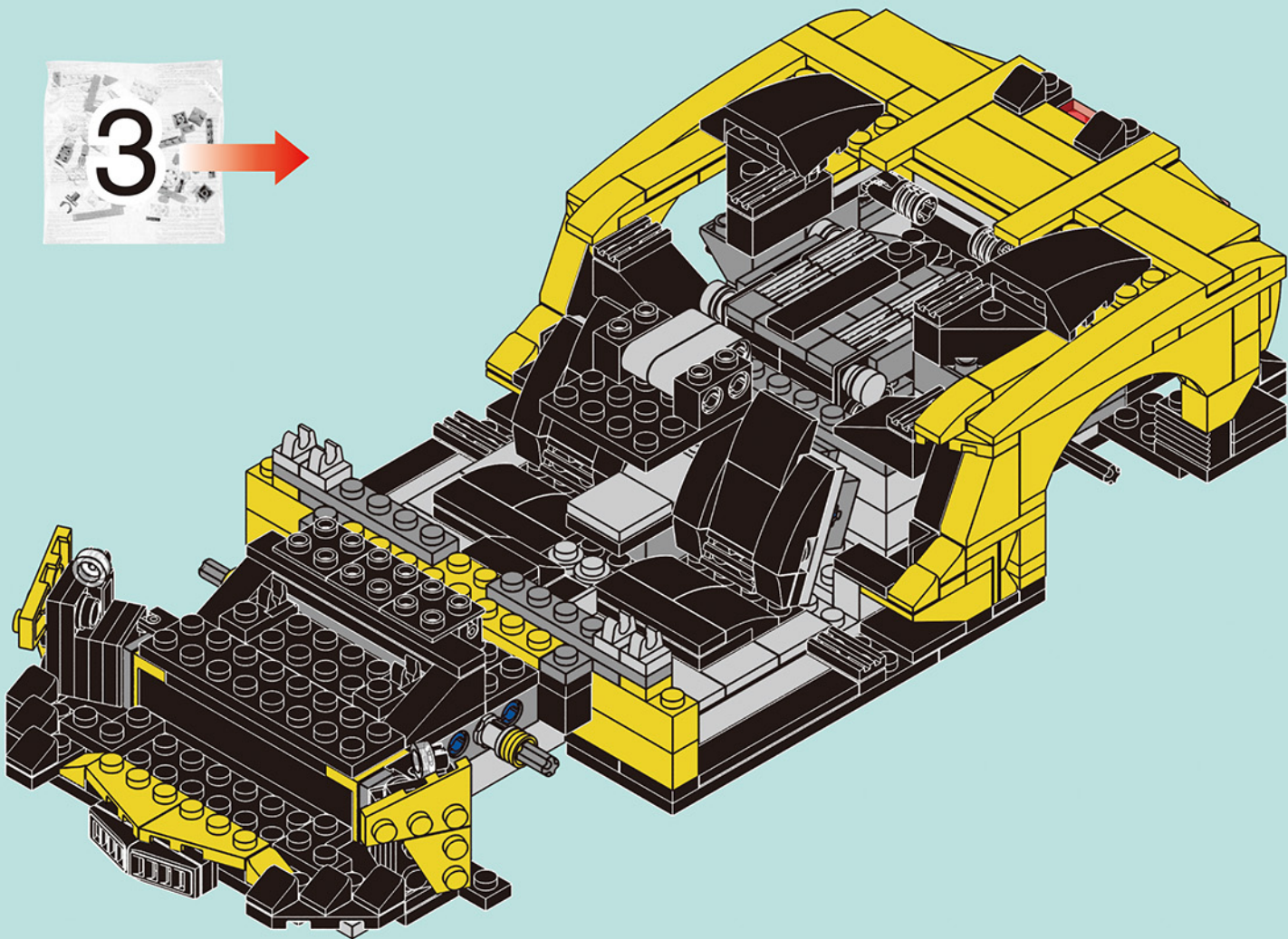
2-10

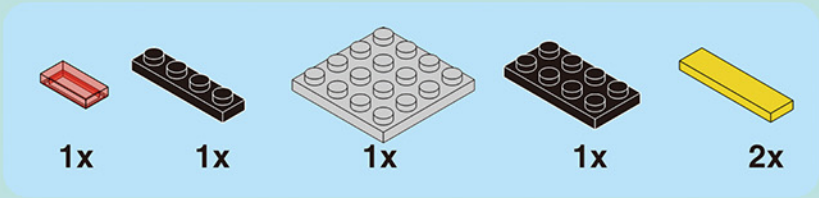




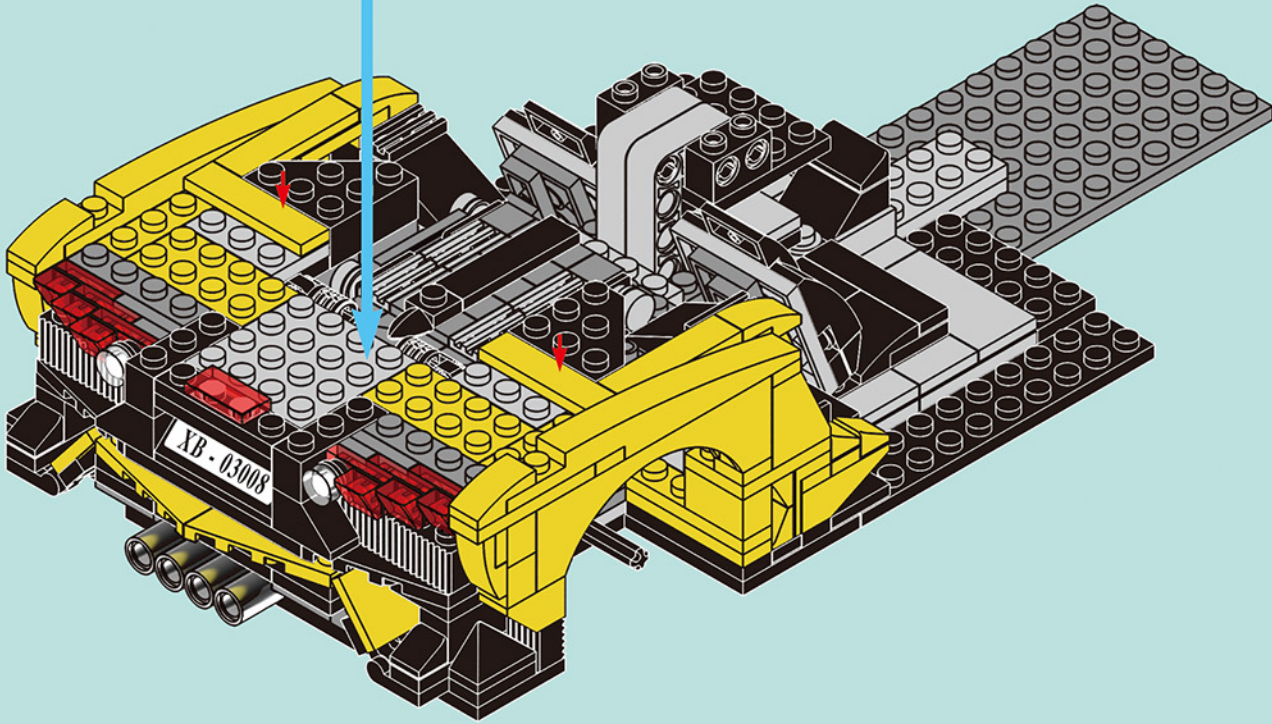
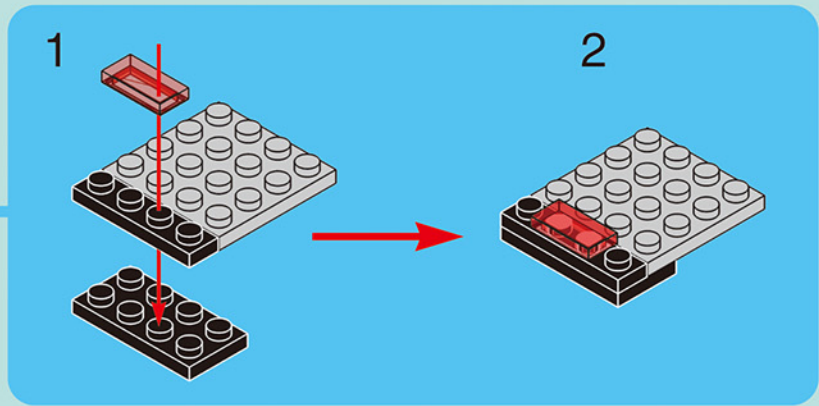
2-11

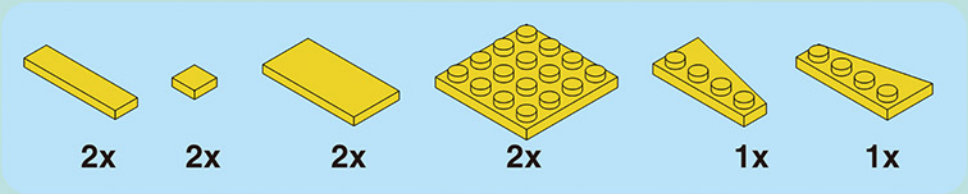




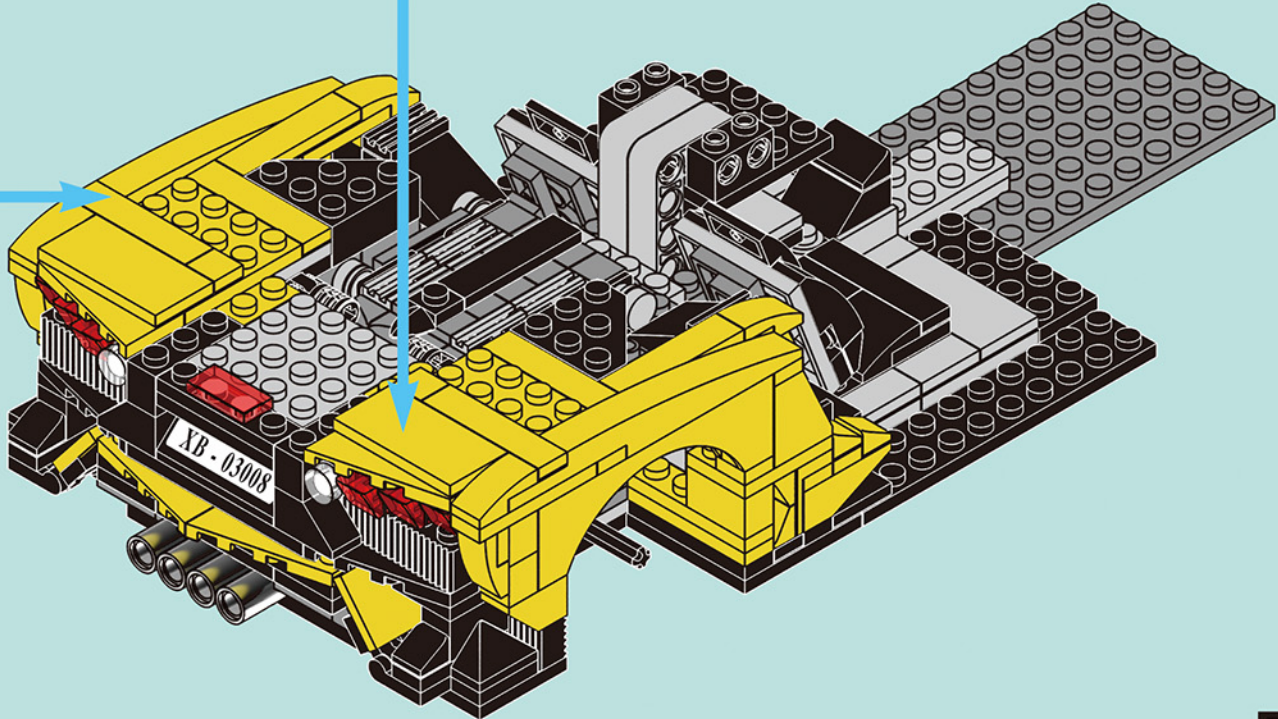
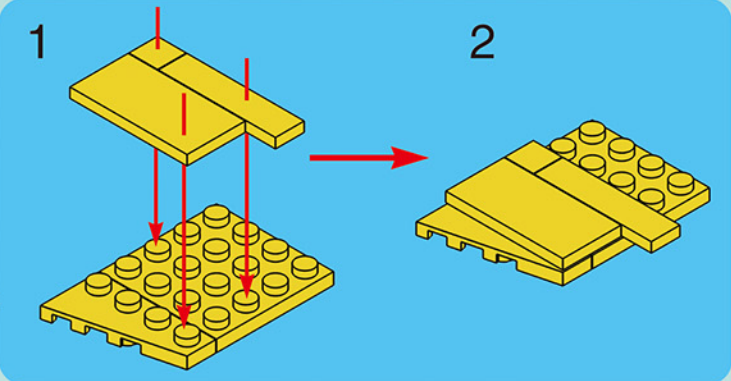
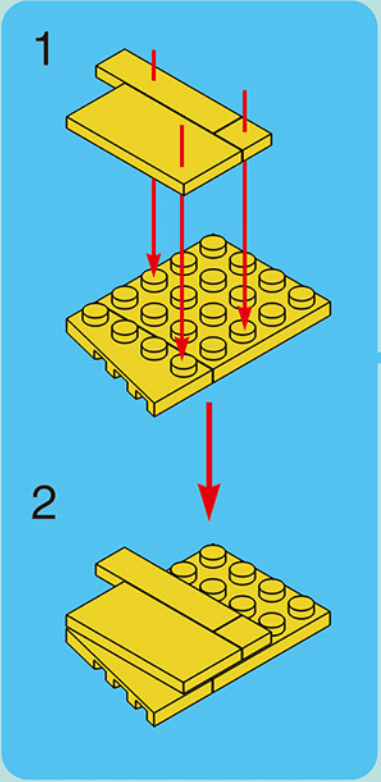


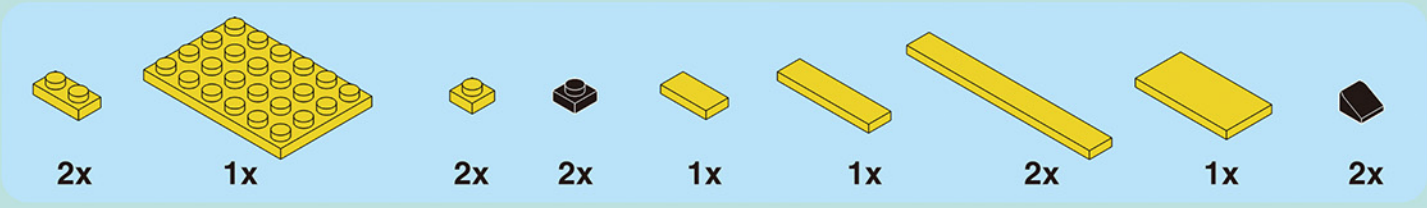
3-1



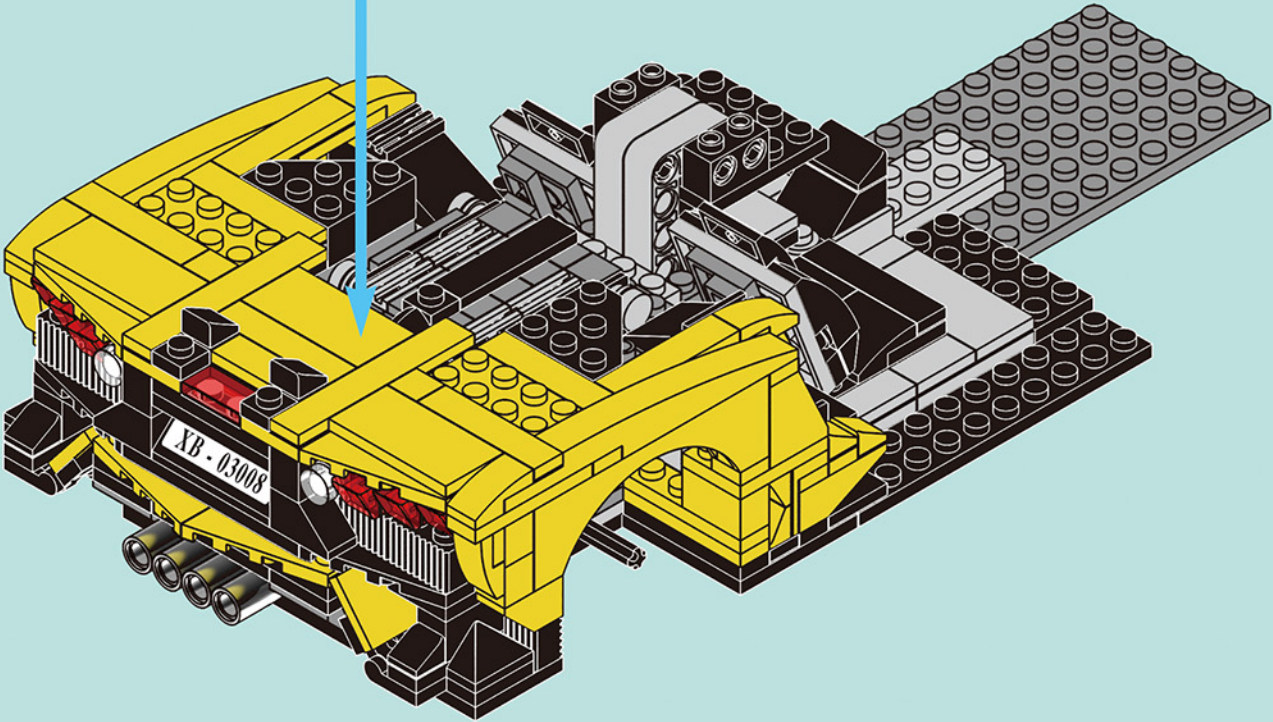
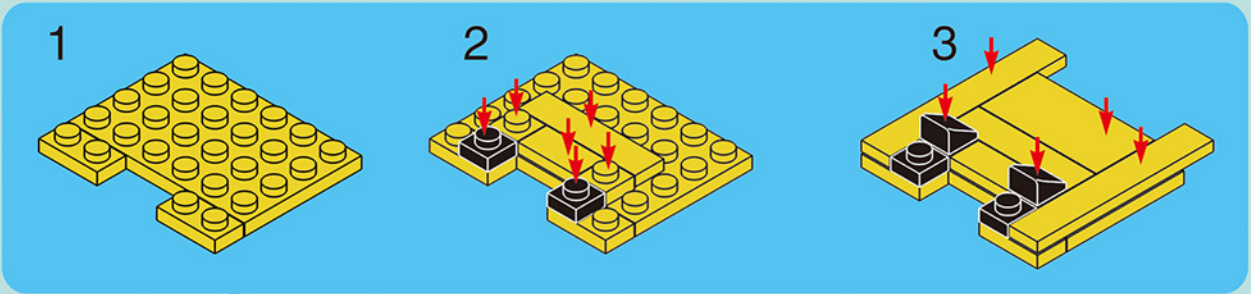


3-2





3-3





2x



2x



2x



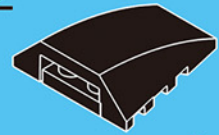
2x

3-4

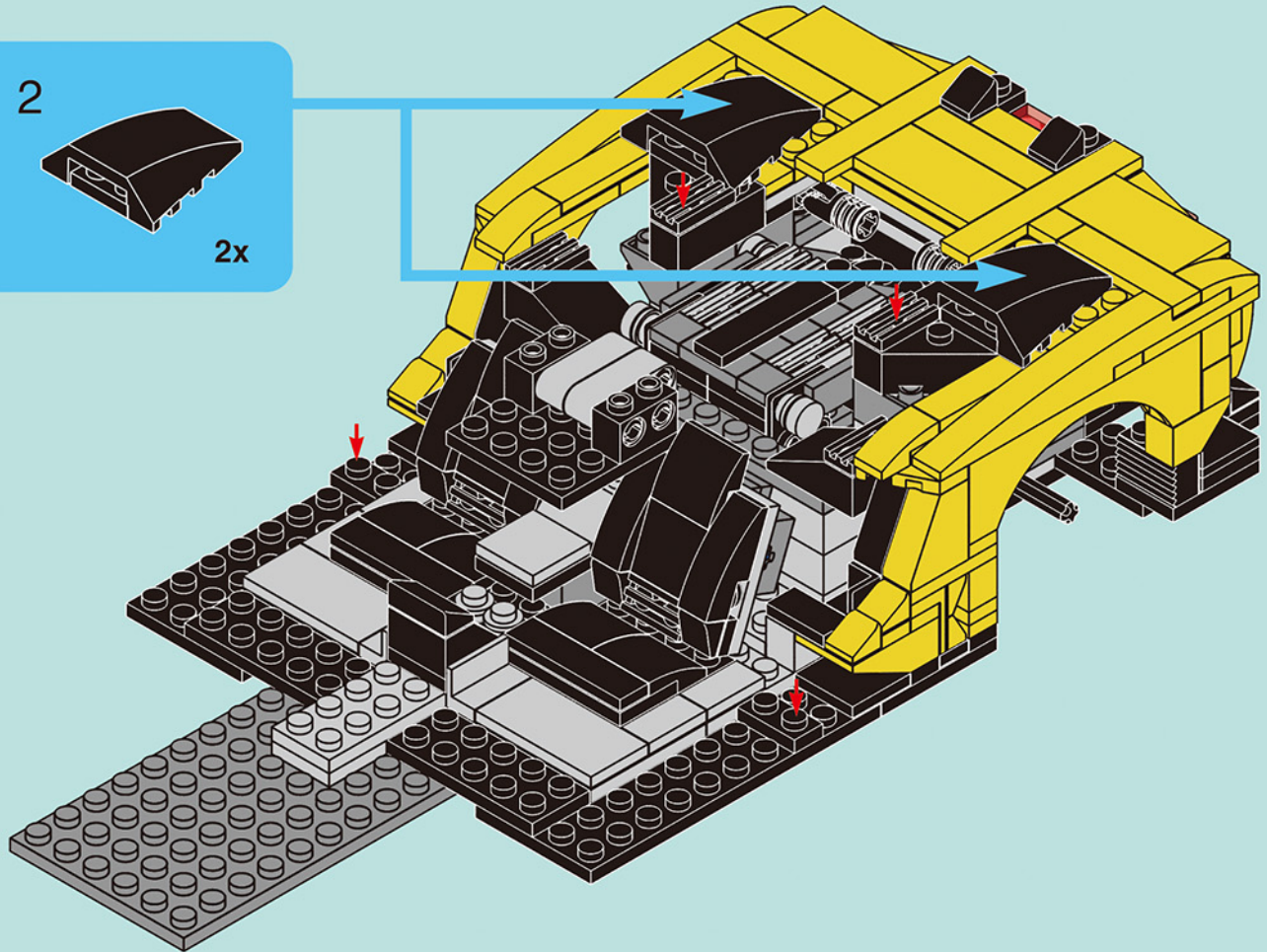
1

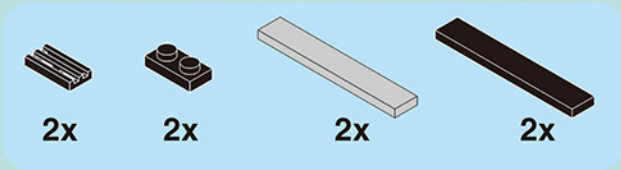


2

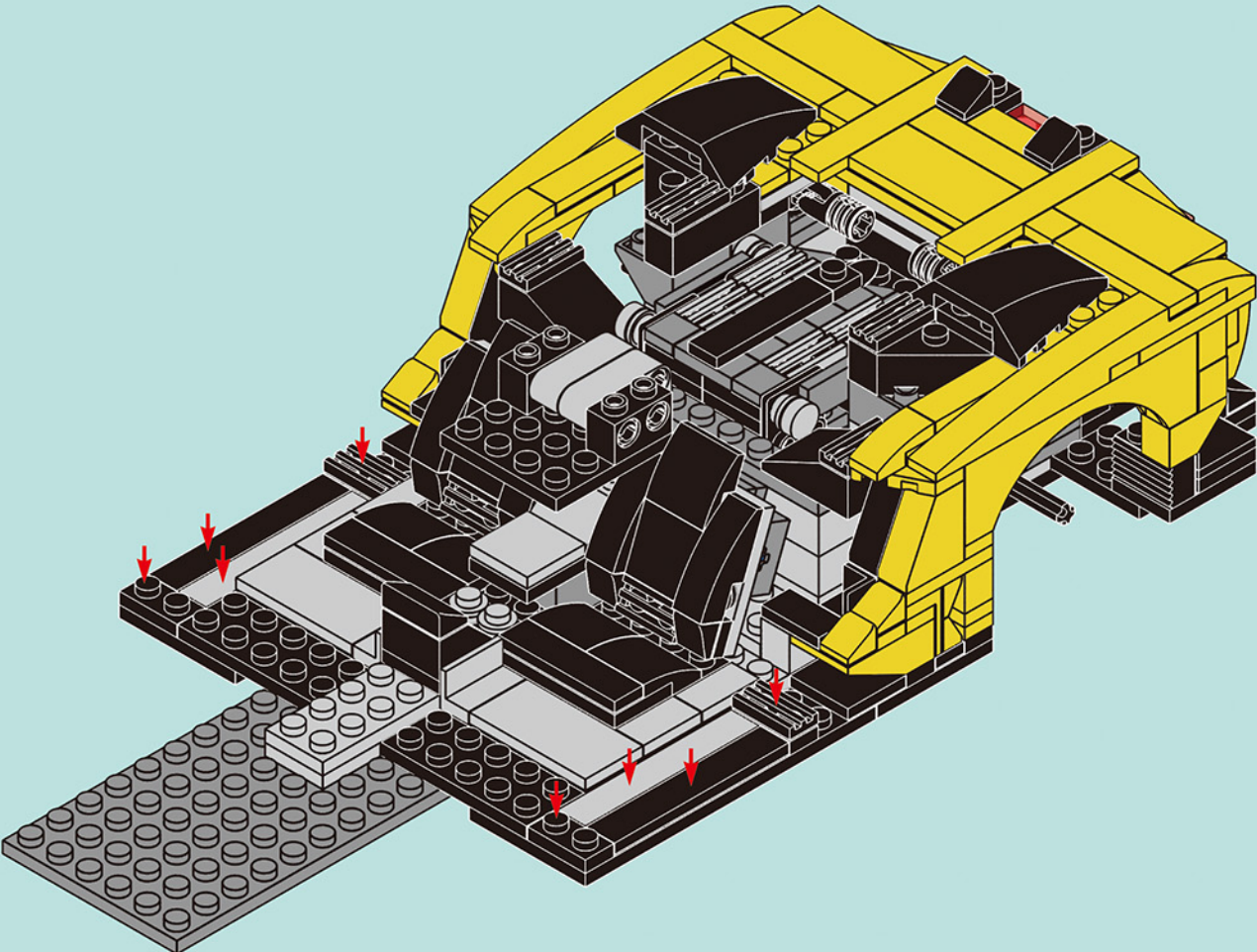


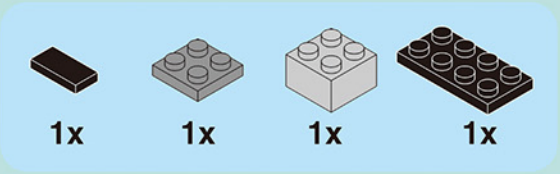
2x



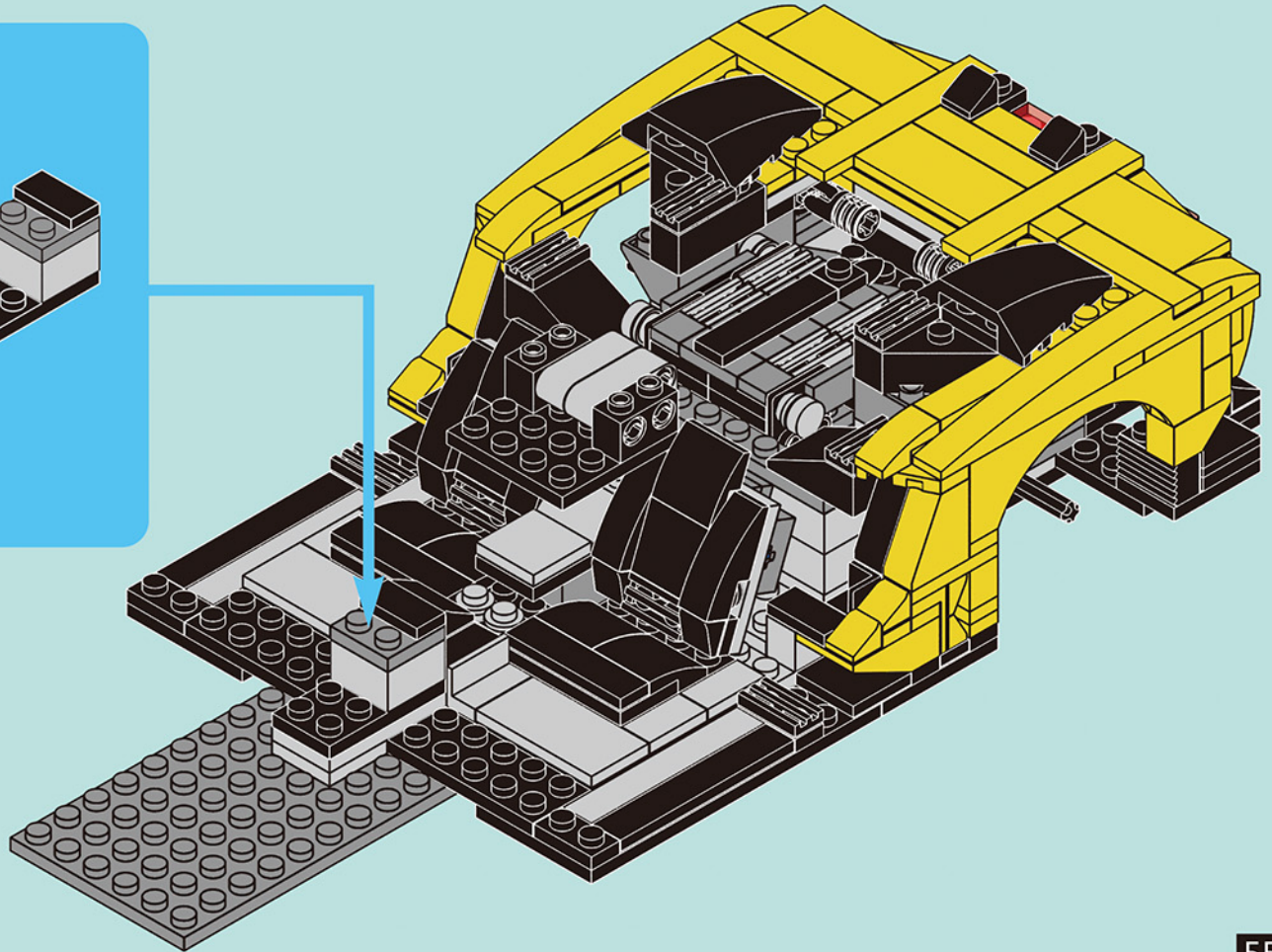
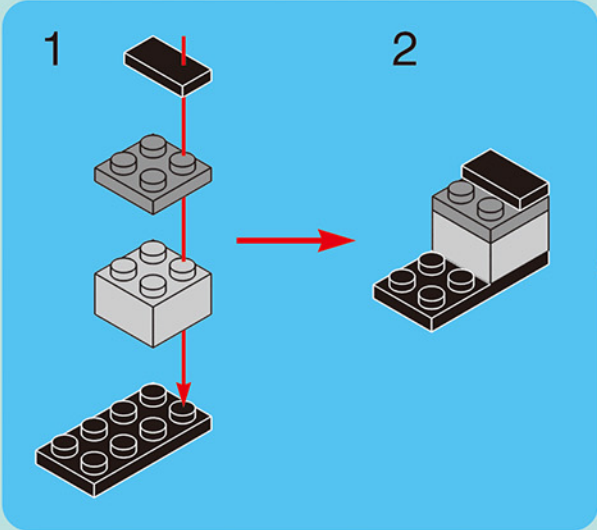


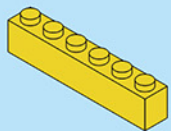
3-5



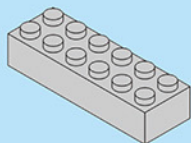


3-6

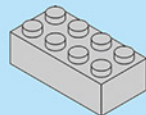




2x

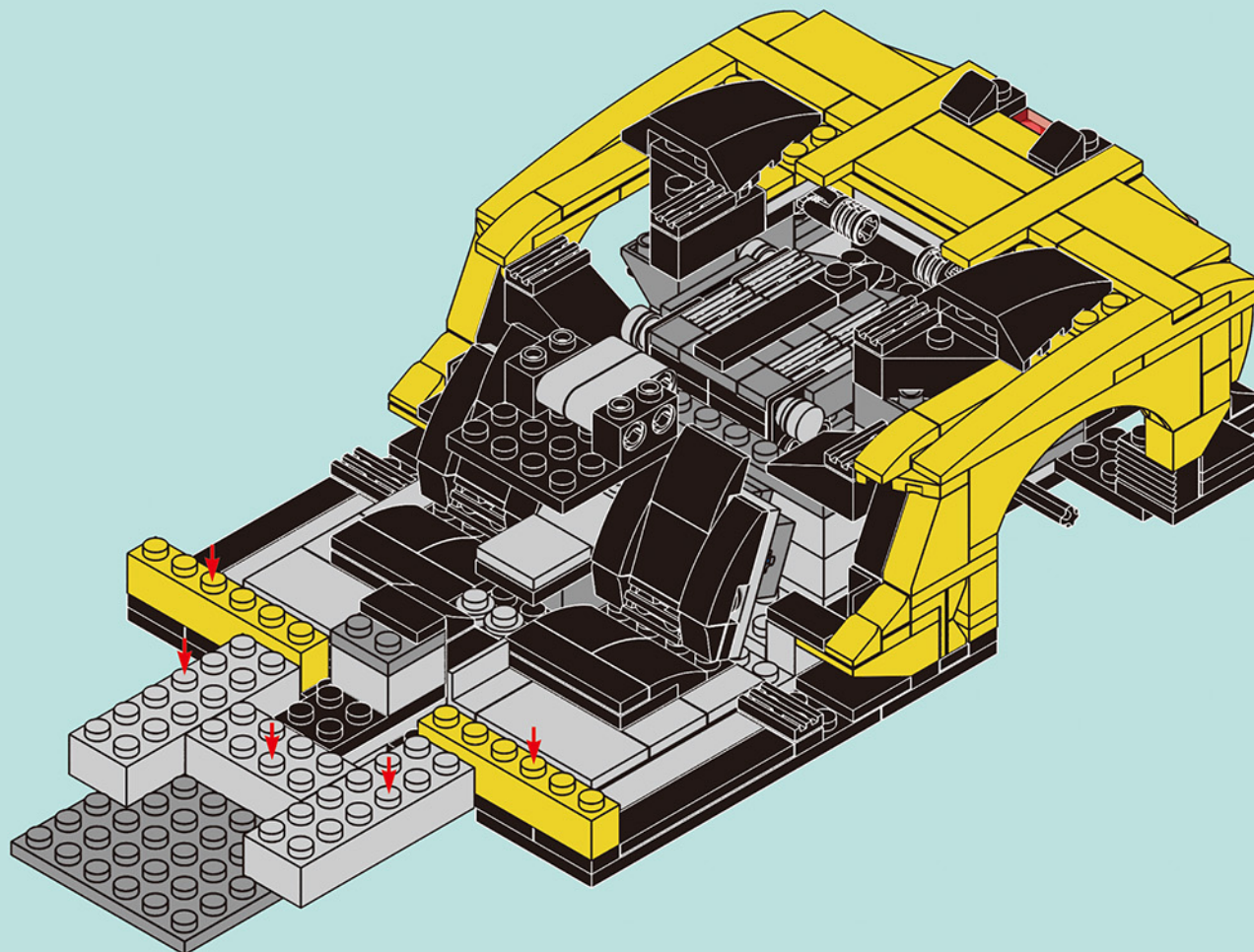


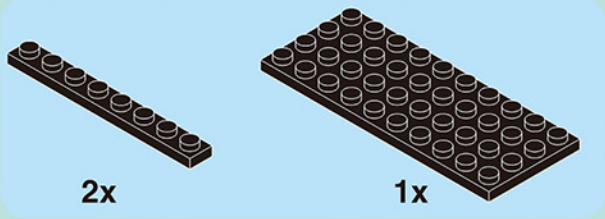
2x



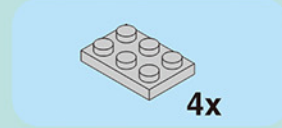
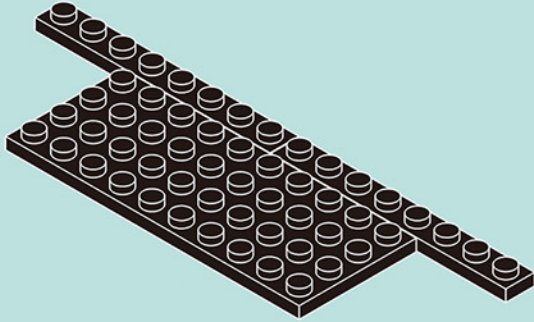
1x

3-7

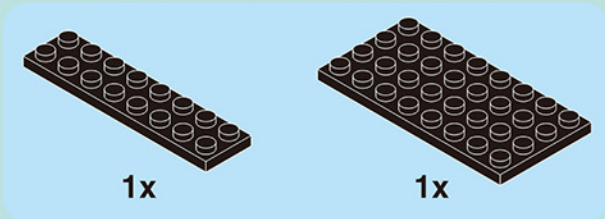
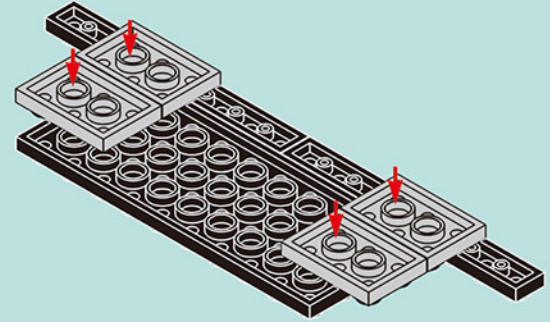




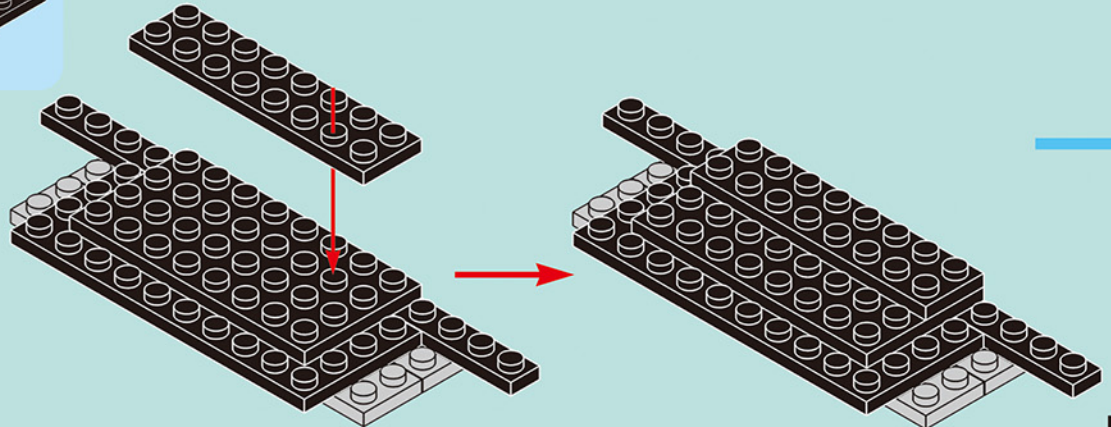
3-8.1



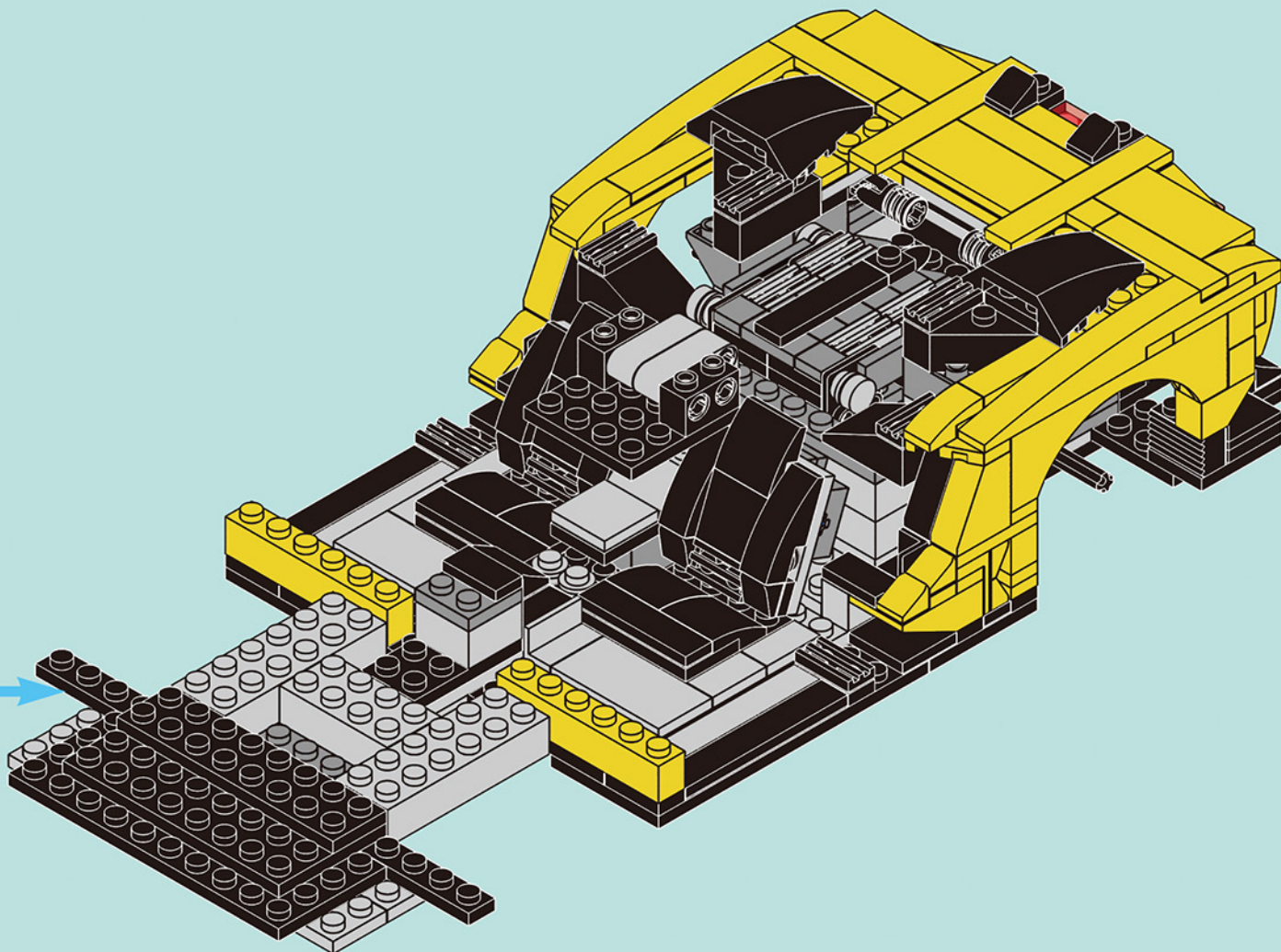
3-8.2

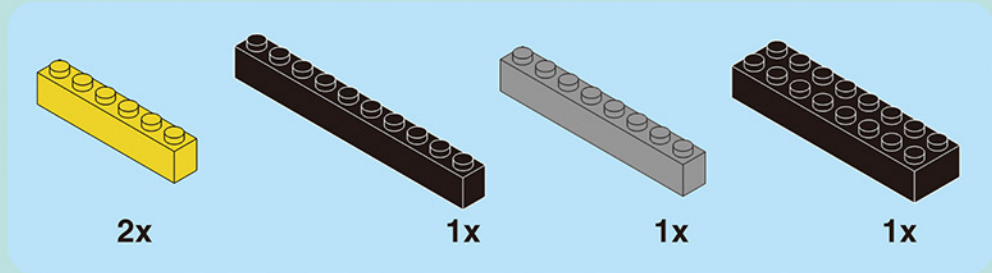


3-8.3

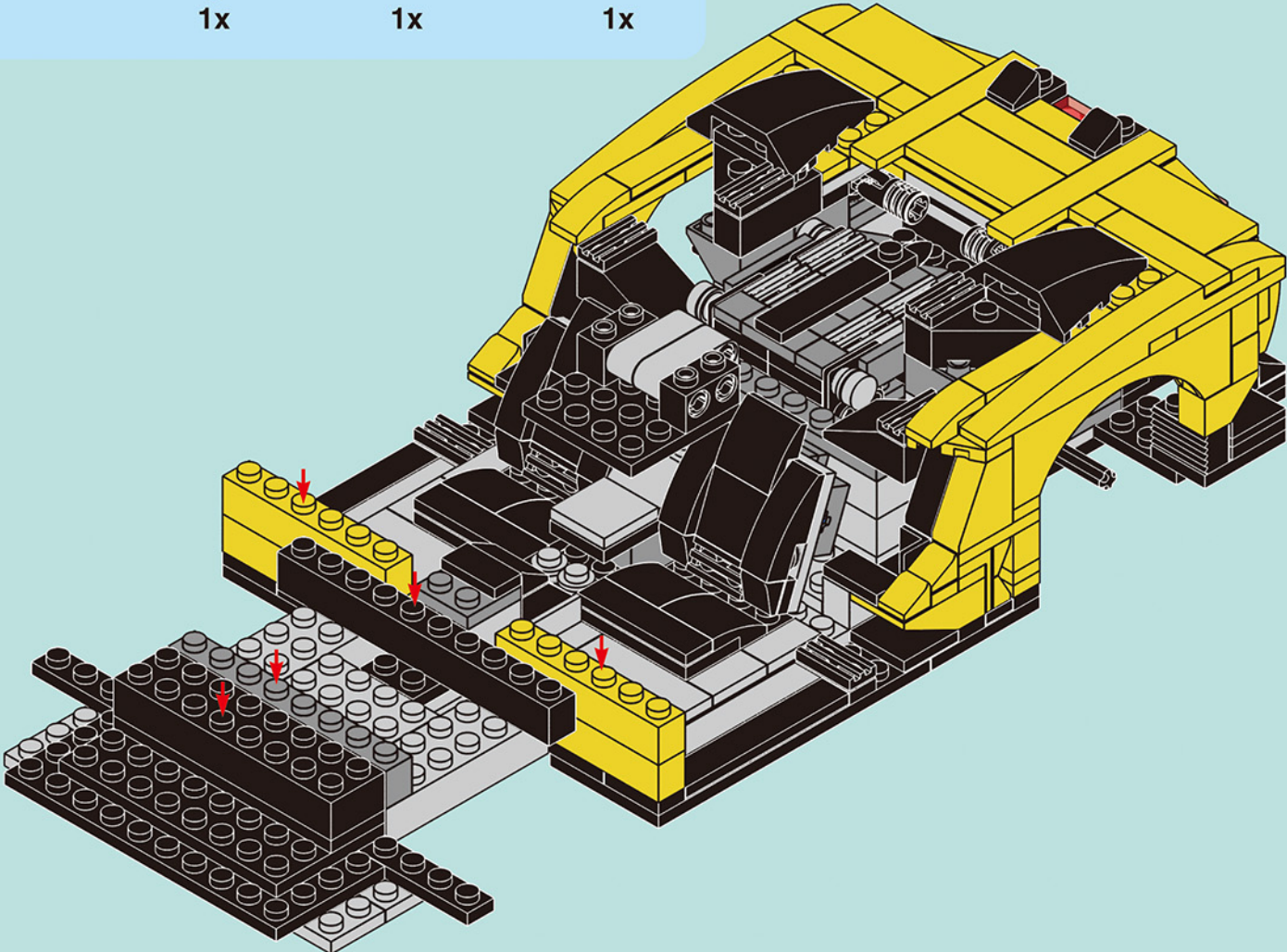


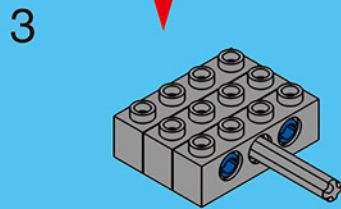
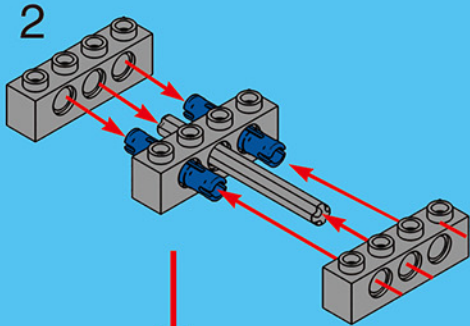
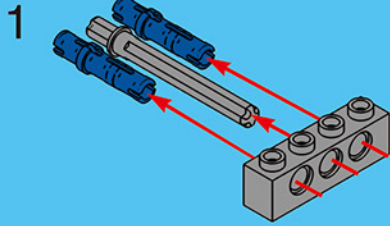
3-8



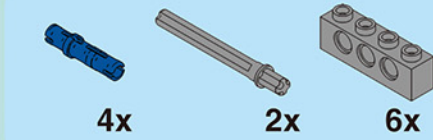


3-9

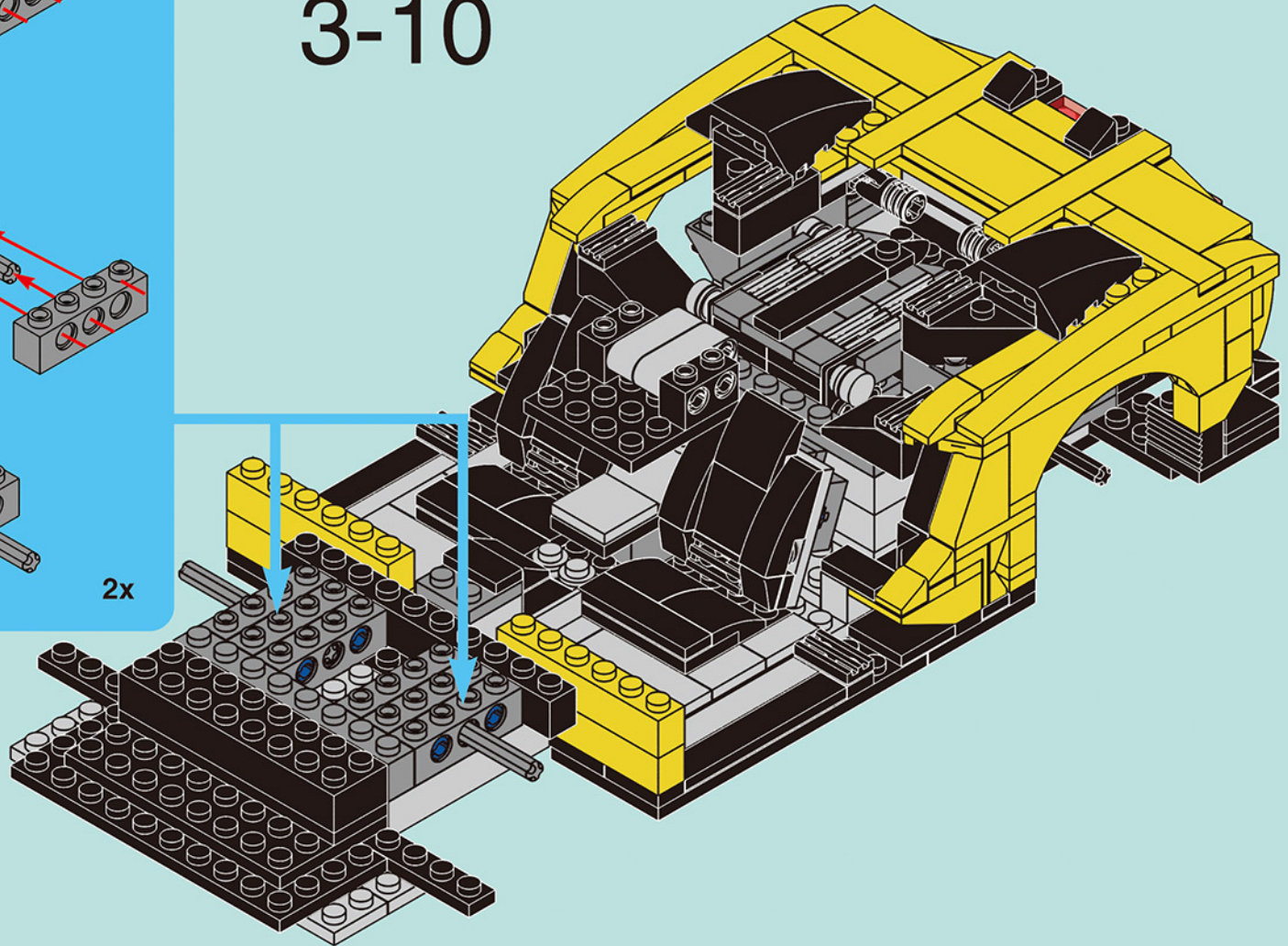


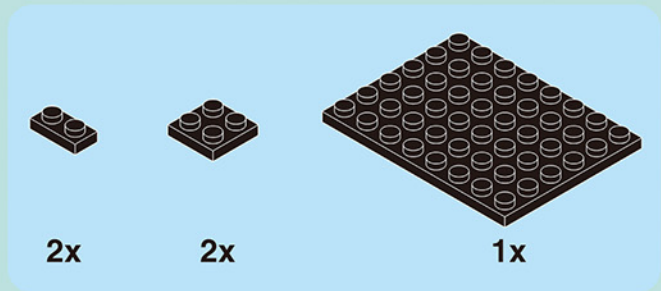


2x

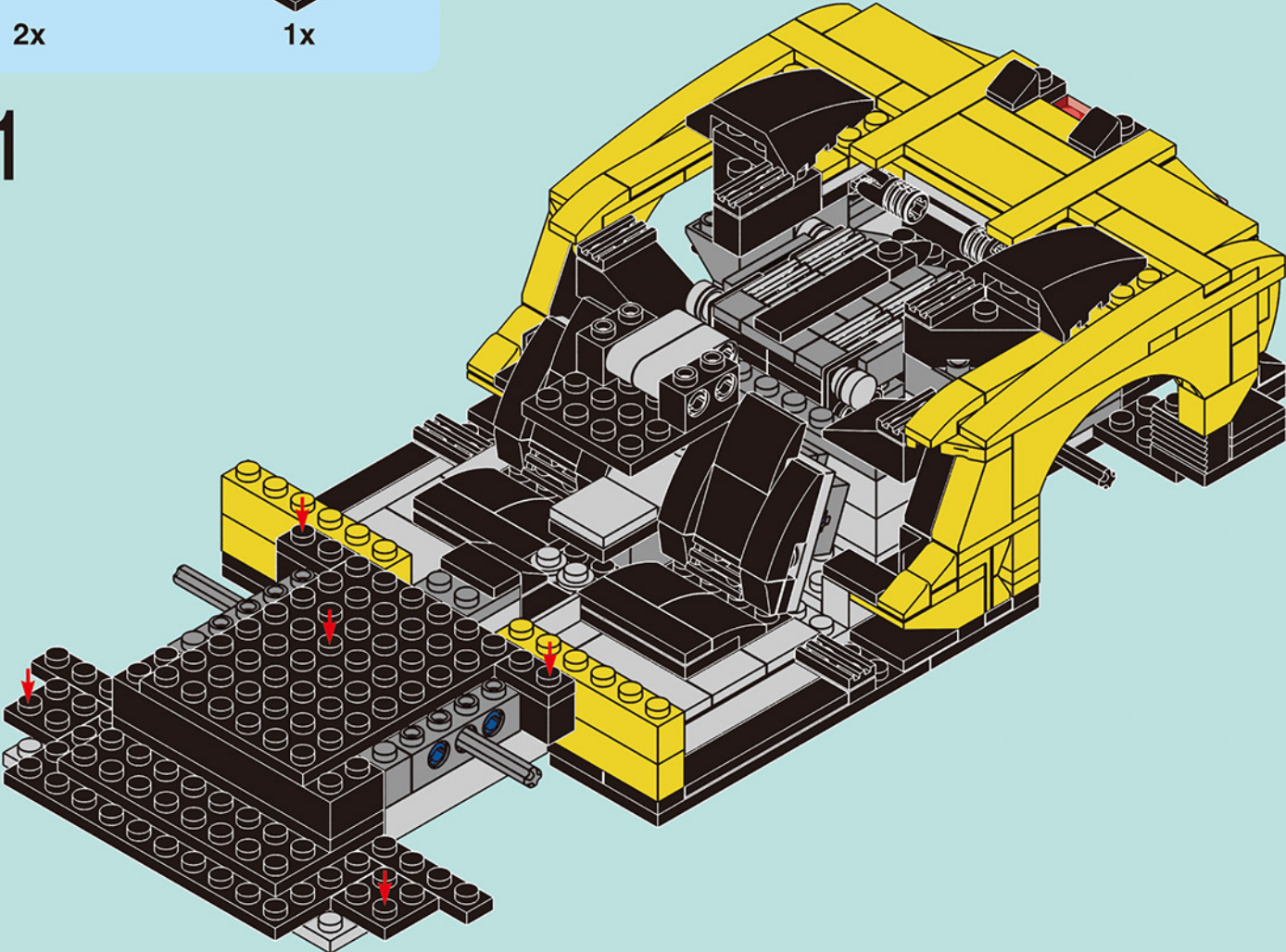


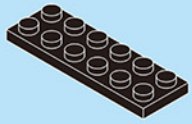
3-10





3-11





2x



2x

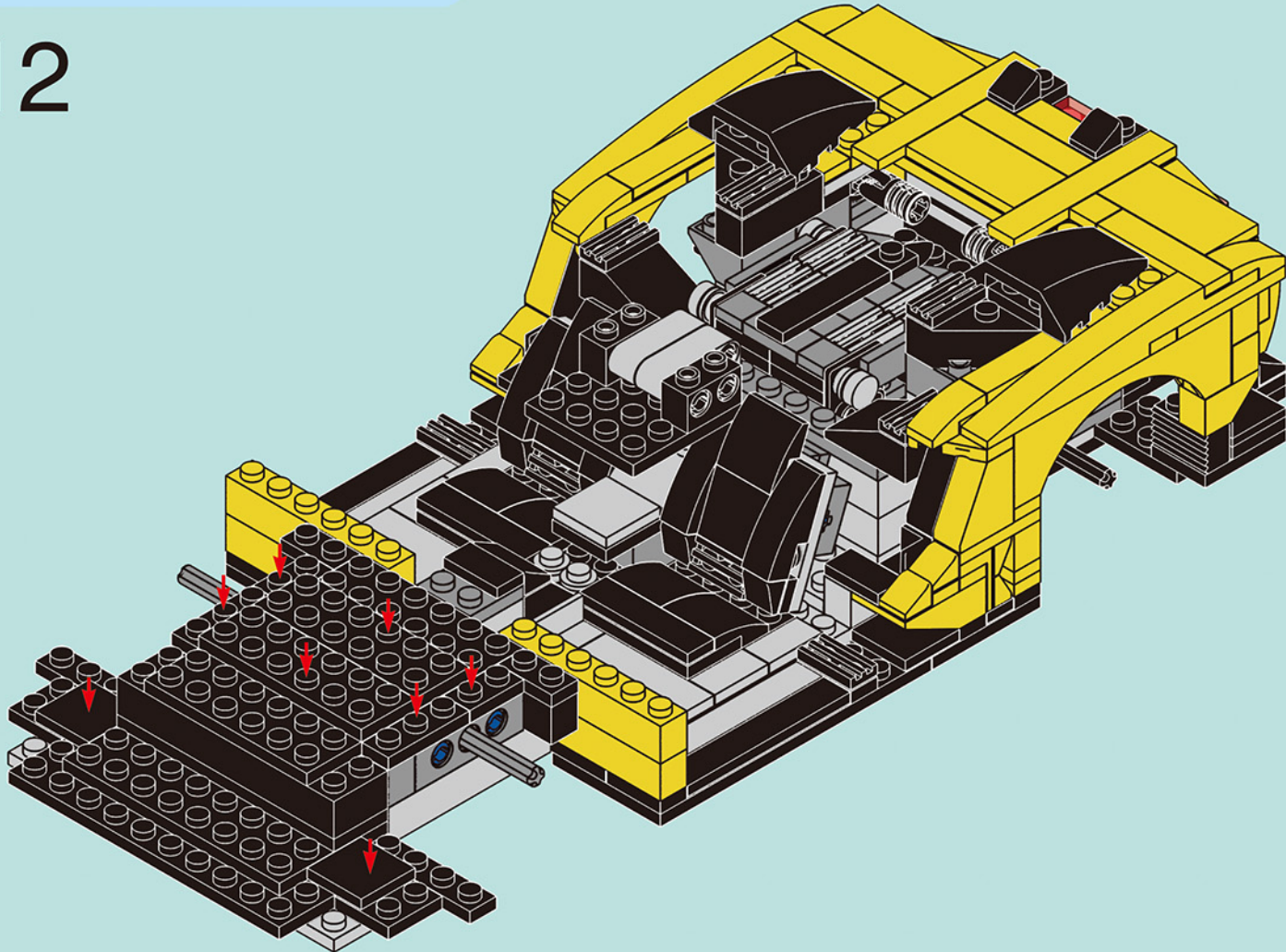


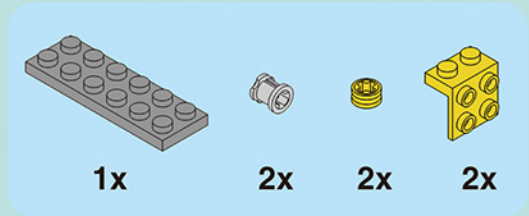
2x



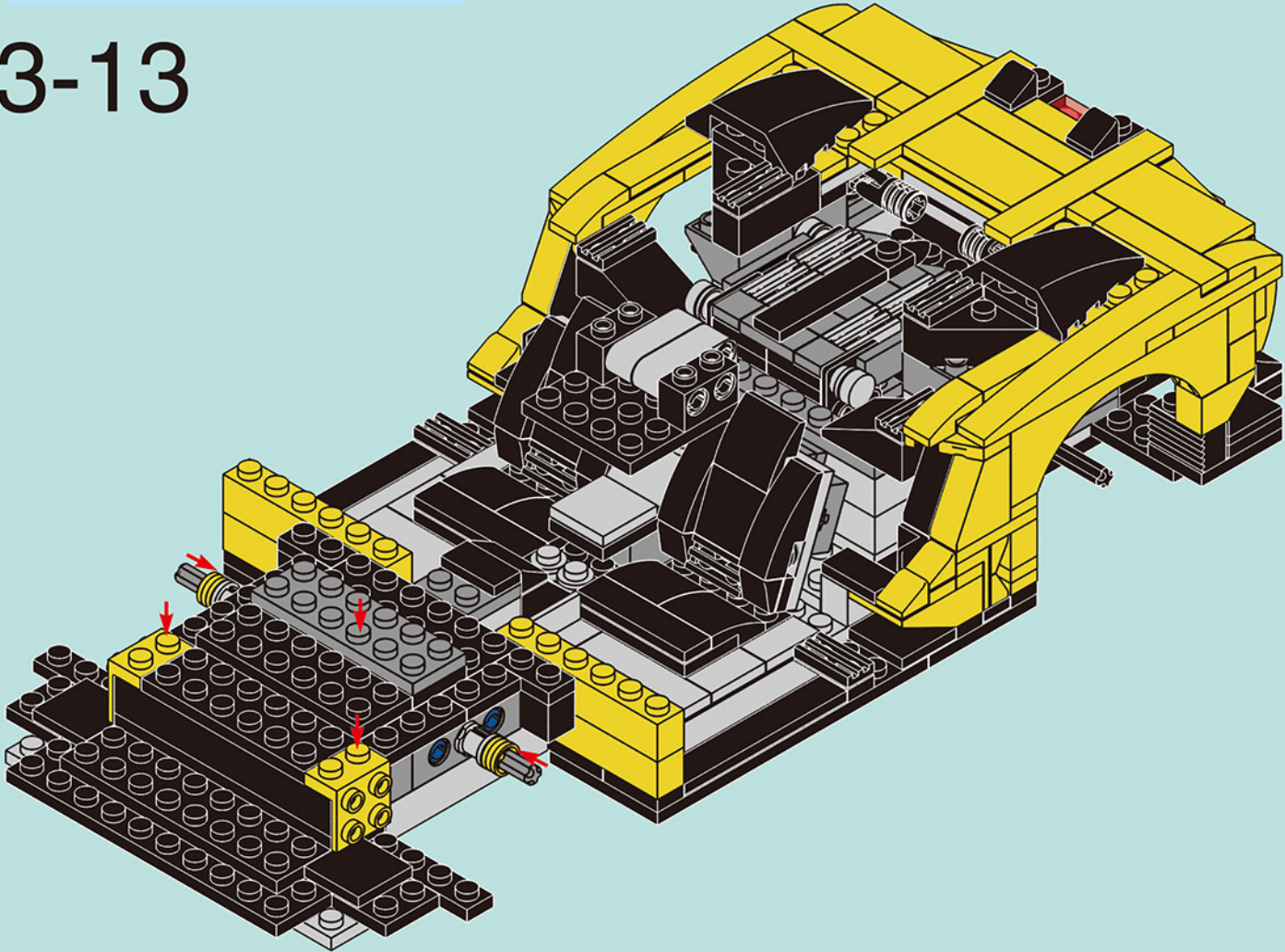
2x

3-12





3-13

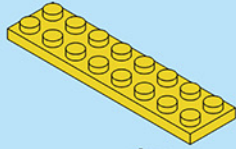




2x



2x

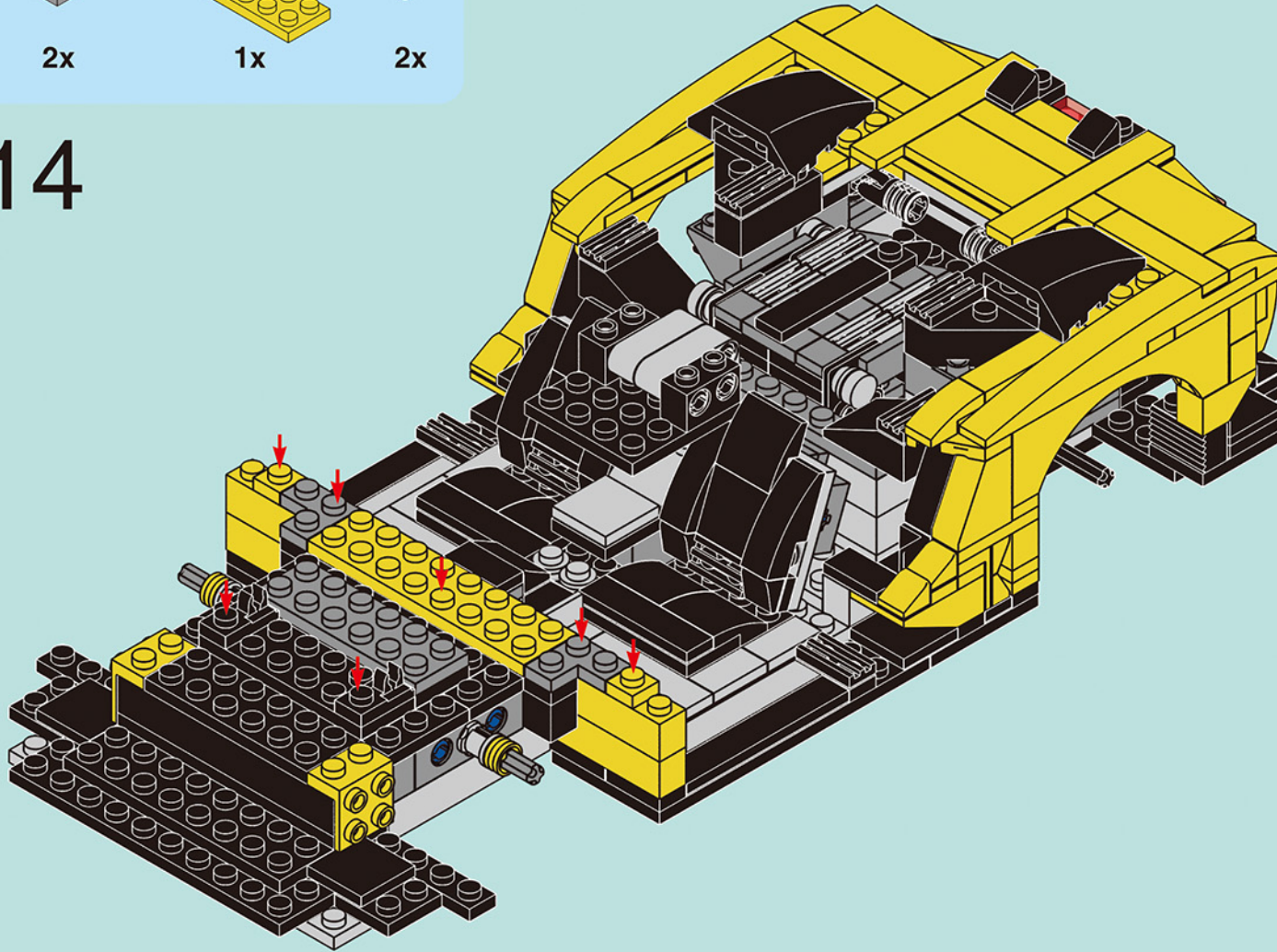


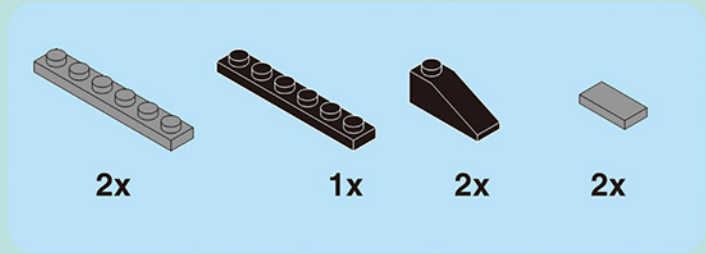
1x



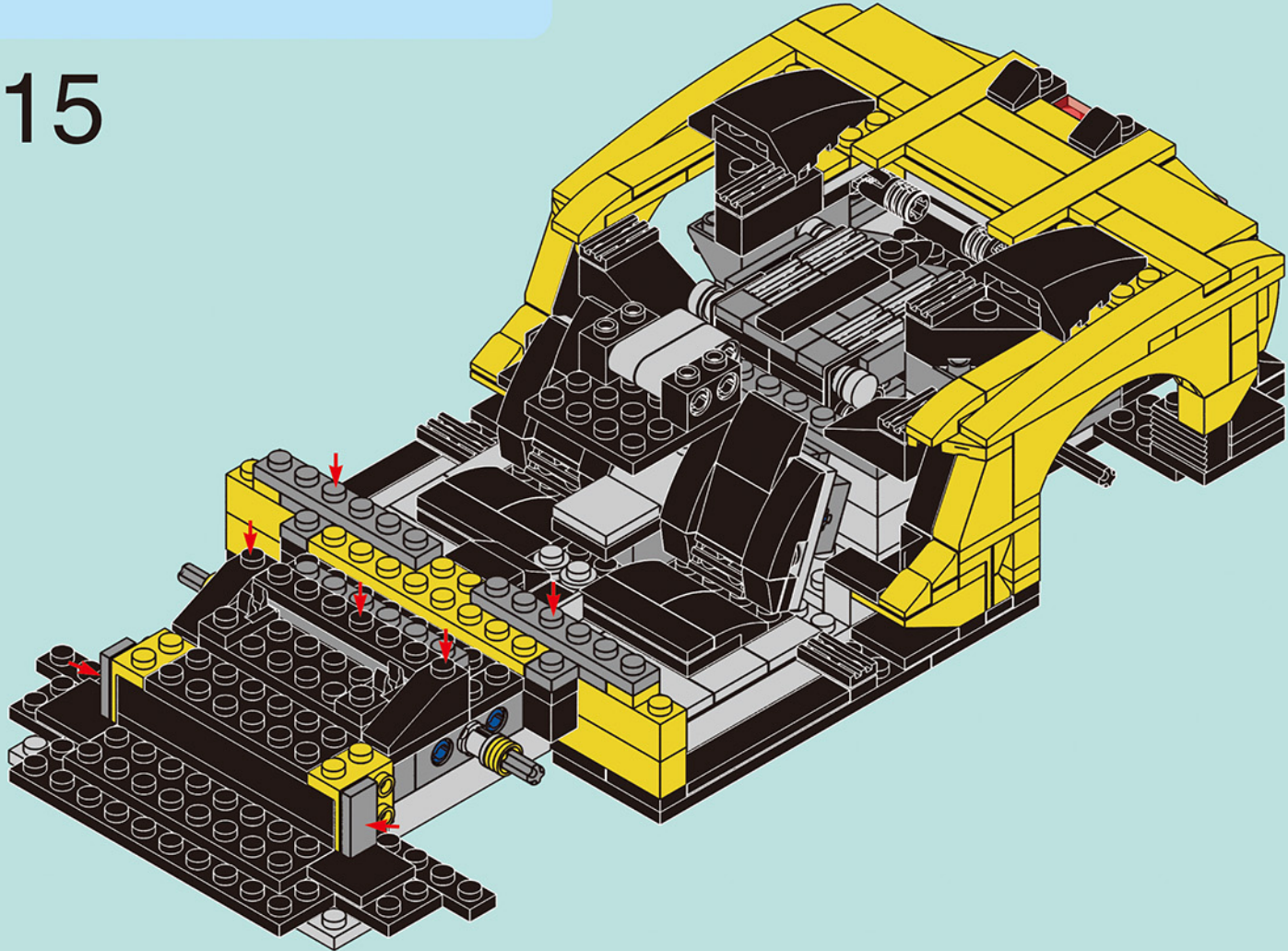
2x

3-14





3-15





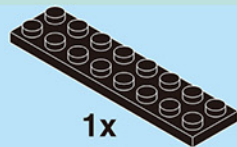
2x



2x

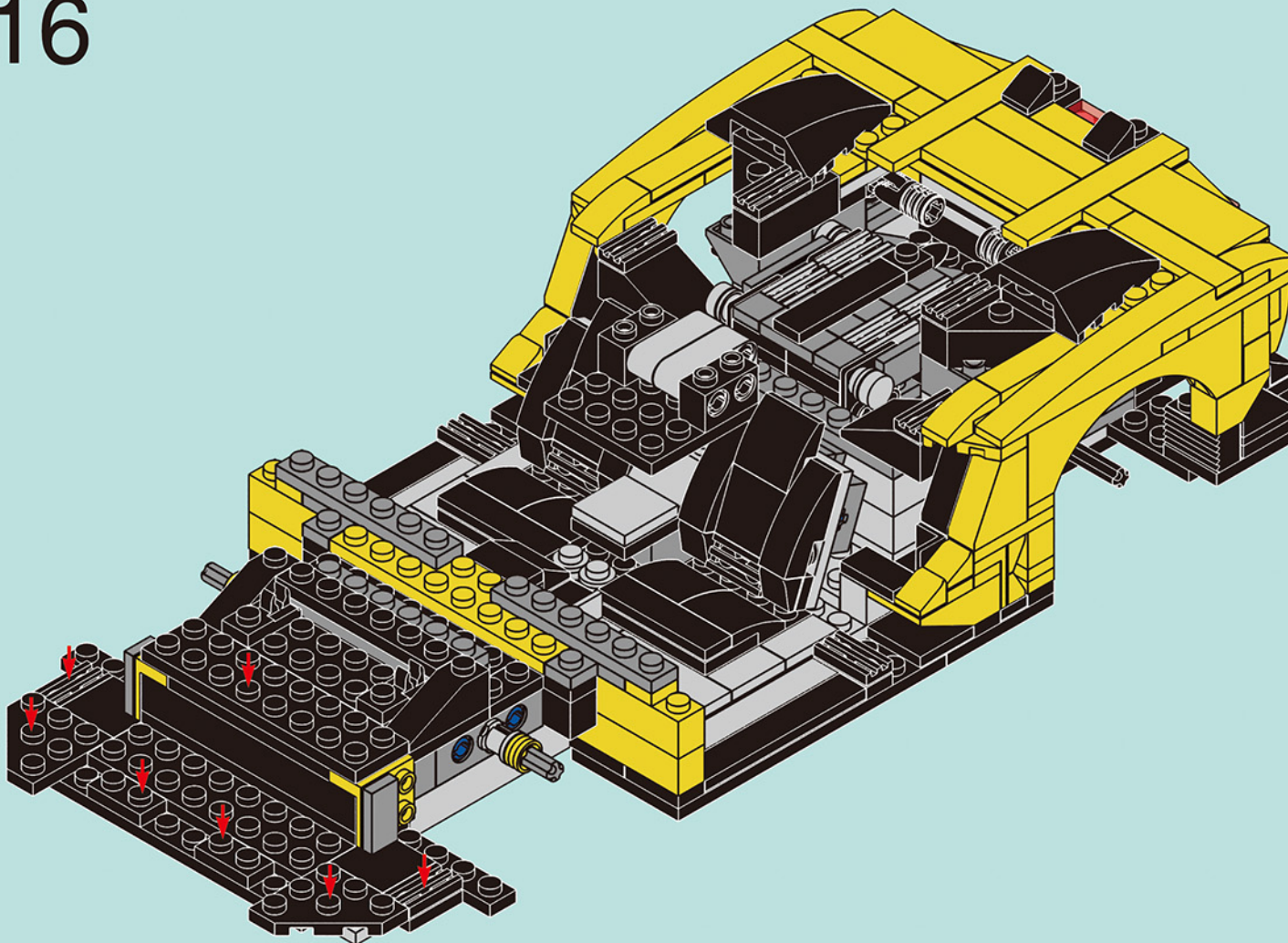


2x



1x

3-16





2x



1x

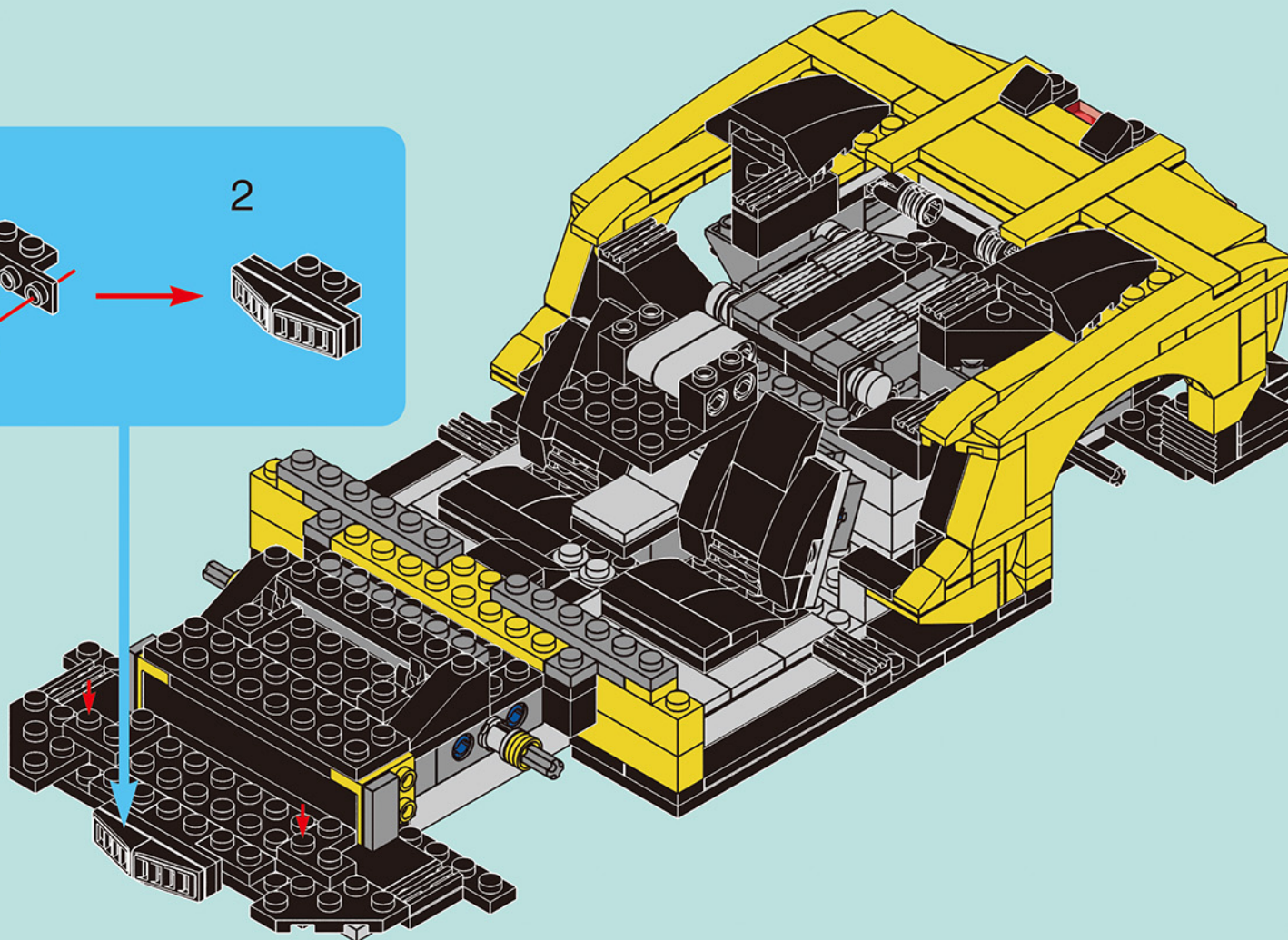
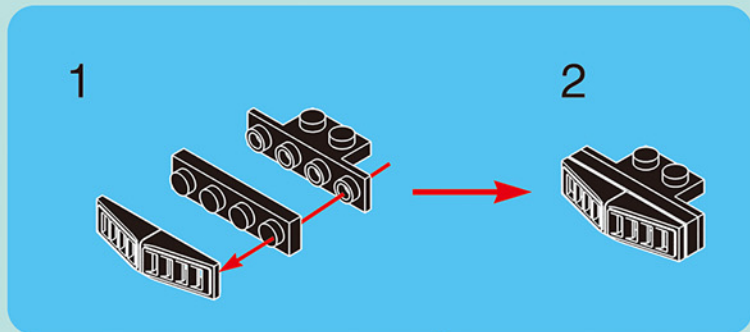


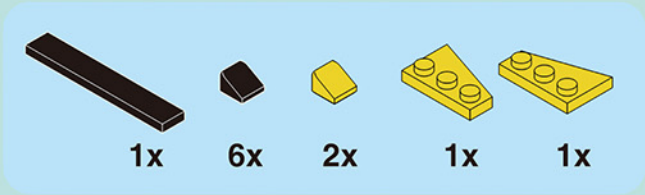
1x



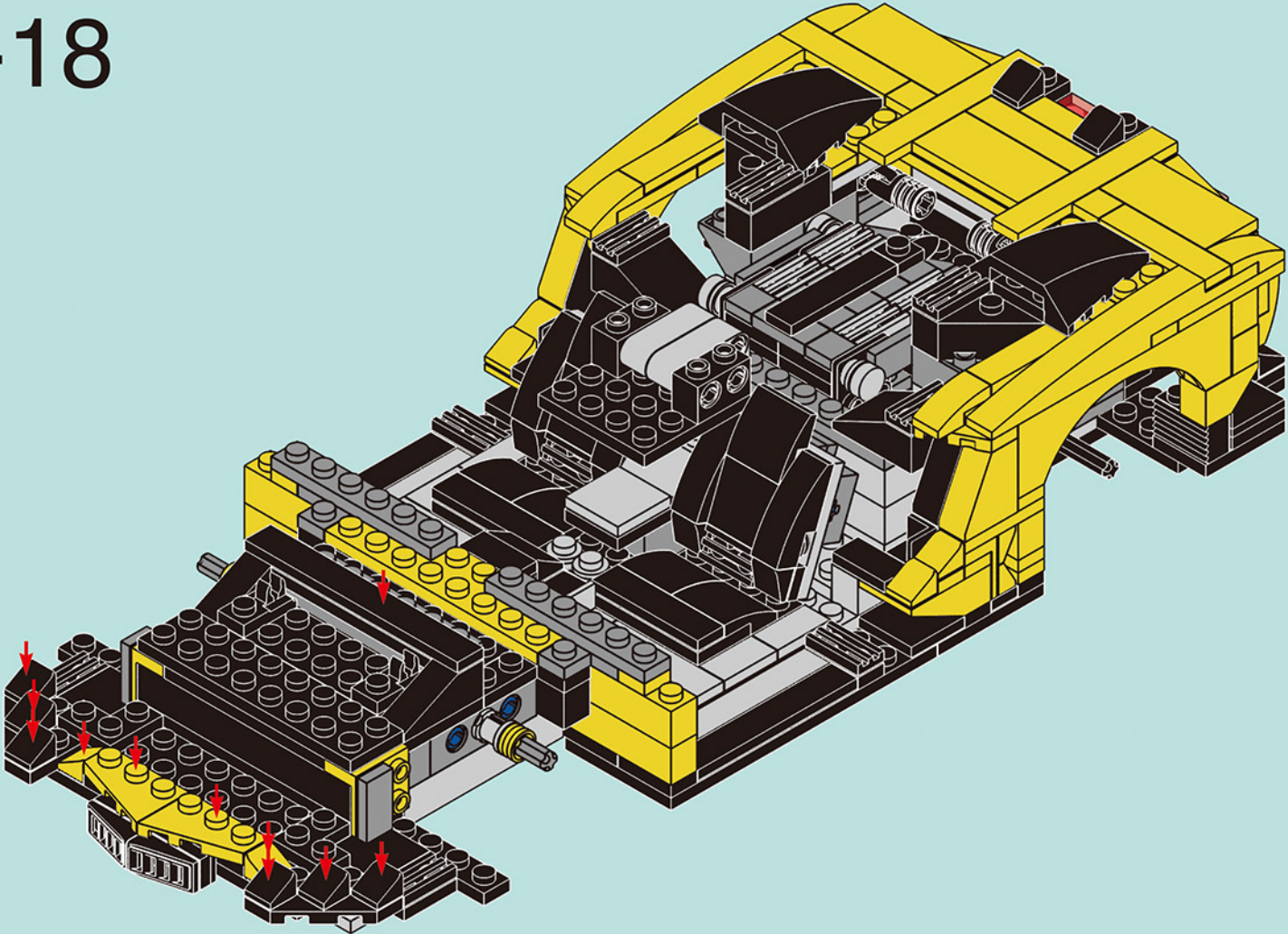
2x

3-17





3-18





3x



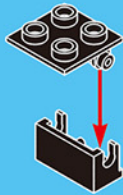
3x



4x

3-19

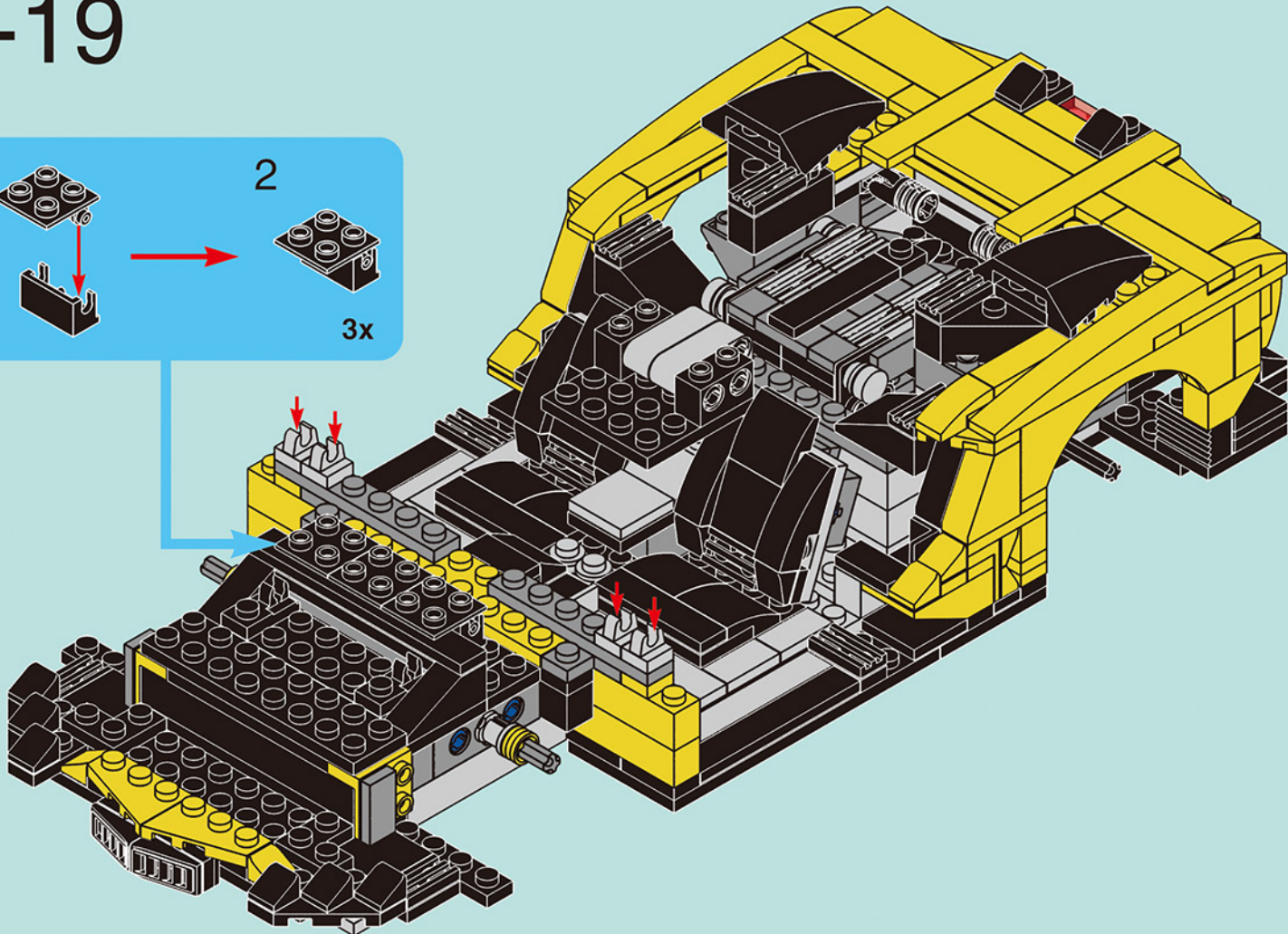
1

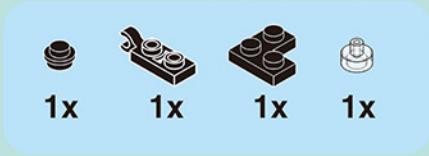


2

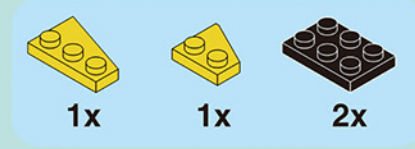
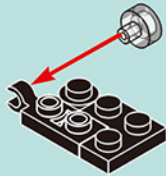


3x

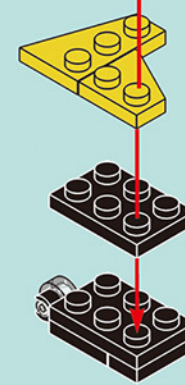




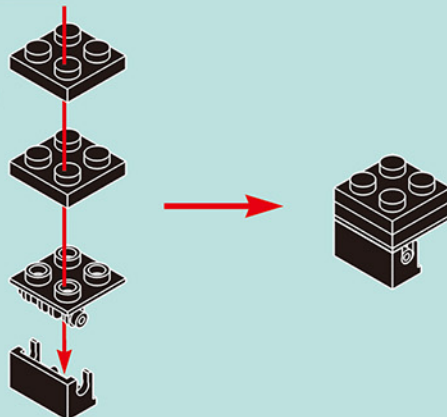
3-20.1.1



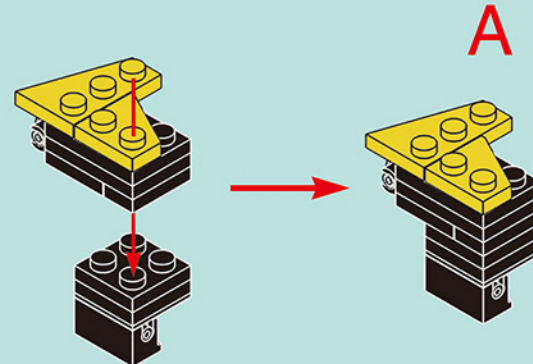
3-20.1.2

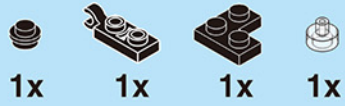


3-20.1.3

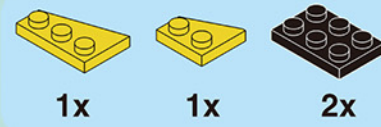


3-20.1.4

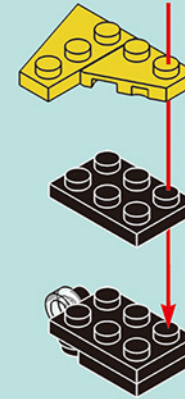




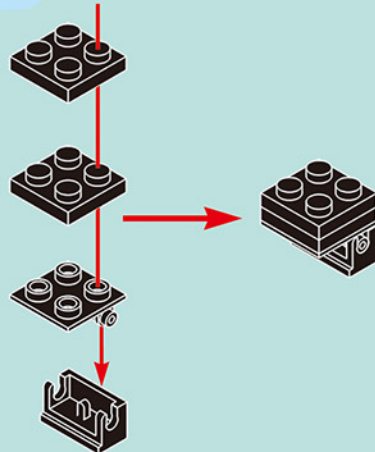
3-20.2.1



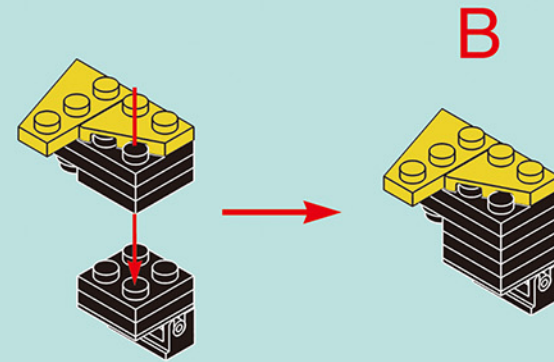
3-20.2.2



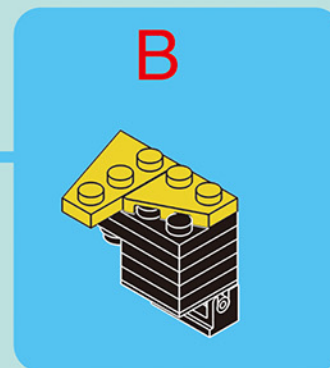
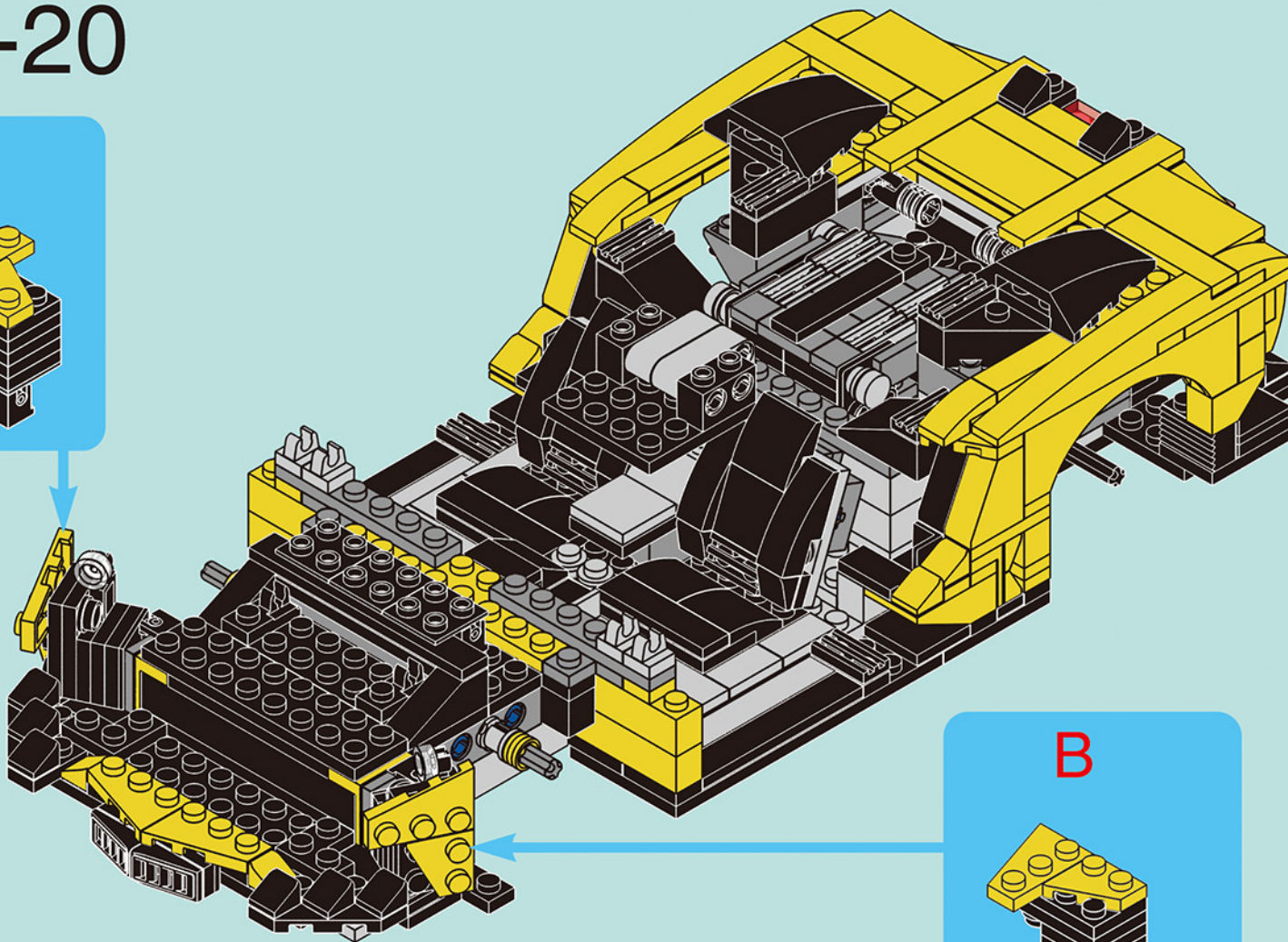
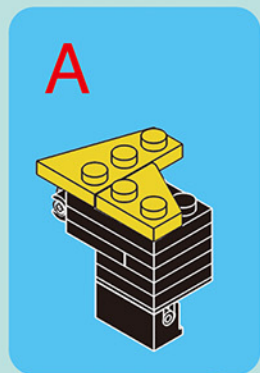
3-20.2.3

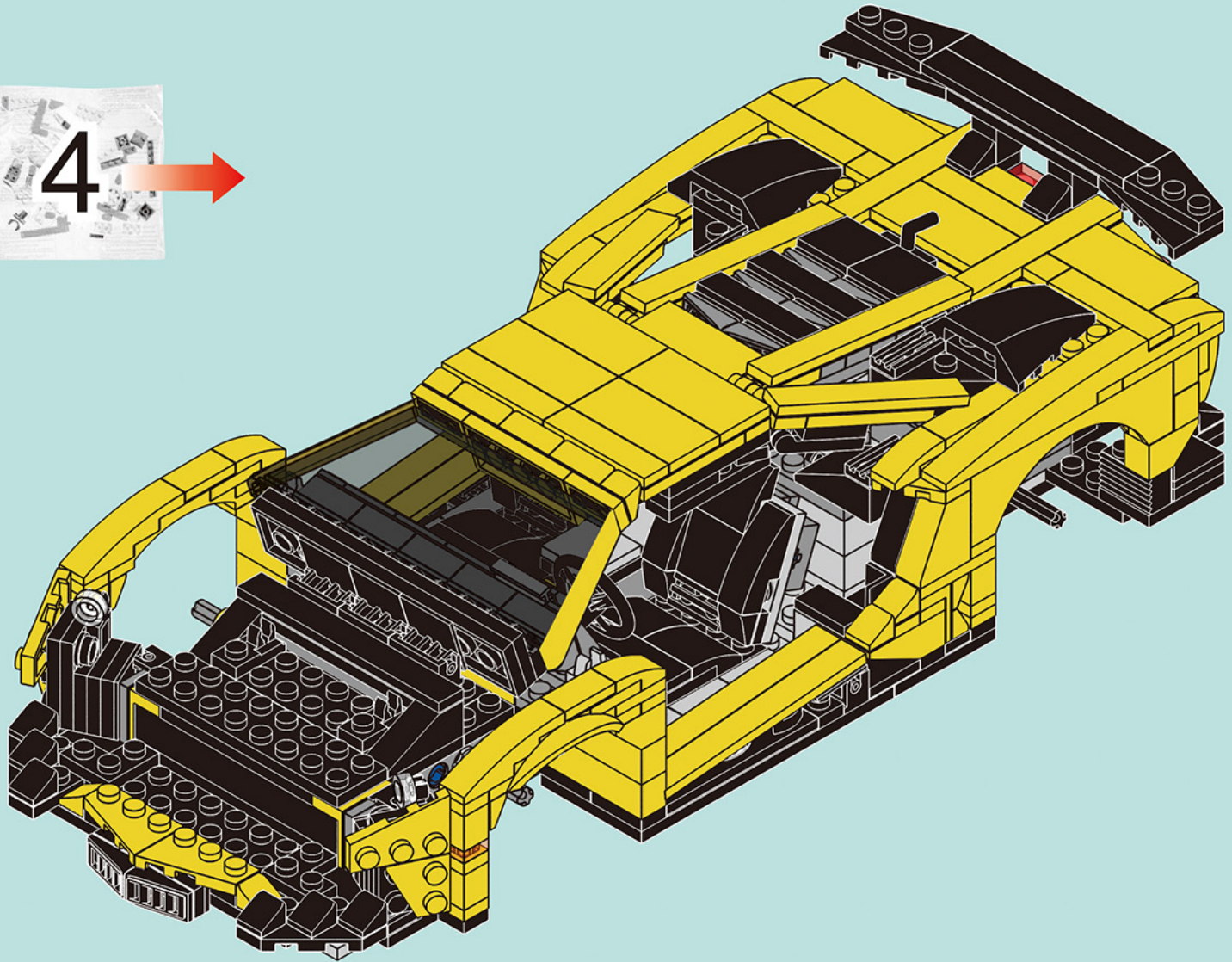


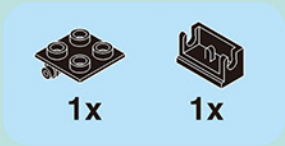
3-20.2.4



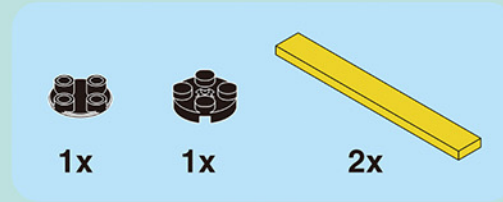
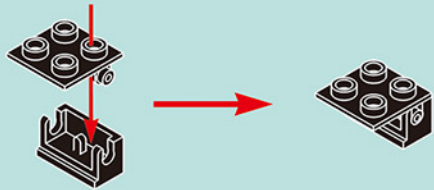
3-20



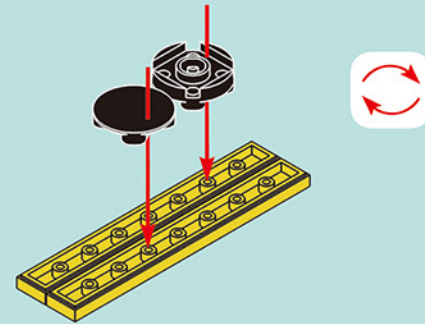




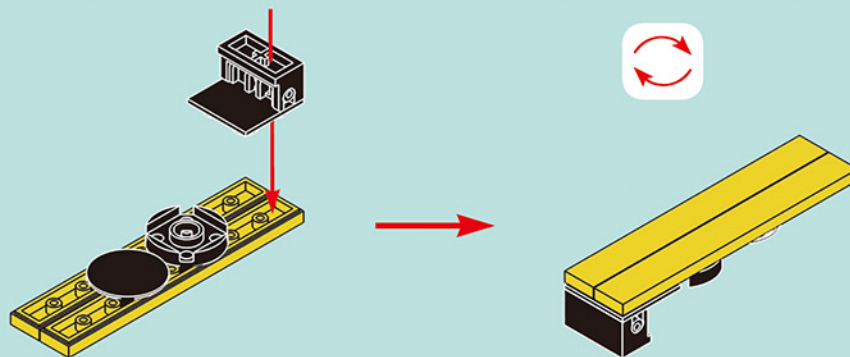
4-1.1



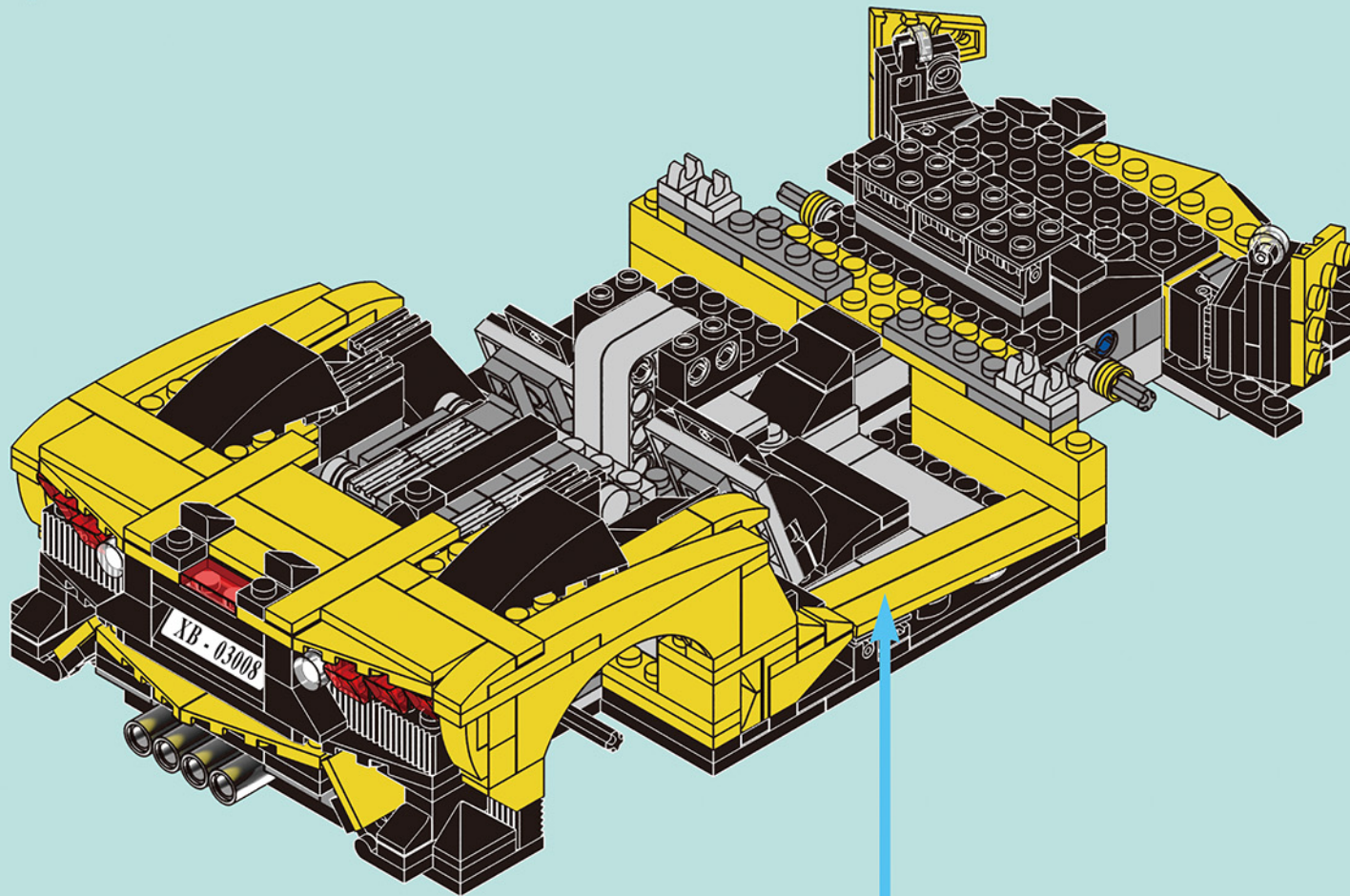
4-1.2

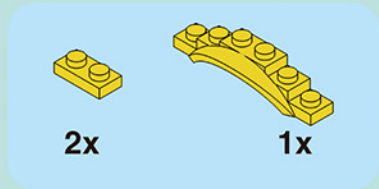


4-1.3

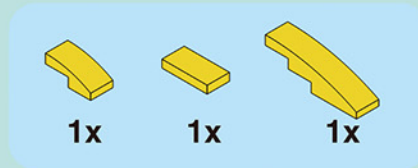
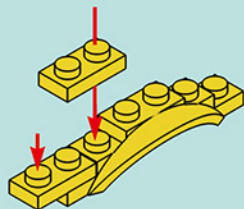


4-1

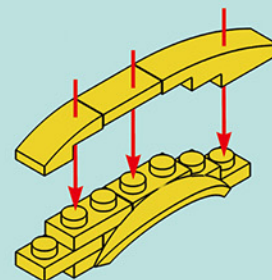




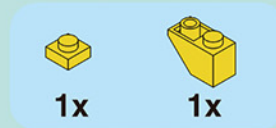
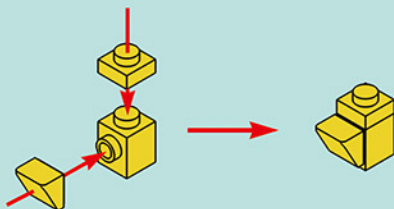
4-2.1.1



4-2.1.2



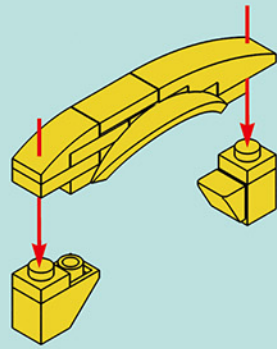
4-2.1.3



4-2.1.4

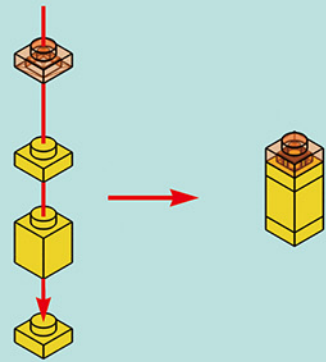


4-2.1

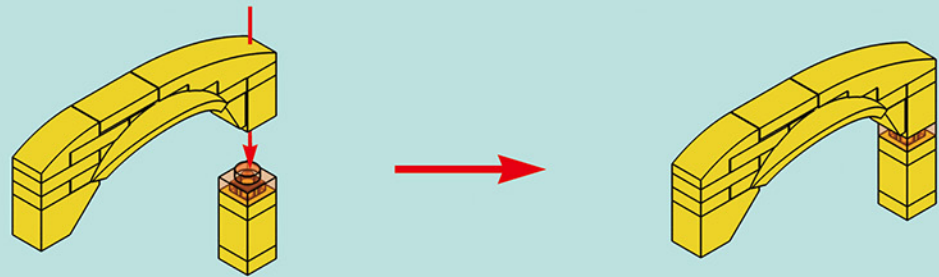


1x 2x 1x

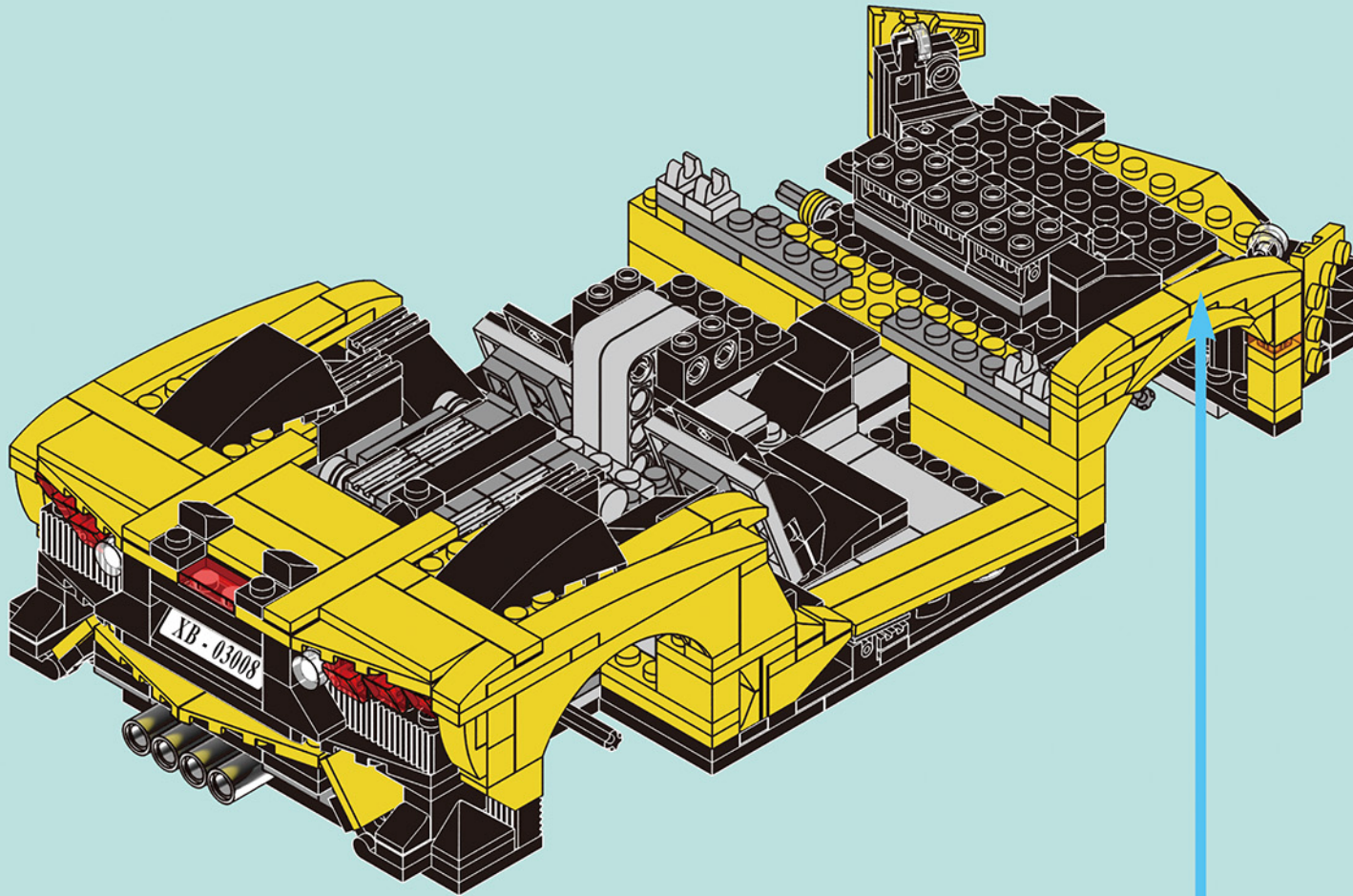
4-2.2.1

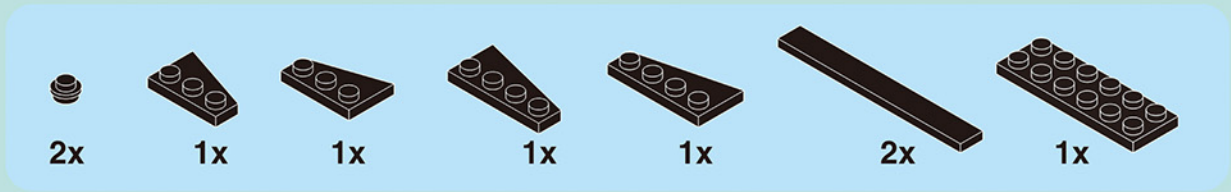


4-2.2

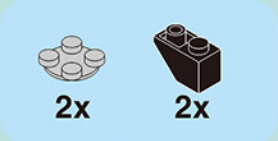
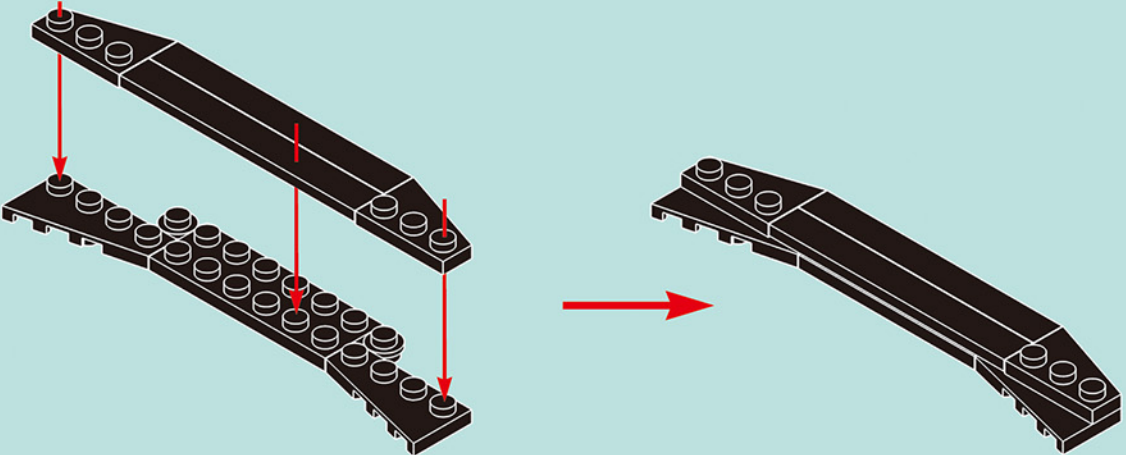


4-2

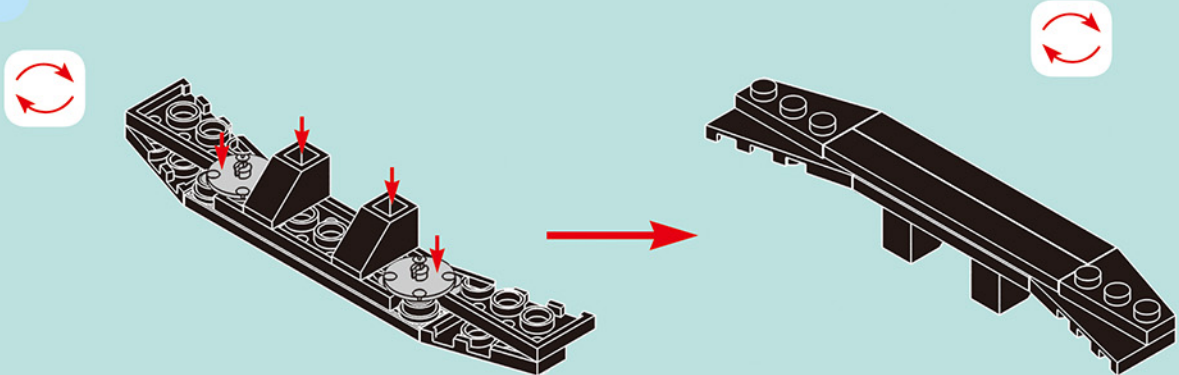




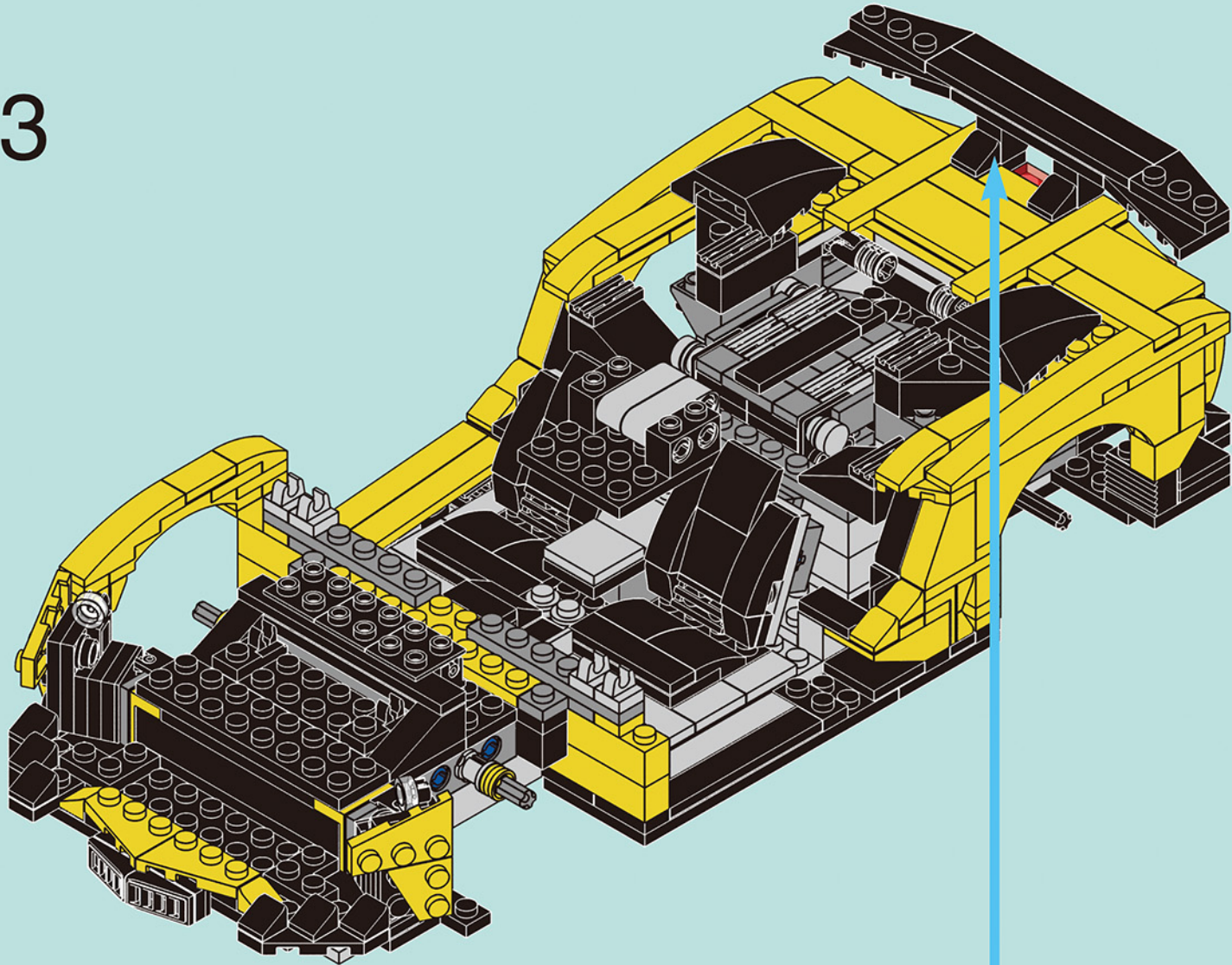
4-3.1

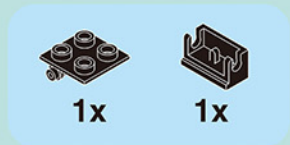


4-3.2

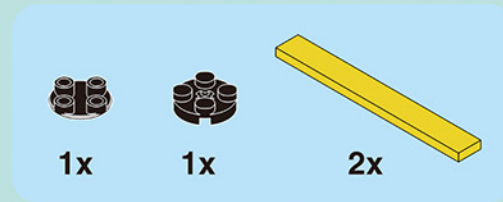
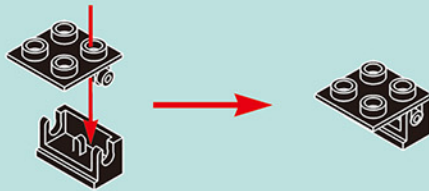


4-3

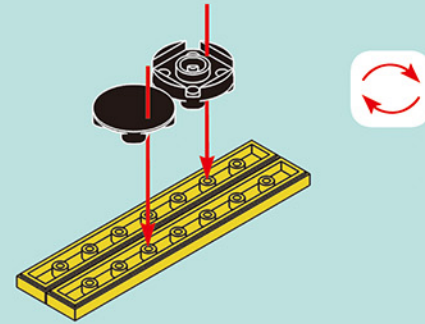




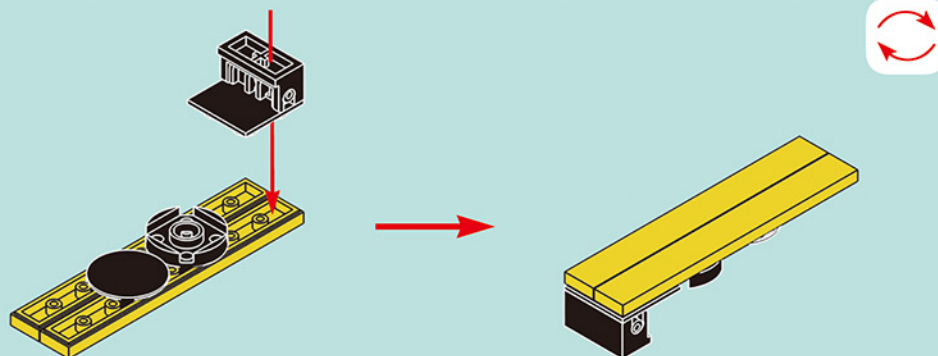
4-4.1



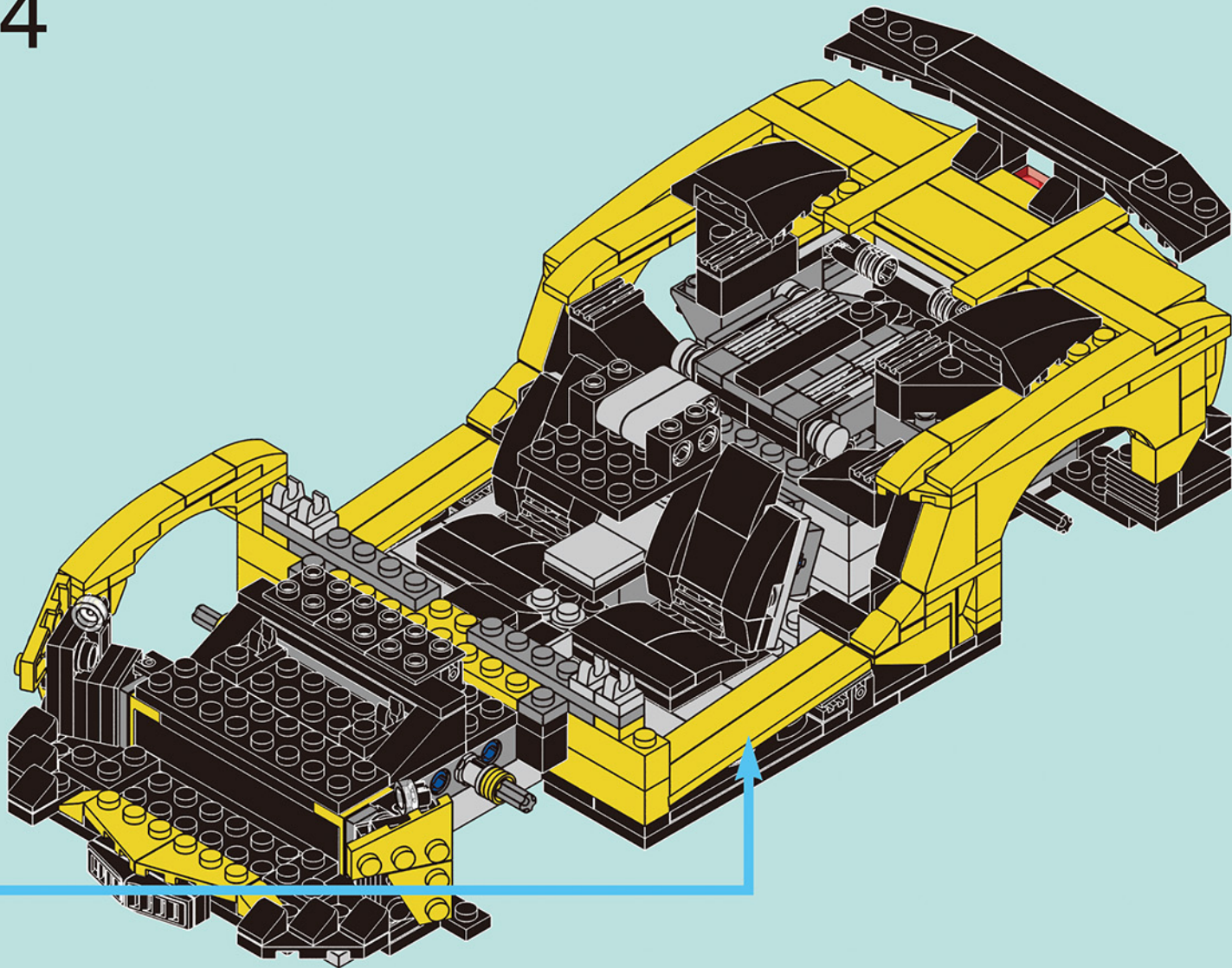
4-4.2

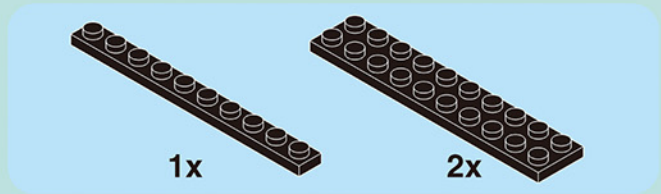


4-4.3

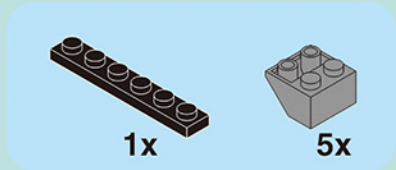
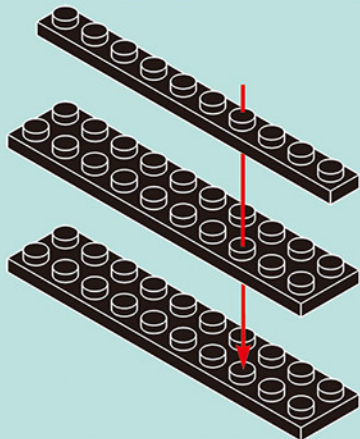


4-4

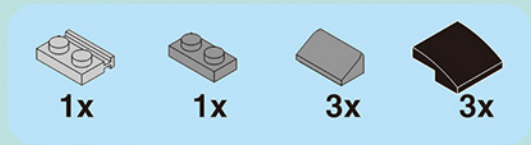
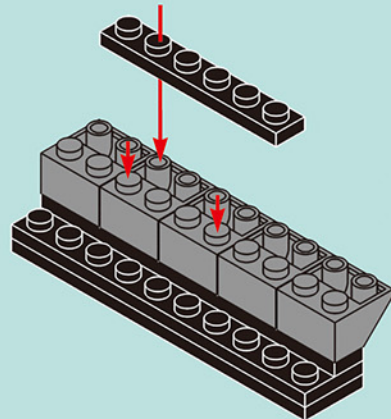




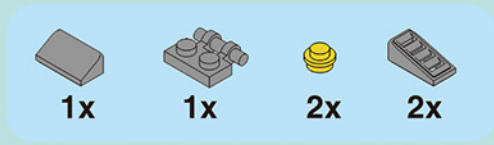
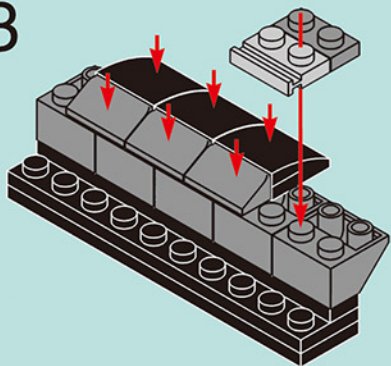
4-5.1



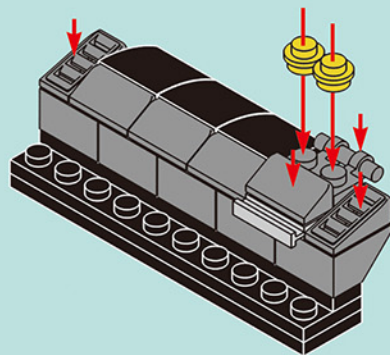
4-5.2



4-5.3



4-5.4



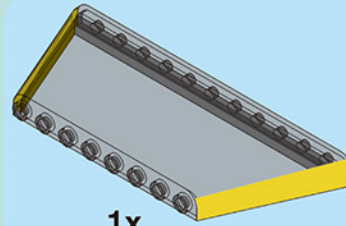
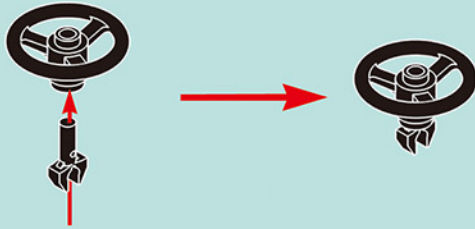


1x

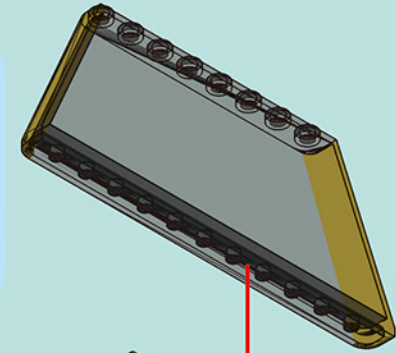


1x

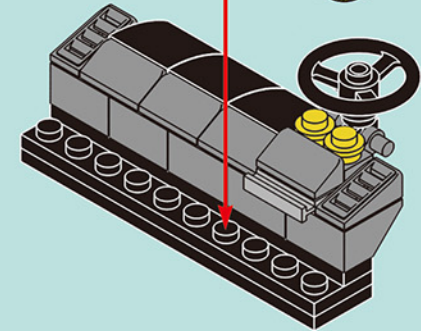
4-5.5



1x



4-5.6



3x



2x

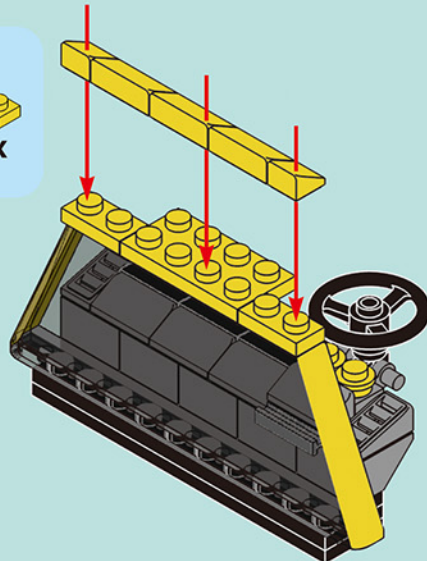


1x

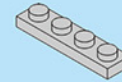


2x

4-5.7

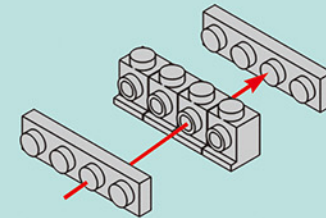


4x



2x

4-5.8.1



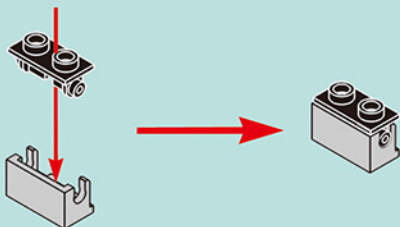


1x

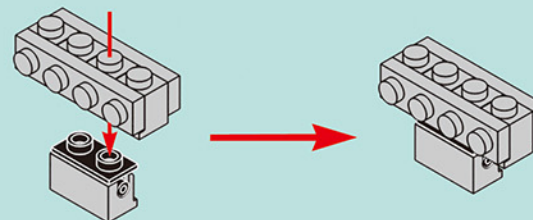


1x

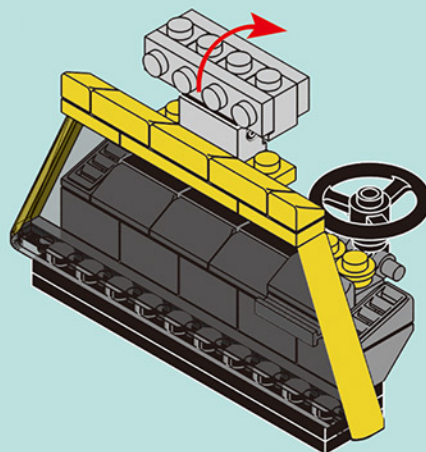
4-5.8.2



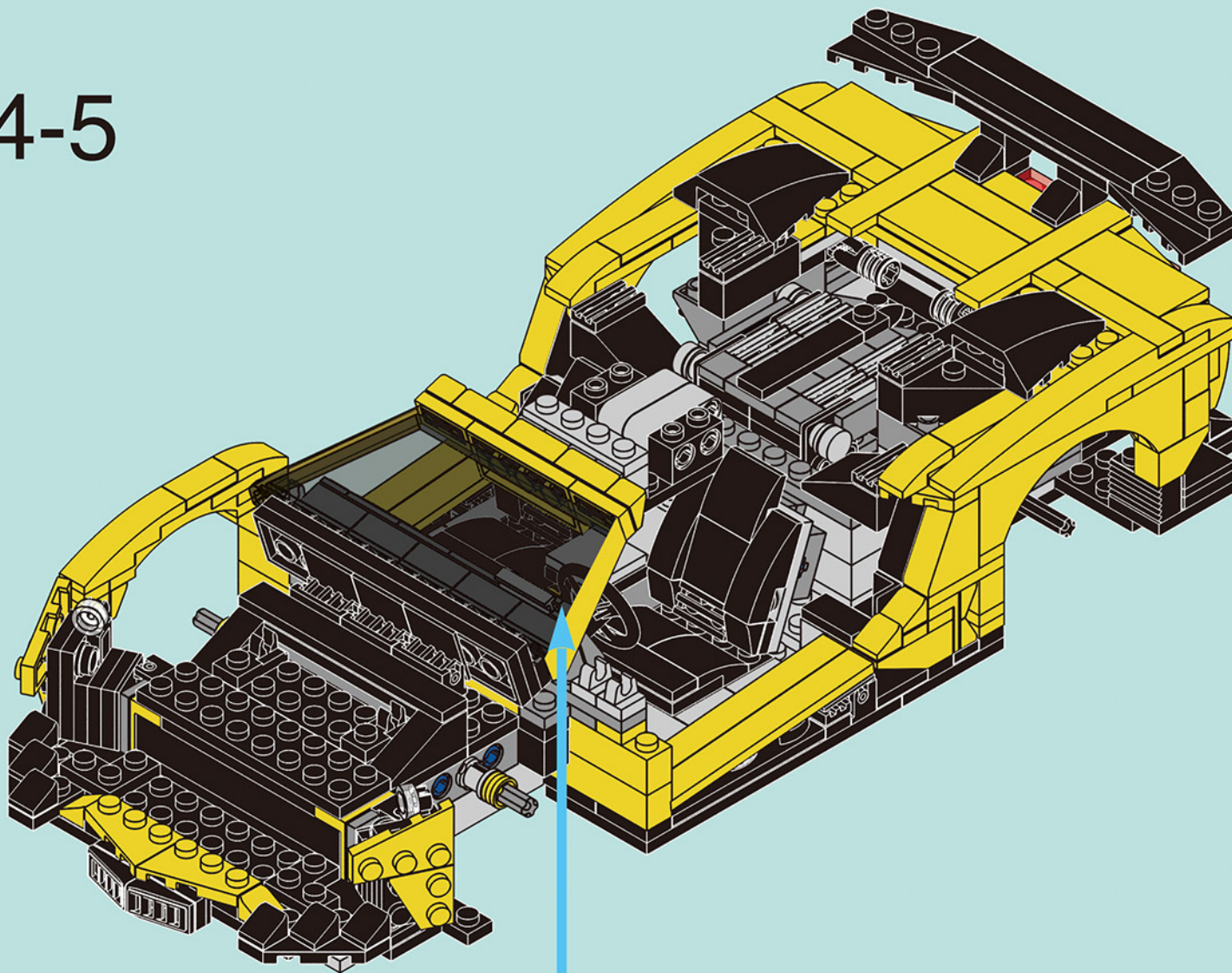
4-5.8.3

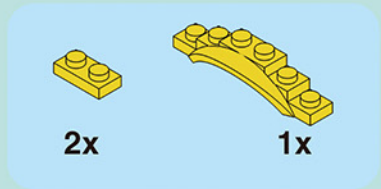


4-5.8

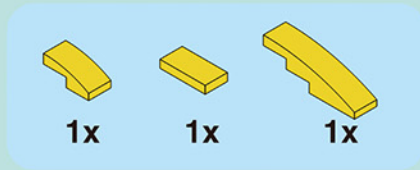
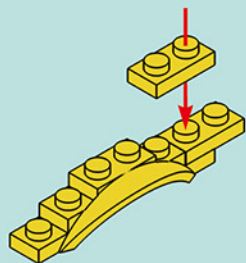


4-5

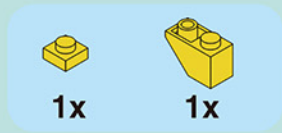
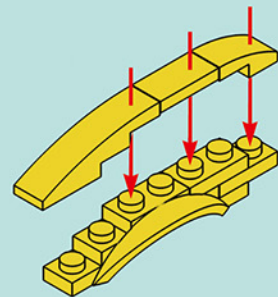




4-6.1.1



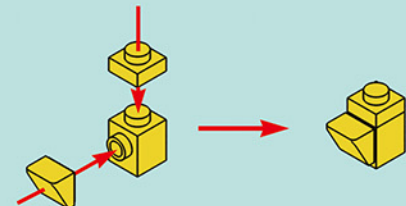
4-6.1.2



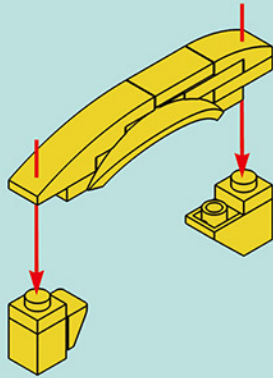
4-6.1.3



4-6.1.4



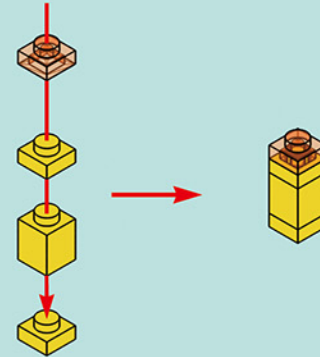
4-6.1



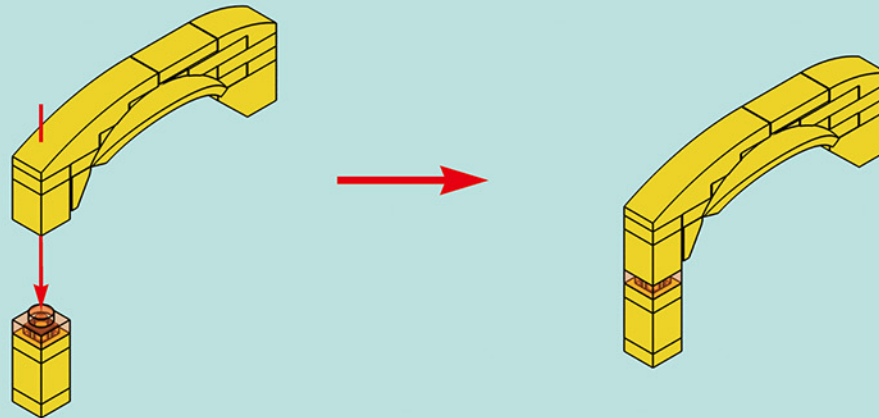
1x 2x 1x

Parts list for step 4-6.2.1: 1x red 1/2 Technic axle, 2x yellow 1x2 Technic brick, 1x yellow 1x2 Technic brick with a hole.

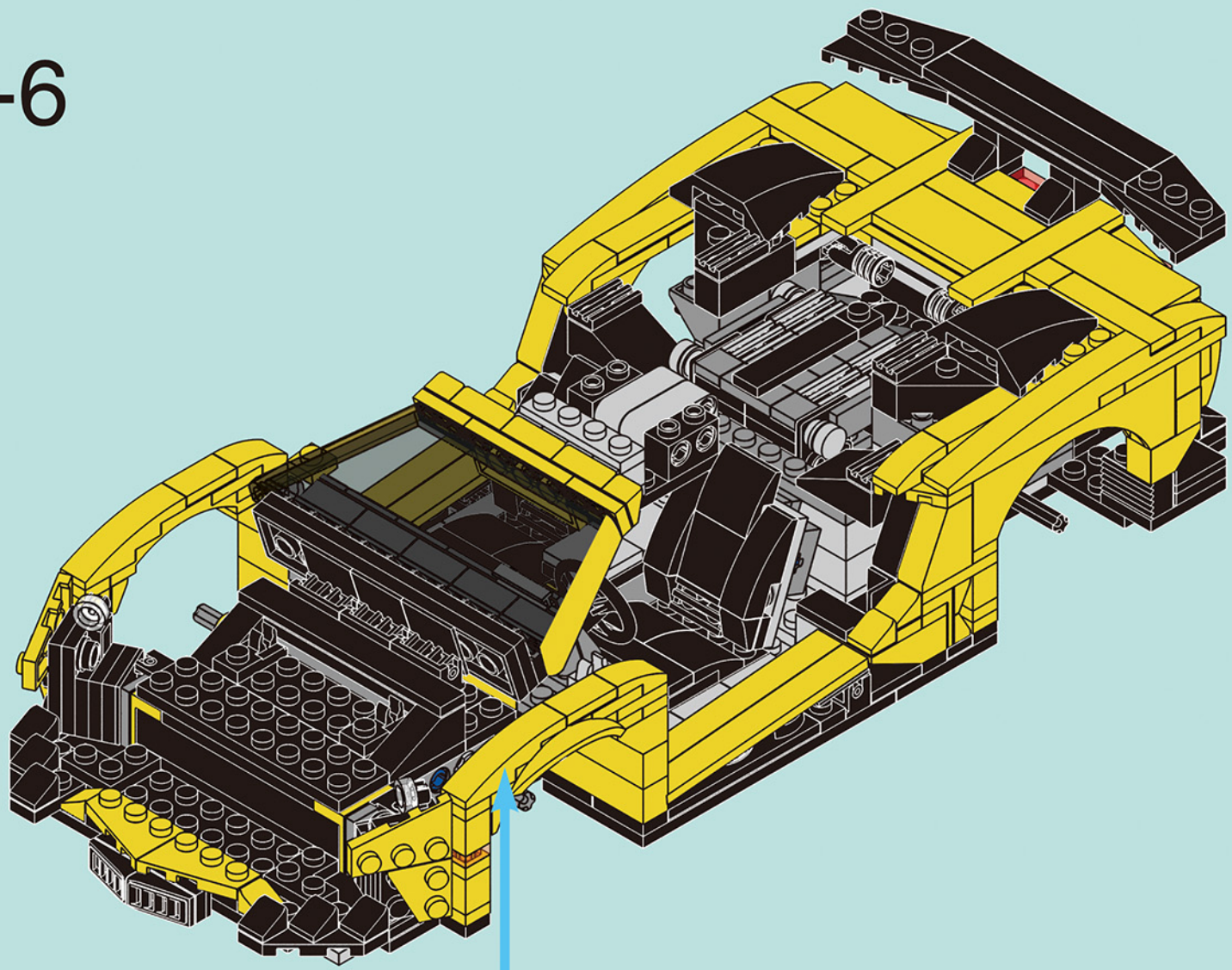
4-6.2.1

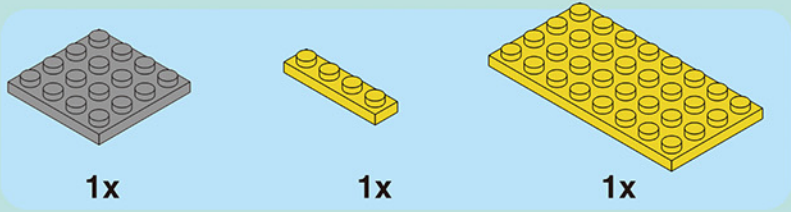


4-6.2

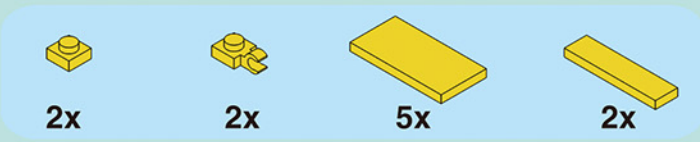
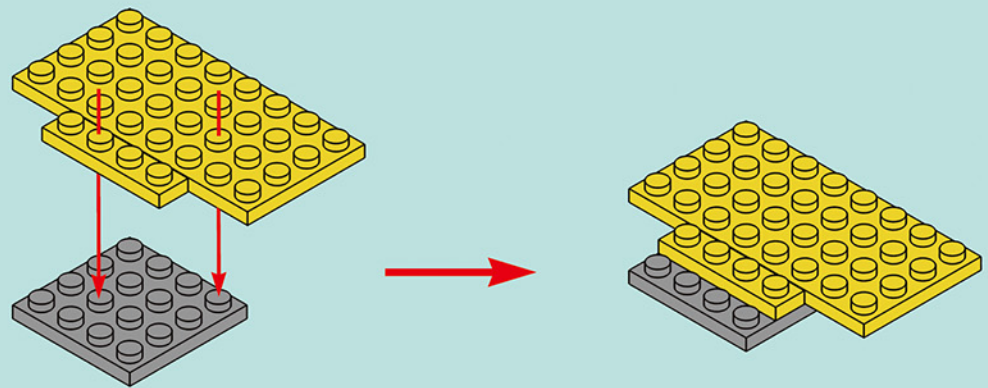


4-6

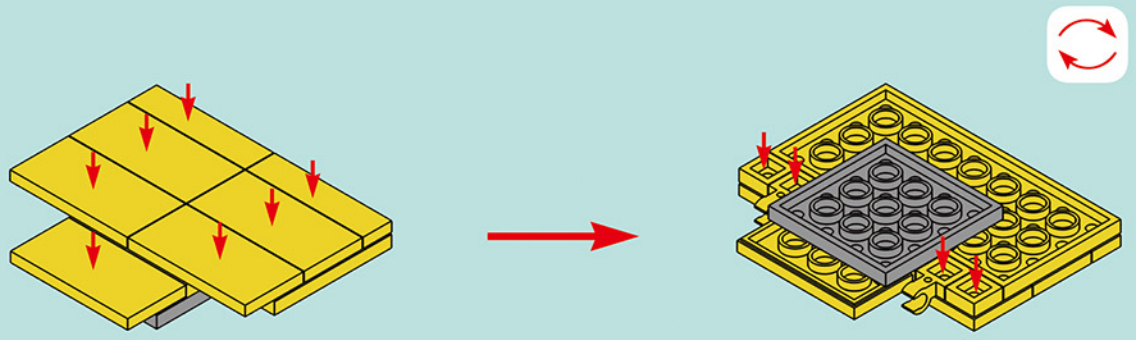


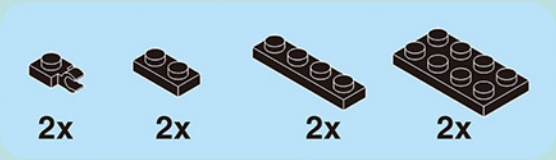


4-7.1.1

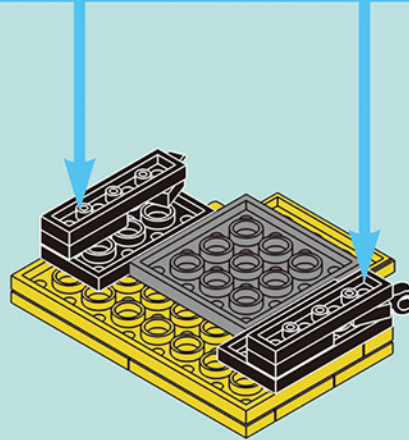
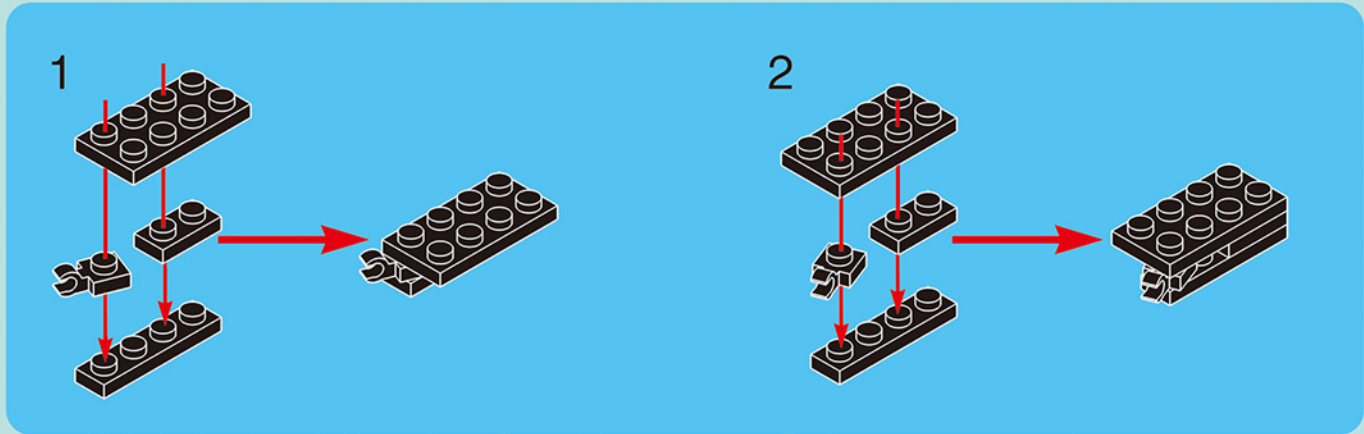


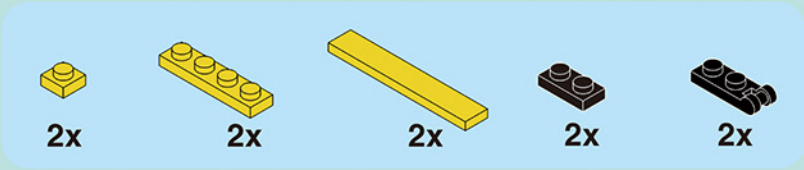
4-7.1.2



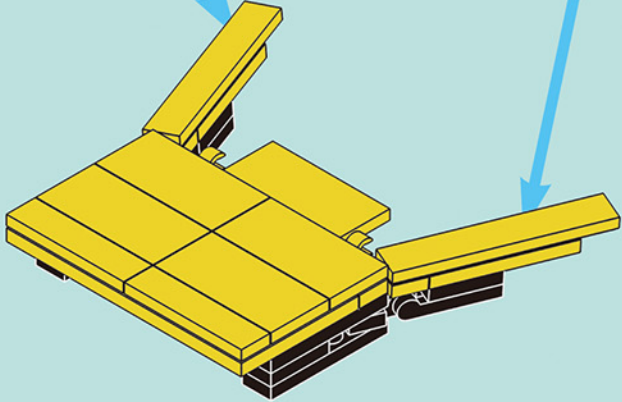
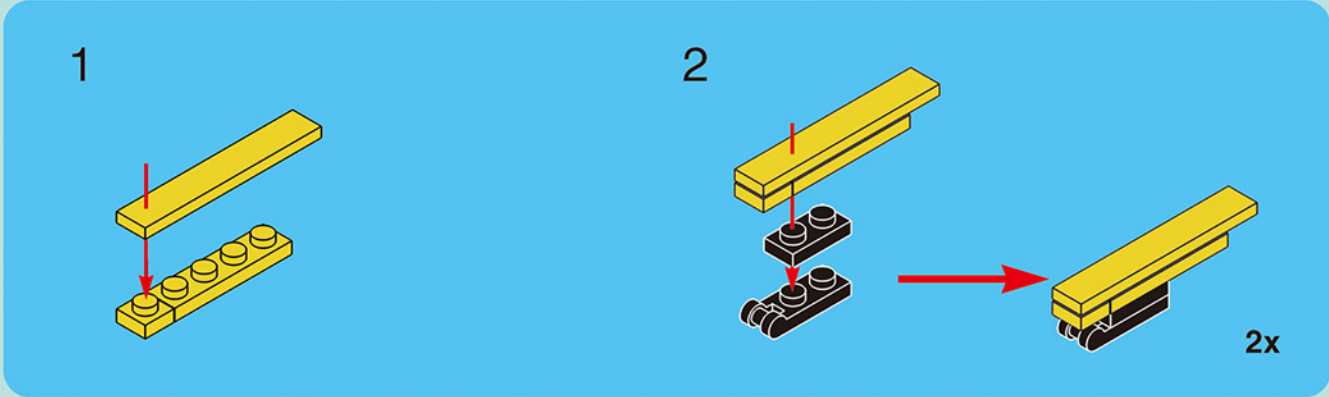


4-7.1.3





4-7.1

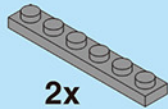




6x



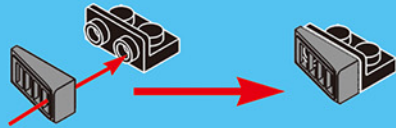
6x



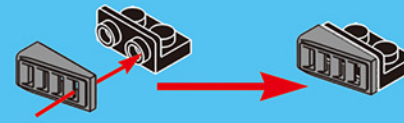
2x

4-7.2.1

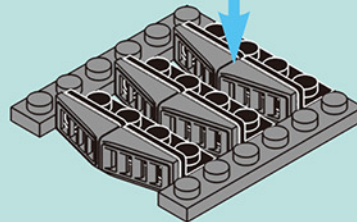
1

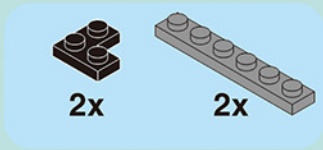


2

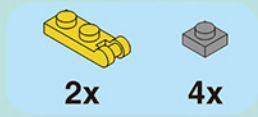
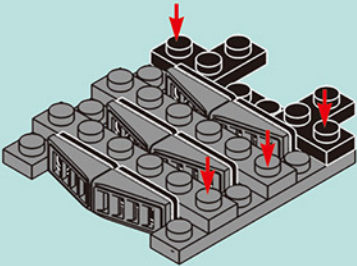


3x

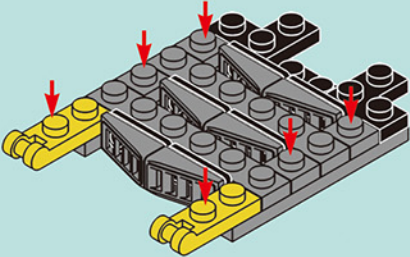


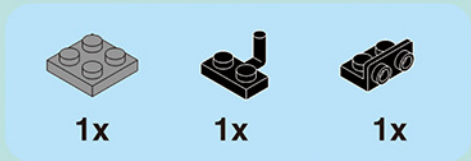


4-7.2.2

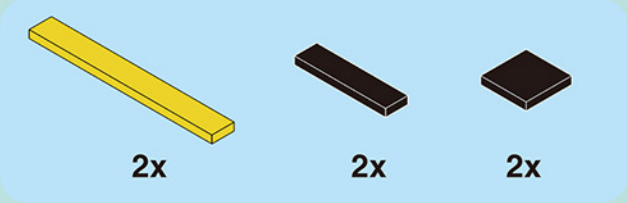
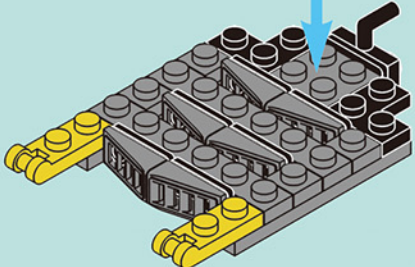
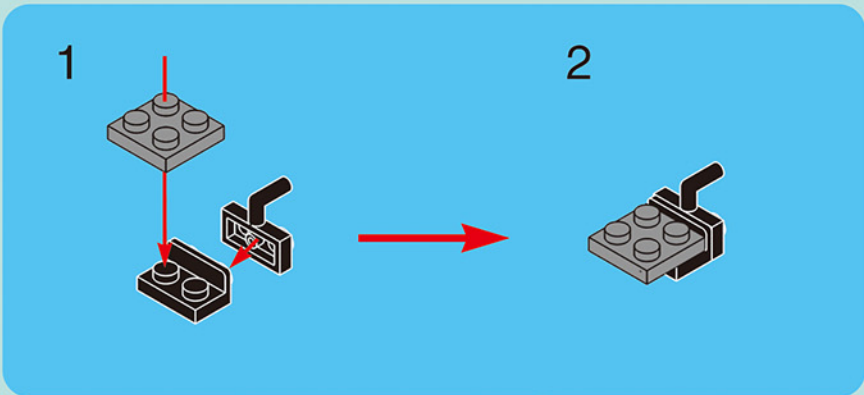


4-7.2.3

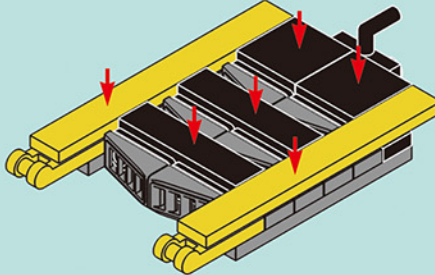




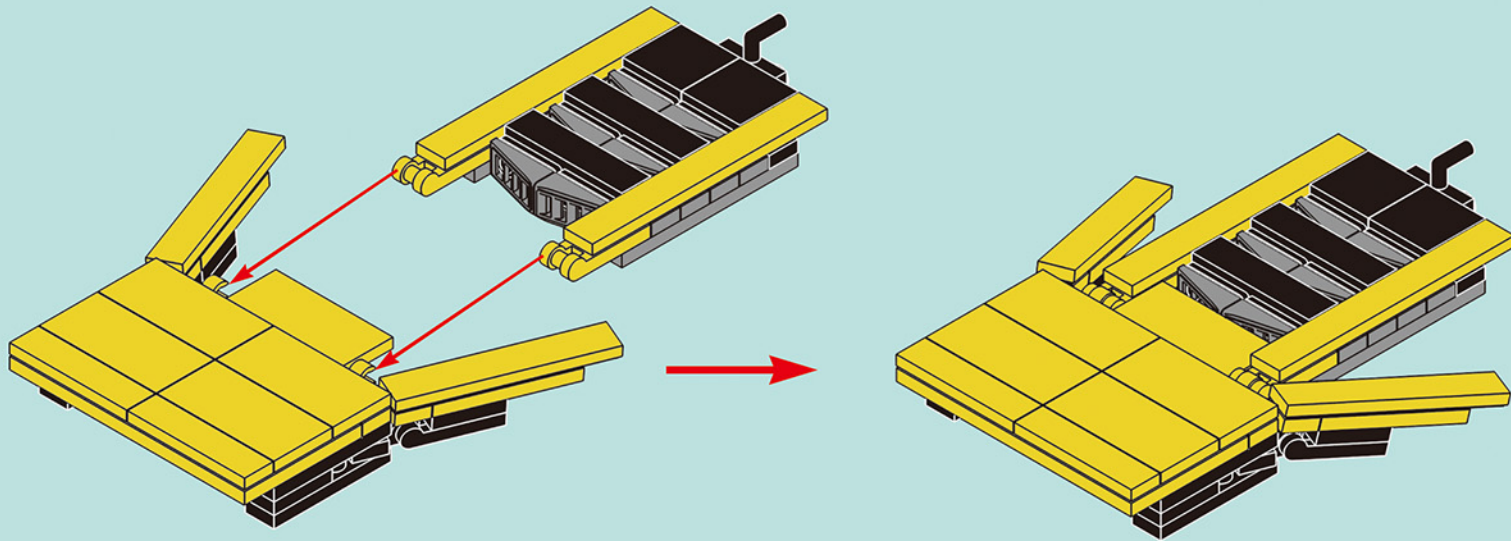
4-7.2.4



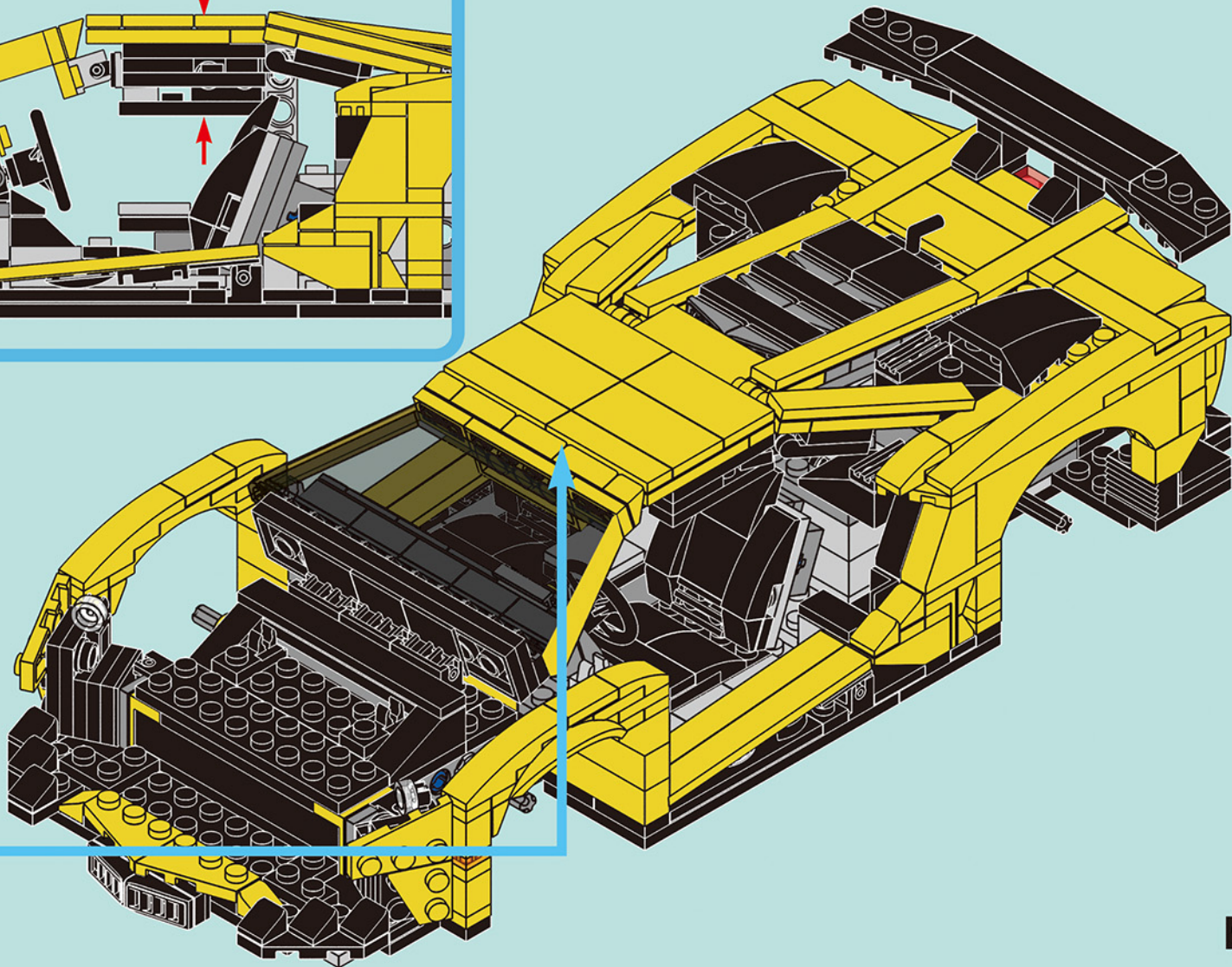
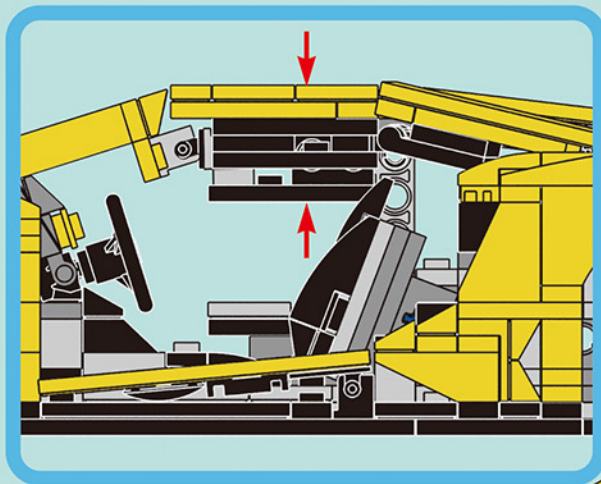
4-7.2

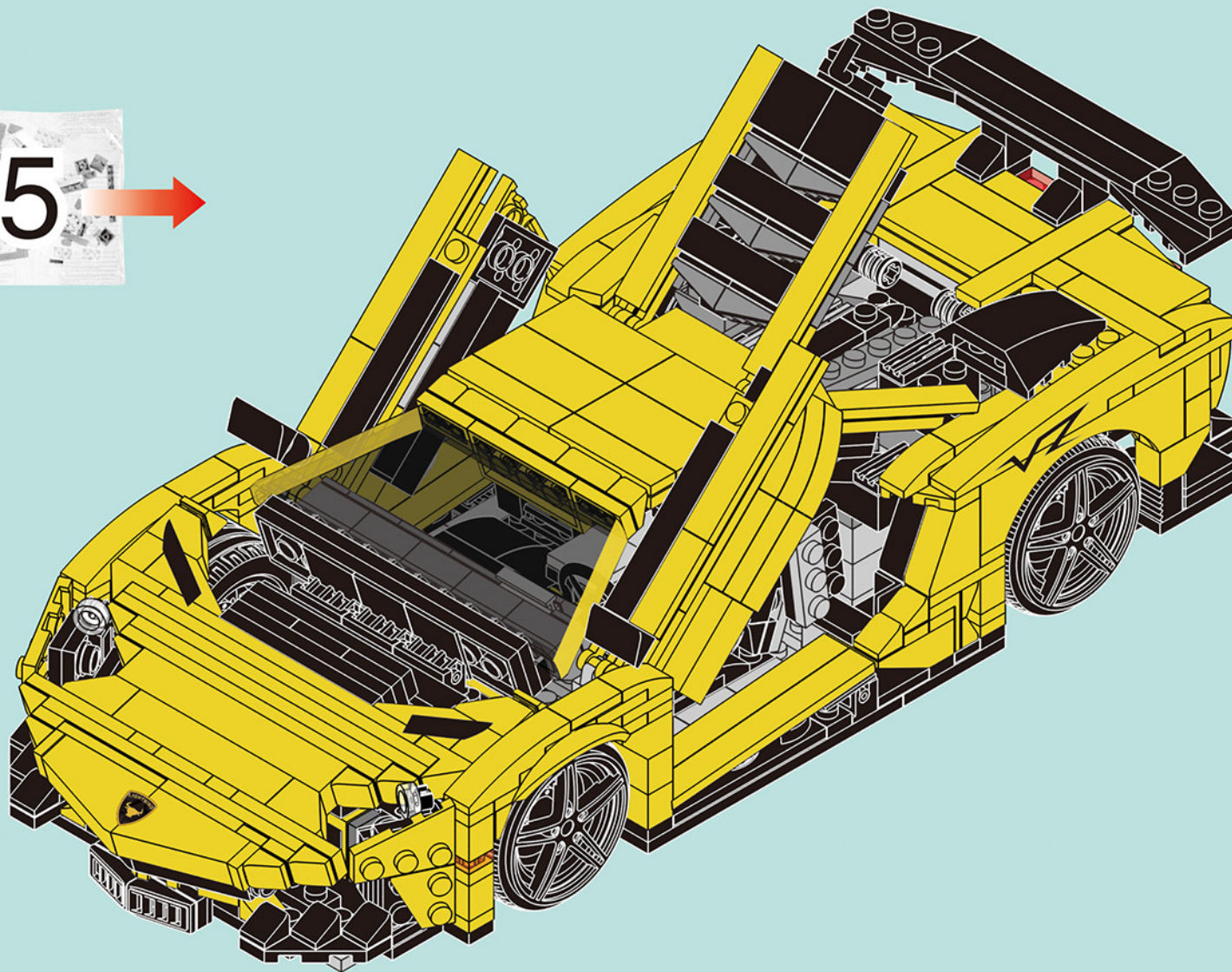


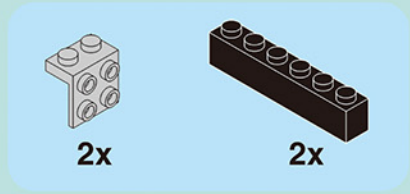
4-7.3



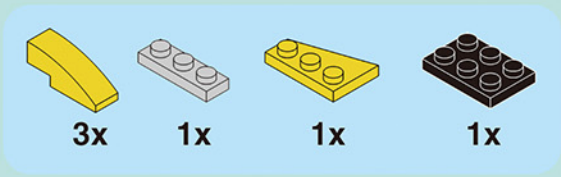
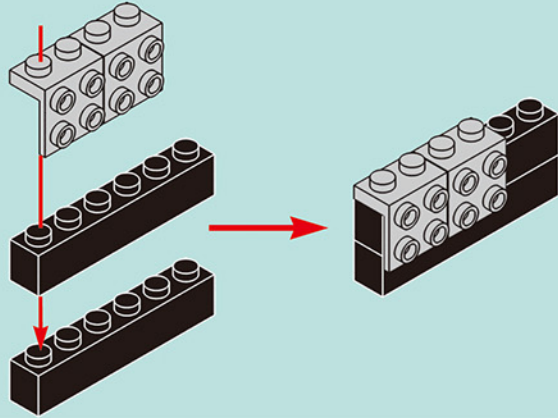
4-7



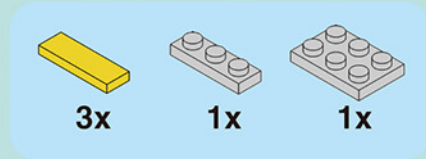
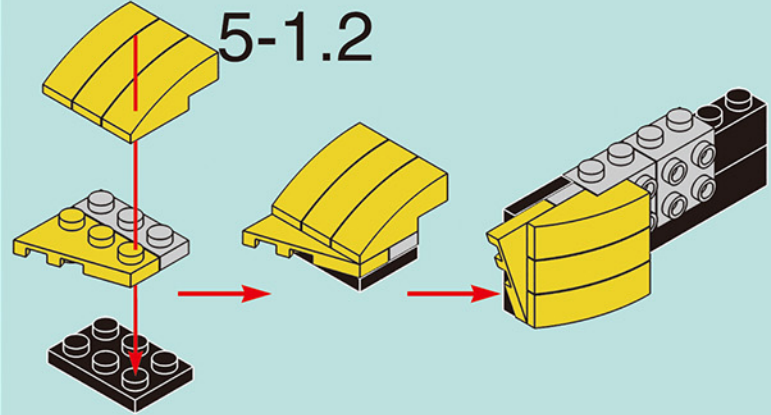




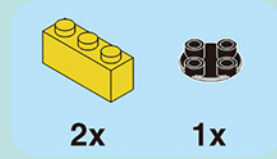
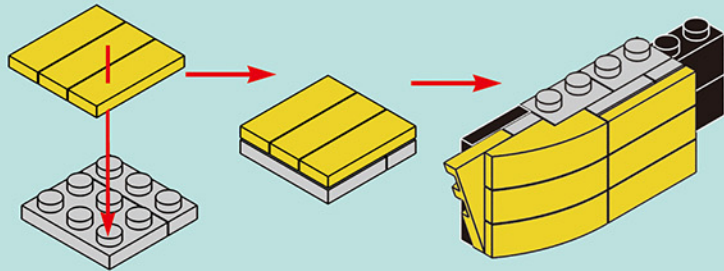
5-1.1



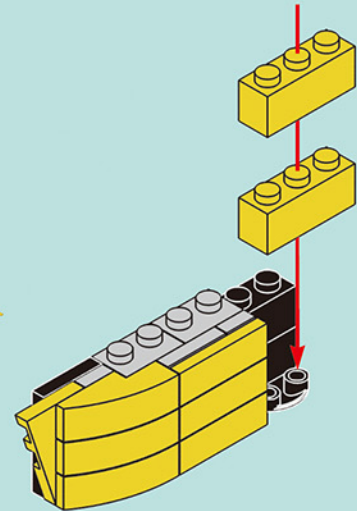
5-1.2

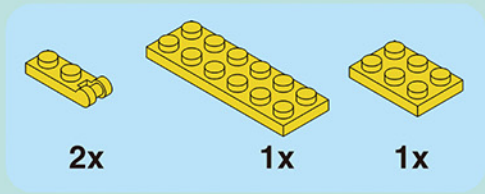


5-1.3

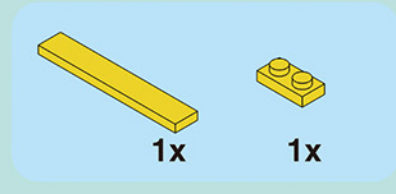
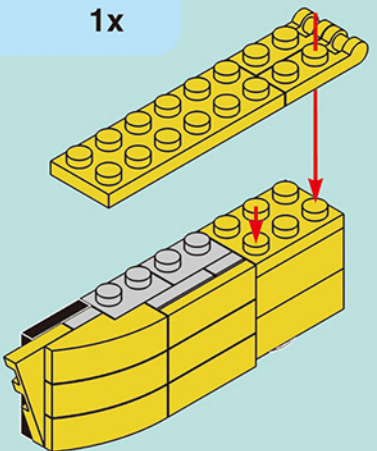


5-1.4

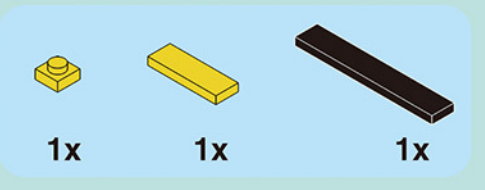
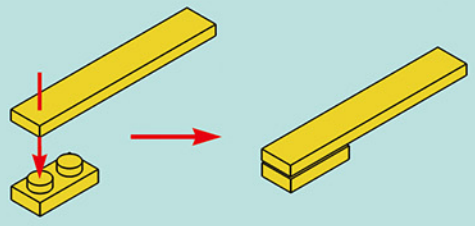




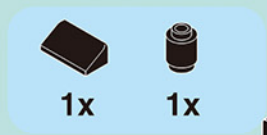
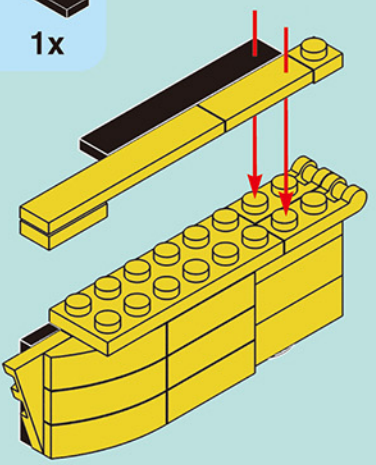
5-1.5



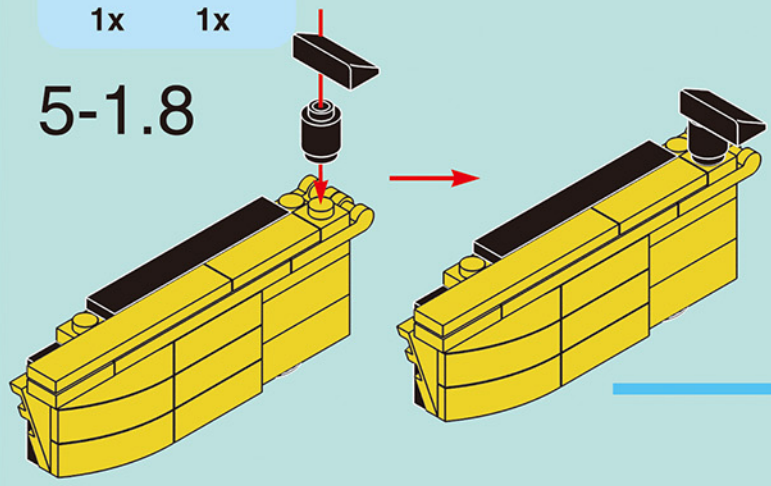
5-1.6



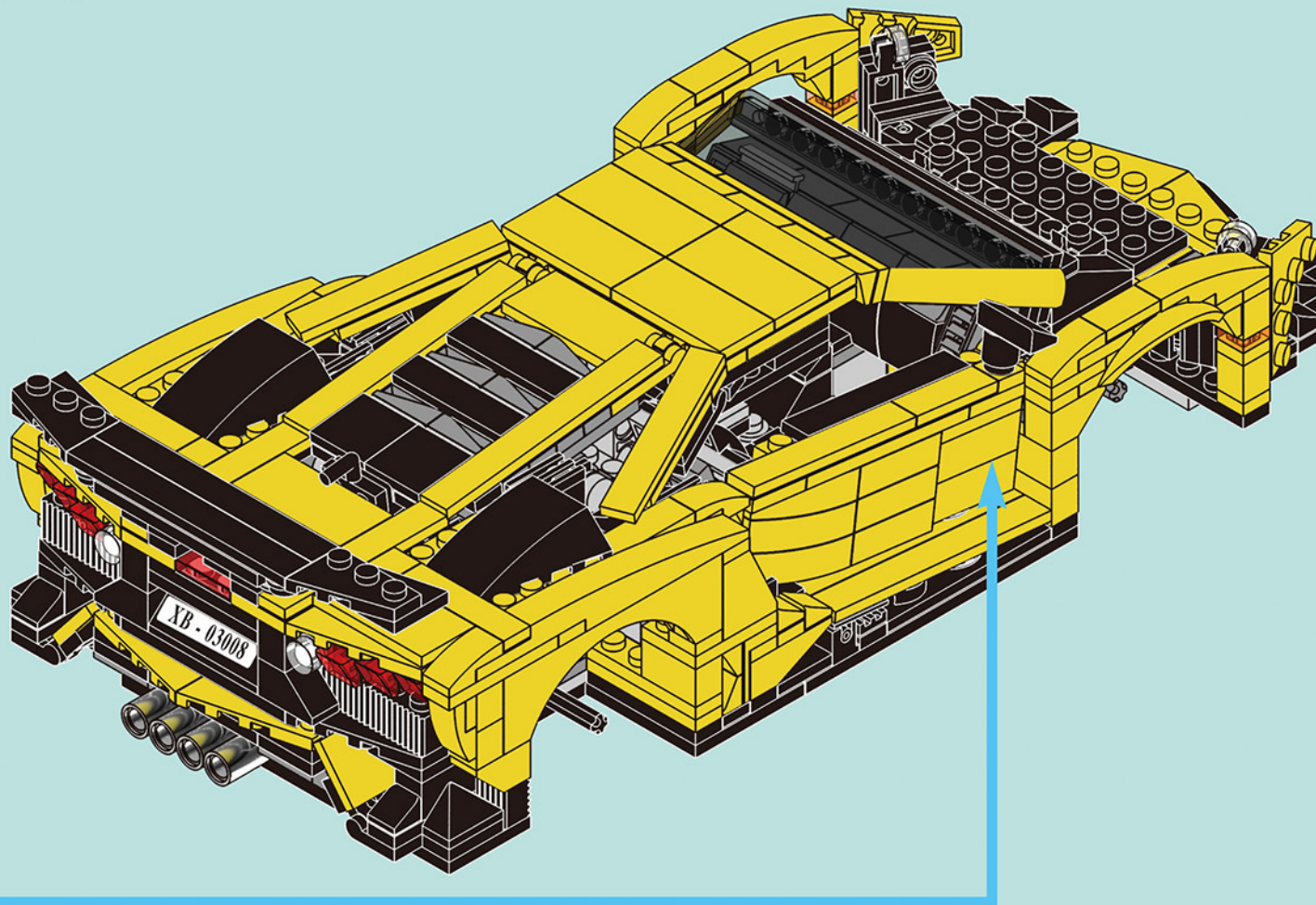
5-1.7

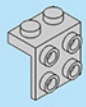


5-1.8

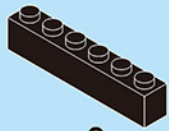


5-1



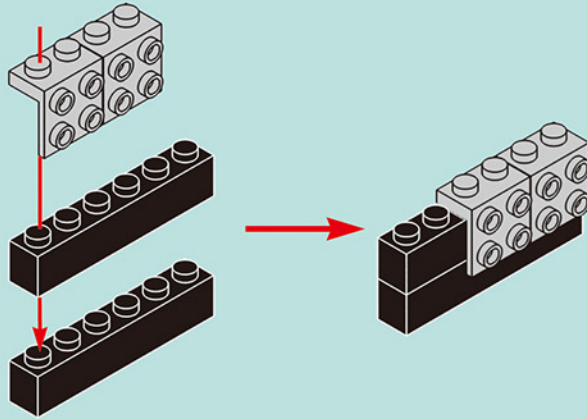


2x

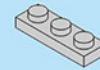


2x

5-2.1



3x



1x

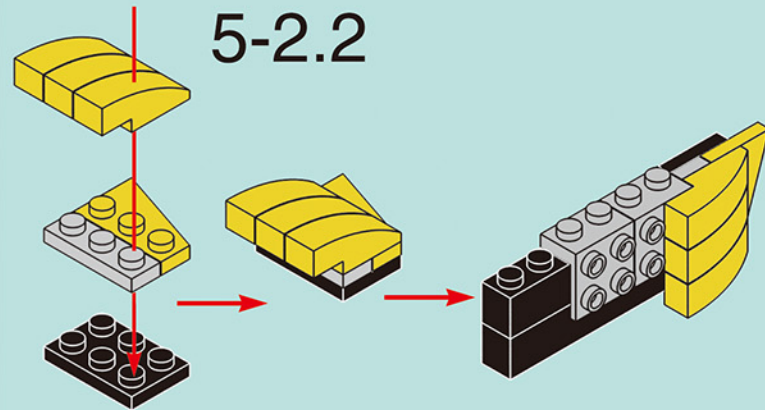


1x

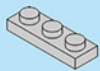


1x

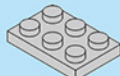
5-2.2



3x

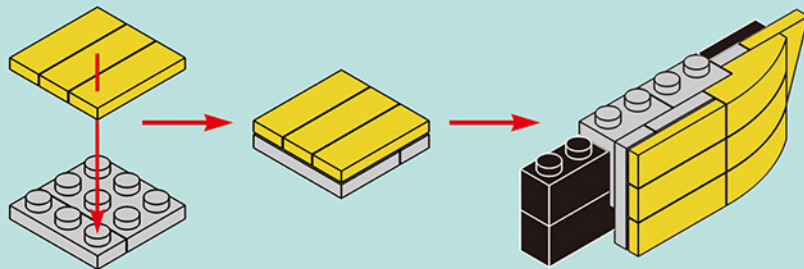


1x



1x

5-2.3

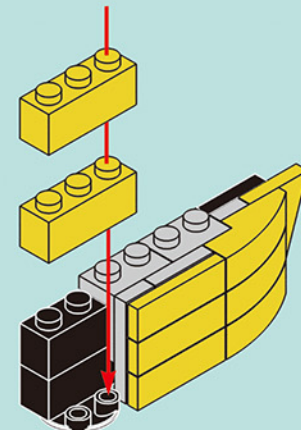


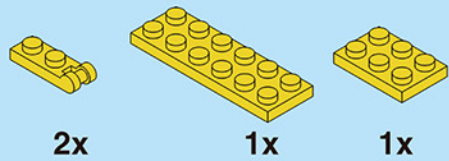
2x



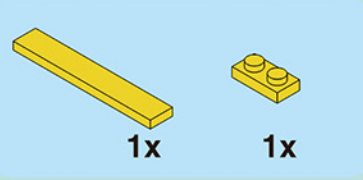
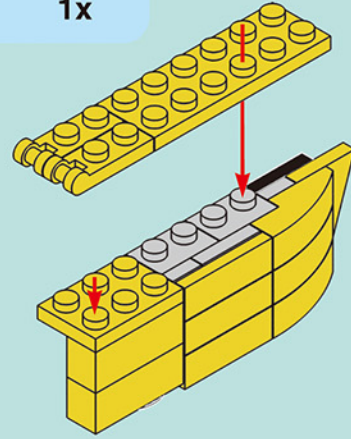
1x

5-2.4

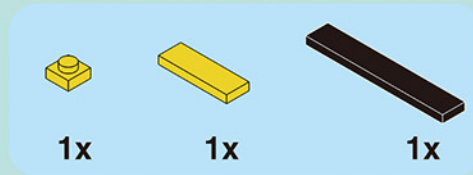
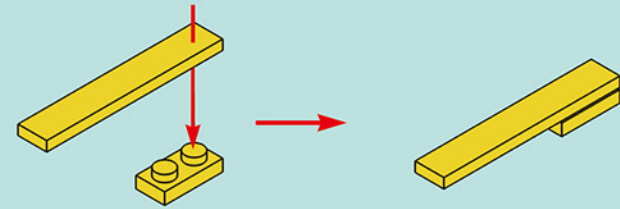




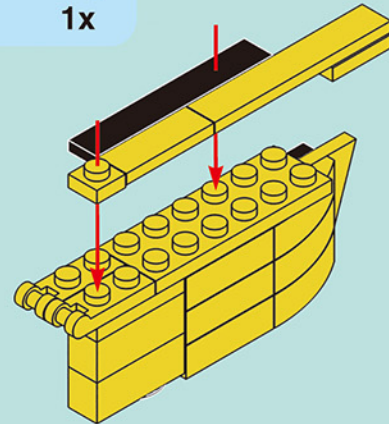
5-2.5



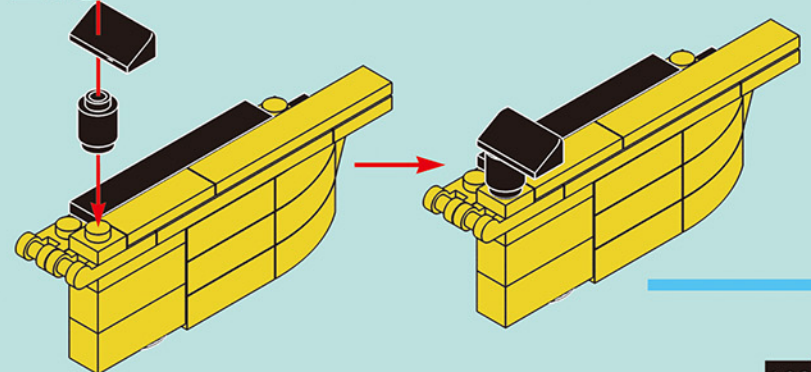
5-2.6



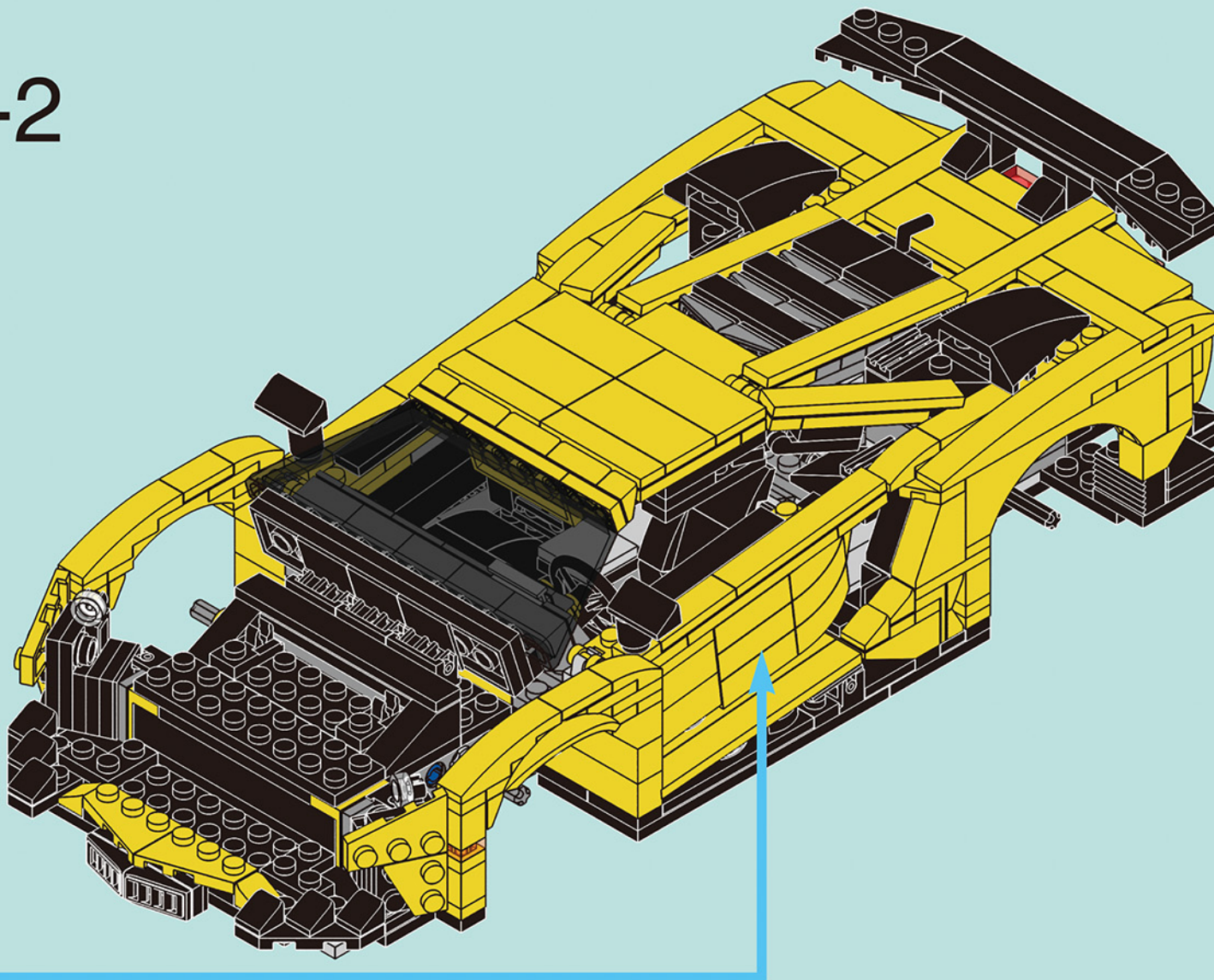
5-2.7

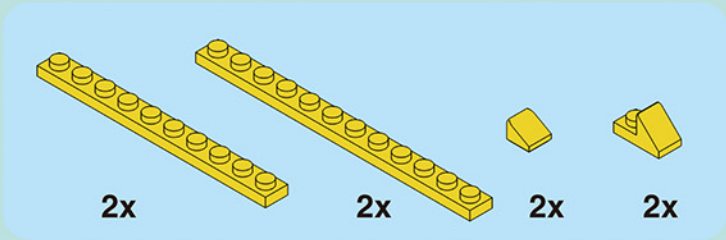


5-2.8

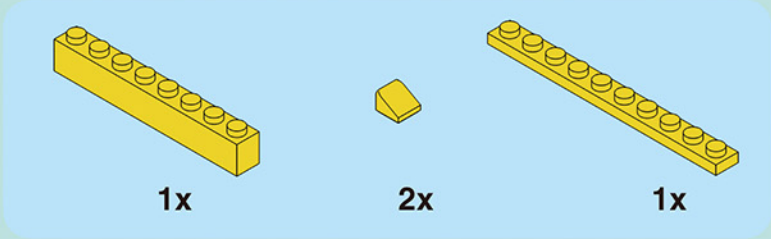
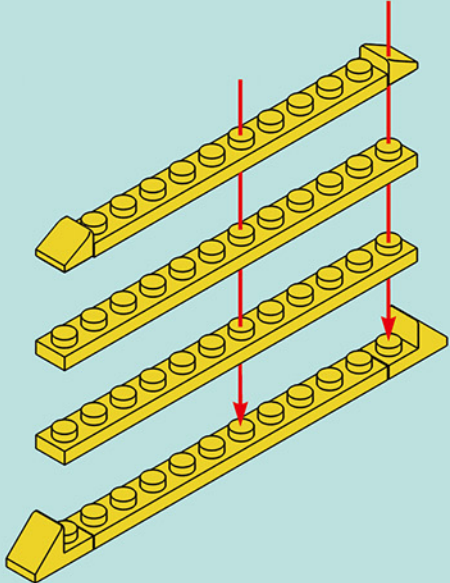


5-2

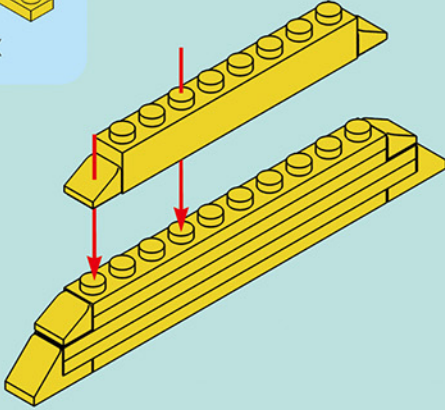


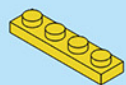


5-3.1.1



5-3.1.2





2x



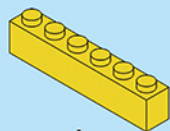
2x



1x

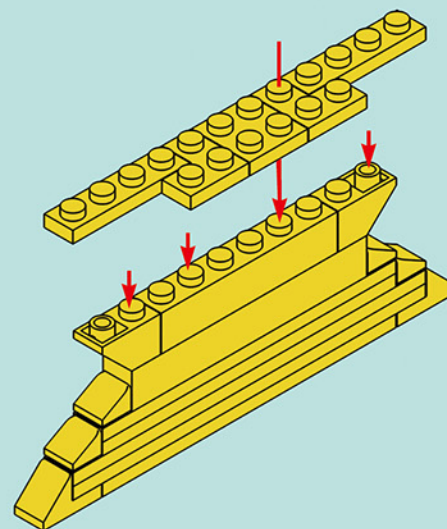


2x

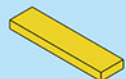


1x

5-3.1.3



2x



1x



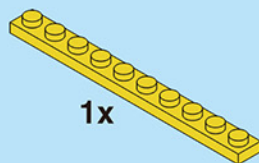
1x



1x

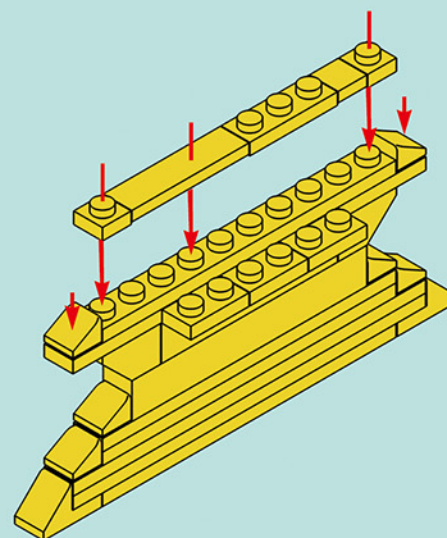


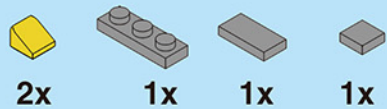
2x



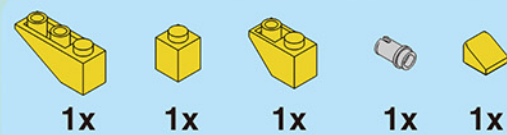
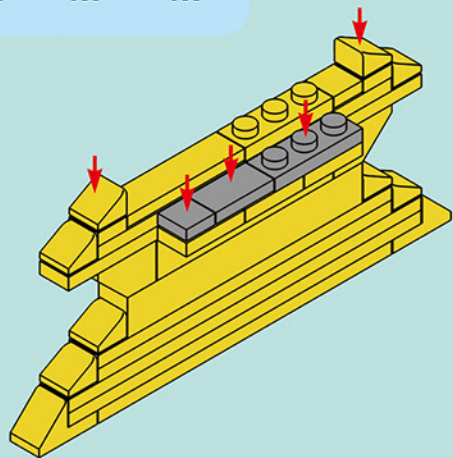
1x

5-3.1.4

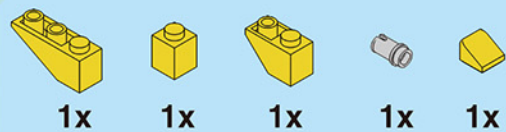
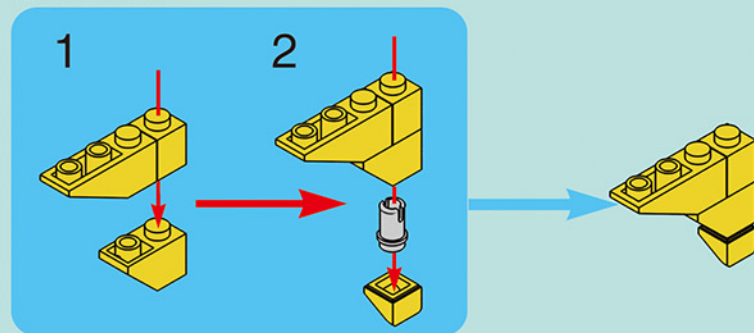




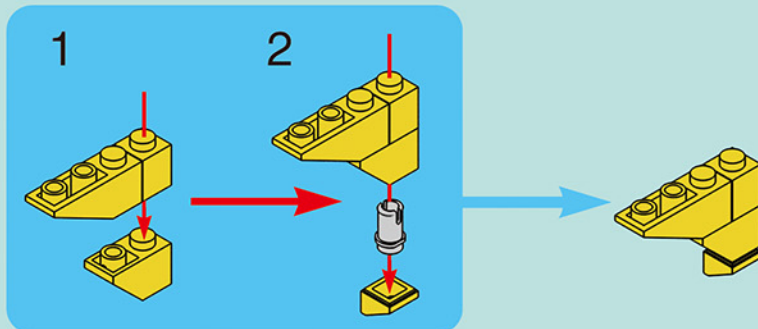
5-3.1



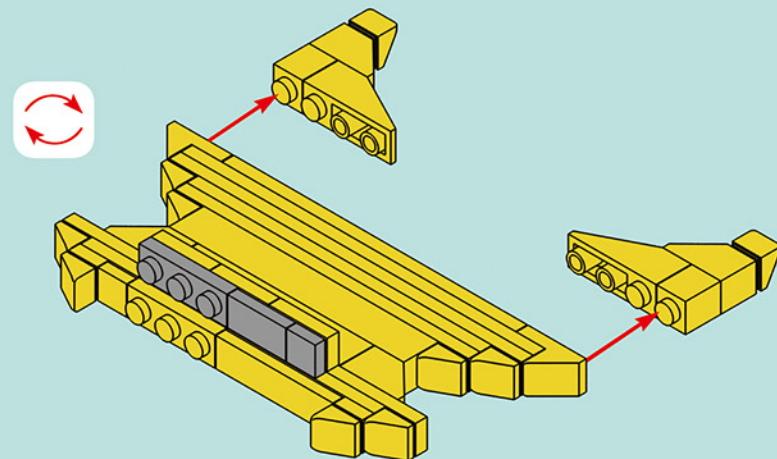
5-3.2.1

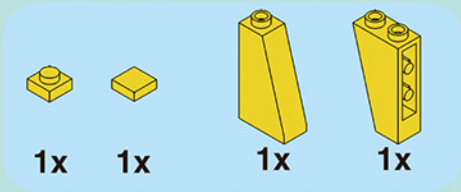


5-3.2.2

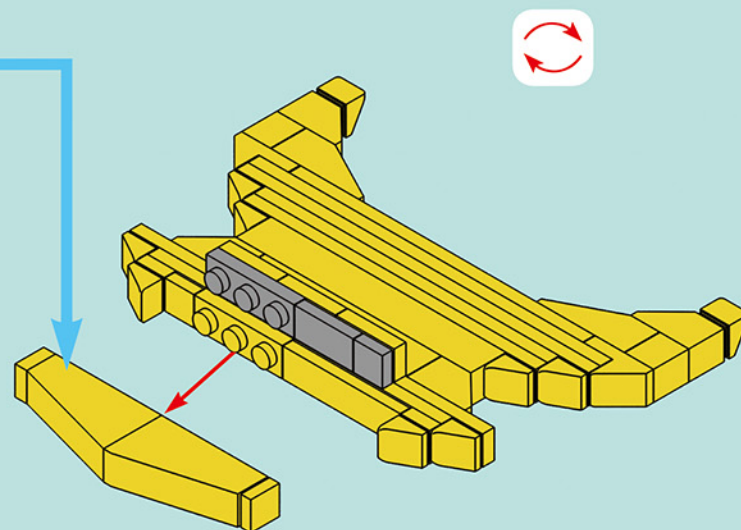
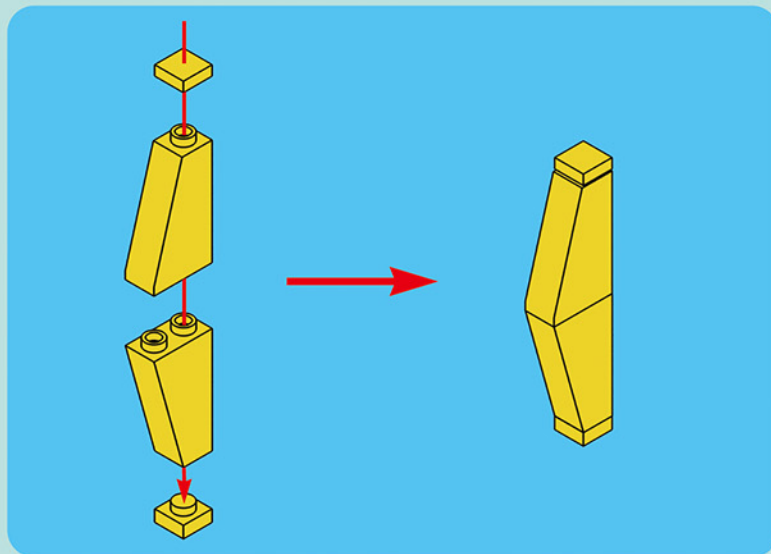


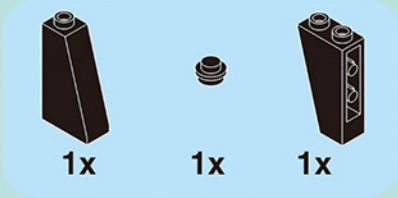
5-3.2



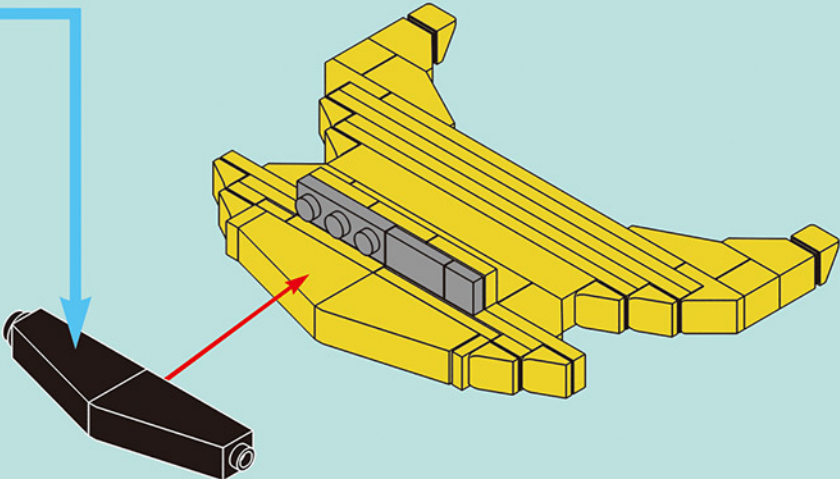
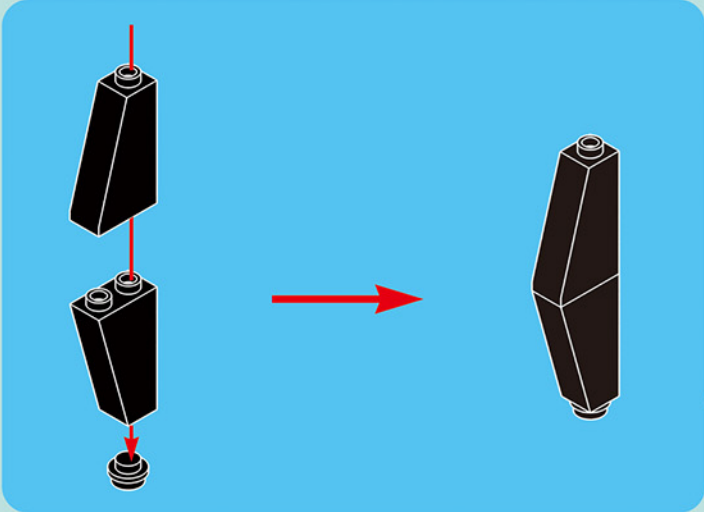


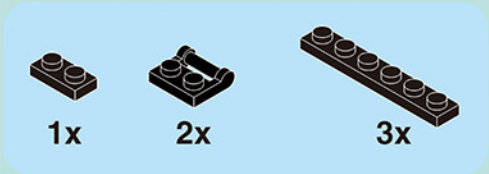
5-3.3



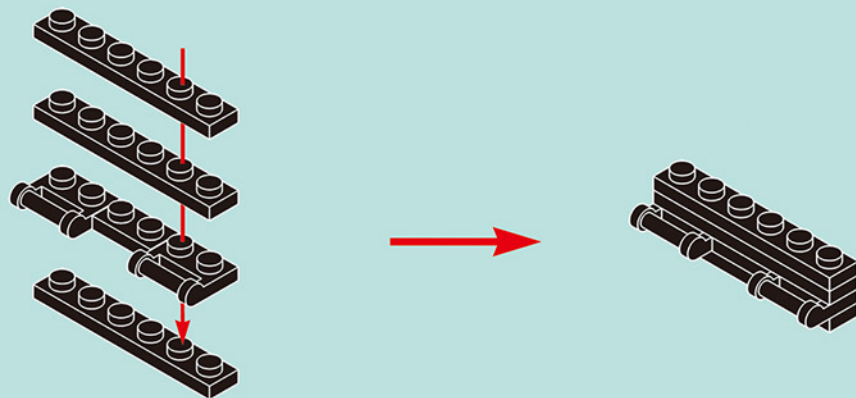


5-3.4

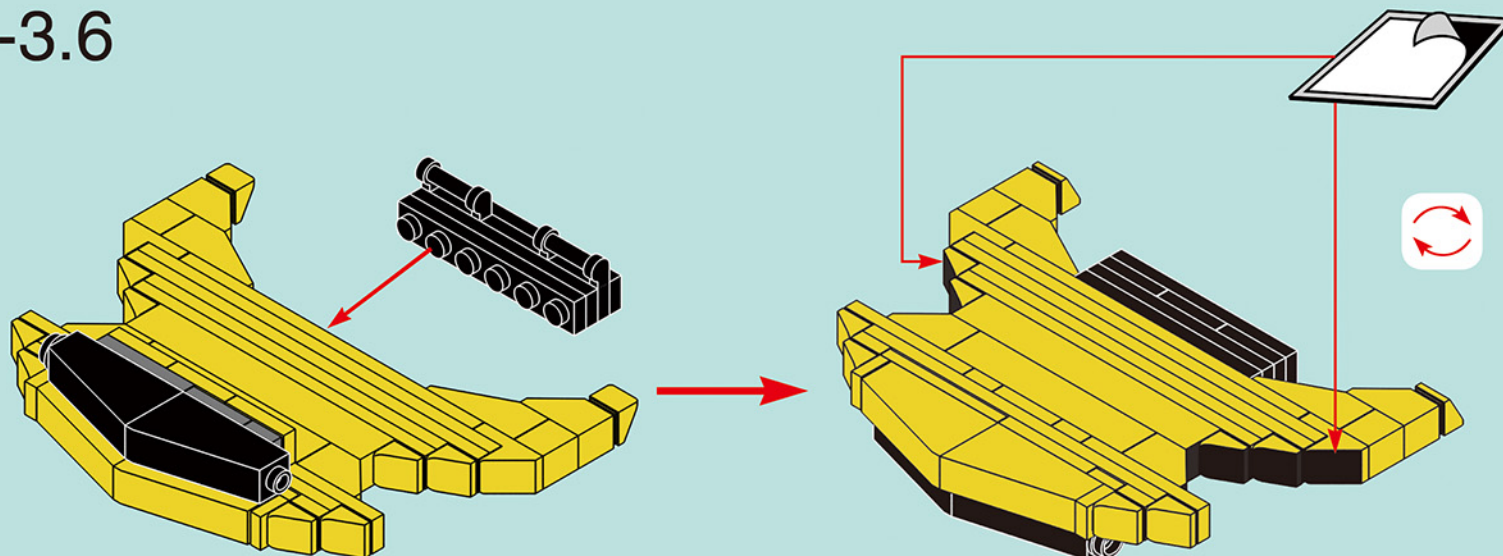




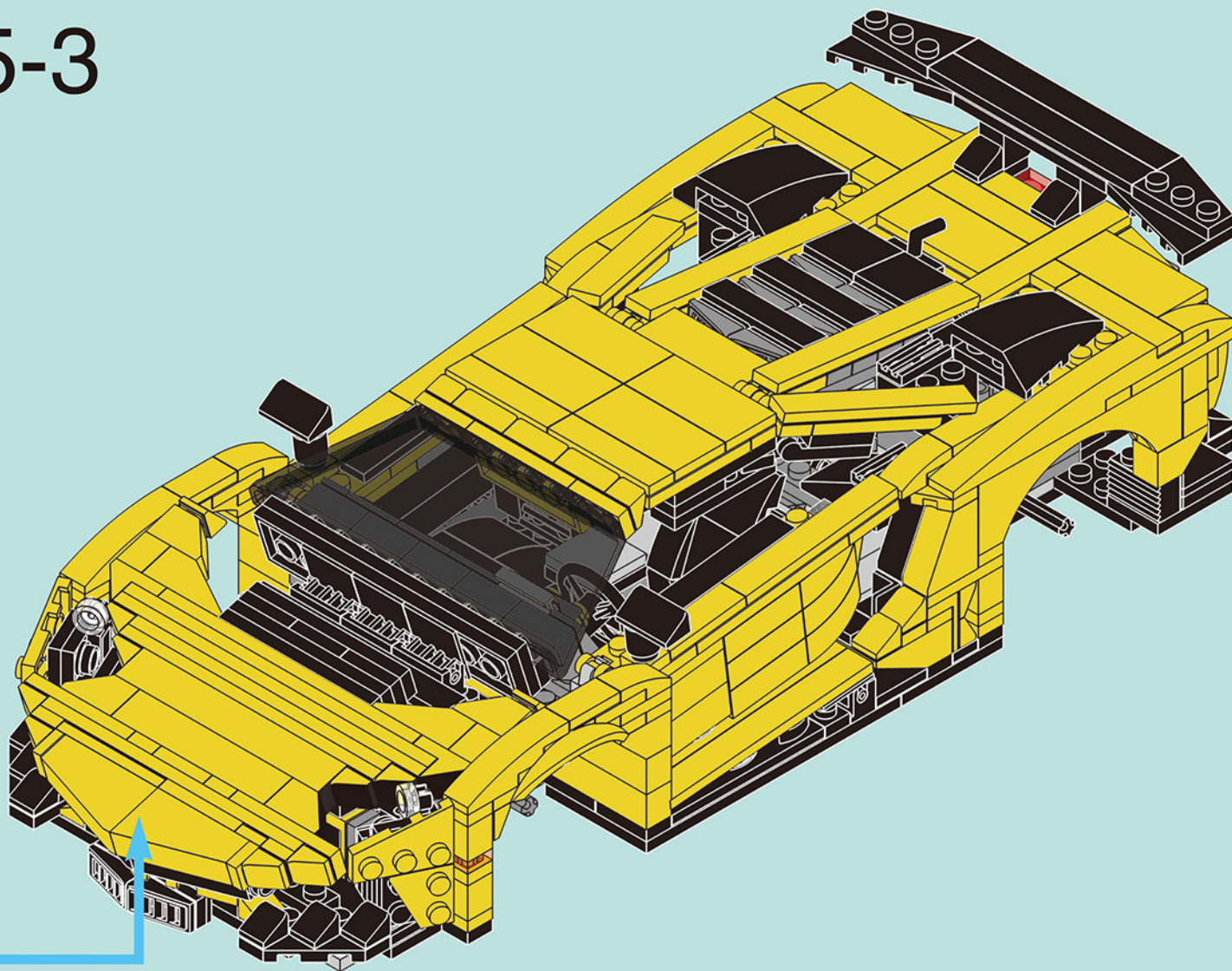
5-3.5



5-3.6



5-3





4x

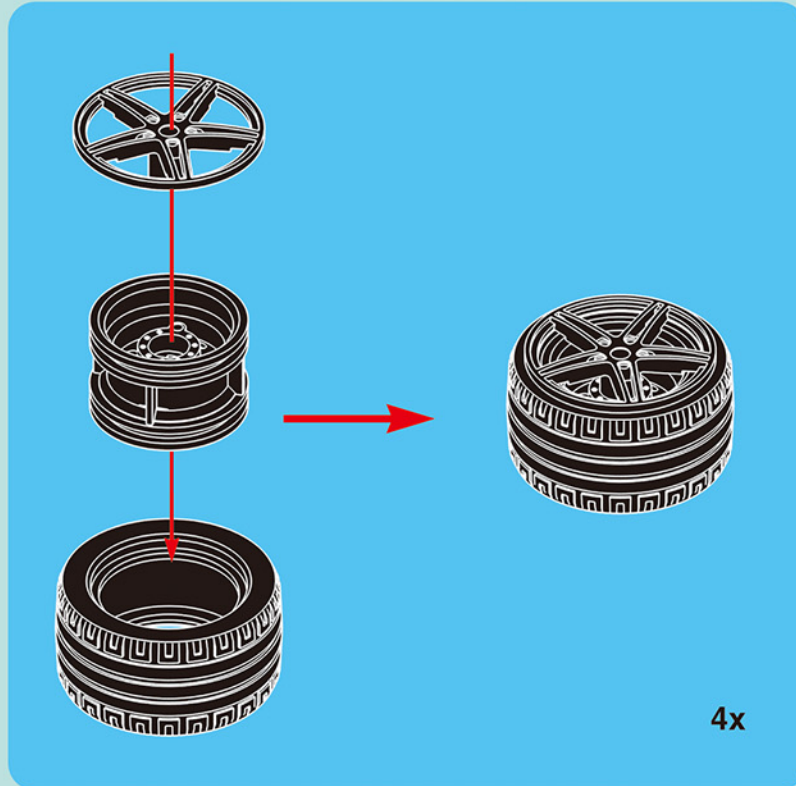


4x

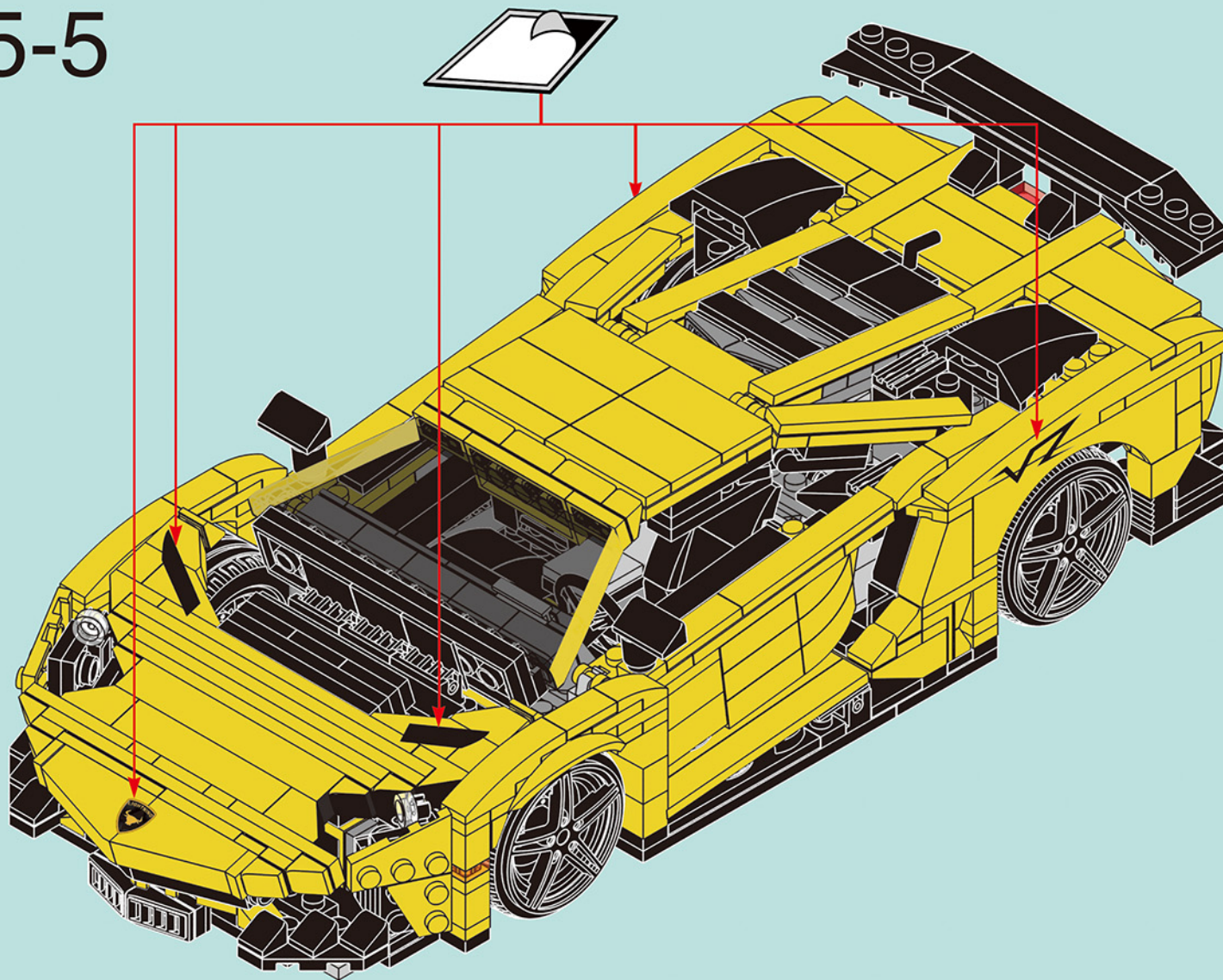


4x

5-4



5-5



DREAM-CAR

