



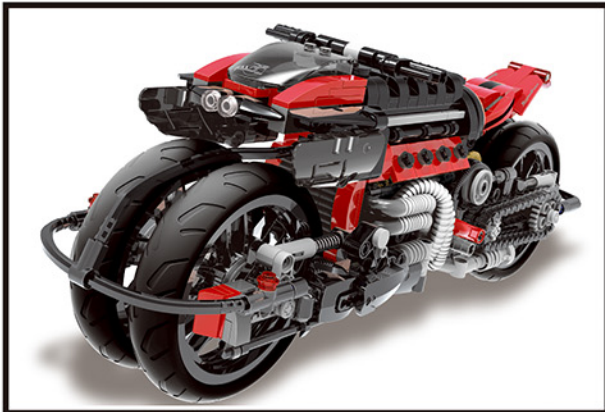
# DREAM-CAR

**XB-03020**



**Harun**

*Beado.*

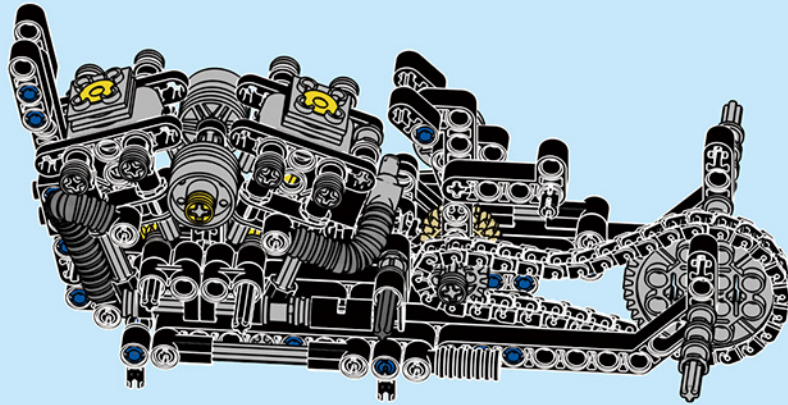


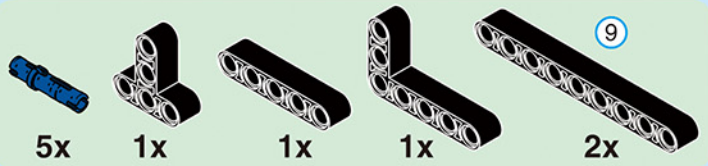
## **The author' s profile :**

**Name:** ianying

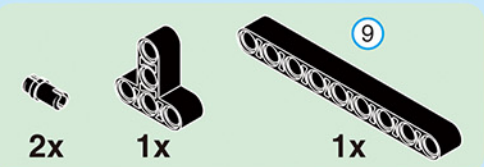
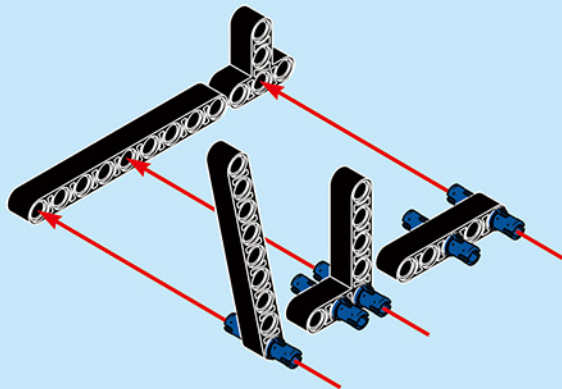
**Nationality:** Malaysia

Ian Ying is well known as "God of Brick Bike" in Malaysia's circles of brick fans. As a passionate MOC builder, Ian Ying keeps finding new ways and keeps trying different combination types of bricks in his creation, in order to achieve the beauty and fineness of his builds. Today, his creations have been widely shared on various social media bricks pages and groups. Some of his builds have even been recognised and featured in international well known bricks blogs and websites. Breado' s Bricks – "Beauty of the Bricks" is a Facebook Like Page where Ian Ying launches his latest MOC' s photos and shares updates of his works in progress. It is also a platform for him to interact and to share the fun of his bricking experience to more friends and fans. MOC unique identity – detailed modelling style, without sticker or print on bricks, purely beauty of bricks. Area of expertise: 4 Wheelers Monster Bike

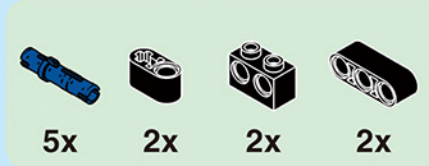
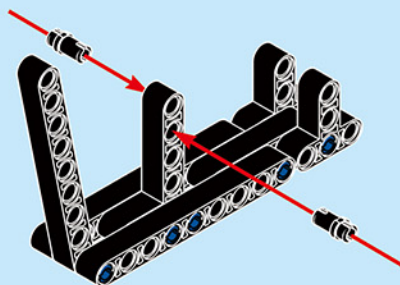




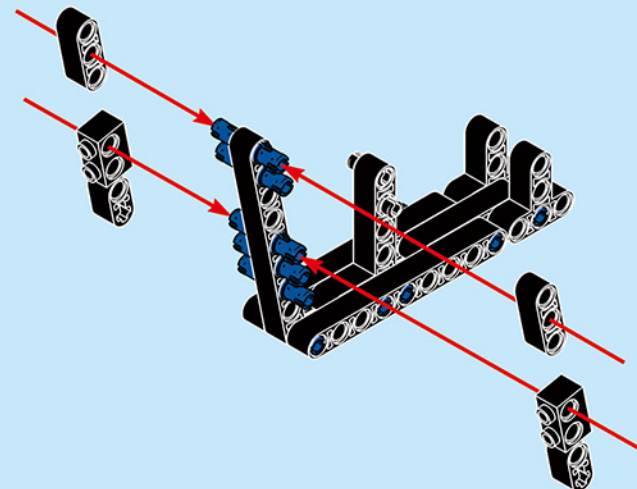
1-1



1-2

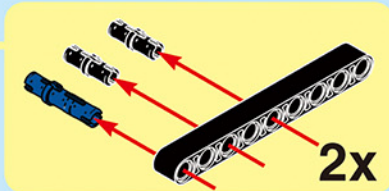
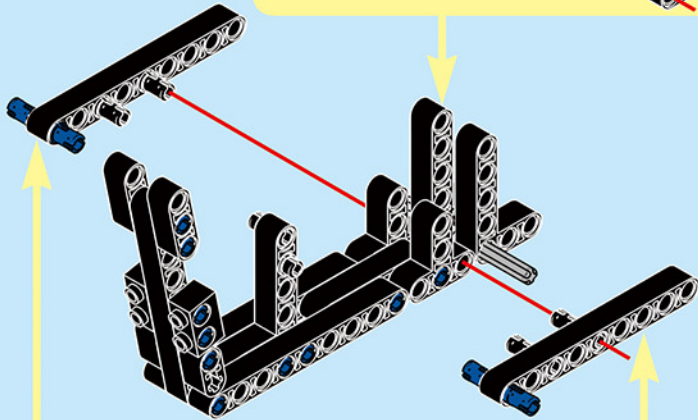
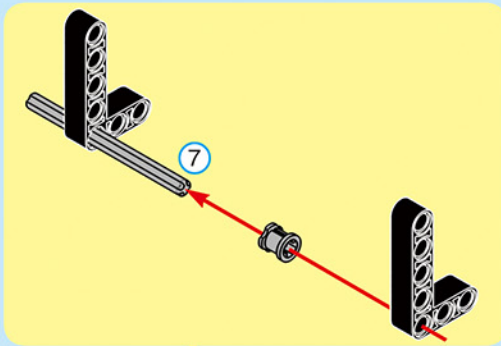


1-3

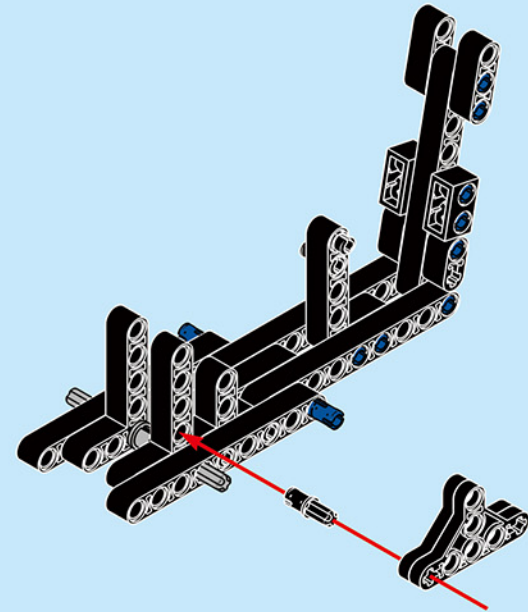


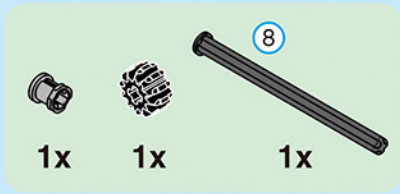


1-4

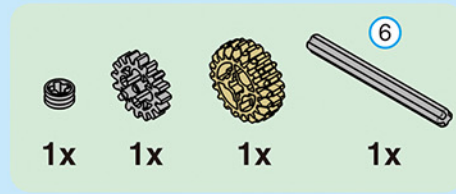


1-5

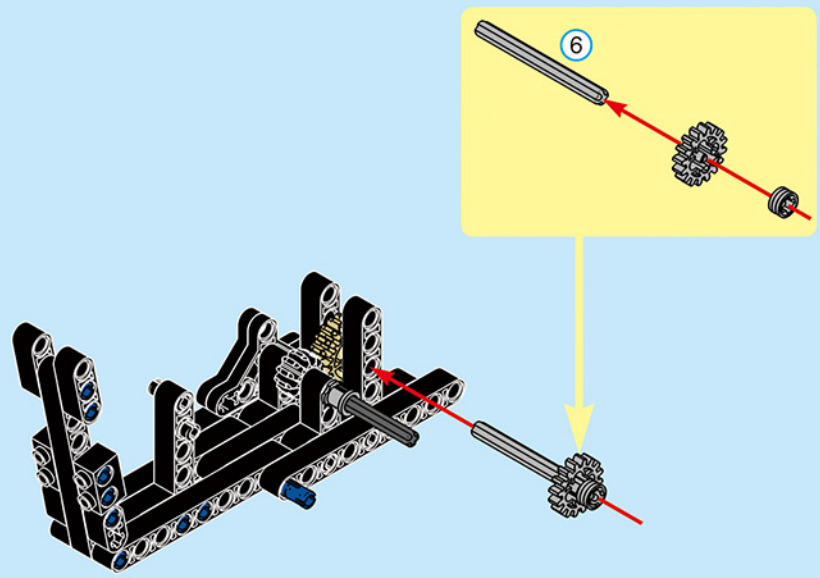
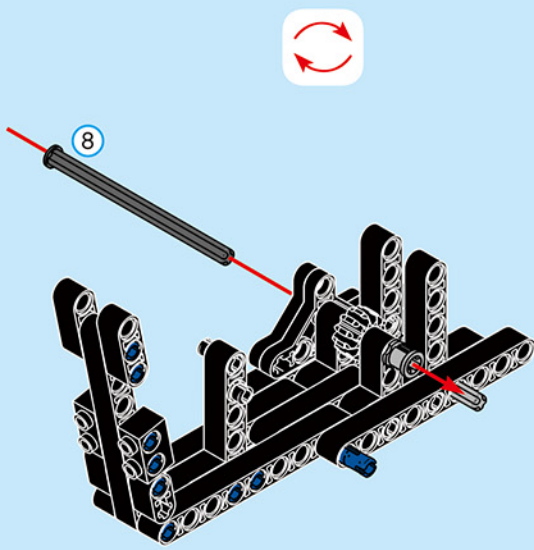


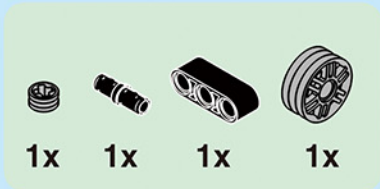


1-6

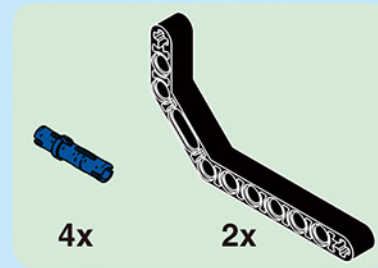
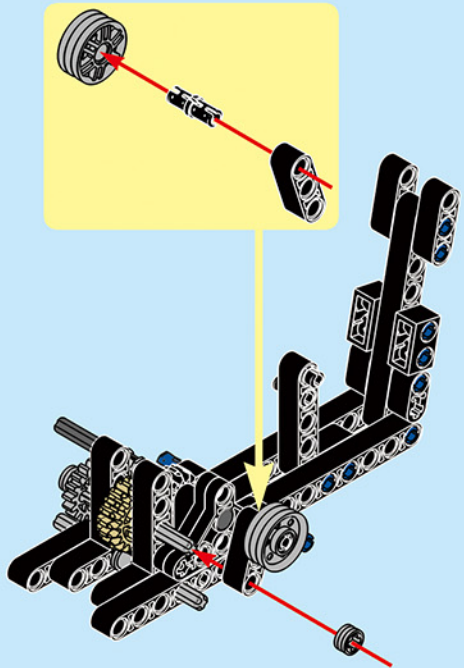


1-7

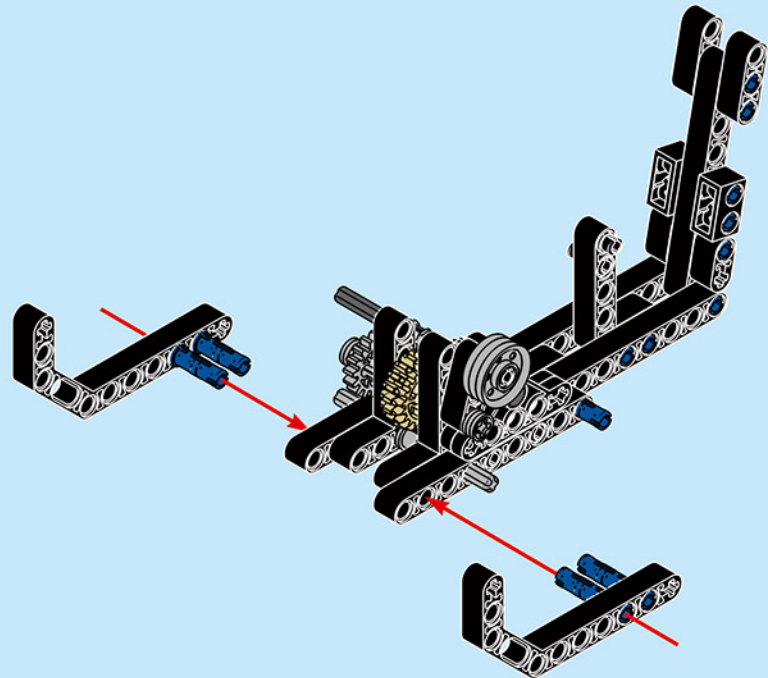


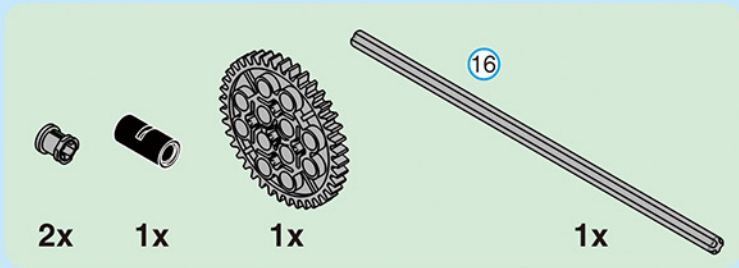


1-8

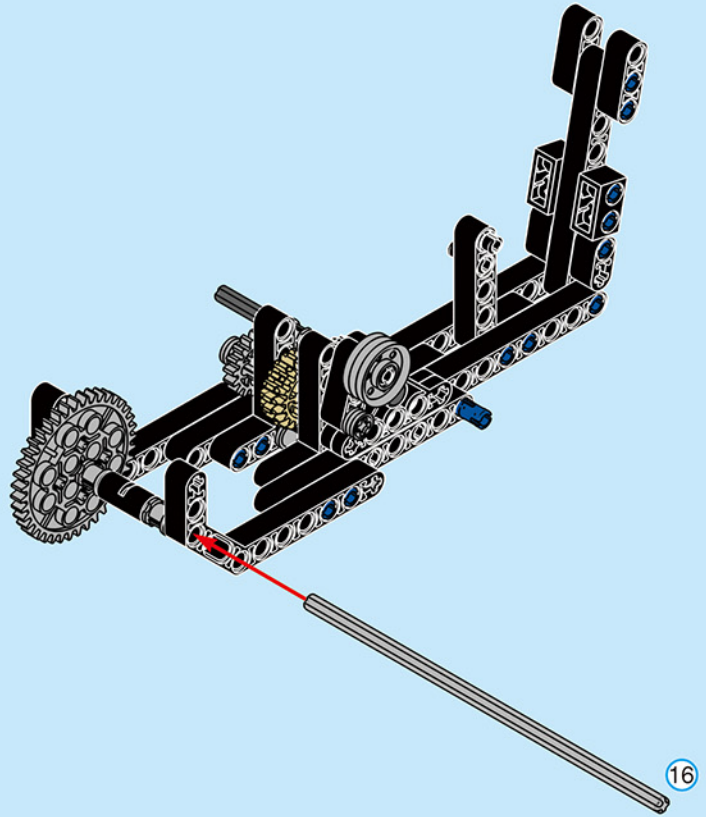


1-9





1-10

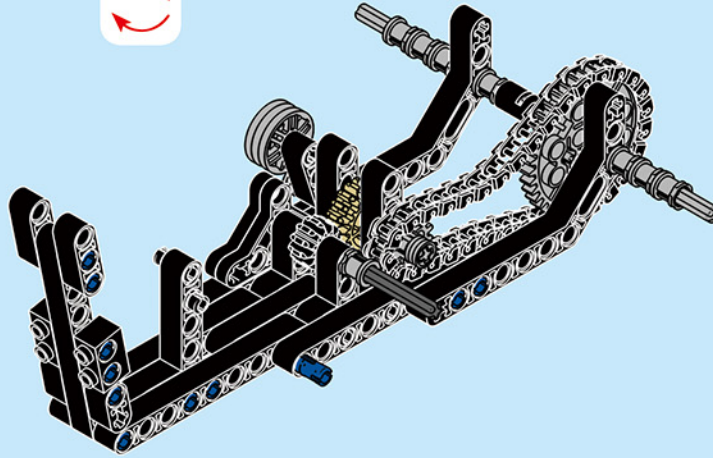




34x

6x

# 1-11



1x

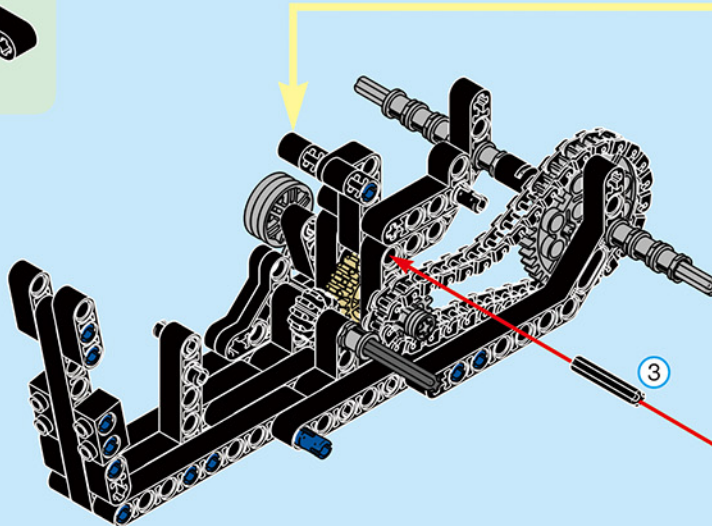
1x

2x

3x

2x

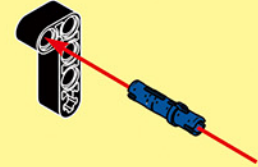
# 1-12



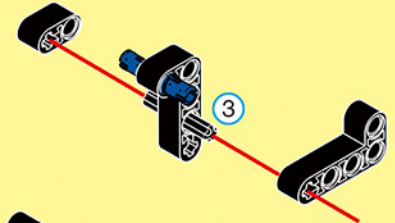
③ 1:1



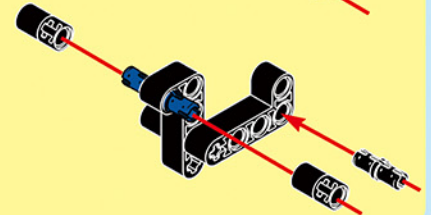
1

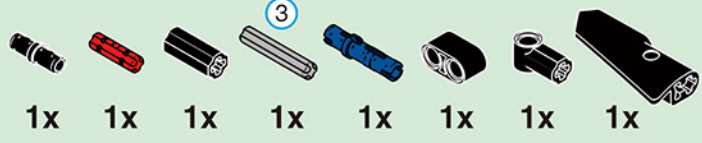


2

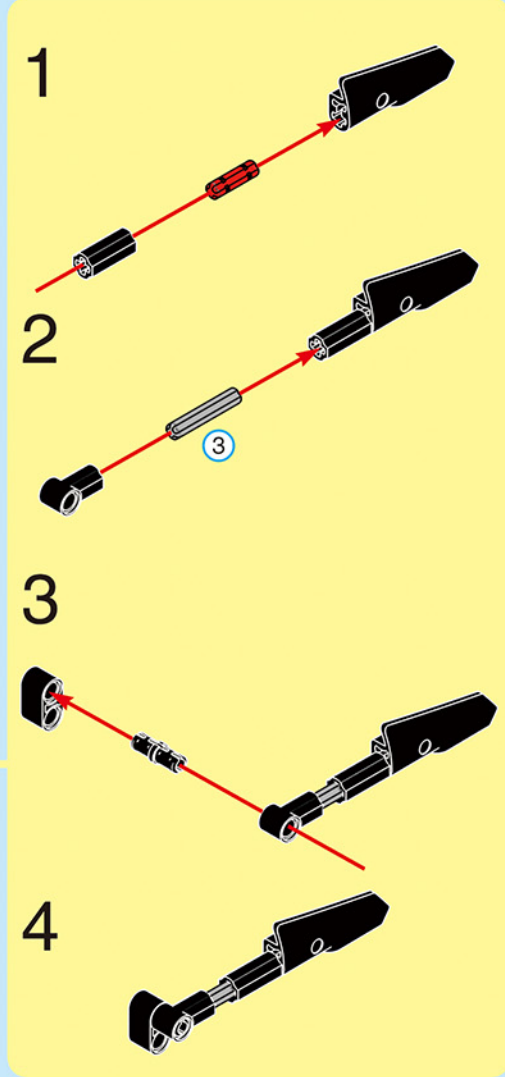
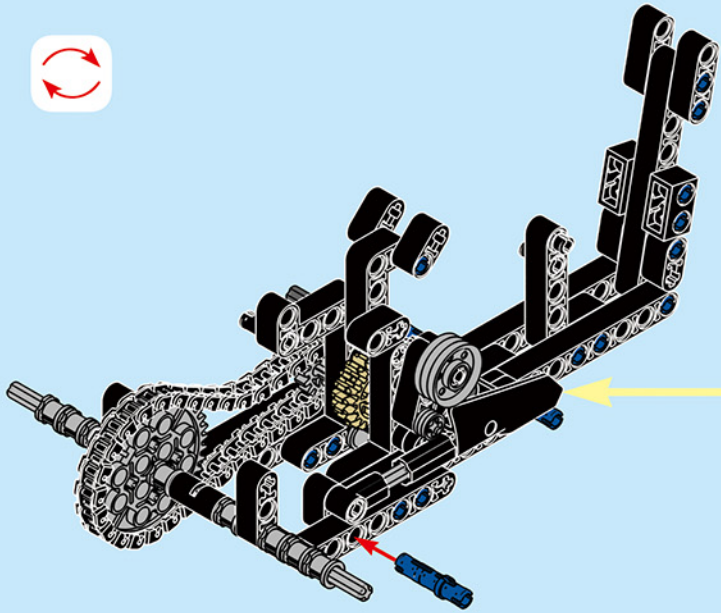


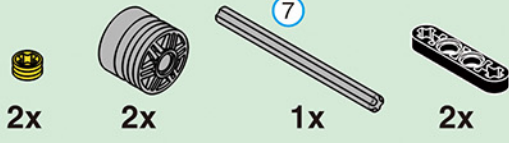
3



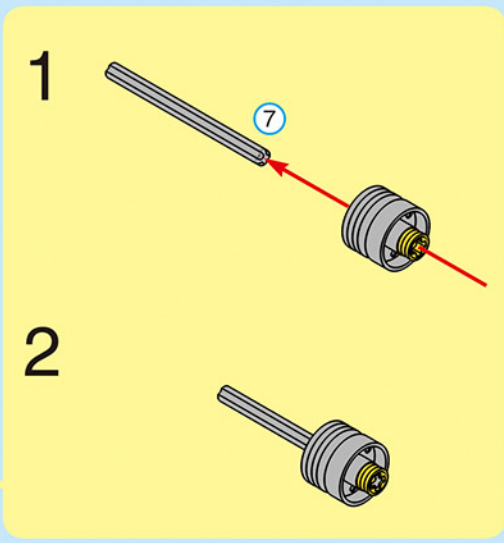
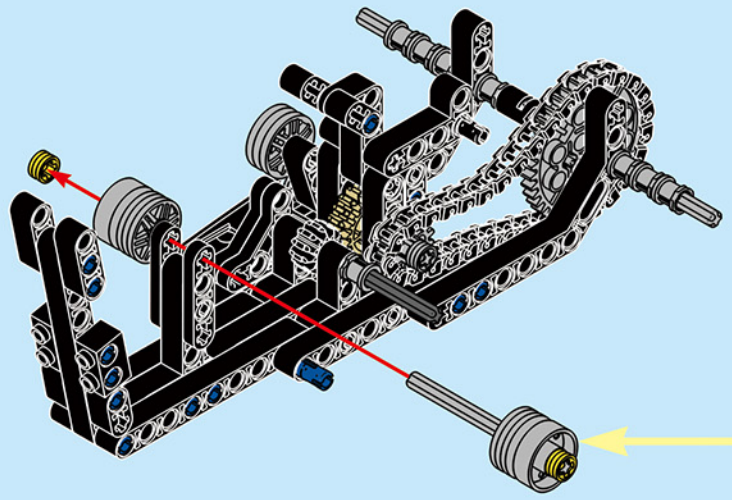


# 1-13



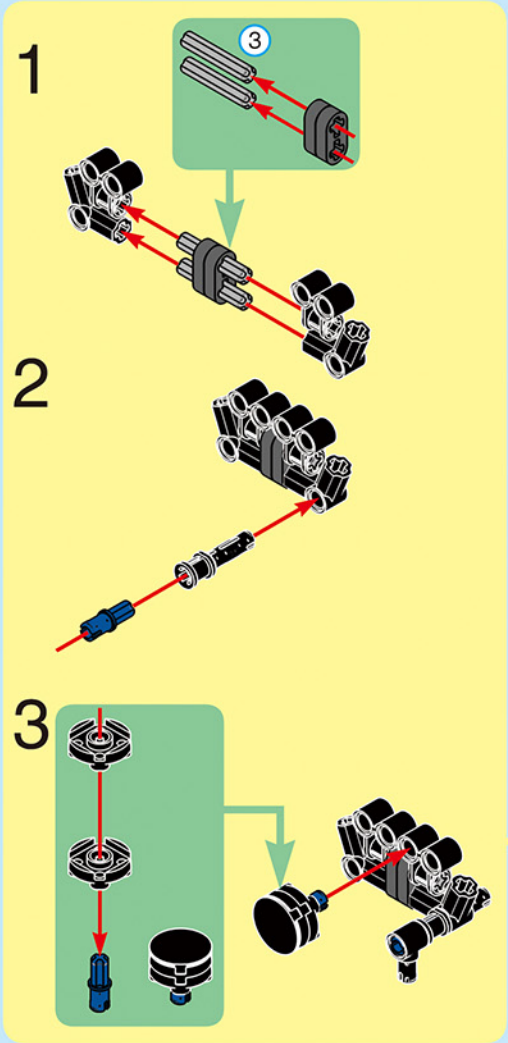
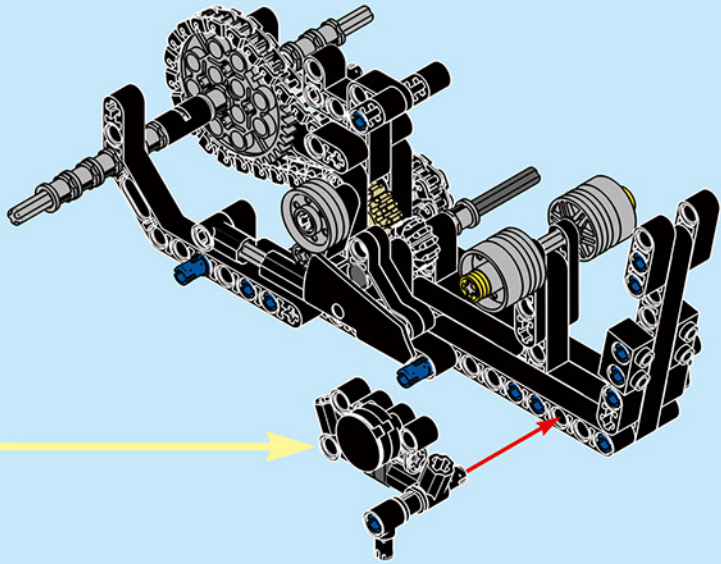
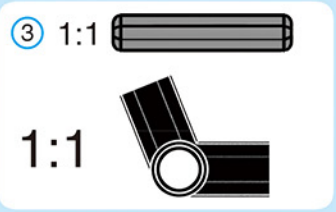









1-14



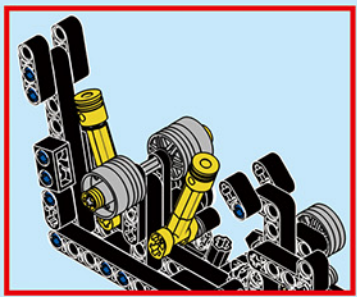
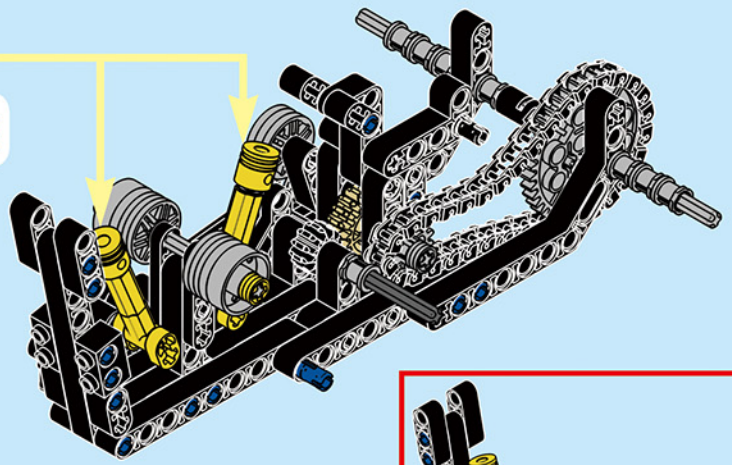
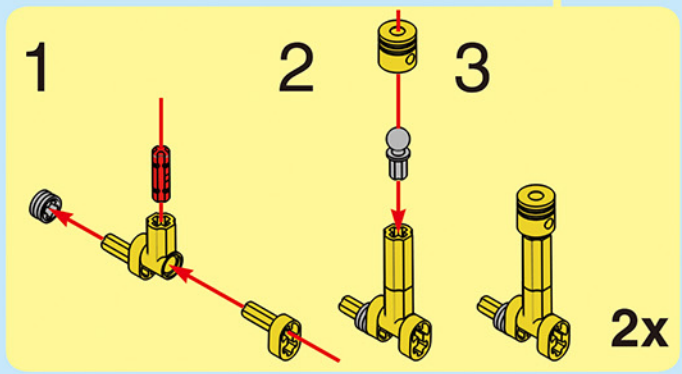





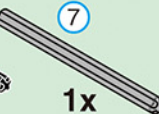
# 1-15



-  2x
-  4x
-  2x
-  2x
-  2x
-  2x
-  2x

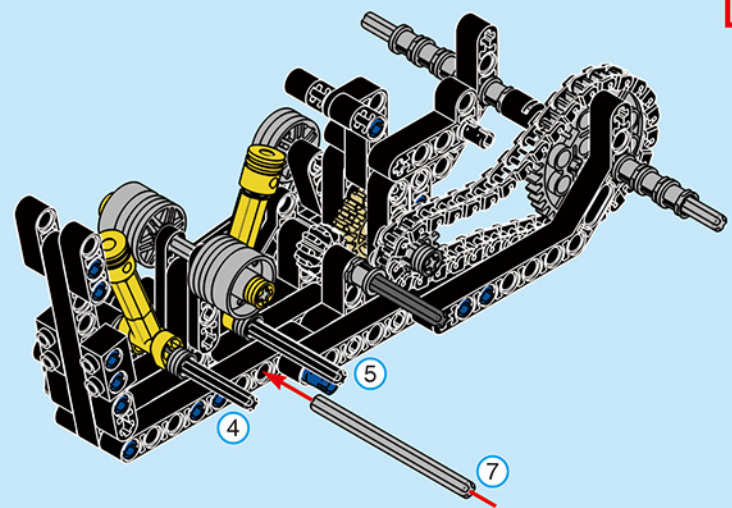
# 1-16

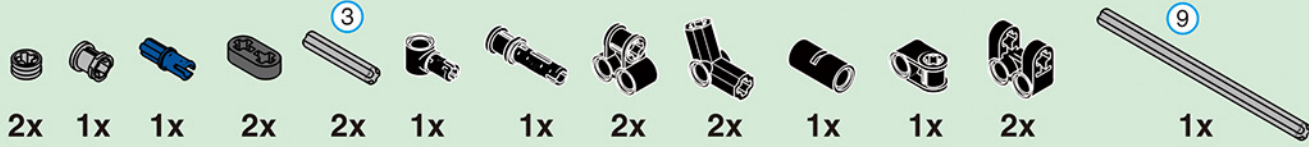


-  2x
-  1x
-  1x
-  1x

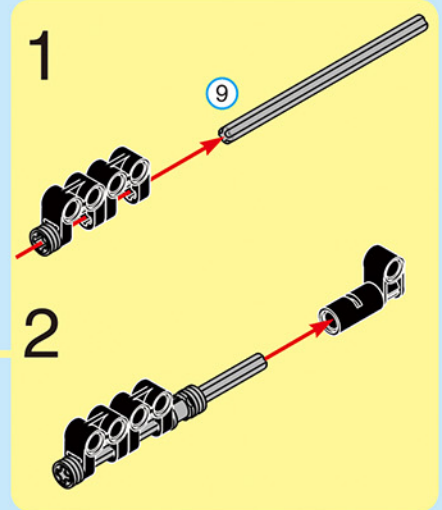
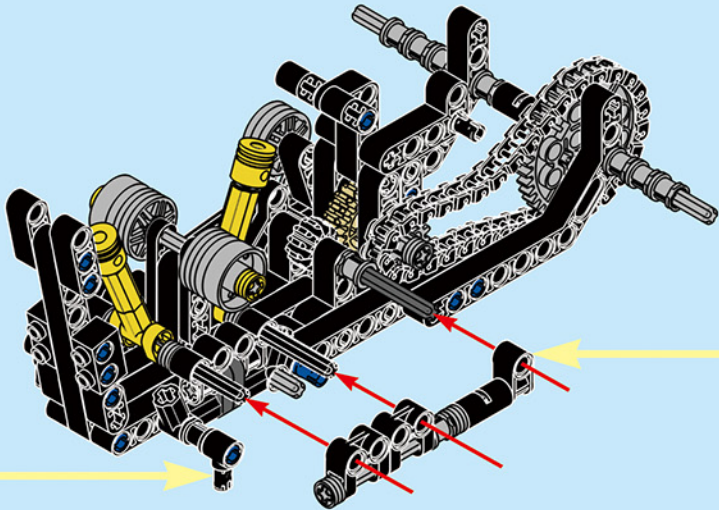
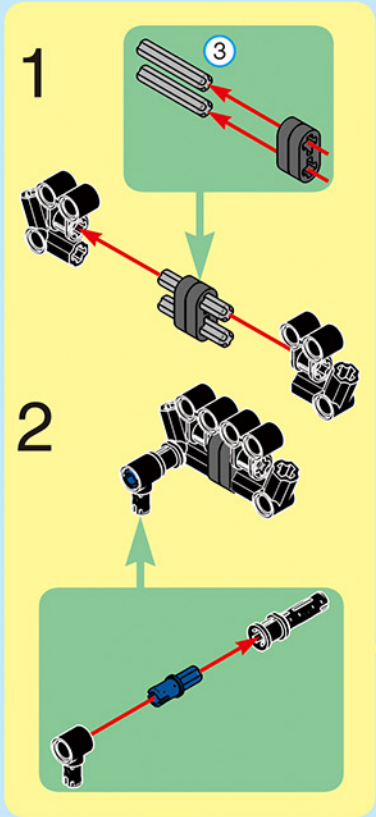
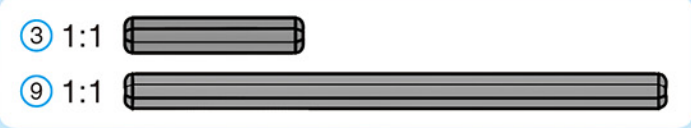
# 1-17

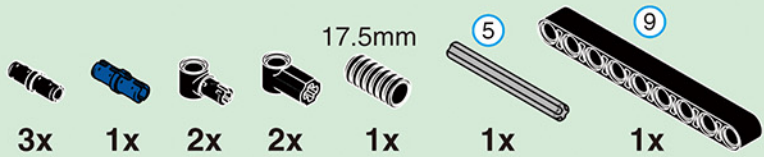
-  1:1
-  1:1
-  1:1



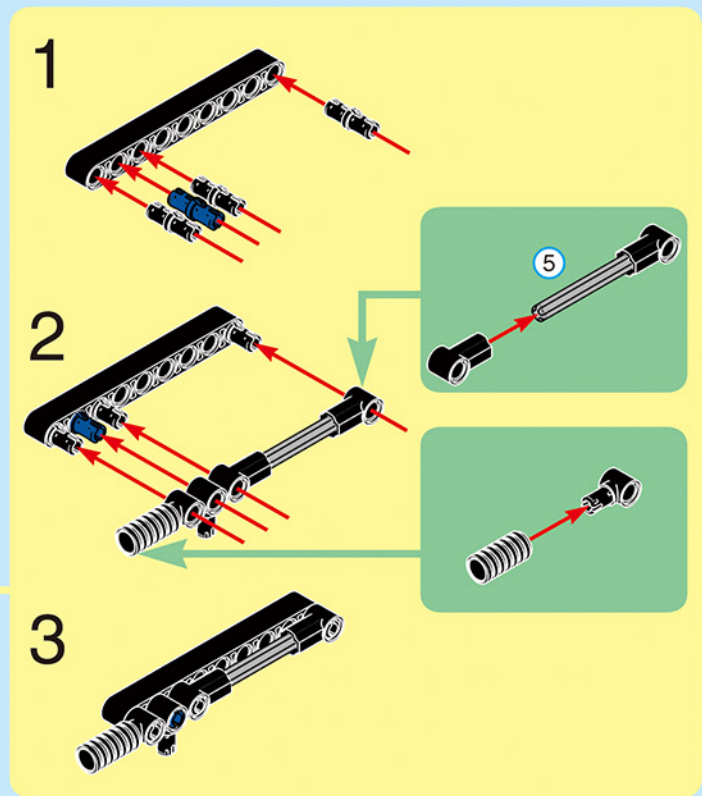
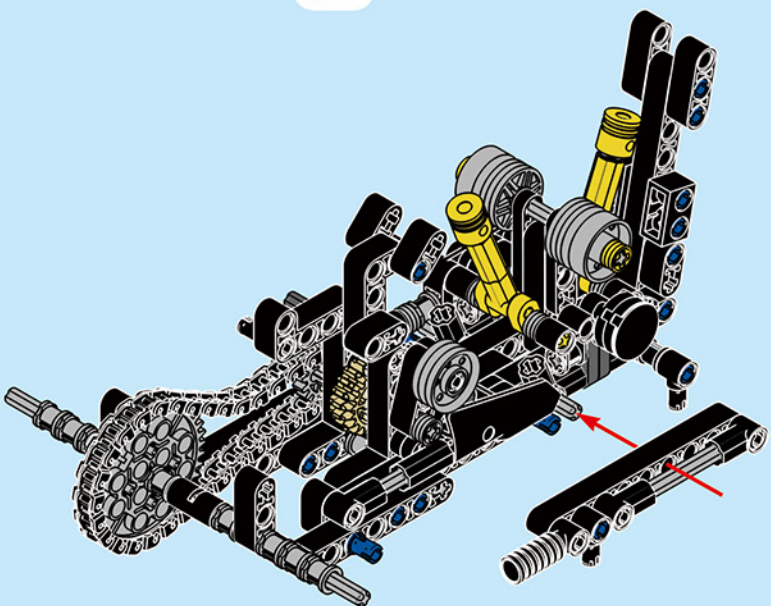


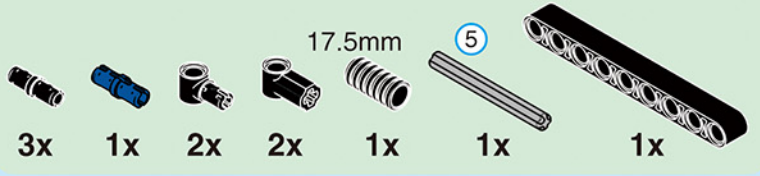
# 1-18



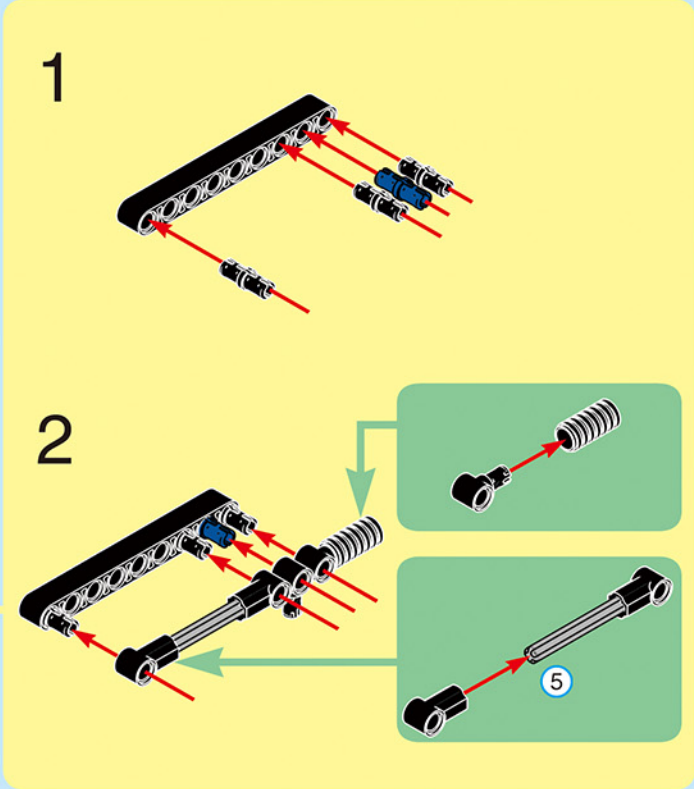
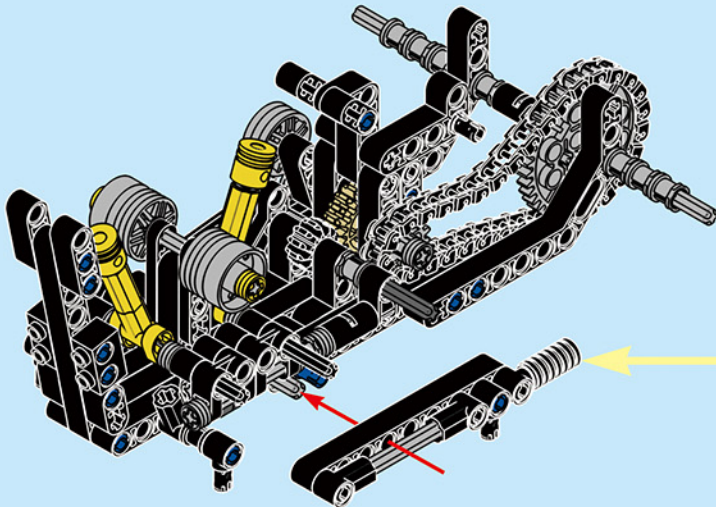


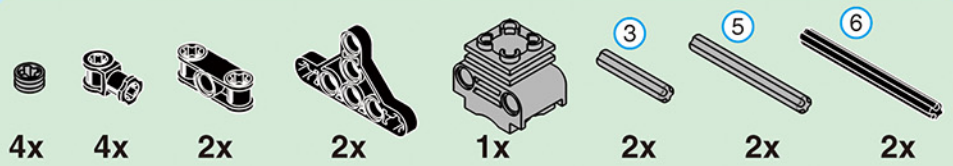
1-19



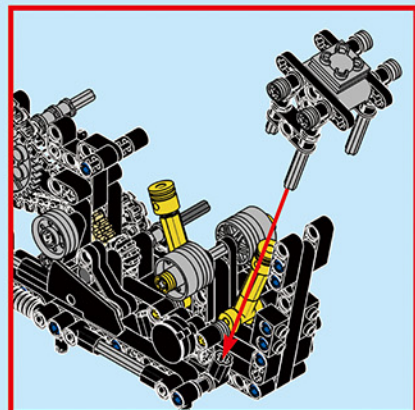
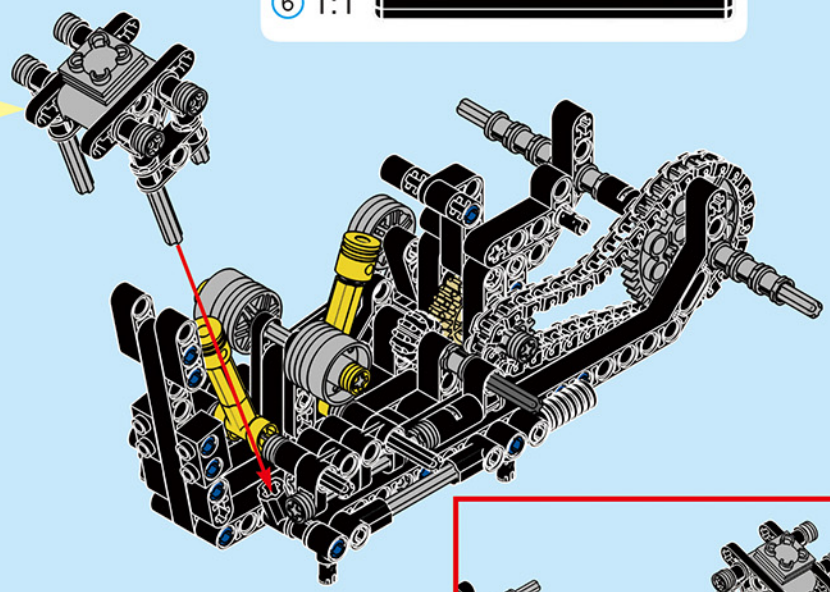
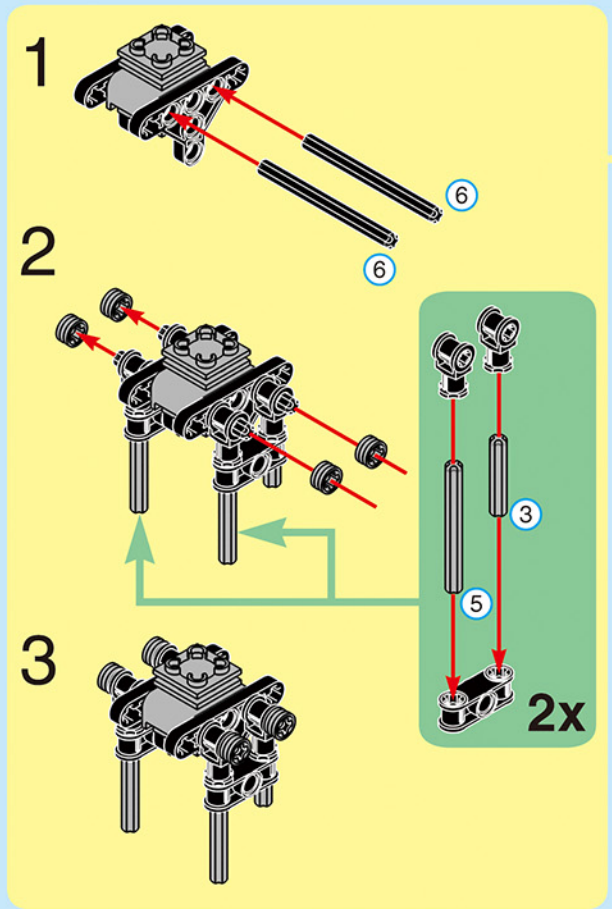
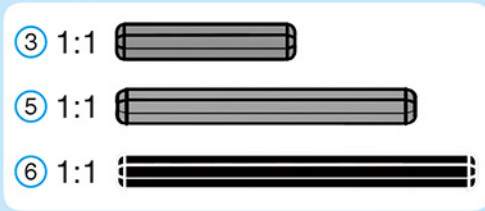


1-20



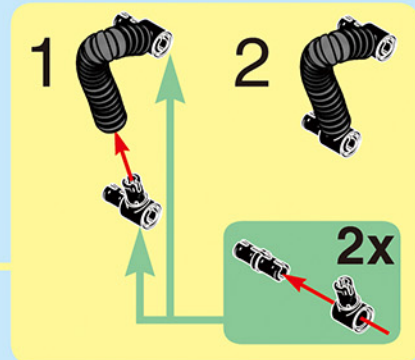
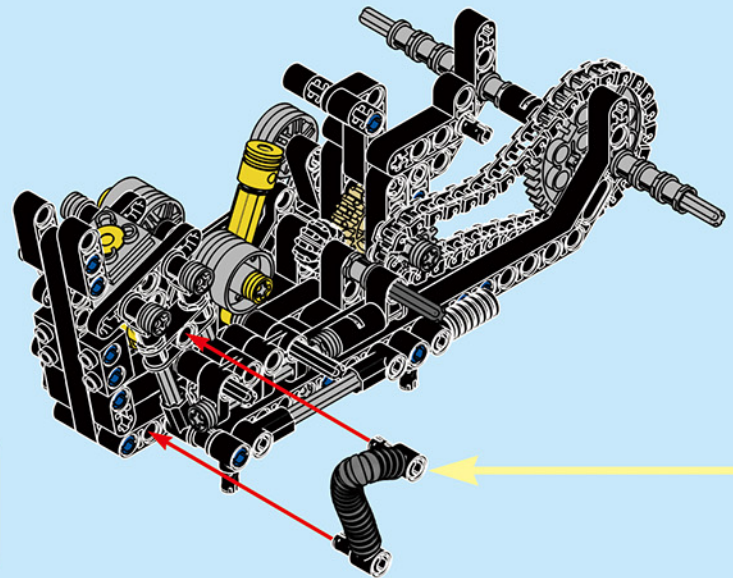


# 1-21

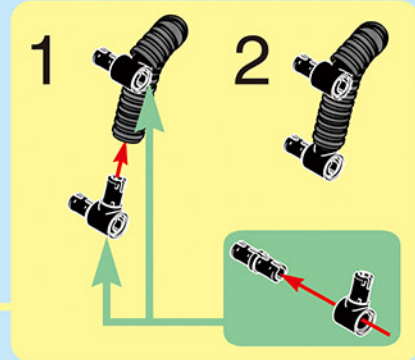
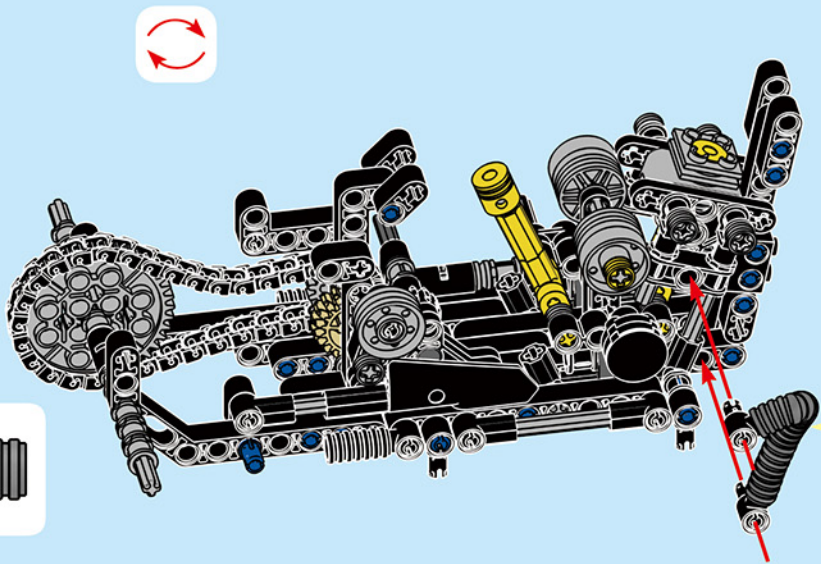


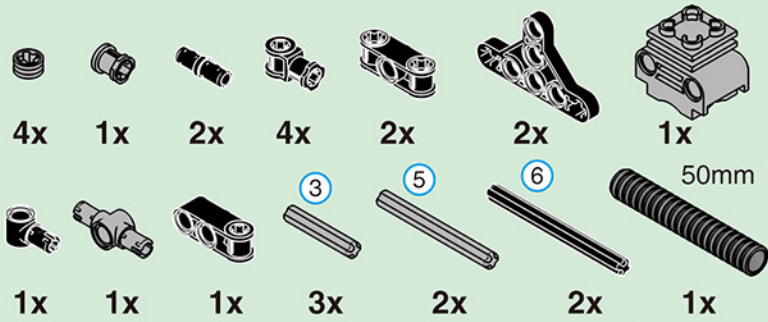


# 1-22

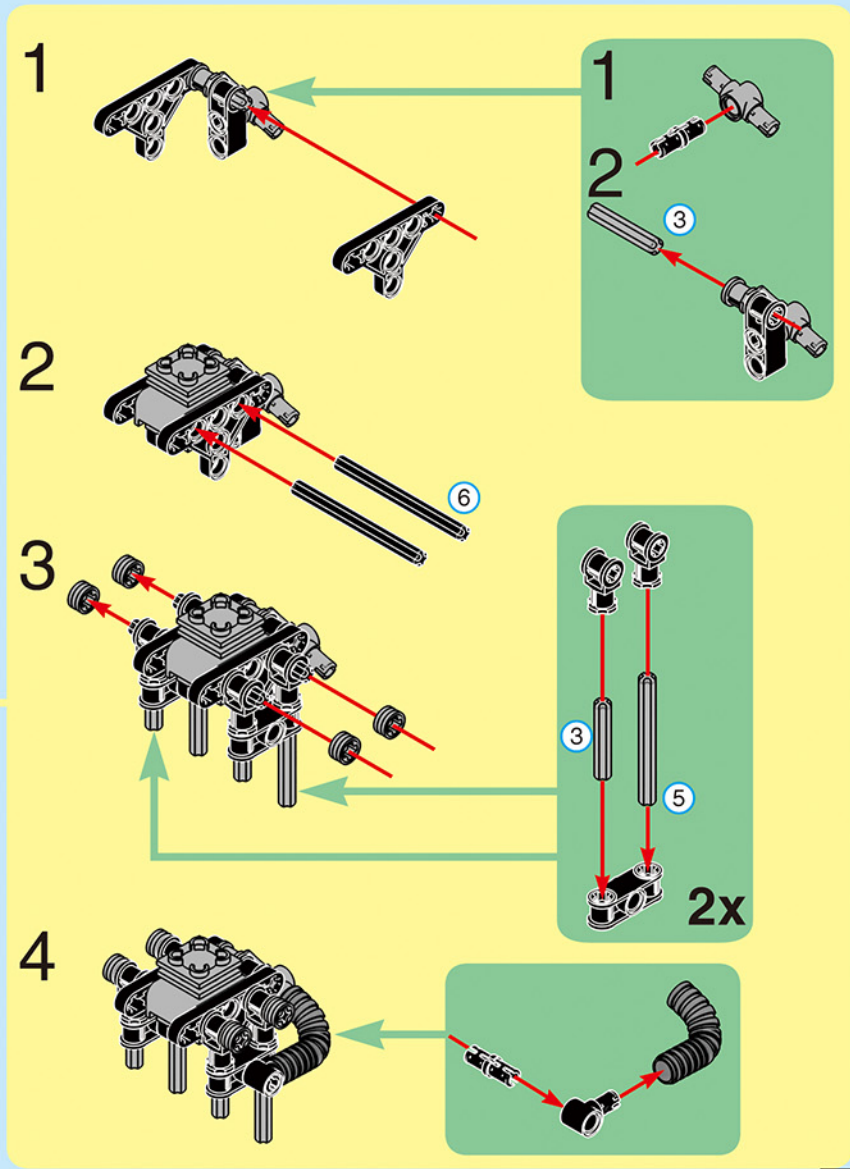
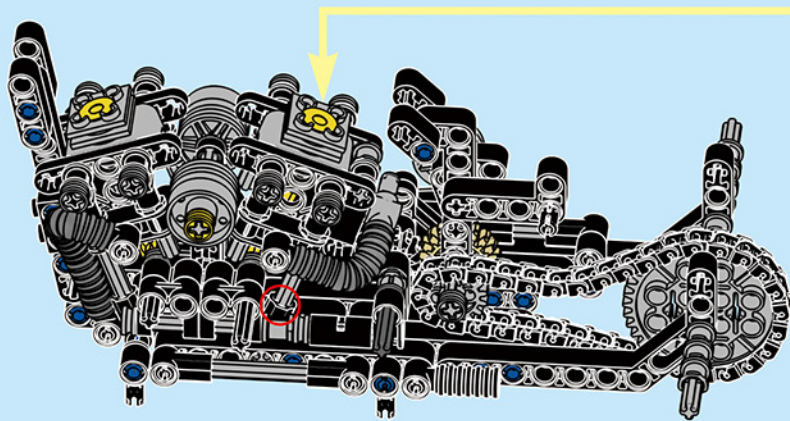
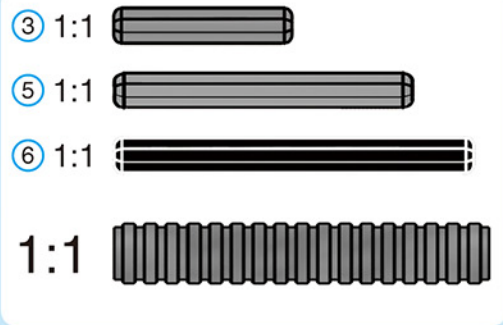


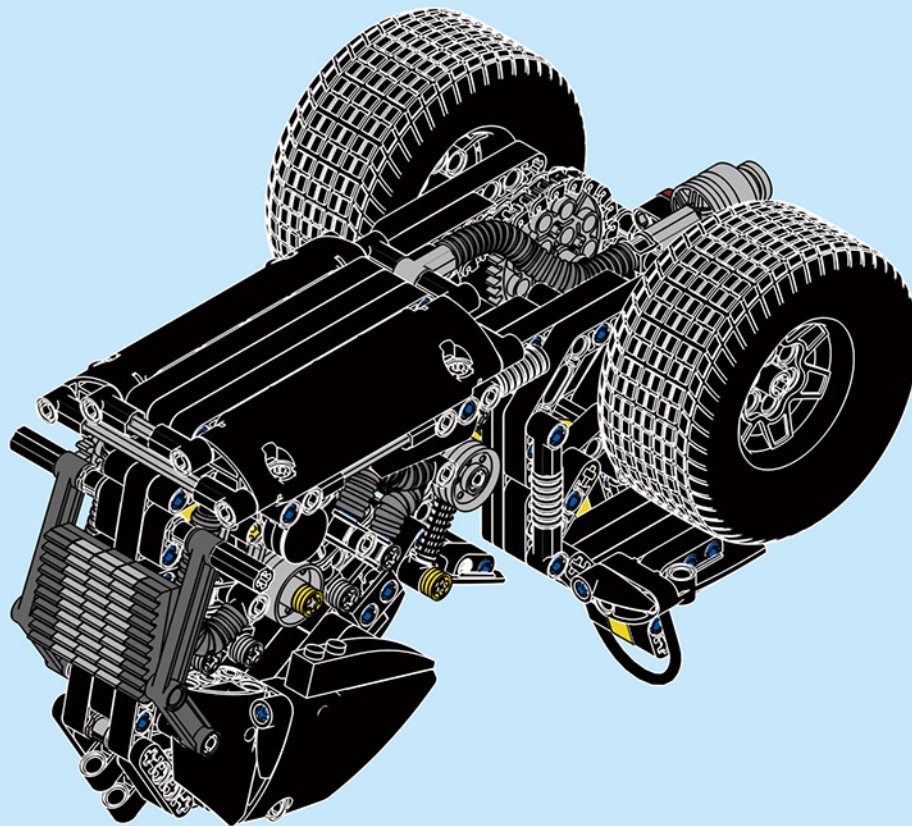
# 1-23

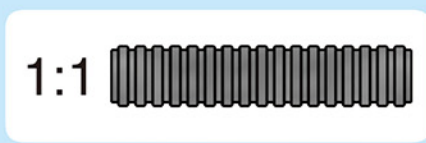
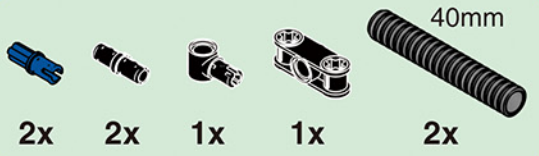




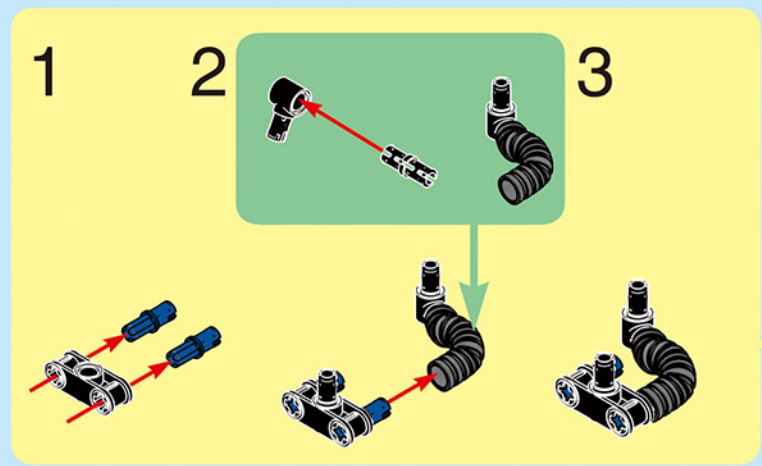
# 1-24



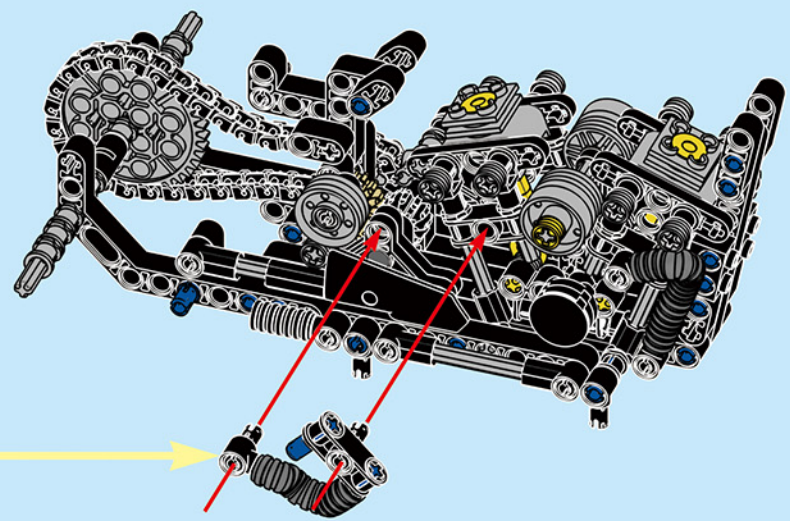




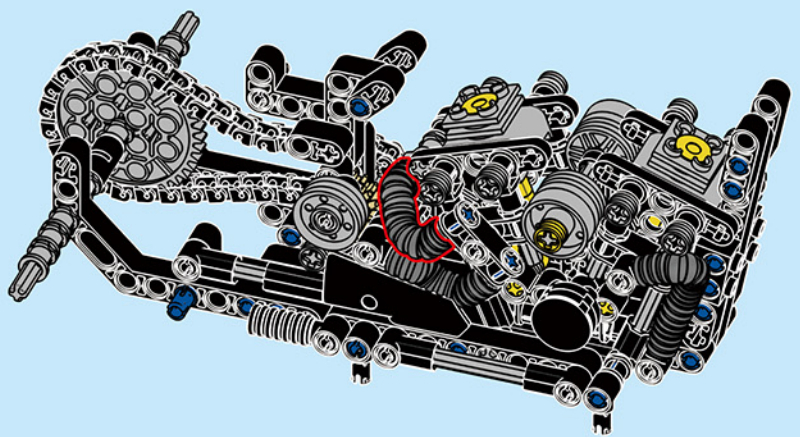
# 2-1

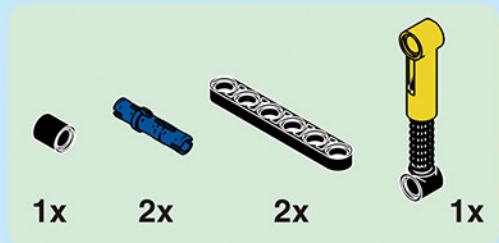


1

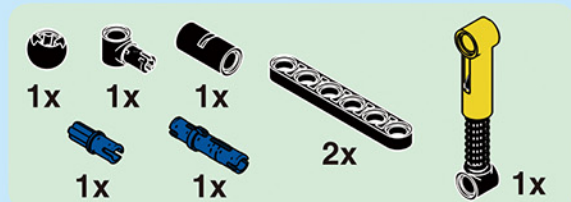
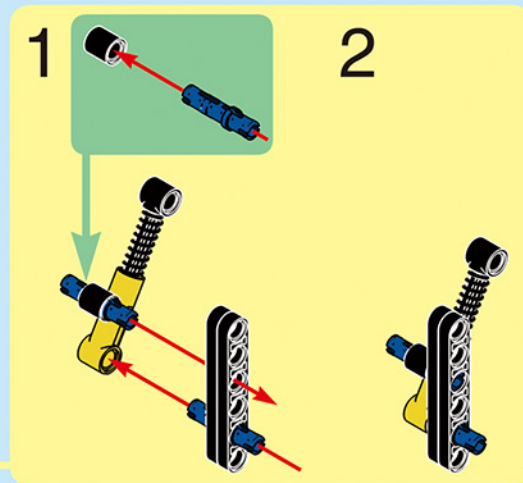
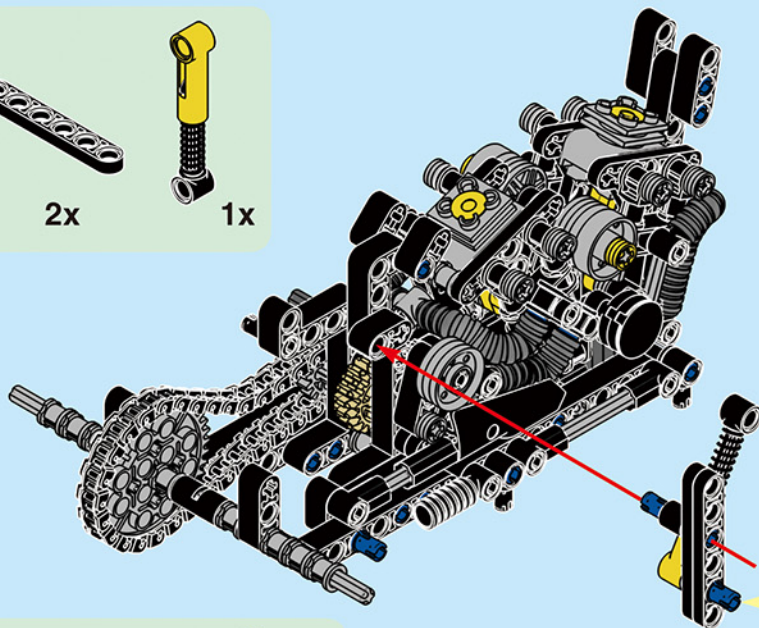


2

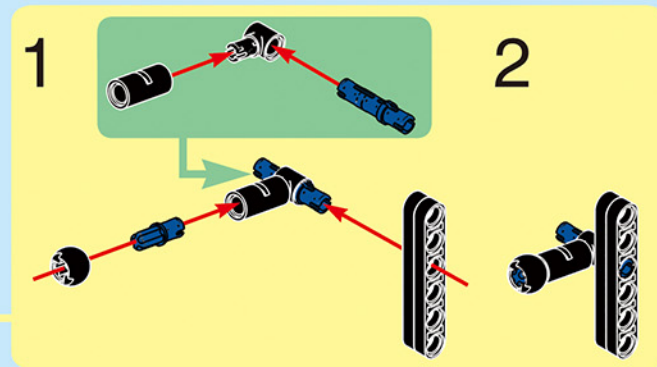
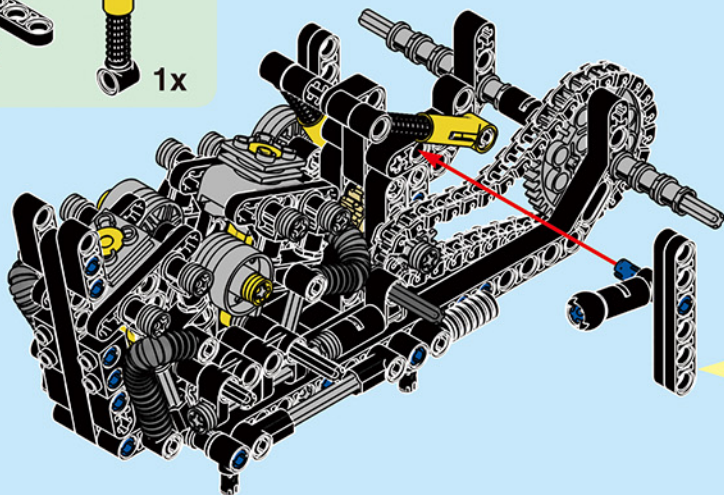


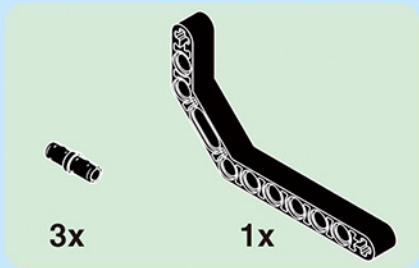


2-2

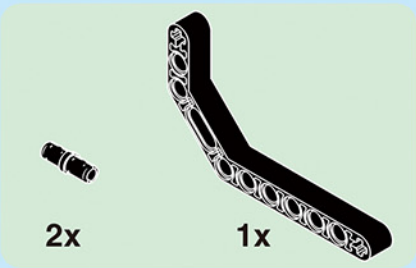


2-3

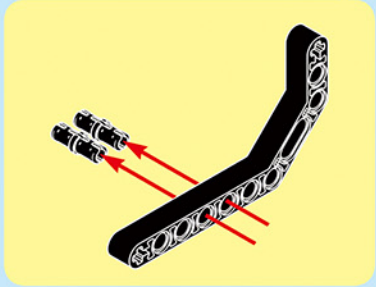
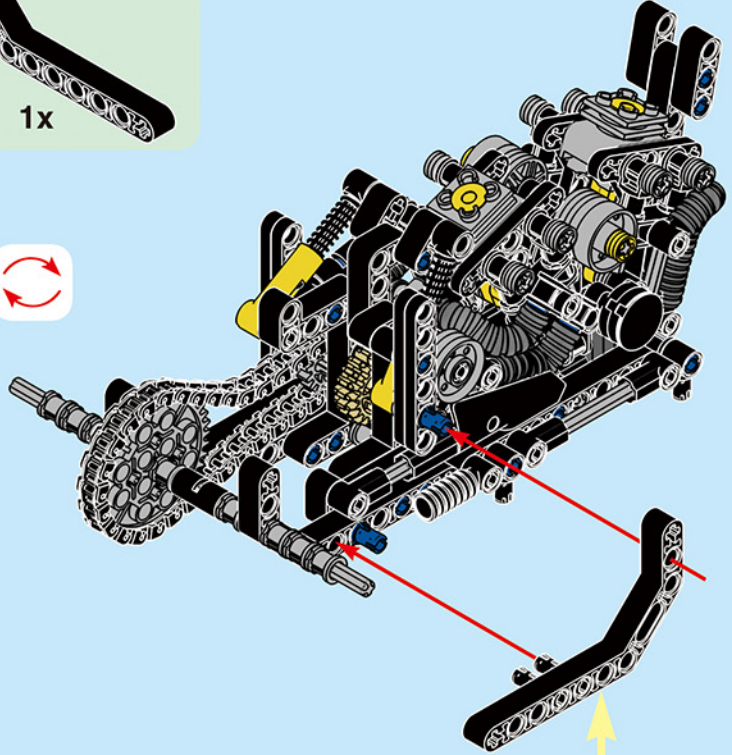
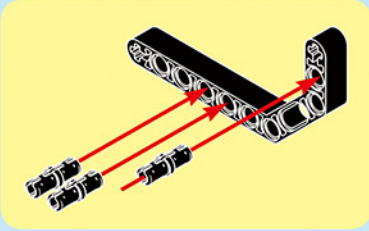
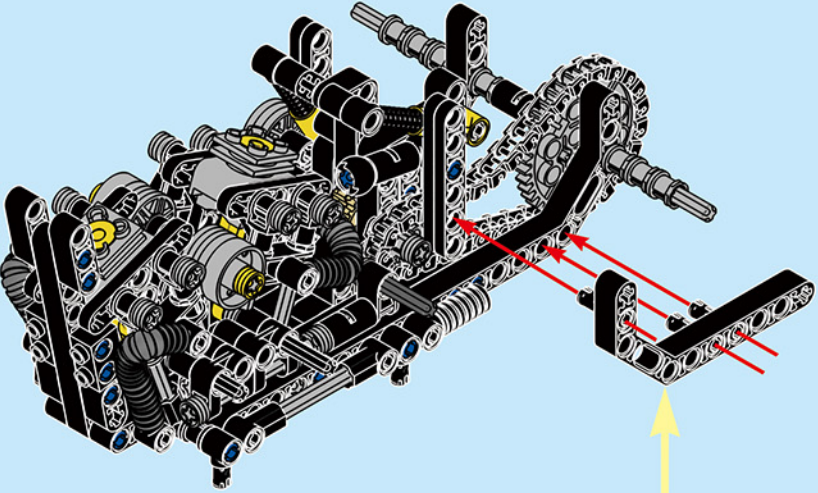


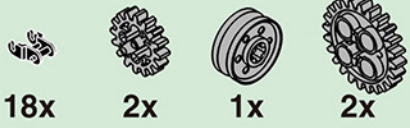


2-4

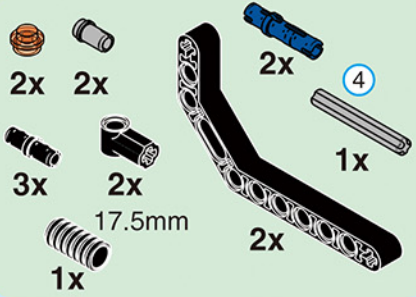
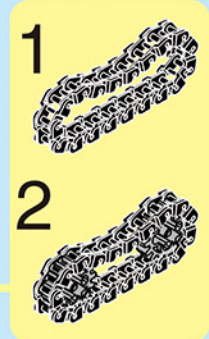
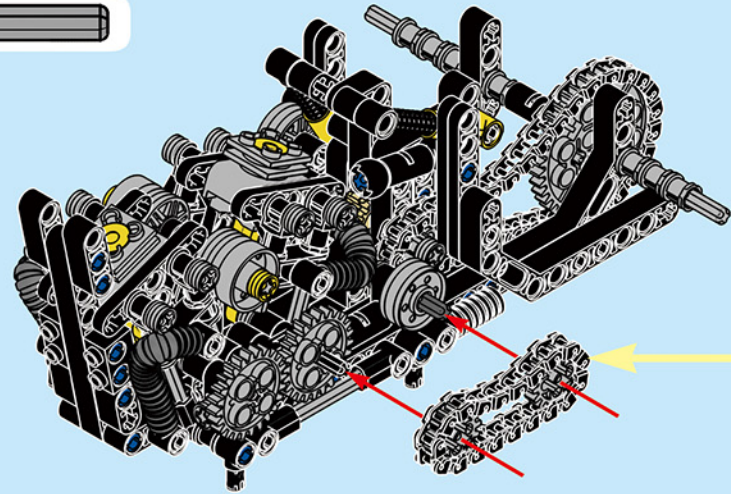


2-5

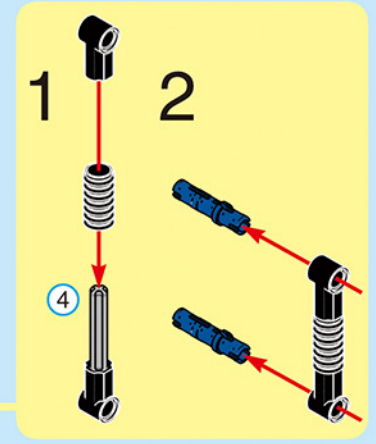
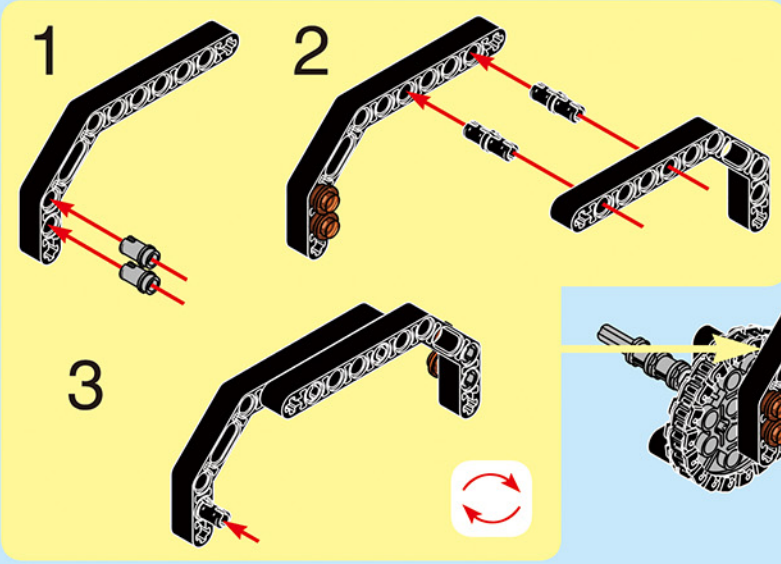
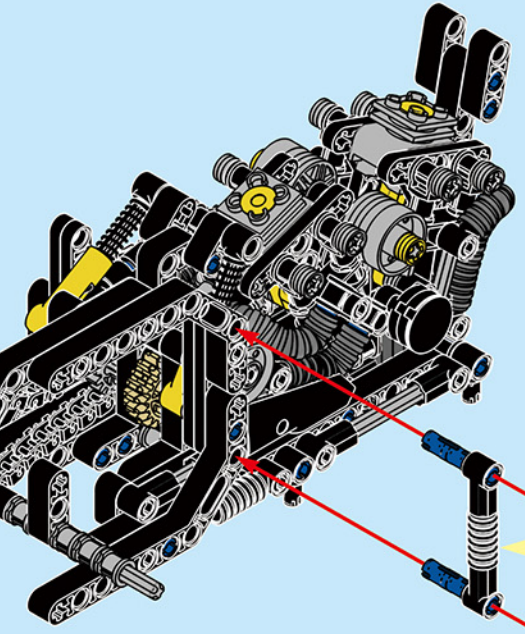


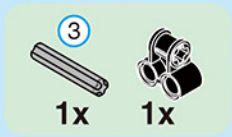


2-6

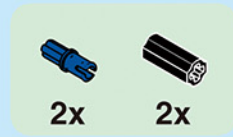
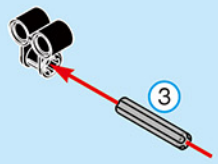


2-7

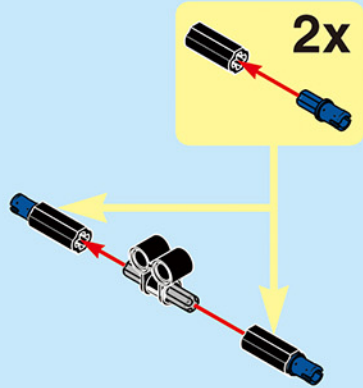




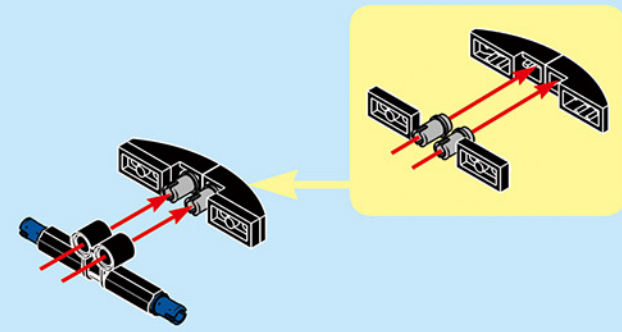
2-8.1



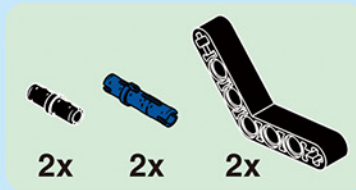
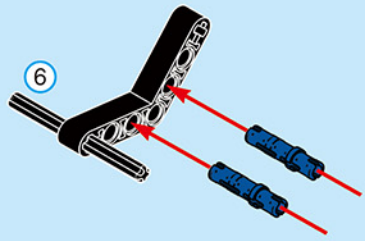
2-8.2



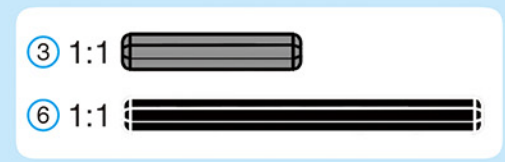
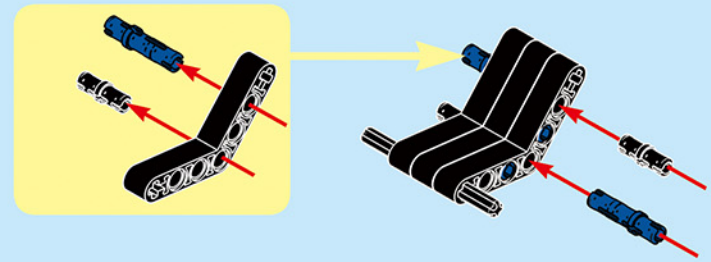
2-8.3

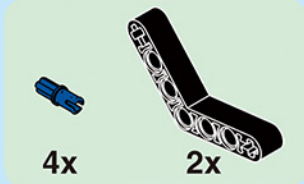


2-8.4

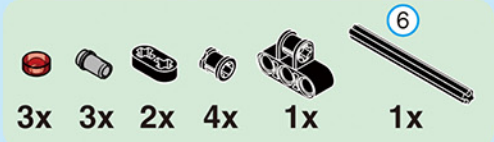
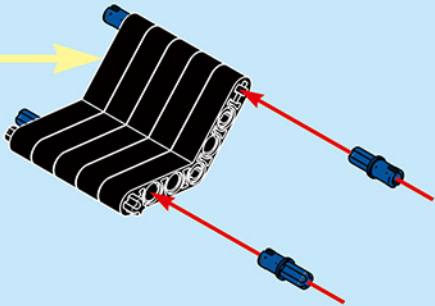
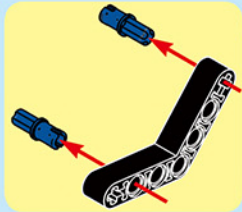


2-8.5

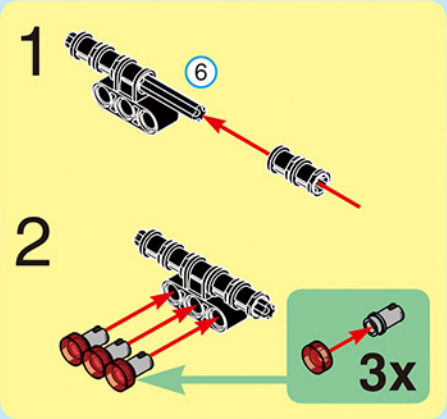
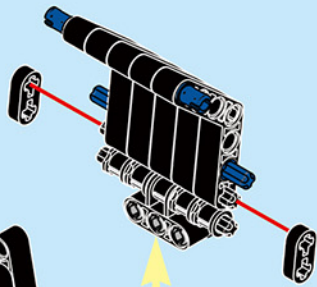




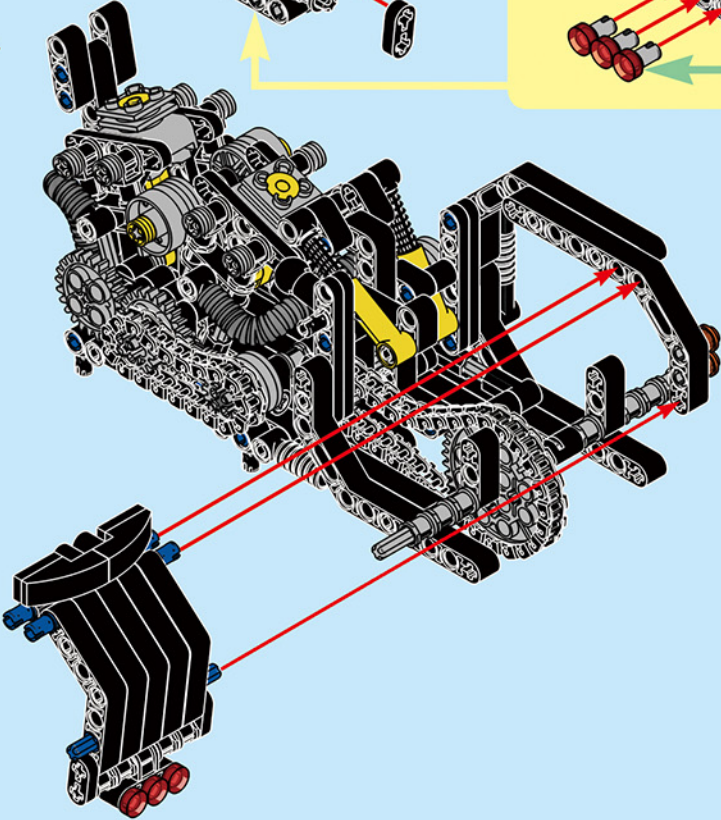
2-8.6

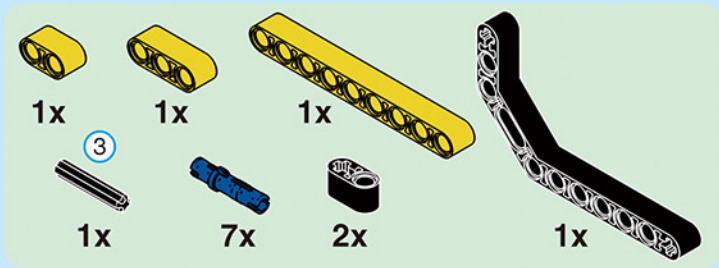


2-8.7

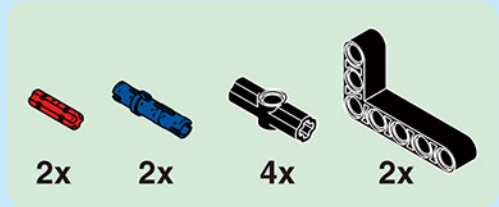
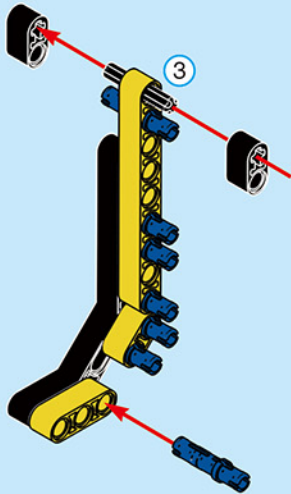


2-8

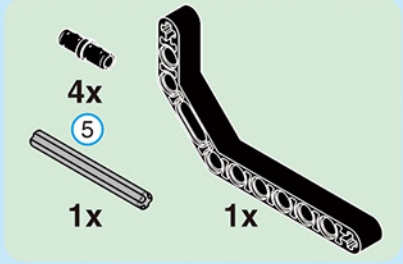




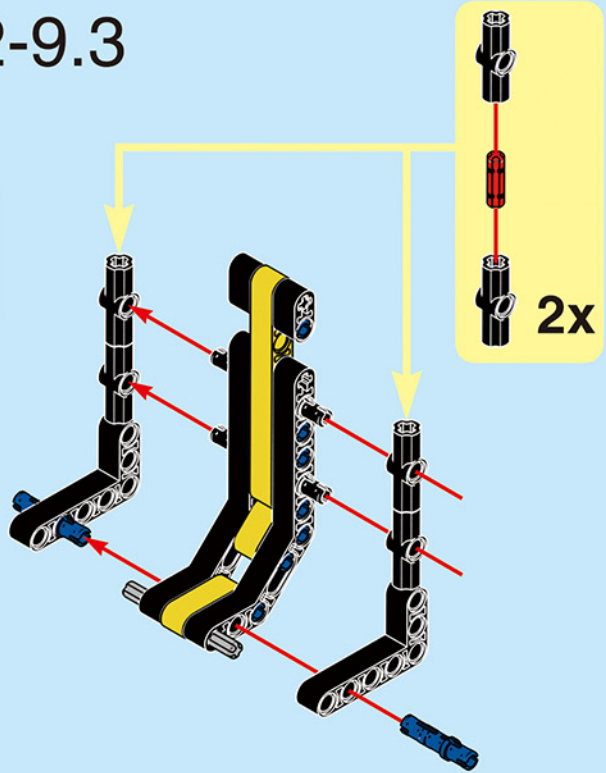
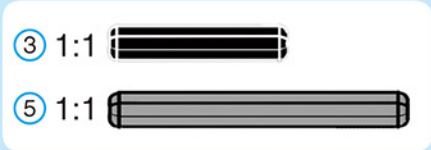
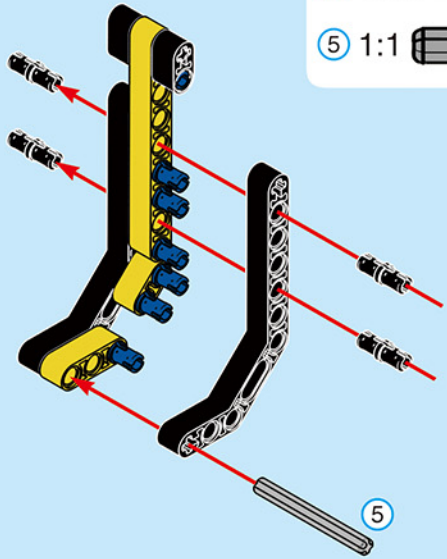
2-9.1

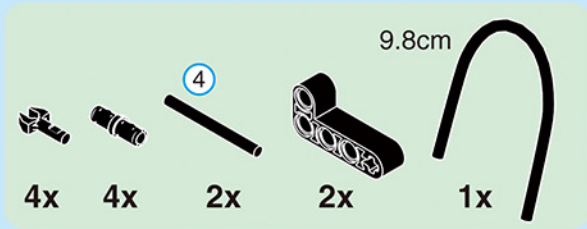


2-9.3

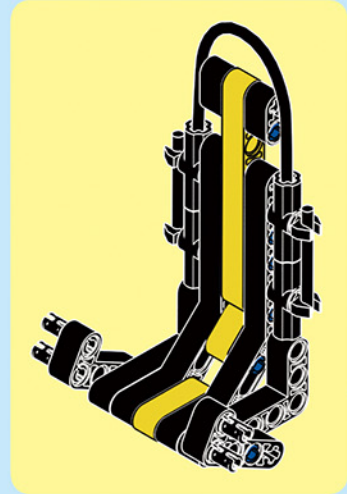
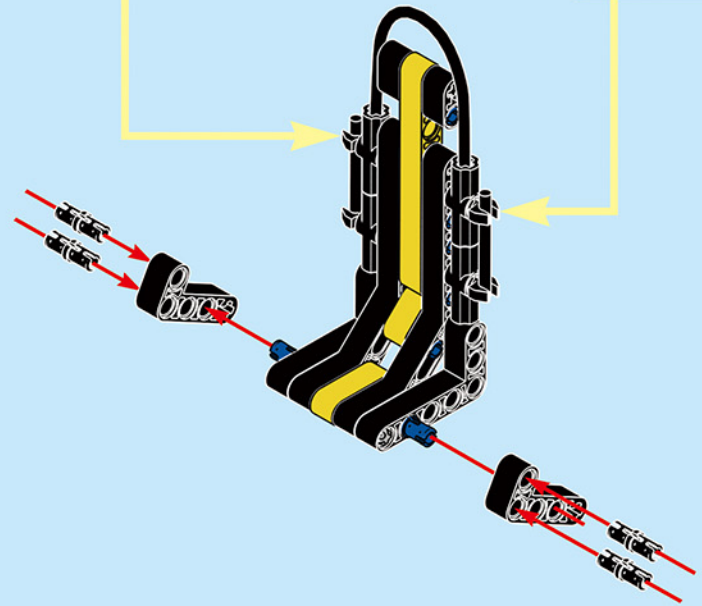
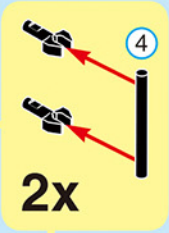


2-9.2

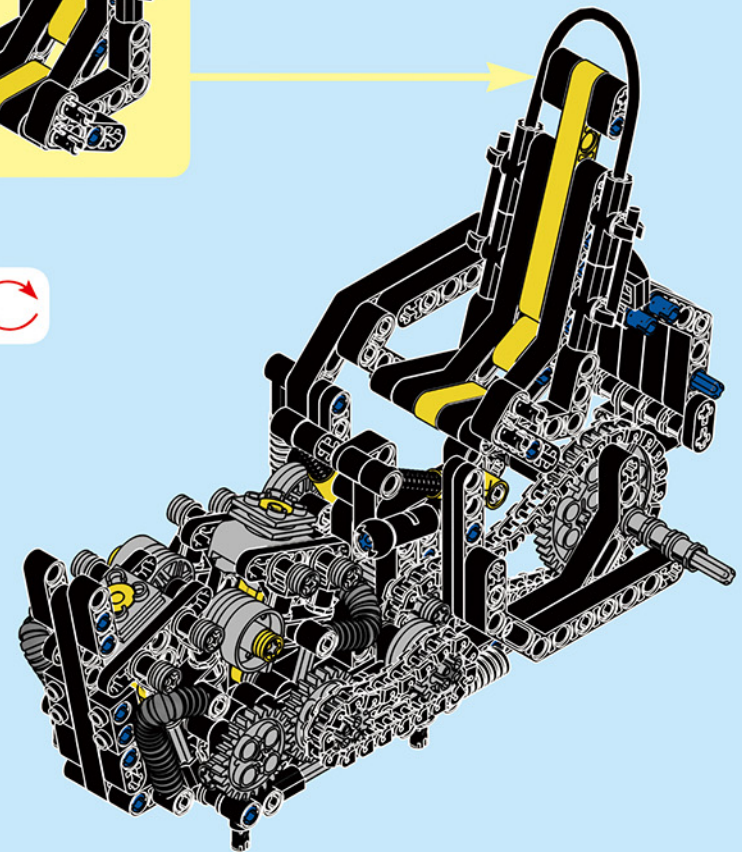


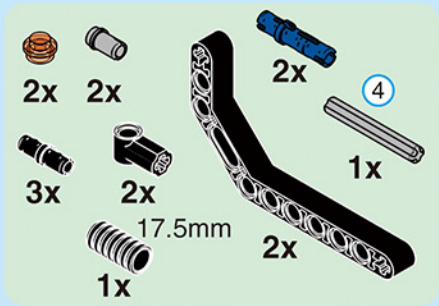


## 2-9.4

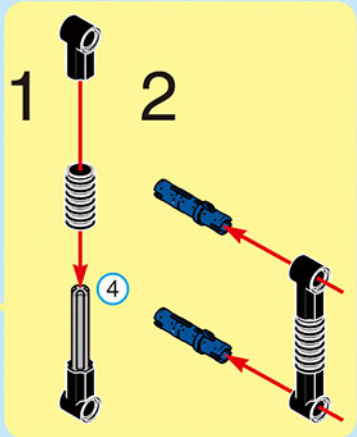
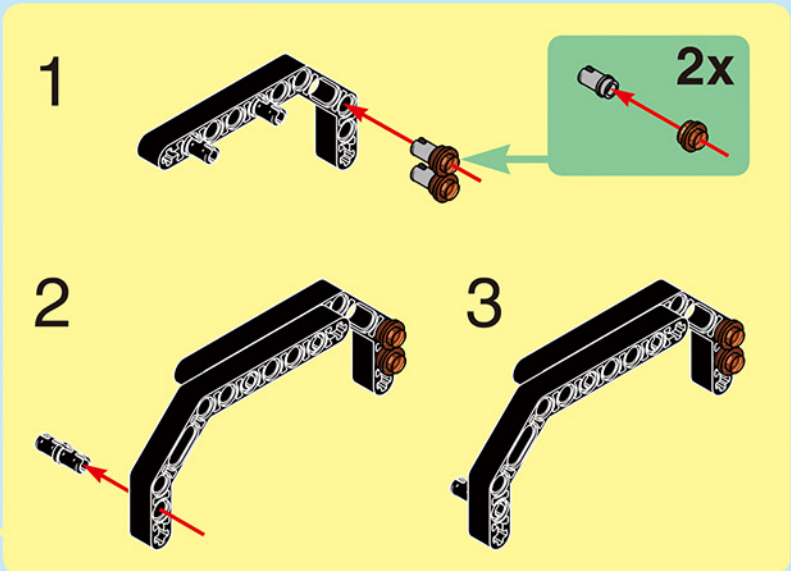
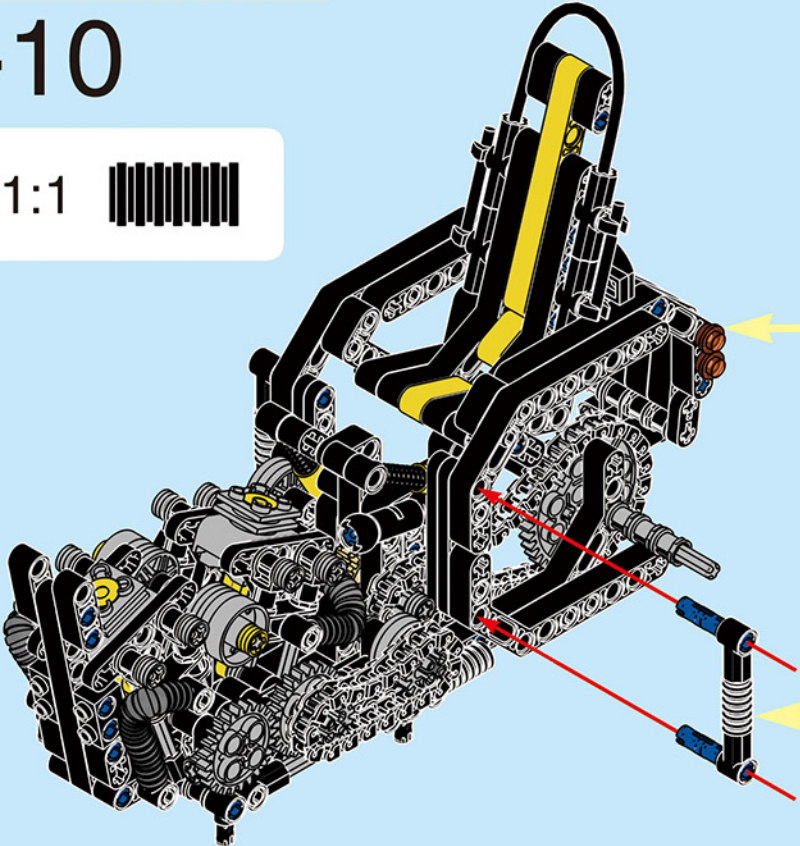


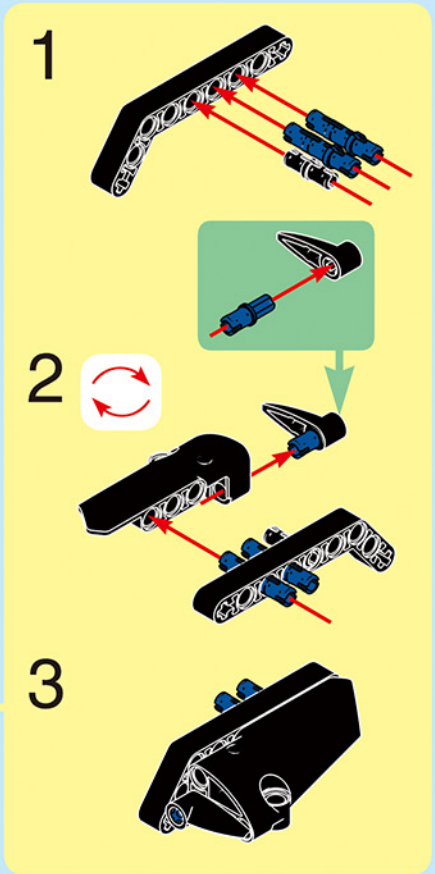
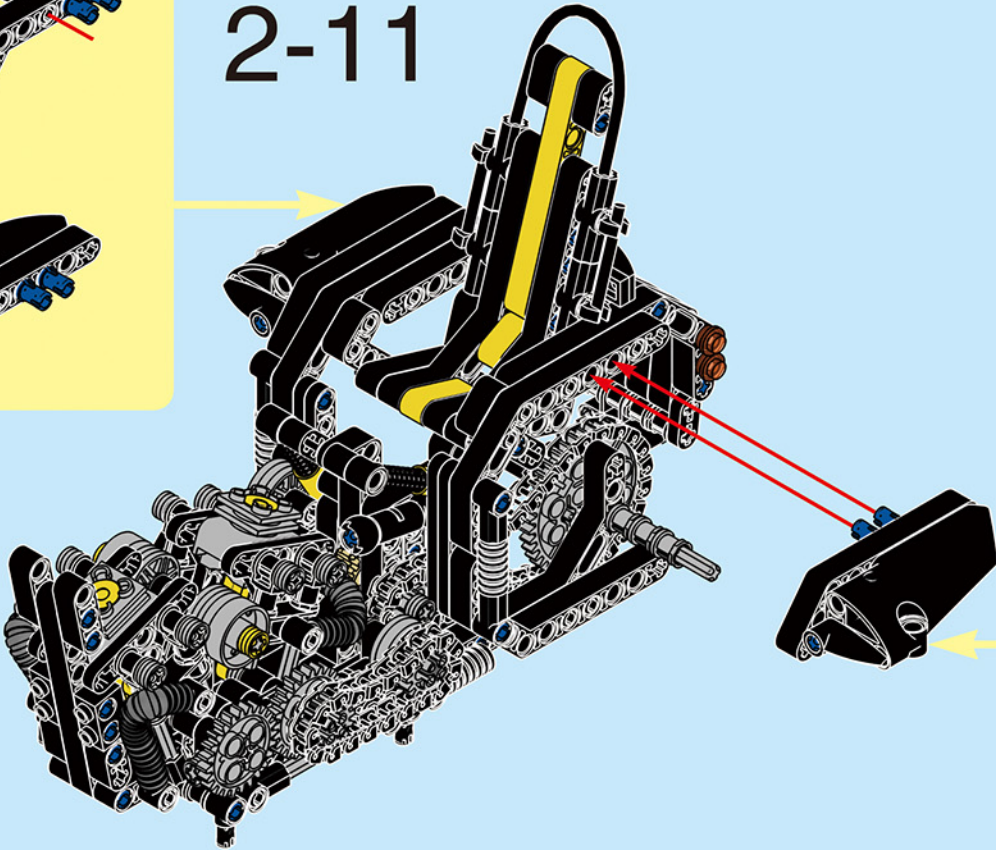
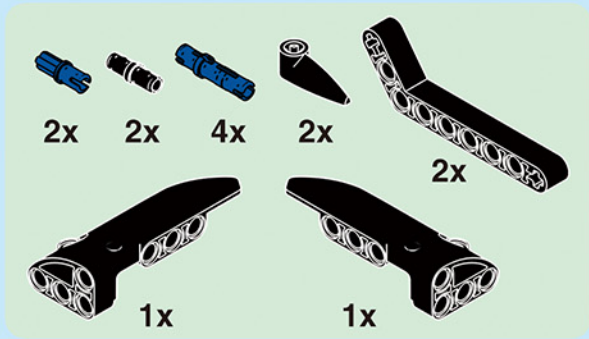
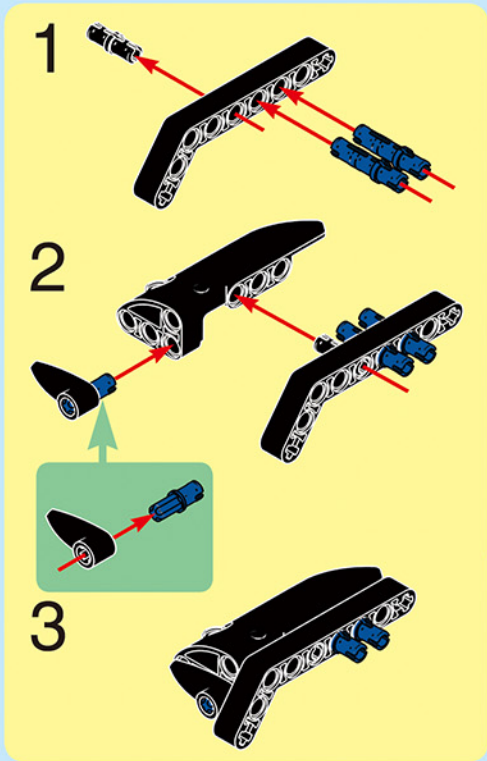
## 2-9

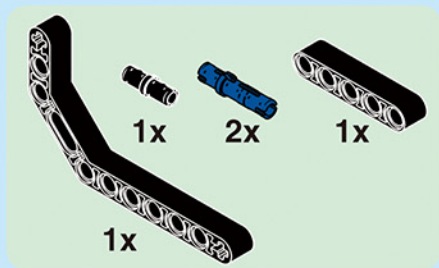




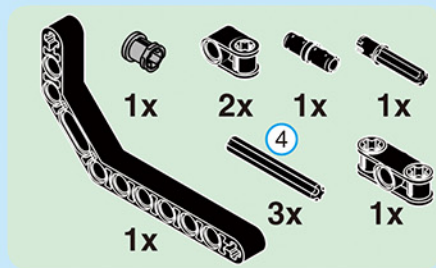
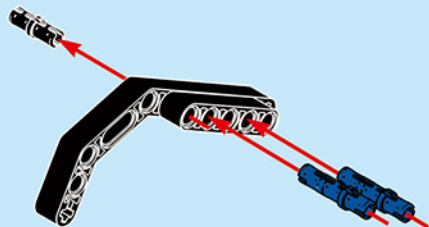
# 2-10



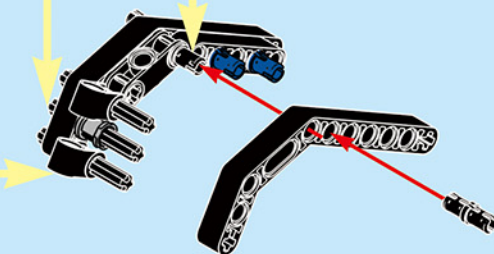
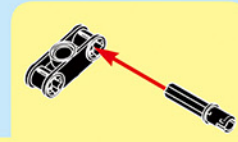
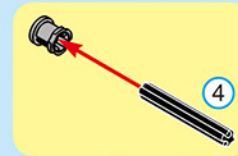
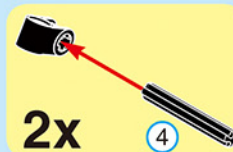




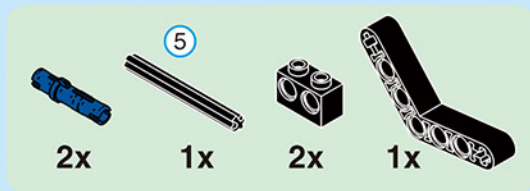
2-12.1



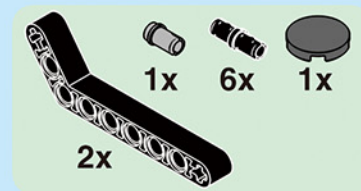
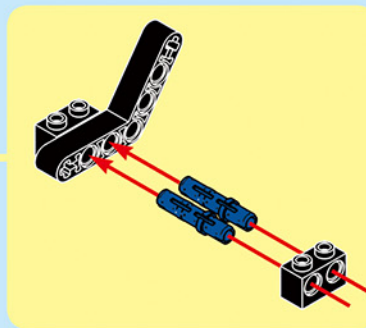
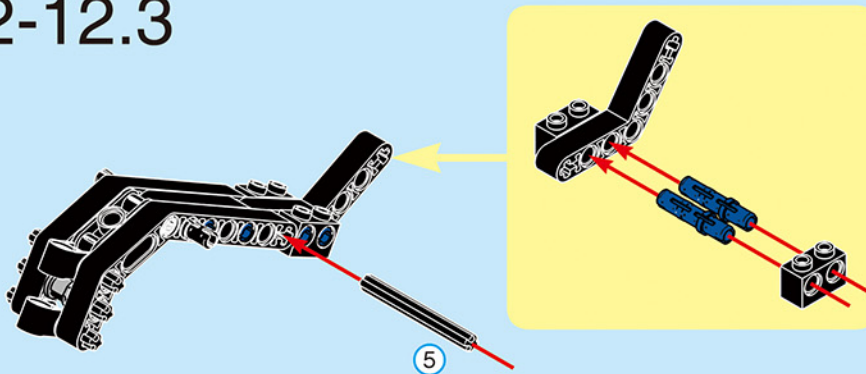
2-12.2



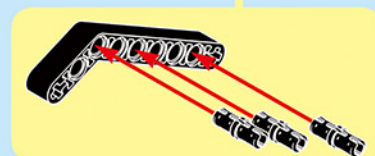
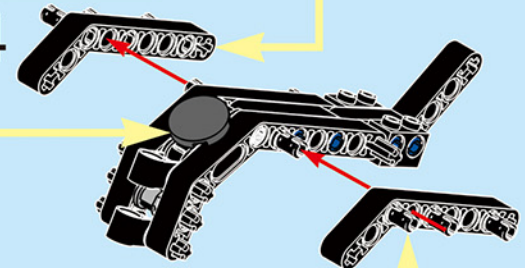
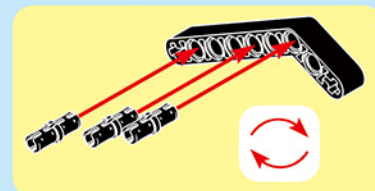
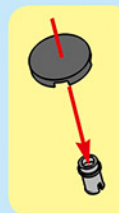
- ④ 1:1
- ⑤ 1:1

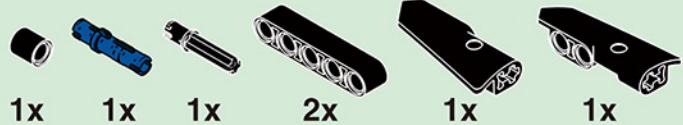


2-12.3

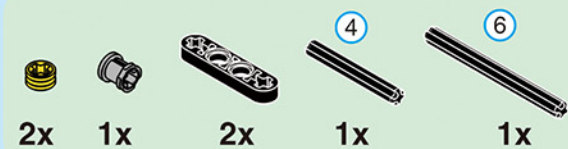
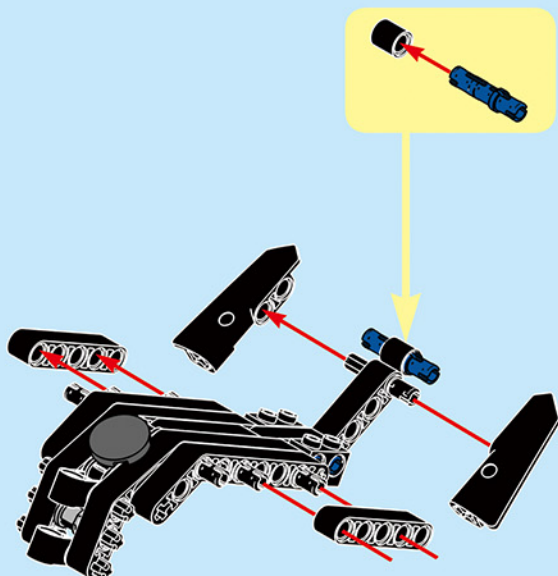


2-12.4

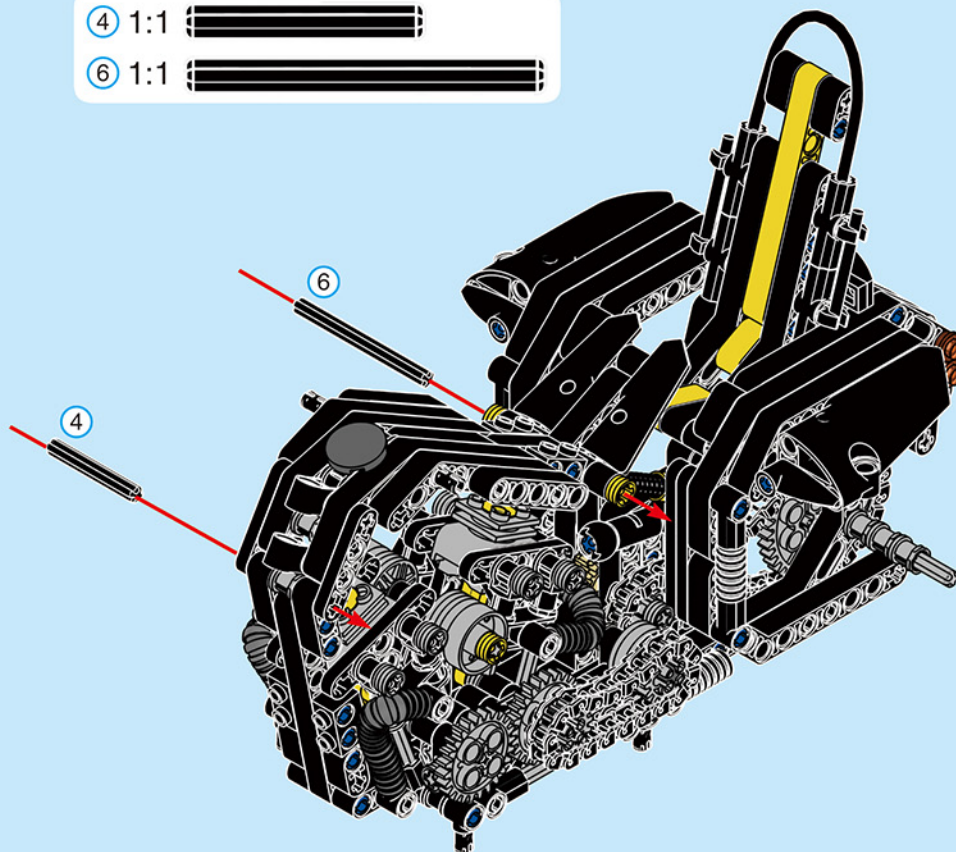


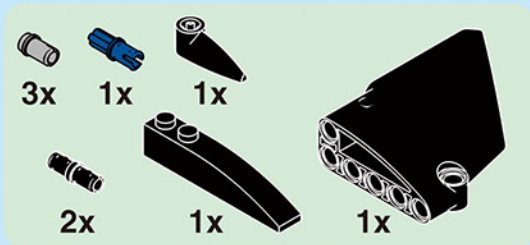


2-12.5

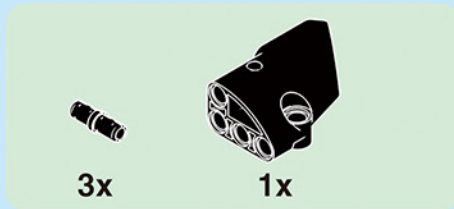
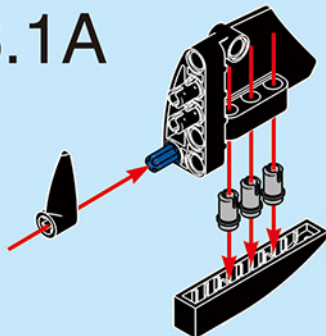


2-12

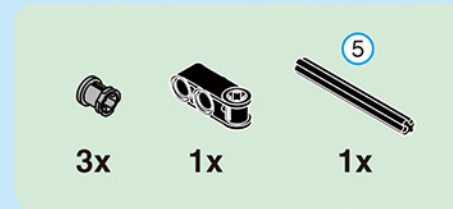
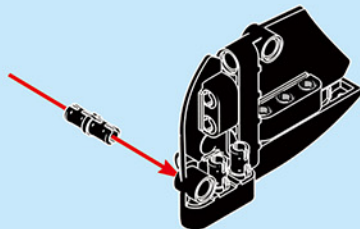




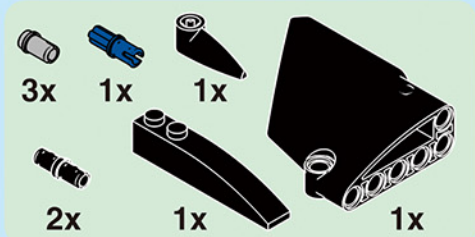
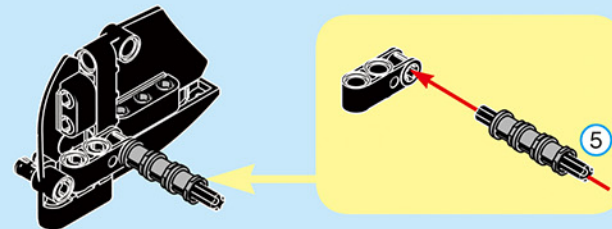
2-13.1A



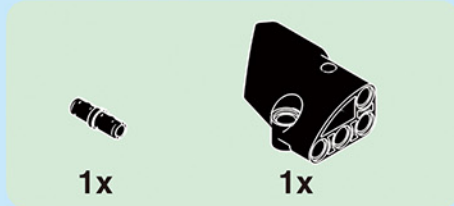
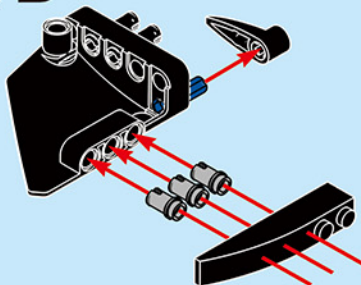
2-13.2A



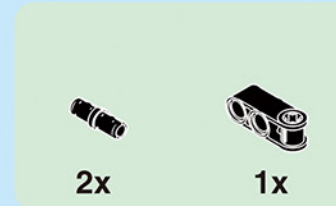
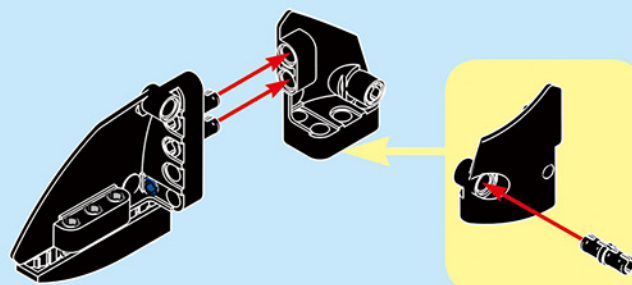
2-13.3A



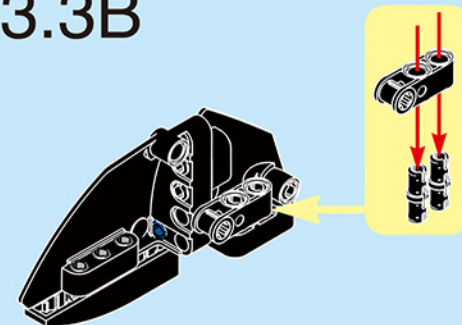
2-13.1B



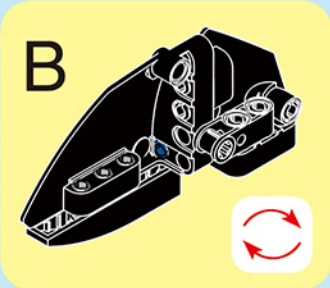
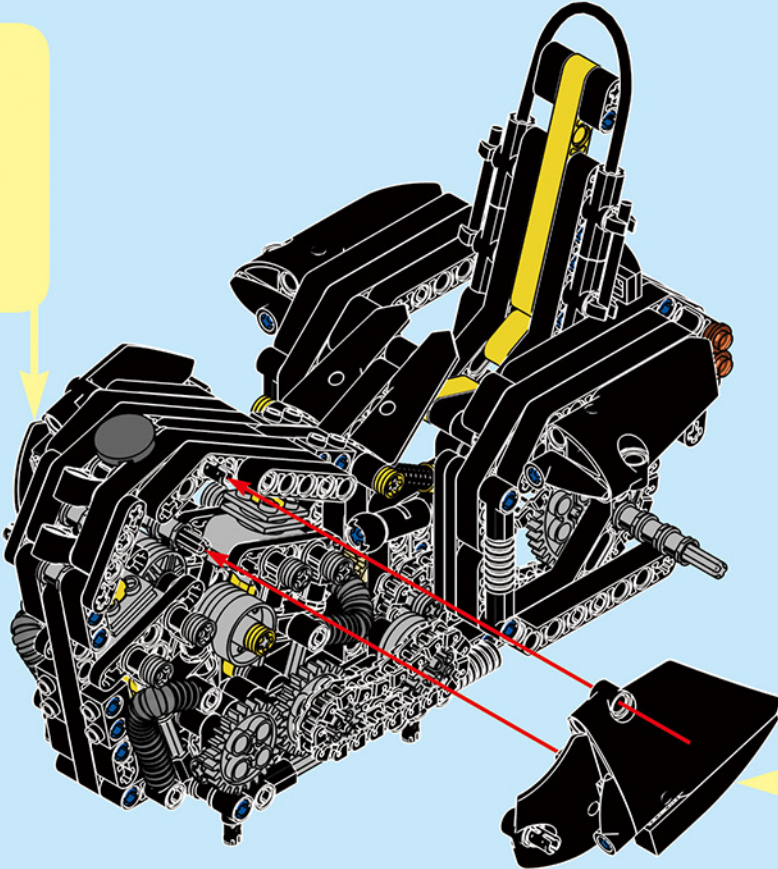
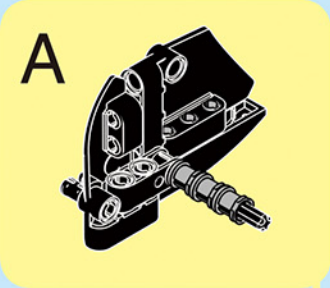
2-13.2B

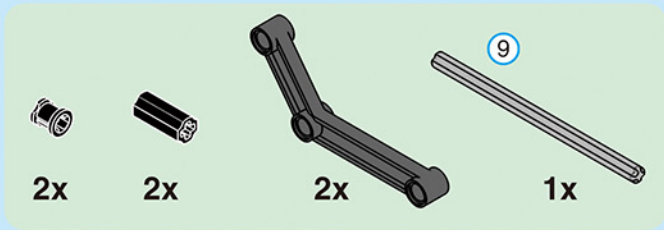


2-13.3B

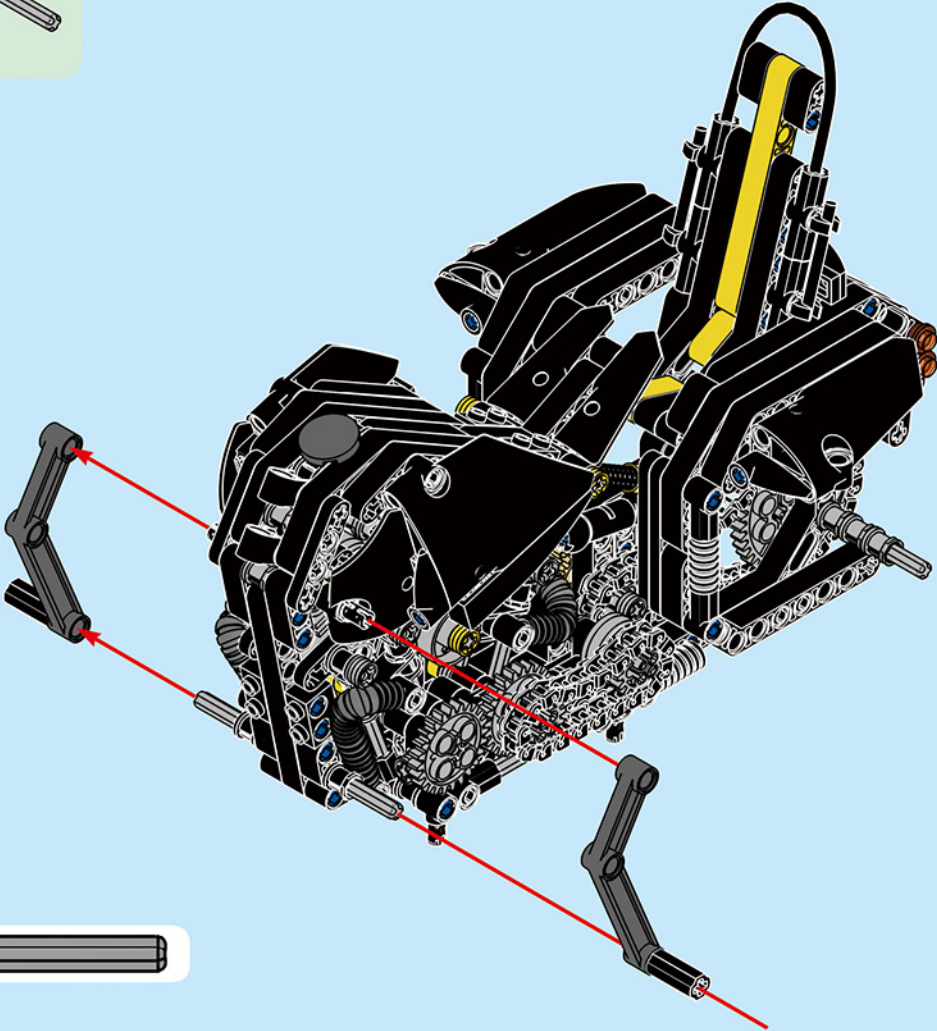


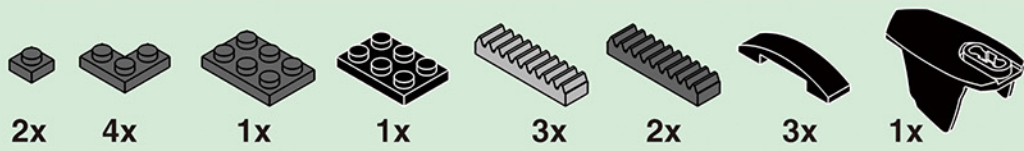
# 2-13



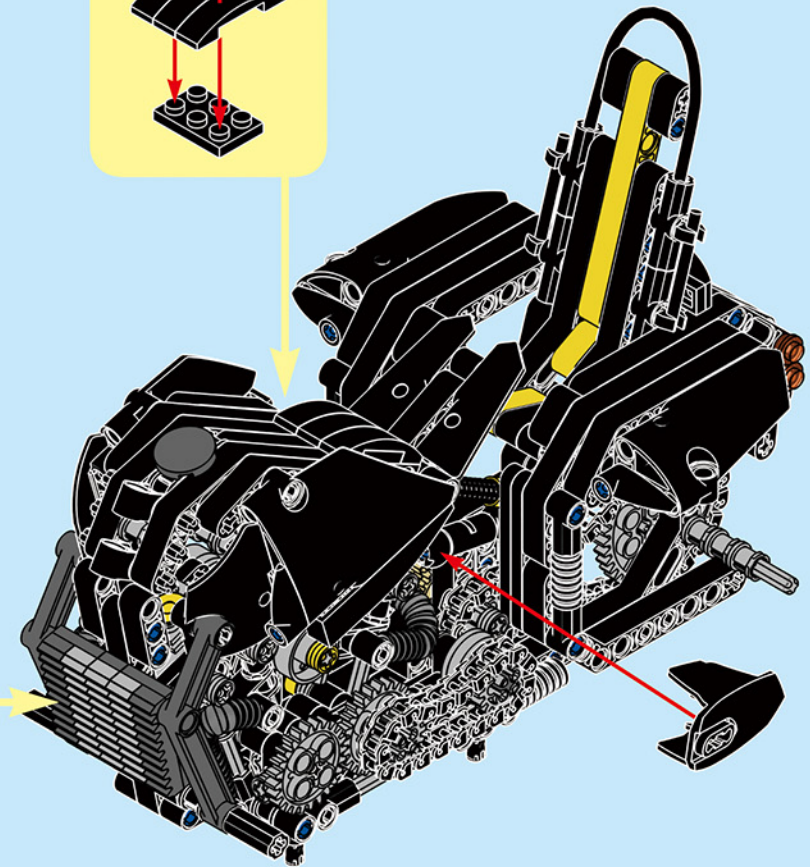
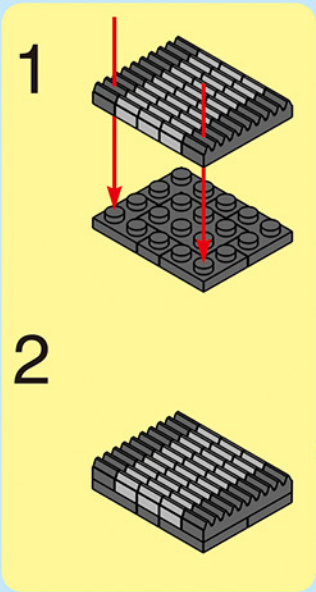
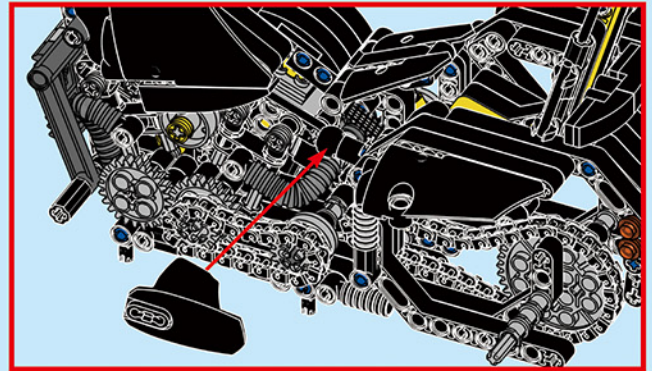


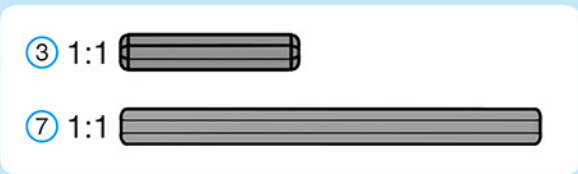
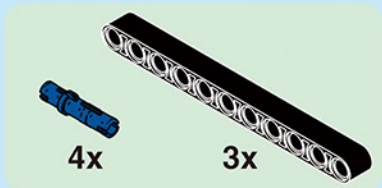
2-14



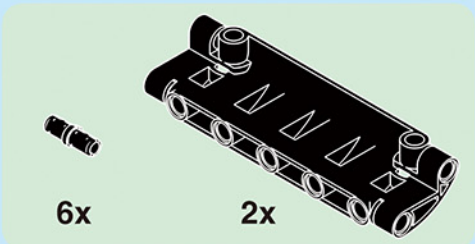
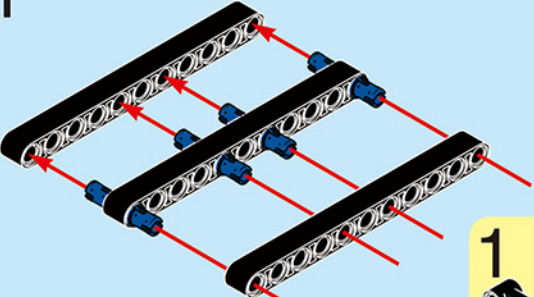


2-15

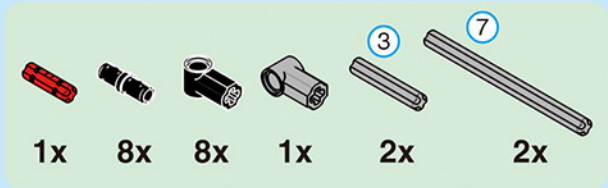
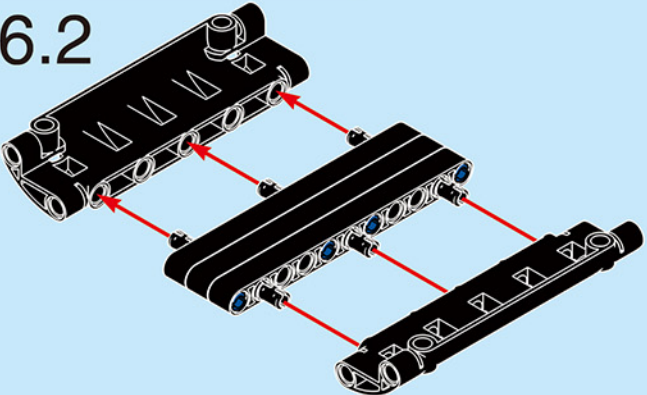




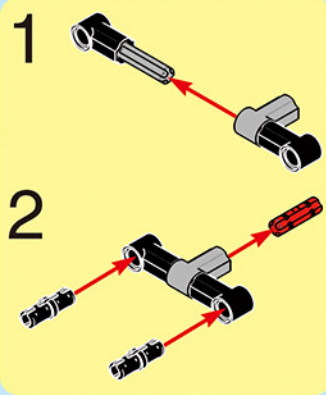
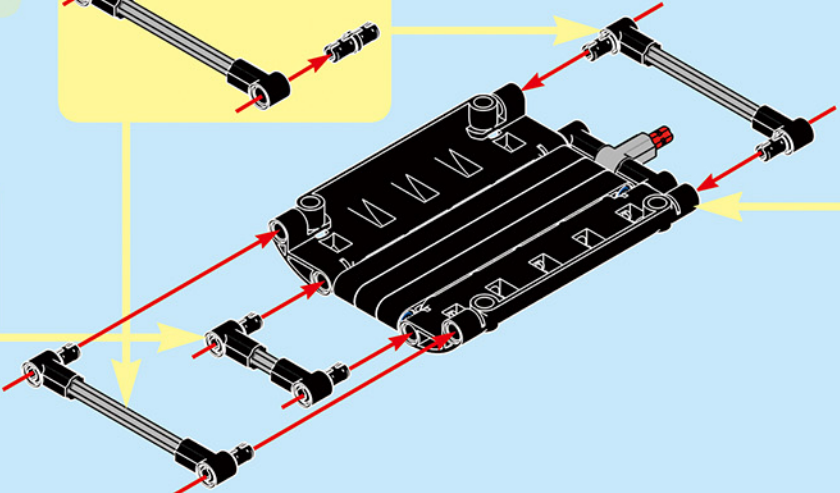
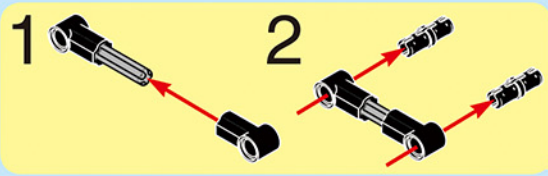
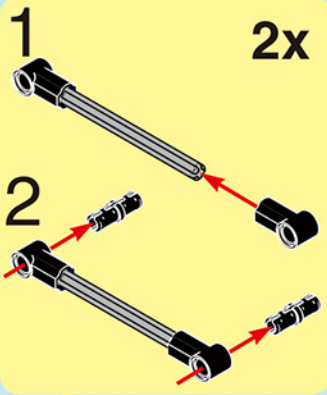
2-16.1

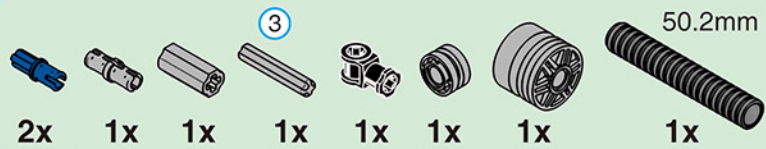


2-16.2

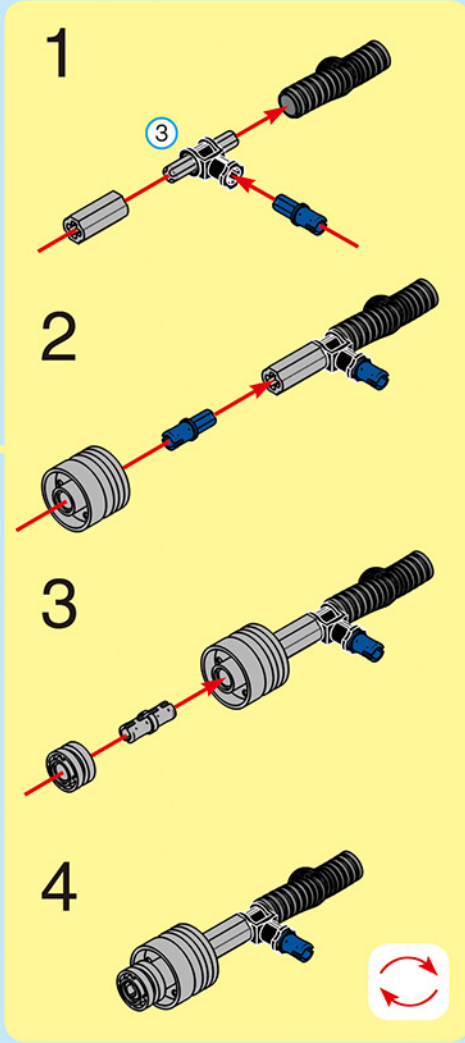
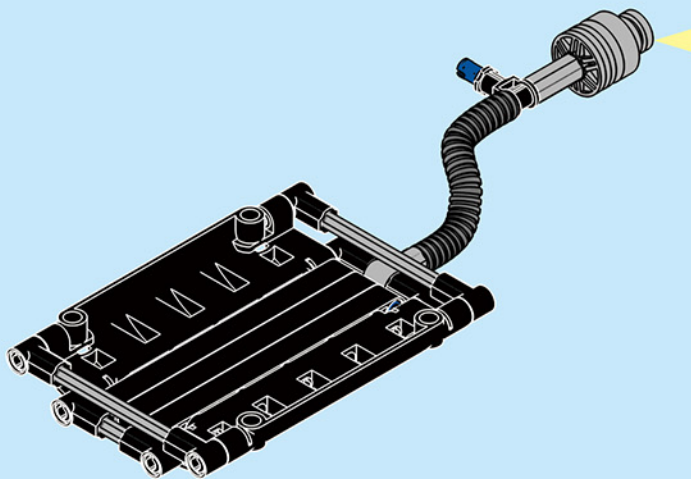
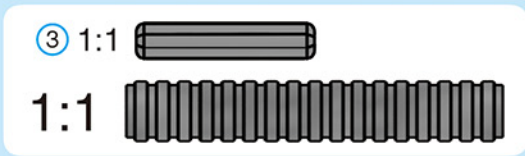


2-16.3

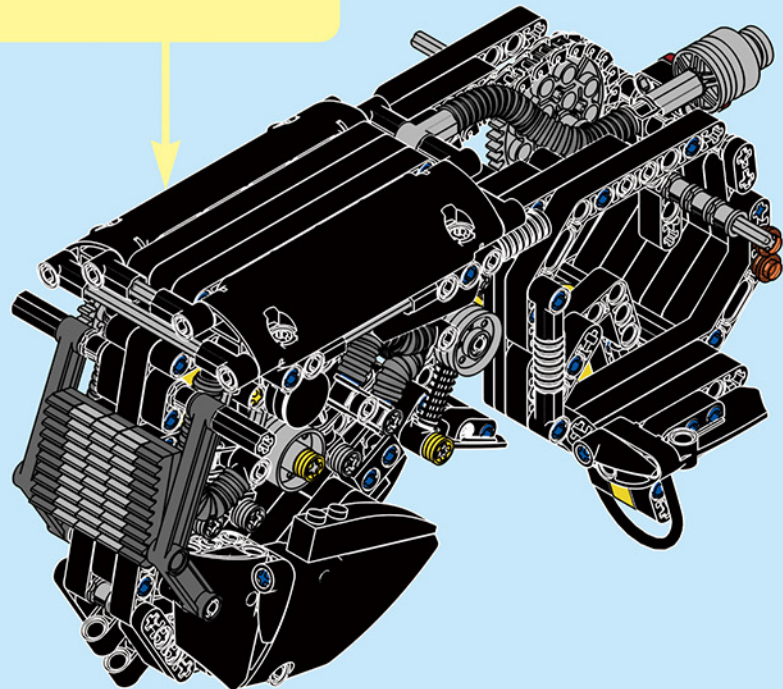
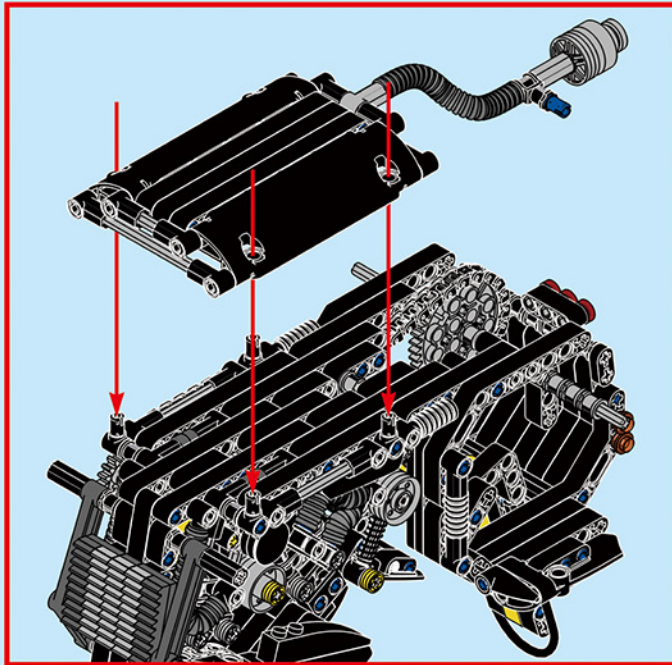
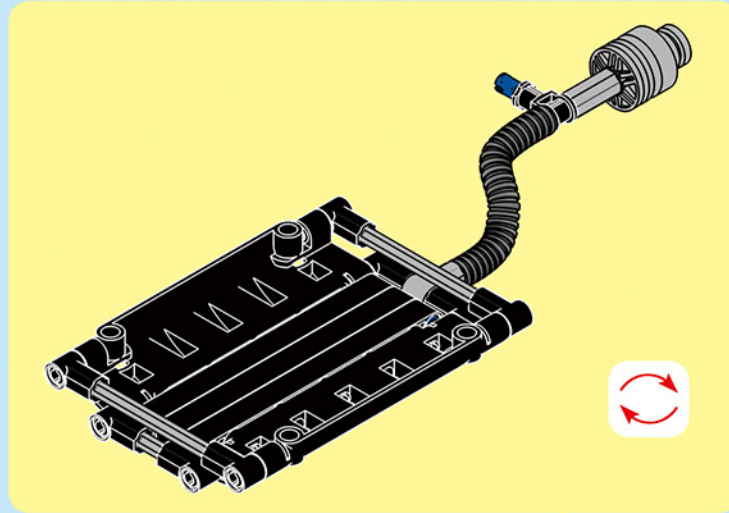


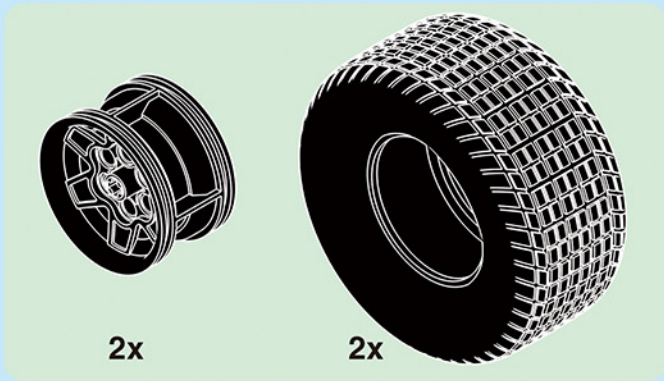


# 2-16.4

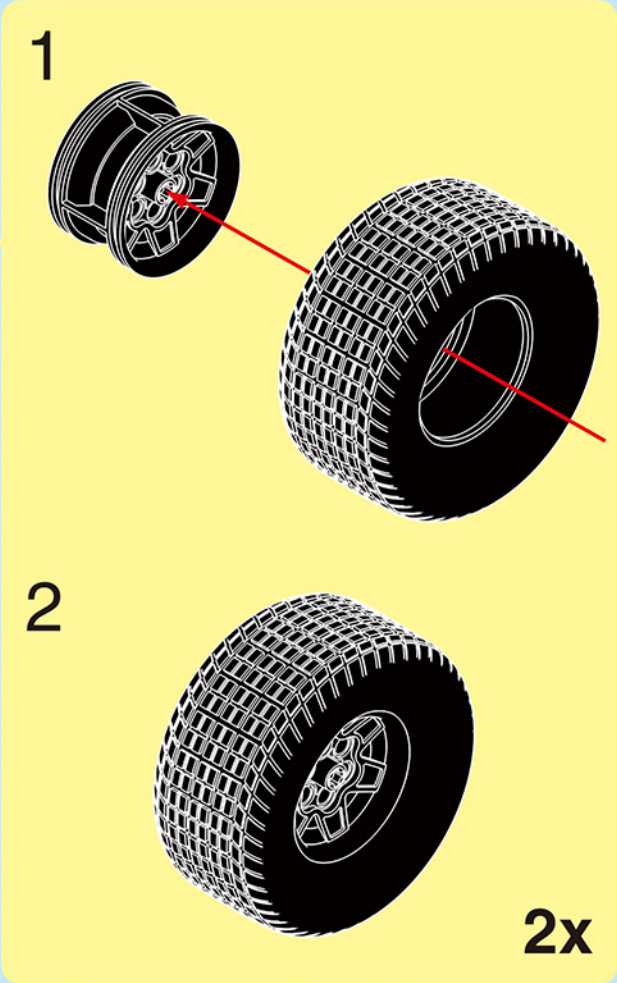
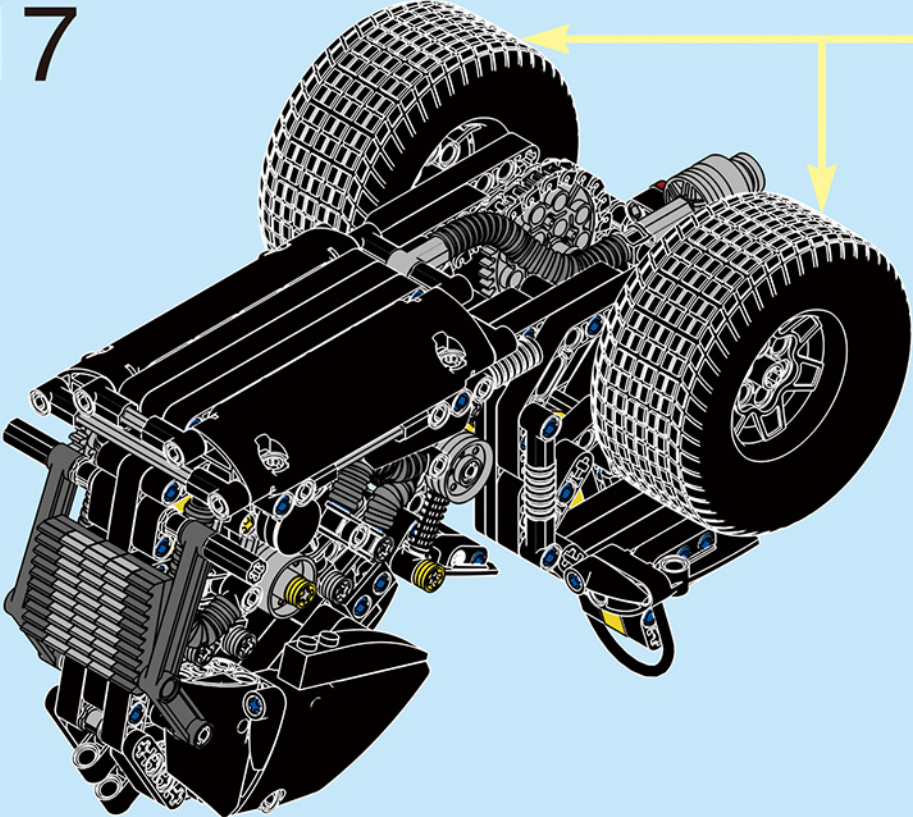


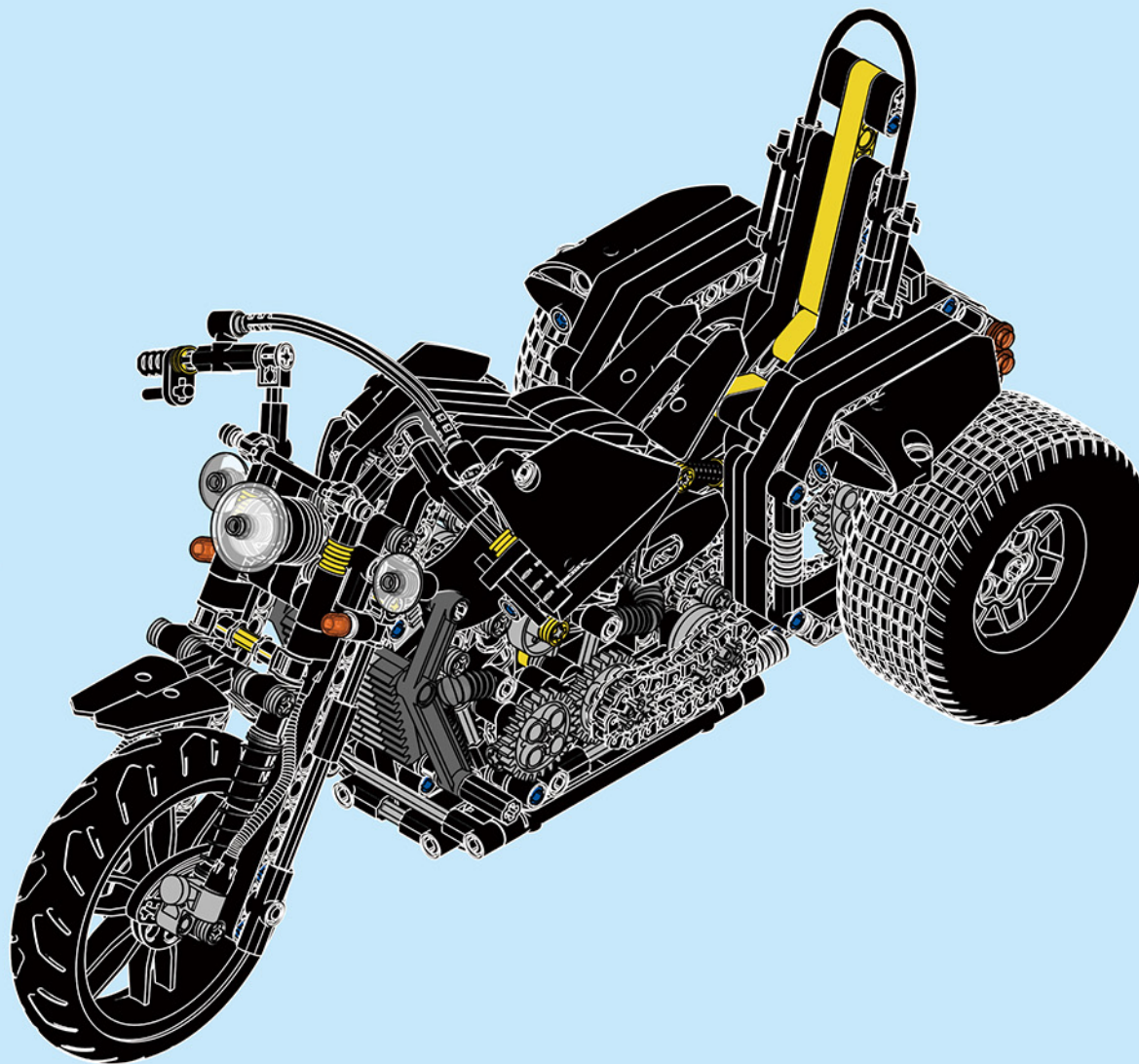
2-16





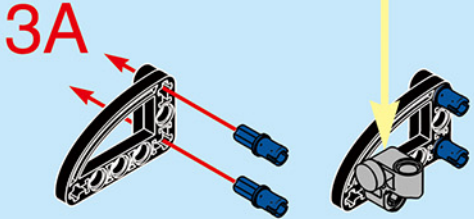
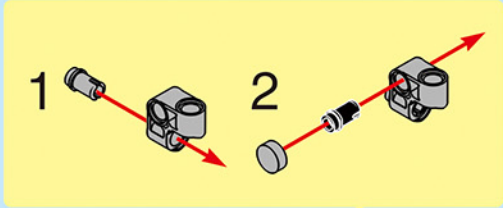
2-17



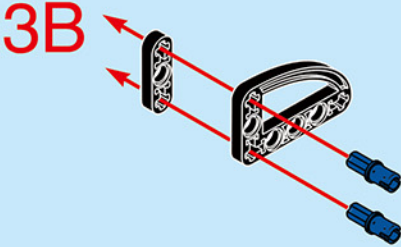
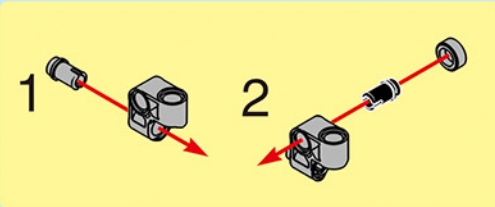
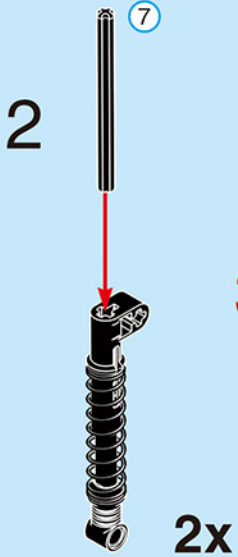
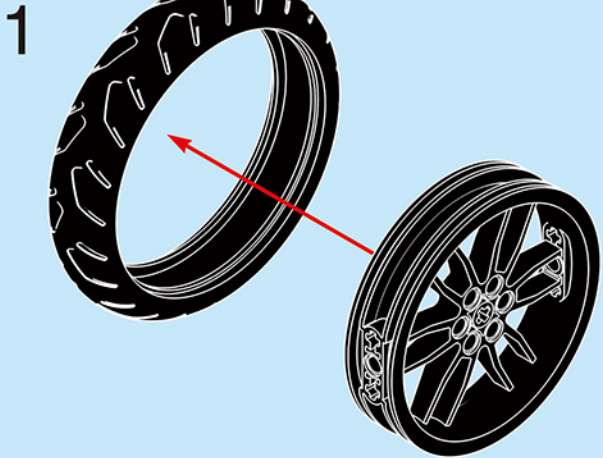




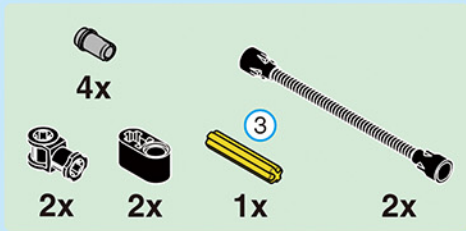
7 1:1 [Black Technic Axle (11 holes)]



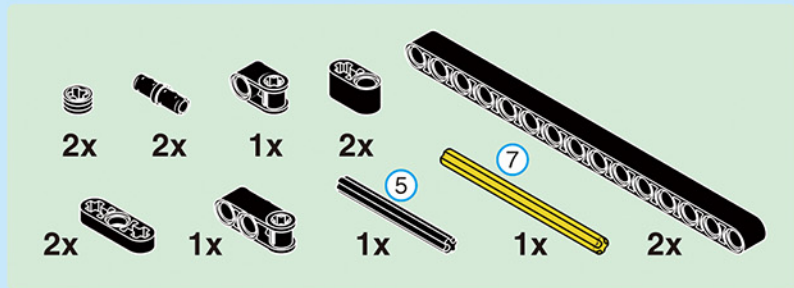
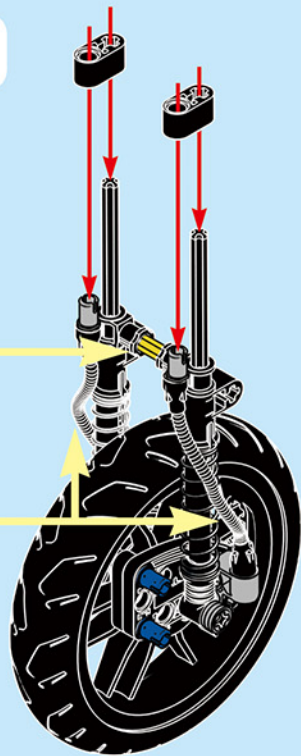
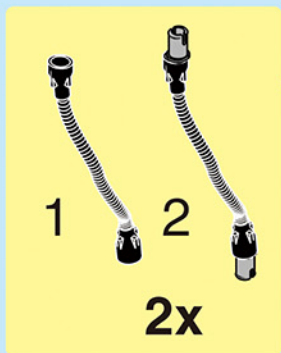
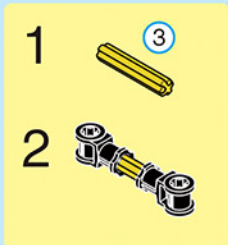
# 3-1



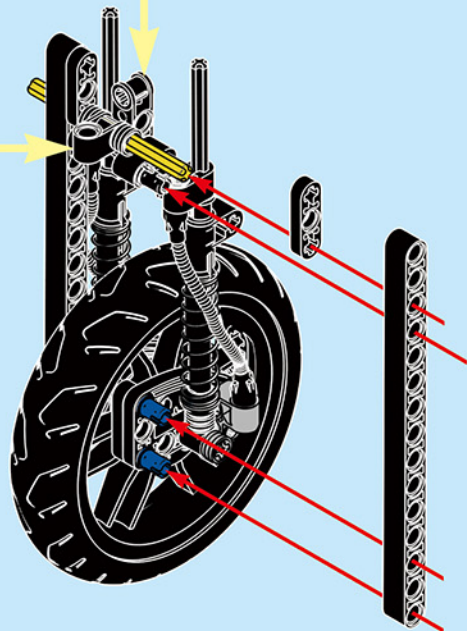
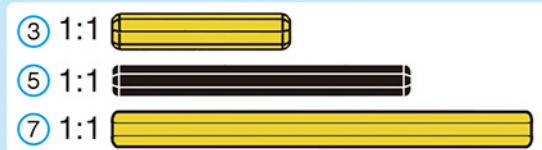
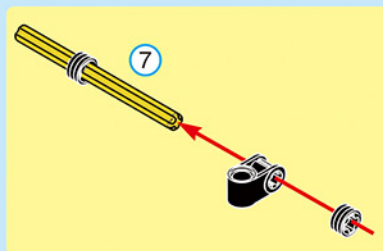
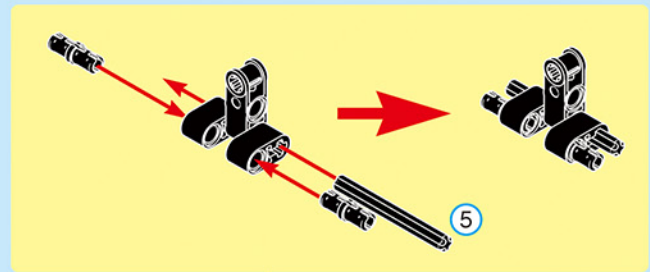


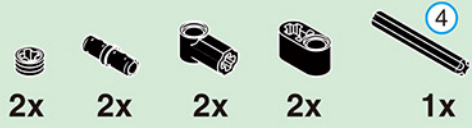


# 3-3

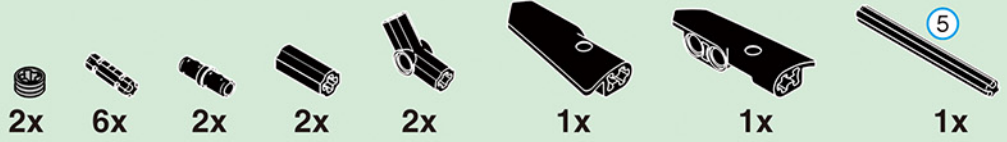
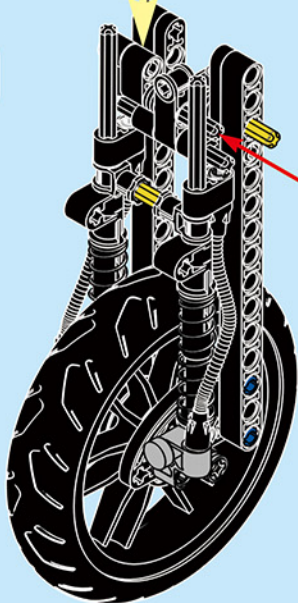
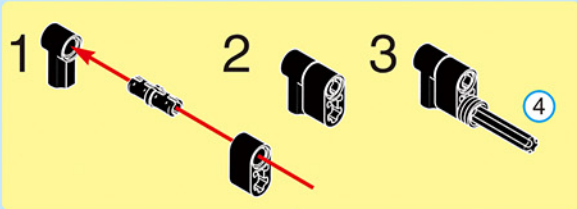


# 3-4

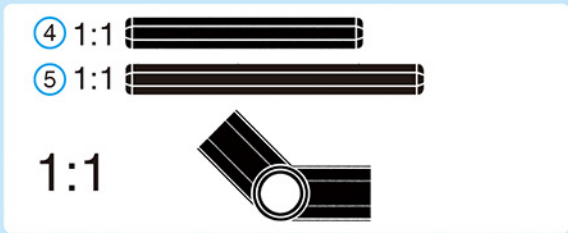
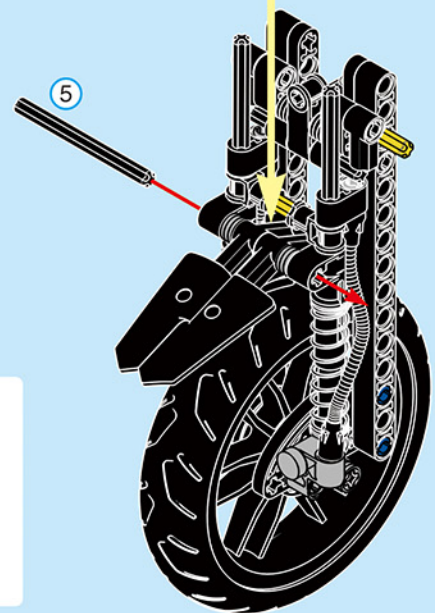
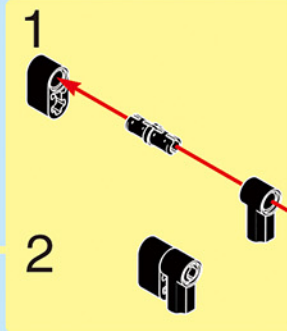
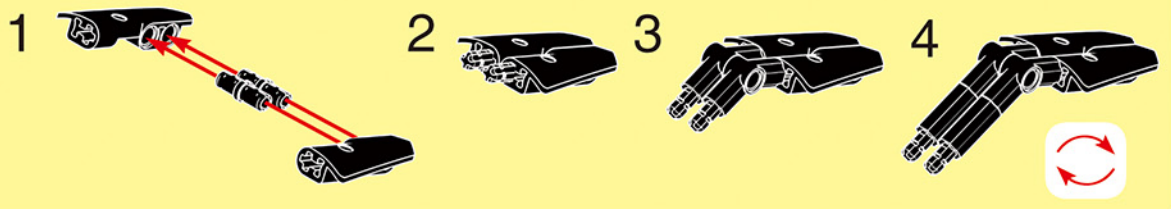


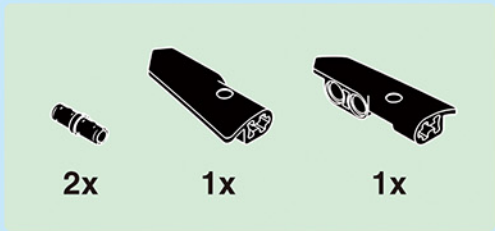


# 3-4

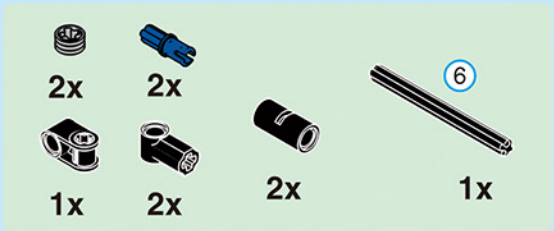
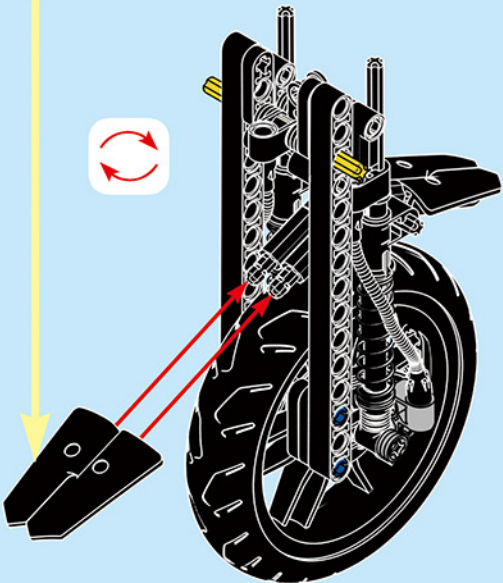
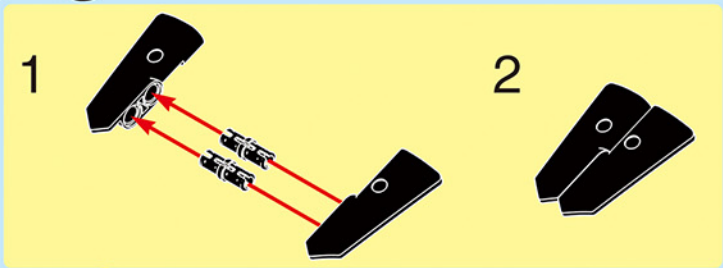


# 3-5

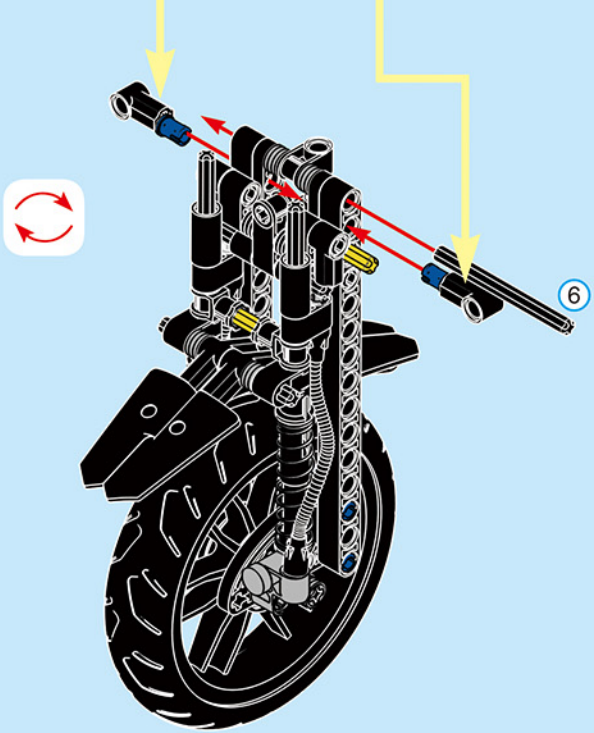


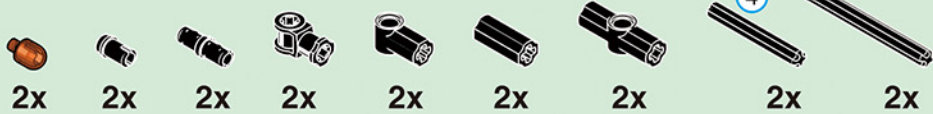


# 3-6

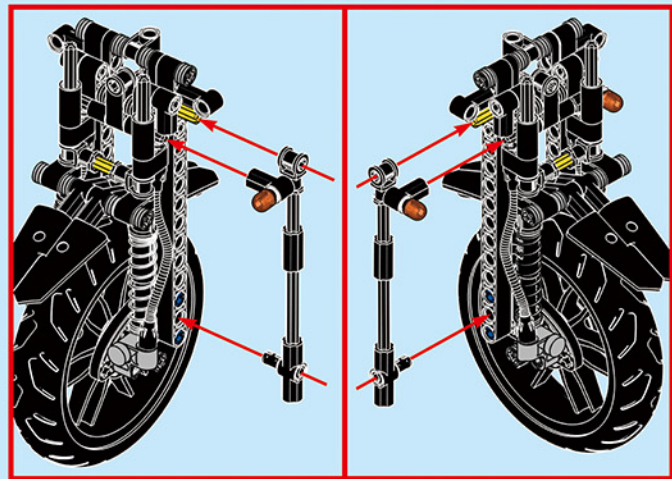
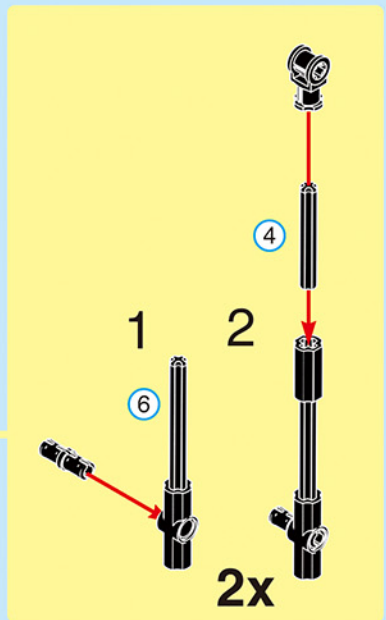
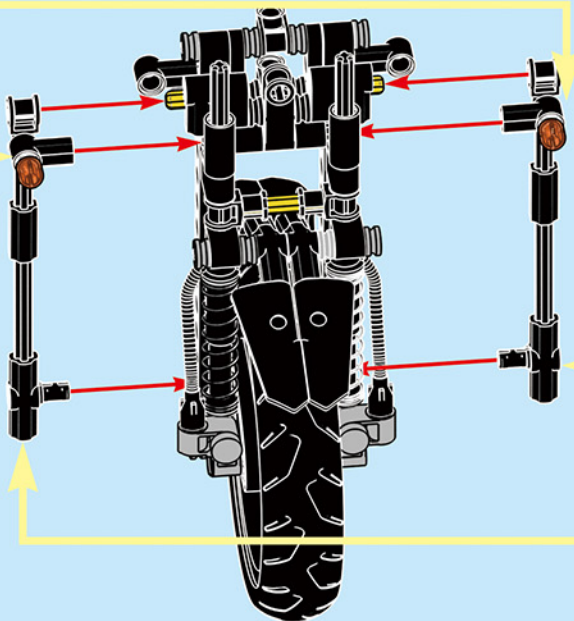
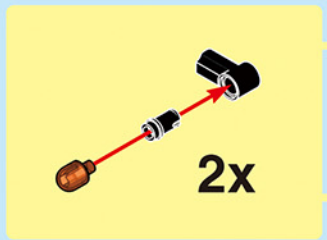


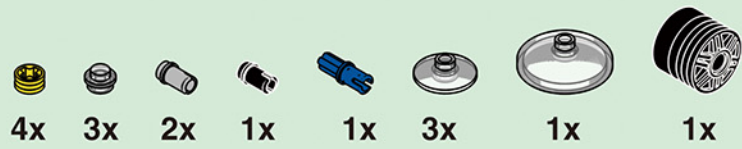
# 3-7



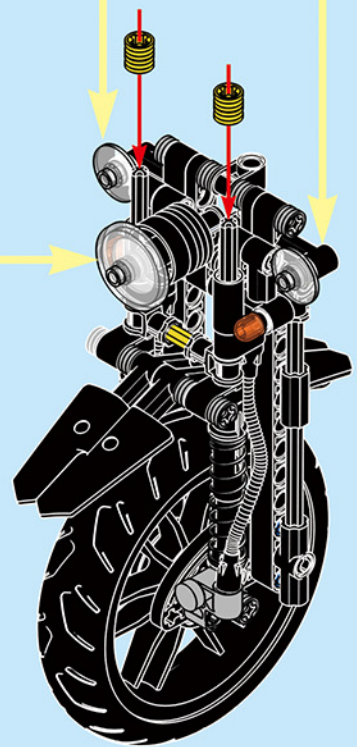
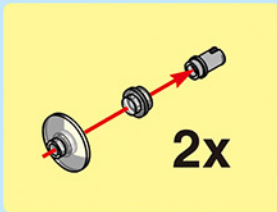
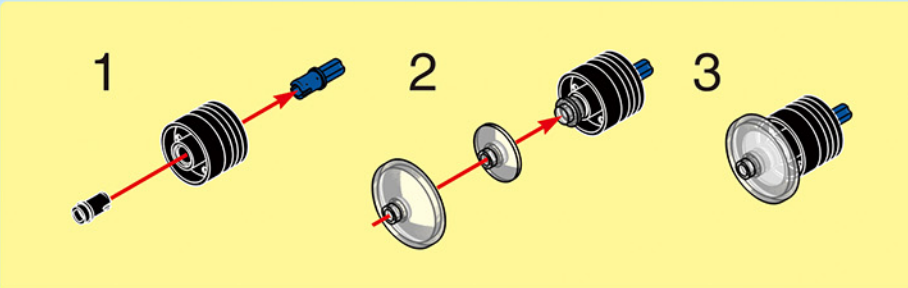


# 3-8

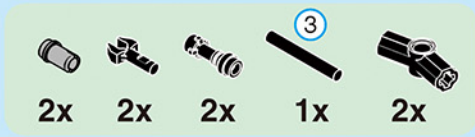




# 3-9



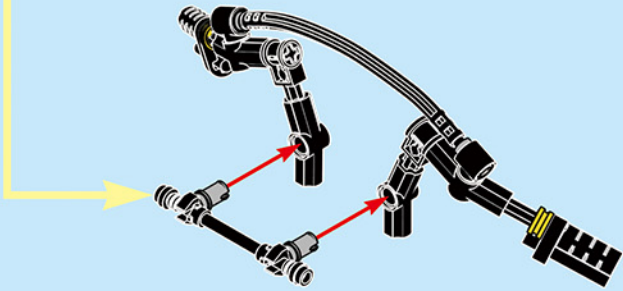
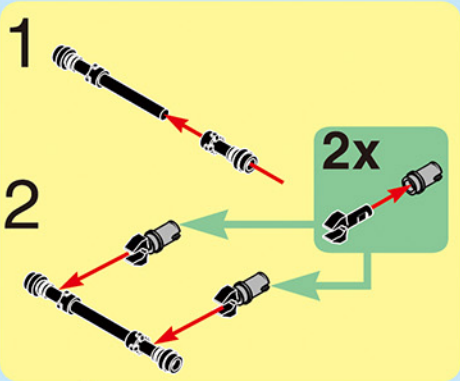




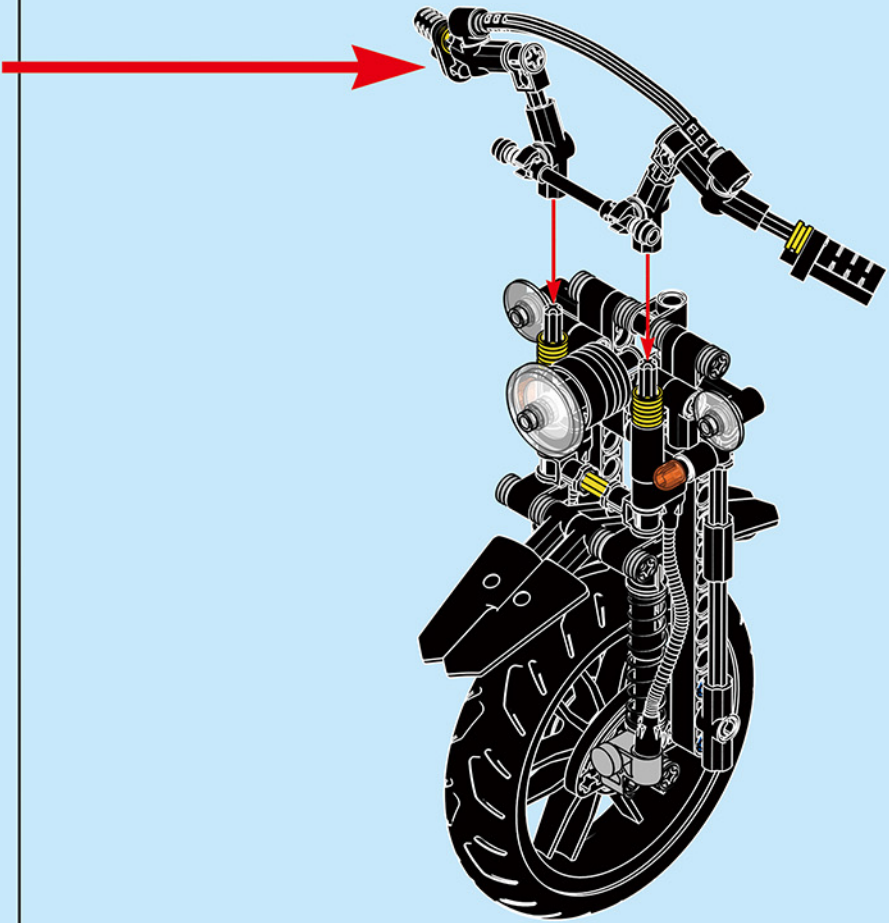
3-10.2





③ 1:1

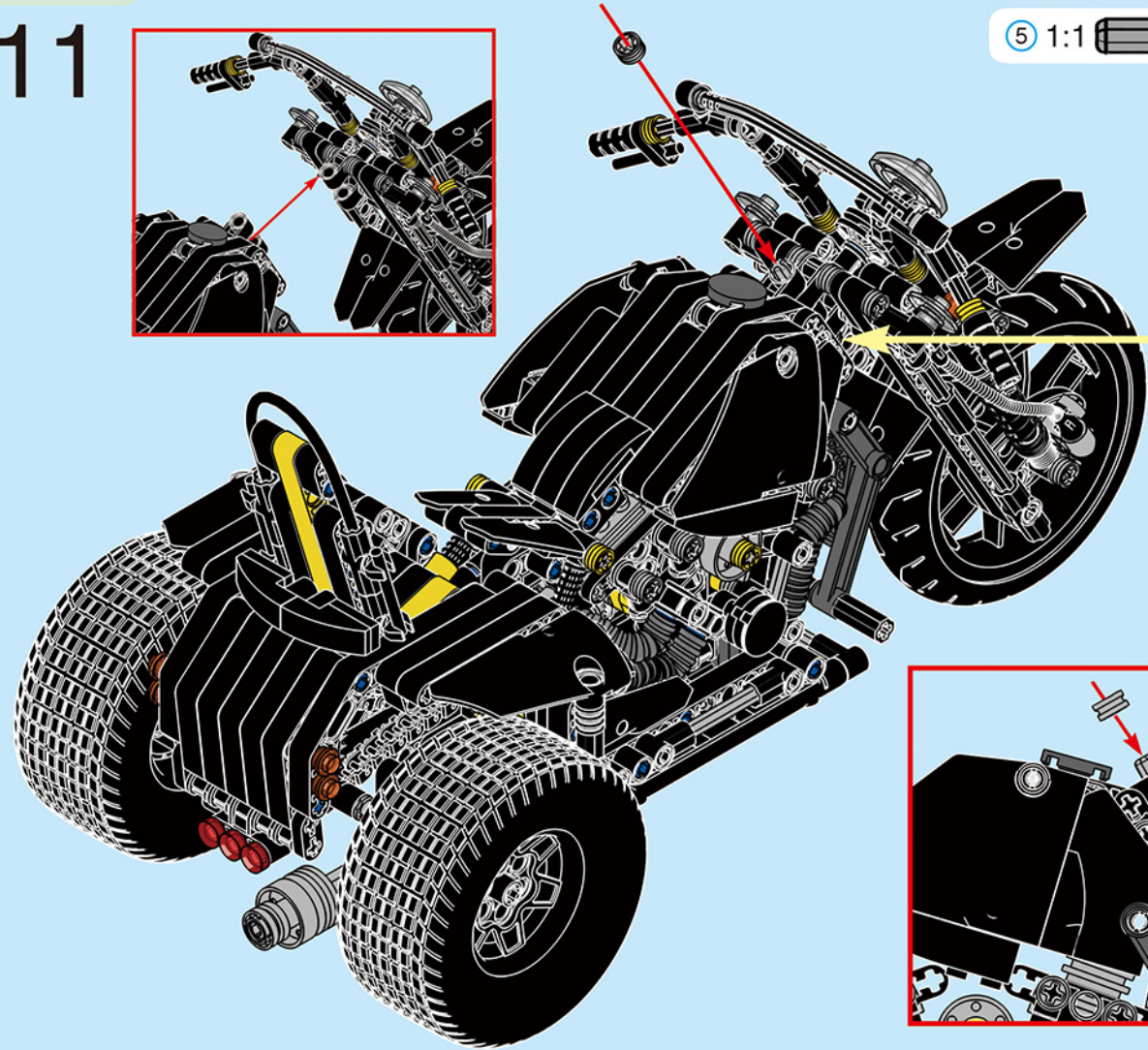
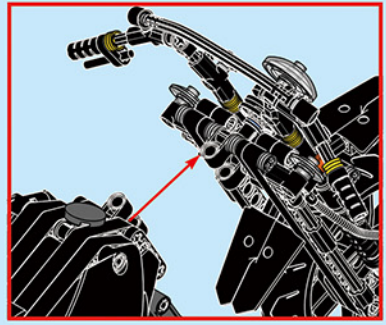


3-10

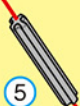




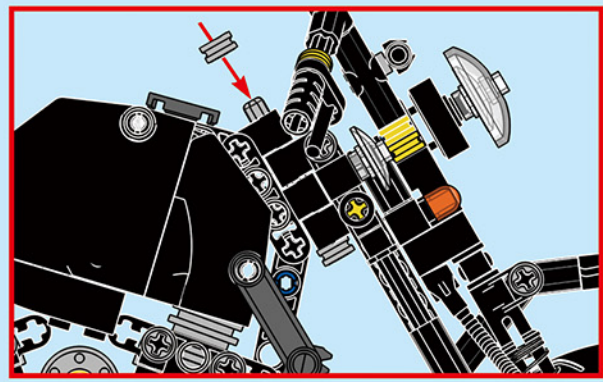
 2x  
 1x

3-11



 1:1 

1    
 2 





# DREAM-CAR

