

ACROSS THE BATTLEFIELD



XB-06026 | 6+ **646**
PCS/PZS

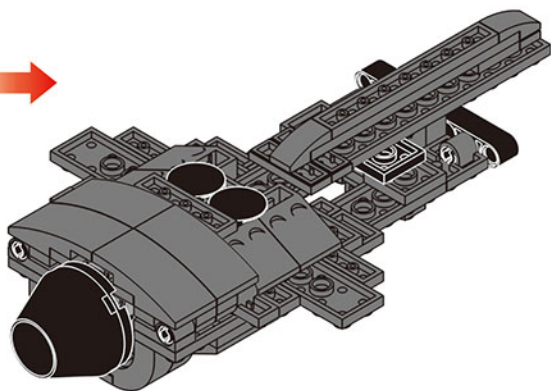


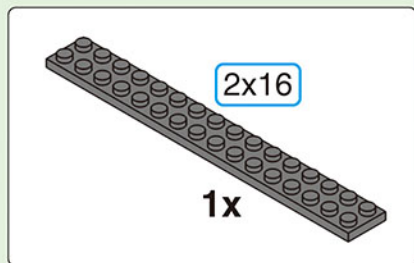
F35-Fighter



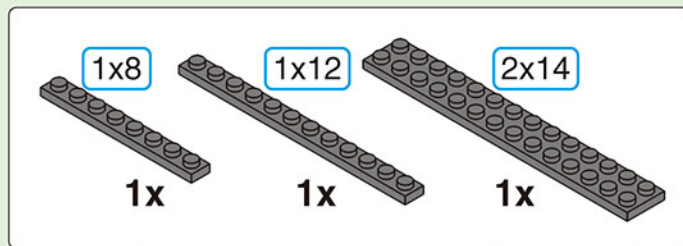
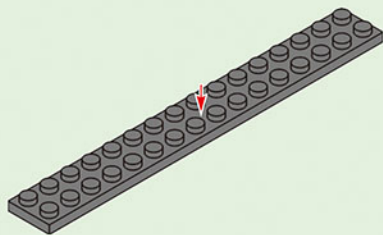


x2

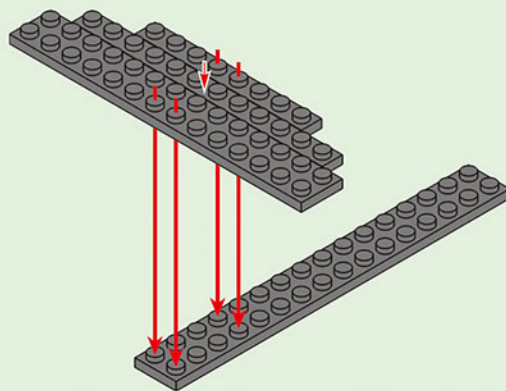




1-1



1-2





1x



1x



1x



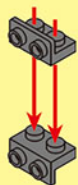
1x



1x

1-3

1



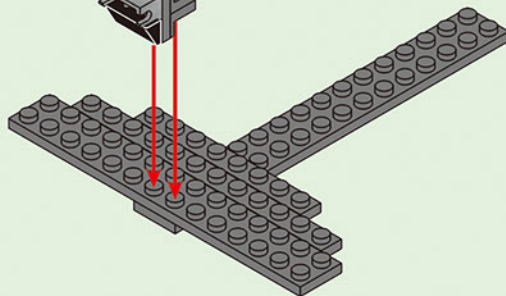
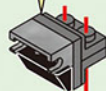
2

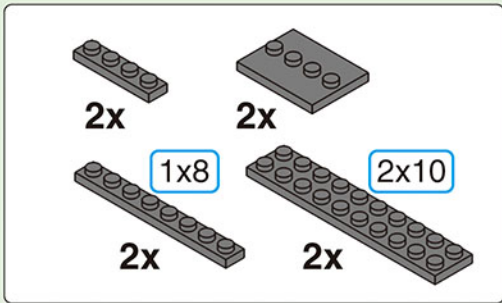


3

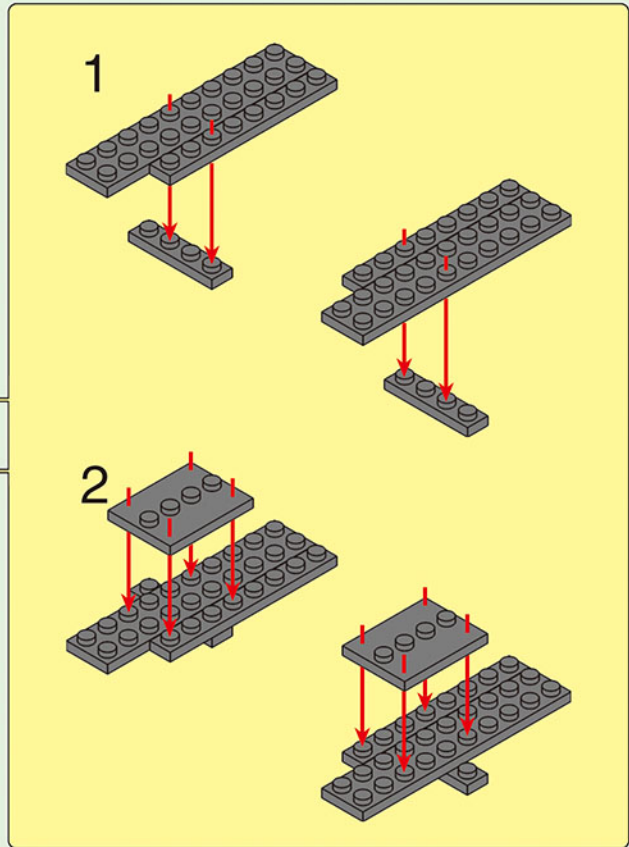
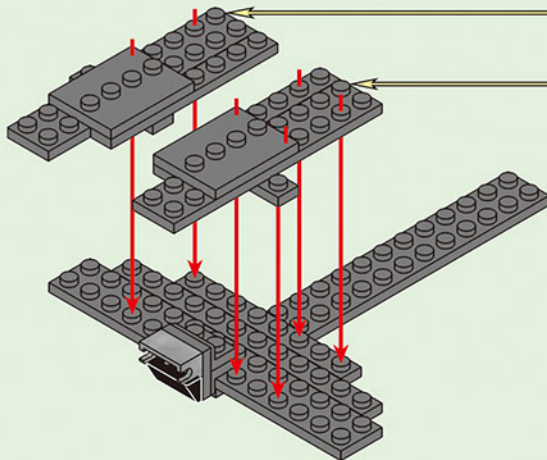


4





1-4



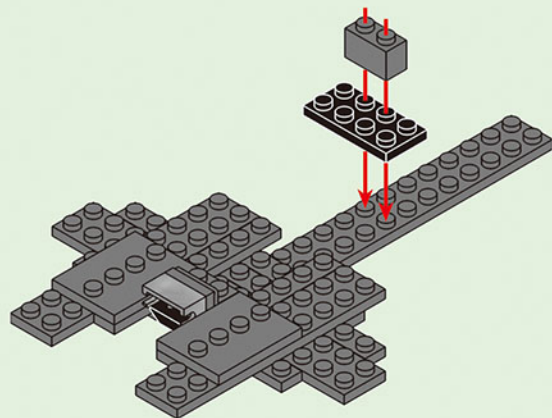


1x



1x

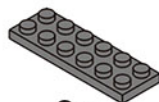
1-5



5

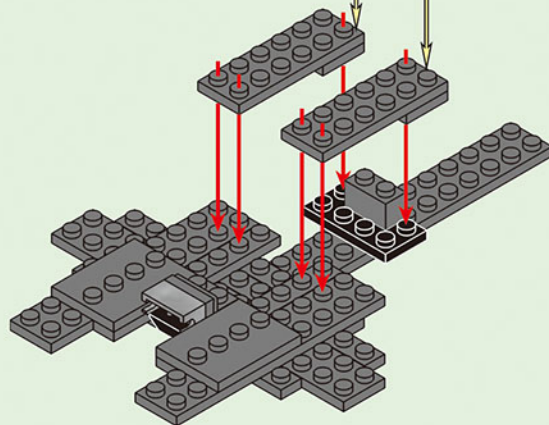
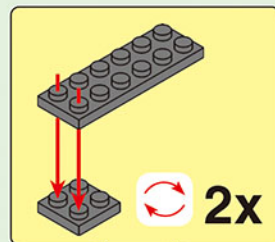


2x



2x

1-6





1x



2x



2x



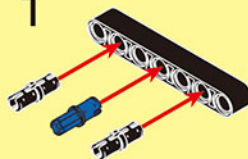
1x



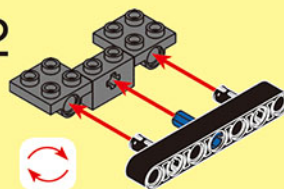
1x

1-7

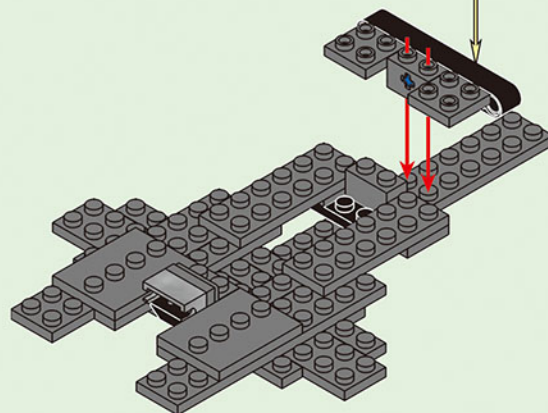
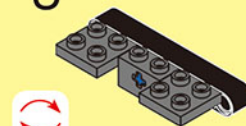
1

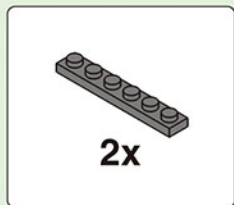


2

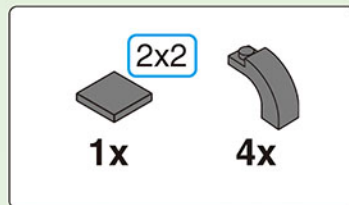
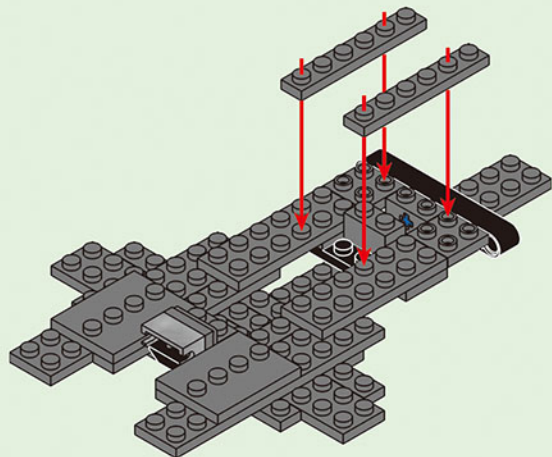


3

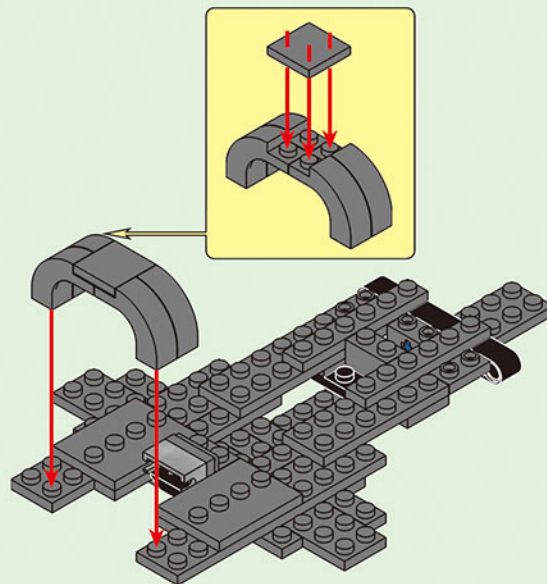




1-8

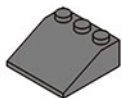


1-9



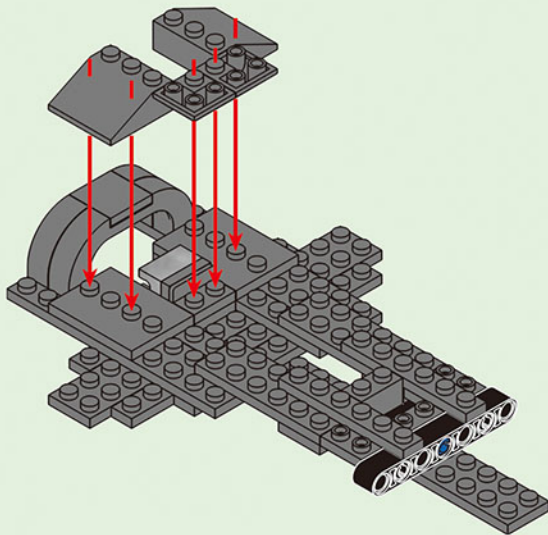


2x



2x

1-10

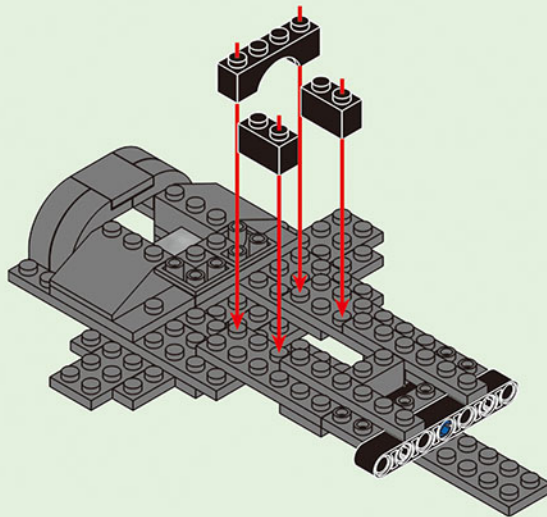


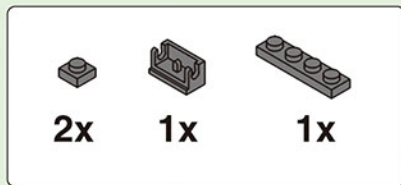
2x



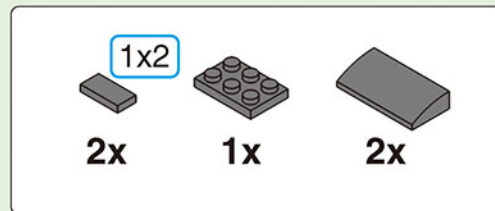
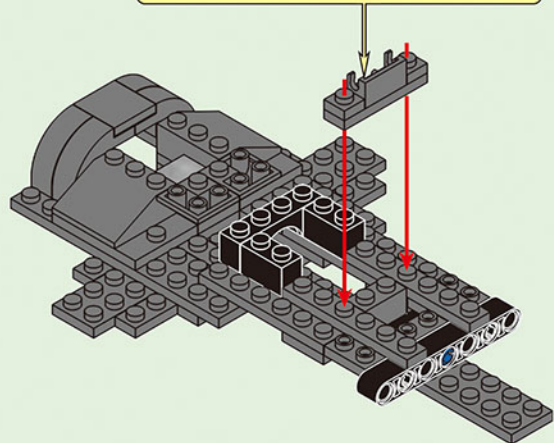
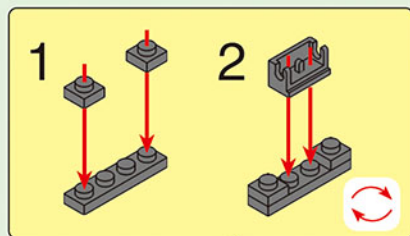
1x

1-11

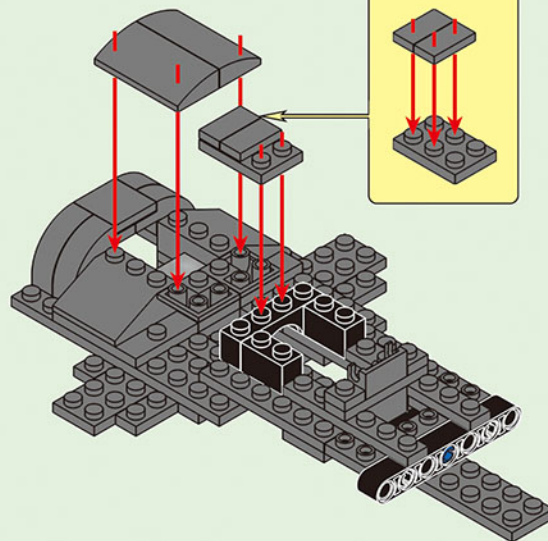
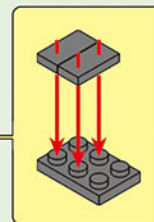


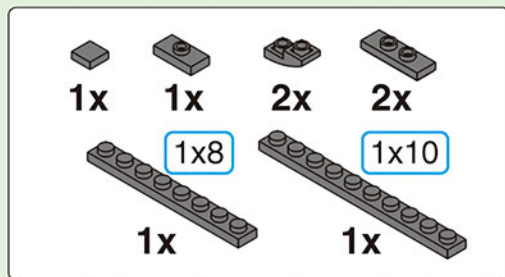


1-12

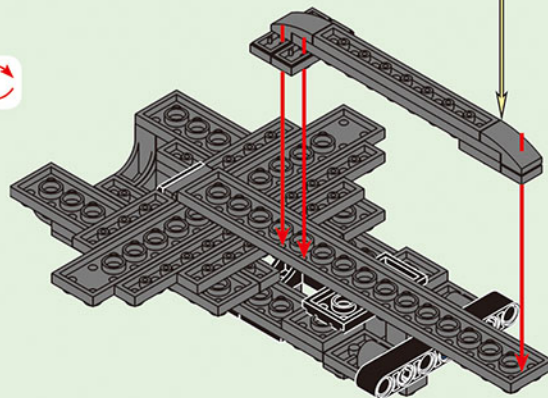
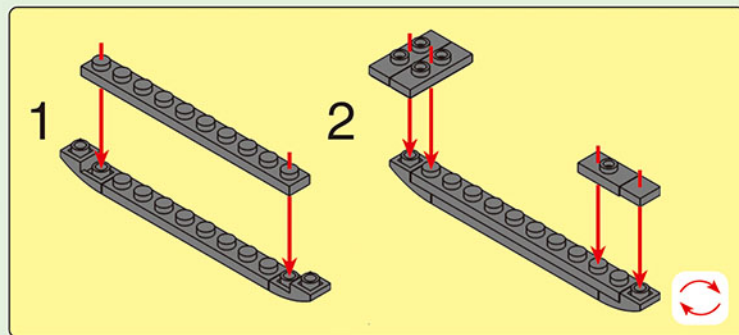


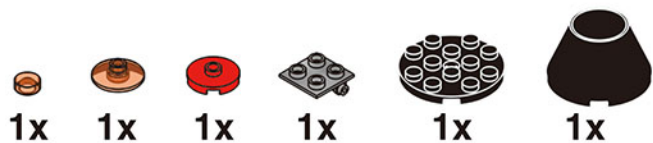
1-13



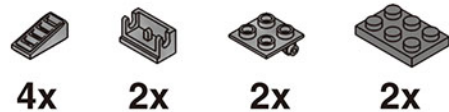
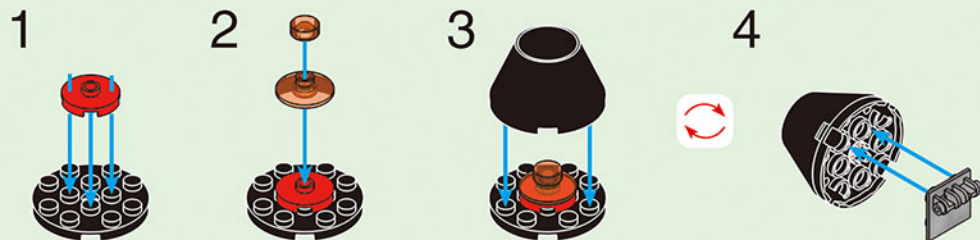


1-14

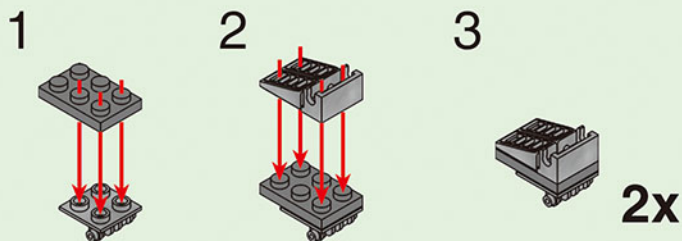




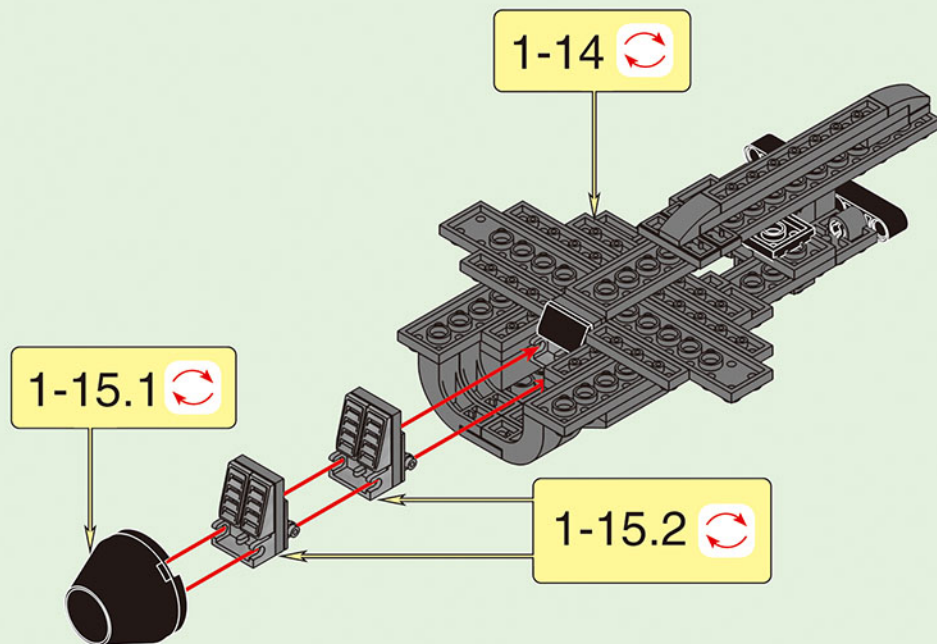
1-15.1



1-15.2



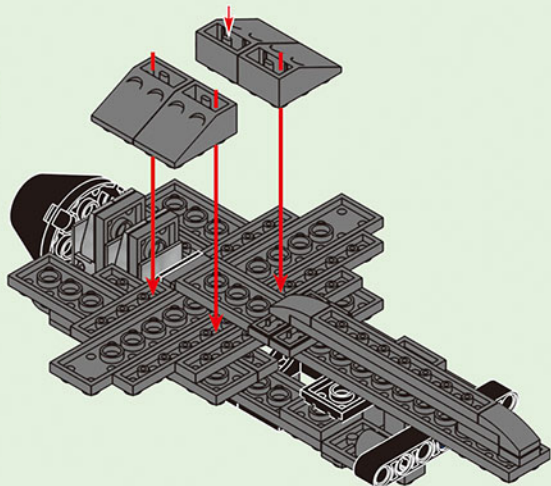
1-16





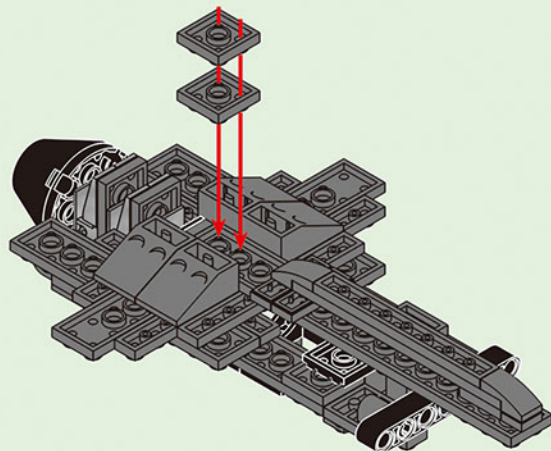
4x

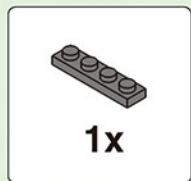
1-17



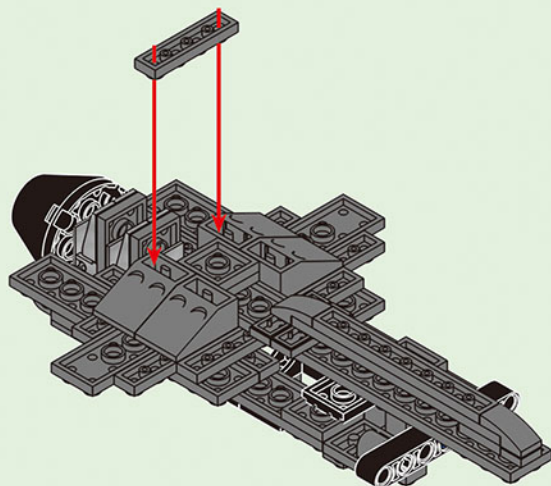
2x

1-18

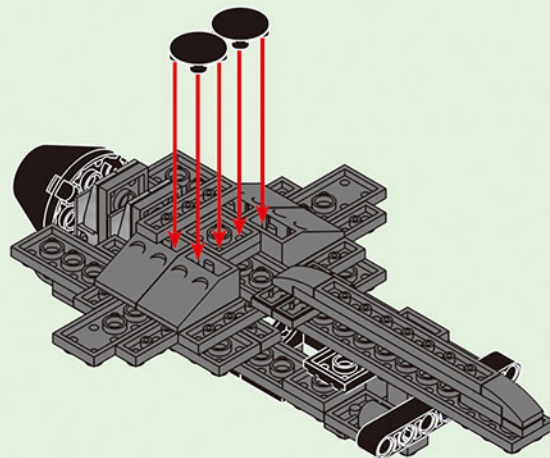




1-19



1-20





1x



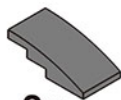
2x



4x



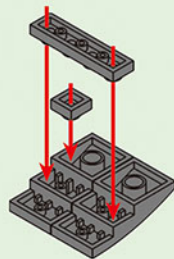
1x



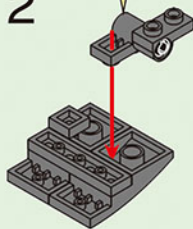
2x

1-21

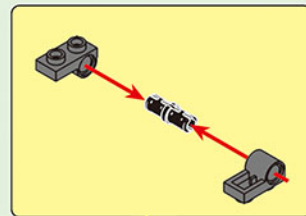
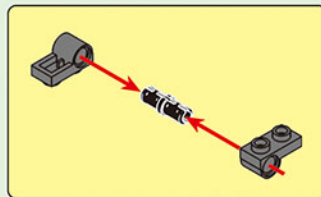
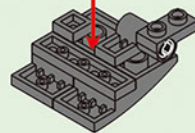
1

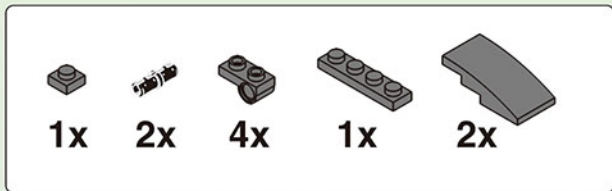


2

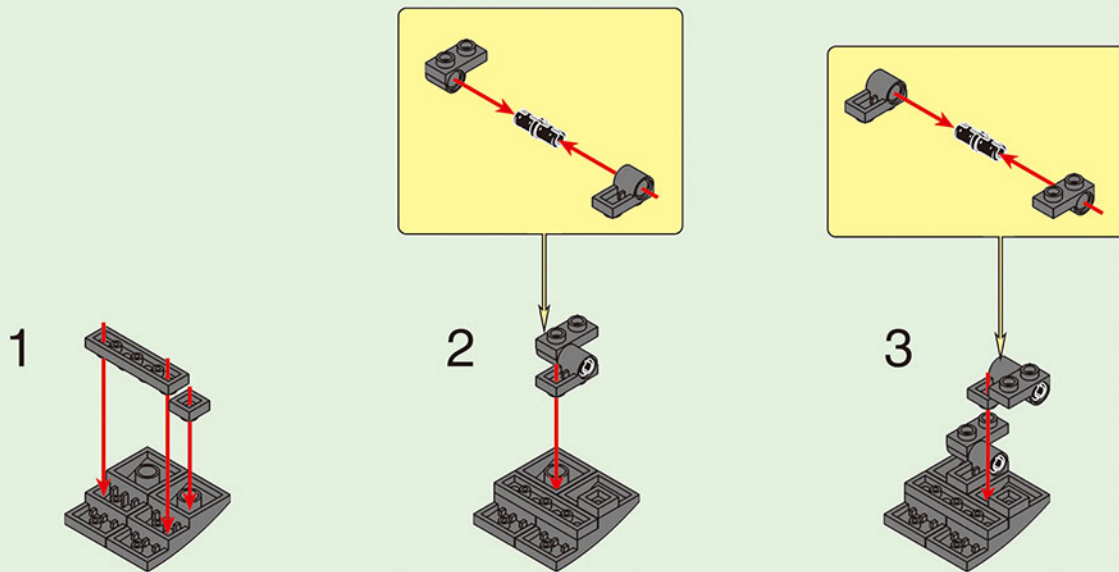


3

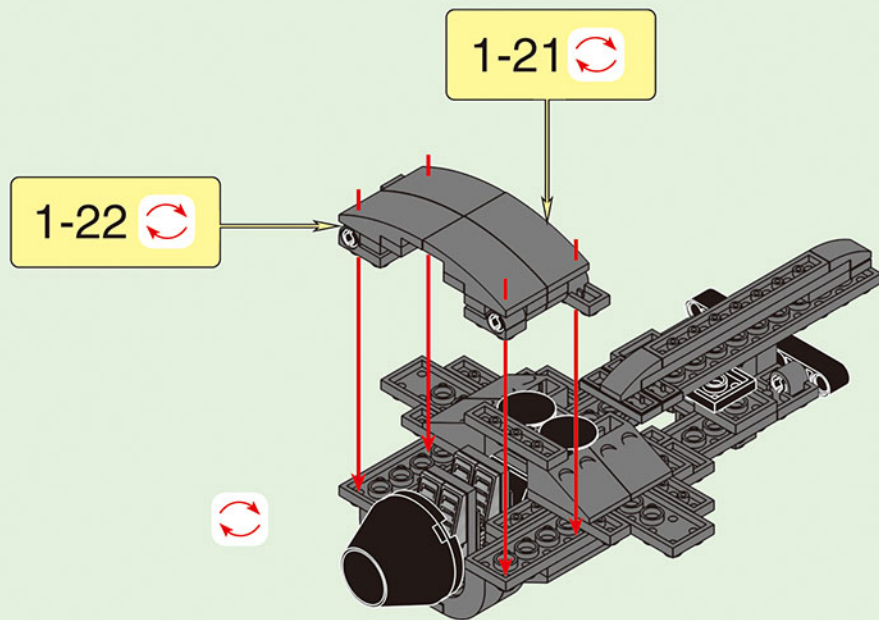




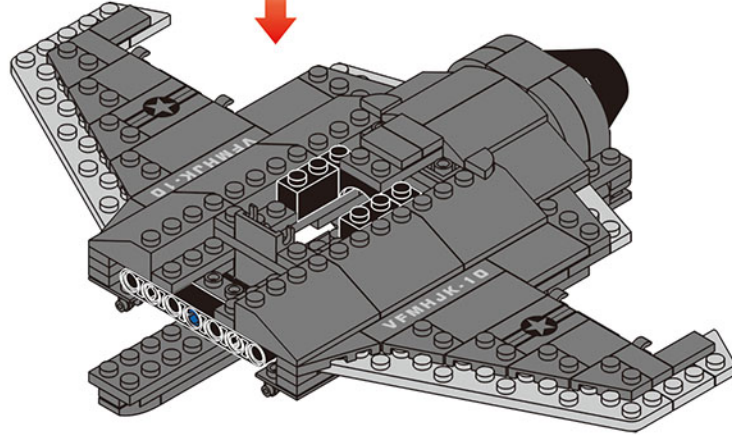
1-22

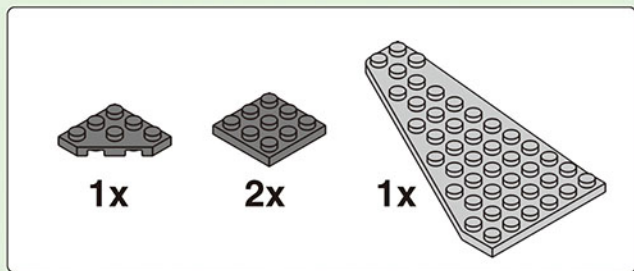


1-23

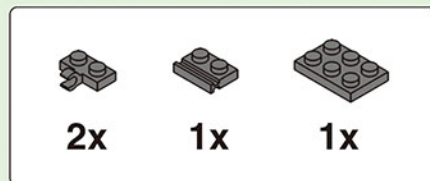
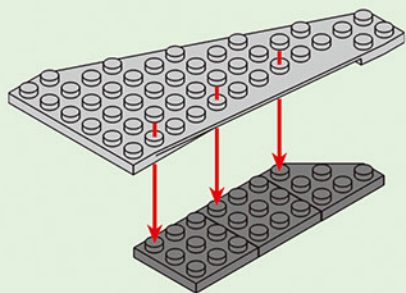


2 x2

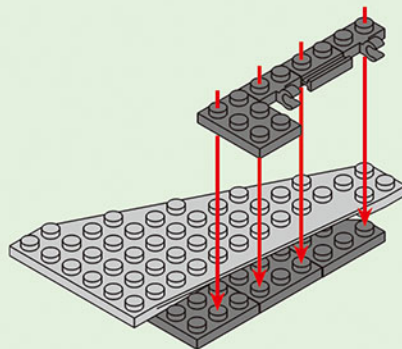




2-1

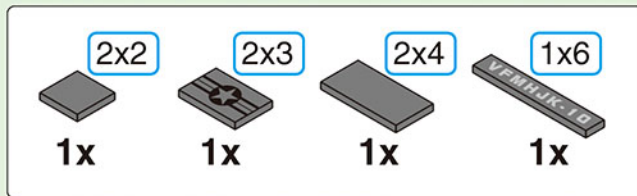
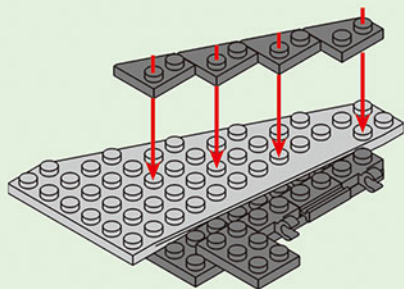


2-2

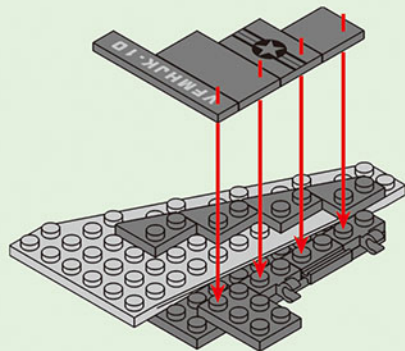


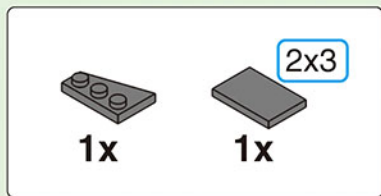


2-3

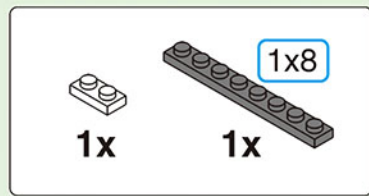
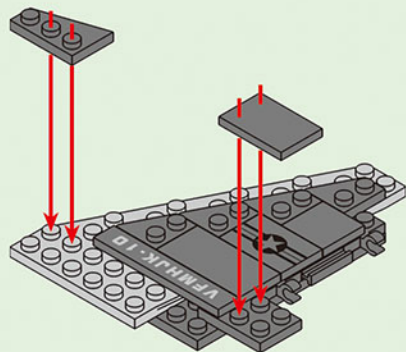


2-4

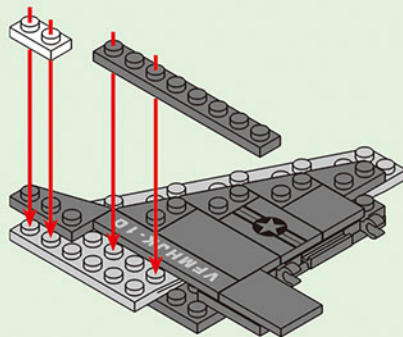


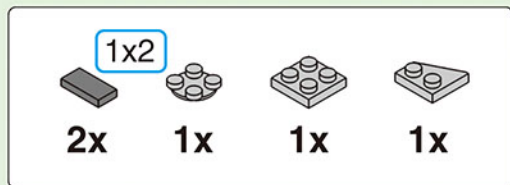


2-5

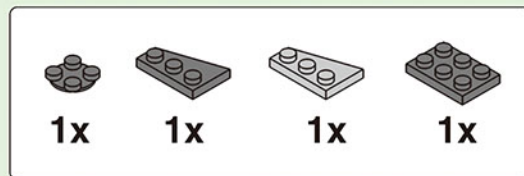
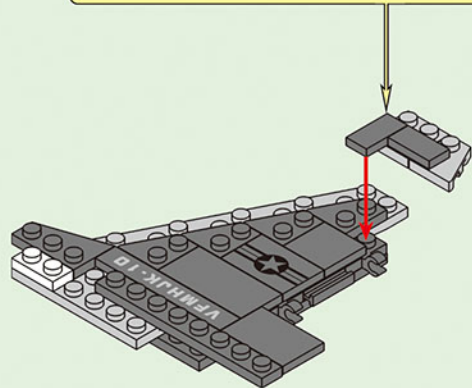
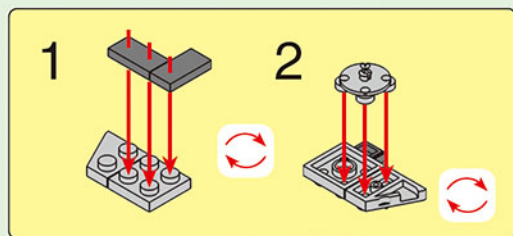


2-6

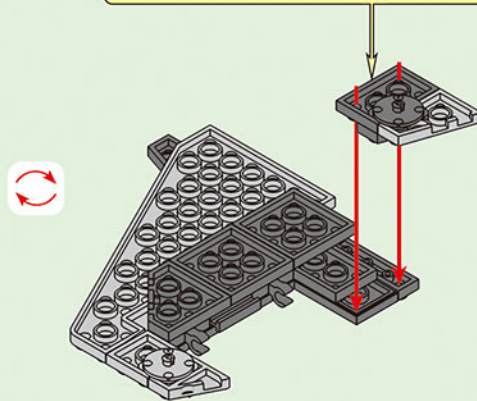
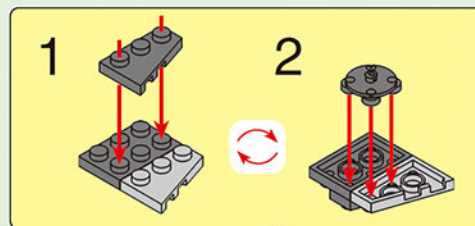




2-7



2-8





1x

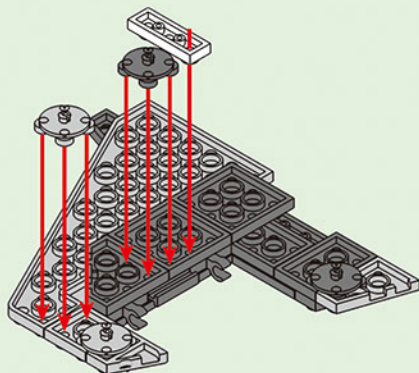


1x

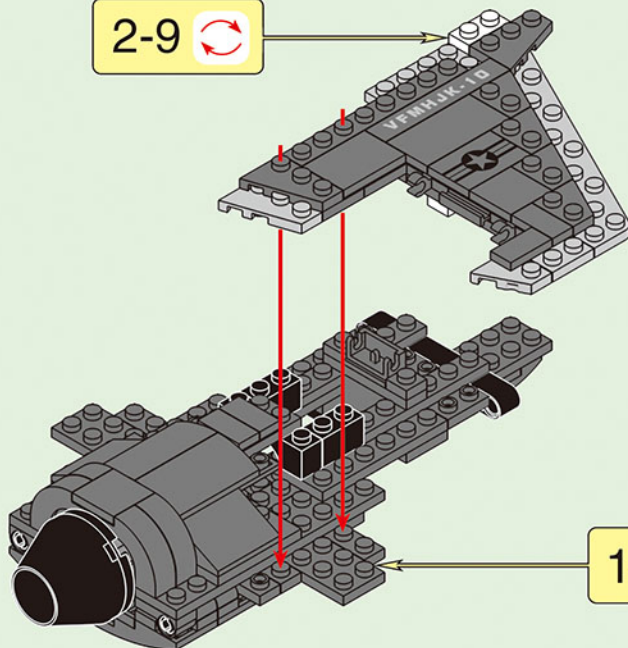
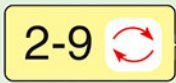


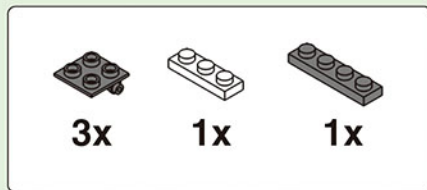
1x

2-9

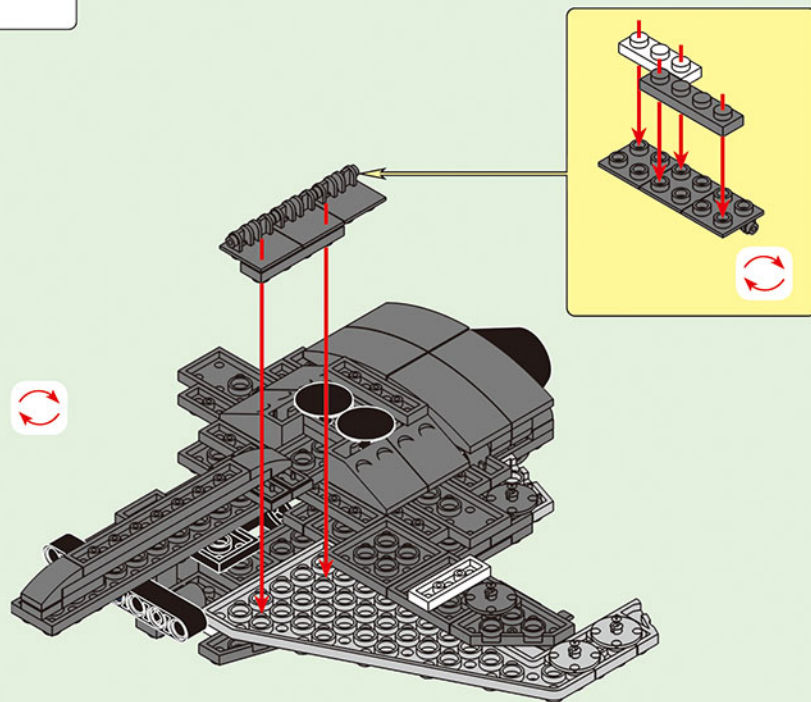


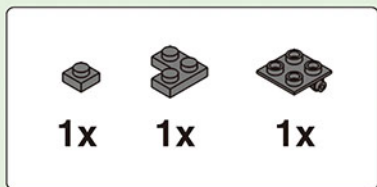
2-10



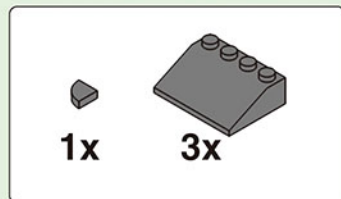
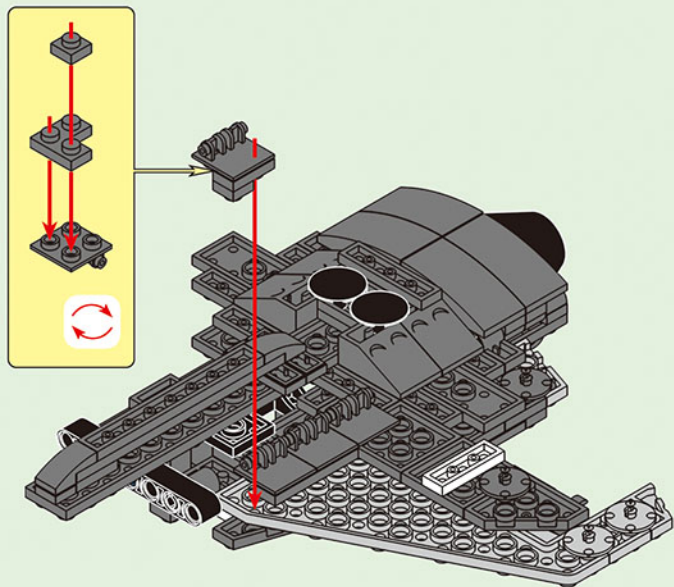


2-11

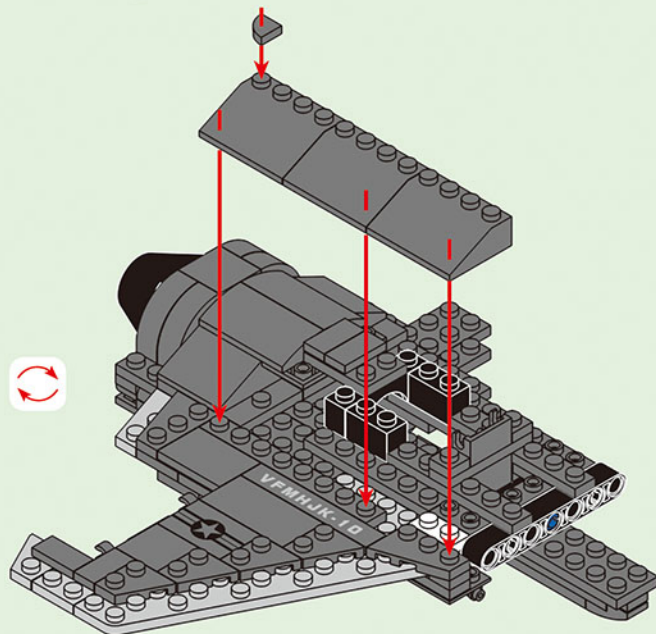


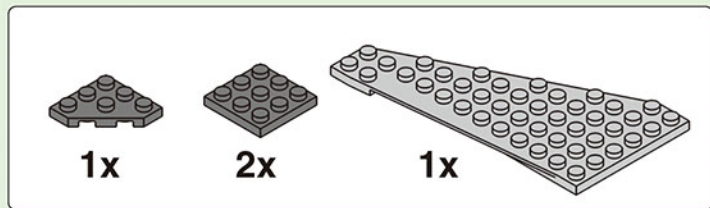


2-12

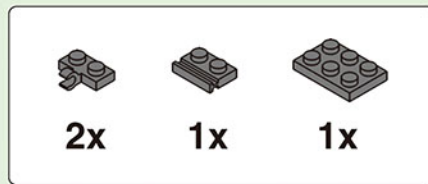
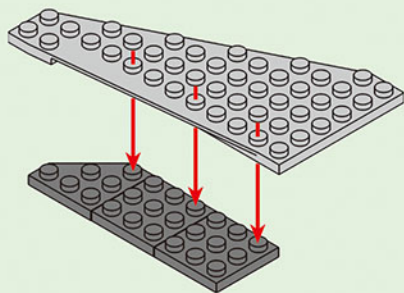


2-13

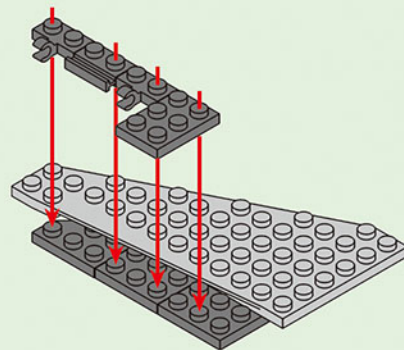




2-14

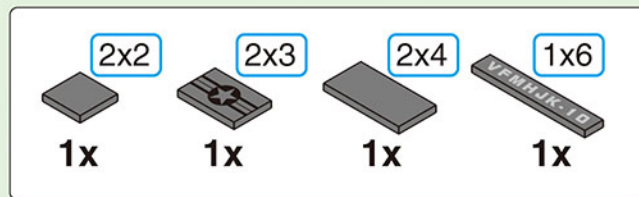
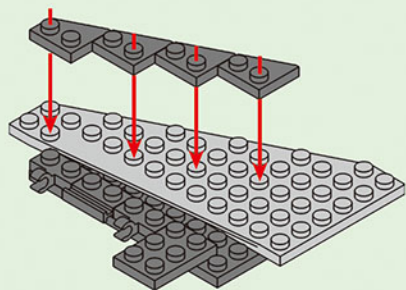


2-15

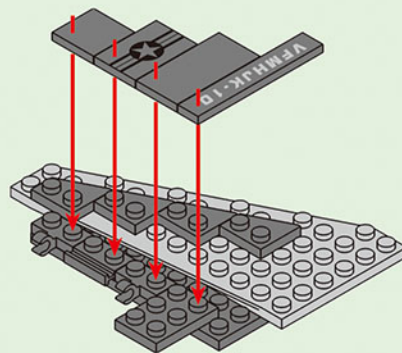


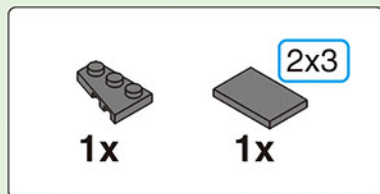


2-16

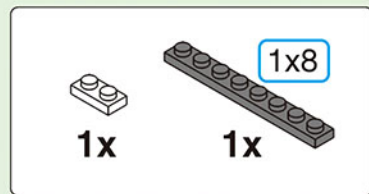
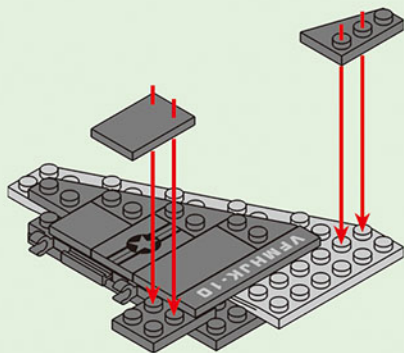


2-17

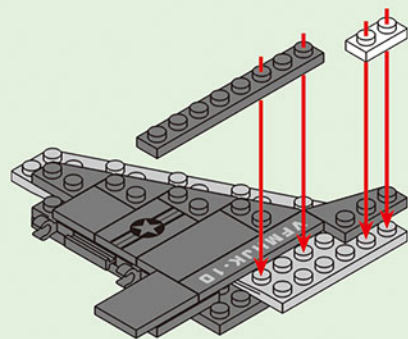




2-18

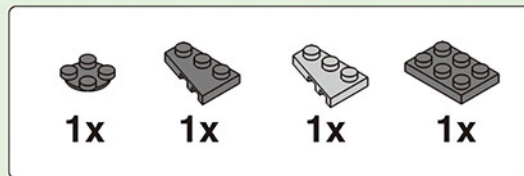
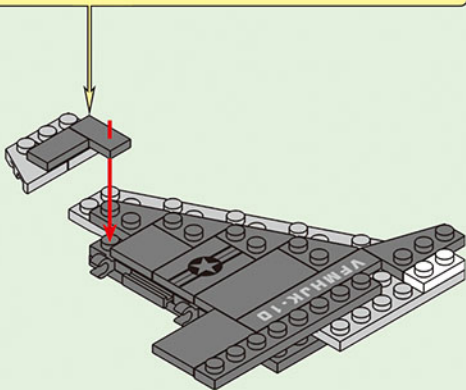
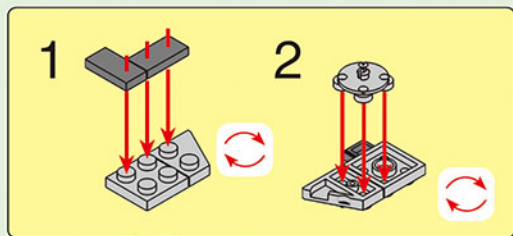


2-19

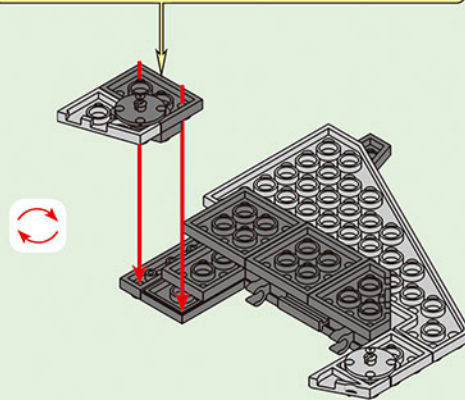
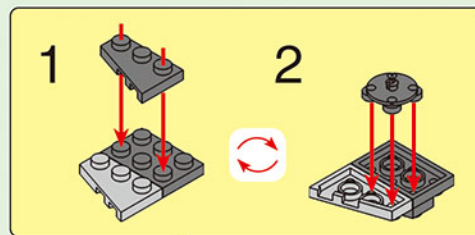




2-20



2-21





1x

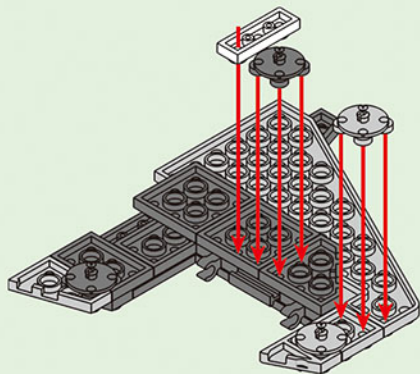


1x

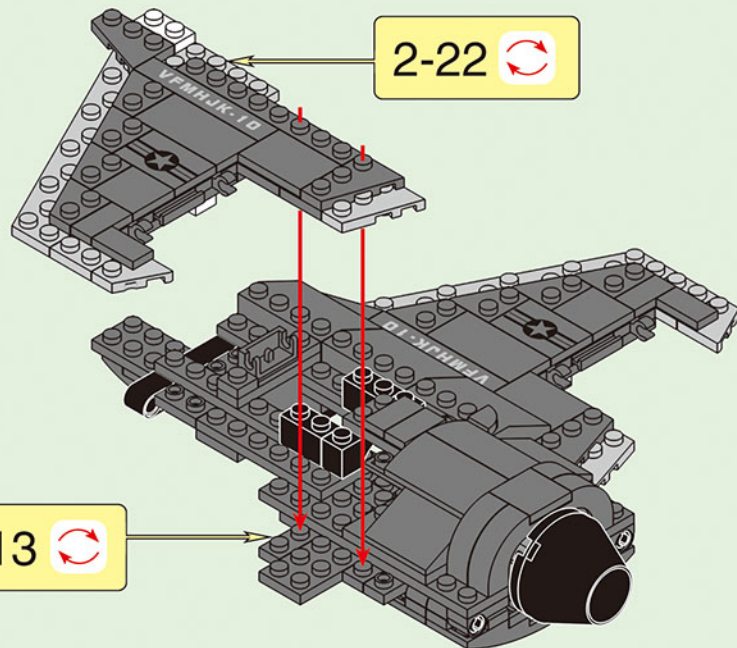


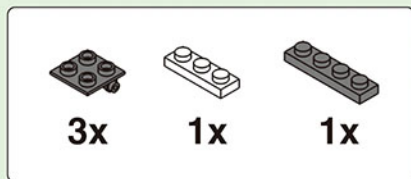
1x

2-22

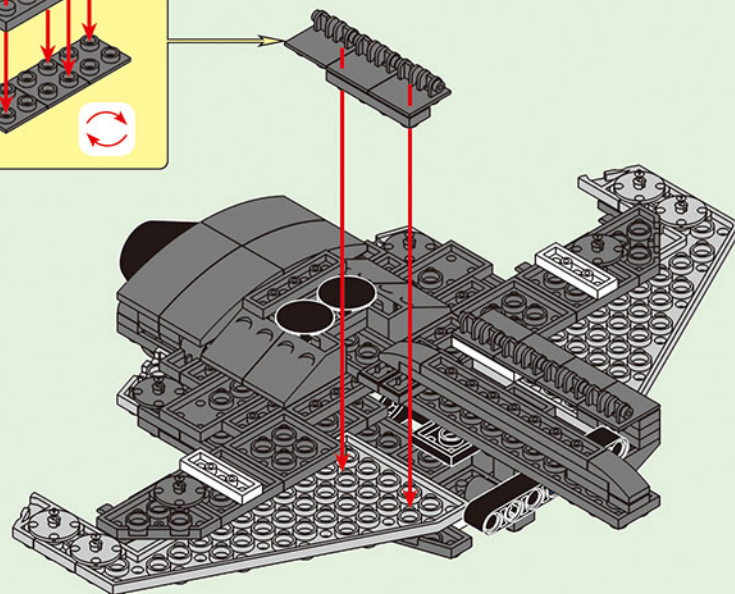
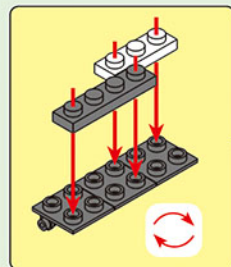


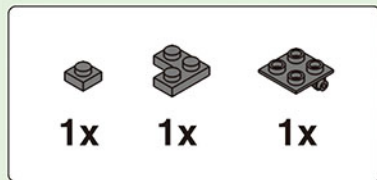
2-23



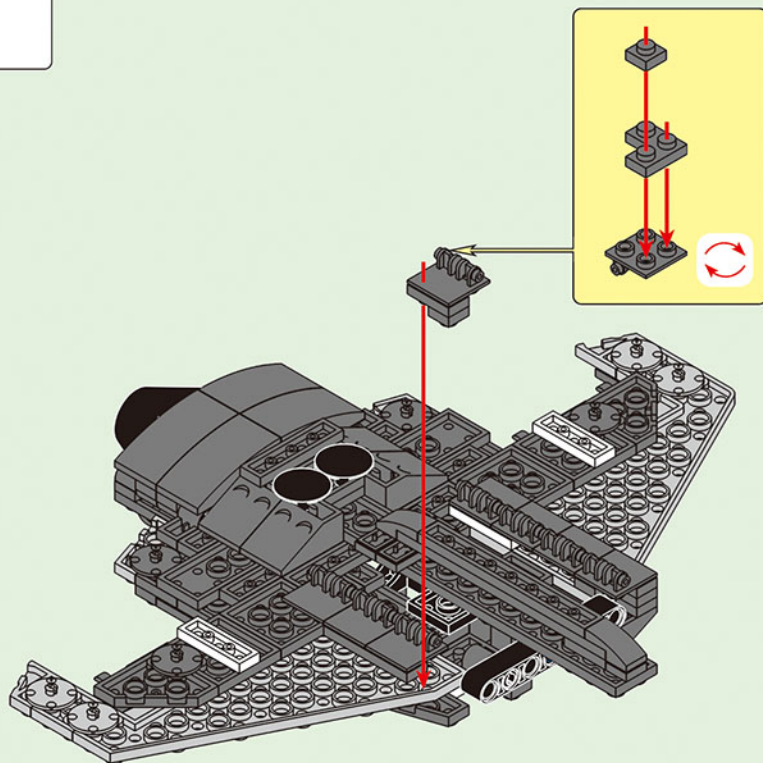


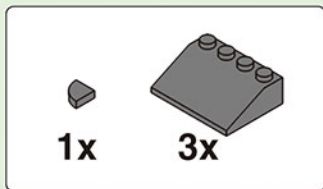
2-24



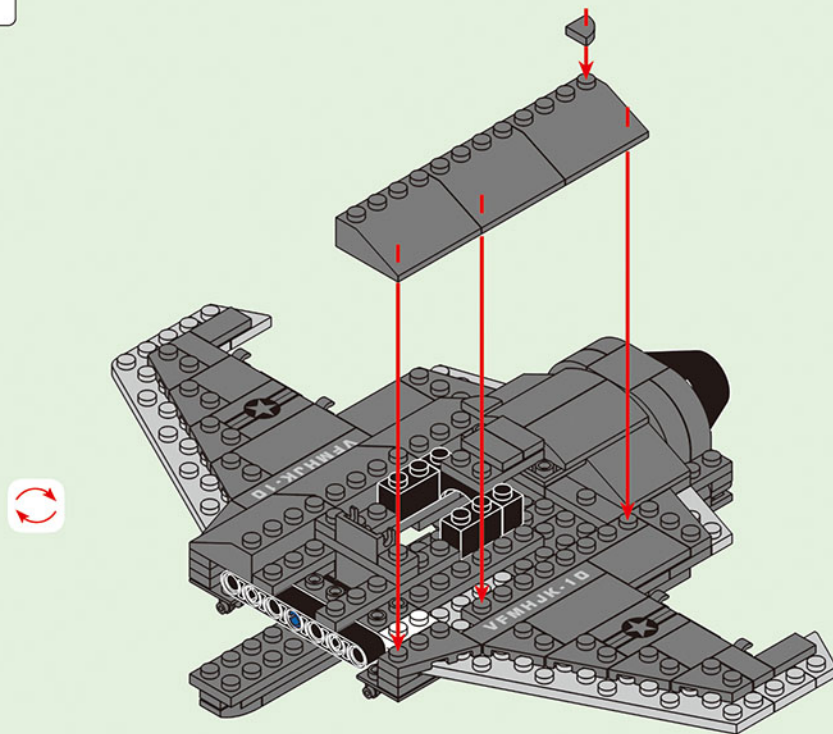


2-25





2-26

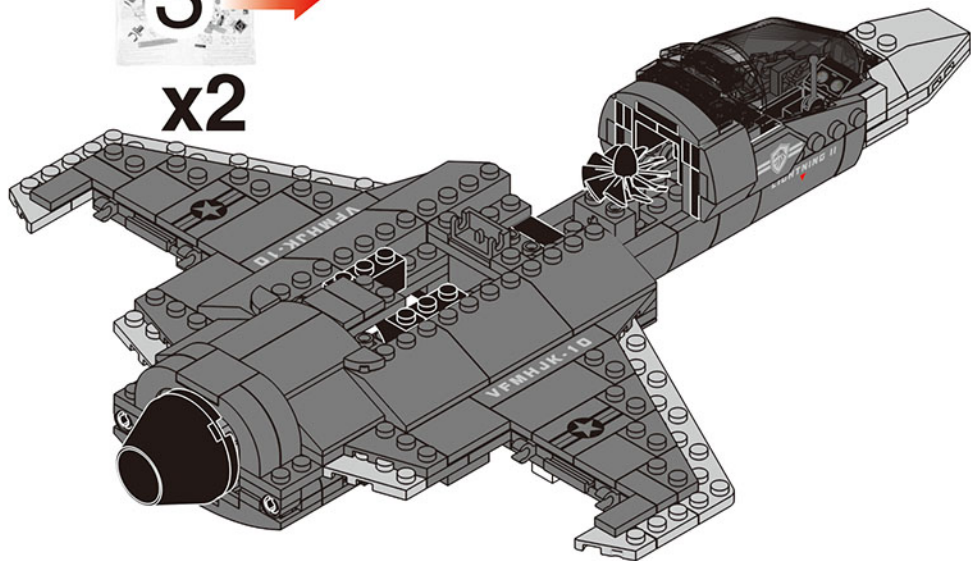


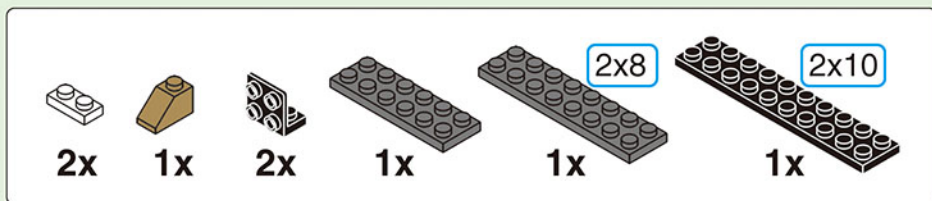


3

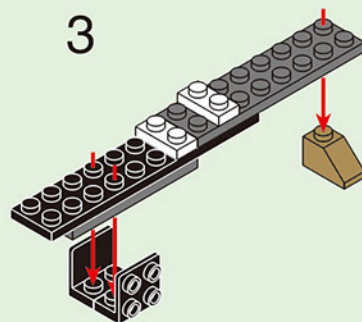
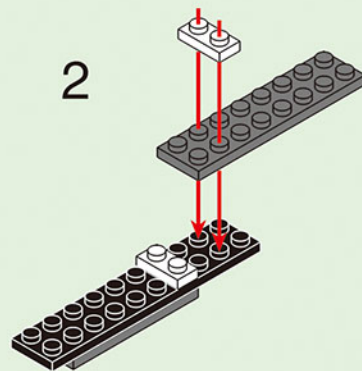
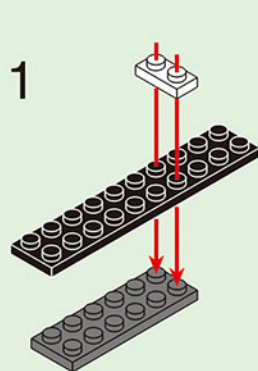


x2



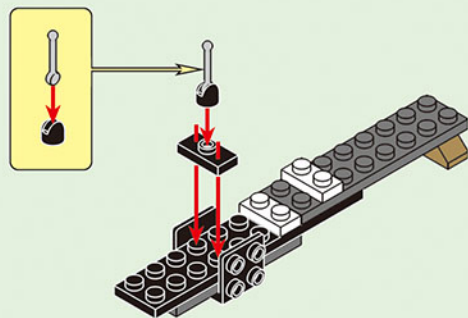


3-1

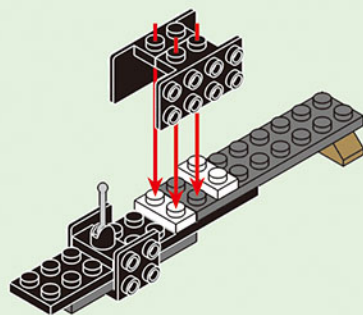


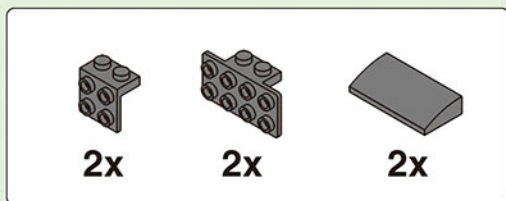


3-2

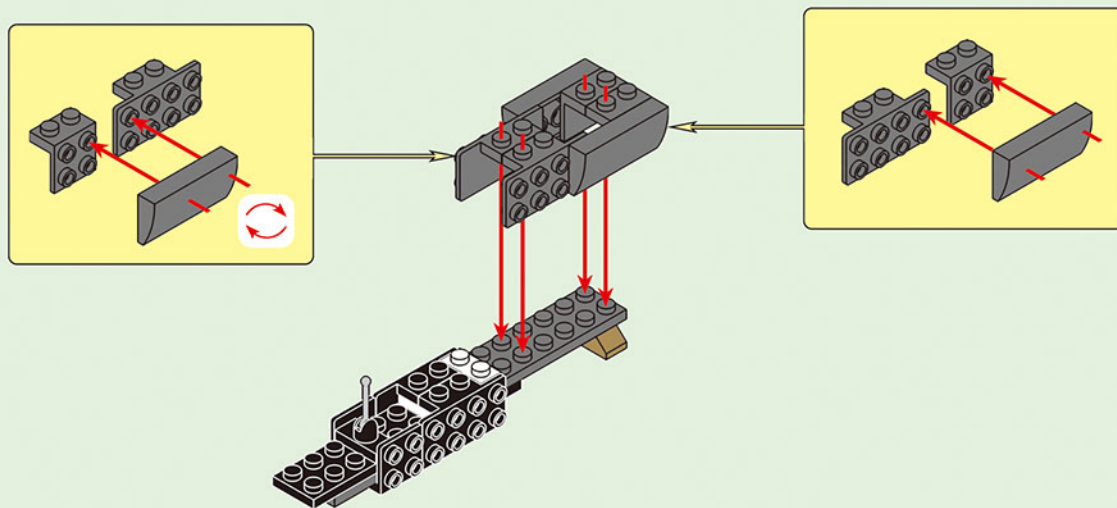


3-3



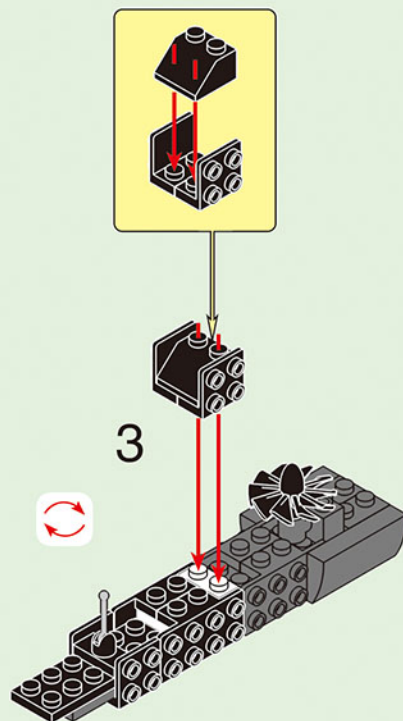
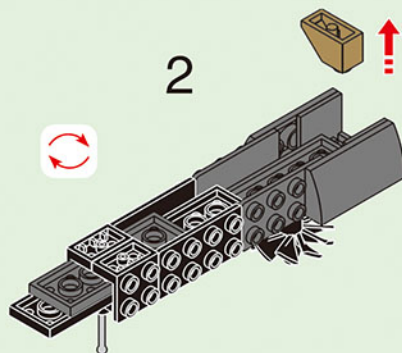
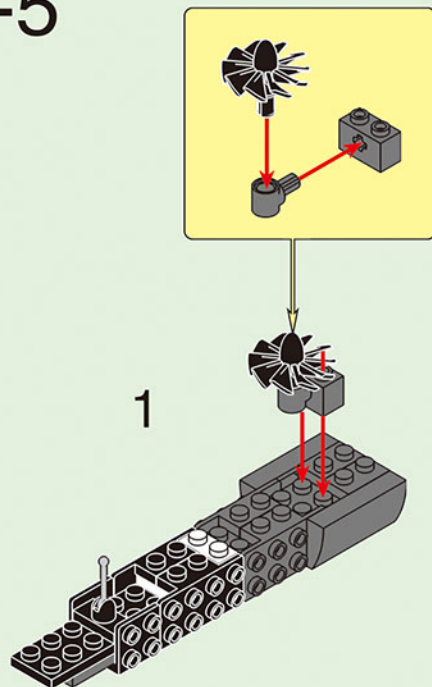


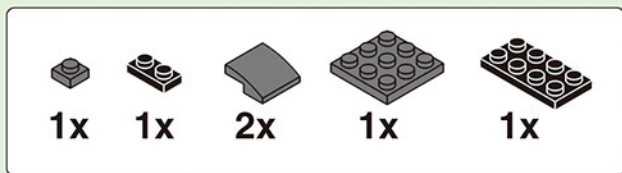
3-4



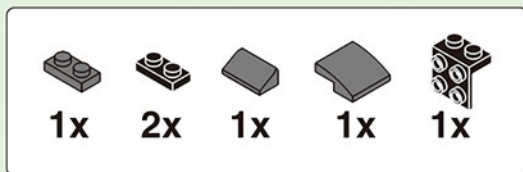
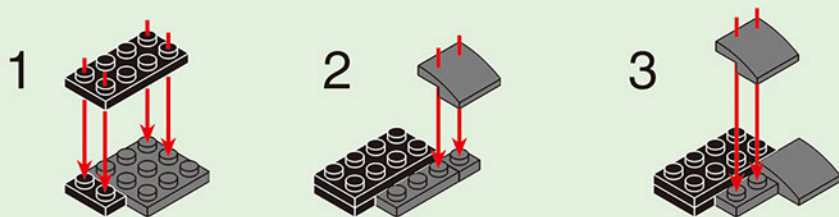


3-5

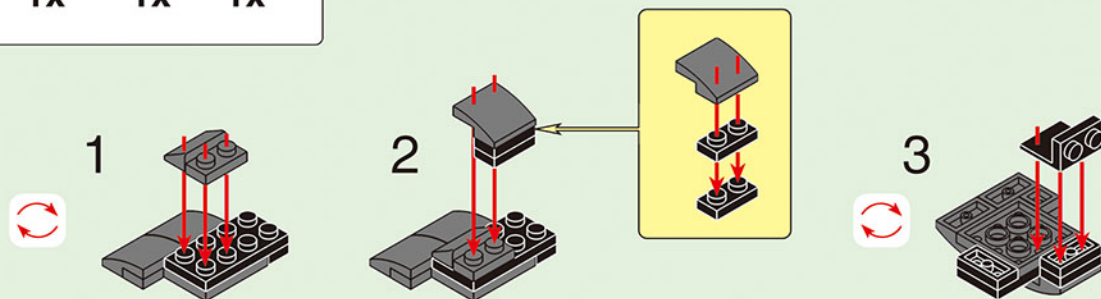




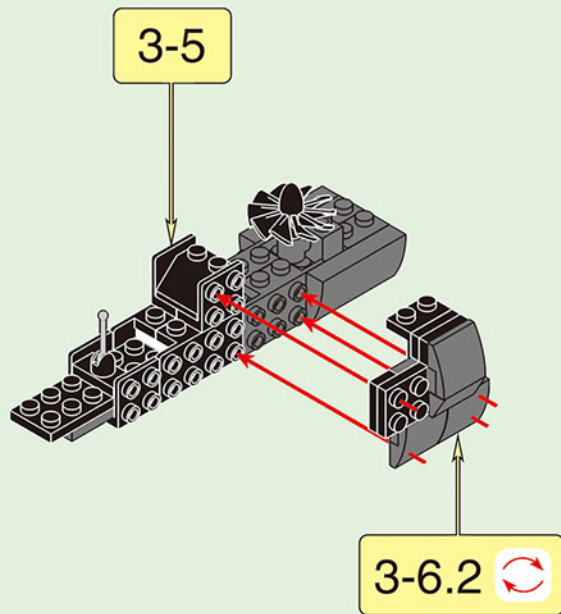
3-6.1



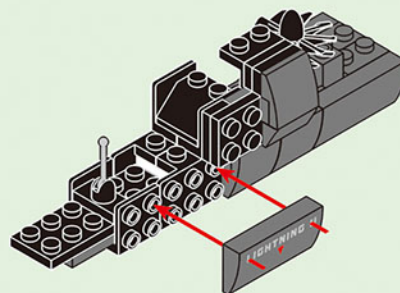
3-6.2

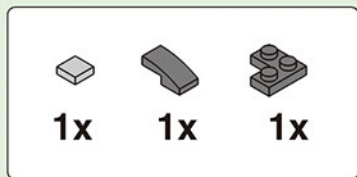


3-7

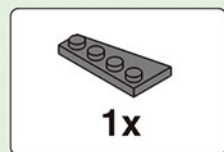
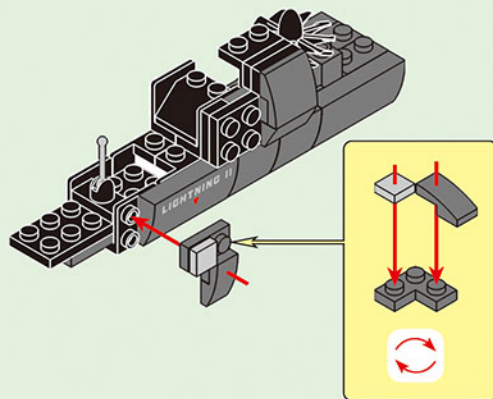


3-8

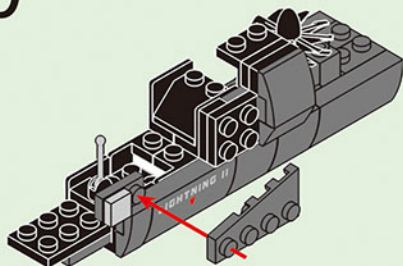




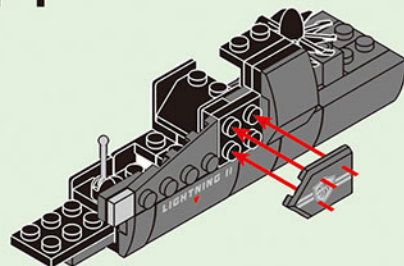
3-9

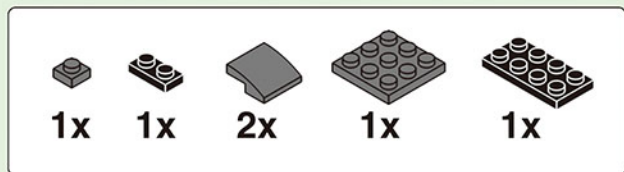


3-10

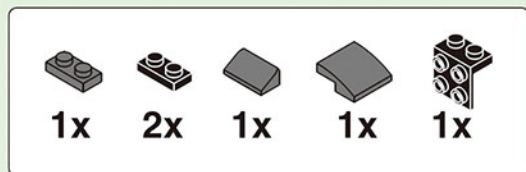
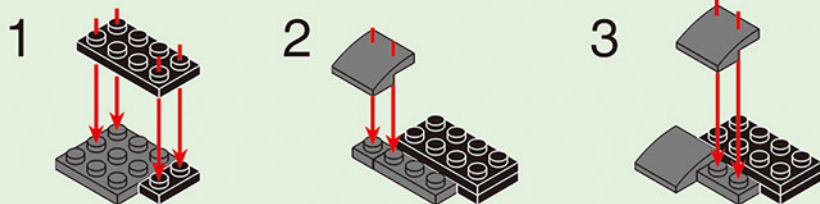


3-11

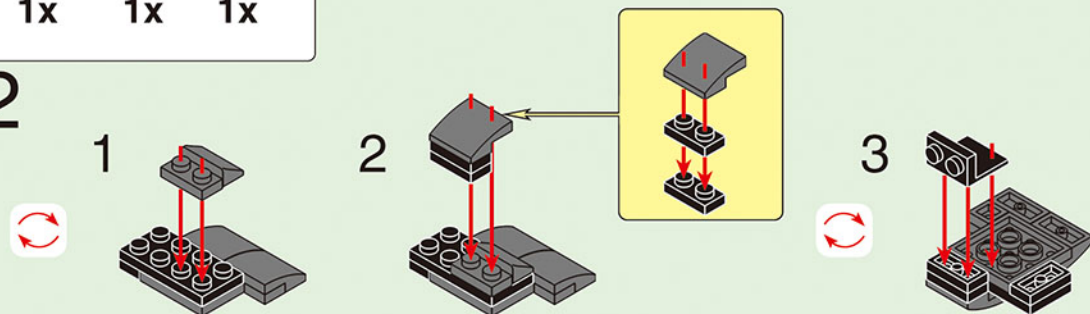




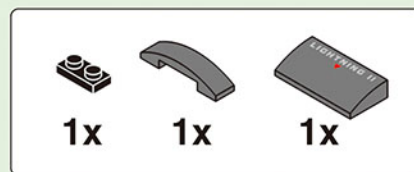
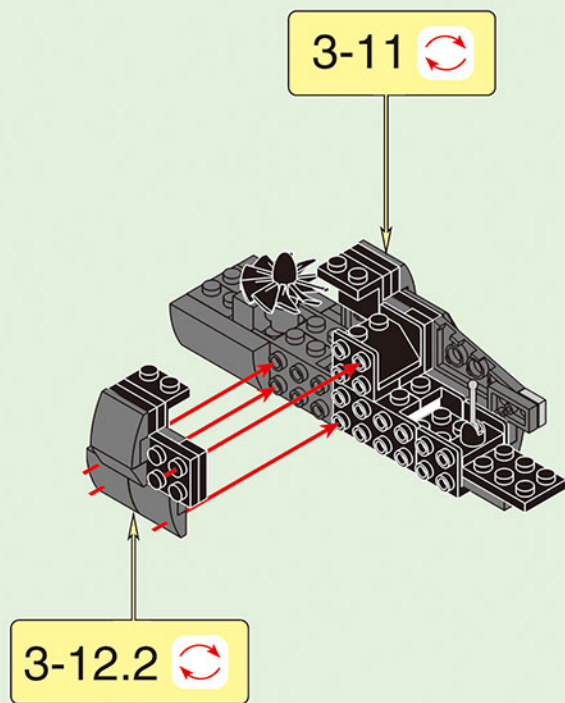
3-12.1



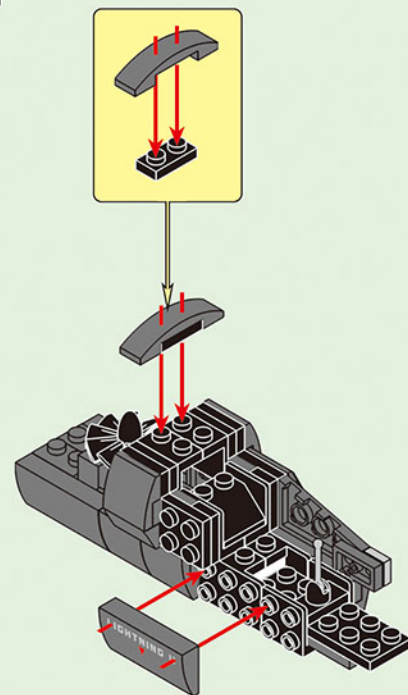
3-12.2



3-13

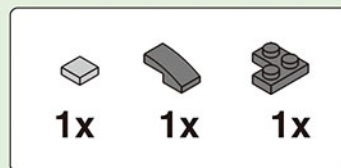
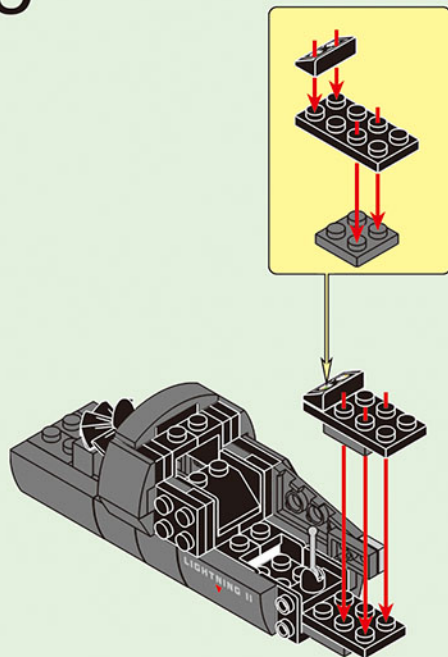


3-14

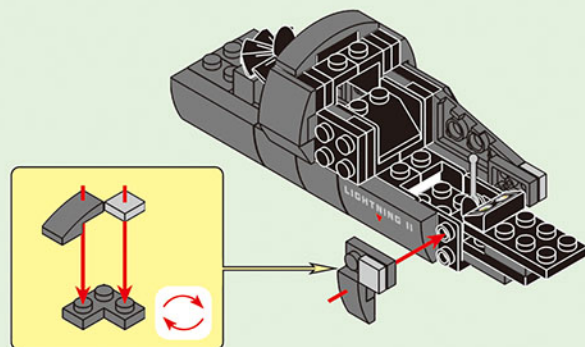


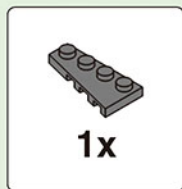


3-15

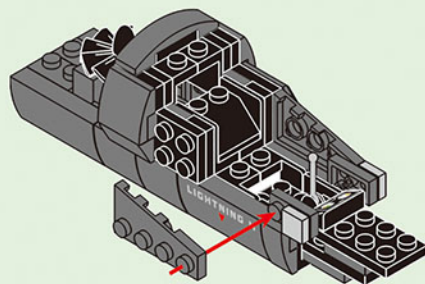


3-16

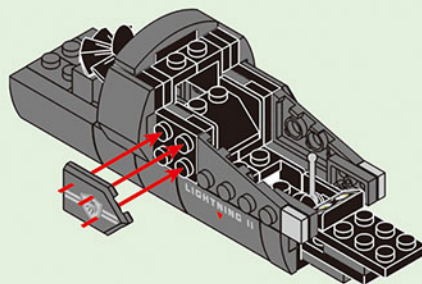


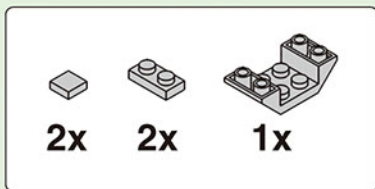


3-17

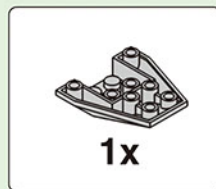
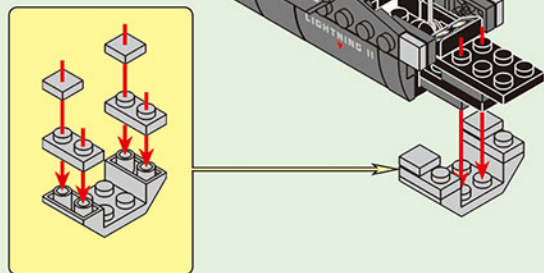


3-18

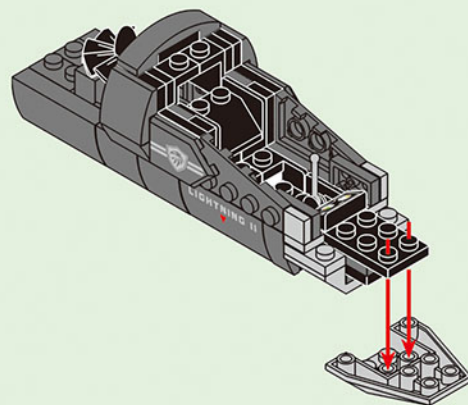


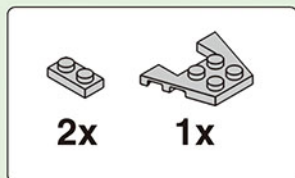


3-19

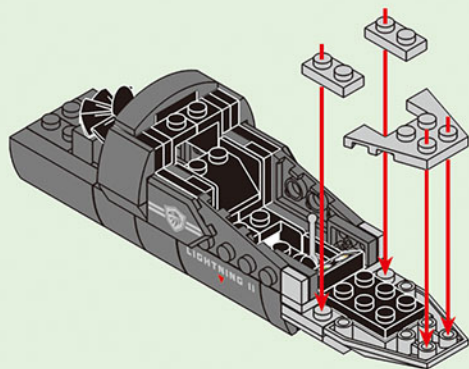


3-20

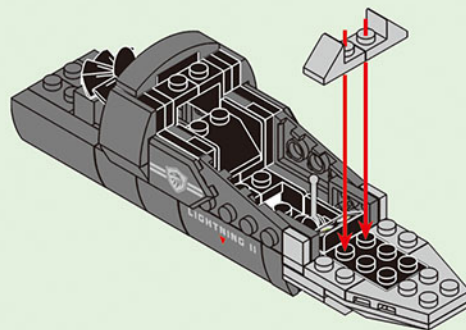




3-21

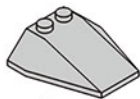


3-22



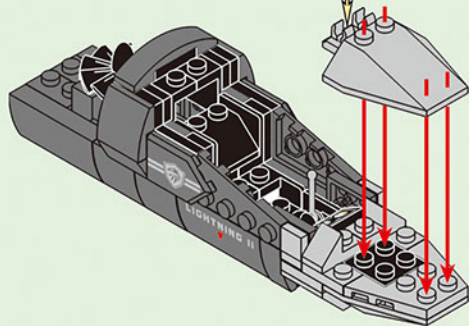
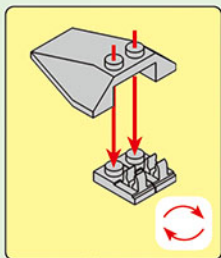


2x



1x

3-23



1x

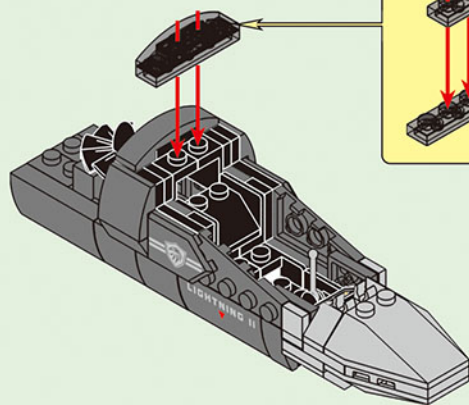
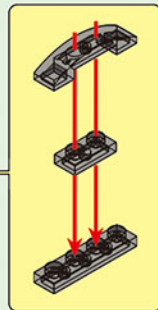


1x



1x

3-24





2x



2x



1x



1x



1x



1x



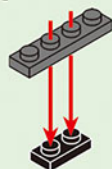
1x



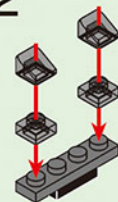
1x

3-25

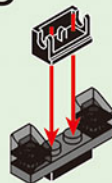
1



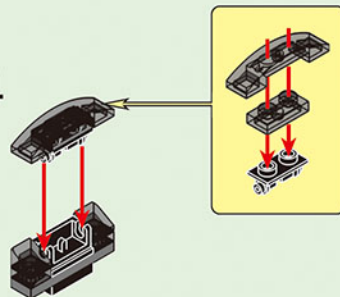
2



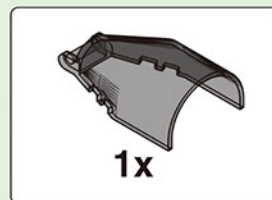
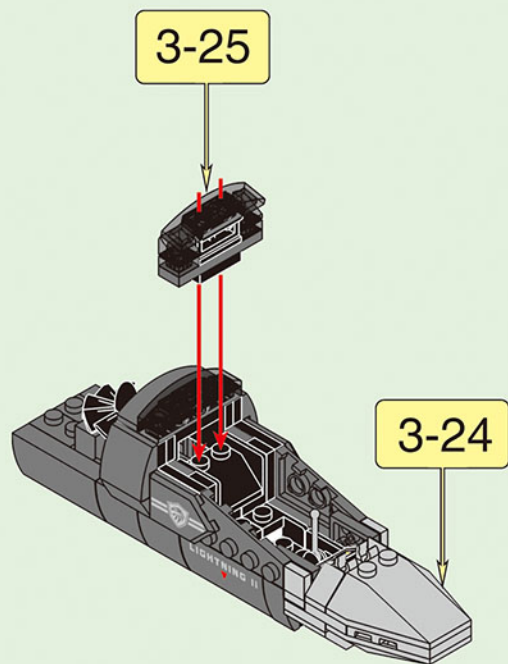
3



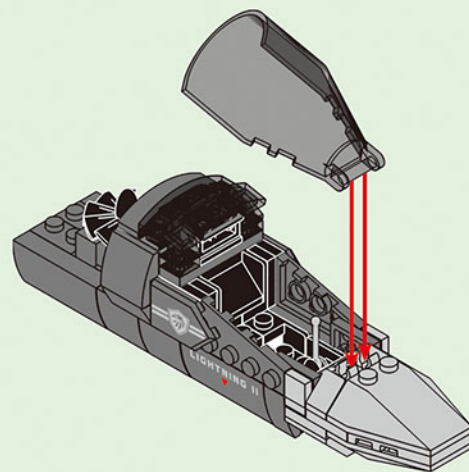
4



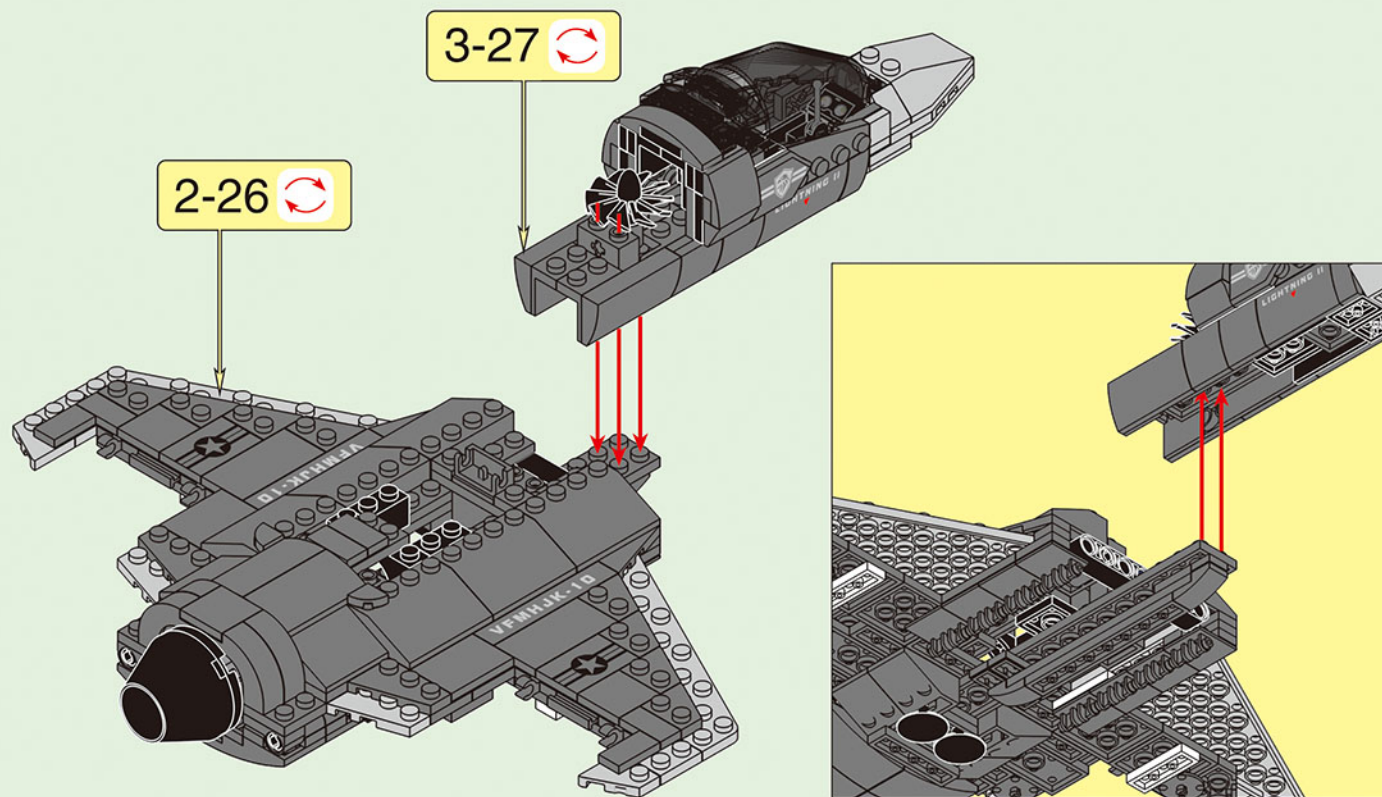
3-26

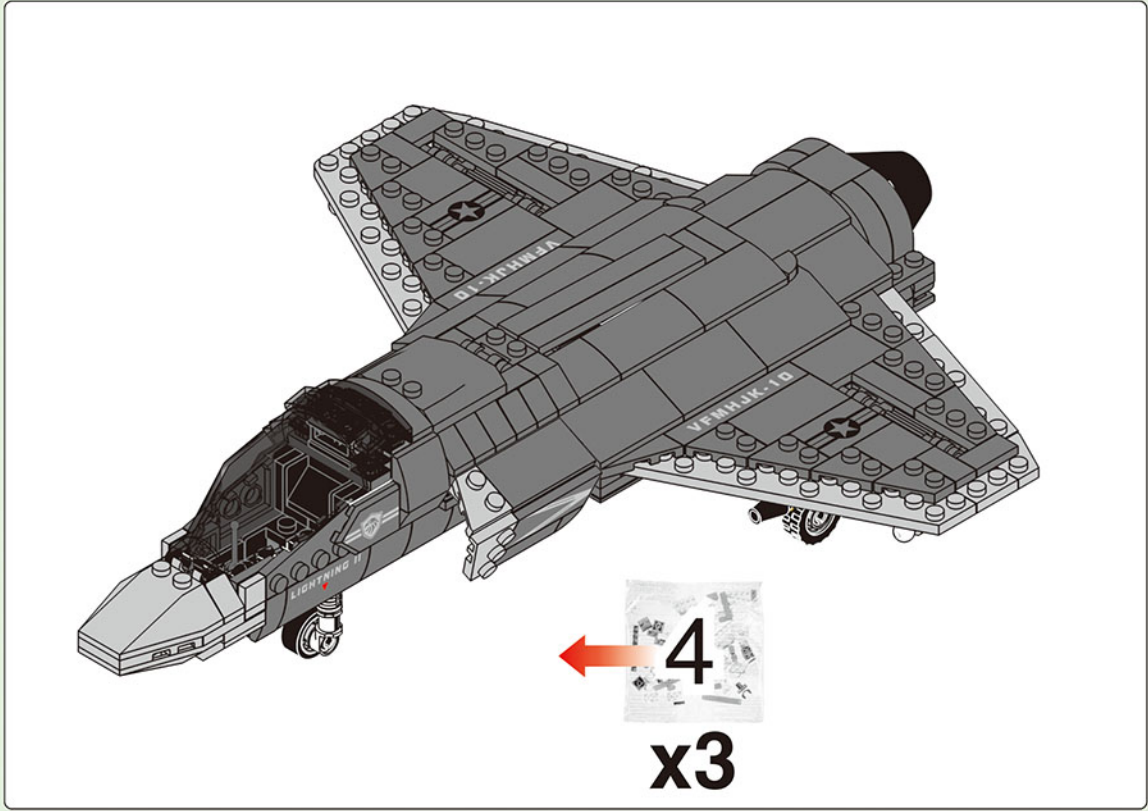


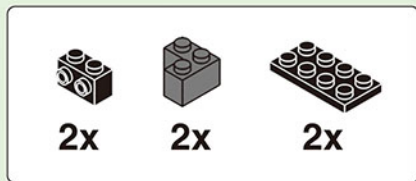
3-27



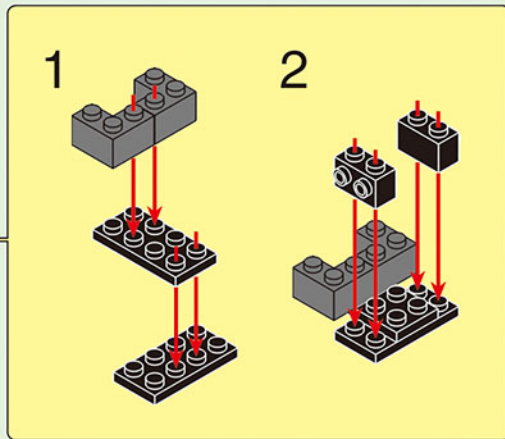
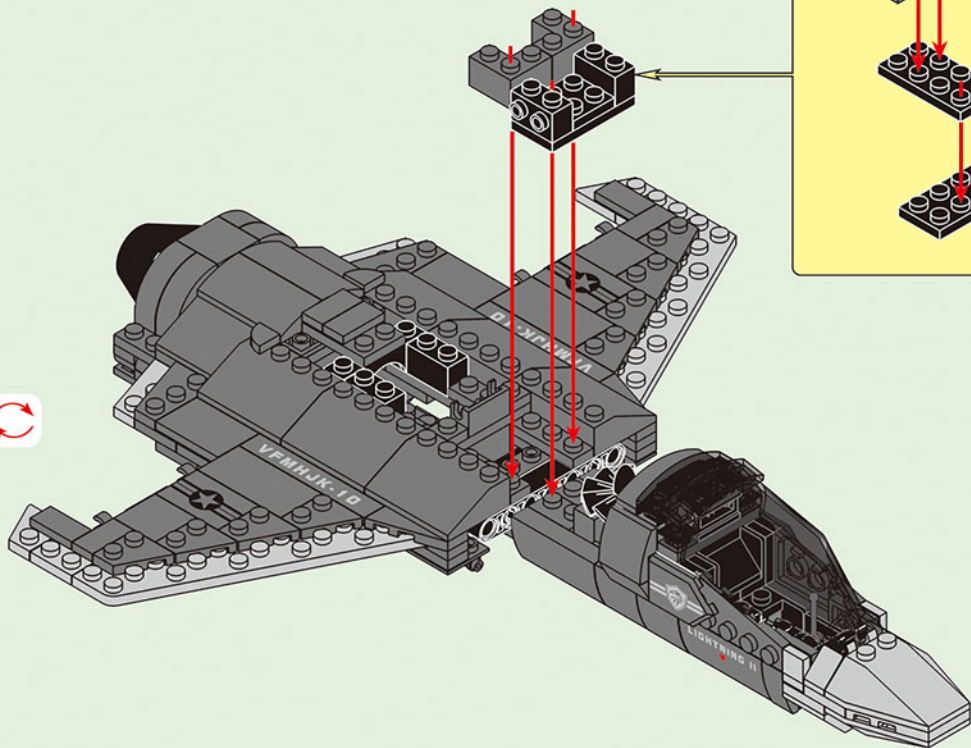
3-28

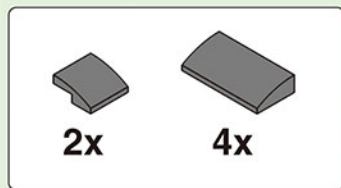




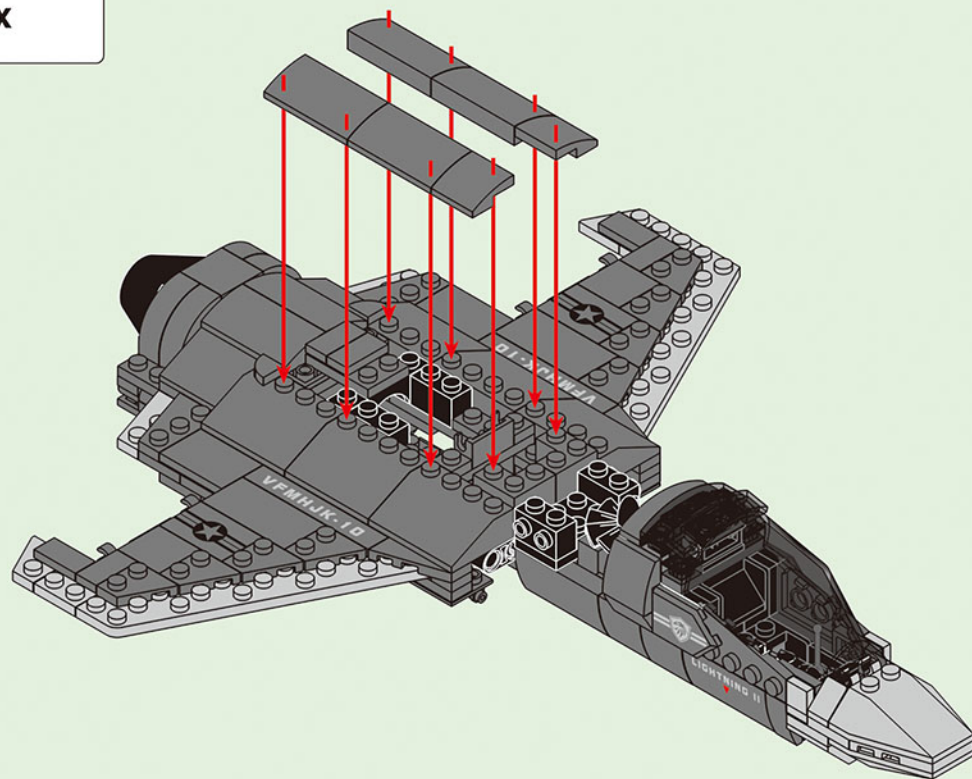


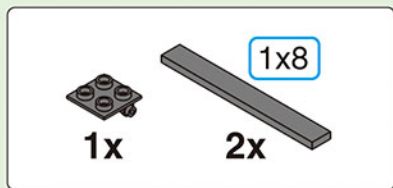
4-1



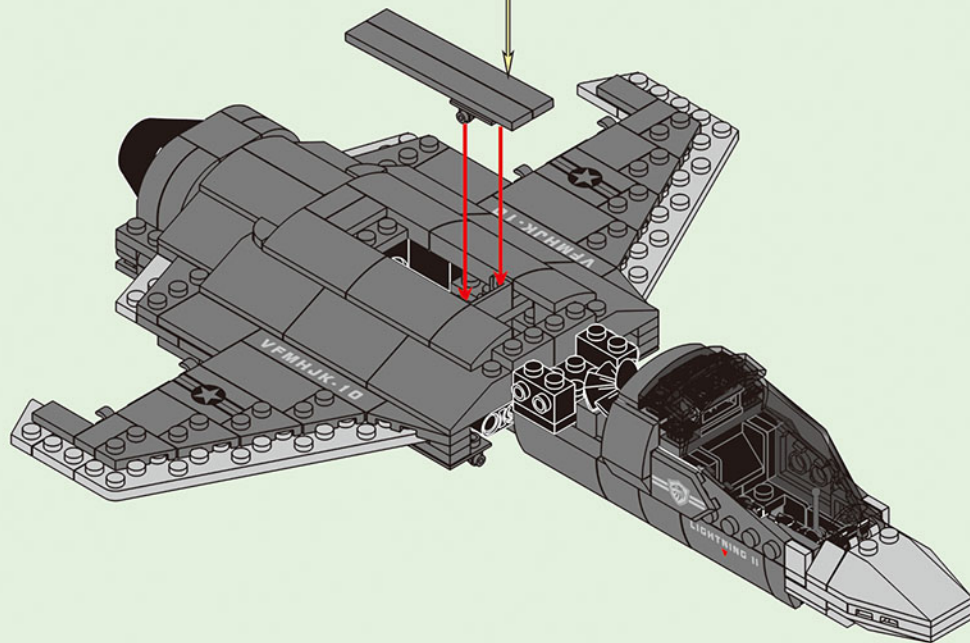
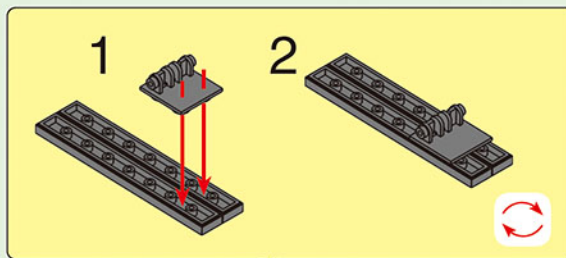


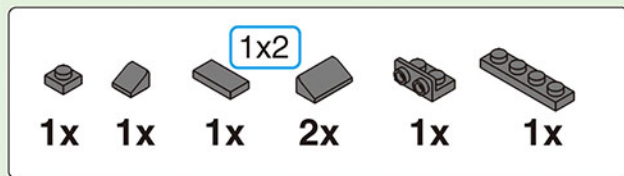
4-2



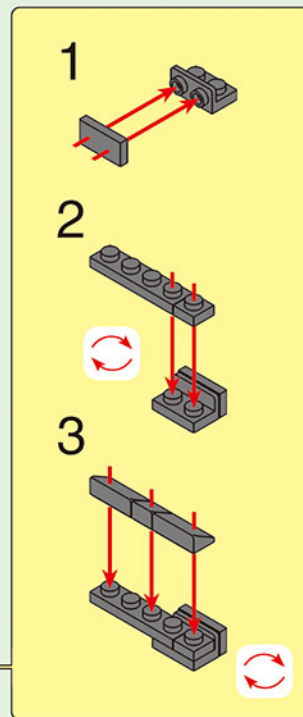
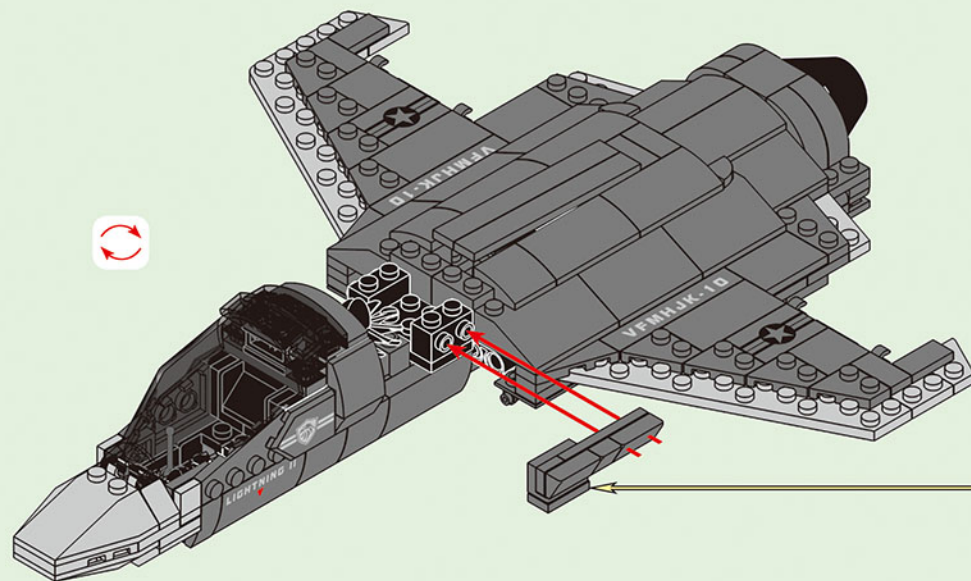


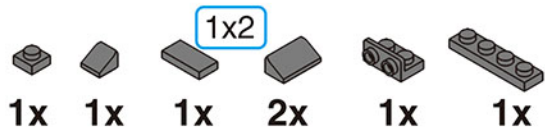
4-3



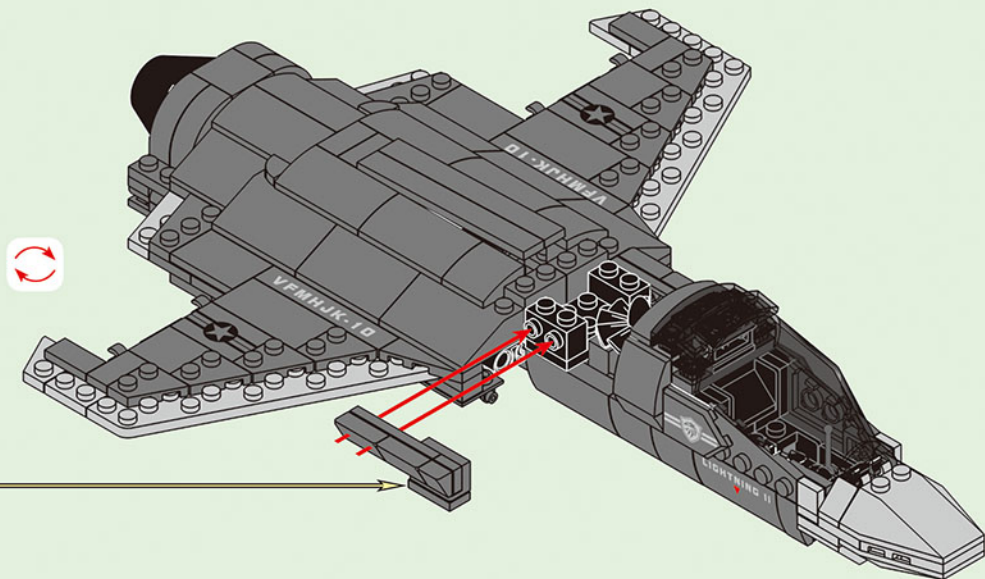
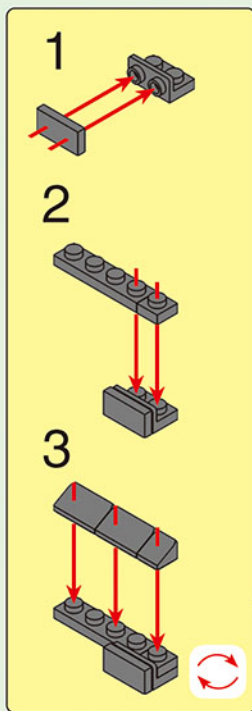


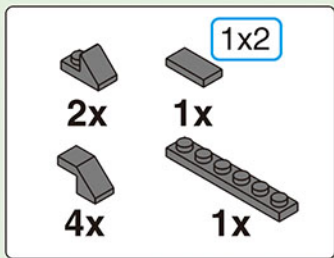
4-4



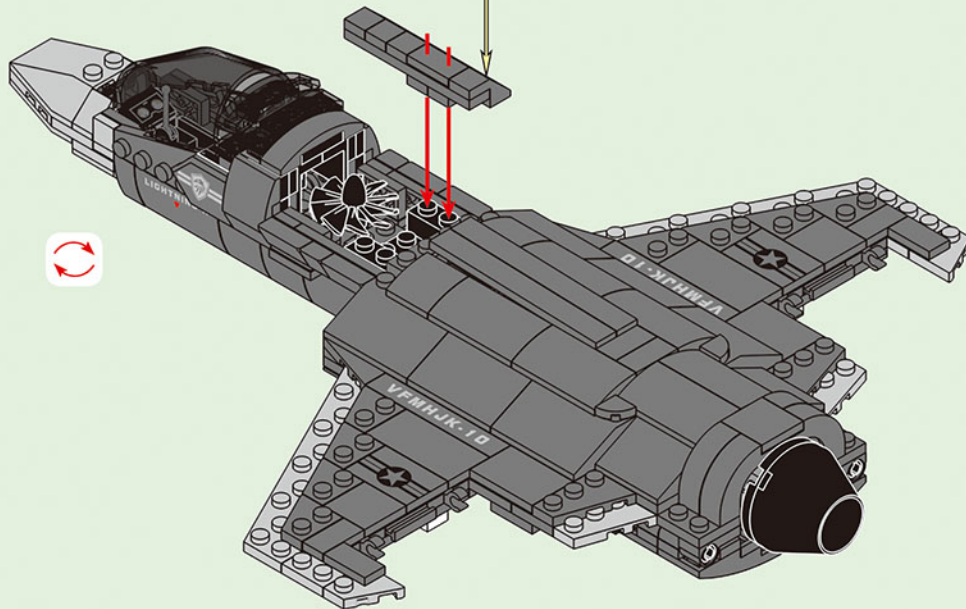
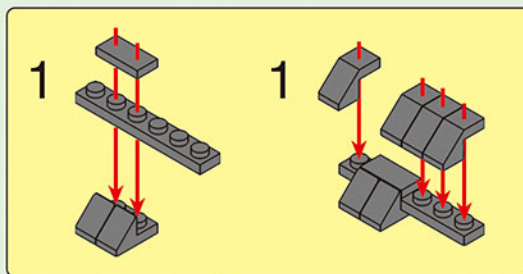


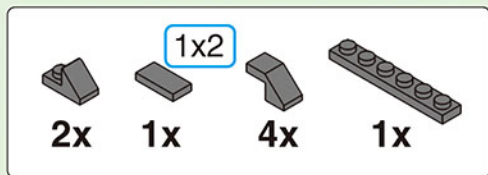
4-5



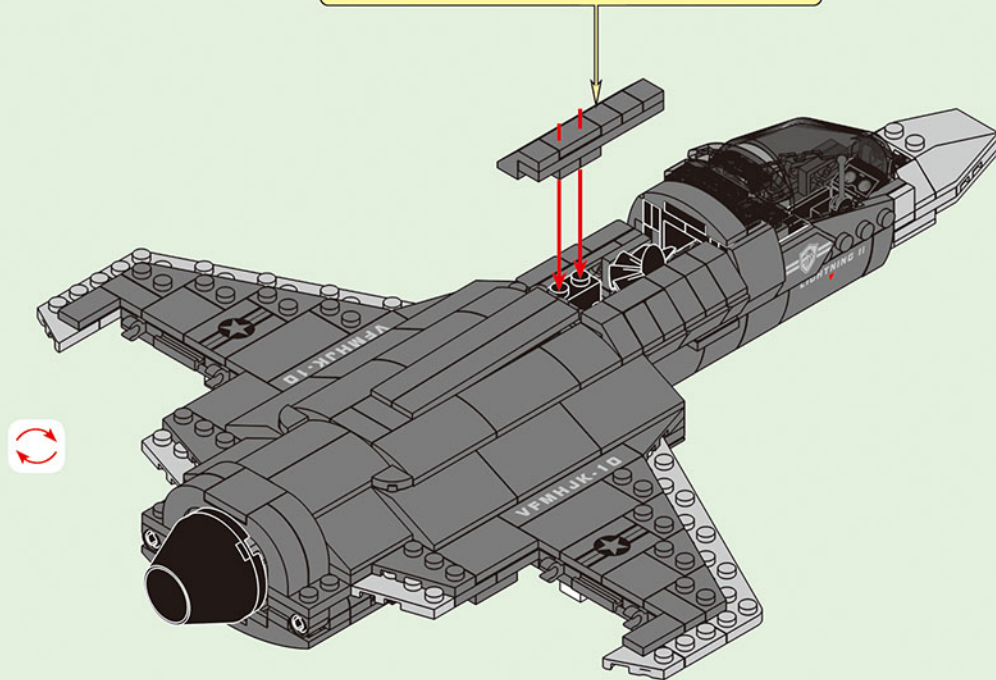
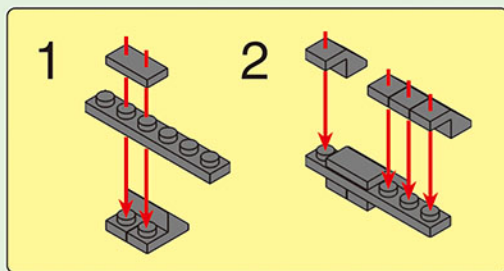


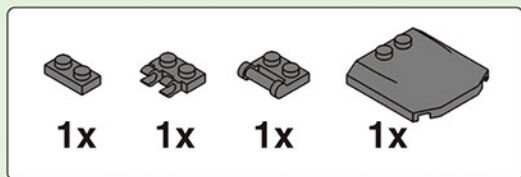
4-6



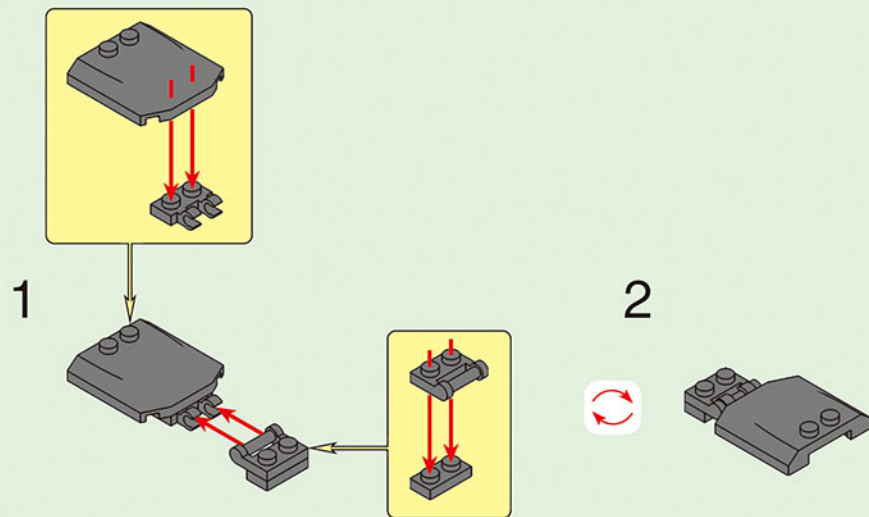


4-7

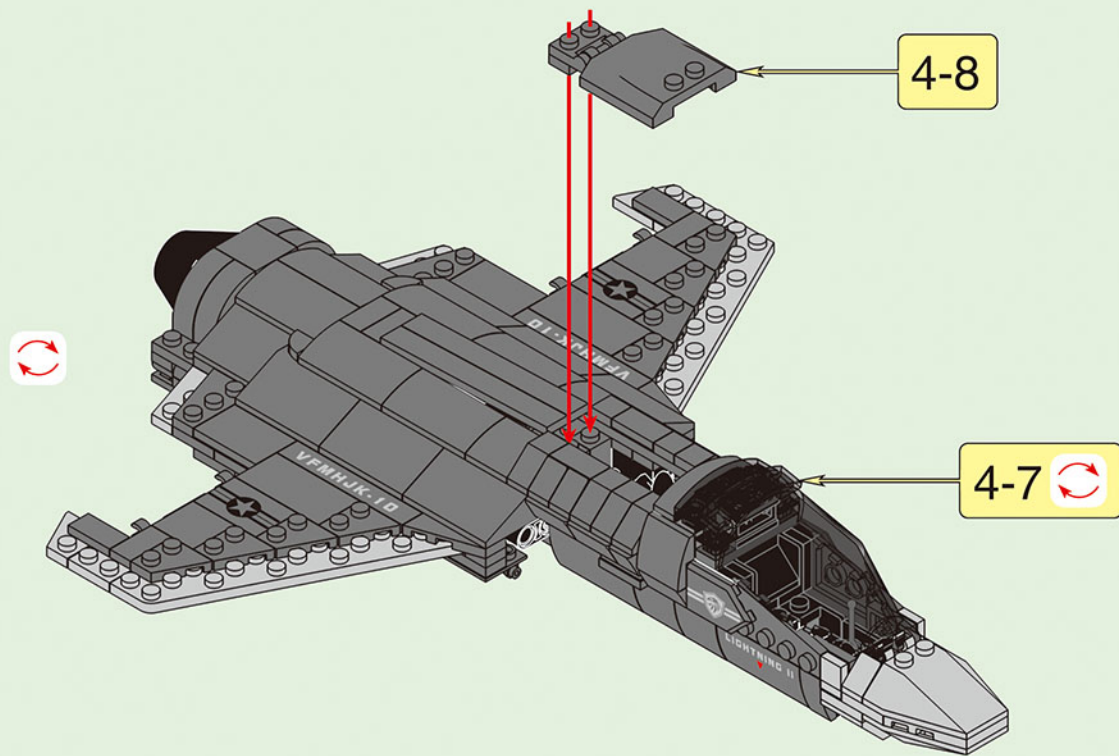


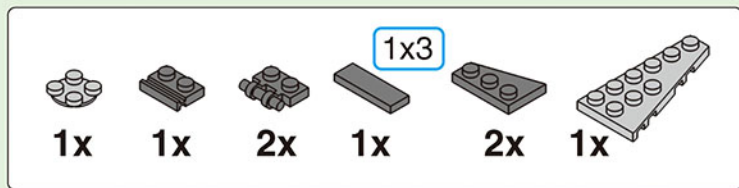


4-8

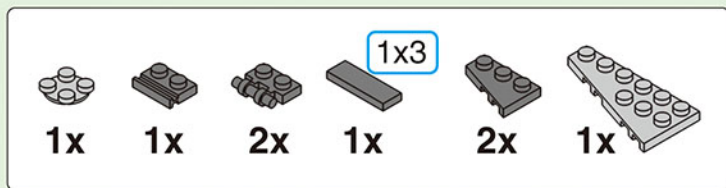
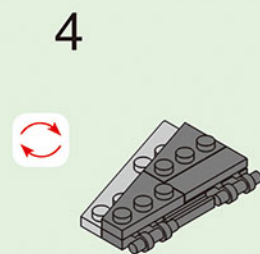
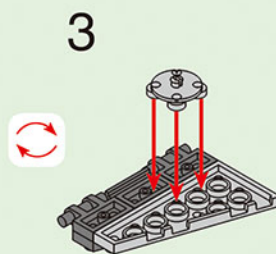
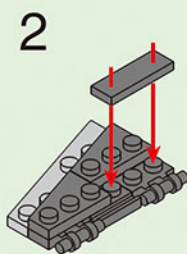
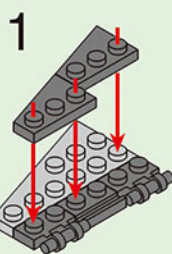


4-9

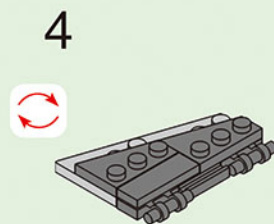
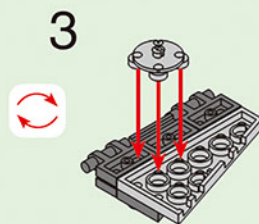
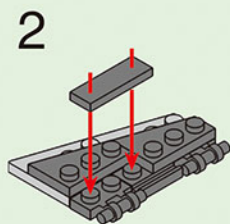
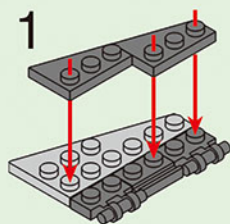




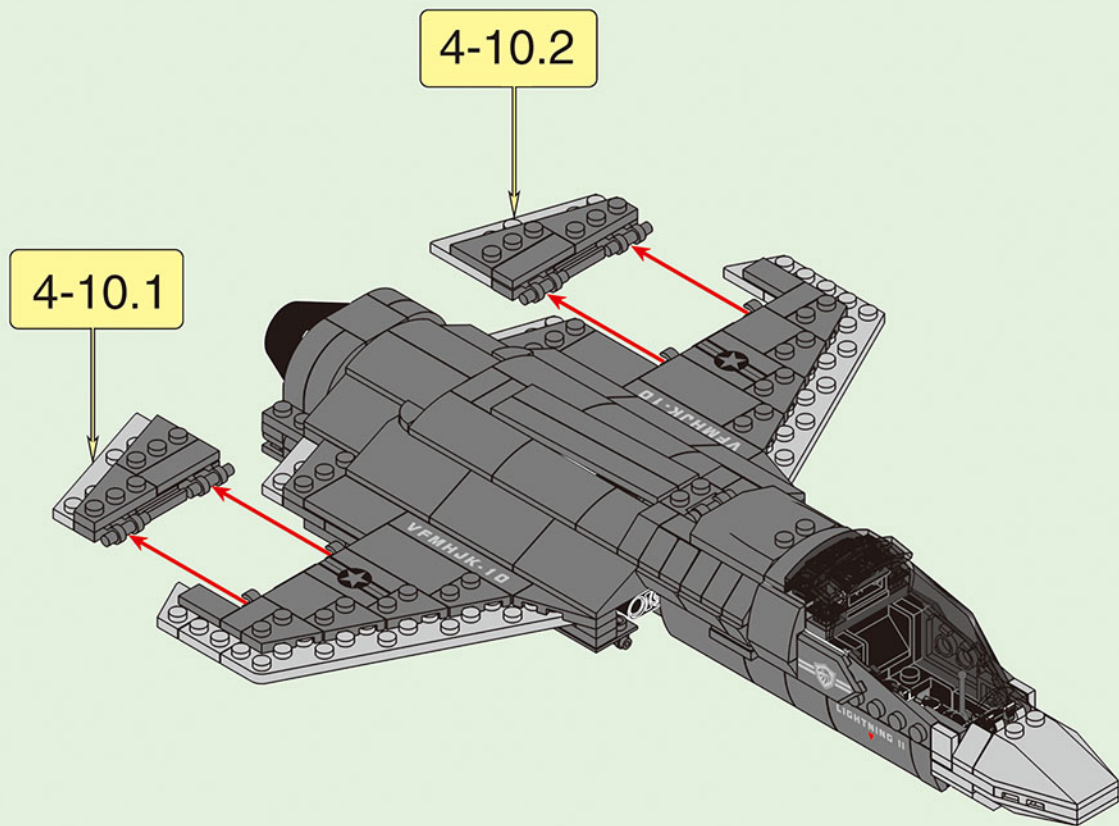
4-10.1

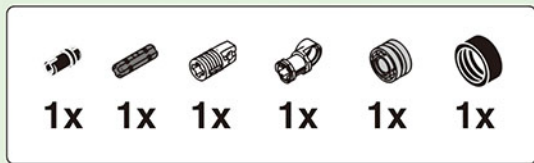


4-10.2

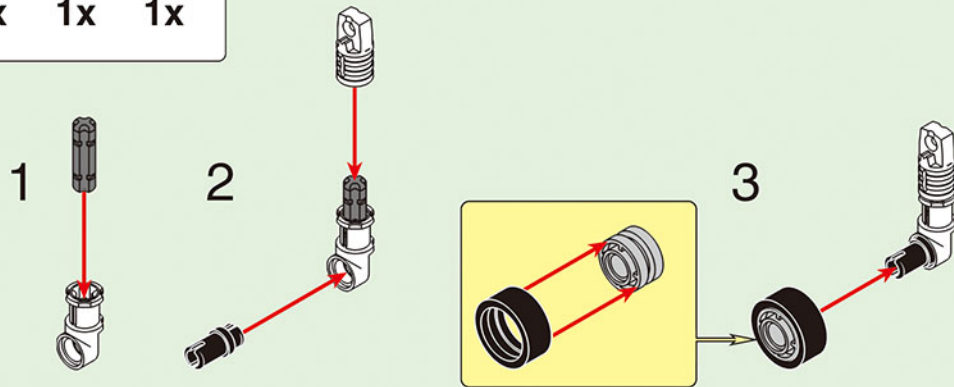


4-11

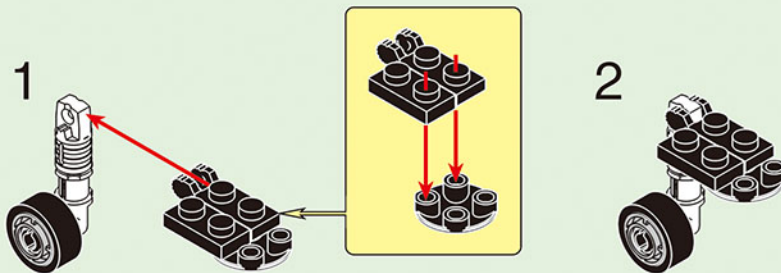




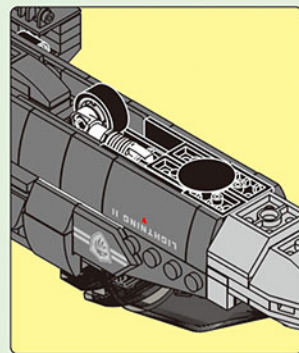
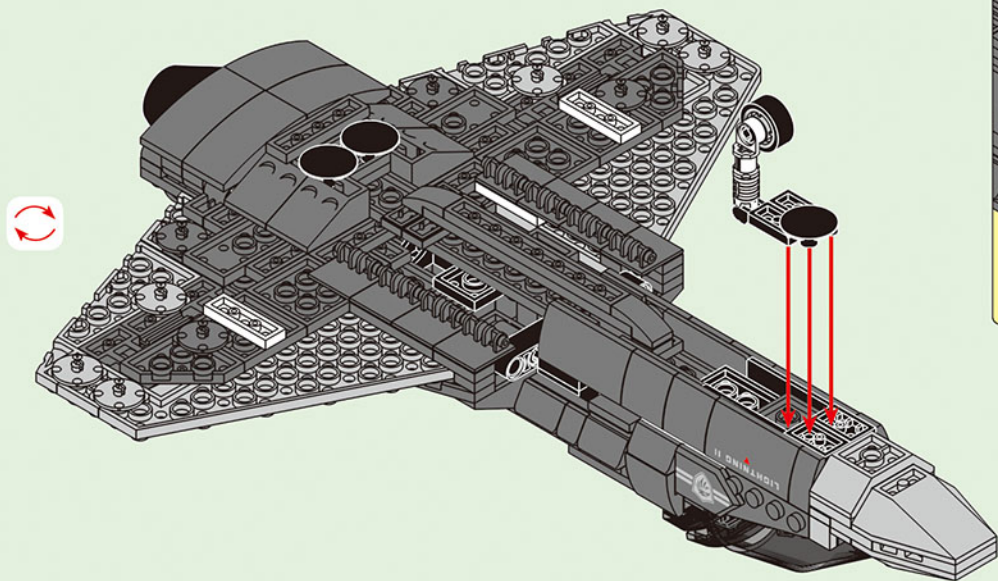
4-12.1

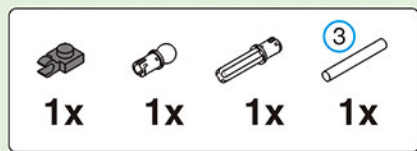


4-12.2

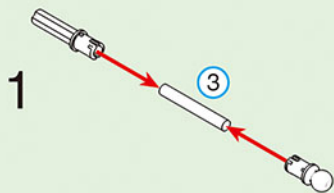
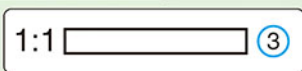


4-13

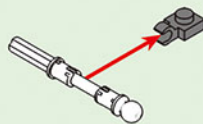




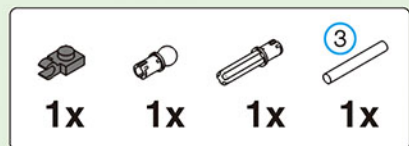
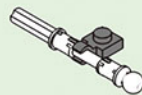
4-14.1



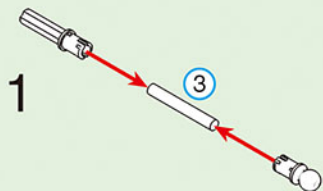
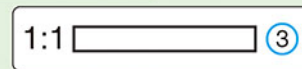
2



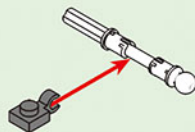
3



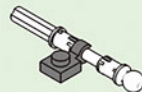
4-14.2




2




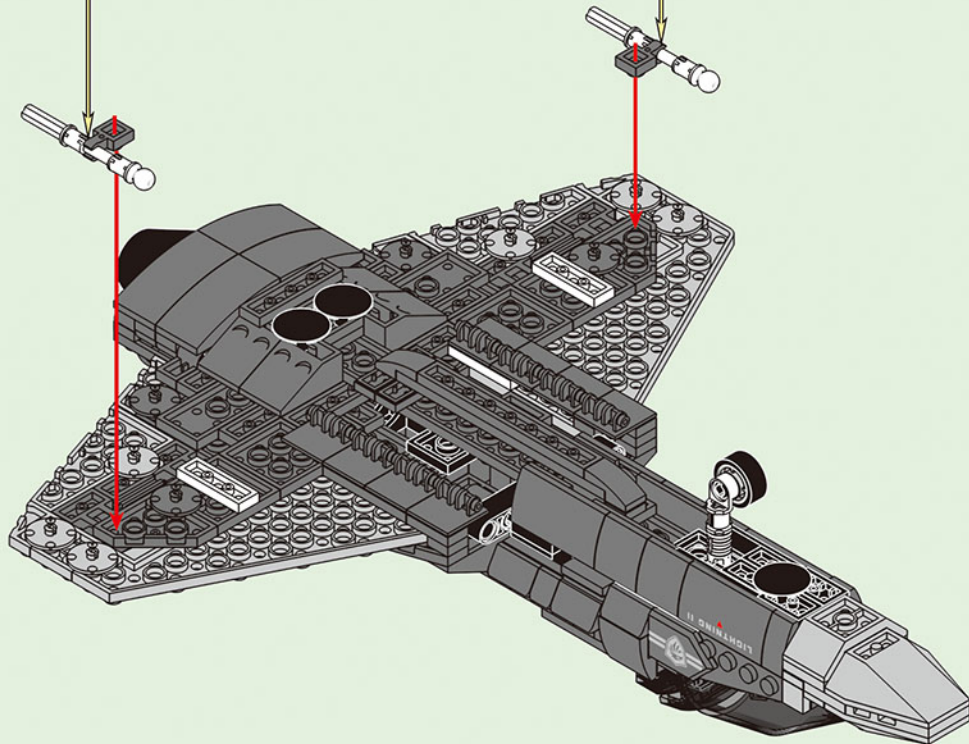
3

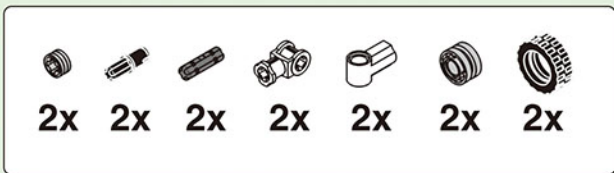


4-15

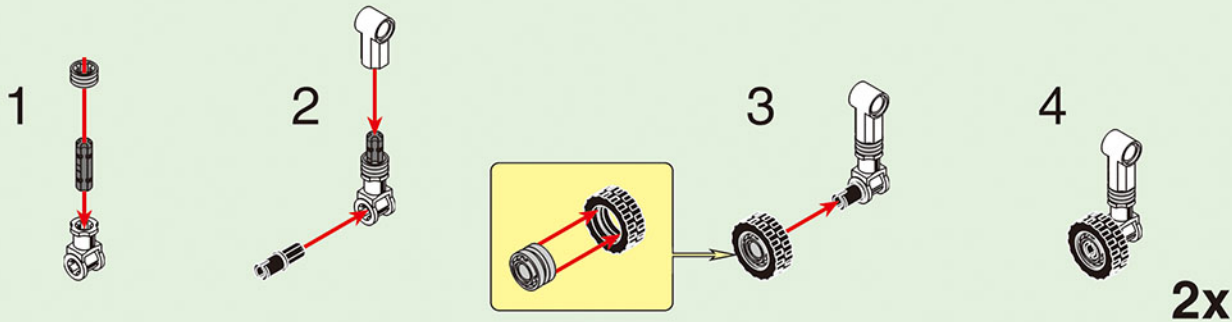
4-14.2 

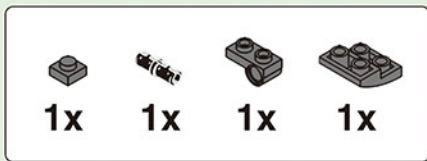
4-14.1 



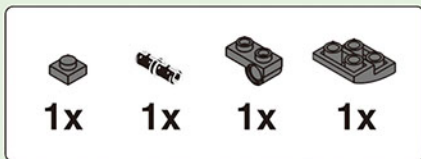
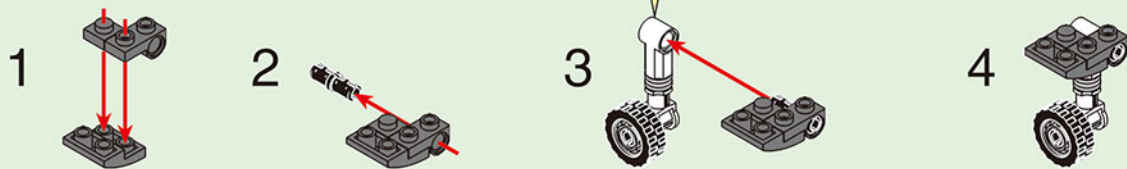


4-16.1

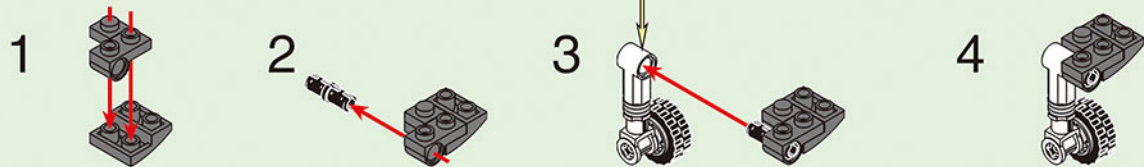





4-16.2




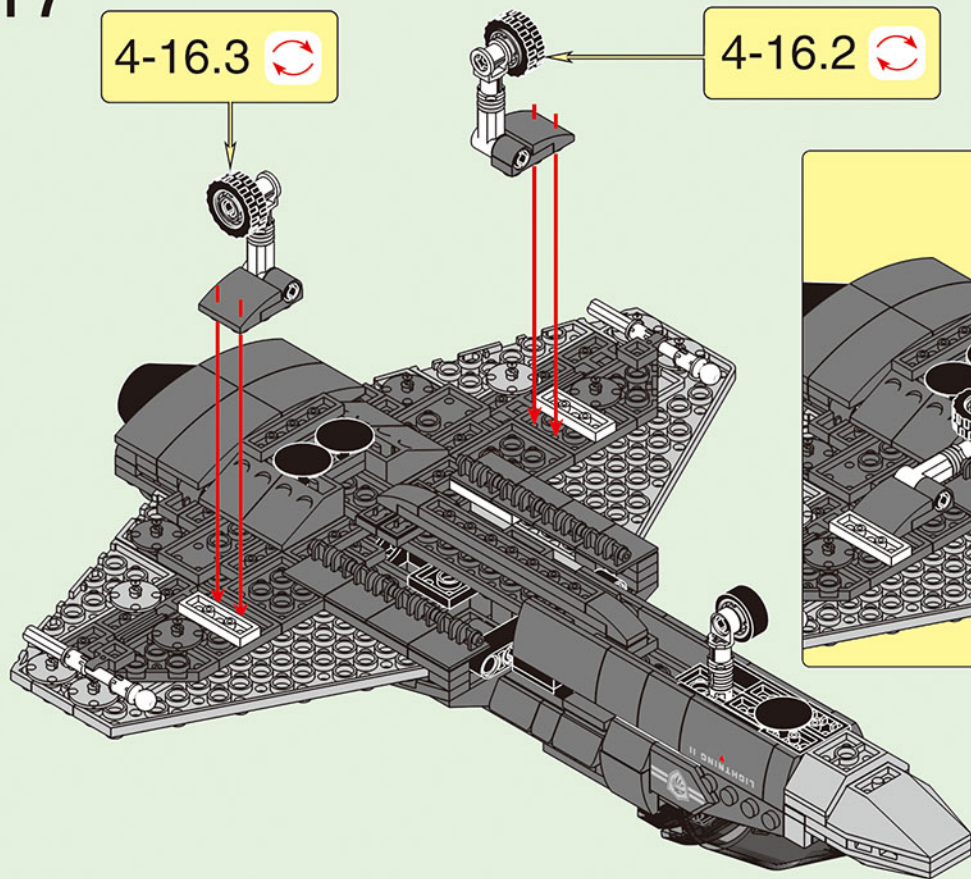
4-16.3

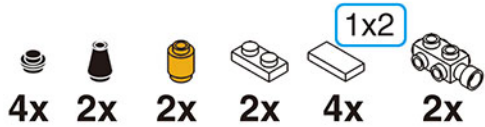


4-17

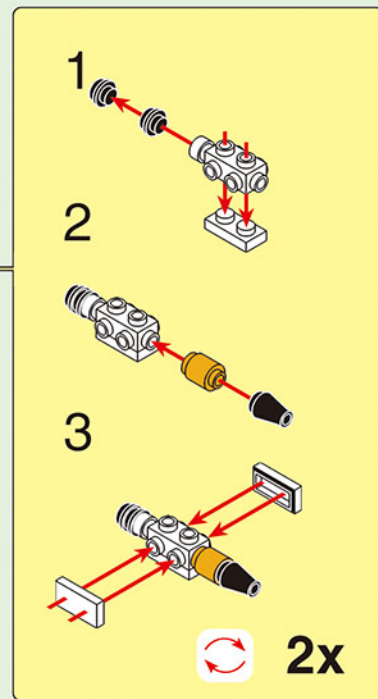
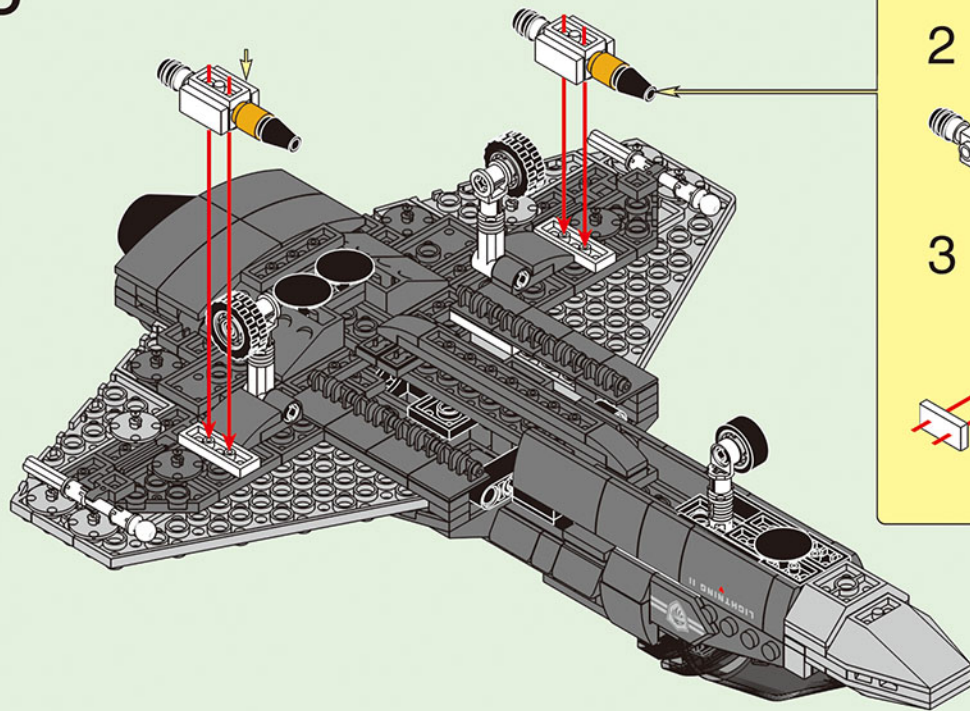
4-16.3 

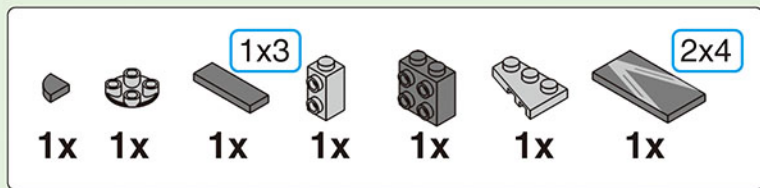
4-16.2 



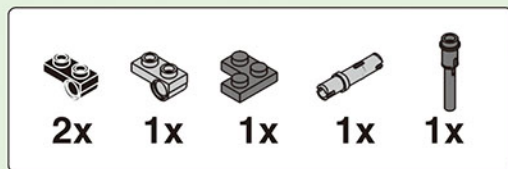
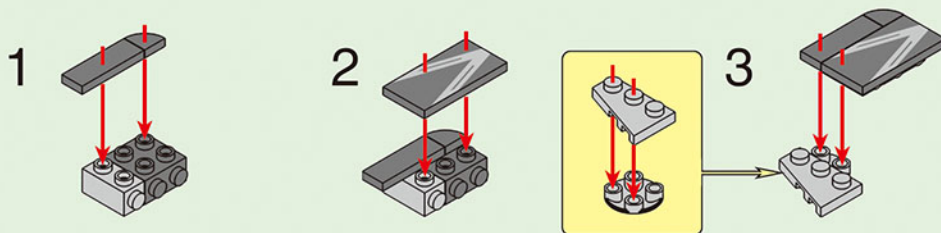


4-18

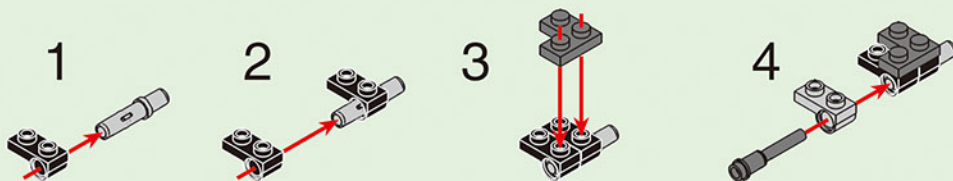


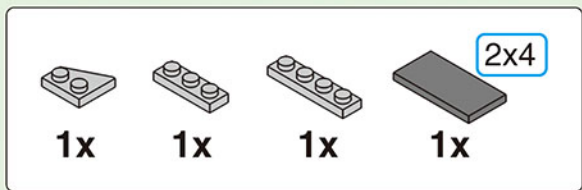


4-19.1



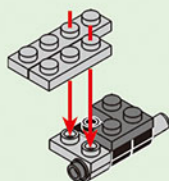
4-19.2



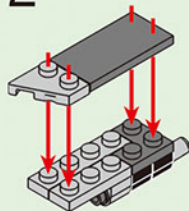


4-19.3

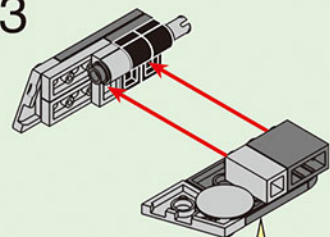
1



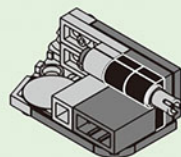
2



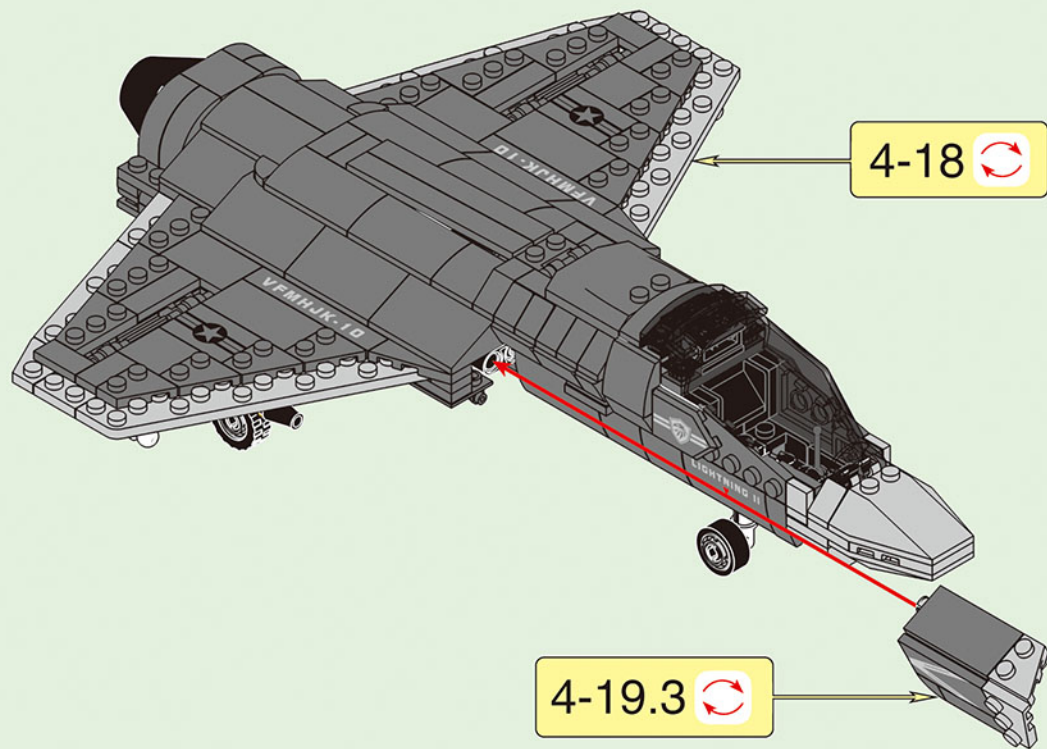
3

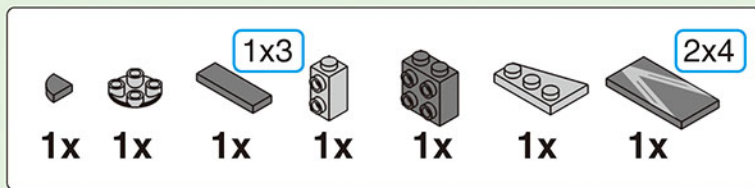


4

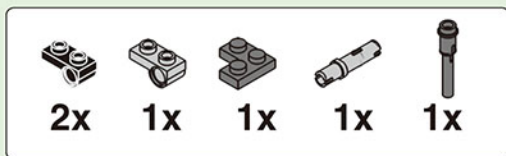
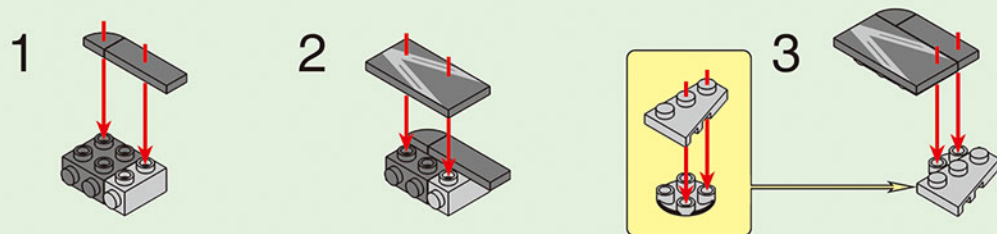


4-20

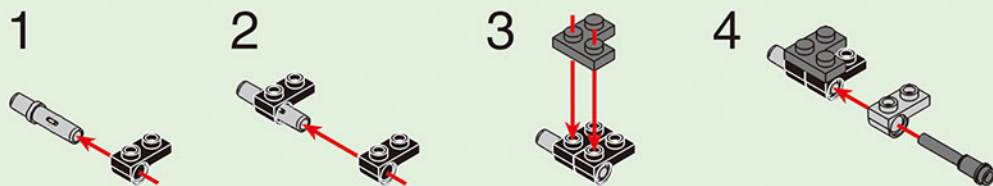


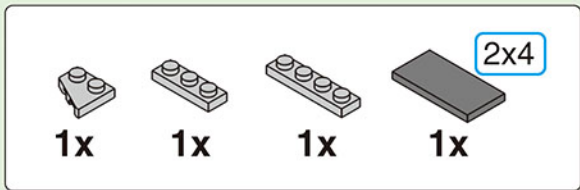


4-21.1

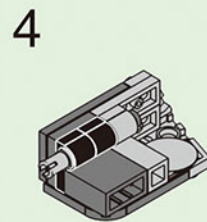
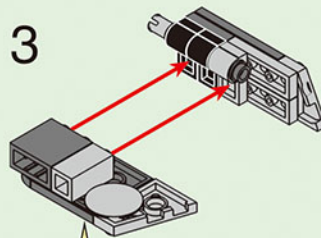
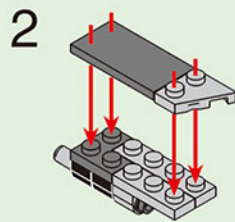
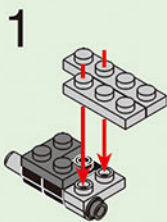



4-21.2



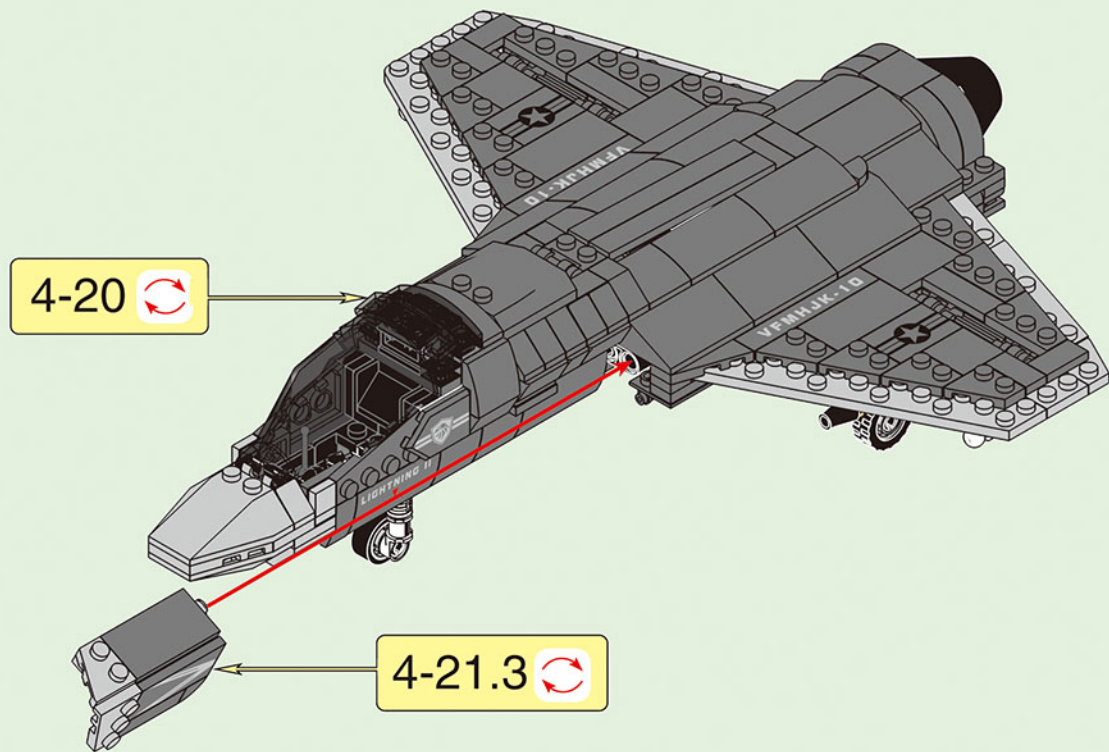


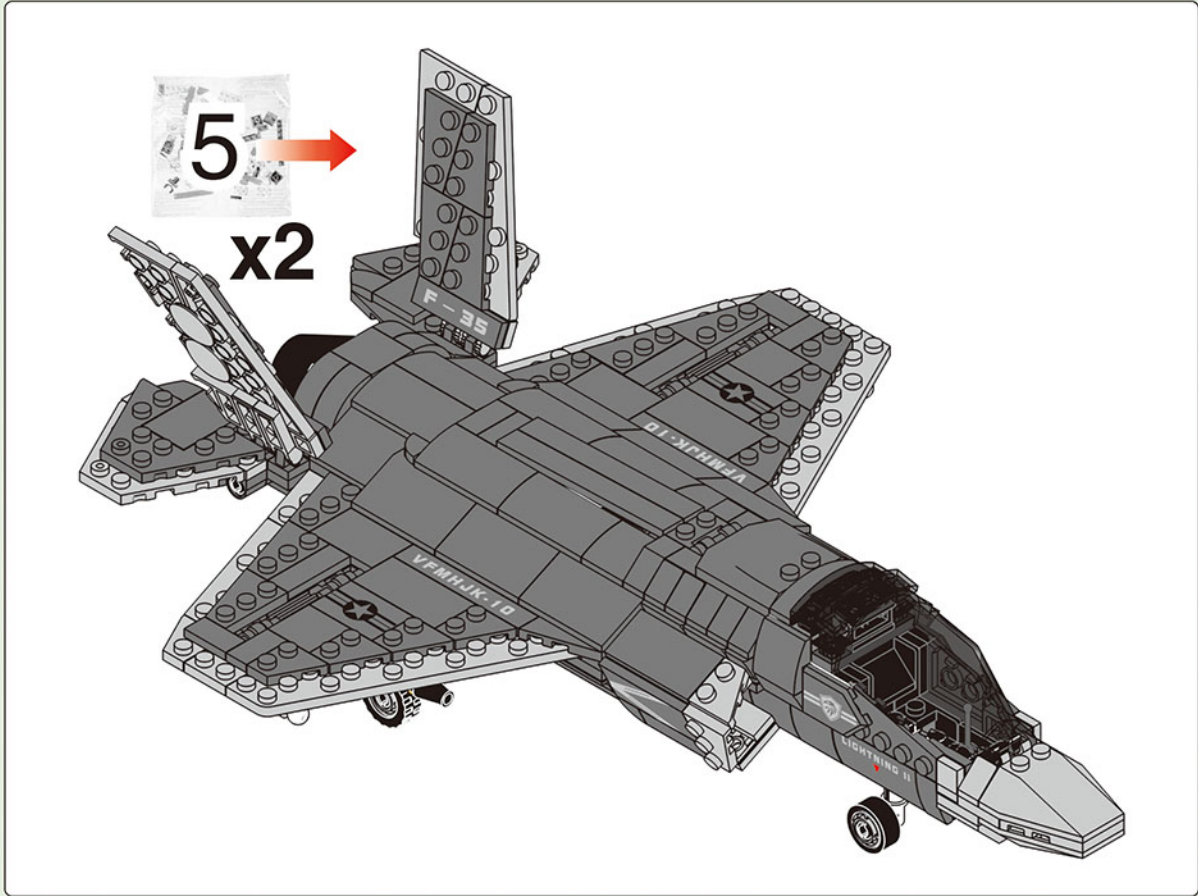
4-21.3

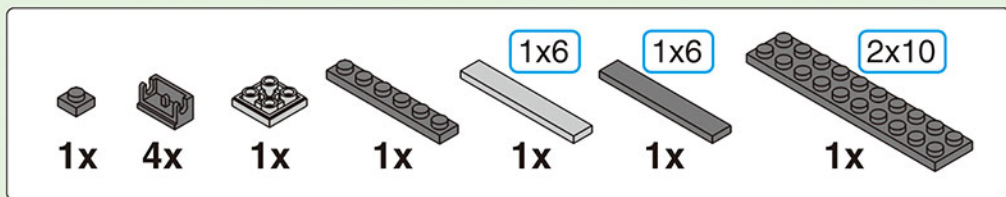


4-21.1 

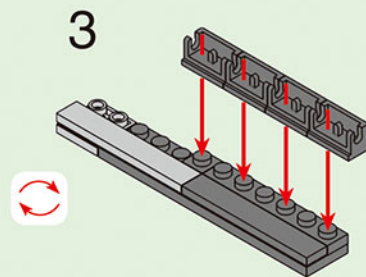
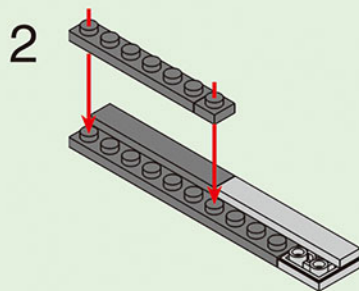
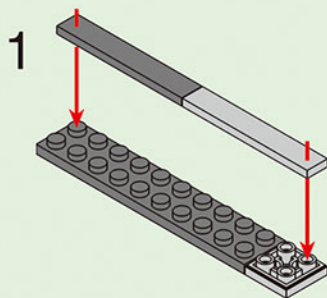
4-22



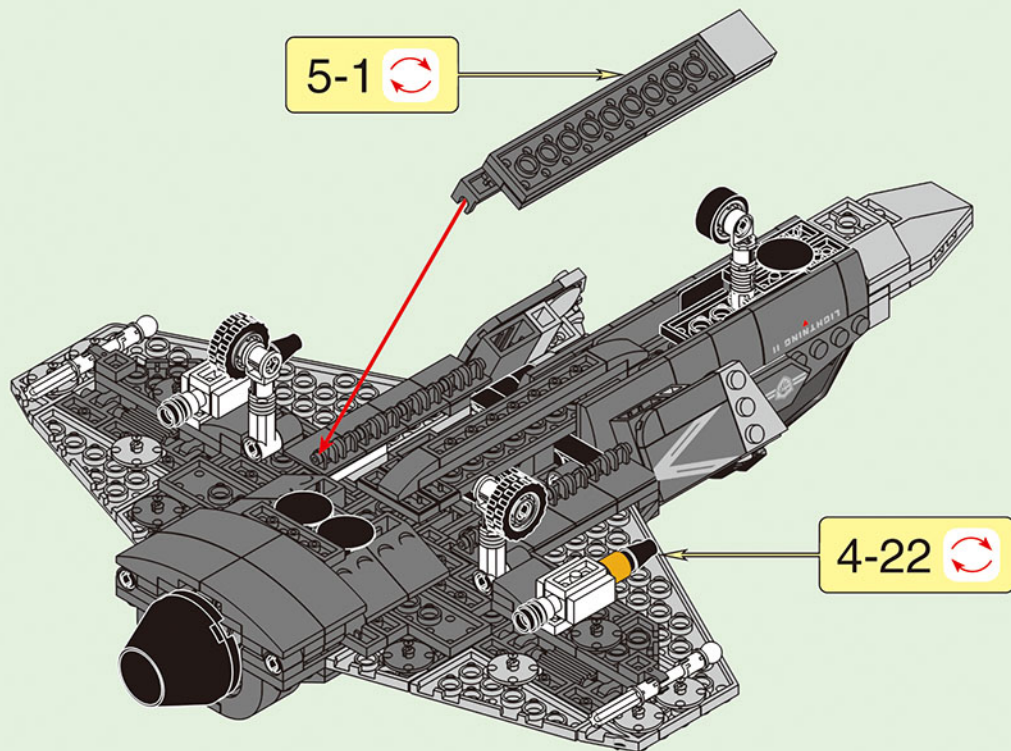


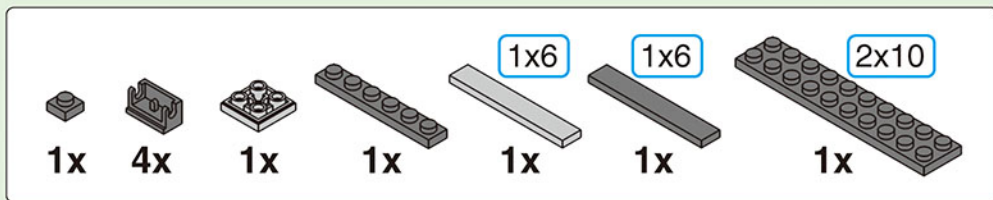


5-1

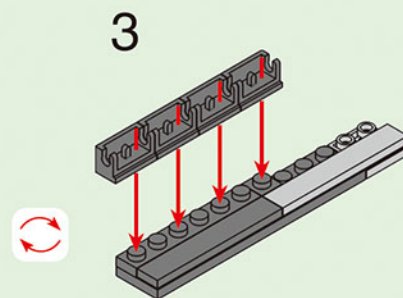
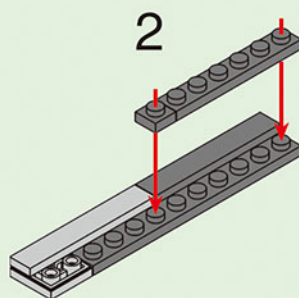
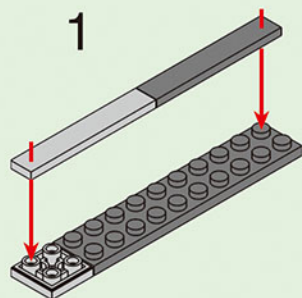


5-2

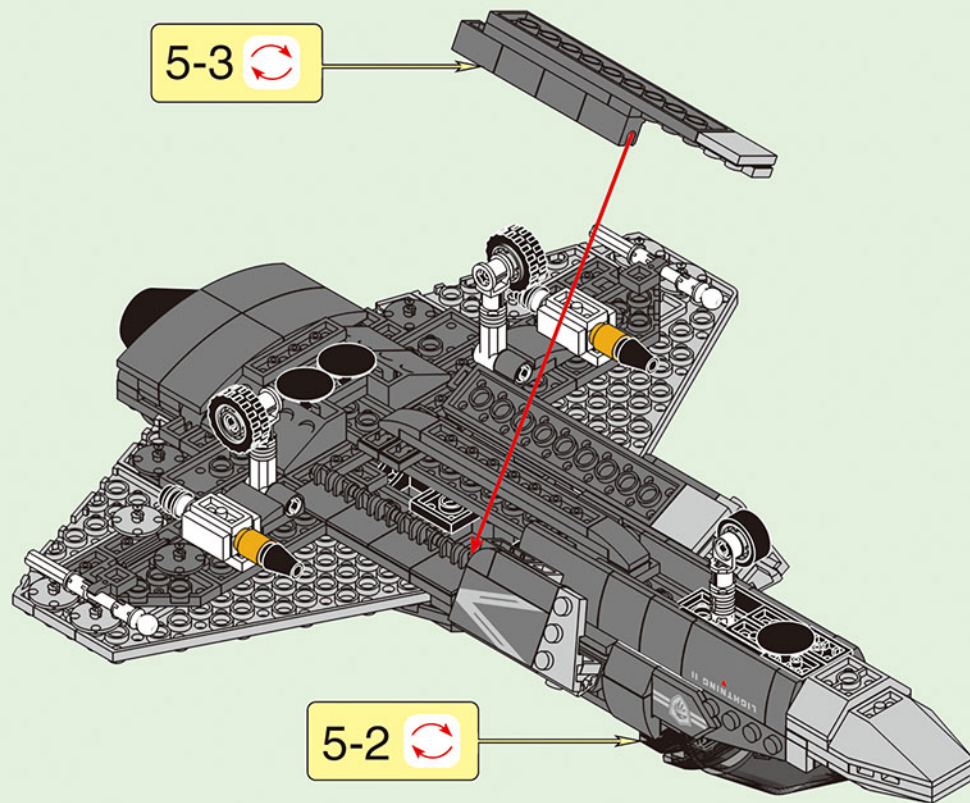




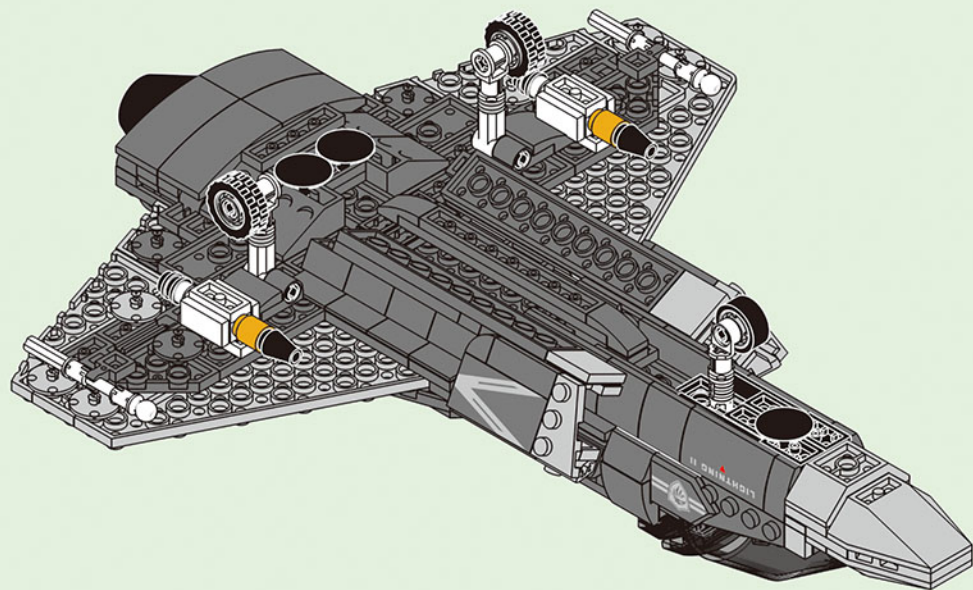
5-3

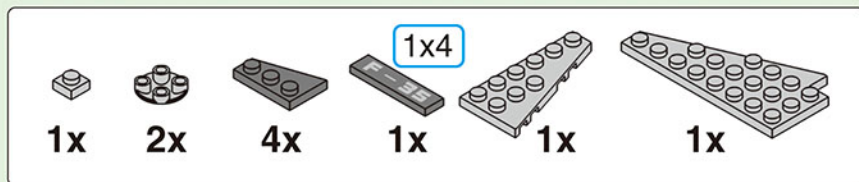


5-4

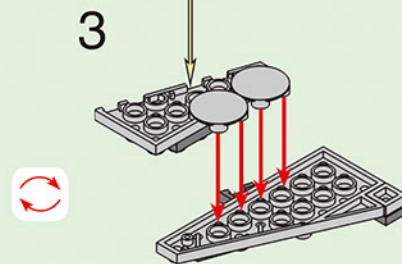
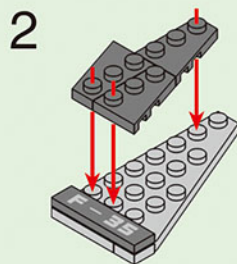
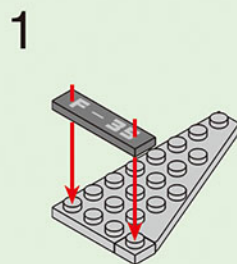
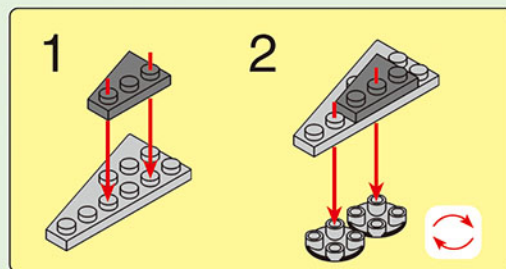


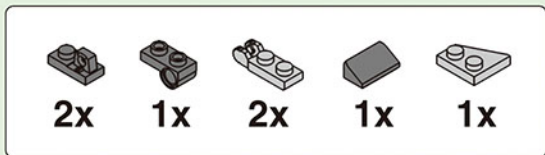
5-5



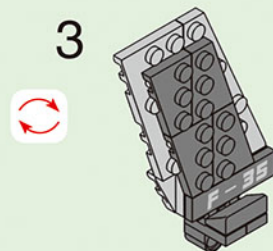
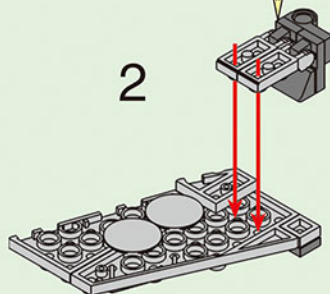
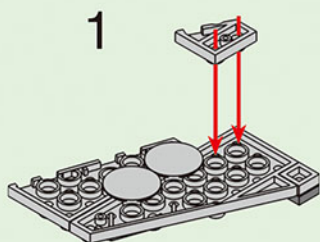
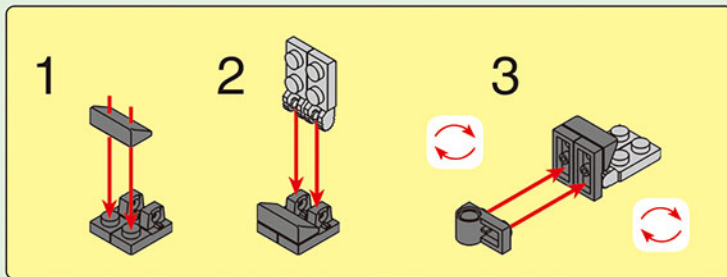


5-6





5-7

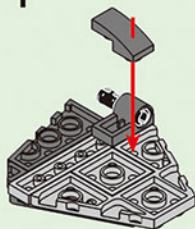




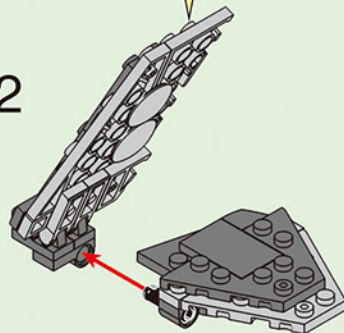
1x

5-9

1



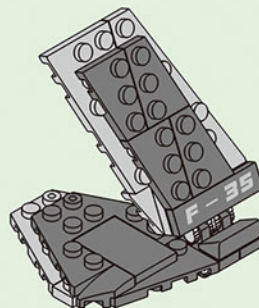
2



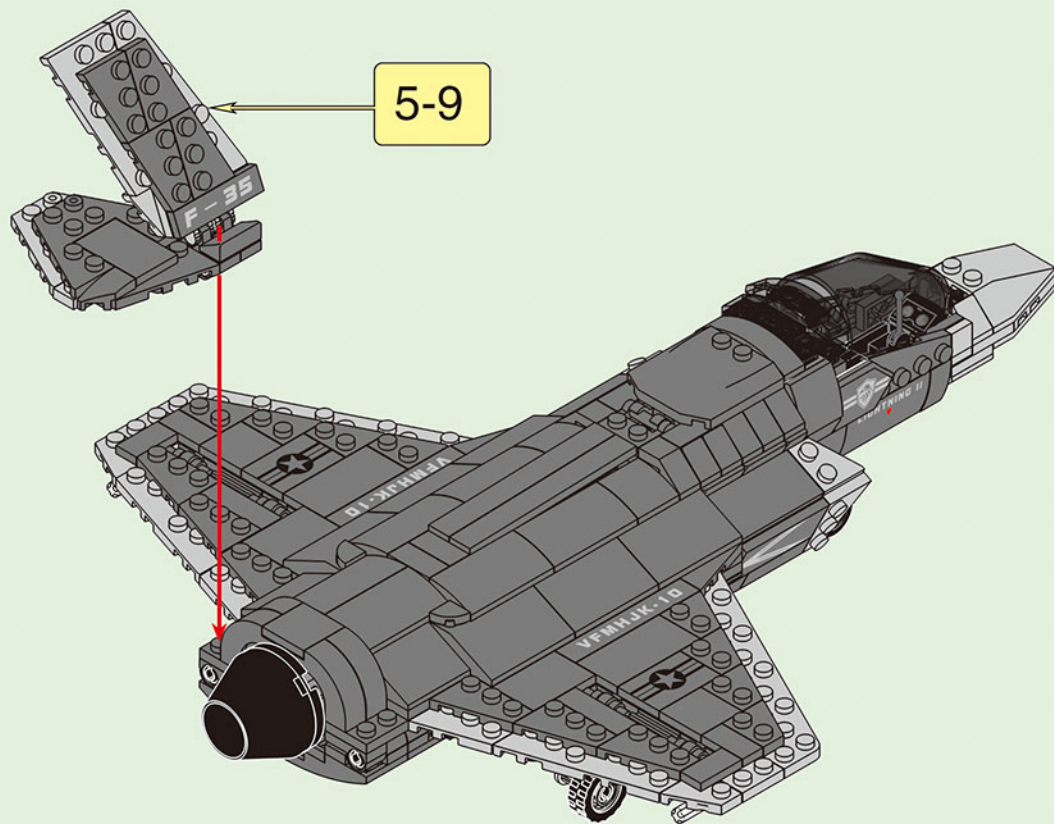
5-7

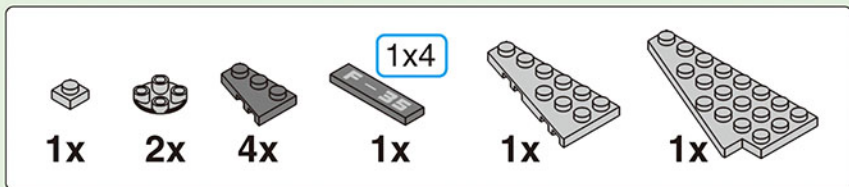


3

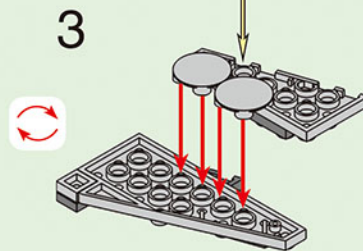
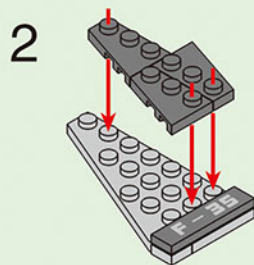
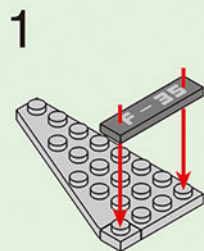
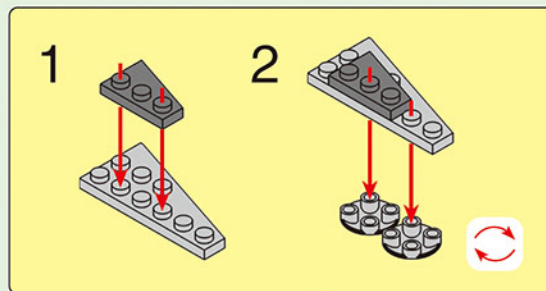


5-10





5-11





2x



1x



2x

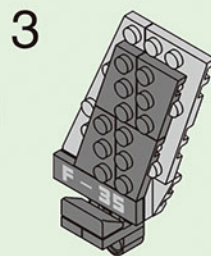
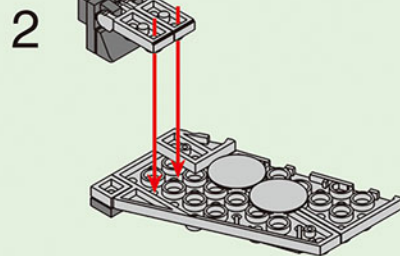
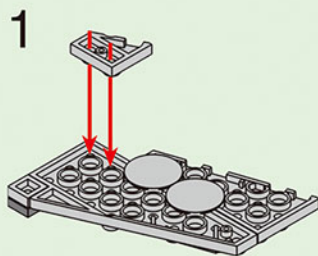
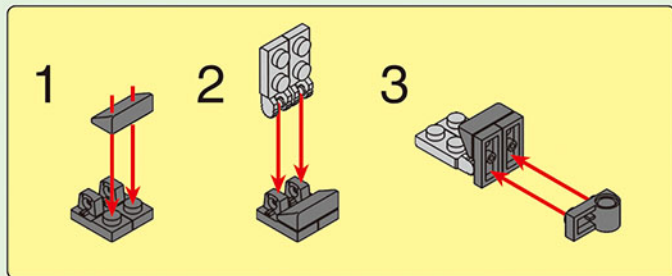


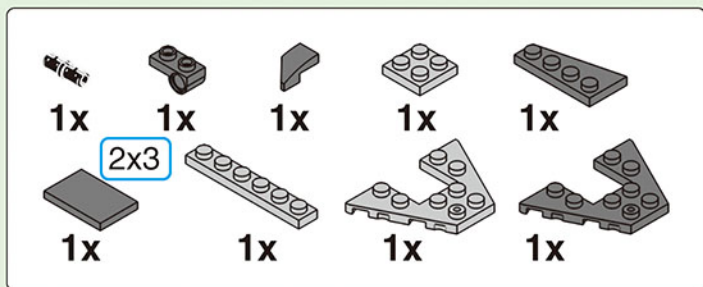
1x



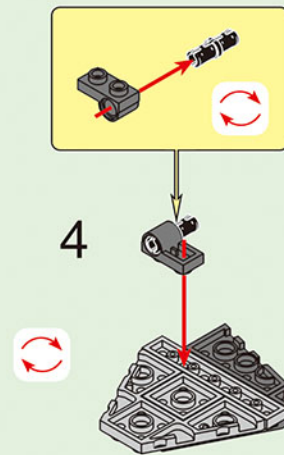
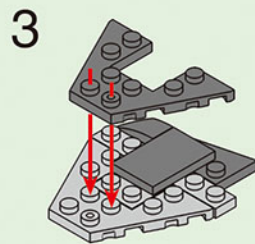
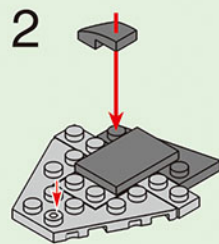
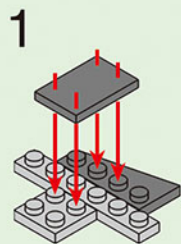
1x

5-12



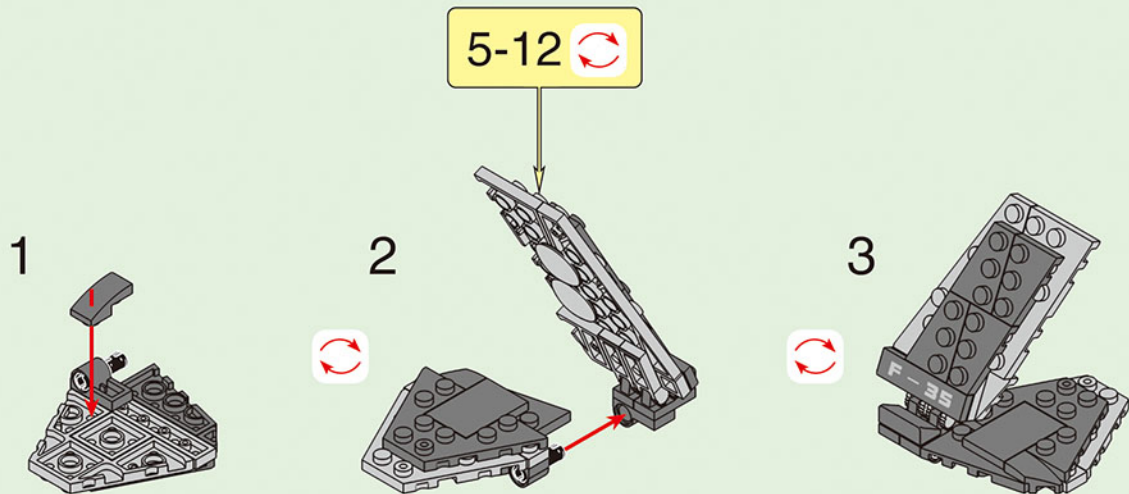


5-13

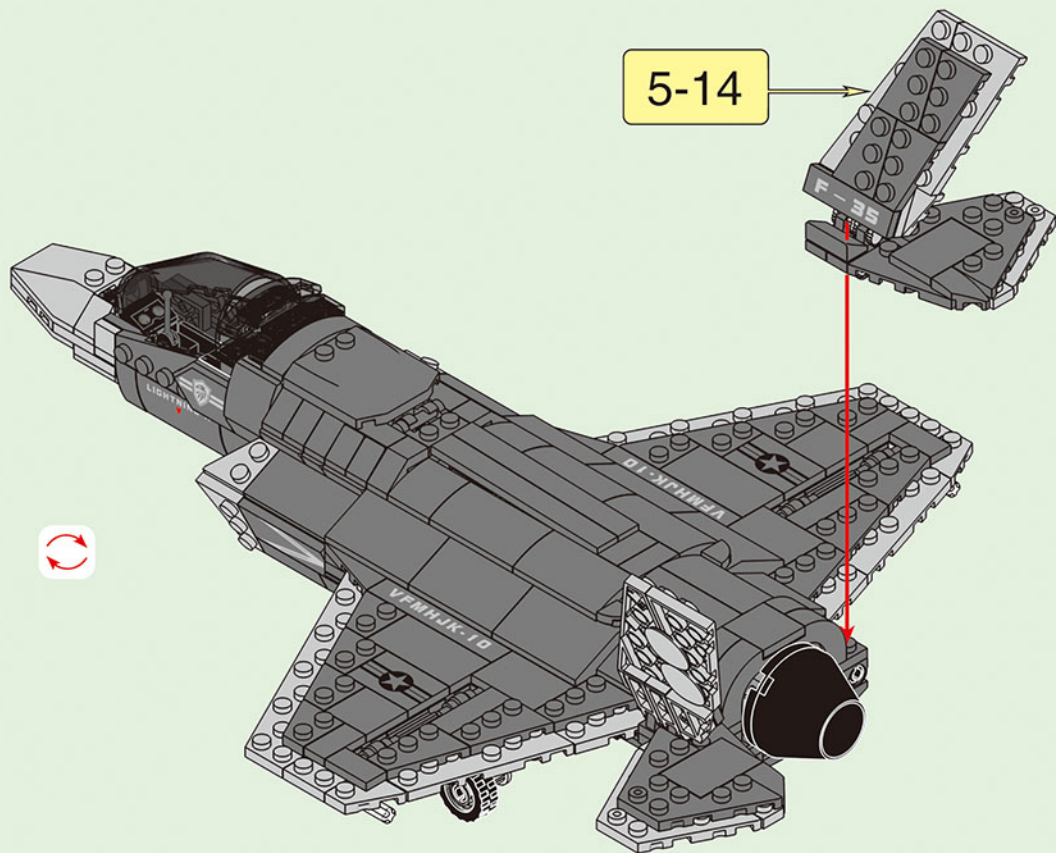


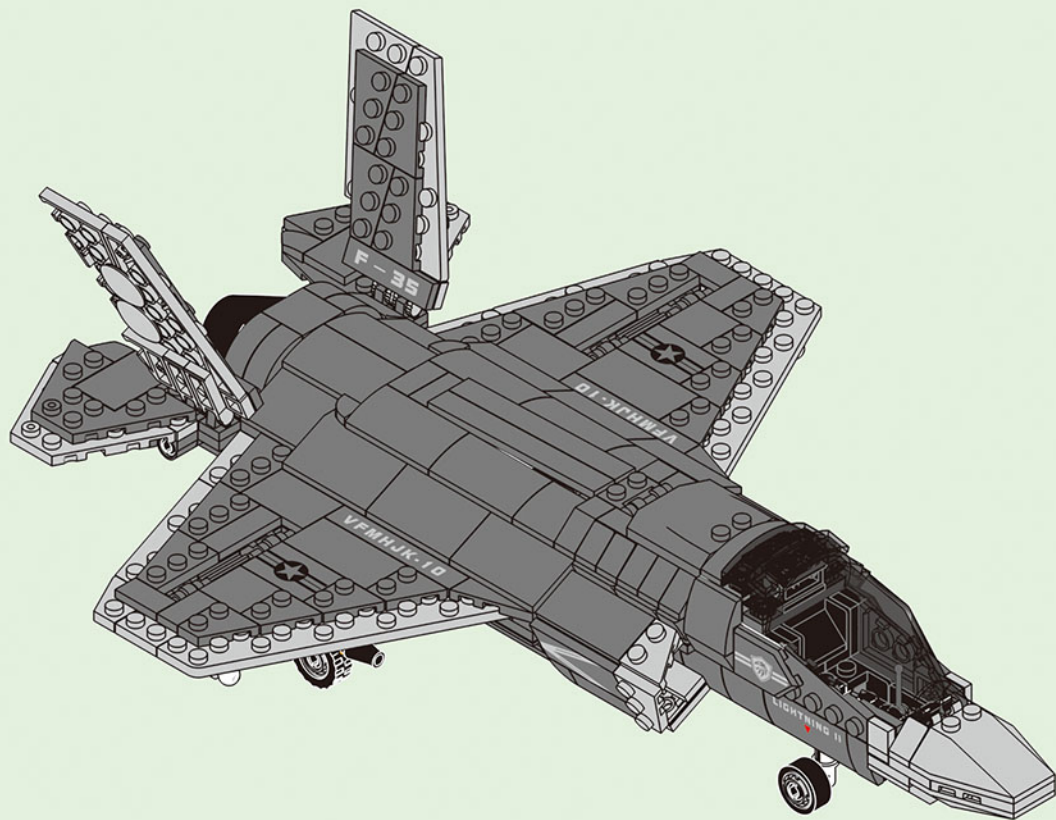


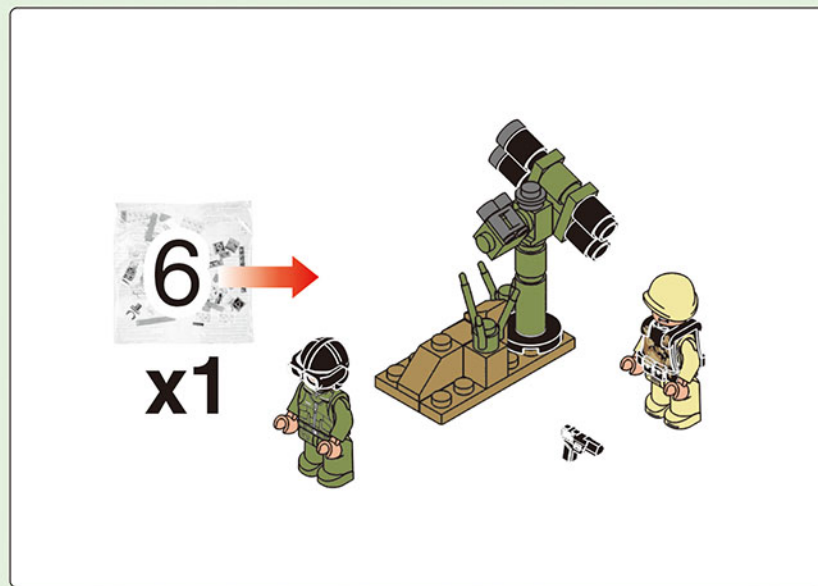
5-14

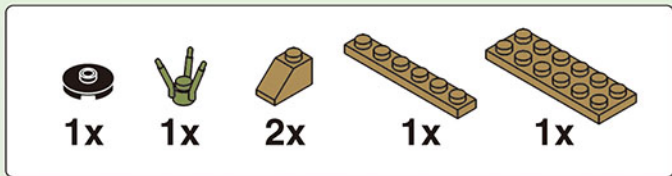


5-15



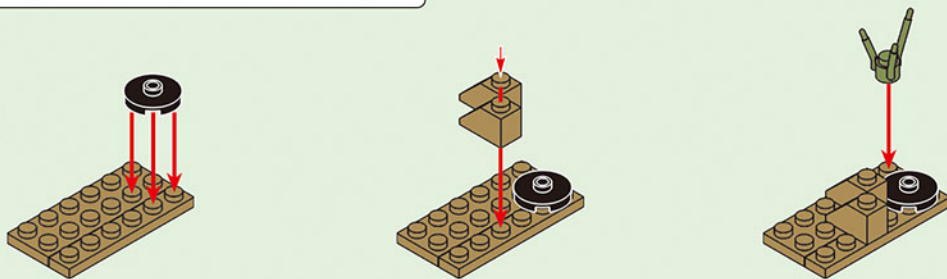






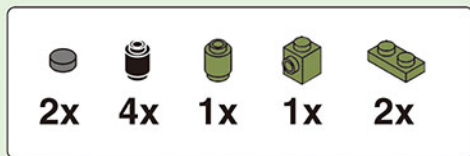
6-1.1

1



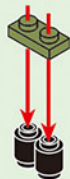
6-1.2



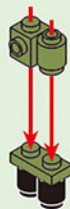


6-2

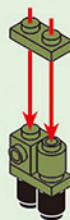
1



2



3



4

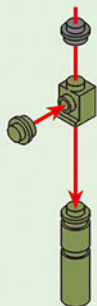


6-3

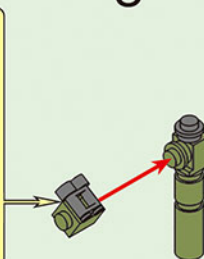
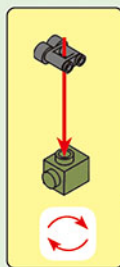
1



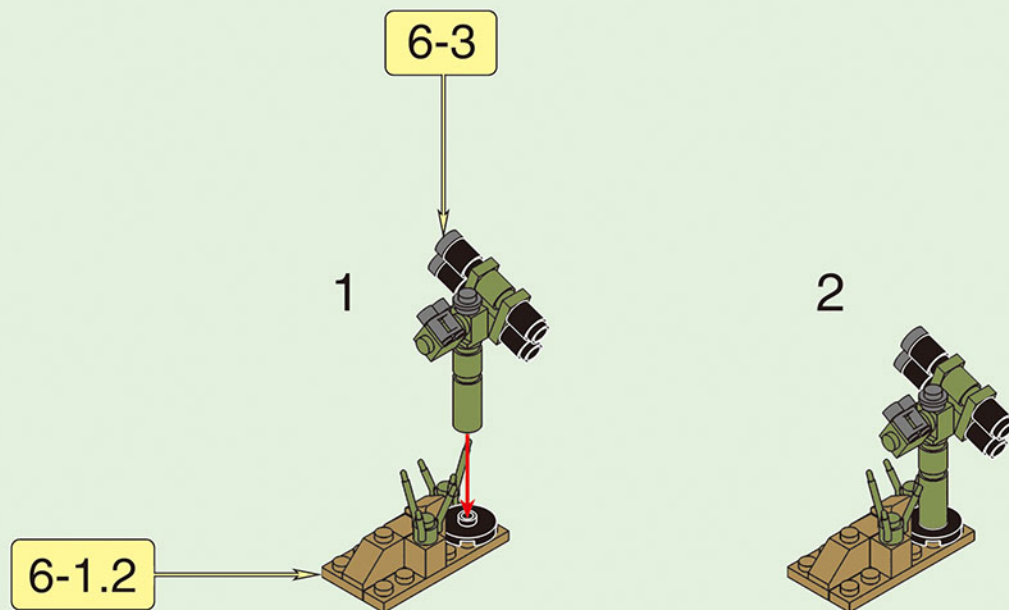
2



3

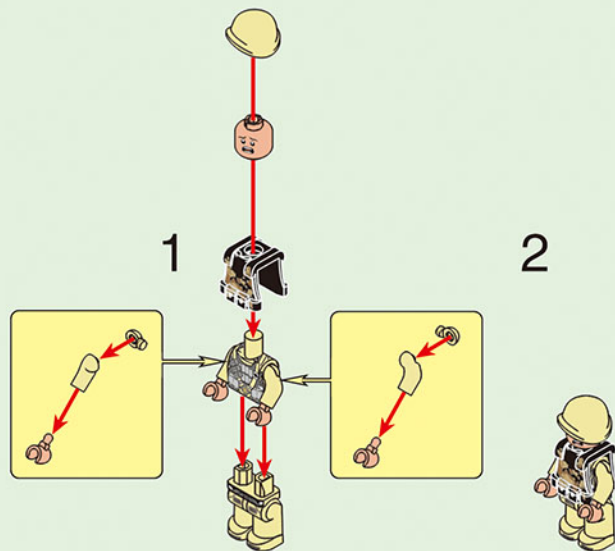
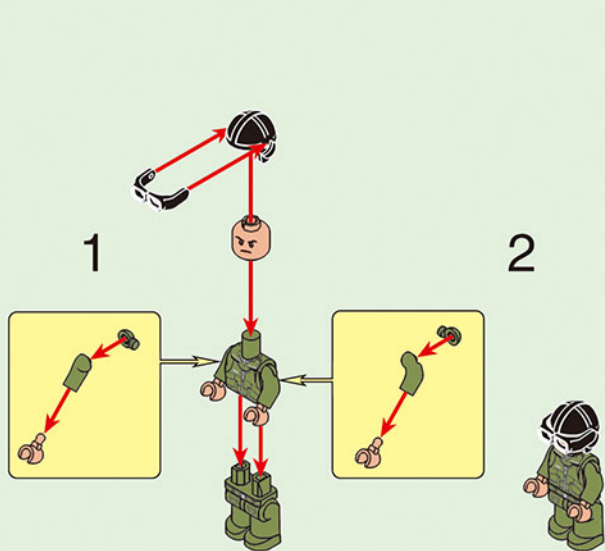


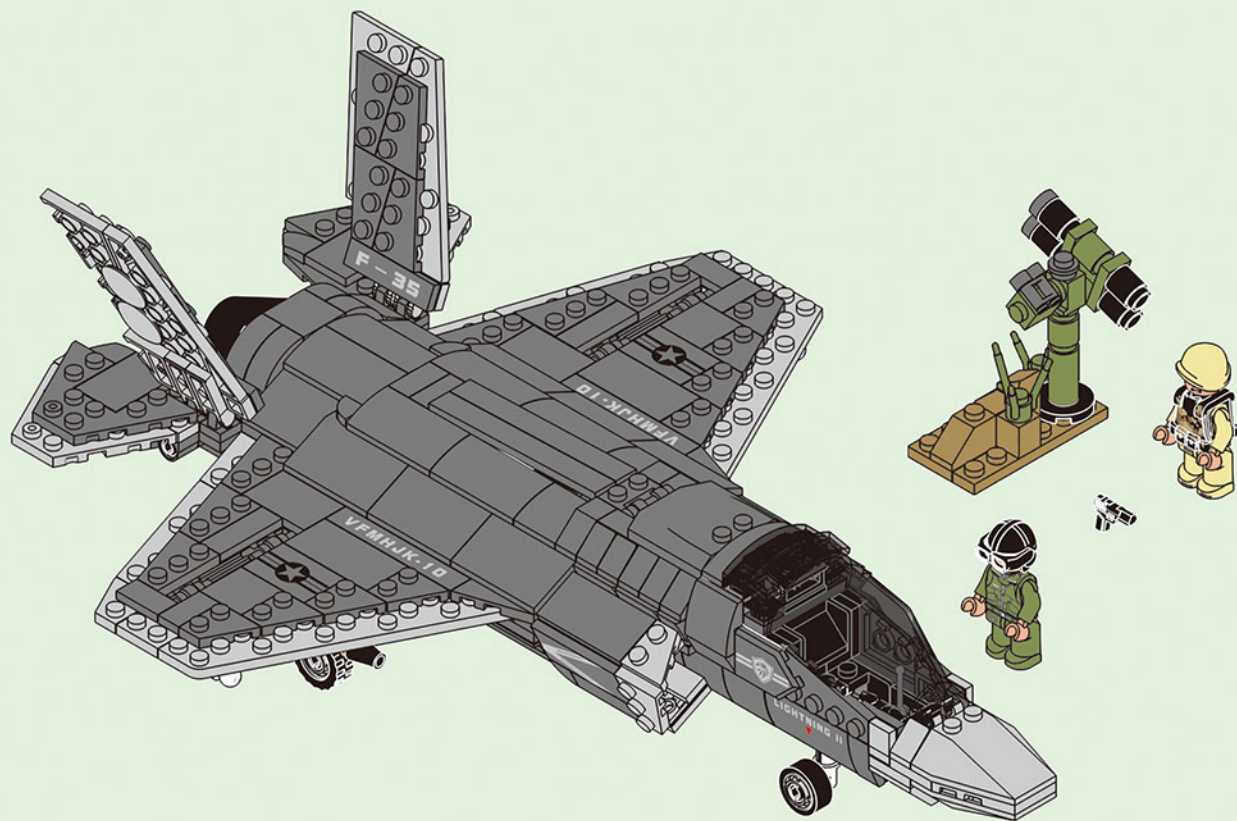
6-4





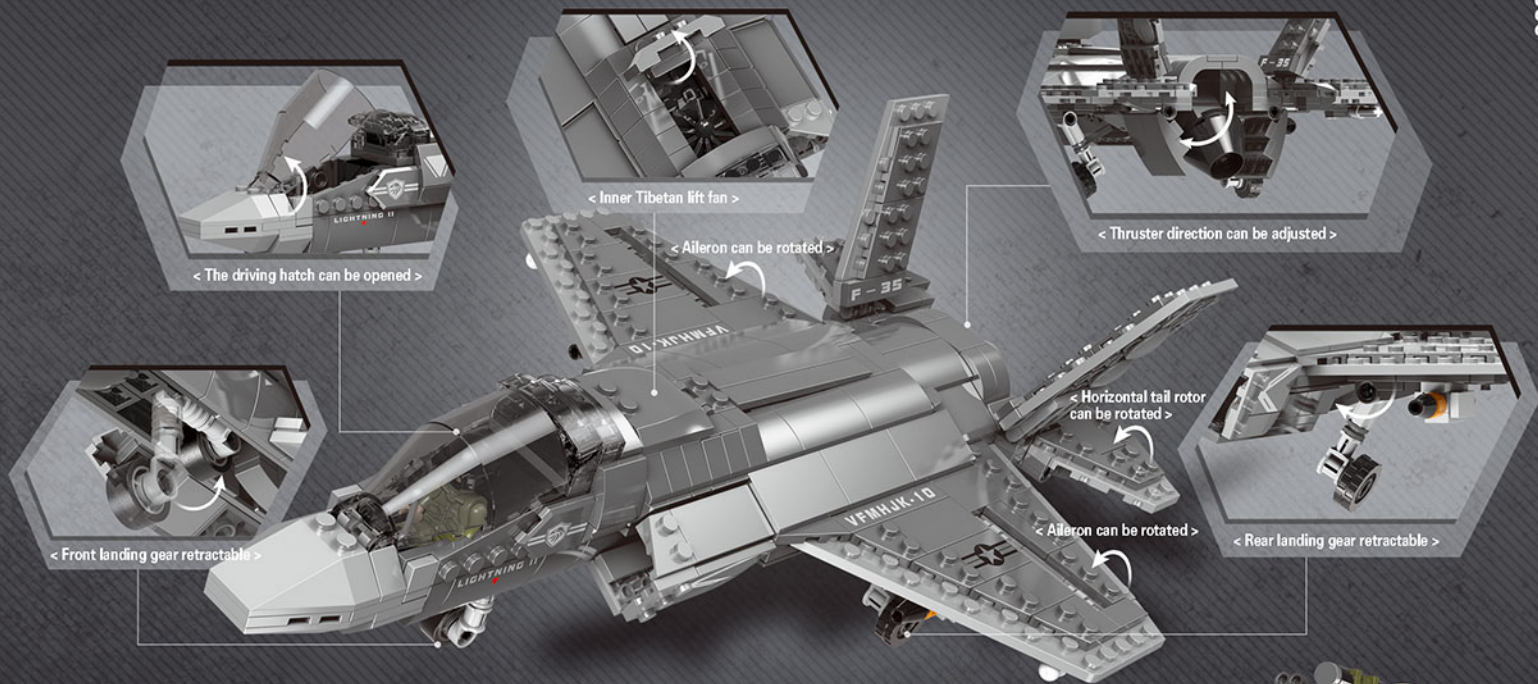
6-5





ACROSS THE BATTLEFIELD

06026-1902-V2



WEAPON EQUIPPED WITH:

