



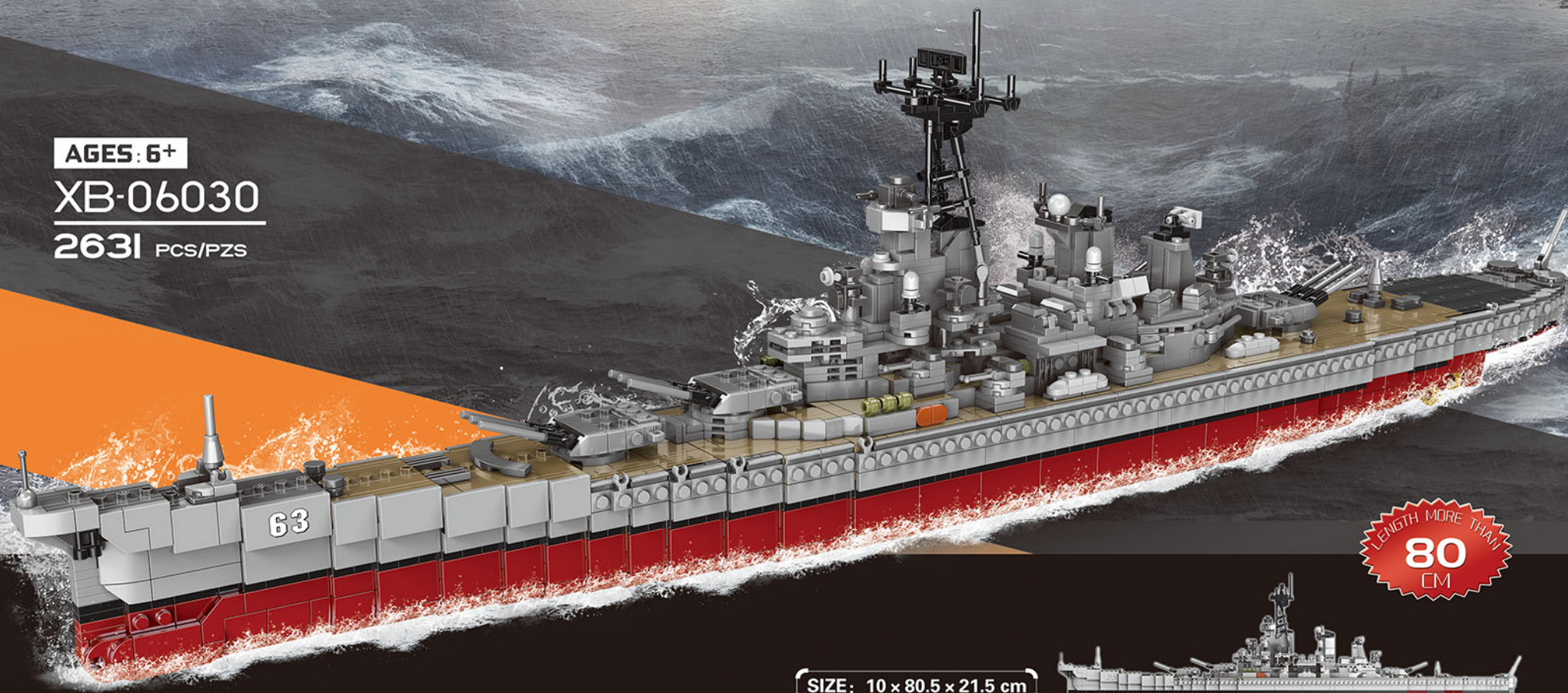
# USS NAVY FOR AMERICA MISSOURI

CLASSIC  
BATTLESHIP

AGES: 6+

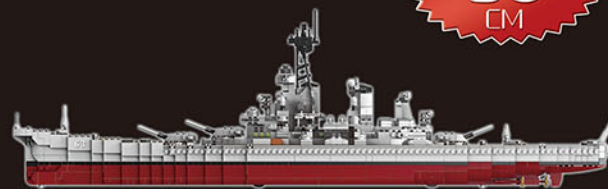
**XB-06030**

**2631** PCS/PZS



LENGTH MORE THAN  
**80**  
CM

SIZE: 10 x 80.5 x 21.5 cm





# USS MISSOURI

Navy for america

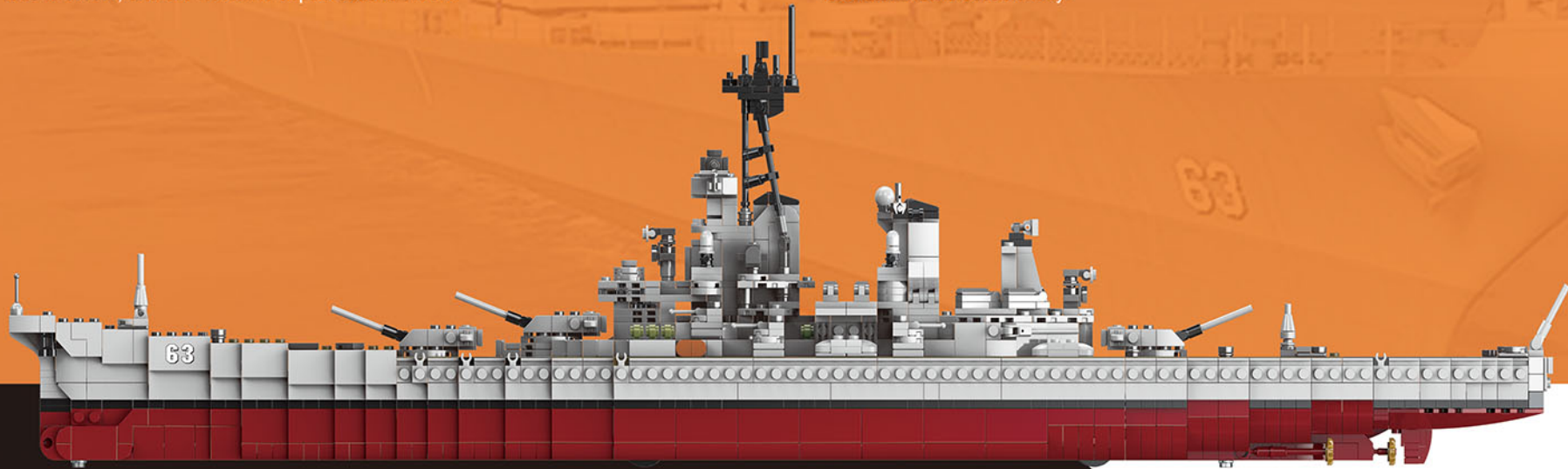
# ABOUT USS MISSOURI

1. USS Missouri, the fourth Iowa class battleship built by the US Navy in 1944 (Ship Number: BB-63), is the third naval ship in the name of Missouri in the United States. It was the last completed and the last retired battleship of the United States.

2. The Missouri is the fourth Iowa class battleship to be built. The maximum width is 33 meters and the hull aspect ratio is up to 8.2, which is beneficial to improve the speed but affects the airworthiness. The length is 270.4 meters, the hull aspect ratio is 8.18:1, and the waterline aspect ratio is 7.96:1.

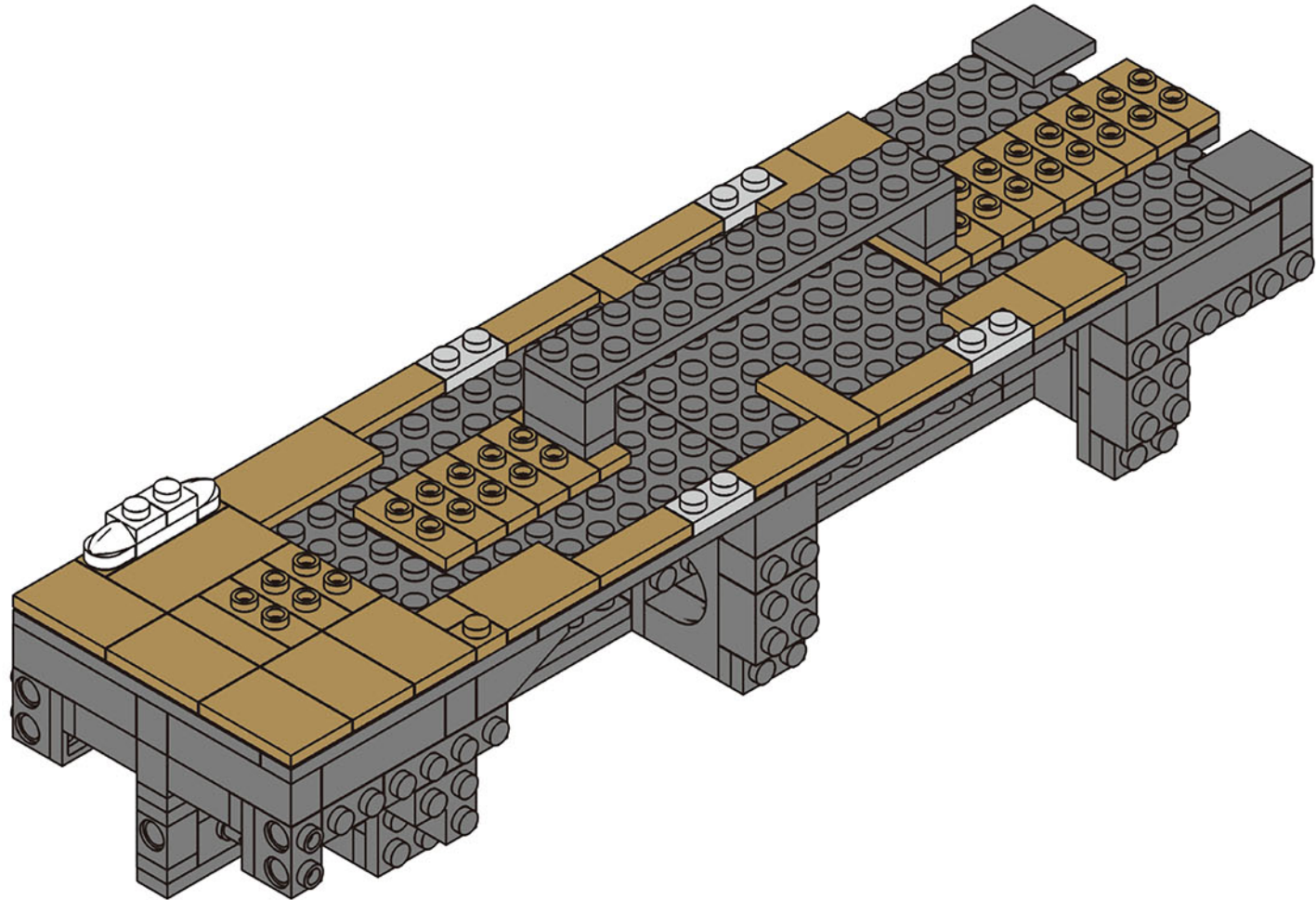
3. It participated in the Second World War, the Korean War and the Persian Gulf War of 1991. On September 2, 1945, the signing ceremony of Japan's unconditional surrender, which marked the end of World War II, was held on the main deck of the Missouri parked in Tokyo Bay. The Missouri was known in the world therefore.

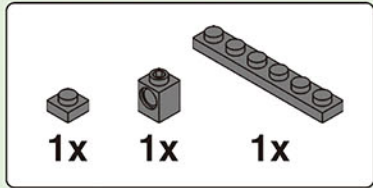
4. The USS Missouri retired from the US Navy, as a historical ship and a witness to the history of World War II, anchored in Pearl Harbor, Hawaii, USA, is open to the public for visitors. After more than half a century of baptism, the Missouri is still young, and shows up in some film and television works occasionally.



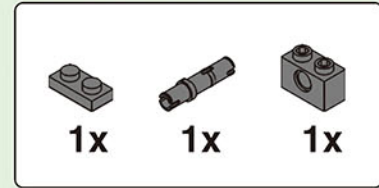
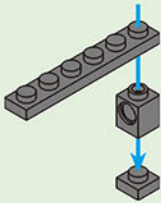


**x4**

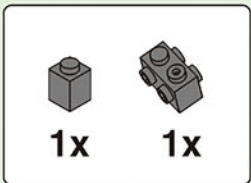
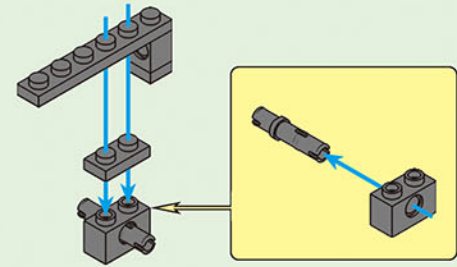




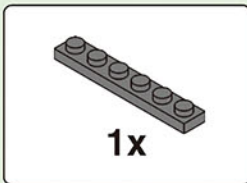
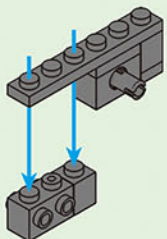
1-1.1



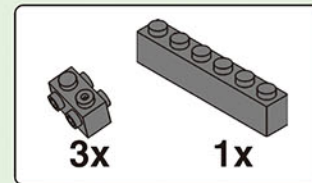
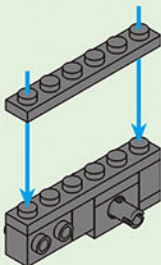
1-1.2



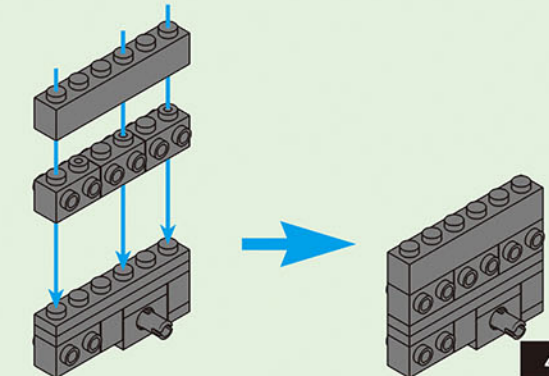
1-1.3

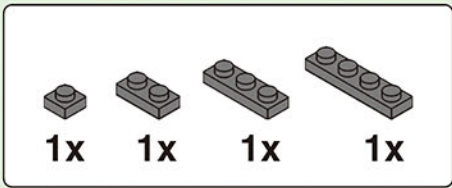


1-1.4

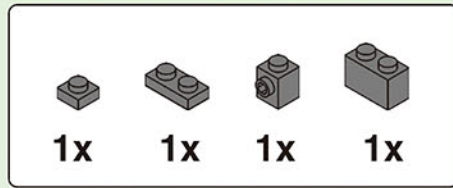


1-1.5

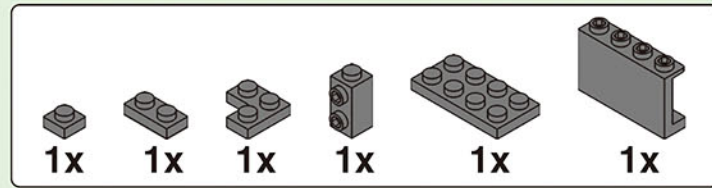




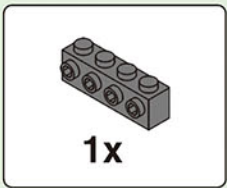
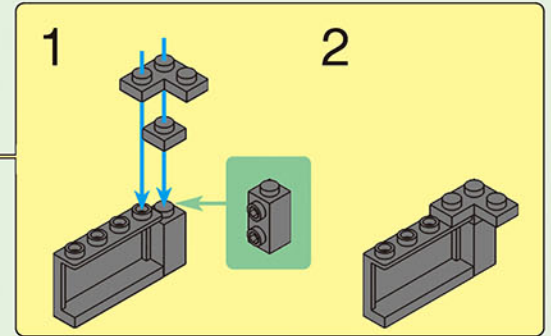
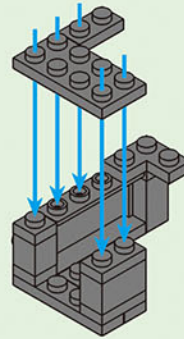
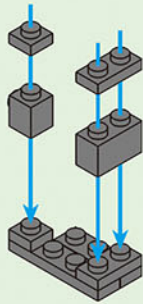
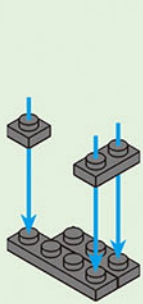
1-2.1



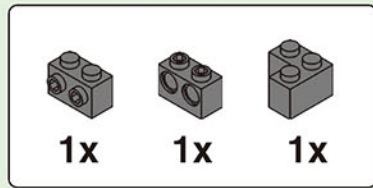
1-2.2



1-2.3



1-2.4

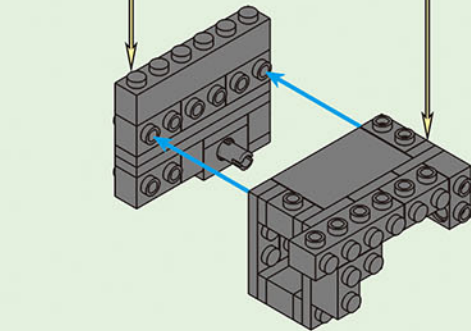
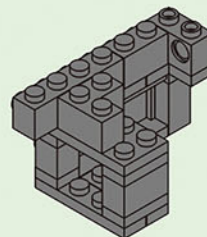
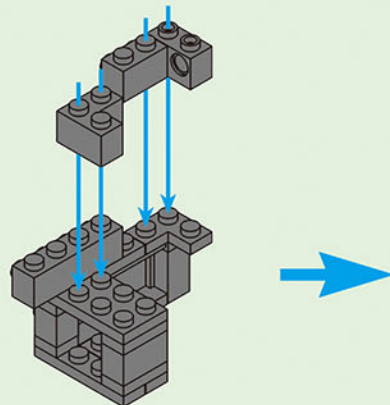
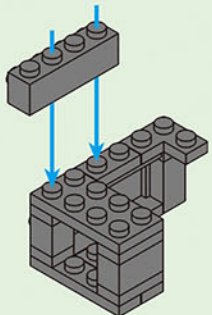


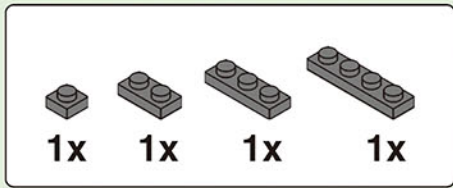
1-2.5

1-2

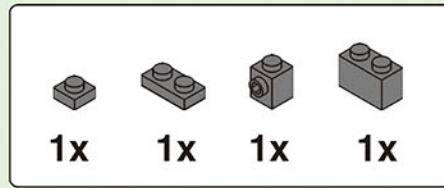
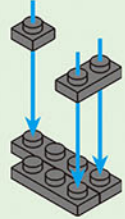
1-1.5

1-2.5

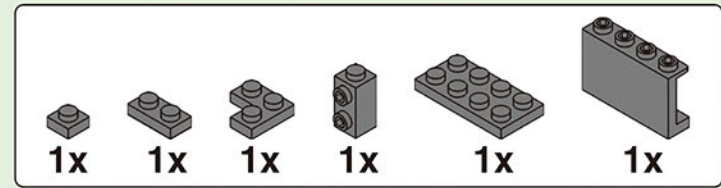
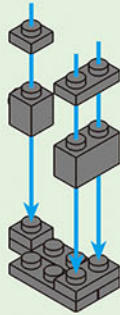




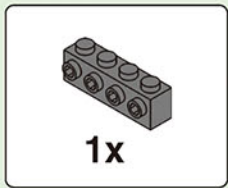
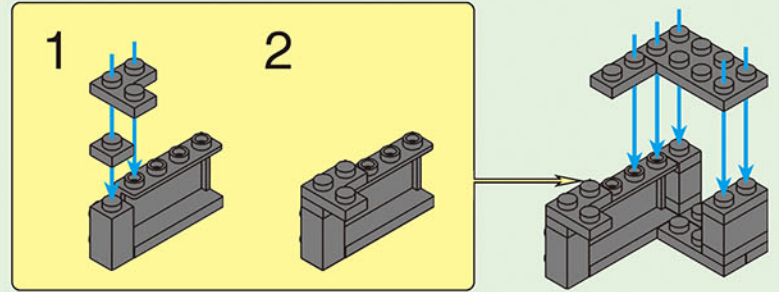
1-3.1



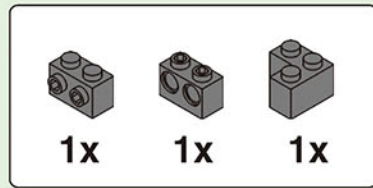
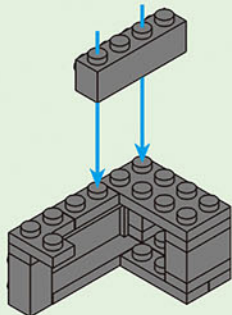
1-3.2



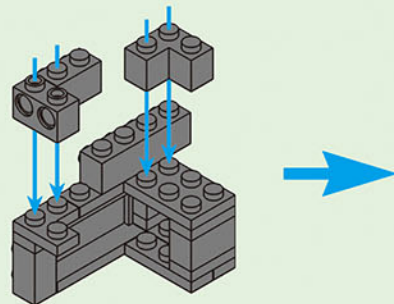
1-3.3



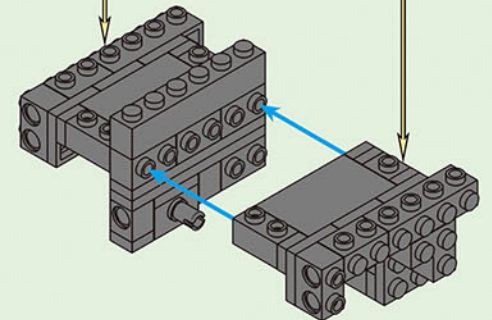
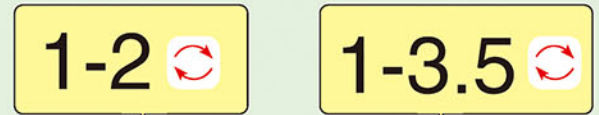
1-3.4

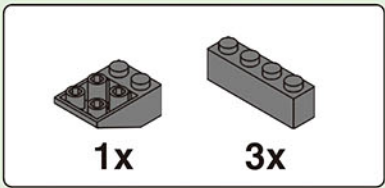


1-3.5

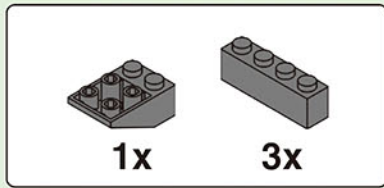
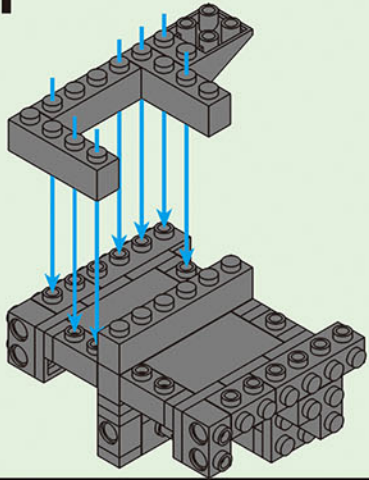


1-3

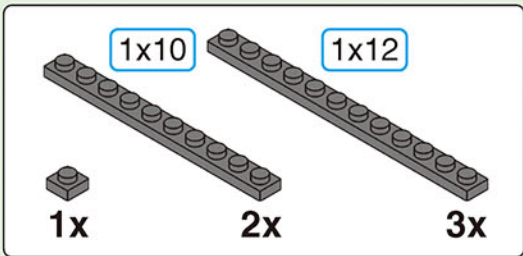
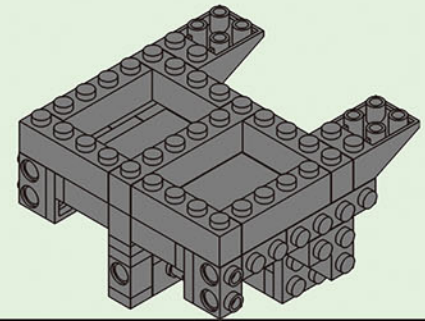
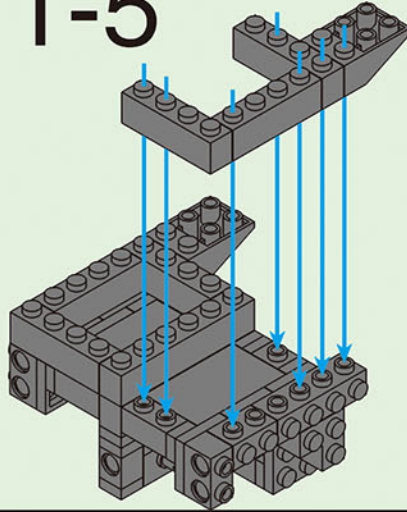




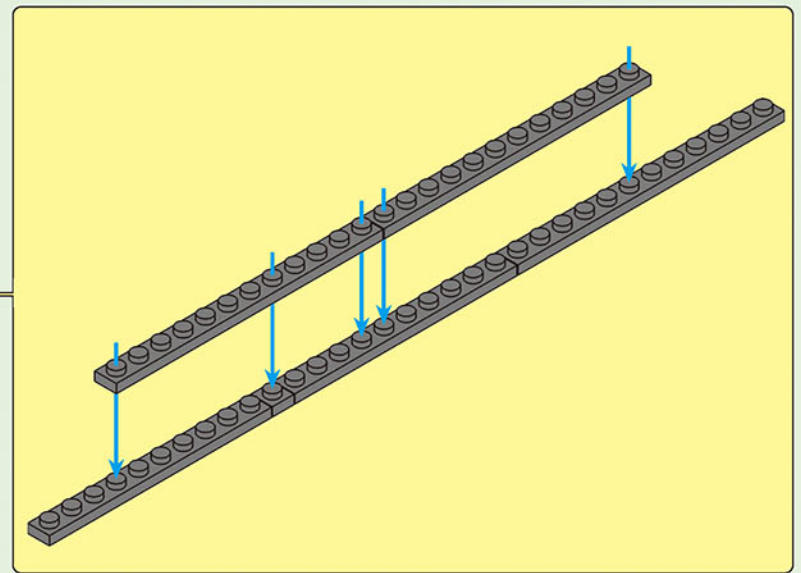
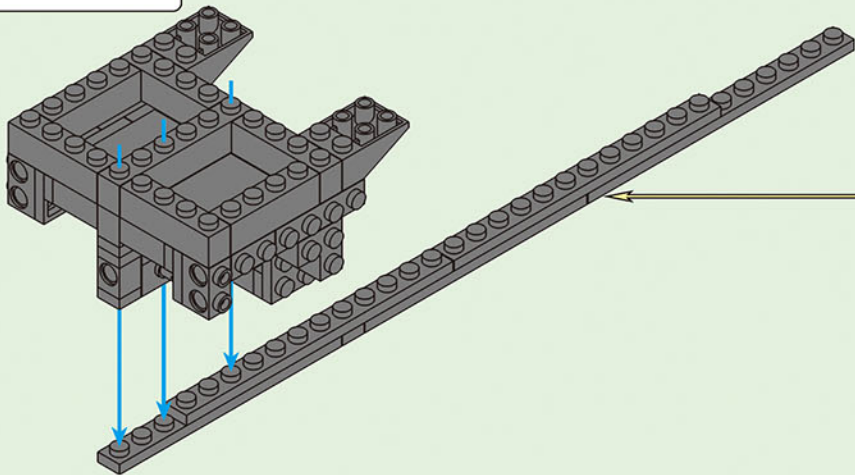
1-4

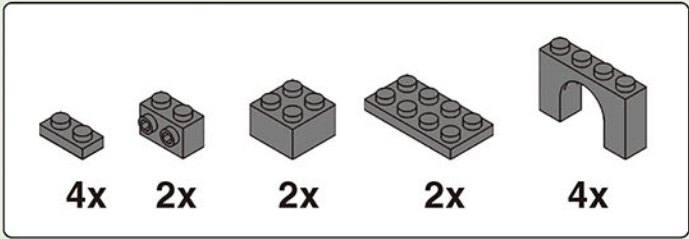


1-5



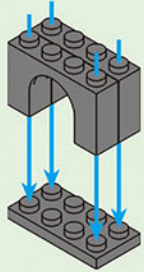
1-6



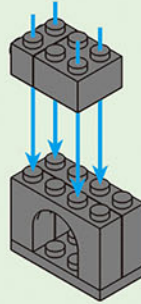


# 1-7.1

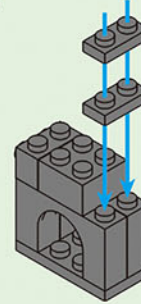
1



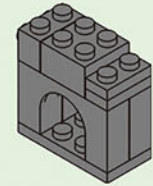
2



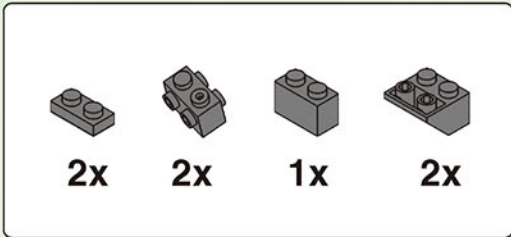
3



4

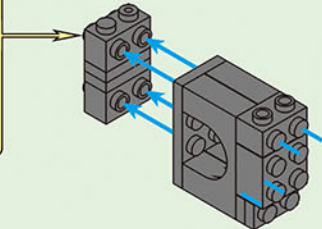
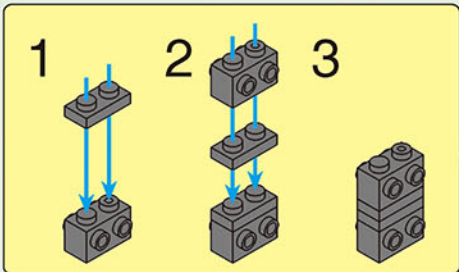


2x



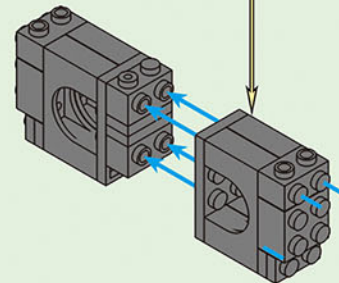
# 1-7.2

1 ↻

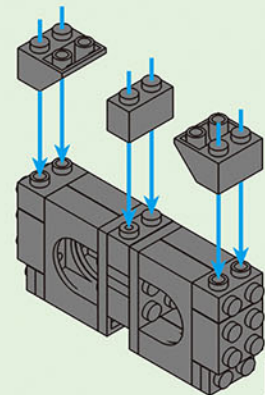


2 ↻

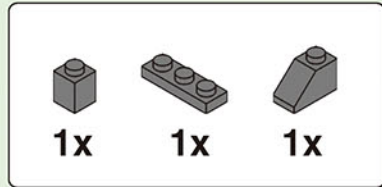
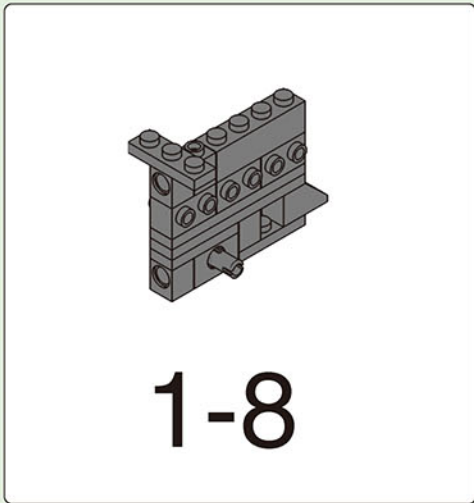
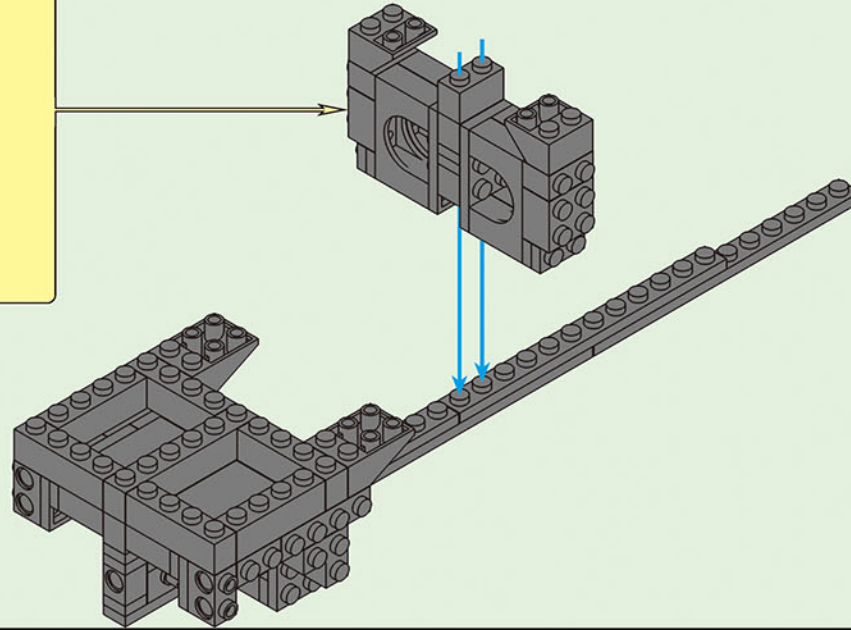
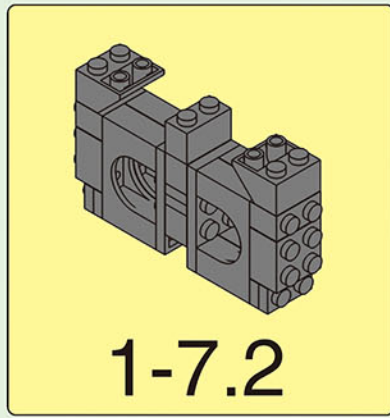
1-7.1 ↻



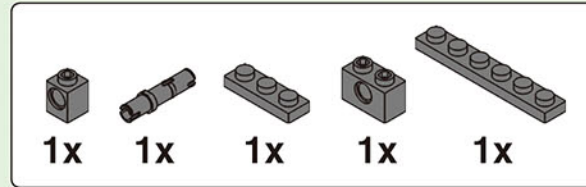
3



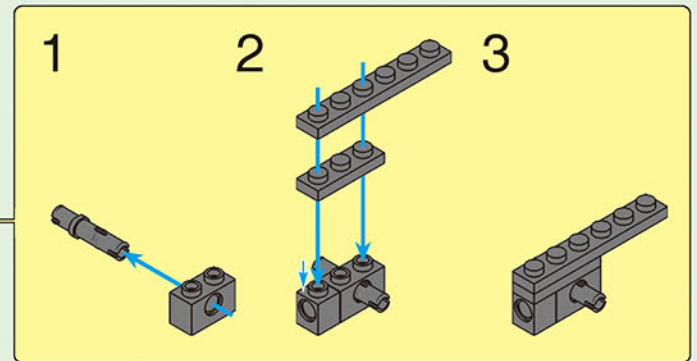
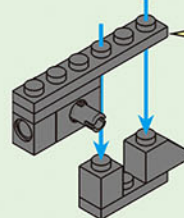
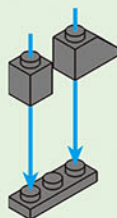
1-7

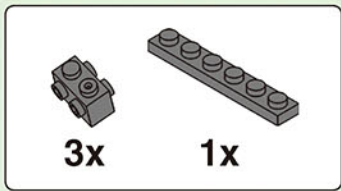


1-8.1

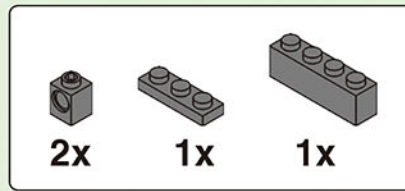
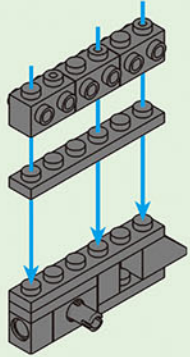


1-8.2

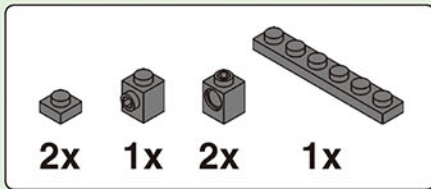
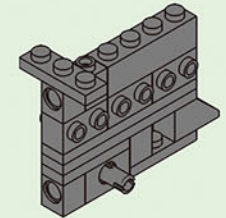
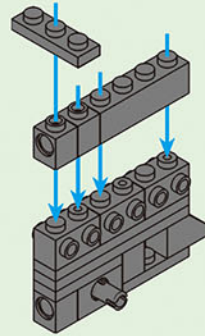




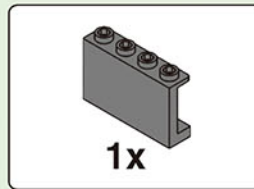
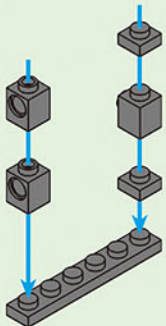
1-8.3



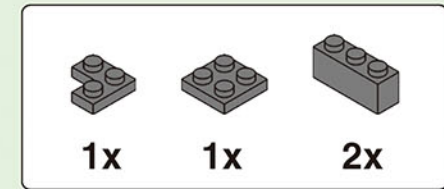
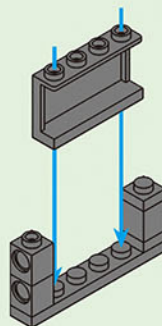
1-8.4



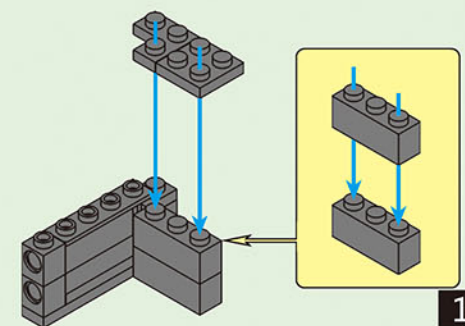
1-9.1

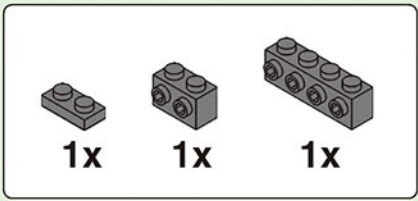


1-9.2

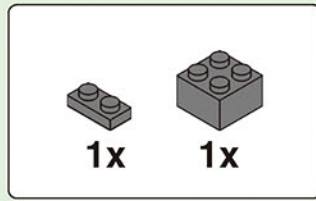
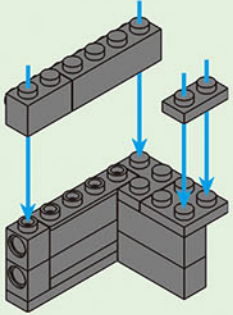


1-9.3

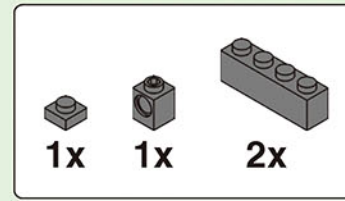
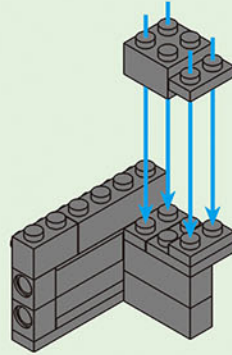




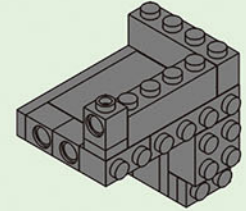
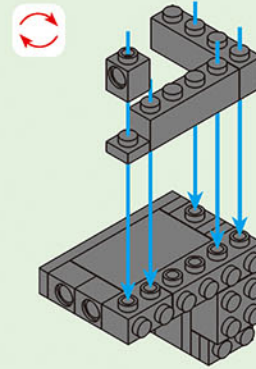
1-9.4



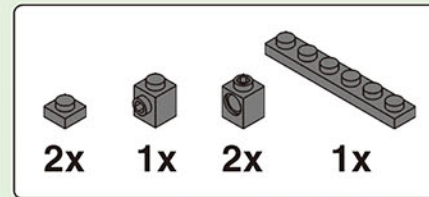
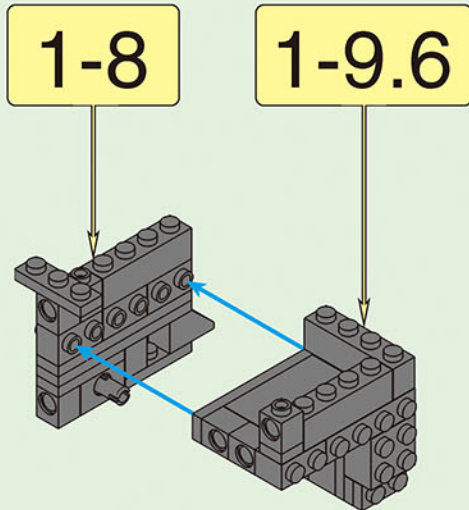
1-9.5



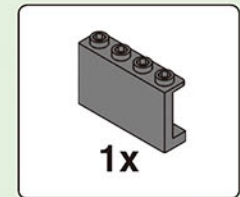
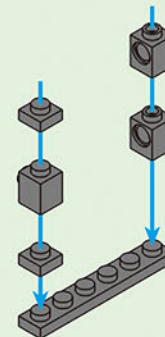
1-9.6



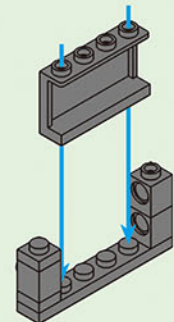
1-9

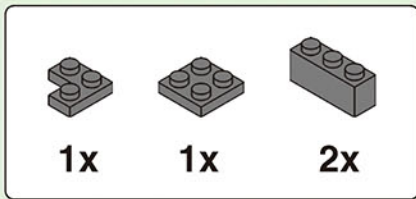


1-10.1

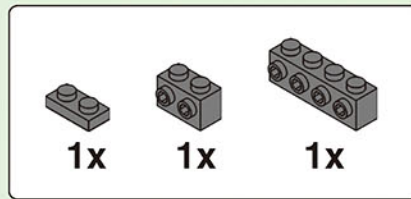
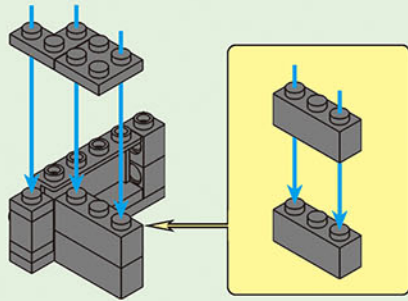


1-10.2

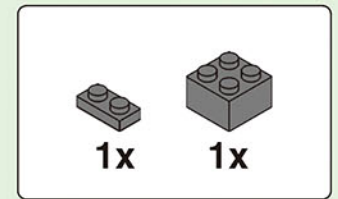
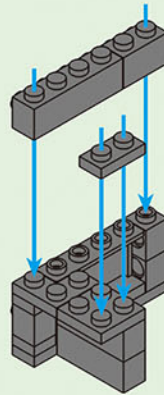




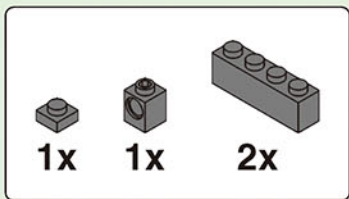
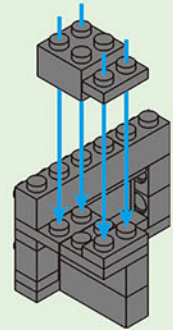
1-10.3



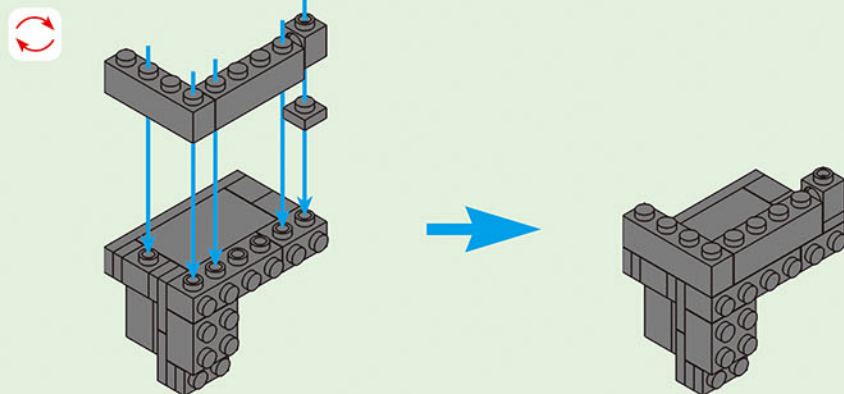
1-10.4



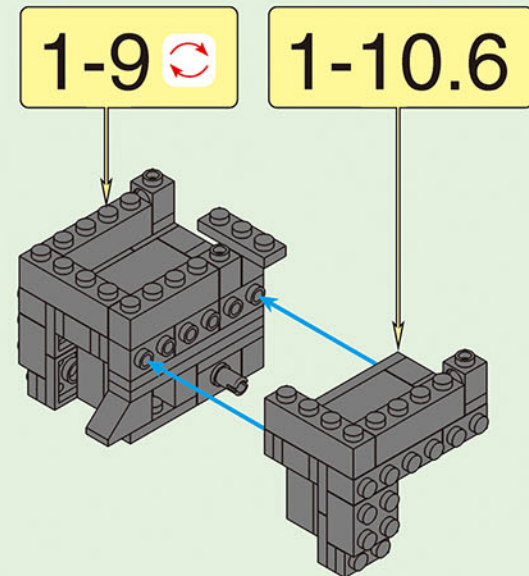
1-10.5



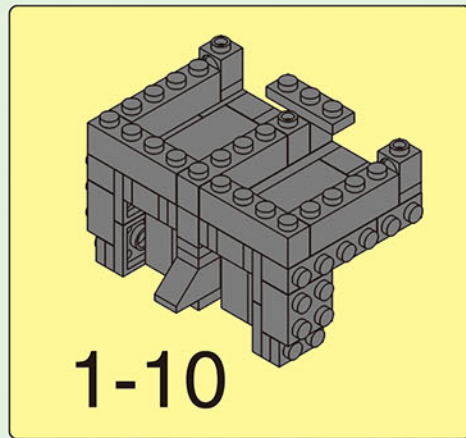
1-10.6



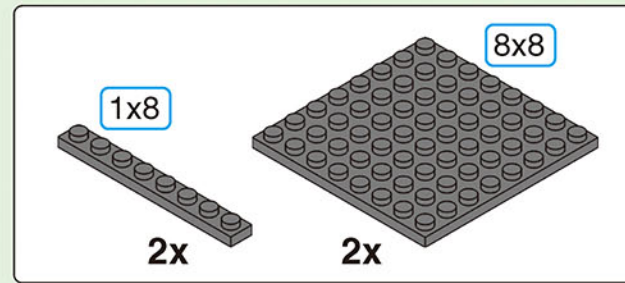
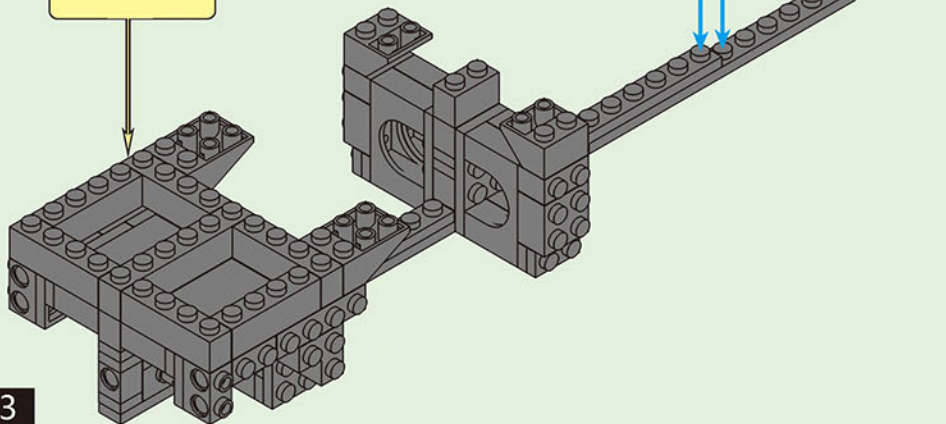
1-10



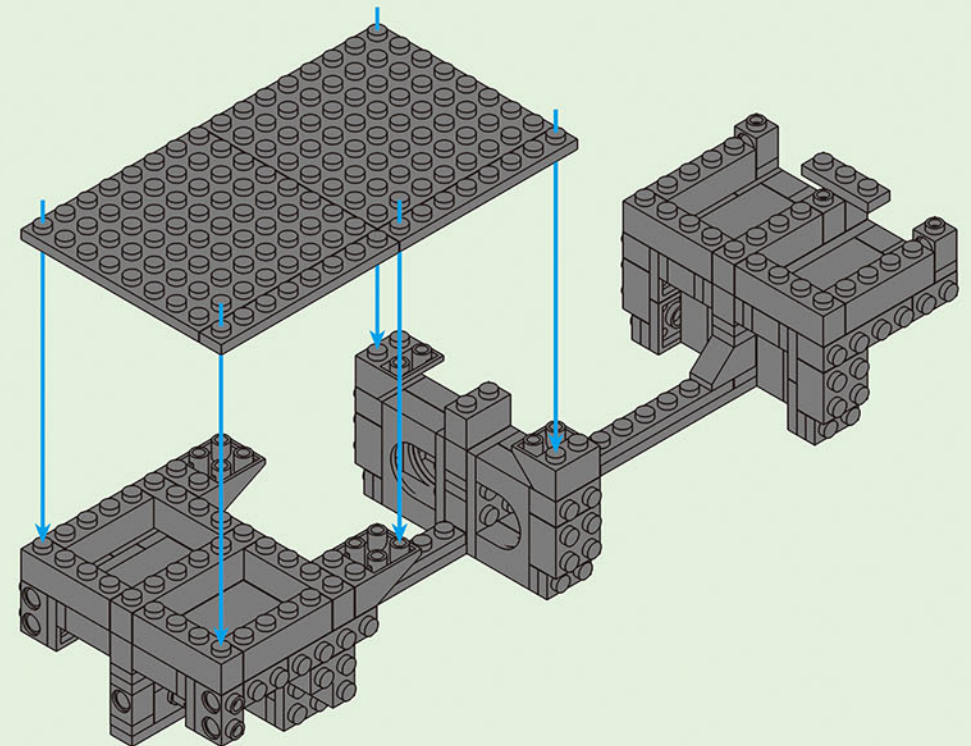
# 1-11

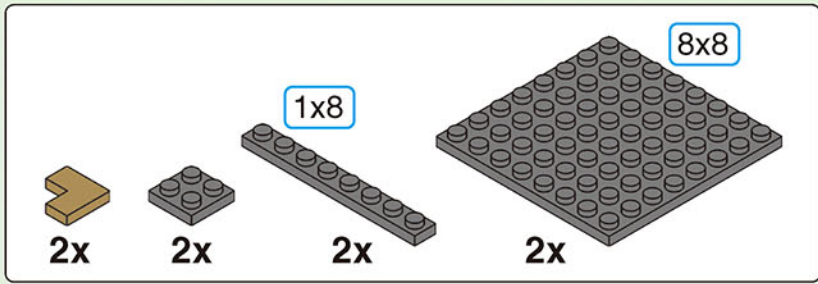


1-7

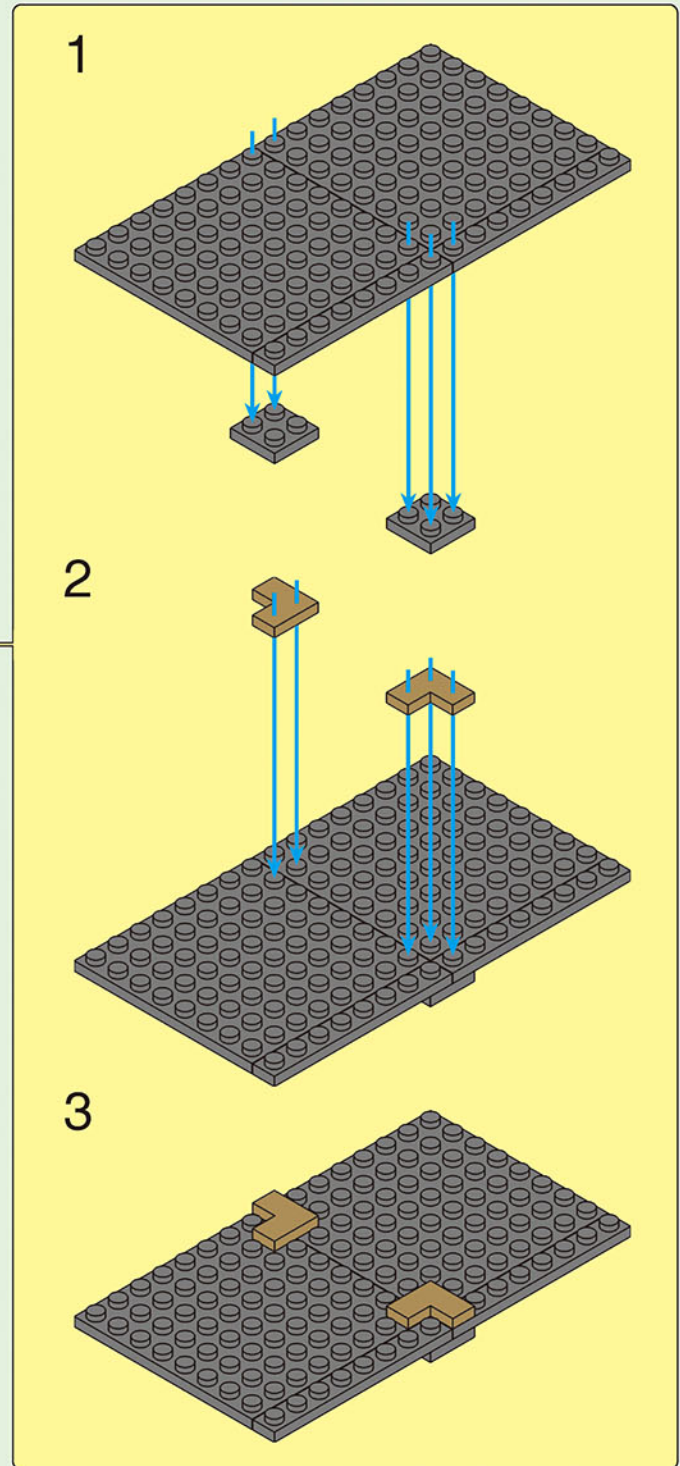
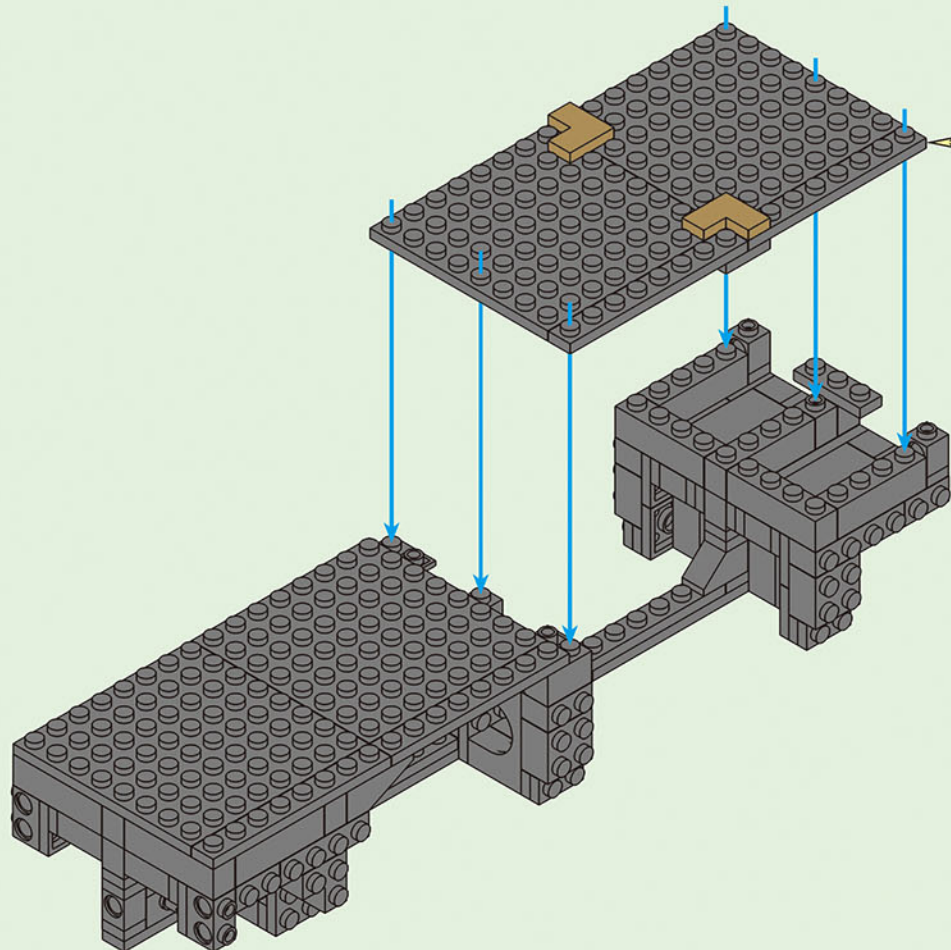


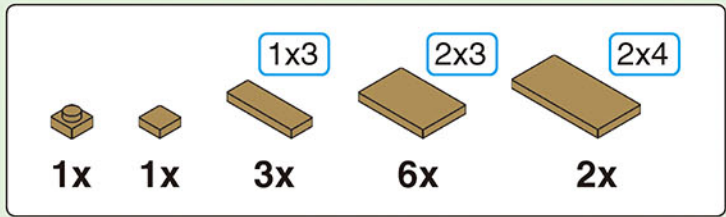
# 1-12



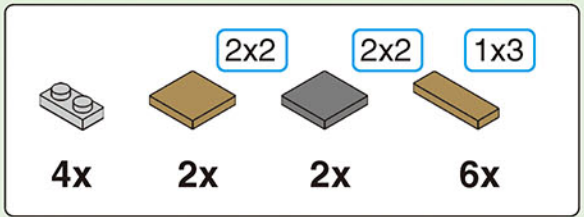
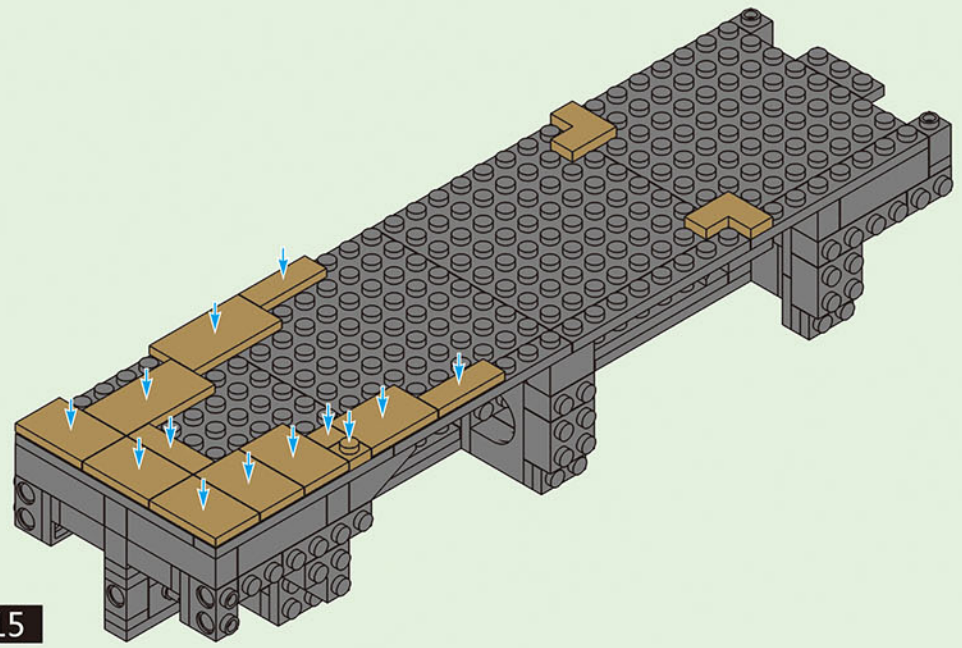


# 1-13

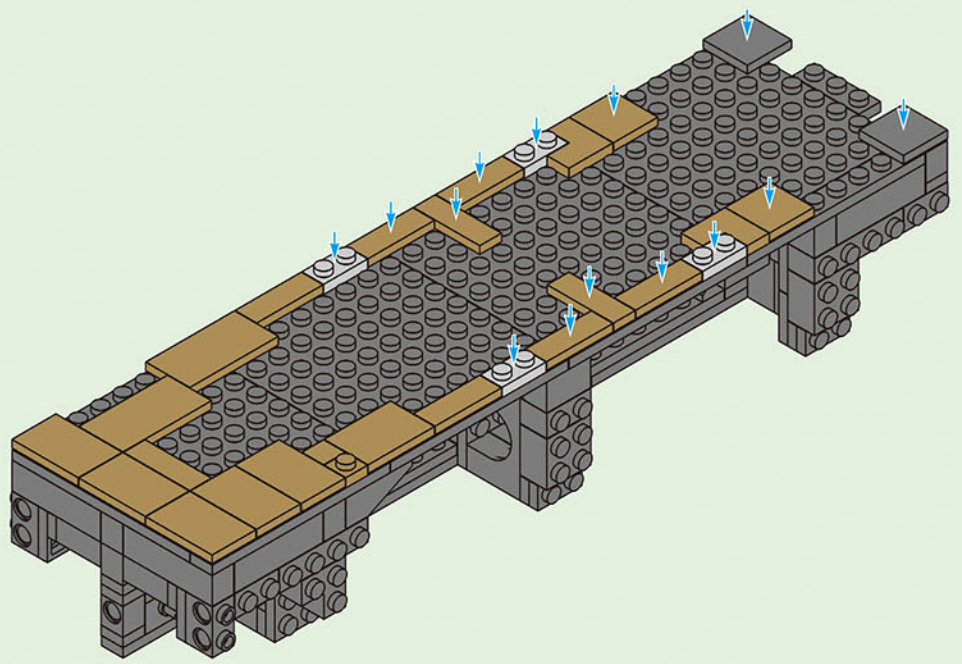


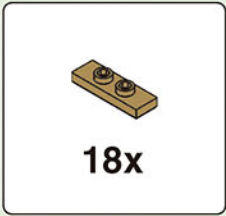


# 1-14

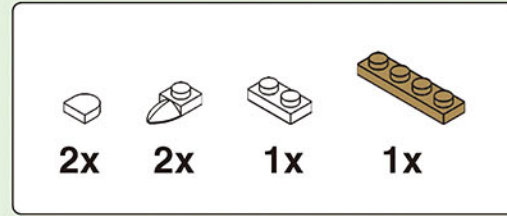
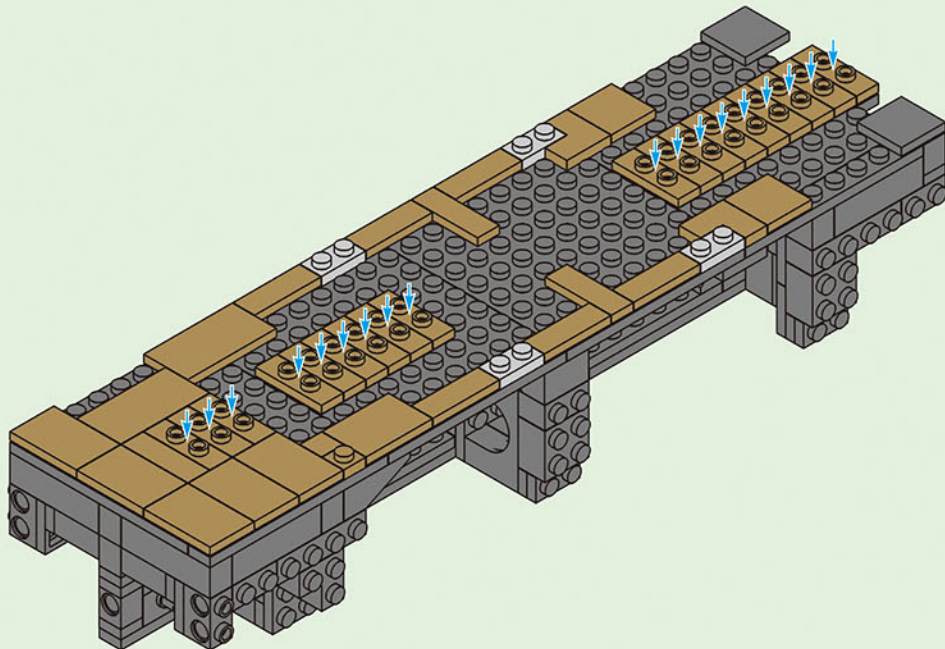


# 1-15

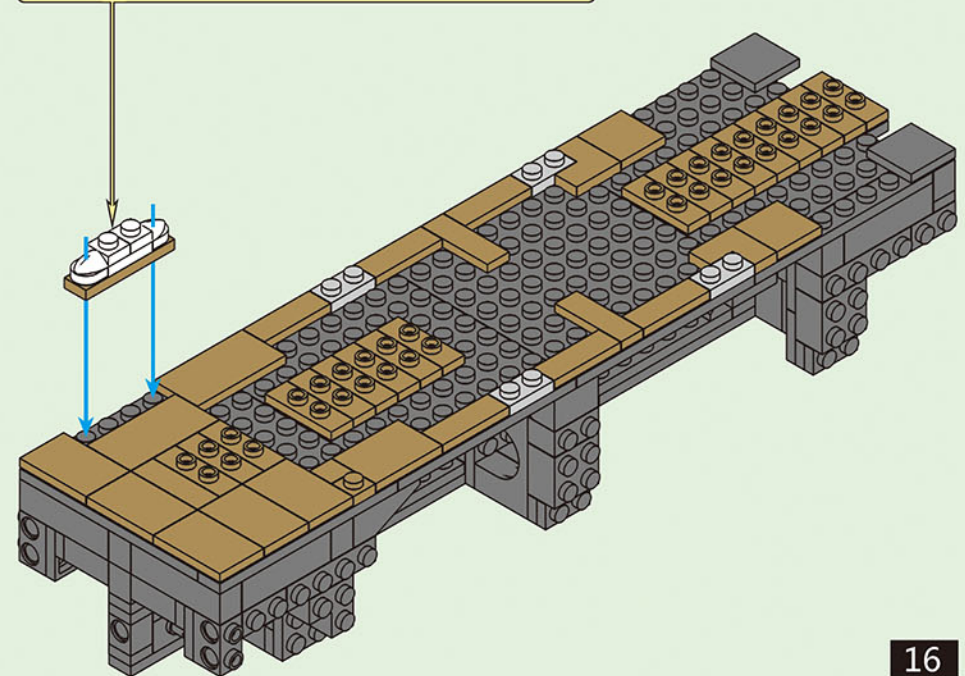
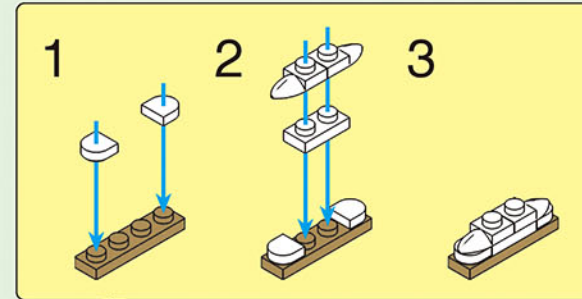


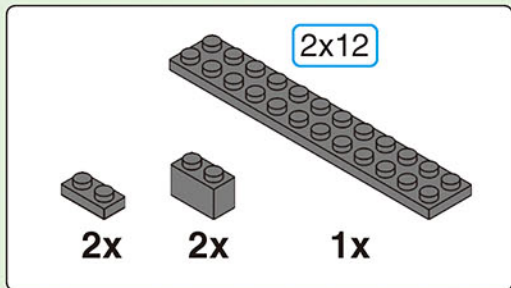


1-16

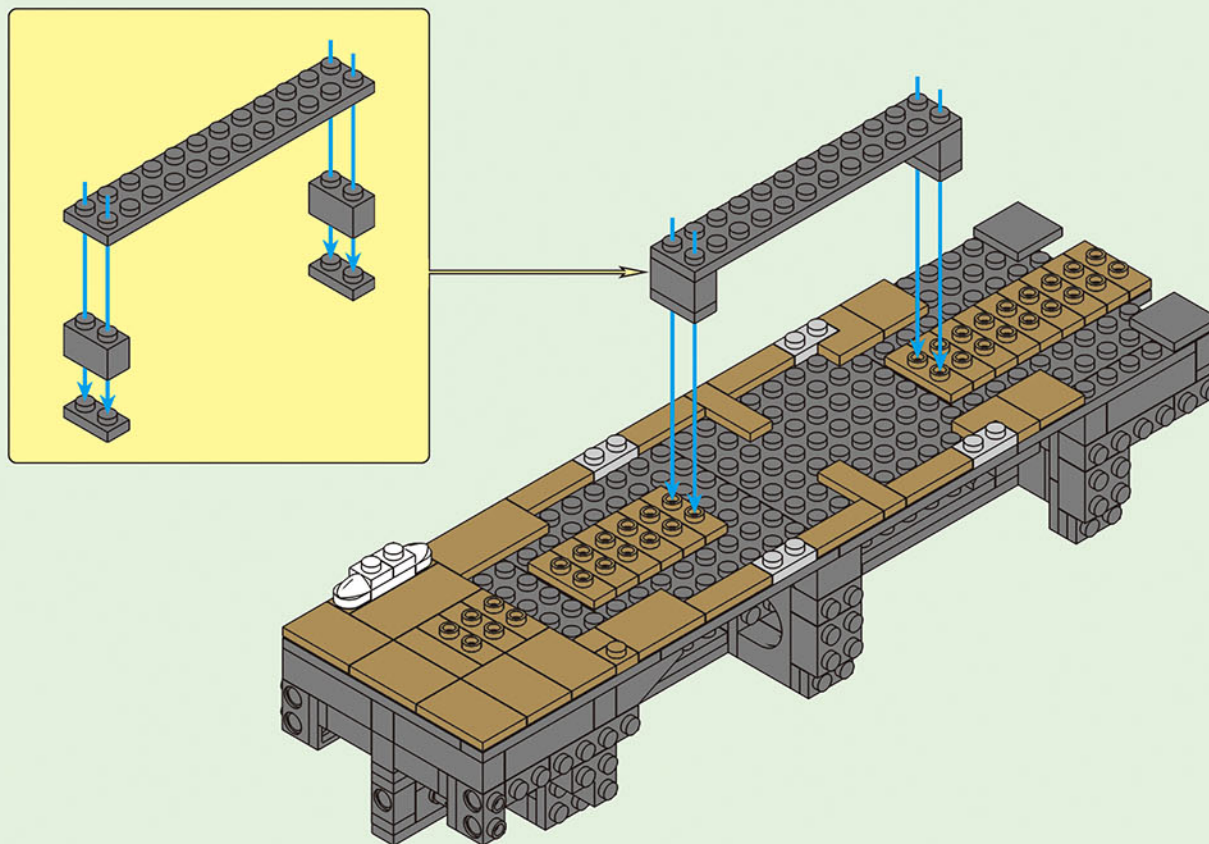


1-17



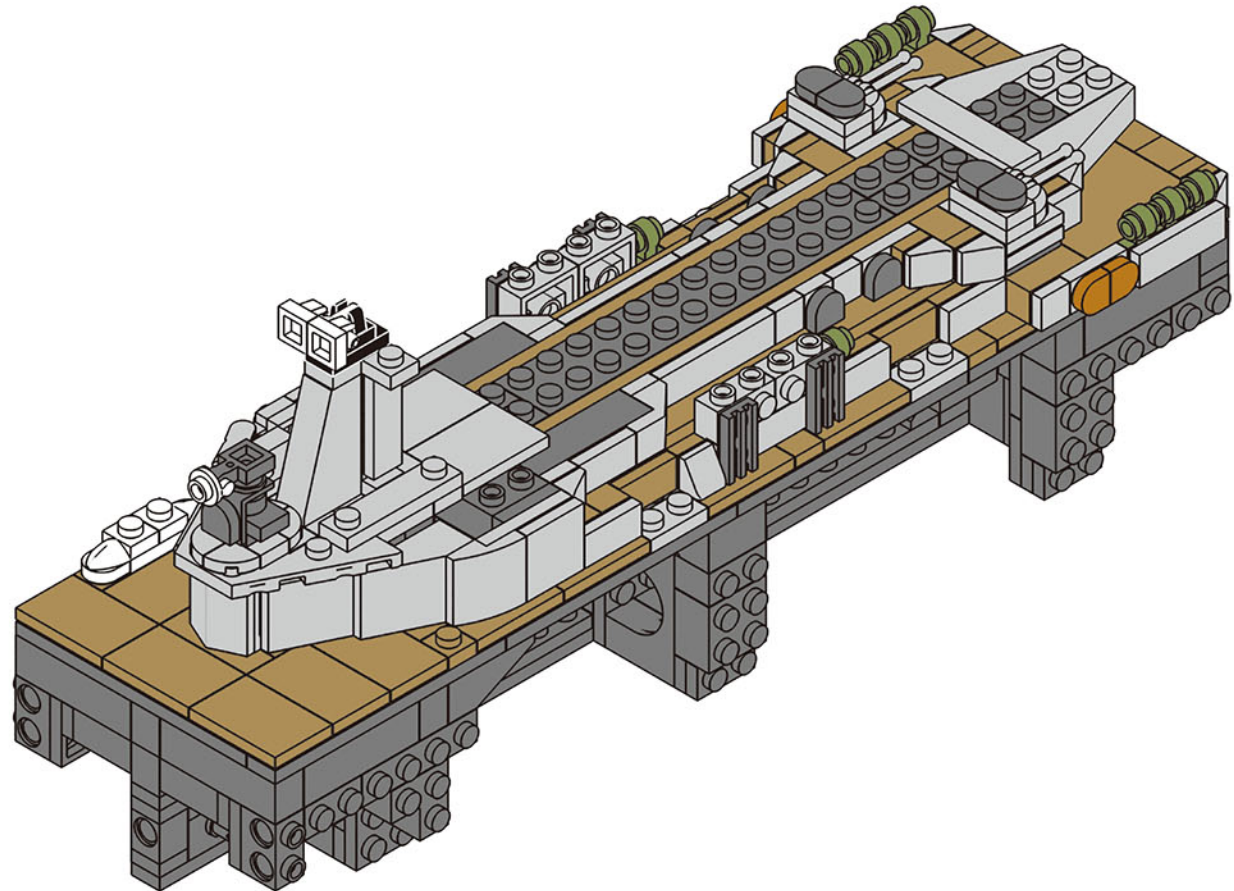


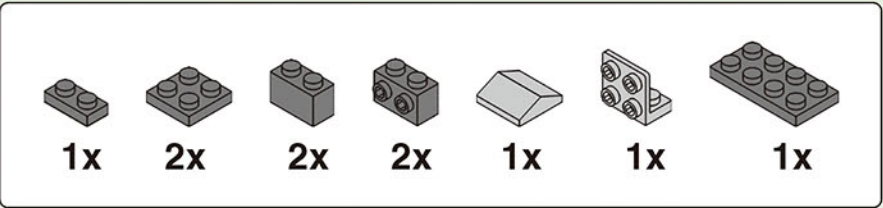
1-18



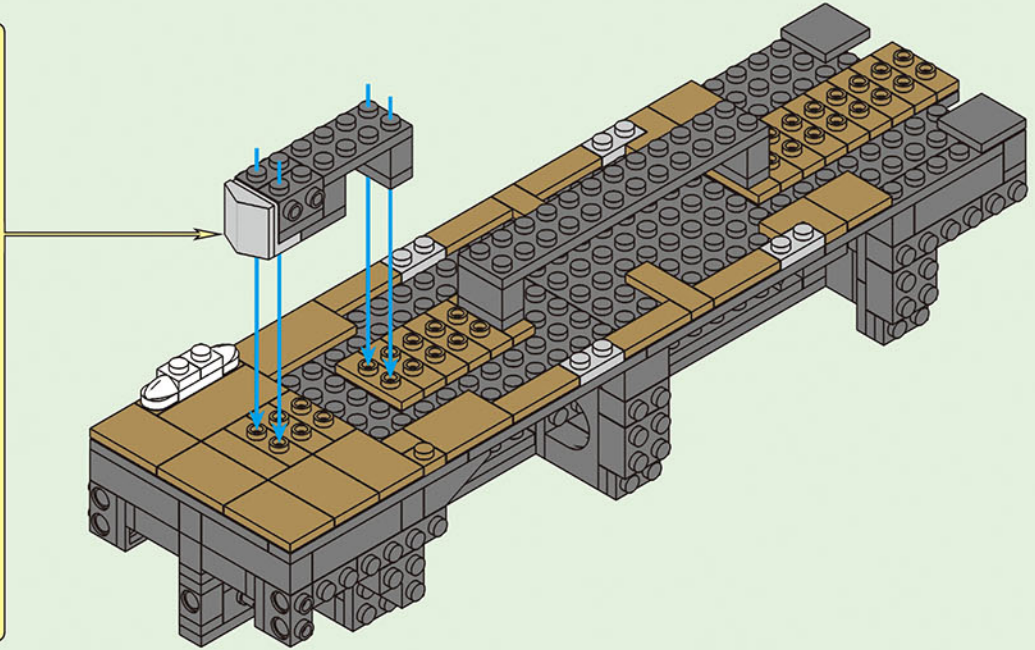
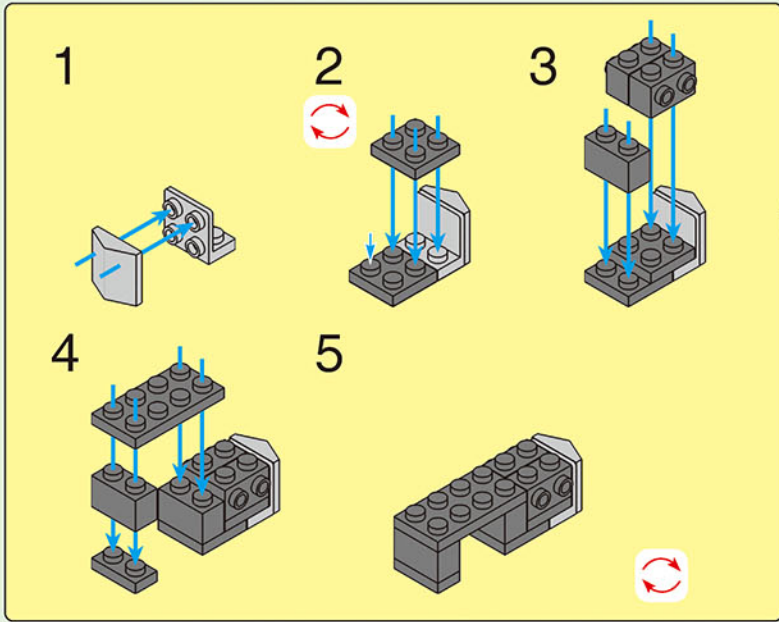


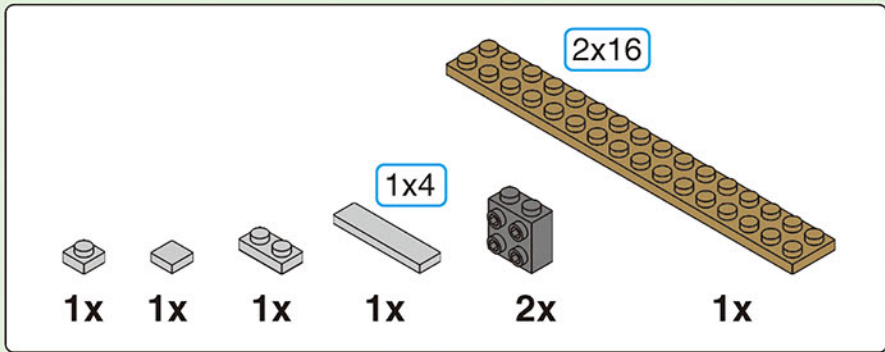
**x4**



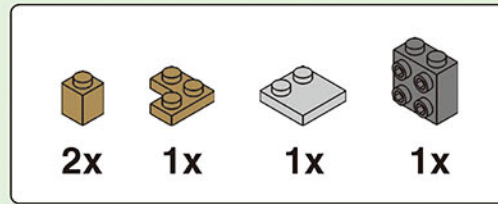
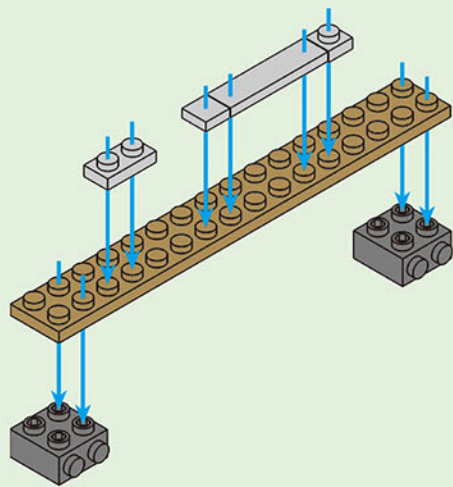


# 2-1

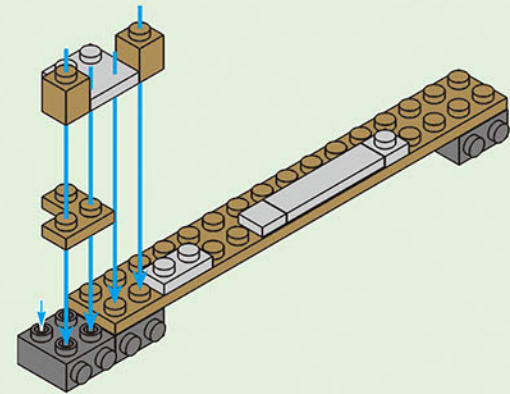


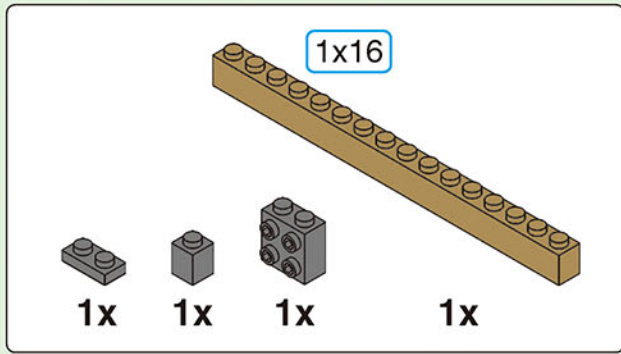


# 2-2

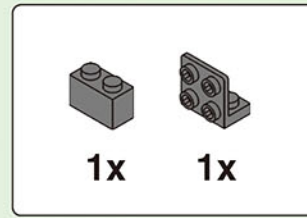
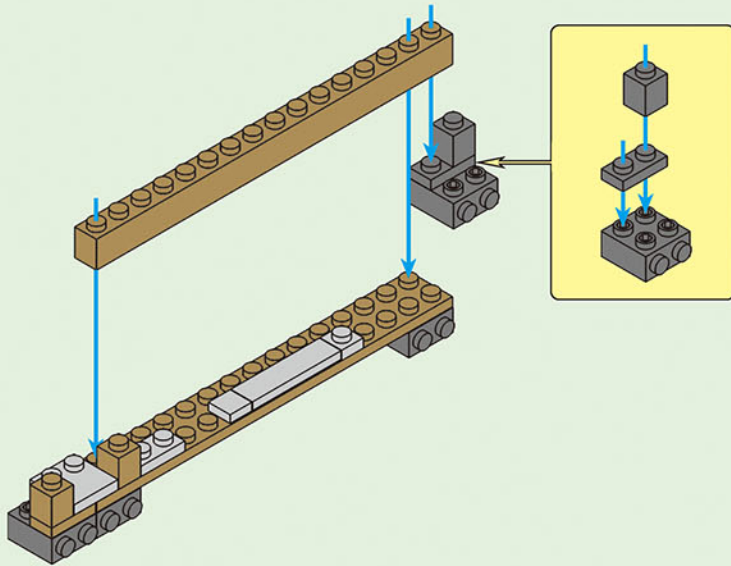


# 2-3

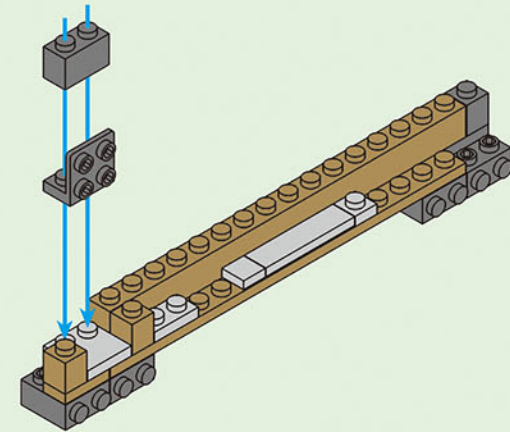


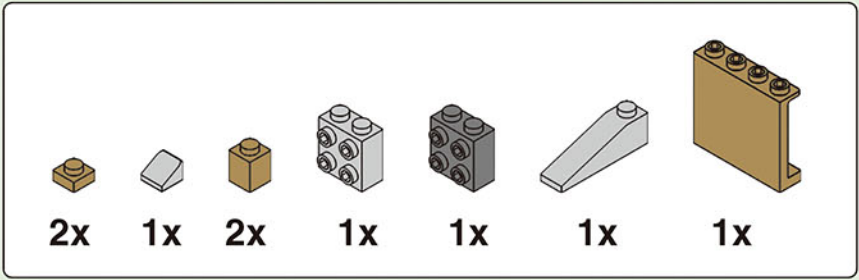


2-4

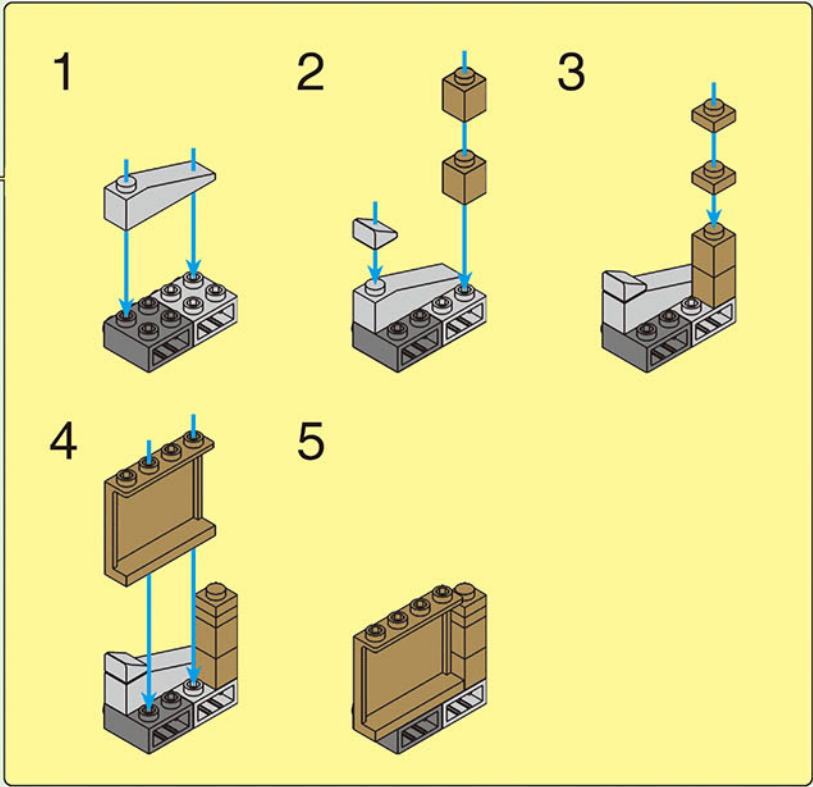
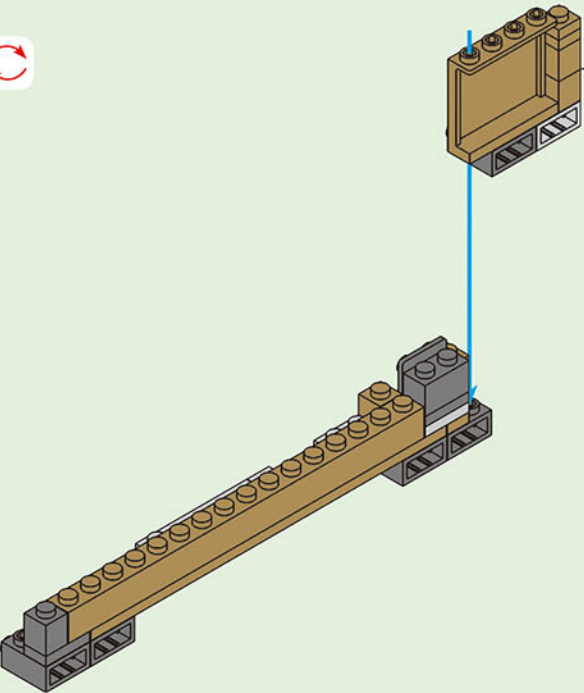


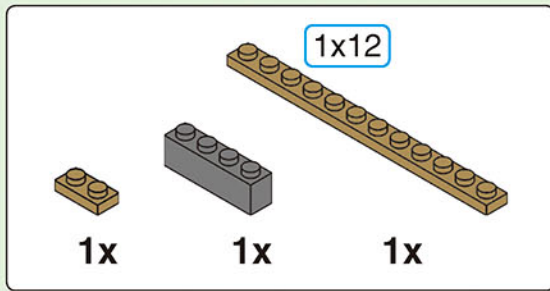
2-5



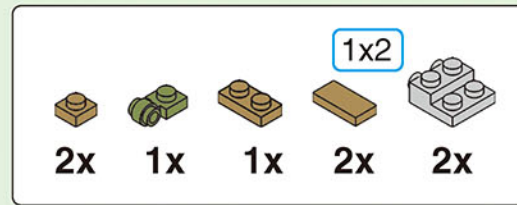
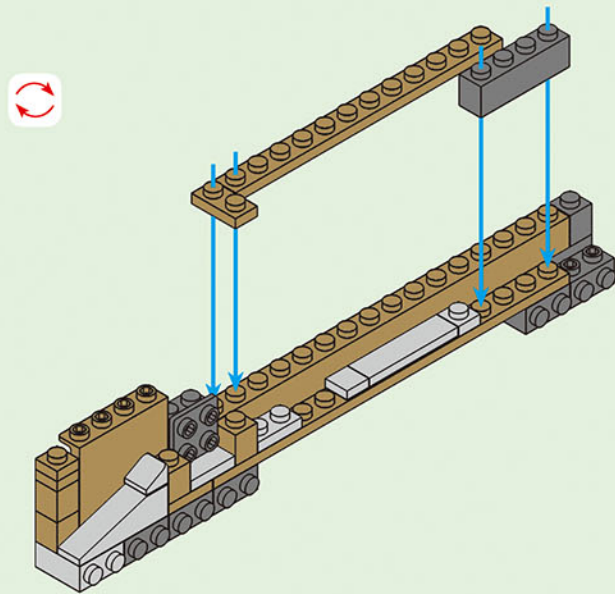


# 2-6

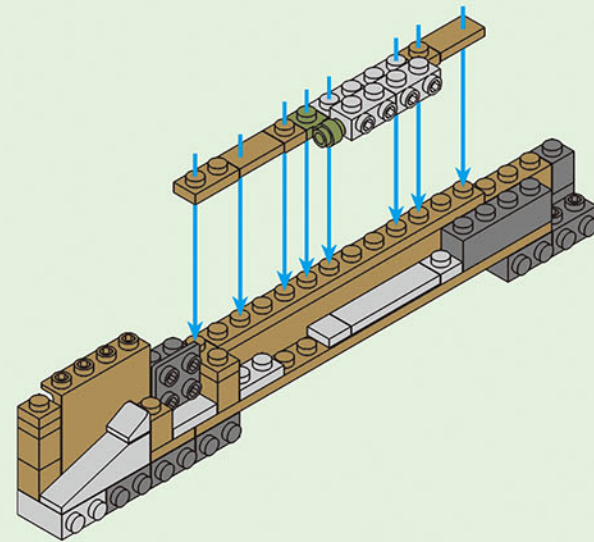


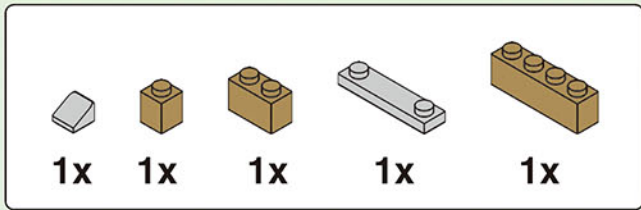


2-7

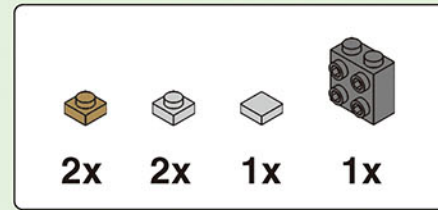
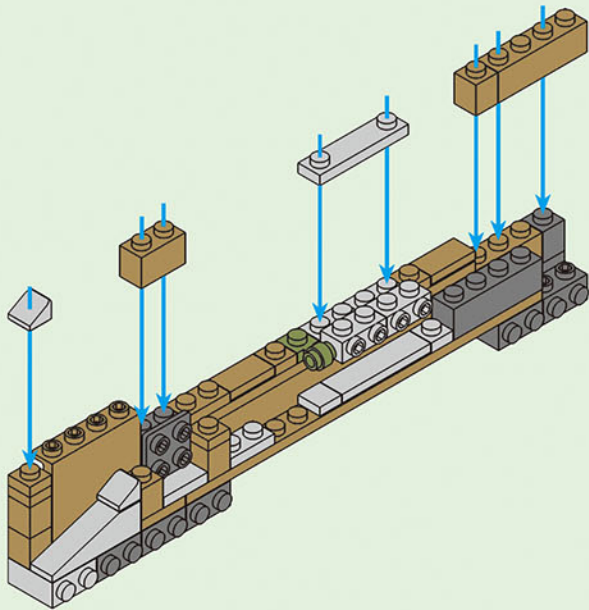


2-8

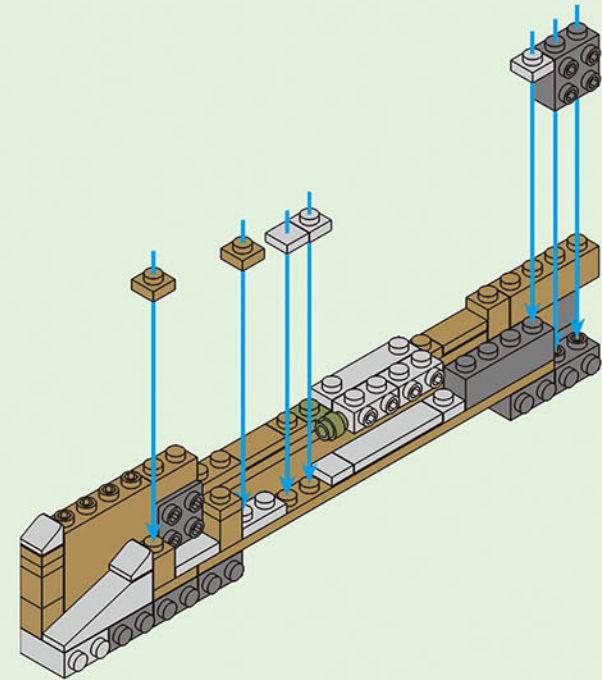


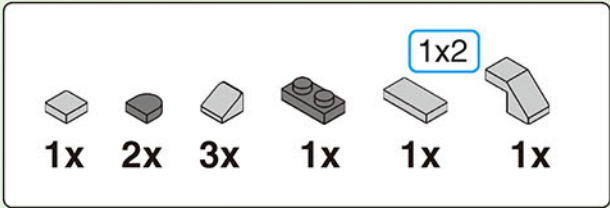


2-9

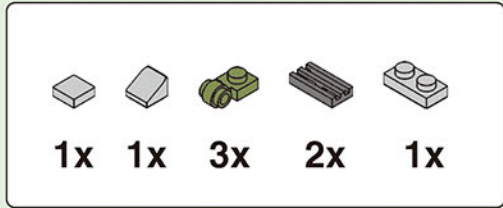
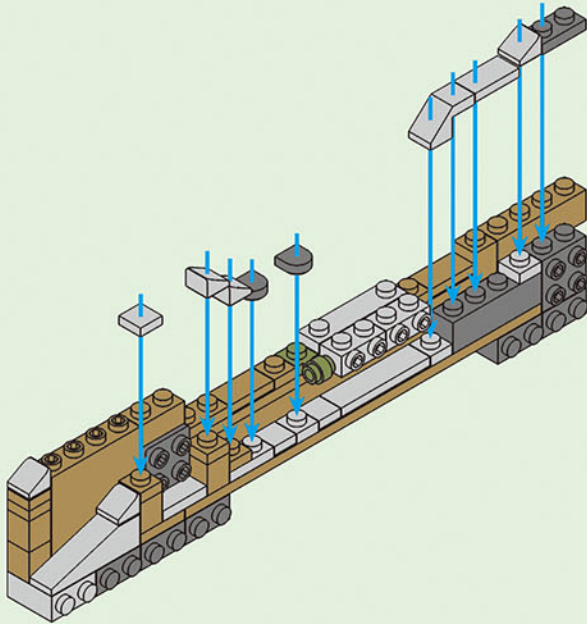


2-10

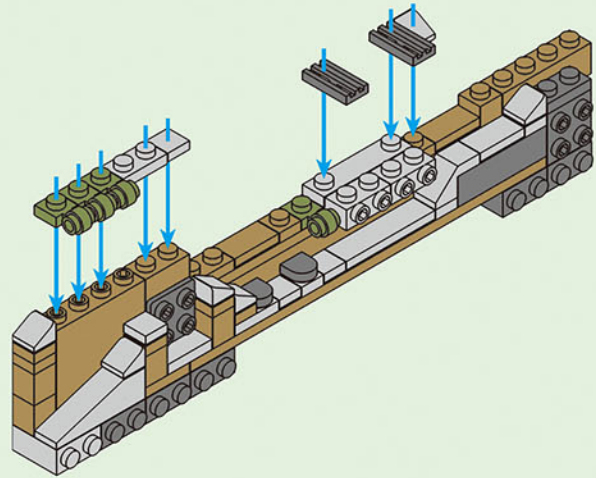


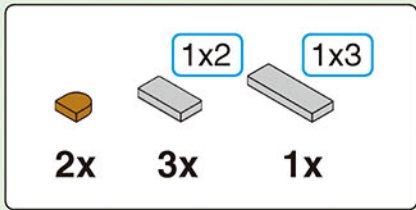


# 2-11

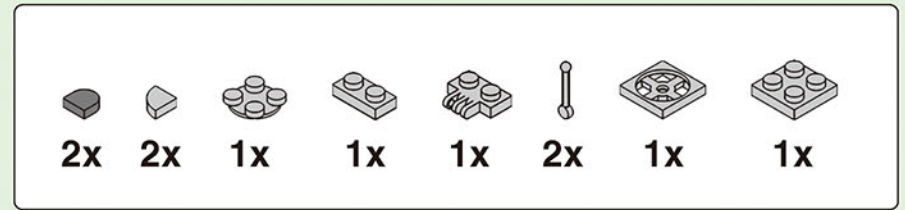
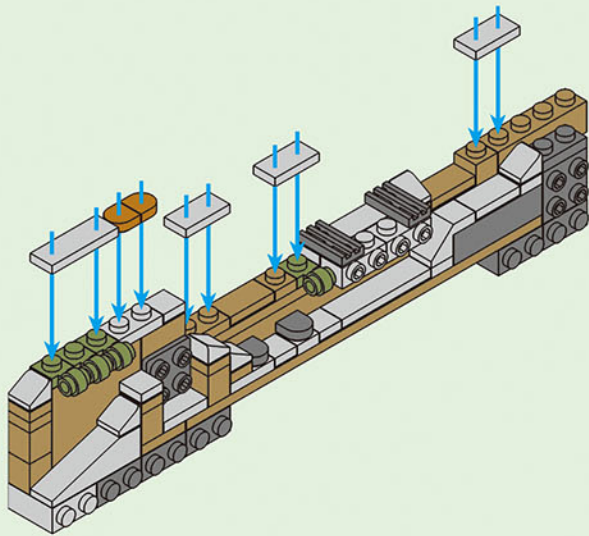


# 2-12

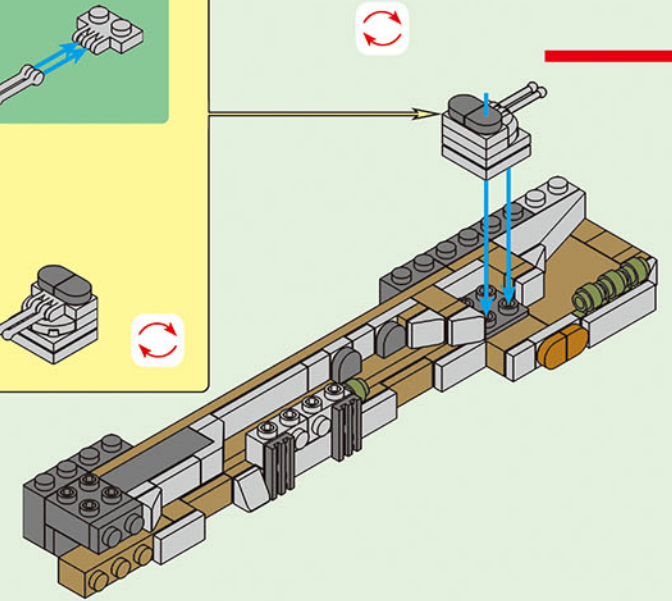
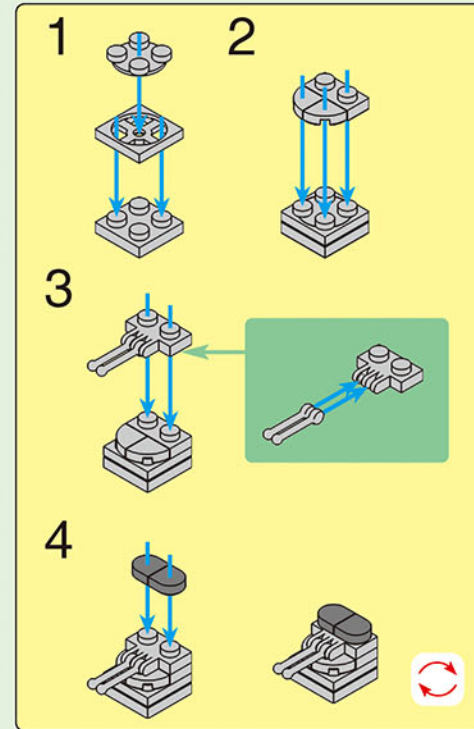




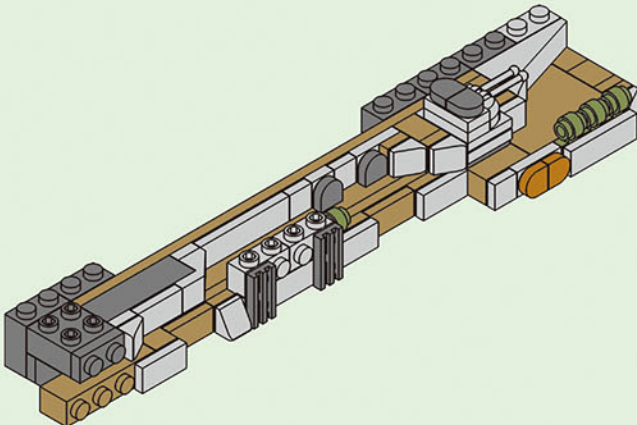
# 2-13



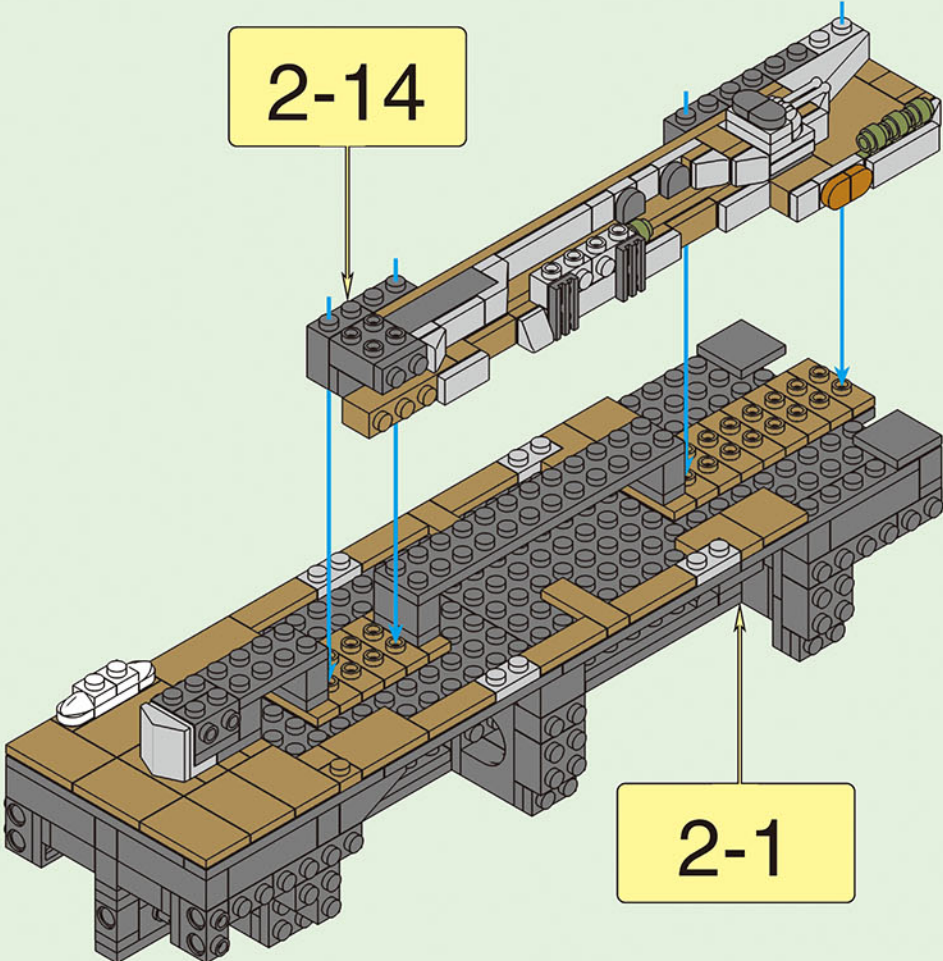
# 2-14



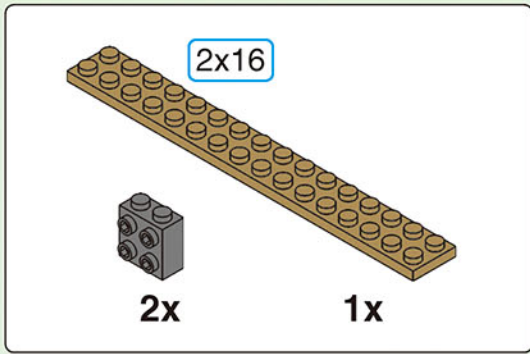
# 2-15



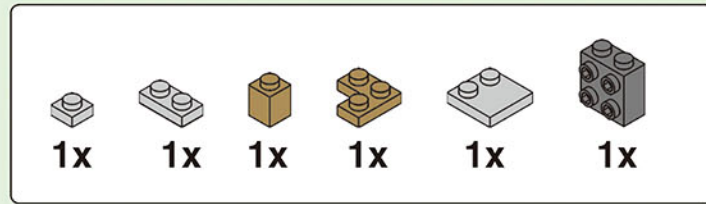
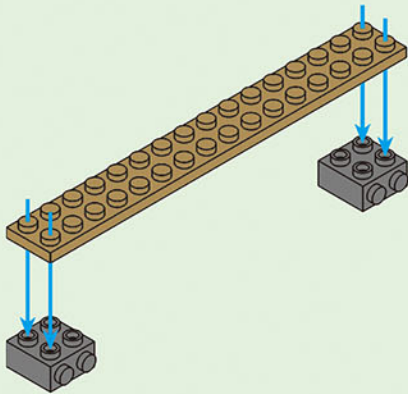
2-14



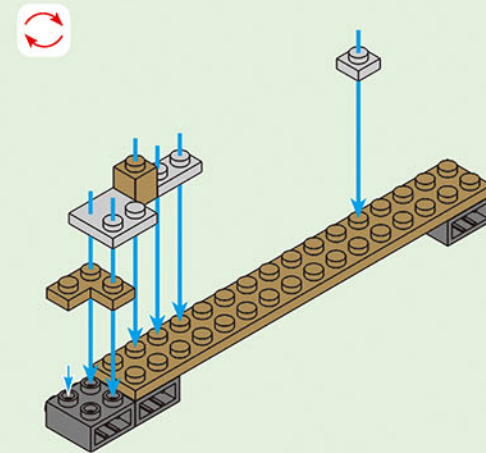
2-1

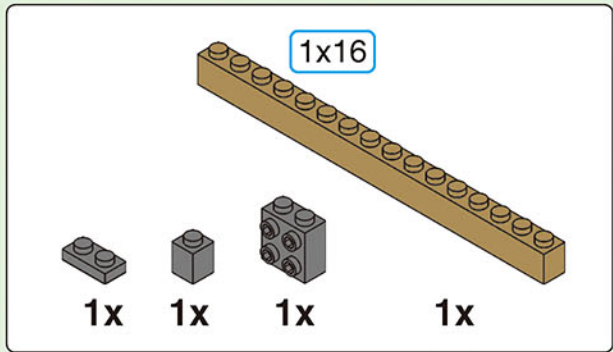


2-16

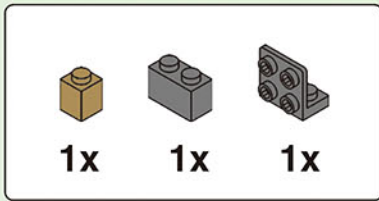


2-17

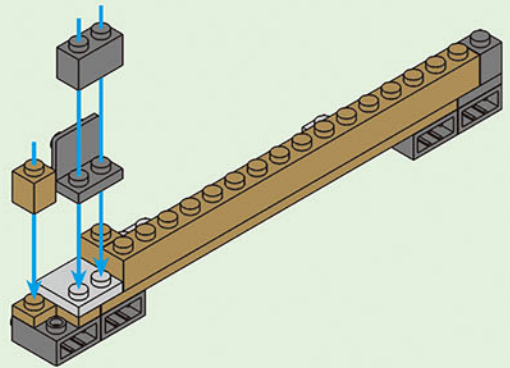
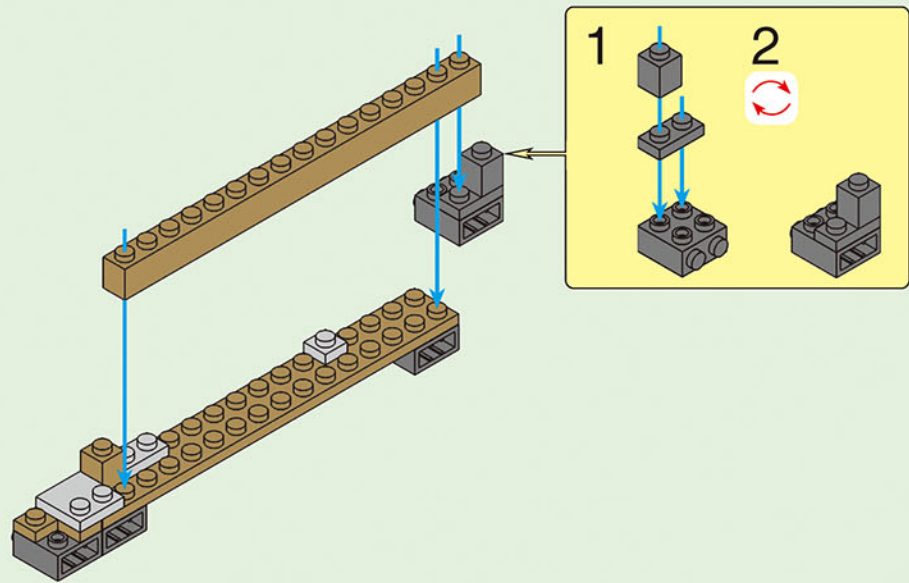


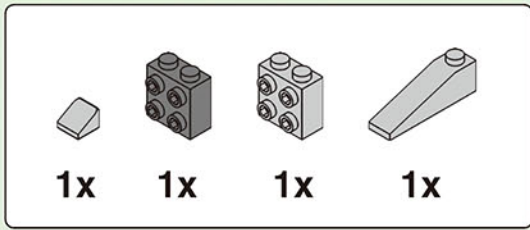


# 2-18

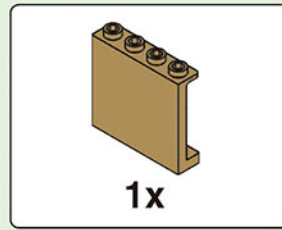
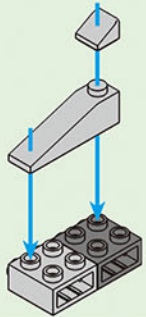


# 2-19

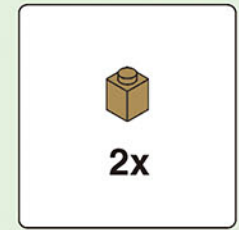
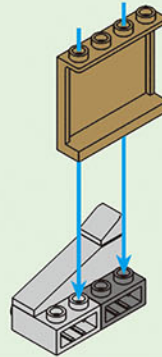




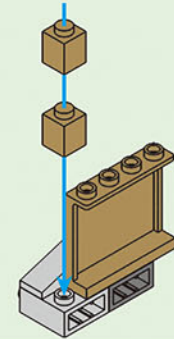
2-20.1



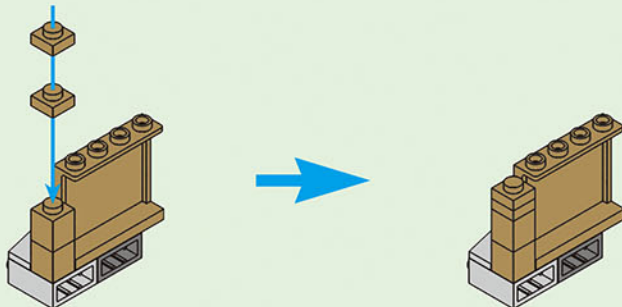
2-20.2



2-20.3

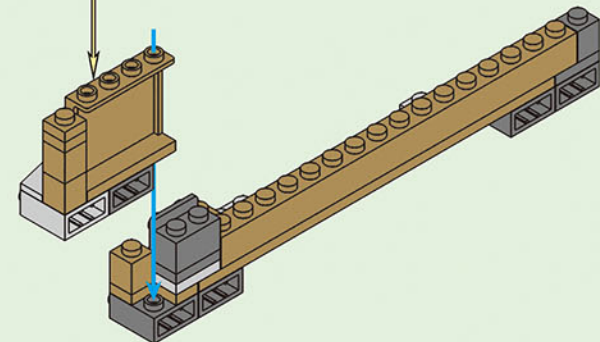


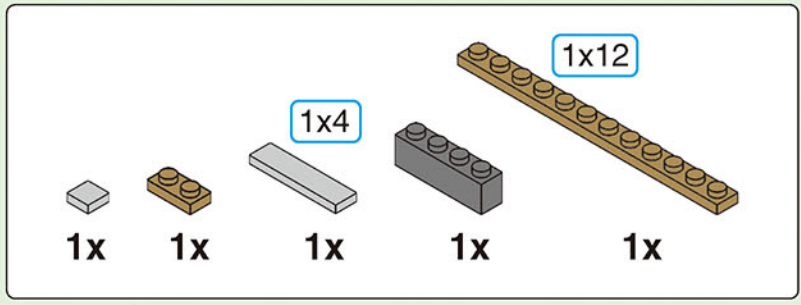
2-20.4



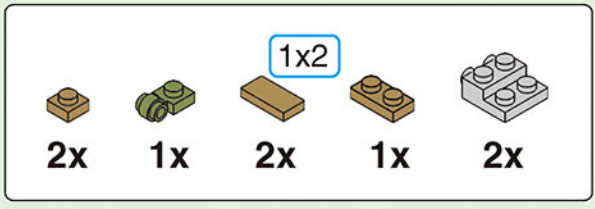
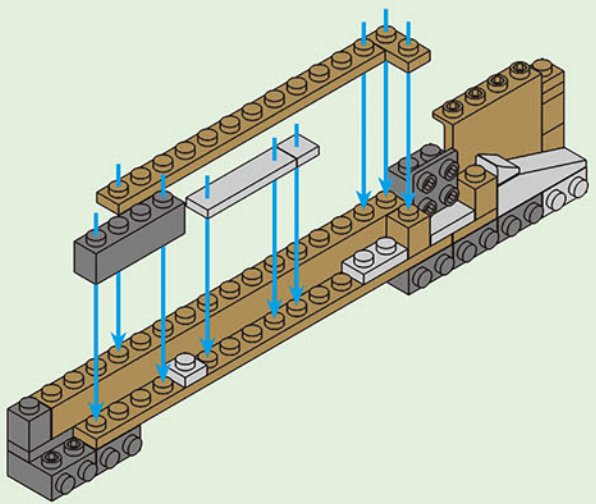
2-20

2-20.4

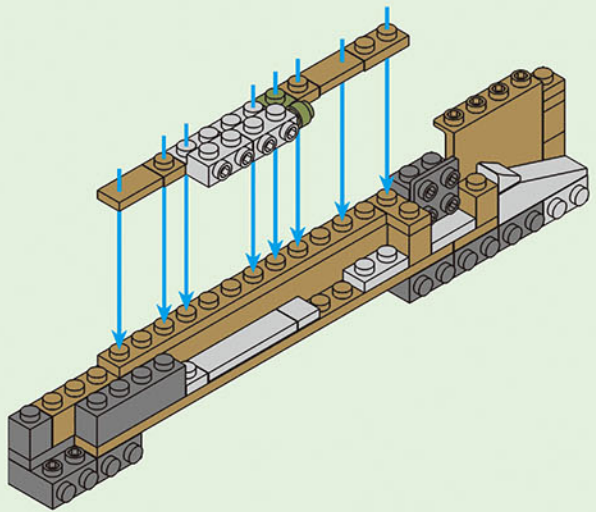


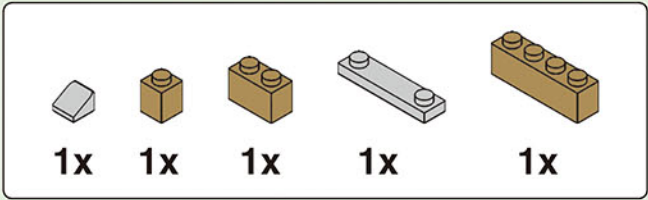


# 2-21

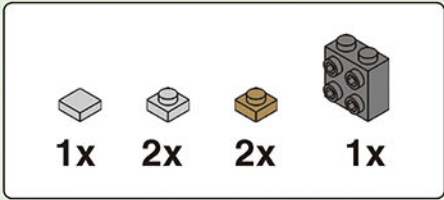
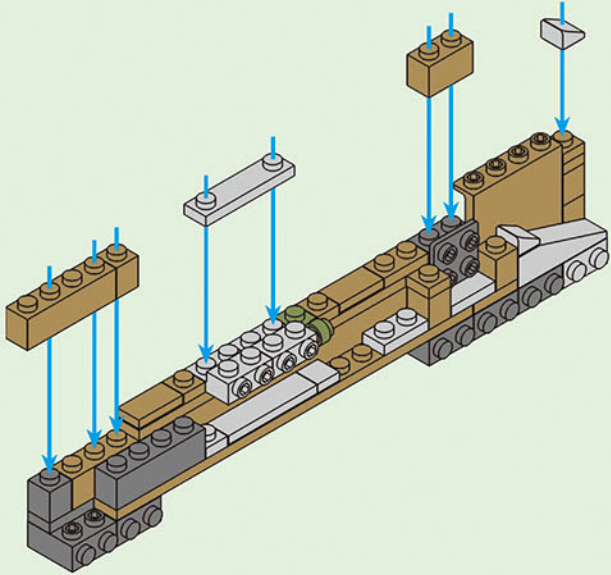


# 2-22

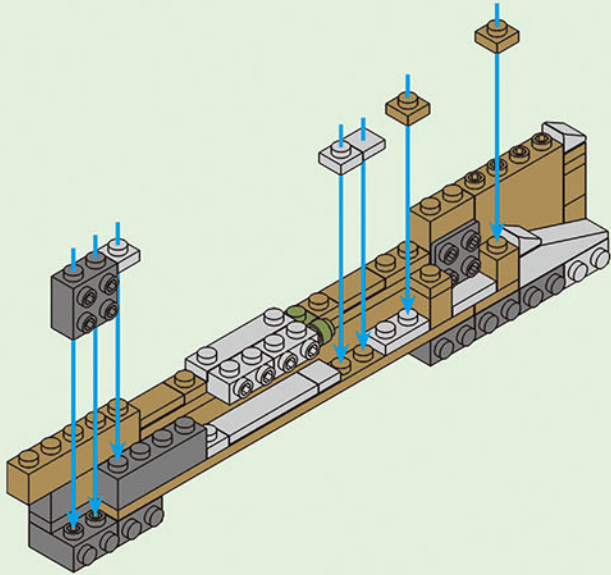


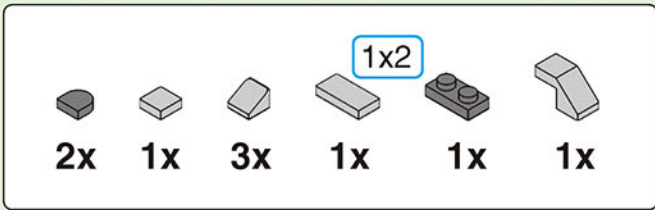


# 2-23

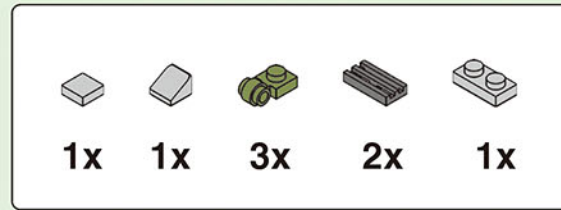
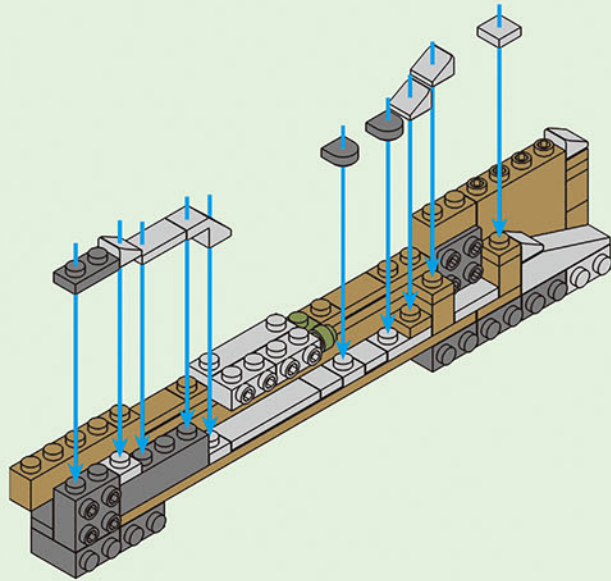


# 2-24

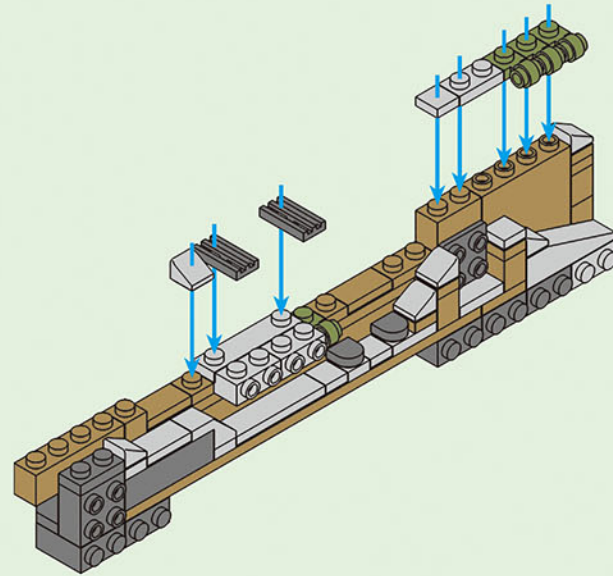


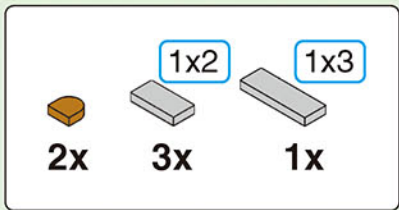


# 2-25

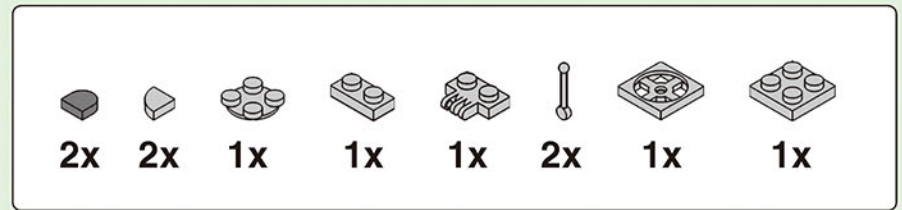
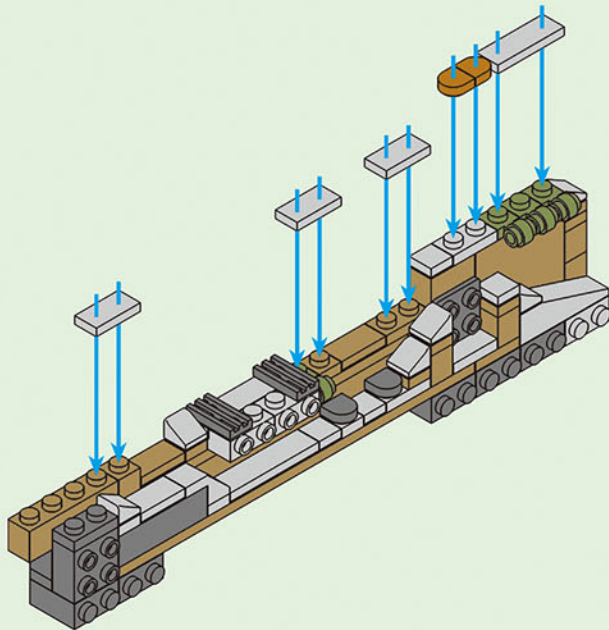


# 2-26

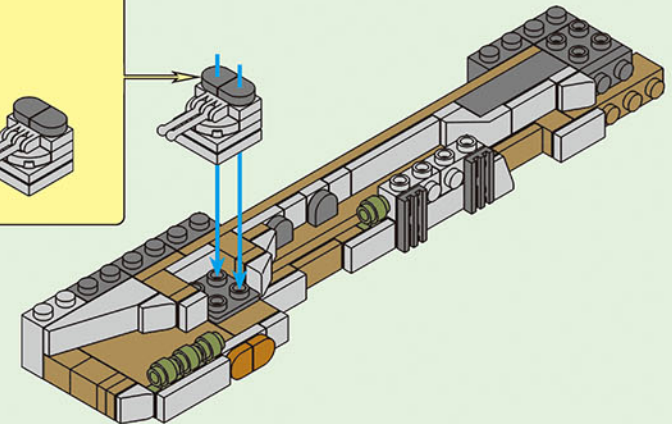
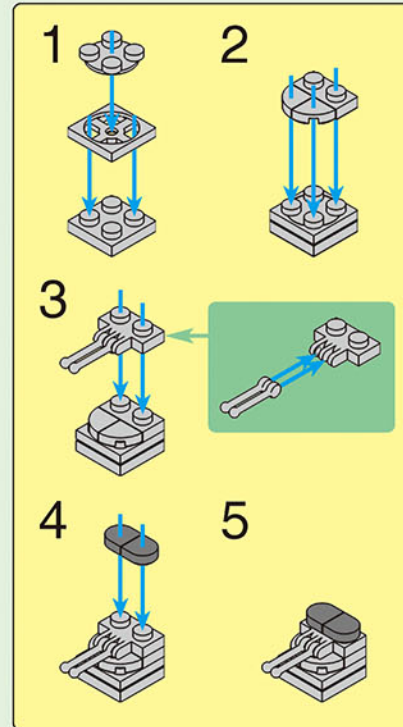




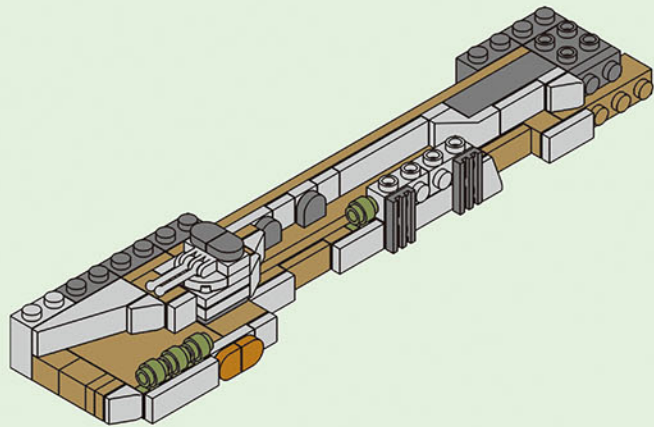
# 2-27



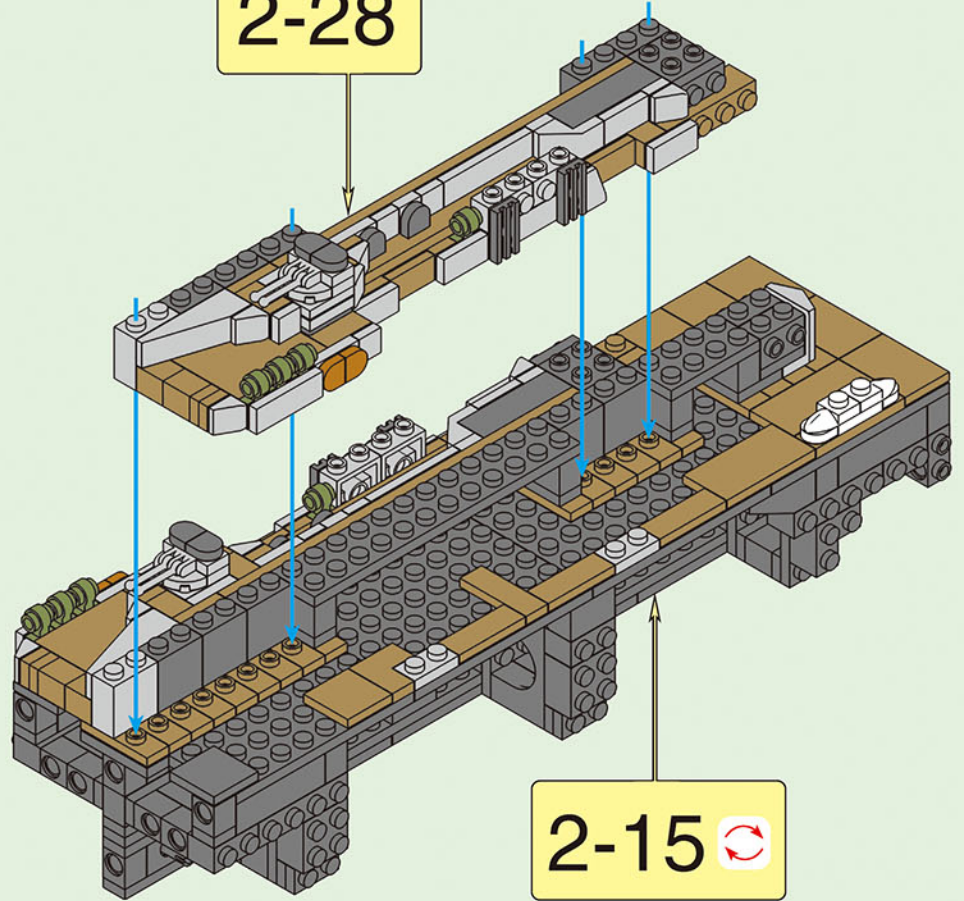
# 2-28

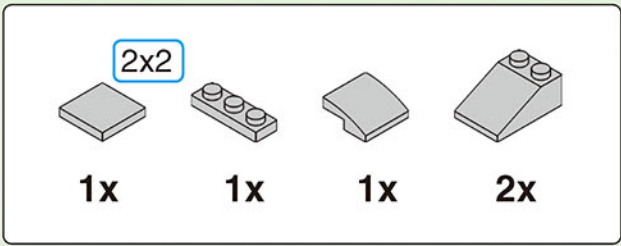


2-29

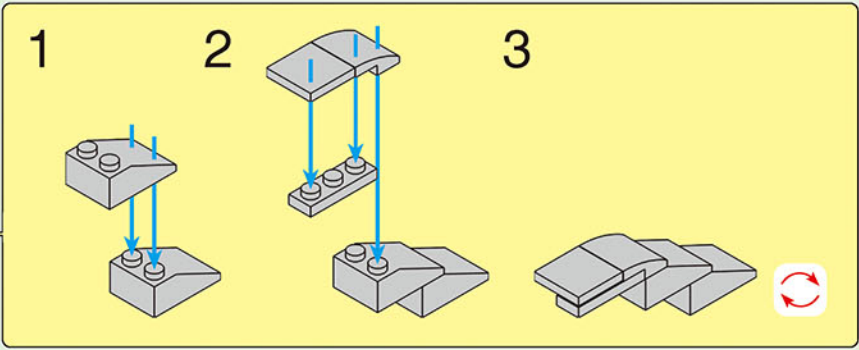
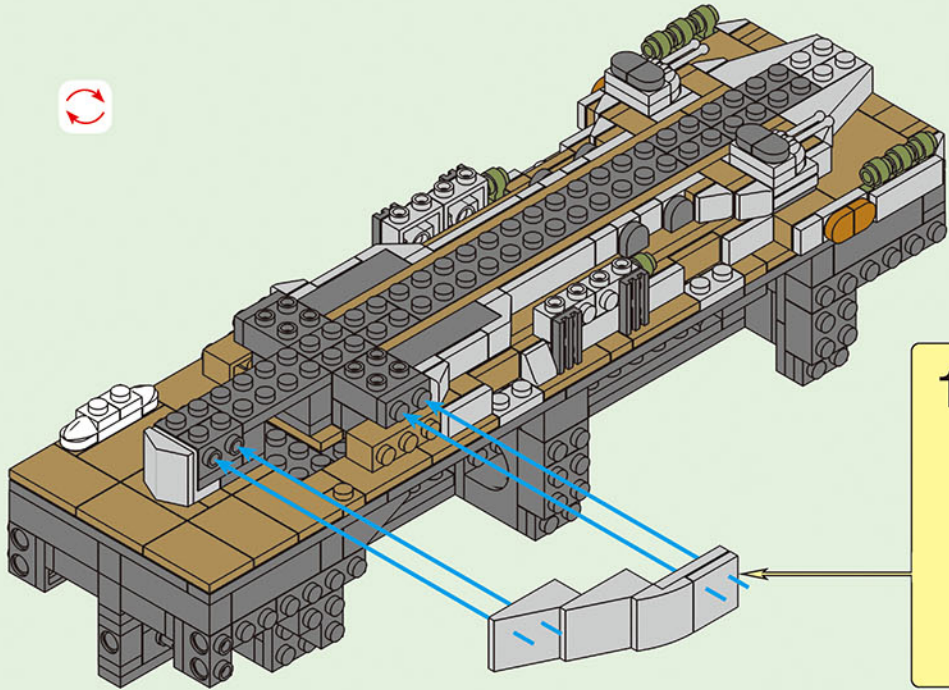


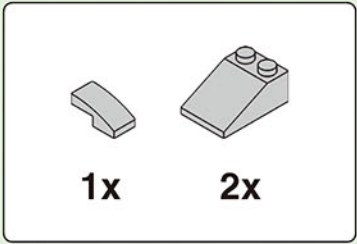
2-28



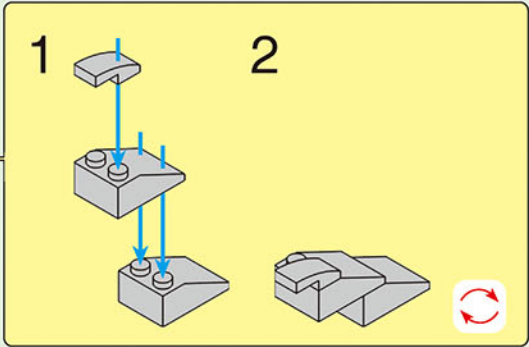
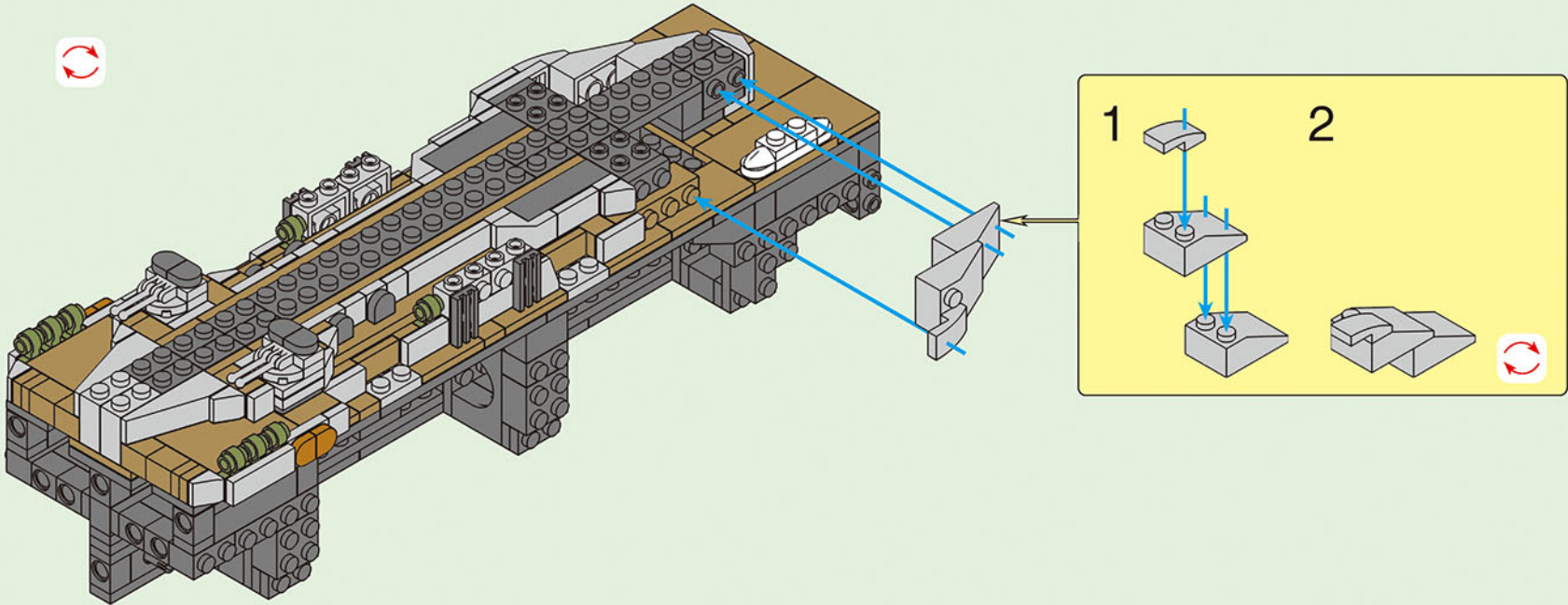


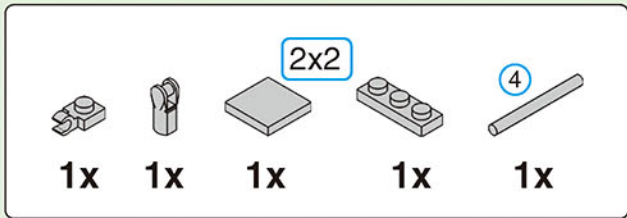
# 2-30



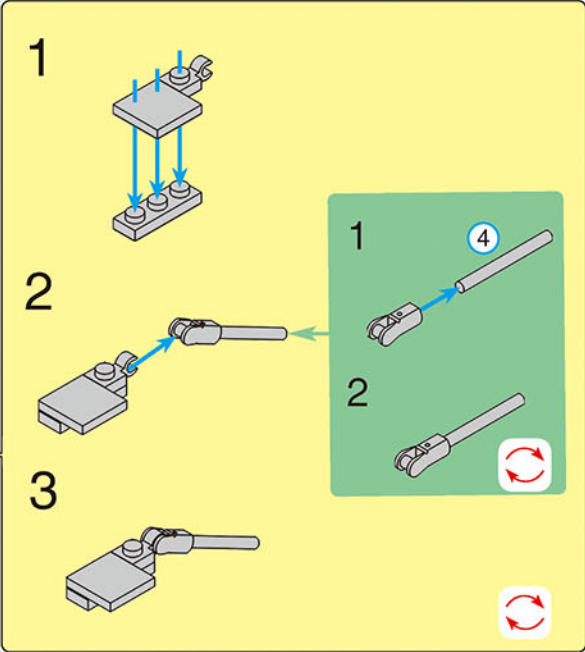
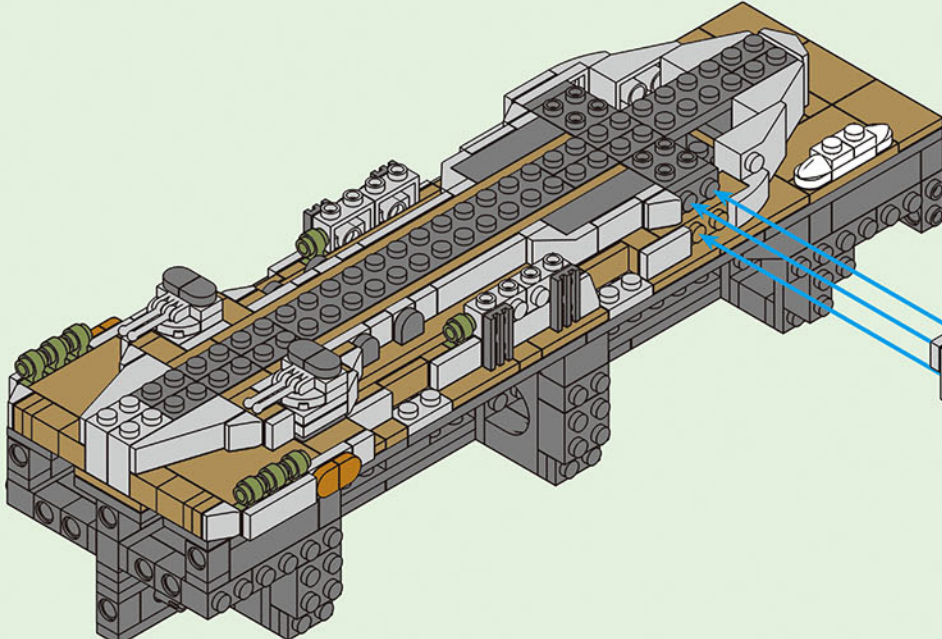


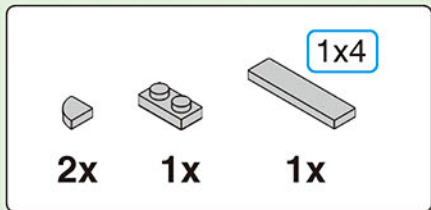
# 2-31



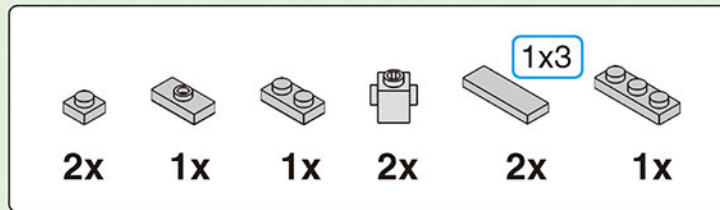
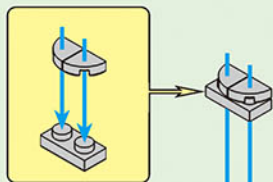
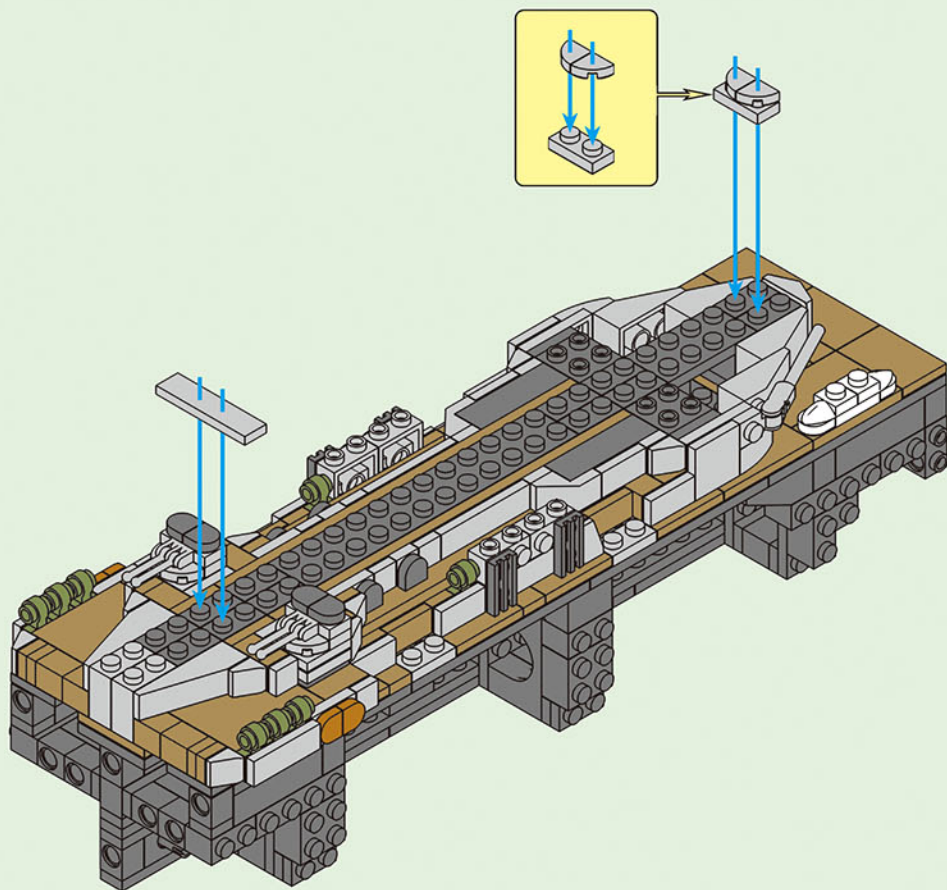


# 2-32

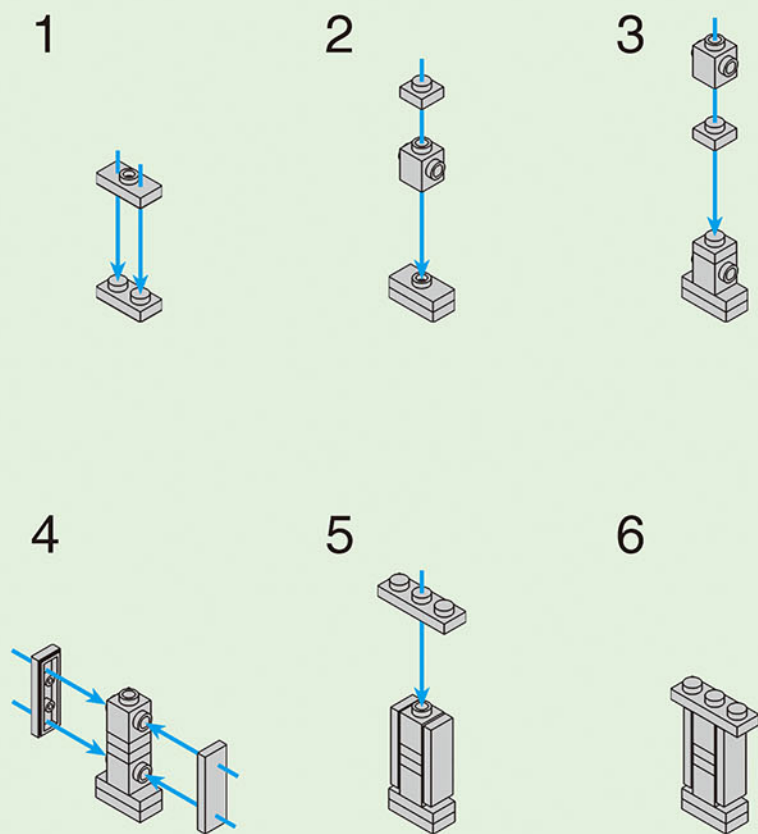


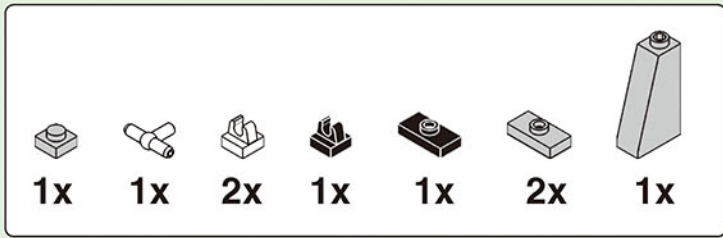


# 2-33



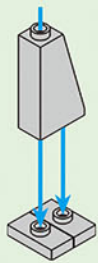
# 2-34.1



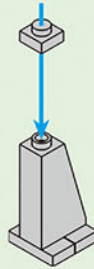


## 2-34.2

1



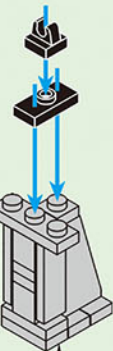
2



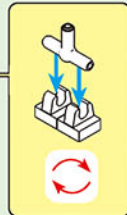
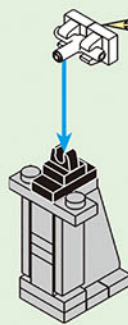
3



4



5



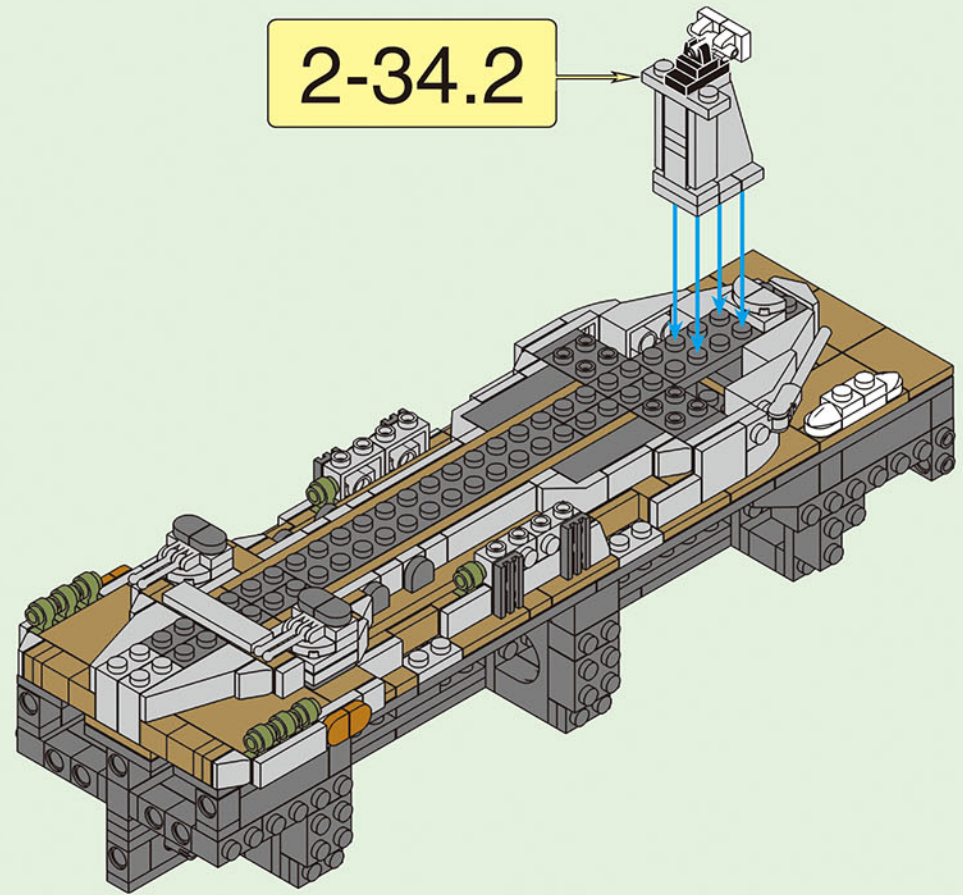
6

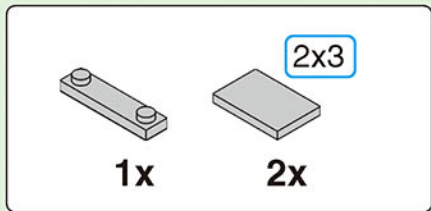


2-34.1

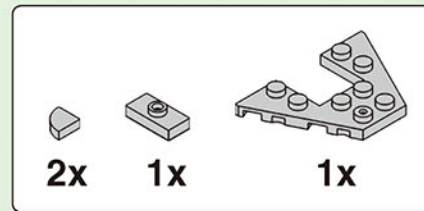
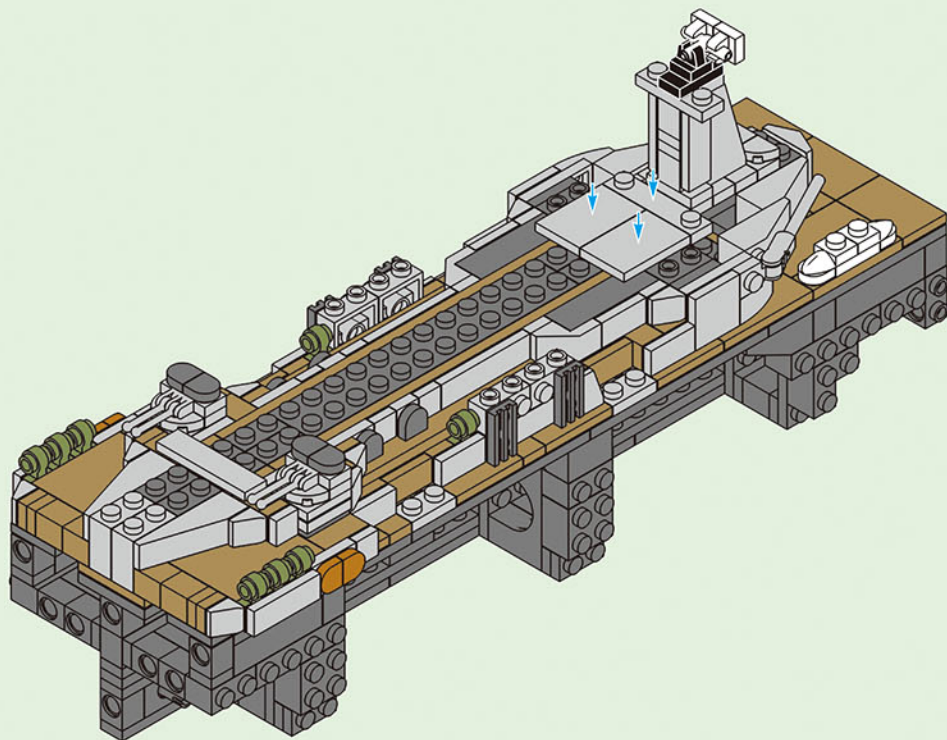
# 2-34

2-34.2

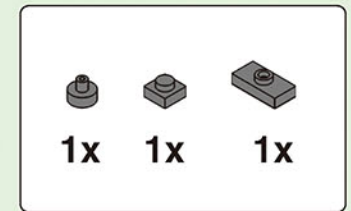
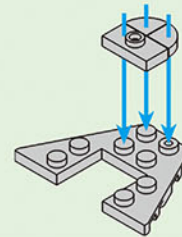




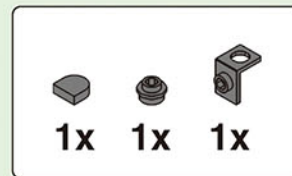
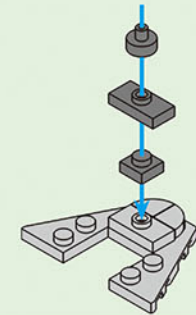
2-35



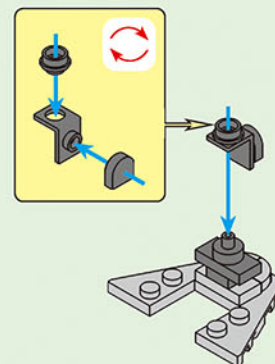
2-36.1



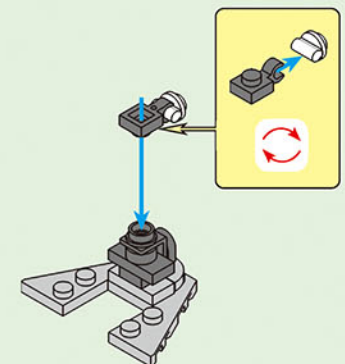
2-36.2

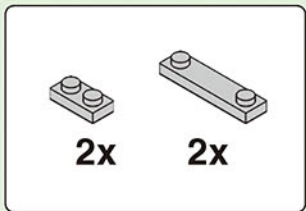


2-36.3

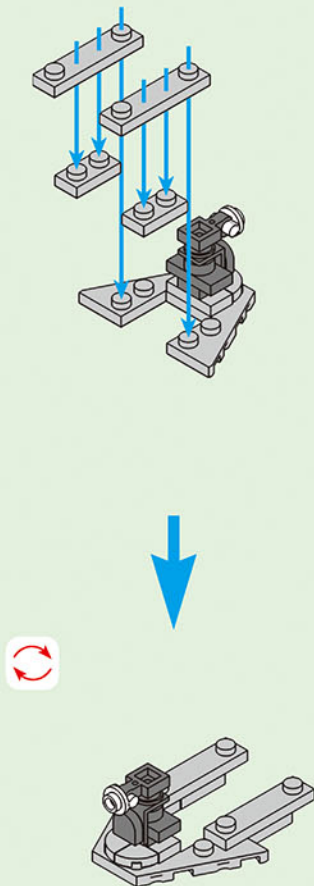


2-36.4

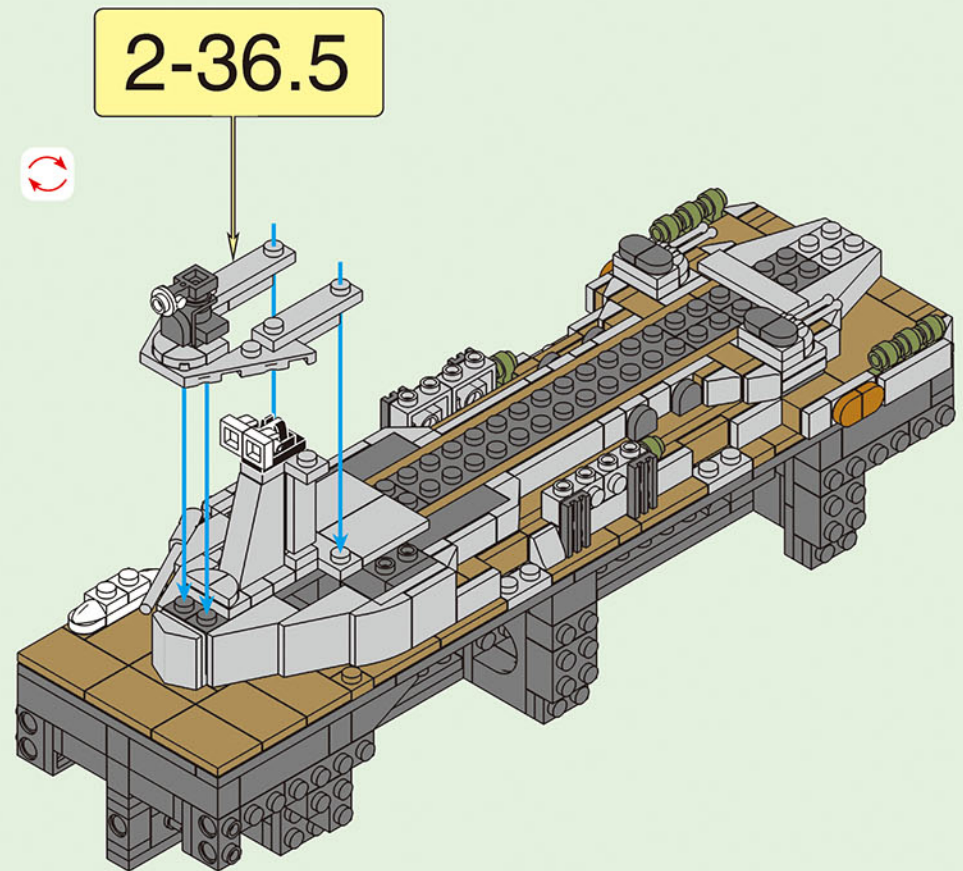




## 2-36.5



## 2-36

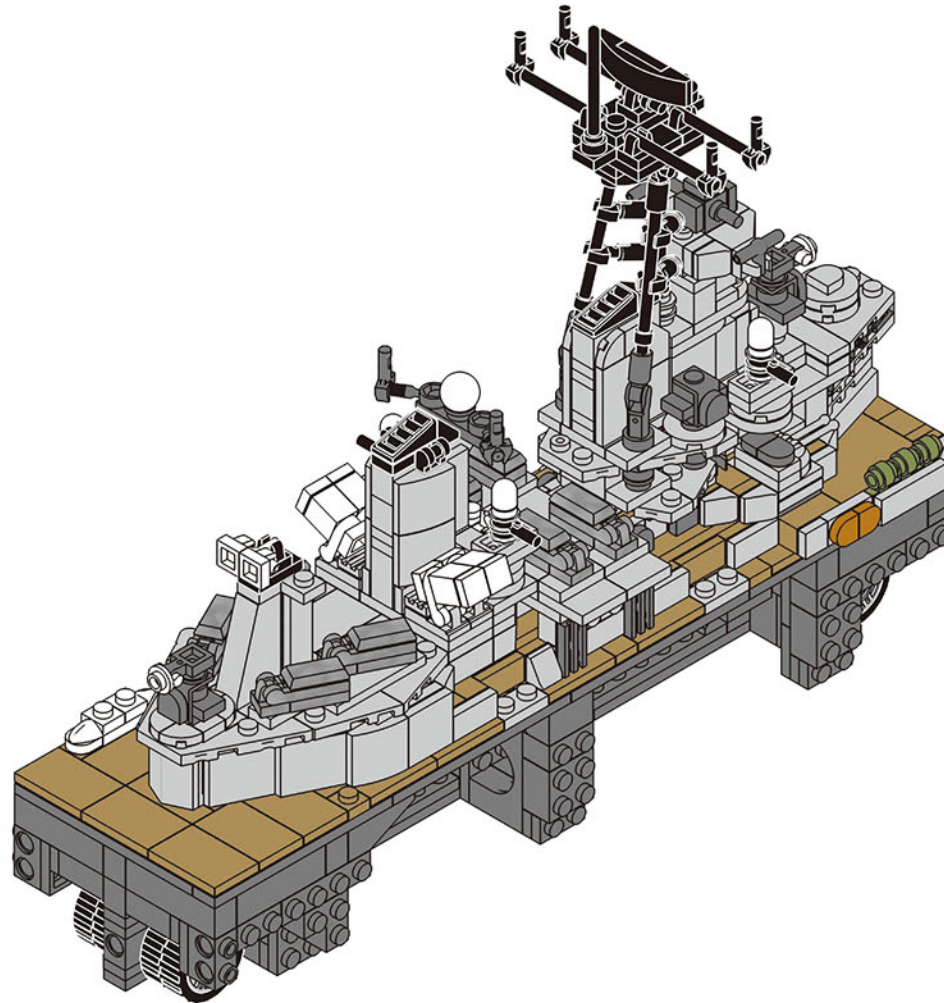


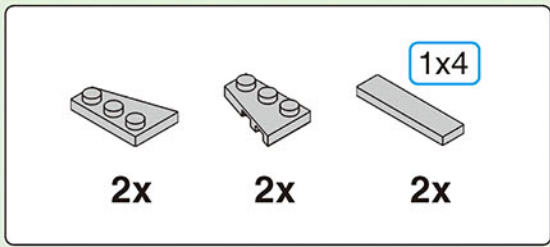


3

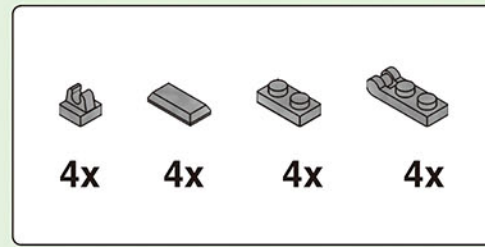
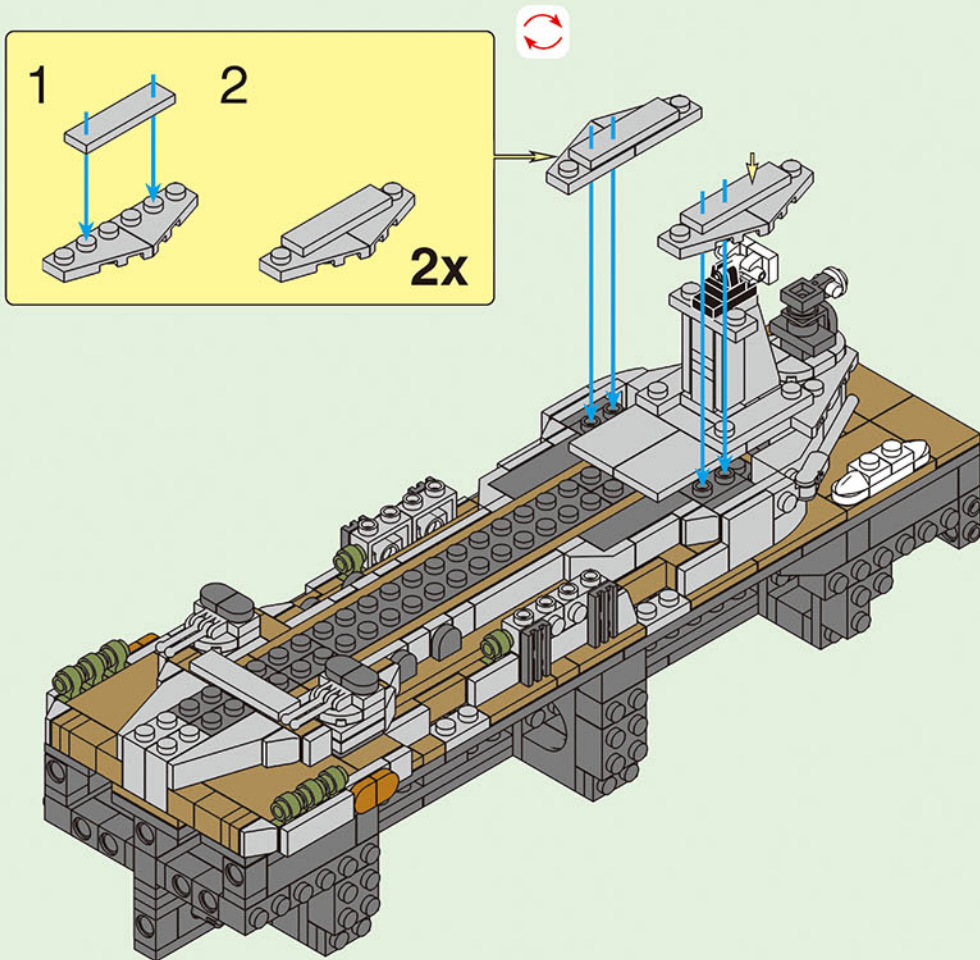


x7

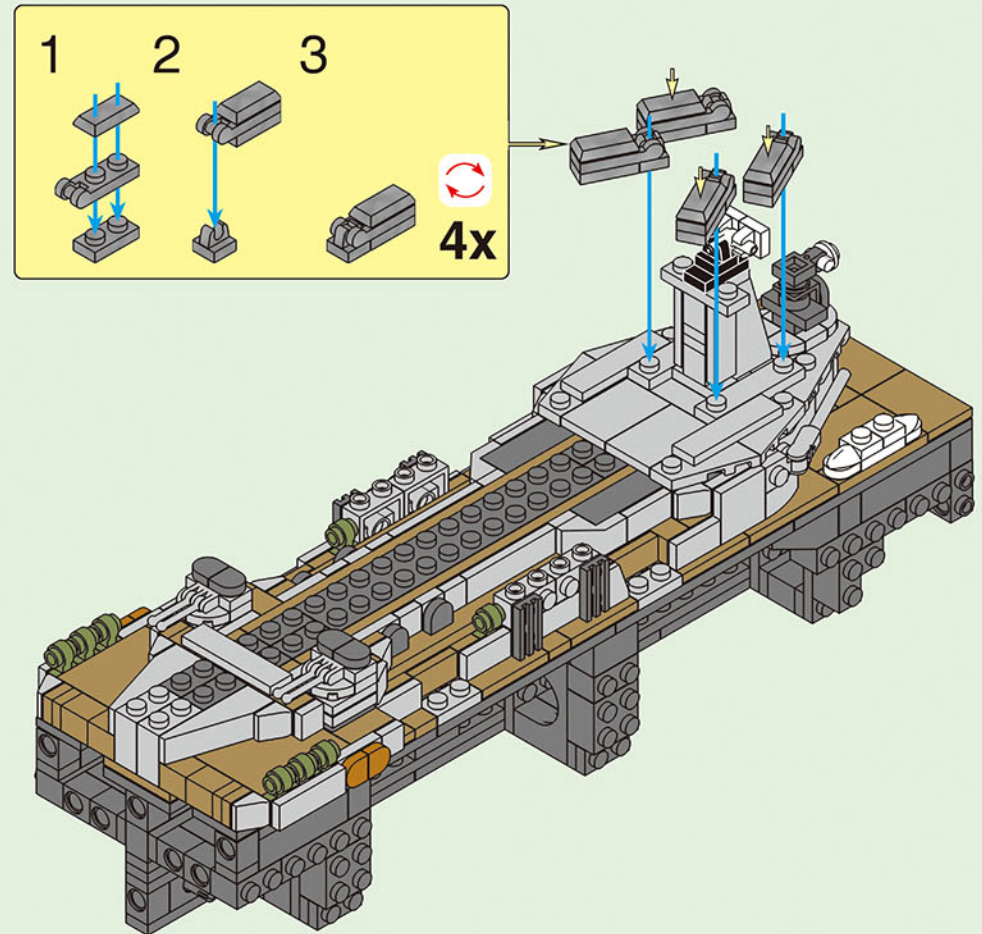


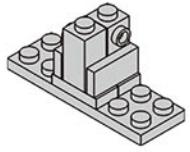


# 3-1

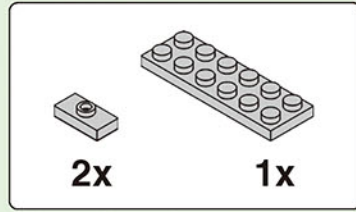


# 3-2

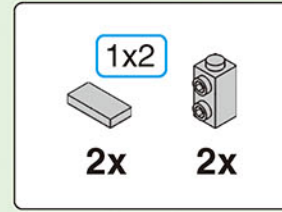




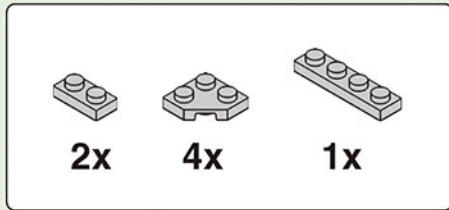
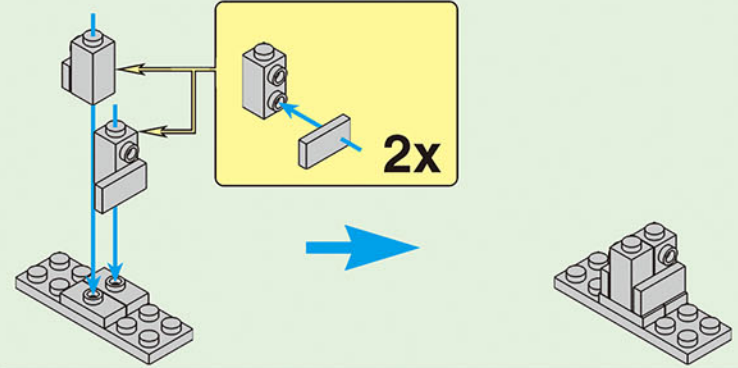
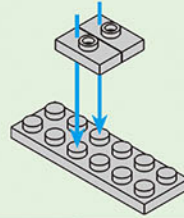
3-3



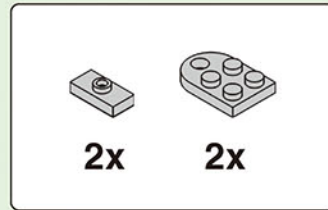
3-3.1



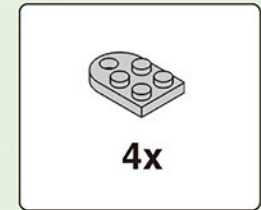
3-3.2



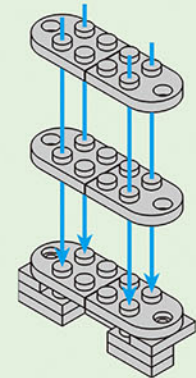
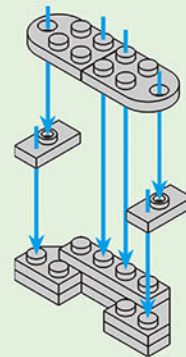
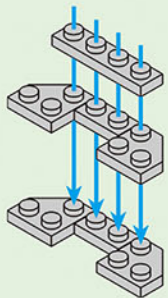
3-4.1

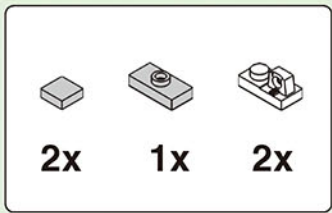


3-4.2

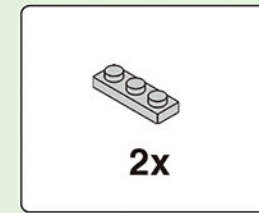
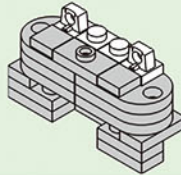
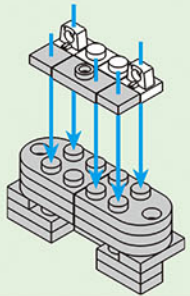


3-4.3

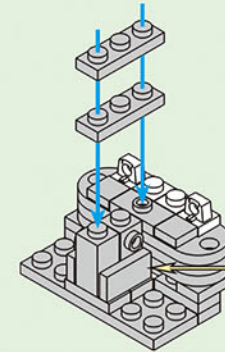




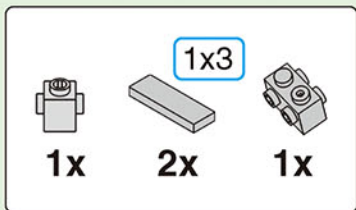
3-4.4



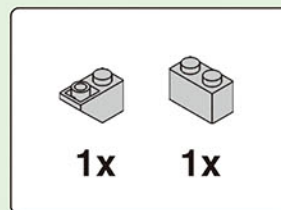
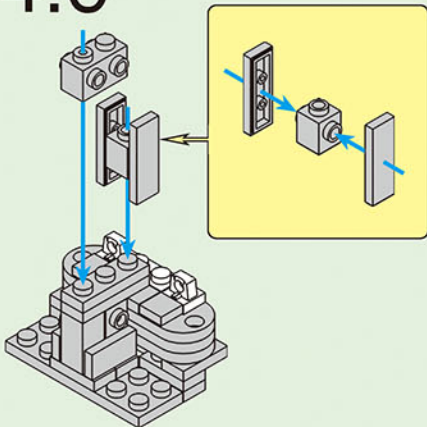
3-4.5



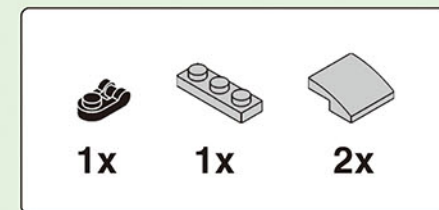
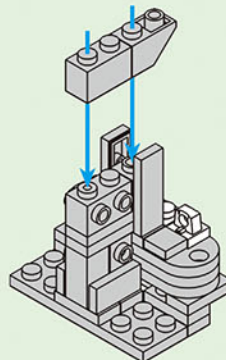
3-3



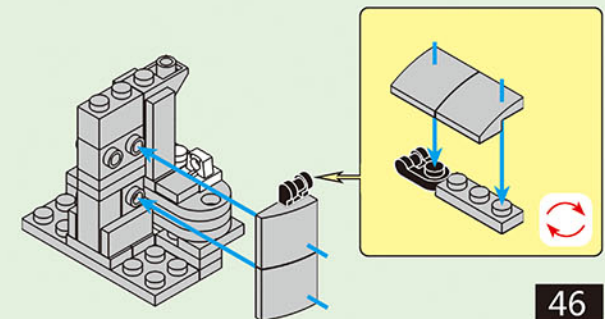
3-4.6

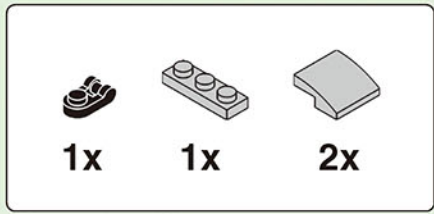


3-4.7

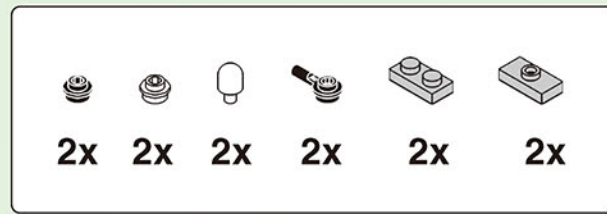
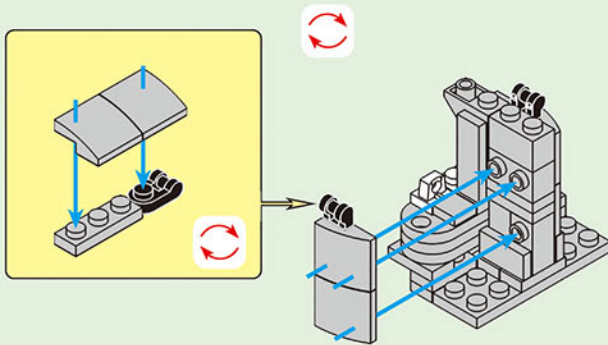


3-4.8

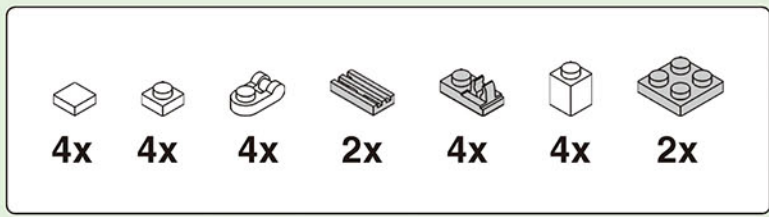
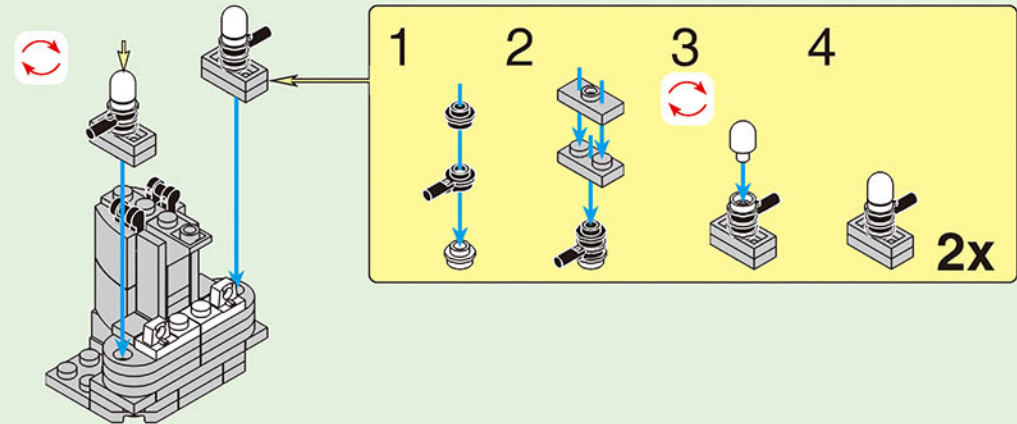




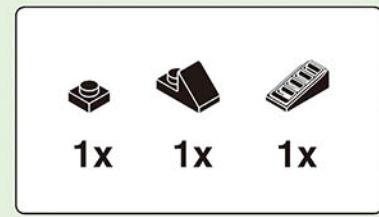
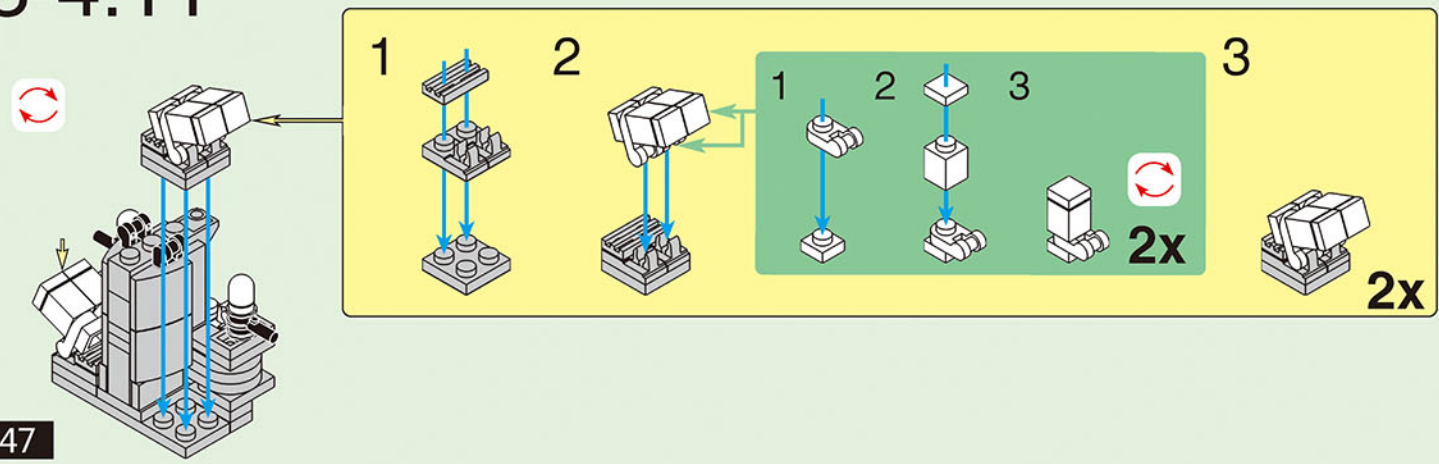
3-4.9



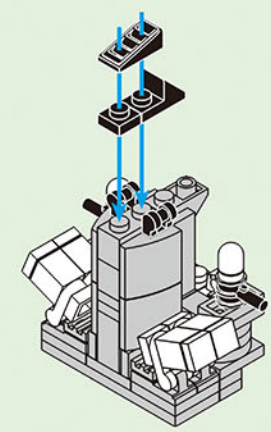
3-4.10

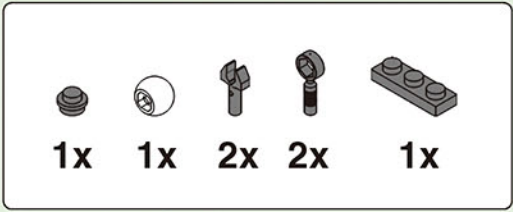


3-4.11

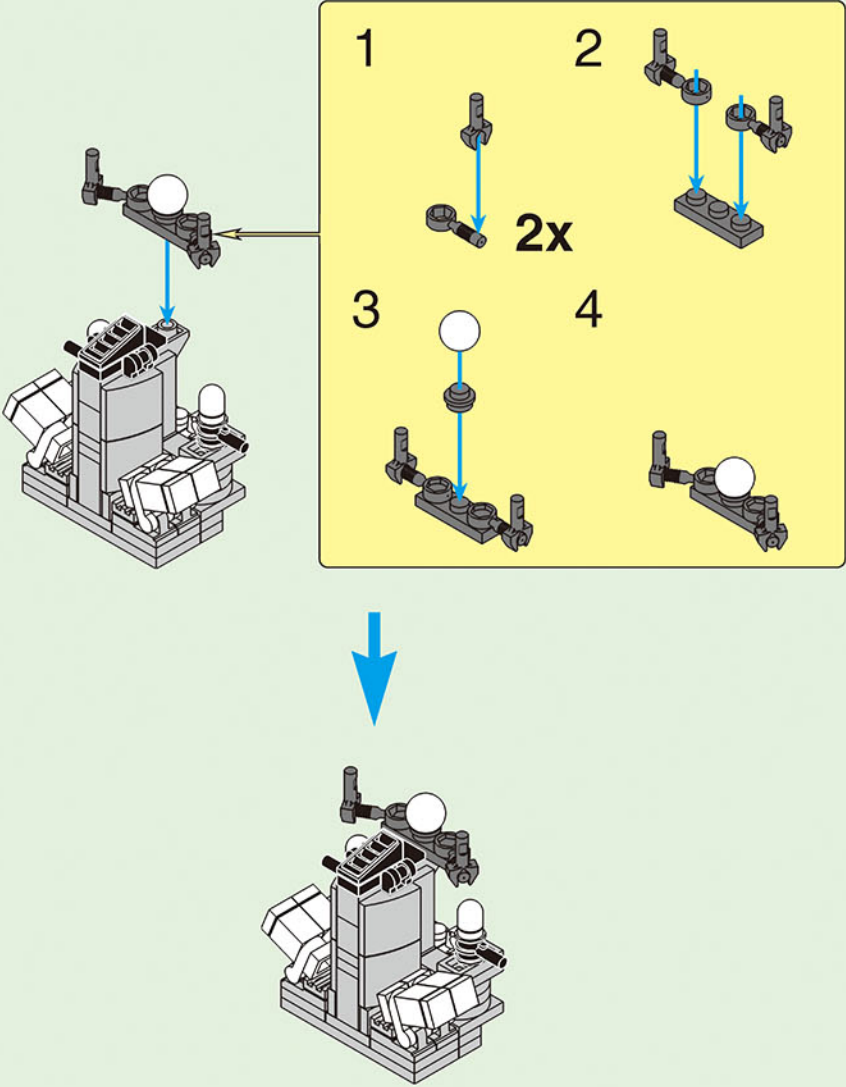


3-4.12

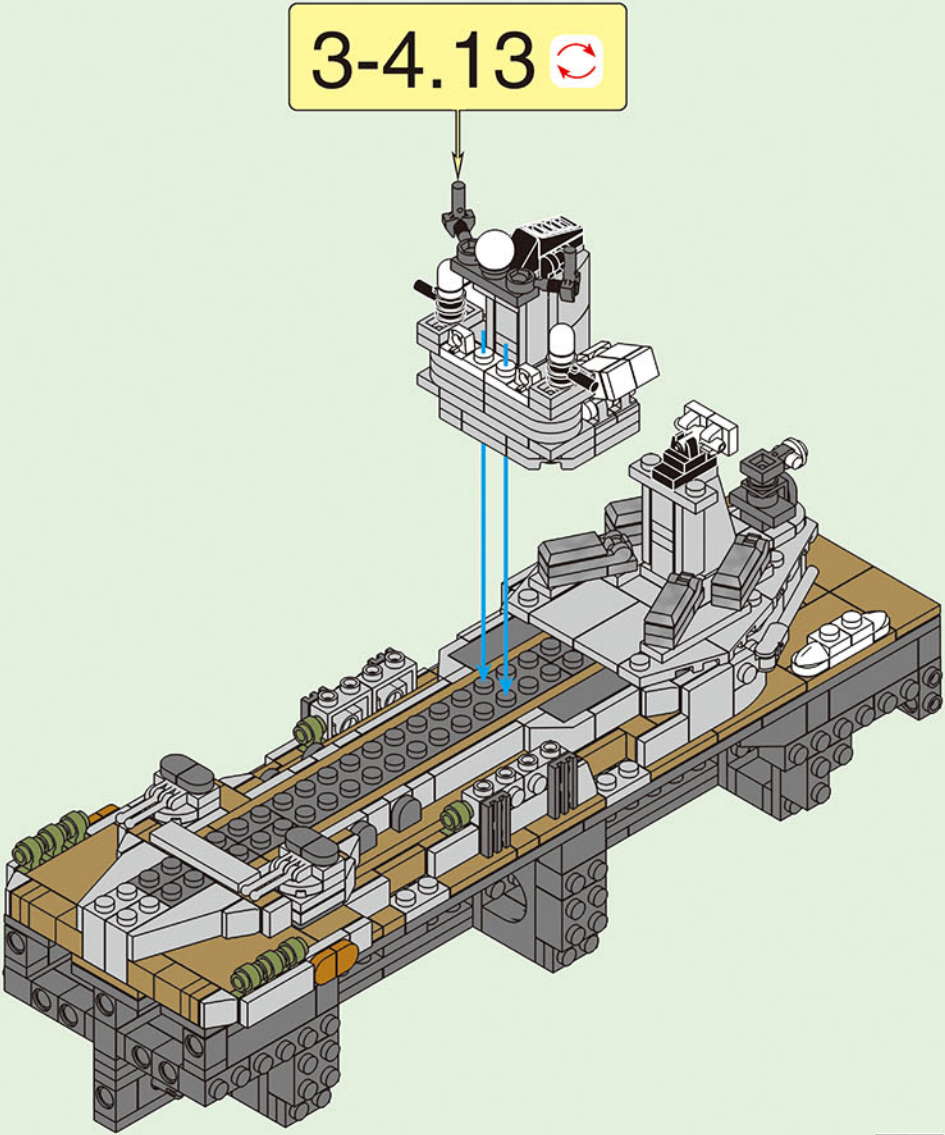


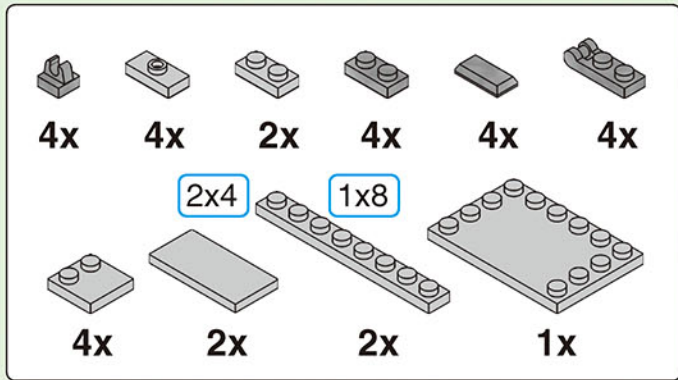


# 3-4.13

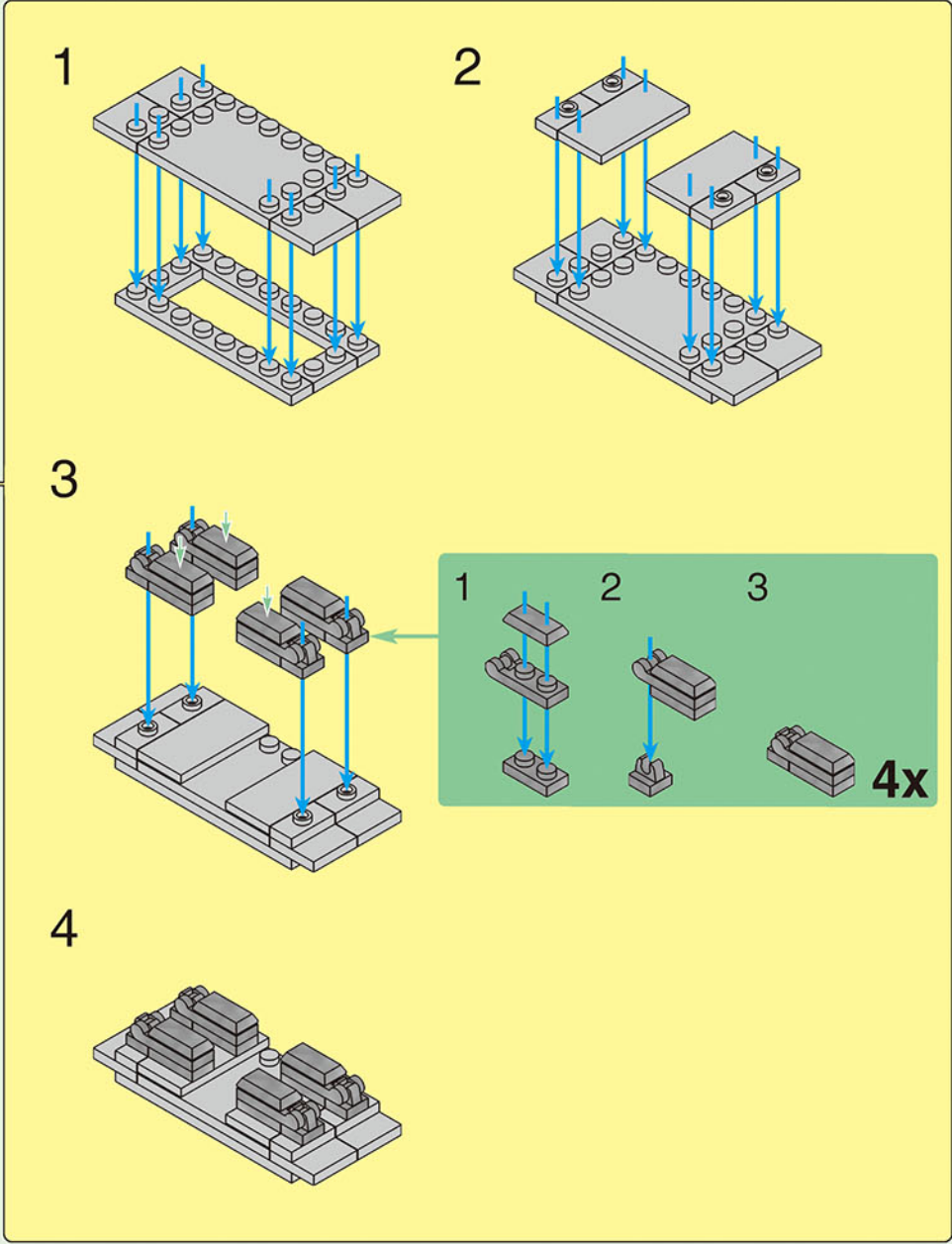
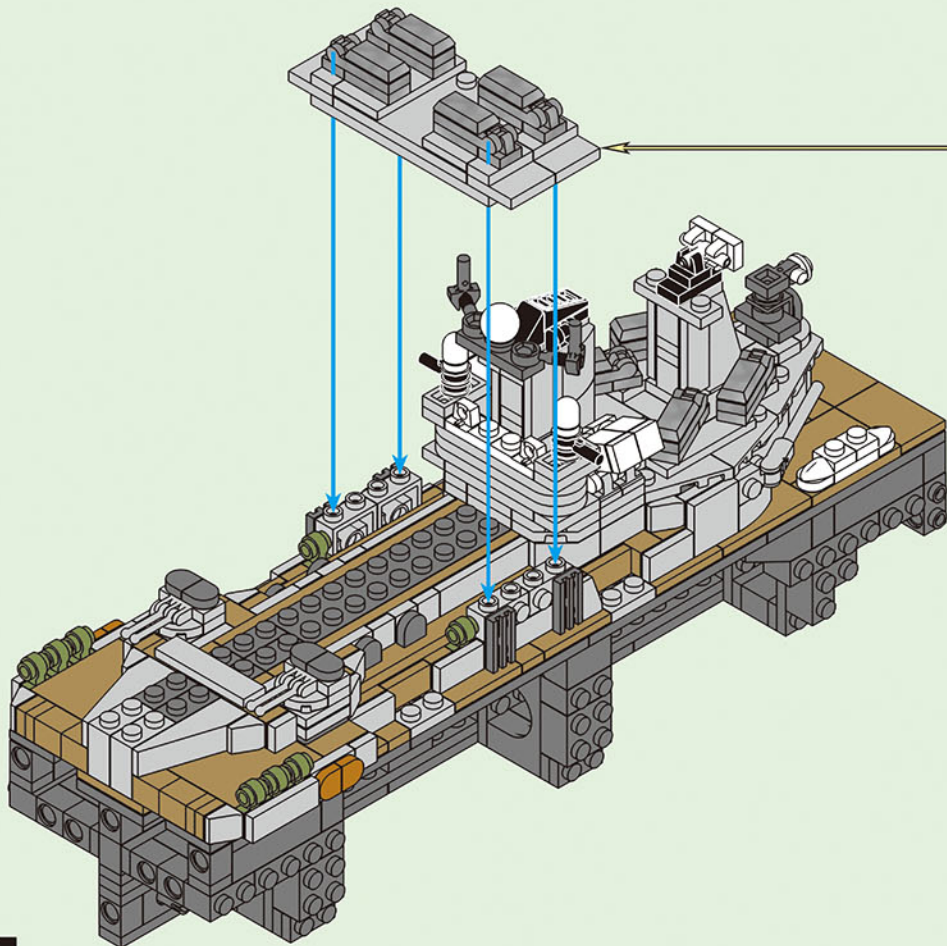


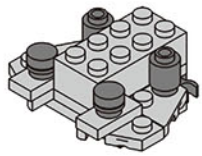
# 3-4



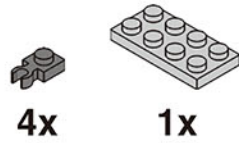


# 3-5

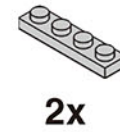




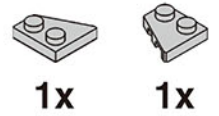
3-6



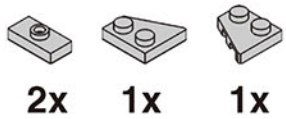
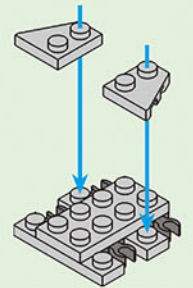
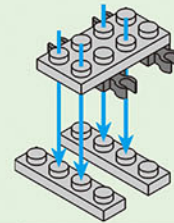
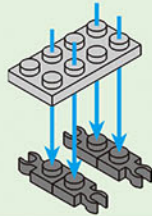
3-6.1



3-6.2



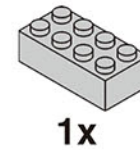
3-6.3



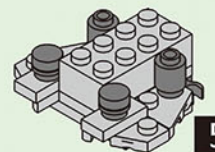
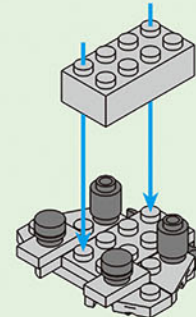
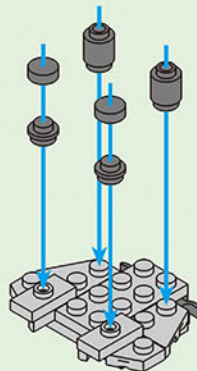
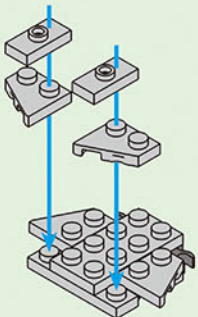
3-6.4

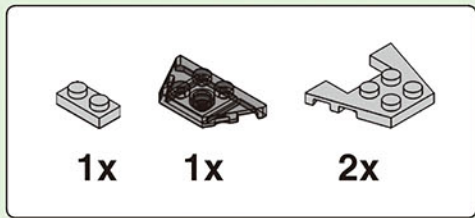


3-6.5

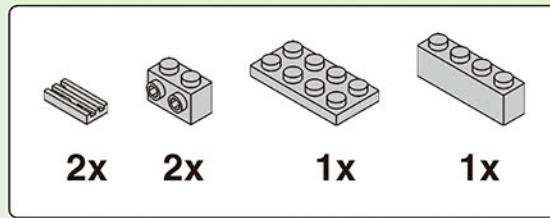
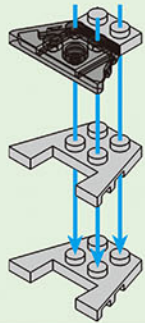


3-6.6

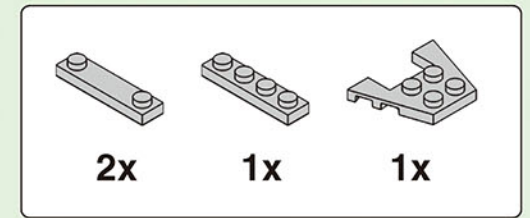
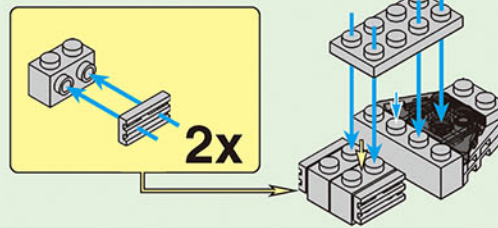




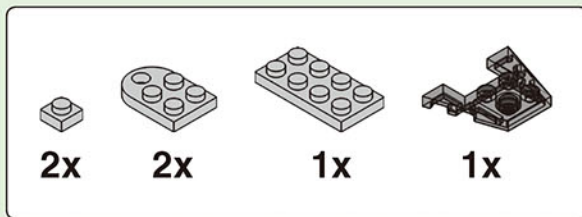
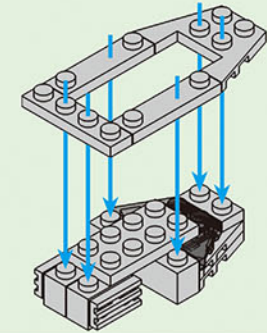
3-7.1



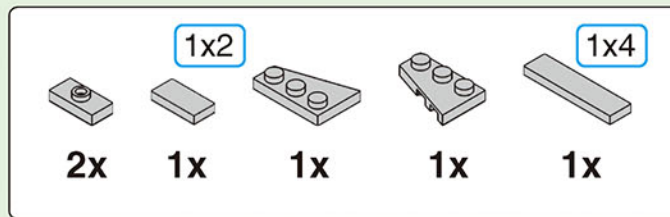
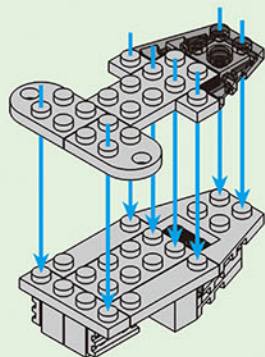
3-7.2



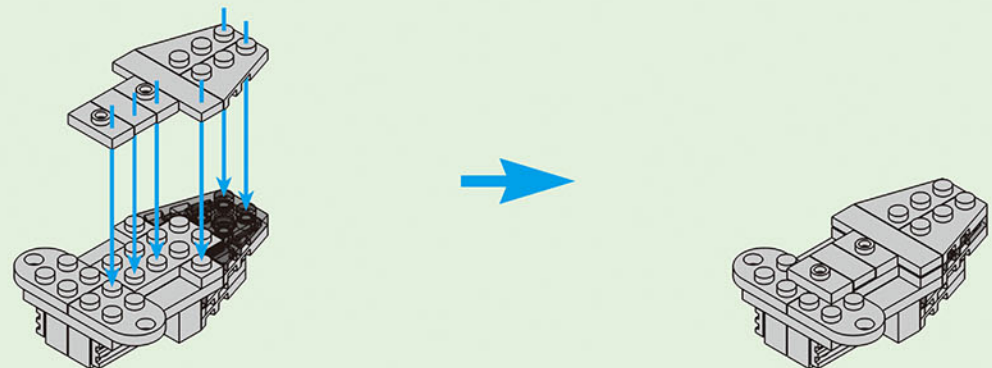
3-7.3



3-7.4

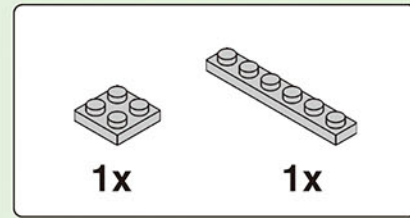
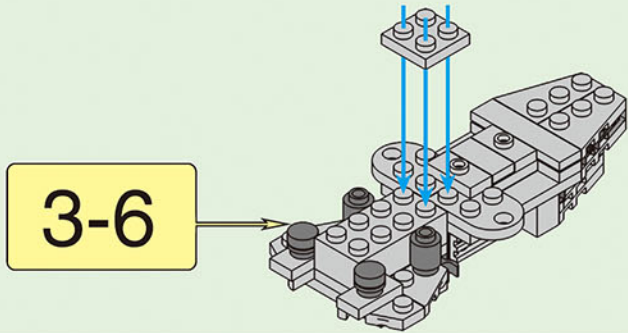


3-7.5

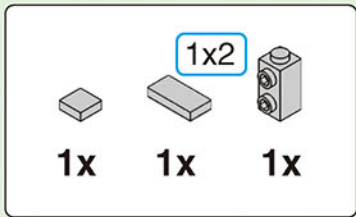
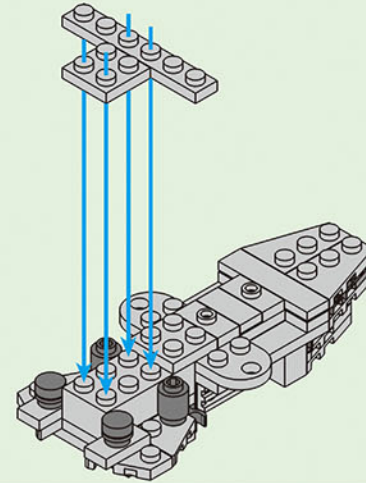




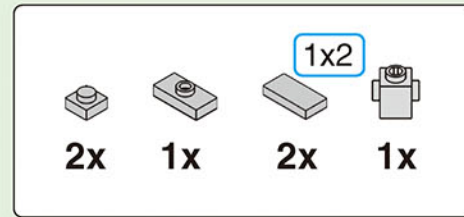
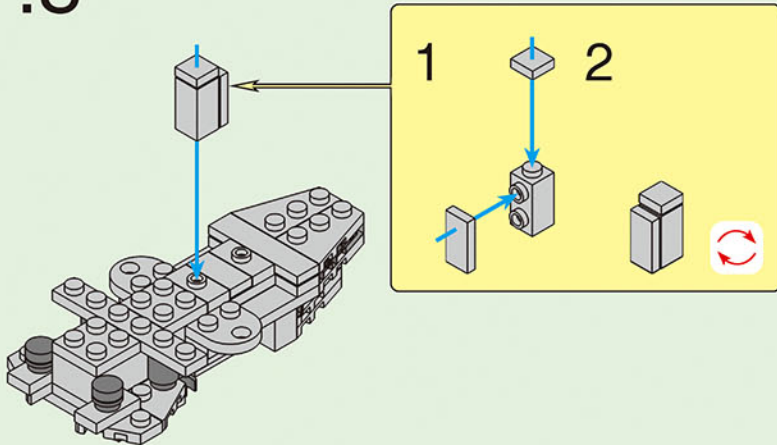
3-7.6



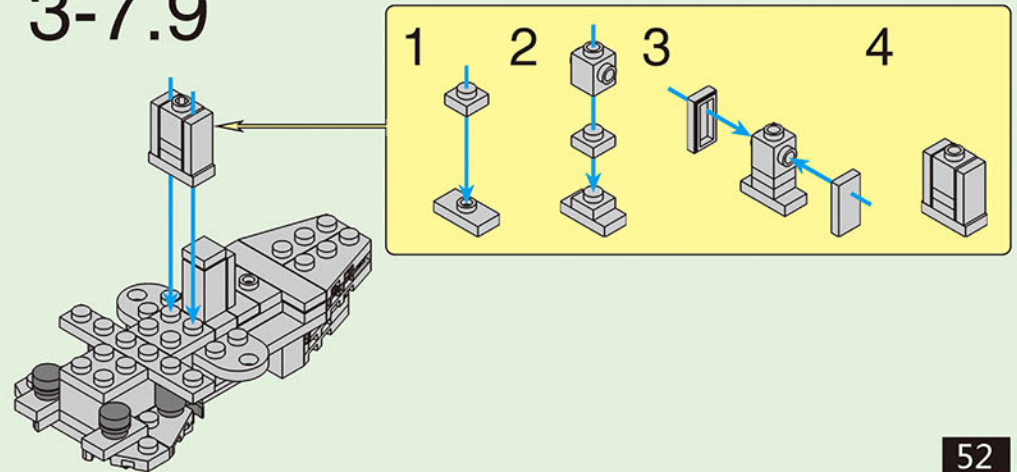
3-7.7

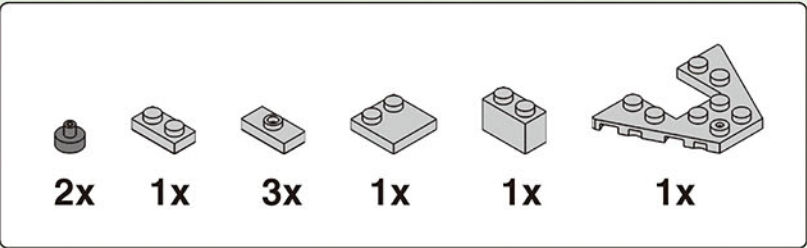


3-7.8

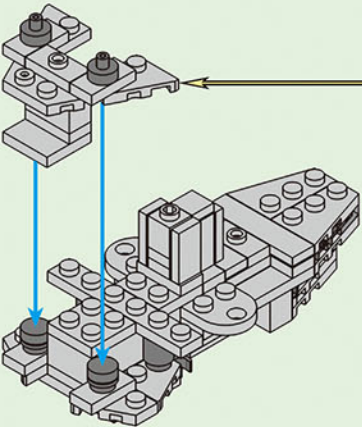


3-7.9





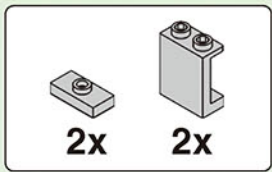
# 3-7.10



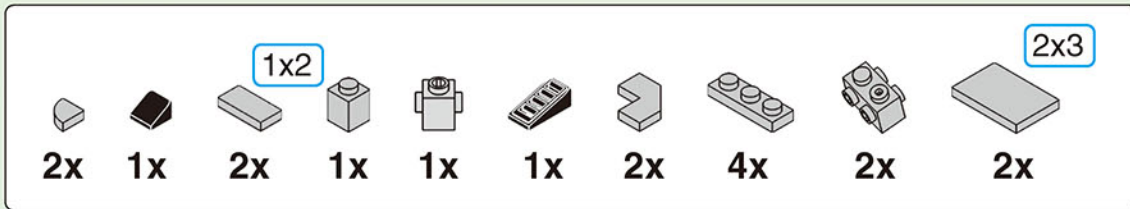
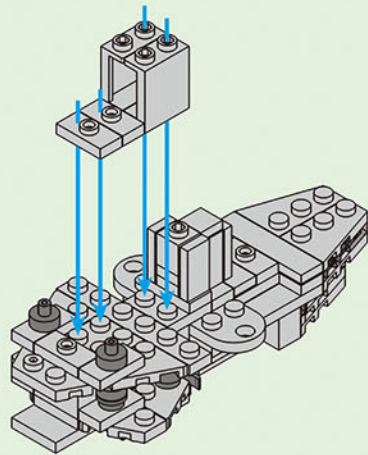
1 2 3 4

2x

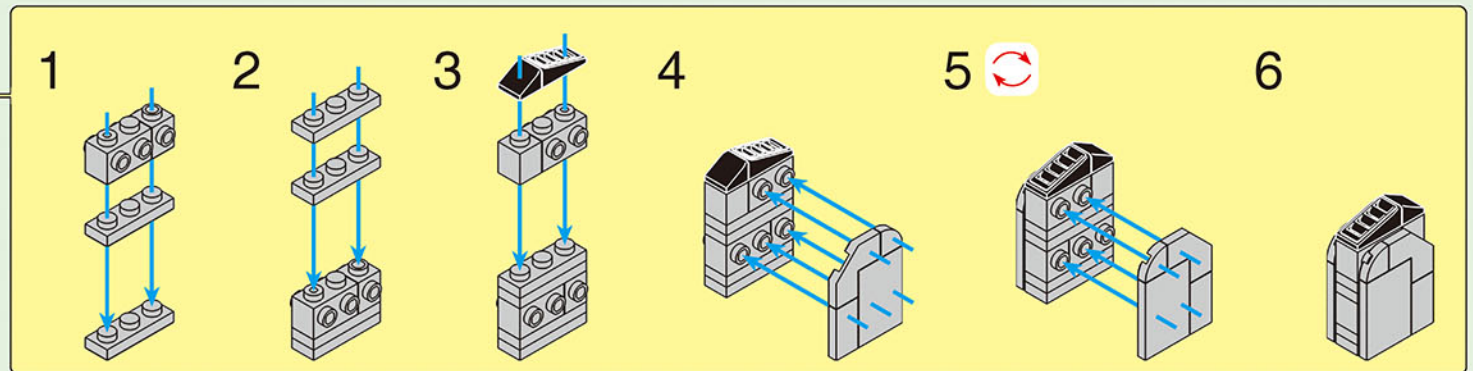
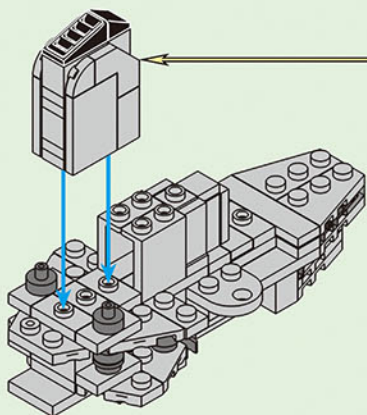
1 2

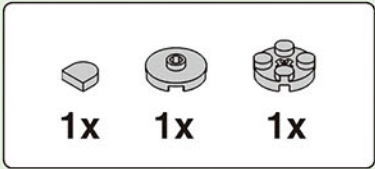


### 3-7.11

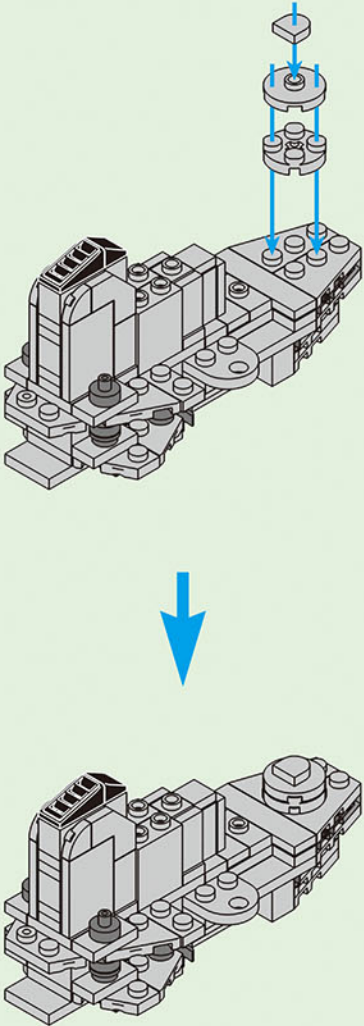


### 3-7.12





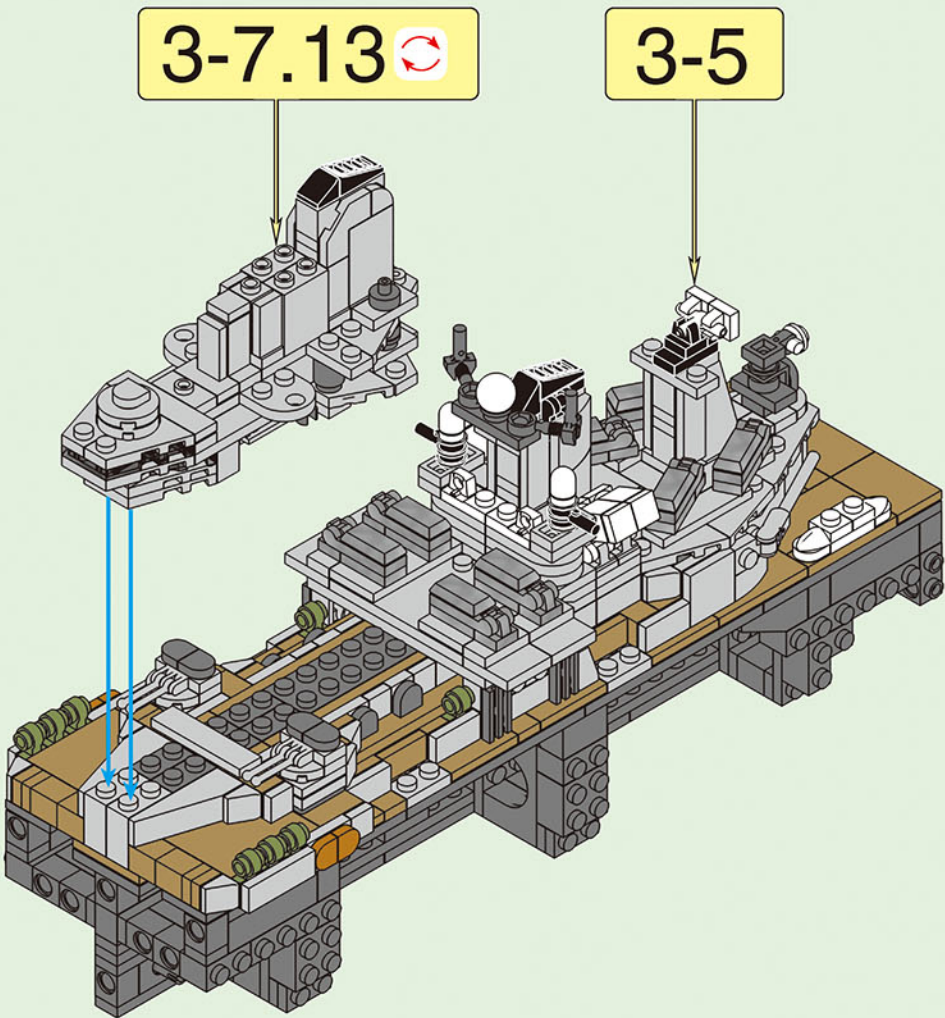
### 3-7.13

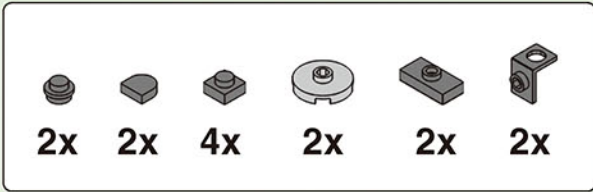


## 3-7

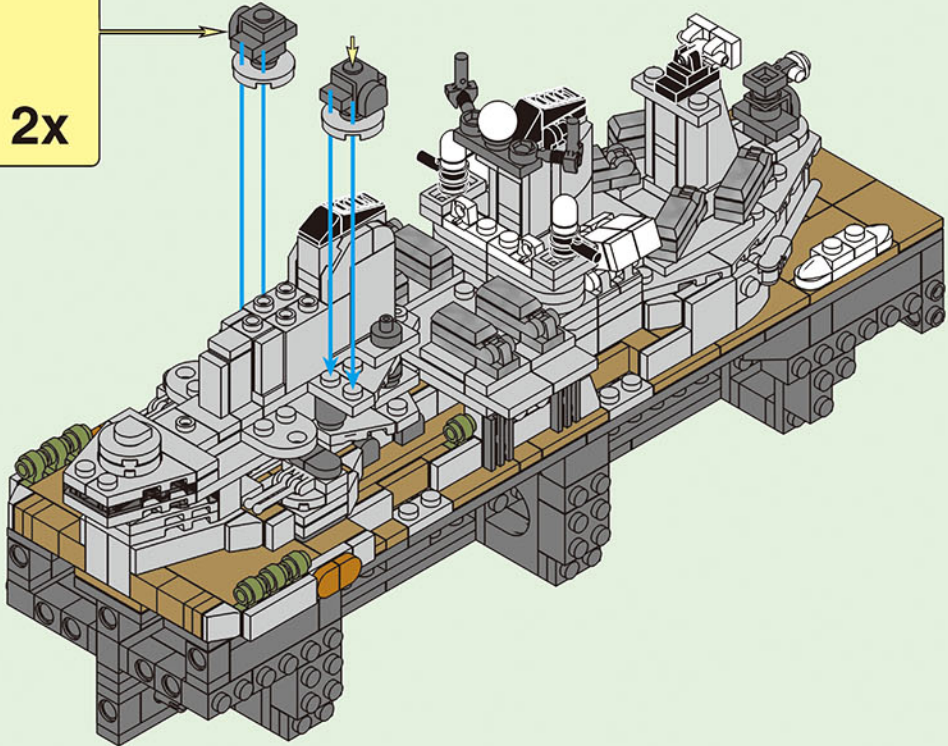
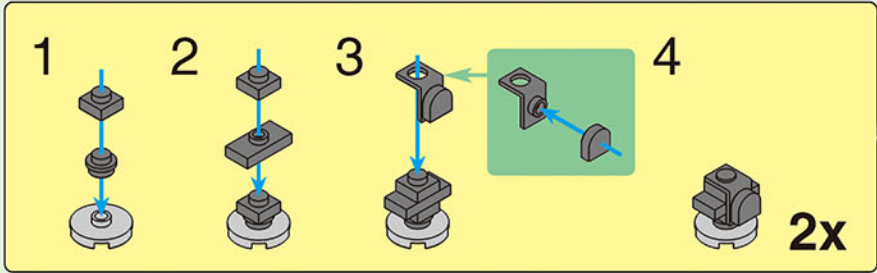
3-7.13 ↻








3-5



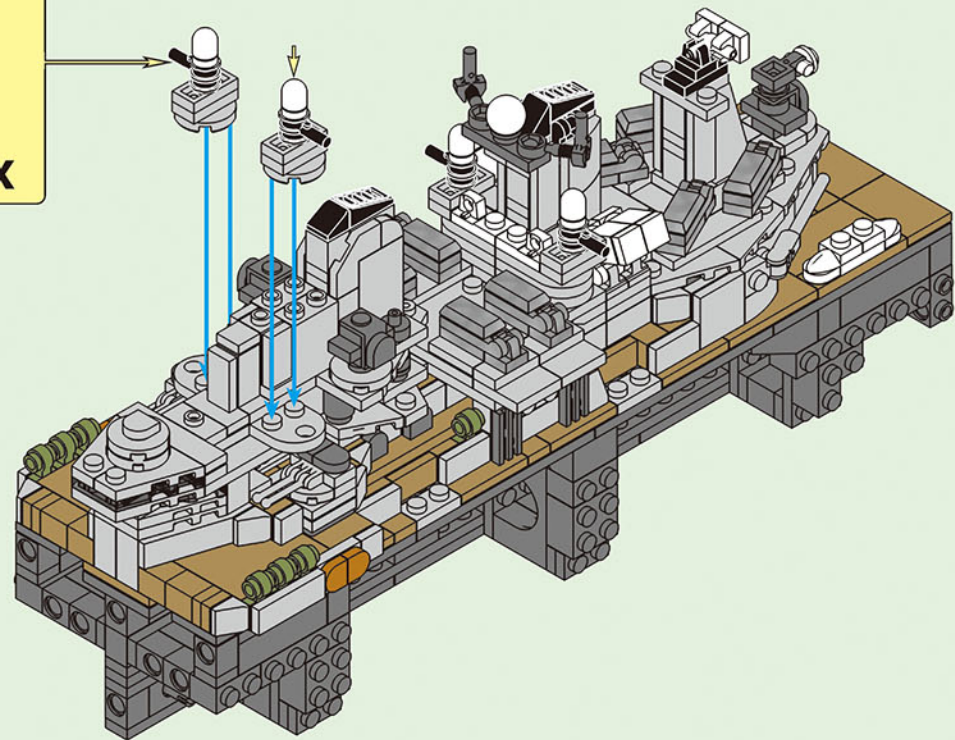
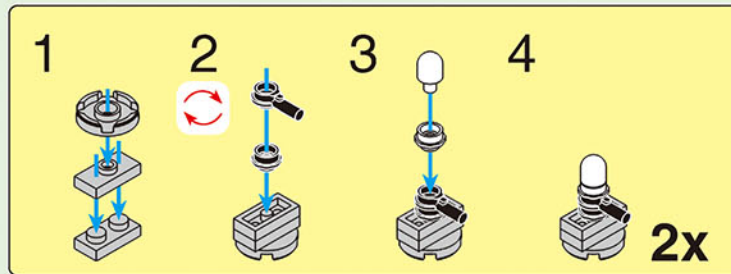










# 3-8



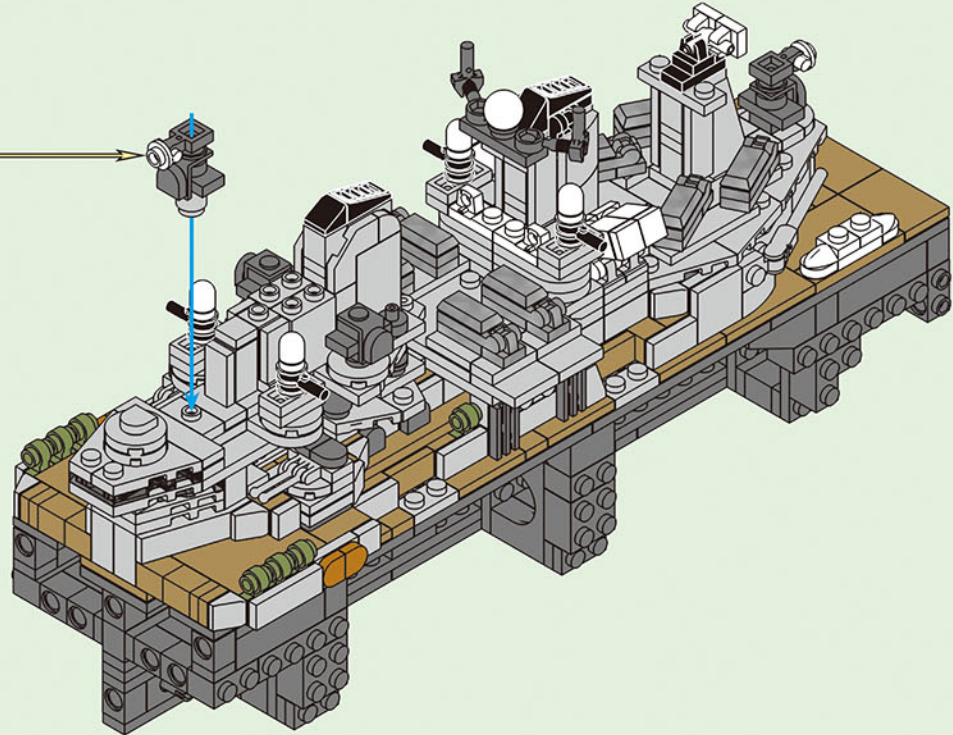
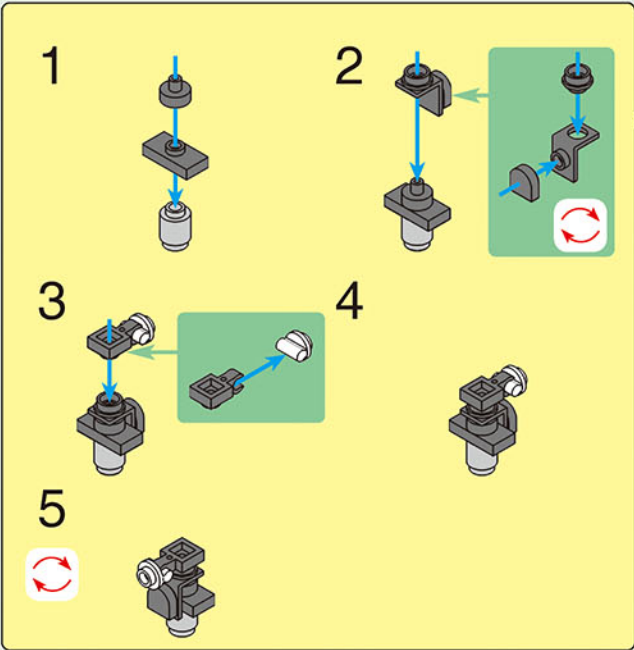
-   
2x
-   
2x
-   
2x
-   
2x
-   
2x
-   
2x
-   
2x

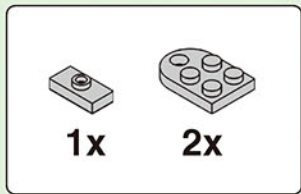
# 3-9



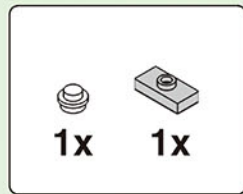
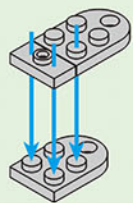
-   
1x
-   
1x
-   
1x
-   
1x
-   
1x
-   
1x
-   
1x
-   
1x

# 3-10

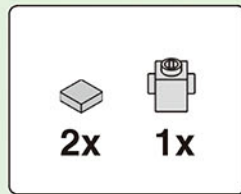
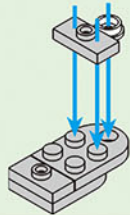




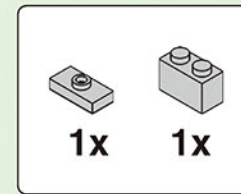
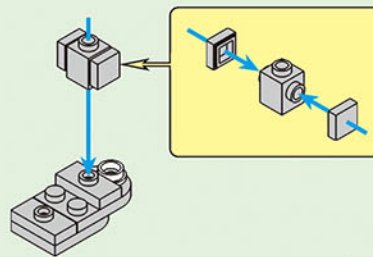
3-11.1



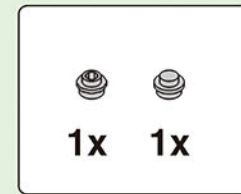
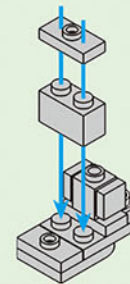
3-11.2



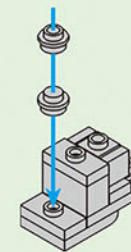
3-11.3



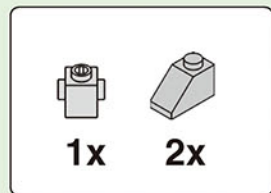
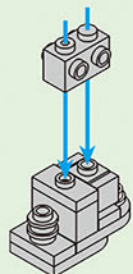
3-11.4



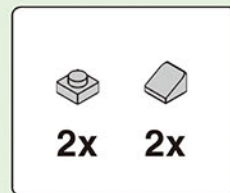
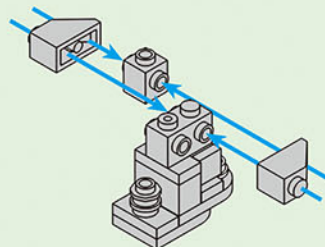
3-11.5



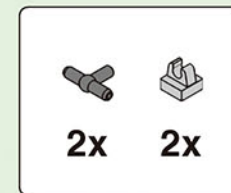
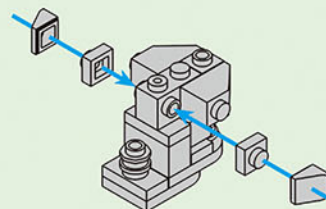
3-11.6



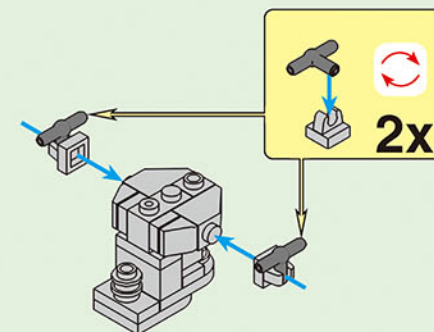
3-11.7

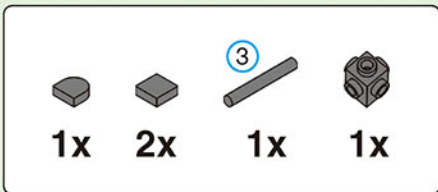


3-11.8



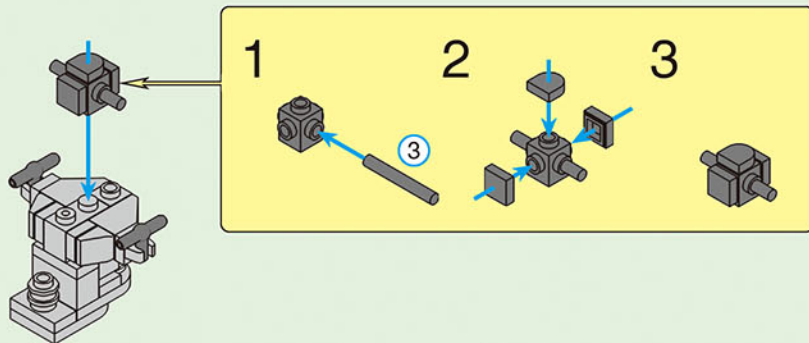
3-11.9



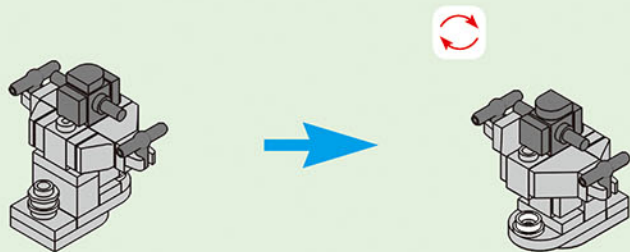


③ 1:1

### 3-11.10

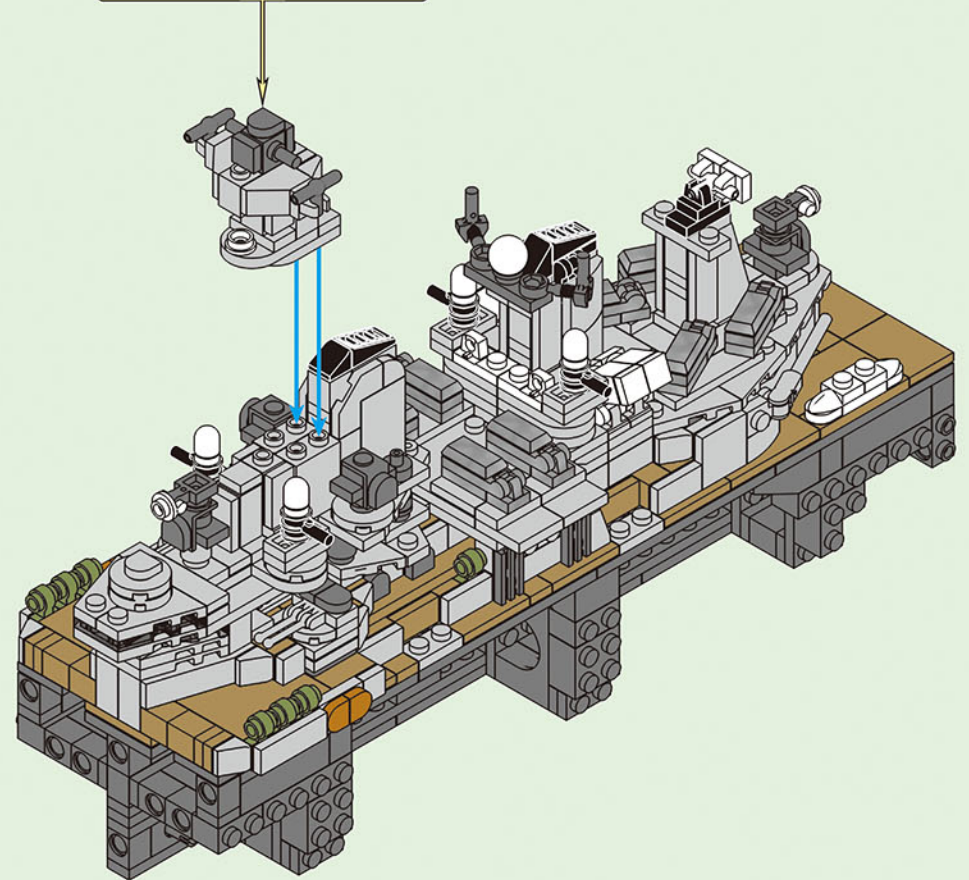


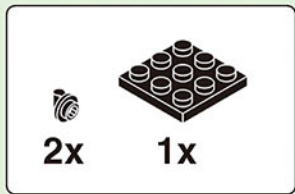
### 3-11.11



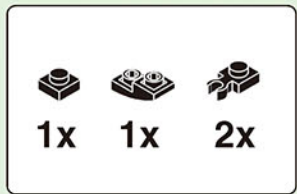
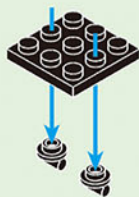
## 3-11

### 3-11.11

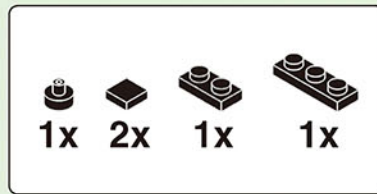
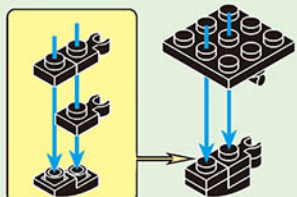




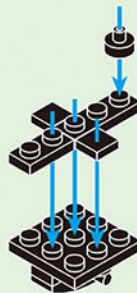
3-12.1



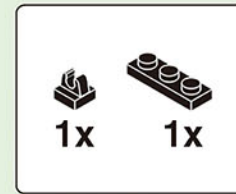
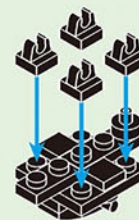
3-12.2



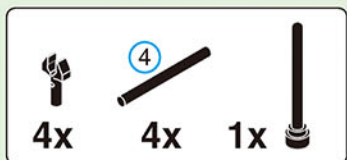
3-12.3



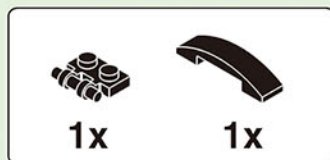
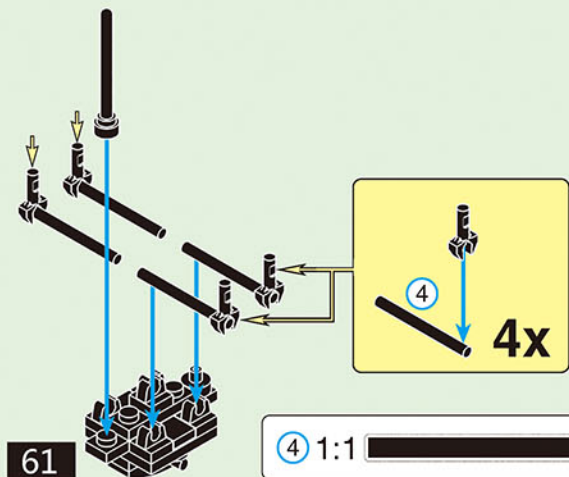
3-12.4



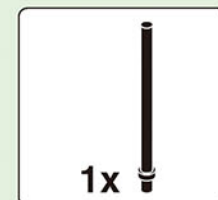
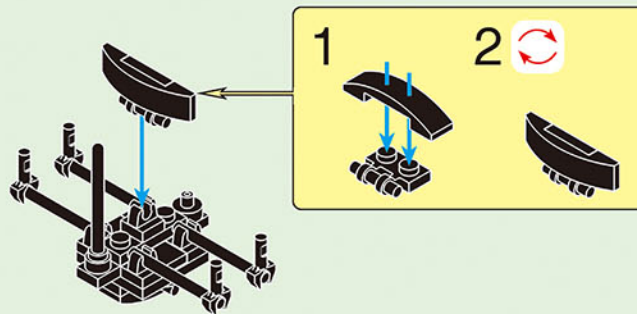
3-12.5



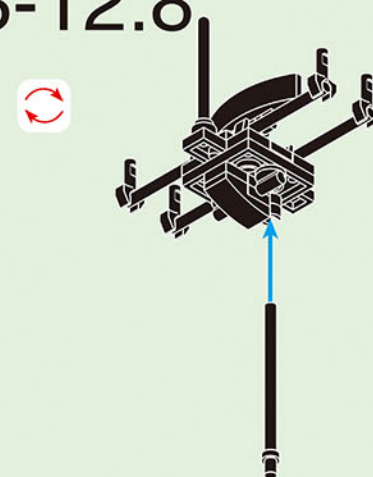
3-12.6

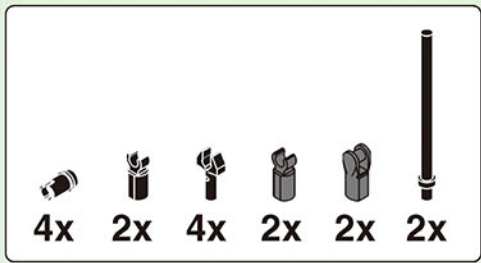


3-12.7

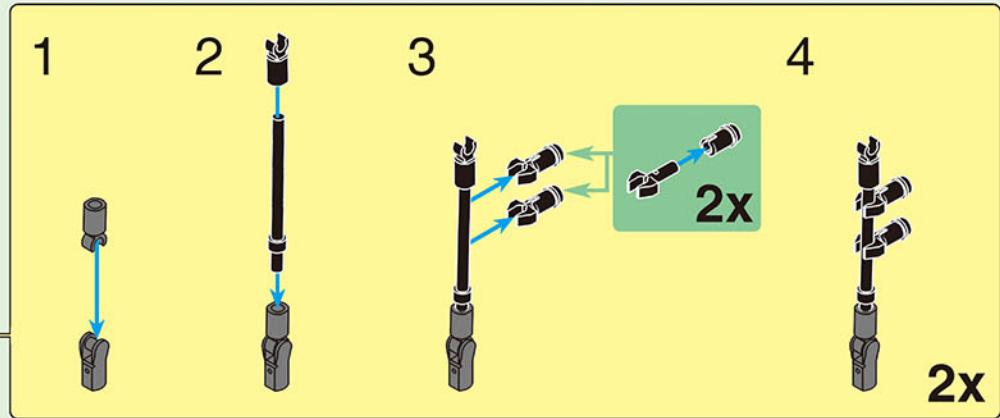
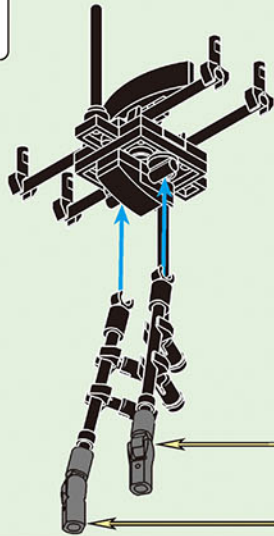


3-12.8

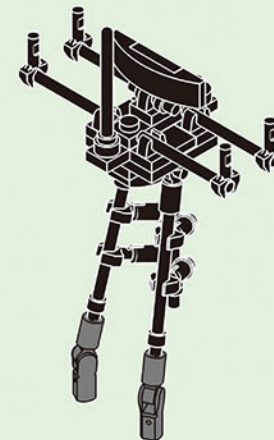
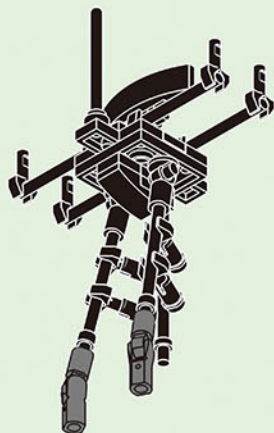




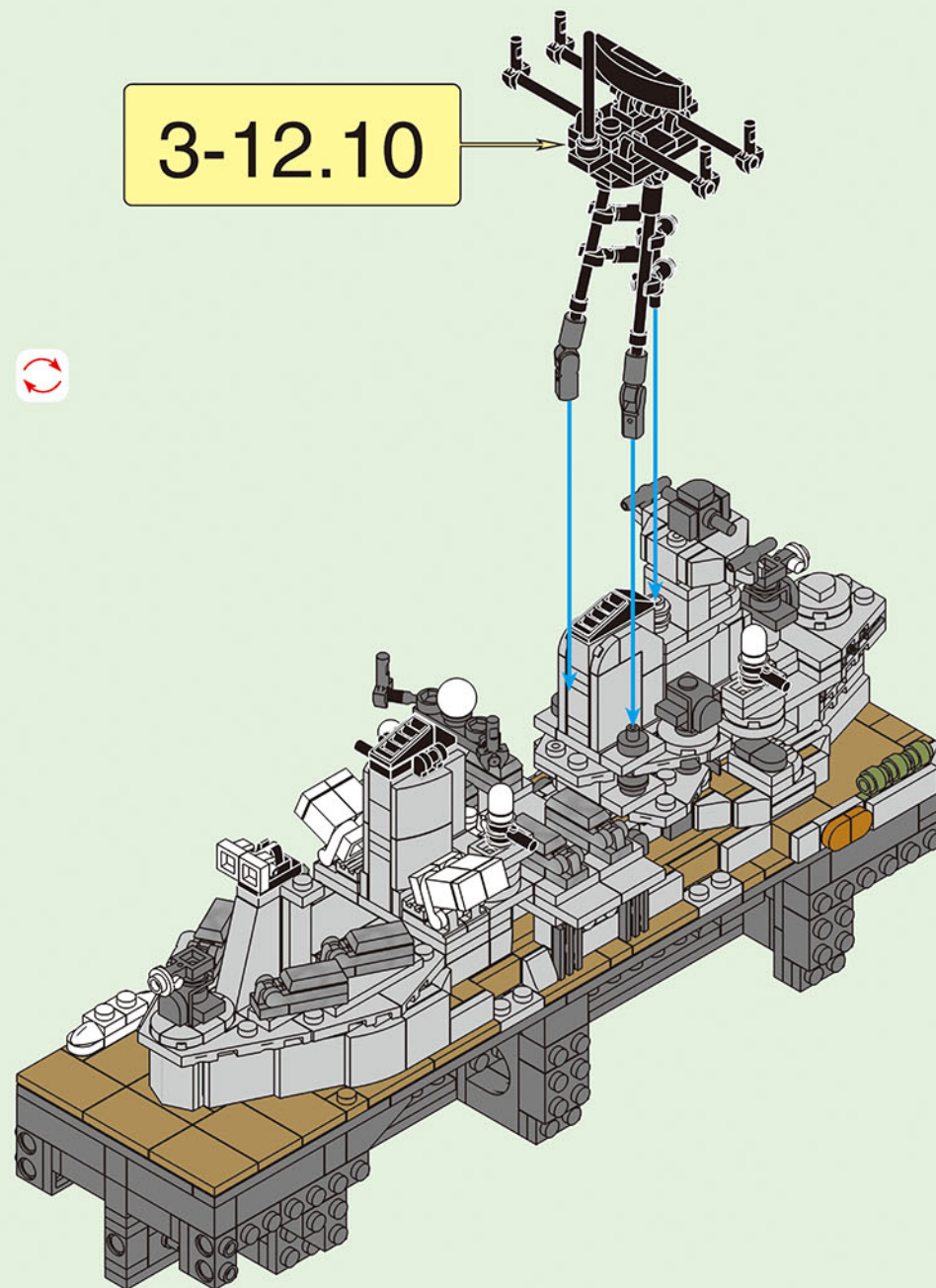
3-12.9

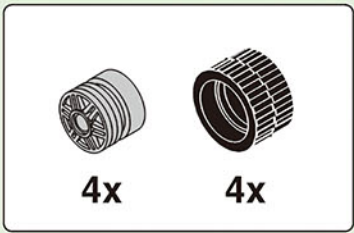


3-12.10

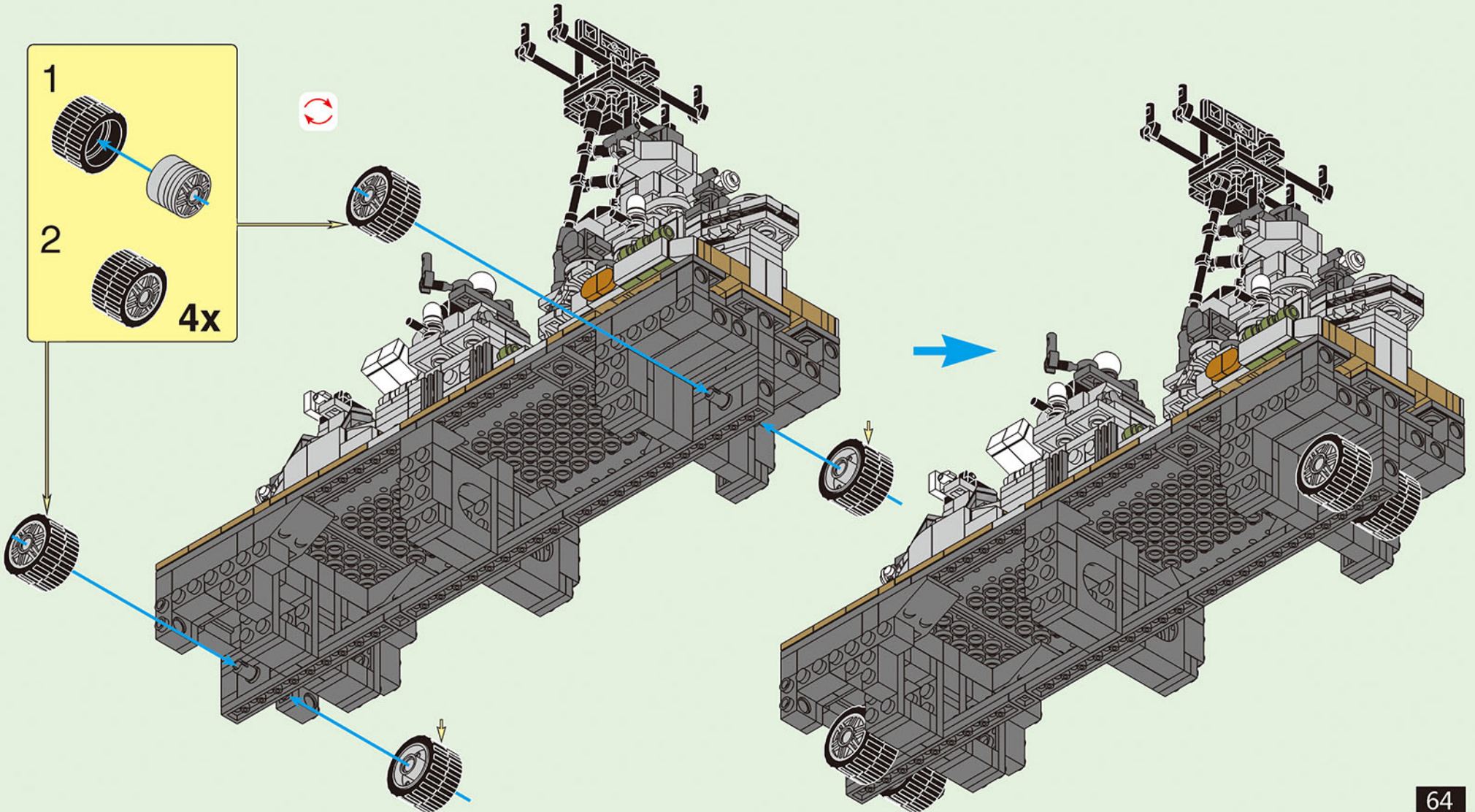


# 3-12





# 3-13

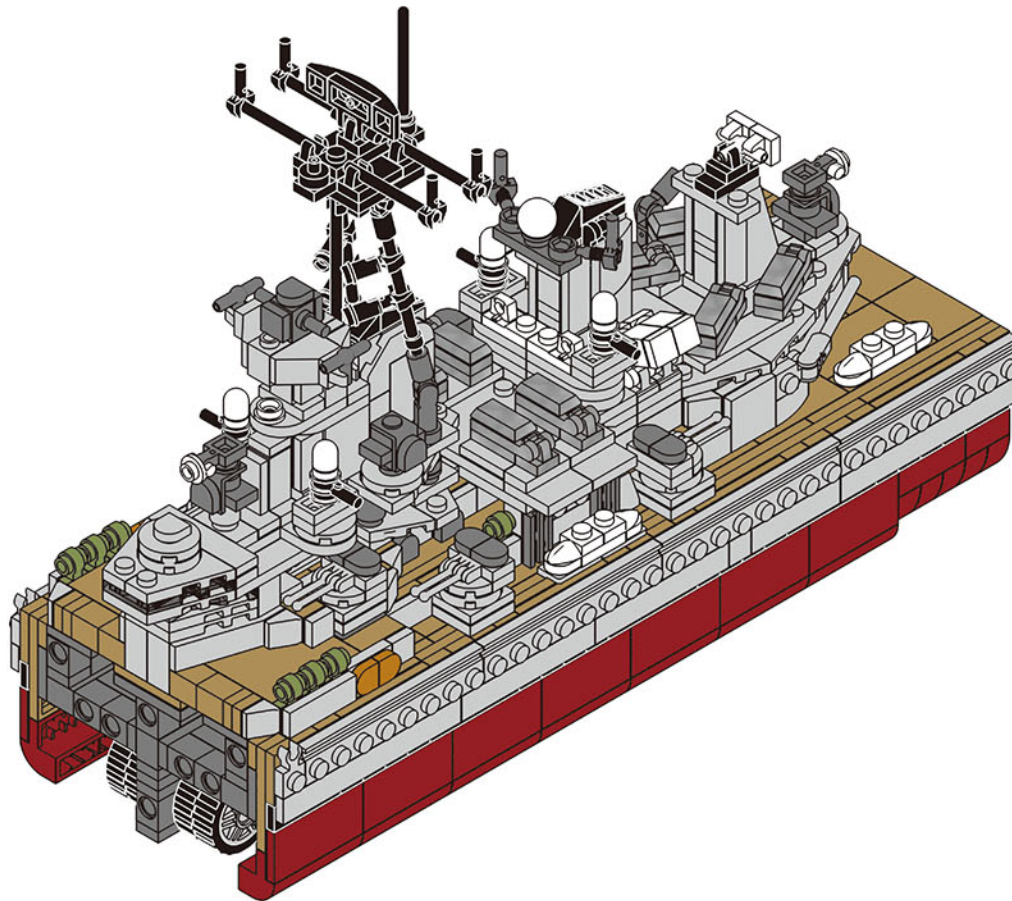


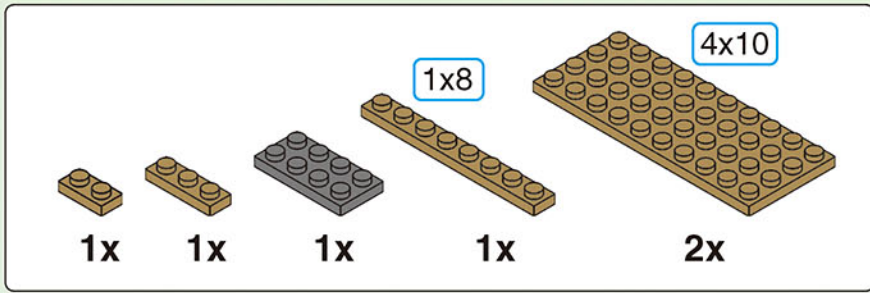


4

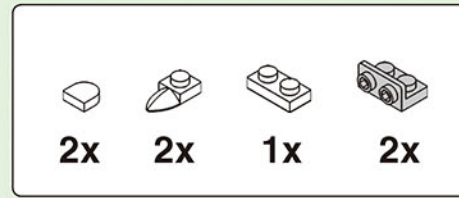
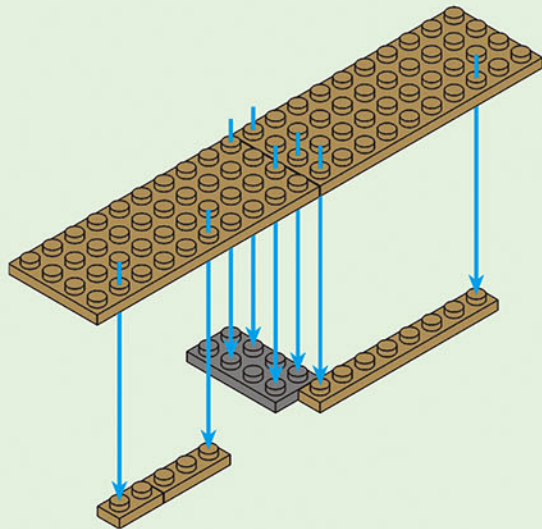


x5

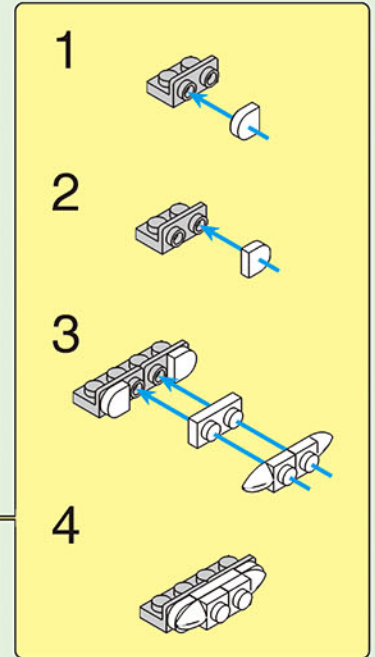
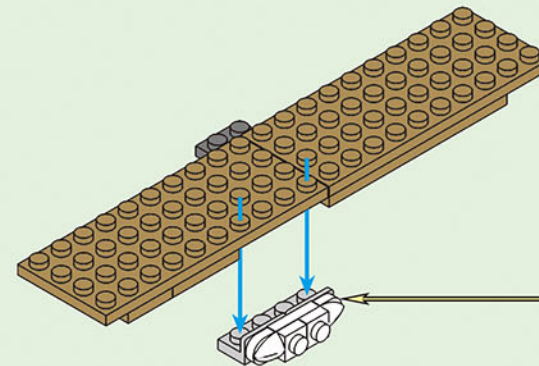


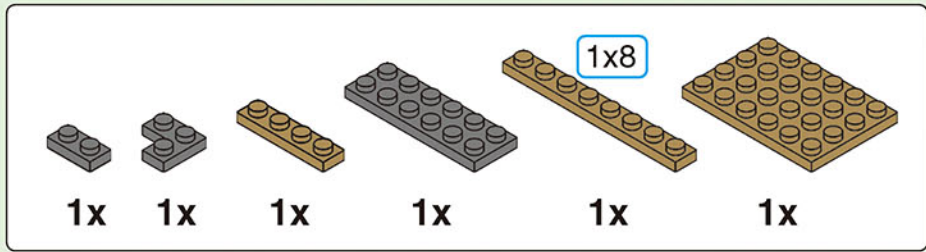


# 4-1

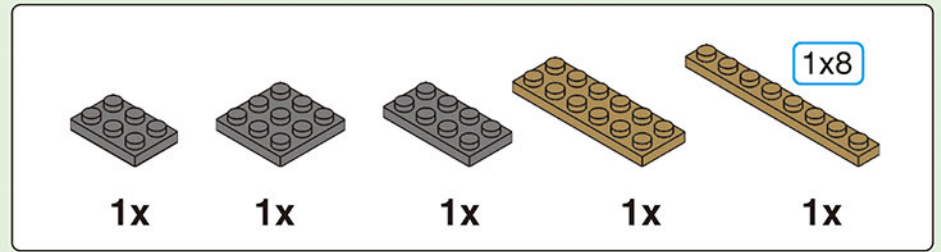
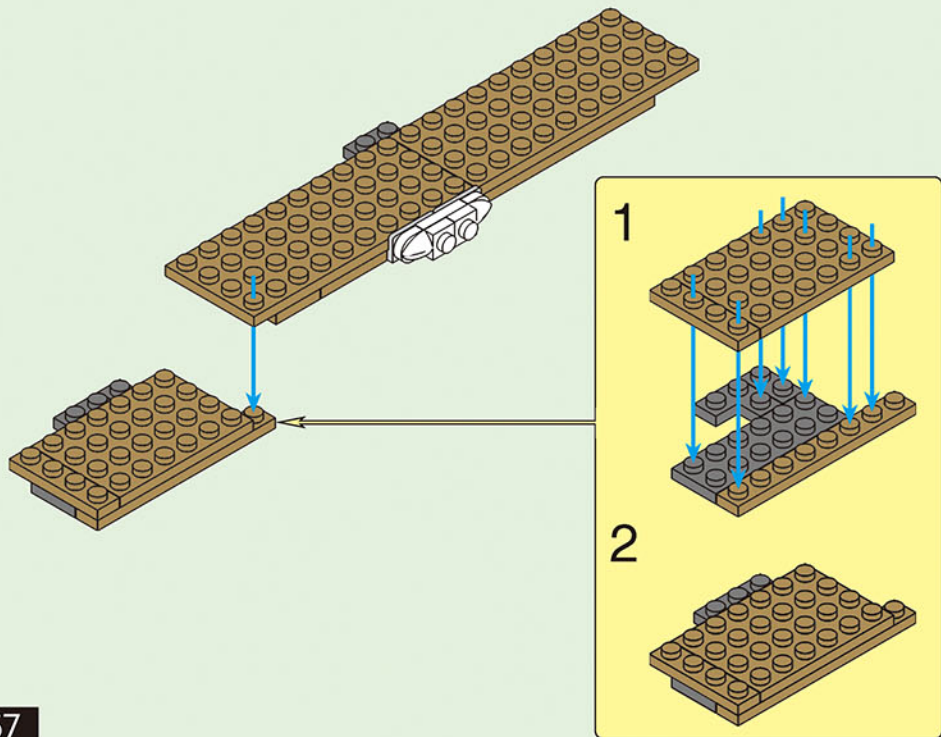


# 4-2

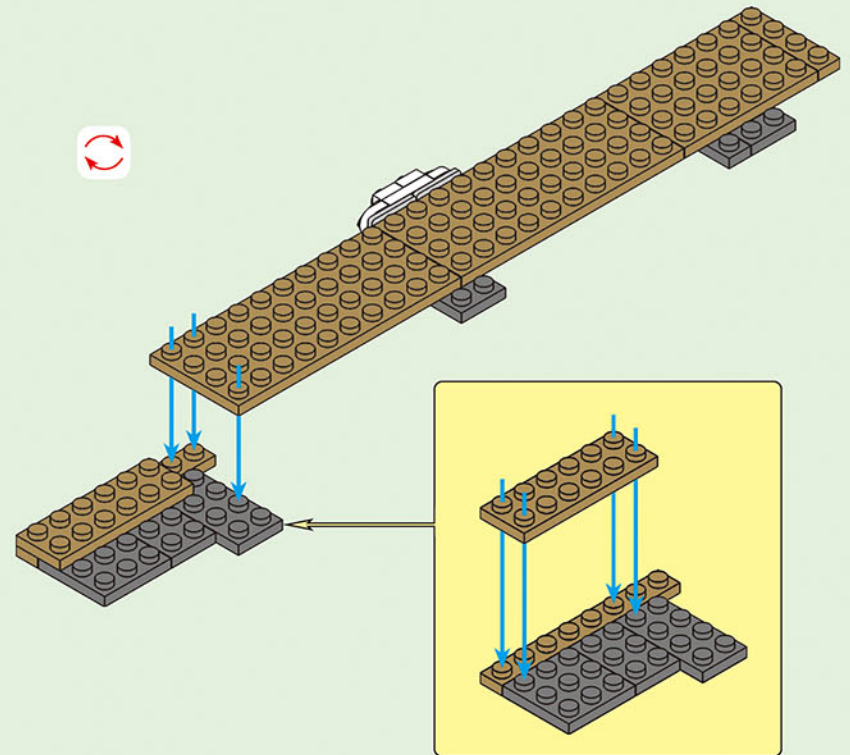


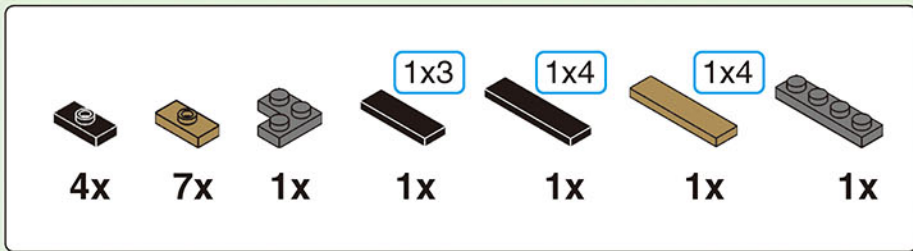


# 4-3

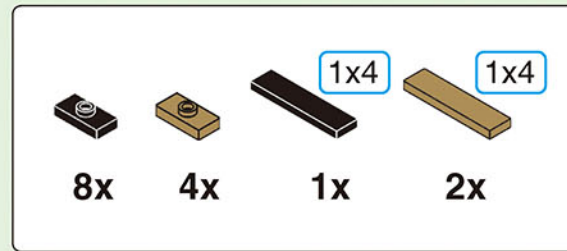
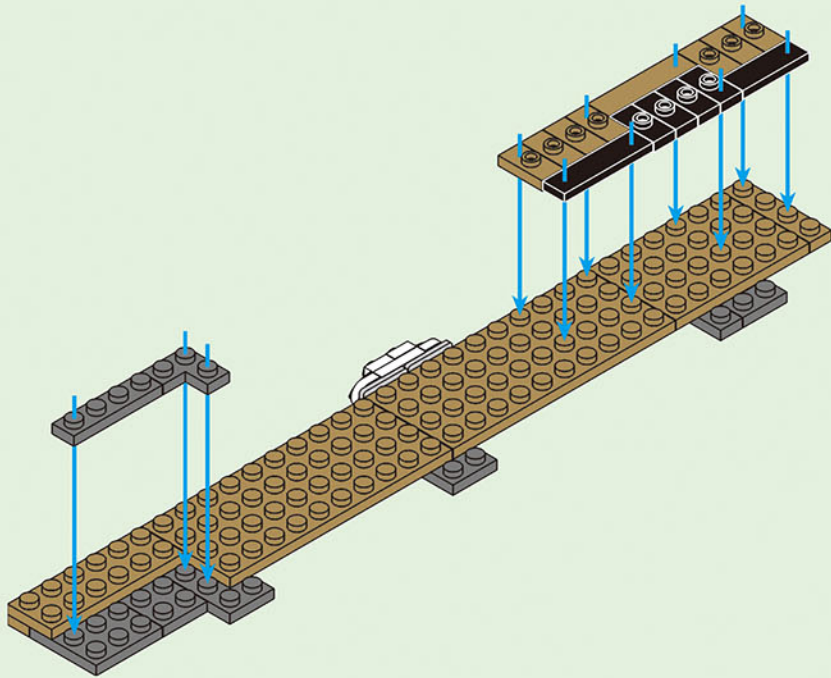


# 4-4

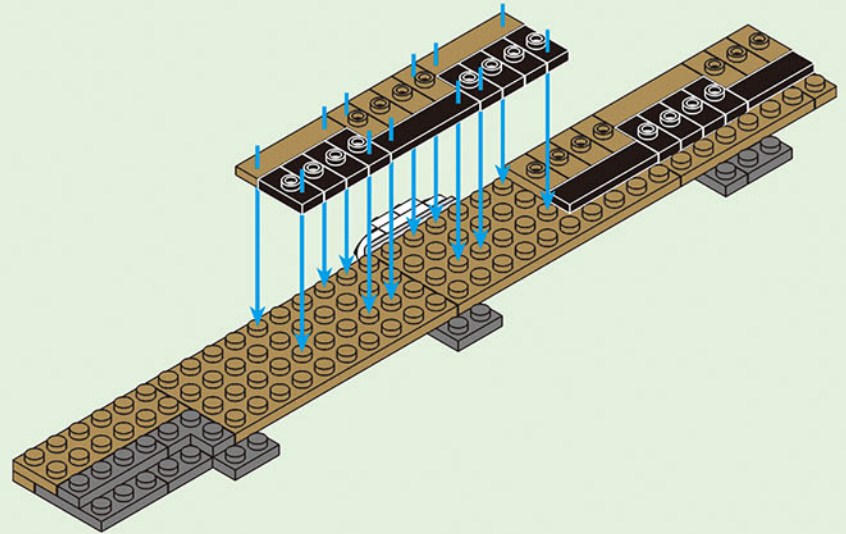


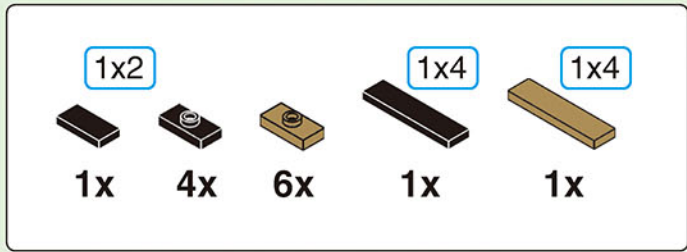


4-5

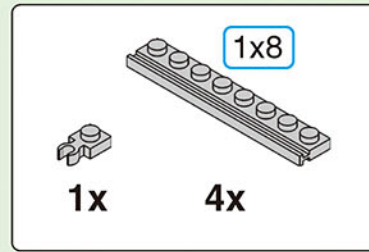
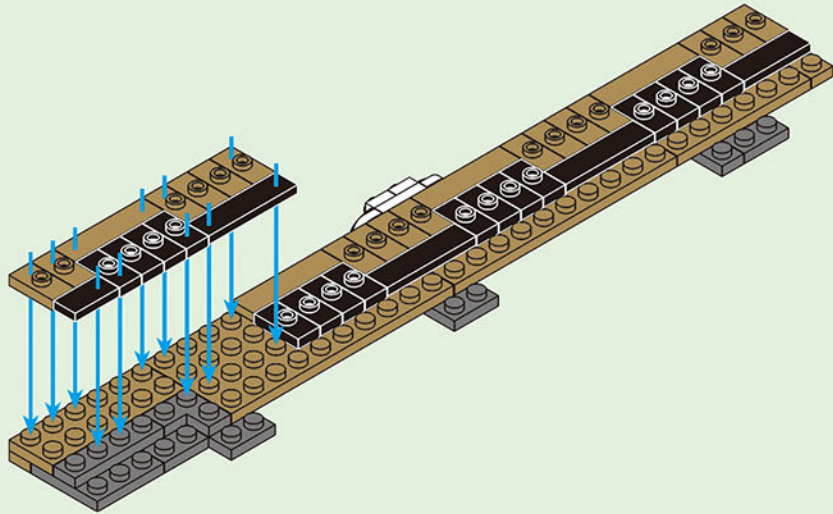


4-6

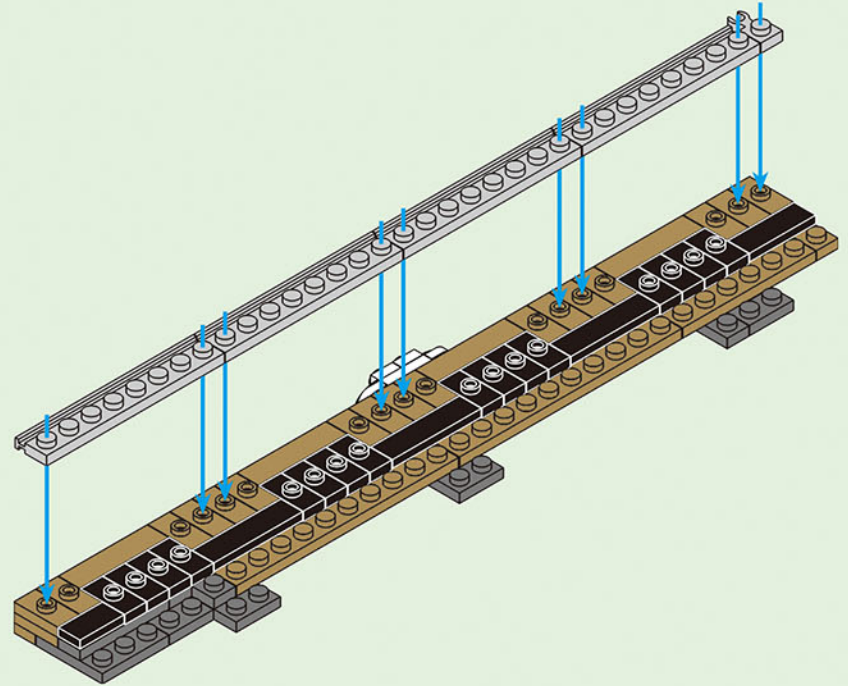


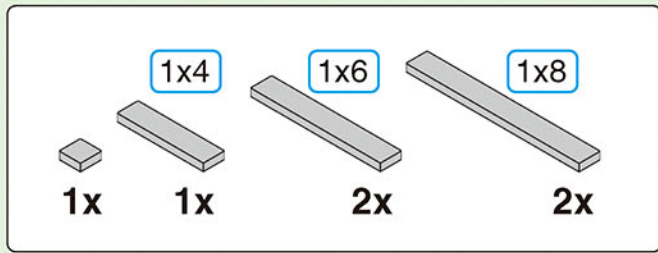


4-7

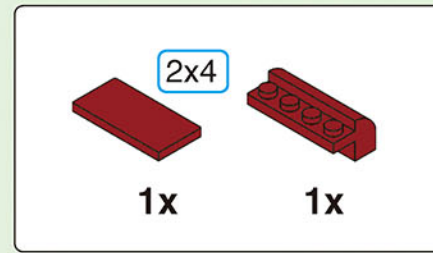
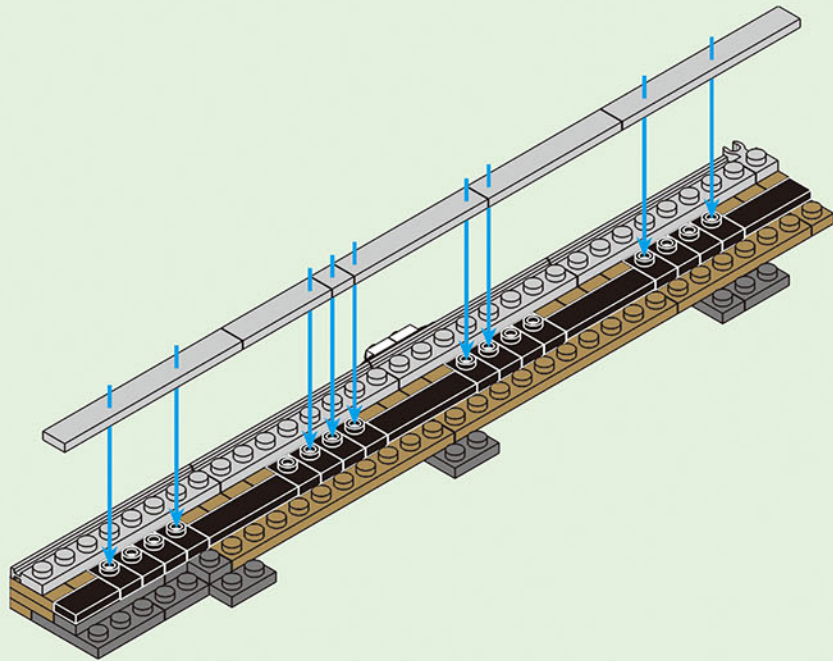


4-8

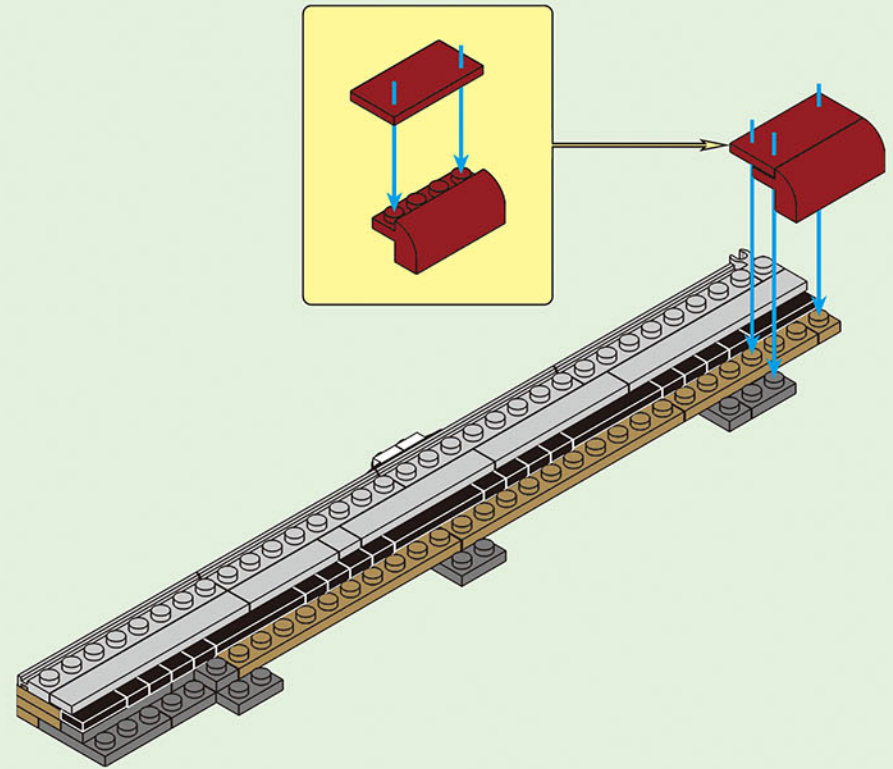


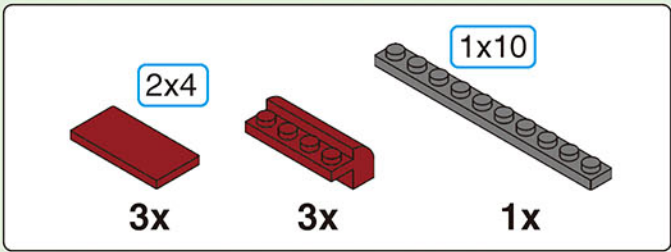


4-9

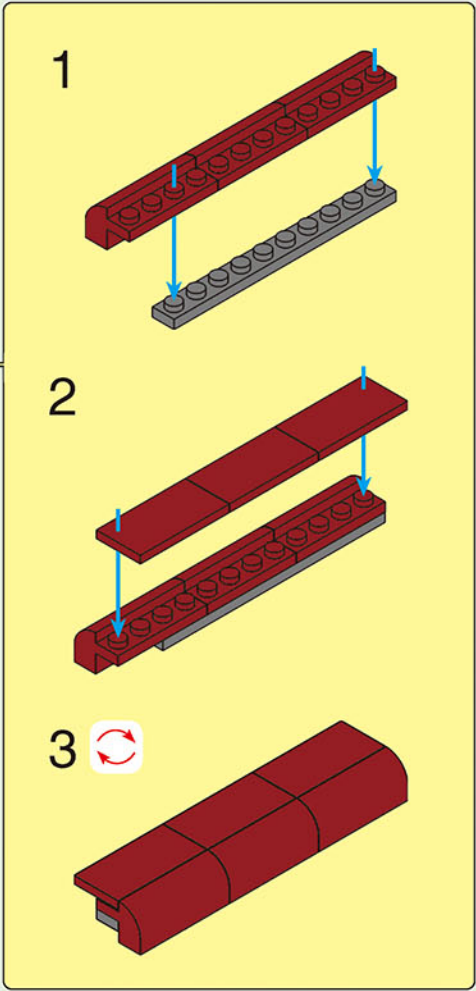
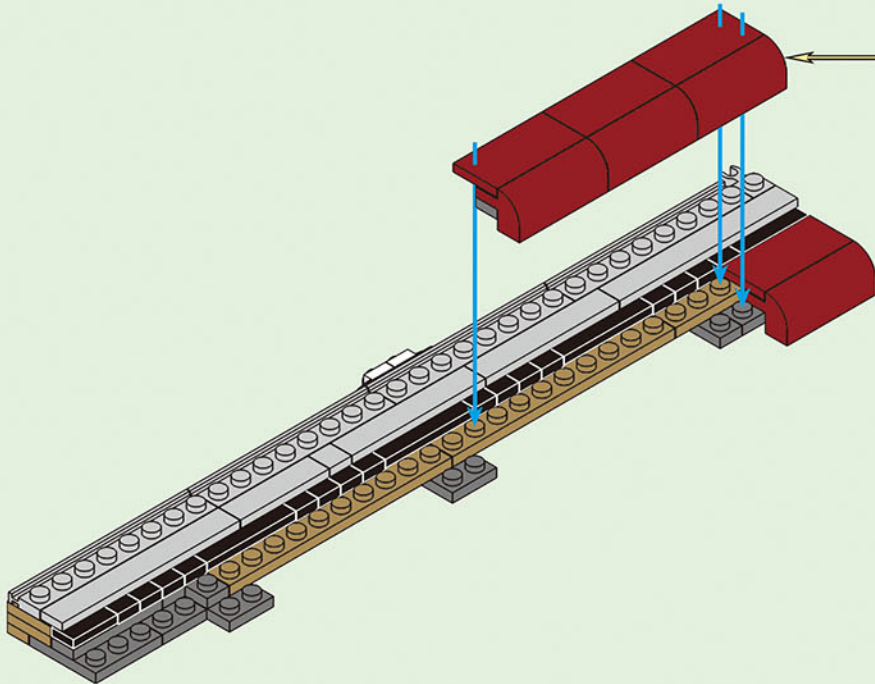


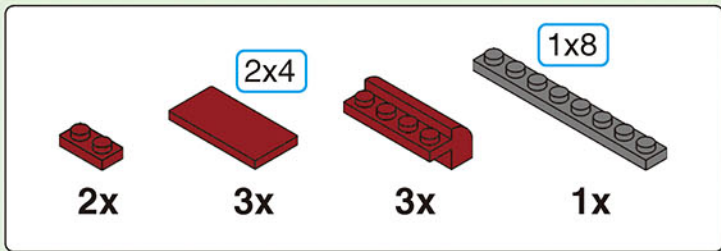
4-10



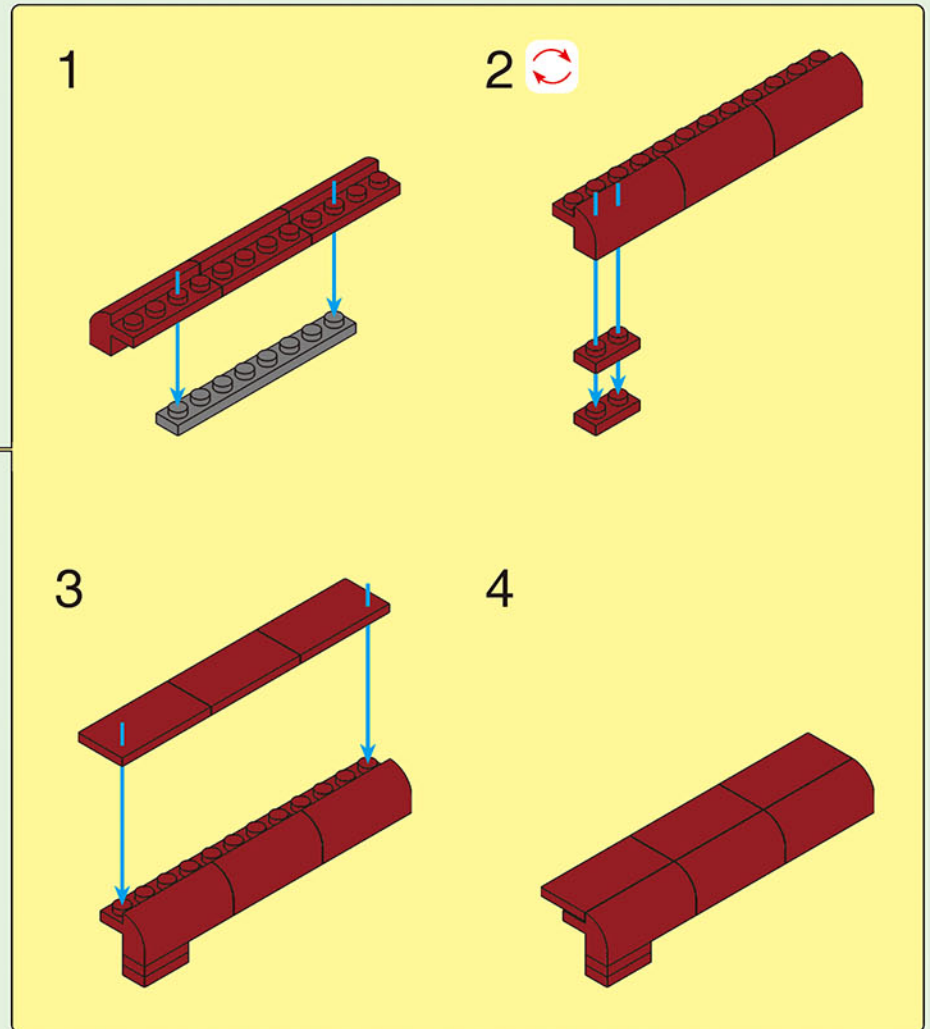
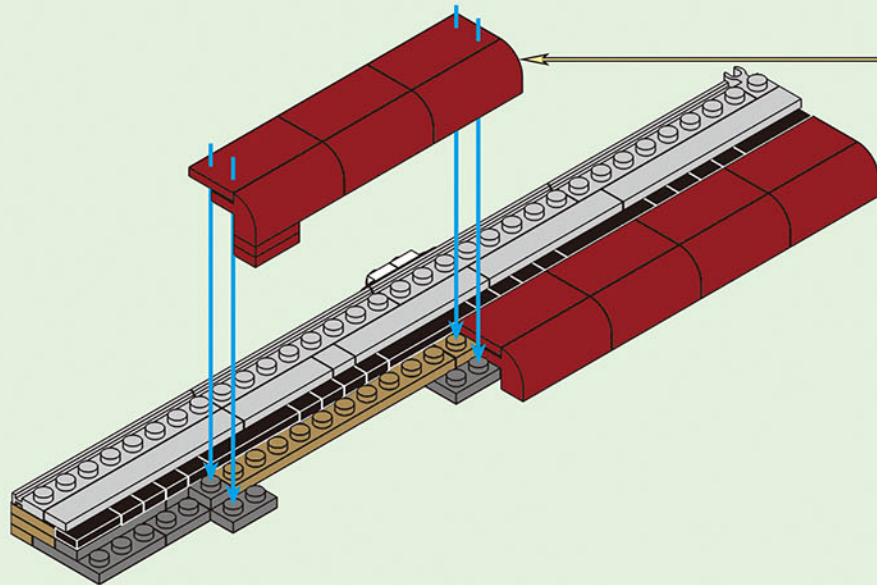


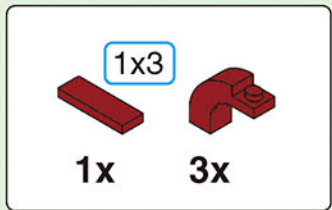
4-11



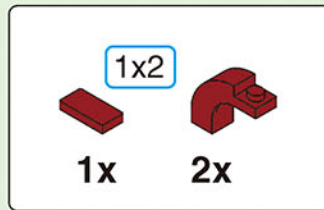
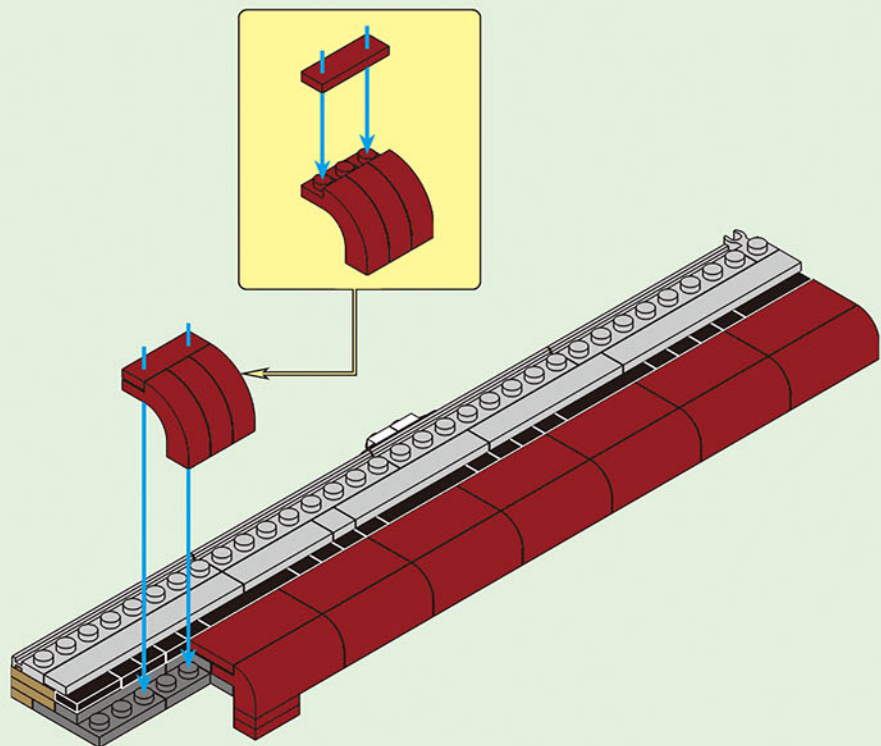


# 4-12

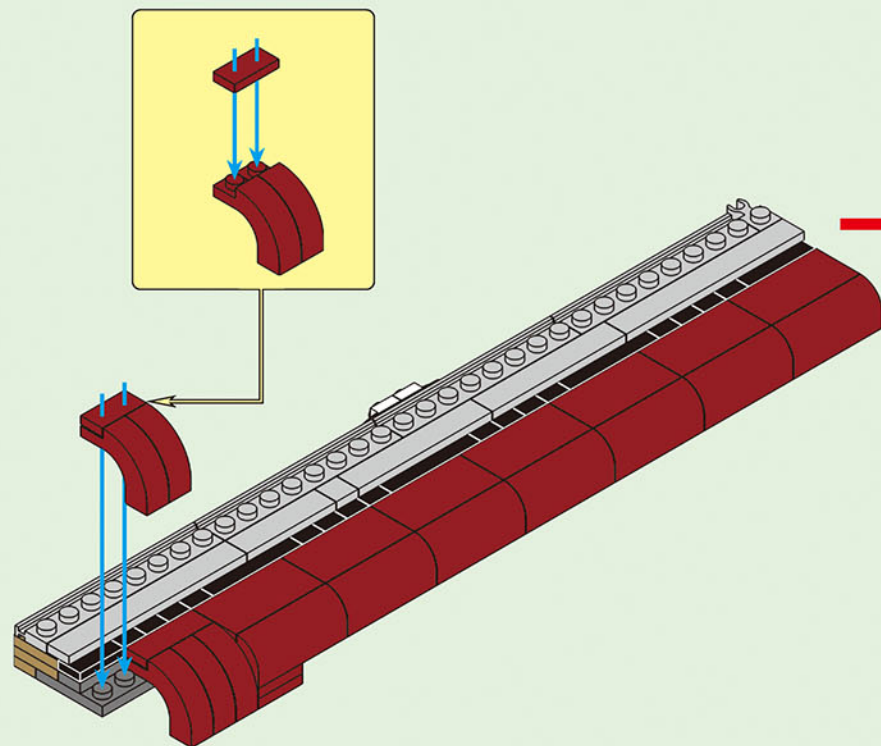




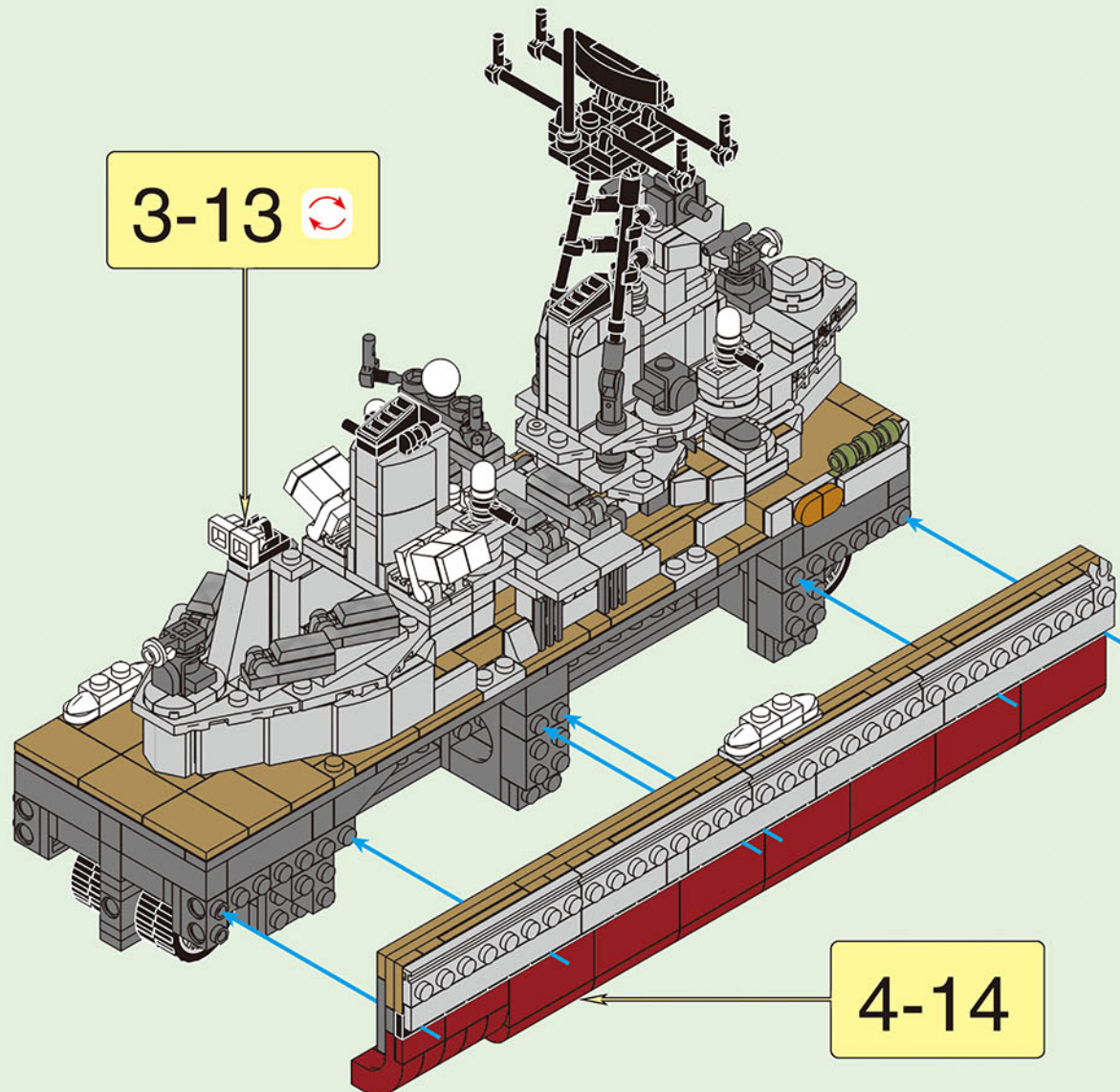
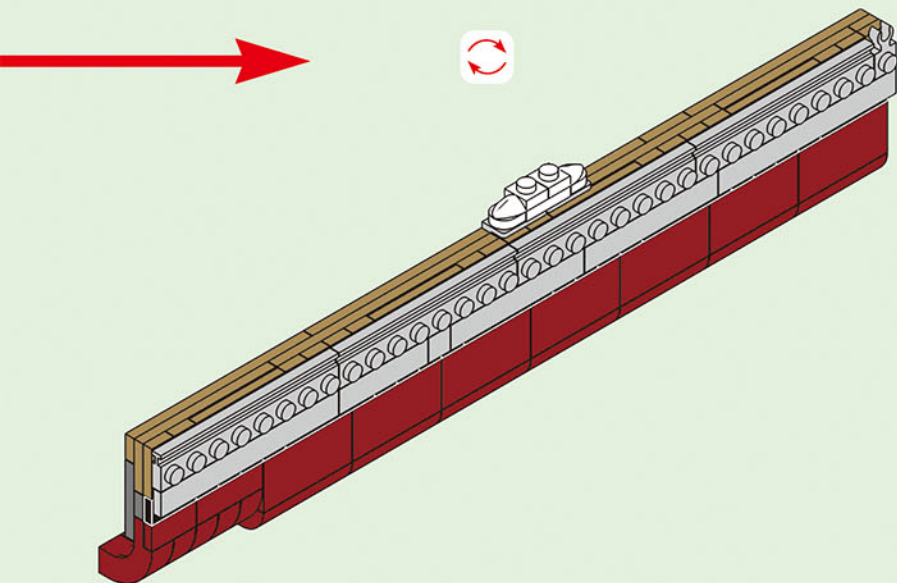
4-13



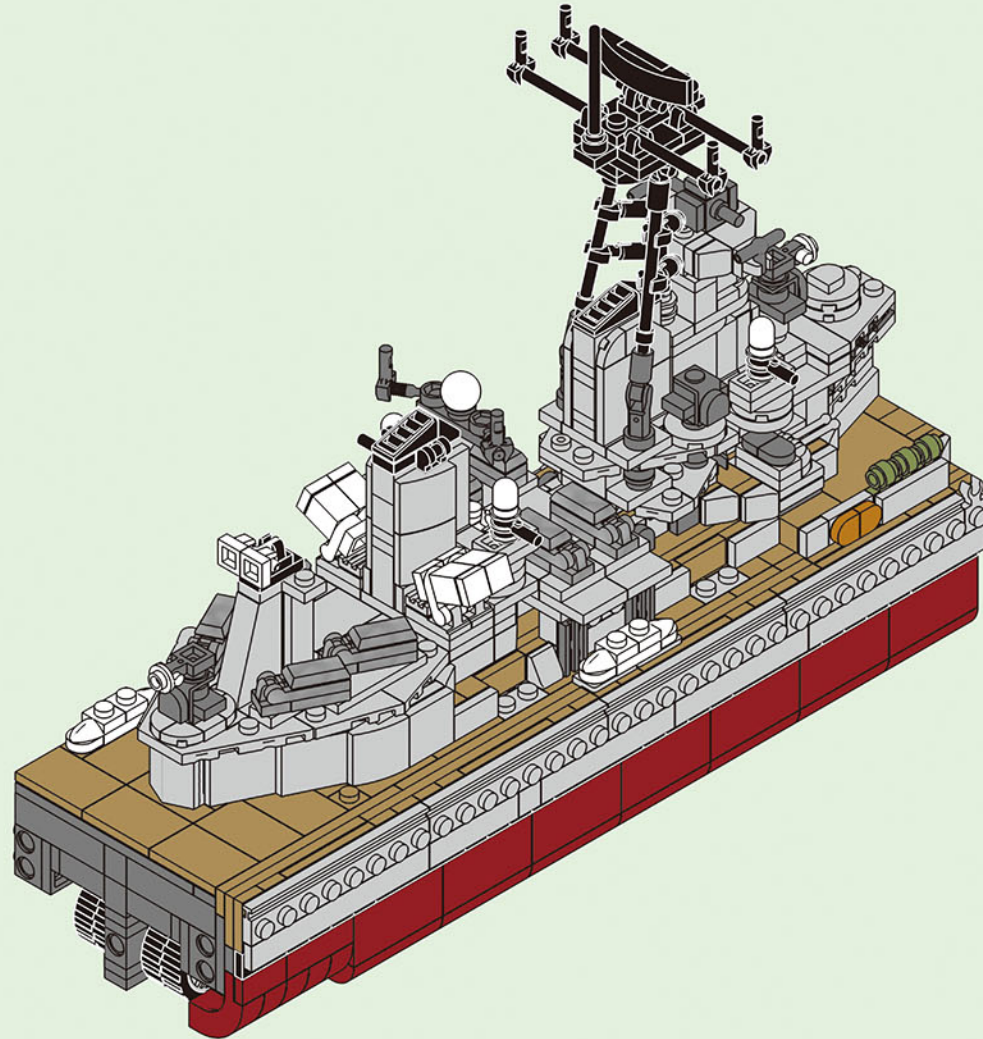
4-14

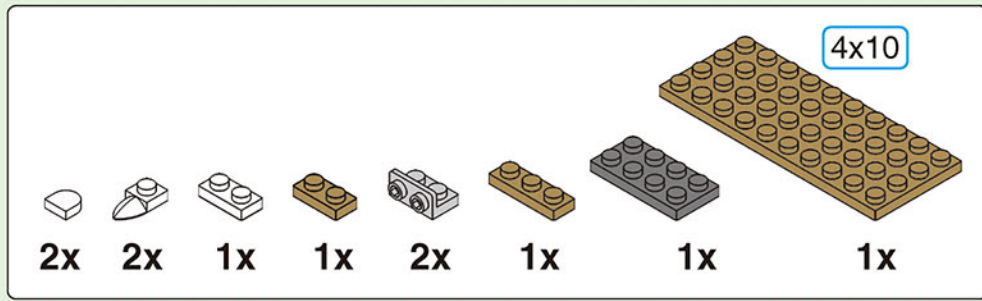


# 4-15

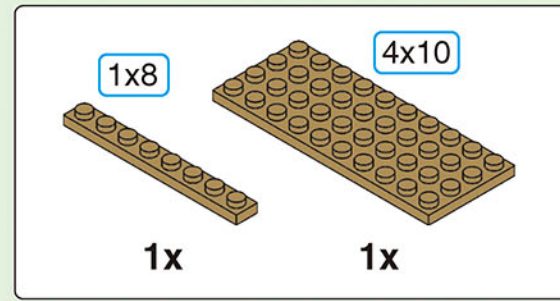
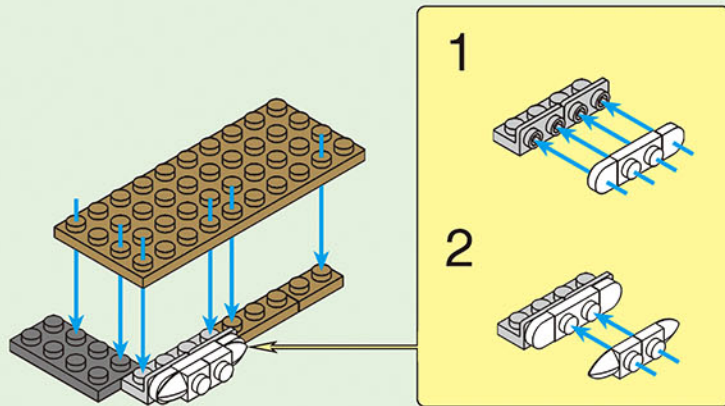


4-16

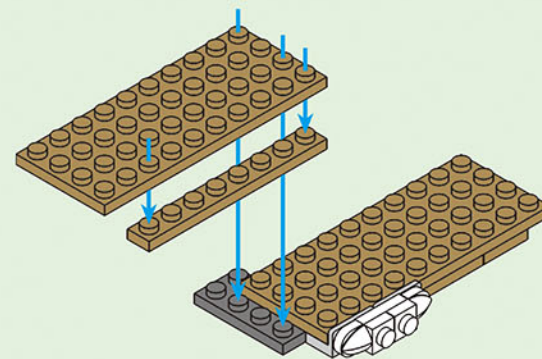


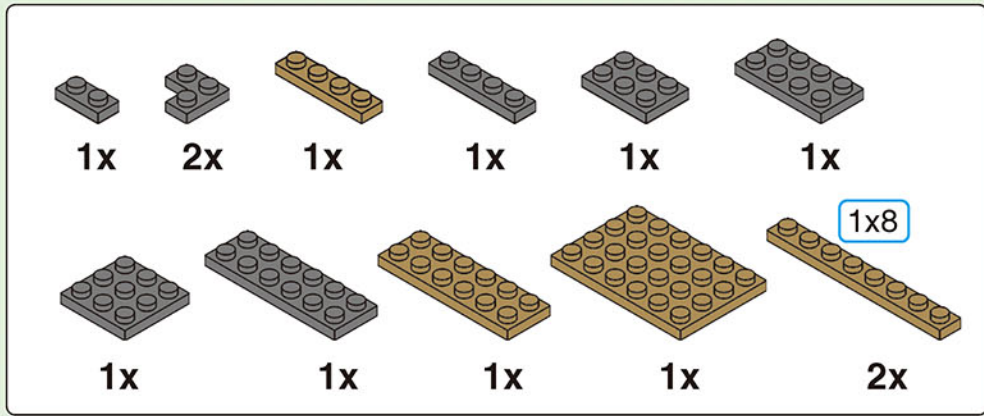


4-17

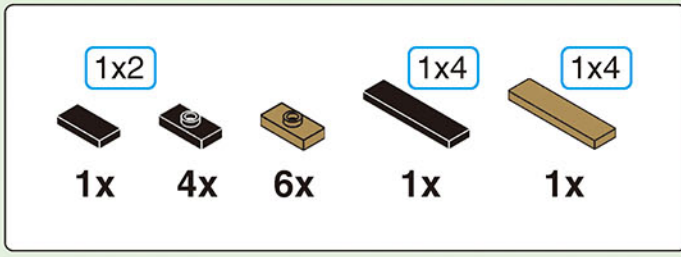
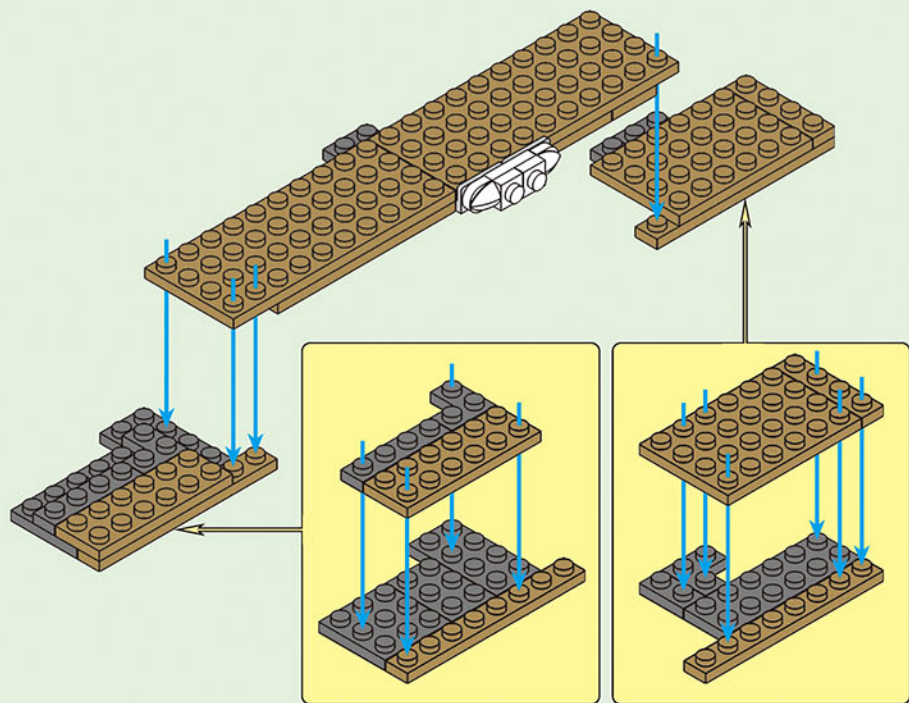


4-18

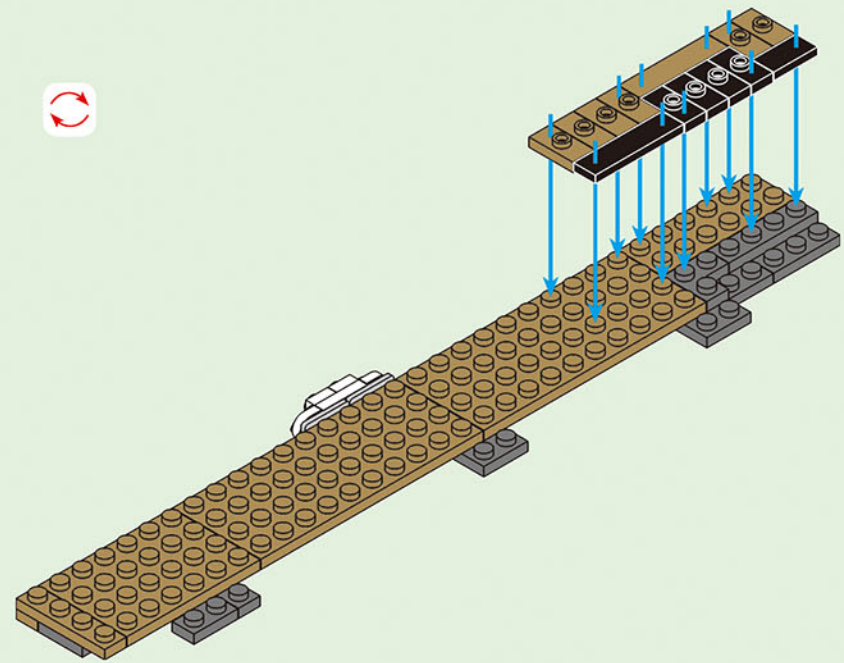


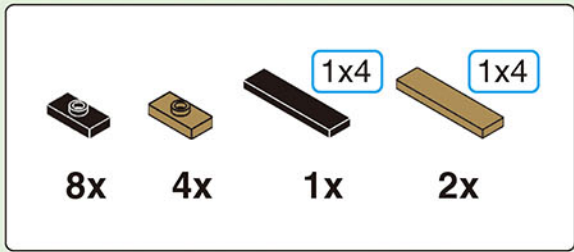


# 4-19

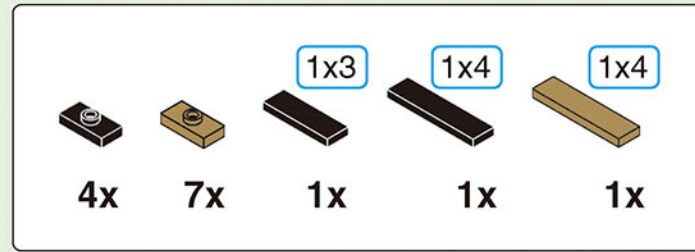
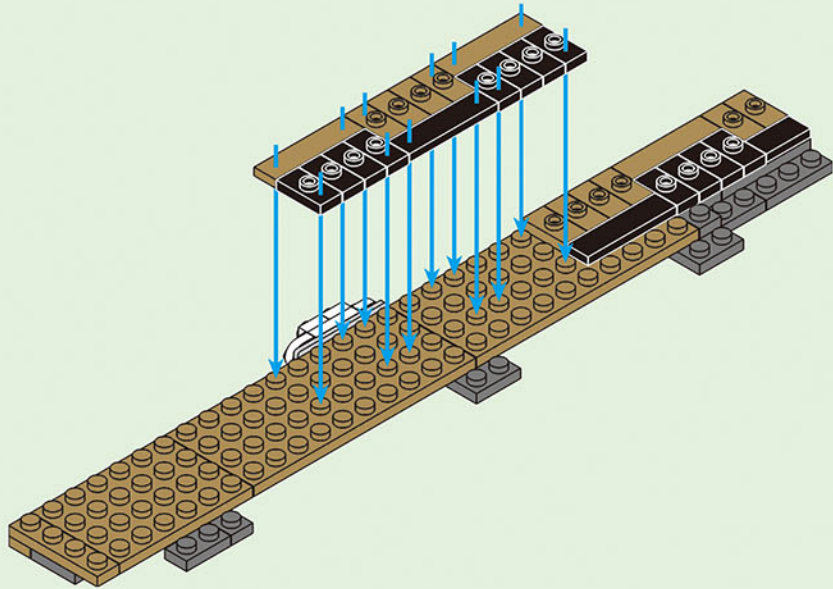


# 4-20

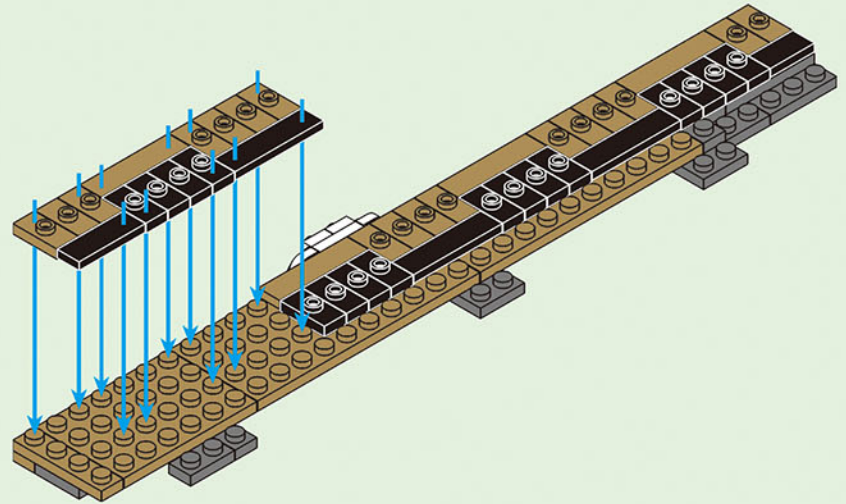


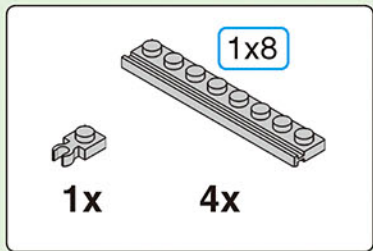


4-21

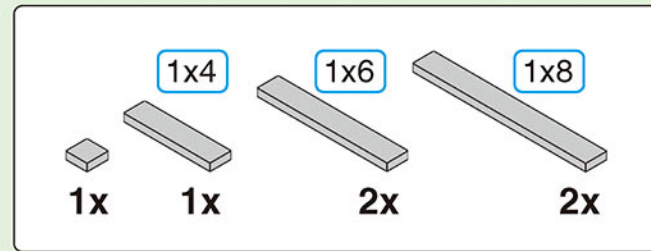
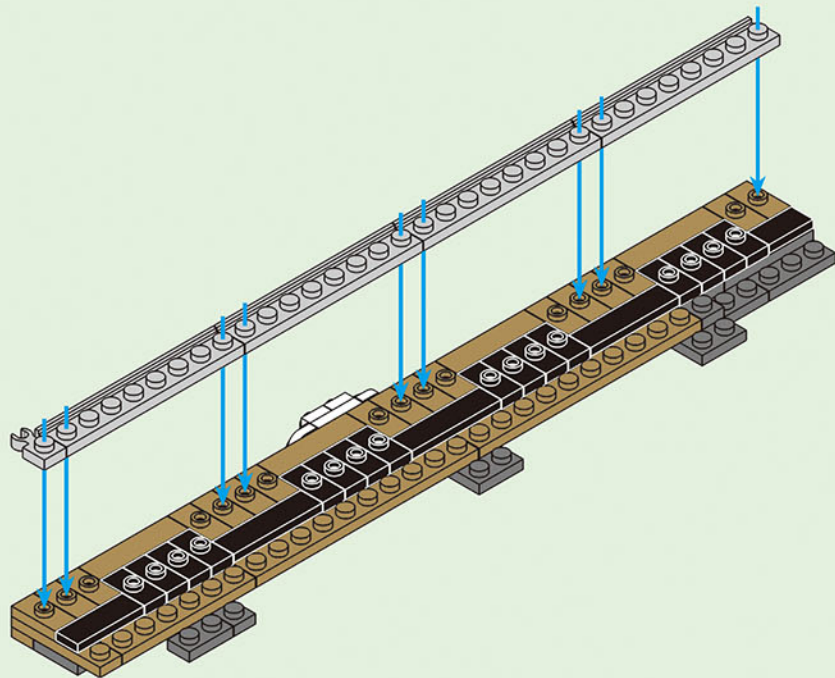


4-22

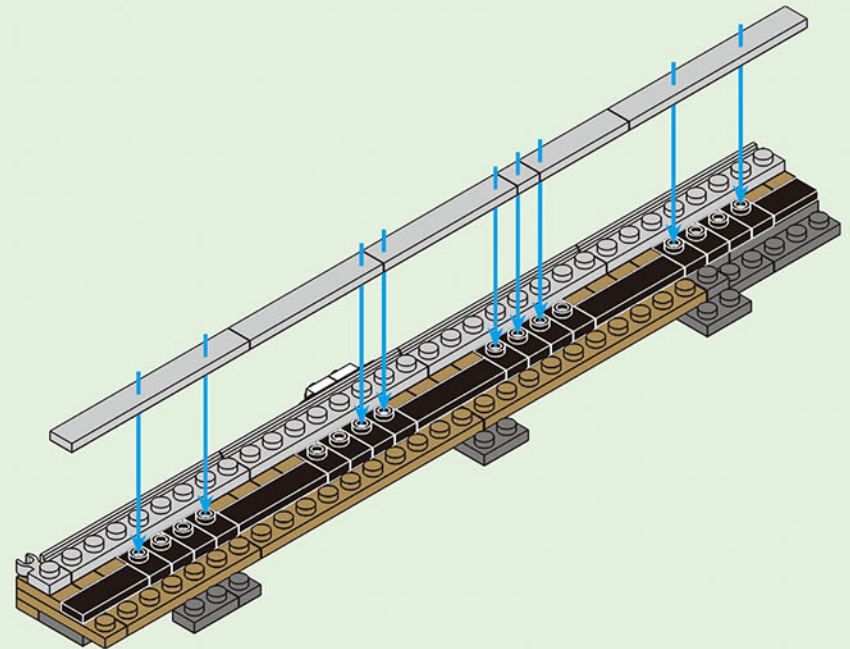


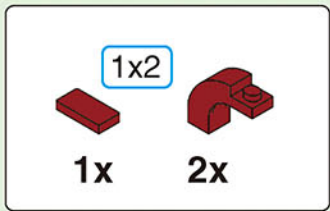


4-23

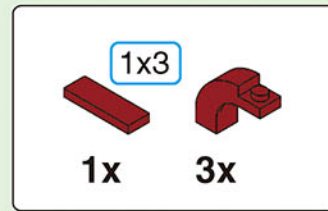
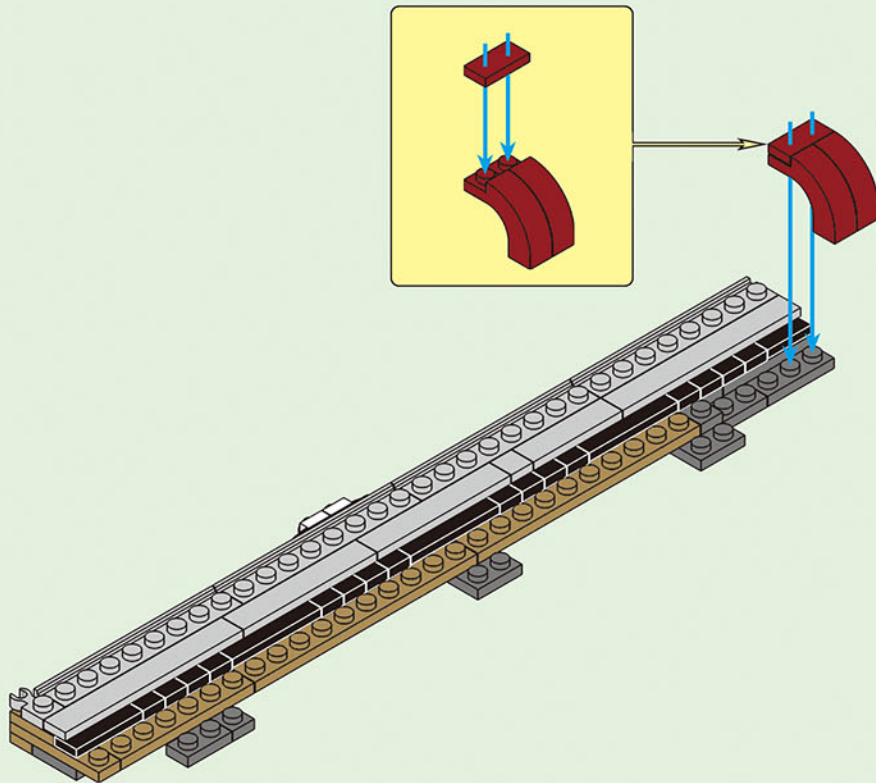


4-24

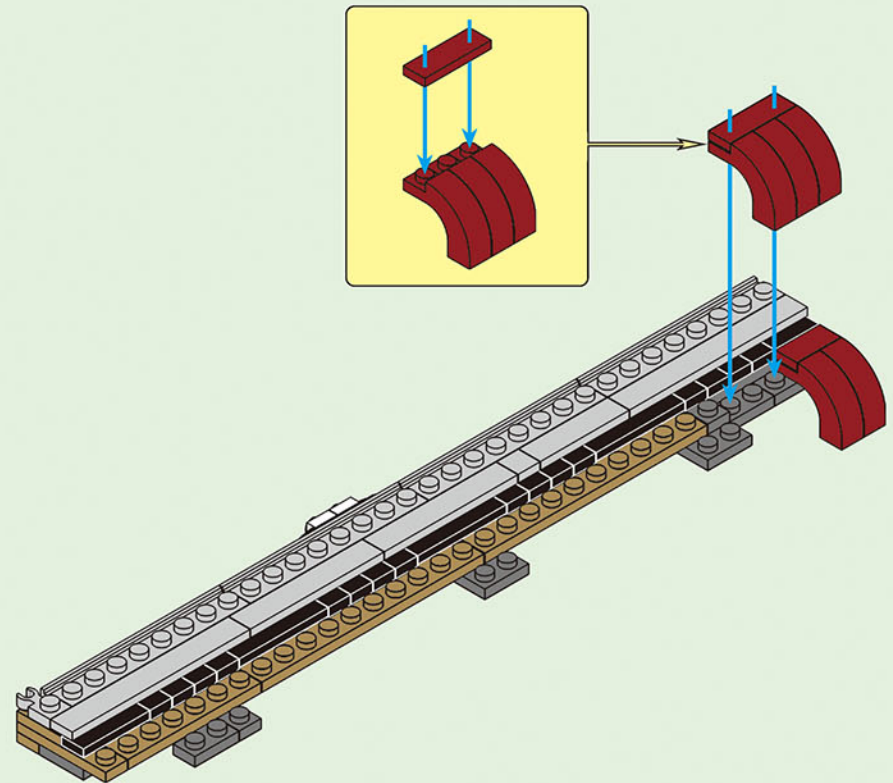


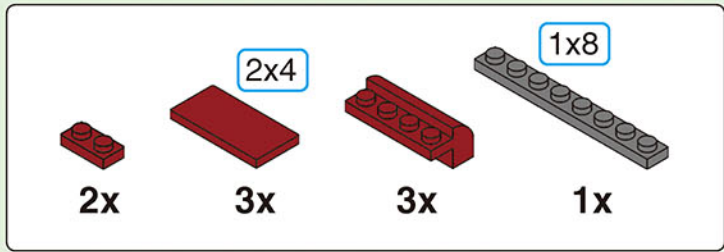


4-25

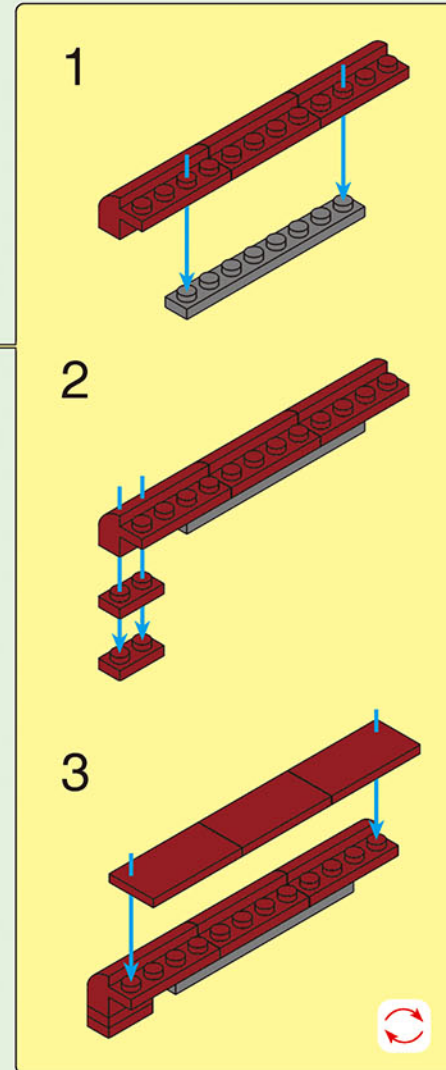
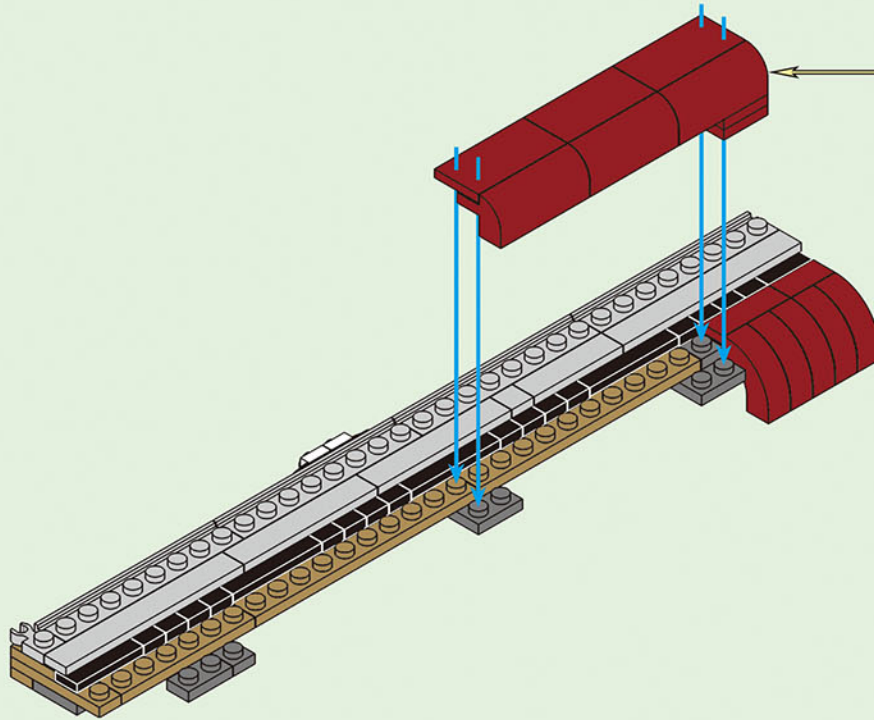


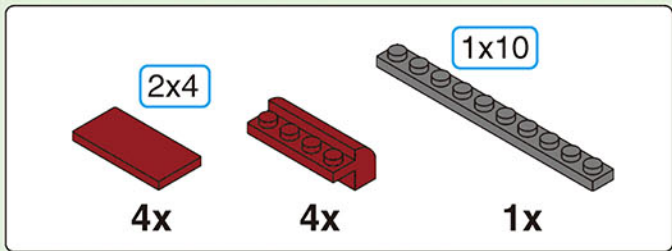
4-26



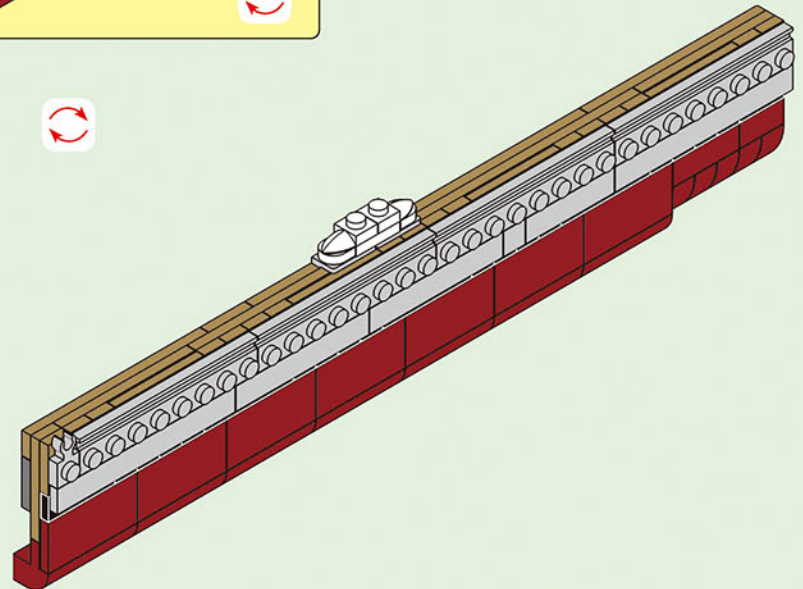
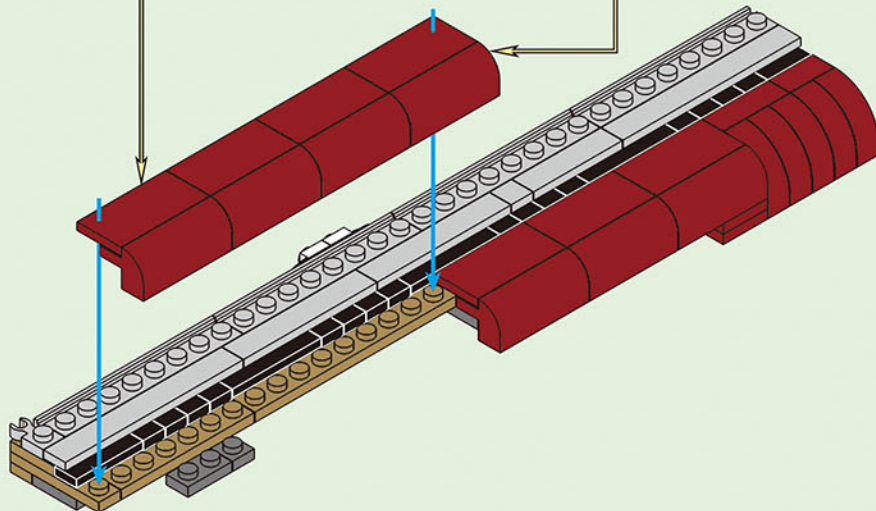
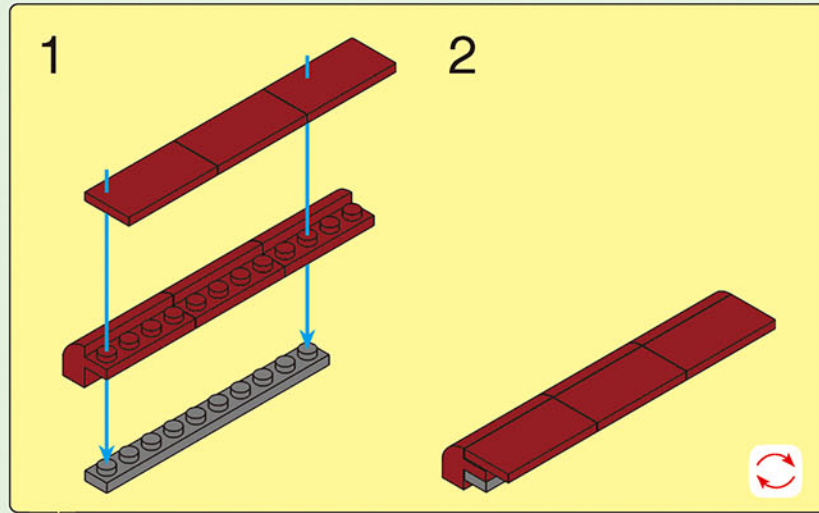
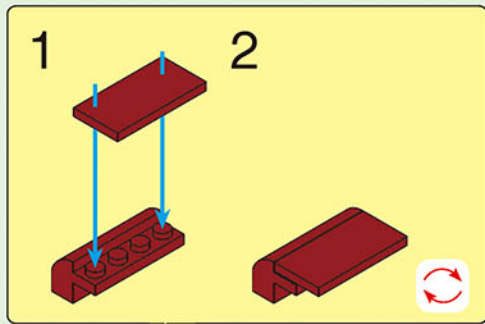


4-27

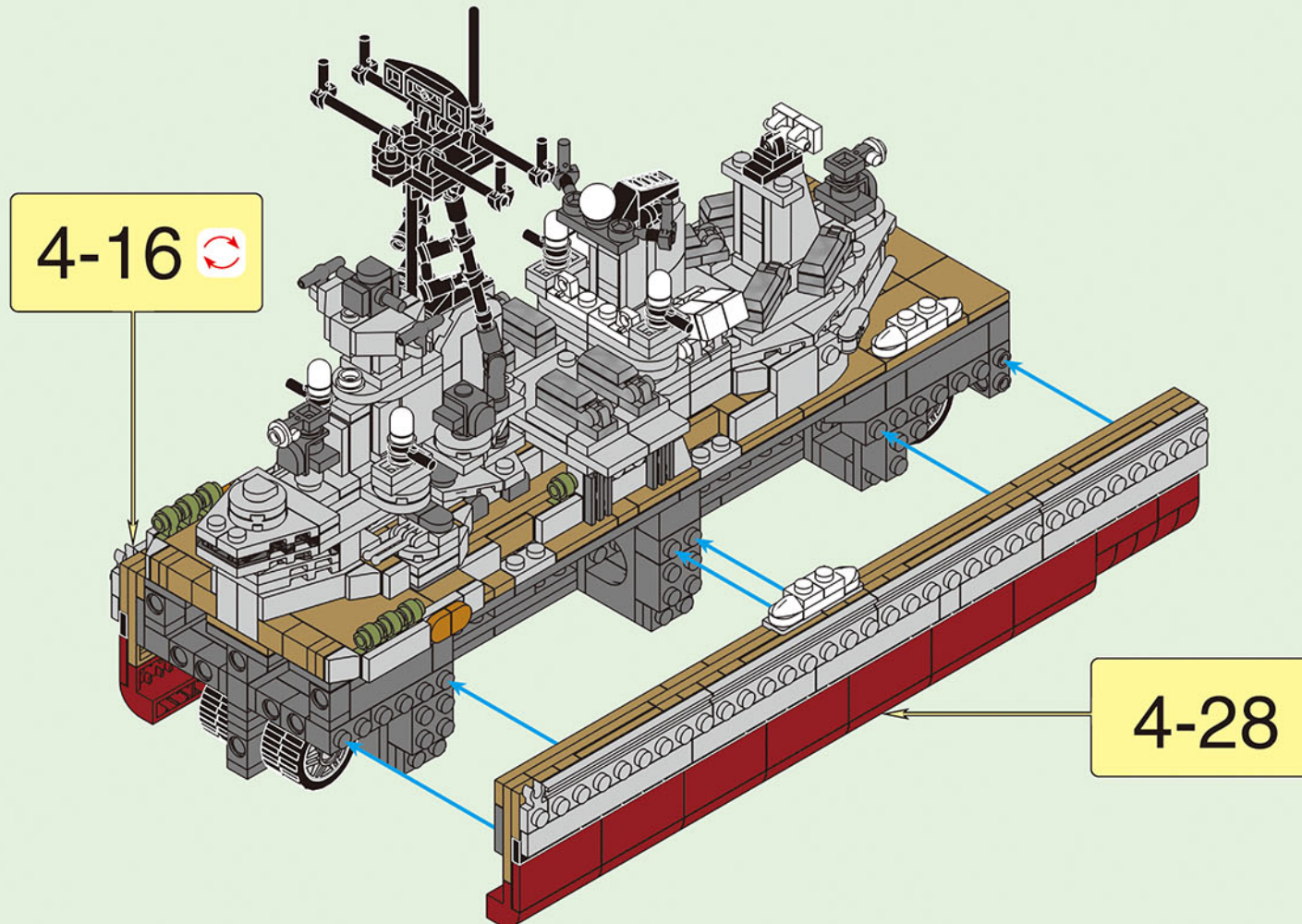


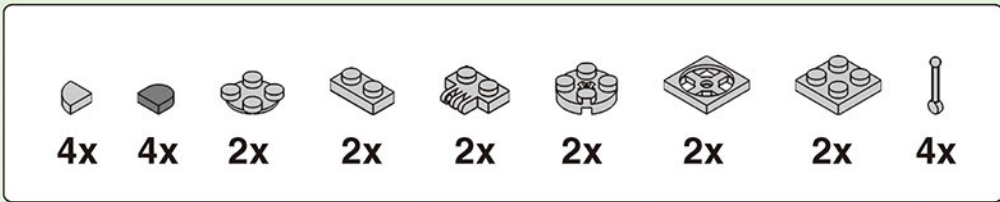


# 4-28

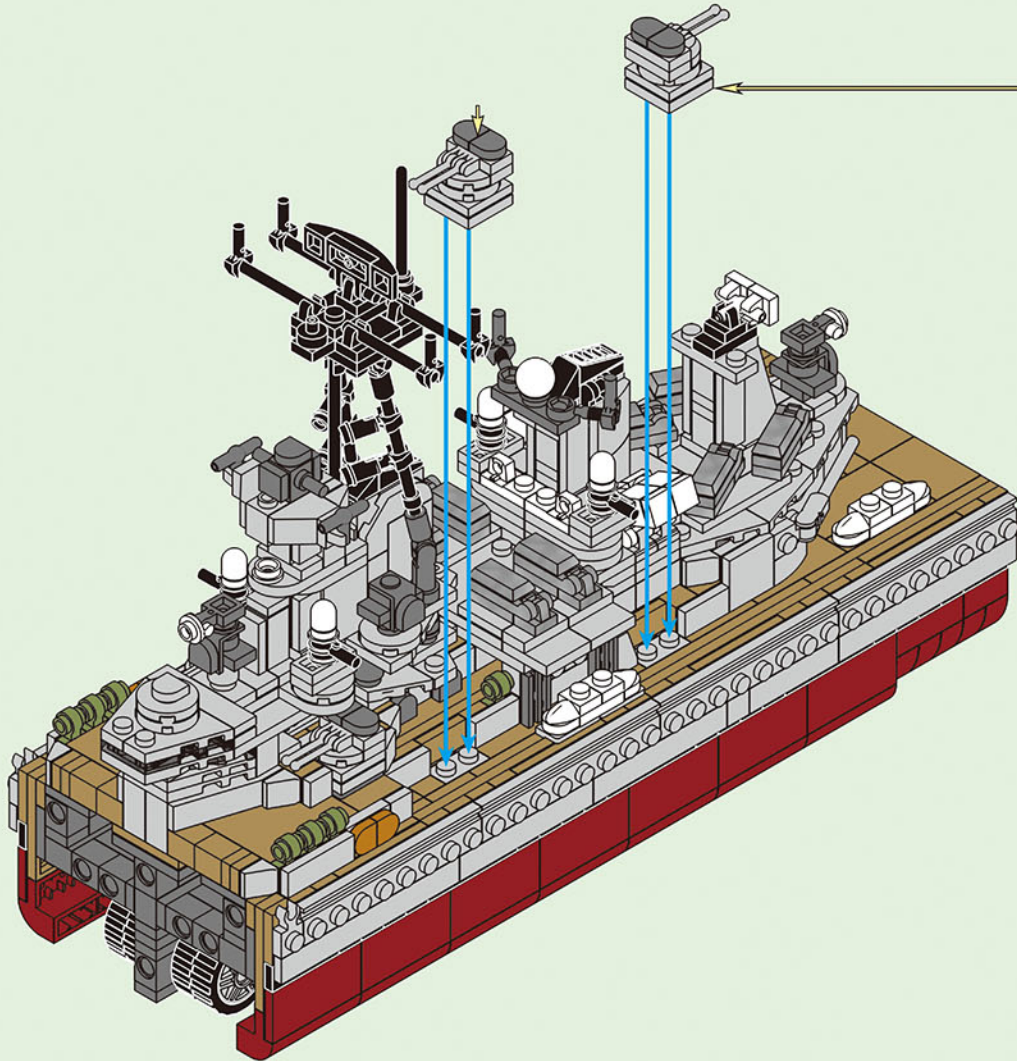


4-29





# 4-30
















1 2

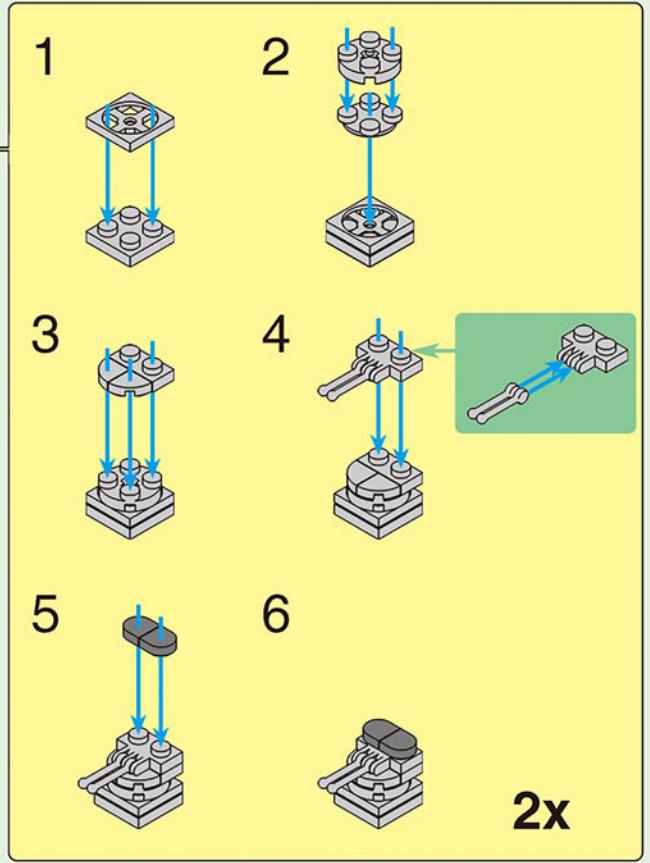
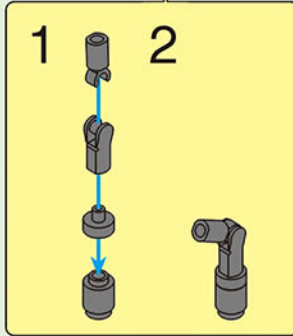
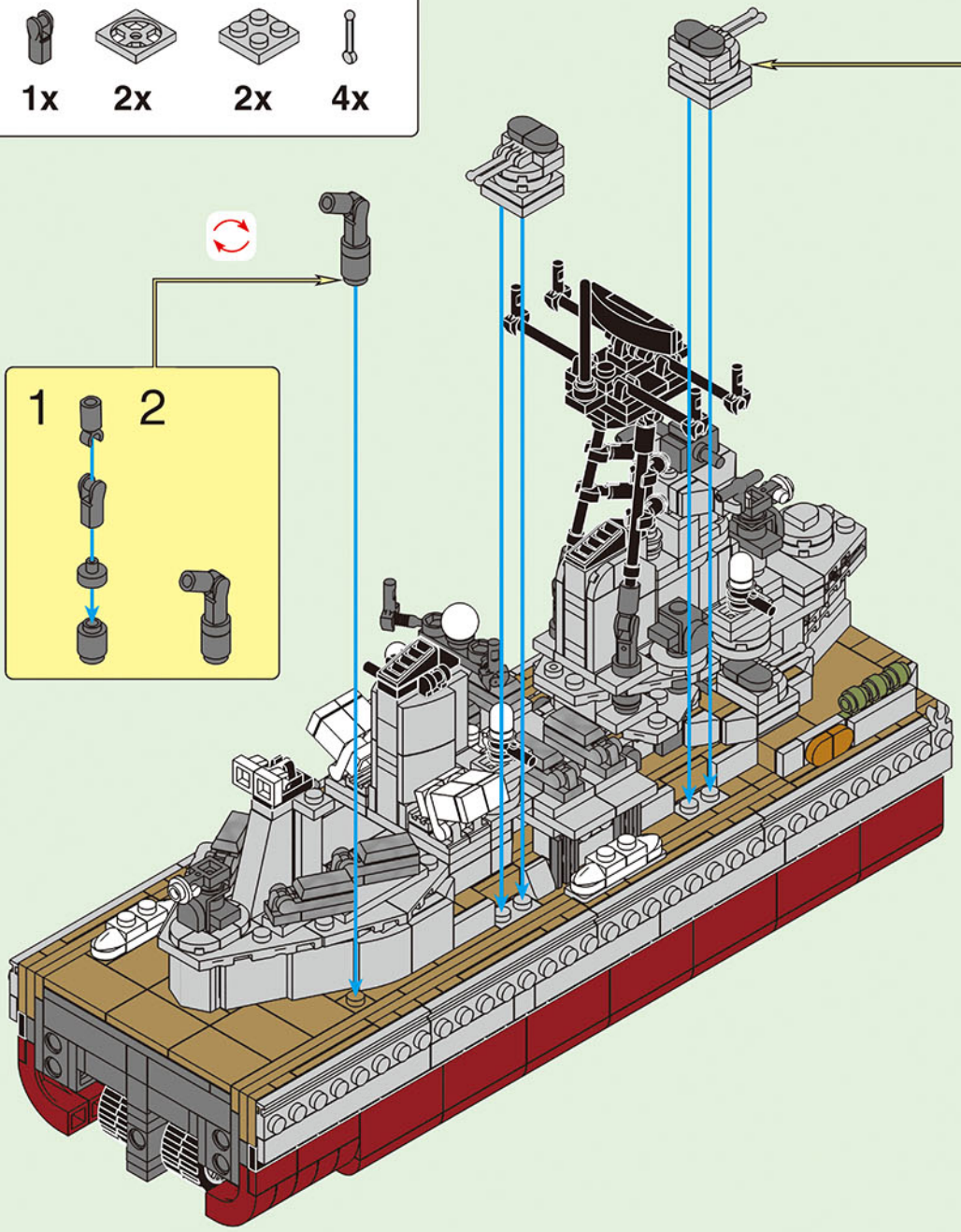
3 4

5 6

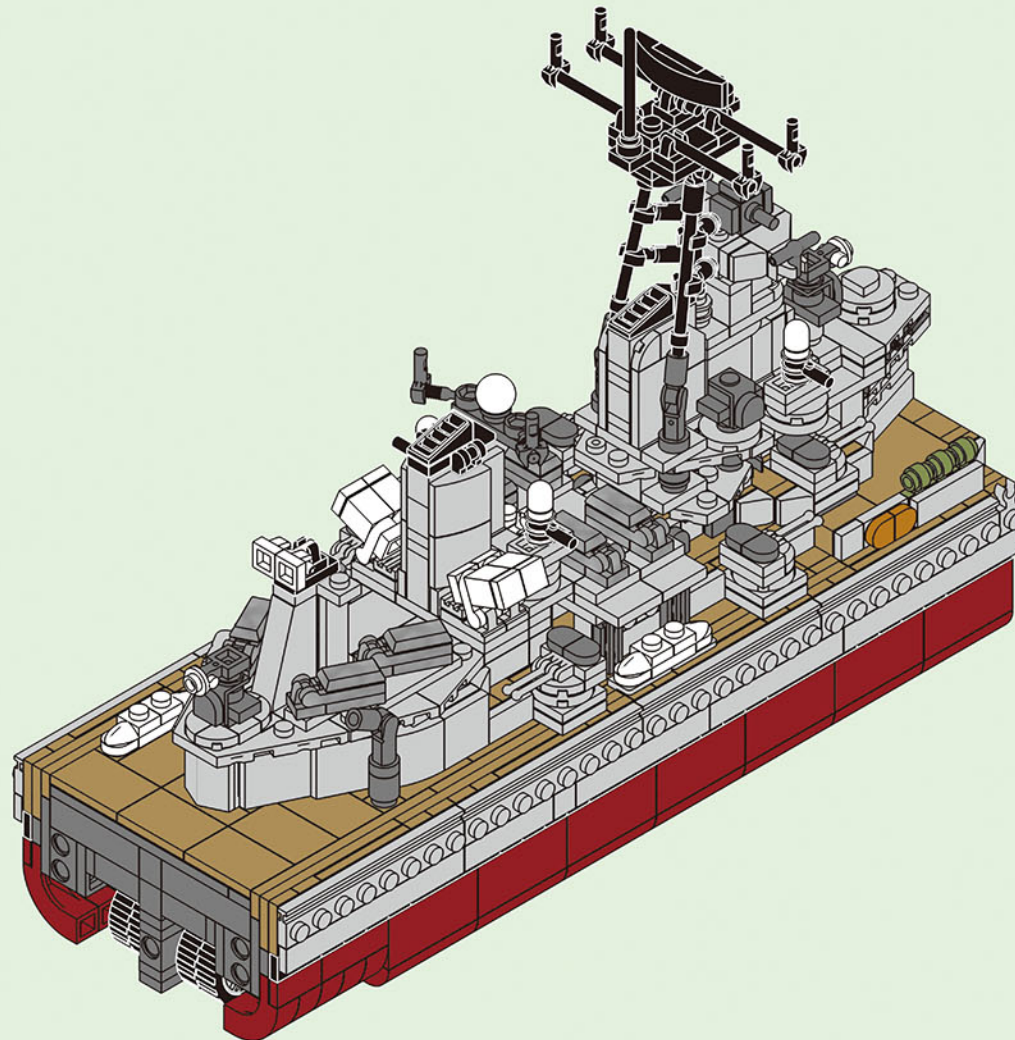
2x

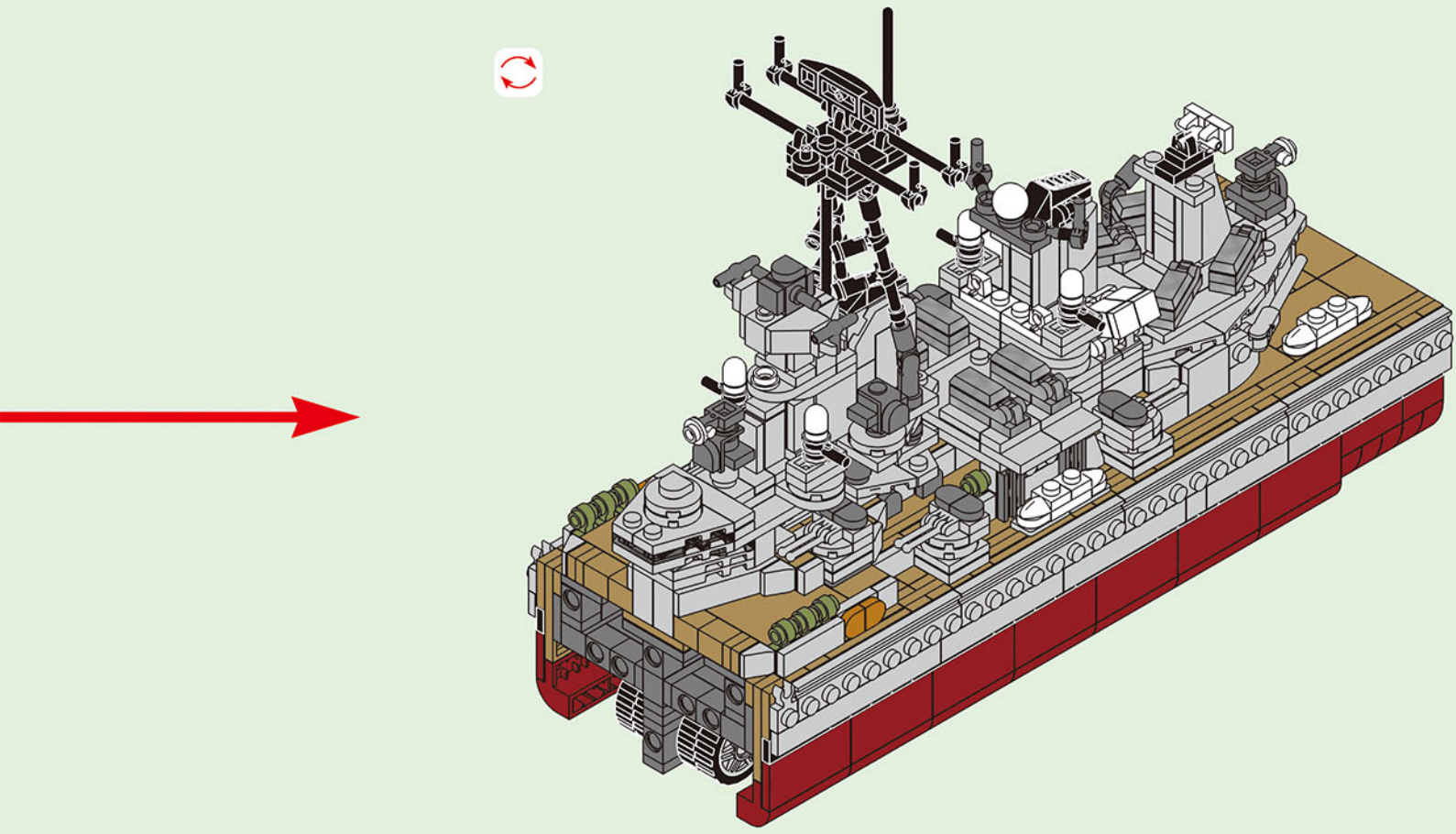
- 






- 4x**   **4x**   **1x**   **2x**   **2x**   **1x**   **2x**
- 





- 1x**   **2x**   **1x**   **2x**   **2x**   **4x**

# 4-31



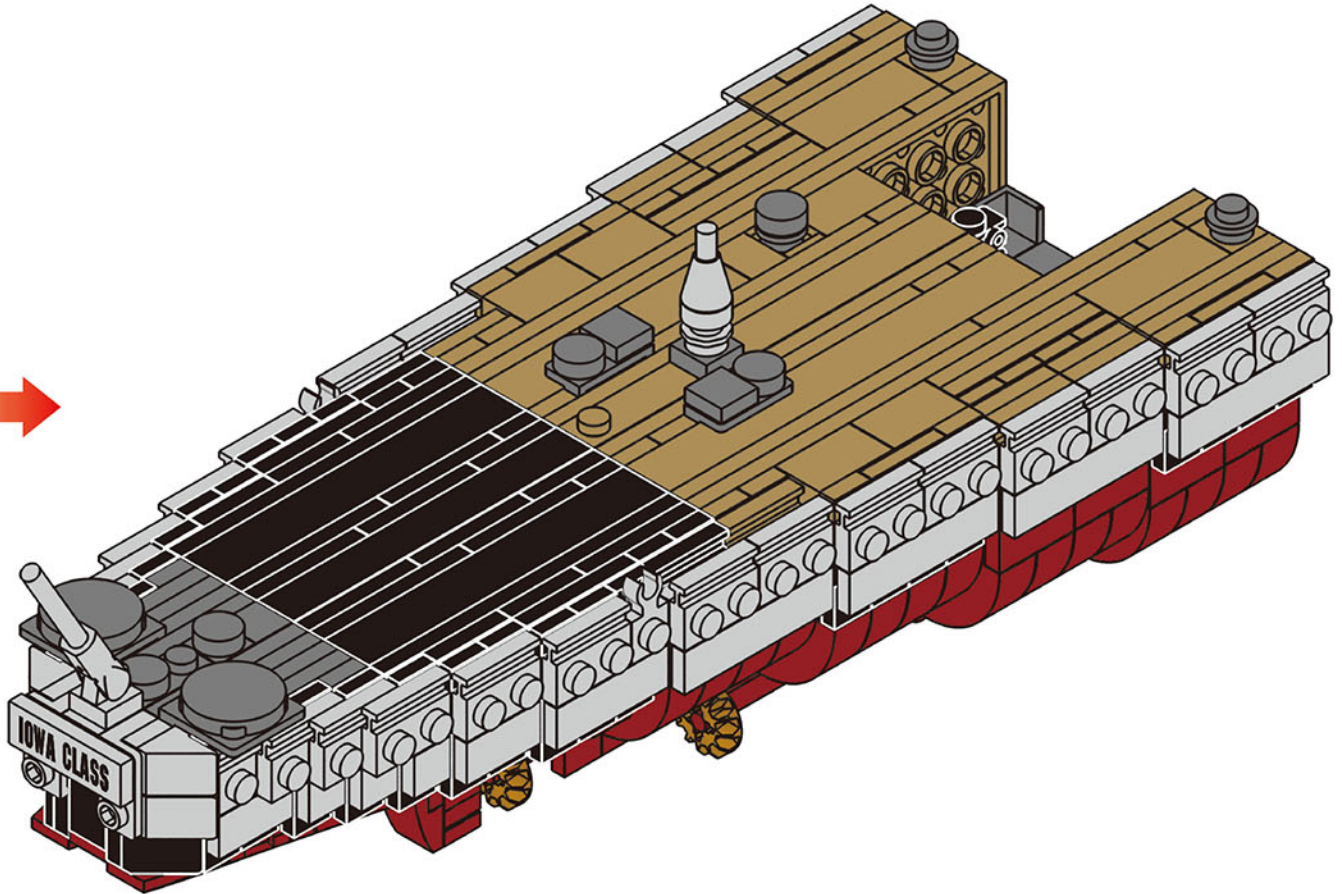
4-32

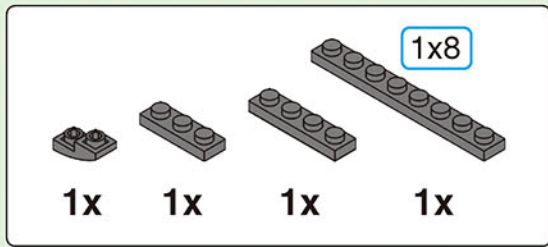




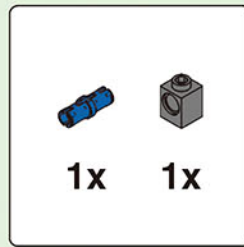
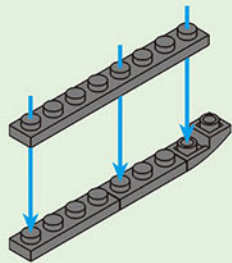


**x8**

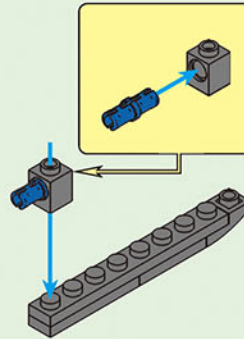




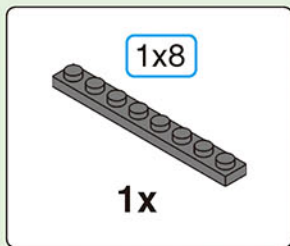
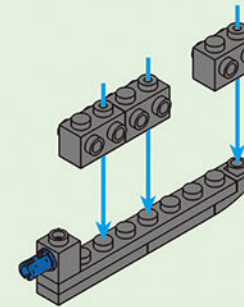
5-1



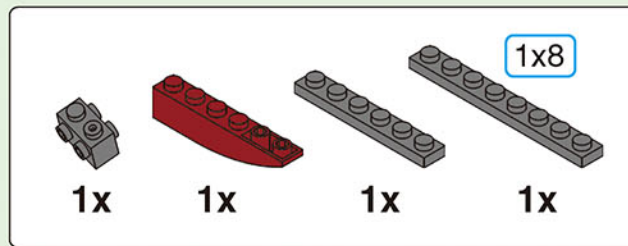
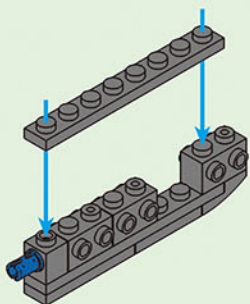
5-2



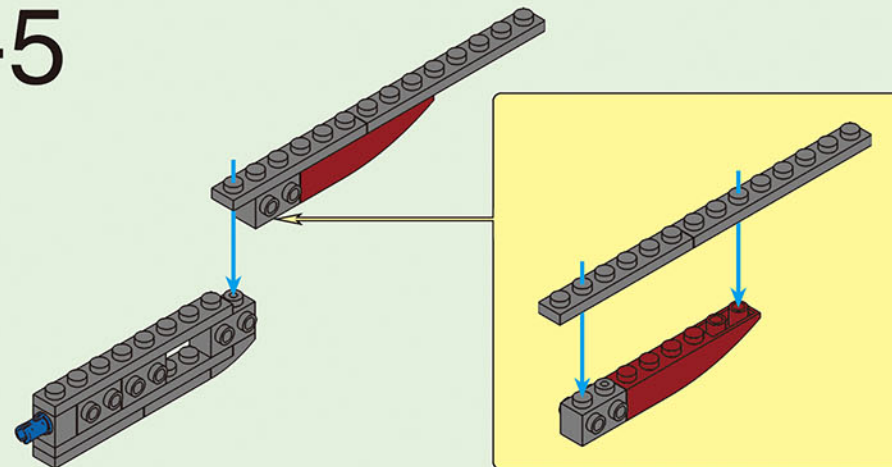
5-3

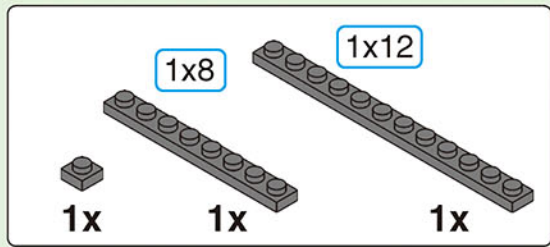


5-4

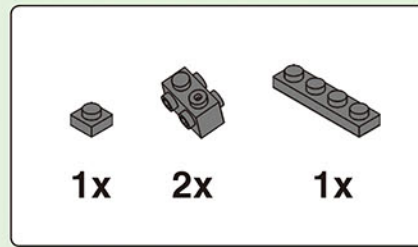
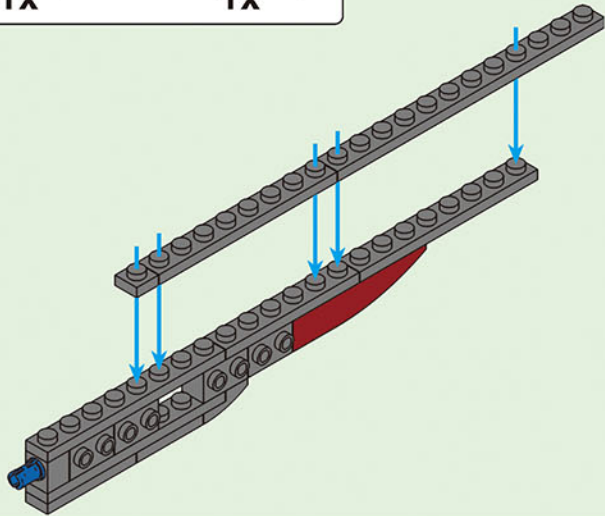


5-5

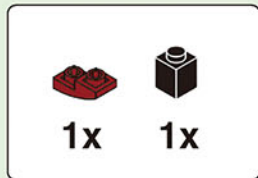
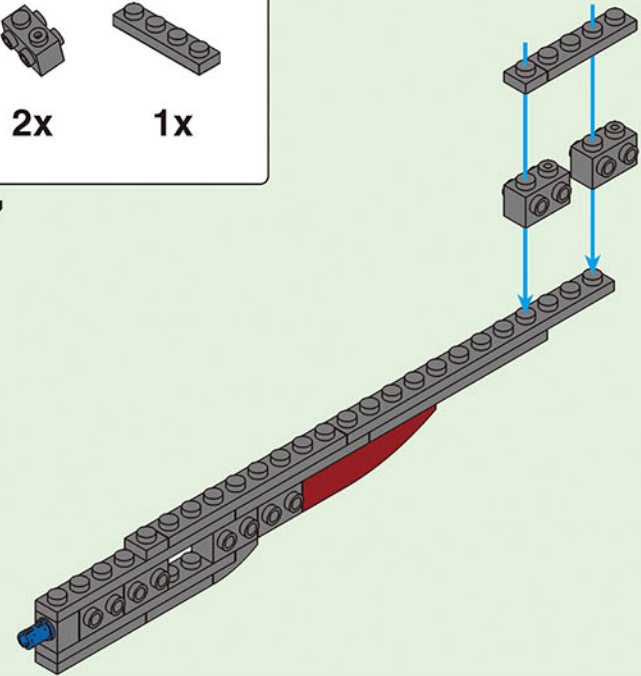




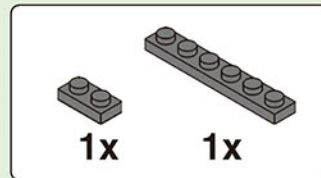
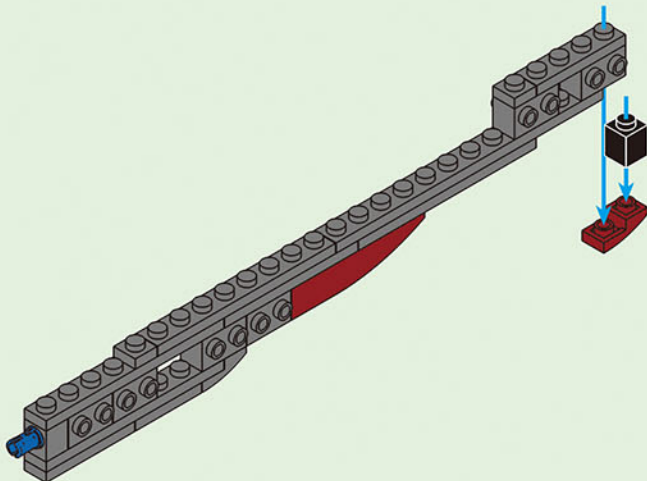
5-6



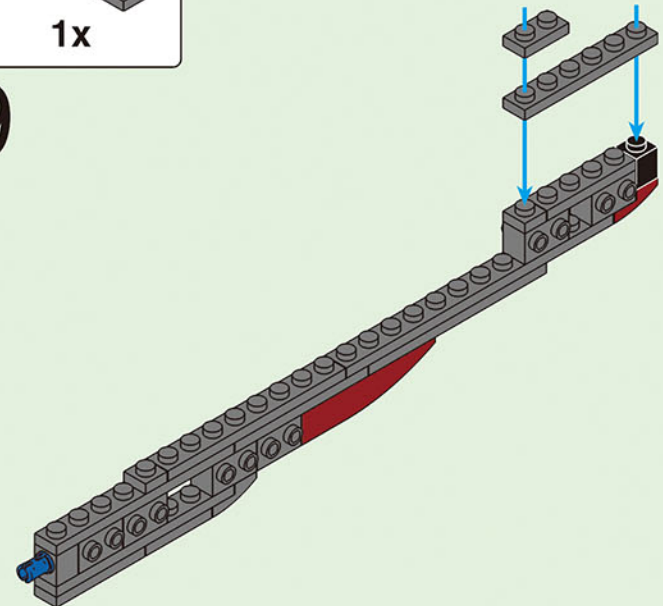
5-7

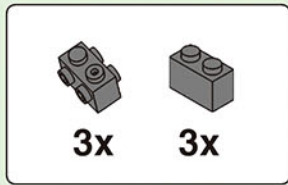


5-8

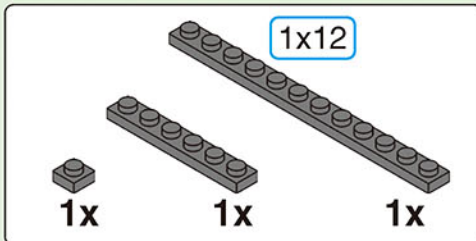
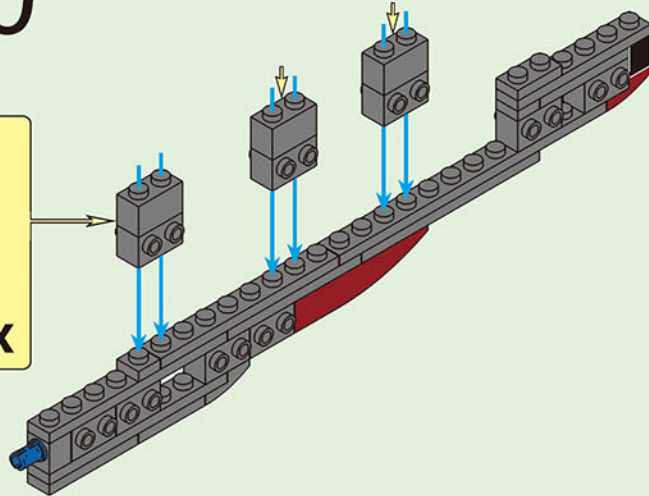
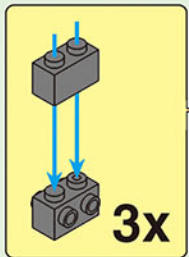


5-9

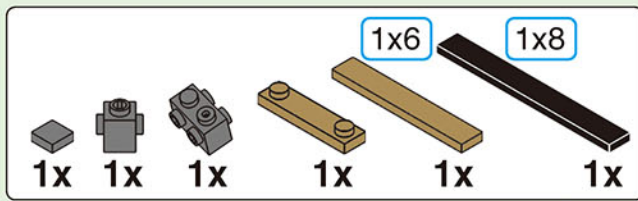
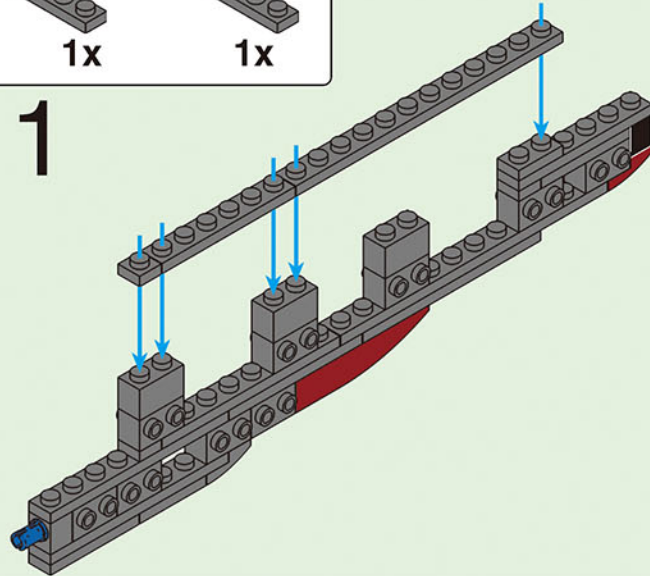




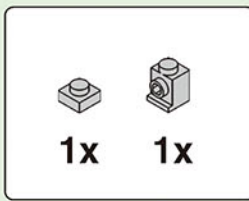
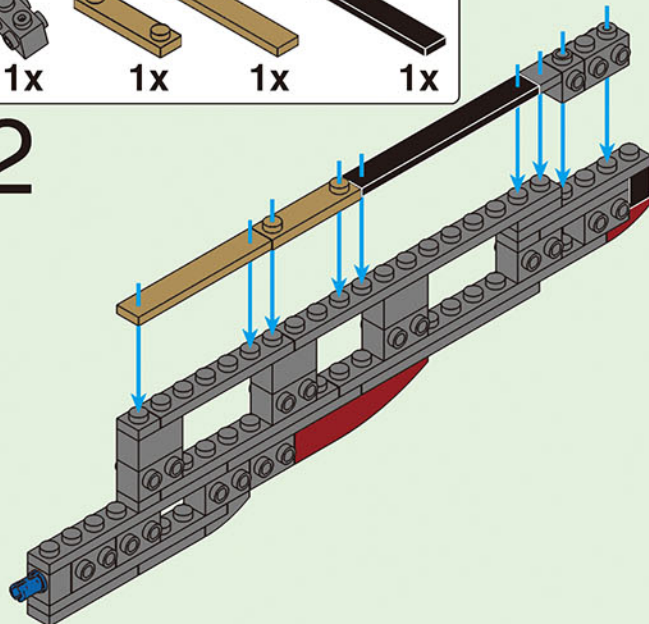
5-10



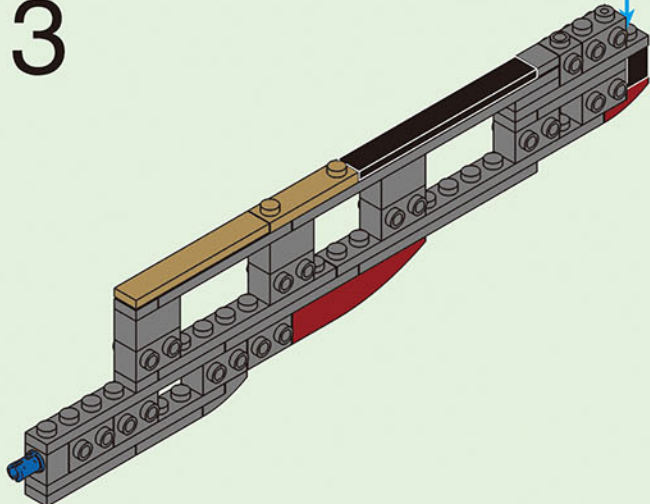
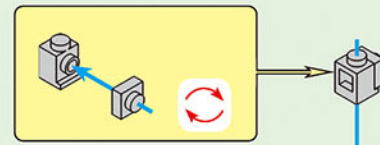
5-11

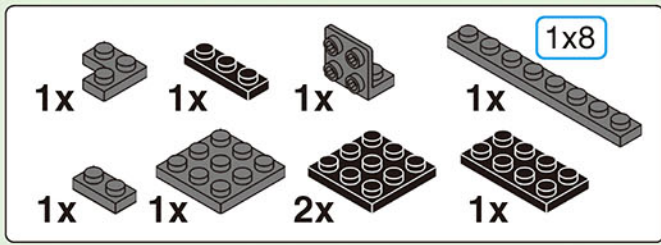


5-12

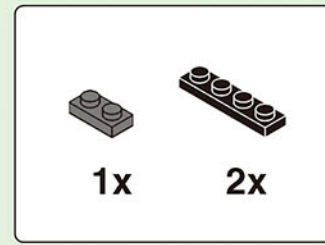
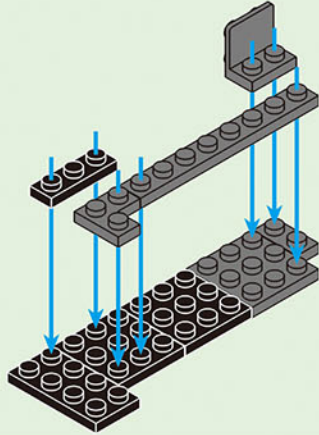


5-13

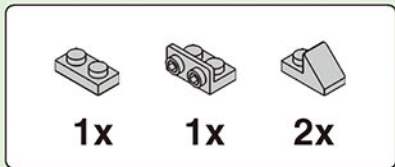
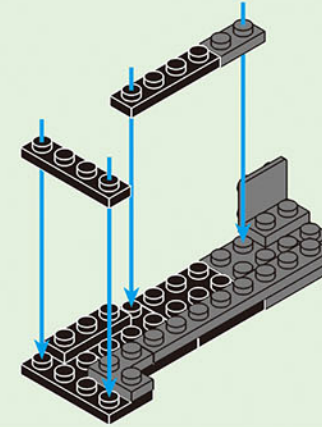




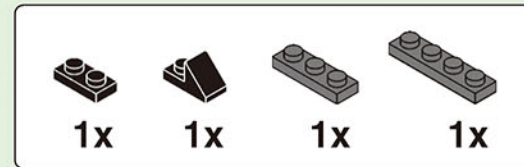
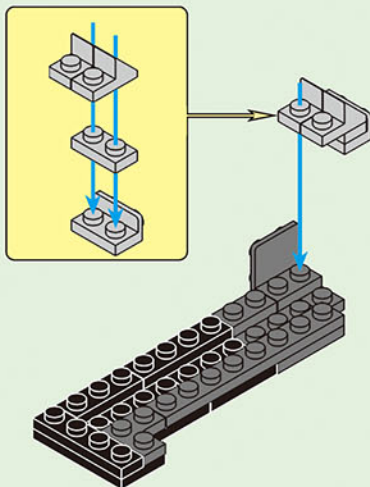
5-14



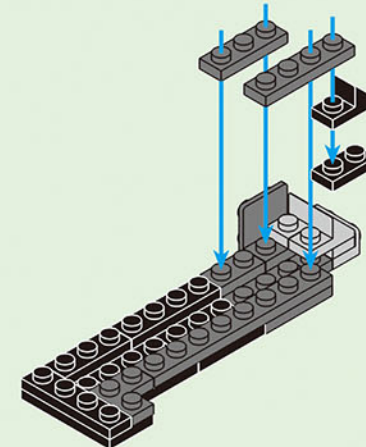
5-15

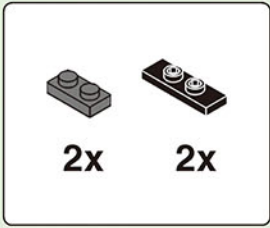


5-16

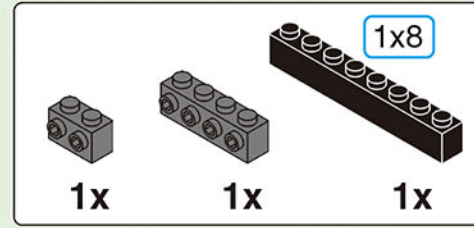
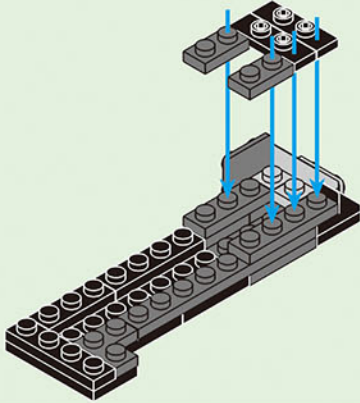


5-17

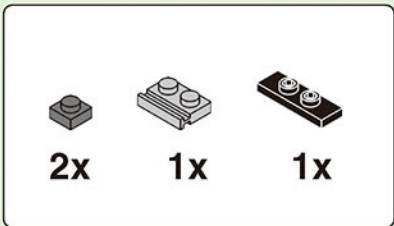
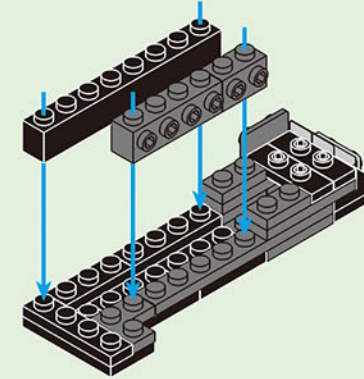




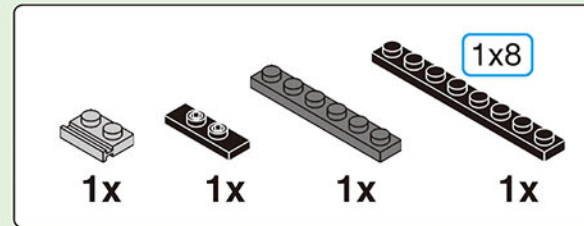
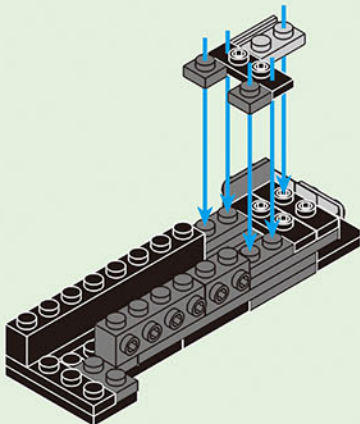
5-18



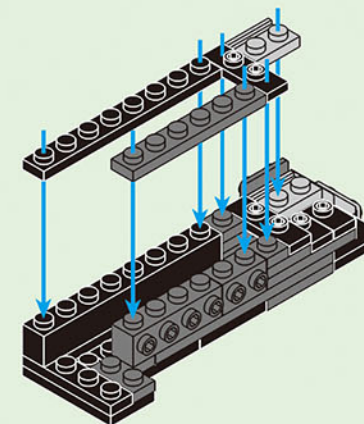
5-19

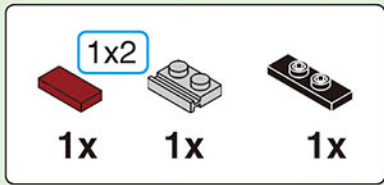


5-20

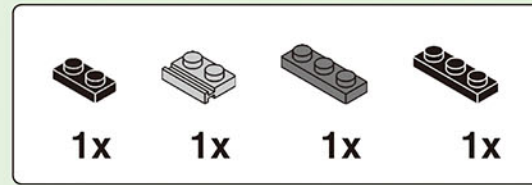
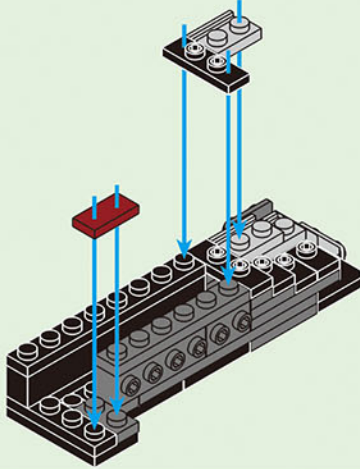


5-21

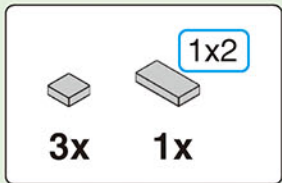
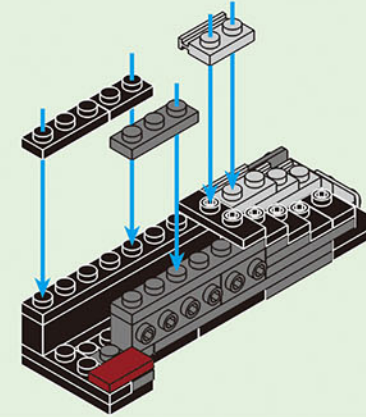




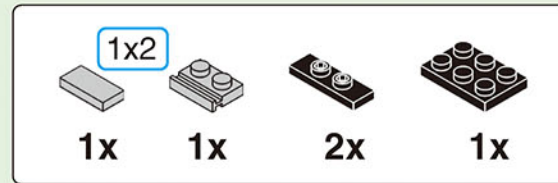
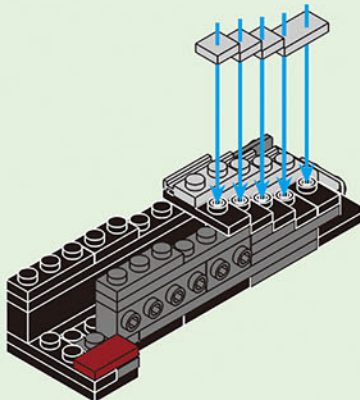
5-22



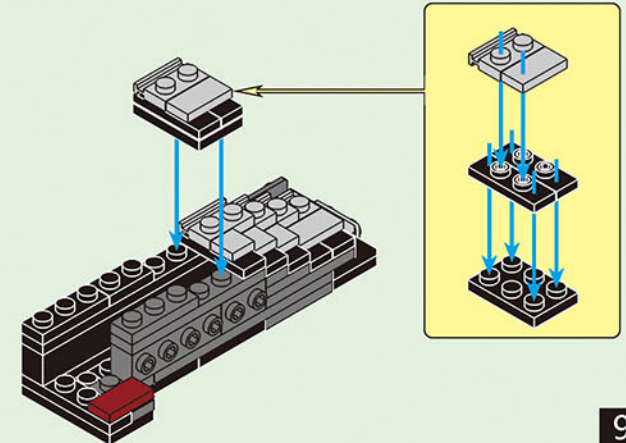
5-23

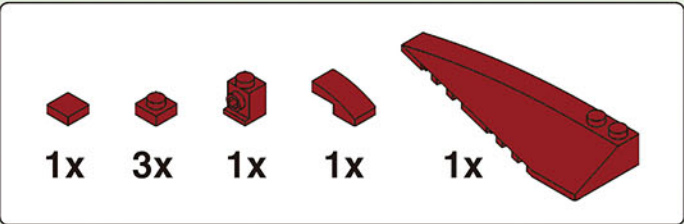


5-24

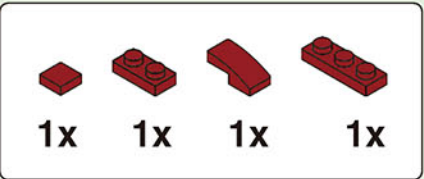
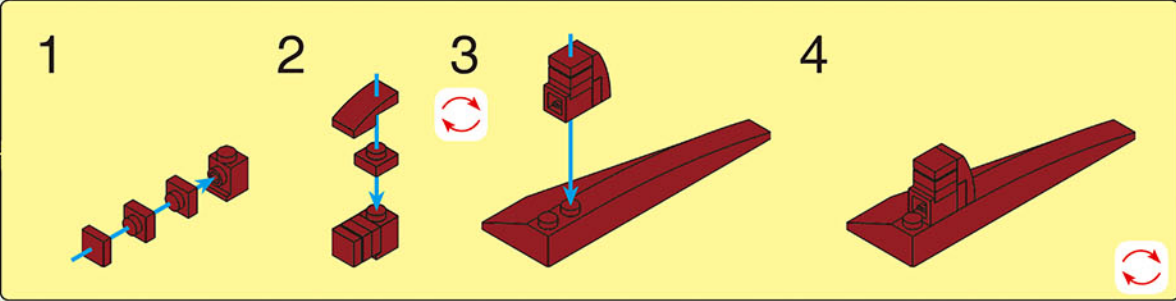
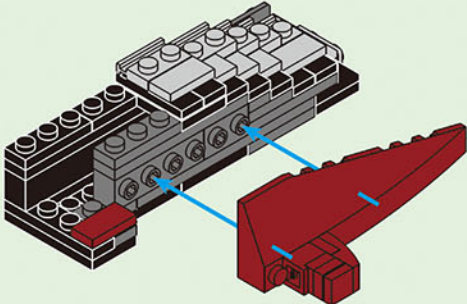


5-25

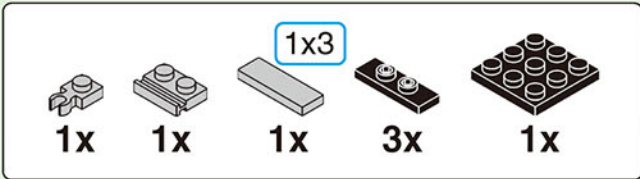
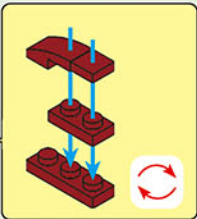
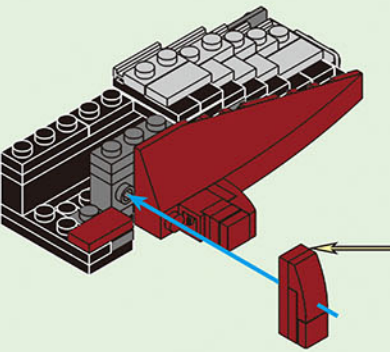




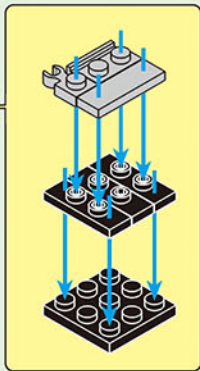
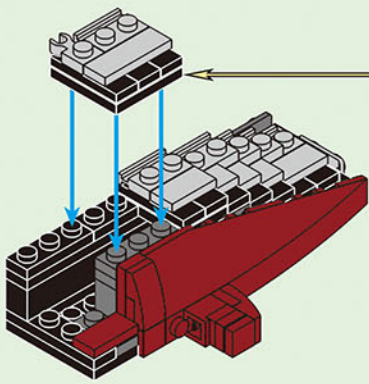
# 5-26



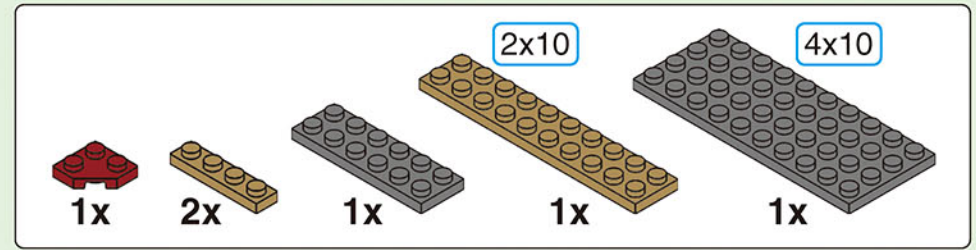
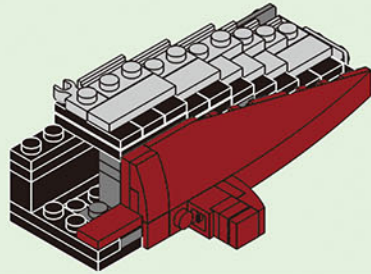
# 5-27



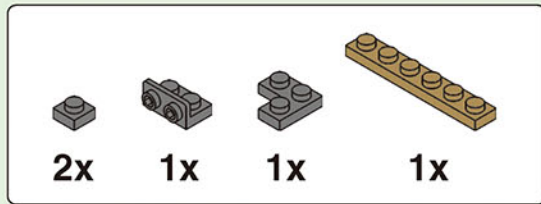
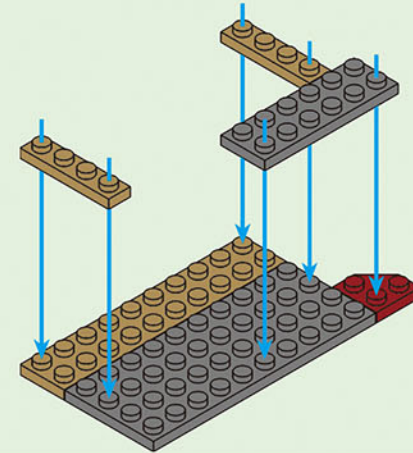
# 5-28



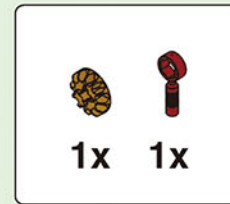
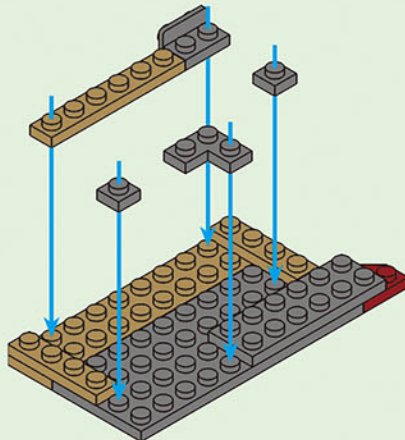
# 5-29



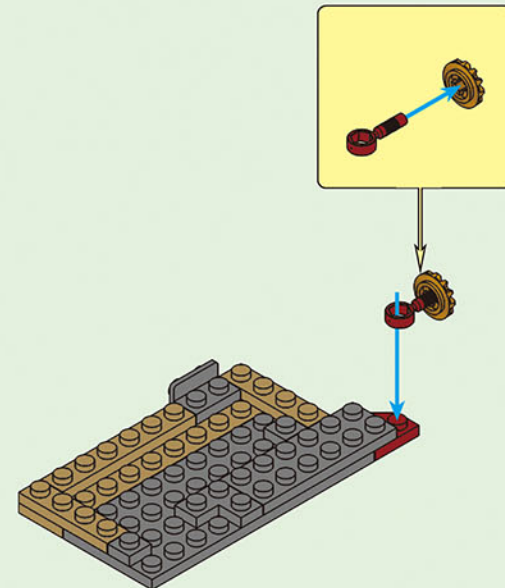
# 5-30

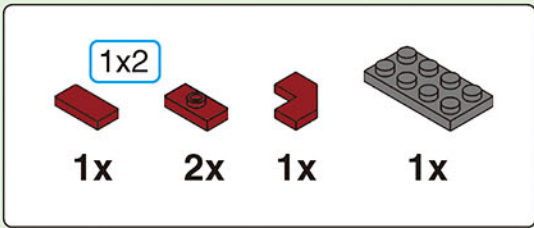


# 5-31

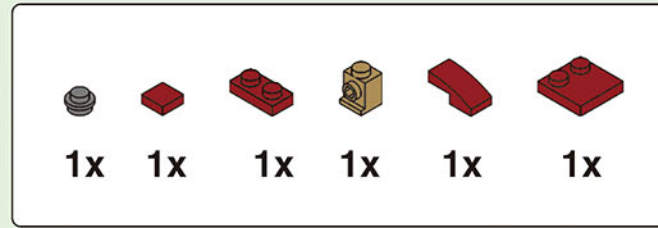
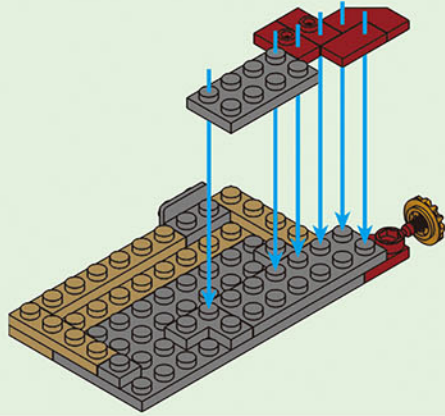


# 5-32

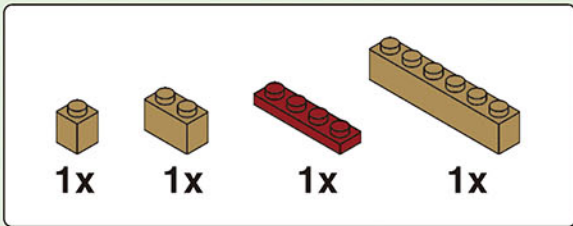
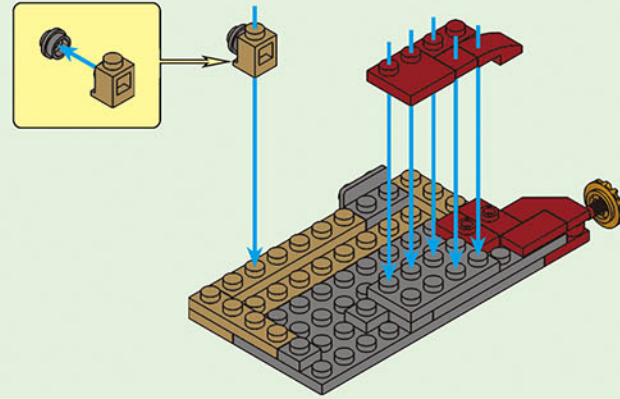




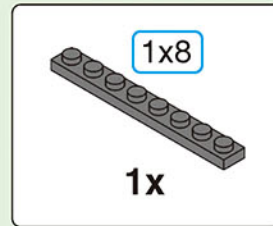
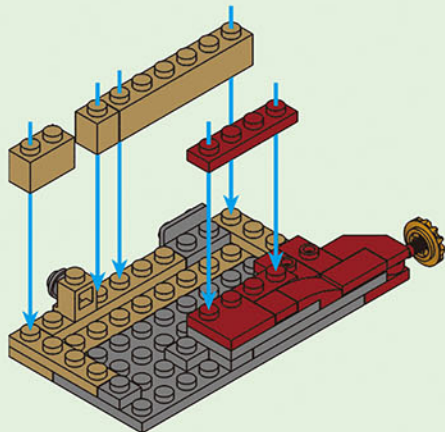
5-33



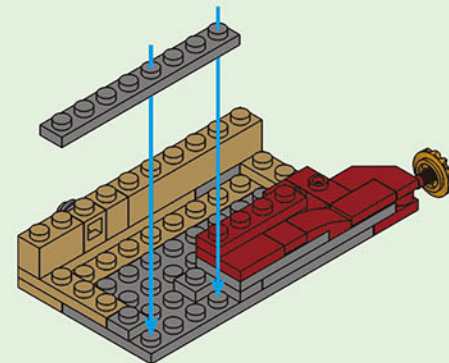
5-34

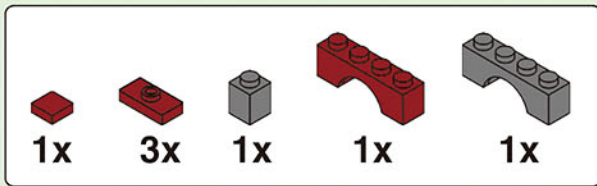


5-35

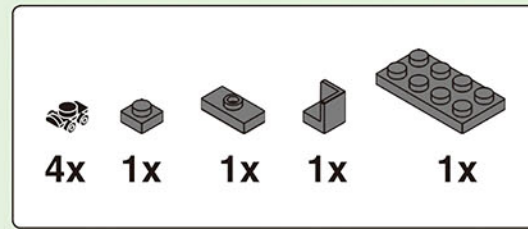
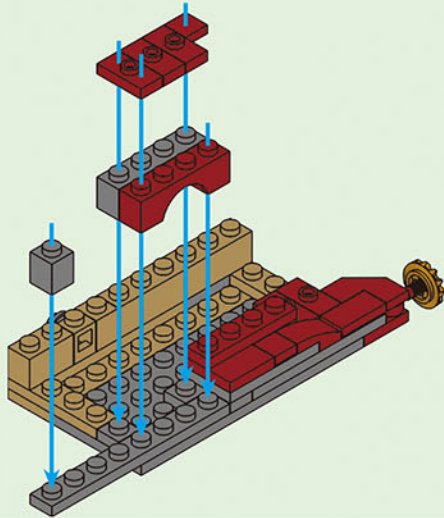


5-36

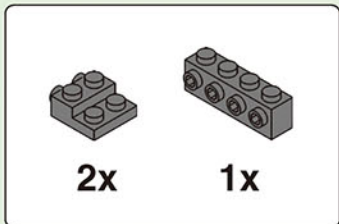
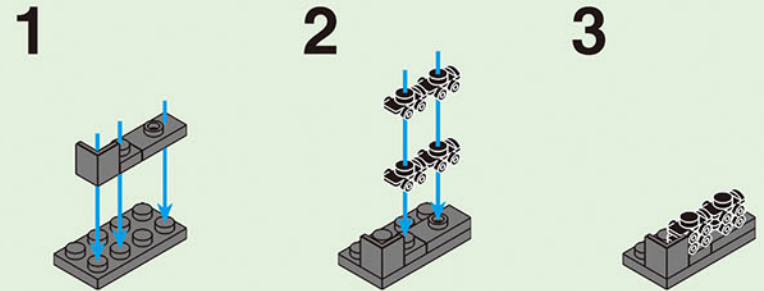




5-37

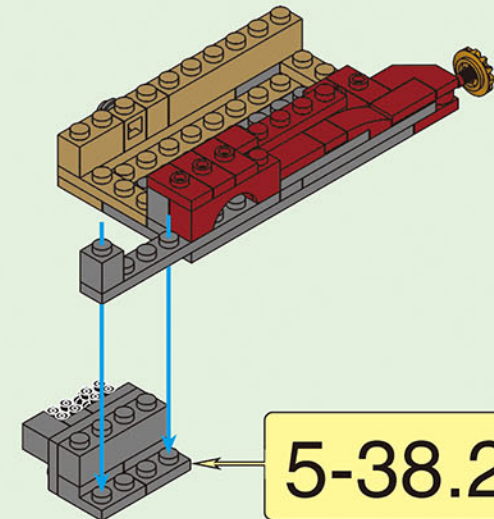
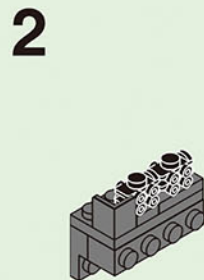
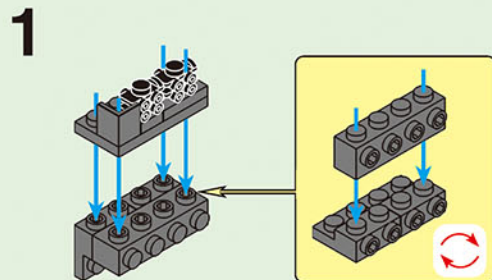


5-38.1

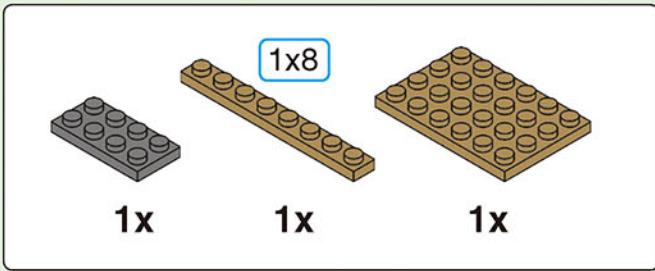


5-38.2

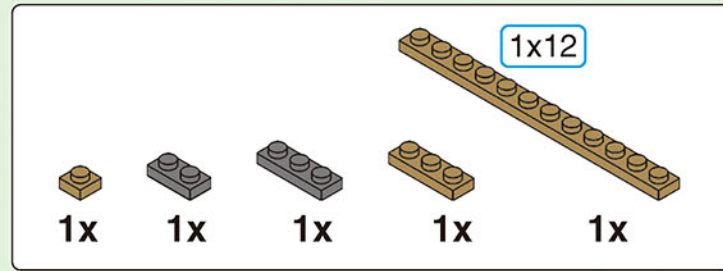
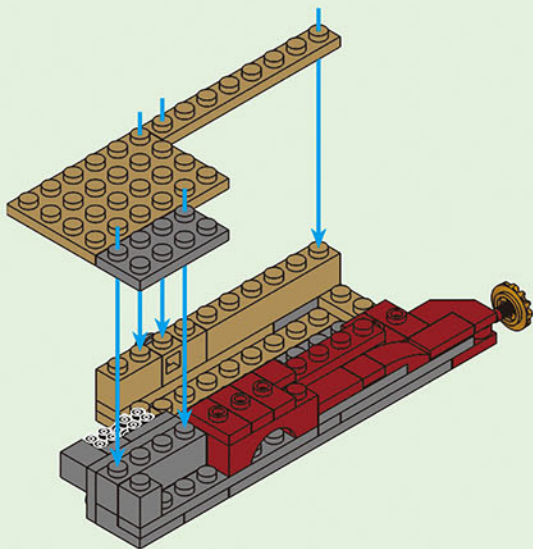
5-38



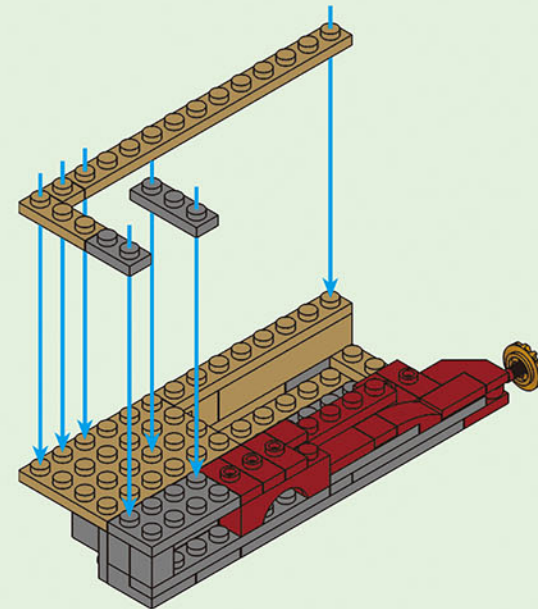
5-38.2



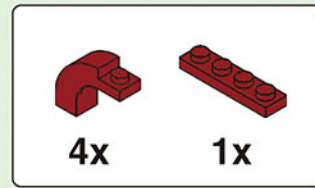
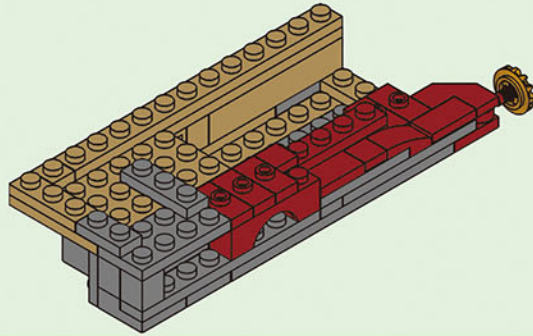
5-39



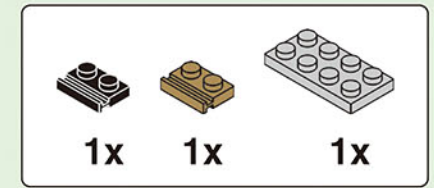
5-40



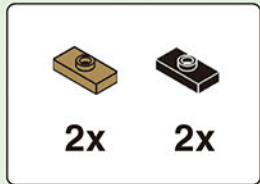
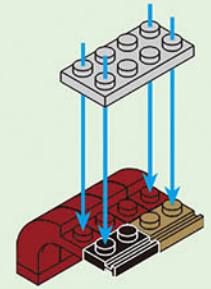
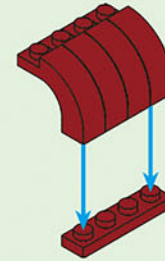
# 5-41



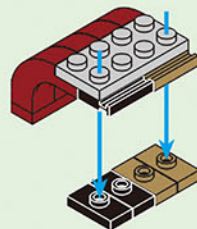
5-42.1



5-42.2



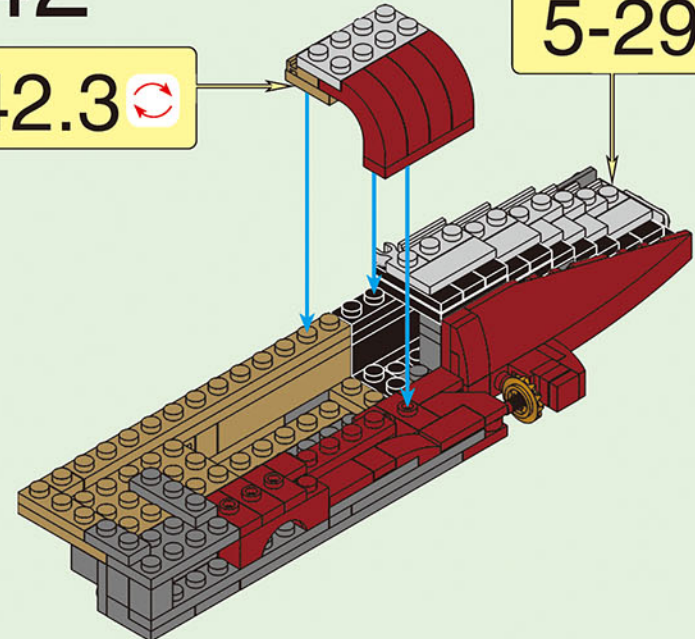
5-42.3

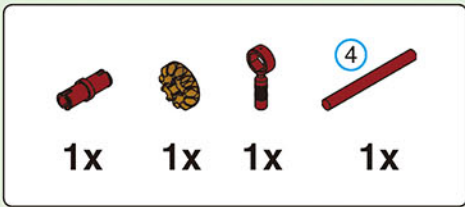


# 5-42

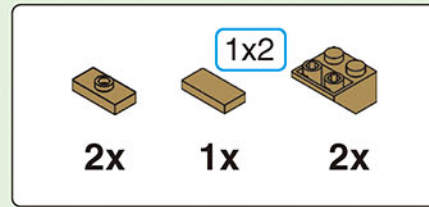
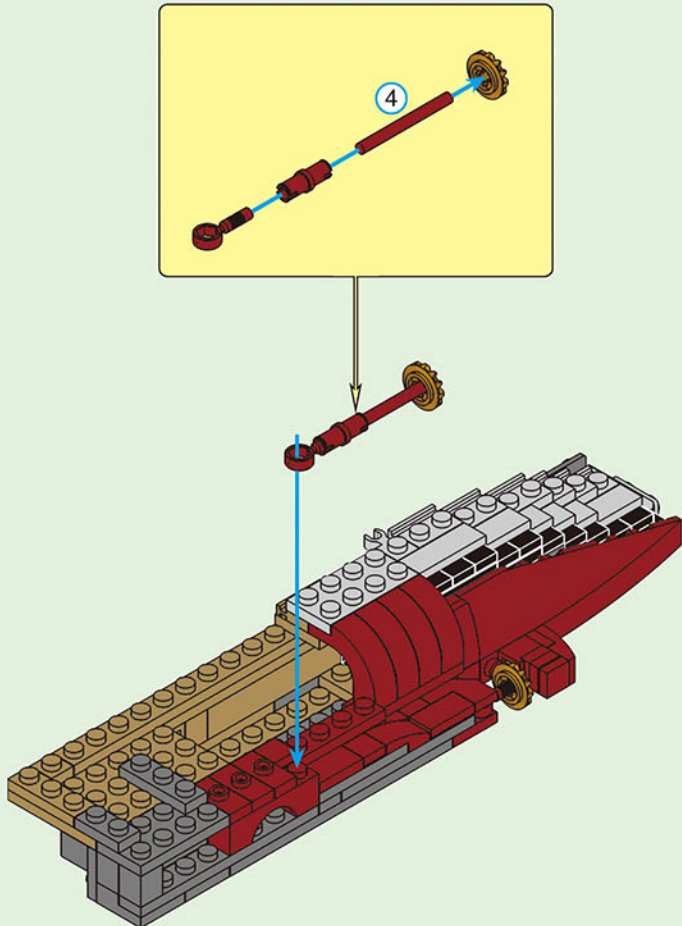
5-42.3 

5-29

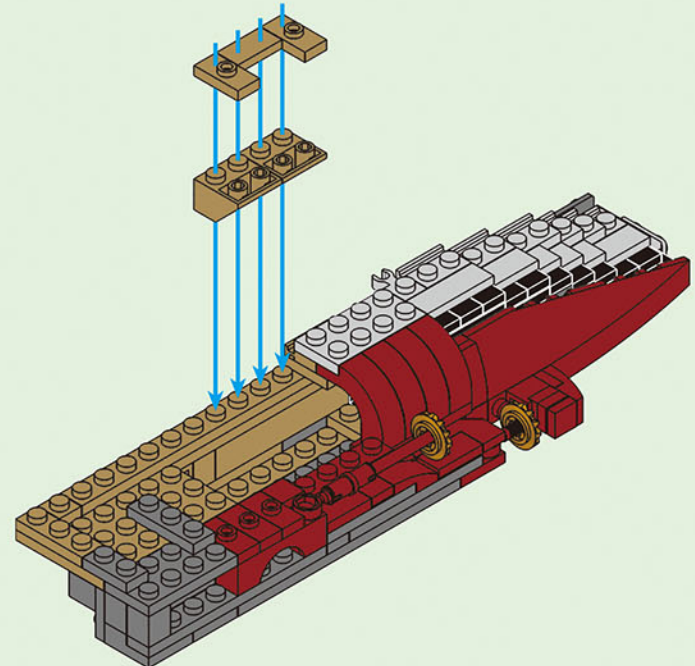


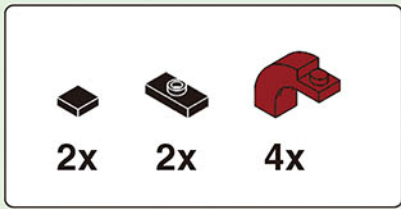


5-43

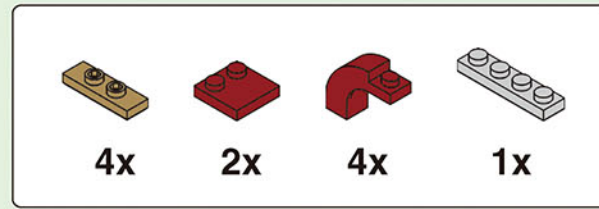
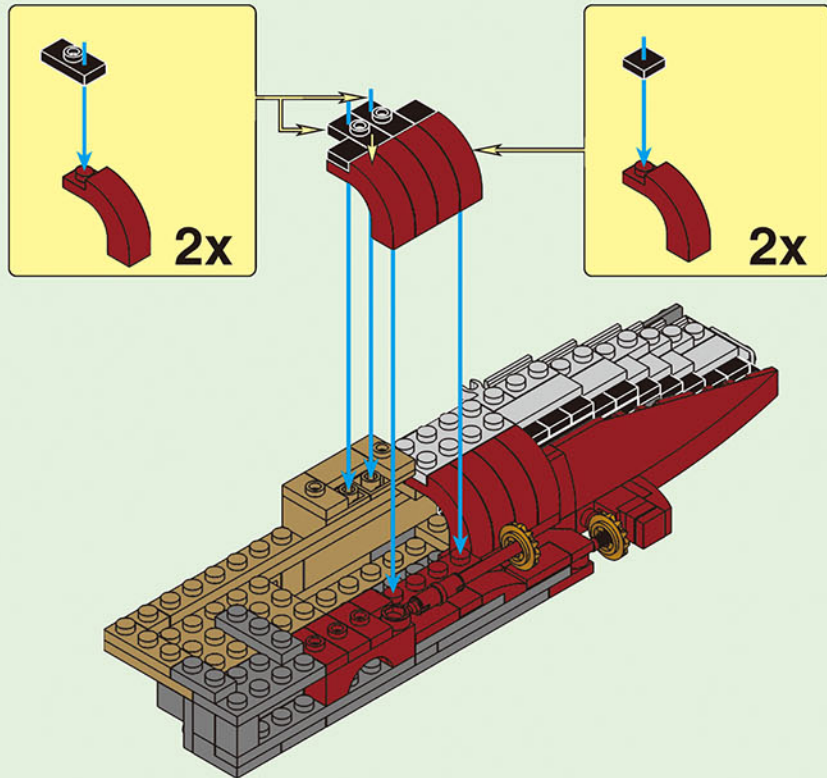


5-44

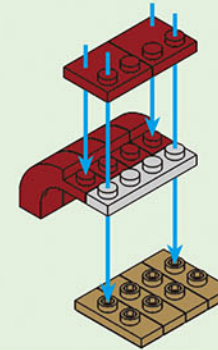




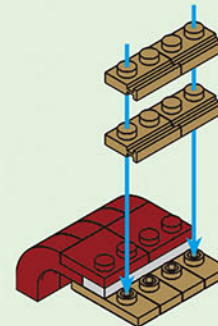
5-45

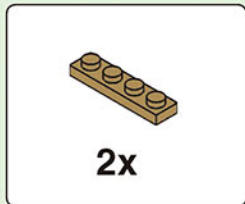


5-46.1

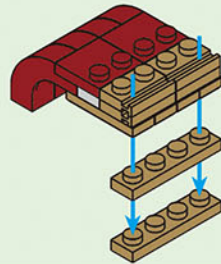


5-46.2



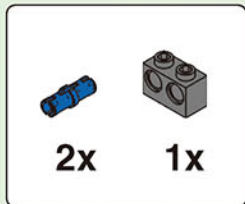
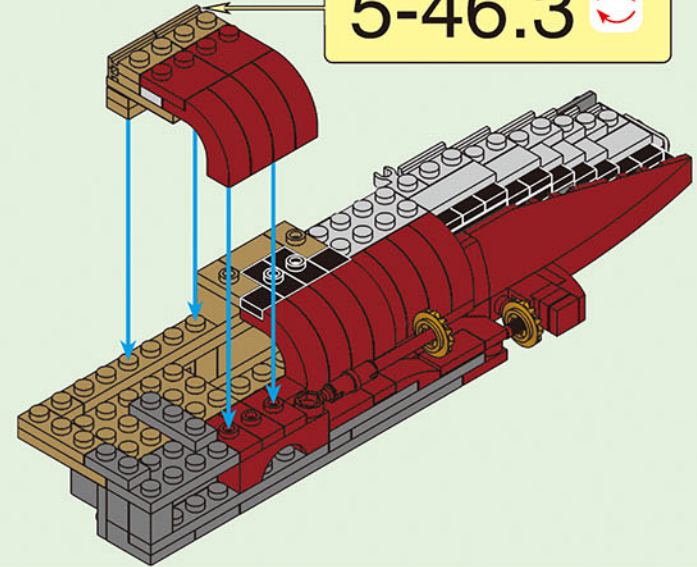


5-46.3

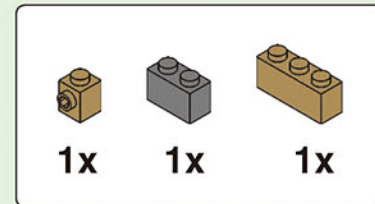
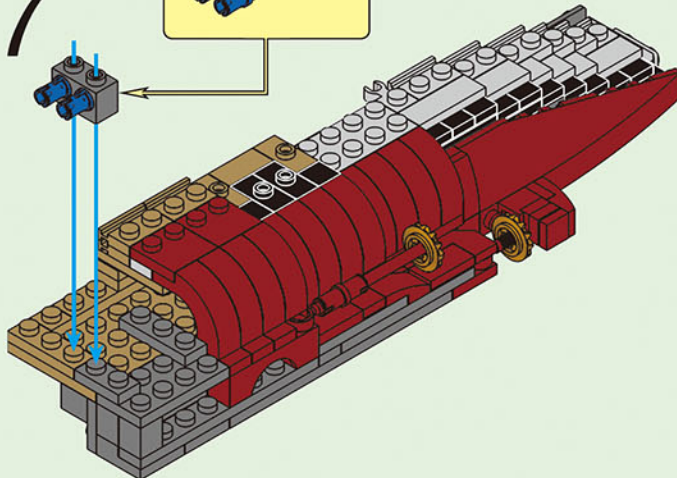
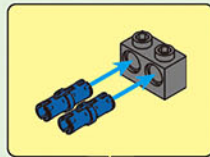


5-46

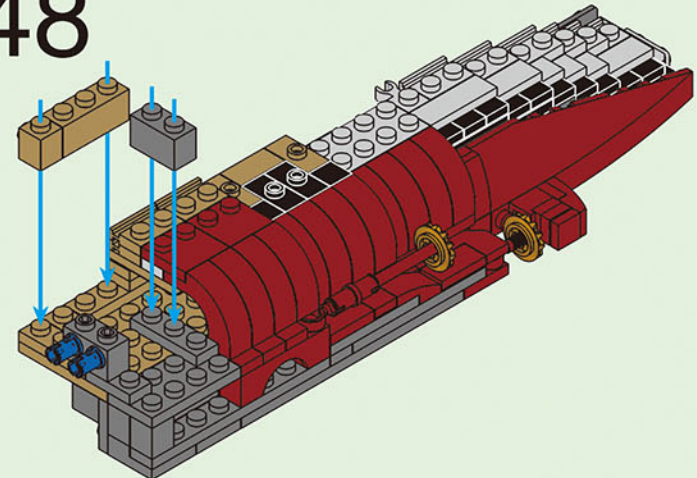
5-46.3 

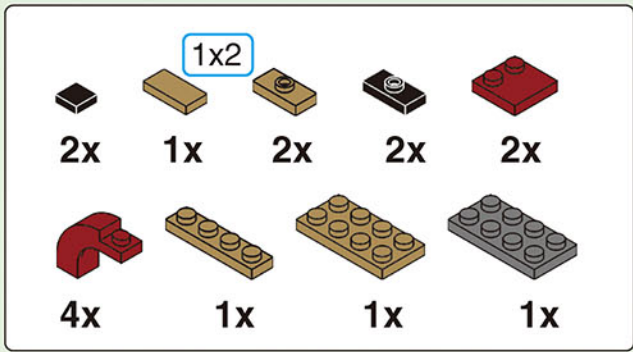


5-47

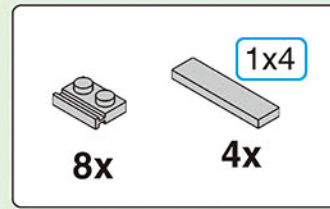
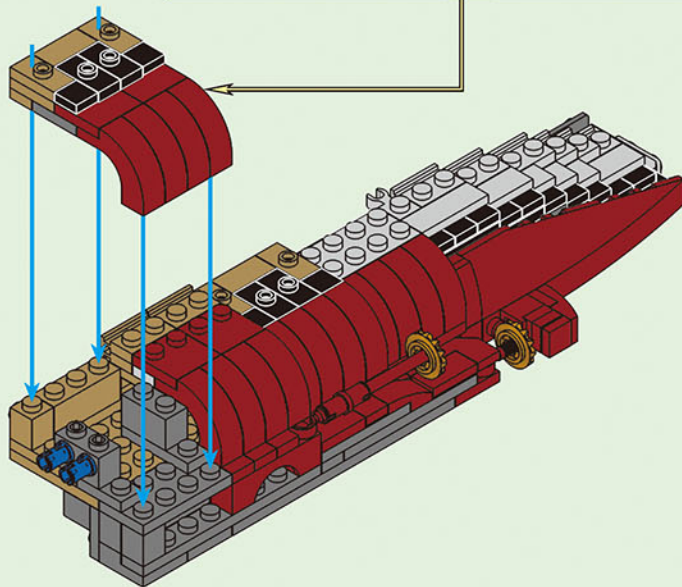
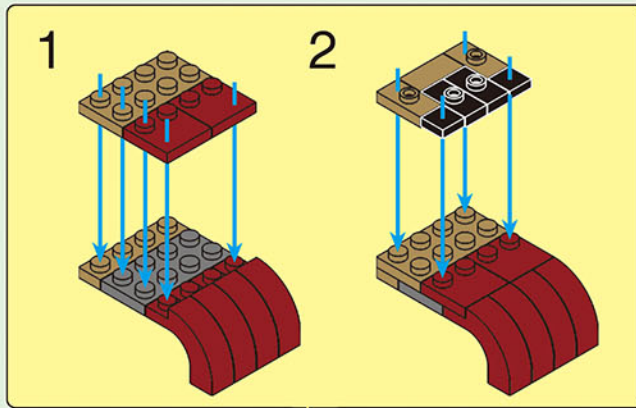


5-48

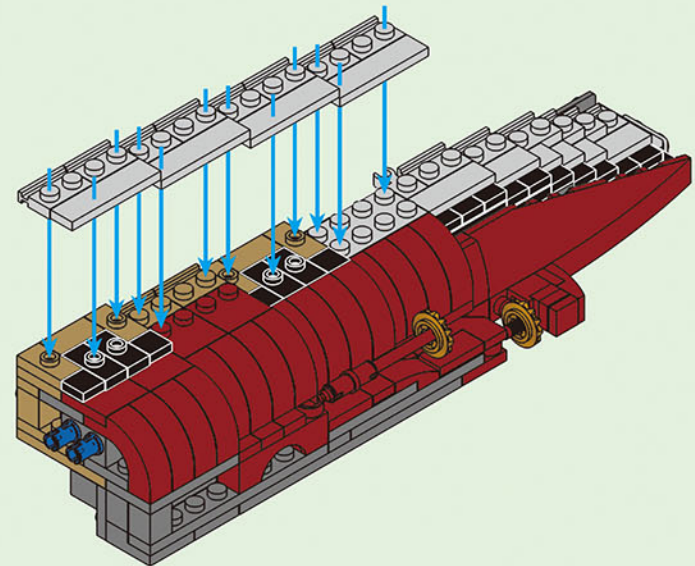




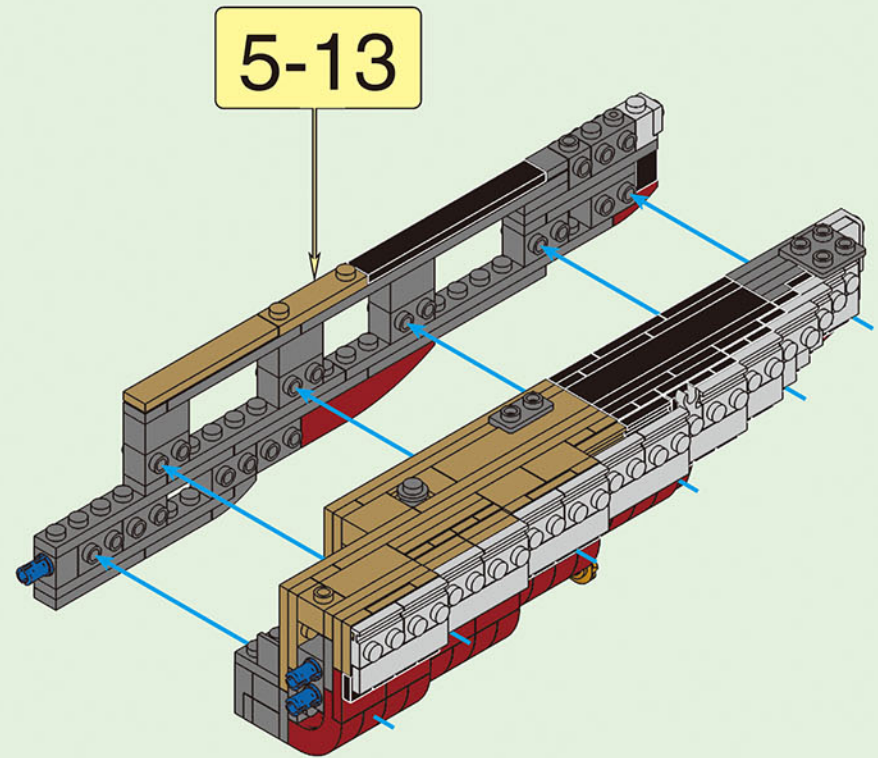
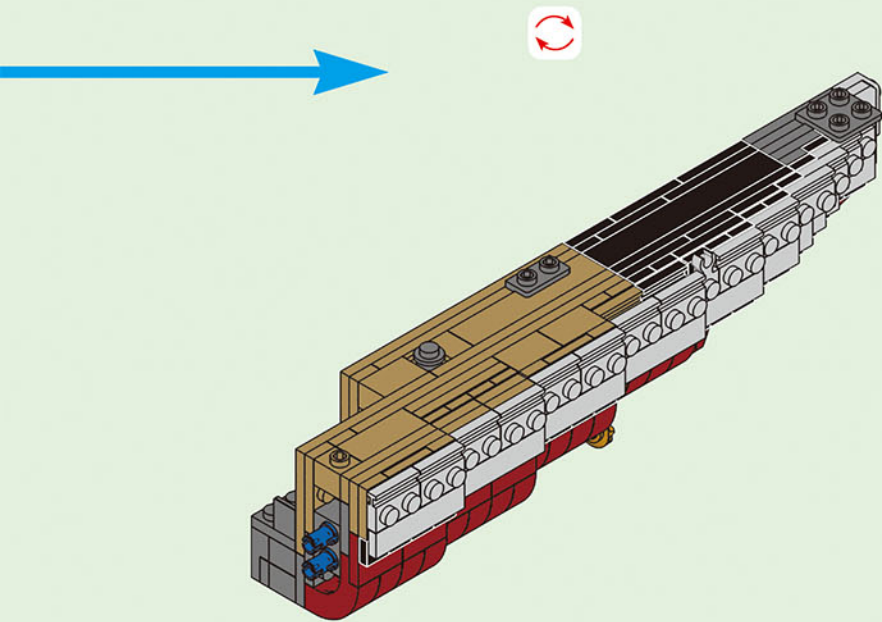
# 5-49

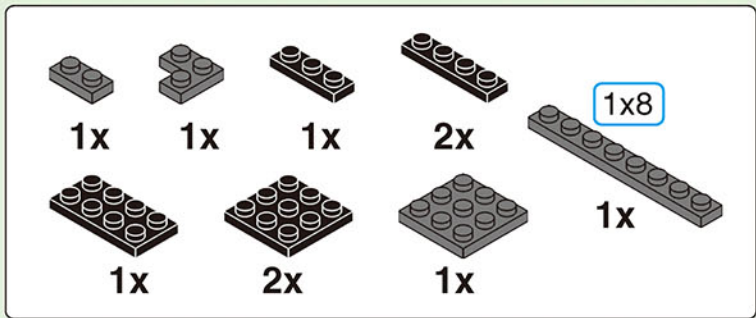


# 5-50

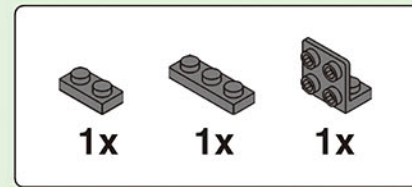
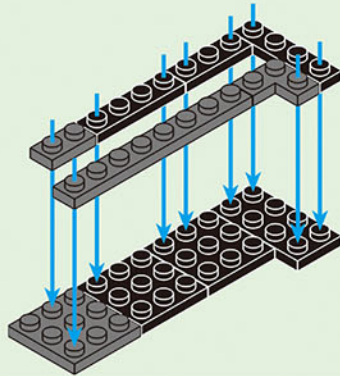


5-51

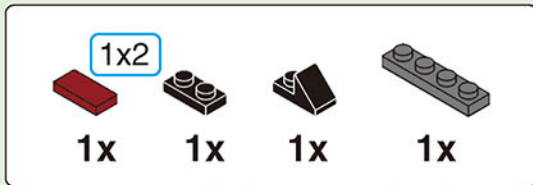
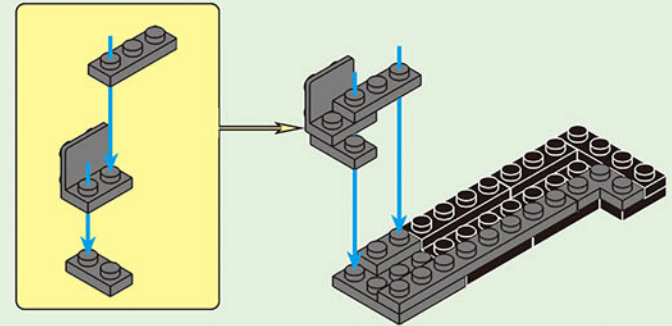




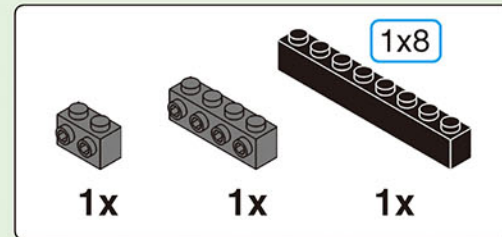
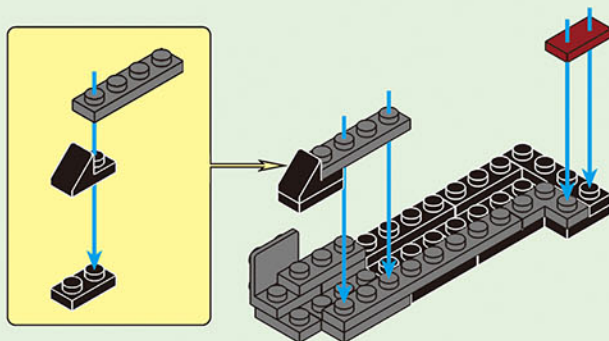
5-52



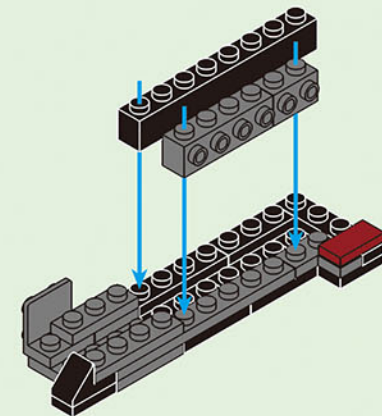
5-53

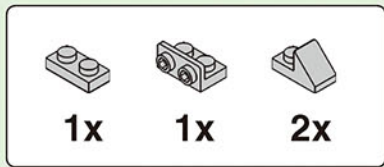


5-54

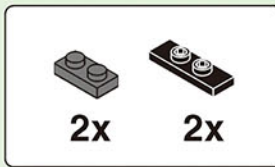
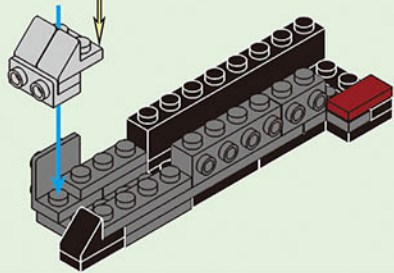
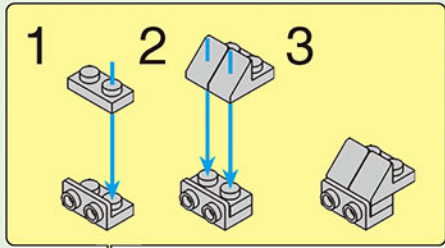


5-55

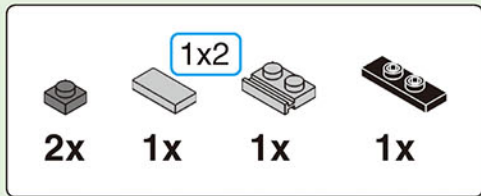
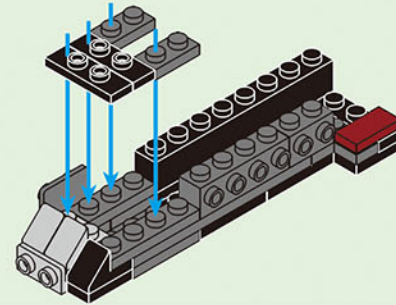




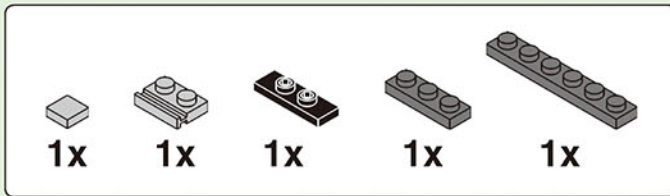
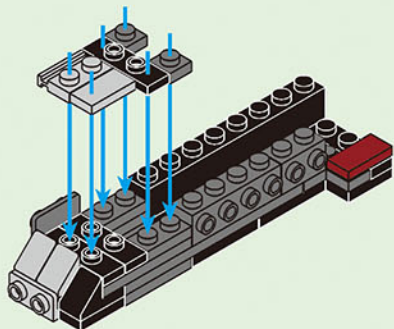
5-56



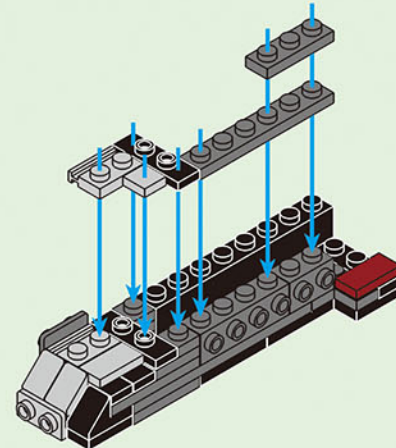
5-57

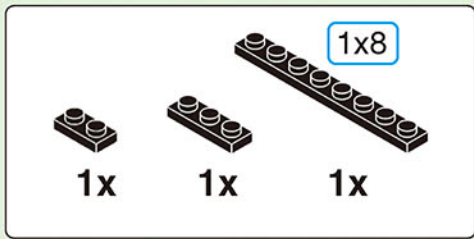


5-58

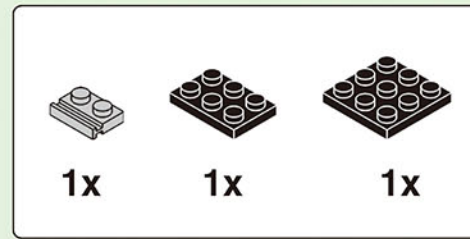
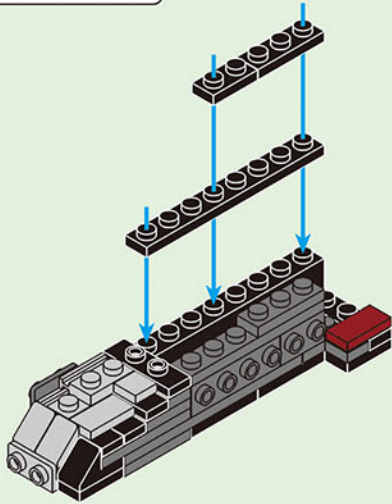


5-59

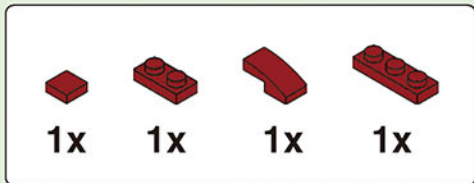
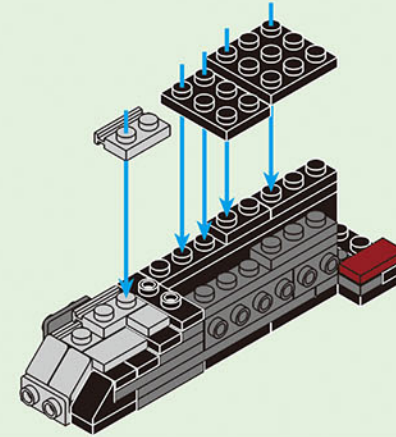




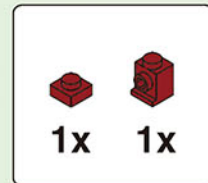
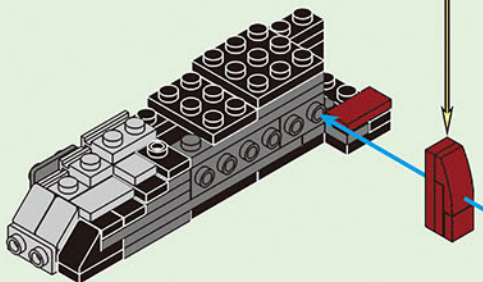
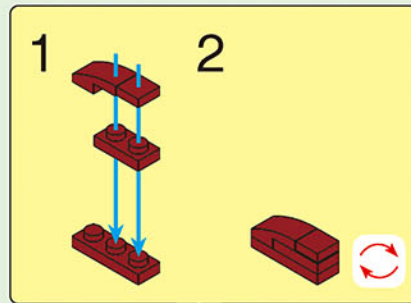
5-60



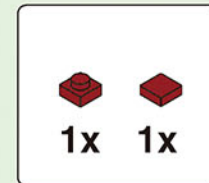
5-61



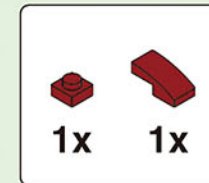
5-62



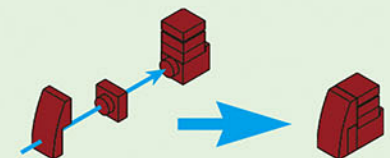
5-63.1

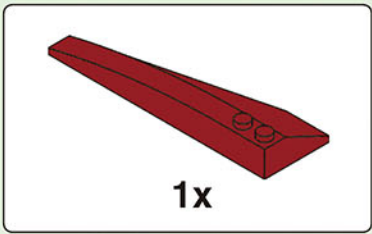


5-63.2

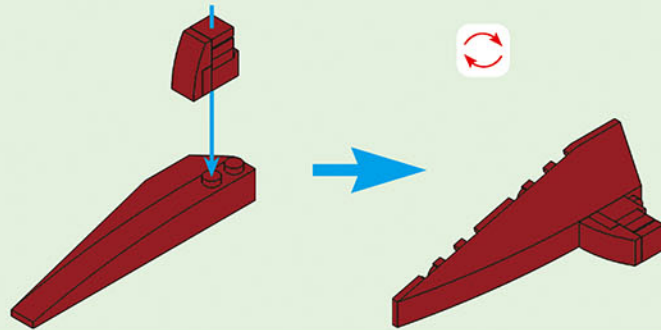


5-63.3



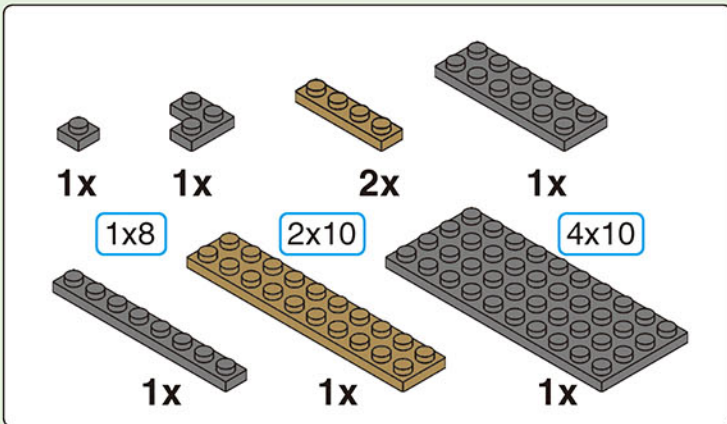
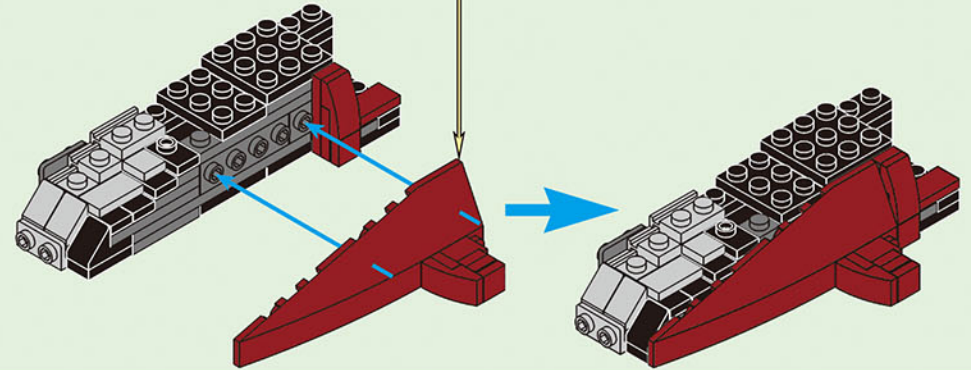


5-63.4

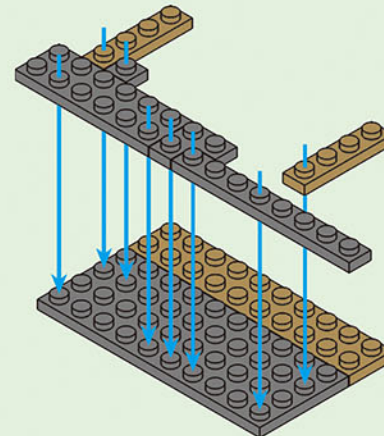


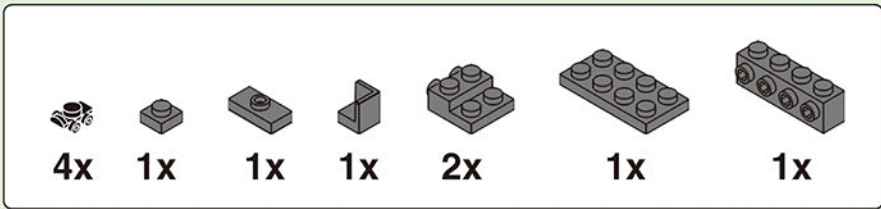
5-63

5-63.4

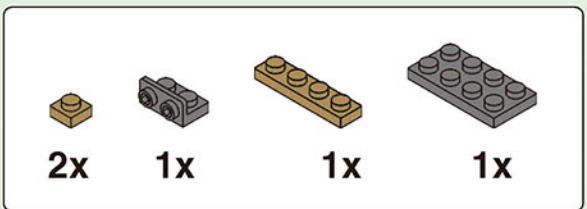
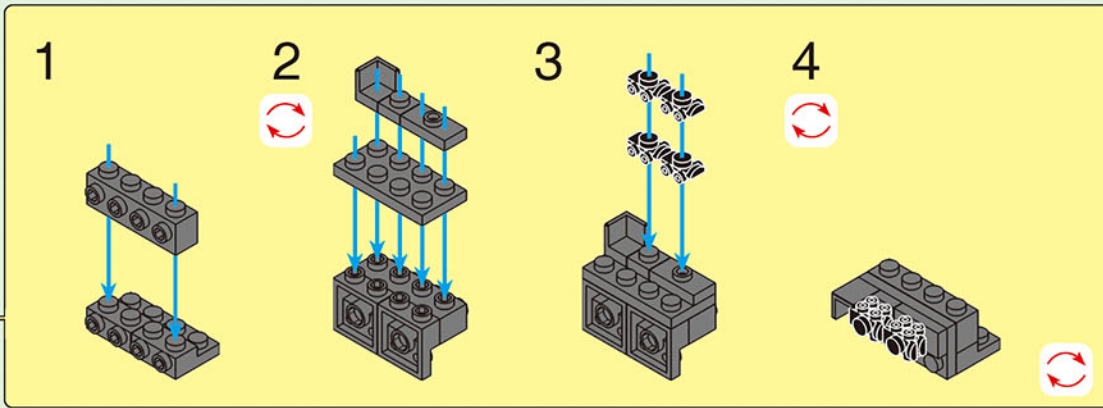
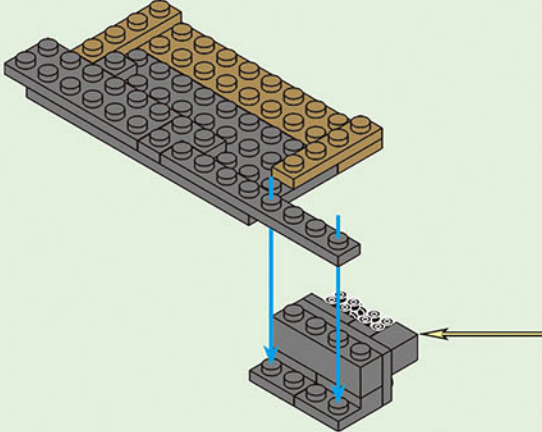


5-64

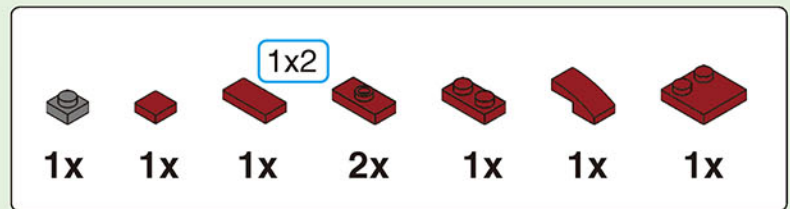
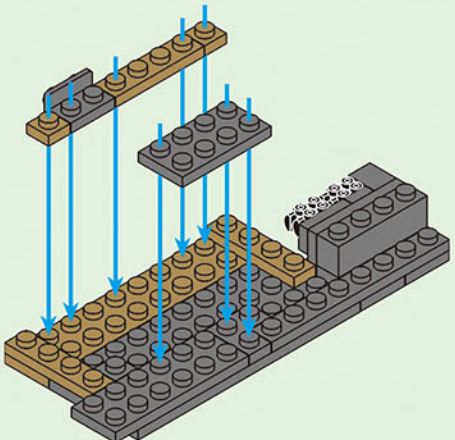




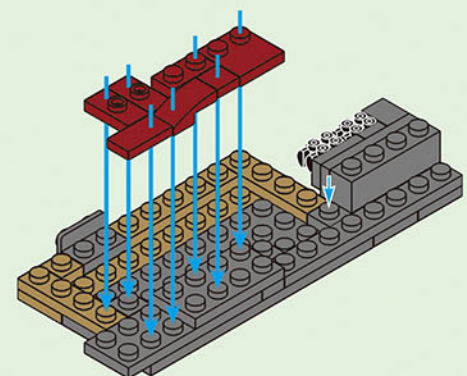
# 5-65

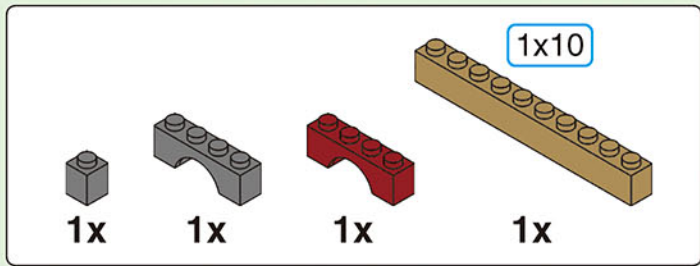


# 5-66

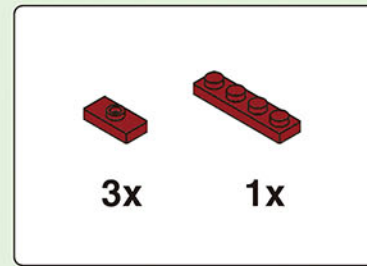
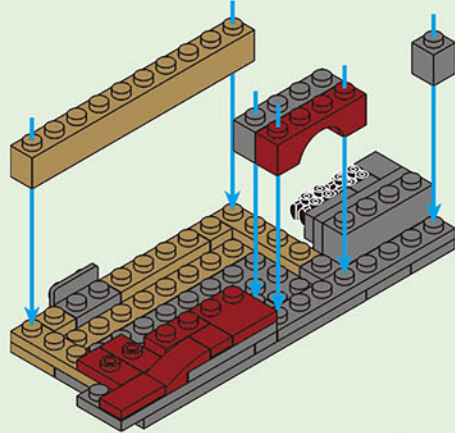


# 5-67

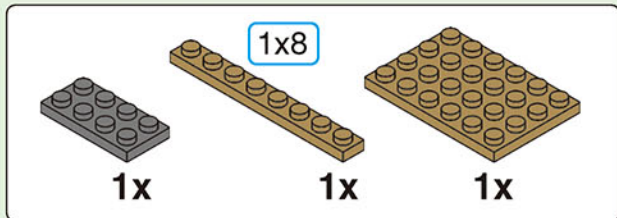
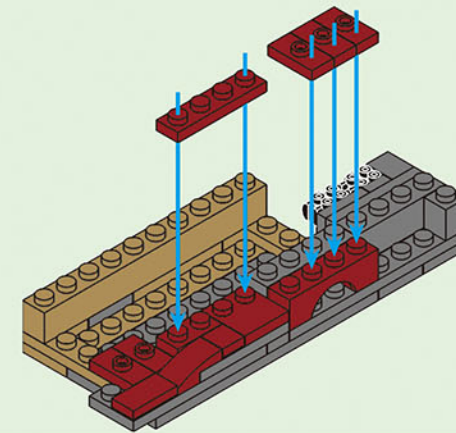




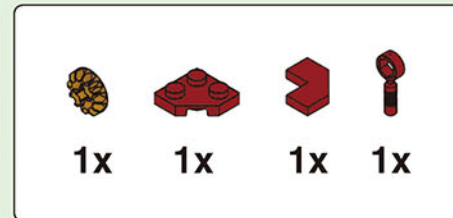
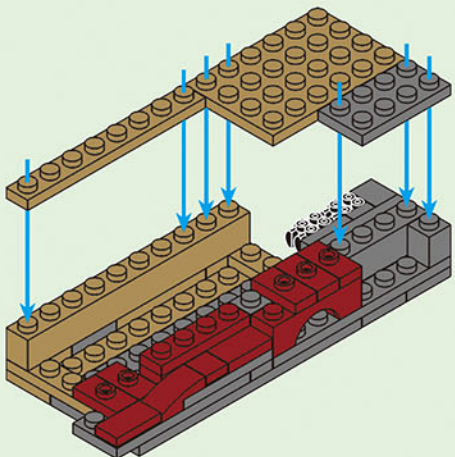
5-68



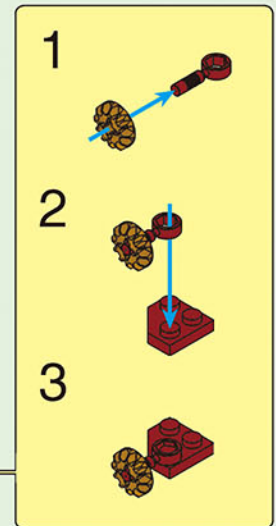
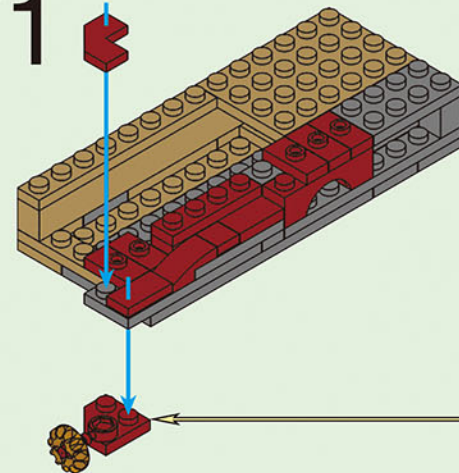
5-69

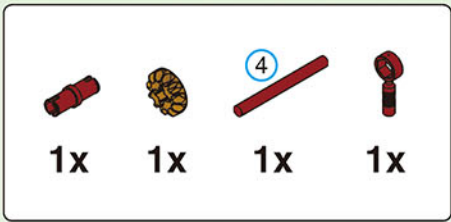


5-70

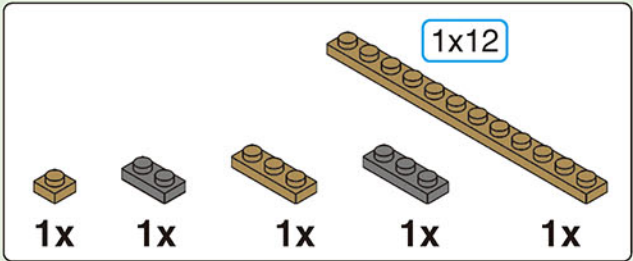
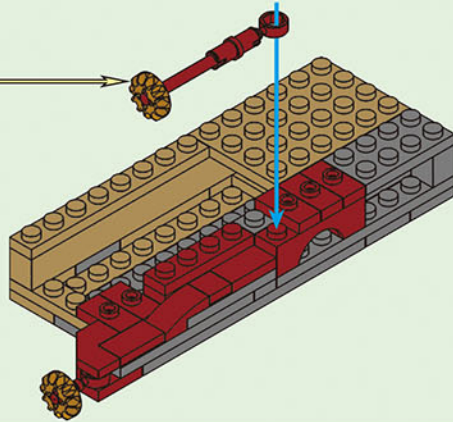
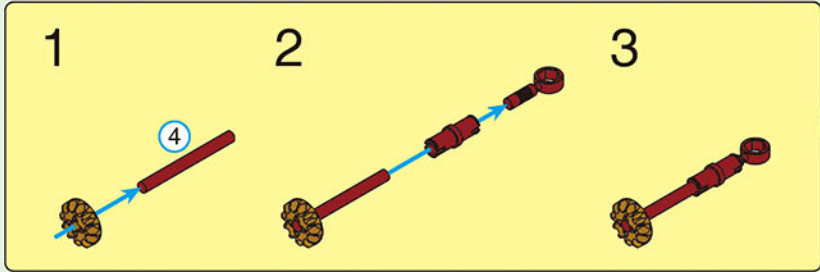


5-71

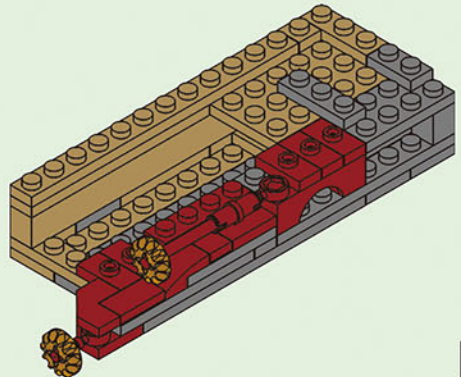
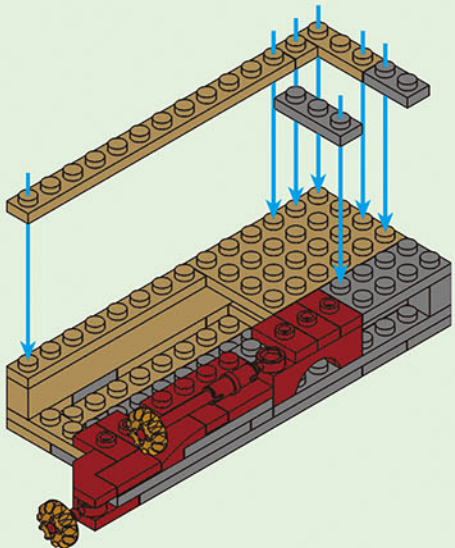


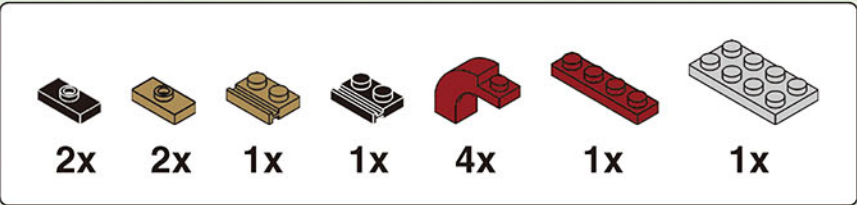


# 5-72

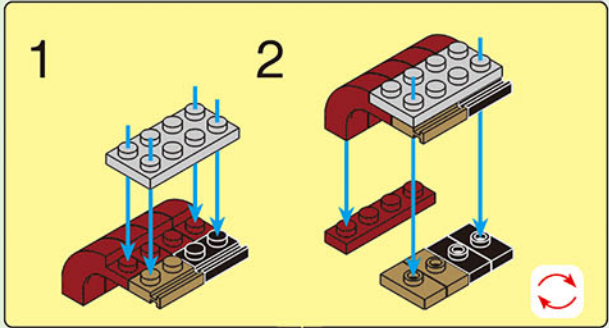


# 5-73

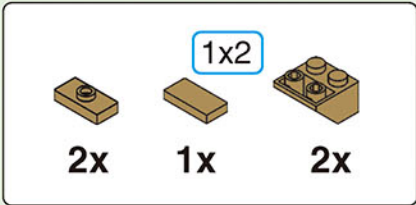
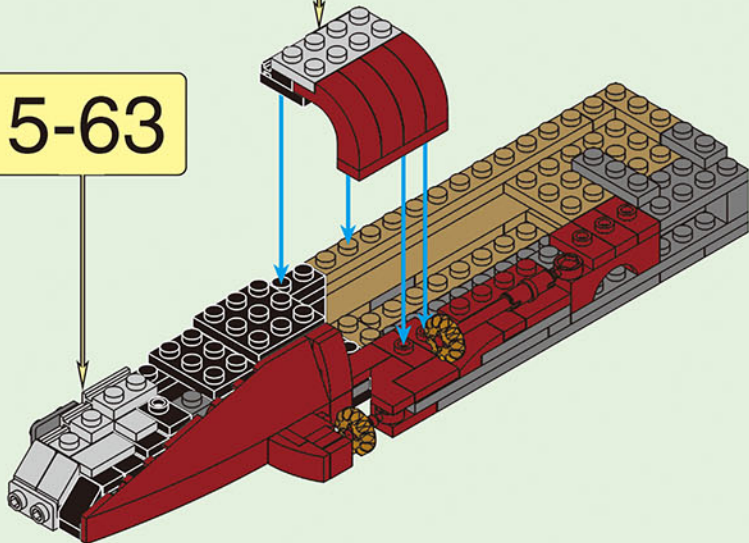




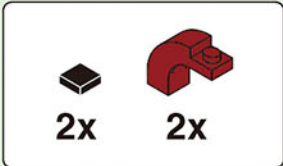
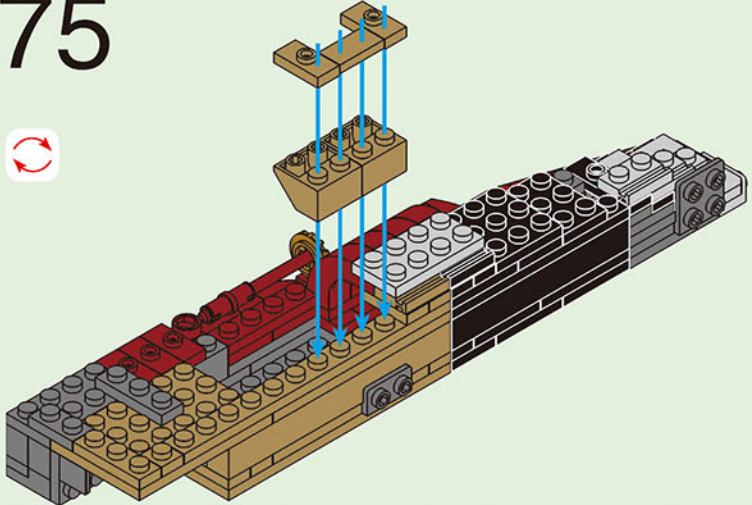
# 5-74



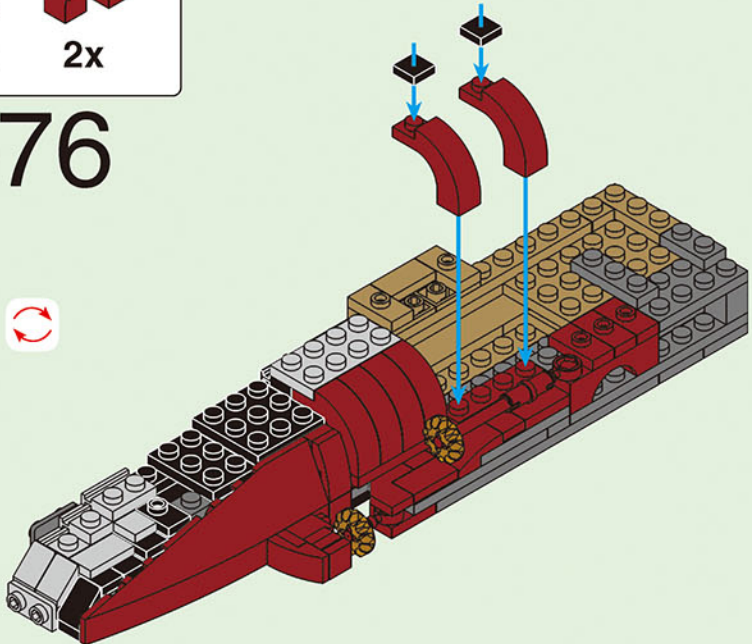
5-63

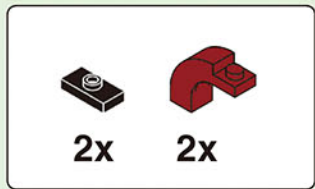


# 5-75

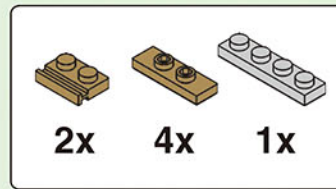
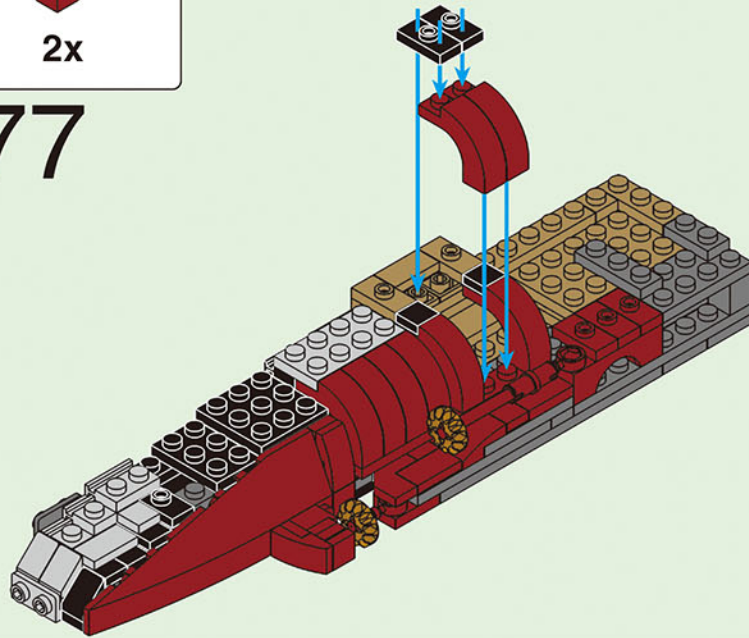


# 5-76





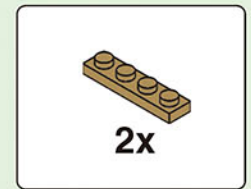
5-77



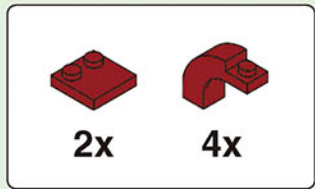
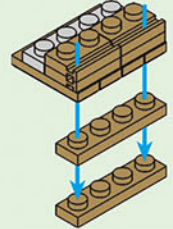
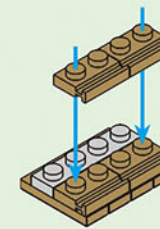
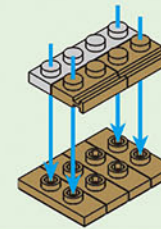
5-78.1



5-78.2

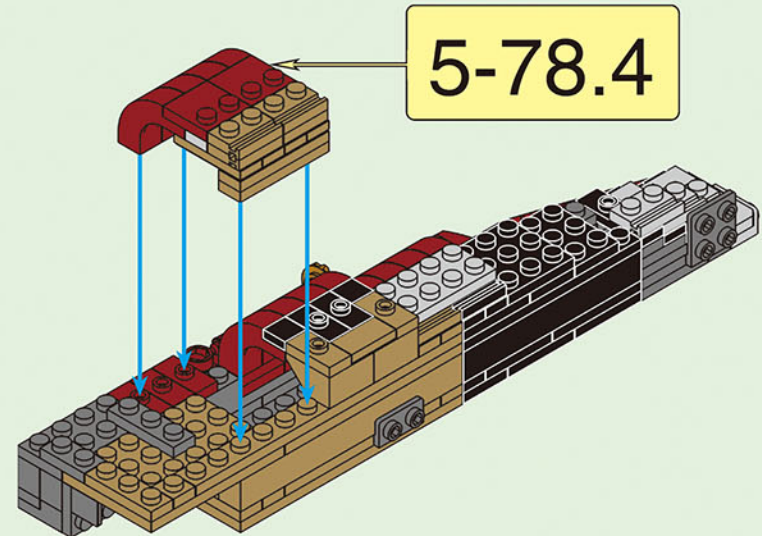
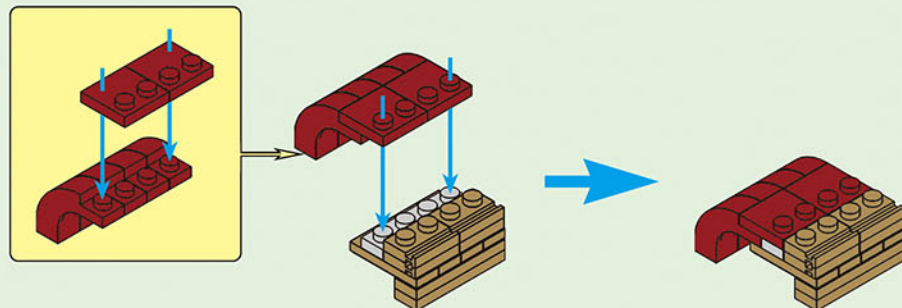


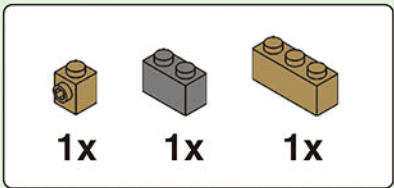
5-78.3



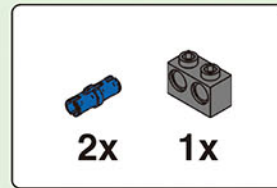
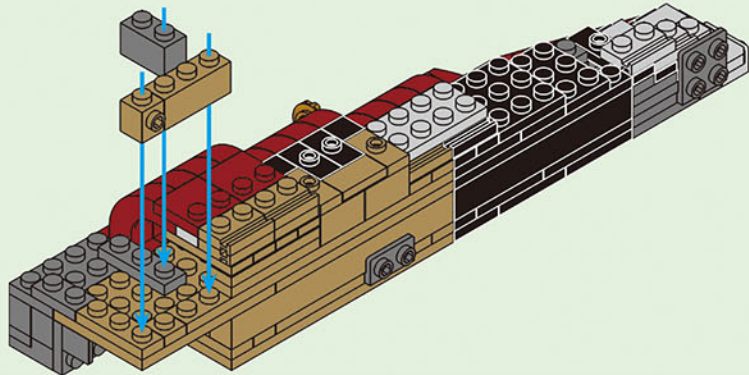
5-78.4

5-78

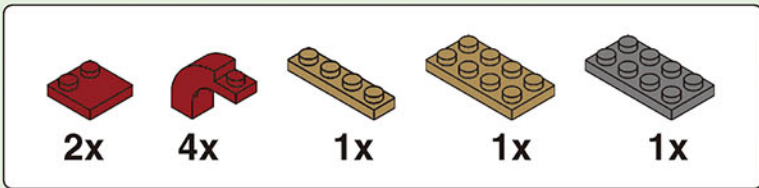
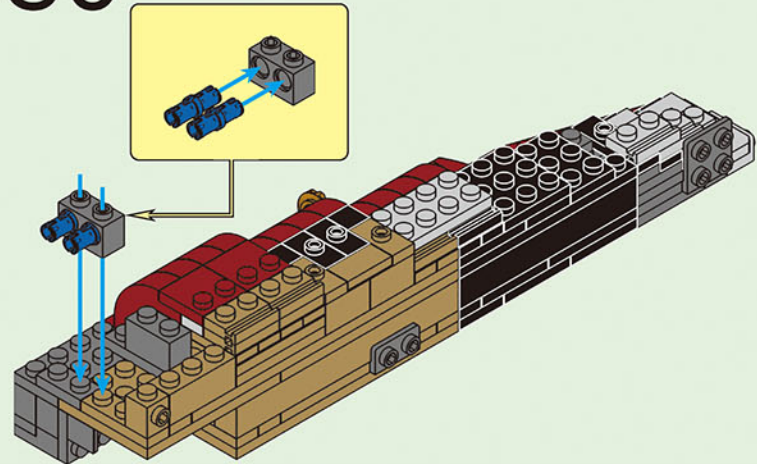




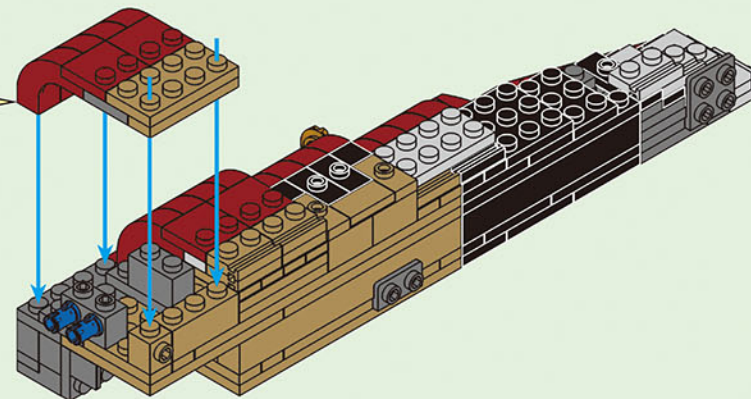
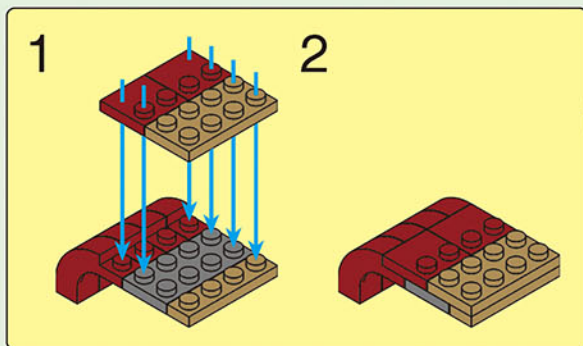
5-79

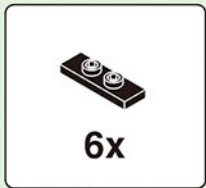


5-80

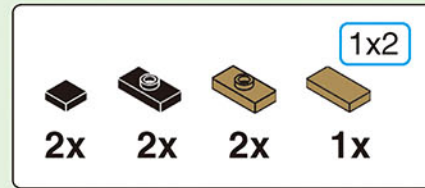
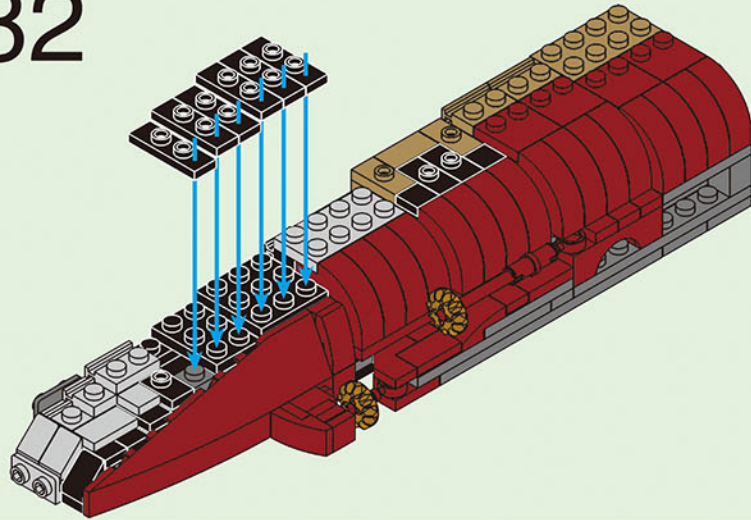


5-81

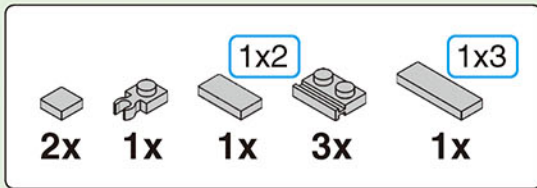
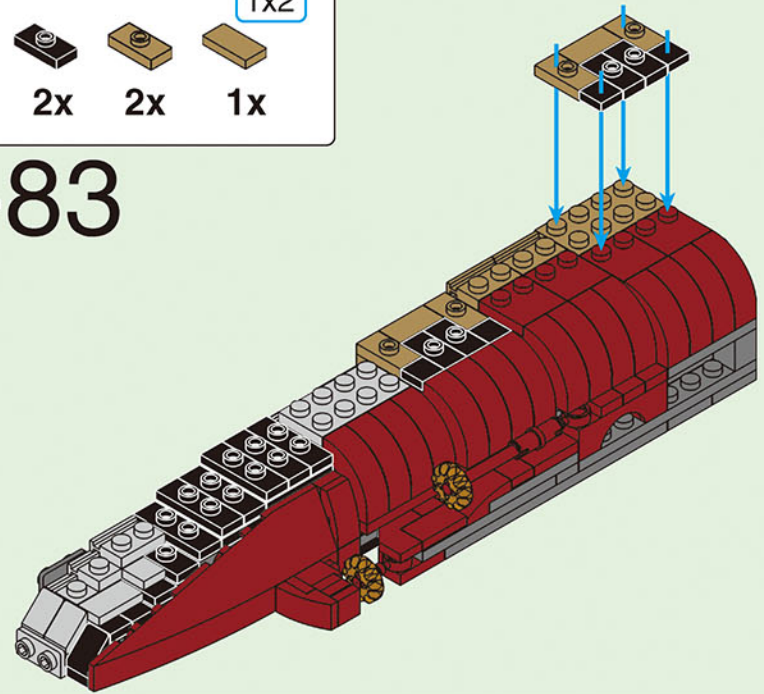




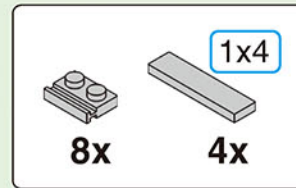
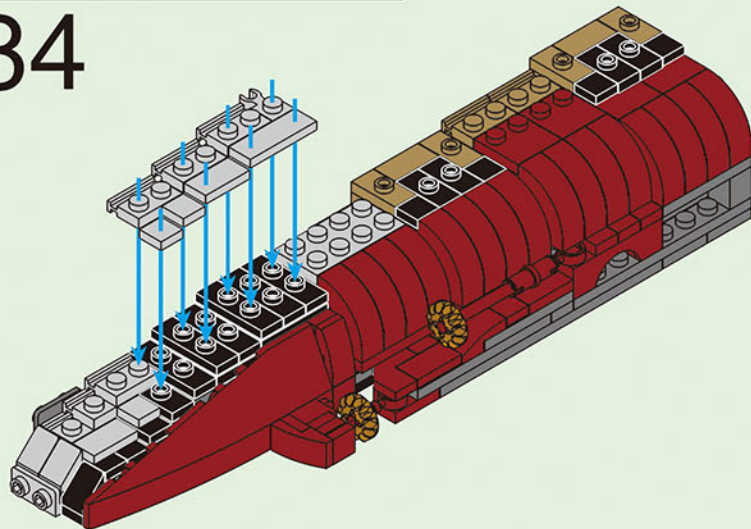
5-82



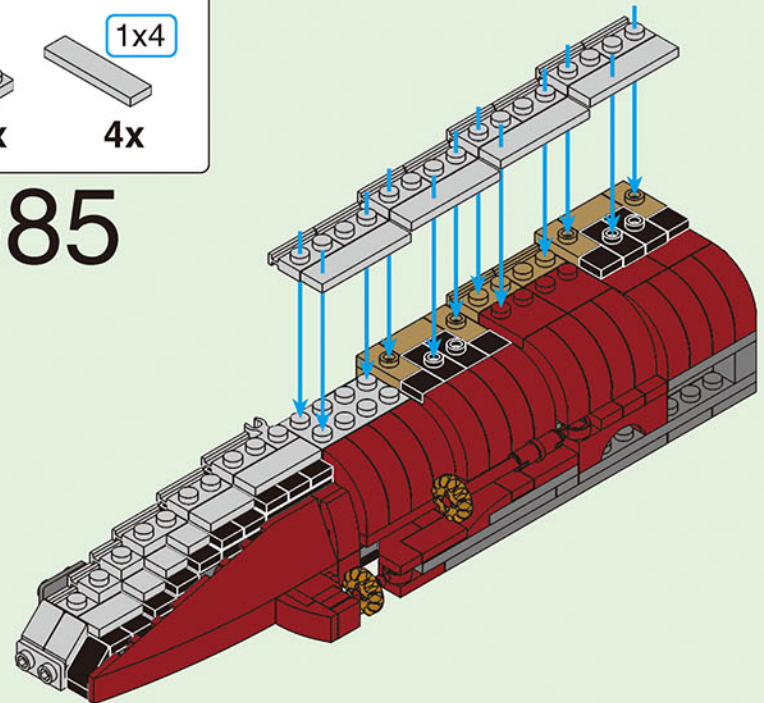
5-83



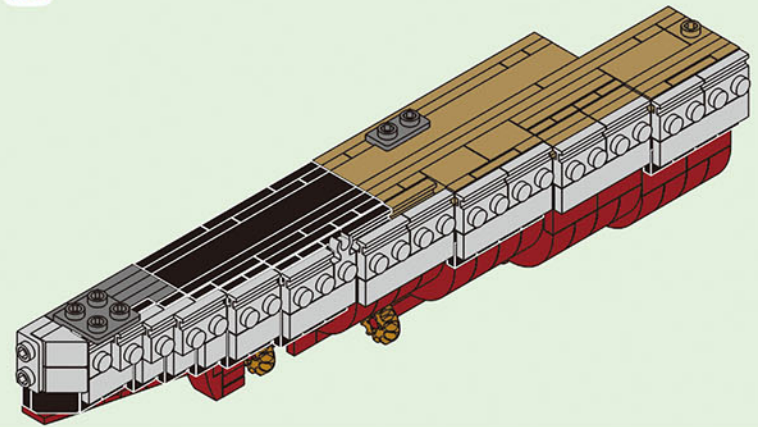
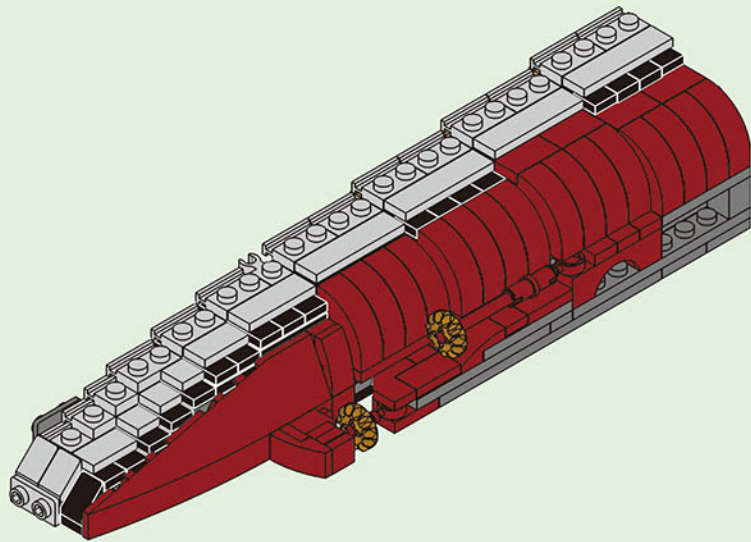
5-84



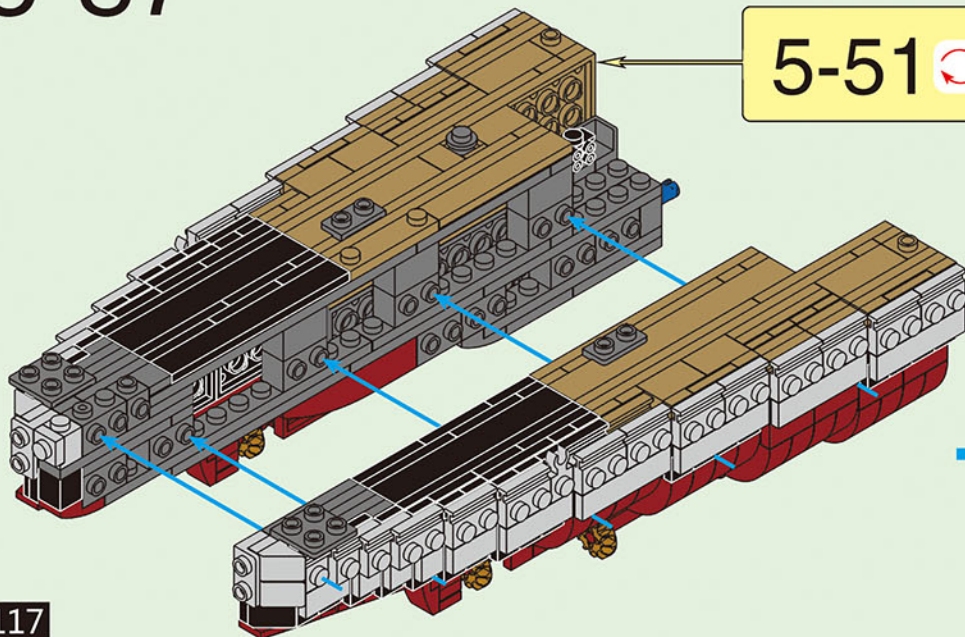
5-85



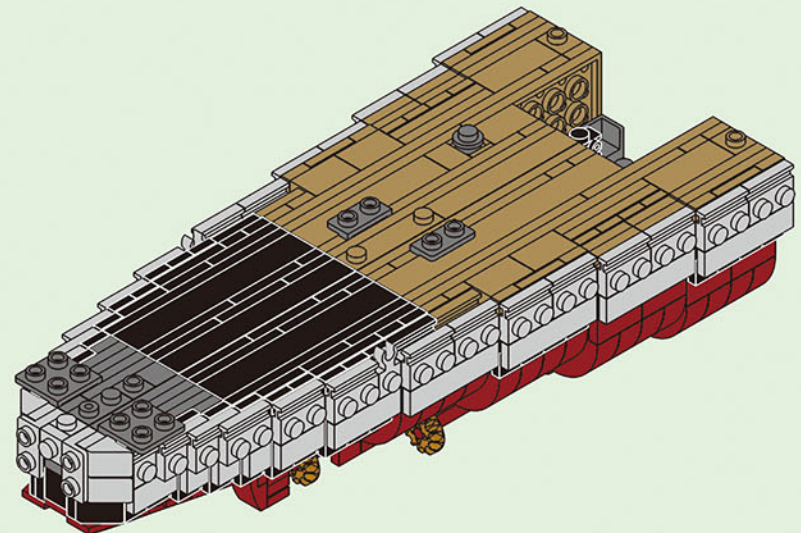
# 5-86

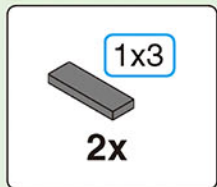


# 5-87

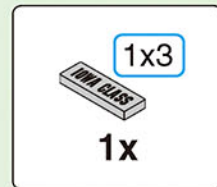
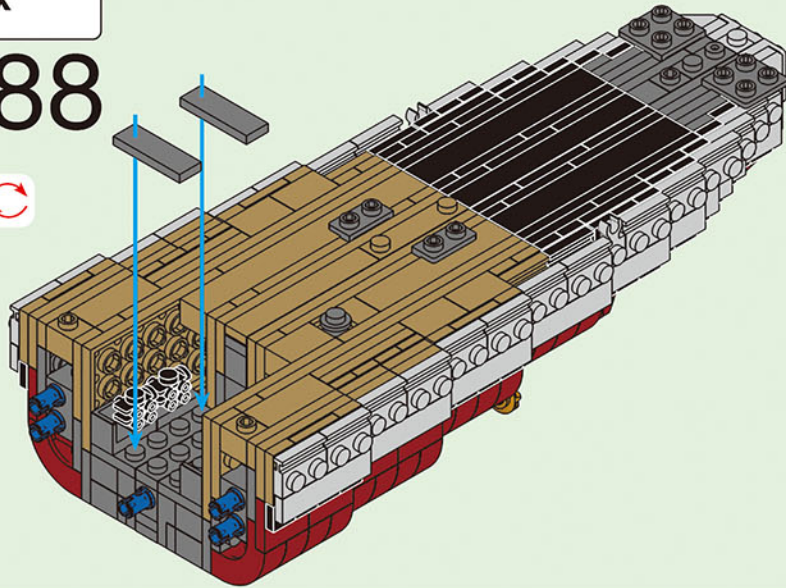


5-51 

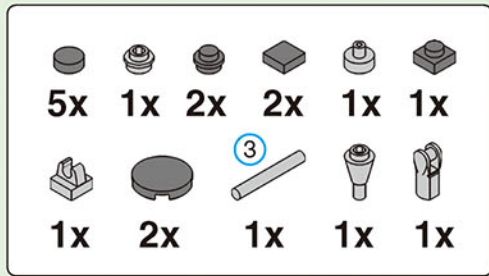
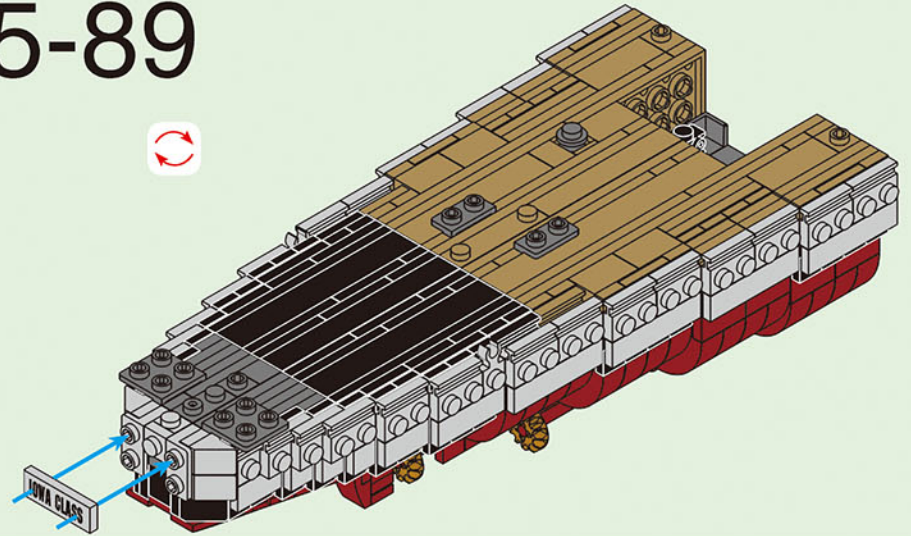




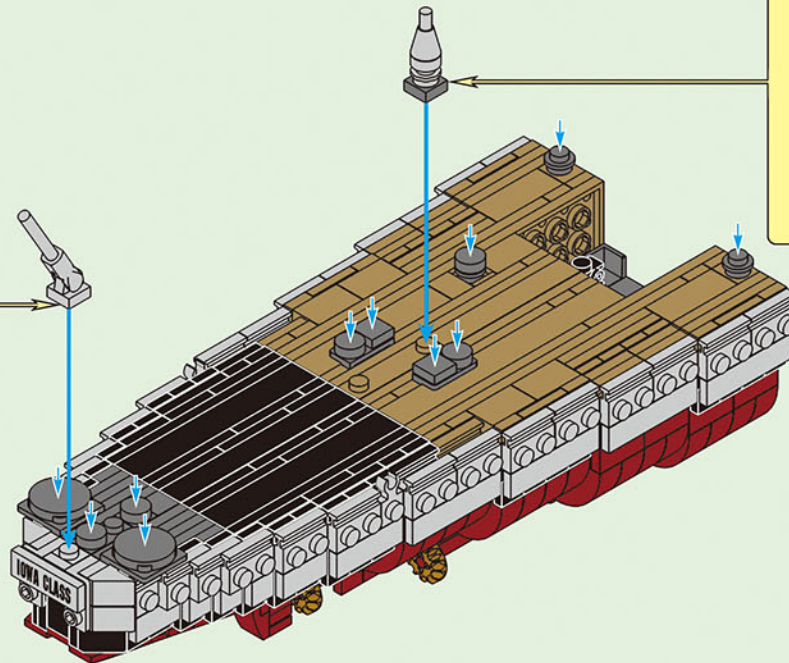
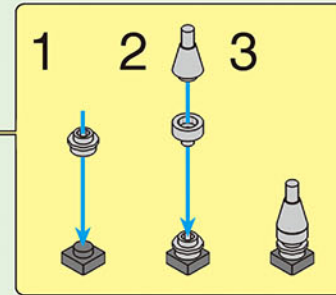
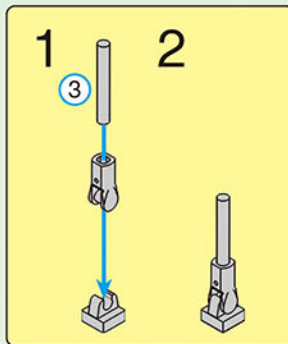
5-88



5-89



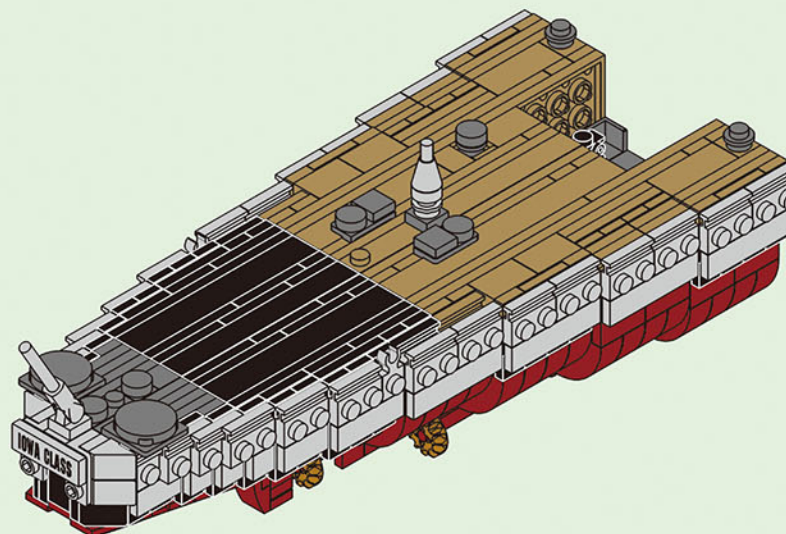
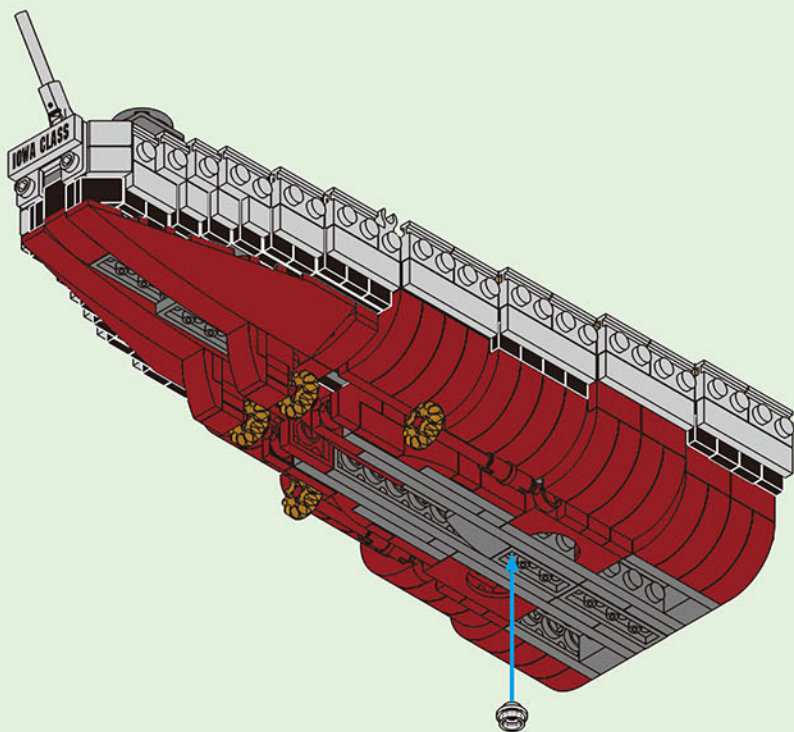
5-90





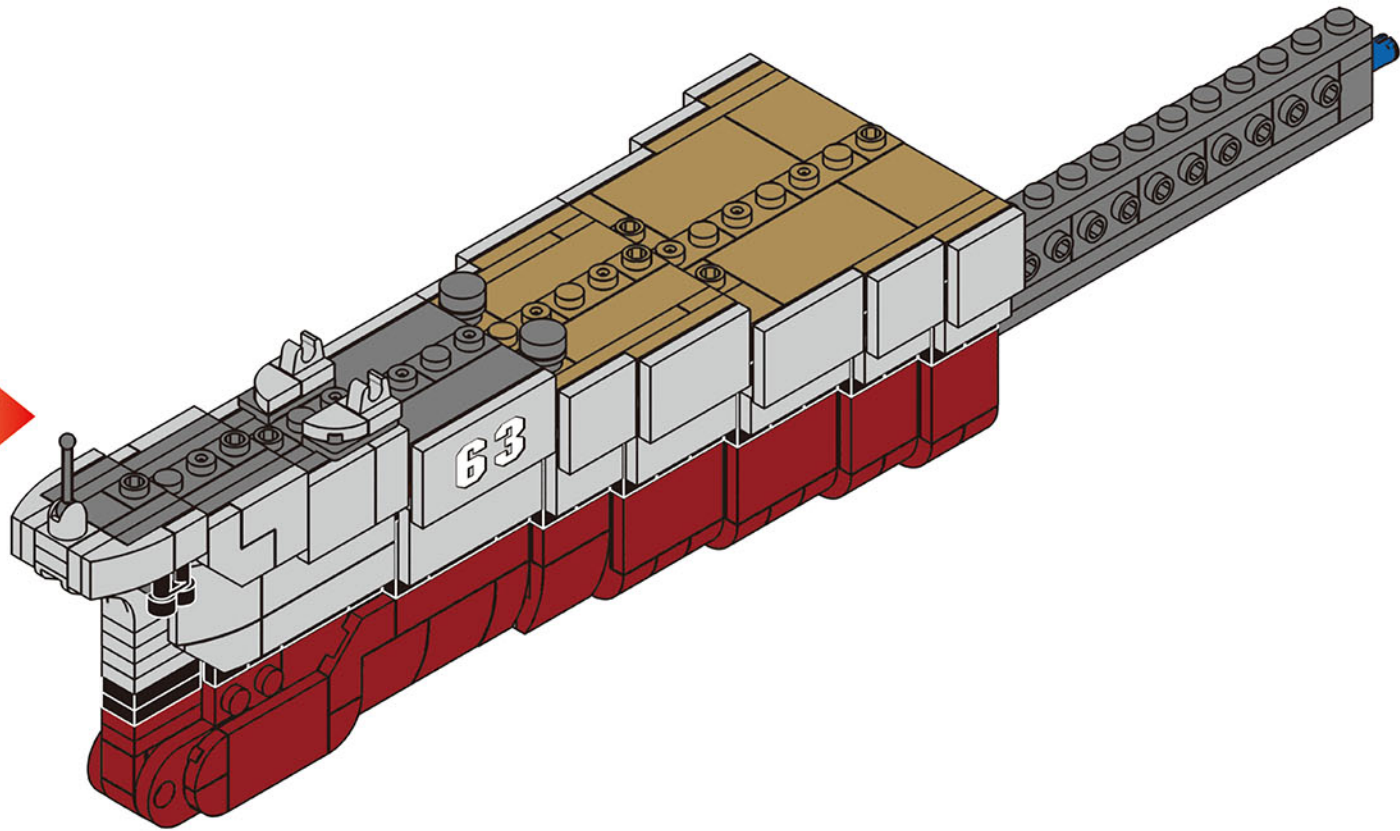
1x

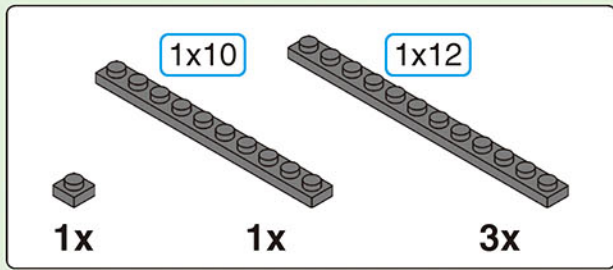
5-91



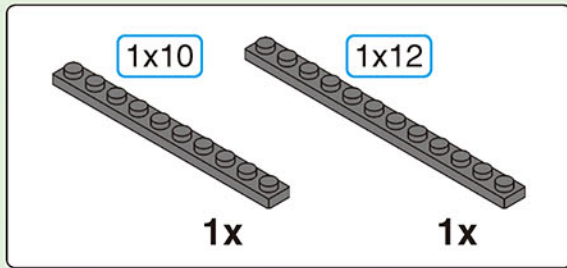
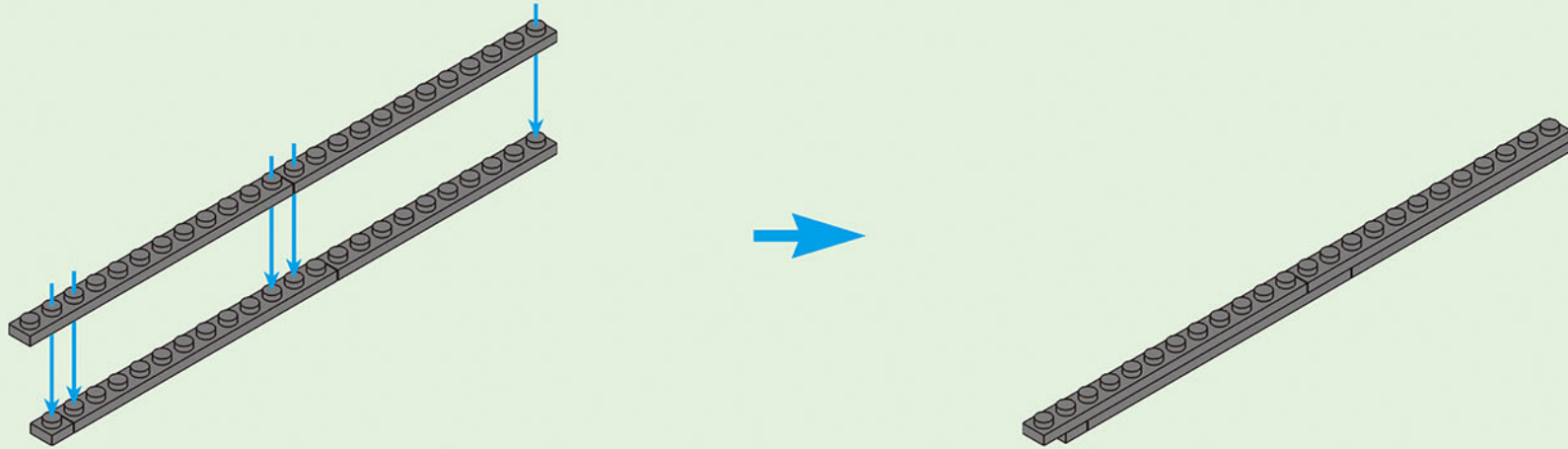


x6

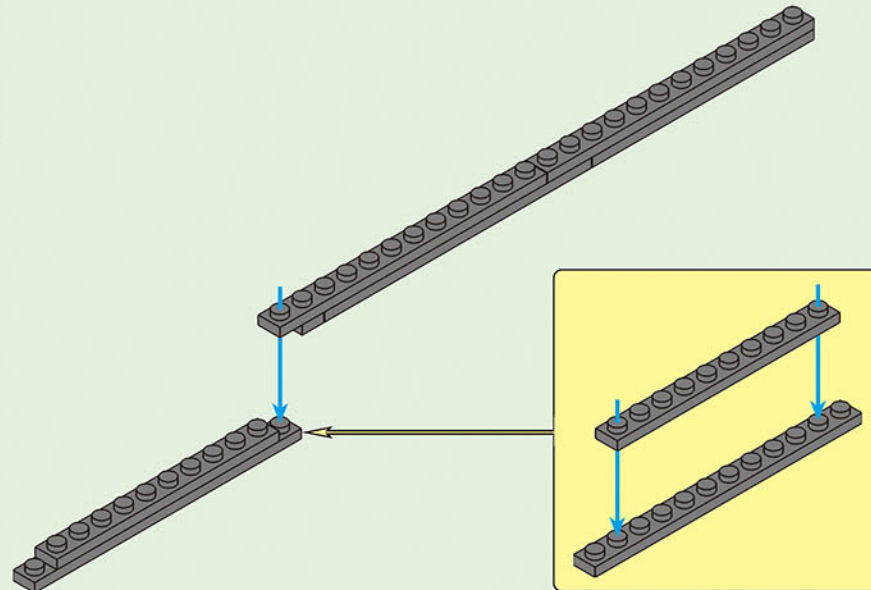


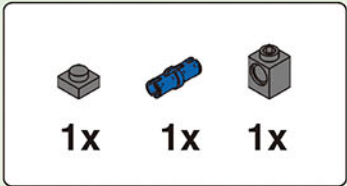


6-1

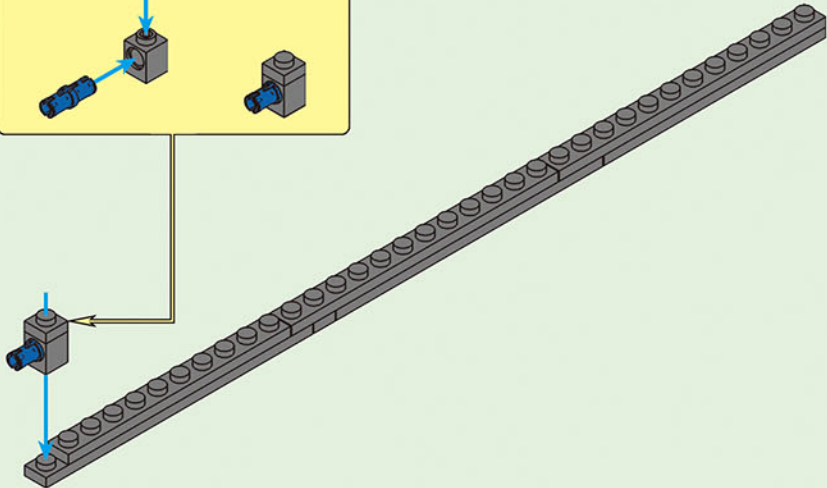
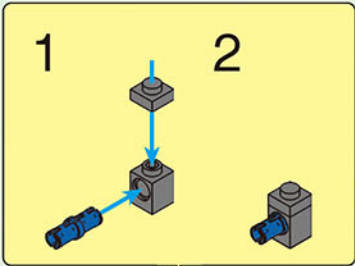


6-2

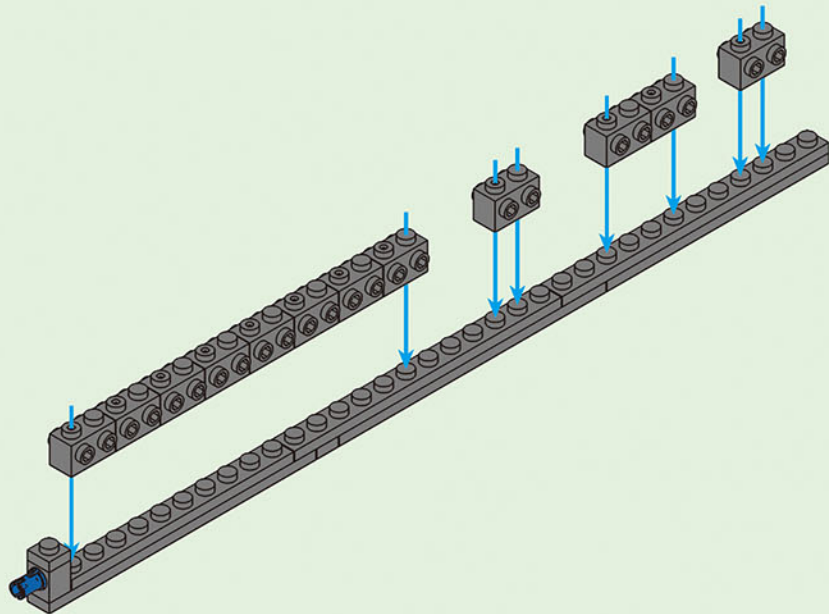


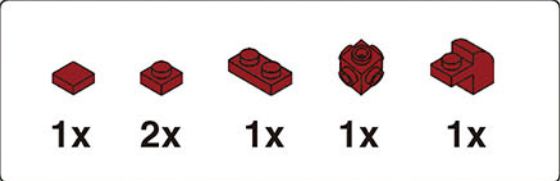


# 6-3

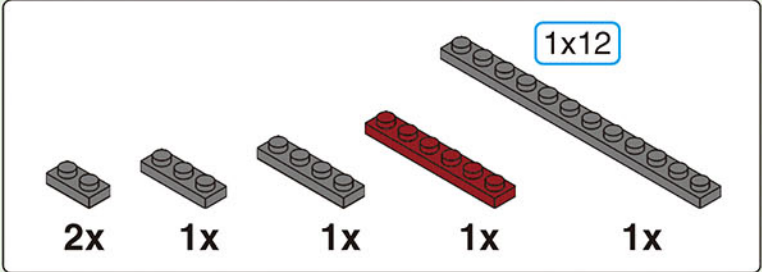
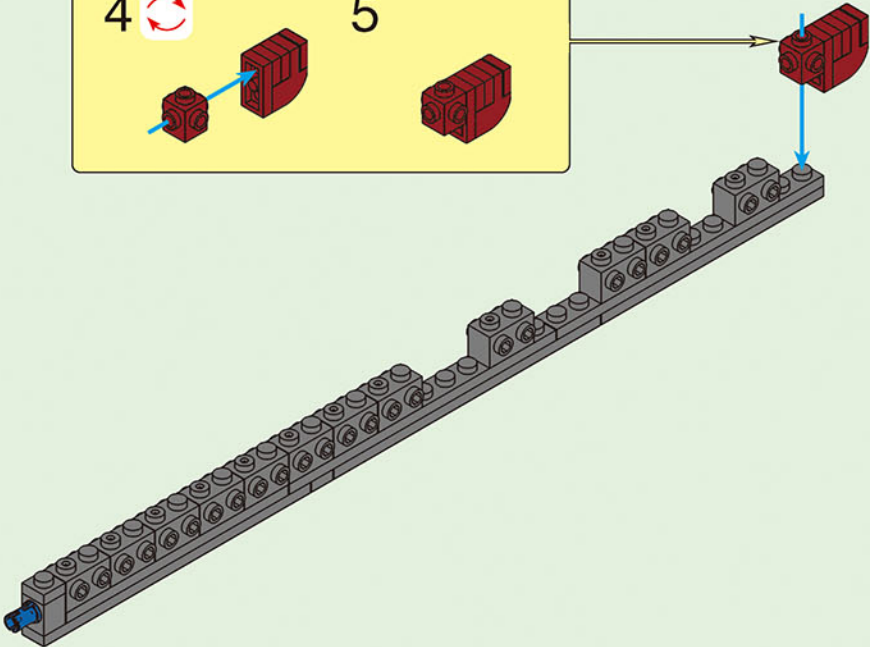
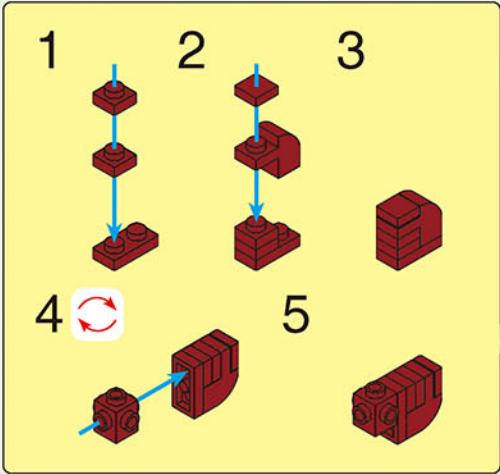


# 6-4

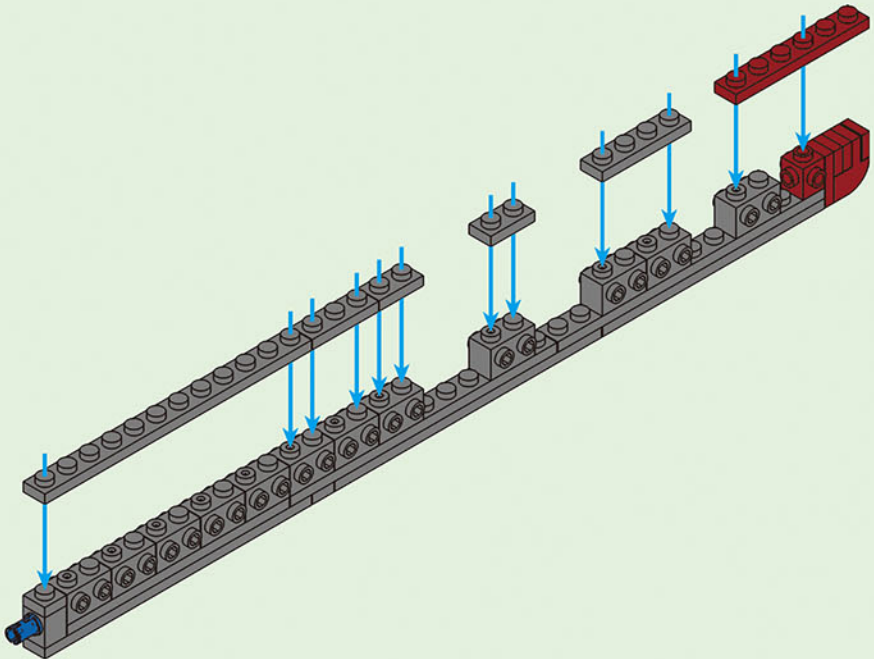


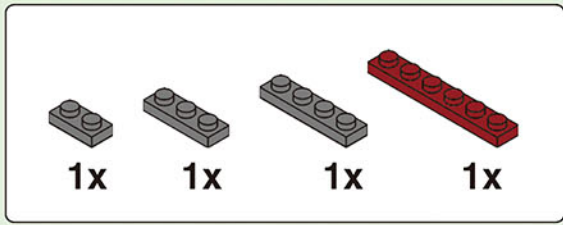


# 6-5

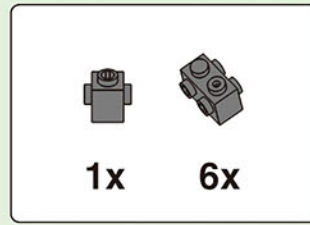
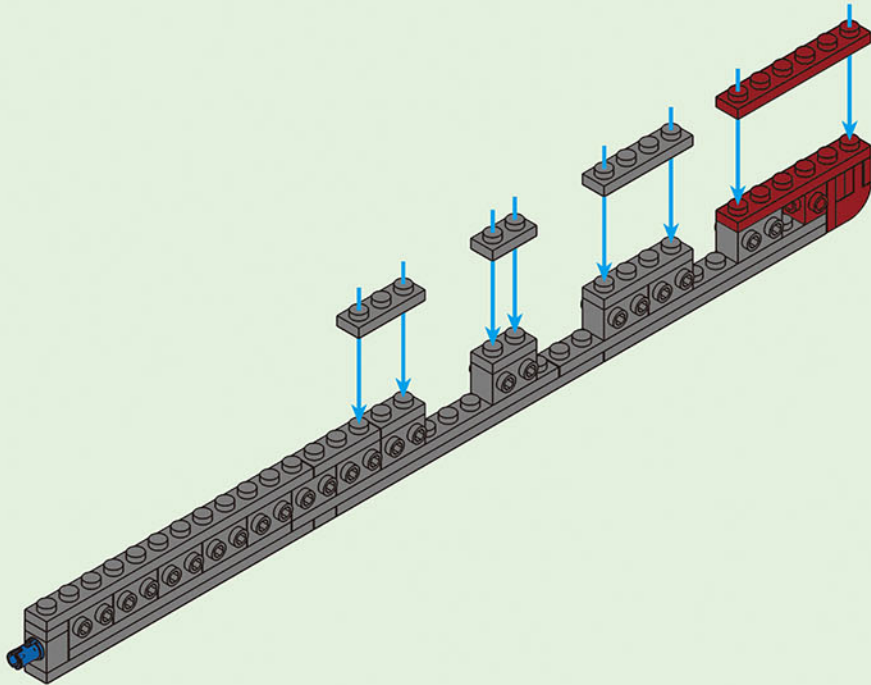


# 6-6

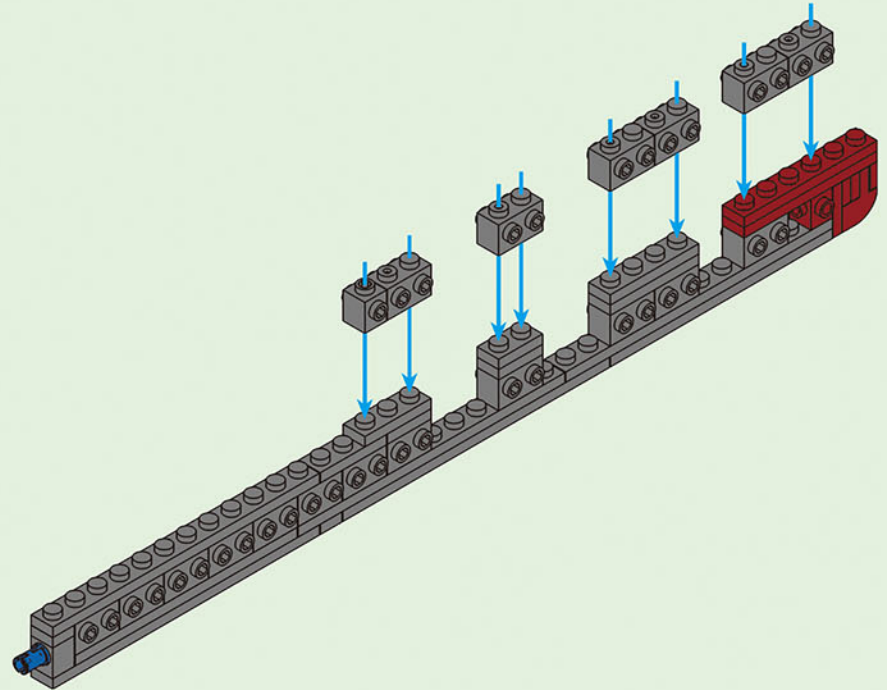


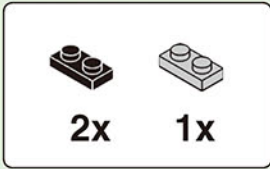


6-7

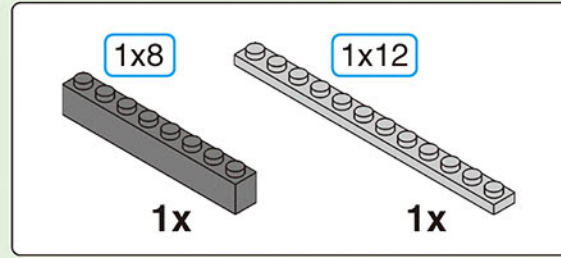
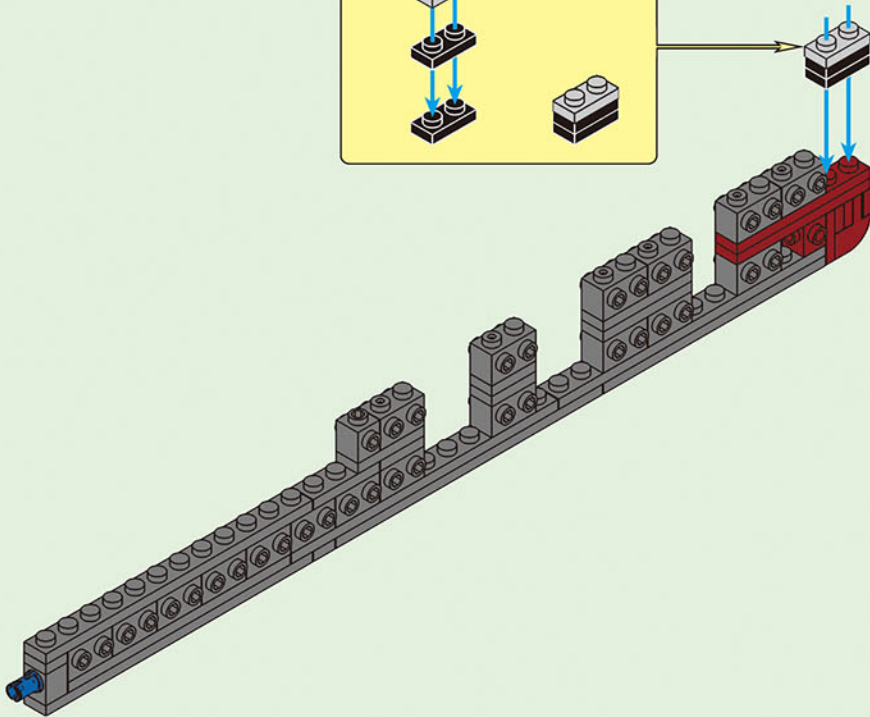
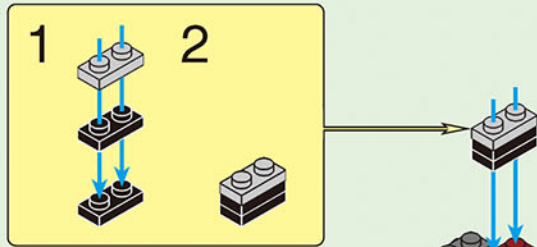


6-8

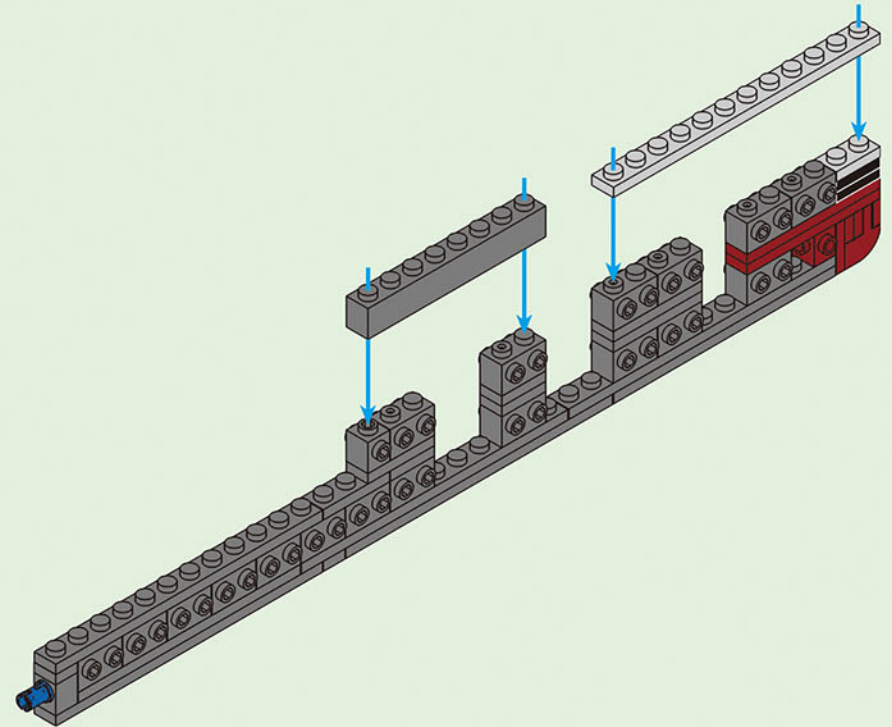


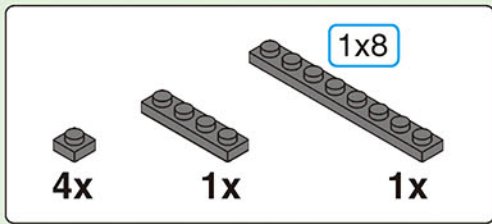


6-9

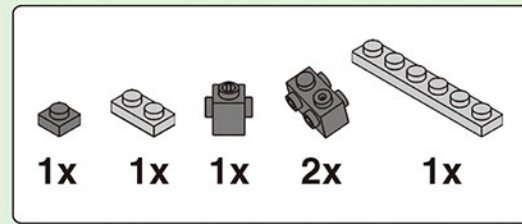
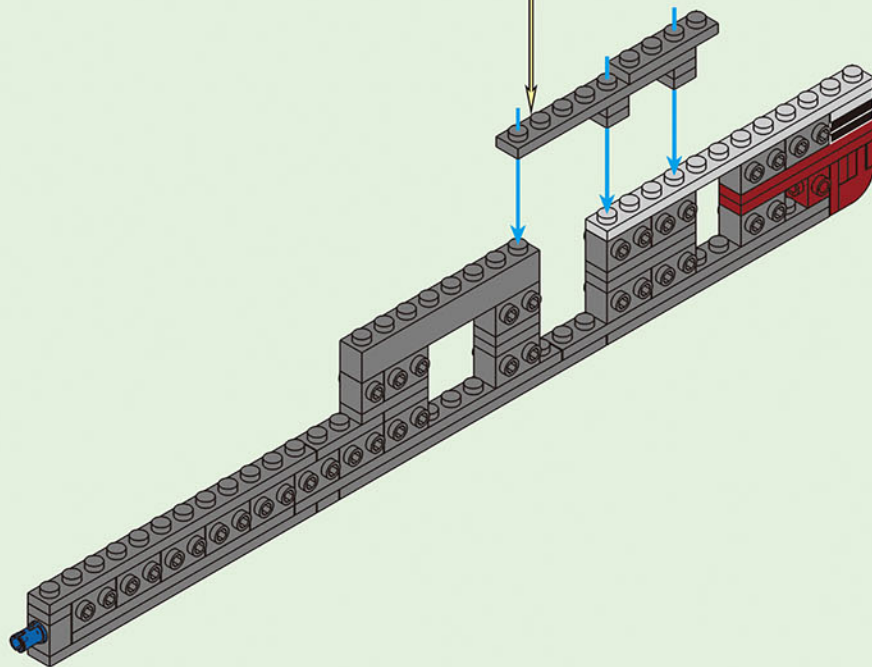
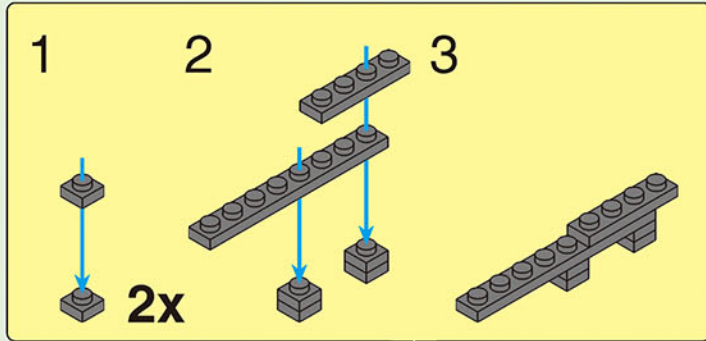


6-10

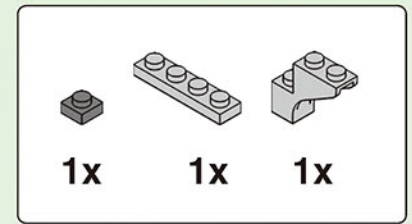
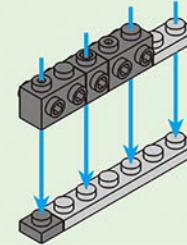




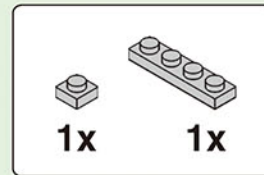
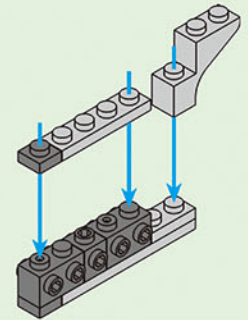
# 6-11



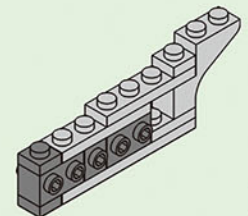
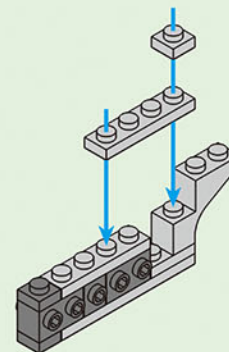
# 6-12.1



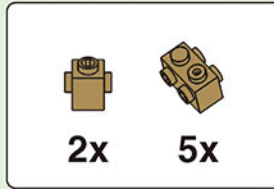
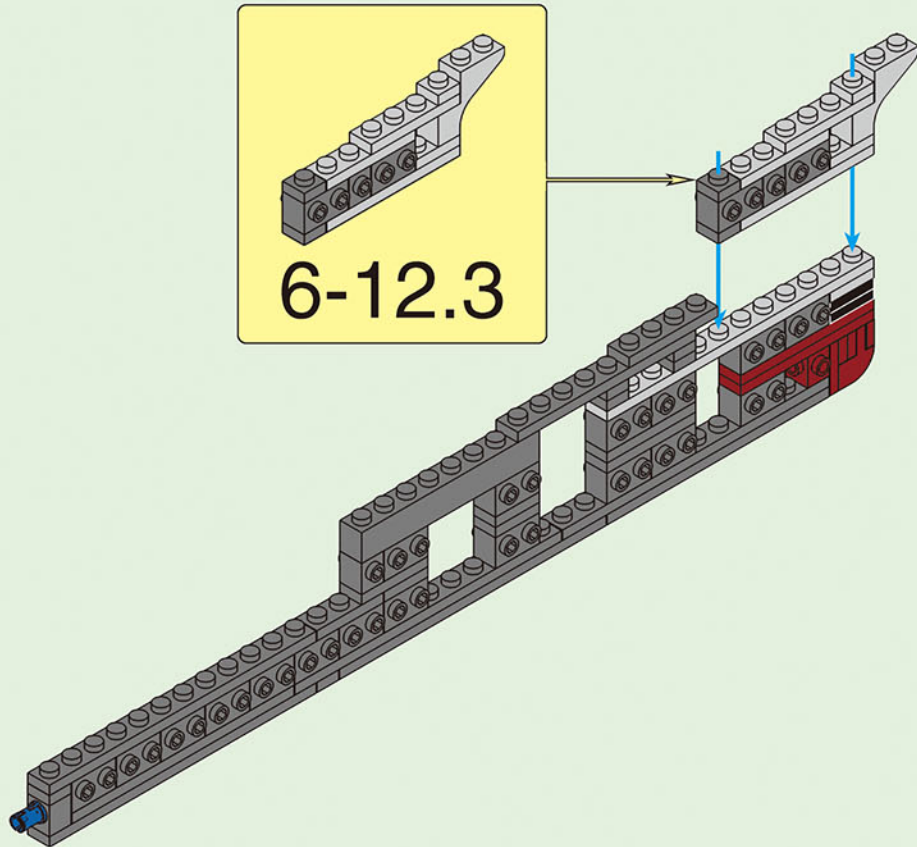
# 6-12.2



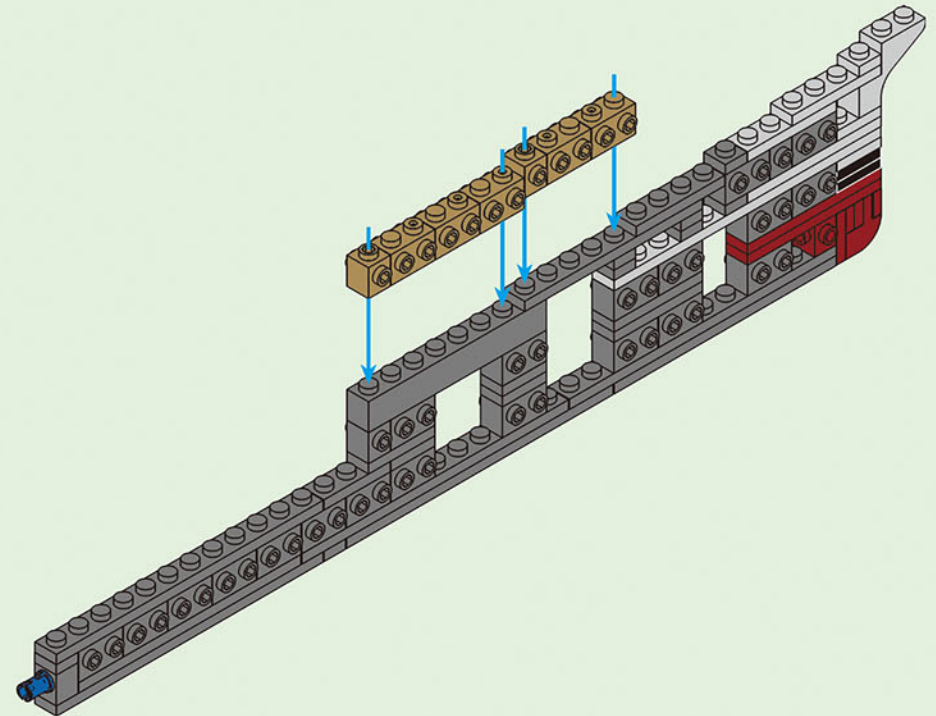
# 6-12.3

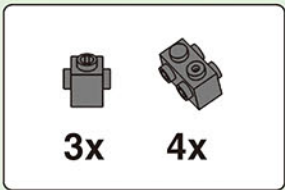


# 6-12

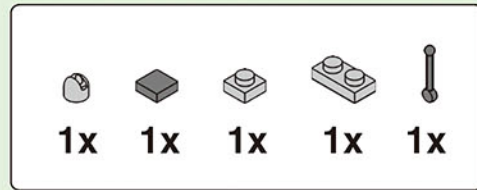
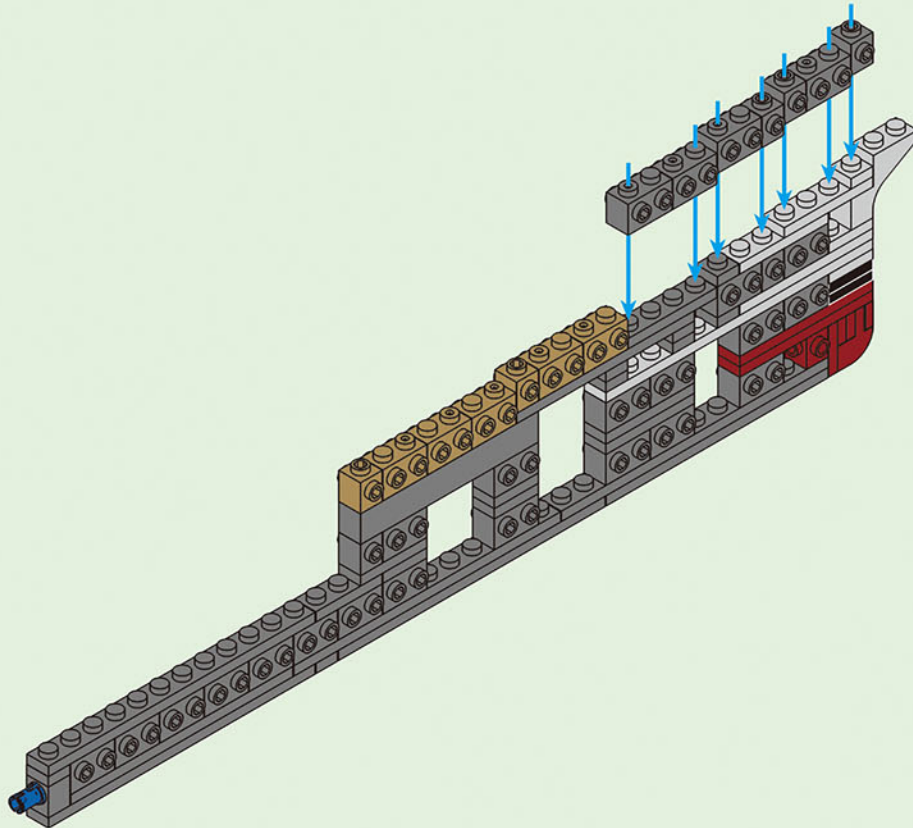


# 6-13

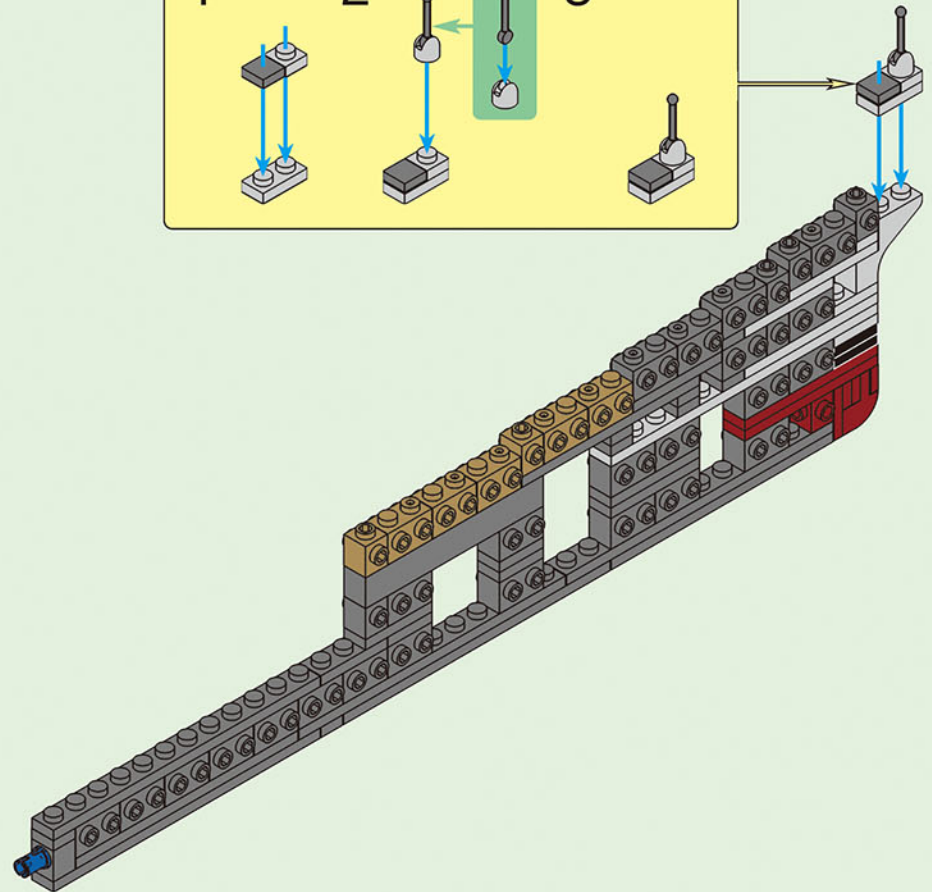
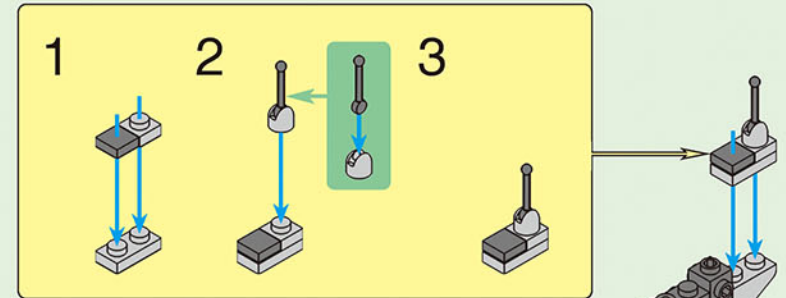


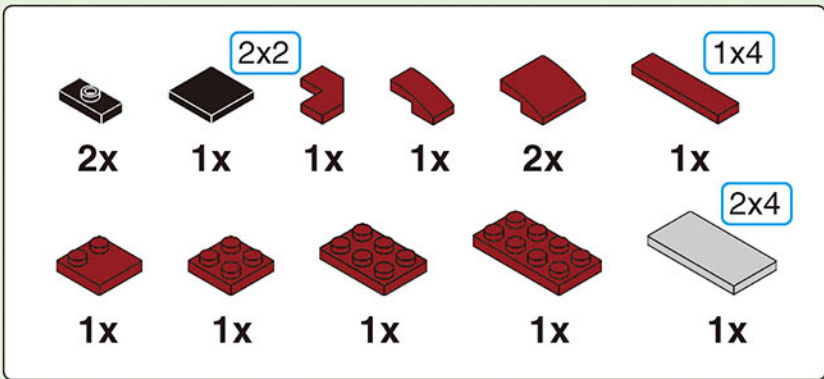


# 6-14

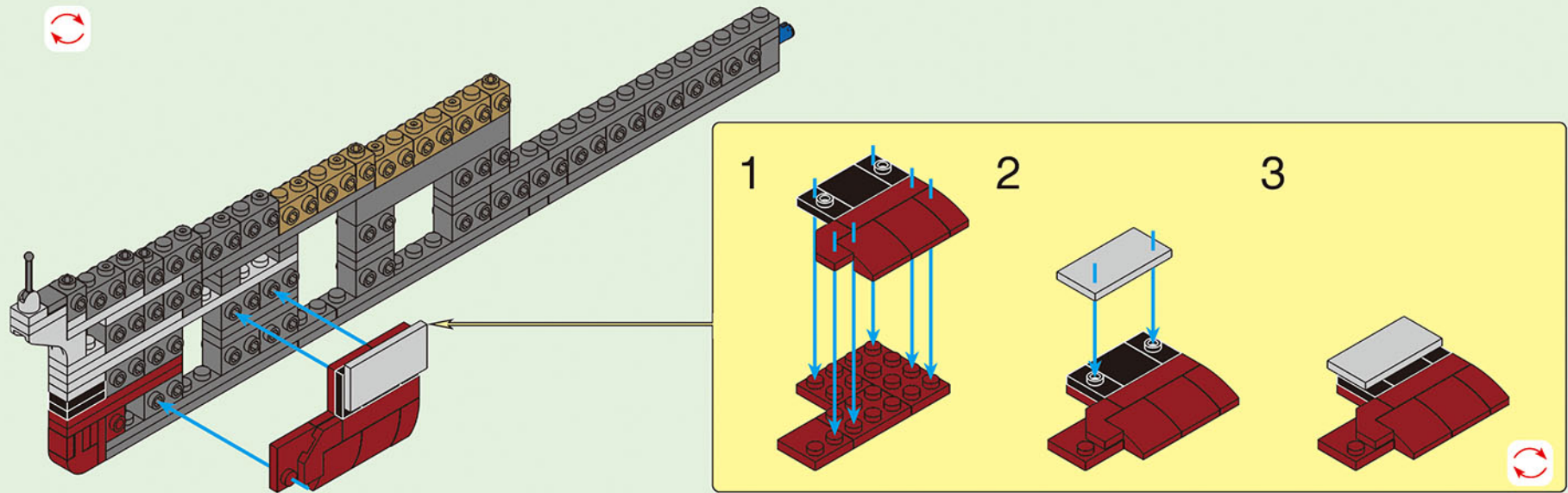


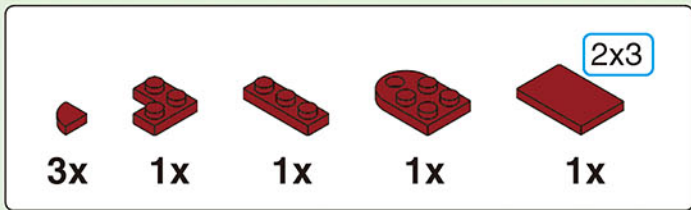
# 6-15



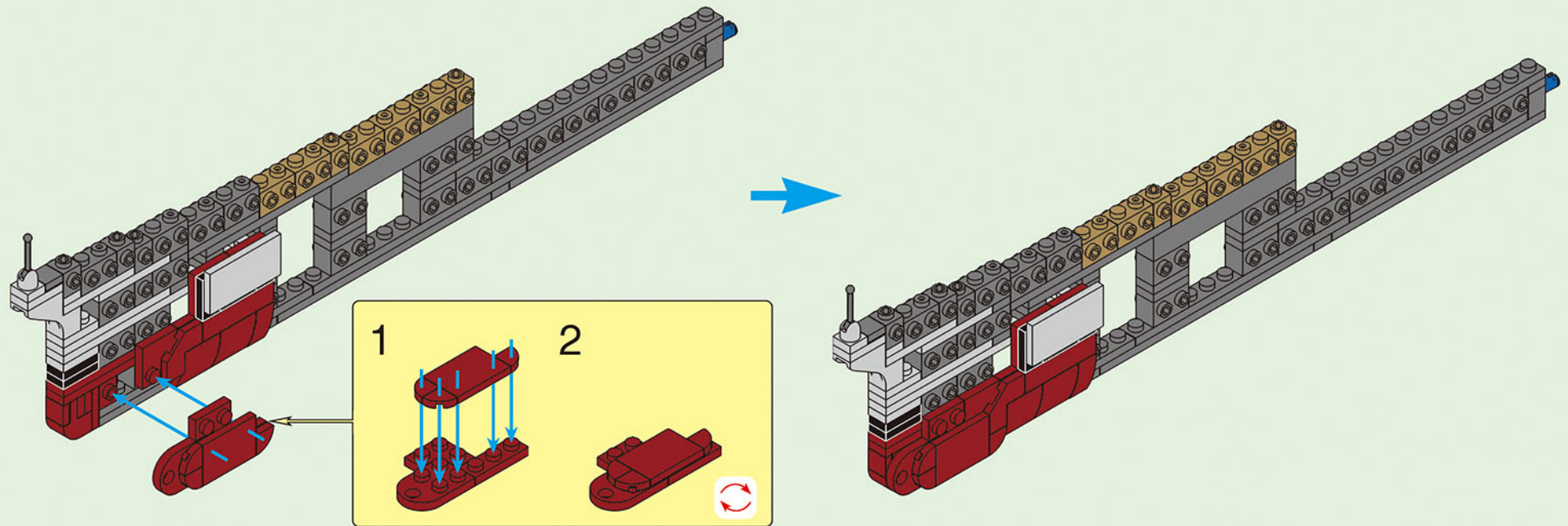


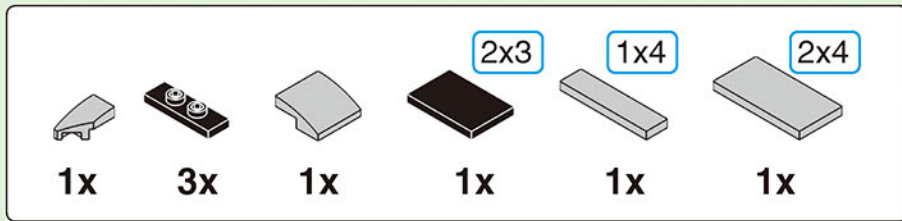
# 6-16



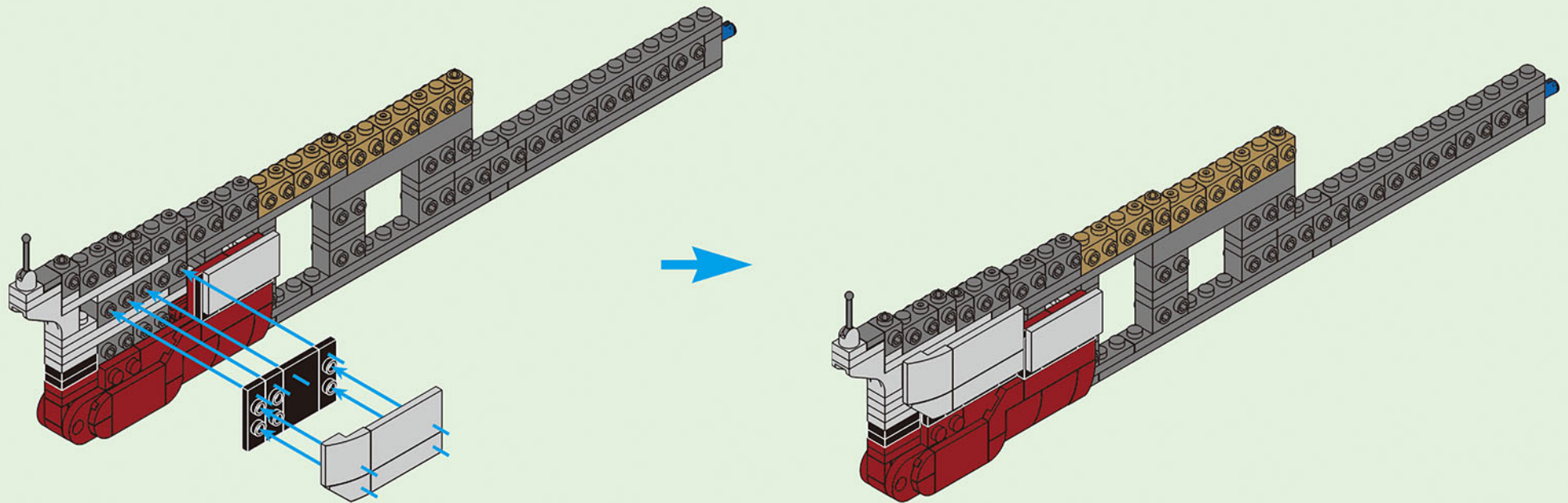


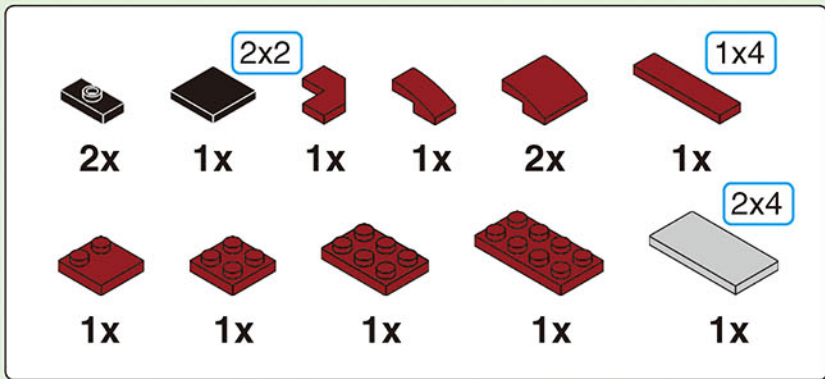
6-17



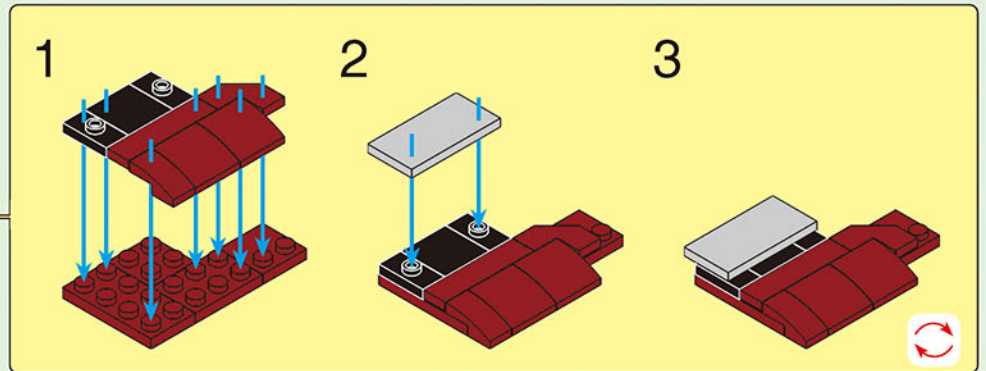
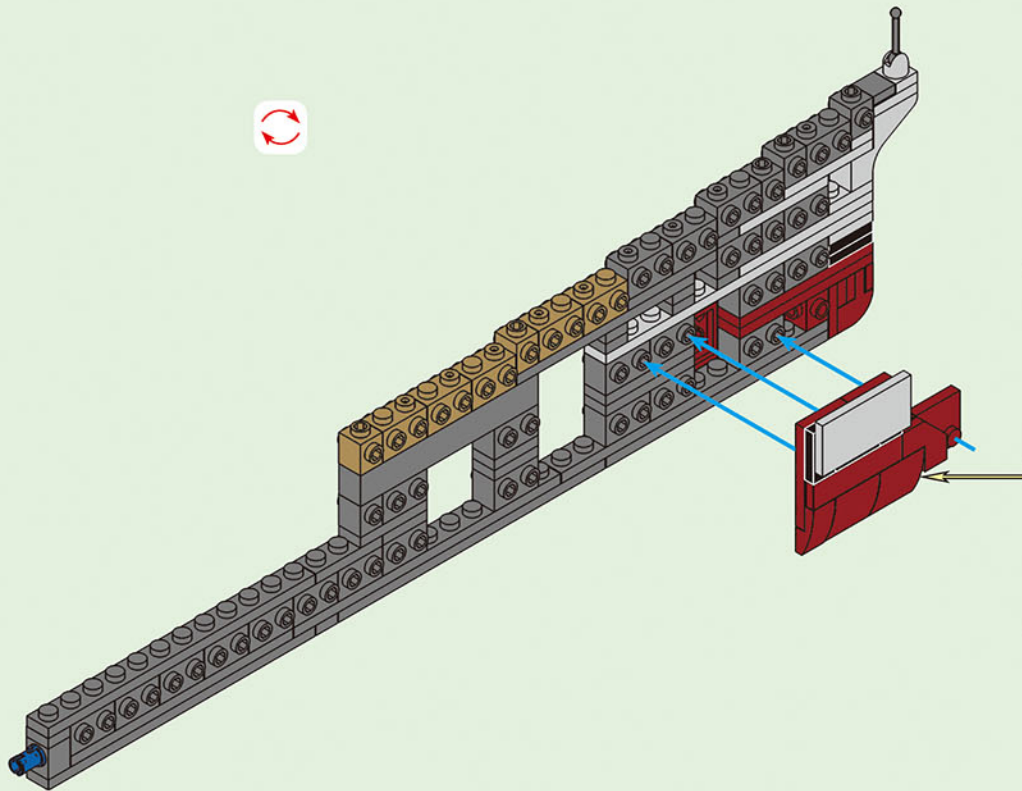






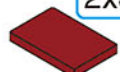
# 6-18



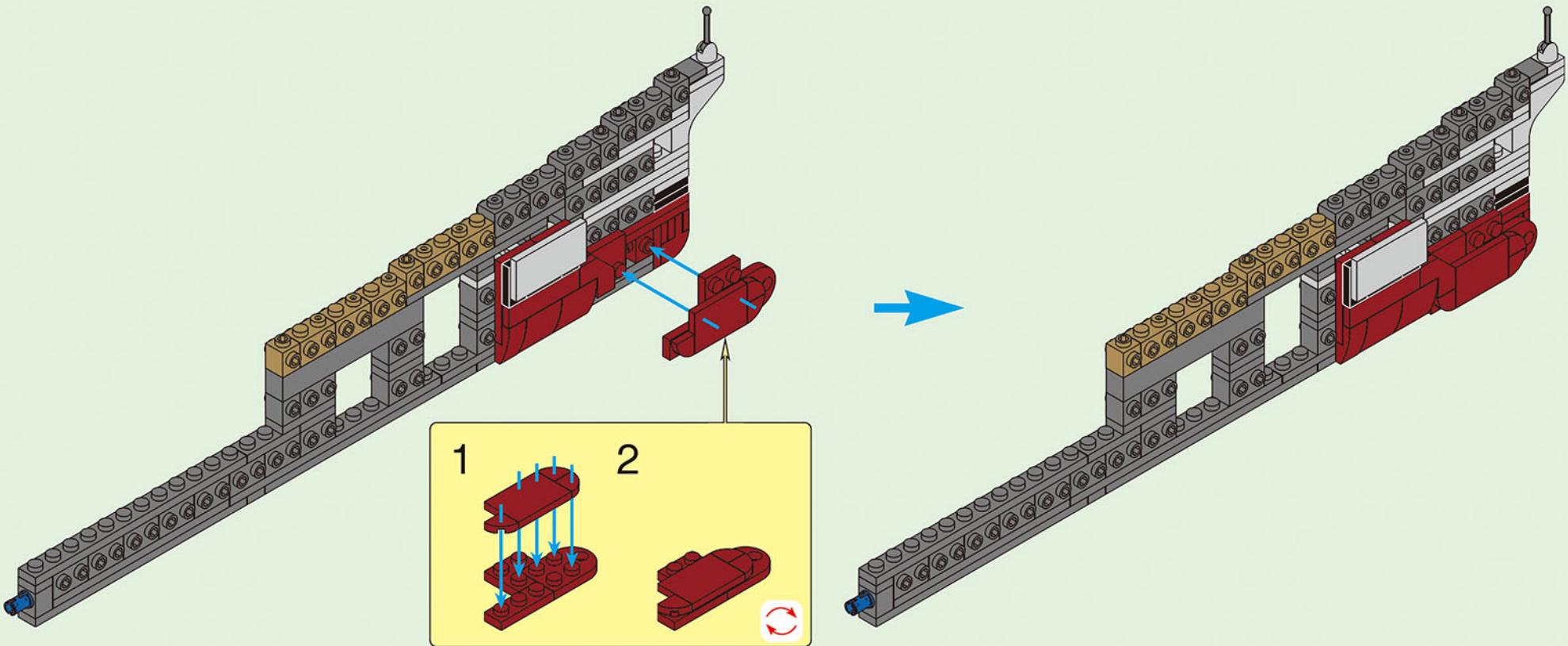


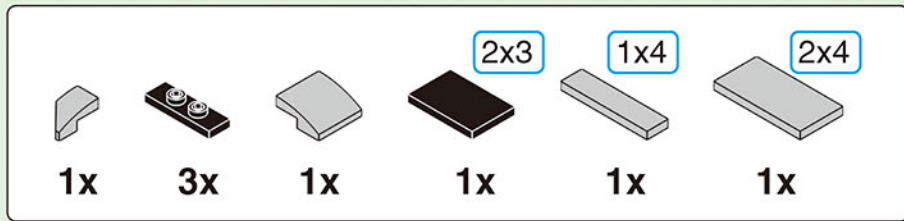
# 6-19



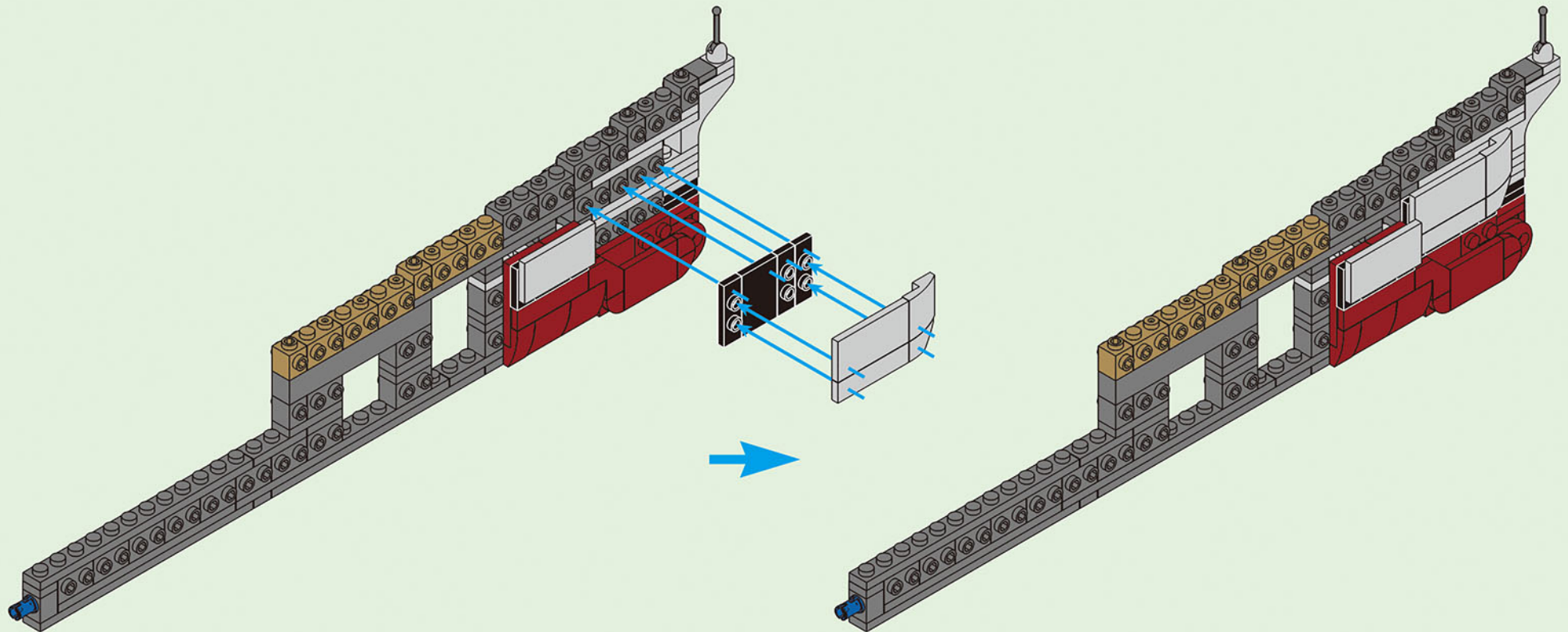
				
3x	1x	1x	1x	1x

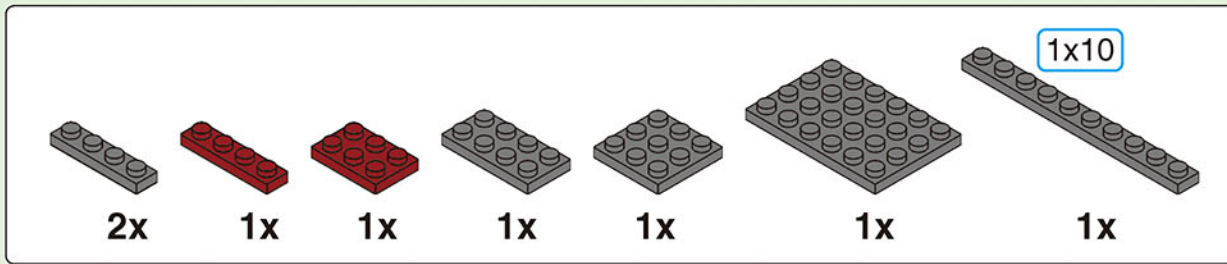
# 6-20



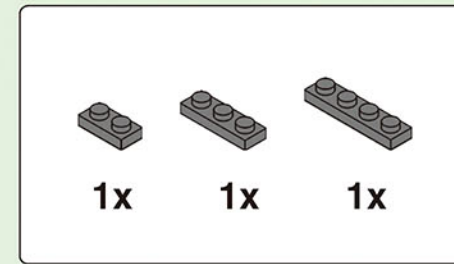
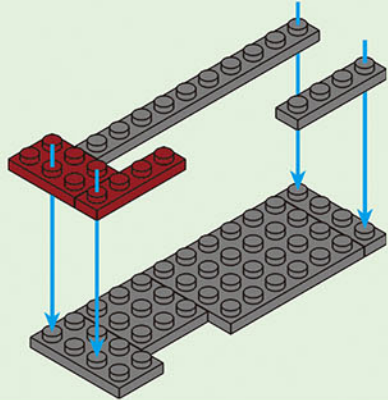


6-21

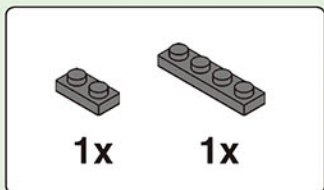
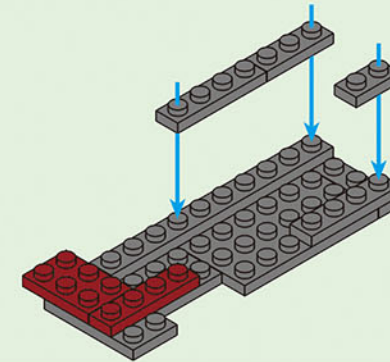




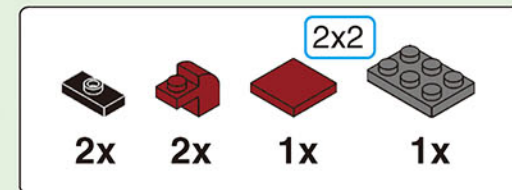
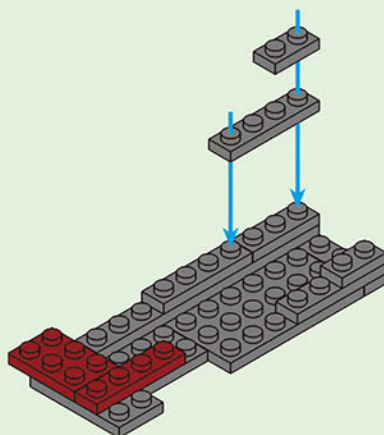
6-22.1



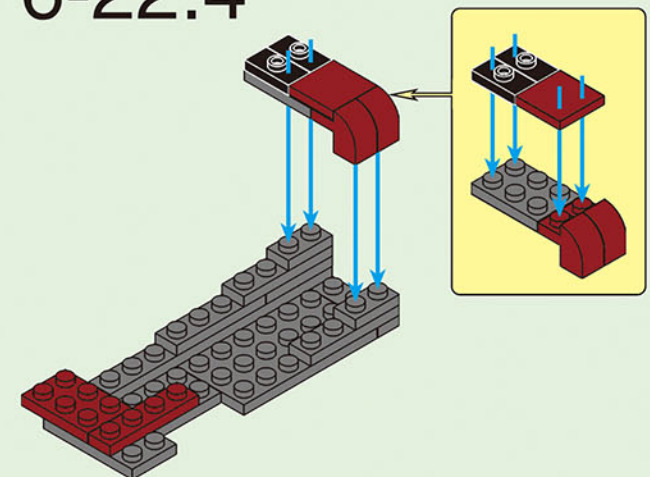
6-22.2

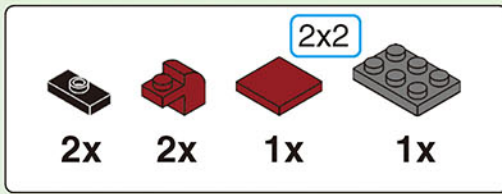


6-22.3

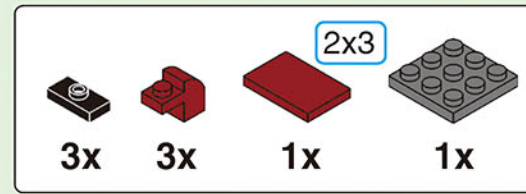
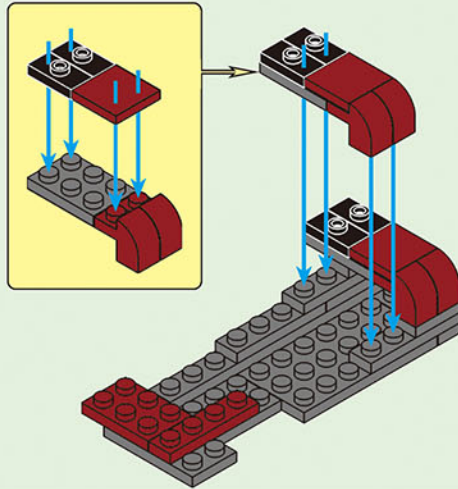


6-22.4

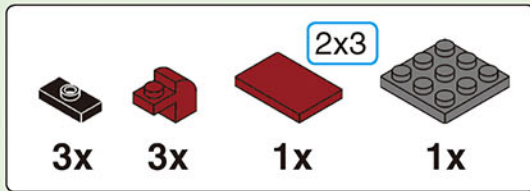
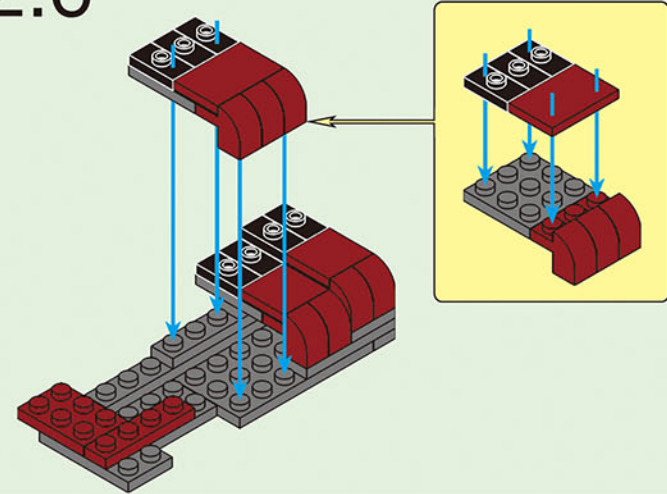




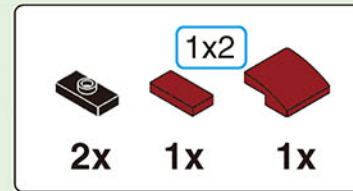
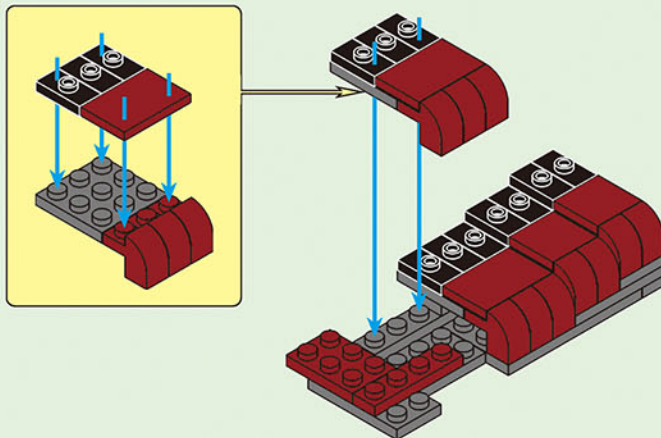
6-22.5



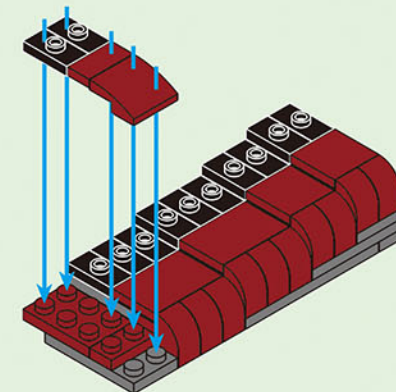
6-22.6

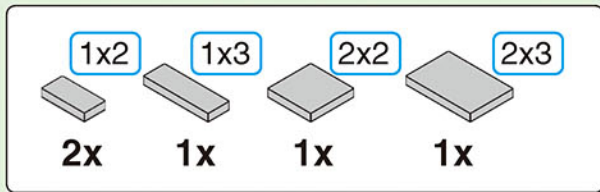


6-22.7

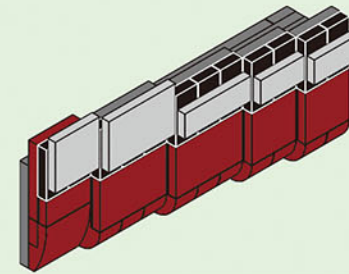
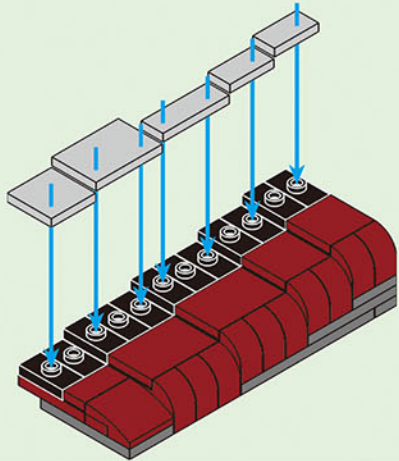


6-22.8

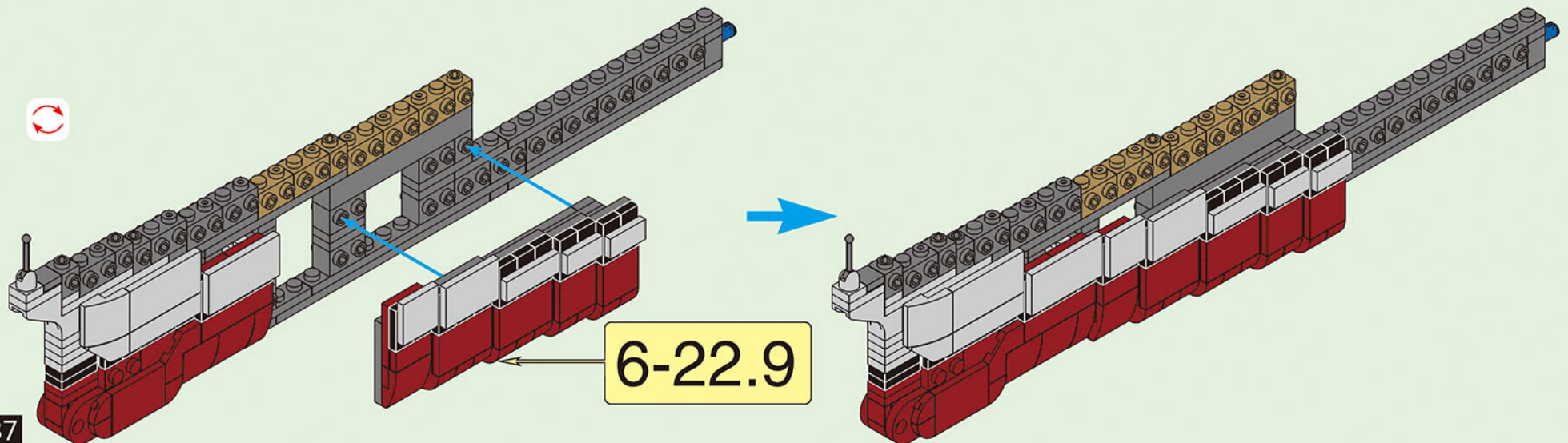


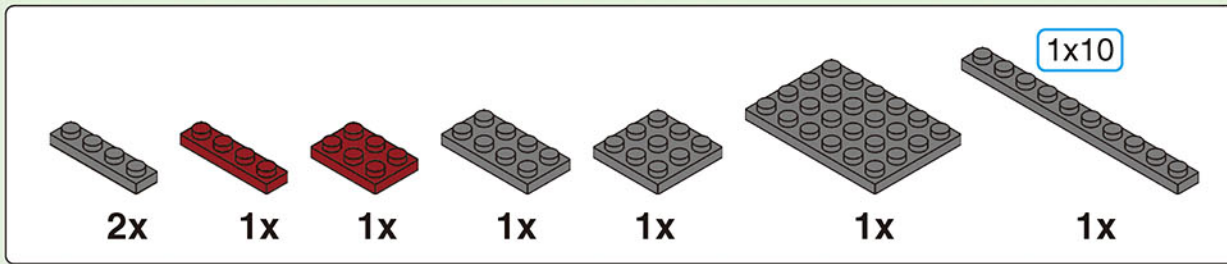


6-22.9

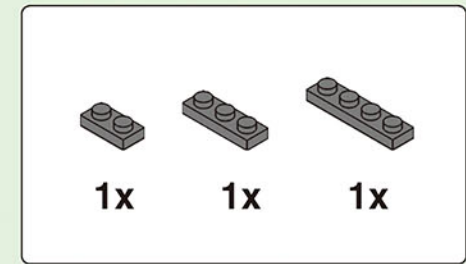
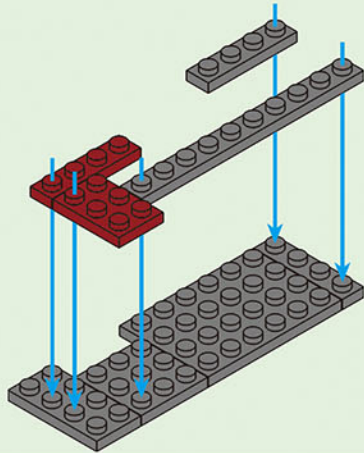


6-22

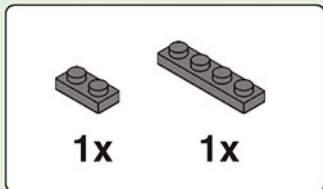
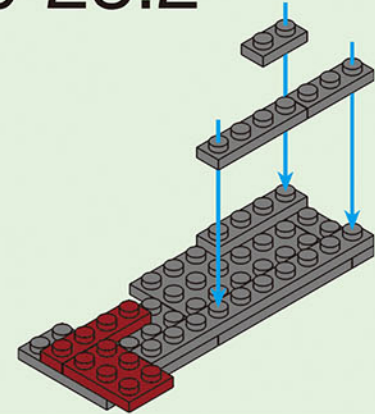




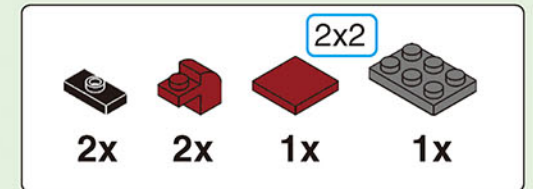
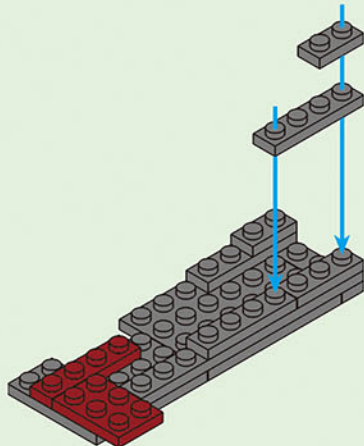
6-23.1



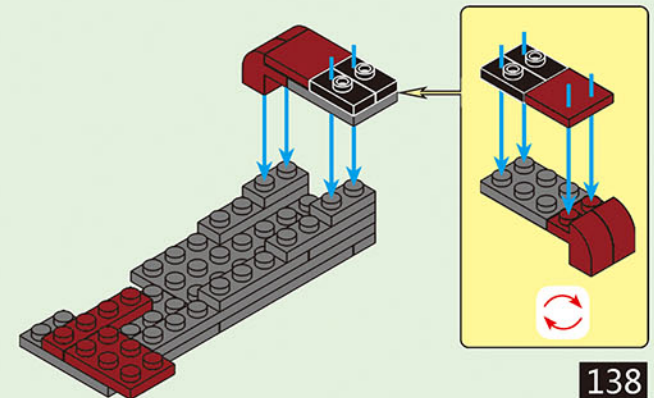
6-23.2

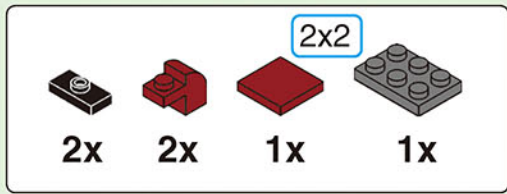


6-23.3

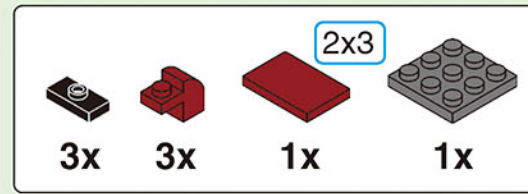
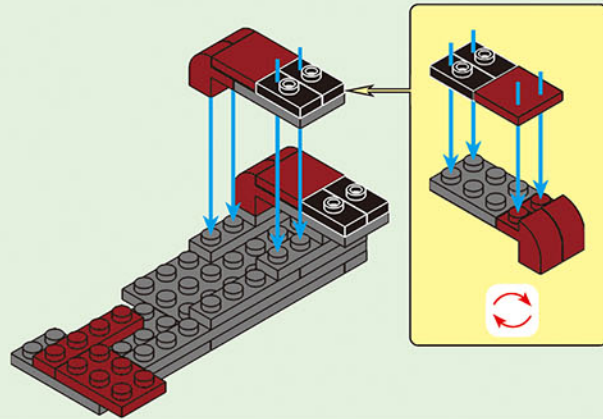


6-23.4

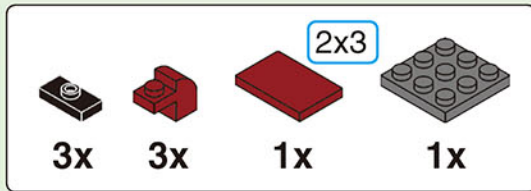
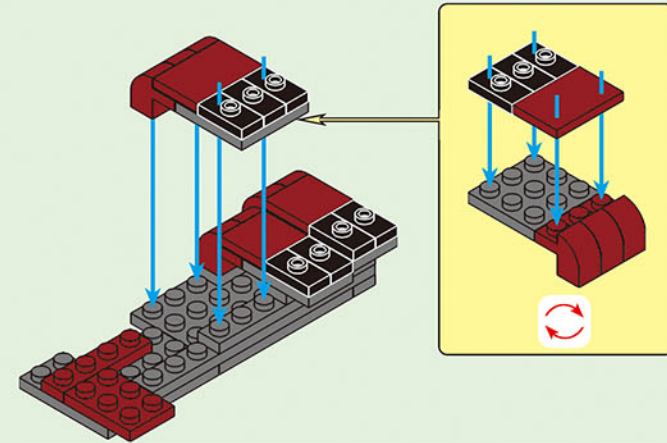




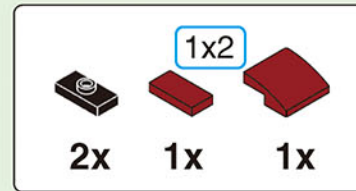
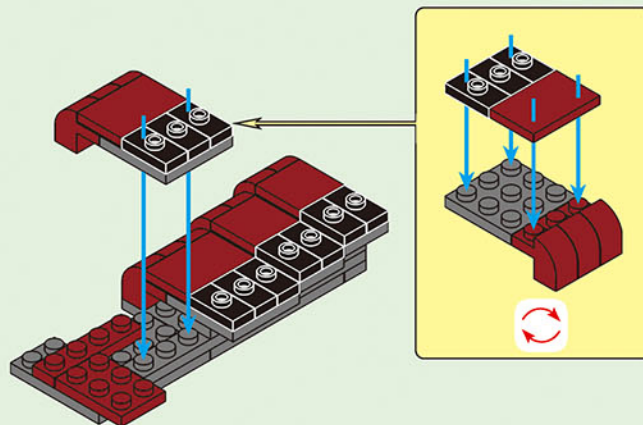
6-23.5



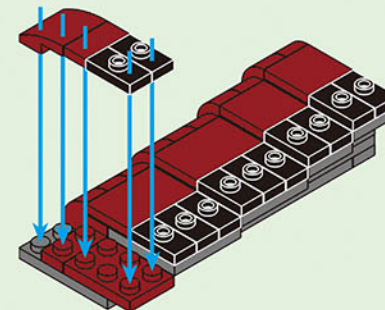
6-23.6

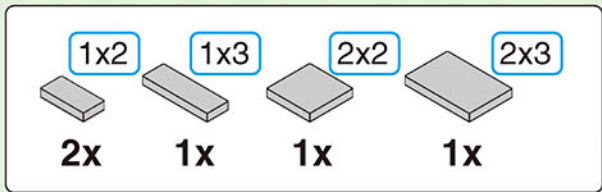


6-23.7

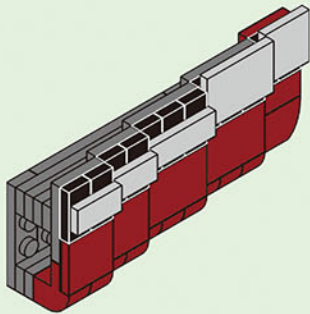
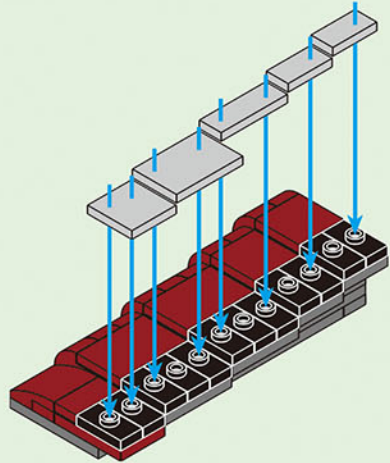


6-23.8

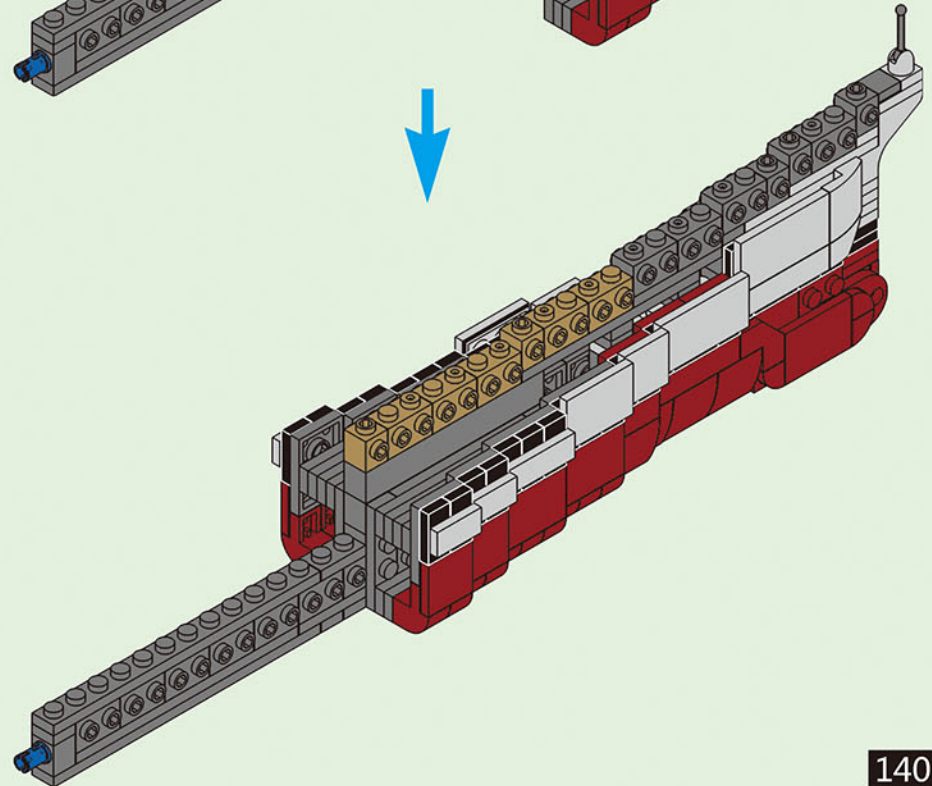
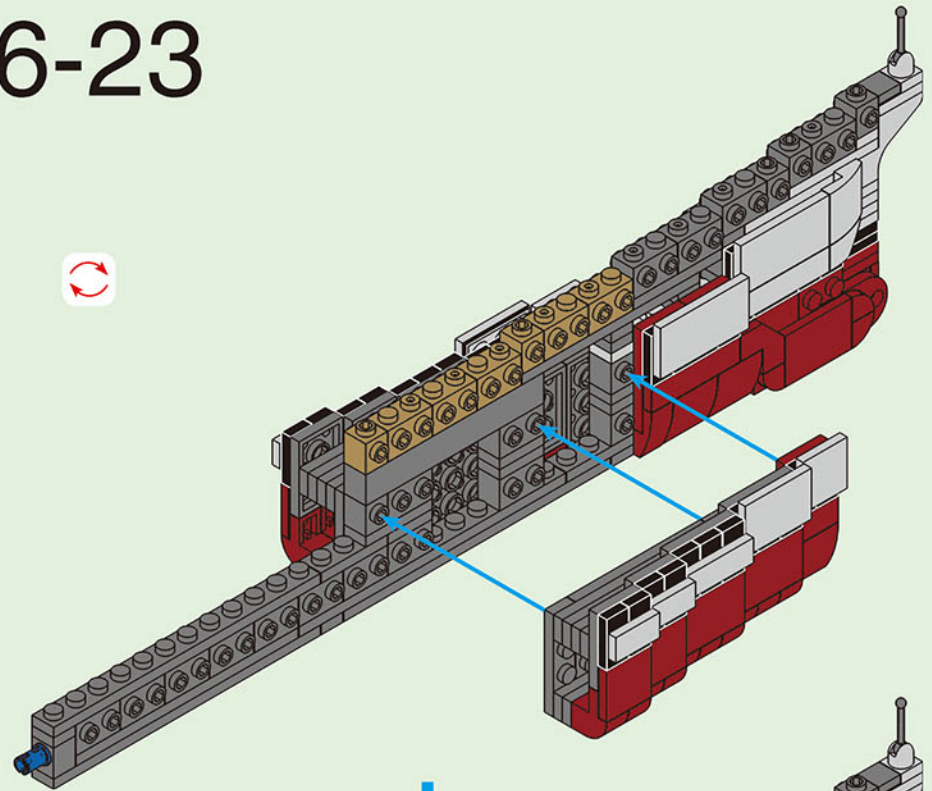


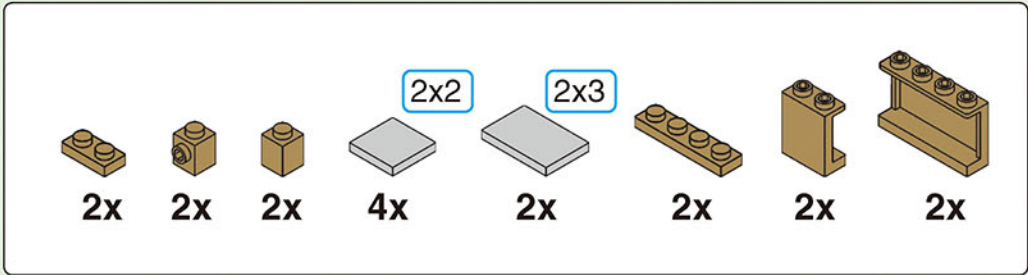


6-23.9

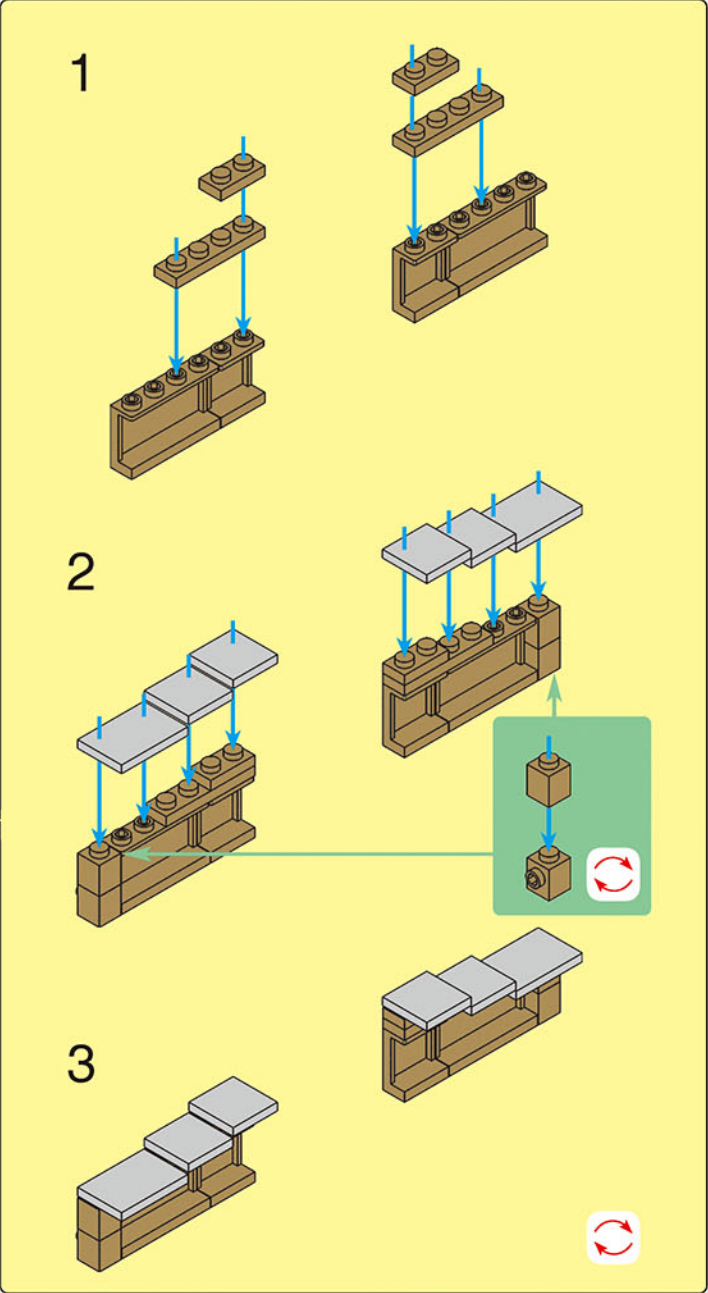
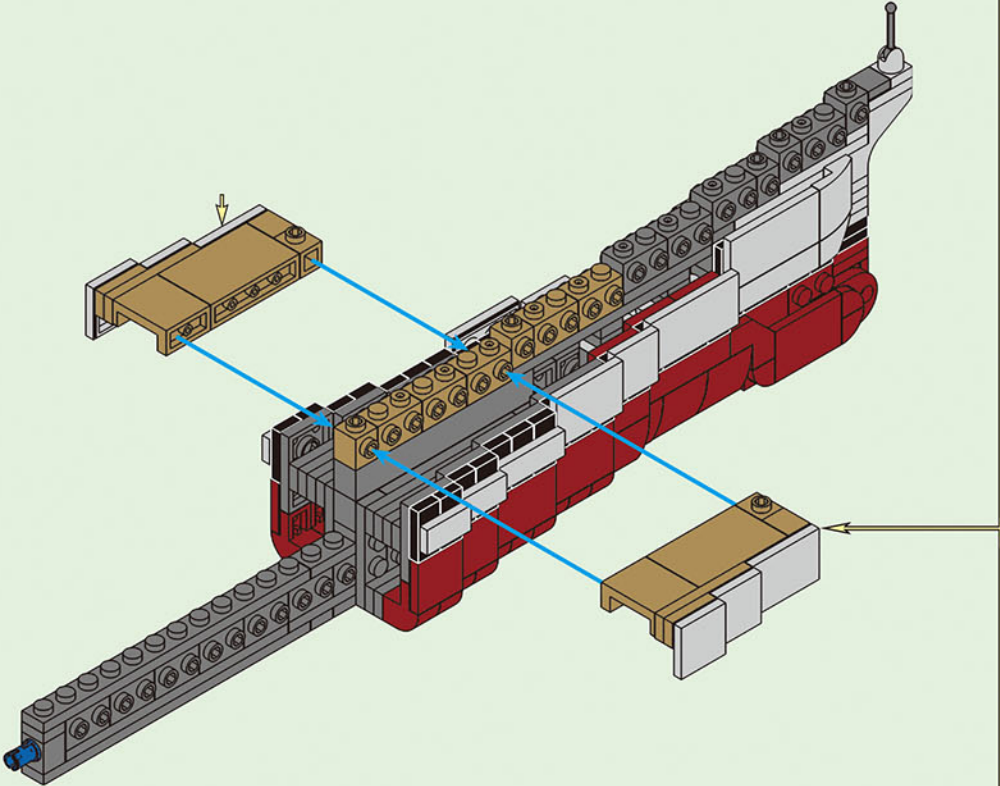


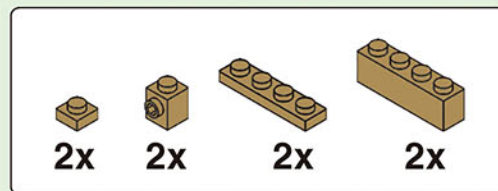
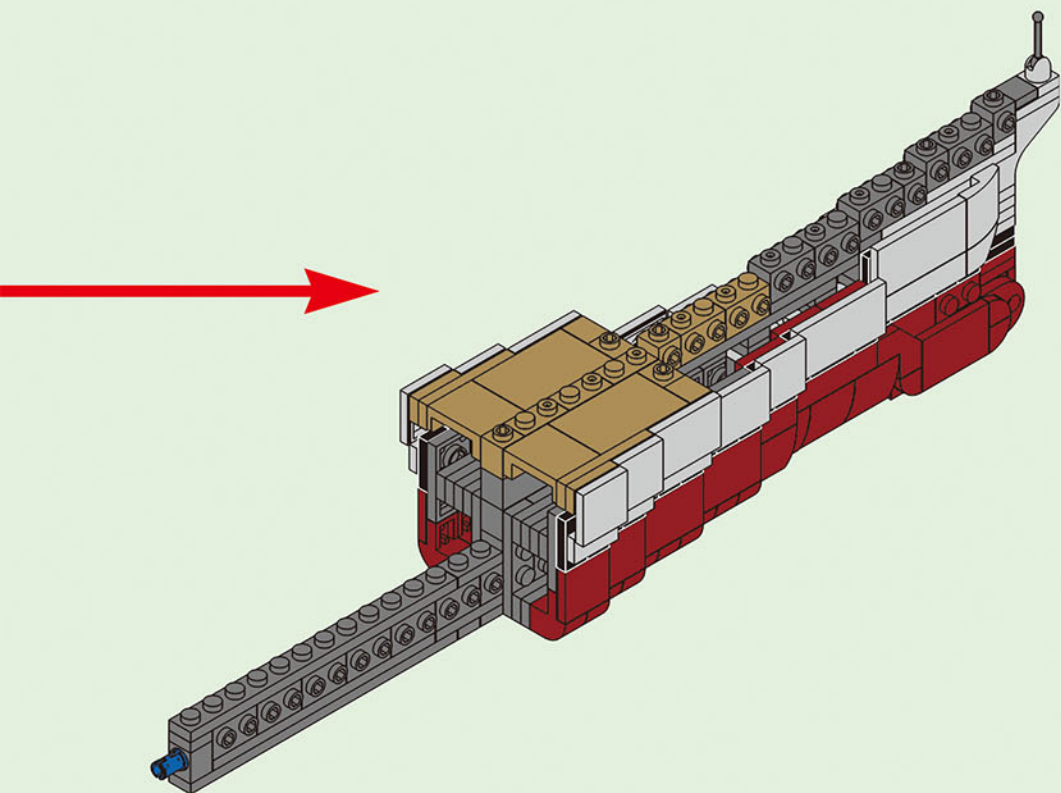
6-23



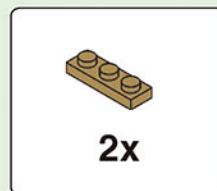
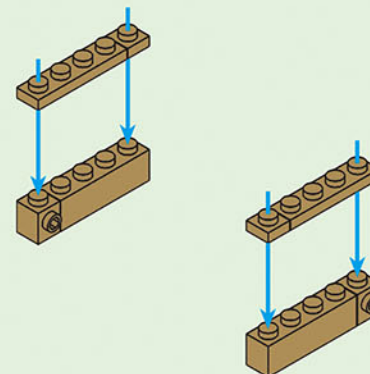


# 6-24

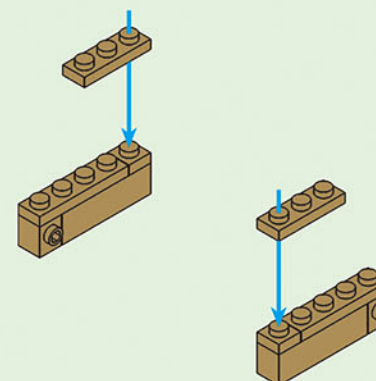


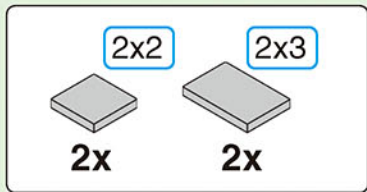


6-25.1

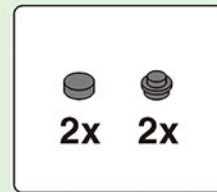
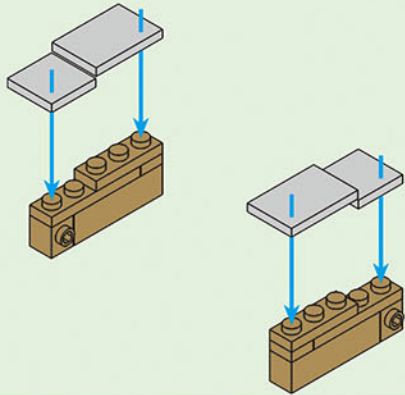


6-25.2

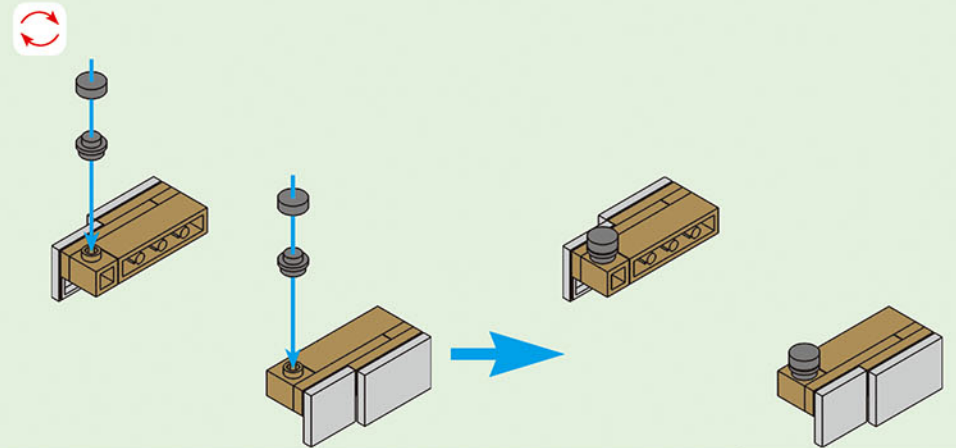




6-25.3

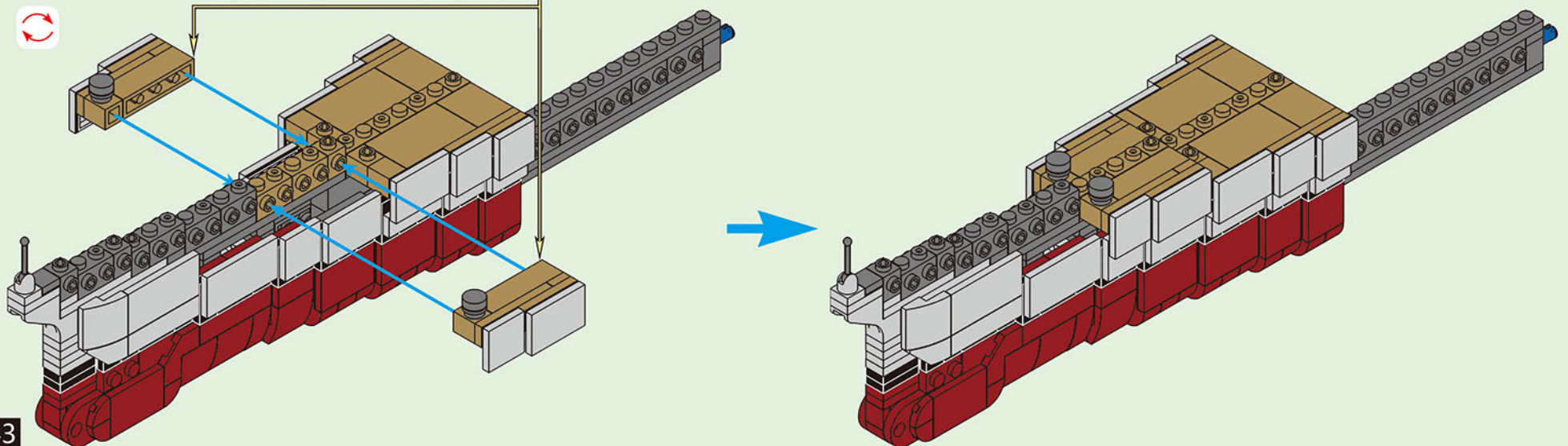


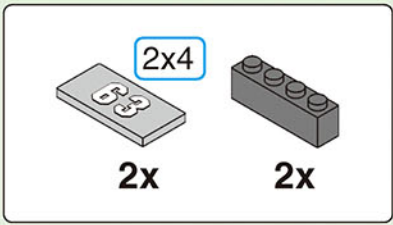
6-25.4



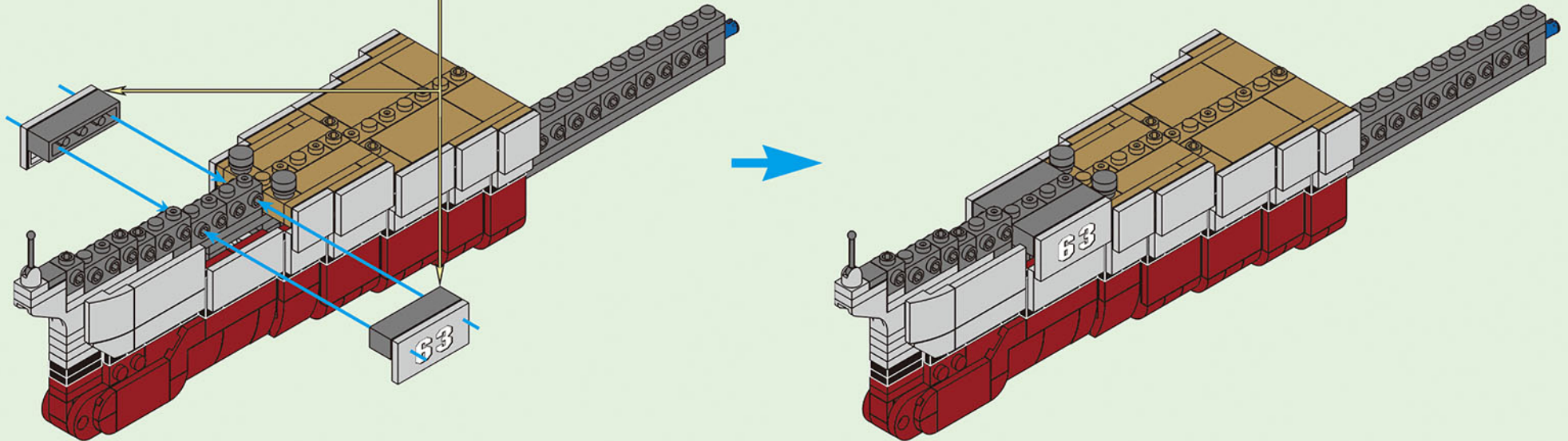
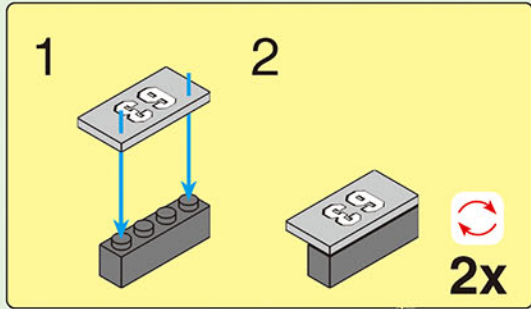
6-25

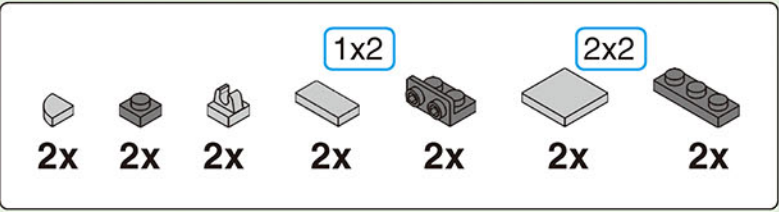
6-25.4



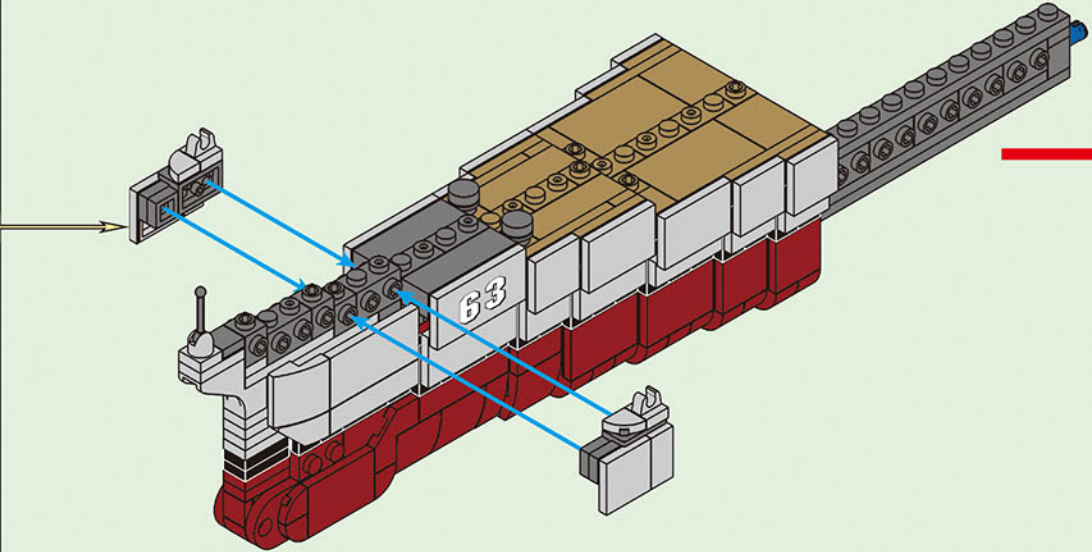
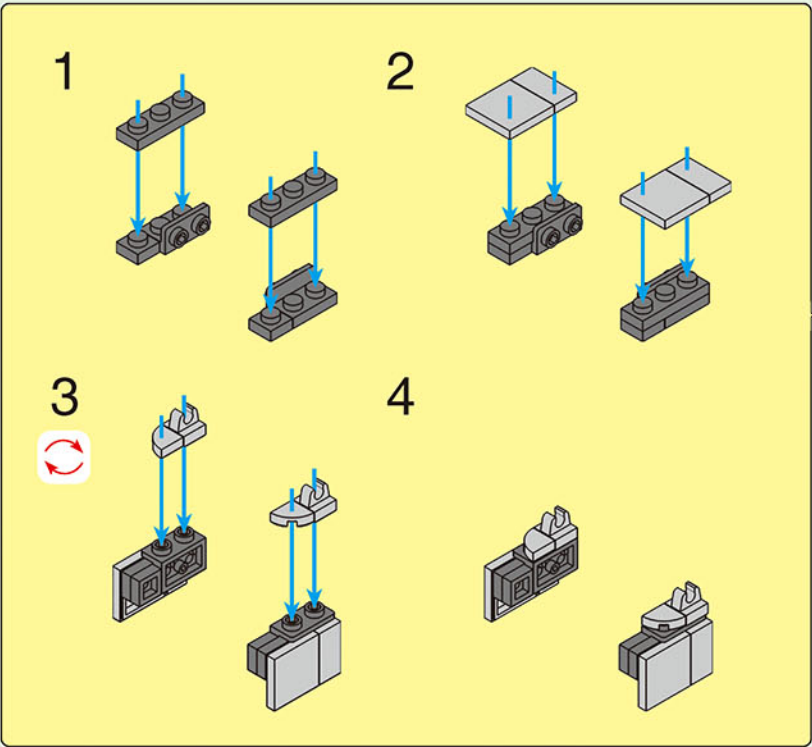





# 6-26



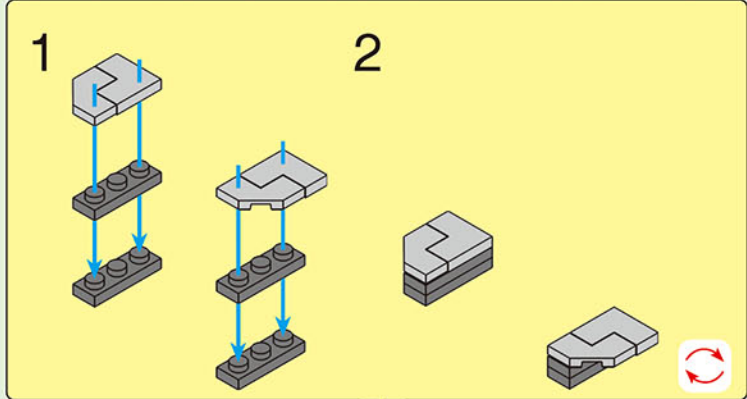
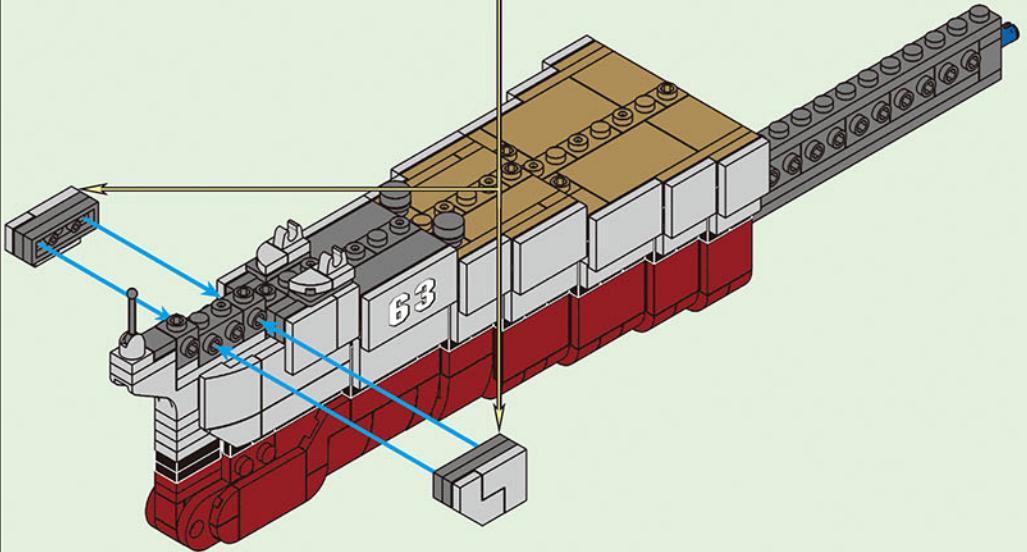
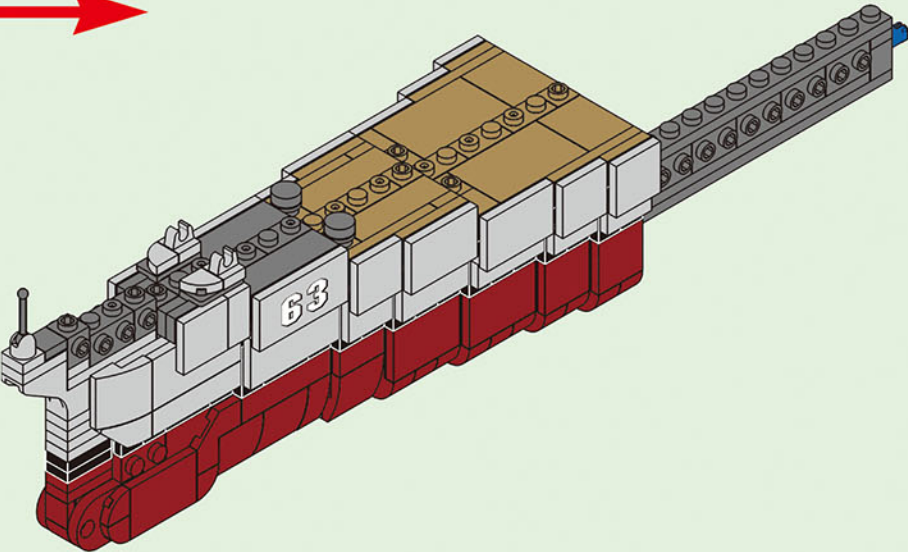


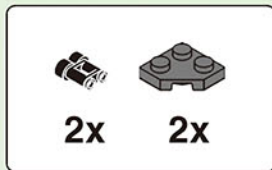
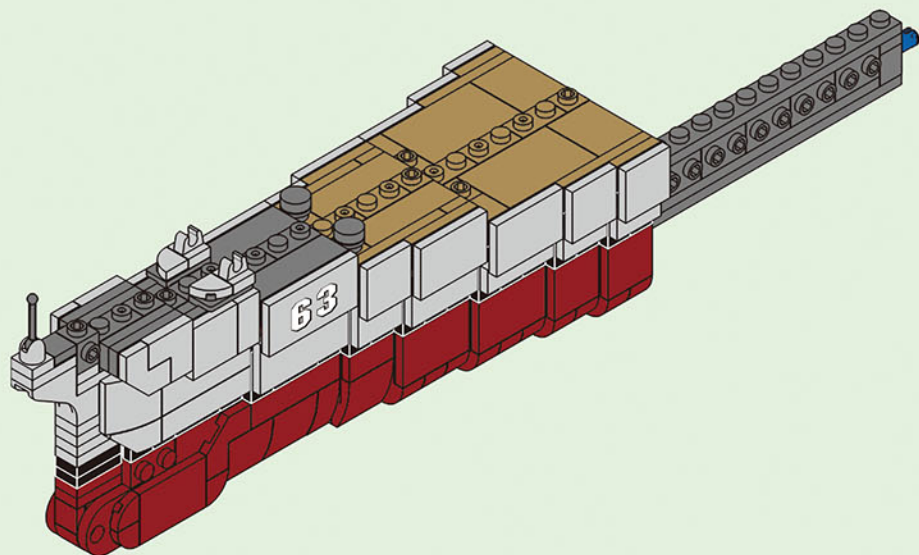
# 6-27



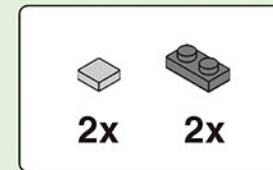
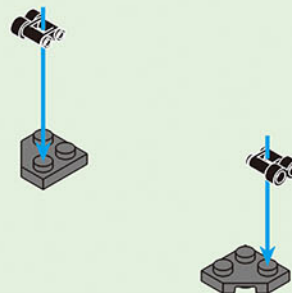
		
4x	2x	2x

# 6-28

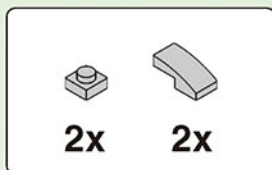
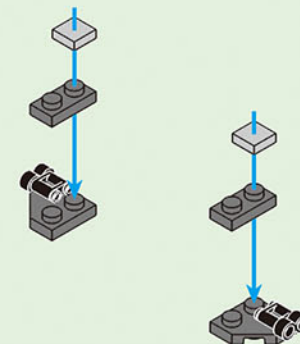





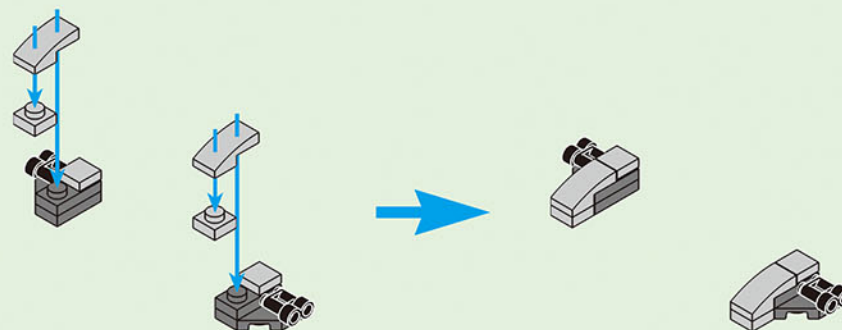
6-29.1



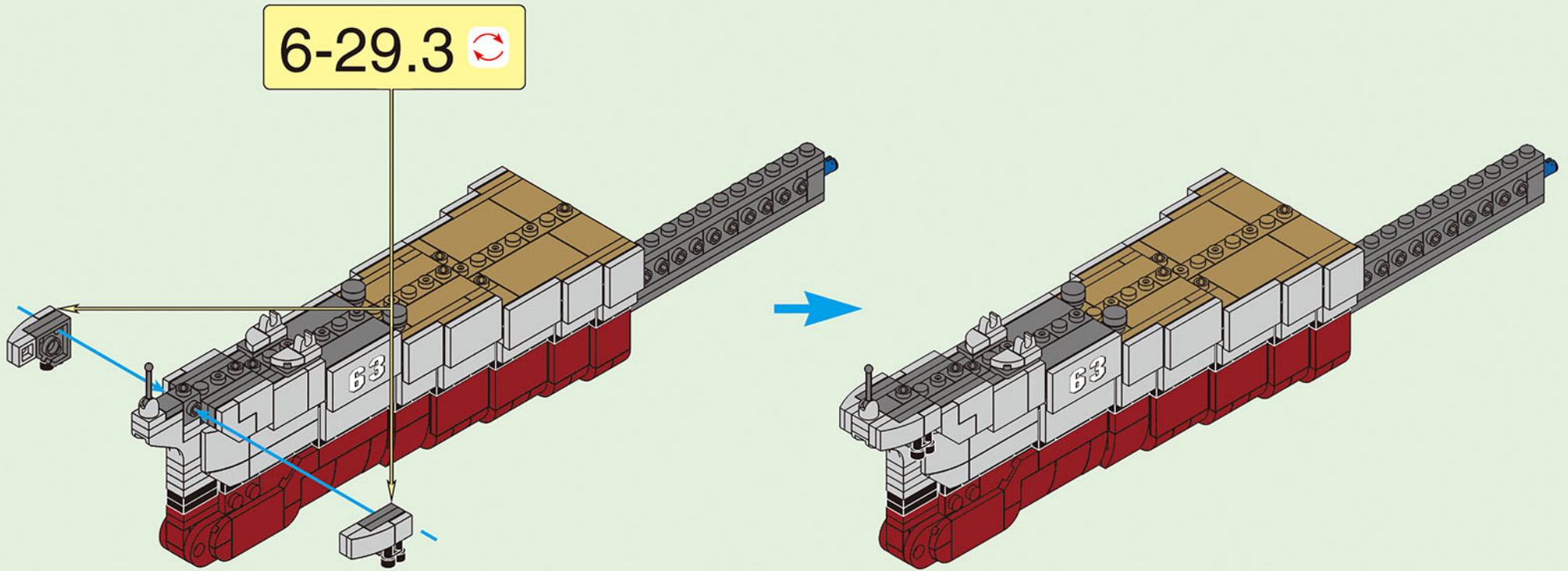
6-29.2



6-29.3

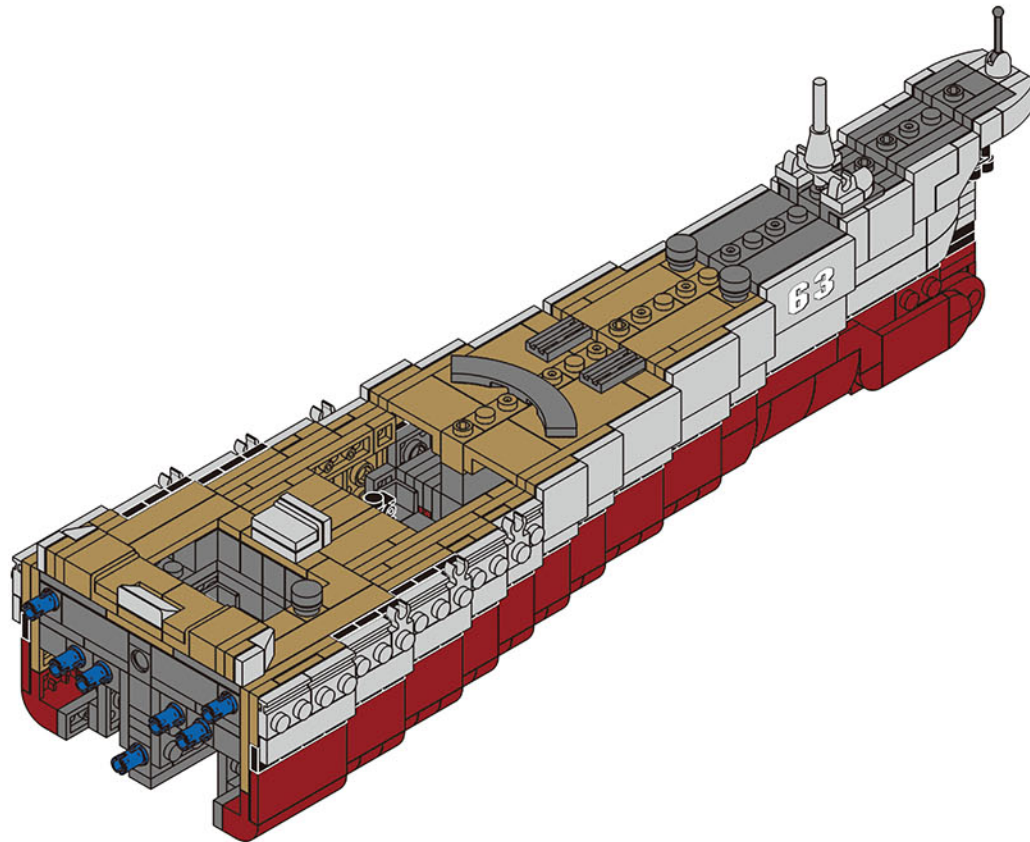


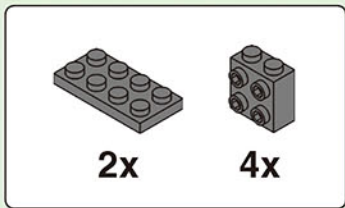
# 6-29



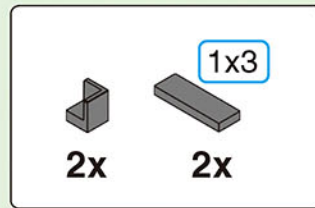
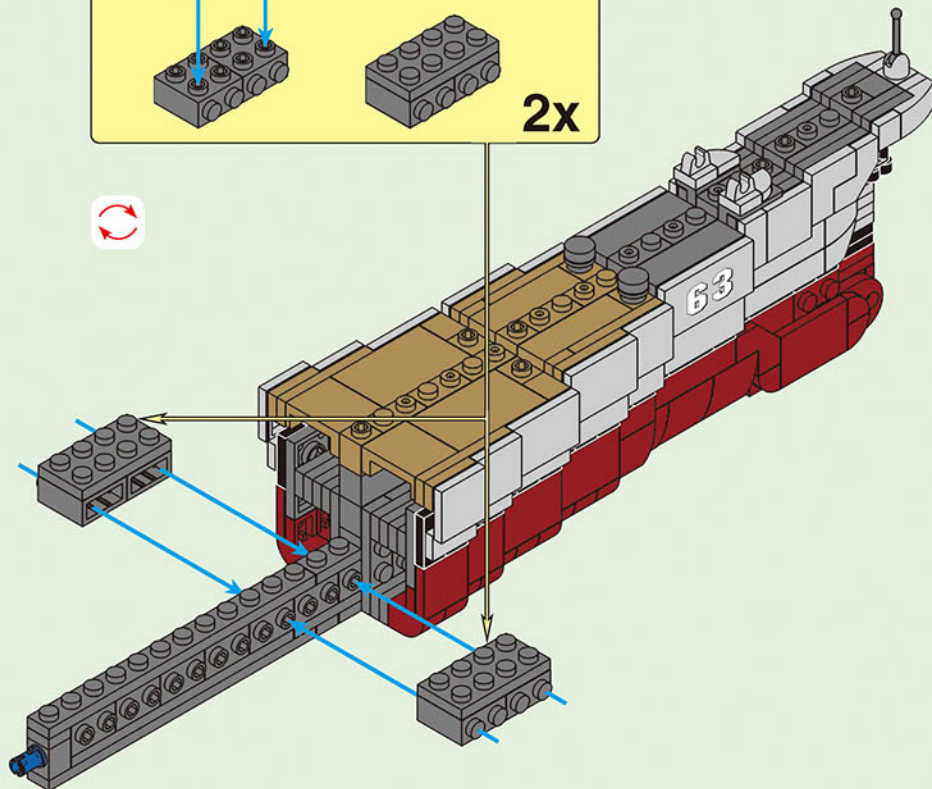
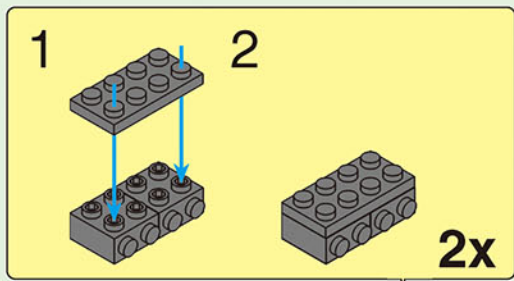


x6

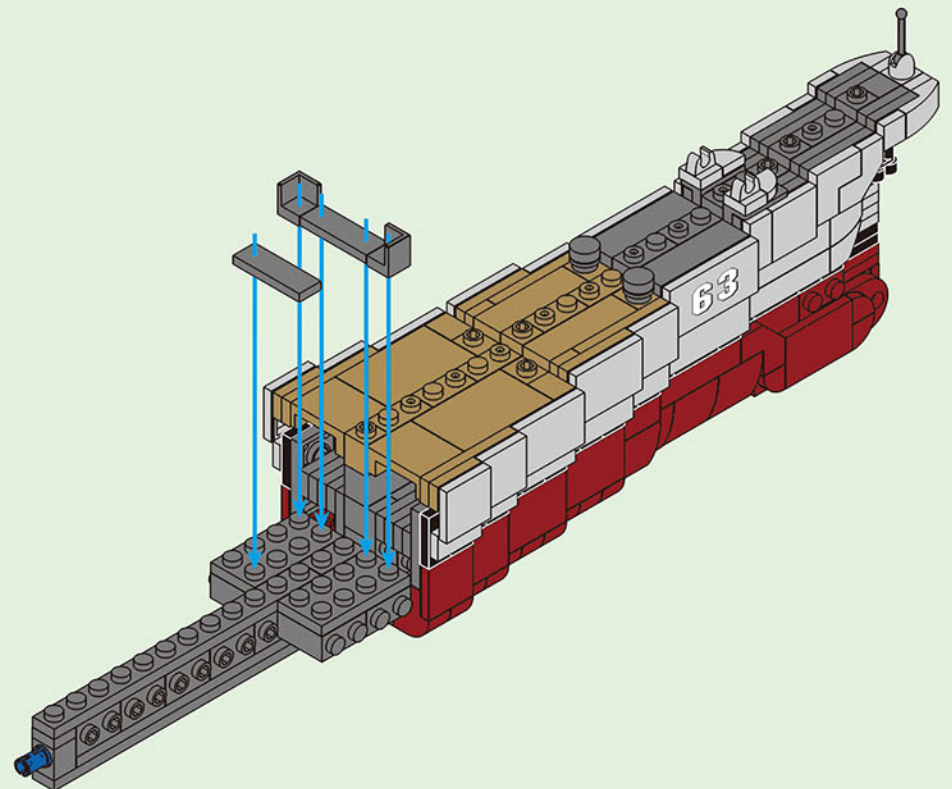


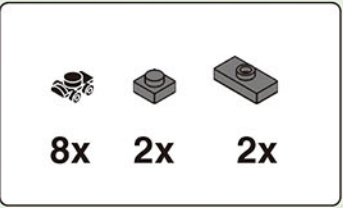


7-1

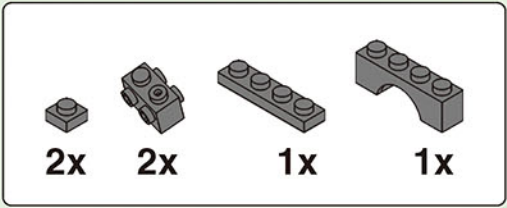
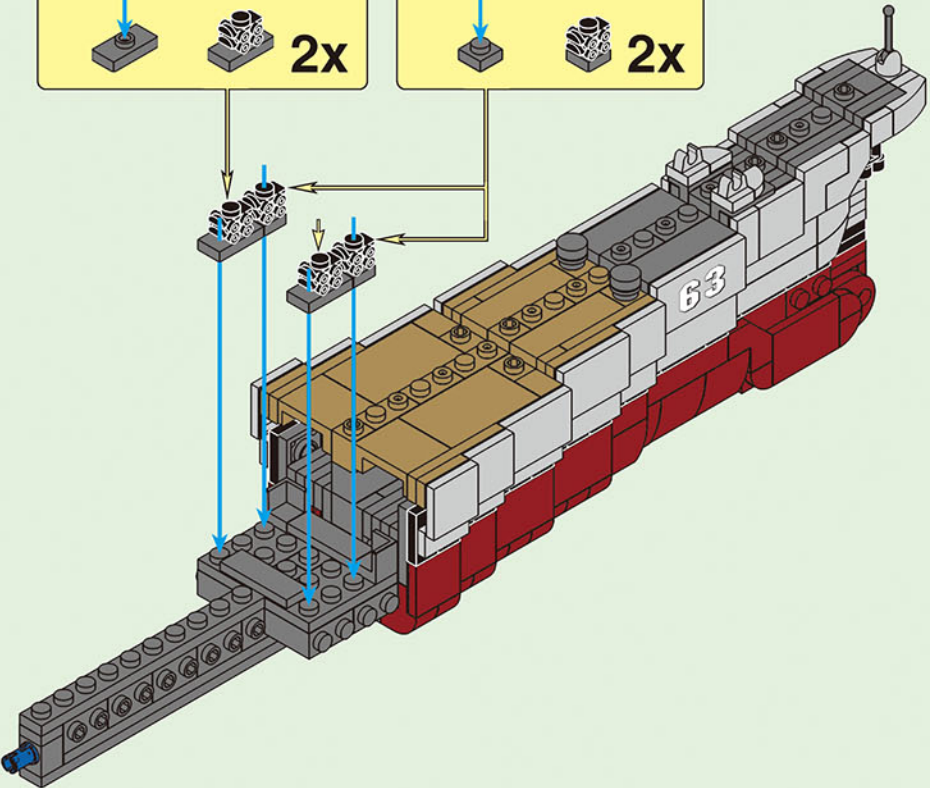
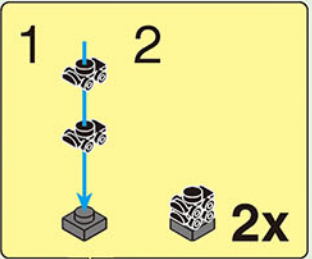
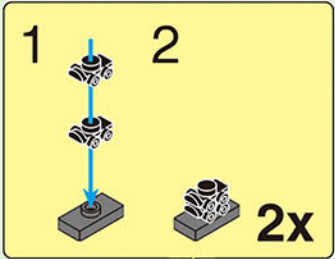


7-2

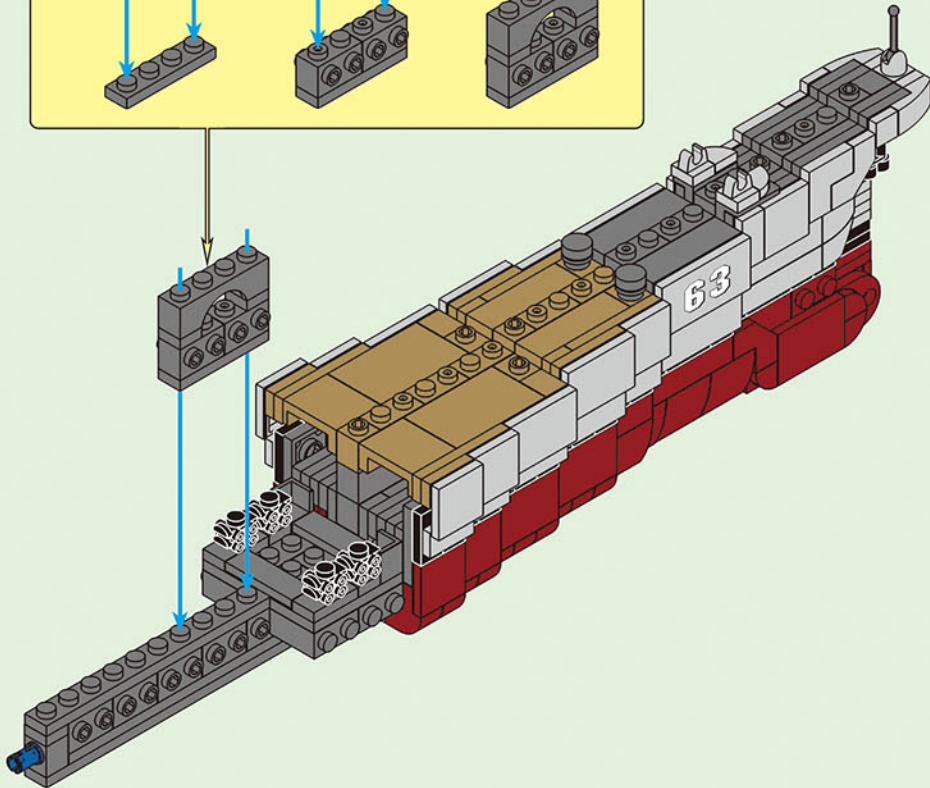
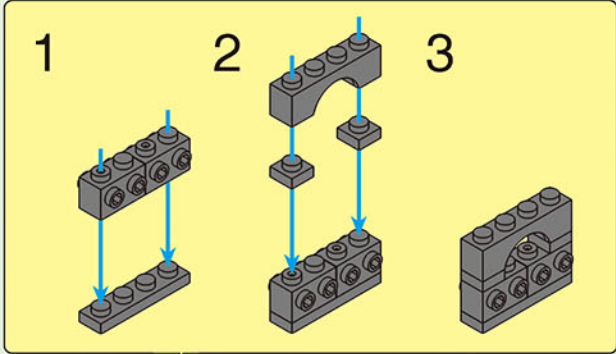


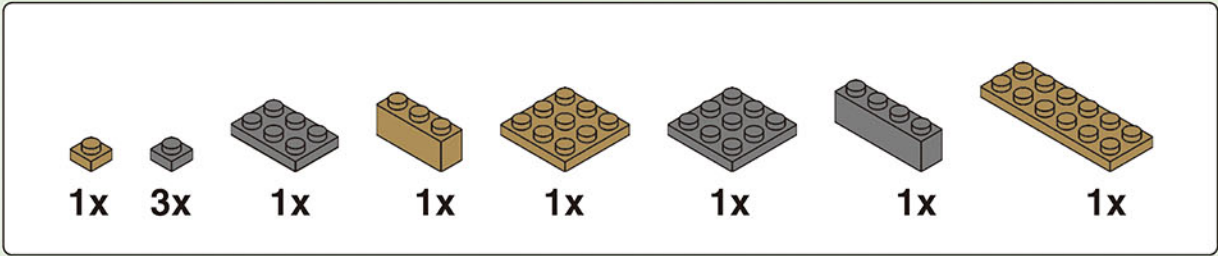


# 7-3

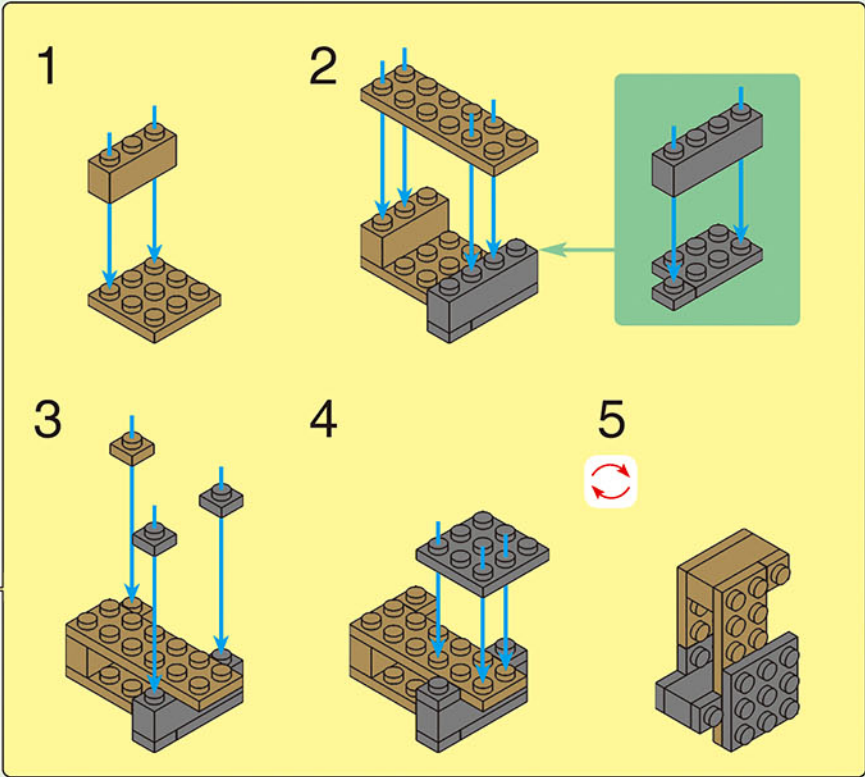
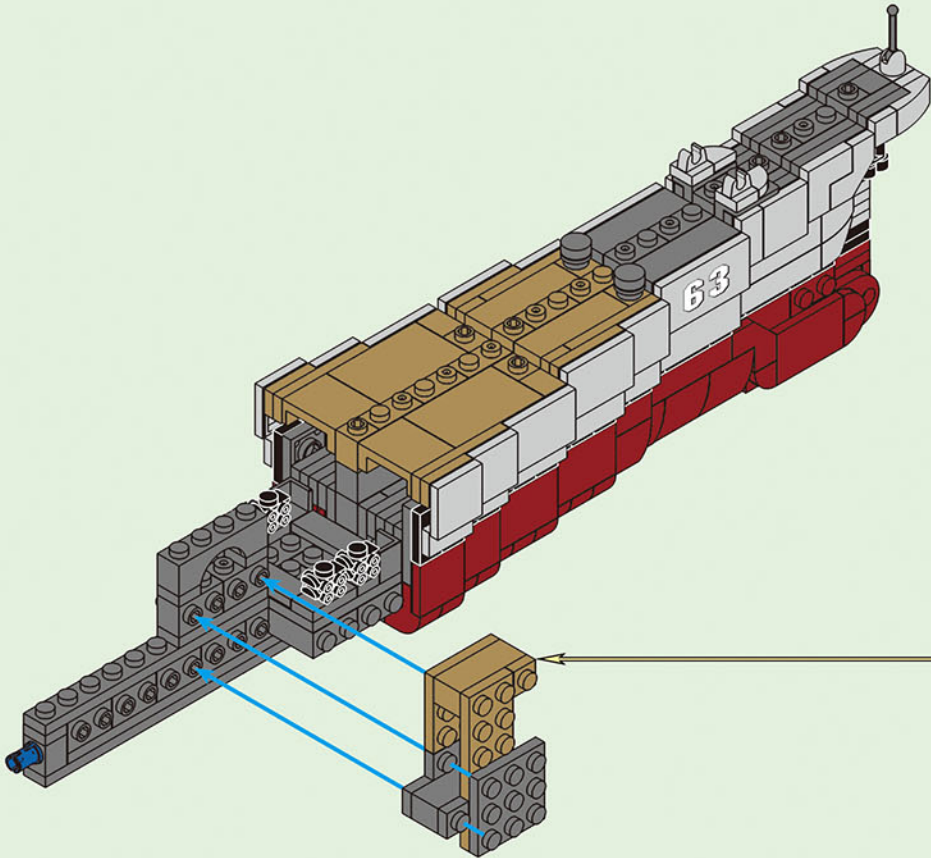


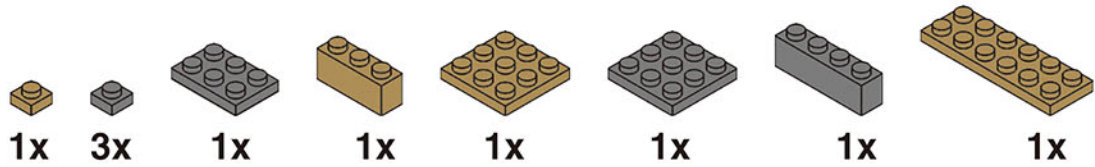
# 7-4



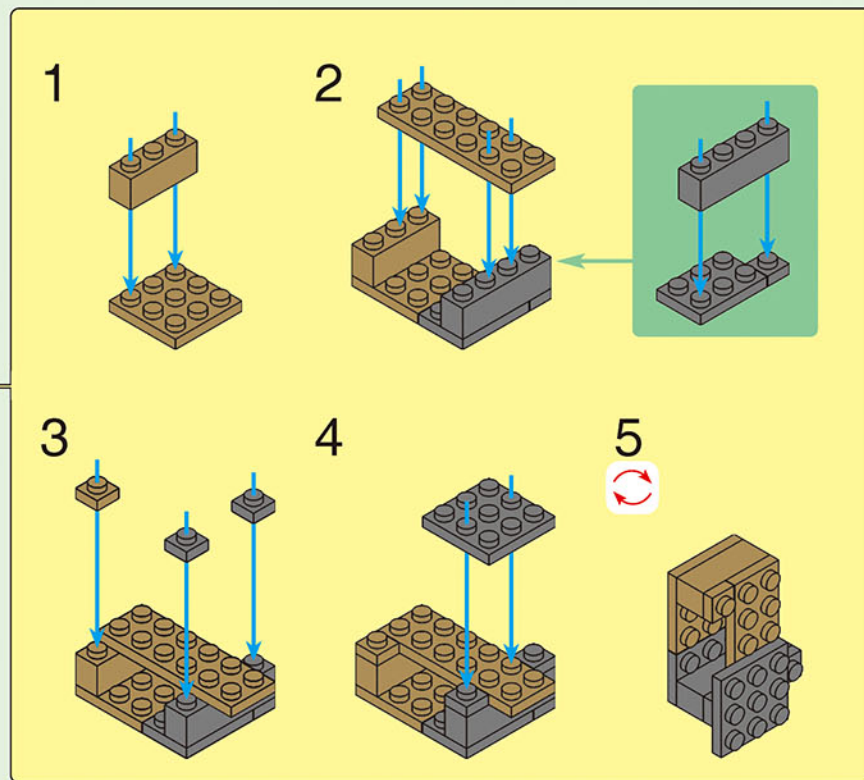
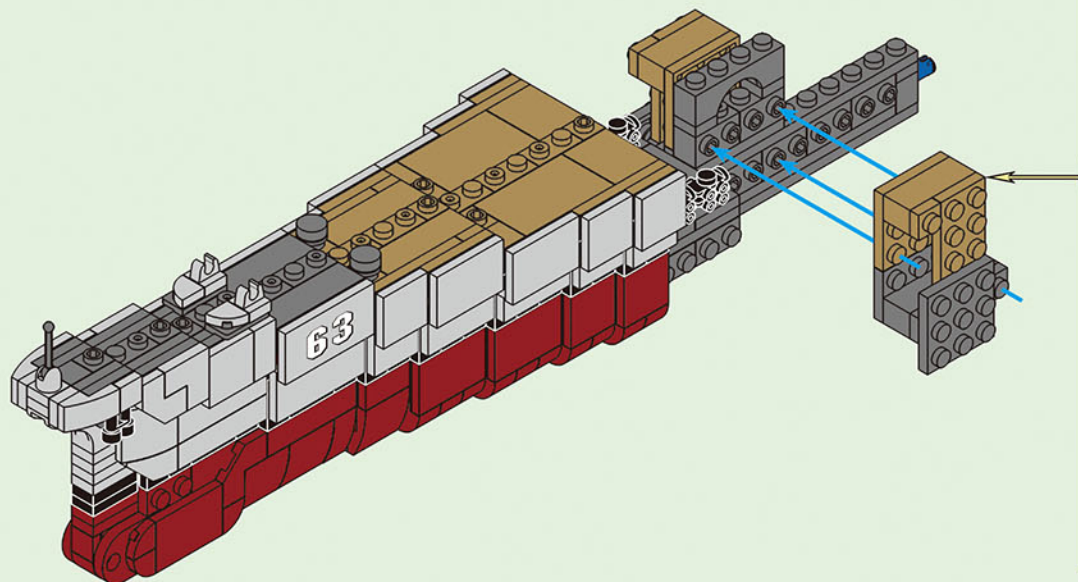


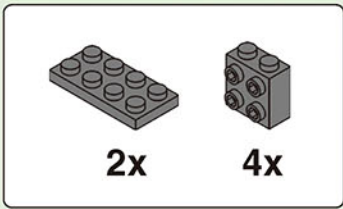
# 7-5



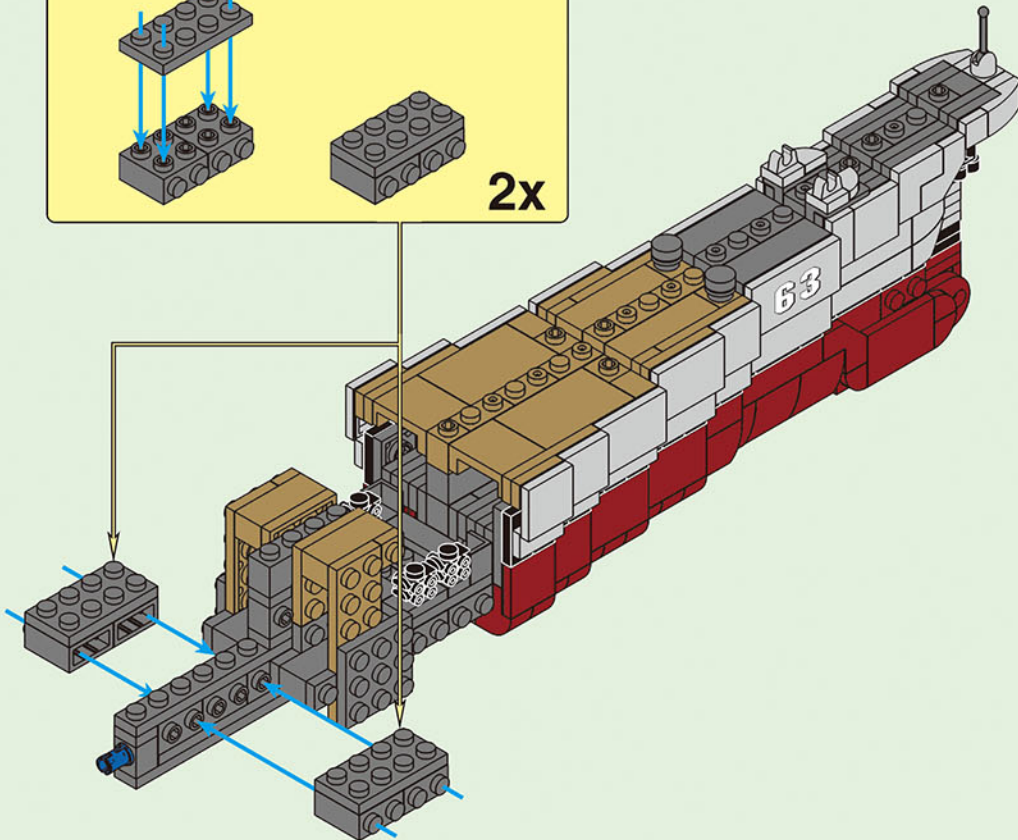
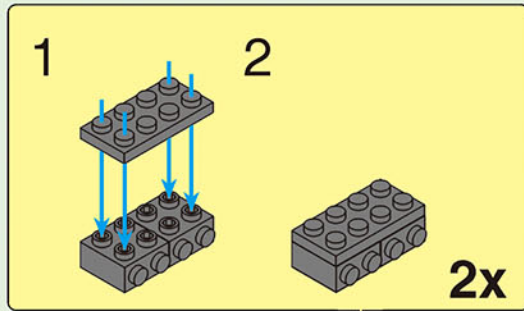


# 7-6

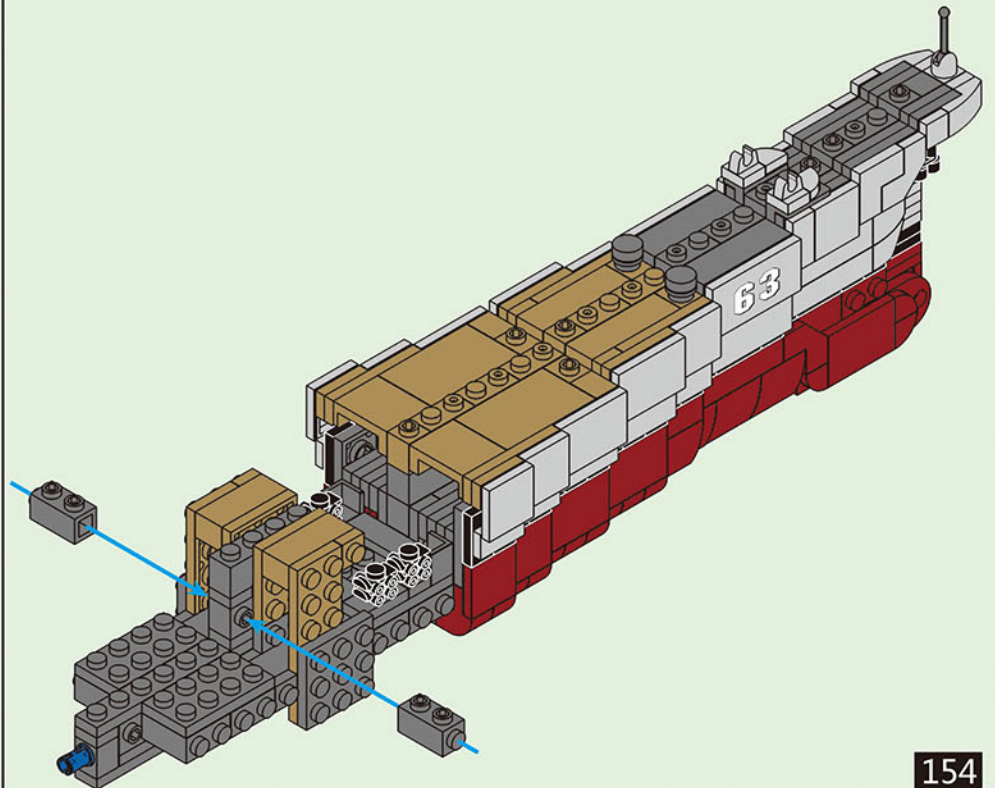


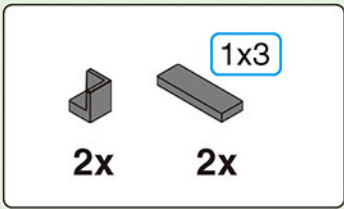


7-7

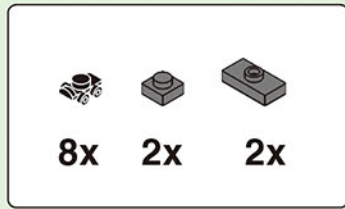
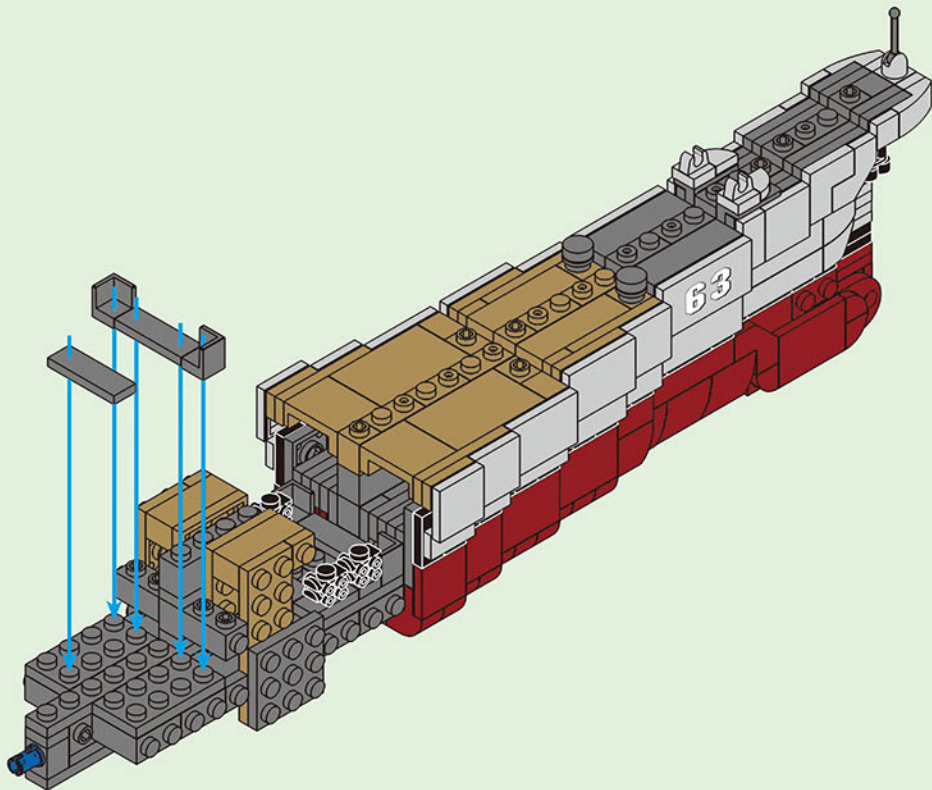


7-8

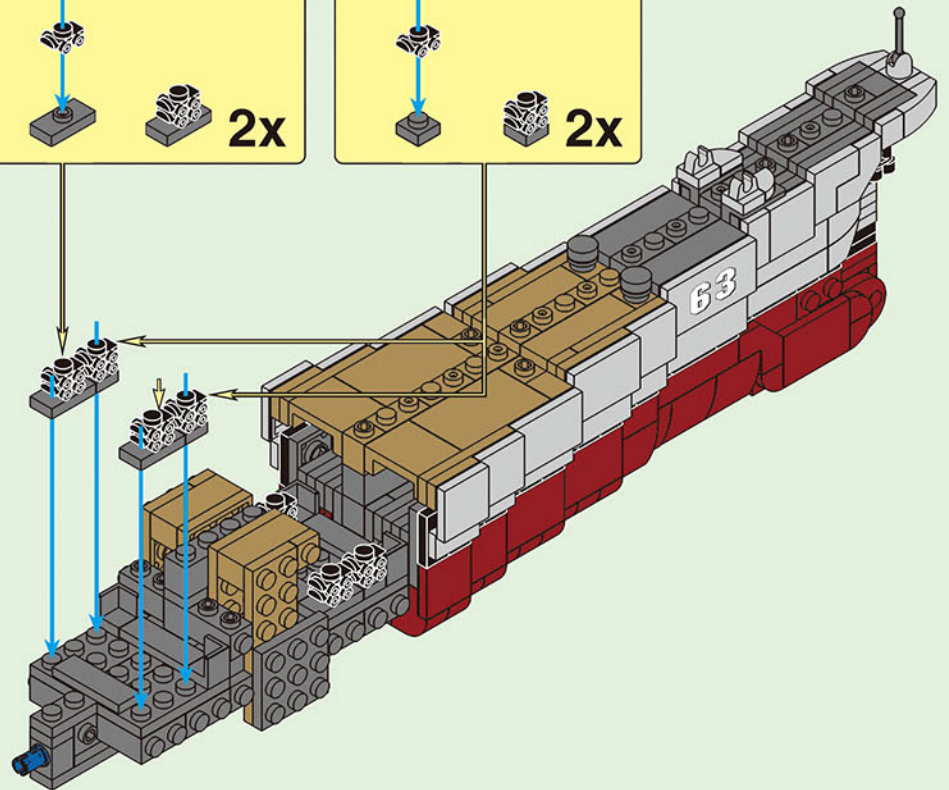
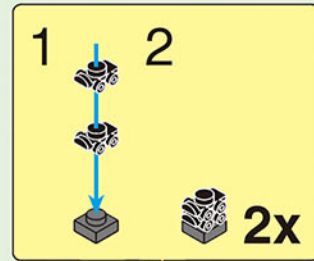
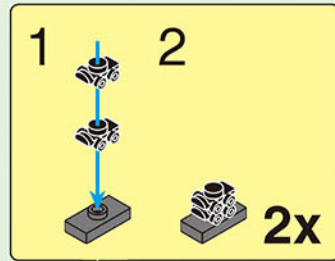


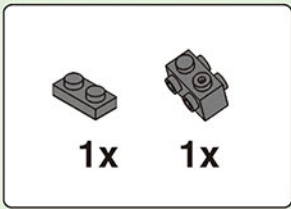


7-9

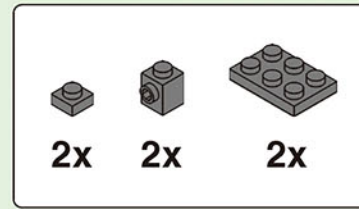
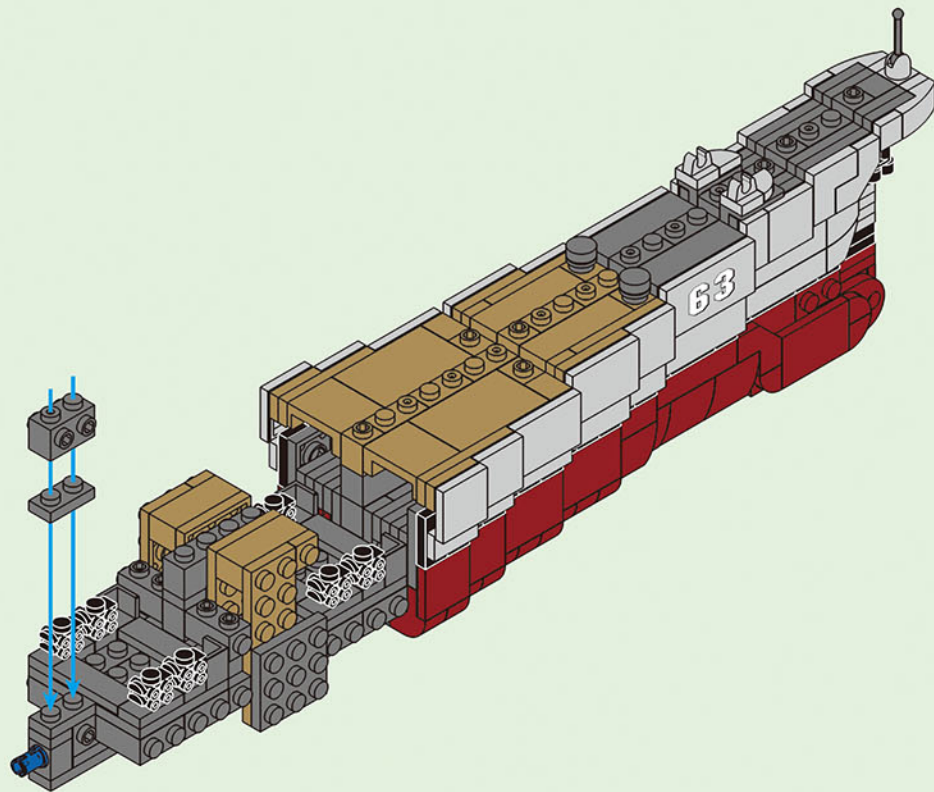


7-10

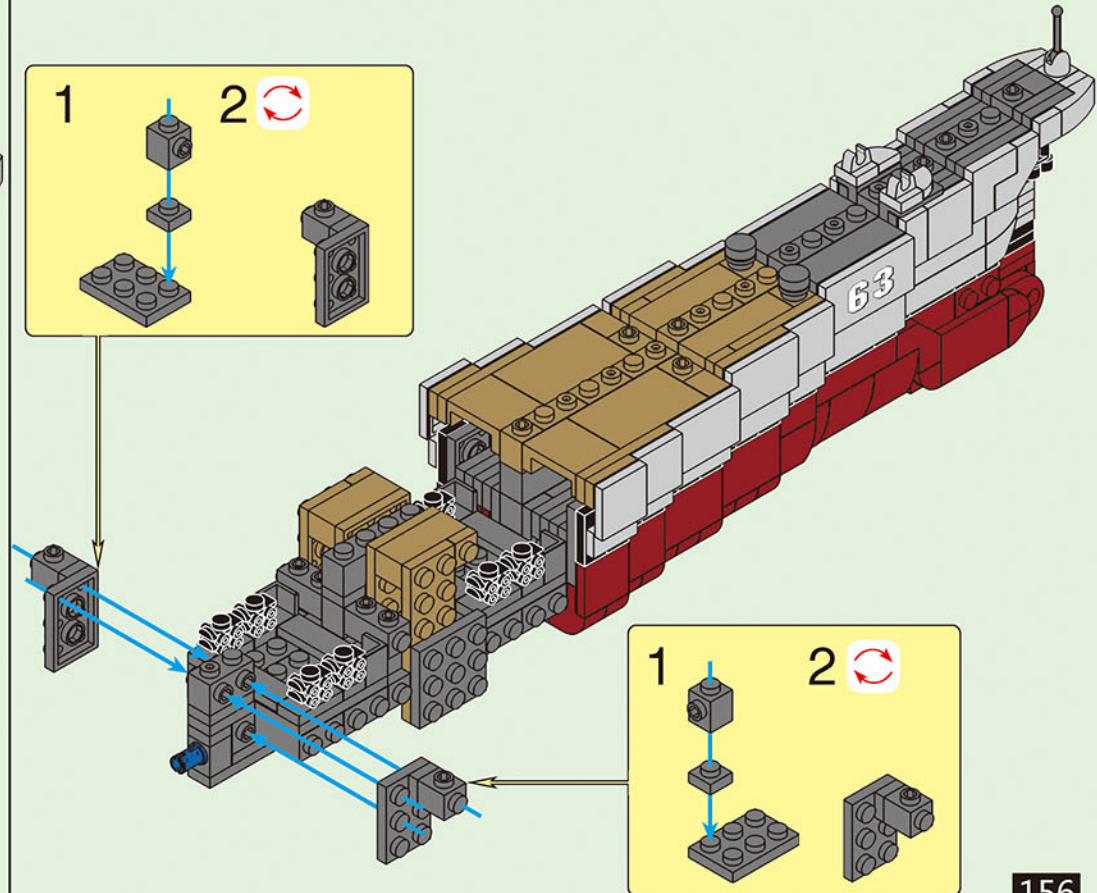
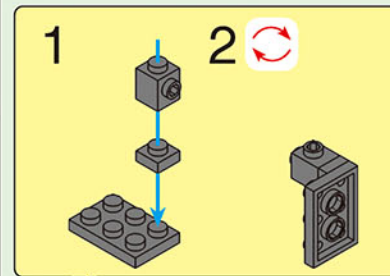


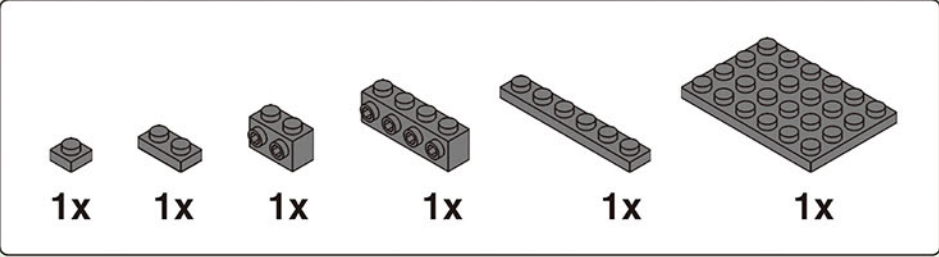


7-11

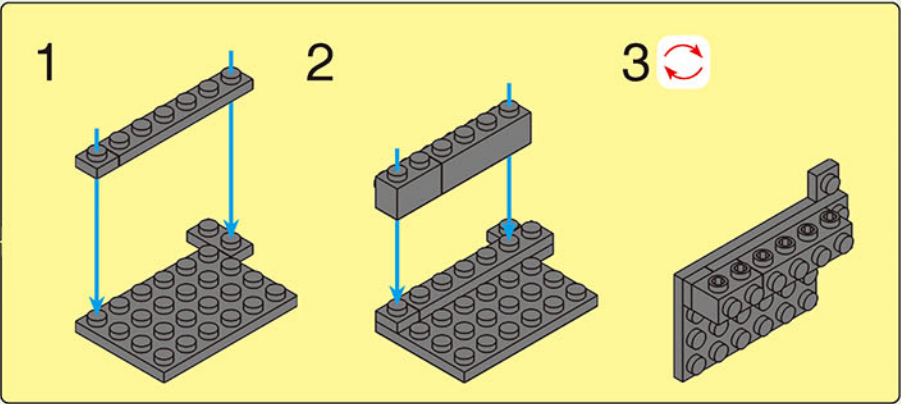
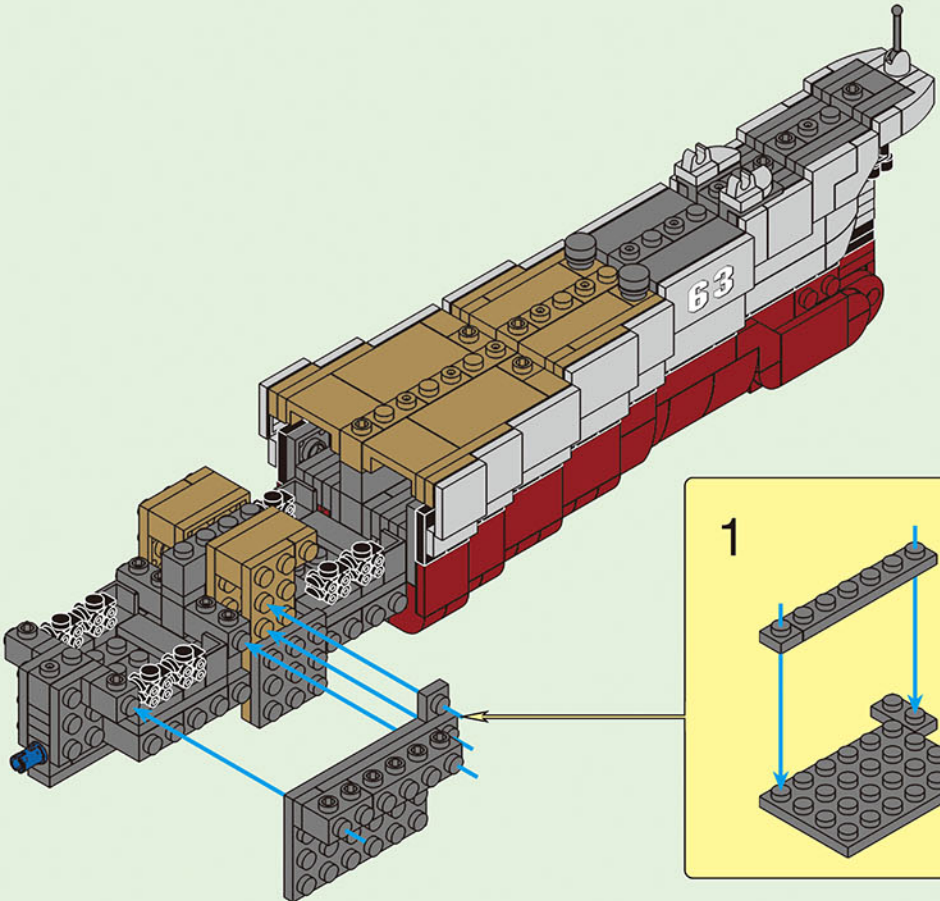


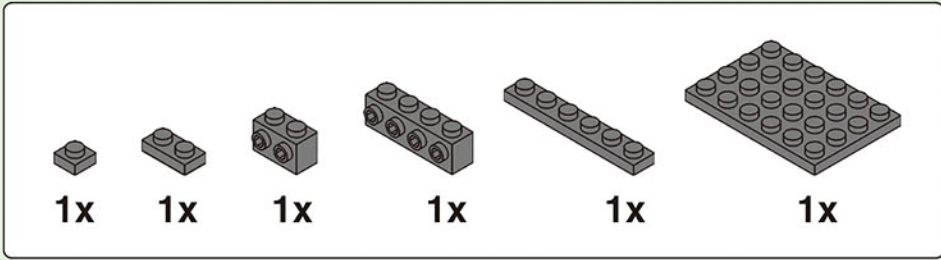
7-12



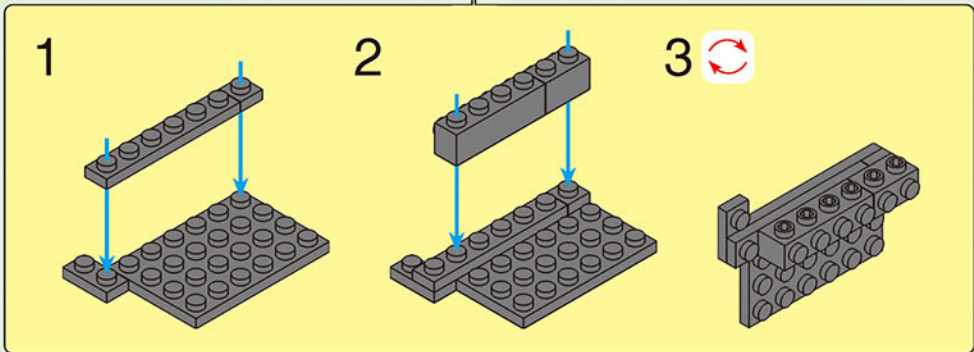
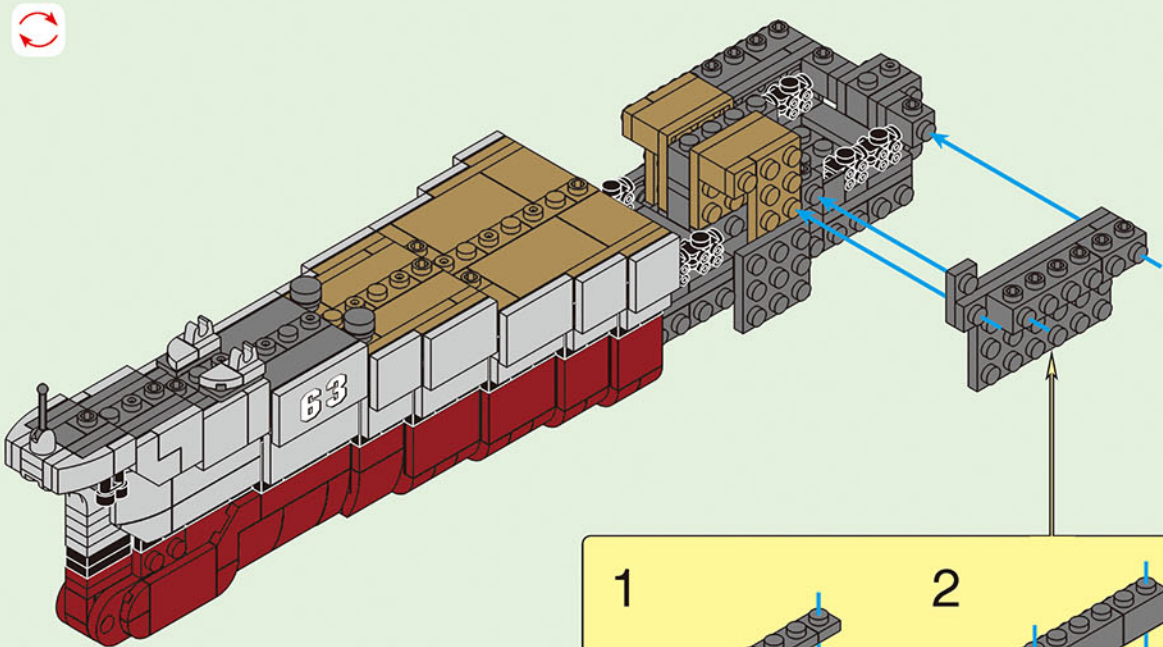





# 7-13



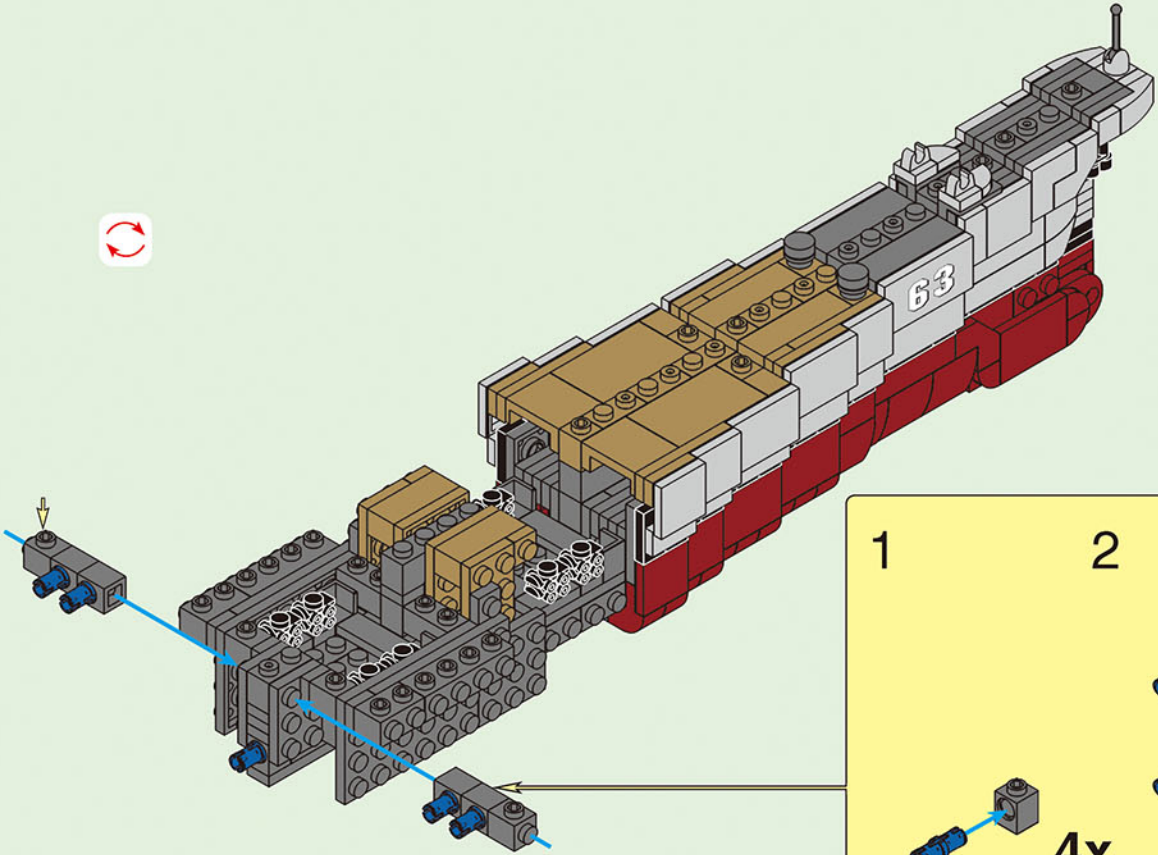


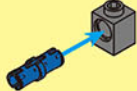


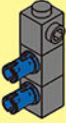


# 7-14

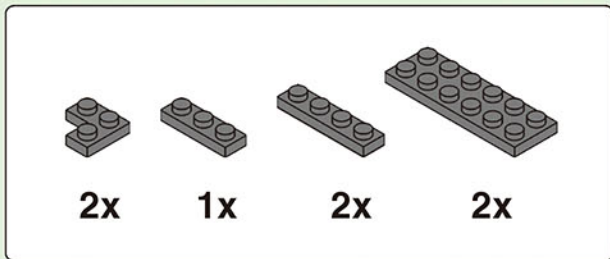


		
4x	4x	2x

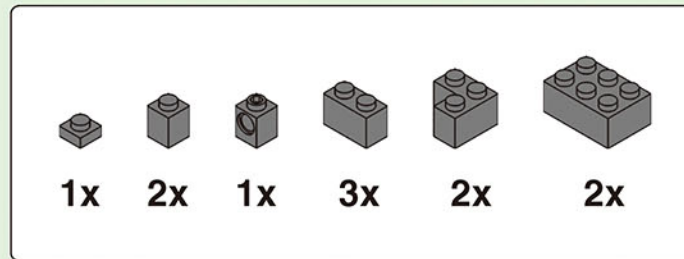
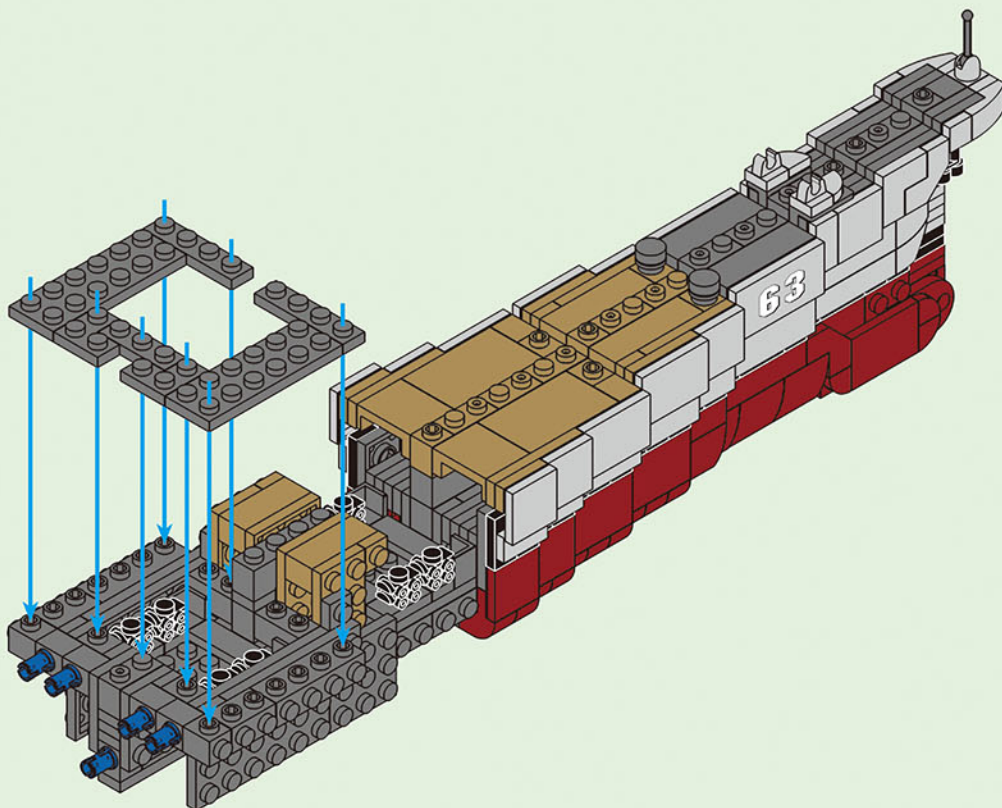
# 7-15



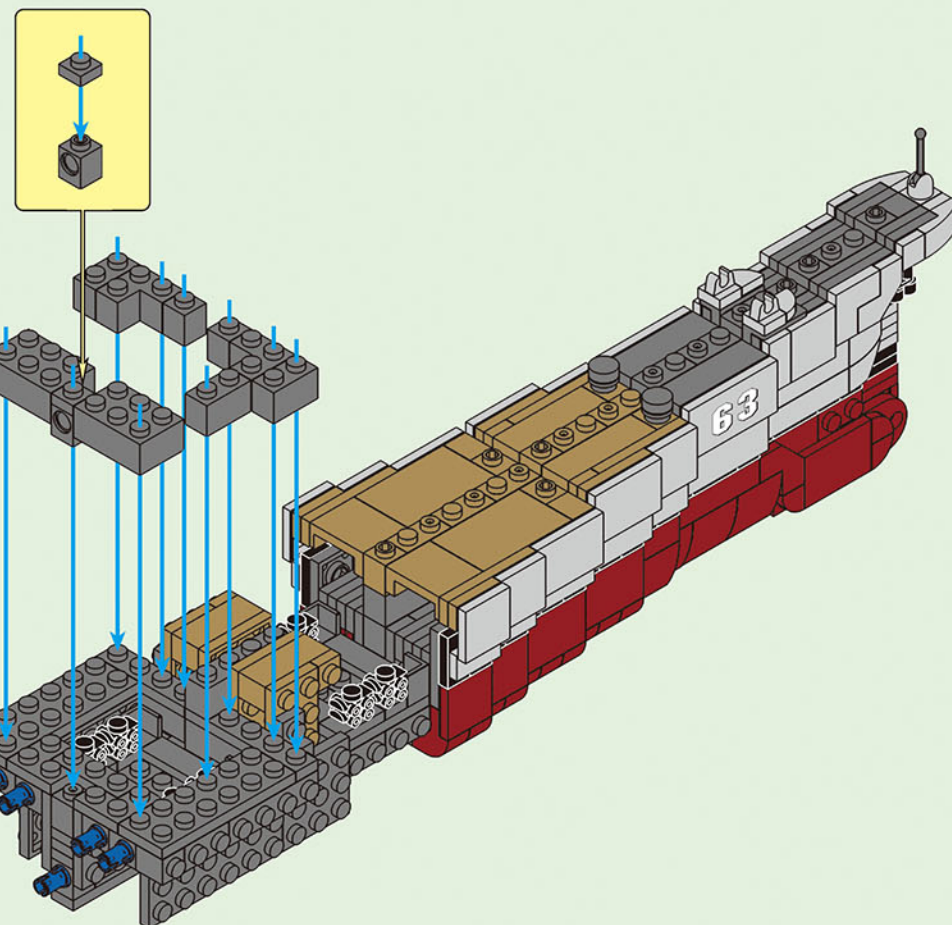
1	2	3
	 	 
4x		

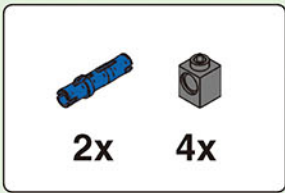


# 7-16

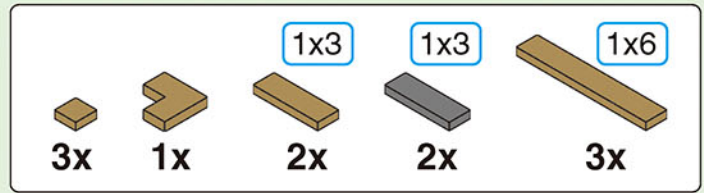


# 7-17

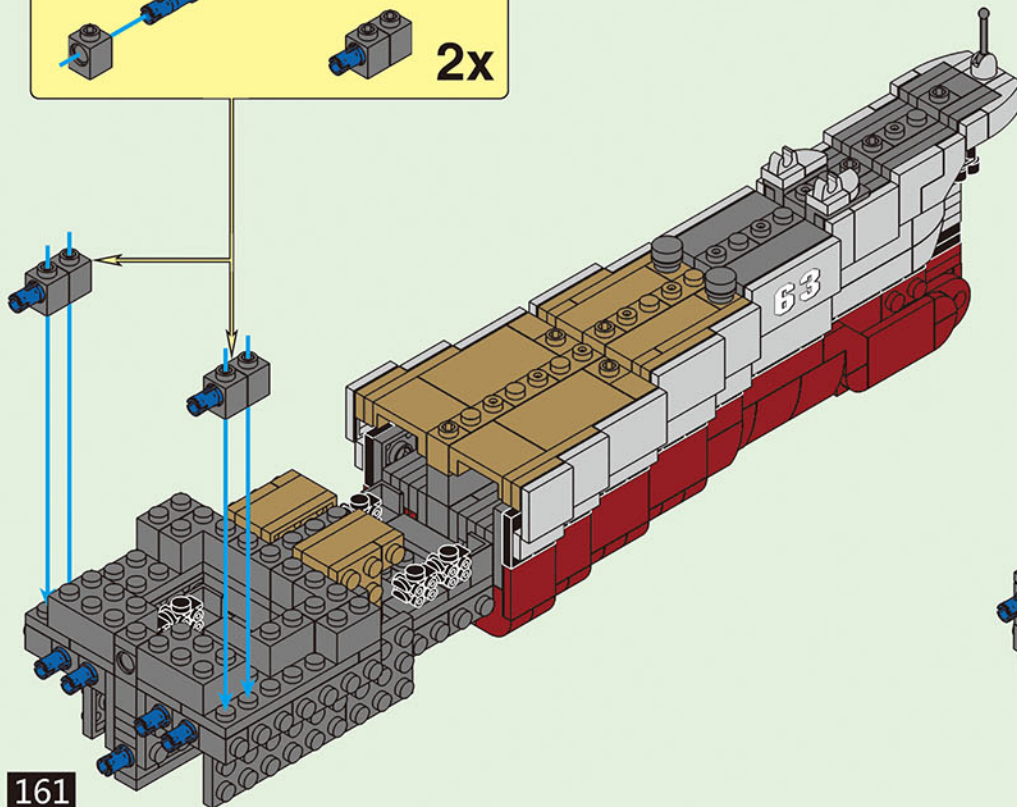
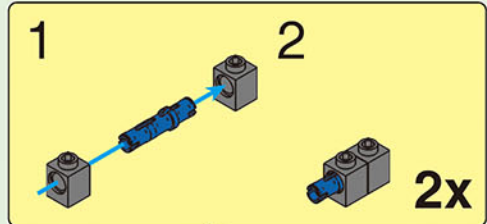




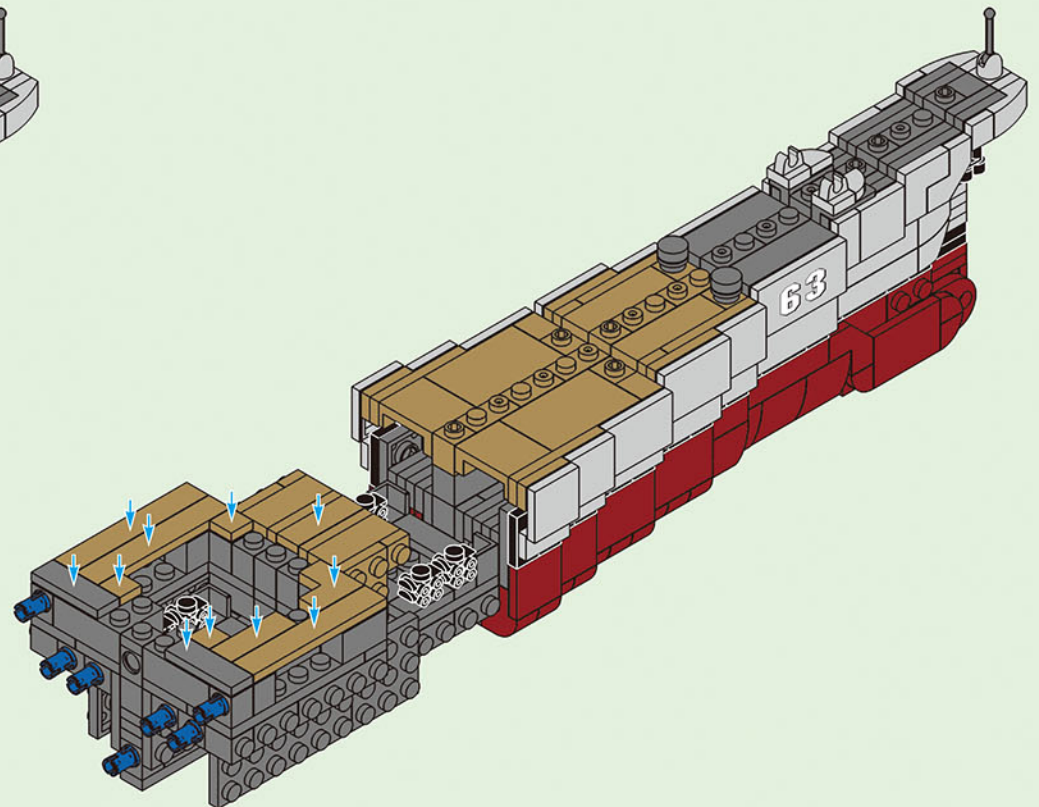
7-18

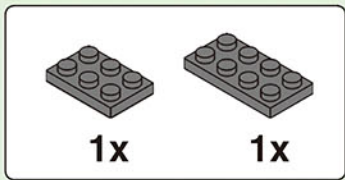


7-19

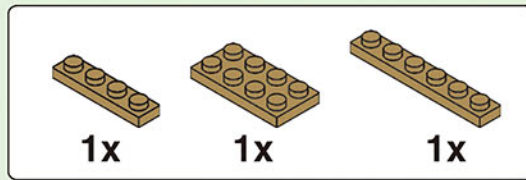
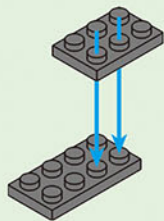


161

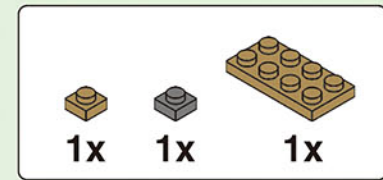
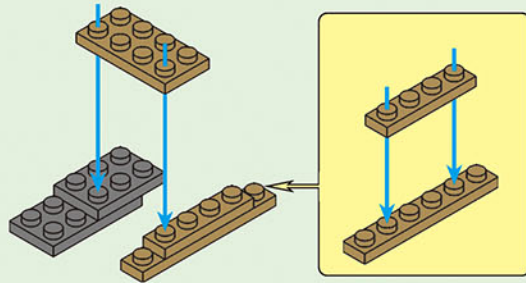




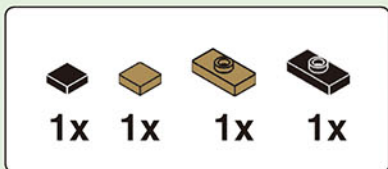
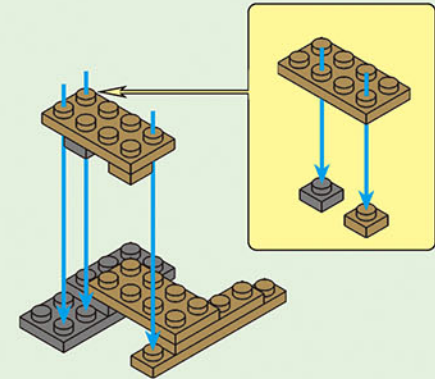
7-20.1



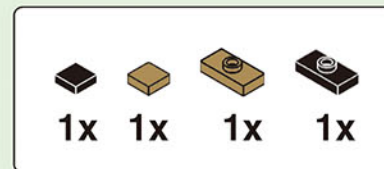
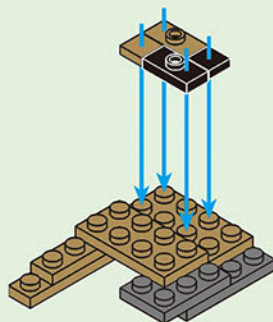
7-20.2



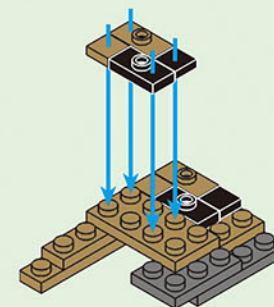
7-20.3

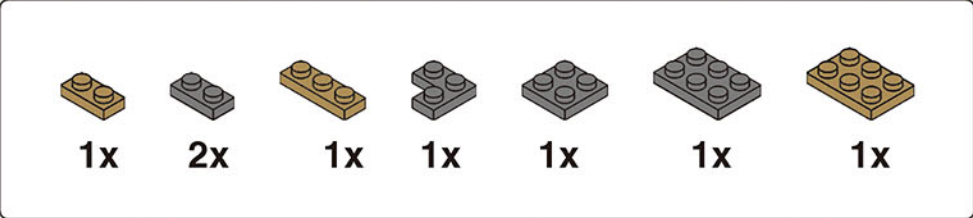


7-20.4

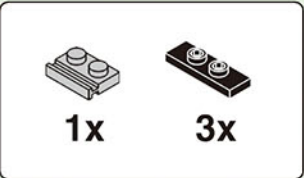
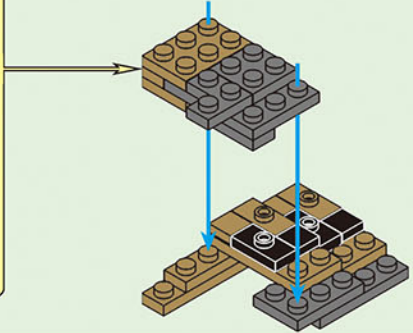
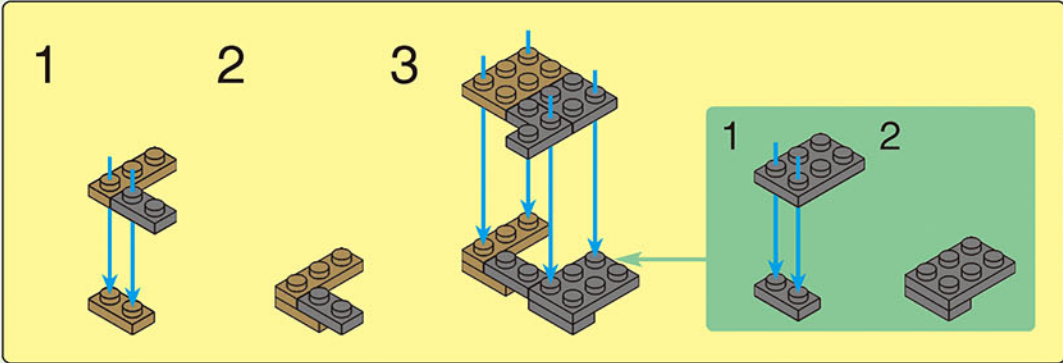


7-20.5

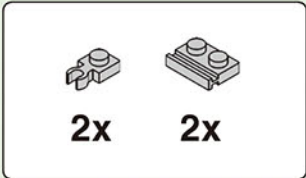
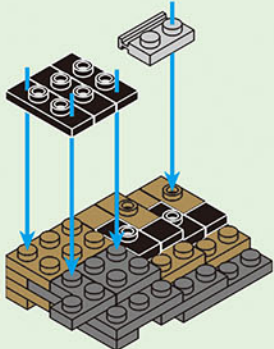




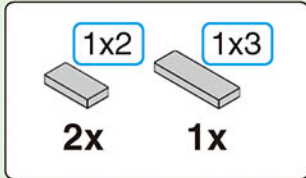
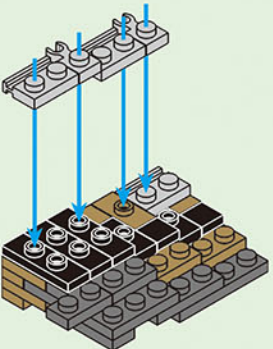
# 7-20.6



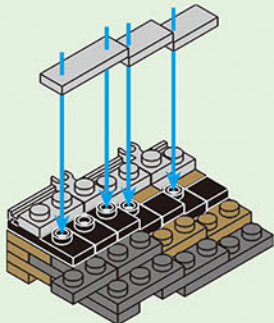
# 7-20.7

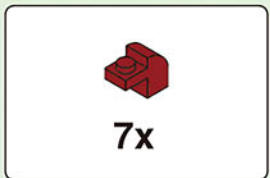


# 7-20.8

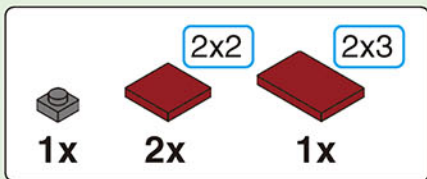
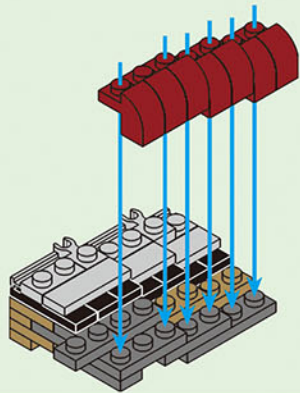


# 7-20.9

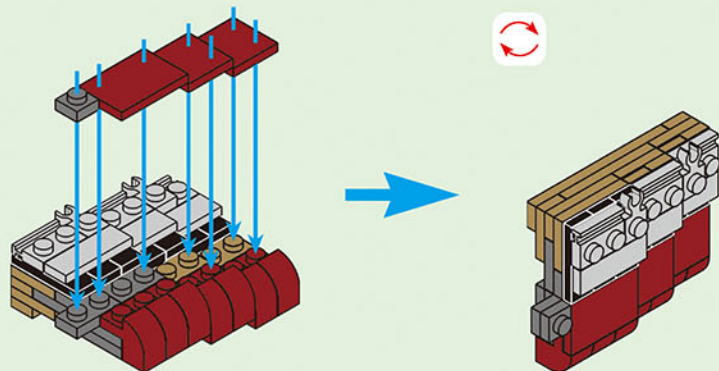




7-20.10

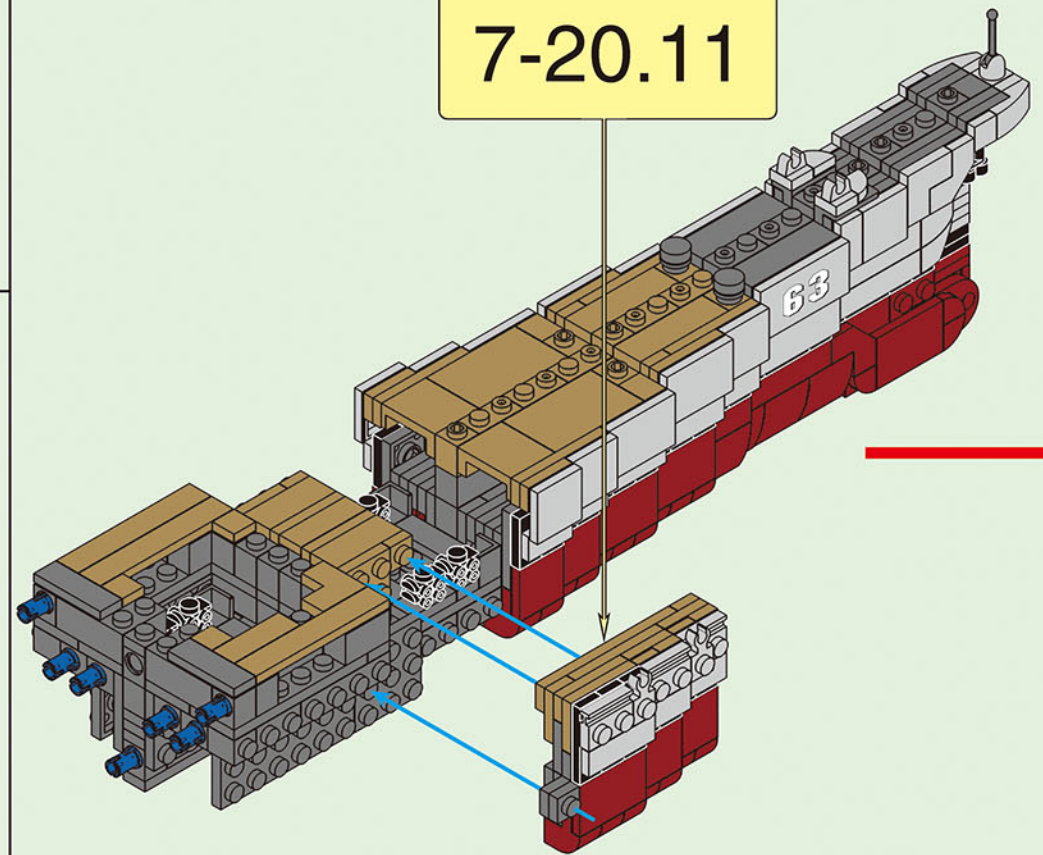


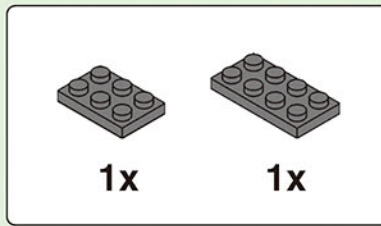
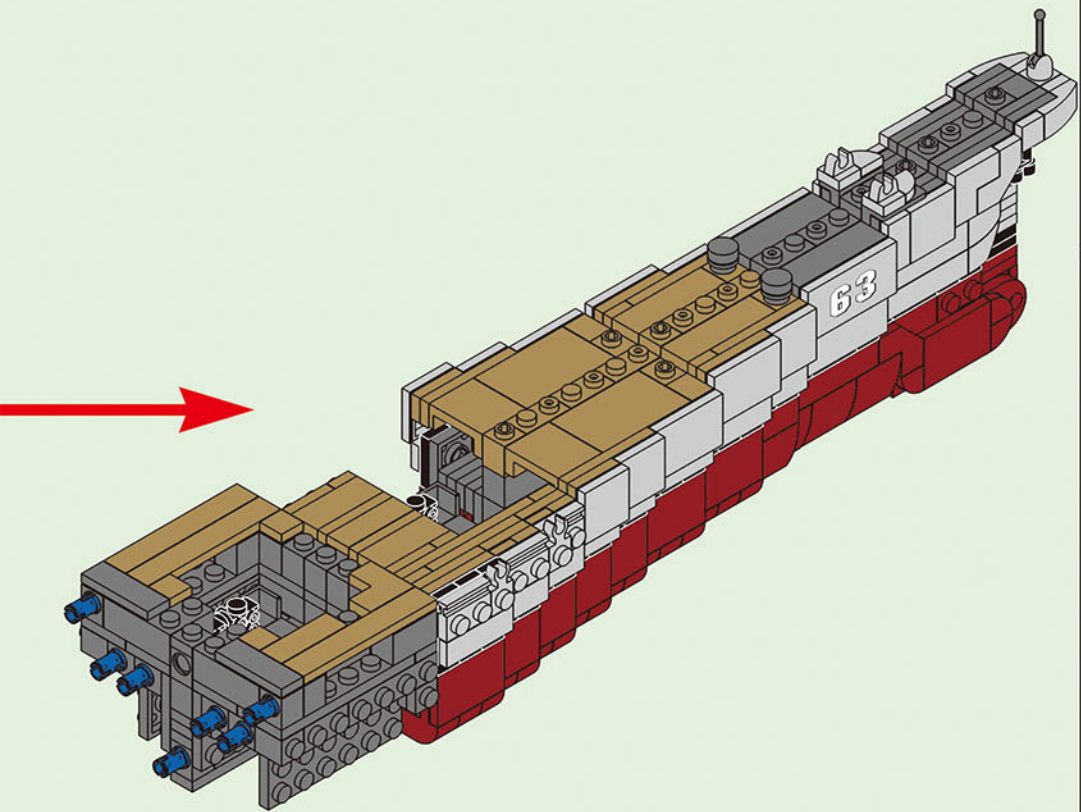
7-20.11



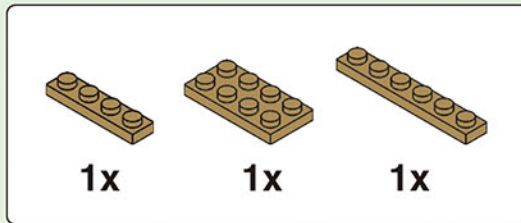
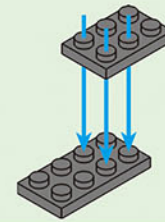
7-20

7-20.11

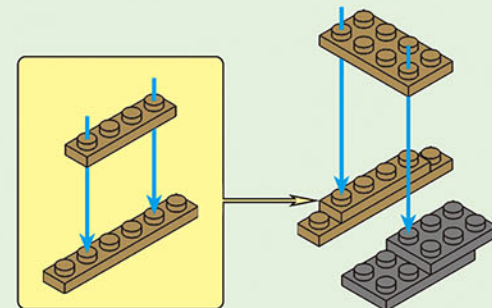


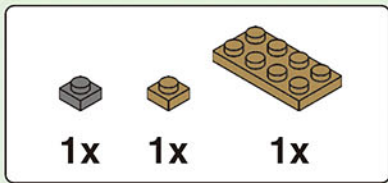


7-21.1

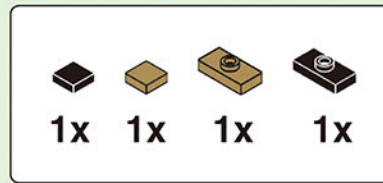


7-21.2

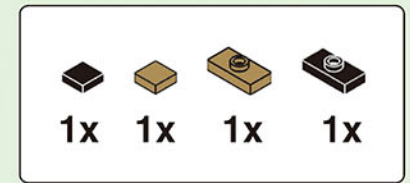




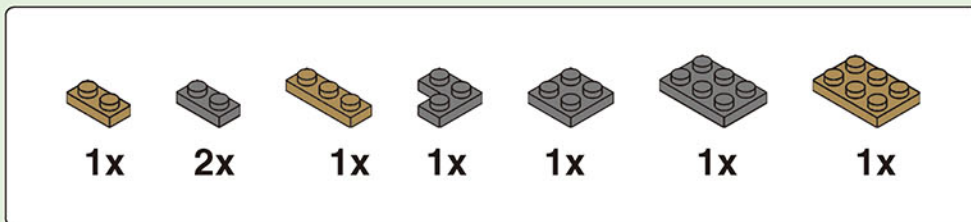
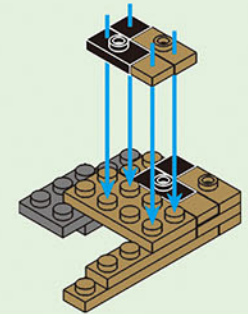
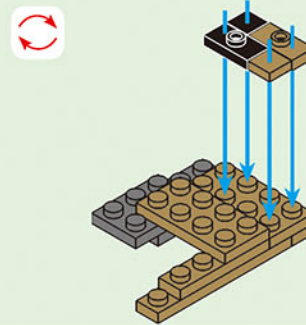
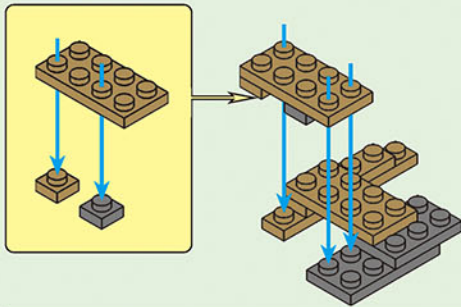
7-21.3



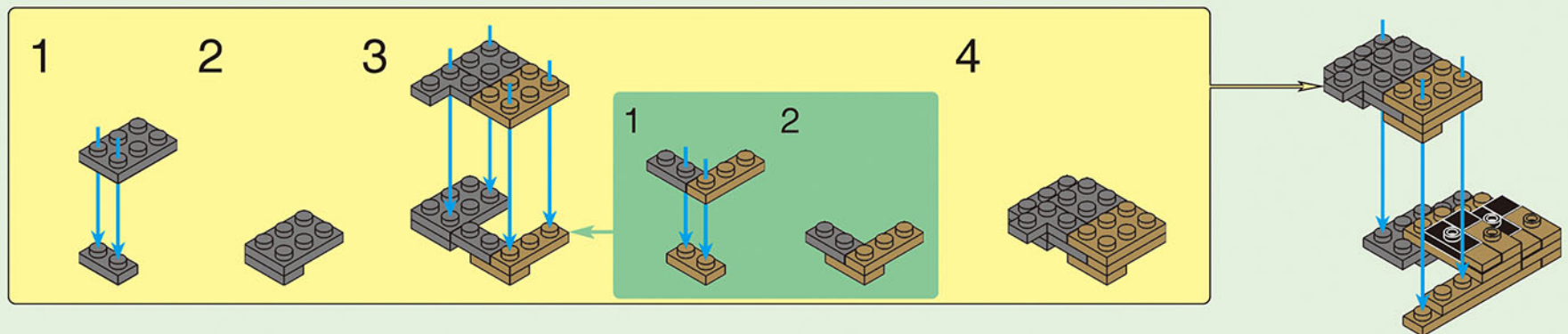
7-21.4

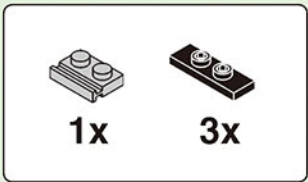


7-21.5

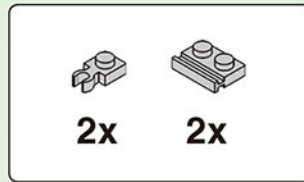
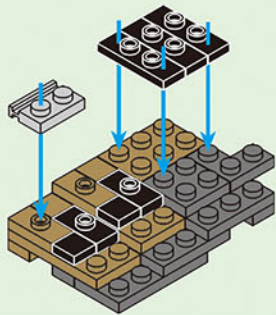


7-21.6

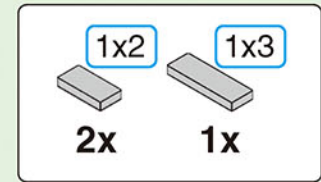
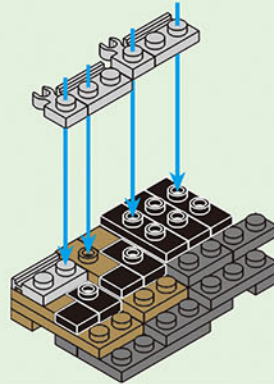




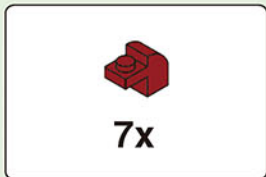
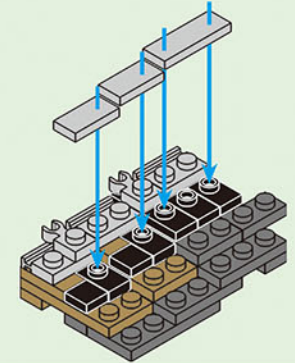
7-21.7



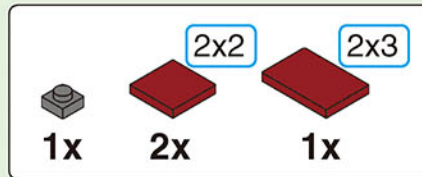
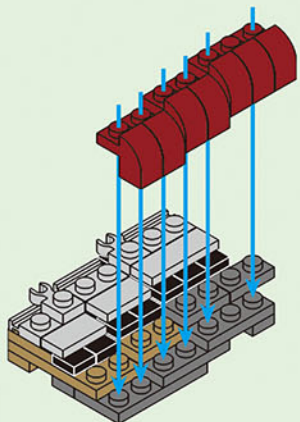
7-21.8



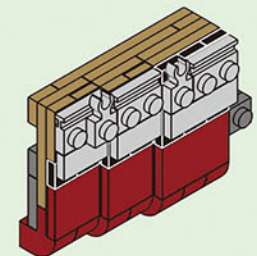
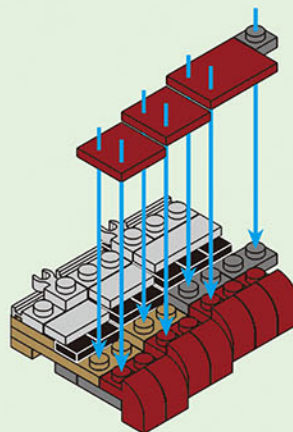
7-21.9



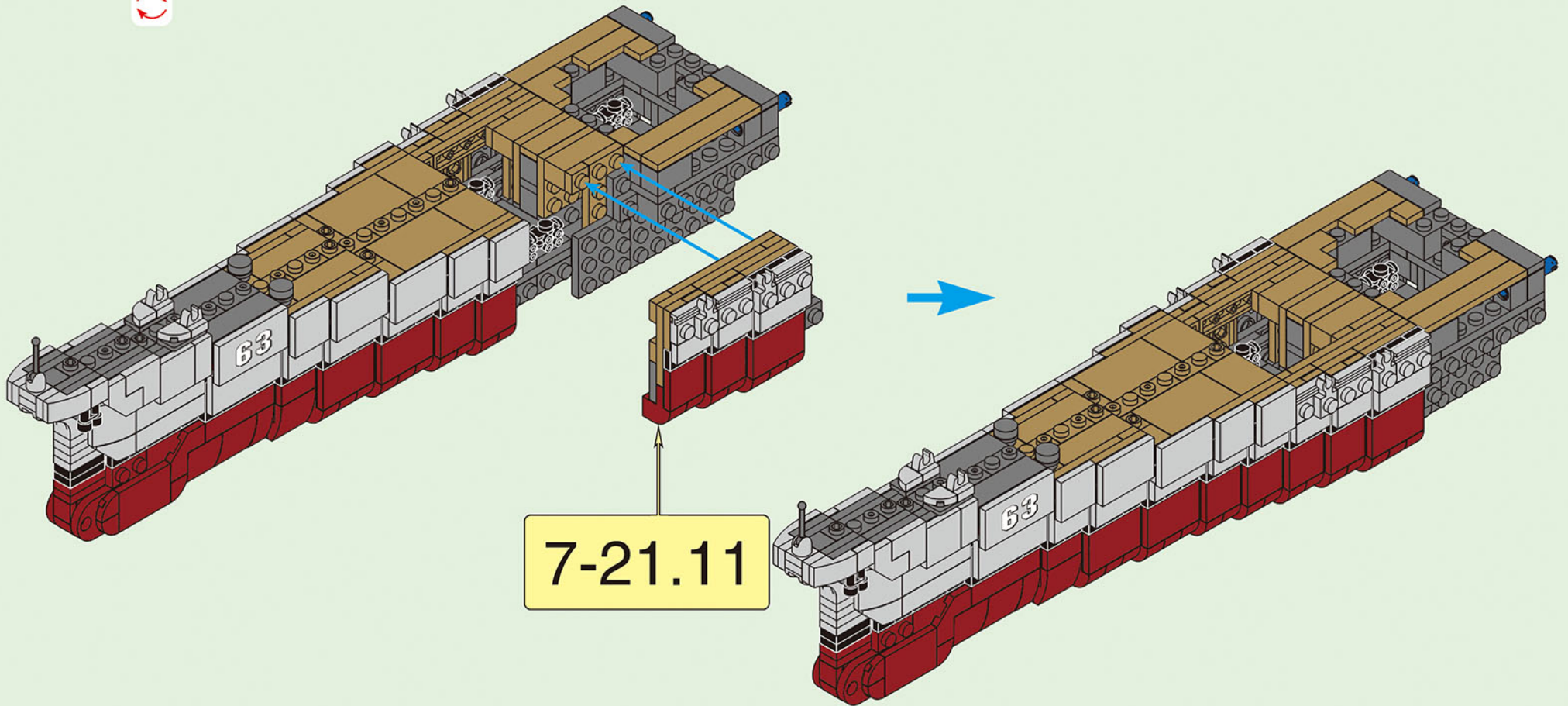
7-21.10






7-21.11



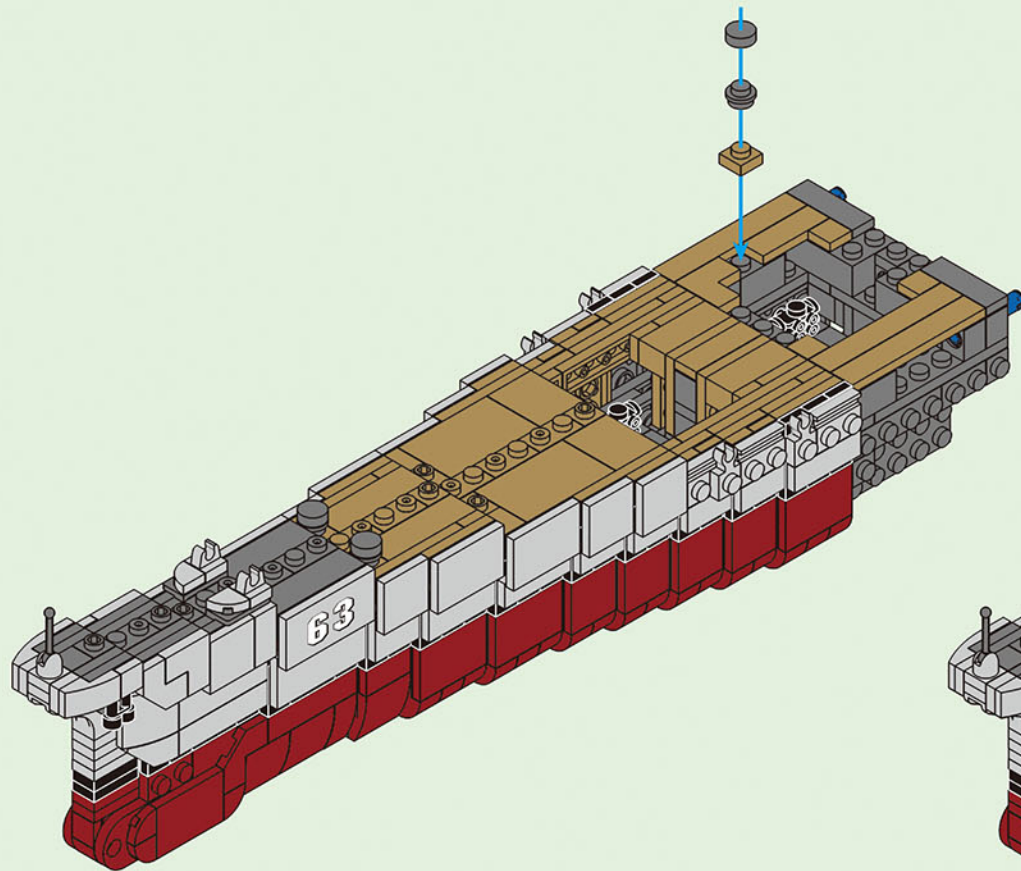
# 7-21



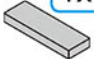



7-21.11

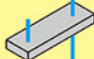




  
 1x 1x 1x

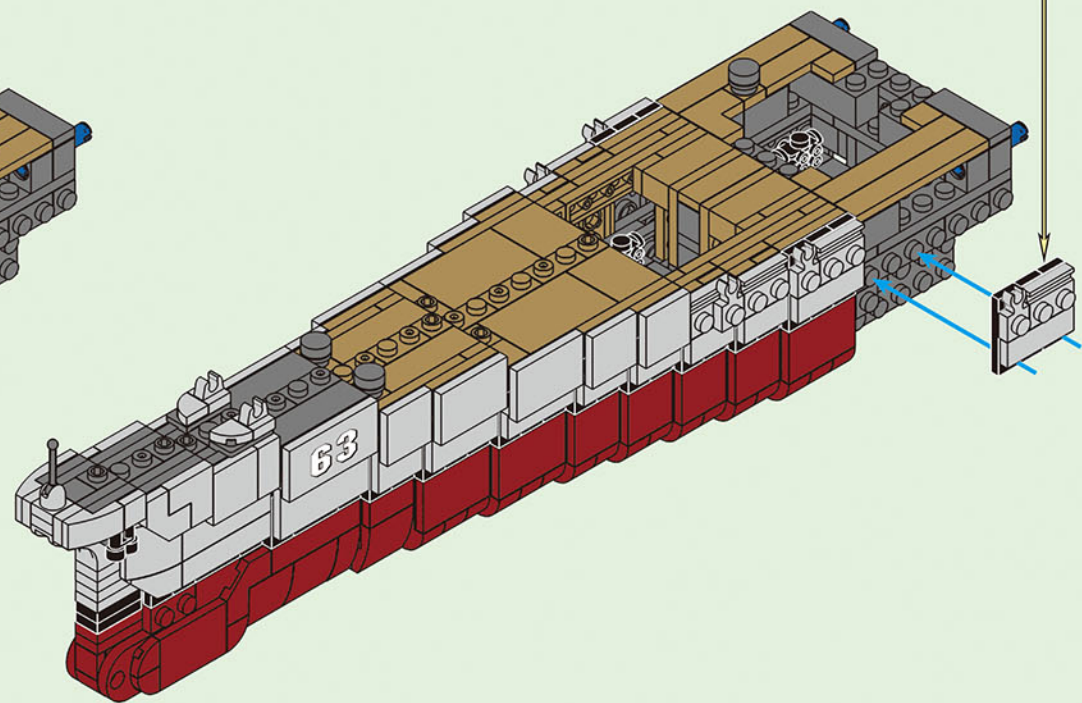
# 7-22

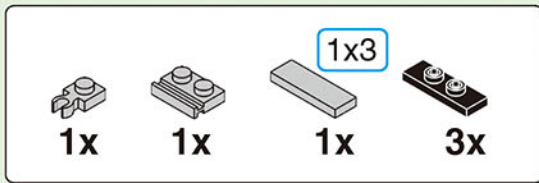





  
 1x 1x 1x 3x

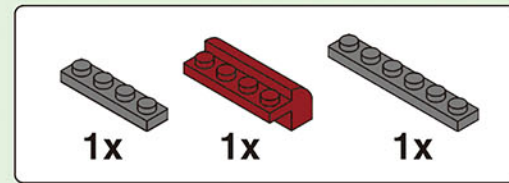
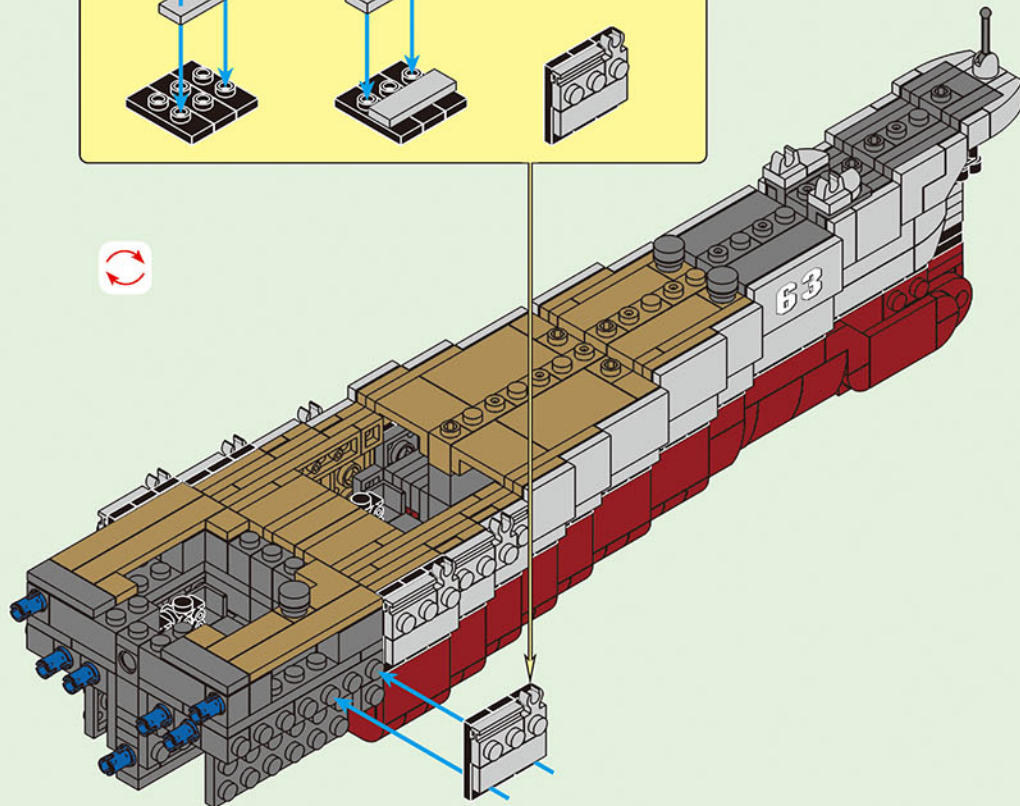
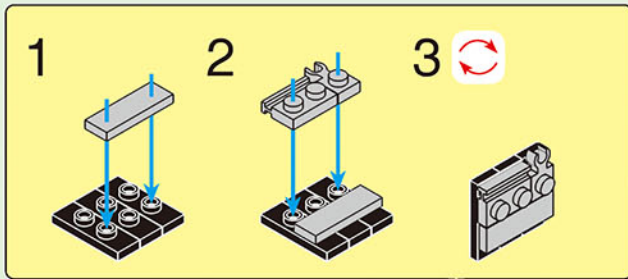
# 7-23

1 
 2 
 3 

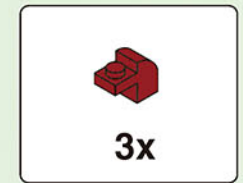
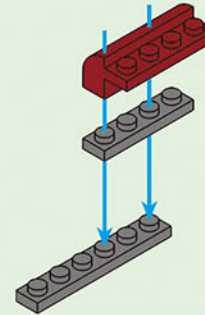




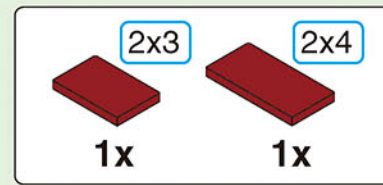
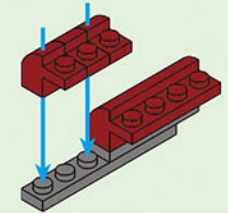
7-24



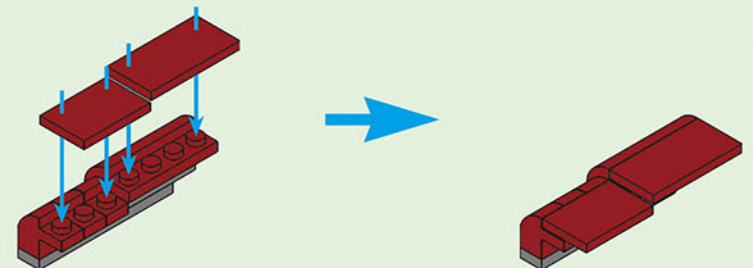
7-25.1

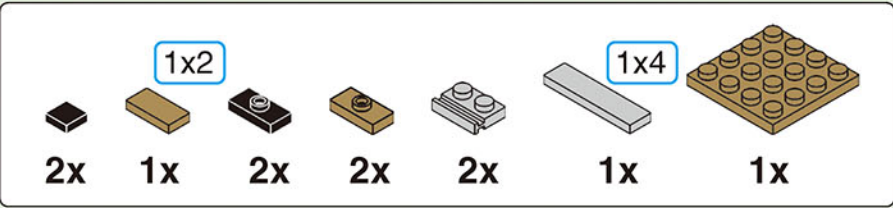


7-25.2

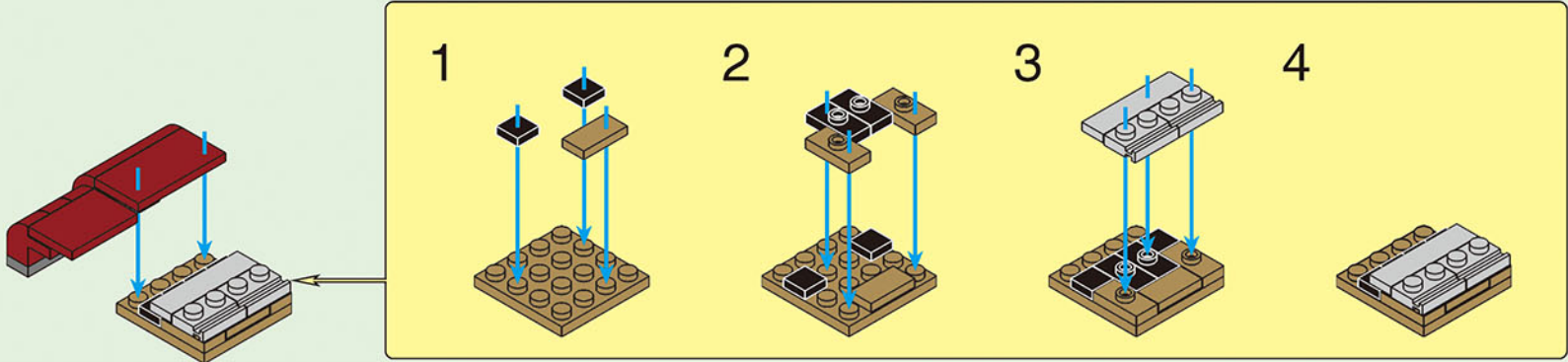


7-25.3

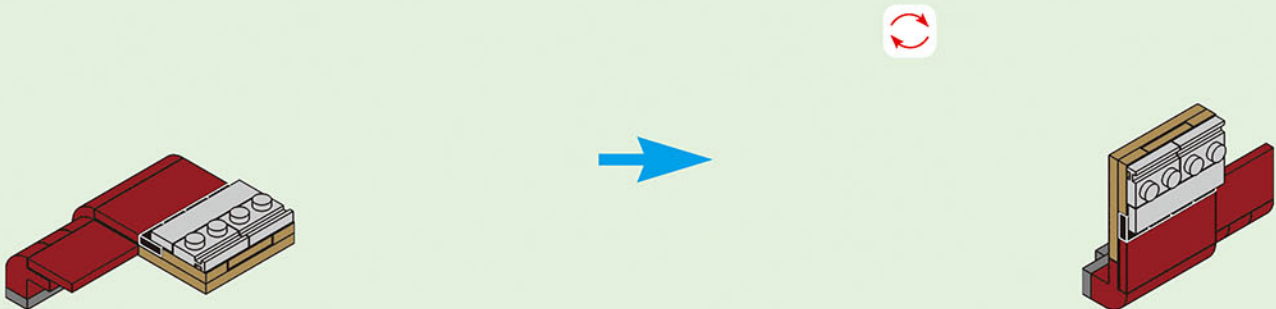




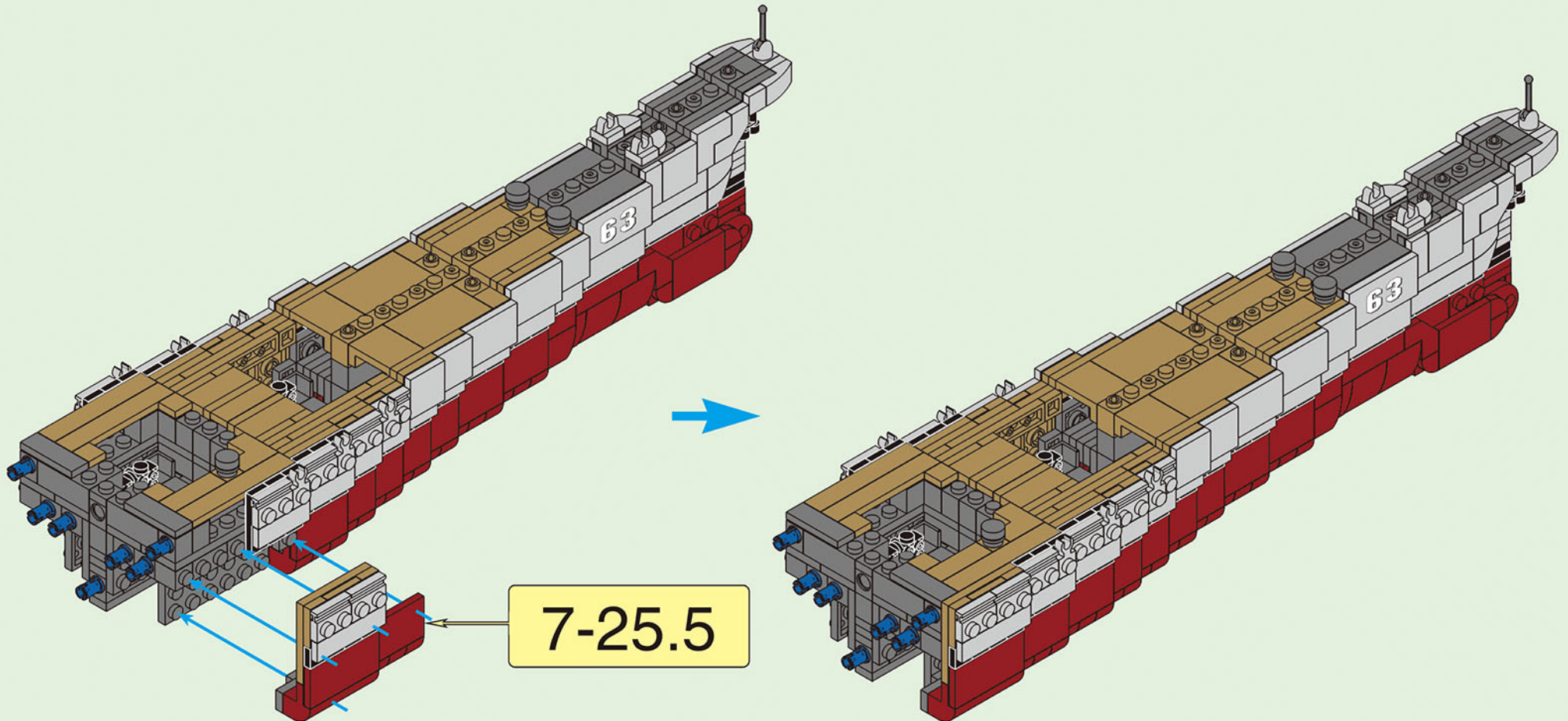
# 7-25.4

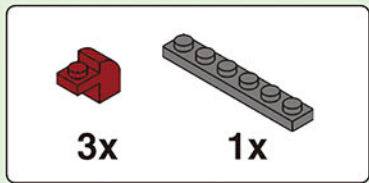


# 7-25.5

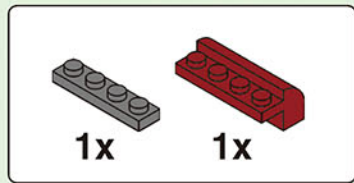


7-25

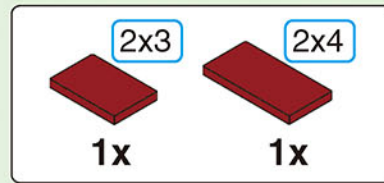




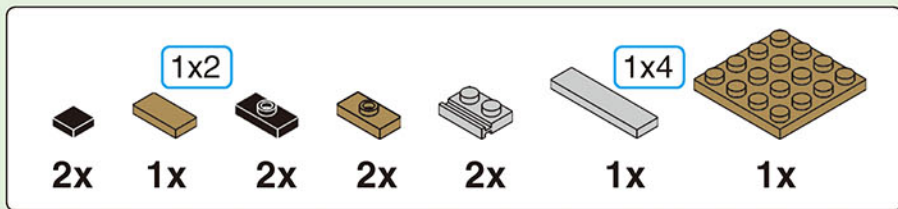
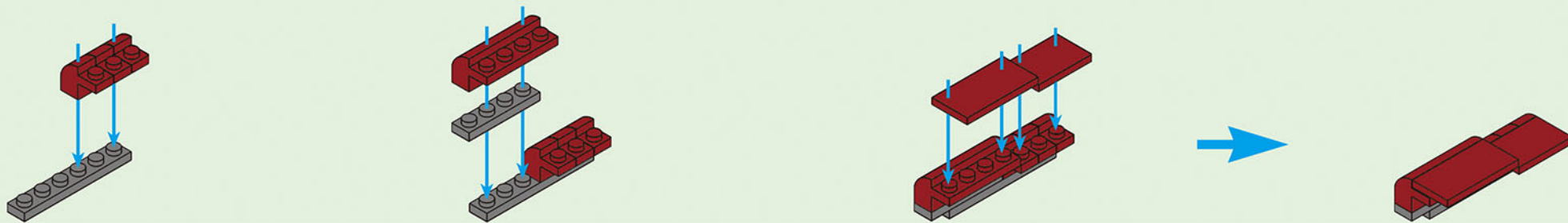
7-26.1



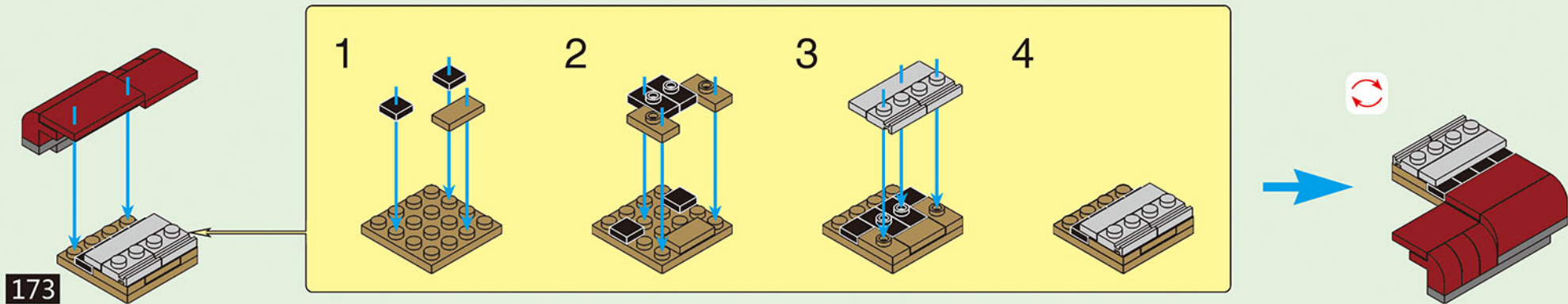
7-26.2



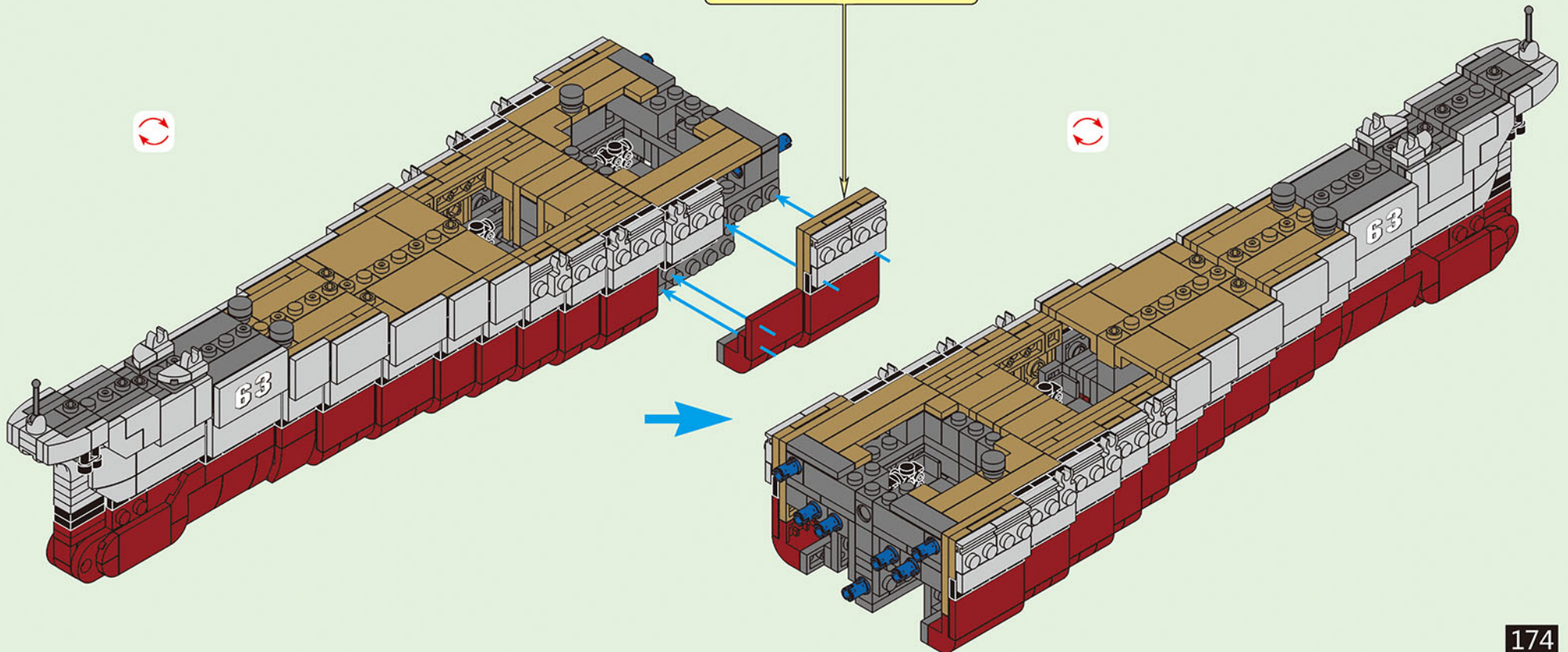
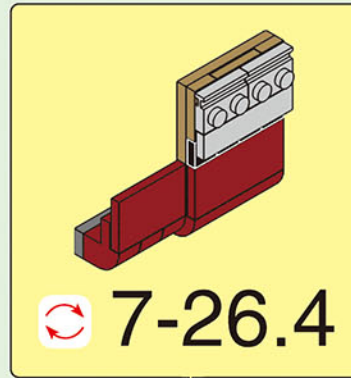
7-26.3

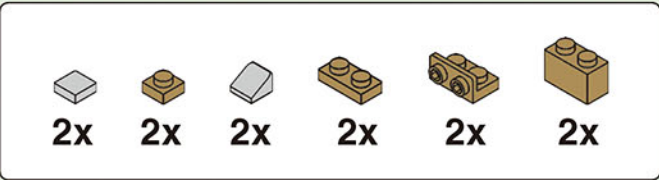


7-26.4

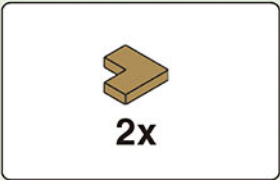


7-26

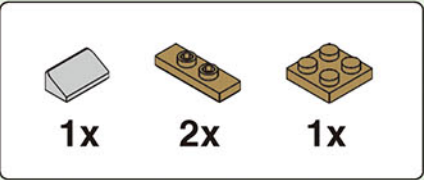
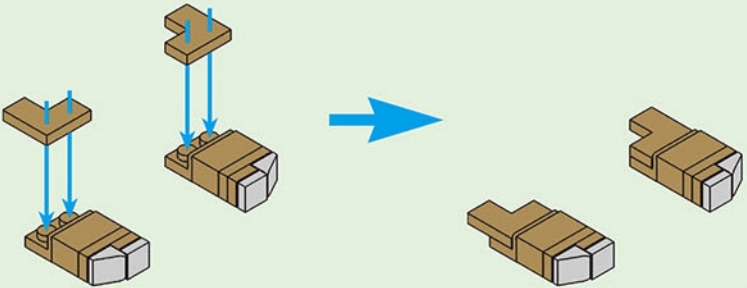
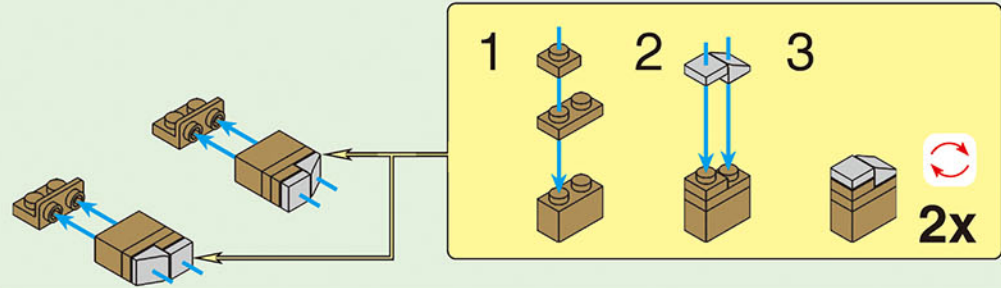




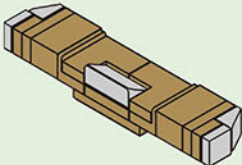
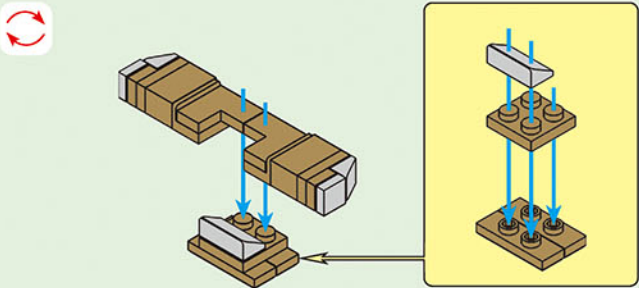
7-27.1



7-27.2



7-27.3

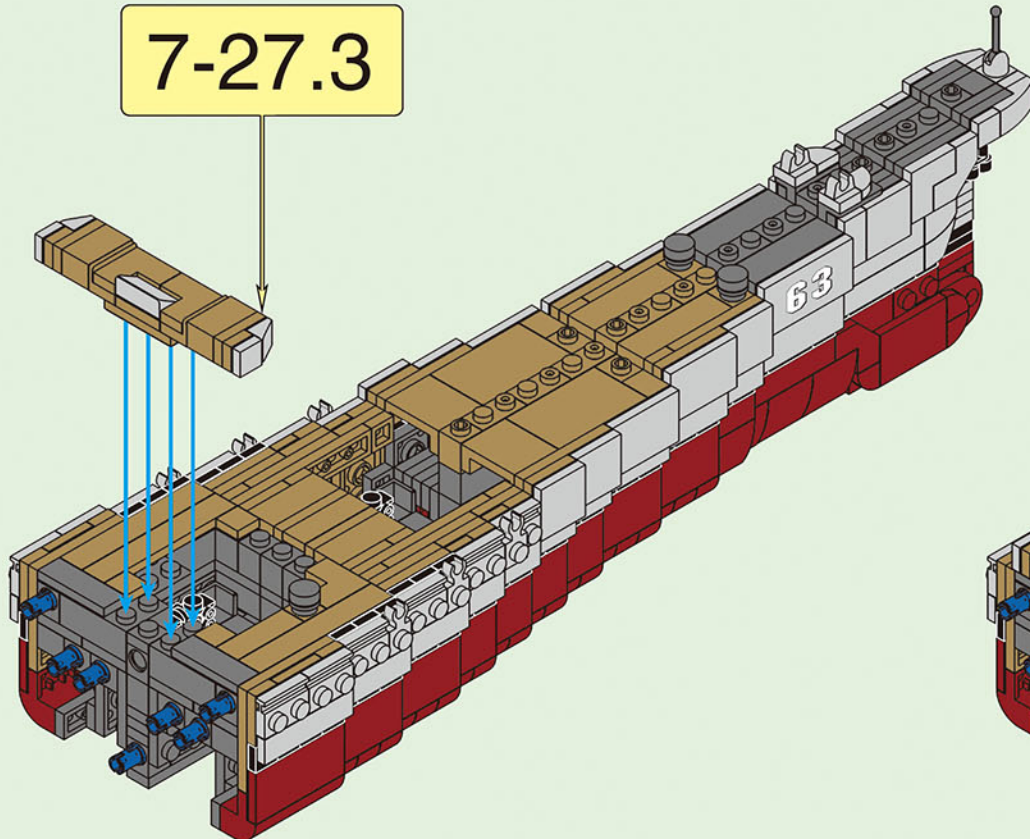


# 7-27

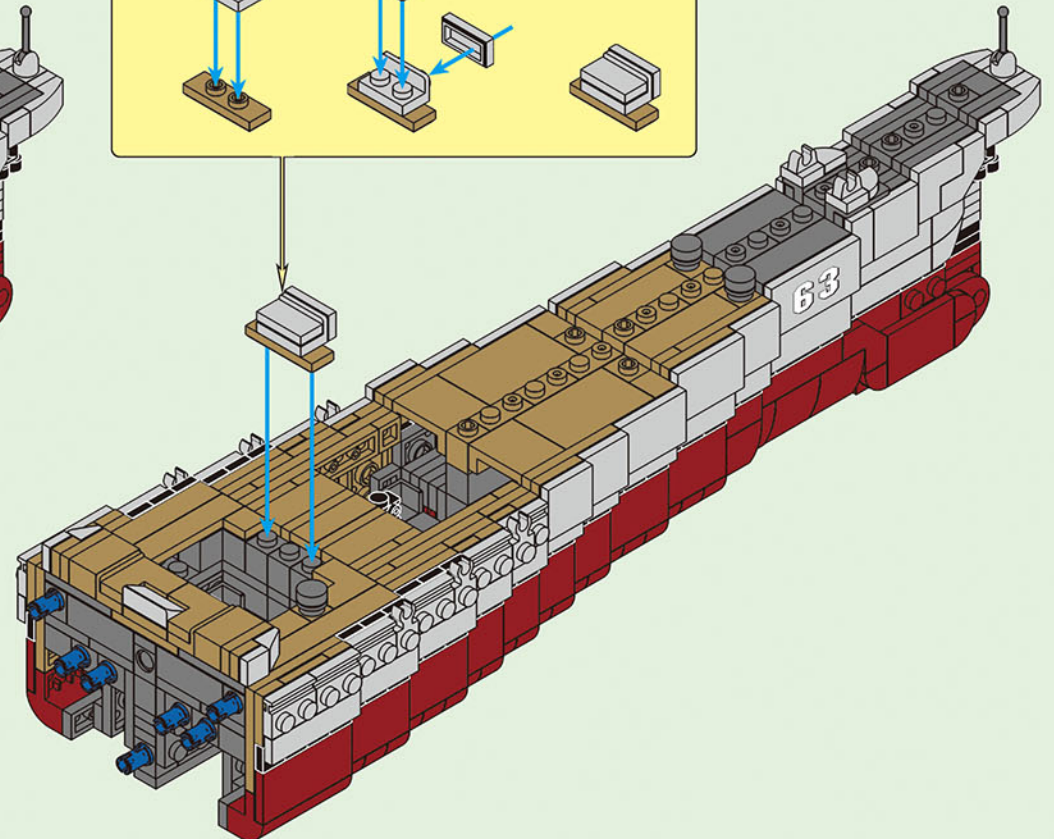
1x2  
2x 1x 1x

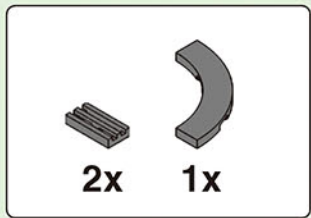
# 7-28

7-27.3

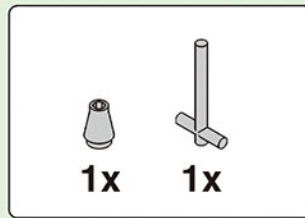
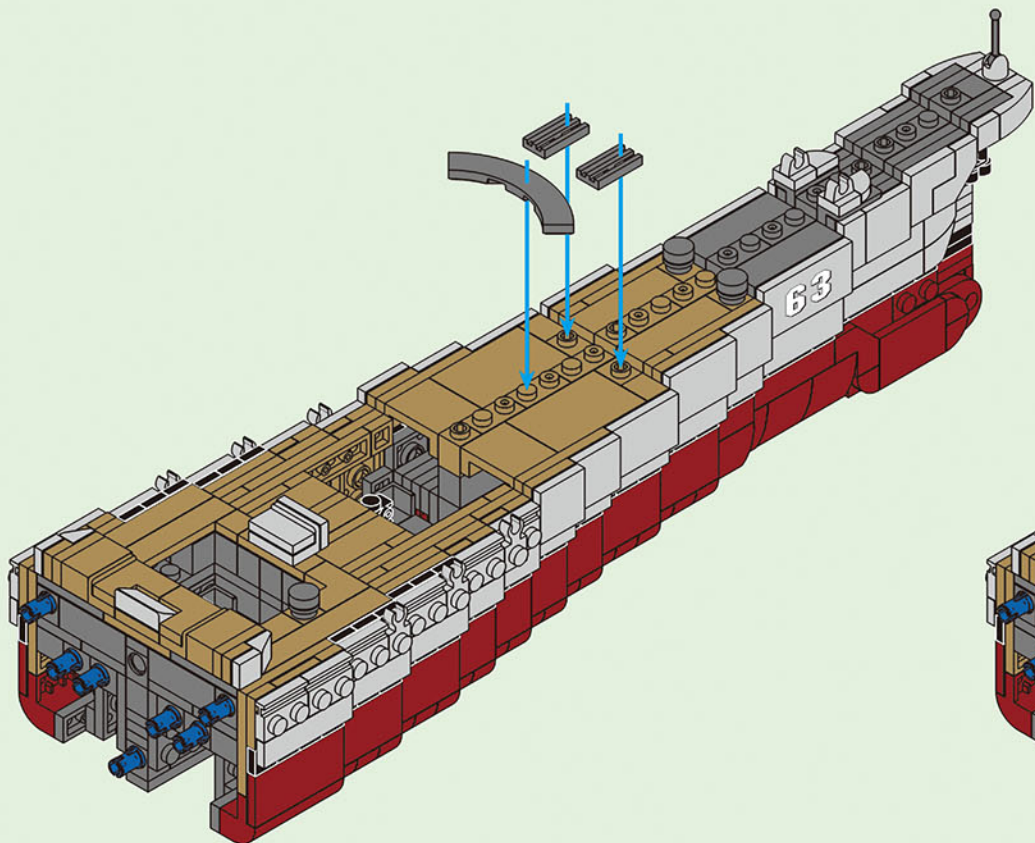


1 2 3

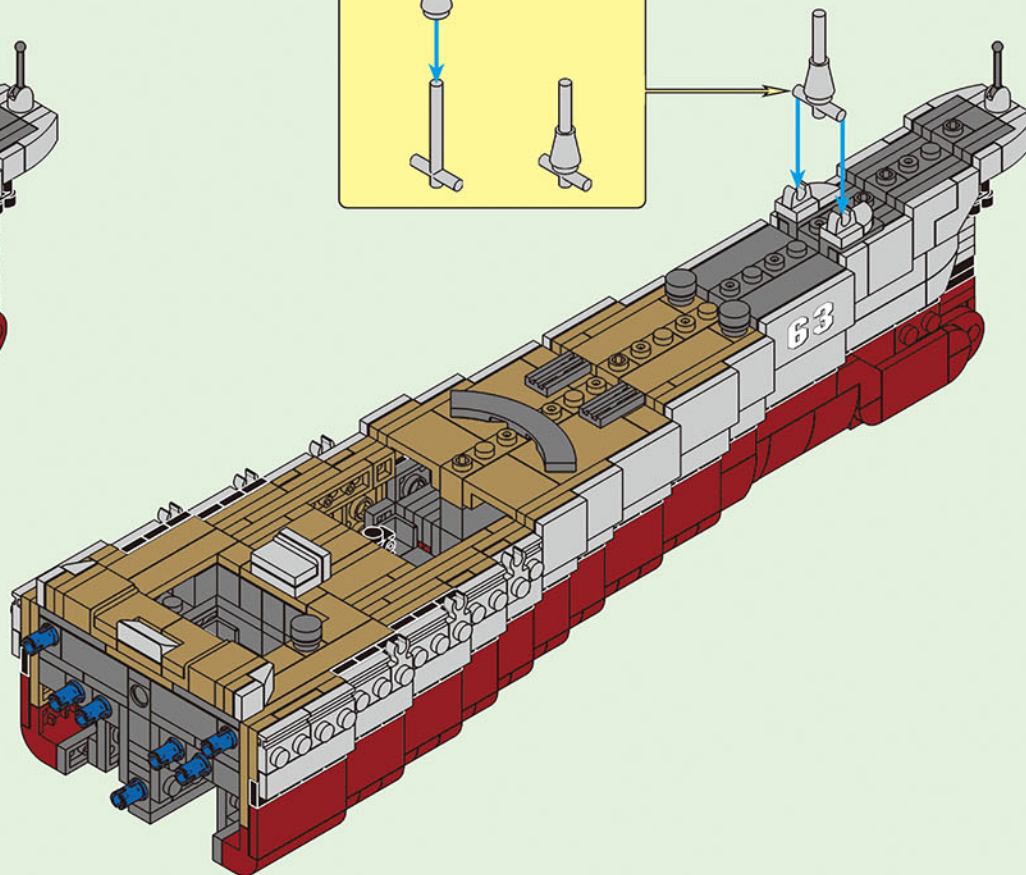
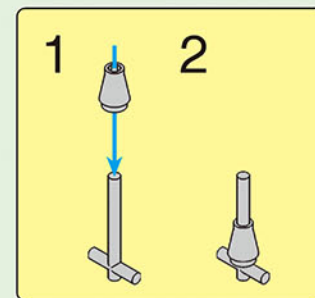




7-29

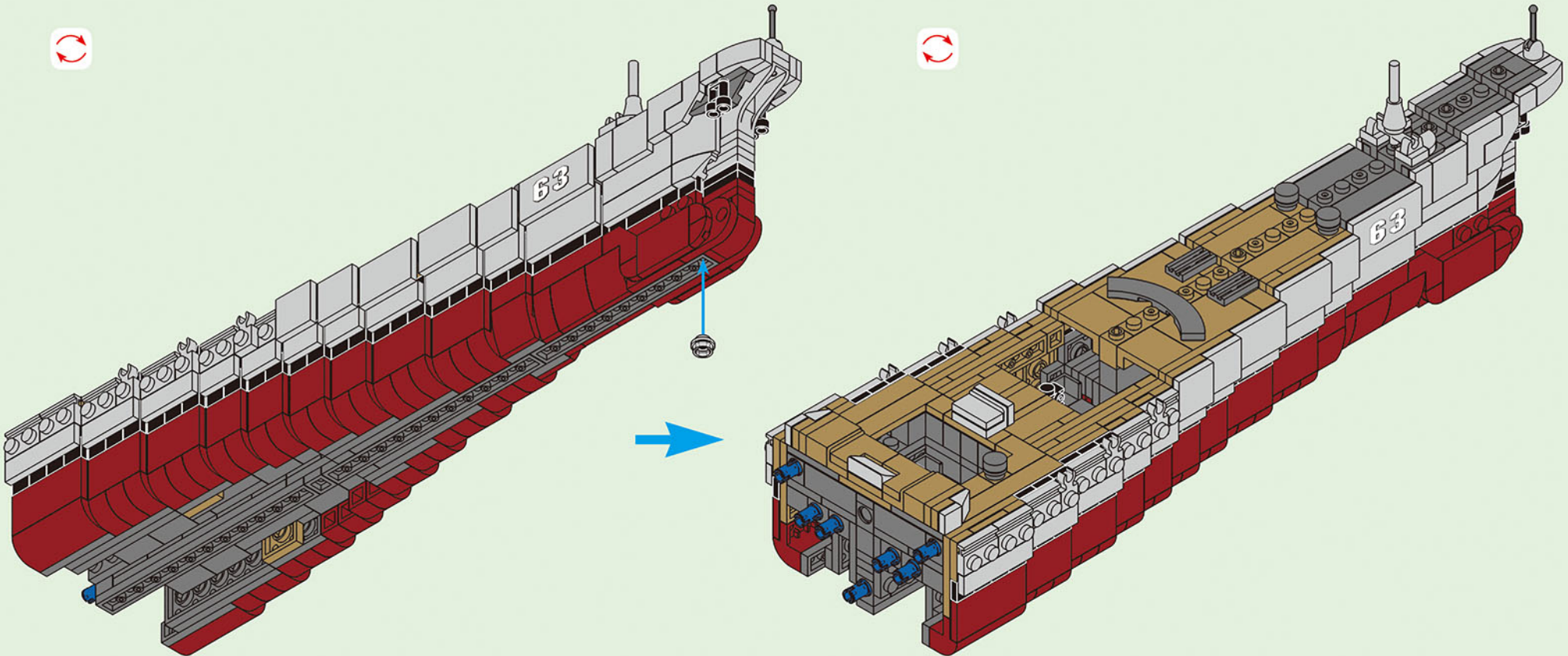


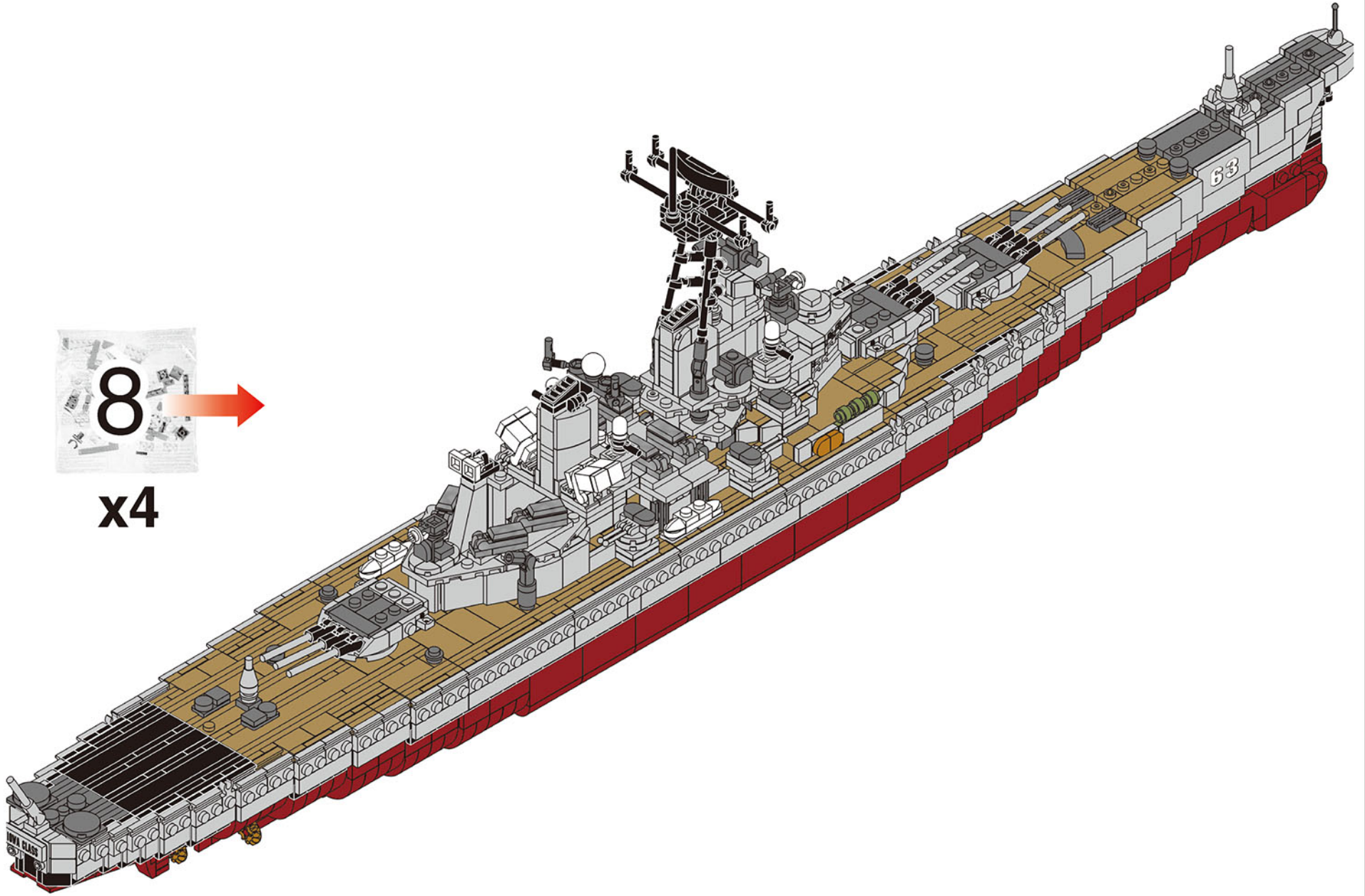
7-30



1x

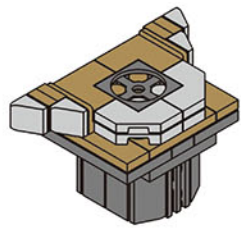
7-31



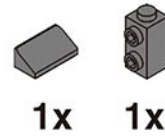


8

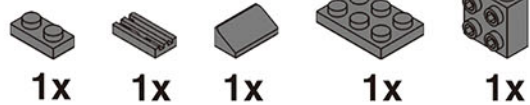
x4



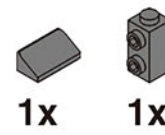
8-1



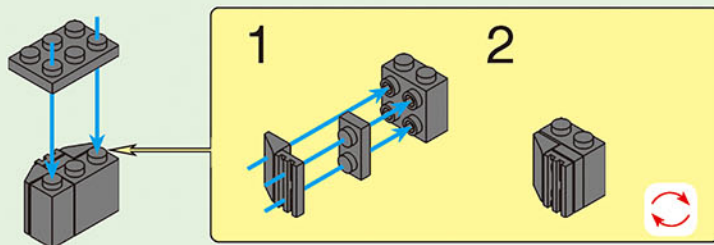
8-1.1

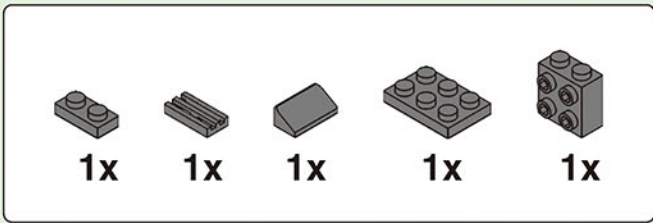


8-1.2

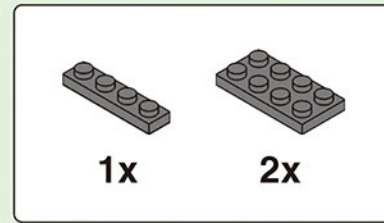


8-1.3

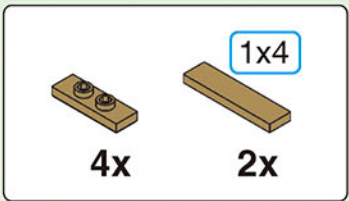
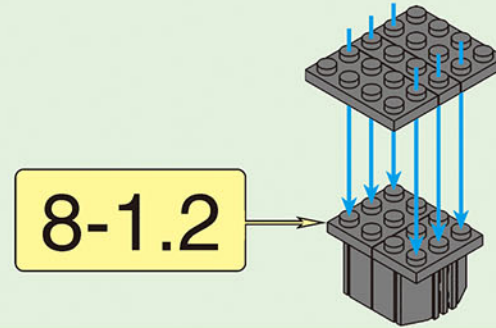
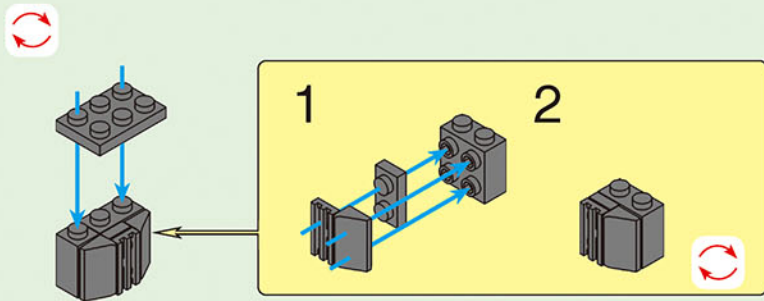




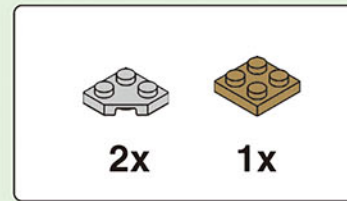
8-1.4



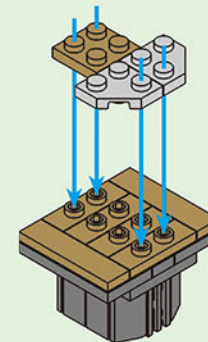
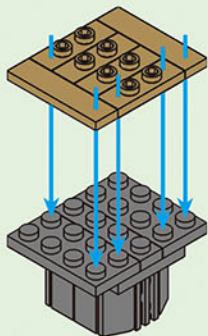
8-1.5

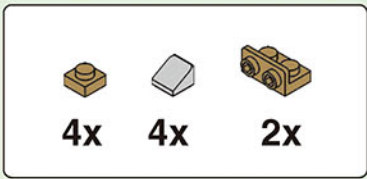


8-1.6

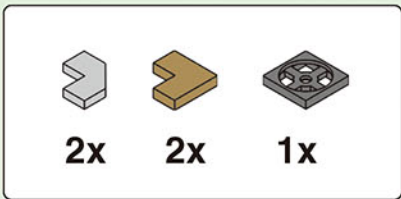
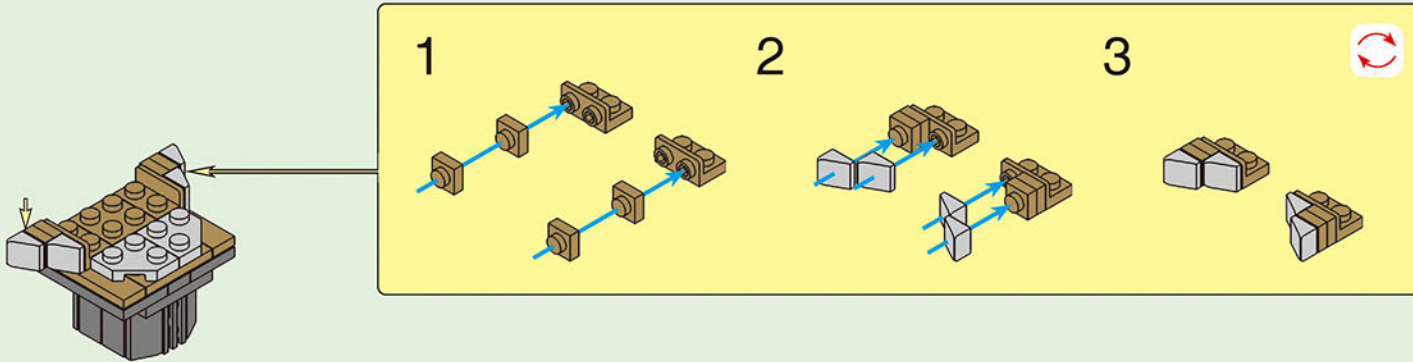


8-1.7

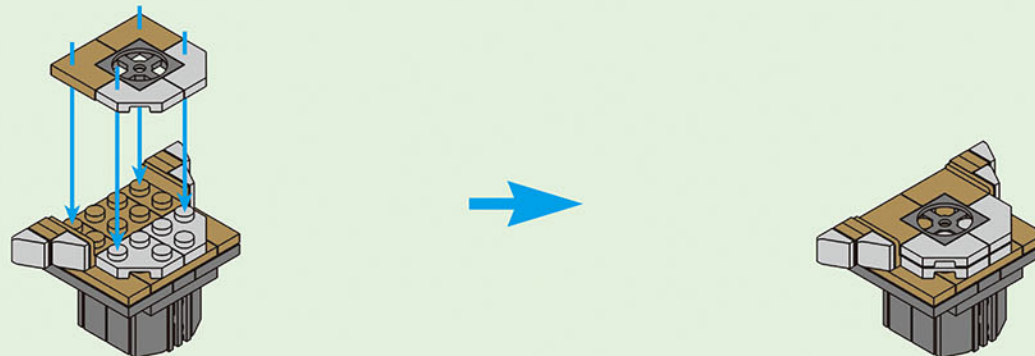


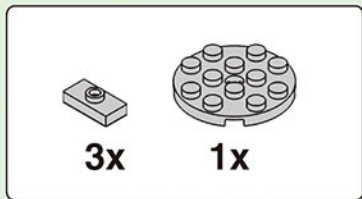


# 8-1.8

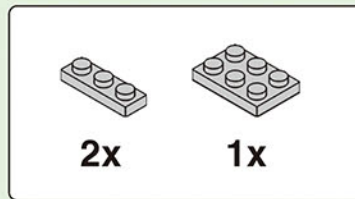


# 8-1.9

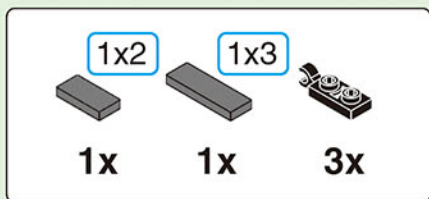
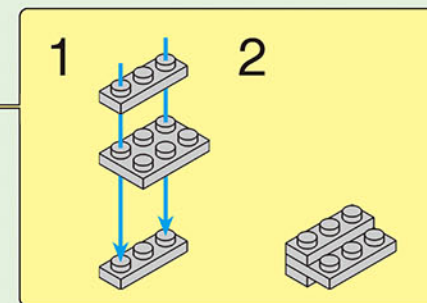
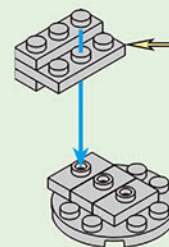
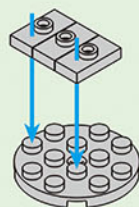




8-2.1



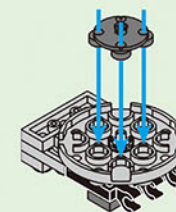
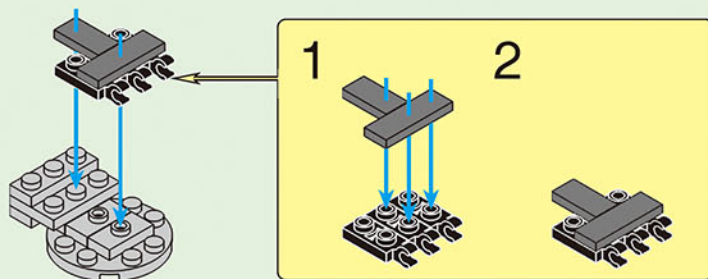
8-2.2

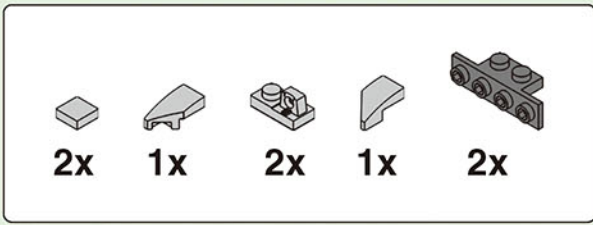


8-2.3

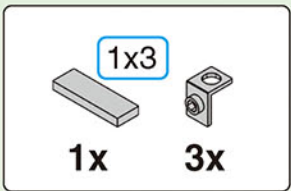
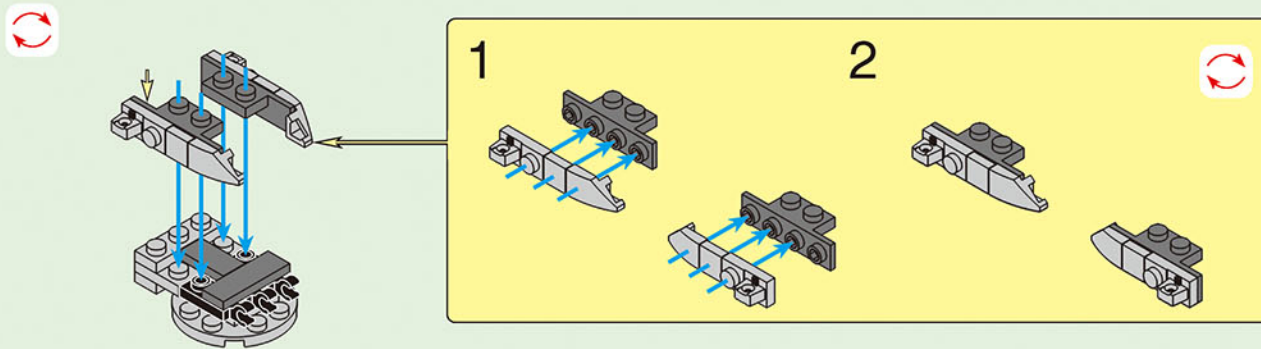


8-2.4

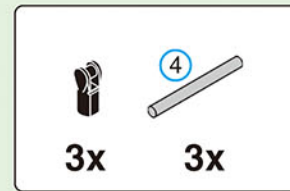
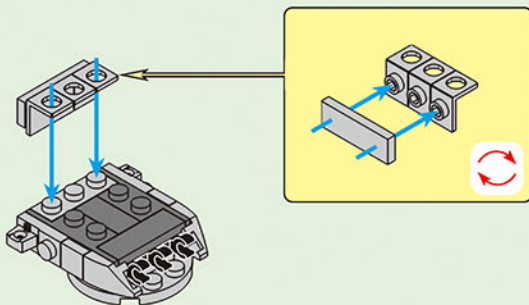




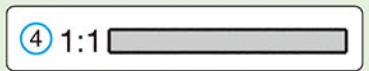
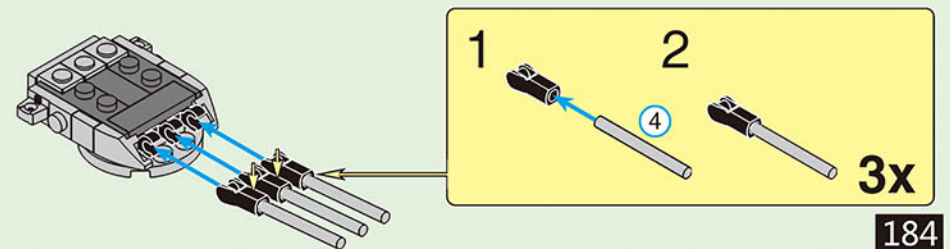
# 8-2.5



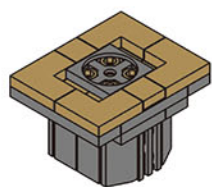
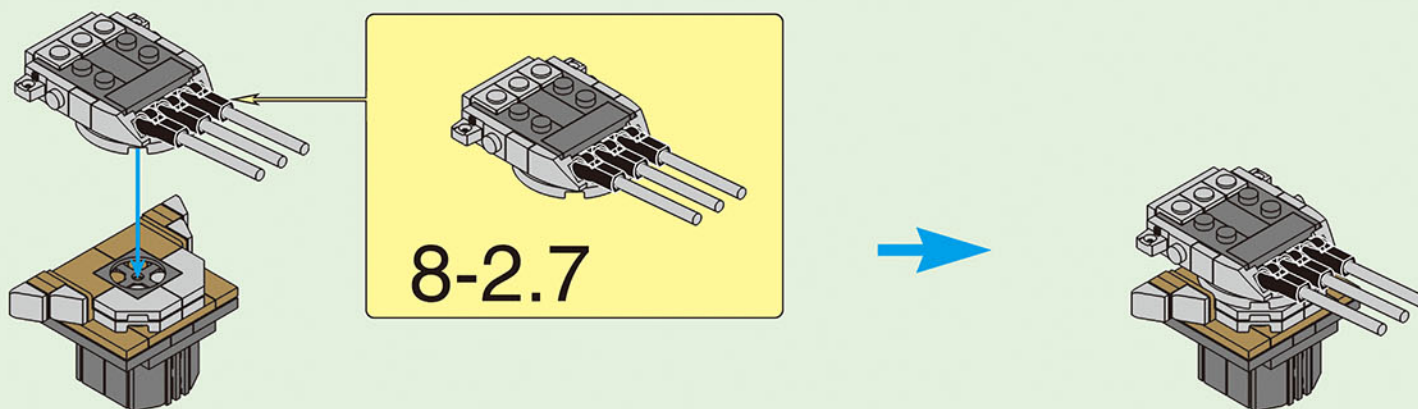
# 8-2.6



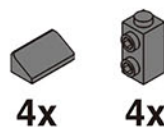
# 8-2.7



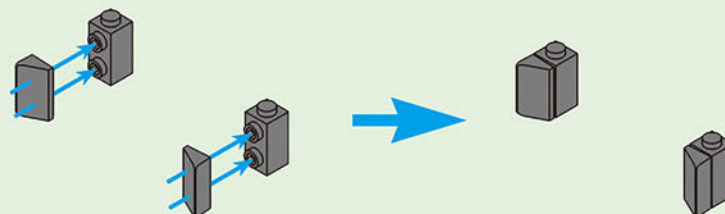
# 8-2



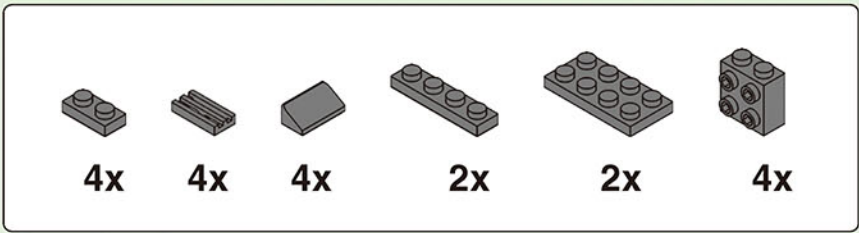
8-3



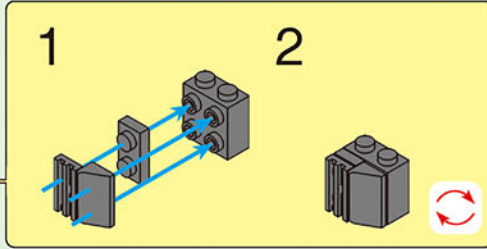
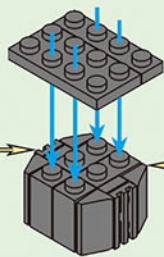
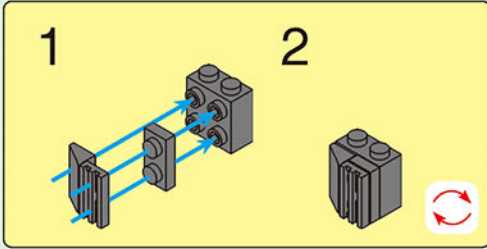
8-3.1



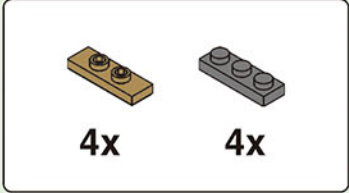
2x



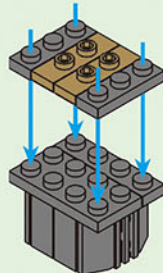
# 8-3.2



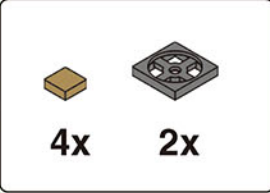
2x



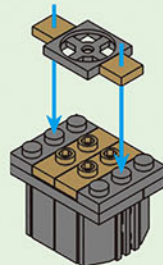
# 8-3.3



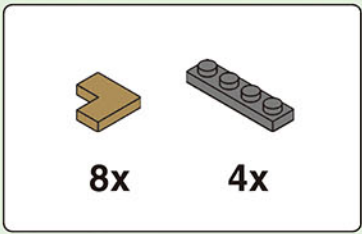
2x



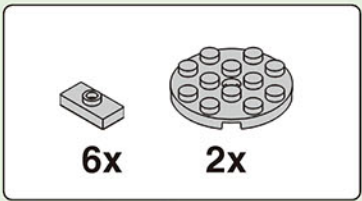
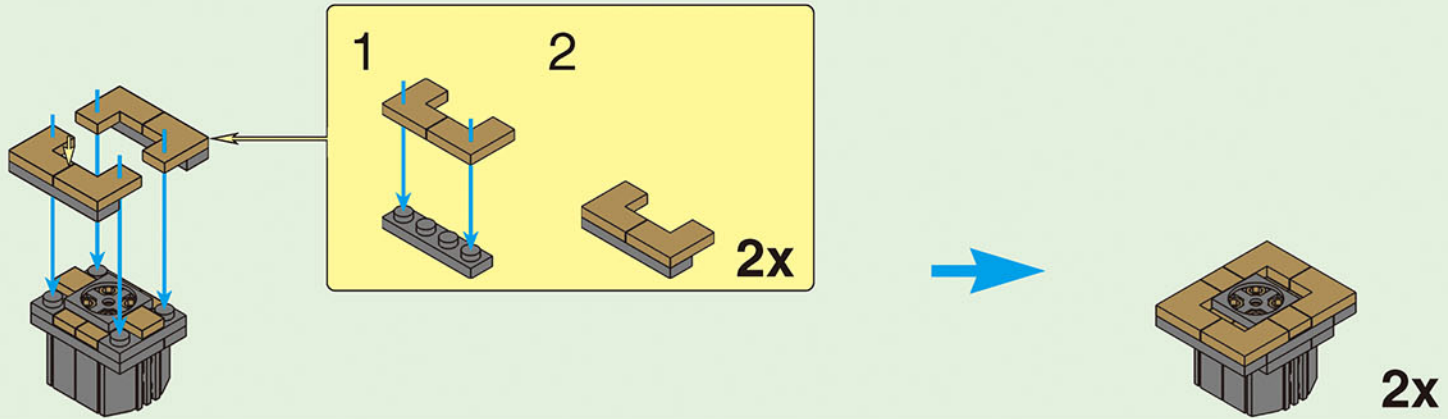
# 8-3.4



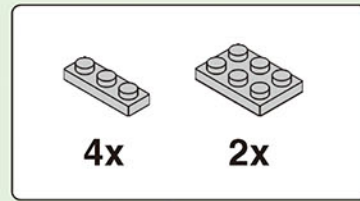
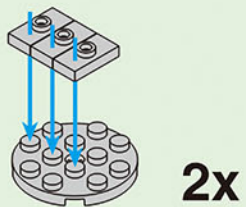
2x



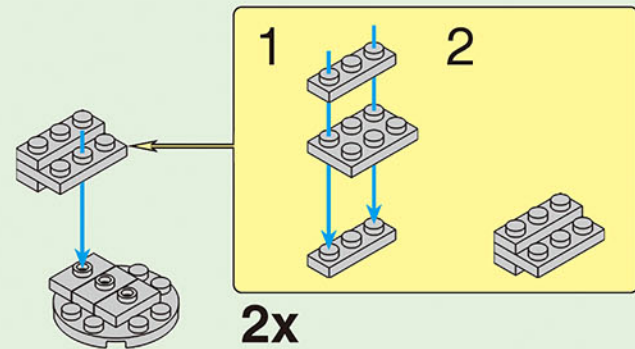
# 8-3.5

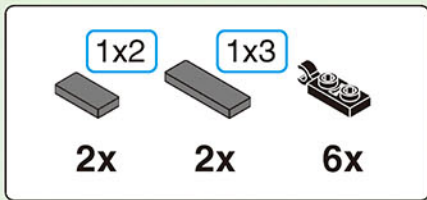


# 8-4.1



# 8-4.2

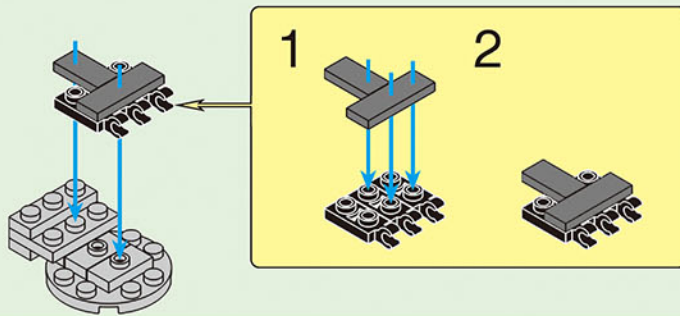




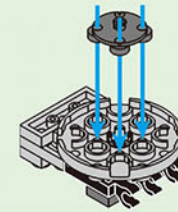
8-4.3



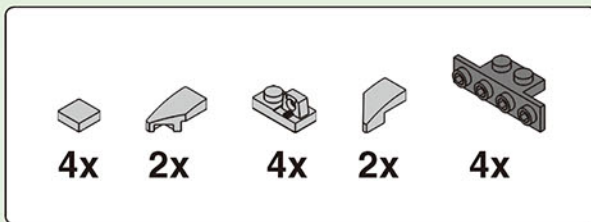
8-4.4



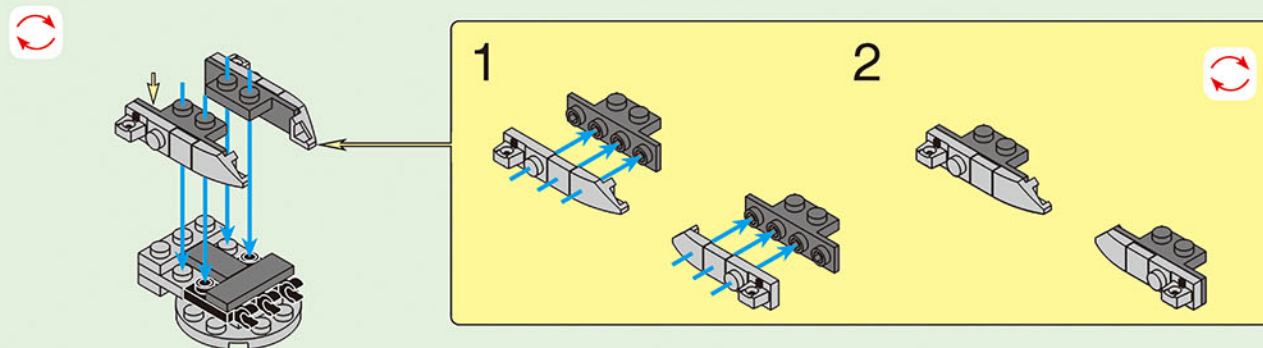
2x



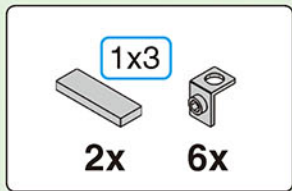
2x



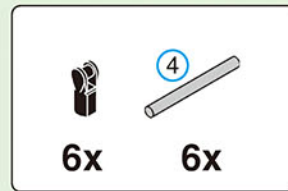
8-4.5



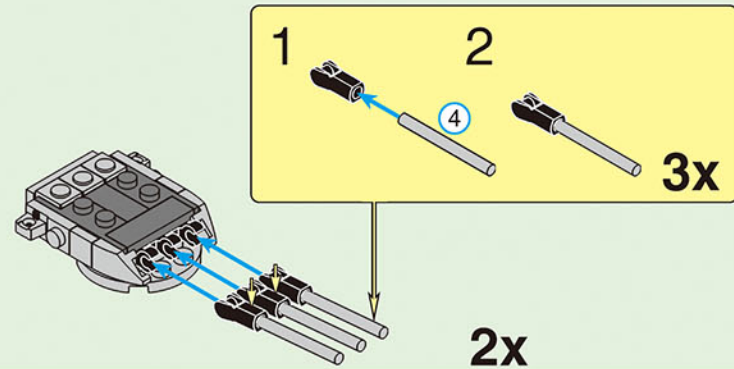
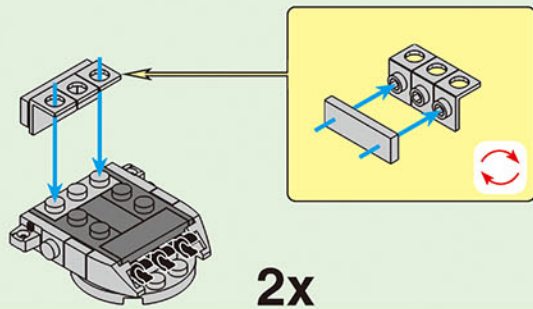
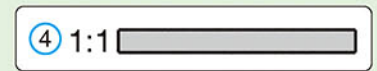
2x



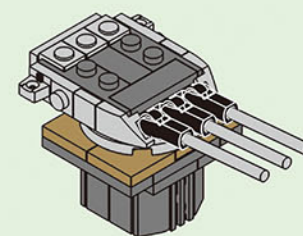
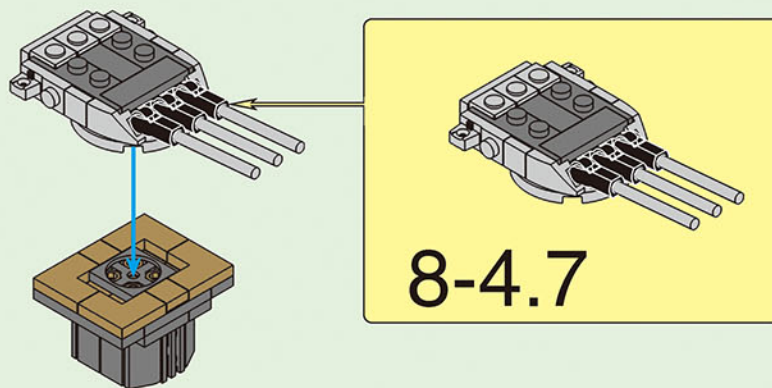
8-4.6



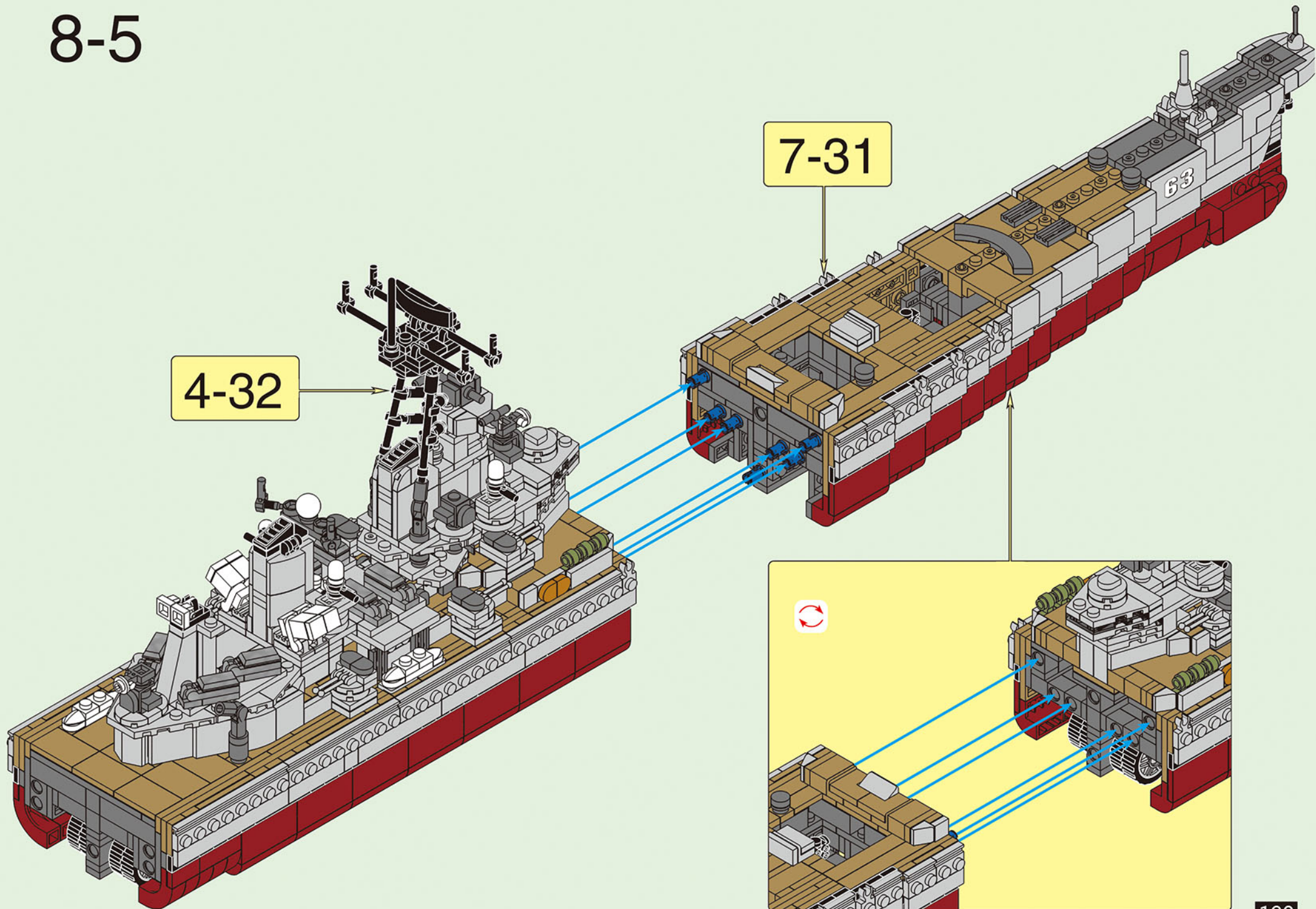
8-4.7



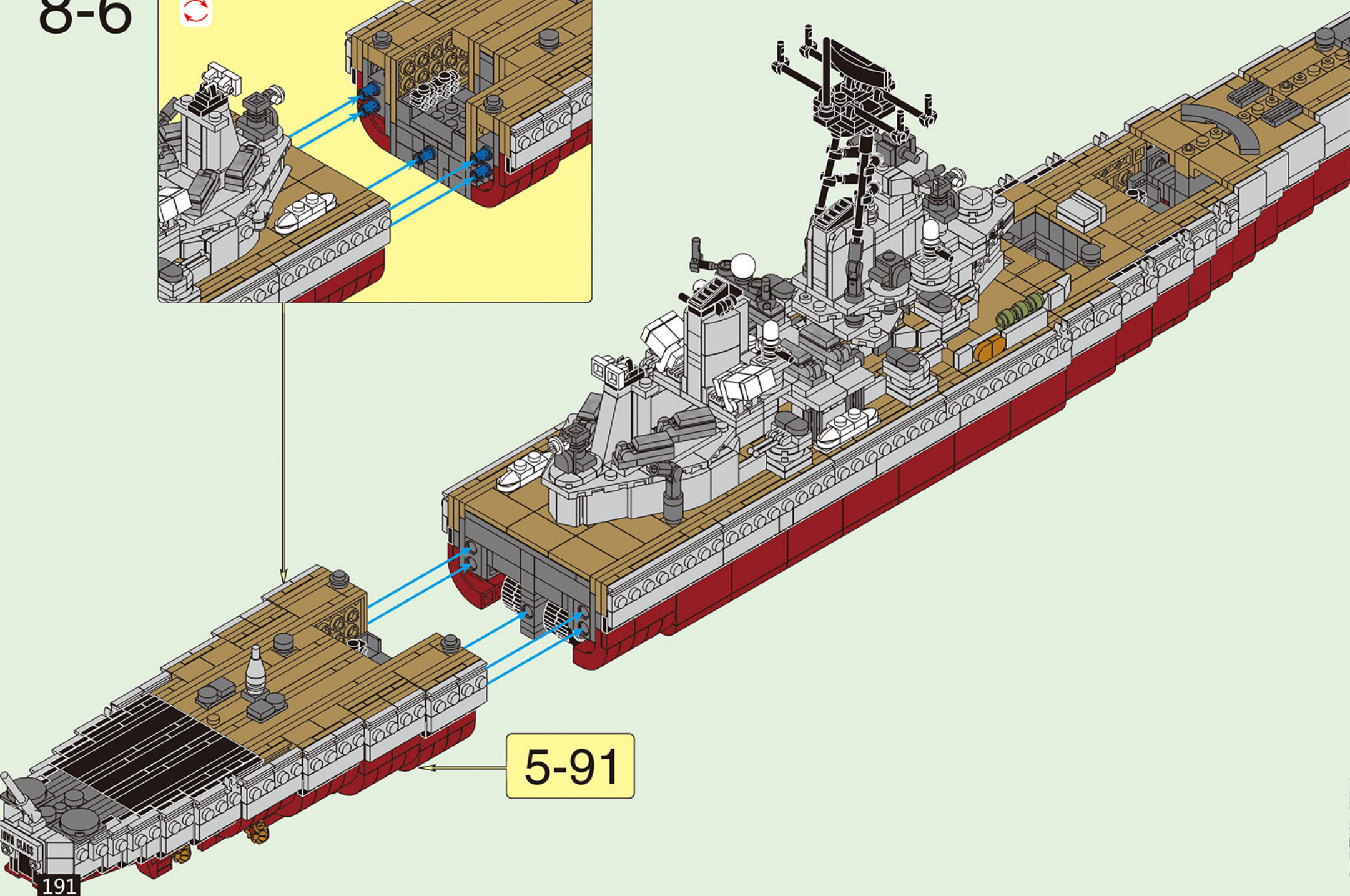
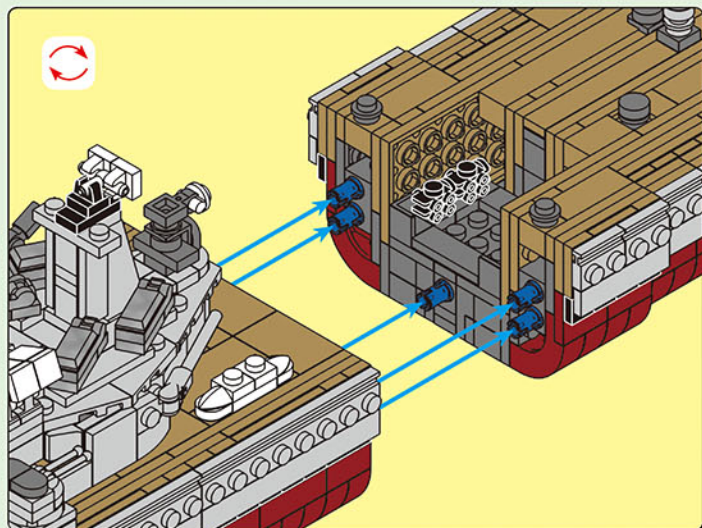
8-4



8-5

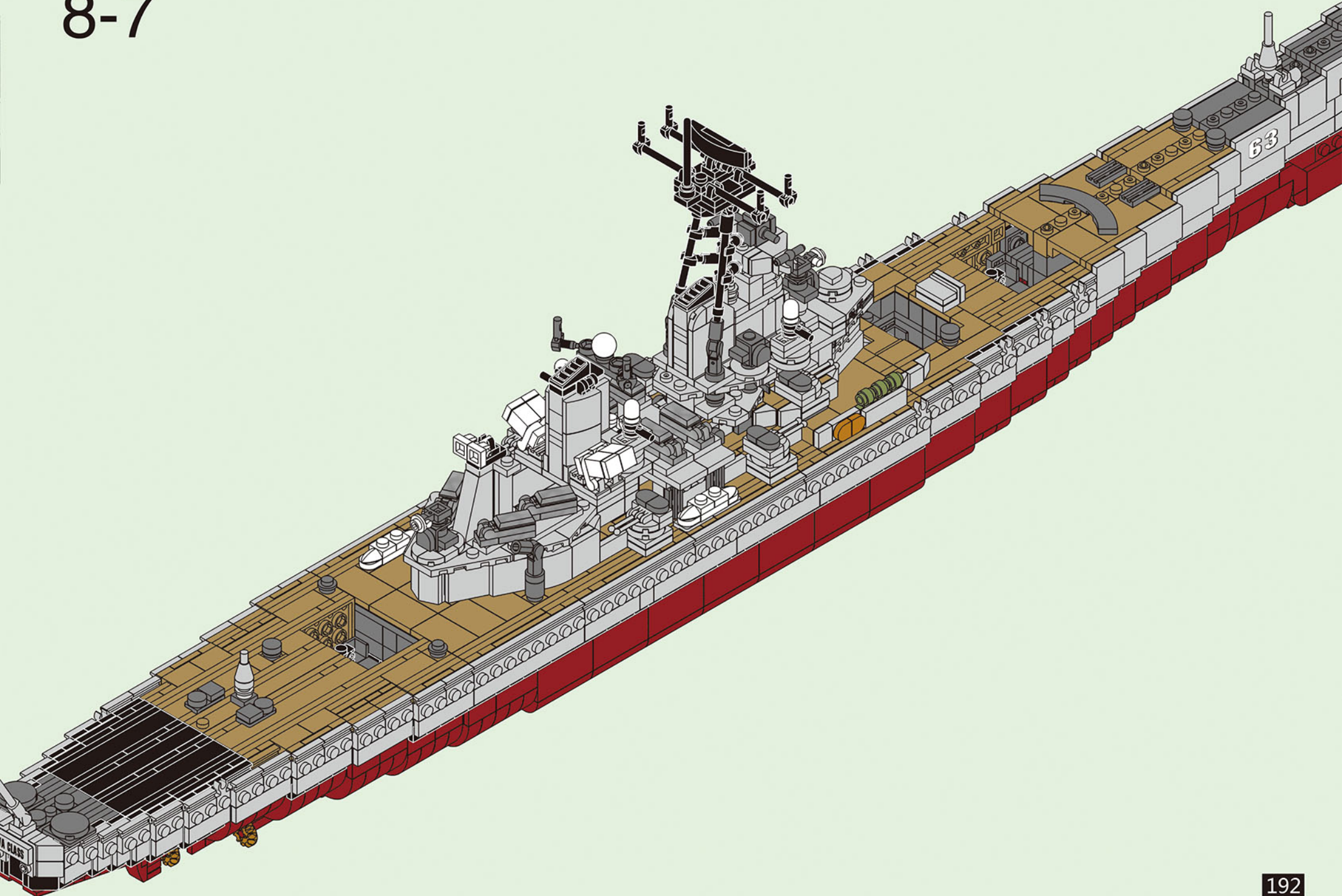


8-6

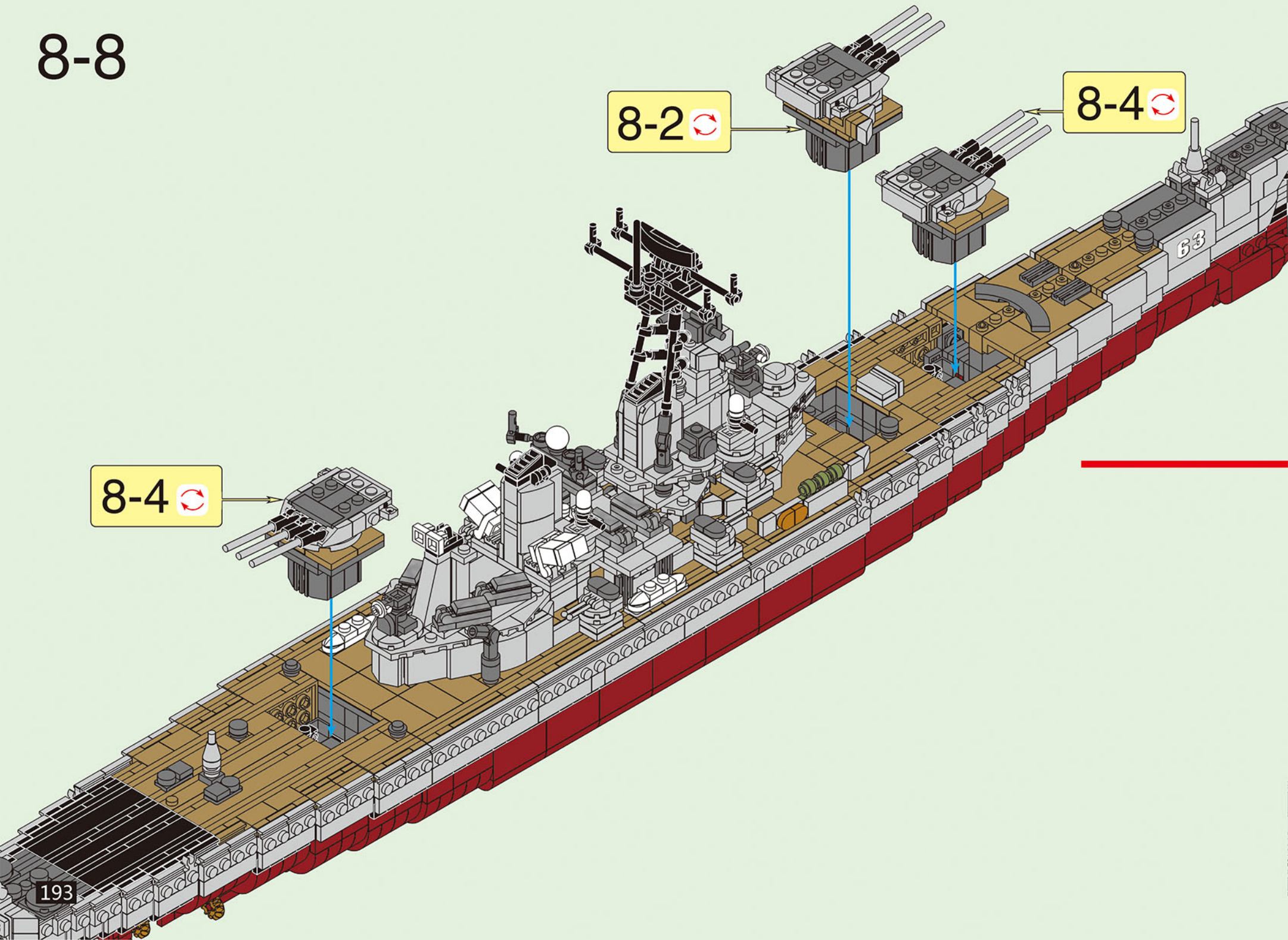


5-91

8-7



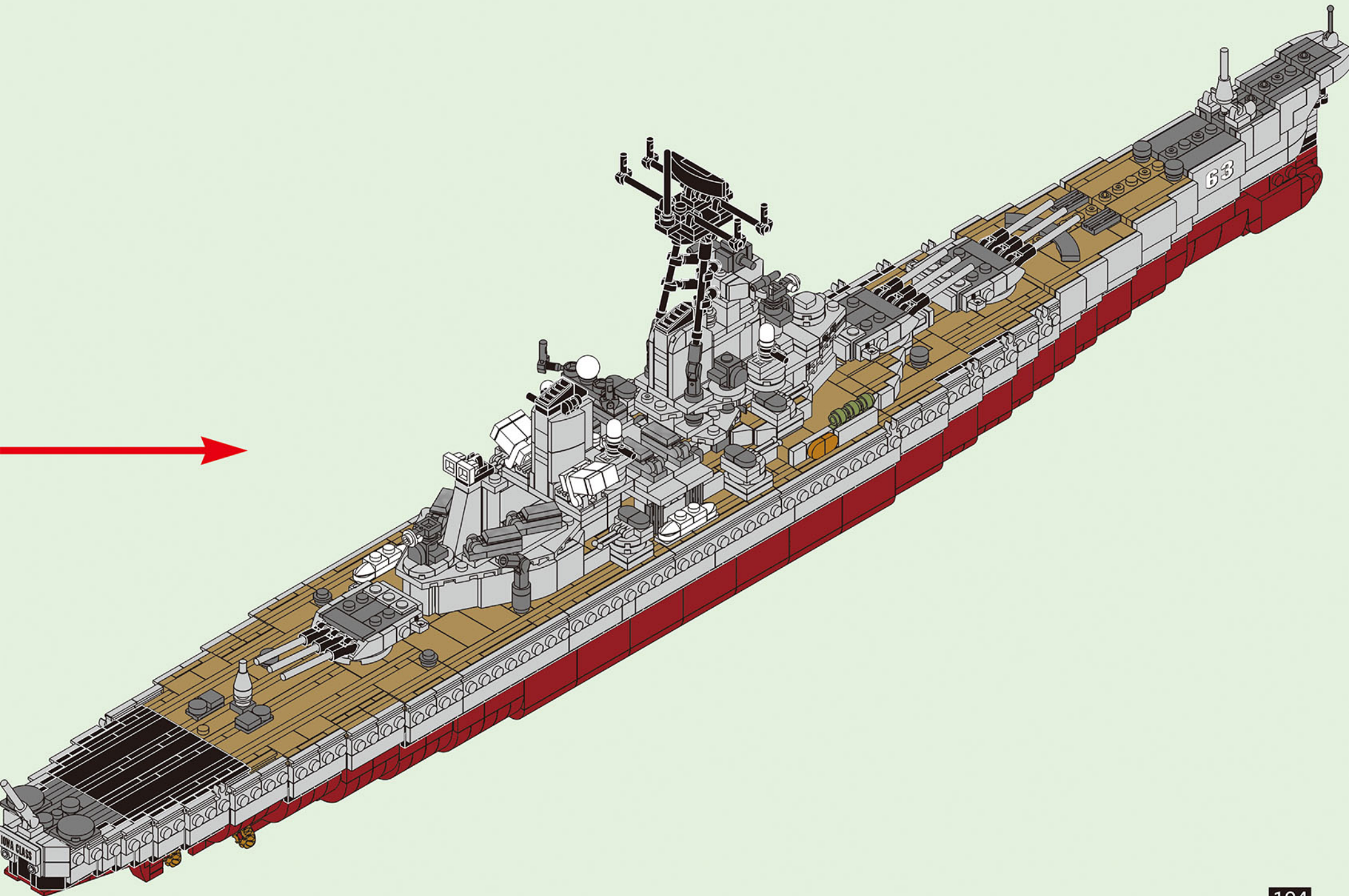
# 8-8



8-4 ↻

8-2 ↻

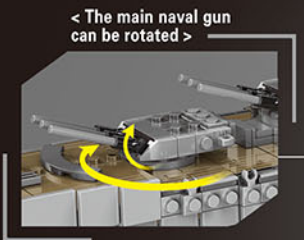
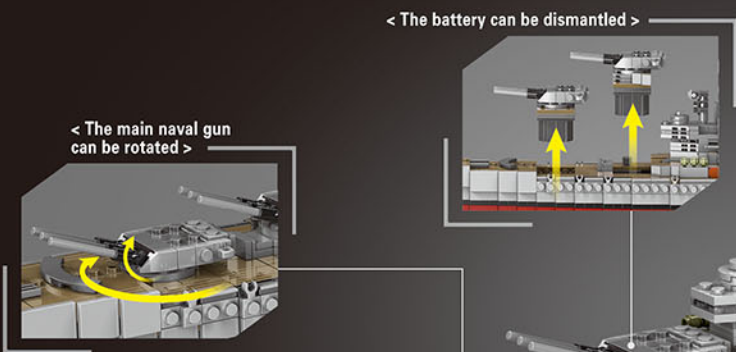
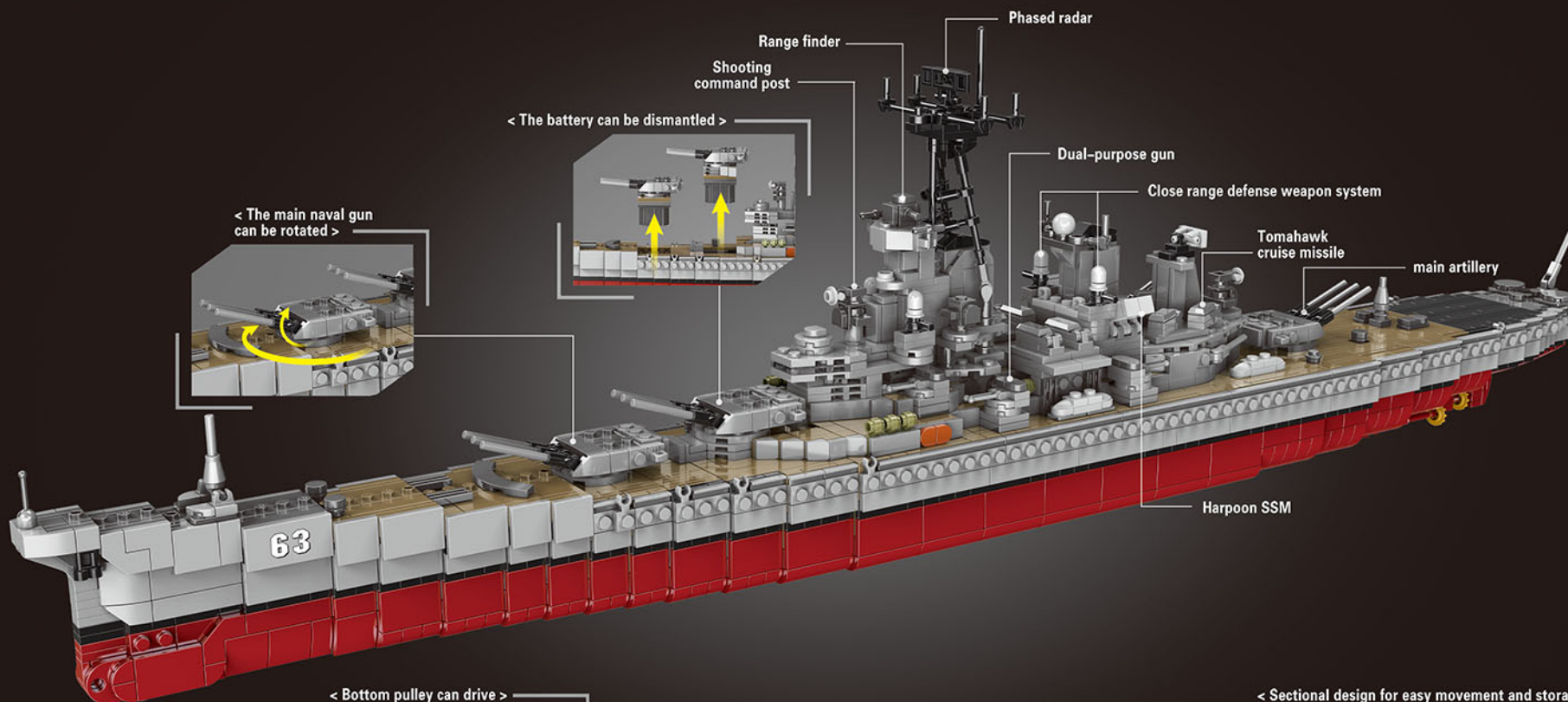
8-4 ↻



# USS NAVY FOR AMERICA MISSOURI



06030-1901-V1



XB-06030