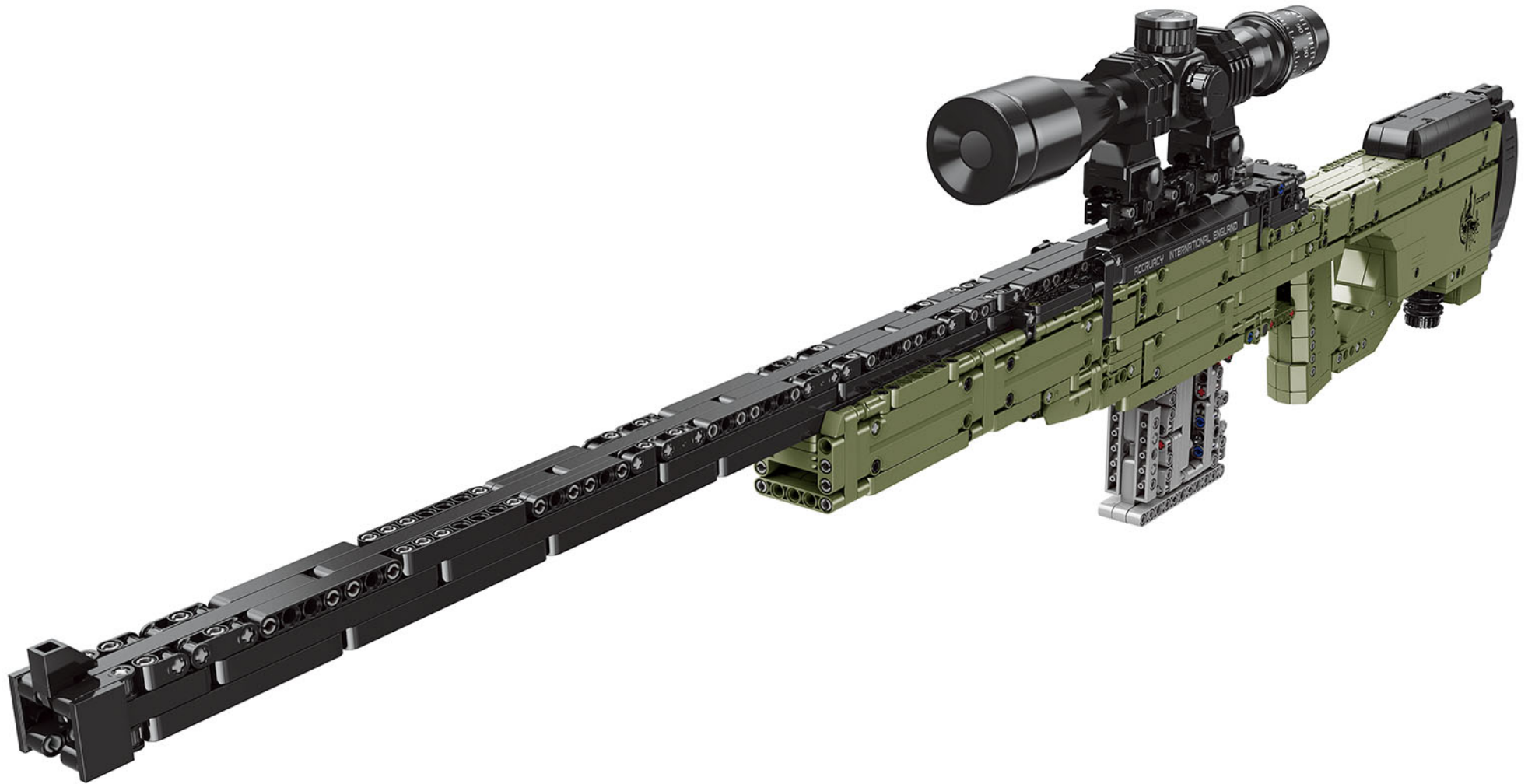


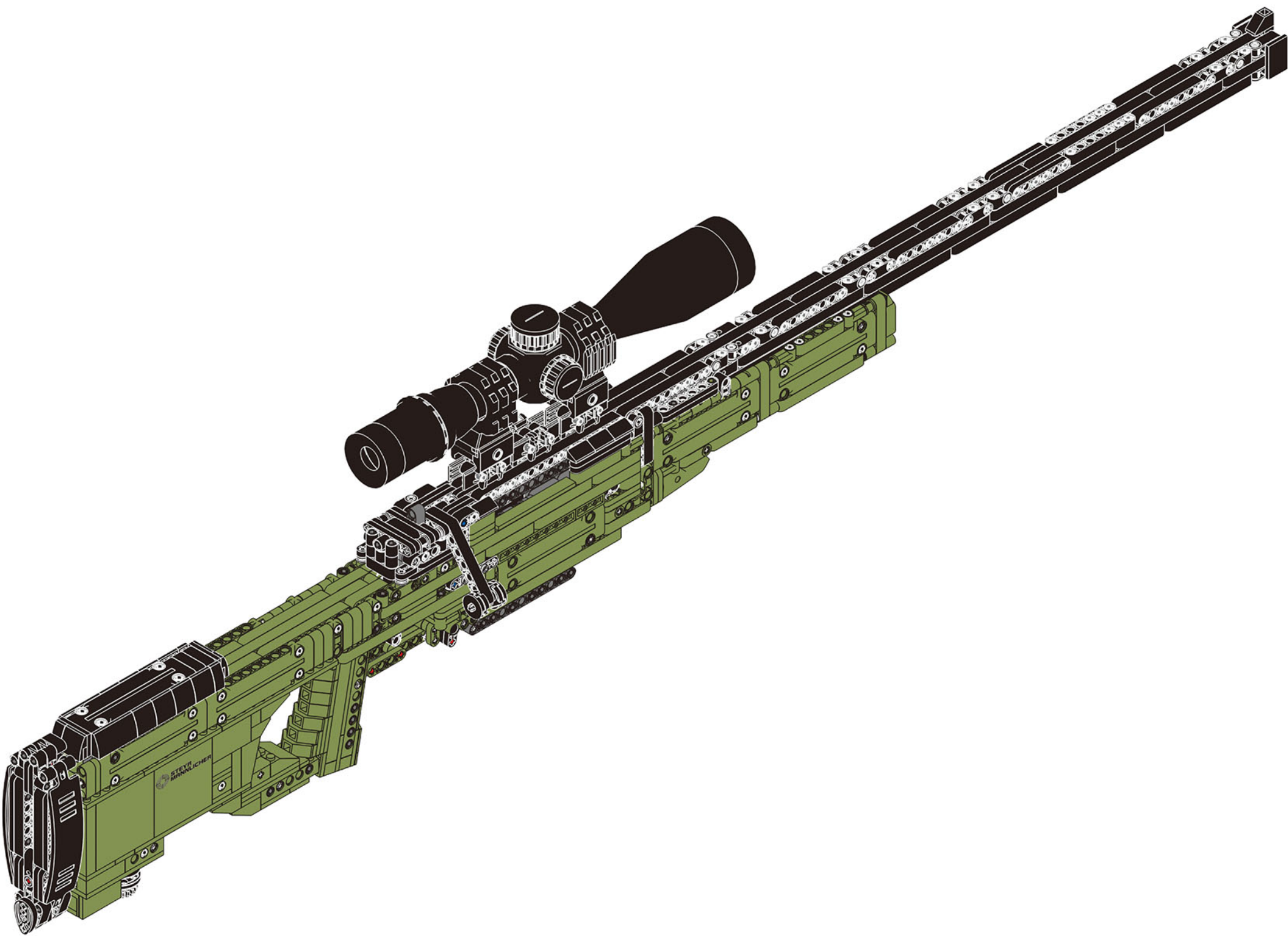
BATTLEFIELD FIREWIRE

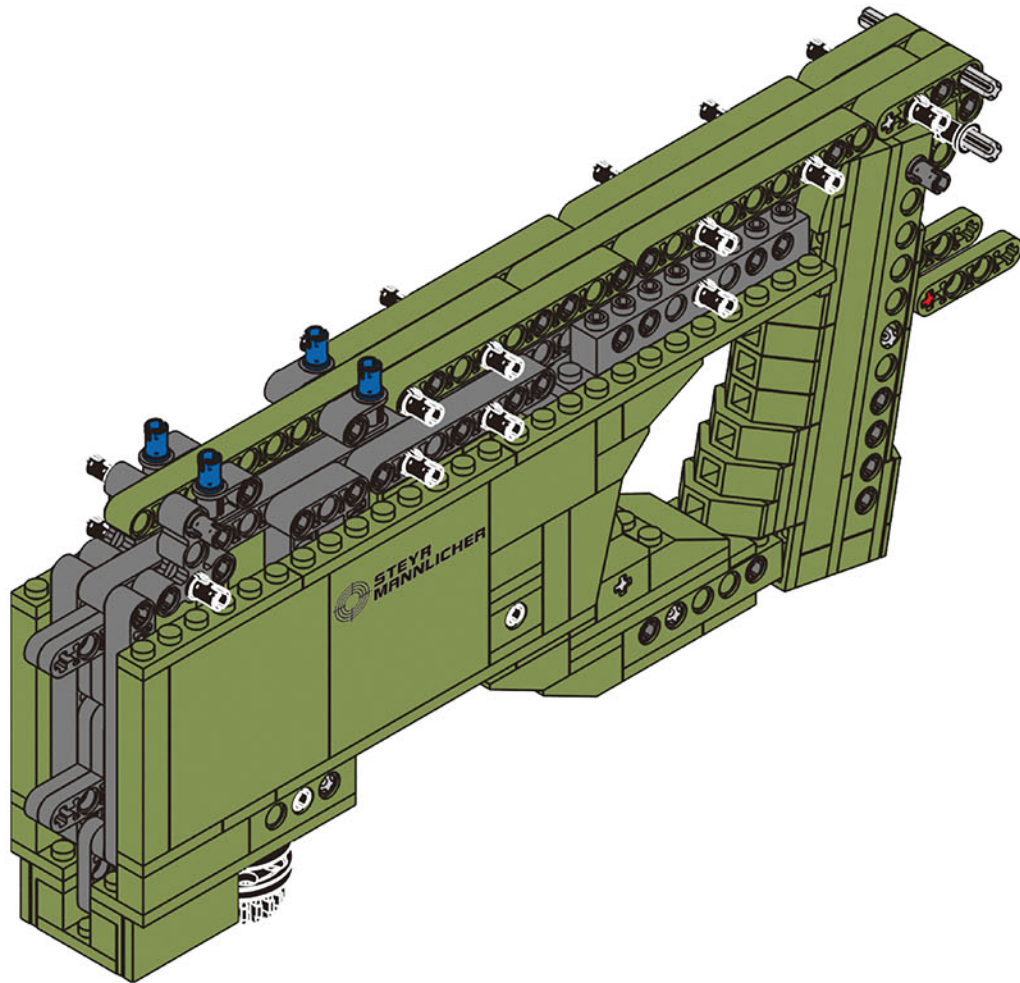


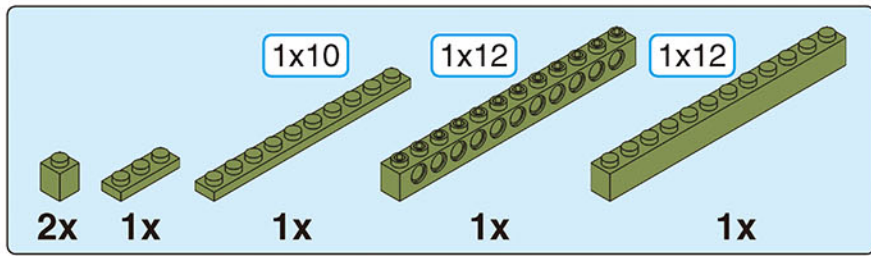
XB-24002

Play Responsibly



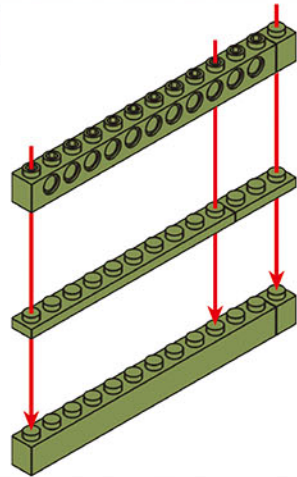




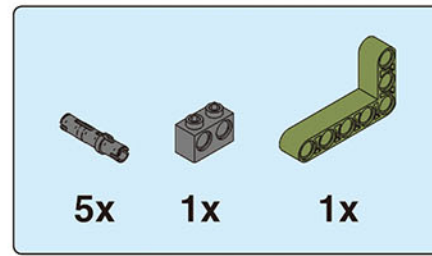
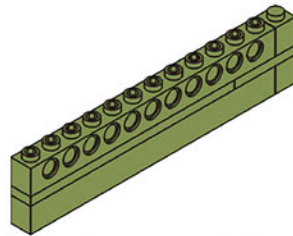


1-1.1

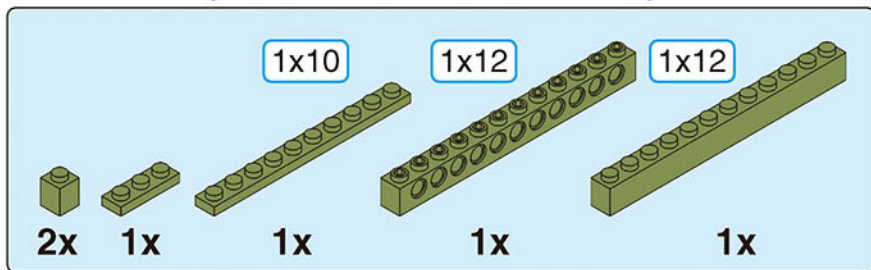
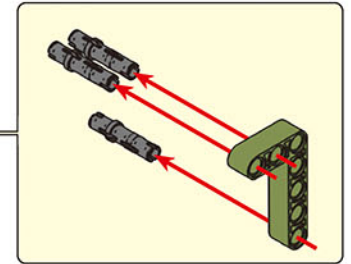
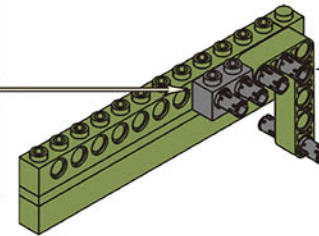
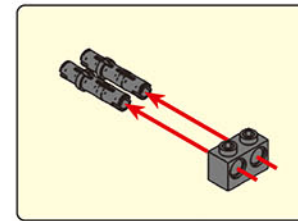
1



2

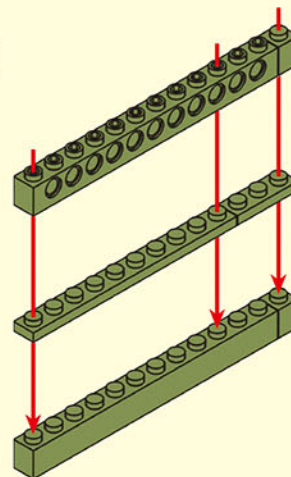


1-1.2

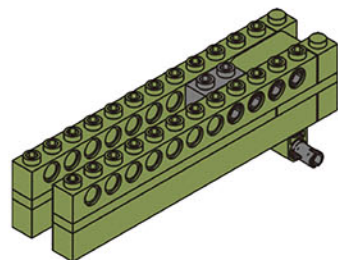
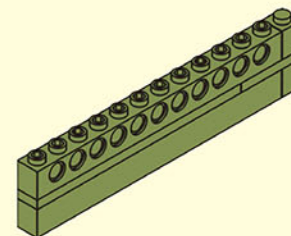


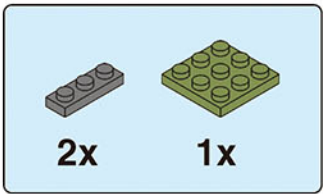
1-1.3

1



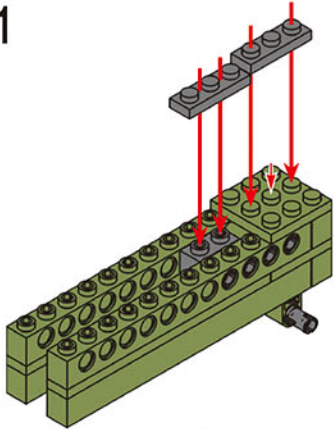
2



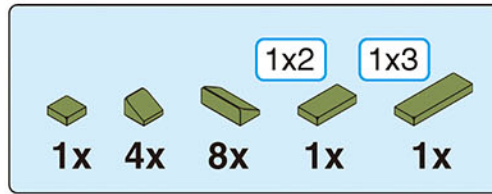
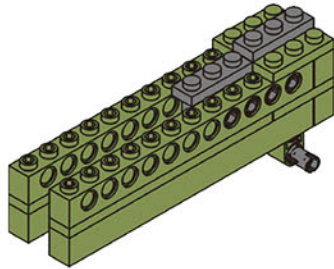


1-1.4

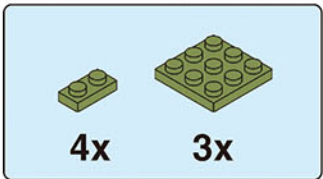
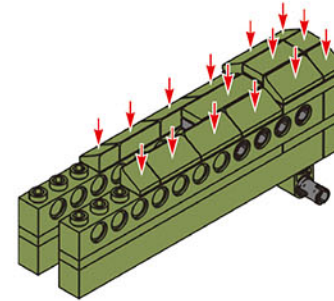
1



2

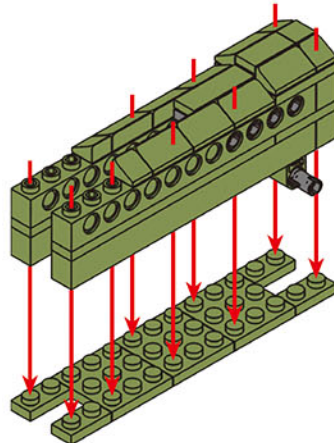


1-1.5

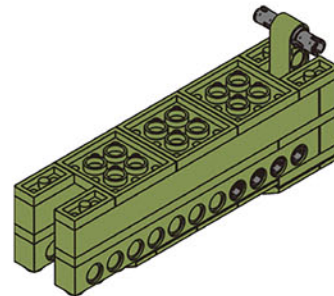


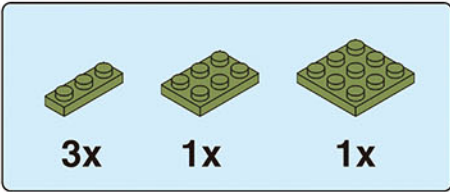
1-1.6

1



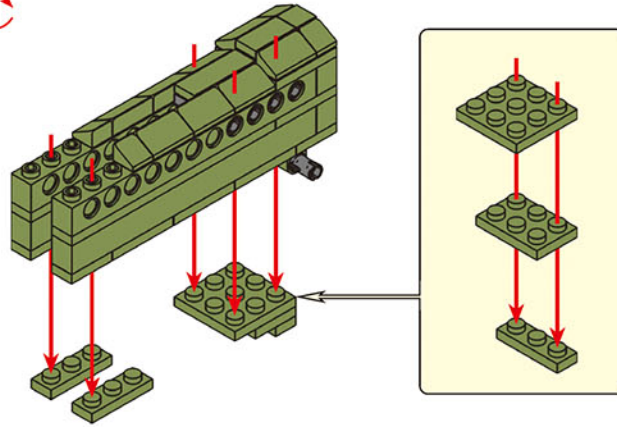
2 ↻



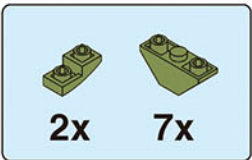
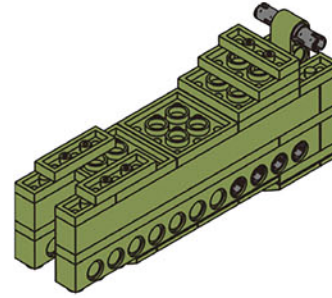


1-1.7

1 ↻

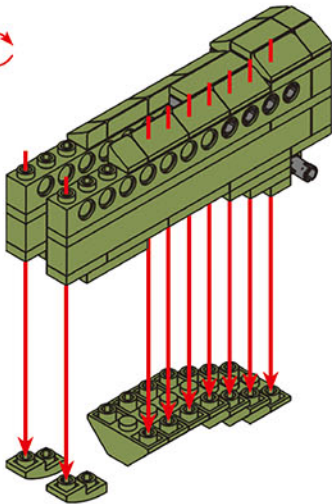


2 ↻

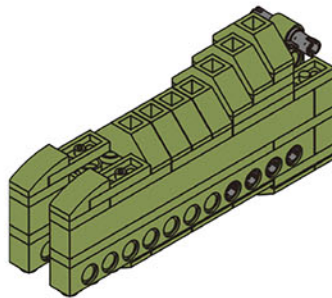


1-1.8

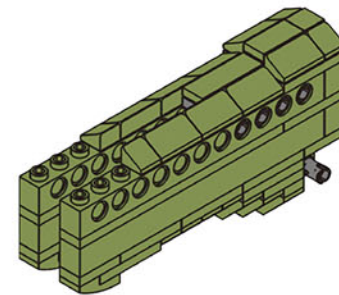
1 ↻

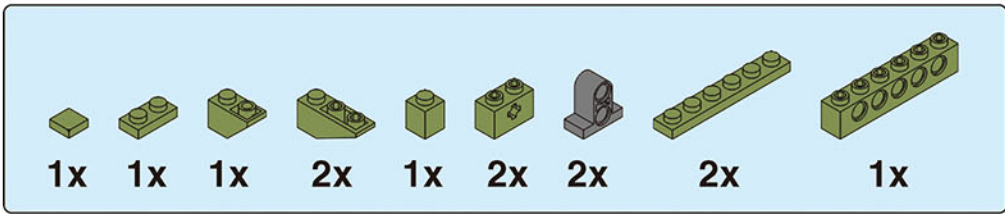


2 ↻

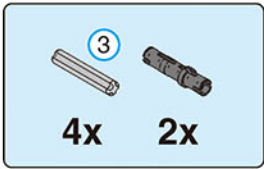
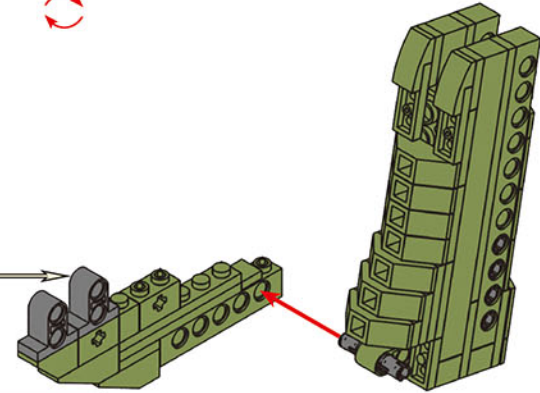
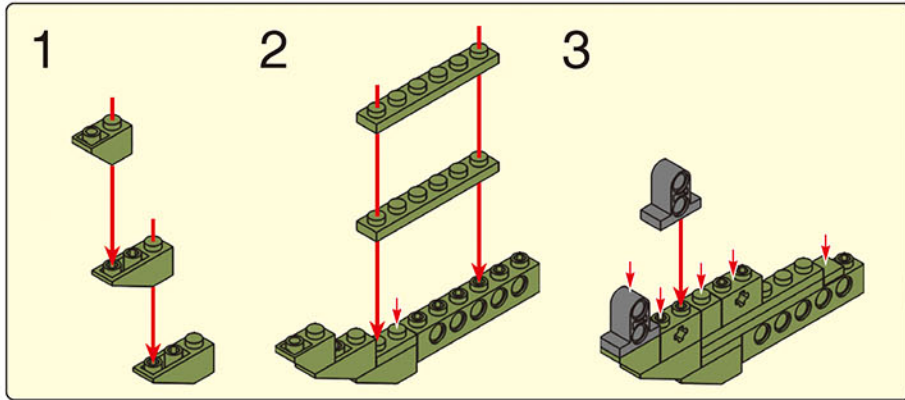


↻

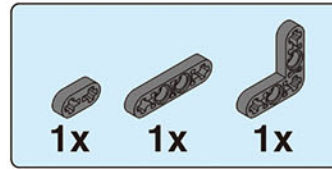
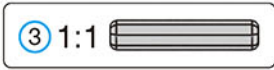




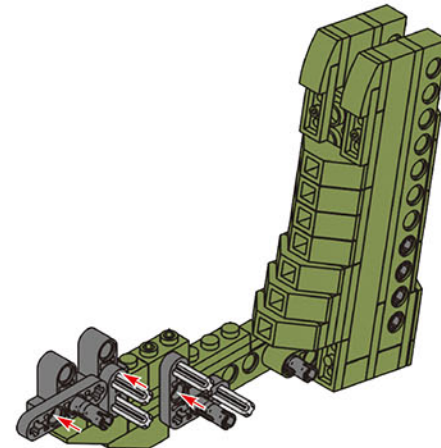
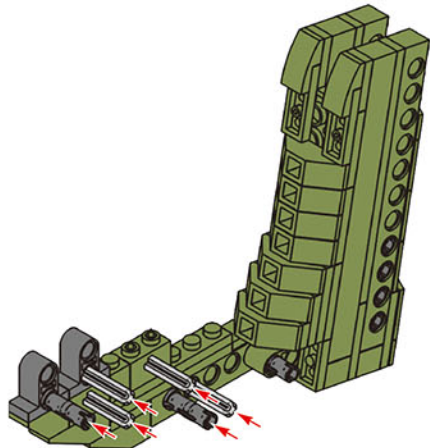
1-2

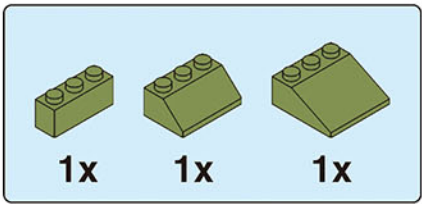


1-3

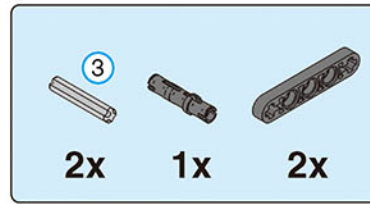
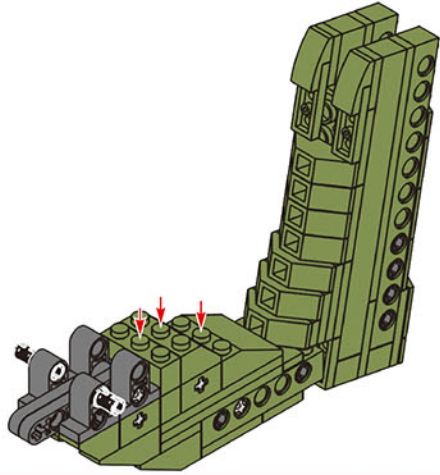


1-4

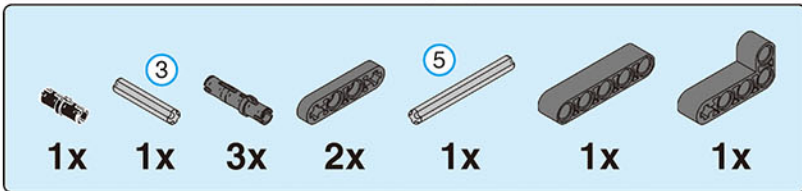
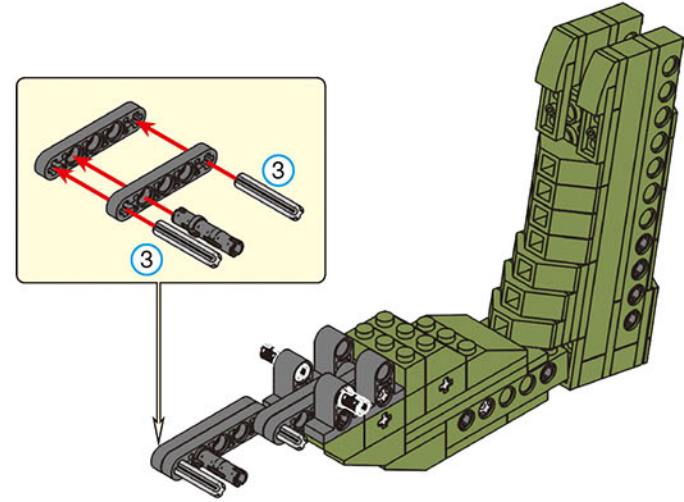
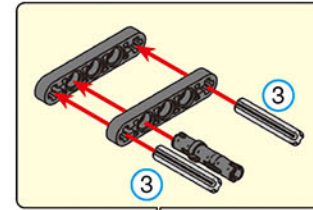




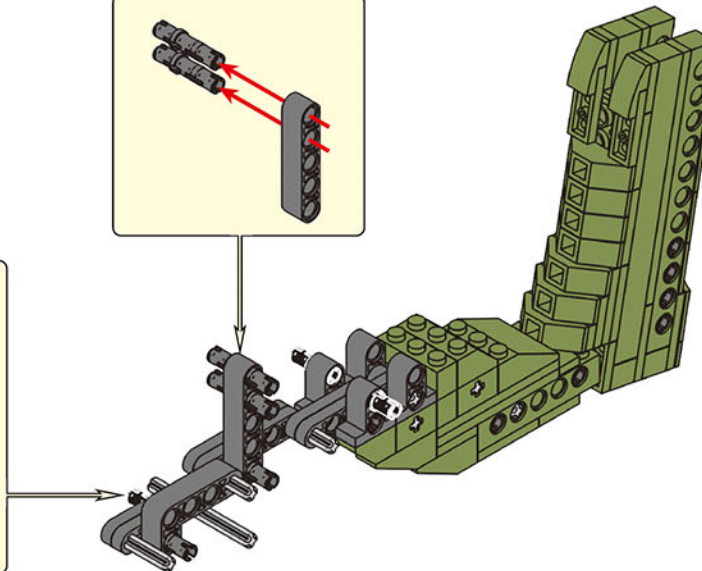
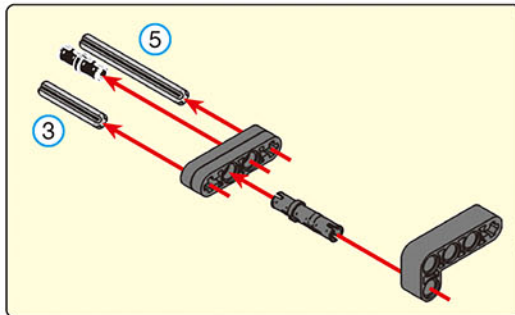
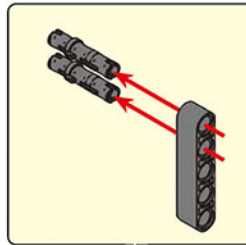
1-8

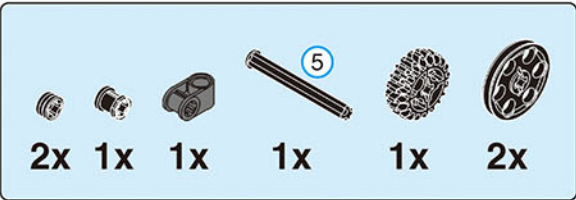


1-9

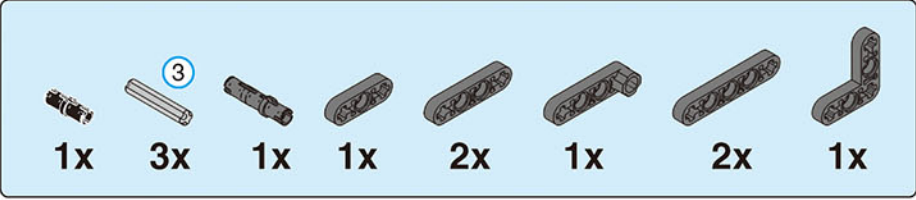
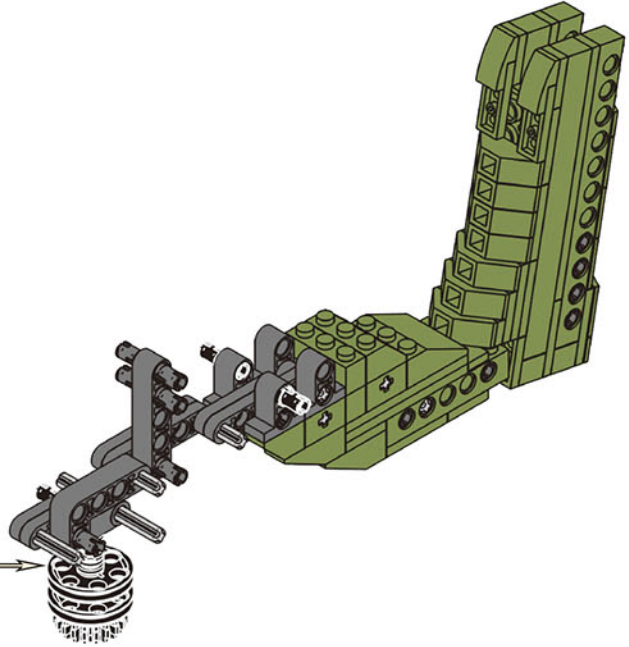
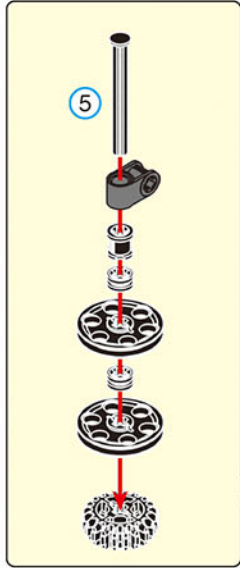


1-10

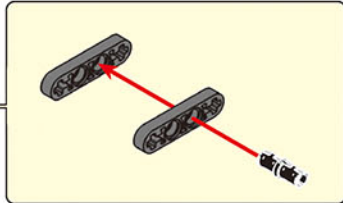
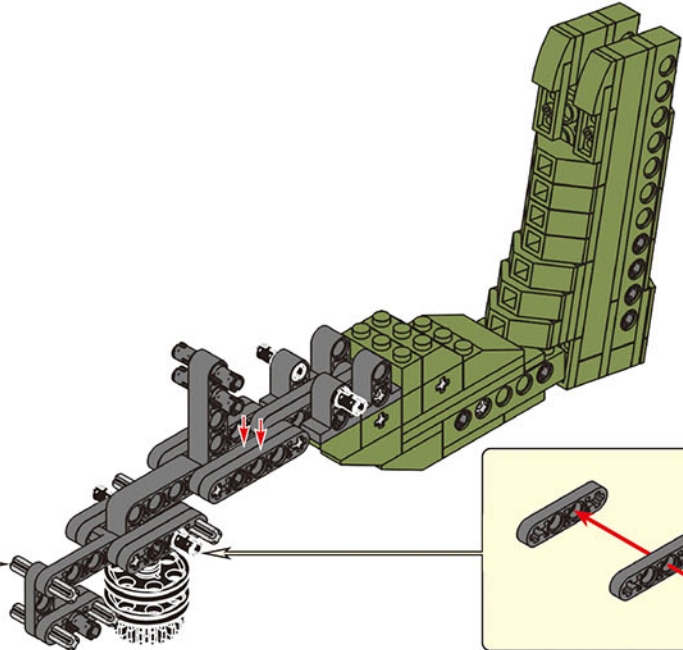
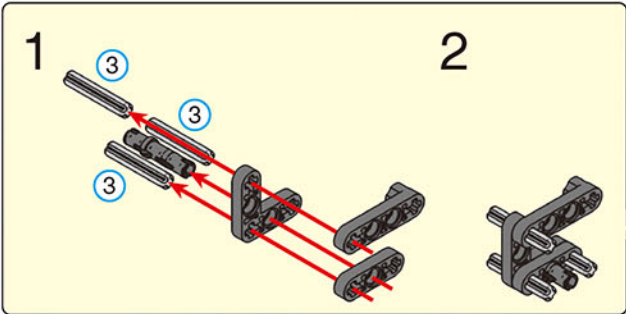
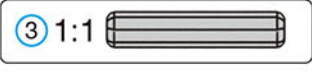


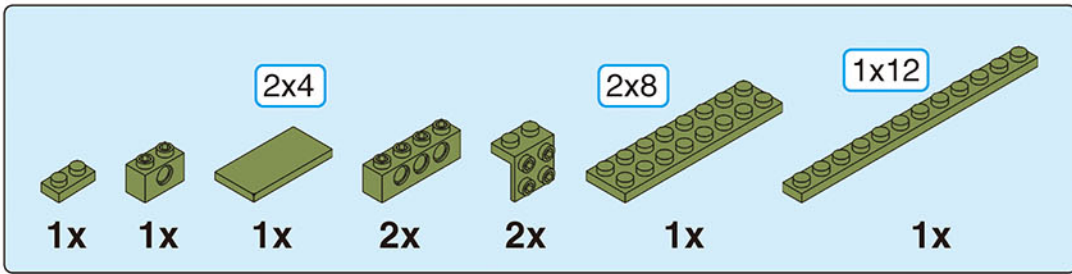


1-11

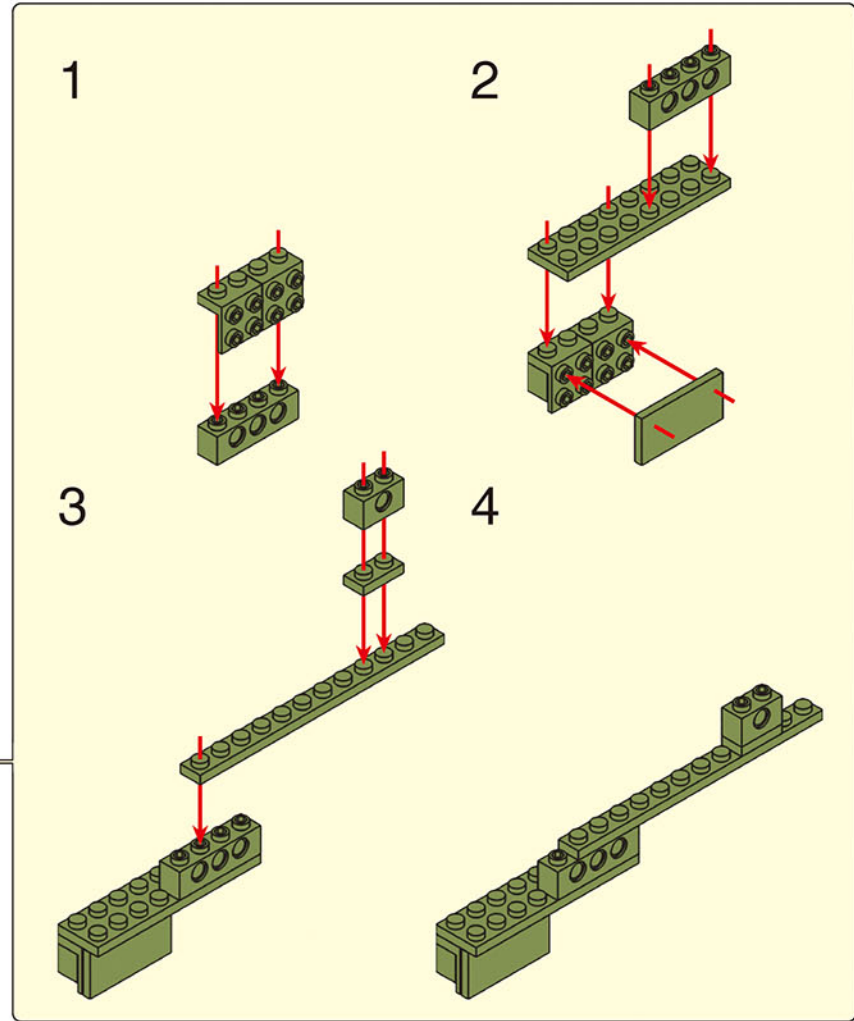
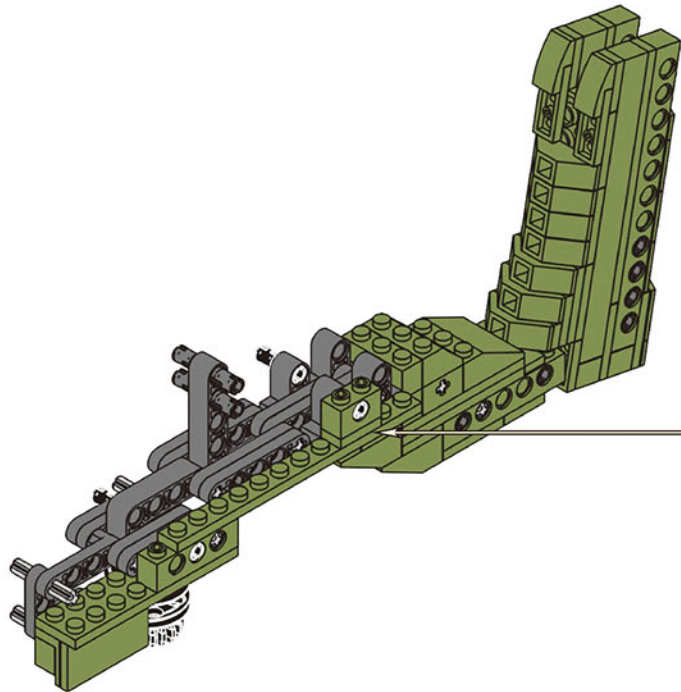


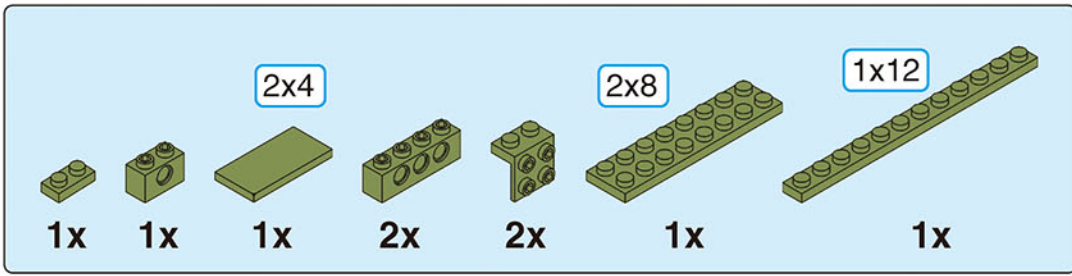
1-12



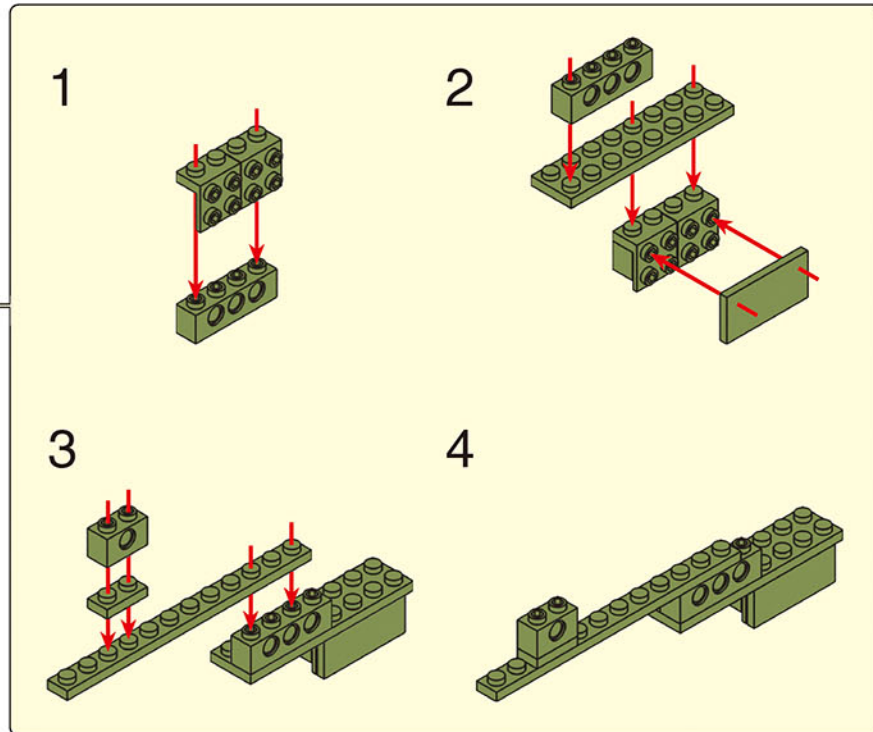
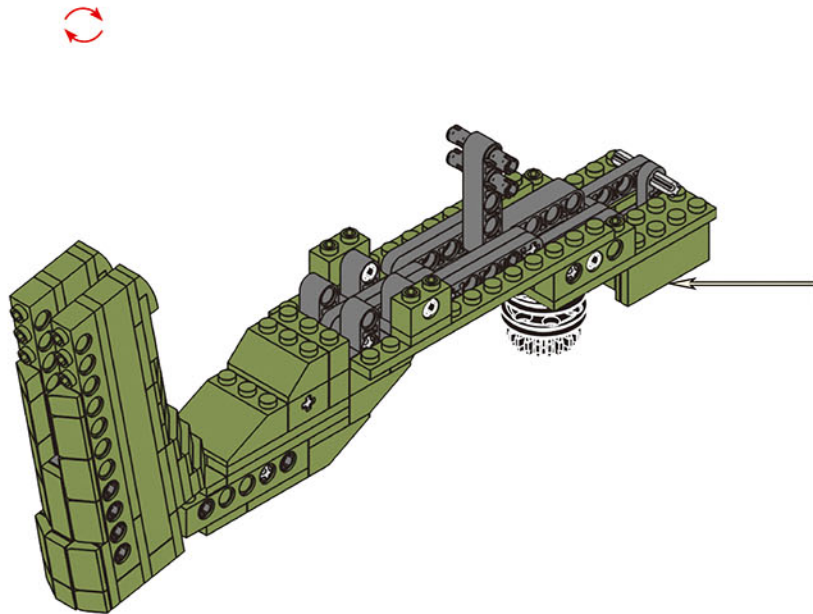


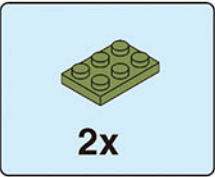
1-13



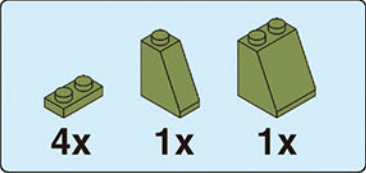
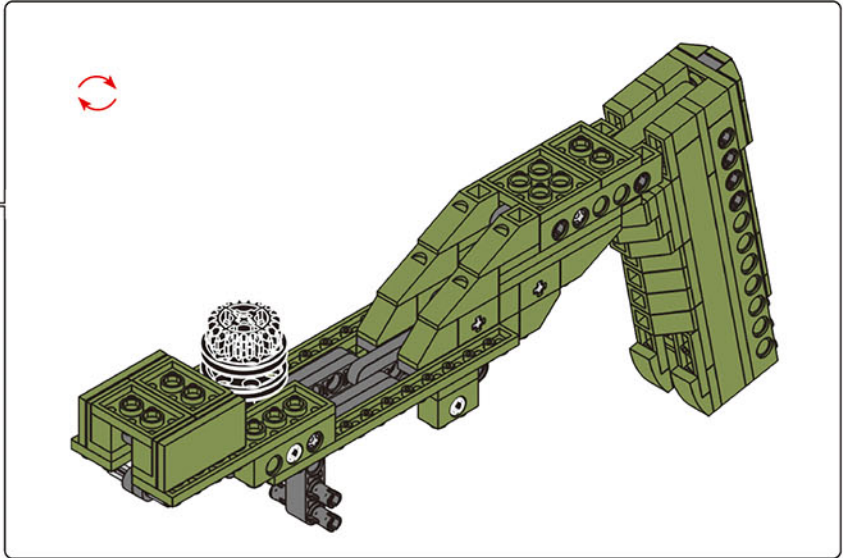
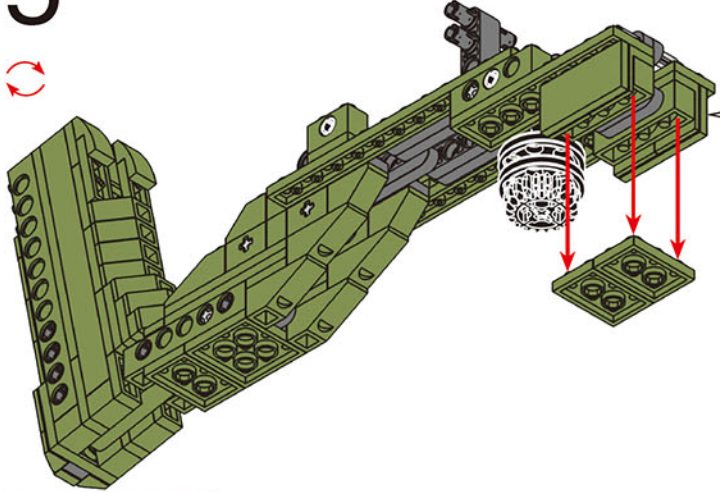


1-14

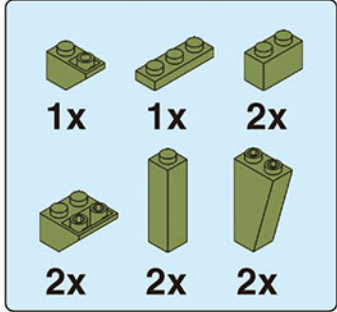
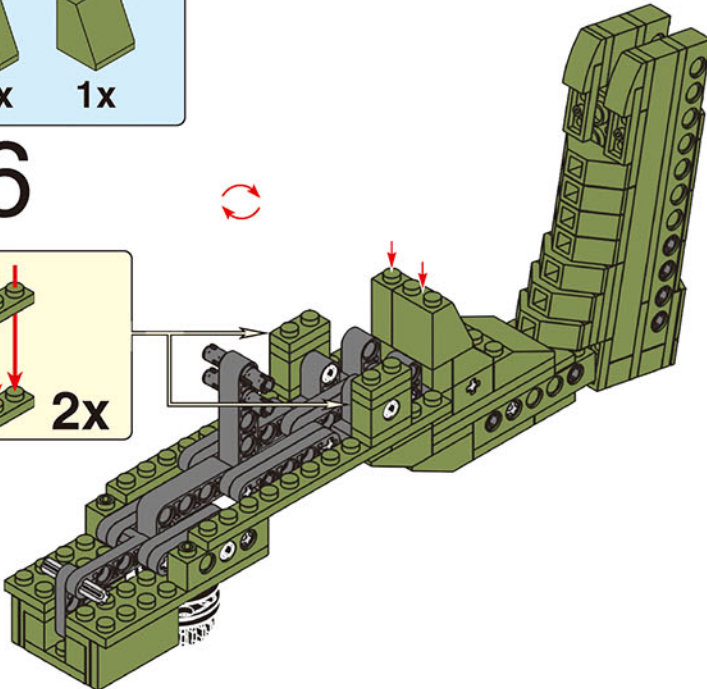
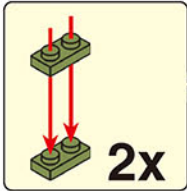




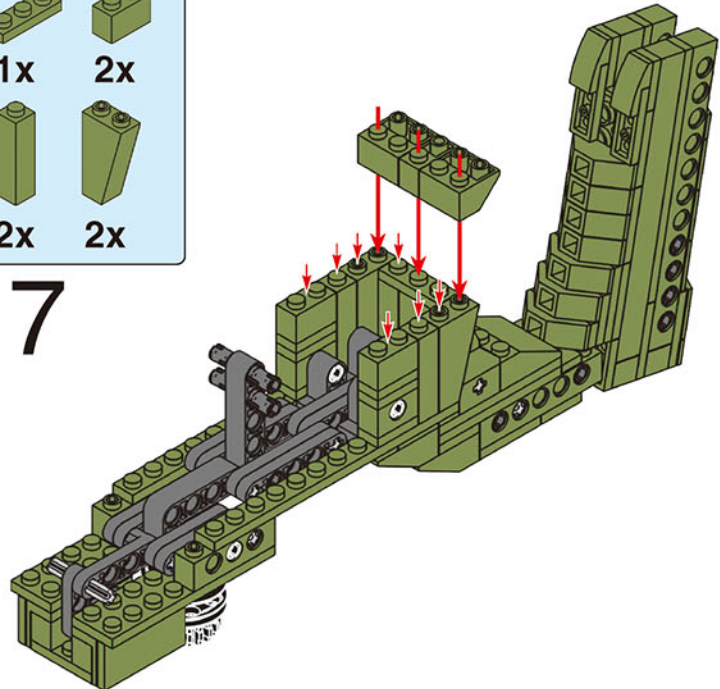
1-15

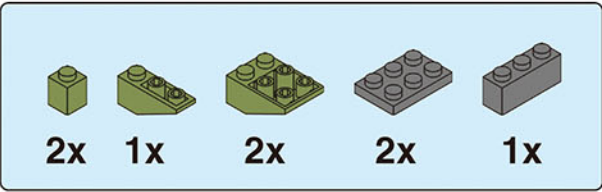


1-16

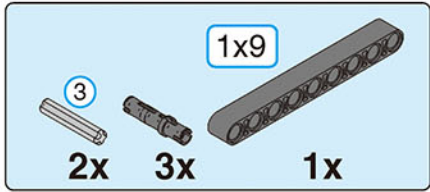
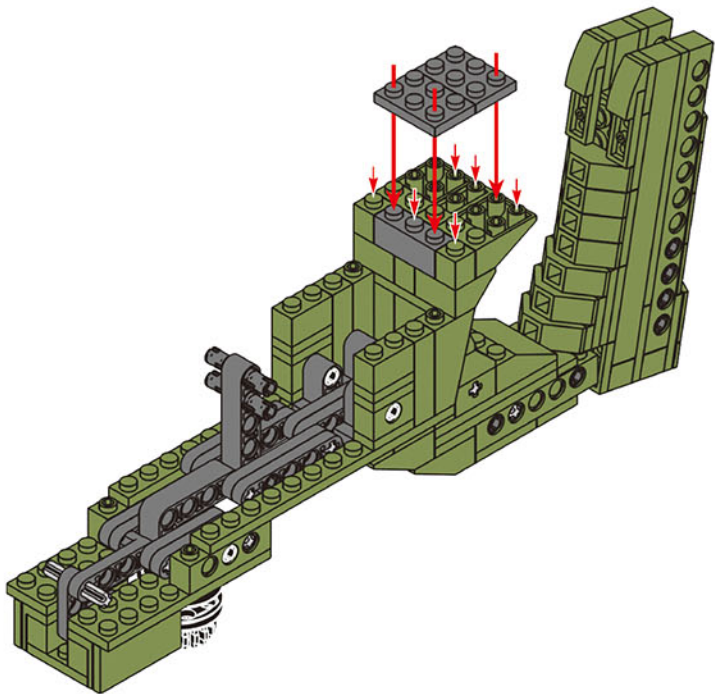


1-17

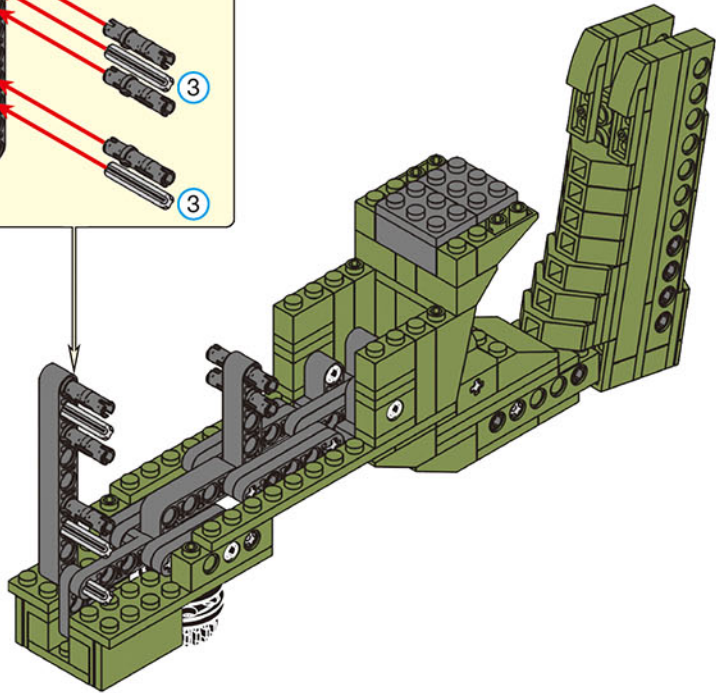
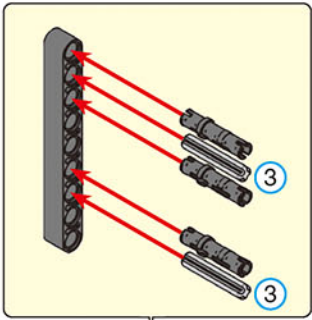
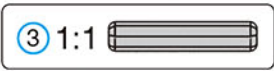


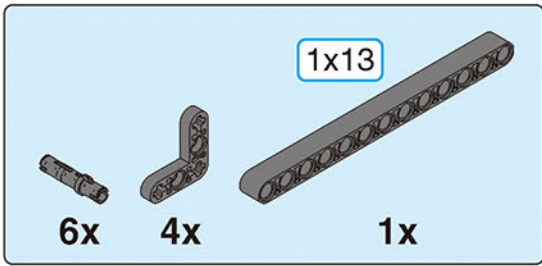


1-18

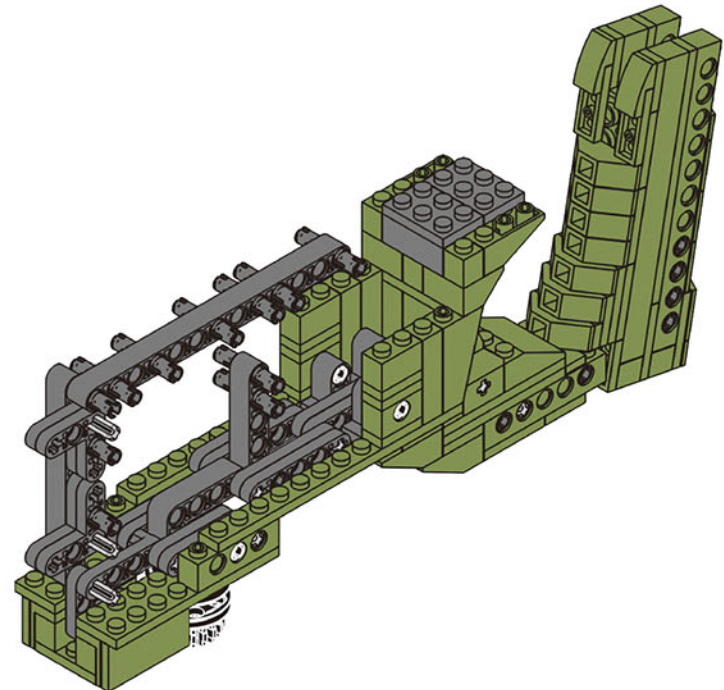
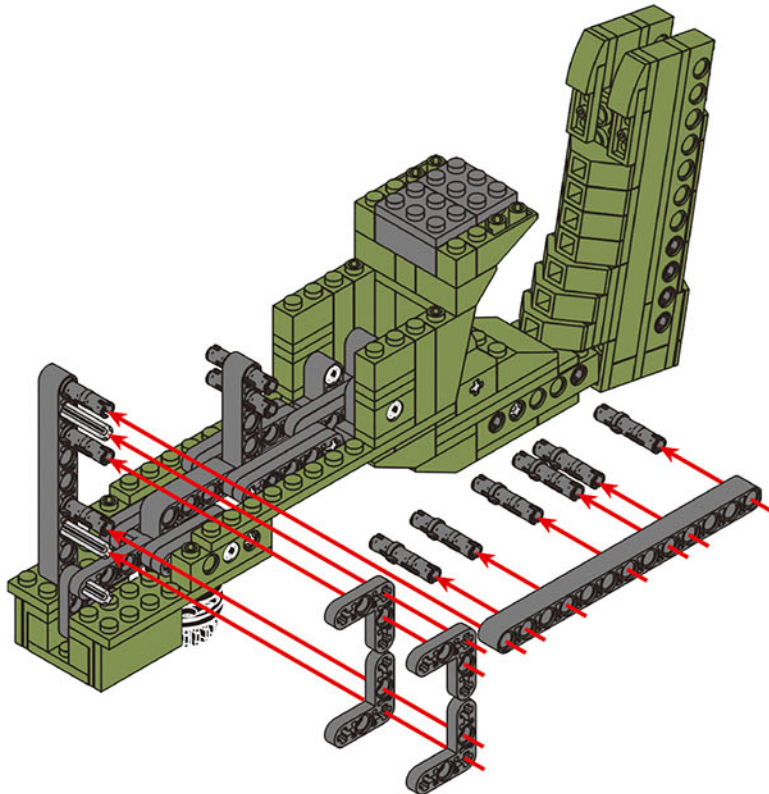


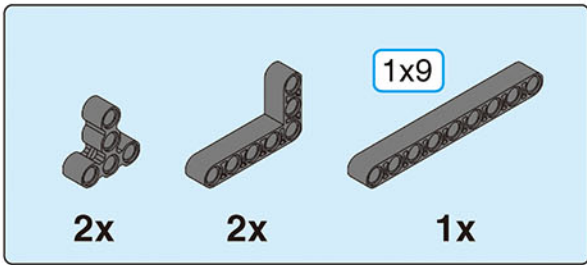
1-19



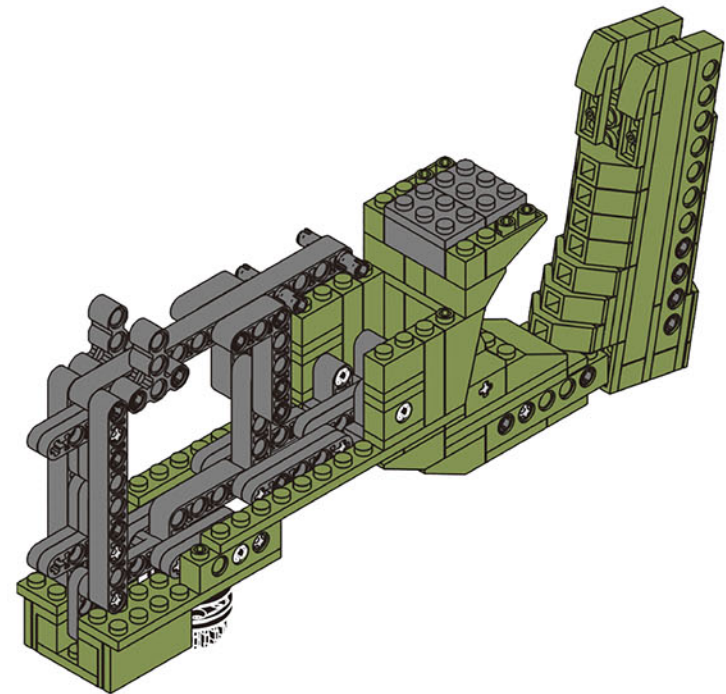
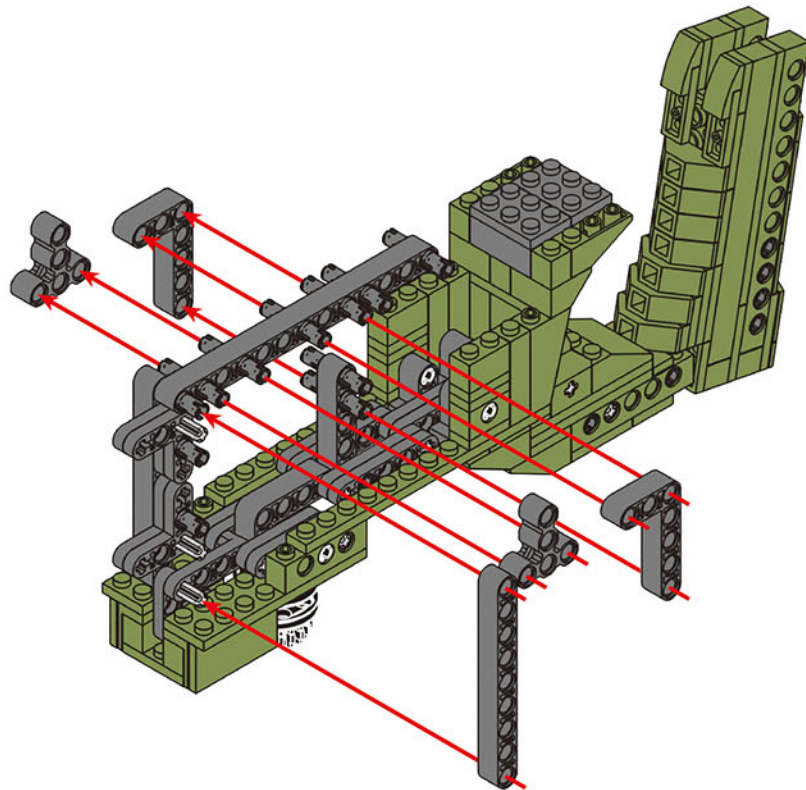


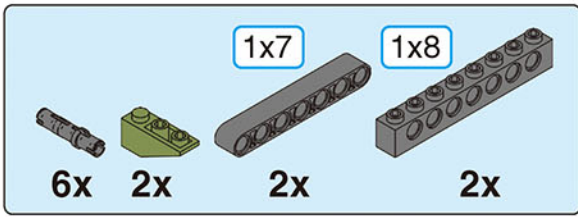
1-20



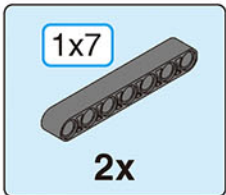
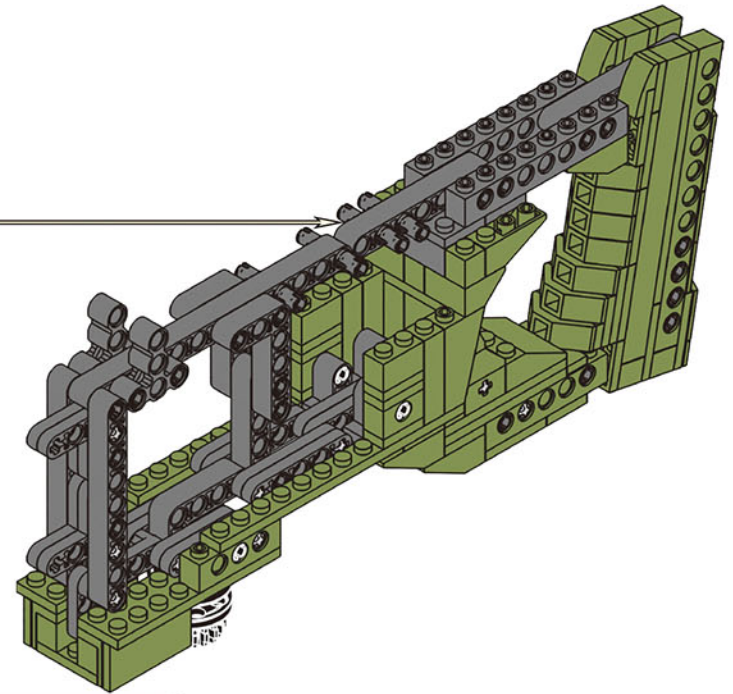
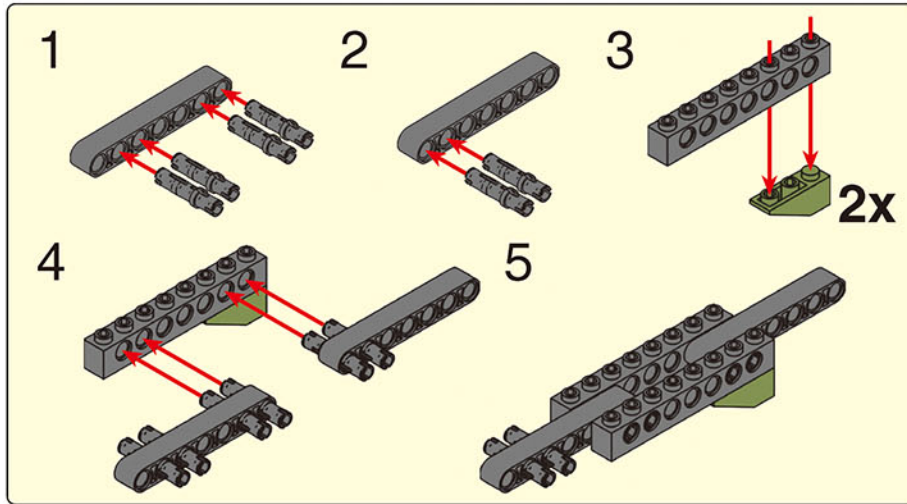


1-21

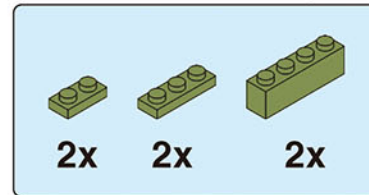
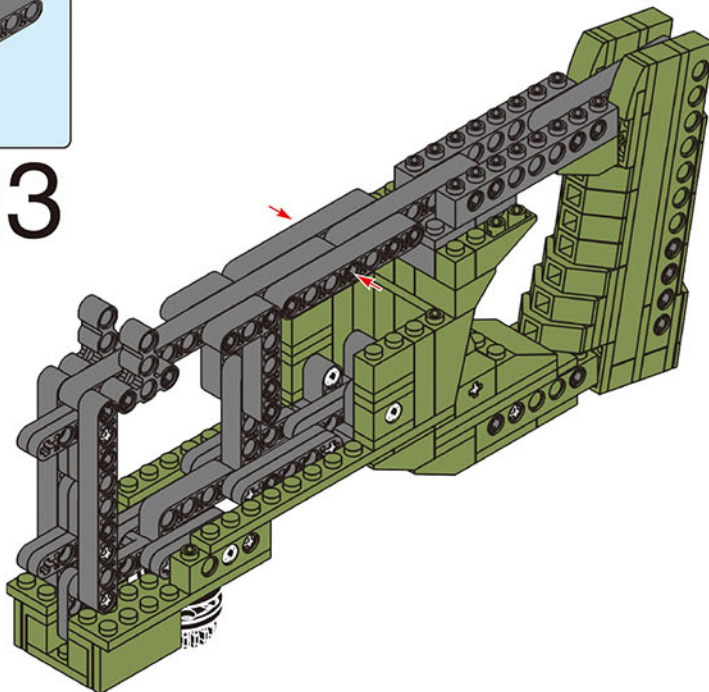




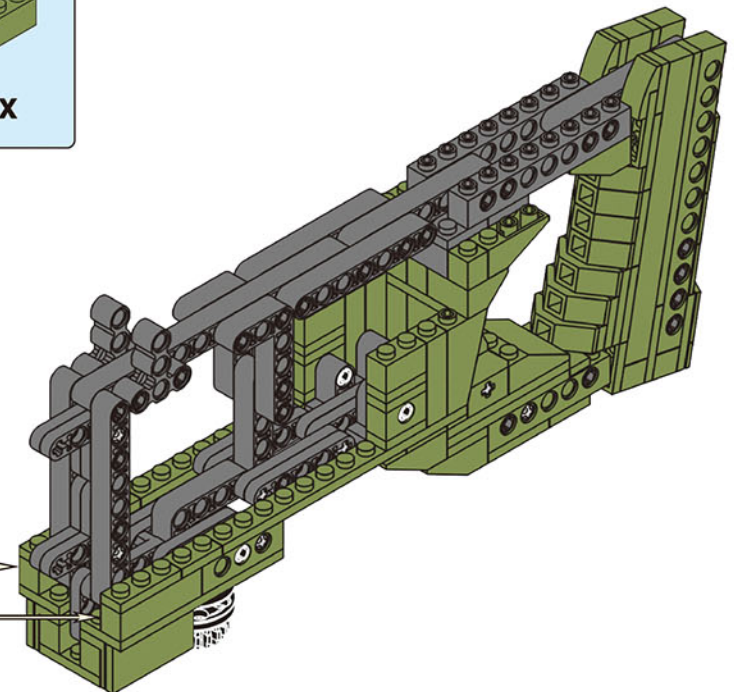
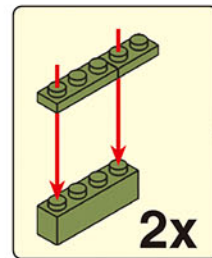
1-22

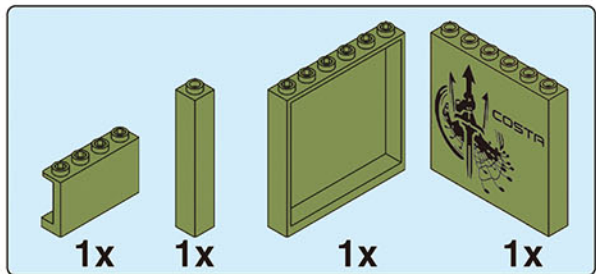


1-23

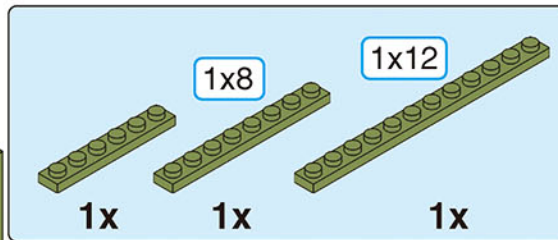
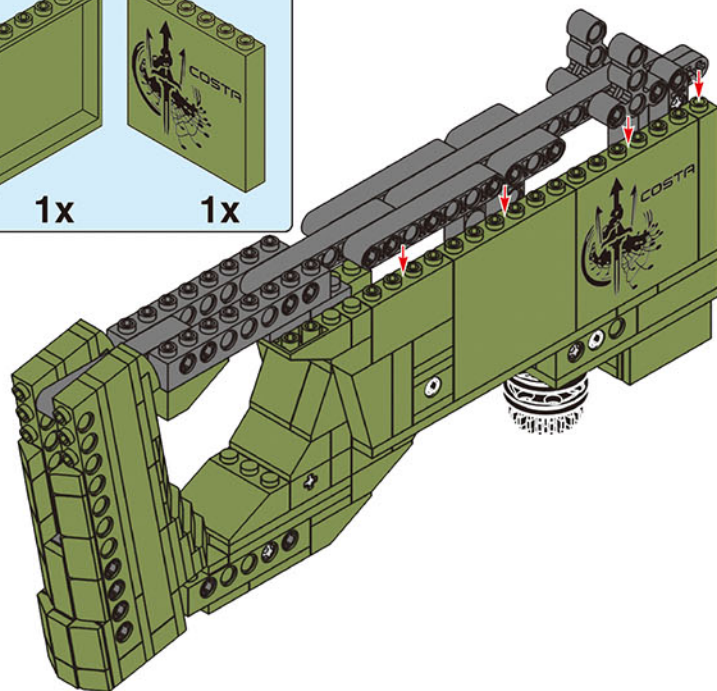


1-24

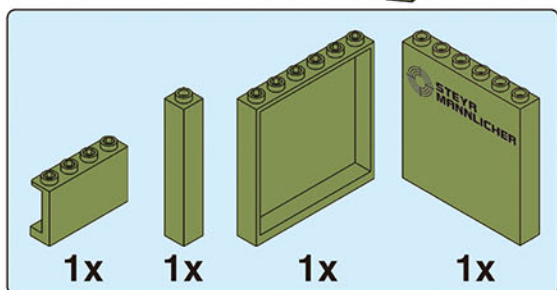
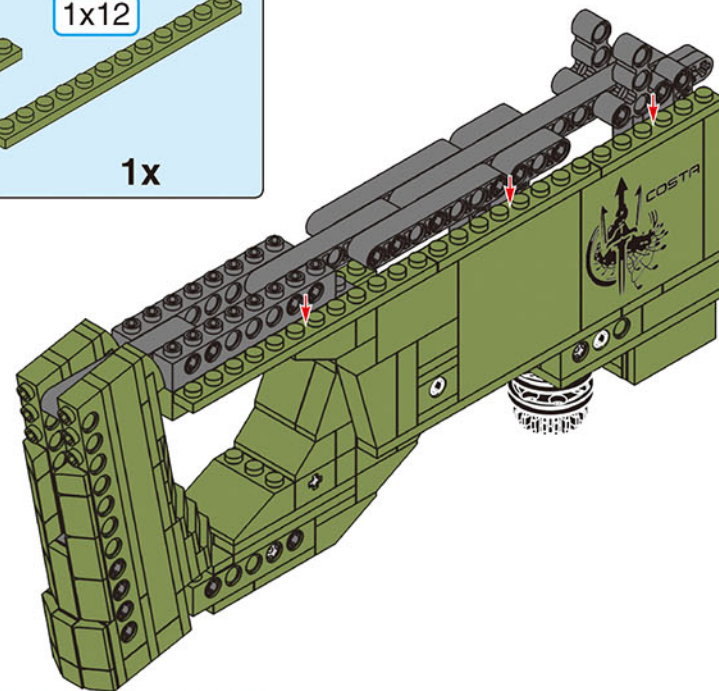




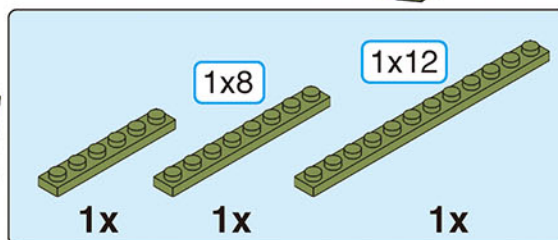
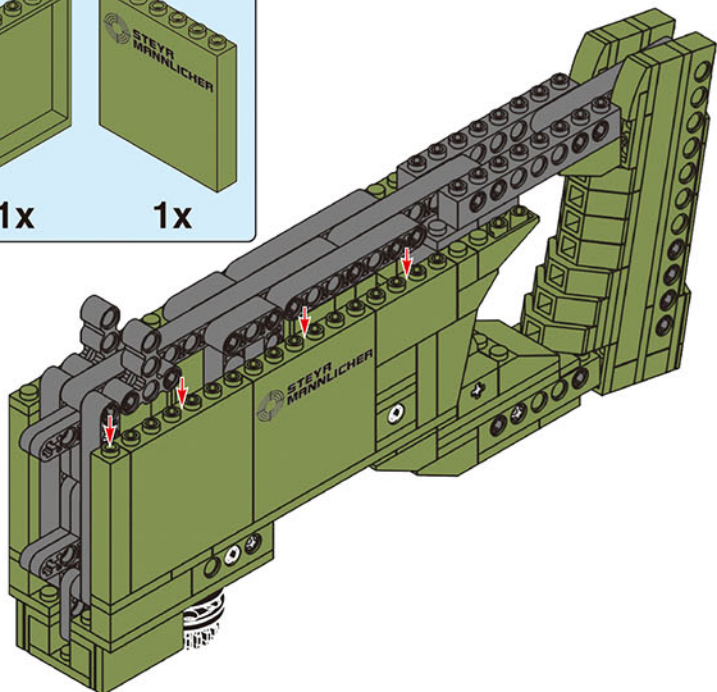
1-25



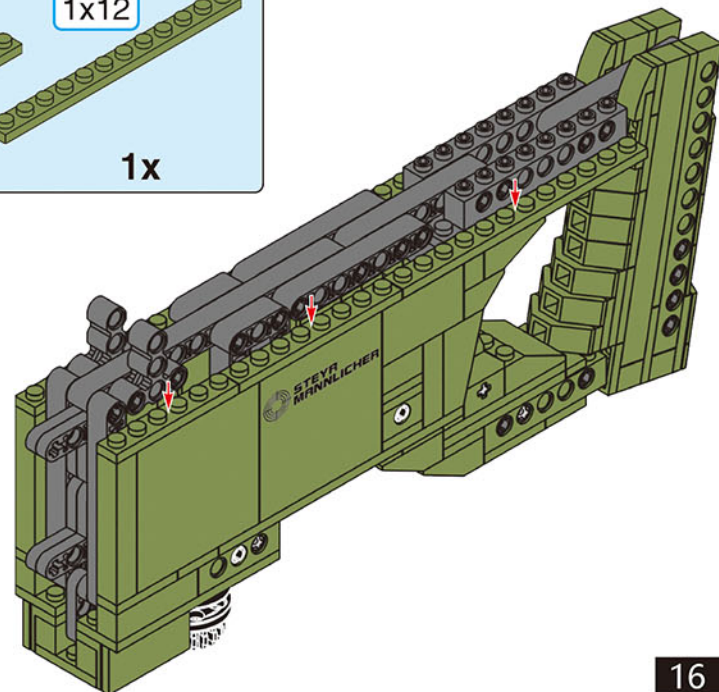
1-26



1-27

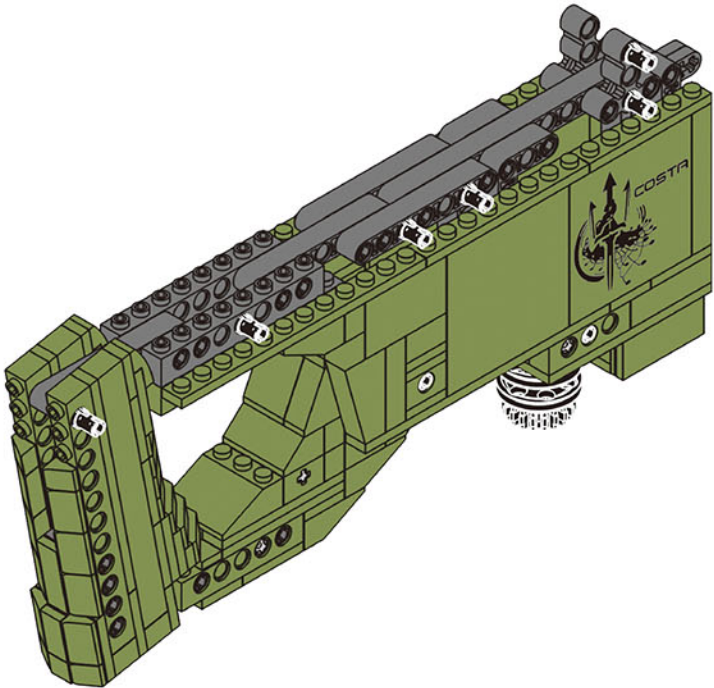
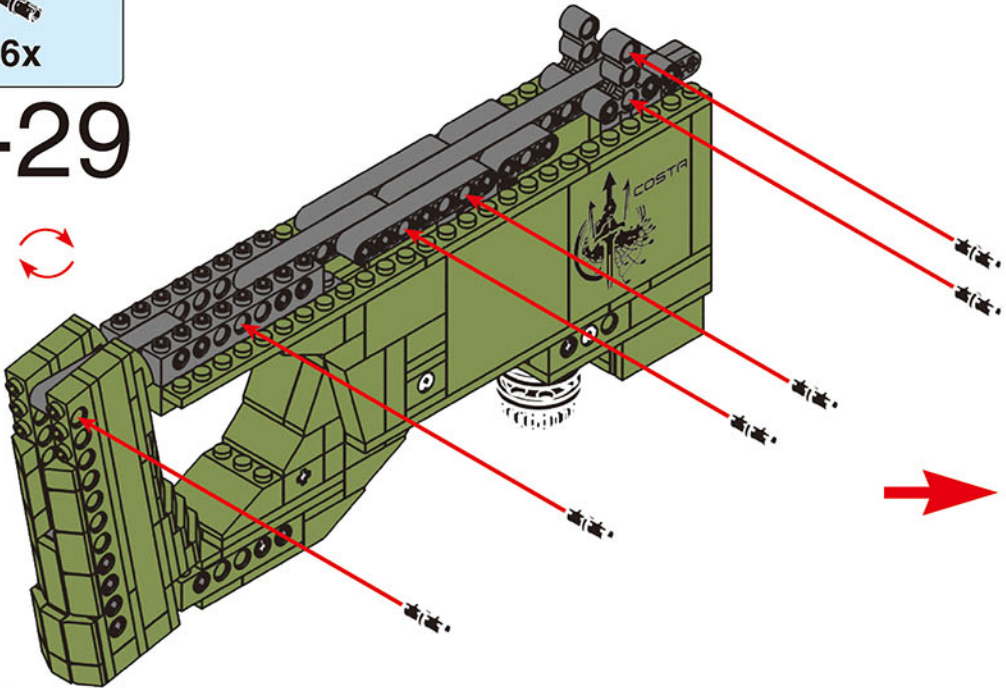


1-28



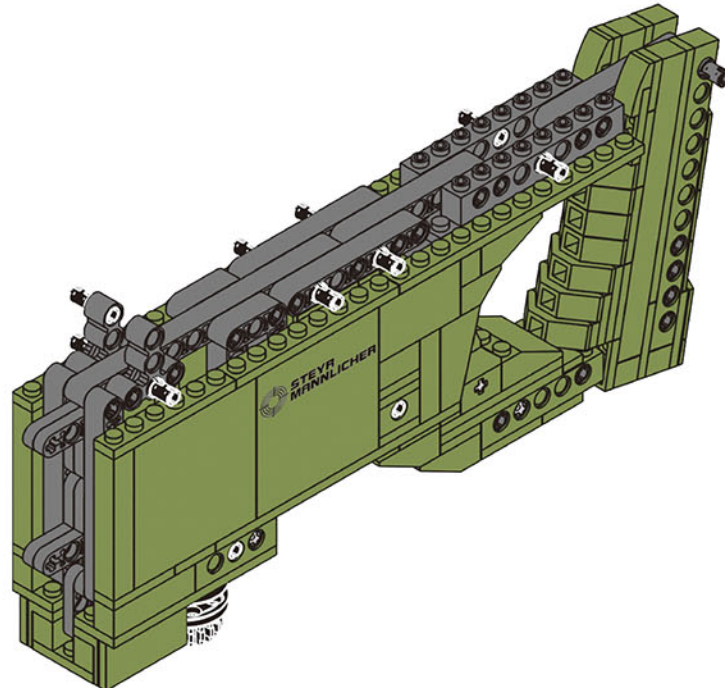
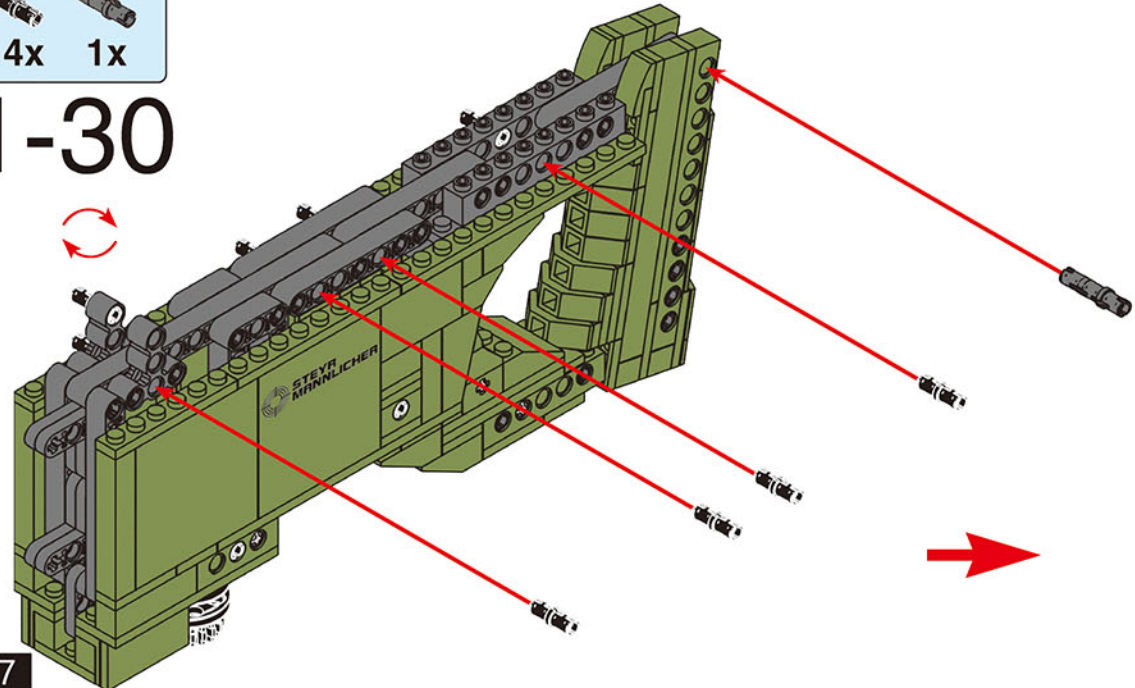
6x

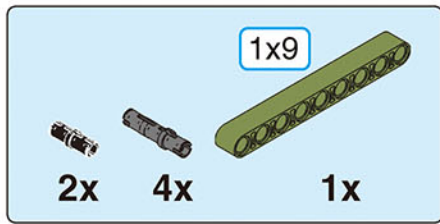
1-29



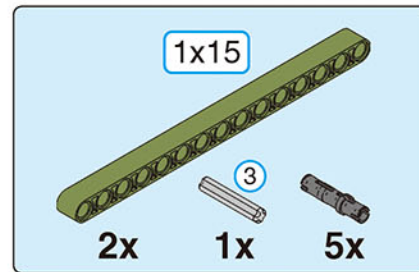
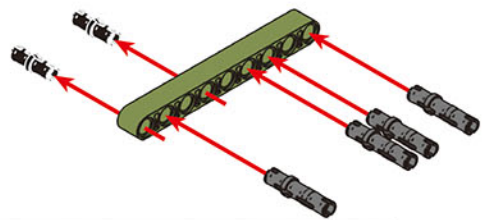
4x 1x

1-30

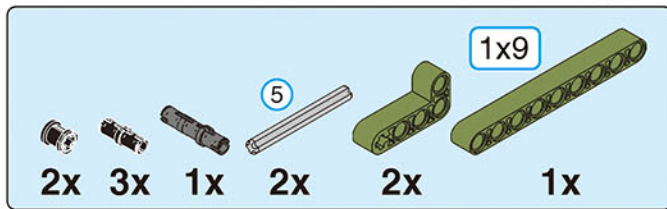
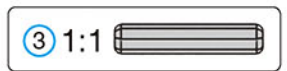
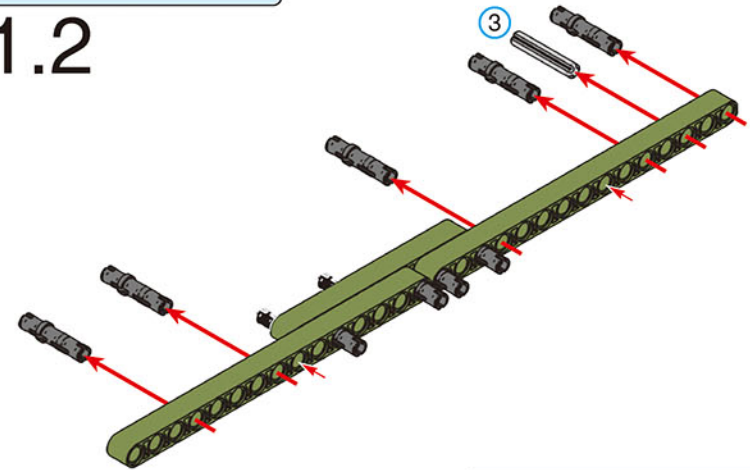




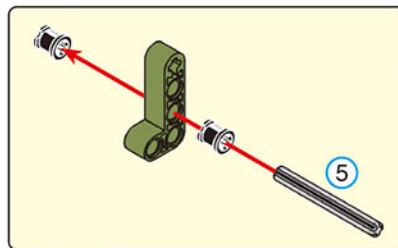
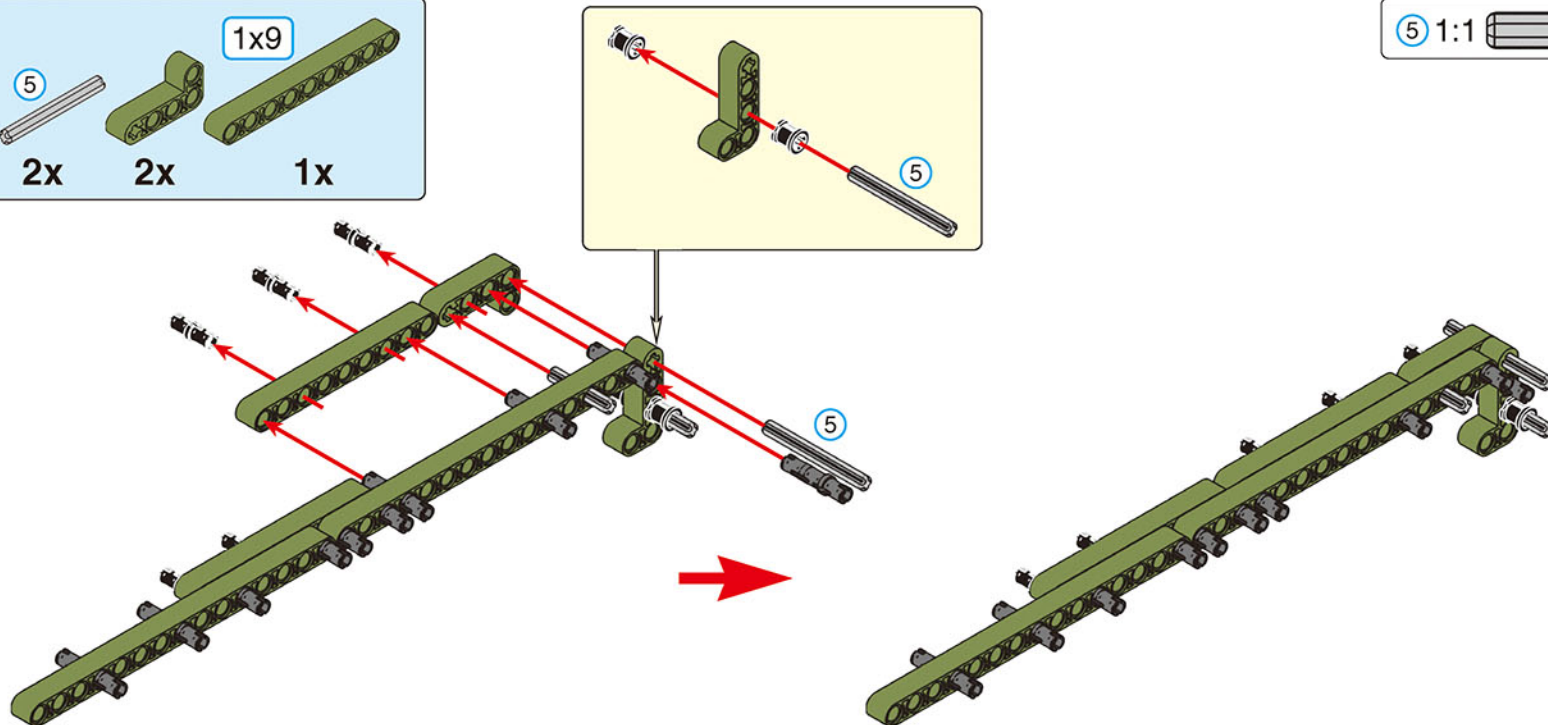
1-31.1

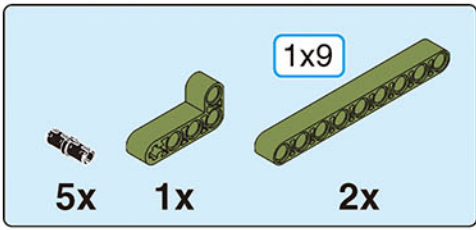


1-31.2

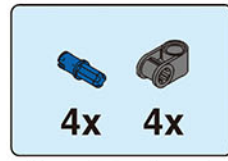


1-31.3

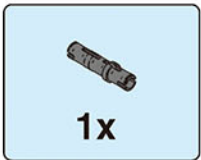
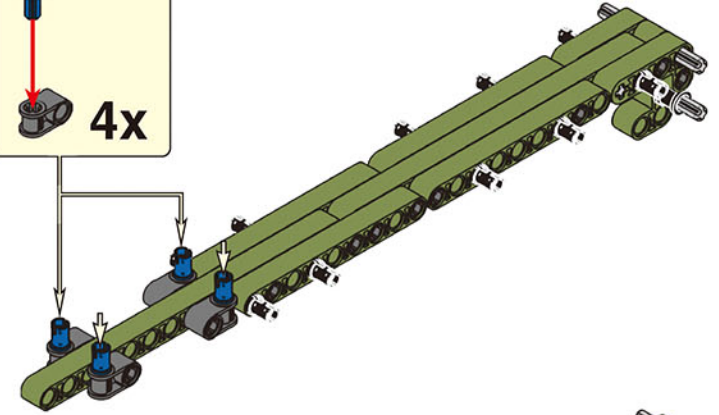
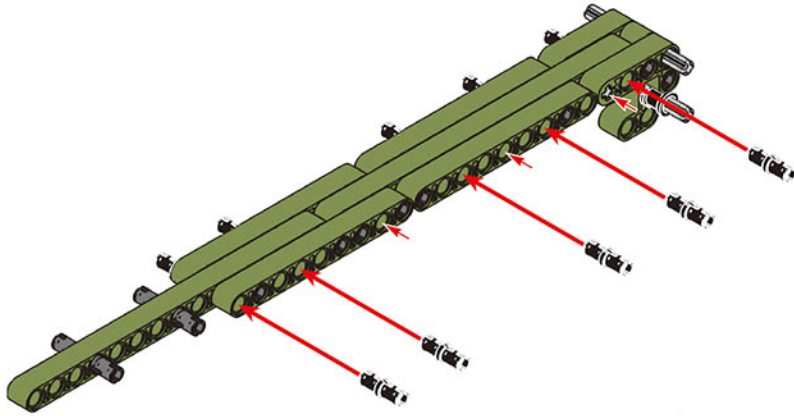
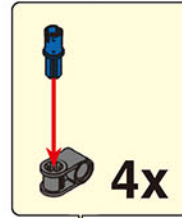




1-31.4

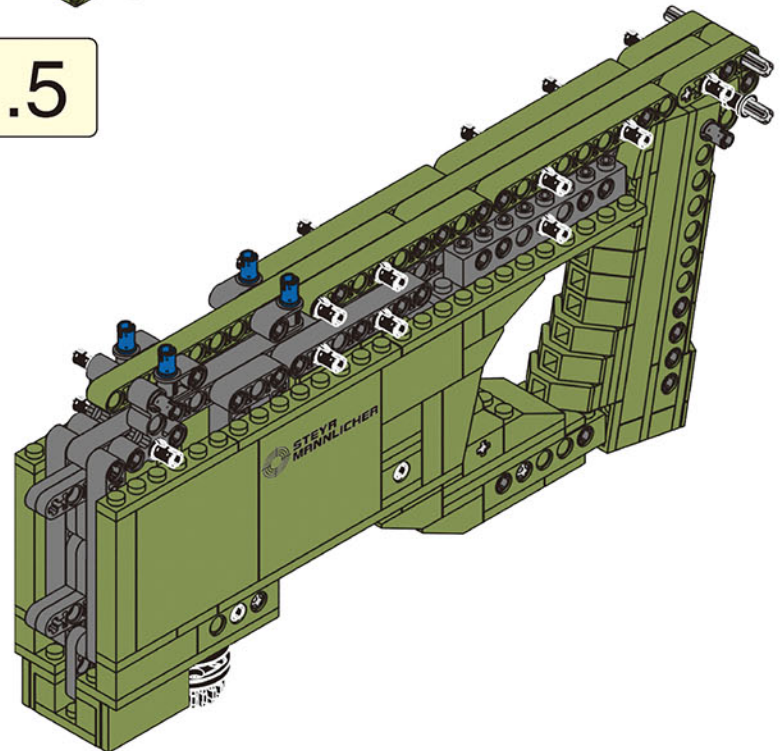
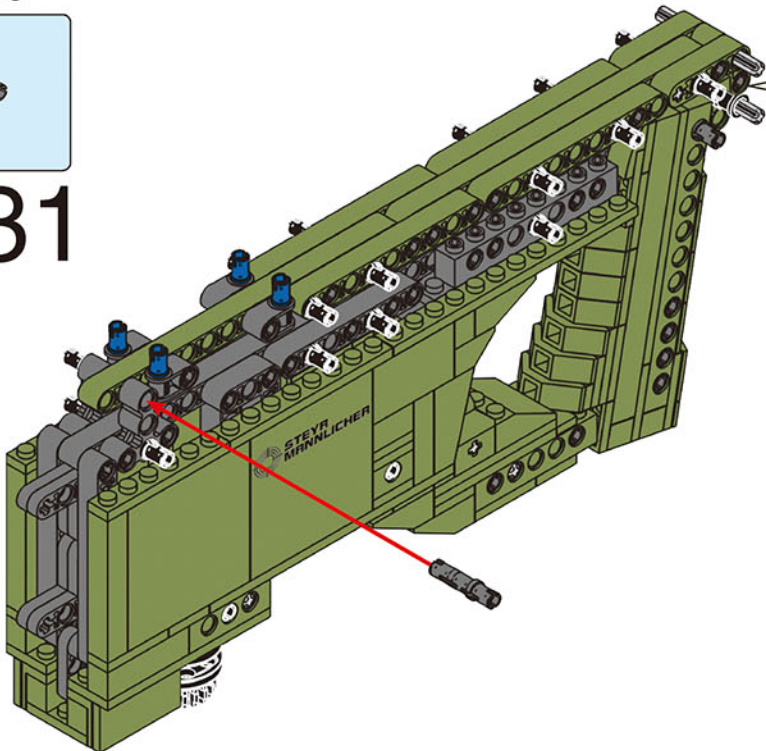


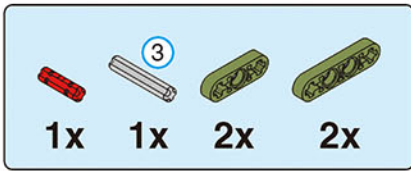
1-31.5



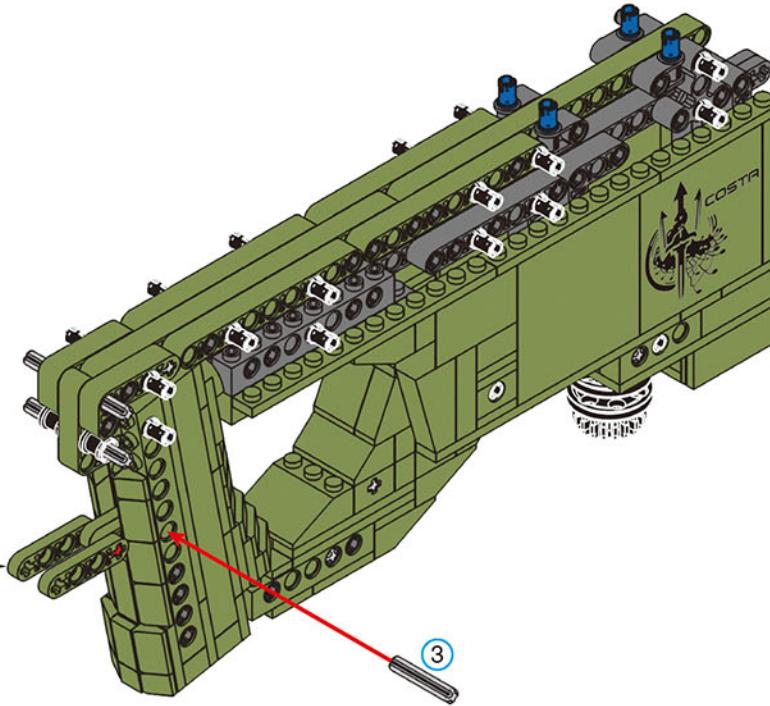
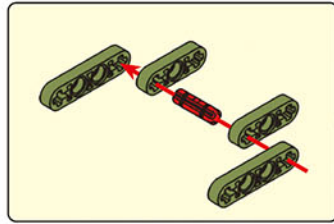
1-31

1-31.5

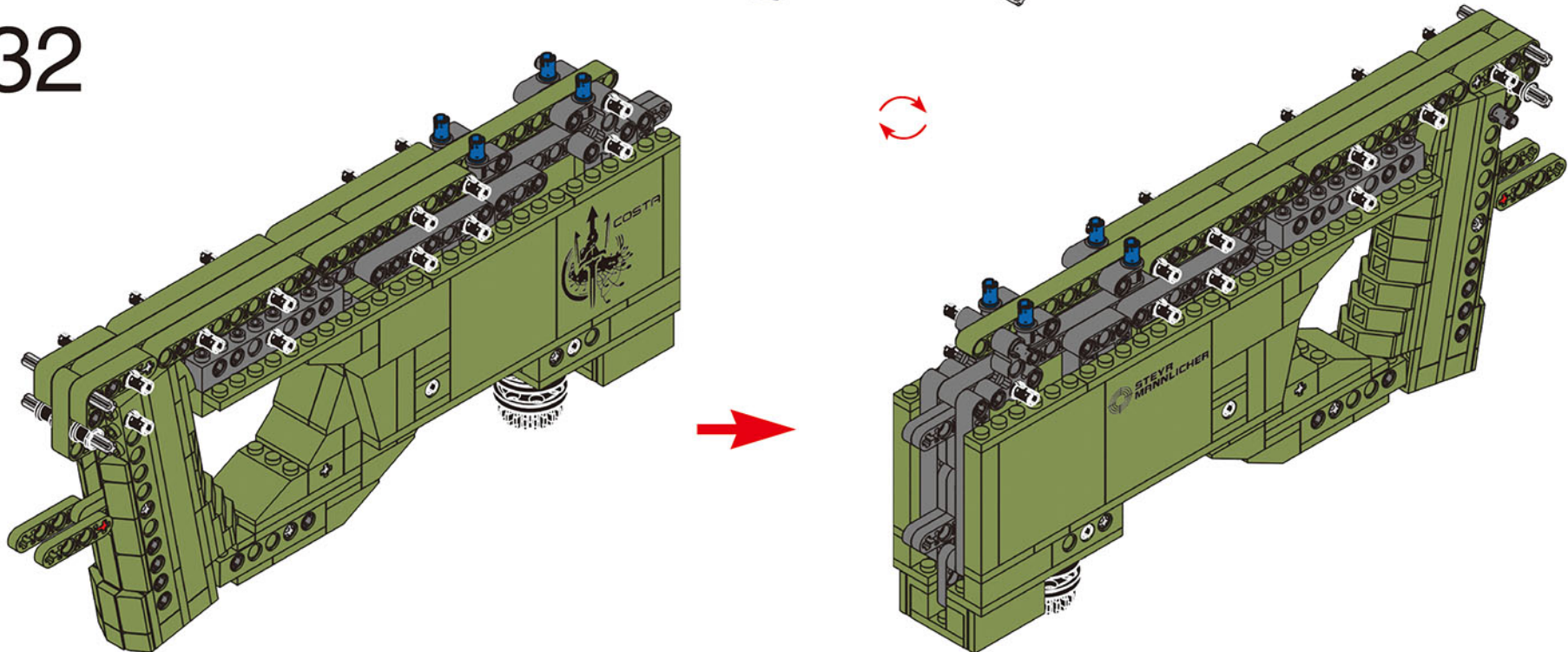


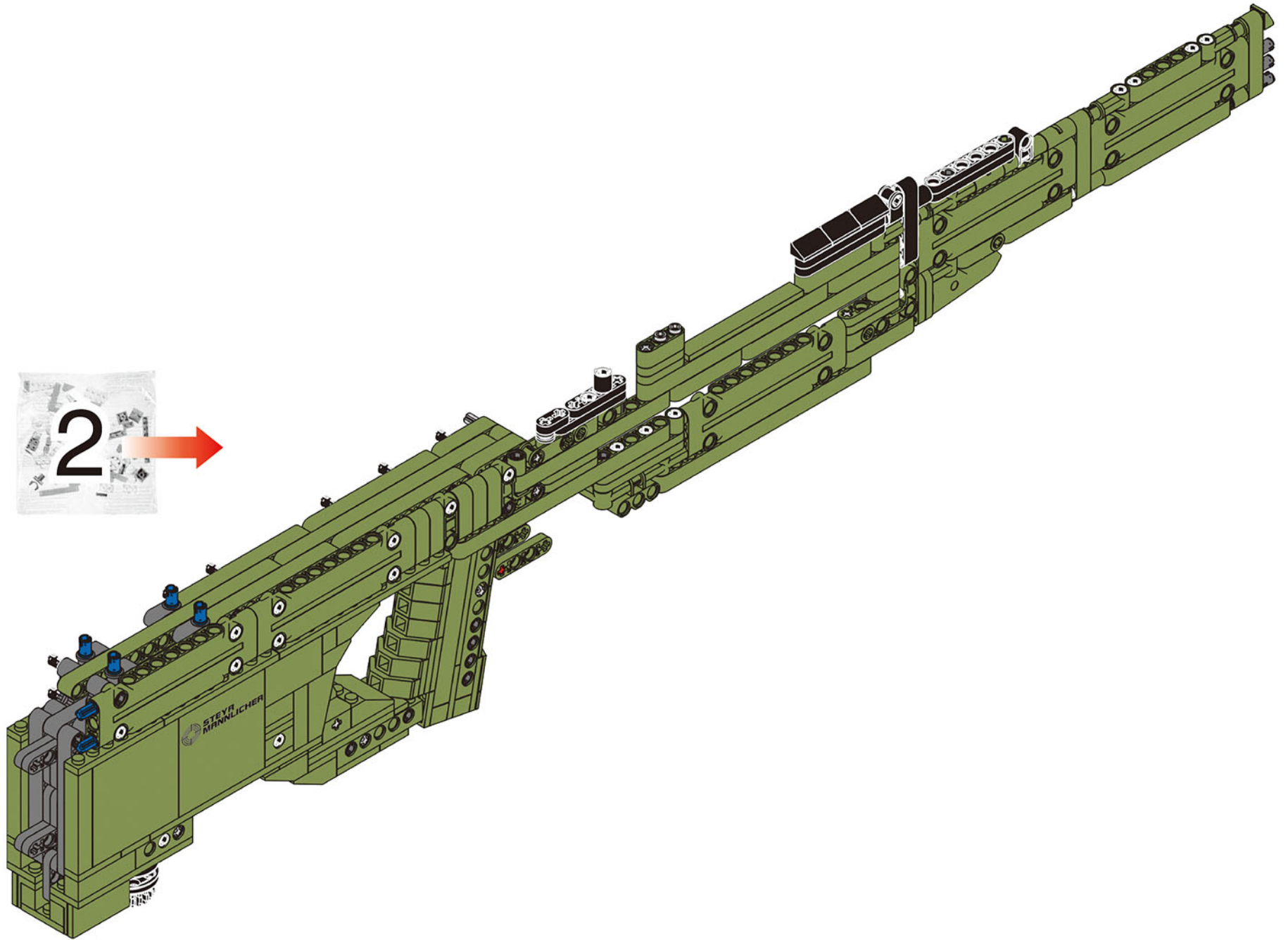


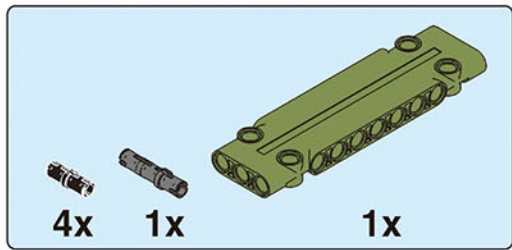
1-32.1 ↻



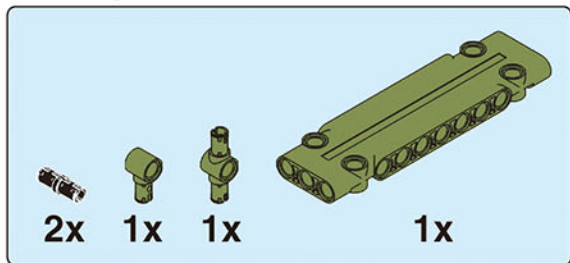
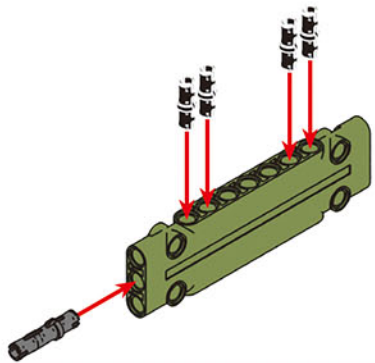
1-32



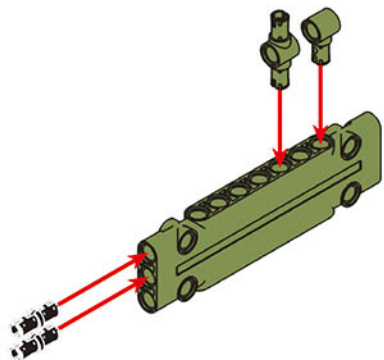




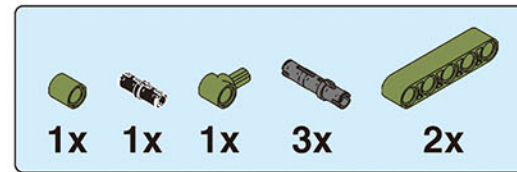
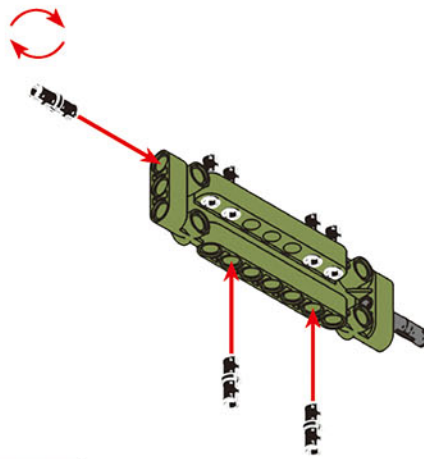
2-1.1



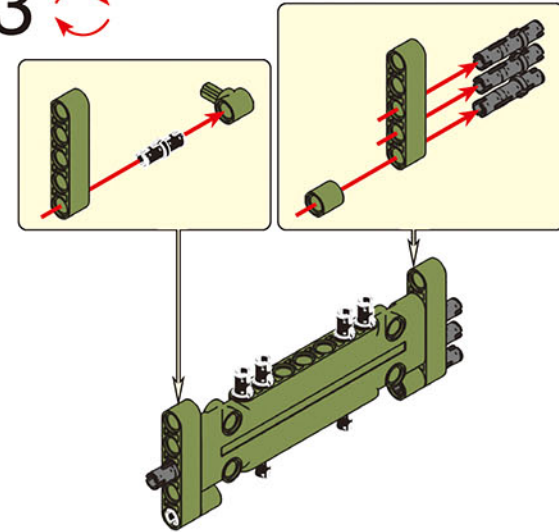
2-1.4



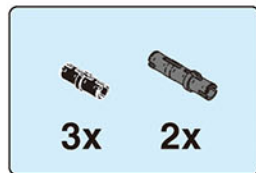
2-1.2



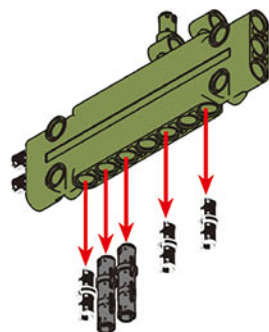
2-1.3



2-1

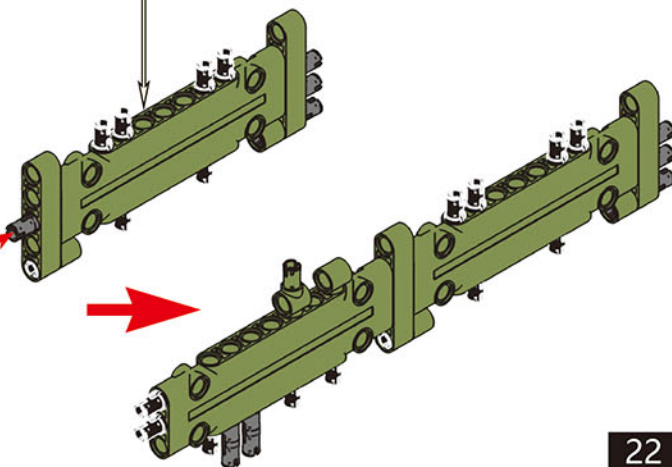


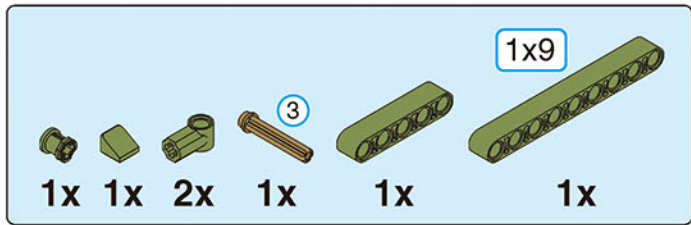
2-1.5



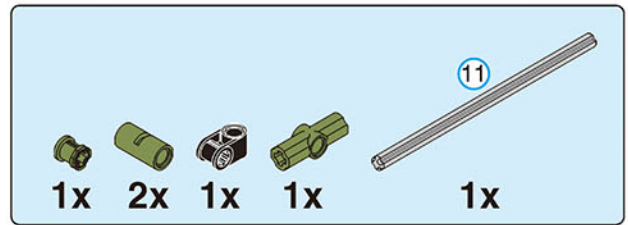
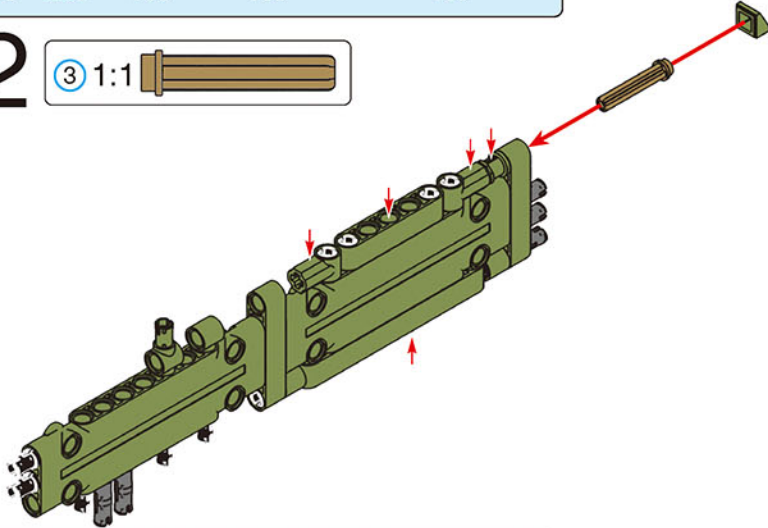
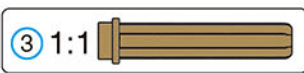
2-1.5

2-1.3

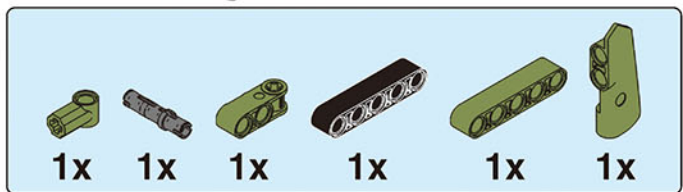
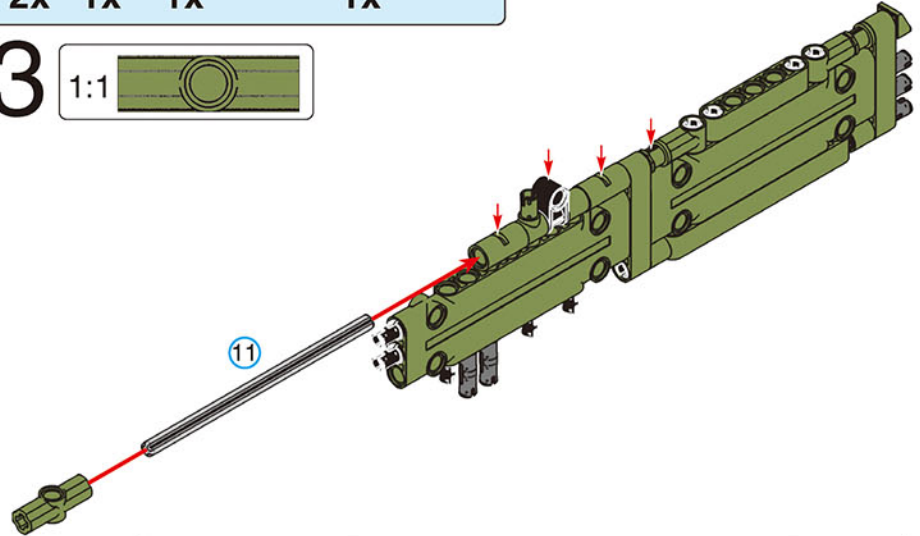
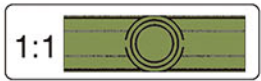




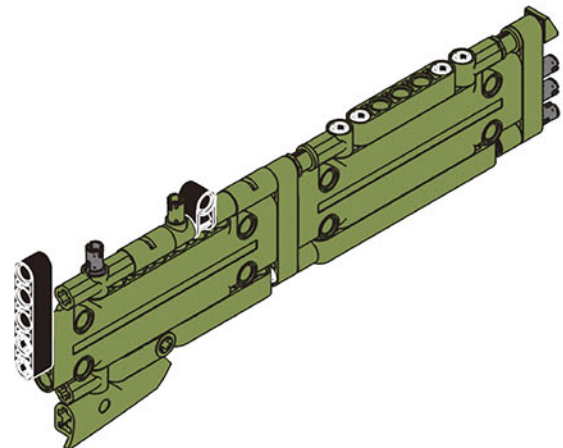
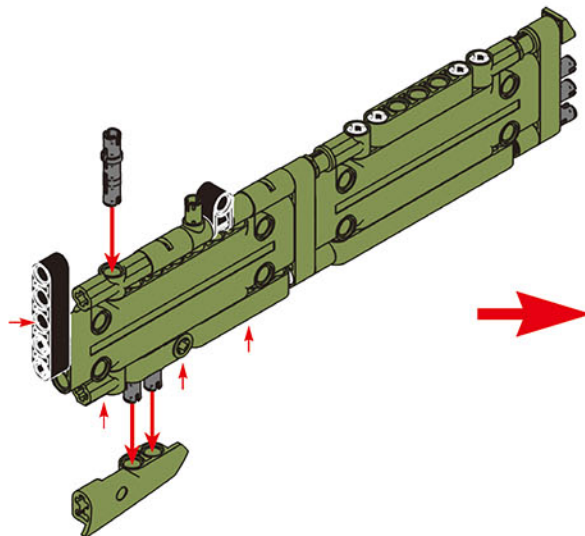
2-2

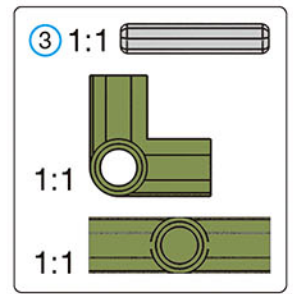
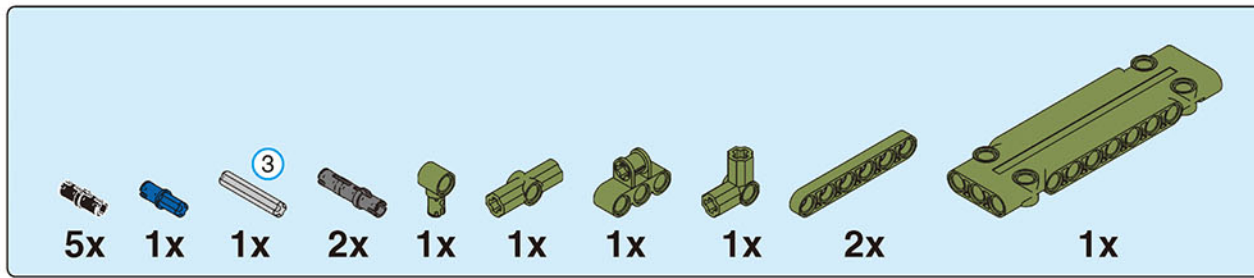


2-3

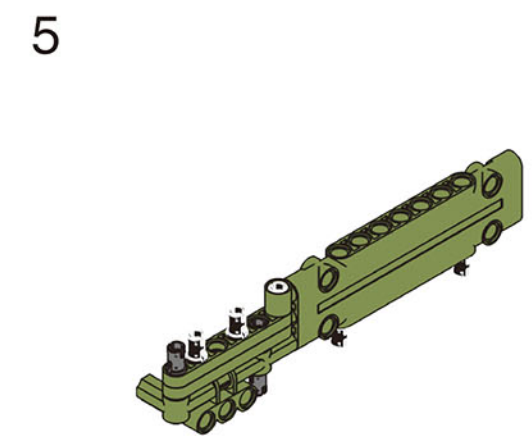
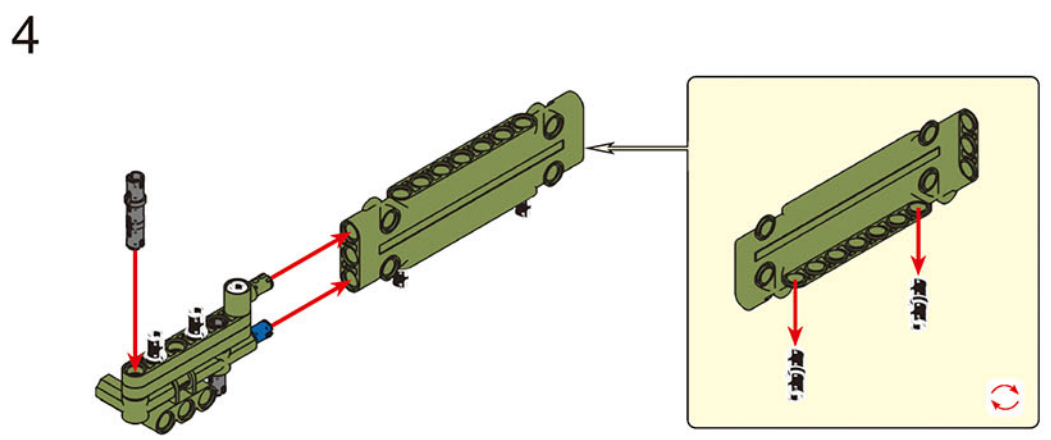
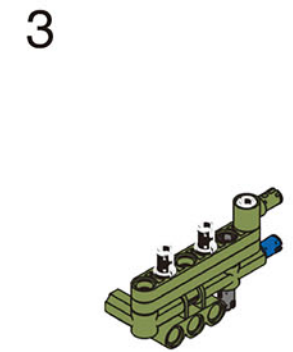
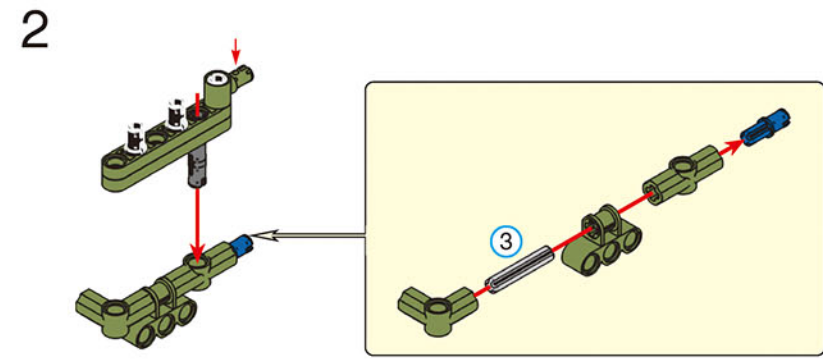
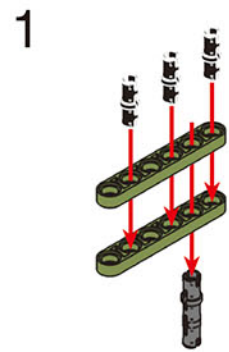


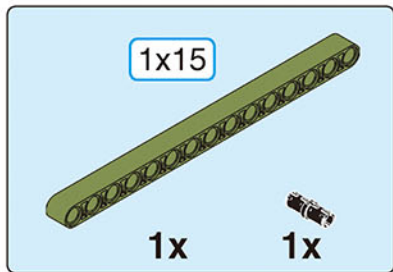
2-4



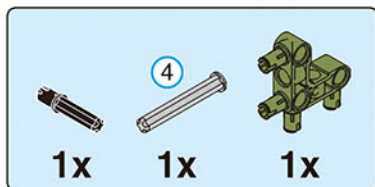
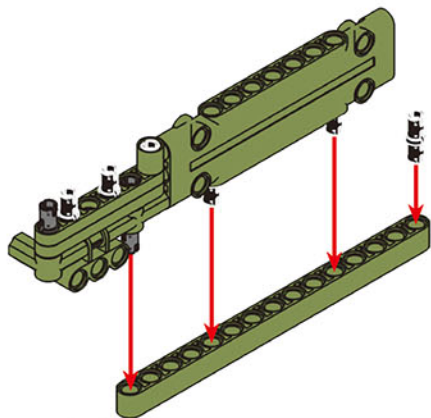


2-5.1

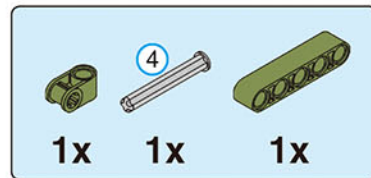
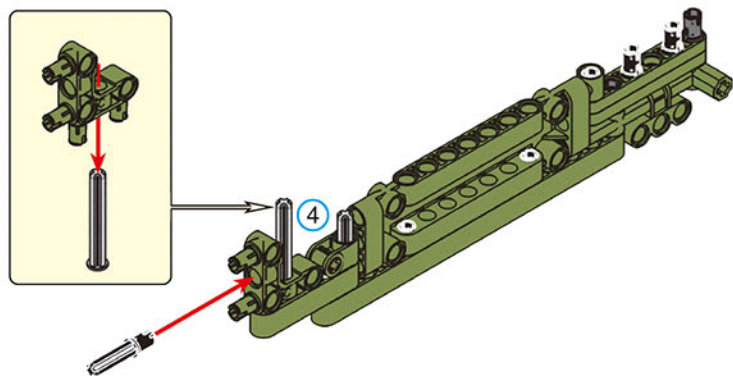




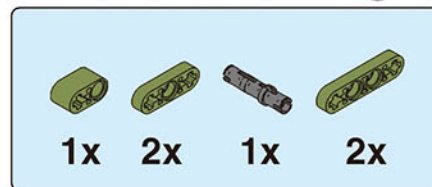
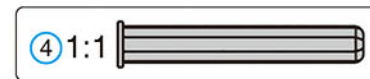
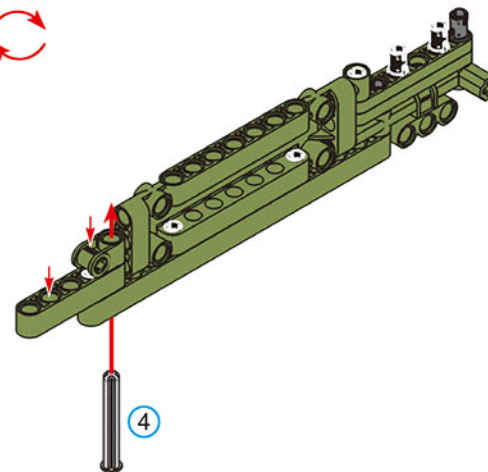
2-5.2



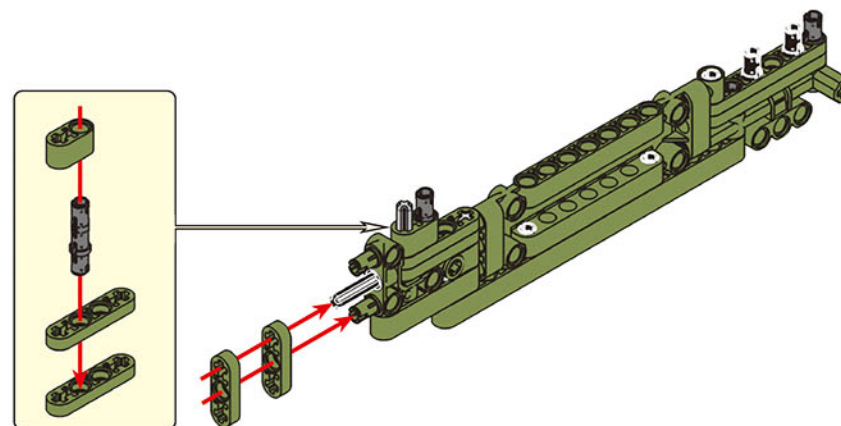
2-5.4



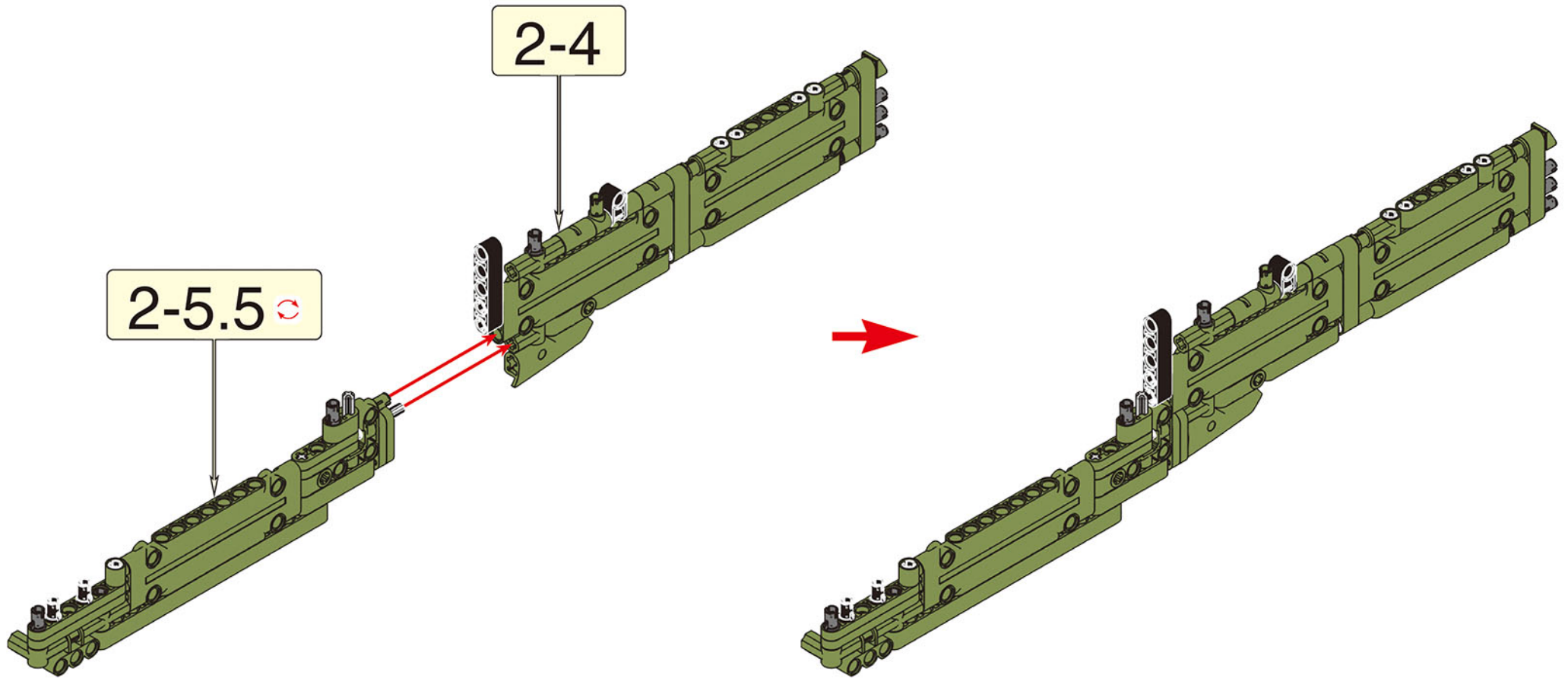
2-5.3

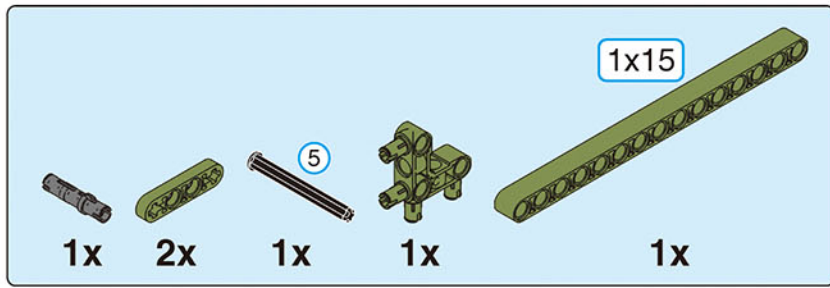


2-5.5

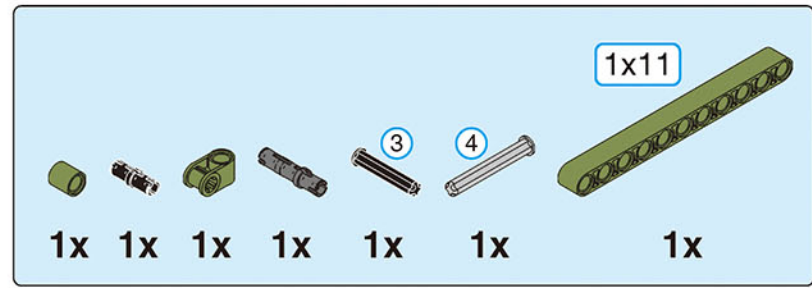


2-5

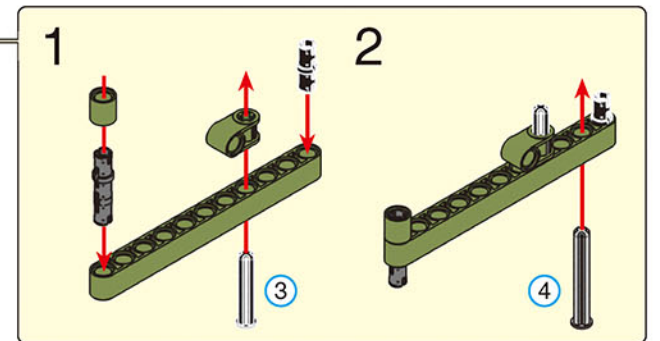
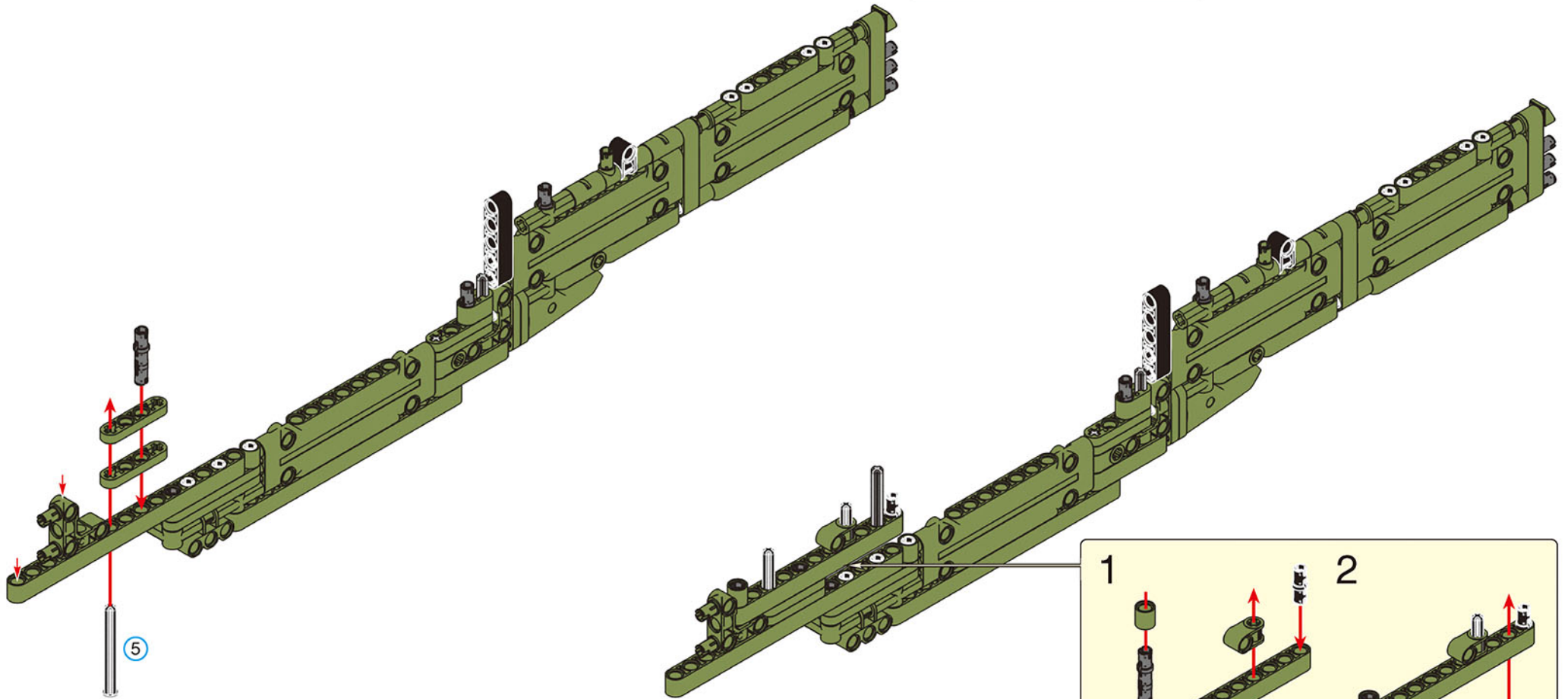


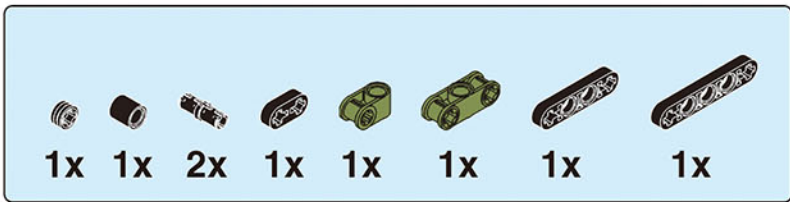


2-6

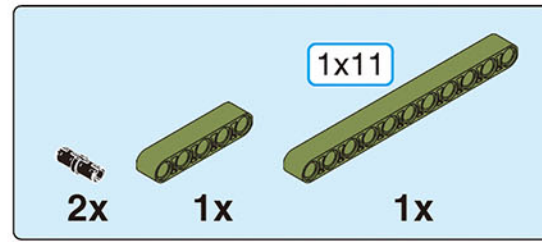


2-7

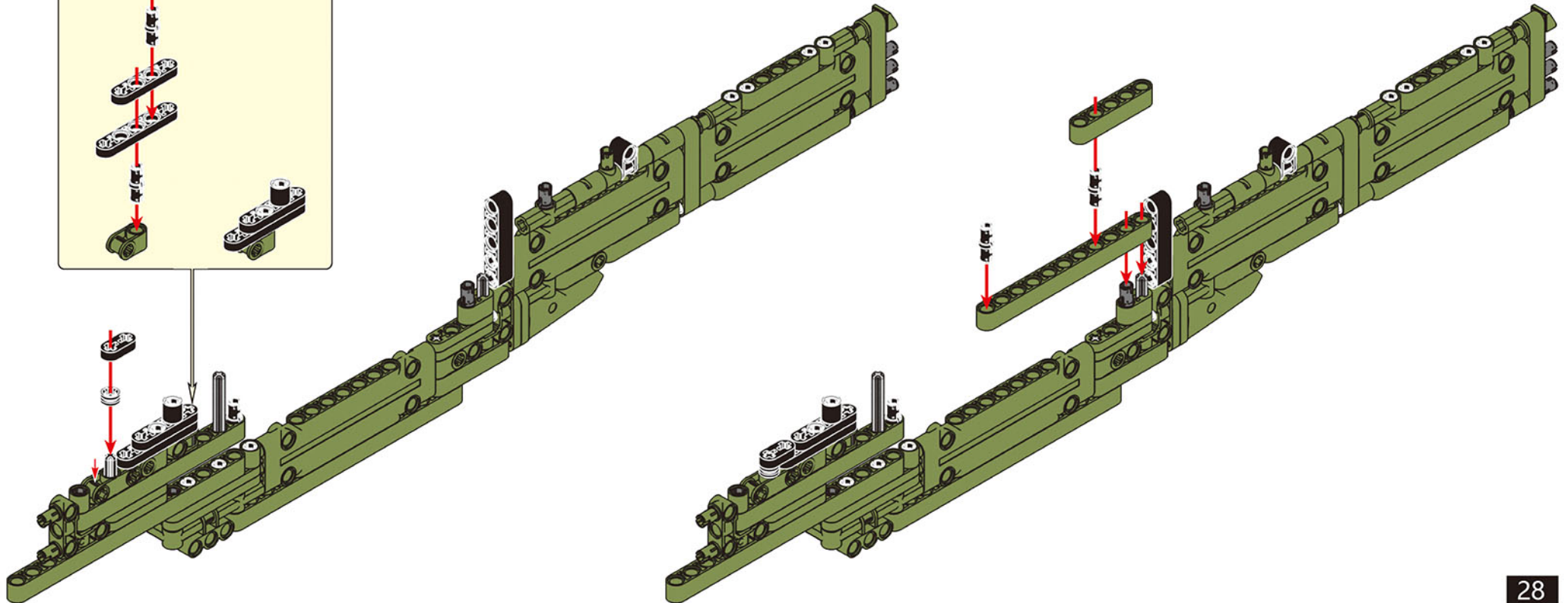
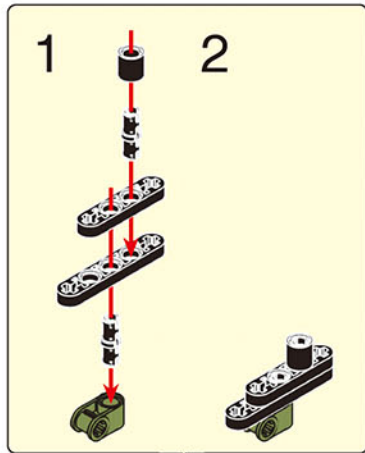


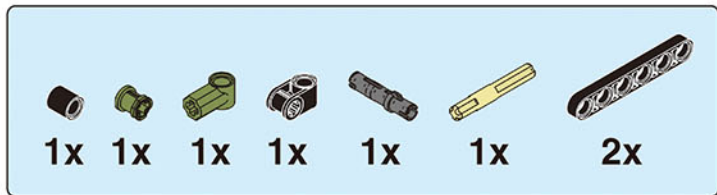


2-8

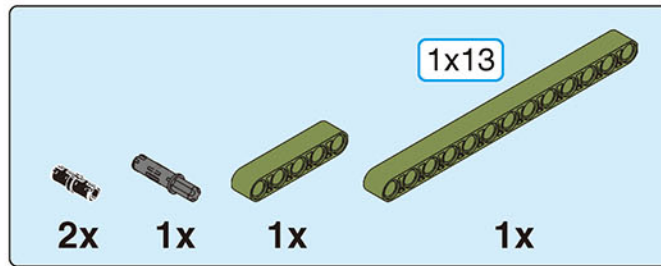


2-9

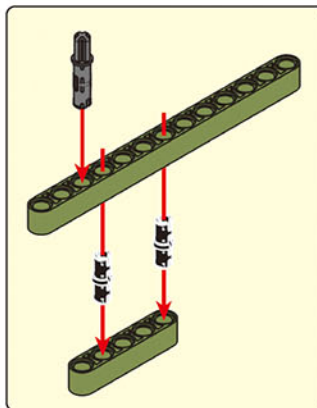
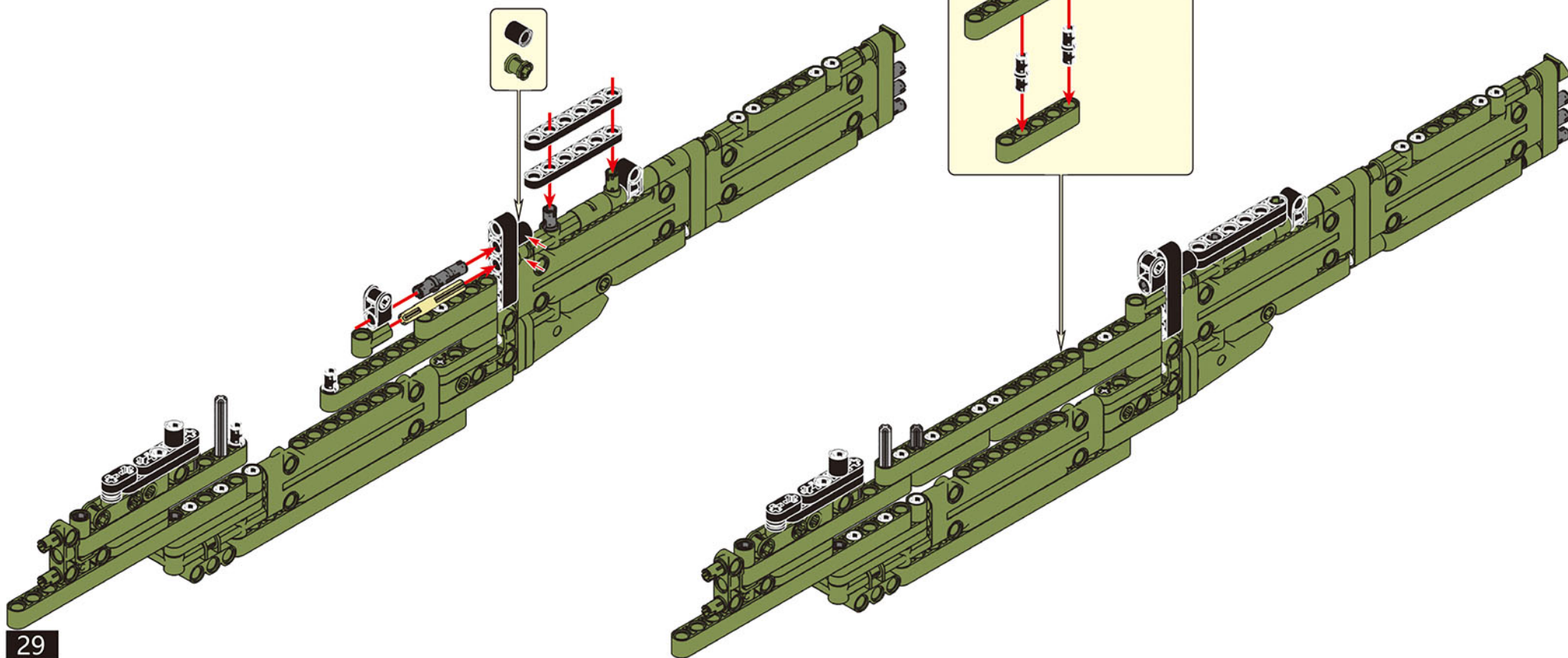


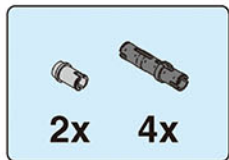


2-10

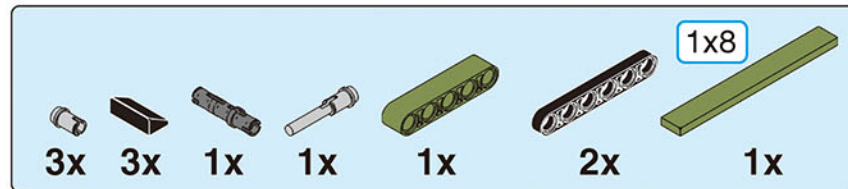
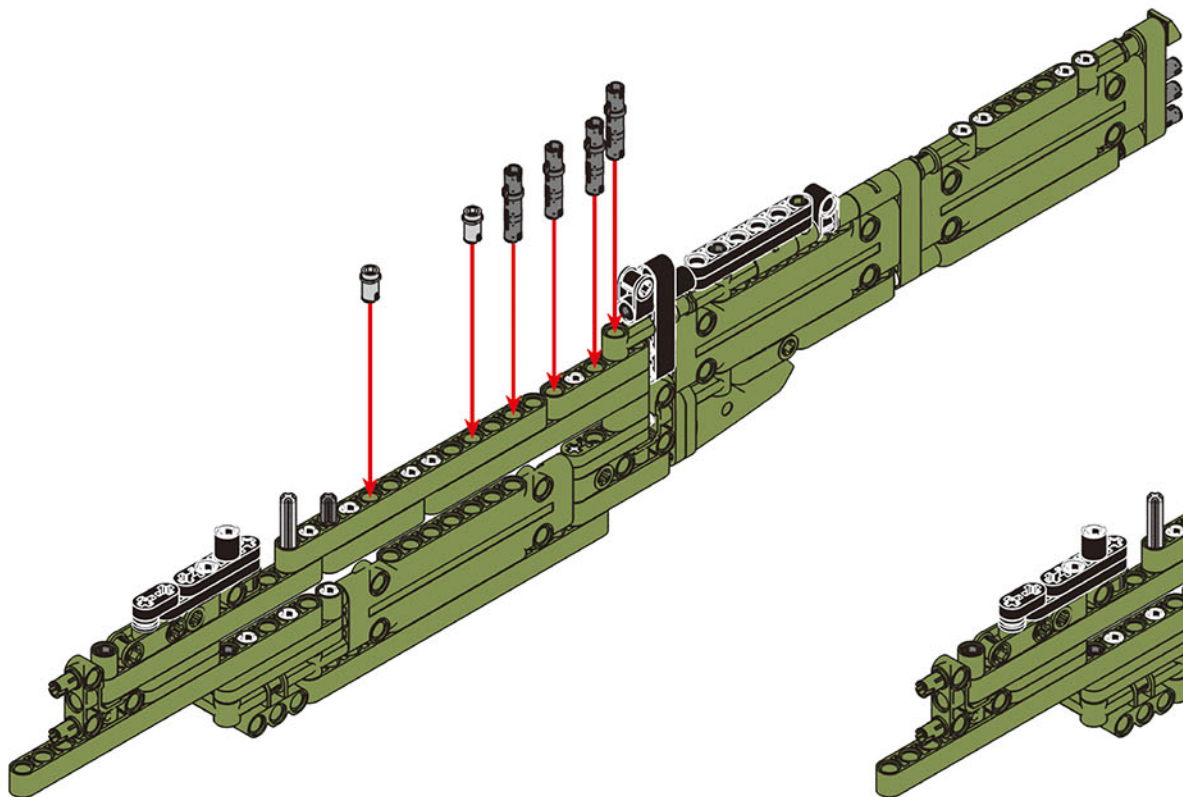


2-11

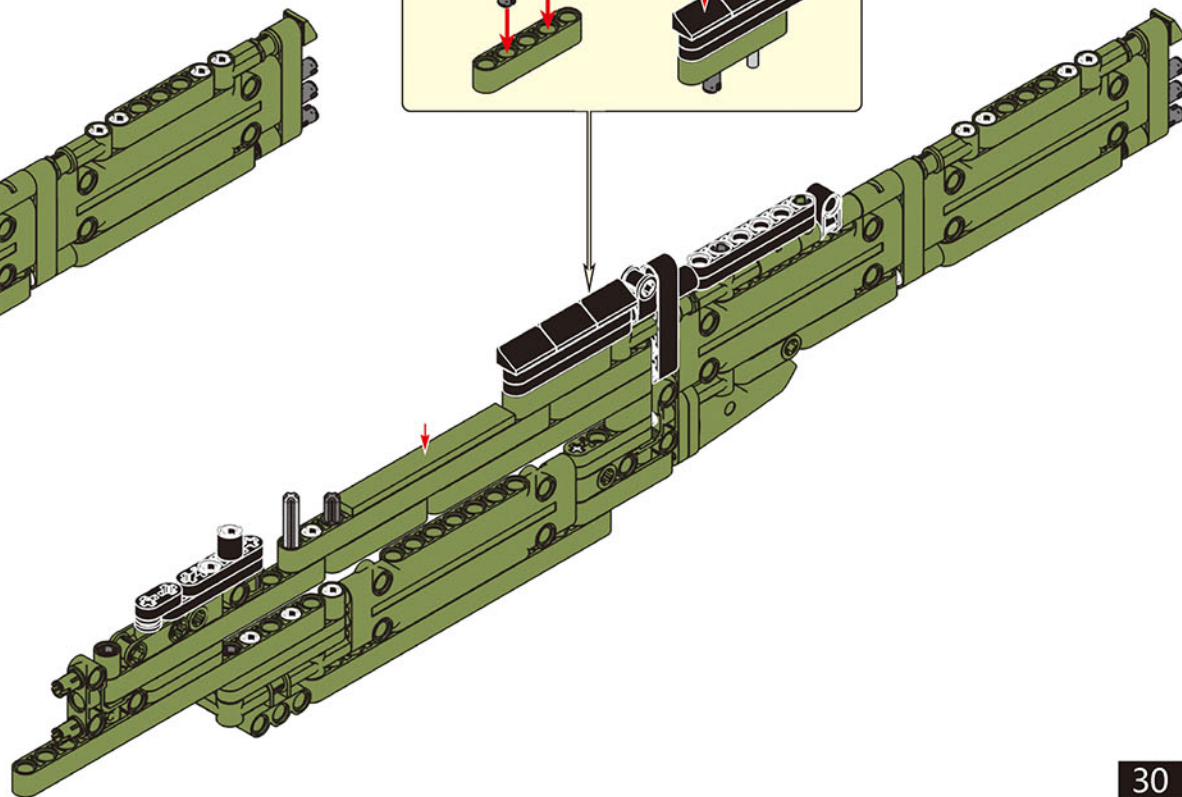
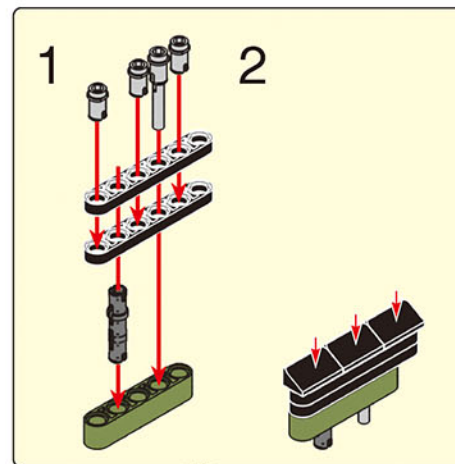


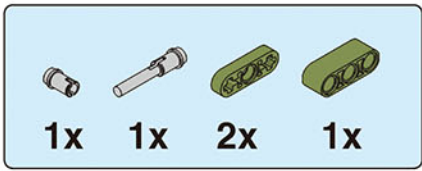


2-12

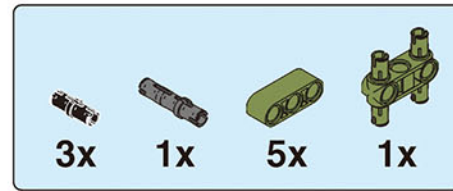
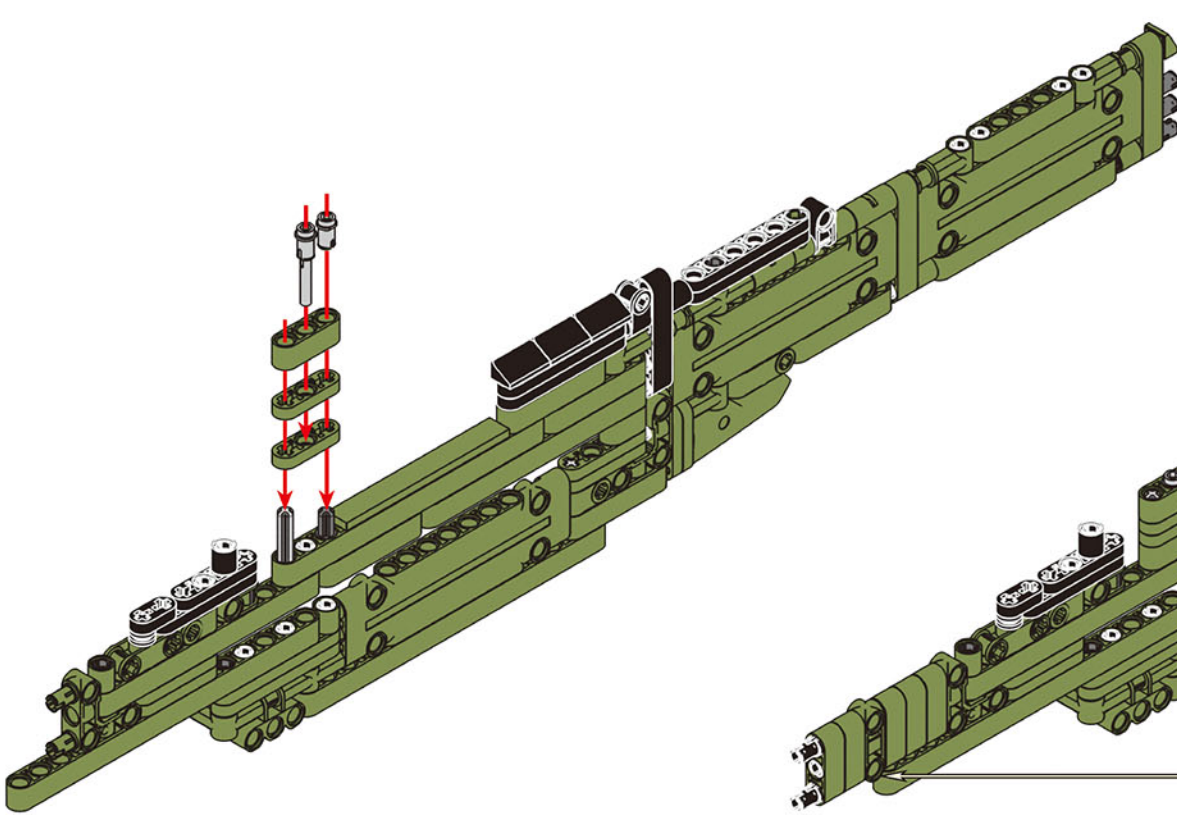


2-13

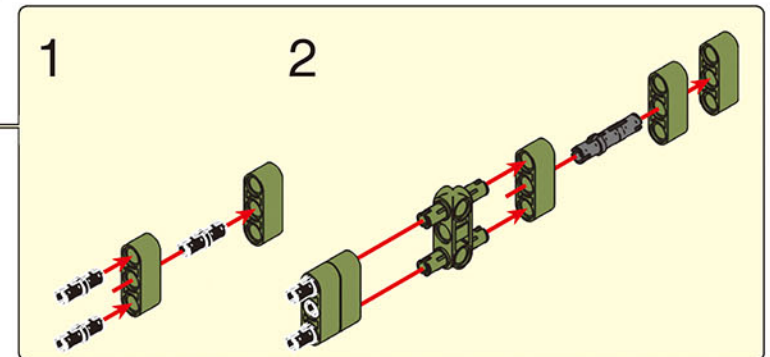
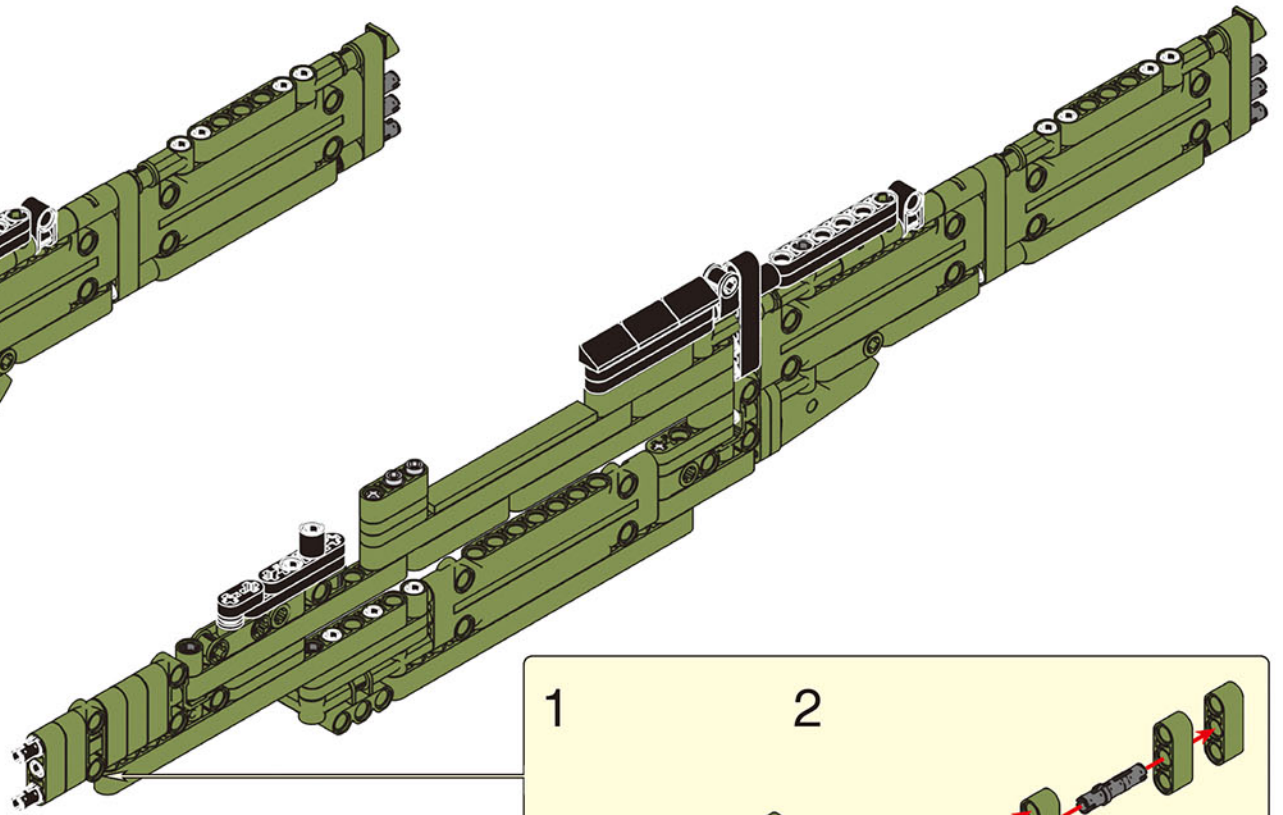


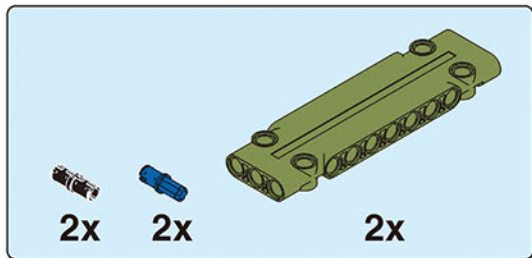


2-14

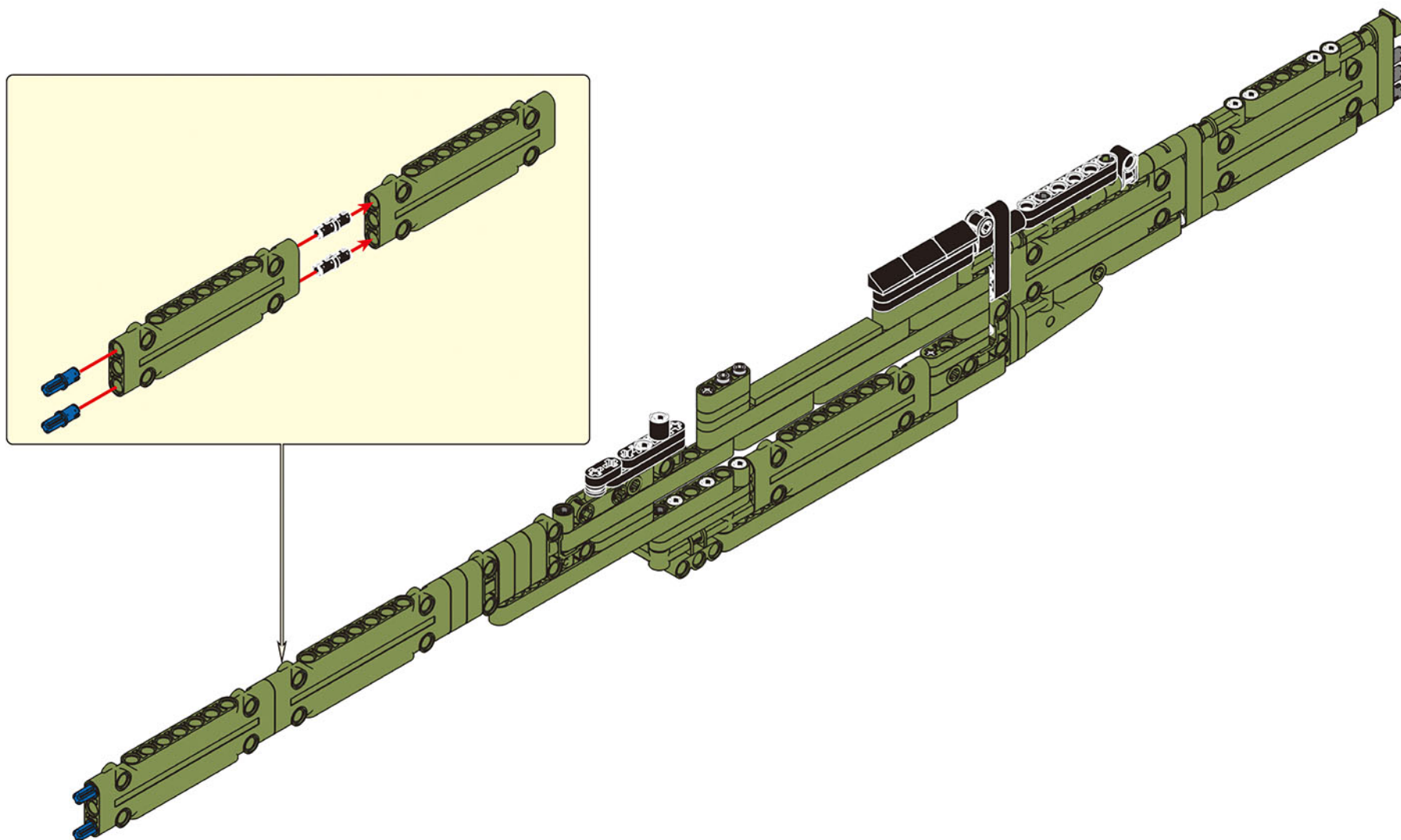


2-15

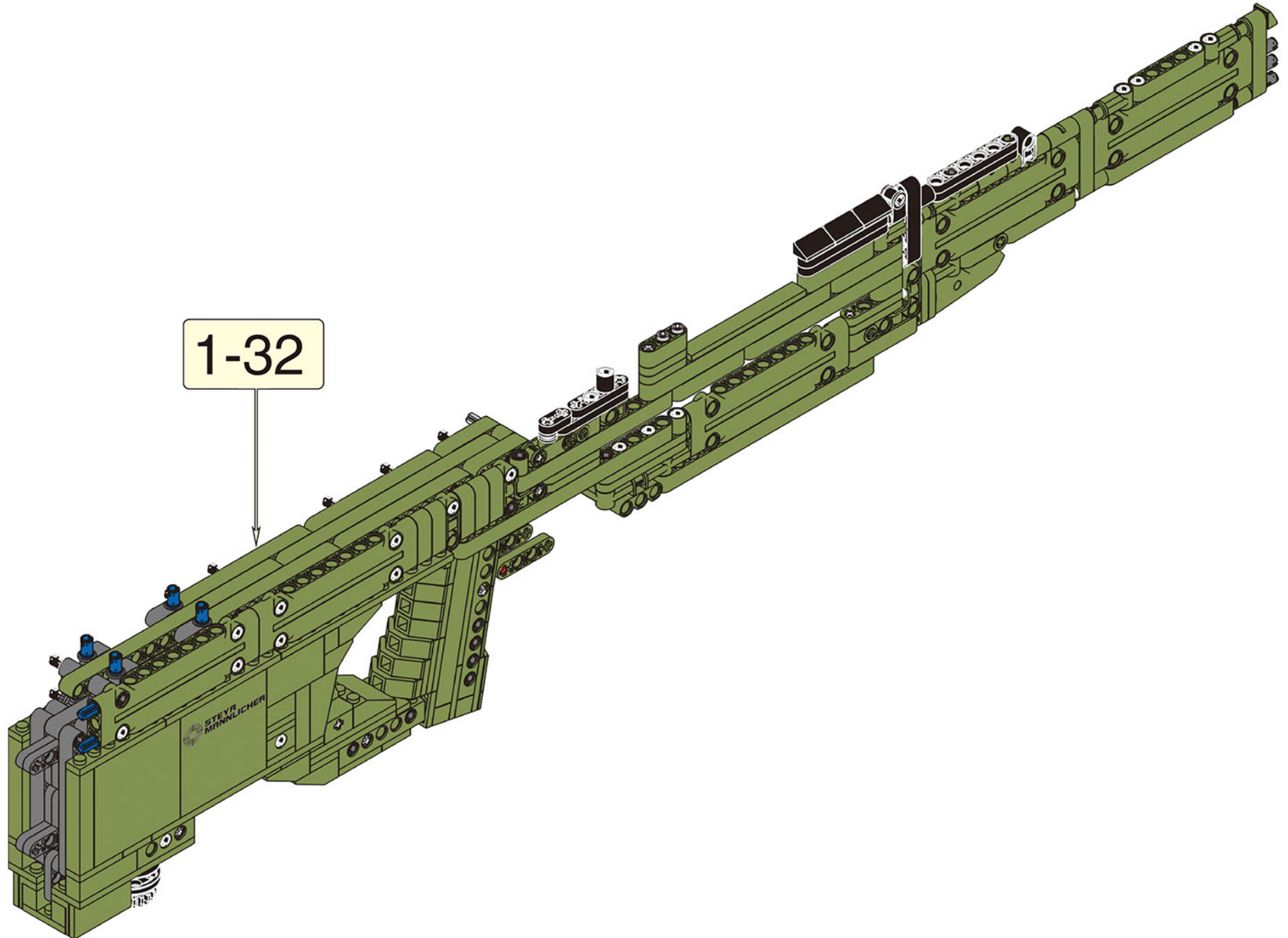


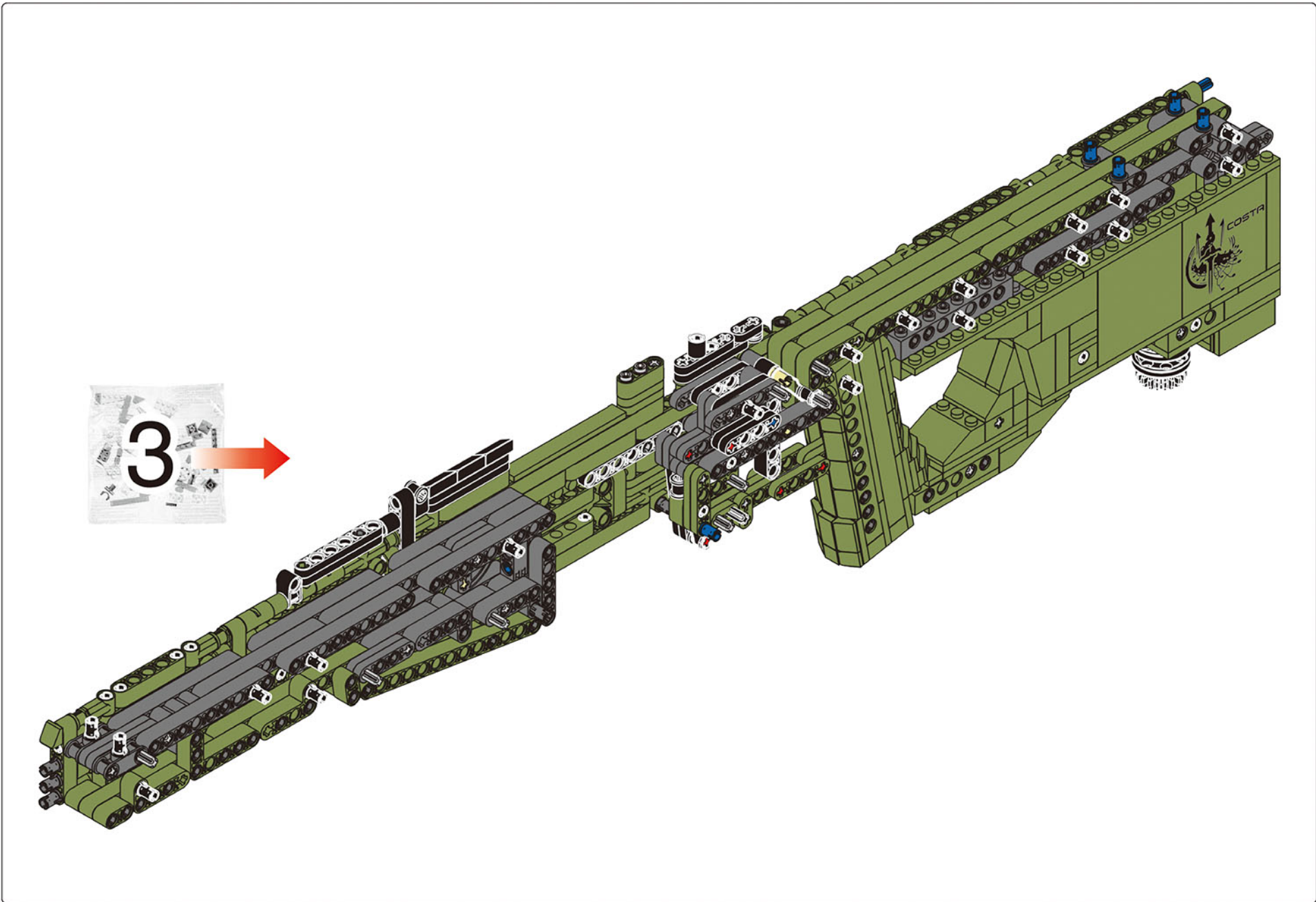


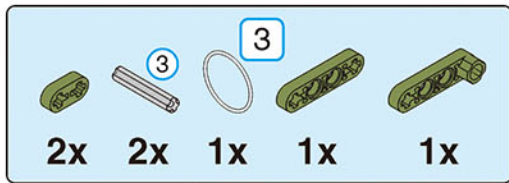
2-16



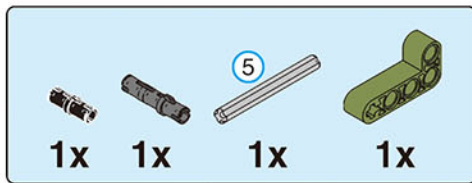
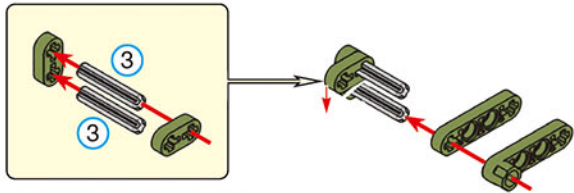
2-17



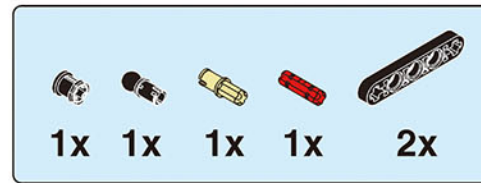
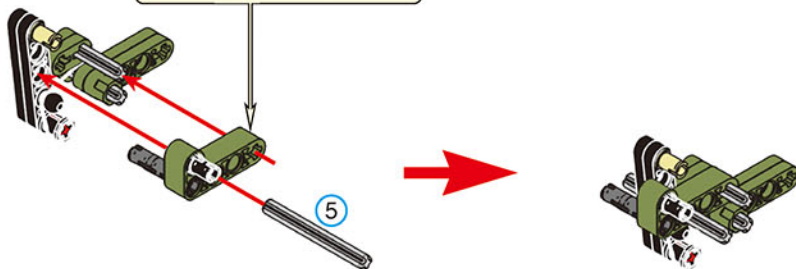
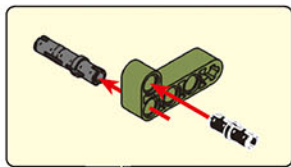




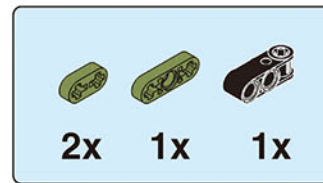
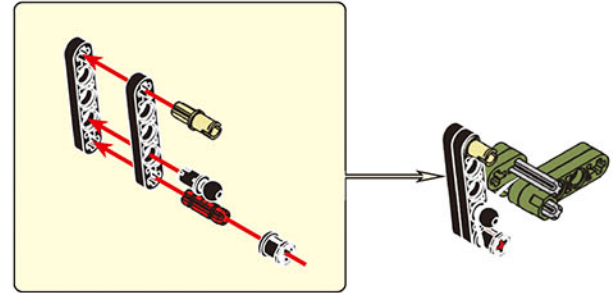
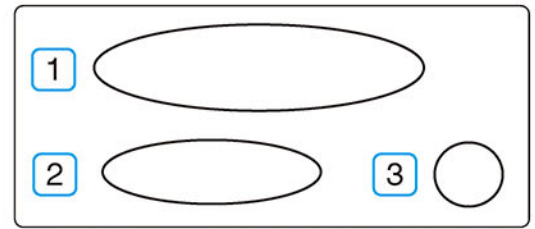
3-1.1 1:1



3-1.3 1:1

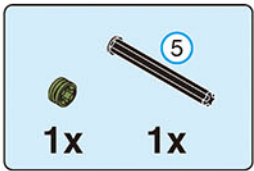


3-1.2

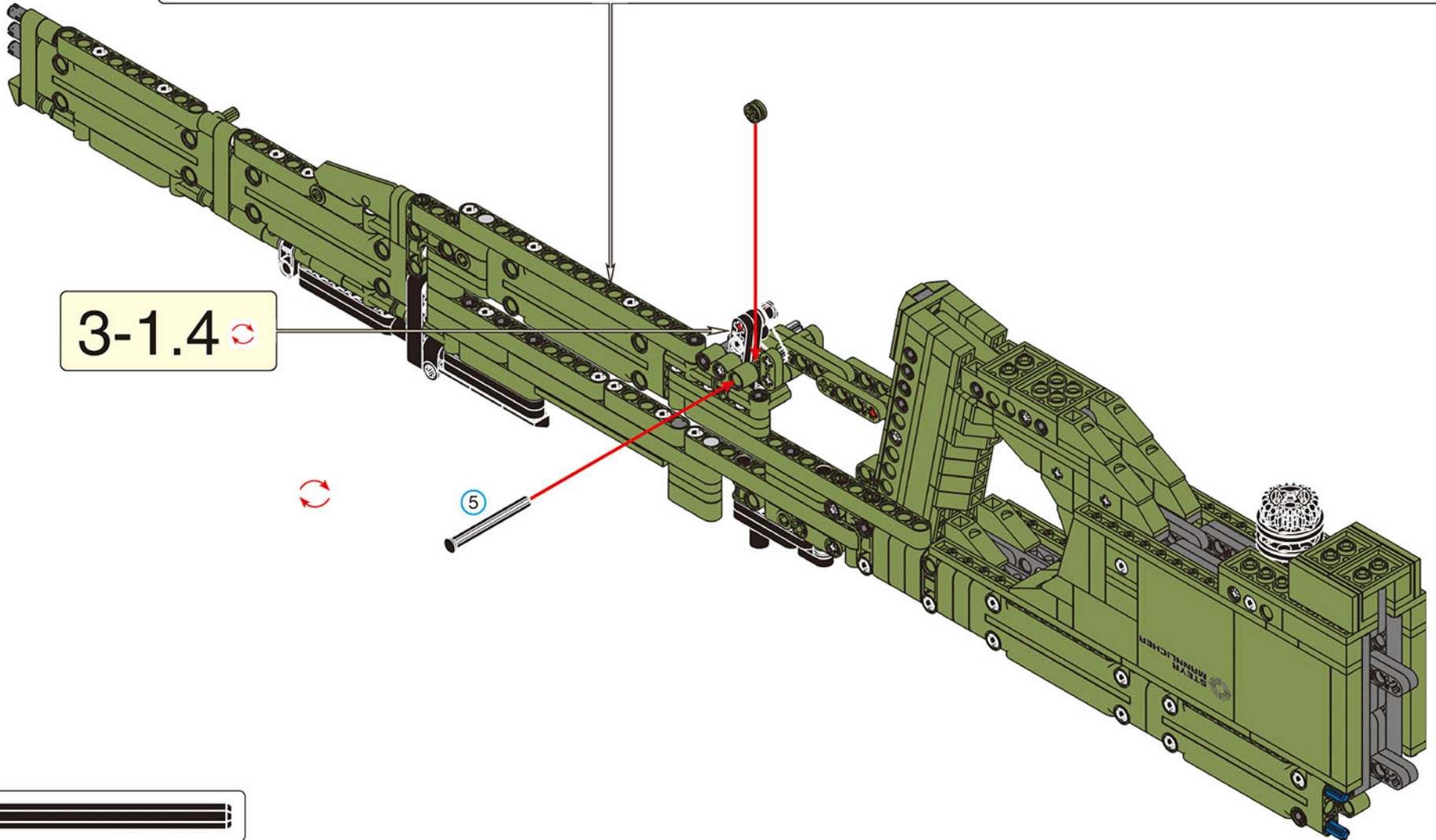
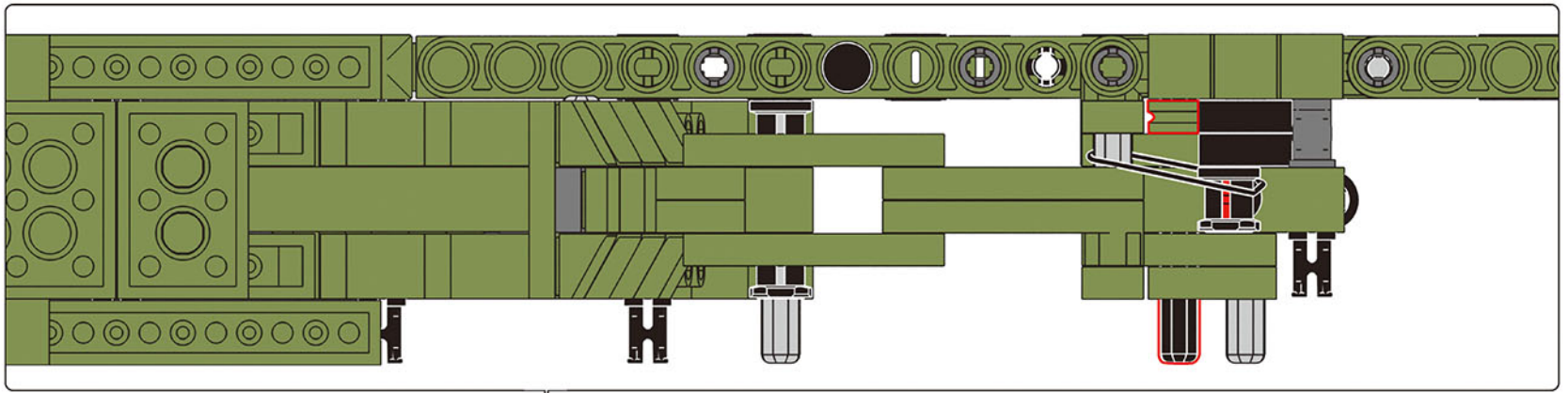


3-1.4



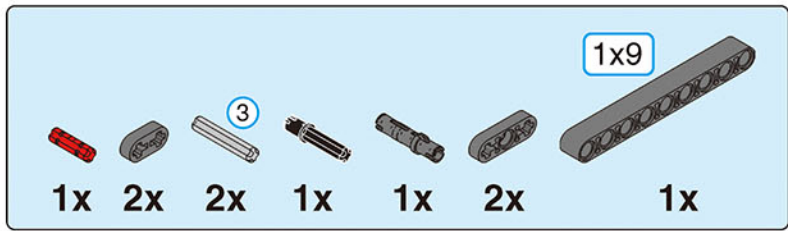


3-1

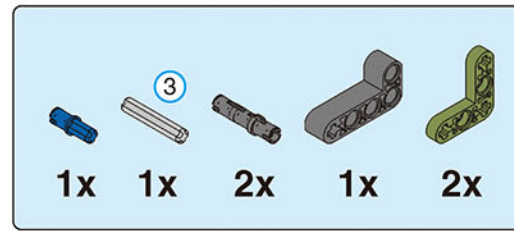


3-1.4



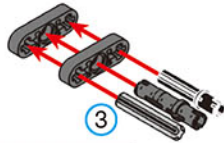


3-2.1 ③ 1:1

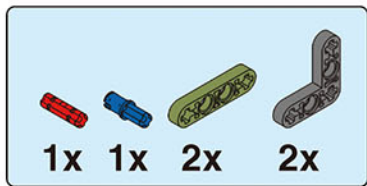
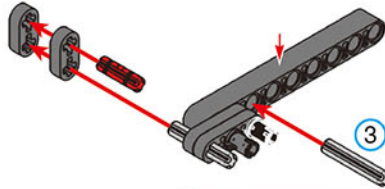


3-2.2 ③ 1:1

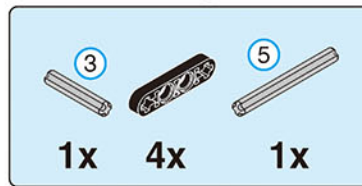
1



2



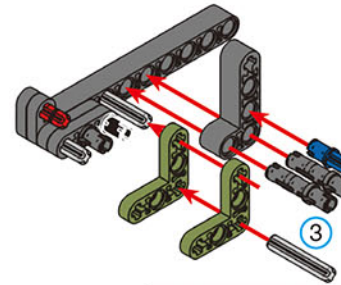
3-2.3



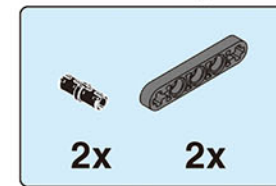
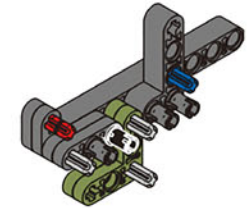
3-2.4



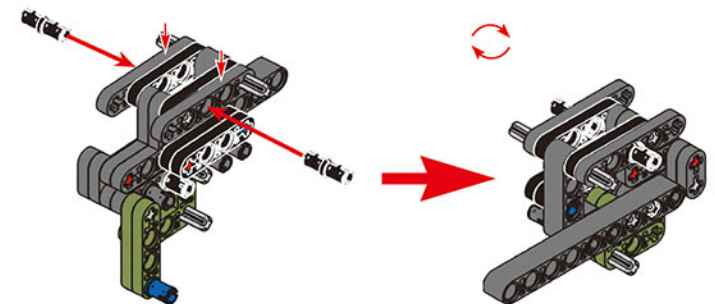
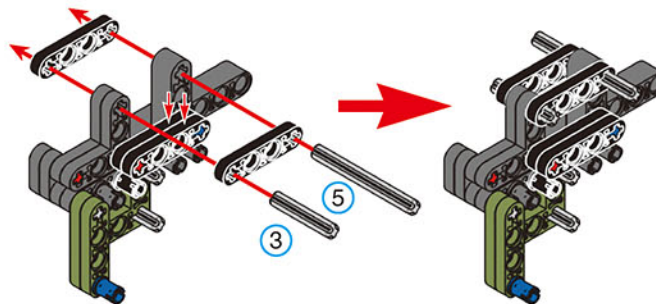
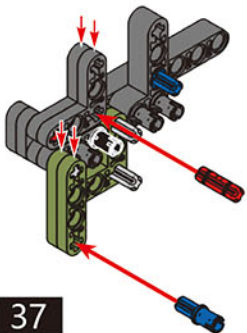
1



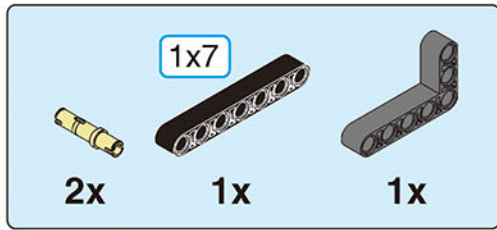
2



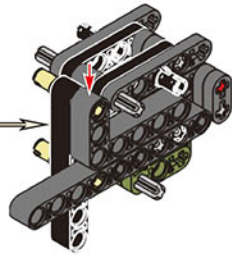
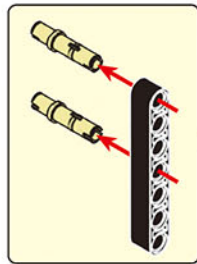
3-2.5



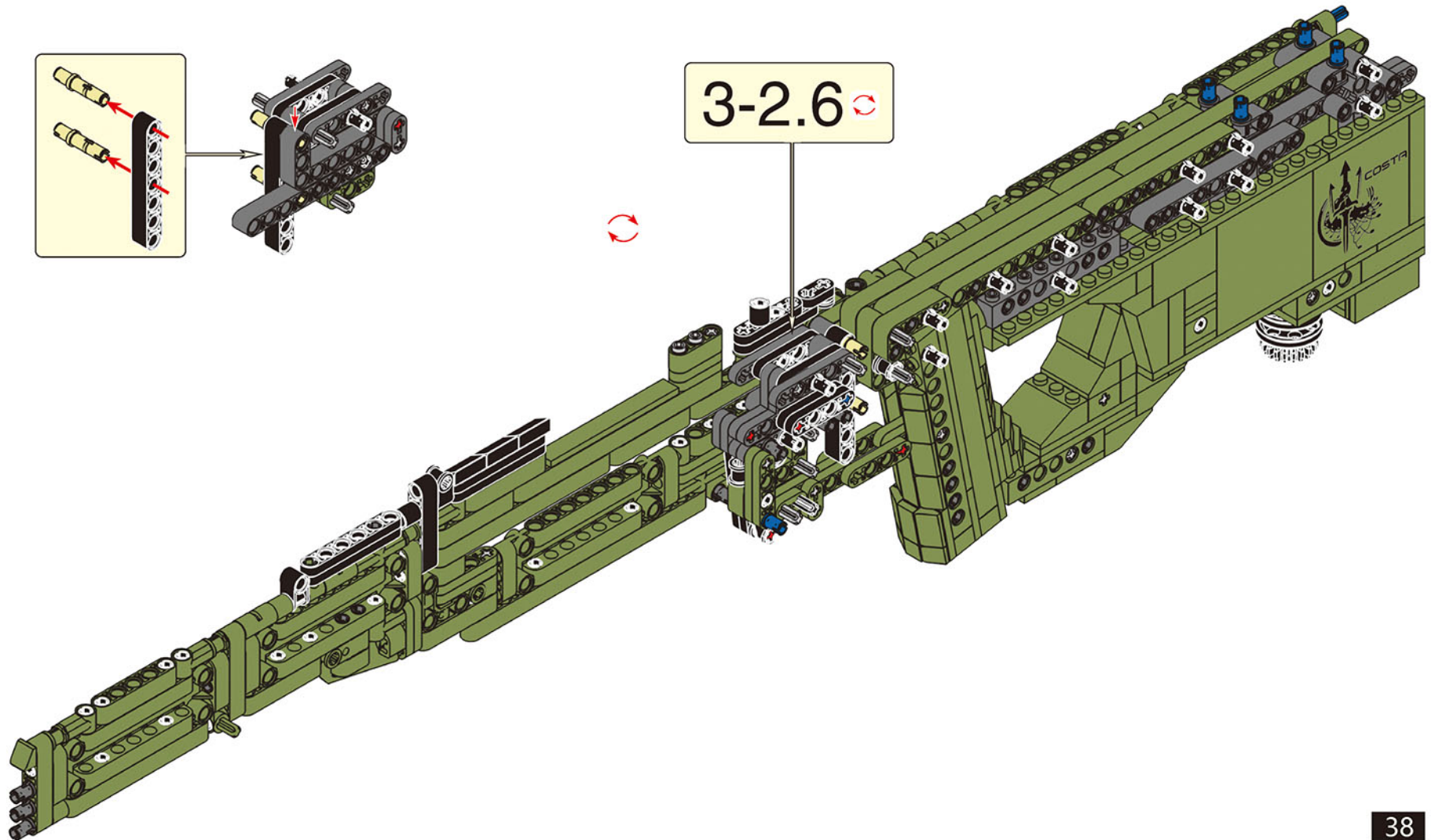
3-2

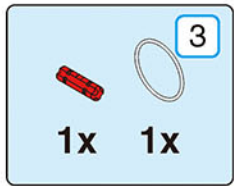


3-2.6

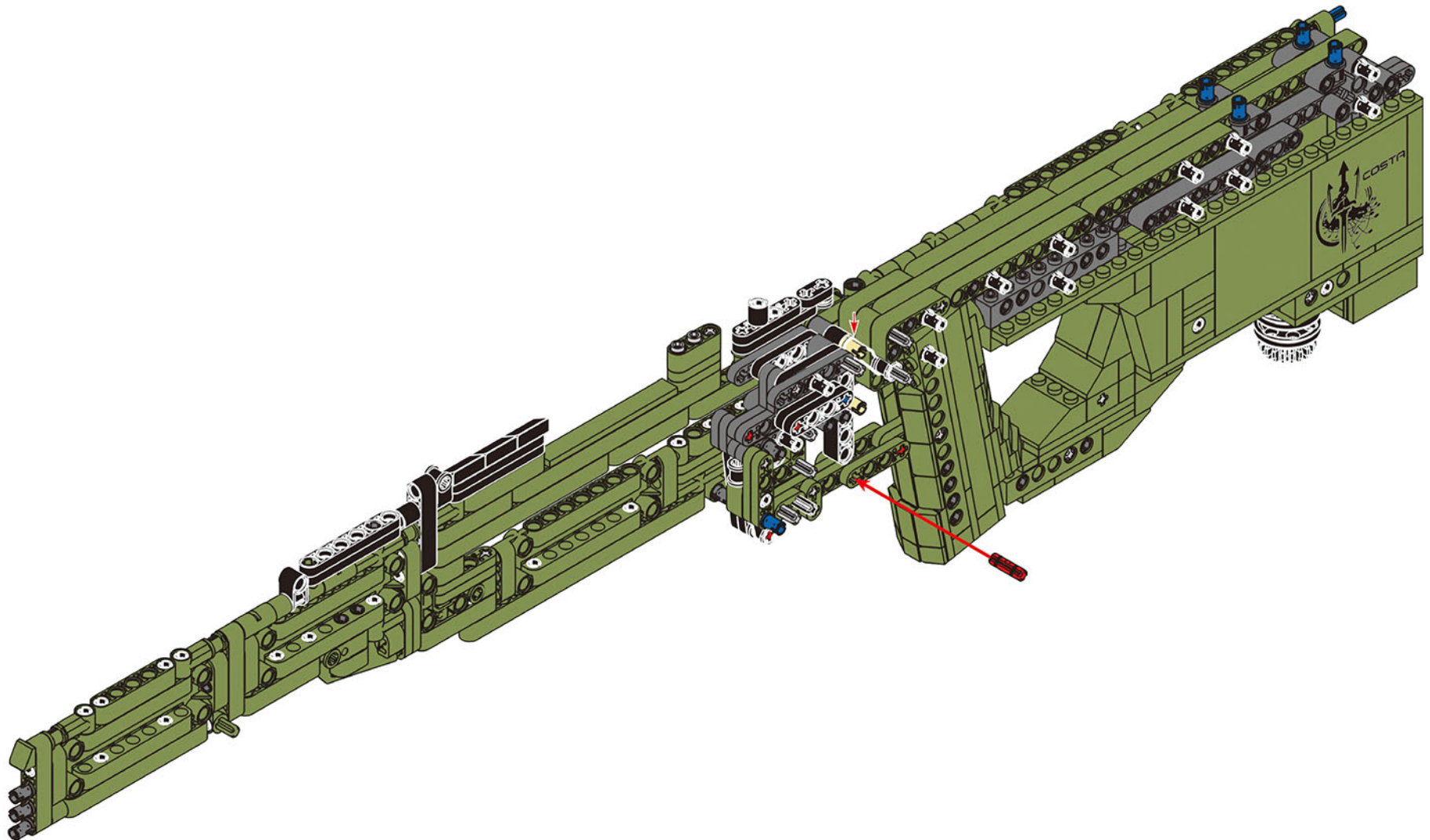
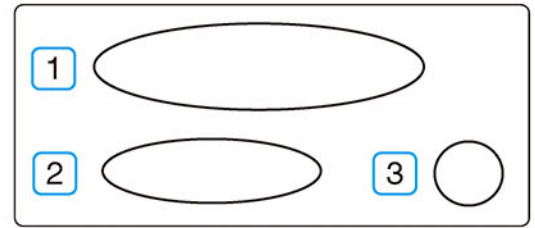


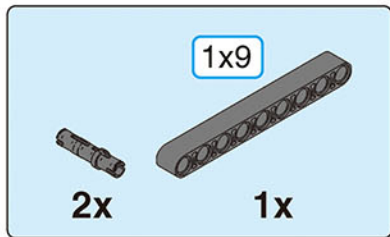
3-2.6 ↻



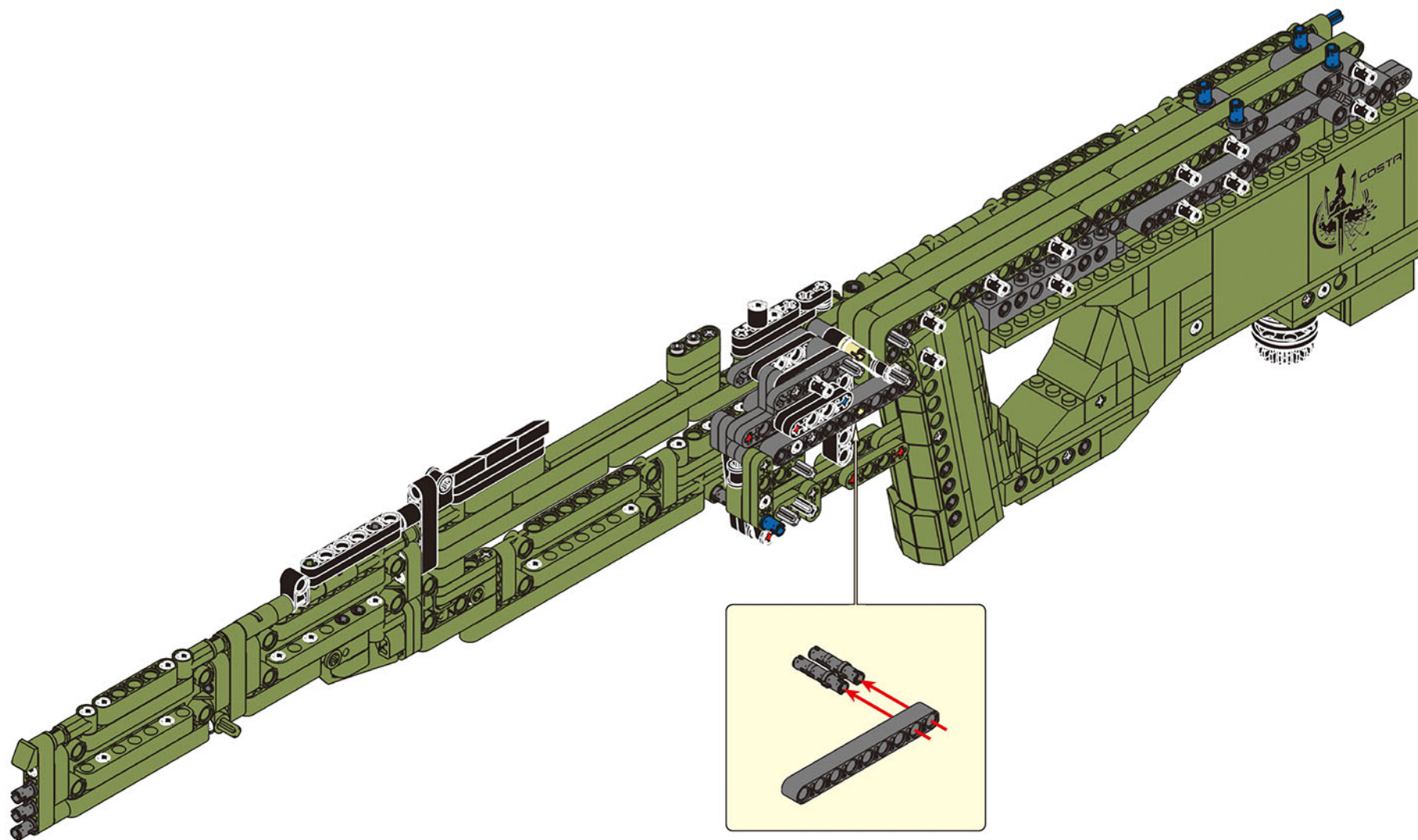


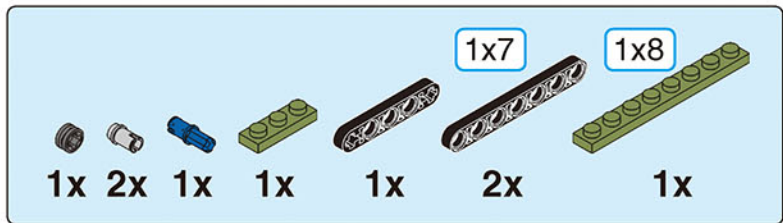
3-3



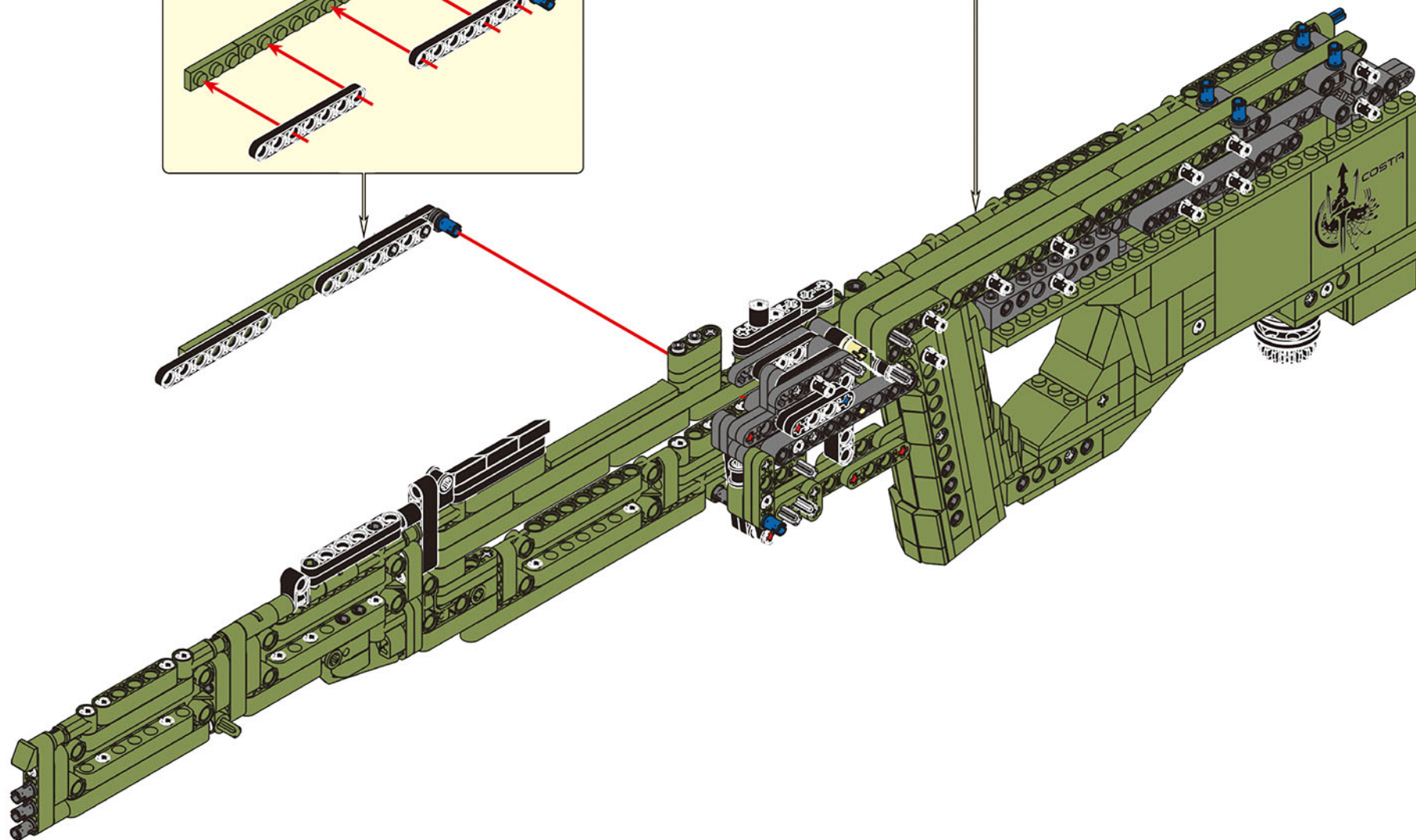
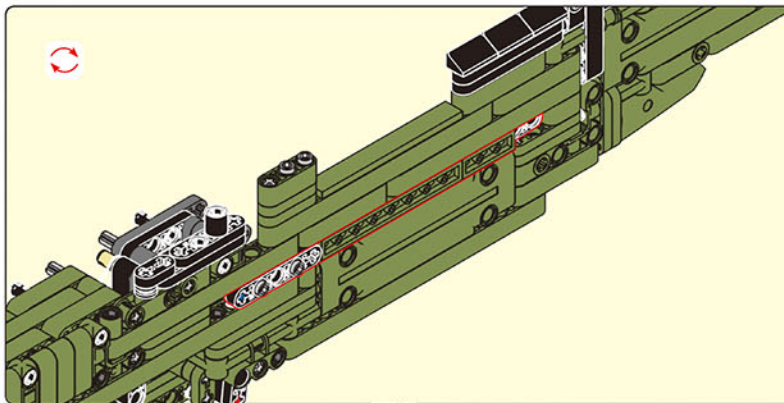
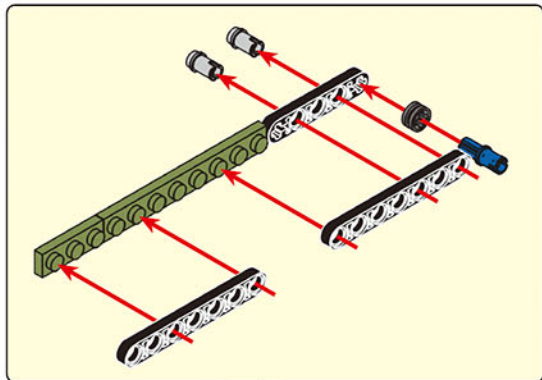


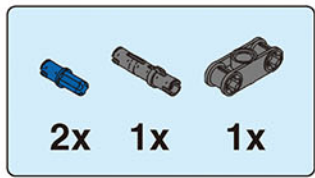
3-4



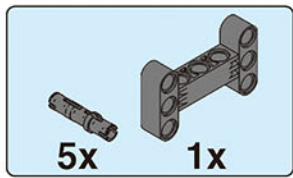


3-5

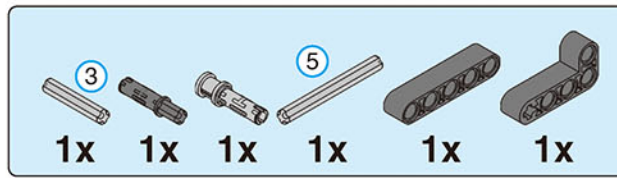




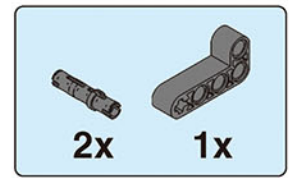
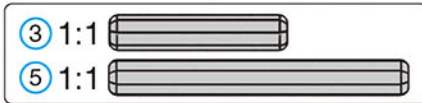
3-6



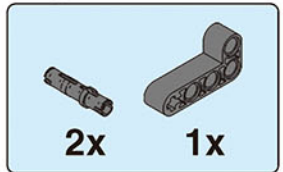
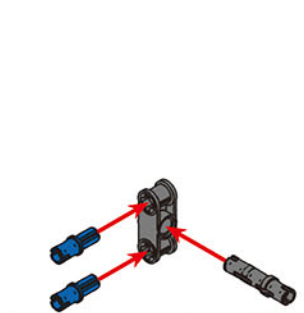
3-7



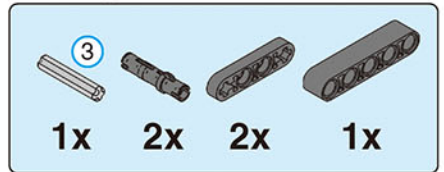
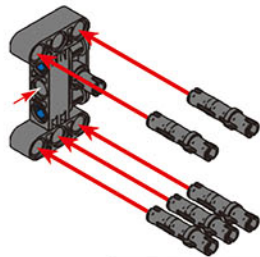
3-8



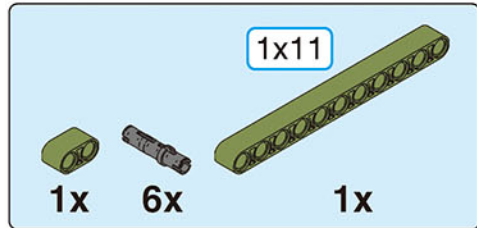
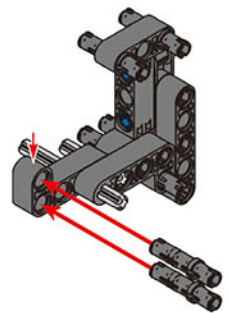
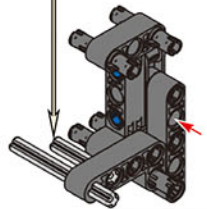
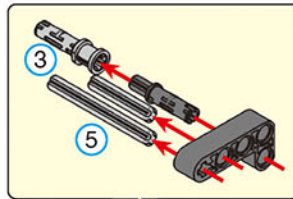
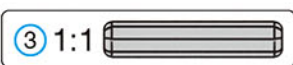
3-9



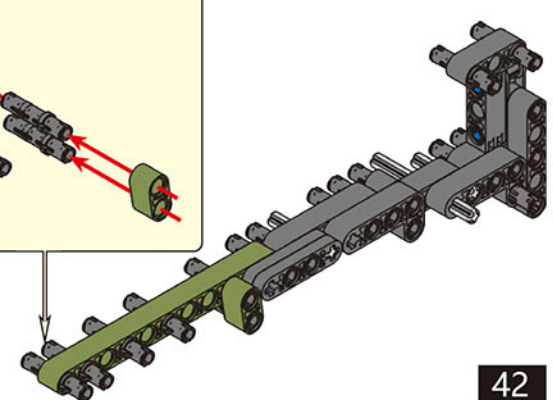
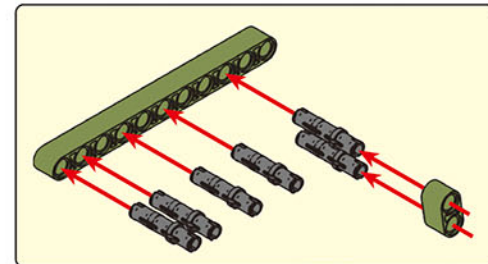
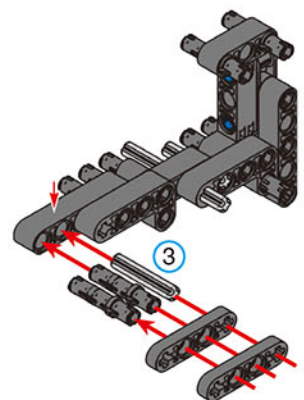
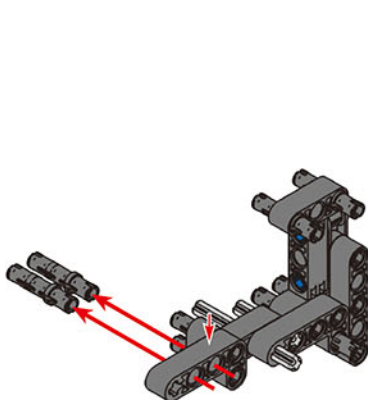
3-10

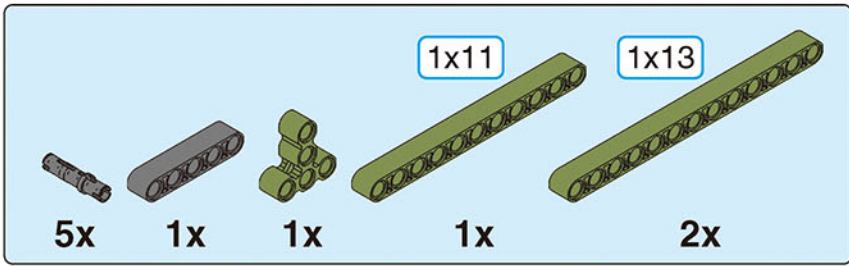


3-11

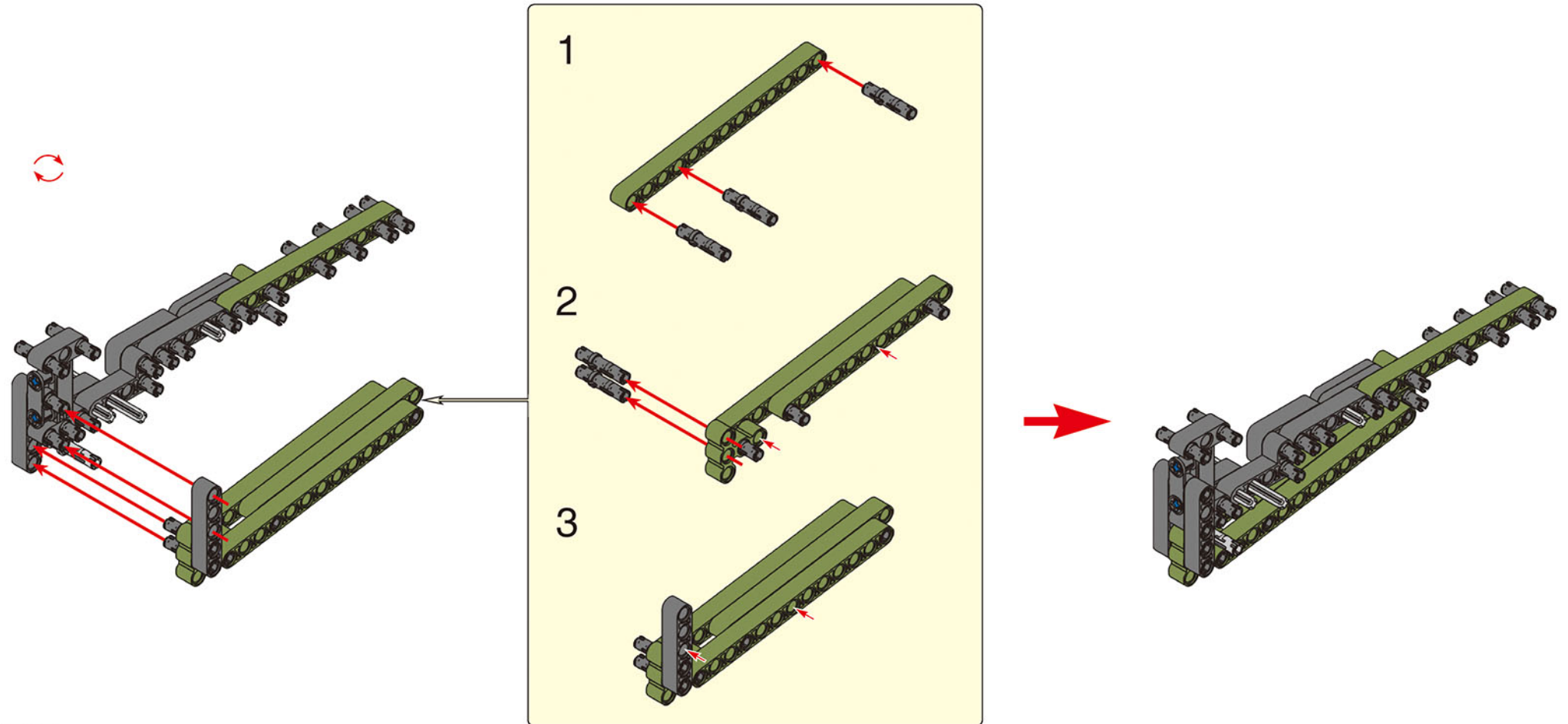


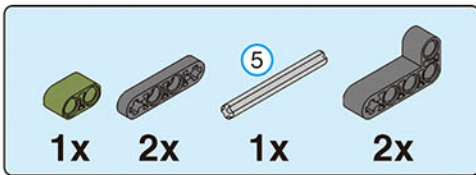
3-12



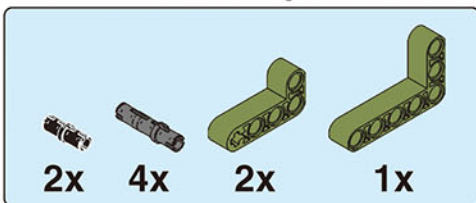
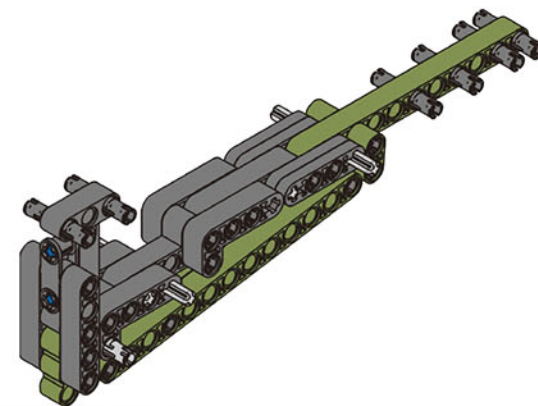
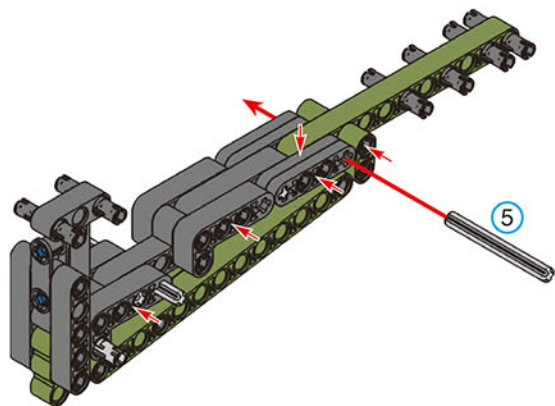


3-13

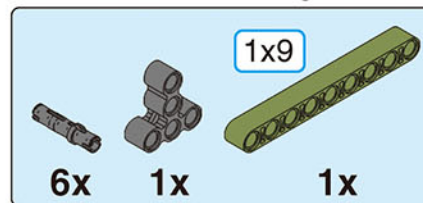
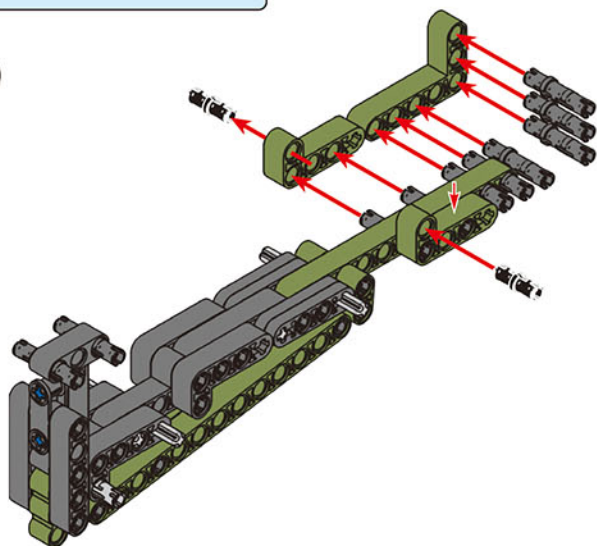




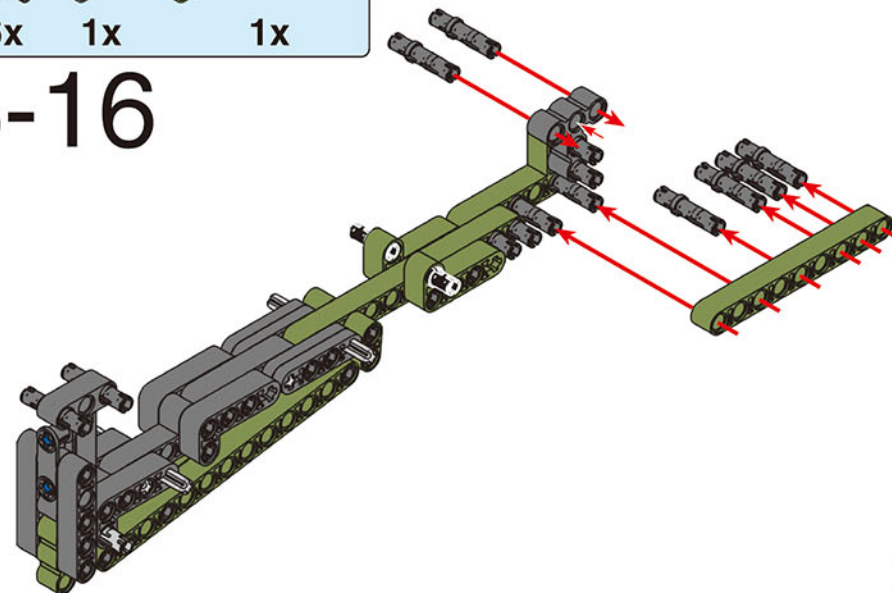
3-14

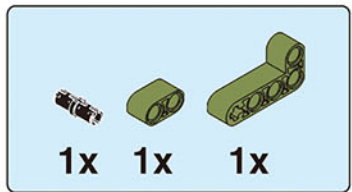


3-15

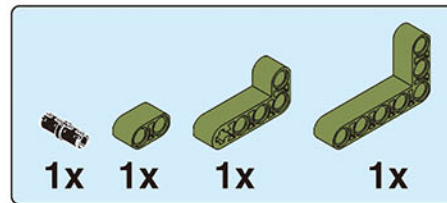
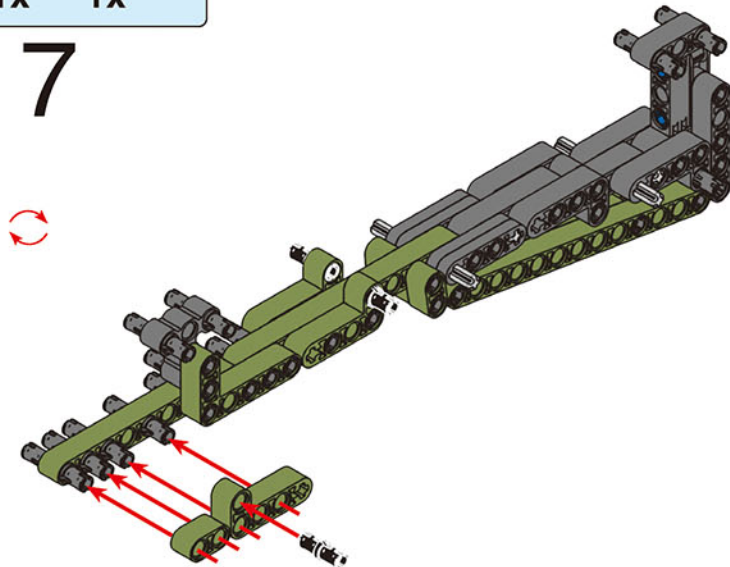


3-16

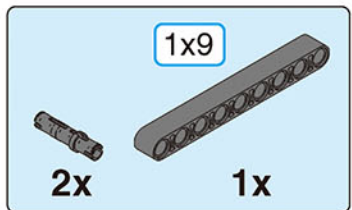
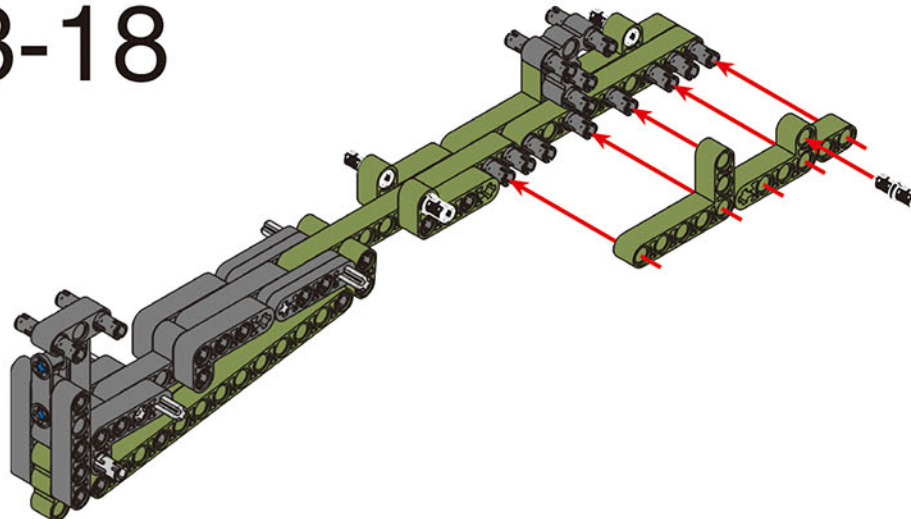




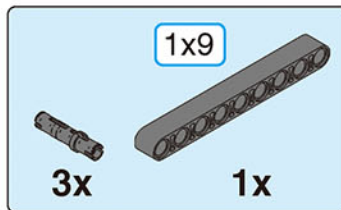
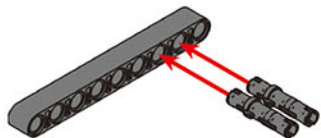
3-17



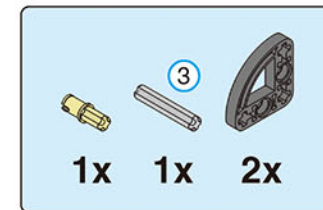
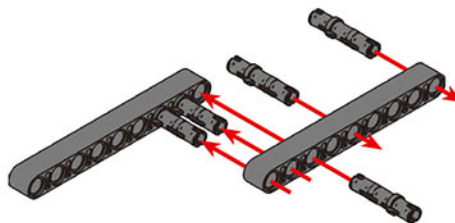
3-18



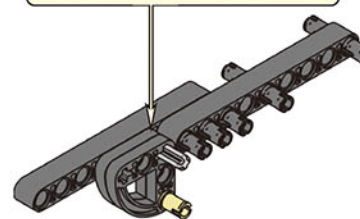
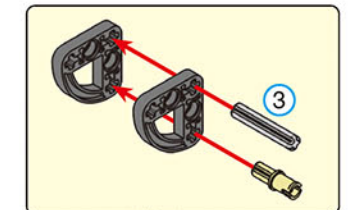
3-19.1

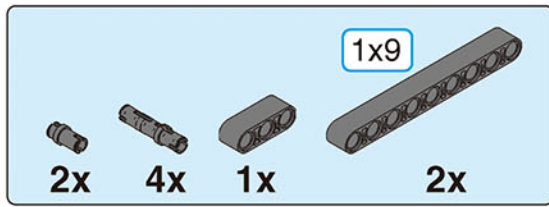


3-19.2

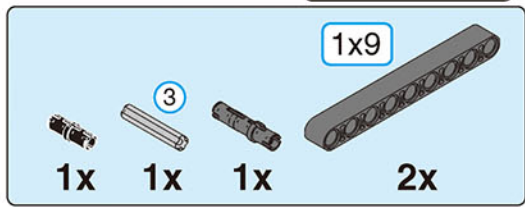
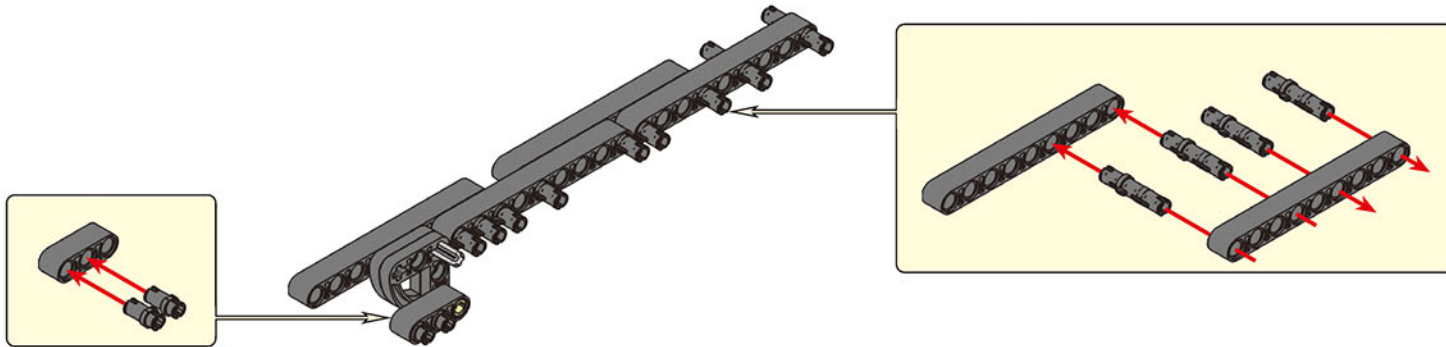


3-19.3

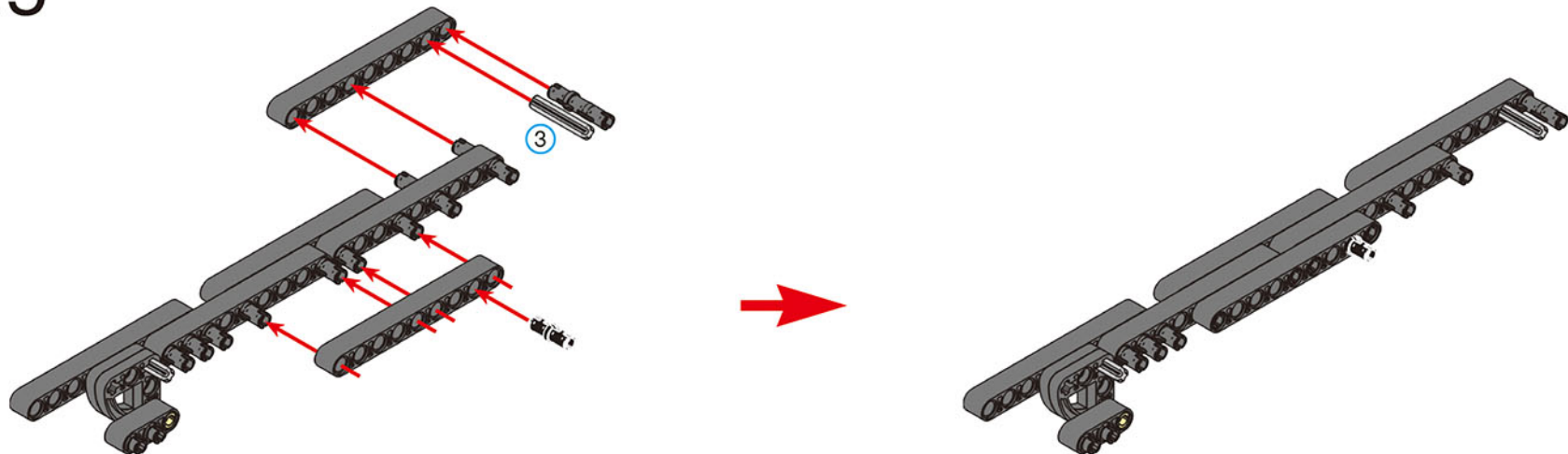


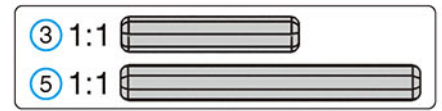
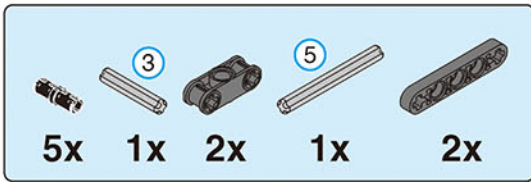


3-19.4

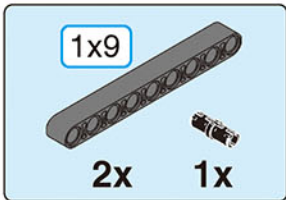
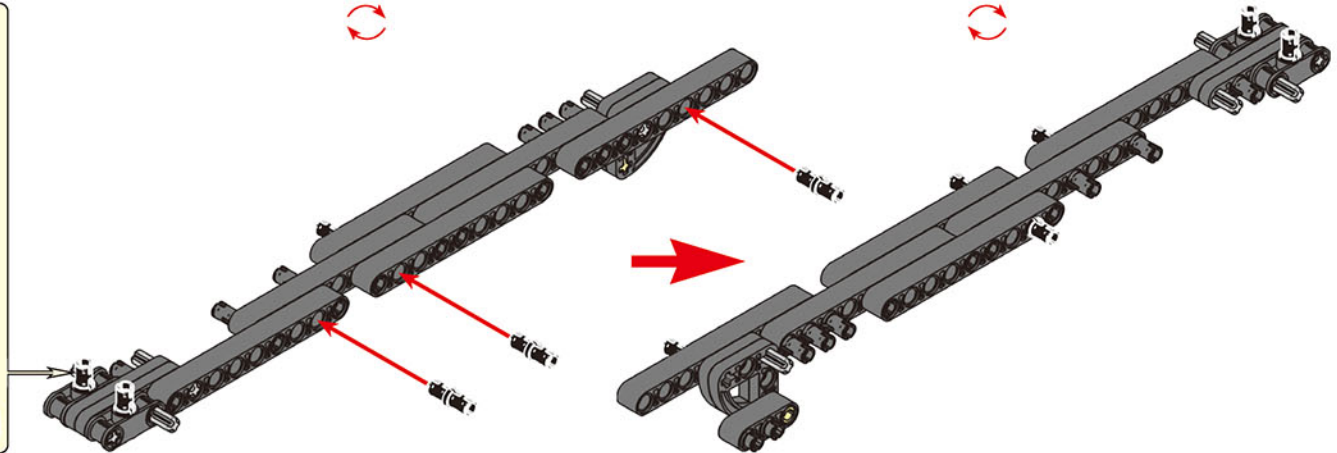
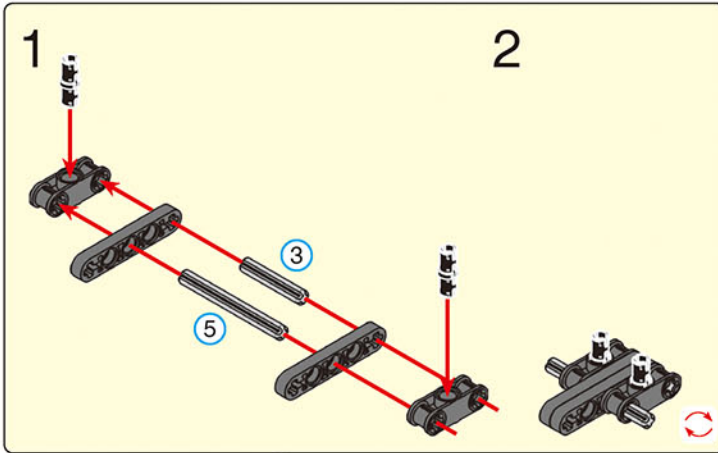


3-19.5

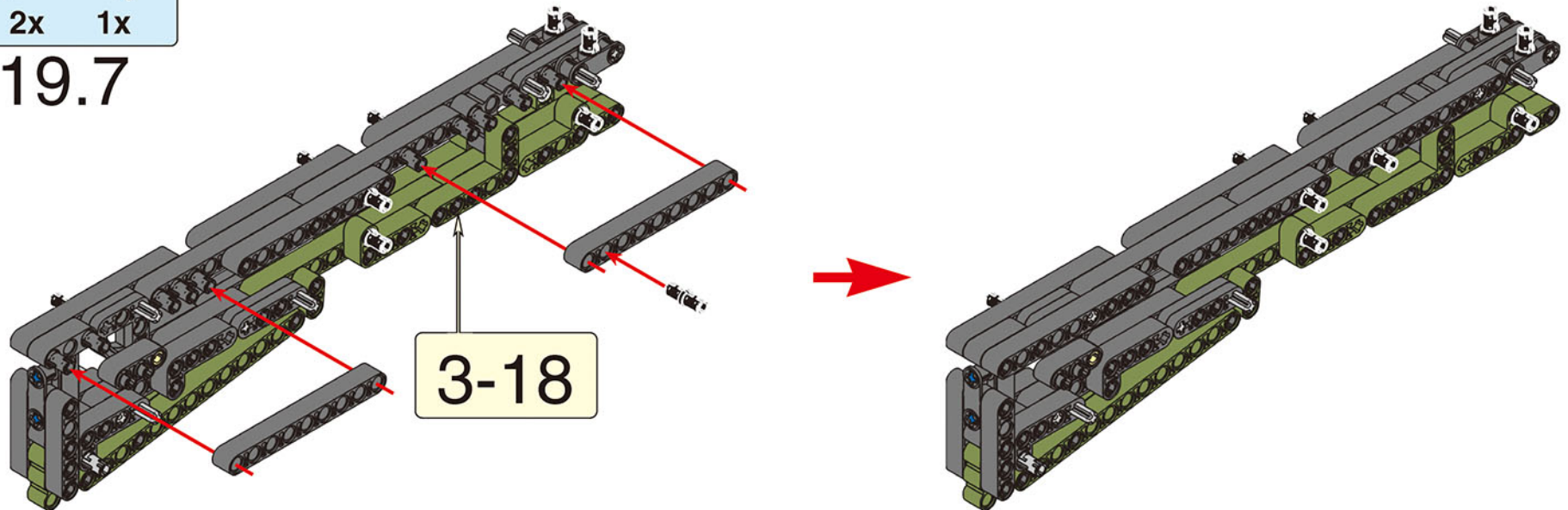




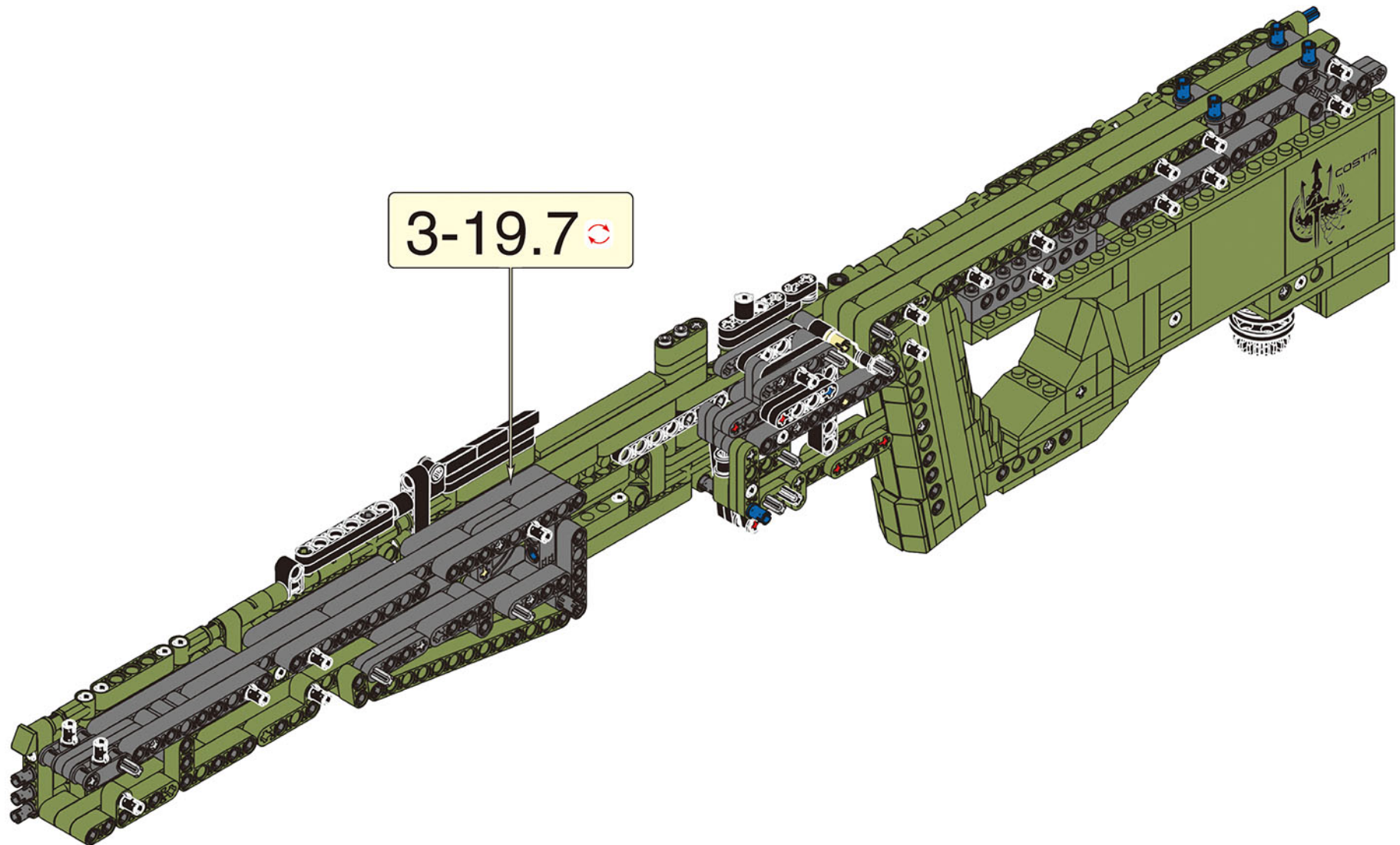
3-19.6

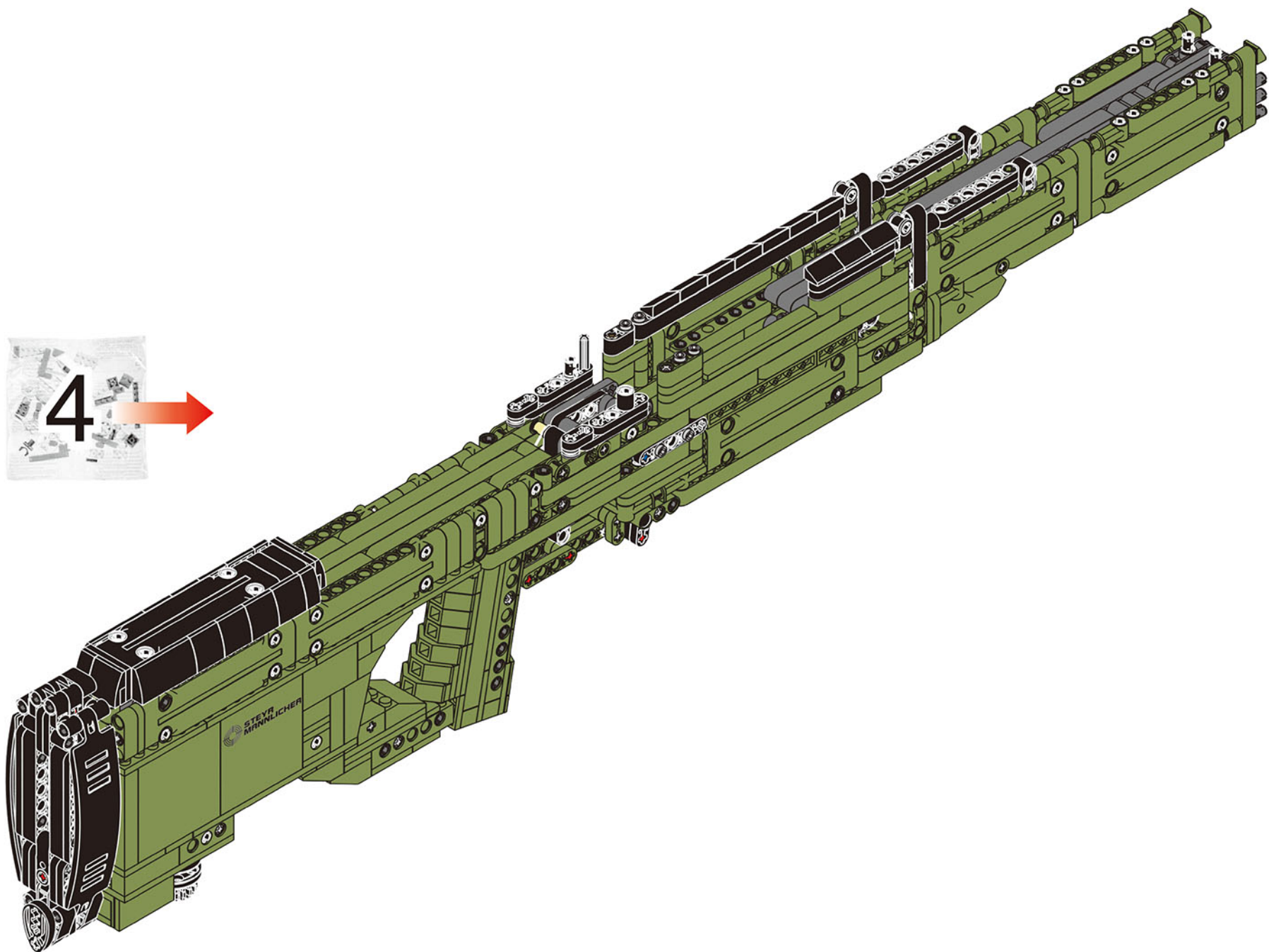


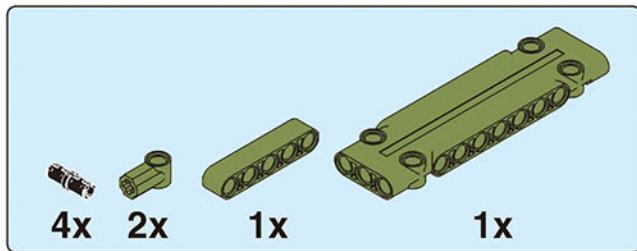
3-19.7



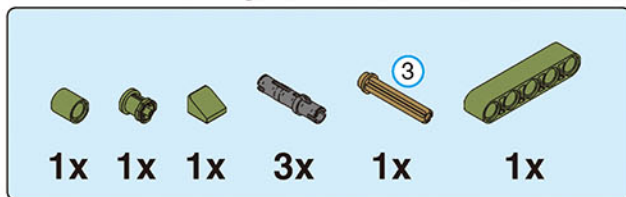
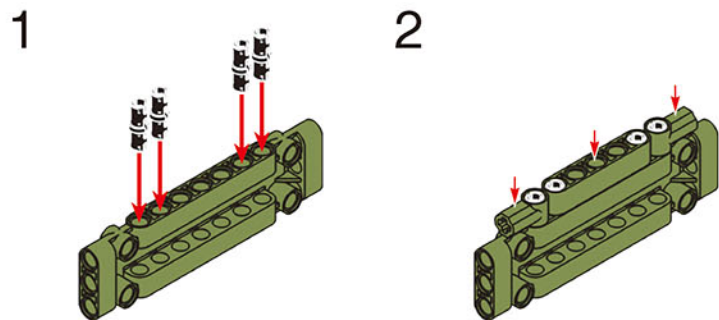
3-19



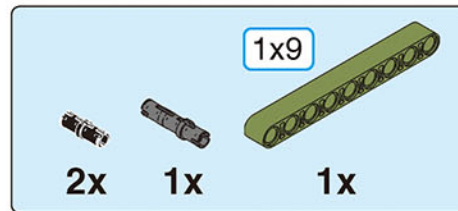
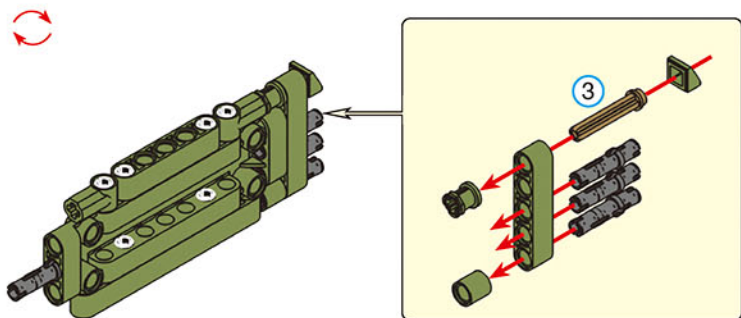
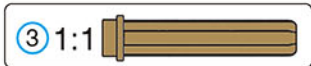




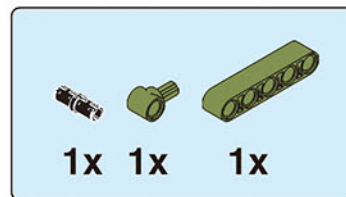
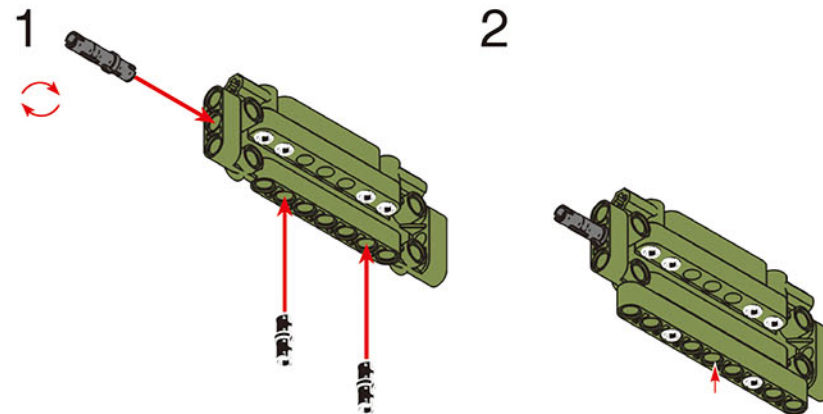
4-1.1



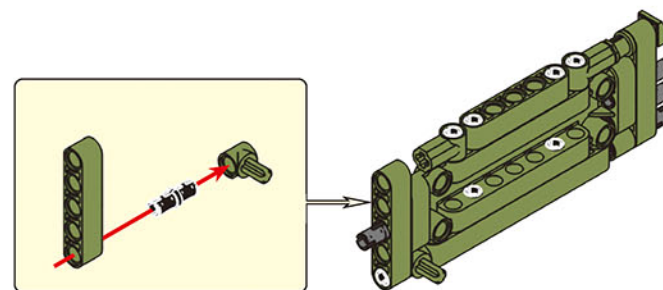
4-1.3

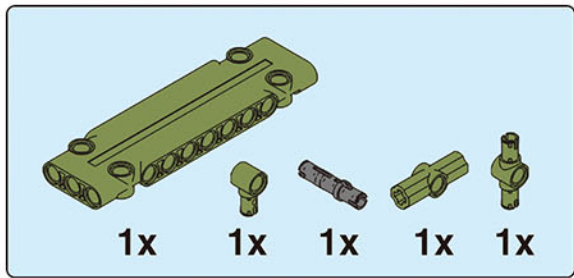


4-1.2

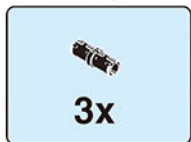
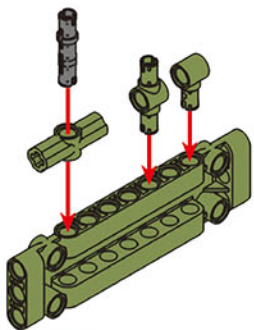


4-1.4

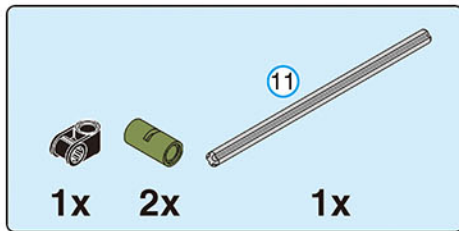
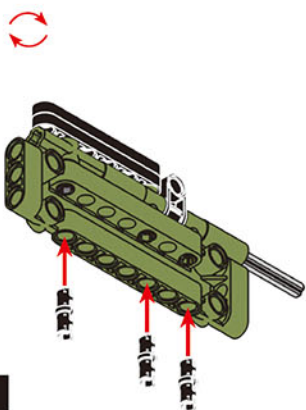




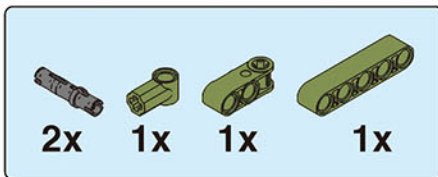
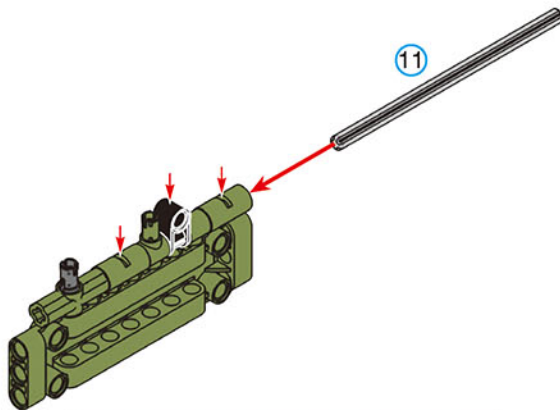
4-1.5 1:1



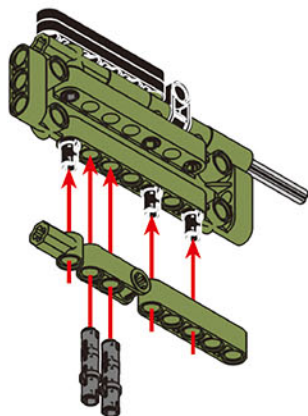
4-1.8



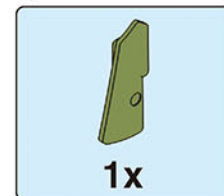
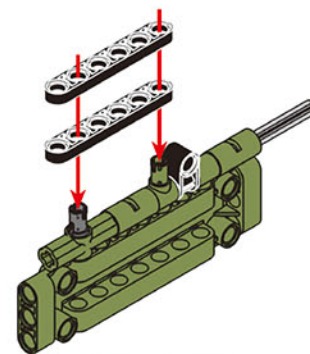
4-1.6 11 1:1



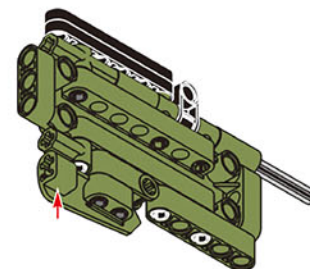
4-1.9



4-1.7



4-1.10

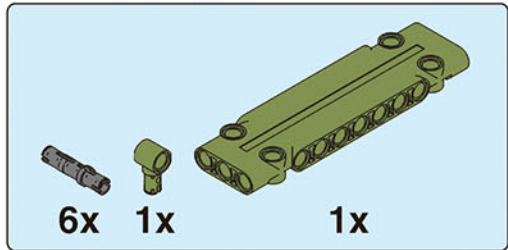
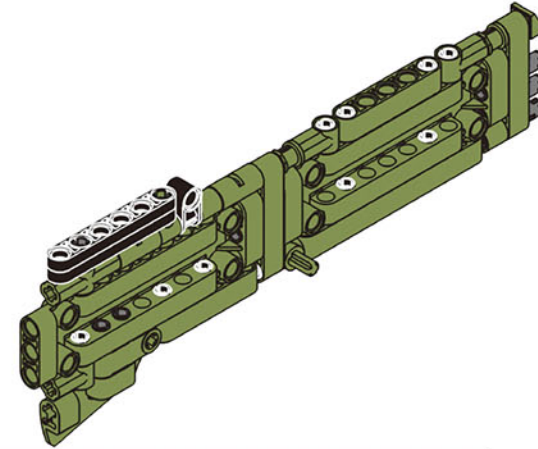
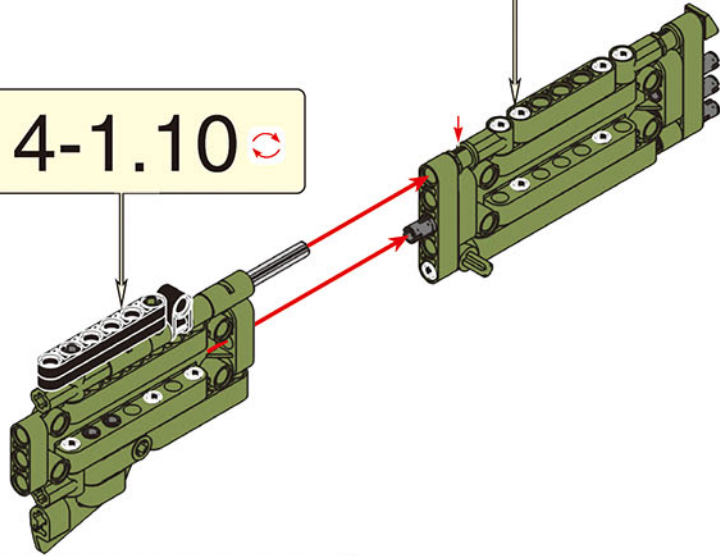


1x

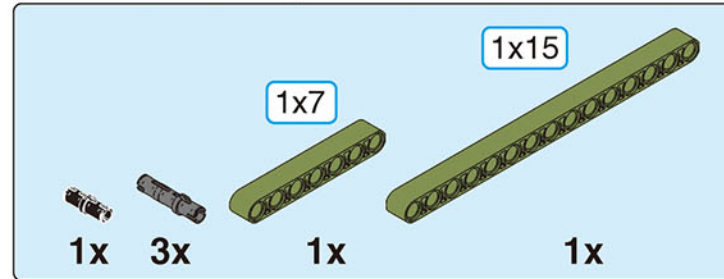
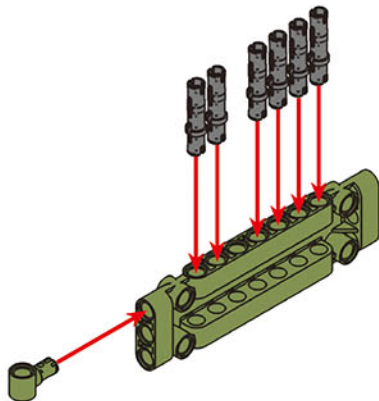
4-1

4-1.4

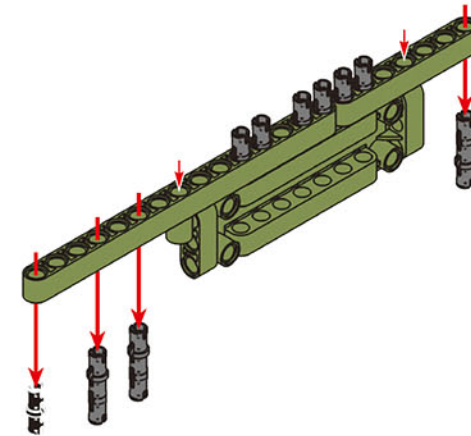
4-1.10

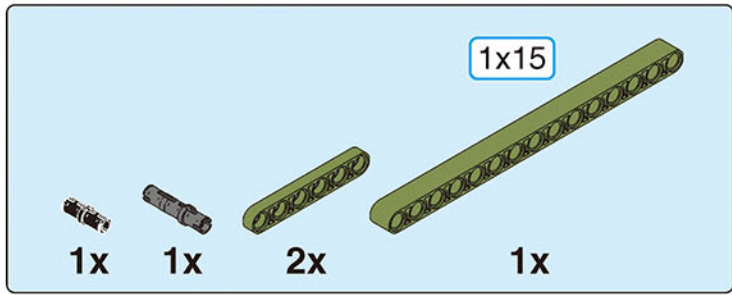


4-2.1

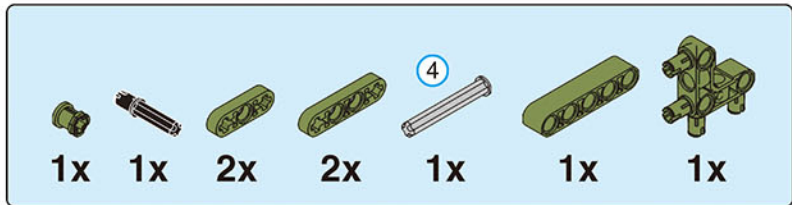
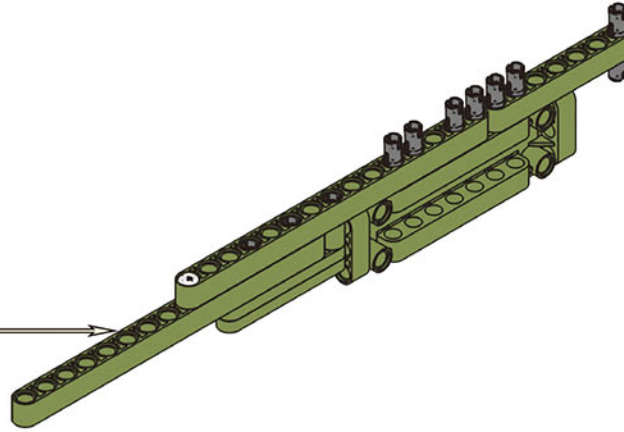
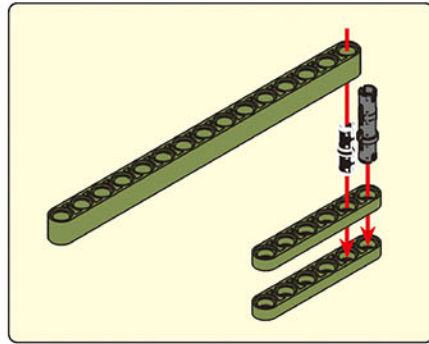


4-2.2

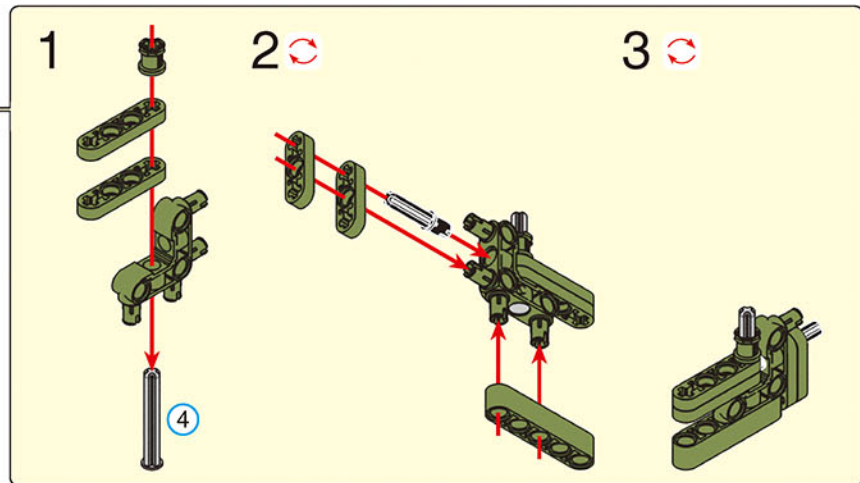
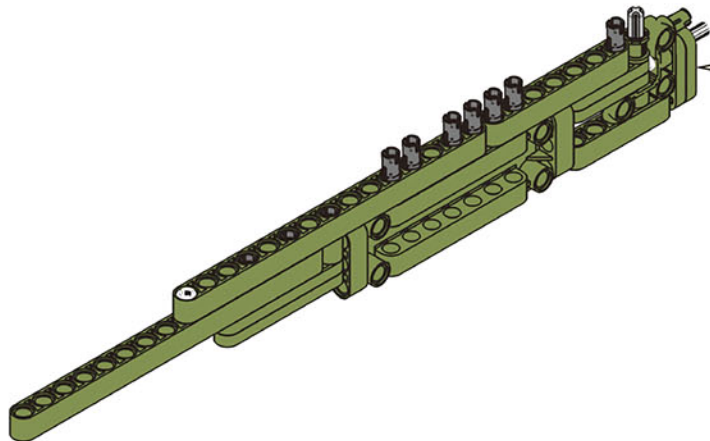


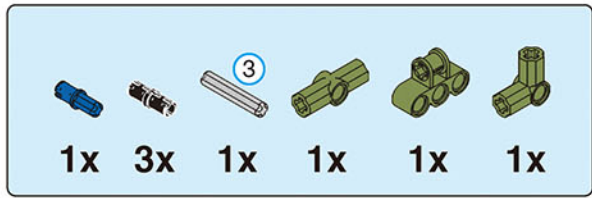


4-2.3

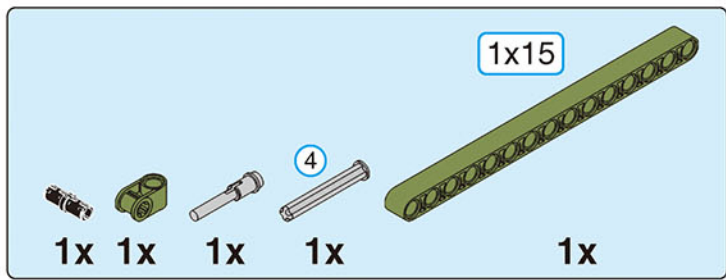
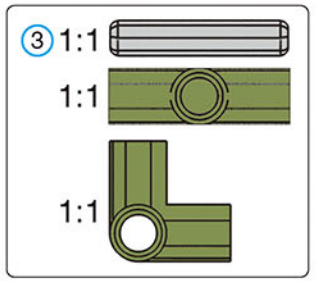
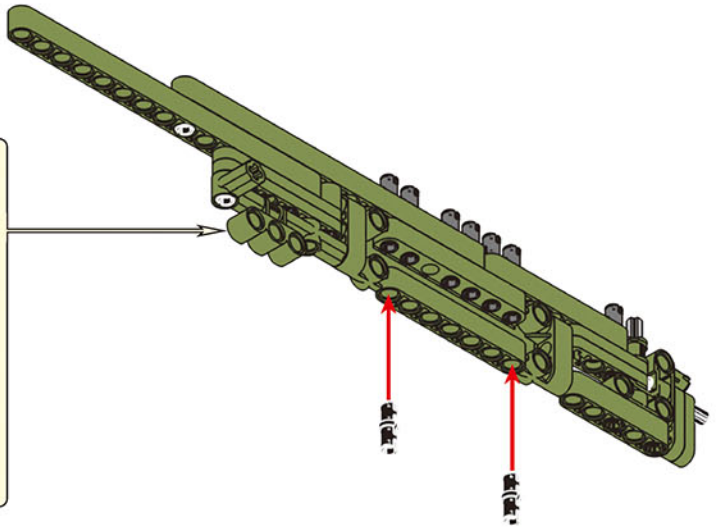
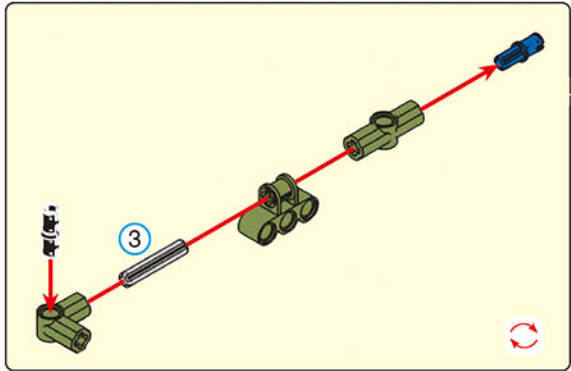


4-2.4

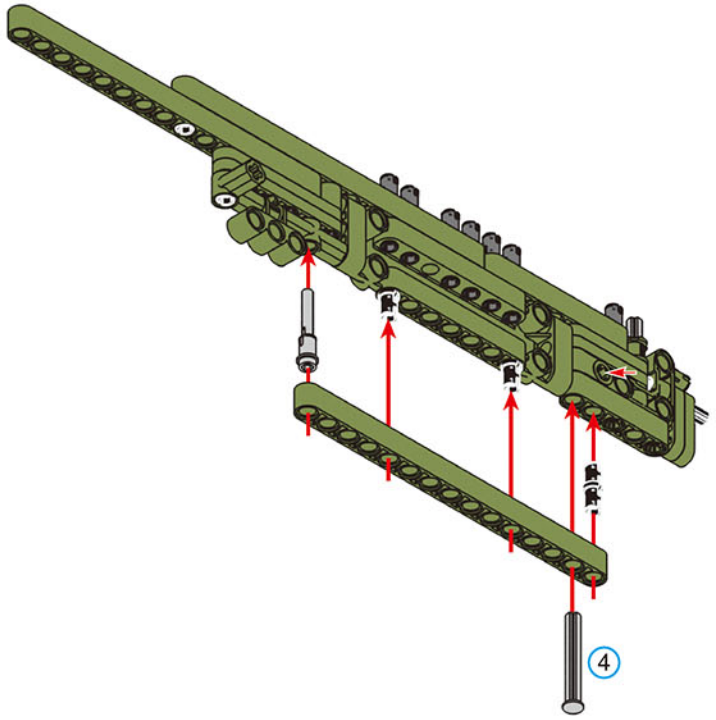


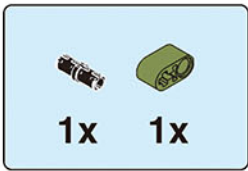


4-2.5

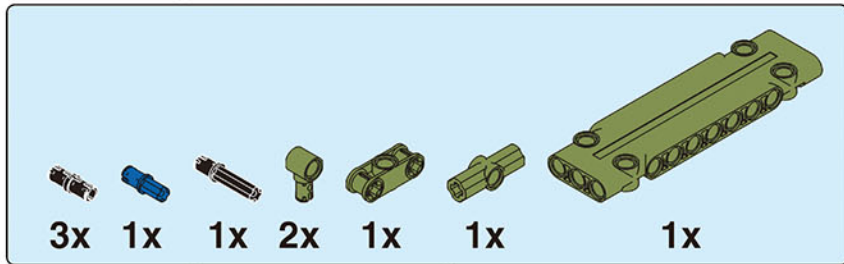
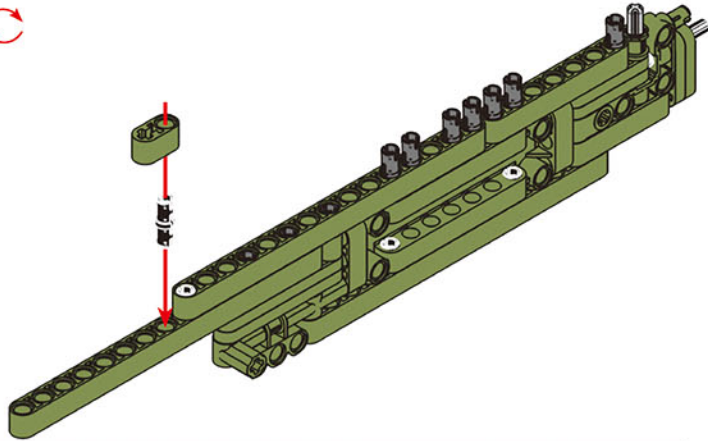


4-2.6

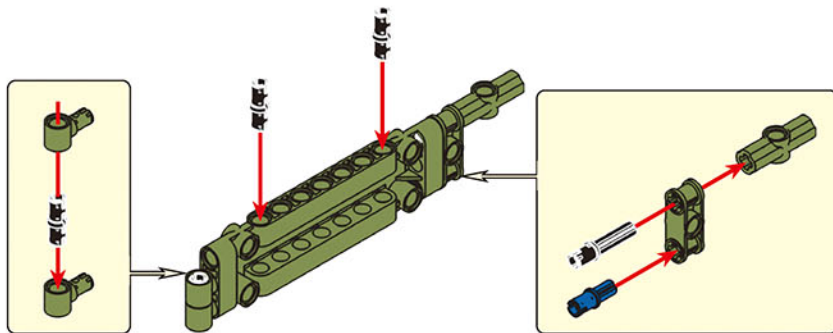




4-2.7

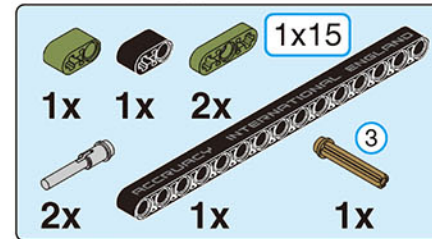
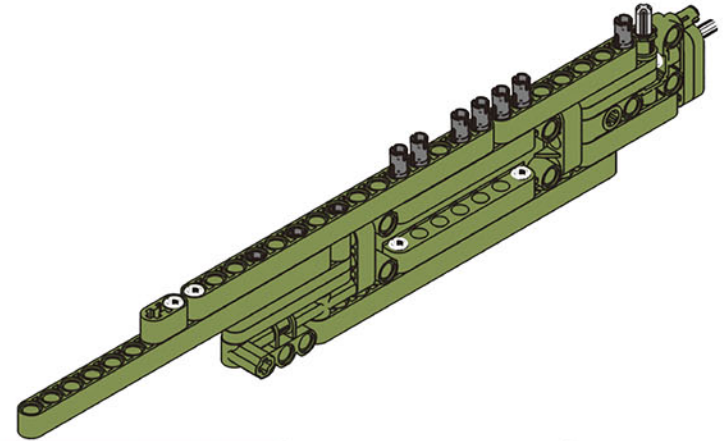


4-3.1

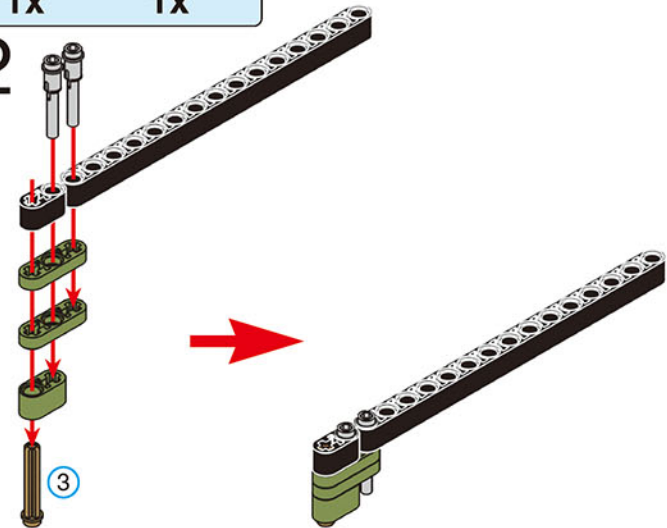
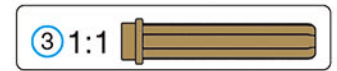


55

4-2

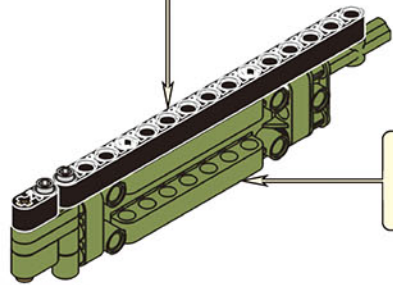


4-3.2

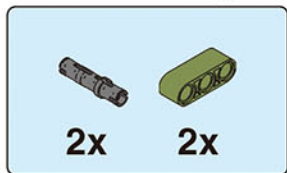


4-3.3

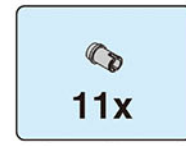
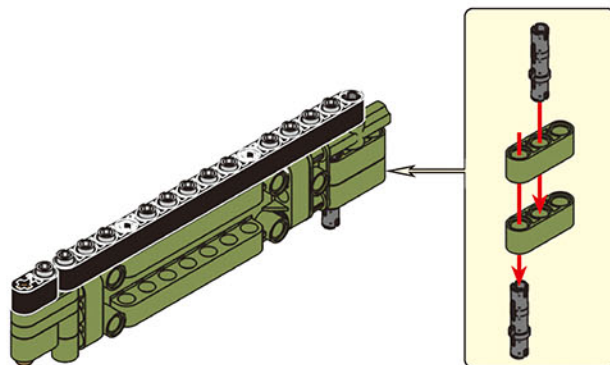
4-3.2



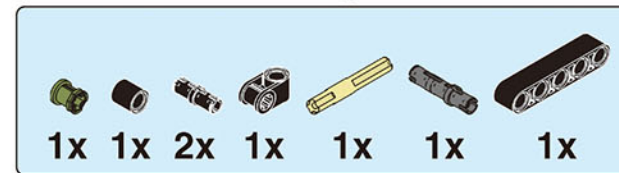
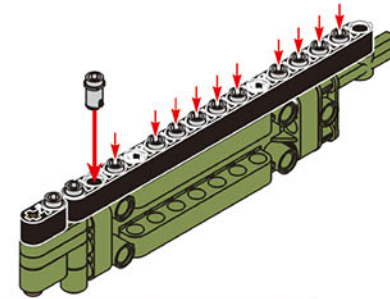
4-3.1



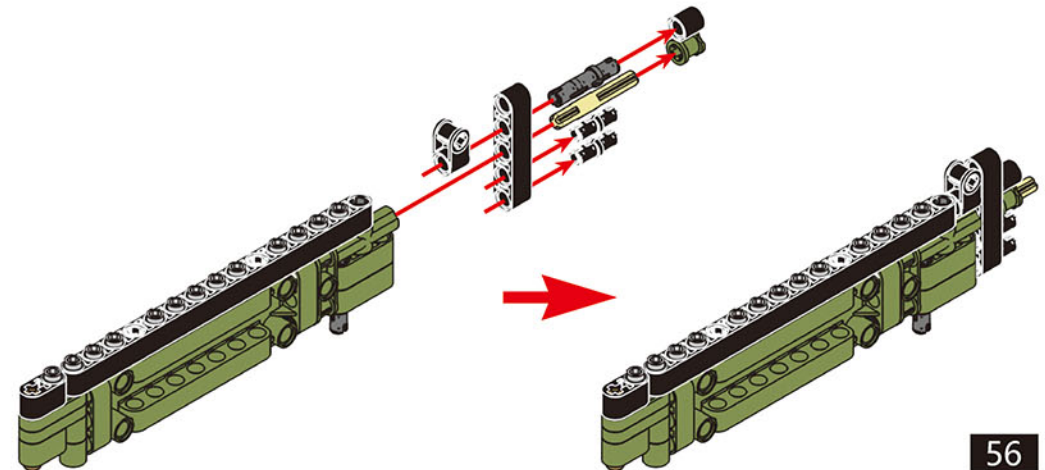
4-3.5

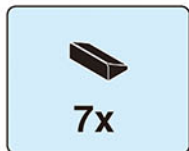


4-3.4

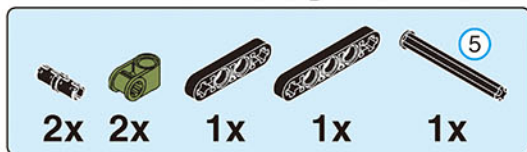
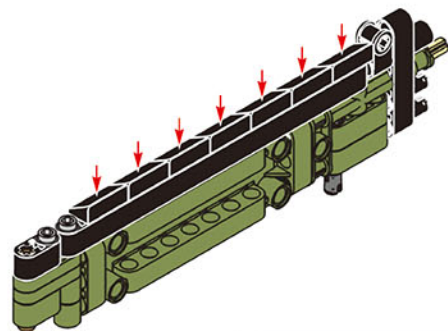


4-3.6

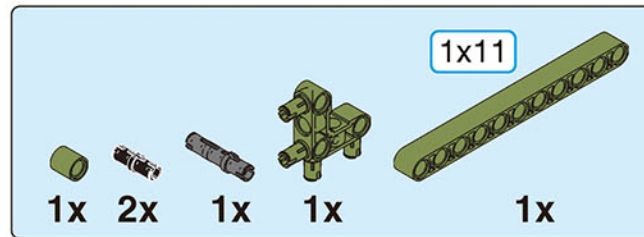
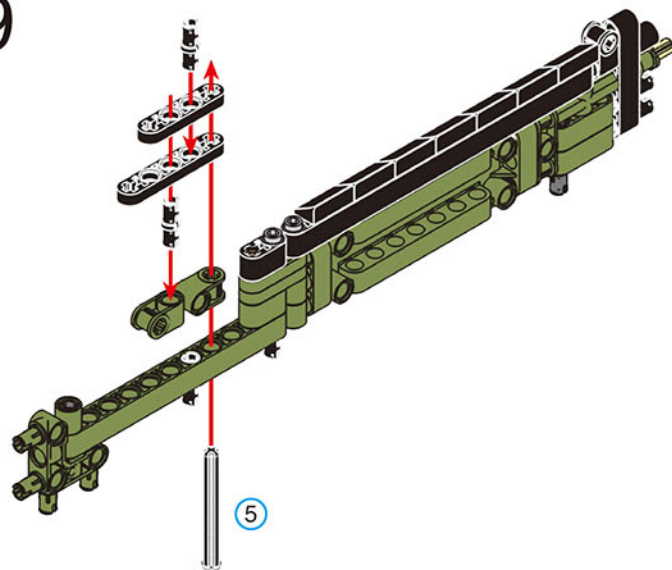




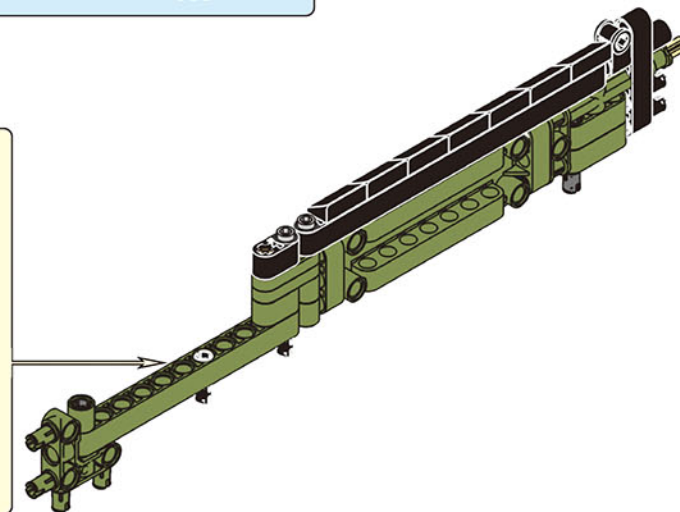
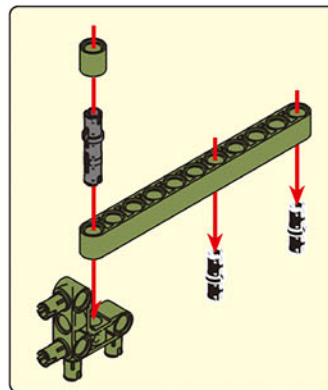
4-3.7



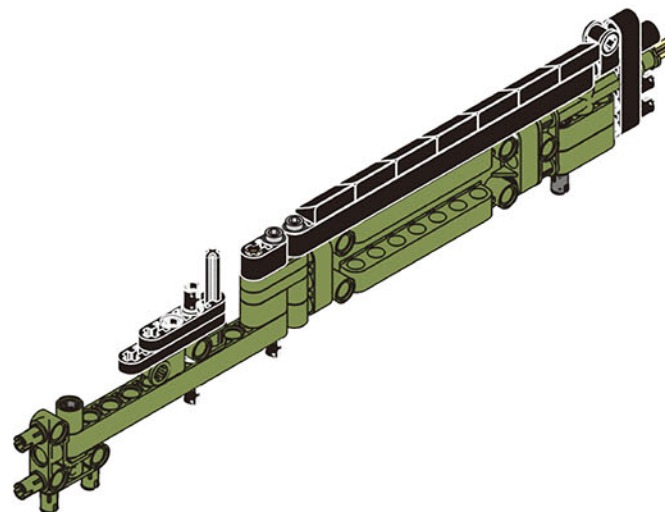
4-3.9



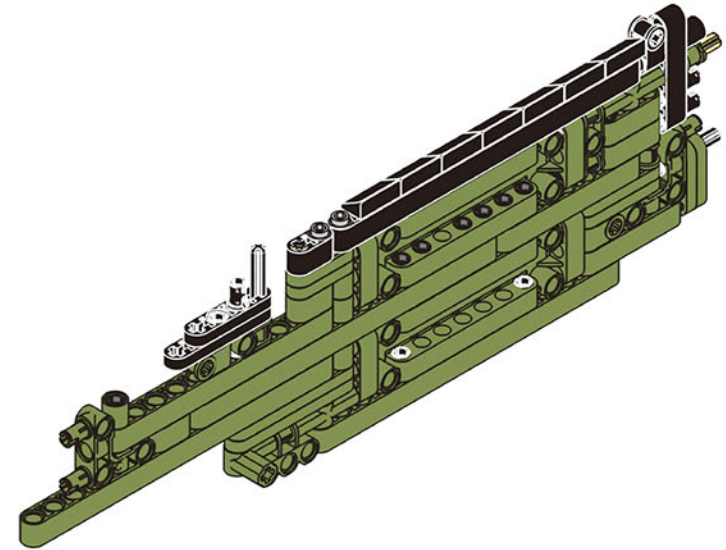
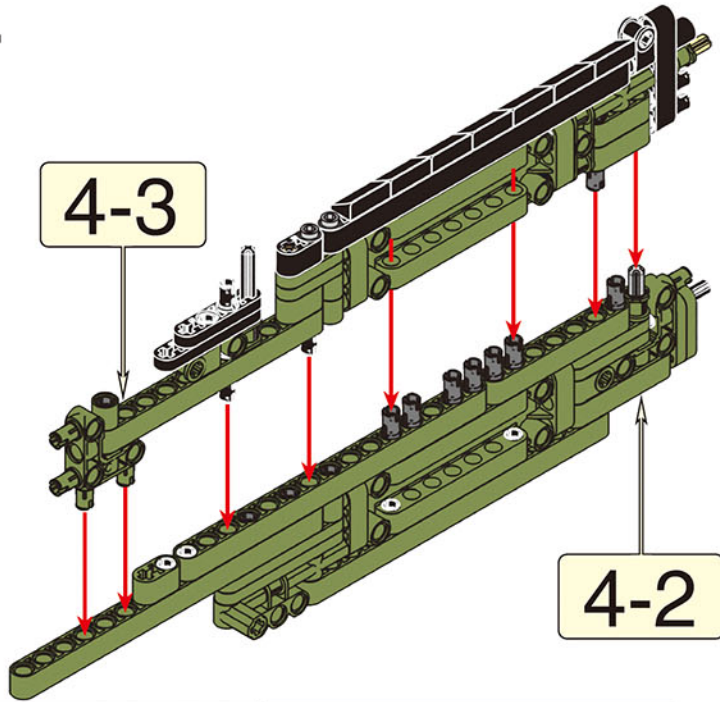
4-3.8



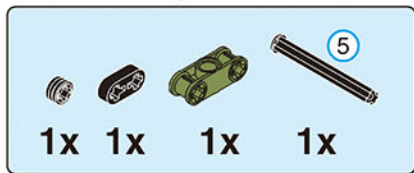
4-3



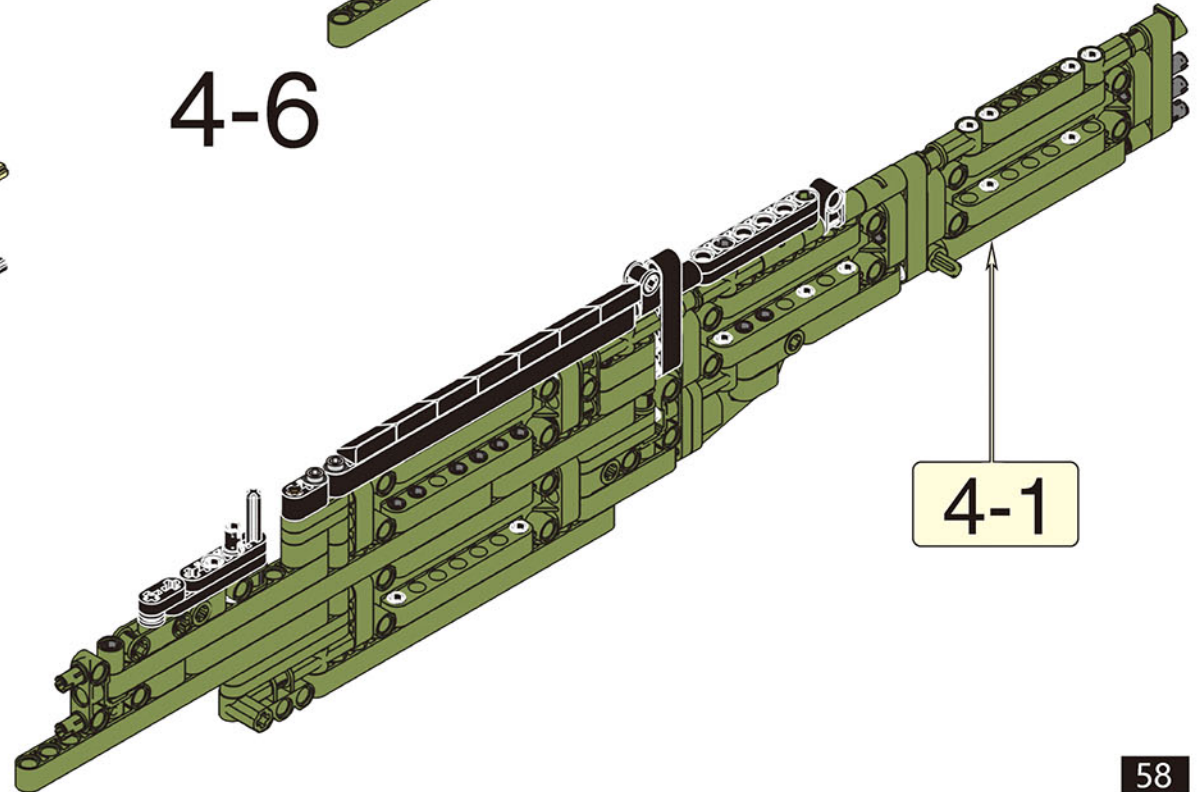
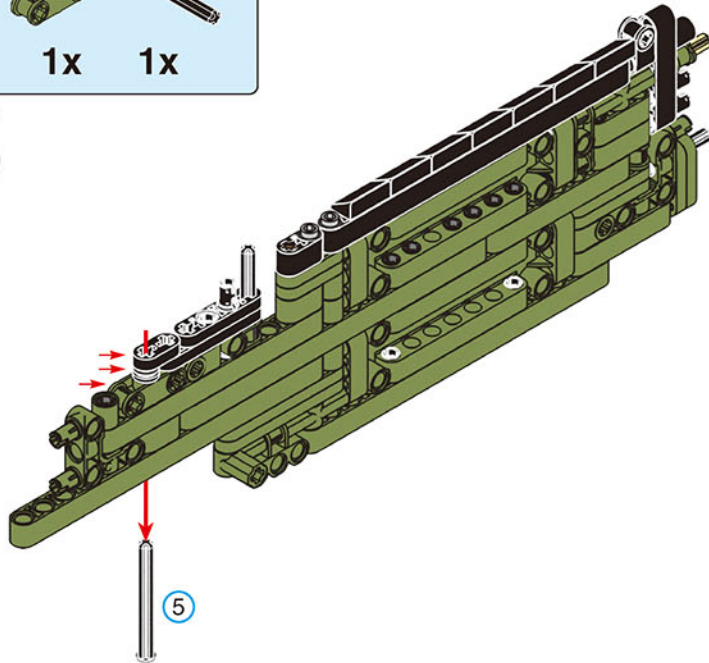
4-4

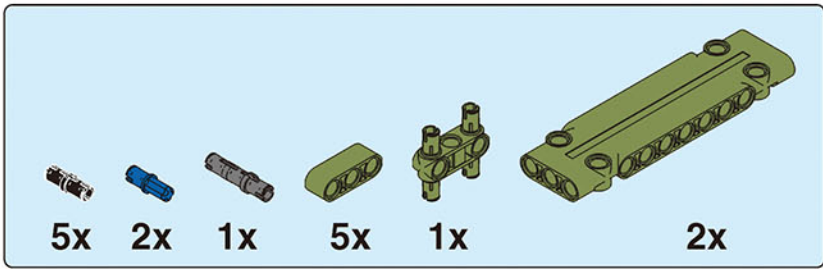


4-6



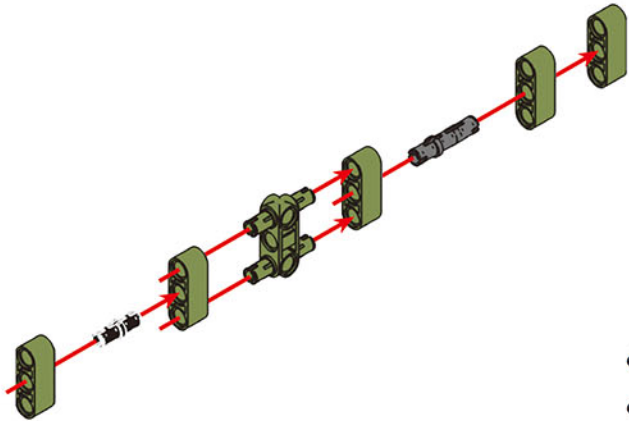
4-5



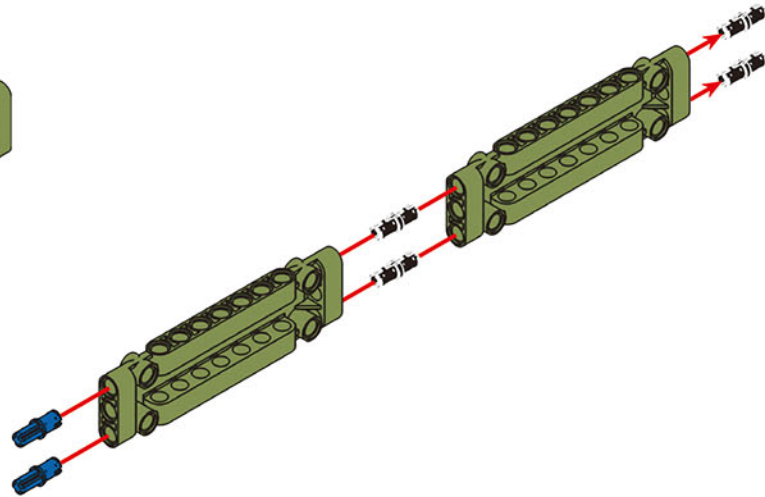


4-7.1

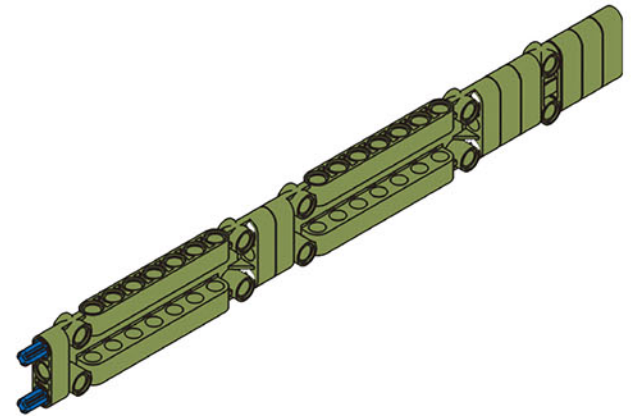
1



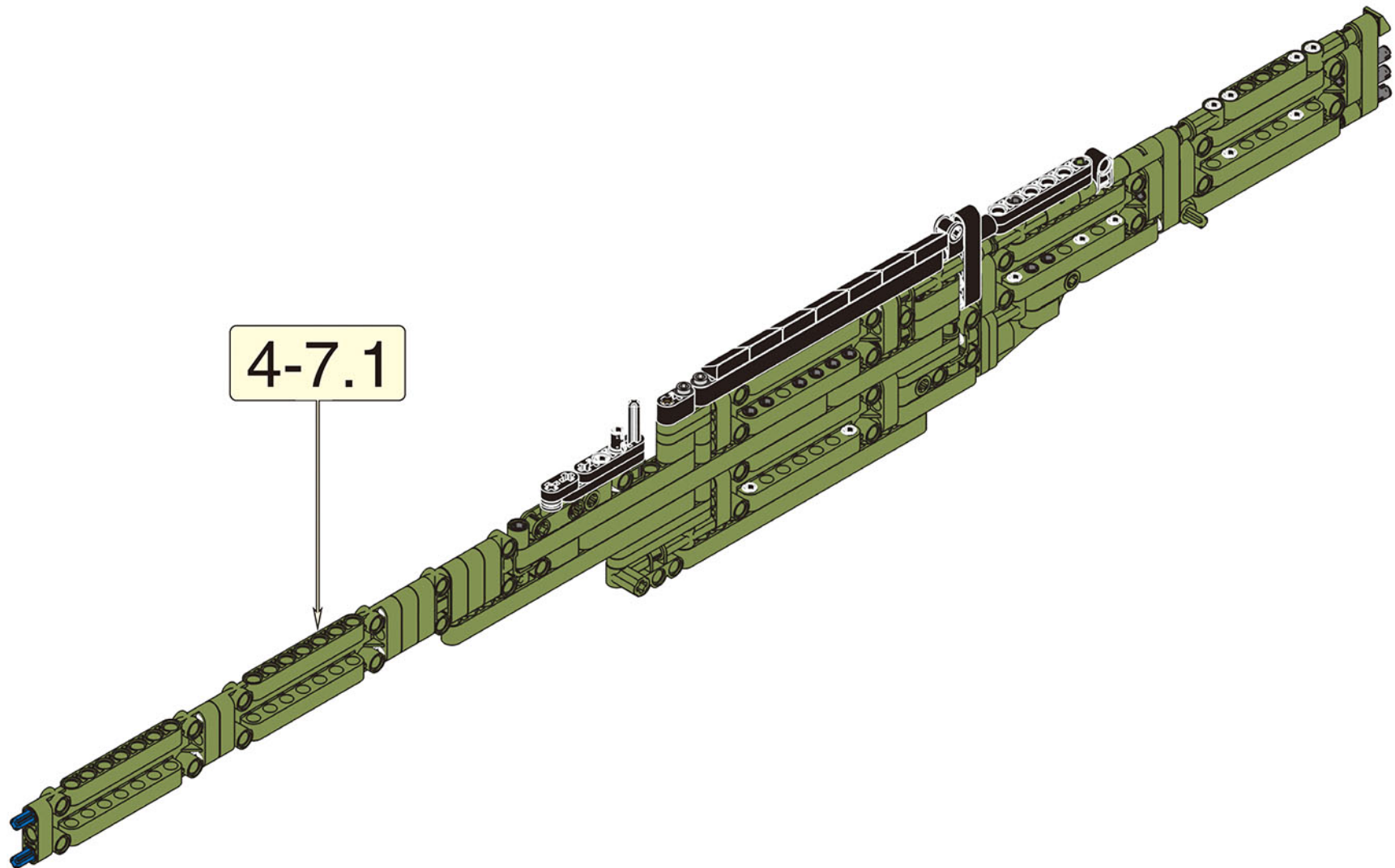
2

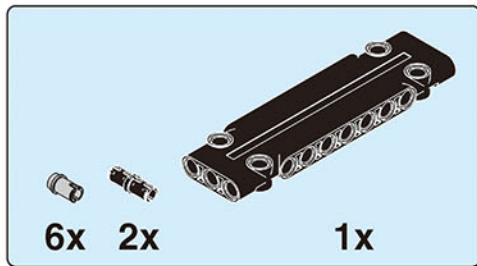


3

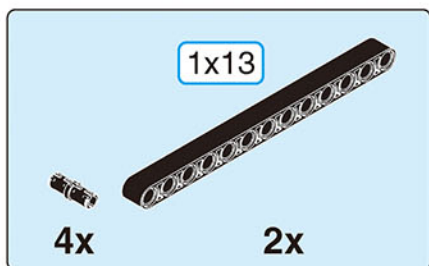
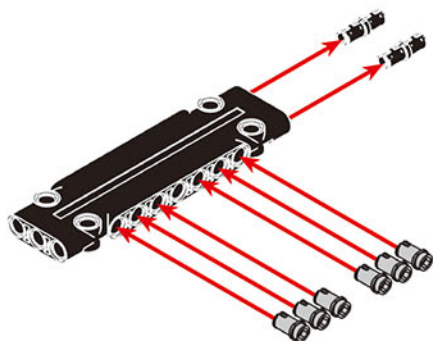


4-7

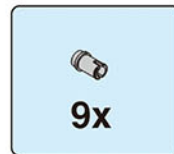
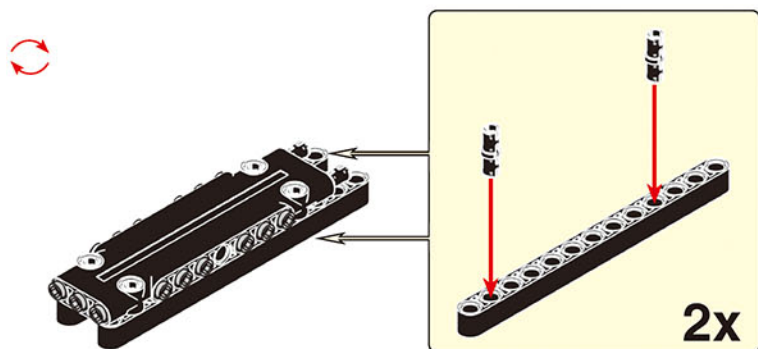




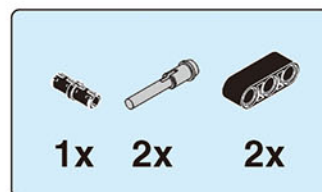
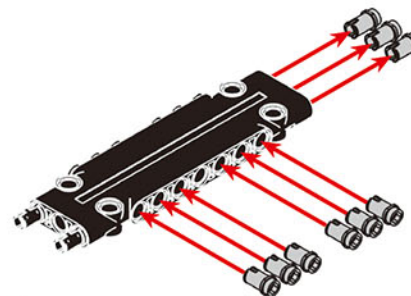
4-8.1



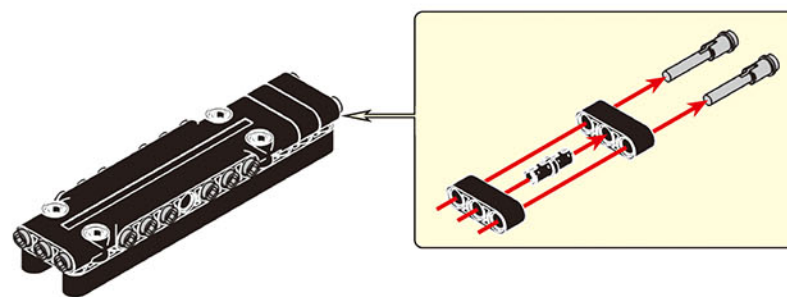
4-8.3

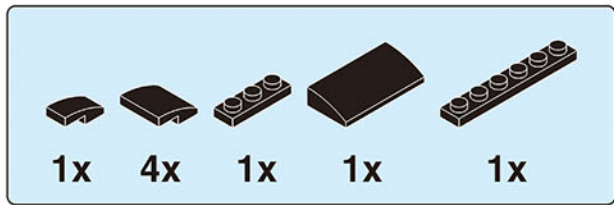


4-8.2

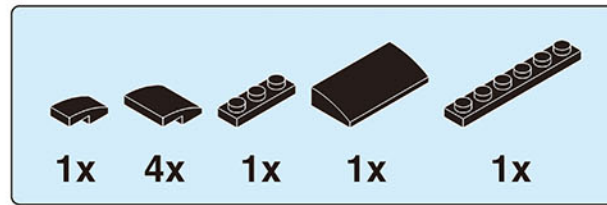


4-8.4

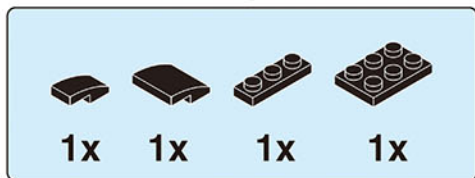
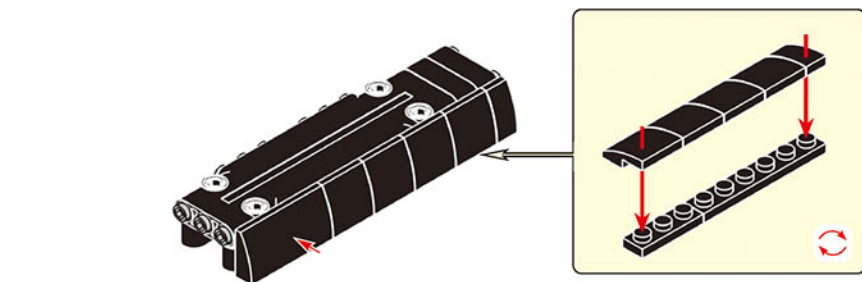




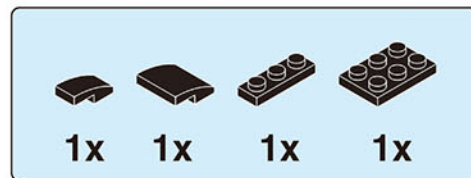
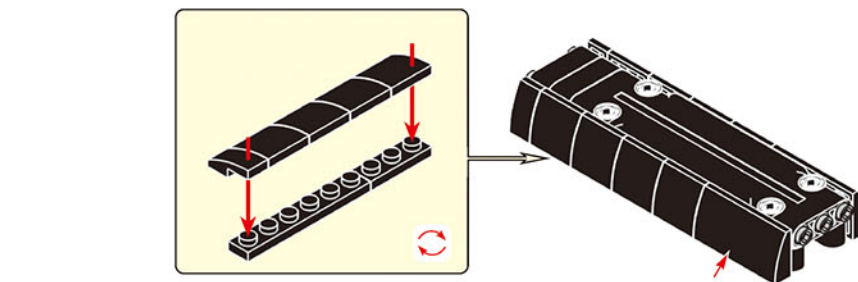
4-8.5



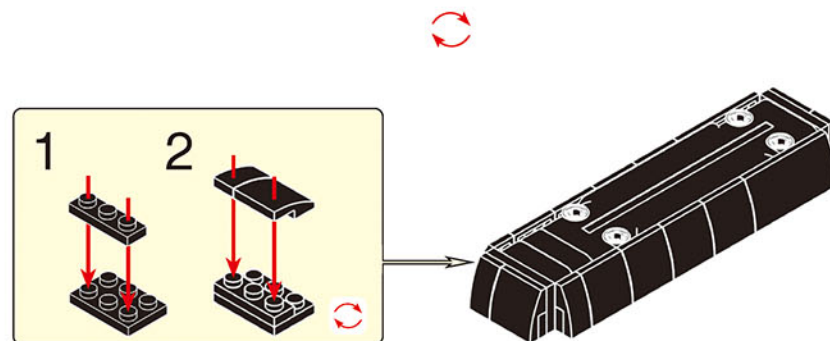
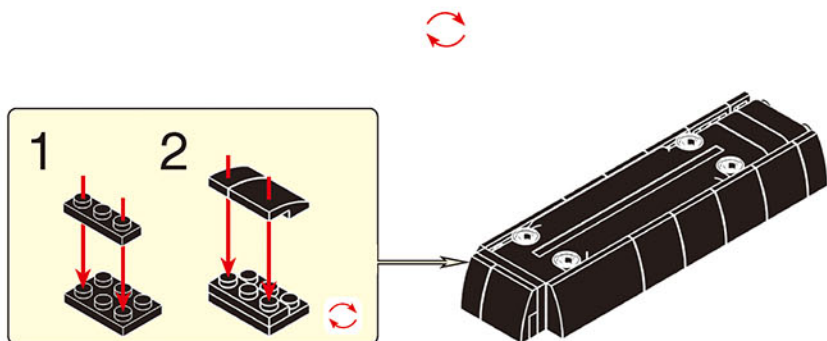
4-8.6



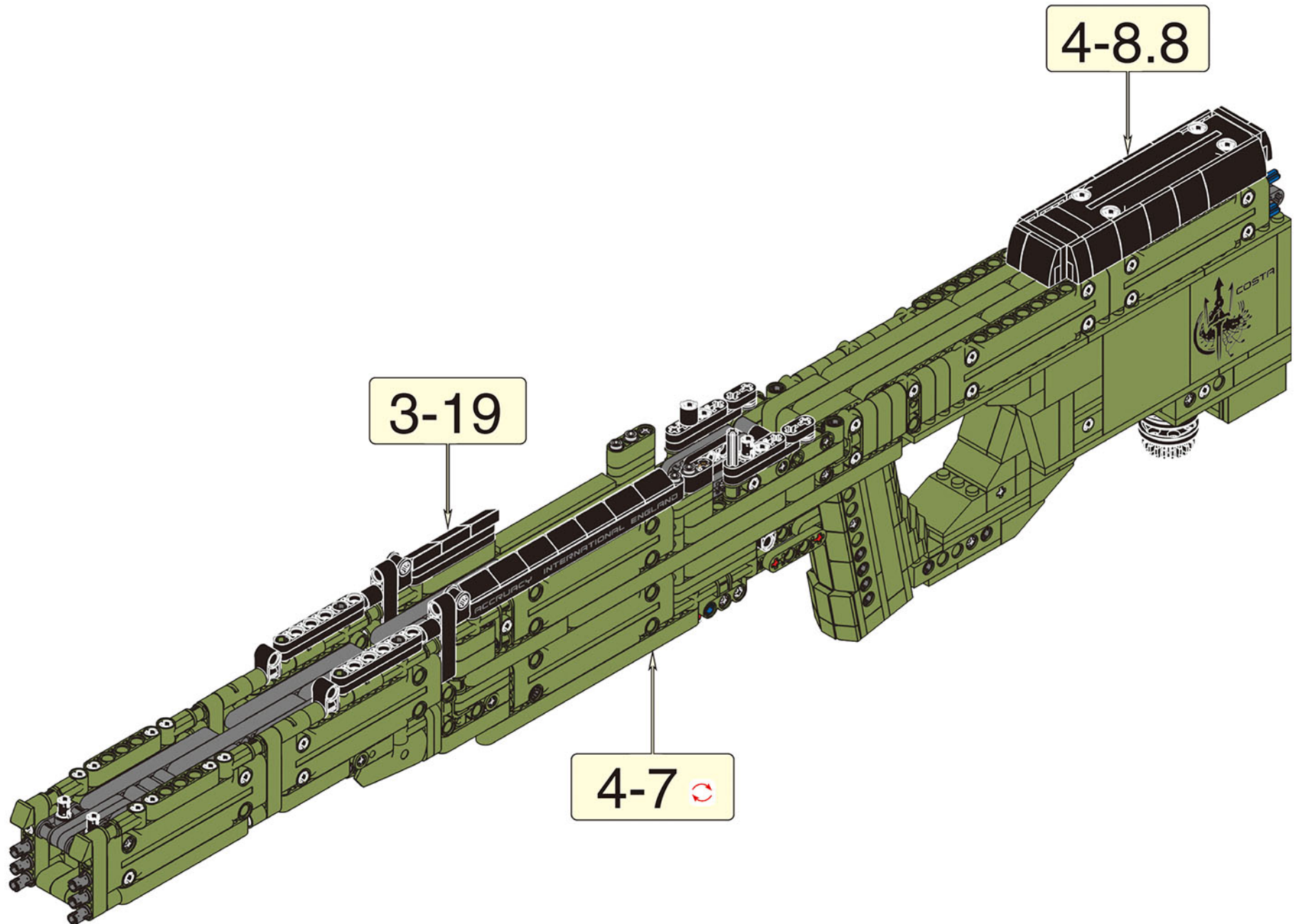
4-8.7

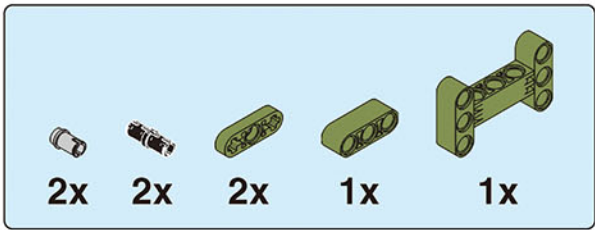


4-8.8

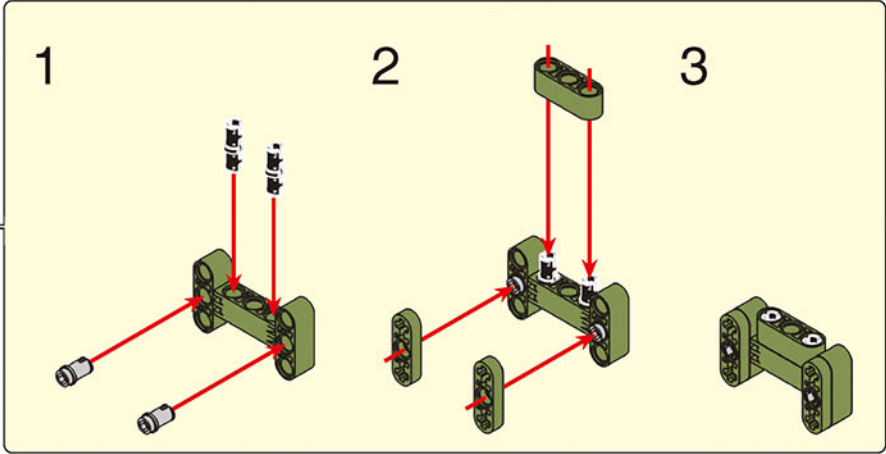
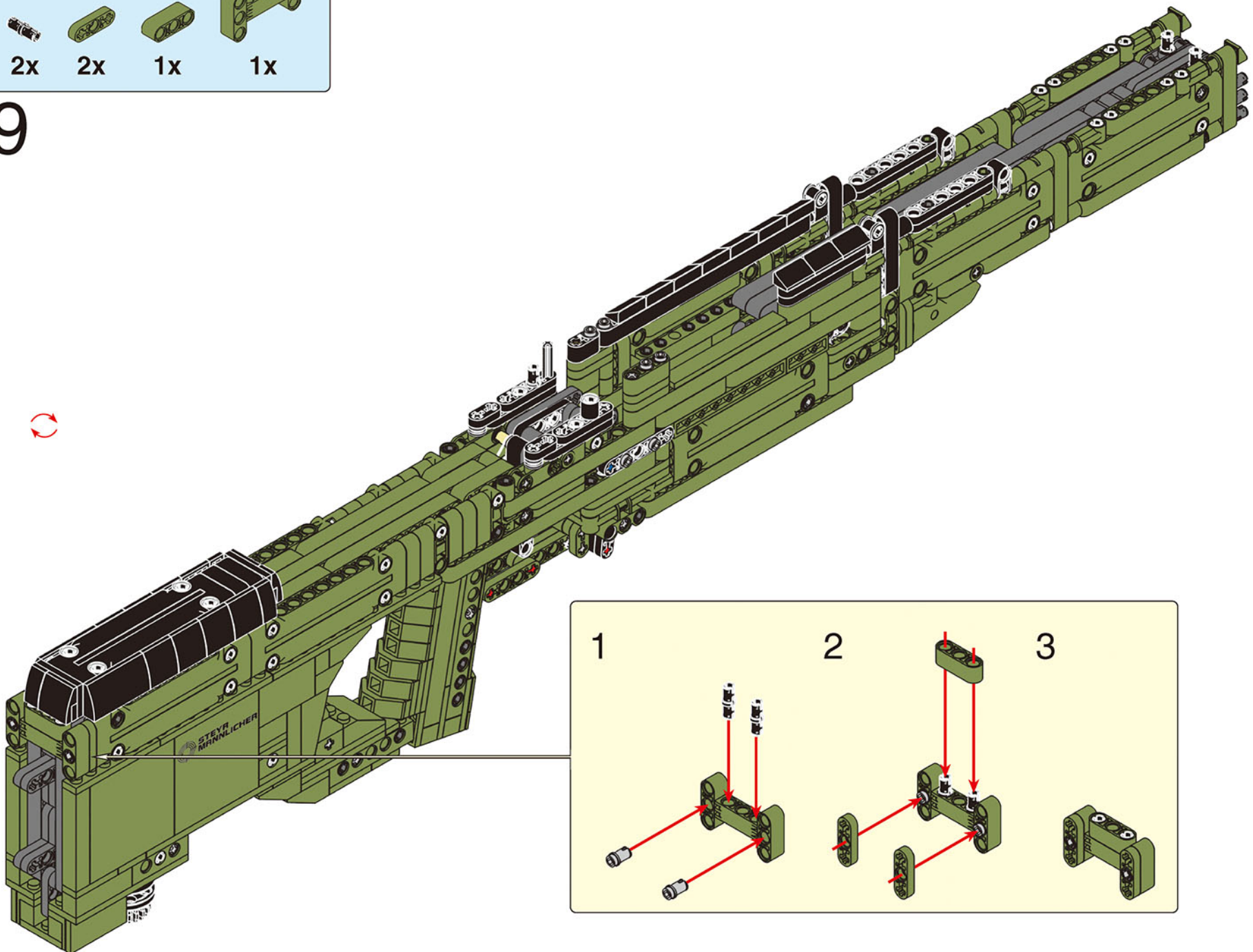


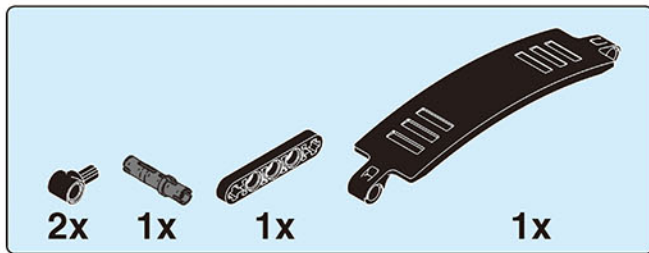
4-8



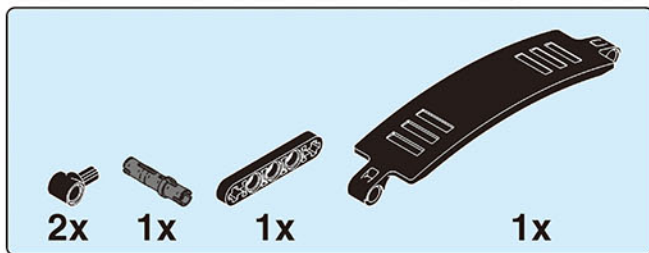
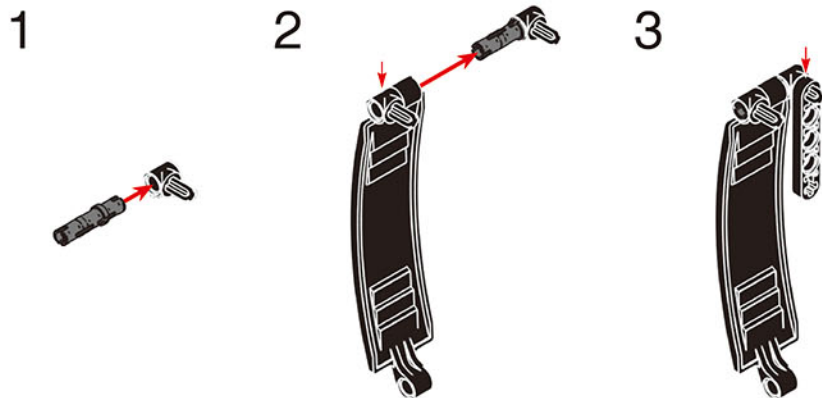


4-9

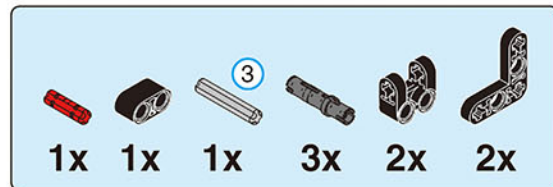
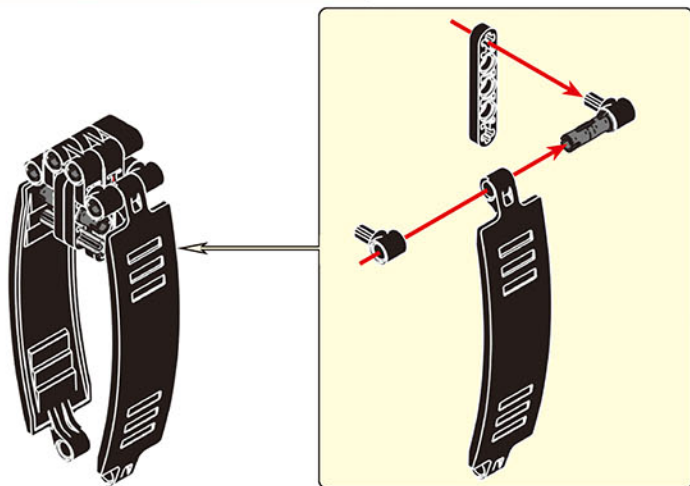




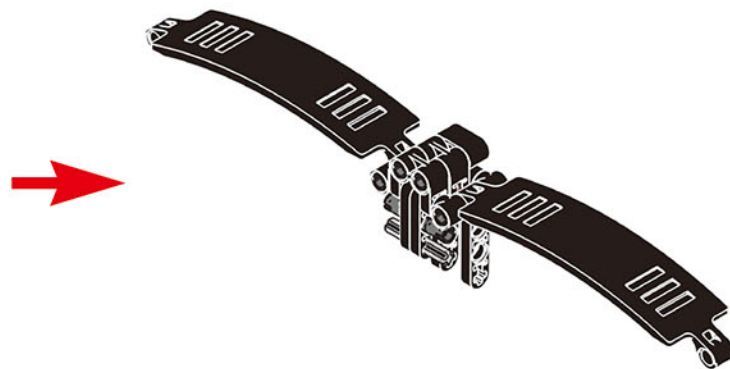
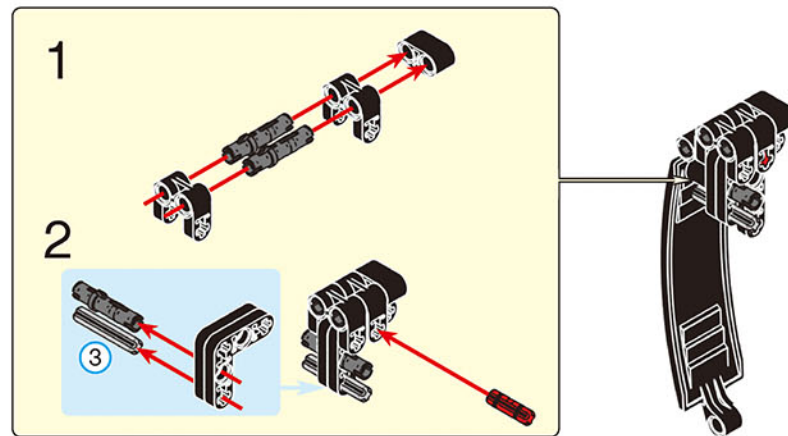
4-10.1

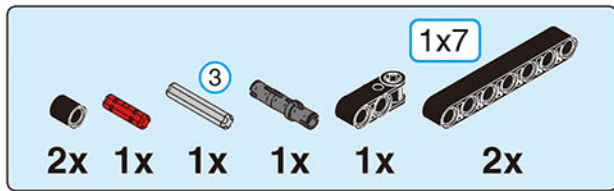


4-10.3

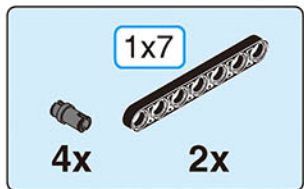
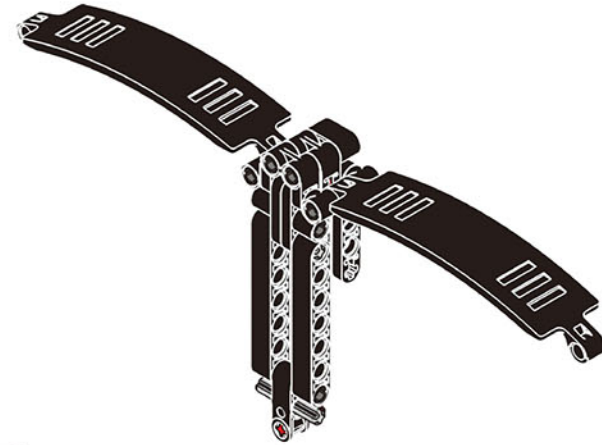
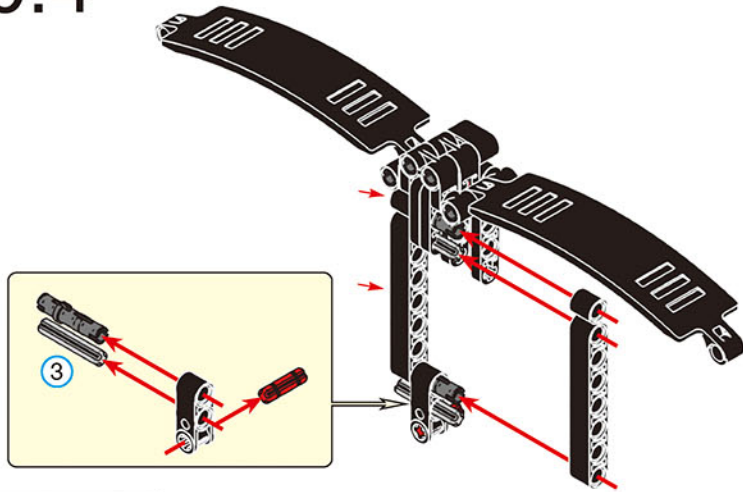


4-10.2

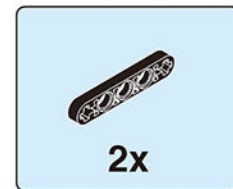
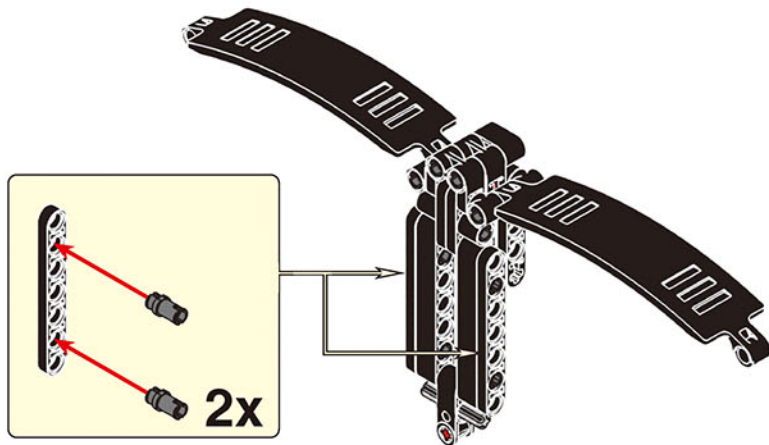




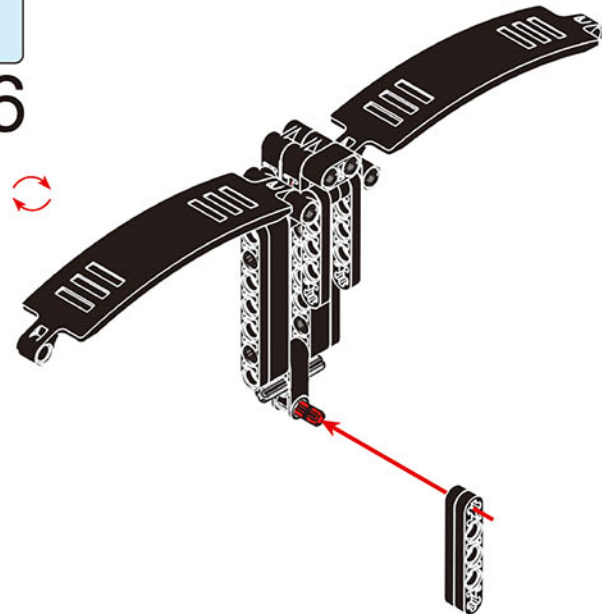
4-10.4

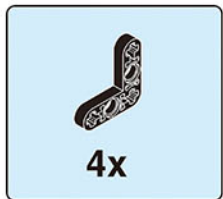


4-10.5

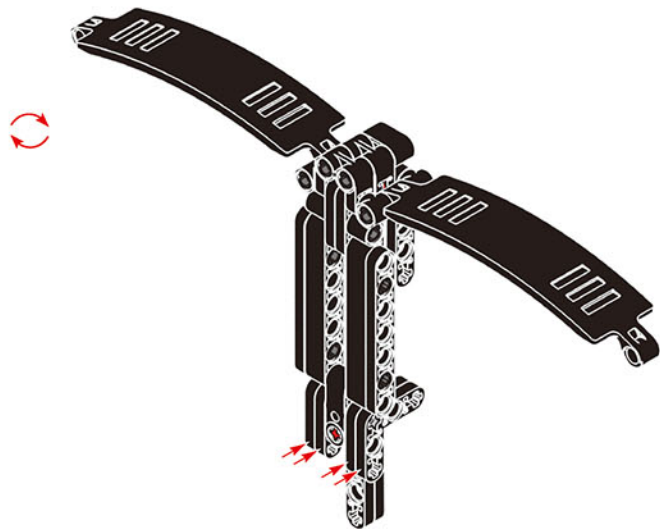


4-10.6

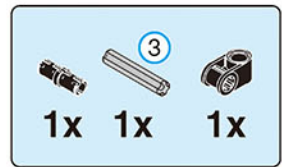
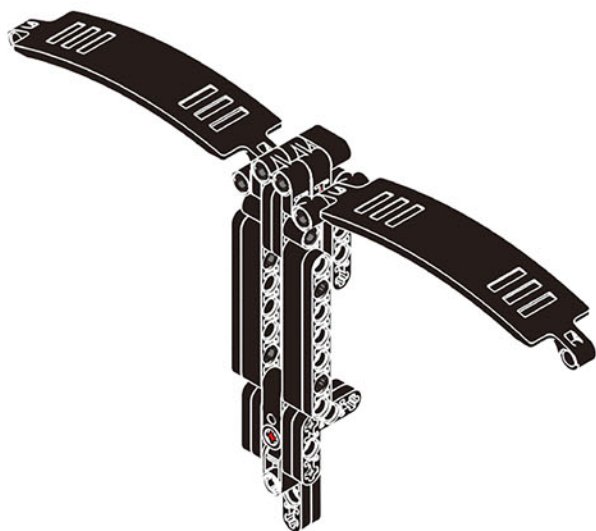




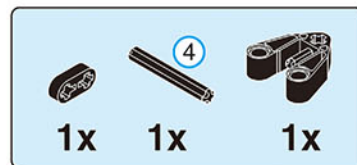
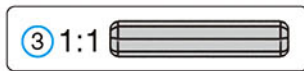
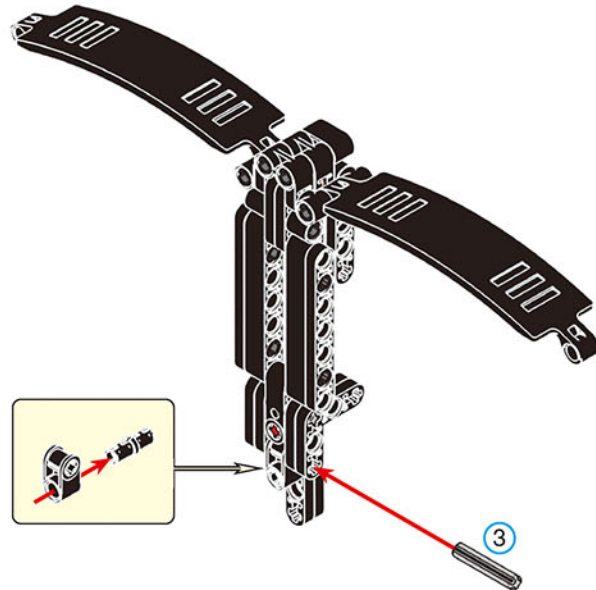
4-10.7



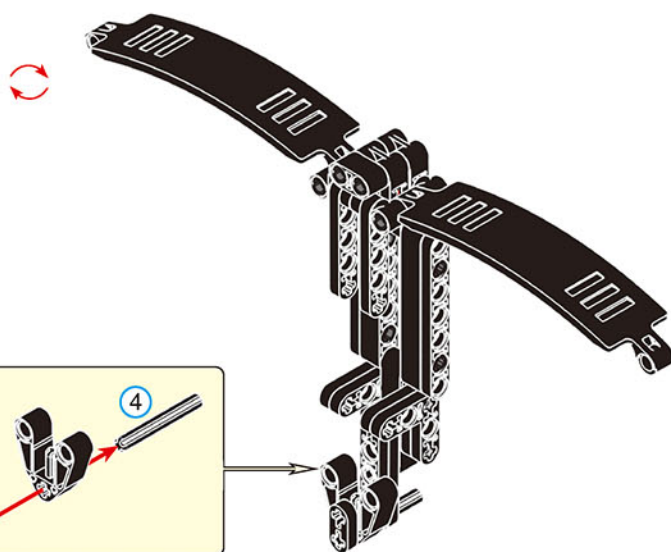
4-10.9

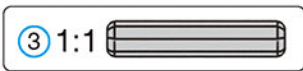
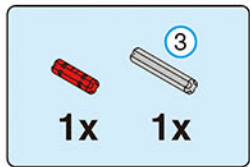


4-10.8



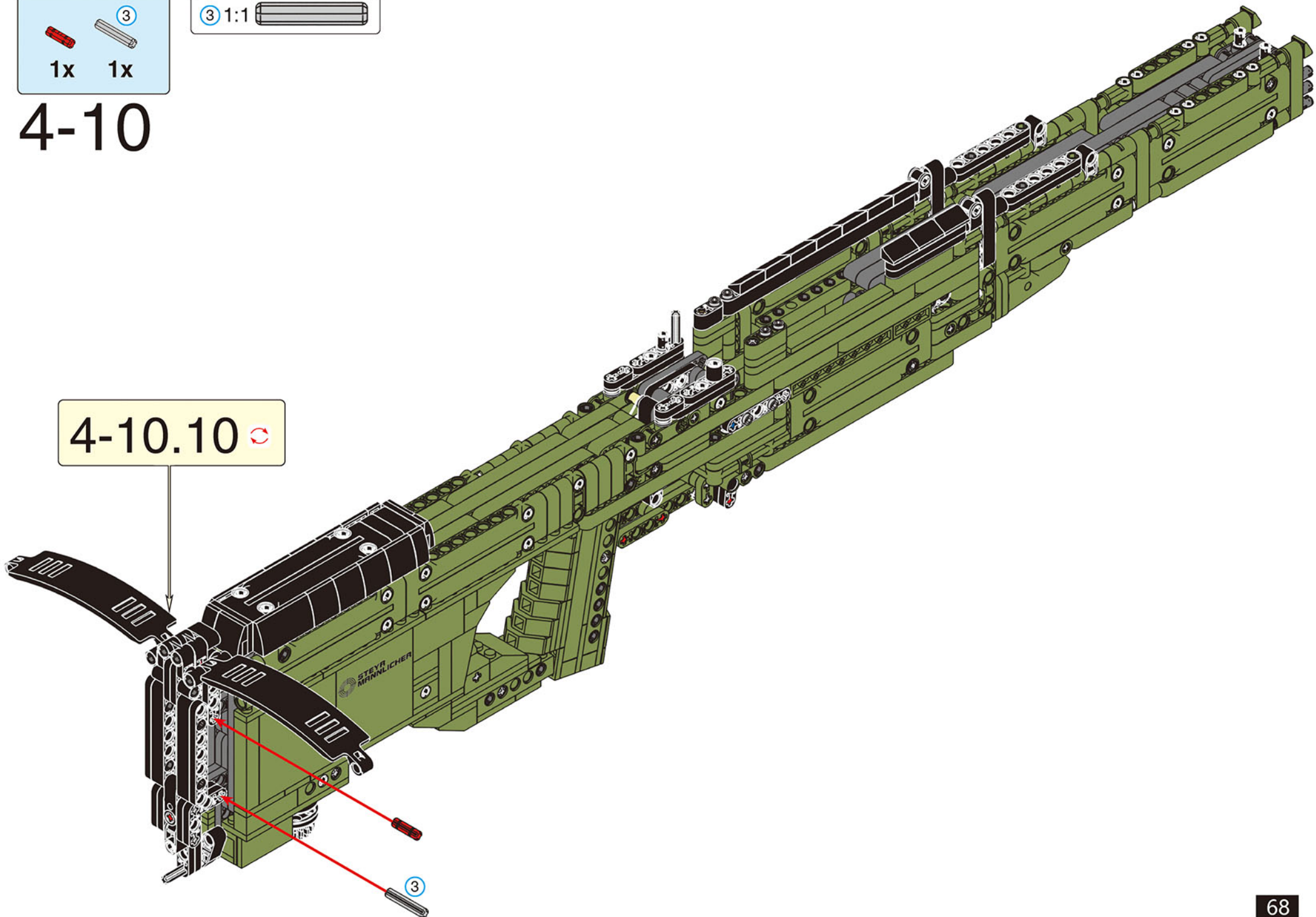
4-10.10



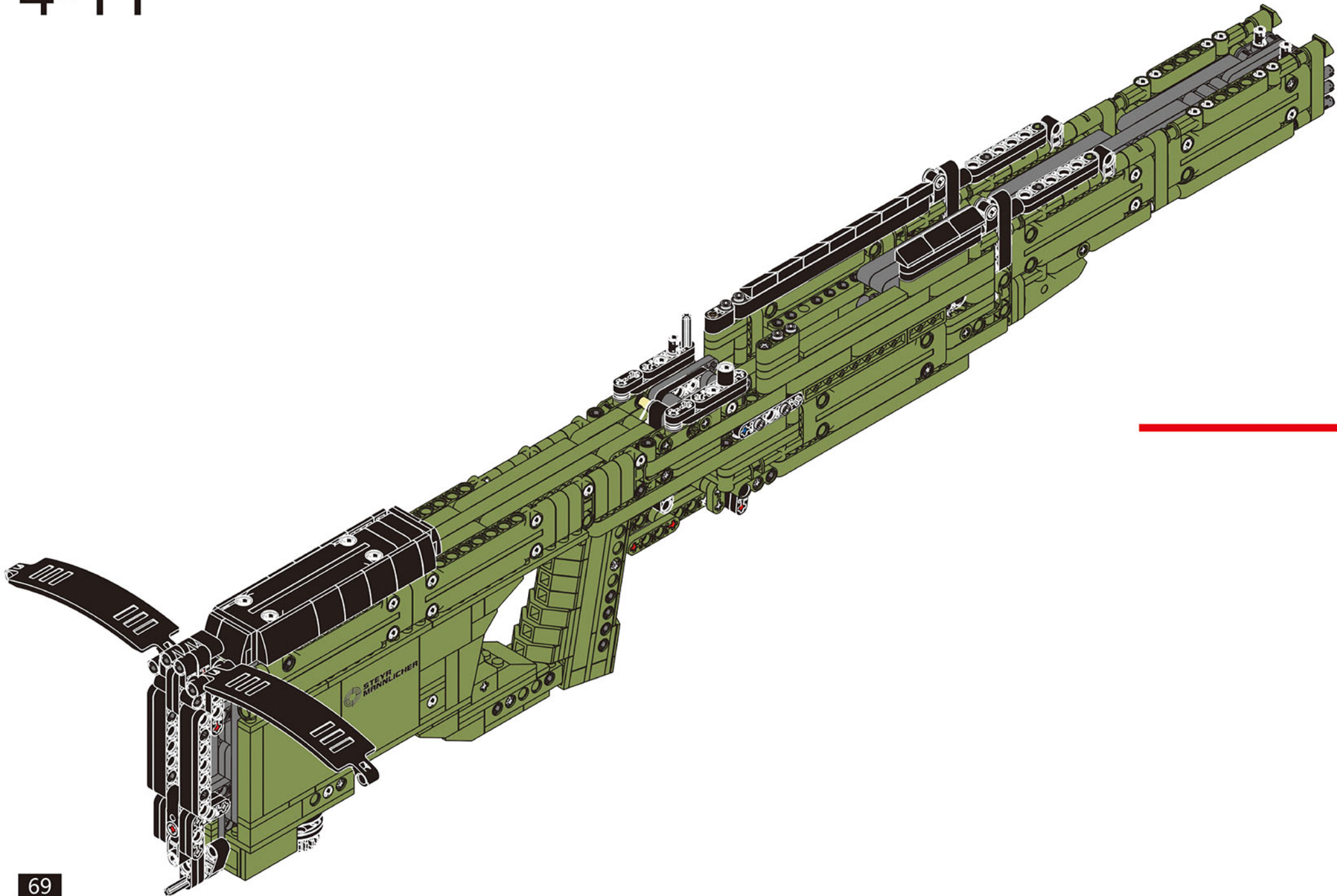


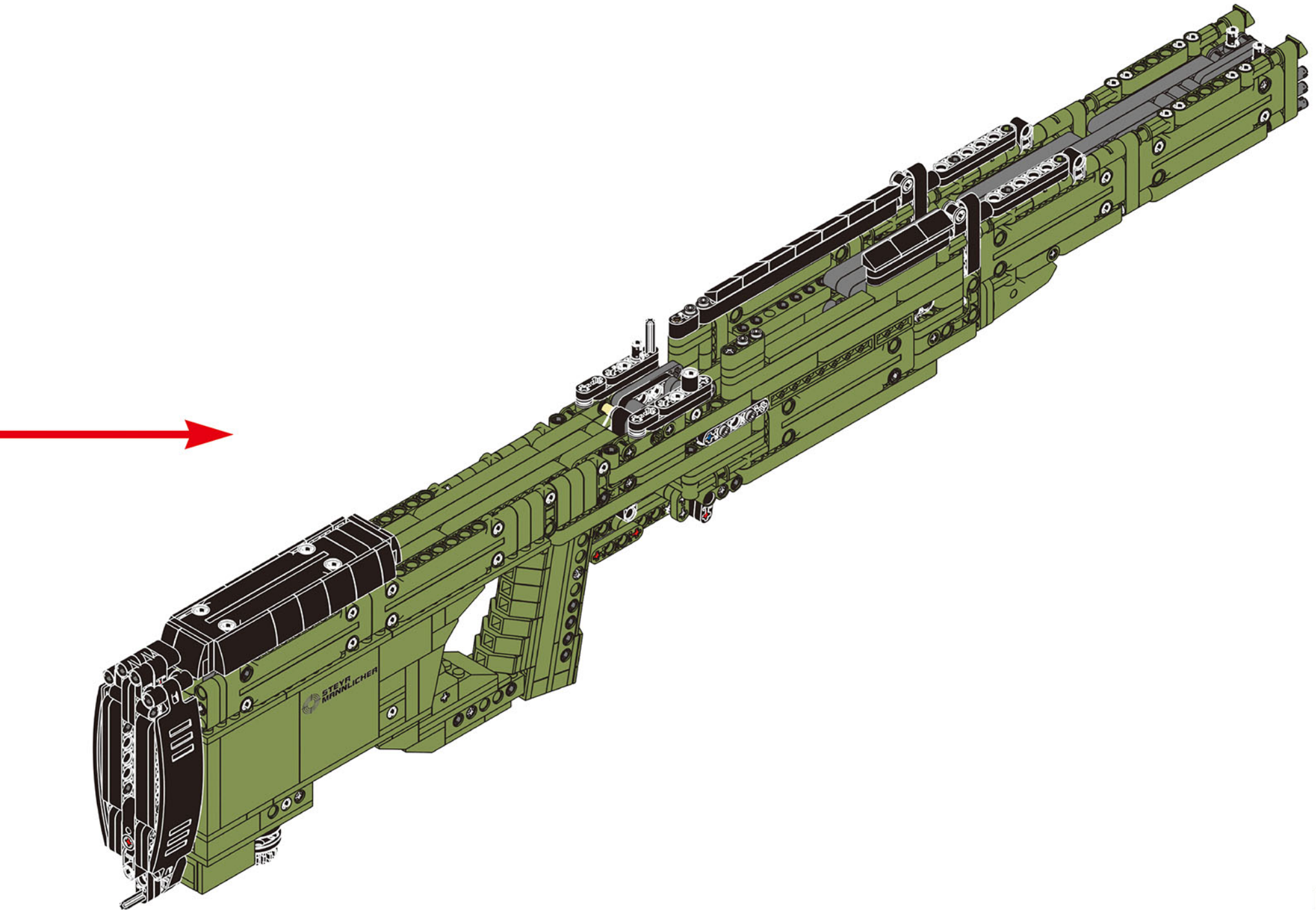
4-10

4-10.10 ↻



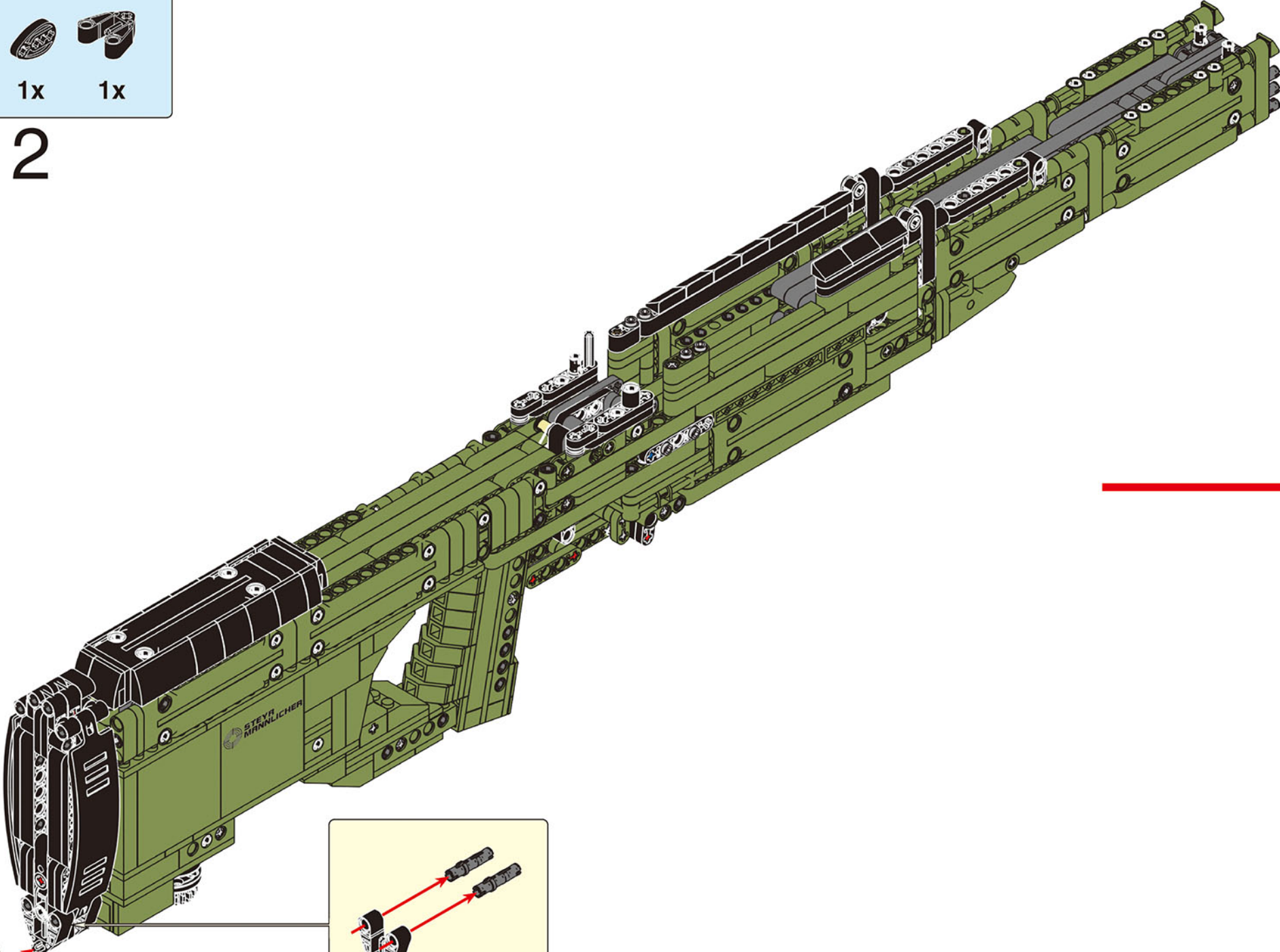
4-11



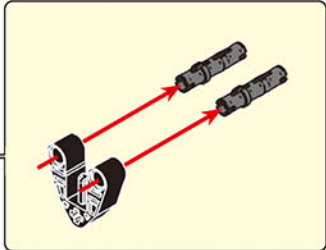


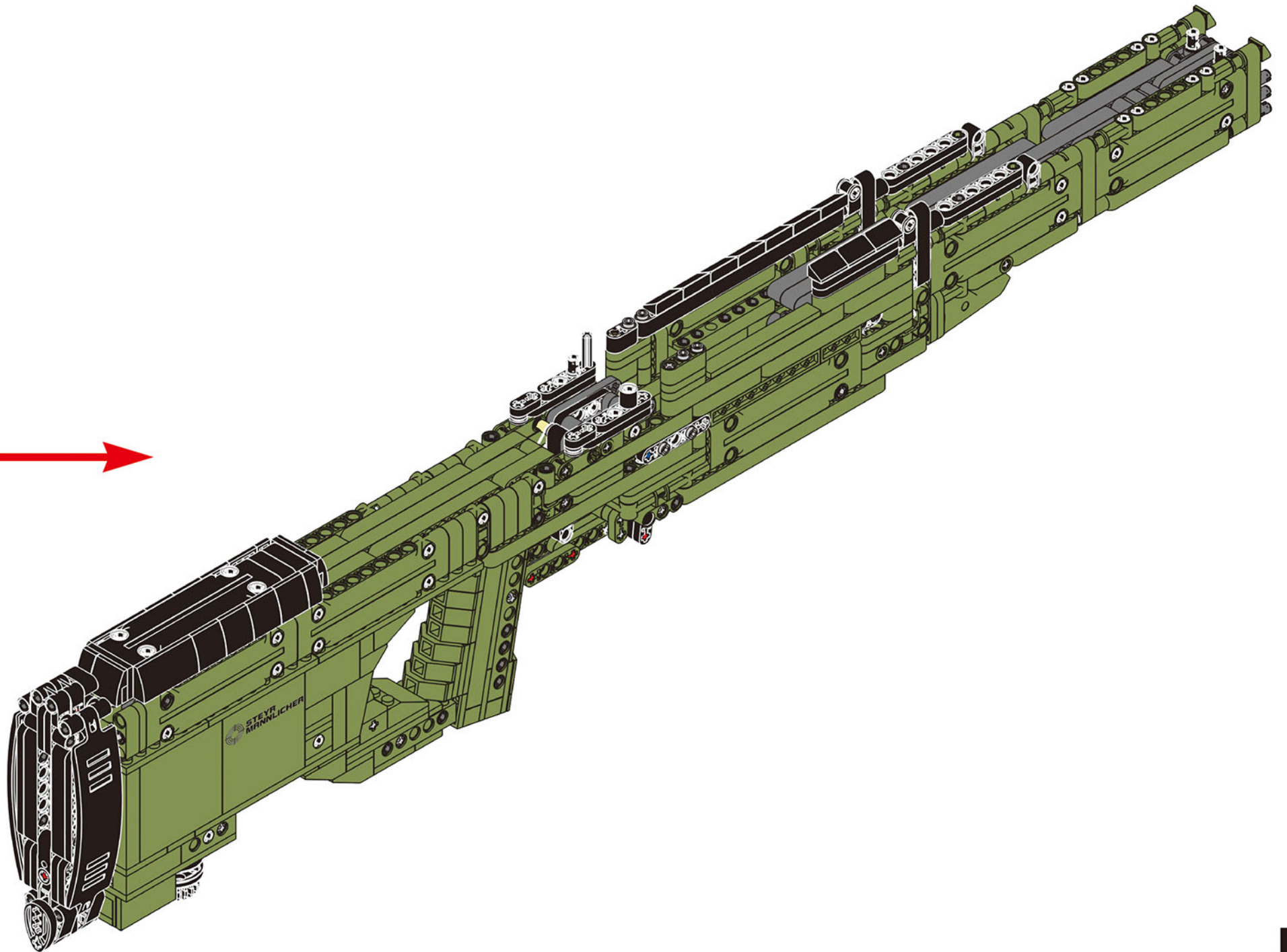
2x 1x 1x

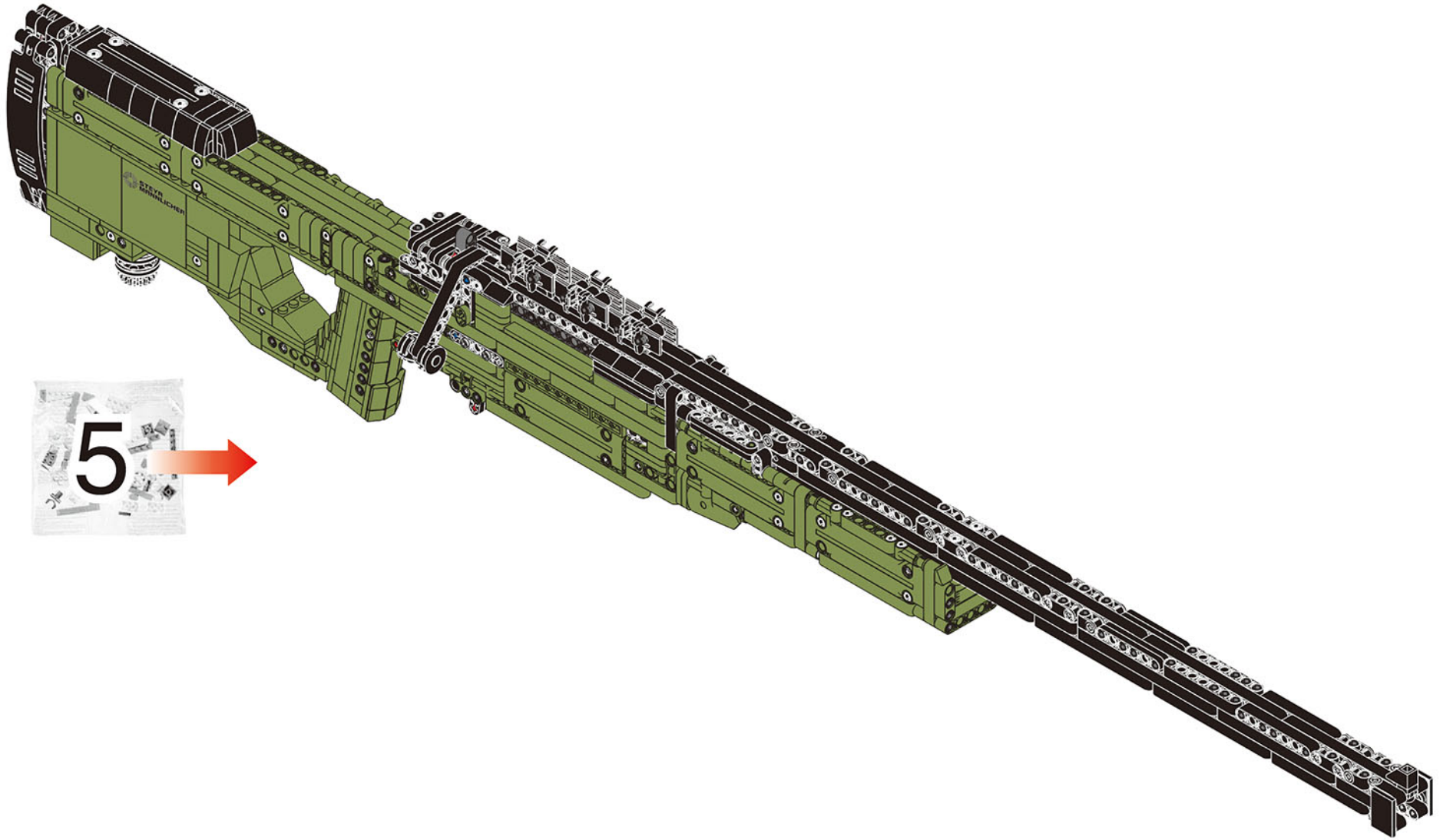
4-12

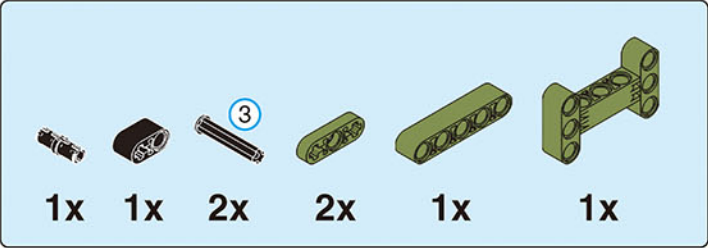


71







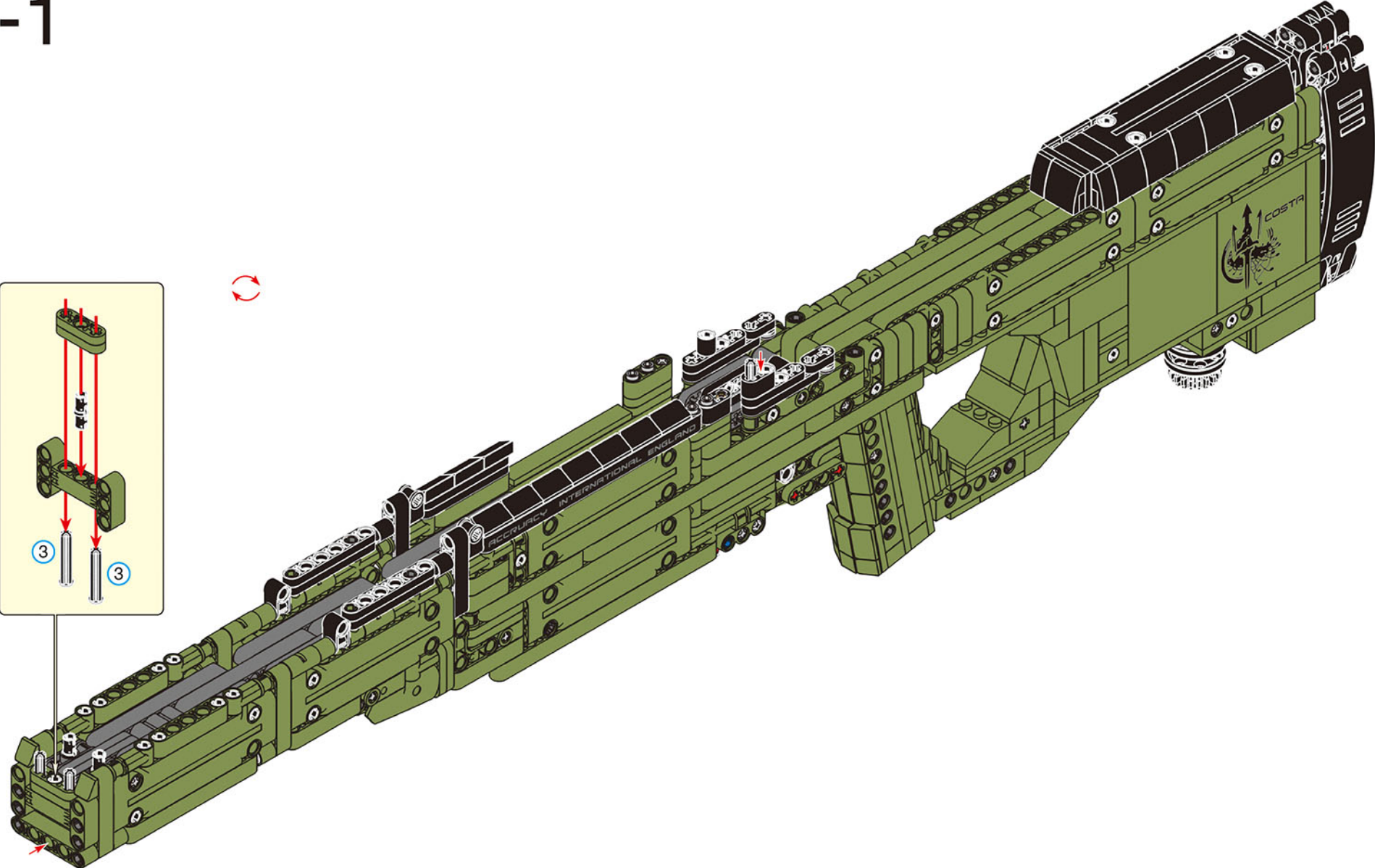


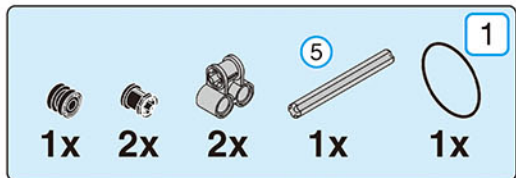
1x 1x 2x 2x 1x 1x

③

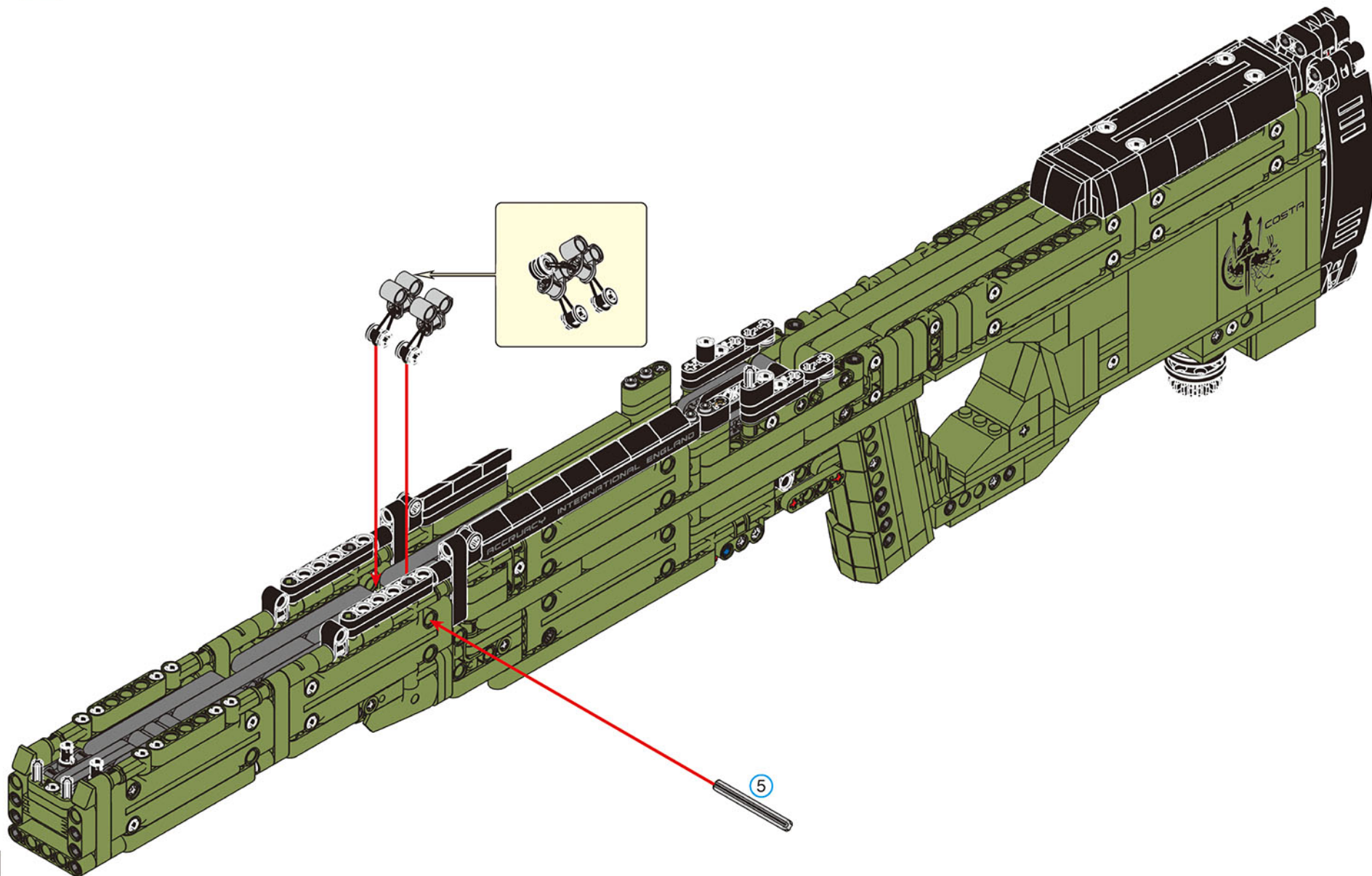
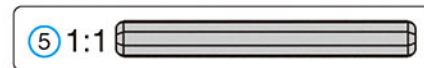
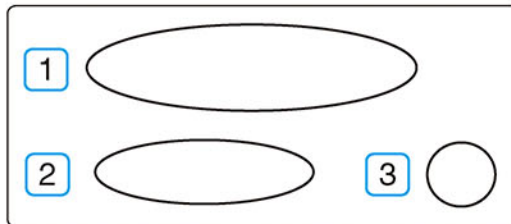
This block contains a parts list for step 5-1. It lists six items: a small black pin (1x), a black bush (1x), a grey axle with a blue circle containing the number 3 (2x), a green 1-hole Technic brick (2x), a green 2-hole Technic brick (1x), and a green 3-hole Technic brick (1x).

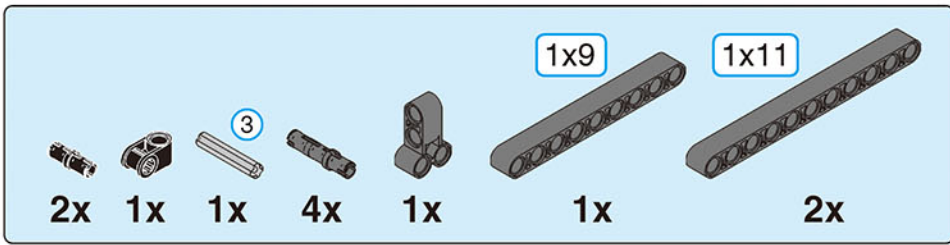
5-1





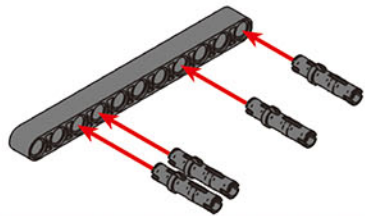
5-2



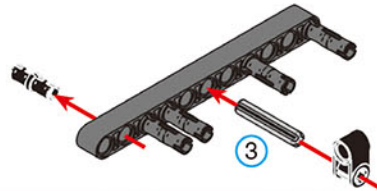


5-3.1

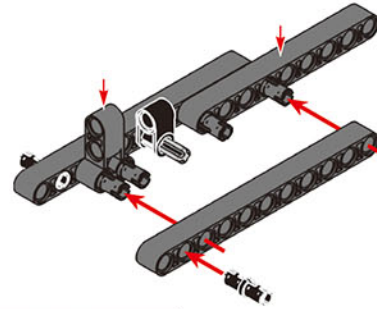
1



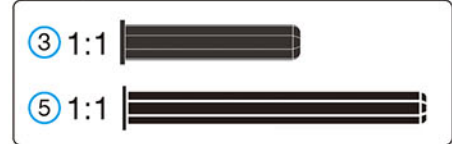
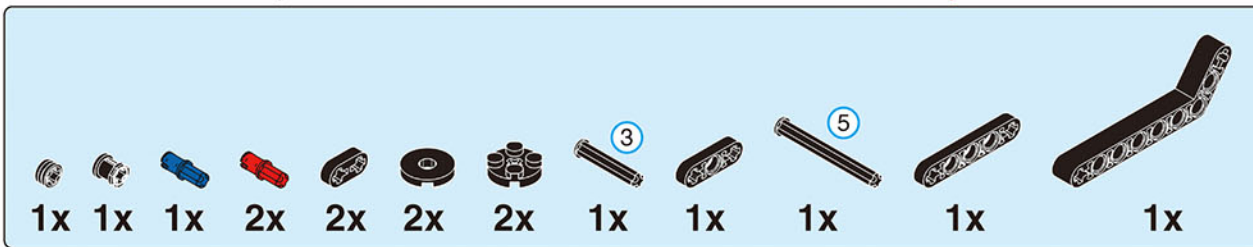
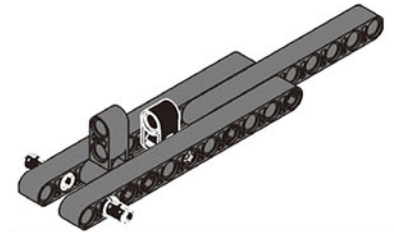
2



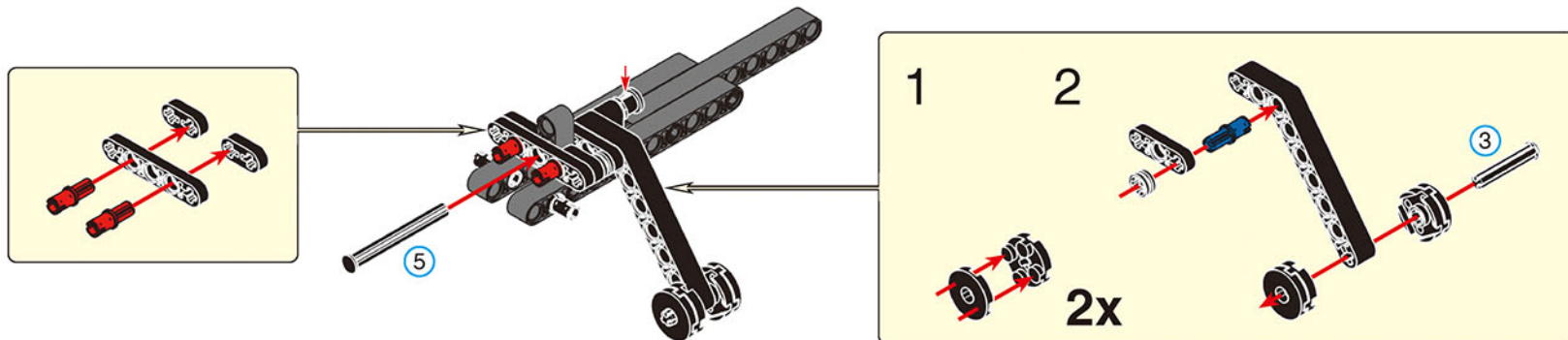
3

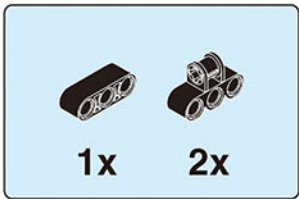


4

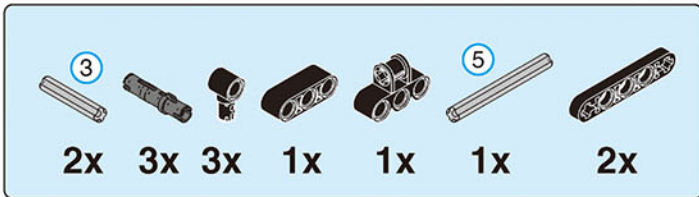
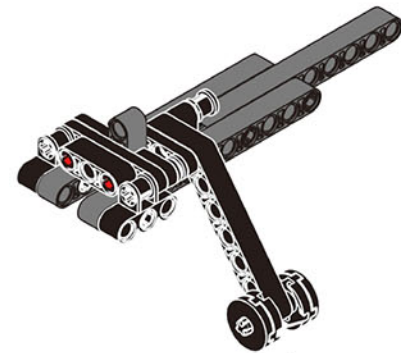
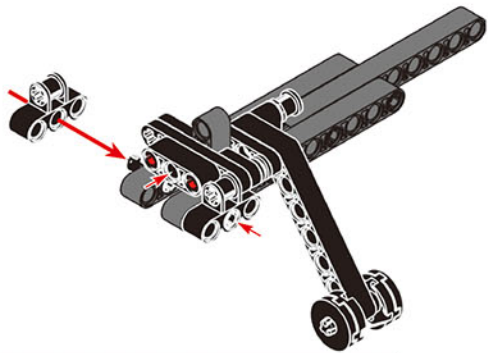


5-3.2

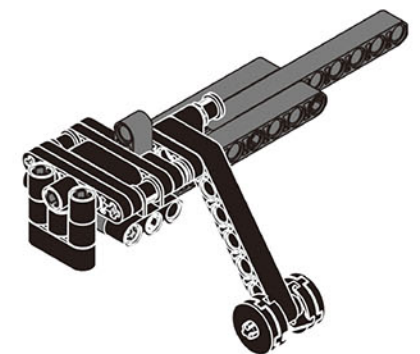
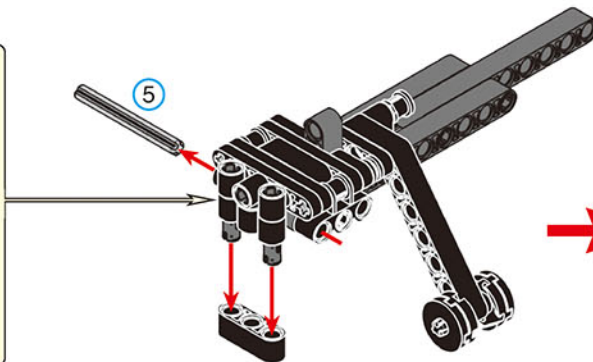
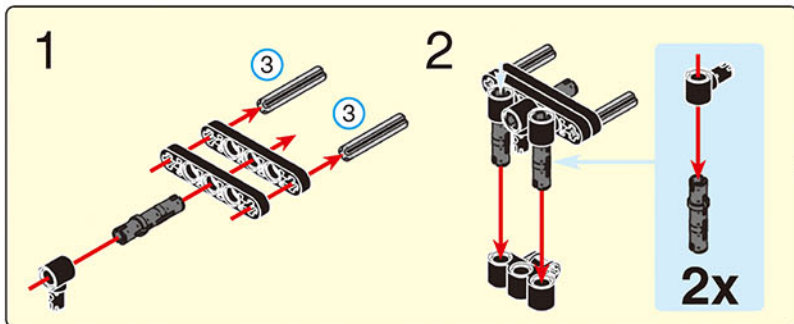


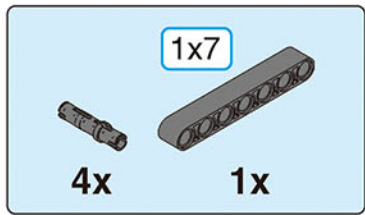


5-3.3

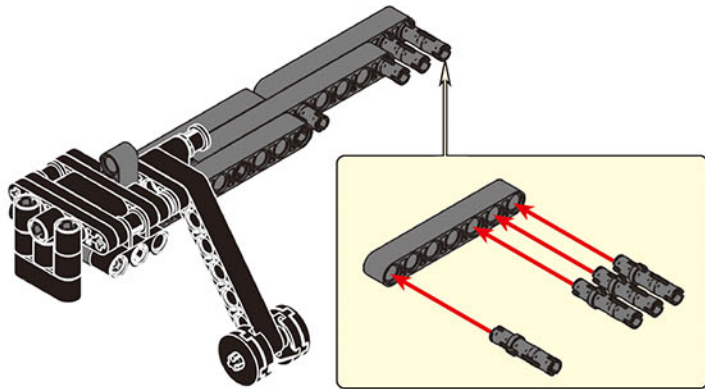


5-3.4

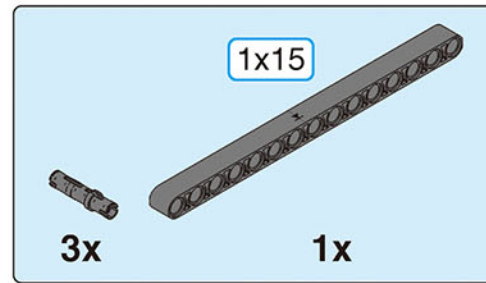
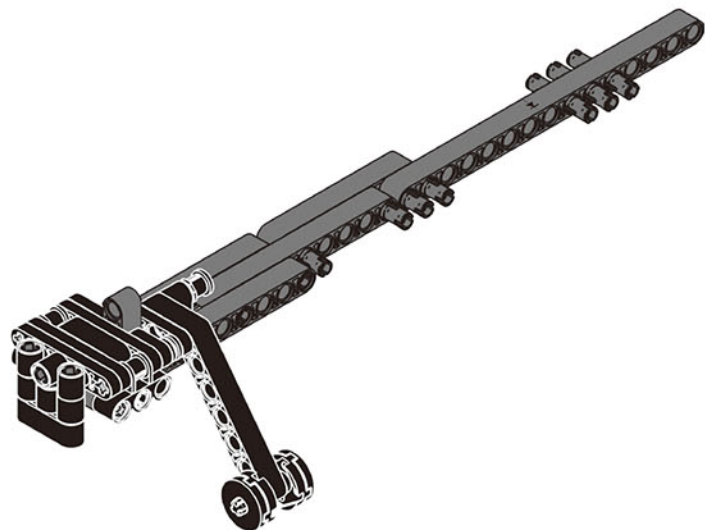




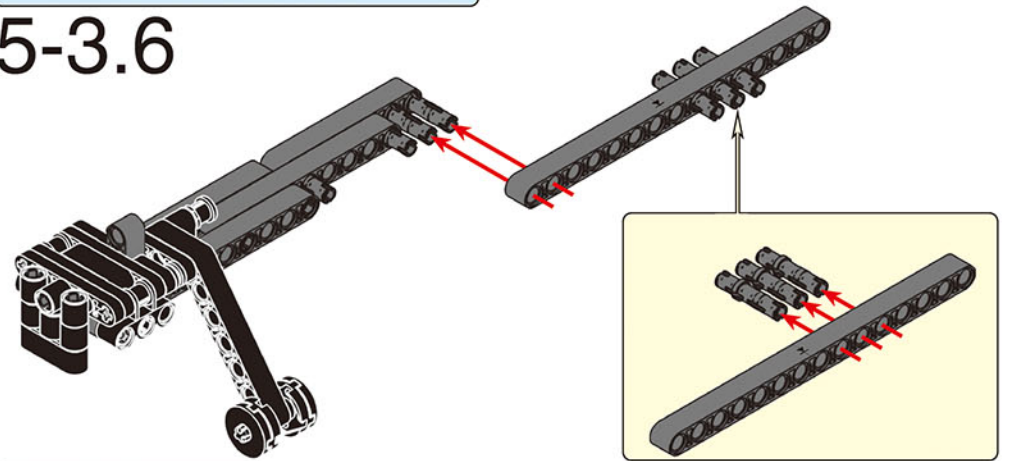
5-3.5



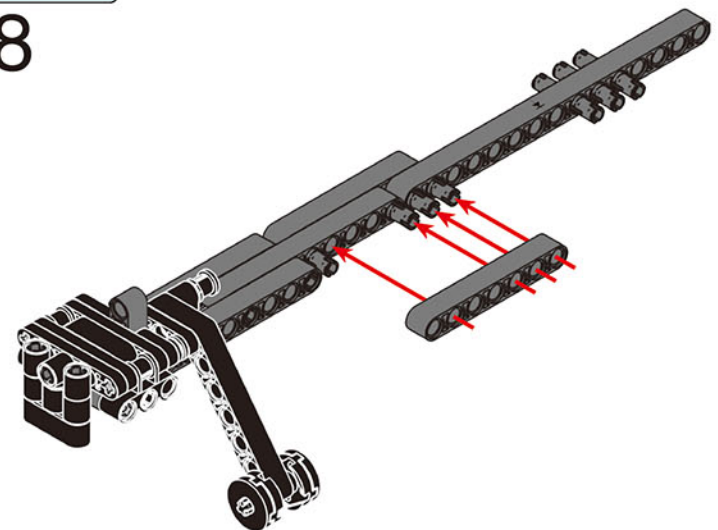
5-3.7

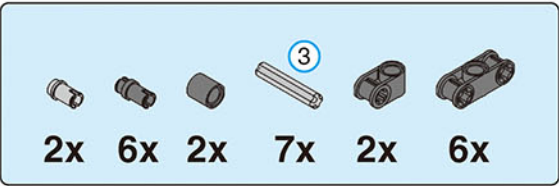


5-3.6

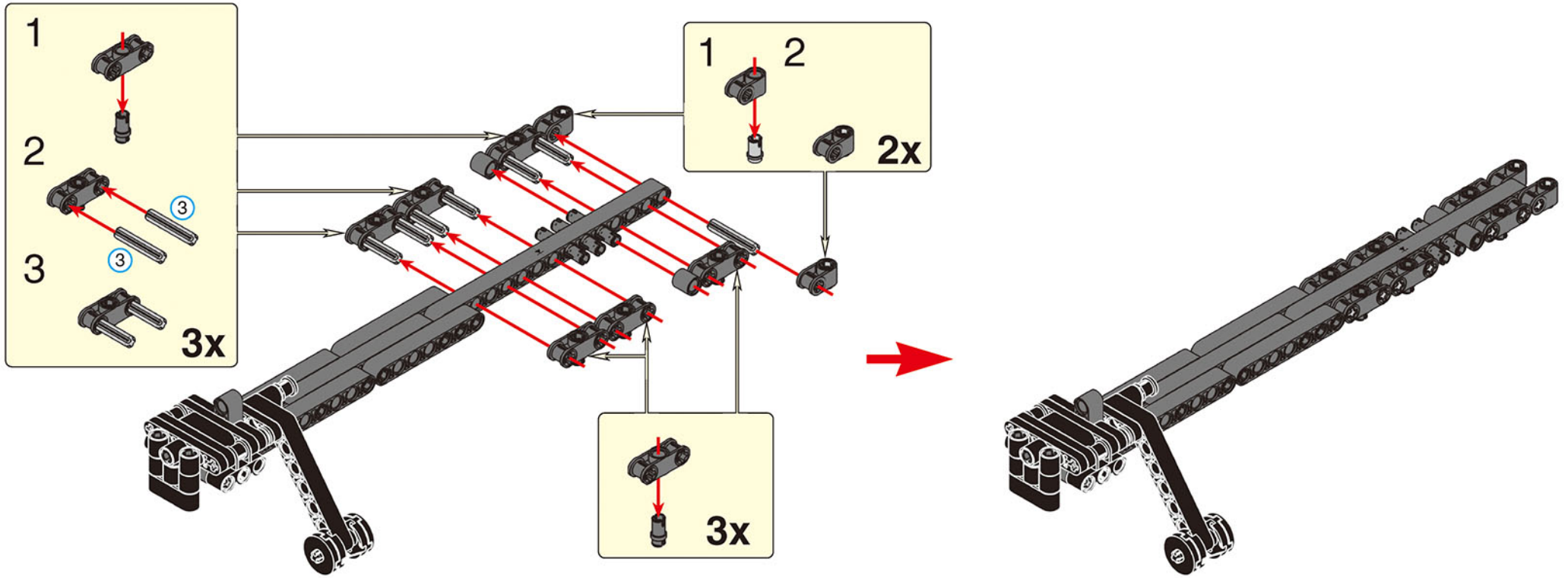


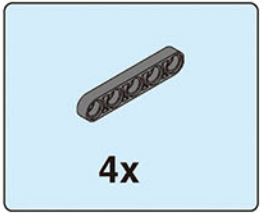
1x7
1x
5-3.8



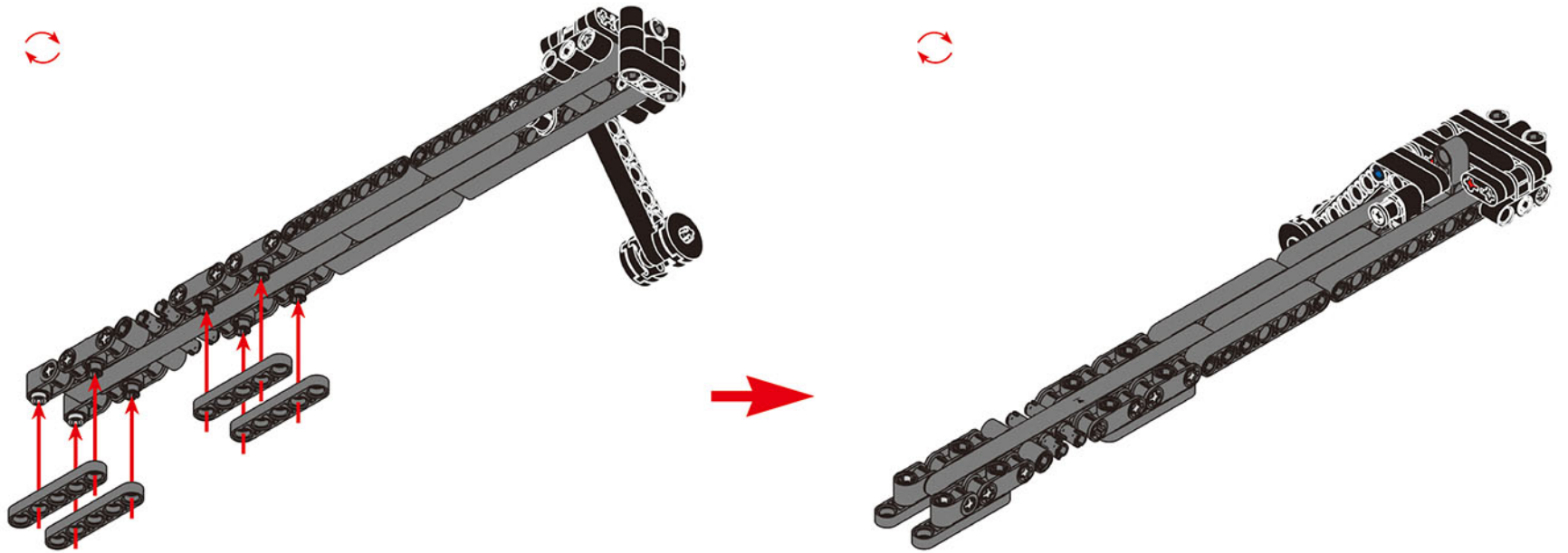


5-3.9

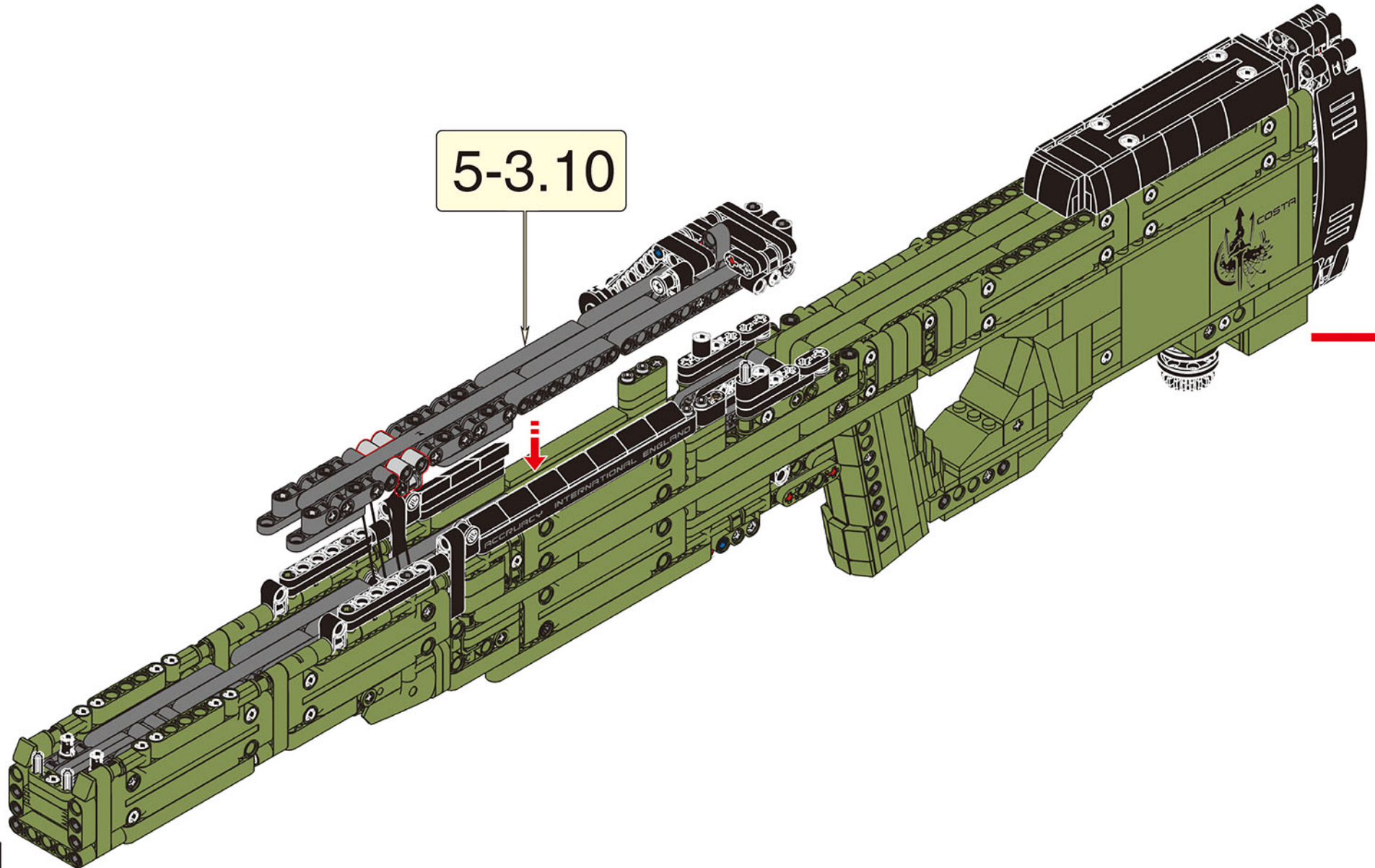


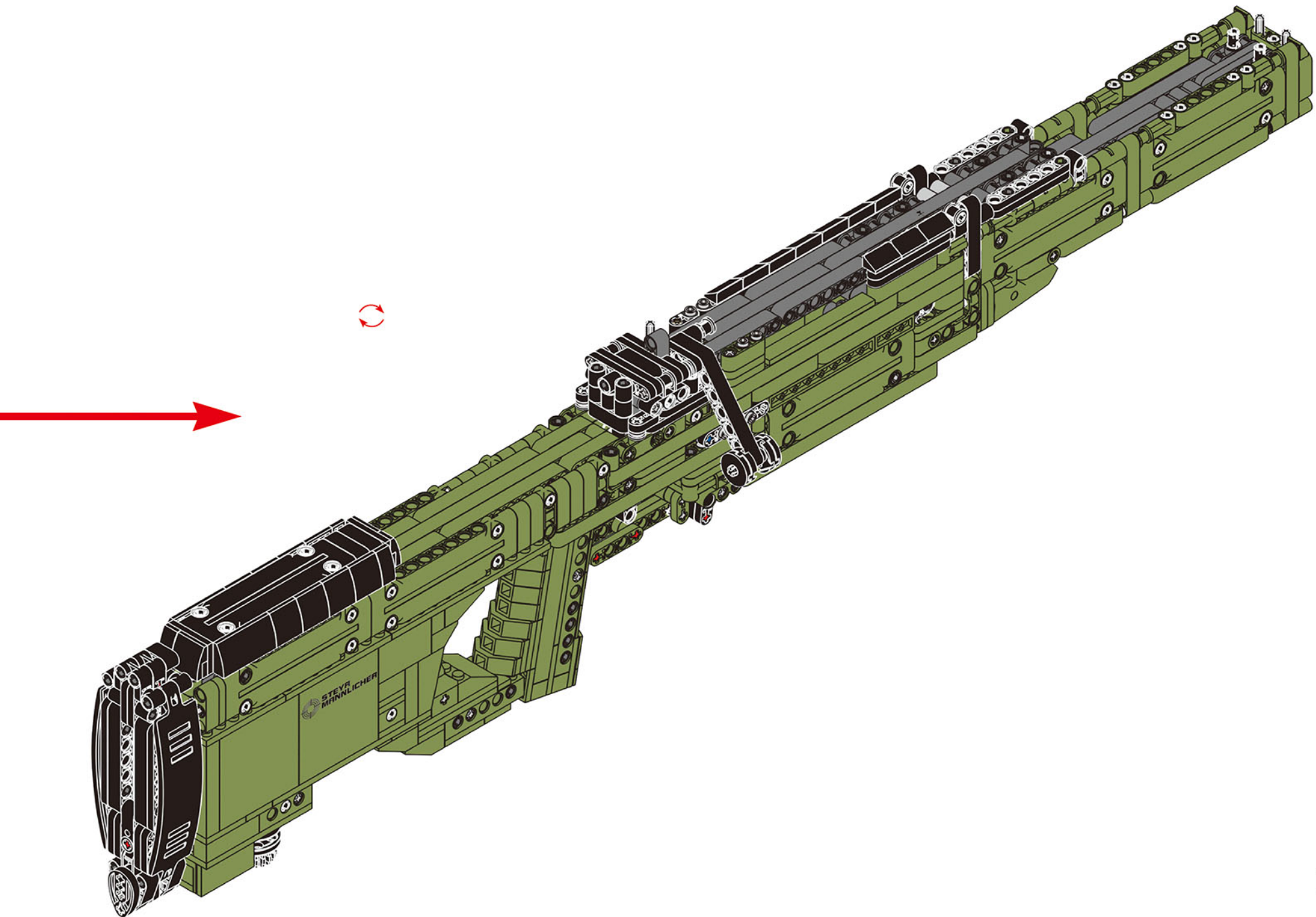


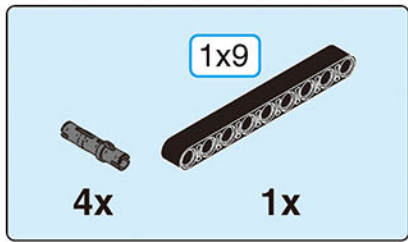
5-3.10



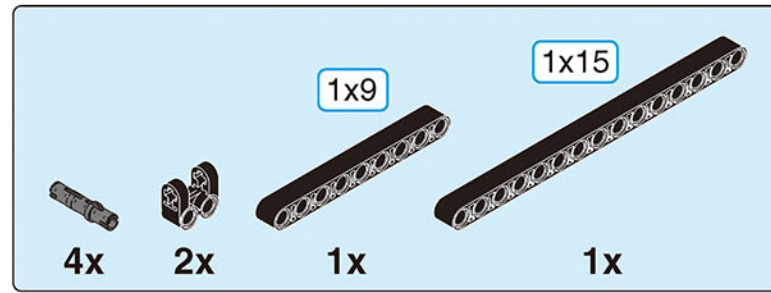
5-3



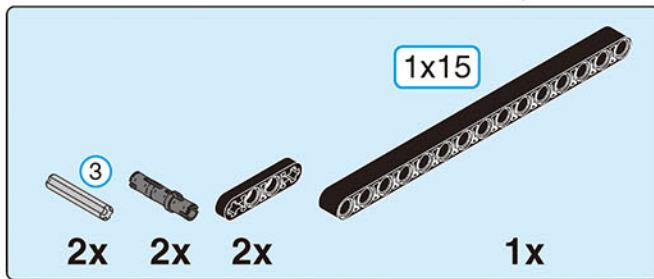
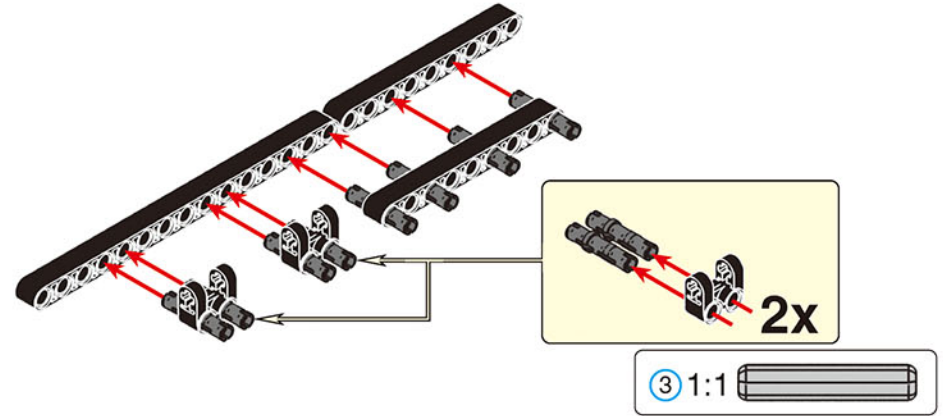
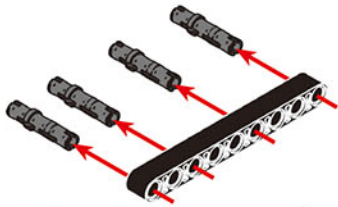




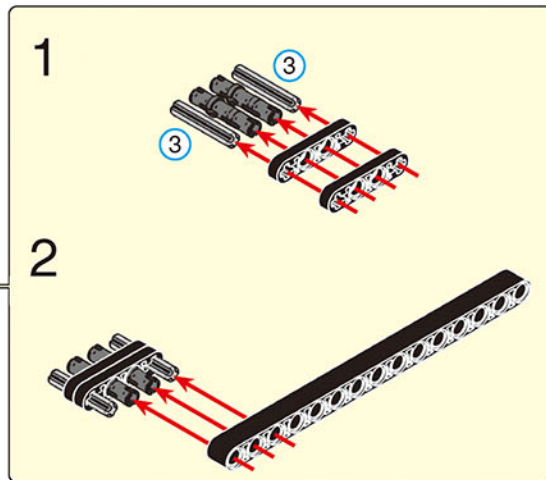
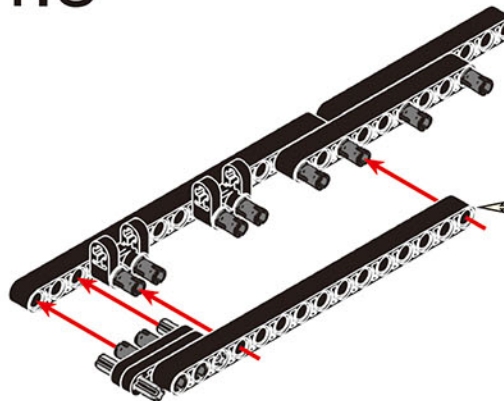
5-4.1

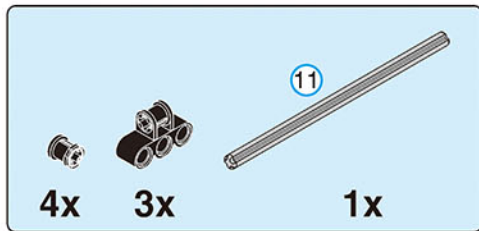


5-4.2

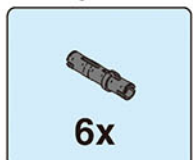
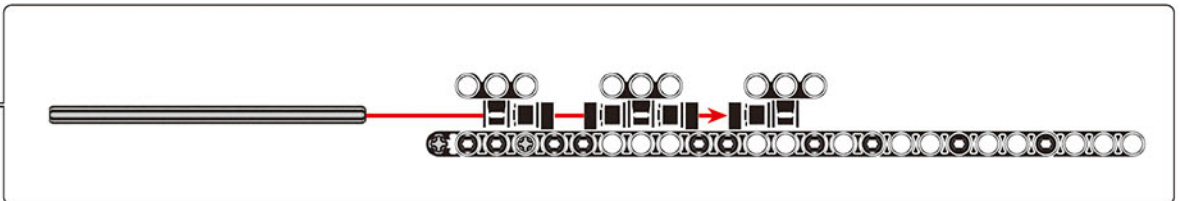
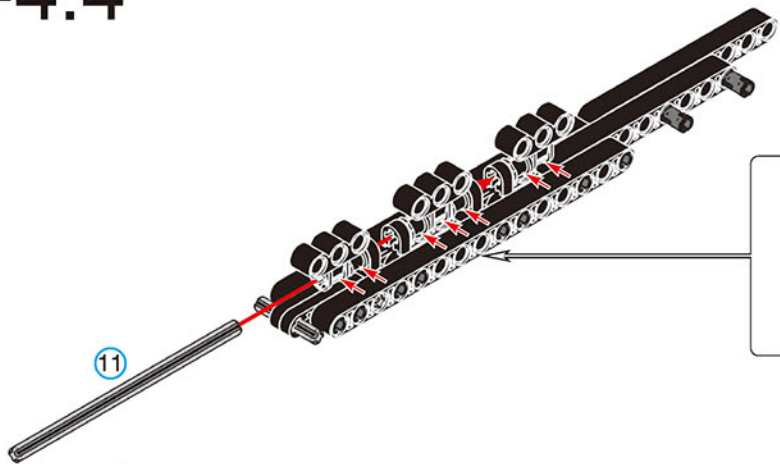


5-4.3

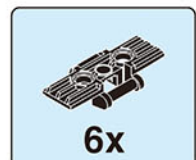




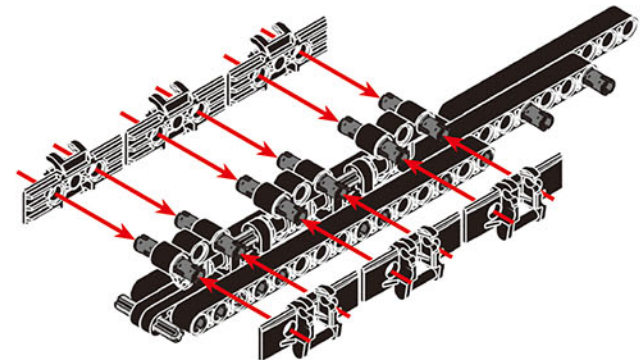
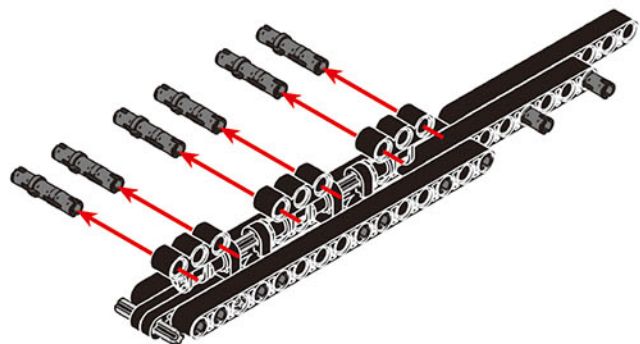
5-4.4

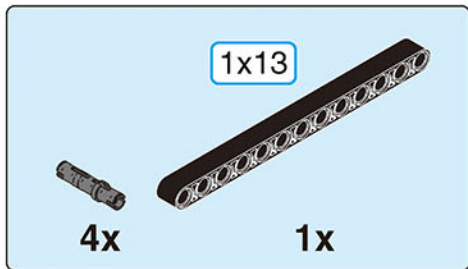


5-4.5

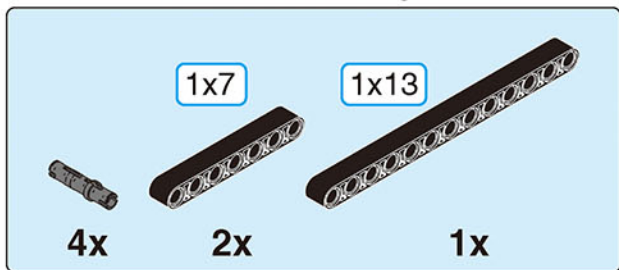
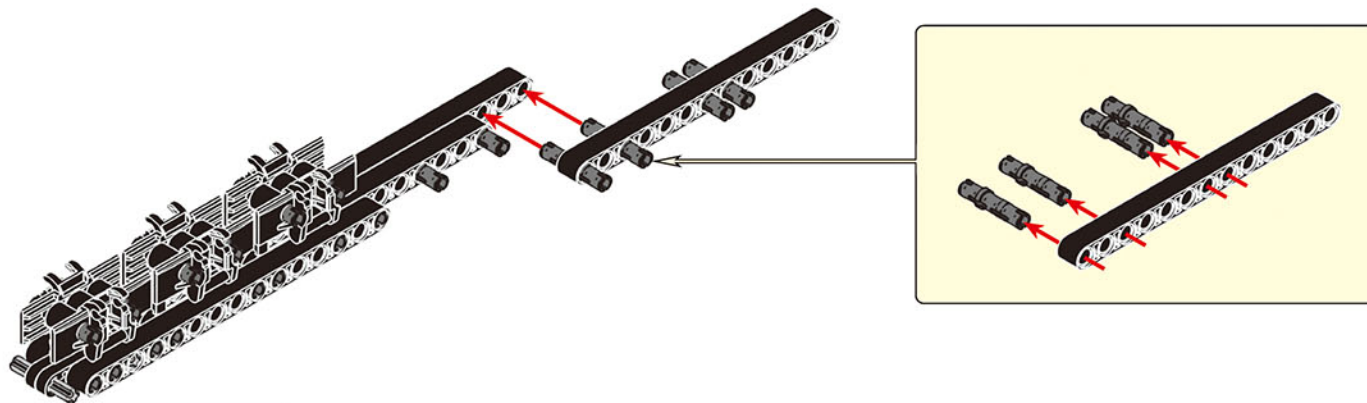


5-4.6

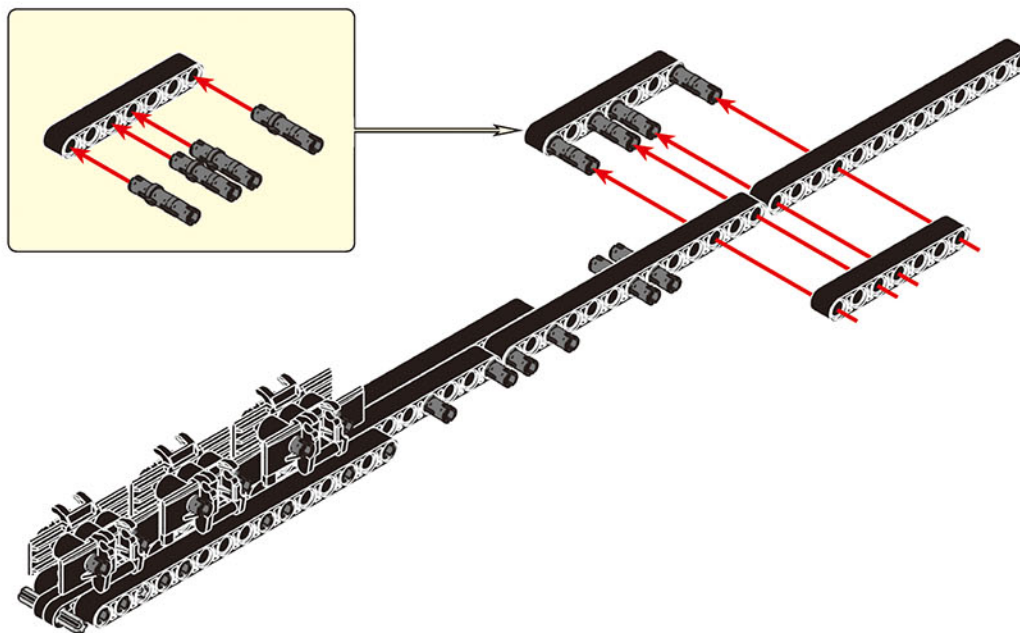


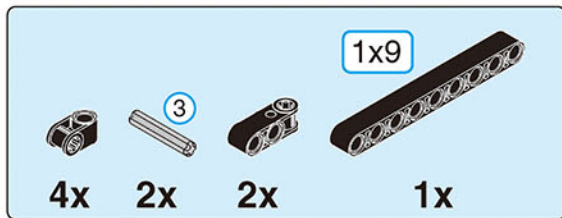


5-4.7

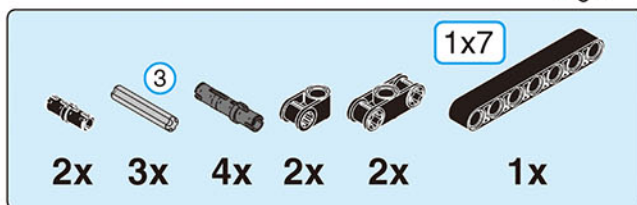
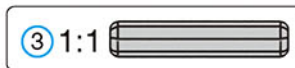
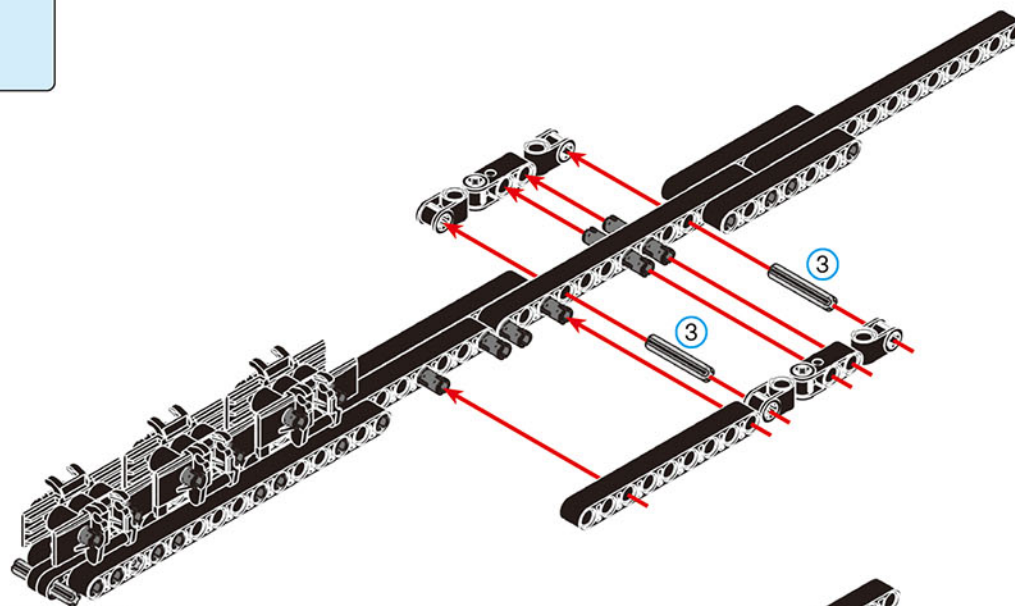


5-4.8

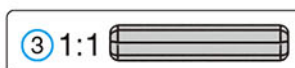
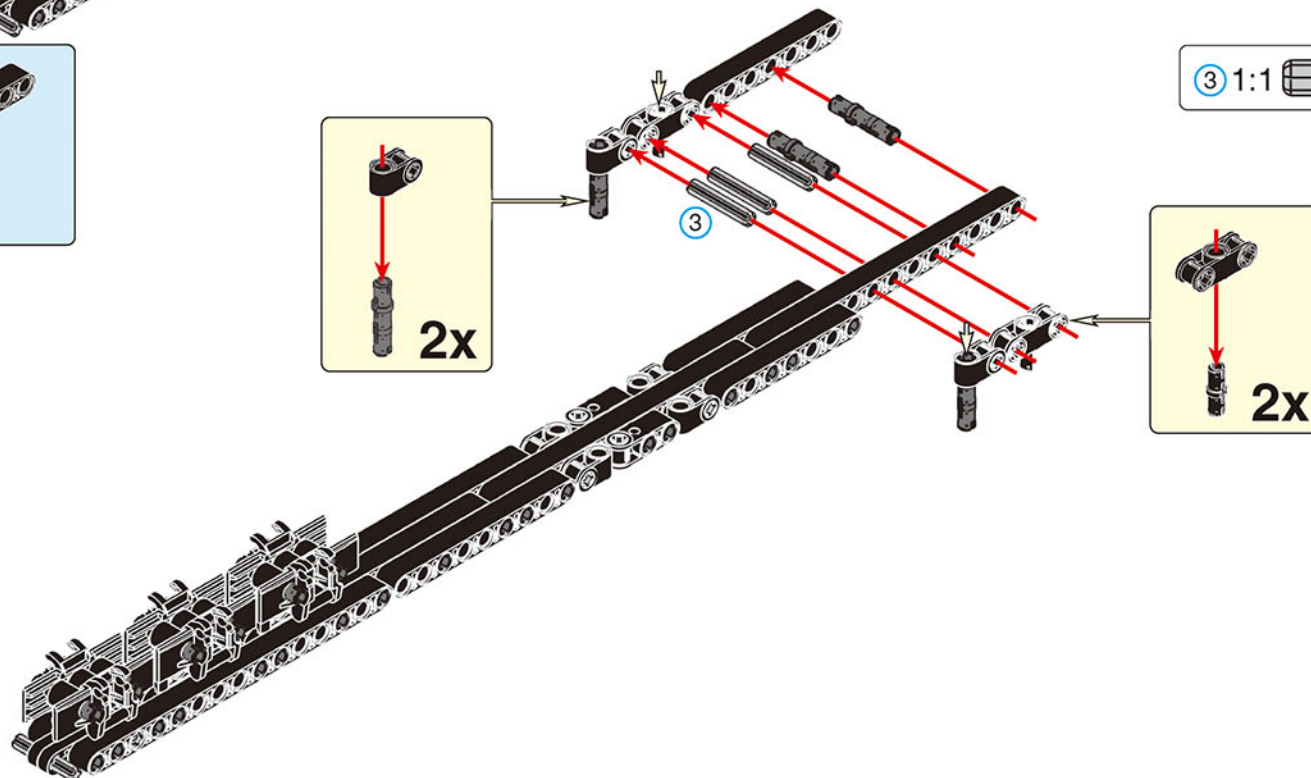


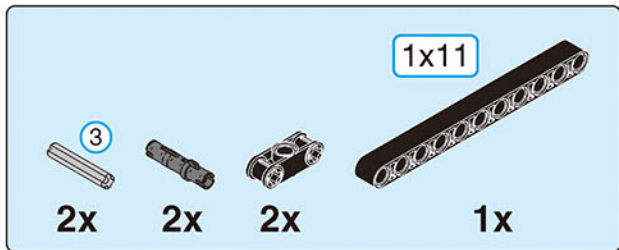


5-4.9

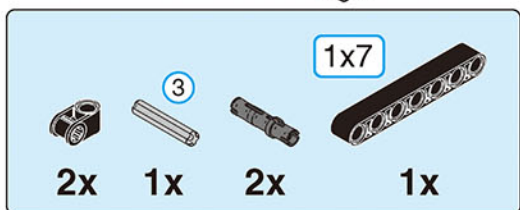
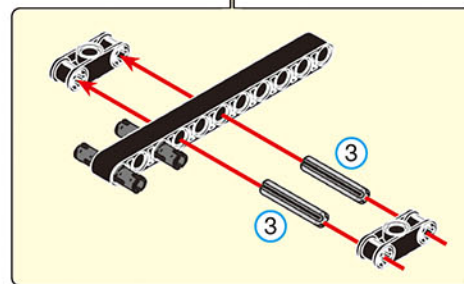
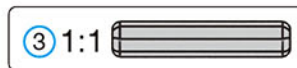


5-4.10

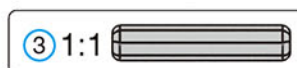
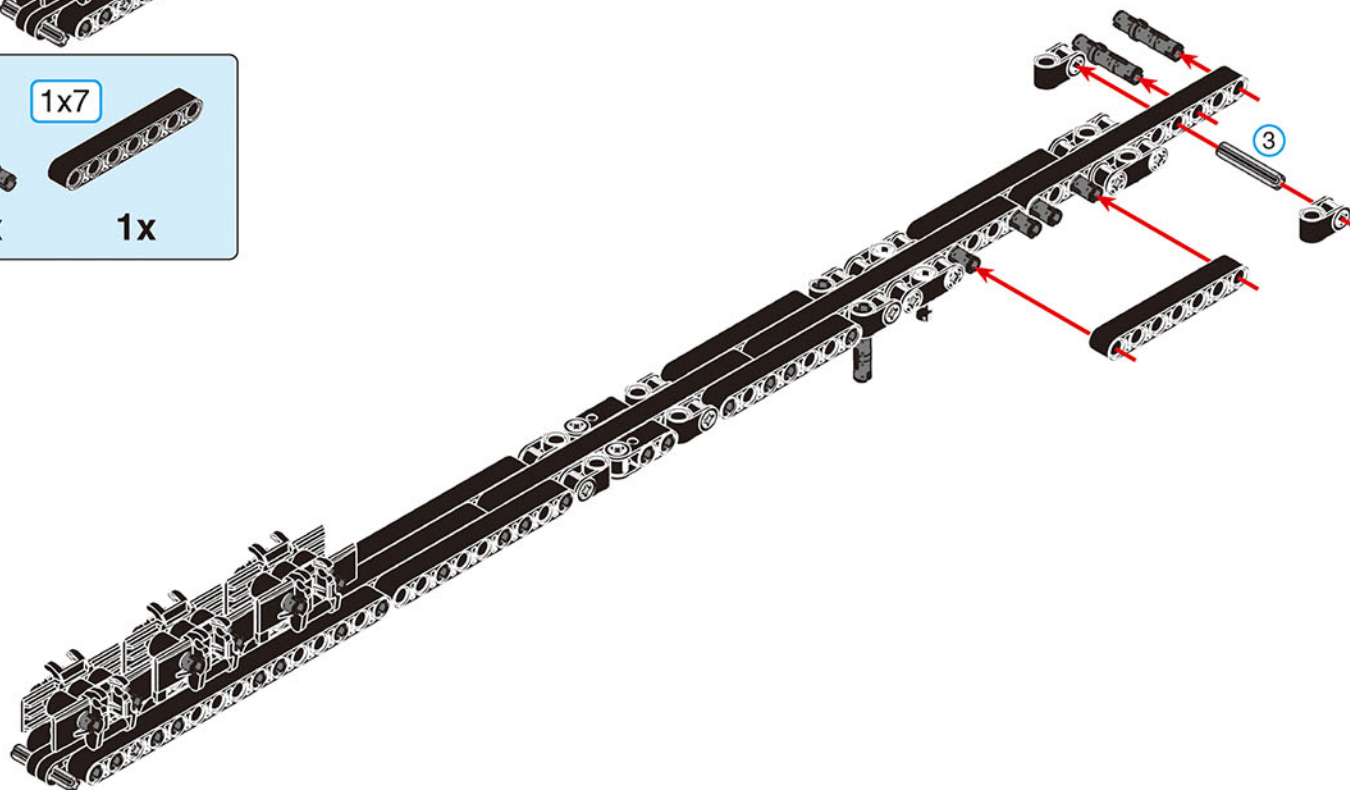


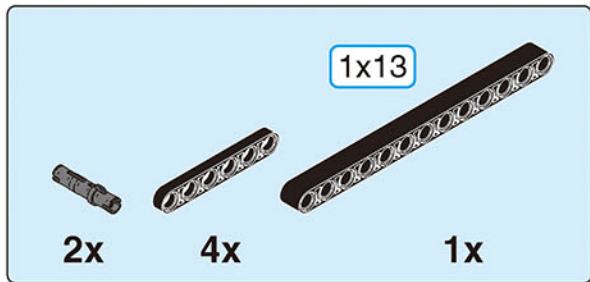


5-4.11

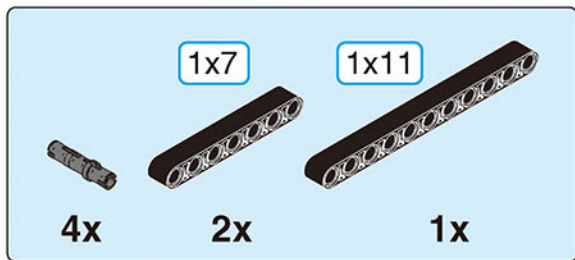
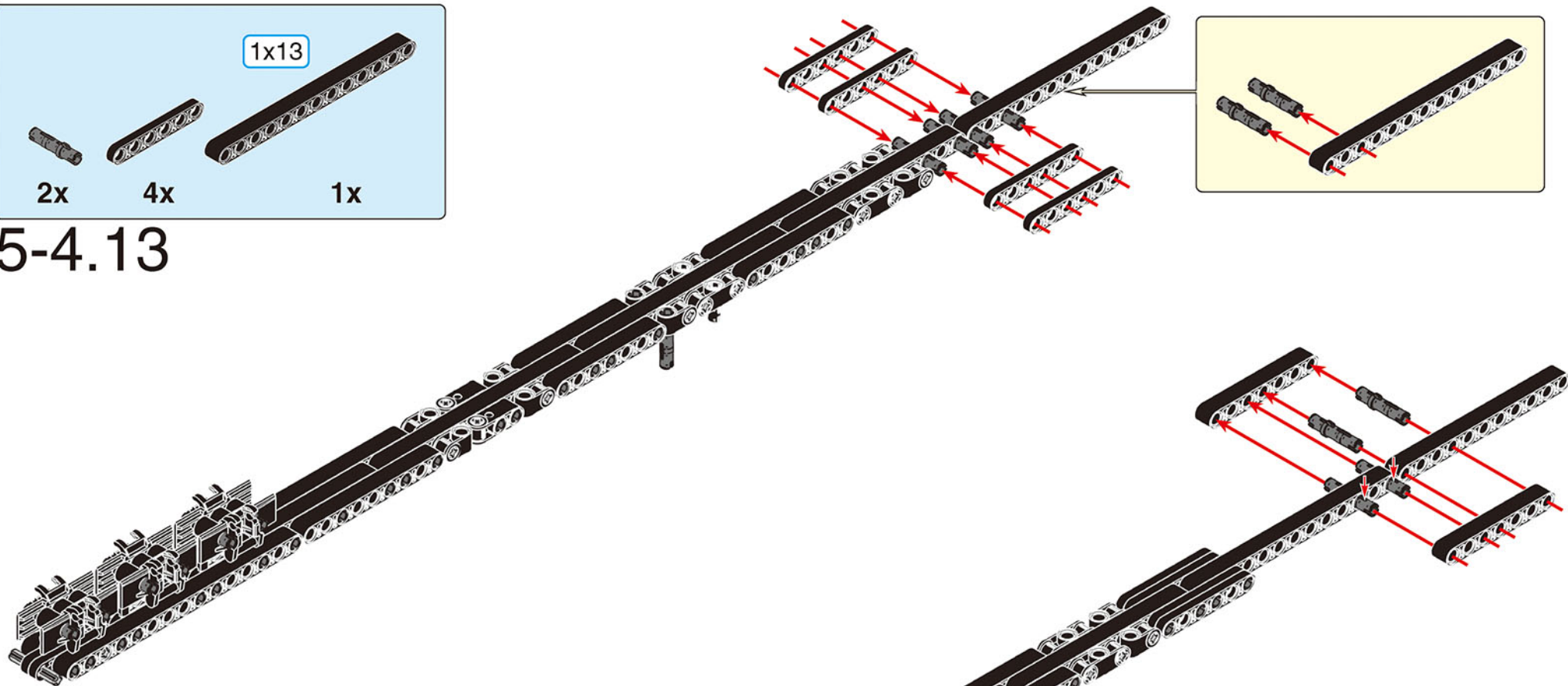


5-4.12



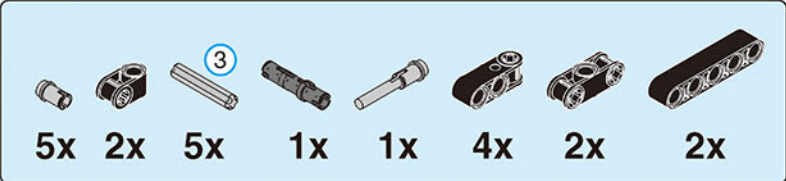


5-4.13

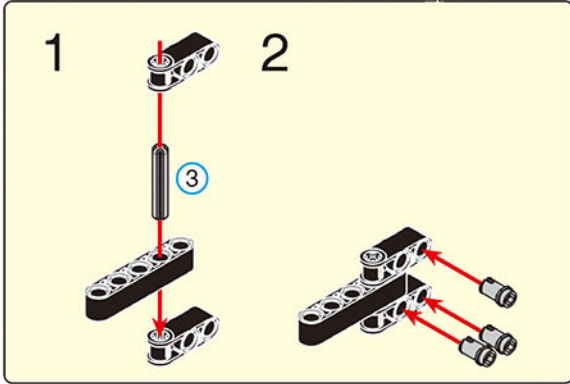
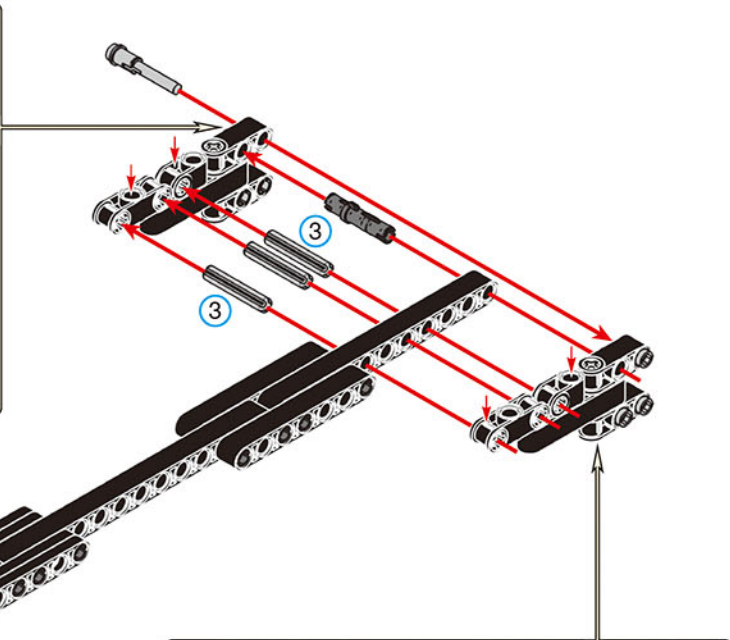
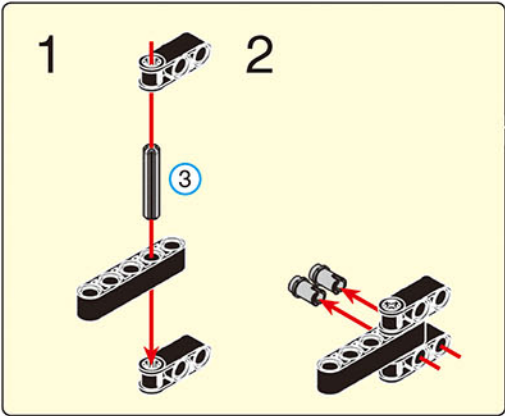


5-4.14

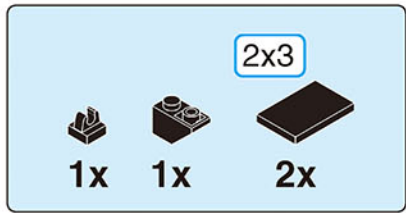




5-4.15



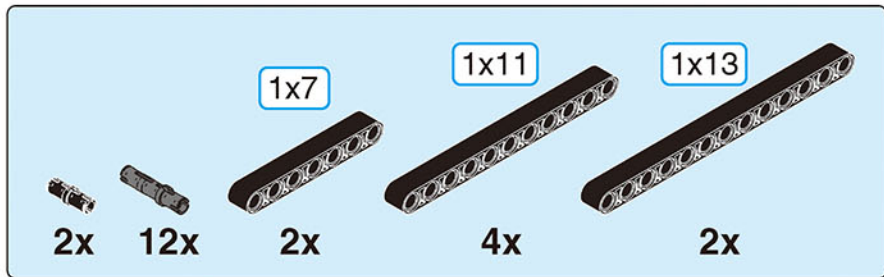
1x 1x 2x3



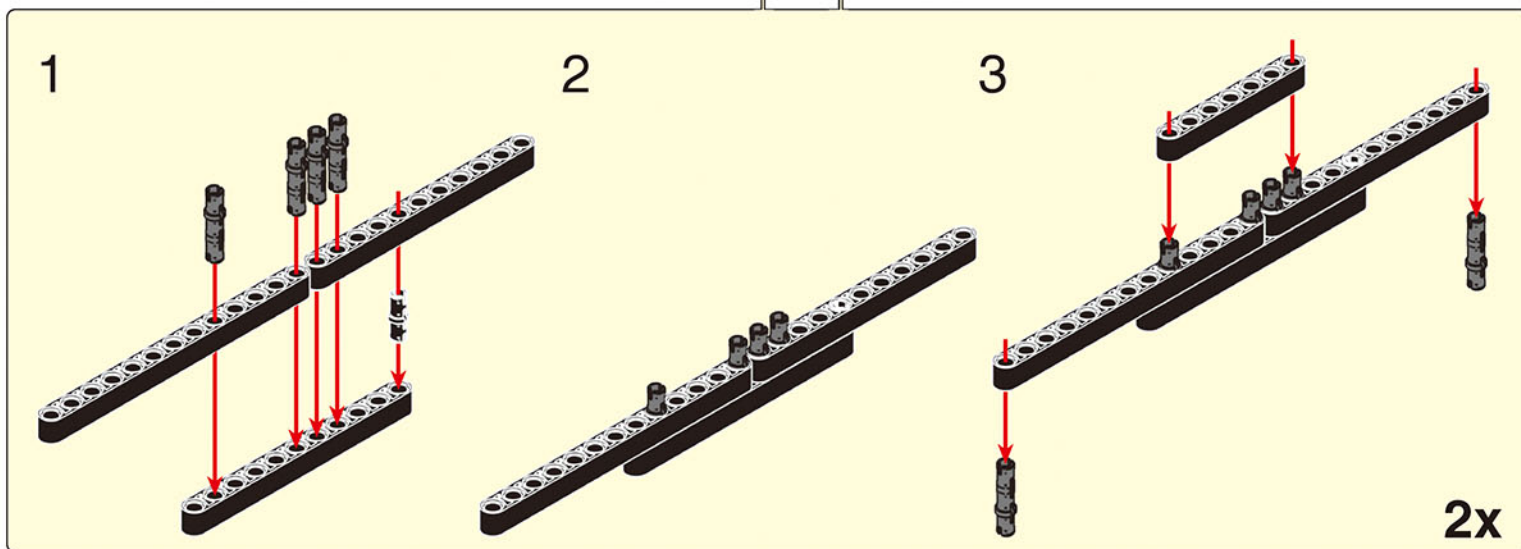
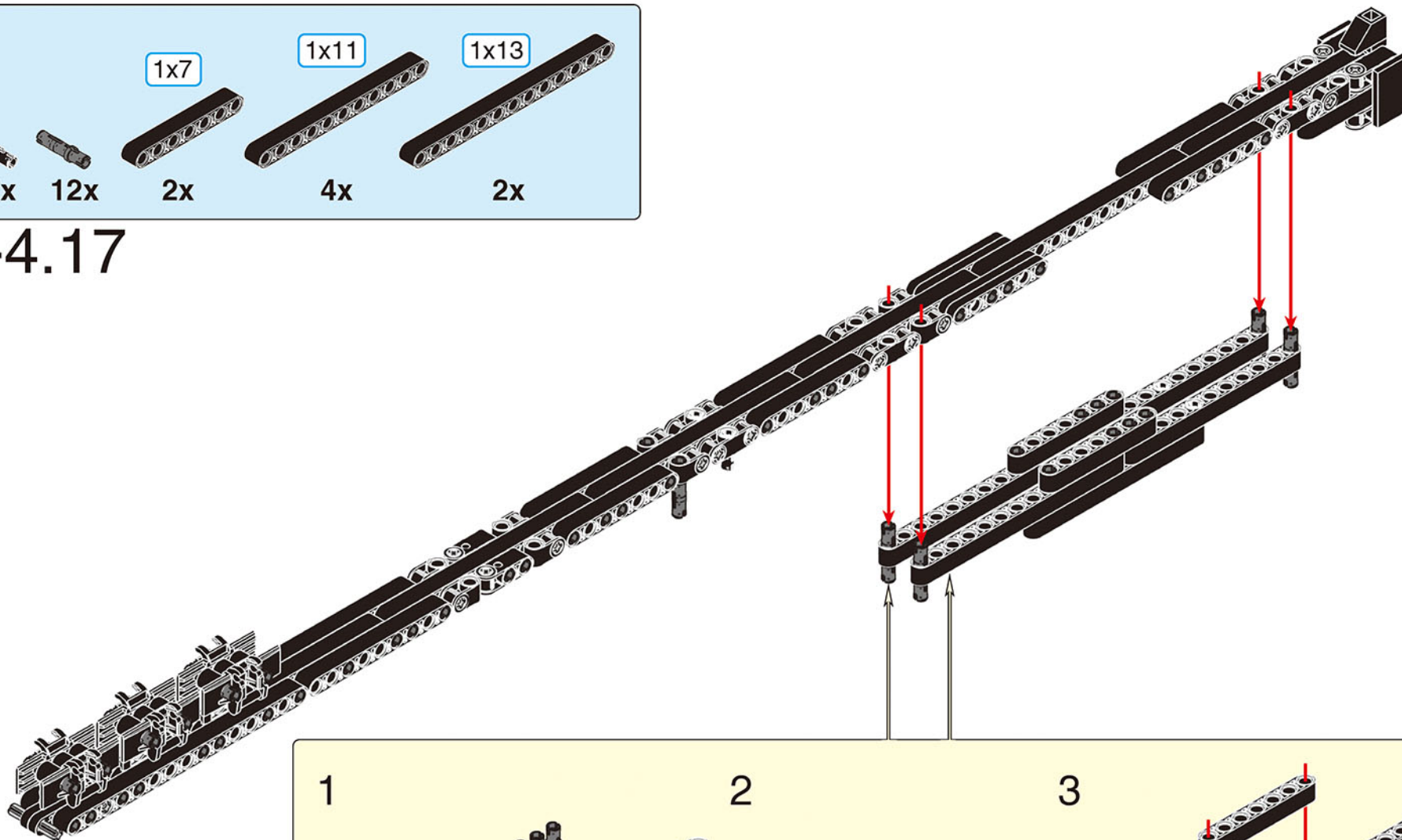
1x 1x 2x

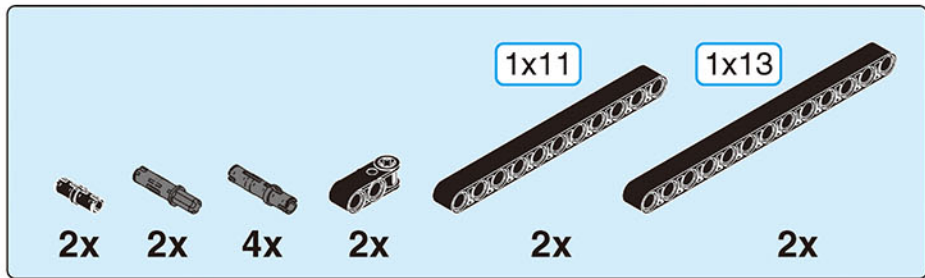
5-4.16



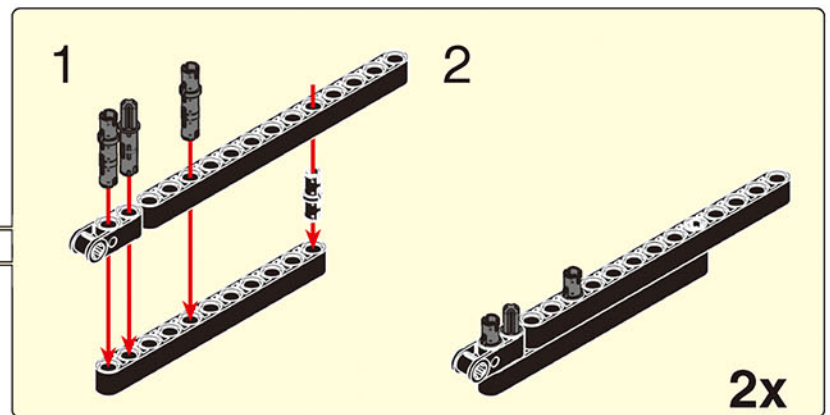
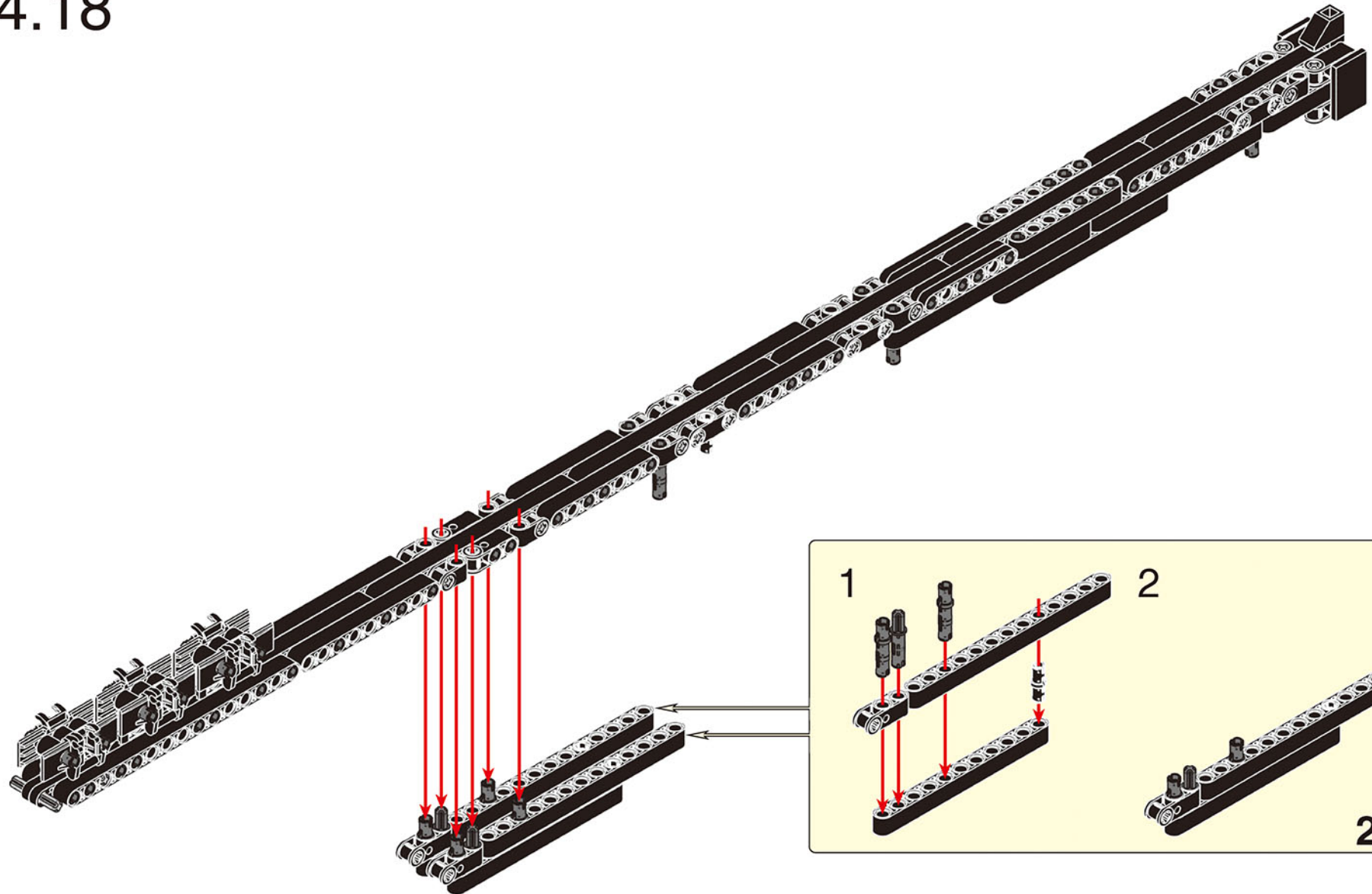


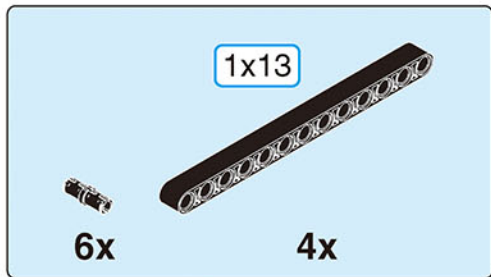
5-4.17



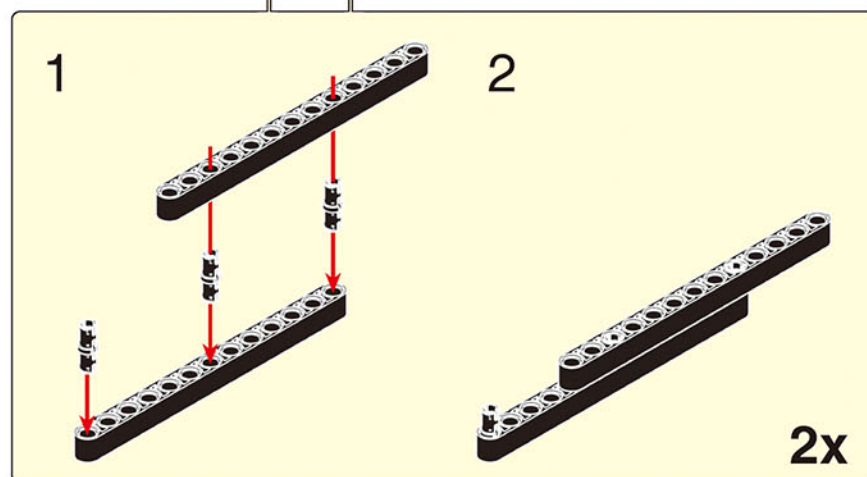
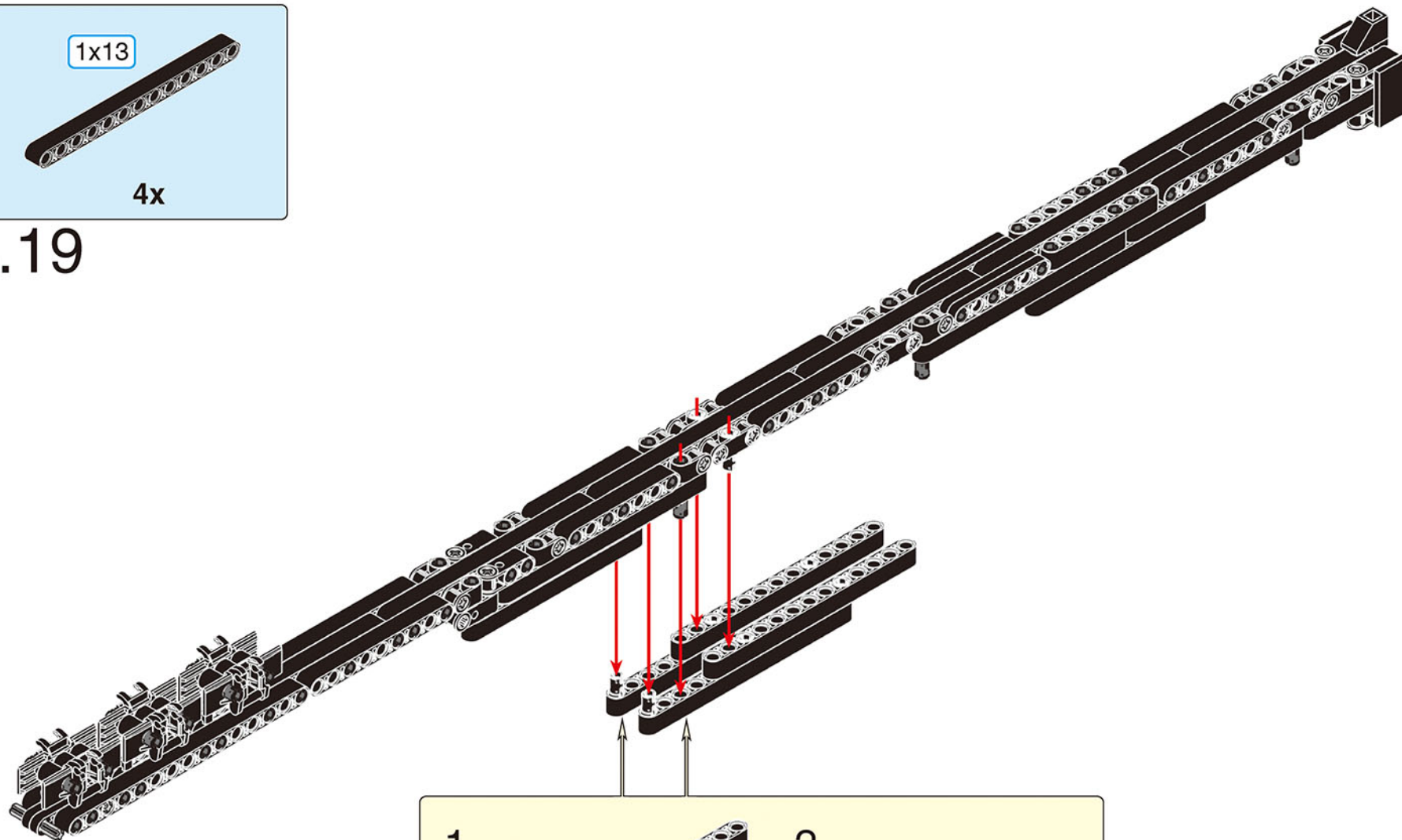


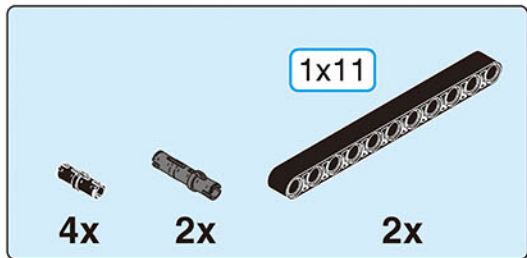
5-4.18



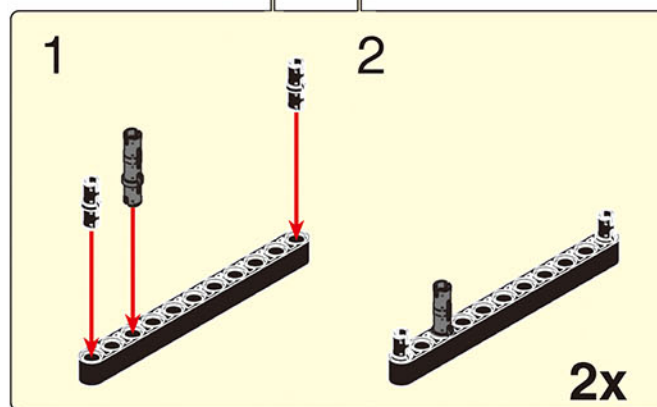
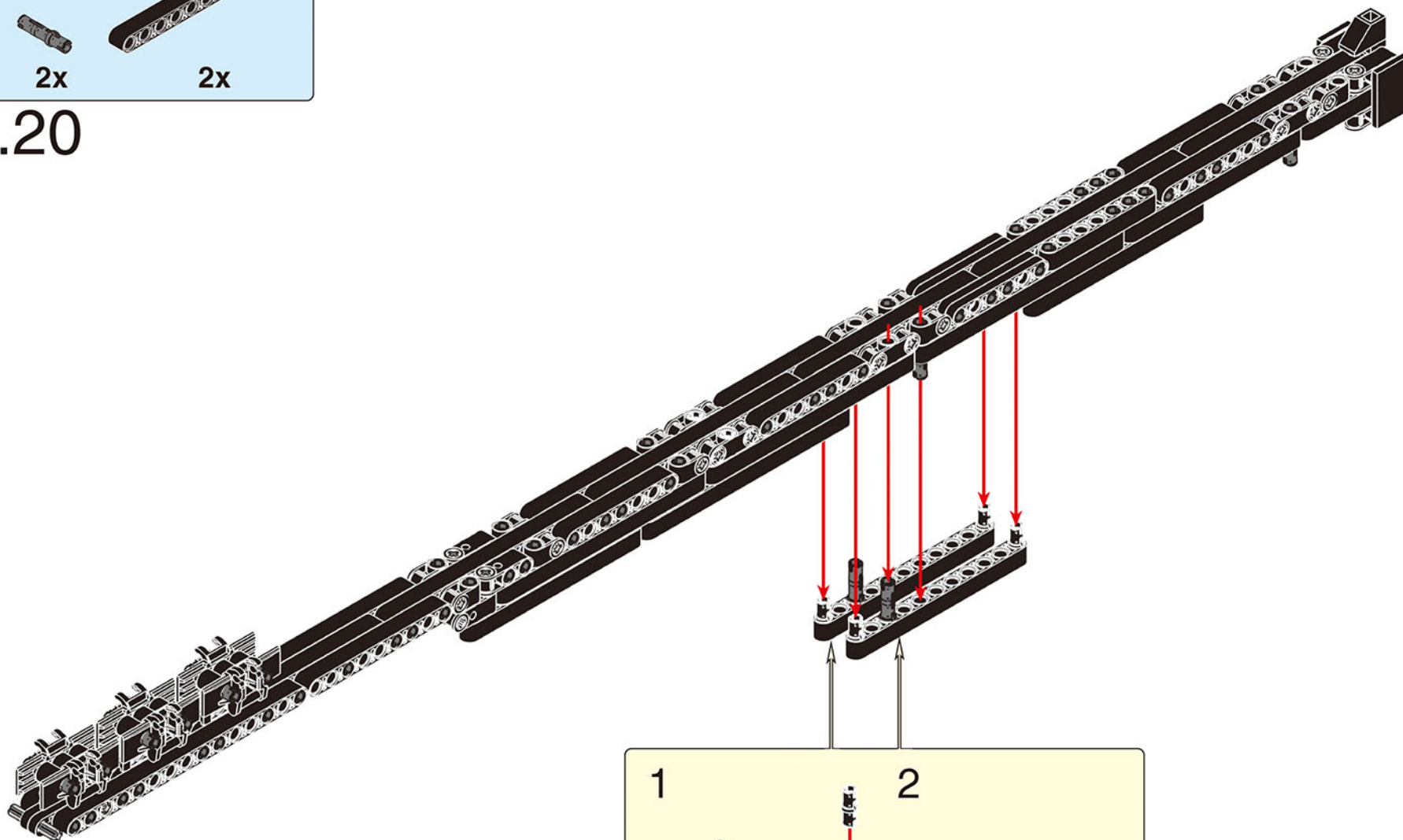


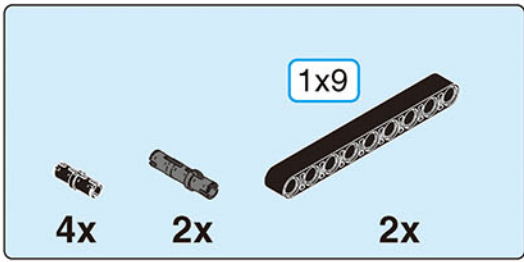
5-4.19



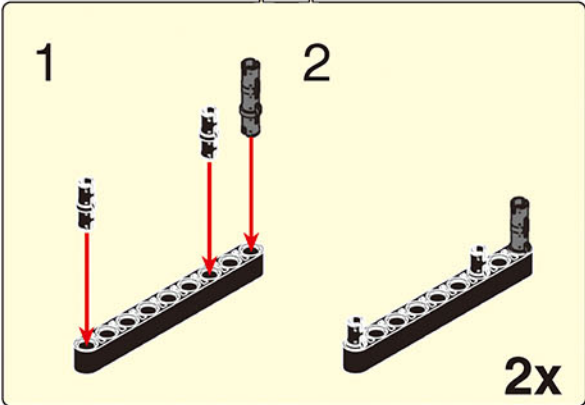
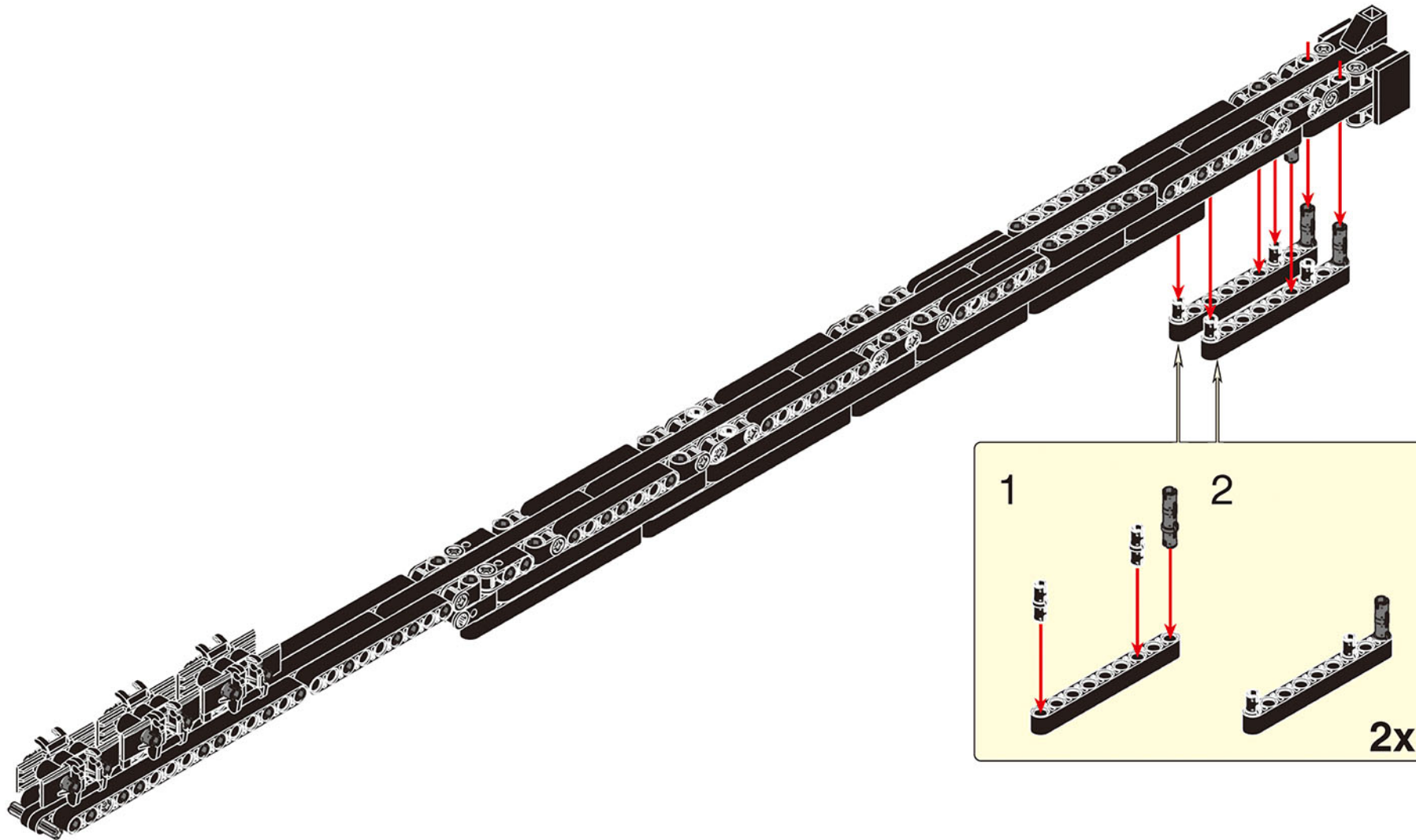


5-4.20



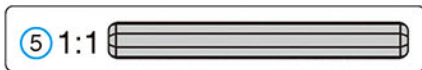
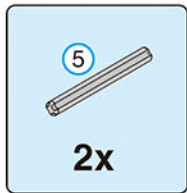


5-4.21



5-4

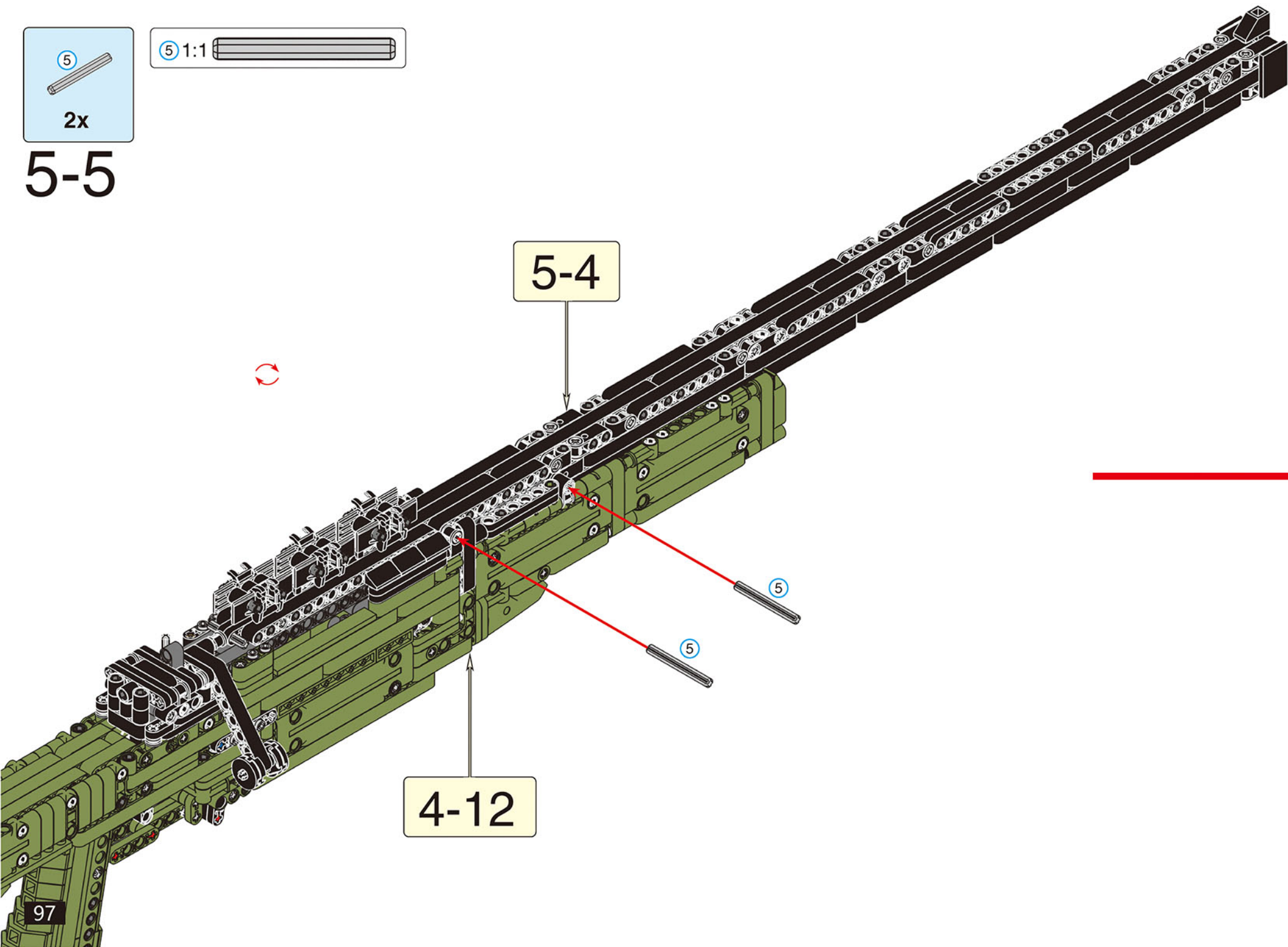


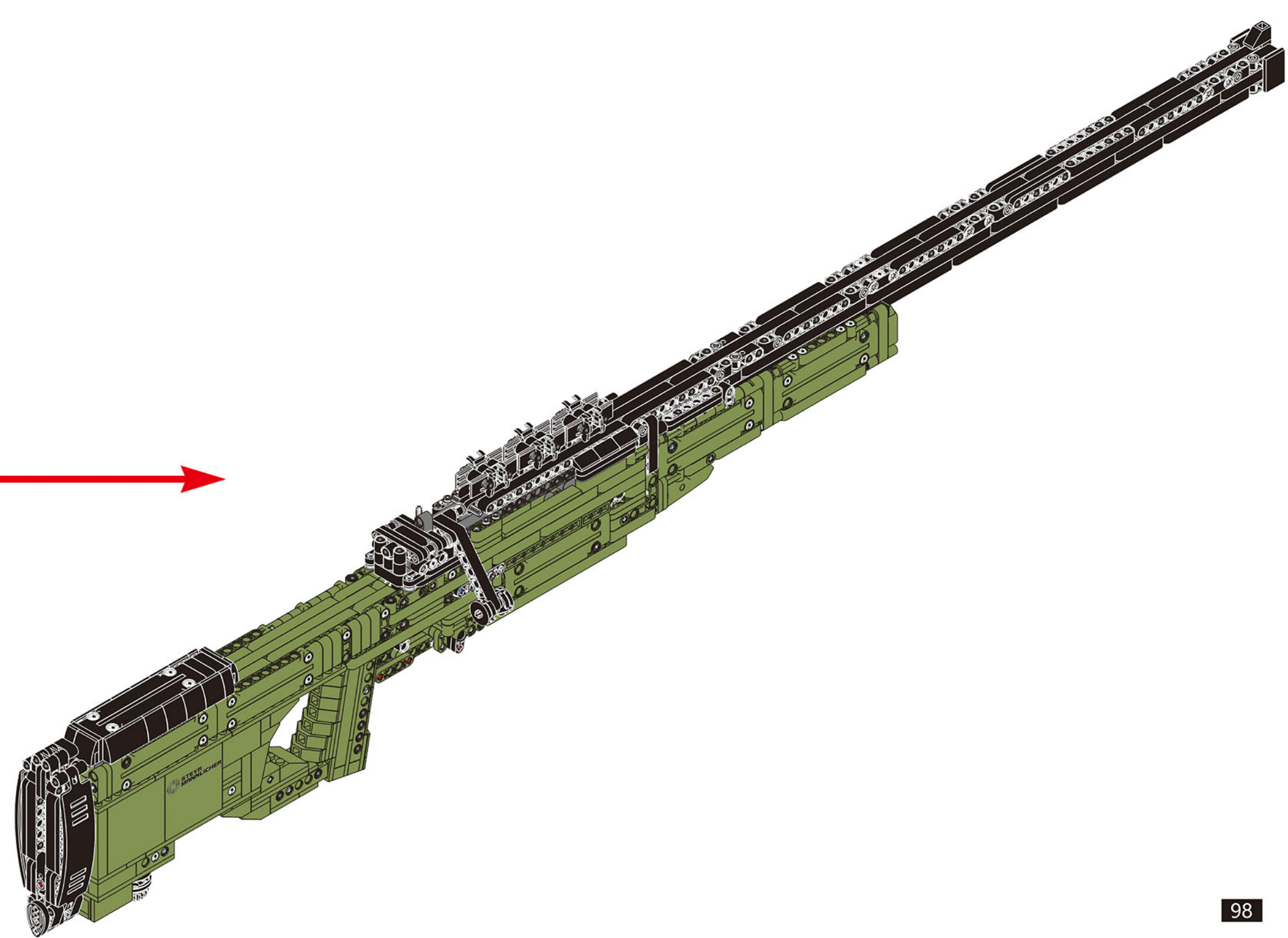









5-5

5-4

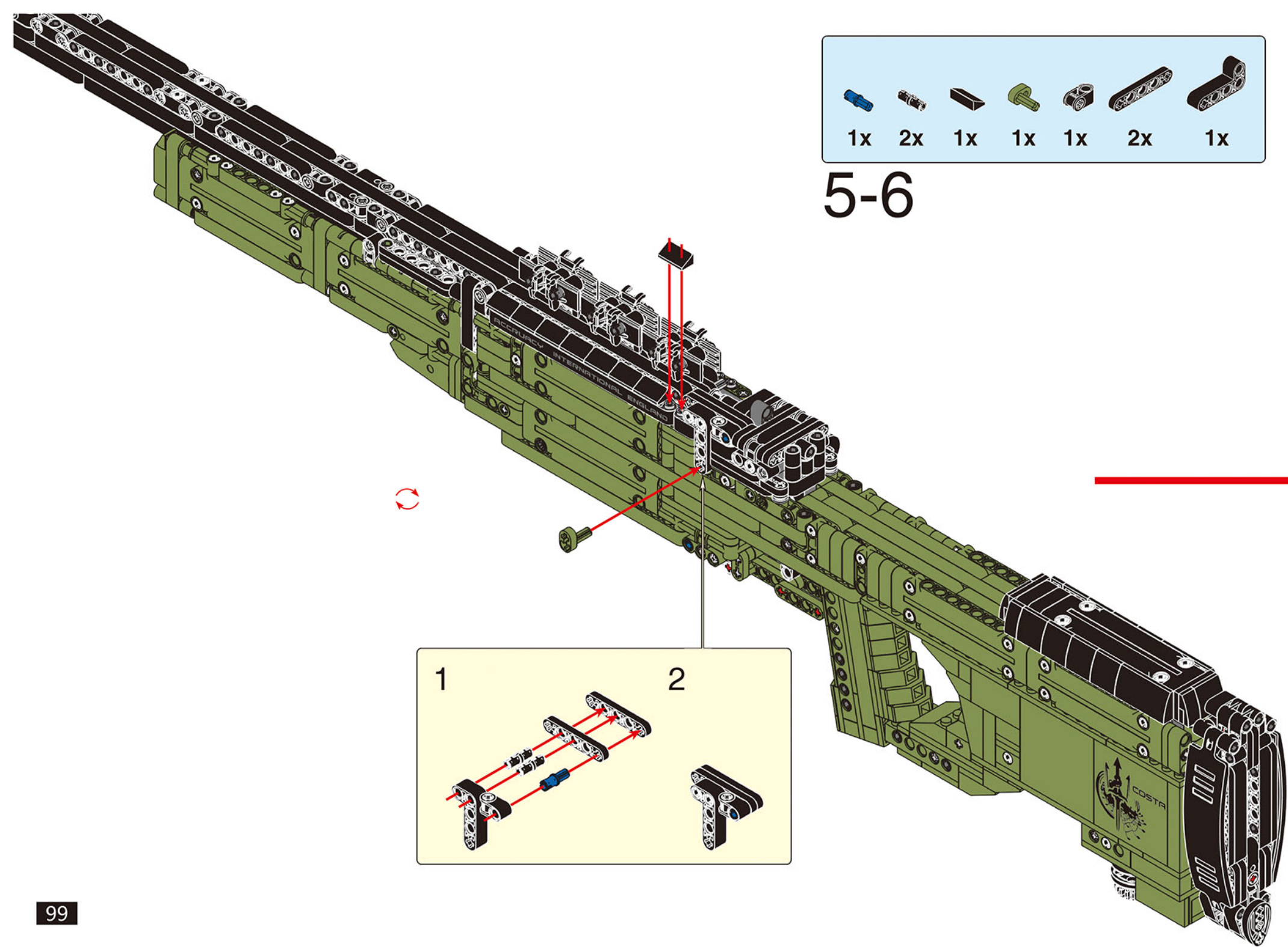
4-12

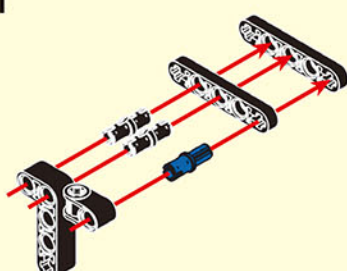





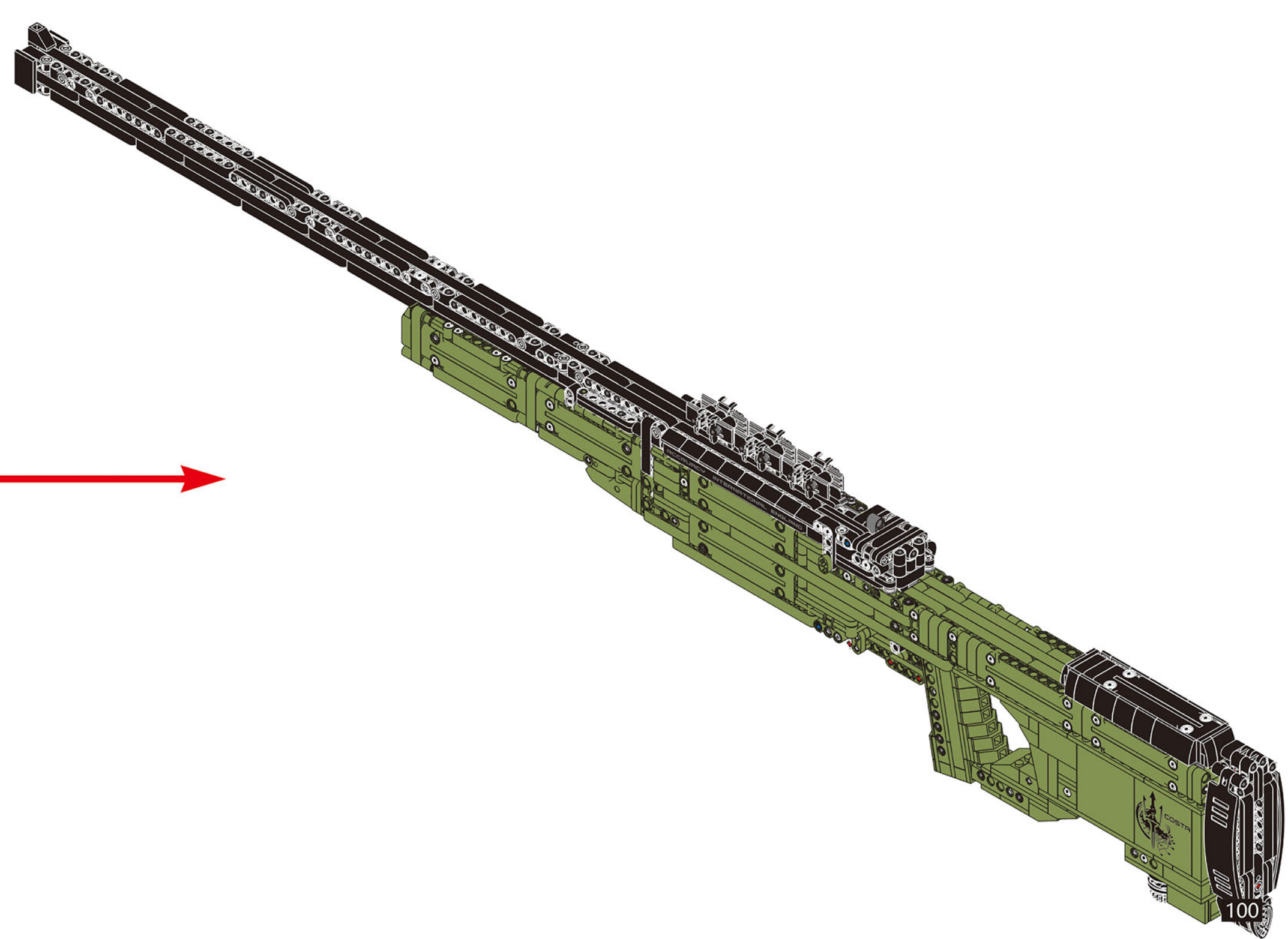
						
1x	2x	1x	1x	1x	2x	1x







5-6



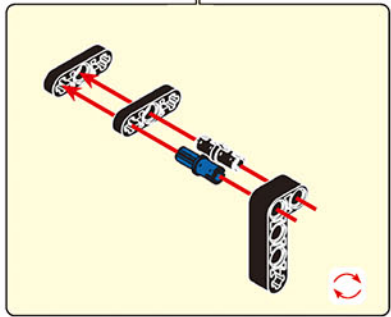
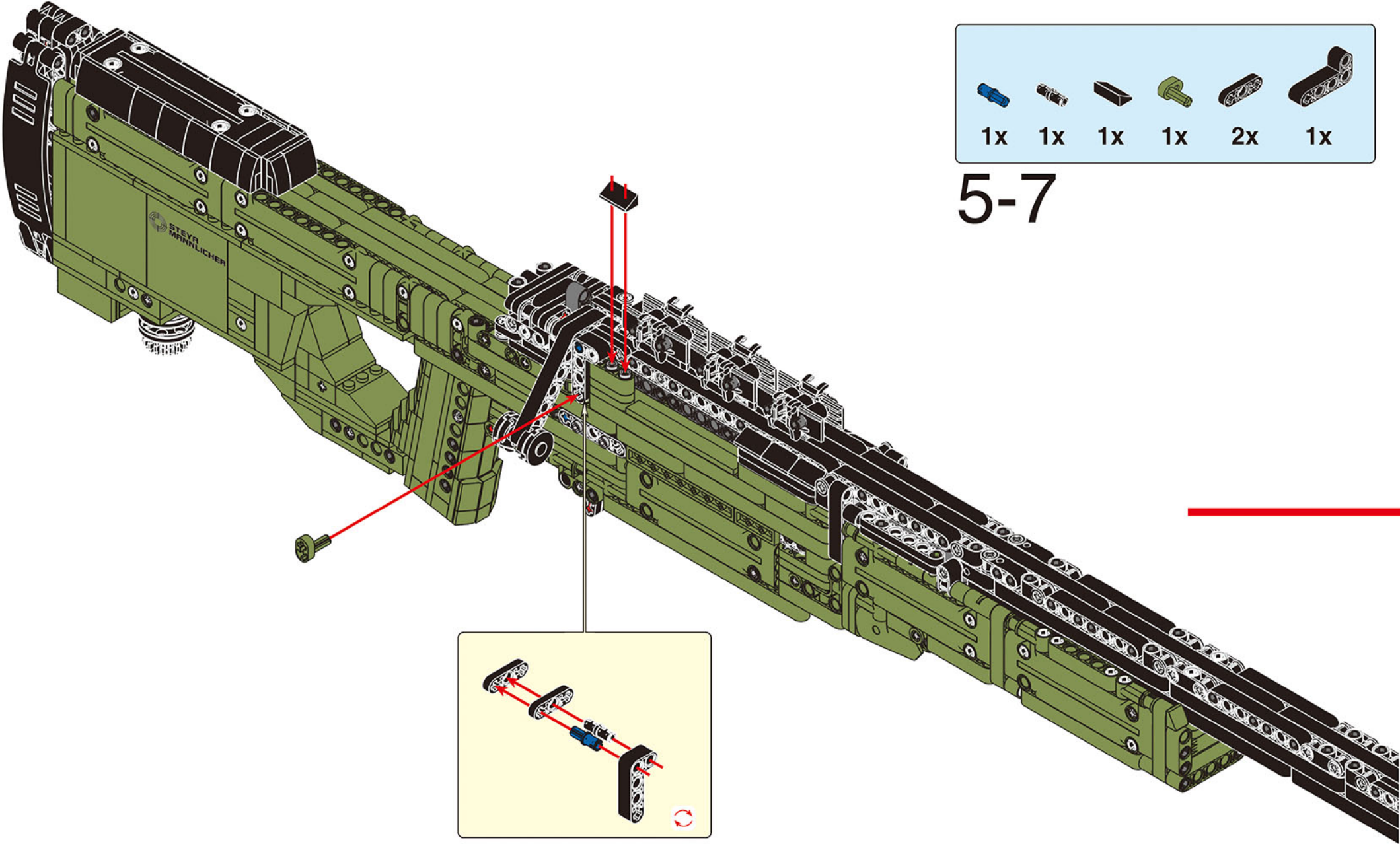
1 

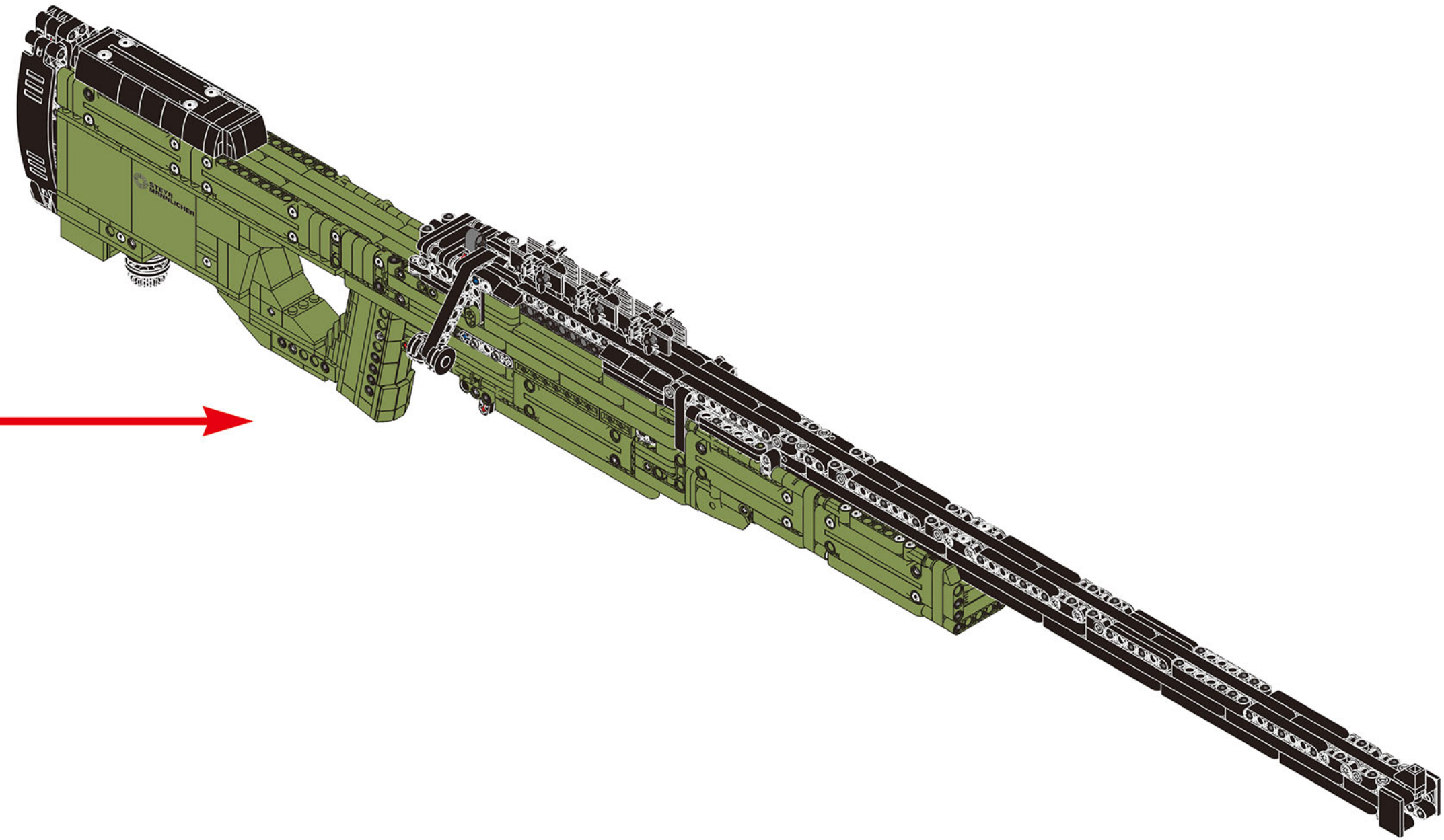
2 

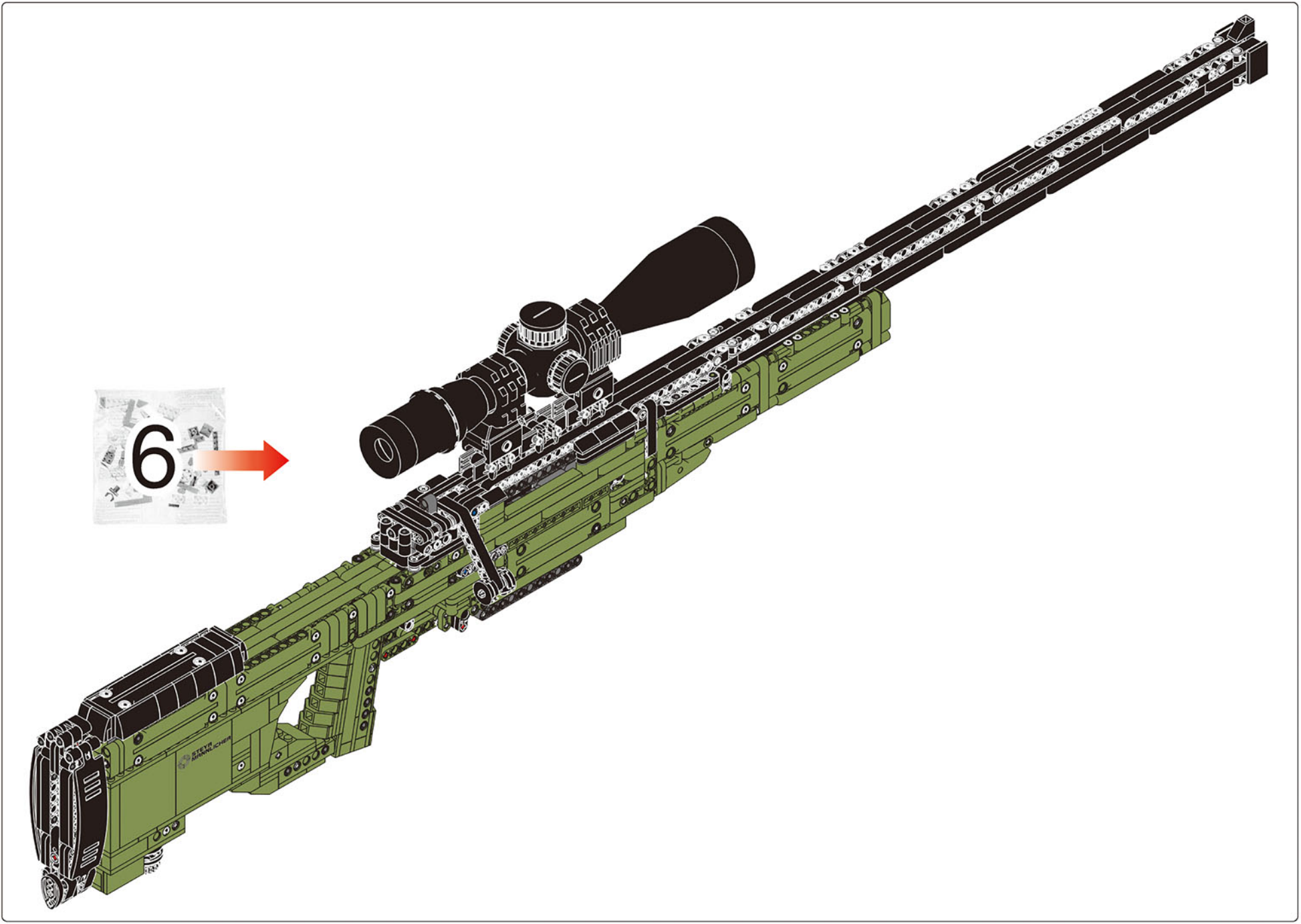


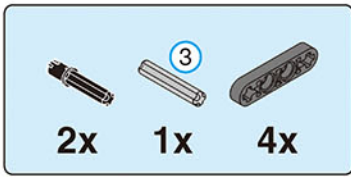
					
1x	1x	1x	1x	2x	1x

5-7

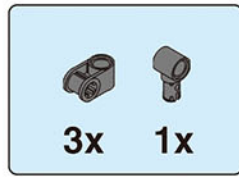




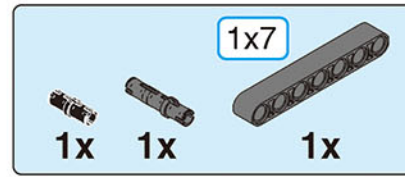




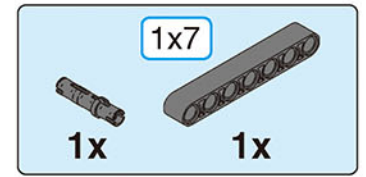
6-1.1



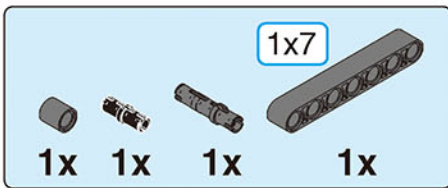
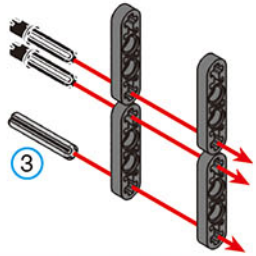
6-1.2



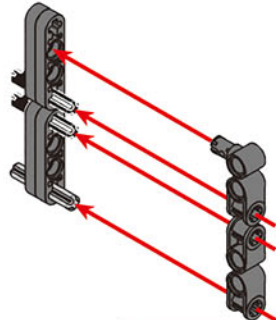
6-1.3



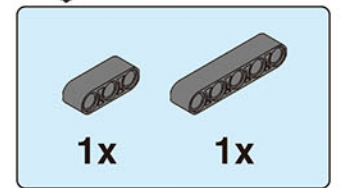
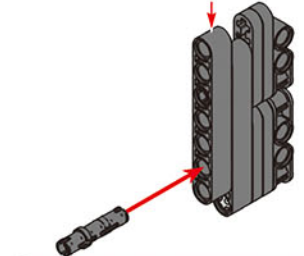
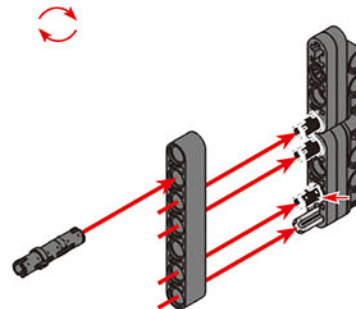
6-1.4



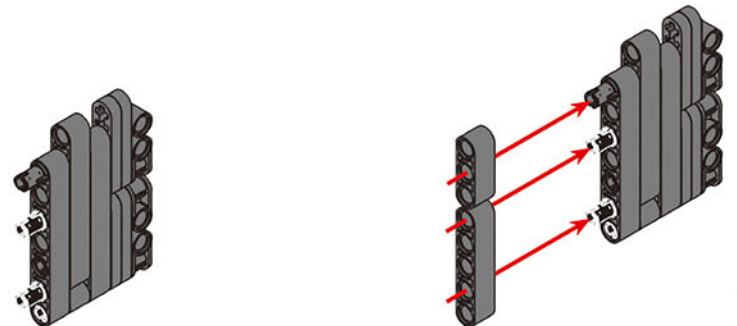
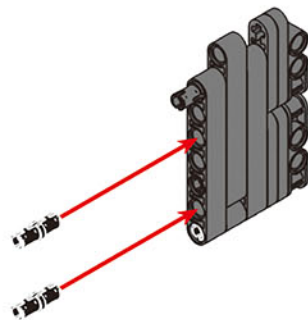
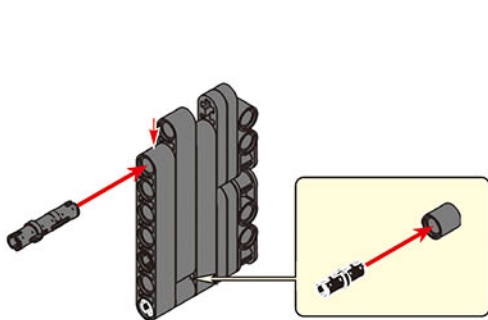
6-1.5

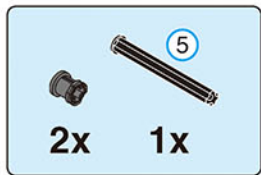


6-1.6

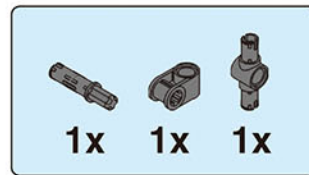


6-1.7

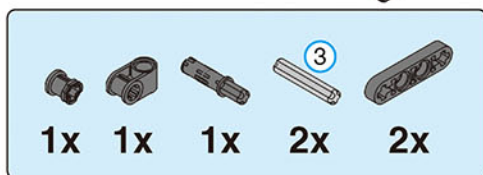
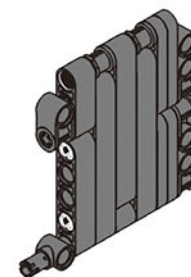
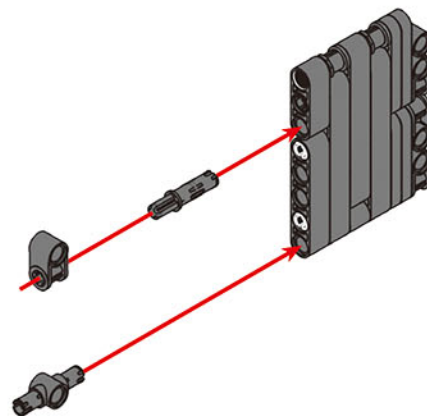
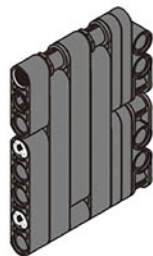
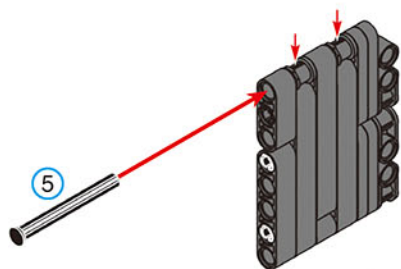




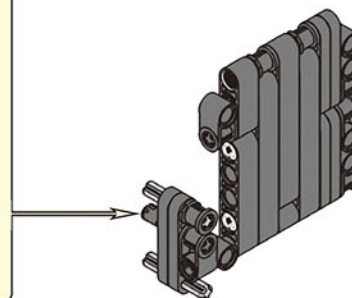
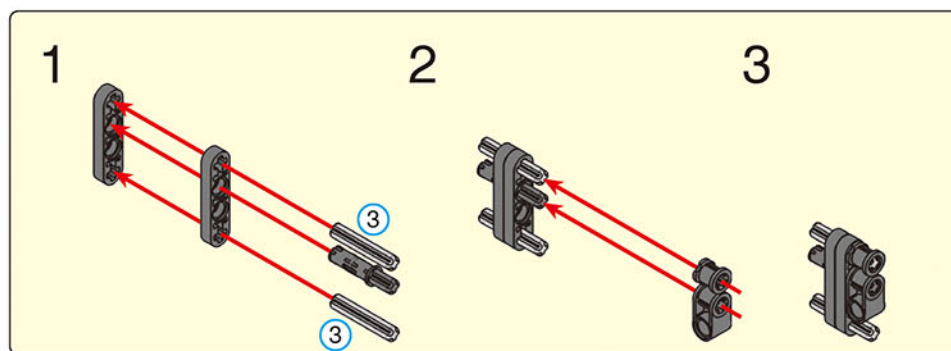
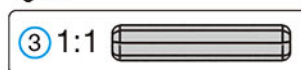
6-1.8

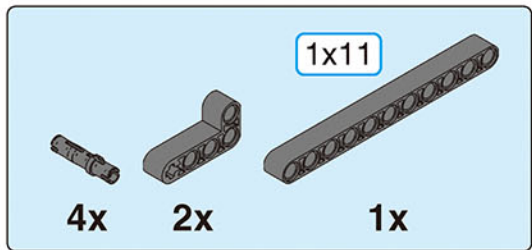


6-1.9

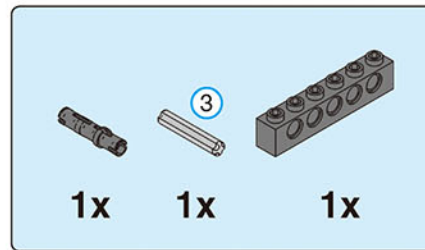
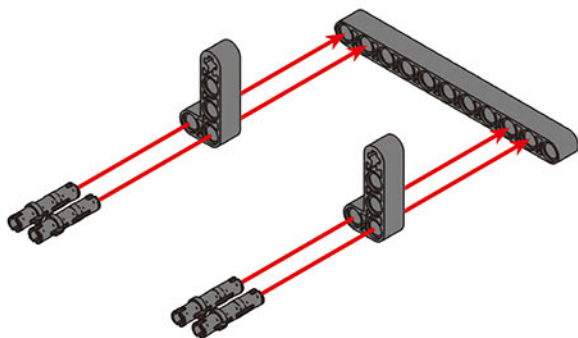


6-1.10

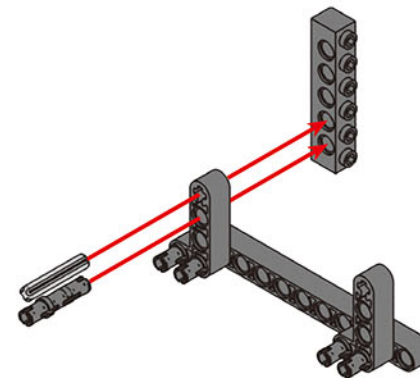




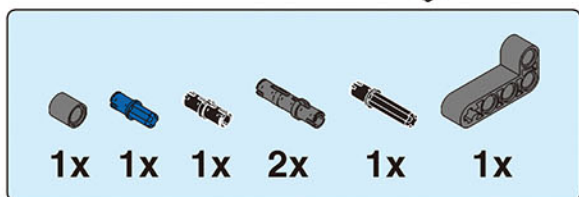
6-1.11



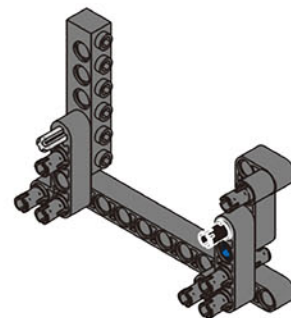
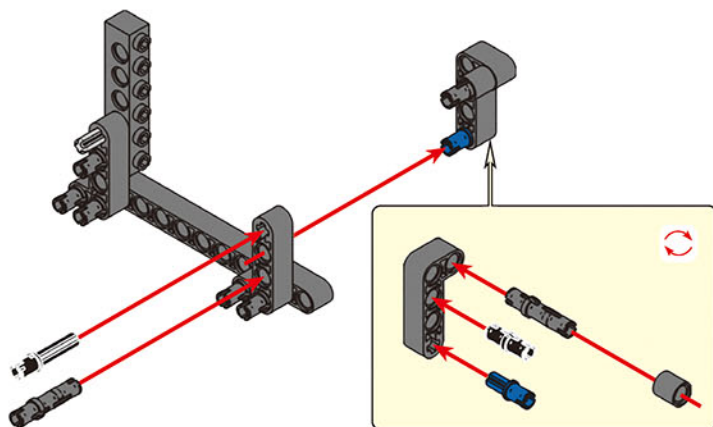
6-1.12



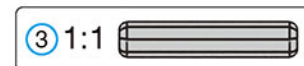
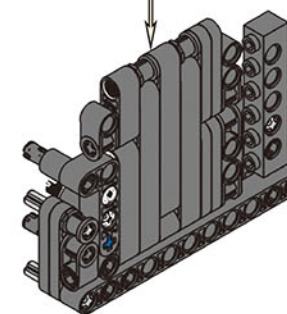
6-1

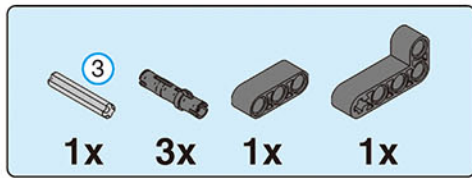


6-1.13

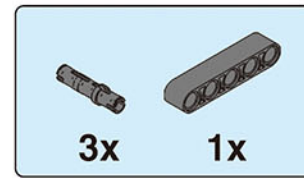
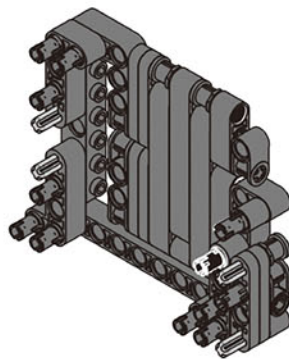
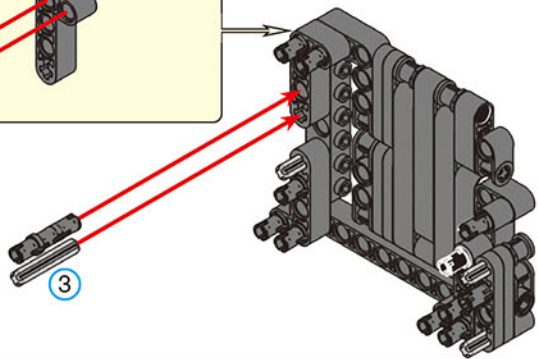
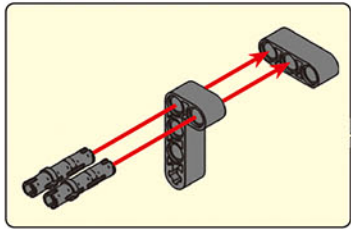


6-1.10

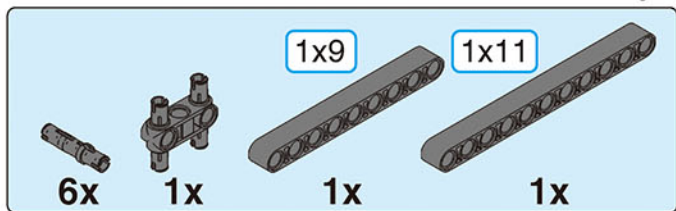
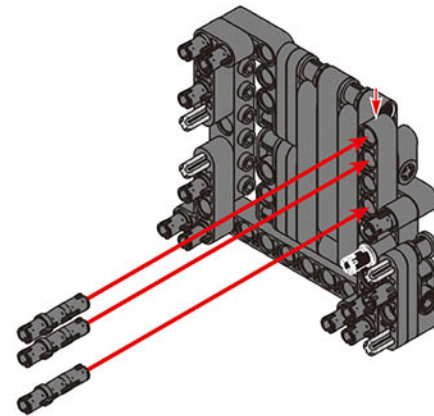




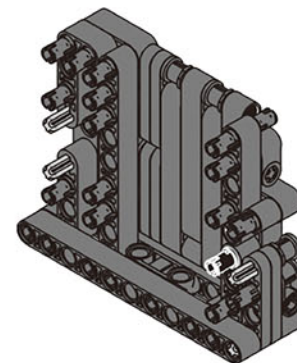
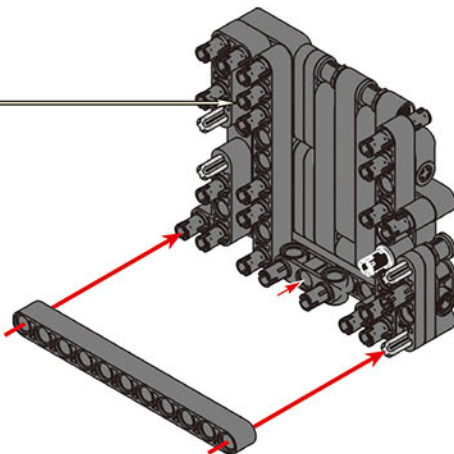
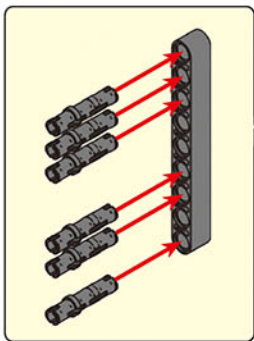
6-2

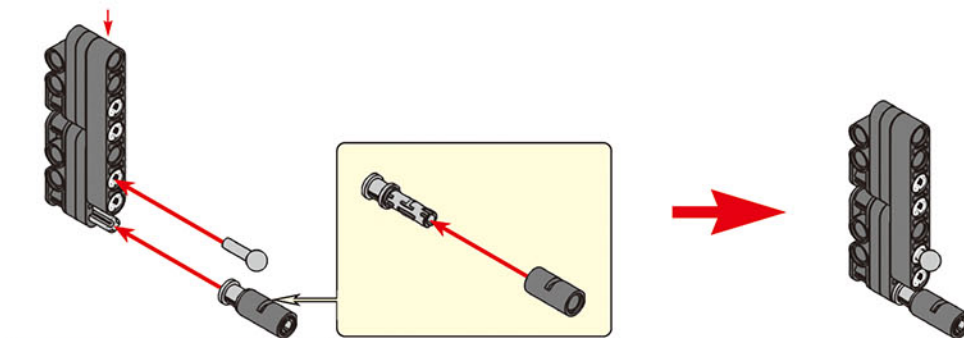
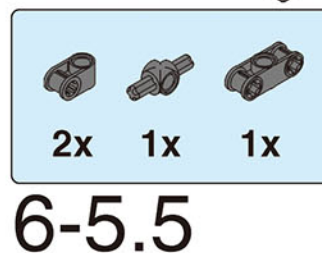
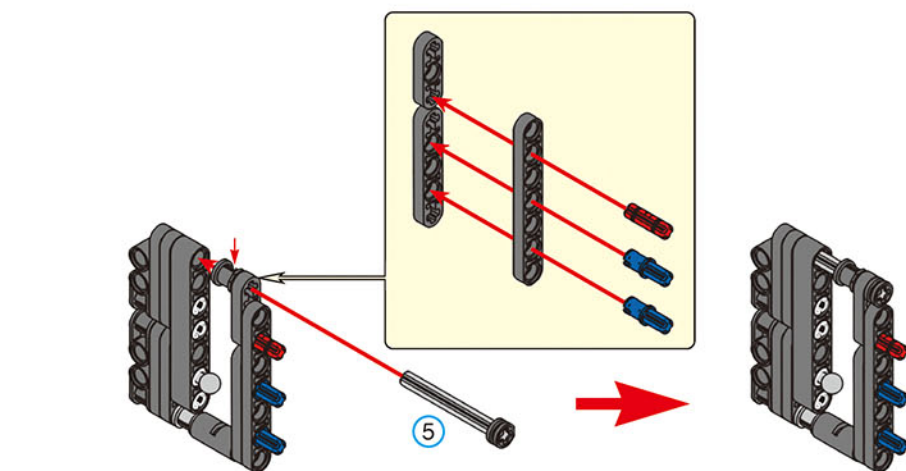
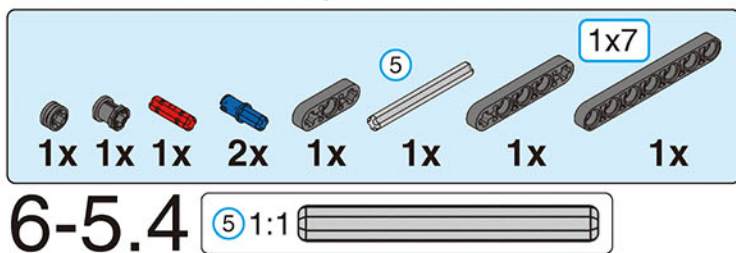
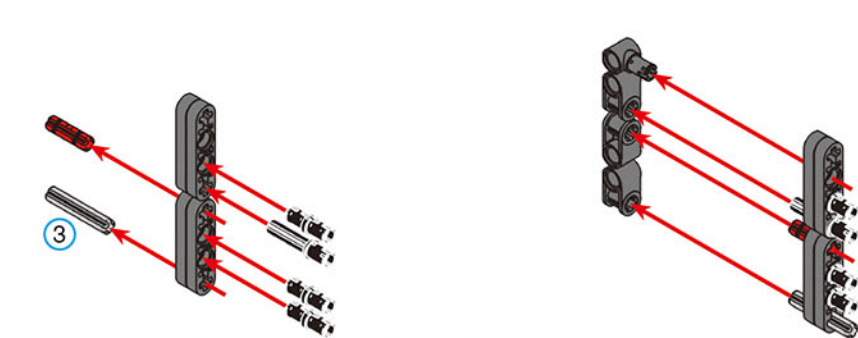
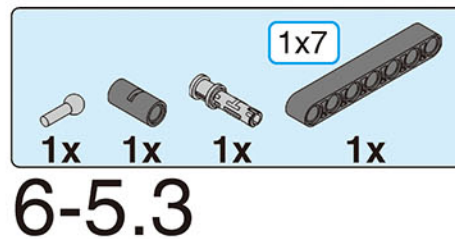
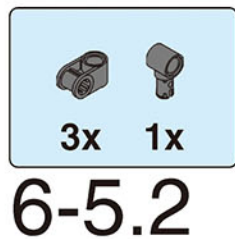
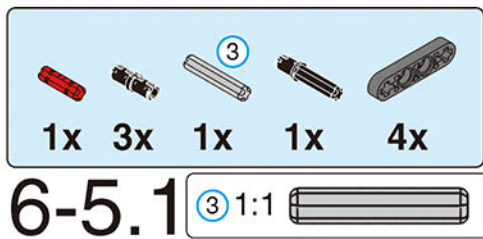


6-3

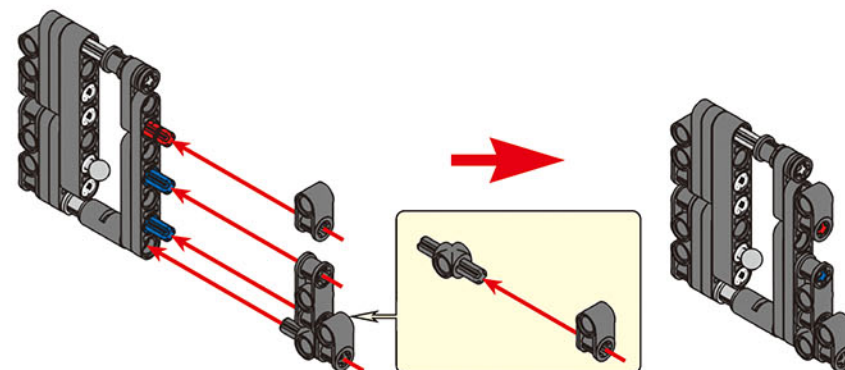


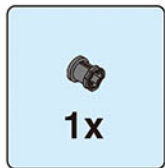
6-4





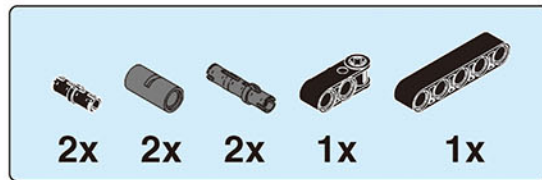
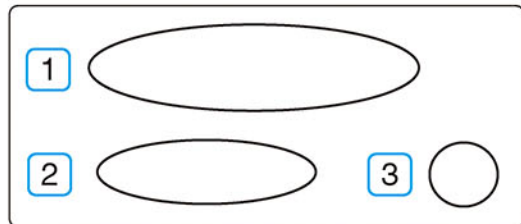
6-5.5



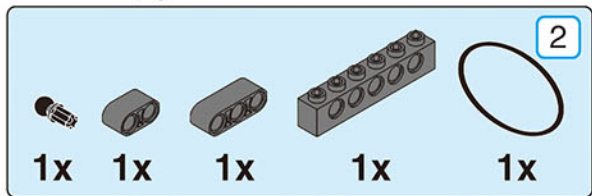
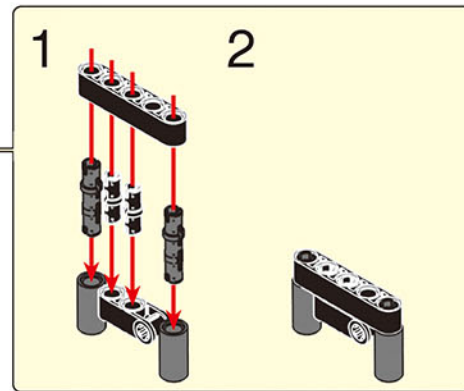
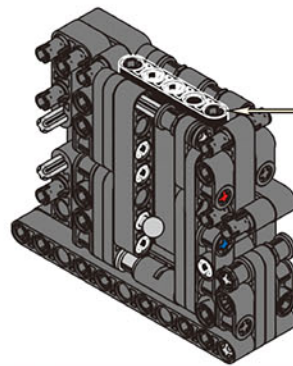
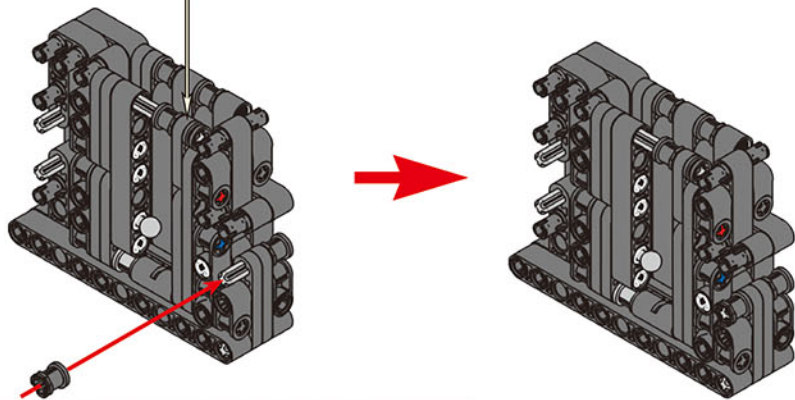


6-5

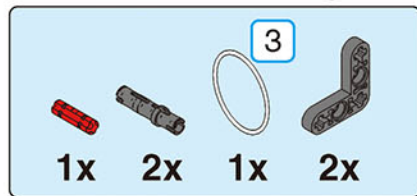
6-5.5



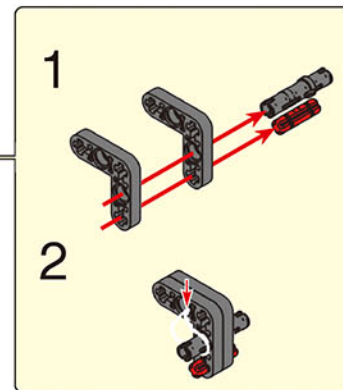
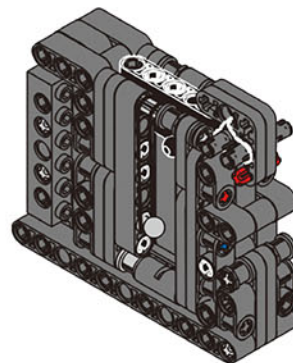
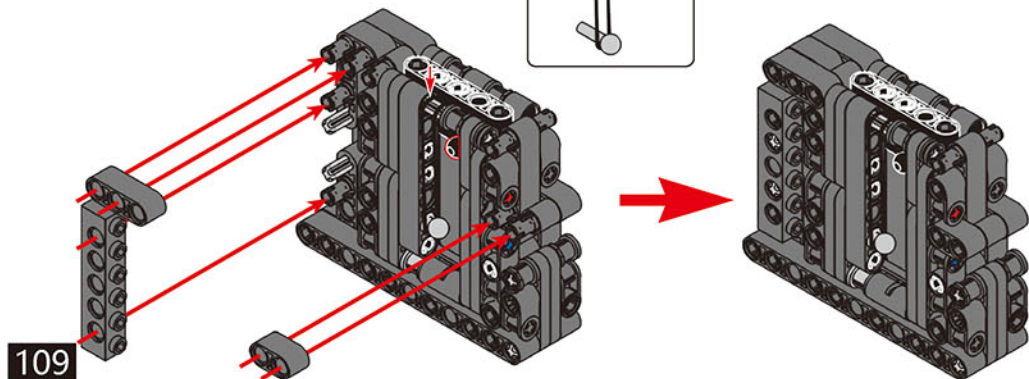
6-6



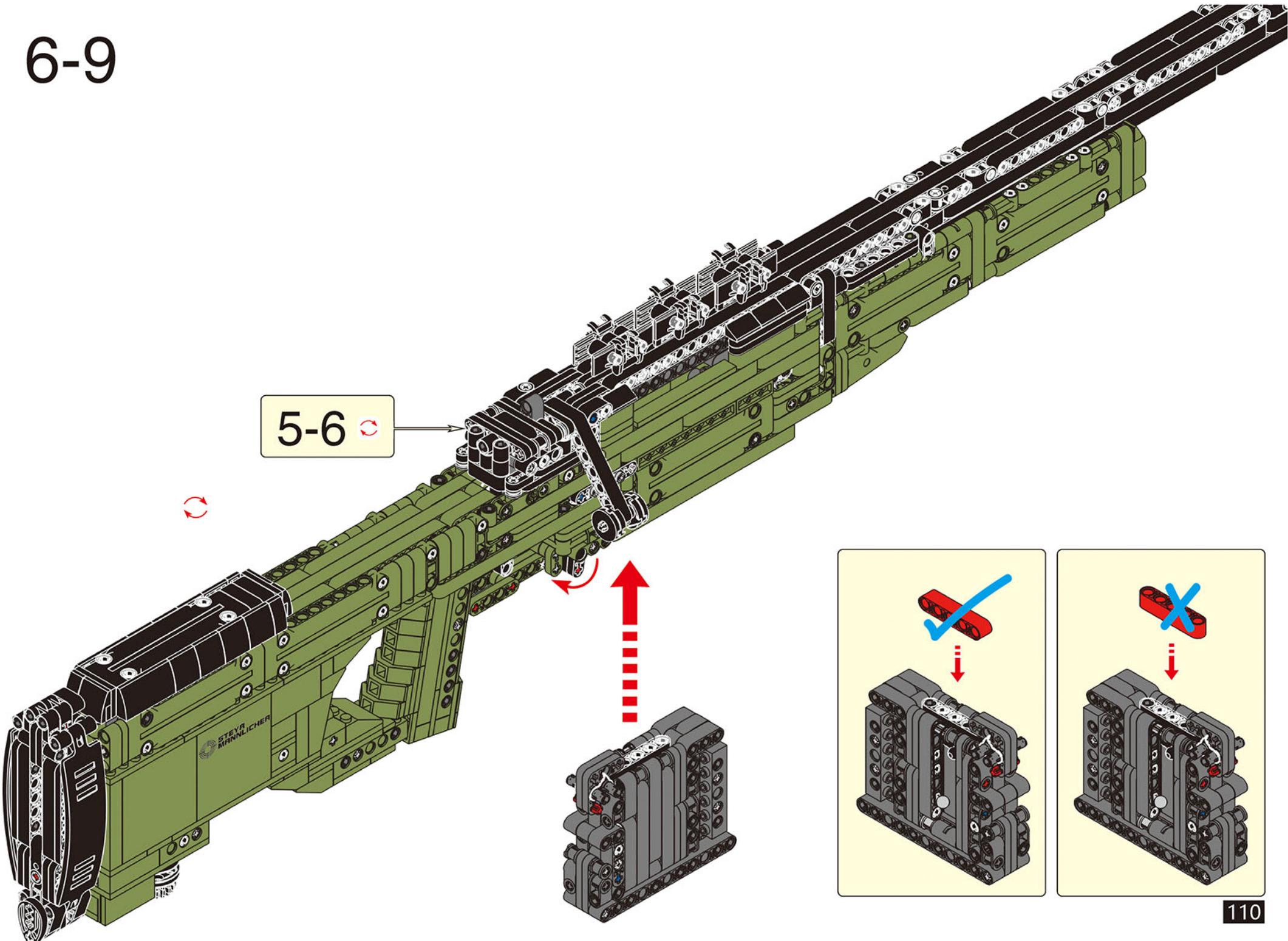
6-7



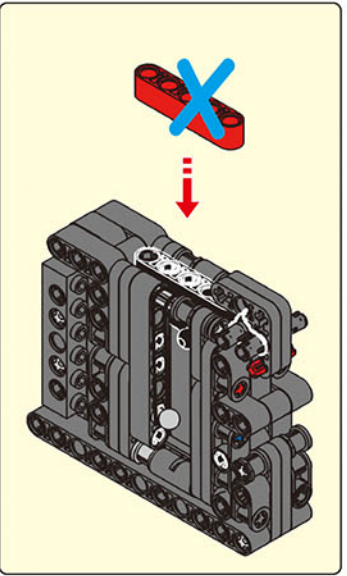
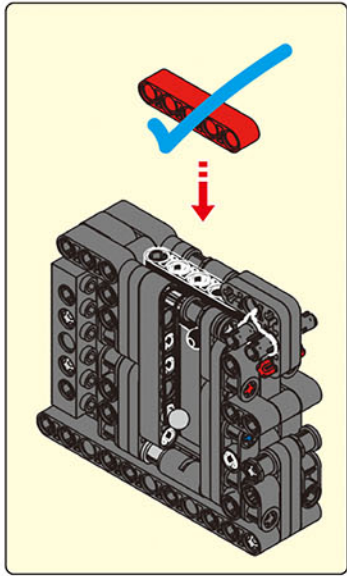
6-8



6-9



5-6



6-10

