

**CaDA<sup>®</sup>**

**KICK | SAUBER**

**F1® TEAM**



# KICK Sauber F1® Team Introduction



## Historical Timeline

➤ **Early Years and Independent Operations (1993-2005):** Sauber first entered F1® in 1993 and quickly established itself as a strong midfield team. In 2001, the team achieved its best result at the time, securing fourth place in the Constructors' Championship.

➤ **BMW Era (2006-2009):** In 2005, German car manufacturer BMW acquired Sauber, renaming it BMW Sauber. During this period, the team made significant strides, with Robert Kubica securing the team's first race win at the 2008 Canadian Grand Prix. In 2009, BMW announced its exit from F1®, and Peter Sauber regained control of the team.



➤ **Alfa Romeo Partnership (2019-2023):**

In 2019, Sauber partnered with Italian brand Alfa Romeo, renaming the team Alfa Romeo Racing. During this period, Chinese driver Zhou Guanyu joined in 2022, becoming the first Chinese driver to compete in an F1® race.

➤ **Transition to KICK Sauber F1® Team (2024):**

On January 1, 2024, the team was rebranded as the KICK Sauber F1® Team, marking a new chapter in its journey.



mindmaze LABS

mindmaze LABS

SINGHA CORPORATION

WEB EYEWEAR

WEB EYEWEAR

SINGHA CORPORATION



aramco

aramco

aramco

aramco

aramco

aramco

aramco

KICK

Hyland

sensetime 商场

KICK

KICK

安慕希

KICK

SPRACE +GF+ edelweiss AGILIS

MASC WORKWE

SAUBER



STOFFA  
NATION 35

WEBB

1940

SCOTT  
MOTOR  
RACING

+++

USA  
C/VA



KICK

sensetime 商汤

zero

Hyland

KICK

Acceferon

MASCOT  
WORKWEAR

KICK



# ZHOU GUANYU 24

China had never boasted a Grand Prix starter among its citizens – until Zhou Guanyu changed that state of affairs, after receiving the call-up to make his F1® debut for Alfa Romeo Racing, now KICK Sauber, in 2022.

The Shanghai-born racer attended his home city's inaugural Grand Prix in 2004 at the age of five, cheering on his hero Fernando Alonso. But having caught the racing bug, the Chinese driver then set himself the ambitious goal of becoming his country's first-ever F1® racer – achieving a feat that Ma Qinghua, the only other Chinese driver to take part in a Formula 1® weekend, never managed.

Showing boldness and dedication, Zhou put his plan into action by moving to England with his family aged just 12 to pursue his motorsport ambitions. A second-place finish in the 2015 Italian F4 championship proved Zhou possessed the right stuff – a fact already noted by Ferrari, who'd signed him to their driver academy a year earlier.

A move to Renault's academy for 2019 coincided with his debut in Formula 2, with Zhou building his confidence in the series via multiple wins and pole positions across three seasons, leading him to challenge for the drivers'title in 2021.

That was enough to convince Team Principal Fred Vasseur to put his faith in Zhou for 2022 and field him alongside ex-Mercedes racer Valtteri Bottas – allowing Zhou to achieve his dream of racing in F1®, and even to compete against his own childhood hero, Fernando Alonso.





# VALTTERI BOTTAS 77

Learning his craft on Finnish roads of ice and snow, Valtteri Bottas was born to be a Grand Prix™ racer.

The Finn explains that if you can drive on the frozen roads of his homeland then you can drive anywhere. Then there's the Finnish mentality – reserved, diligent and calm the fast lane of F1® doesn't faze him.

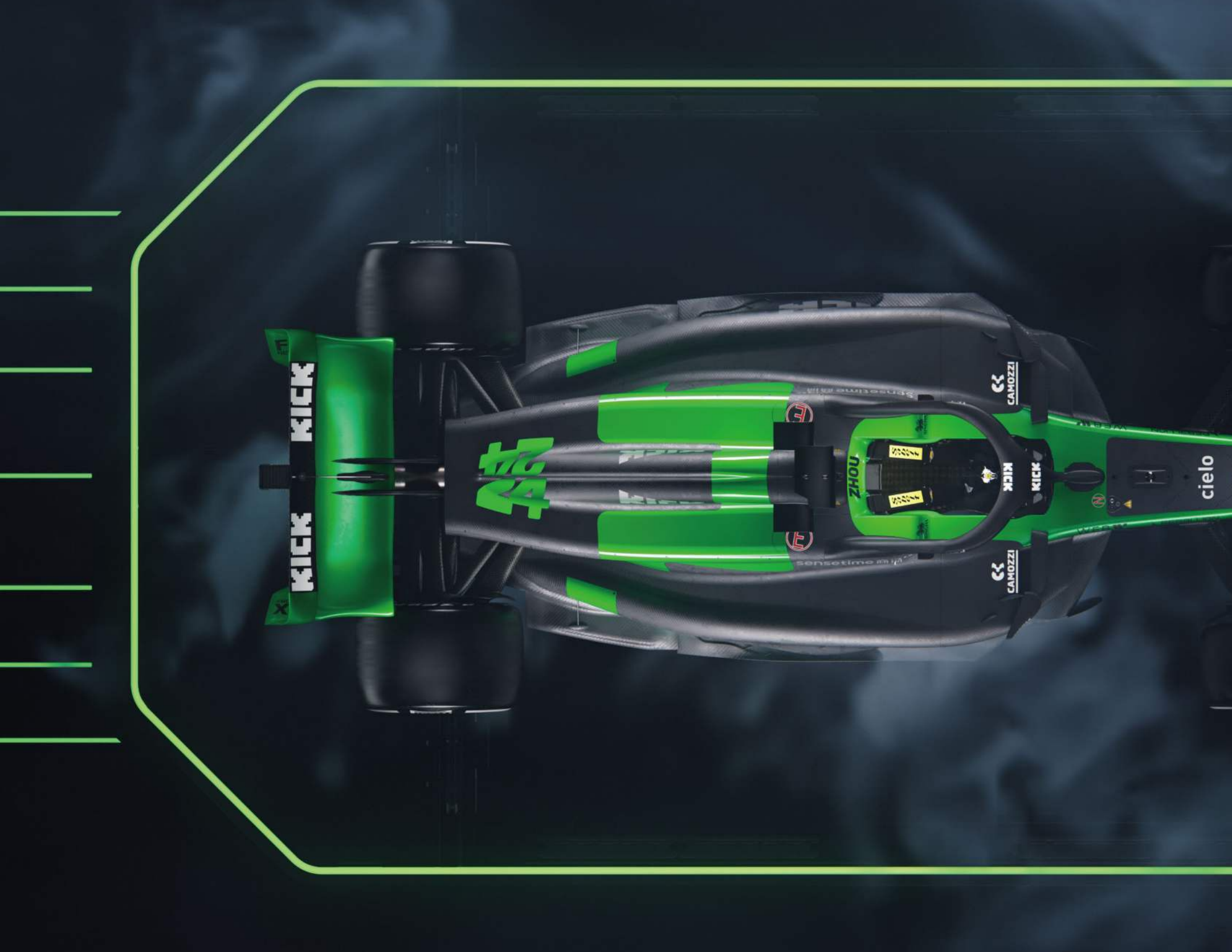
Making his F1® debut with Williams in 2013, Bottas soon became part of the family. Points and podiums followed with the reliable racer even amassing the most points without a win, a record that just needed a more competitive car to obliterate. The fact the Finn was such a points machine saw him suddenly promoted to the most coveted seat in F1® - Nico Rosberg's vacant championship-winning seat at Mercedes.

Bottas blossomed at the Silver Arrows in 2017, unleashing his pace to clock up personal pole positions and victories as well as a team championship for the famous Mercedes marque alongside Lewis Hamilton. He even tied with Hamilton and Sebastian Vettel with 13 podiums.

For a shy guy, it brought a confidence boost and a new swagger – albeit in a very demure Finnish fashion. Facing one of F1®'s most successful drivers in history in the sister car, it was this confidence that allowed Bottas to continue delivering strong results as part of an all-conquering Mercedes team.

Bottas kept delivering - four victories in 2019, two in 2020 and one in 2021, for a total of ten in the span of five years at Mercedes.

In 2022 he started a new chapter in his F1® career, replacing compatriot Kimi Raikkonen to lead an all-new line-up at Alfa Romeo Racing, now KICK Sauber, and taking Chinese rookie Zhou Guanyu under his wing.



KICK KICK

camozzi

FT

FT

ZHOU

CAMOZZI

CAMOZZI

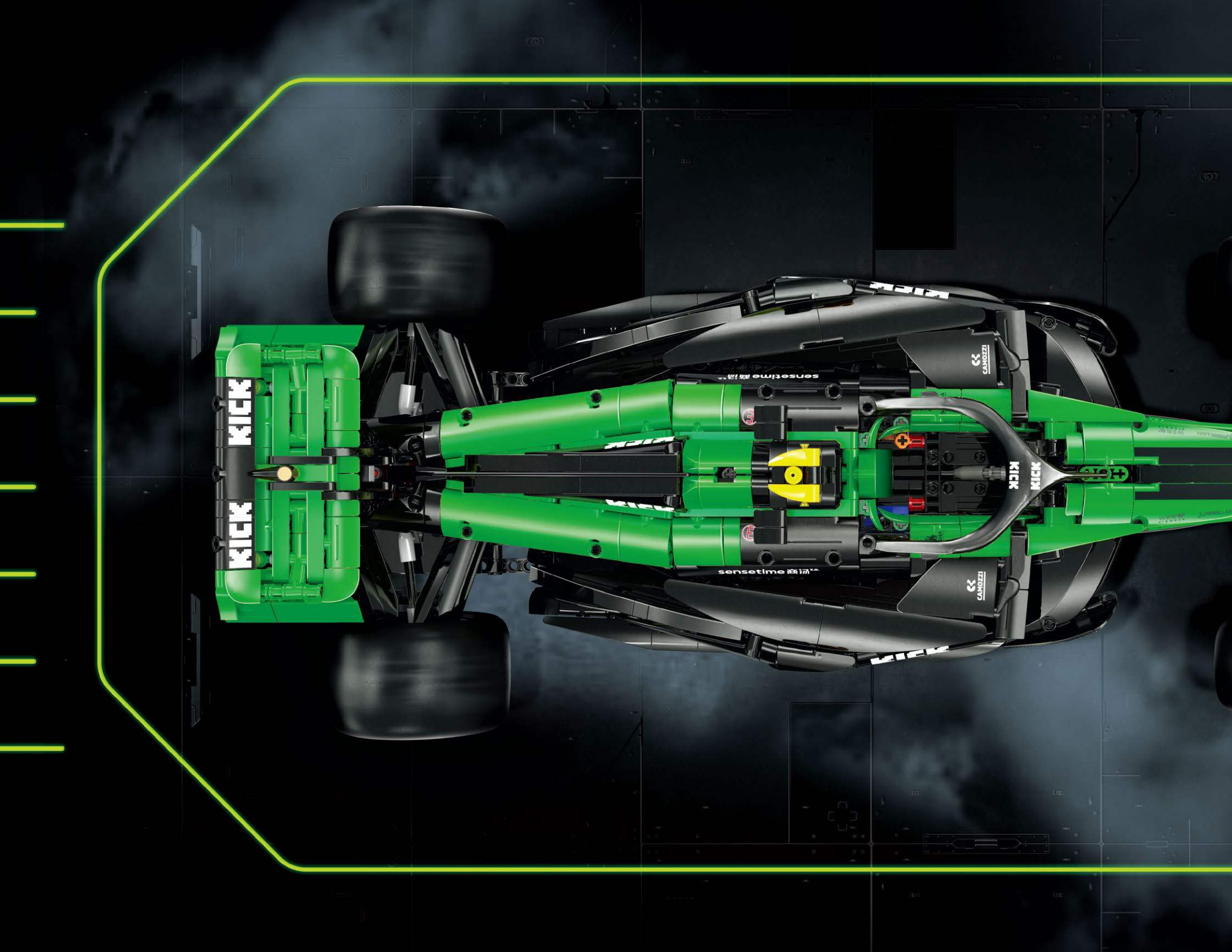
KICK

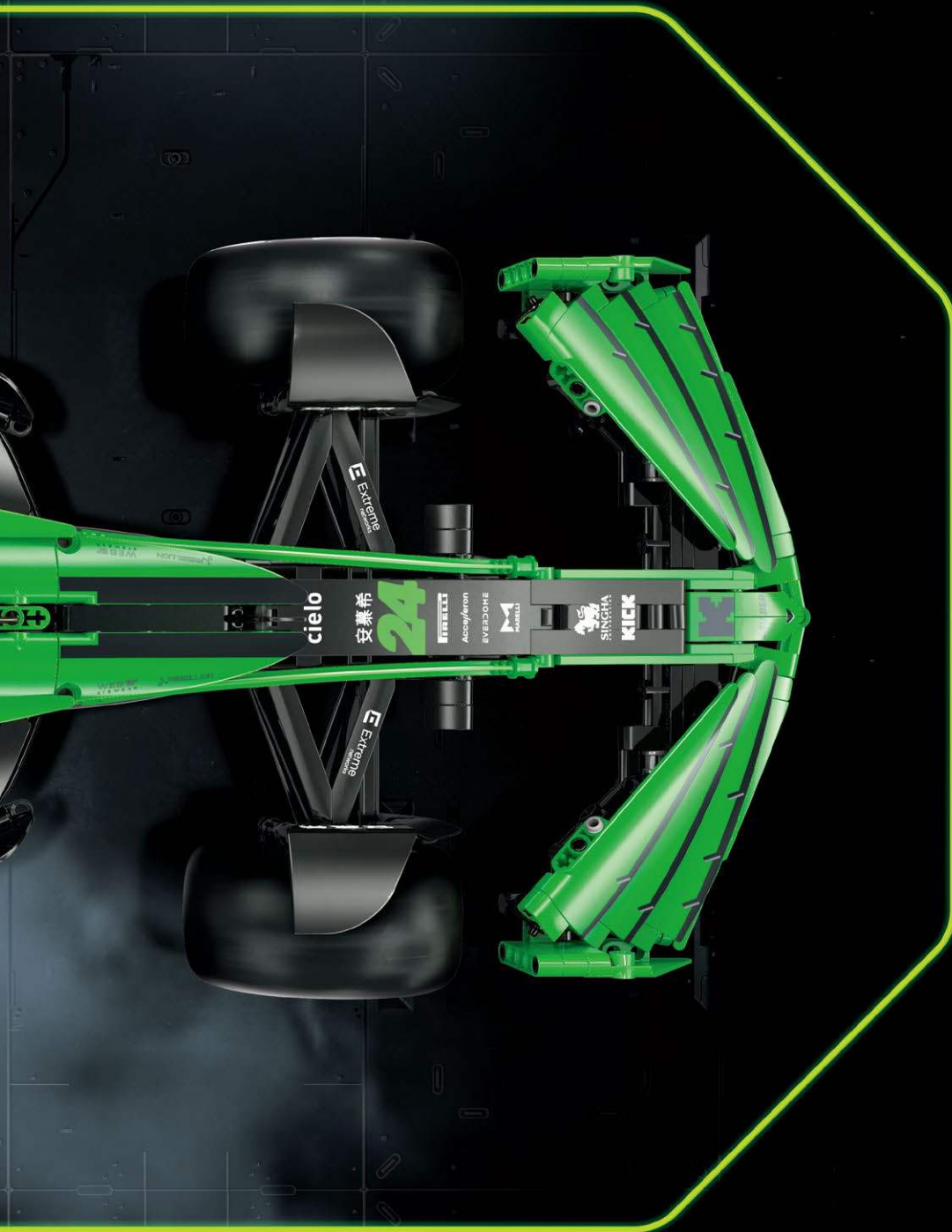
KICK

sensotime

cieło















KICK KICK

KICK

CAMOZZI

cielo

安慕希

24

PIRELLI

Acce/eron

EVERDOME

MARELLI

SINGHA

KICK

SAUBER



KICK

PIRELLI

sense time



FIX  
NETWORK

CODE

0

P ZERO



**C64010(W)**

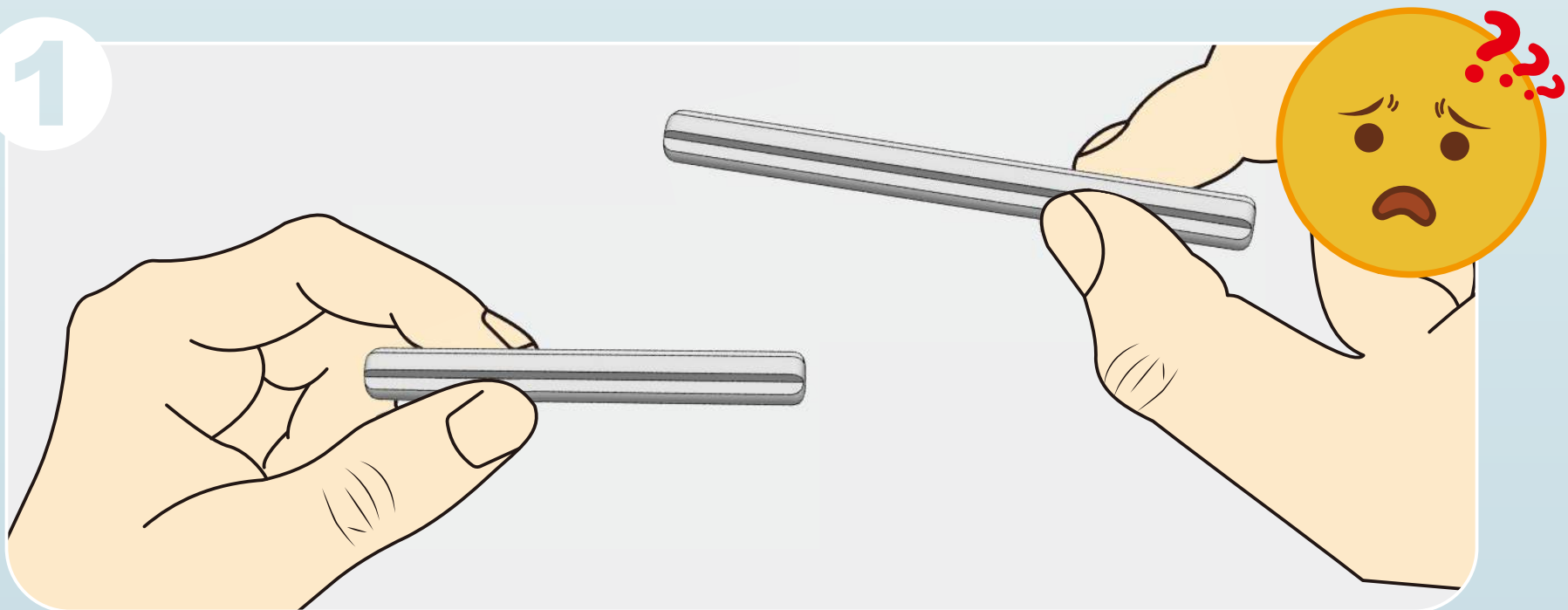
**1:8 KICK Sauber F1® Team C44 2024**



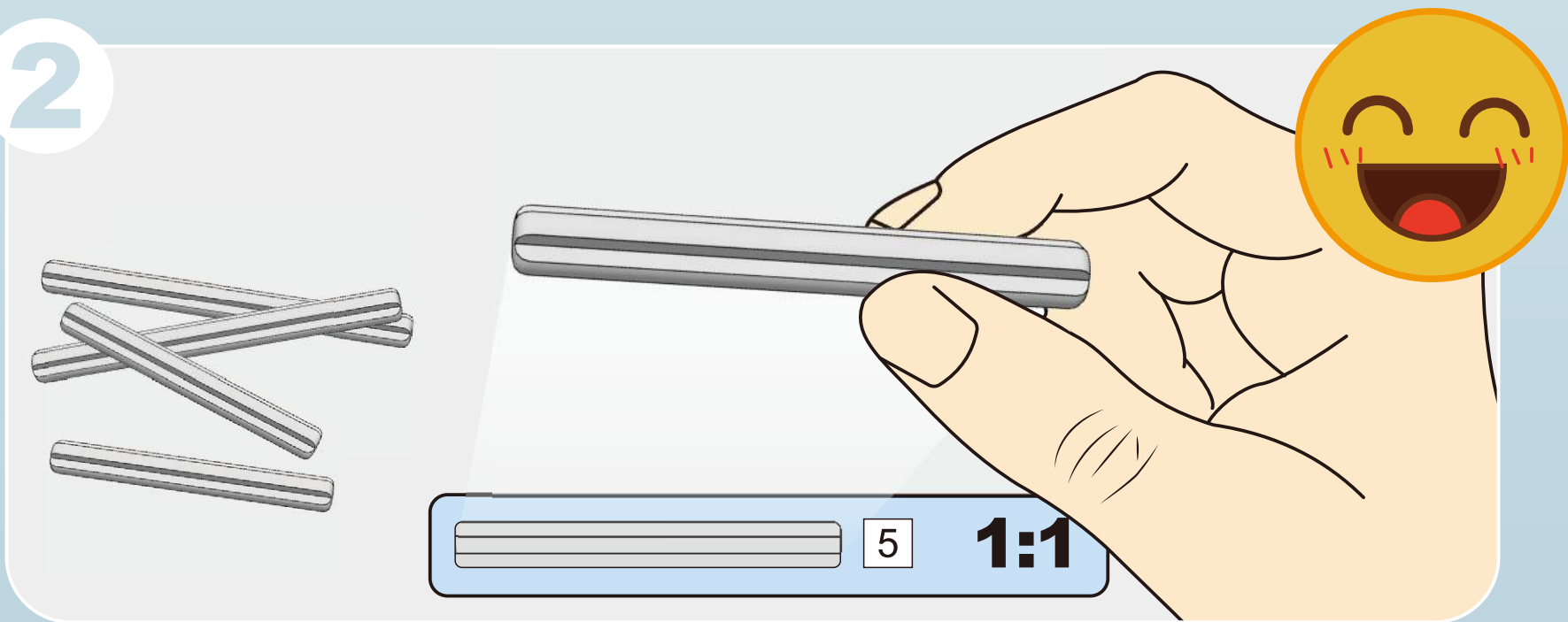
**C55032(W)**

**1:24 KICK Sauber F1® Team C44 2024**

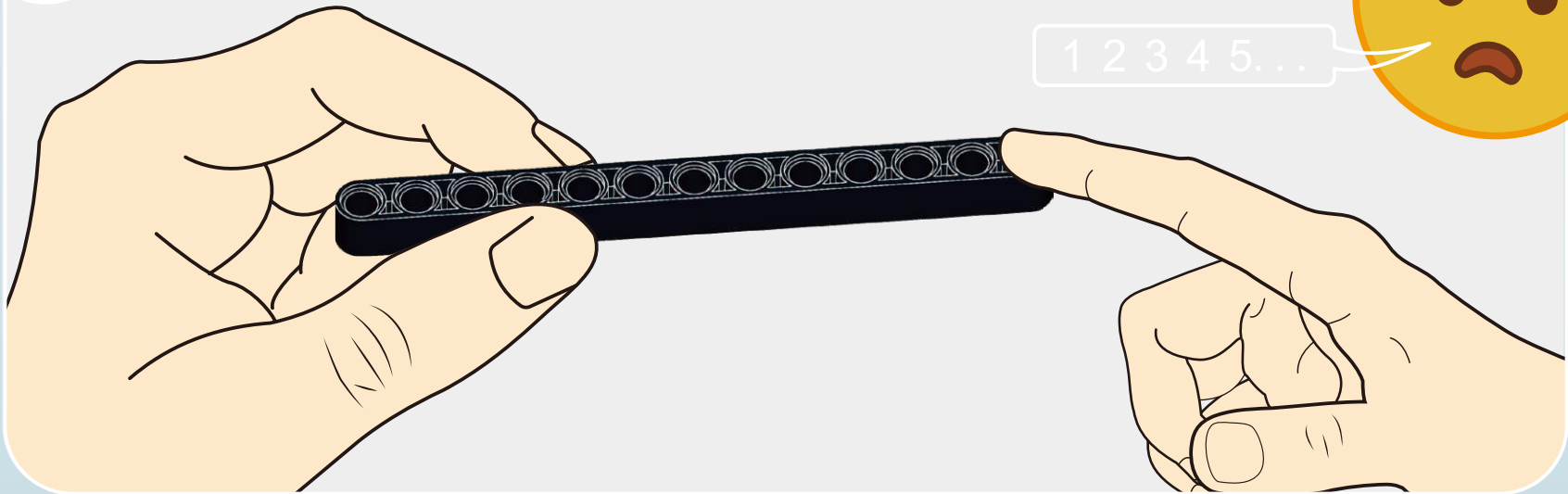
1



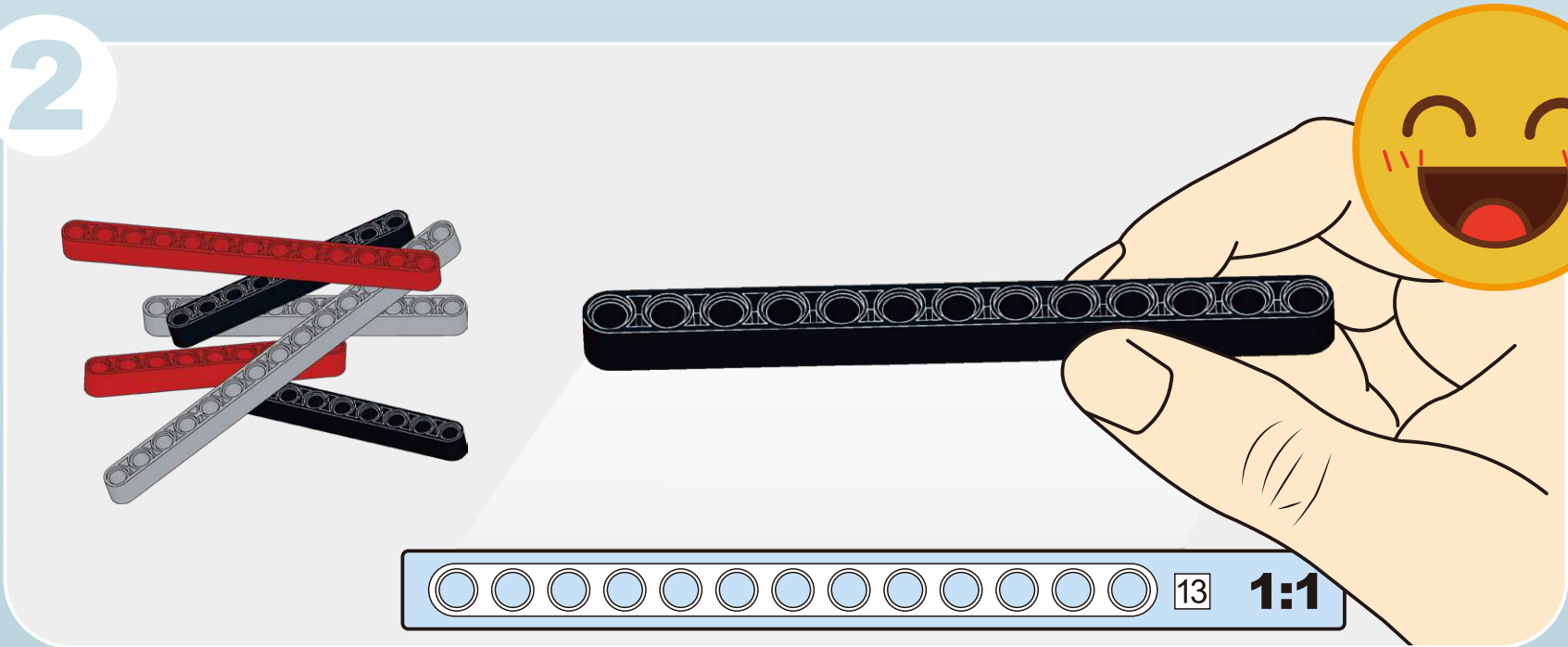
2

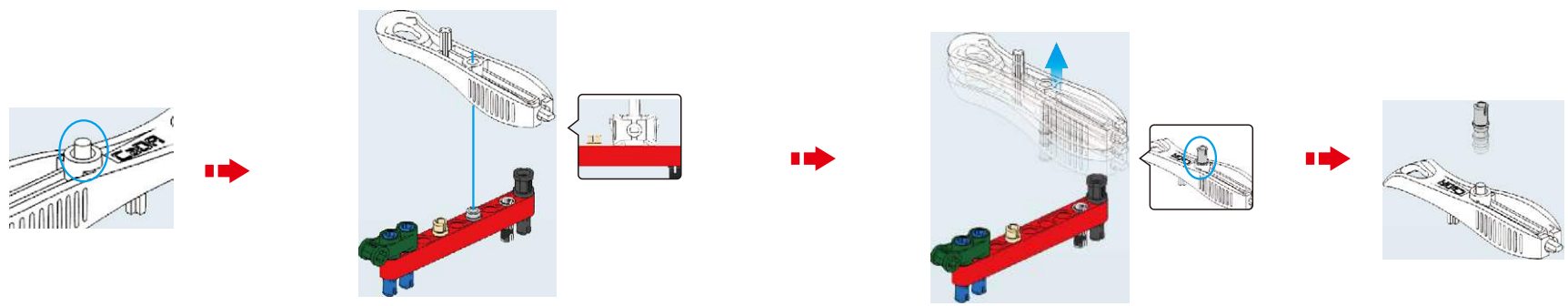
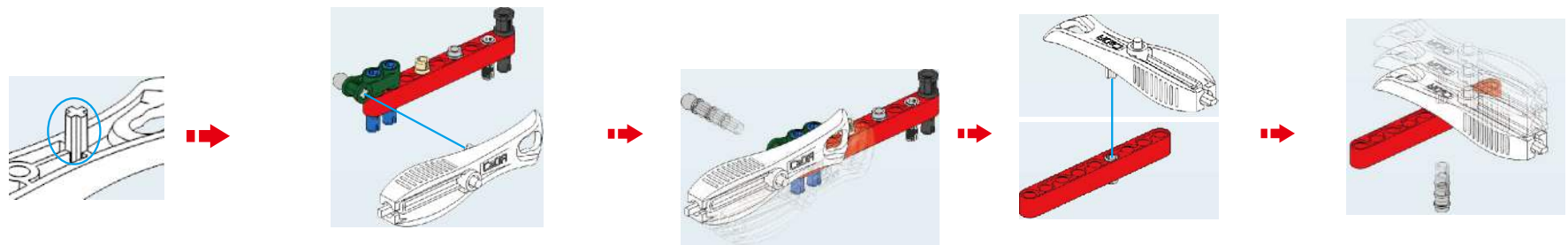
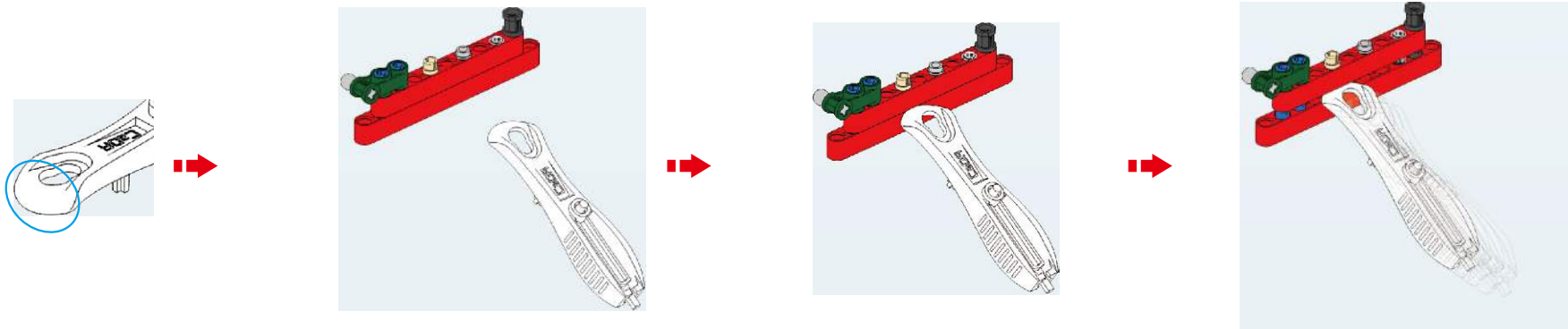


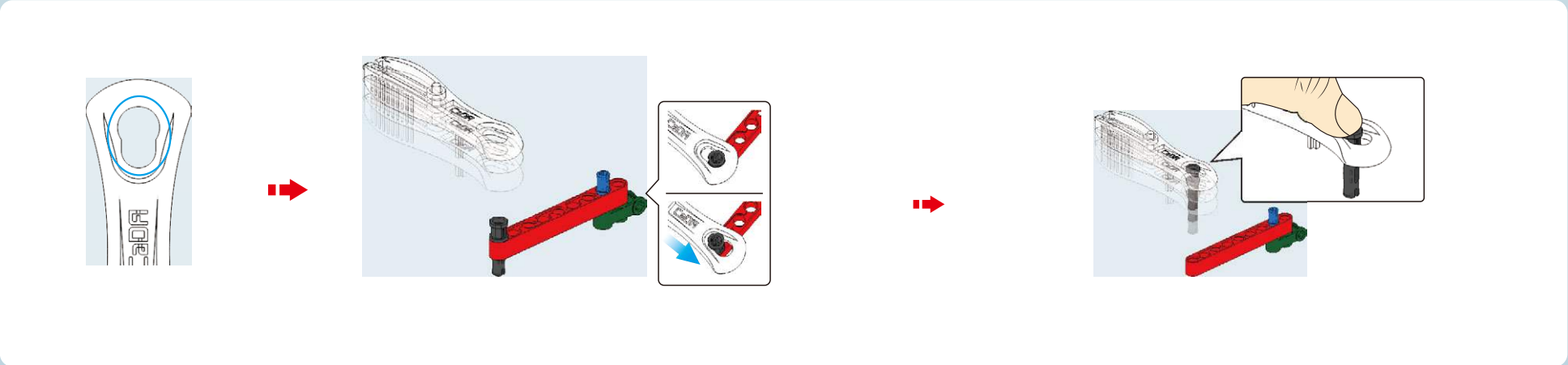
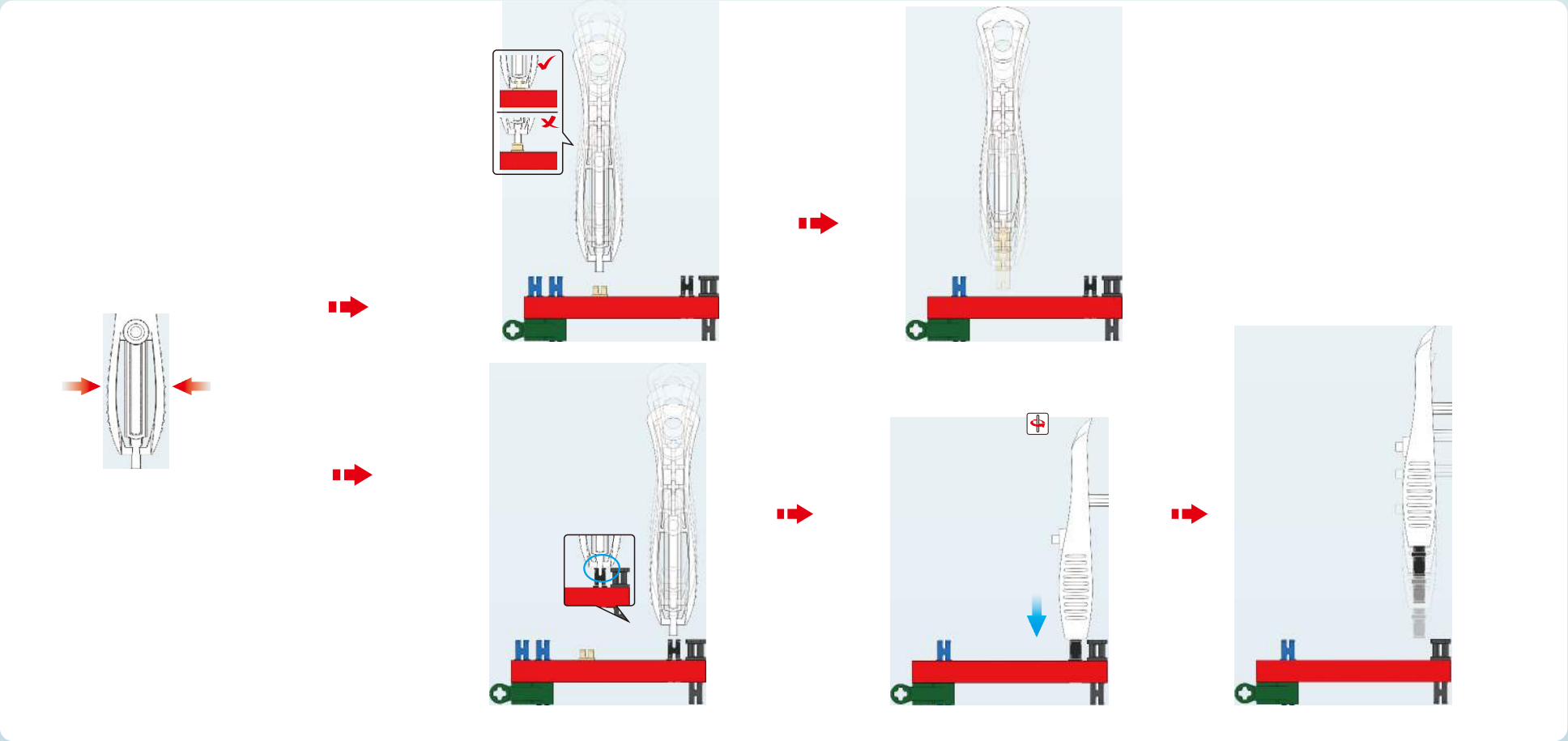
1



2

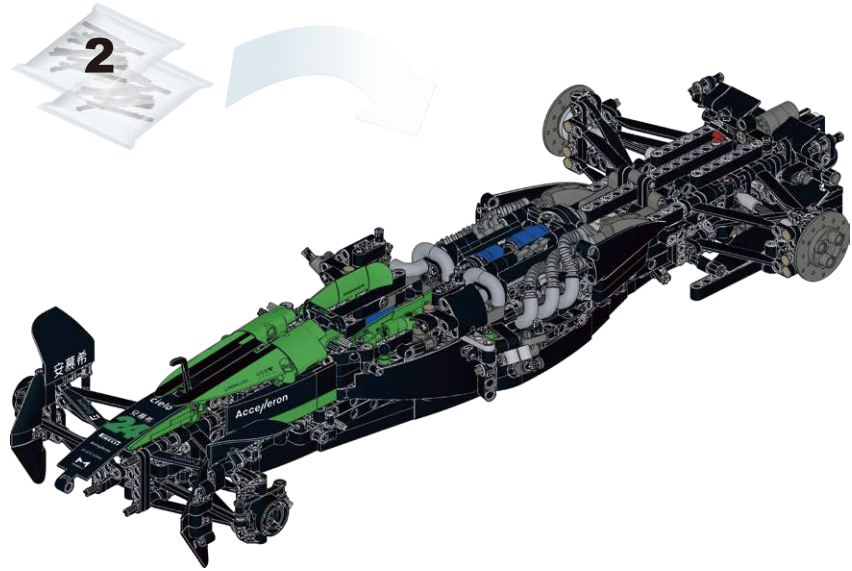








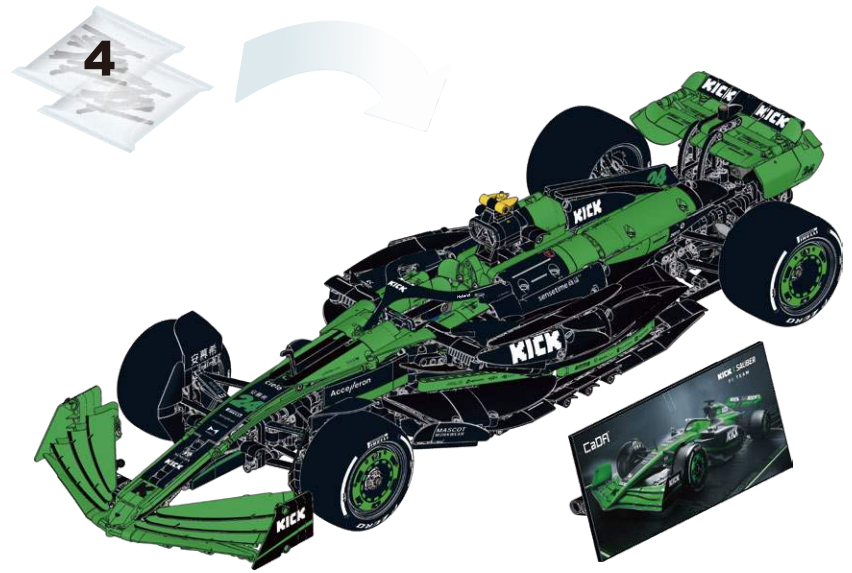
A



B



C



D





Hyland



24

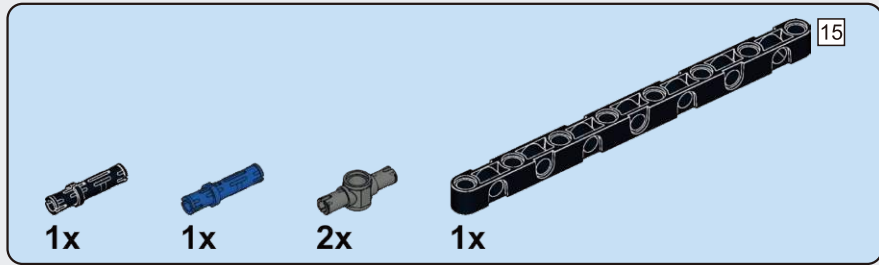
ZHOU



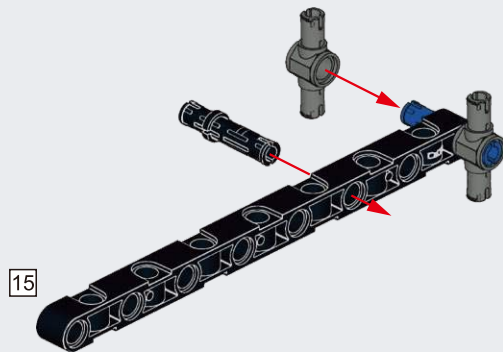
77

VALTTERI

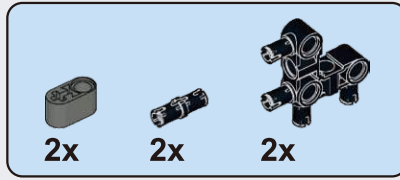
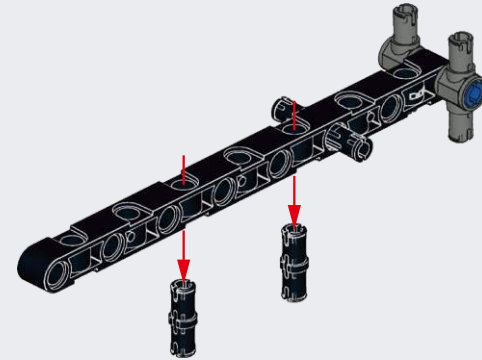
**A**



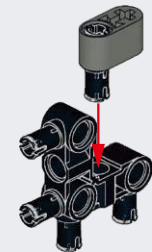
**A1**



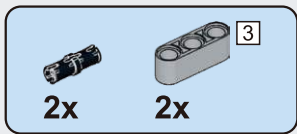
**A2**



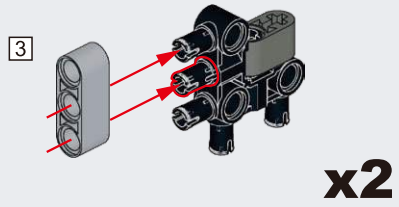
**A3**



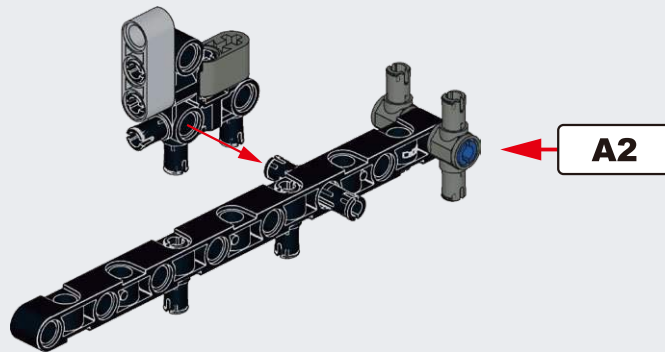
**x2**



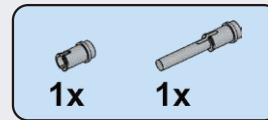
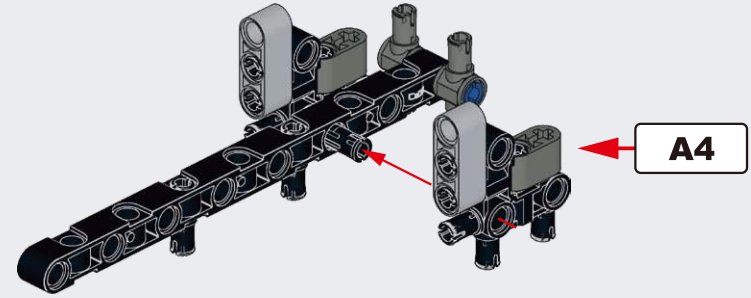
## A4



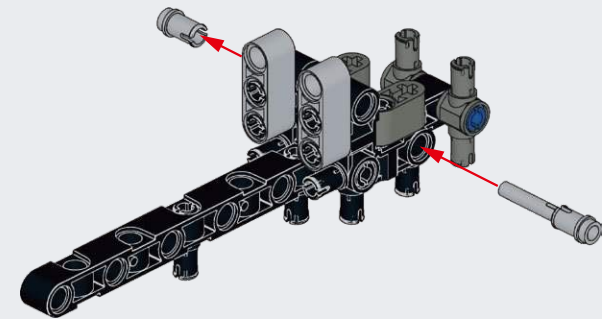
## A5



## A6

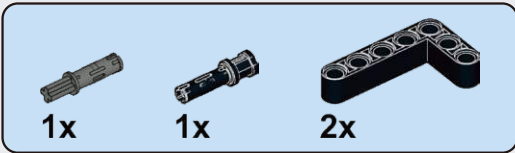
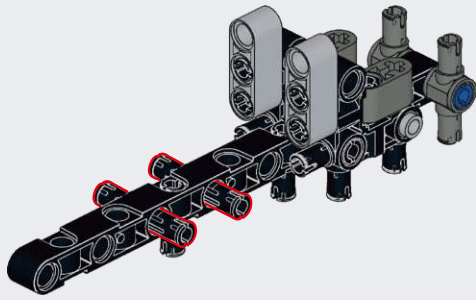


## A7

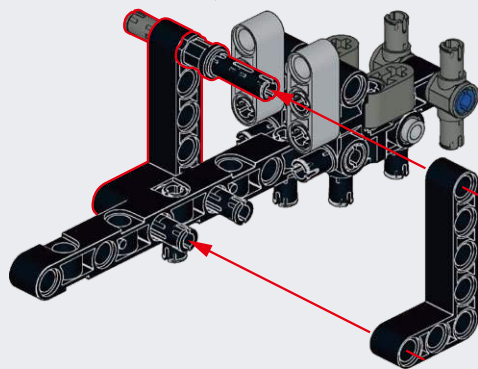
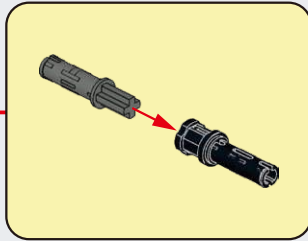




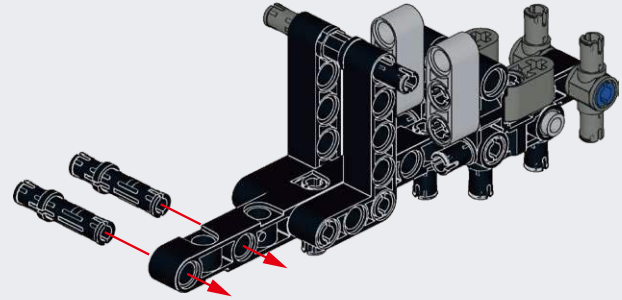
**A8**



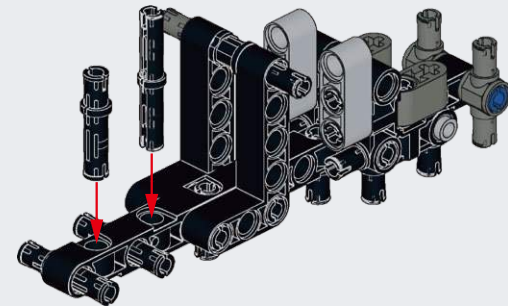
**A9**

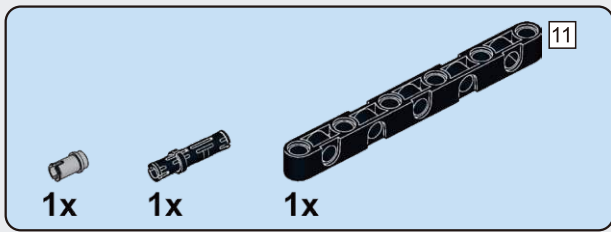


**A10**

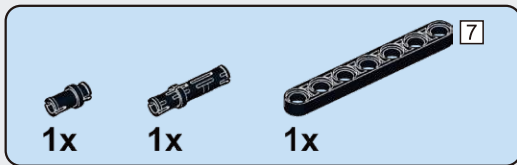
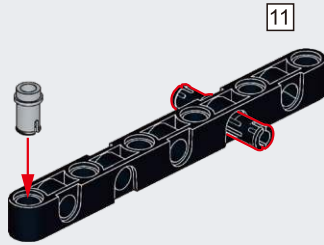


**A11**

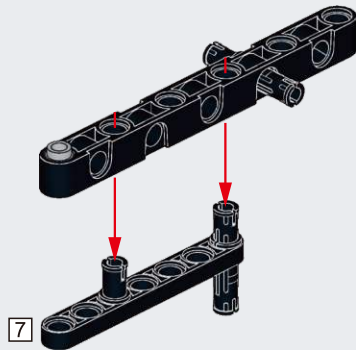




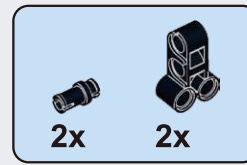
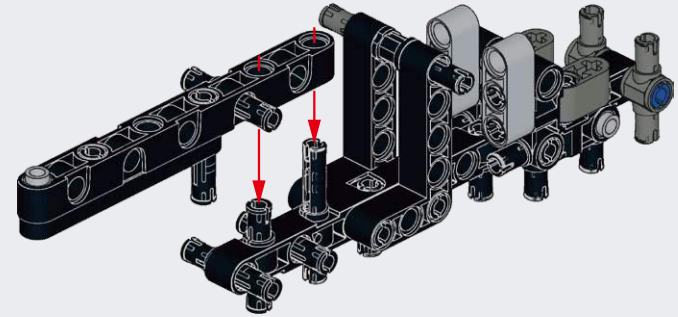
## A12



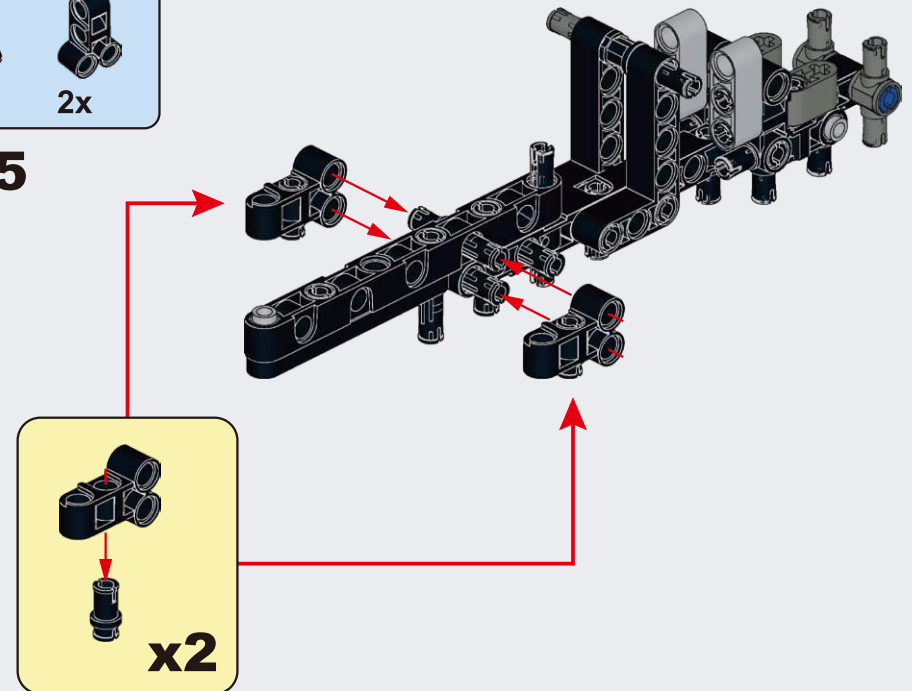
## A13



## A14

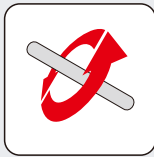
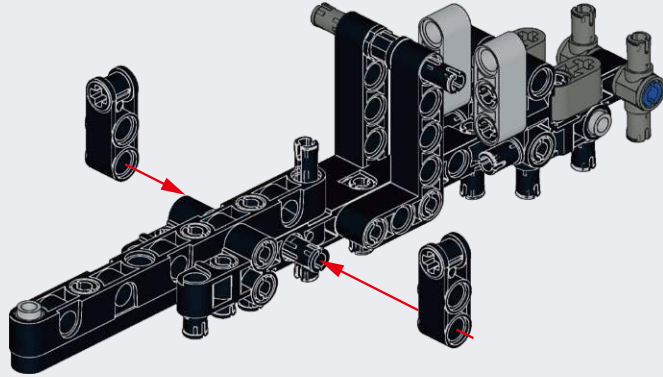


## A15

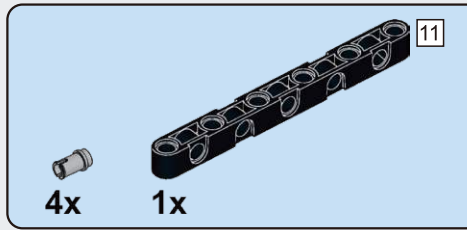
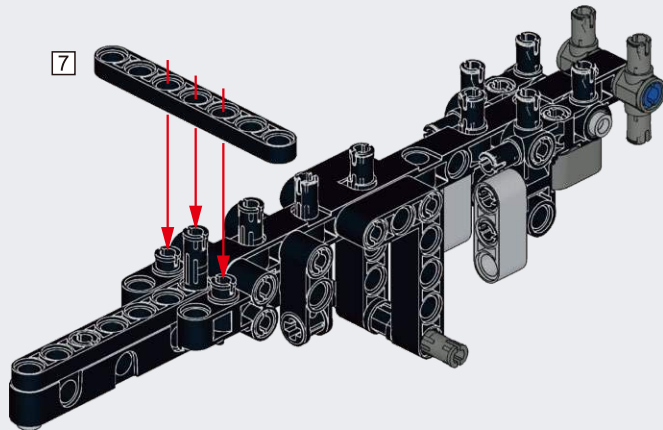




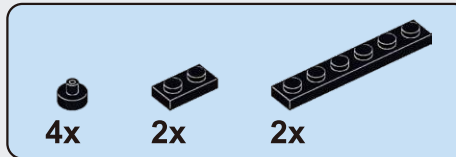
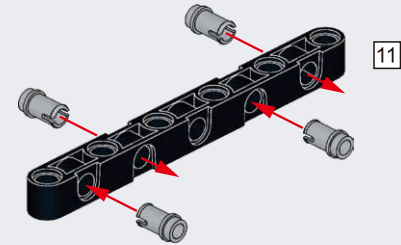
**A16**



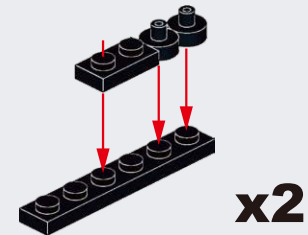
**A17**

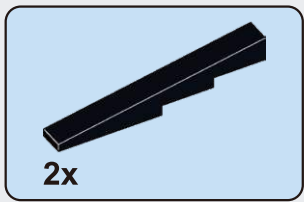


**A18**

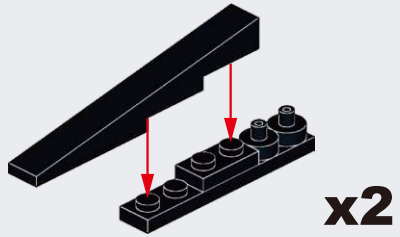


**A19**

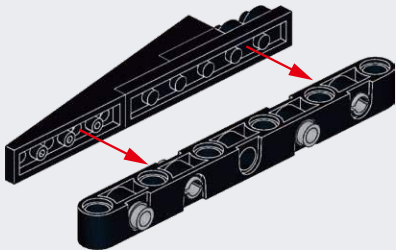




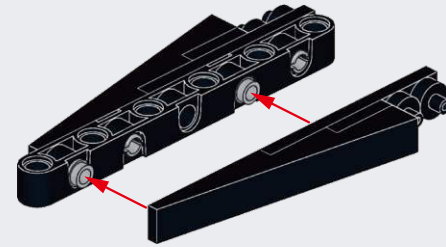
**A20**



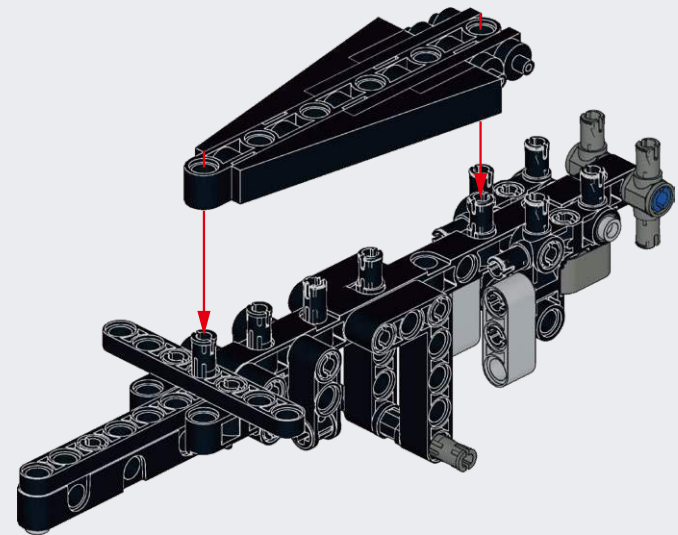
**A21**

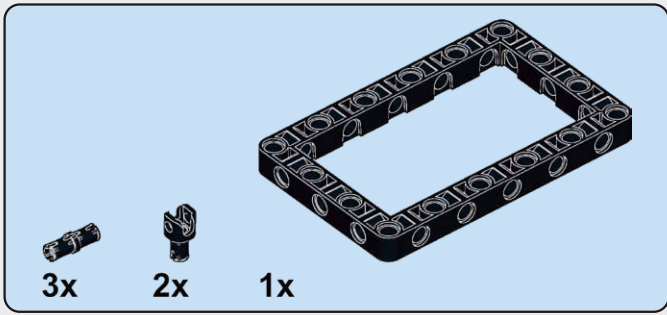


**A22**

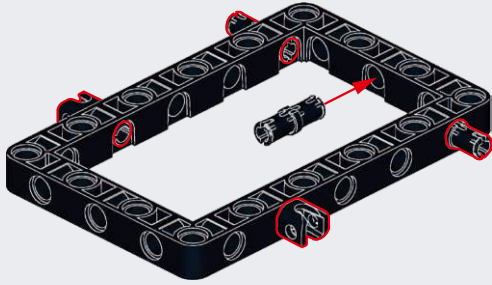


**A23**

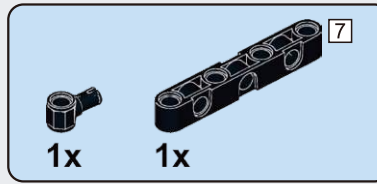
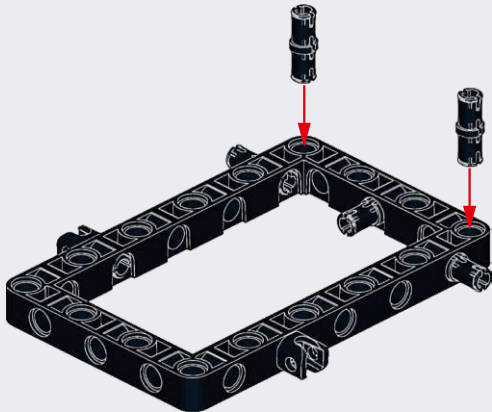




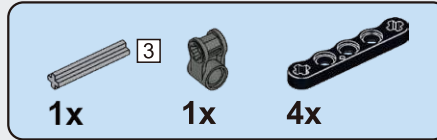
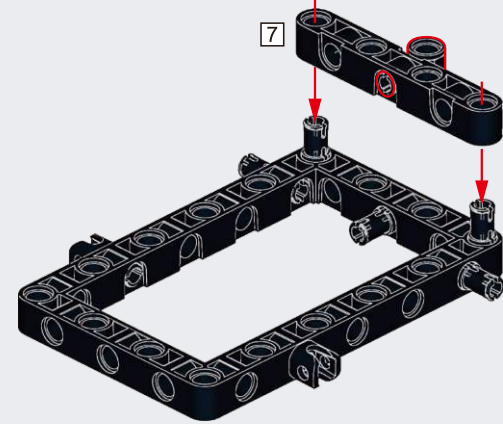
## A24



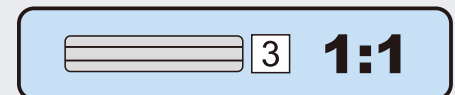
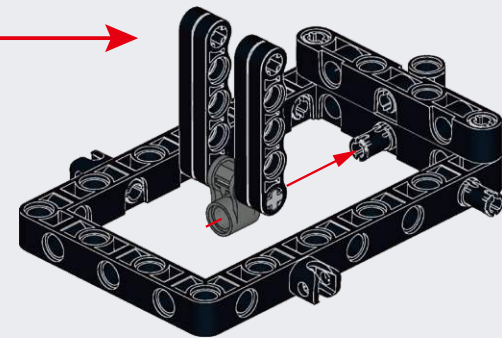
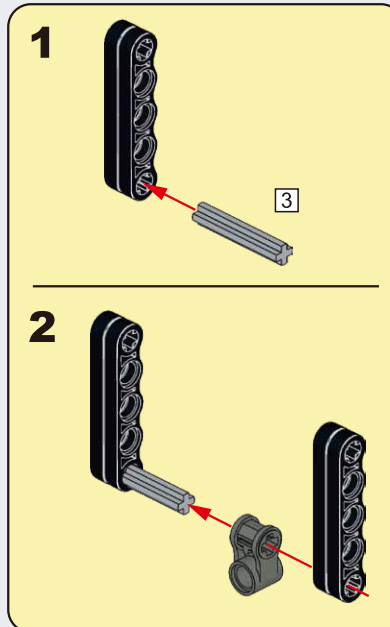
## A25

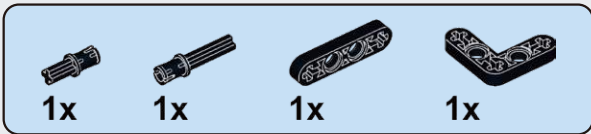


## A26

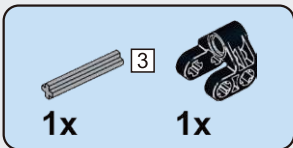
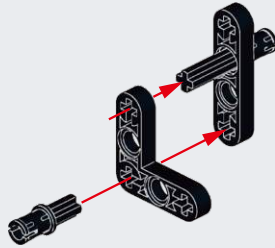


## A27

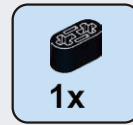
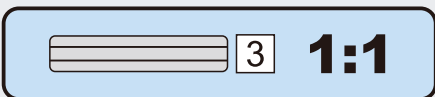
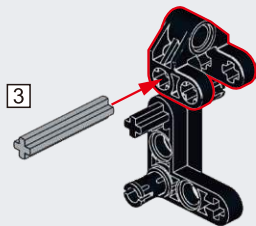




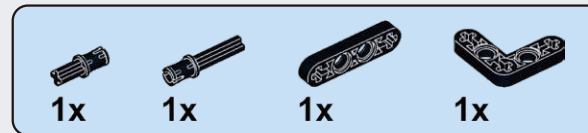
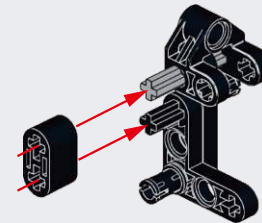
### A28



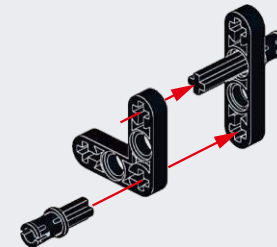
### A29

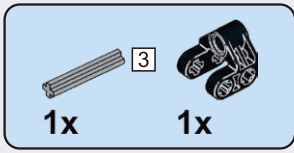


### A30

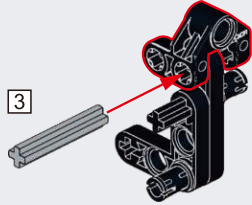


### A31

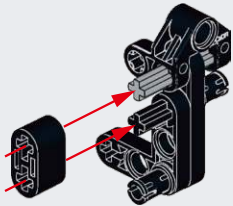




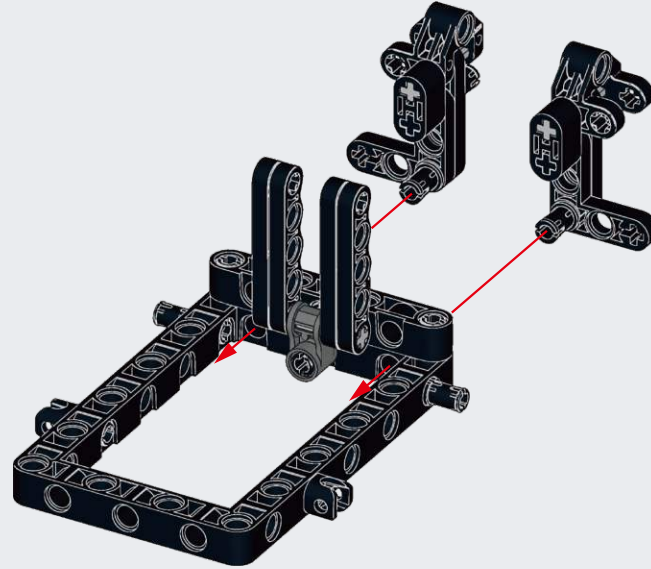
### A32



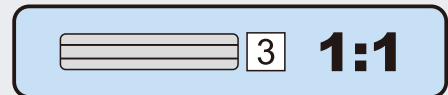
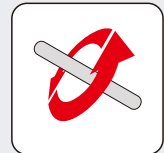
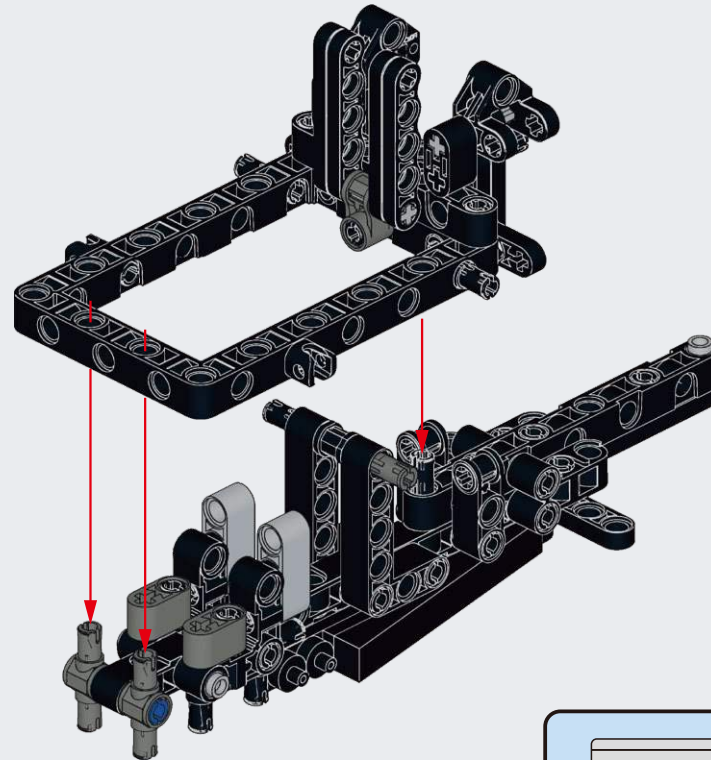
### A33



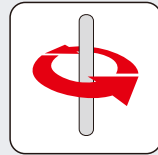
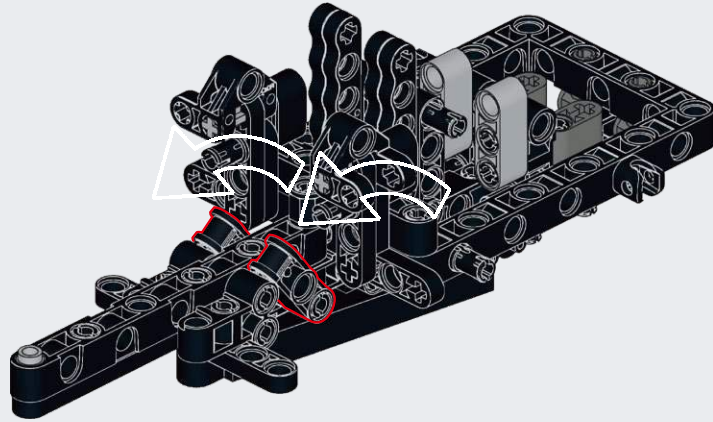
### A34



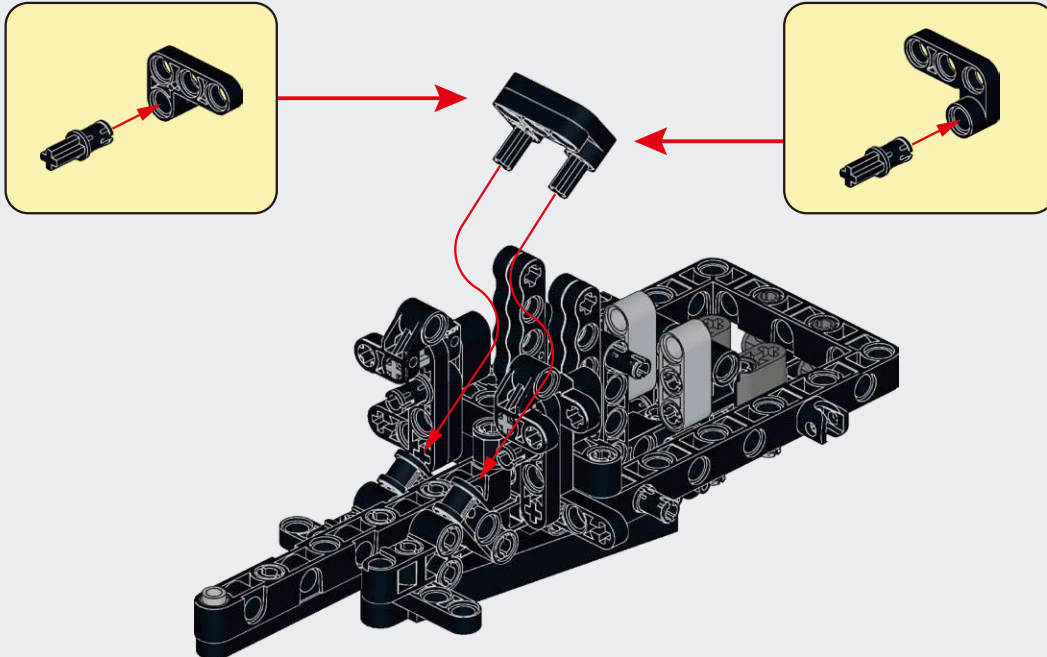
### A35



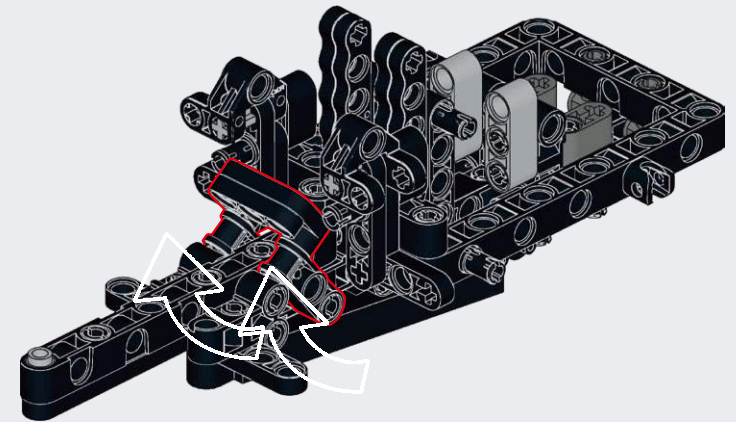
# A36

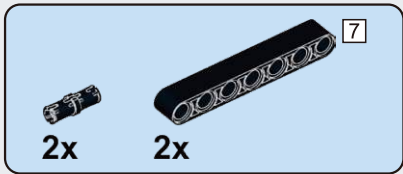


# A37

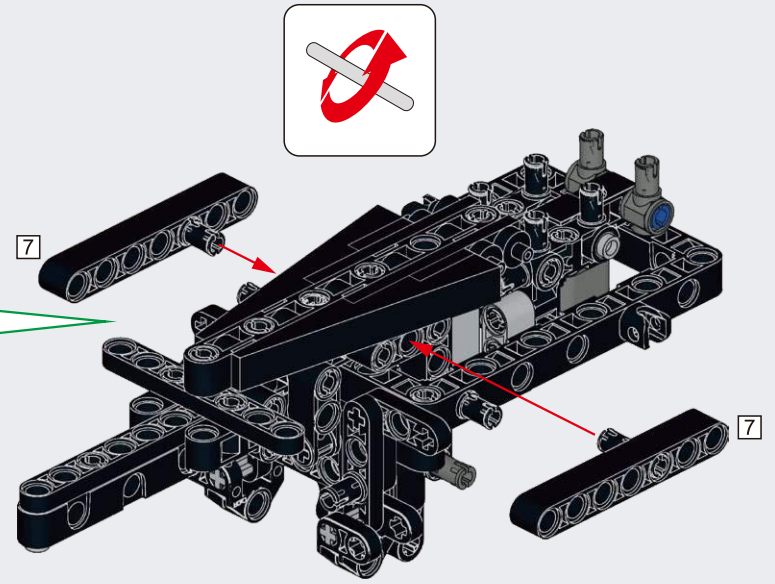
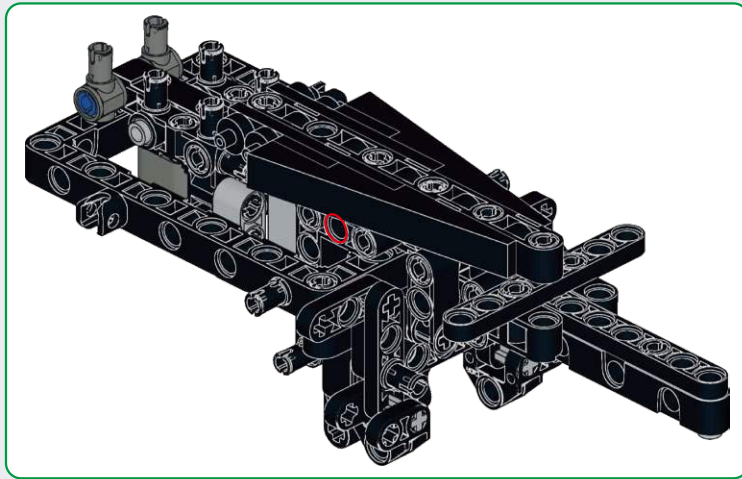


# A38

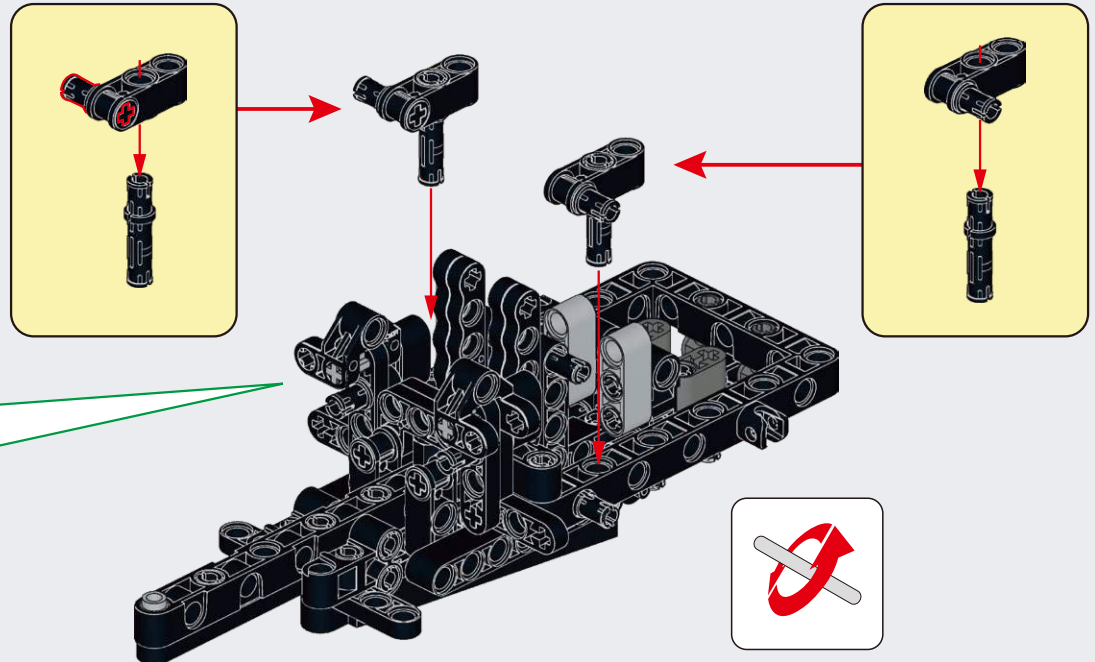
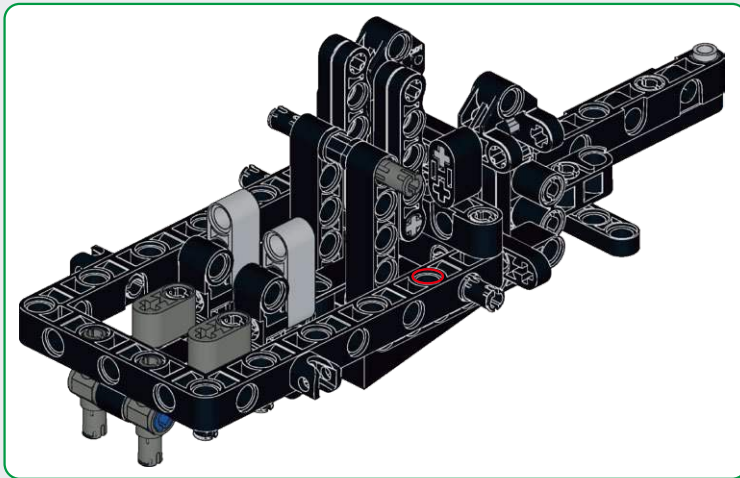


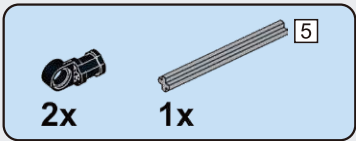


### A39

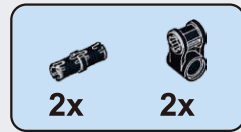
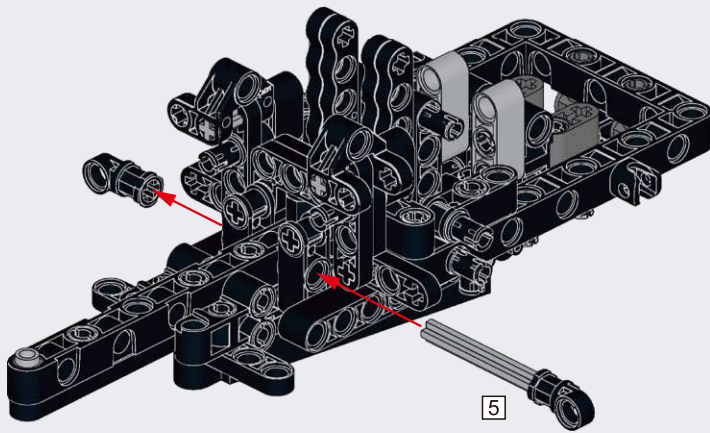


### A40

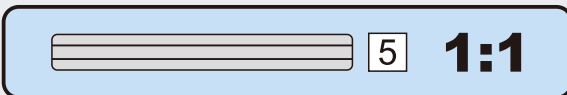
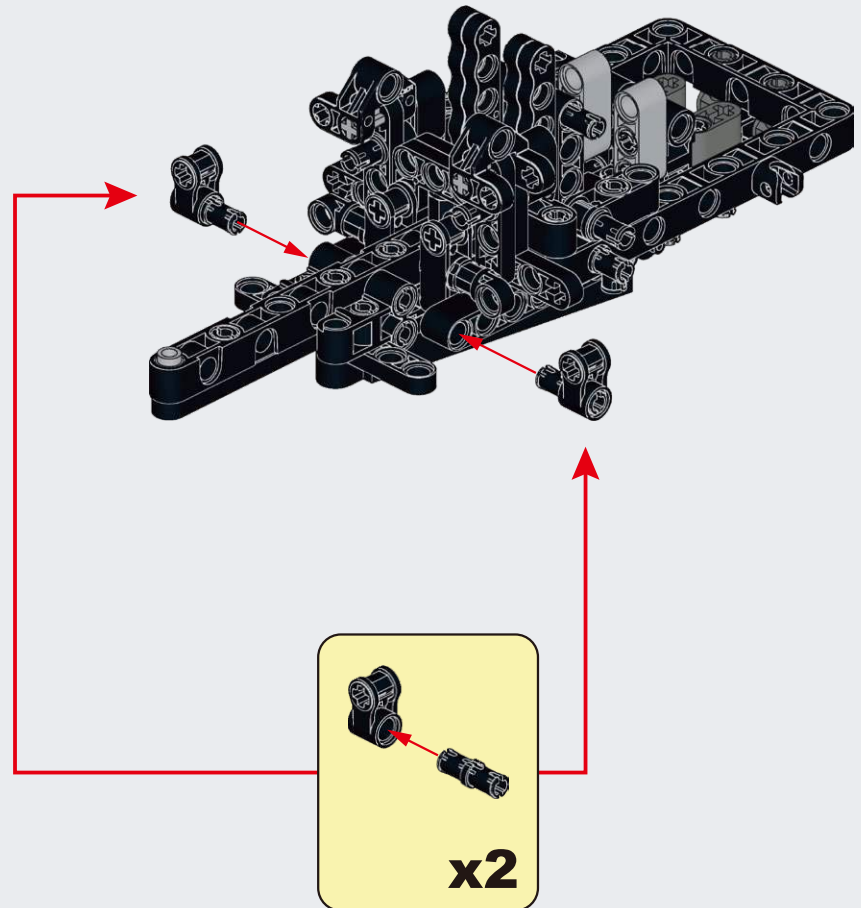


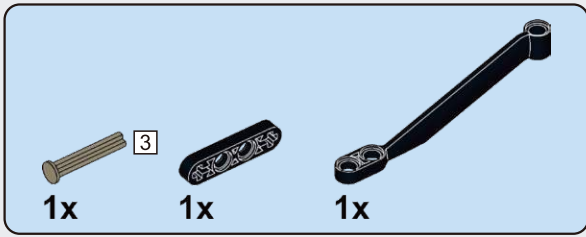


# A41

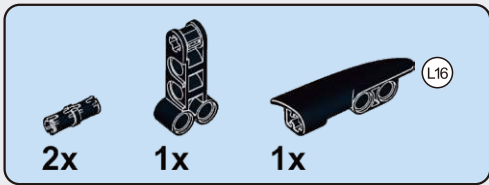


# A42

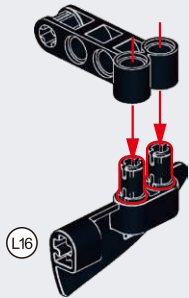




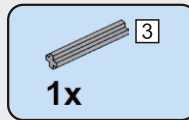
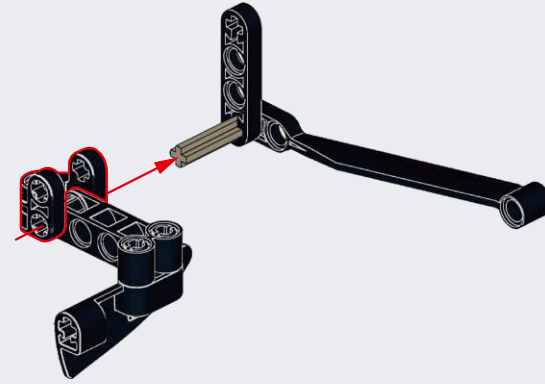
### A43



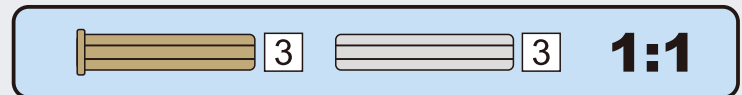
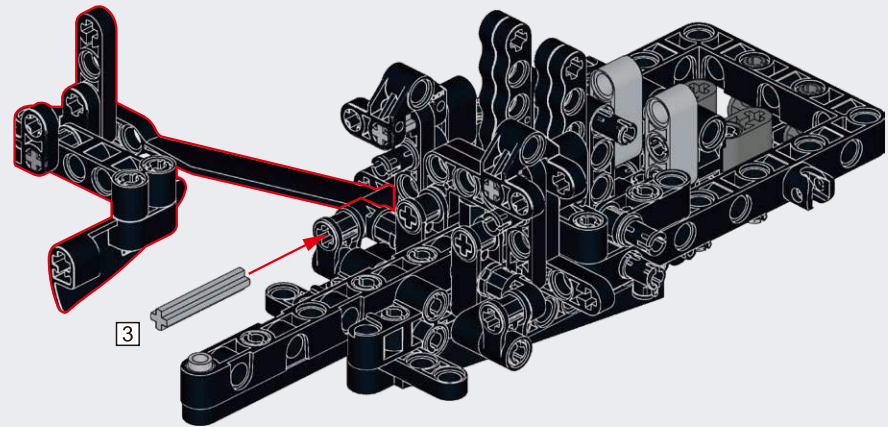
### A44

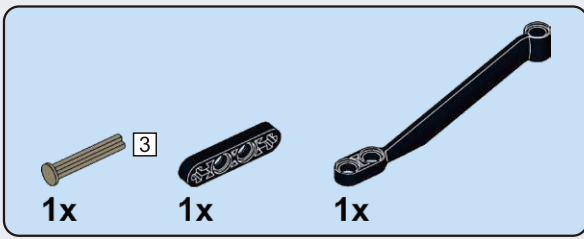


### A45

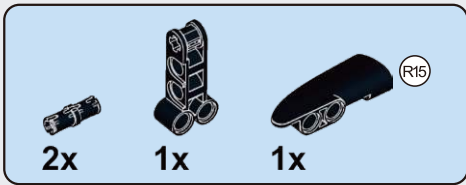
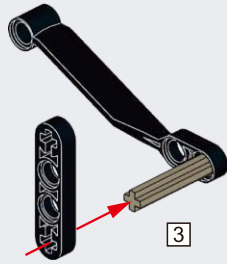


### A46

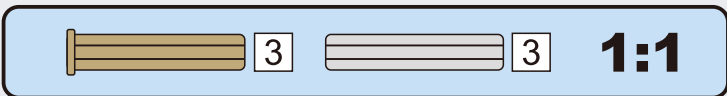
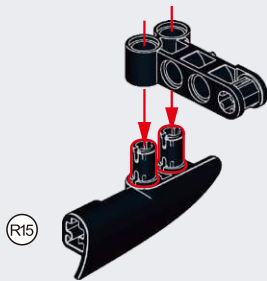




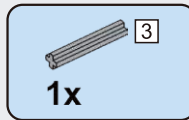
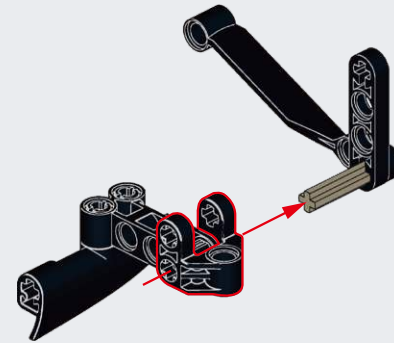
### A47



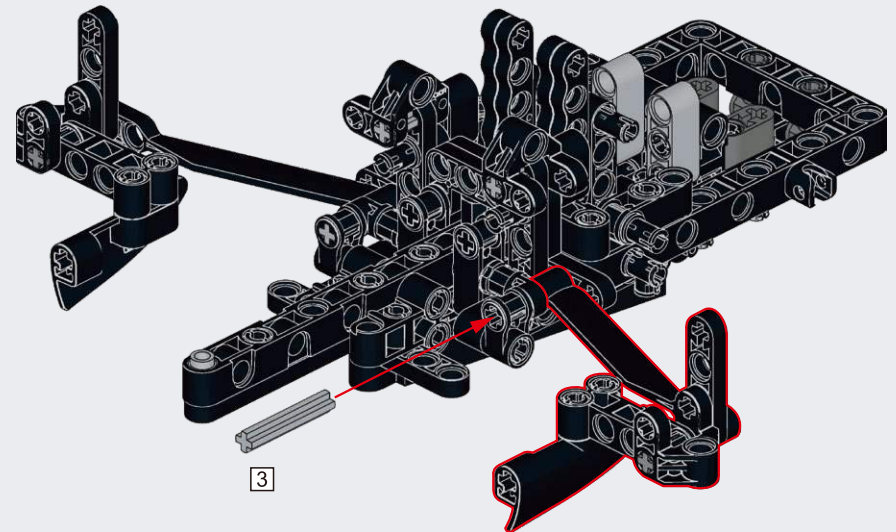
### A48

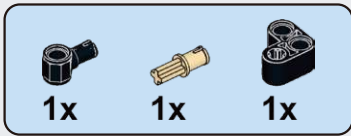


### A49

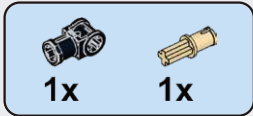
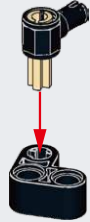


### A50

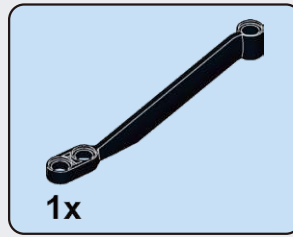
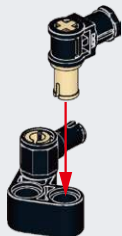




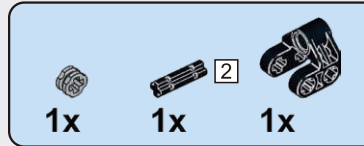
**A51**



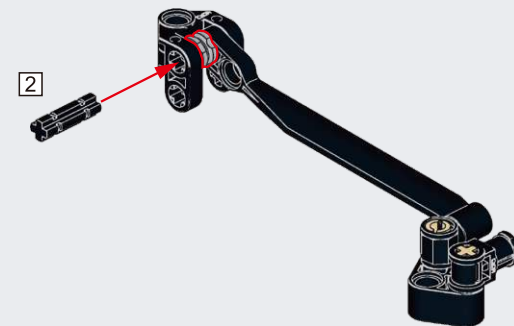
**A52**

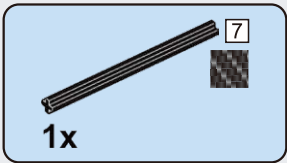


**A53**

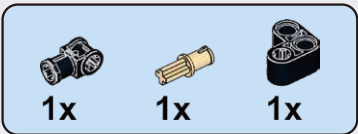
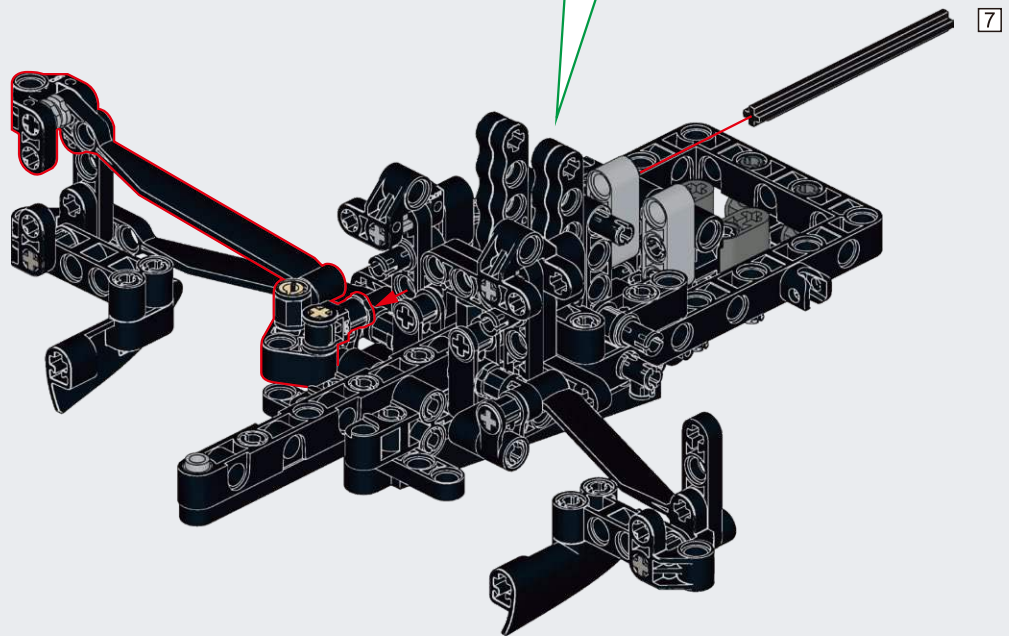
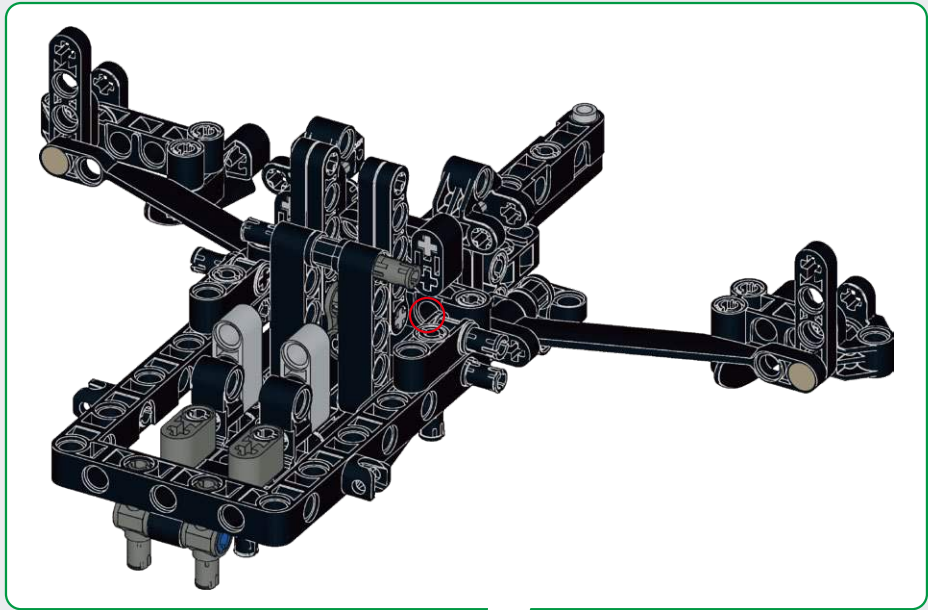


**A54**

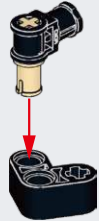




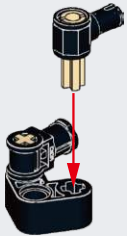
**A55**

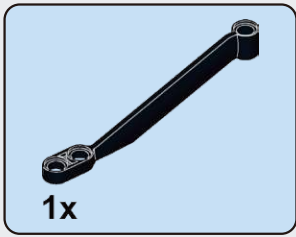


**A56**

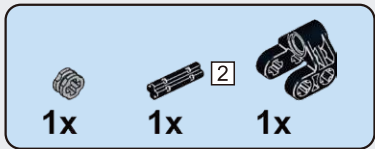
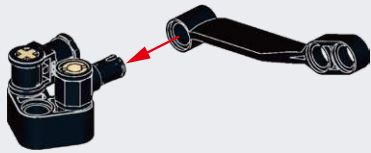


**A57**

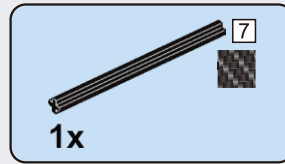
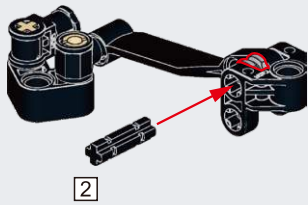




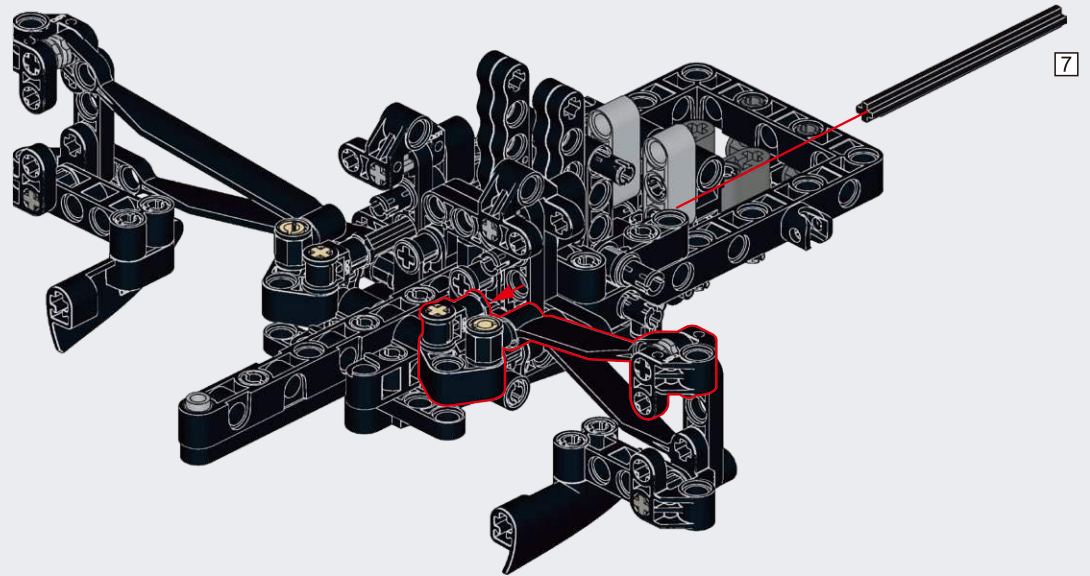
**A58**

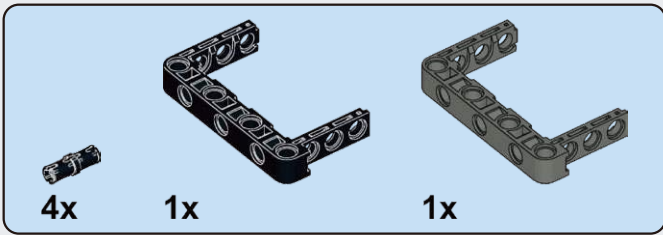


**A59**

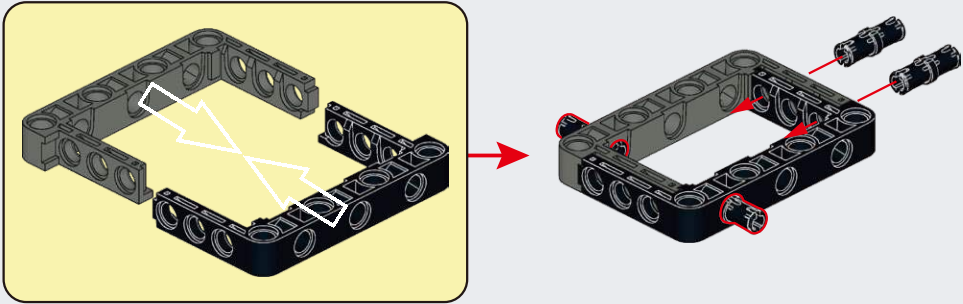


**A60**

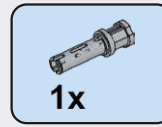
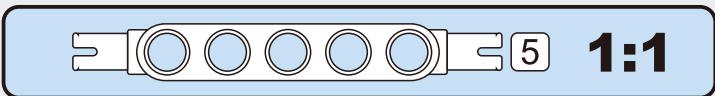
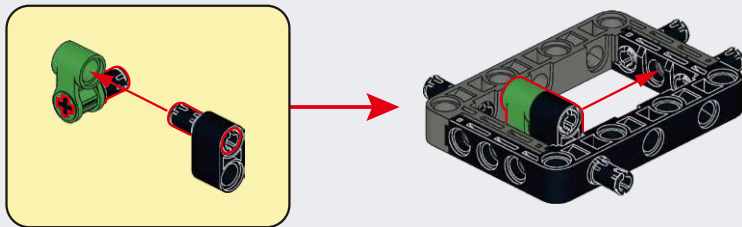




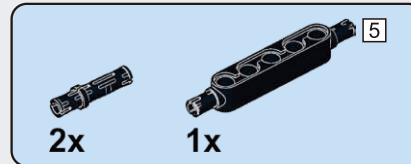
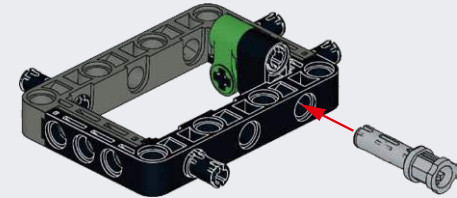
### A61



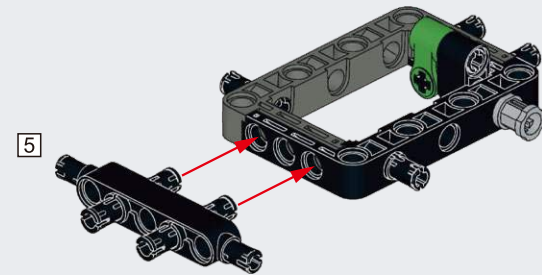
### A62

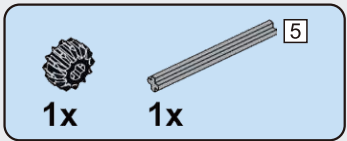


### A63

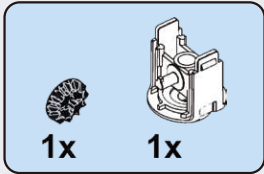
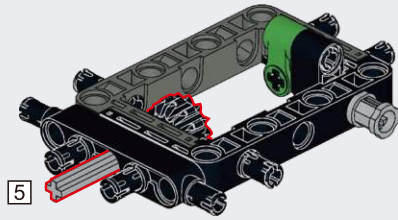


### A64

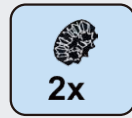
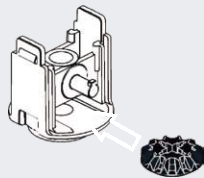




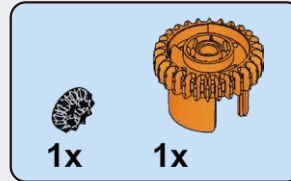
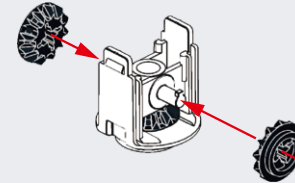
# A65



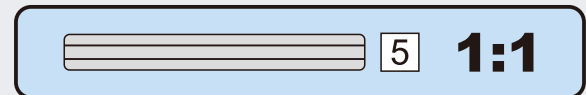
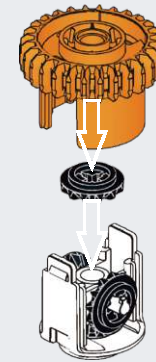
# A66

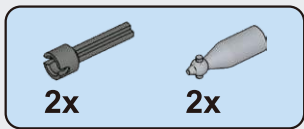


# A67

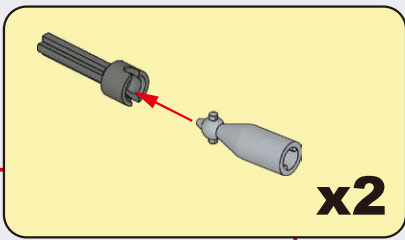


# A68

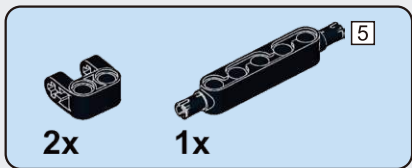
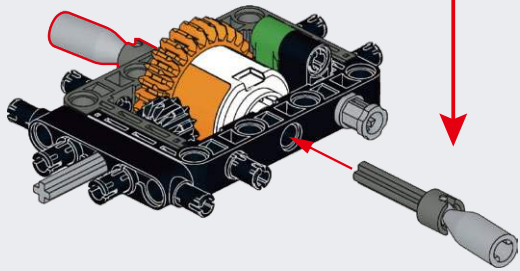




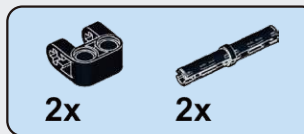
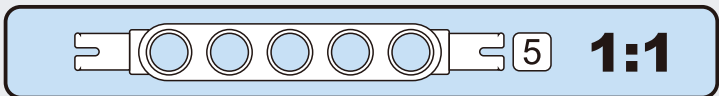
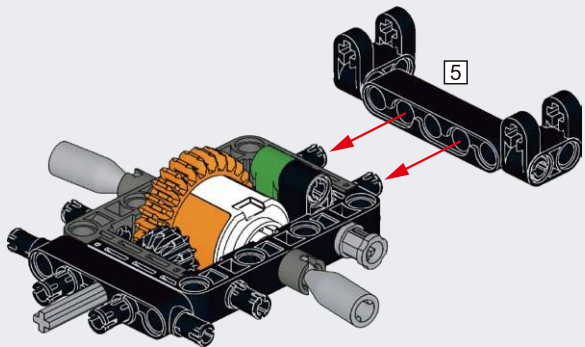
**A69**



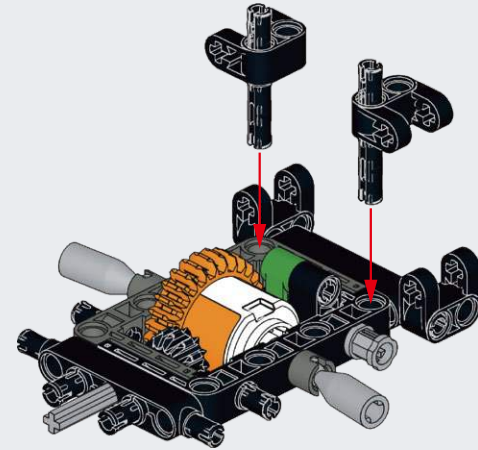
**x2**



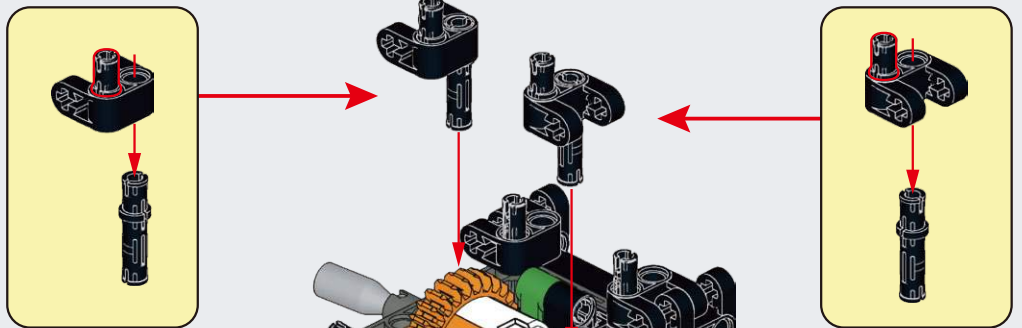
**A70**

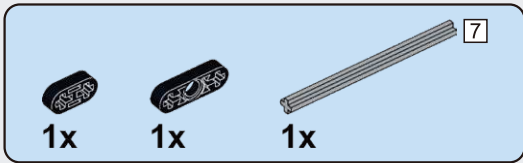


**A71**

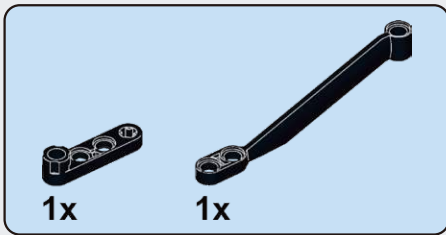
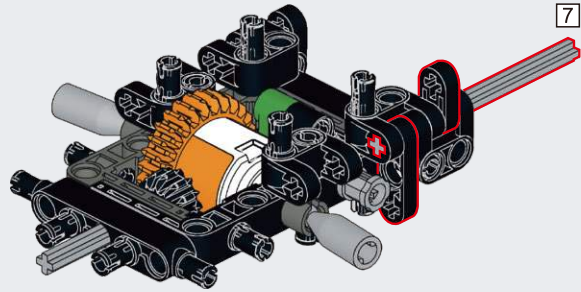


**A72**

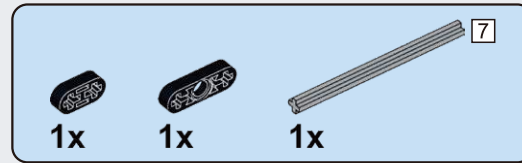
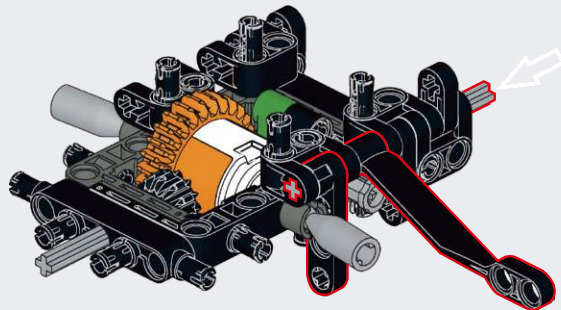




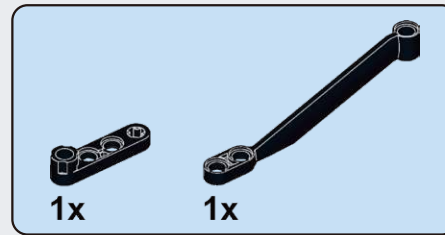
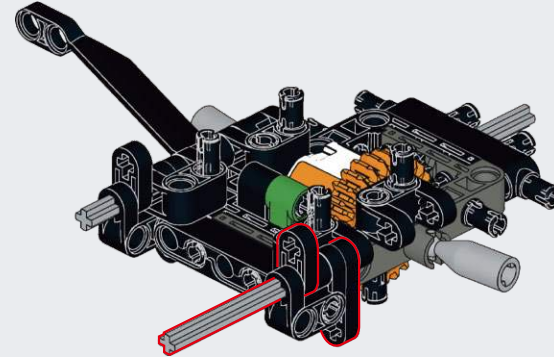
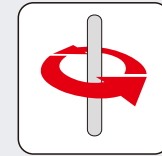
### A73



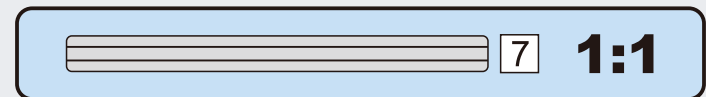
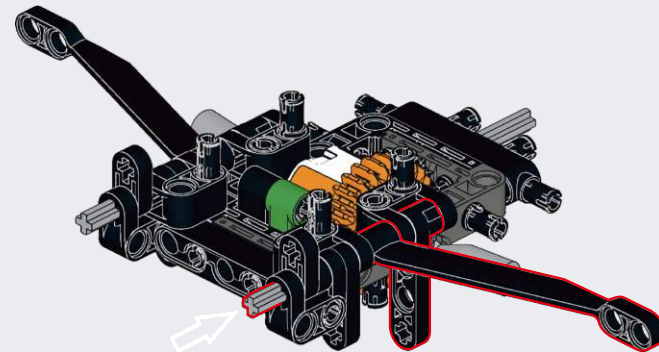
### A74

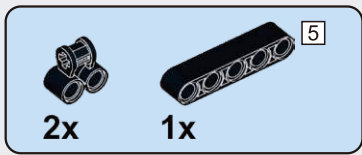


### A75

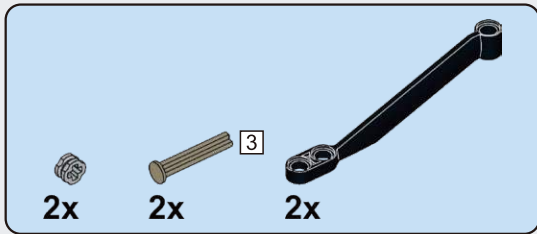
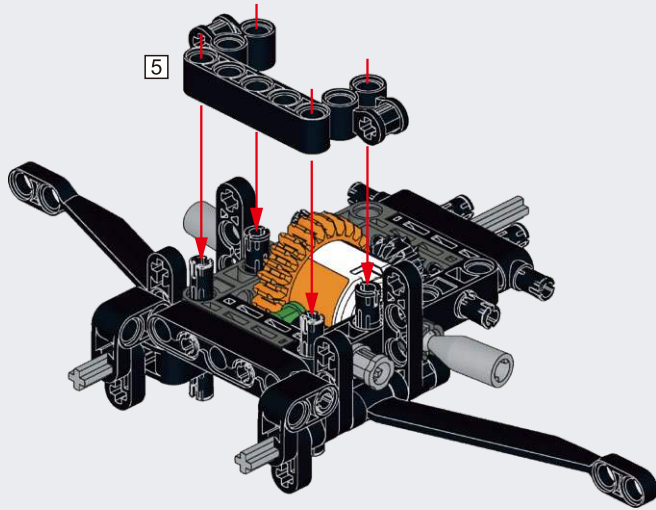
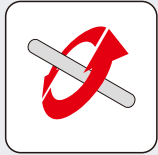


### A76

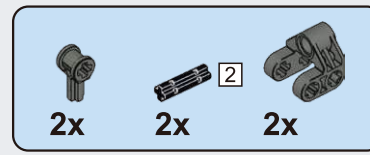
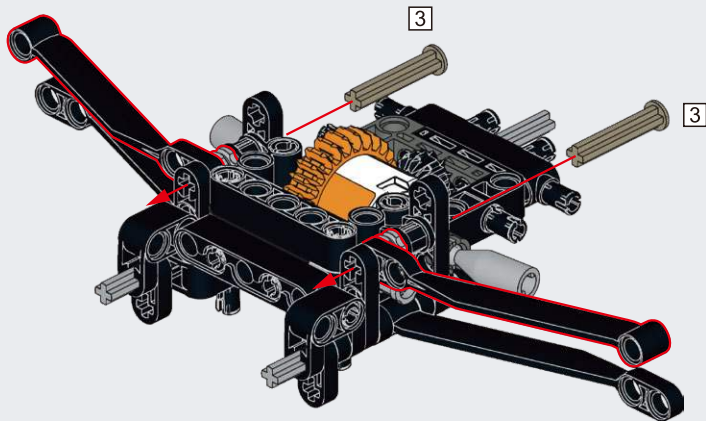




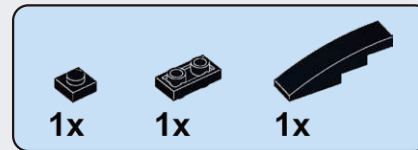
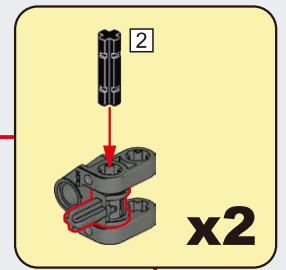
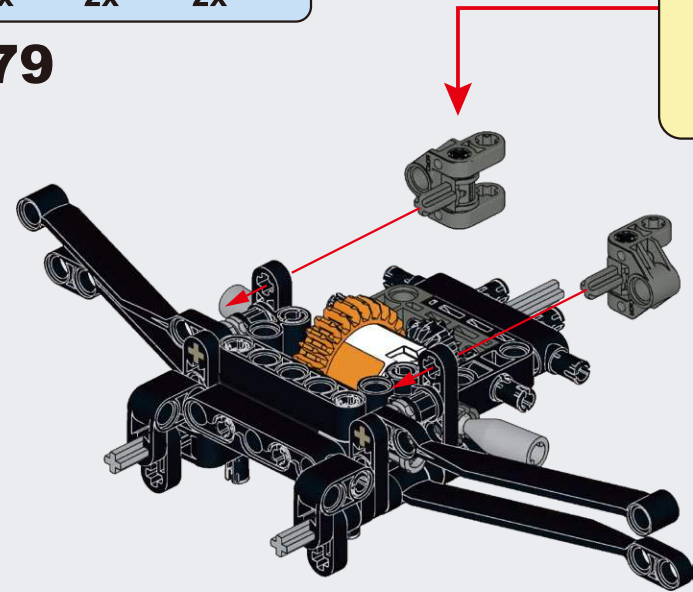
**A77**



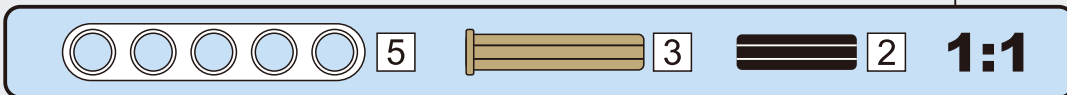
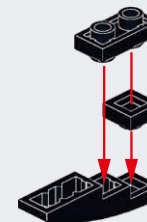
**A78**

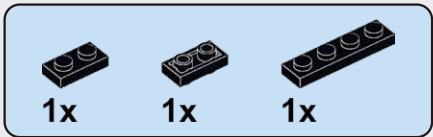


**A79**

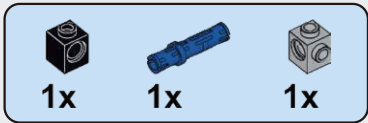
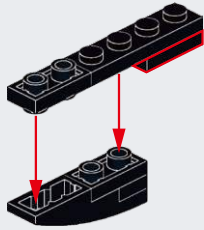


**A80**

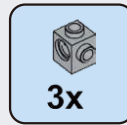
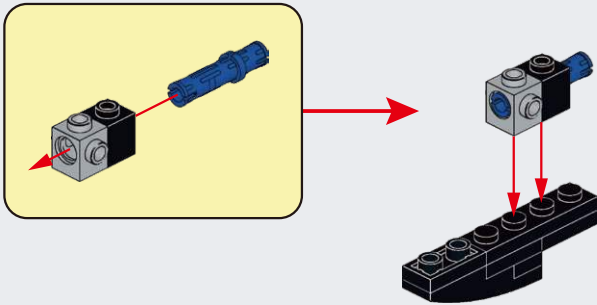




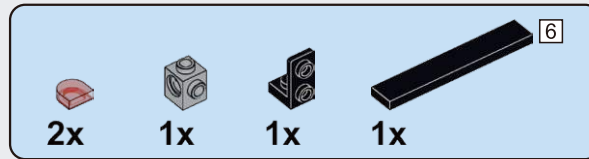
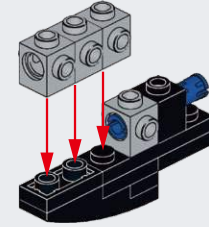
### A81



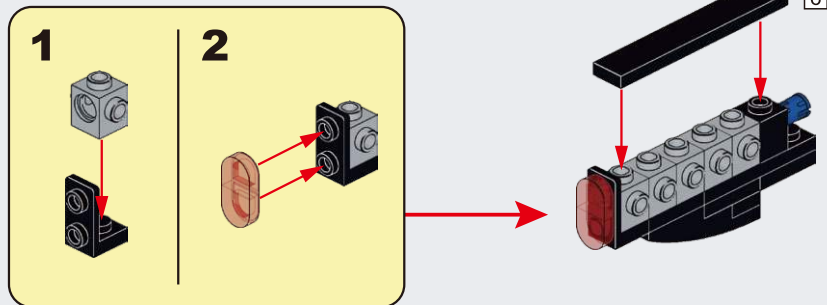
### A82

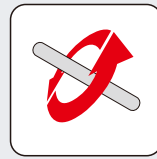
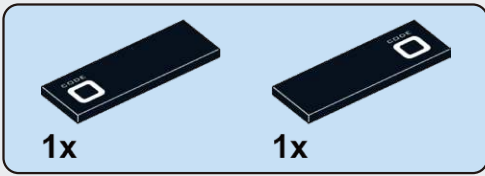


### A83

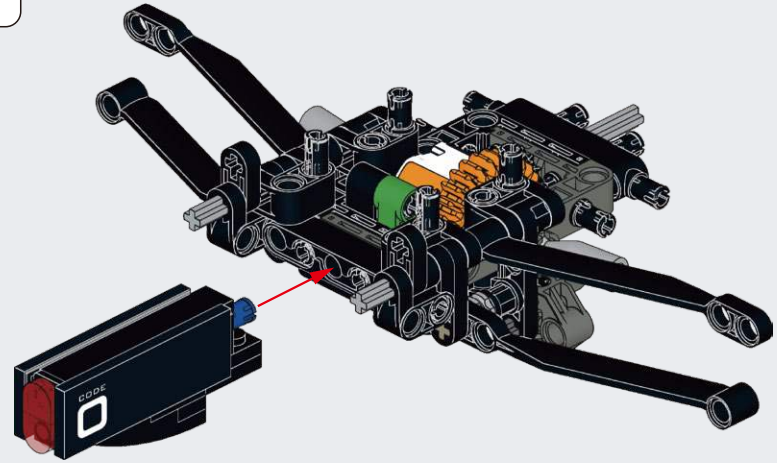
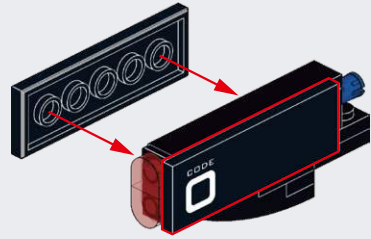
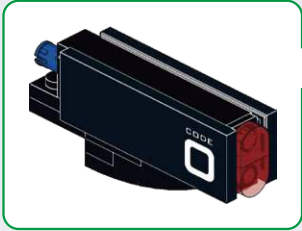


### A84

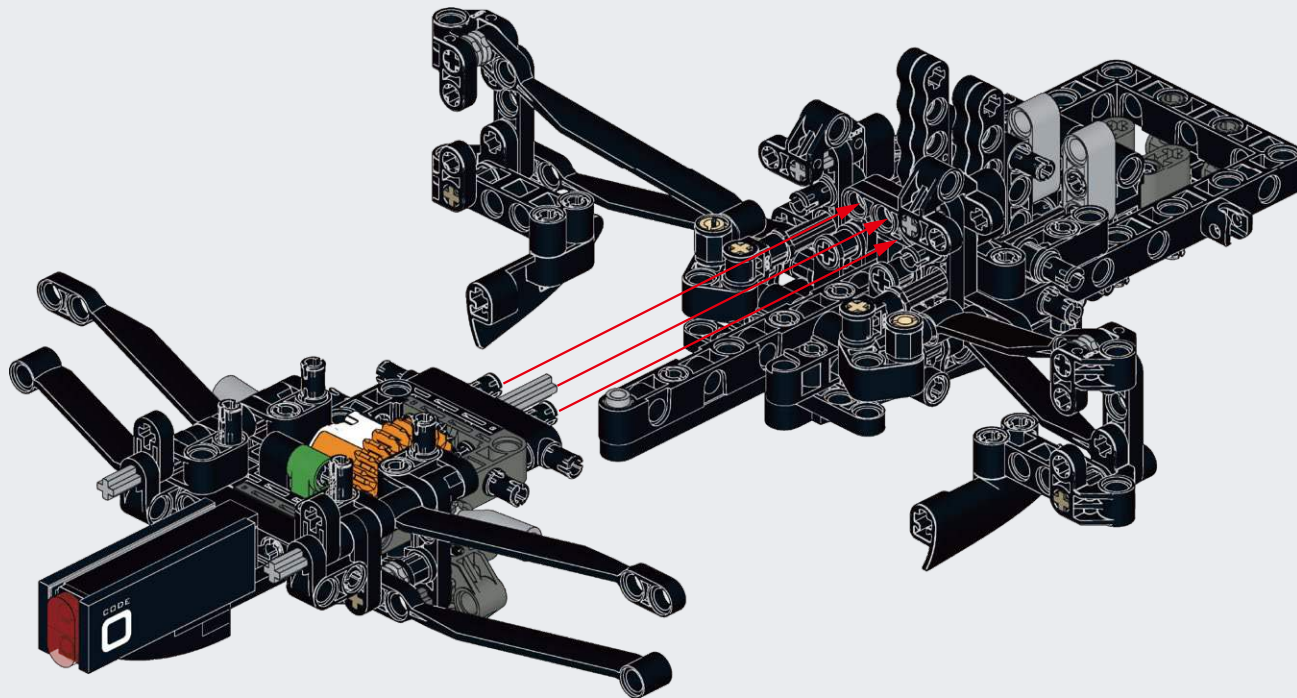


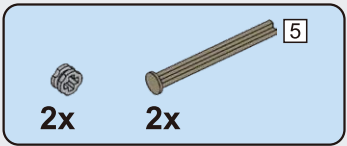


## A85

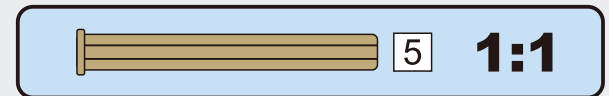
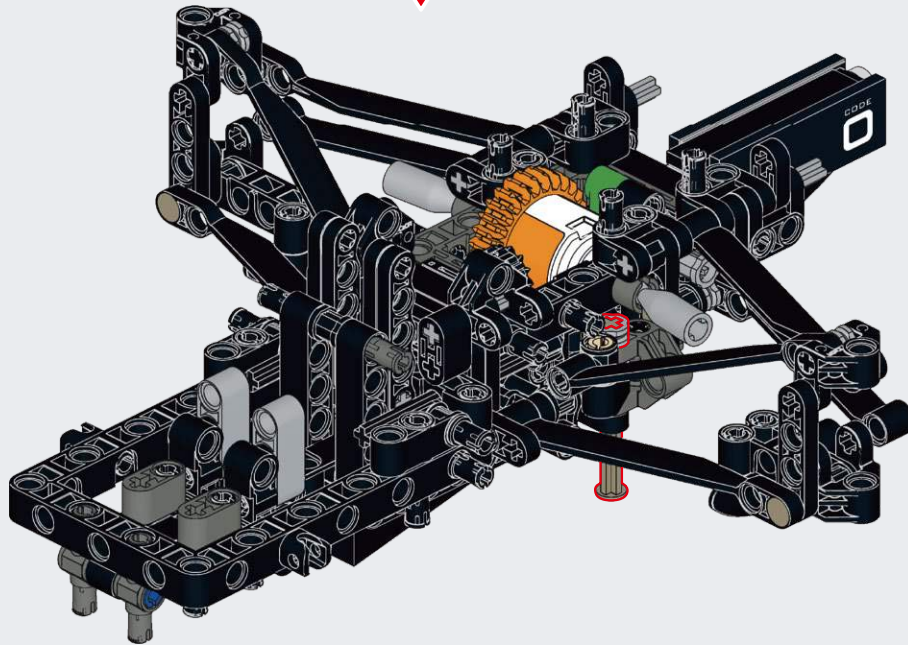
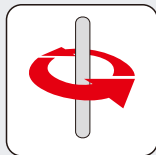
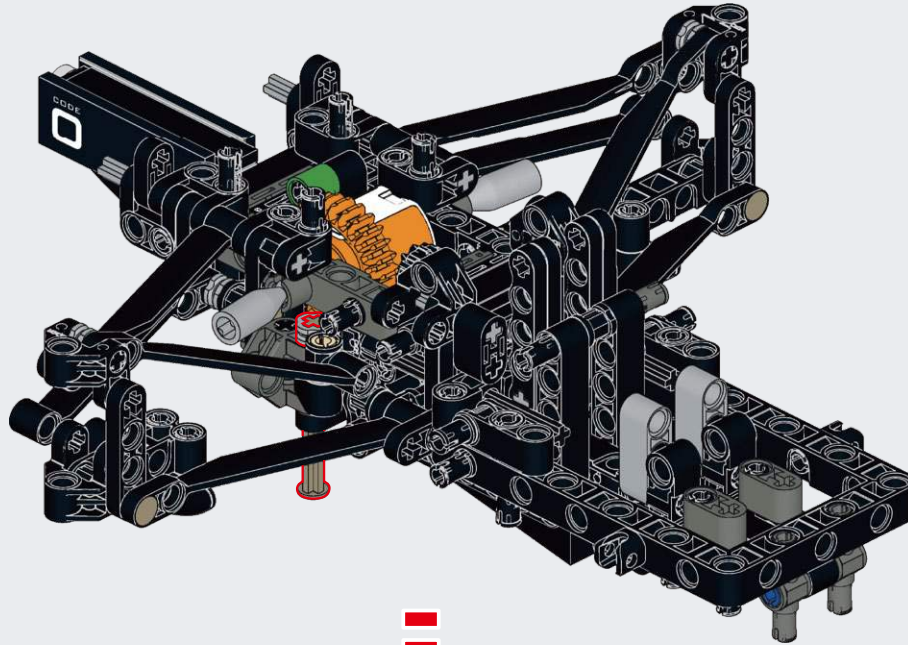
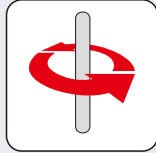


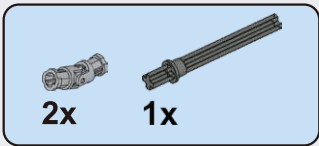
## A86



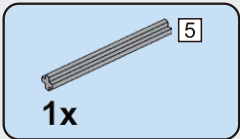
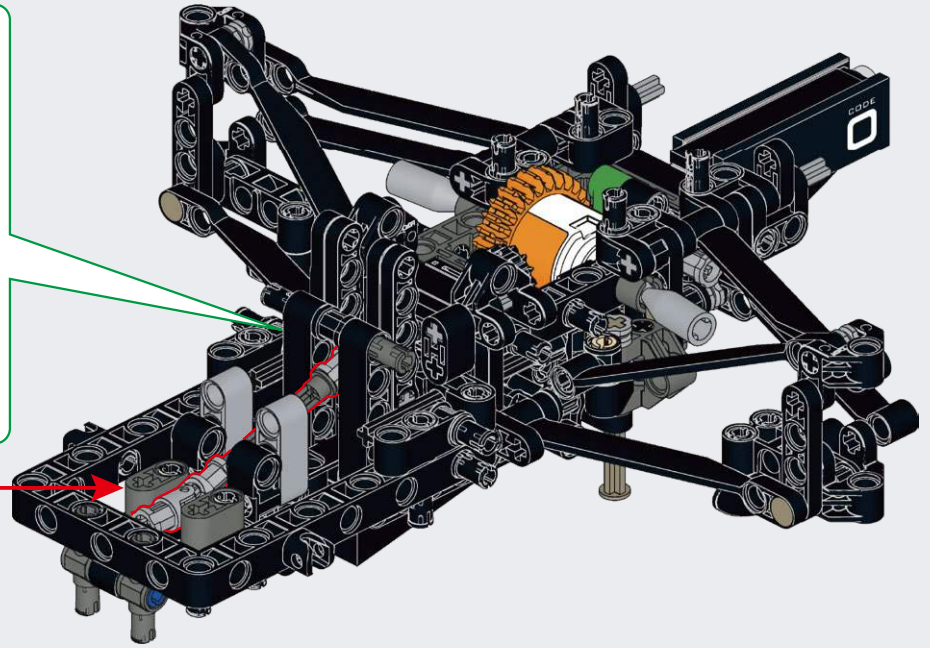
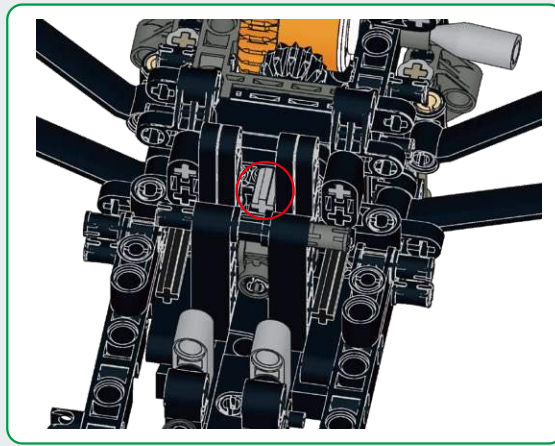
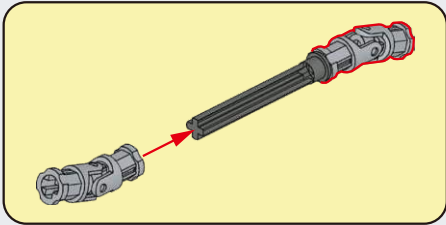


# A87

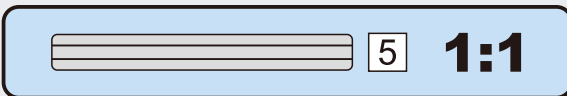
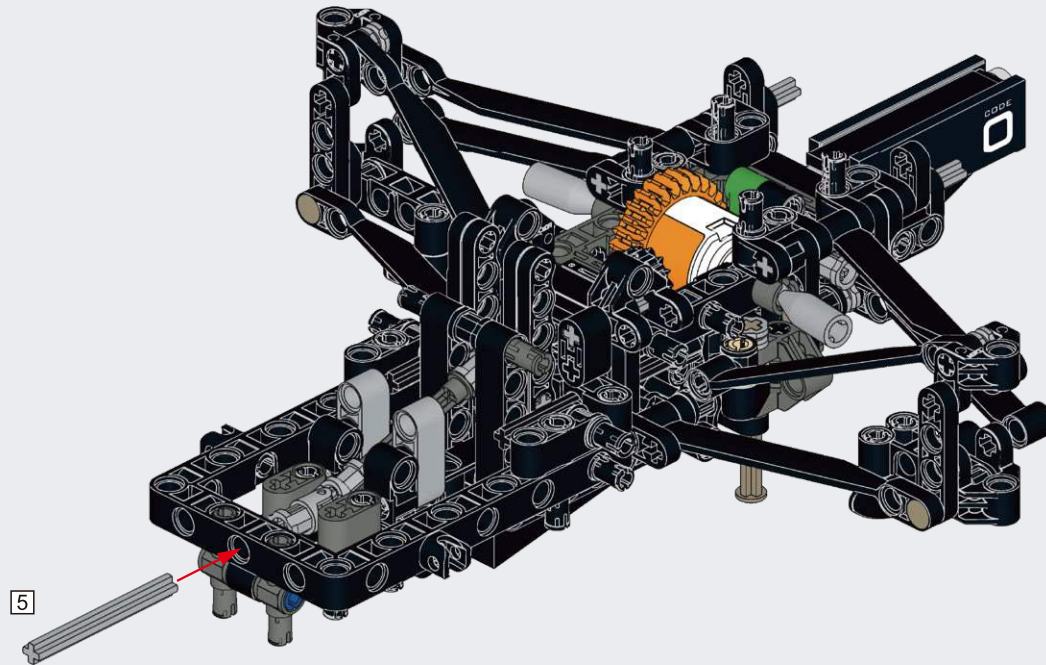


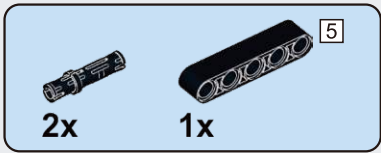


# A88

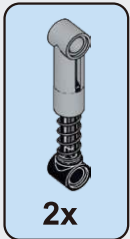
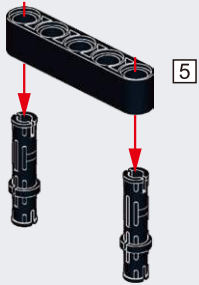


# A89

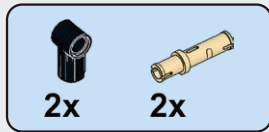
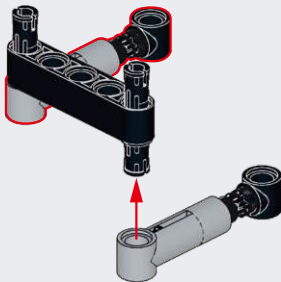




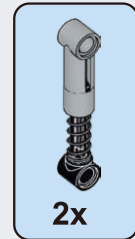
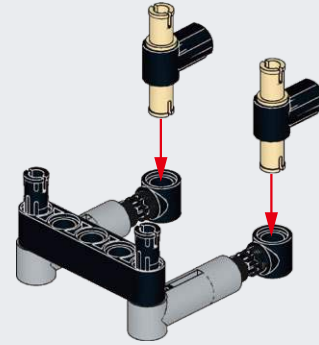
## A90



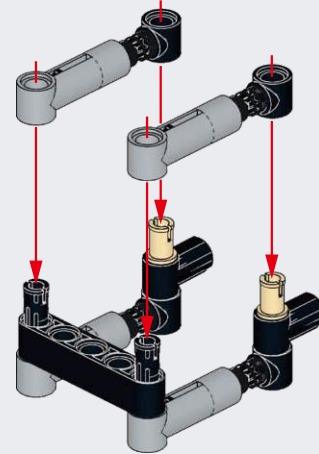
## A91



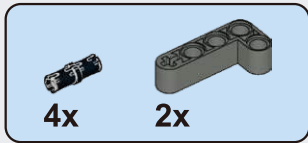
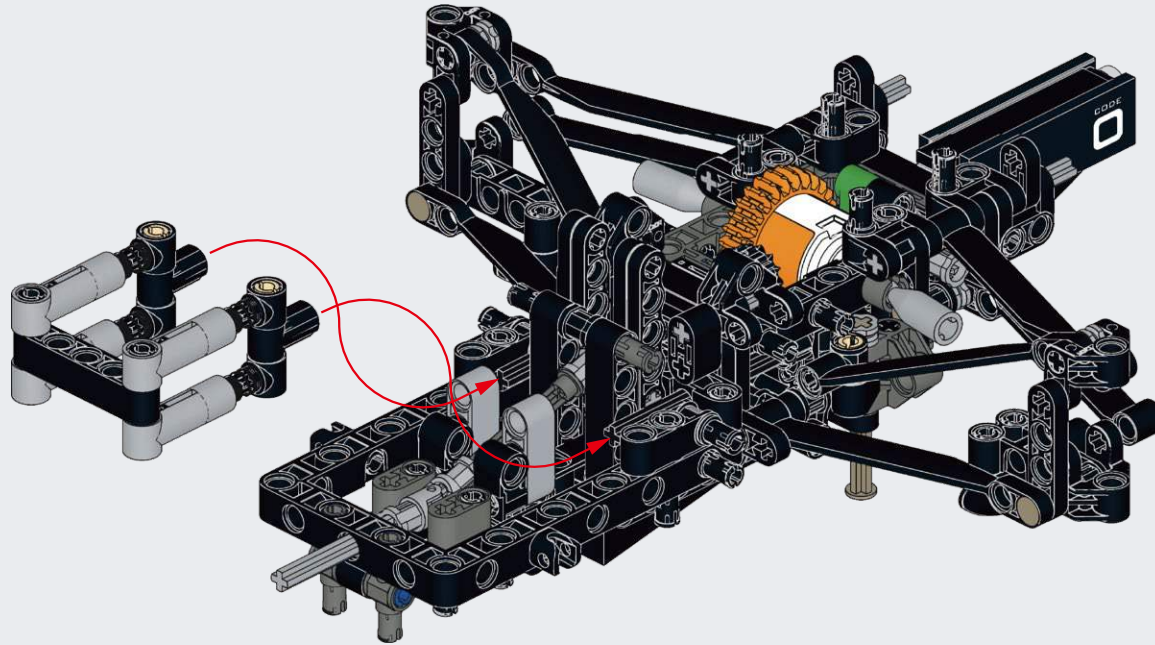
## A92



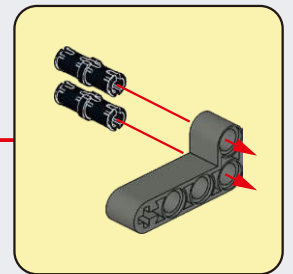
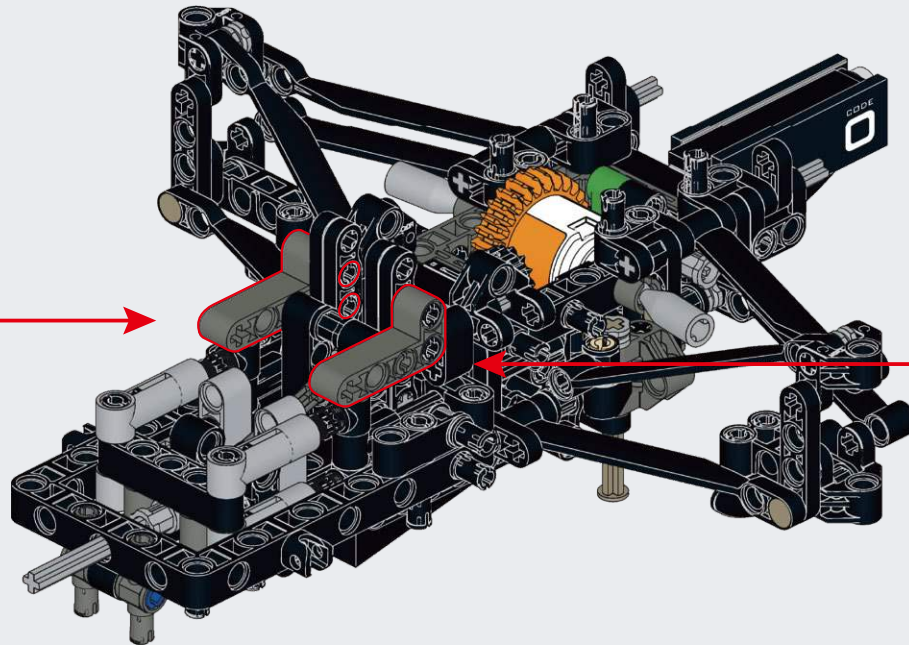
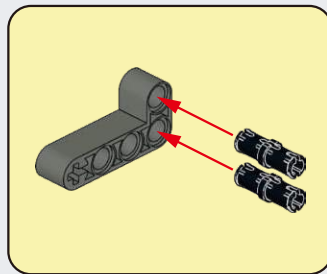
## A93

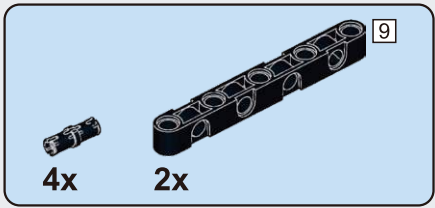


# A94

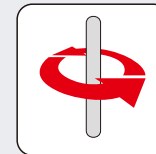
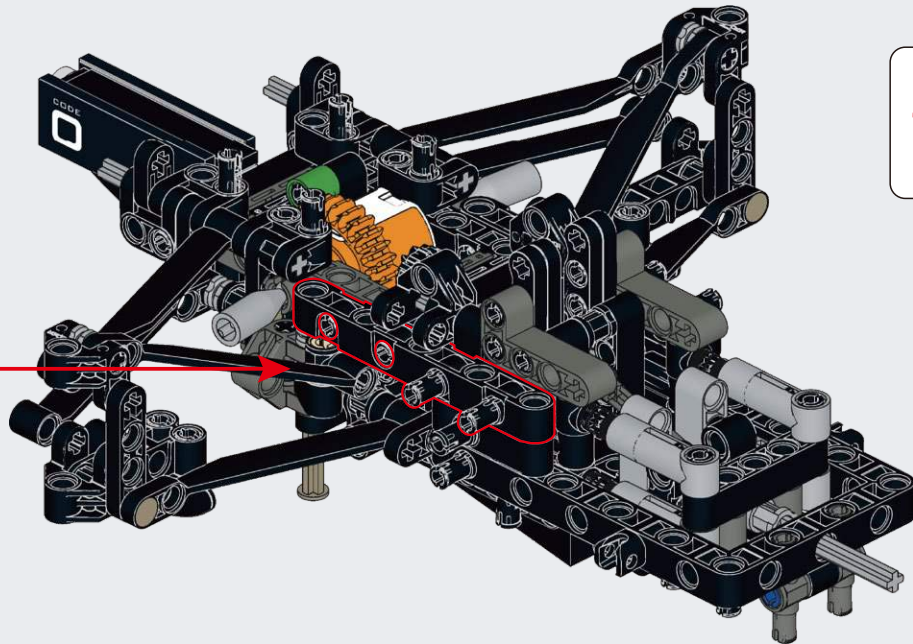
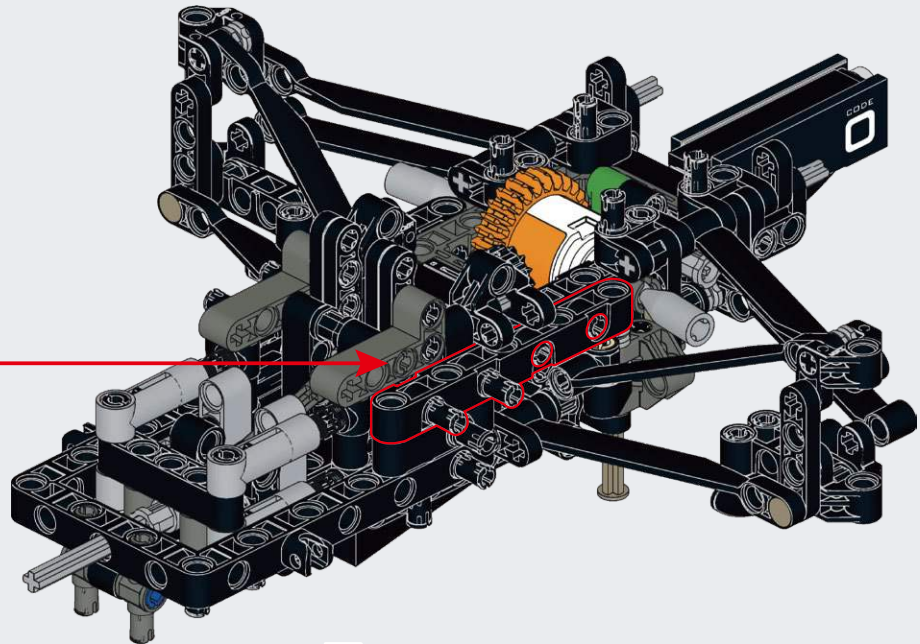
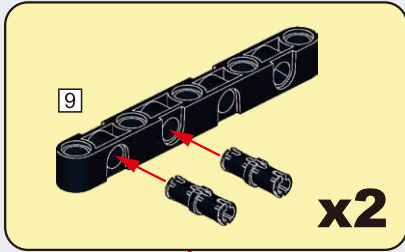


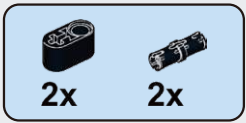
# A95



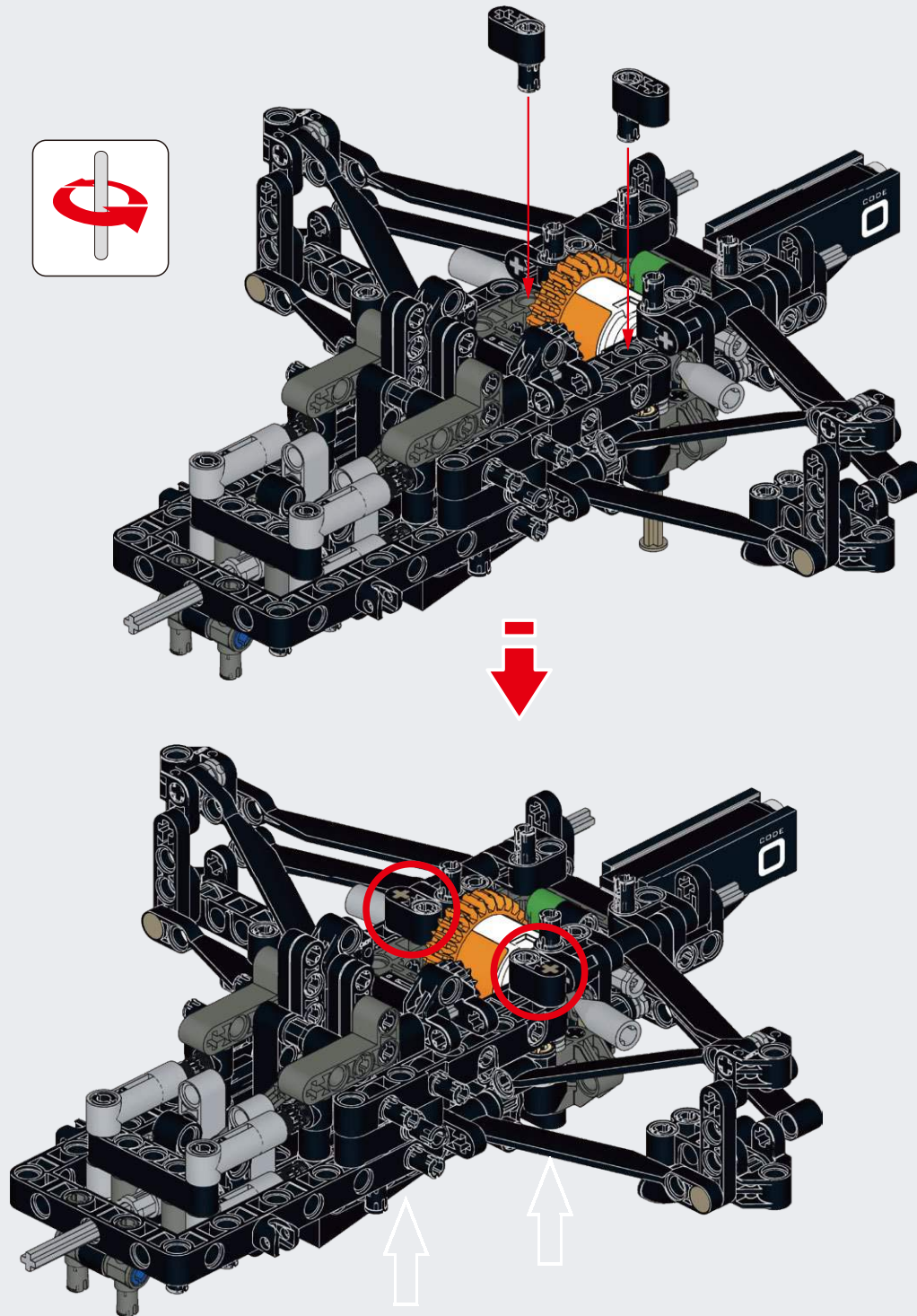
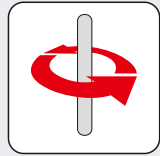


# A96



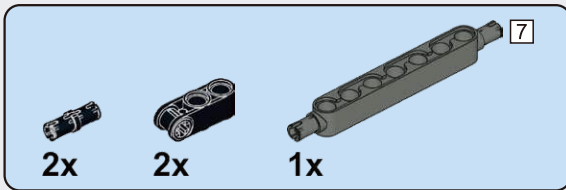
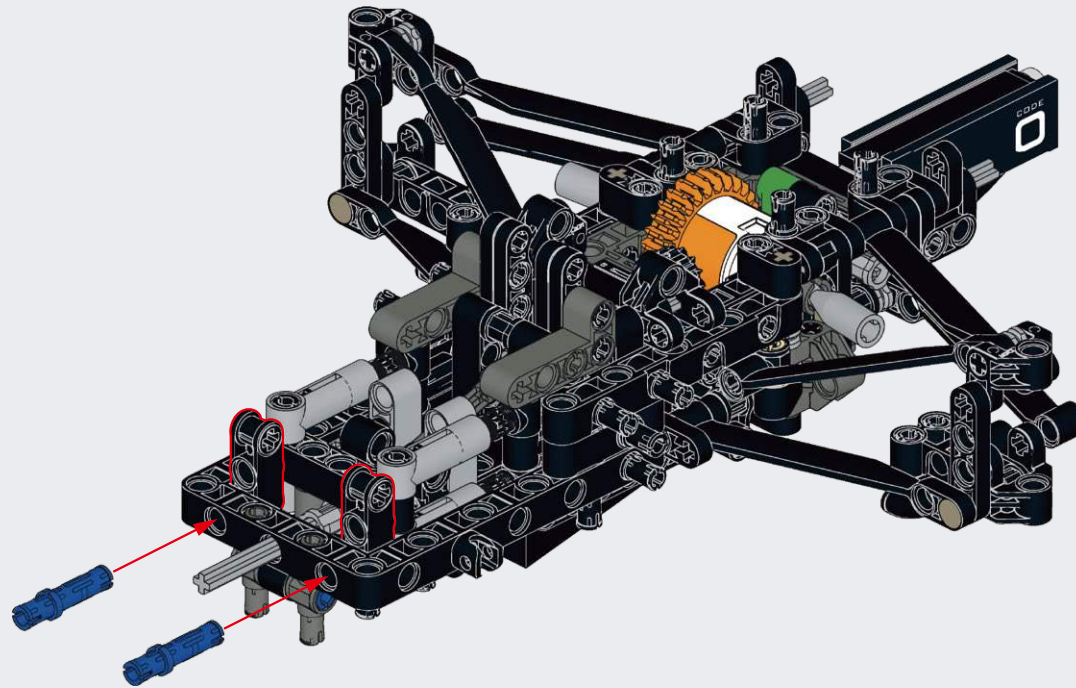


# A97

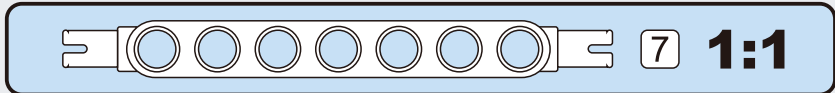
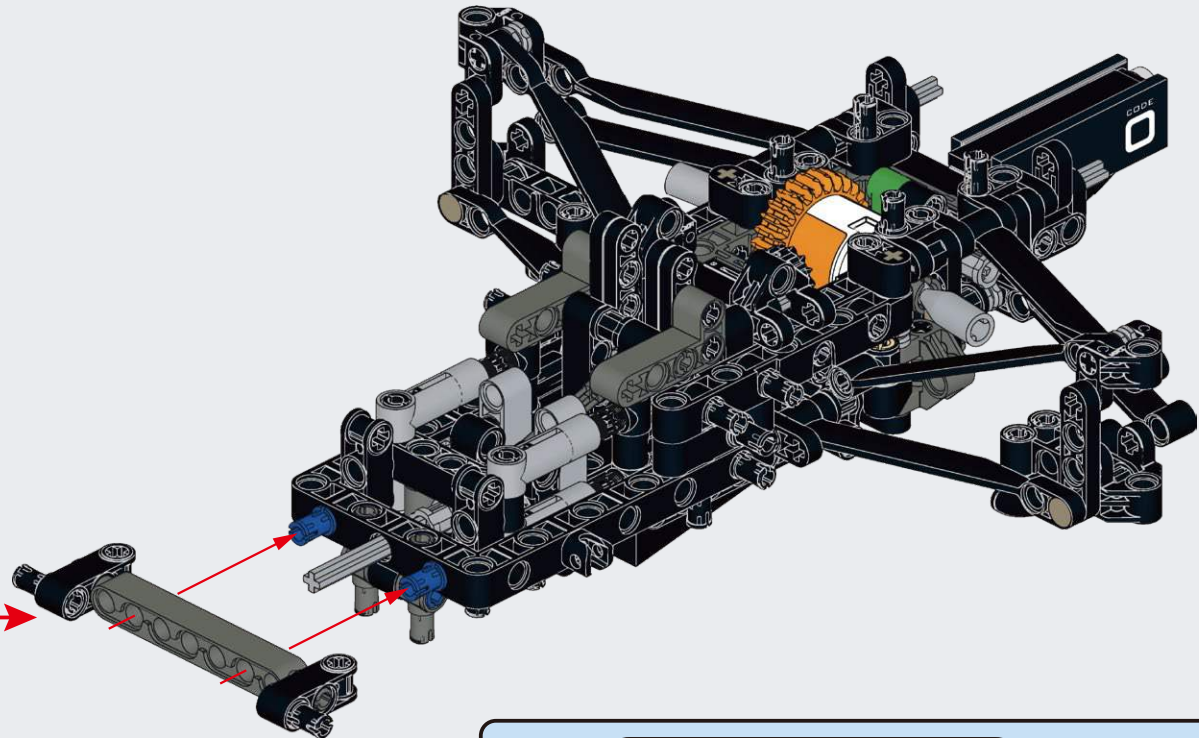
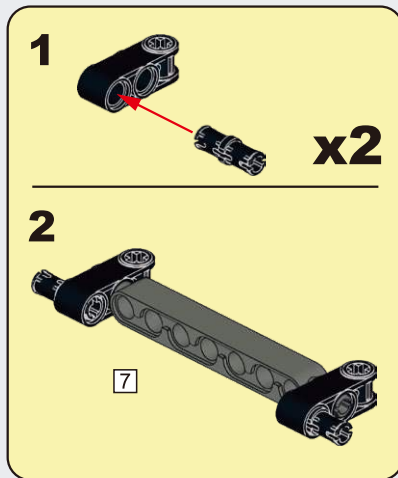


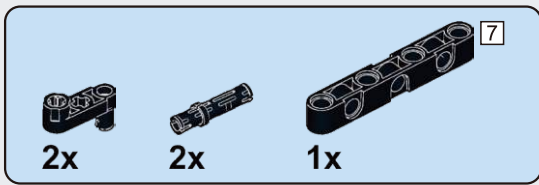


# A98

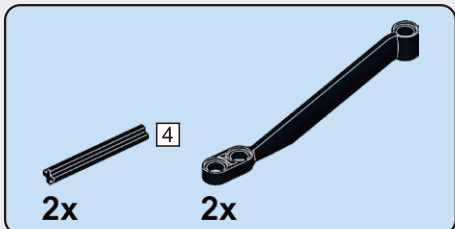
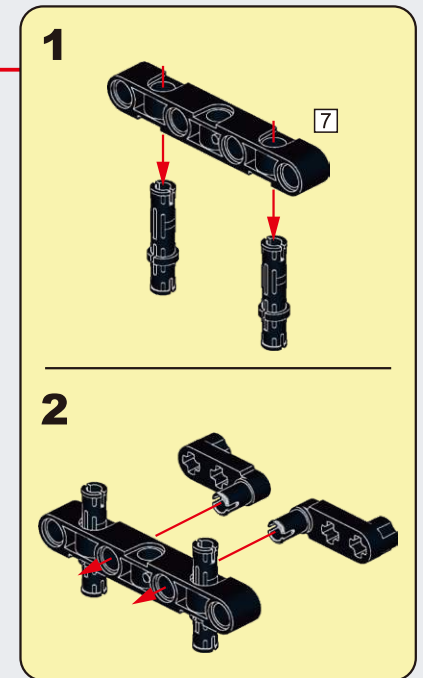
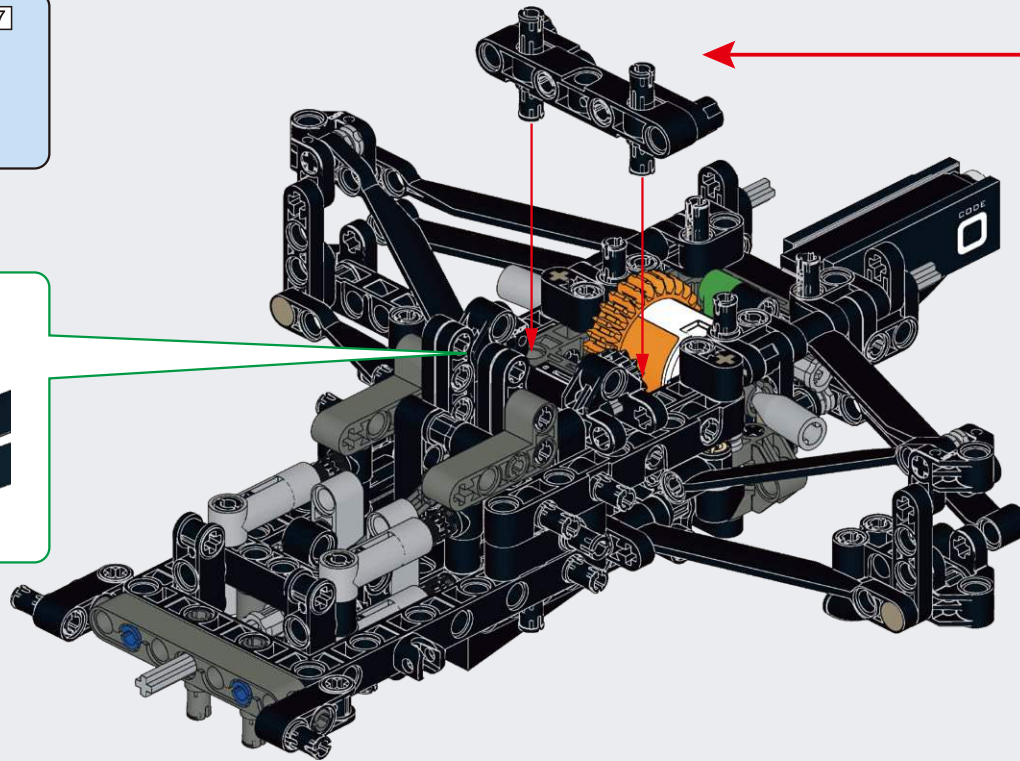
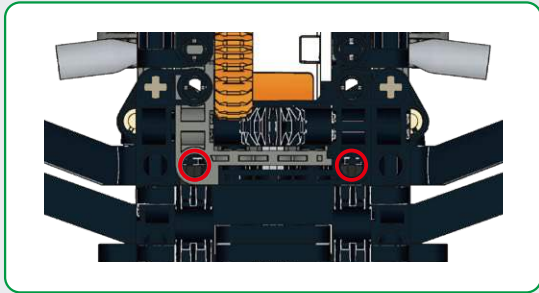


# A99

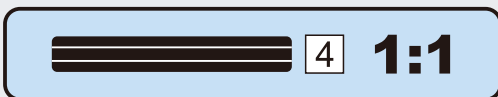
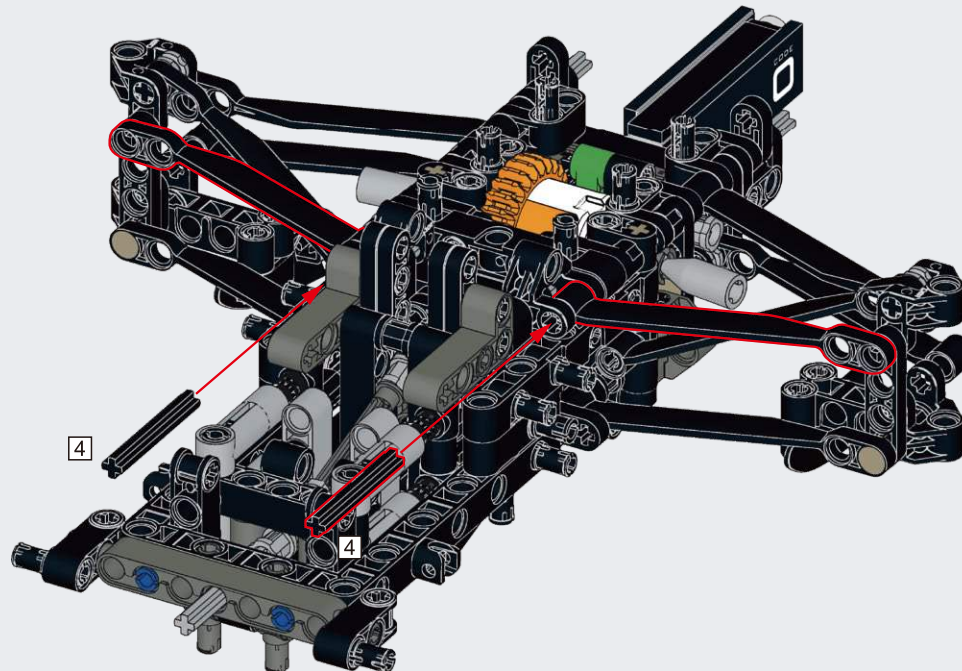




# A100

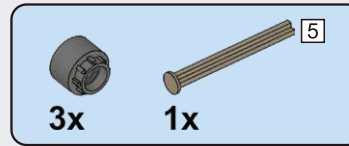
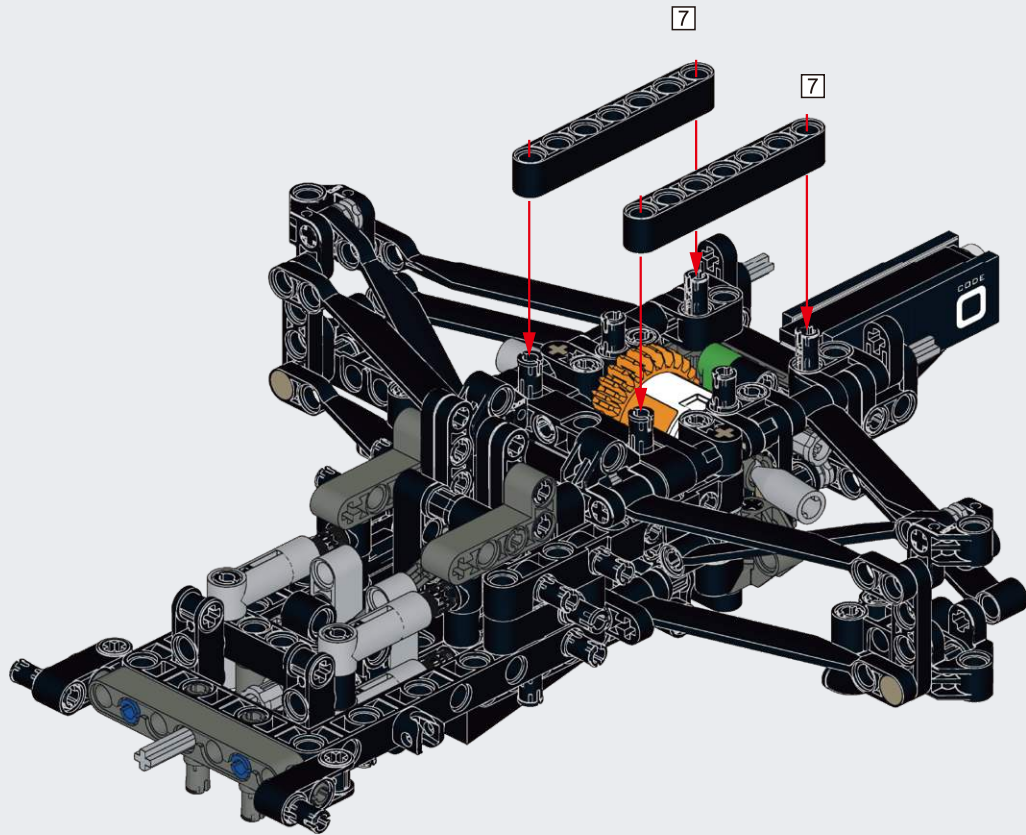


# A101

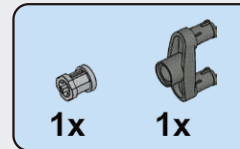
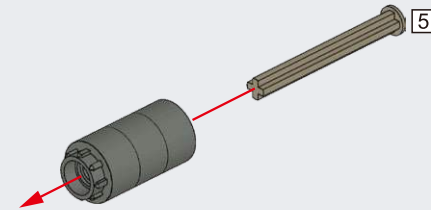




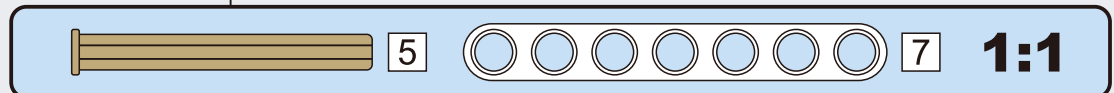
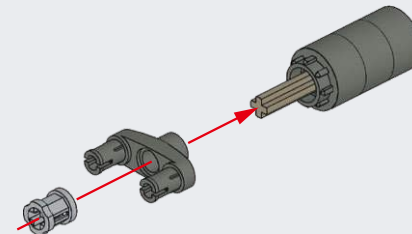
# A102

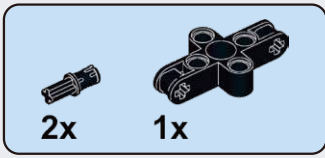


# A103

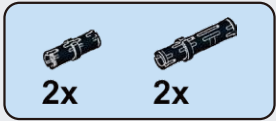
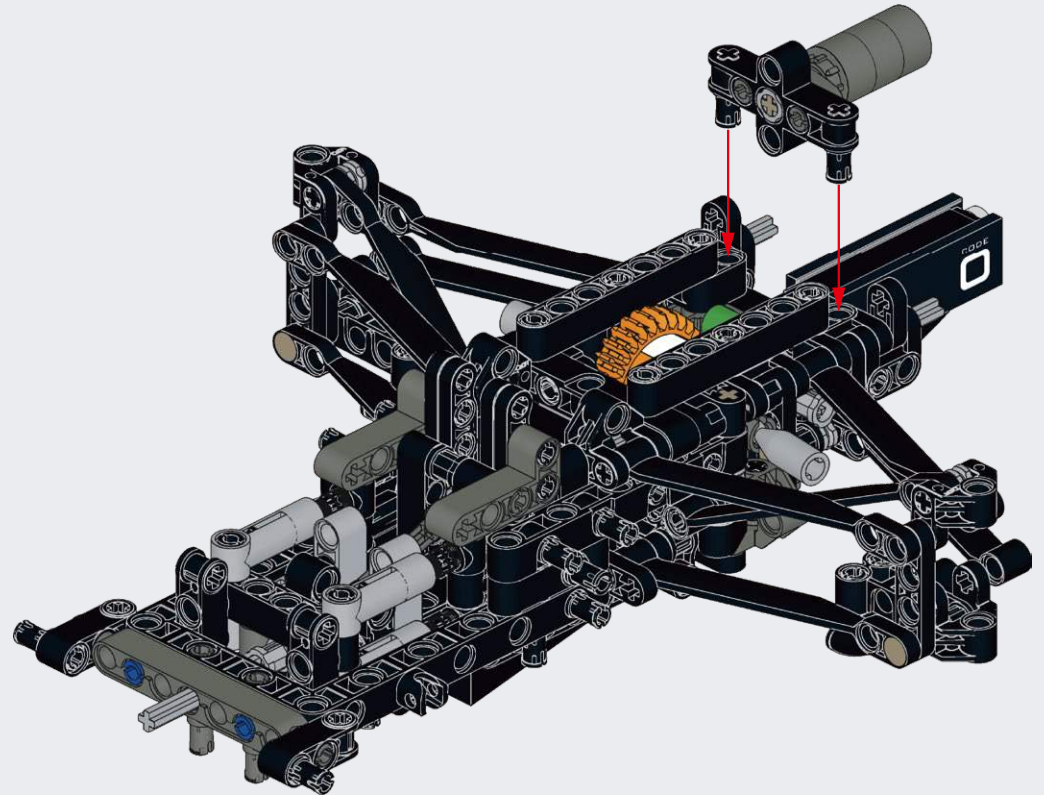
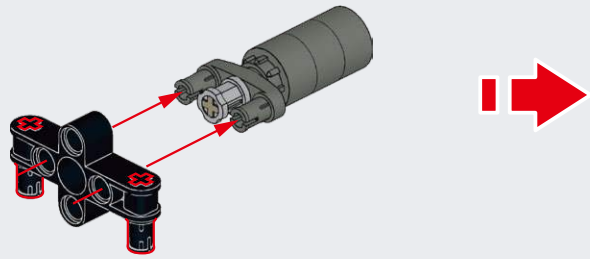


# A104

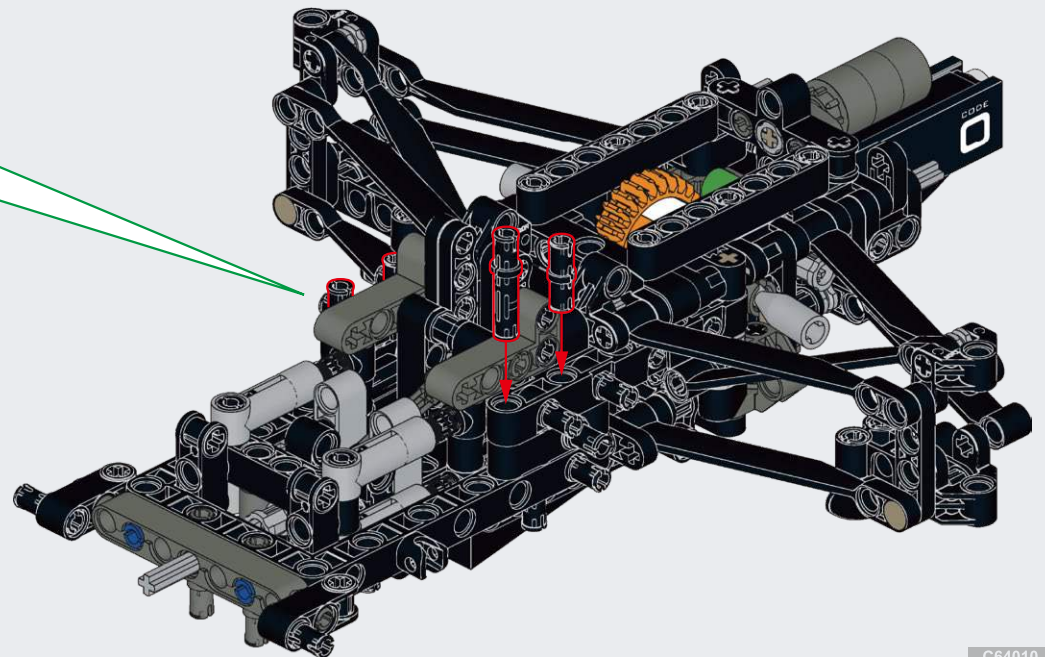
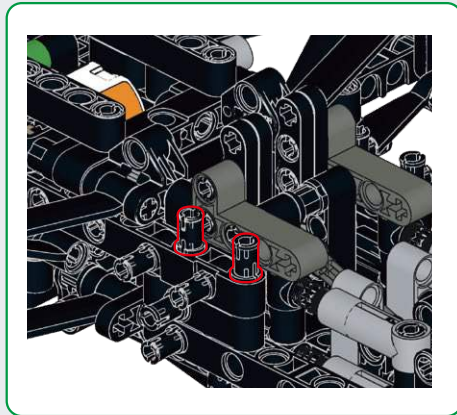




# A105

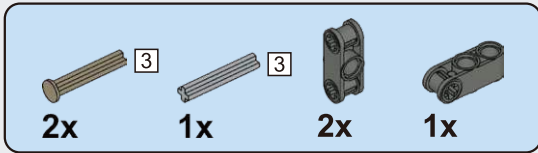
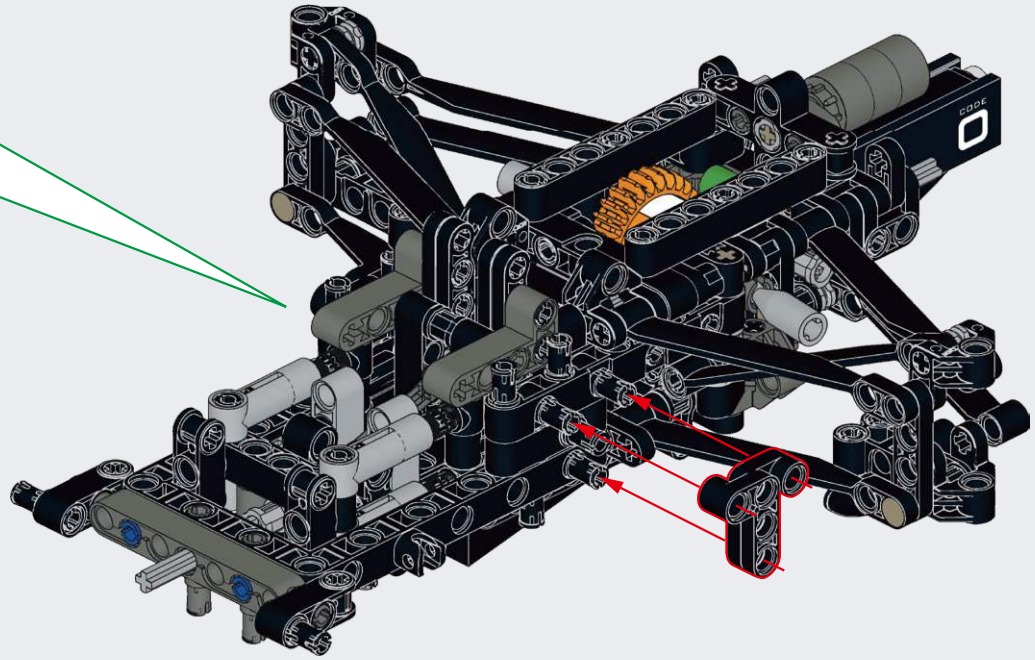
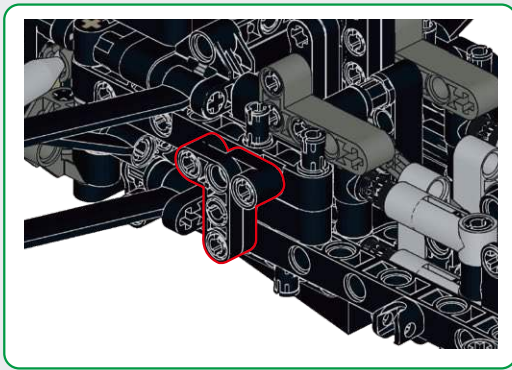


# A106

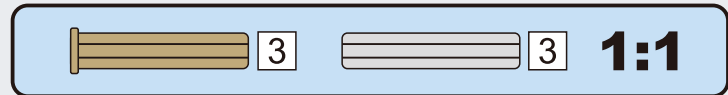
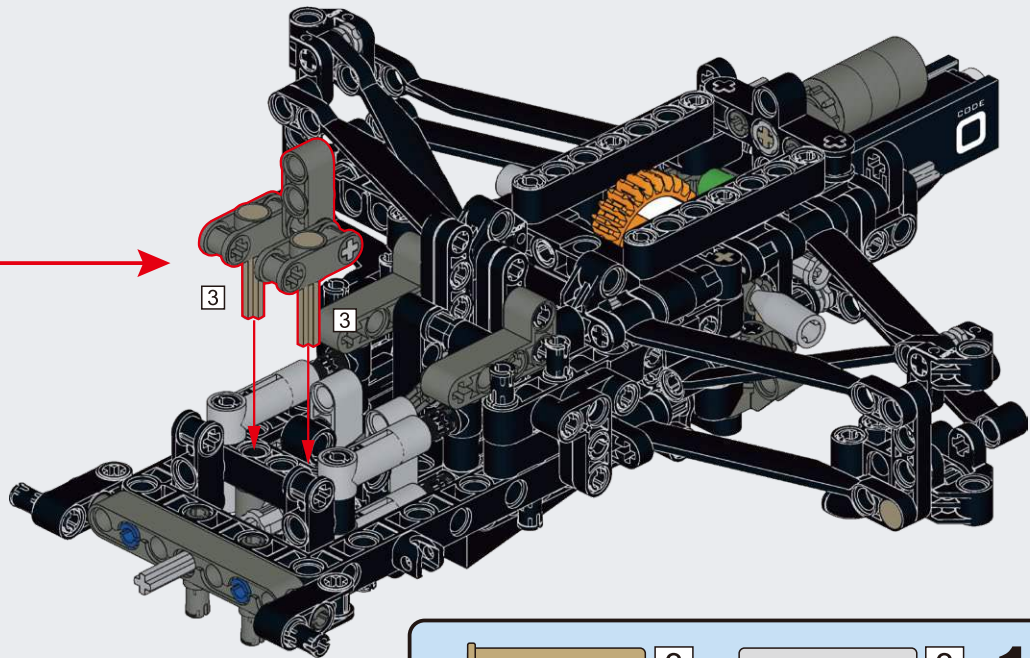
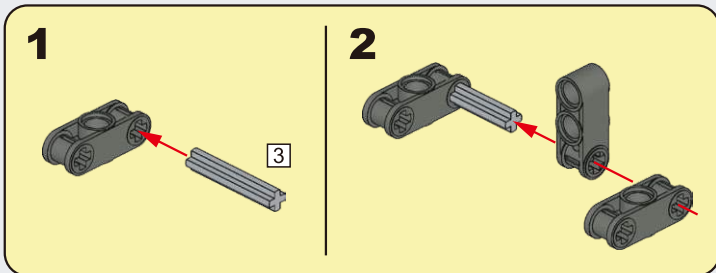


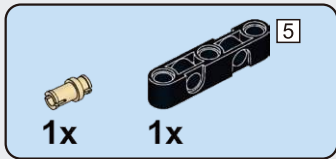


**A107**

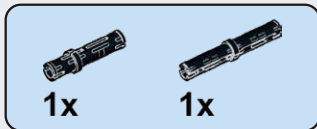
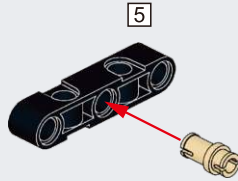


**A108**

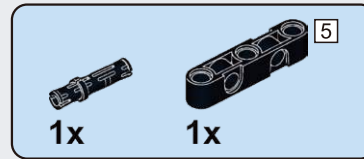
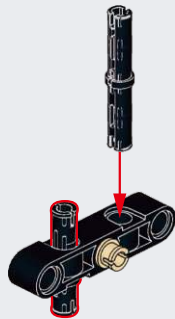




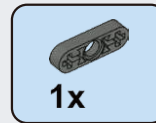
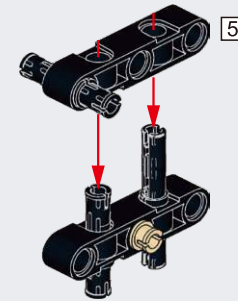
## A109



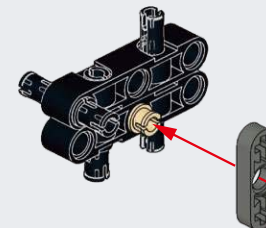
## A110

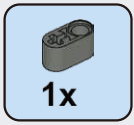


## A111

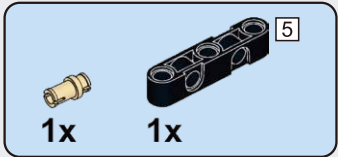
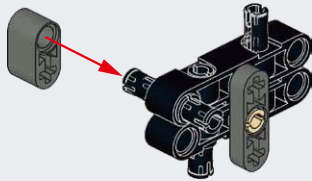


## A112

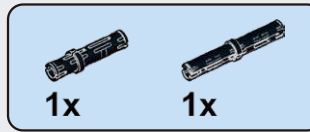
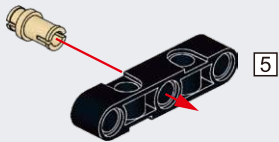




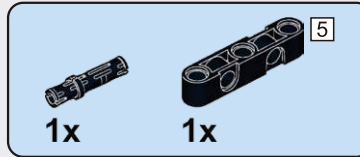
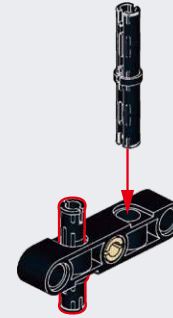
## A113



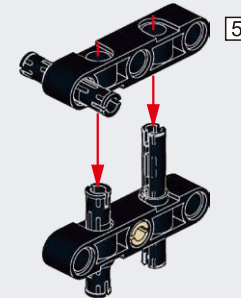
## A114

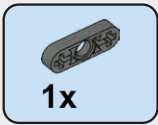


## A115



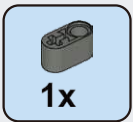
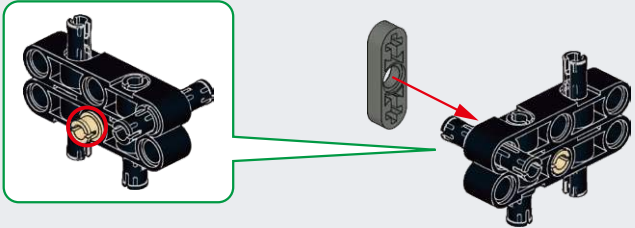
## A116





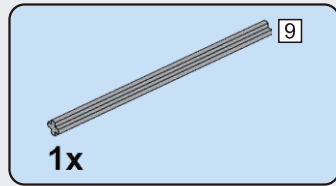
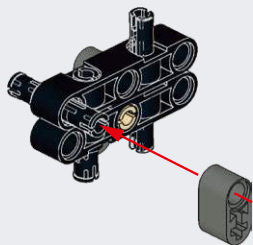
1x

**A117**



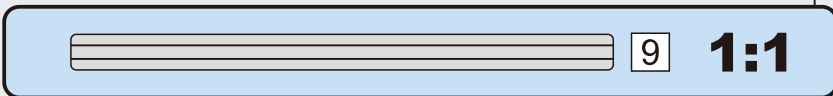
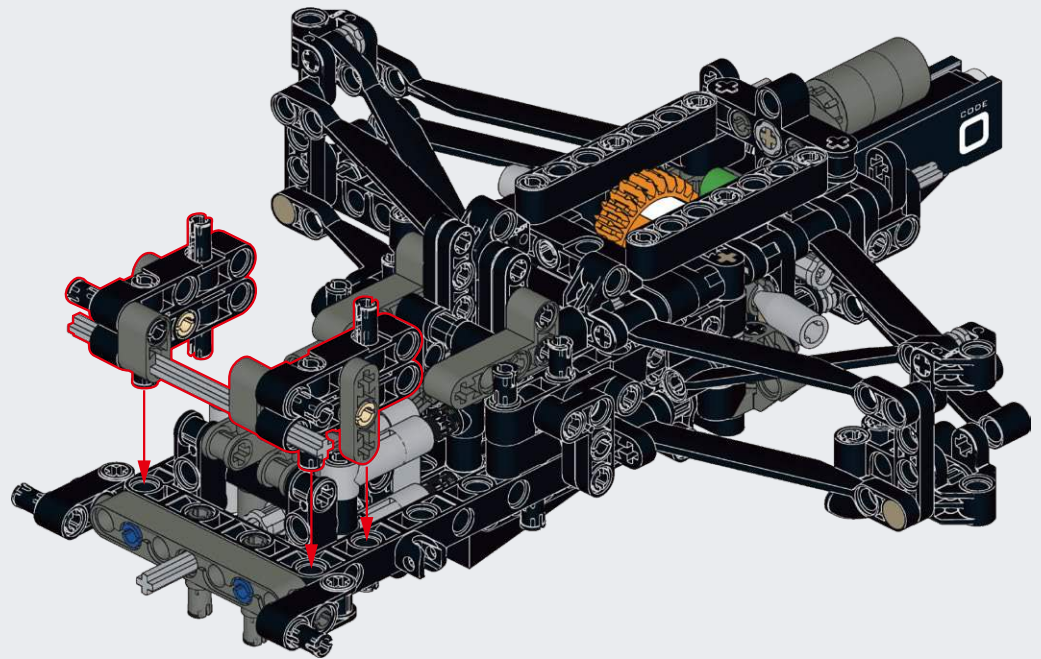
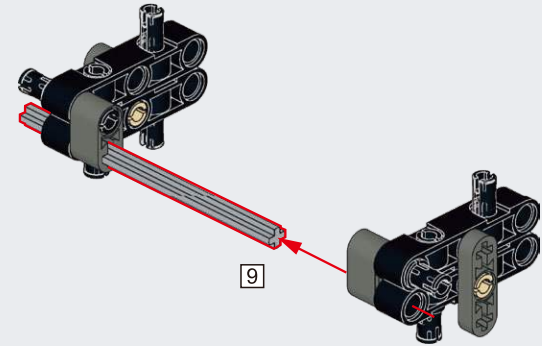
1x

**A118**



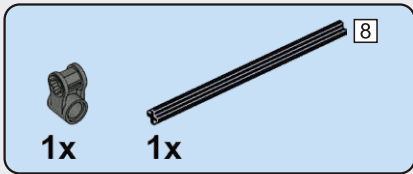
1x

**A119**

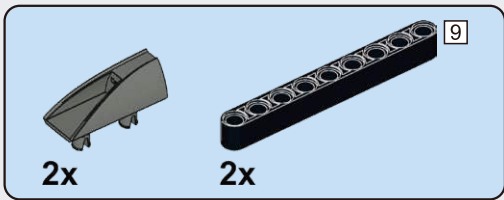
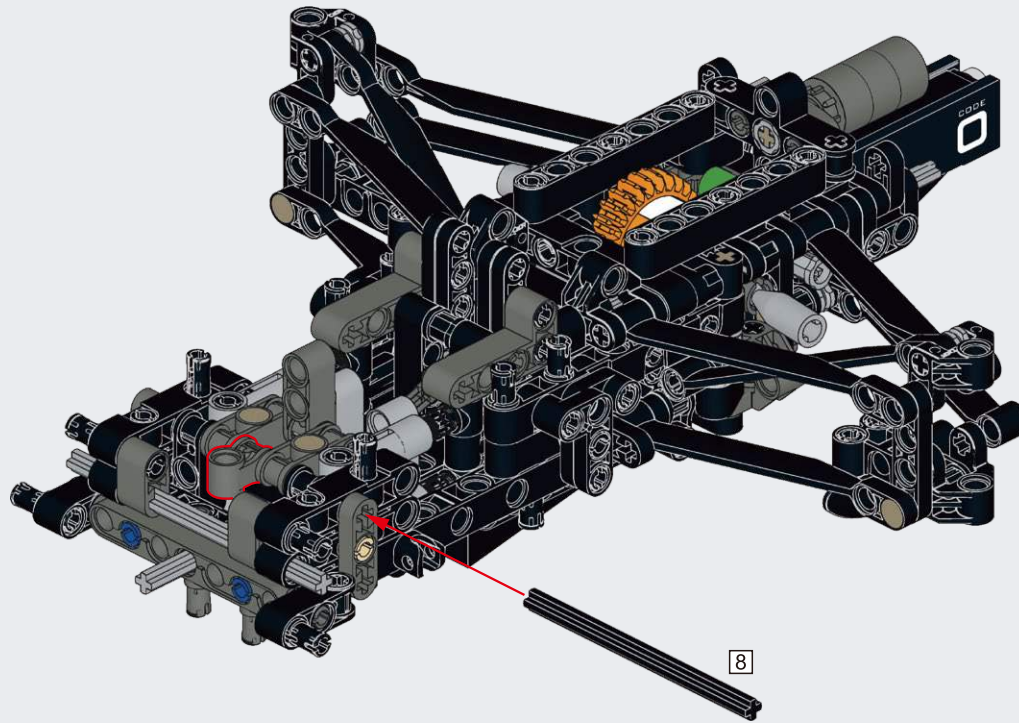


9

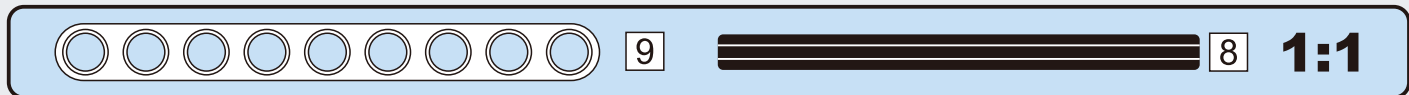
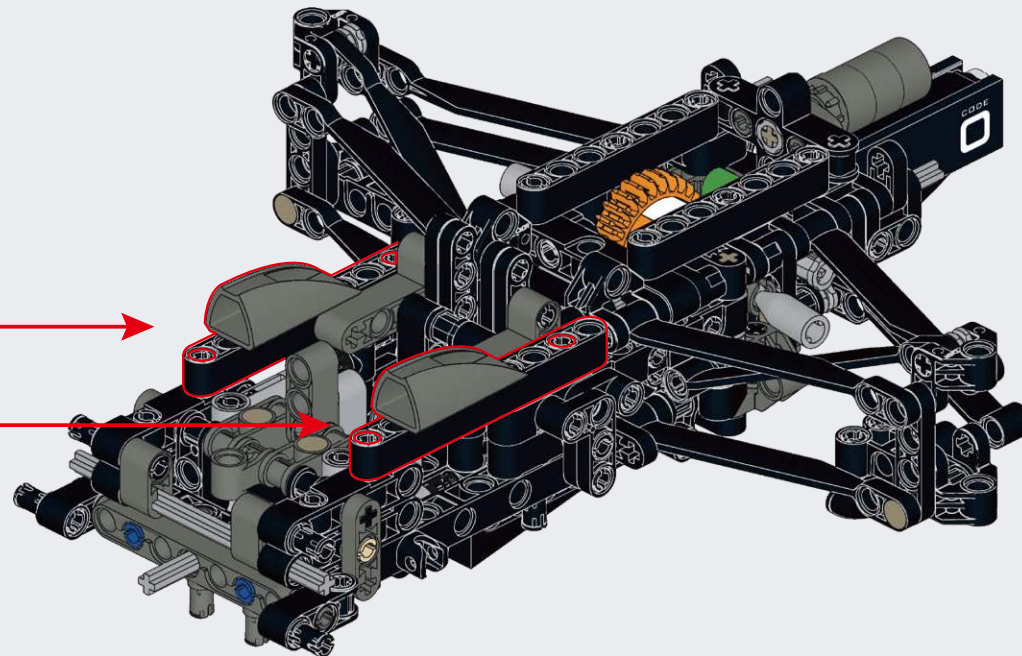
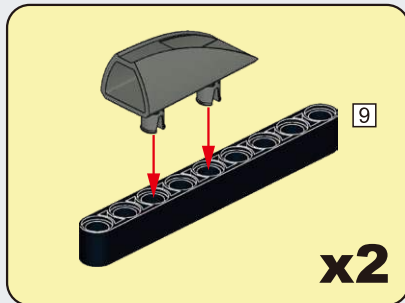
**1:1**

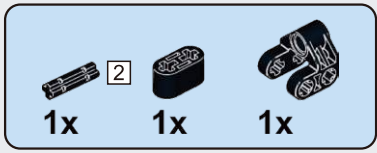


# A120

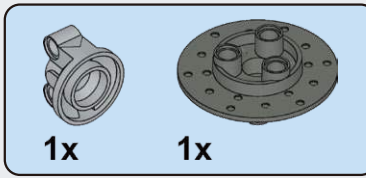
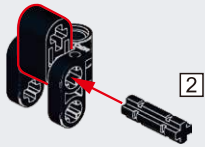


# A121

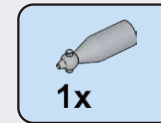
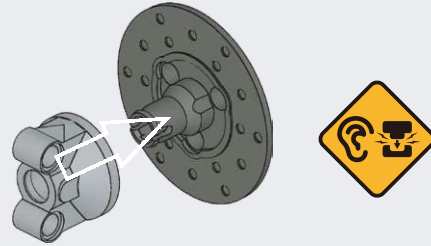




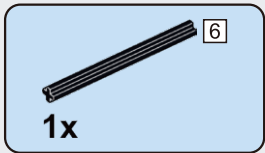
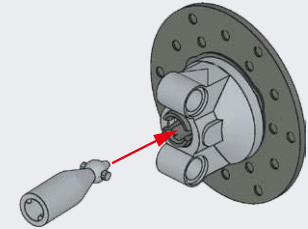
# A122



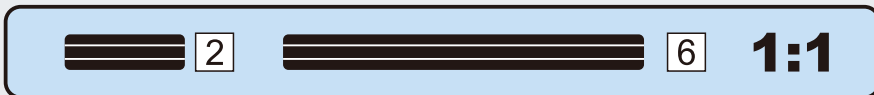
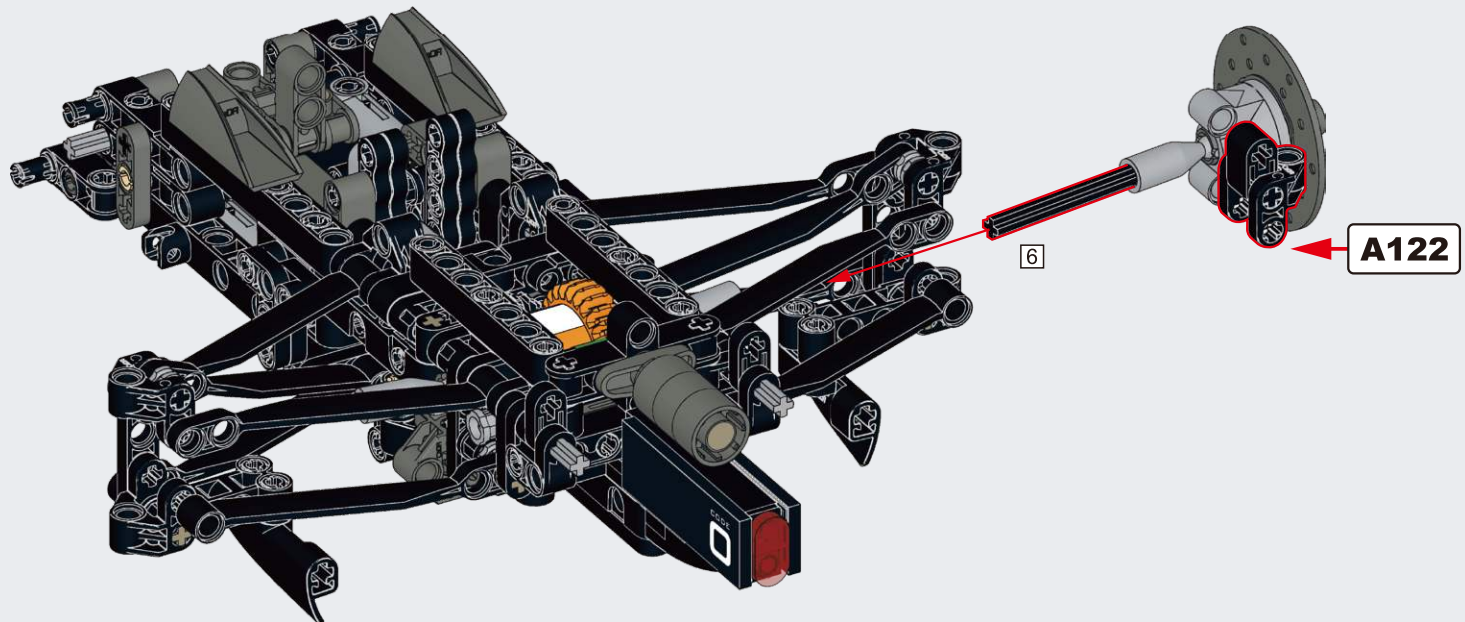
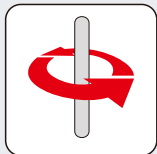
# A123

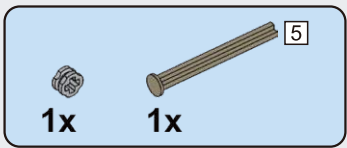


# A124

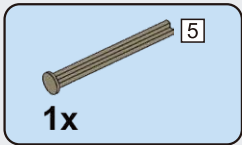
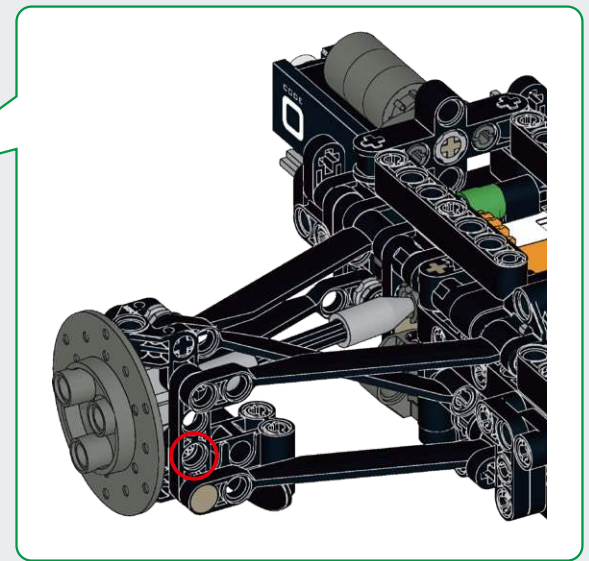
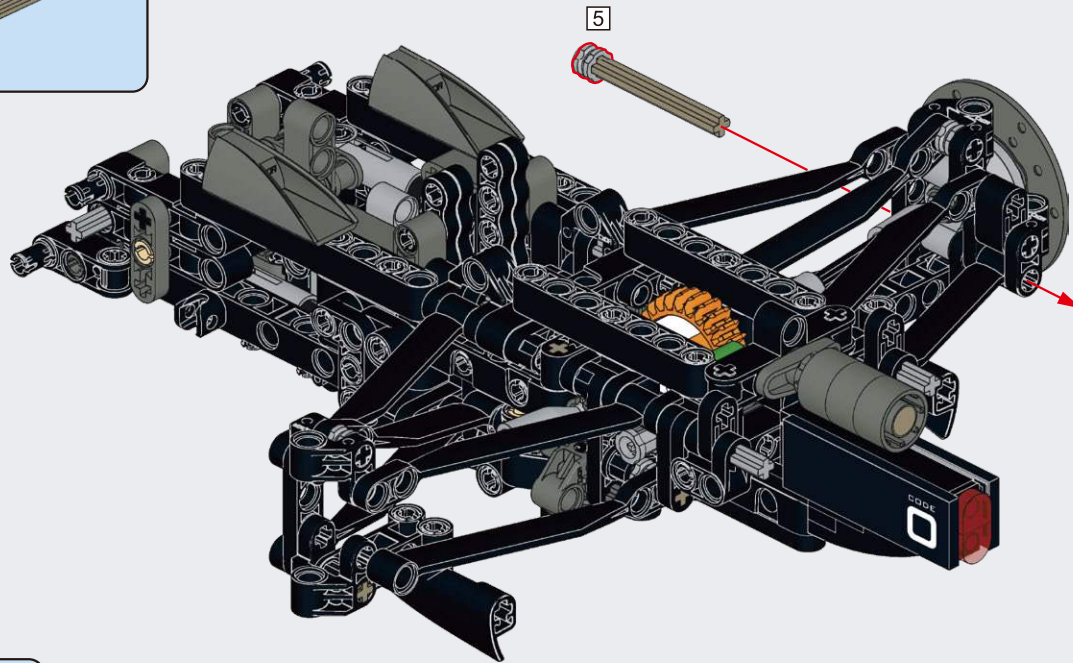


# A125

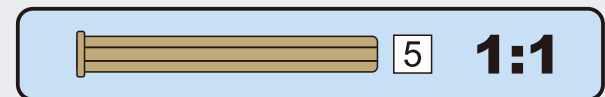
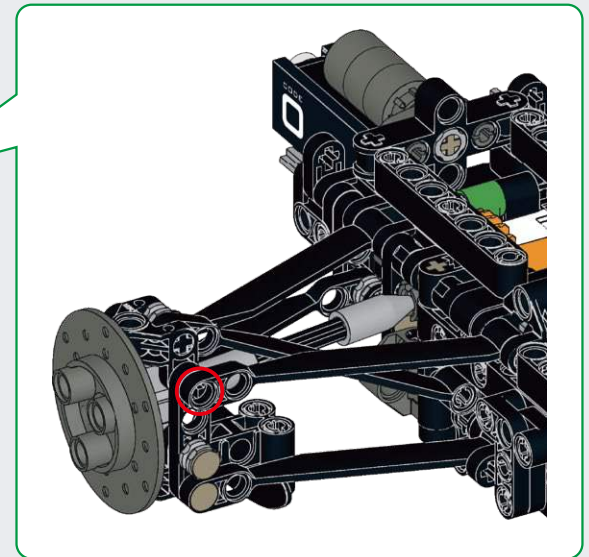
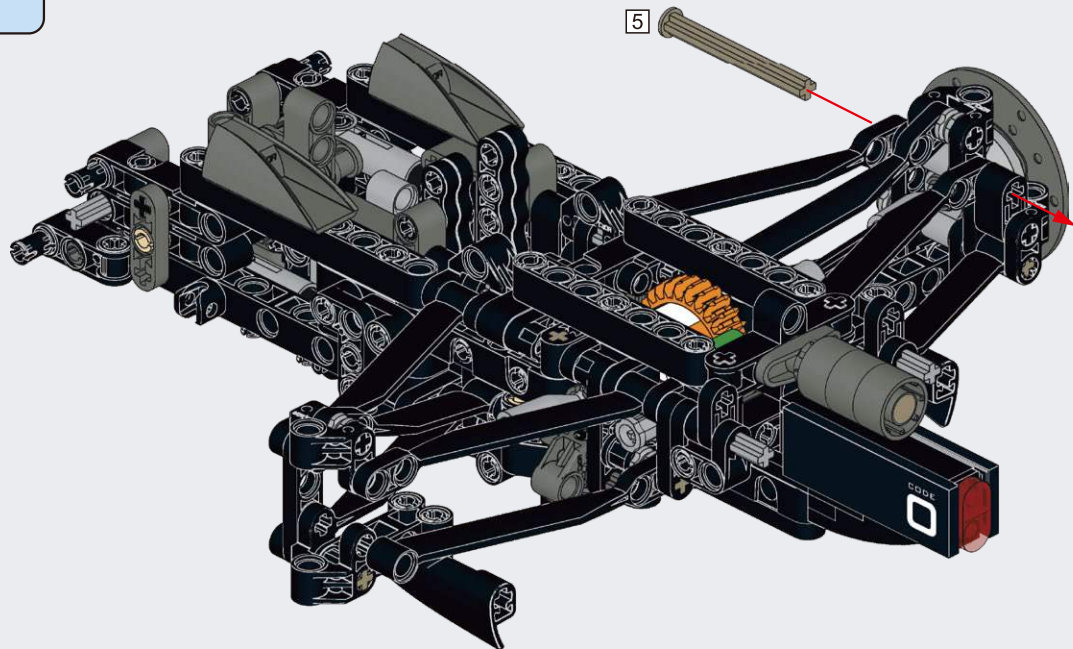


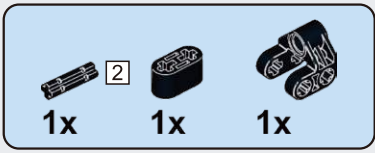


**A126**

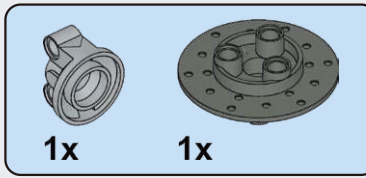
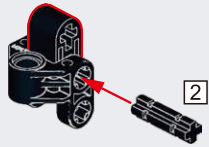


**A127**

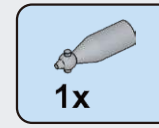
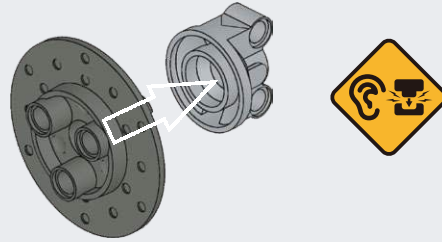




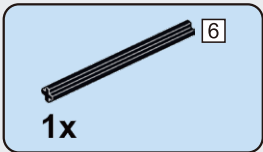
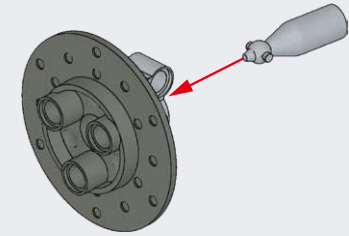
# A128



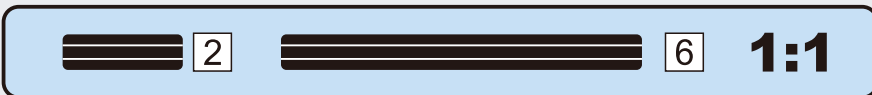
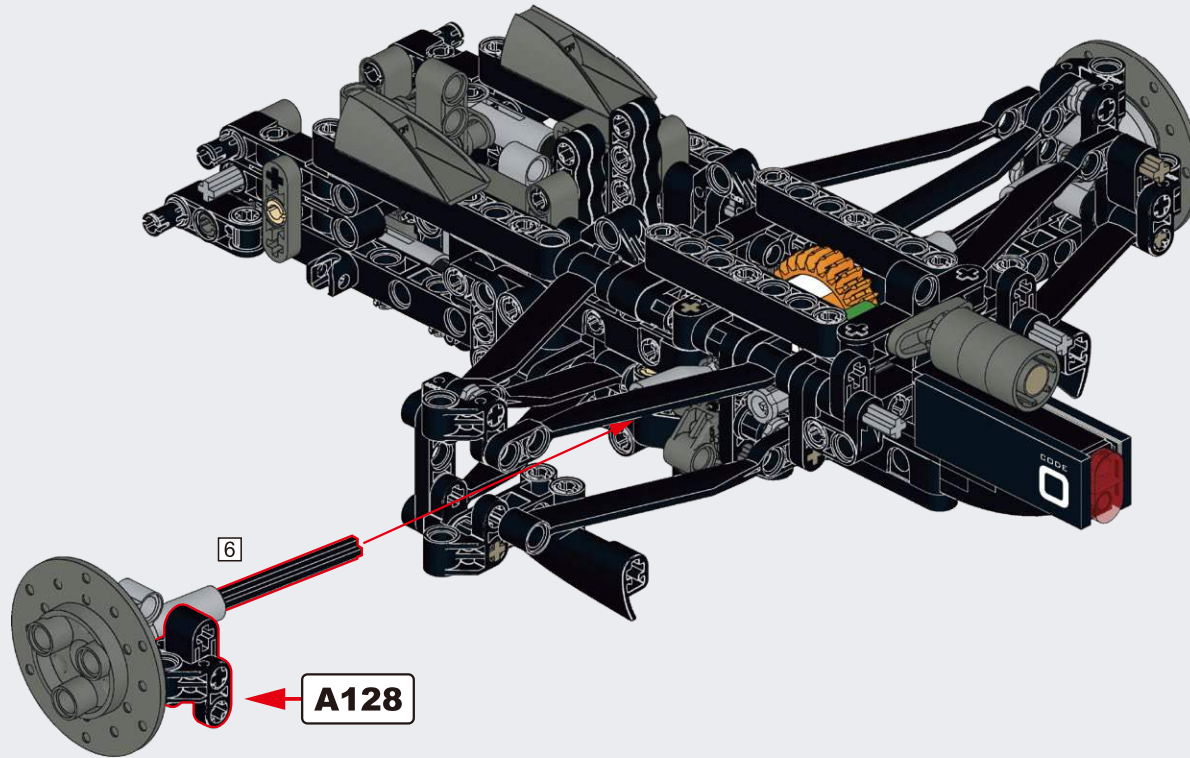
# A129

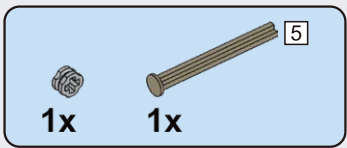


# A130

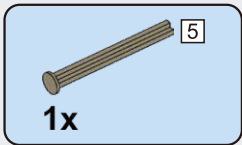
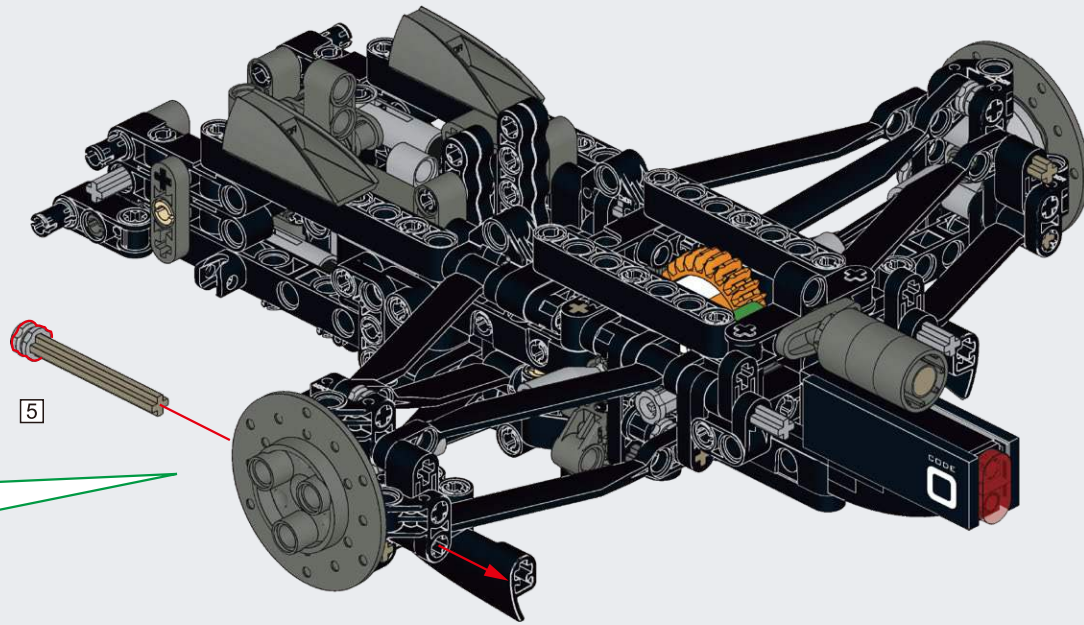
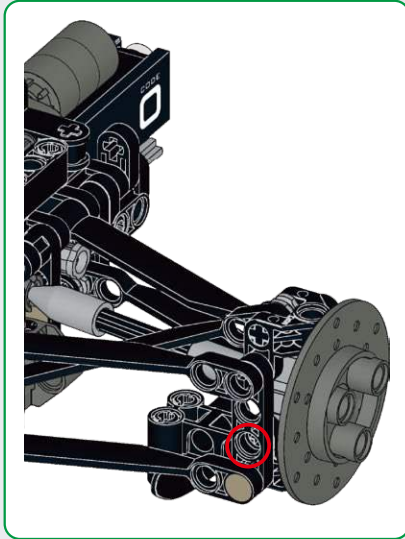


# A131

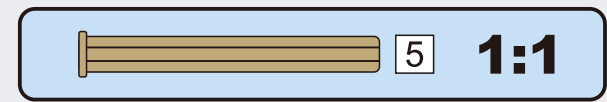
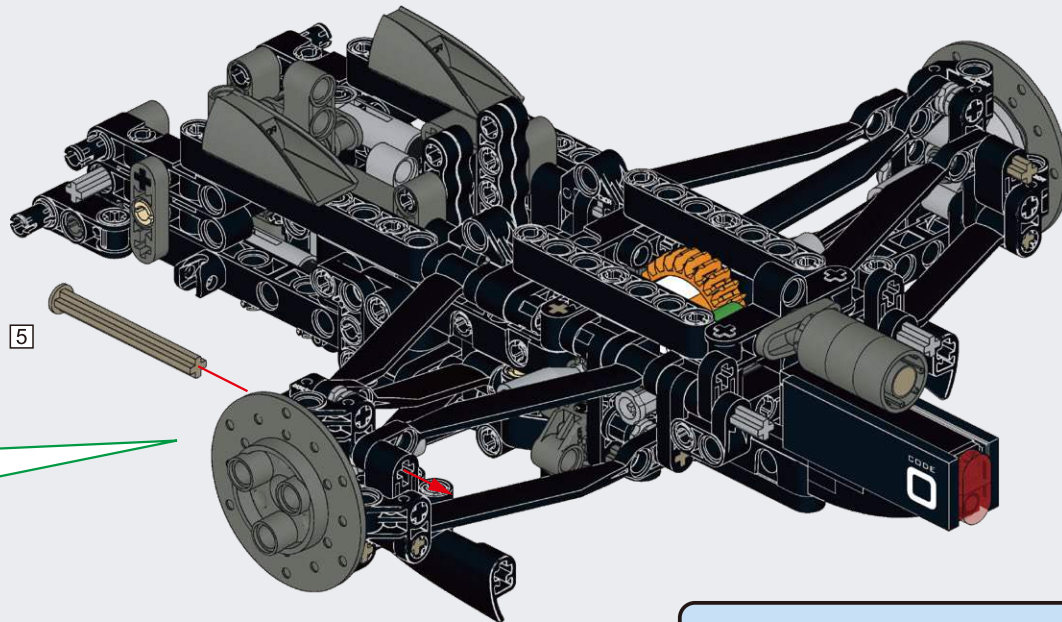
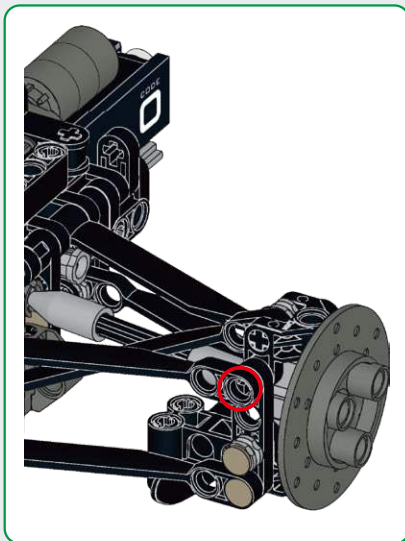




# A132

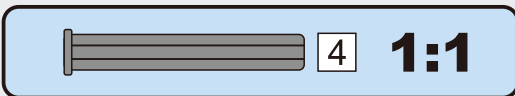
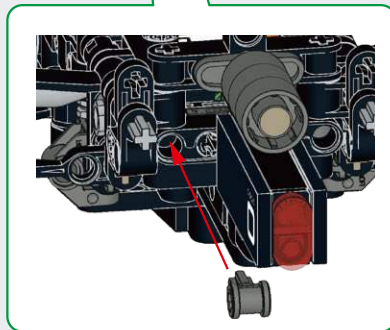
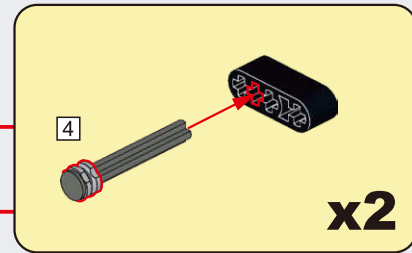
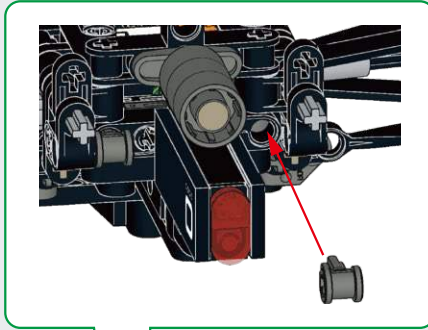
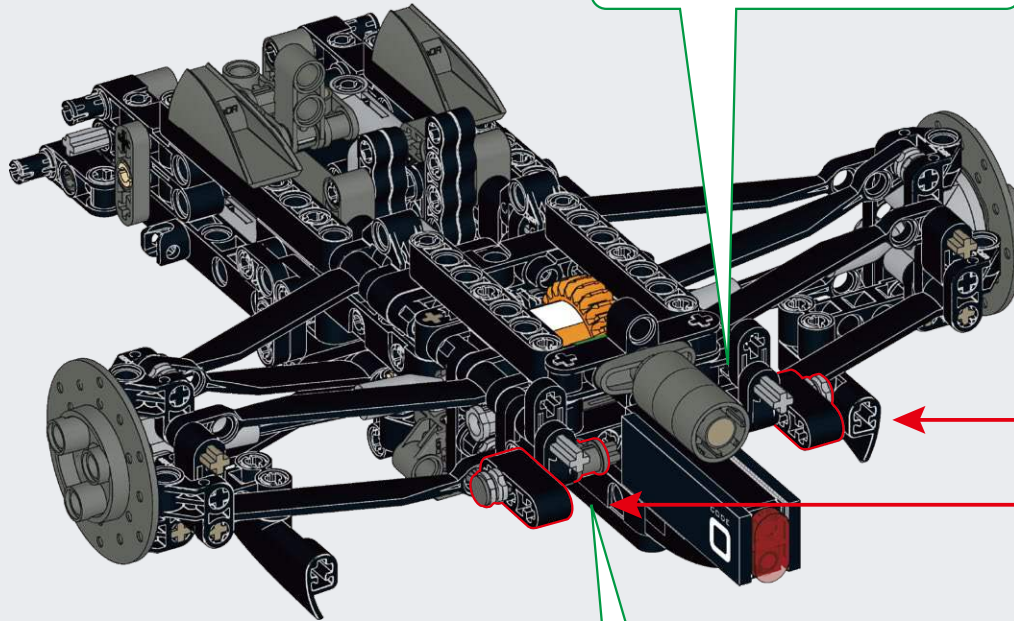


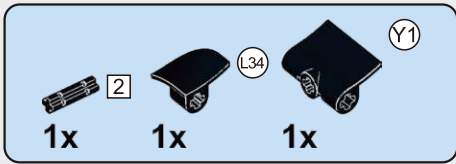
# A133



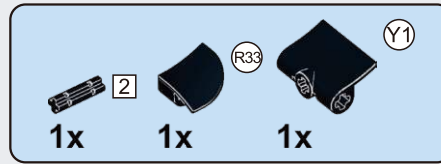
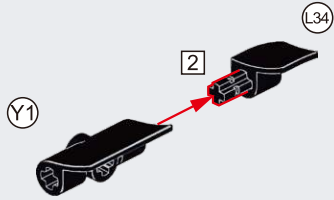


# A134

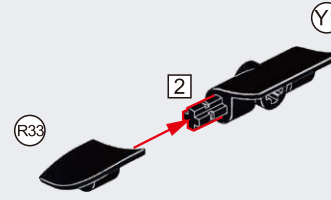




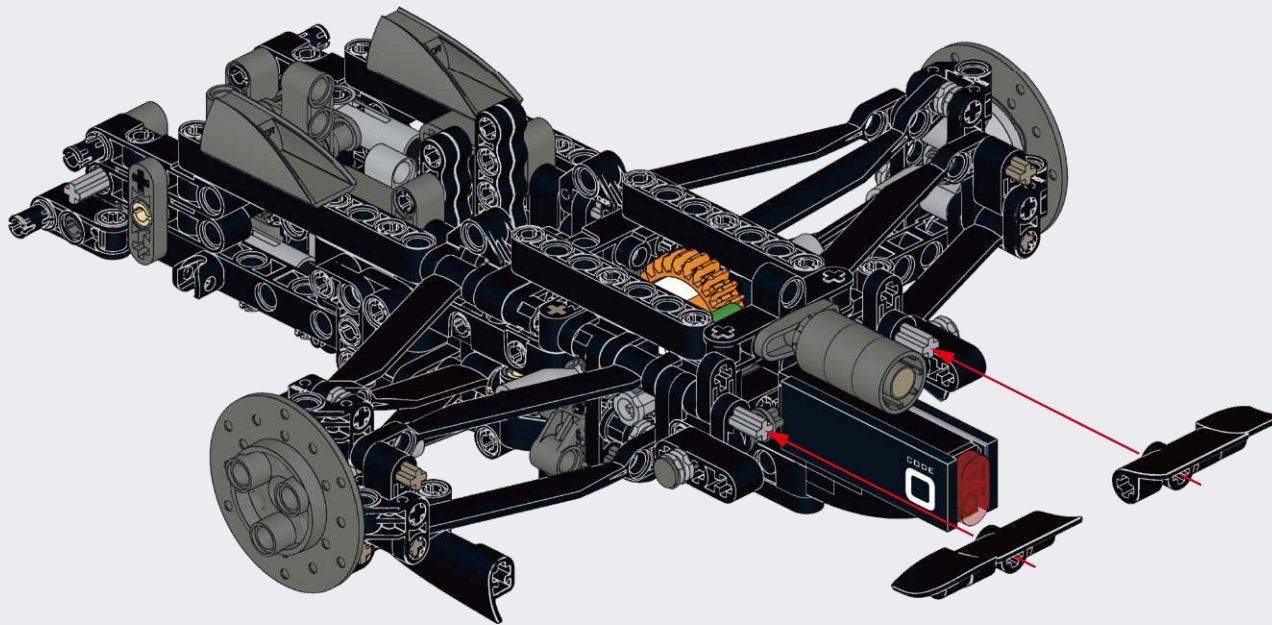
# A135

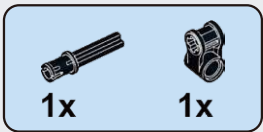


# A136

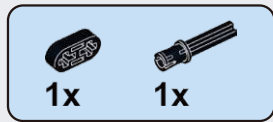
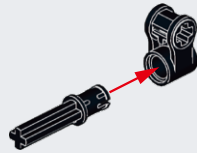


# A137

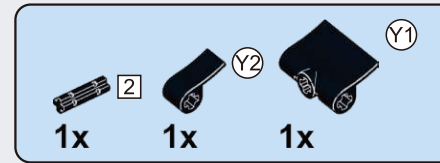
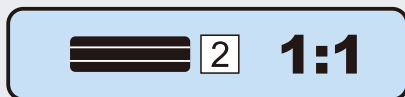
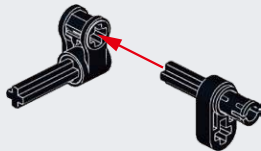




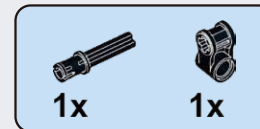
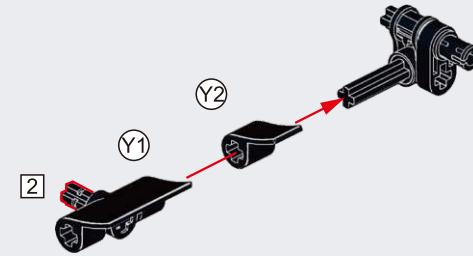
## A138



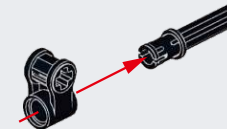
## A139

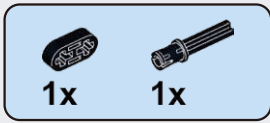


## A140

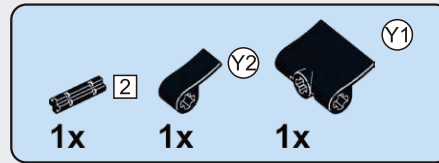
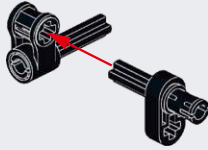


## A141

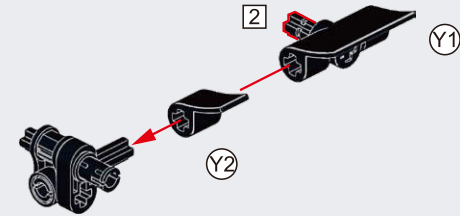




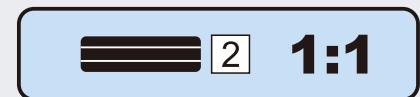
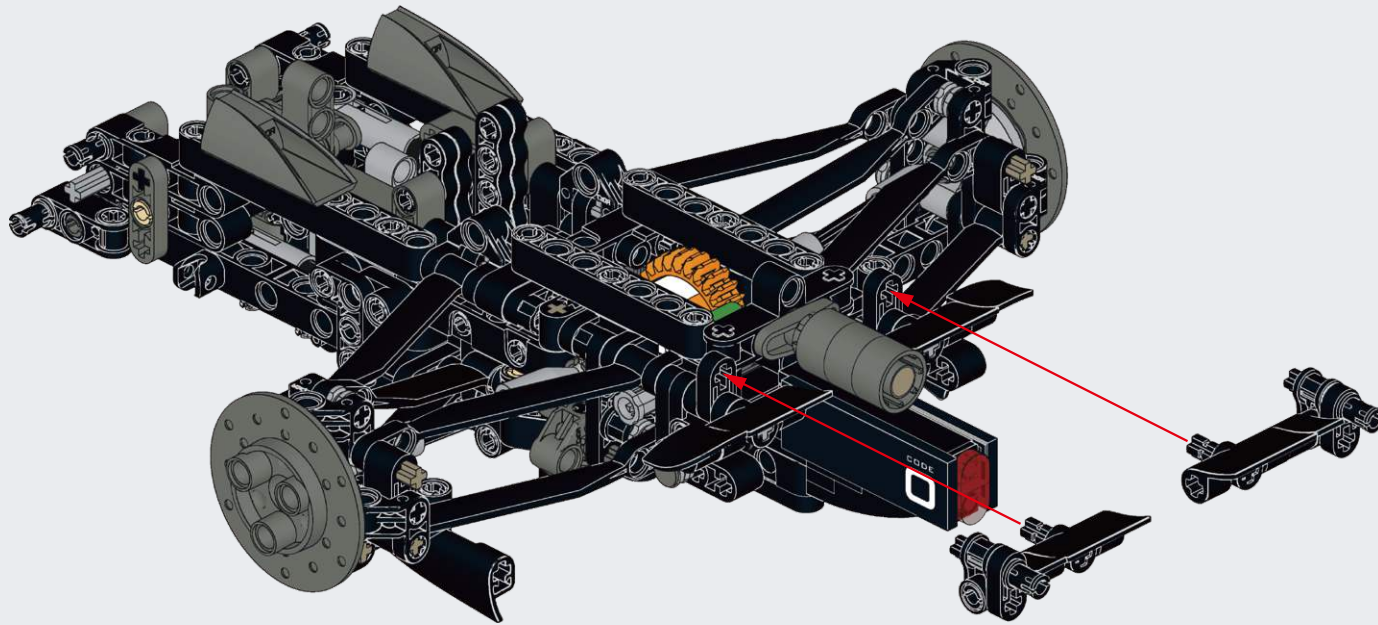
# A142

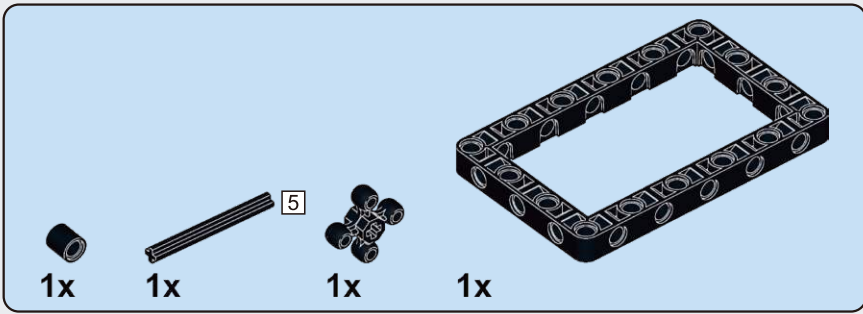


# A143

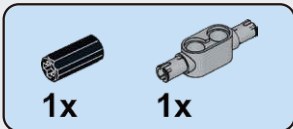
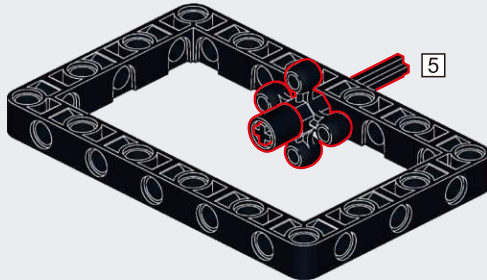


# A144

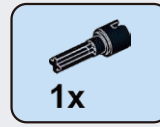
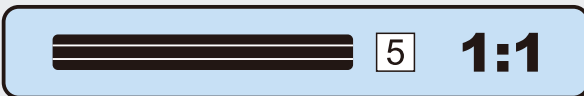
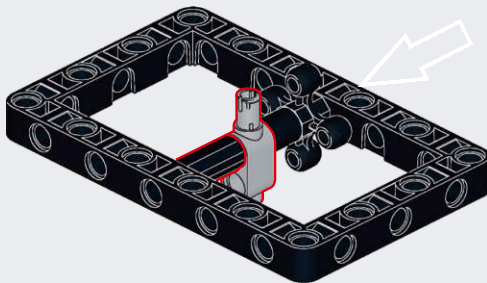




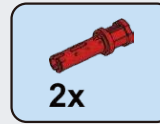
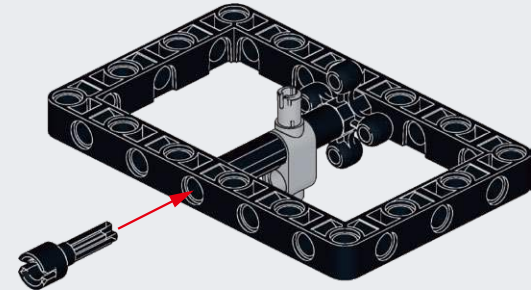
### A145



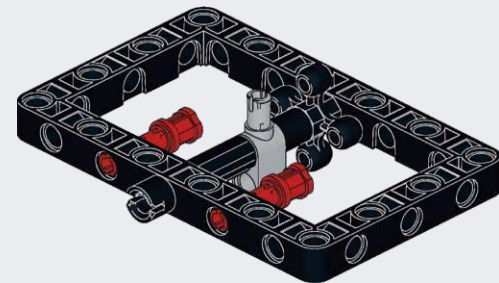
### A146



### A147

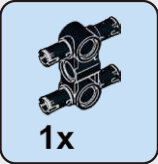
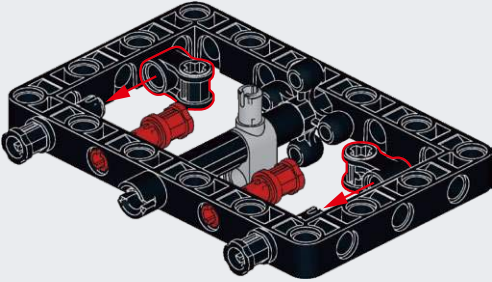


### A148

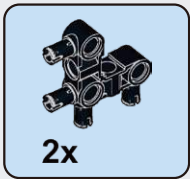
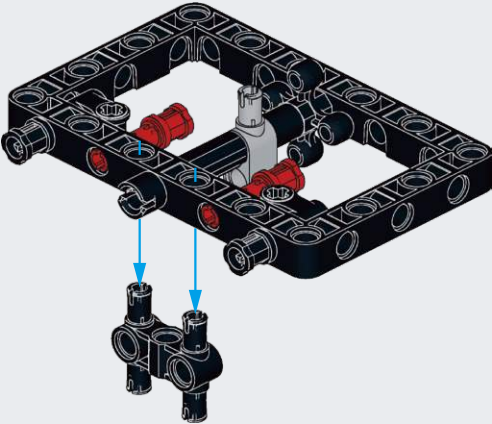




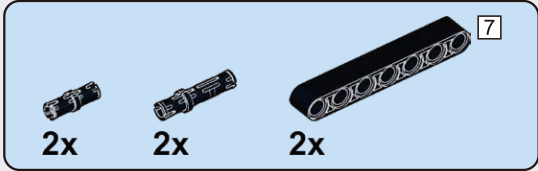
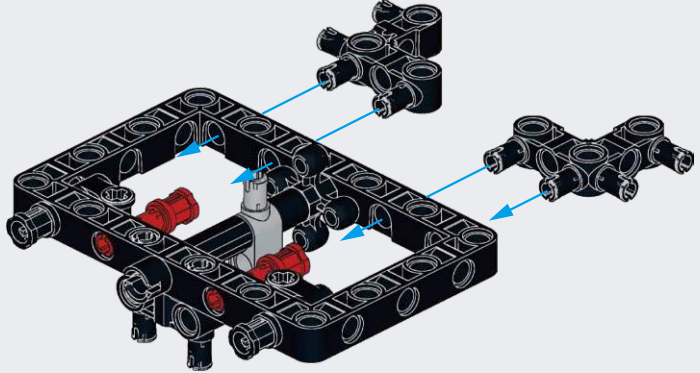
# A149



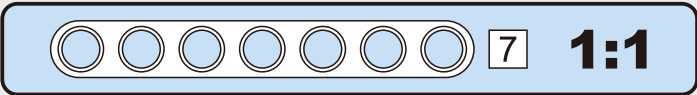
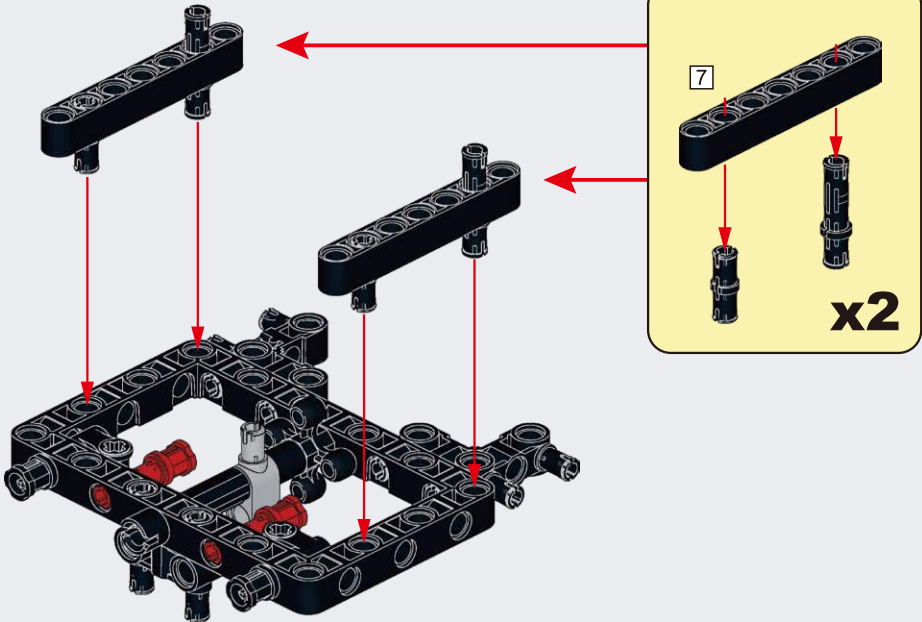
# A150

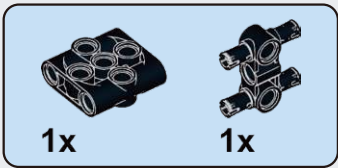


# A151

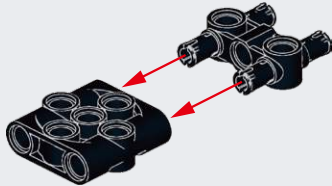


# A152

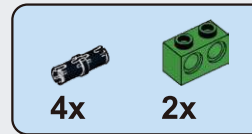
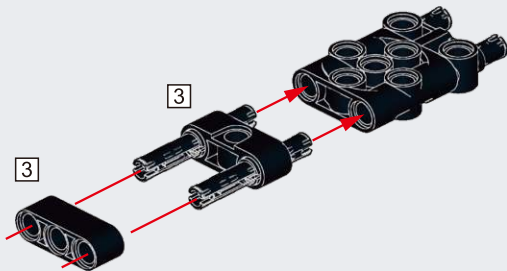




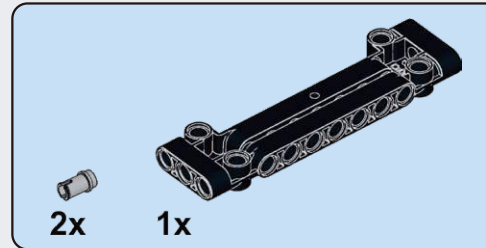
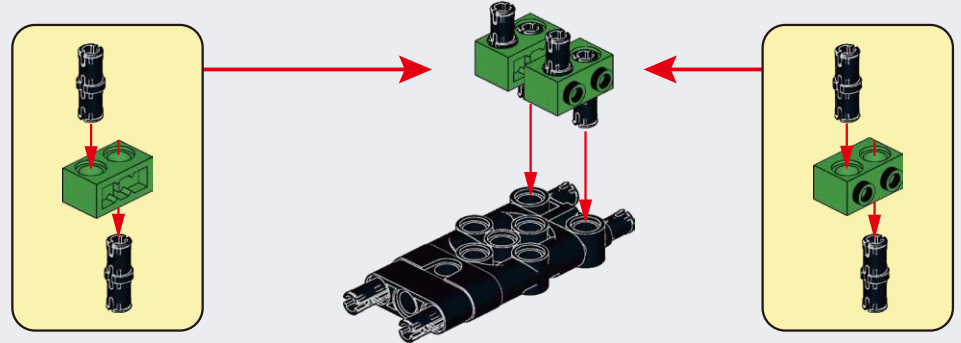
## A153



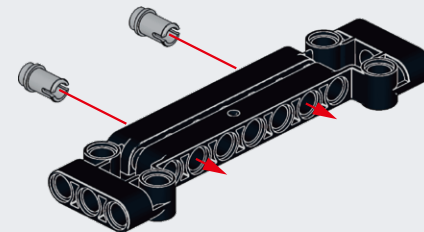
## A154

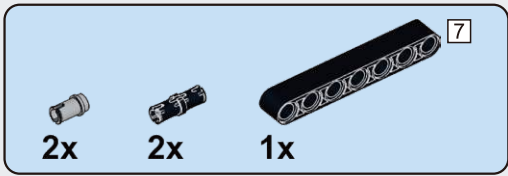


## A155

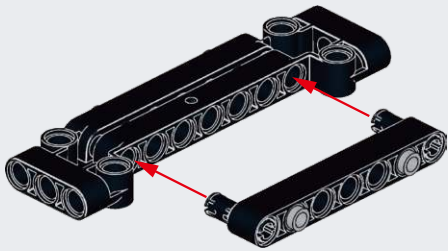
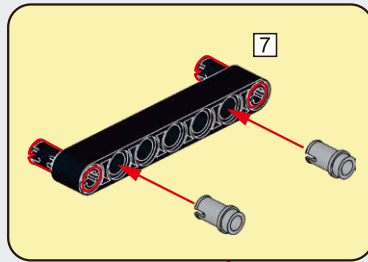


## A156

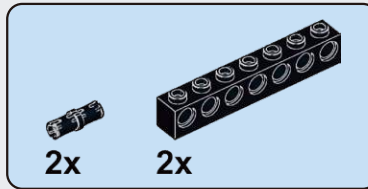
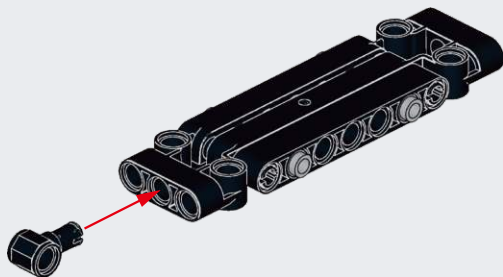




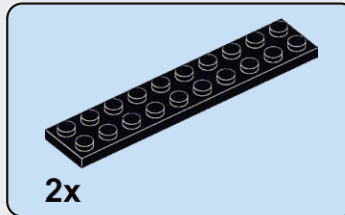
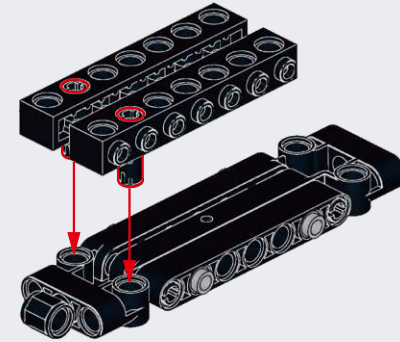
### A157



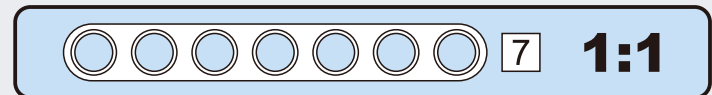
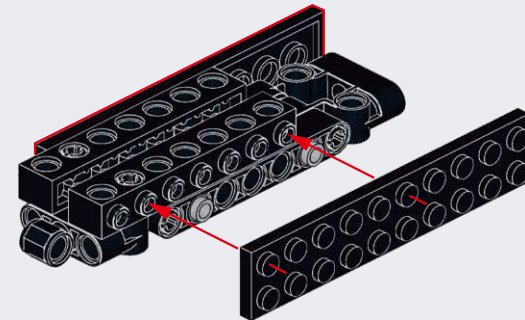
### A158



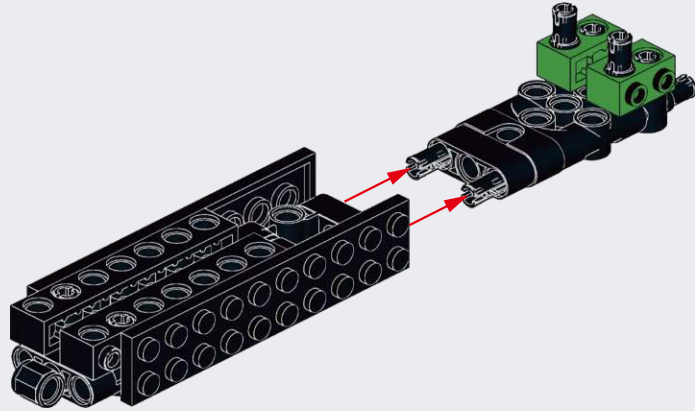
### A159



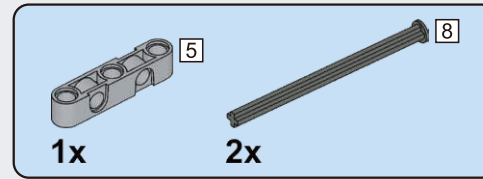
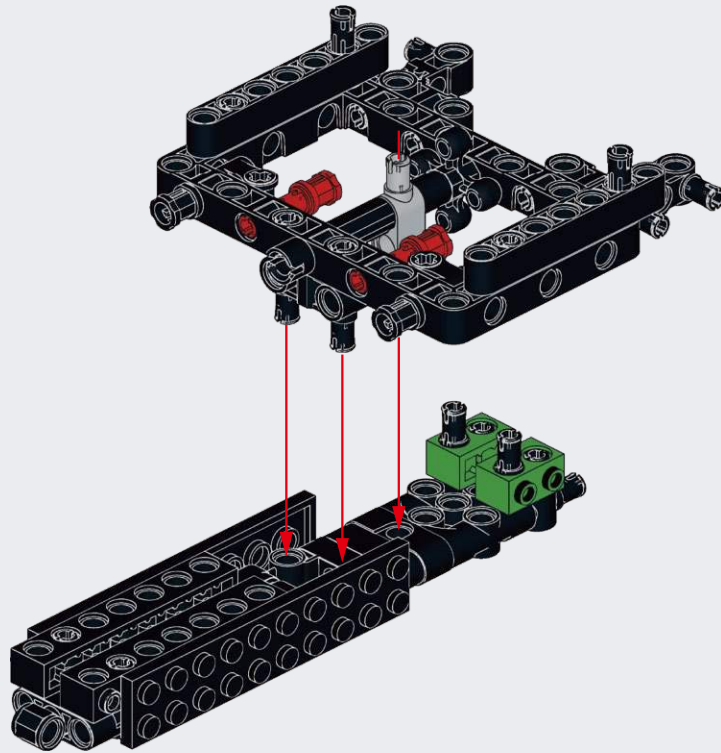
### A160



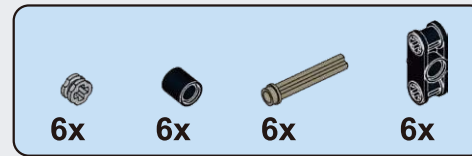
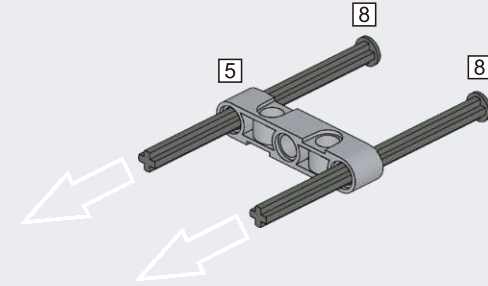
# A161



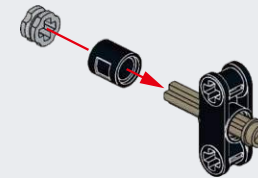
# A162



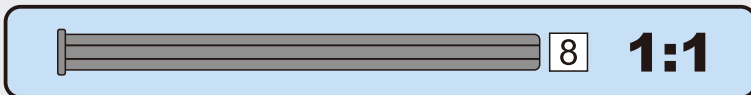
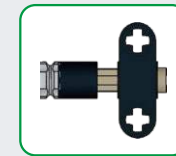
# A163

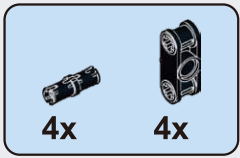


# A164

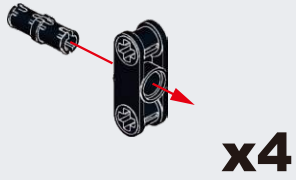


x6

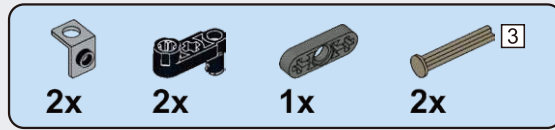
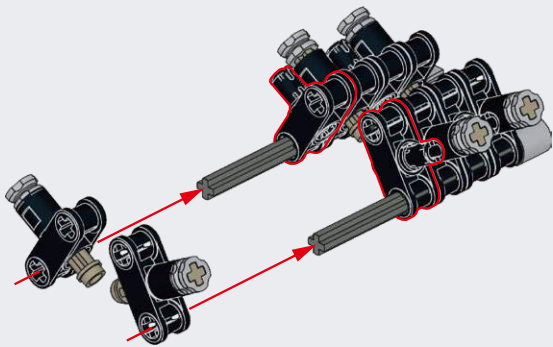




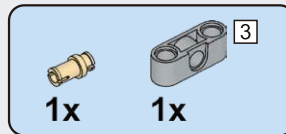
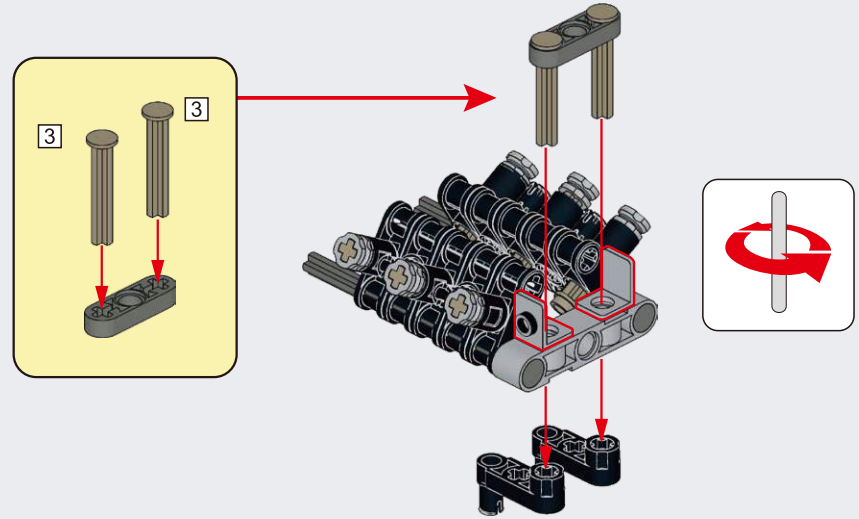
# A165



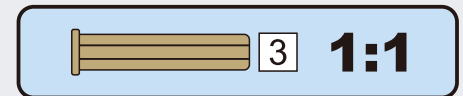
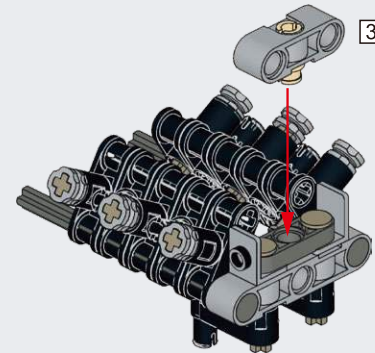
# A166



# A167

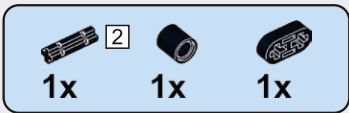
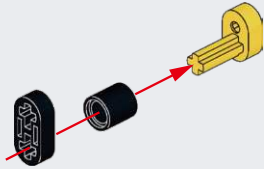


# A168

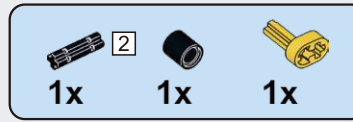
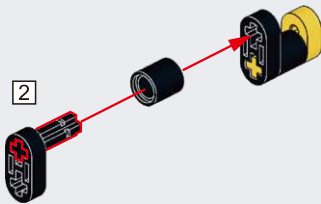




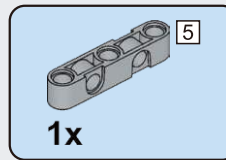
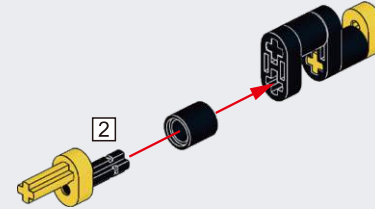
## A169



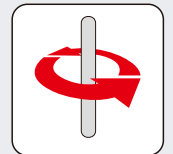
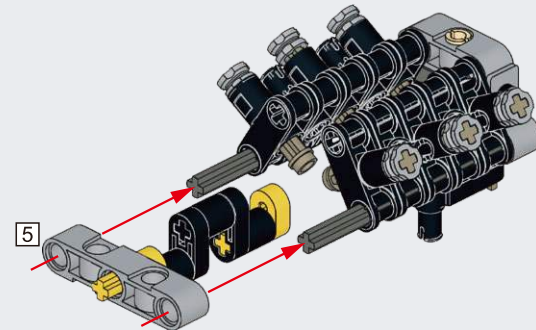
## A170

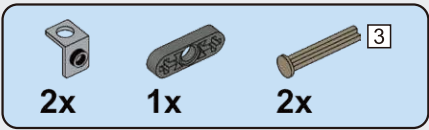


## A171

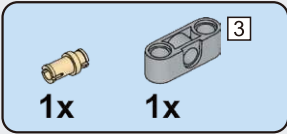
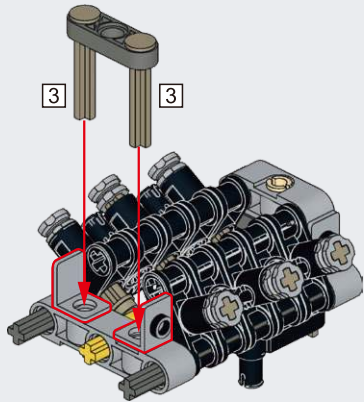


## A172

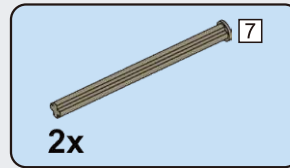
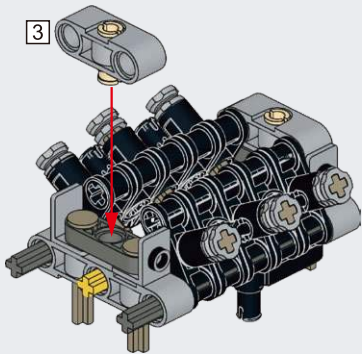




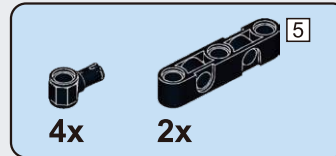
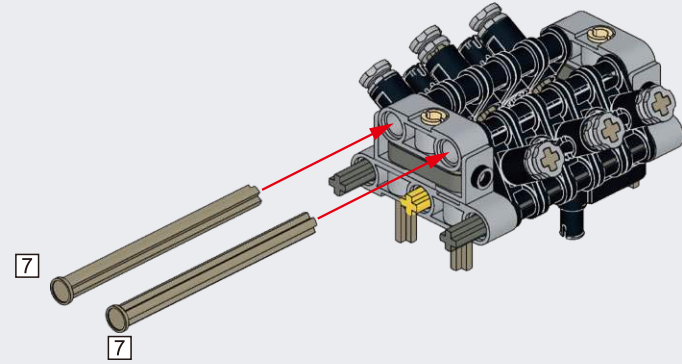
# A173



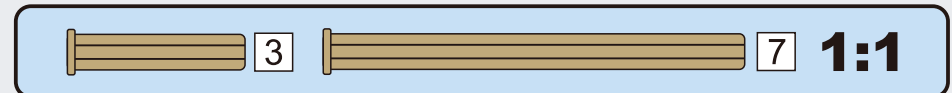
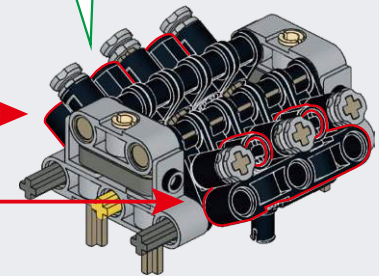
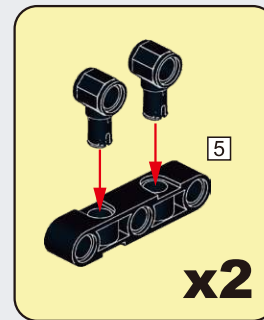
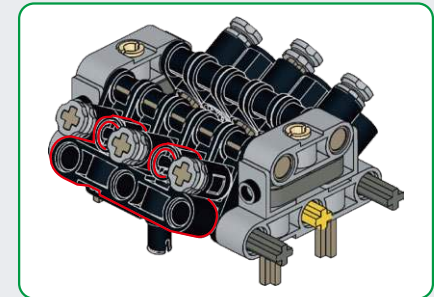
# A174

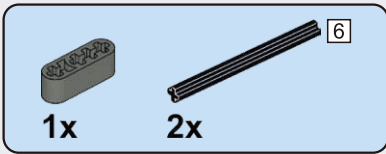


# A175

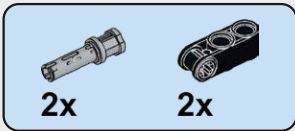
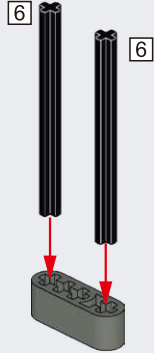


# A176

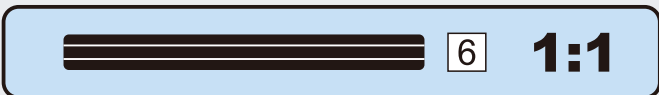
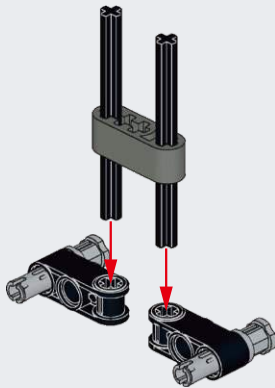




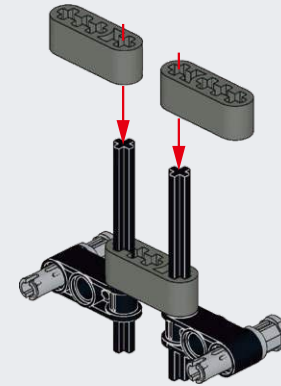
# A177



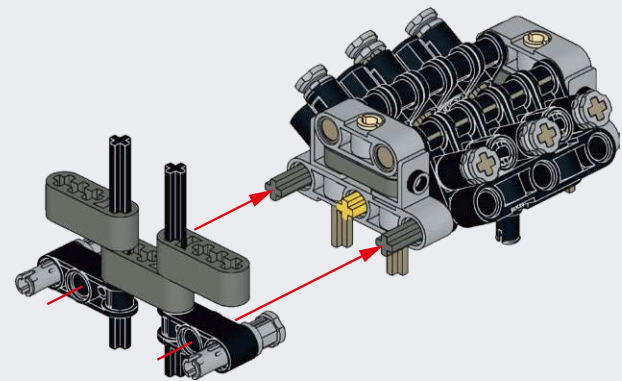
# A178



# A179

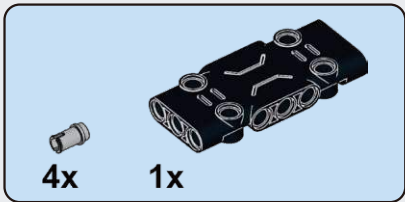
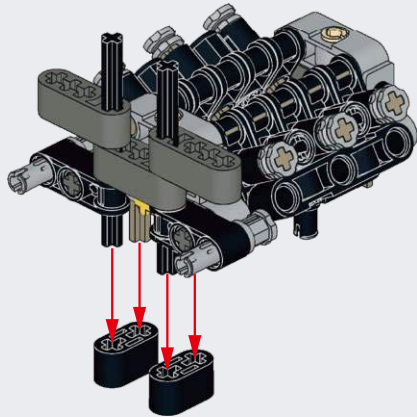


# A180

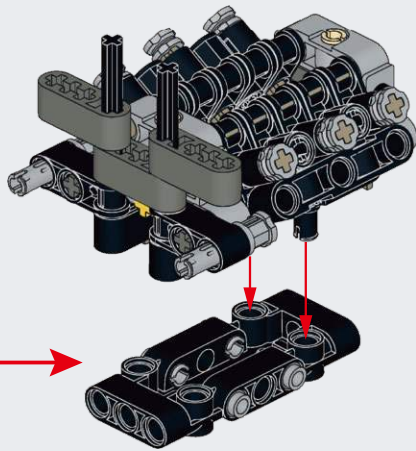
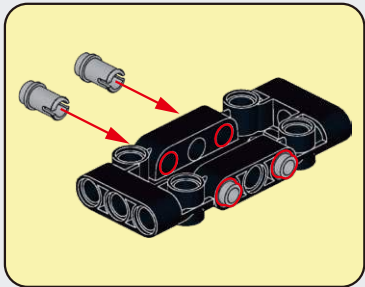




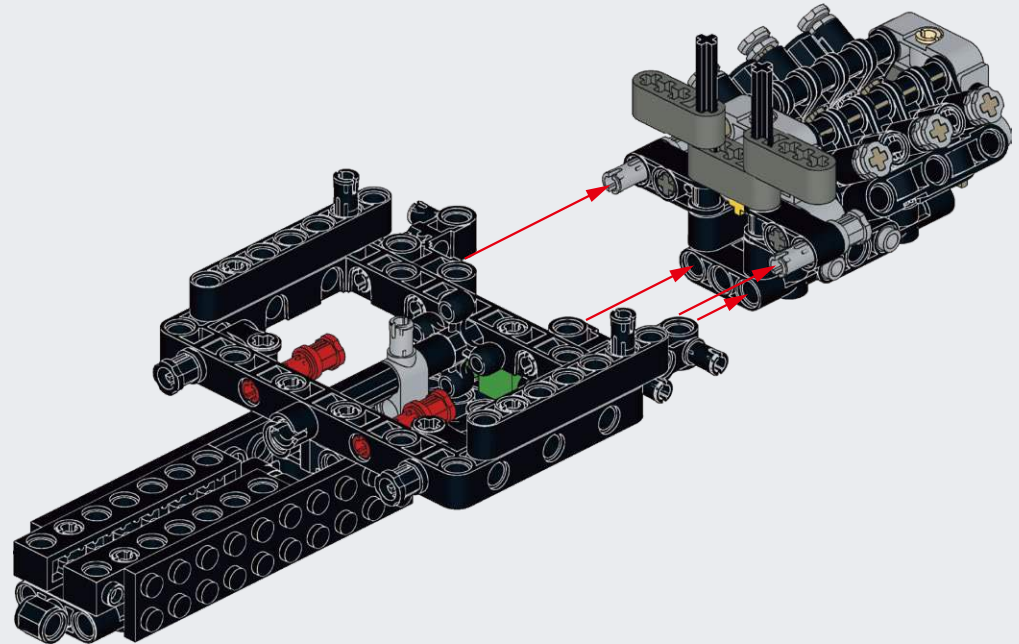
# A181

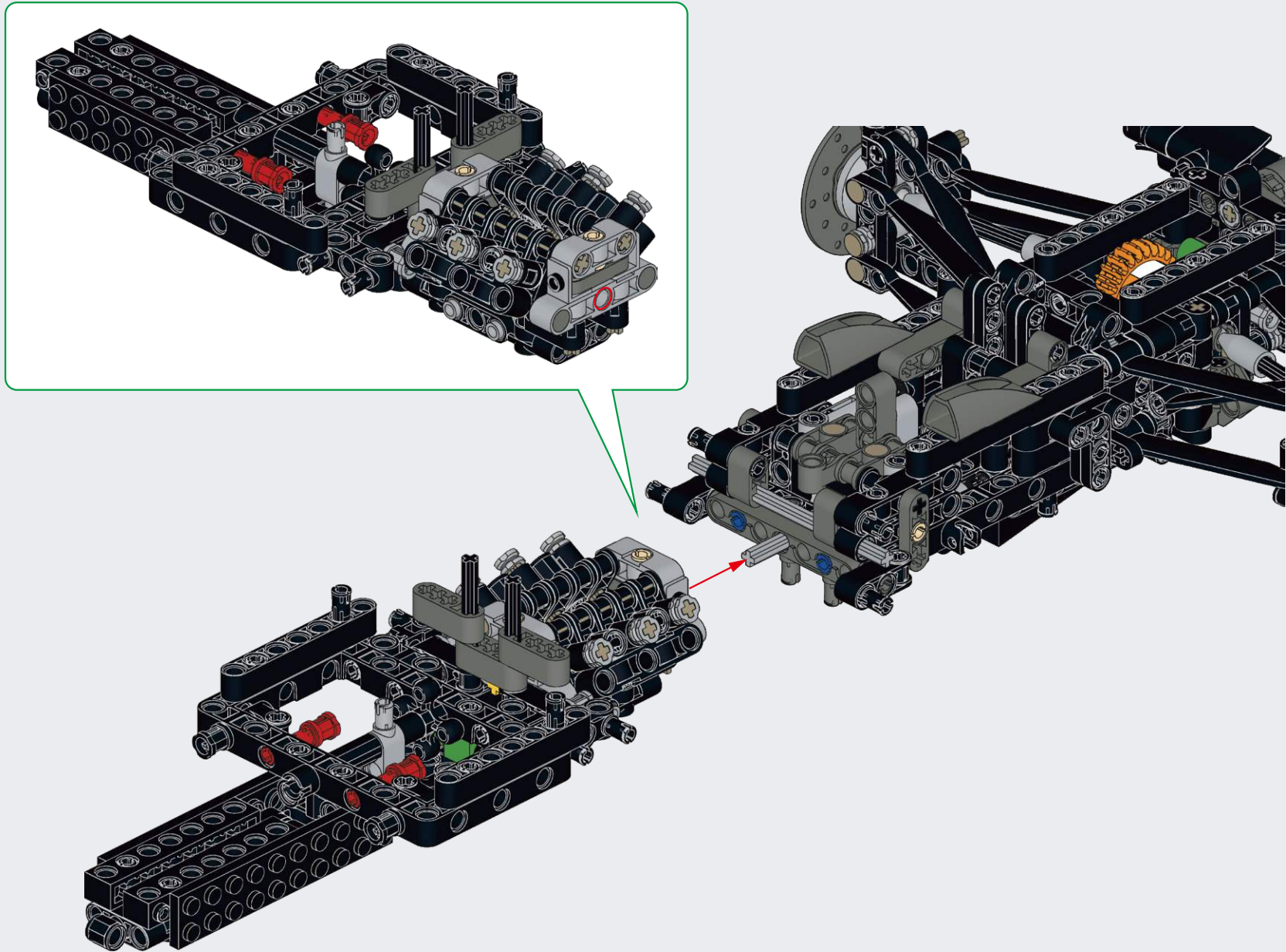


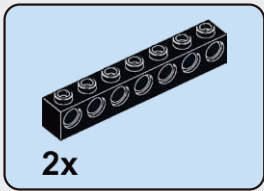
# A182



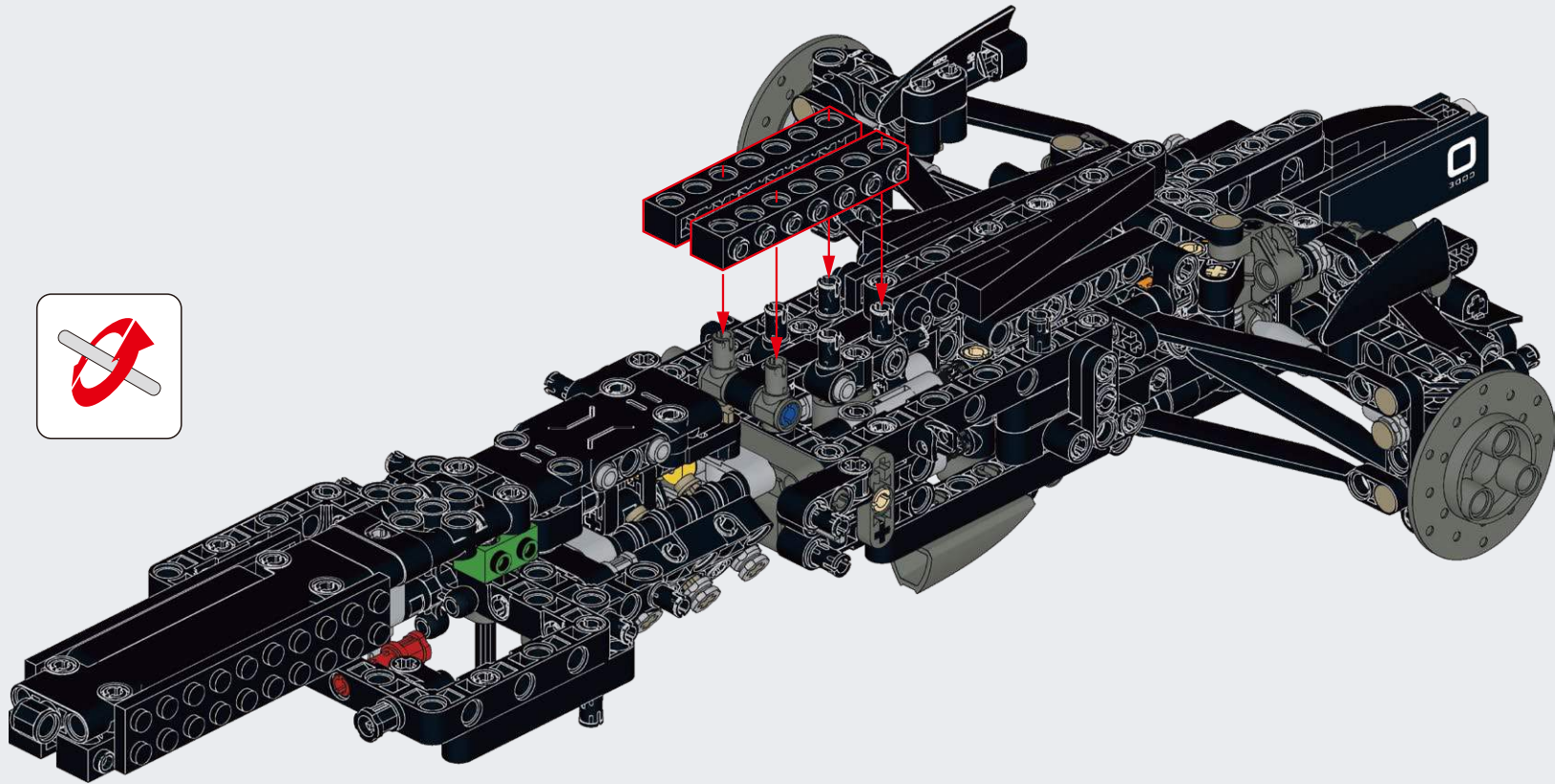
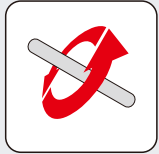
# A183

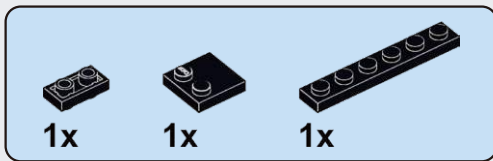




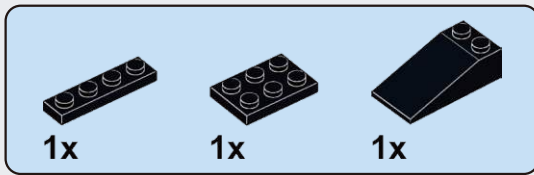
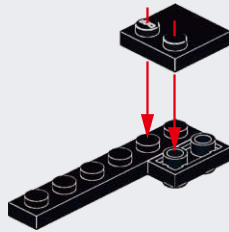


# A185

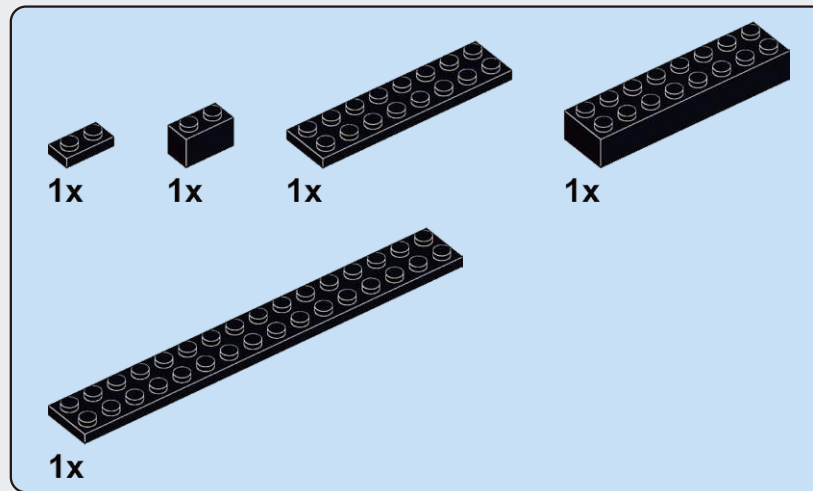
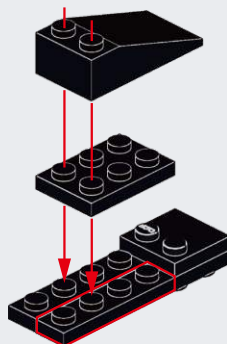




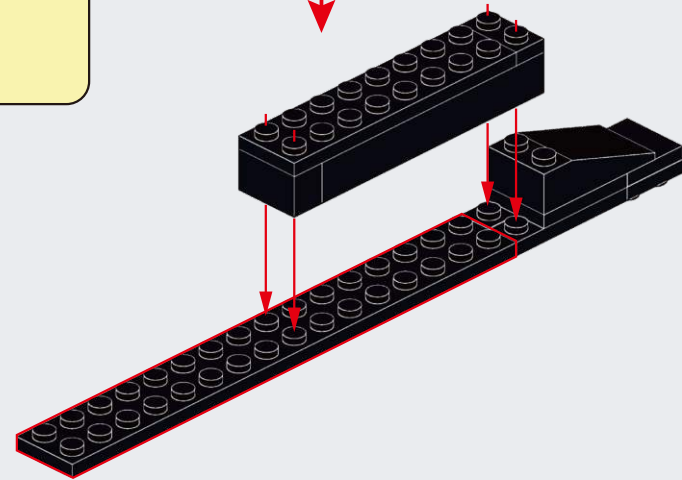
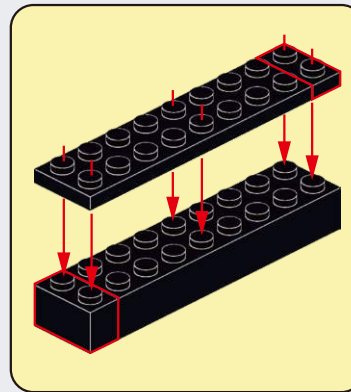
**A186**

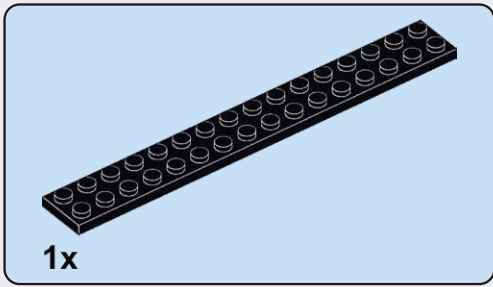


**A187**

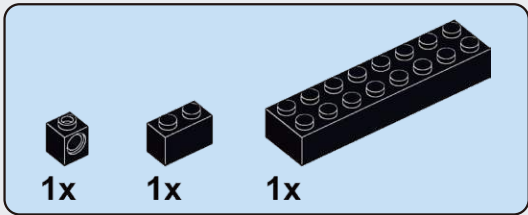
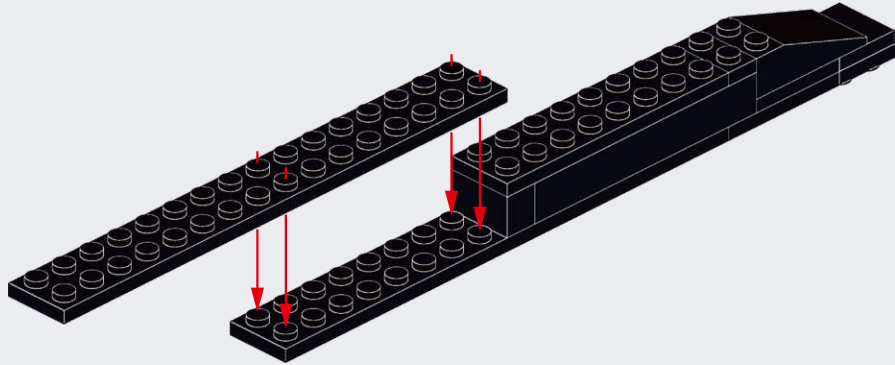


**A188**

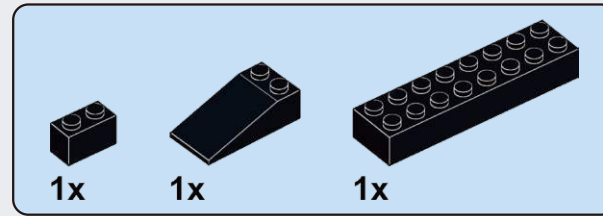
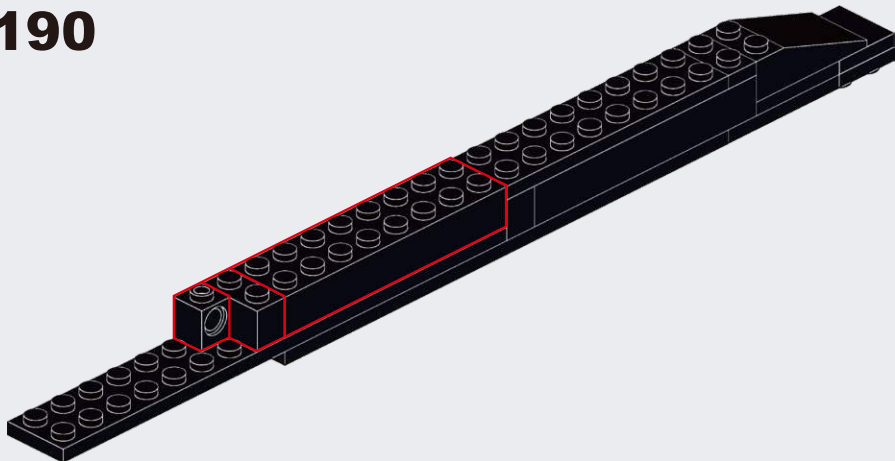




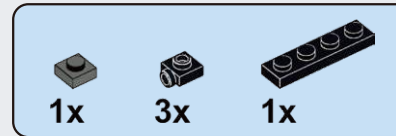
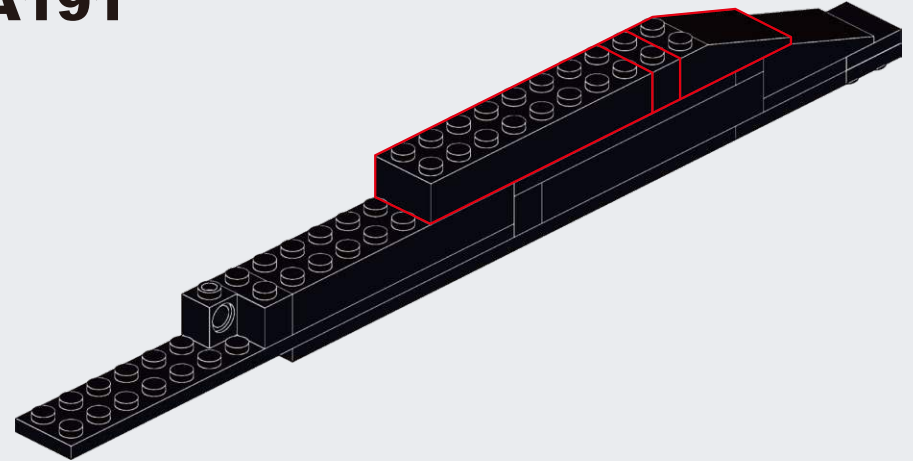
**A189**



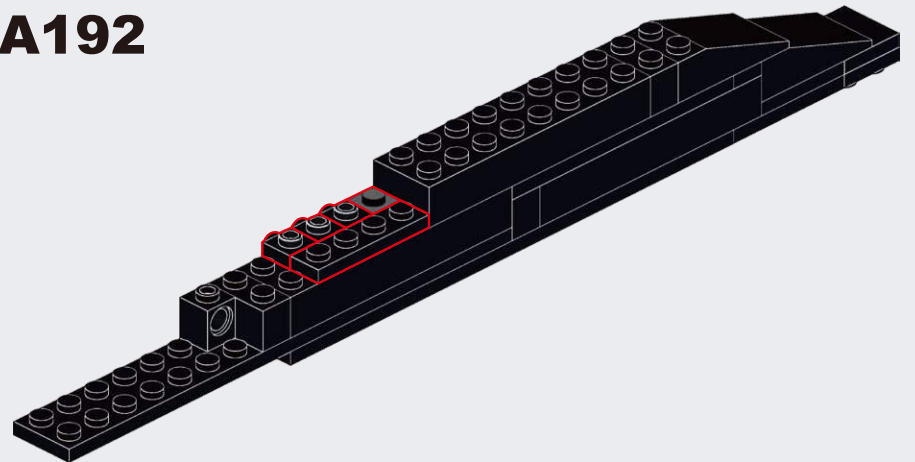
**A190**

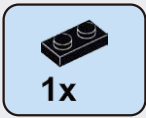


**A191**

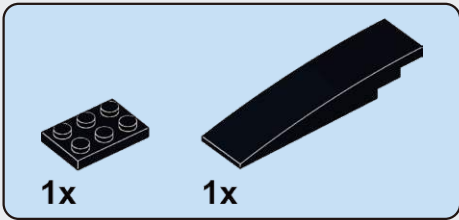
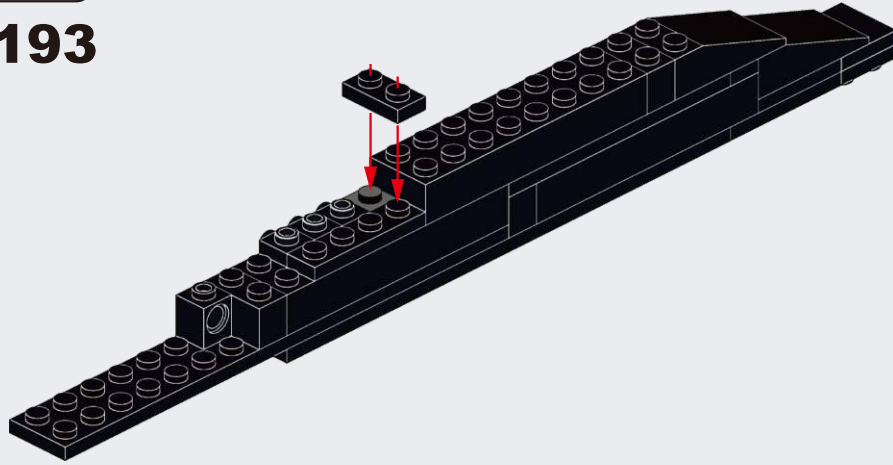


**A192**

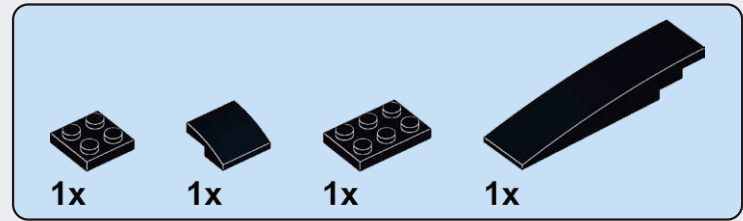
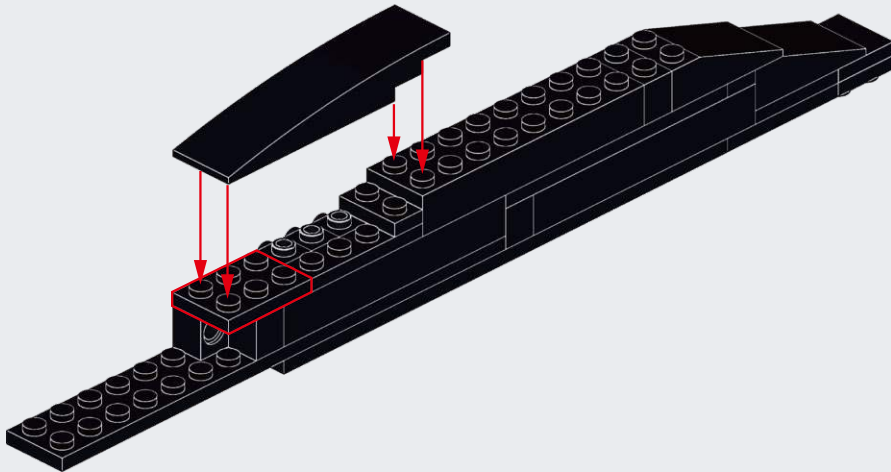




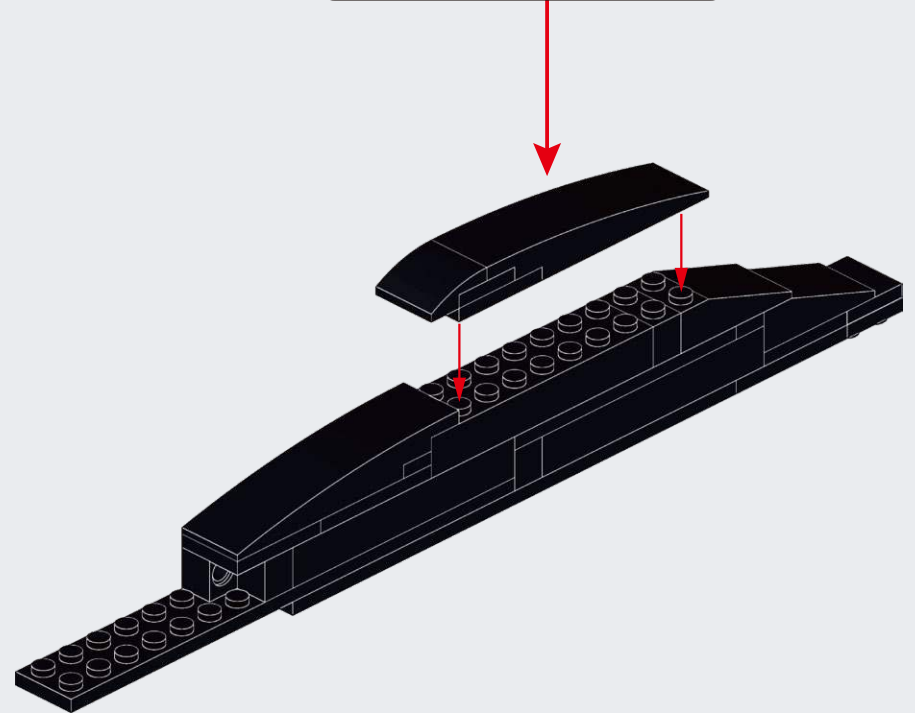
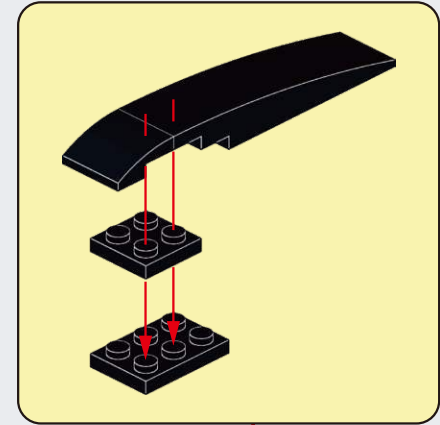
**A193**

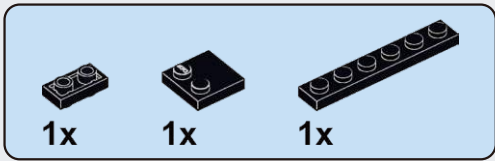


**A194**

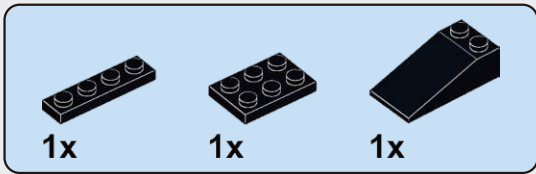
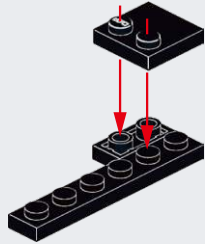


**A195**

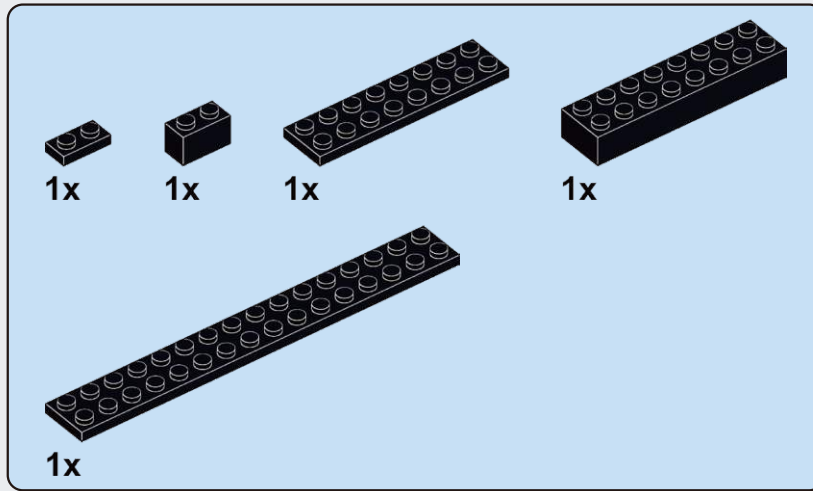
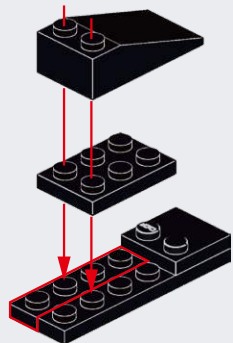




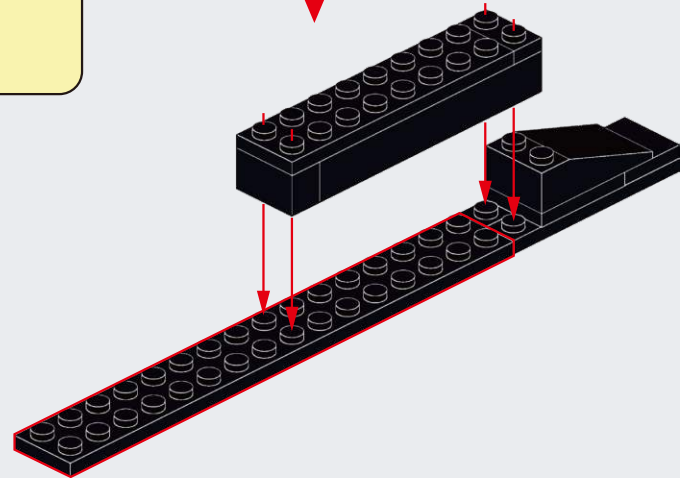
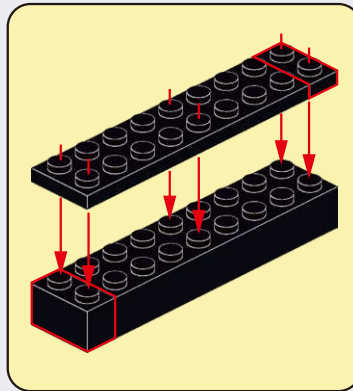
### A196

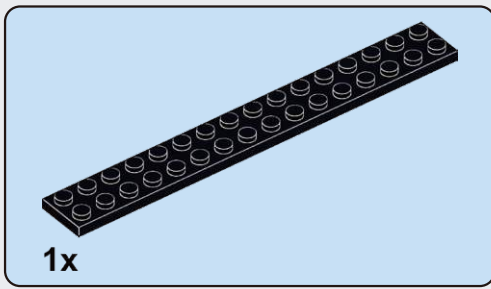


### A197

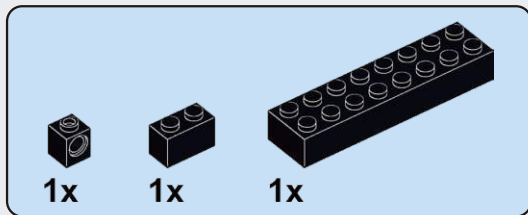
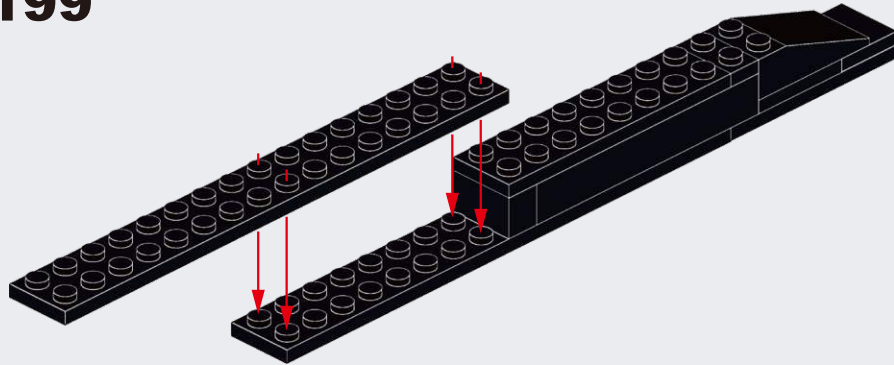


### A198

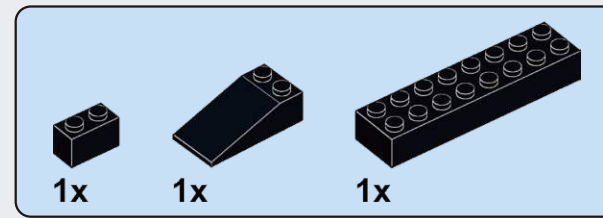
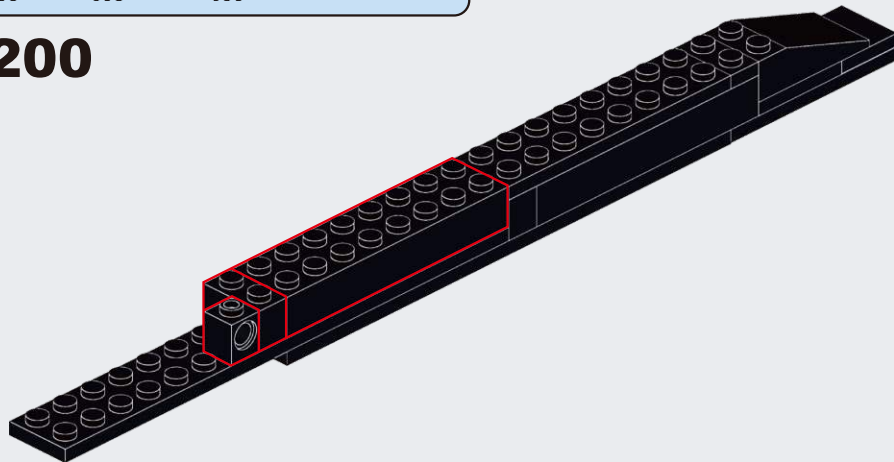




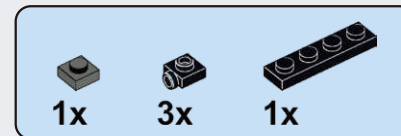
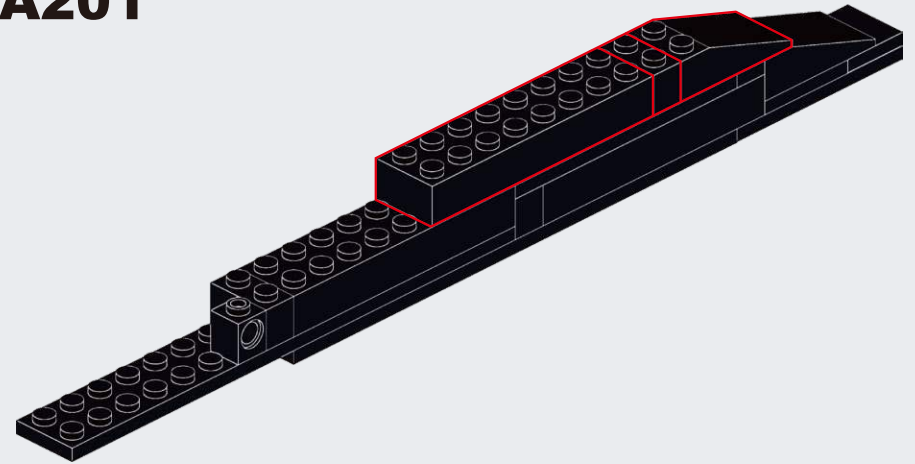
**A199**



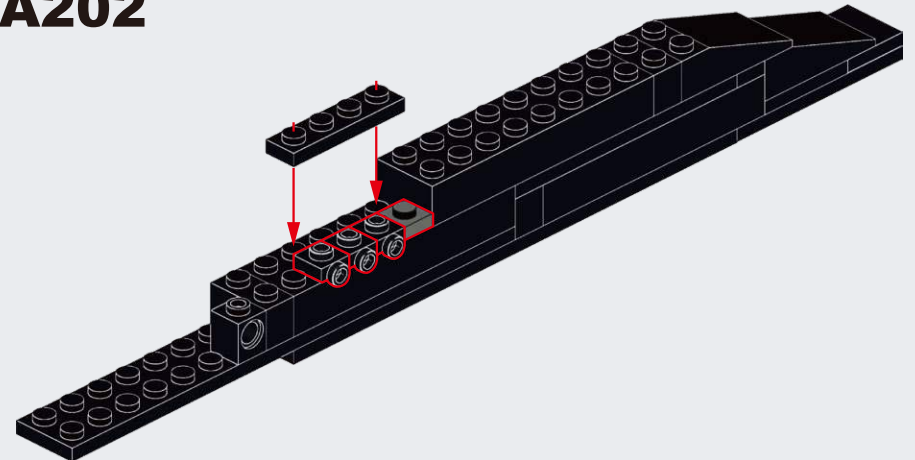
**A200**

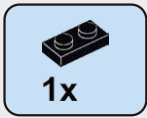


**A201**



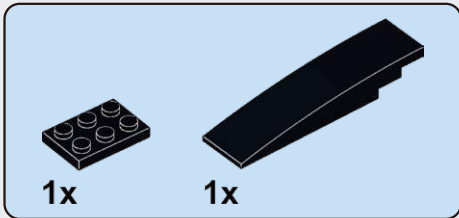
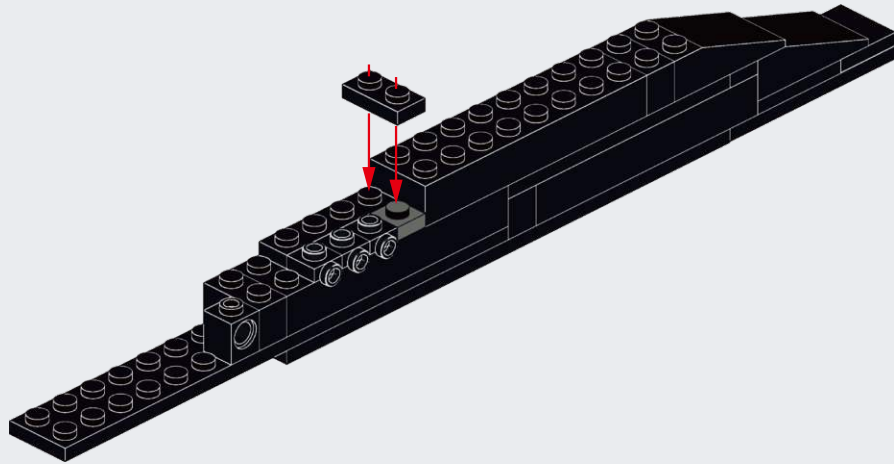
**A202**





1x

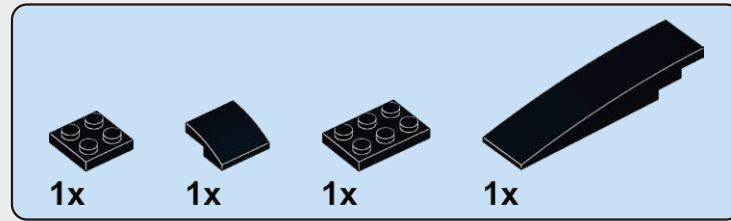
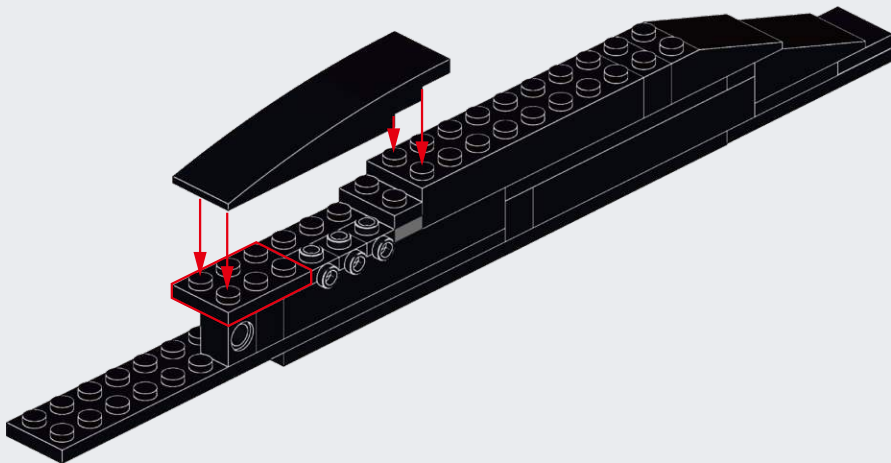
## A203



1x

1x

## A204



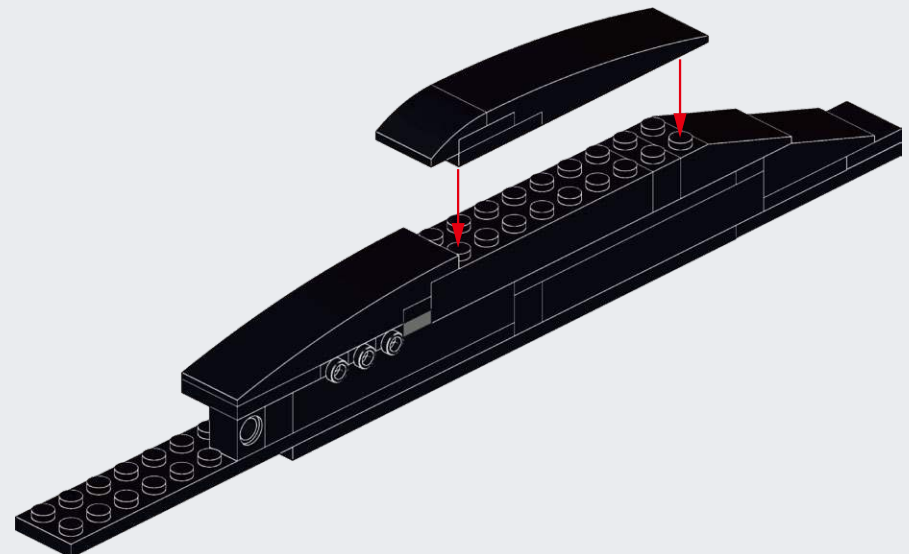
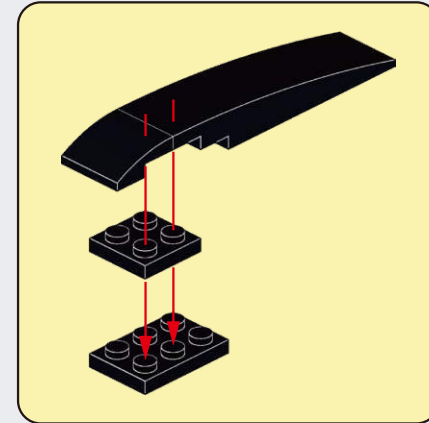
1x

1x

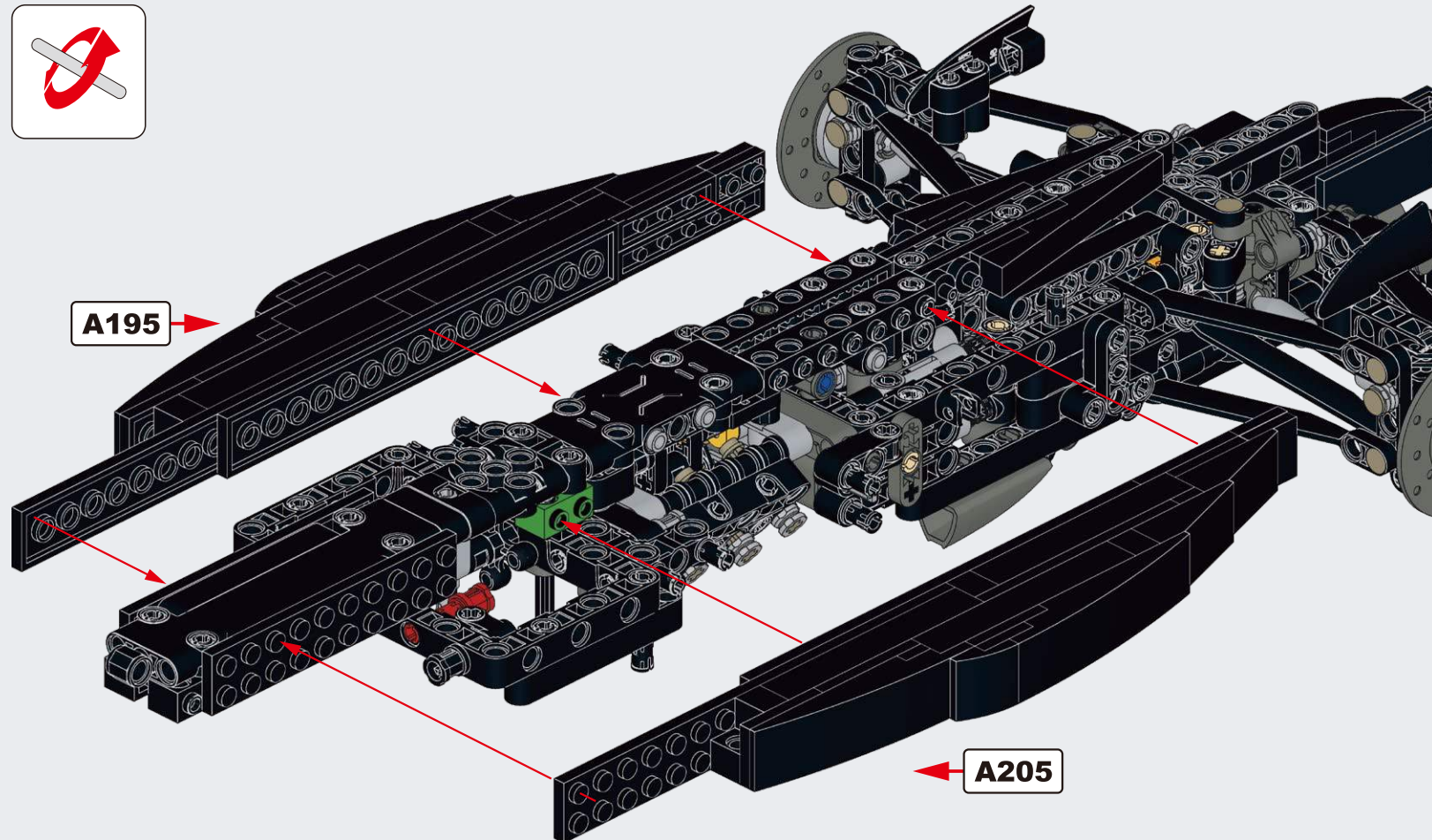
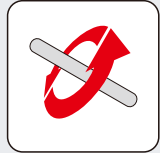
1x

1x

## A205

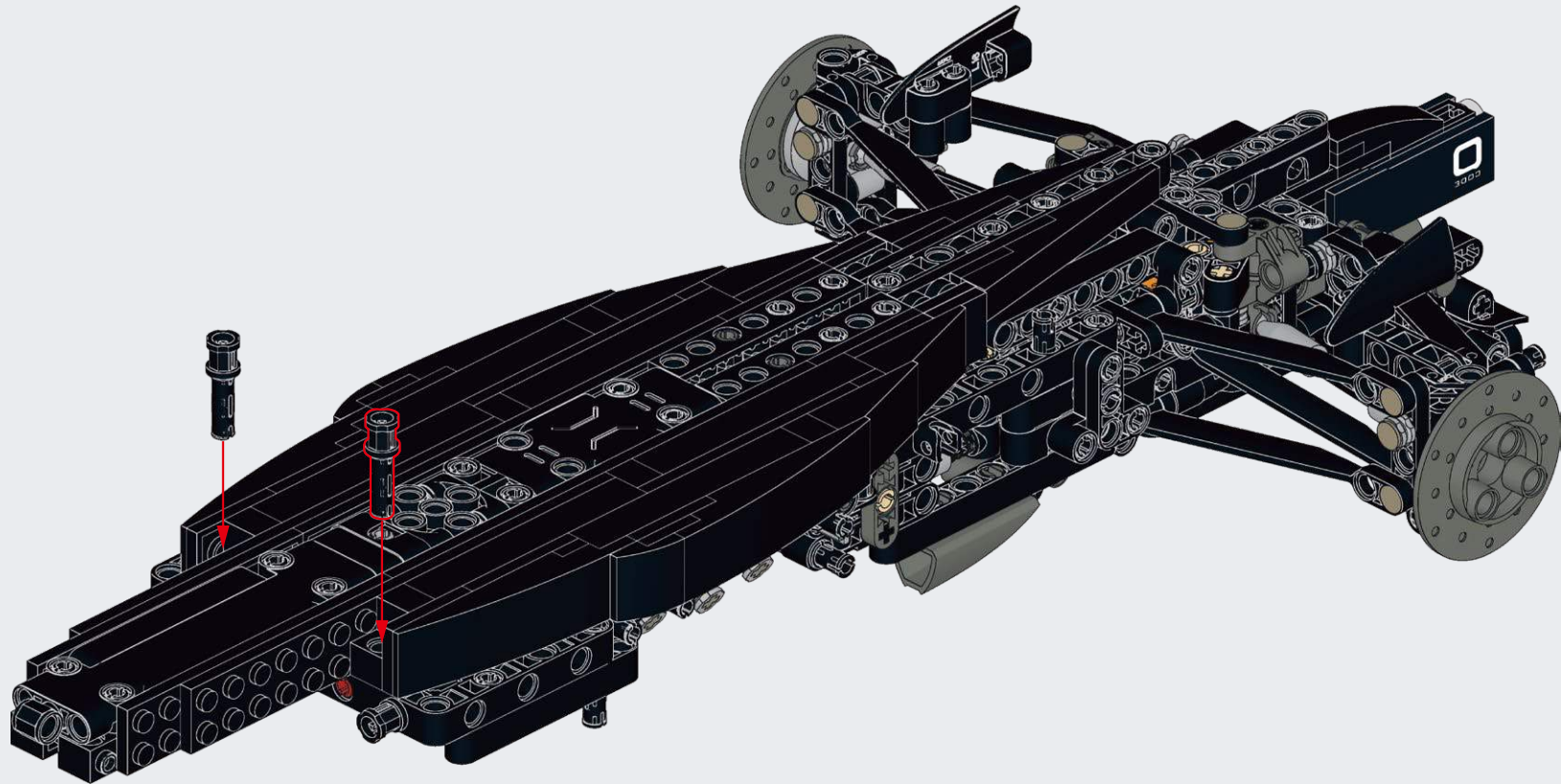


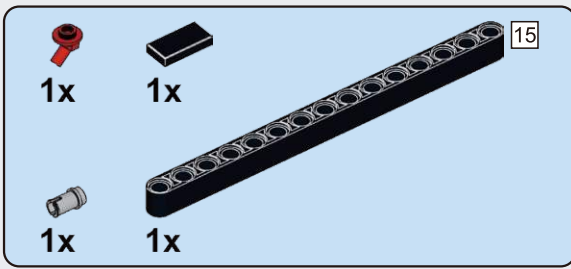
# A206



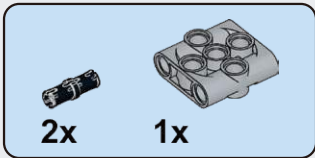
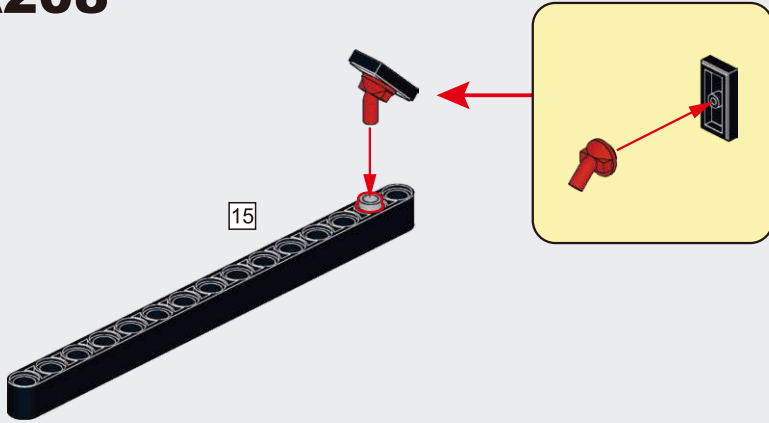


**A207**

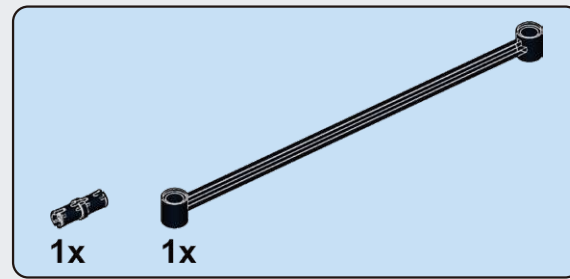
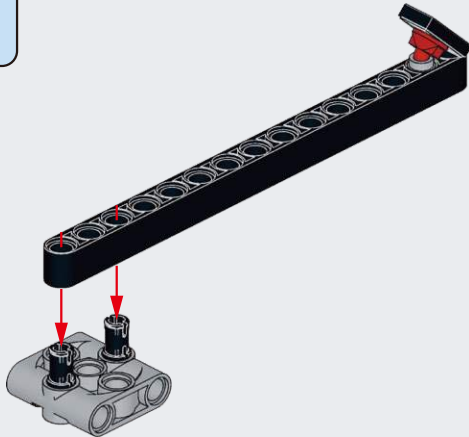




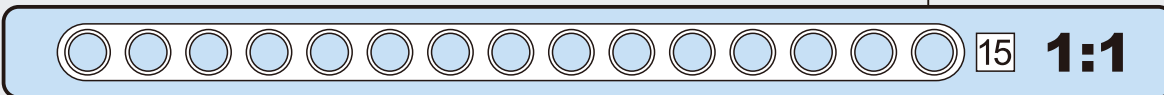
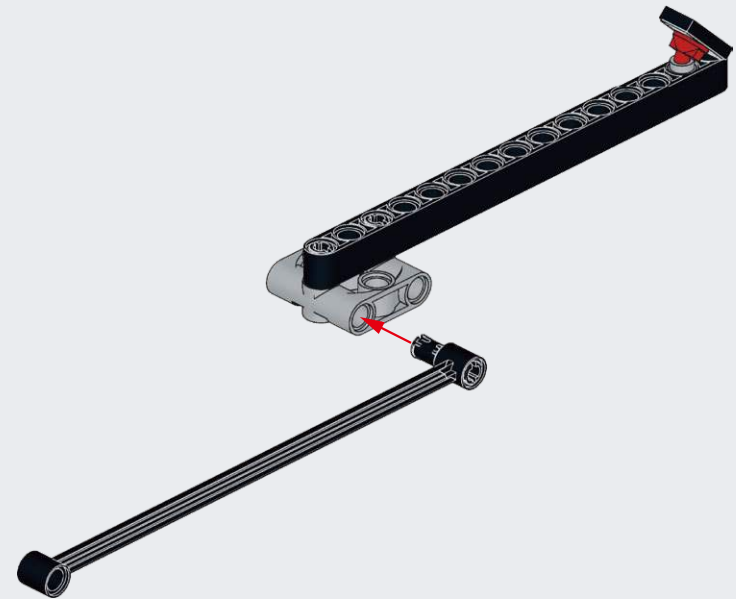
## A208

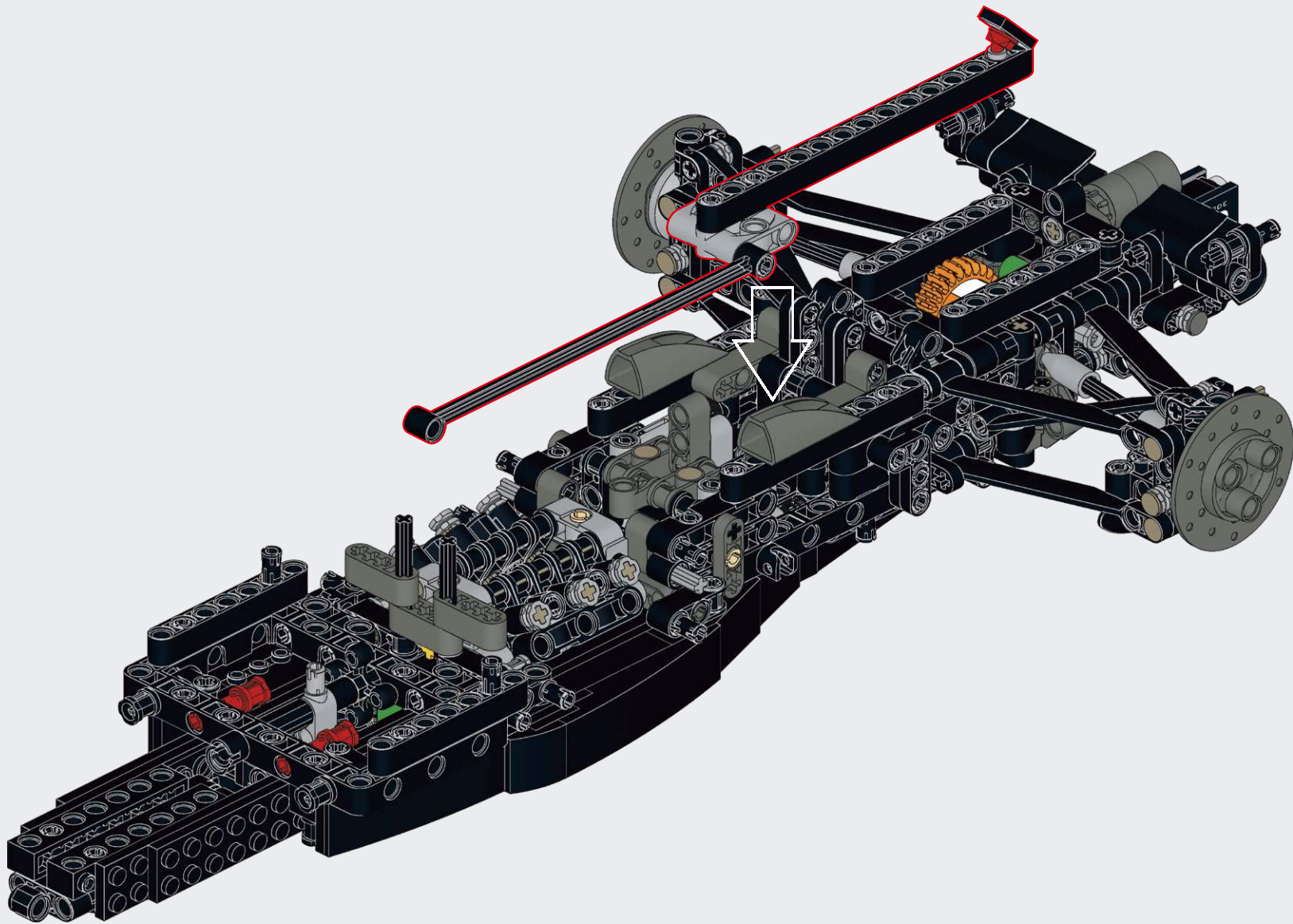


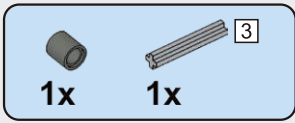
## A209



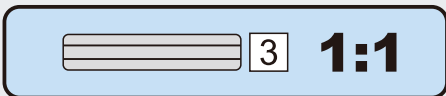
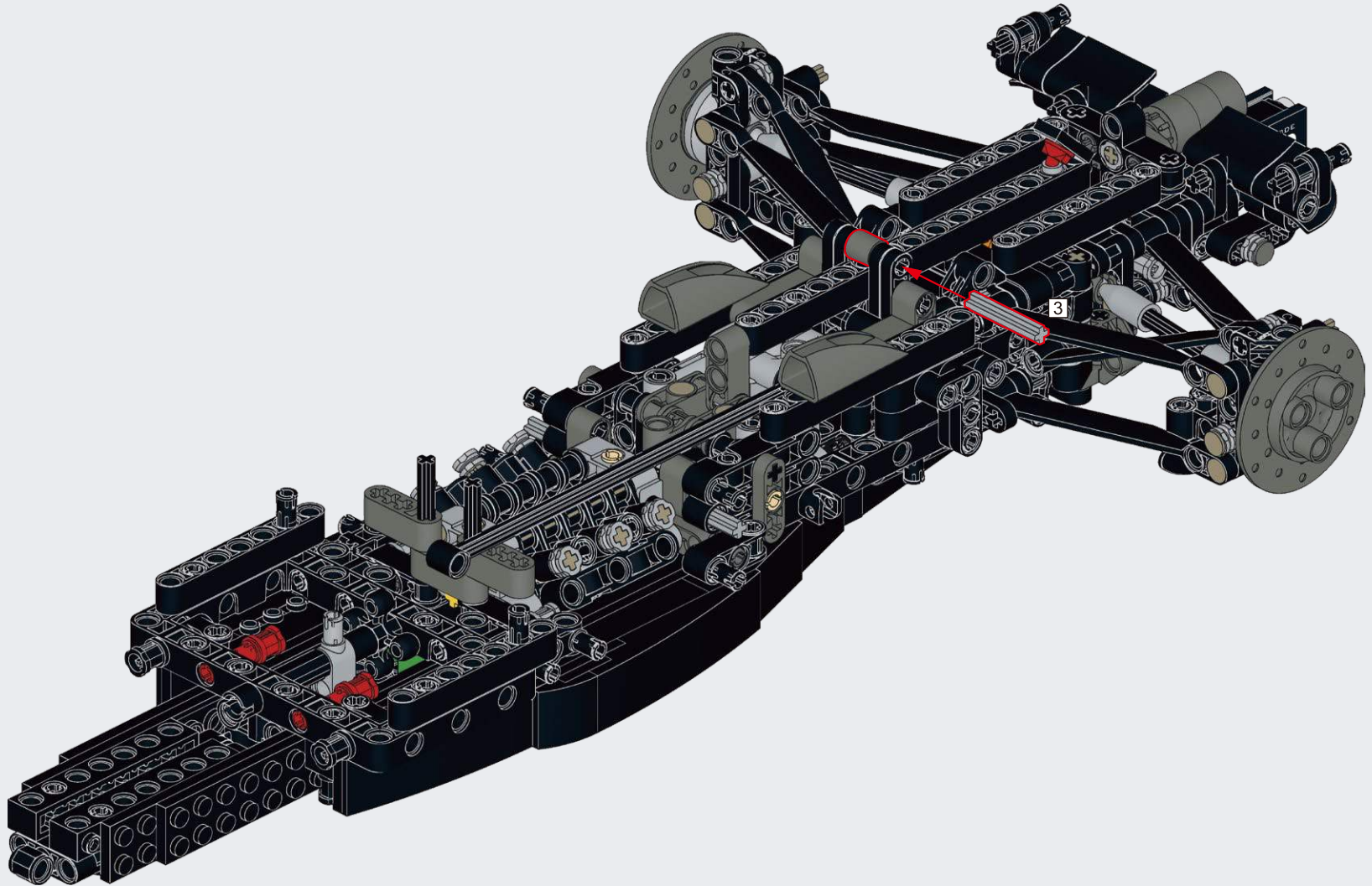
## A210

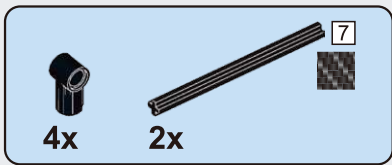




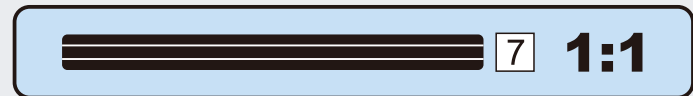
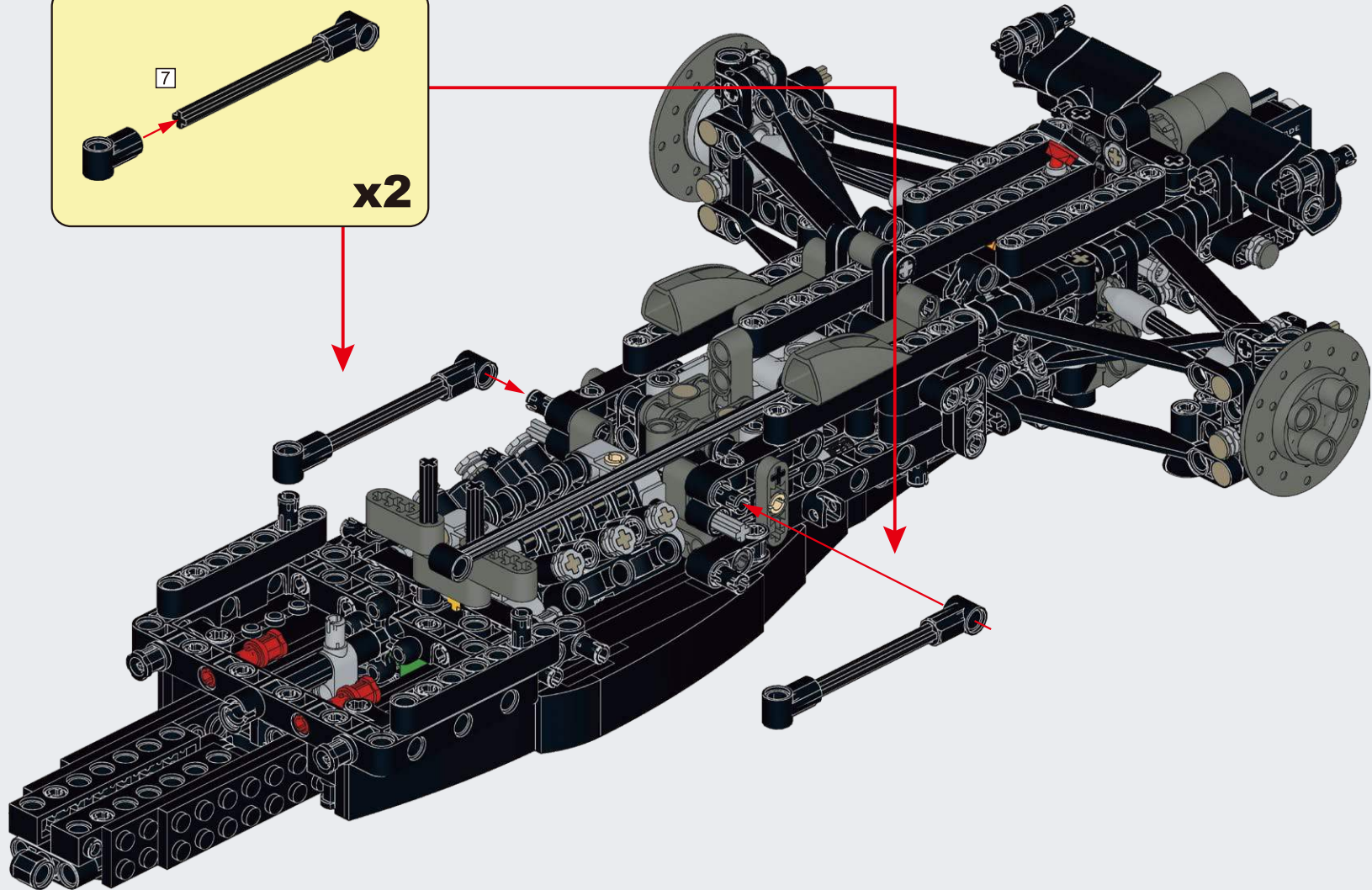
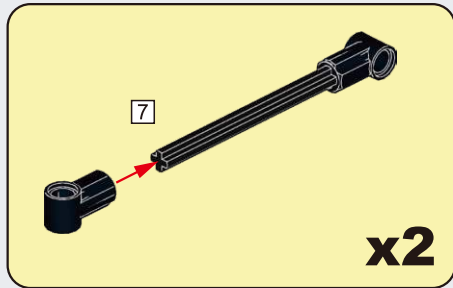


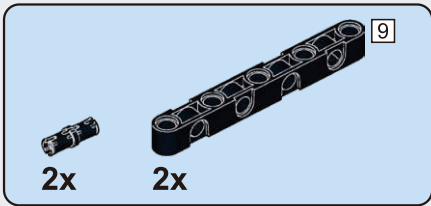
# A212



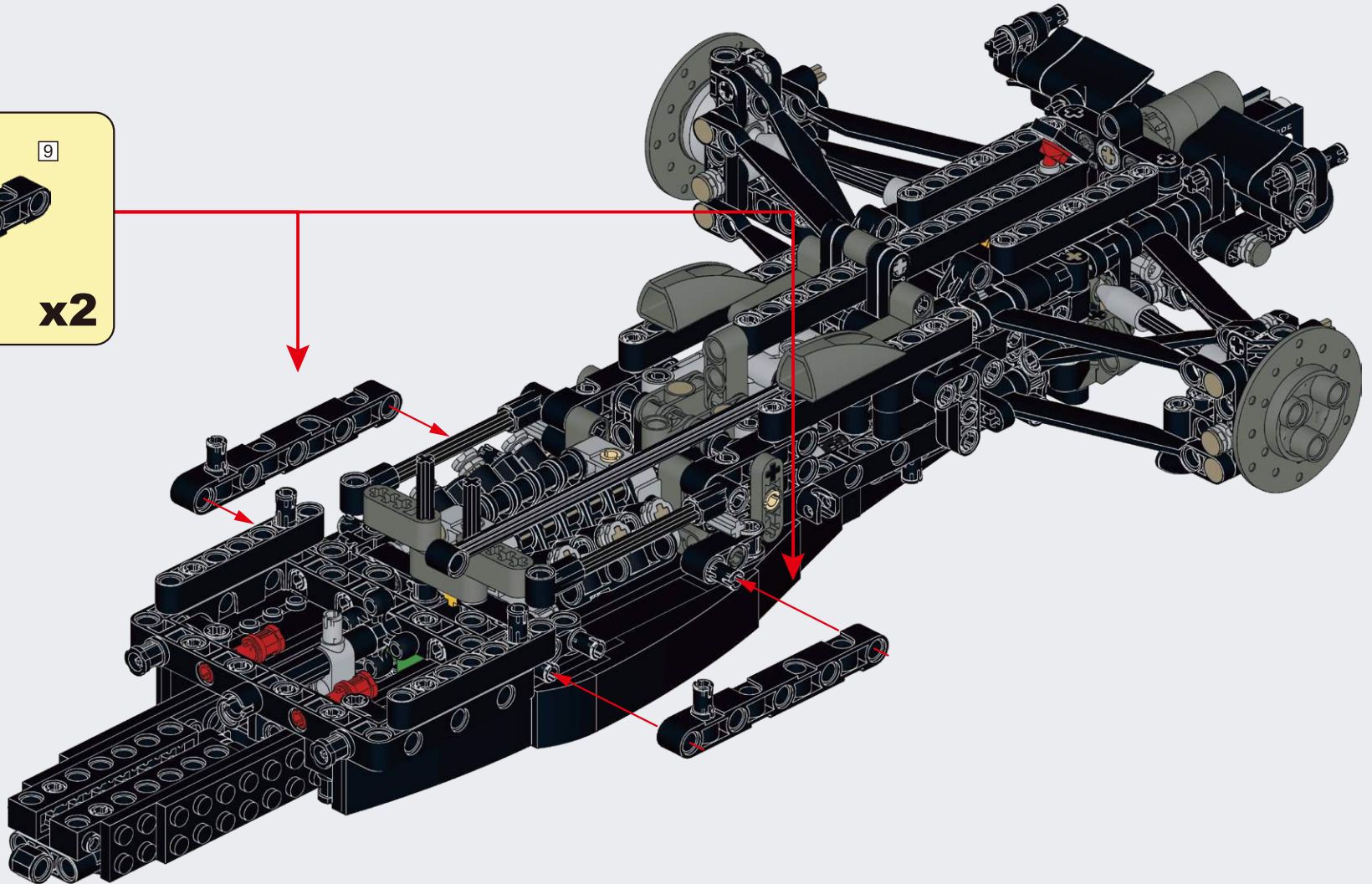
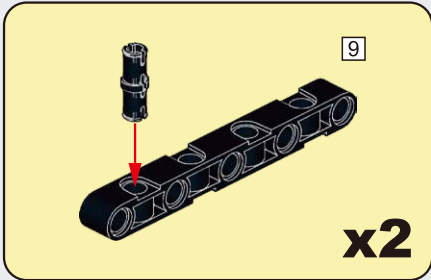


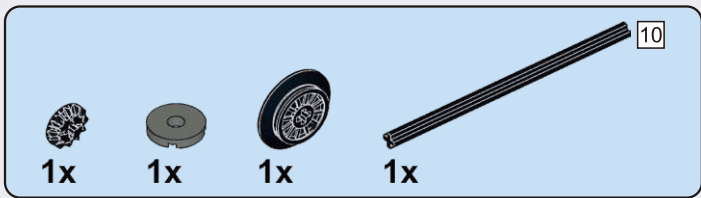
# A213



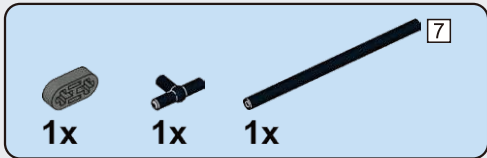
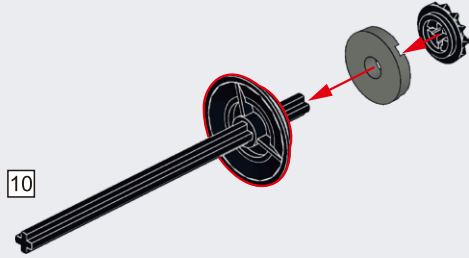


# A214

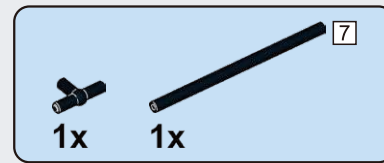
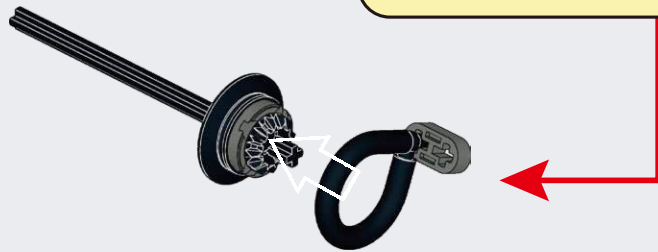
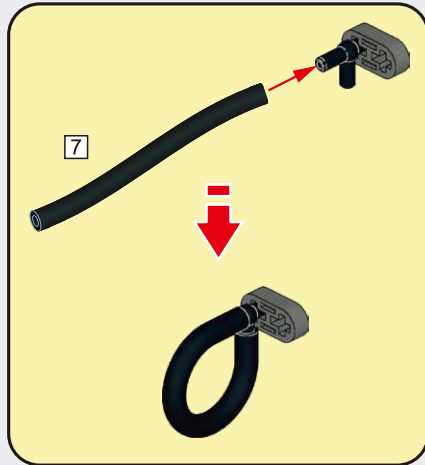
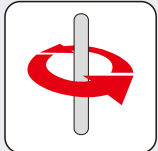




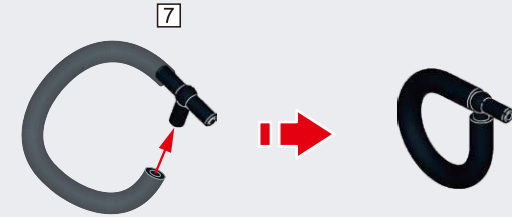
### A215



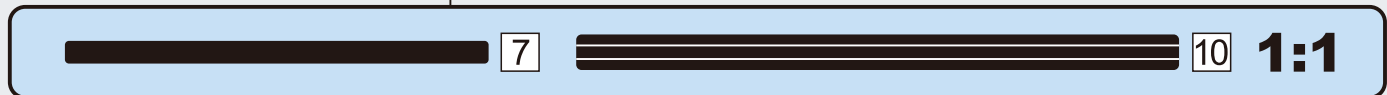
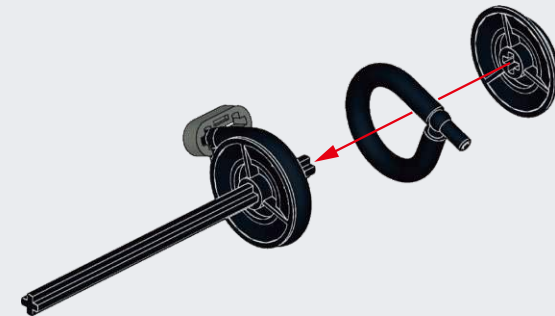
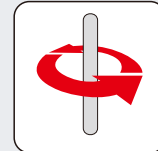
### A216

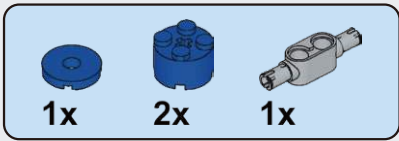


### A217

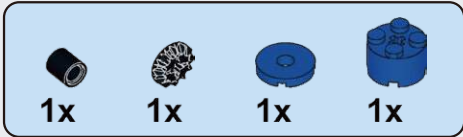
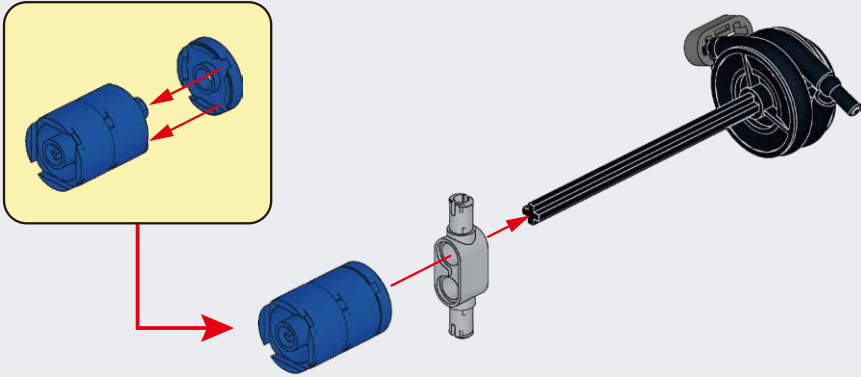


### A218

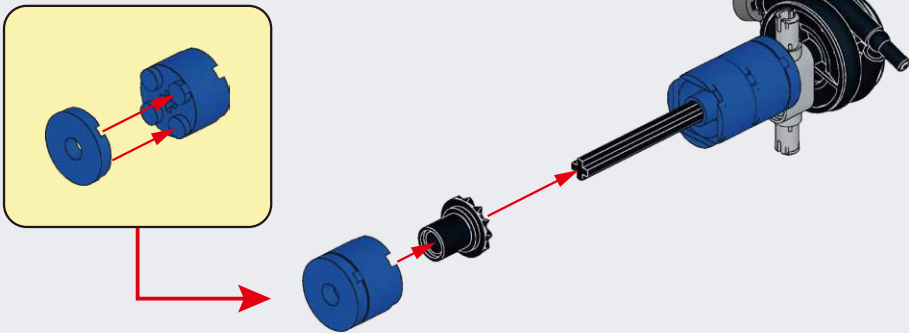




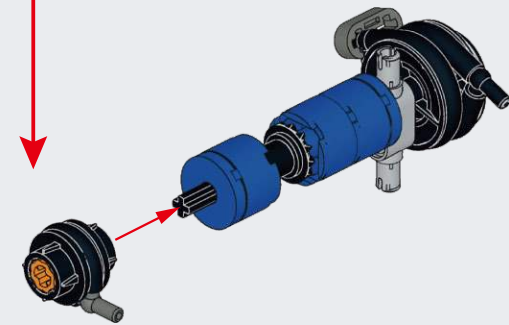
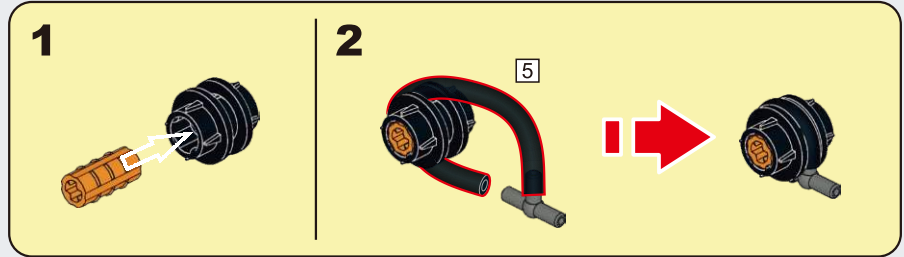
## A219



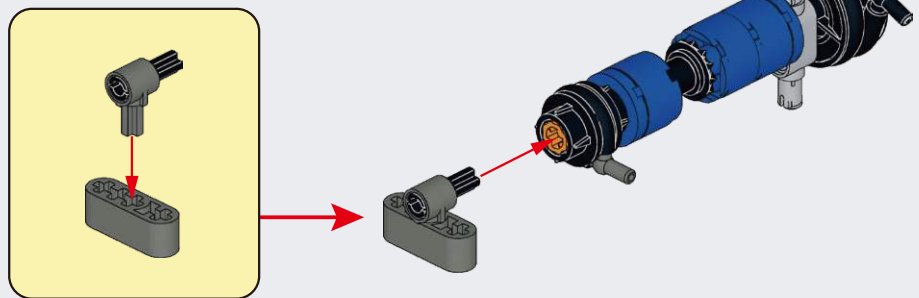
## A220

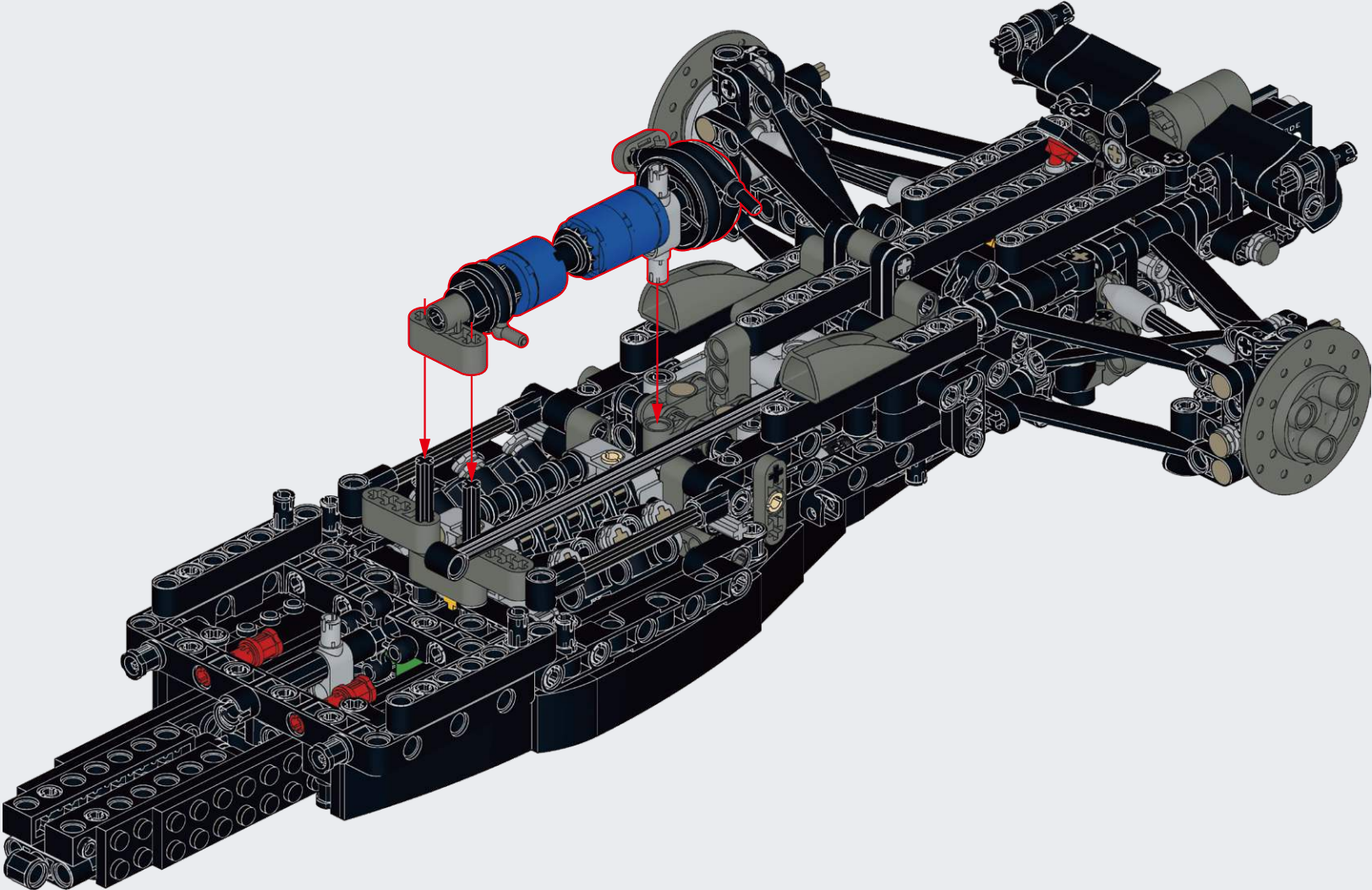


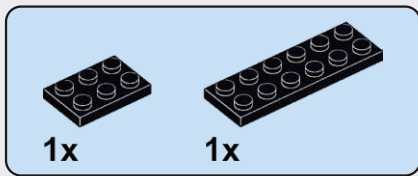
## A221



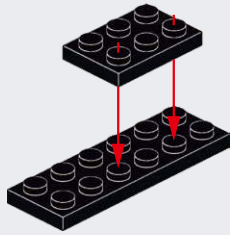
## A222



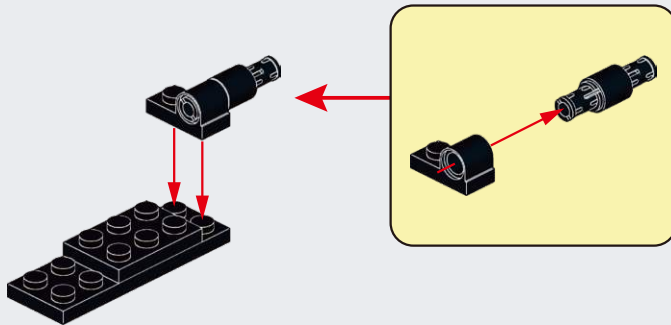




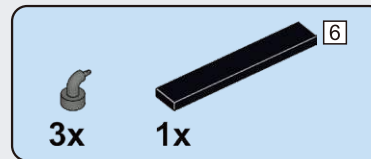
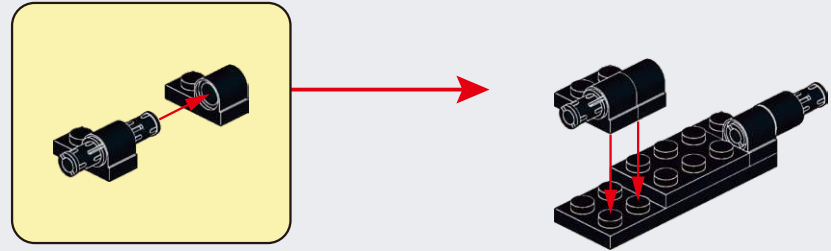
## A224



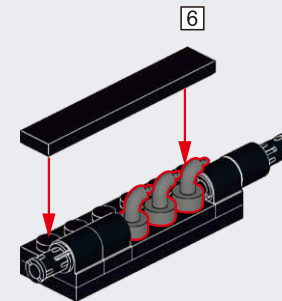
## A225

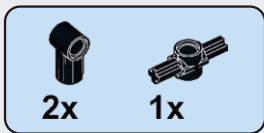


## A226

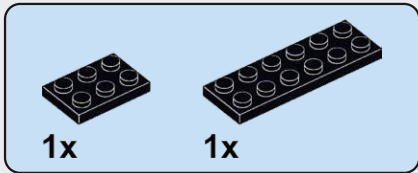
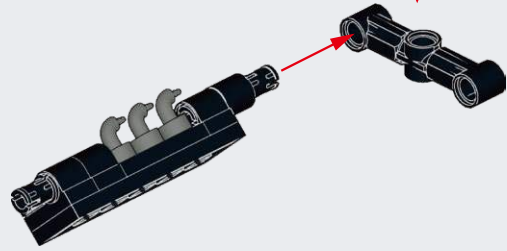
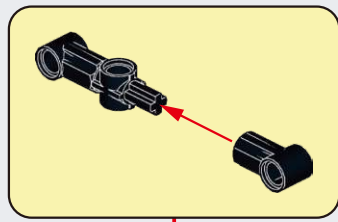


## A227

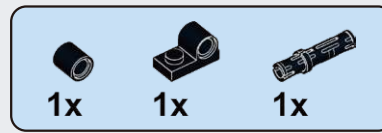
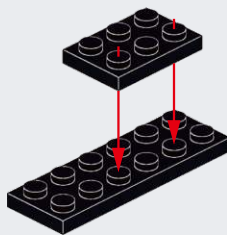




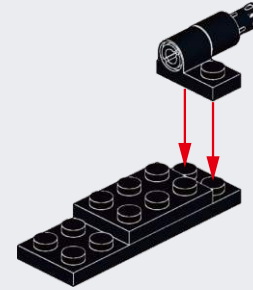
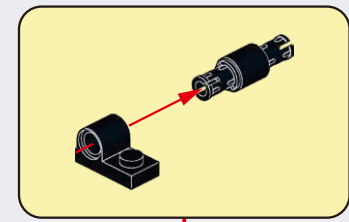
**A228**



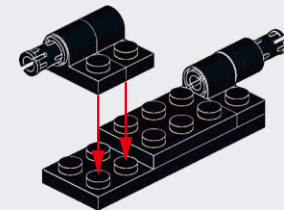
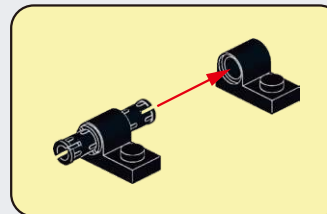
**A229**

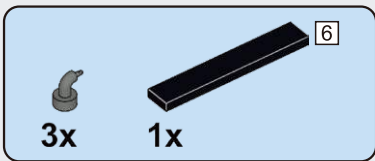


**A230**

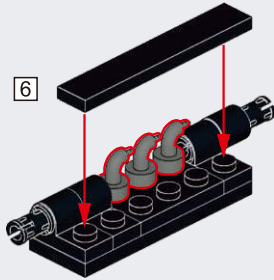


**A231**

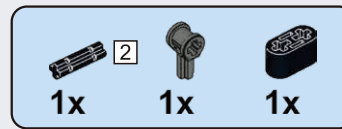
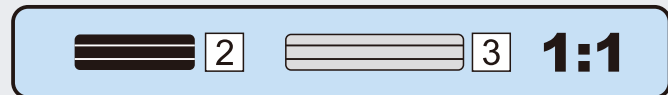
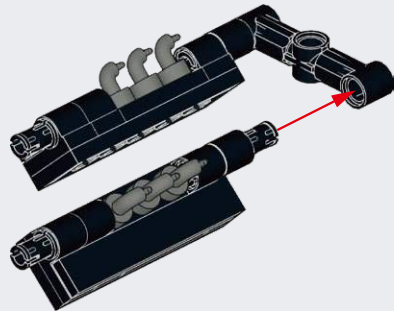




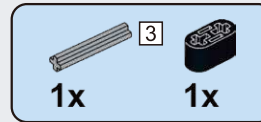
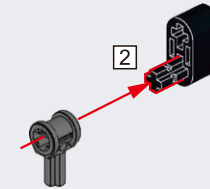
## A232



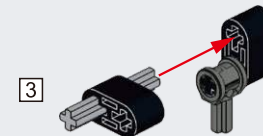
## A233

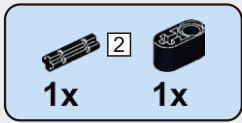


## A234

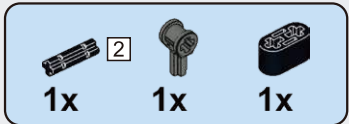
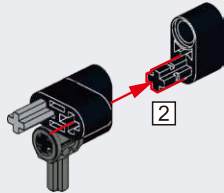


## A235

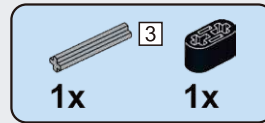
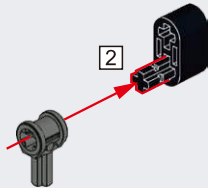




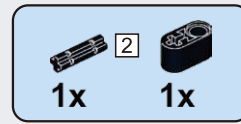
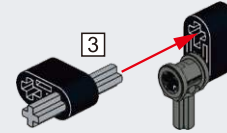
### A236



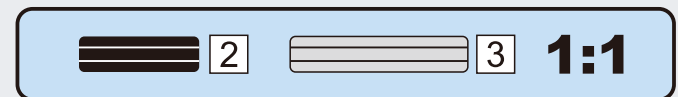
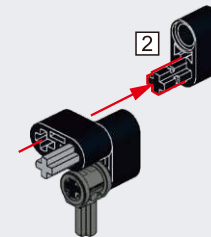
### A237



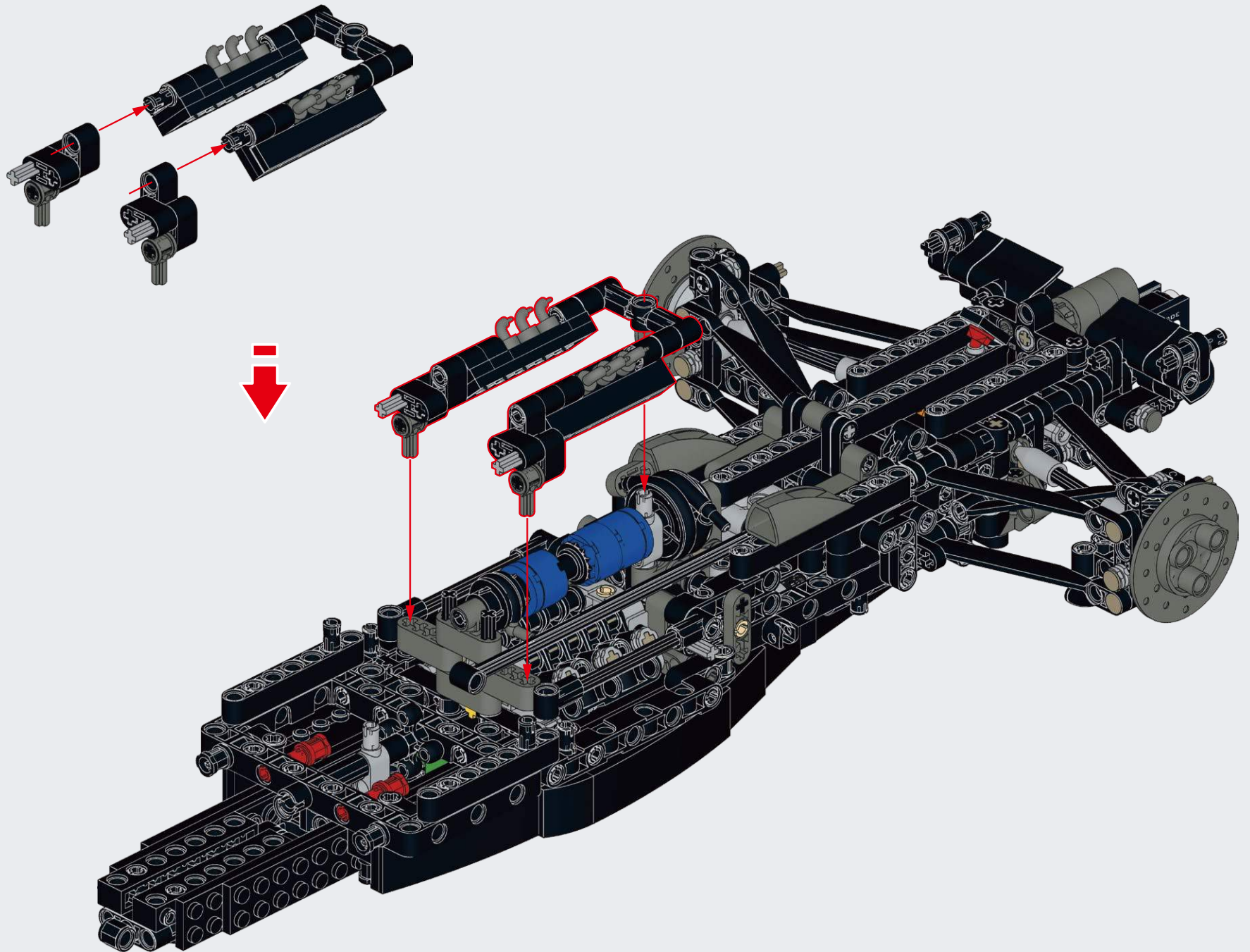
### A238

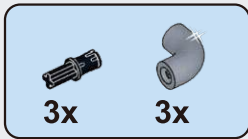


### A239

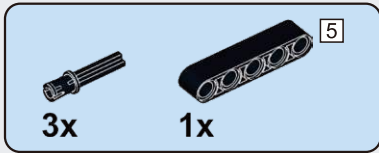
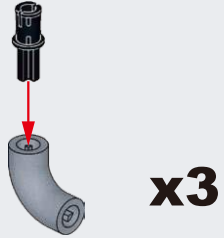


# A240

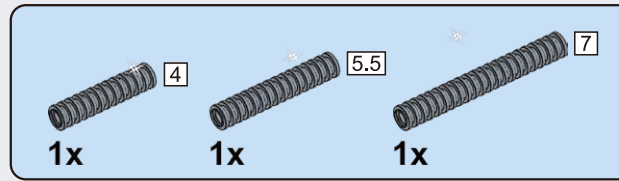
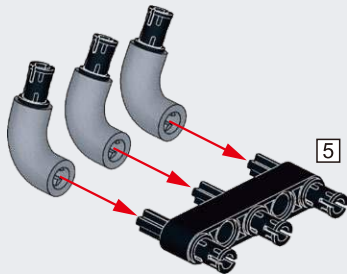




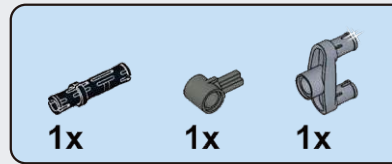
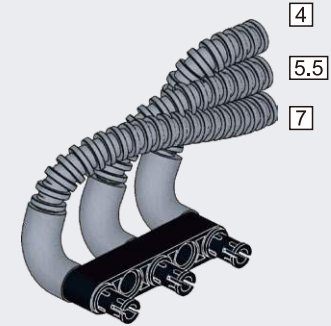
# A241



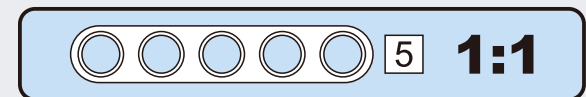
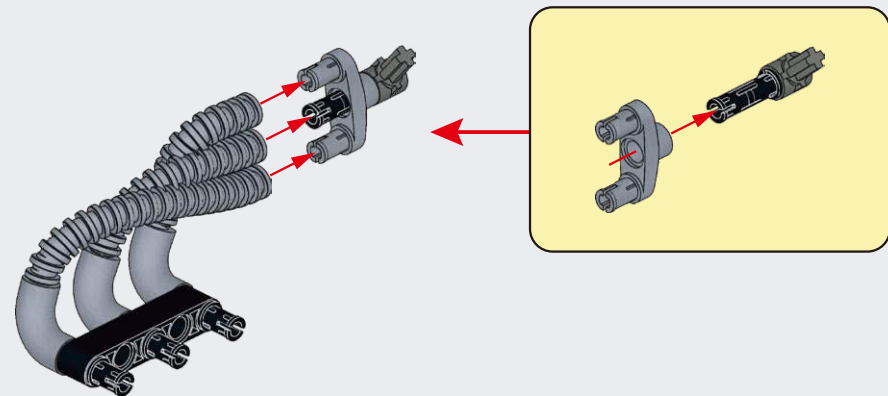
# A242

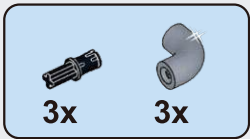


# A243

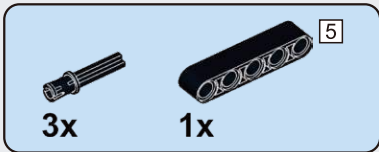
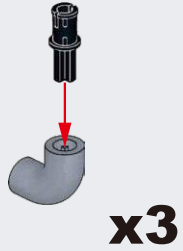


# A244

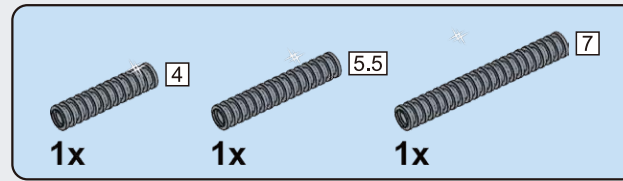
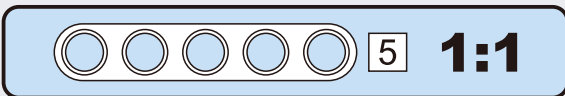
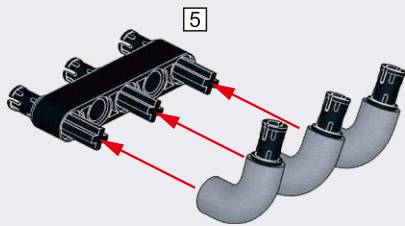




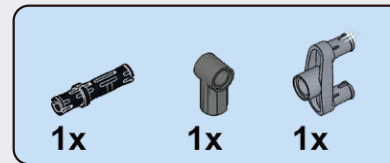
### A245



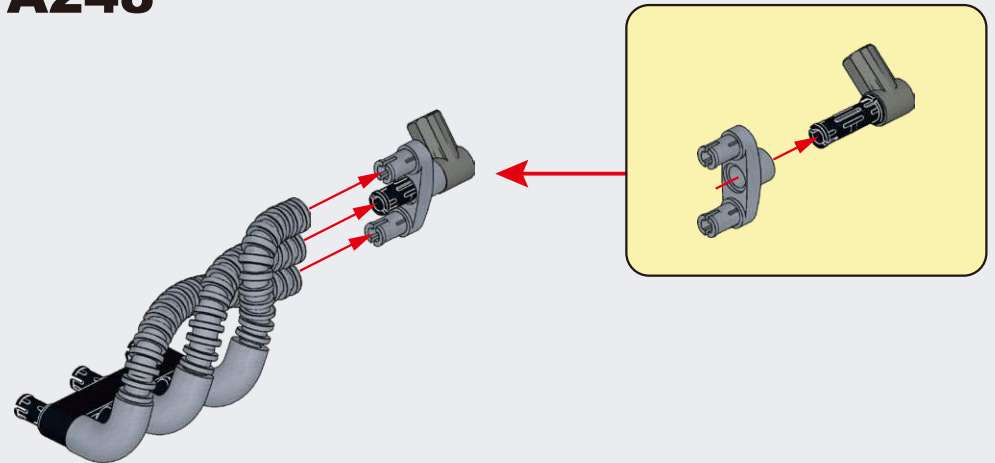
### A246

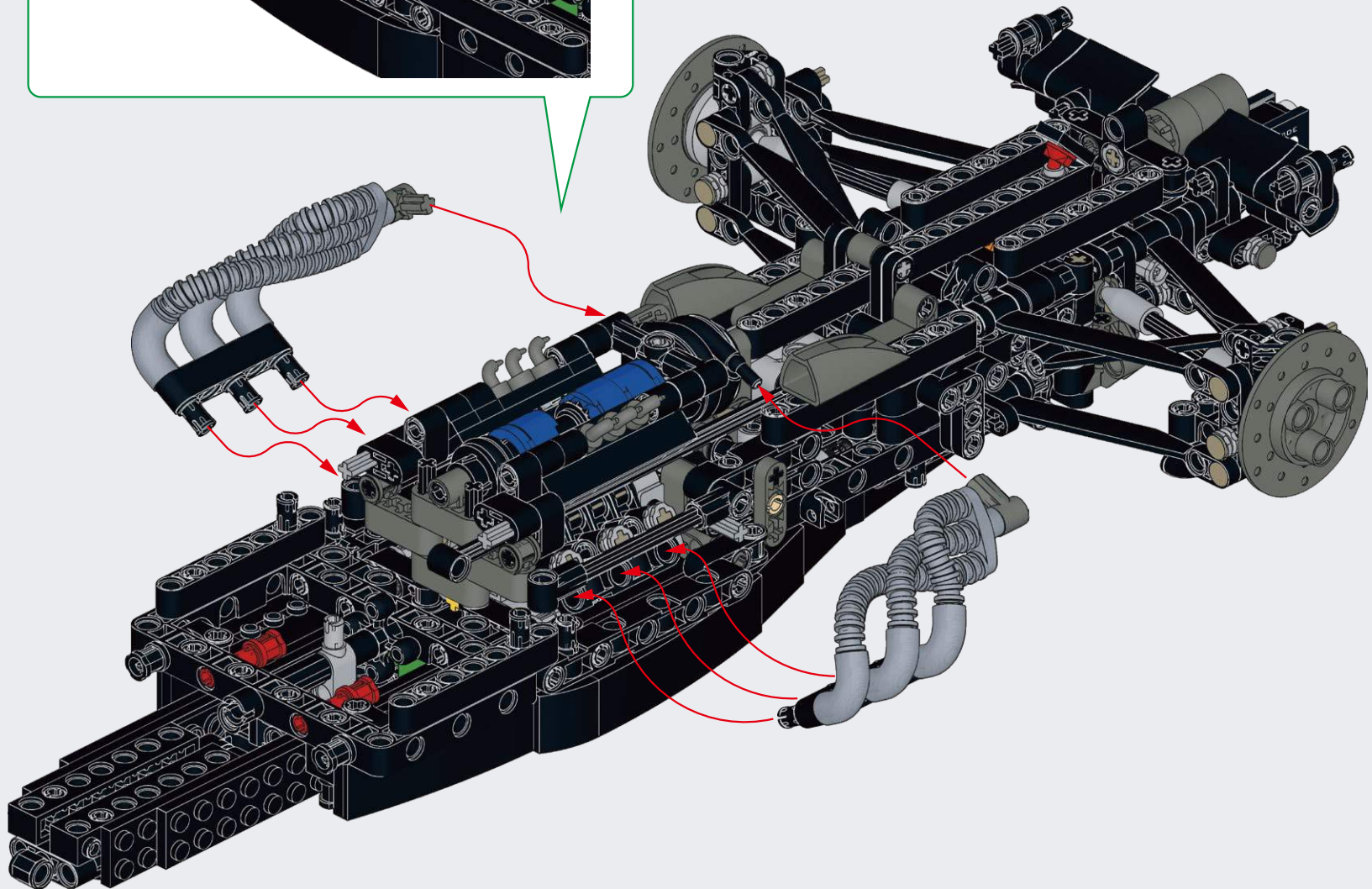
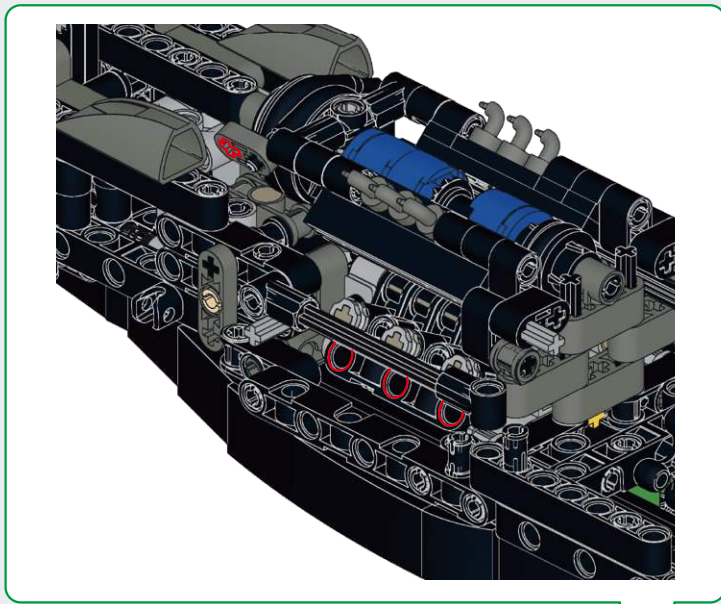


### A247



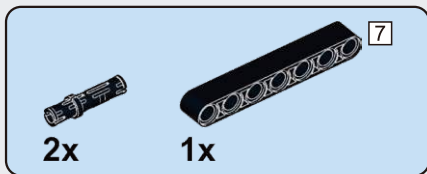
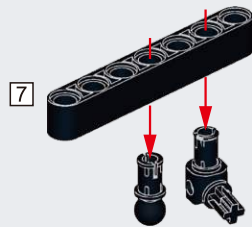
### A248



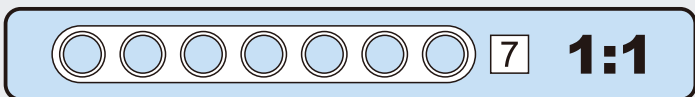
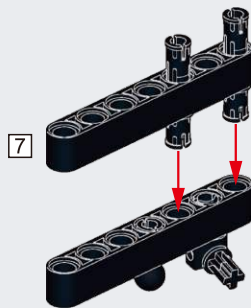




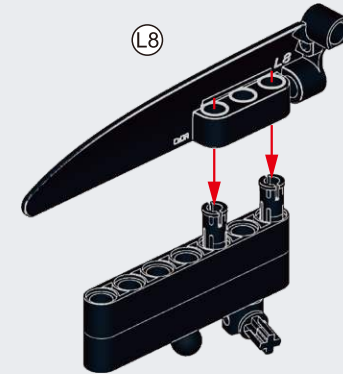
## A250



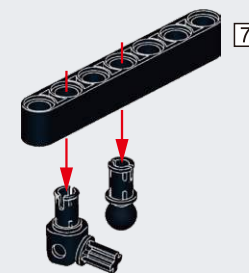
## A251

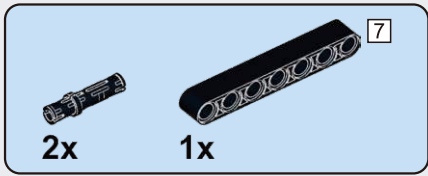


## A252

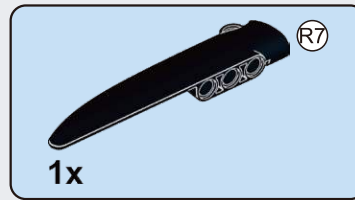
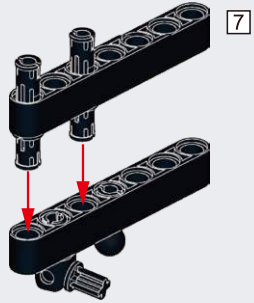


## A253

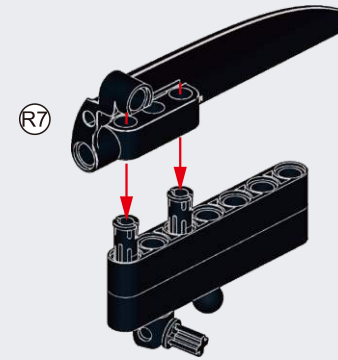




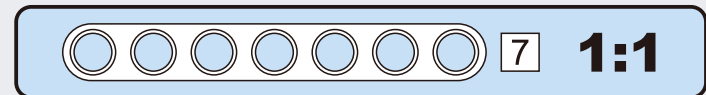
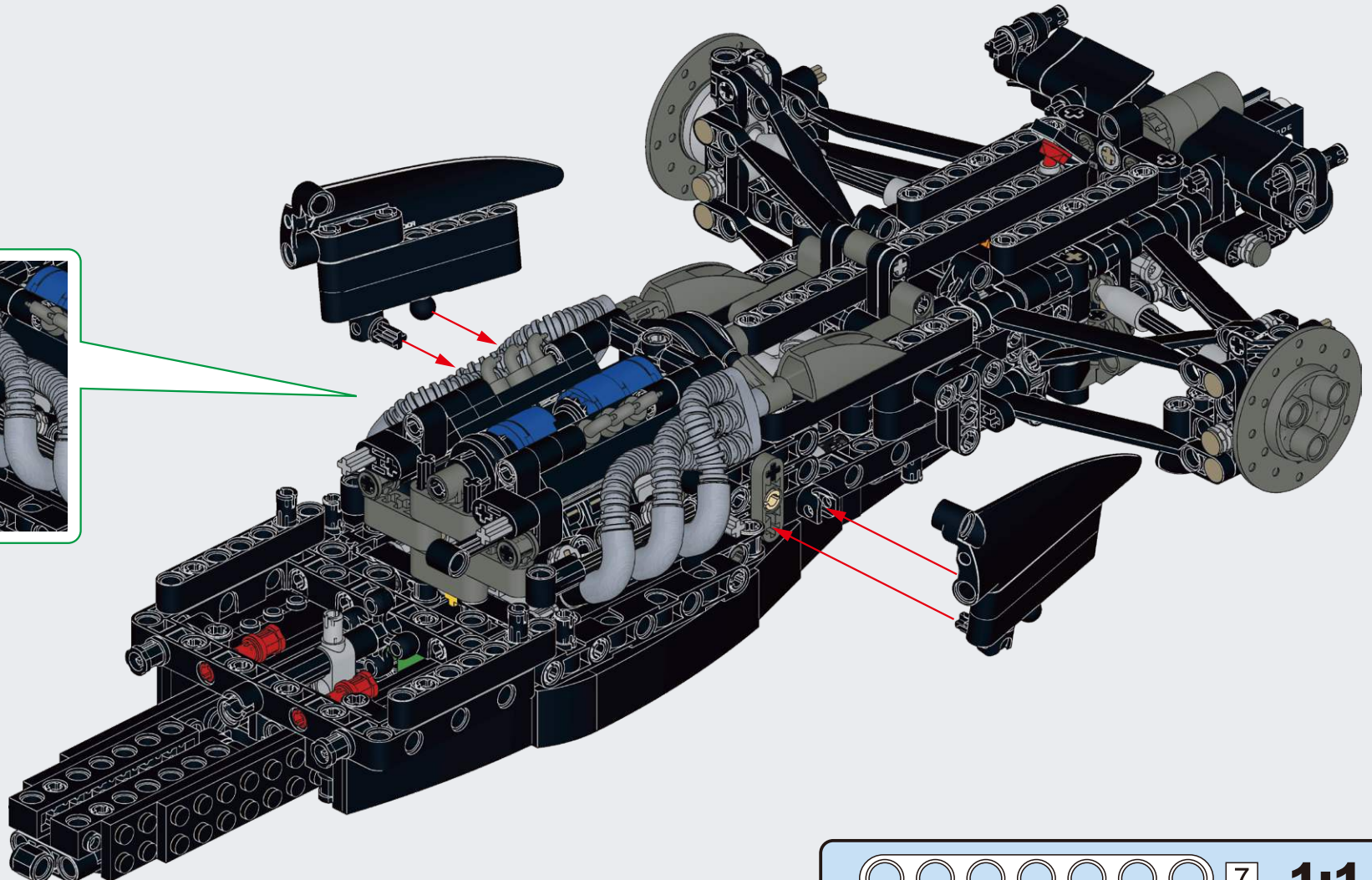
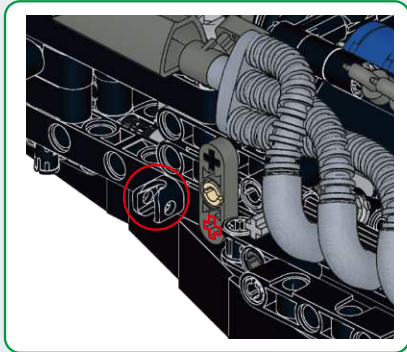
**A254**

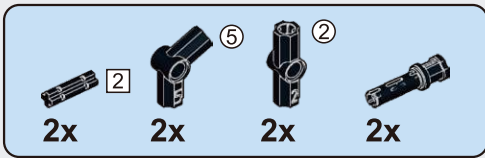


**A255**

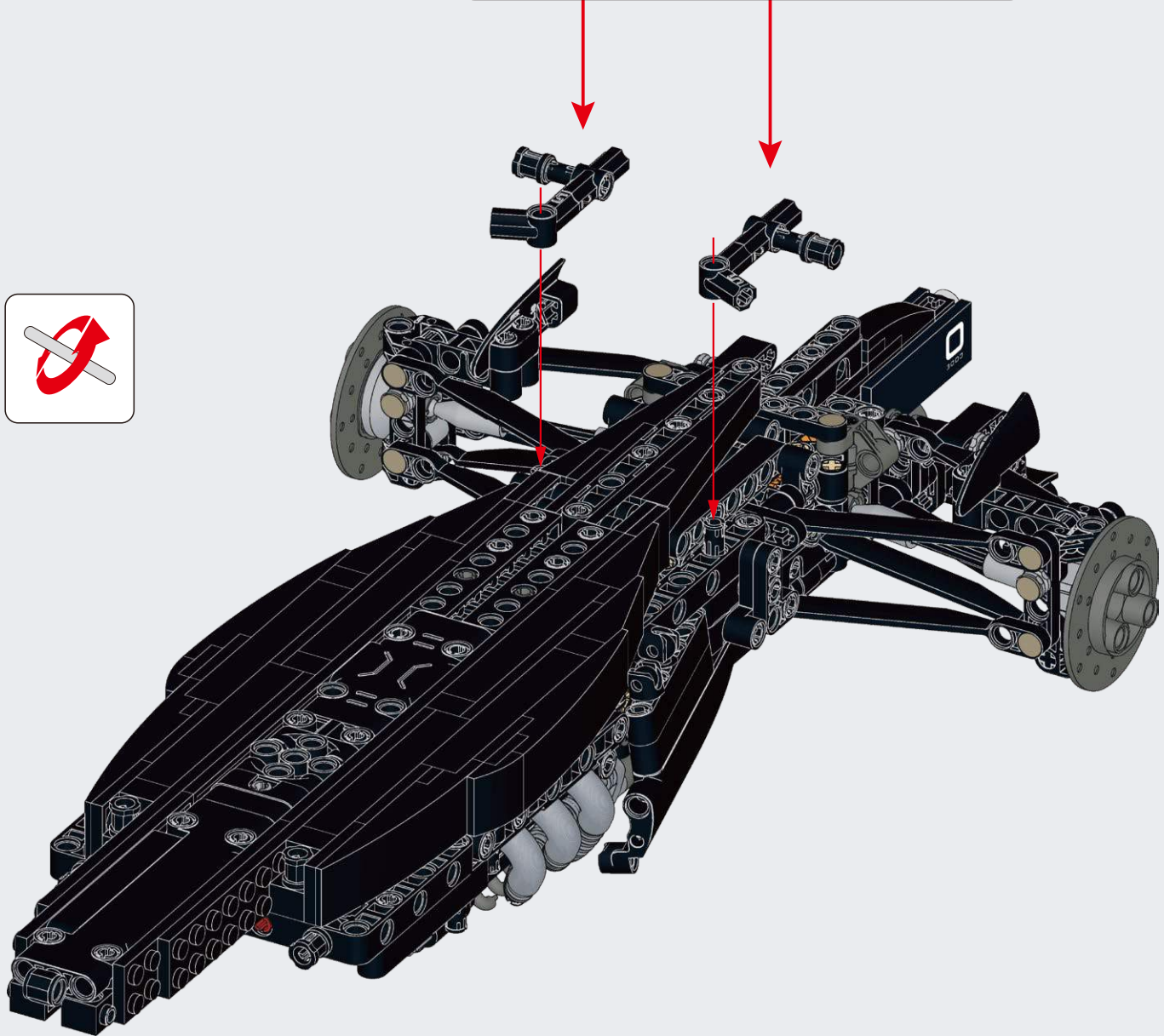
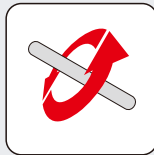
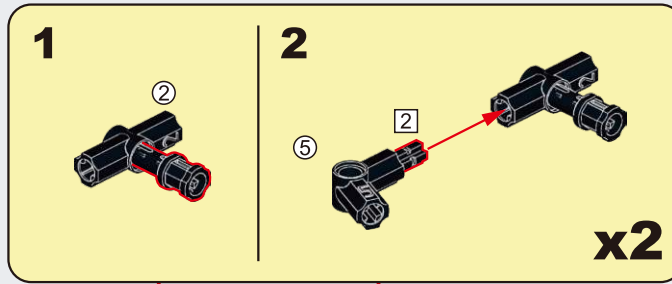


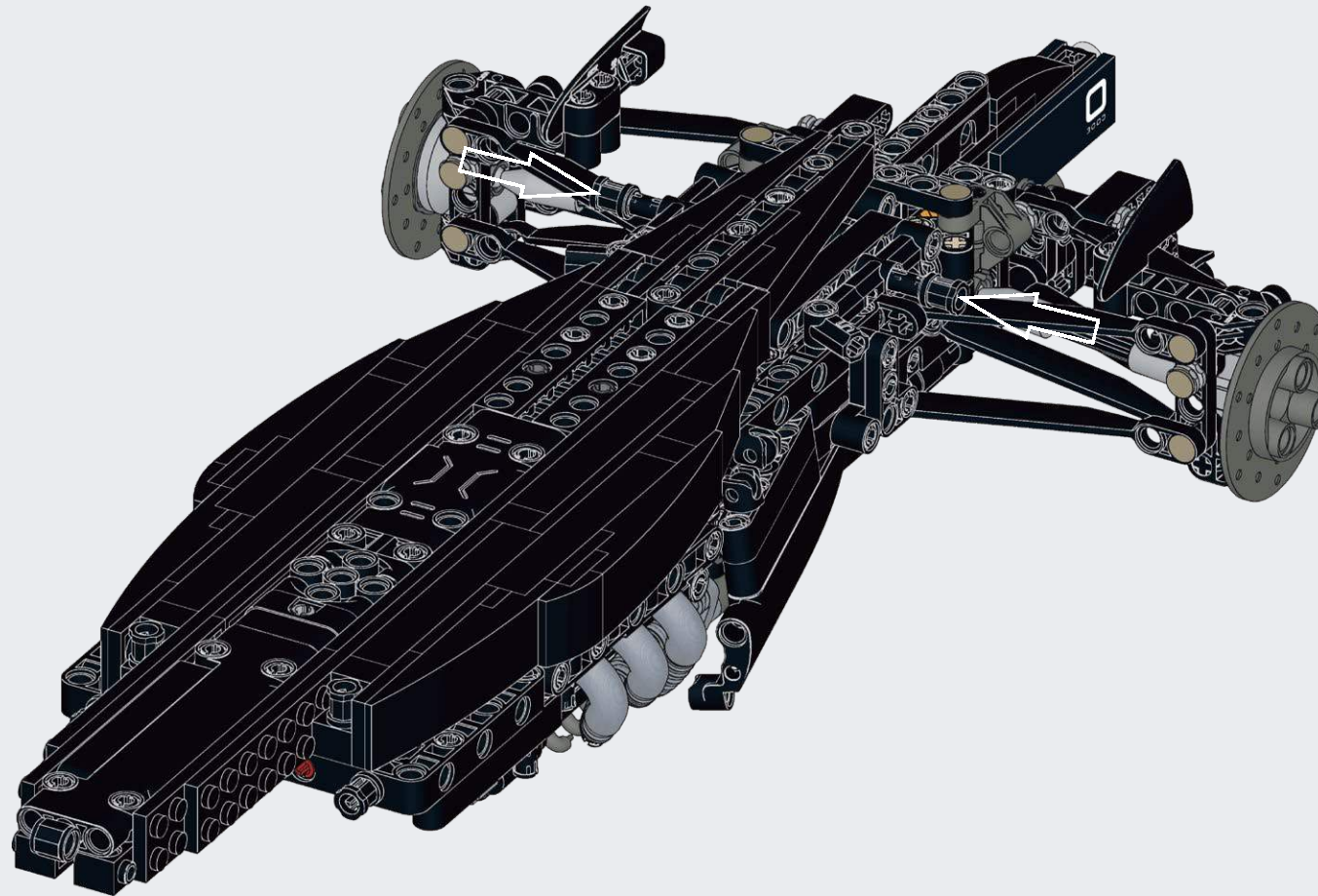
**A256**

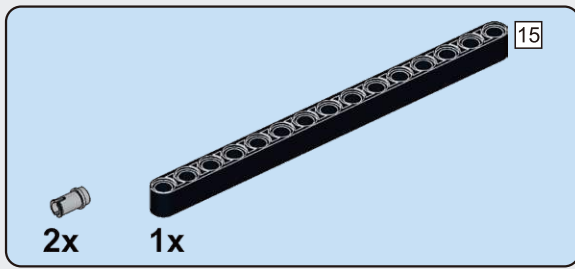




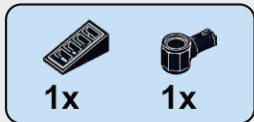
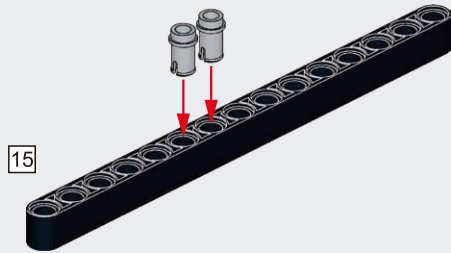
# A257



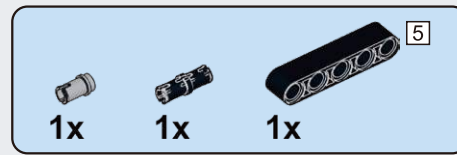
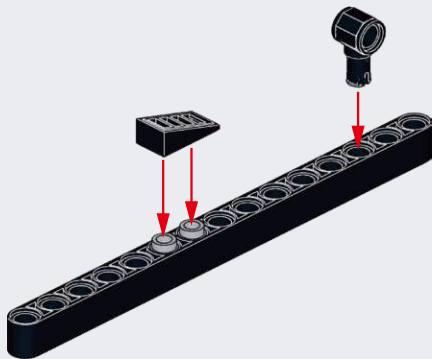




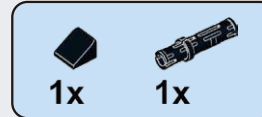
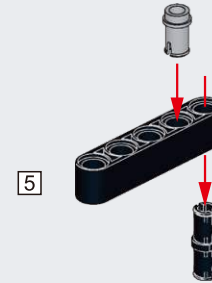
### A259



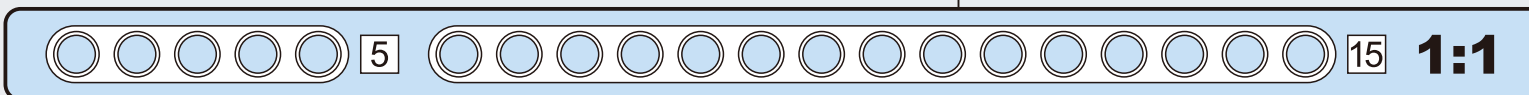
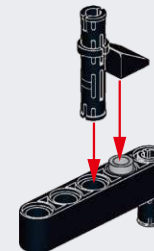
### A260



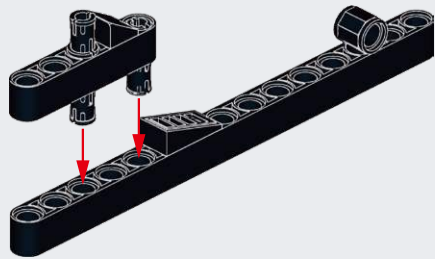
### A261



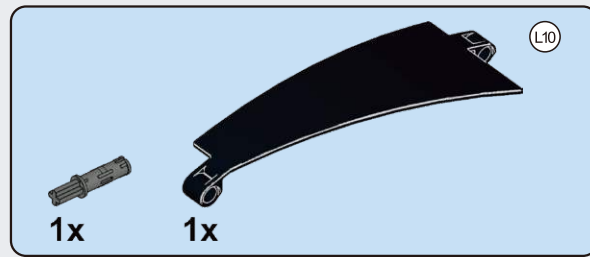
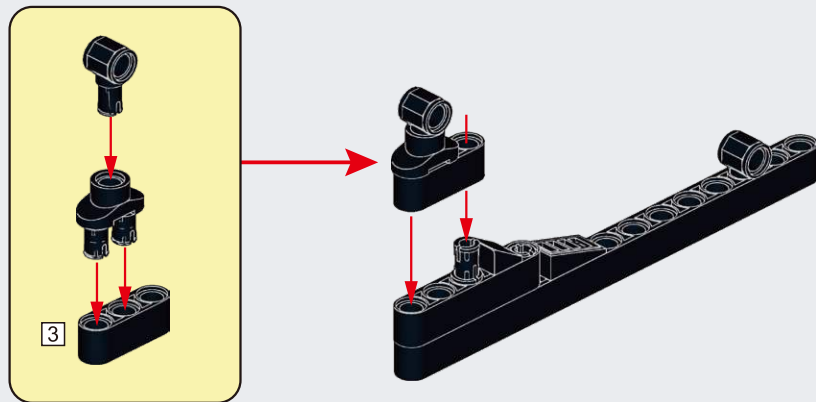
### A262



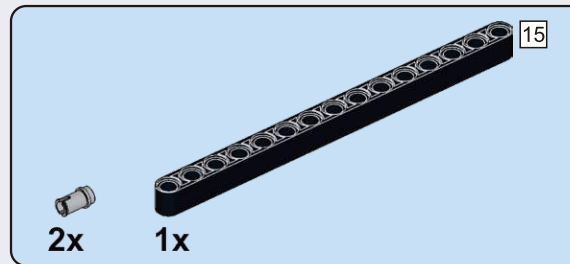
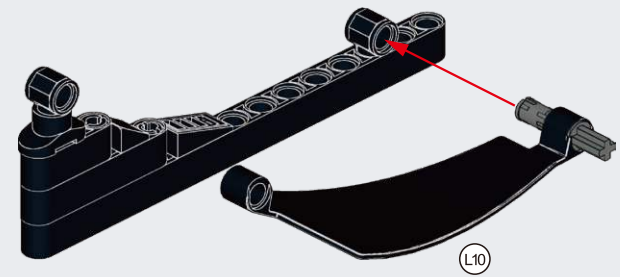
# A263



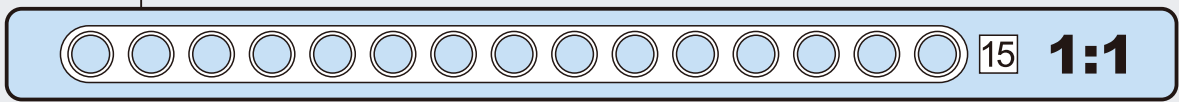
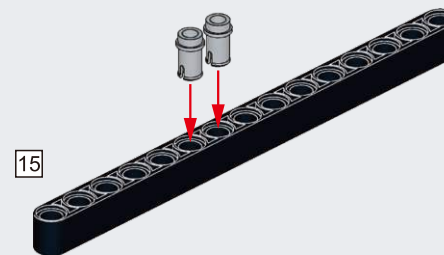
# A264

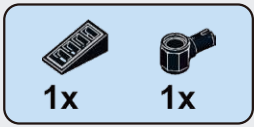


# A265

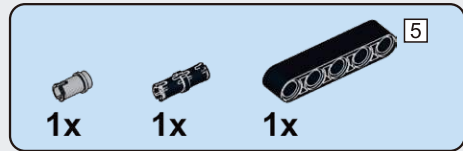
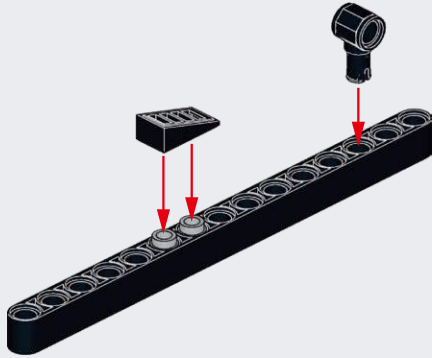


# A266

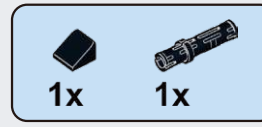
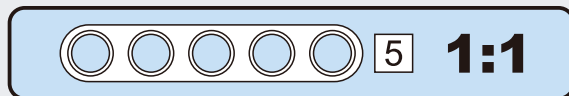
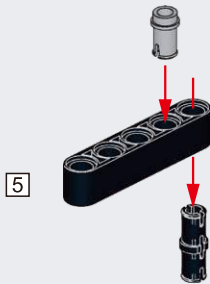




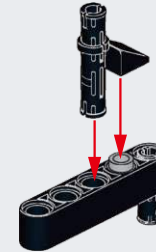
# A267



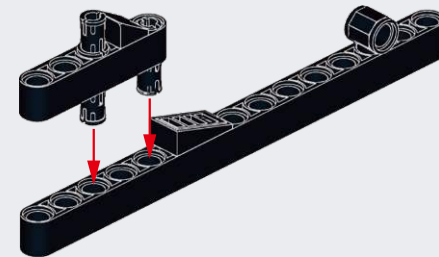
# A268



# A269

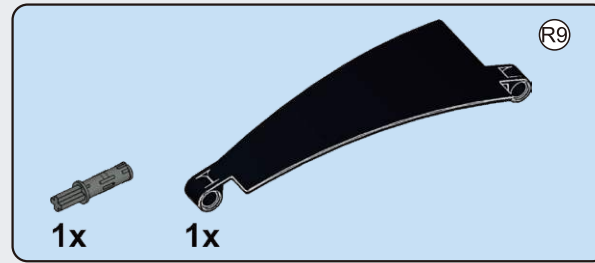
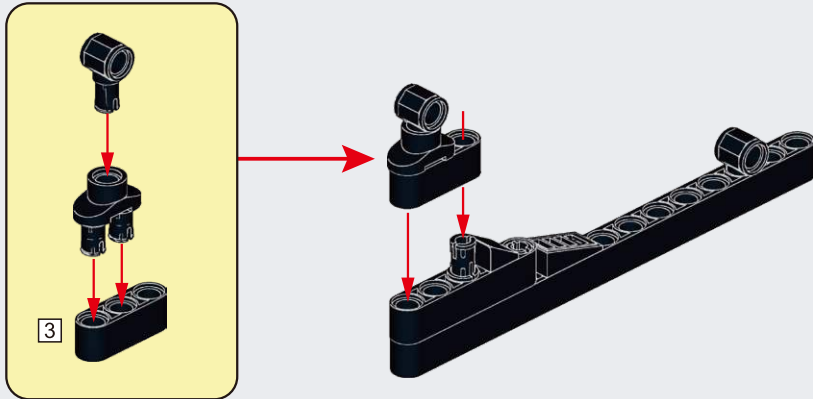


# A270

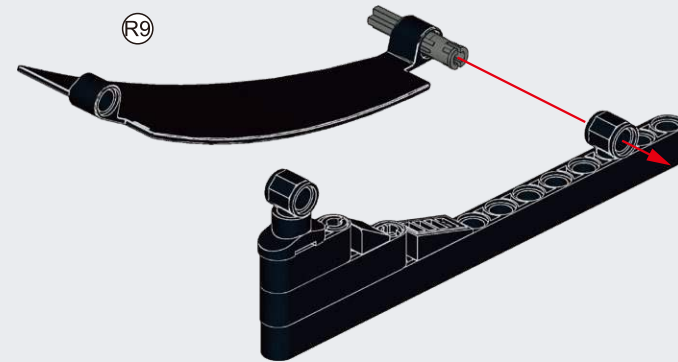




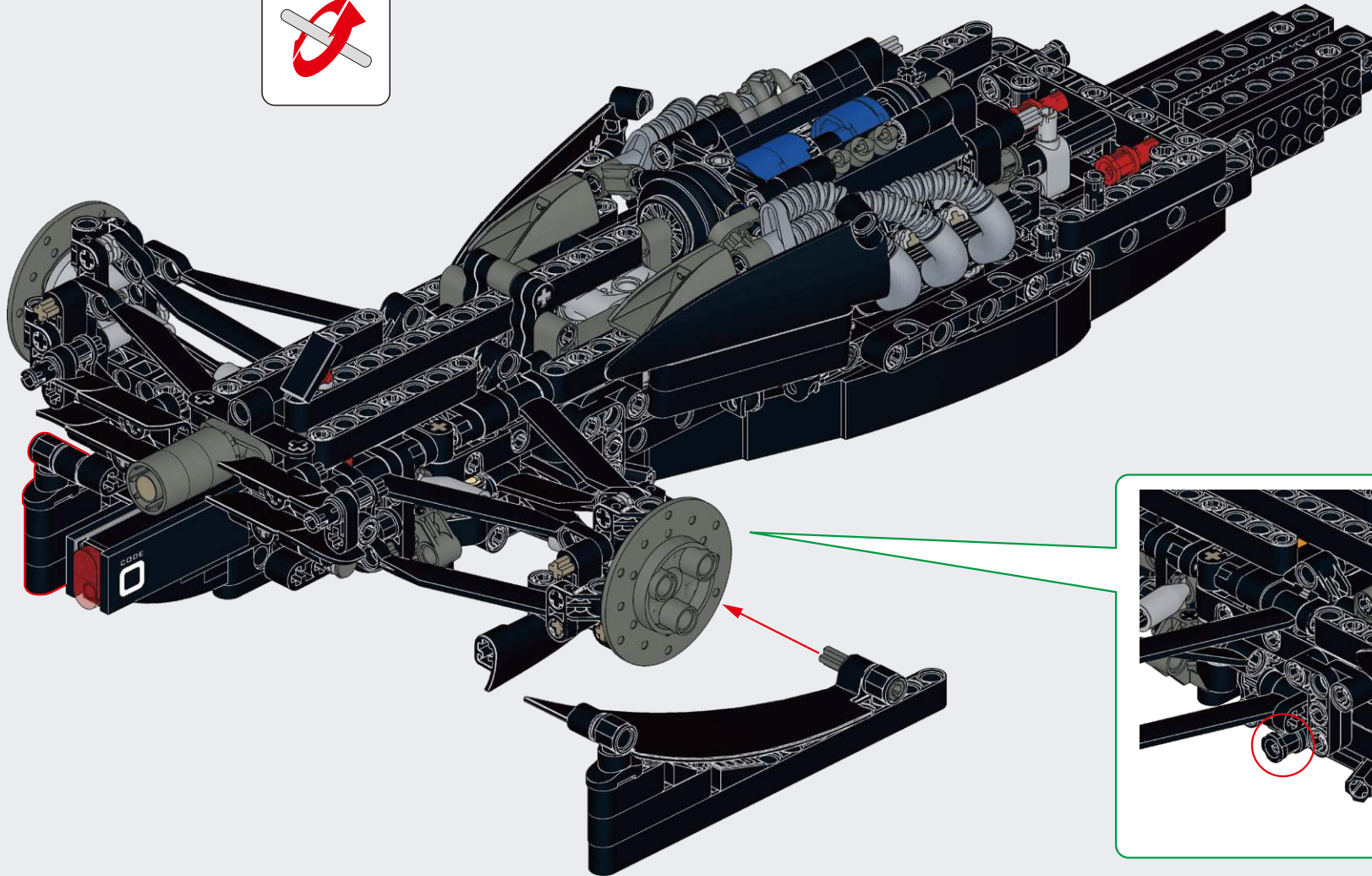
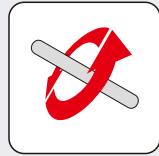
## A271

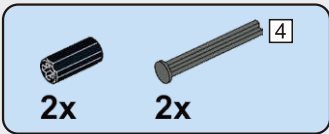


## A272

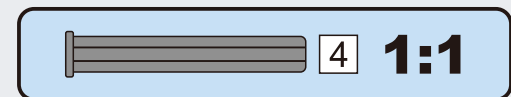
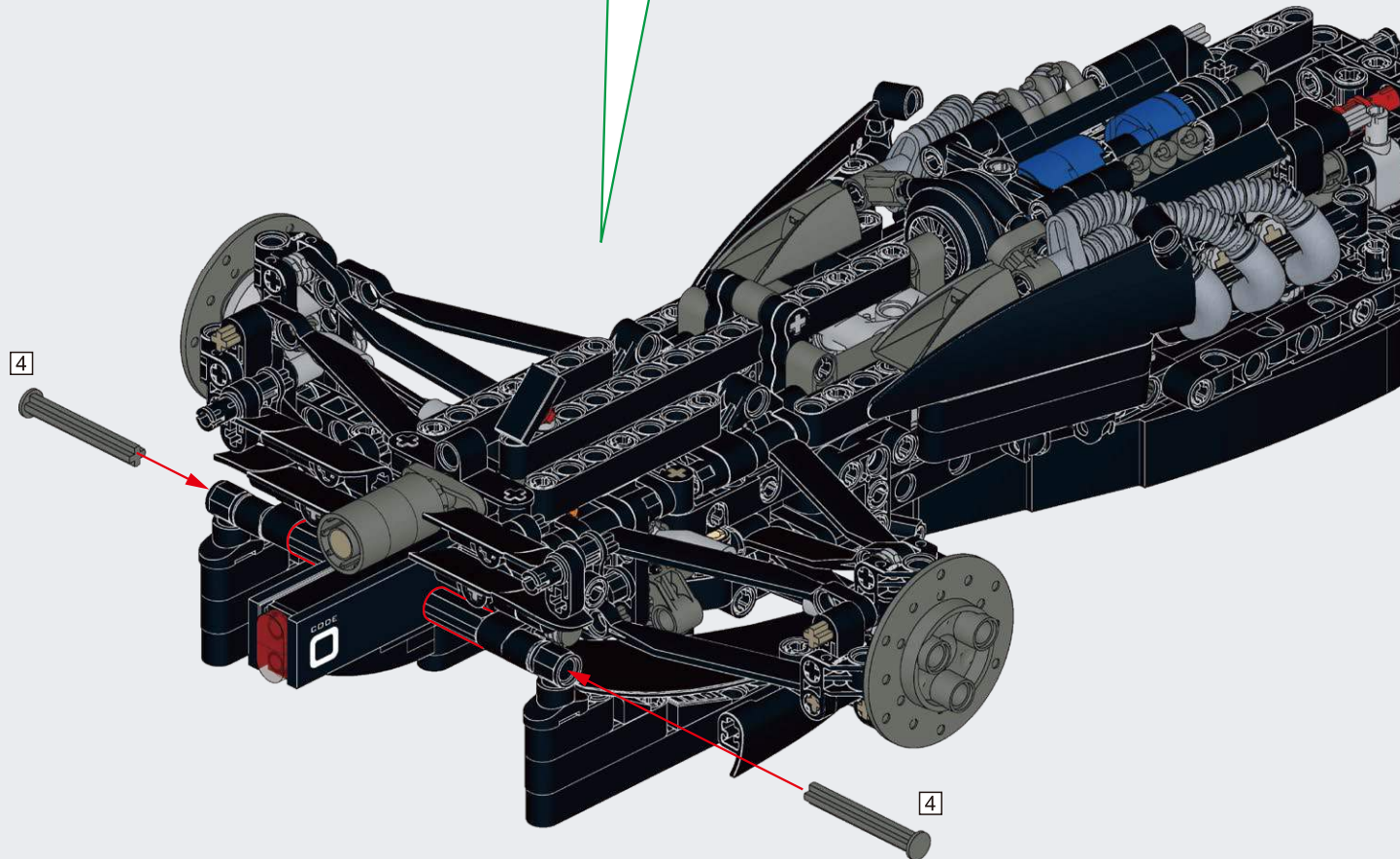
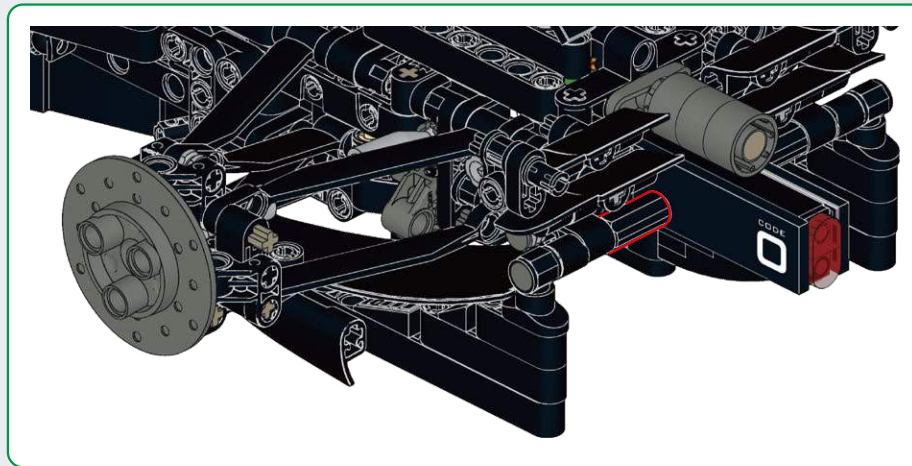


# A273





# A274





cielo

安慕希

24

PIRELLI

Accel/eron

EVERDOME

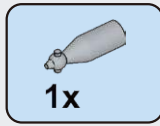


MARELLI

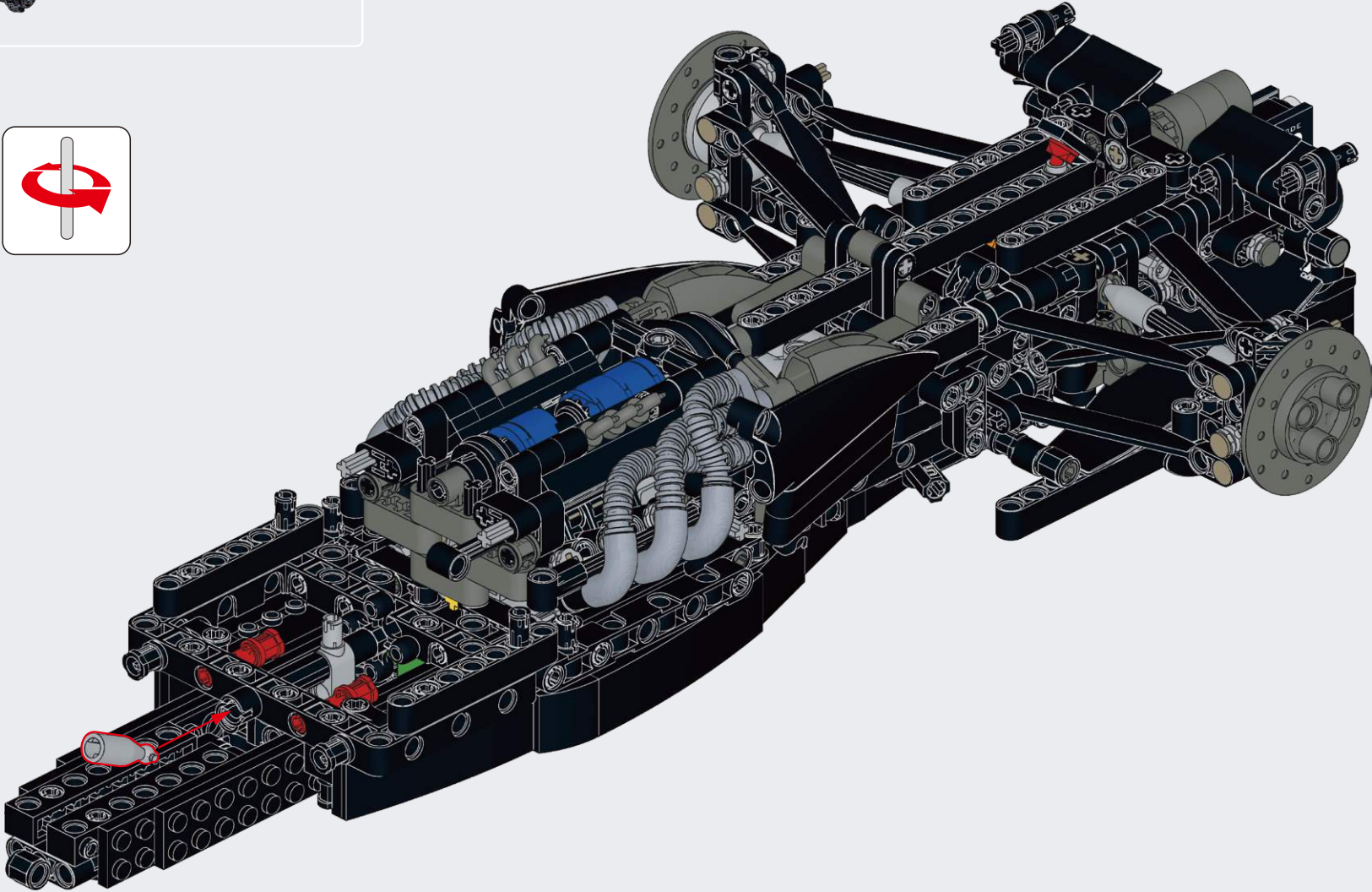
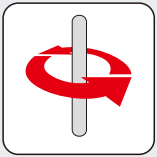
KICK

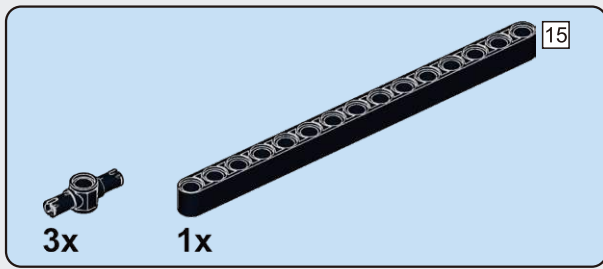
SAUBER

**B**

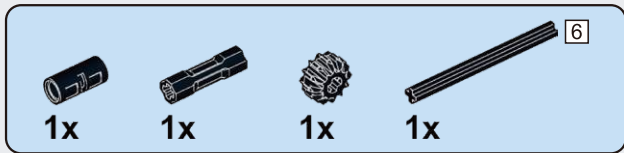
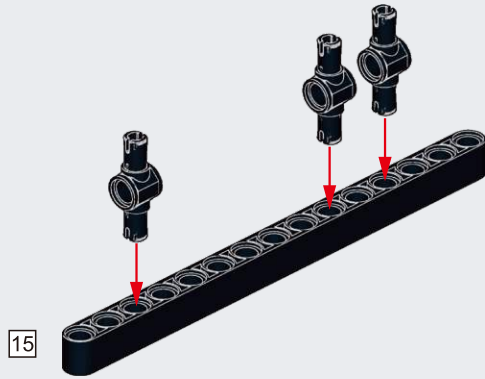


**B1**

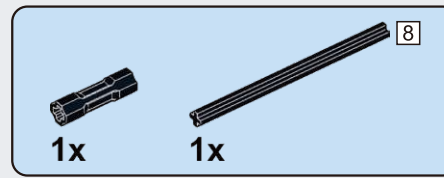
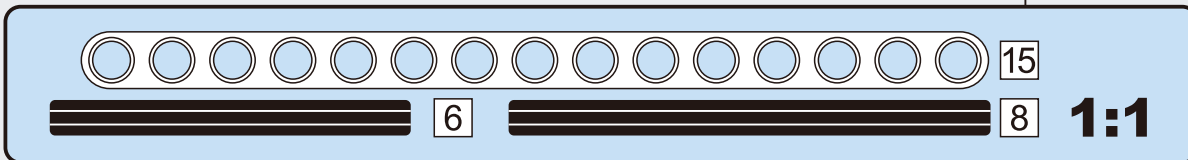
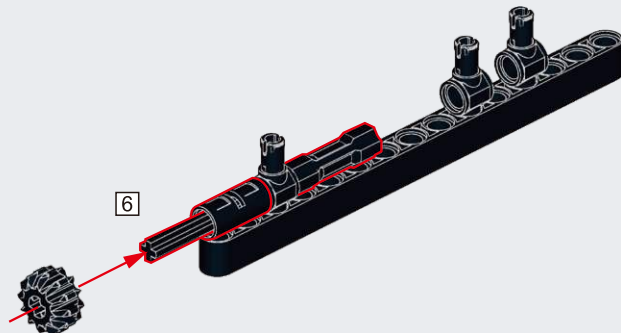




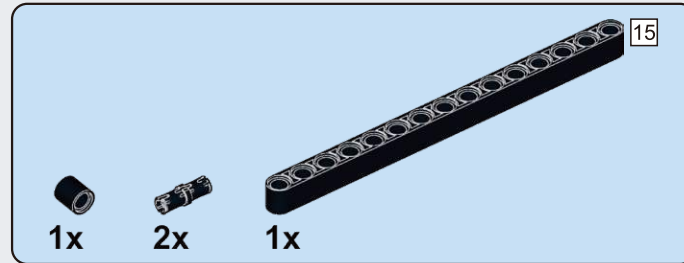
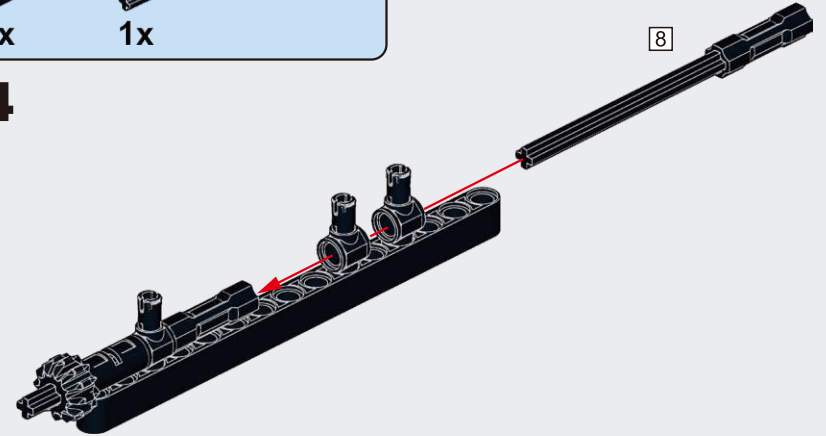
### B2



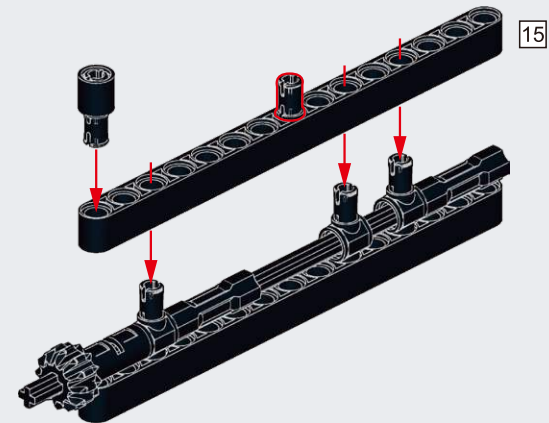
### B3

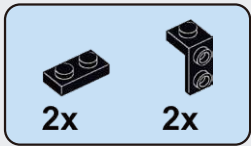


### B4

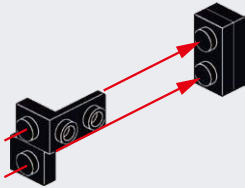


### B5

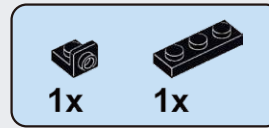
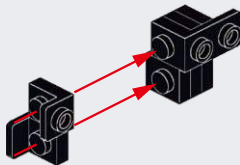




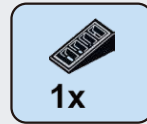
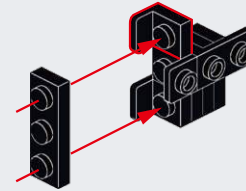
**B6**



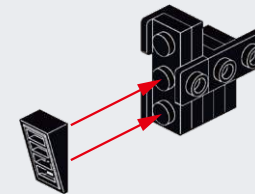
**B7**



**B8**

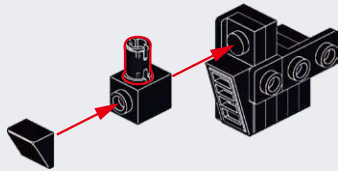


**B9**

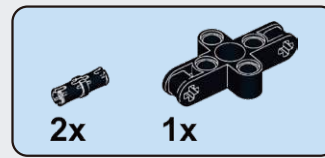
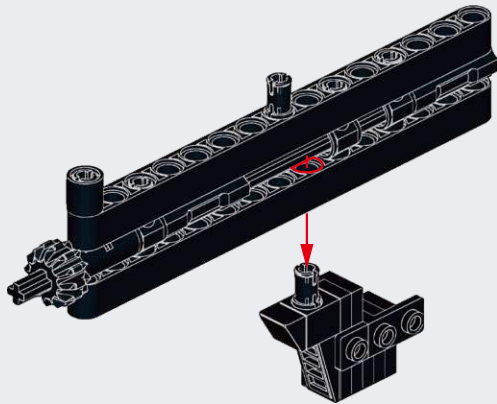




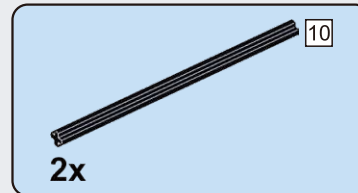
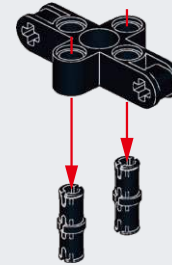
### B10



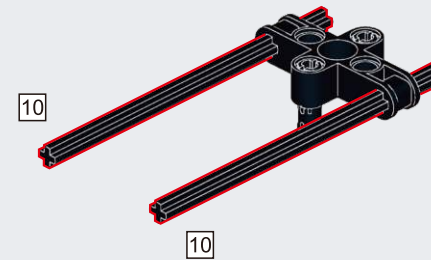
### B11

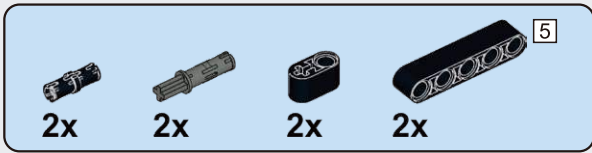


### B12

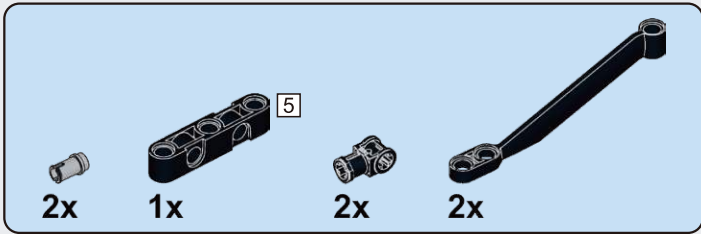
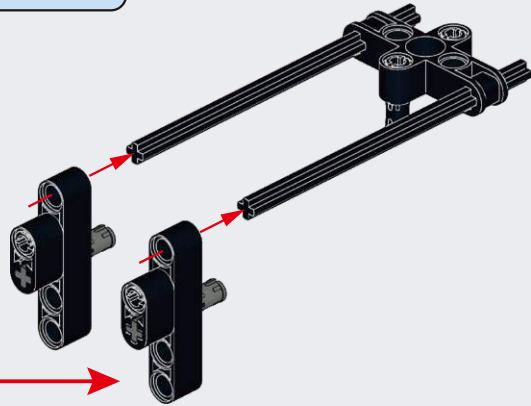
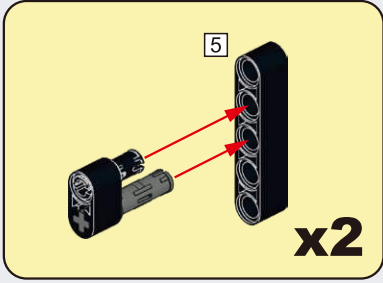


### B13

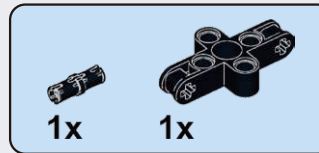
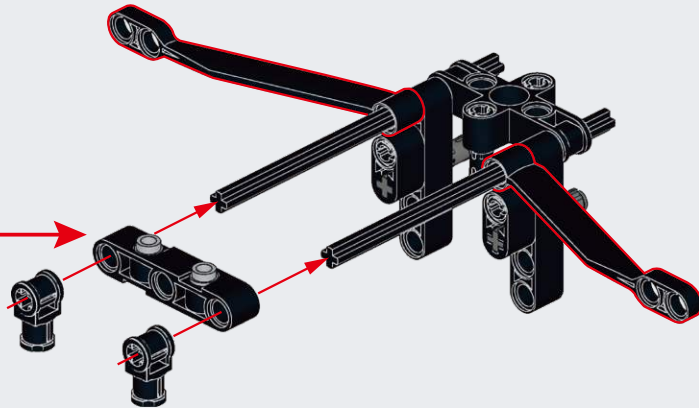
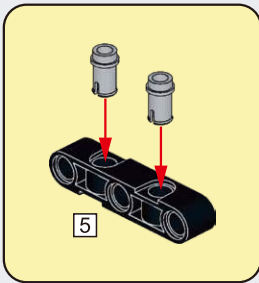




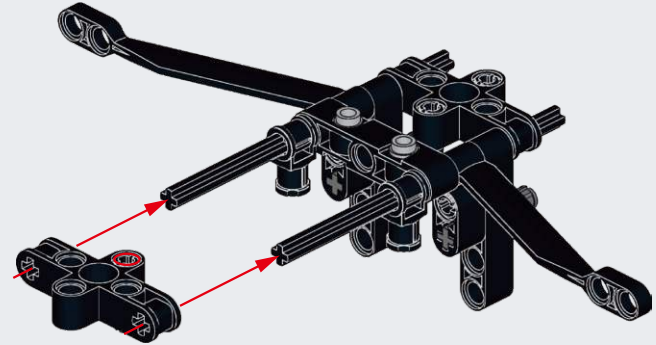
### B14



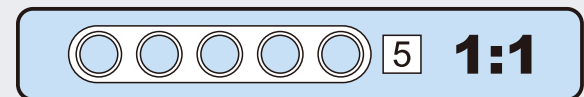
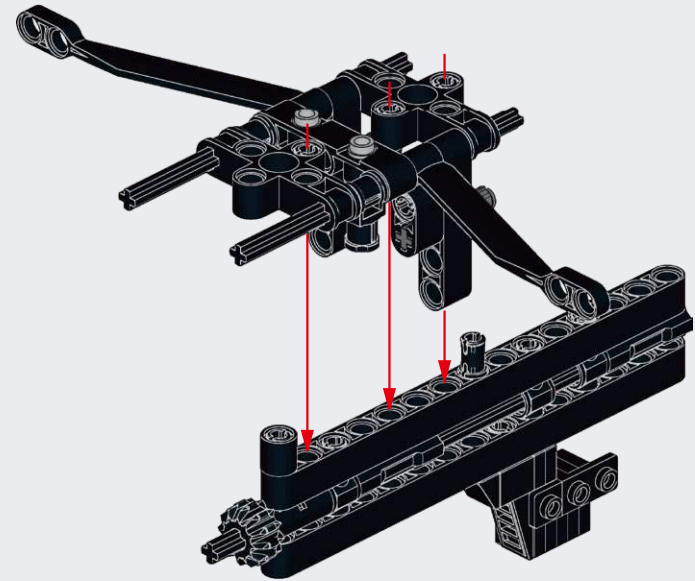
### B15

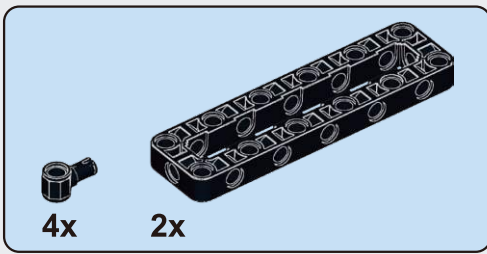


### B16

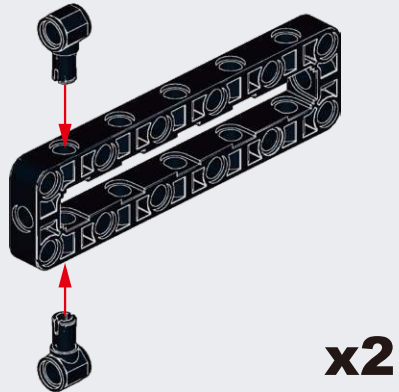


### B17

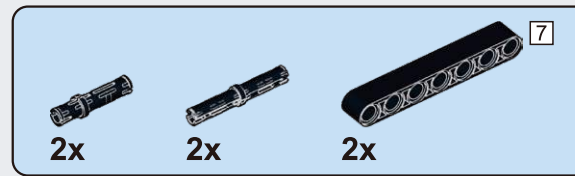
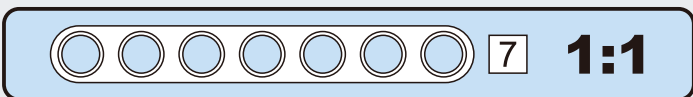
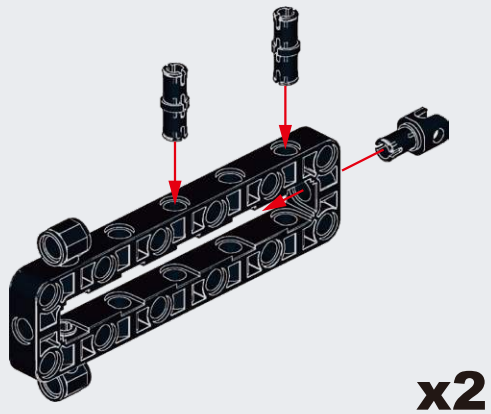




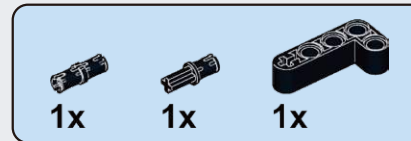
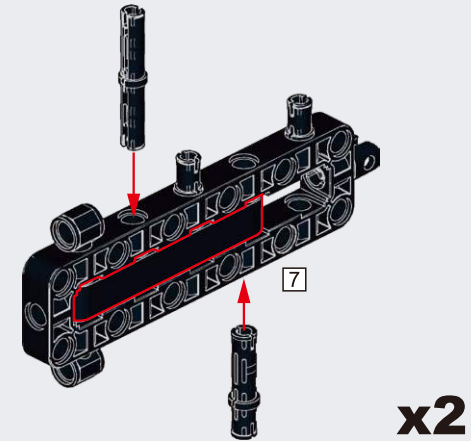
### B18



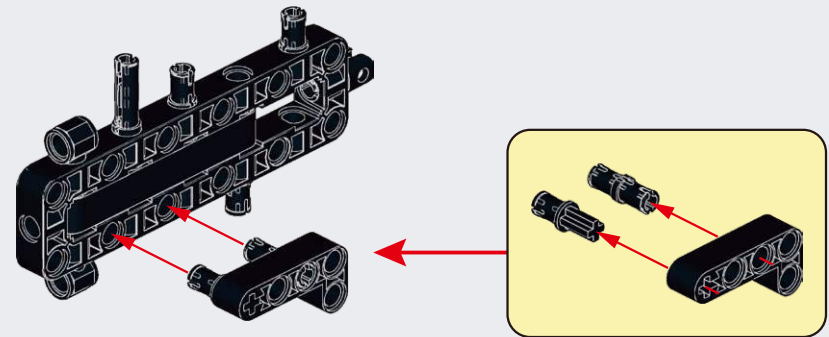
### B19

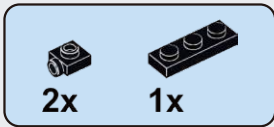


### B20

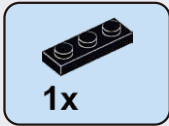
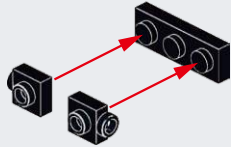


### B21

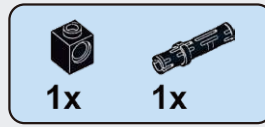
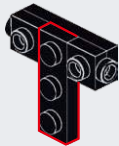




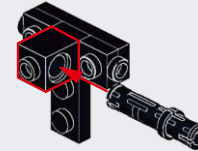
## B22



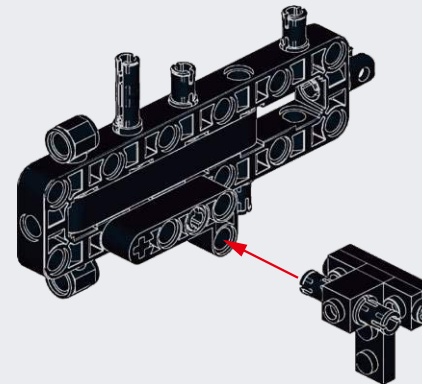
## B23

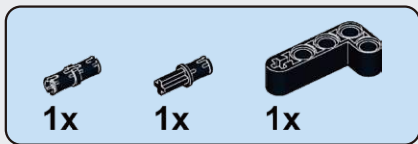


## B24

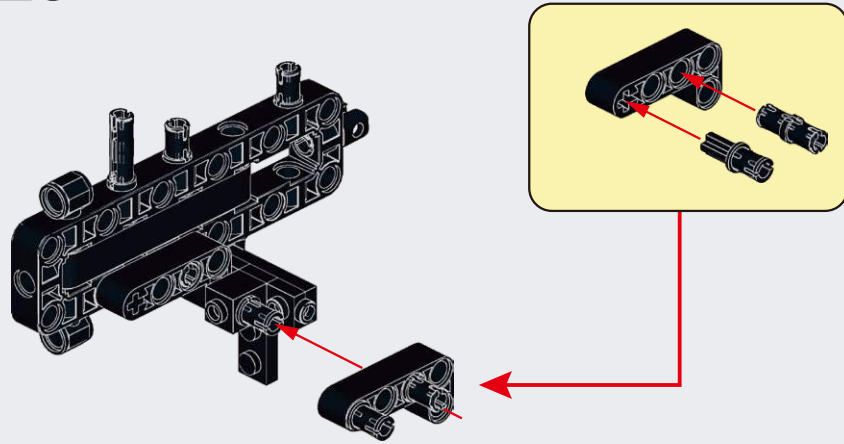


## B25

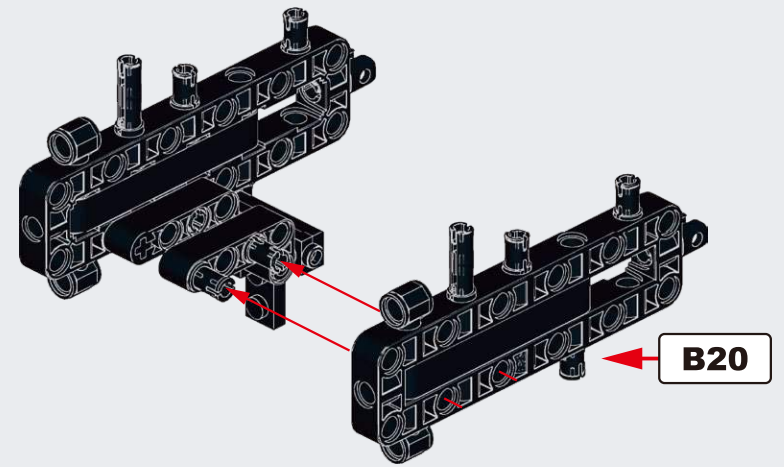




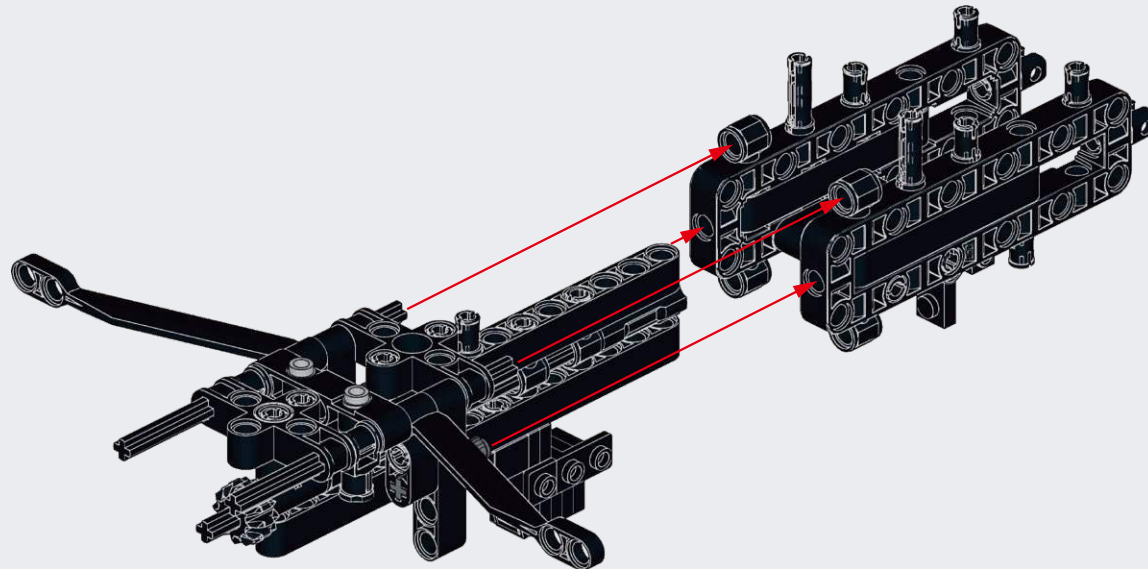
## B26

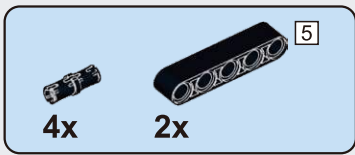


## B27

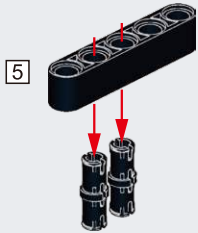


## B28

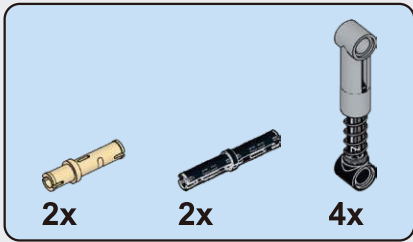




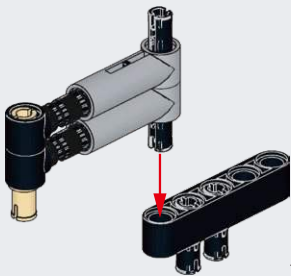
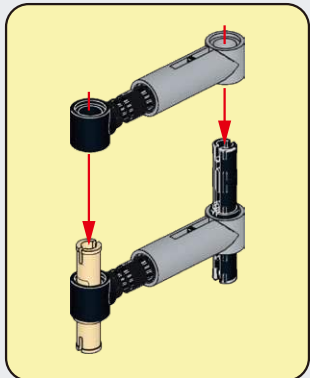
### B29



**x2**



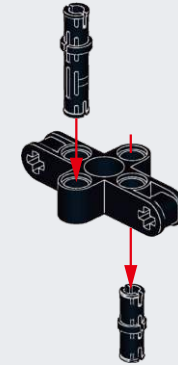
### B30



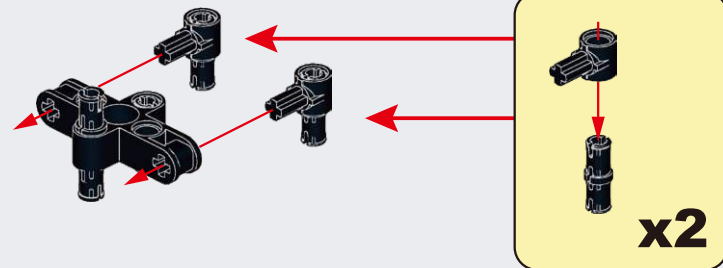
**x2**



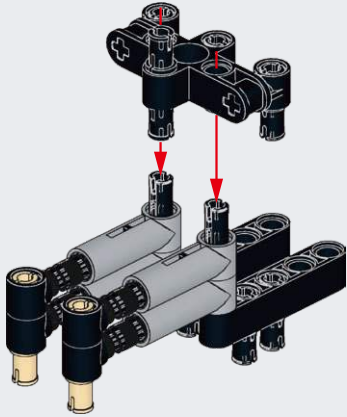
### B31



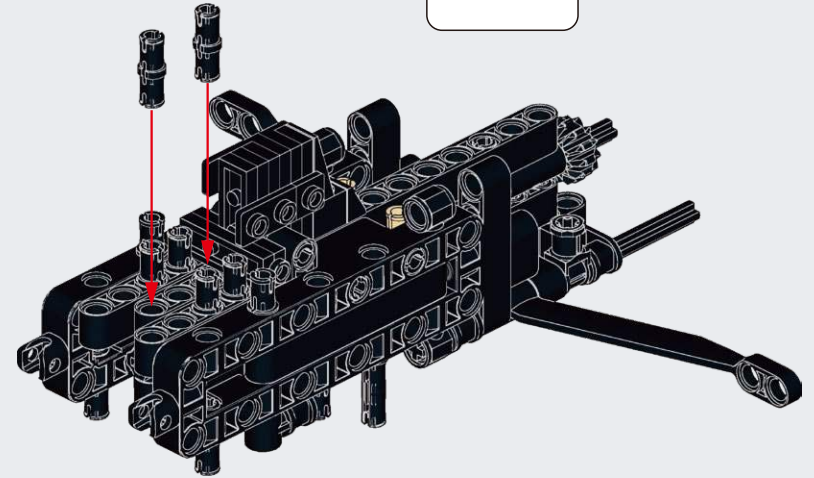
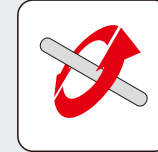
### B32



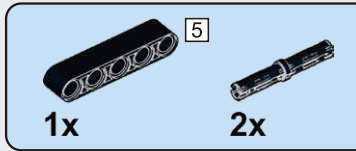
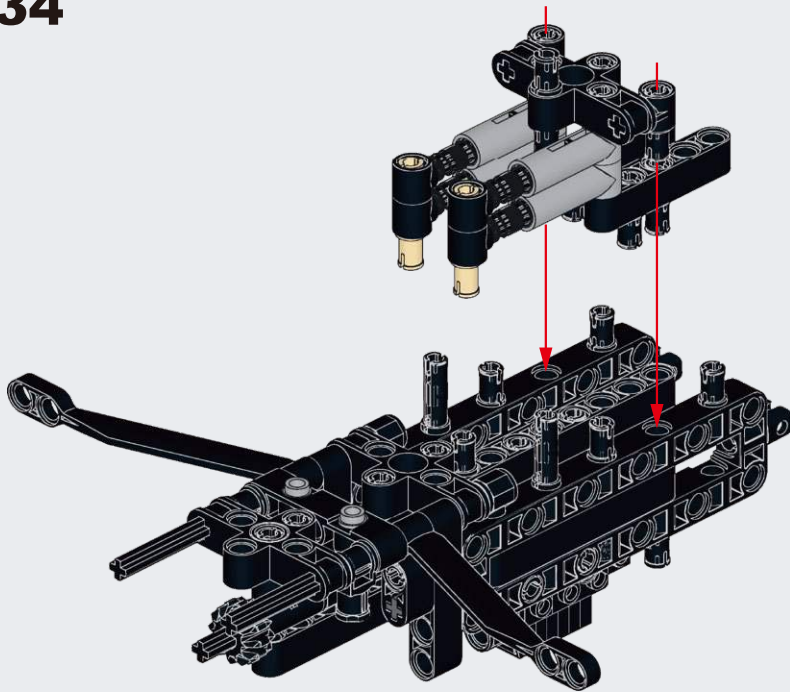
# B33



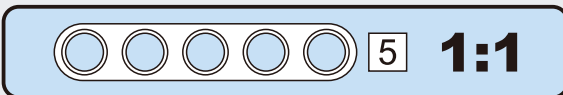
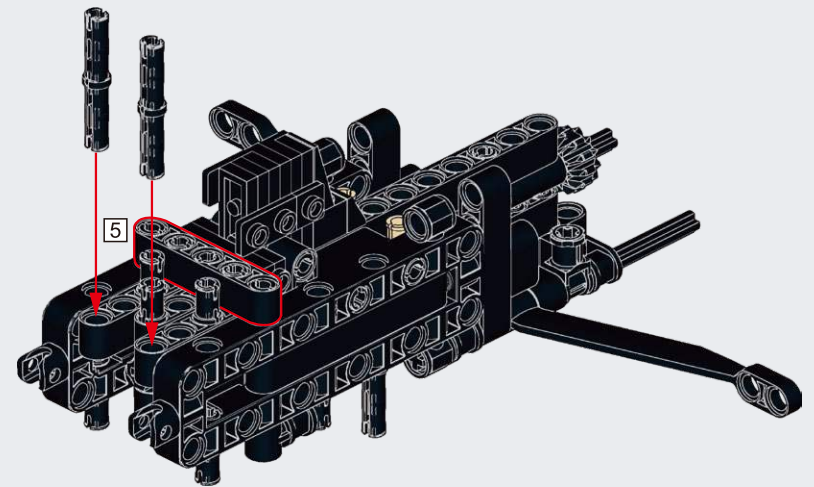
# B35

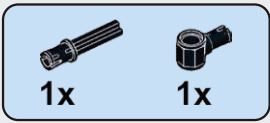


# B34

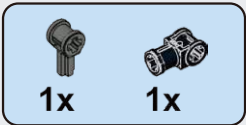
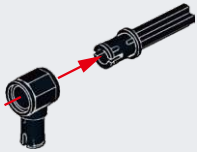


# B36

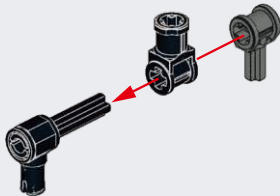




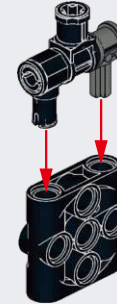
### B37



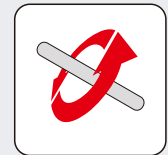
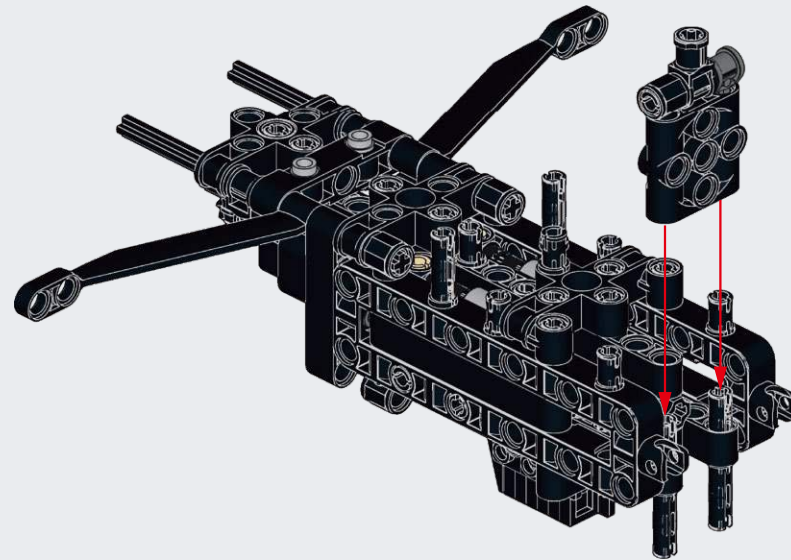
### B38

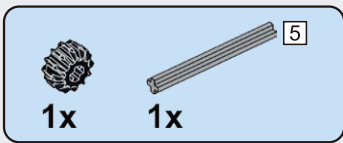


### B39

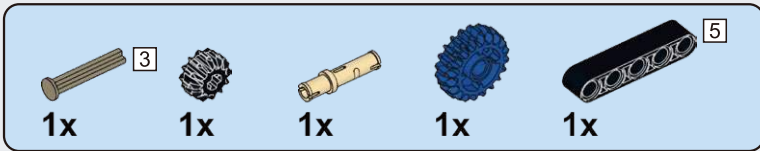
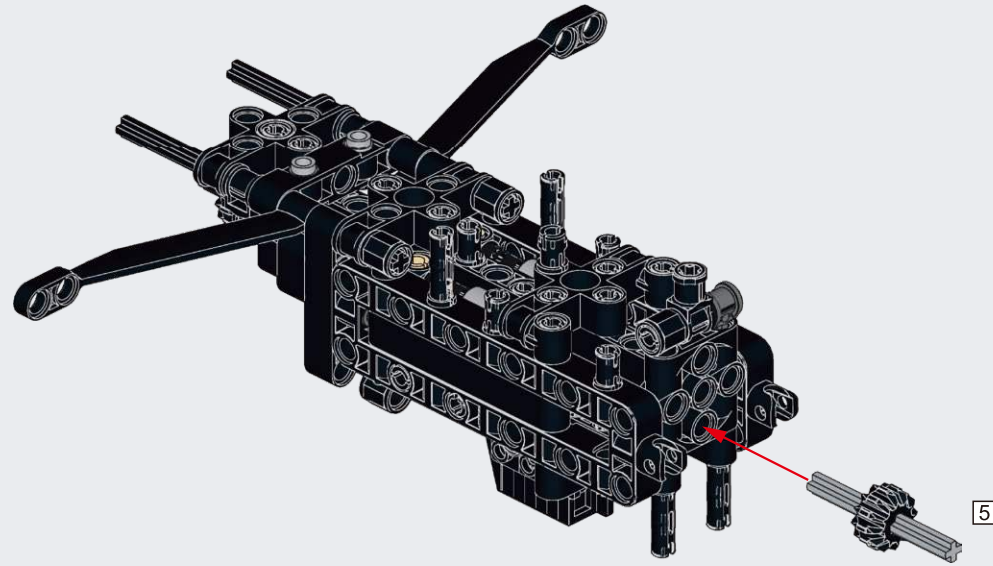


### B40

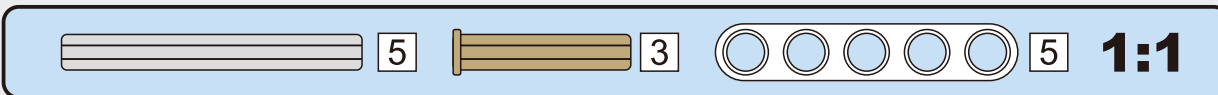
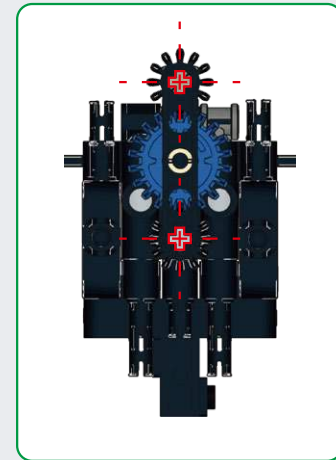
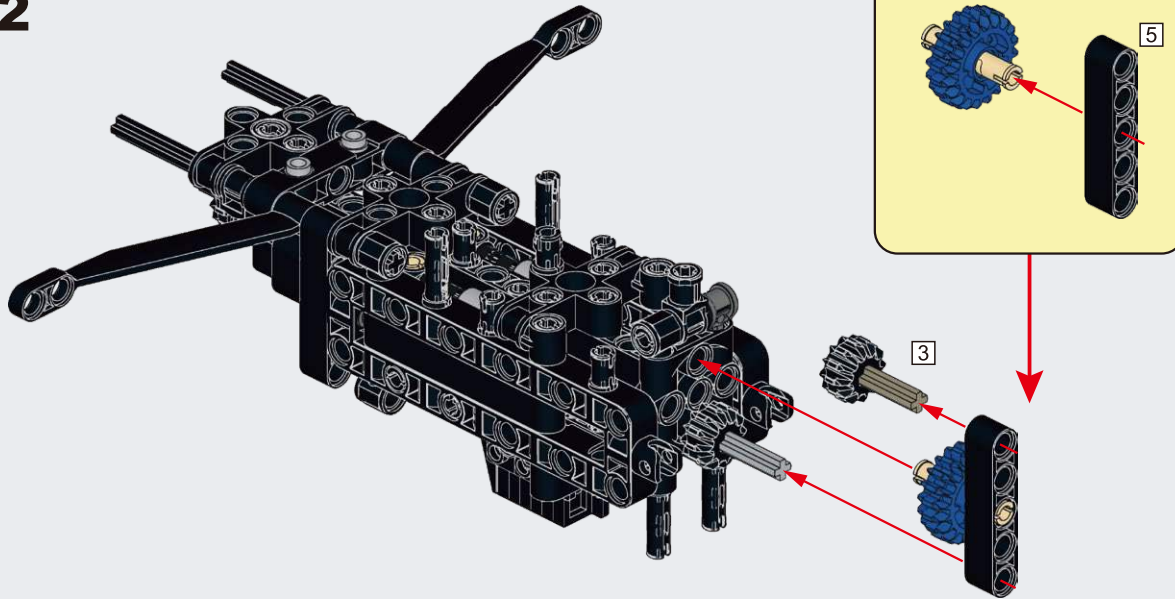


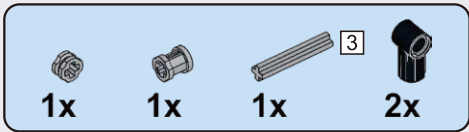


# B41

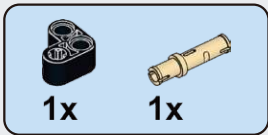
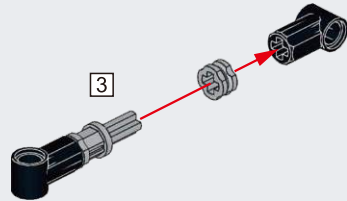


# B42

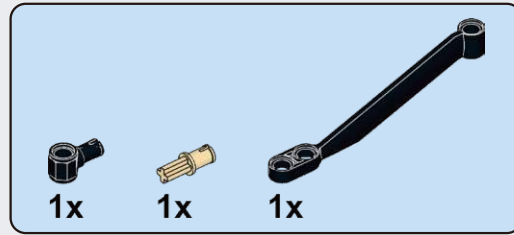
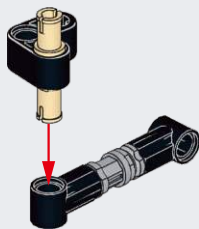




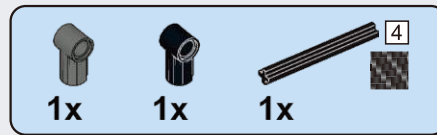
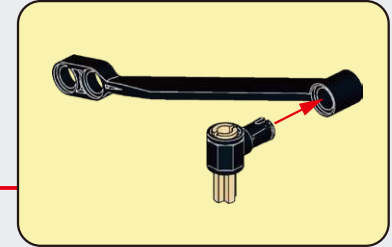
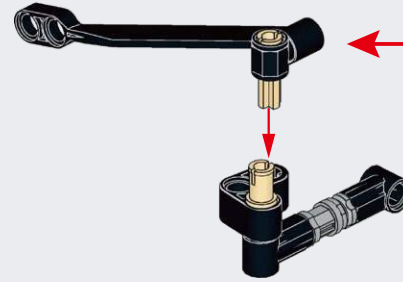
### B43



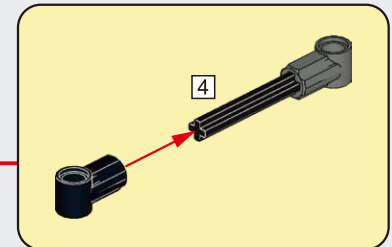
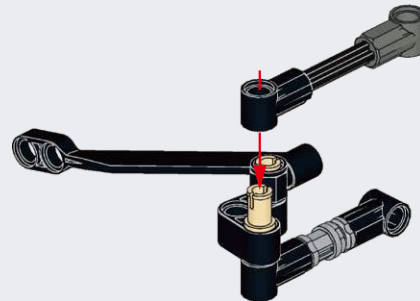
### B44

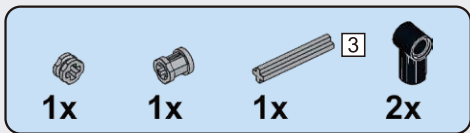


### B45

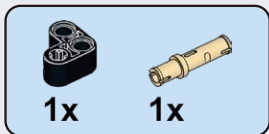
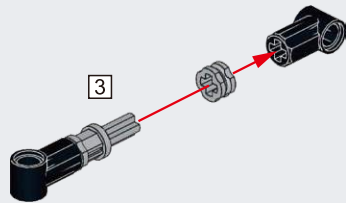


### B46

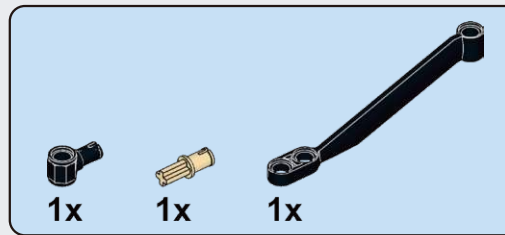
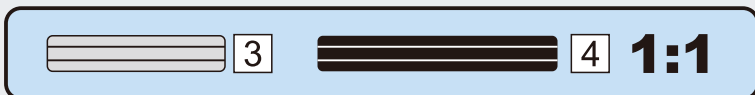
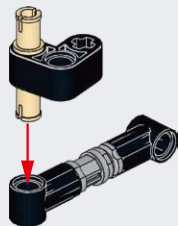




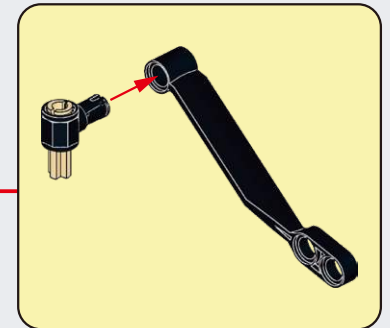
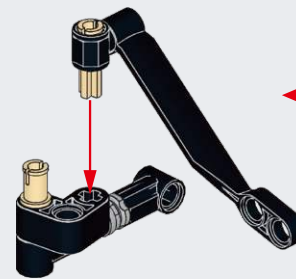
### B47



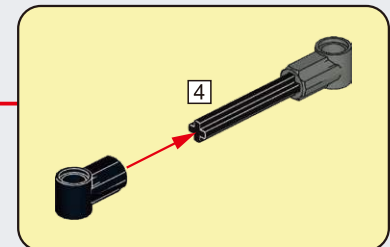
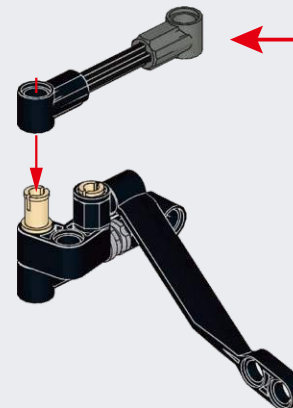
### B48



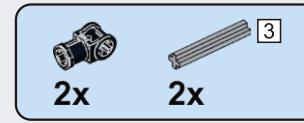
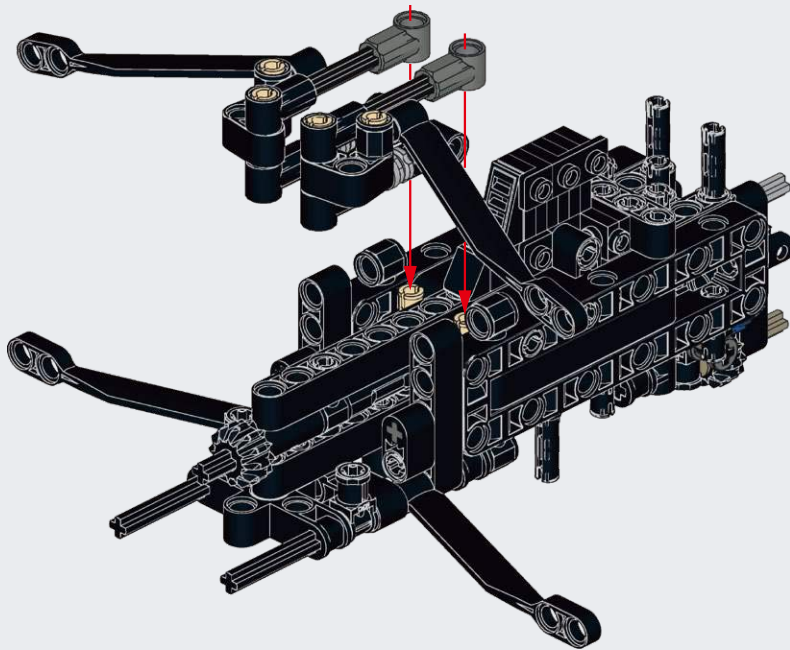
### B49



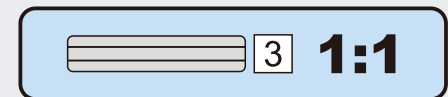
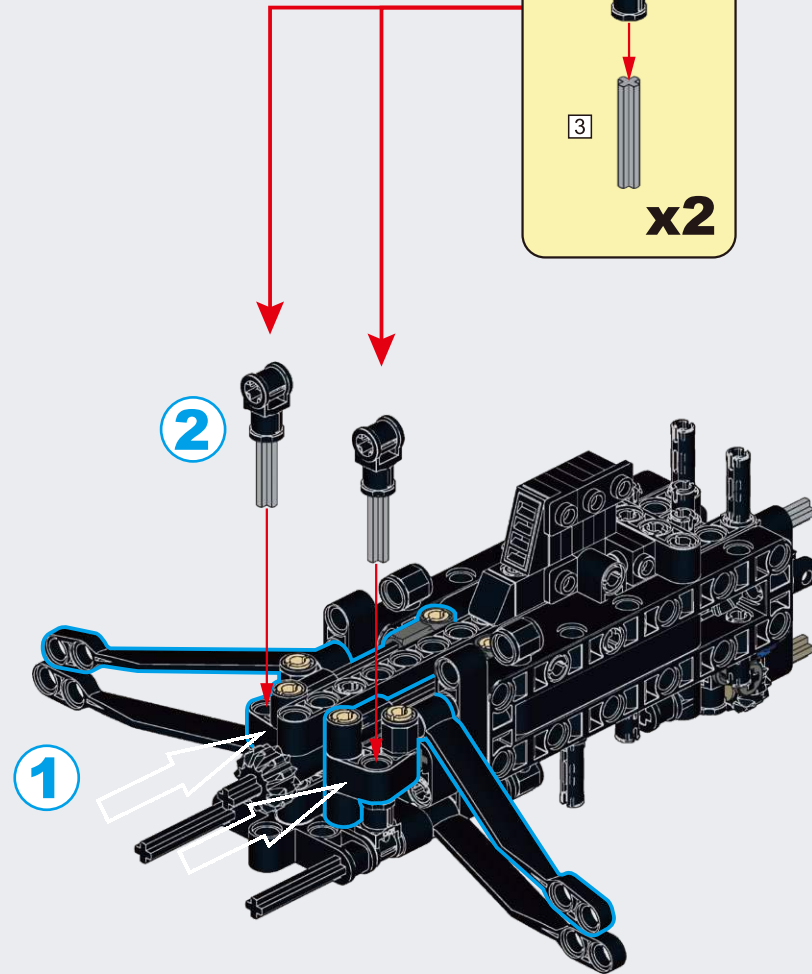
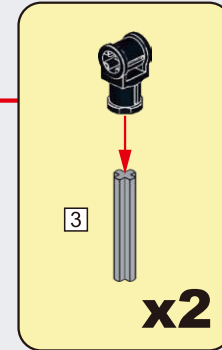
### B50

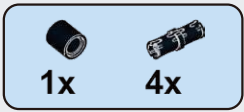


# B51

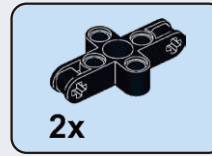
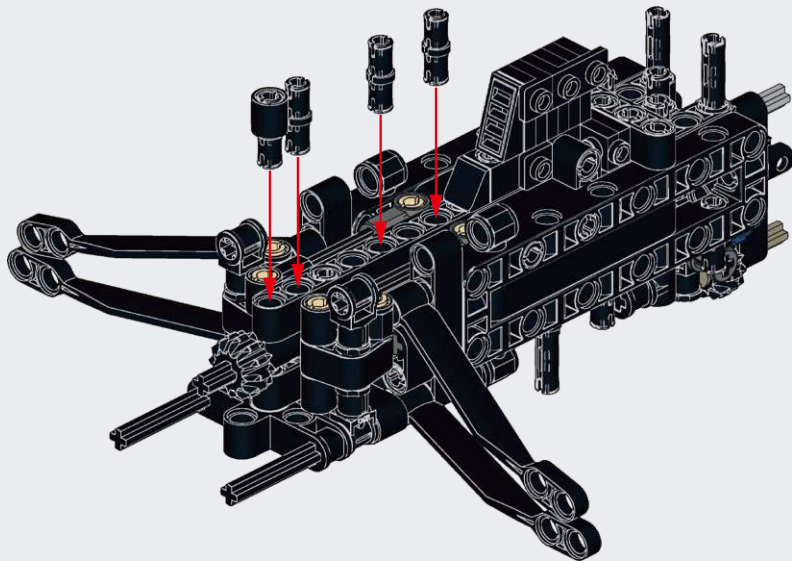


# B52

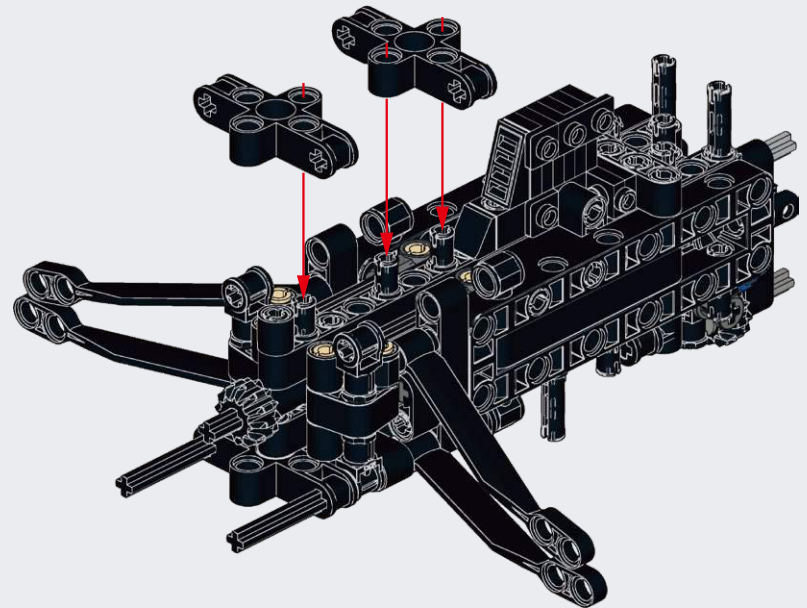


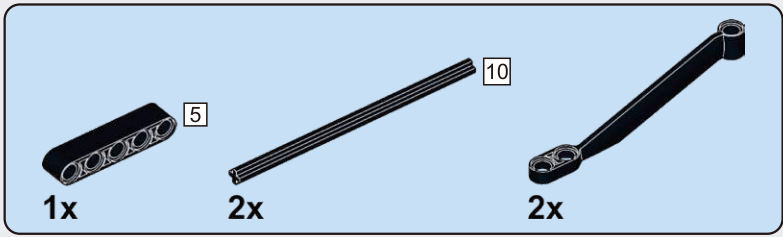


## B53

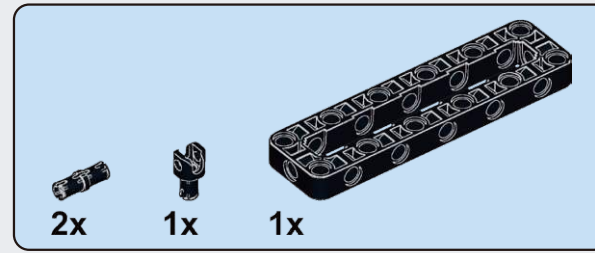
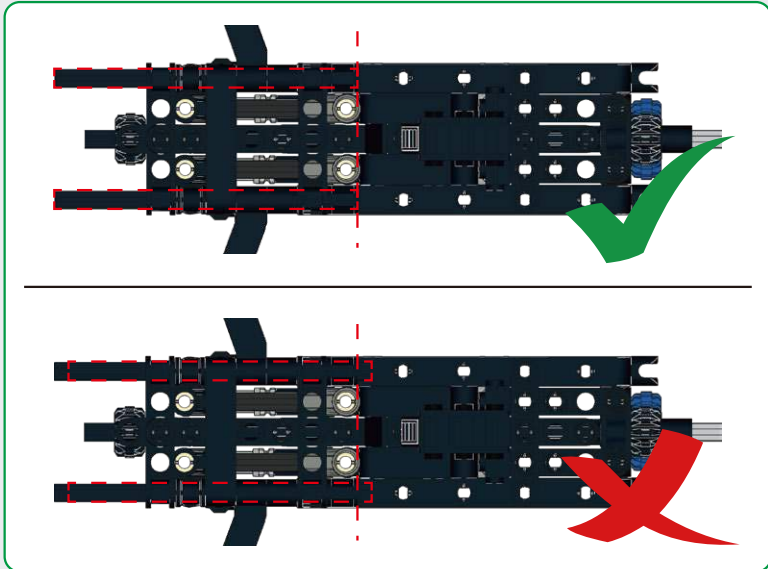
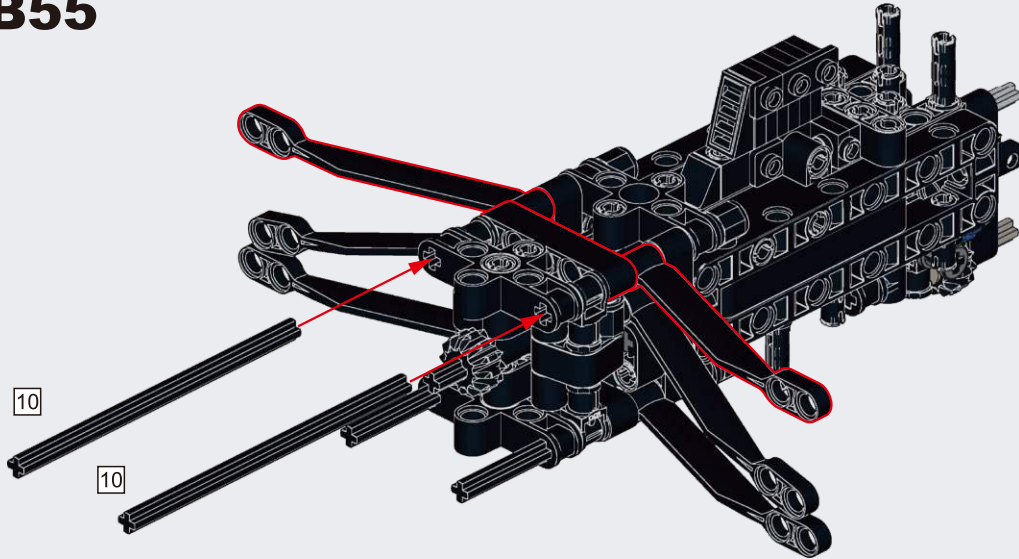


## B54

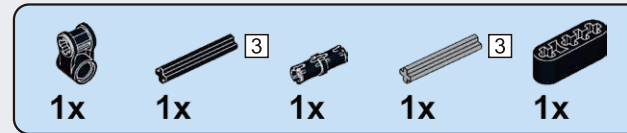
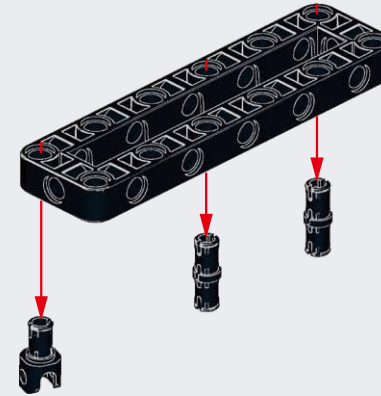




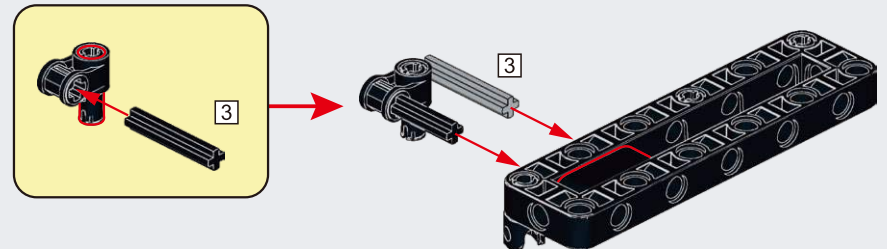
## B55



## B56

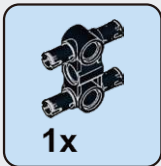
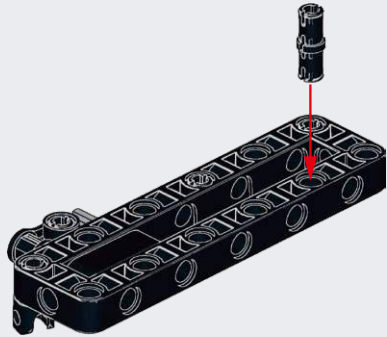


## B57

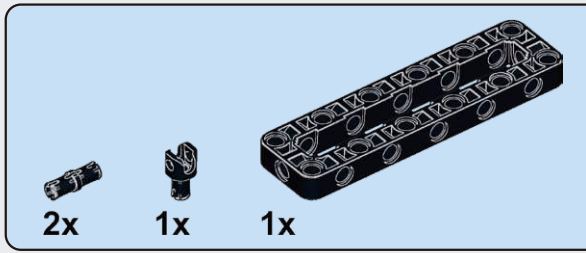
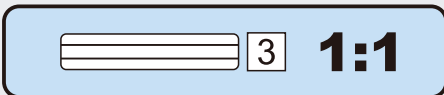
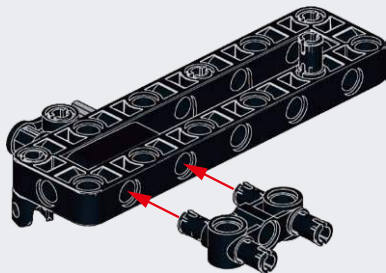




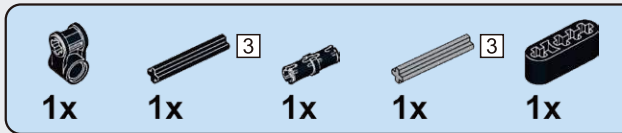
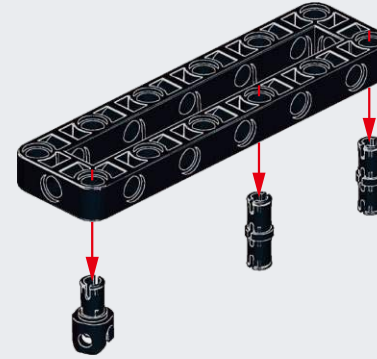
# B58



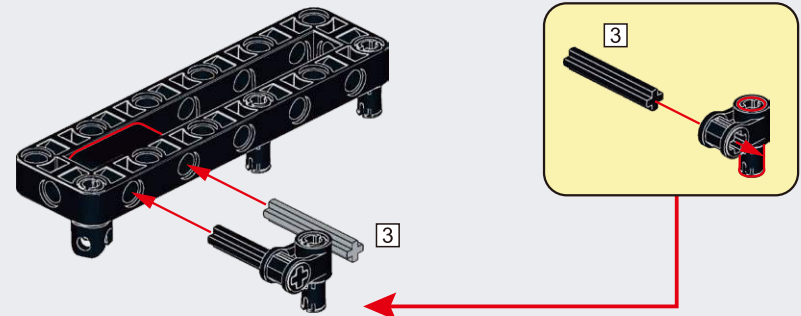
# B59



# B60

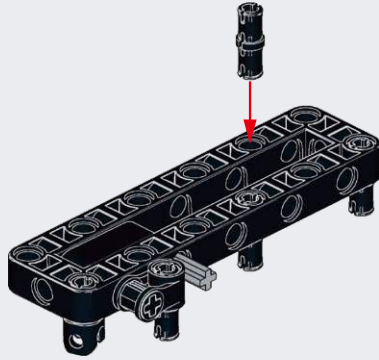


# B61

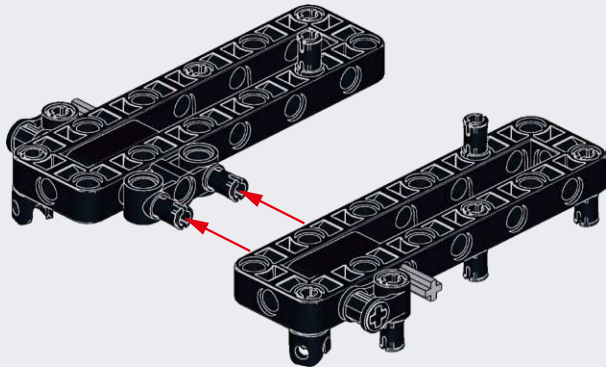




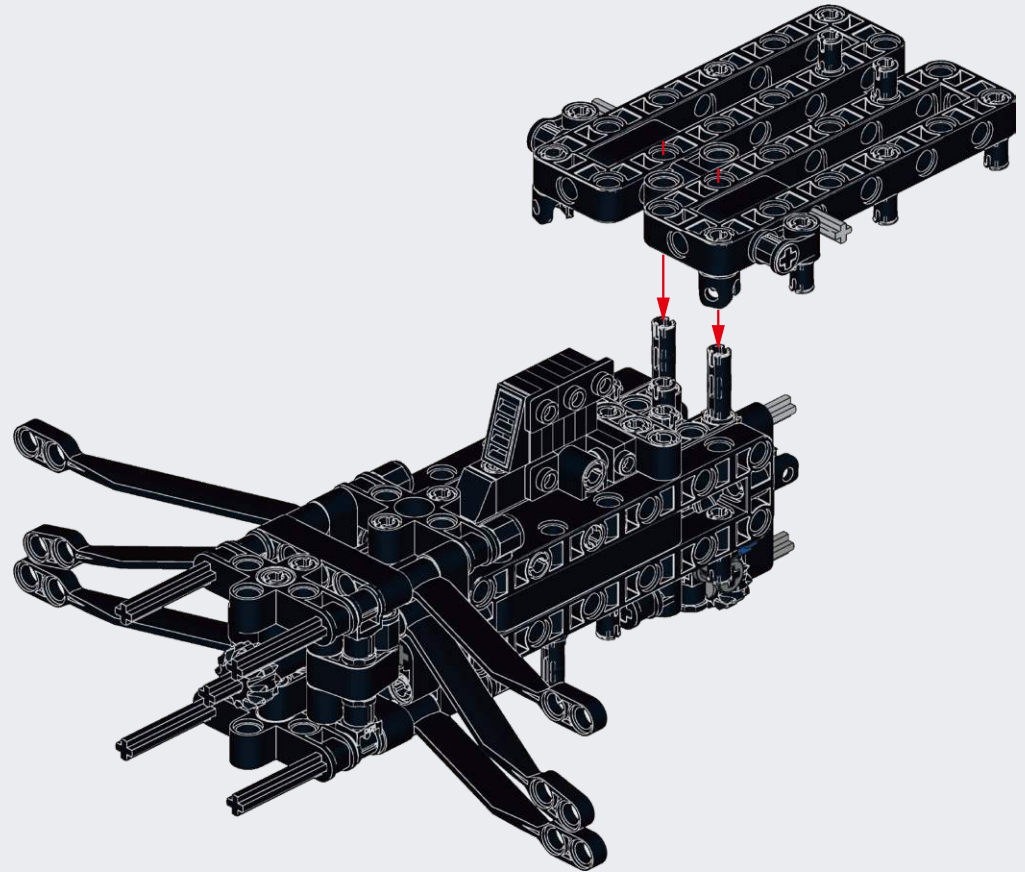
**B62**

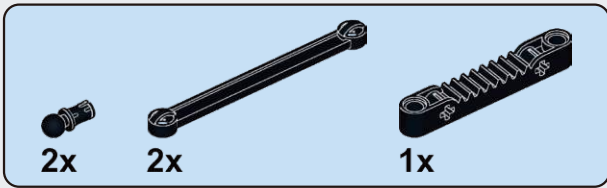


**B63**

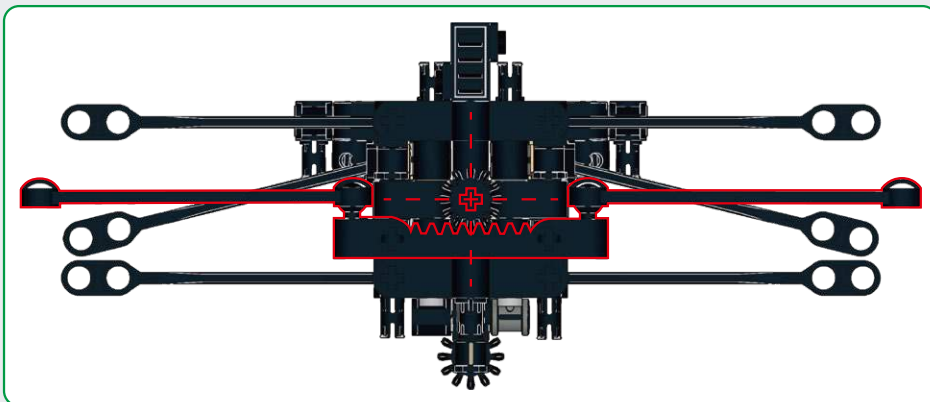
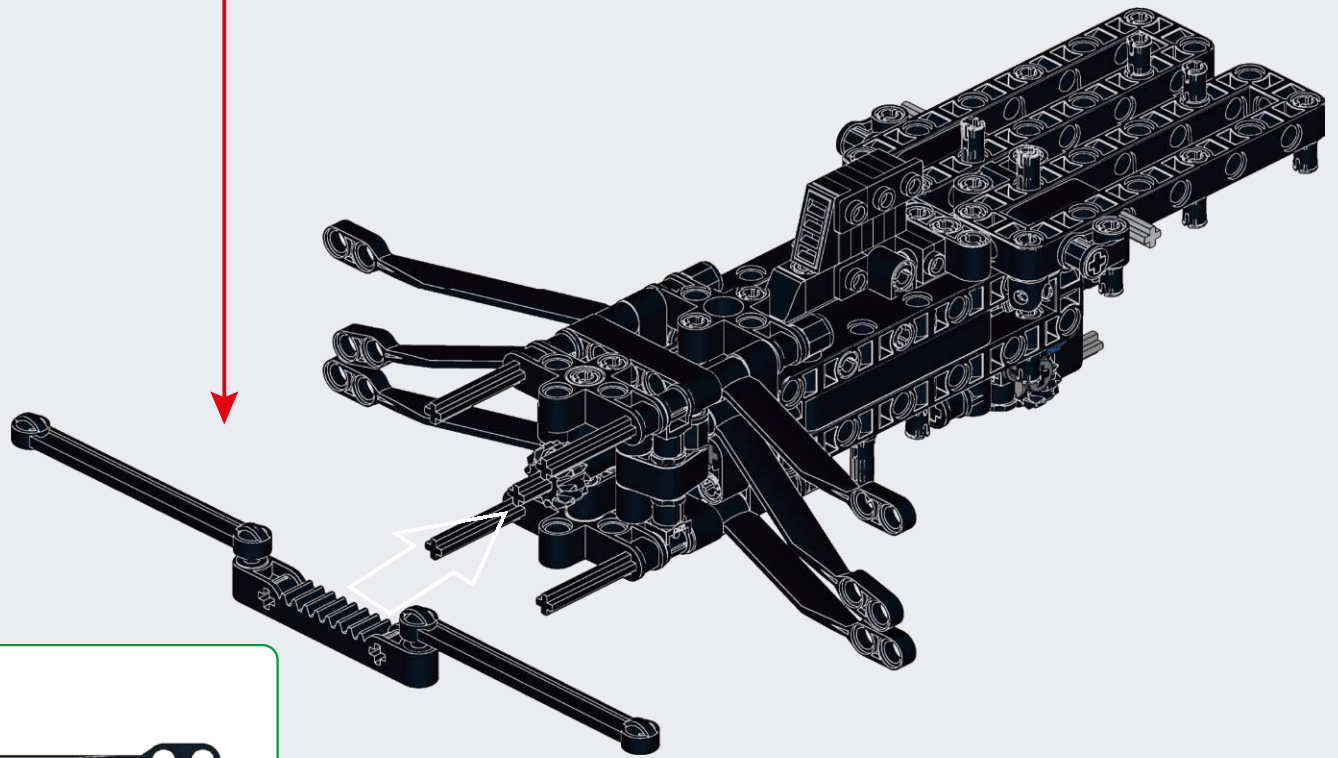
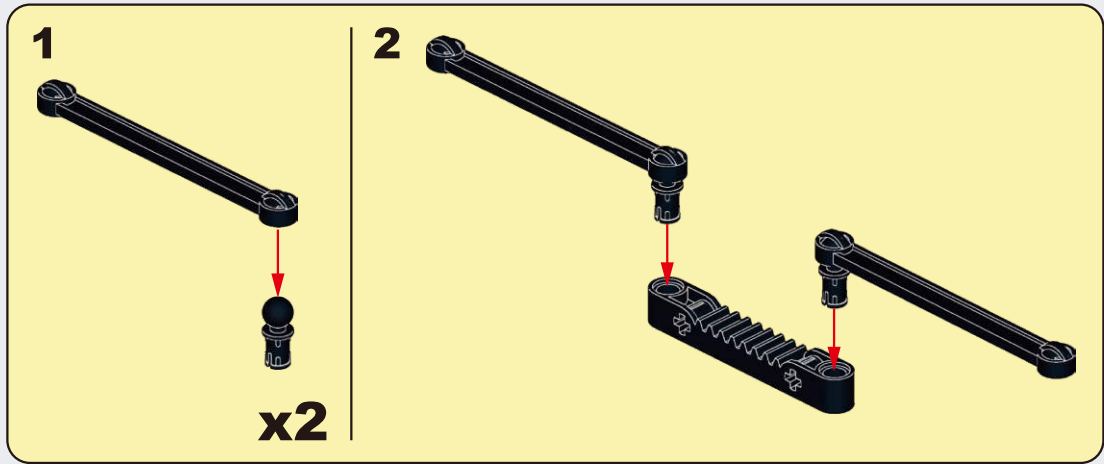


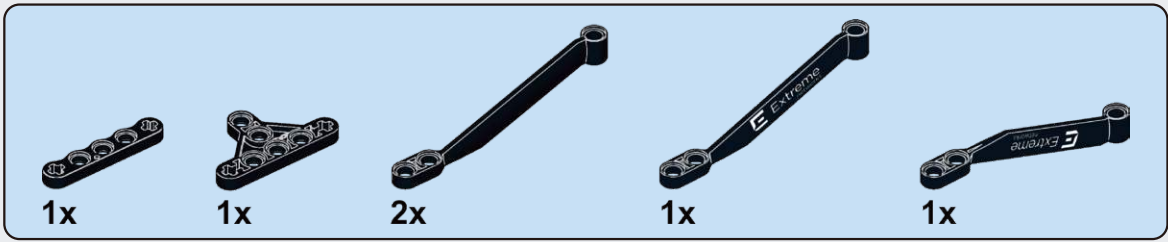
**B64**



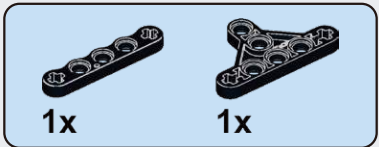
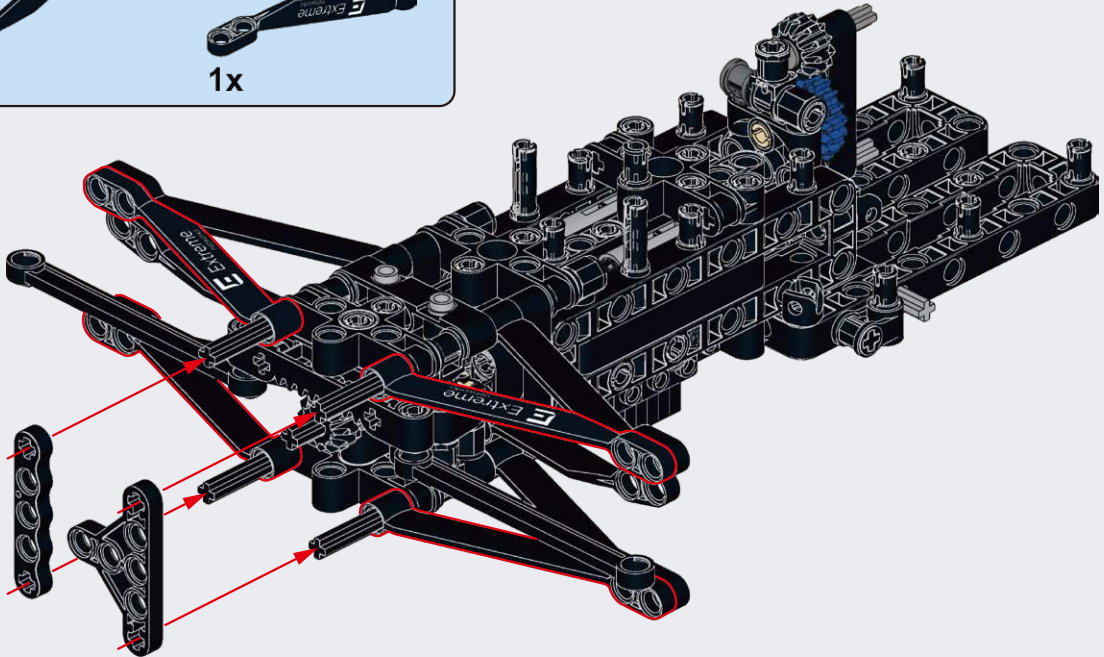
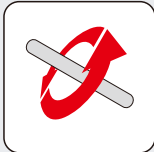


# B65

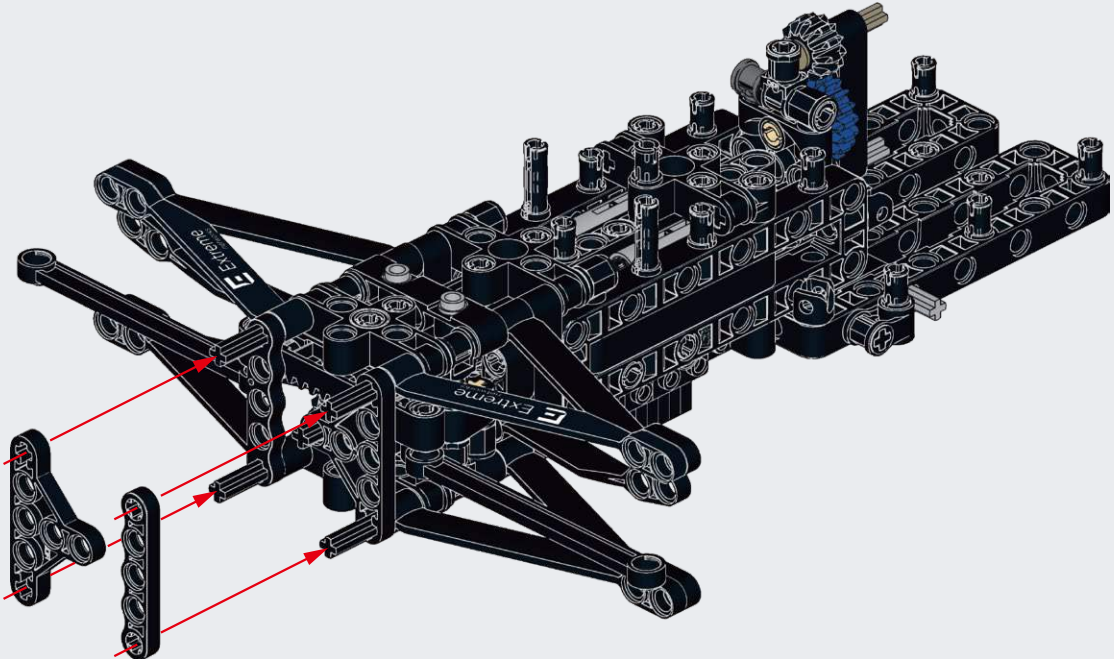


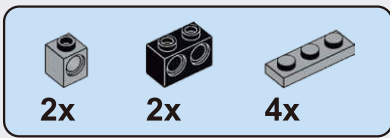


**B66**

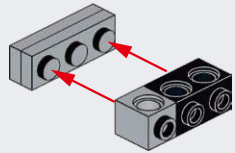


**B67**

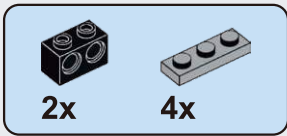




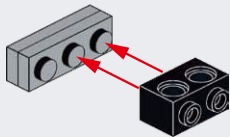
### B68



x2

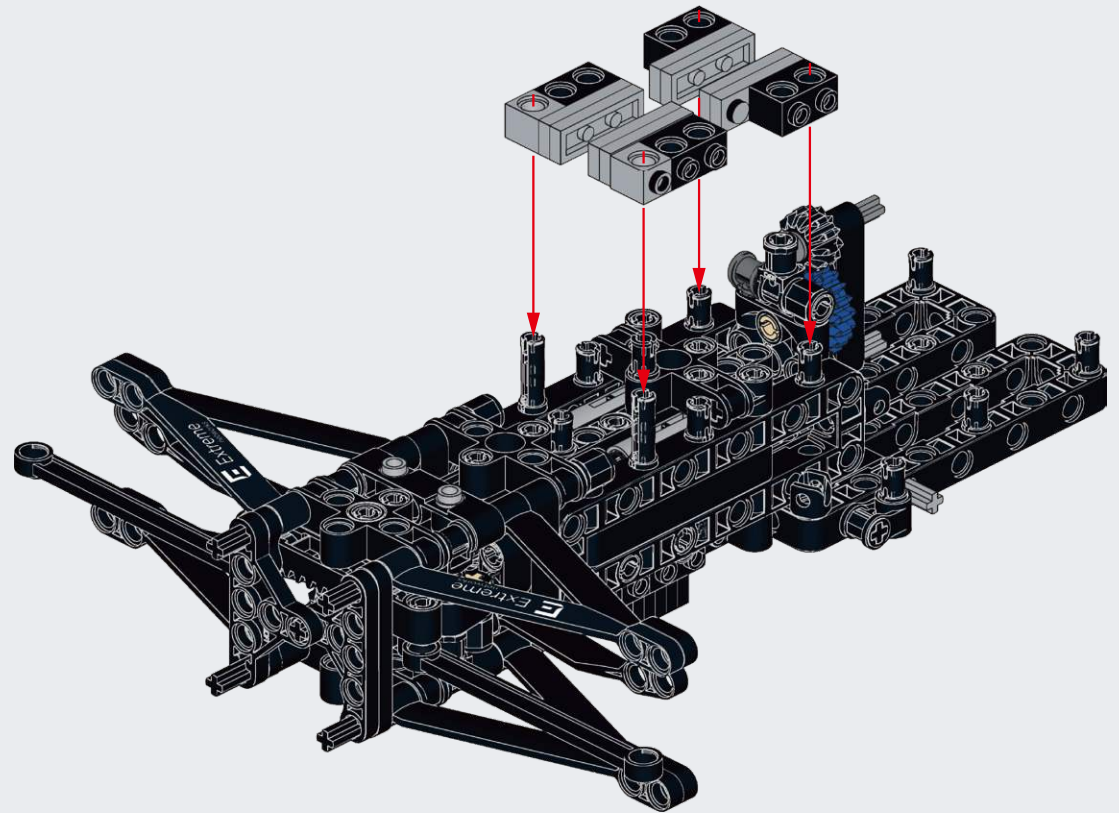


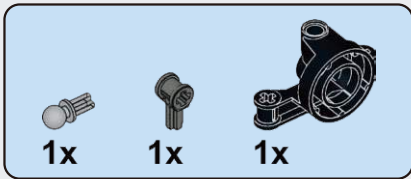
### B69



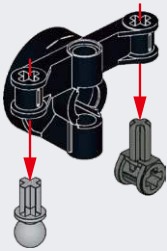
x2

## B70

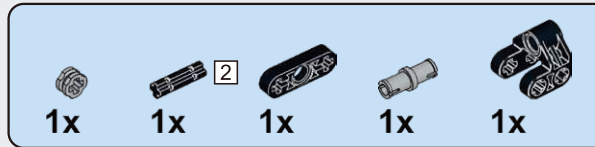
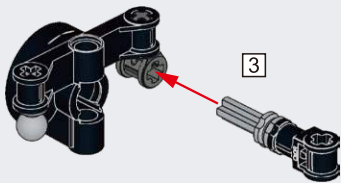




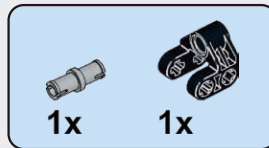
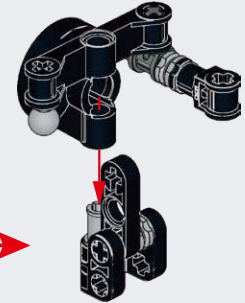
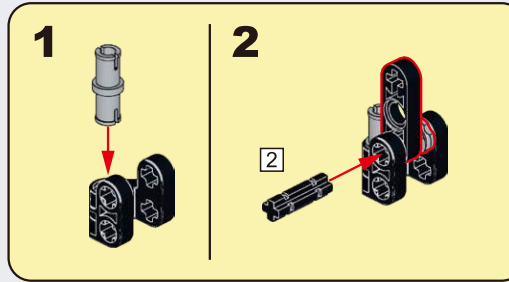
### B71



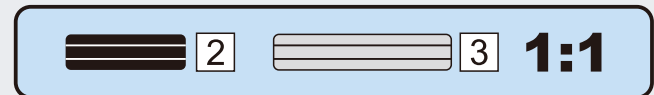
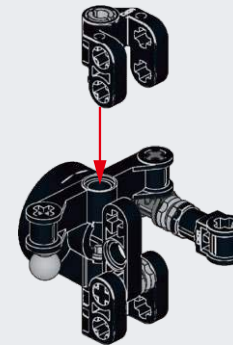
### B72



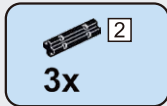
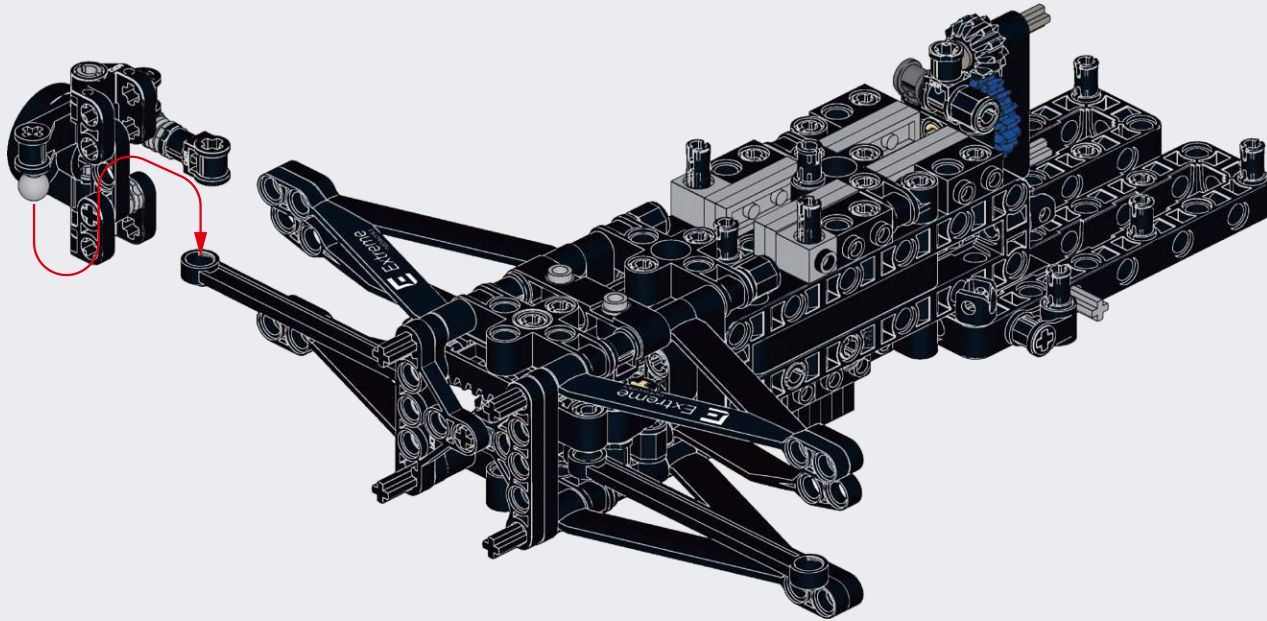
### B73



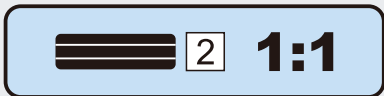
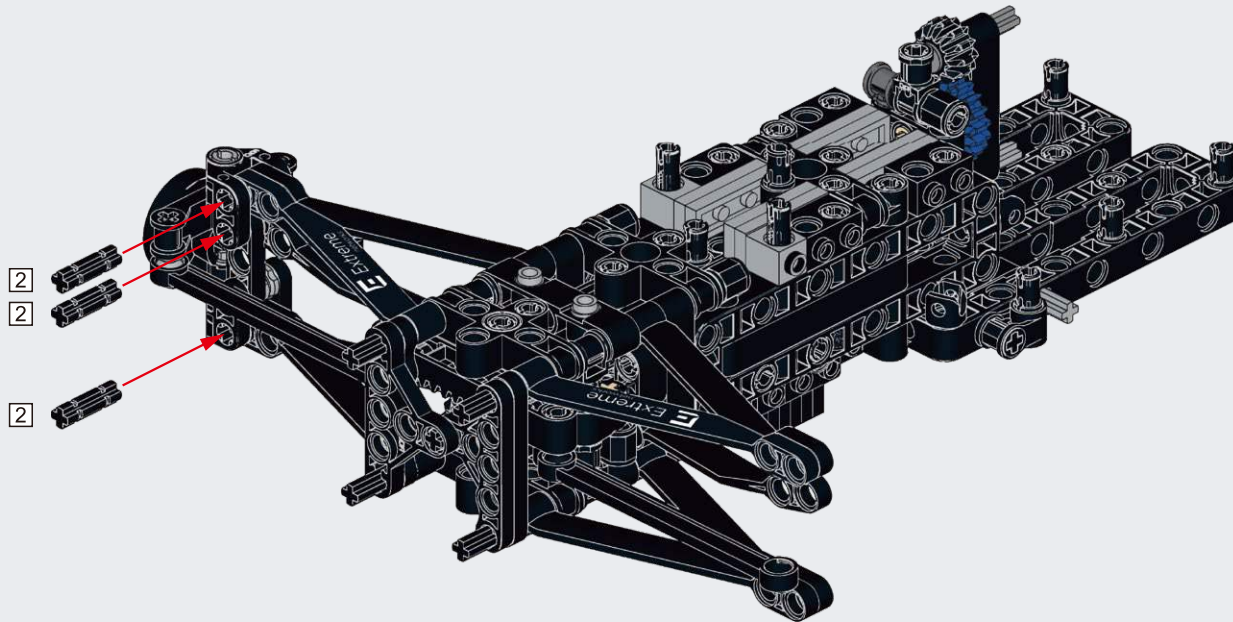
### B74

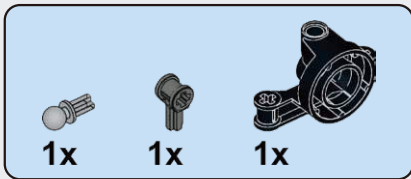


# B75

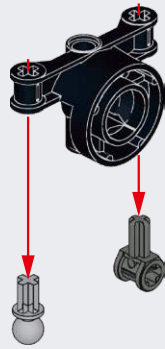


# B76

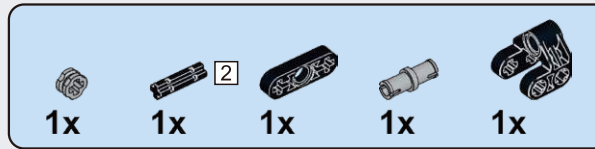
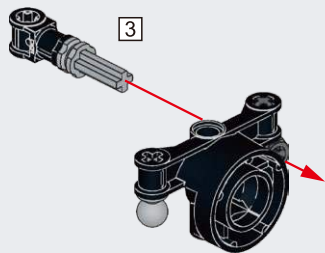




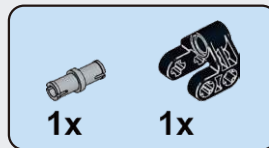
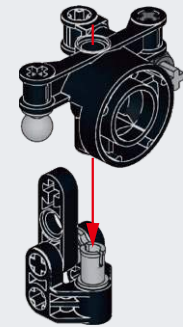
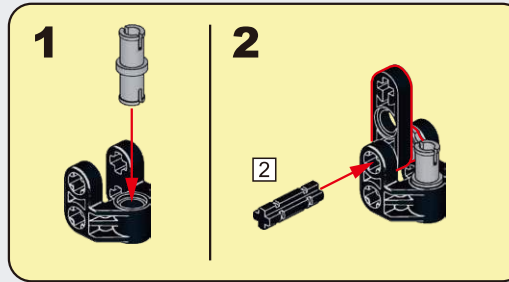
### B77



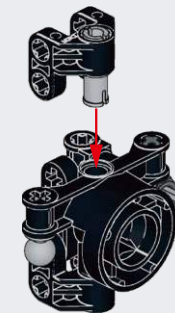
### B78



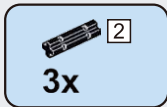
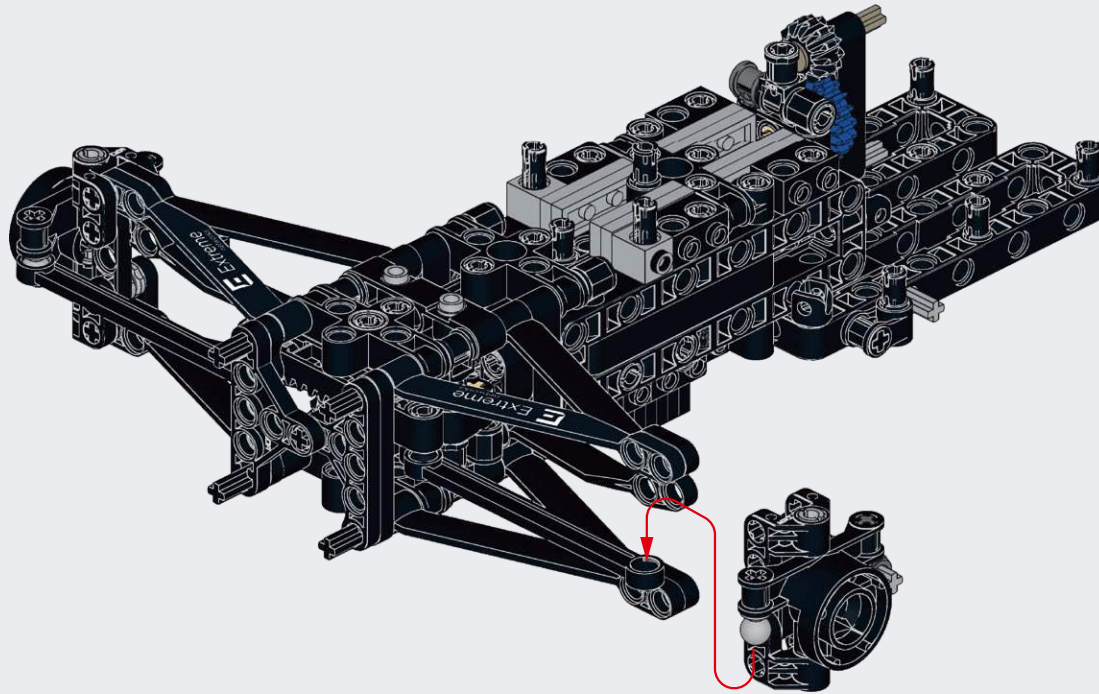
### B79



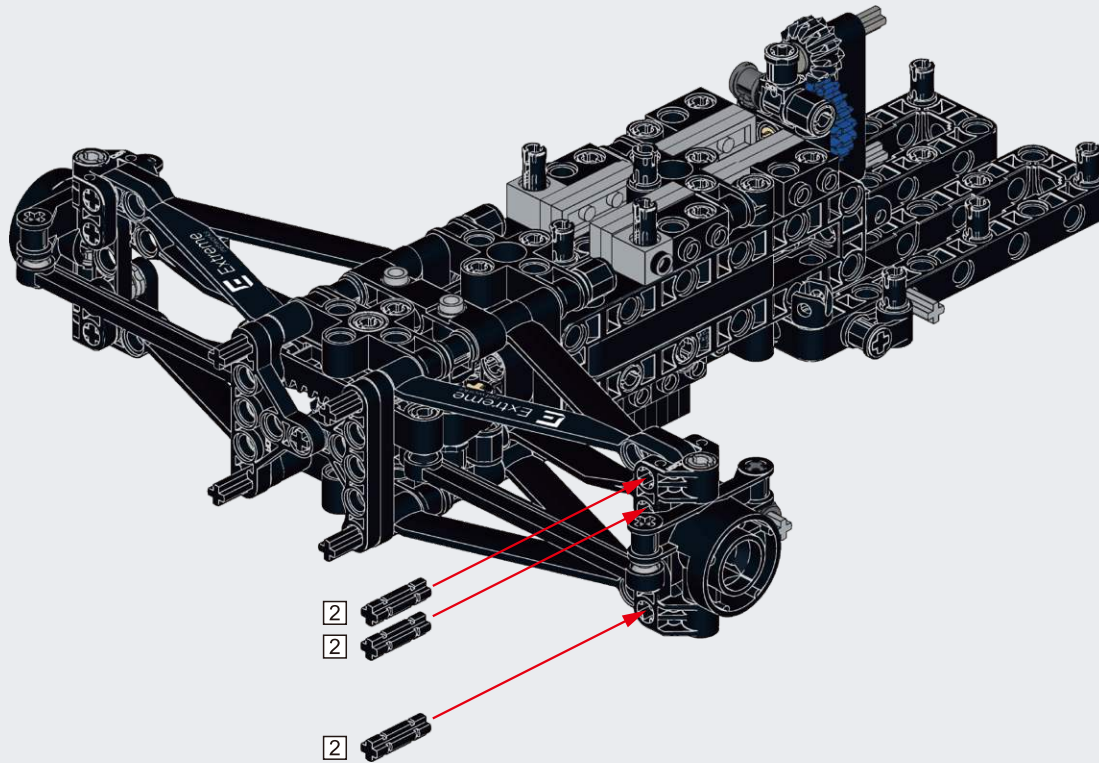
### B80

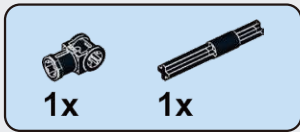


**B81**

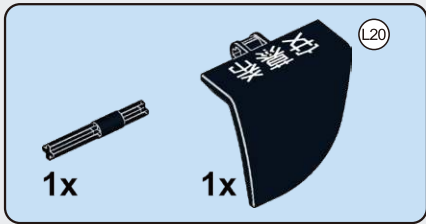


**B82**

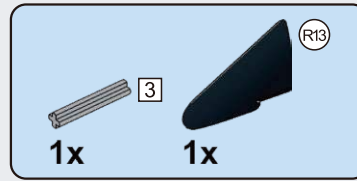
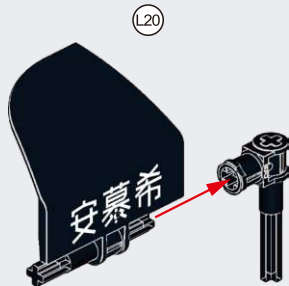




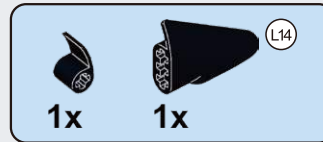
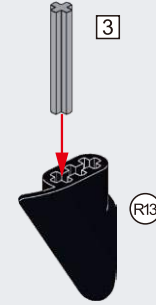
### B83



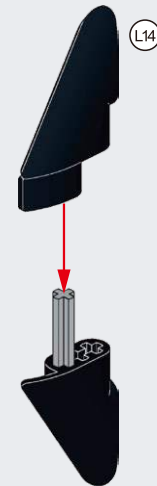
### B84

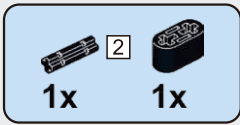


### B85

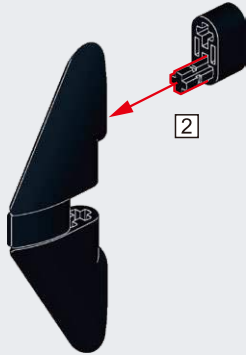


### B86

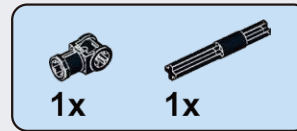
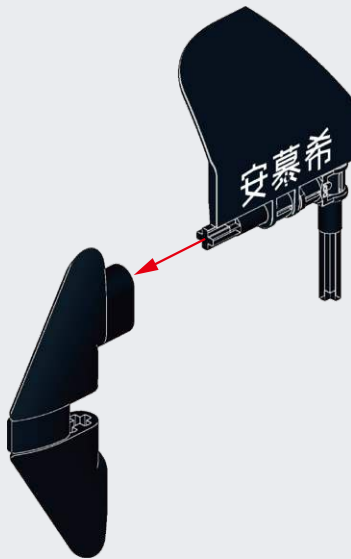




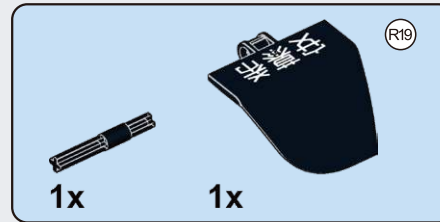
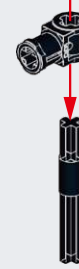
### B87



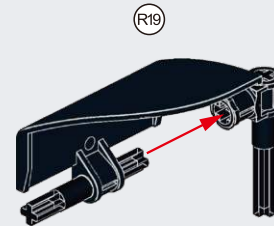
### B88

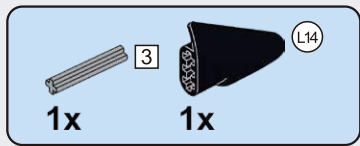


### B89

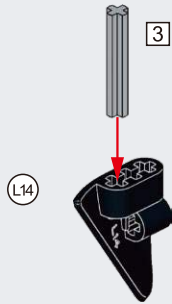


### B90

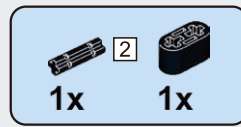
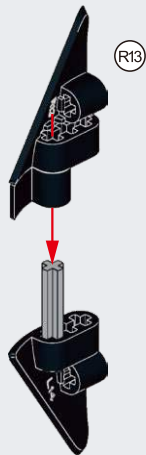




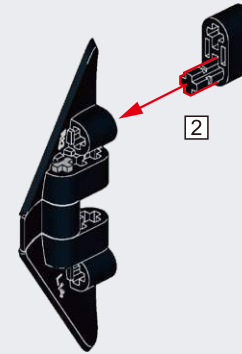
# B91



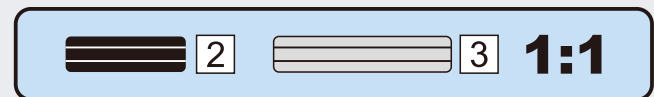
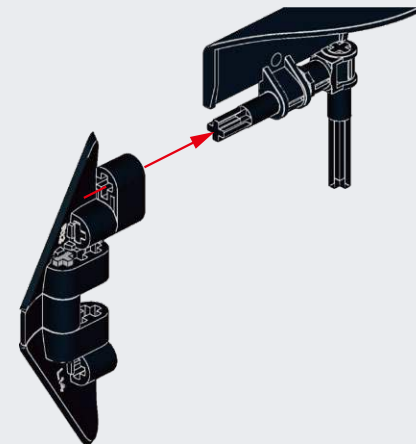
# B92



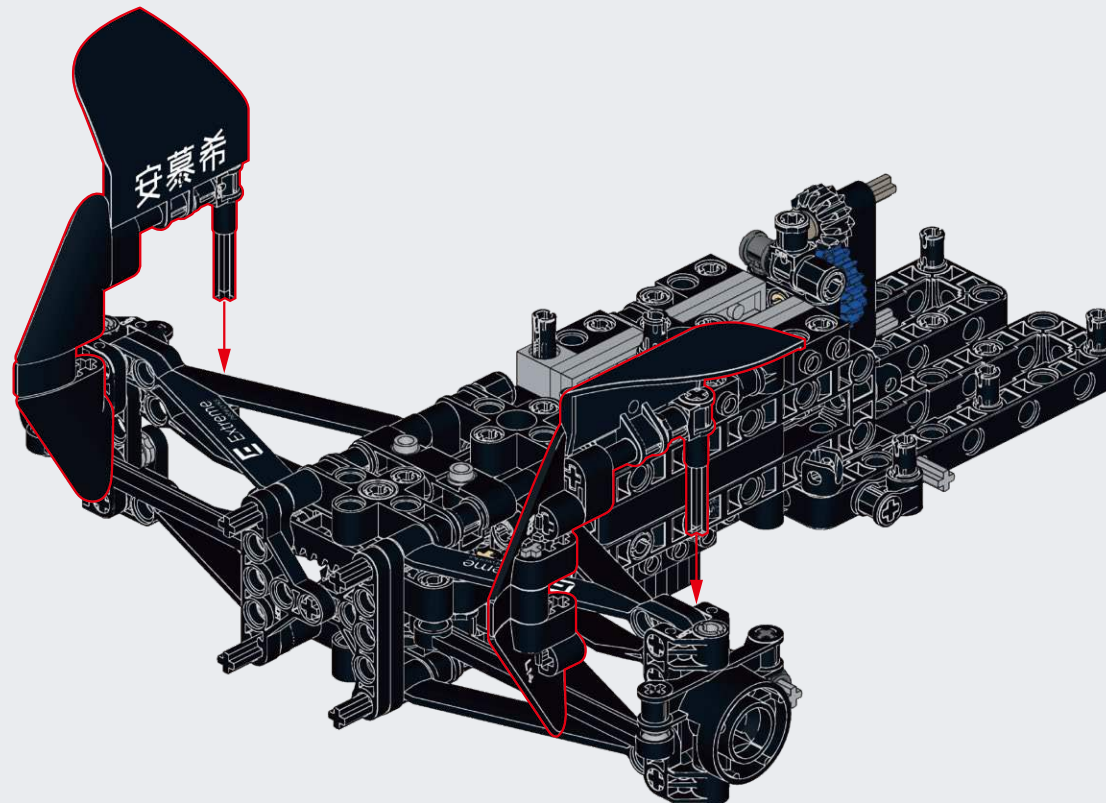
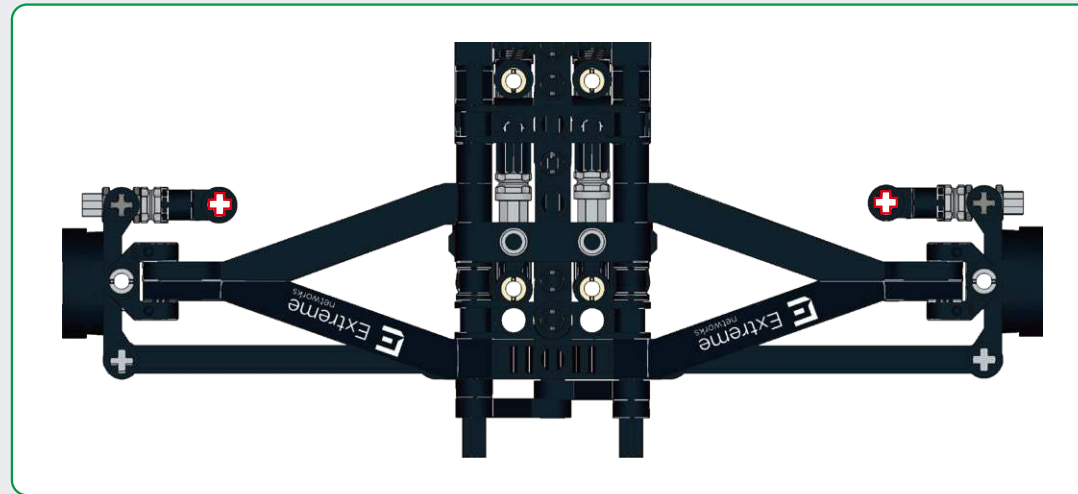
# B93

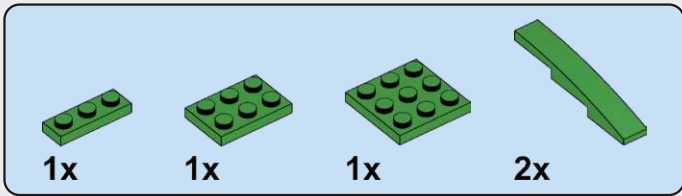


# B94

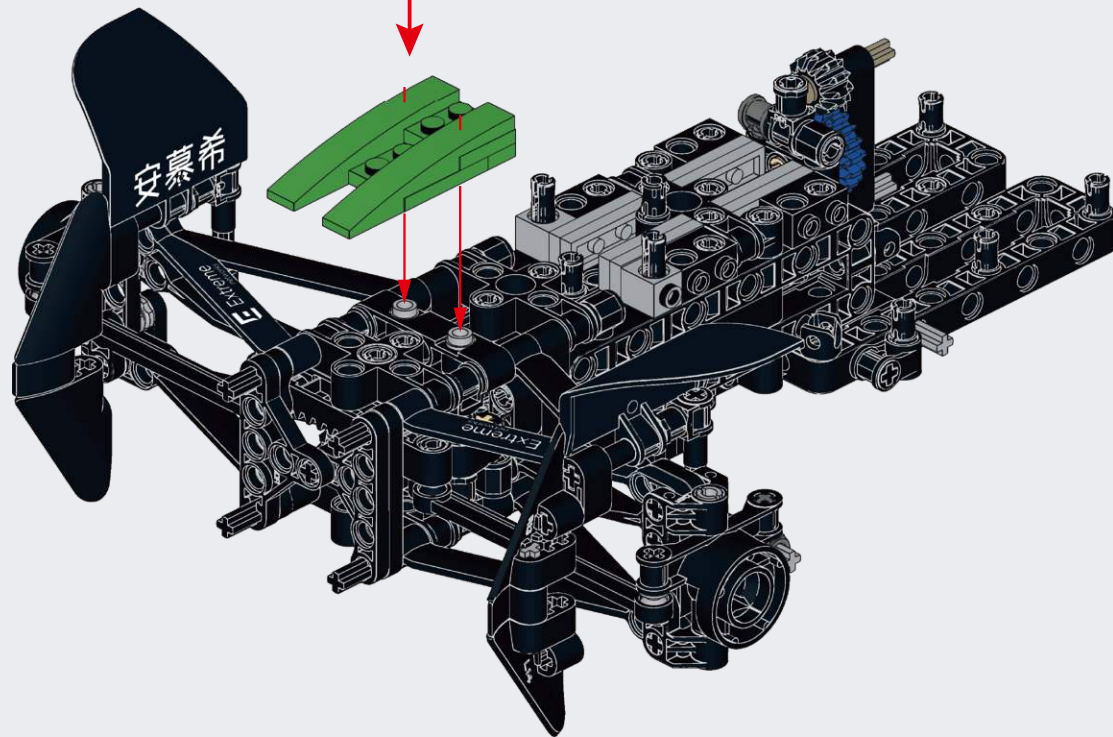
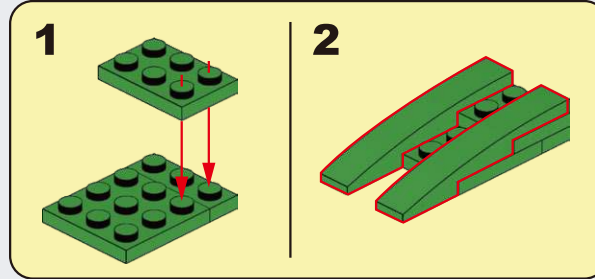


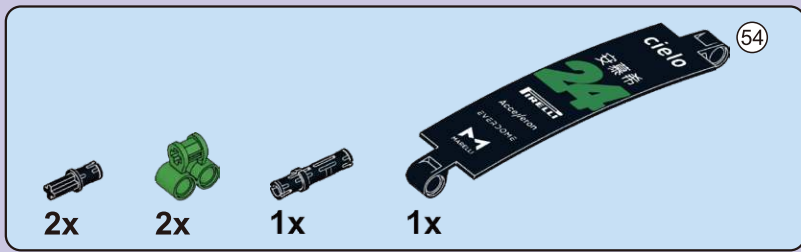
B95



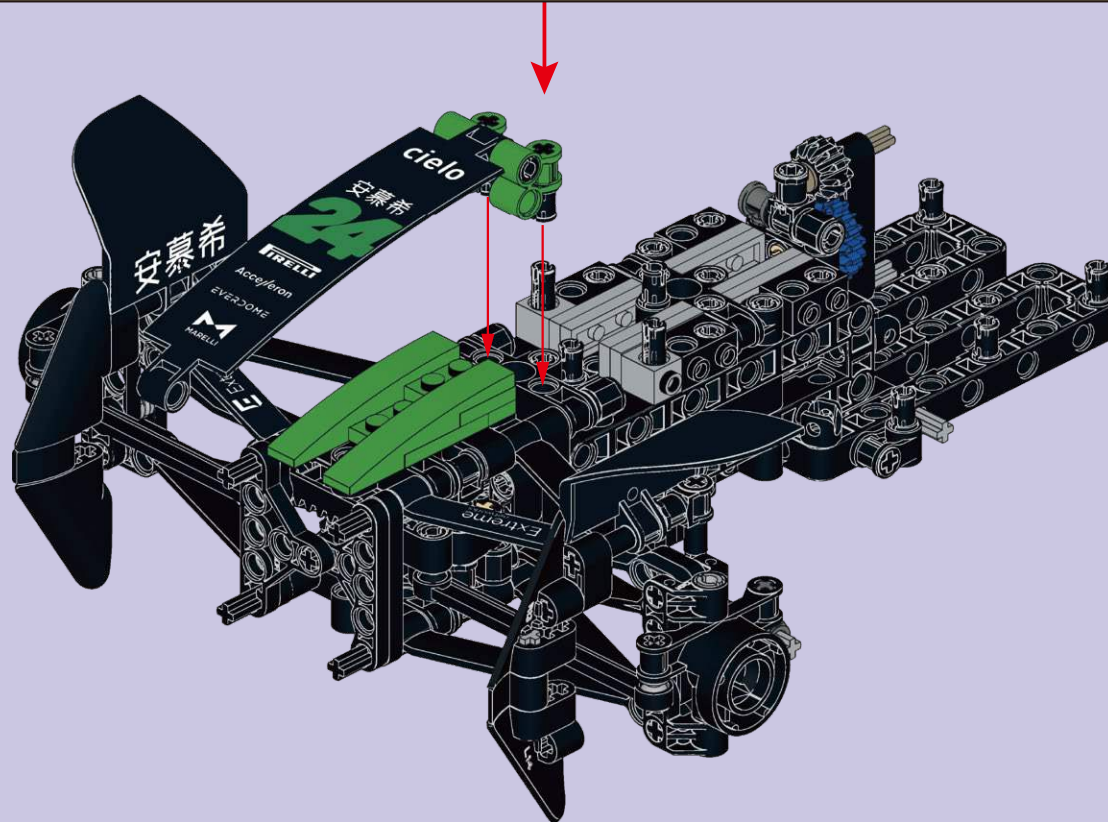
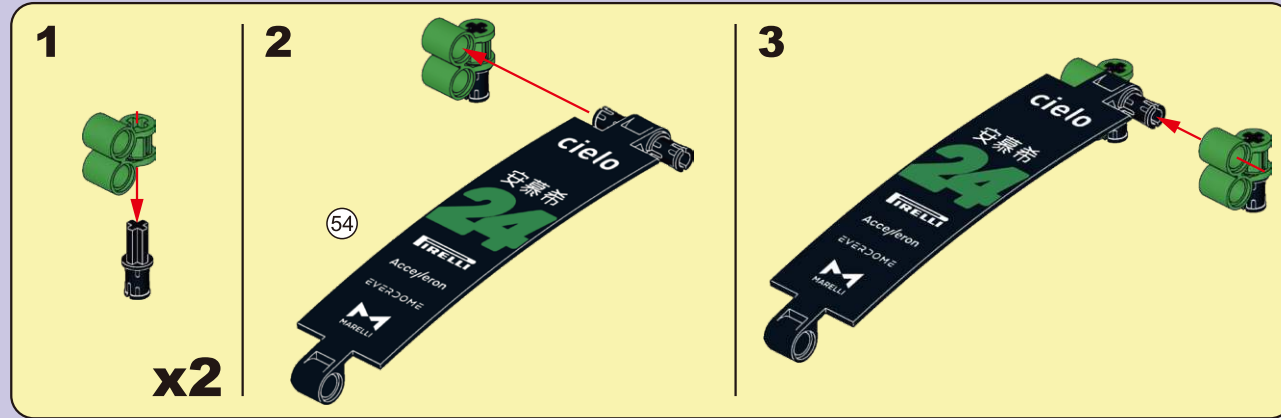


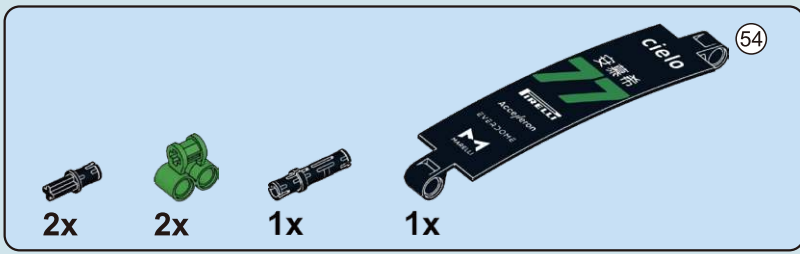
# B96



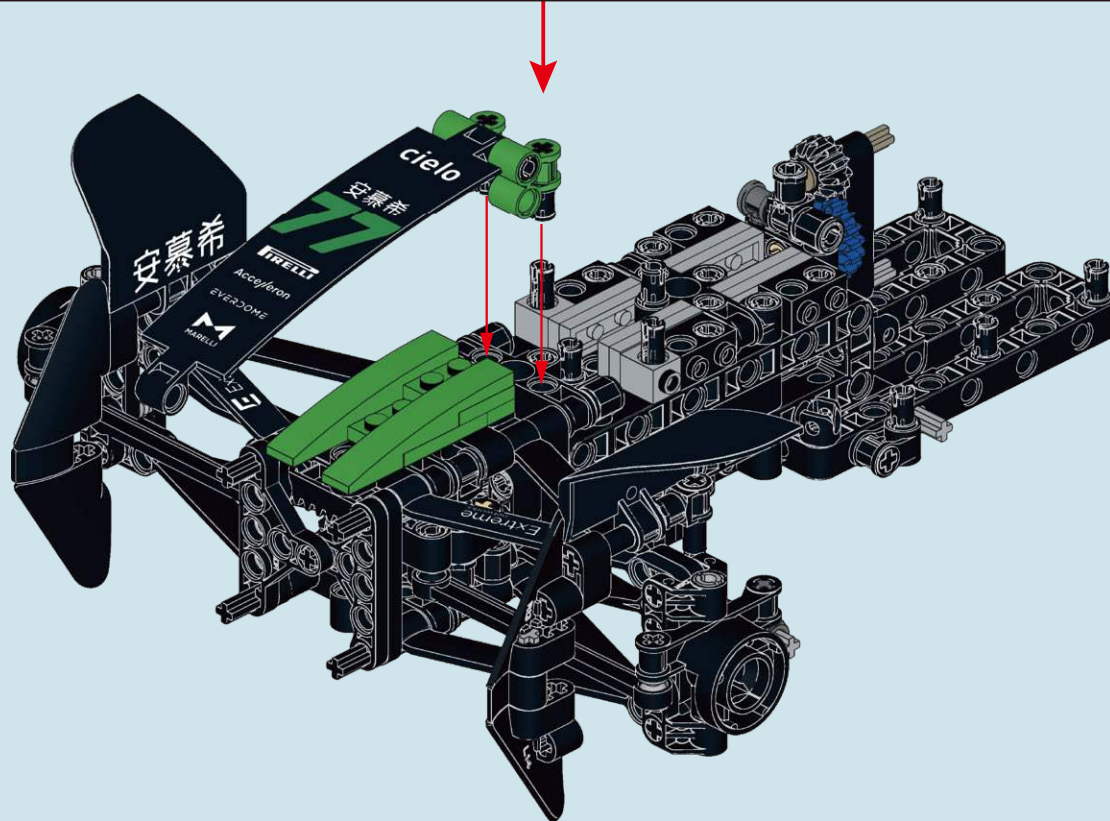
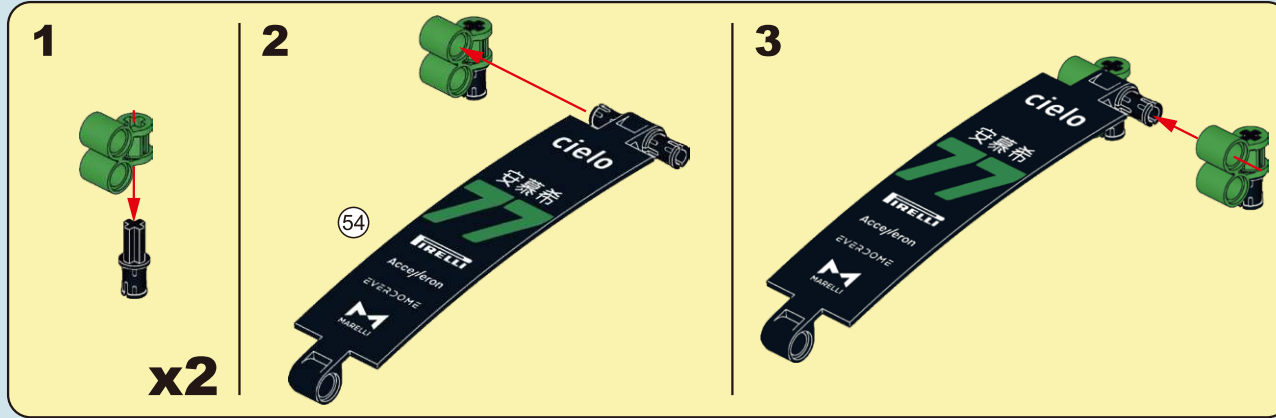


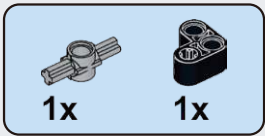
# B97



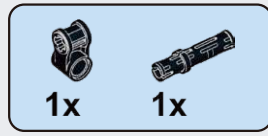
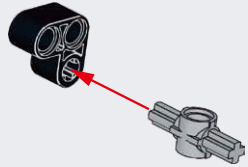


# B97

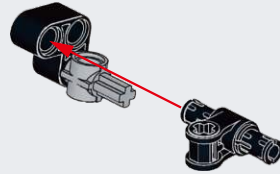




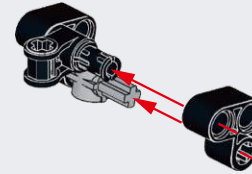
**B98**



**B99**



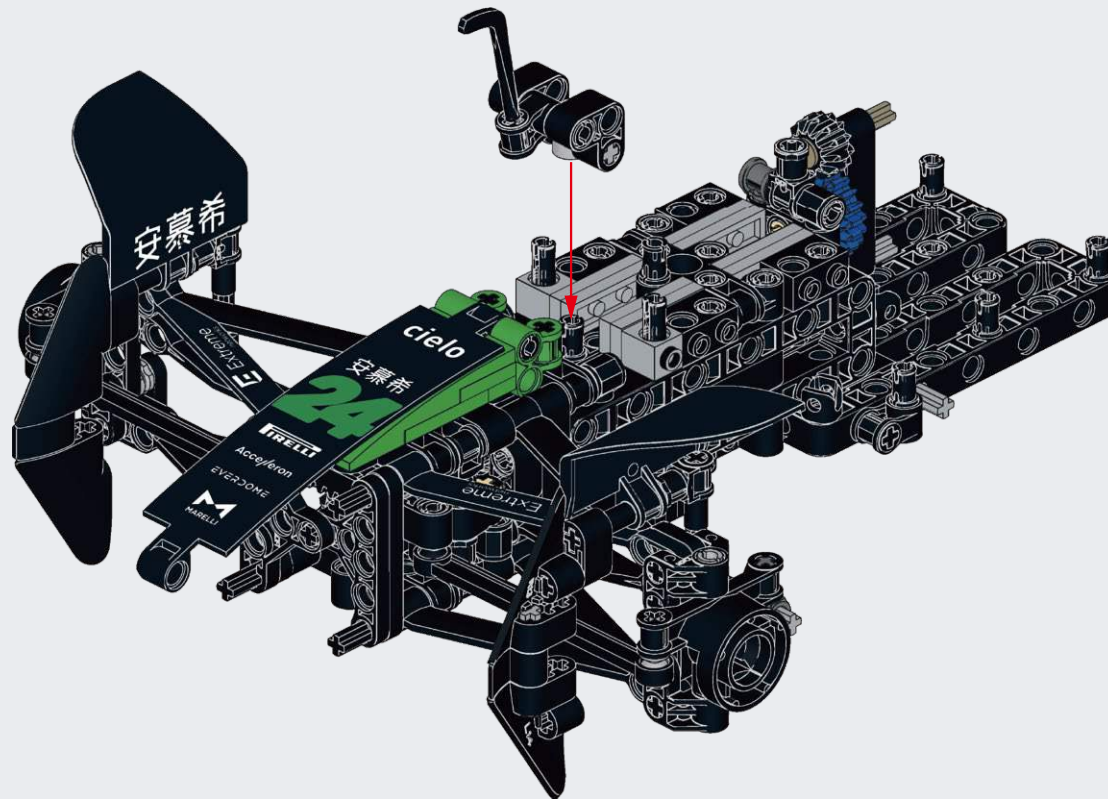
**B100**

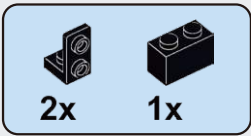


**B101**

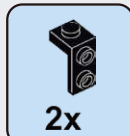
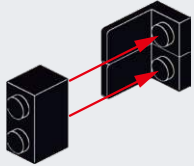


**B102**

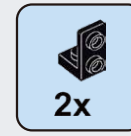
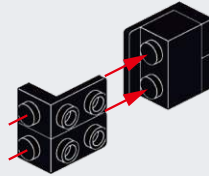




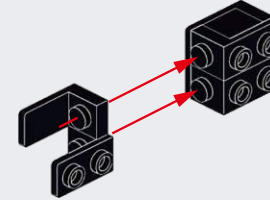
### B103



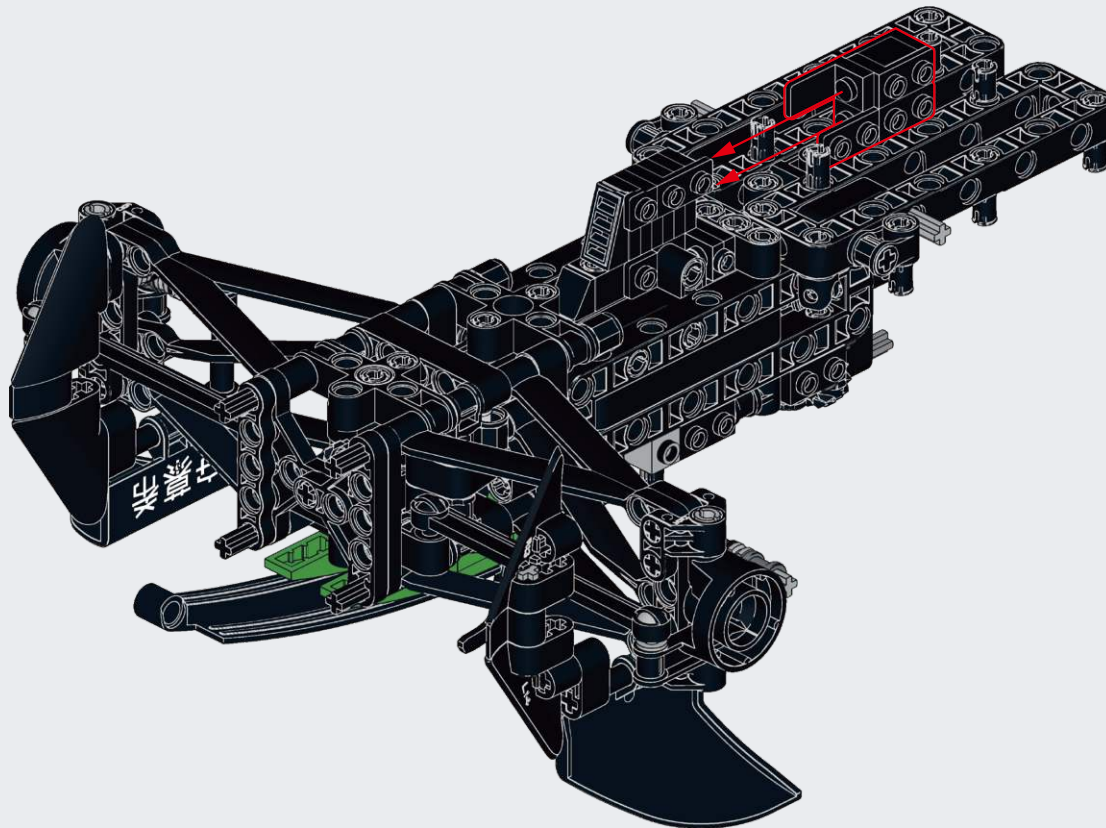
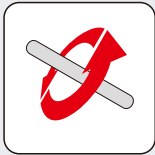
### B104

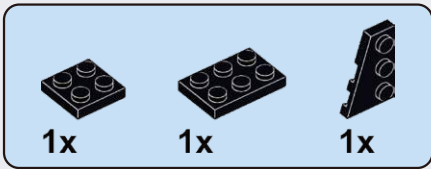


### B105

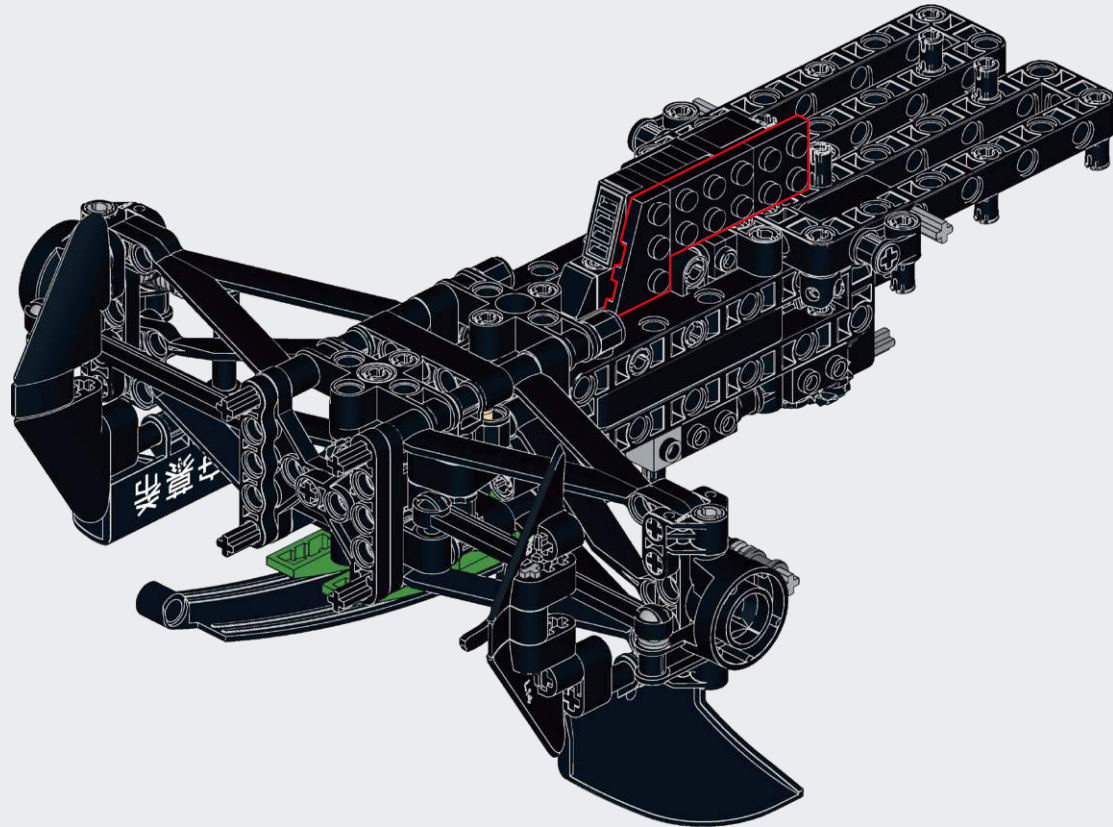


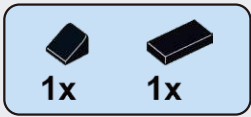
### B106



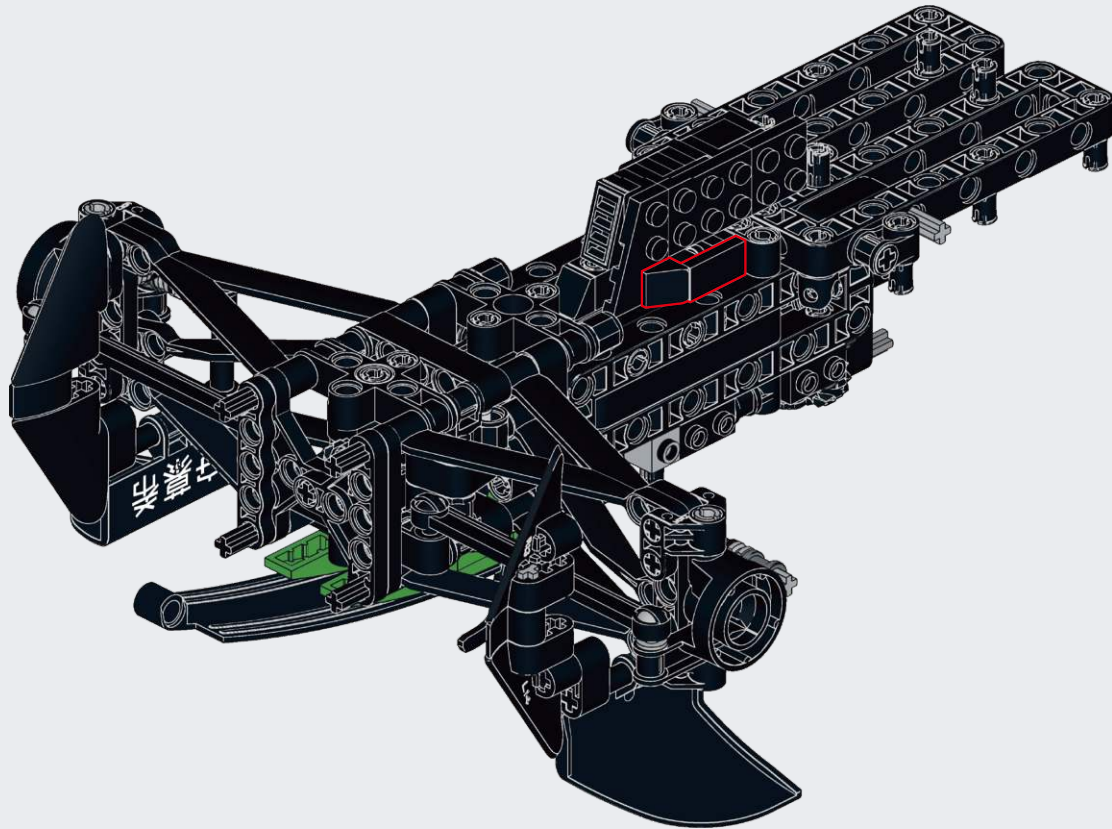


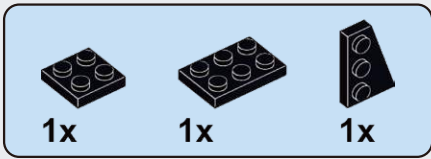
# B107



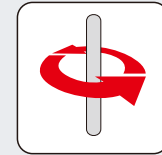
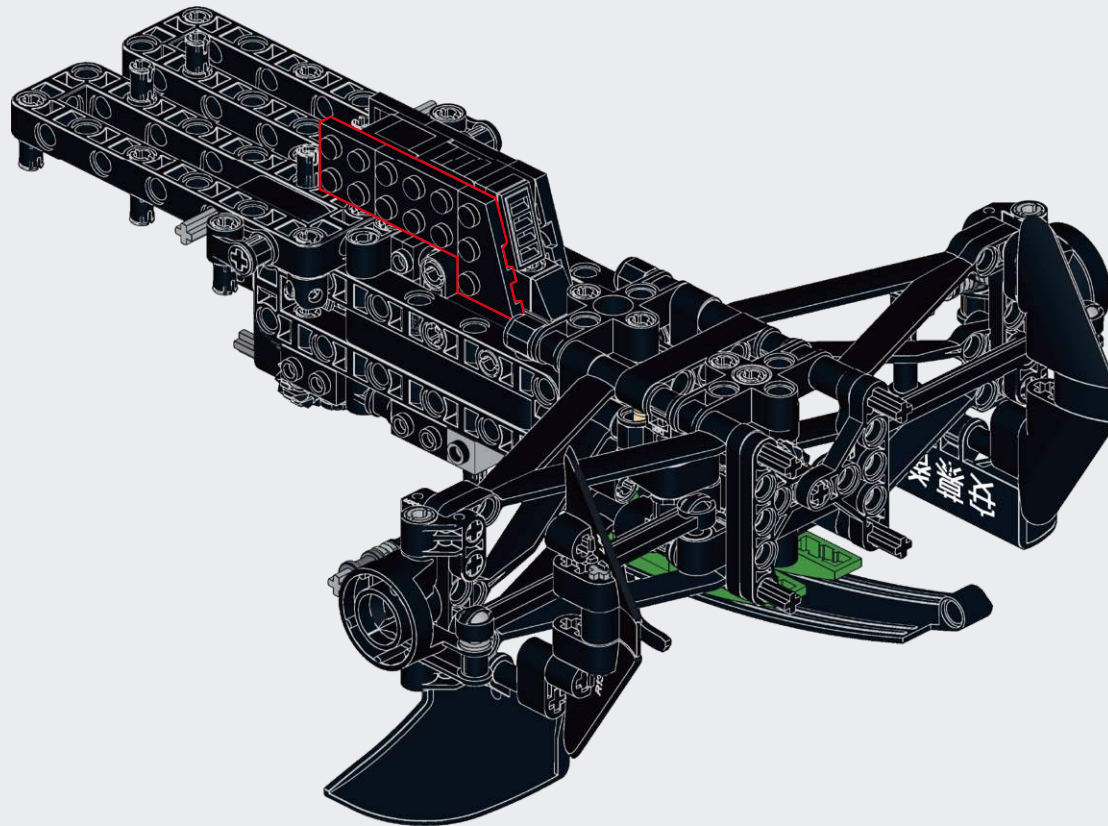


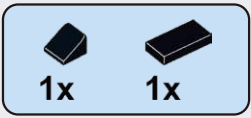
# B108



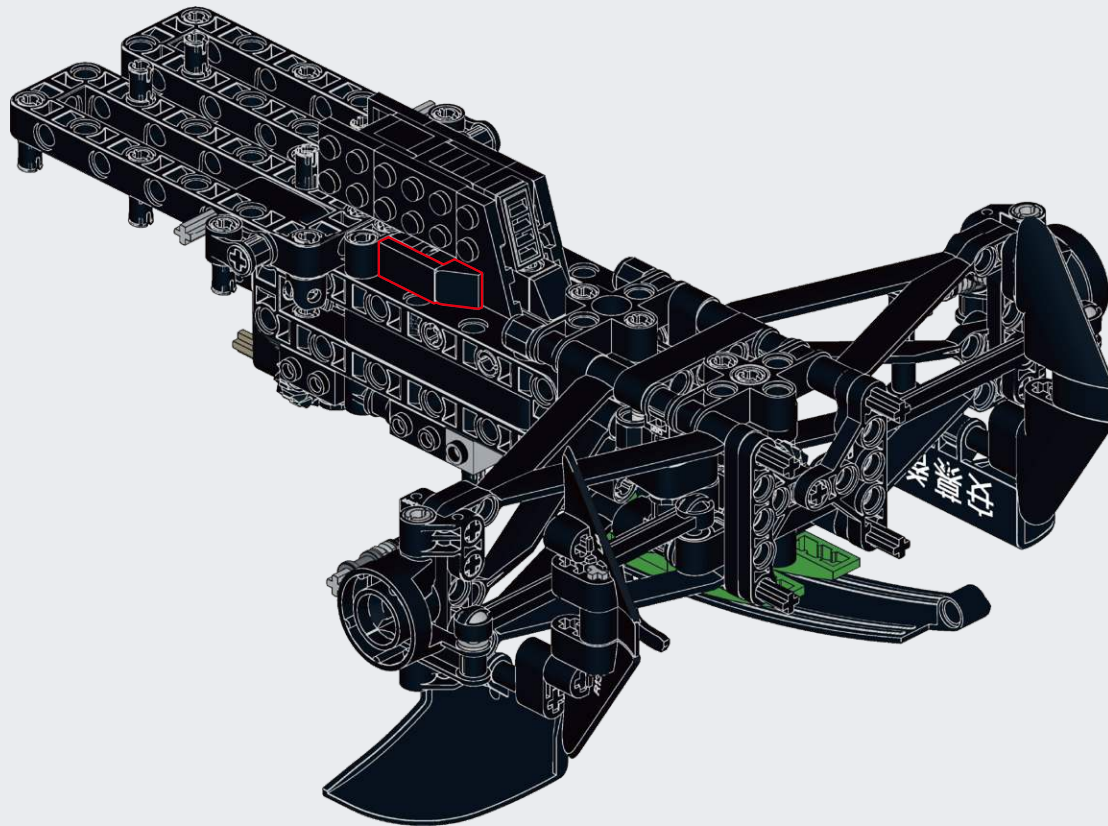


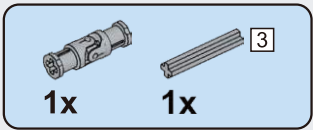
# B109



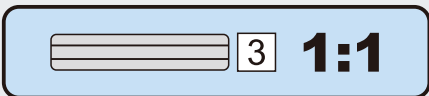
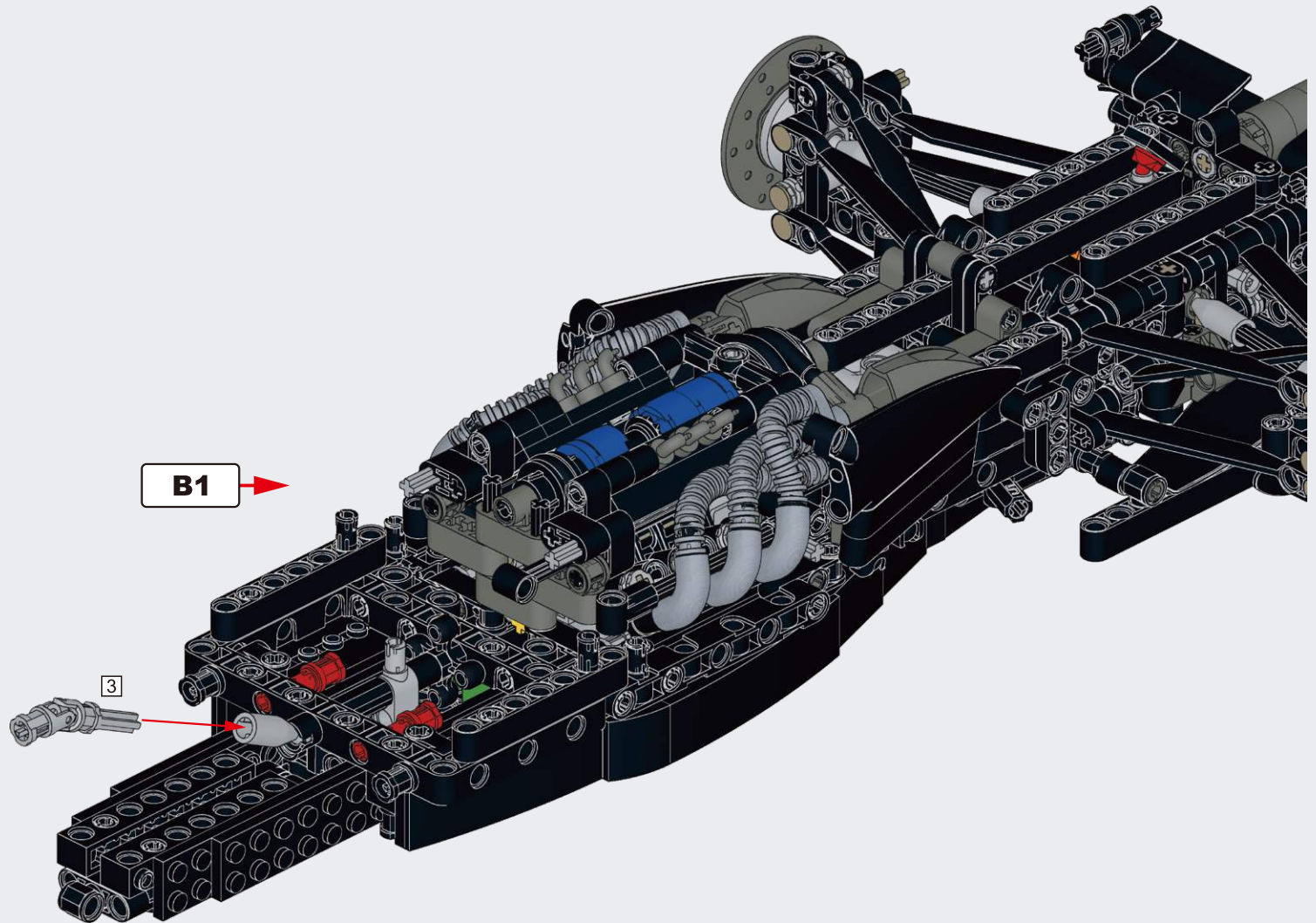


# B110

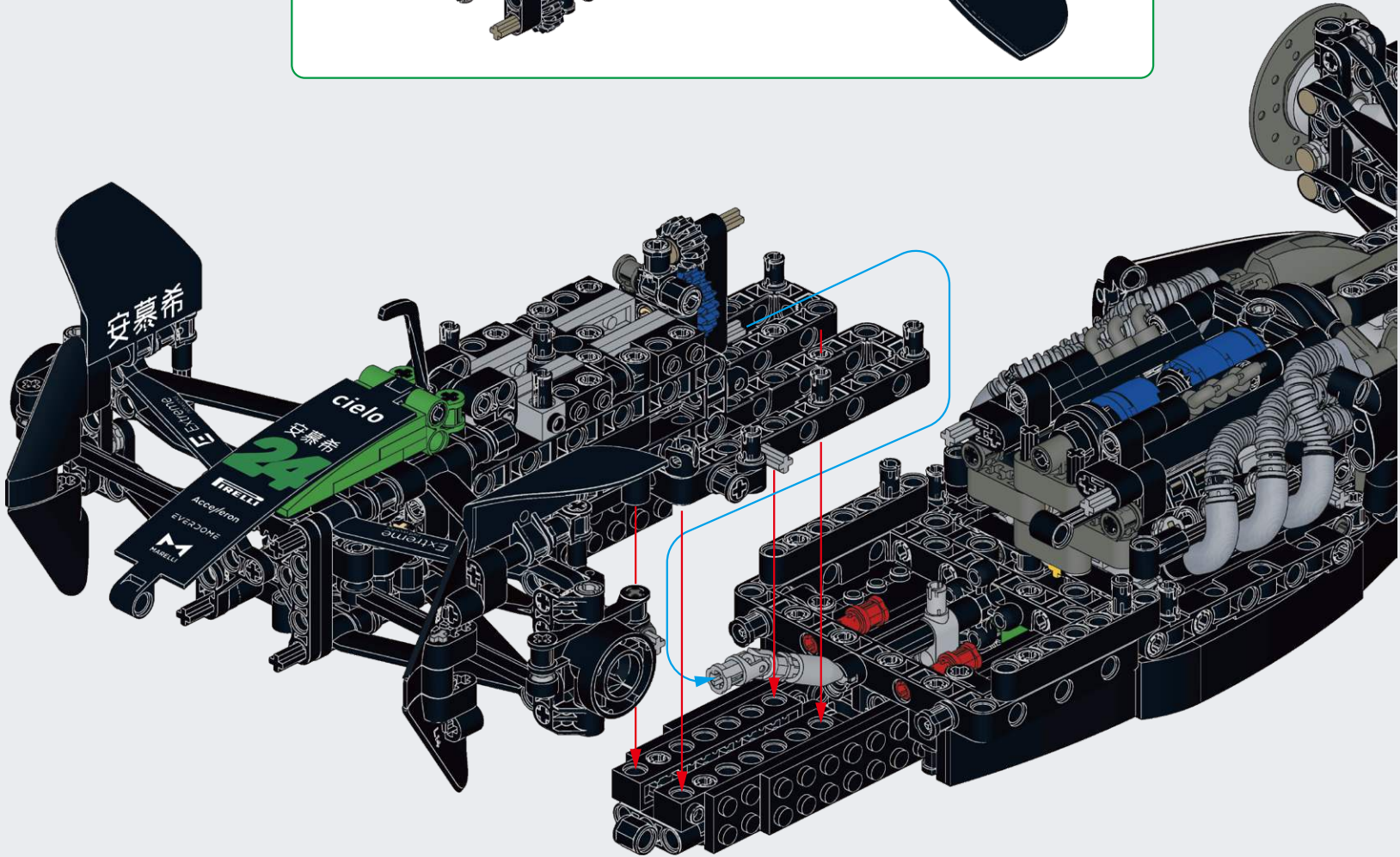
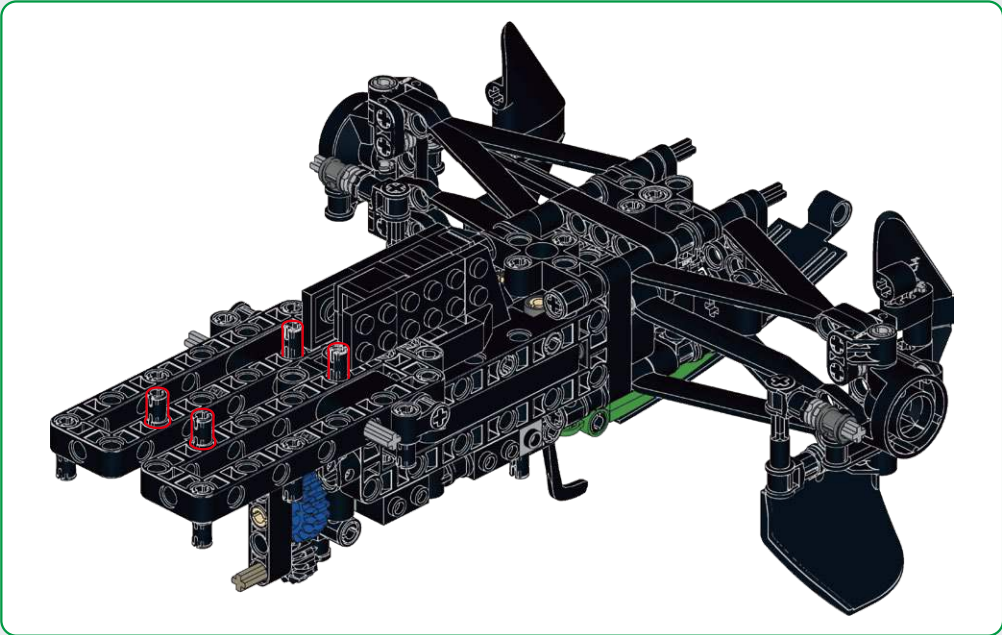




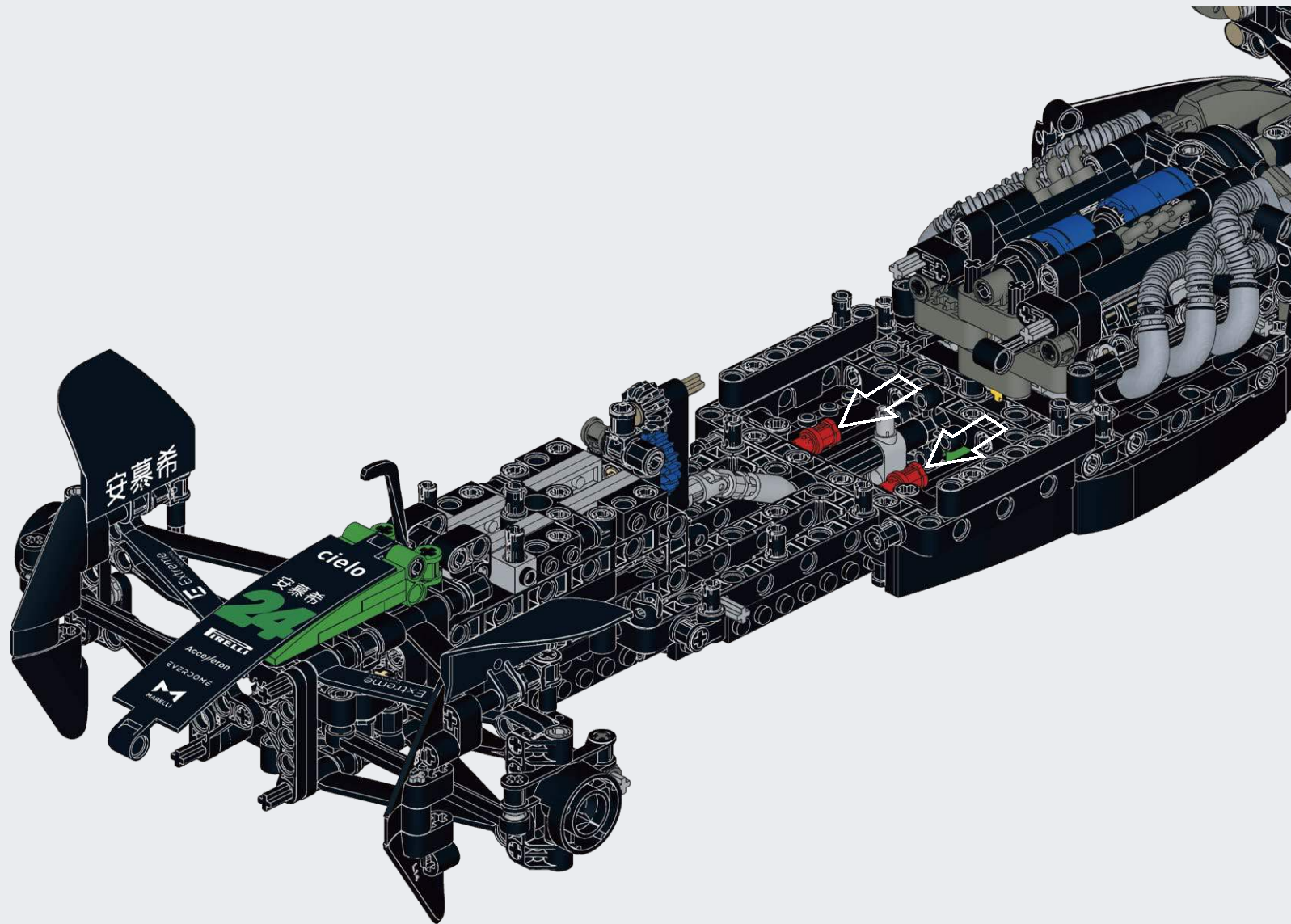
# B111

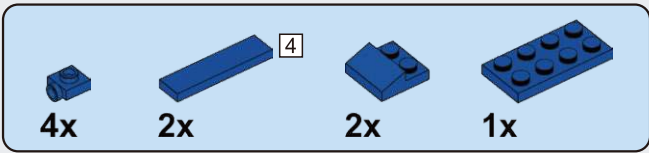


B112

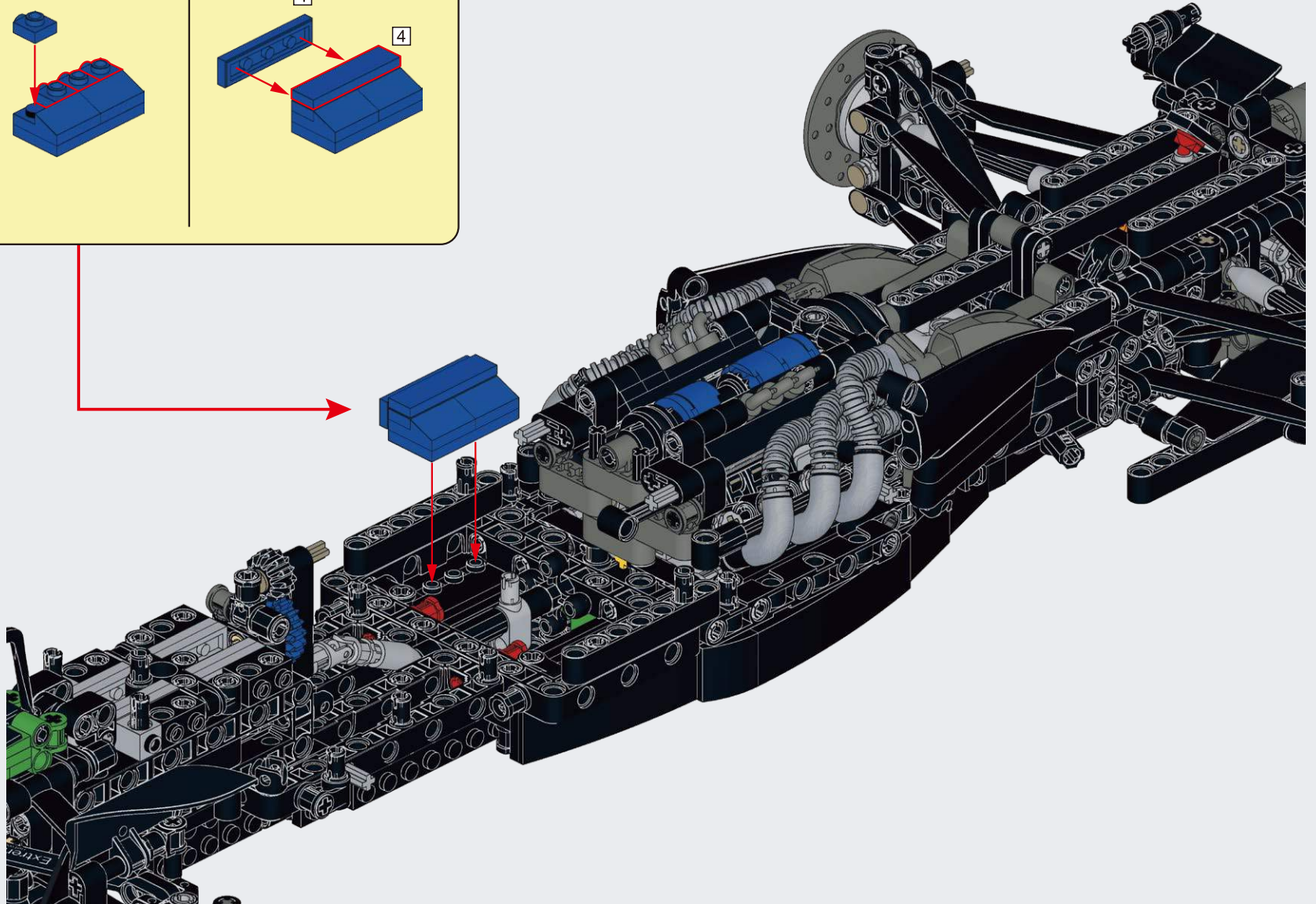
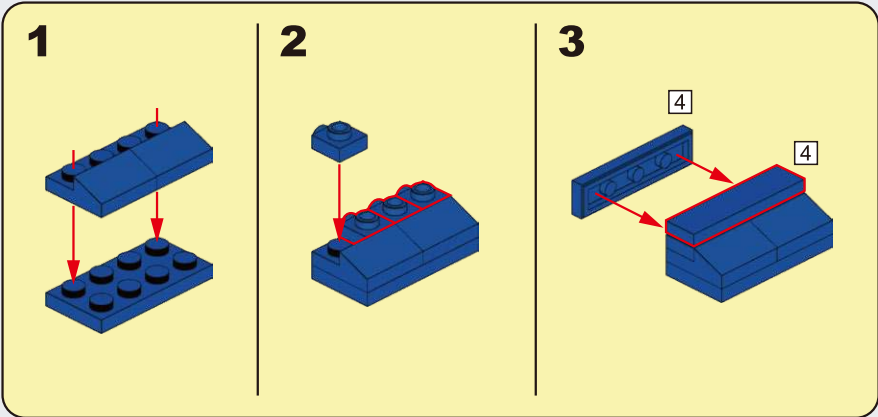


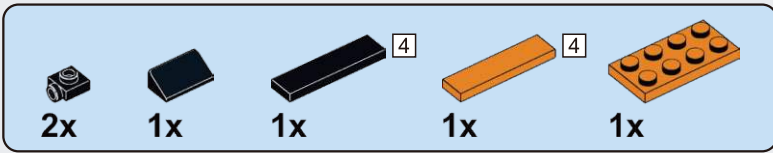
B113



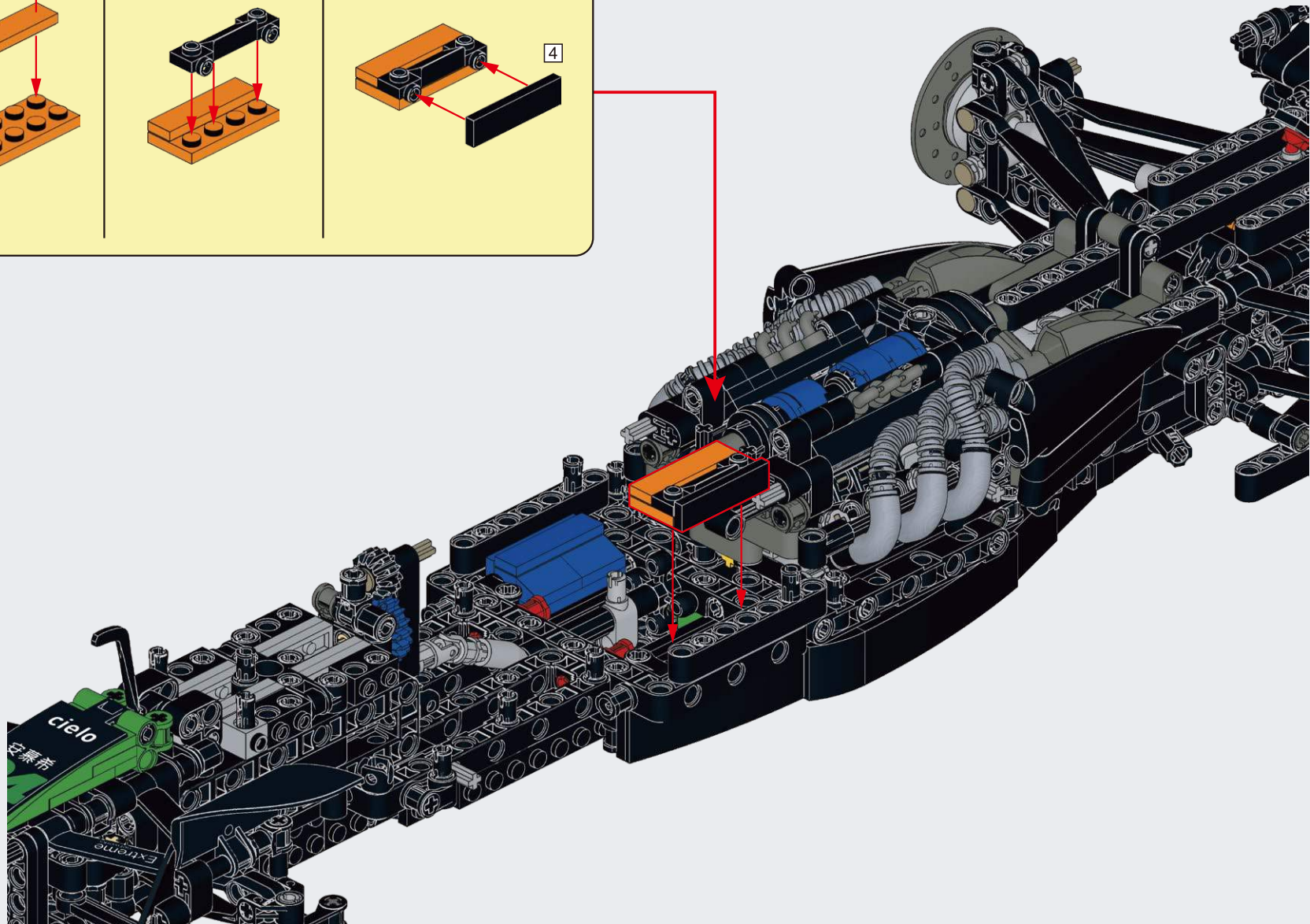
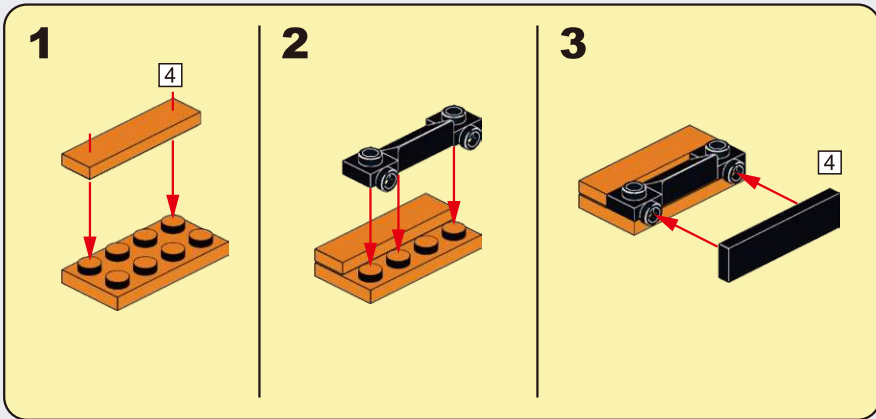


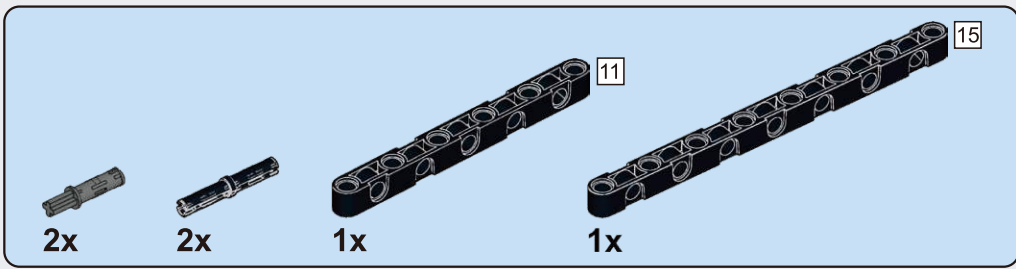
# B114



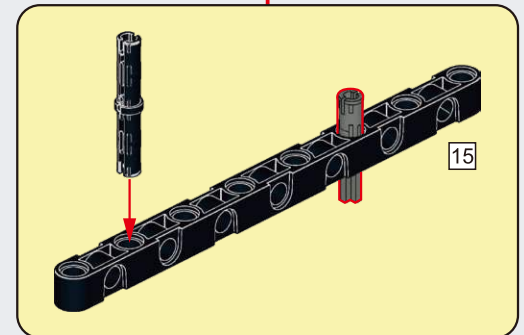
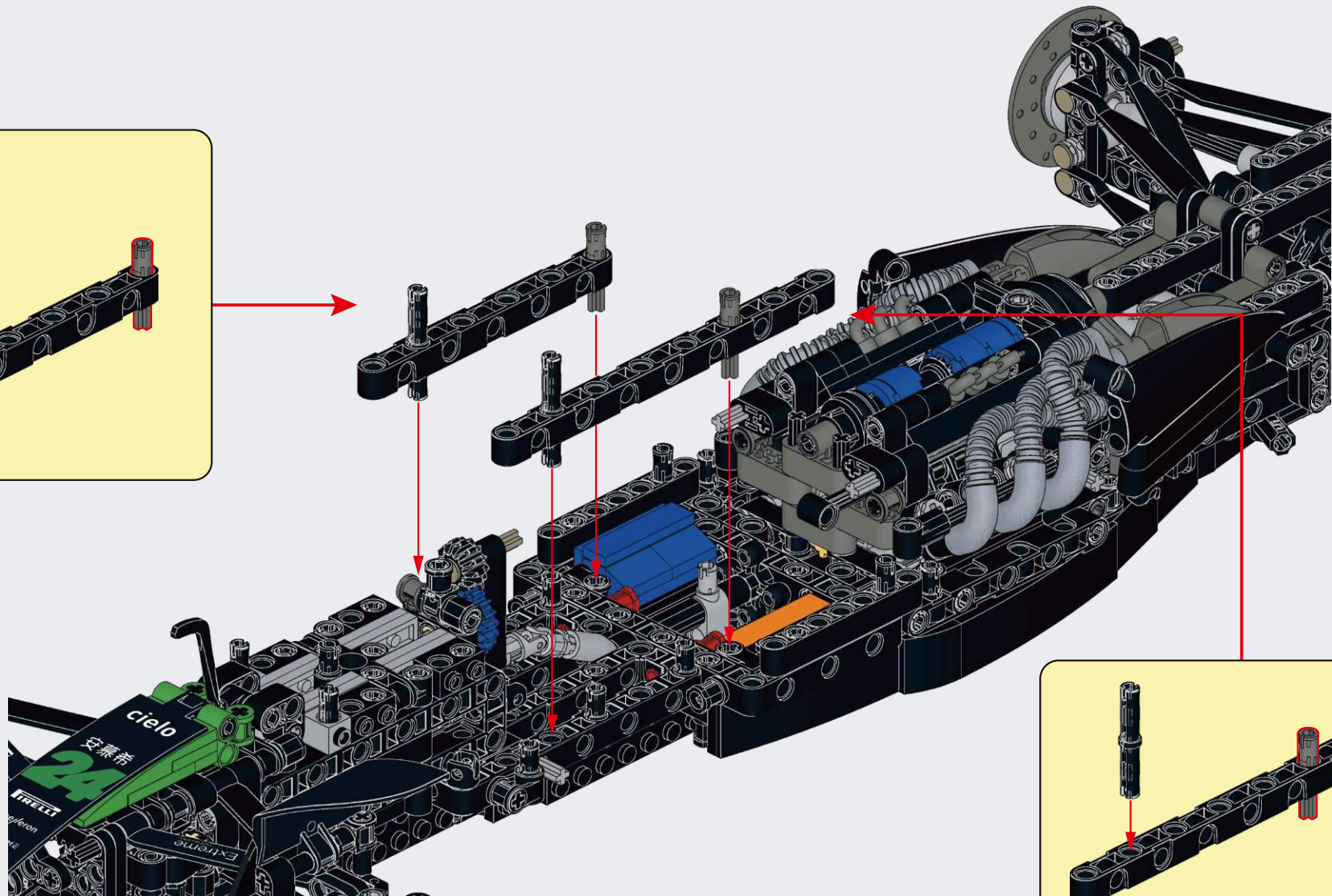
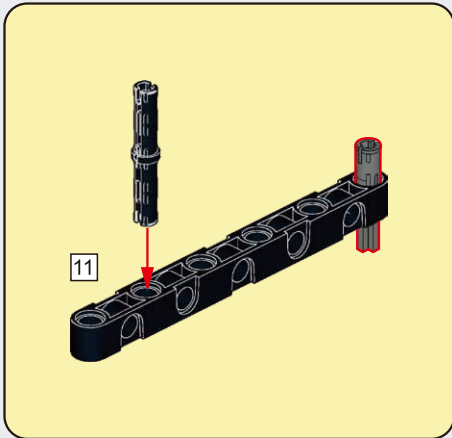


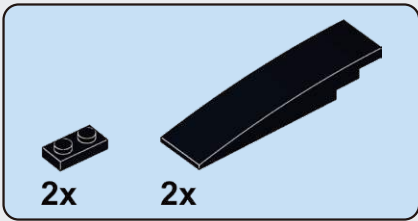
# B115



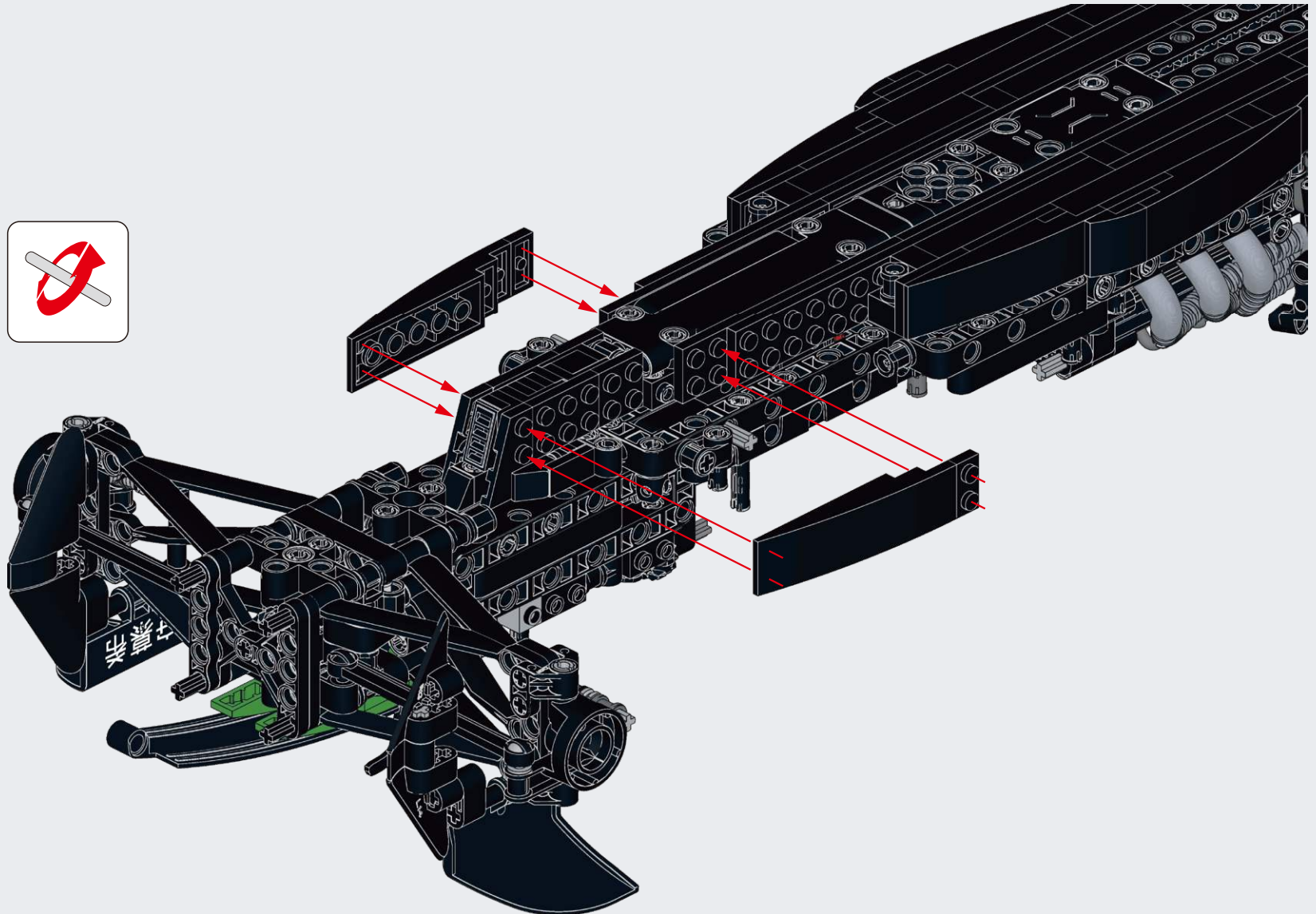
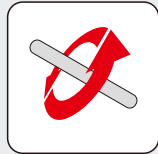


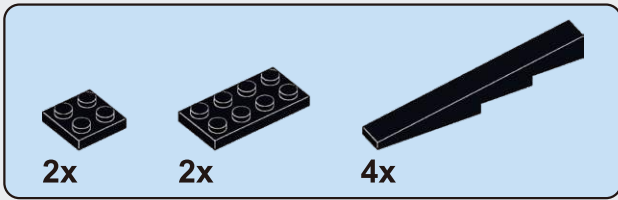
# B116



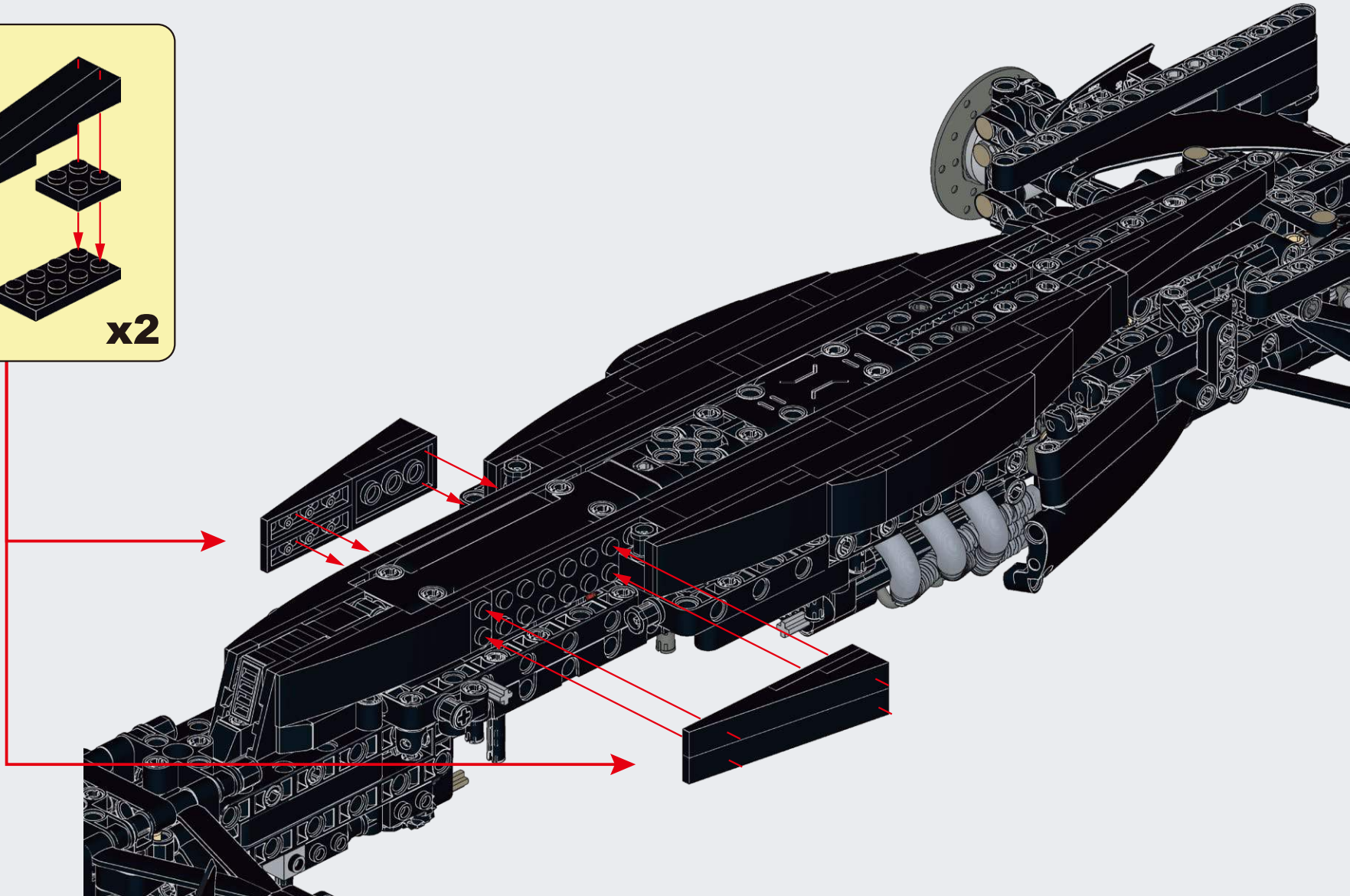
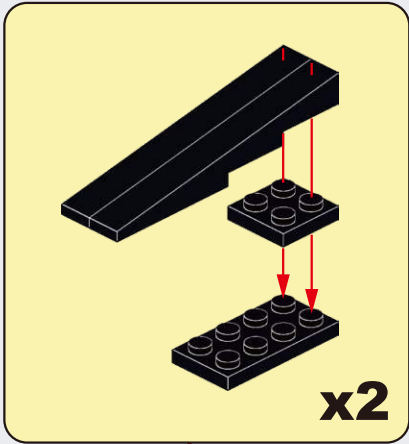


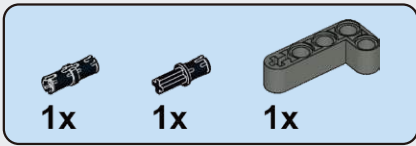
# B117



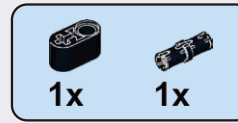
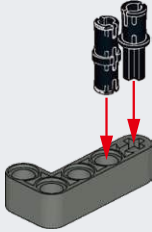


# B118

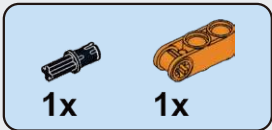
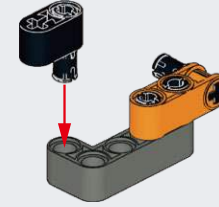




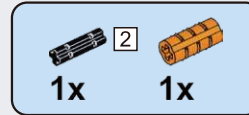
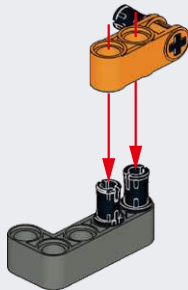
# B119



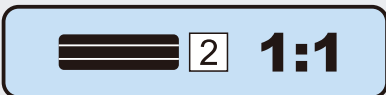
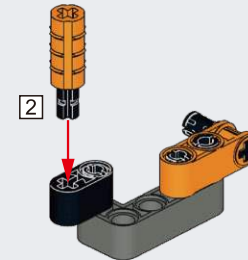
# B121



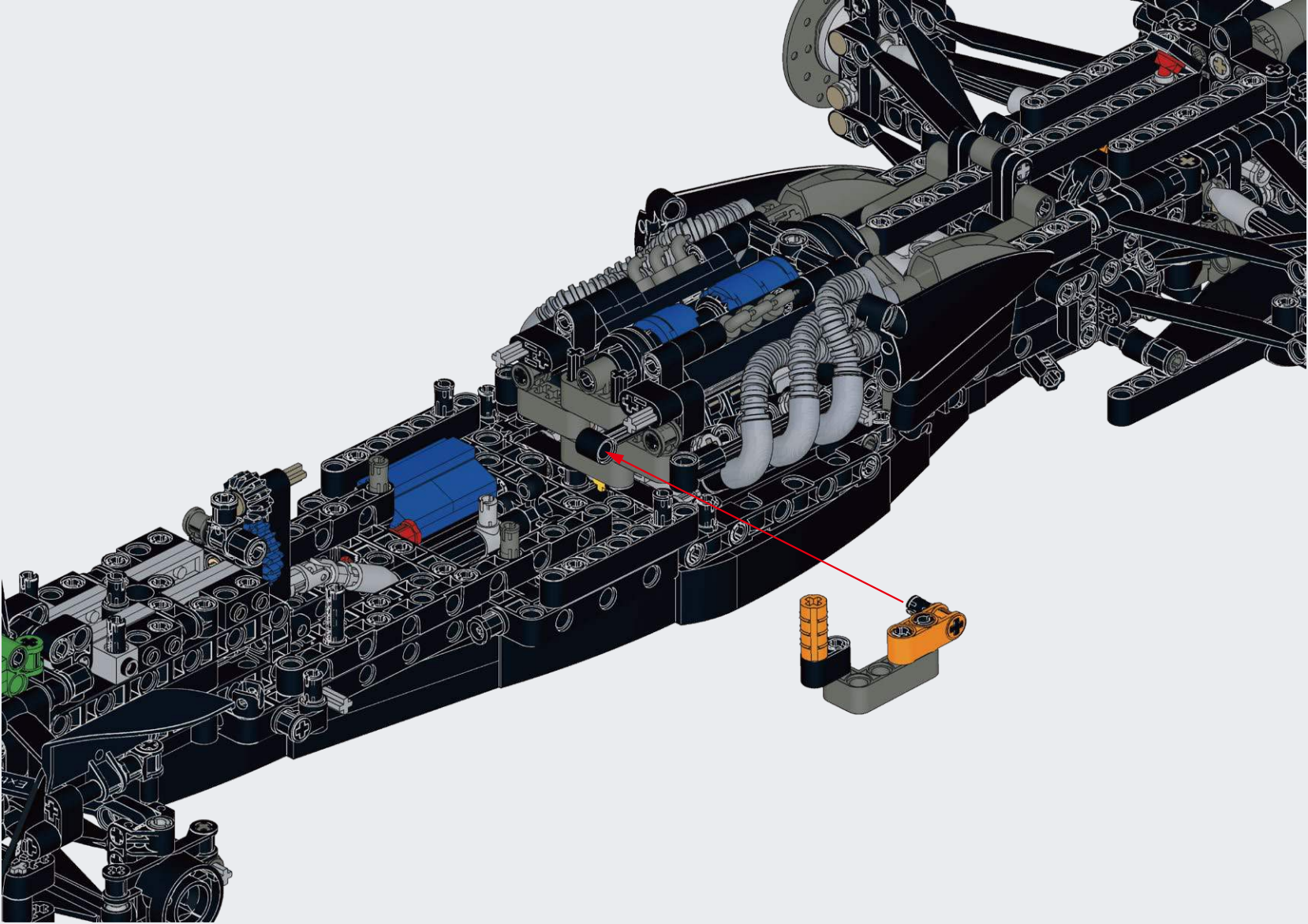
# B120

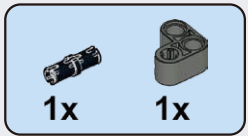


# B122

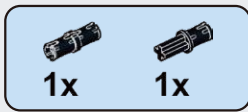
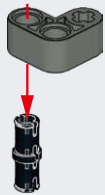


# B123

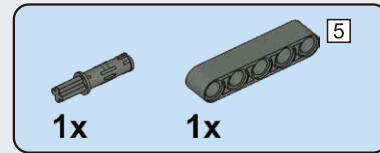
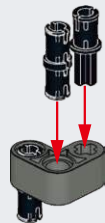




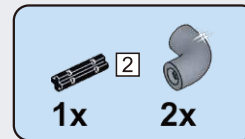
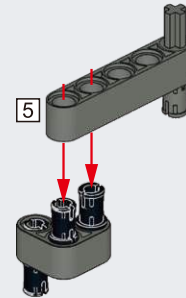
# B124



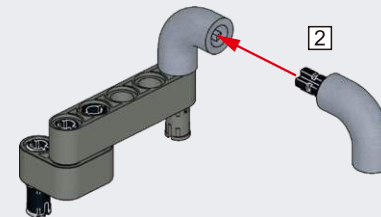
# B125

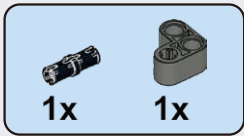


# B126

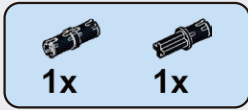


# B127

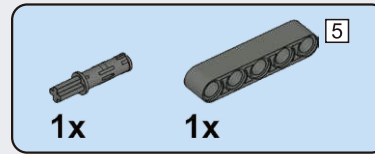
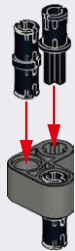




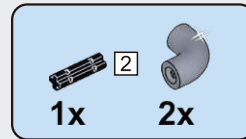
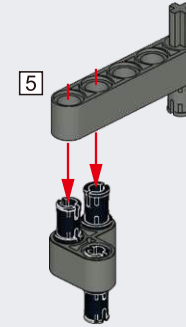
# B128



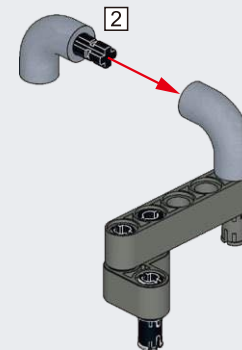
# B129



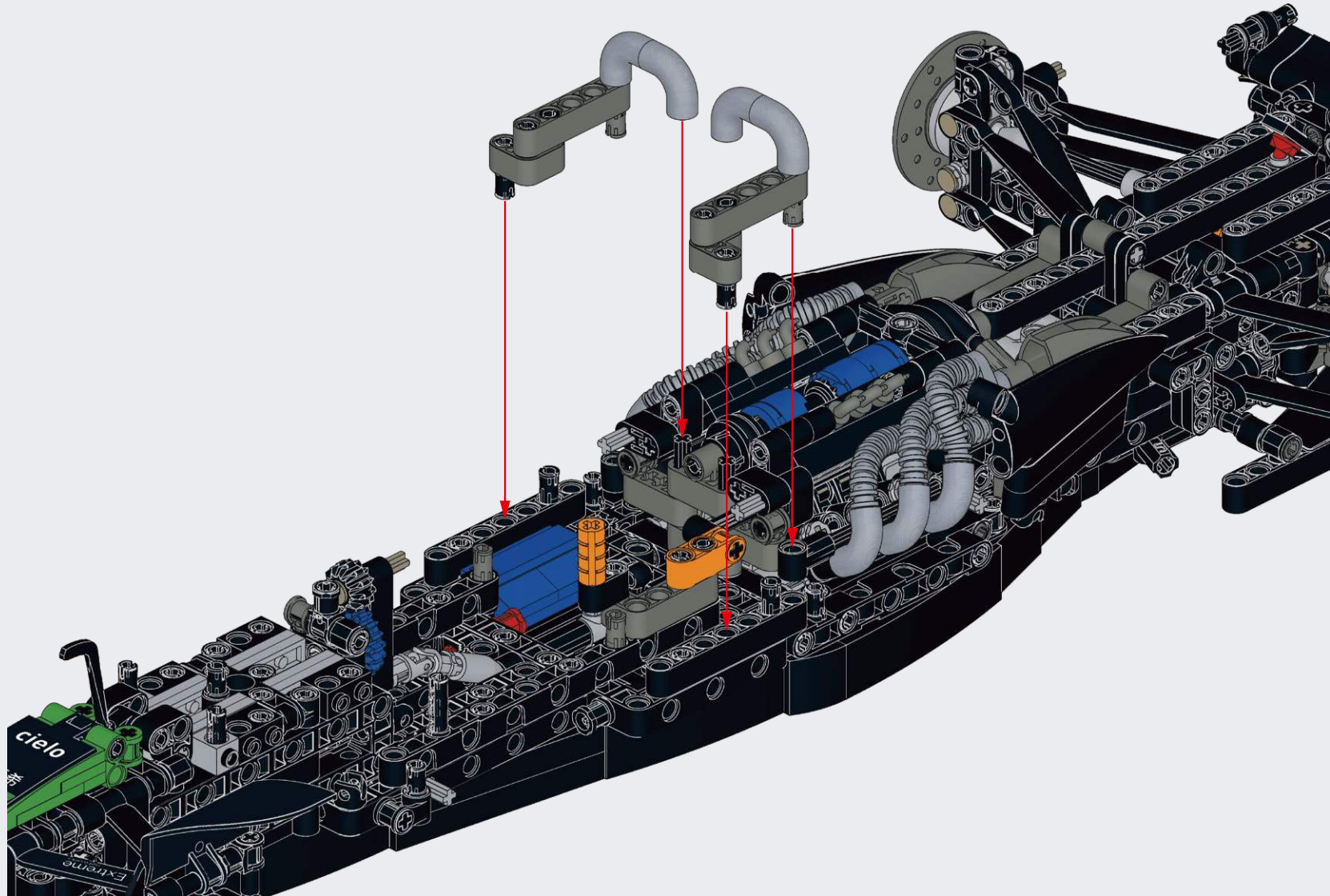
# B130



# B131

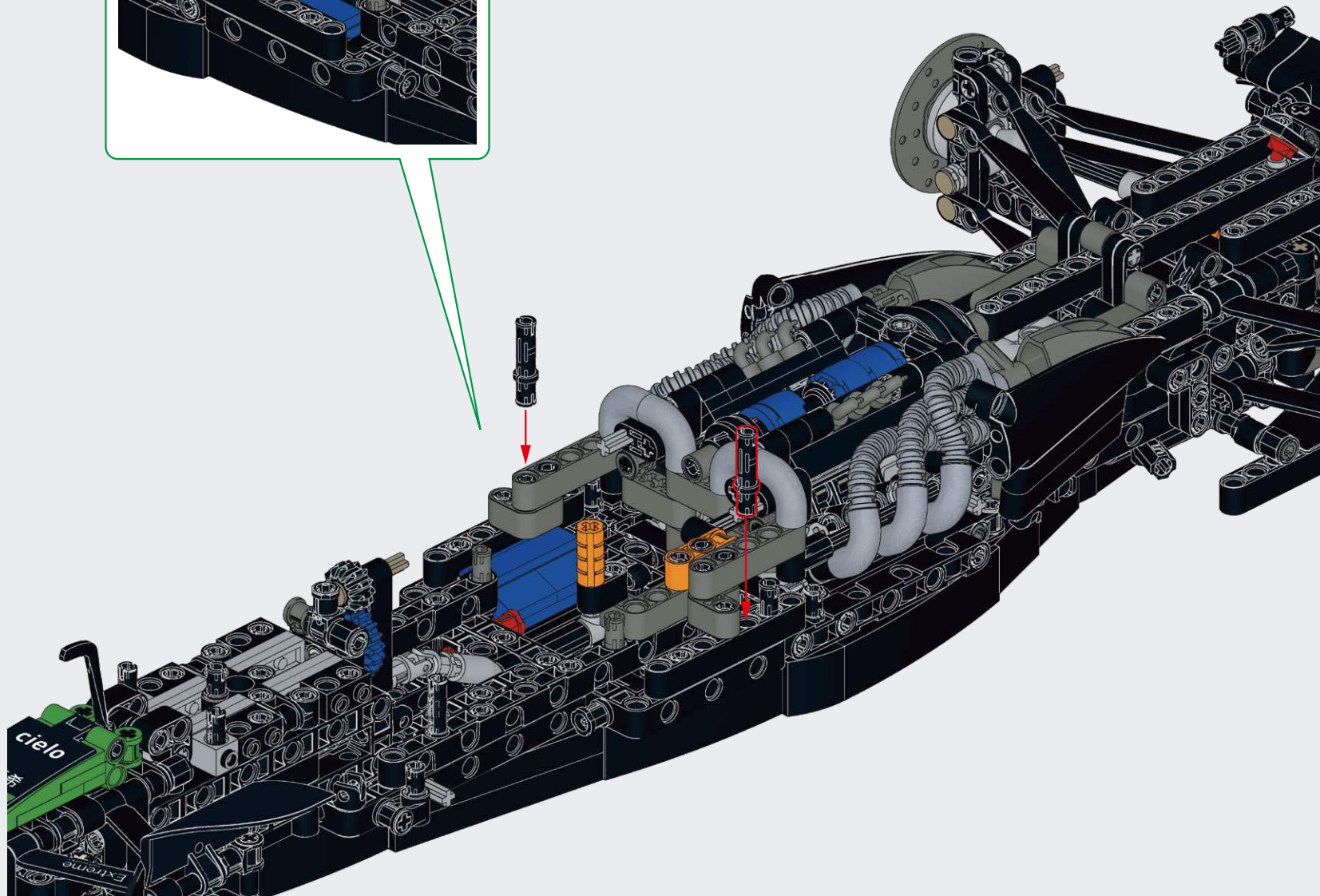
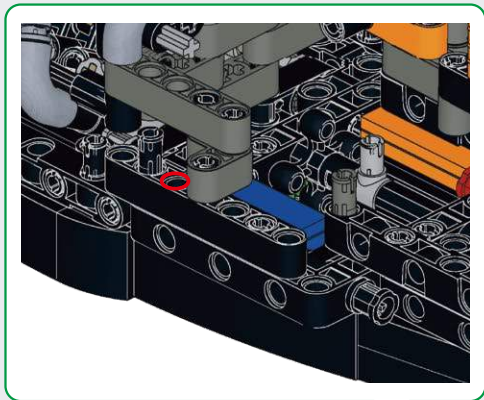


**B132**



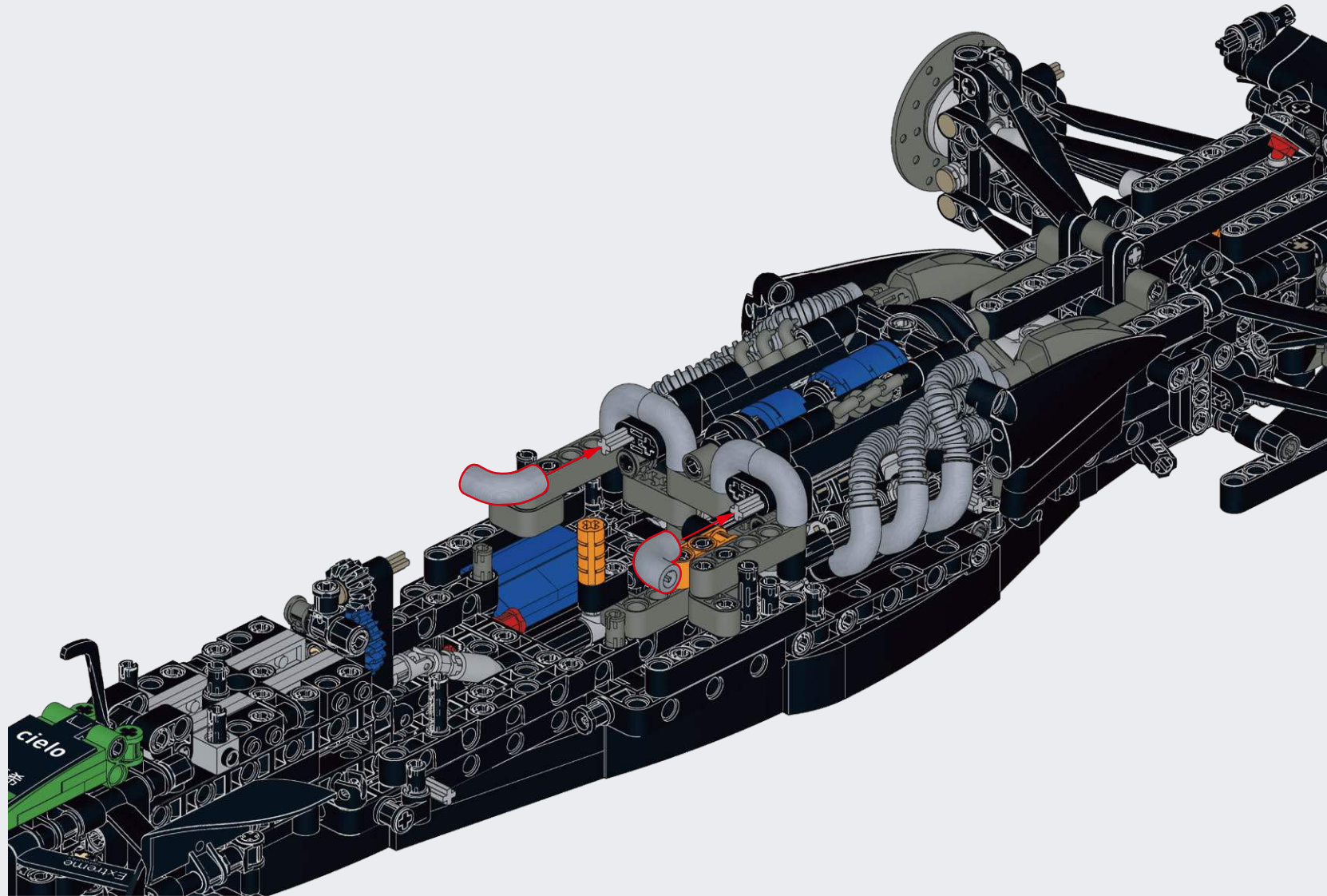


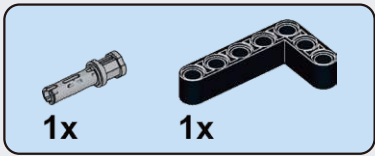
**B133**



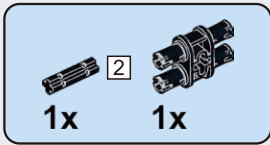
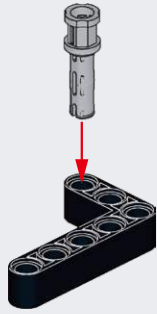


**B134**

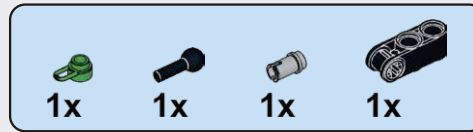
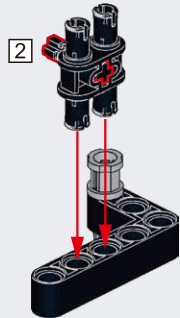




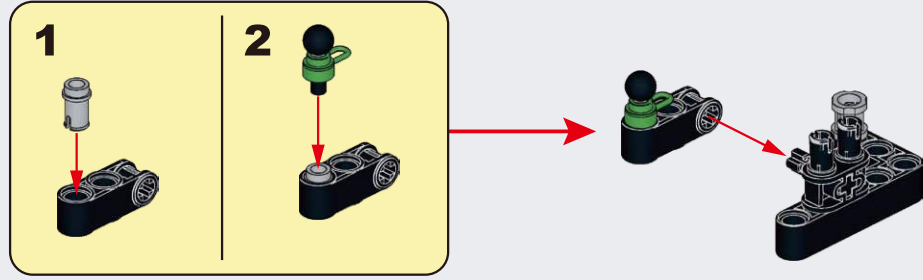
### B135



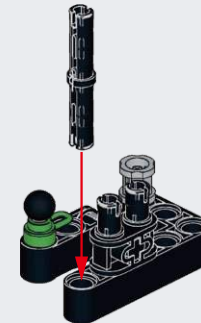
### B136

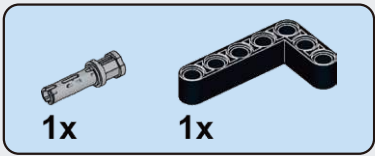


### B137

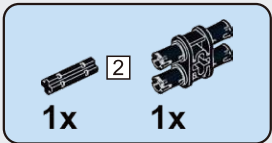
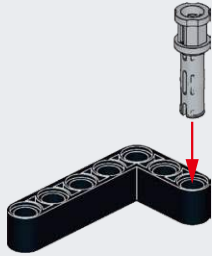


### B138

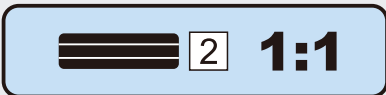
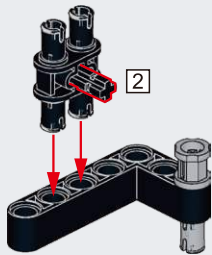




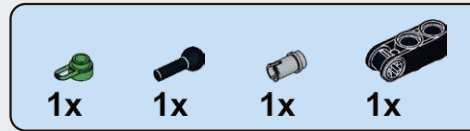
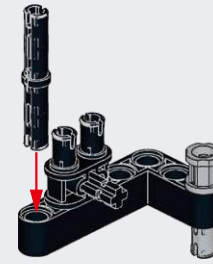
### B139



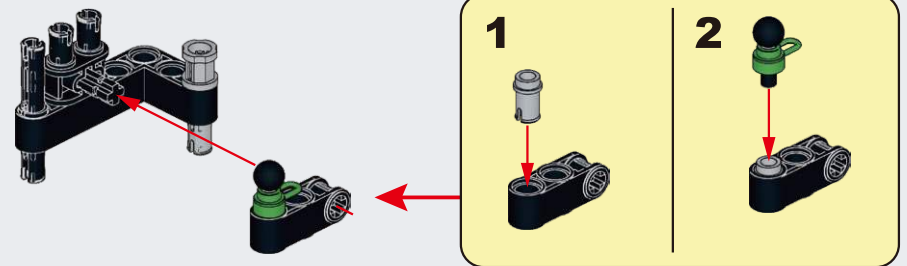
### B140



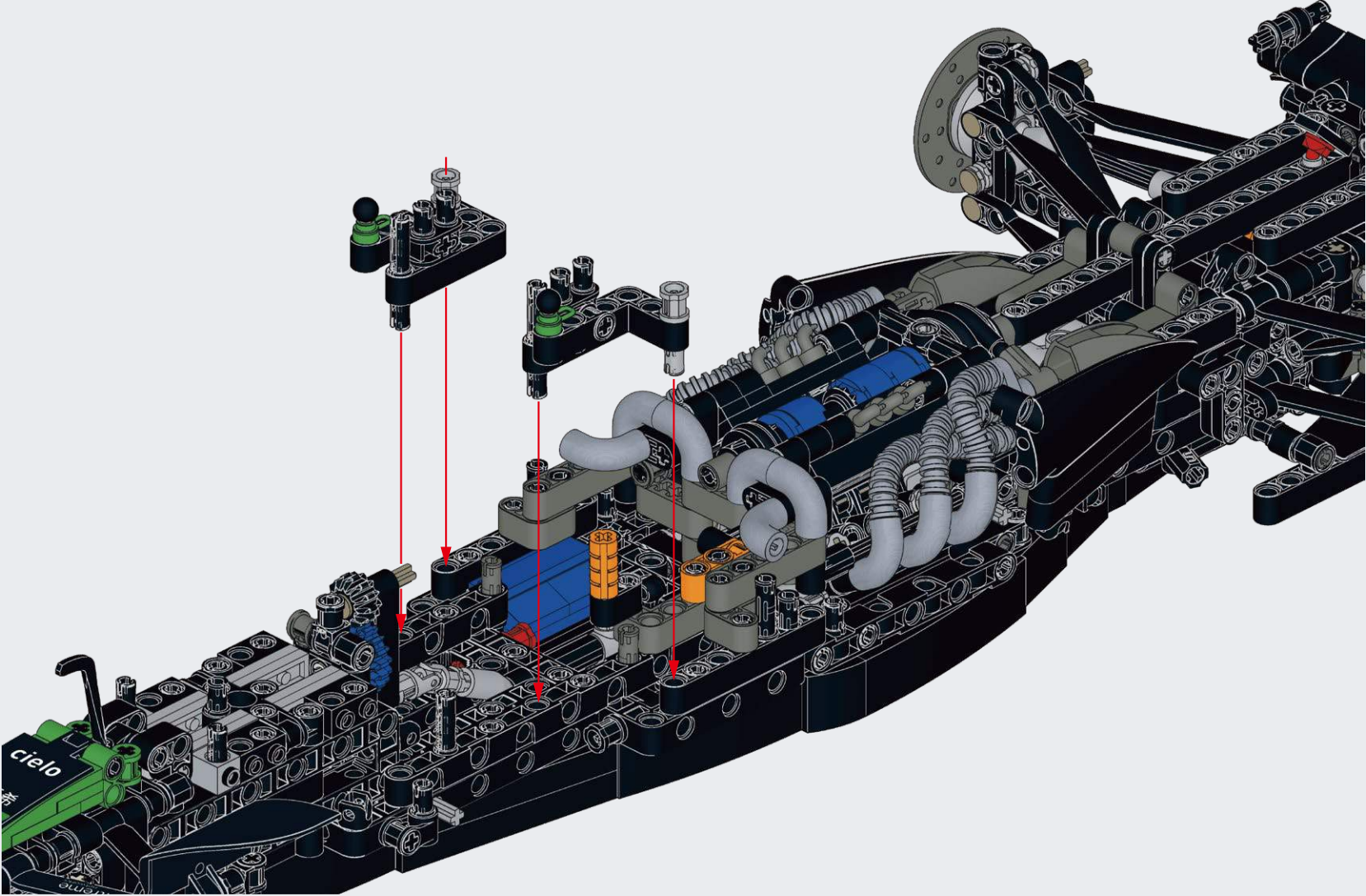
### B141

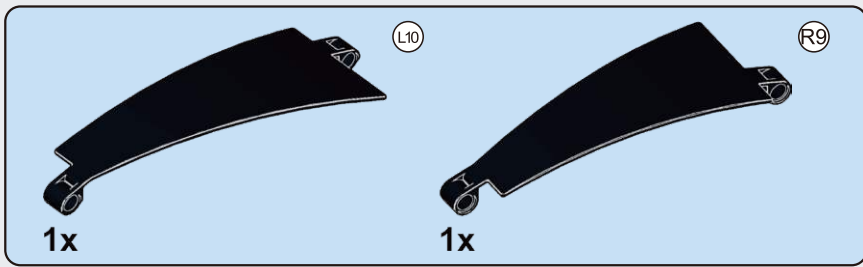


### B142

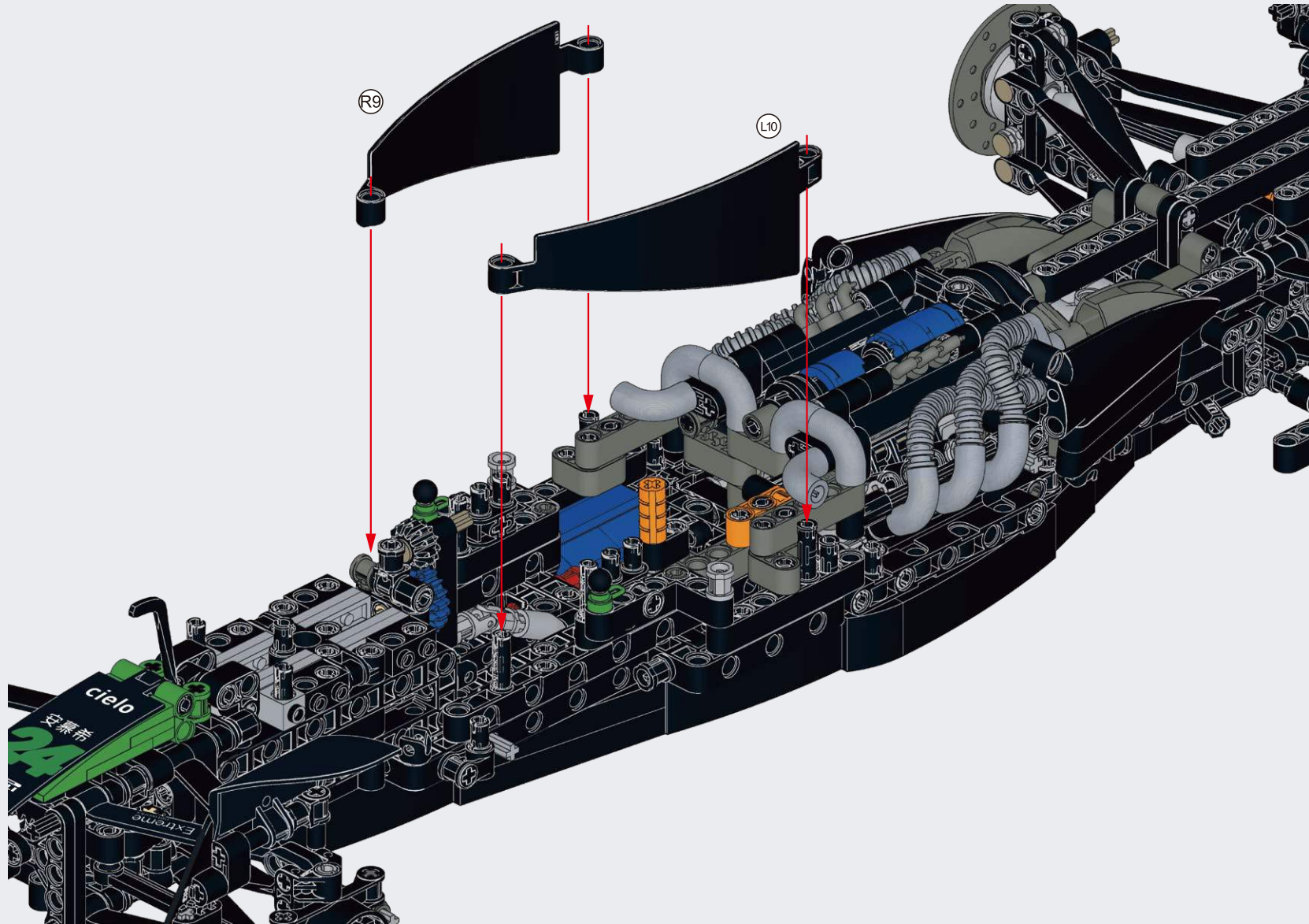


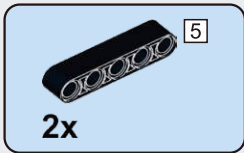
# B143



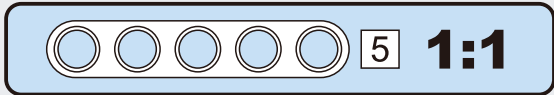
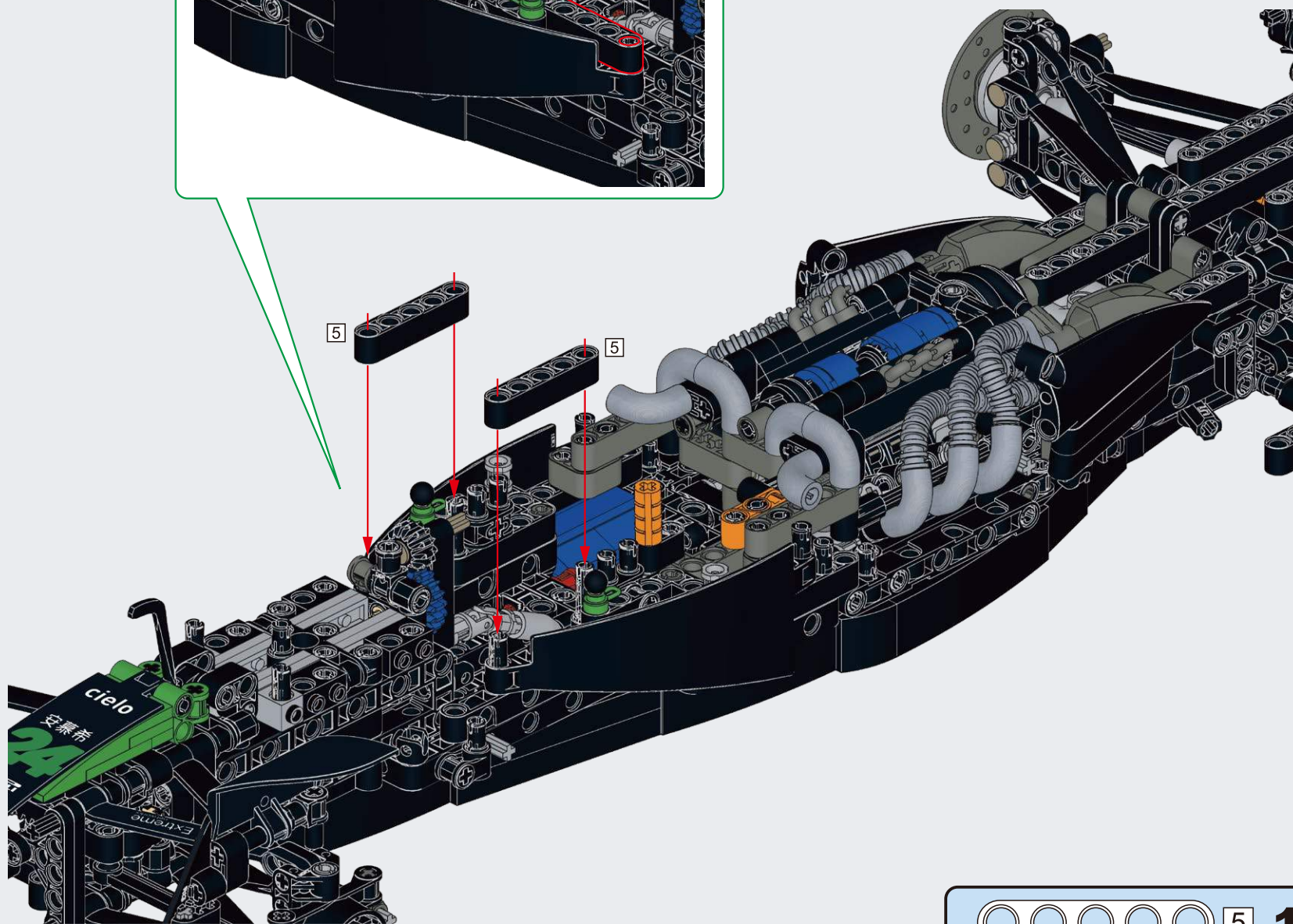
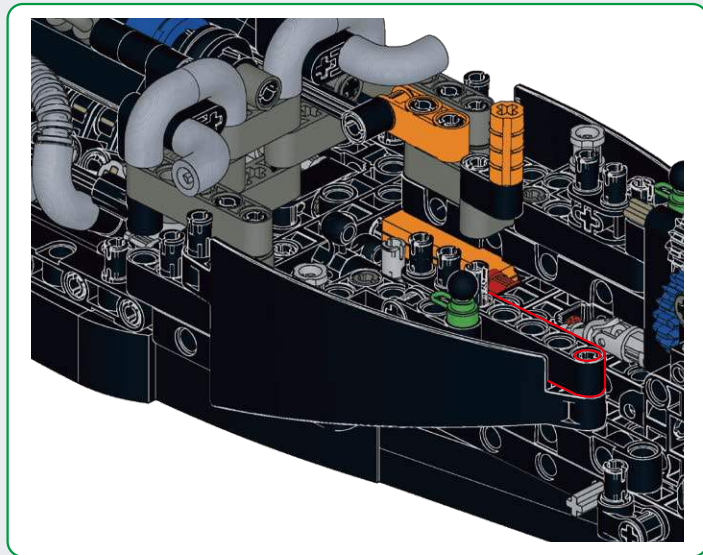


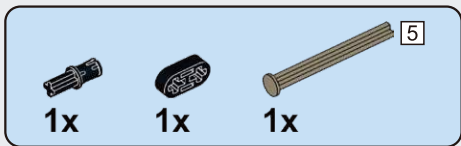
## B144



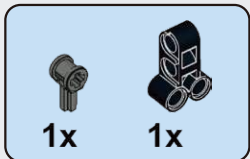
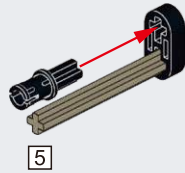


**B145**

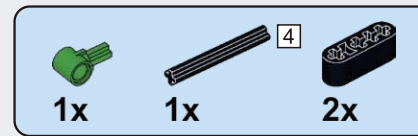
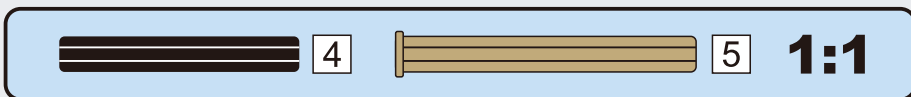
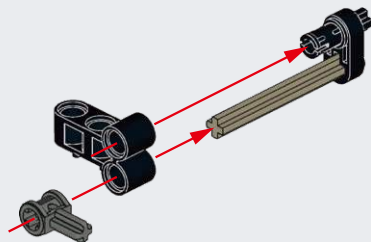




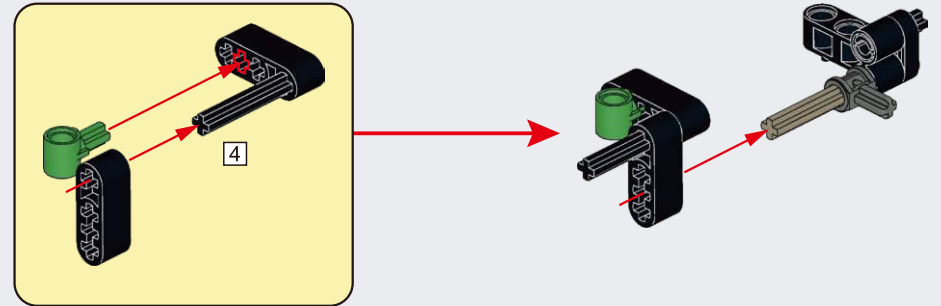
## B146



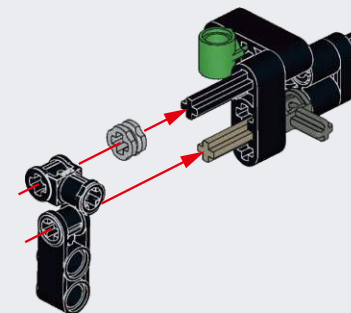
## B147



## B148

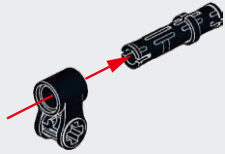


## B149

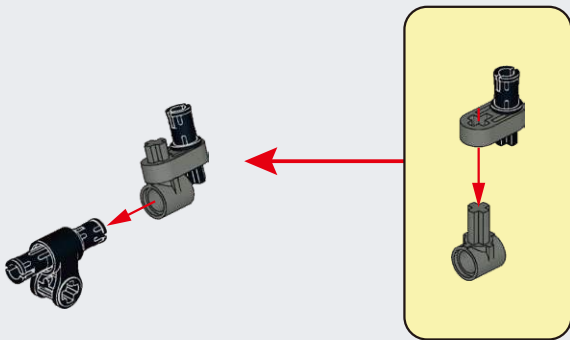




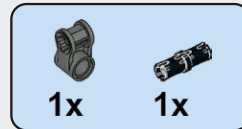
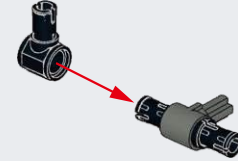
## B150



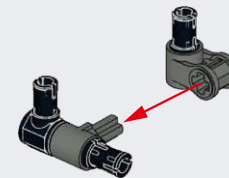
## B151

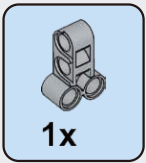


## B152

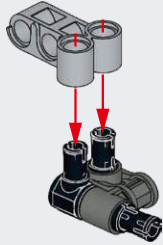


## B153

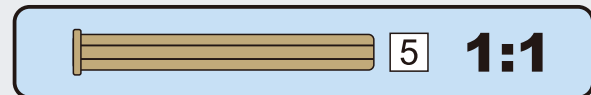
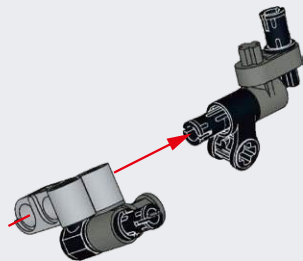




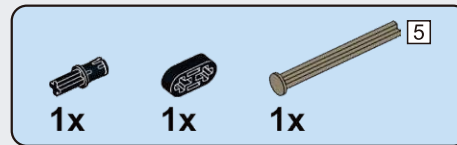
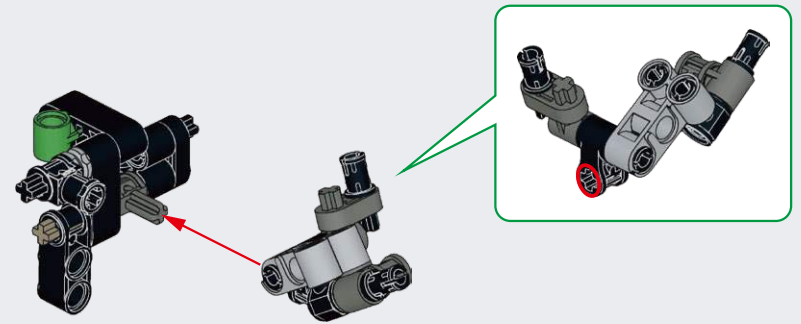
## B154



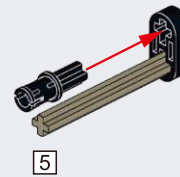
## B155

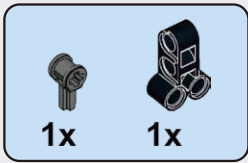


## B156

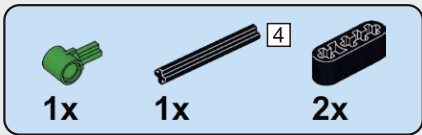
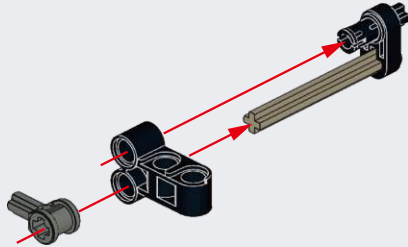


## B157

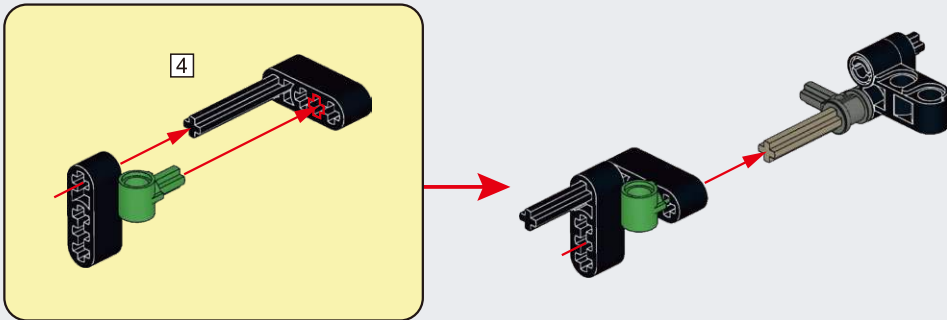




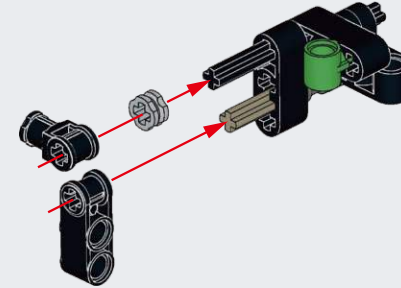
# B158



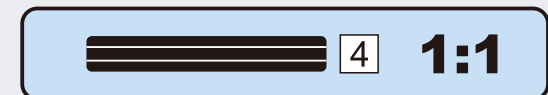
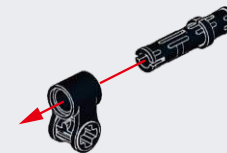
# B159

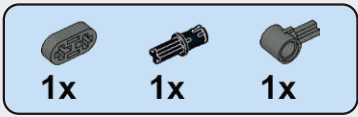


# B160

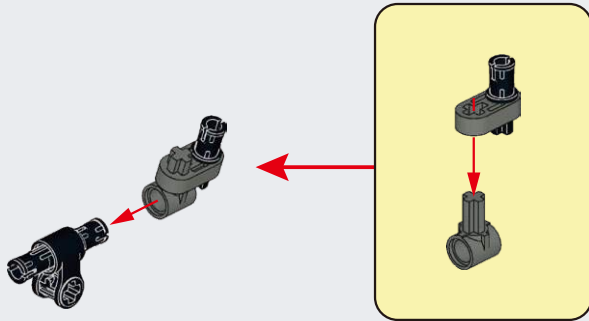


# B161

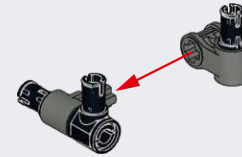




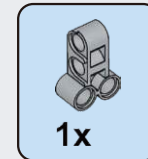
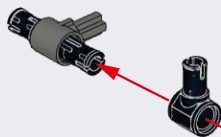
## B162



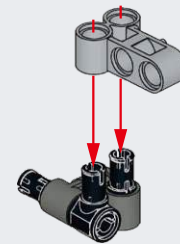
## B164



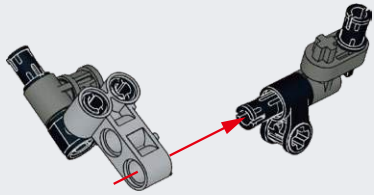
## B163



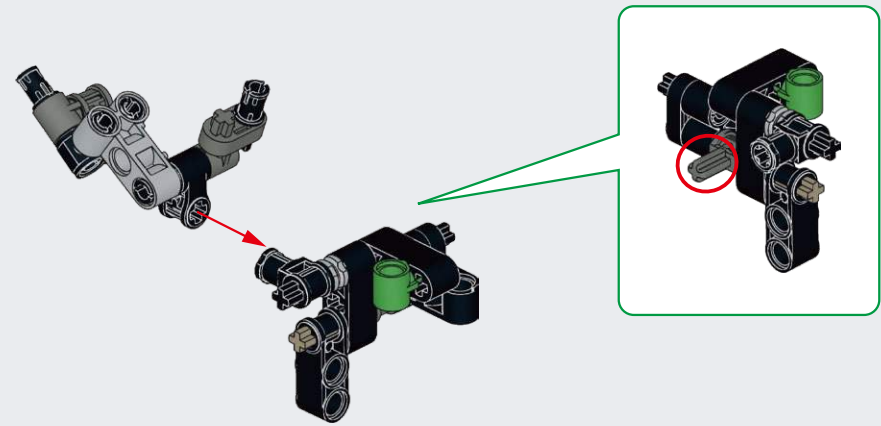
## B165



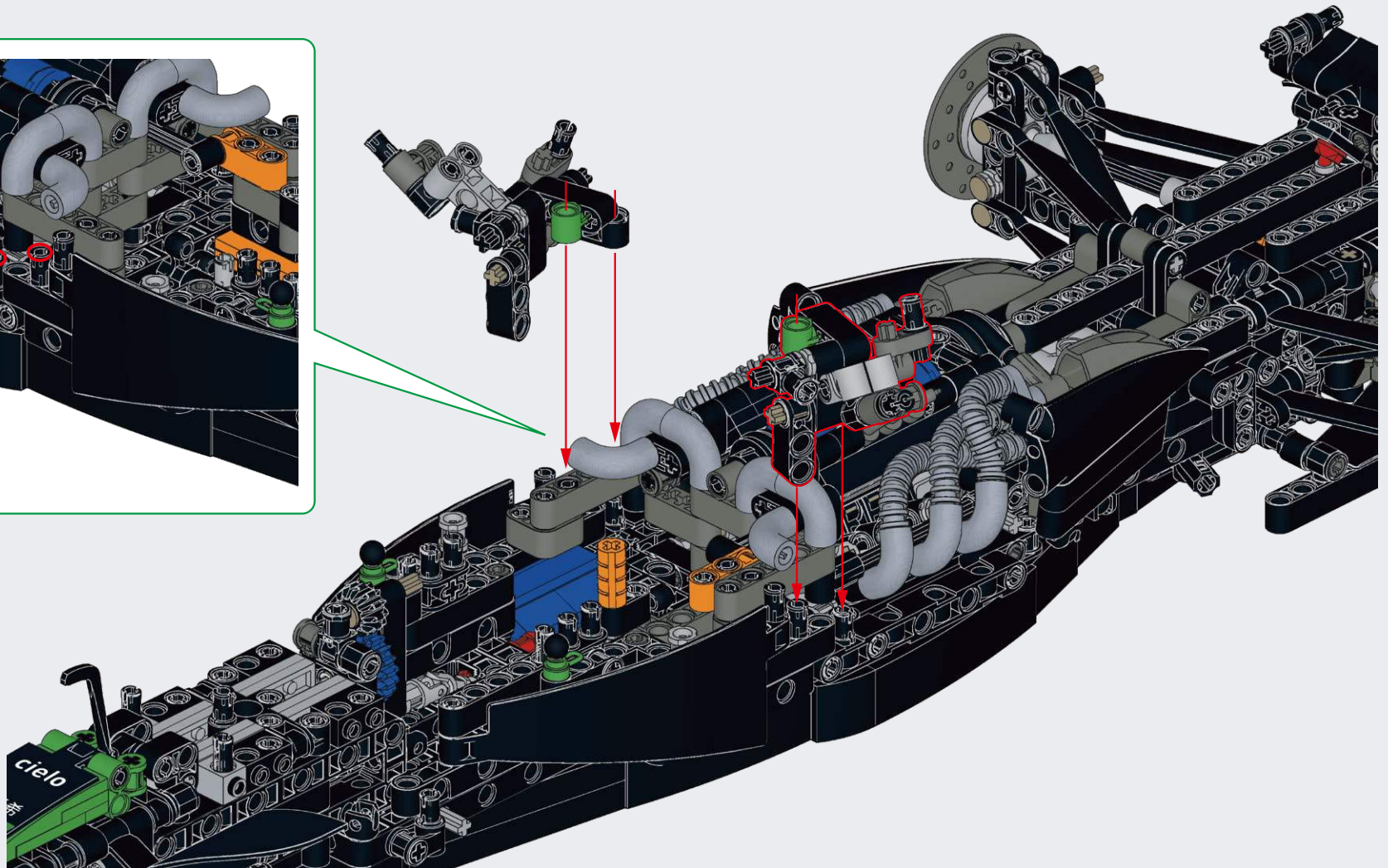
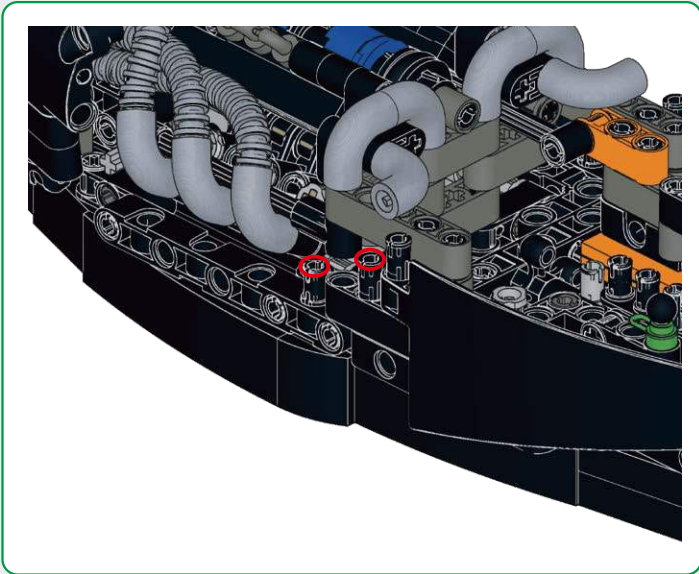
# B166

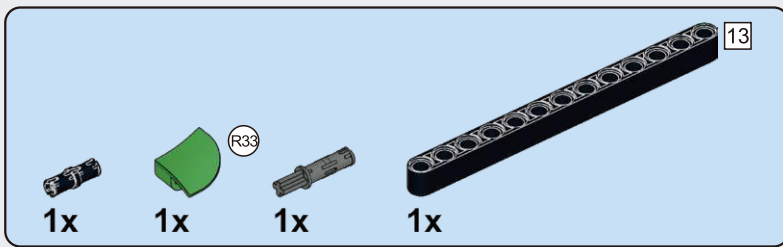


# B167

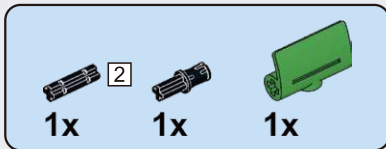
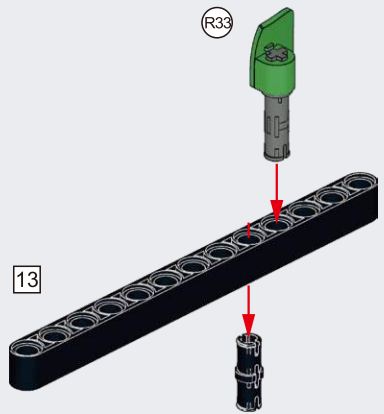


# B168

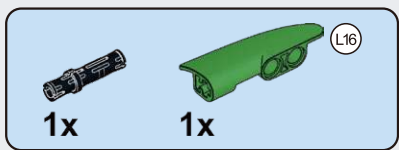
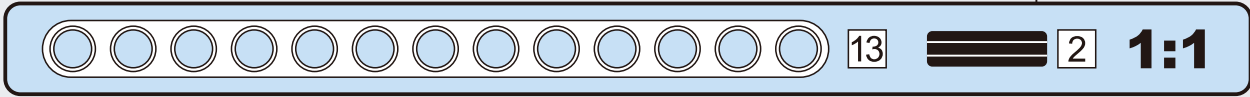
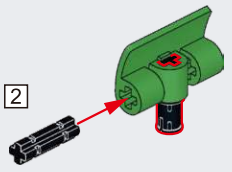




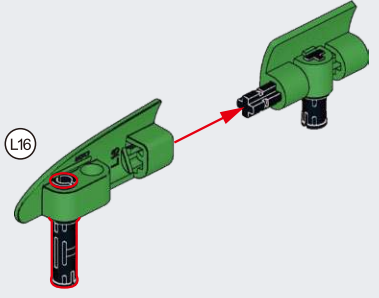
### B169



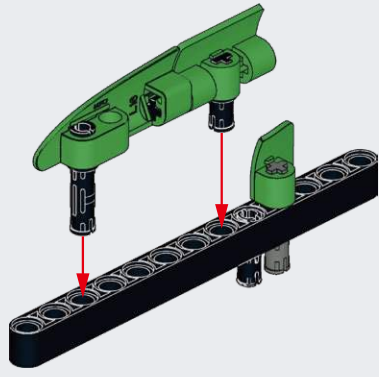
### B170



### B171

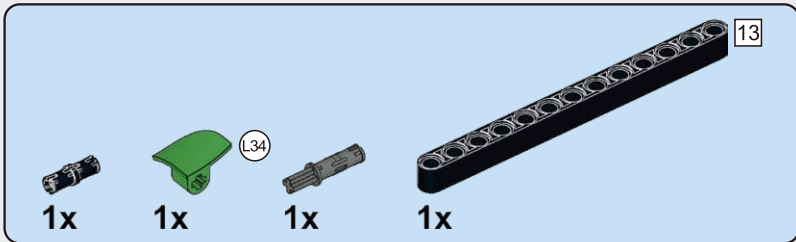
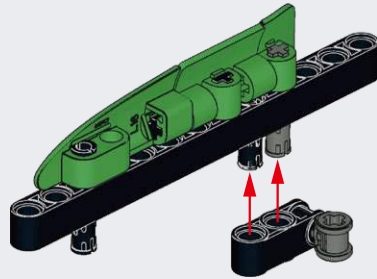


### B172

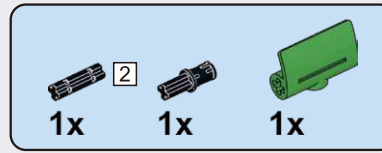
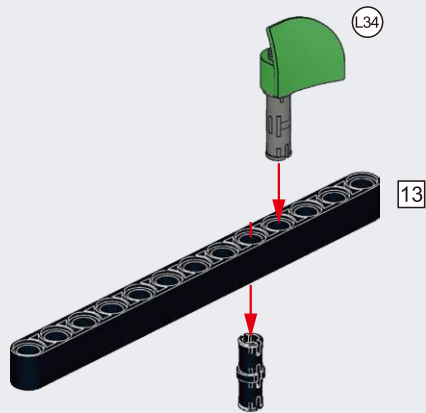




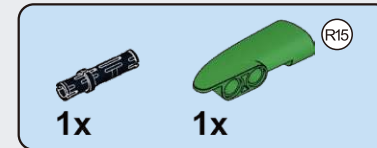
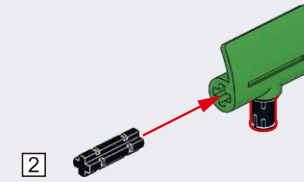
# B173



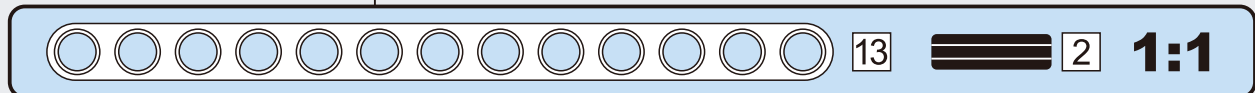
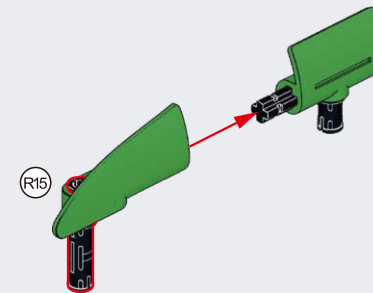
# B174



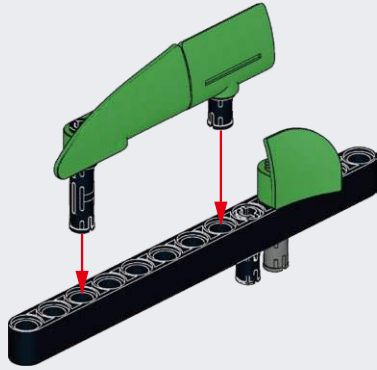
# B175



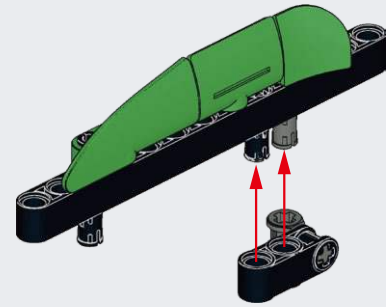
# B176



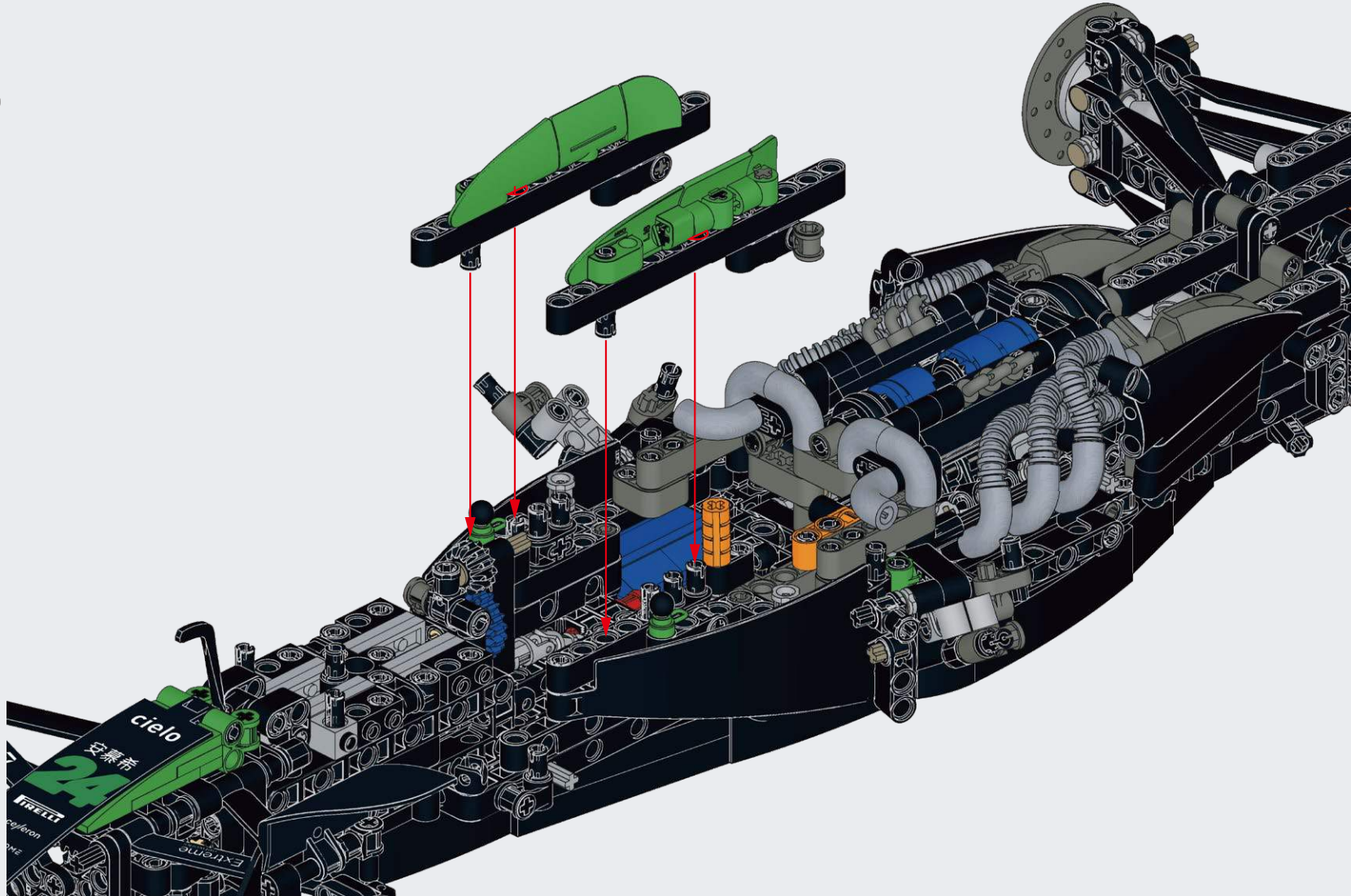
**B177**

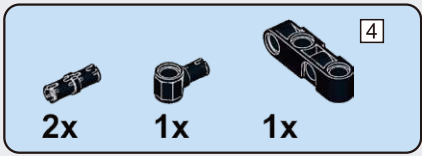


**B178**

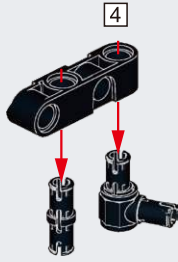


**B179**

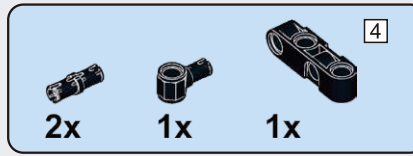
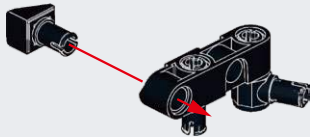




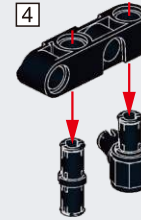
## B180



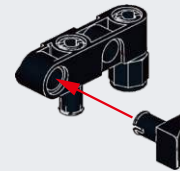
## B181

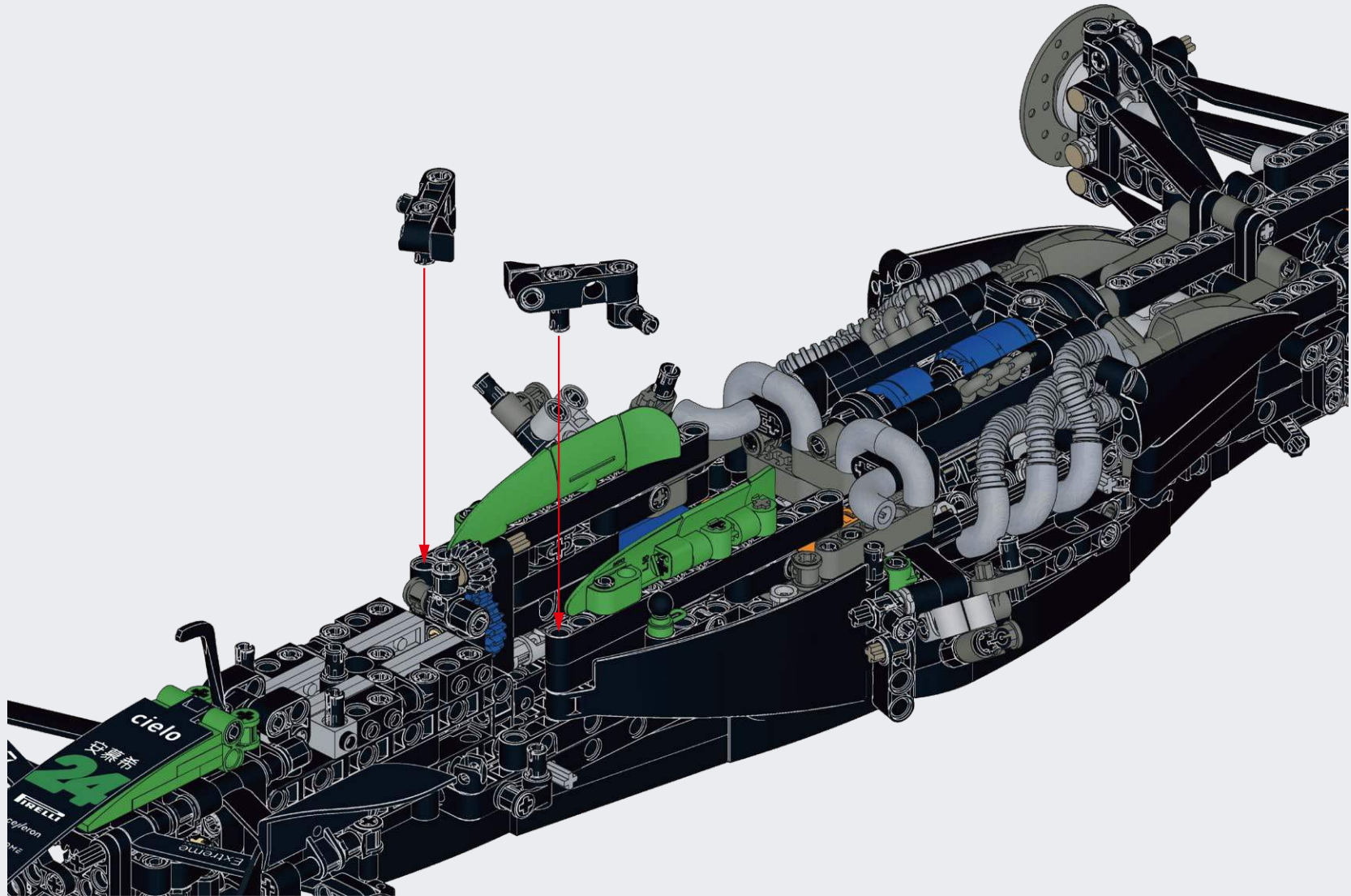


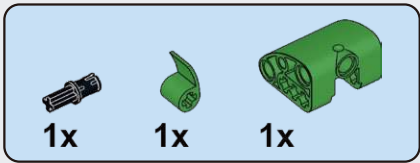
## B182



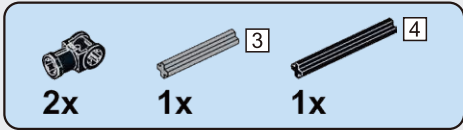
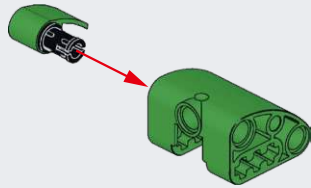
## B183



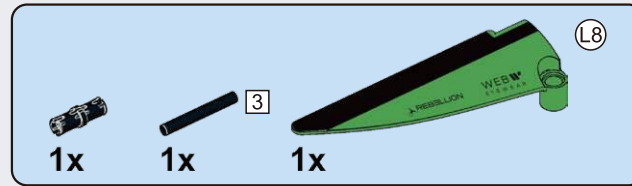
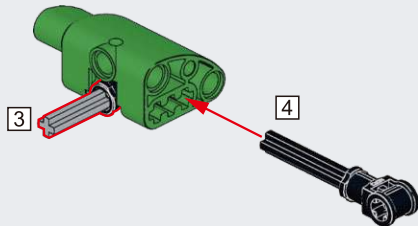




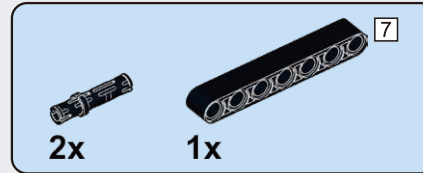
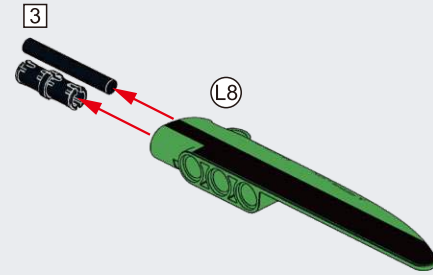
### B185



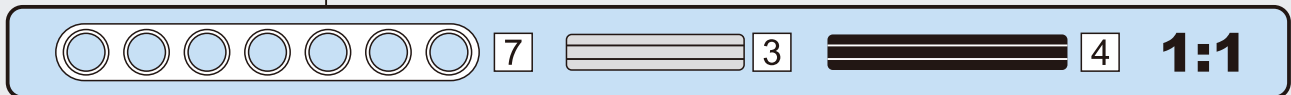
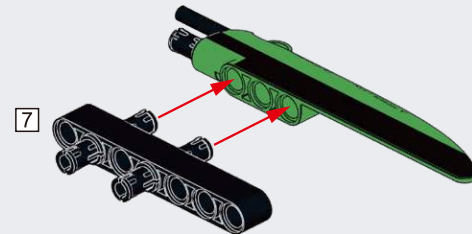
### B186



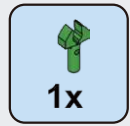
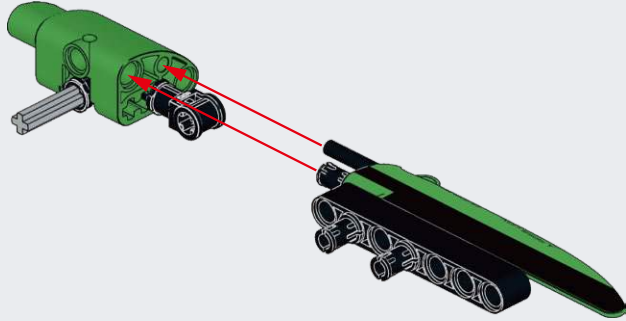
### B187



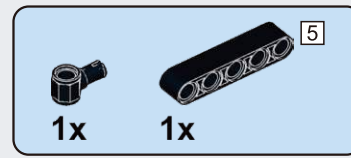
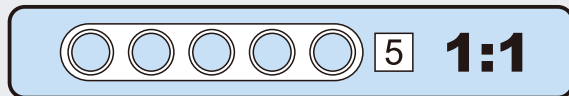
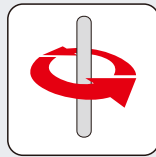
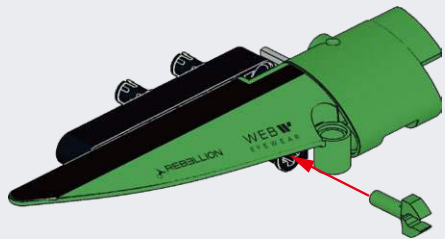
### B188



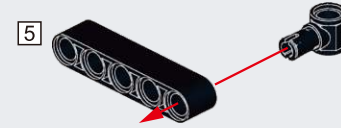
# B189



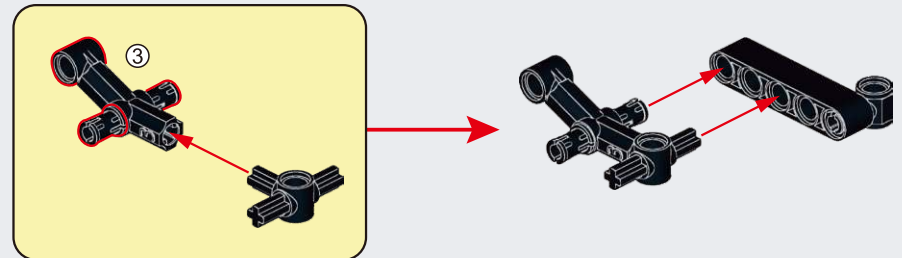
# B190

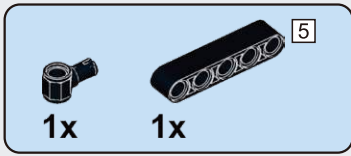


# B191

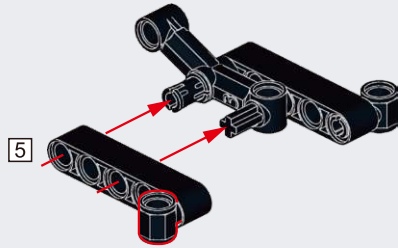


# B192

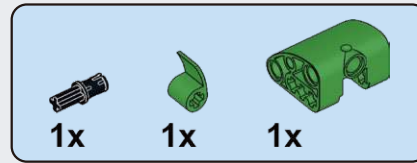
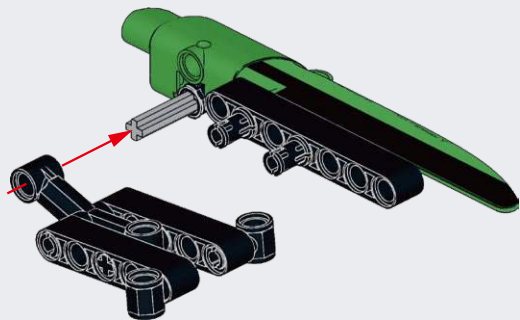
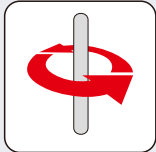




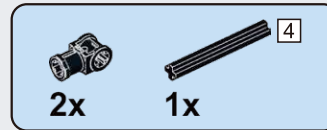
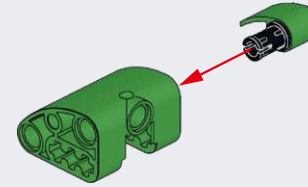
### B193



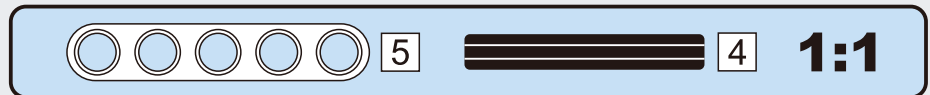
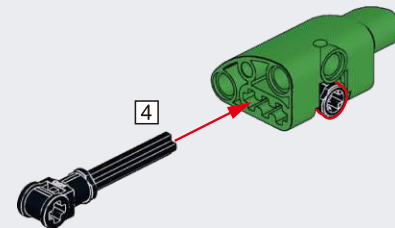
### B194

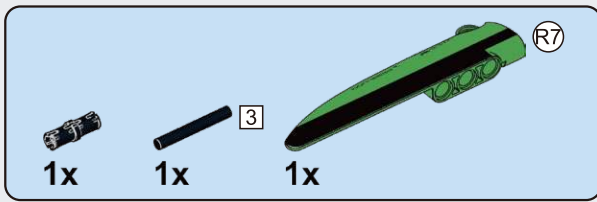


### B195

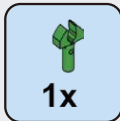
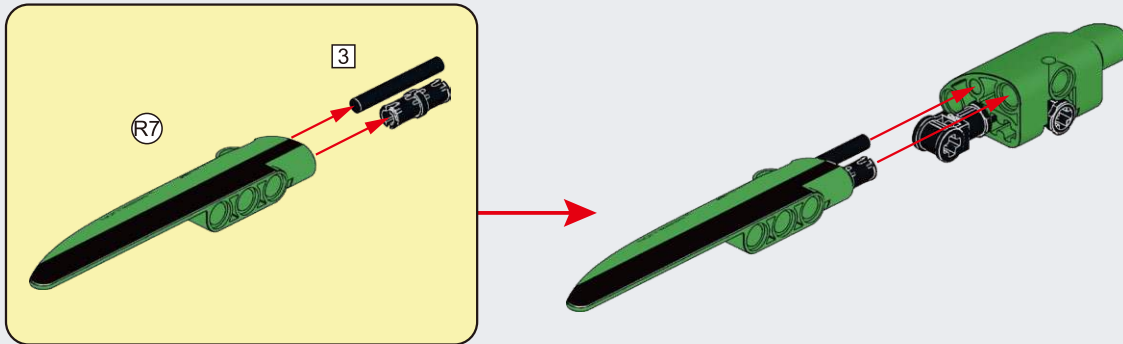


### B196

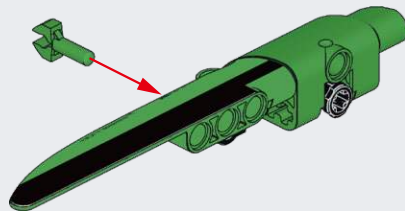




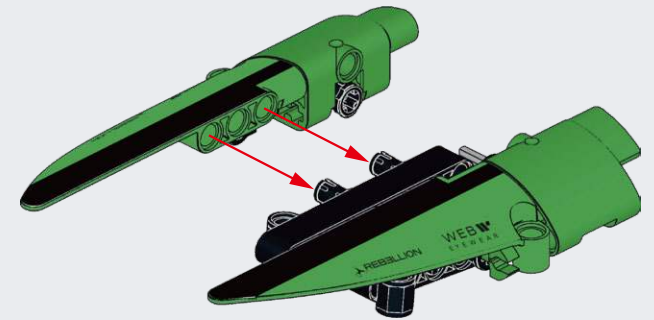
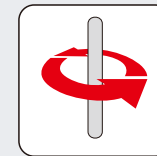
## B197

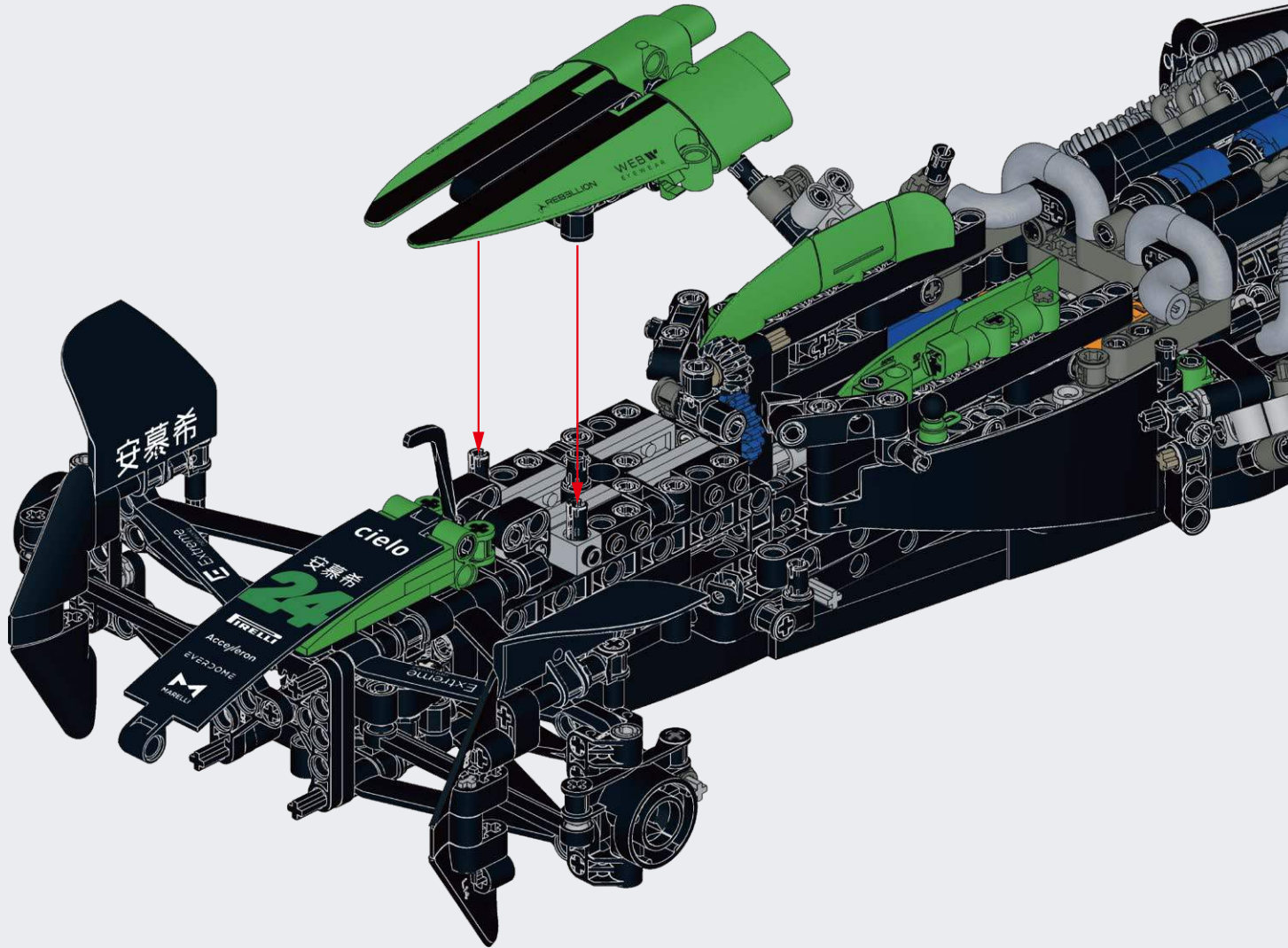


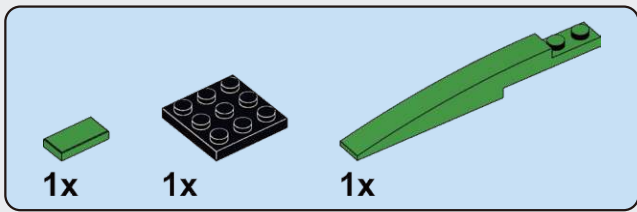
## B198



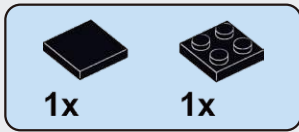
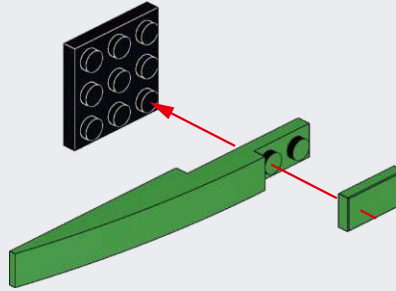
## B199



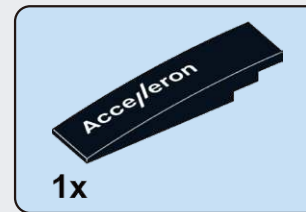
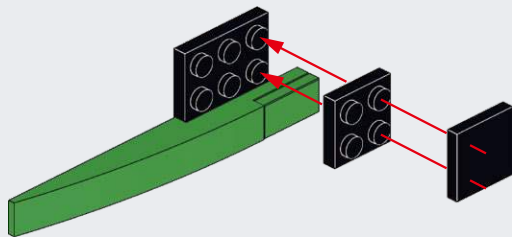




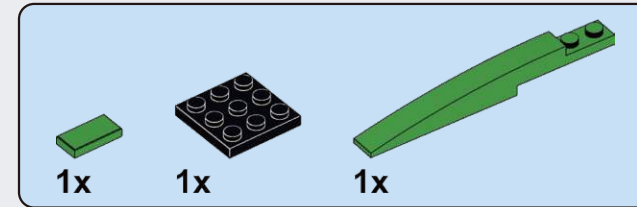
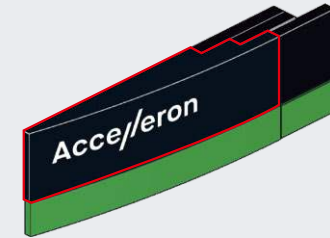
## B201



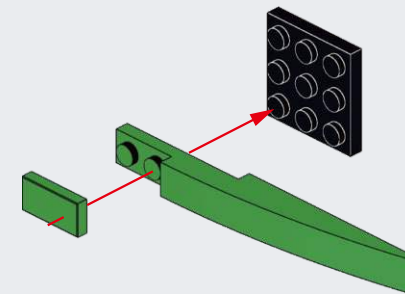
## B202

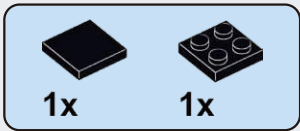


## B203

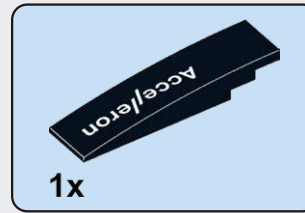
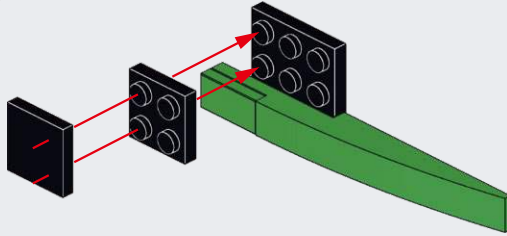


## B204

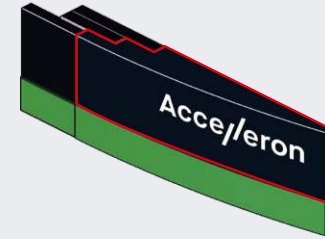




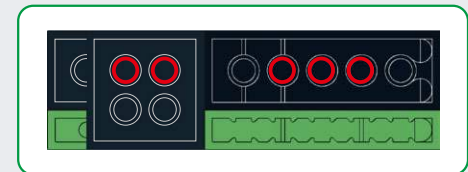
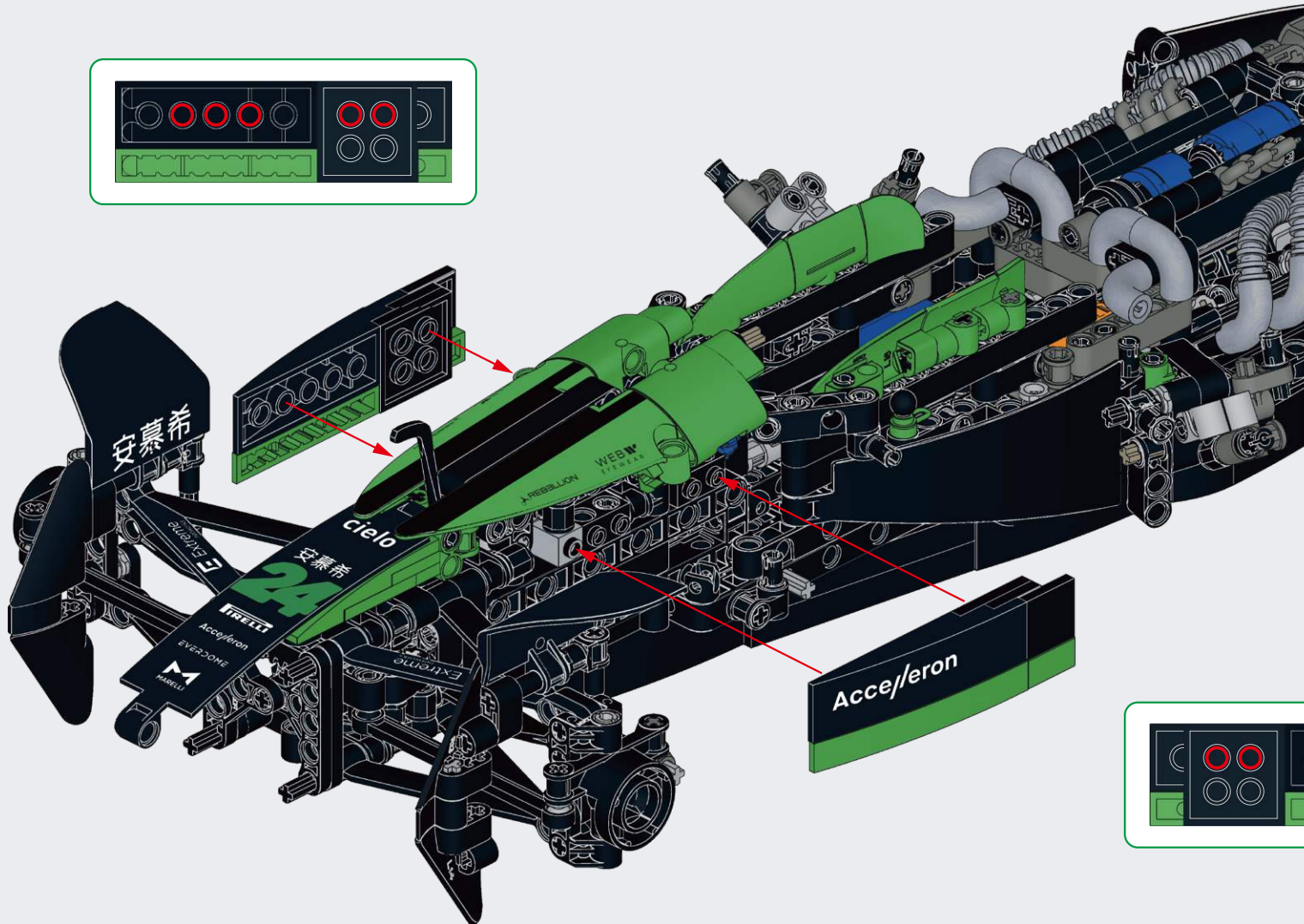
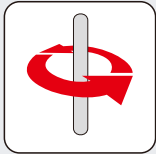
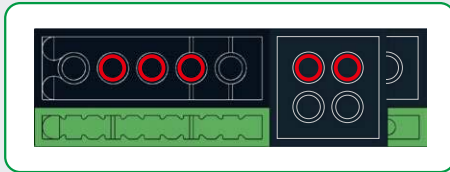
**B205**

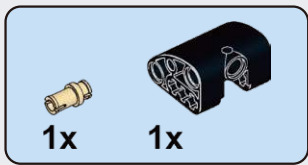


**B206**

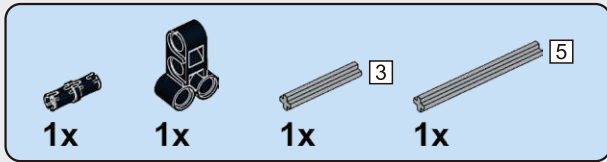
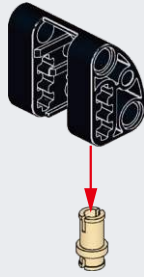


**B207**

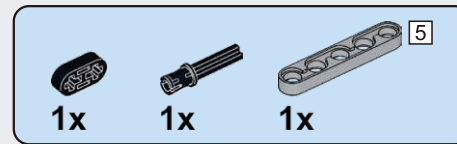
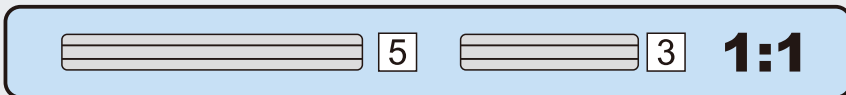
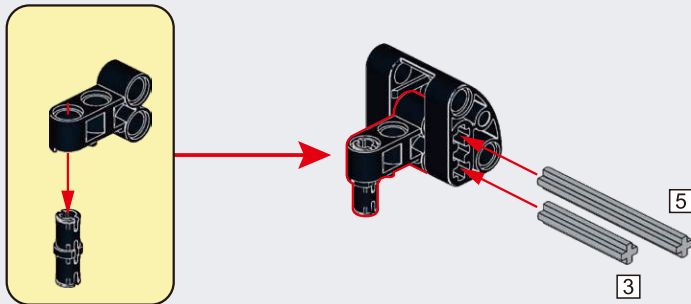




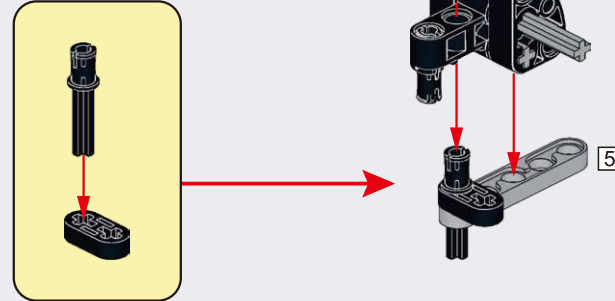
## B208



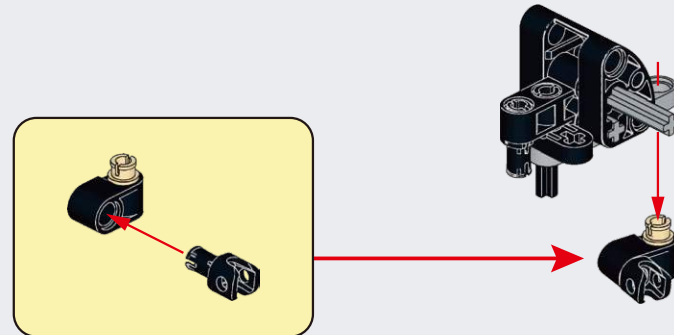
## B209

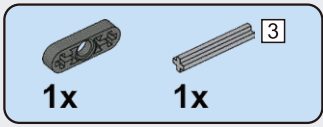


## B210

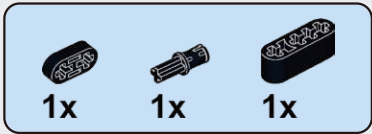
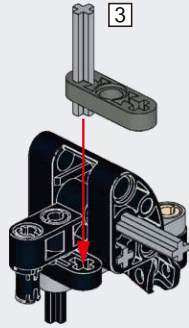


## B211

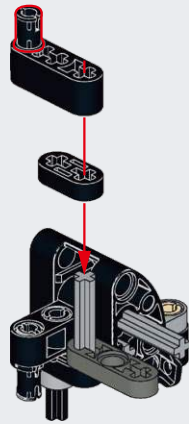




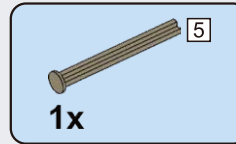
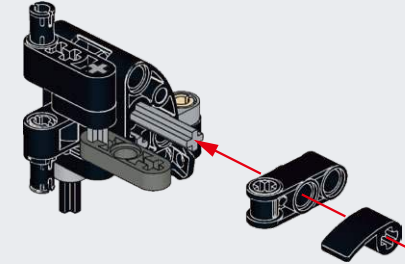
# B212



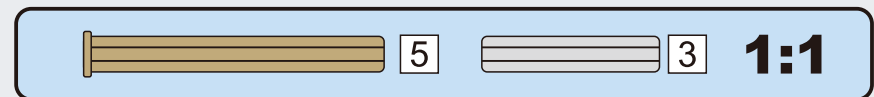
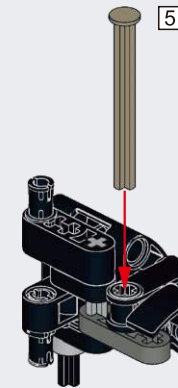
# B213



# B214

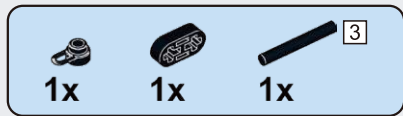
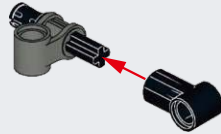


# B215





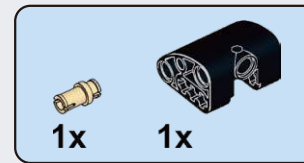
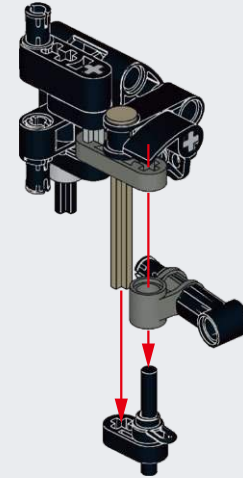
## B216



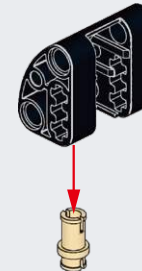
## B217

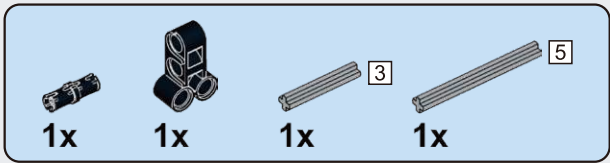


## B218

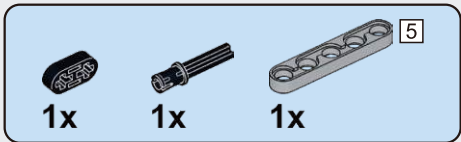
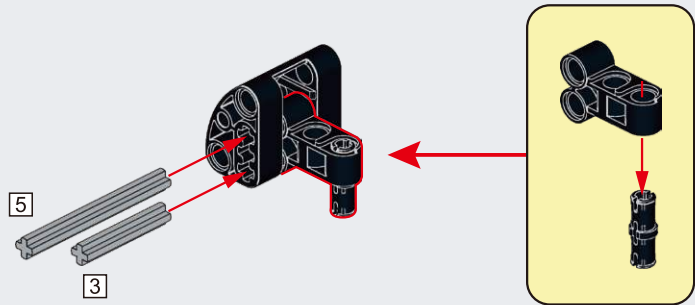


## B219

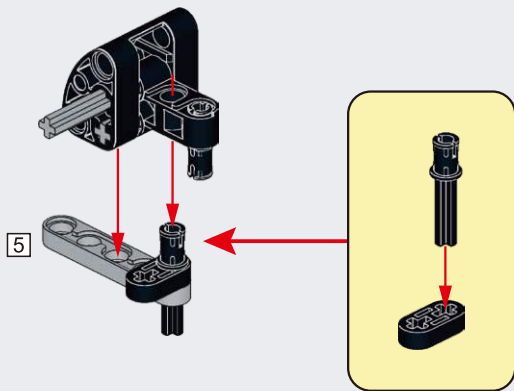




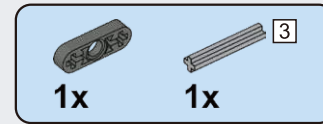
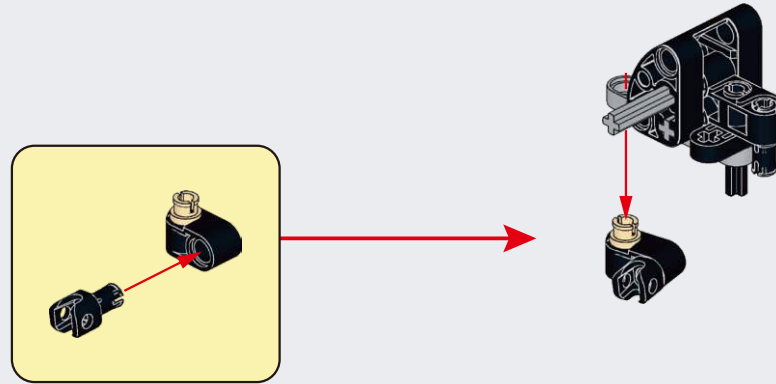
## B220



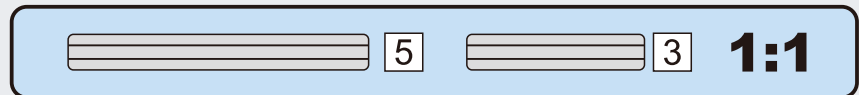
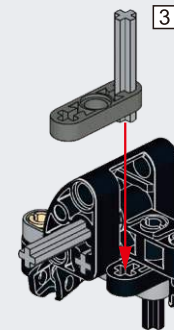
## B221



## B222

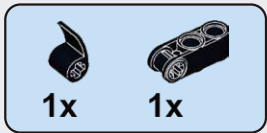
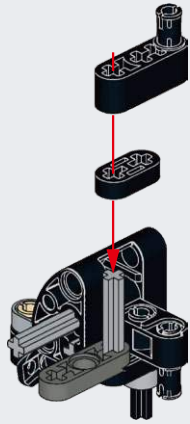


## B223

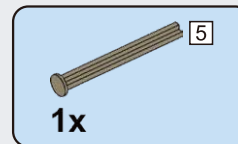
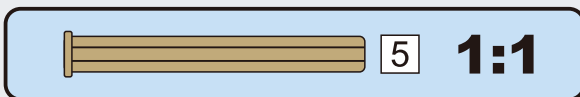
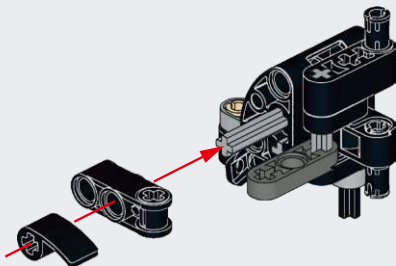




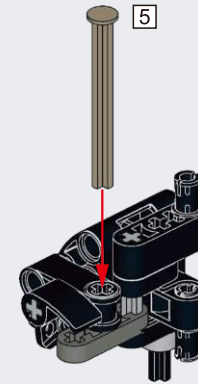
## B224



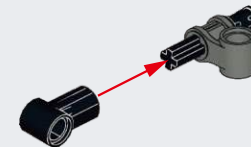
## B225



## B226

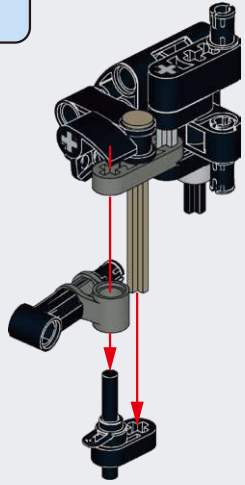
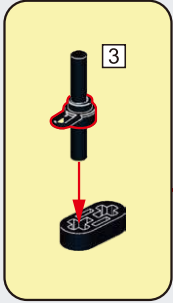


## B227

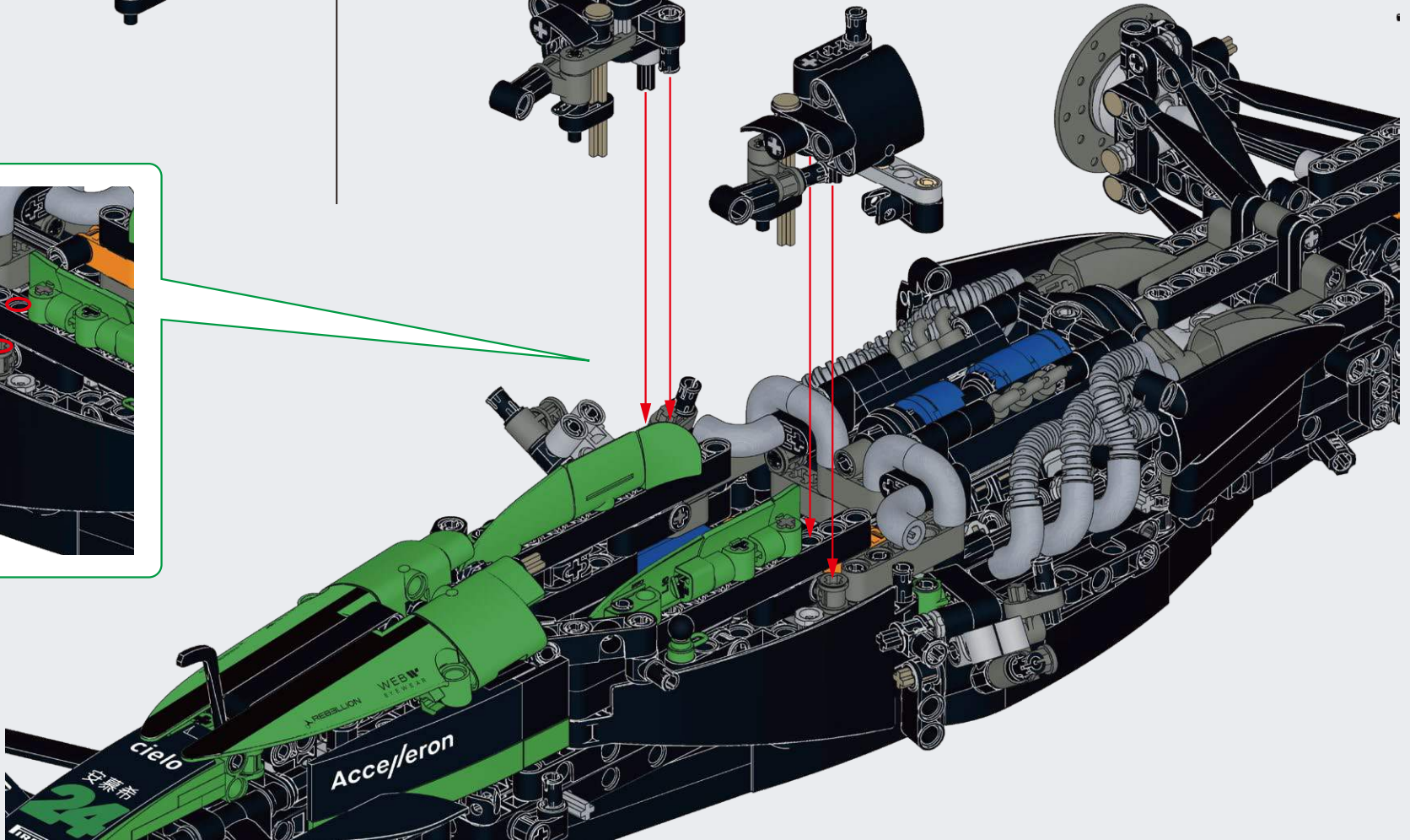
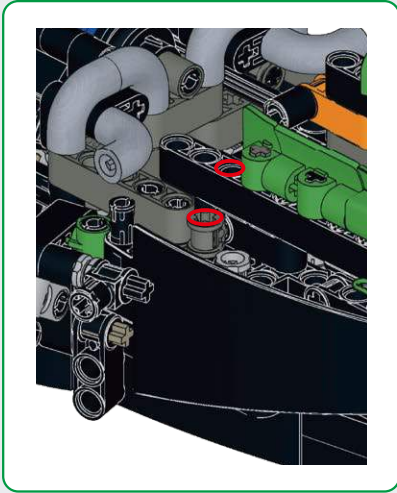
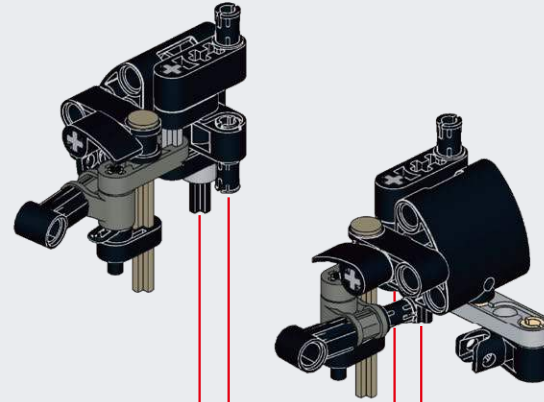


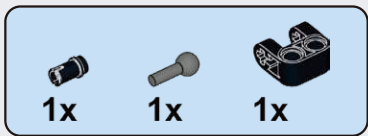


## B228

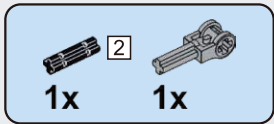
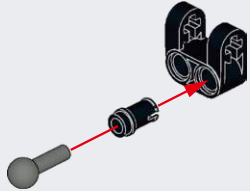


## B229

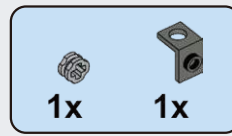
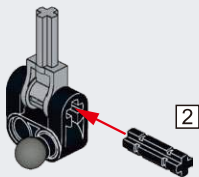




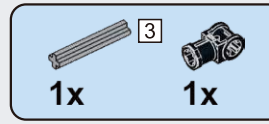
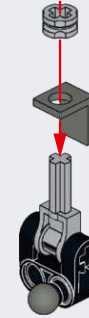
### B230



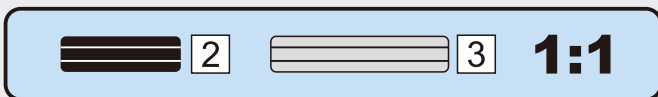
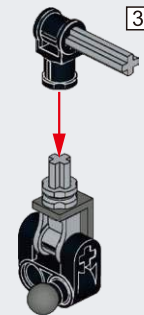
### B231

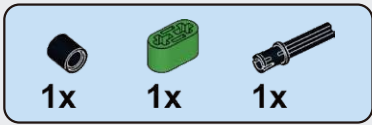


### B232

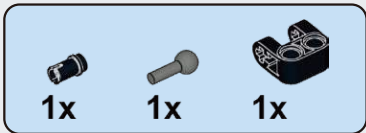
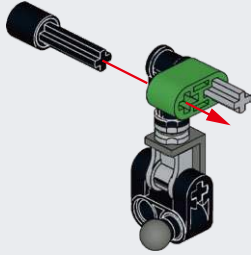


### B233

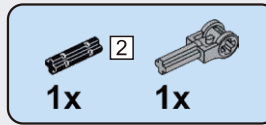
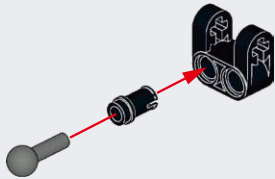




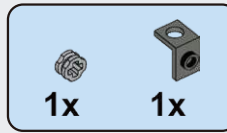
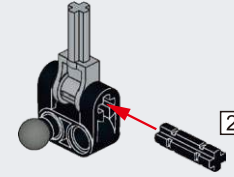
## B234



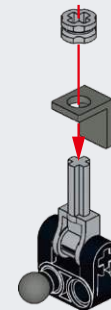
## B235

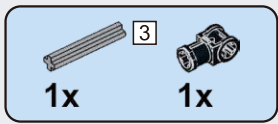


## B236

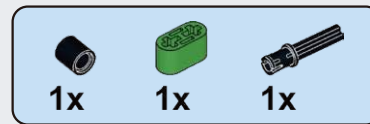
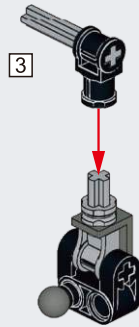


## B237

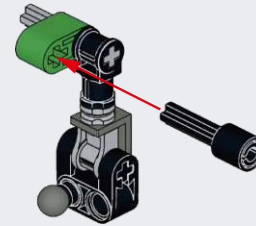




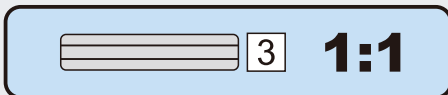
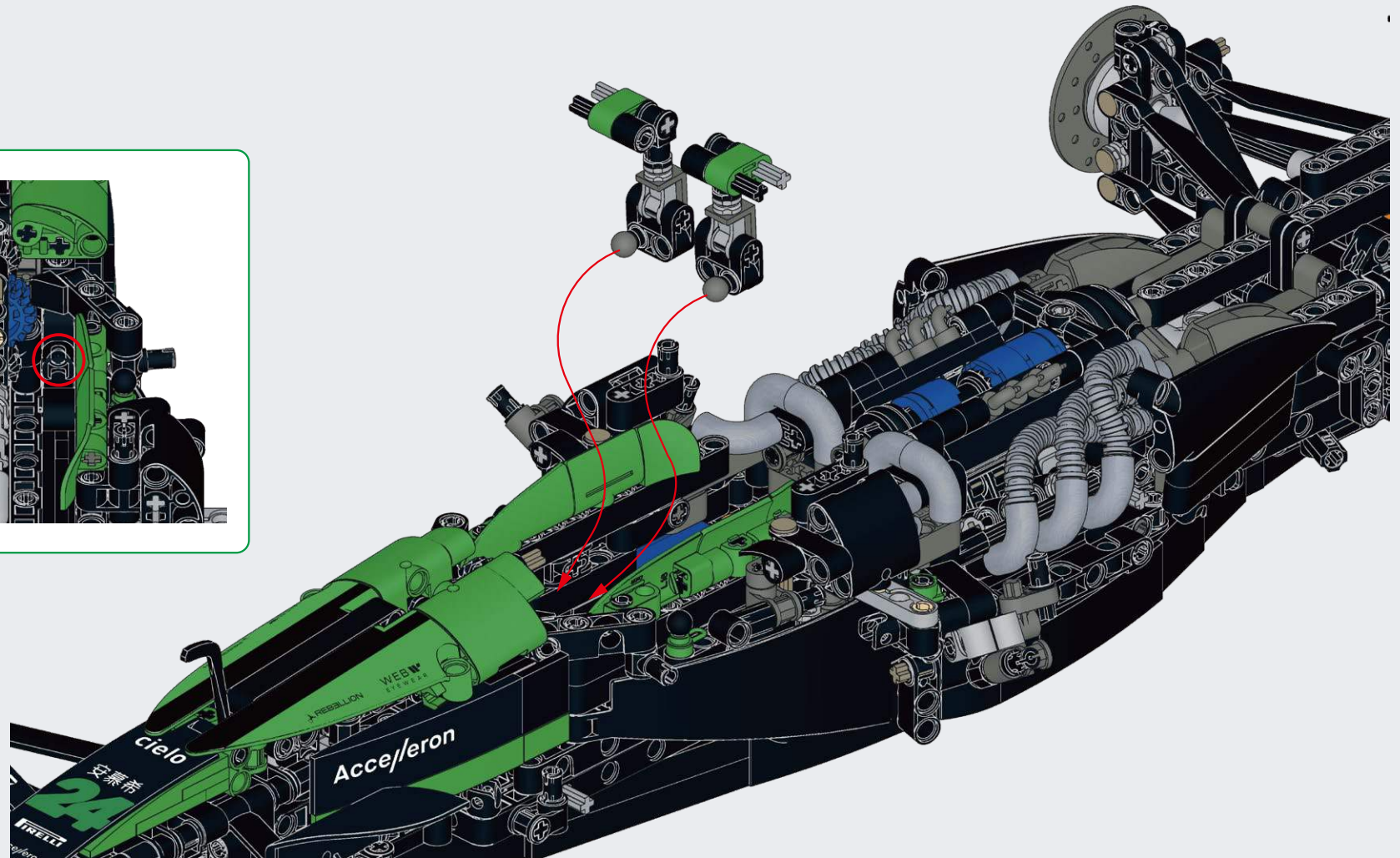
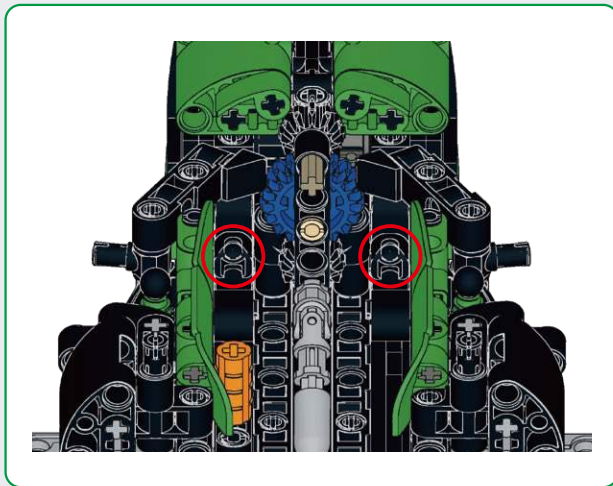
### B238



### B239

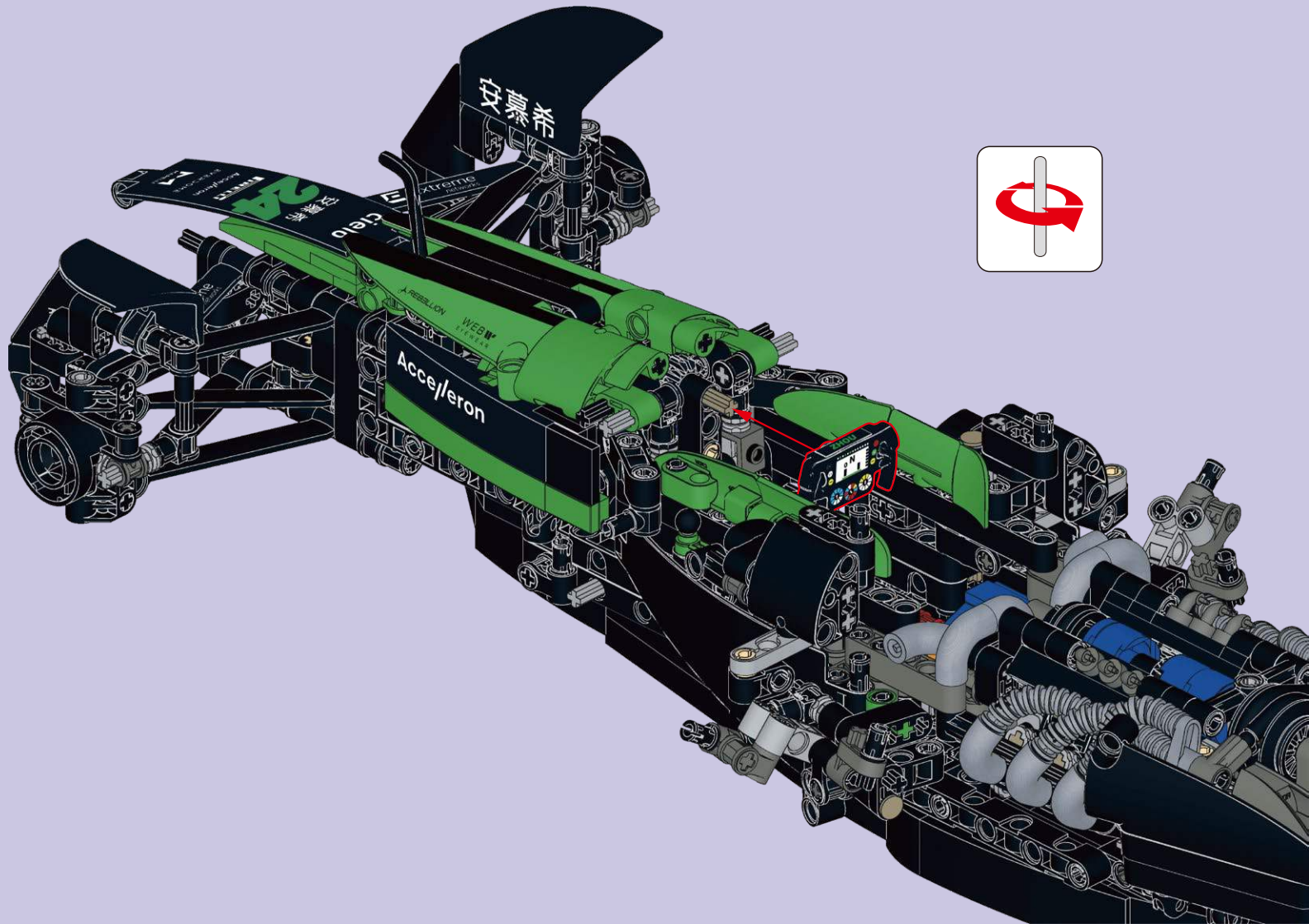


### B240



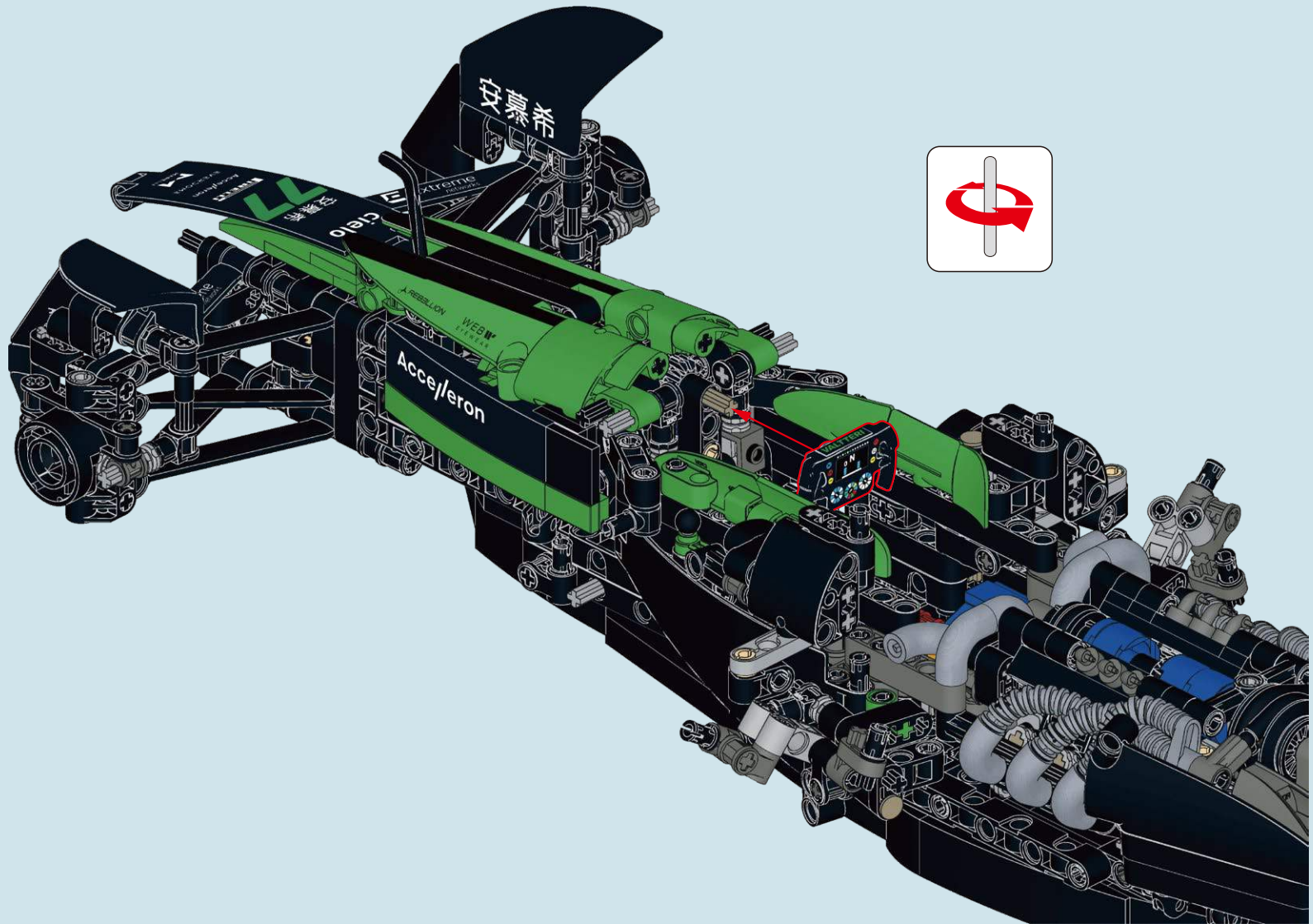


**B241**





**B241**





安慕希

Acce/eron

KICK

AGILIS

L. Lemo

Sabelf

socios CORP

Save the Children

Swiss made

MASCOT  
WOODSTAR

KICK

24

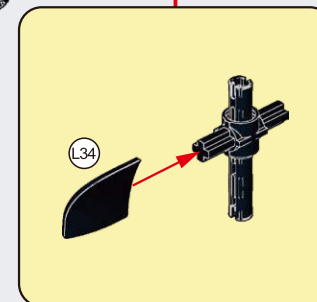
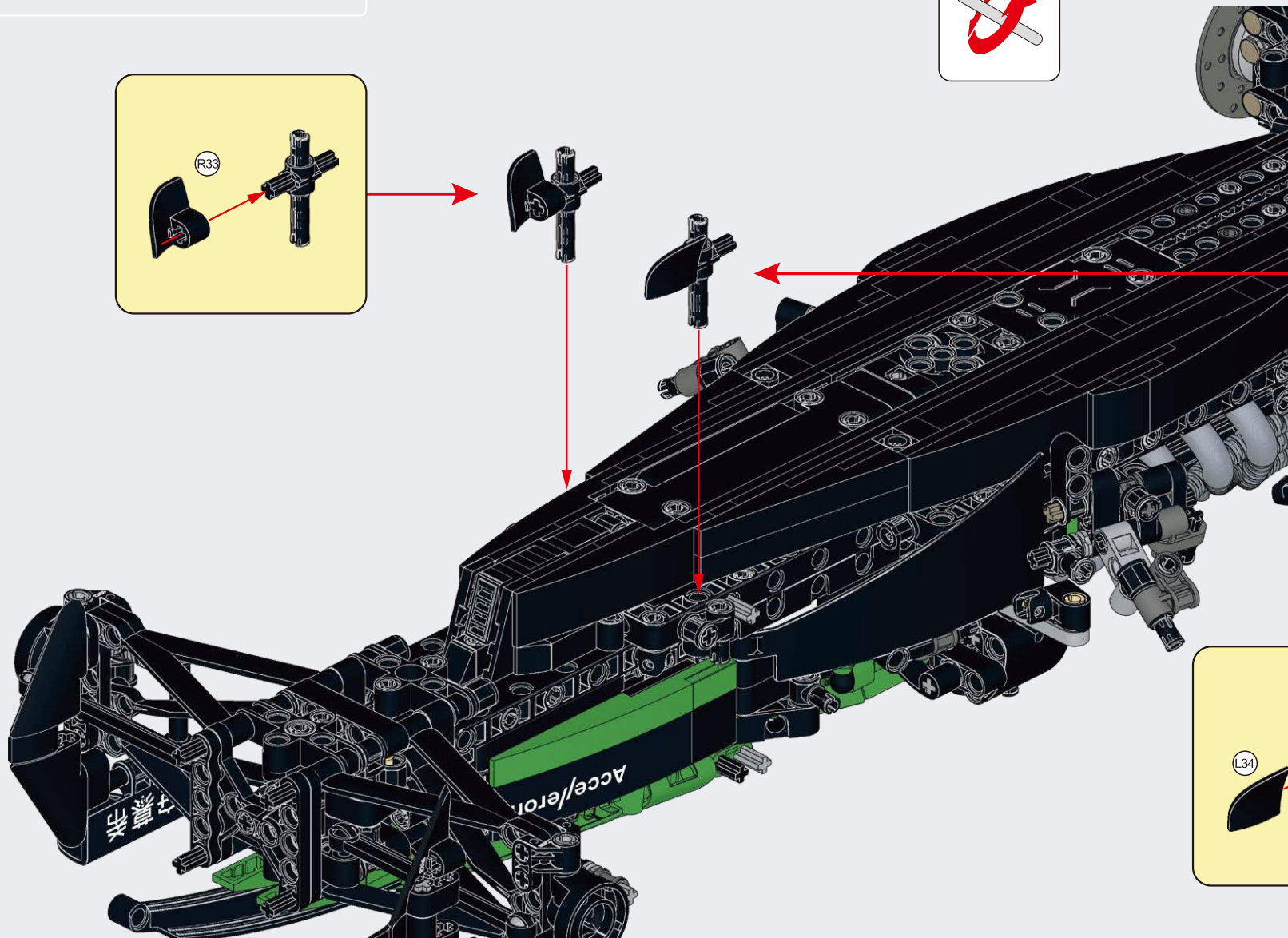
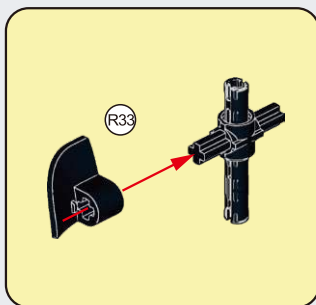
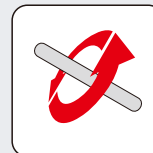
PIRELLI






P ZERO

**C**

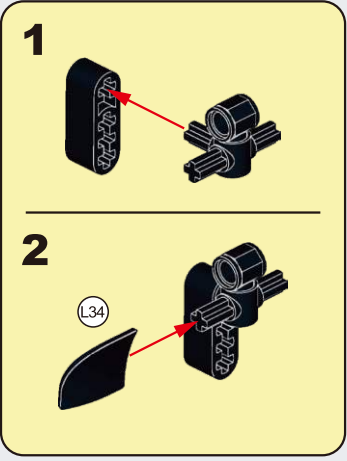
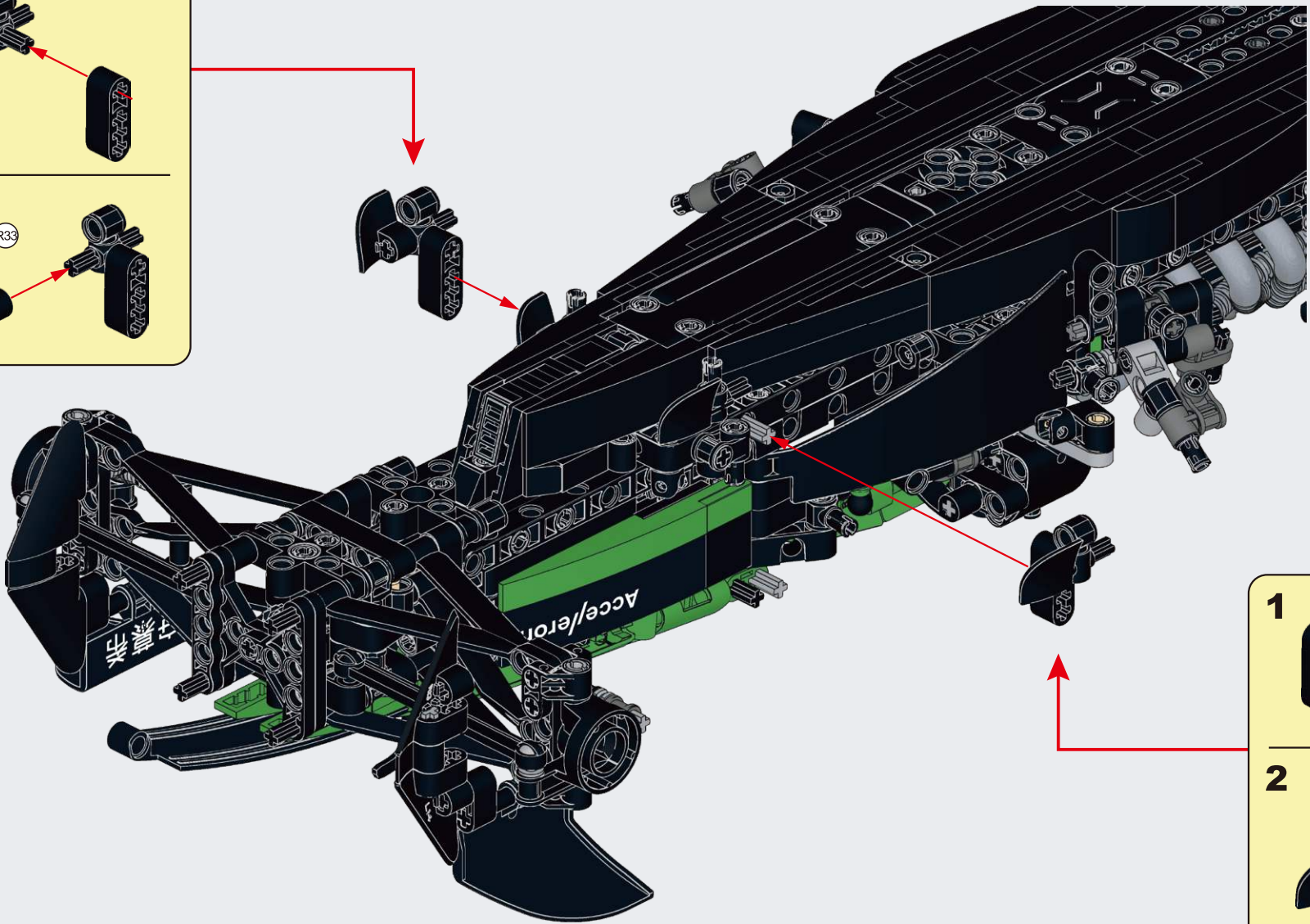
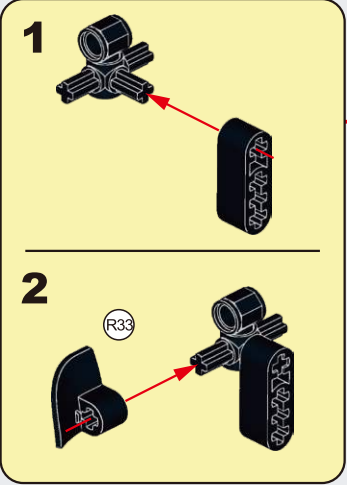


**C1**



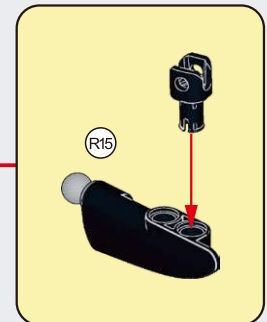
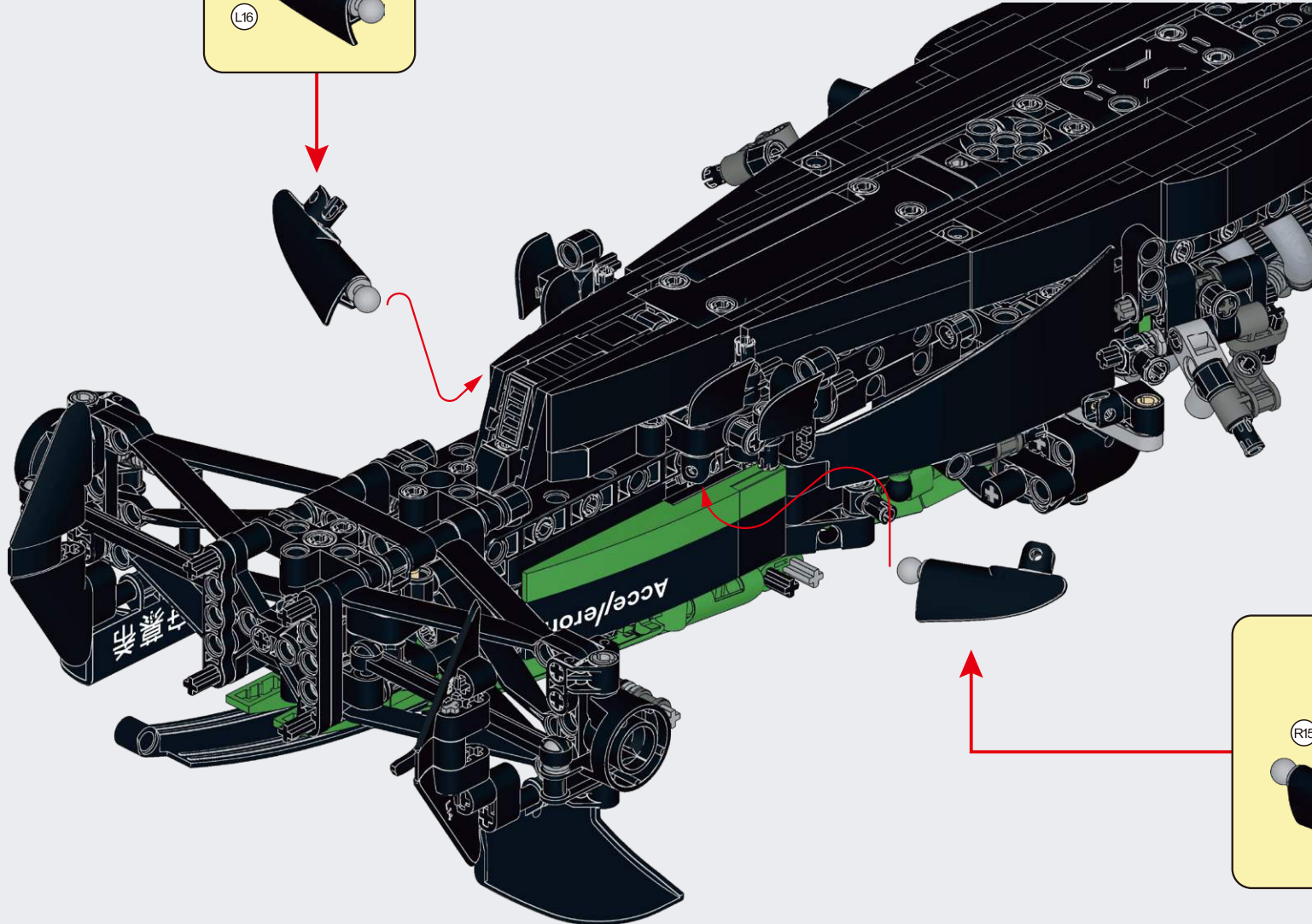
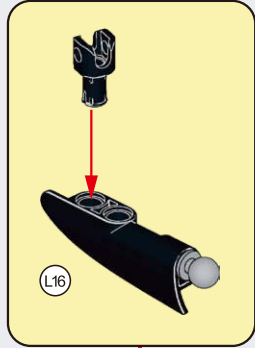
-   
2x
-   
2x
-   
2x
-  L34  
1x
-  R33  
1x

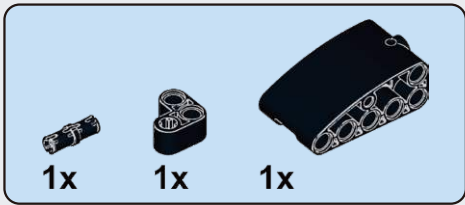
# C2



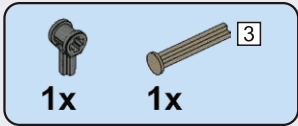
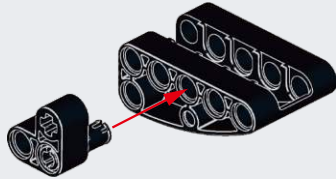


### C3

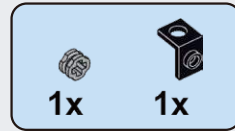
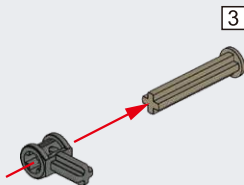




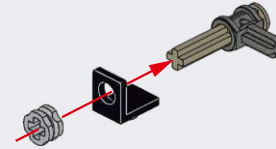
**C4**



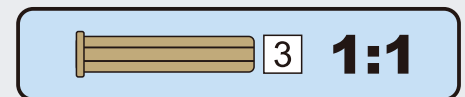
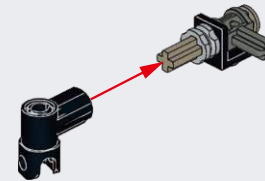
**C5**

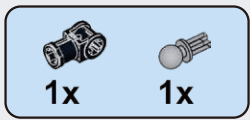


**C6**

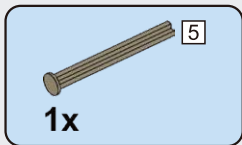
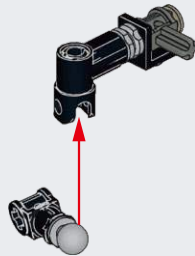


**C7**

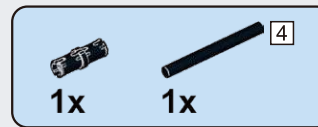
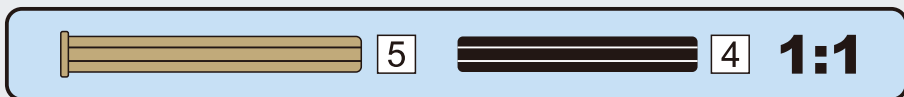
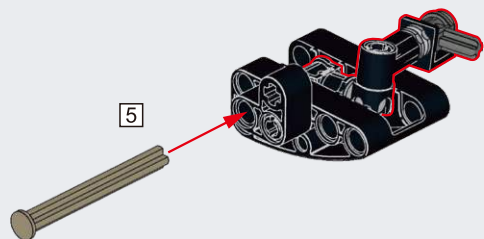




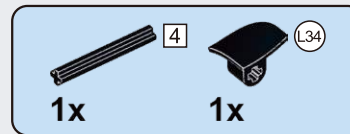
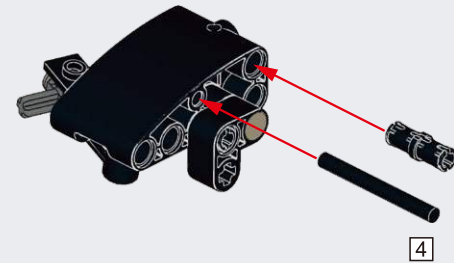
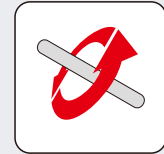
**C8**



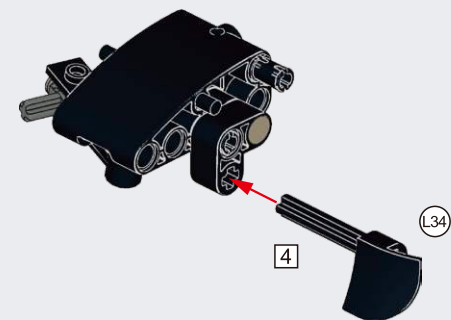
**C9**

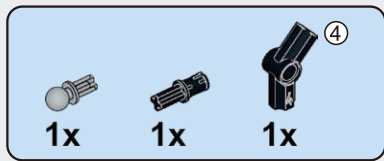


**C10**

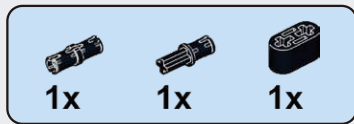
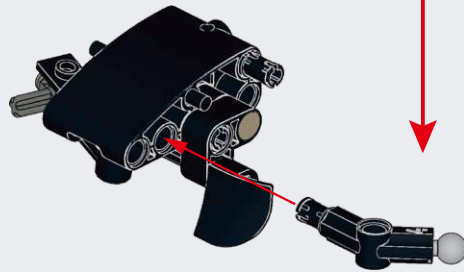
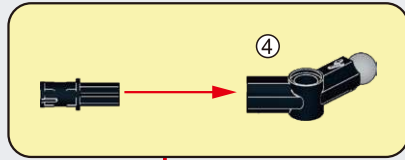


**C11**

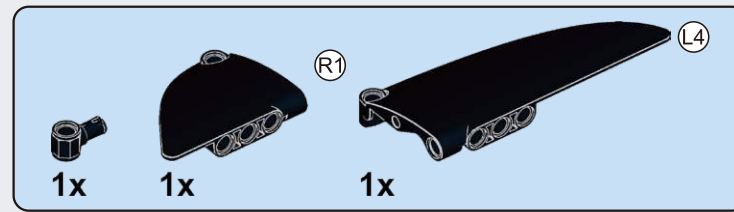
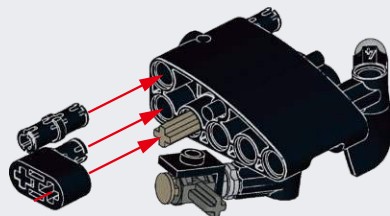




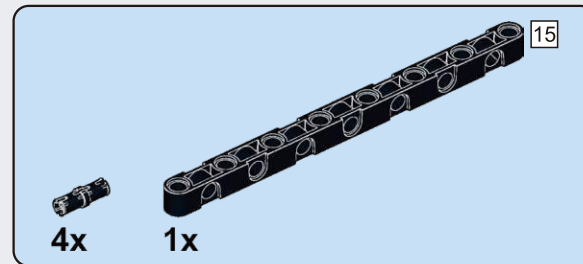
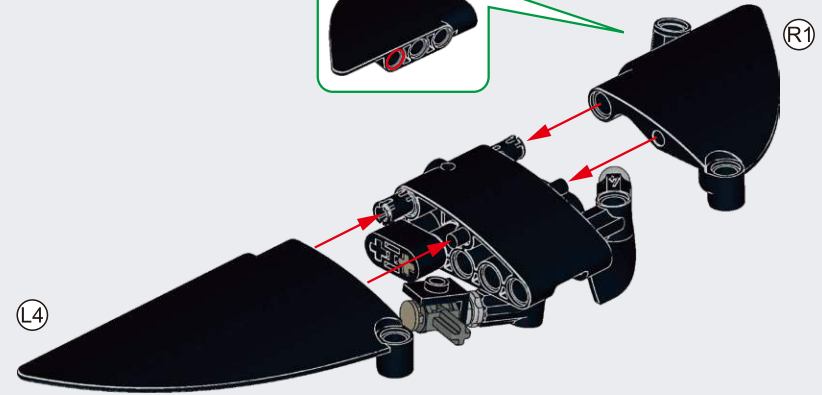
### C12



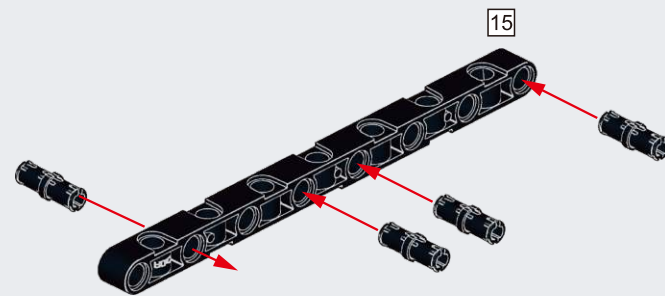
### C13

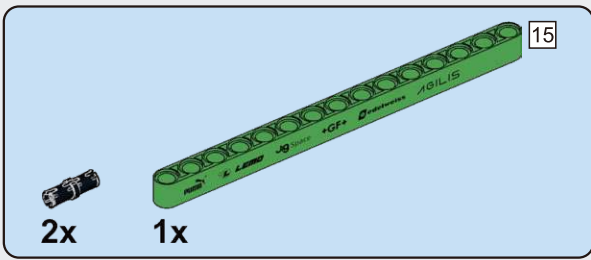


### C14

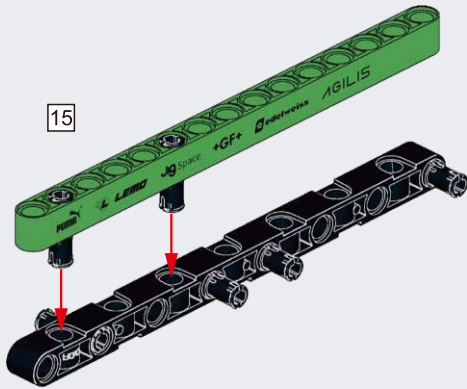


### C15

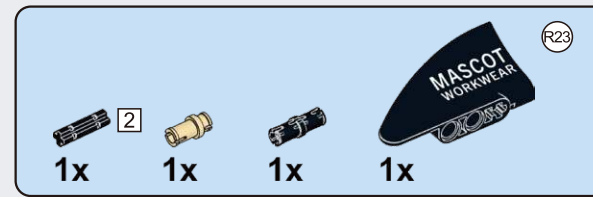
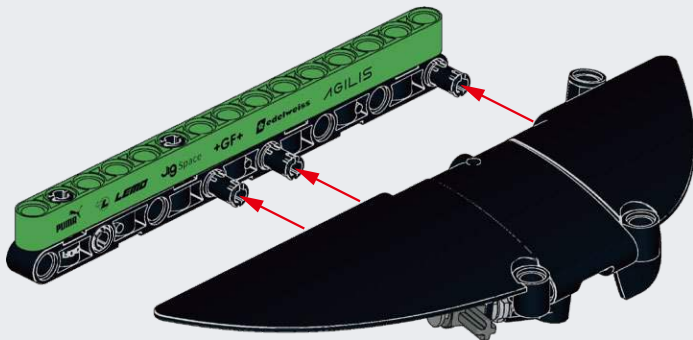




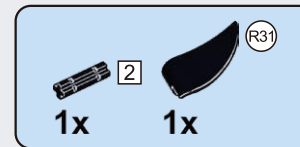
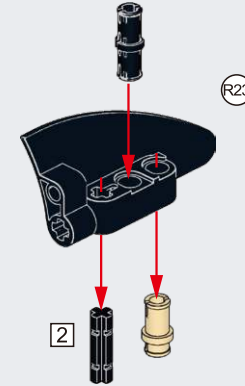
### C16



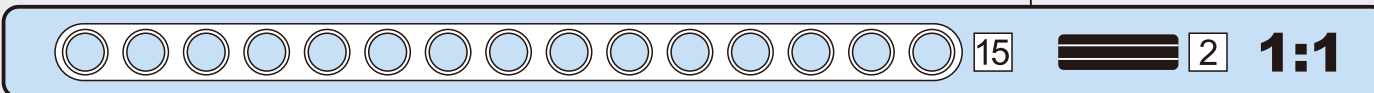
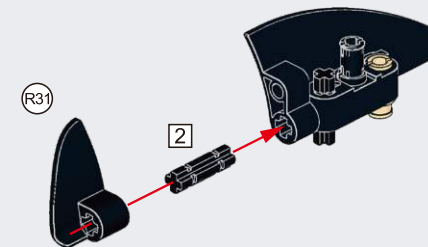
### C17

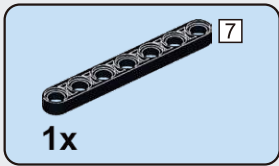


### C18



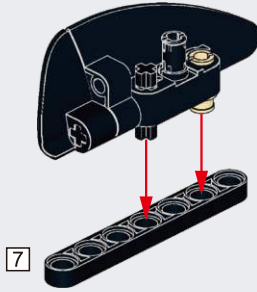
### C19



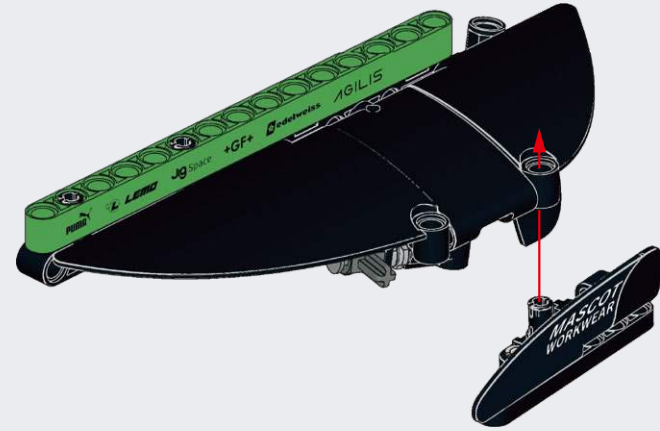
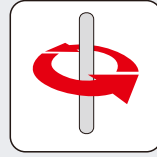


1x

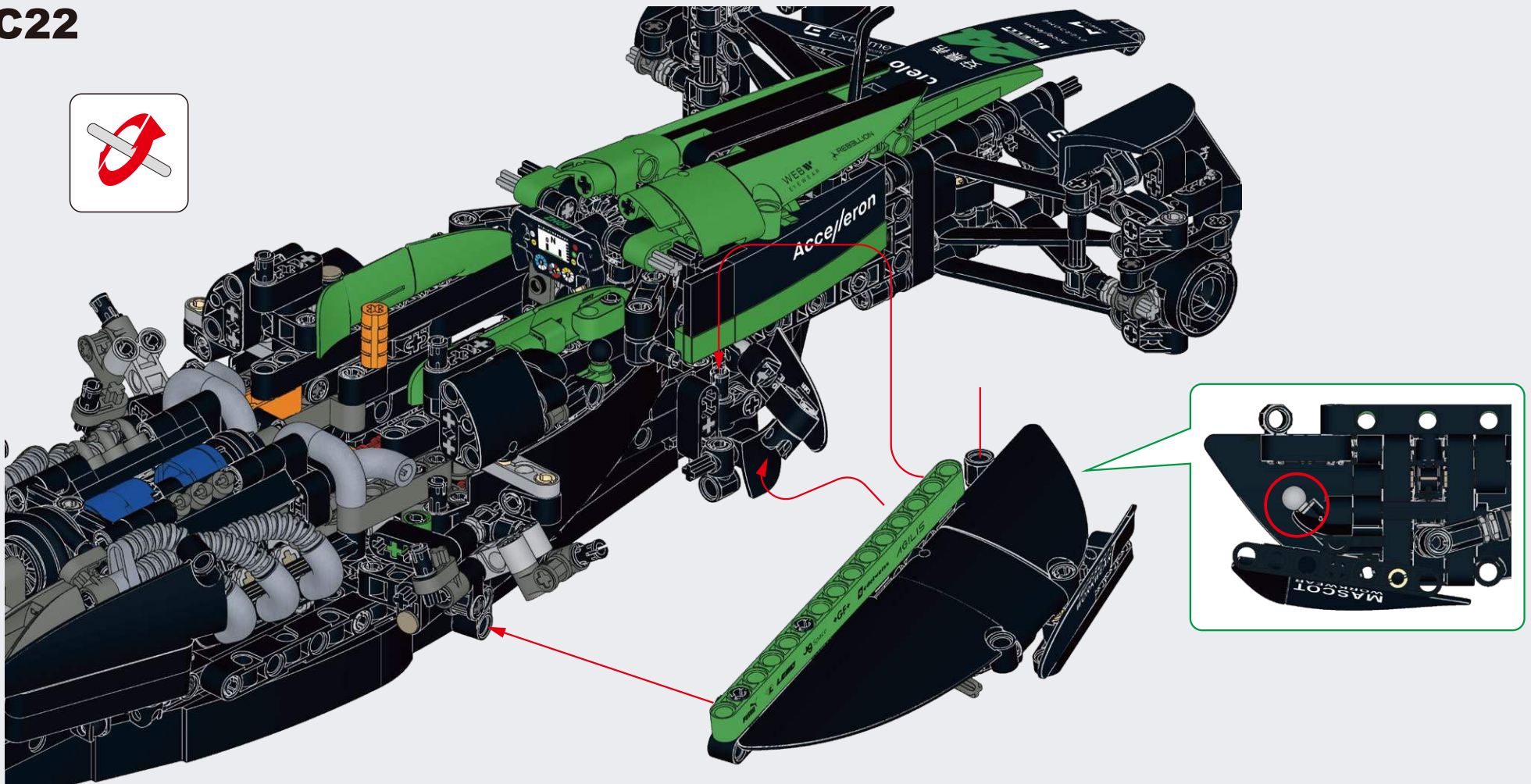
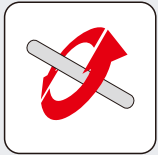
## C20

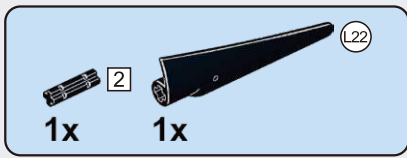


## C21

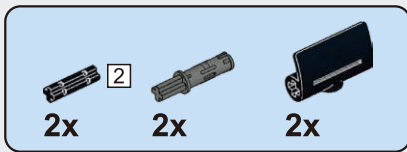
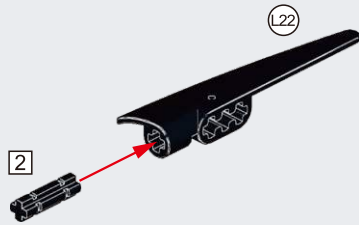


## C22

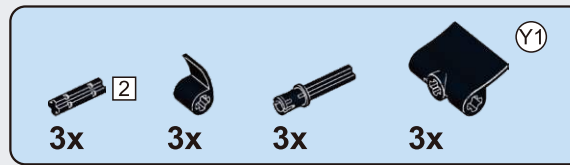
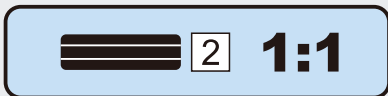
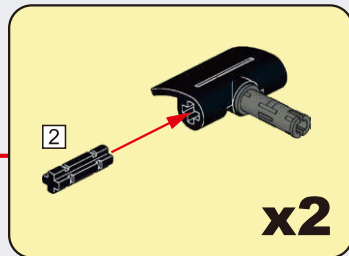
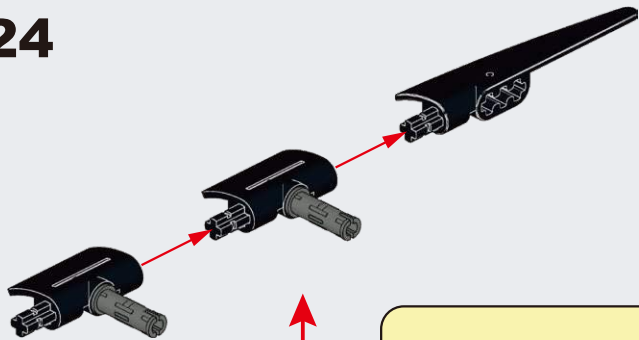




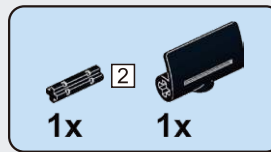
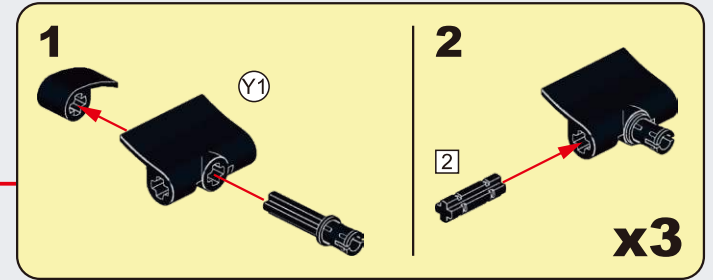
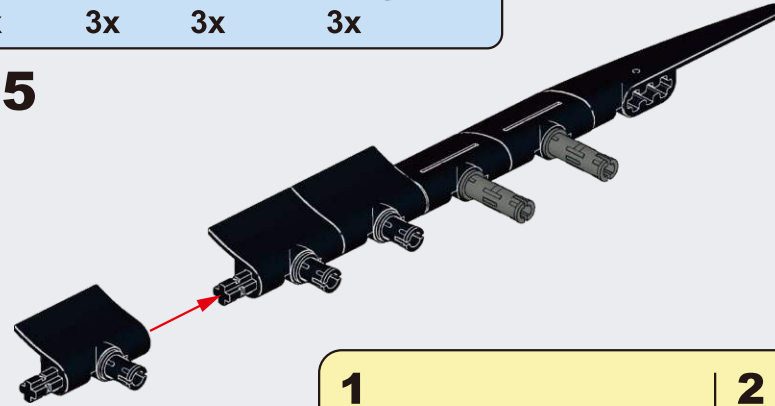
### C23



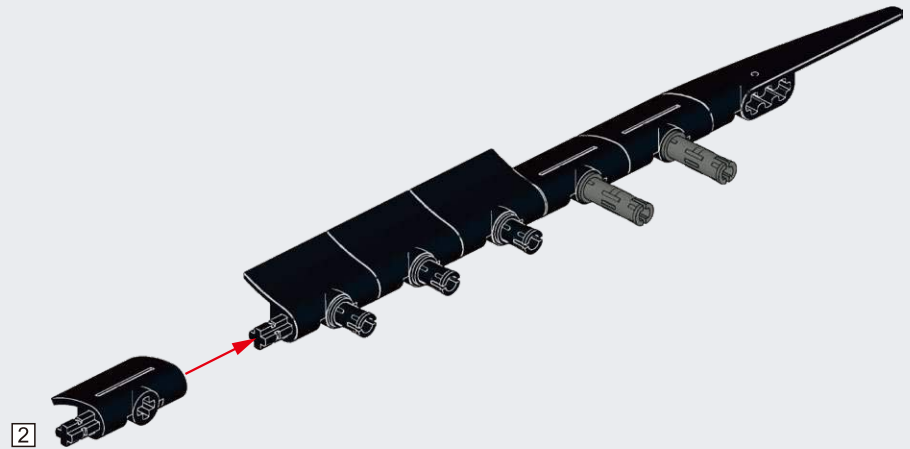
### C24

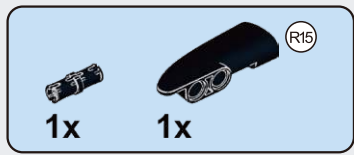


### C25

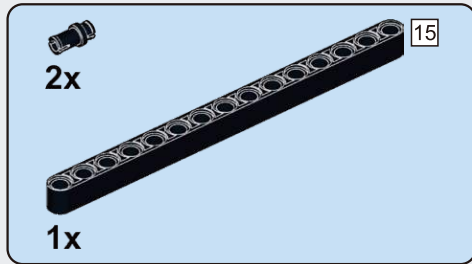
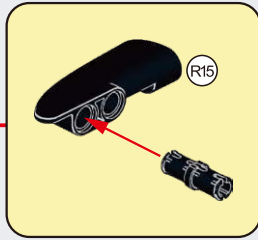
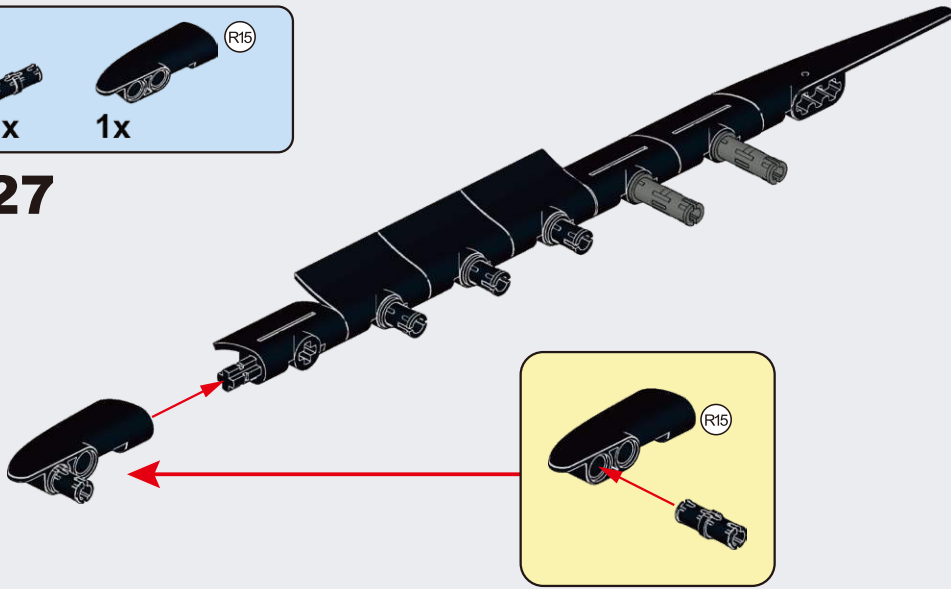


### C26

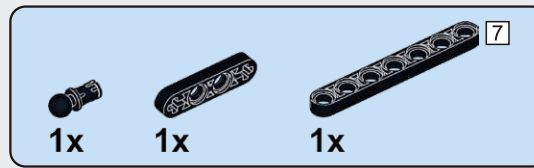
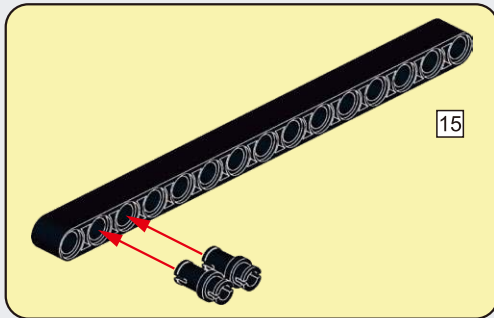
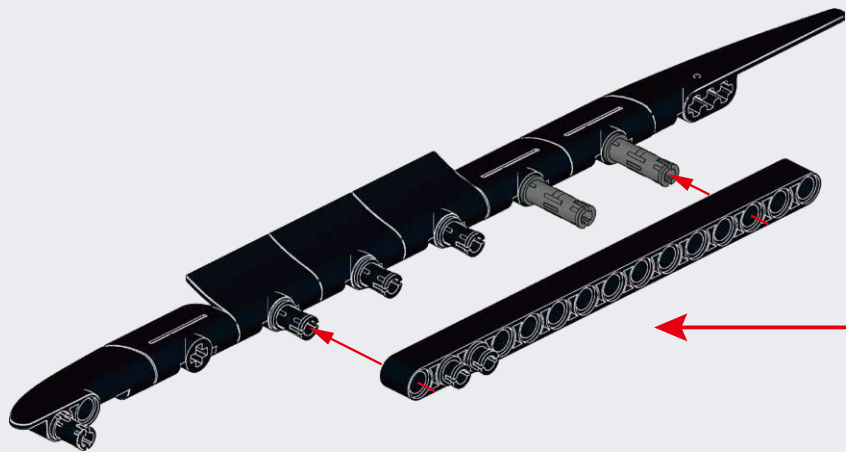




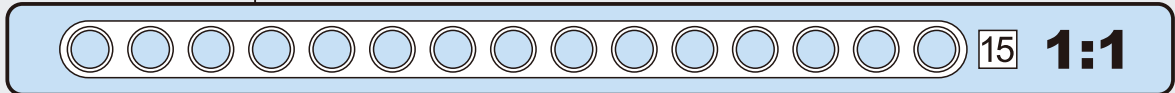
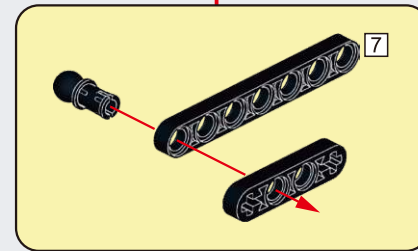
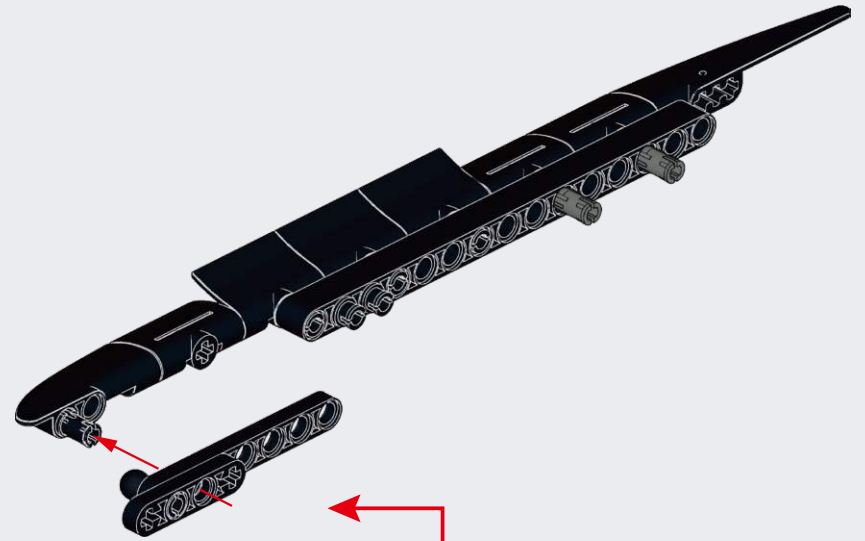
**C27**



**C28**

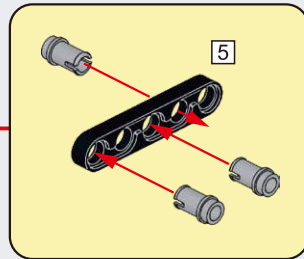
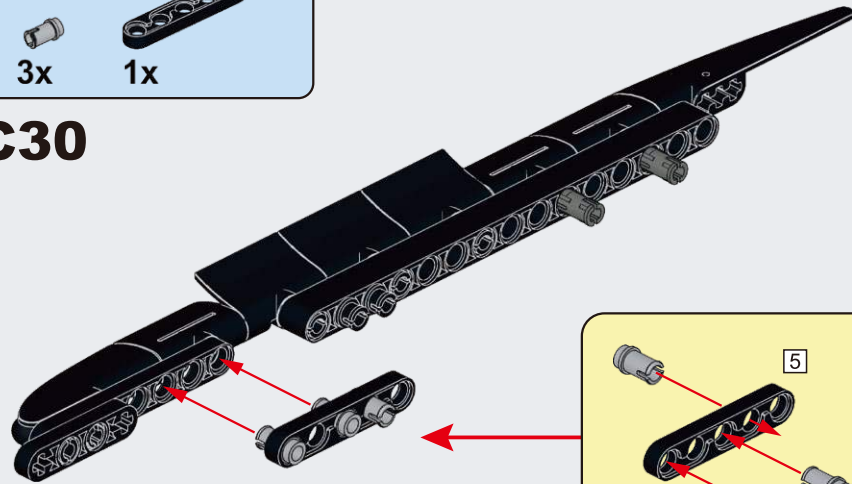


**C29**

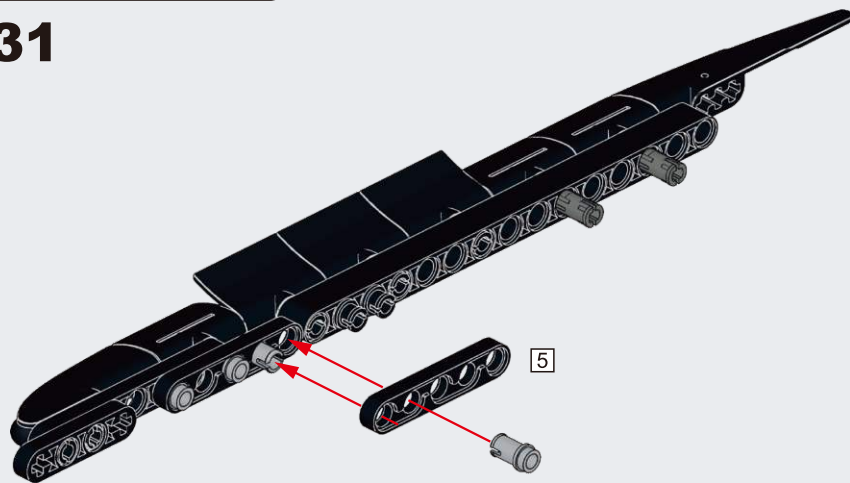




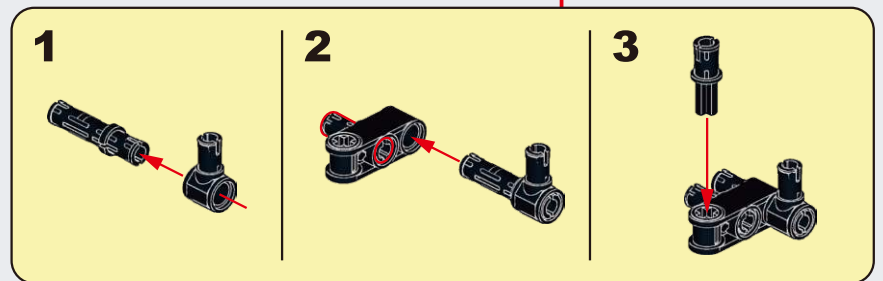
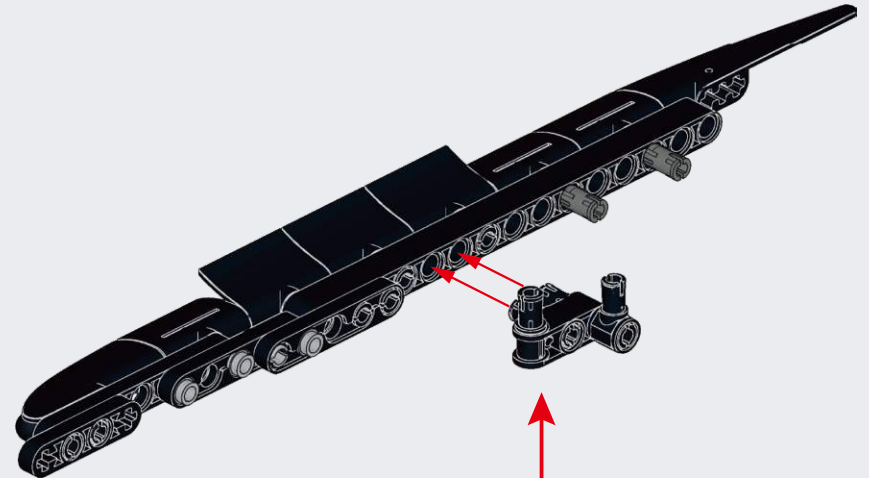
**C30**

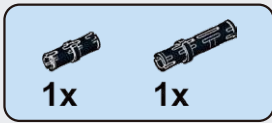


**C31**

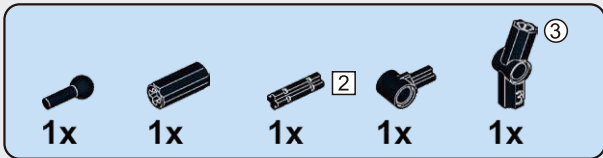
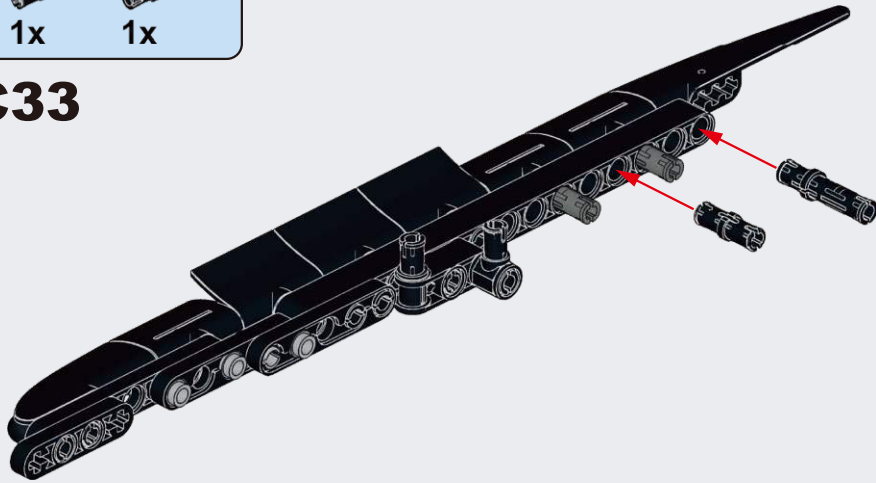


**C32**

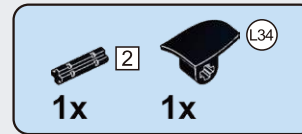
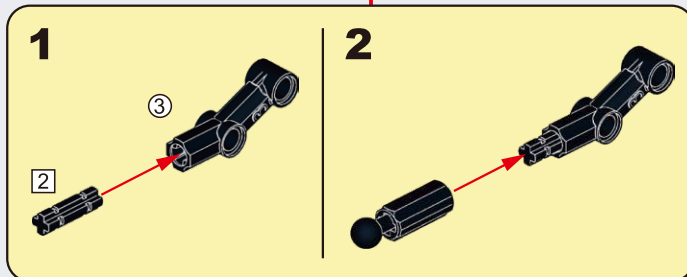
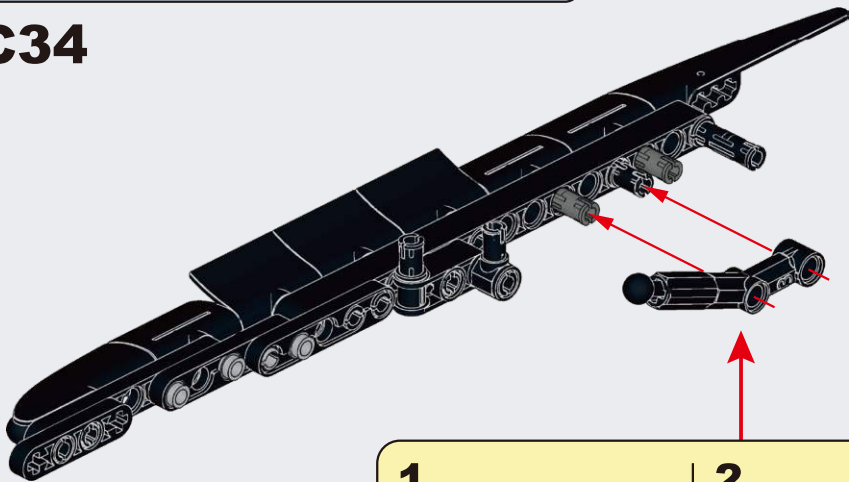




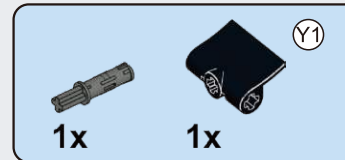
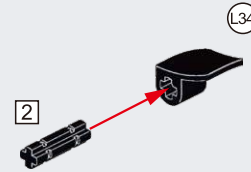
### C33



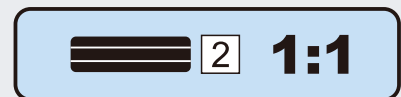
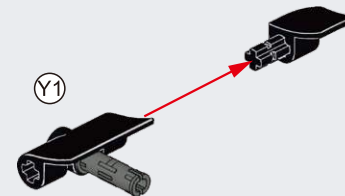
### C34

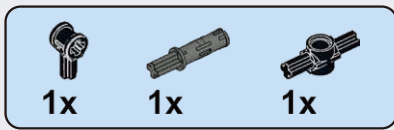


### C35

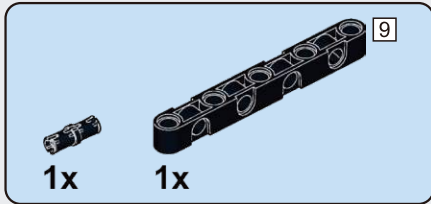
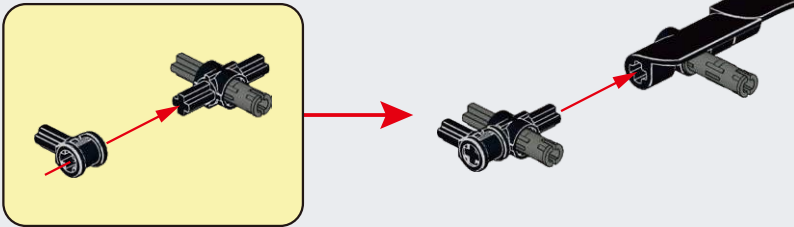


### C36

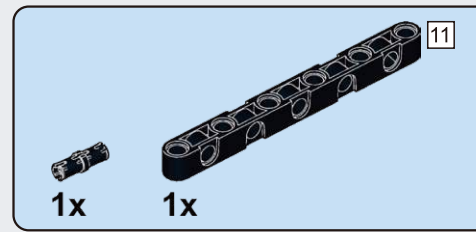
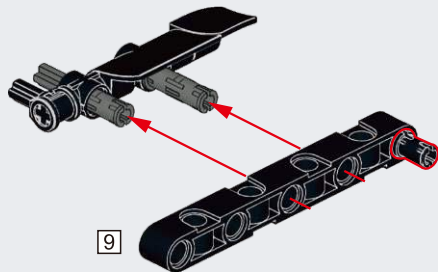




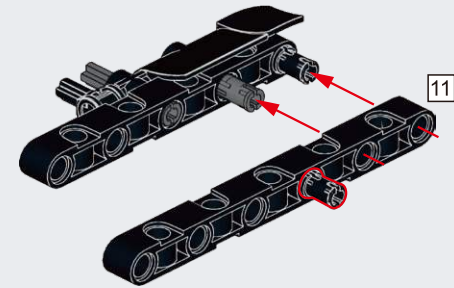
### C37



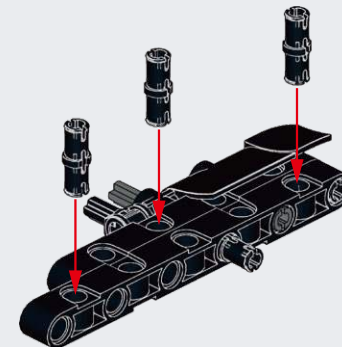
### C38



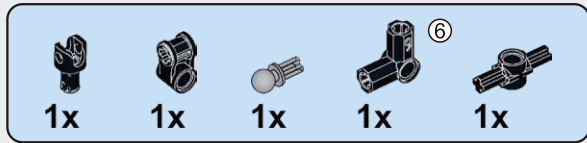
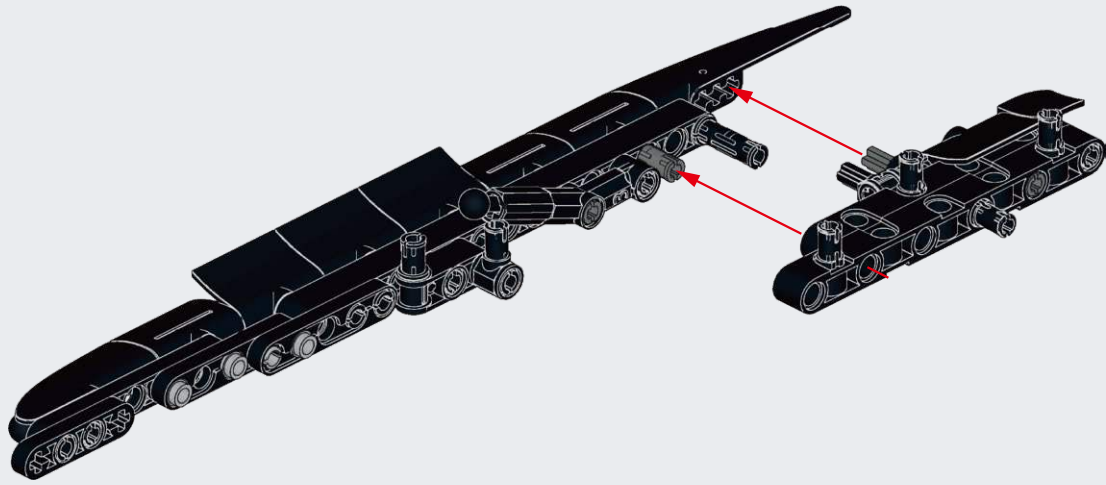
### C39



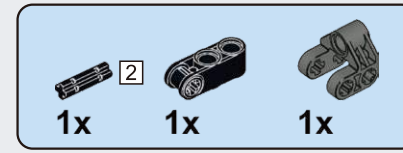
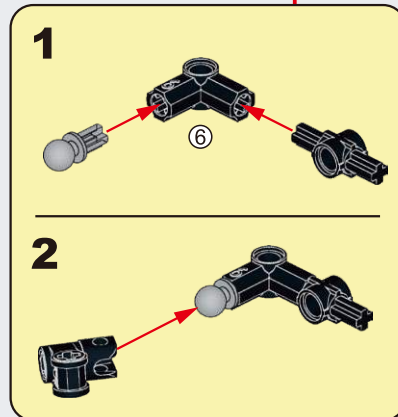
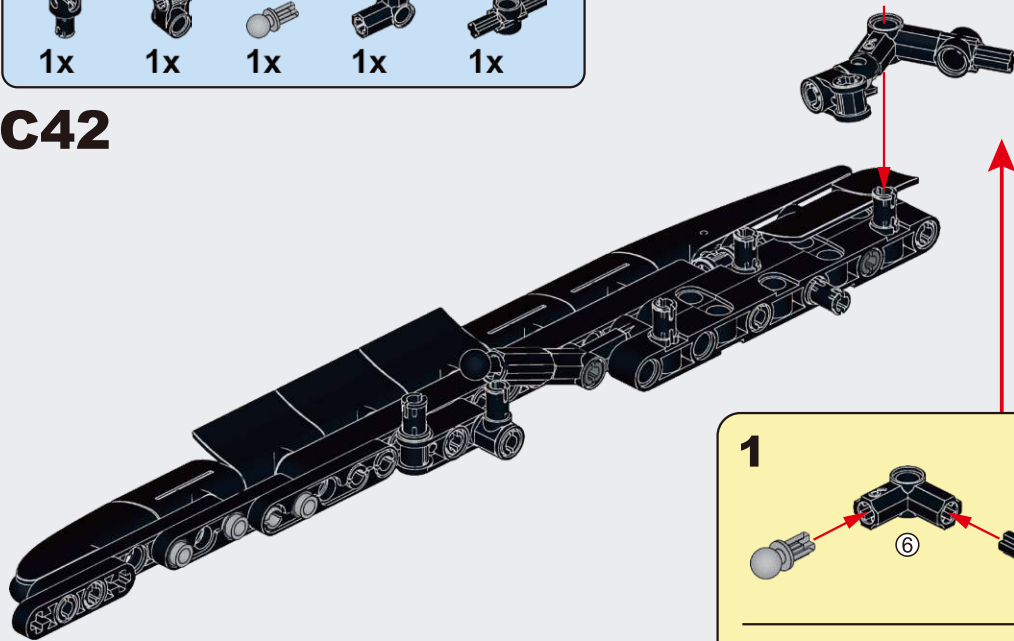
### C40



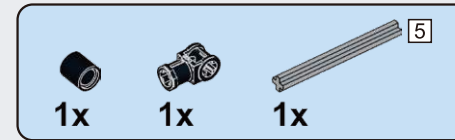
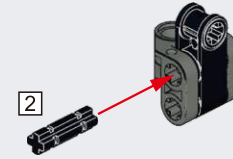
# C41



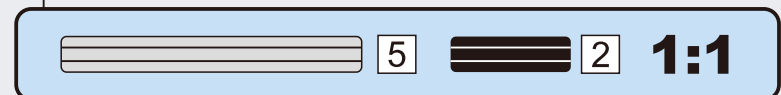
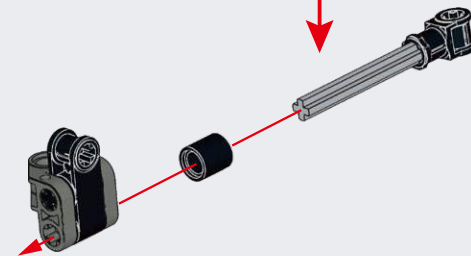
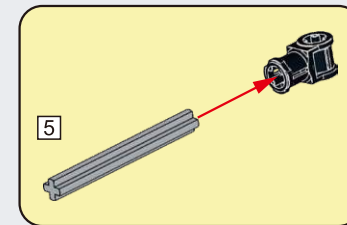
# C42

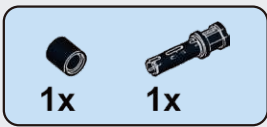


# C43

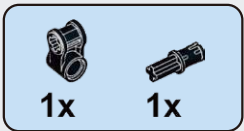
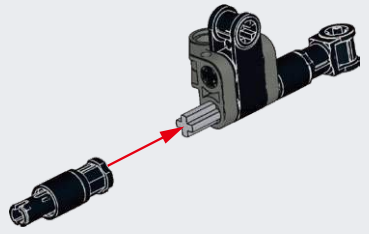


# C44

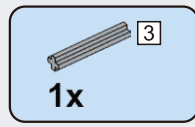
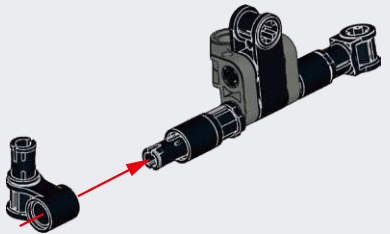




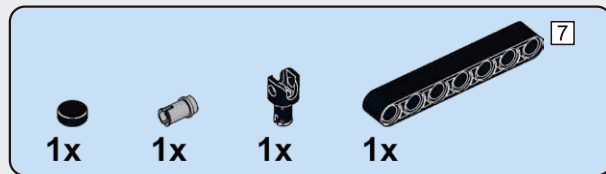
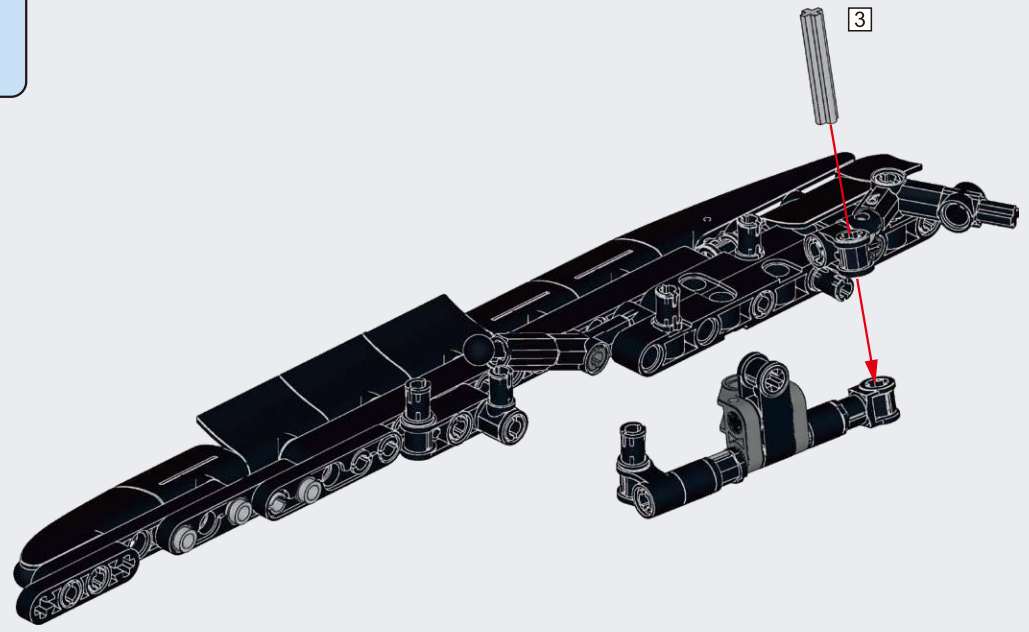
**C45**



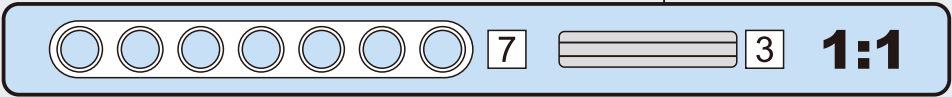
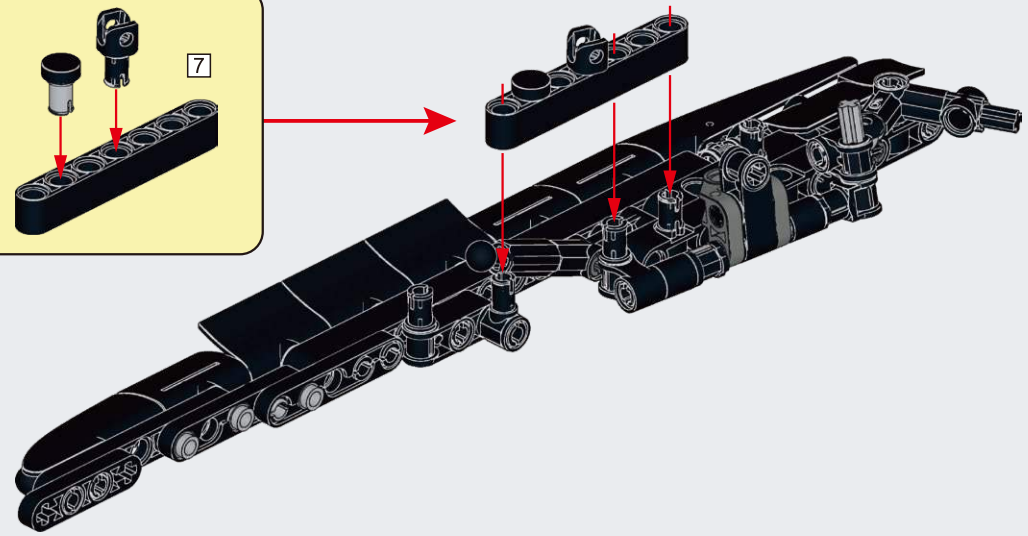
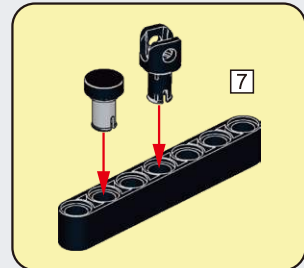
**C46**

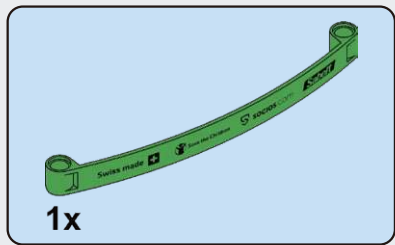


**C47**

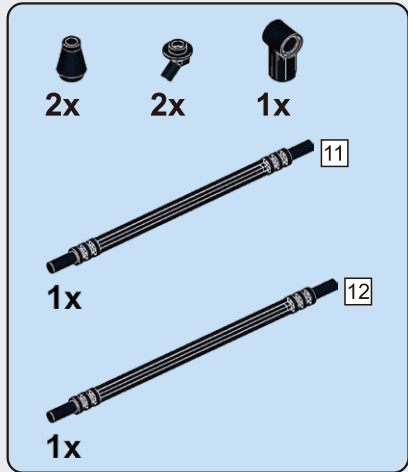
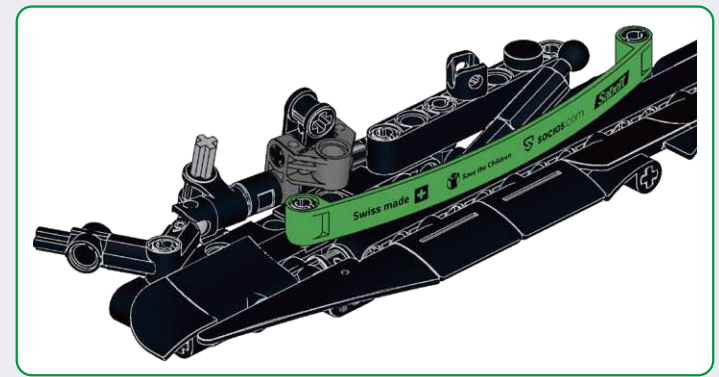
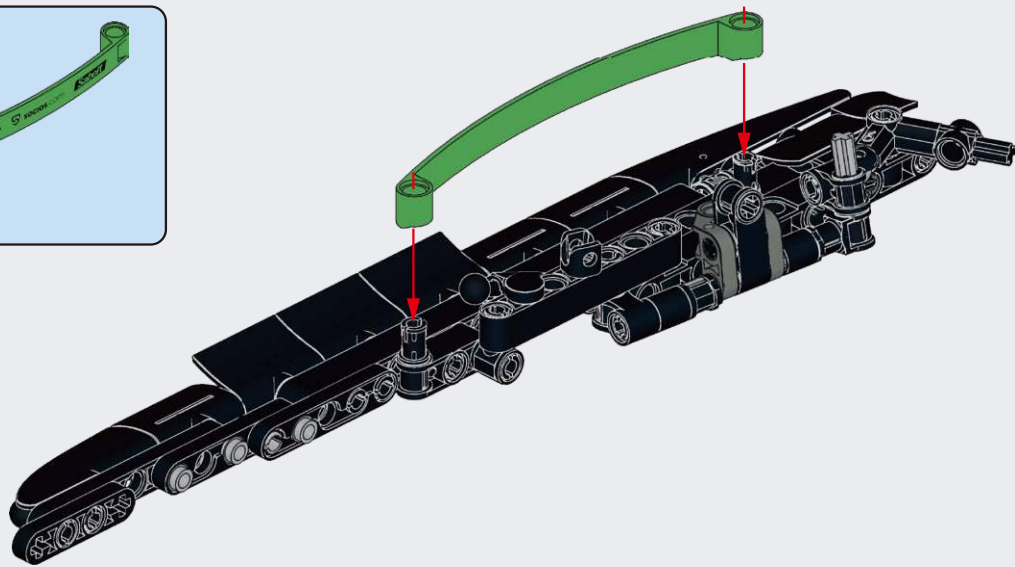


**C48**

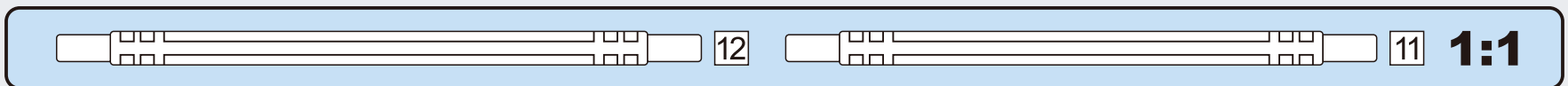
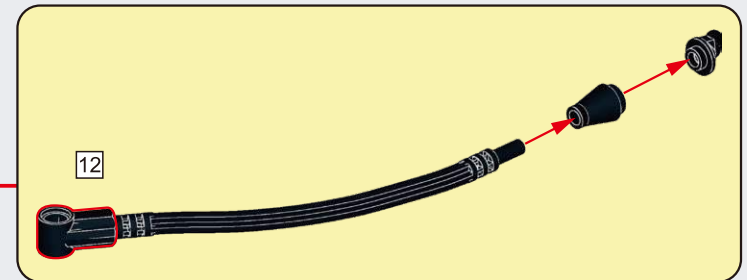
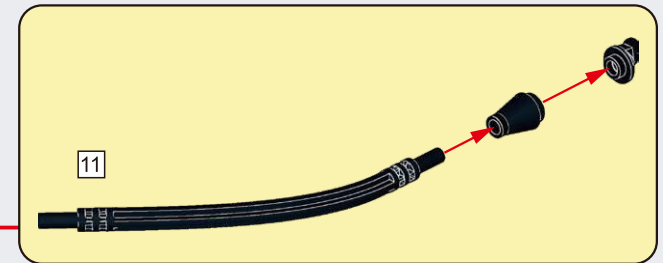
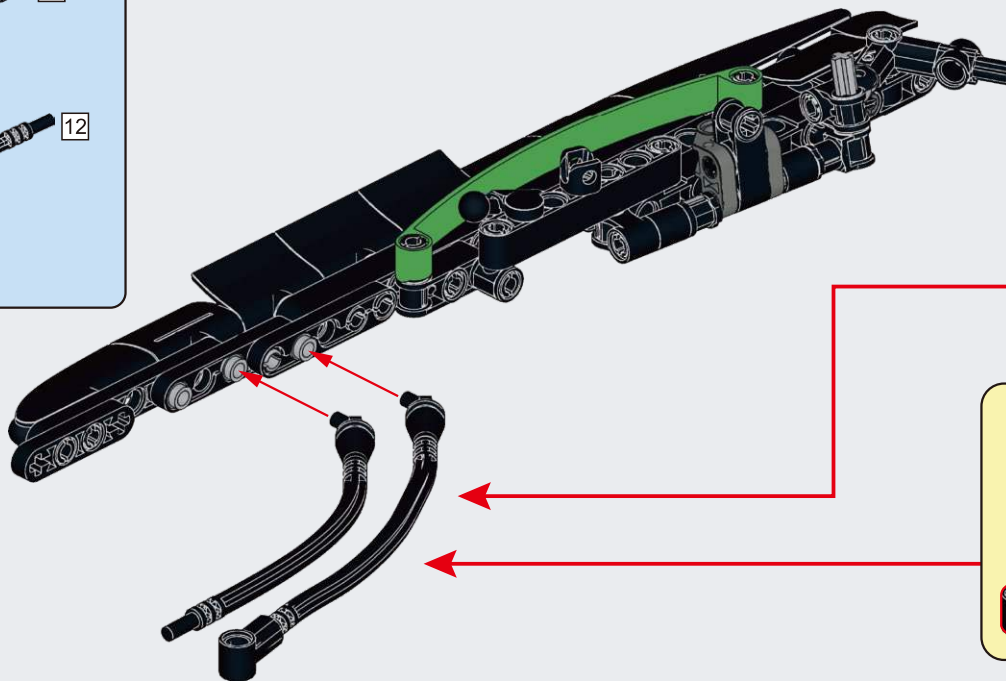




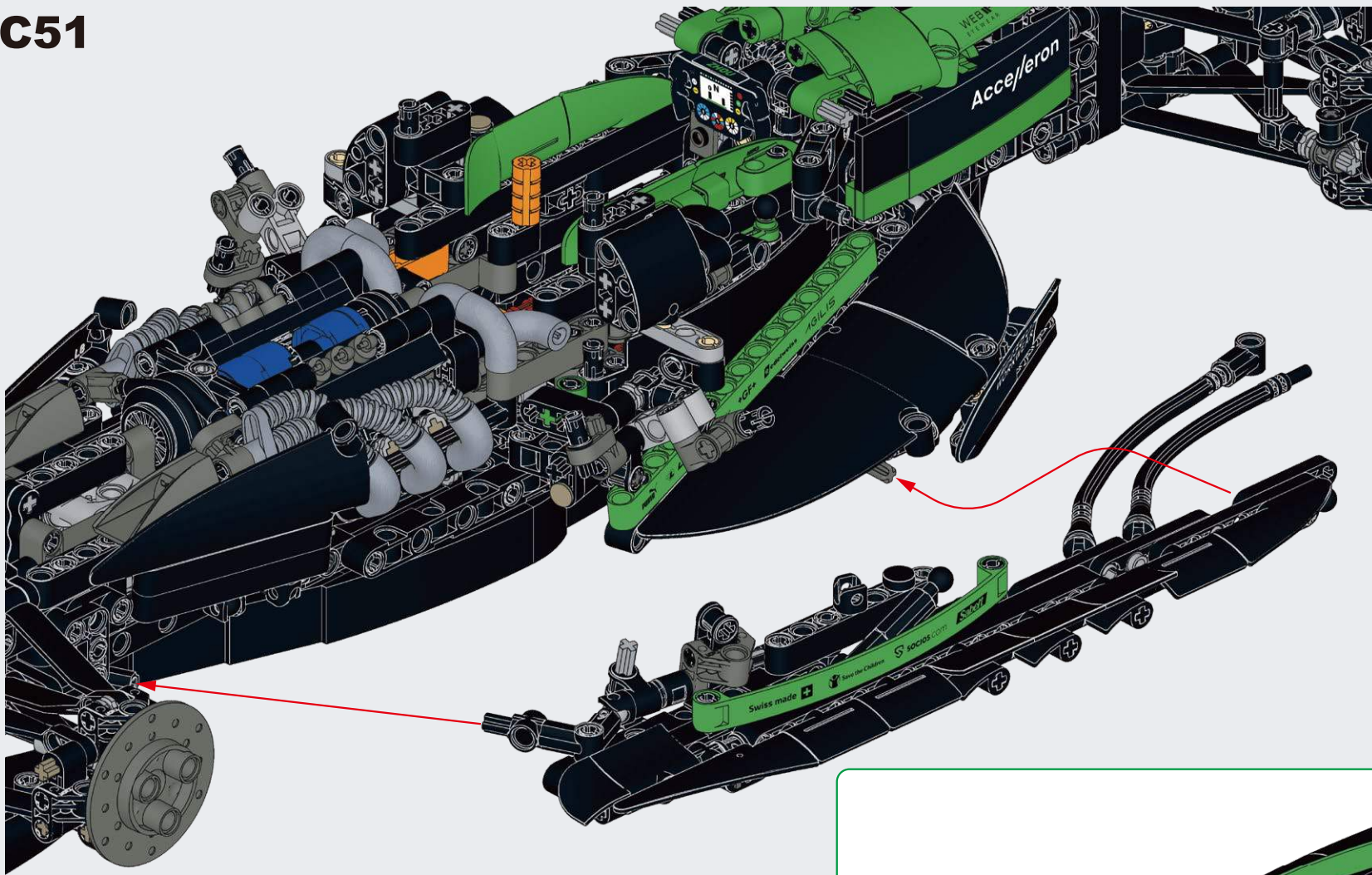
**C49**

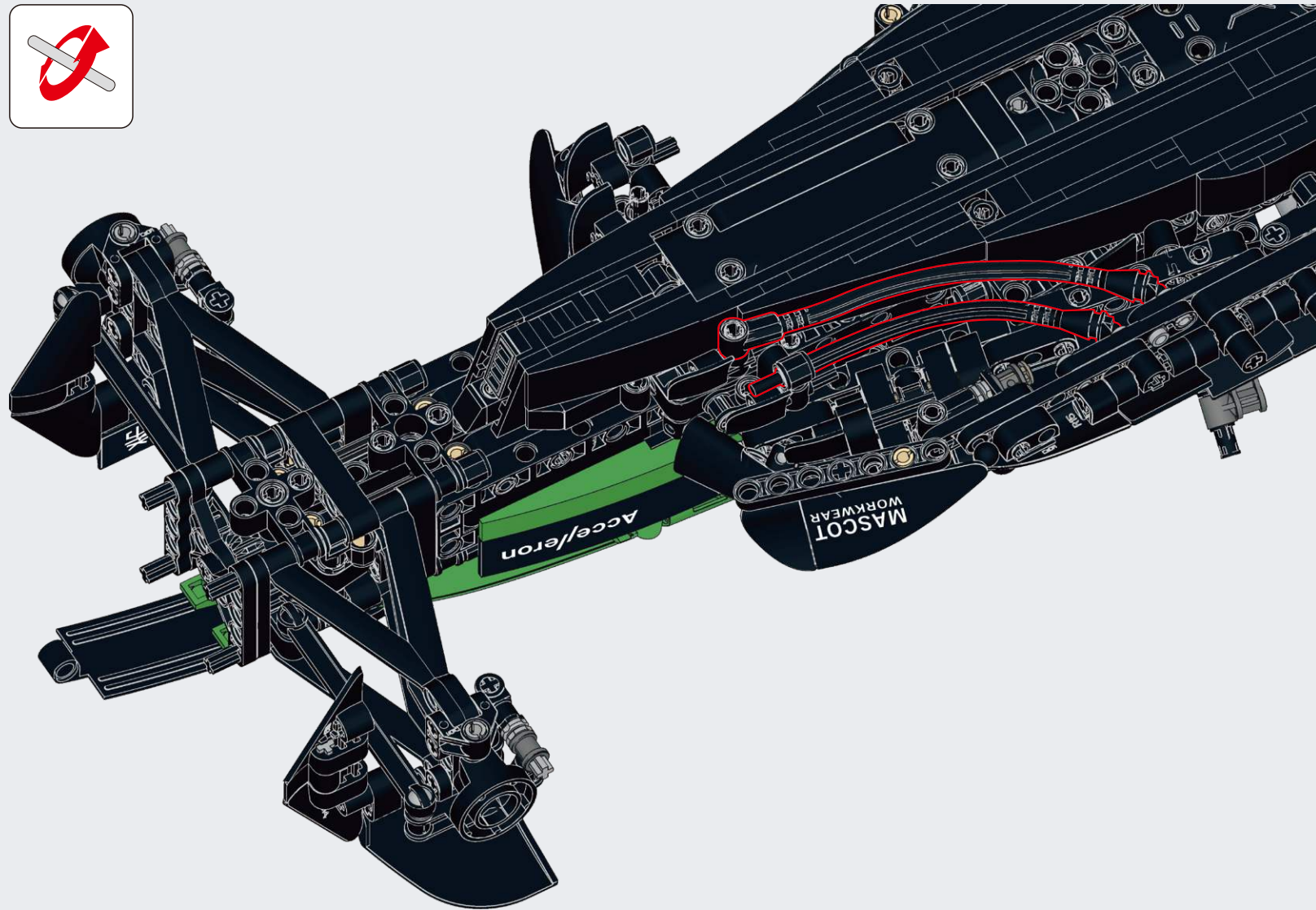
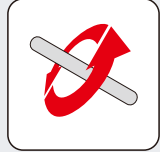


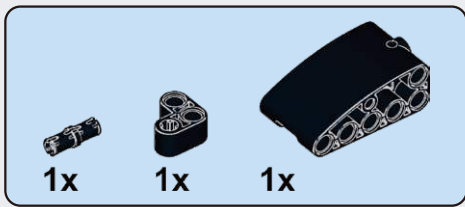
**C50**



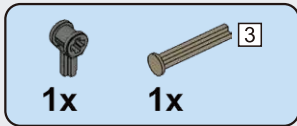
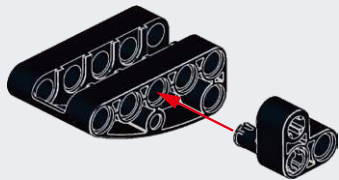
# C51



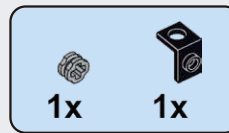
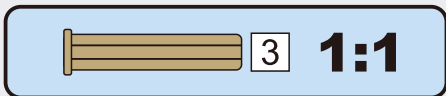
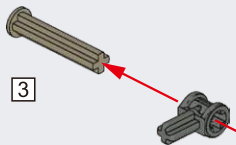




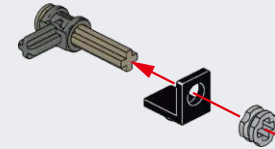
### C53



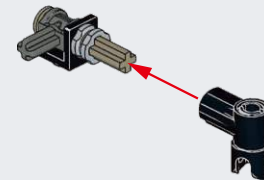
### C54

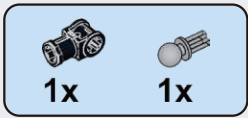


### C55

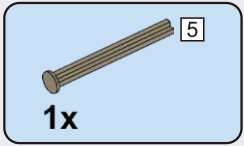
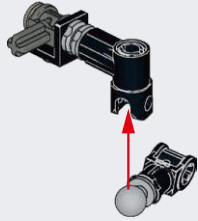


### C56

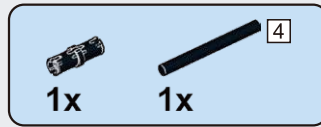
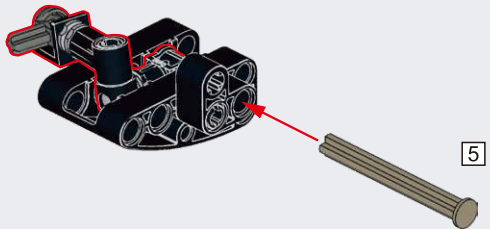




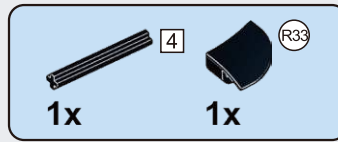
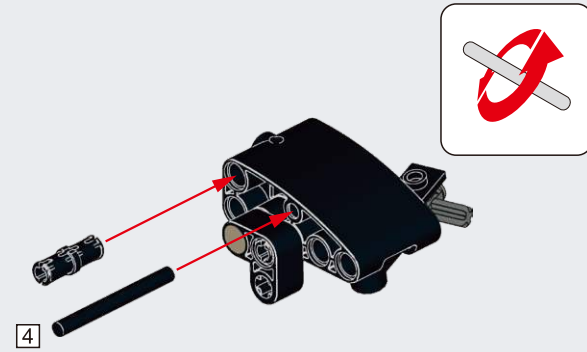
# C57



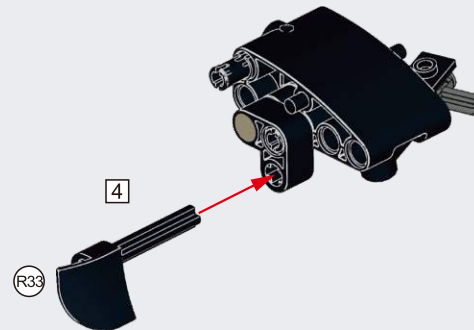
# C58

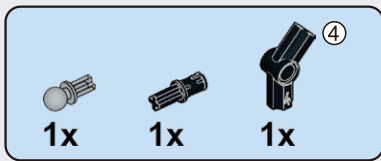


# C59

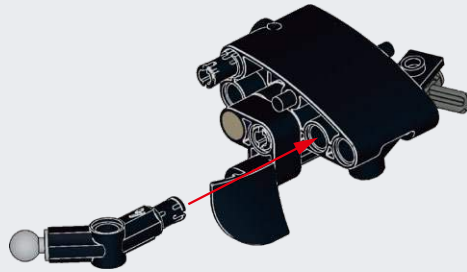
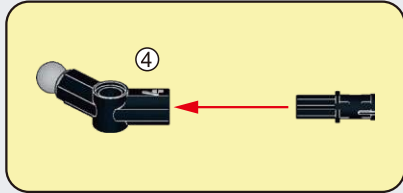


# C60

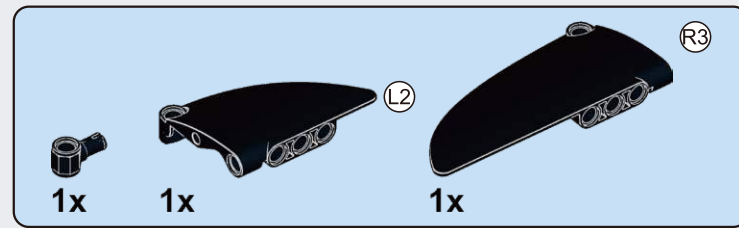
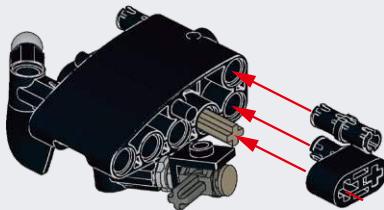




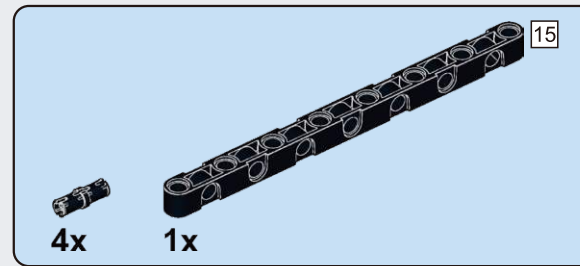
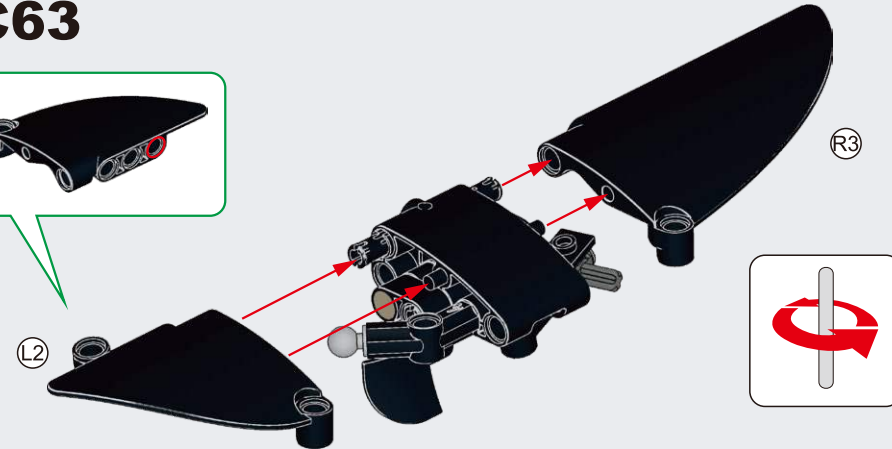
### C61



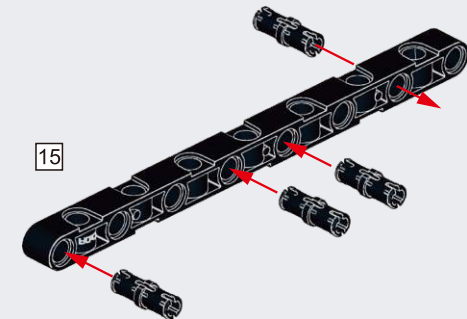
### C62

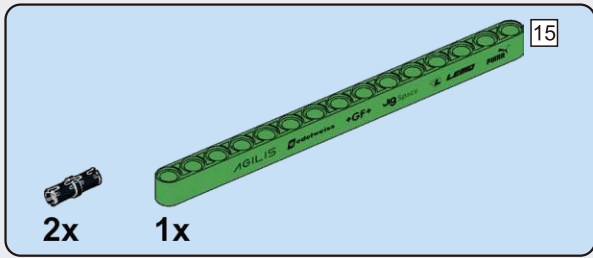


### C63

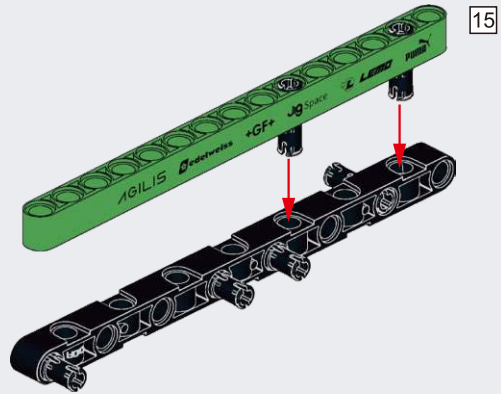


### C64

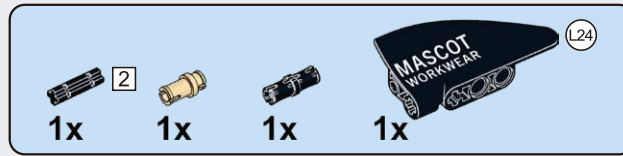
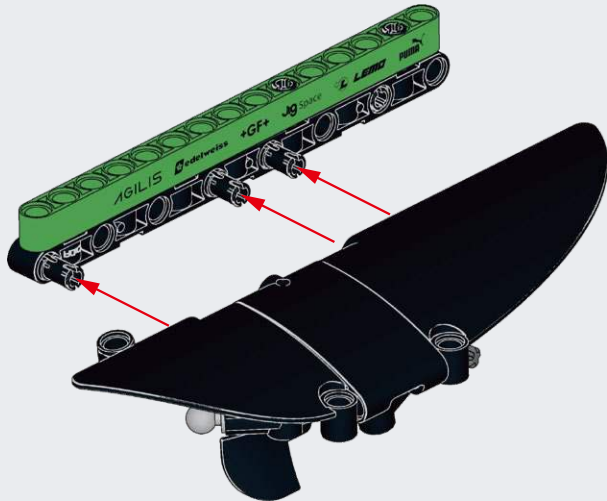




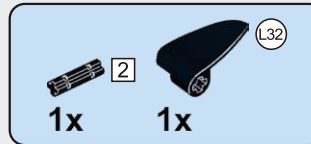
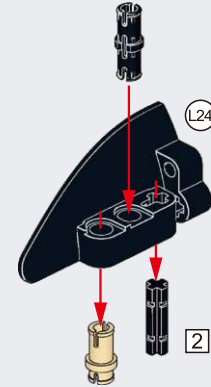
### C65



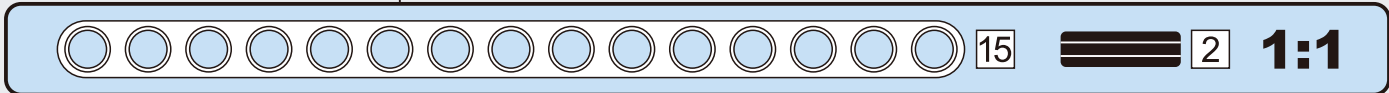
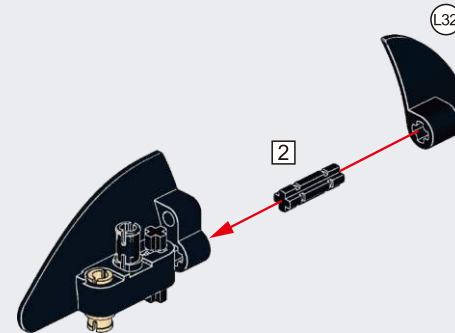
### C66

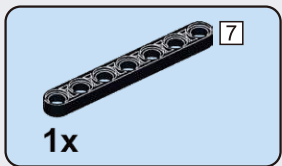


### C67



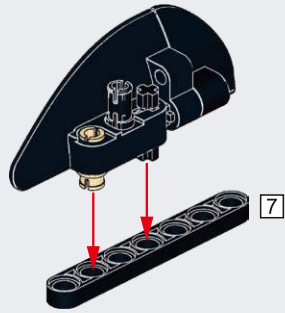
### C68



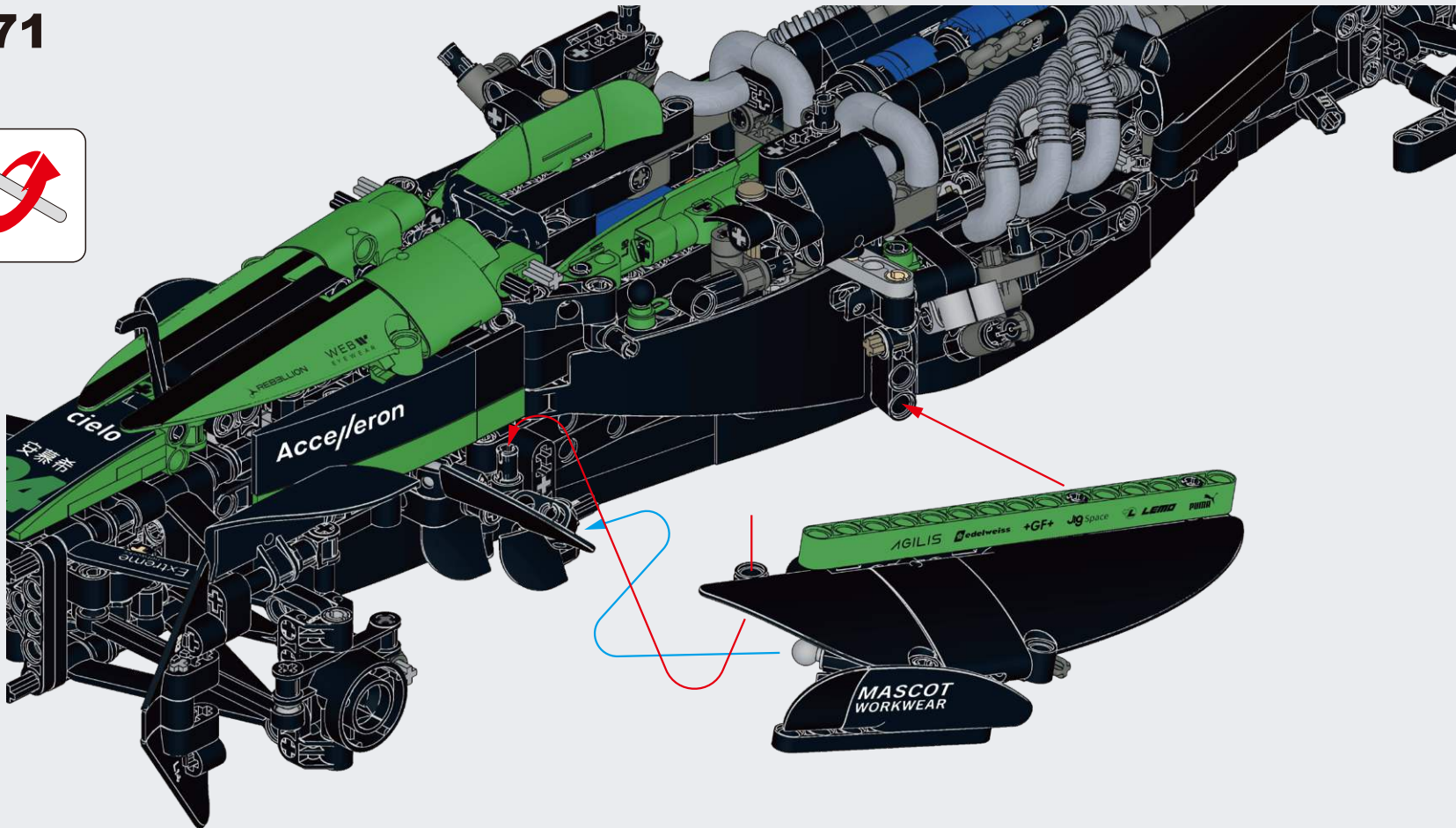
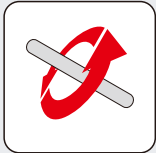


1x

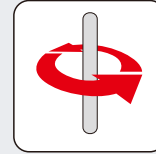
**C69**

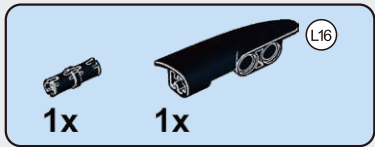


**C71**

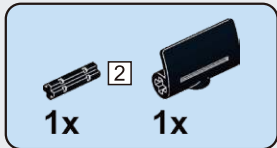
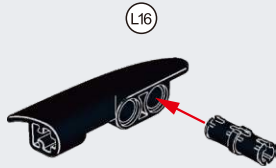


**C70**

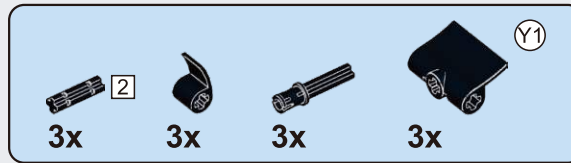
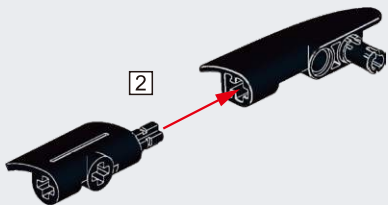




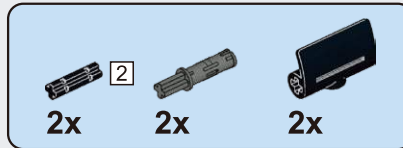
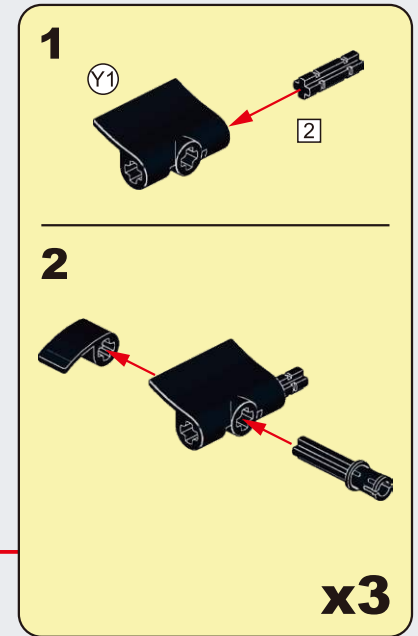
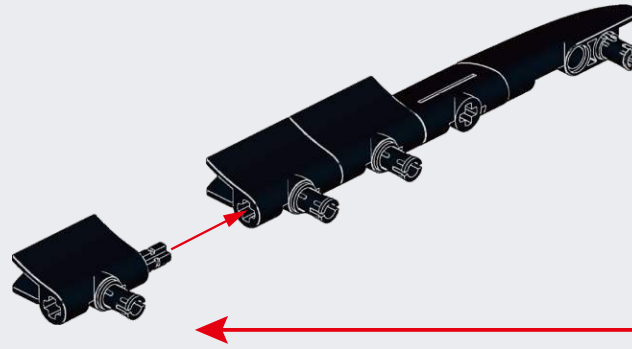
### C72



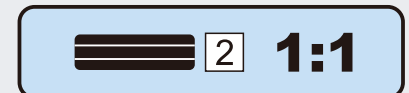
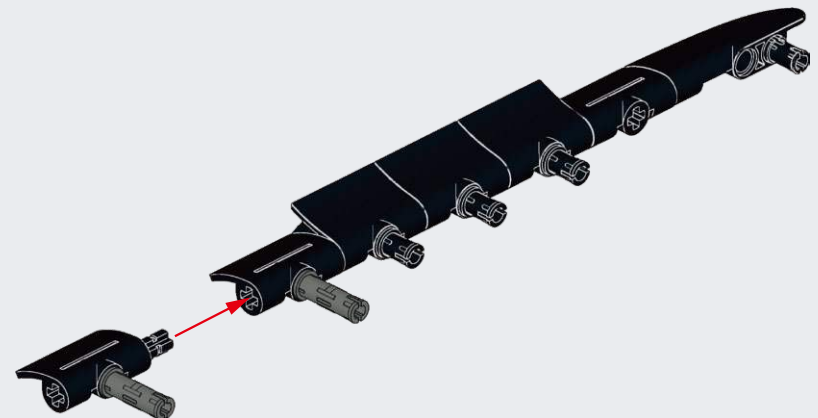
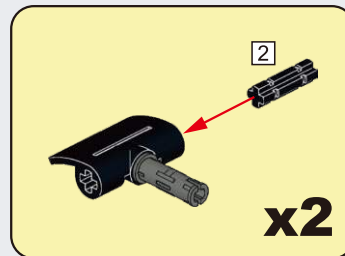
### C73

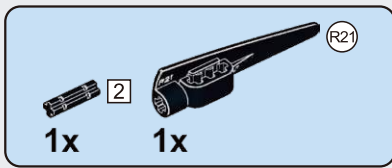


### C74

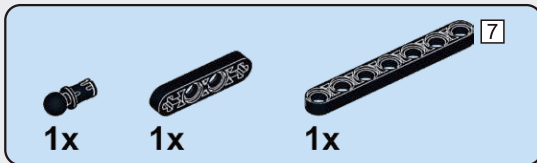
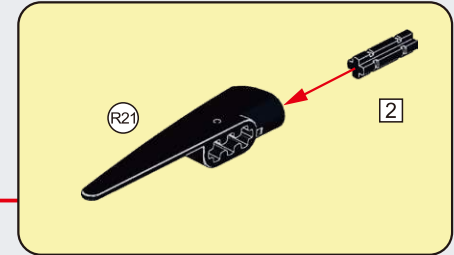
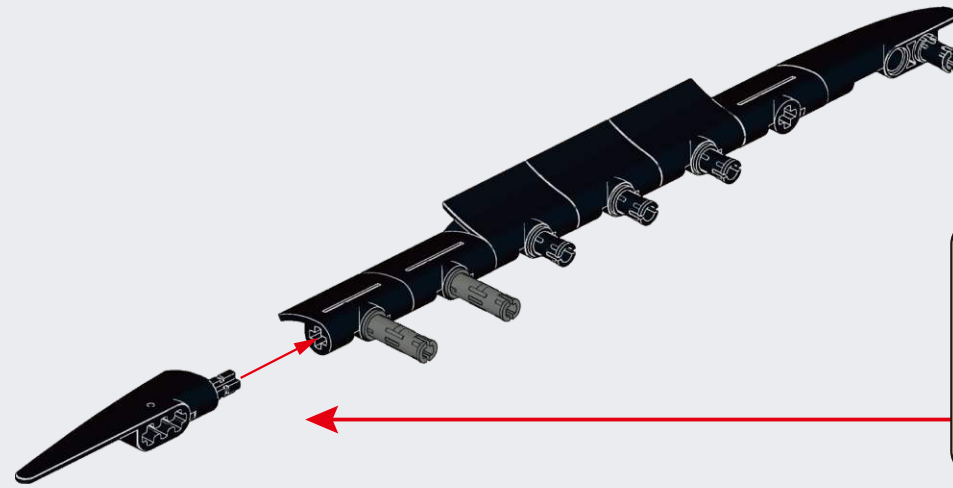


### C75

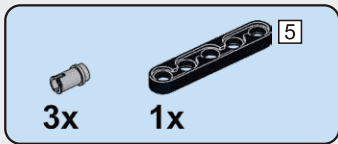
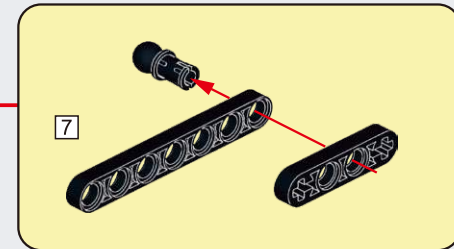
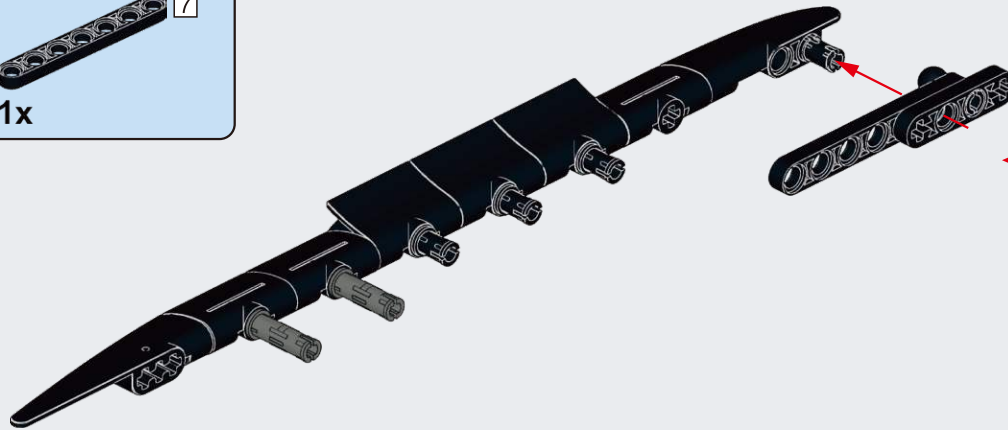




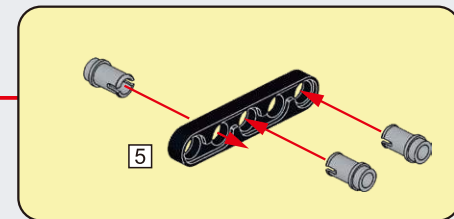
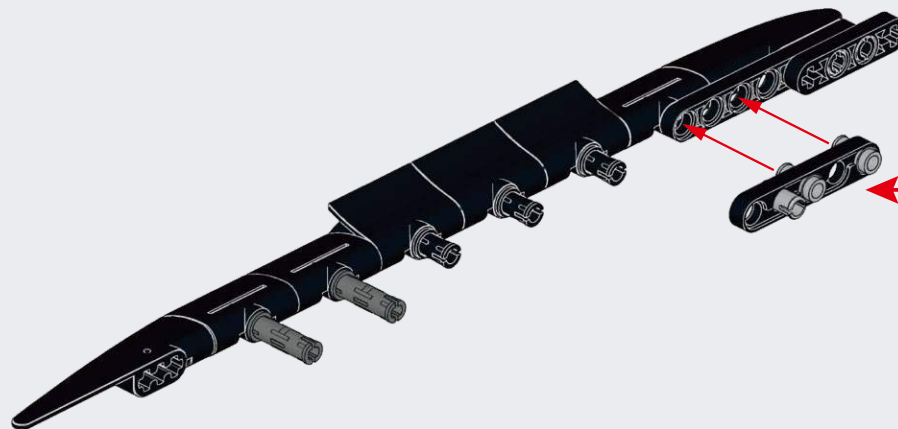
### C76

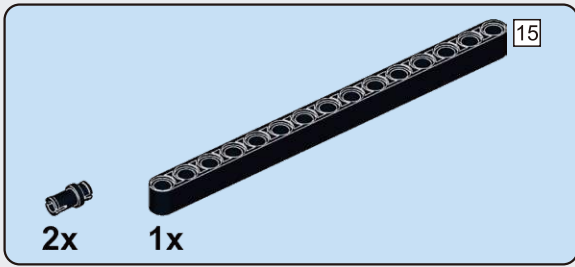


### C77

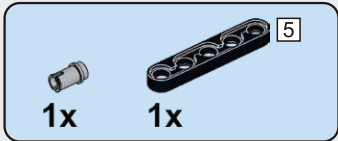
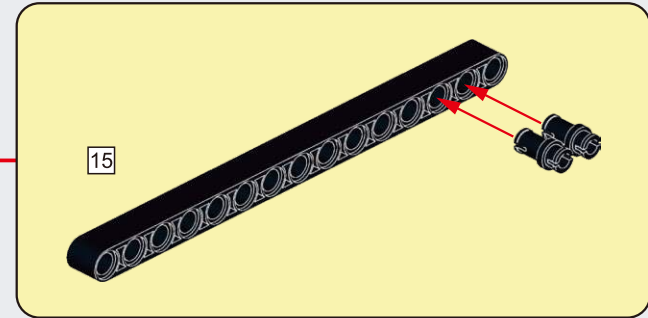
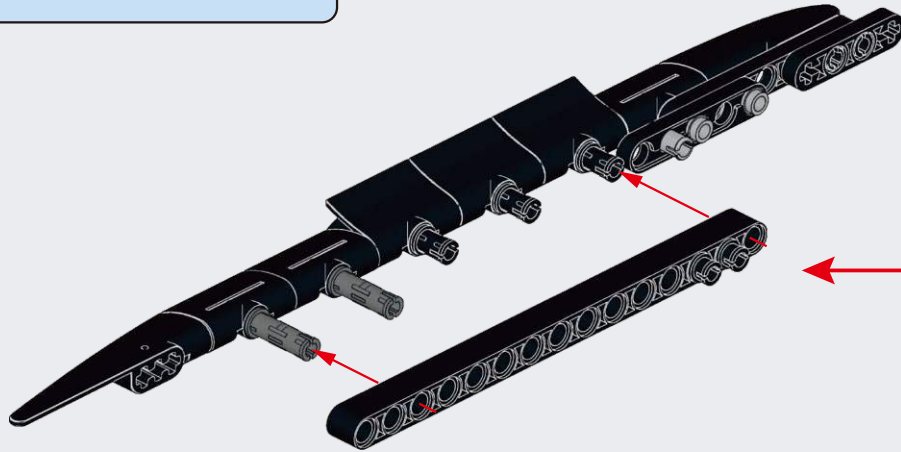


### C78

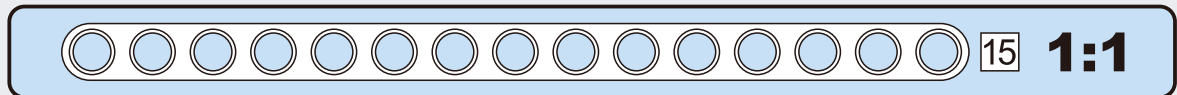
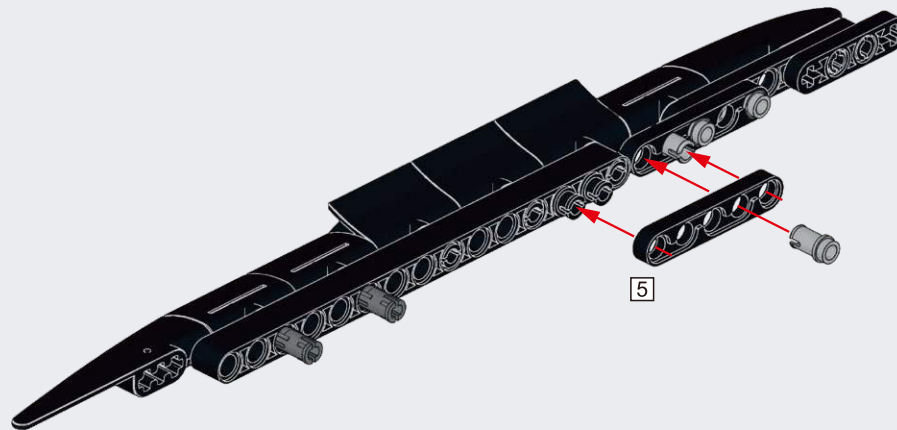




### C79

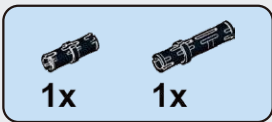
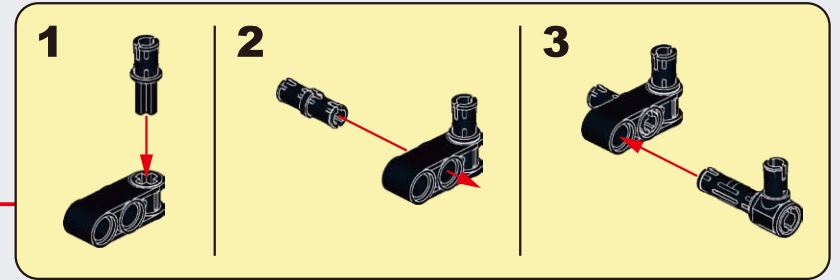
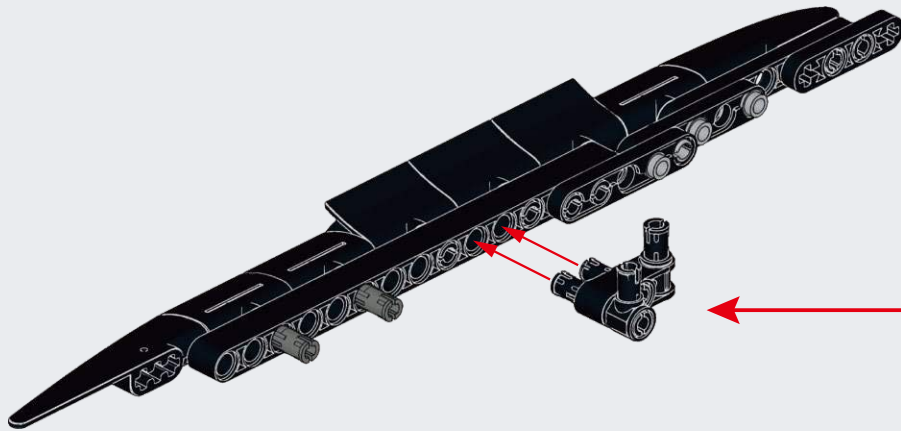


### C80

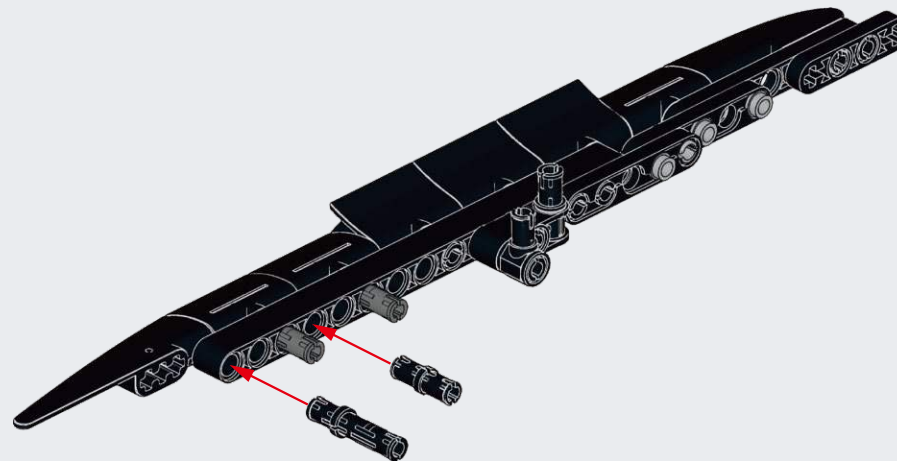


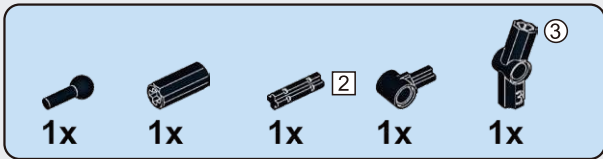


## C81

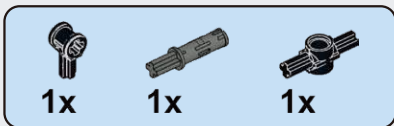
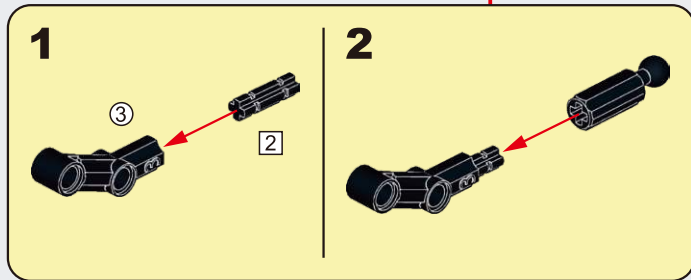
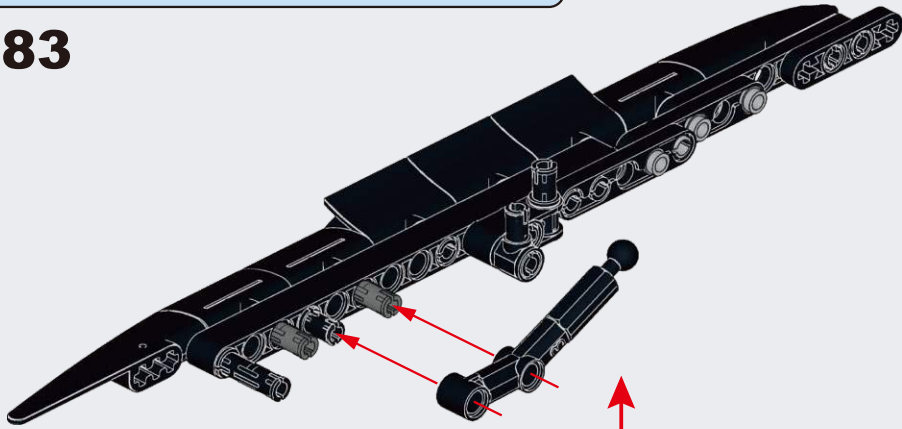


## C82

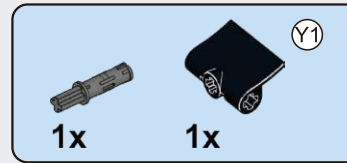
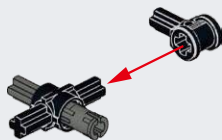




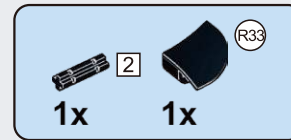
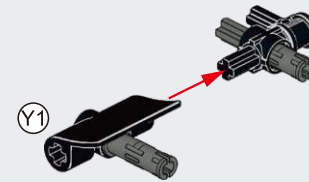
### C83



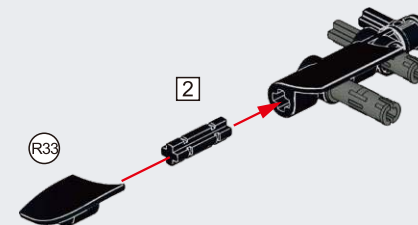
### C84

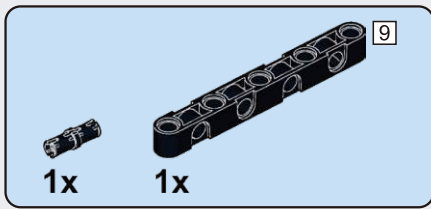


### C85

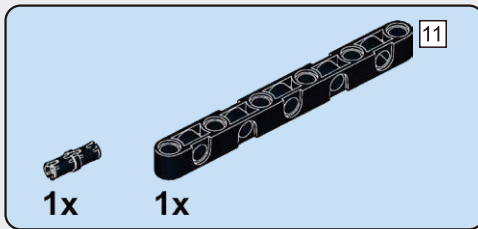
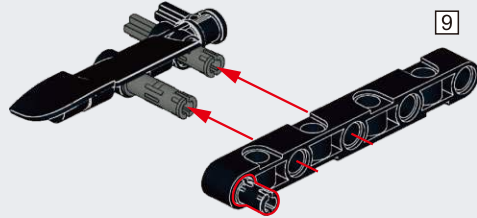


### C86

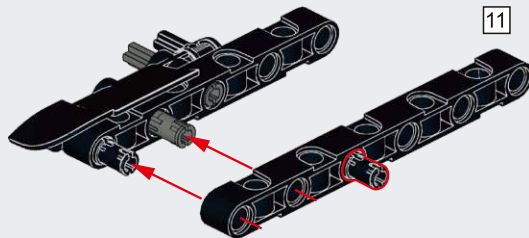




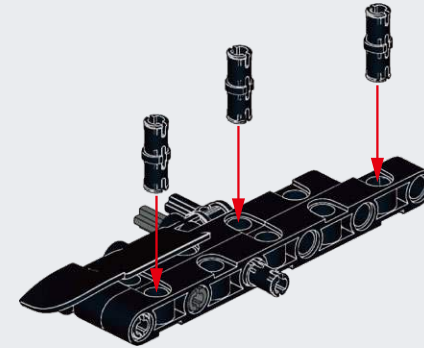
**C87**



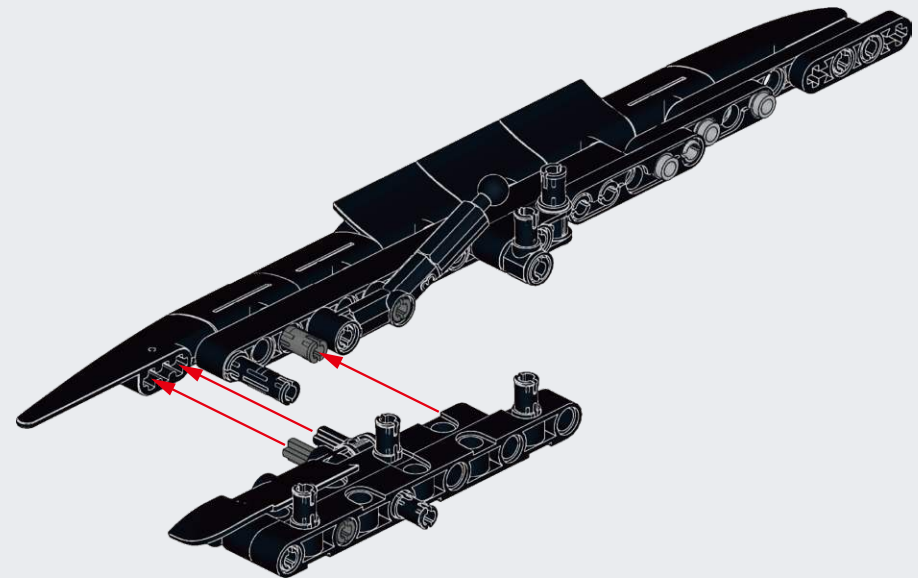
**C88**

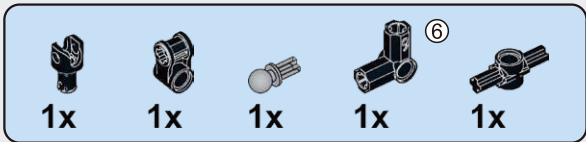


**C89**

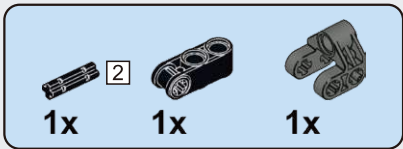
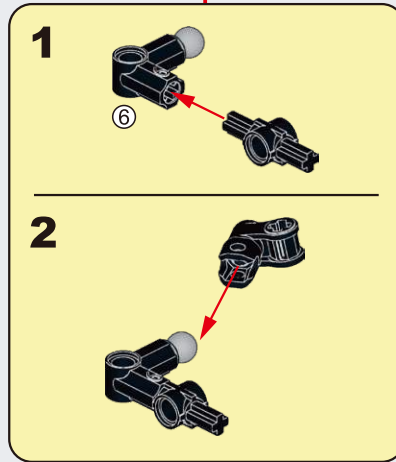
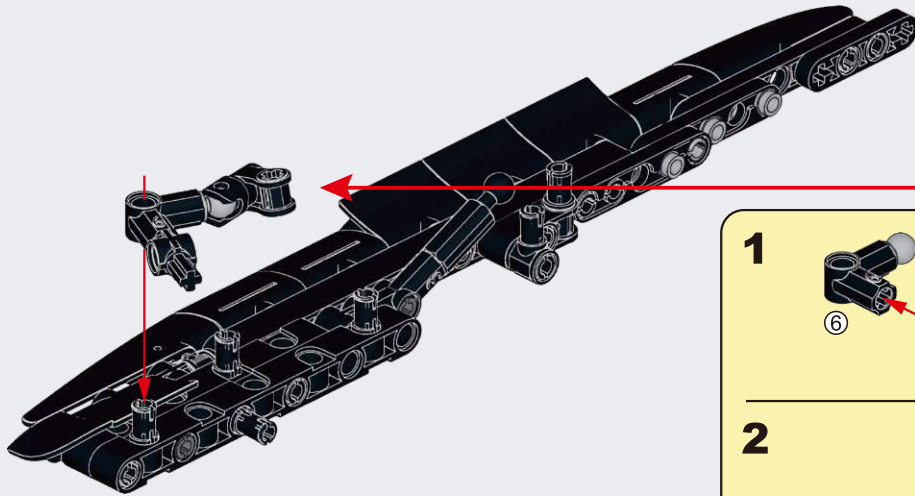


**C90**

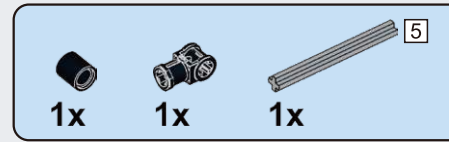
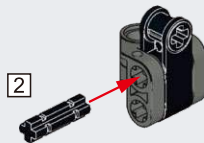




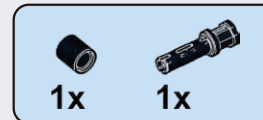
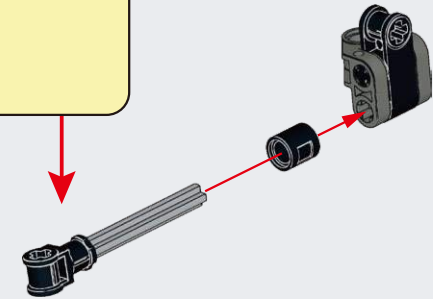
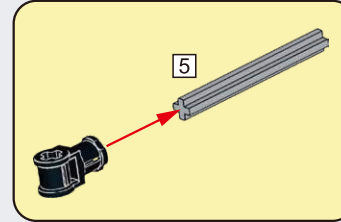
### C91



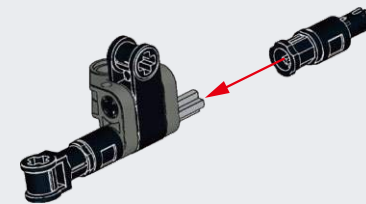
### C92

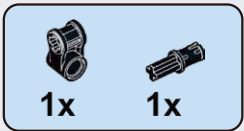


### C93

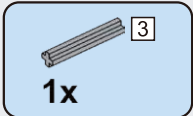
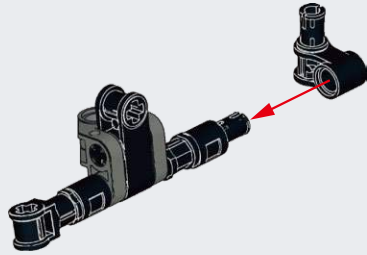


### C94

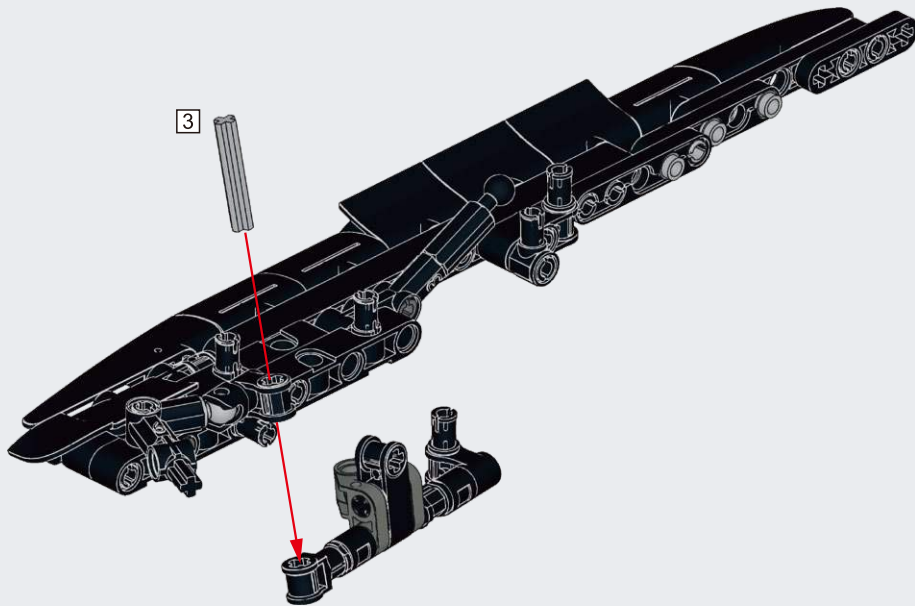




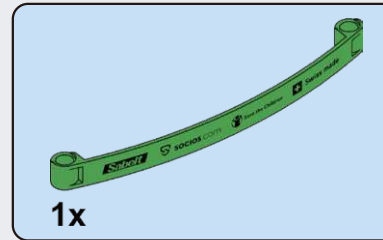
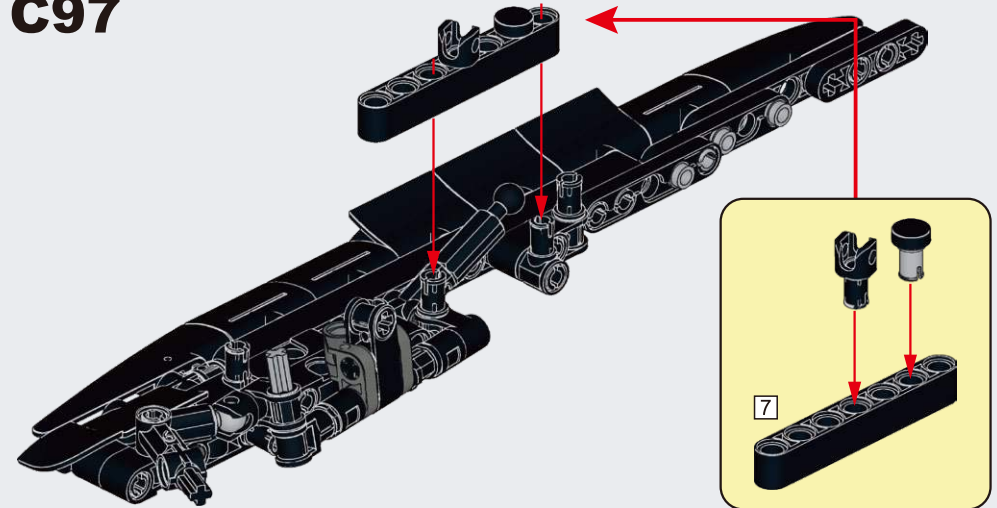
### C95



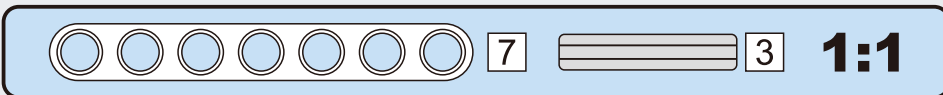
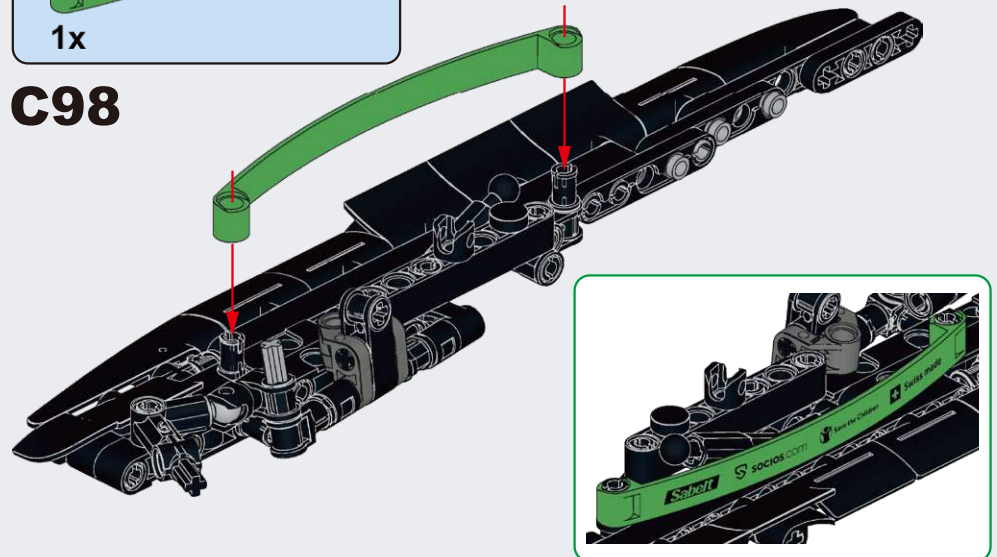
### C96

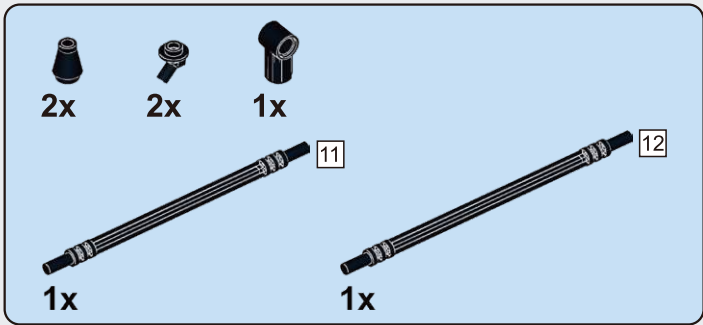


### C97

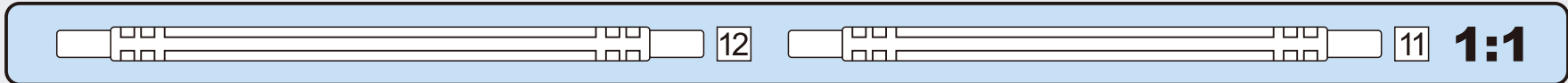
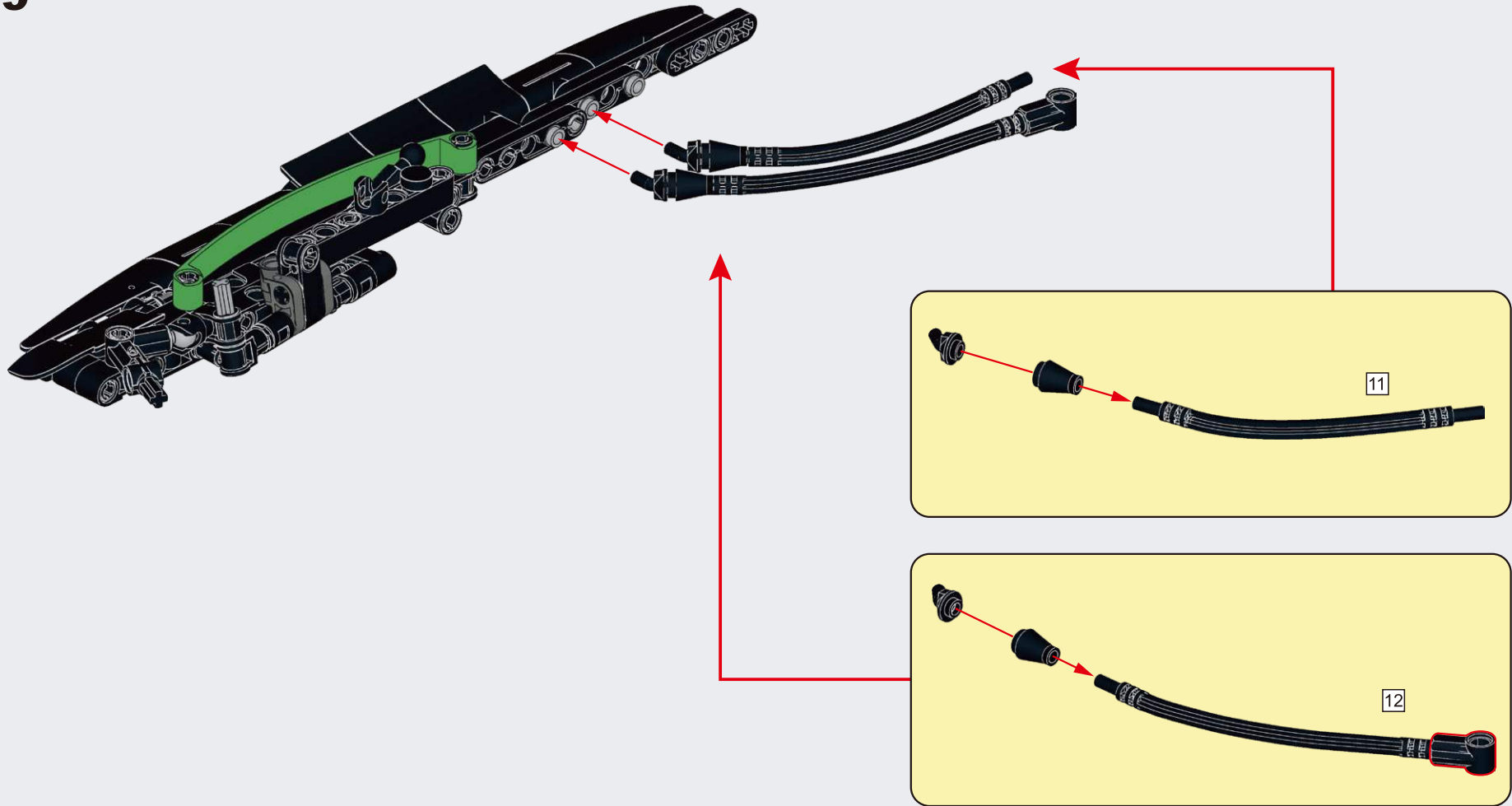


### C98

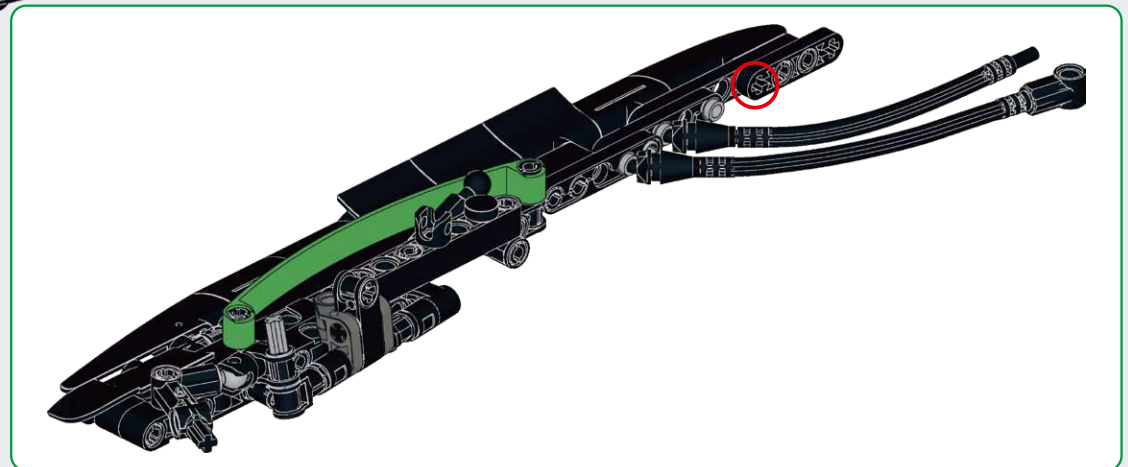
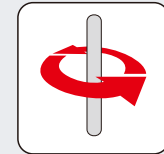
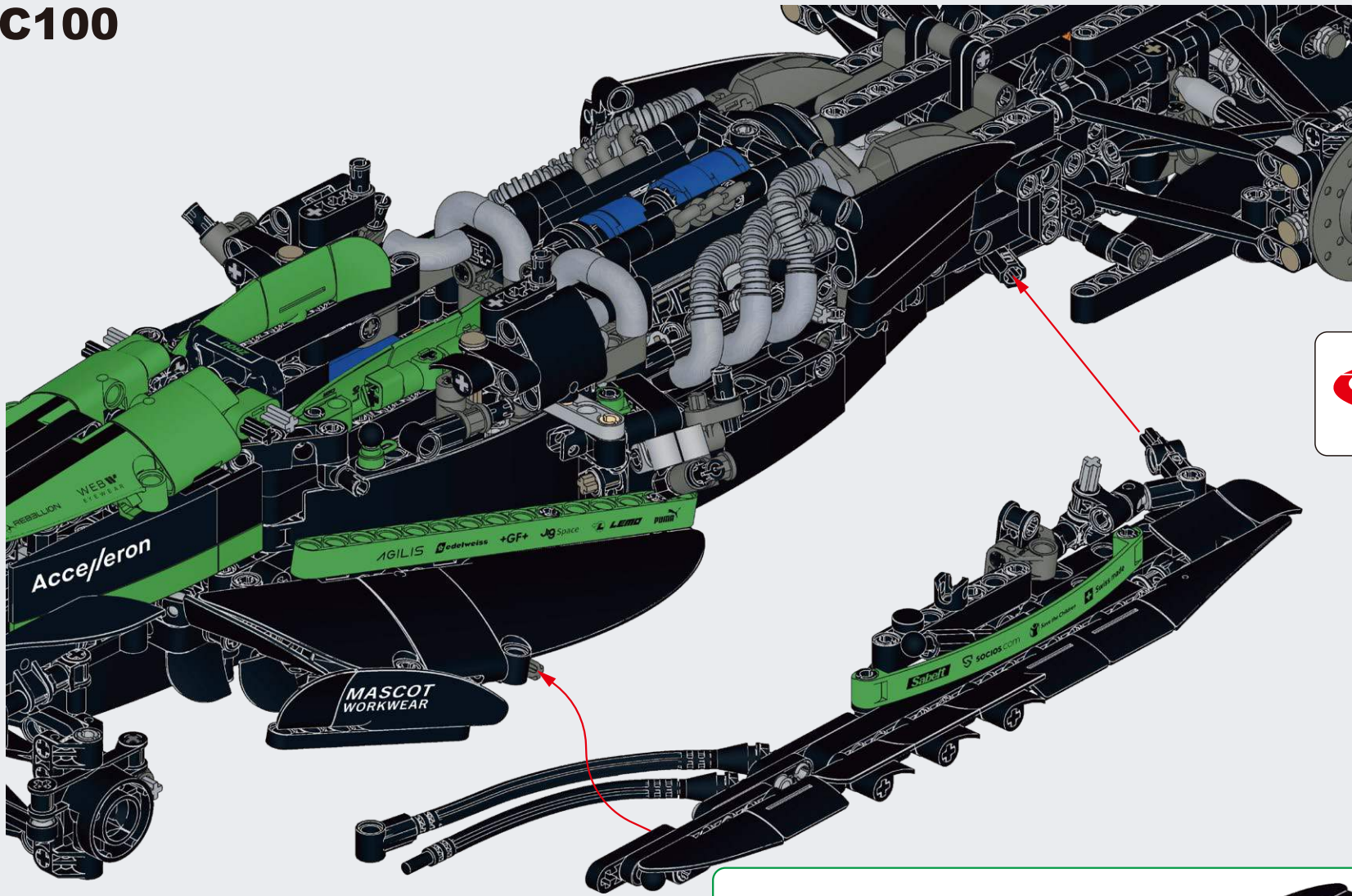


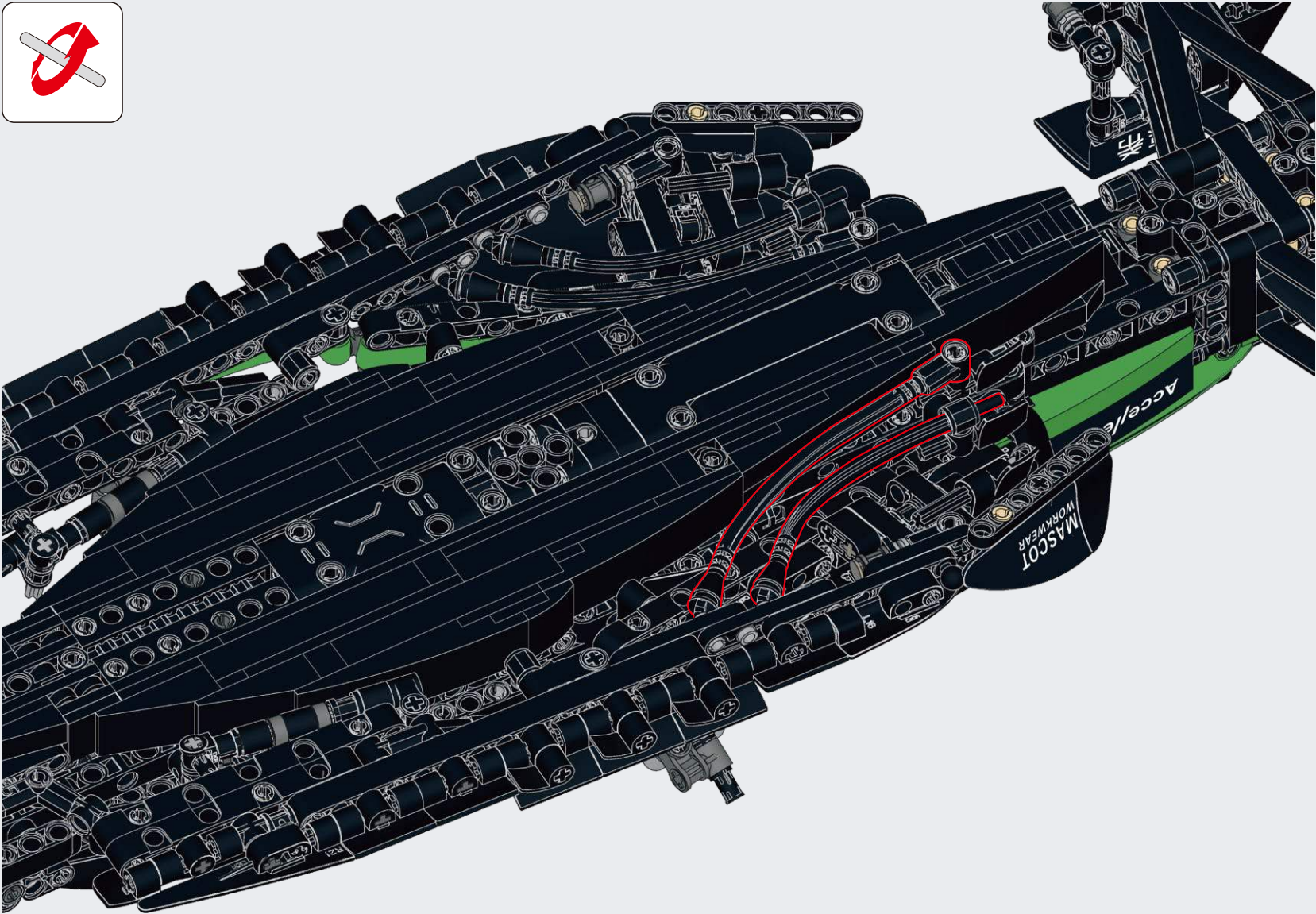


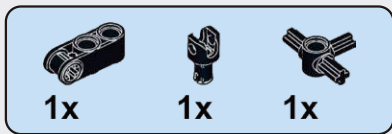
# C99



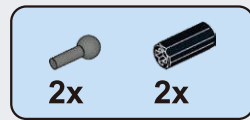
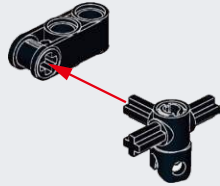
# C100



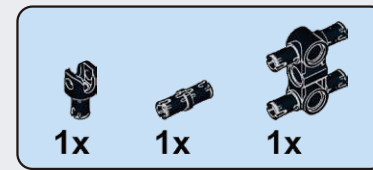
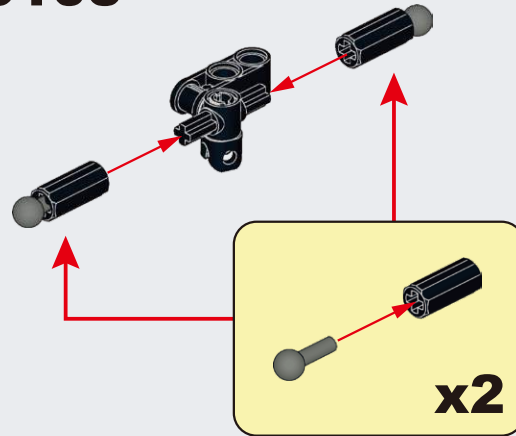




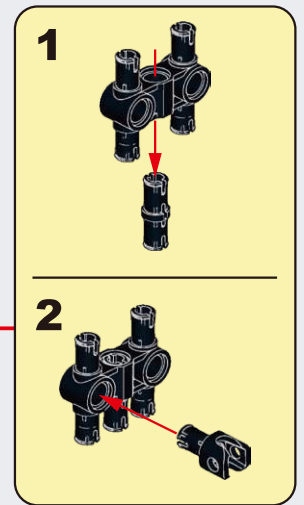
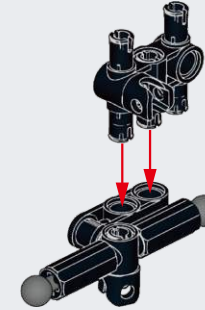
### C102



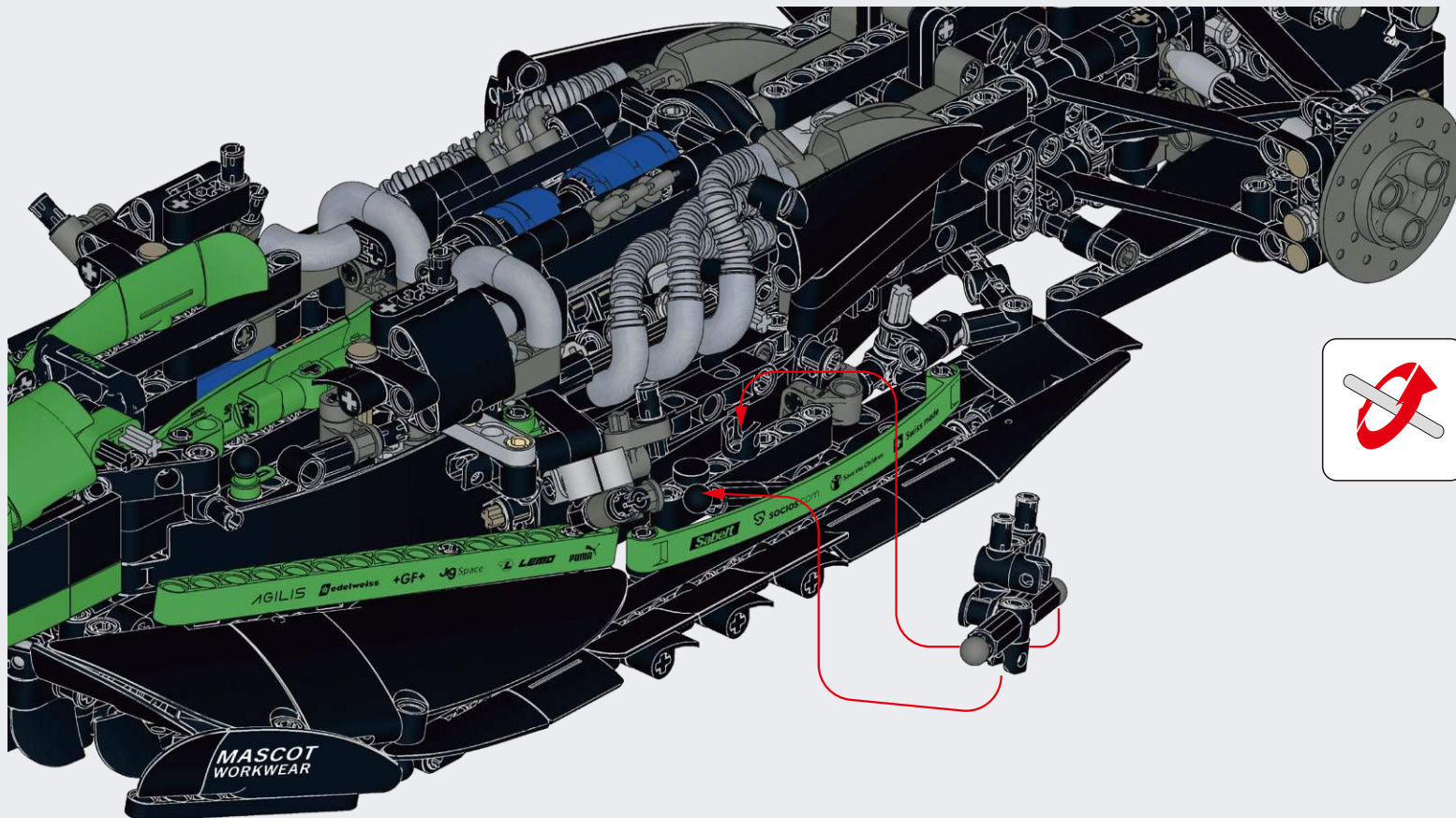
### C103



### C104

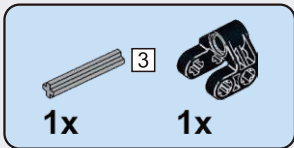
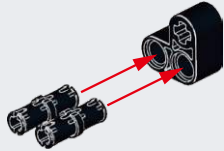


### C105

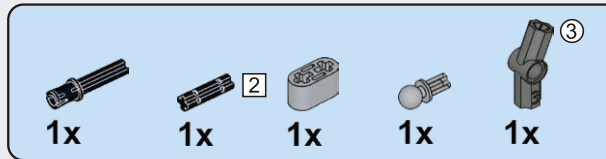
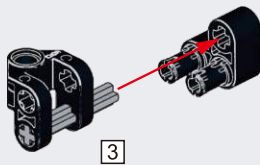




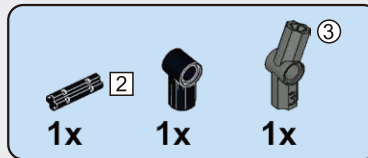
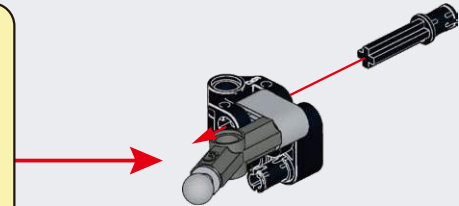
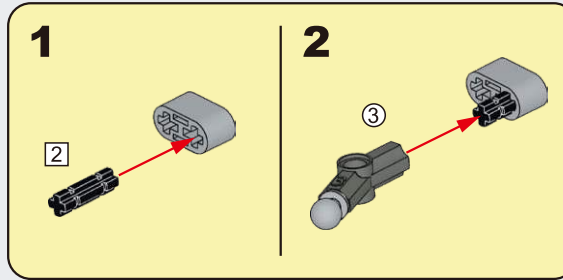
# C106



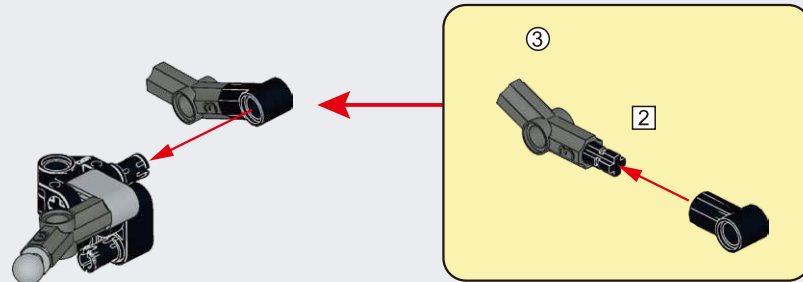
# C107



# C108



# C109

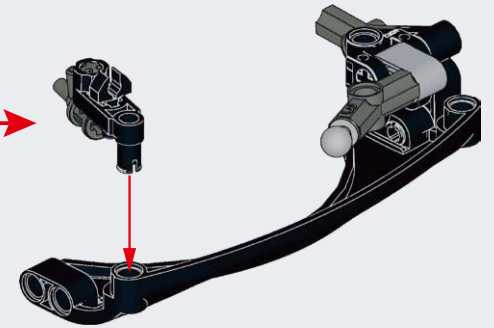
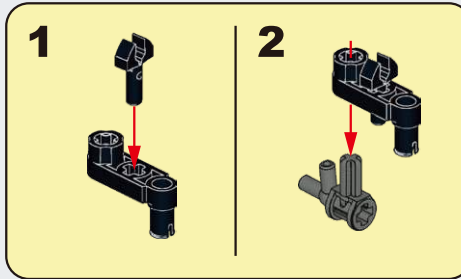




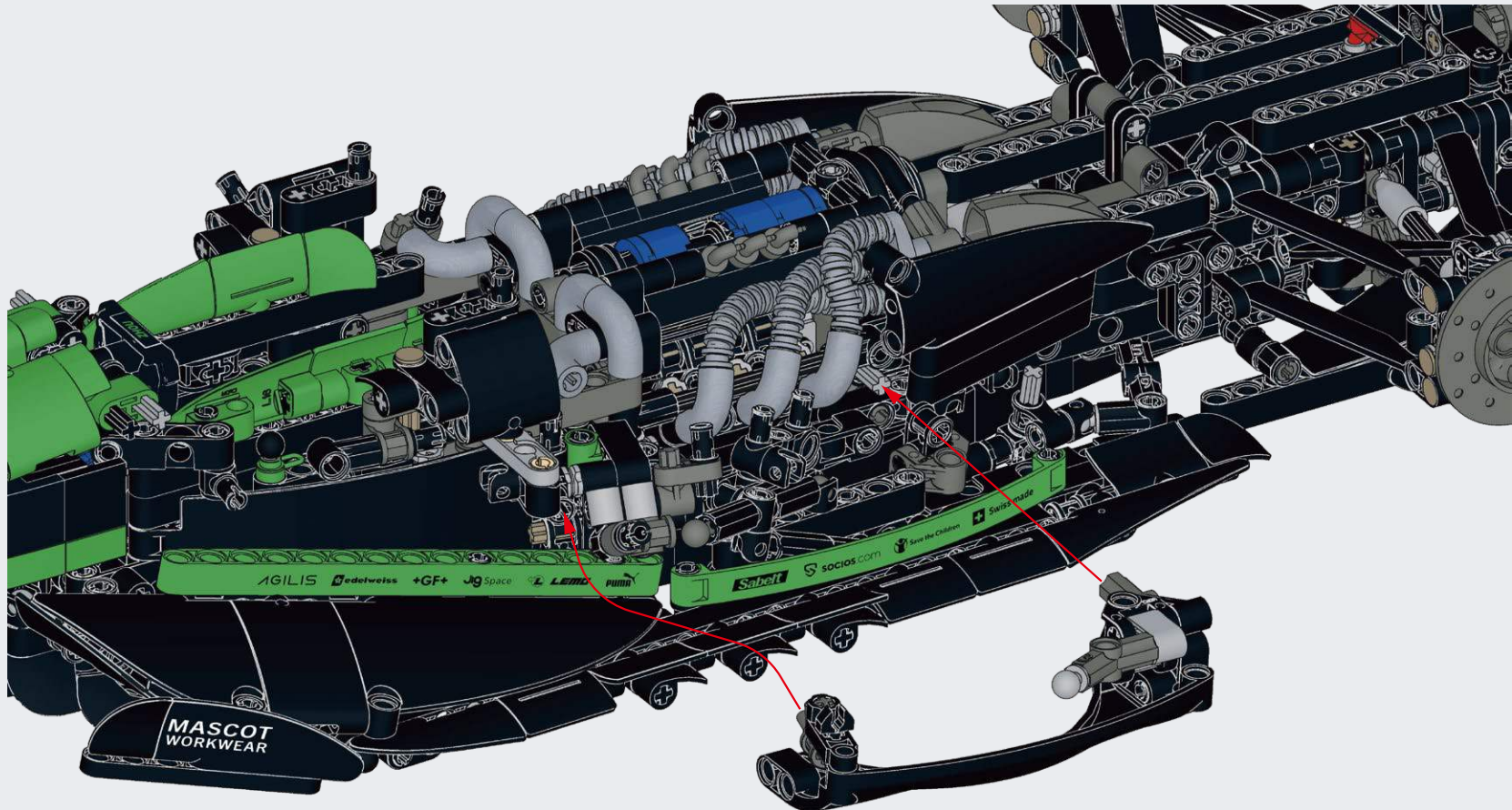
**C110**

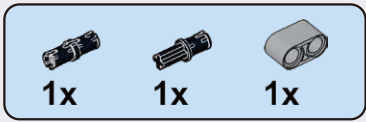


**C111**

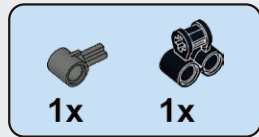
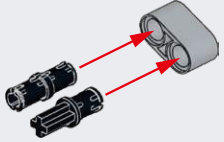


**C112**

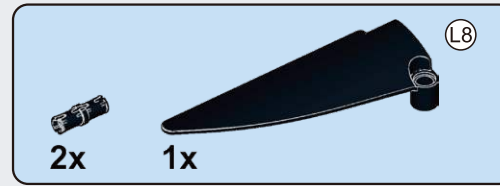
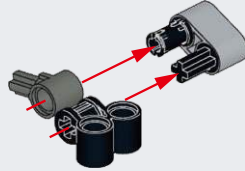




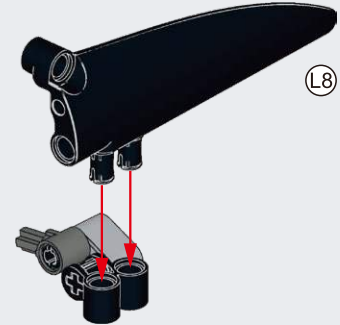
### C113



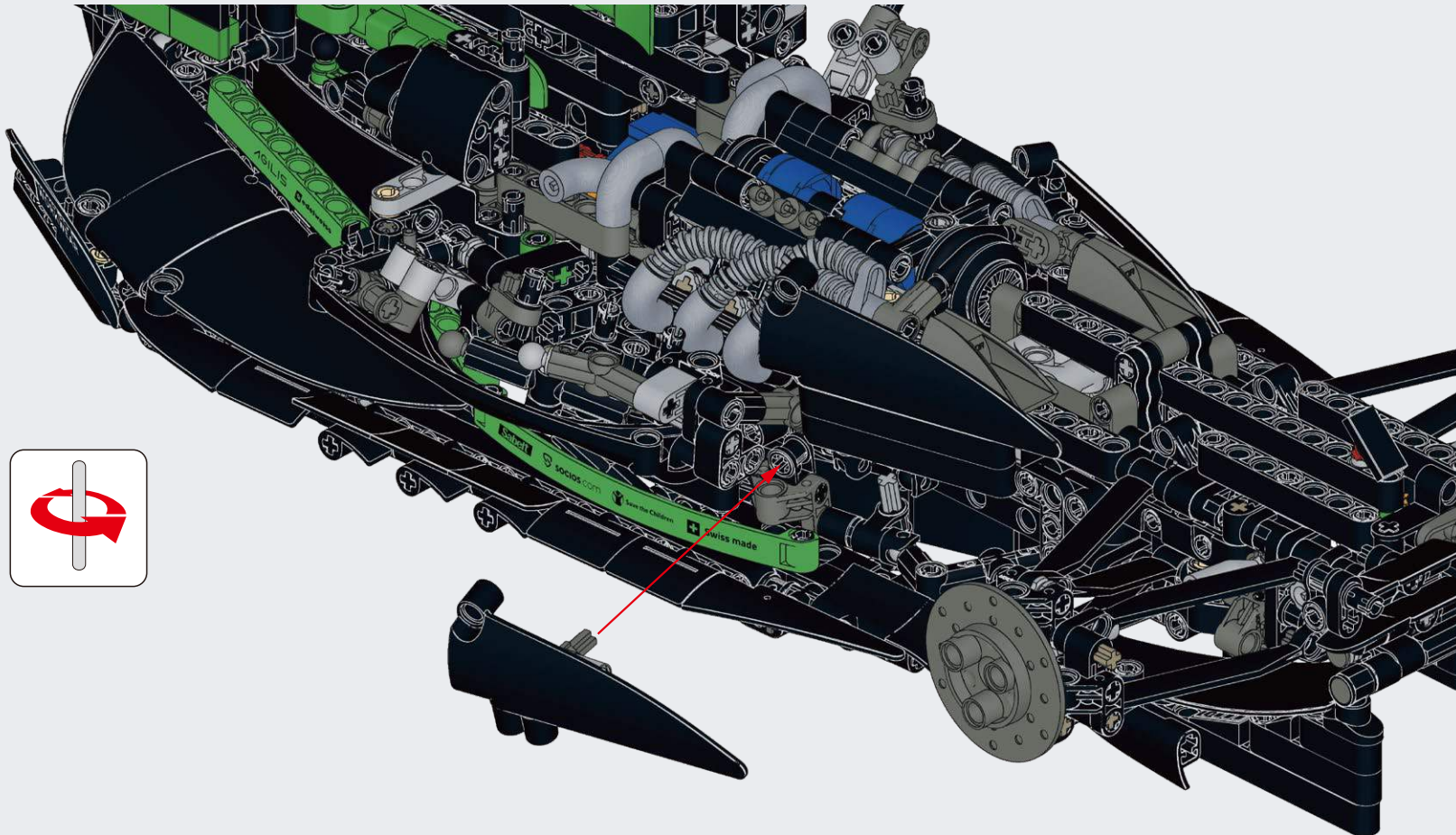
### C114

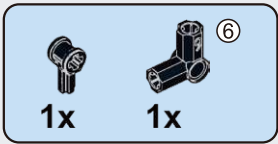


### C115

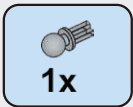
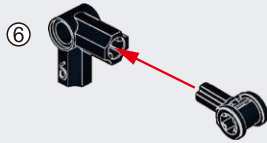


### C116

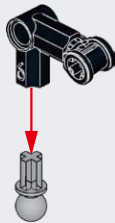




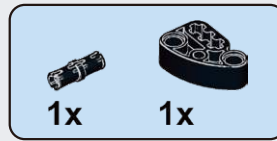
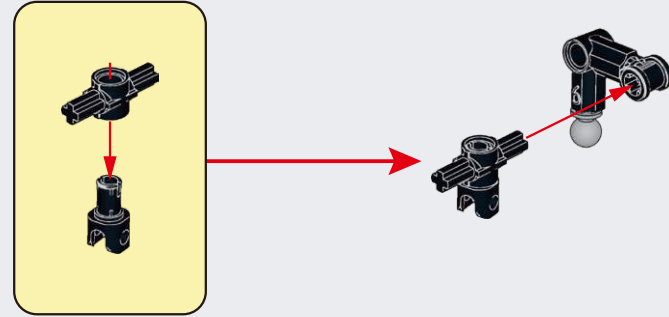
## C117



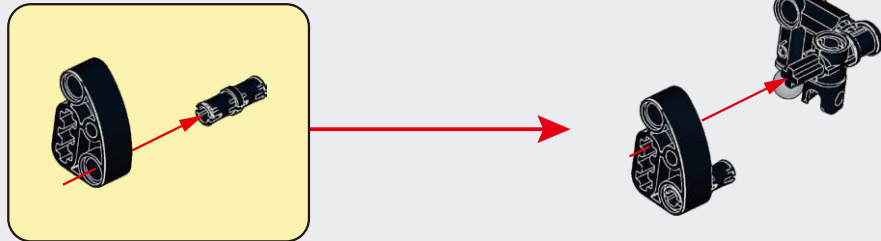
## C118

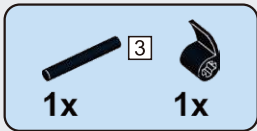


## C119

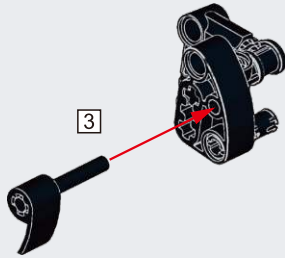


## C120

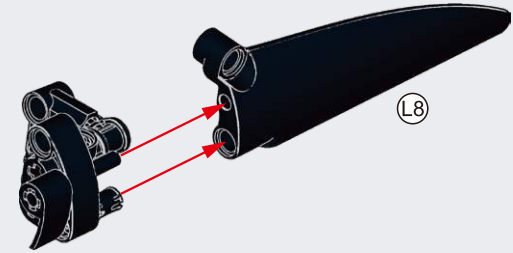




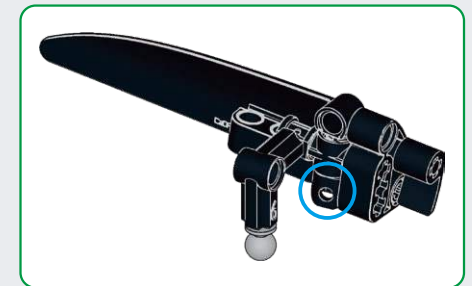
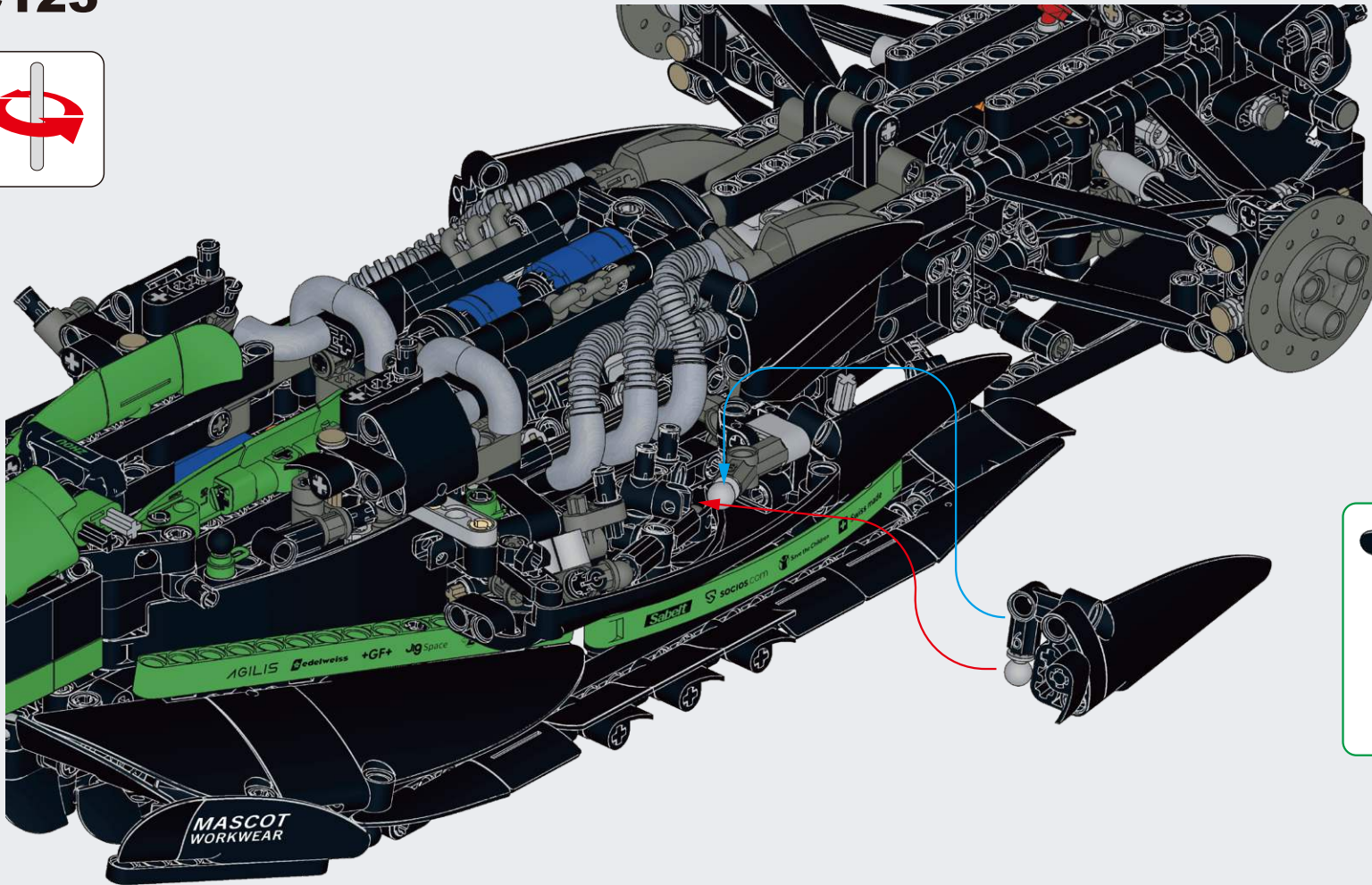
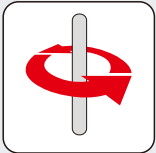
### C121

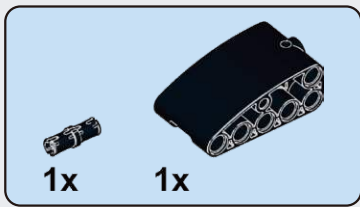


### C122

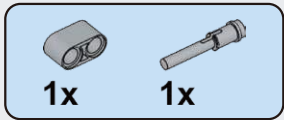
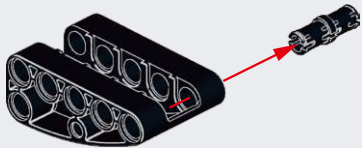


### C123

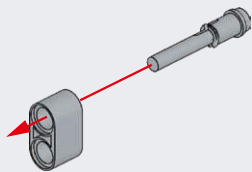




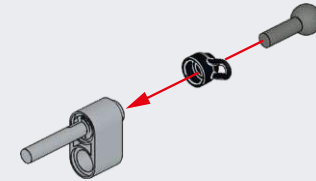
## C124



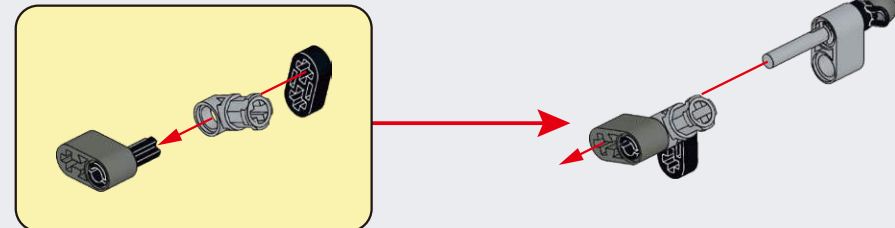
## C125

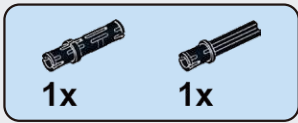


## C126

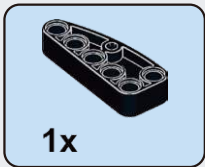
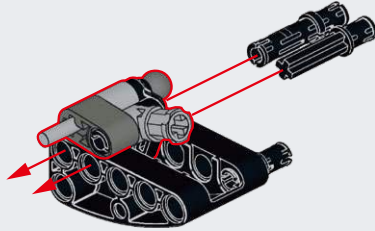


## C127

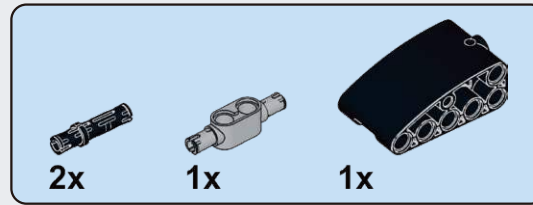
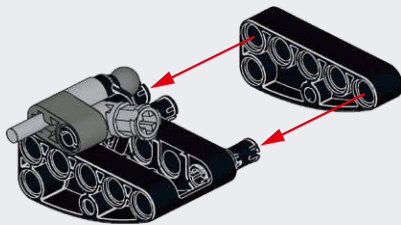




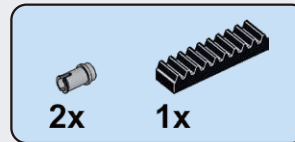
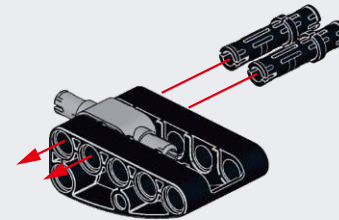
## C128



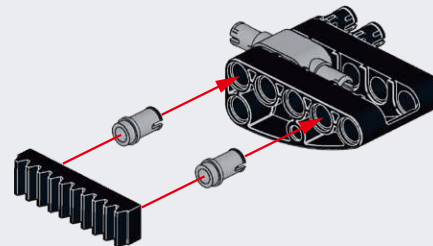
## C129



## C130

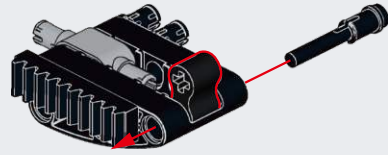


## C131

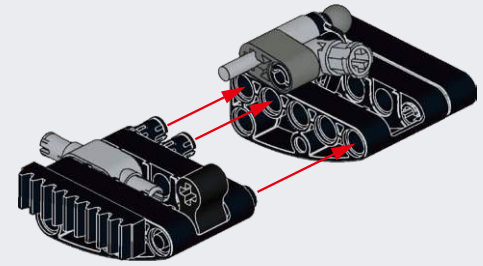




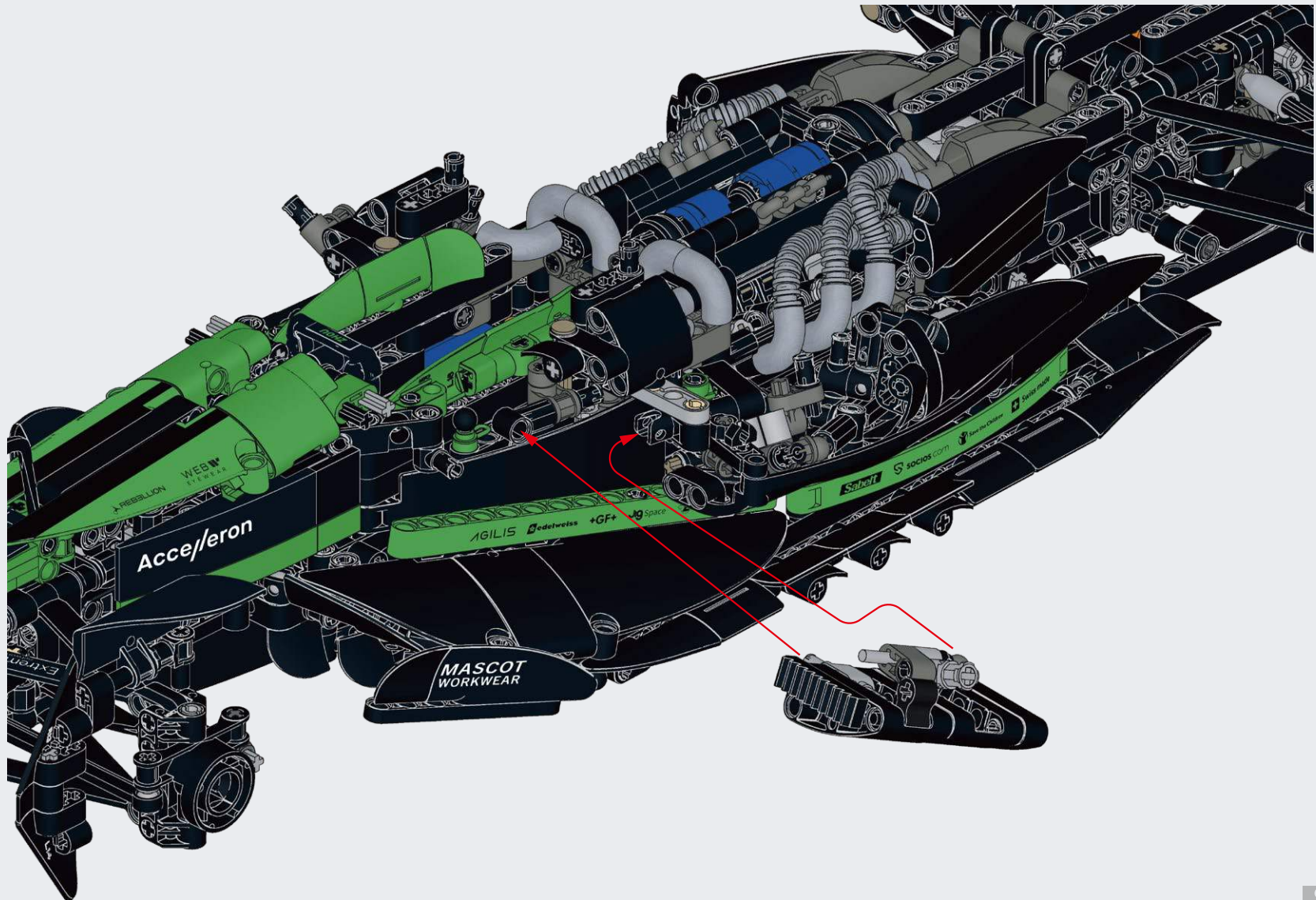
## C132

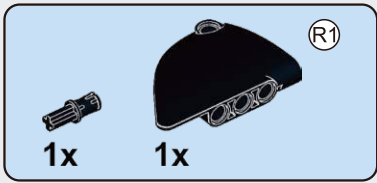


## C133

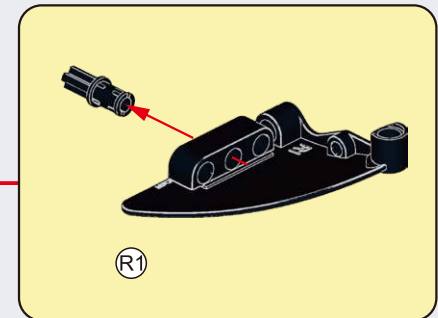
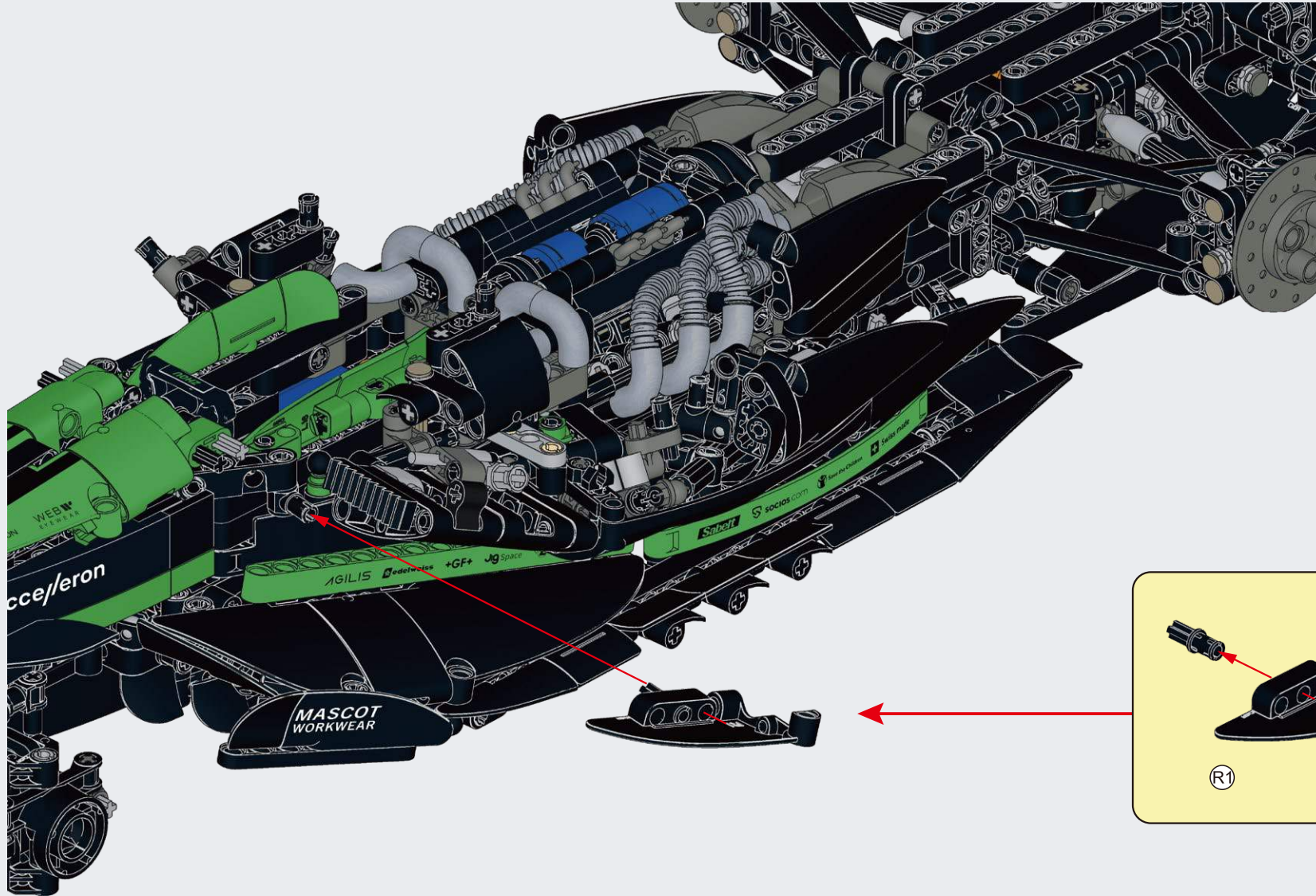


## C134



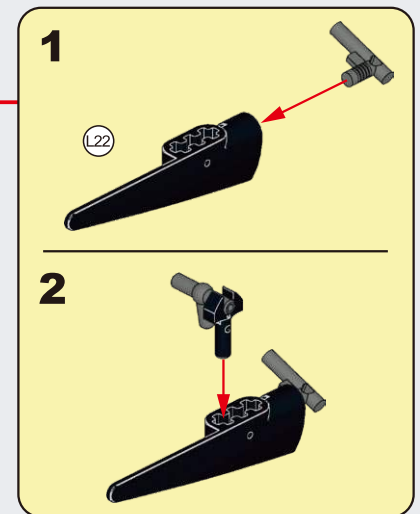
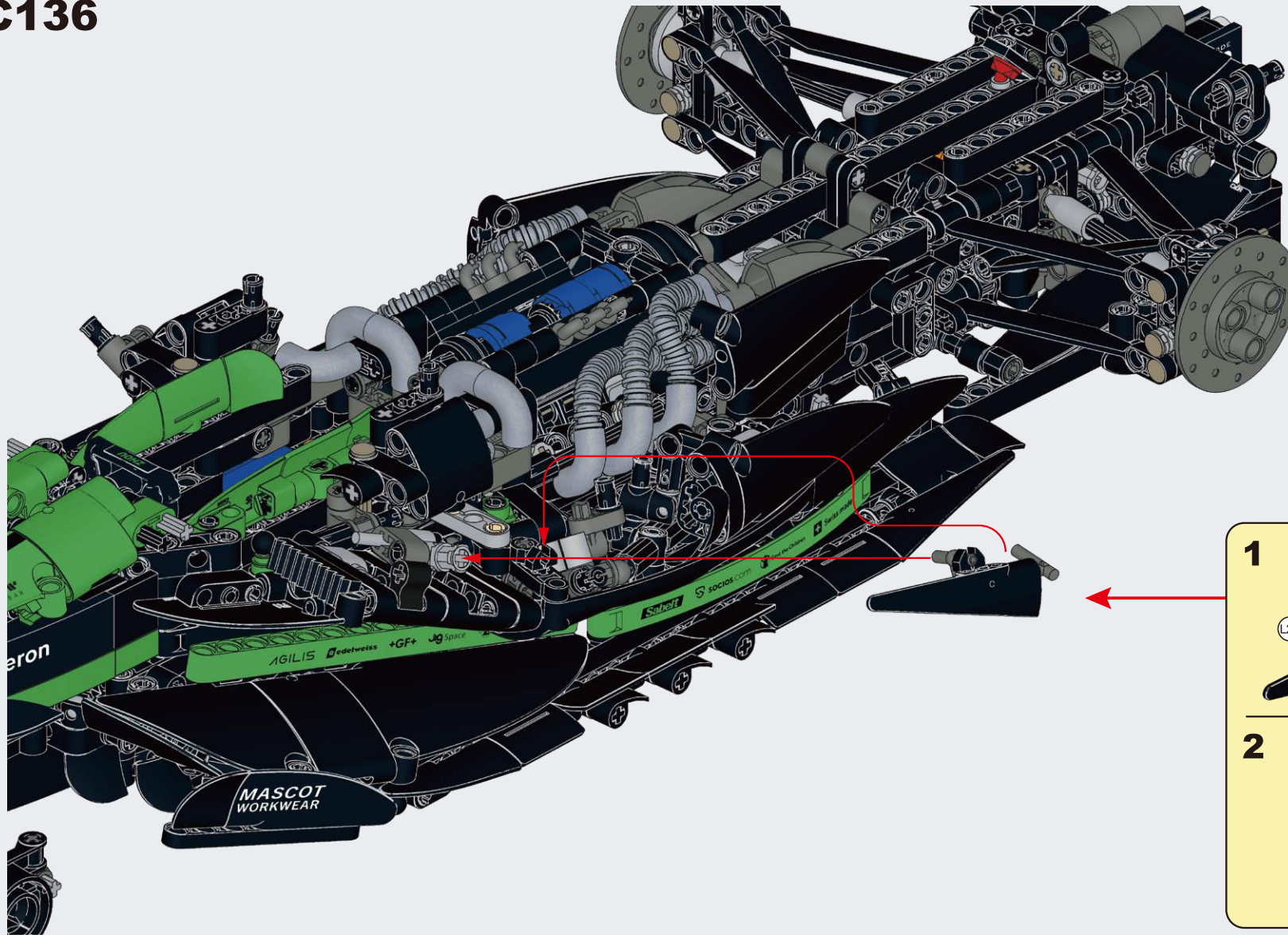


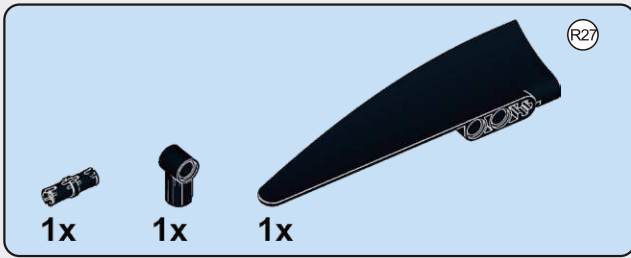
# C135



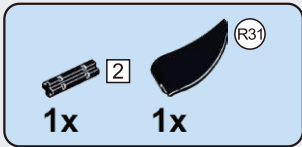
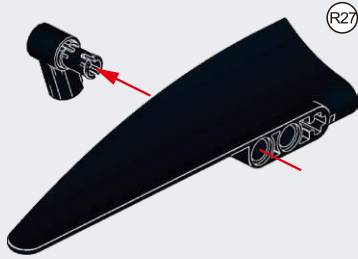


# C136

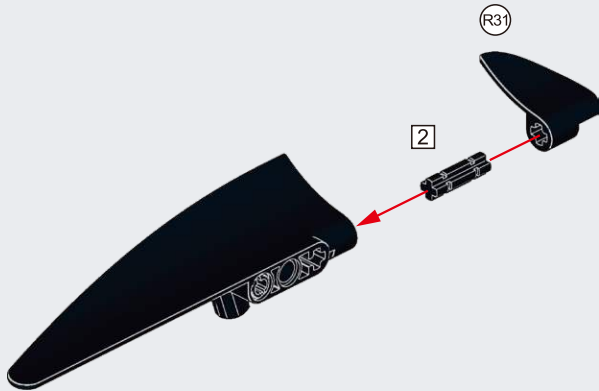




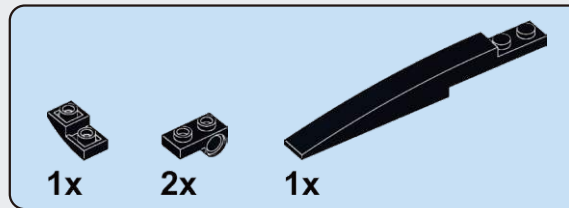
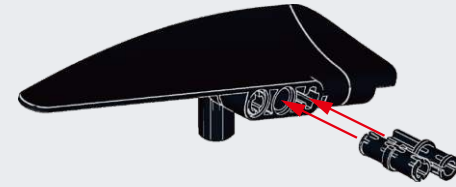
### C137



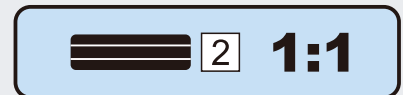
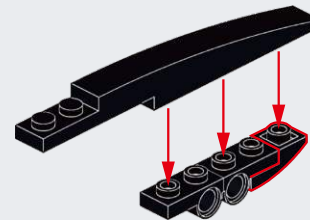
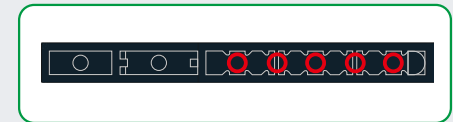
### C138

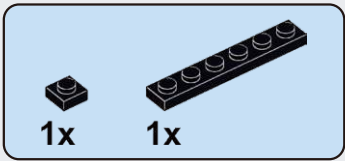


### C139

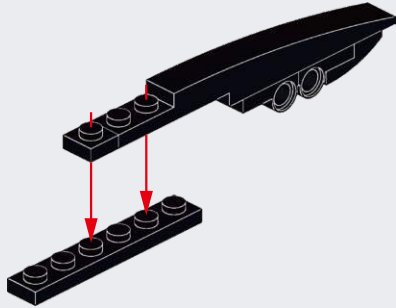


### C140

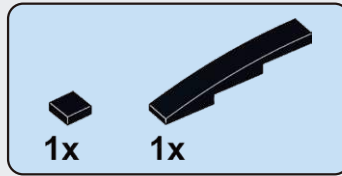




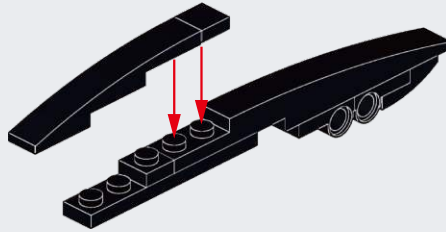
**C141**



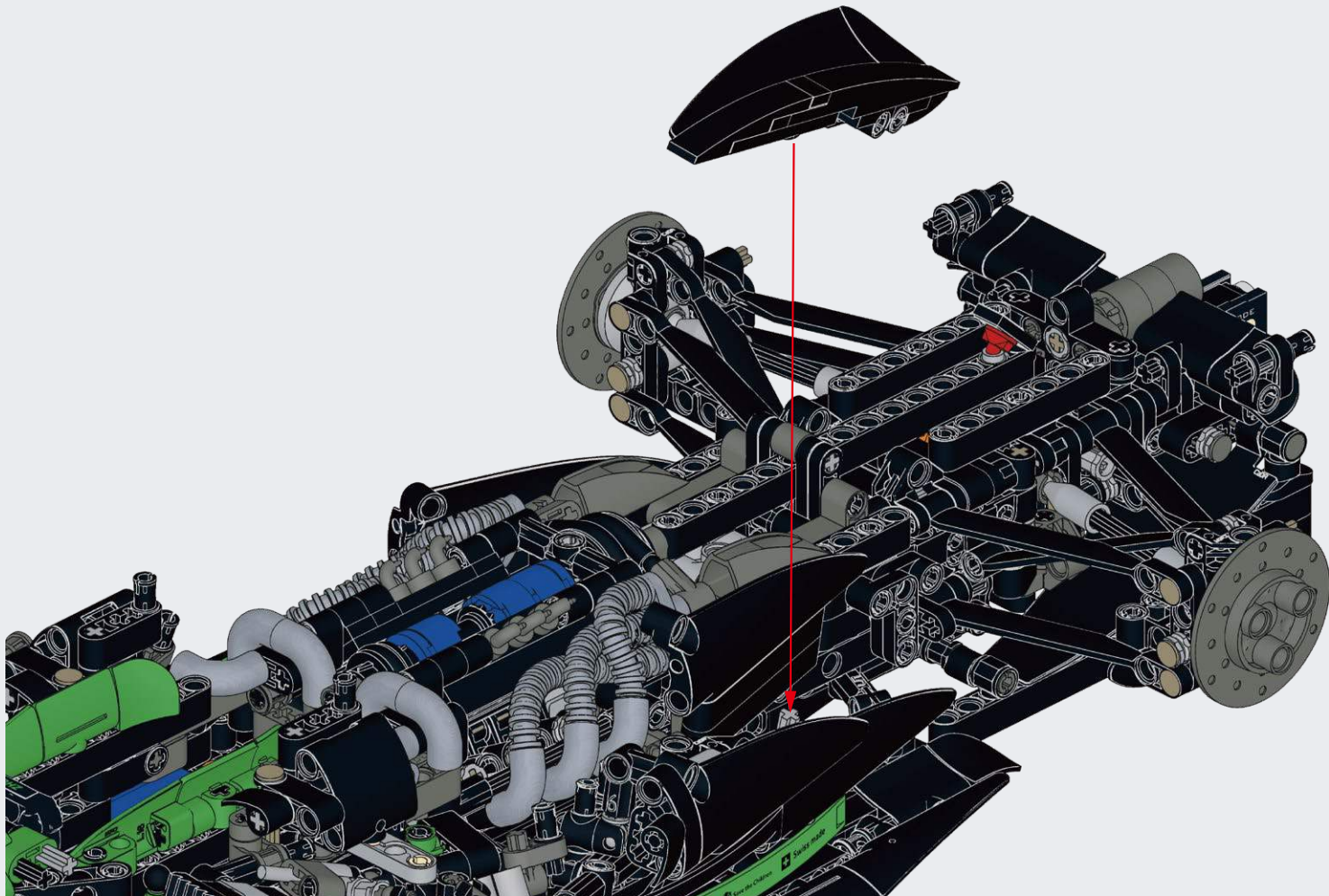
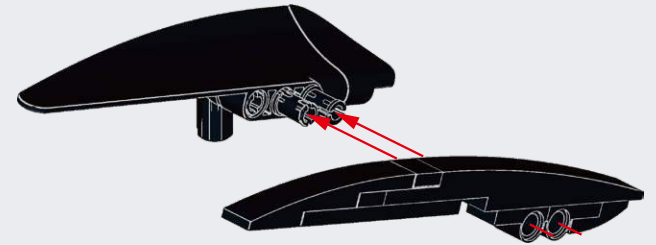
**C144**

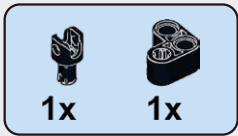


**C142**

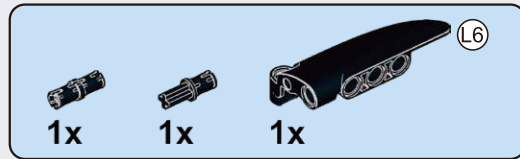


**C143**

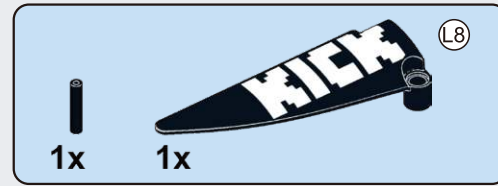
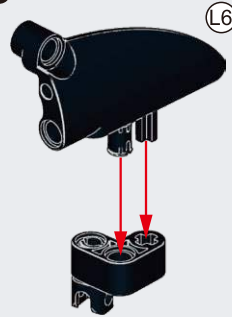




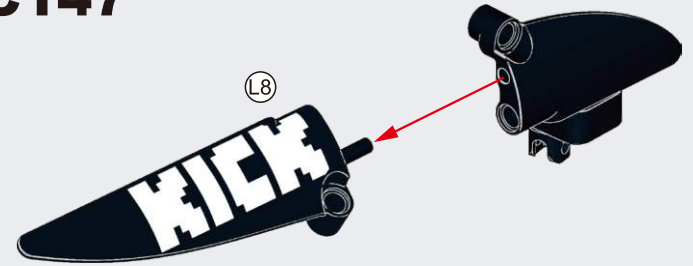
# C145



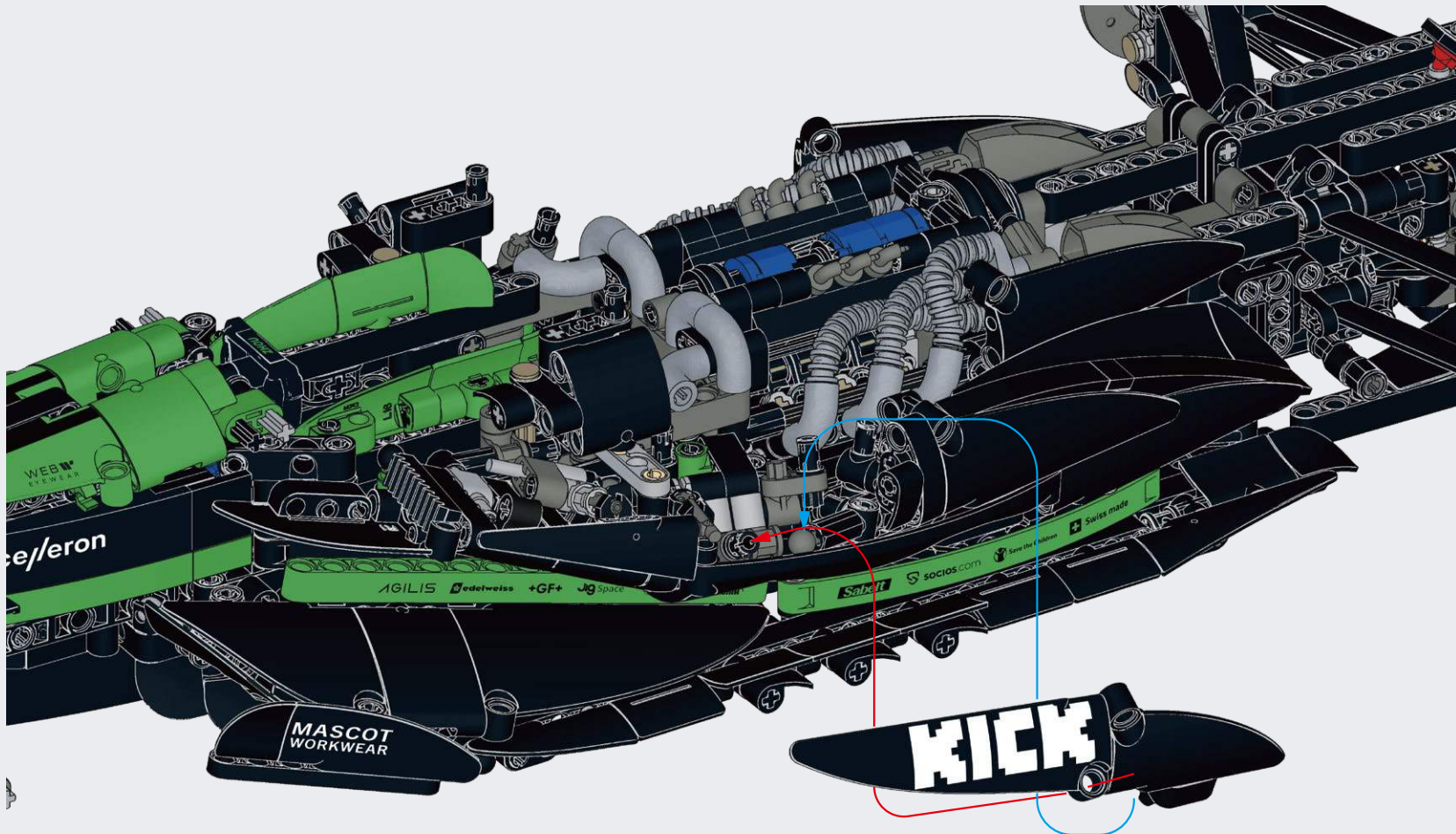
# C146

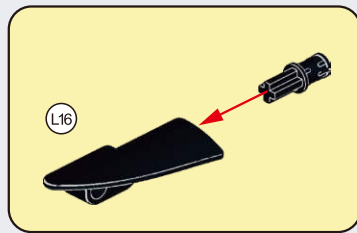
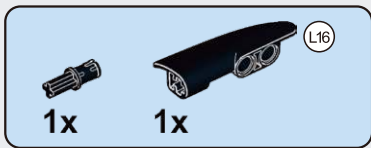


# C147

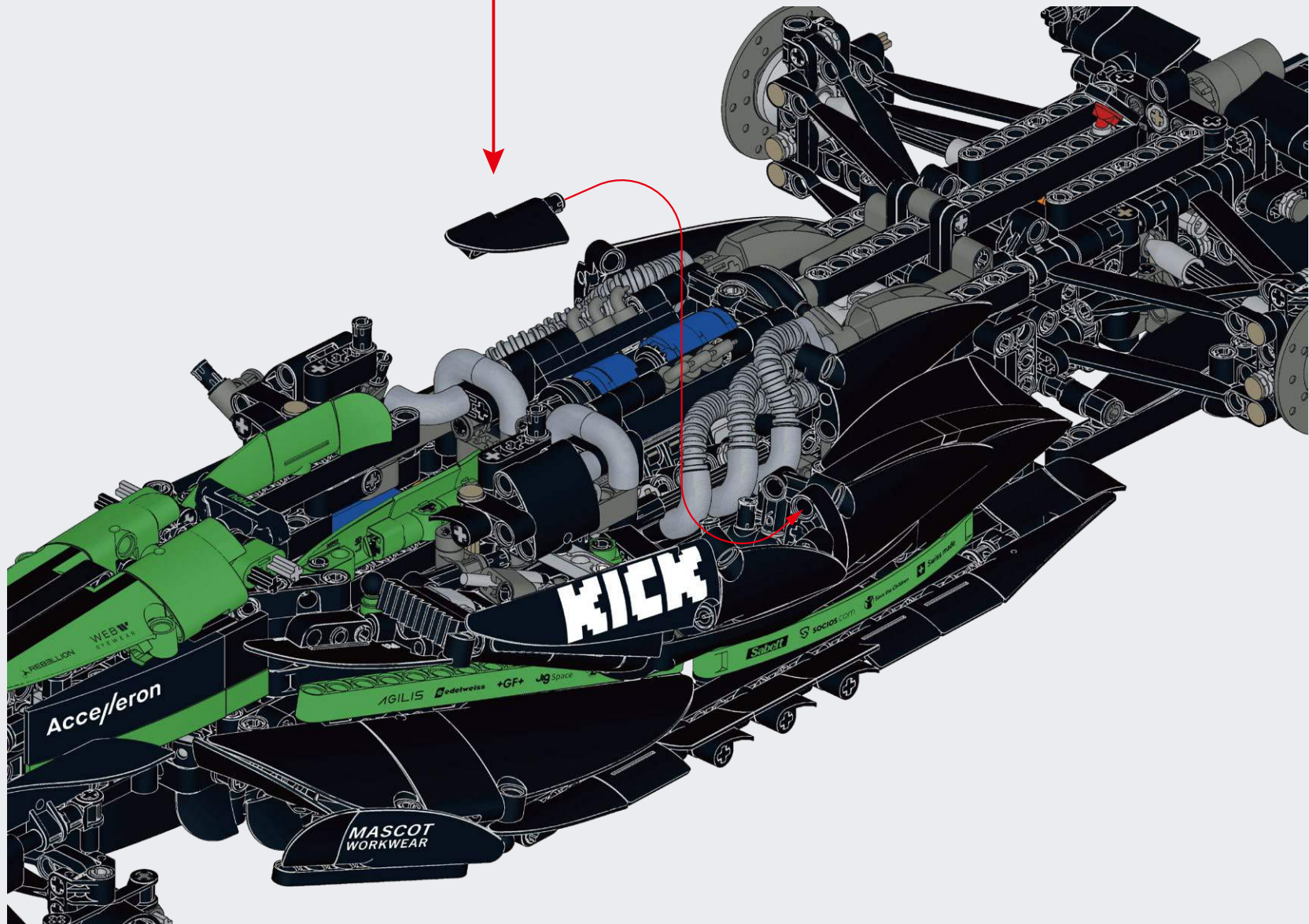


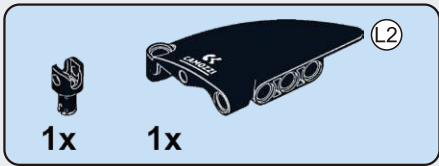
# C148



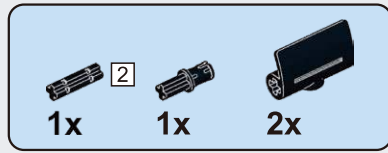
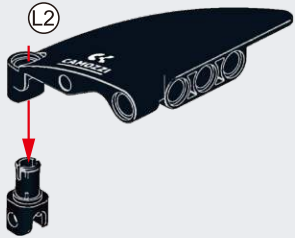


# C149

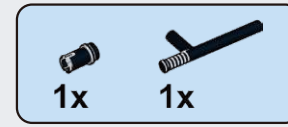
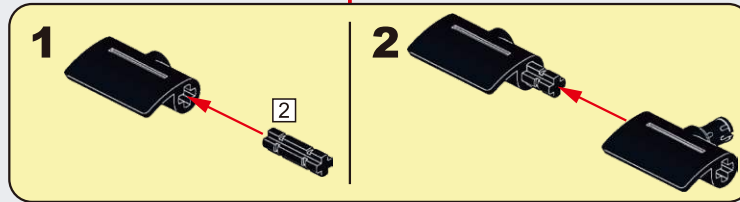
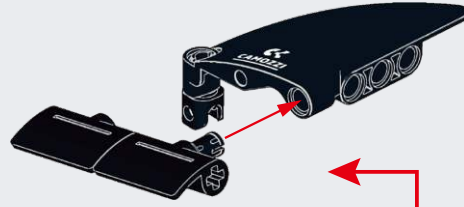




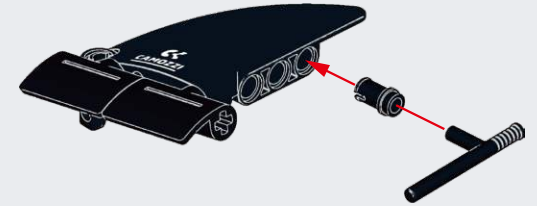
# C150



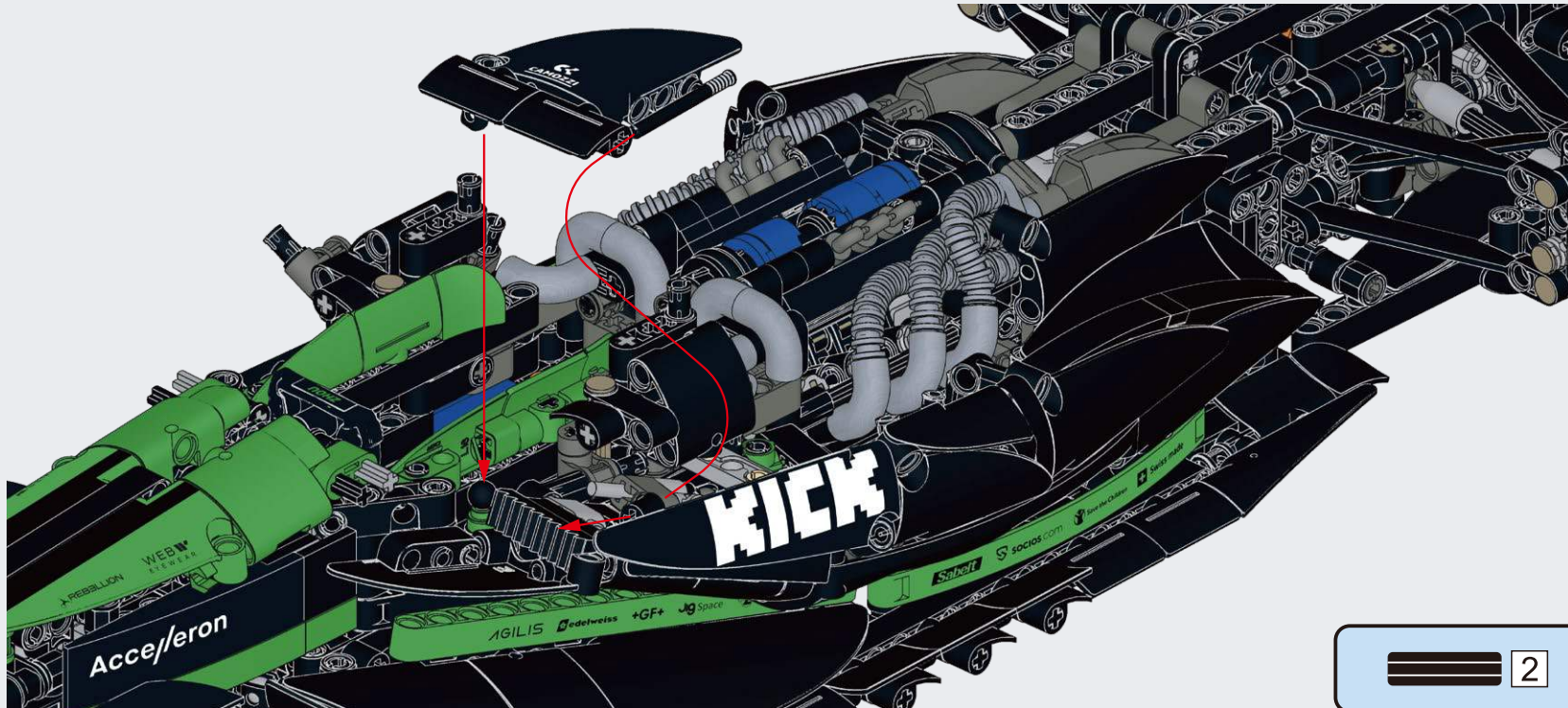
# C151

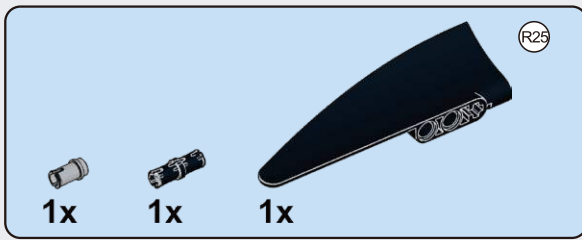


# C152

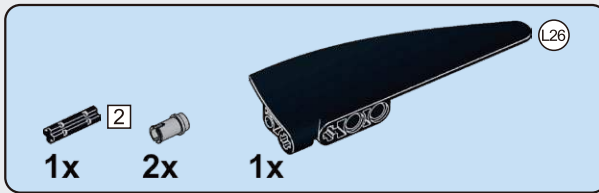
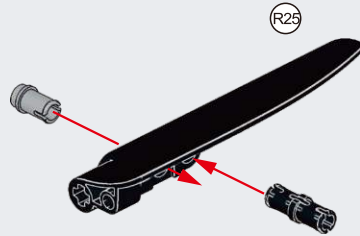


# C153

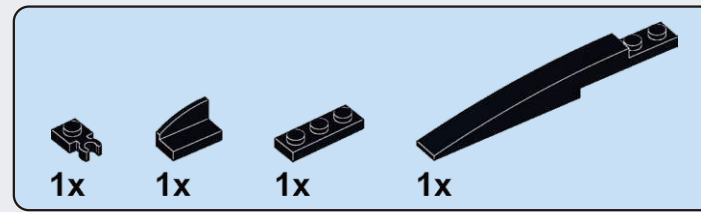
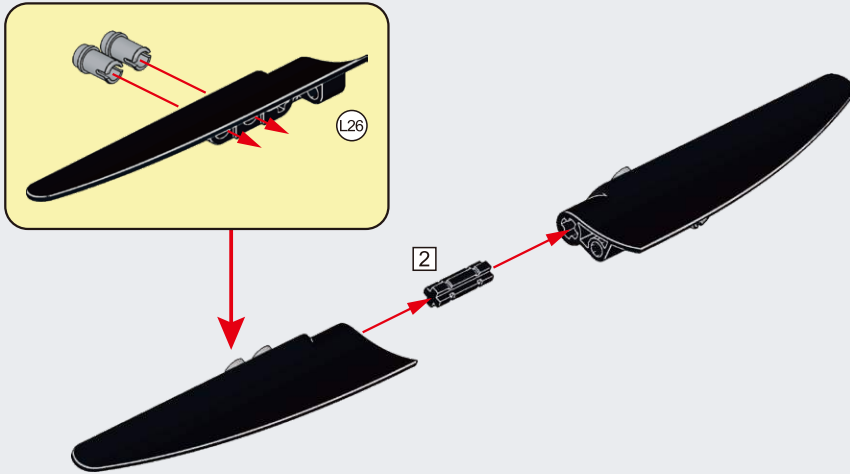




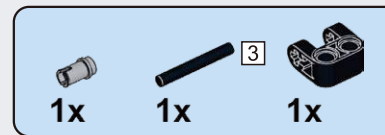
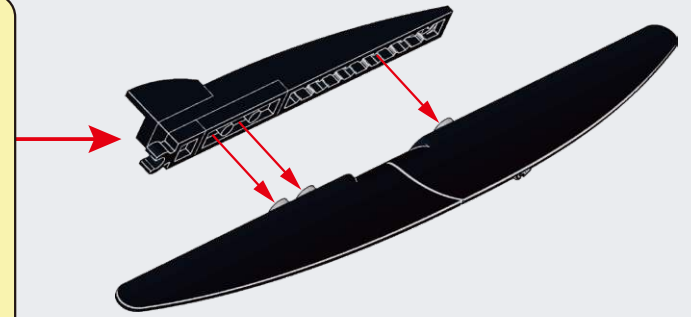
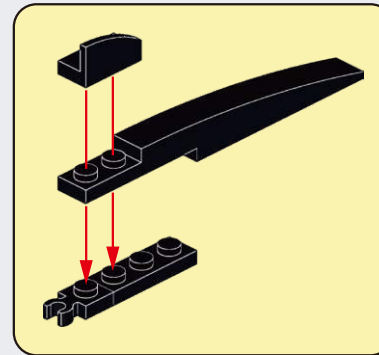
### C154



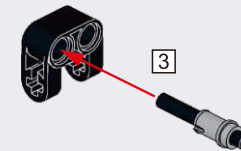
### C155

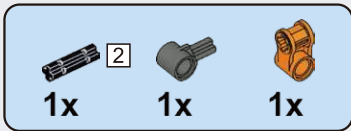


### C156

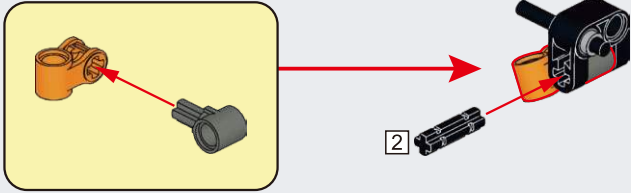


### C157

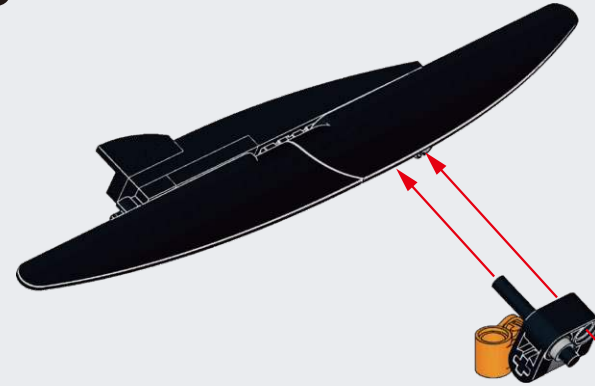




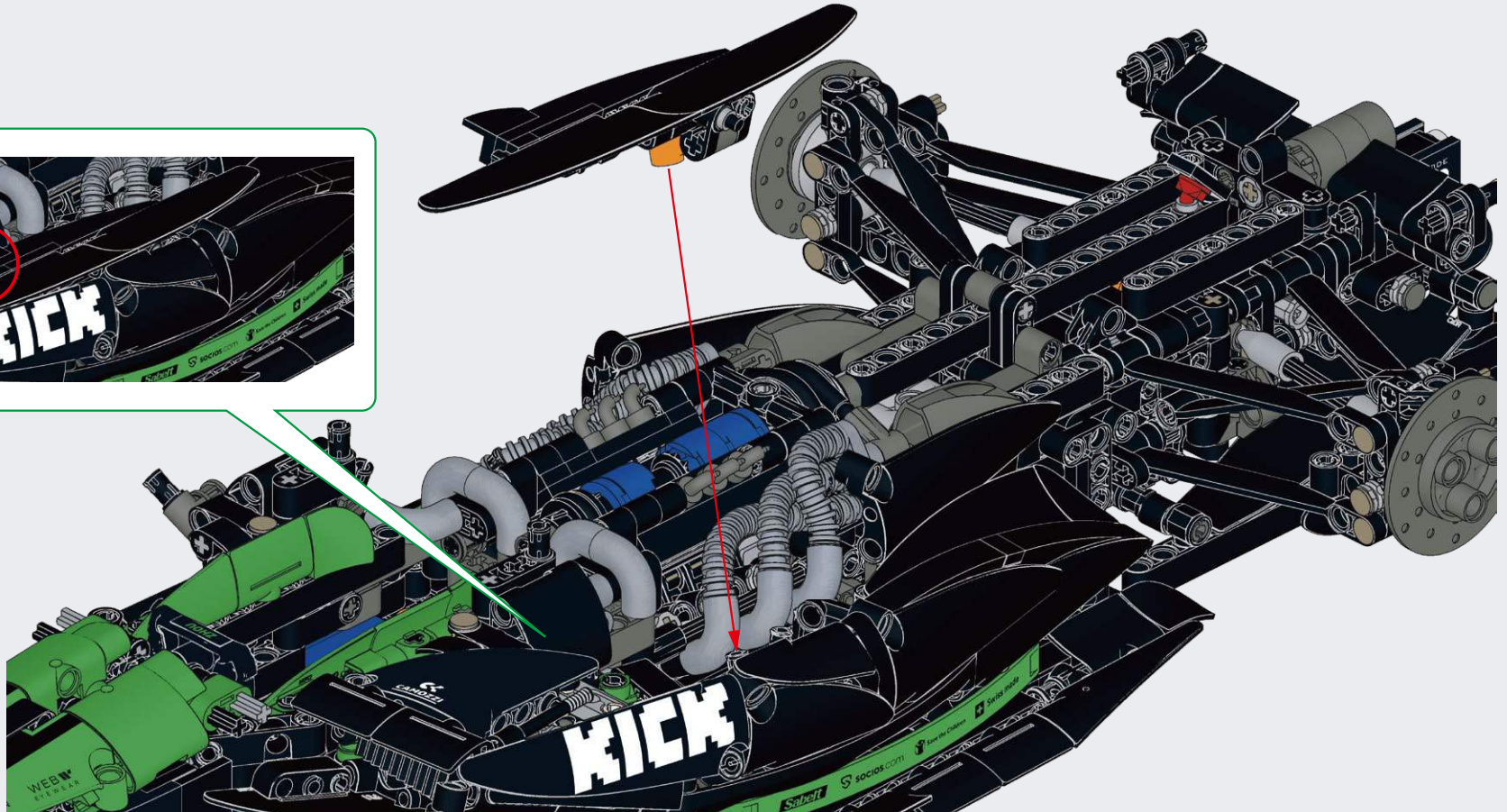
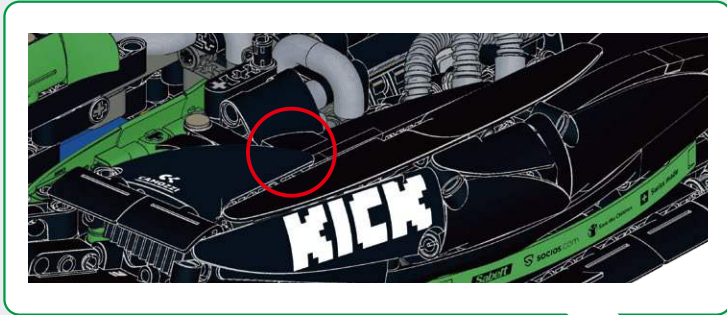
### C158



### C159

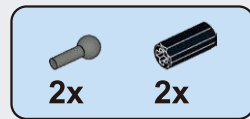
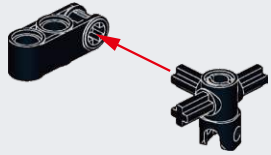


### C160

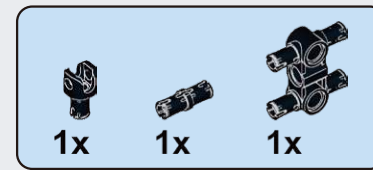
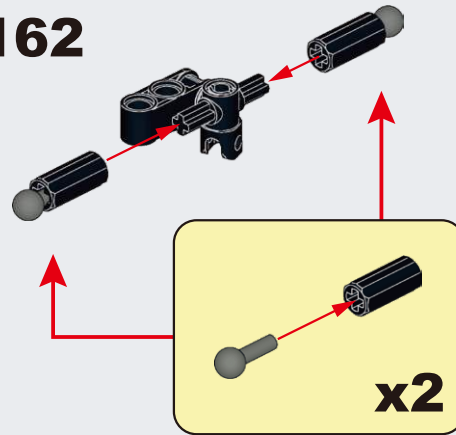




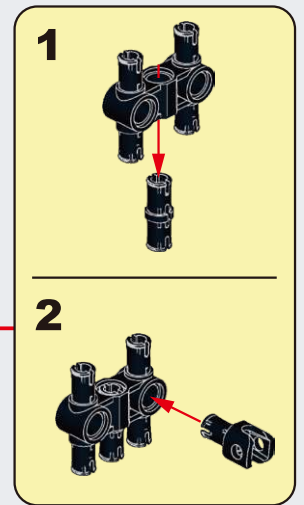
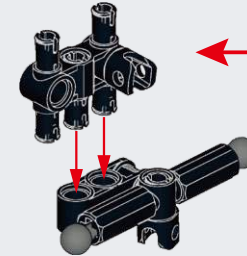
### C161



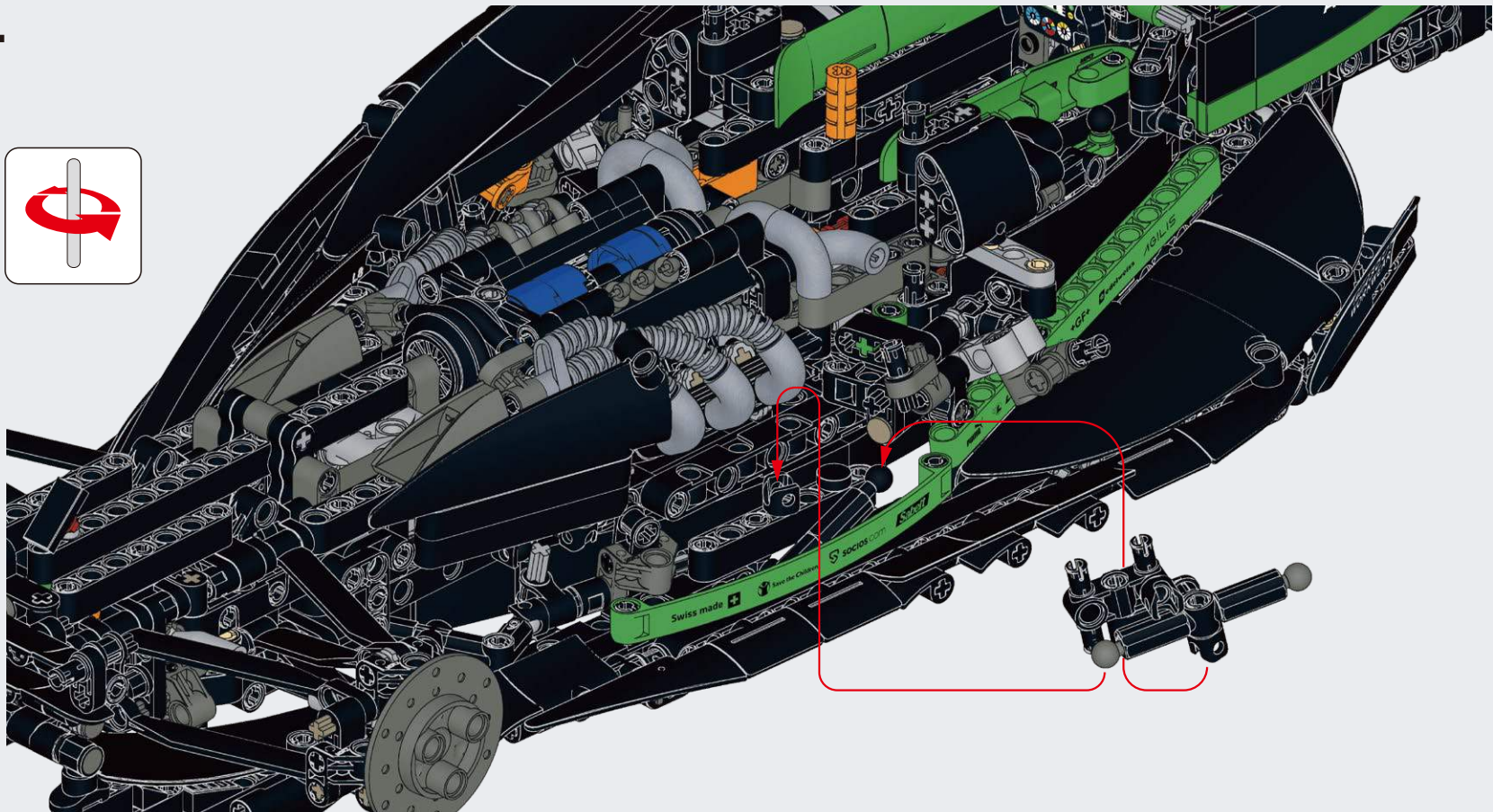
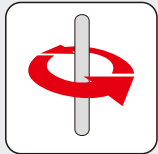
### C162



### C163

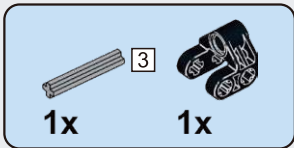
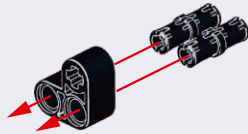


### C164

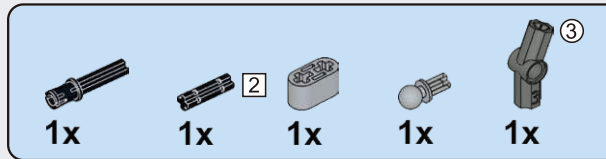
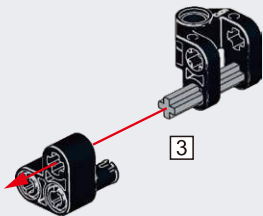




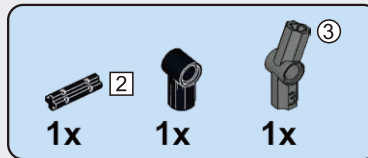
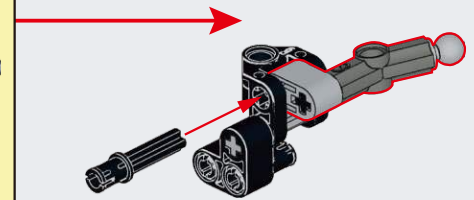
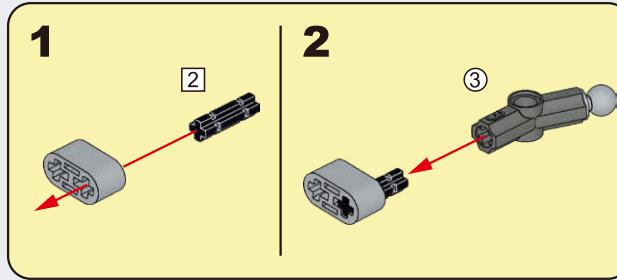
# C165



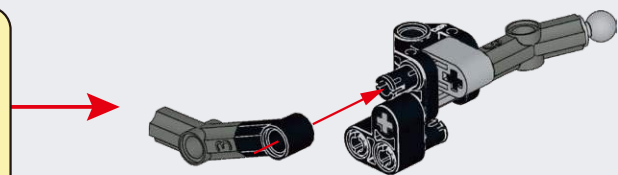
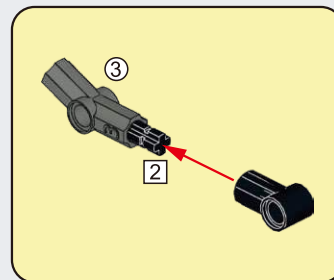
# C166



# C167

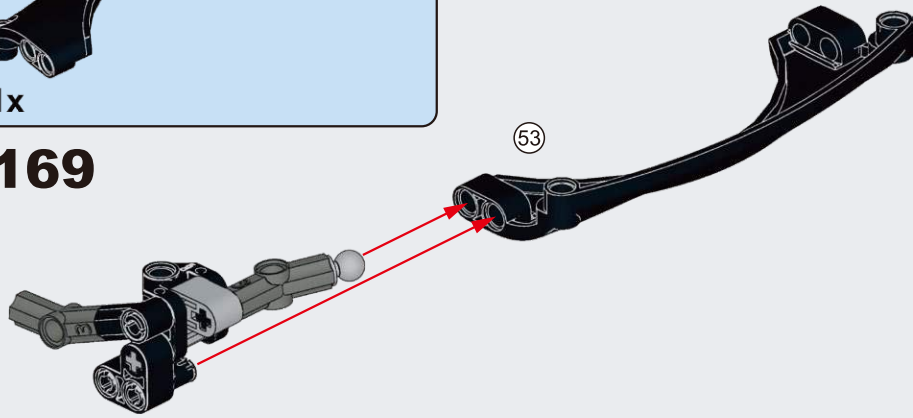


# C168

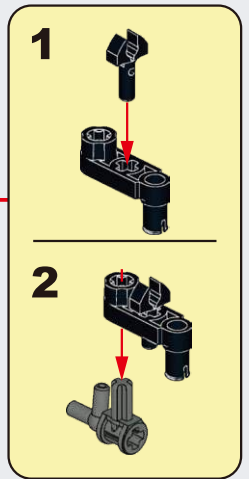
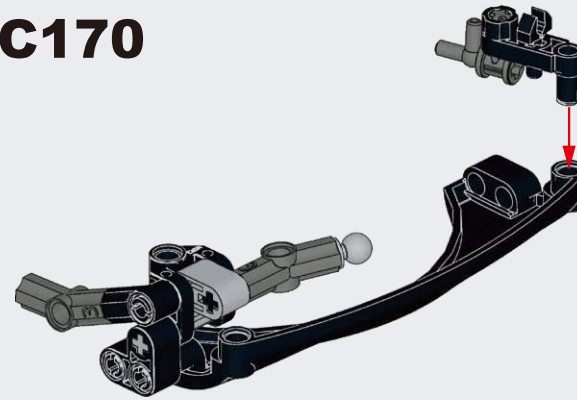




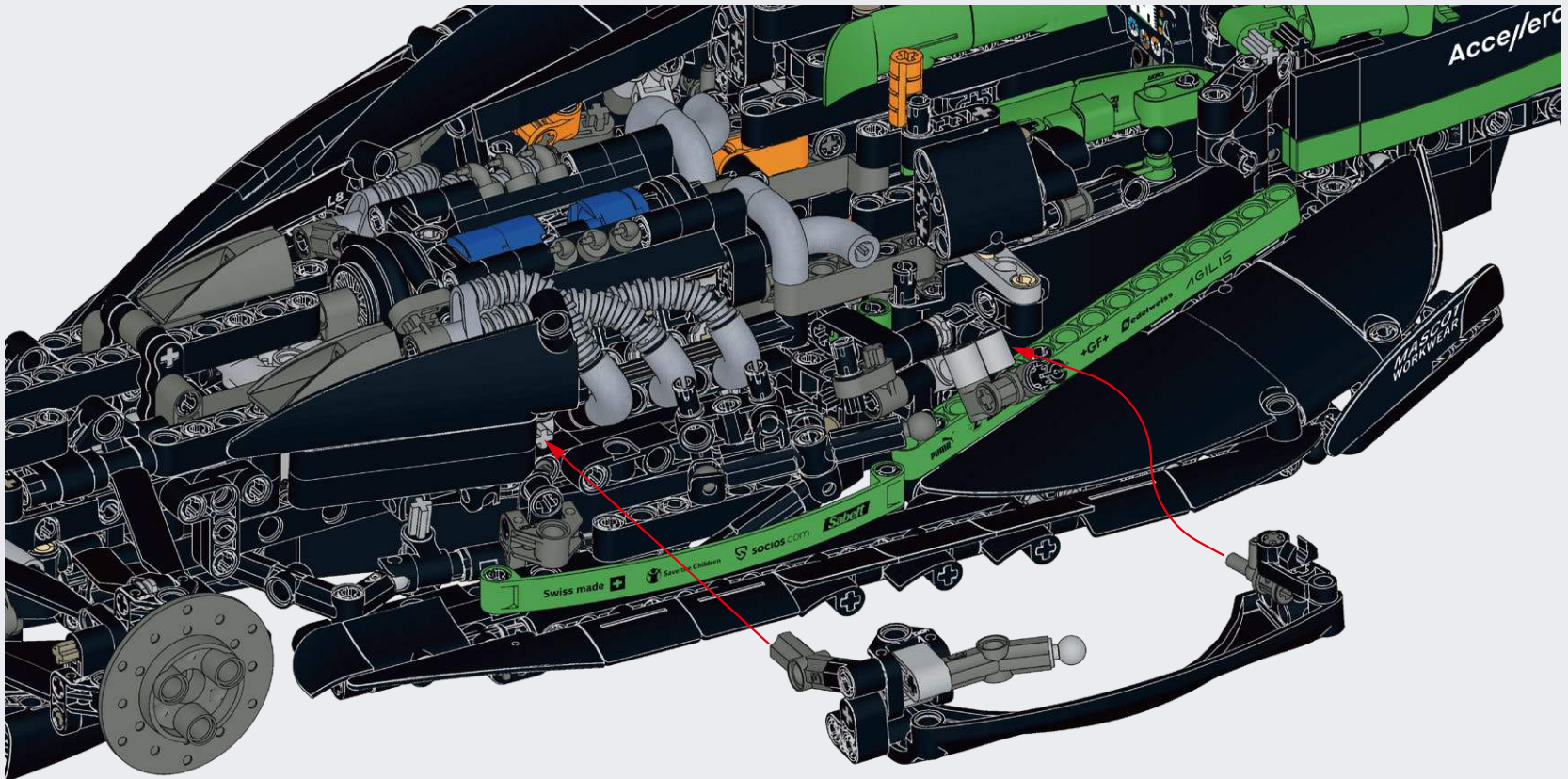
**C169**

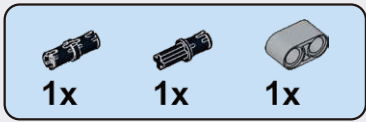


**C170**

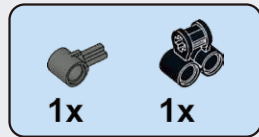
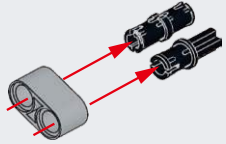


**C171**

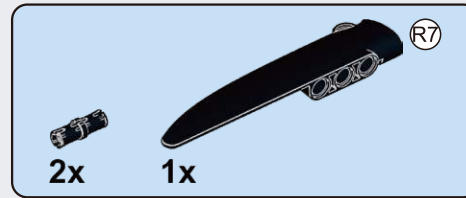
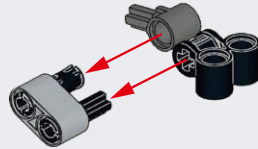




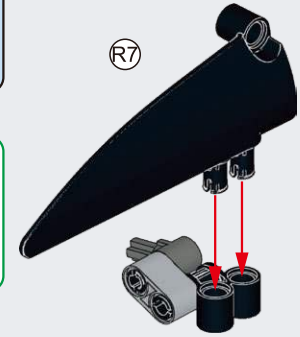
**C172**



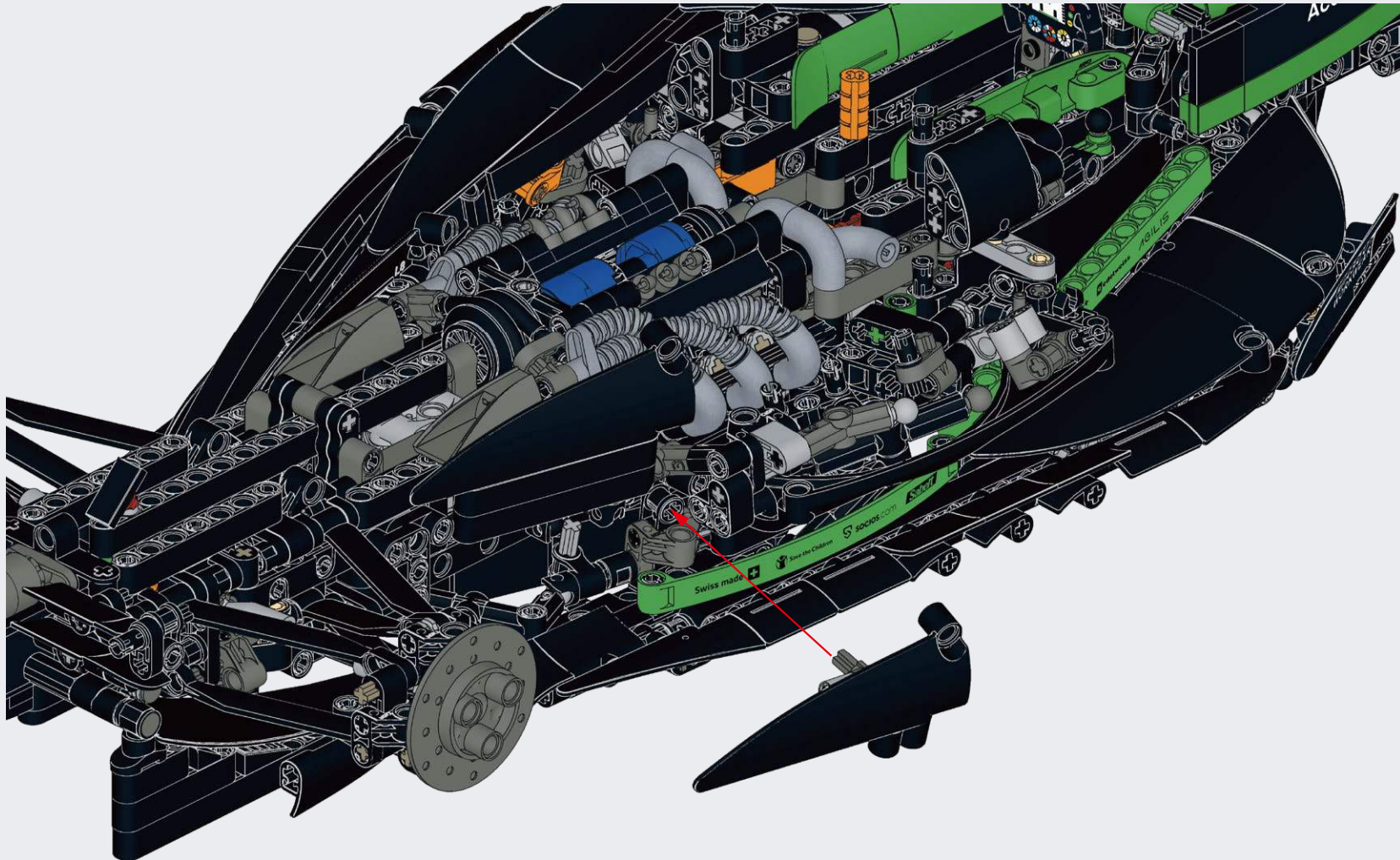
**C173**

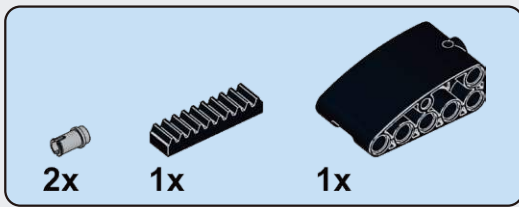


**C174**

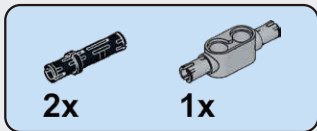
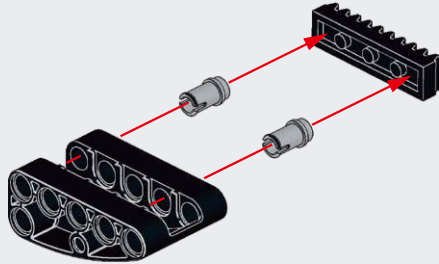


**C175**

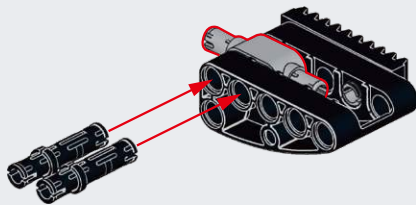




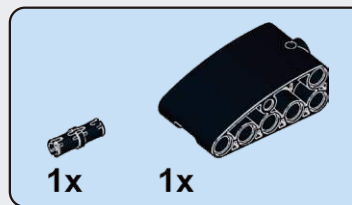
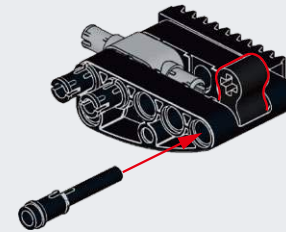
## C176



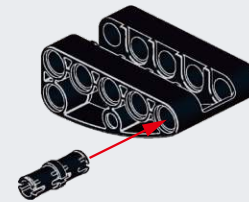
## C177

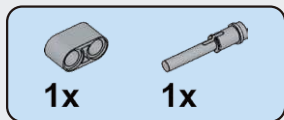


## C178

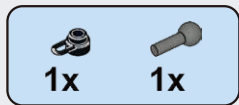
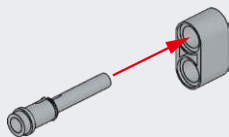


## C179

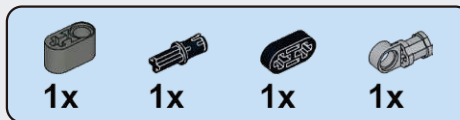
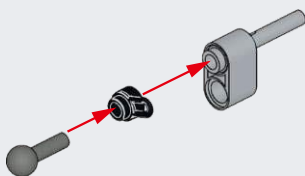




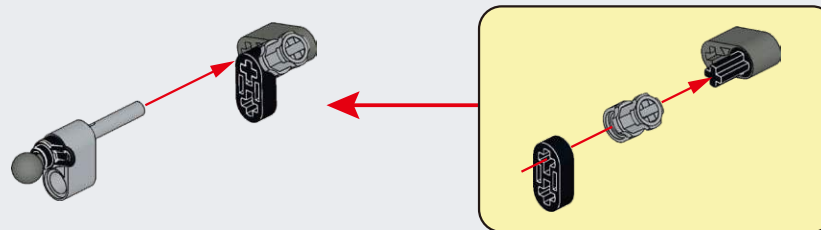
## C180



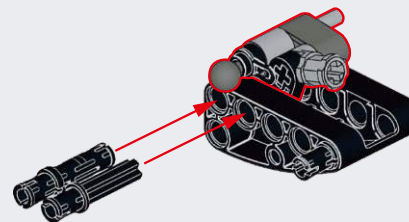
## C181

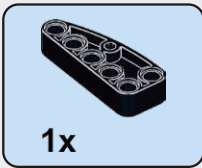


## C182



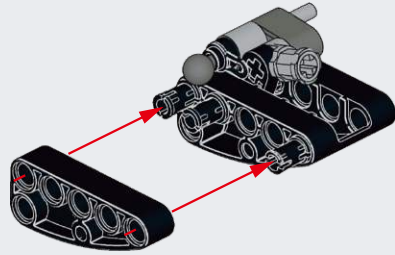
## C183



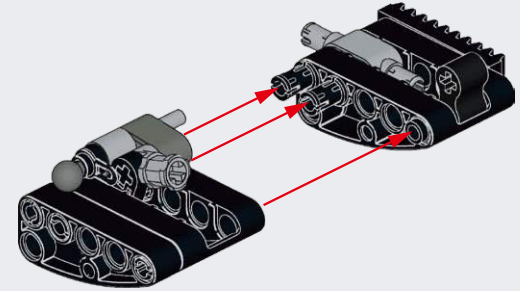


1x

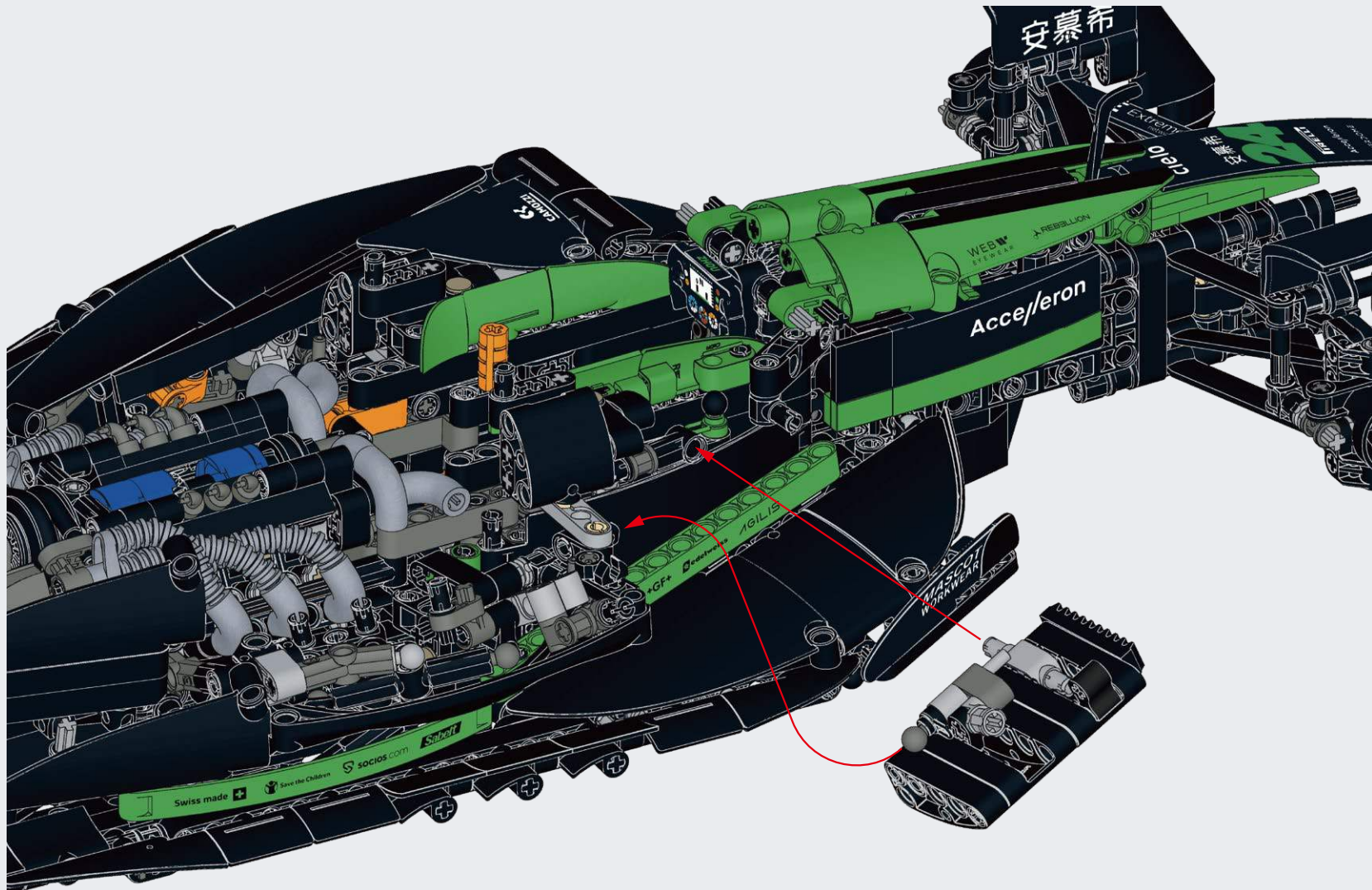
### C184

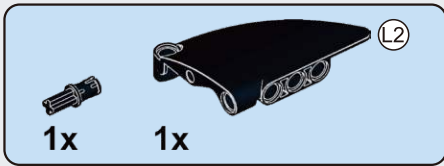


### C185

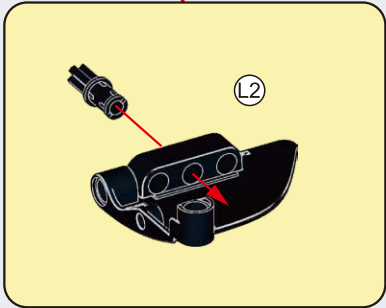
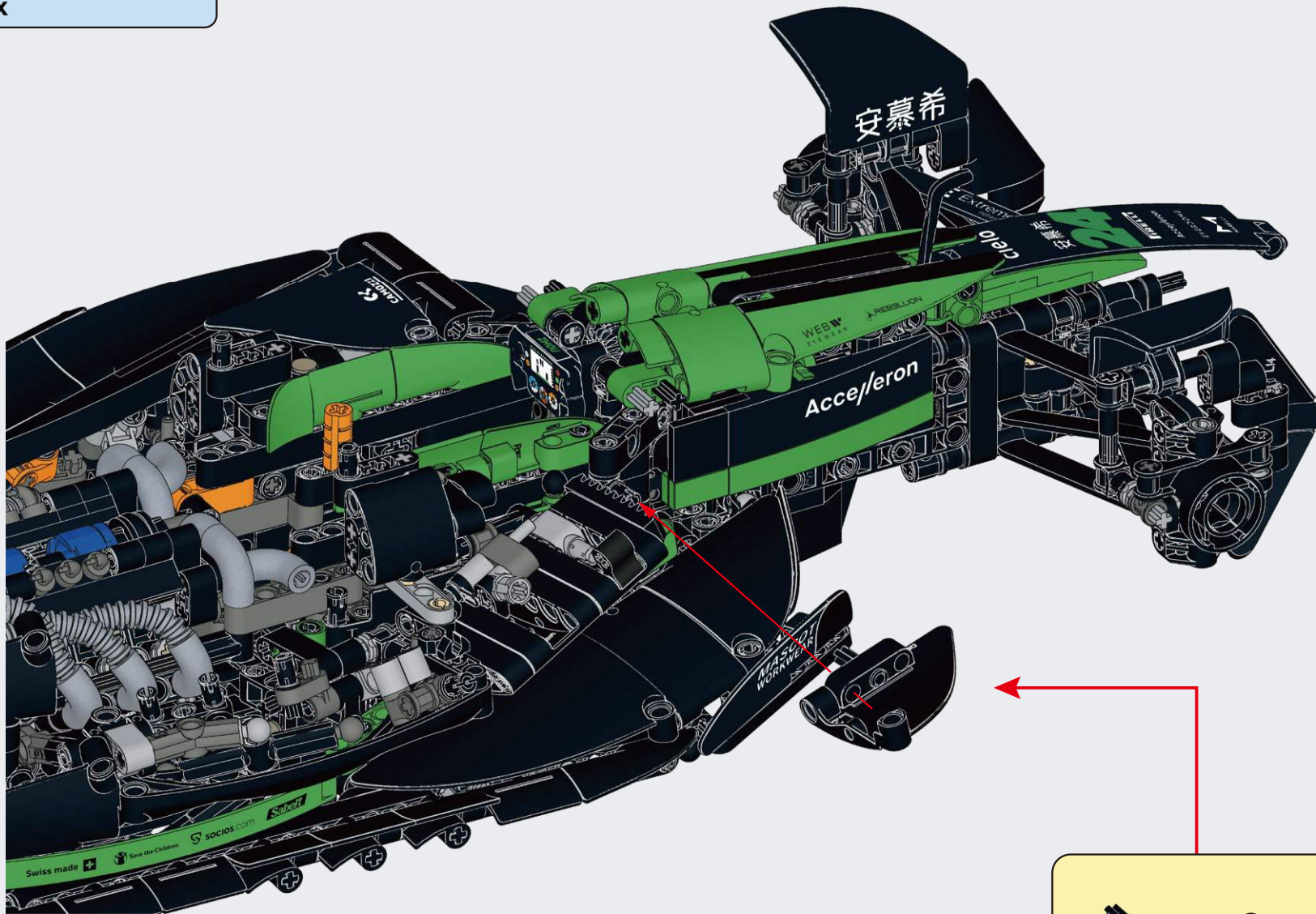


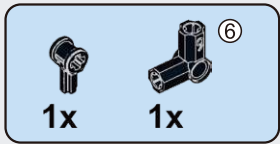
### C186



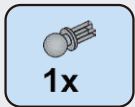
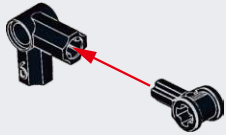


C187

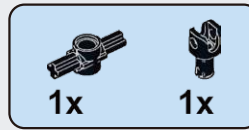
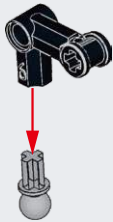




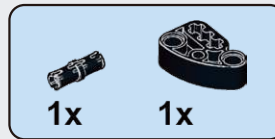
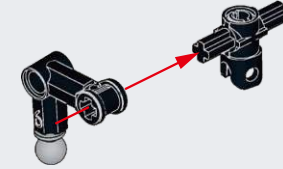
## C188



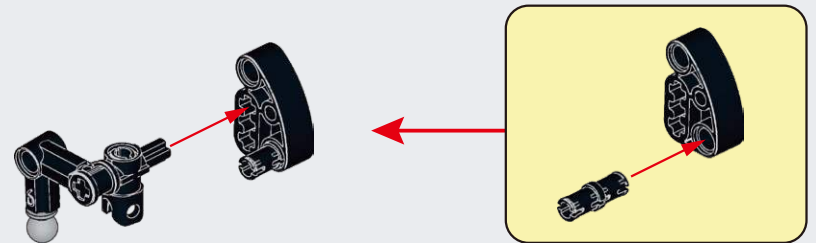
## C189

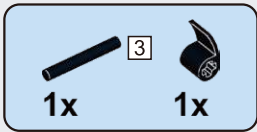


## C190

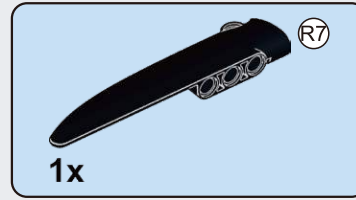
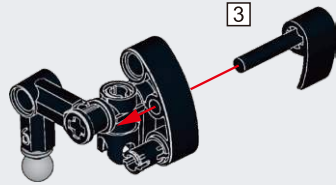


## C191

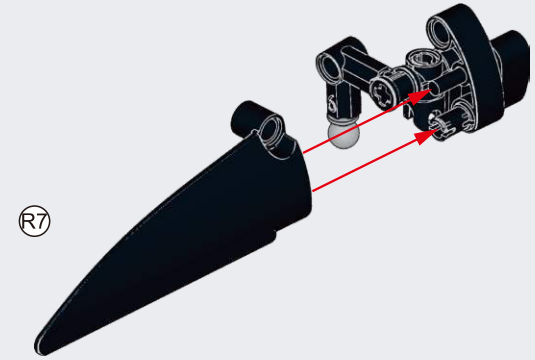




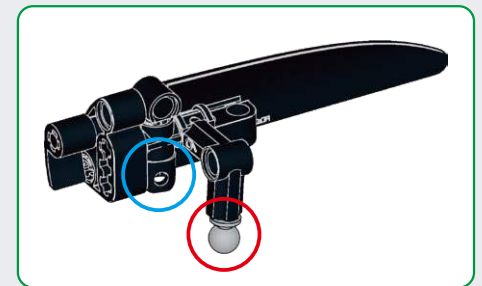
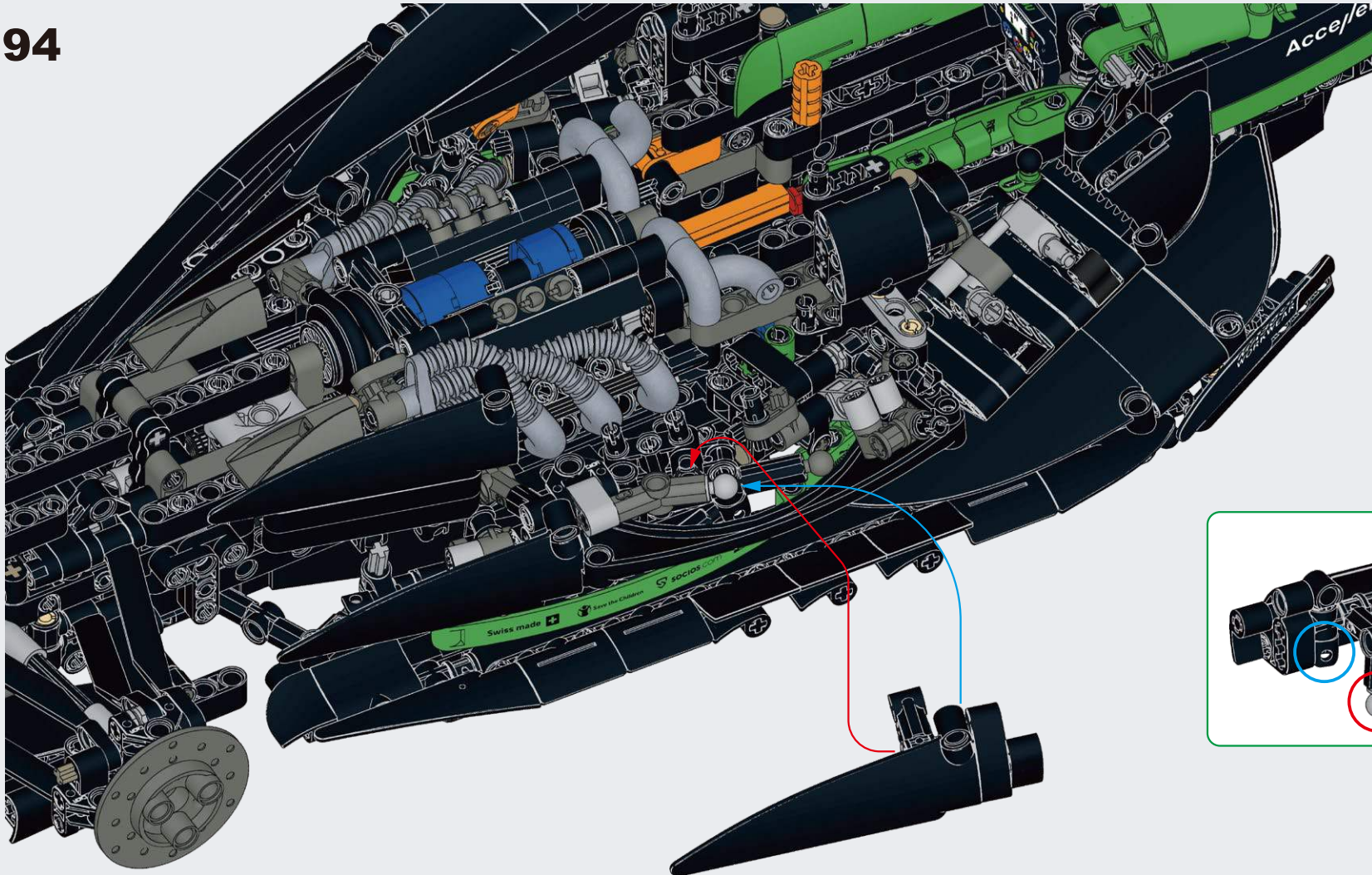
**C192**

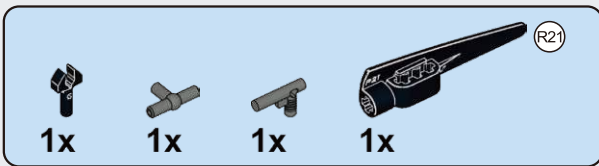


**C193**

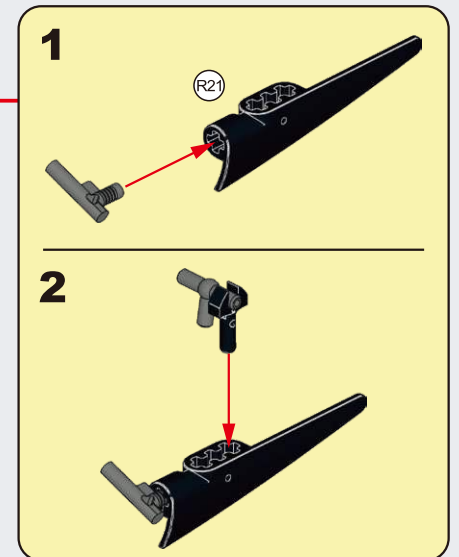
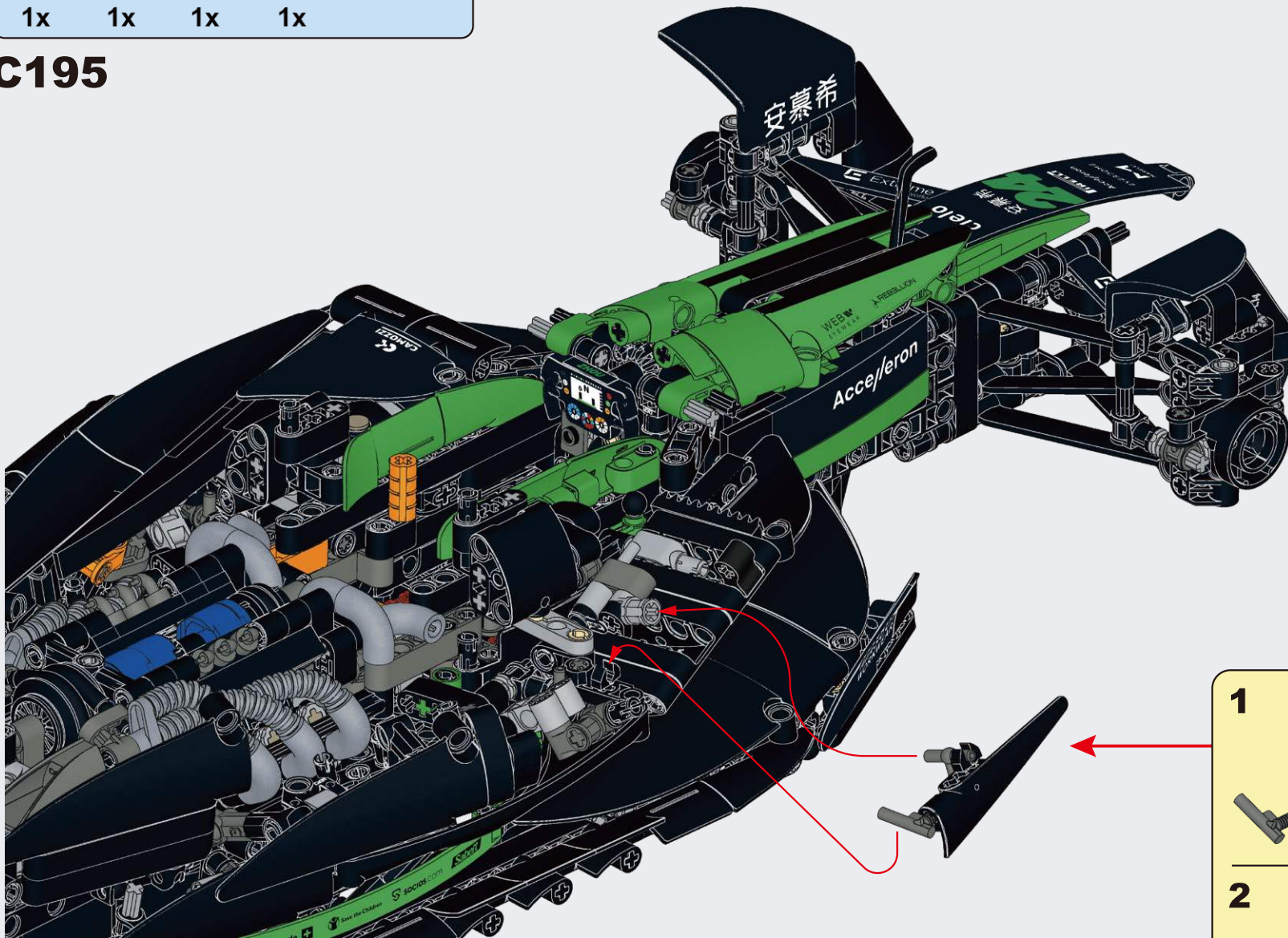


**C194**



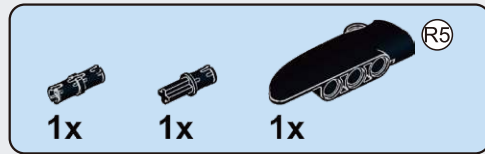


# C195

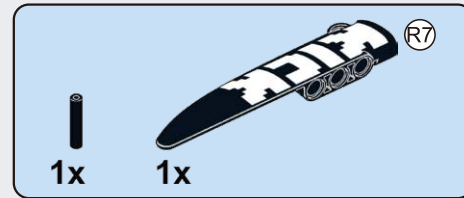
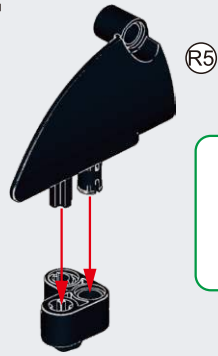




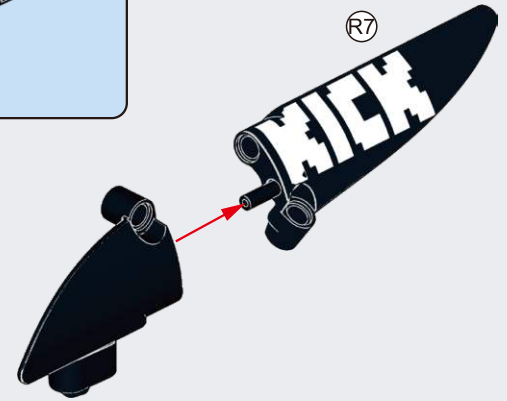
**C196**



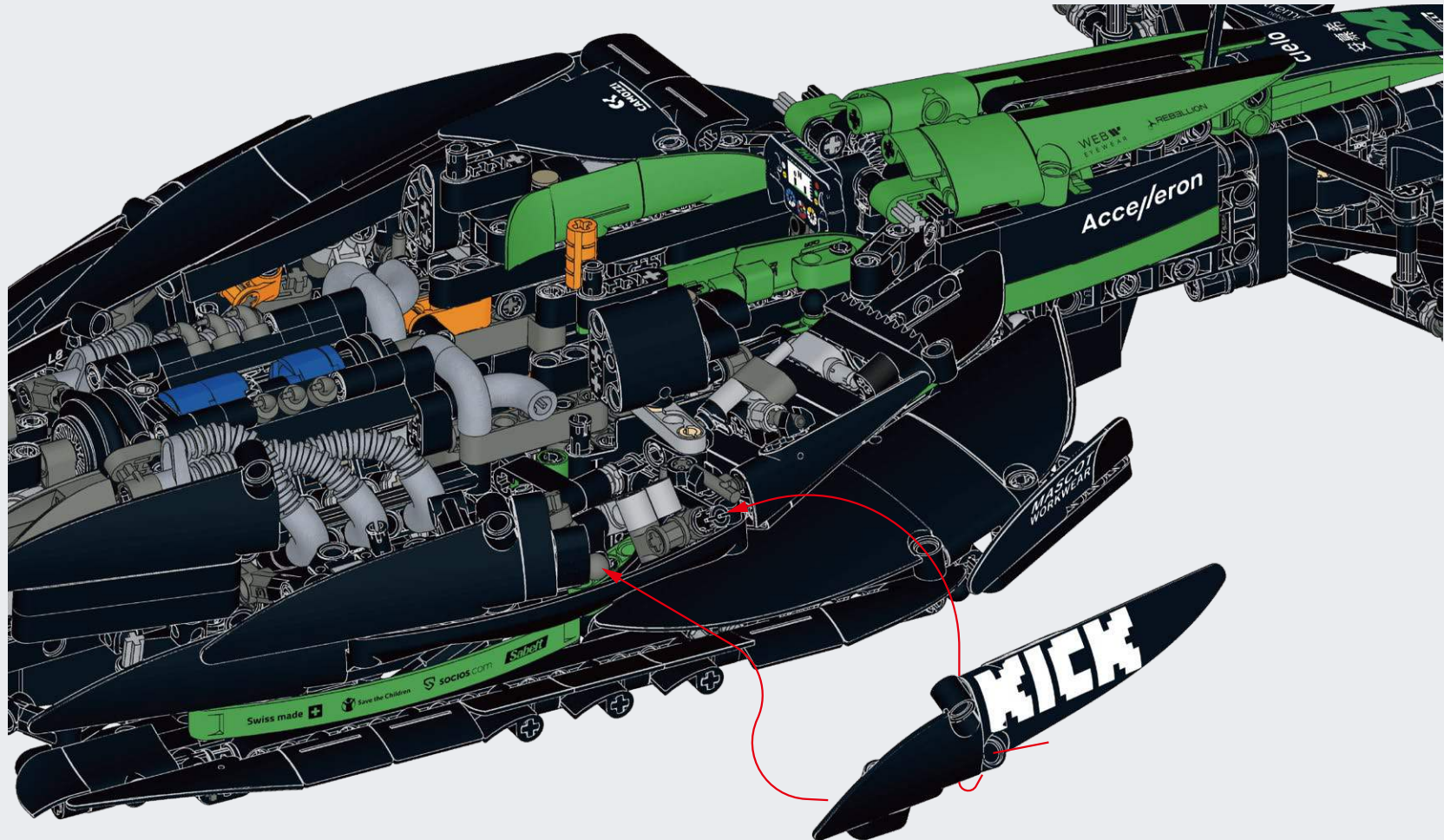
**C197**

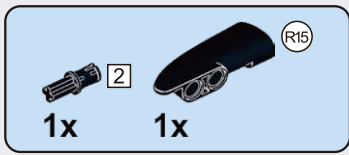


**C198**

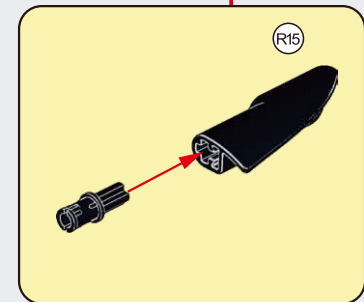
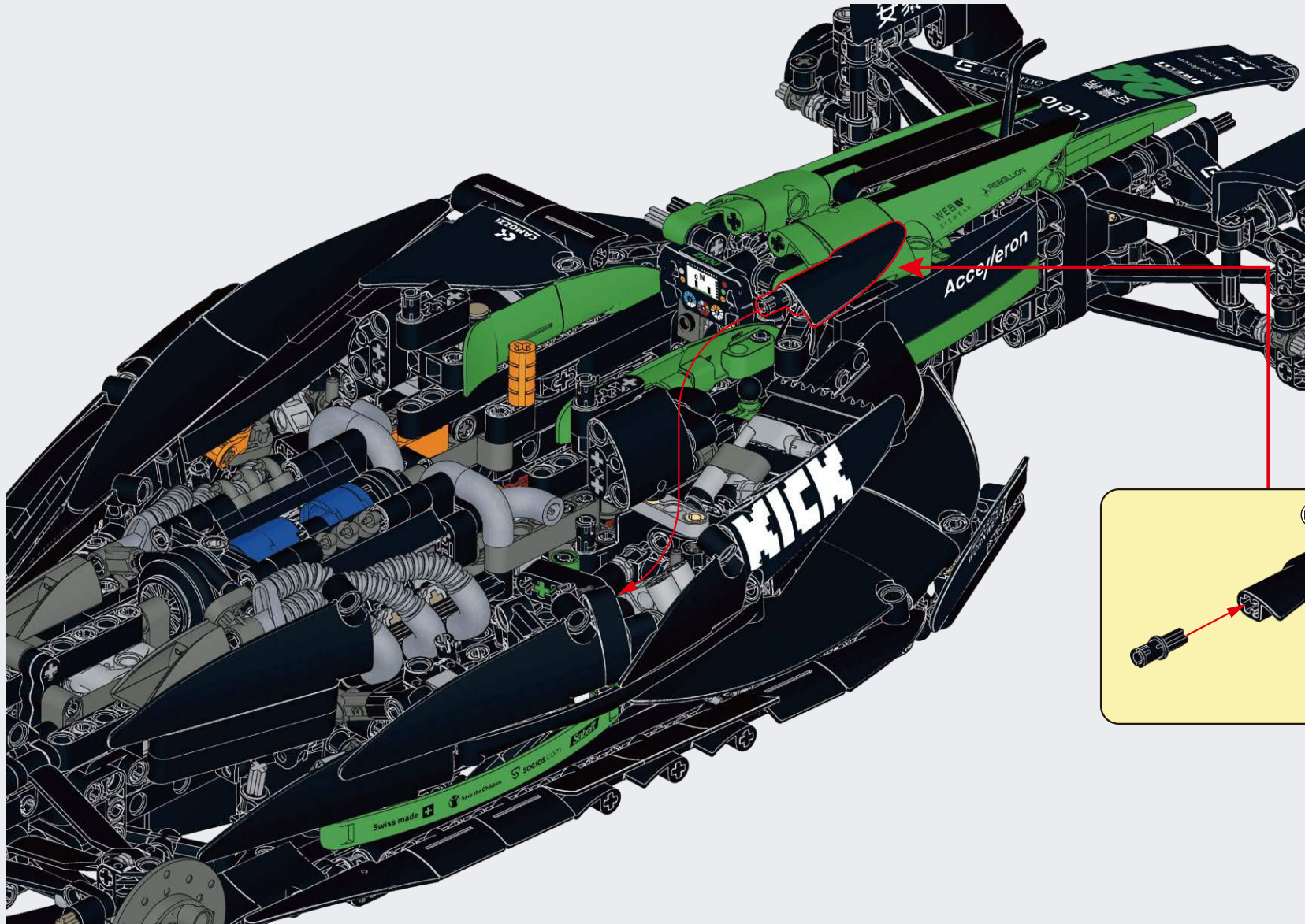


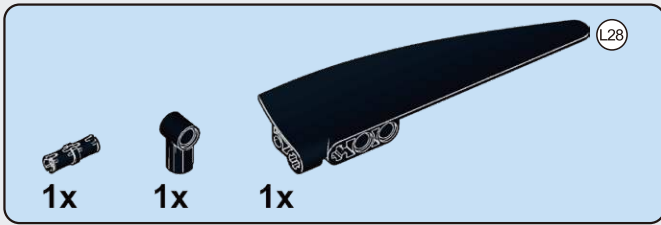
**C199**



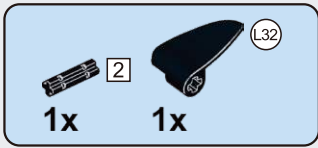
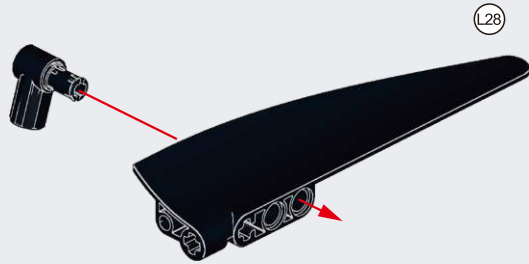


## C200

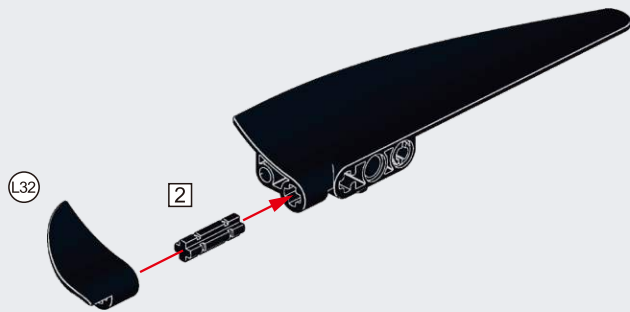




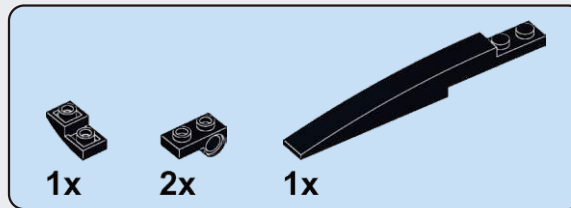
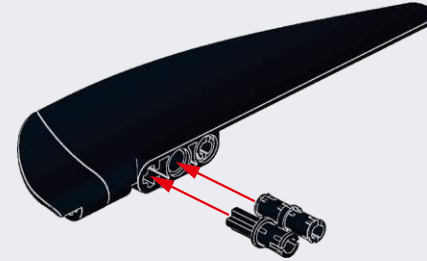
### C201



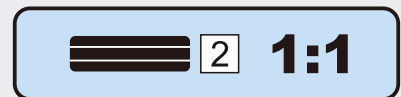
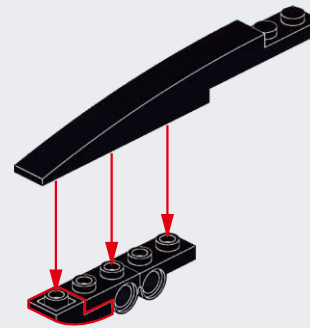
### C202

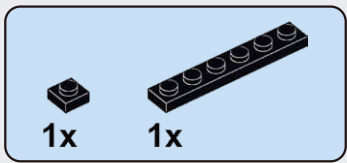


### C203

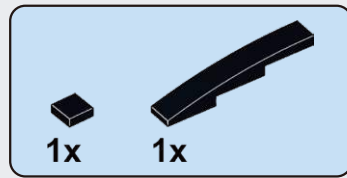
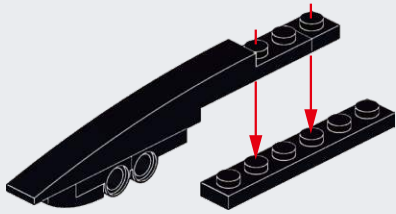


### C204

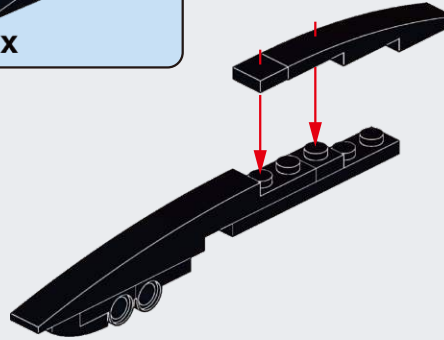




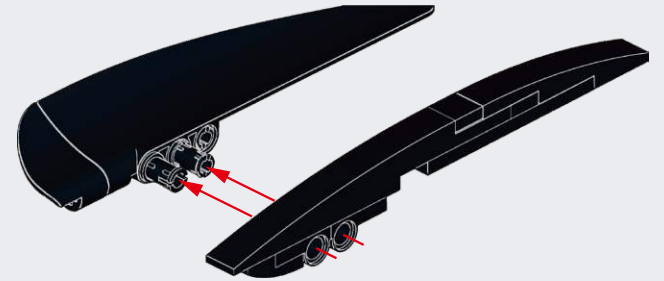
**C205**



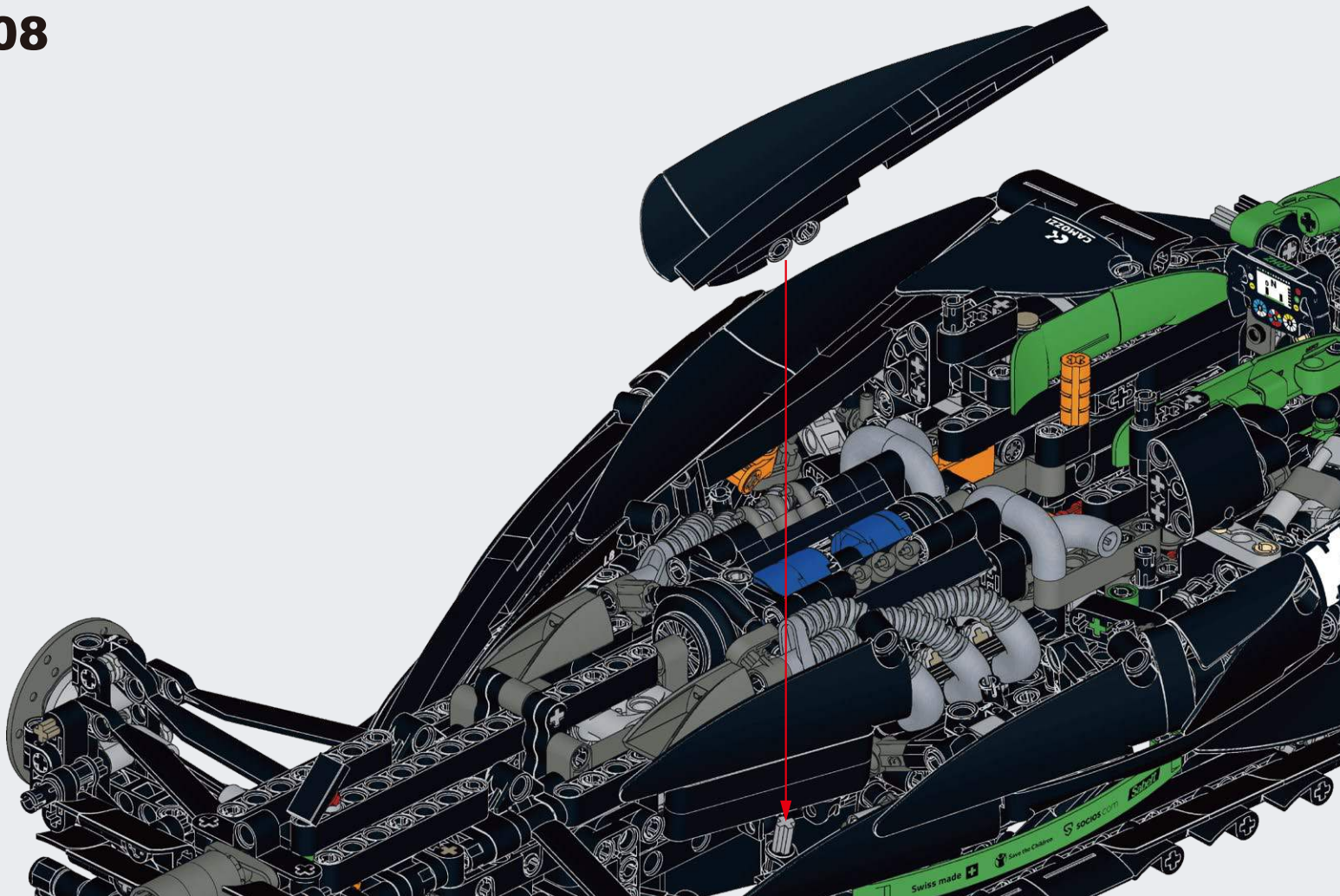
**C206**

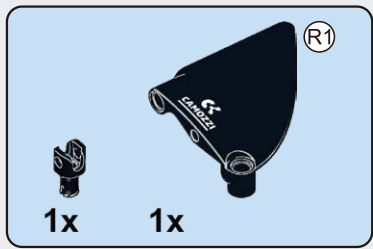


**C207**

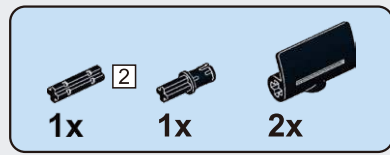
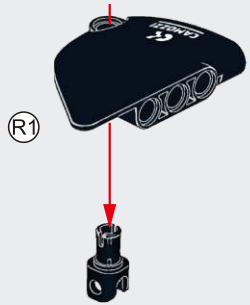


**C208**

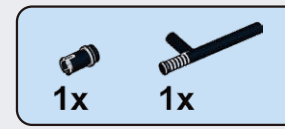
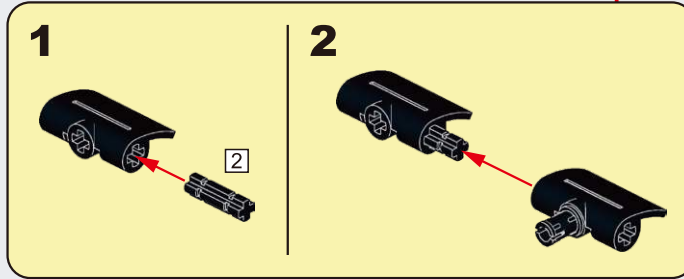
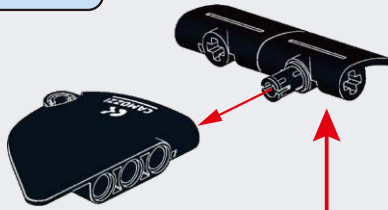




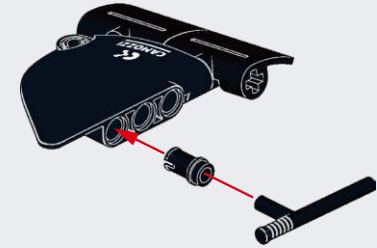
## C209



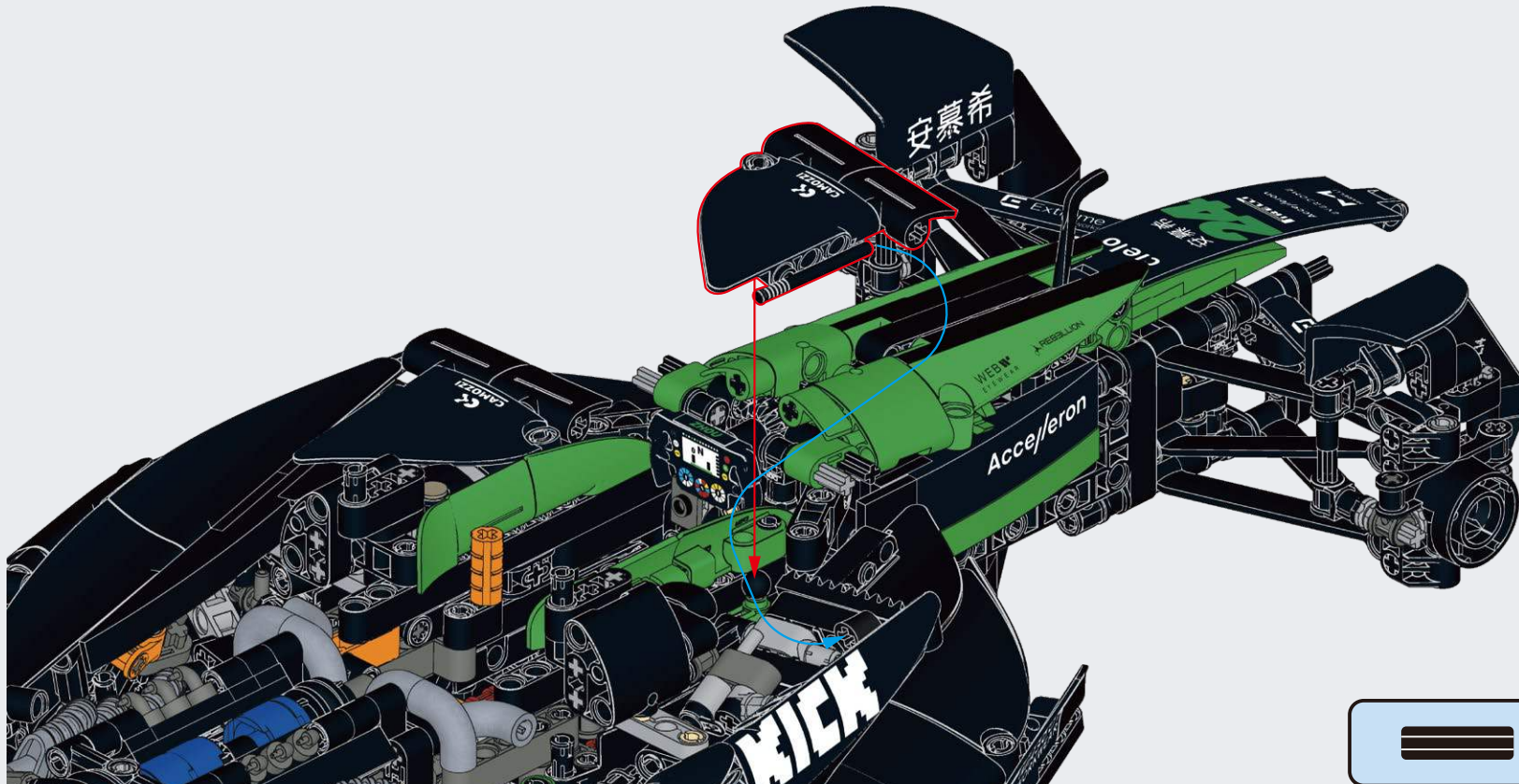
## C210

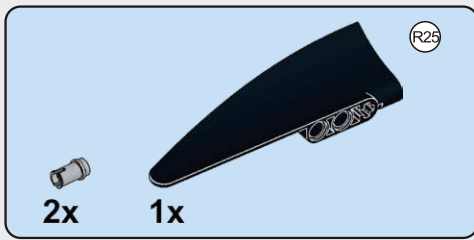


## C211

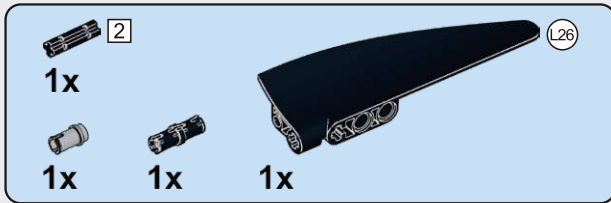
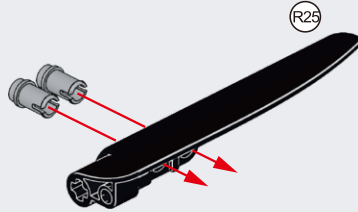


## C212

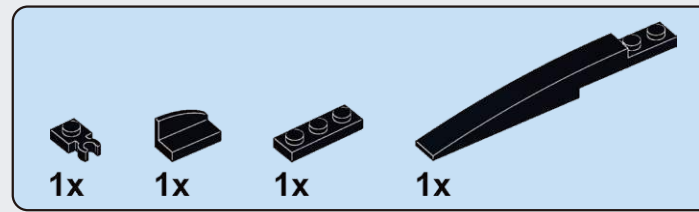
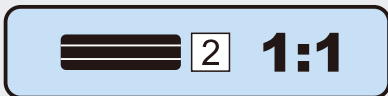
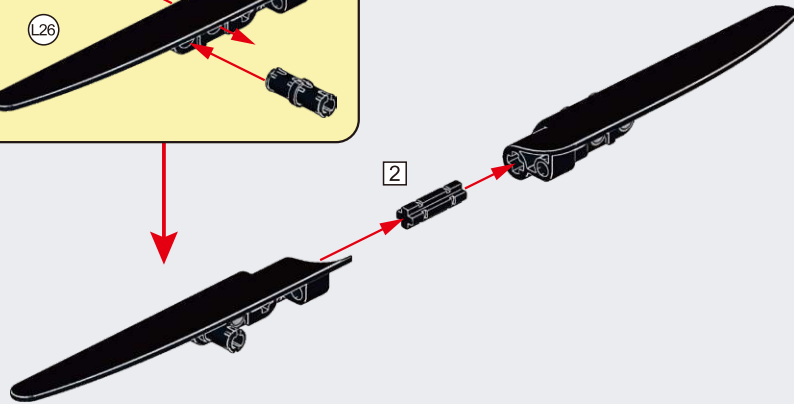
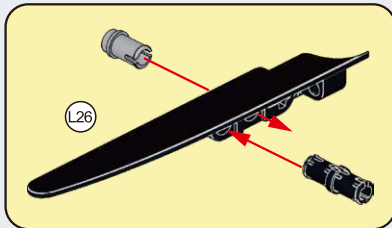




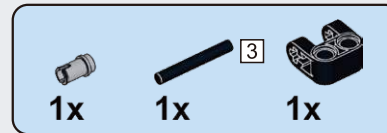
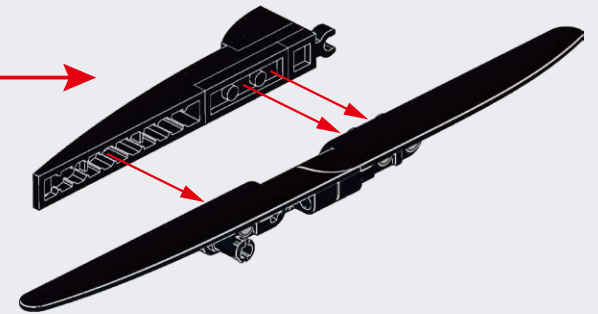
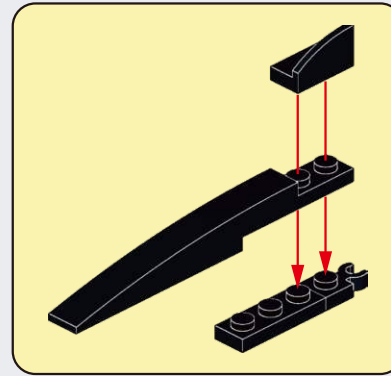
### C213



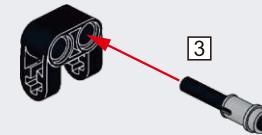
### C214

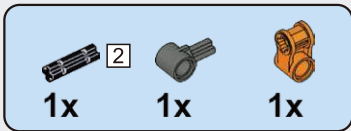


### C215

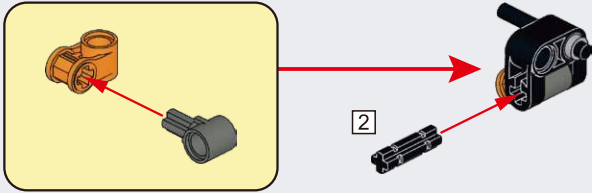


### C216

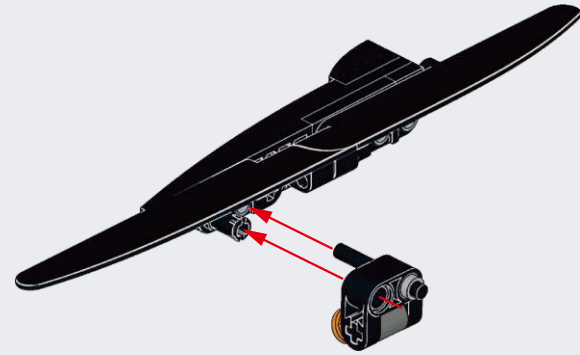




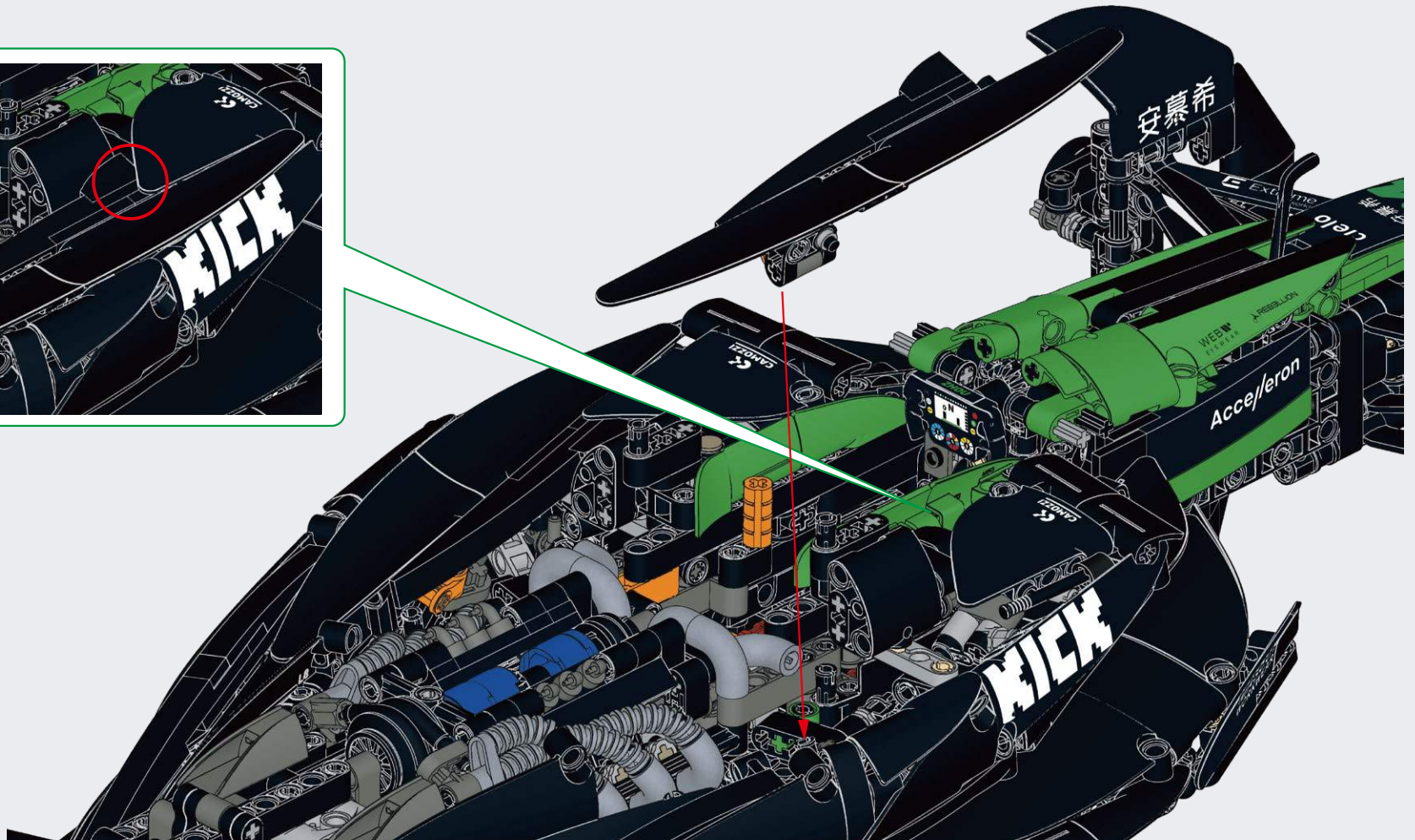
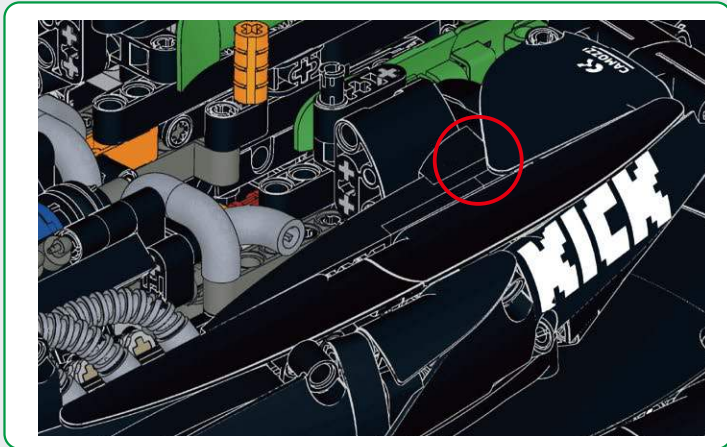
### C217

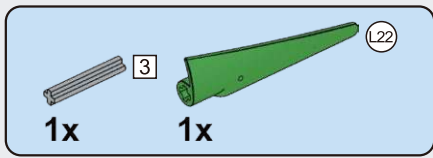


### C218

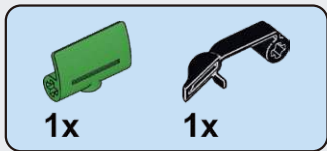
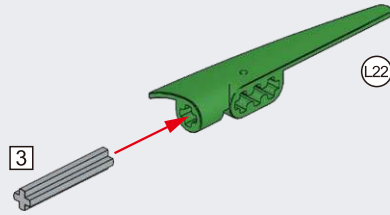


### C219

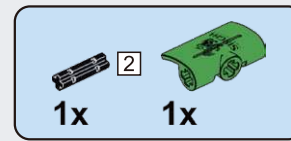
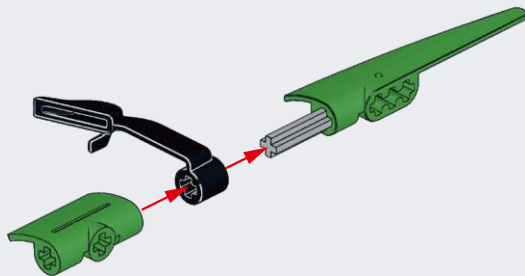




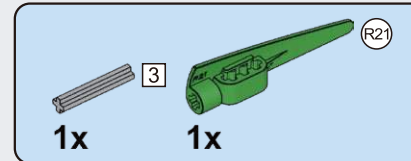
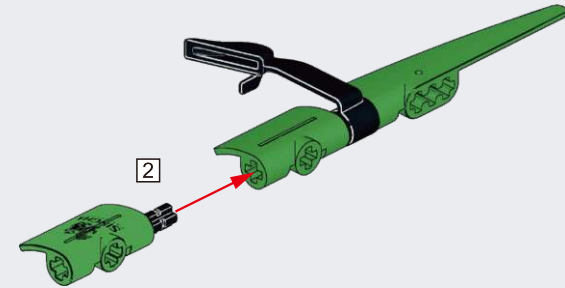
### C220



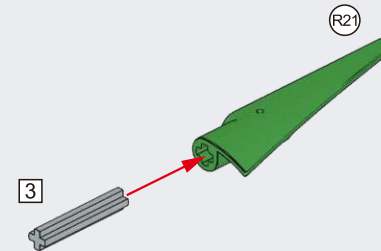
### C221

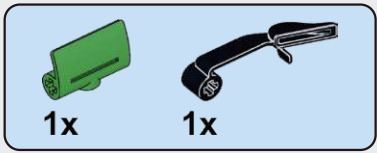


### C222

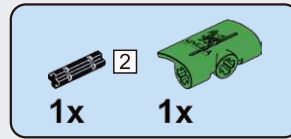
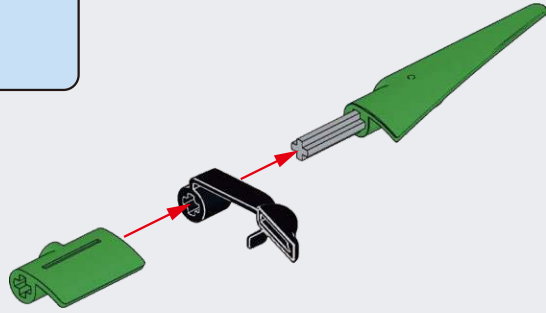


### C223

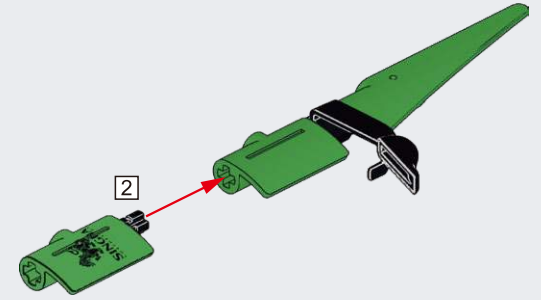




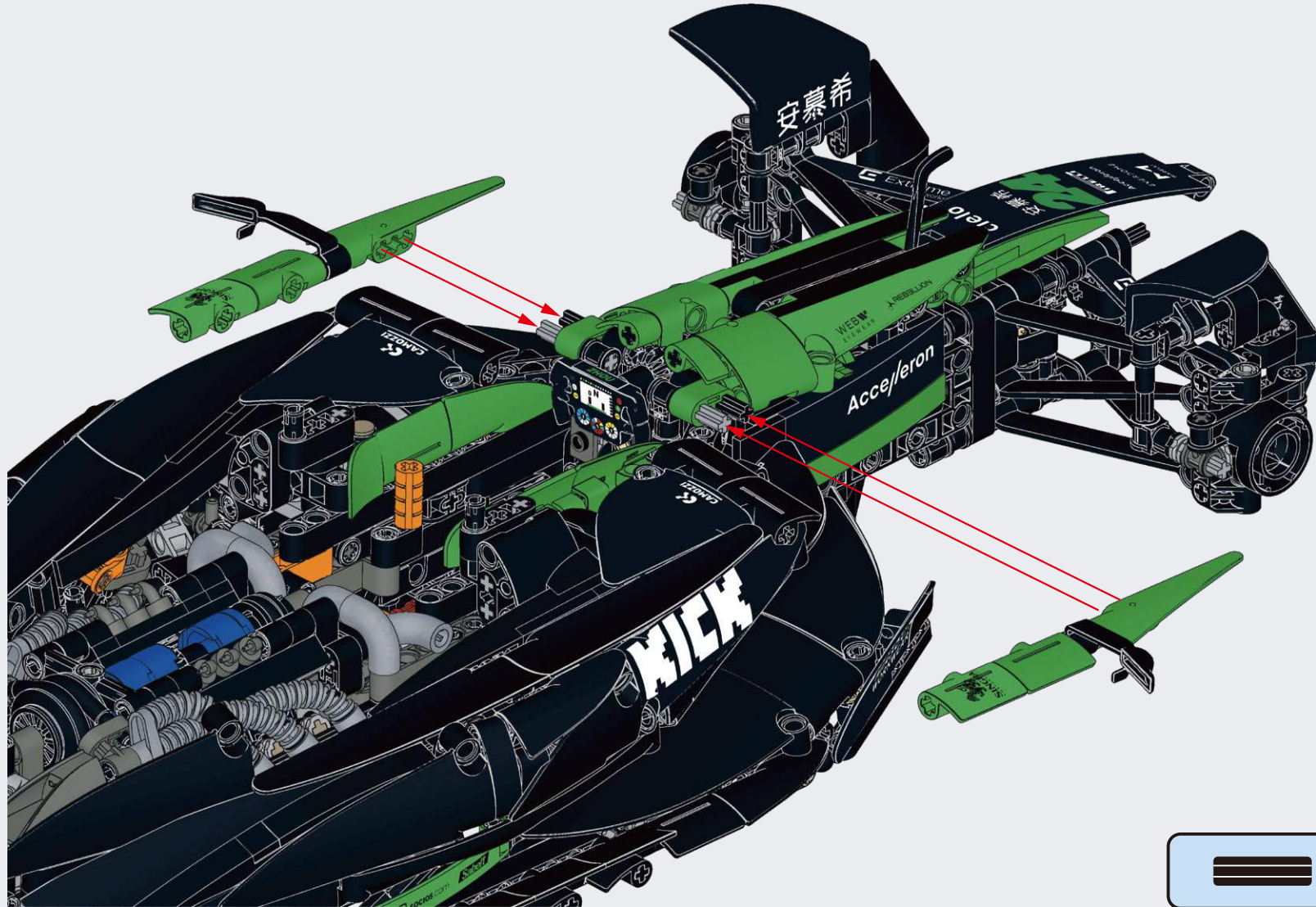
**C224**



**C225**



**C226**





KICK KICK

KICK

sensetime 感知

KICK

Accell/eron

Cielo

24

SINGHIA

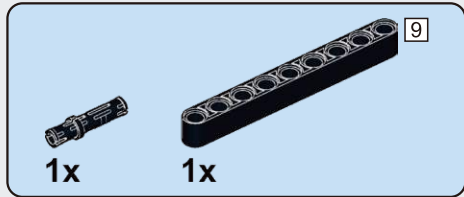
KICK

Extreme

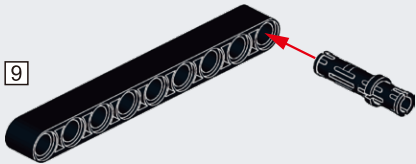
感知

SKY BERRY

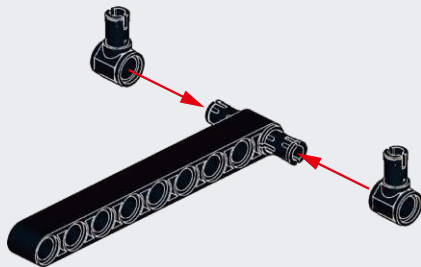
**D**



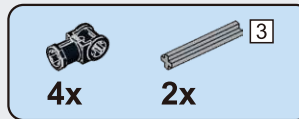
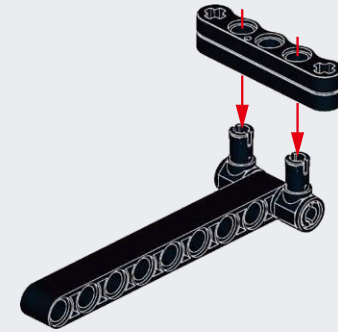
**D1**



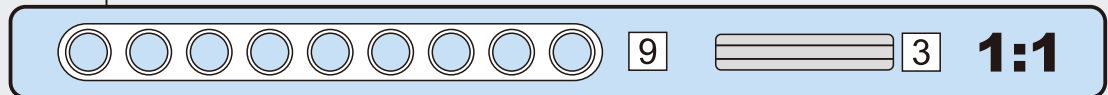
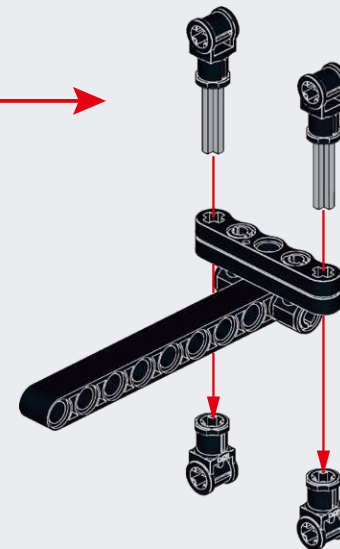
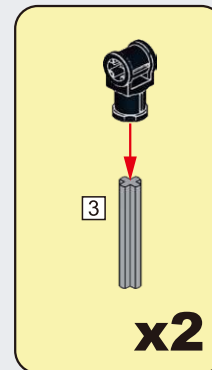
**D2**

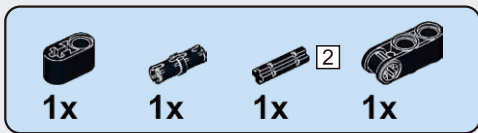


**D3**

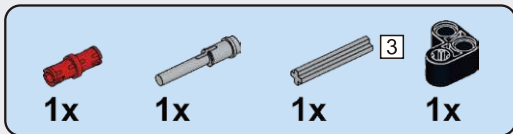
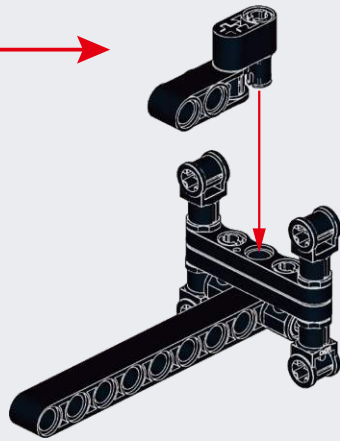
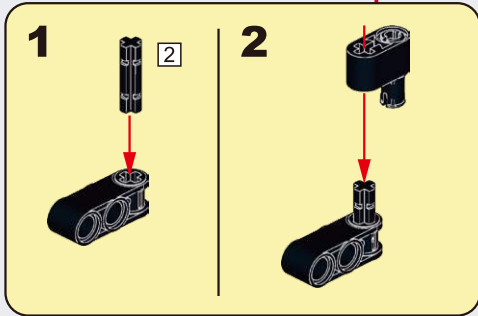


**D4**

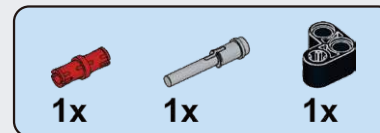
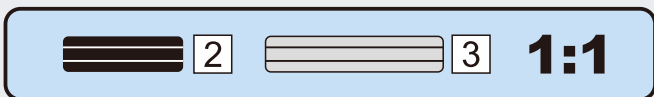
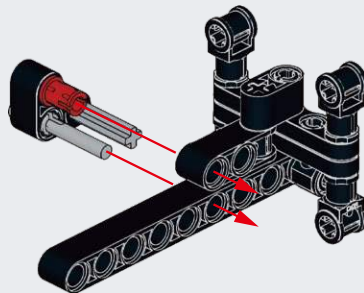
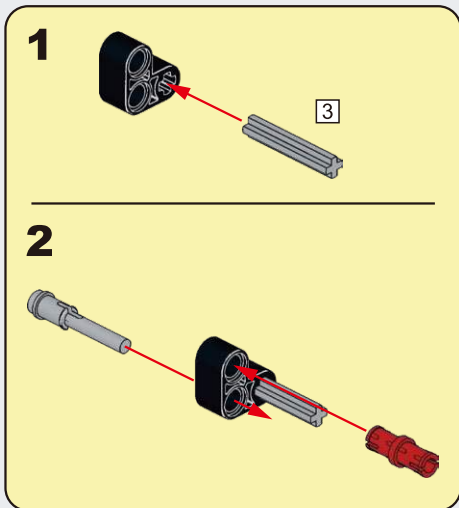




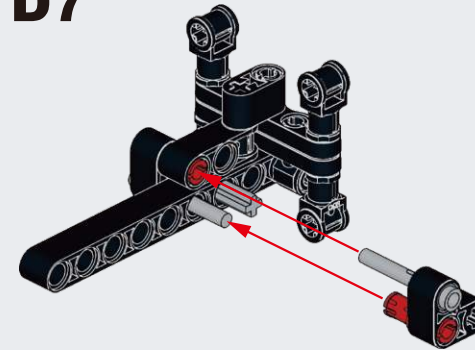
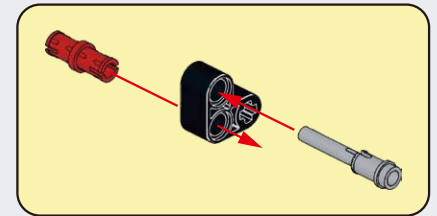
**D5**



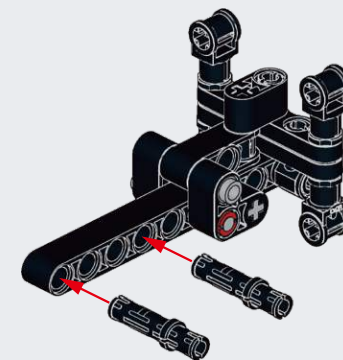
**D6**

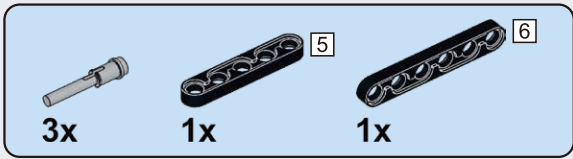


**D7**

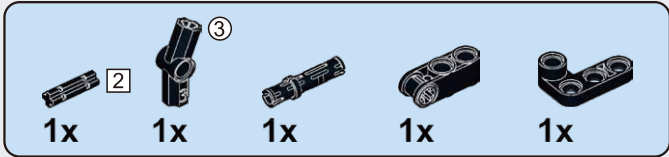
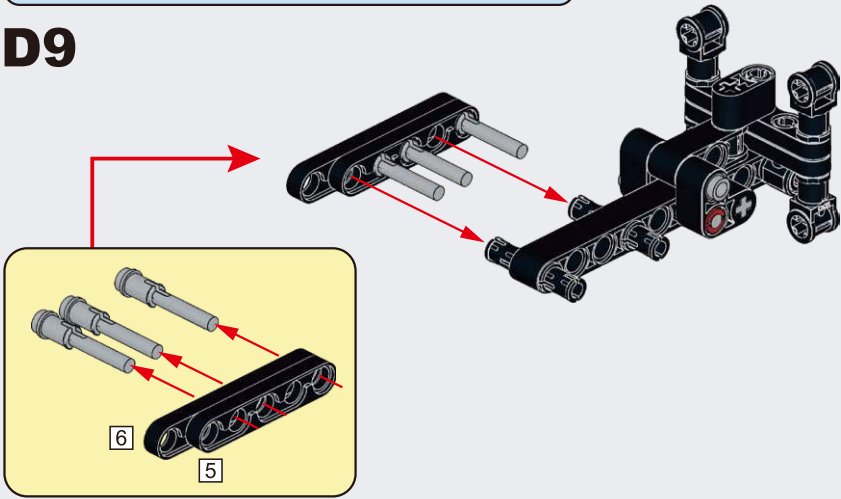


**D8**

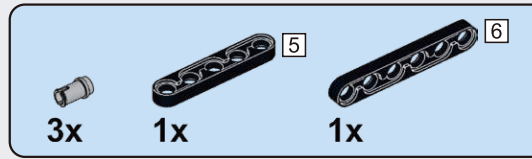
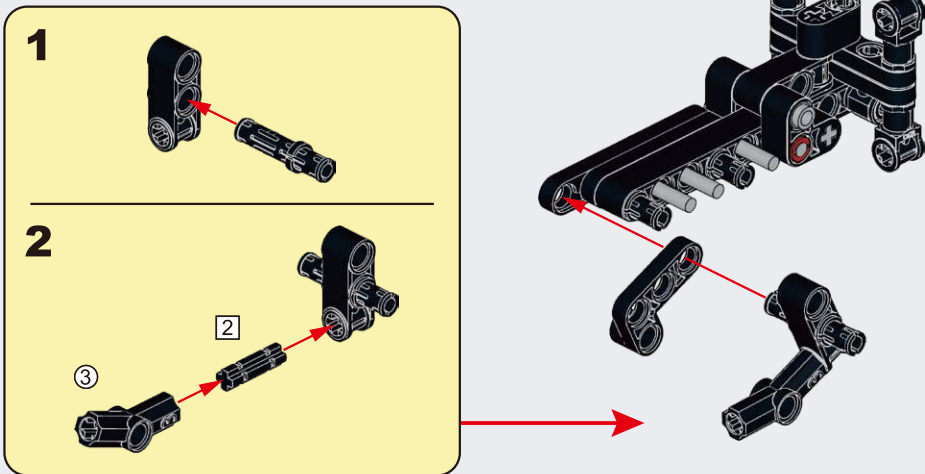




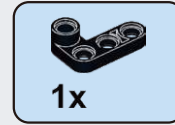
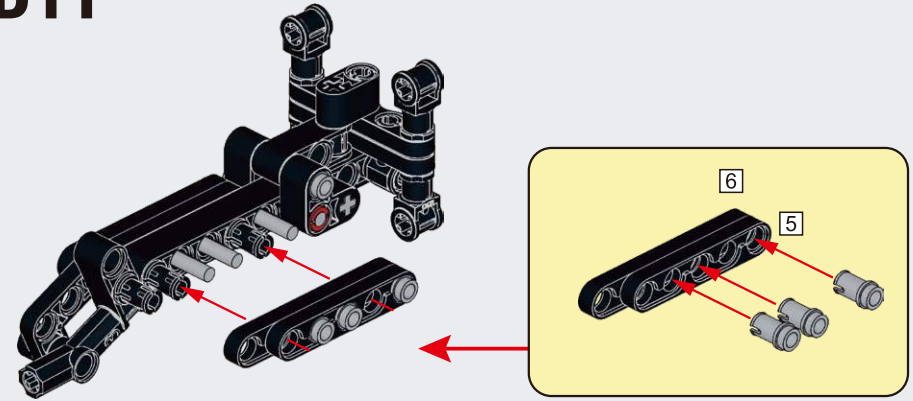
### D9



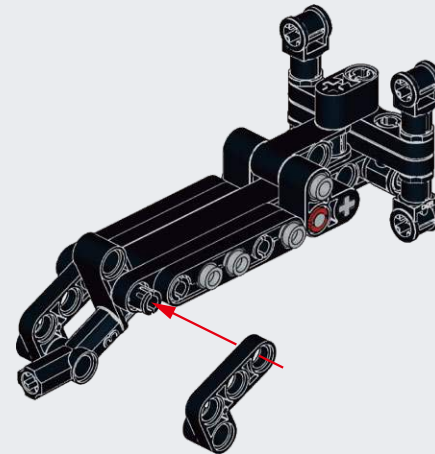
### D10

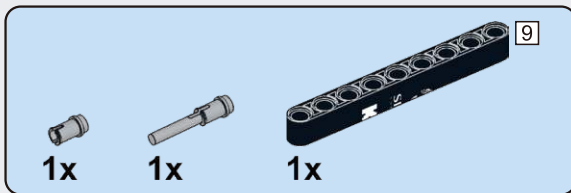


### D11

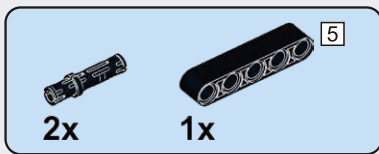
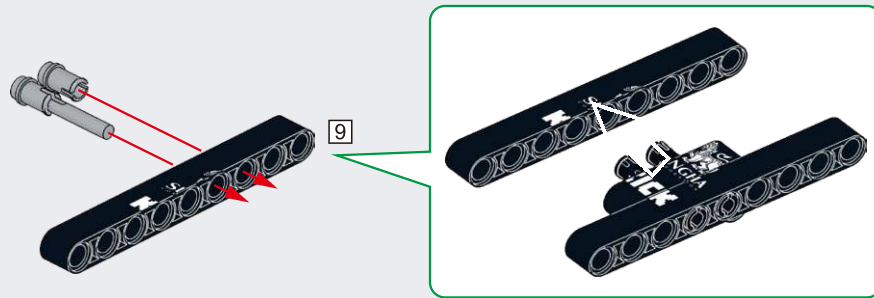


### D12

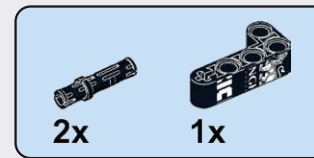
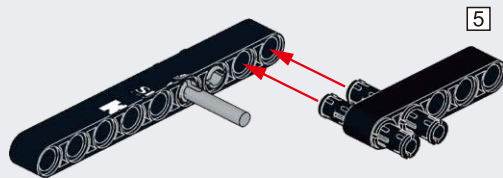




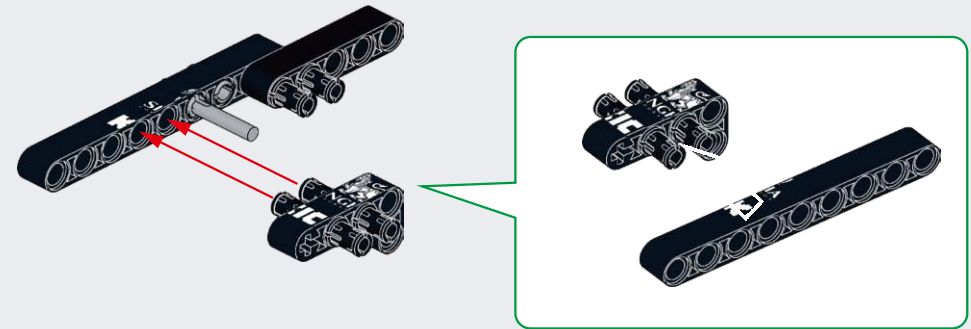
### D13



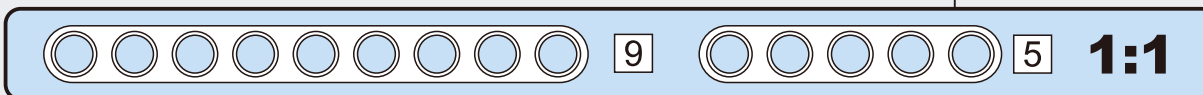
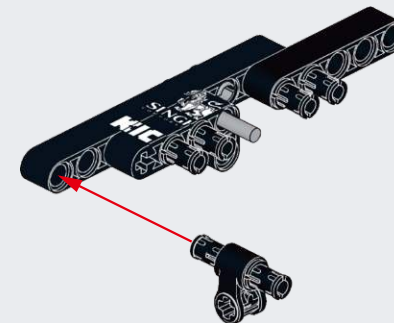
### D14



### D15

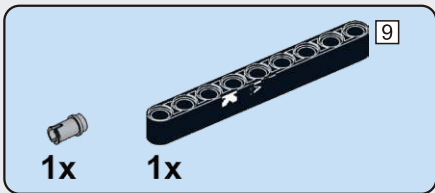
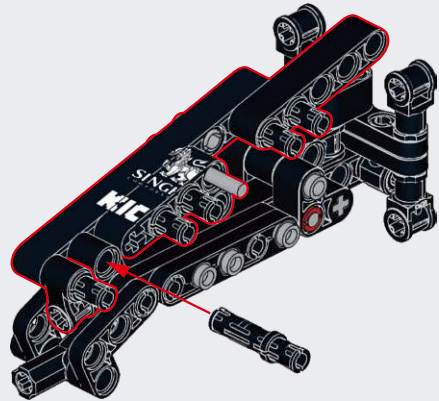


### D16

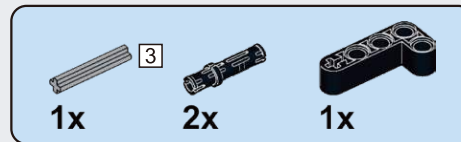
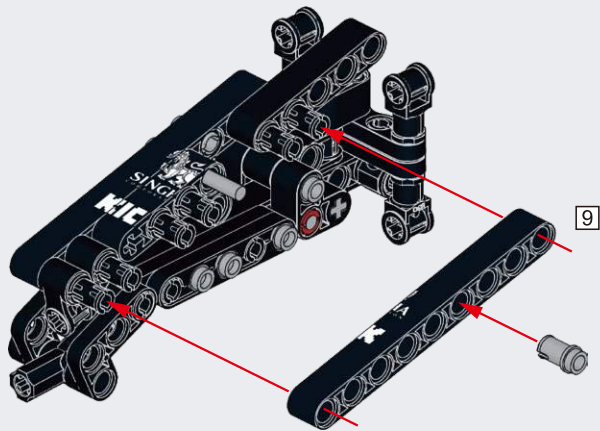




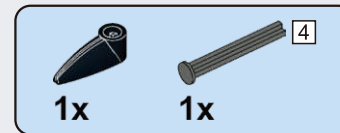
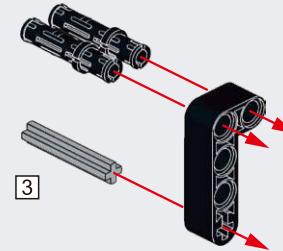
# D17



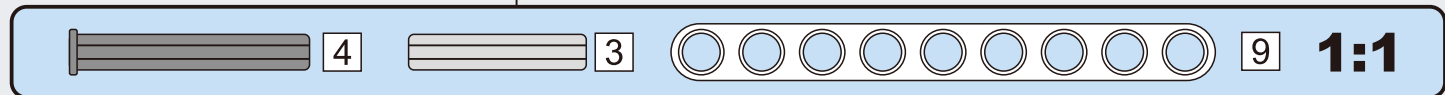
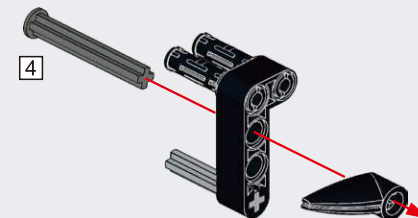
# D18



# D19

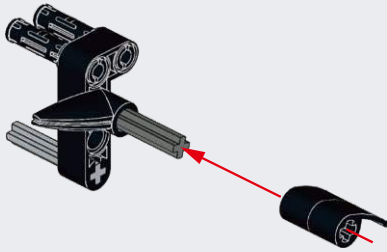


# D20

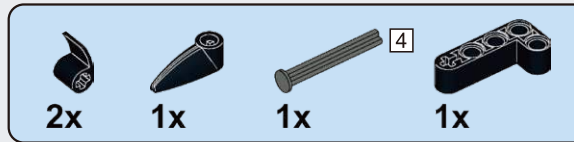
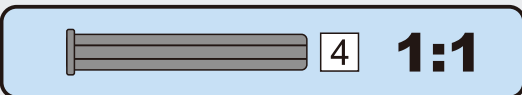
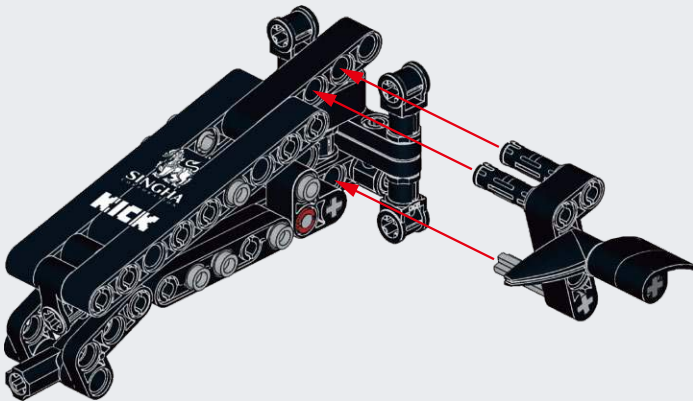




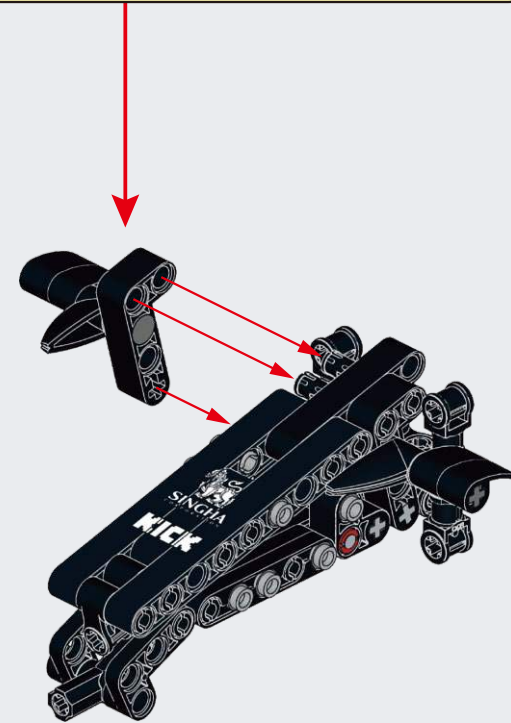
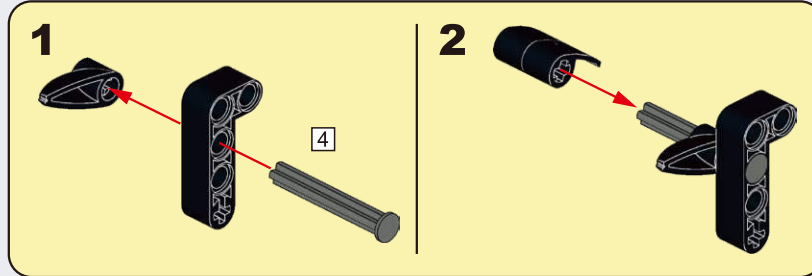
**D21**

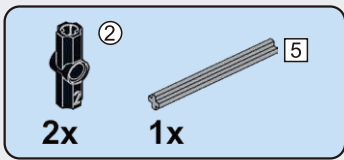


**D22**

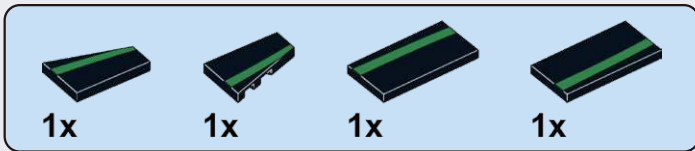
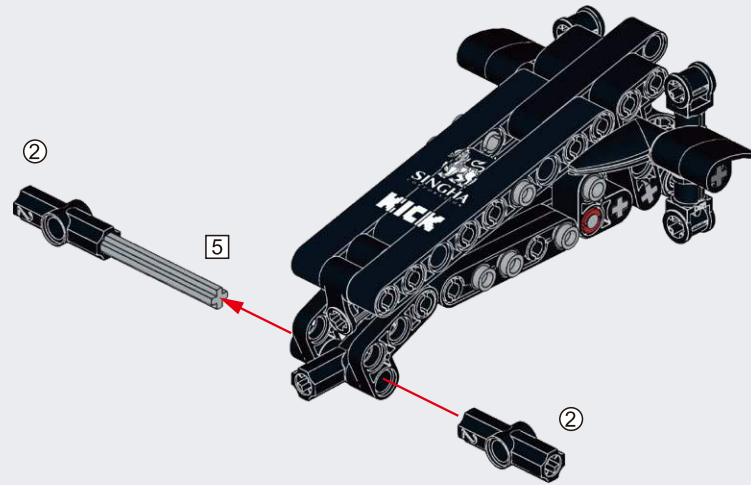


**D23**

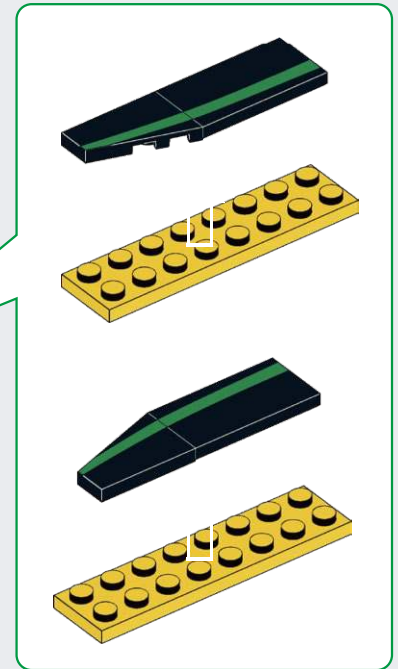
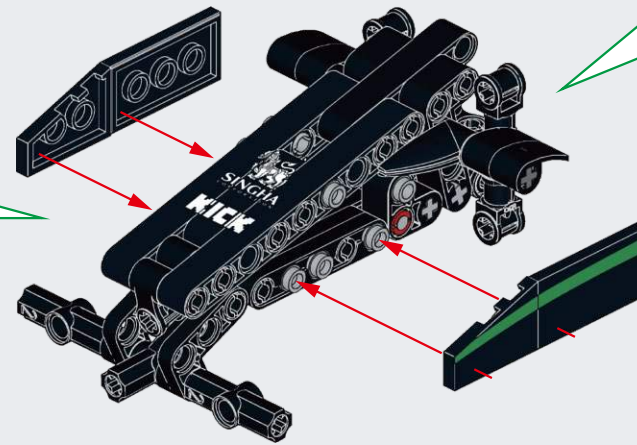
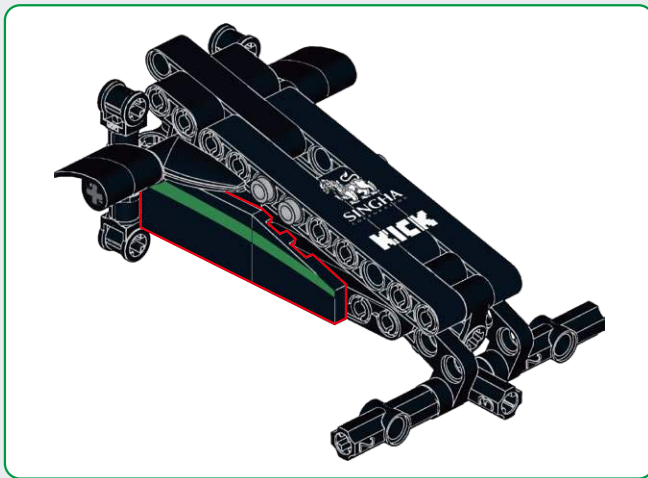


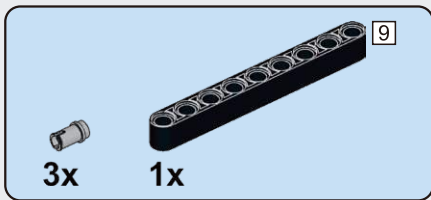


# D24

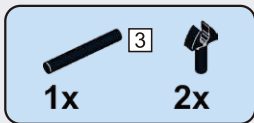
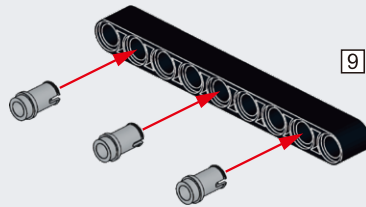


# D25

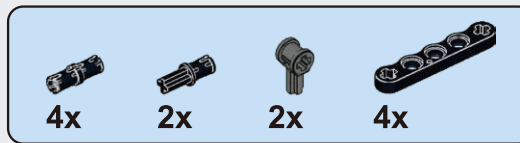
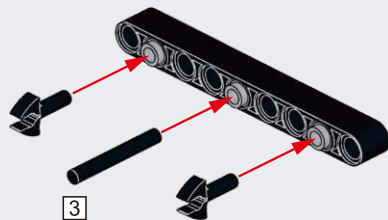




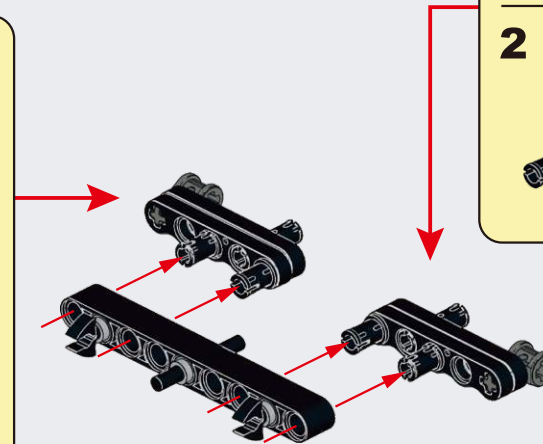
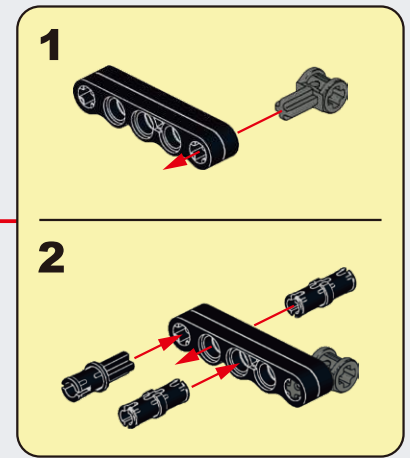
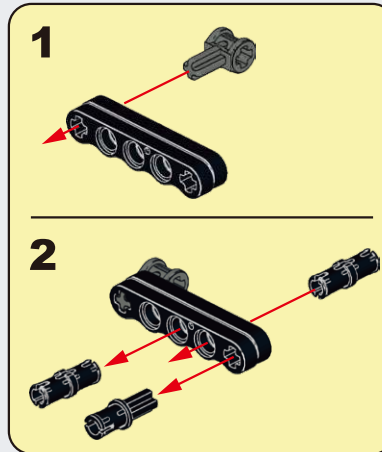
## D26



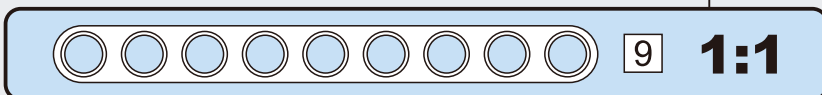
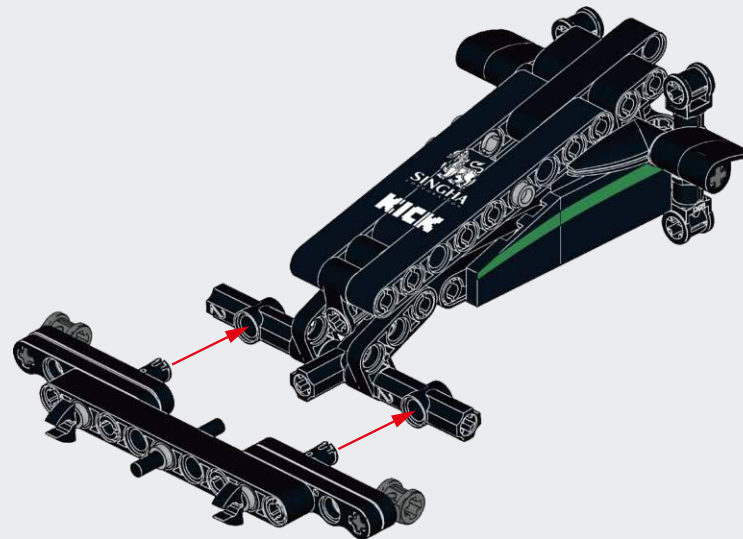
## D27

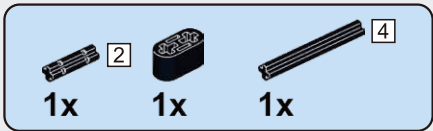


## D28

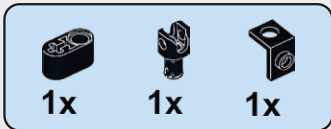
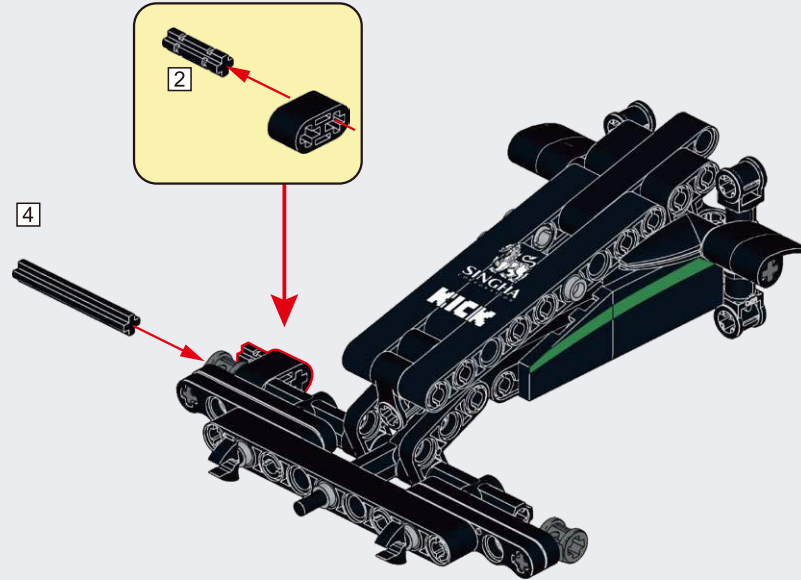


## D29

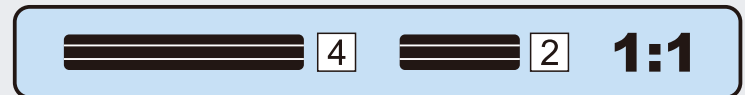
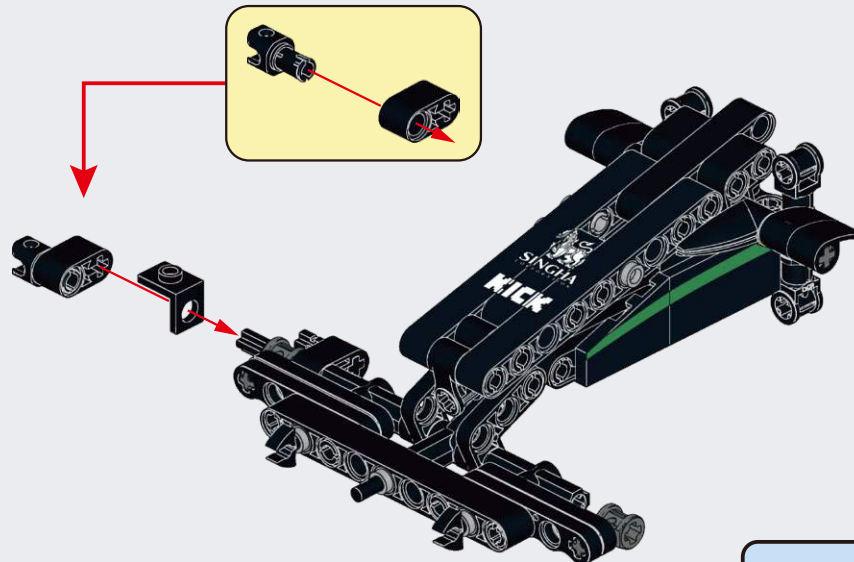


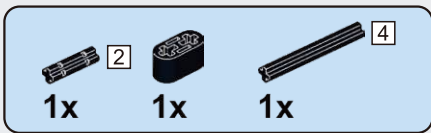


### D30

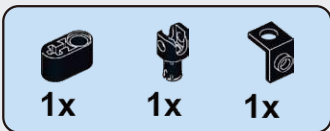
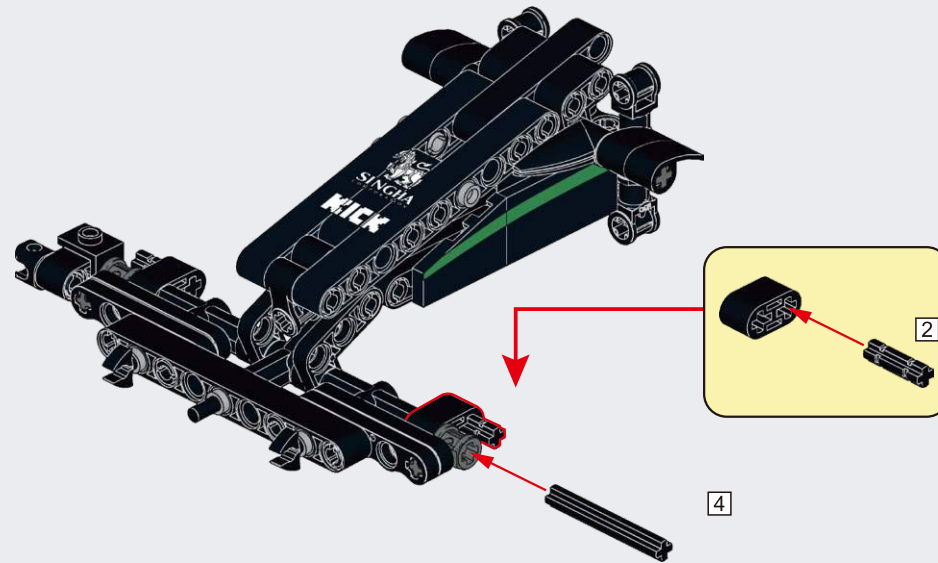


### D31

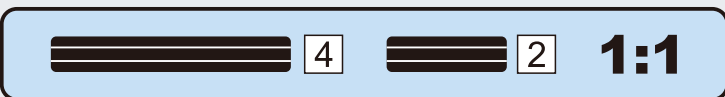
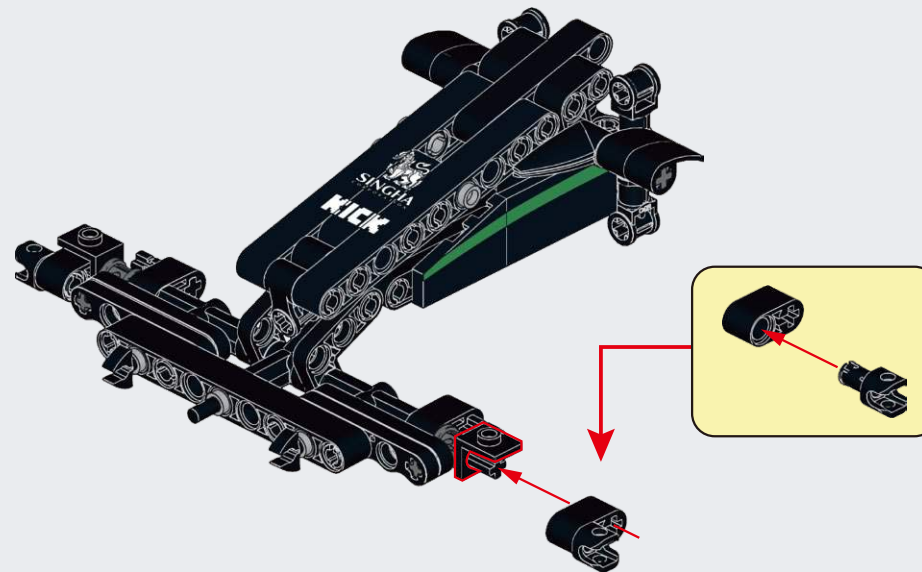


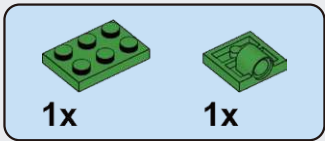


## D32

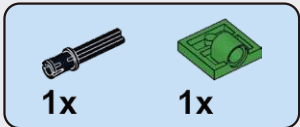
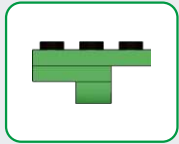
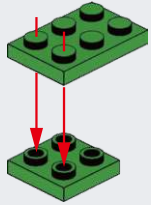


## D33

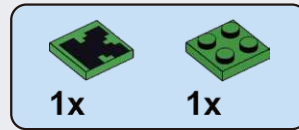
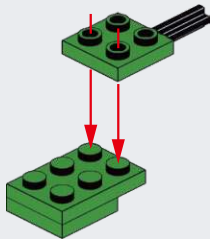




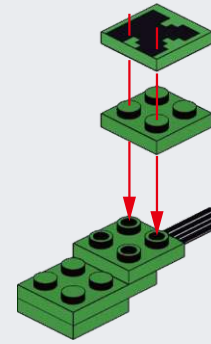
**D34**



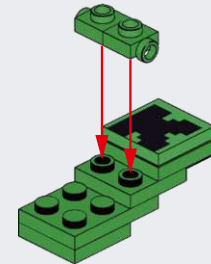
**D35**

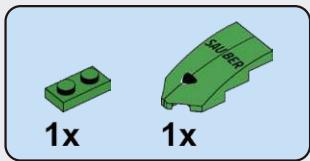


**D36**

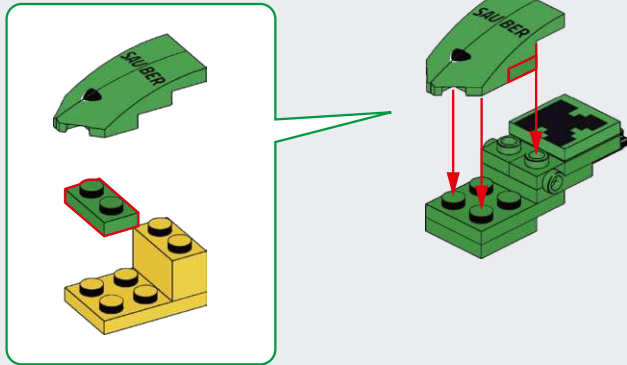


**D37**

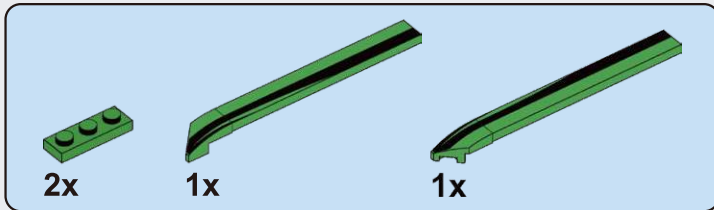
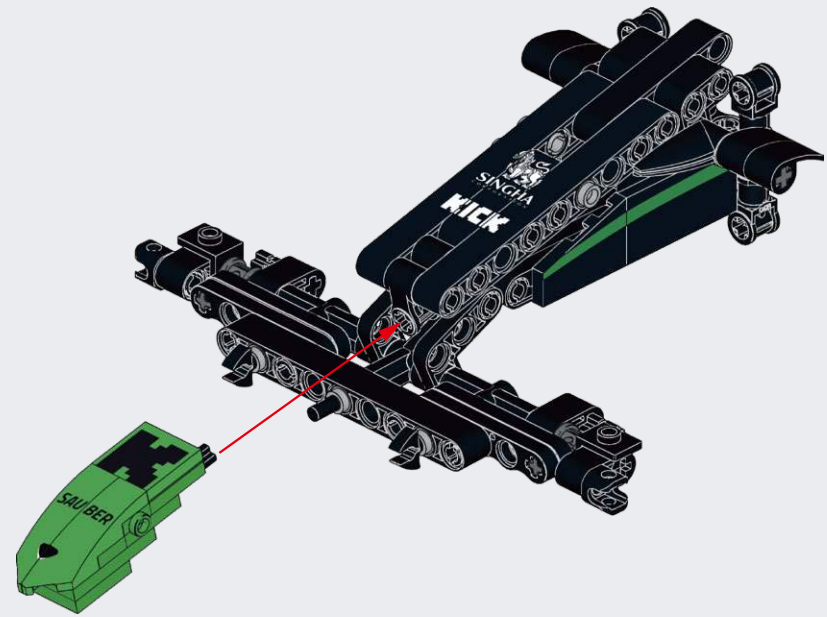




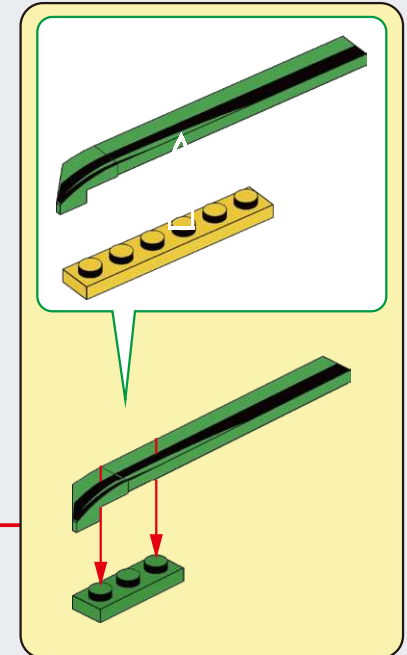
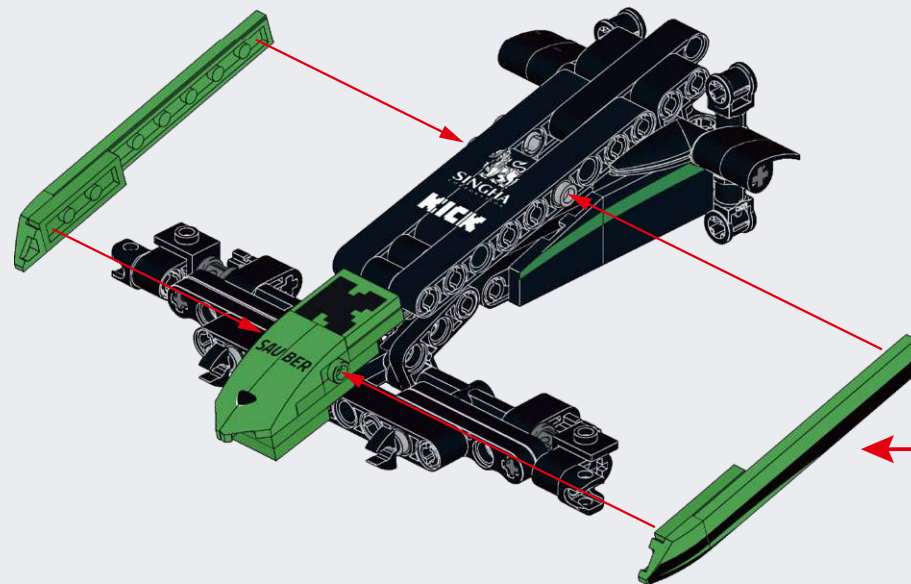
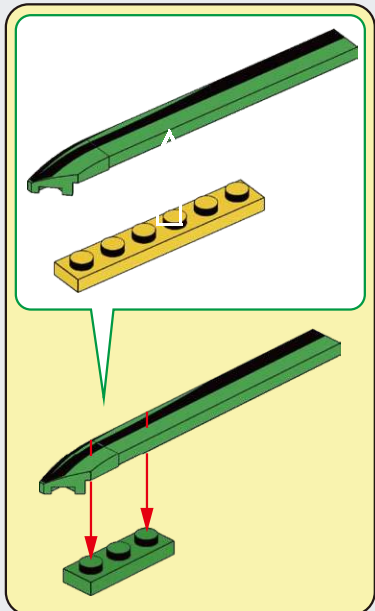
### D38

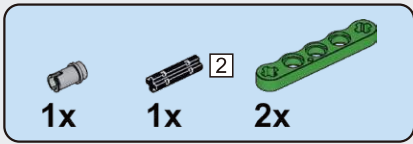


### D39

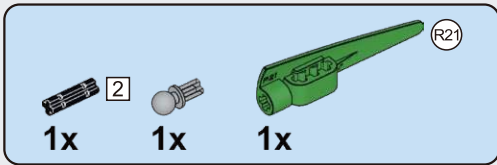
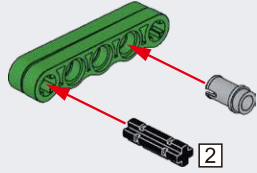


### D40

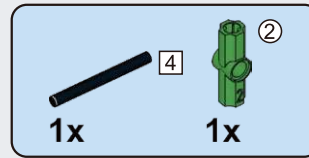
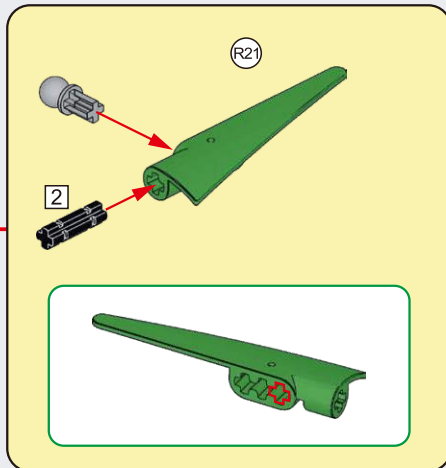
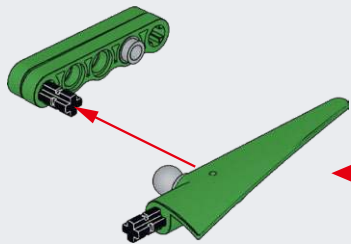




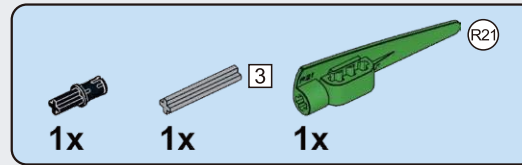
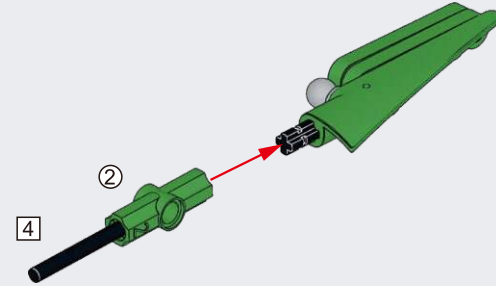
# D41



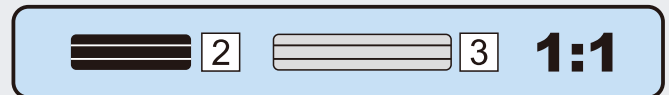
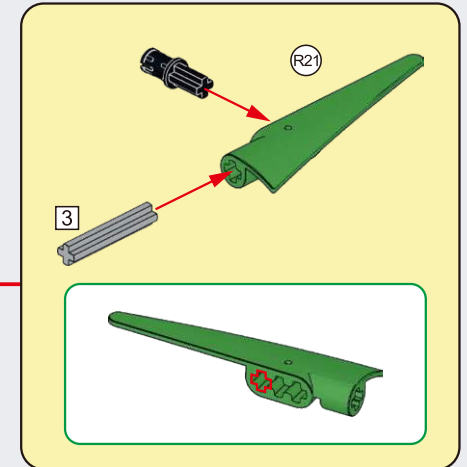
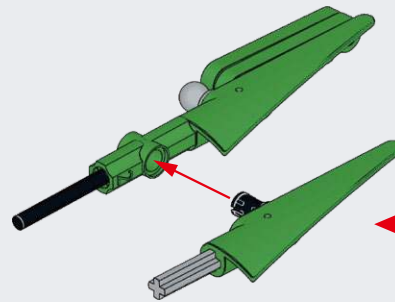
# D42

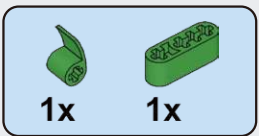


# D43

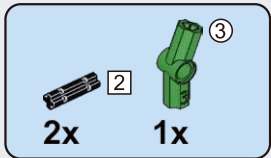
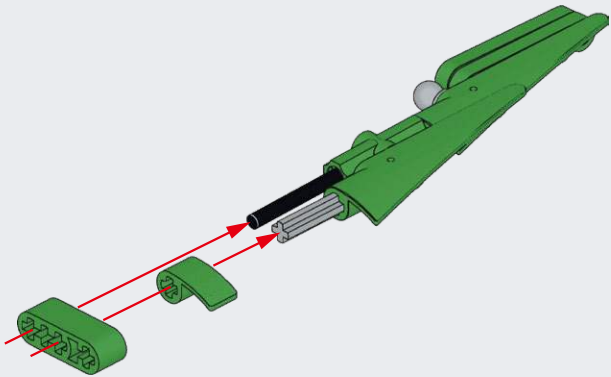


# D44

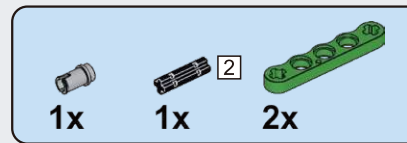
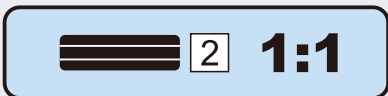
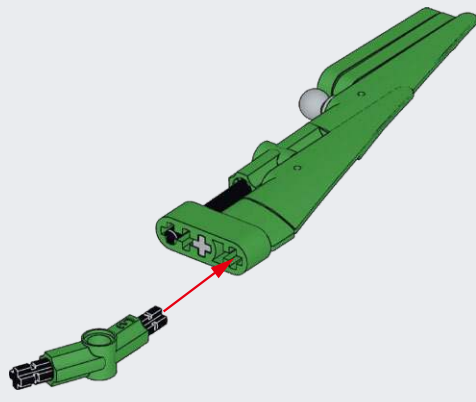
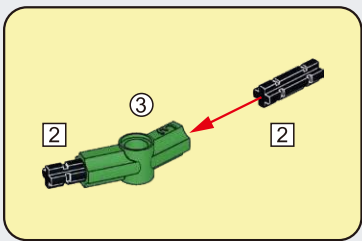




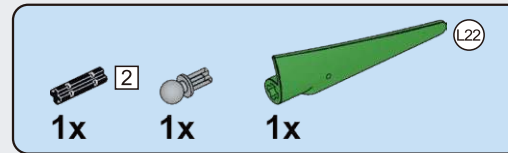
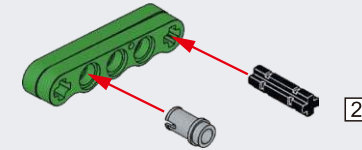
### D45



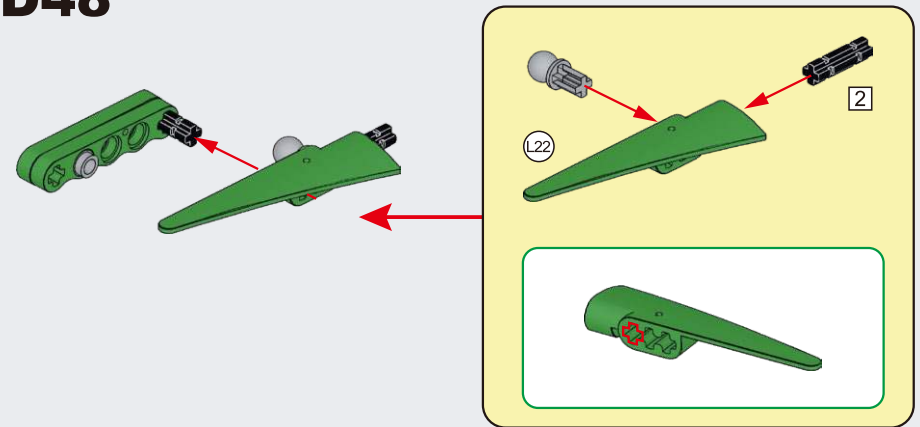
### D46

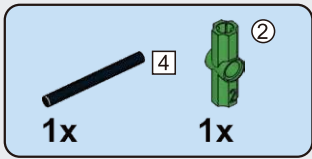


### D47

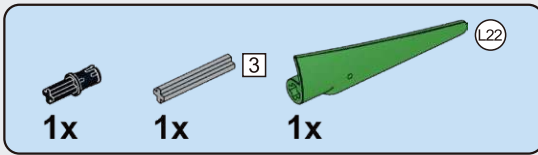
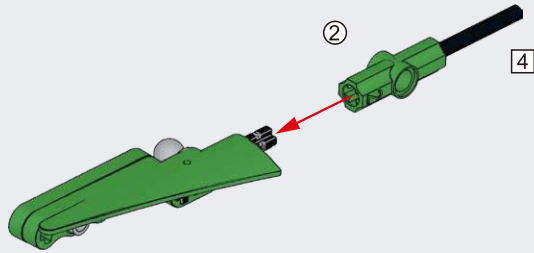


### D48

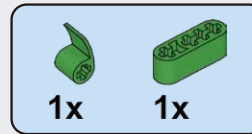
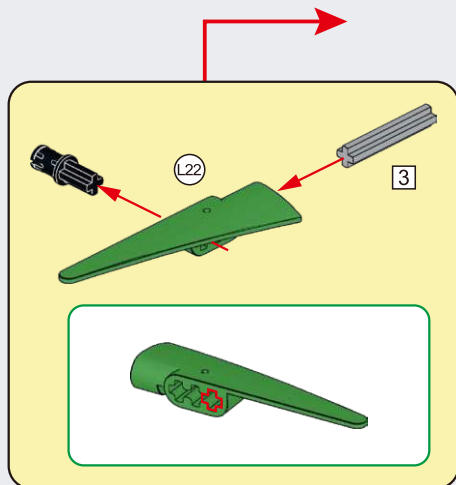
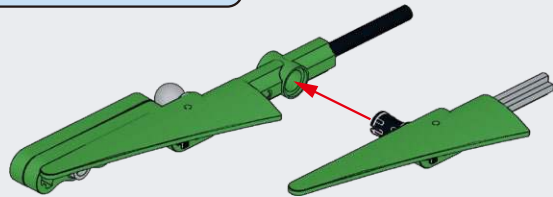




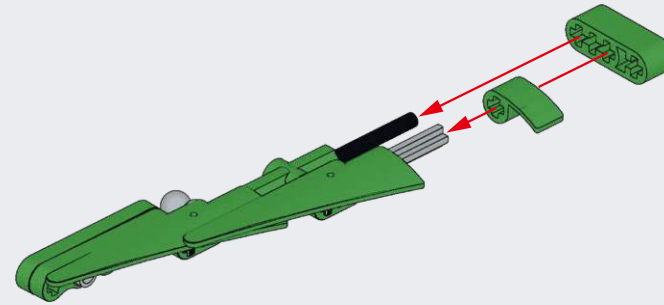
**D49**



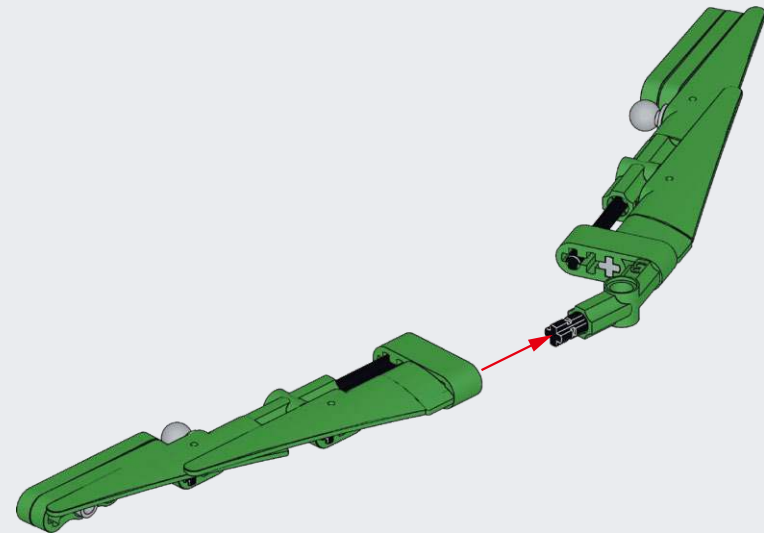
**D50**



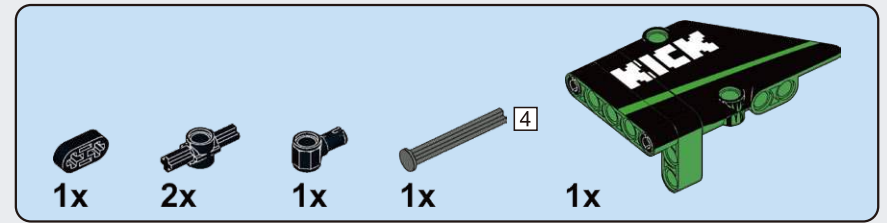
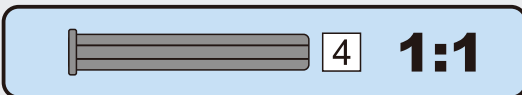
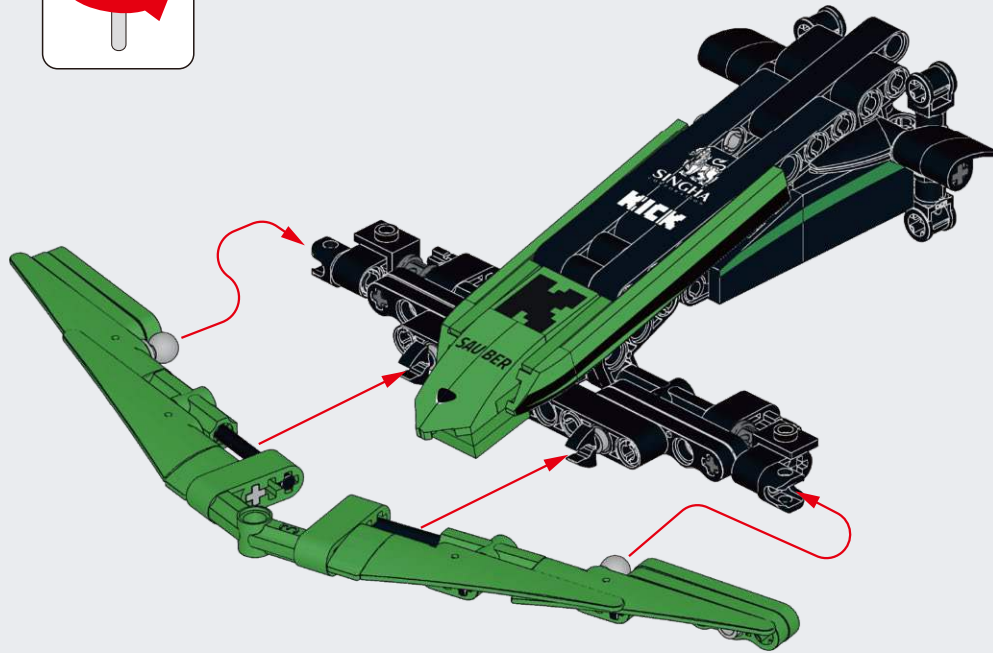
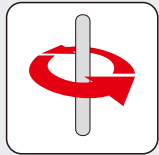
**D51**



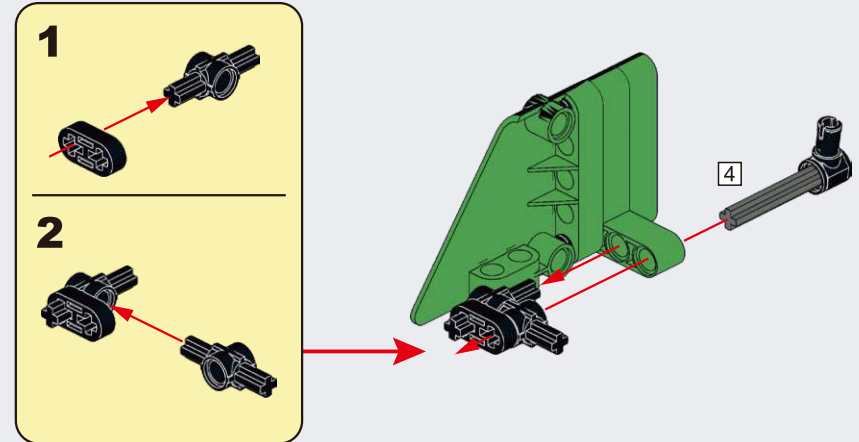
**D52**



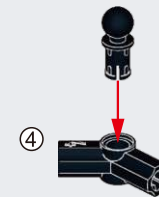
# D53



# D54

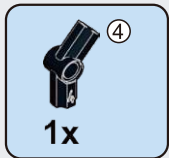
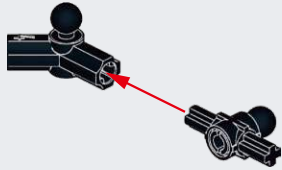


# D55

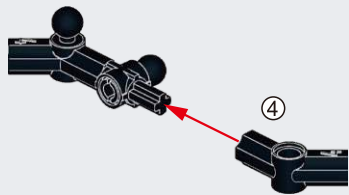




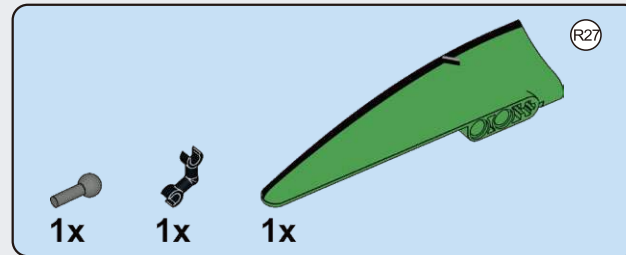
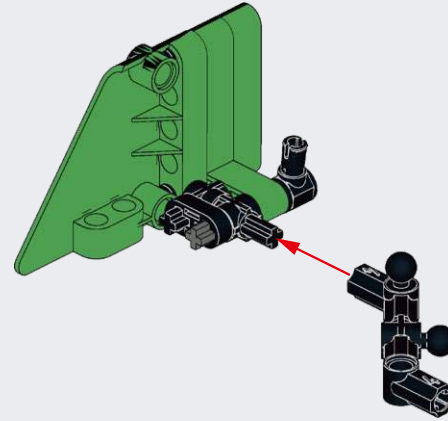
### D56



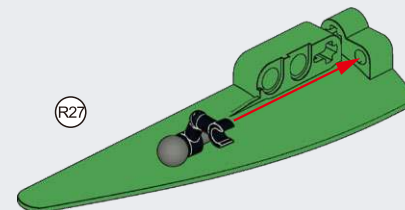
### D57

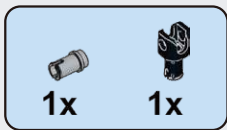


### D58

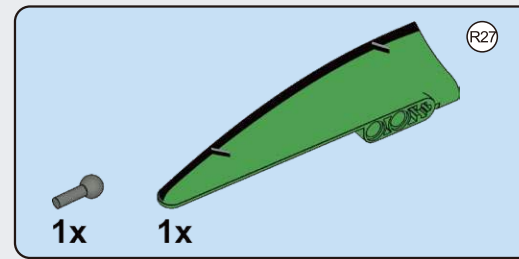
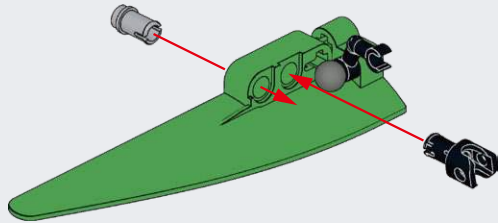


### D59

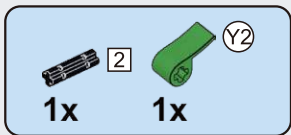
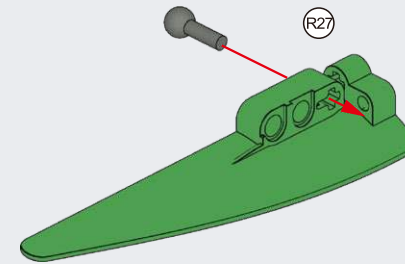




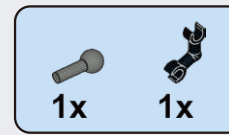
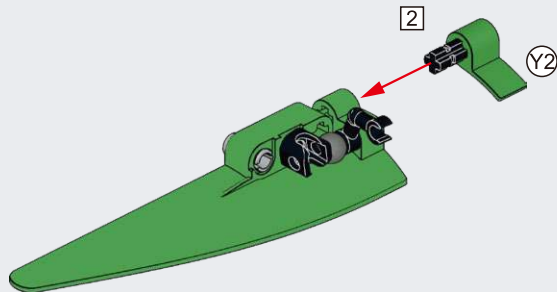
## D60



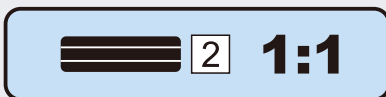
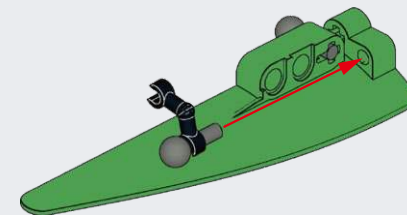
## D62



## D61

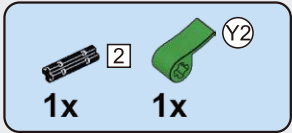
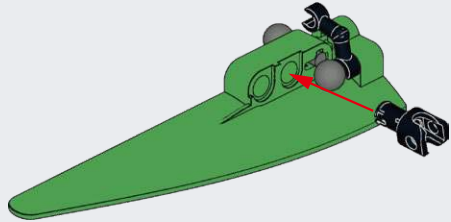


## D63

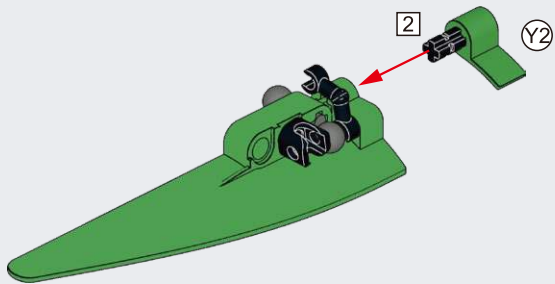




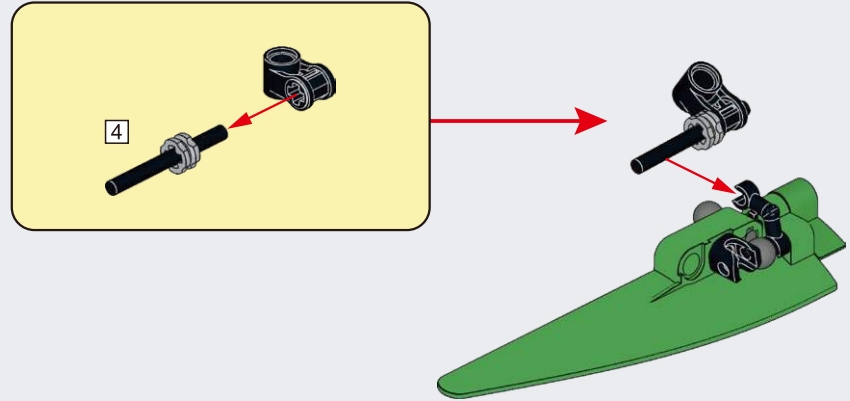
# D64



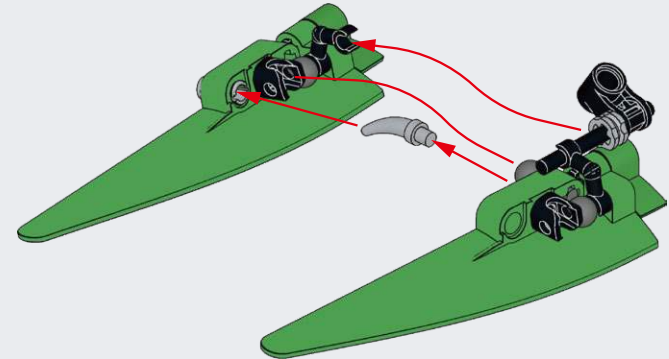
# D65

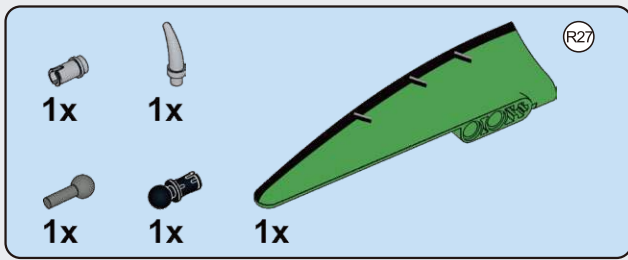


# D66

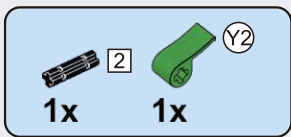
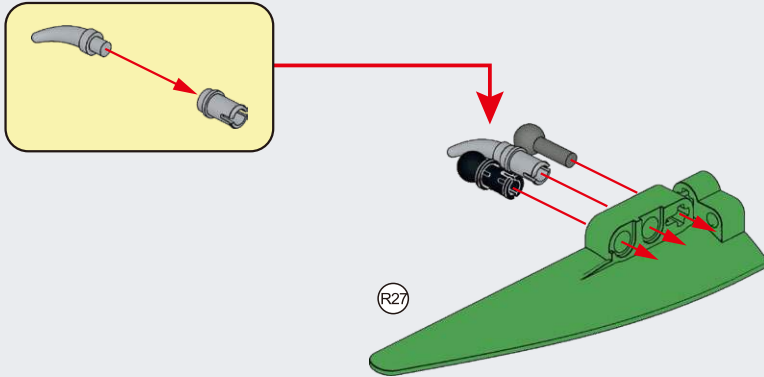


# D67

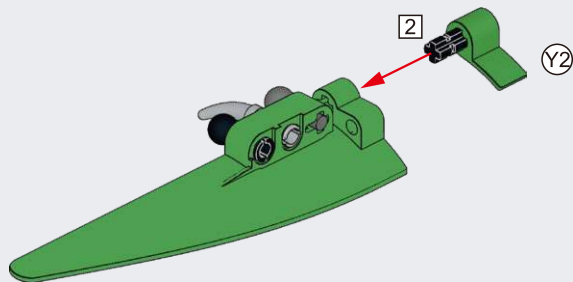




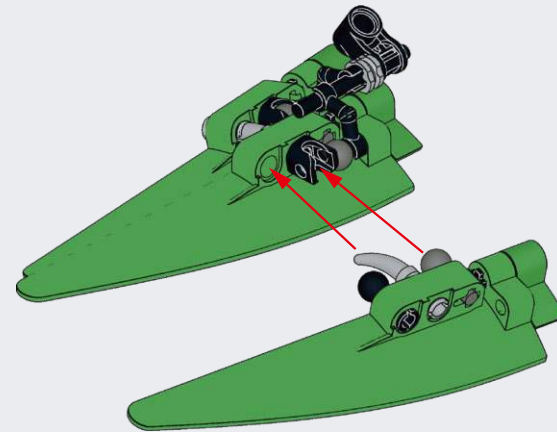
### D68



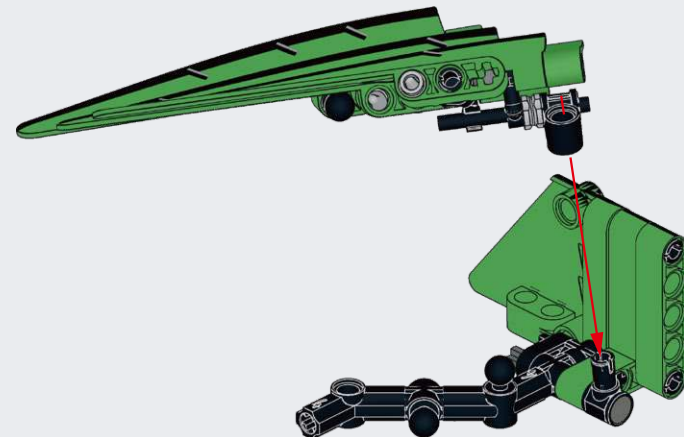
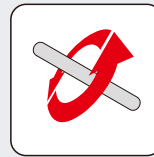
### D69

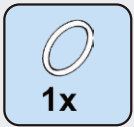


### D70

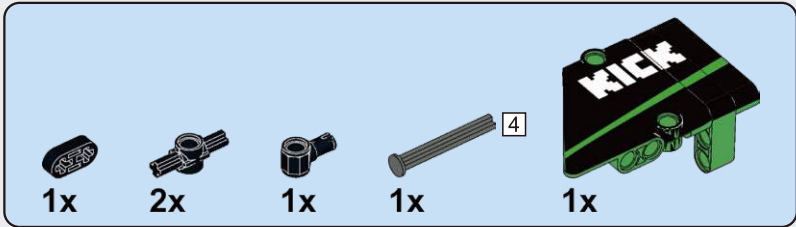
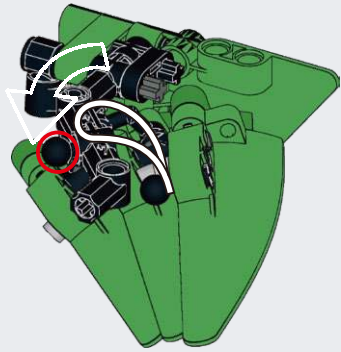


### D71

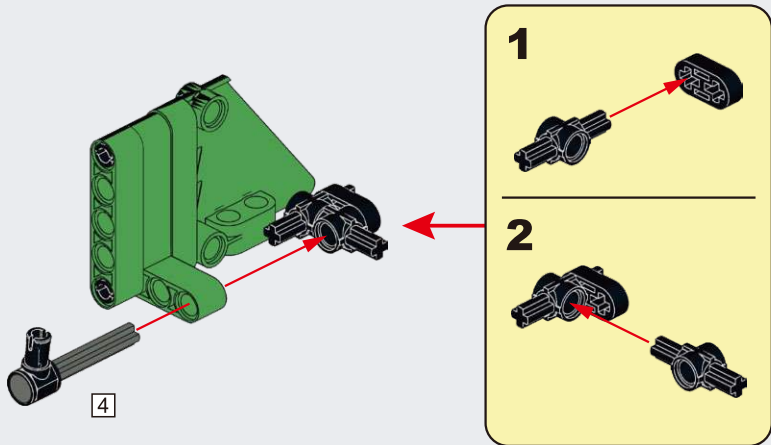




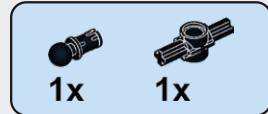
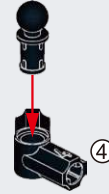
**D72**



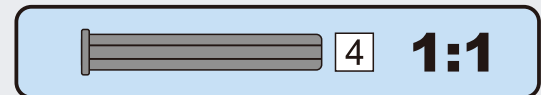
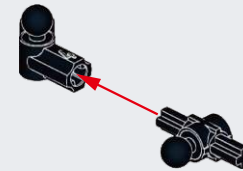
**D73**

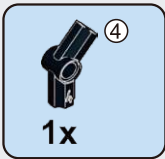


**D74**

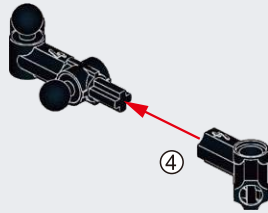


**D75**

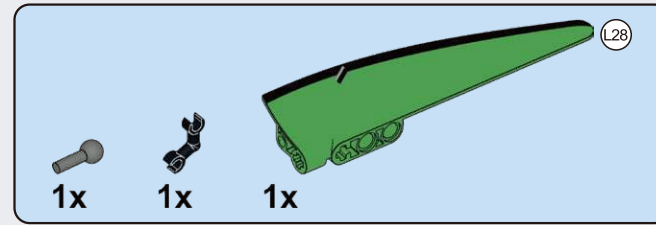
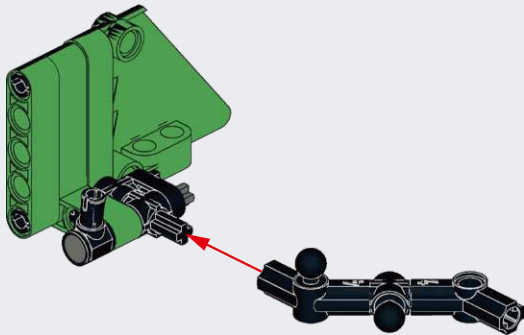




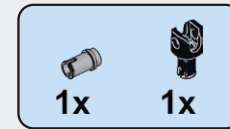
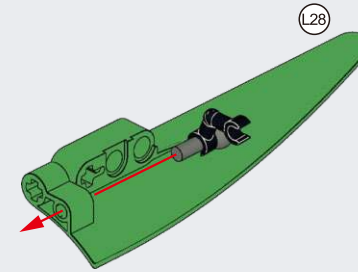
**D76**



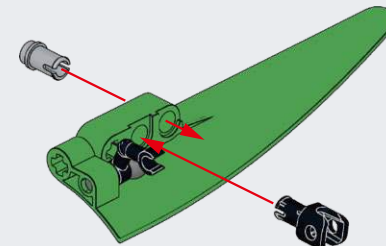
**D77**

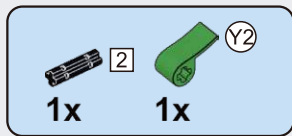


**D78**

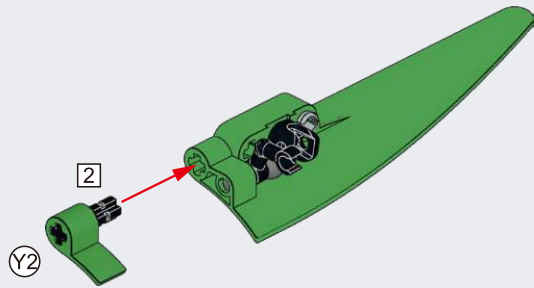


**D79**

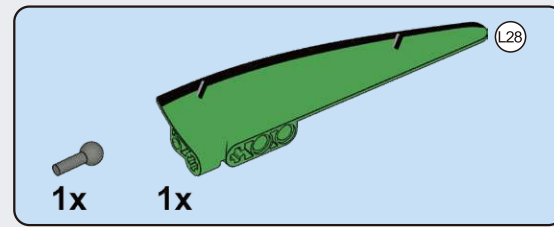
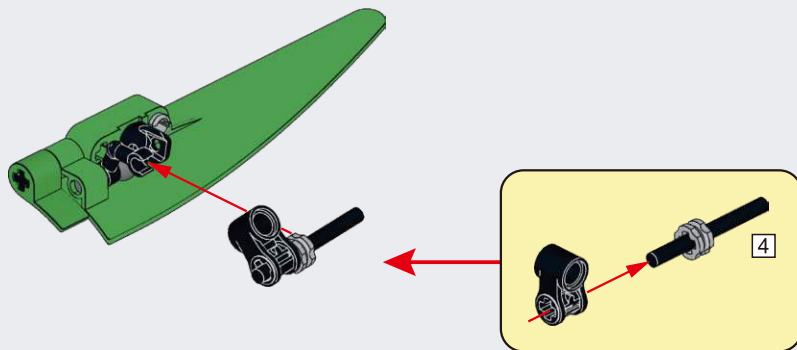




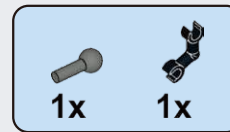
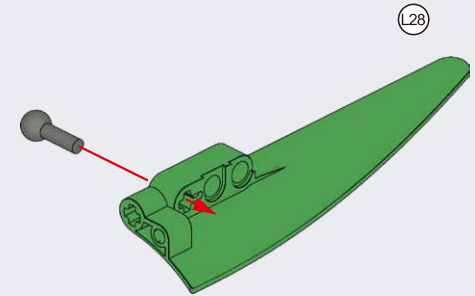
**D80**



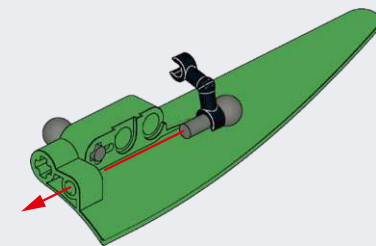
**D81**



**D82**

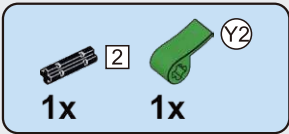
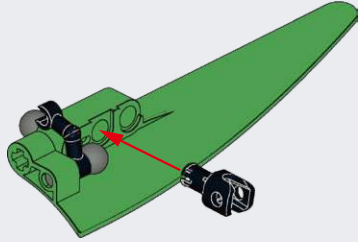


**D83**

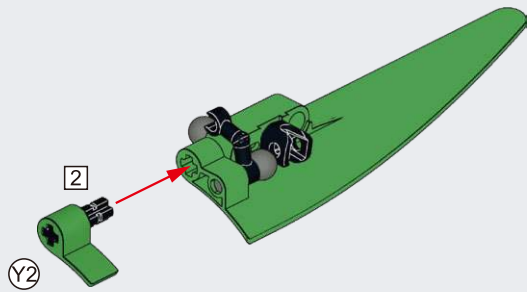




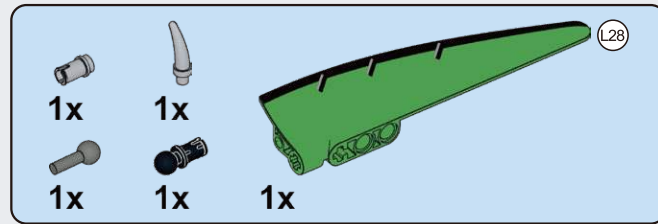
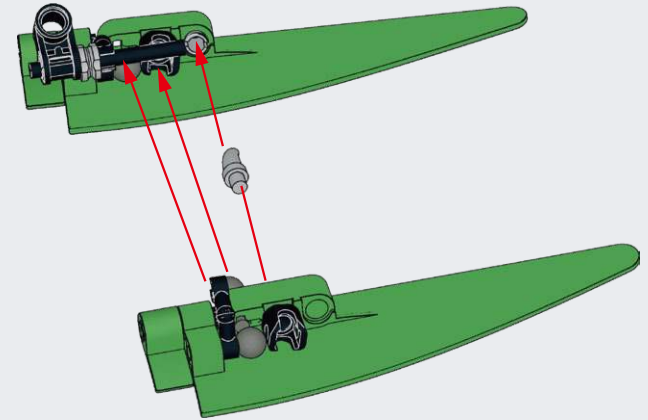
**D84**



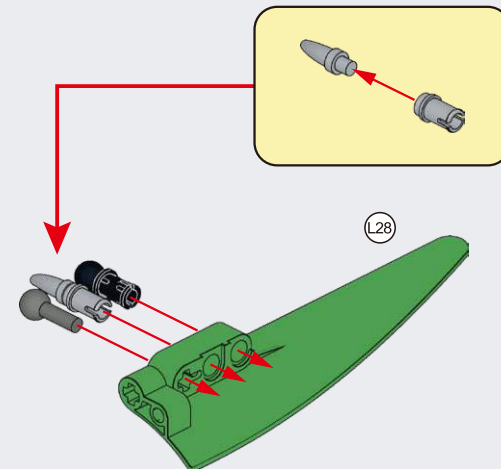
**D85**

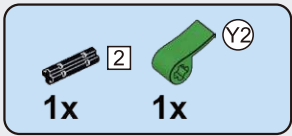


**D86**

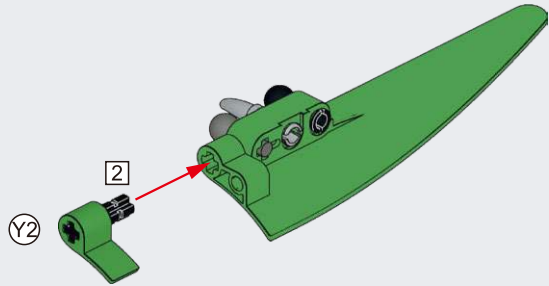


**D87**

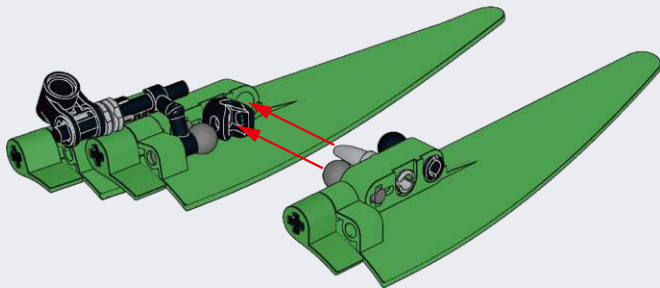




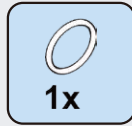
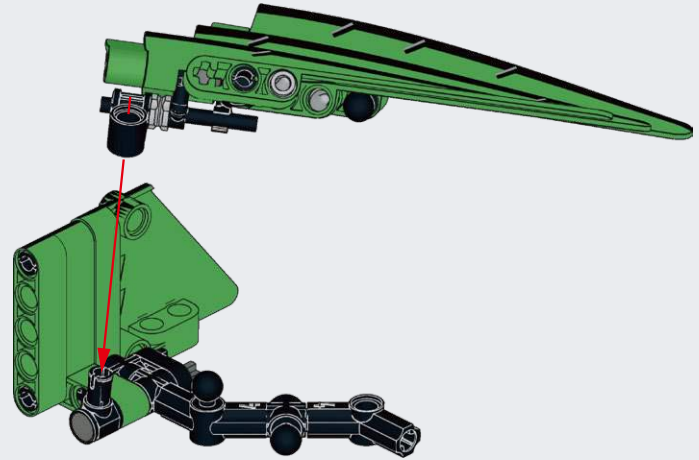
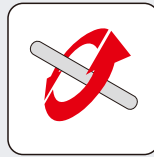
**D88**



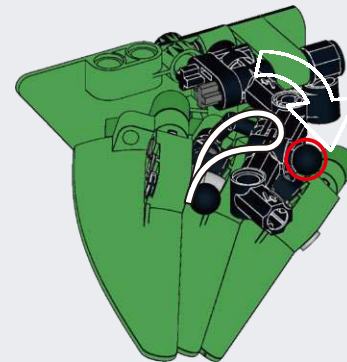
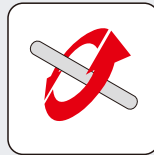
**D89**



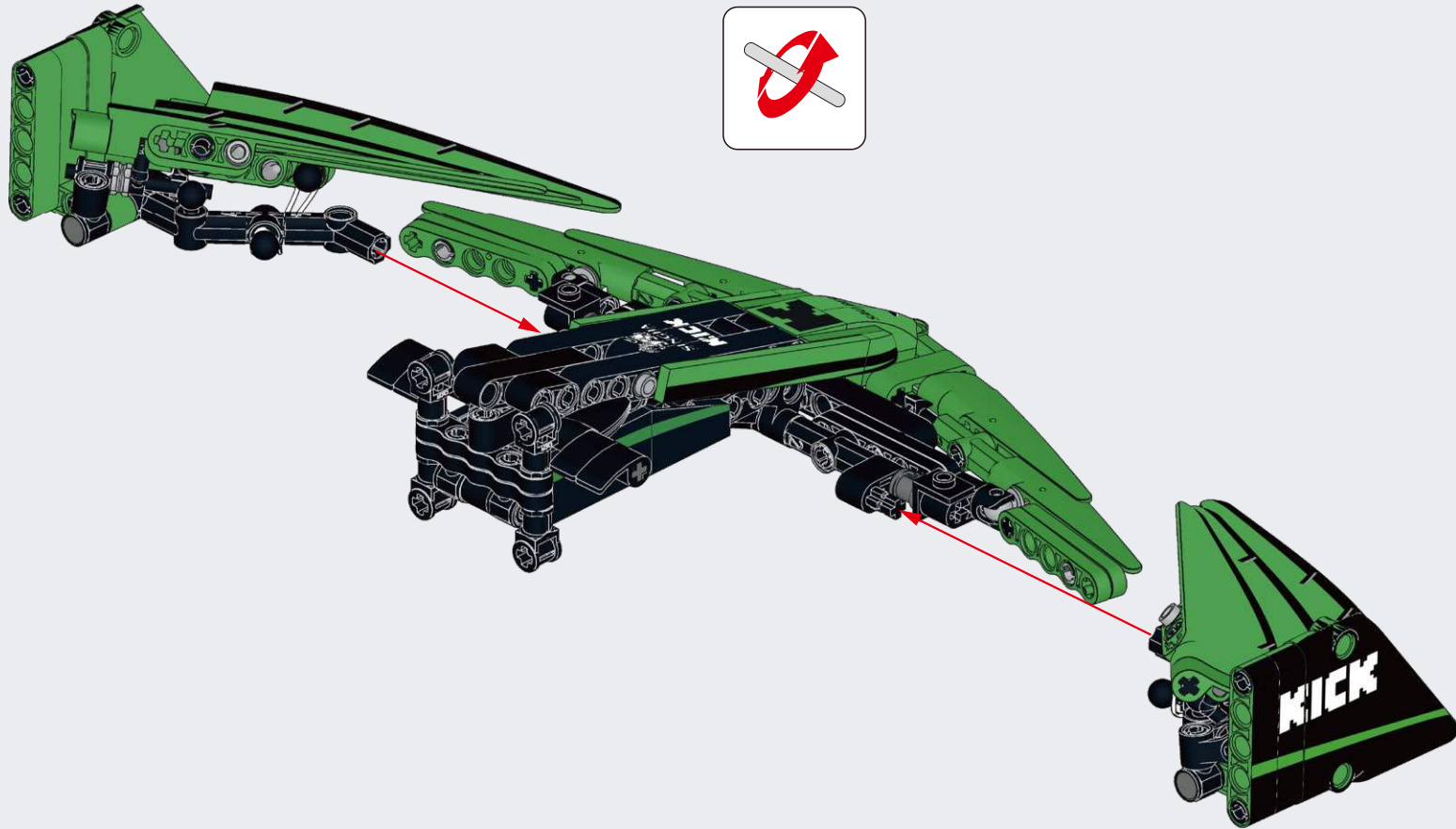
**D90**

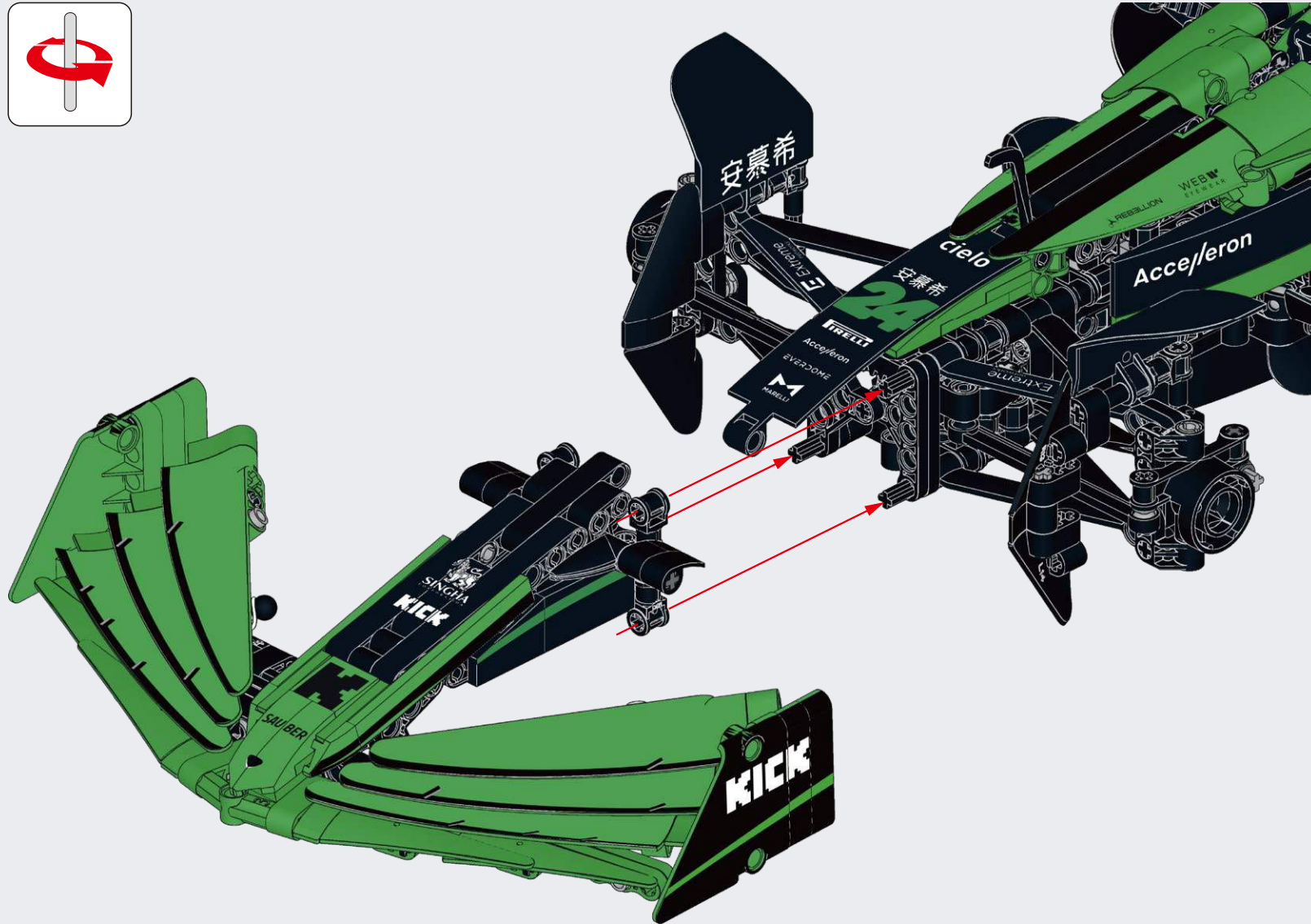


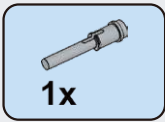
**D91**



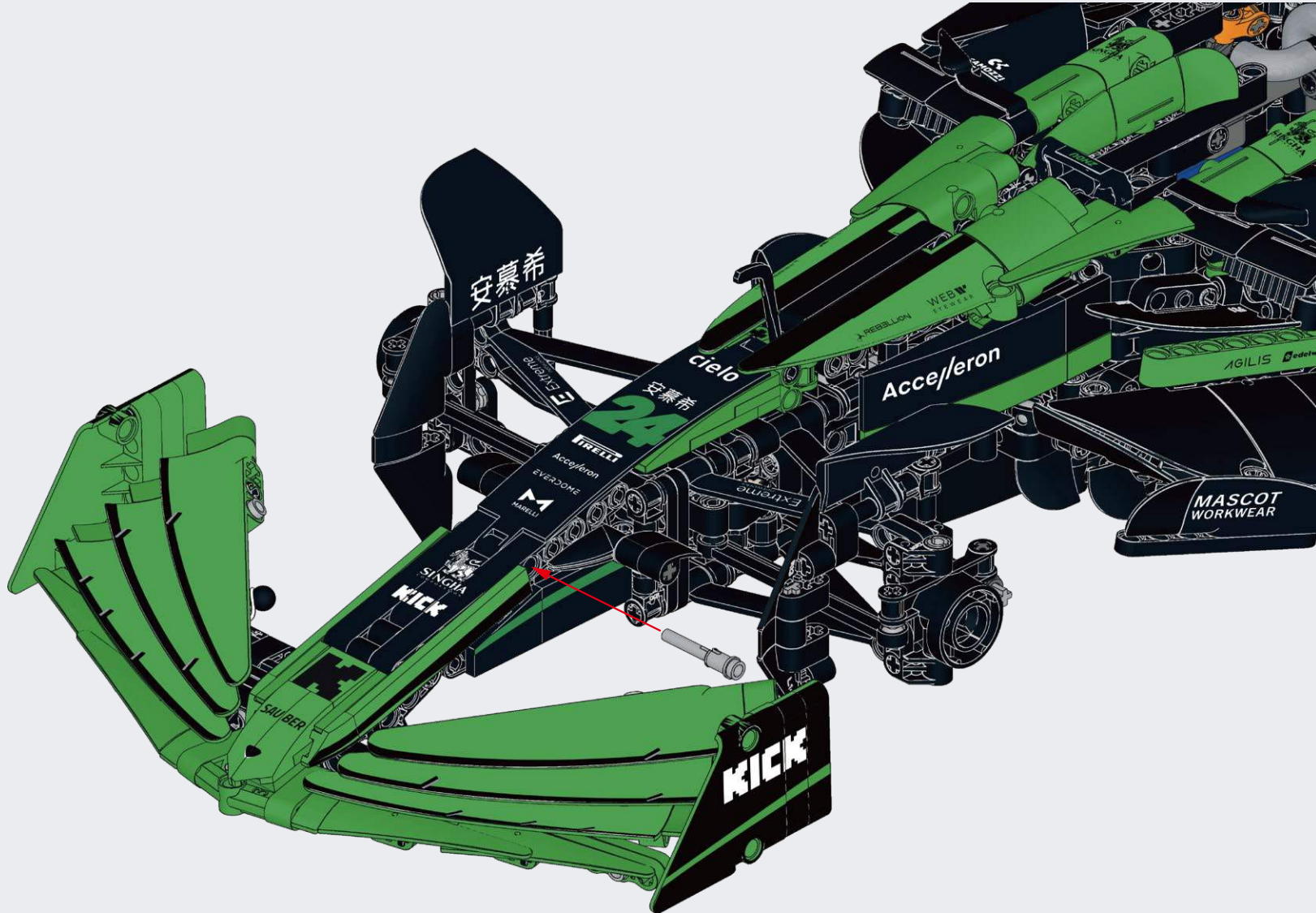
D92



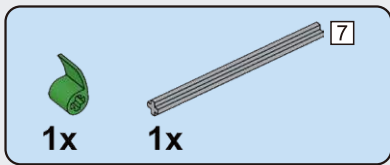




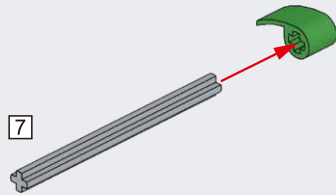
**D94**



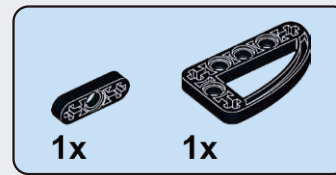
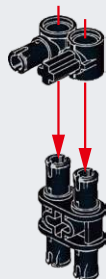




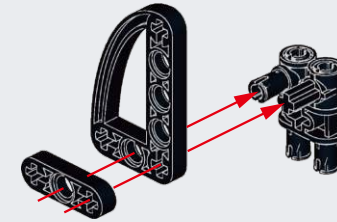
**D96**



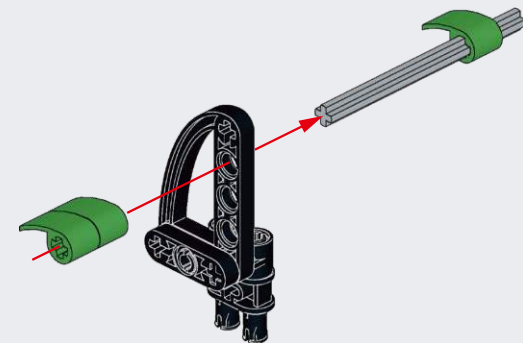
**D97**



**D98**

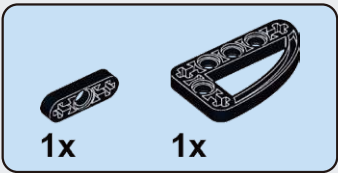
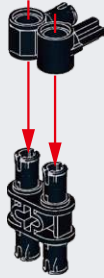


**D99**

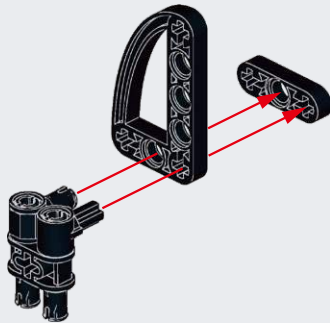




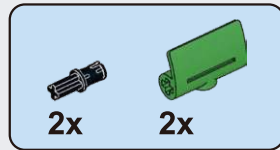
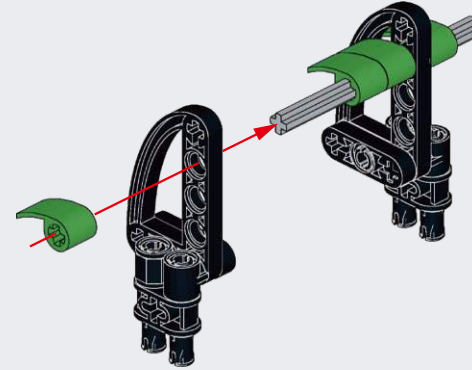
### D100



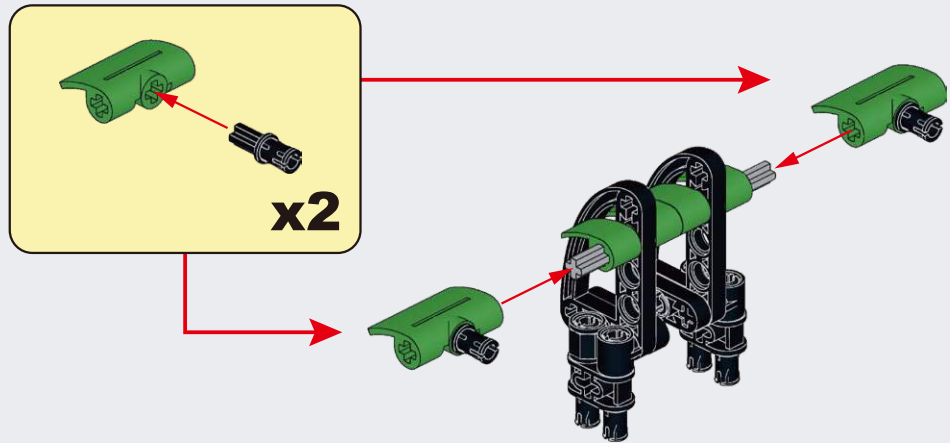
### D101

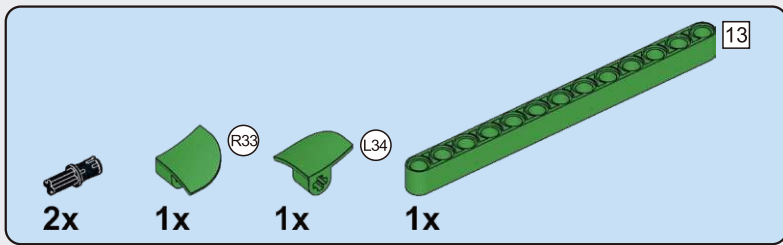


### D102

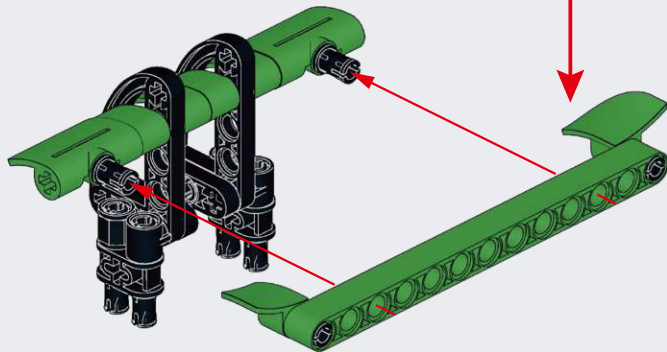
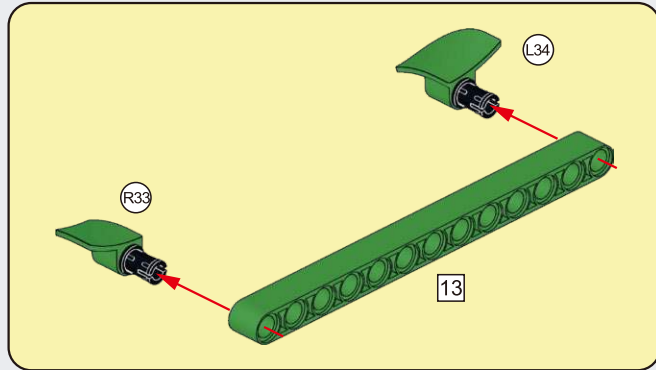


### D103

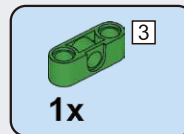
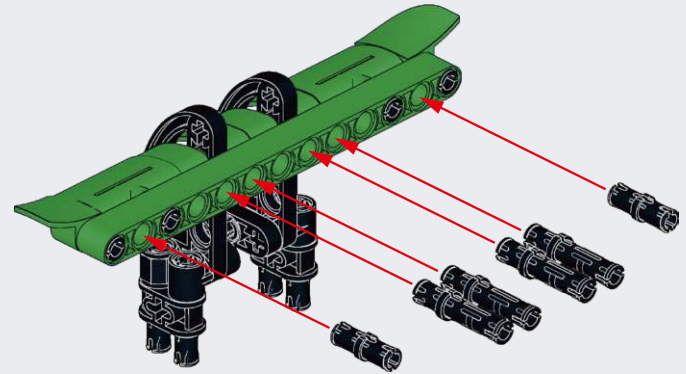




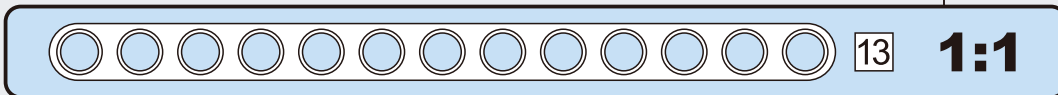
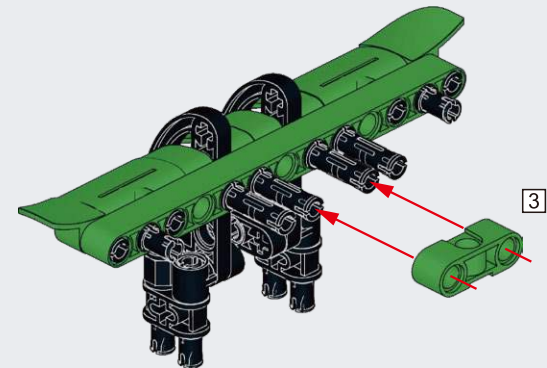
## D104

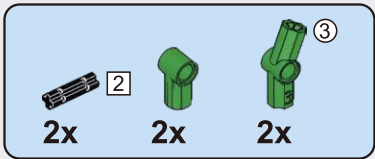


## D105

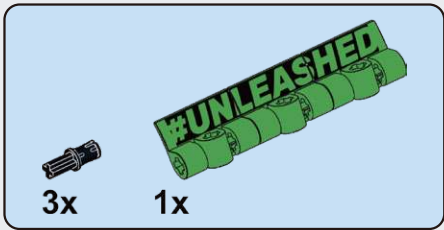
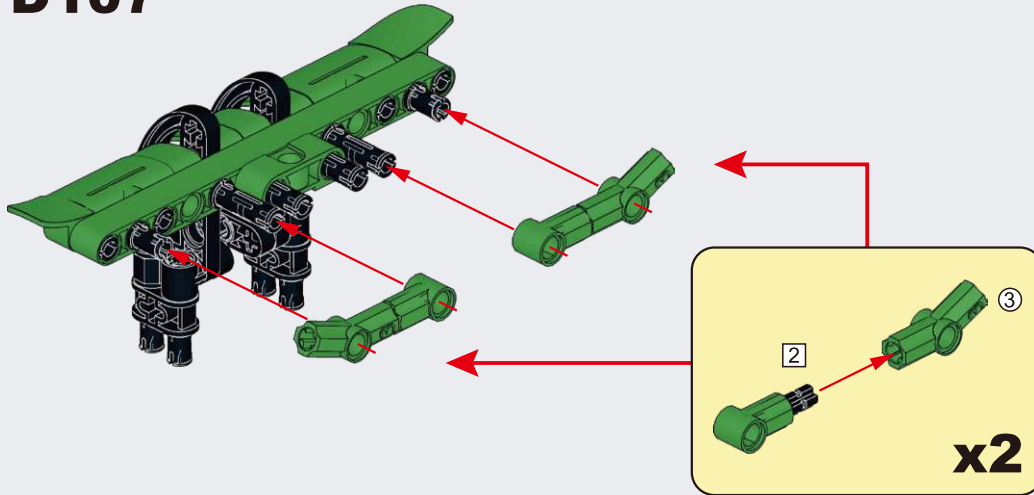


## D106

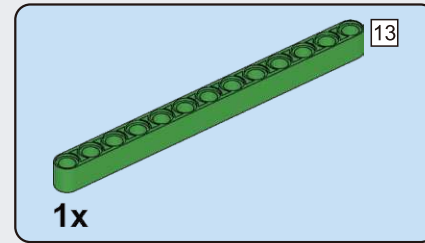
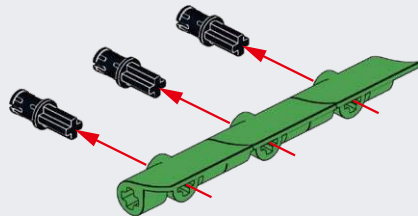




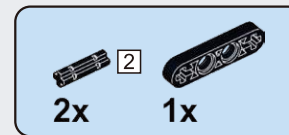
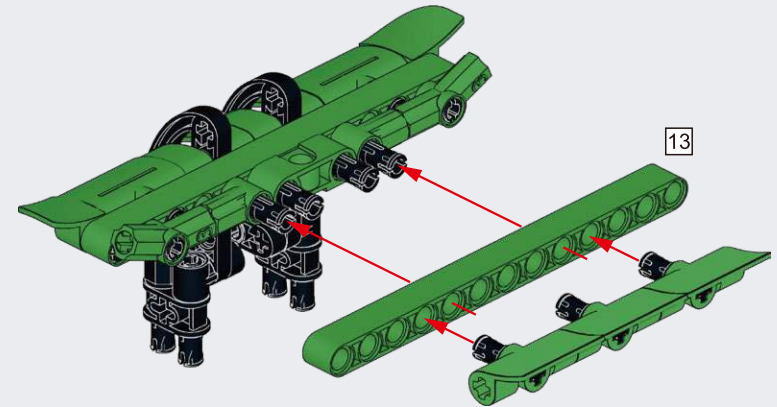
# D107



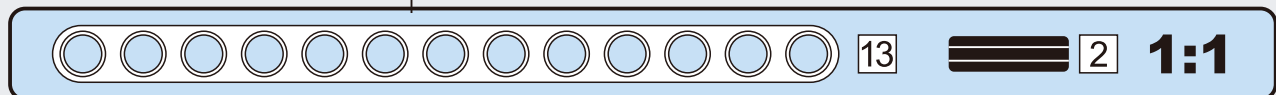
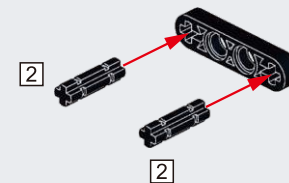
# D108



# D109

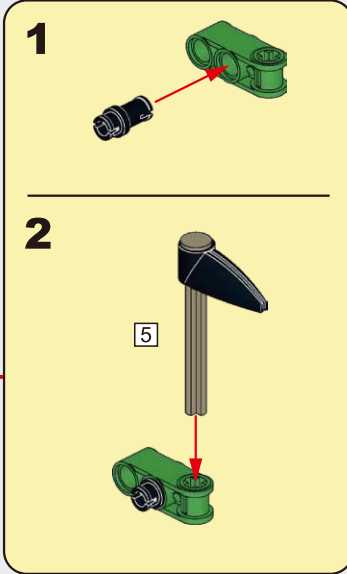
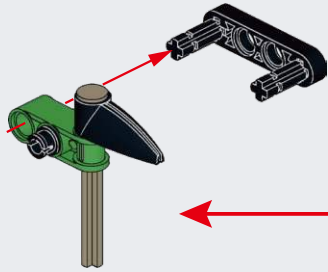


# D110

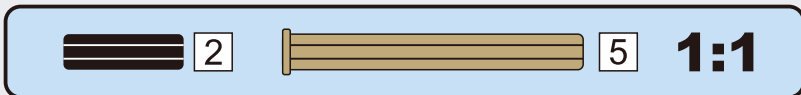
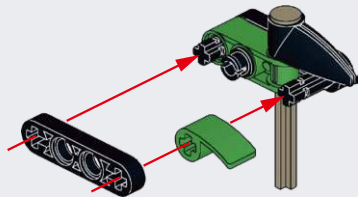




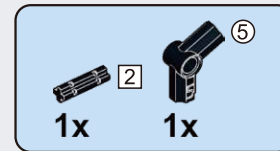
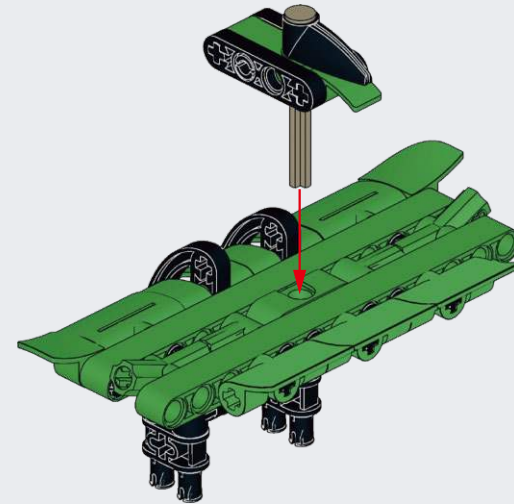
## D111



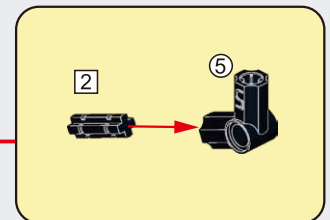
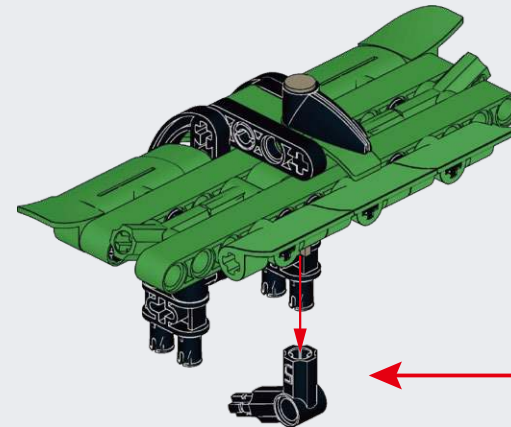
## D112

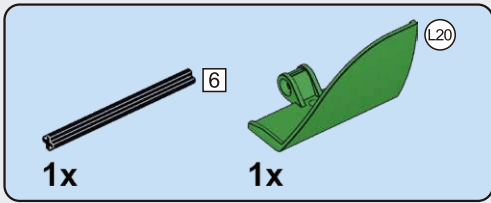


## D113

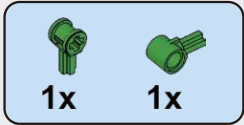
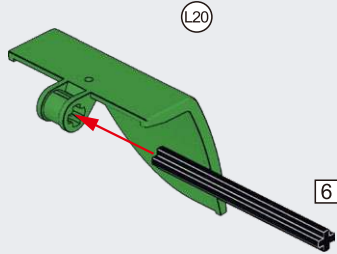


## D114

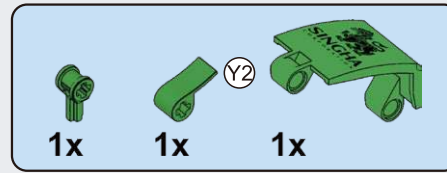
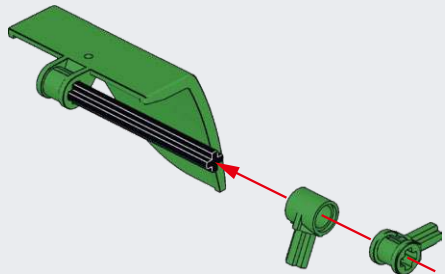




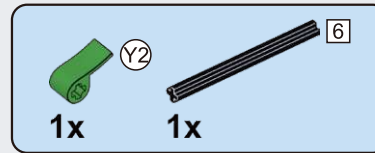
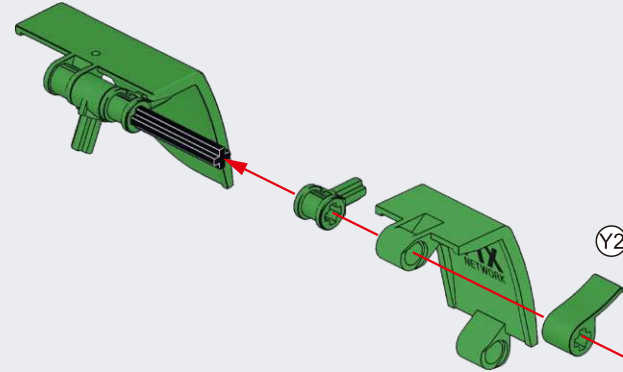
### D115



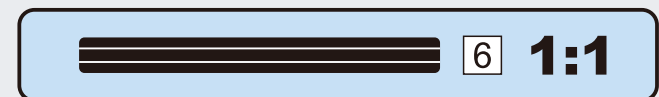
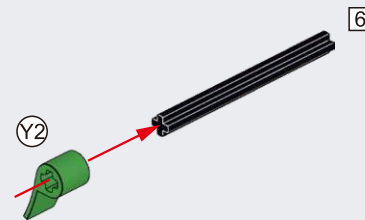
### D116

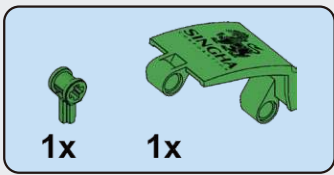


### D117

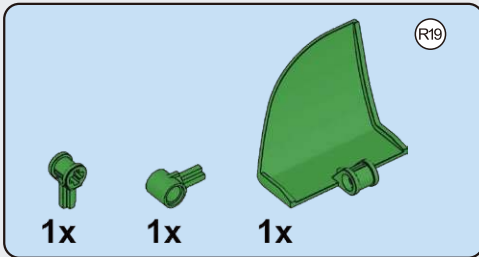
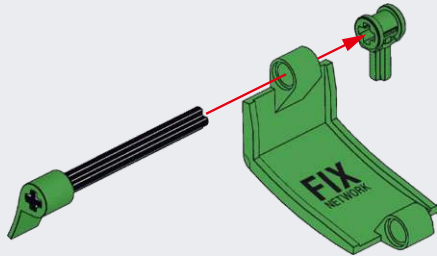


### D118

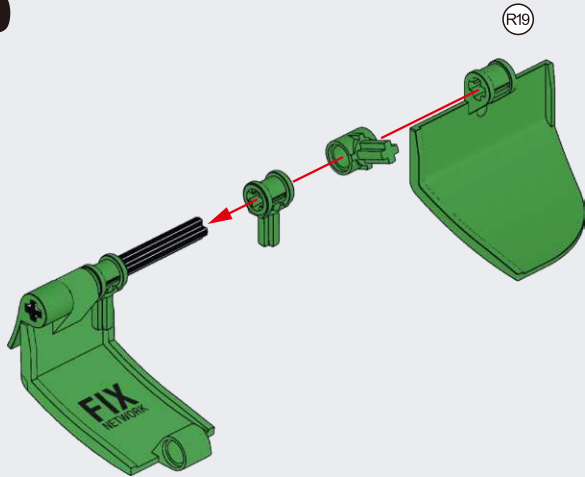




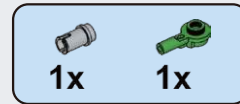
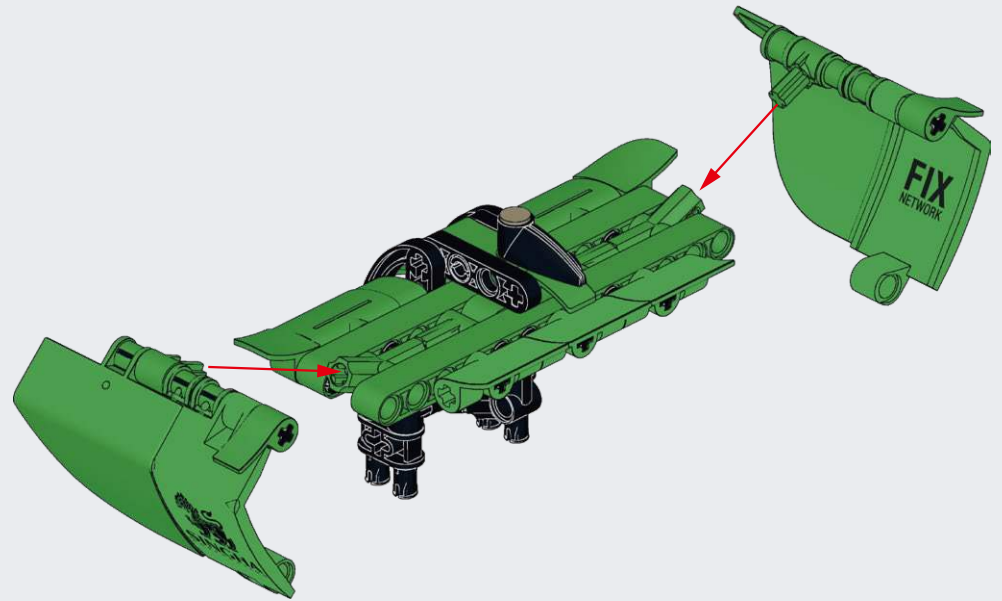
## D119



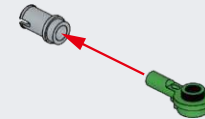
## D120

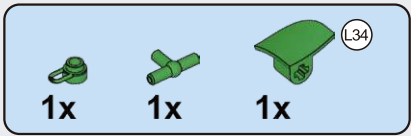


## D121

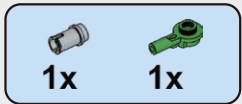
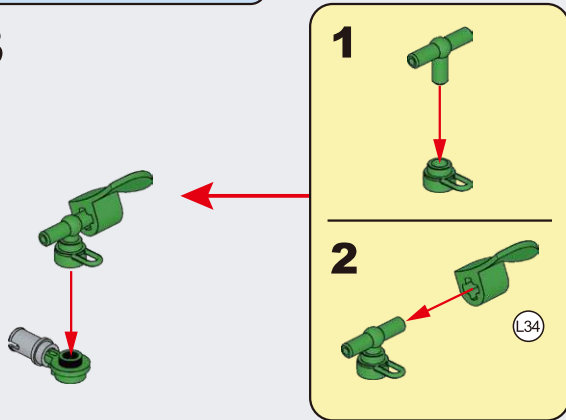


## D122

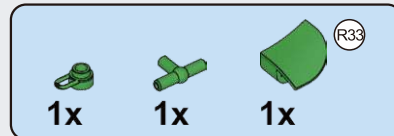
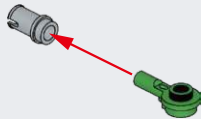




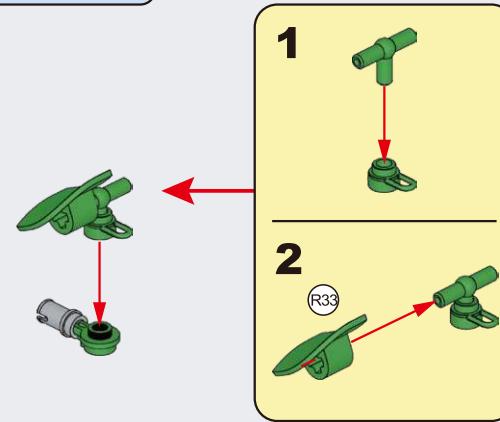
### D123



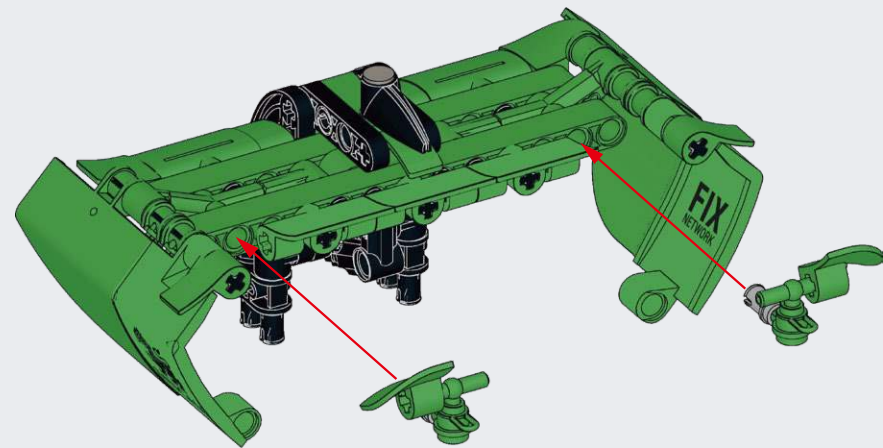
### D124

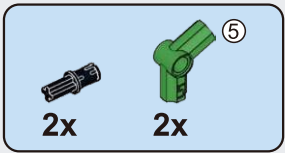


### D125

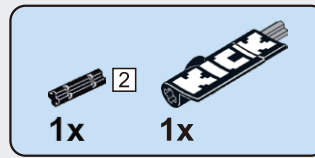
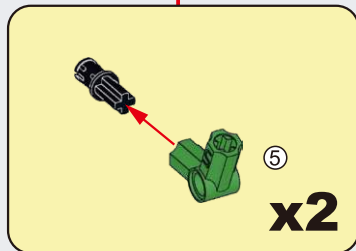
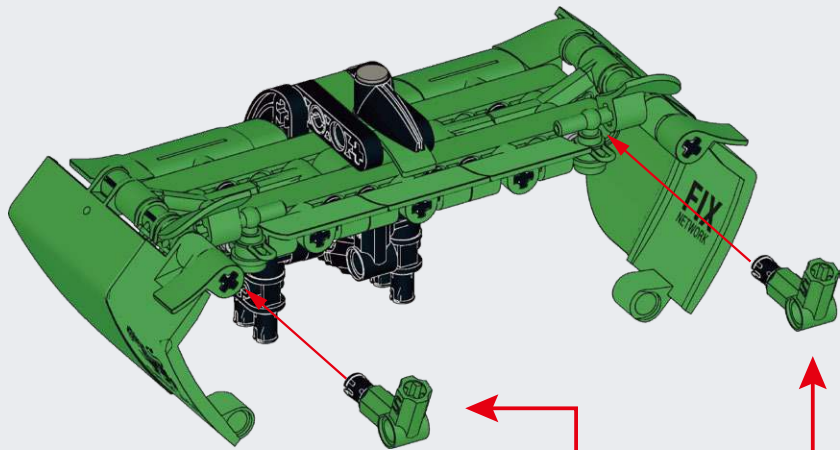


### D126

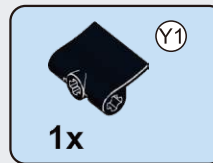
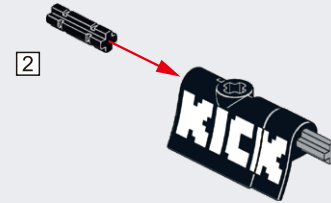




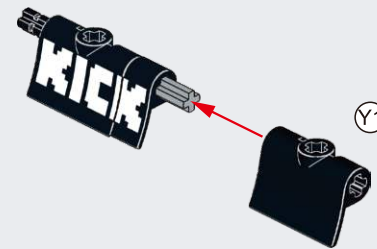
# D127

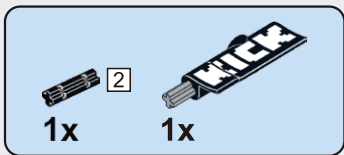


# D128

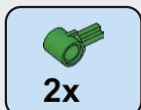
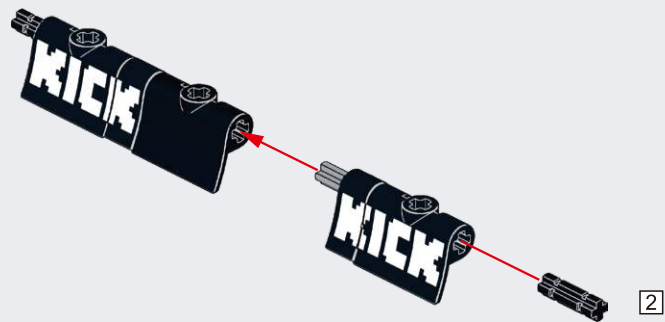


# D129

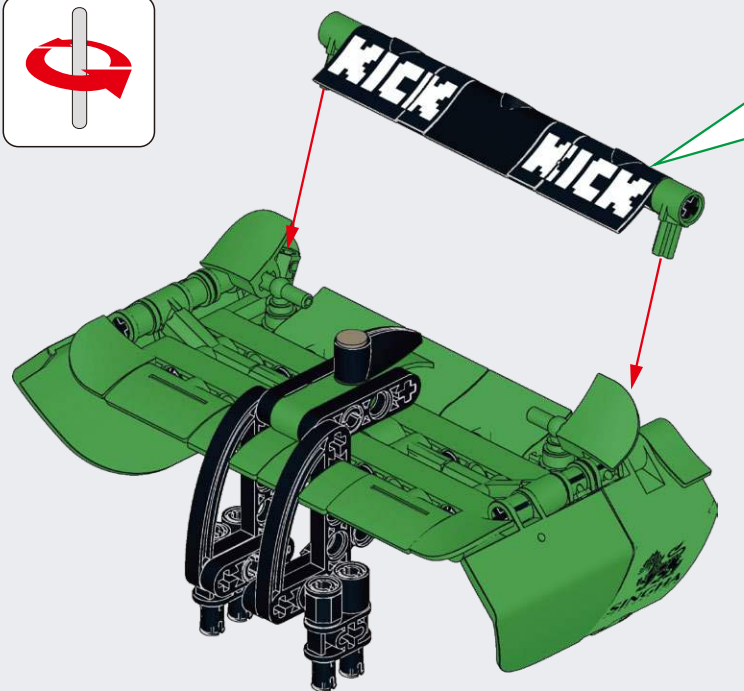
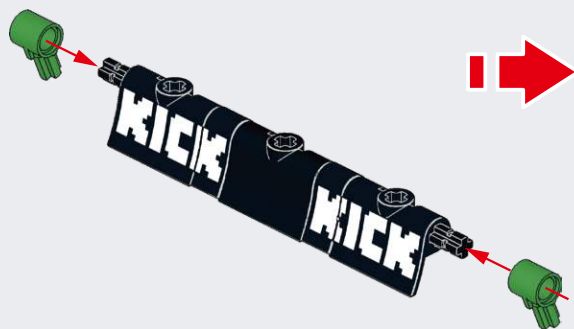




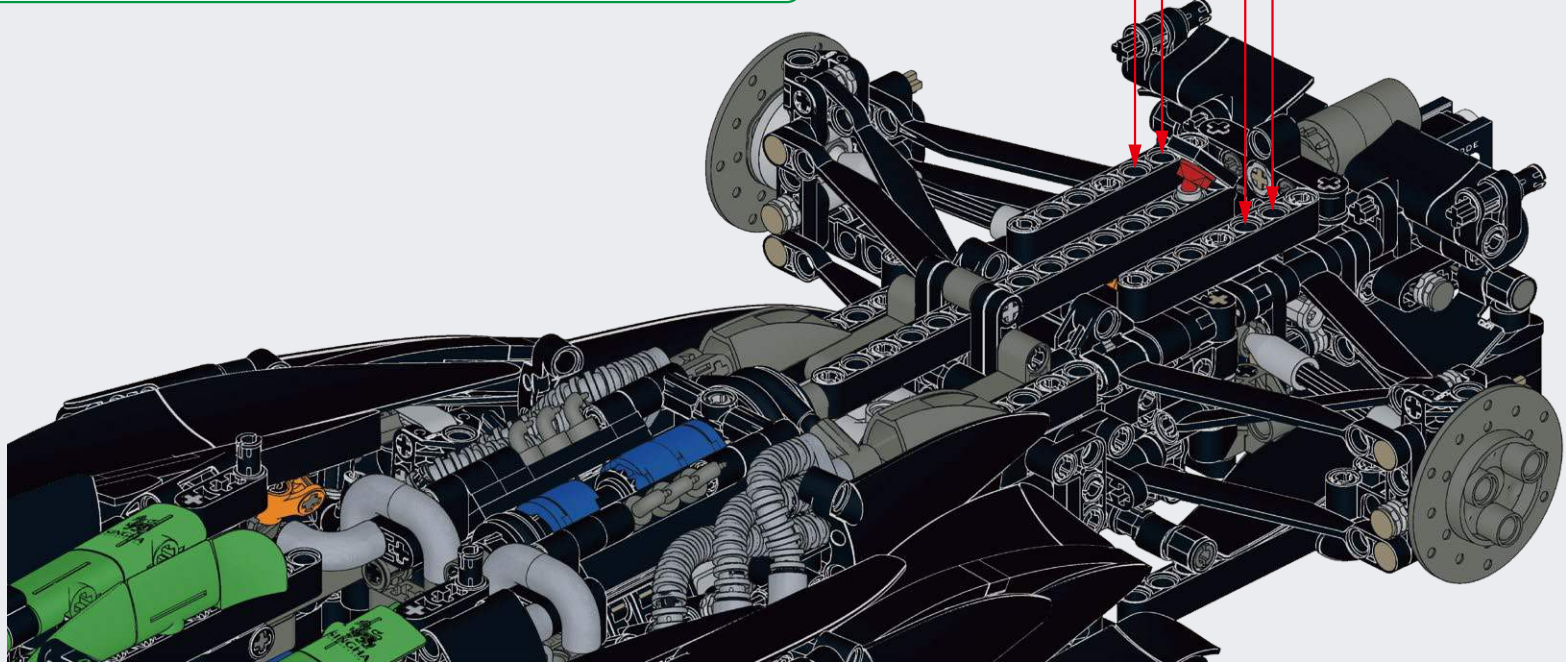
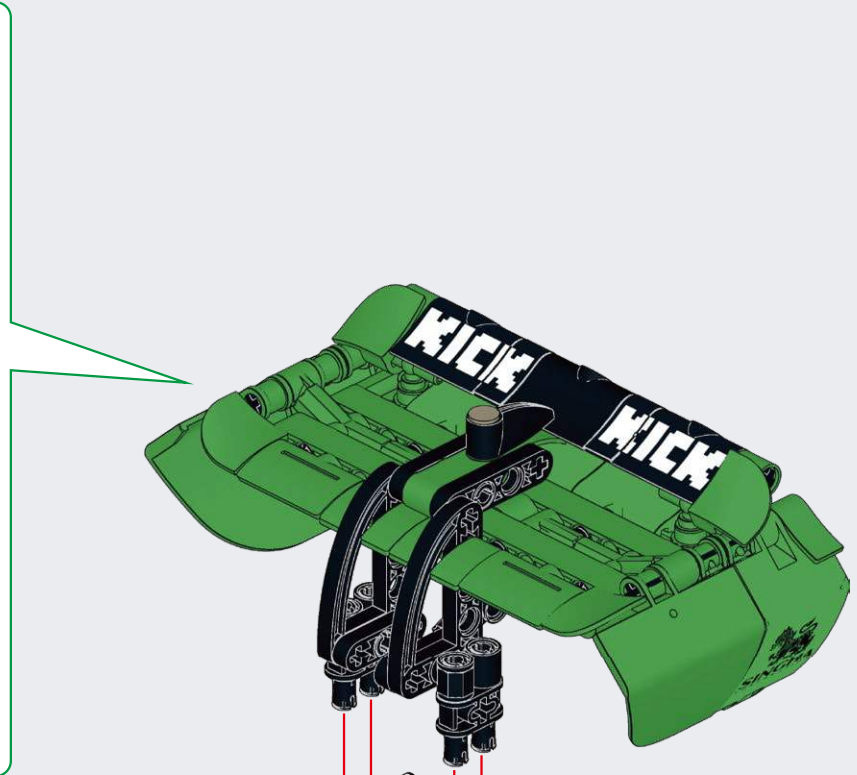
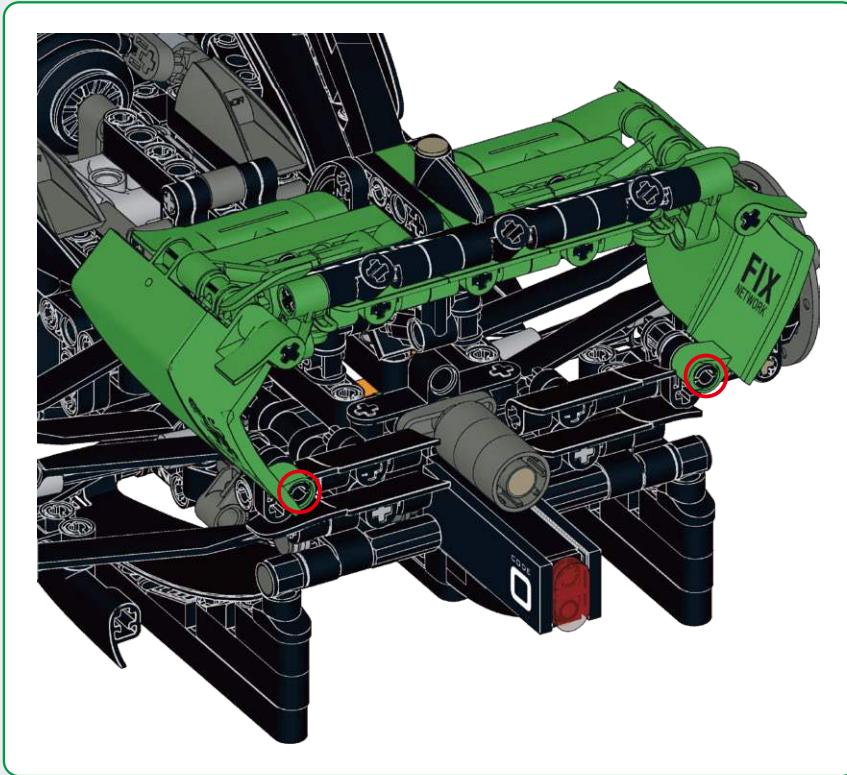
**D130**

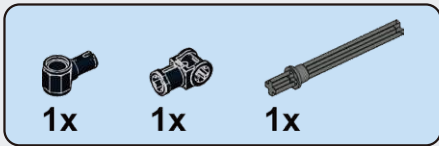


**D131**

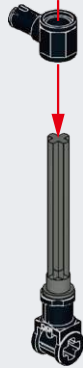


# D132

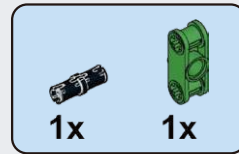
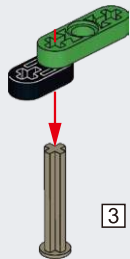




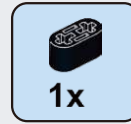
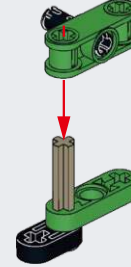
### D133



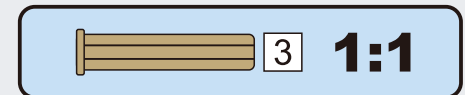
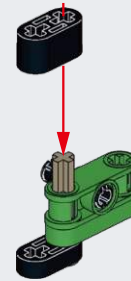
### D134



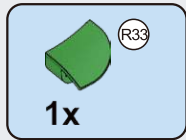
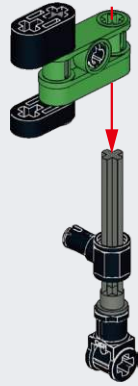
### D135



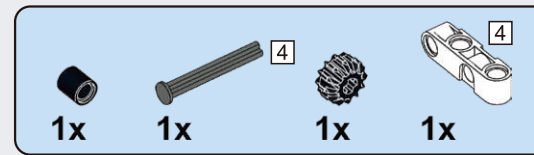
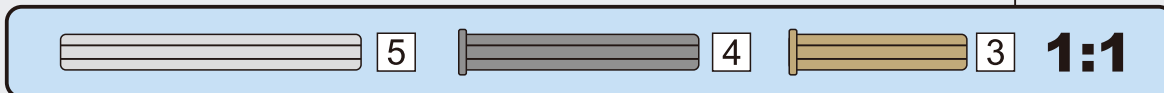
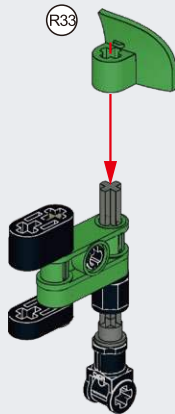
### D136



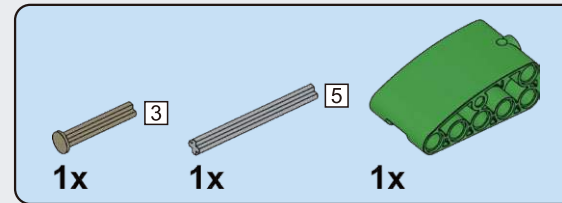
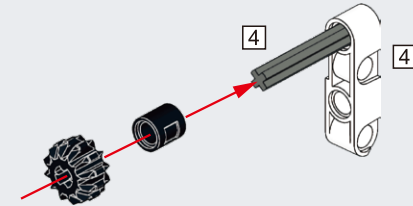
# D137



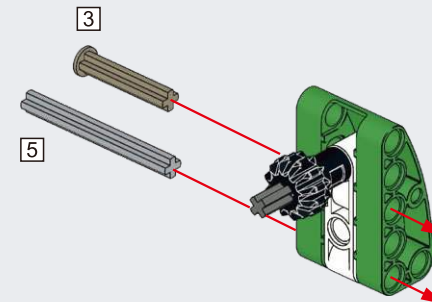
# D138



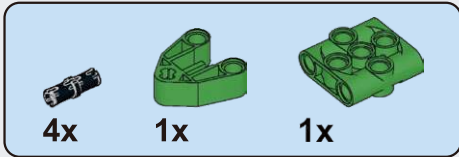
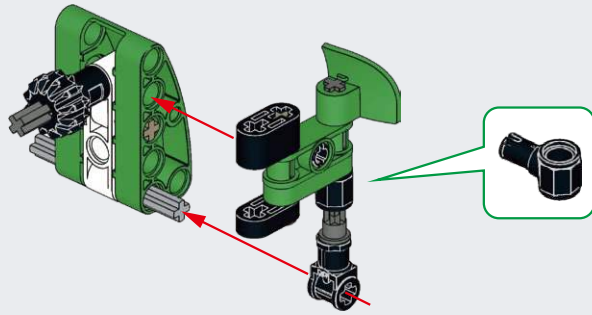
# D139



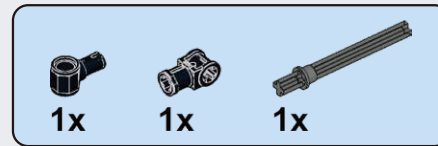
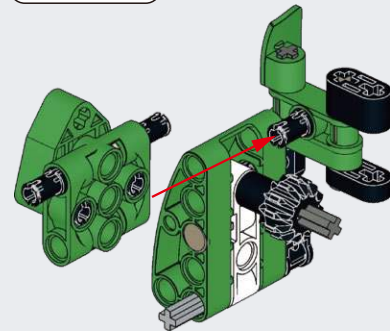
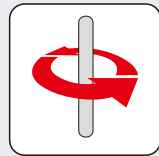
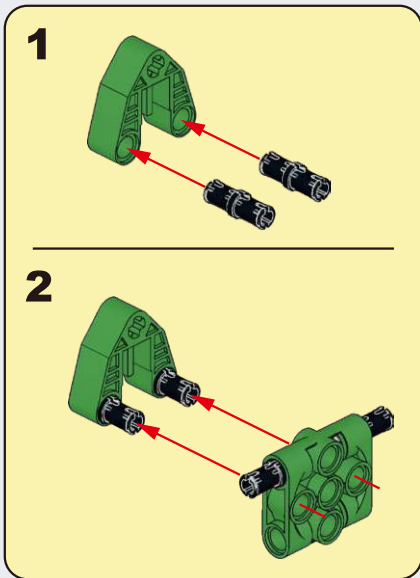
# D140



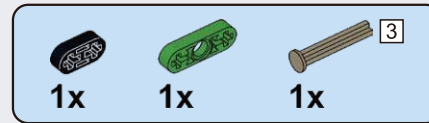
# D141



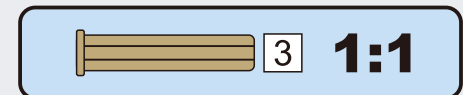
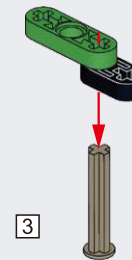
# D142

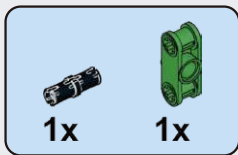


# D143

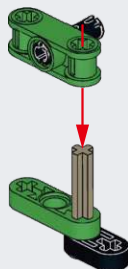


# D144

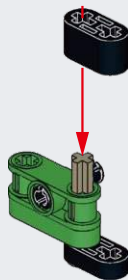




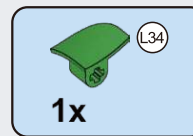
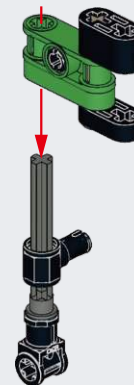
### D145



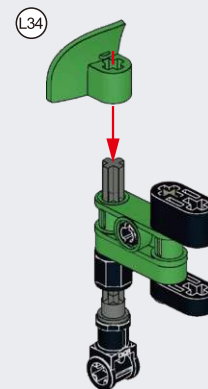
### D146



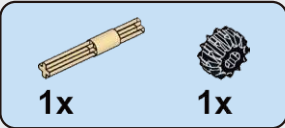
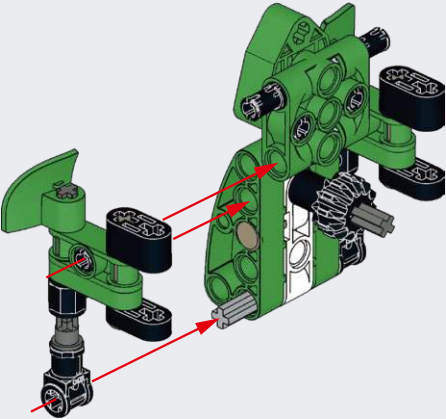
### D147



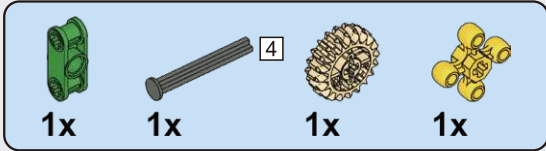
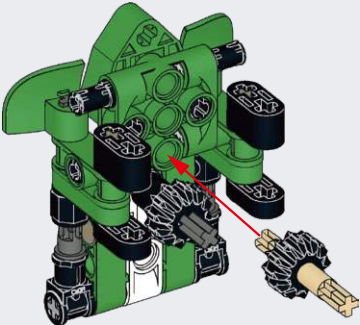
### D148



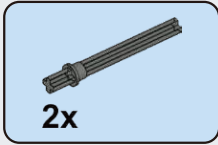
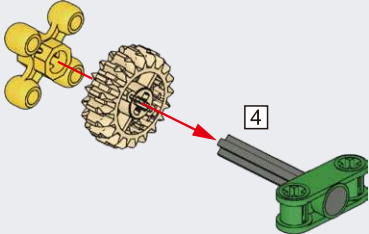
# D149



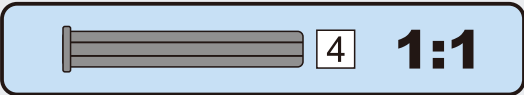
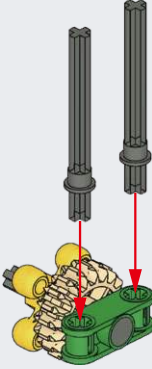
# D150

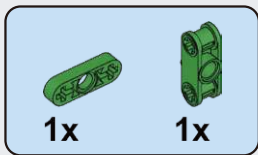


# D151

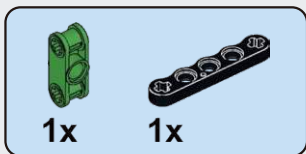
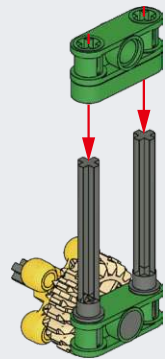


# D152

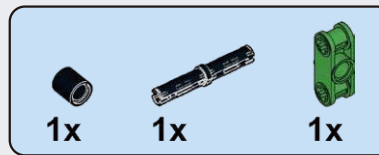
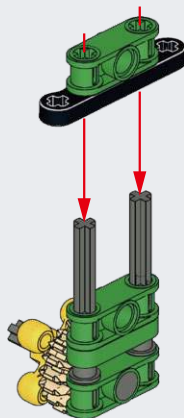




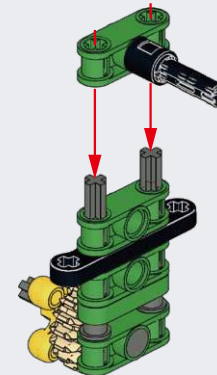
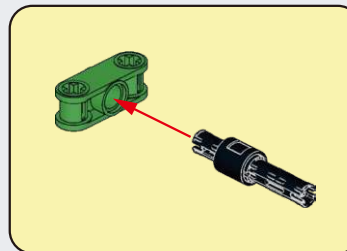
### D153



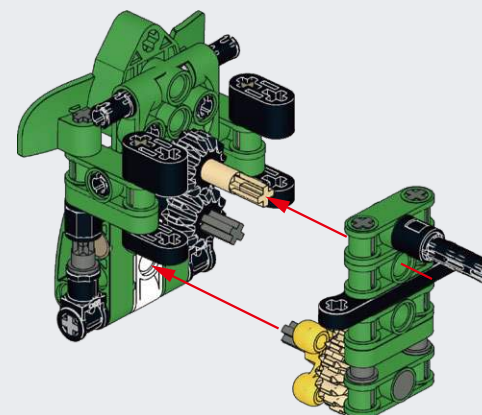
### D154



### D155

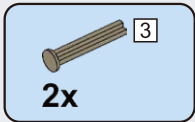
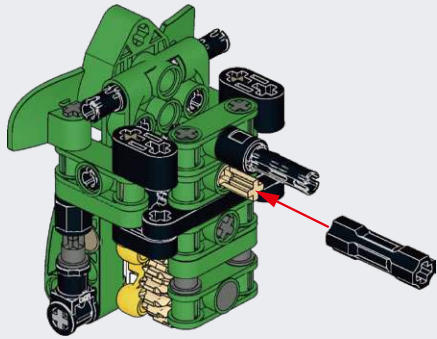


### D156

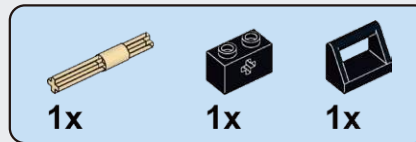
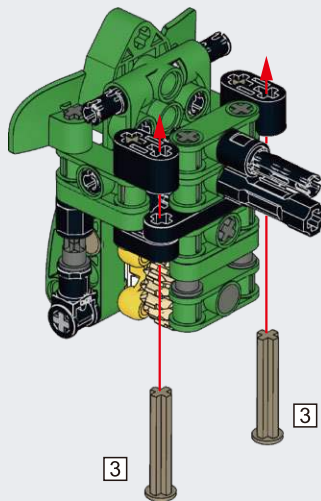




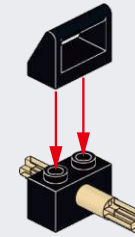
### D157



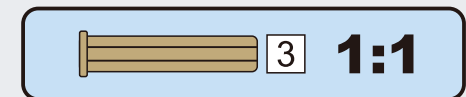
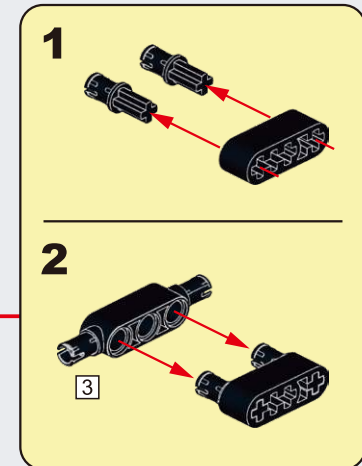
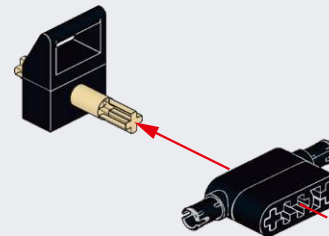
### D158



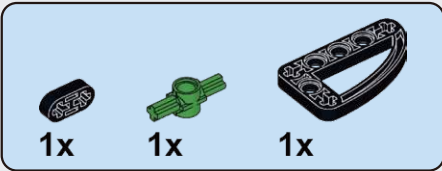
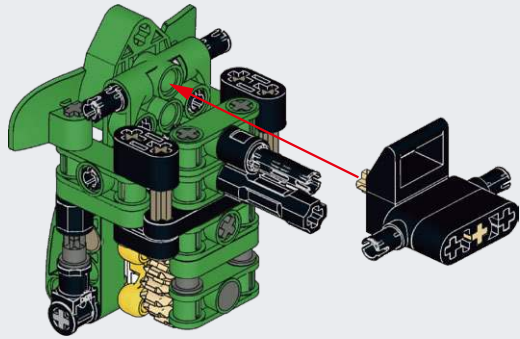
### D159



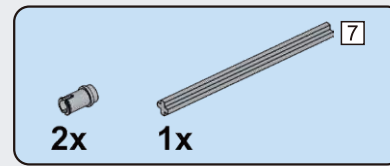
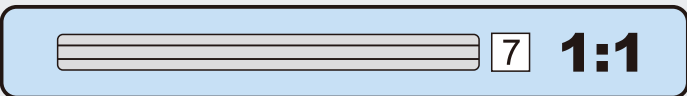
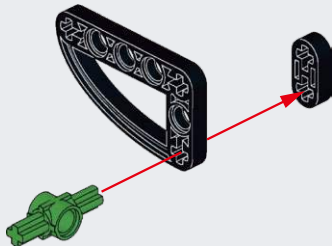
### D160



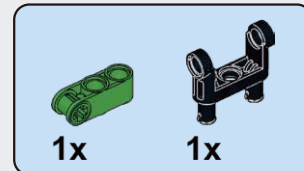
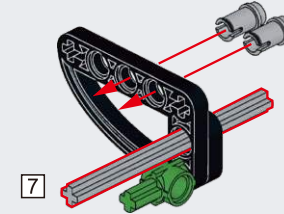
# D161



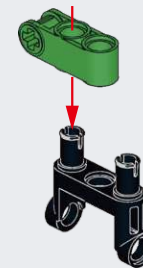
# D162

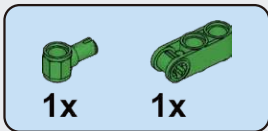


# D163

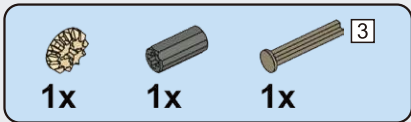
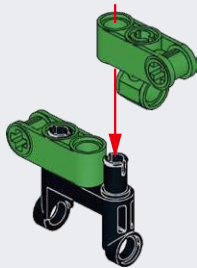


# D164

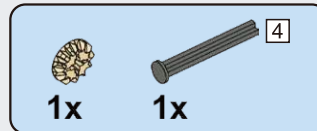
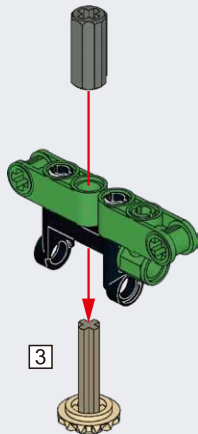




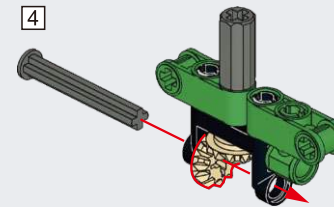
# D165



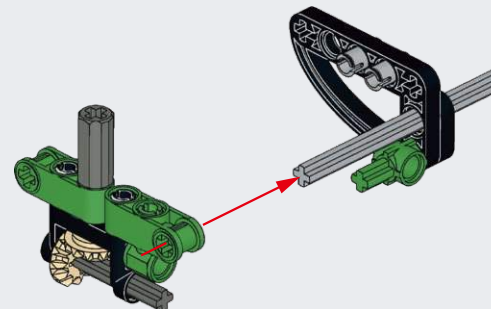
# D166

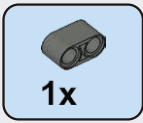


# D167

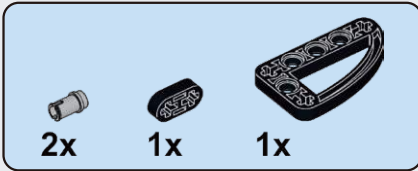
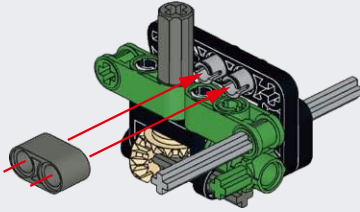


# D168

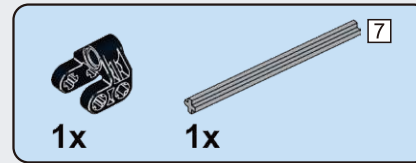
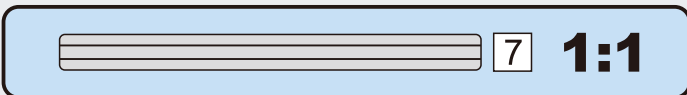
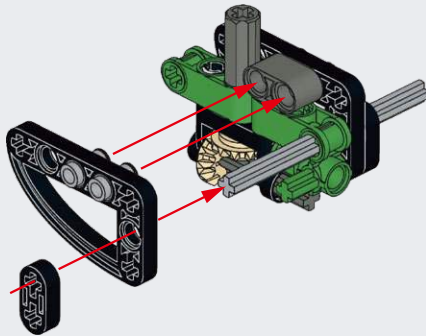




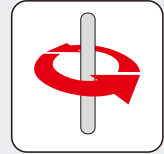
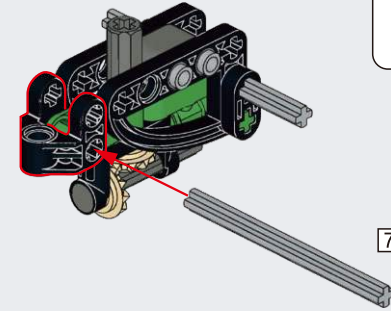
### D169



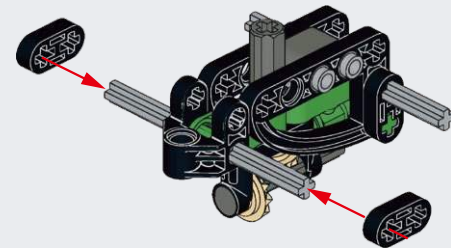
### D170

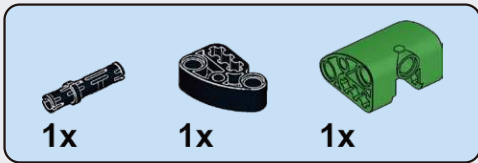


### D171

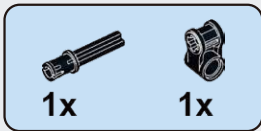
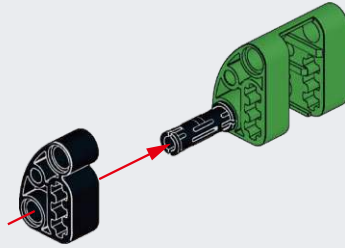


### D172

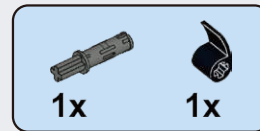
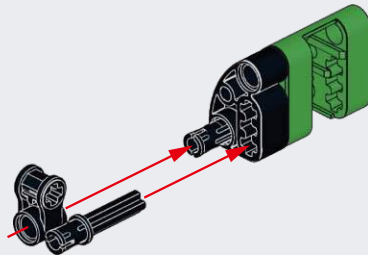




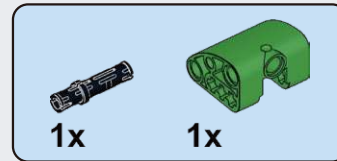
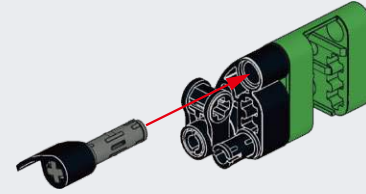
### D173



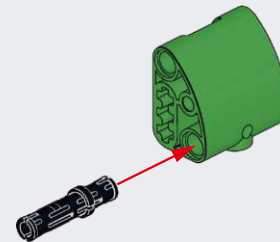
### D174

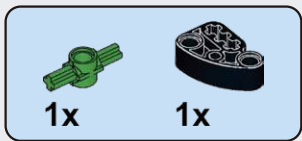


### D175

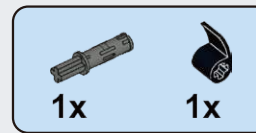
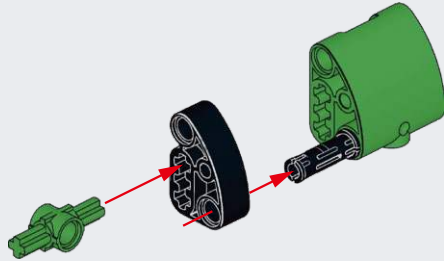


### D176

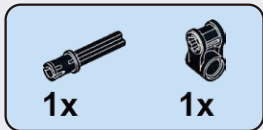
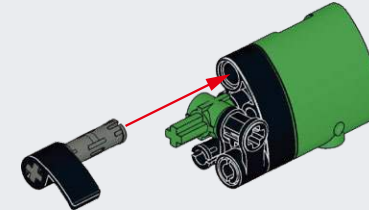




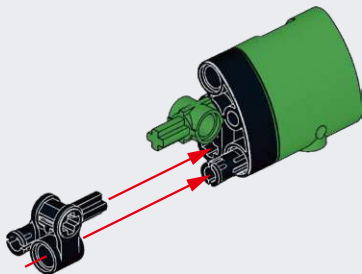
## D177



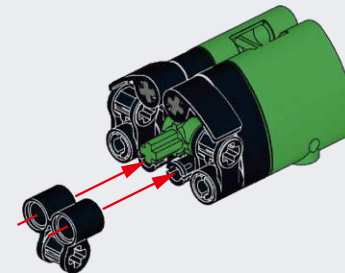
## D179

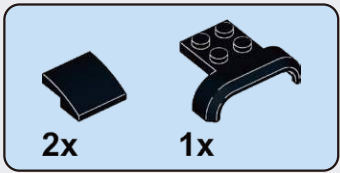


## D178

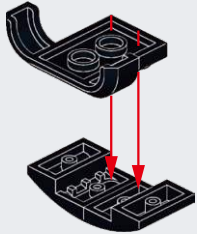


## D180

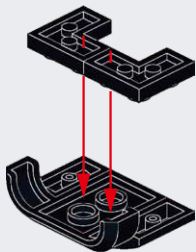




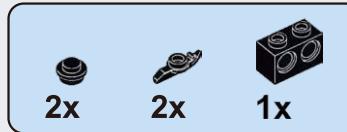
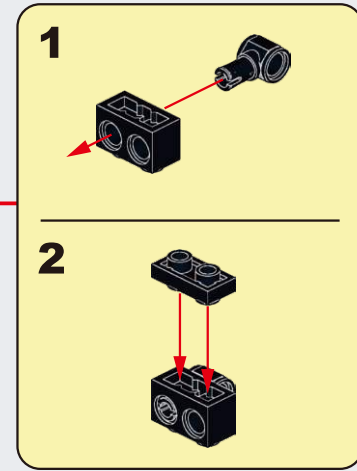
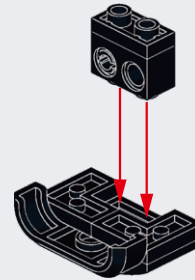
# D181



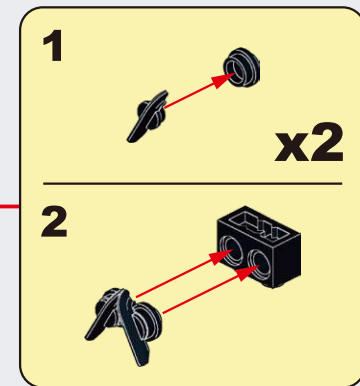
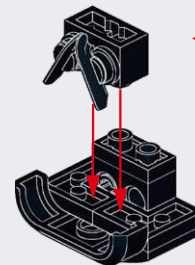
# D182

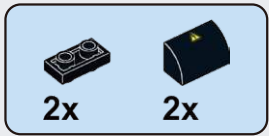


# D183

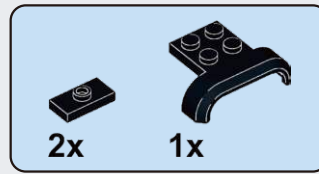
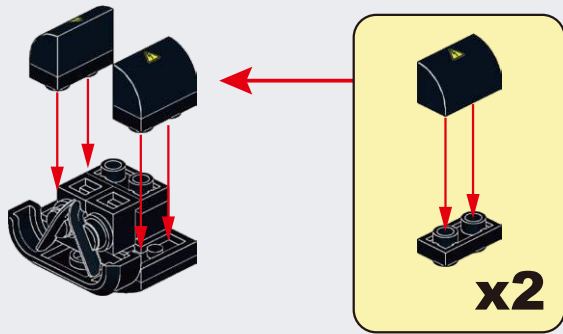


# D184

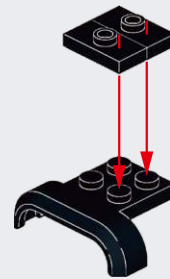




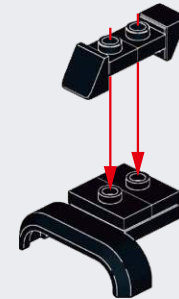
# D185



# D186

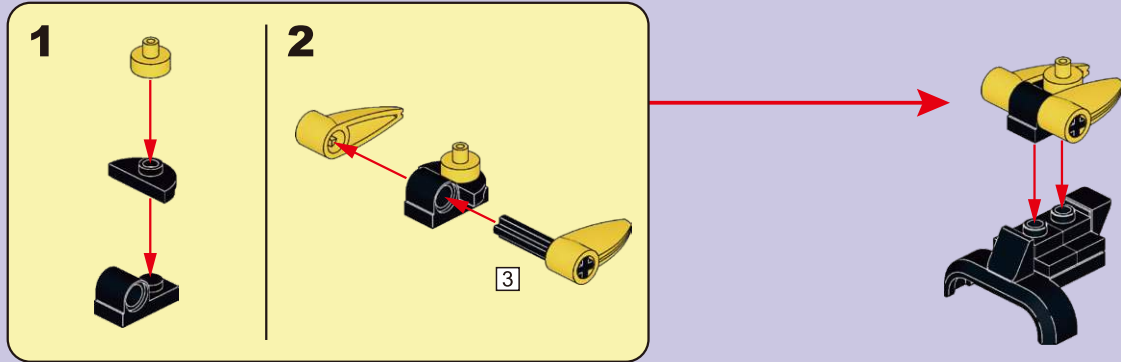


# D187

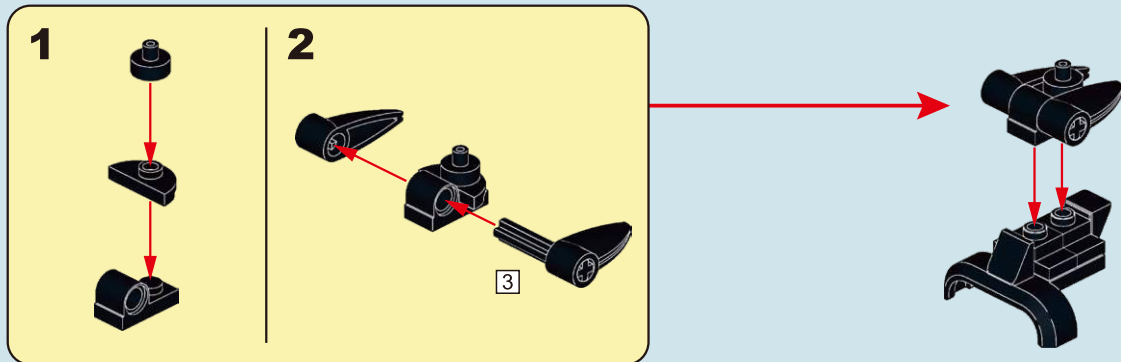




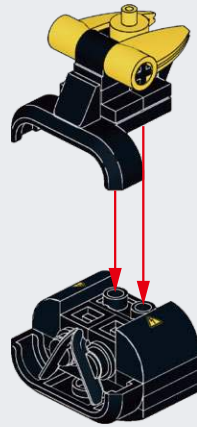
# D188



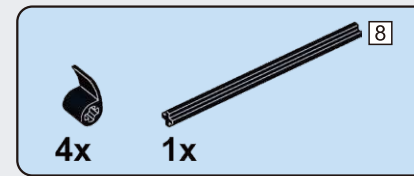
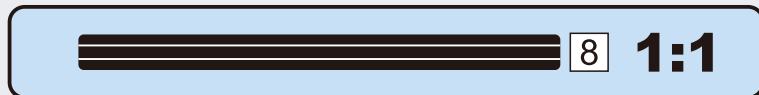
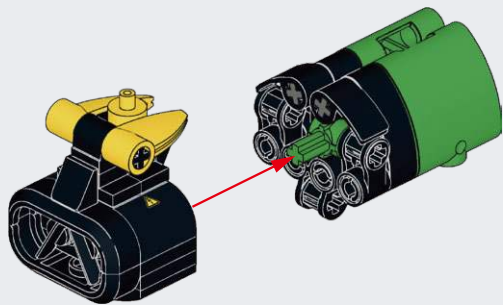
# D188



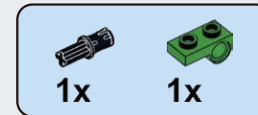
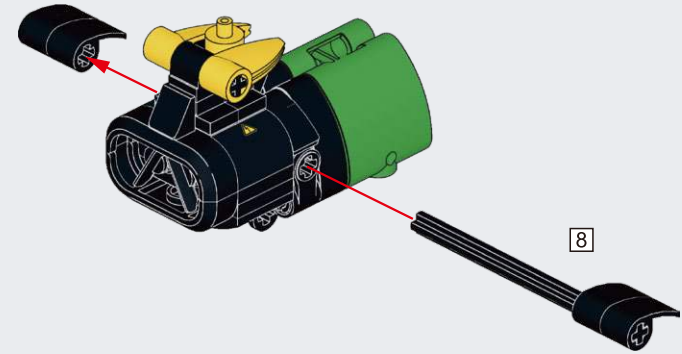
# D189



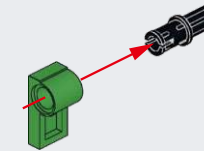
# D190

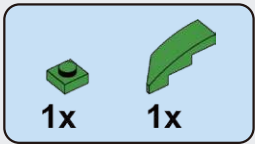


# D191

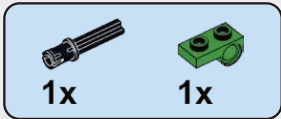
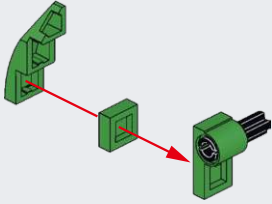


# D192

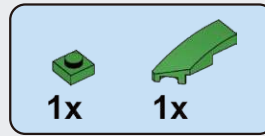
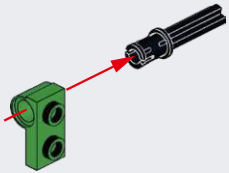




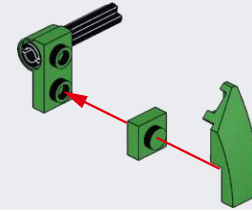
**D193**



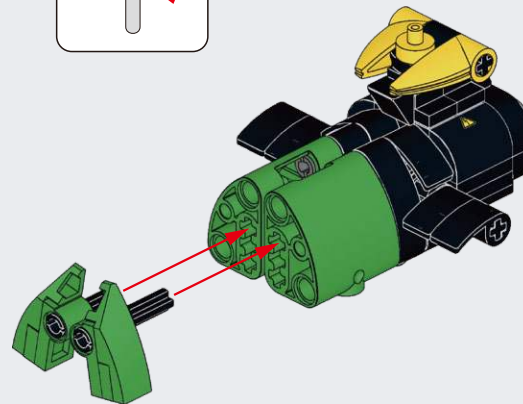
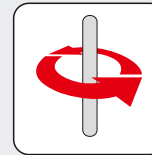
**D194**



**D195**

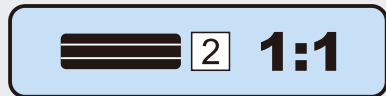
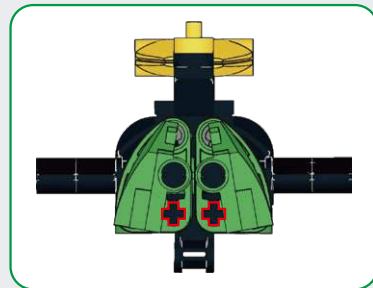
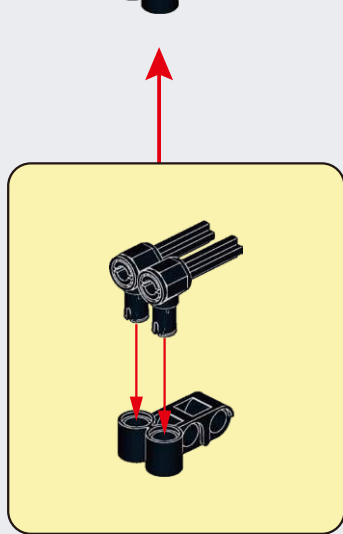
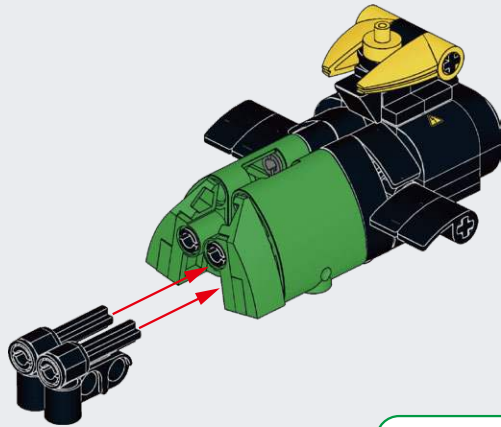


**D196**

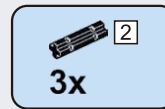
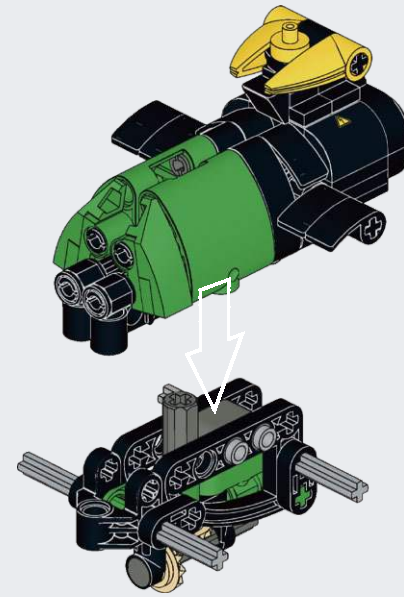




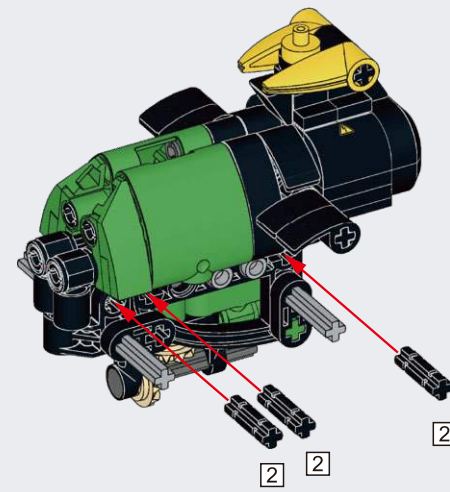
# D197

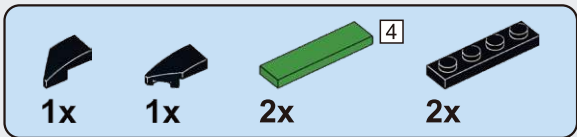


# D198

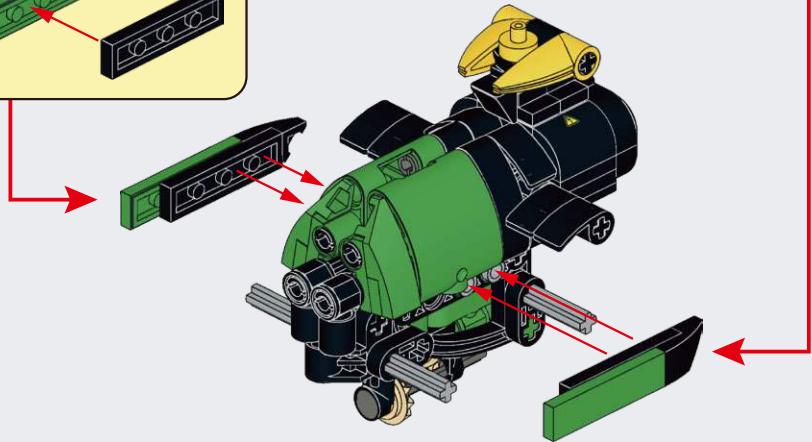
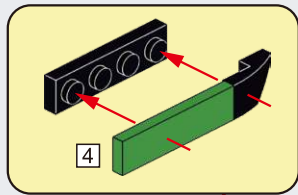
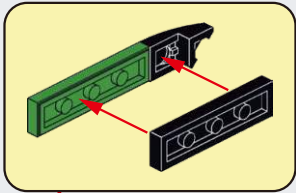


# D199

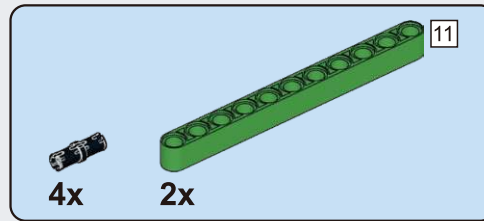
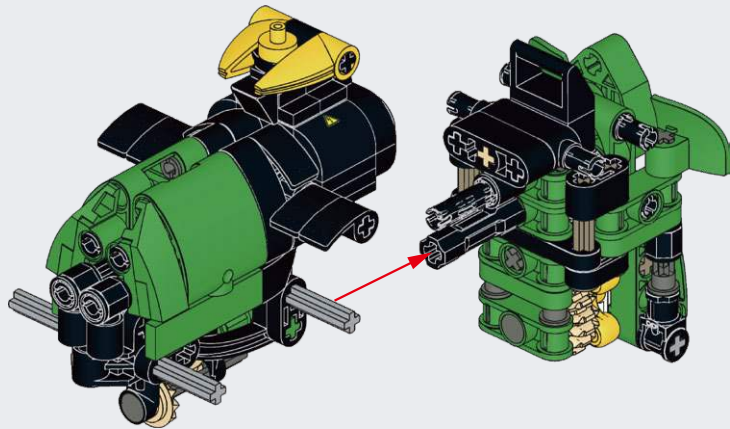




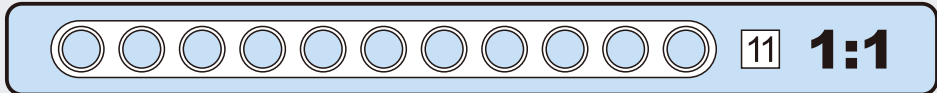
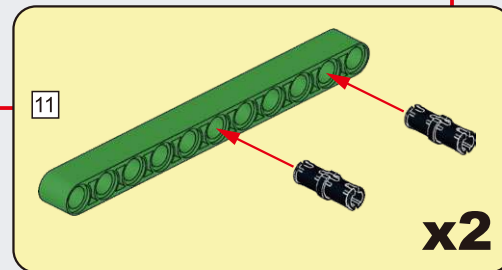
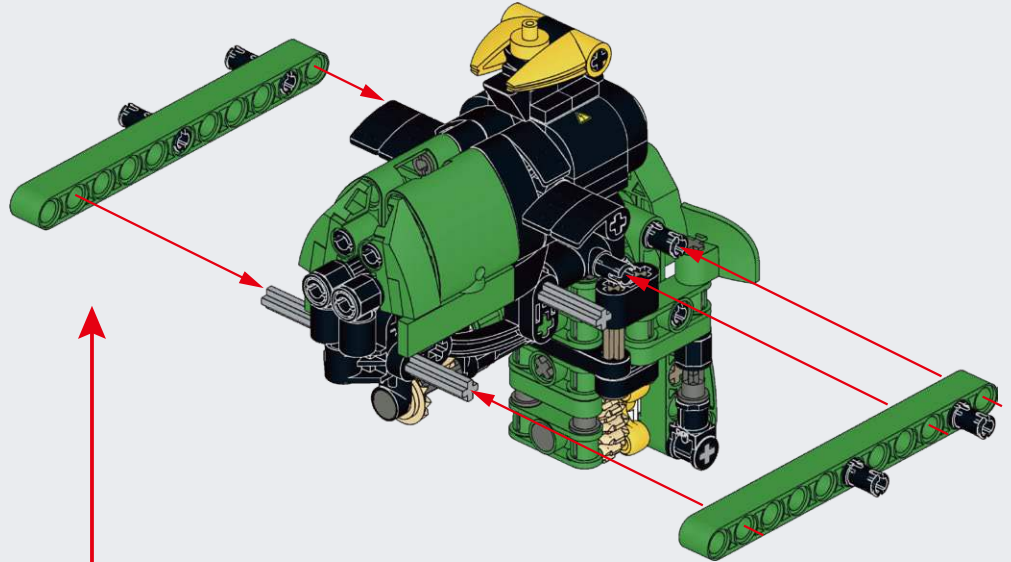
### D200

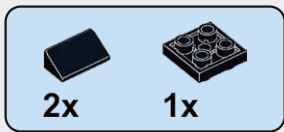


### D201

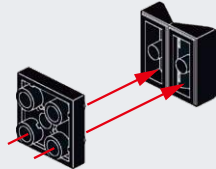


### D202

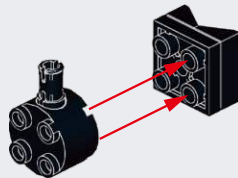




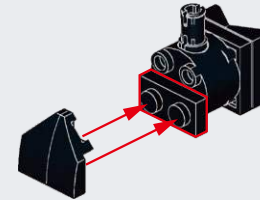
## D203



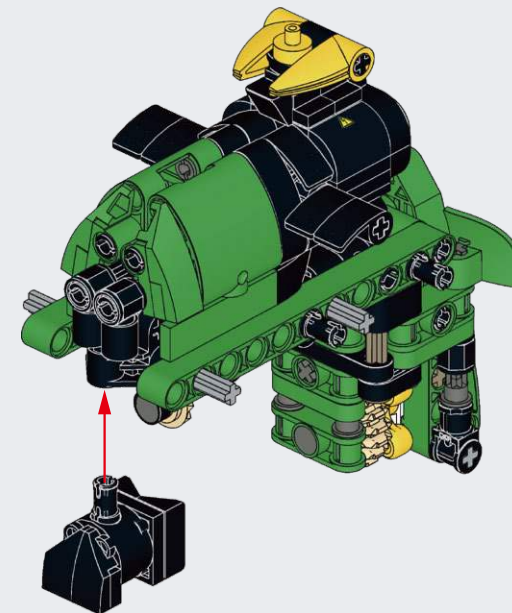
## D204

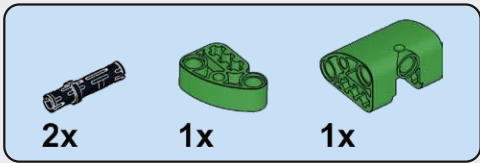


## D205

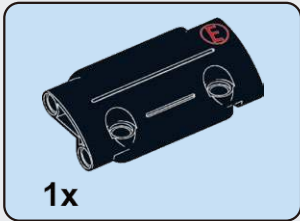
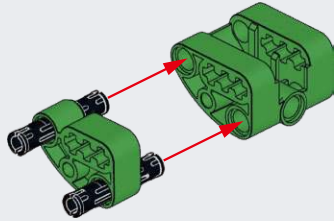


## D206

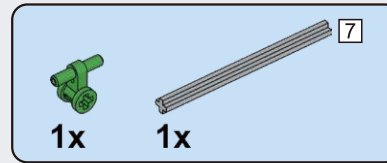
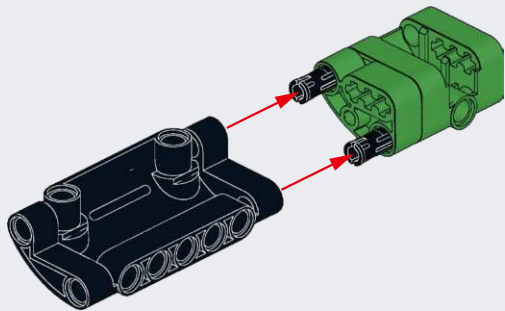




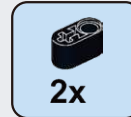
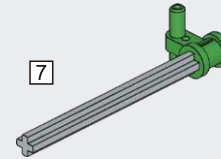
## D207



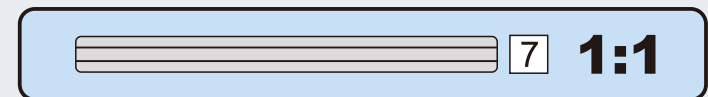
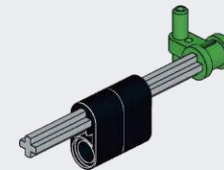
## D208

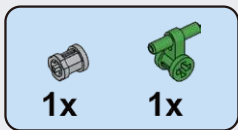


## D209

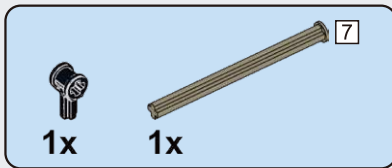
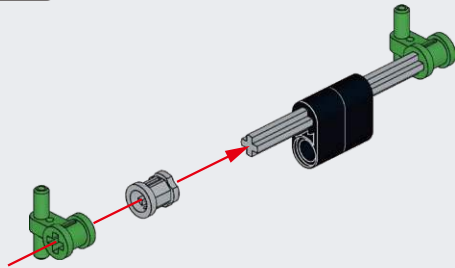


## D210

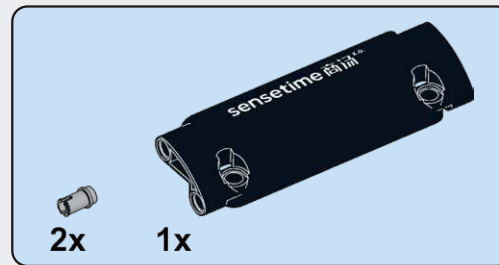
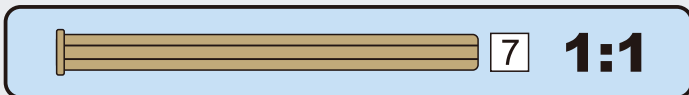
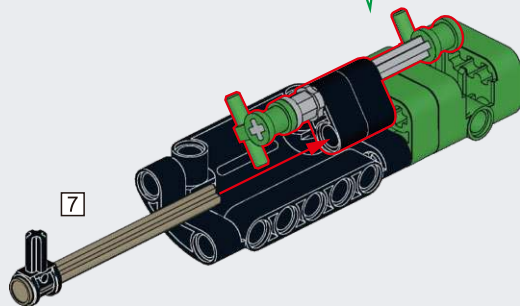
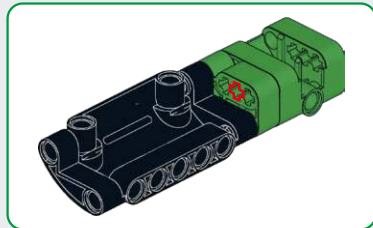




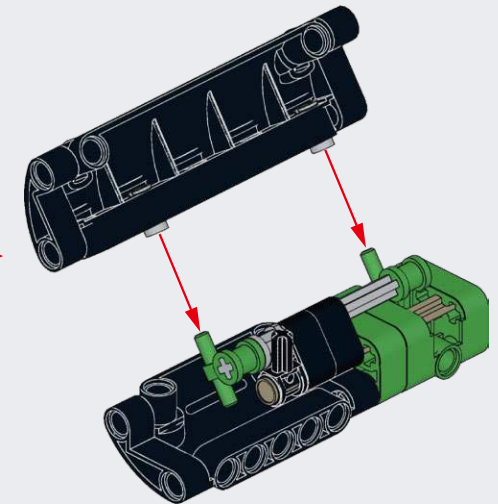
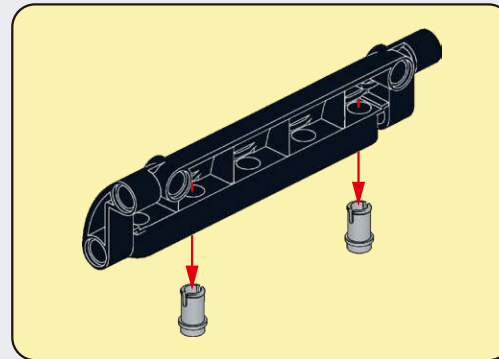
## D211



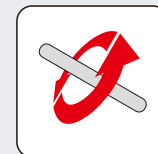
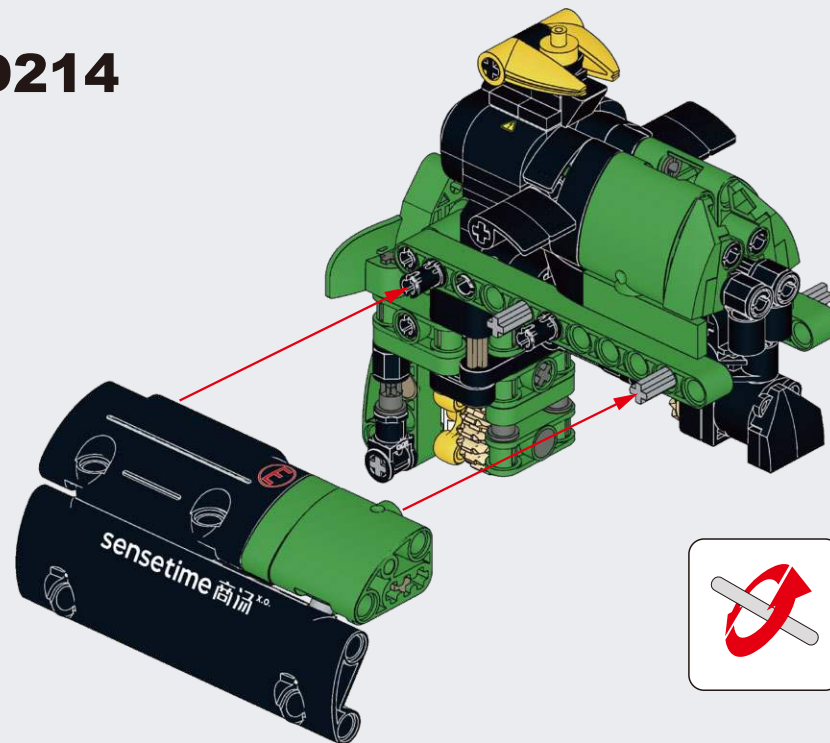
## D212

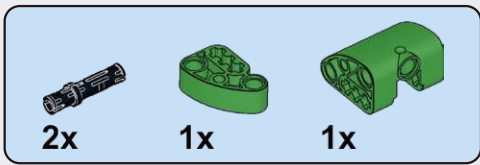


## D213

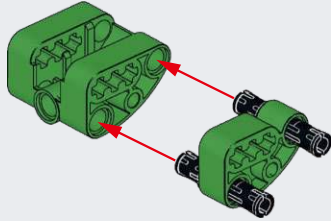


## D214

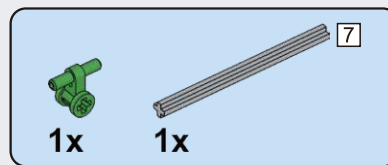
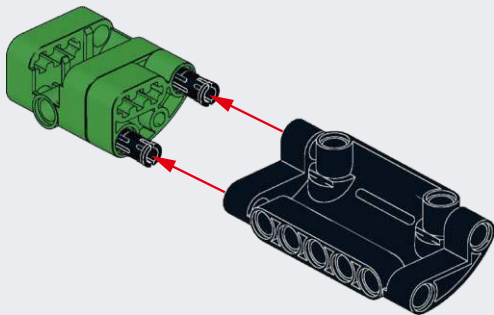




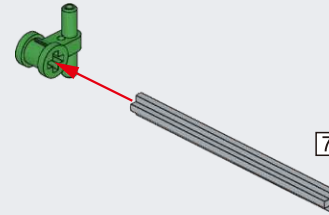
### D215



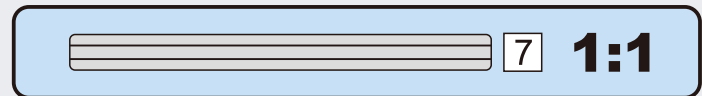
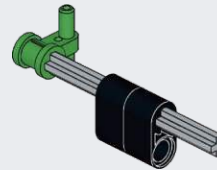
### D216

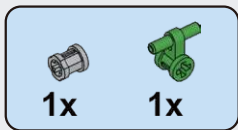


### D217

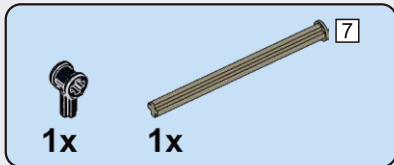
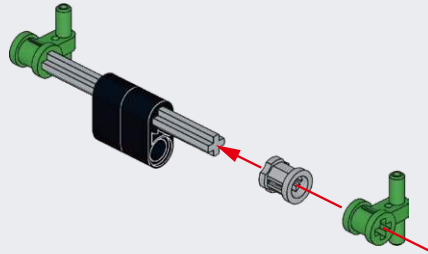


### D218

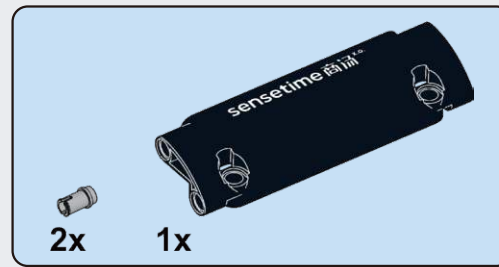
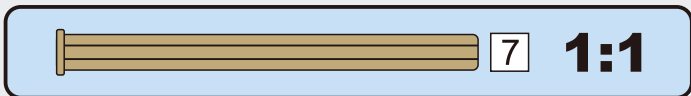
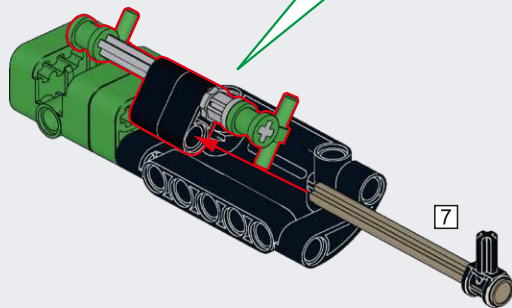
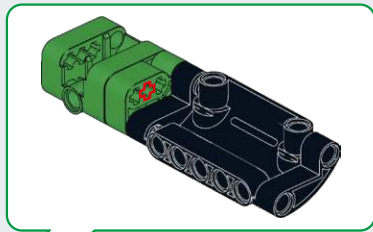




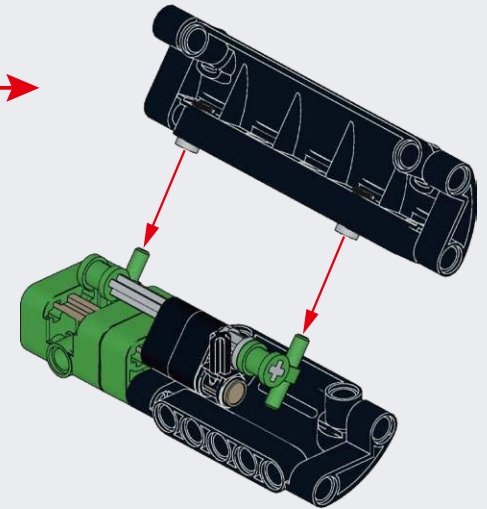
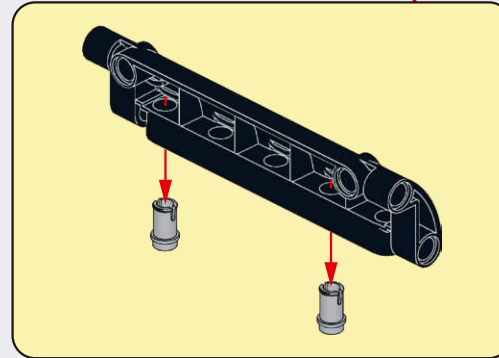
### D219



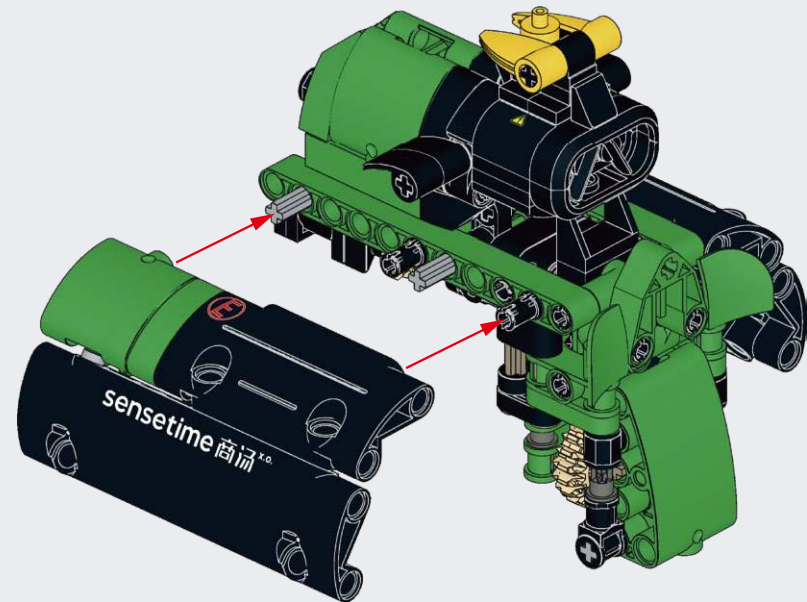
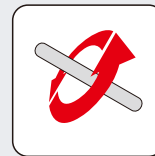
### D220

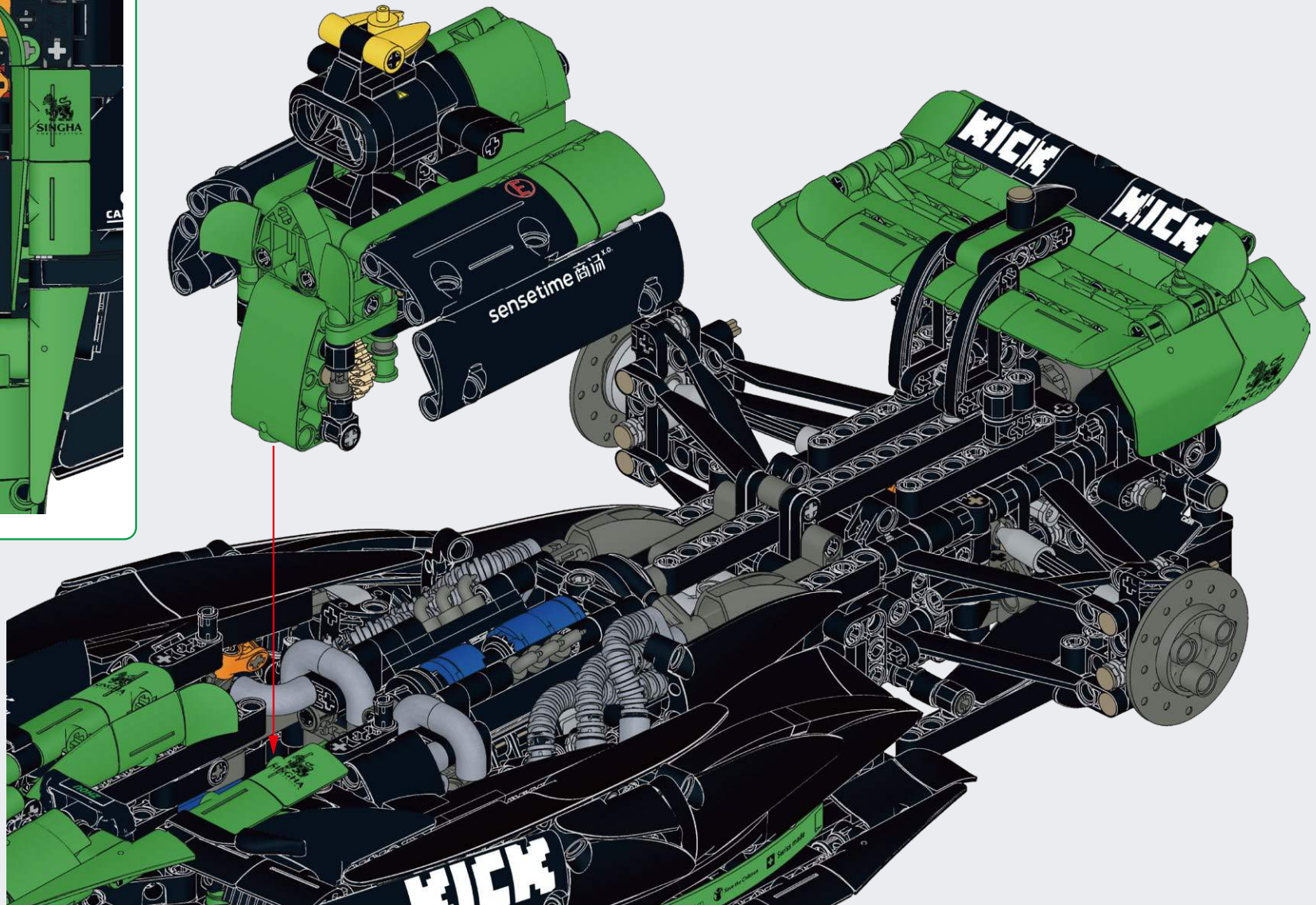
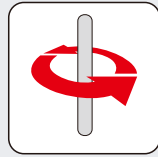
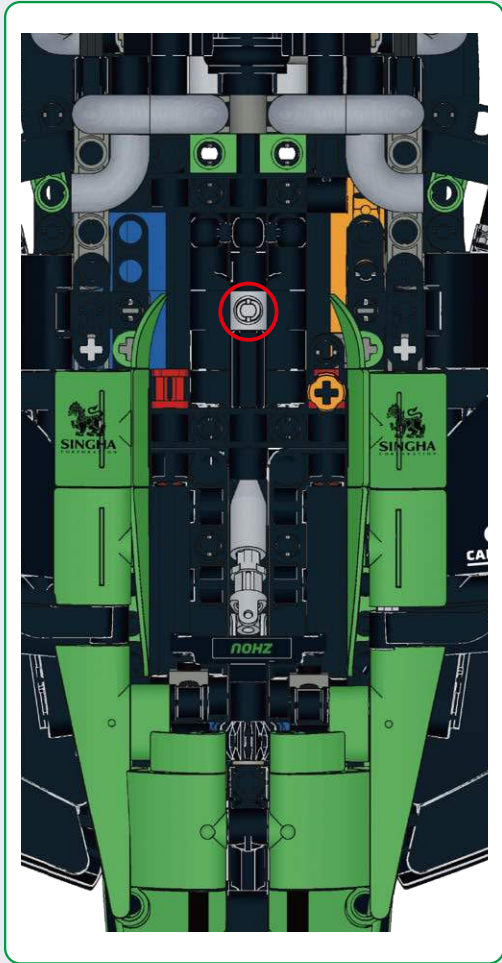


### D221



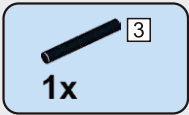
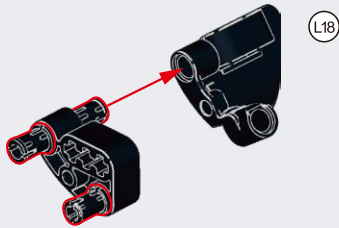
### D222



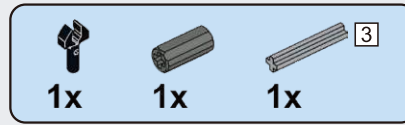
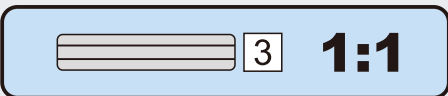
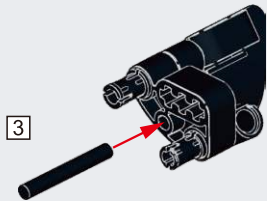




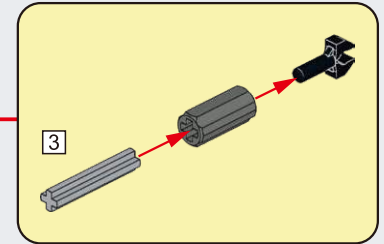
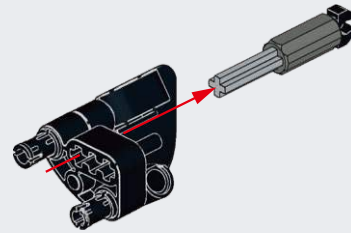
## D224



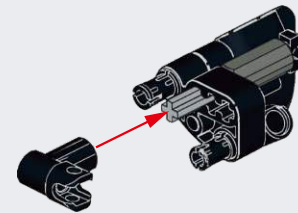
## D225

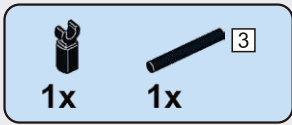


## D226

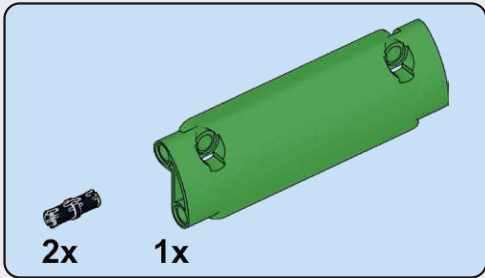
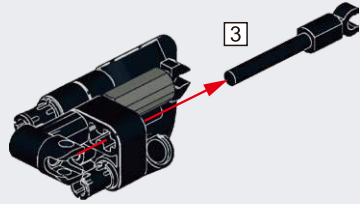


## D227

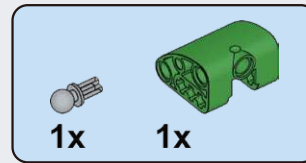
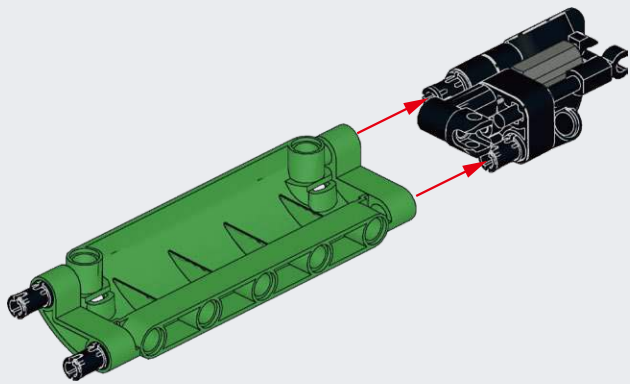




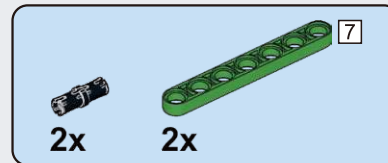
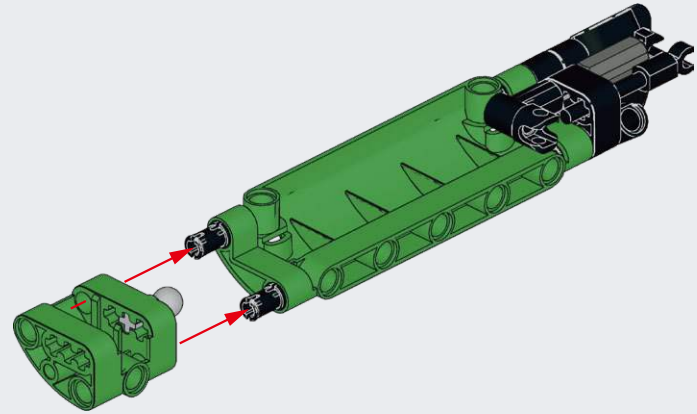
## D228



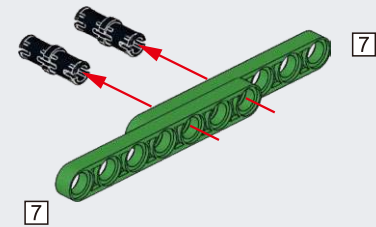
## D229

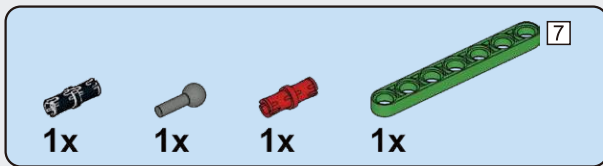


## D230

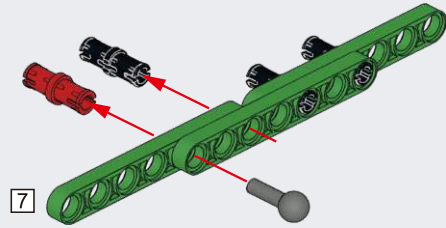


## D231

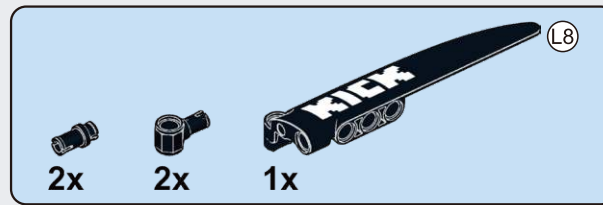
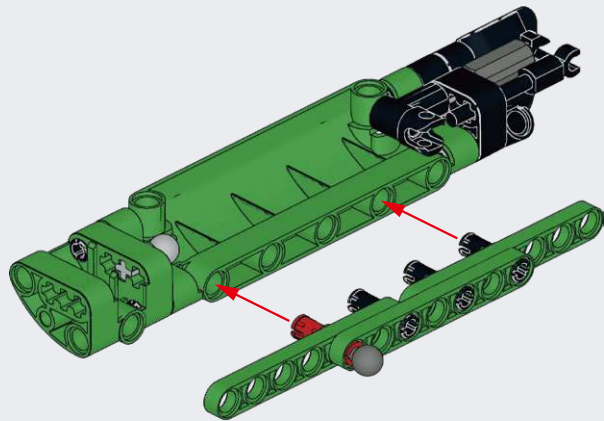




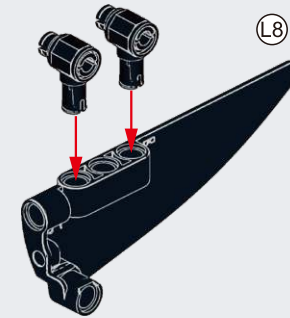
## D232



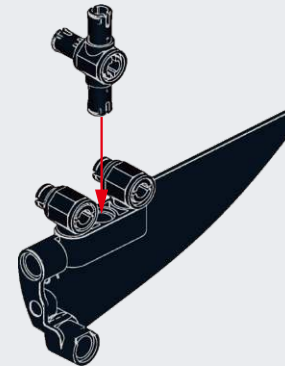
## D233



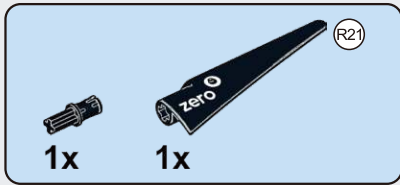
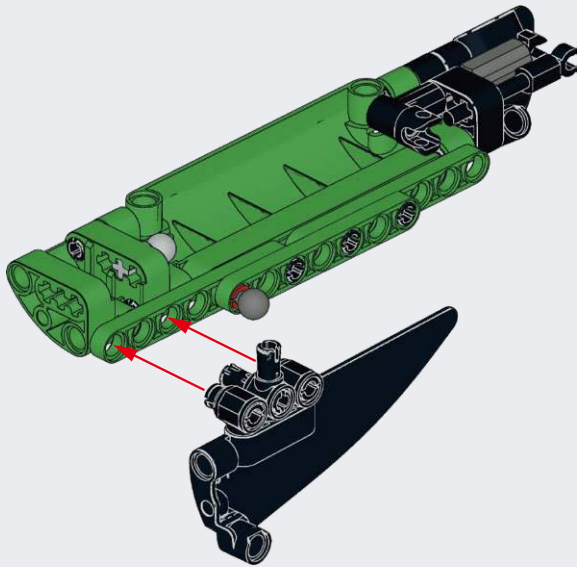
## D234



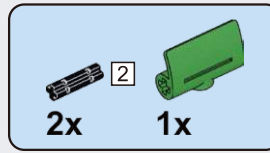
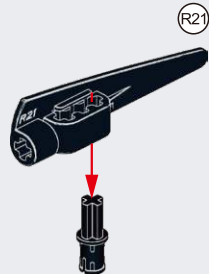
## D235



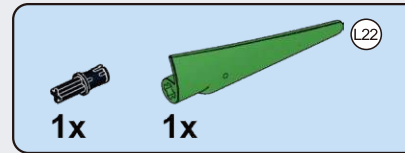
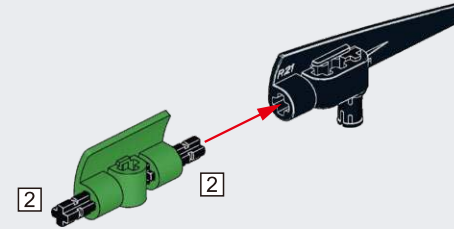
# D236



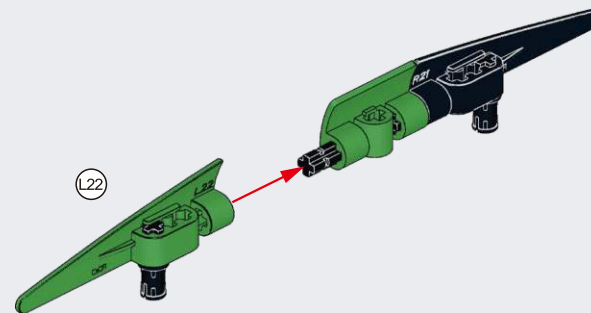
# D237



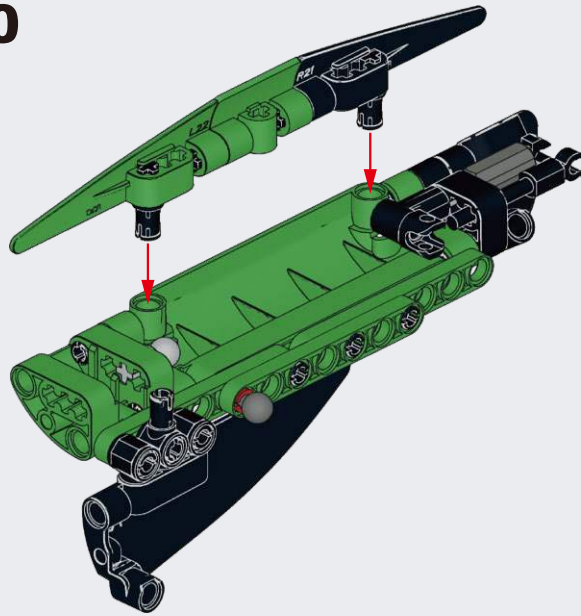
# D238



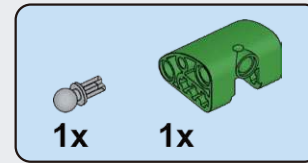
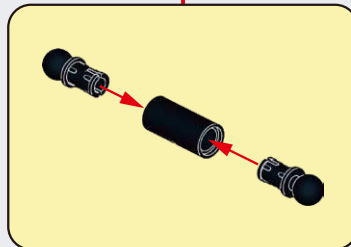
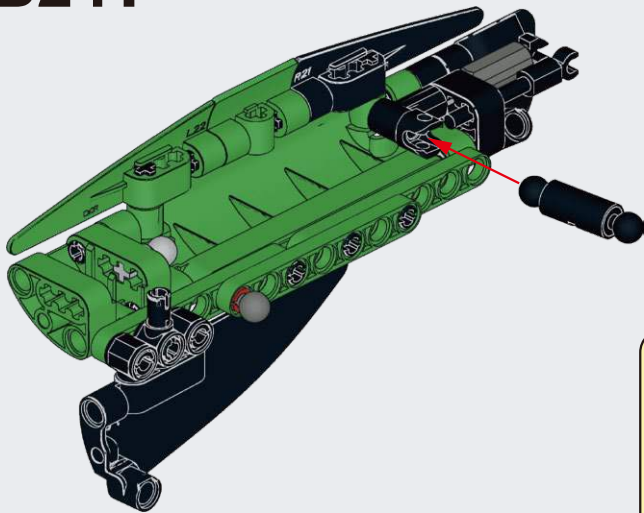
# D239



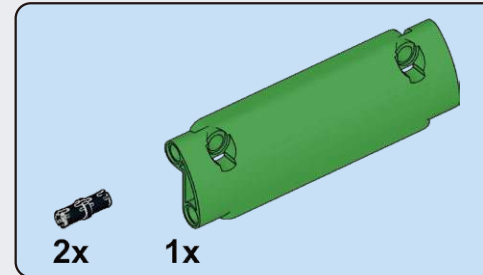
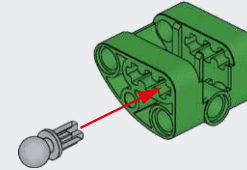
# D240



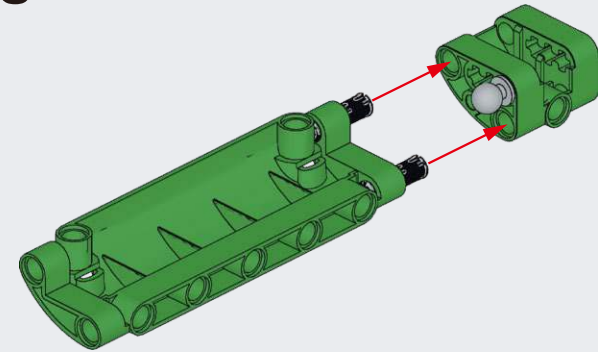
# D241



# D242

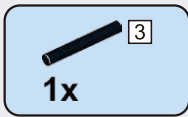
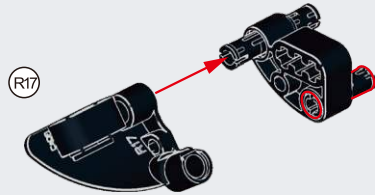


# D243

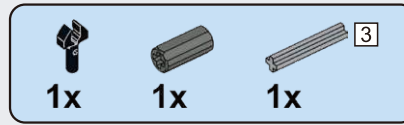
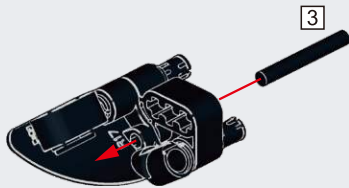




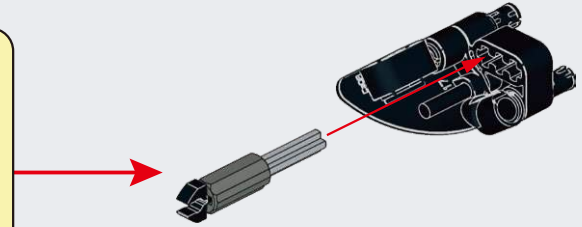
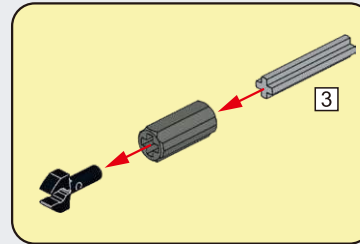
## D244



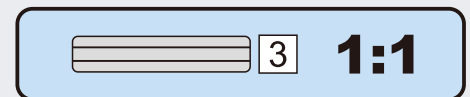
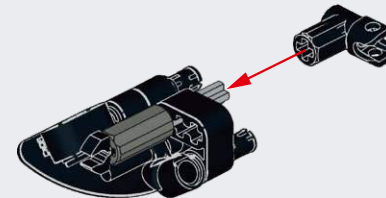
## D245

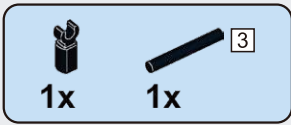


## D246

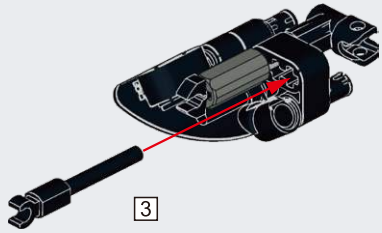


## D247

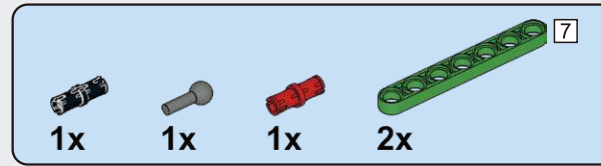
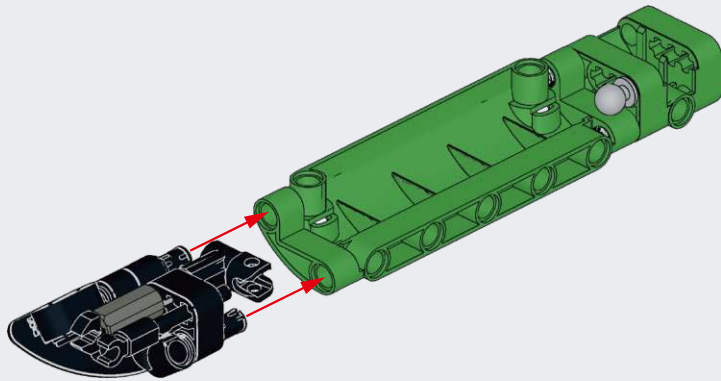




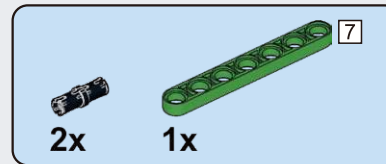
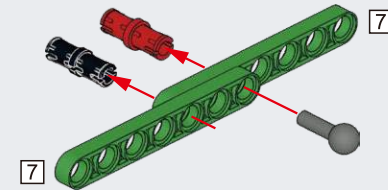
## D248



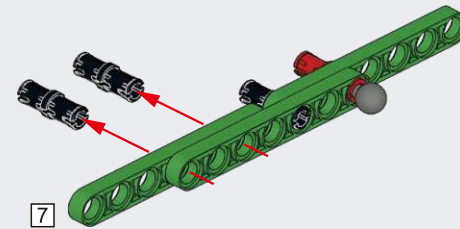
## D249



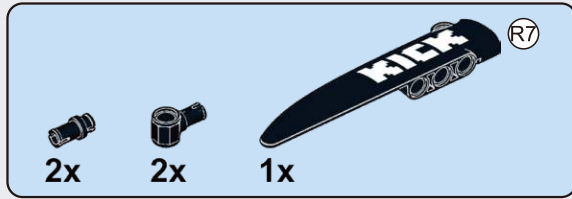
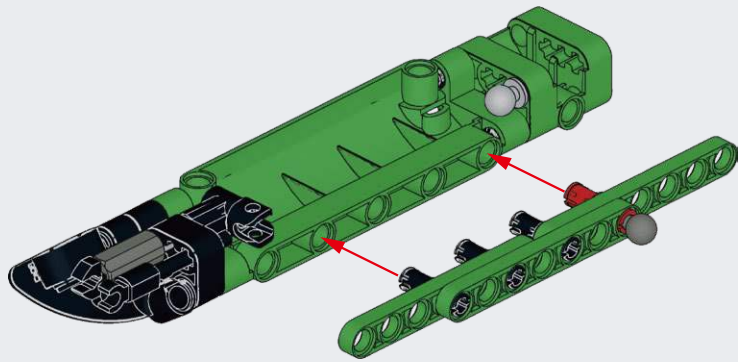
## D250



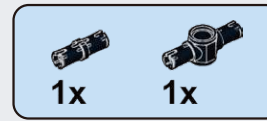
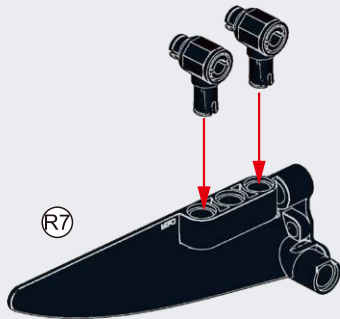
## D251



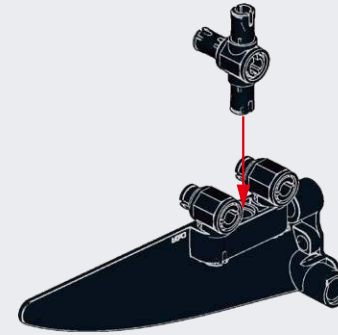
# D252



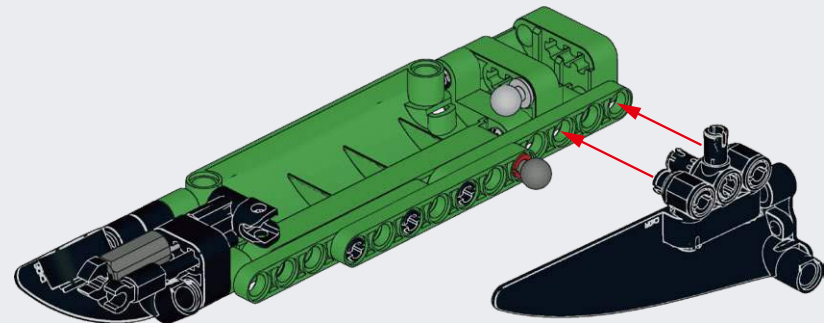
# D253

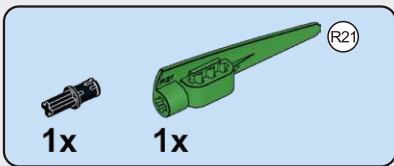


# D254

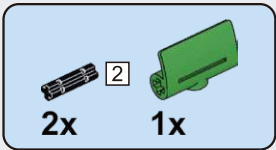
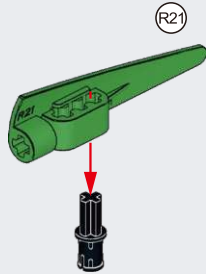


# D255

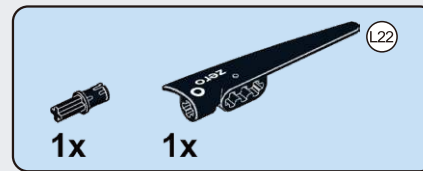
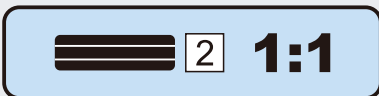
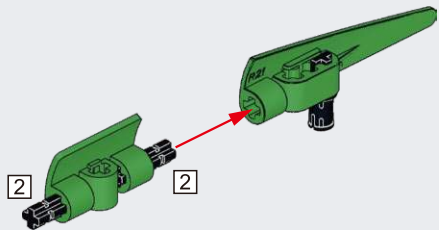




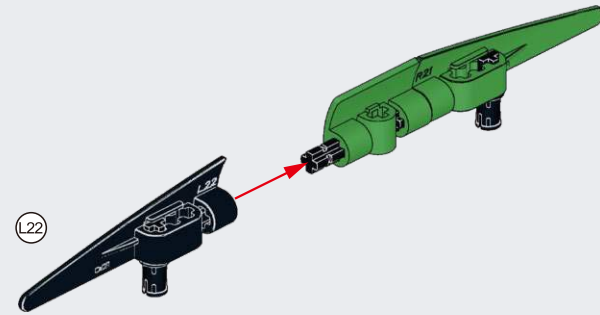
### D256



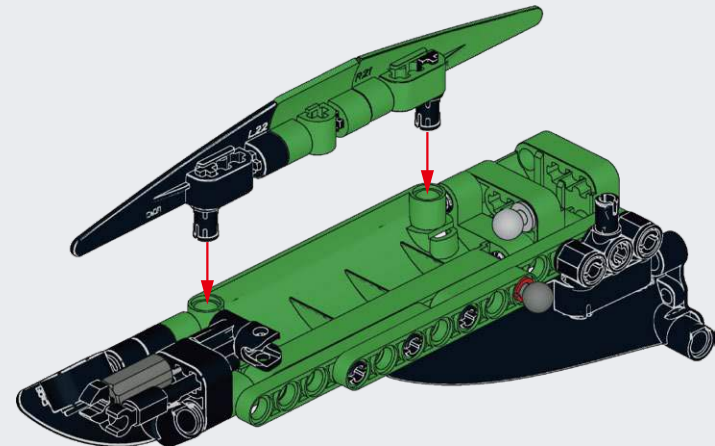
### D257



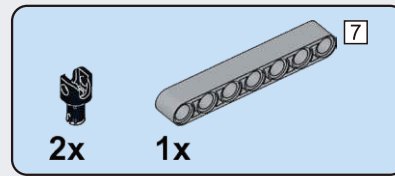
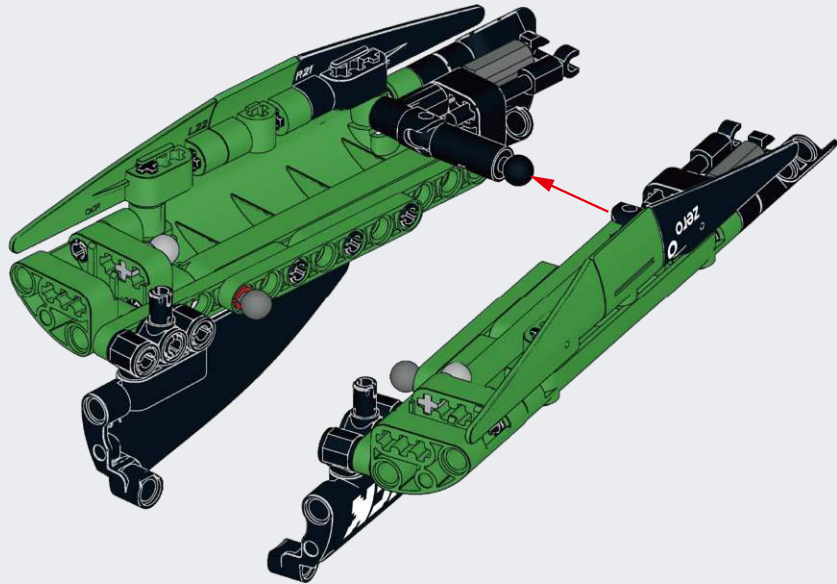
### D258



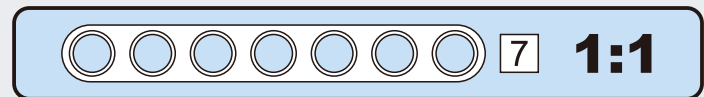
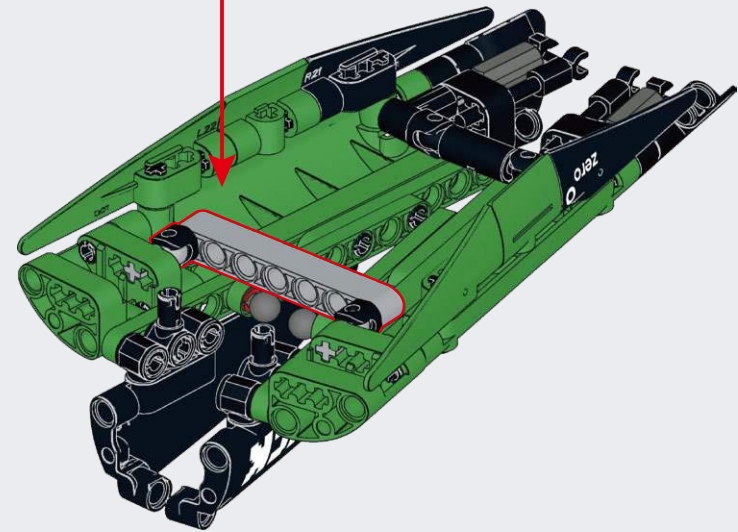
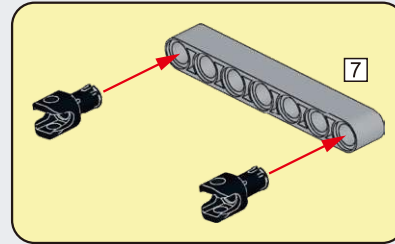
### D259

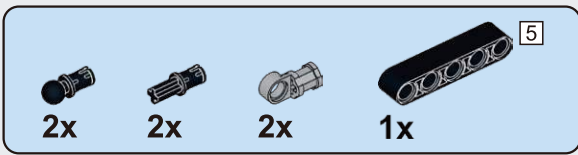


# D260

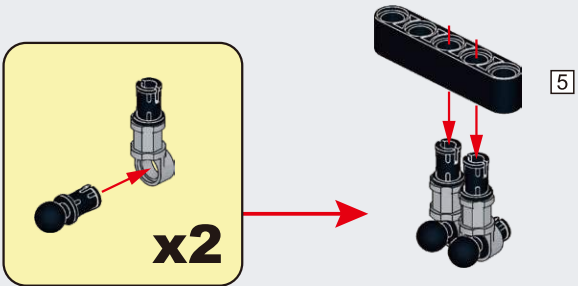


# D261

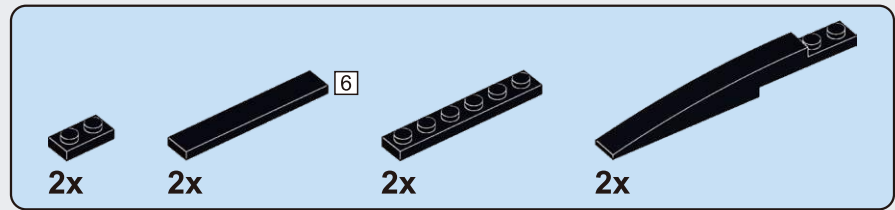
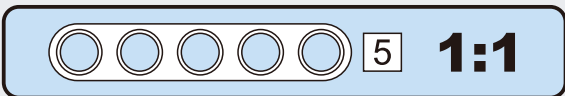
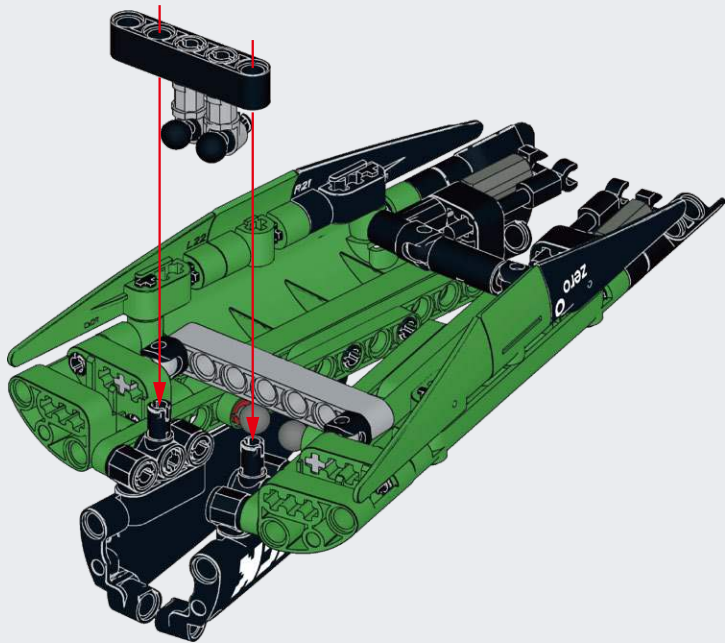




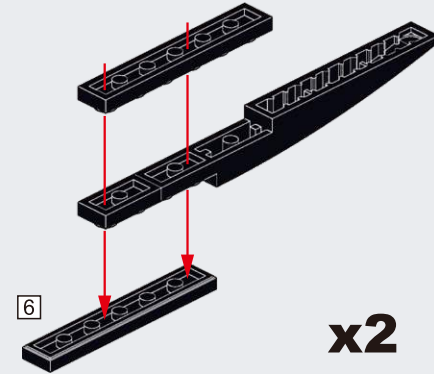
### D262



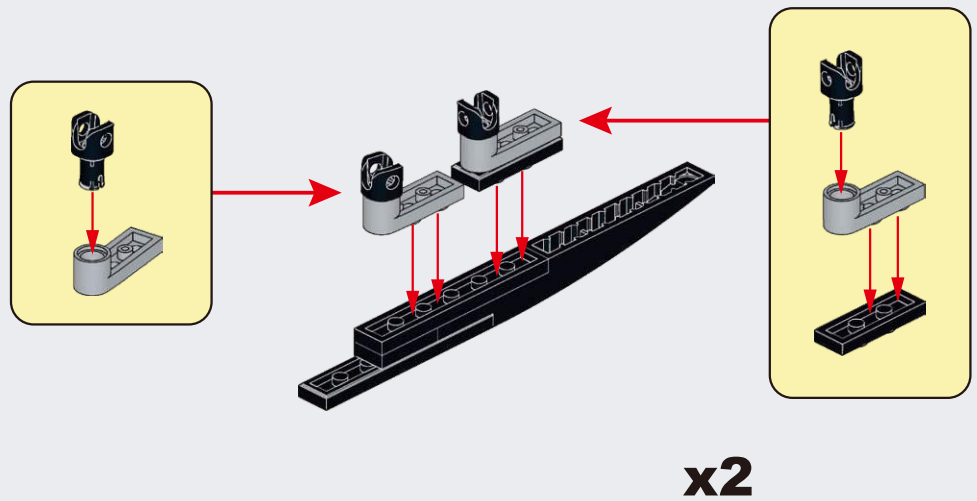
### D263

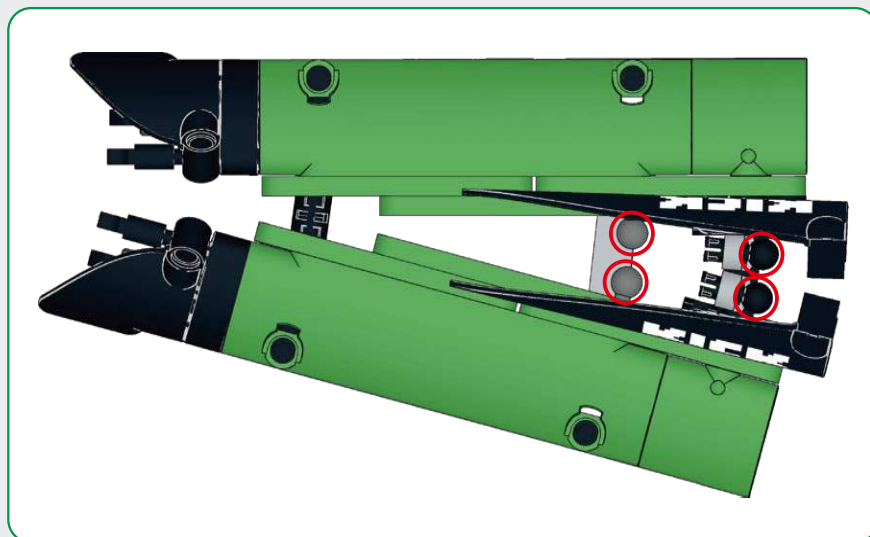
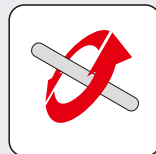


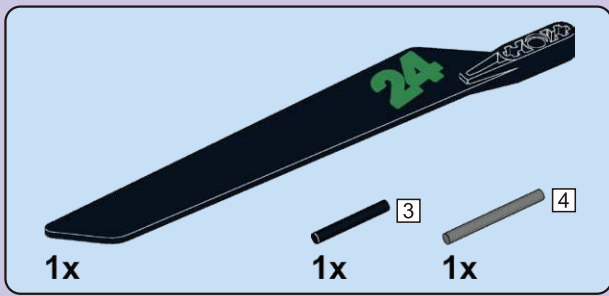
### D264



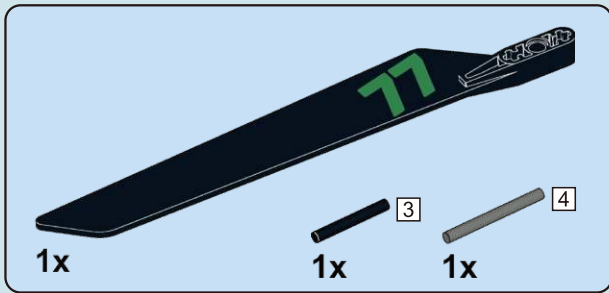
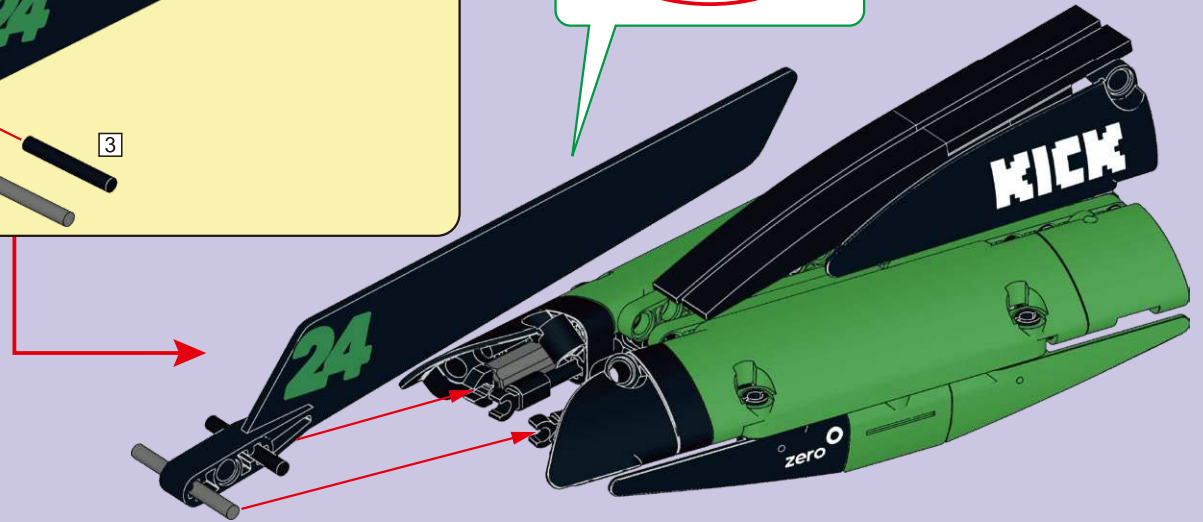
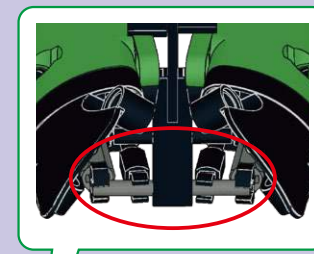
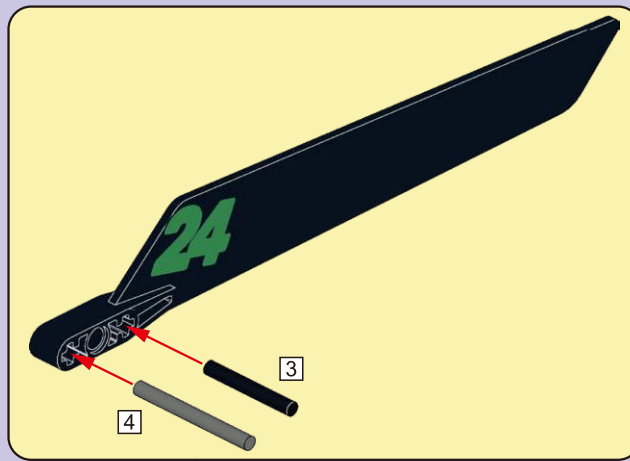
### D265



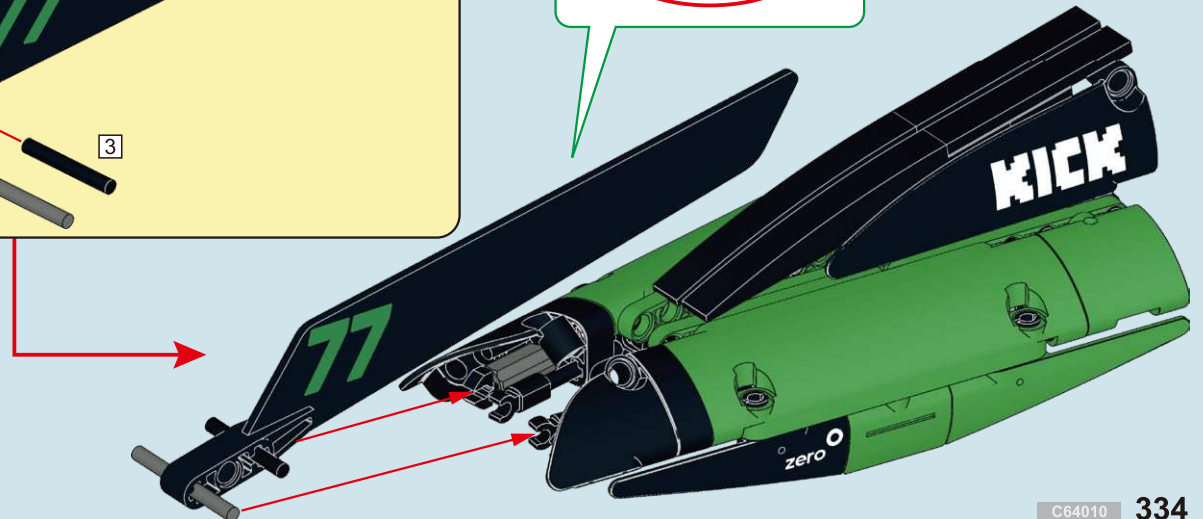
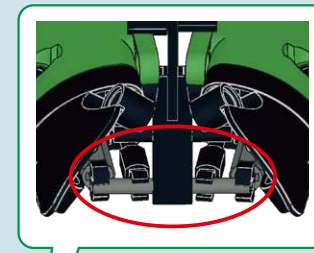
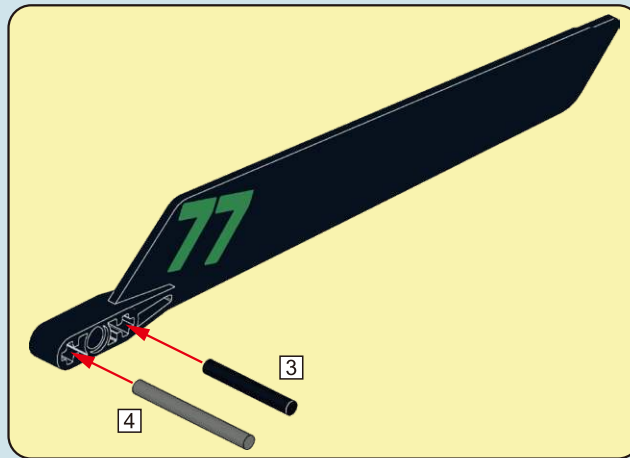


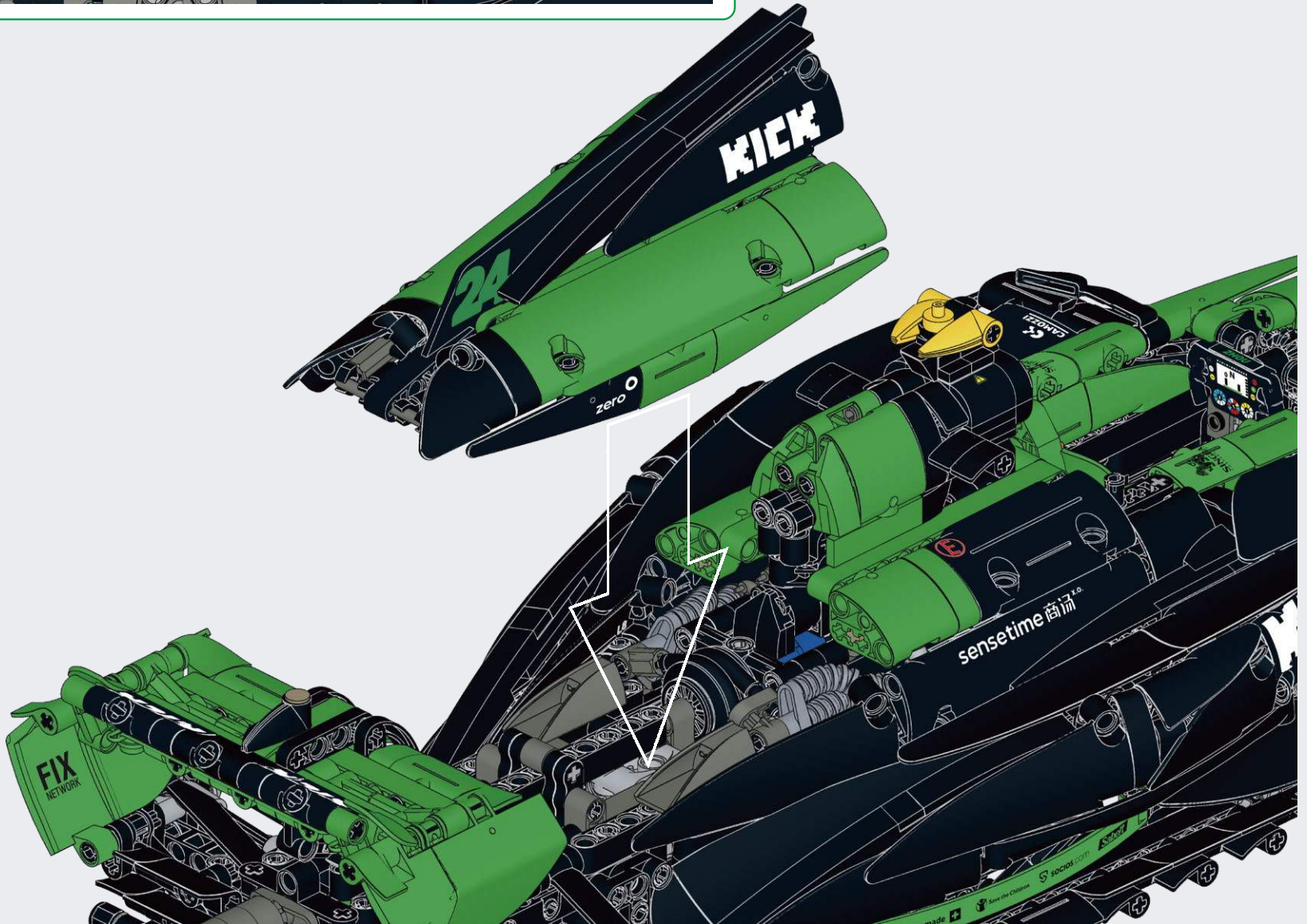
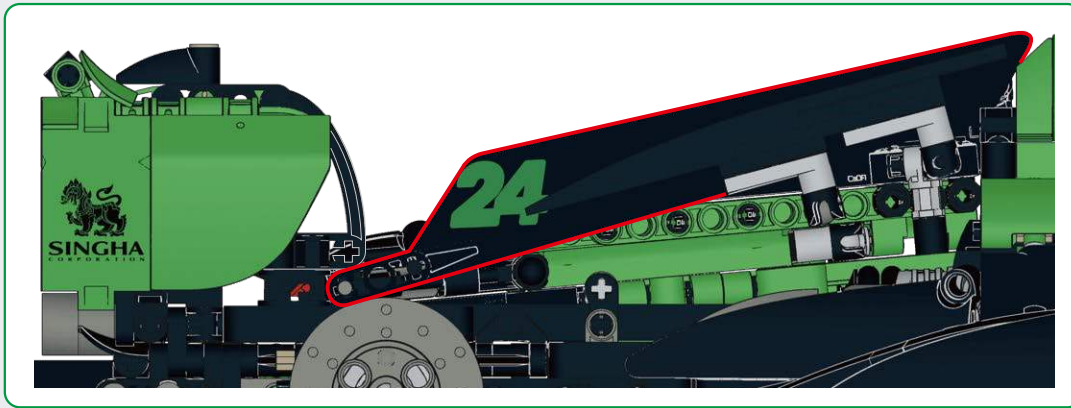


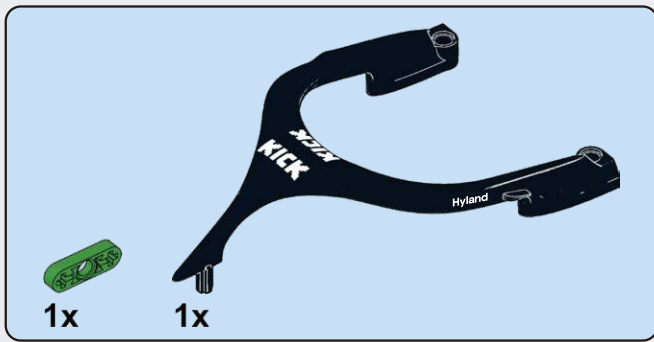
**D267**



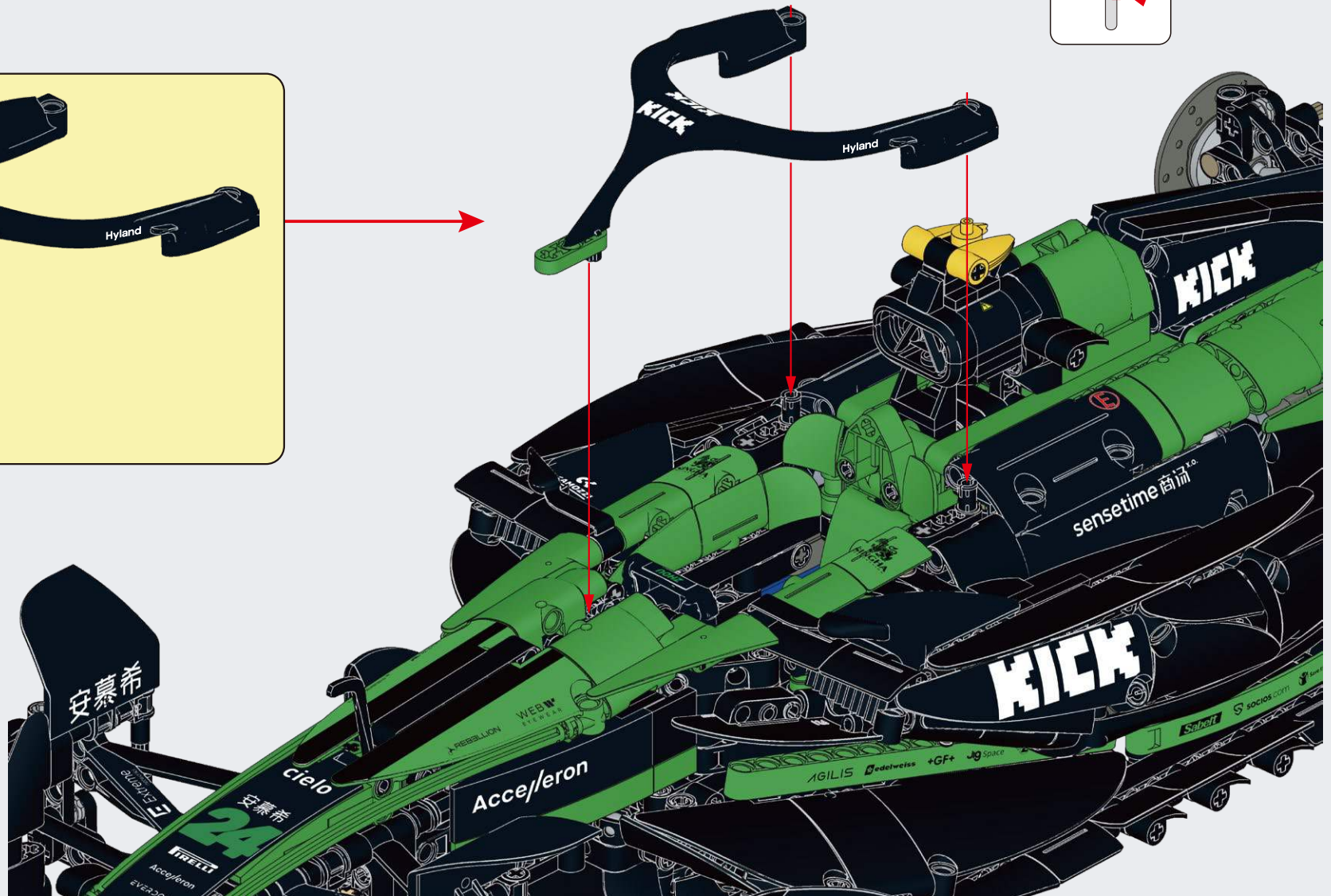
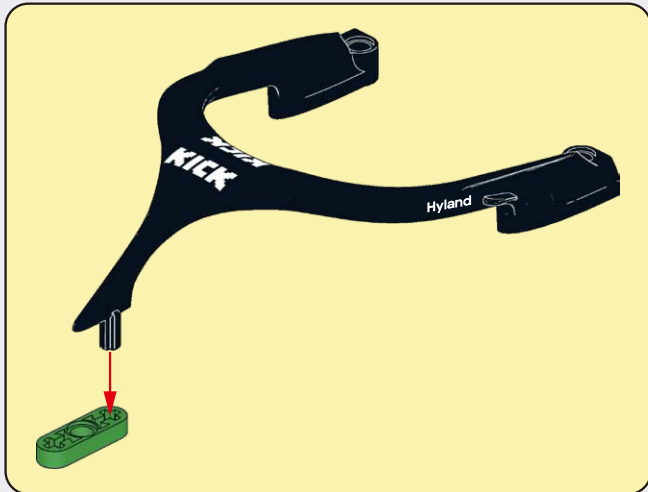
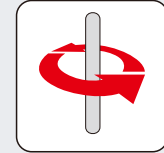
**D267**

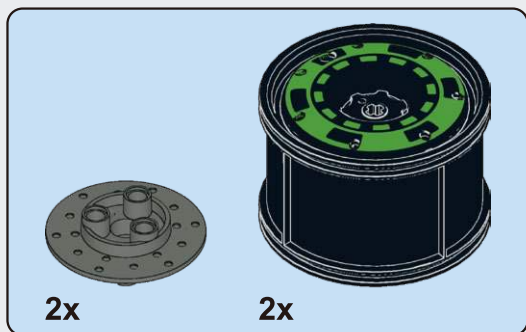




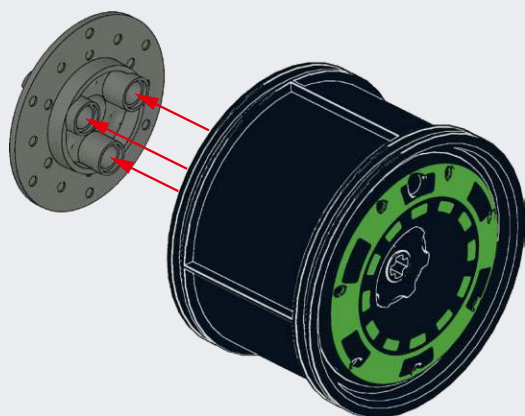


**D269**





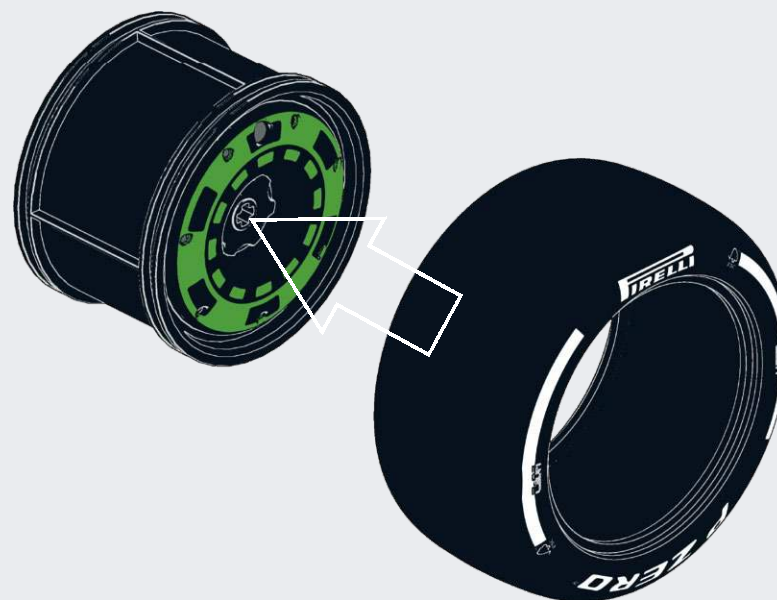
**D270**



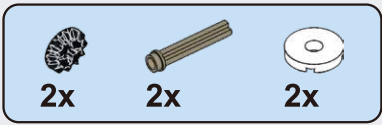
**x2**



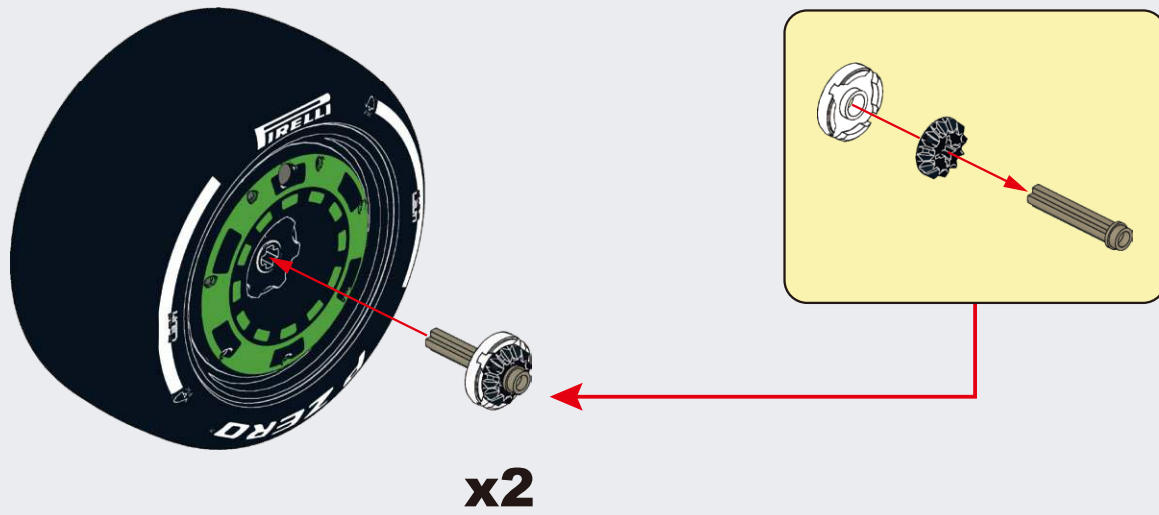
**D271**

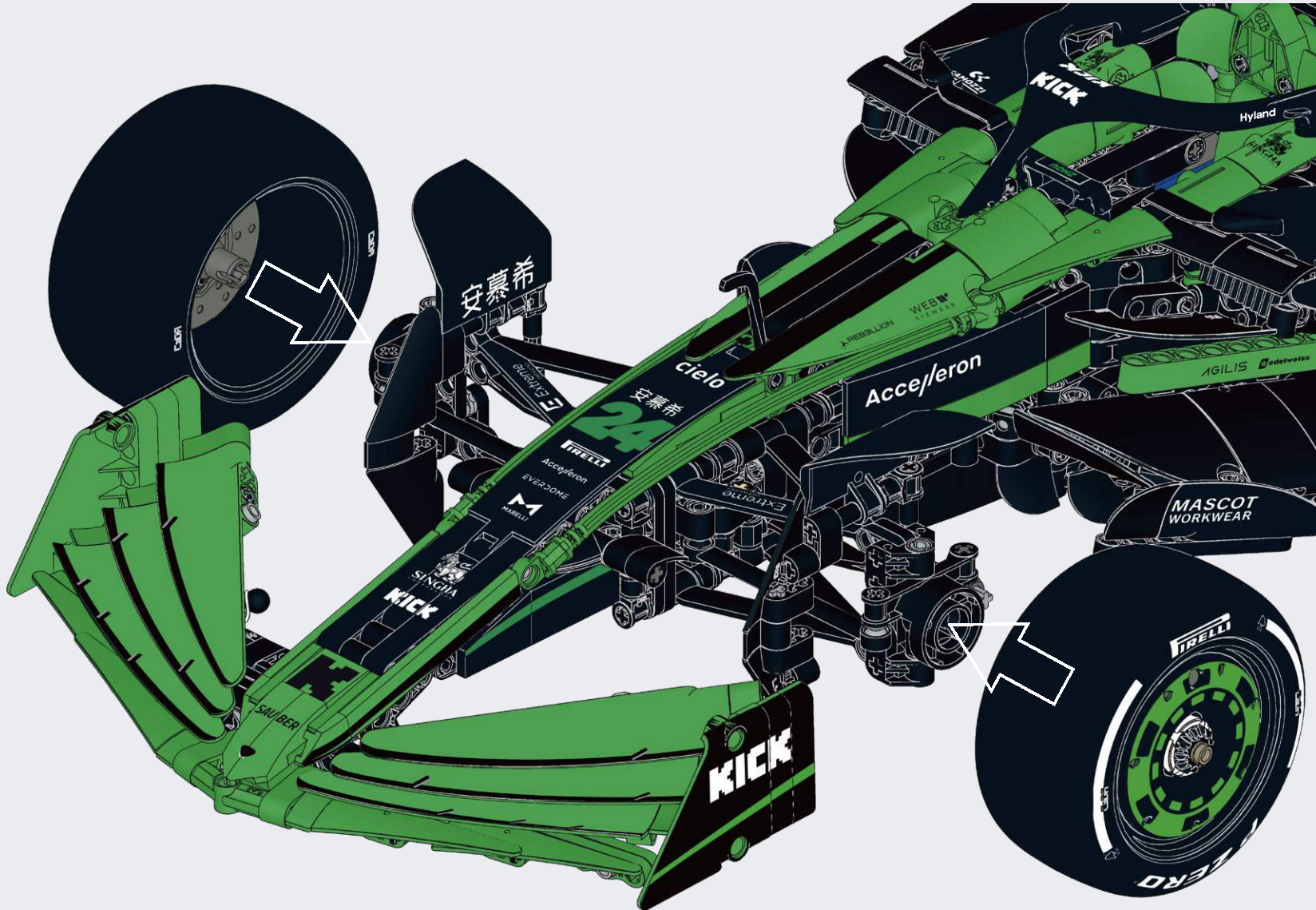


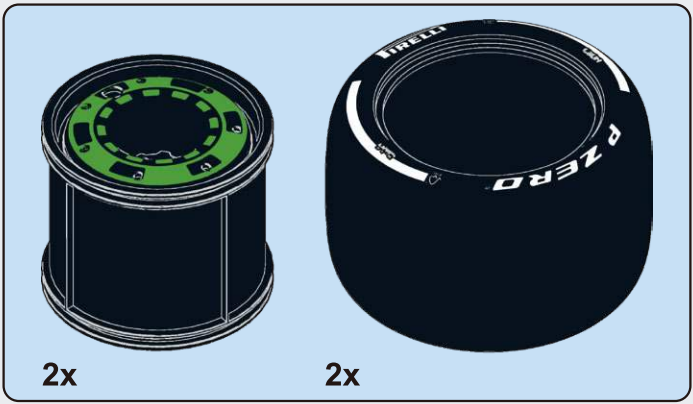
**x2**



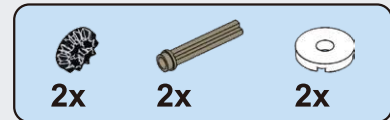
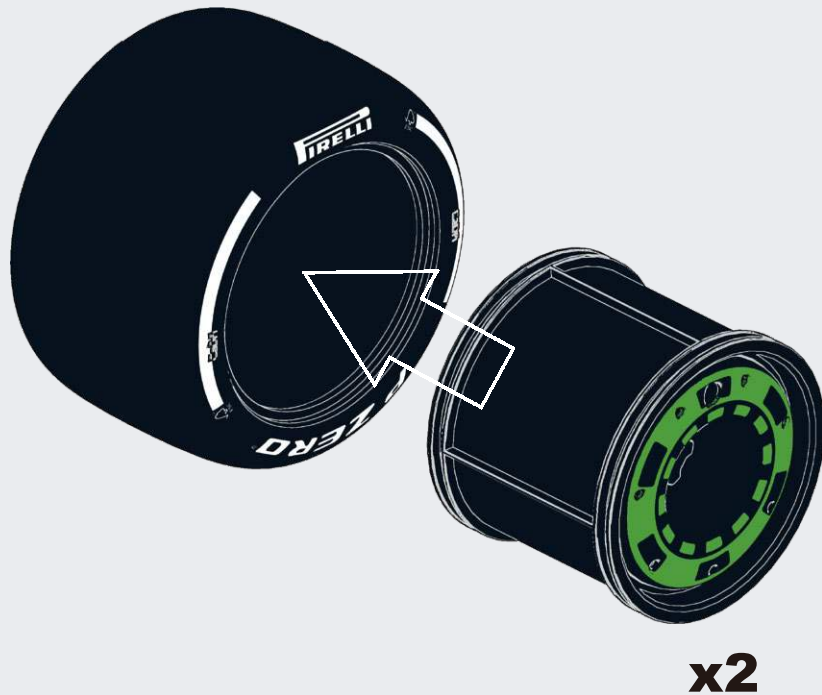
# D272



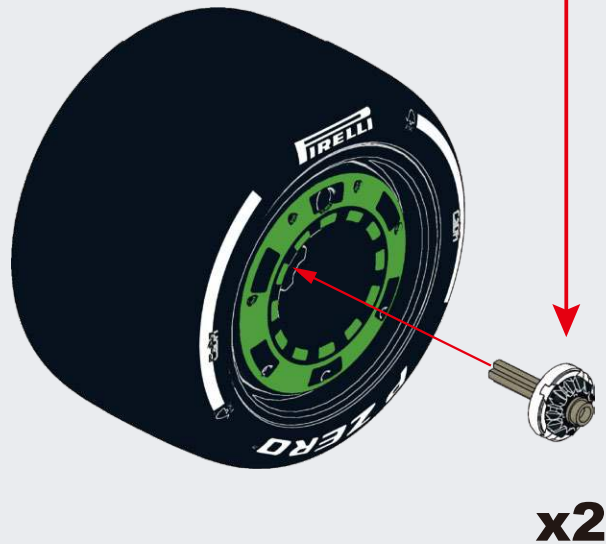
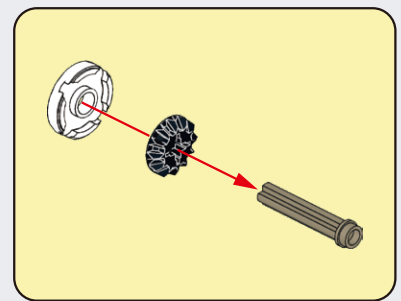


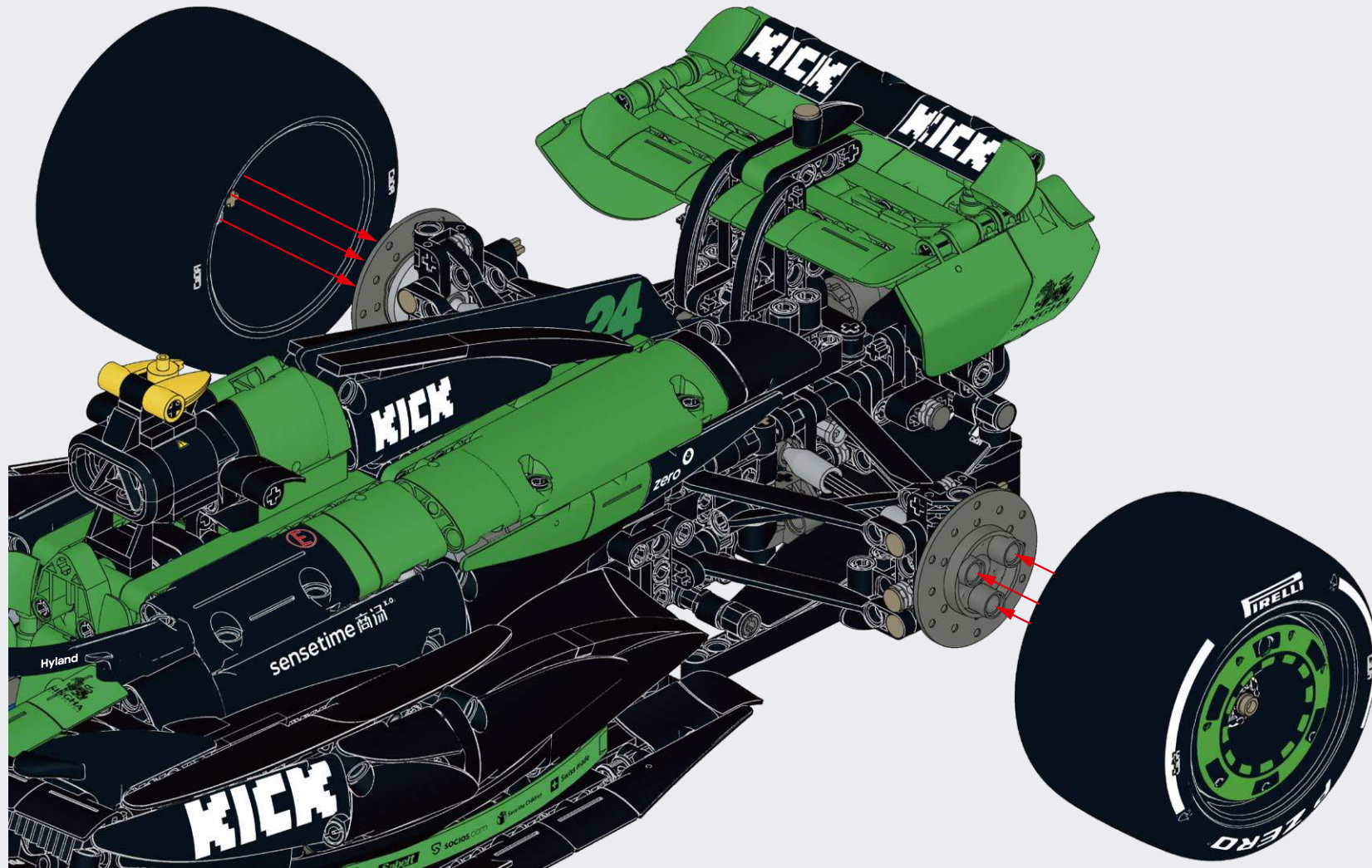


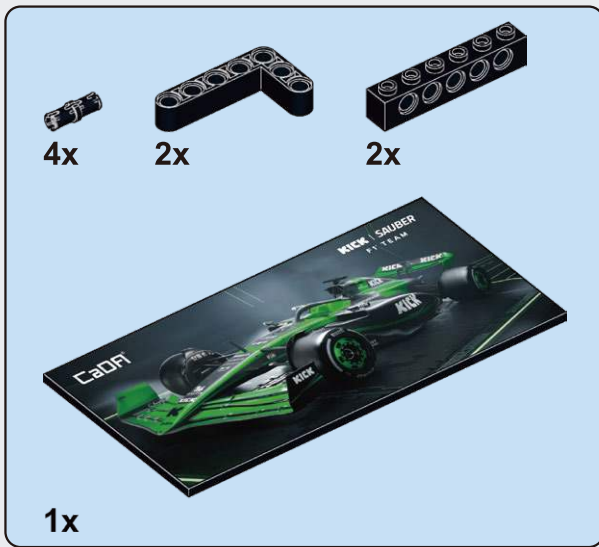
**D274**



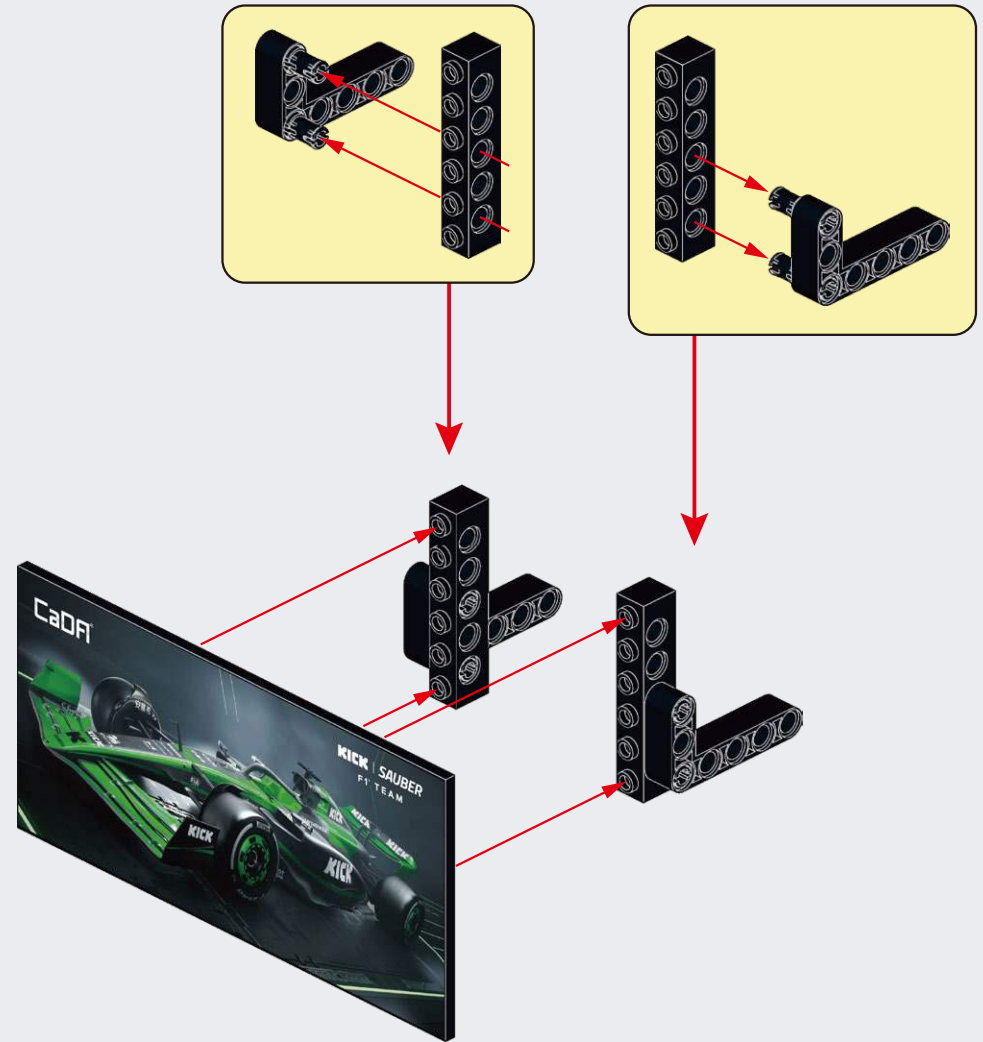
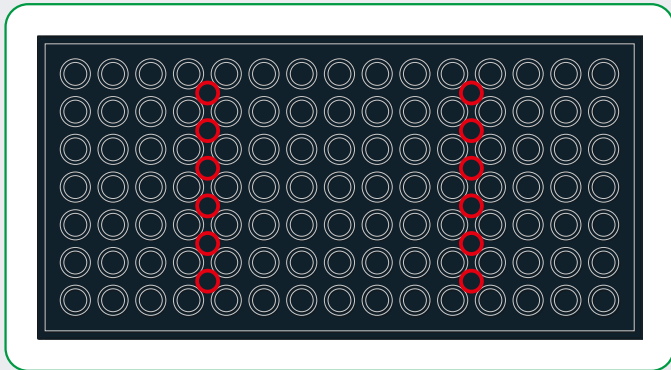
**D275**

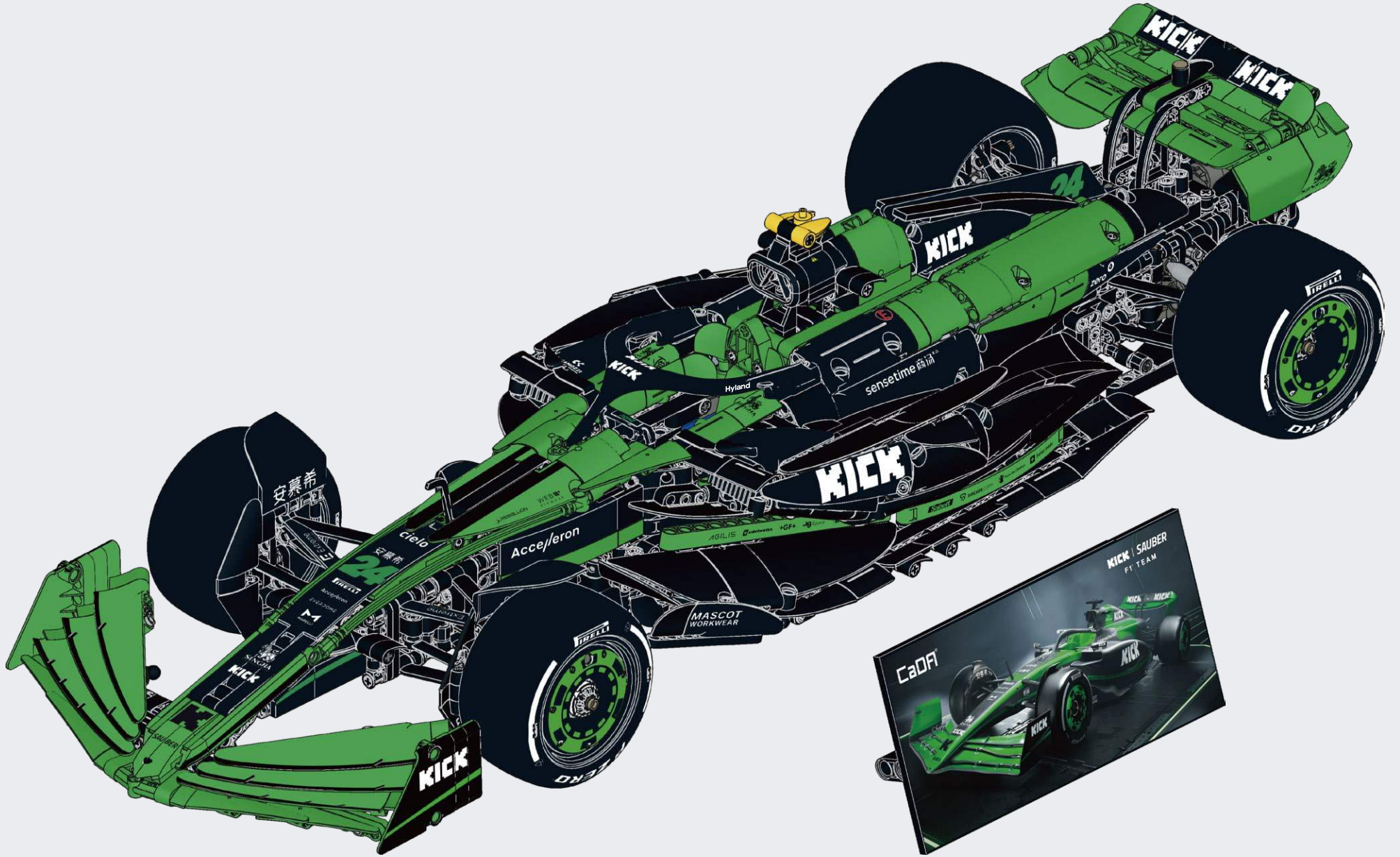


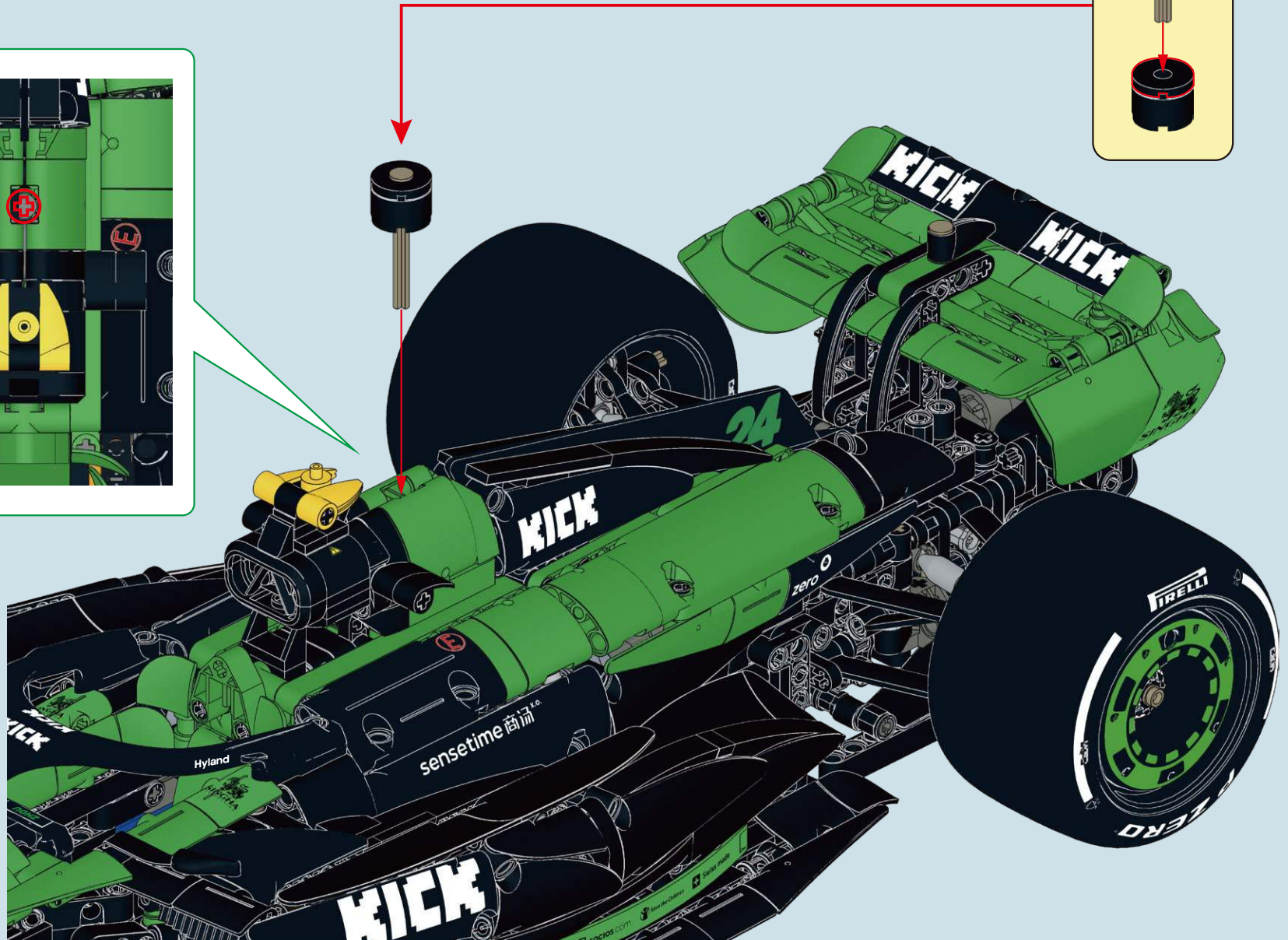
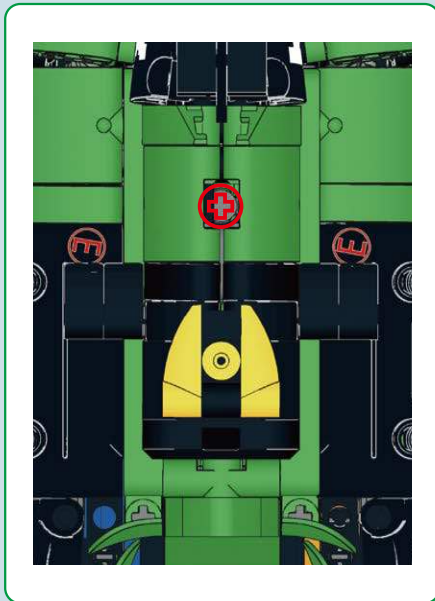
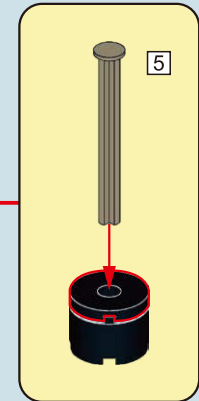
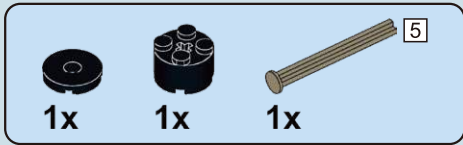


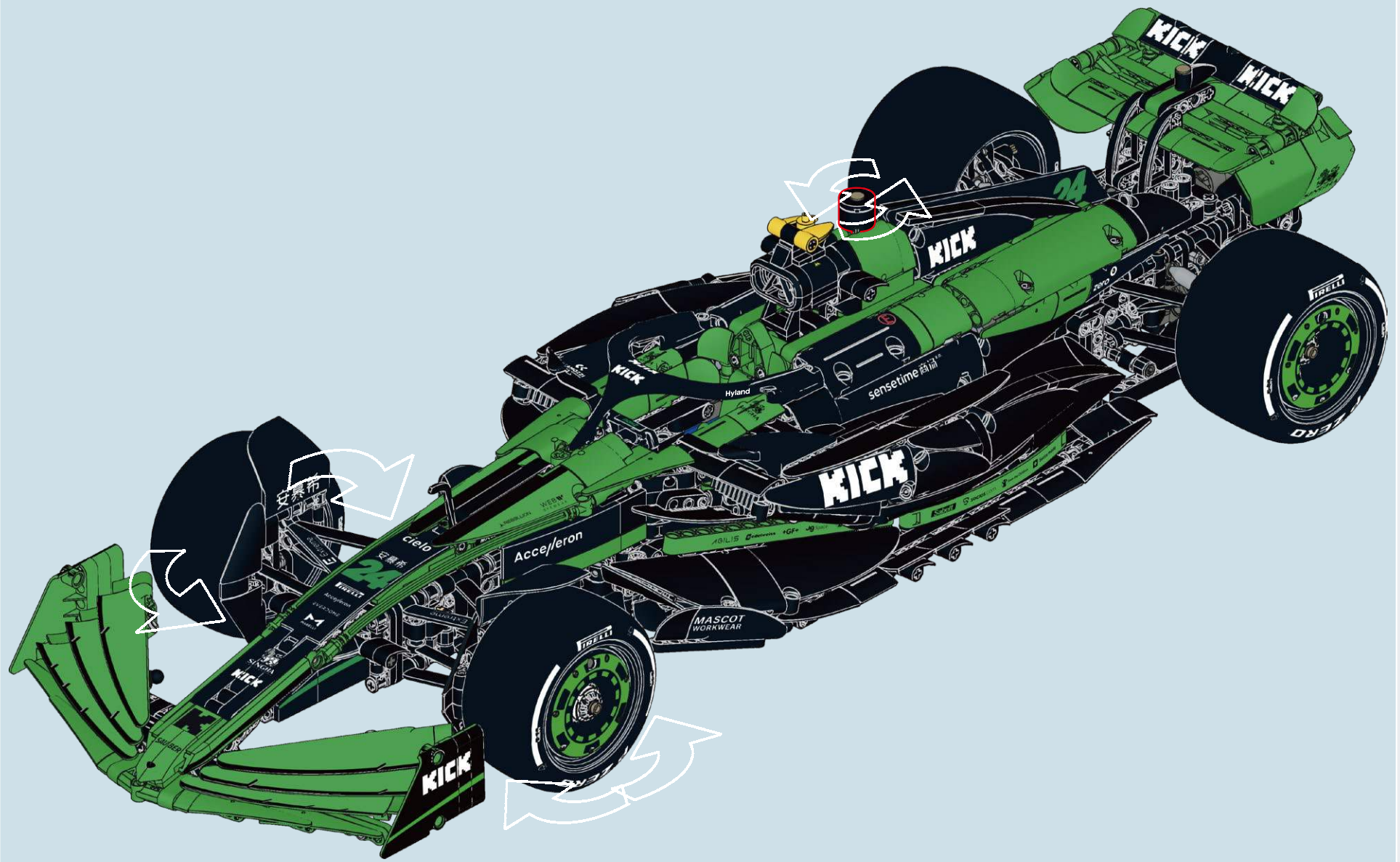


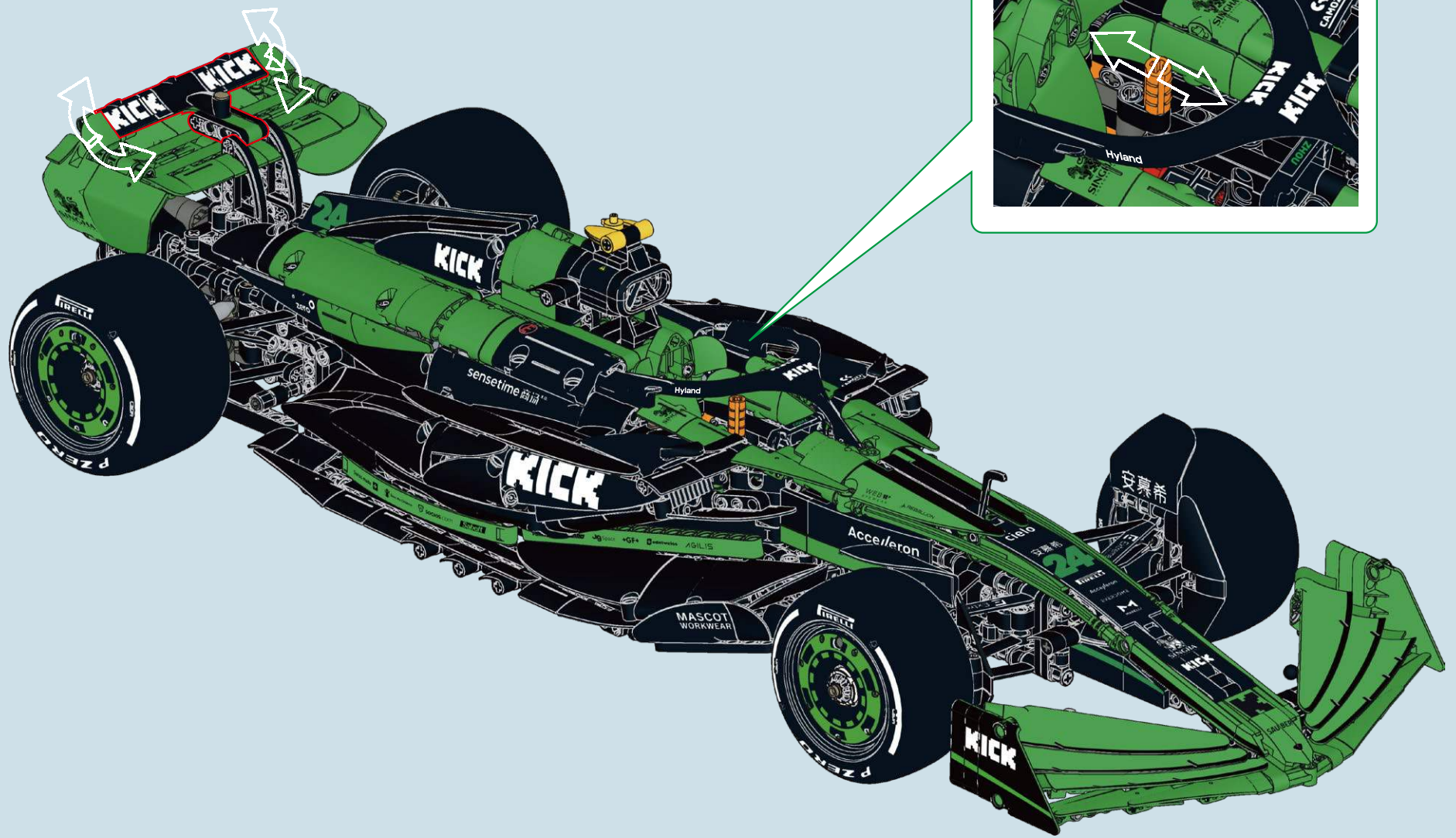
**D277**











2x JB10160003	2x JF20100004	6x JH51100002	22x JX41850002	7x JH50860002	4x JF11210001	10x JH60380002	1x JB20090008	4x JH60270001
2x JA10010002	5x JJ00010009	10x JM00170008	26x JH50260001	2x JC00150002	5x JF11220002	2x JH61150002	2x JA40480005	4x JH60310001
5x JF10700002	4x JB30030001	4x JF31070002	79x JH50010002	7x JF80730002	6x JM00150001	14x JJ70850001	5x JA10130002	4x JH60310001
4x JX31200001	8x JX80750001	14x JA10140001	14x JJ60180004	4x JF80720002	5x JH60400001	6x JJ40250002	93x JH20160002	6x JH60300001
2x JA30280016	2x JF30520002	3x JD10020001	2x JH90730004	1x JA31020001	10x JH60500001	4x JH60280001	35x JH50640001	3x JH60290001
3x JA10150009	105x JH00110001	1x JE00620003	46x JH50320001	1x JA31030001	1x JB10190002	5x JX42420002	3x JM90420002	6x JH60300001
3x JF00820004	2x JK40210001	3x JX80020001	29x JH41110003	2x JX42480001	2x JE30150002	5x JX42410002	5x JX40420001	3x JE20070002
4x JF11170003	24x JJ40220001	9x JH10190002	20x JH50410001	2x 202RJC00300003	2x JA30340001	1x JB20250007	15x JH60850002	1x JE20080002
9x JD10010005	3x JA30290001	18x JJ60190001	2x JH40580001	7x JA20180001	2x JA40770003	1x JB20250007	1x JJ60310002	7x JH60490001
6x JH20150003	208x JH20250001	16x JF30440001	2x JF10850004	2x JF10850004	8x JA10080002	14x JF10890001	13x JJ60590001	1x JM90520003
12x JH20140002	16x JF30440001	1x JJ60030003	2x JA40360001	1x JJ00570005	1x JF00140001	3x JH00130002	3x JJ60040001	1x JM90520003
23x JH10790001	4x JF01060002	42x JF40450001	7x JF00990001	6x JJ00200001	1x JF00140001	1x JH90800002	3x JJ60040001	15x JH60650002
2x JX80950001	2x JC00110002	4x JG20150002	2x JH30210002	1x JF10240001	4x JC00080003	9x JH50200002	26x JH60390001	6x JJ50710001
2x JT10020041	2x JC00100002							



5x  
JH60480002



8x  
JJ70820001



5x  
JH61080001



6x  
JH60820003



10x  
JA10070001



11x  
JX41360002



4x  
JH60360001



2x  
JX42530001



2x  
JX42540001



8x  
JJ40240001



13x  
JX42390001



6x  
JF10460002



4x  
JH00930001



12x  
JH00050001



20x  
JH21030001



1x  
JA30310002



8x  
JA10120001



2x  
JM00550002



2x  
JJ50460003



2x  
JJ50260001



2x  
JM90710003



1x  
JH90660001



2x  
JK10040003



2x  
JJ60390001



2x  
JA10160005



2x  
JJ20640001



1x  
JH60900001



5x  
JH60350001



2x  
JA10060002



1x  
JC00020001



2x  
JH60840002



4x  
JJ70110002



4x  
JD20210006



2x  
JX42060001



6x  
JJ40300001



13x  
JJ40730002



1x  
JH00040003



19x  
JJ60050001



2x  
JX41880002



2x  
JX41890002



1x  
JT46460001



1x  
JX41960003



1x  
JX41950003



4x  
JX41980004



4x  
JX41970004



2x  
JX12400001



1x  
JJ60350004



7x  
JJ60320002



4x  
JH60340001



1x  
JX12460001



1x  
JX12460002



2x  
JJ50440001



4x  
JJ50270002



2x  
JJ50720001



6x  
JJ70120002



2x  
JM80470001



6x  
JJ70600002



6x  
JX42070002



2x  
JJ40290001



5x  
JA30320005



8x  
JA10110001



7x  
JH00060001



2x  
JC00530002



2x  
JJ00210001



1x  
202RJA30930013



1x  
202RJA30930012



2x  
JA10050006



2x  
JJ60360003



1x  
JX41660008



1x  
JX41670008



1x  
202RJX42490001



1x  
202RJX42490002



6x  
JJ40280001



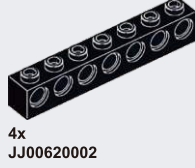
2x  
JJ60330001



16x  
JJ60060001



1x  
JM00340001



4x  
JJ00620002



2x  
JX42310003



2x  
JX42320003



1x  
202RJX42320001



1x  
202RJX42310001



1x  
202RJX42000001



1x  
202RJX41990001



1x  
202RJX40540003



1x  
202RJX40540002



1x  
JX41120003



2x  
JX41630007



2x  
JX41620007



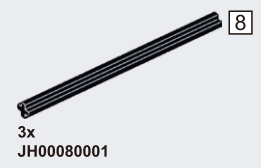
1x  
202RJX41630003



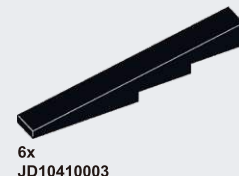
1x  
202RJX41620003



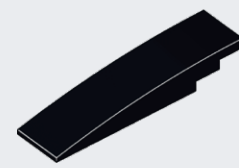
1x  
JJ20760002



3x  
JH00080001



6x  
JD10410003



6x  
JC00130002



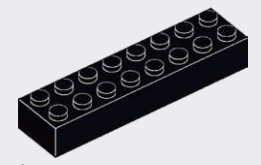
1x  
202RJC00130003



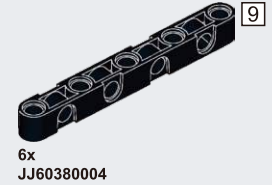
1x  
202RJC00130002



2x  
JA10040003



6x  
JA20270001



6x  
JJ60380004



2x  
JF40530001



4x  
JJ60070001



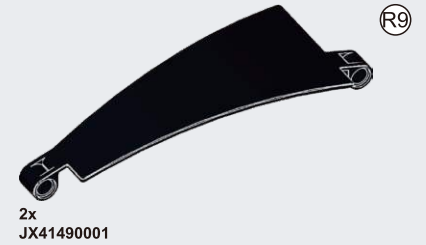
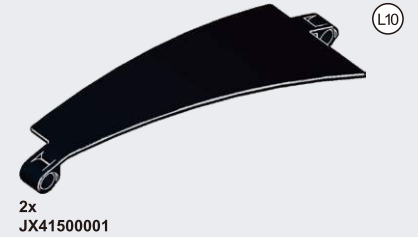
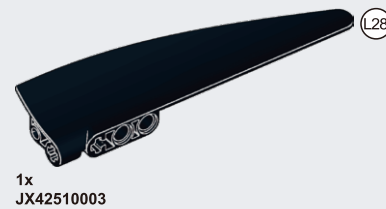
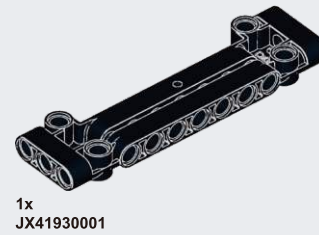
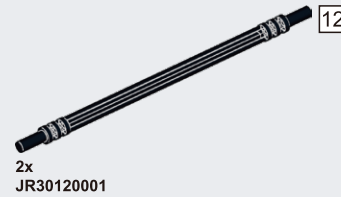
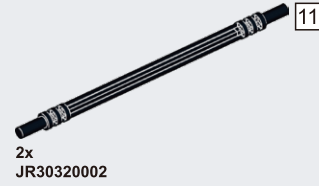
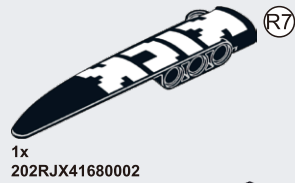
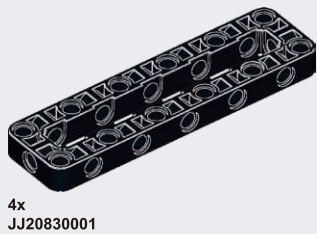
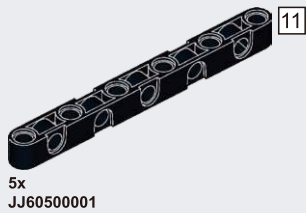
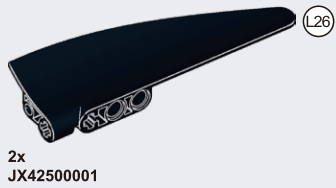
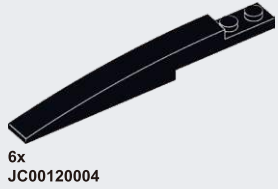
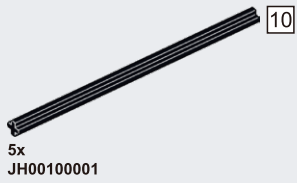
1x  
202RJX41540002

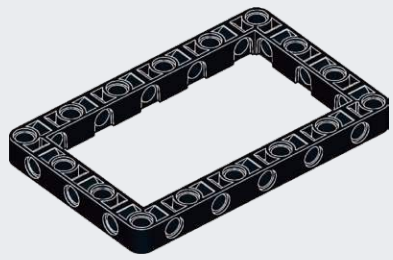


1x  
202RJX41540003



18x  
JX41540001





2x  
JJ20650001



7x  
JJ60100003



4x  
JJ60790001



4x  
JA10840007



1x  
JJ90700004



2x  
202RJM41000005



2x  
202RJM41000006



2x  
202RJR40370003



2x  
202RJR40370004



1x  
JT10040021



2x  
JT10040001



1x  
202RJA30880014



1x  
202RJX12450001



1x  
202RJX41210001



1x  
202RJX41210002



2x  
JR50210001



2x  
JH20550003



1x  
202RJX02470001



1x  
202RJX02470002



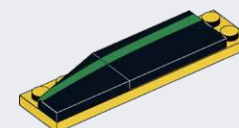
1x  
204RC640100004



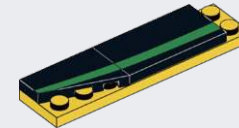
1x  
204RC640100003



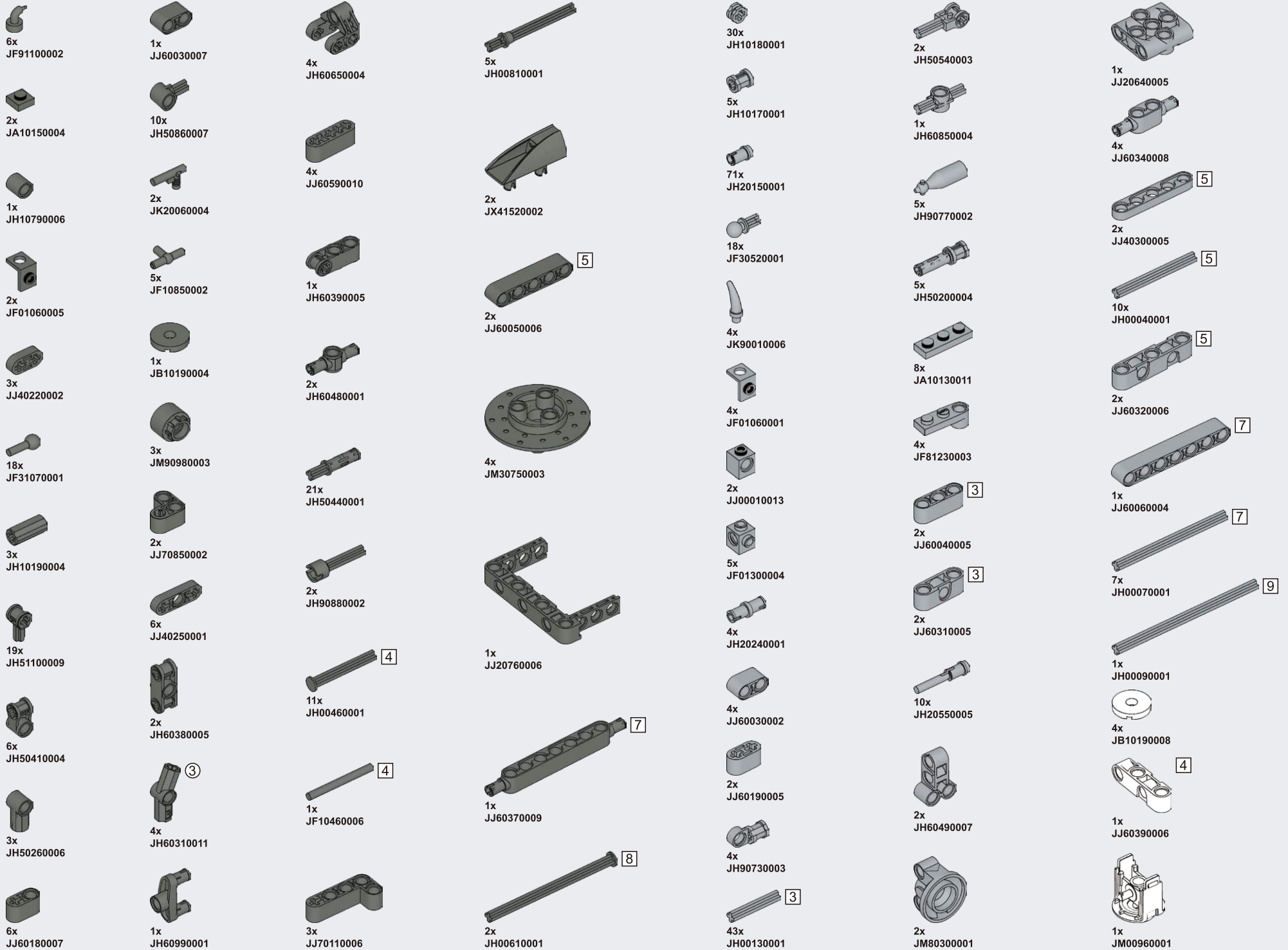
1x  
204RC640100002



1x  
204RC640100005



1x  
204RC640100006



- 1x JF11170001
- 4x JH20030002
- 2x JH50200001
- 2x JH50410007
- 2x JM90510008
- 1x JH60390006
- 1x JA30310005
- 1x JA10060006
- 1x JM00950001
- 10x JH50450001
- 19x JH00630001
- 14x JH00470001
- 2x JM00170001
- 10x JH20140001
- 6x JH50780001
- 1x JM00160001
- 7x JH20430001
- 2x JH00930002
- 1x JF10700018
- 2x JH50740001
- 2x JX40420013
- 1x JH90660002
- 4x JX31200007
- 2x JA10150033
- 2x JF01260013
- 5x JH00620001
- 2x JX80750022
- 1x JX81340018
- 6x JH50860018
- 4x JH51100011
- 9x JX41850016
- 1x JH50410018
- 2x JA30290036
- 1x JA10140044
- 2x JF10850014
- 2x JH90730012
- 1x JH50320021
- 4x JH90910004
- 2x JH50260014
- 2x JF80720025
- 2x JJ00200023
- 2x JJ60190015
- 8x JX42480002
- 1x 202RJA30340010
- 1x JA10080033
- 2x JF80390015
- 2x JH60400018
- 4x JX42410004
- 4x JX42420004
- 4x JJ40250020
- 2x JH60850014
- 1x JC00500007
- 1x JC00490007
- 3x JA10130033
- 3x JH60390022
- 1x JJ60310016
- 2x JJ60590015
- 6x JH60380017
- 2x JH60270020
- 3x JH60310013
- 2x JH60290016
- 2x JJ50710019
- 10x JX41360018
- 1x 202RJX41360005
- 1x 202RJX41360002
- 1x JH61000003
- 2x JA10070036
- 1x JA10160029
- 1x JJ20640015
- 8x JX42060009
- 2x JA30310036
- 2x JC00530008
- 1x JX41980019
- 1x JX41970019
- 4x JJ40730016
- 2x 202RJX40550001
- 1x JX42070006
- 6x JJ40280014
- 4x JX42310004
- 4x JX42320004
- 1x 204RC640100011

4

3

5

Y2

3

2

3

5

L34

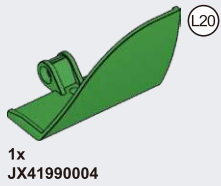
R15

L16

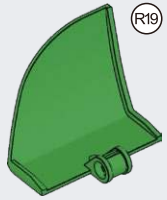
7

R21

L22



1x  
JX41990004



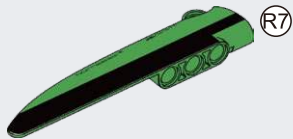
1x  
JX42000004



1x  
204RC640100010



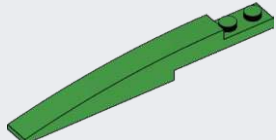
1x  
204RC640100009



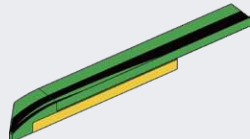
1x  
202RJJX41680001



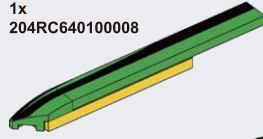
1x  
202RJJX41690001



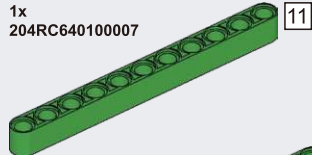
2x  
JC00120013



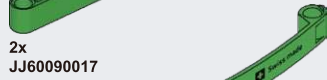
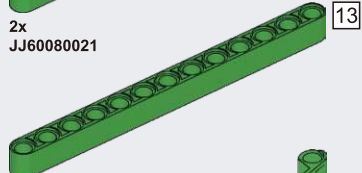
1x  
204RC640100008



1x  
204RC640100007



2x  
JJ60080021



2x  
JJ60090017



1x  
202RJJX42380002



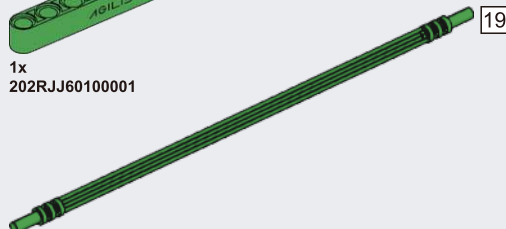
1x  
202RJJX42380001



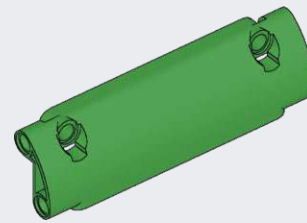
1x  
202RJJ60100002



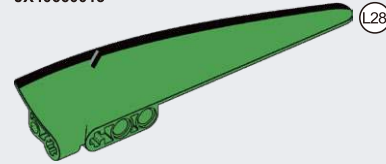
1x  
202RJJ60100001



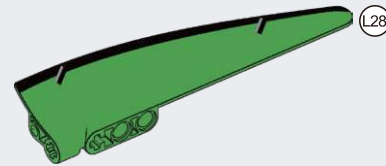
2x  
JR30240012



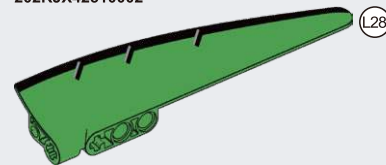
2x  
JX40660013



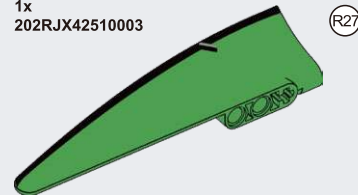
1x  
202RJJX42510001



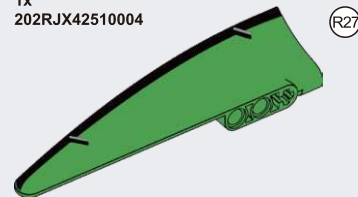
1x  
202RJJX42510002



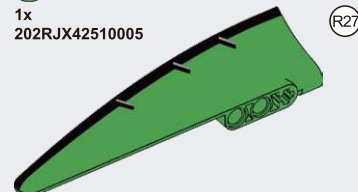
1x  
202RJJX42510003



1x  
202RJJX42510004



1x  
202RJJX42510005



1x  
202RJJX42510006



2x  
JA30590017



4x  
JF01260009



2x  
JB10190012



3x  
JB20090012



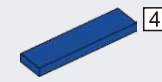
2x  
JD20060007



1x  
JM00660001



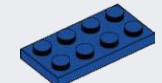
4x  
JH20160001



4



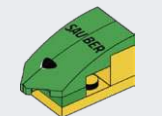
2x  
JA30310008



1x  
JA10060008



12x  
202RJJH40870001



1x  
204RC640100001



2x  
JT10010009



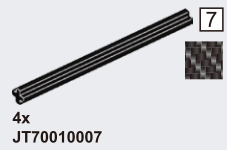
2x  
JT10010018



2x  
JT10010005



2x  
JT70010004



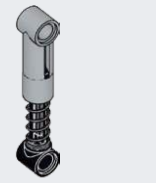
4x  
JT70010007



2x  
JT00010005



3x  
2050JH90560001



8x  
2050JH80670005



2x  
JH60990006

CaDA®

KICK | SAUBER  
F1® TEAM

CaDA®

 [www.doubleeagle-group.com](http://www.doubleeagle-group.com)

