

SCANIA TRACTOR TRUCK

JIE
STAR

SCANIA TRACTOR — TRUCK

BUILD AND DISPLAY



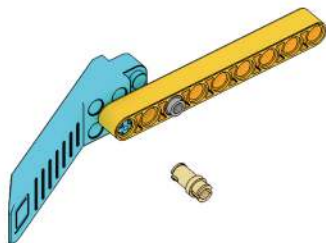
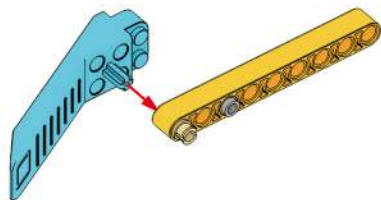
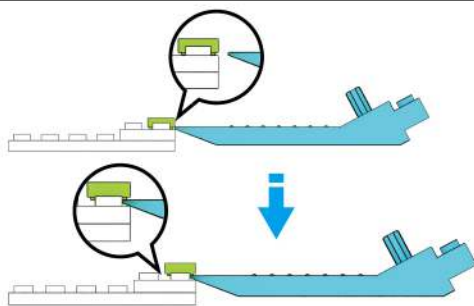
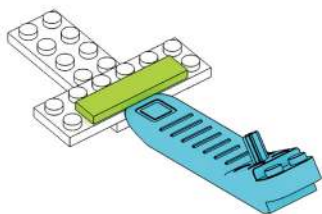
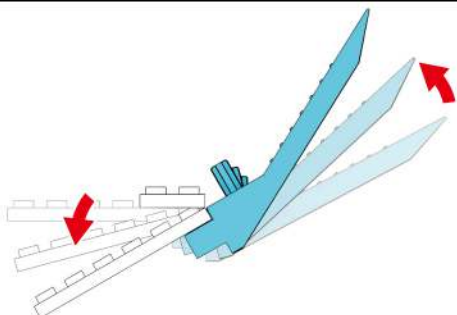
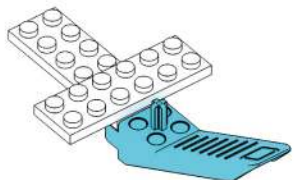
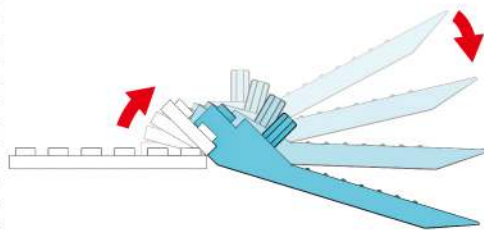
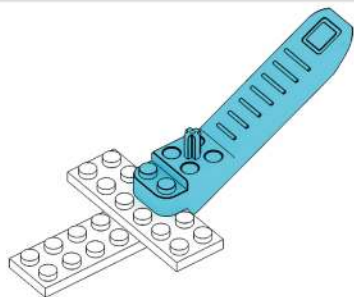
9070

Ages 14+ | JJ9070

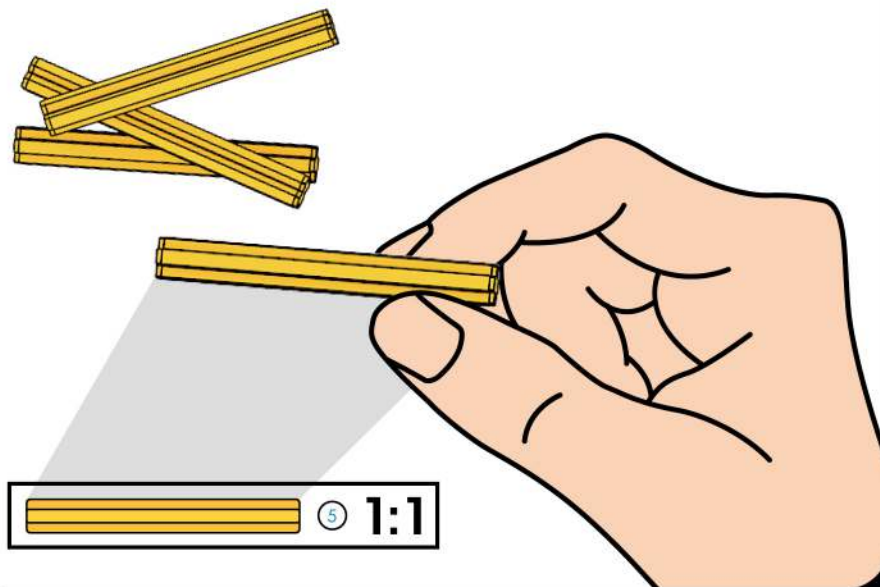



Purchase accessories and
upgrade dynamic modules

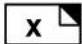
起件器使用方法 (Brick Separator Guide)



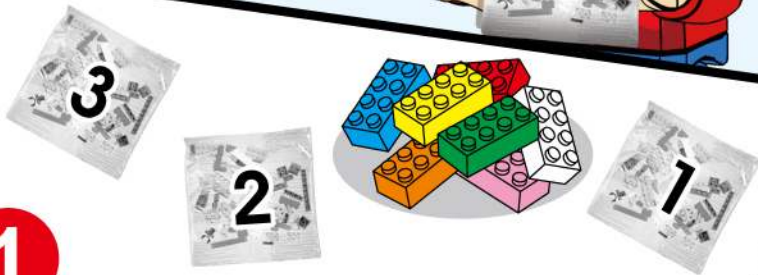
1:1长度对比 (1:1 Label Length Comparison)



 转换角度搭建 (Turn over)

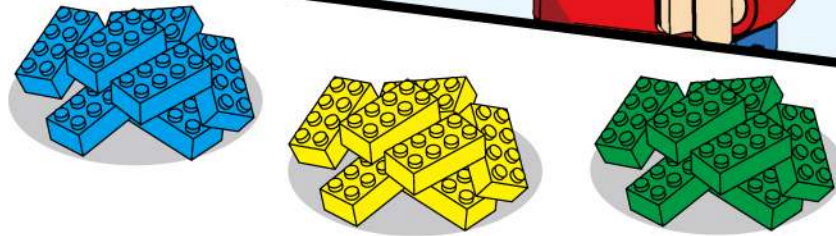
 贴纸标识 (Sticker)

Unpack according to the order of building block bags



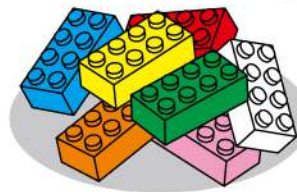
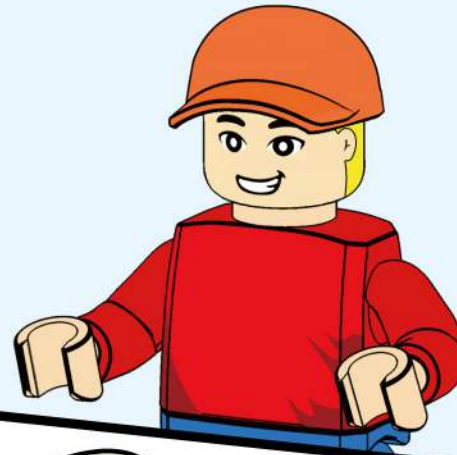
1

Sort by part color or shape



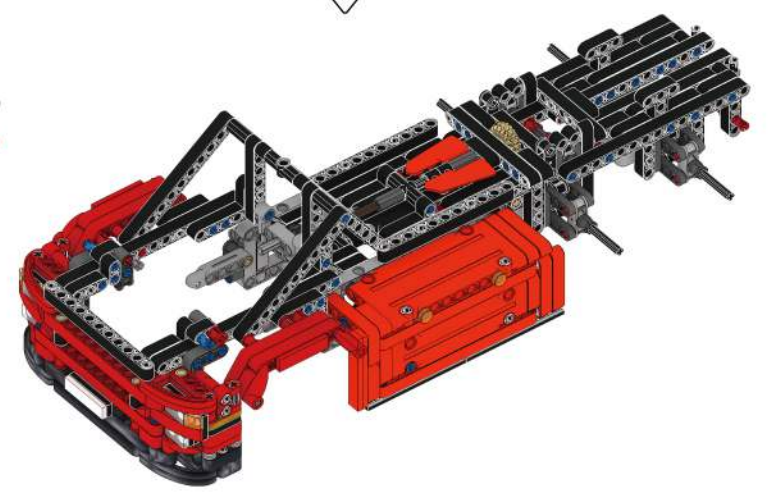
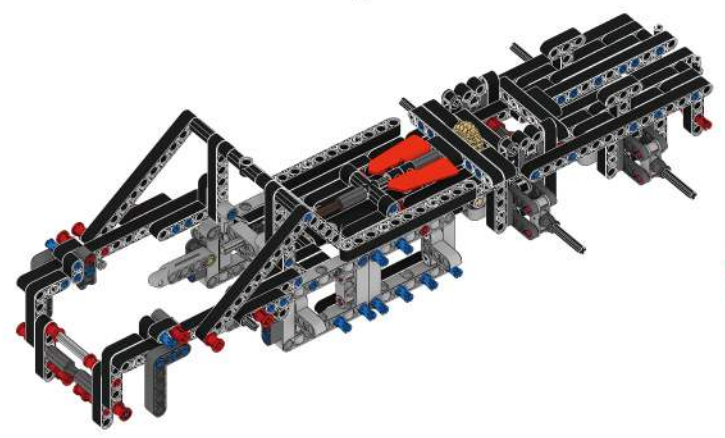
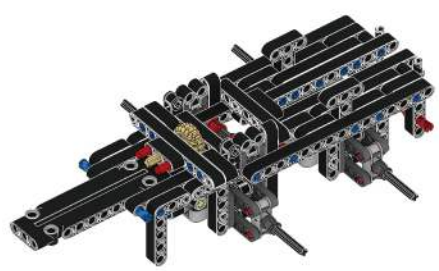
2

Sort the parts according to the instructions



3

Use the parts in the corresponding numbered building block bag to spell out the modules in the picture.

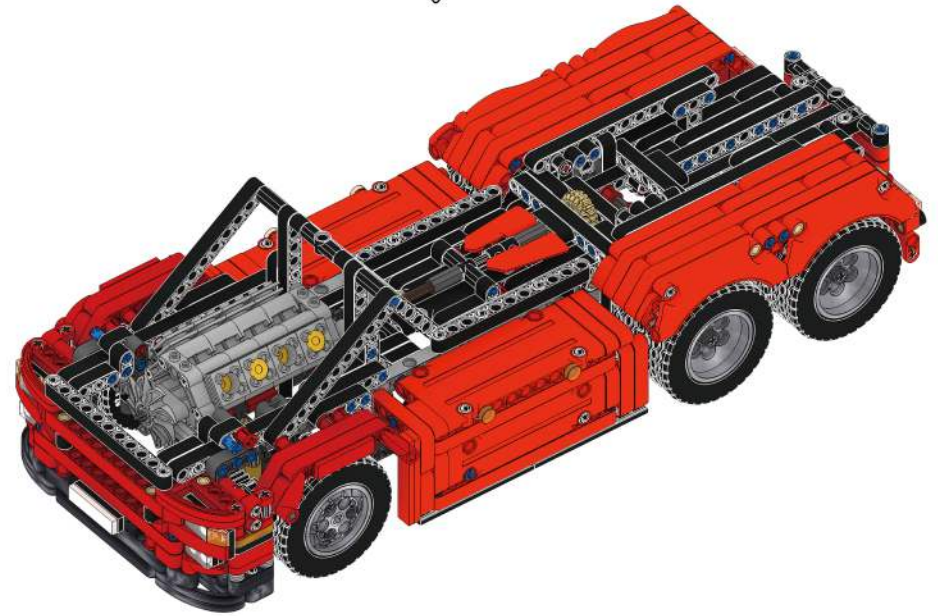
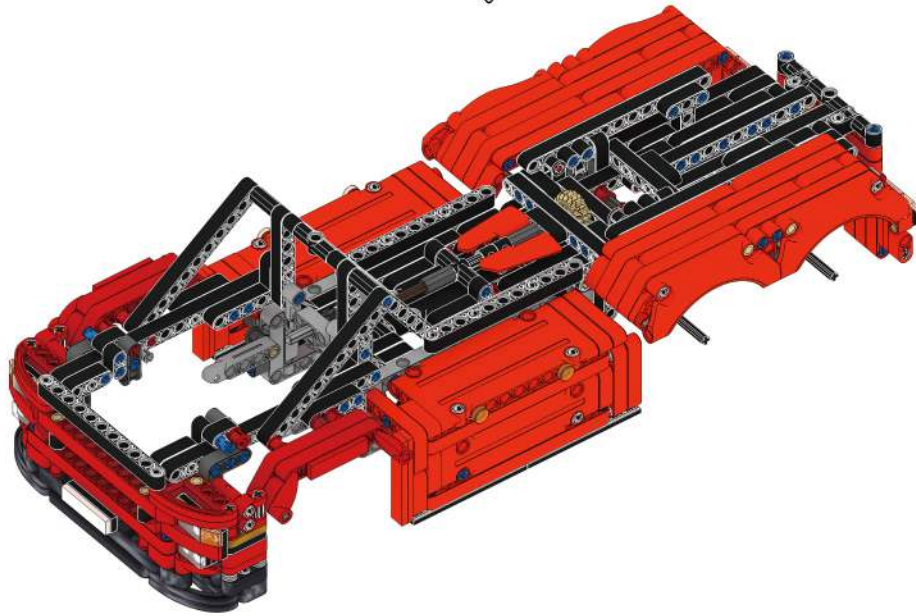


CONTENTS

Part 1..... 1

Part 2..... 20

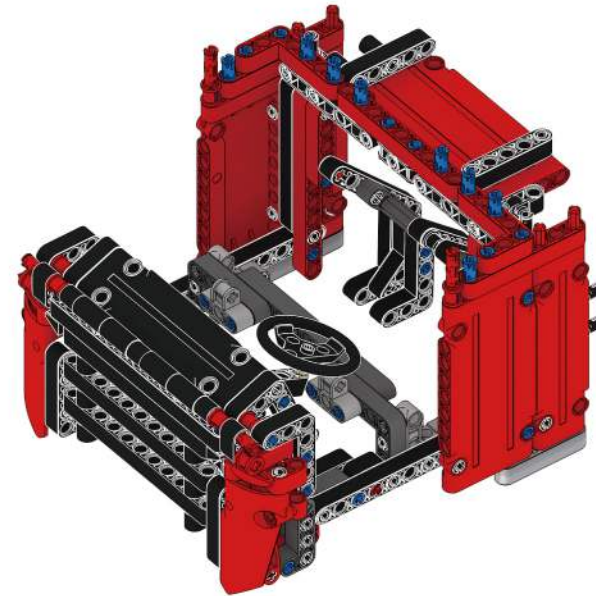
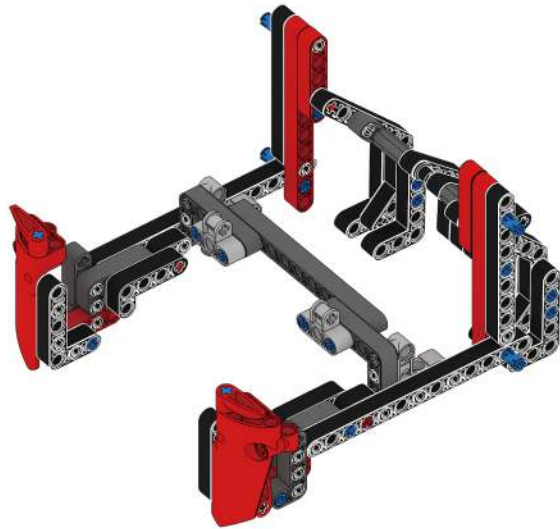
Part 3..... 38



CONTENTS

Part 4..... 60

Part 5..... 81



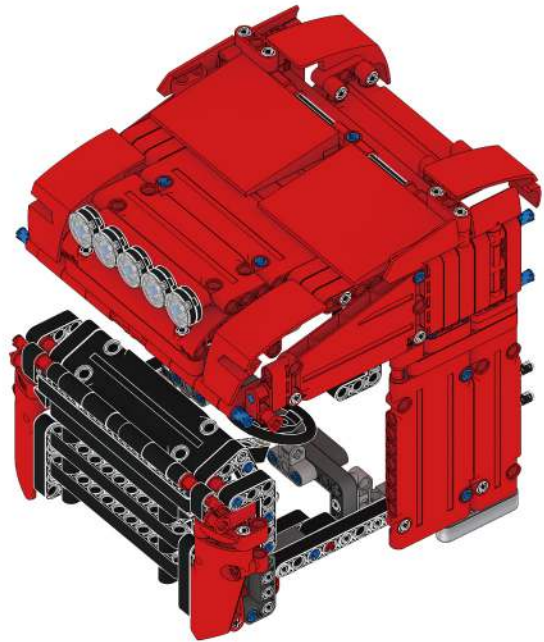
CONTENTS

Part 6..... 99

Part 7..... 107



8



9



CONTENTS

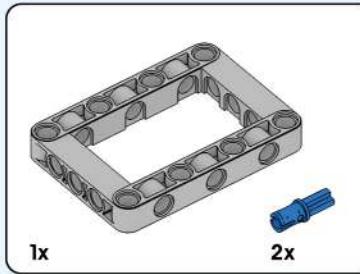
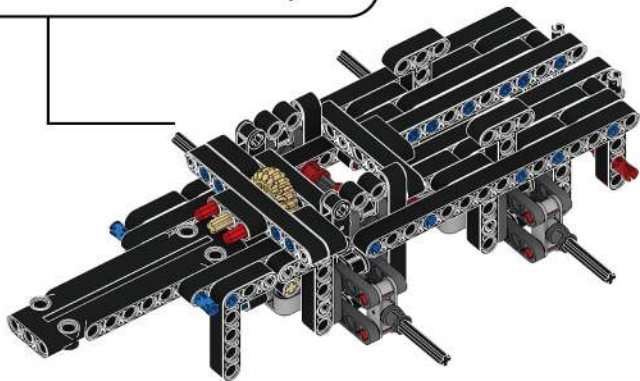
Part 8..... 124

Part 9..... 142

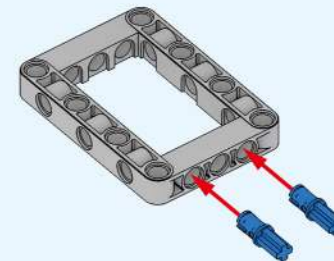
Part List..... 177

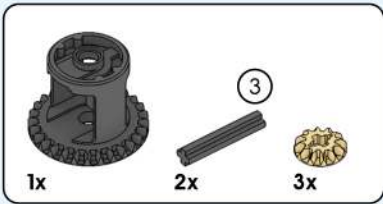


All the components in bag 1 were used to build this part.



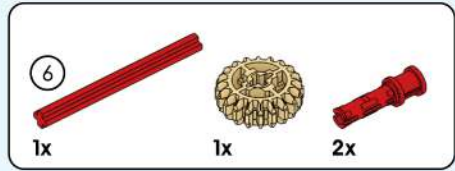
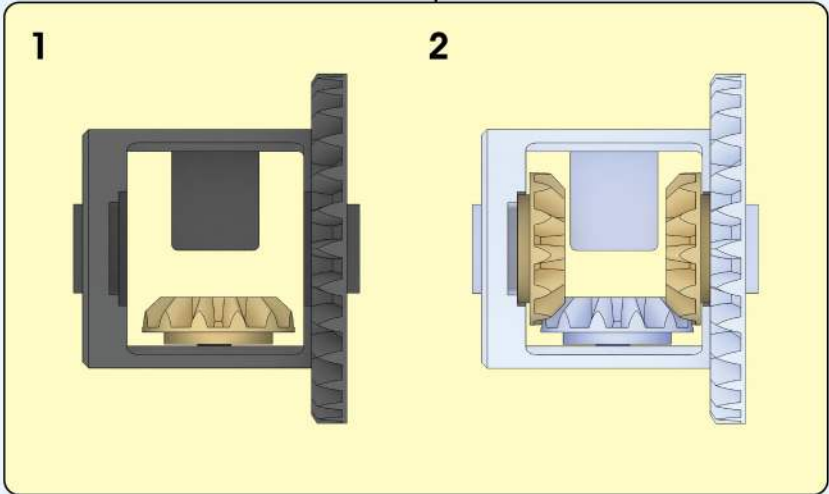
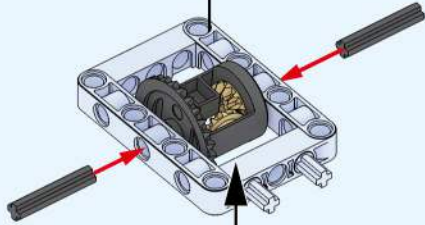
| 01 |



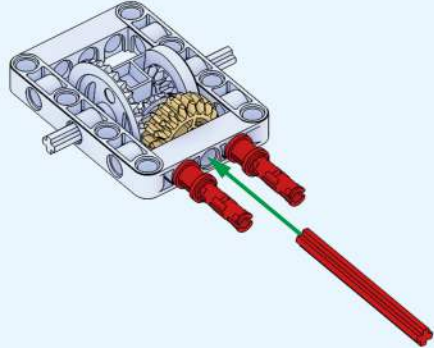


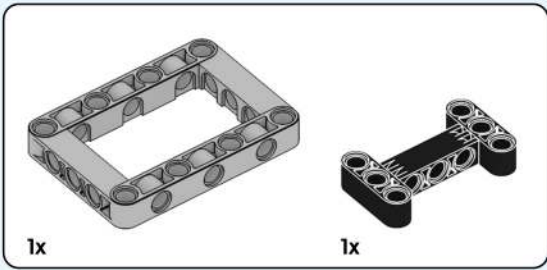
|02|

The assembled bricks are shown in light color.

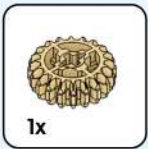
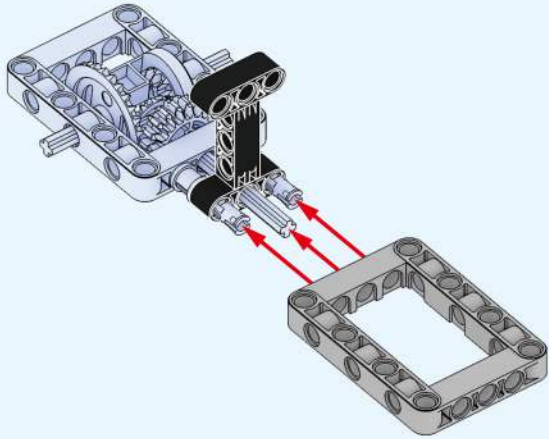


|03|

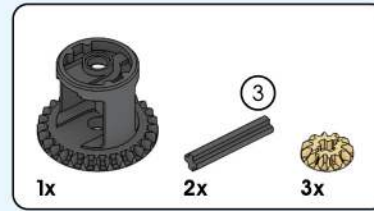
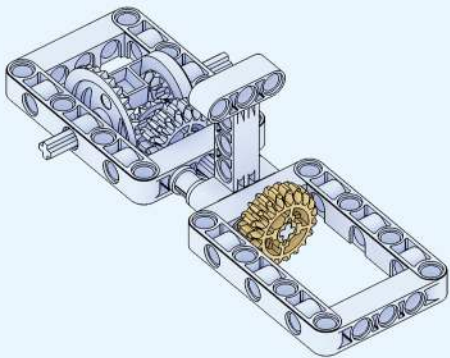




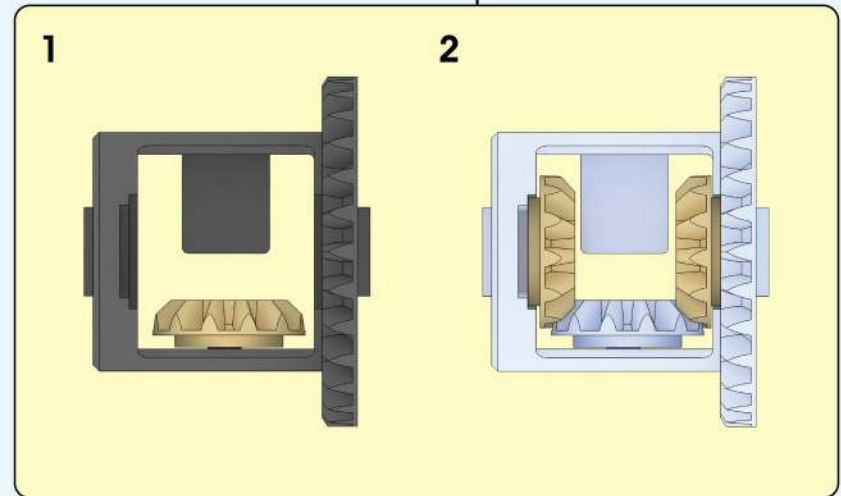
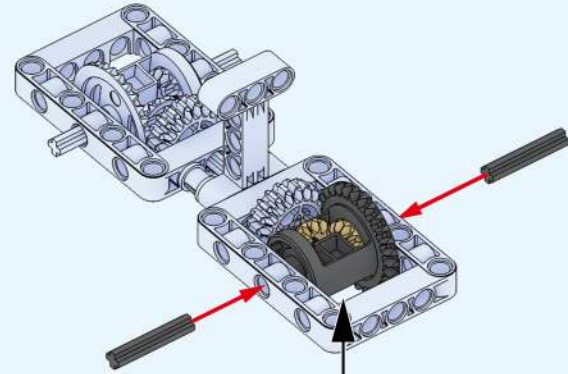
|04|

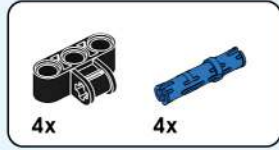
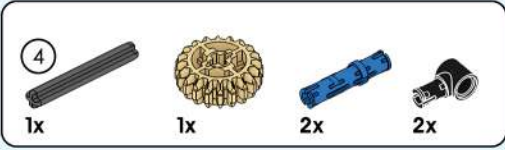


|05|

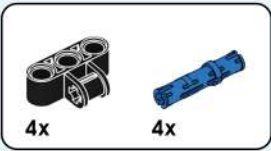
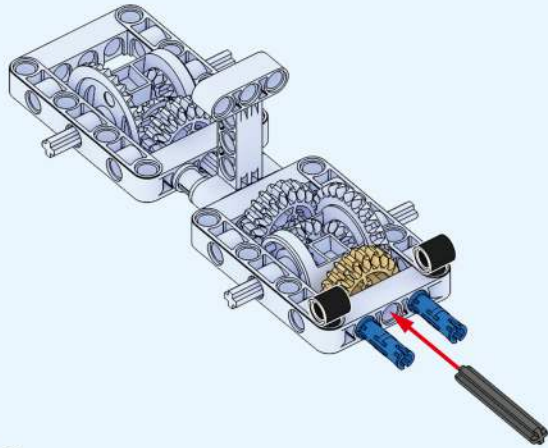


|06|

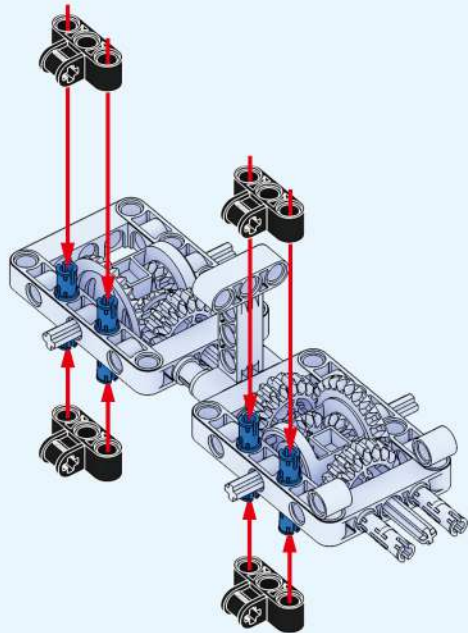




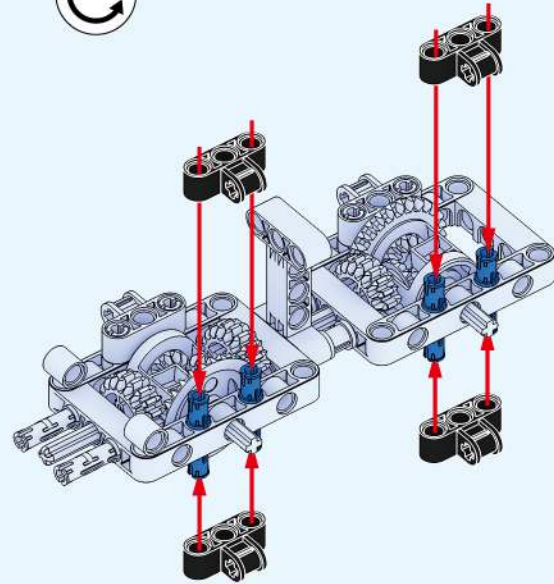
|07|

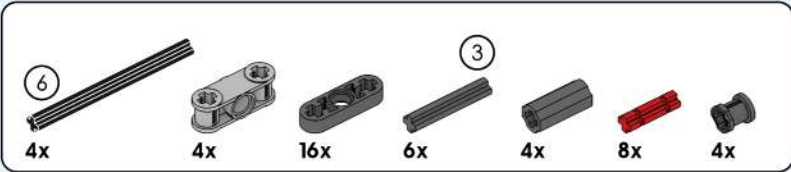


|08|

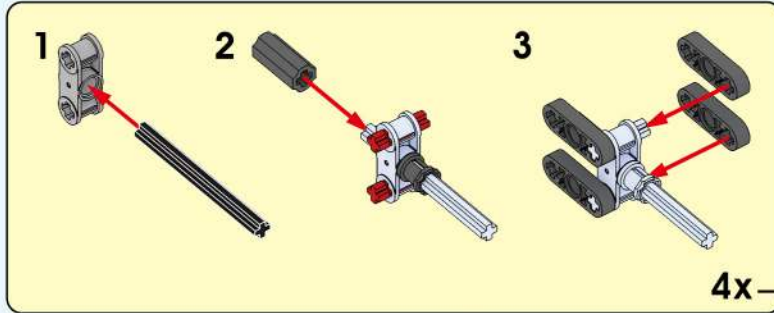


|09|

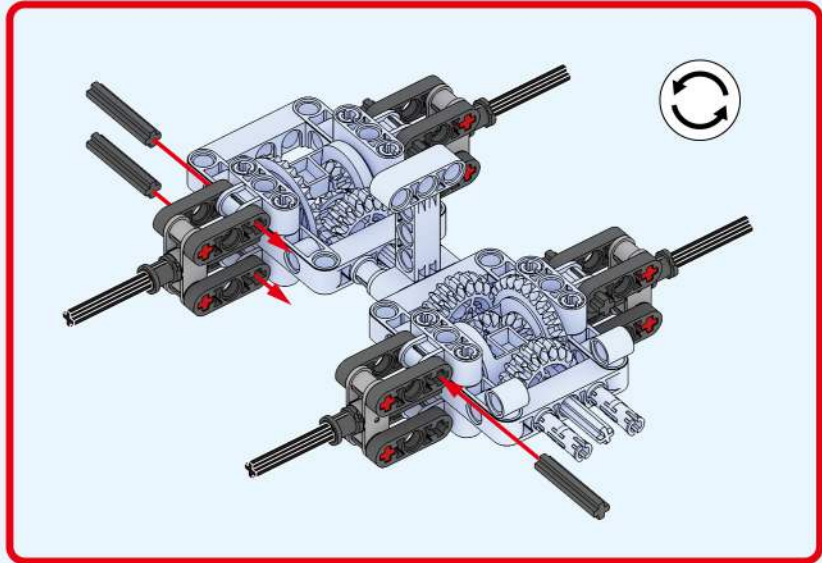
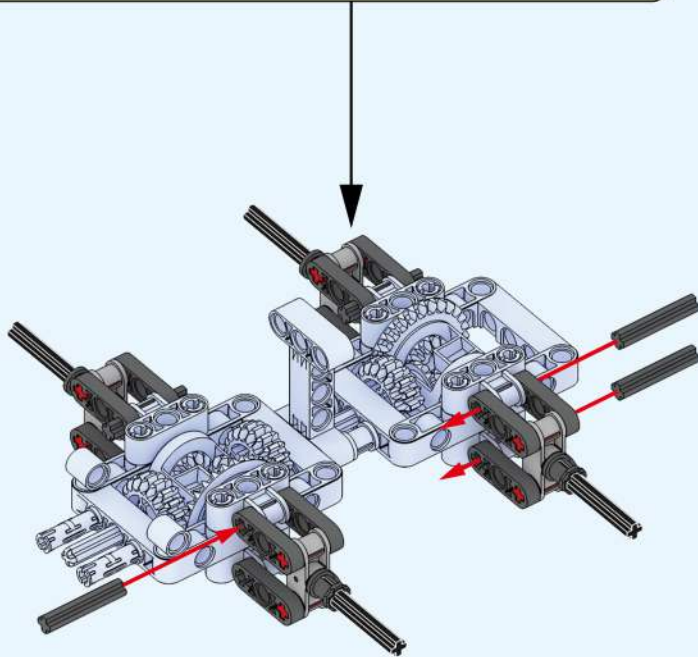




10

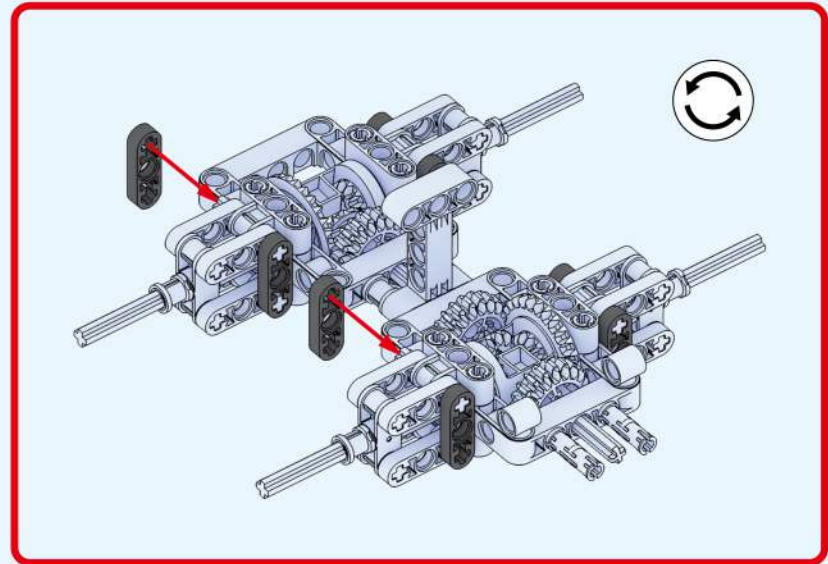
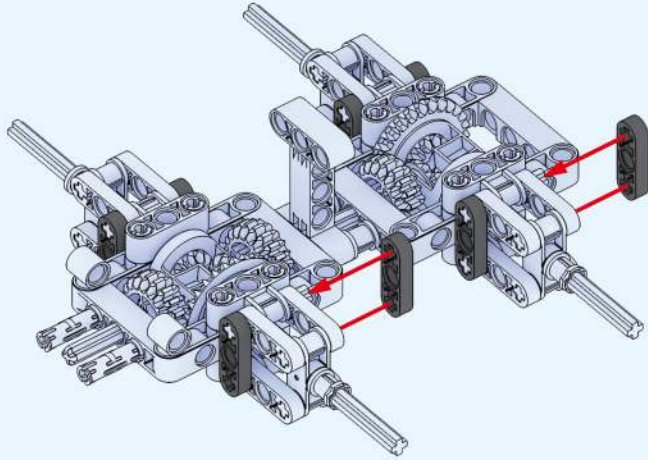


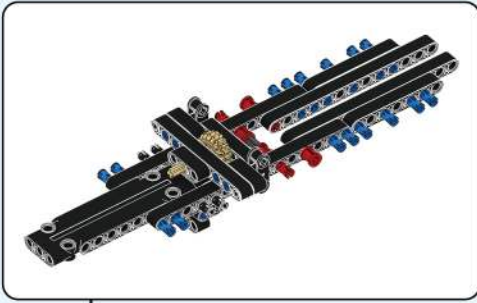
Indicates the number of times the module needs to be built repeatedly



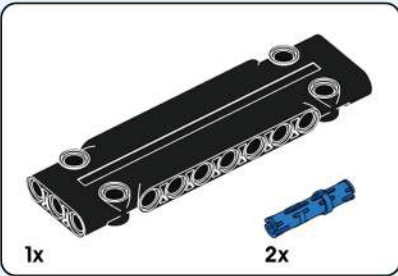


| 11 |

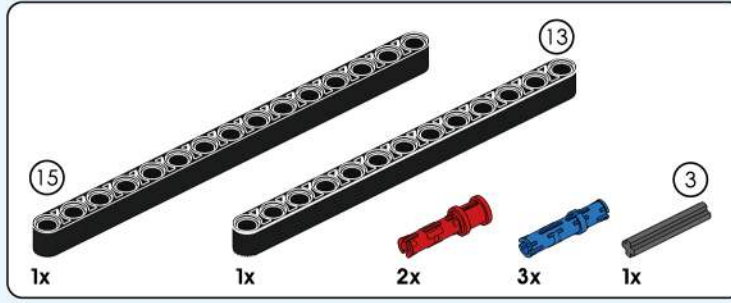
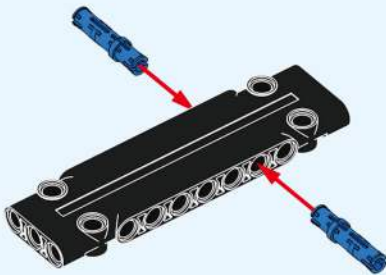




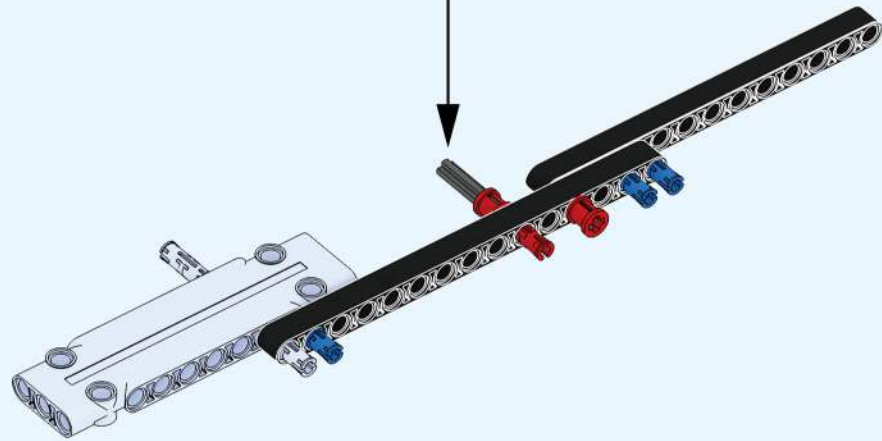
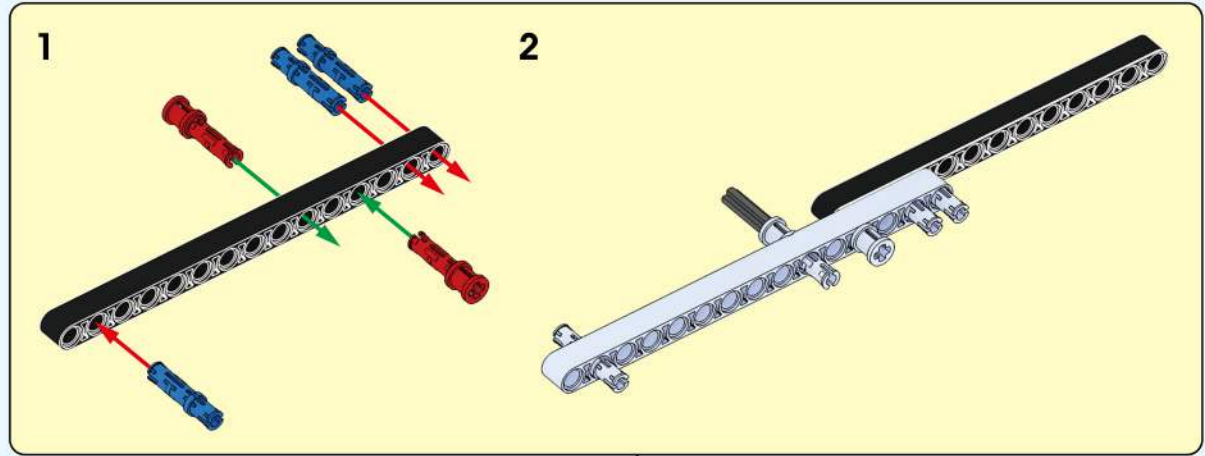
The module
to be built



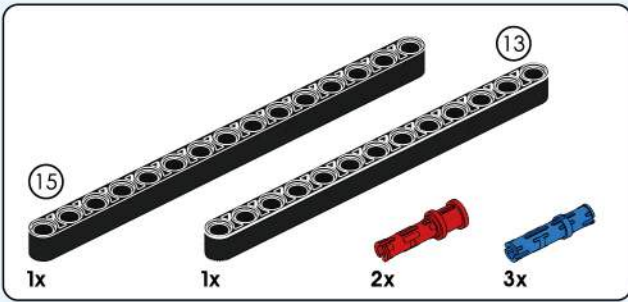
| 12 |



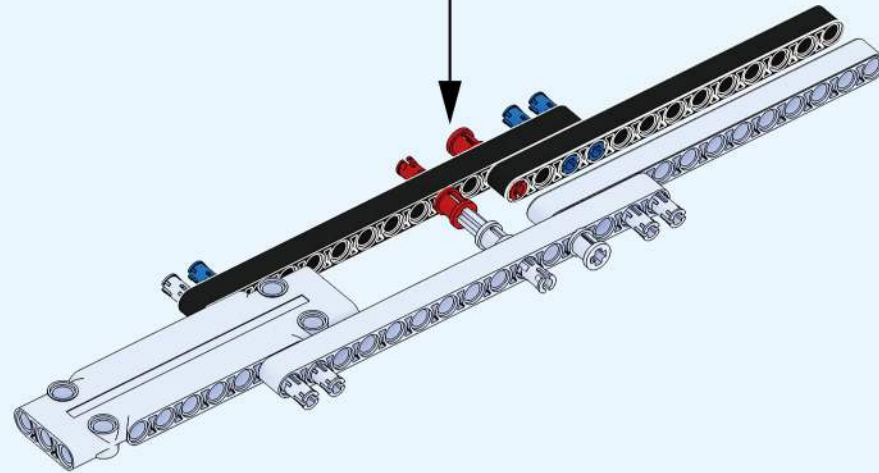
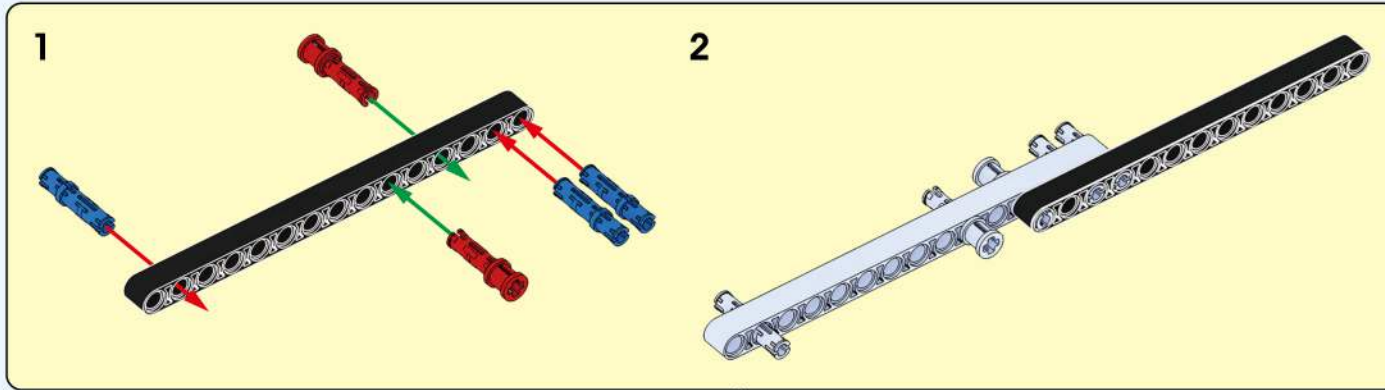
| 13 |

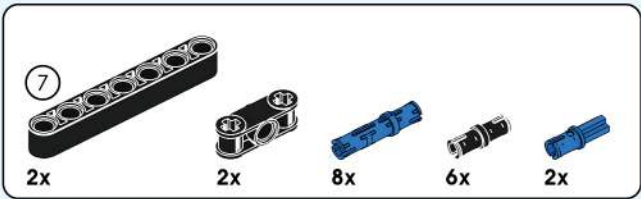


7

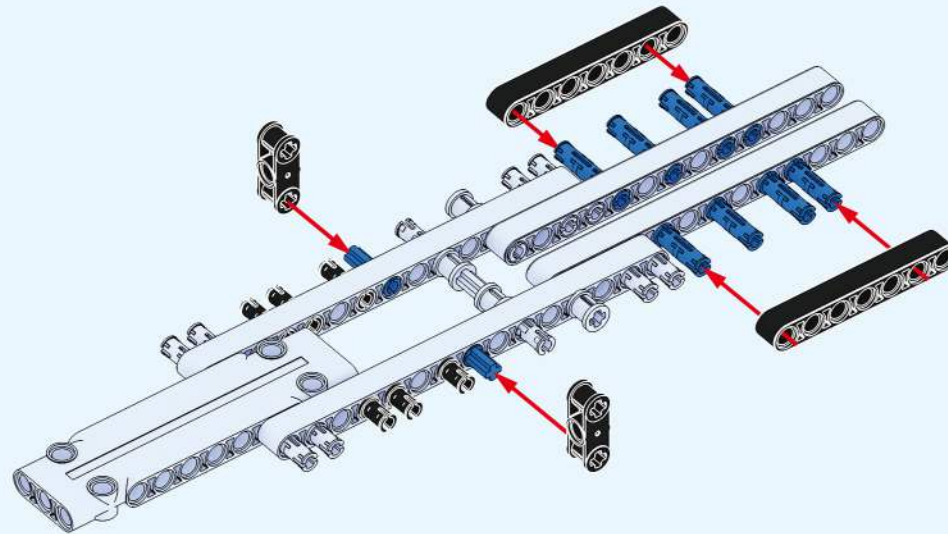


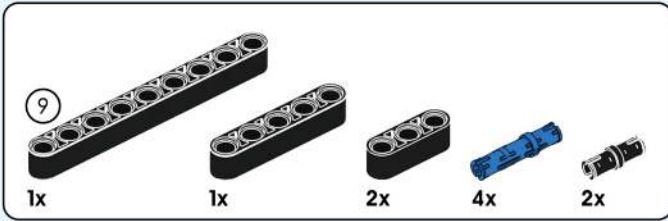
| 14 |



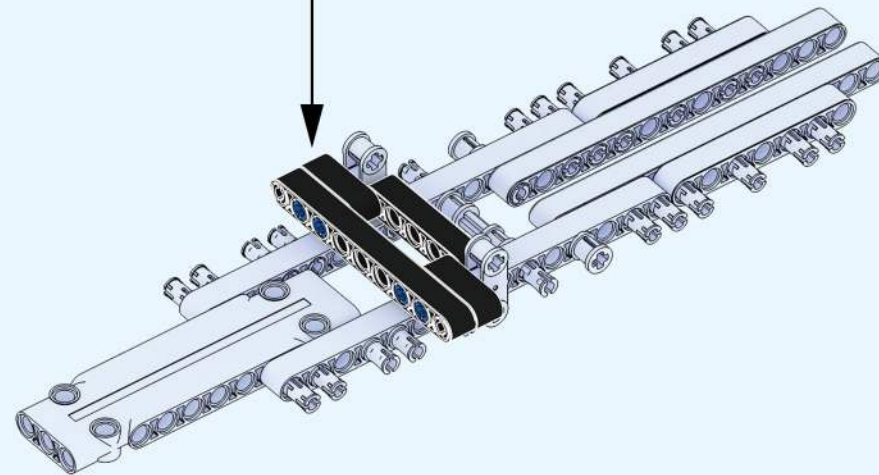
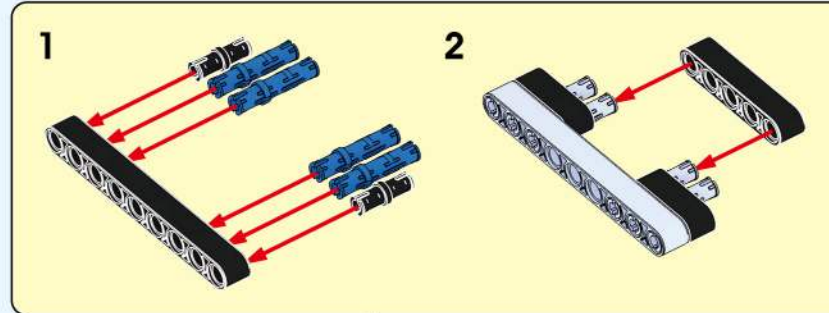


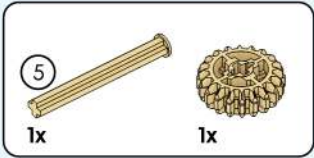
| 15 |



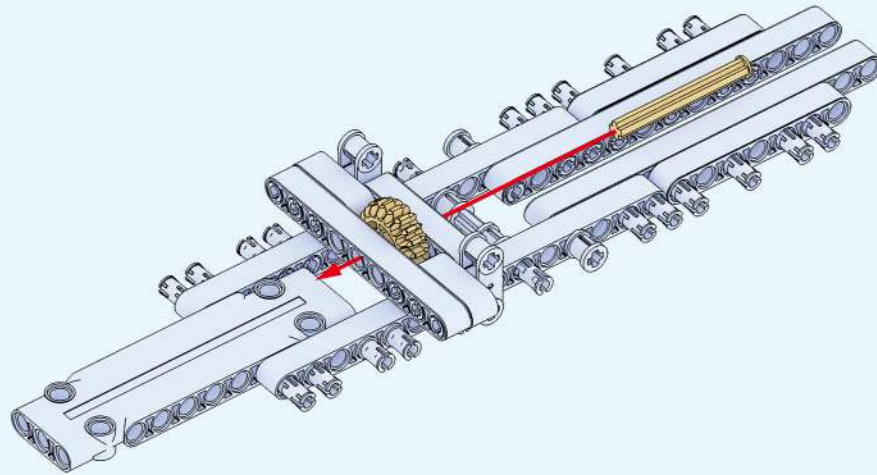


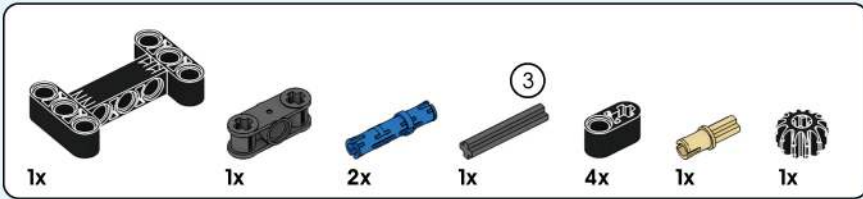
| 16 |



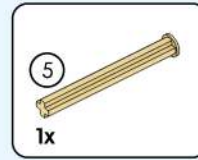
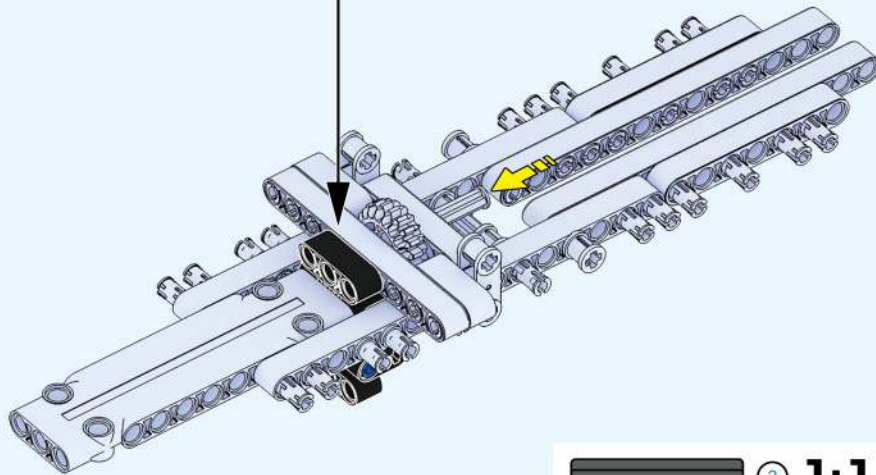
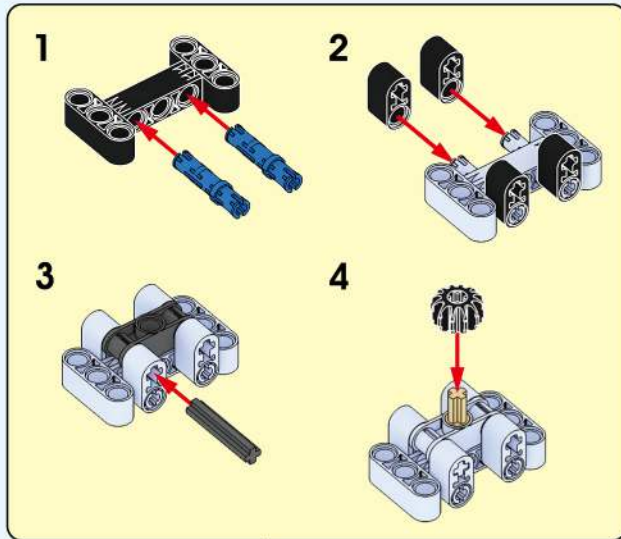


| 17 |

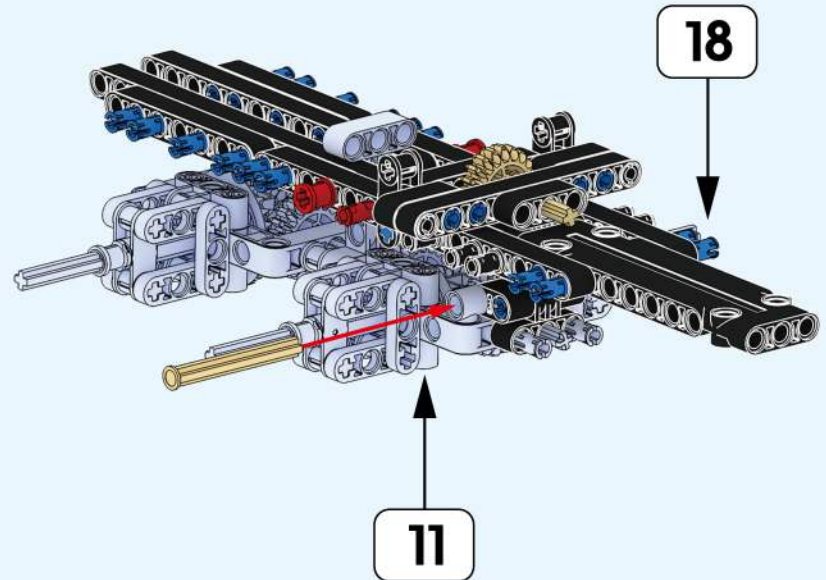


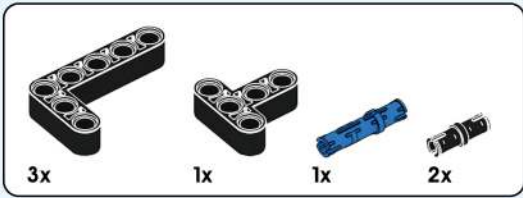


18

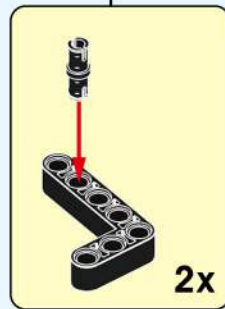
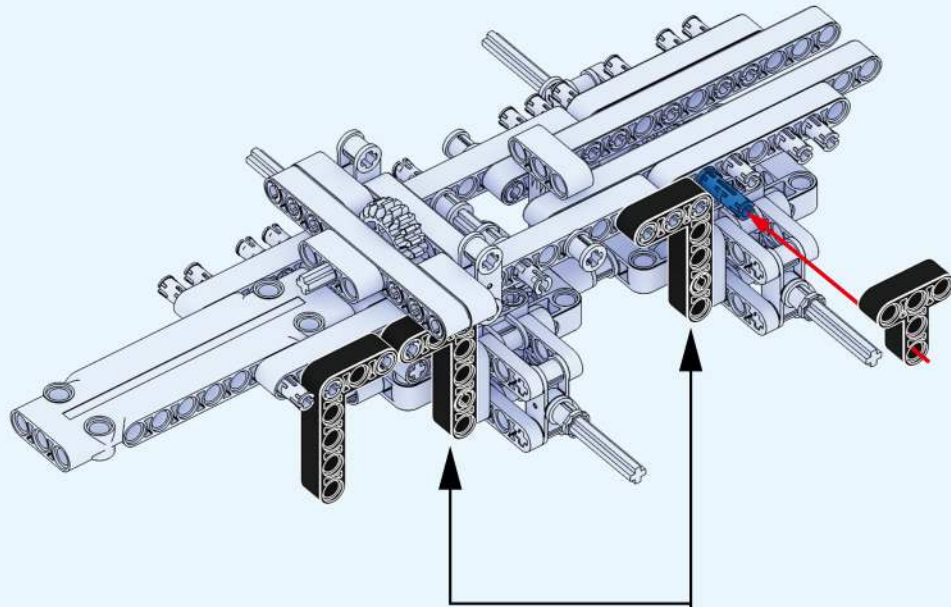


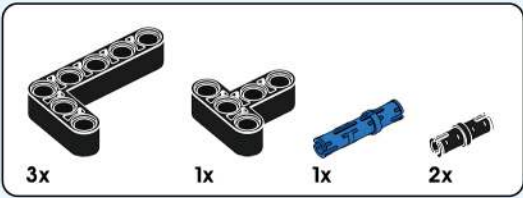
19



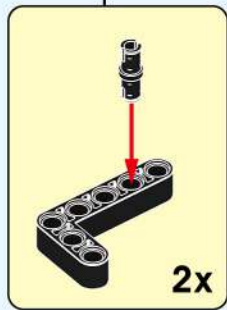
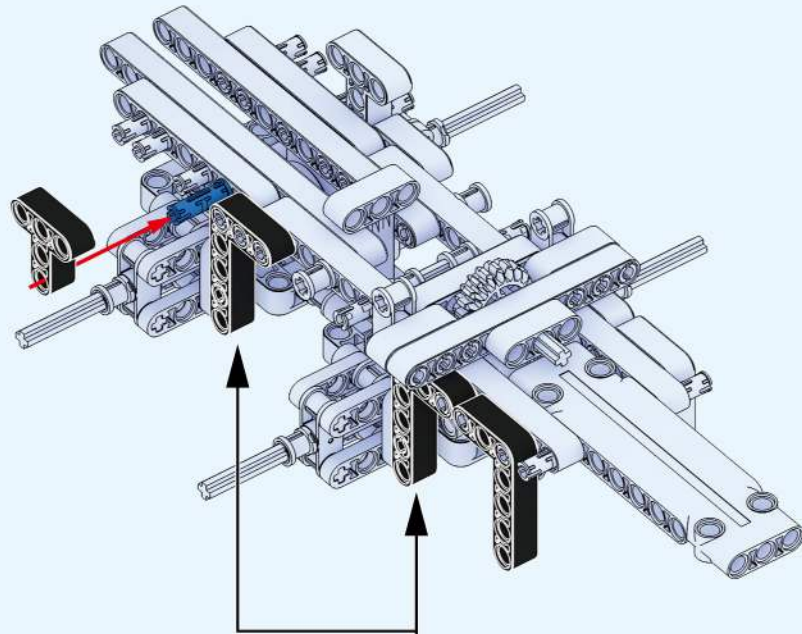


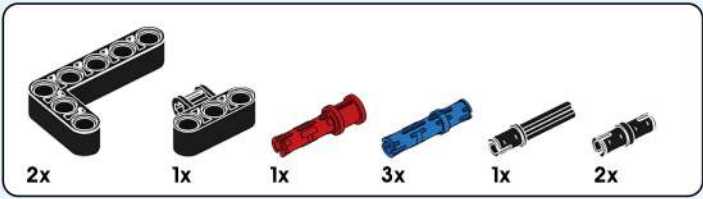
20



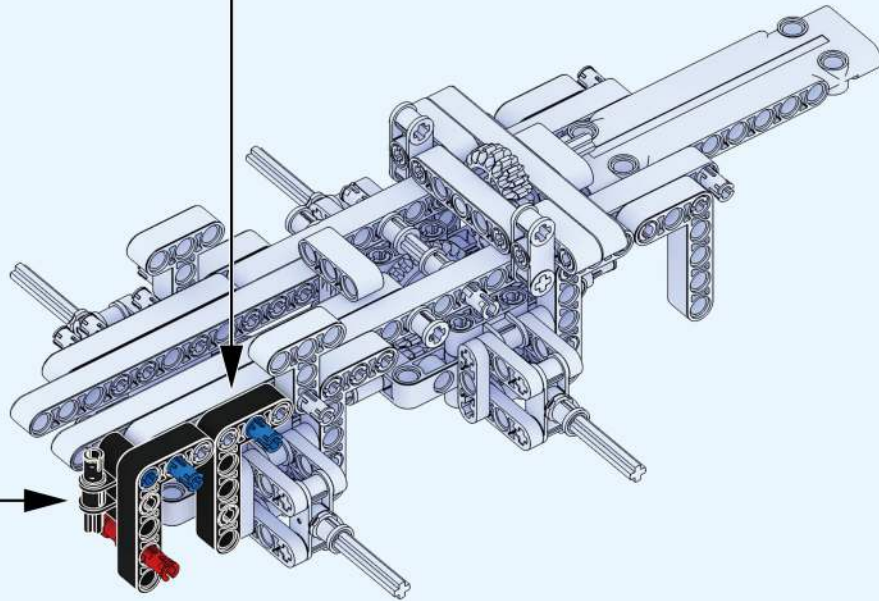
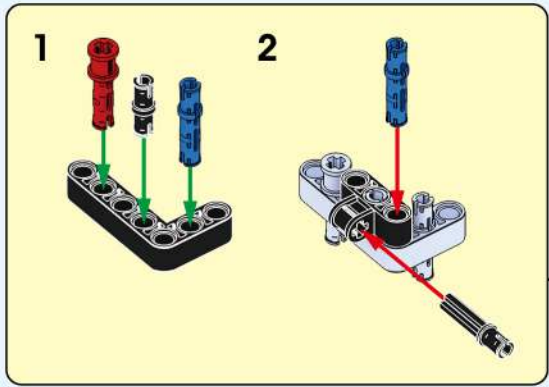
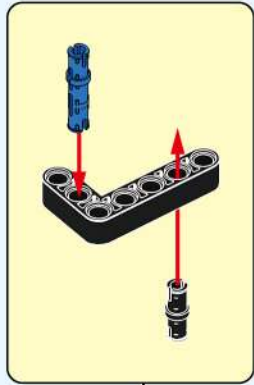


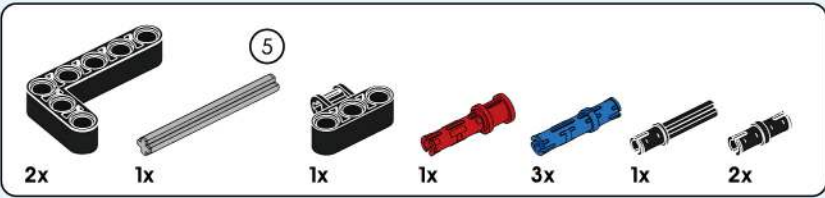
21



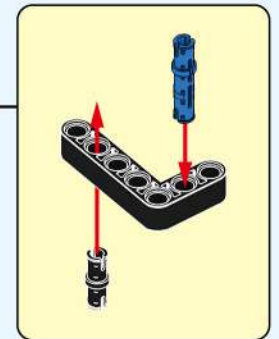
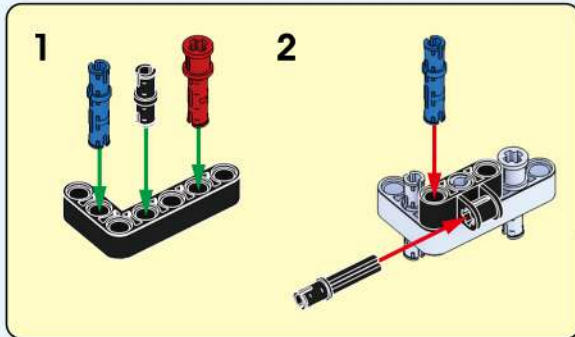
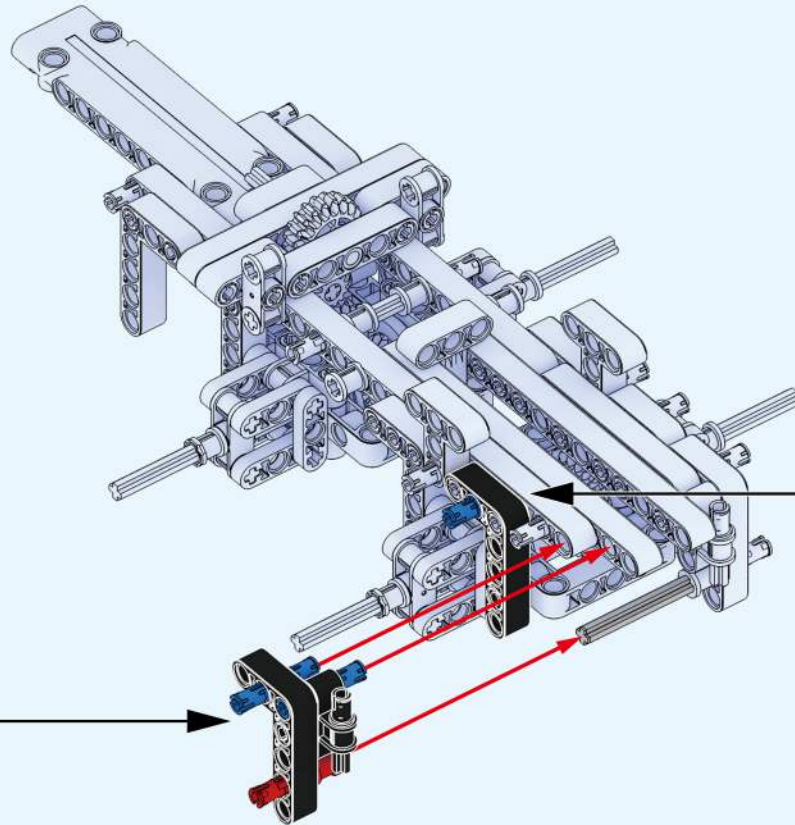


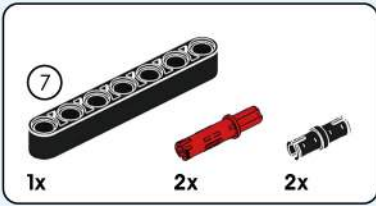
22



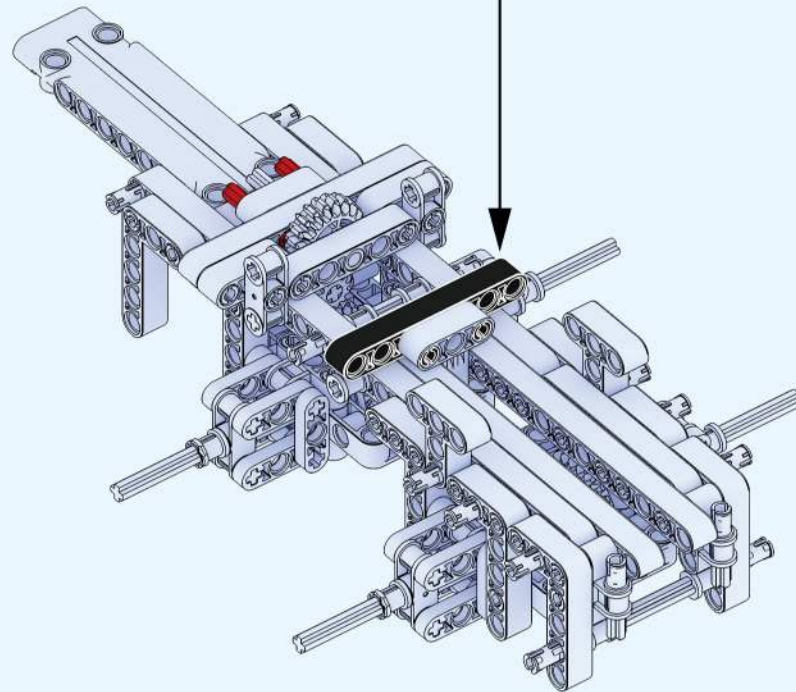
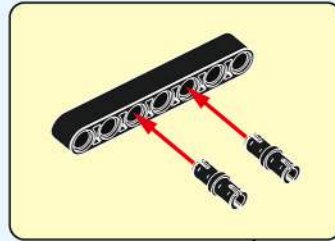


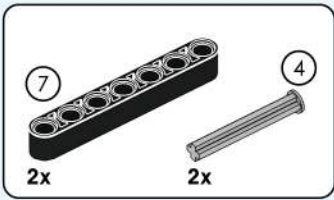
23



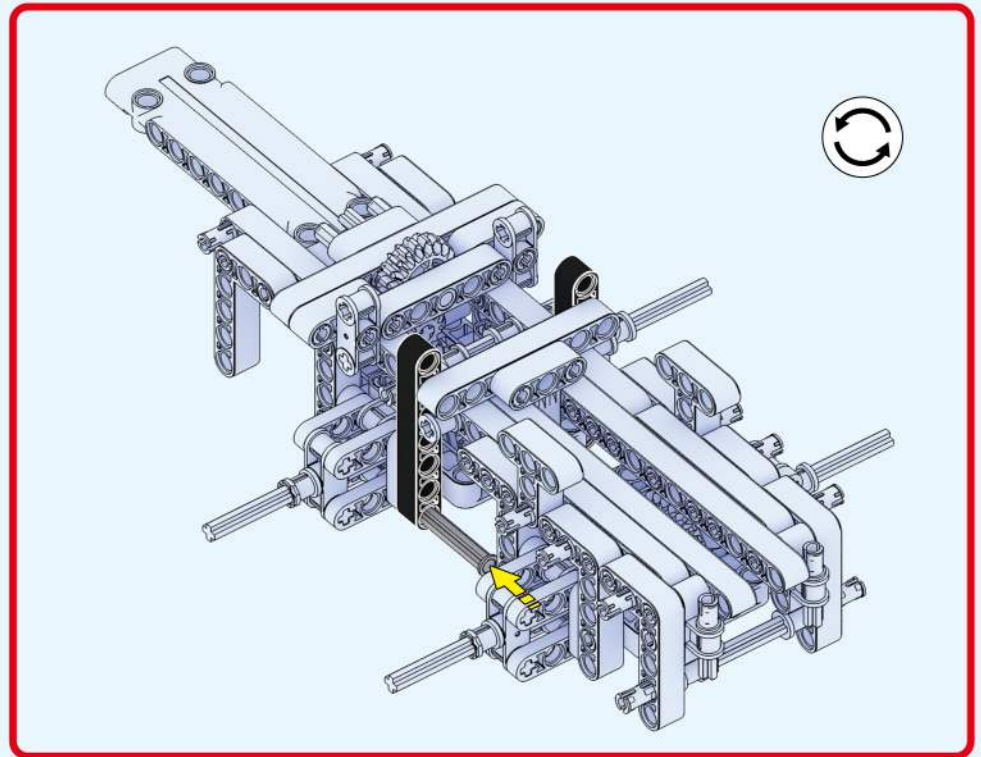
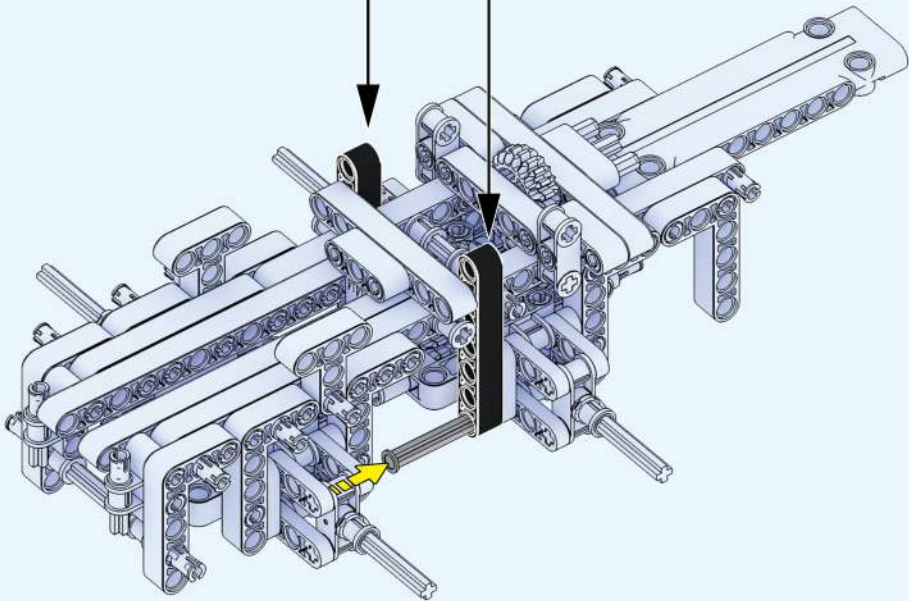
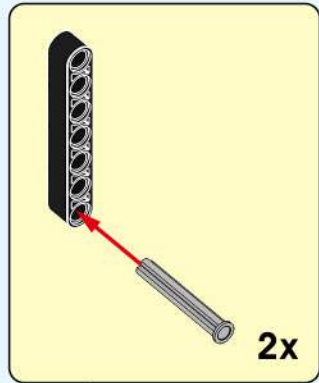


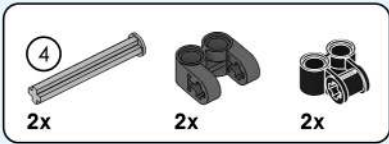
24



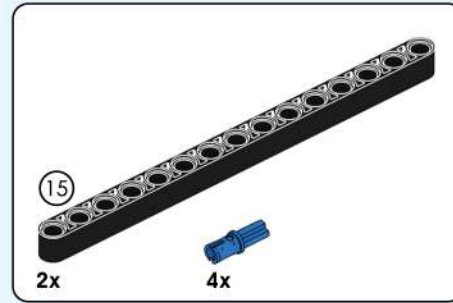
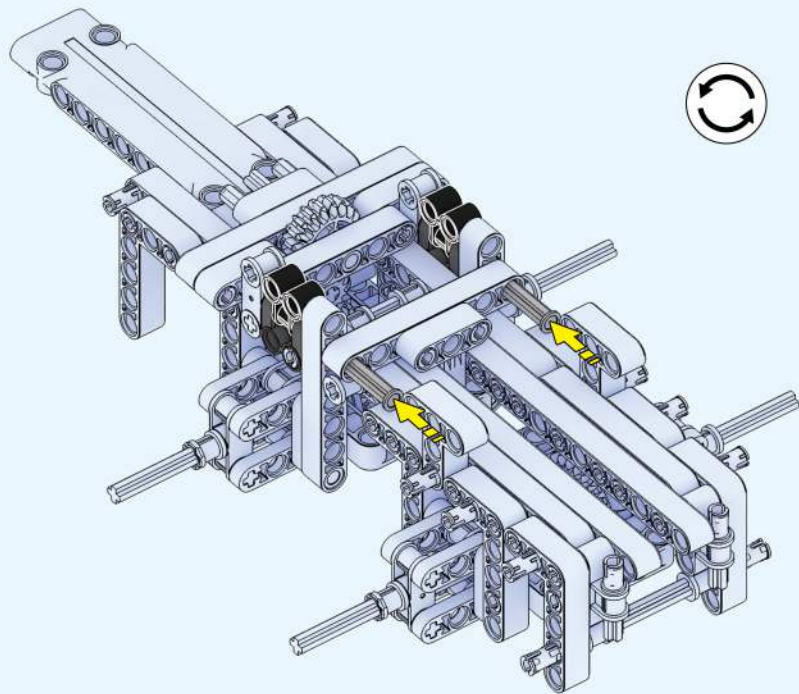


25

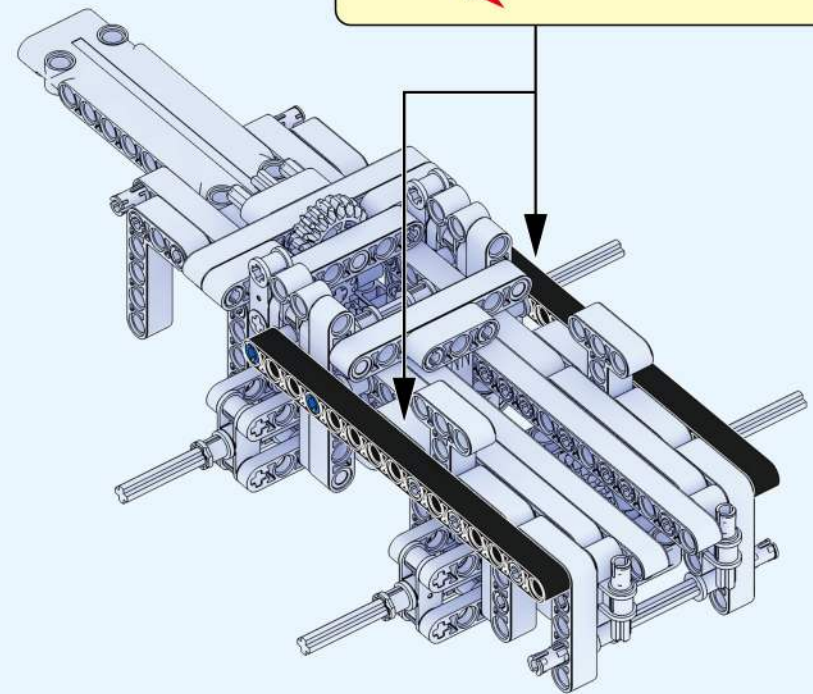
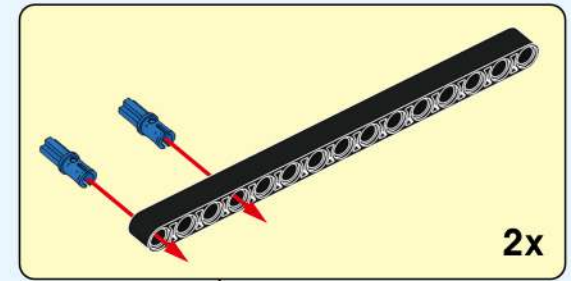




|26|

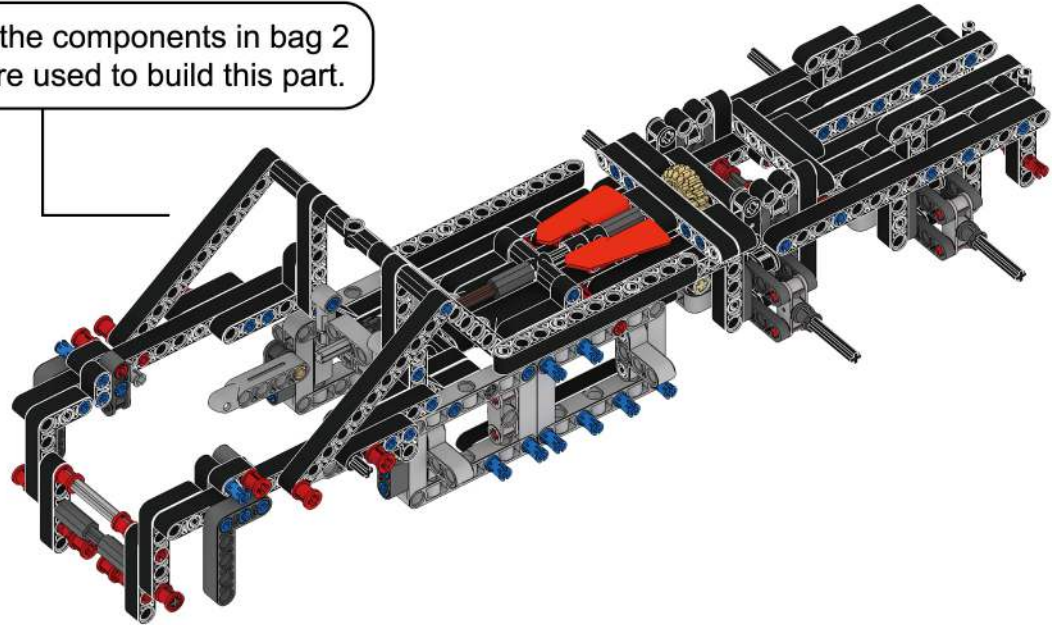


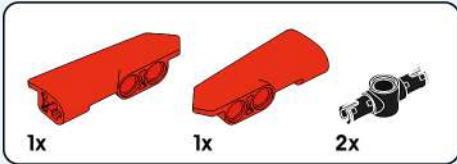
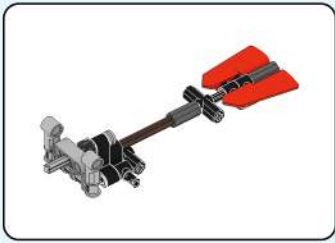
|27|



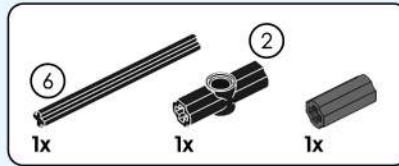
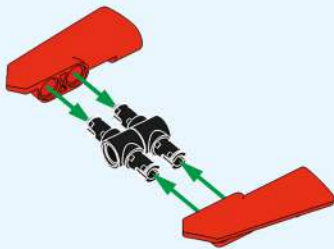


All the components in bag 2
were used to build this part.

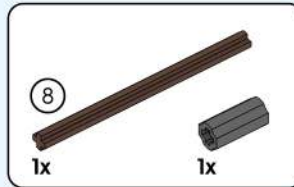
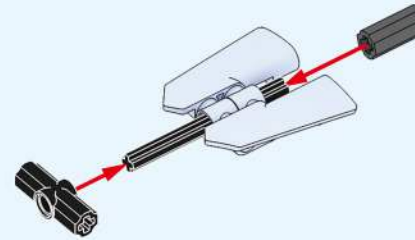
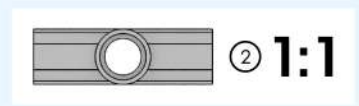




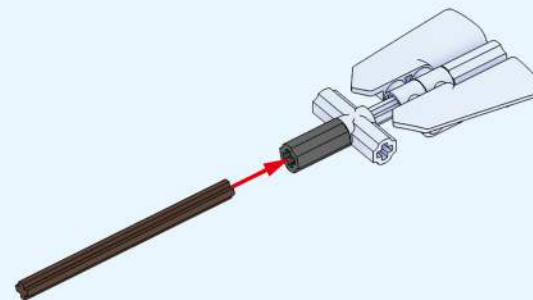
|28|

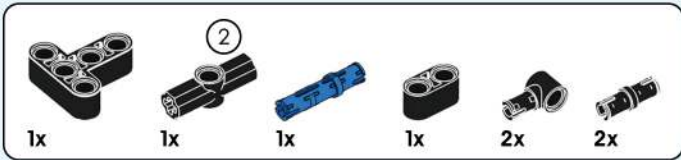


|29|

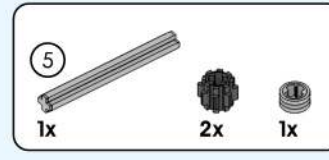
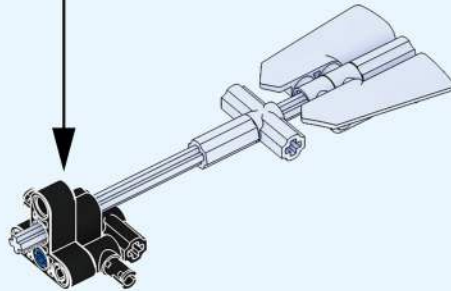
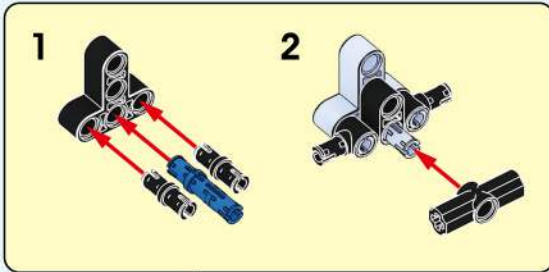
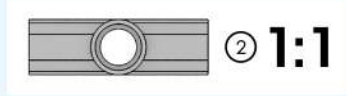


|30|

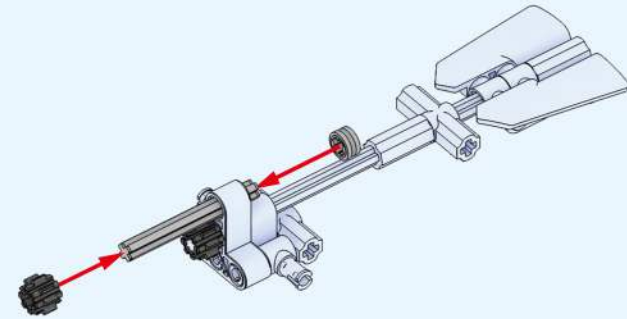


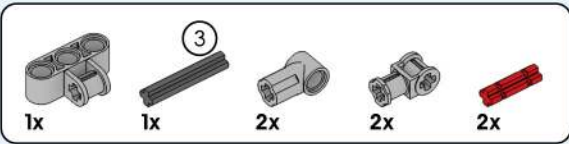


| 31 |

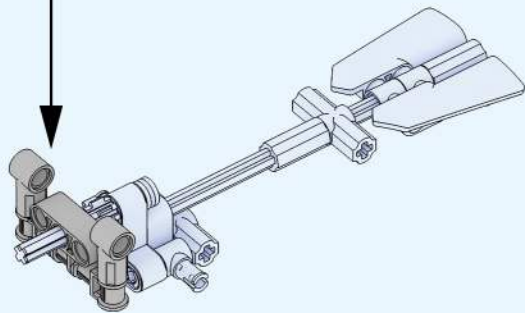
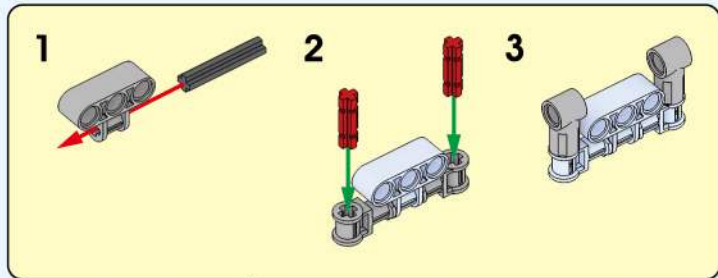


| 32 |

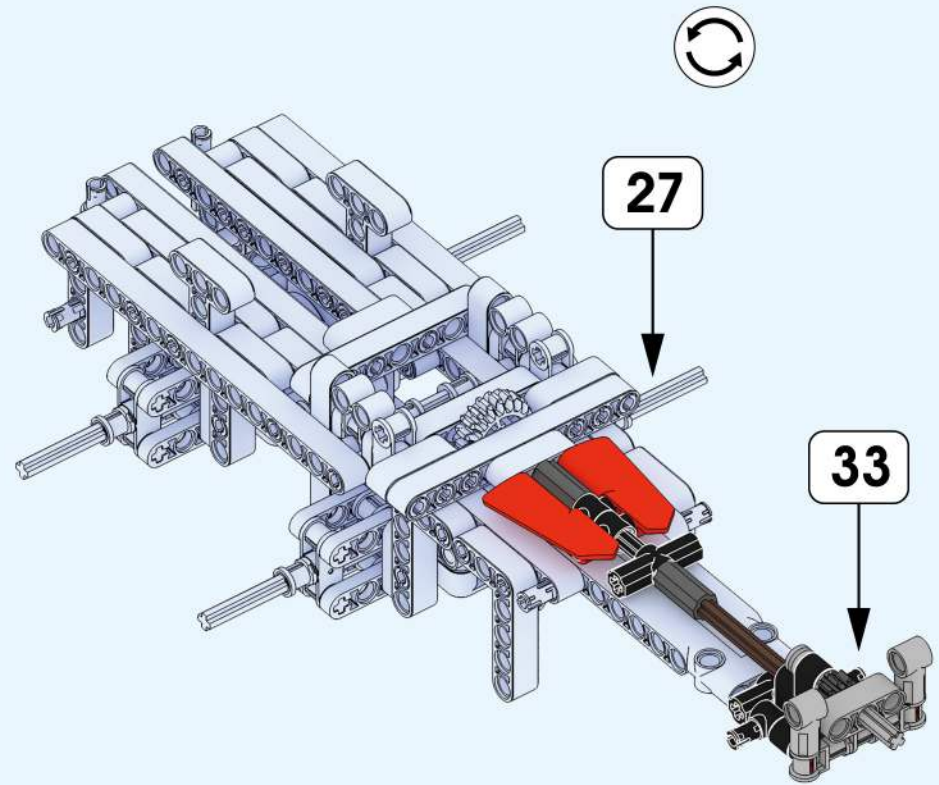


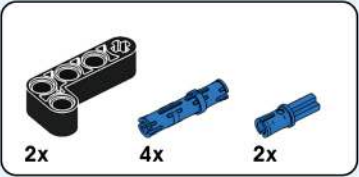


33

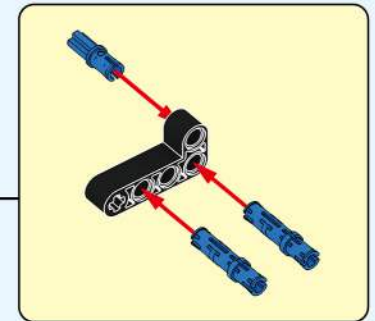
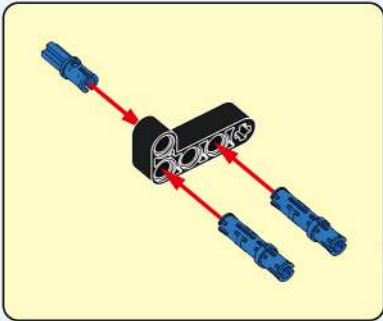
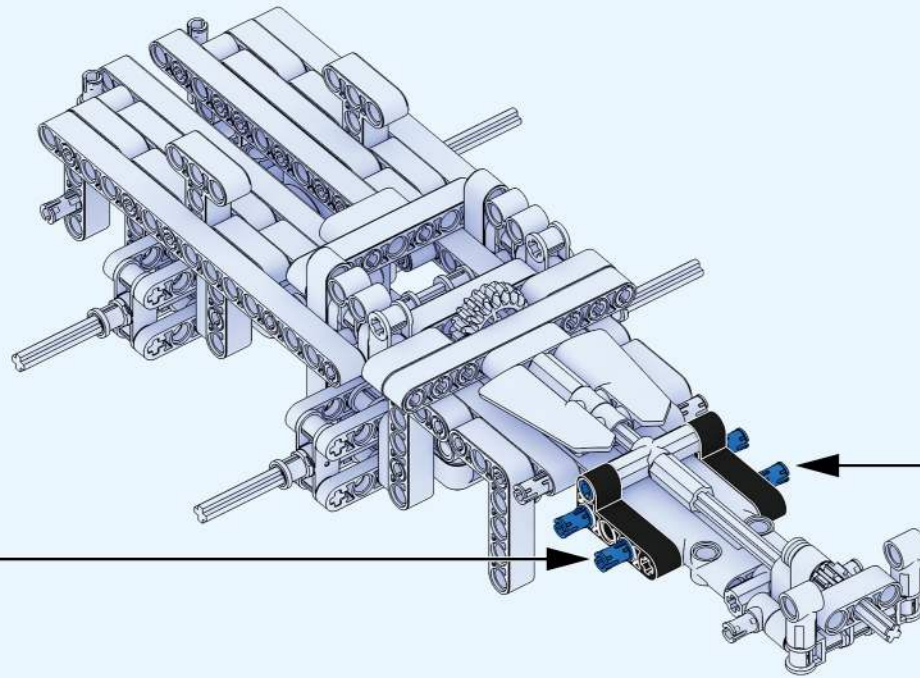


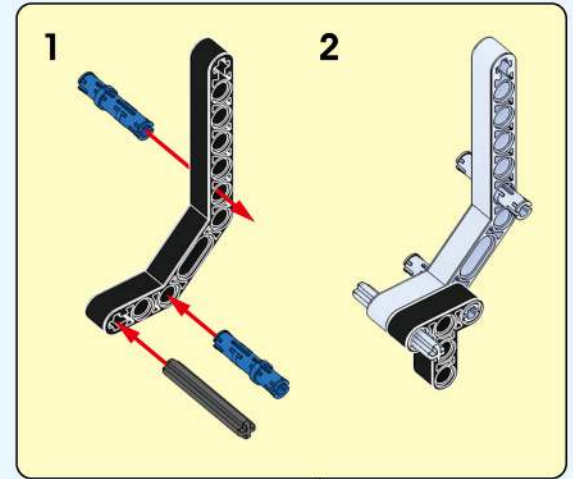
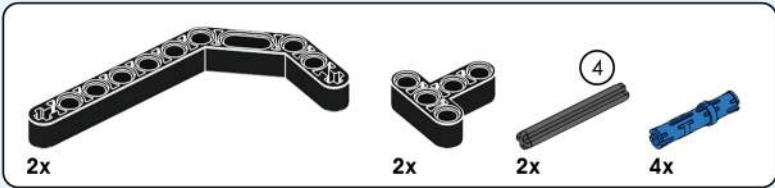
34



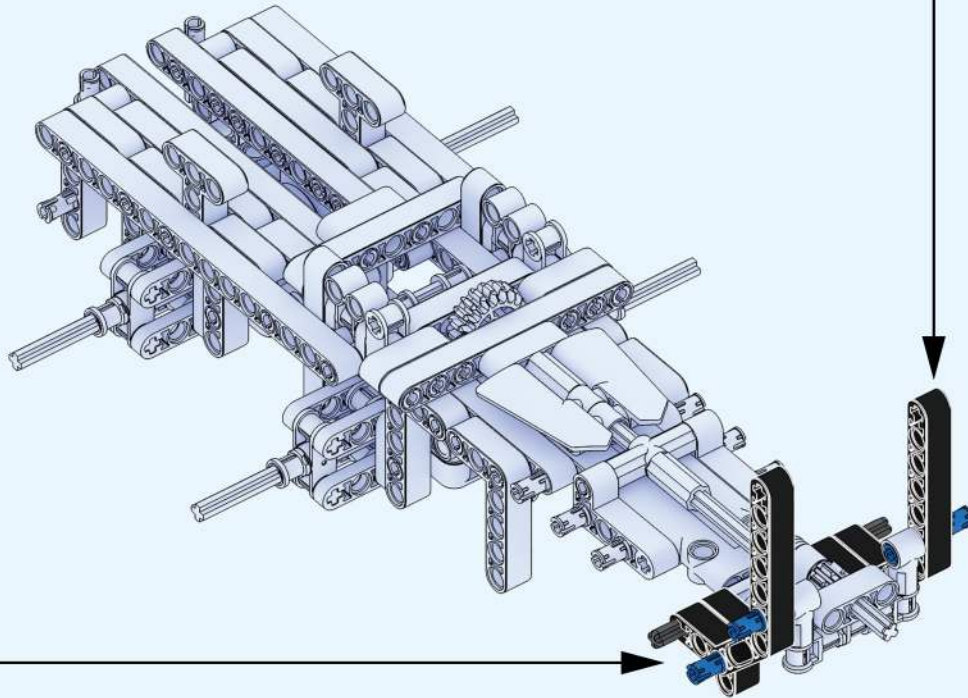
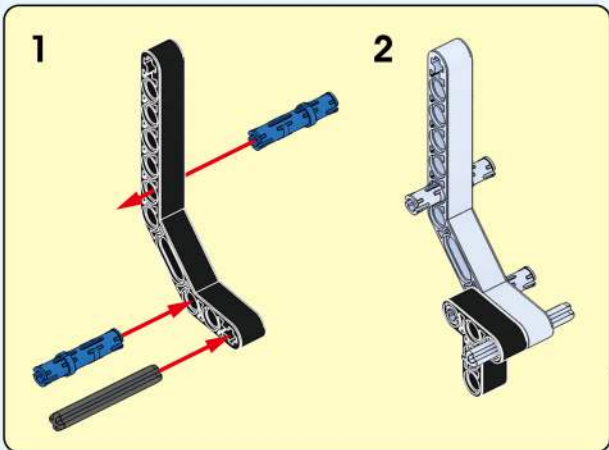


35

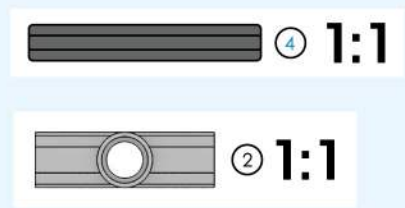
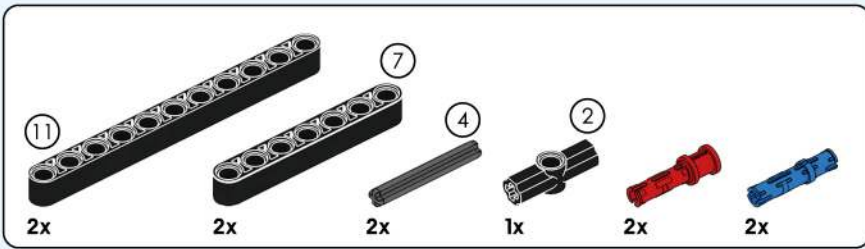




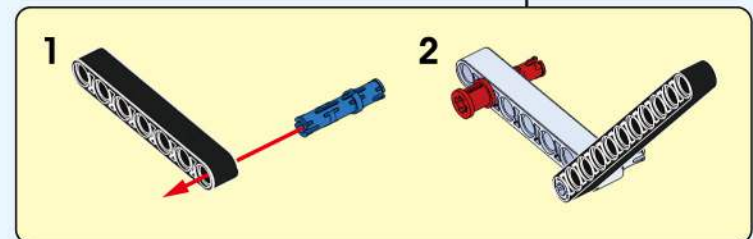
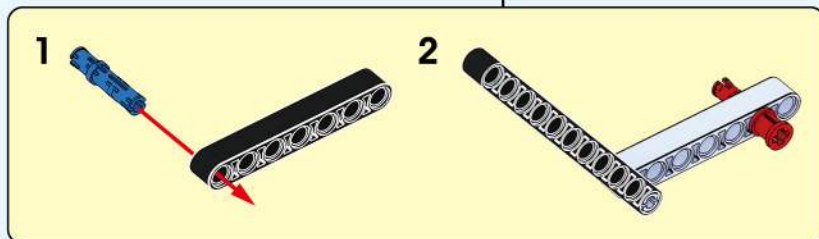
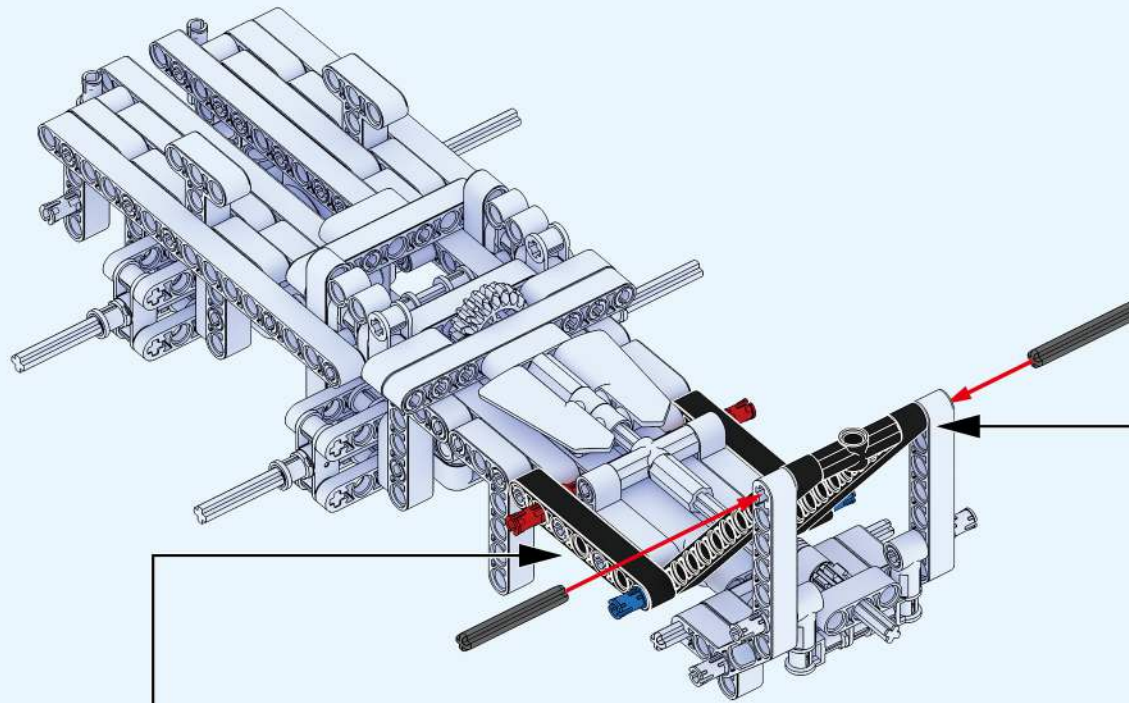
36

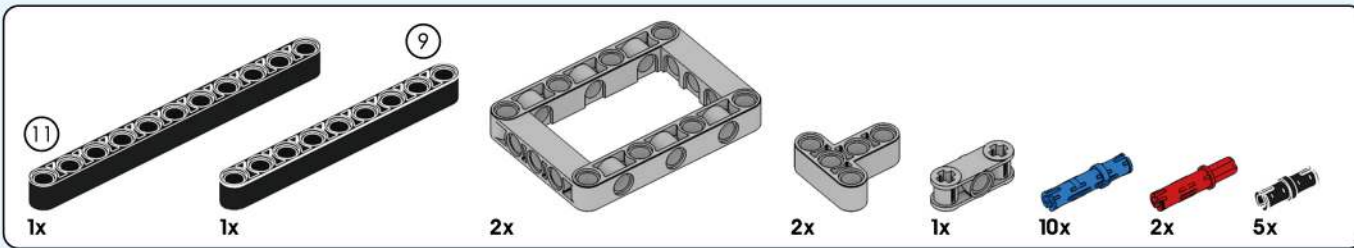


25

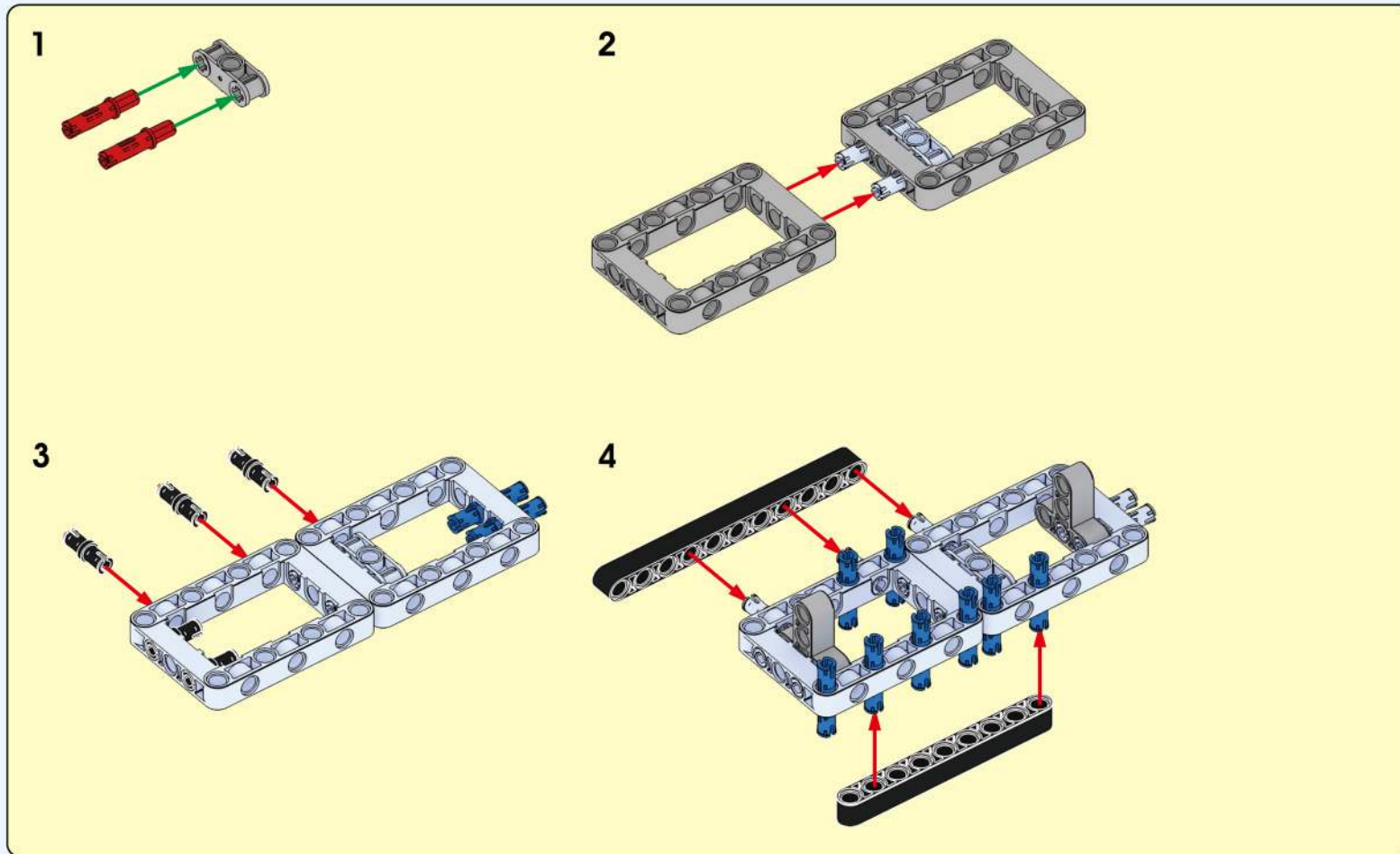


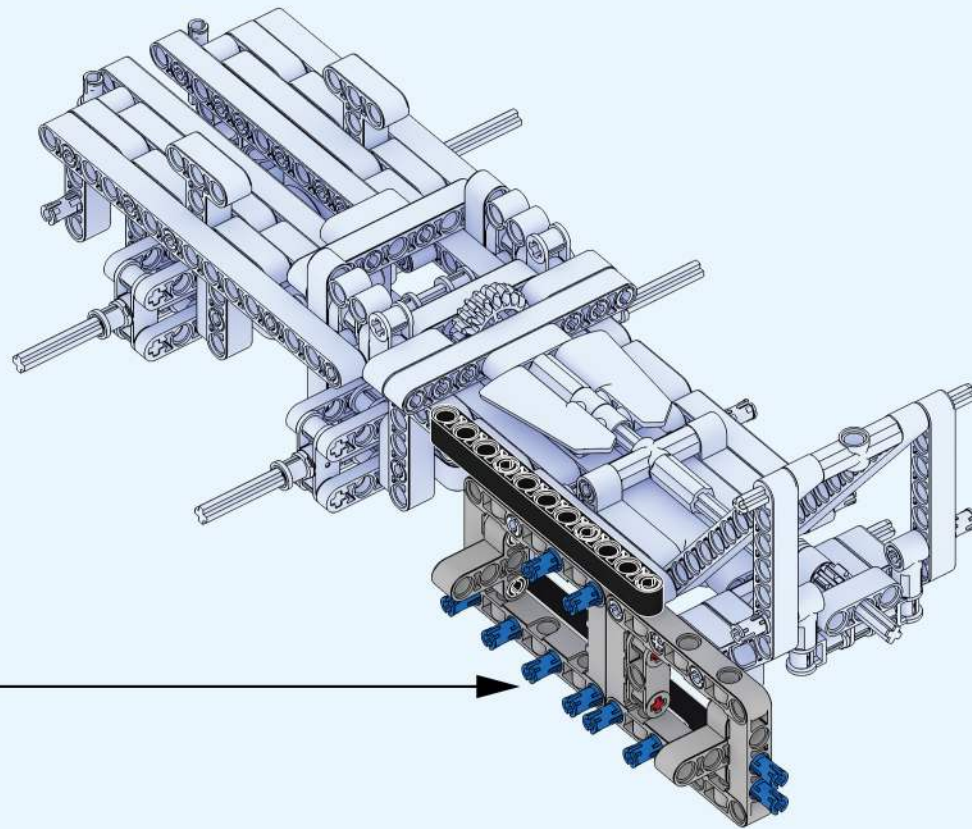
37

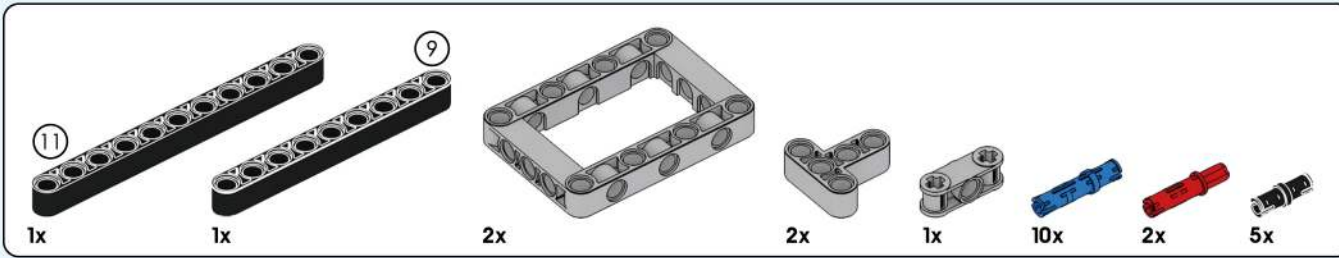




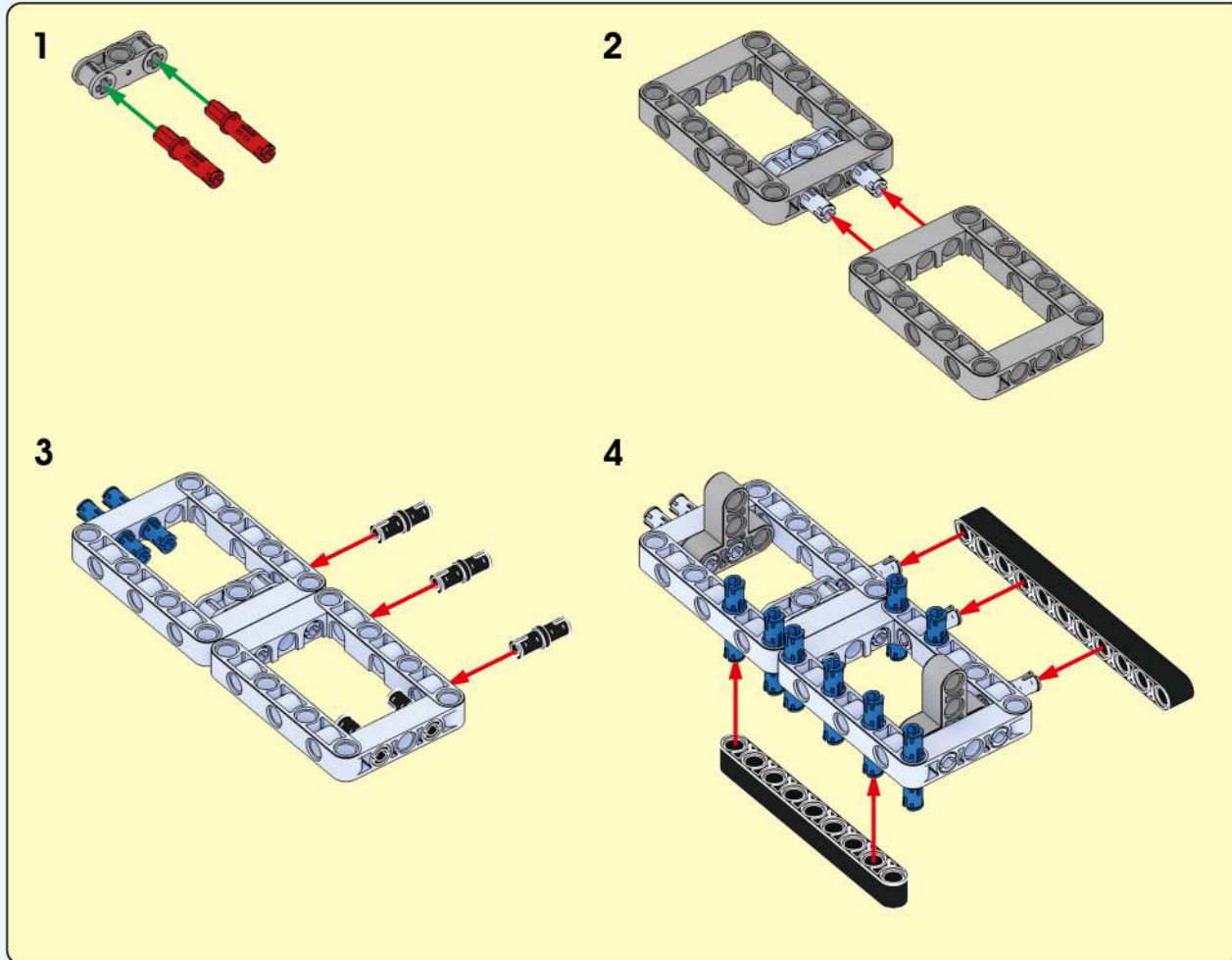
38

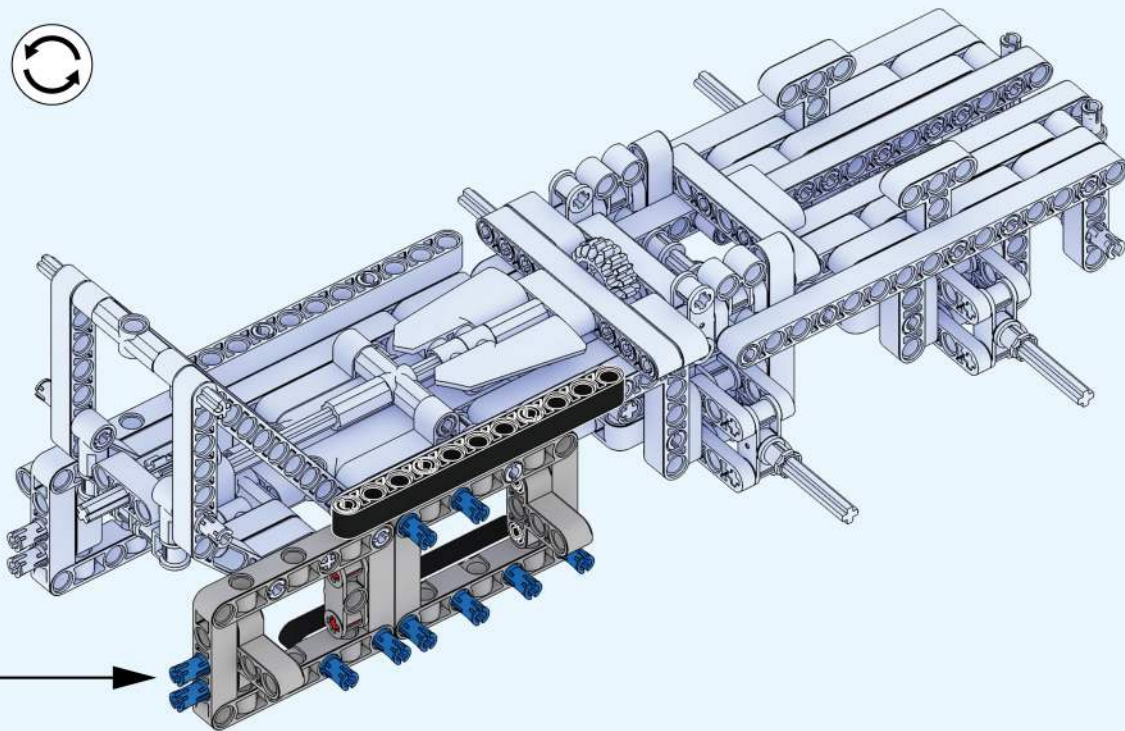


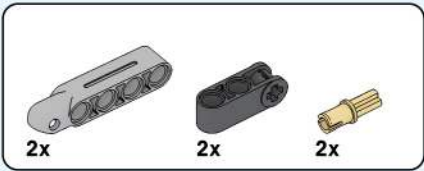




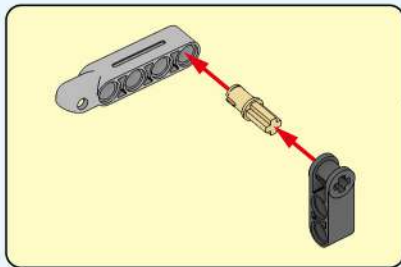
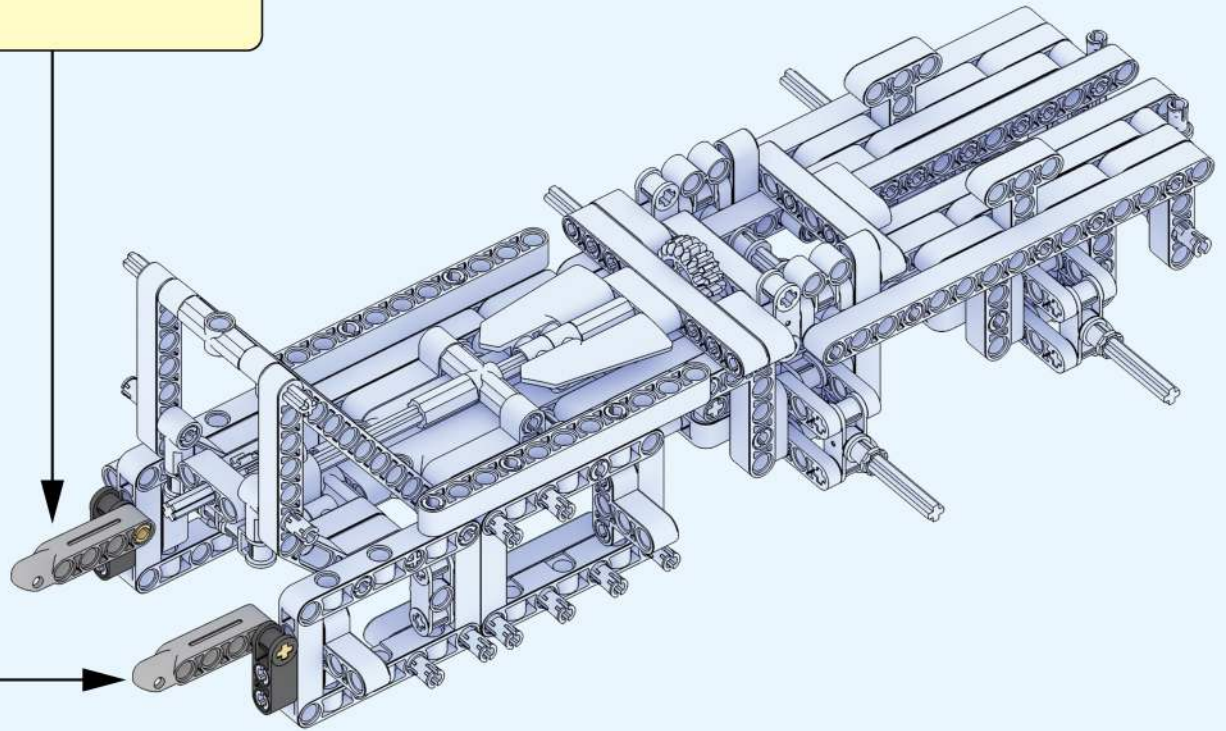
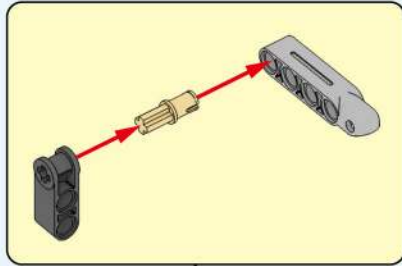
39

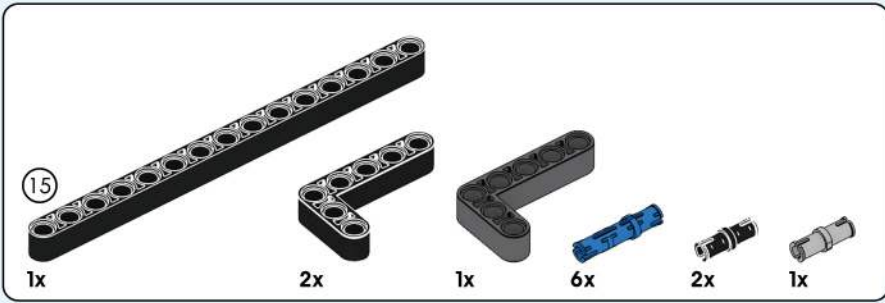




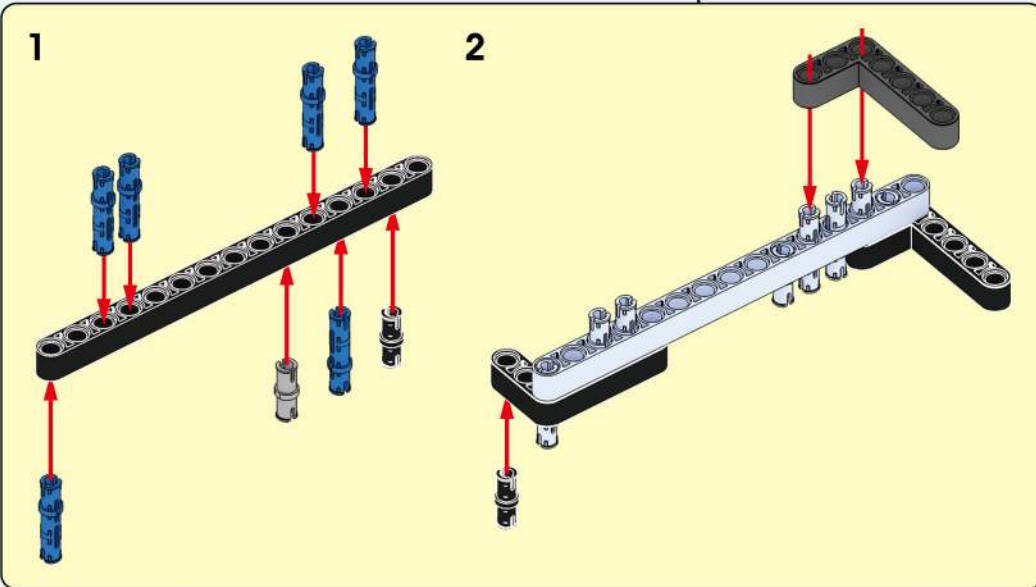
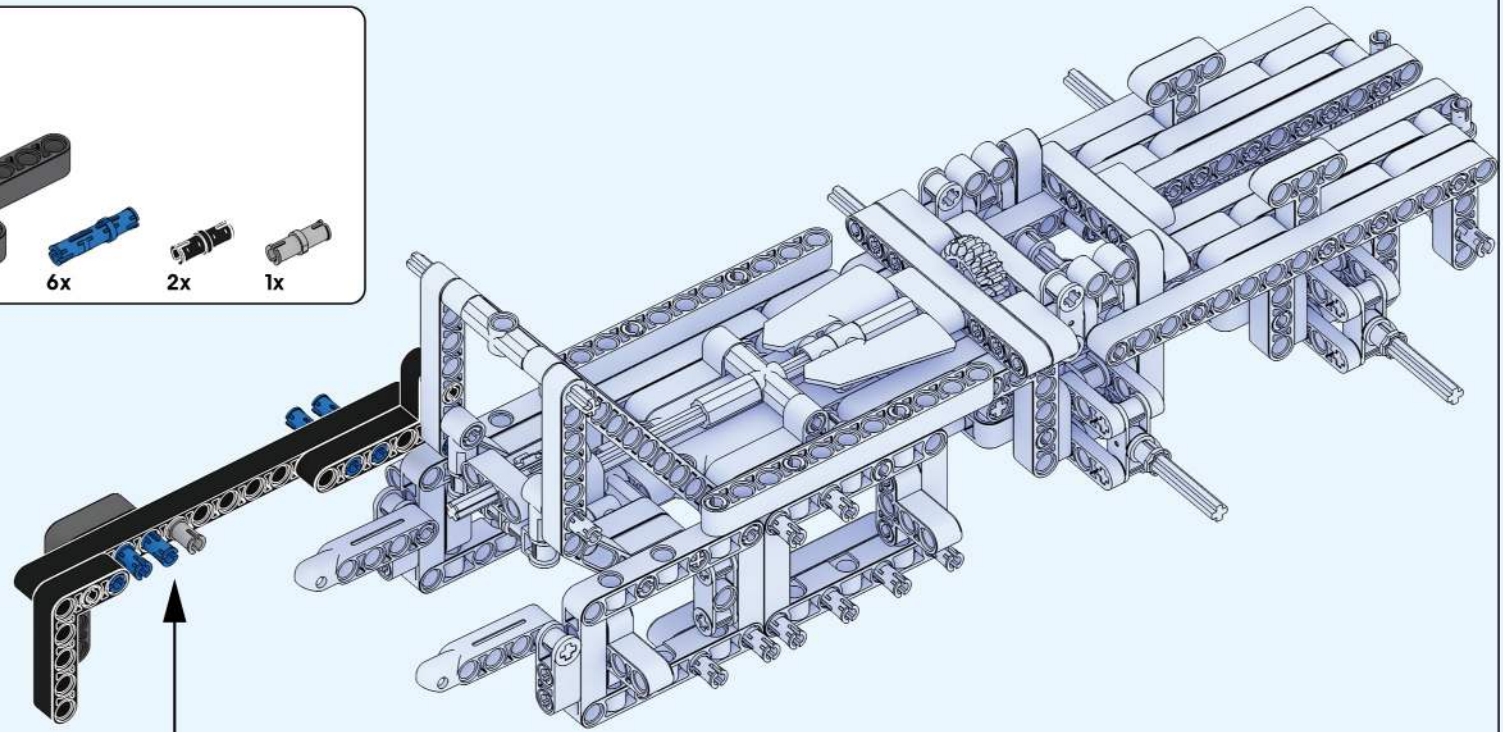


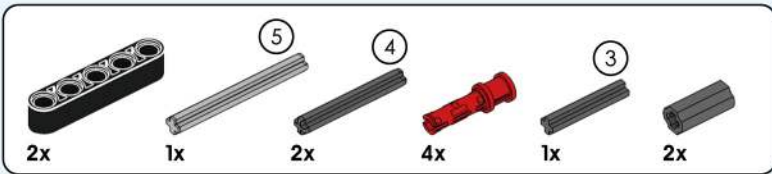
| 40 |



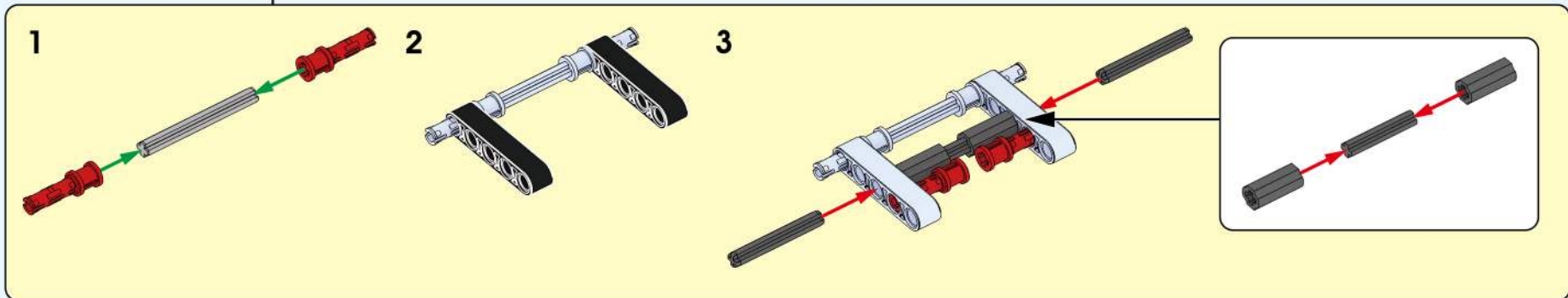
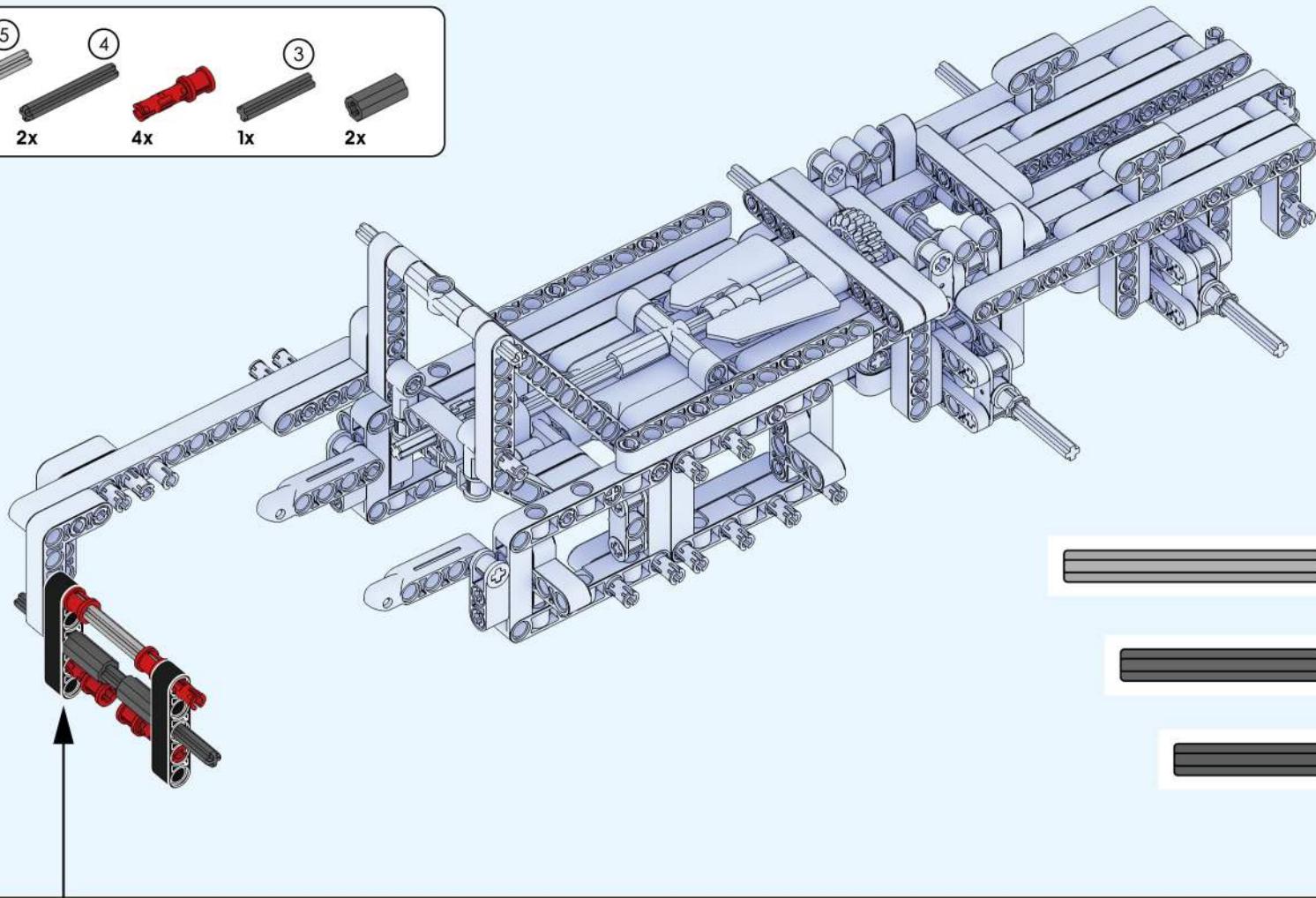


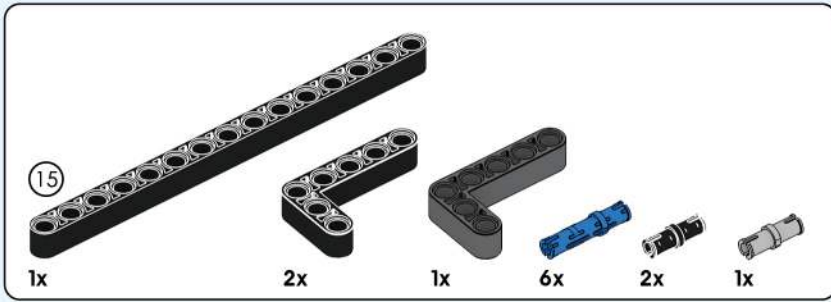
41



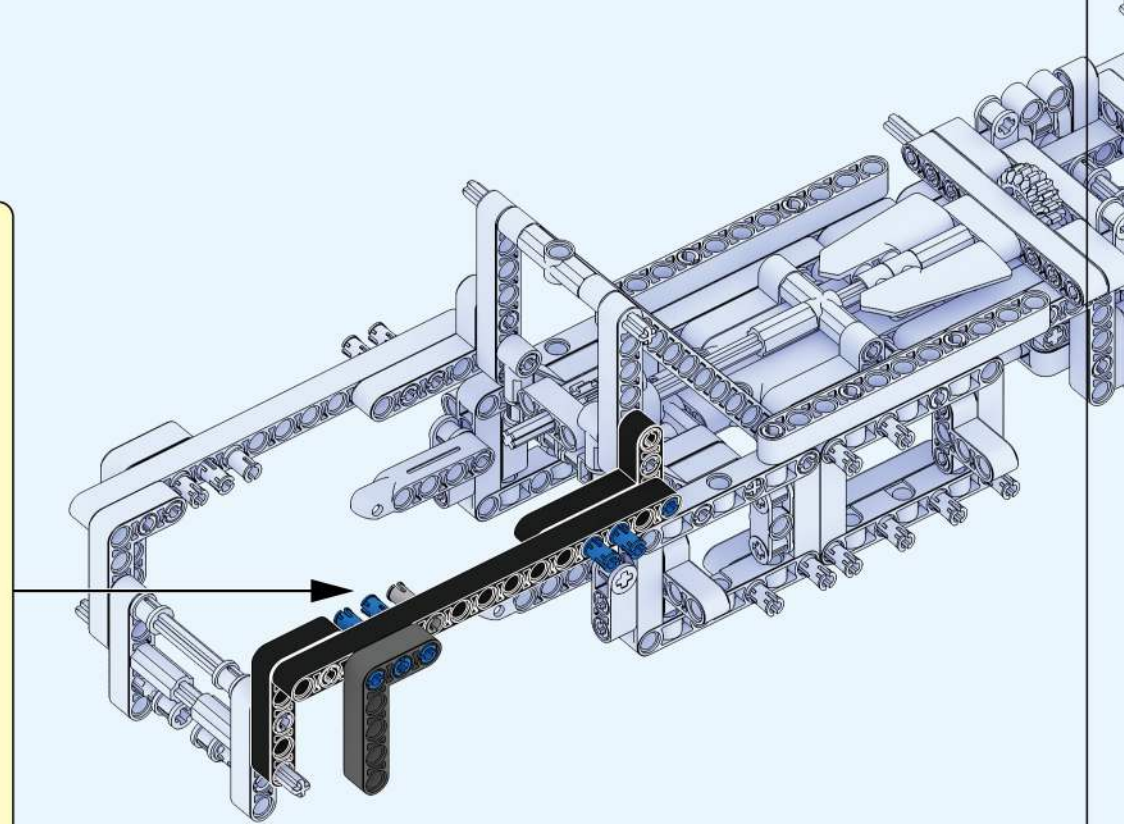
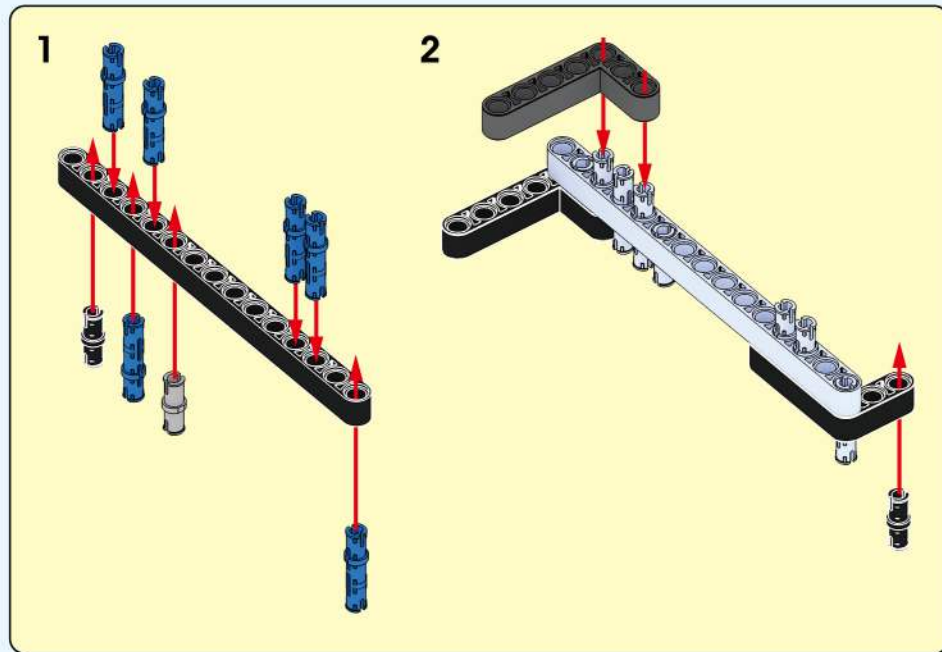


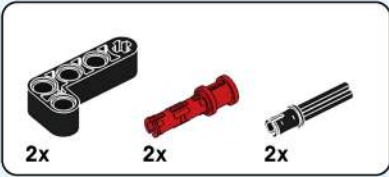
42



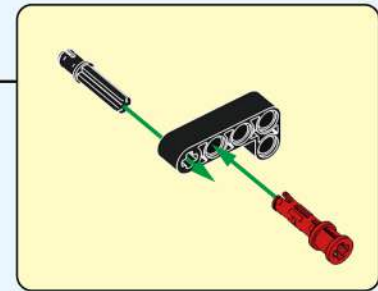
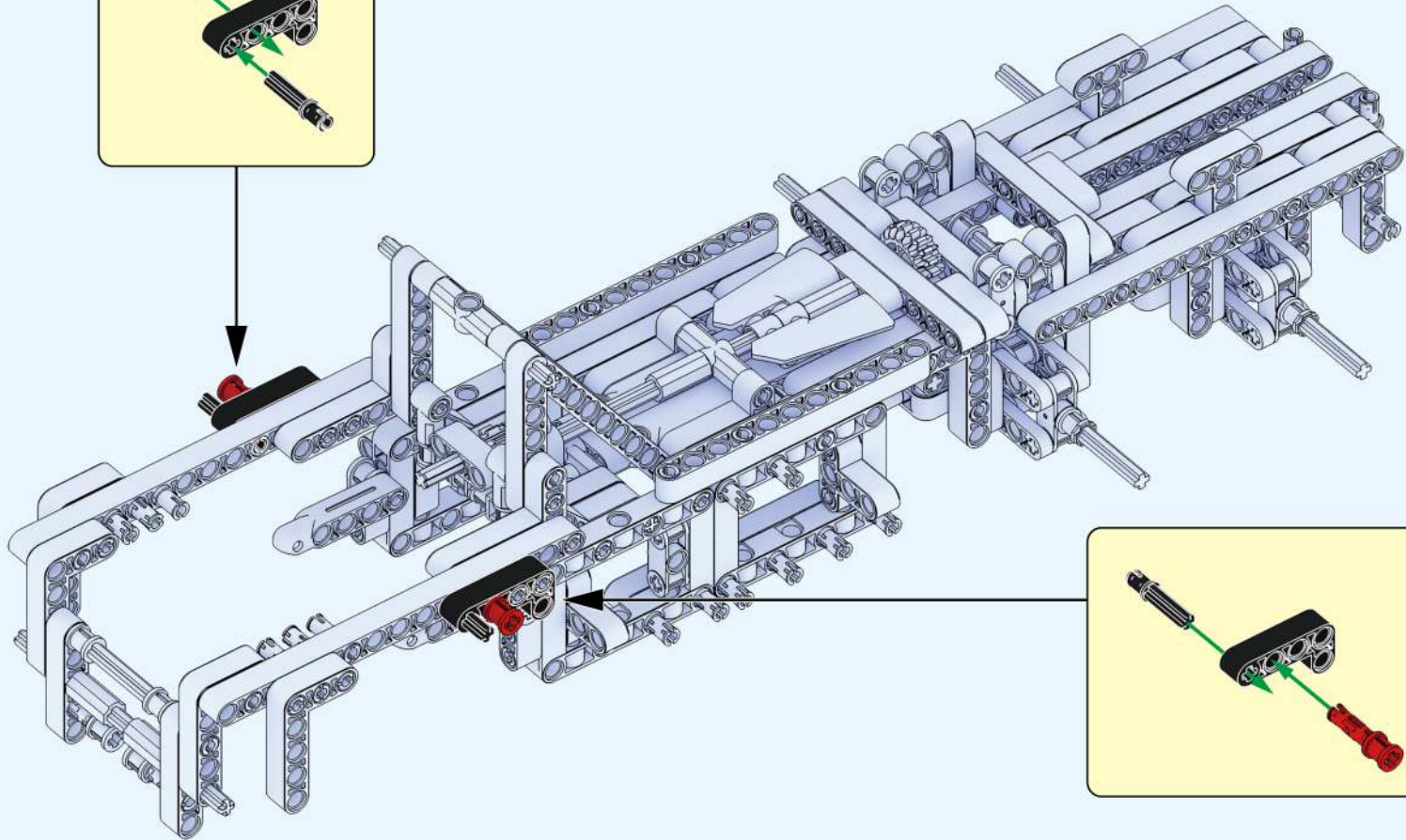
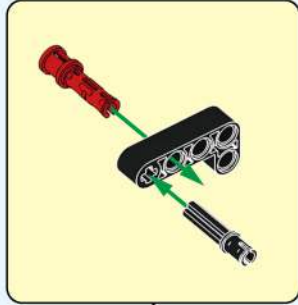


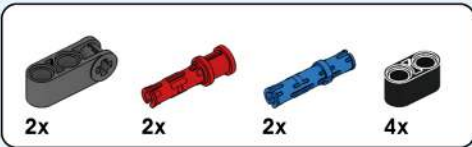
43



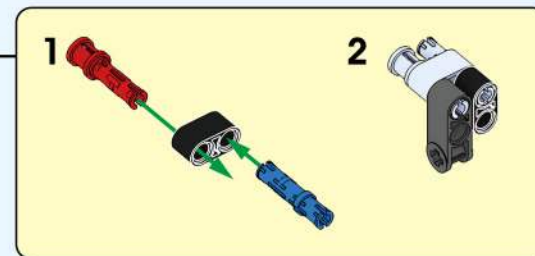
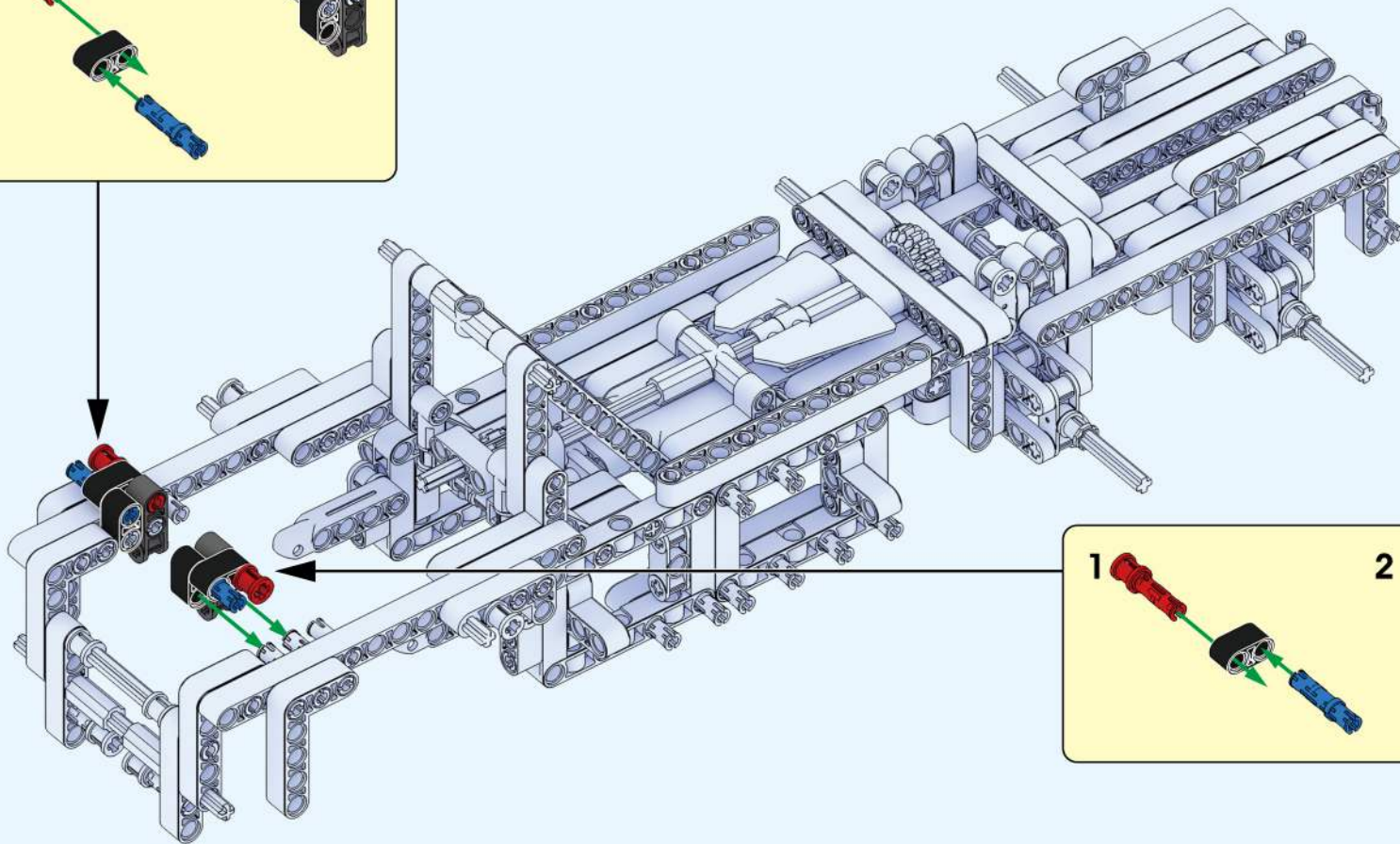
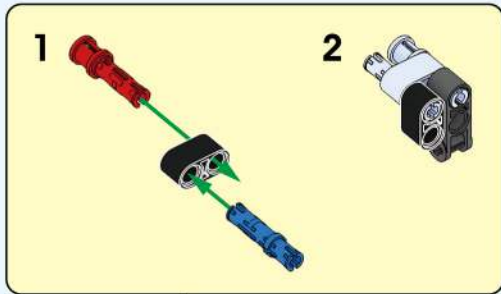


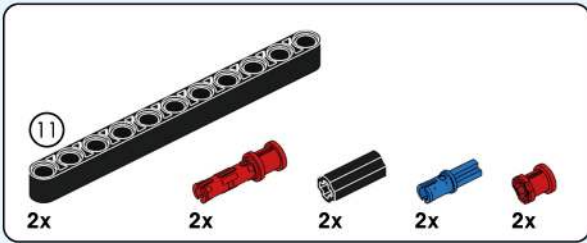
44



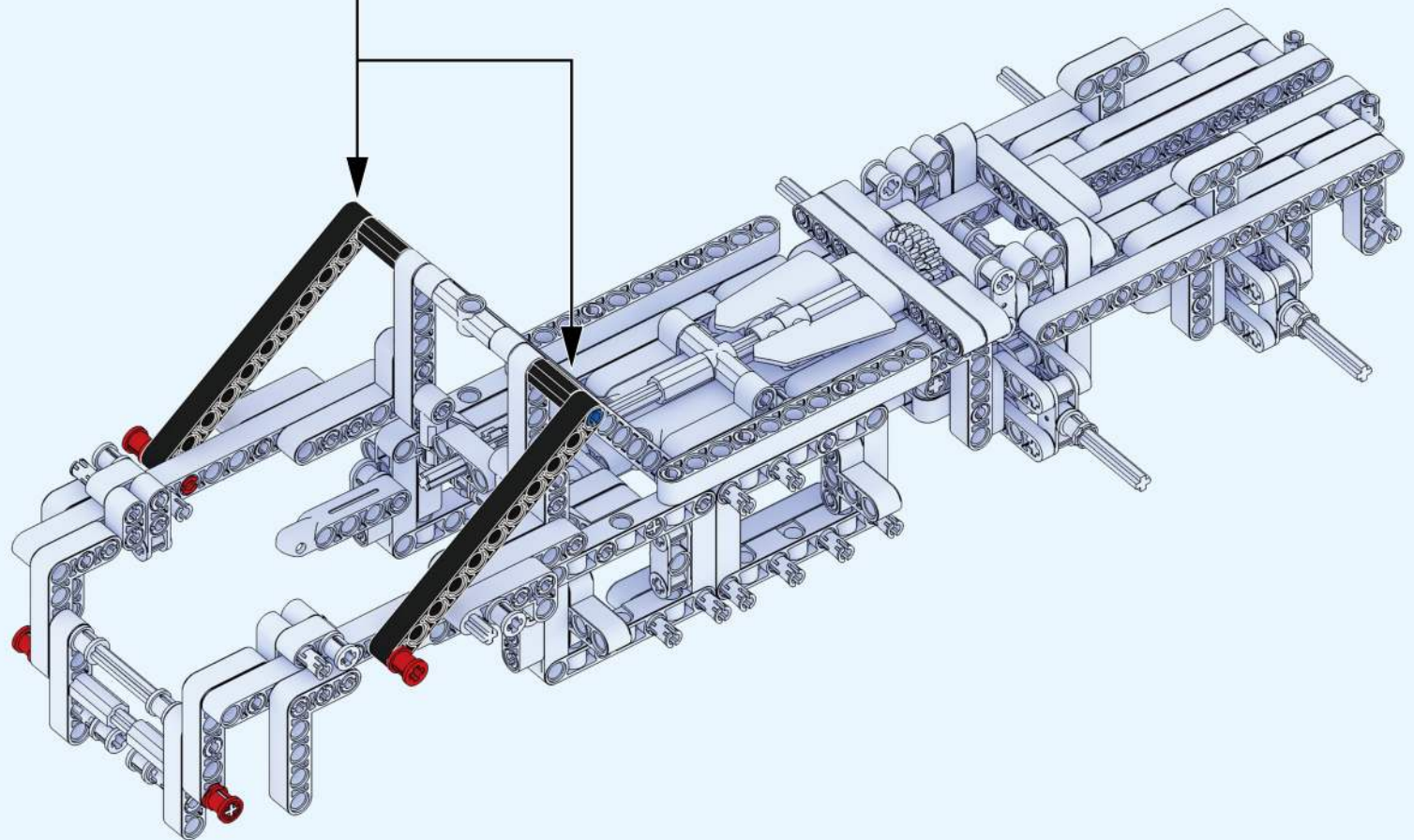
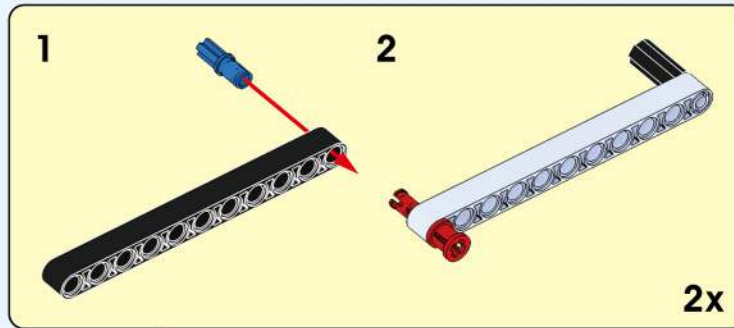


45



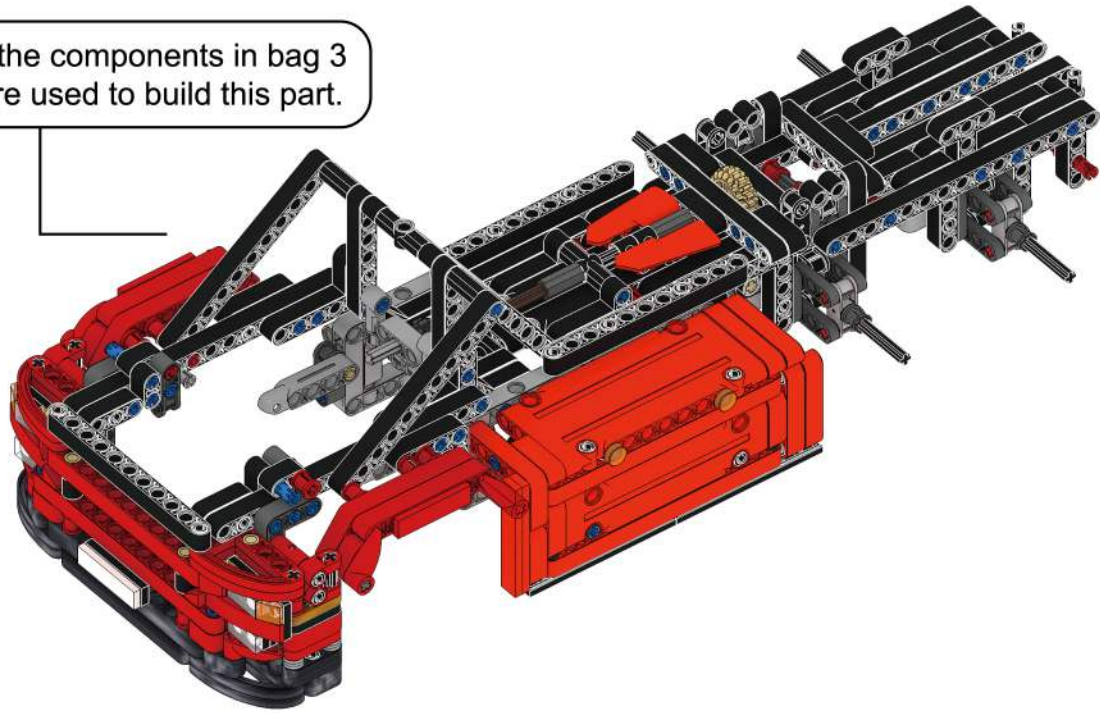


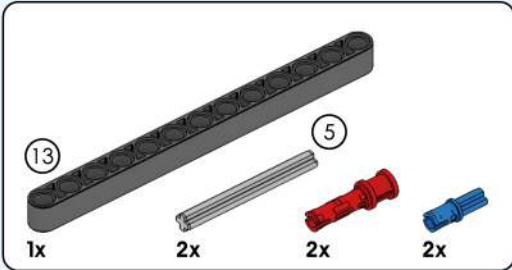
46



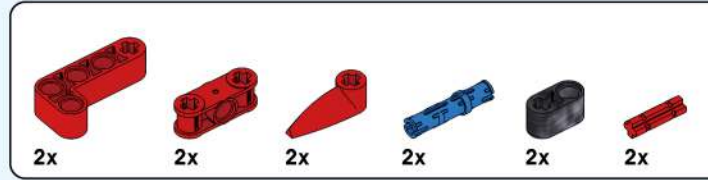
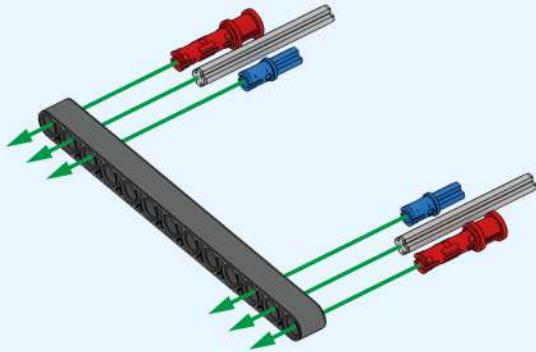


All the components in bag 3
were used to build this part.

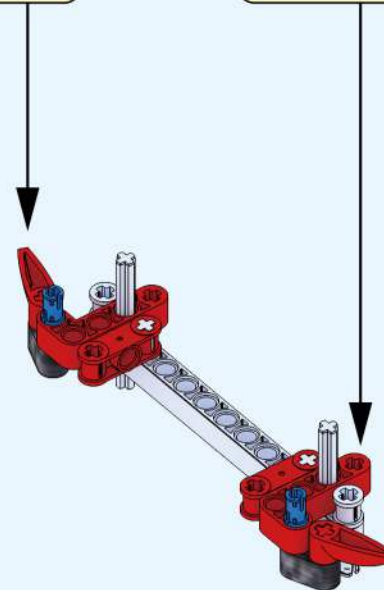
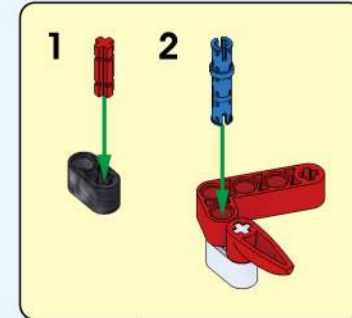
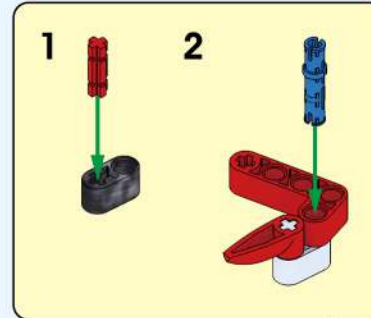


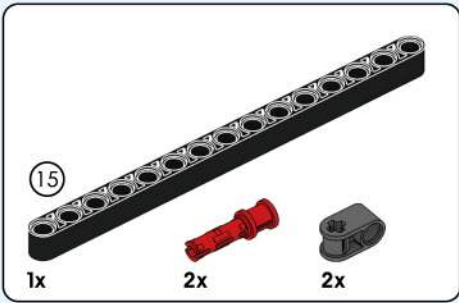


| 47 |

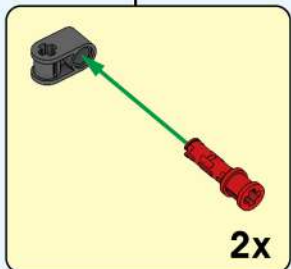
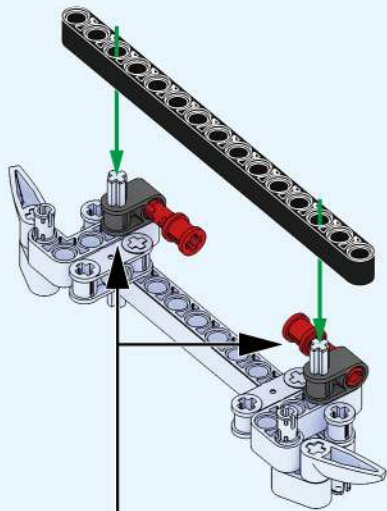


| 48 |

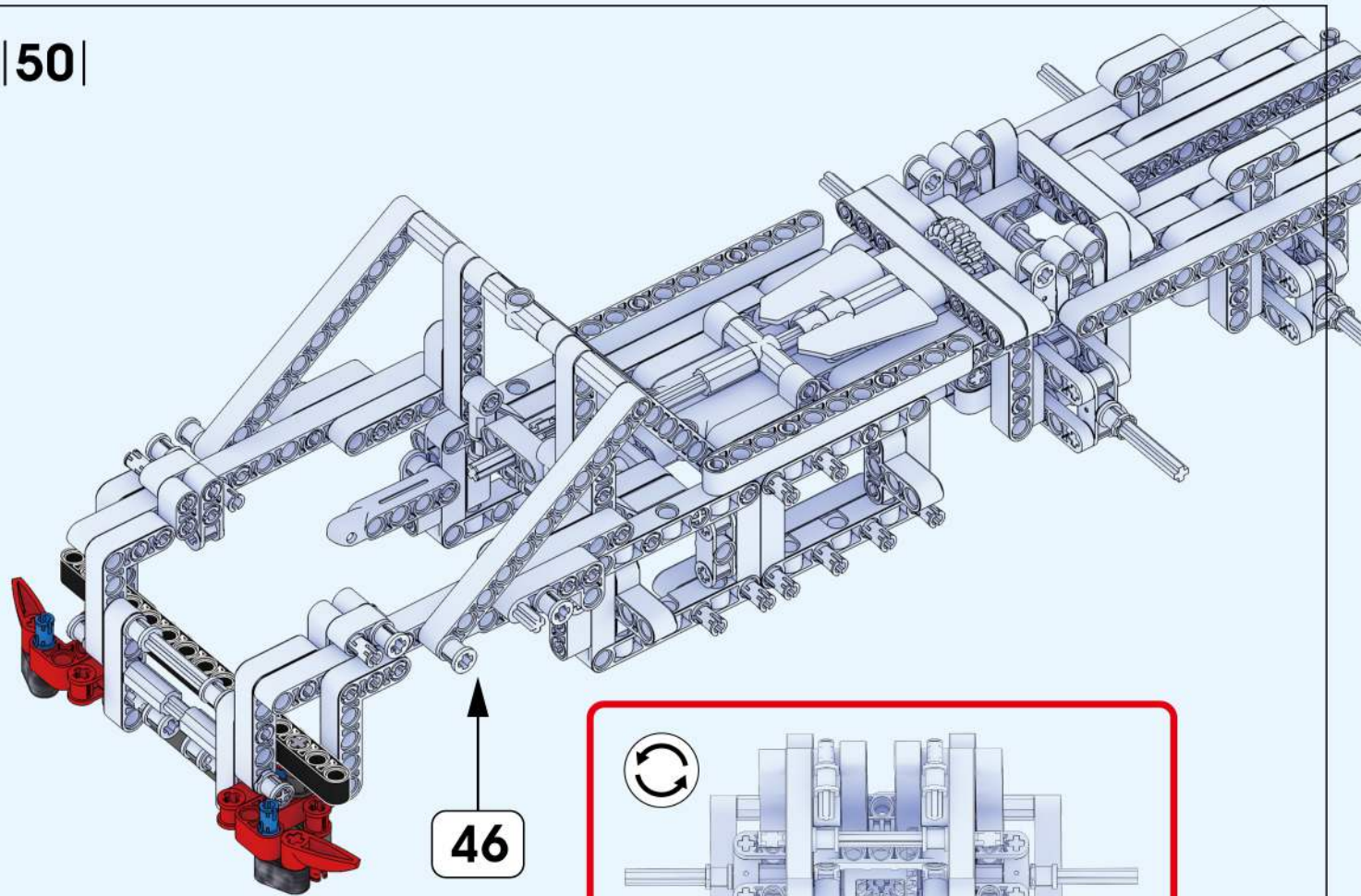




49

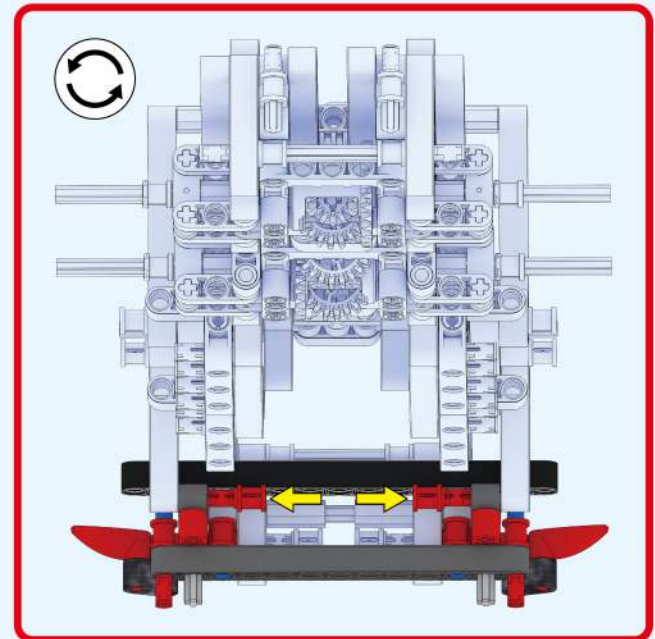


50



46

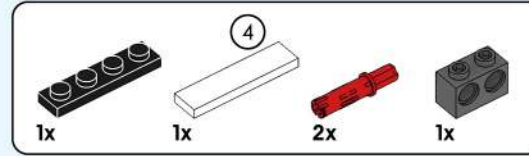
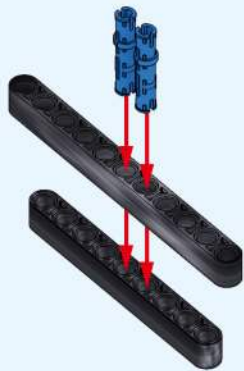
49



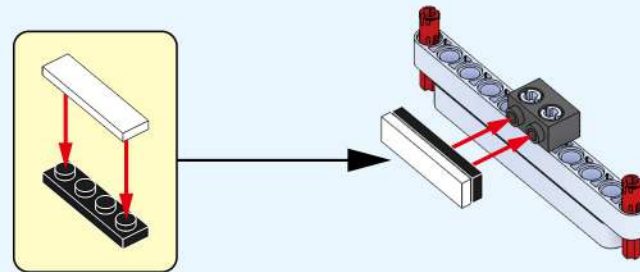
40

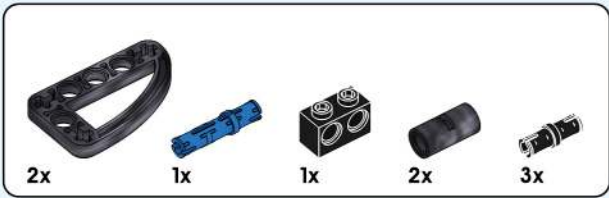


| 51 |

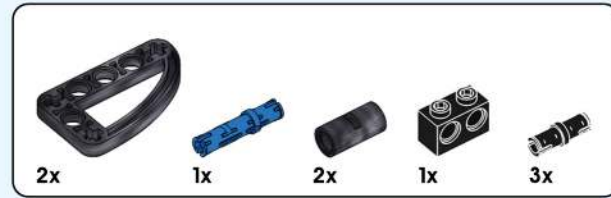
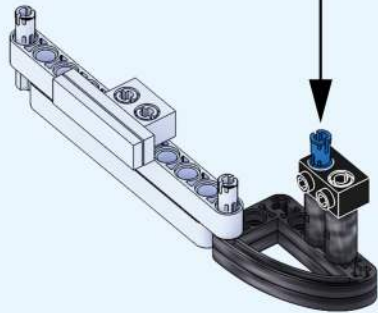
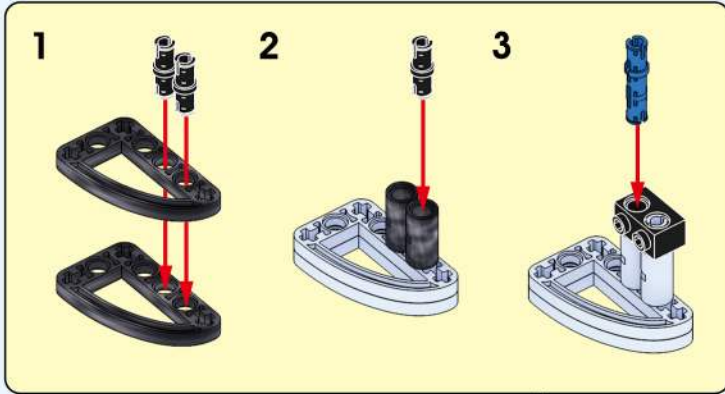


| 52 |

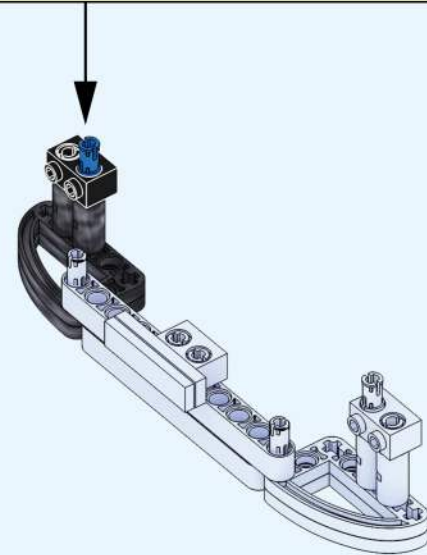
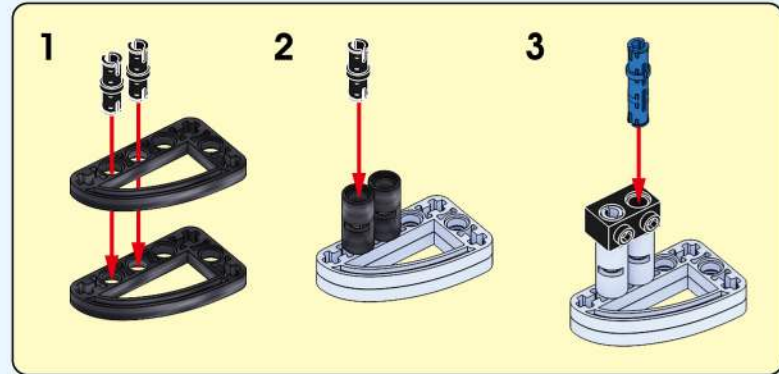




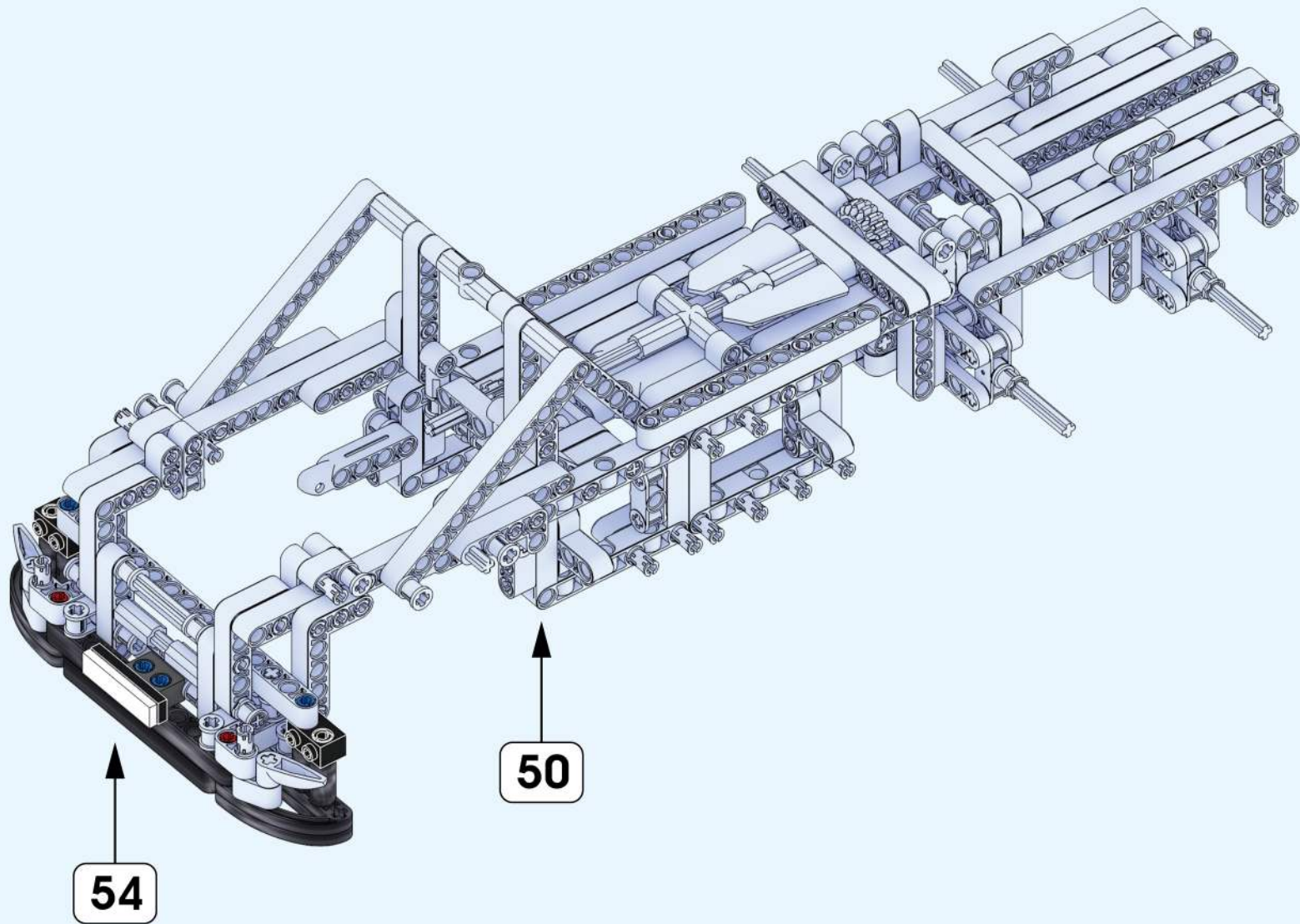
53

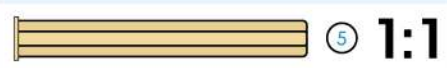
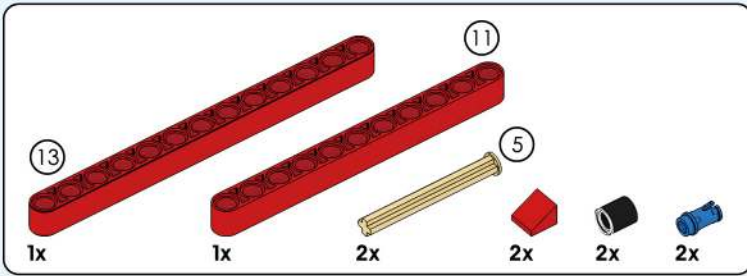


54

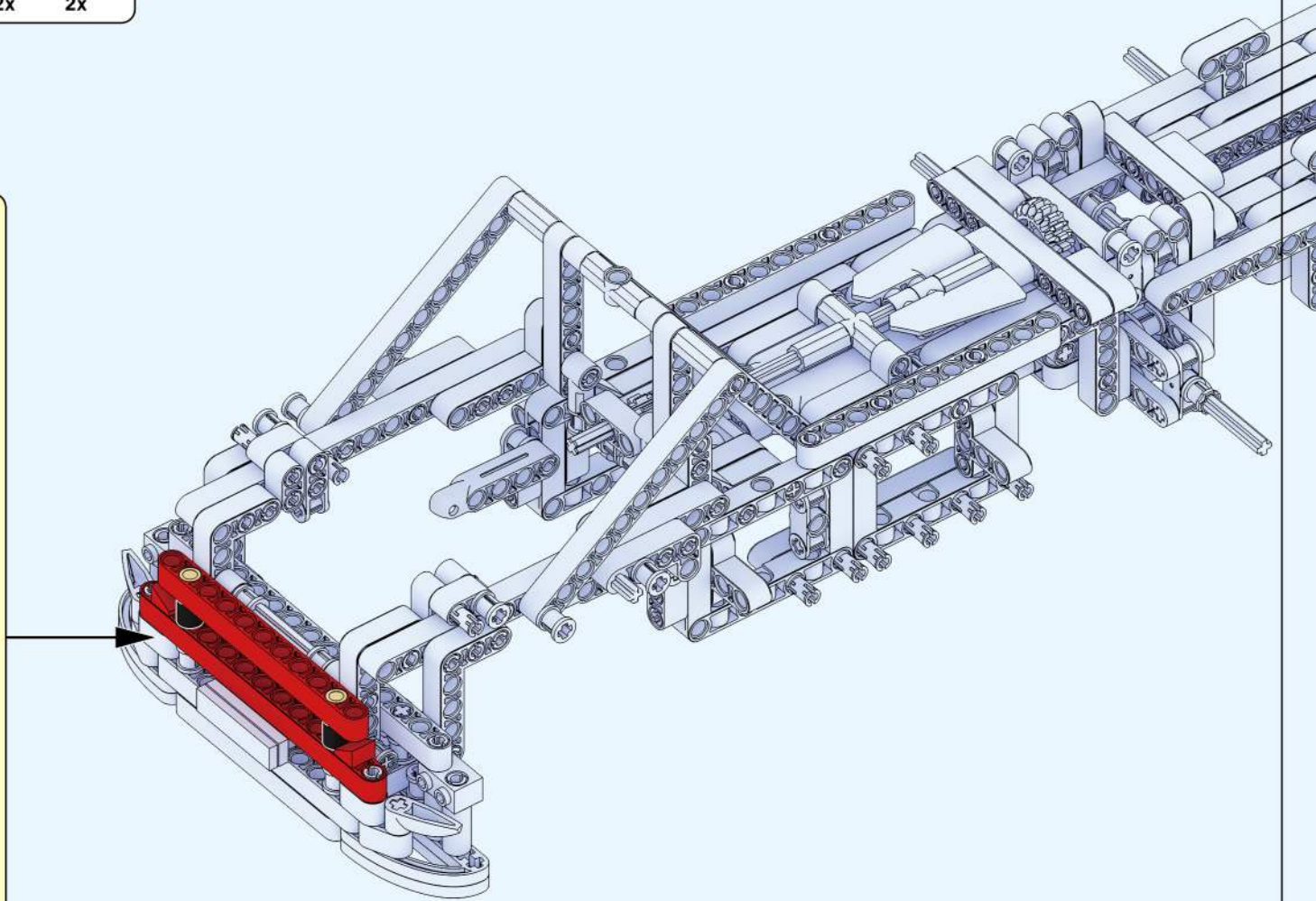
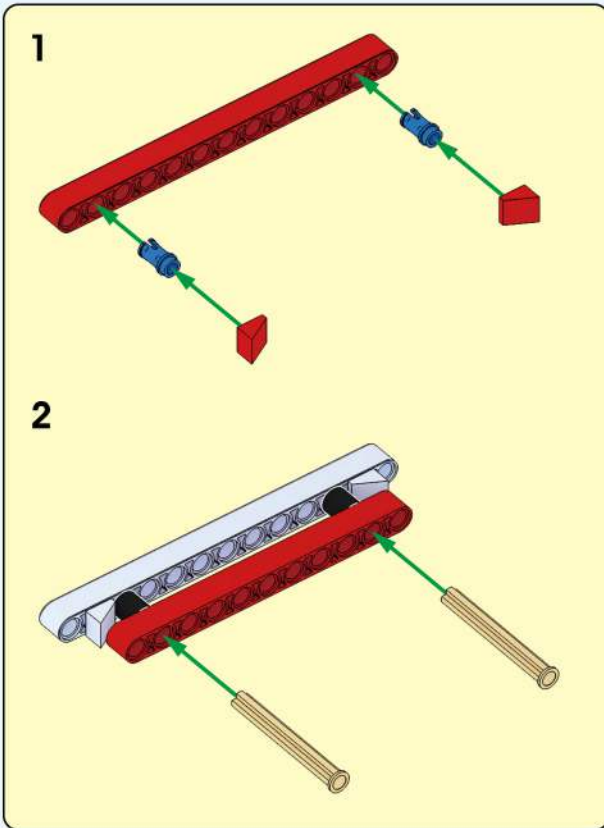


|55|





56



7

2x

1x

1x

1x

1x

1x

1x

1x

1x

1x

2x

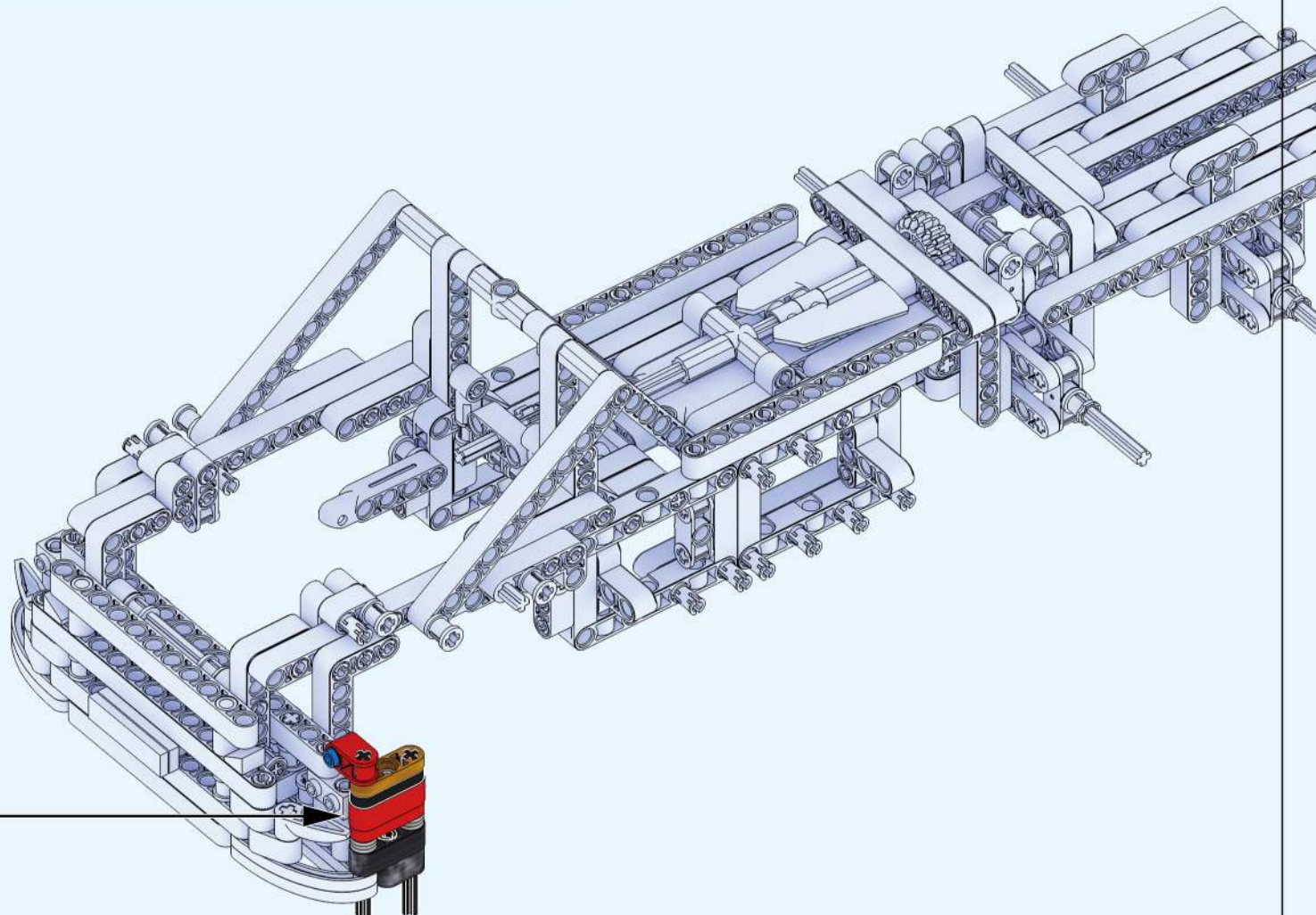
7 1:1

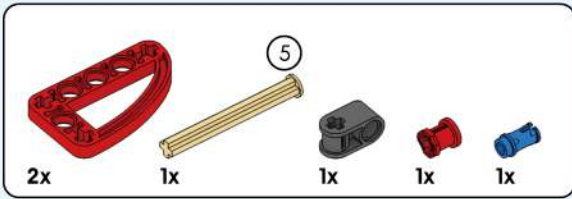
57

1

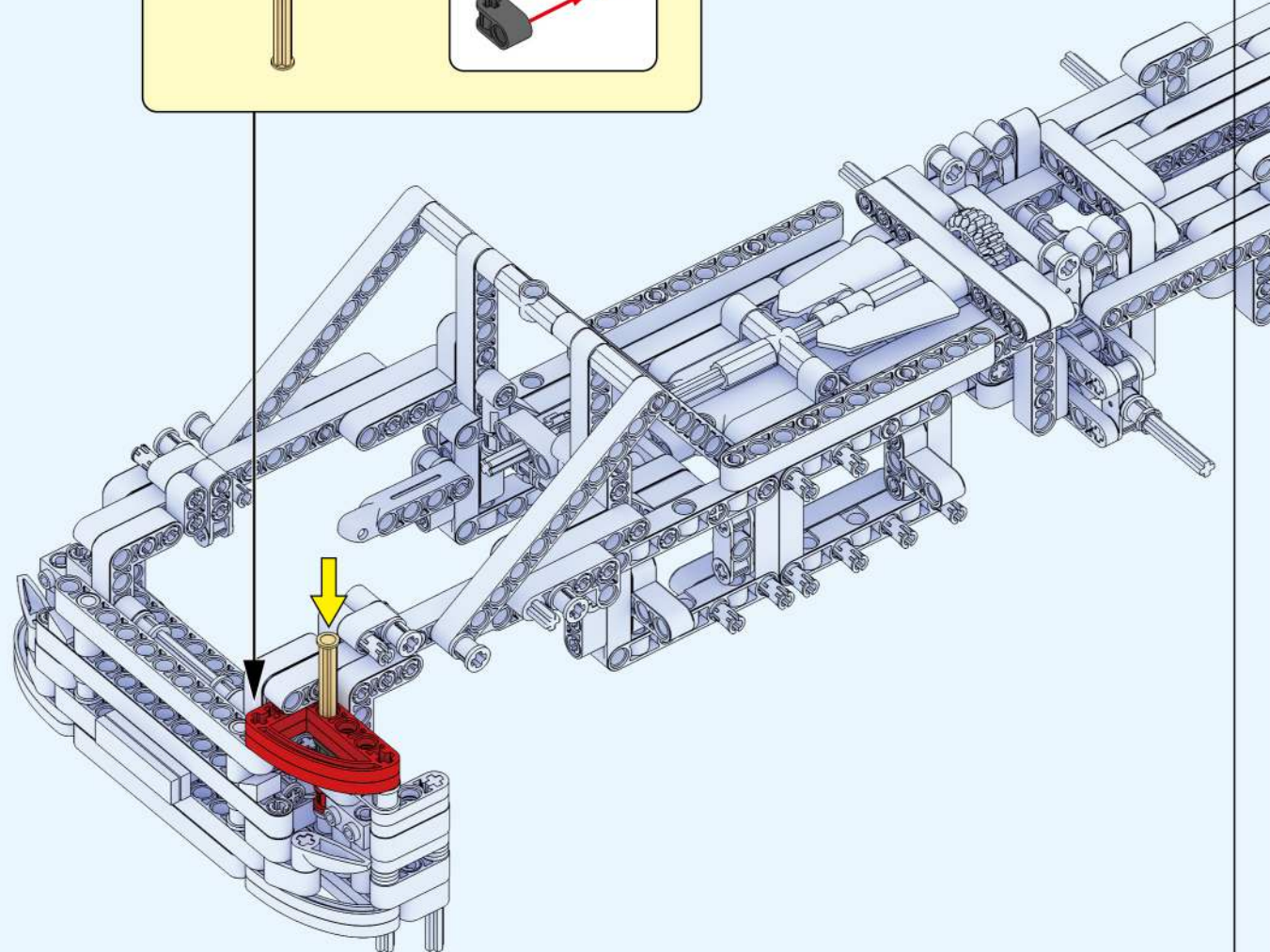
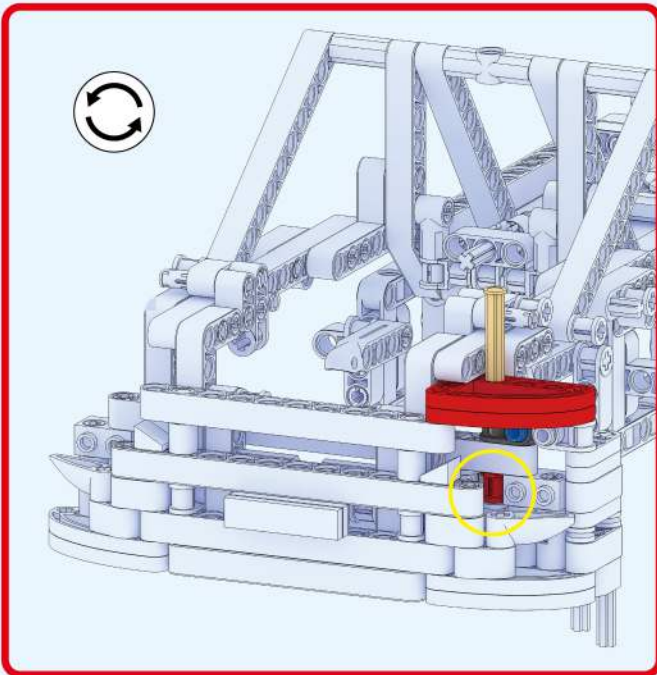
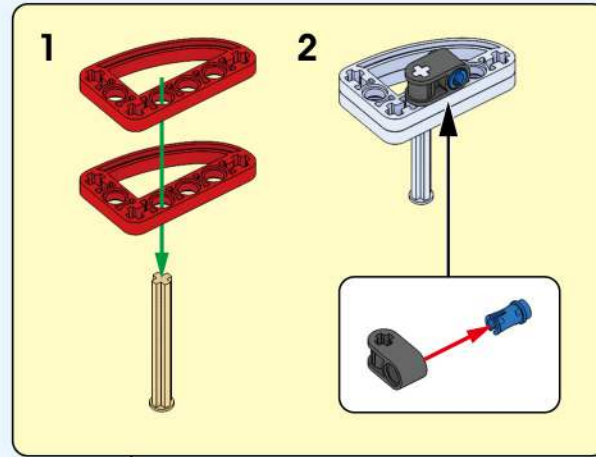
2

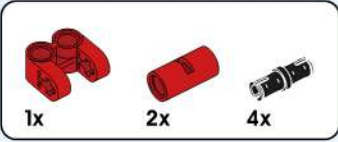
3



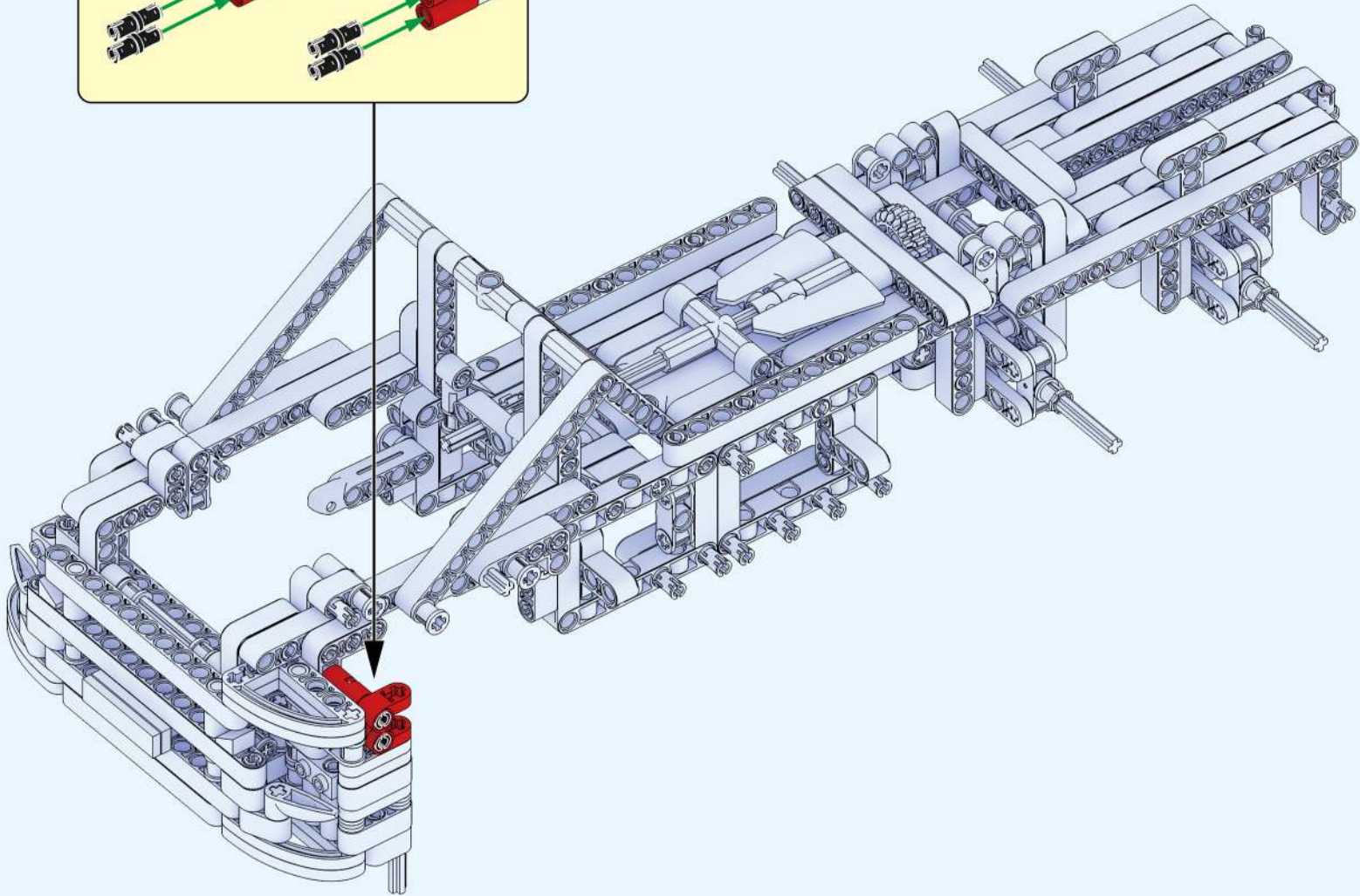
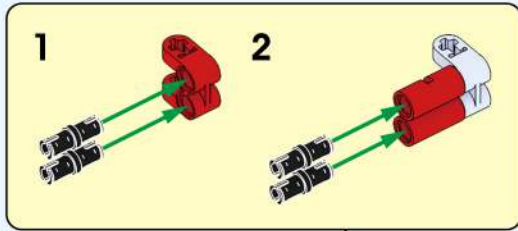


58





59



7



2x



1x



1x



1x



1x



1x



1x



1x



1x



1x



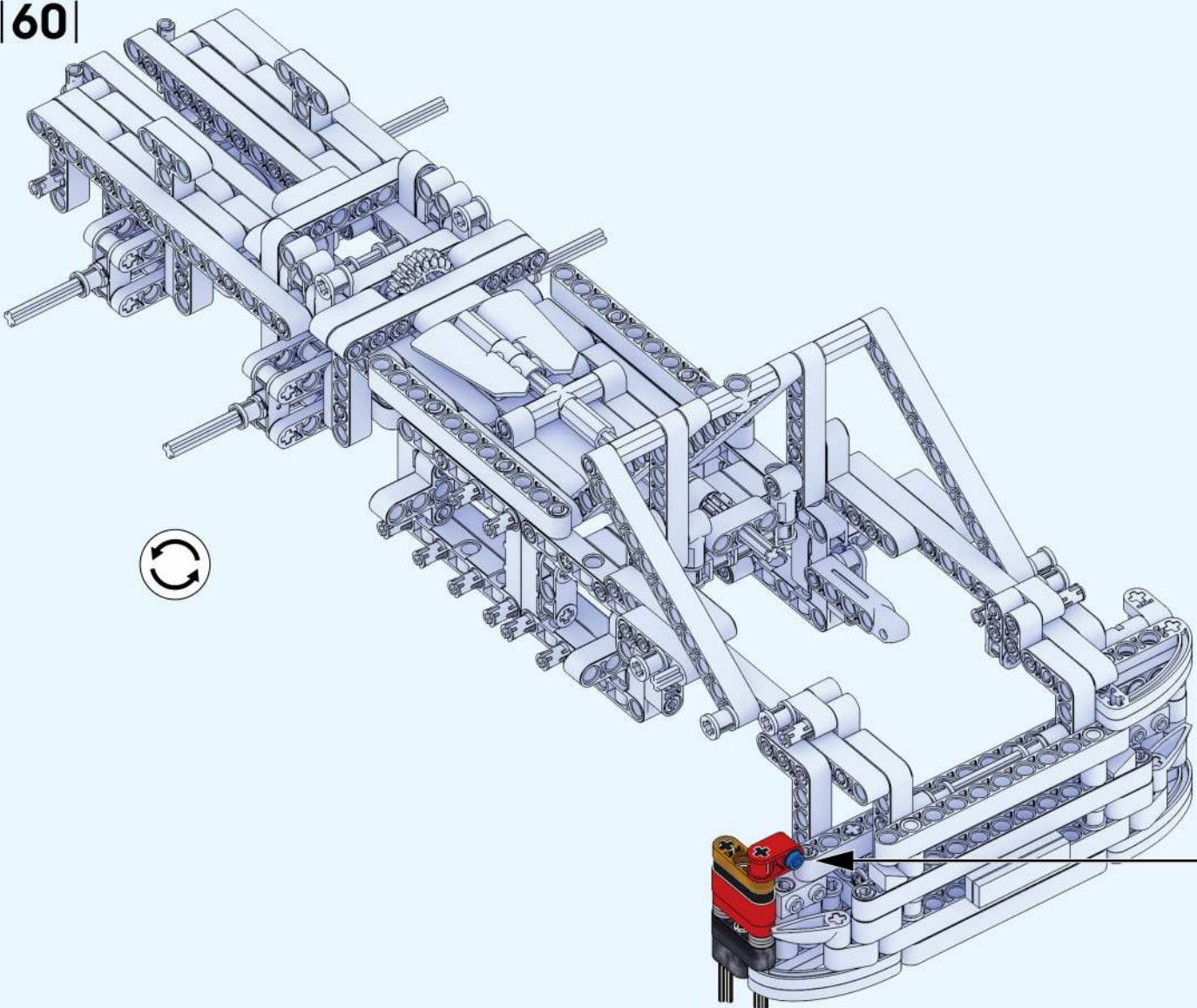
2x



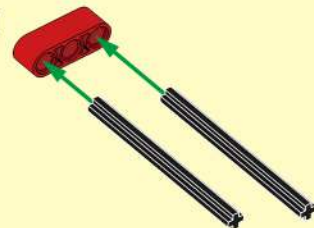
7

1:1

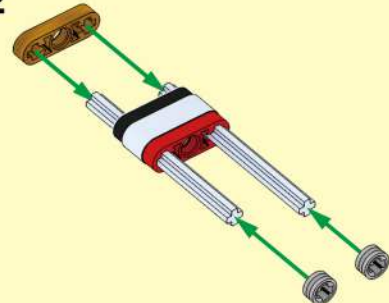
60



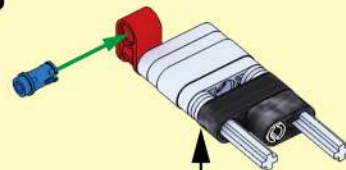
1

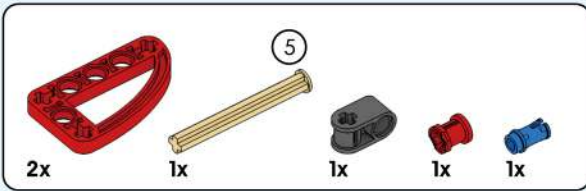


2

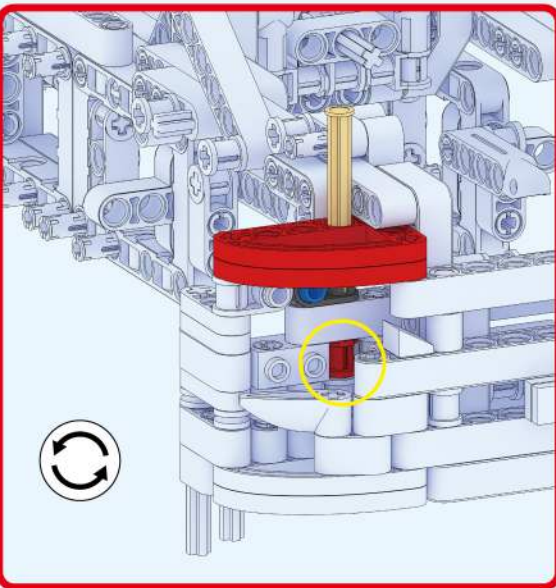
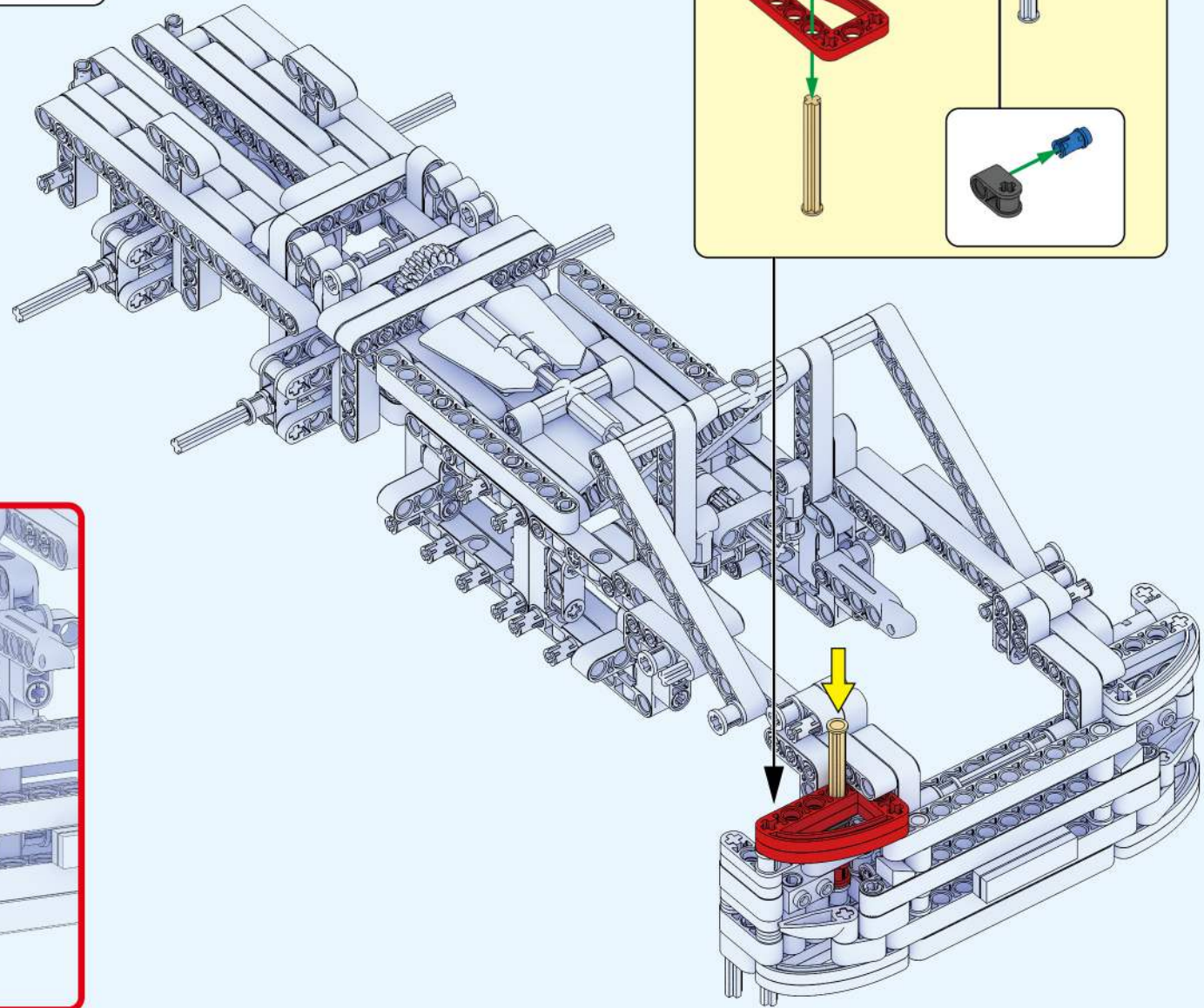


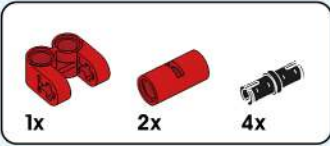
3



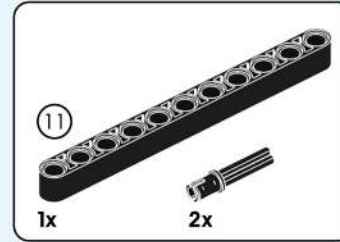
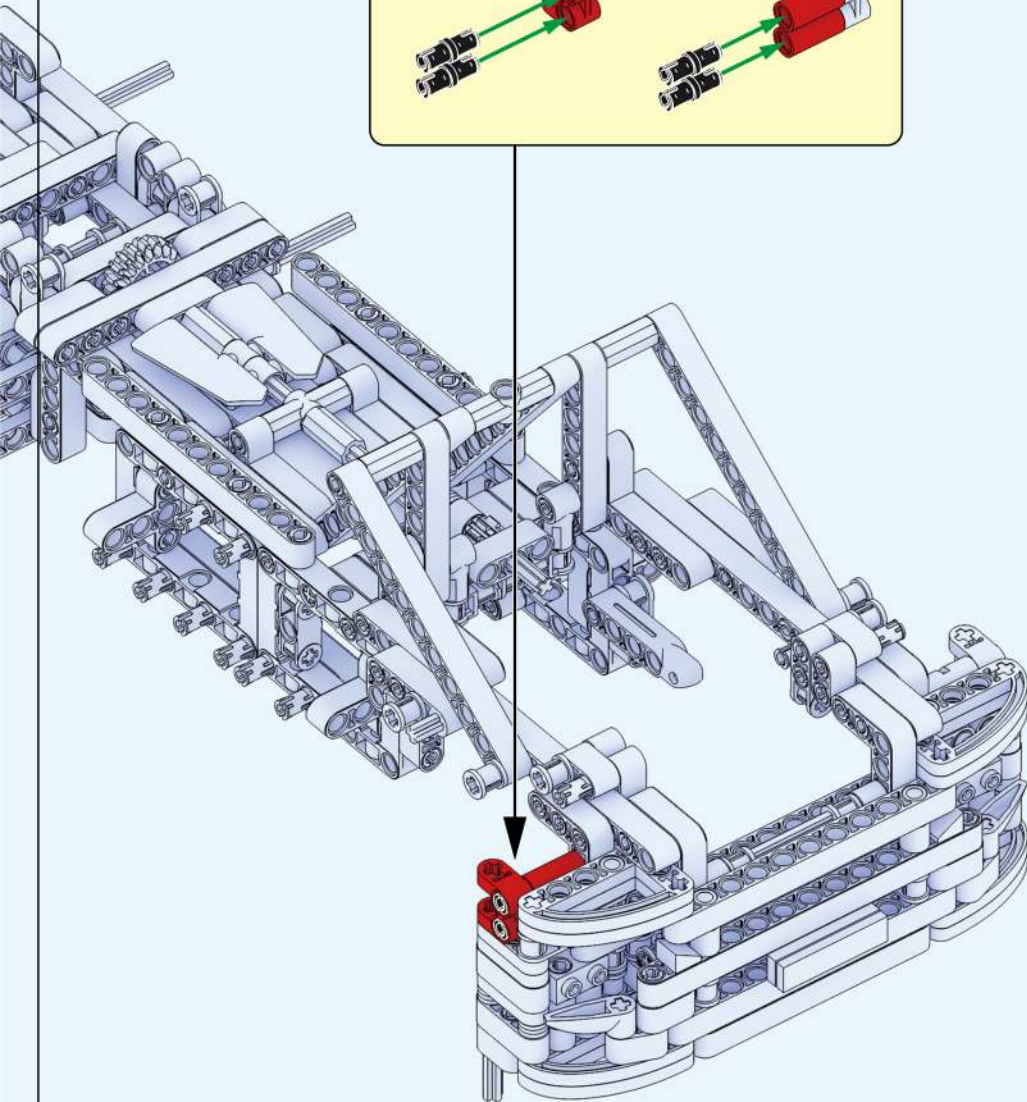
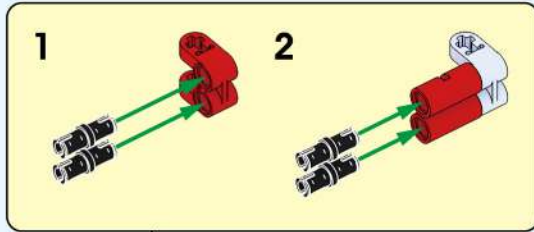


61

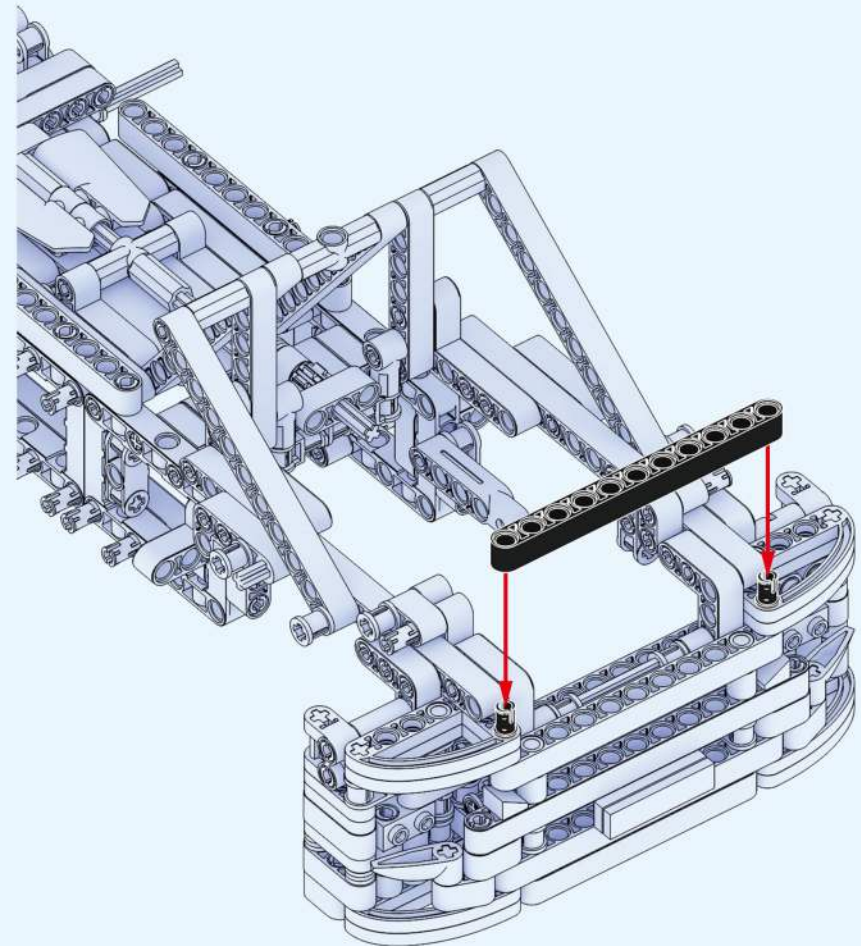


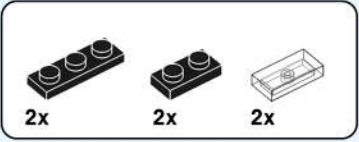


62

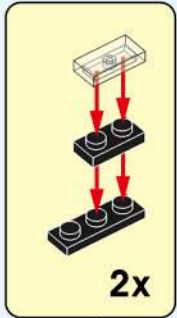
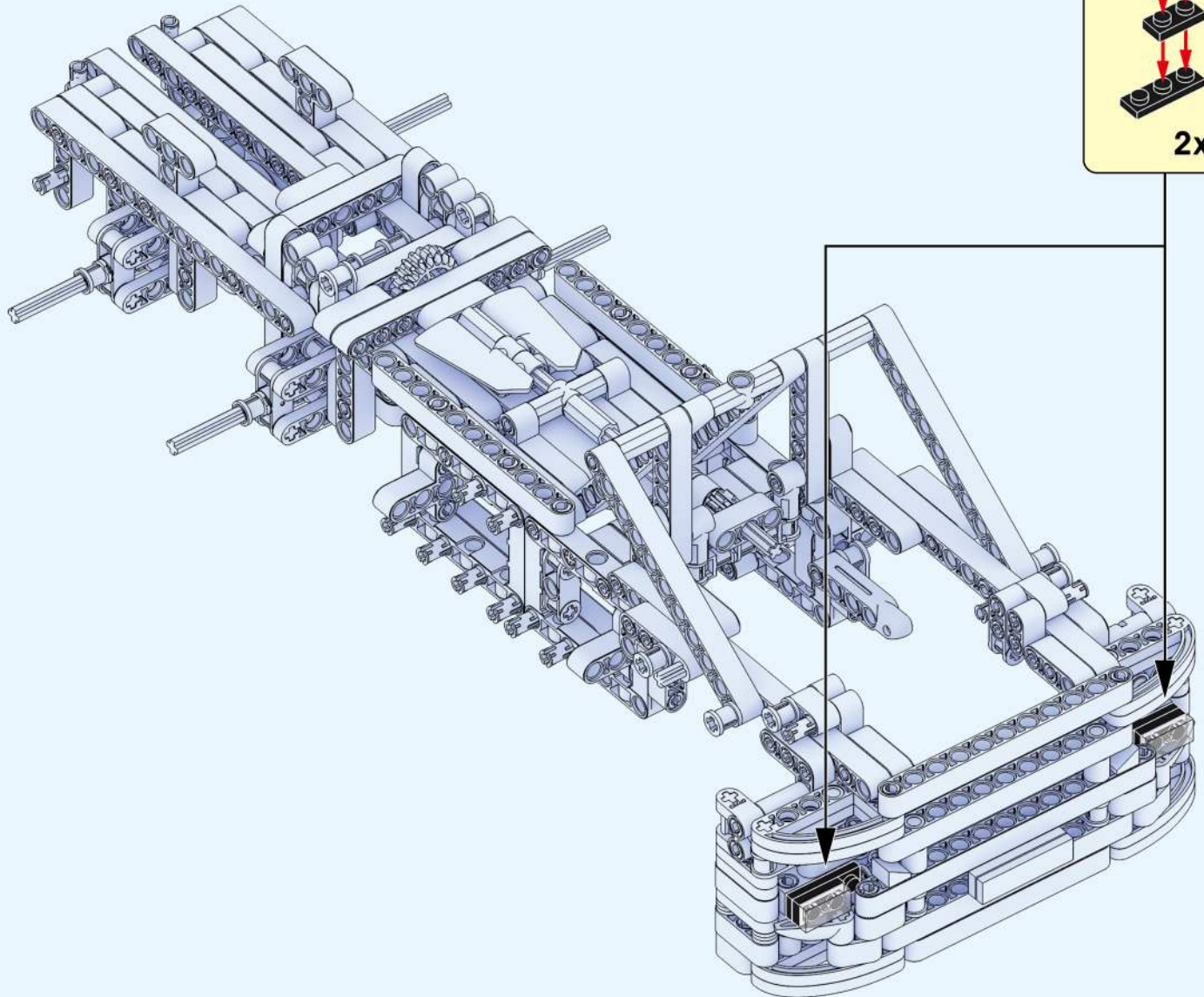


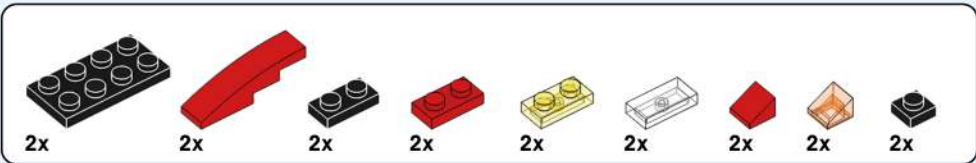
63



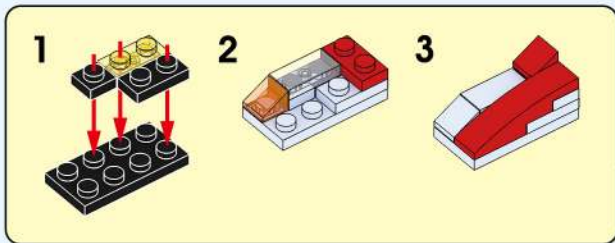
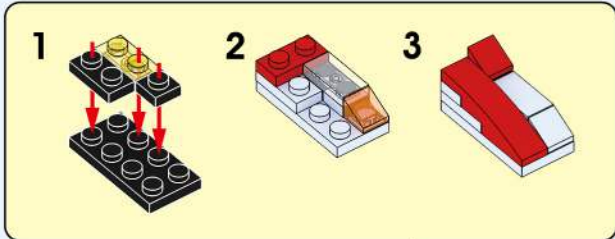
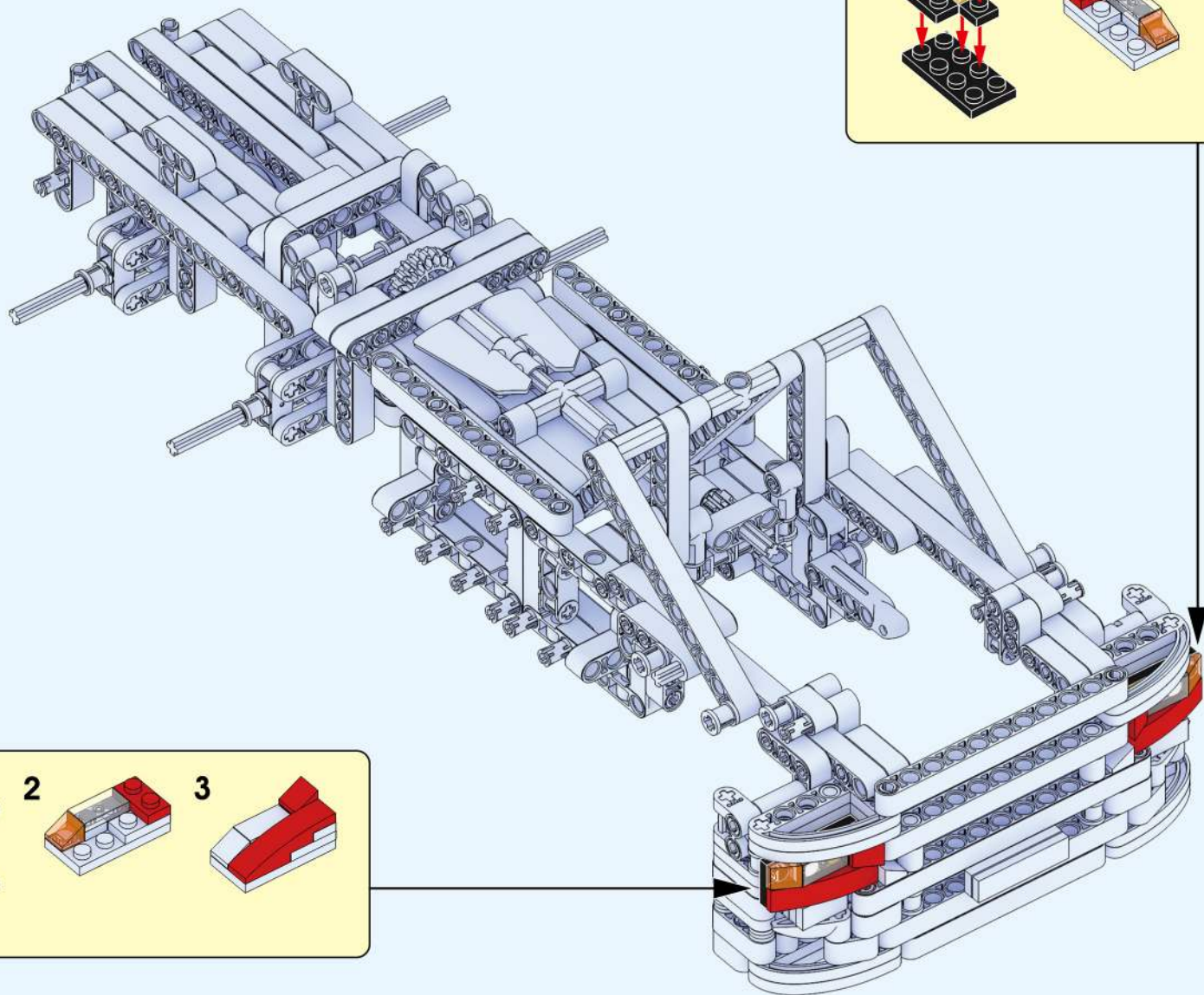


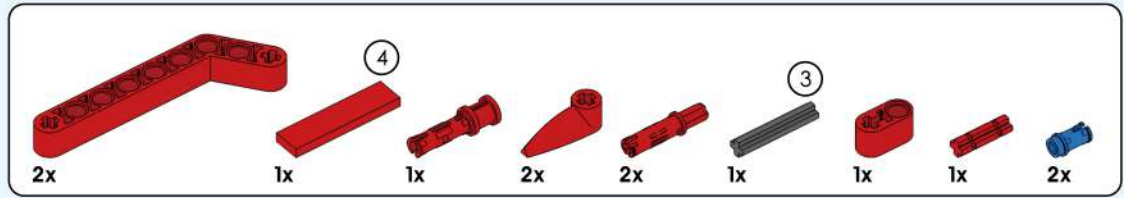
64



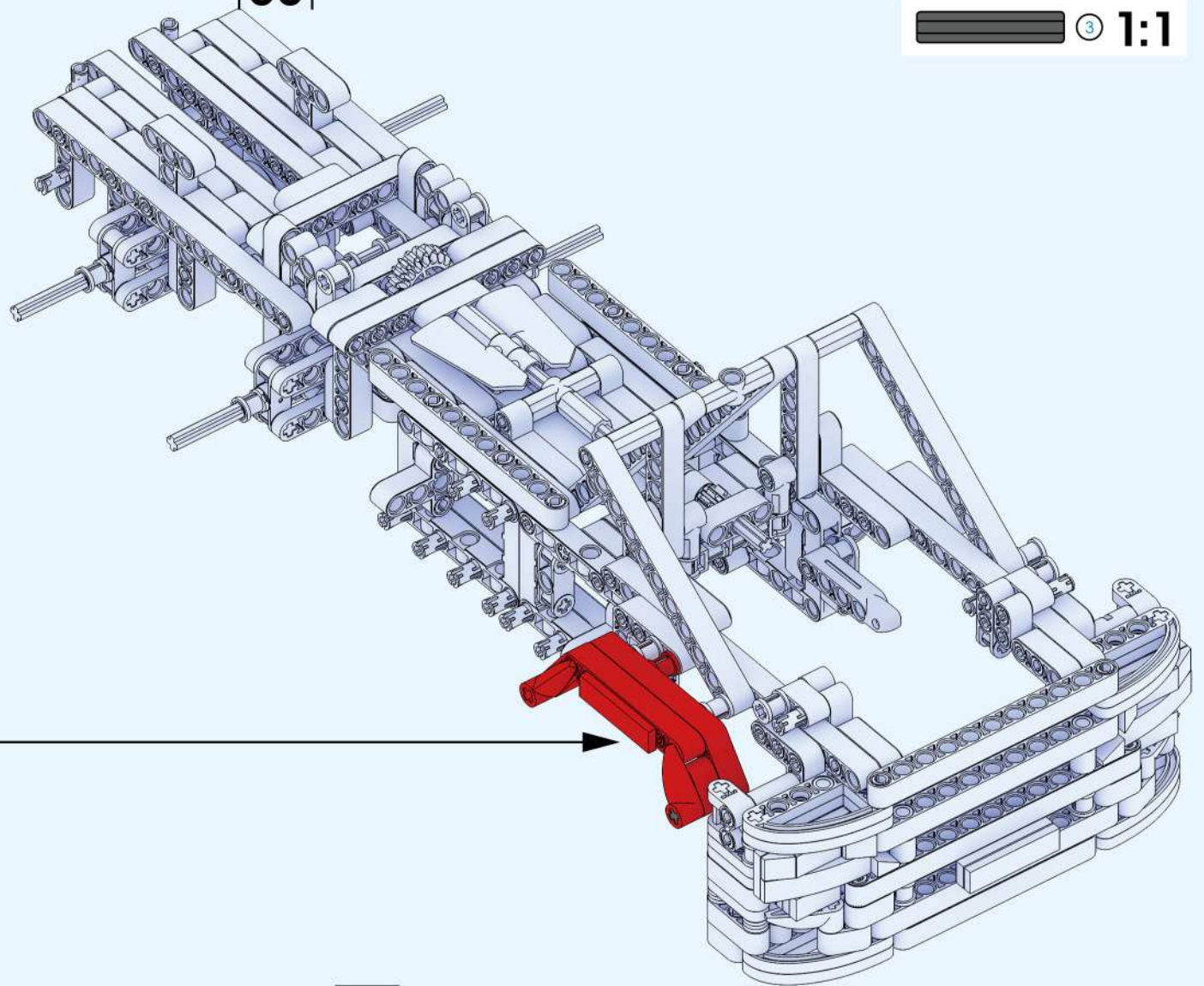
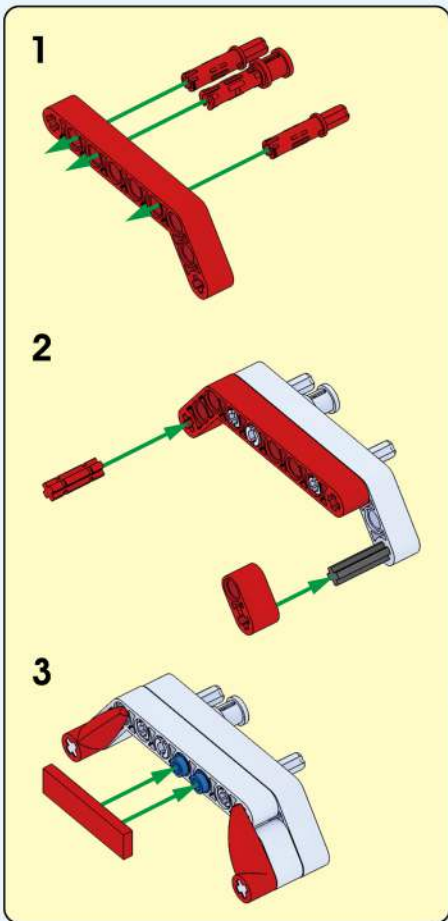


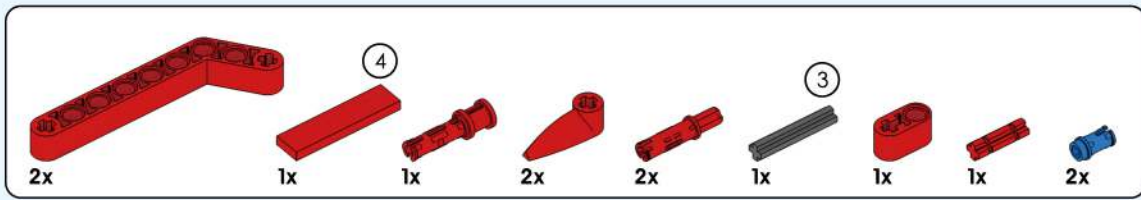
65



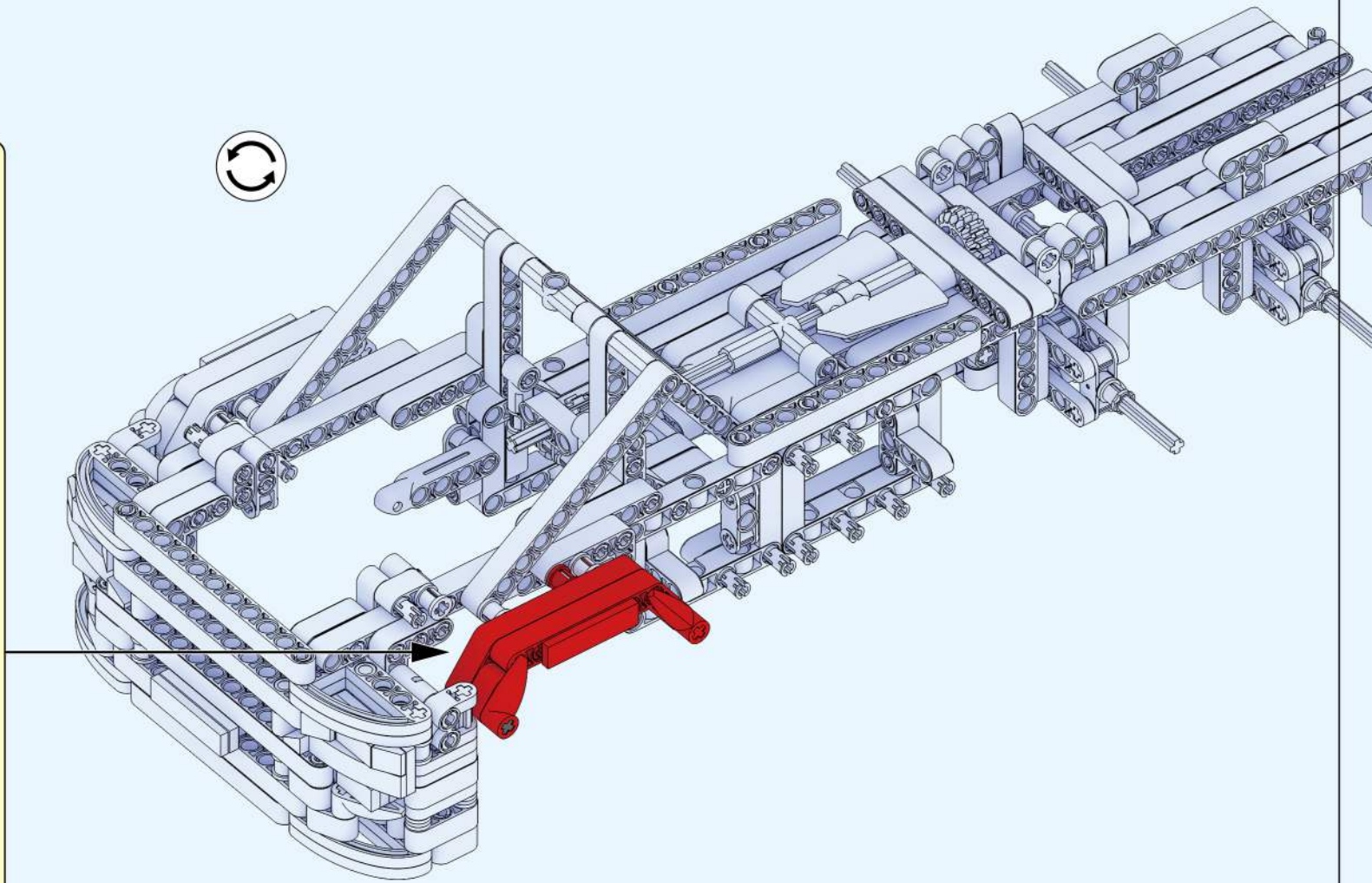
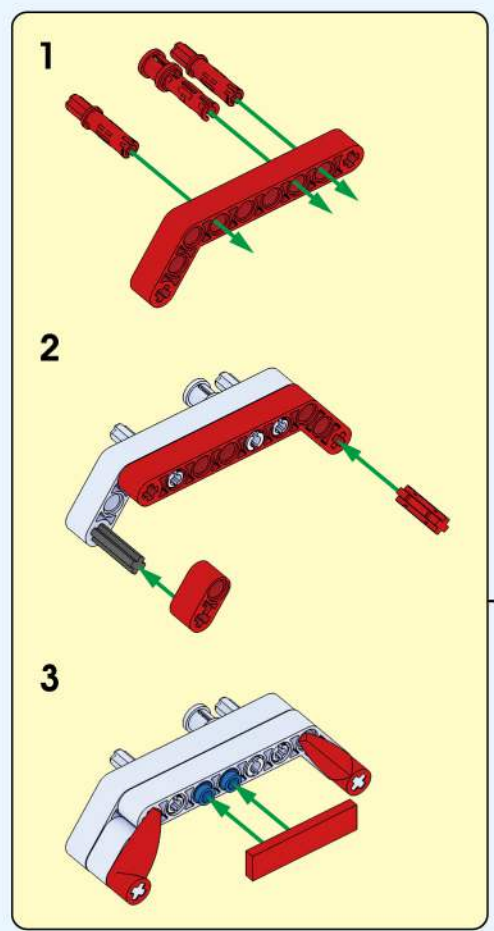


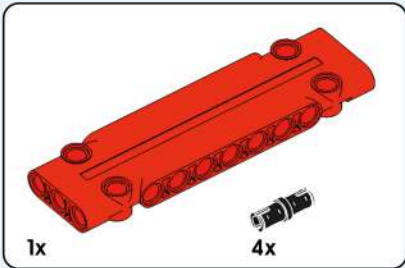
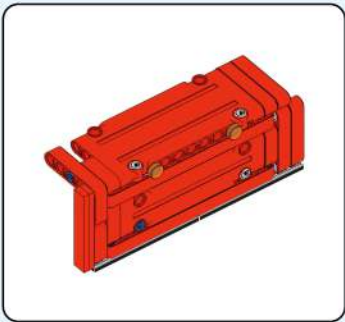
66



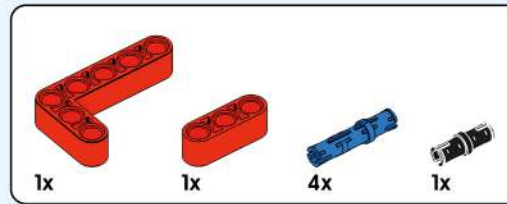
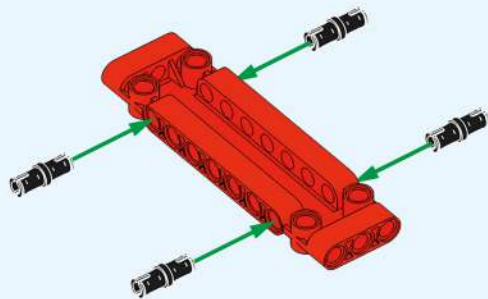


67

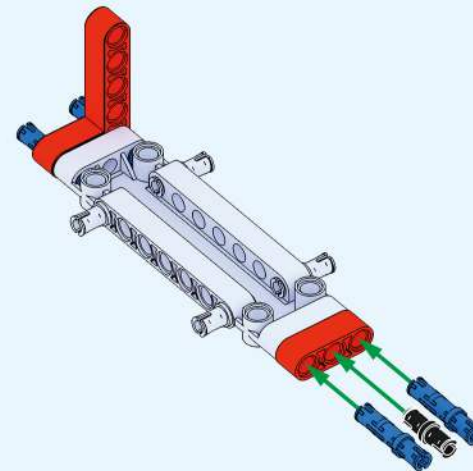
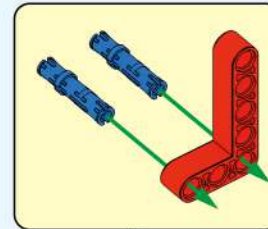


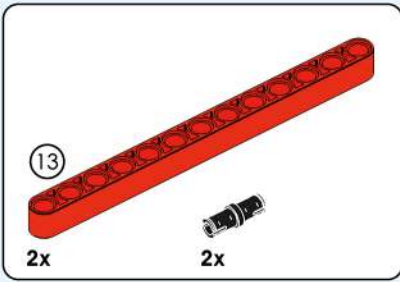


68

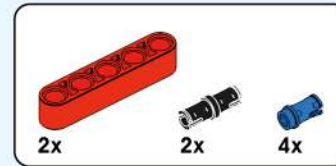
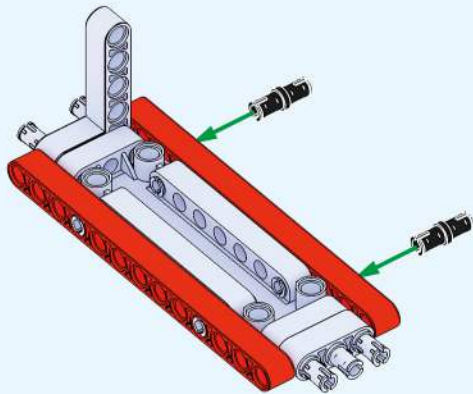


69

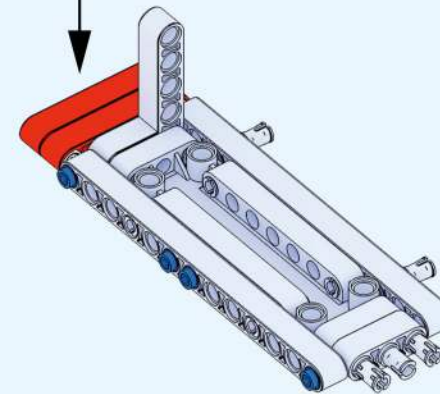
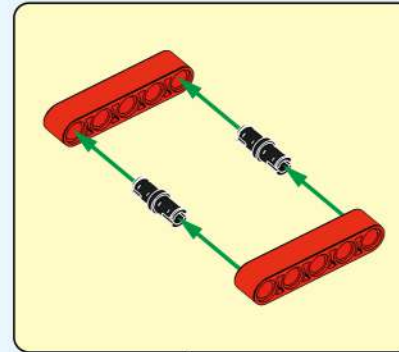


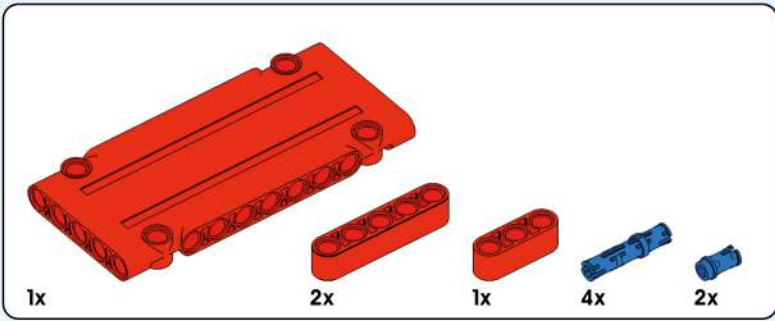


| 70 |

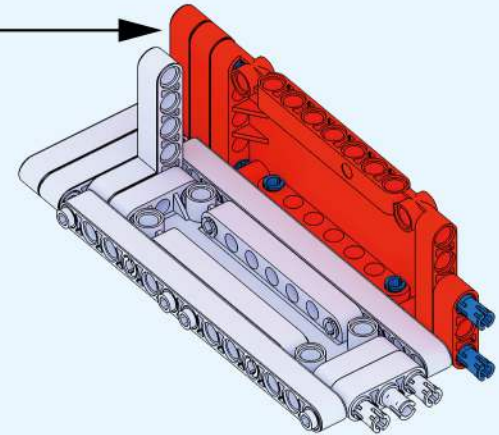
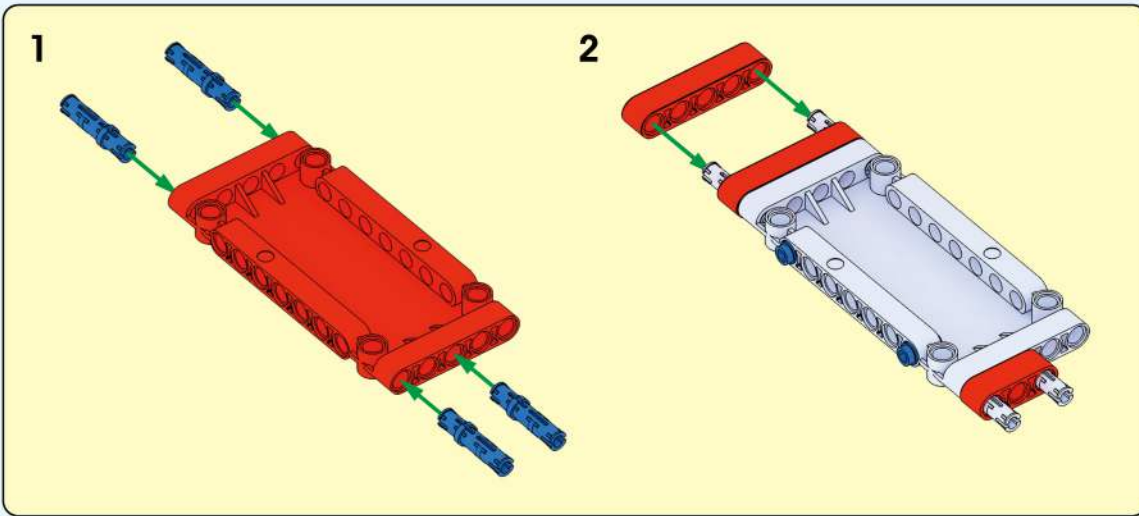


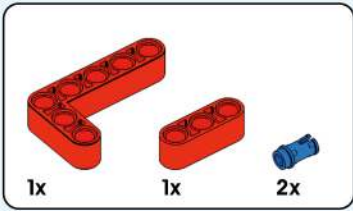
| 71 |



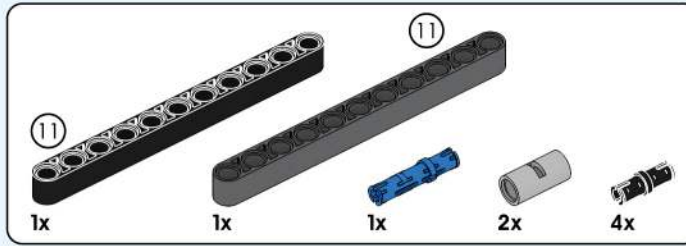
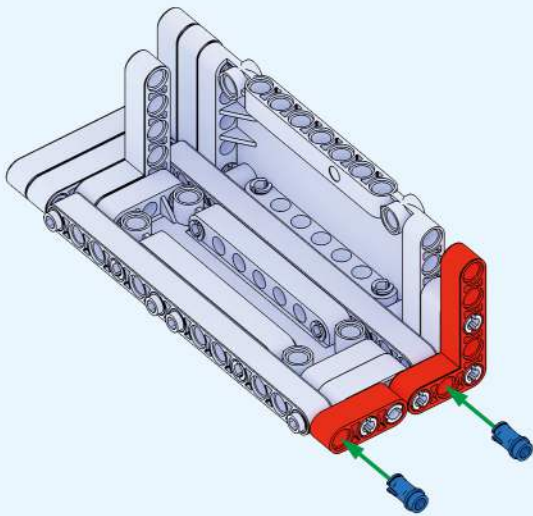


72

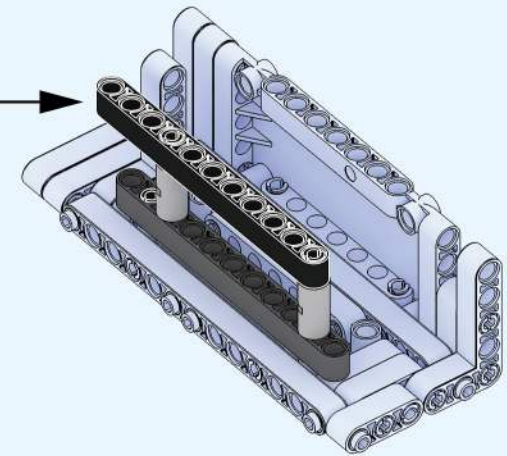
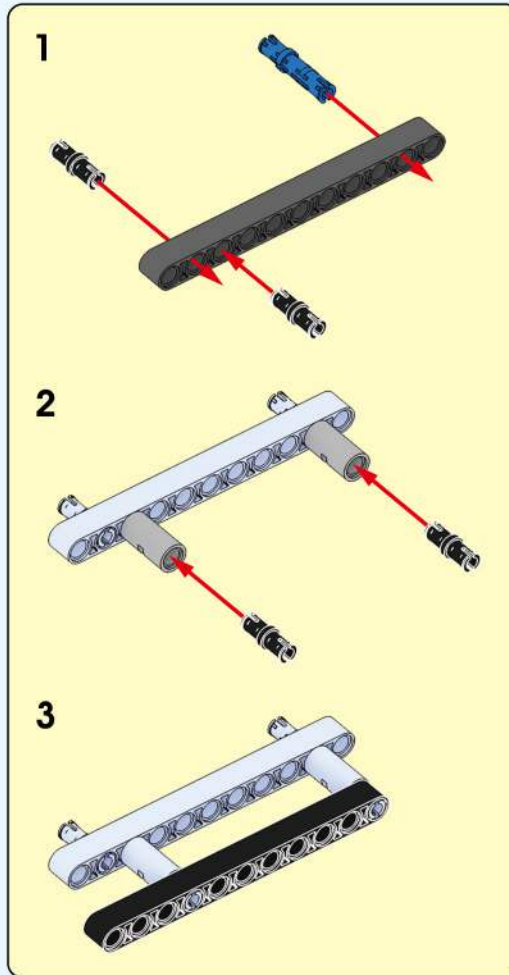


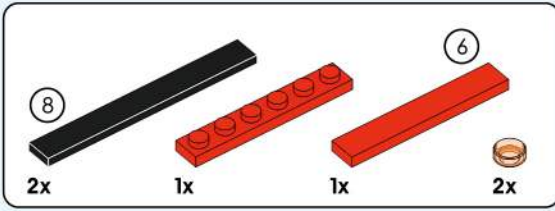


| 73 |

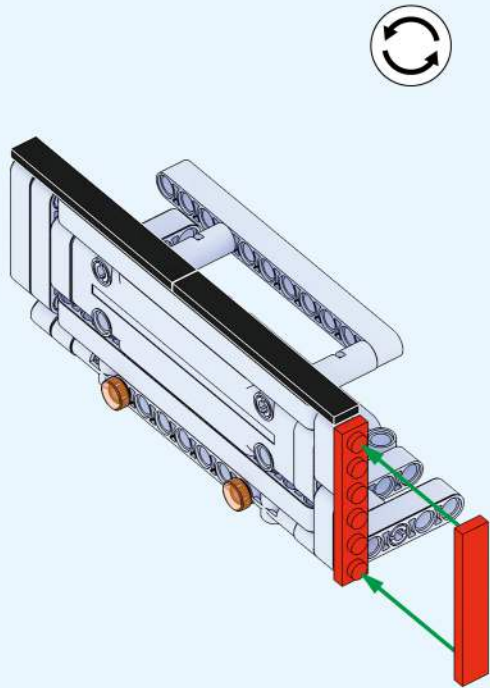


| 74 |

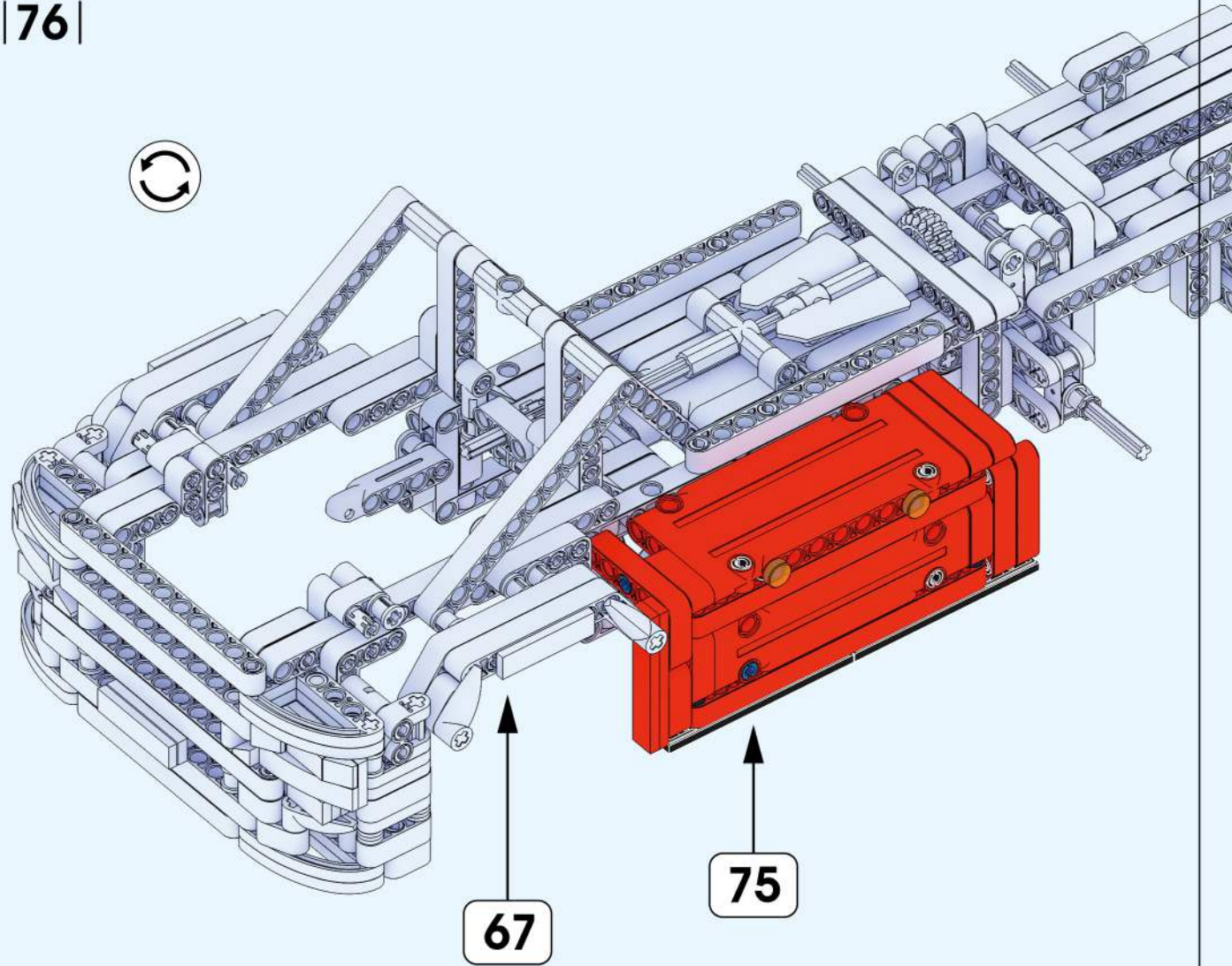




| 75 |

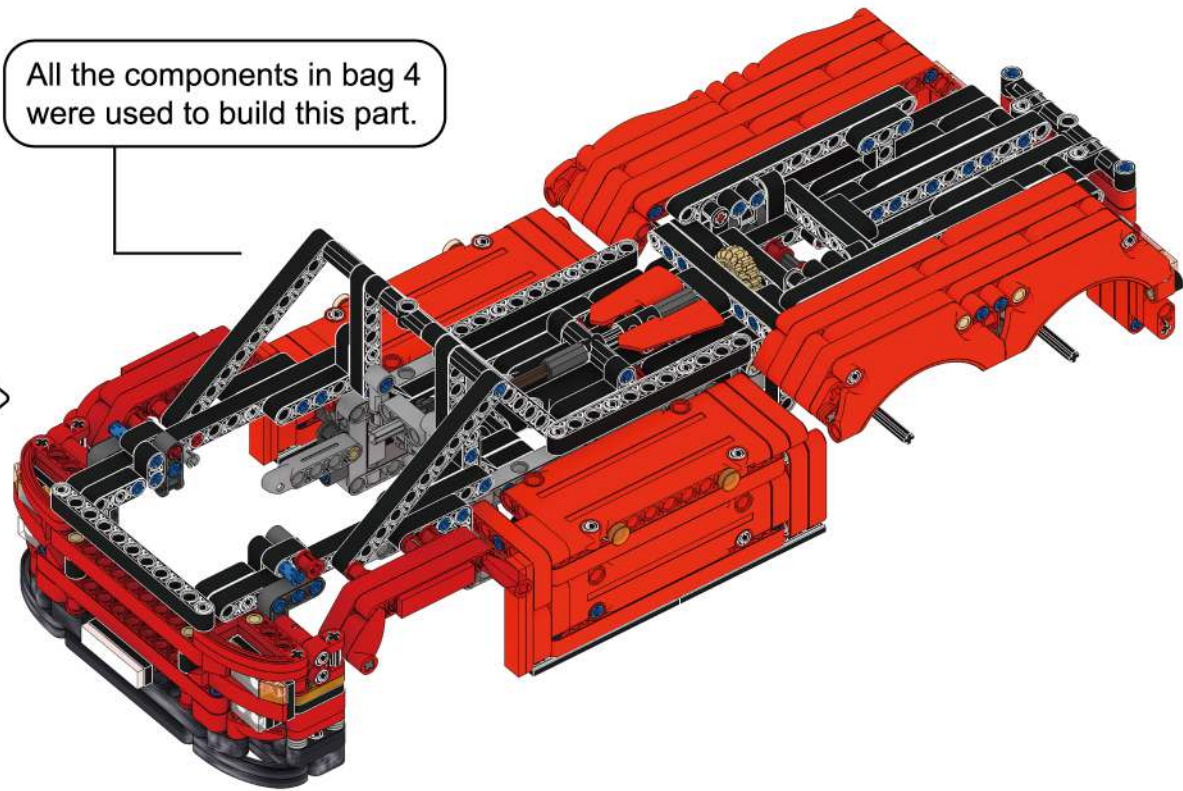


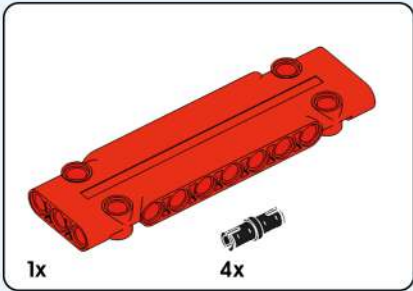
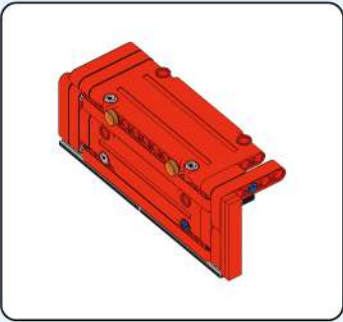
| 76 |



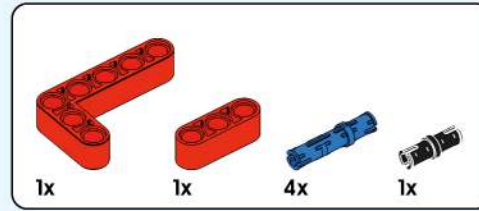
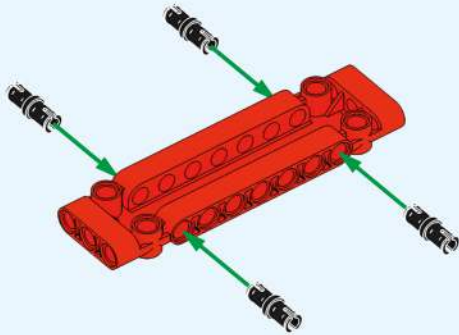


All the components in bag 4 were used to build this part.

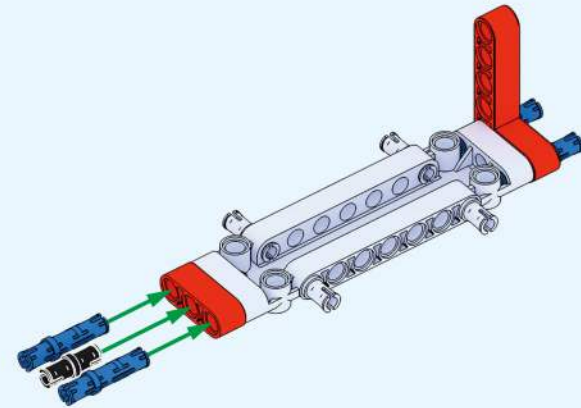
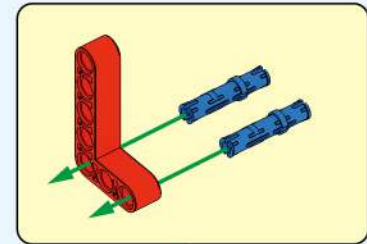


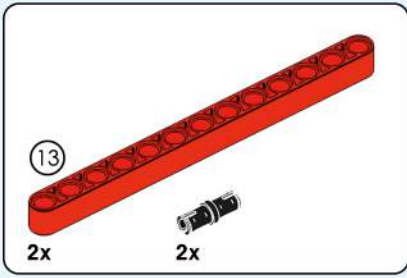


| 77 |

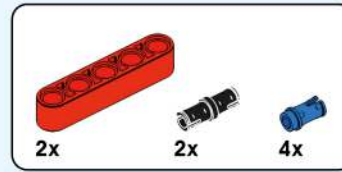
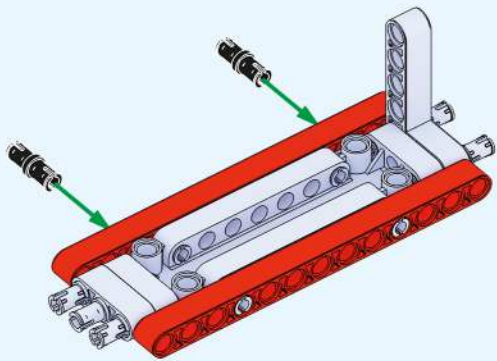


| 78 |

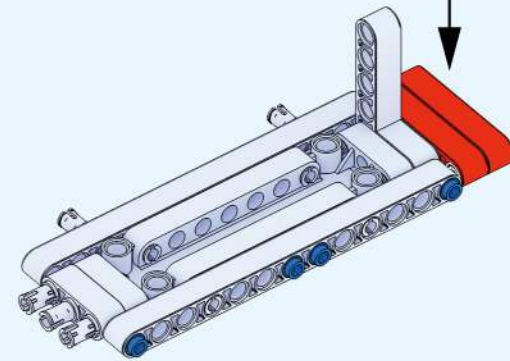
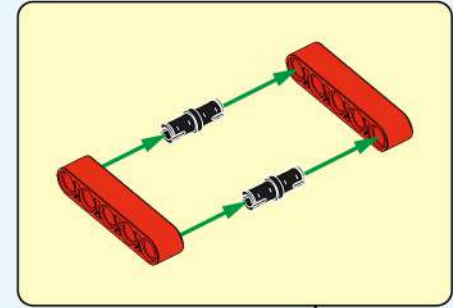


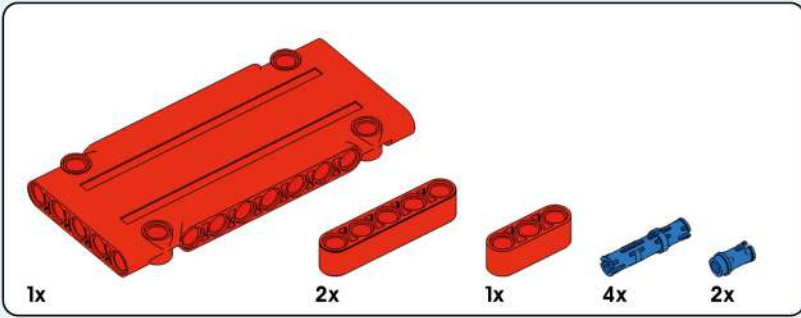


| 79 |

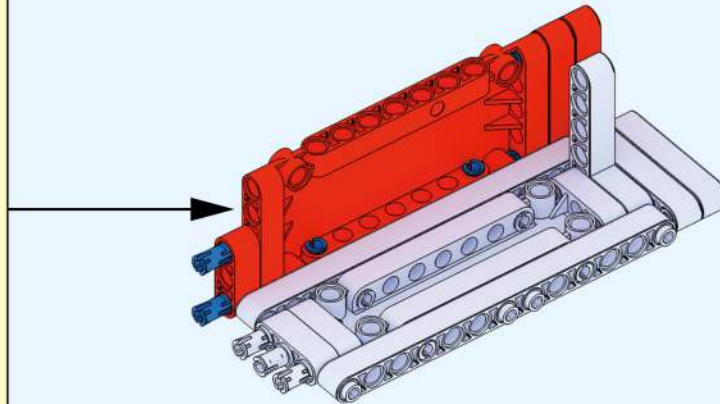
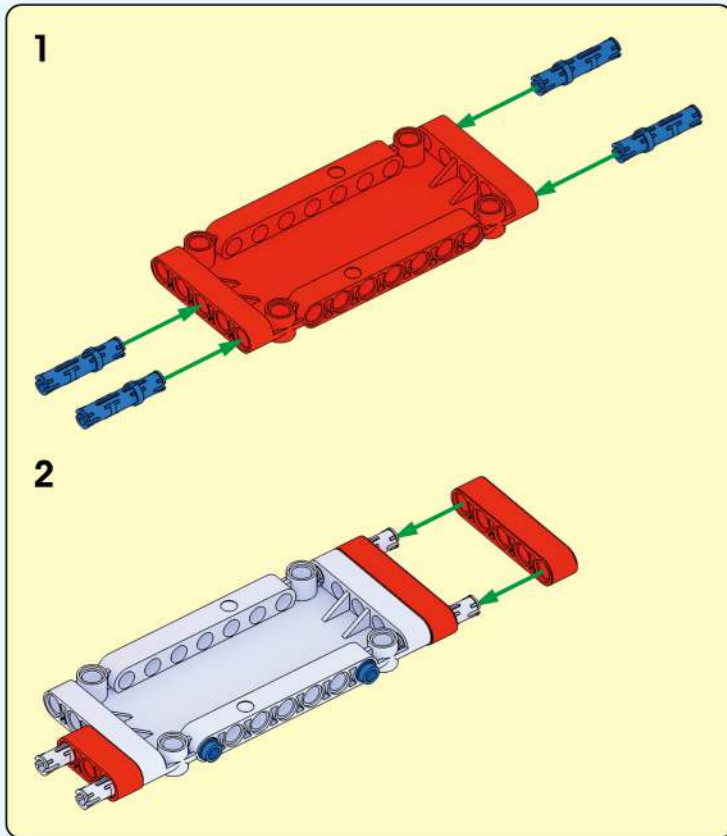


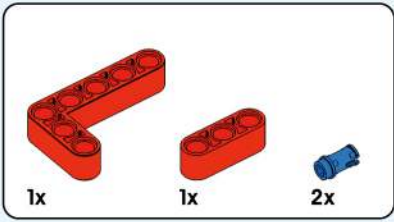
| 80 |



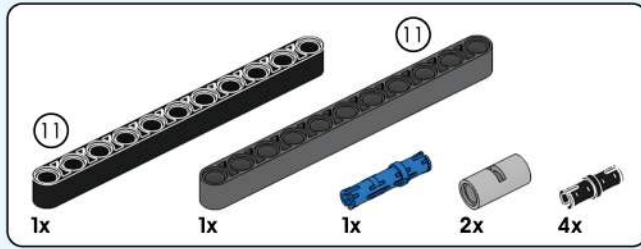


81

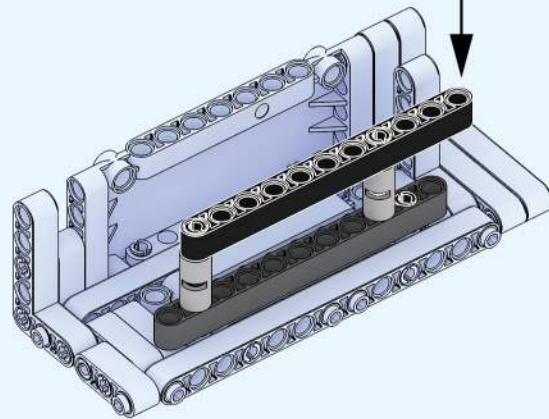
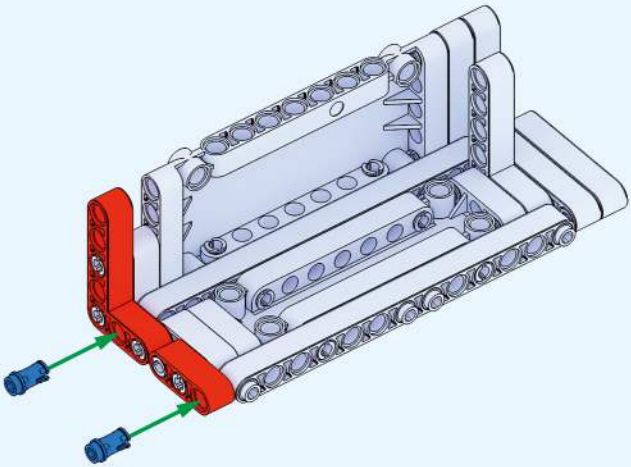
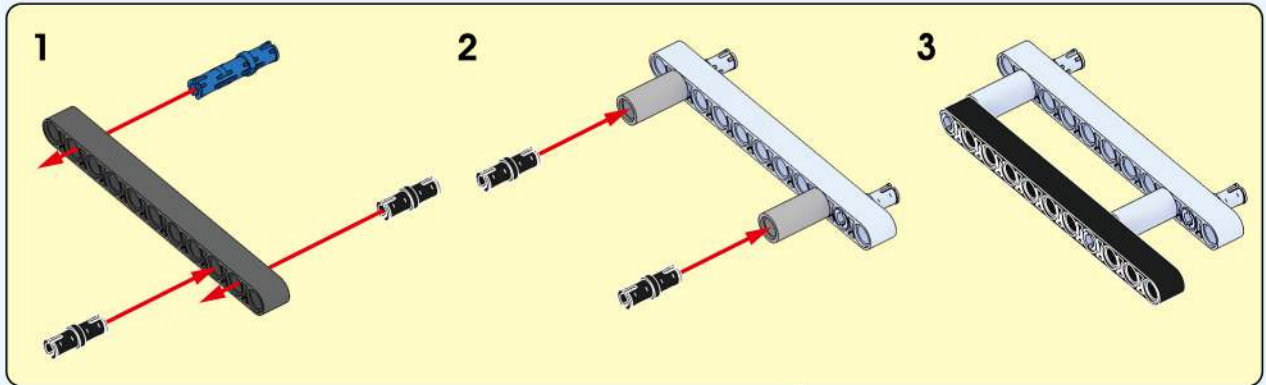


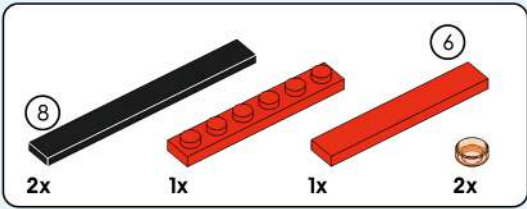


82

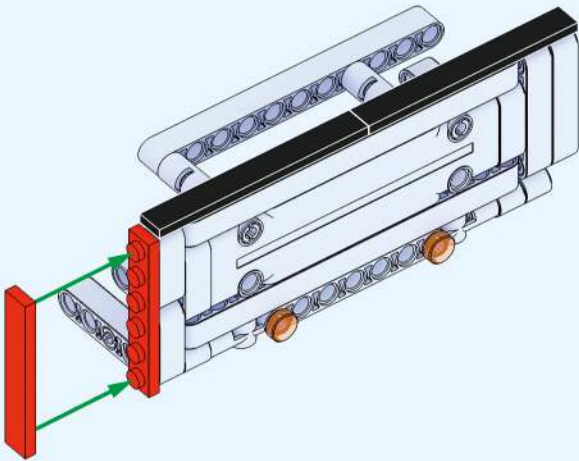


83

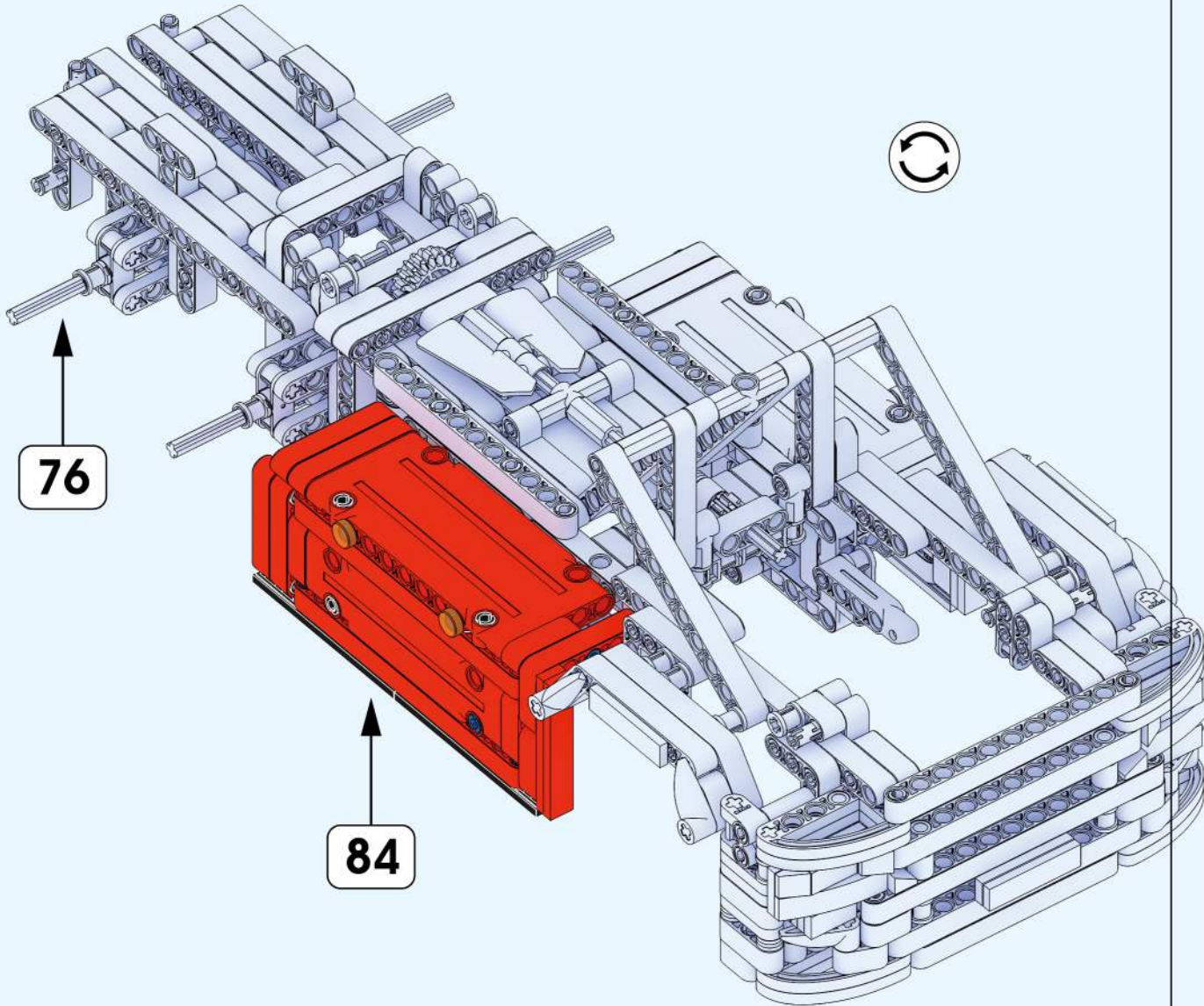




84

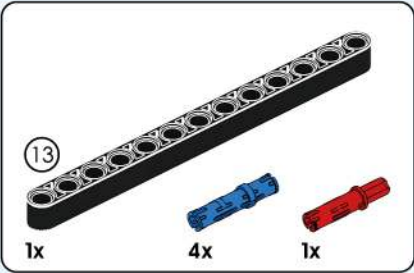
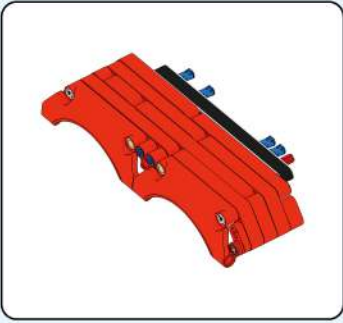


85

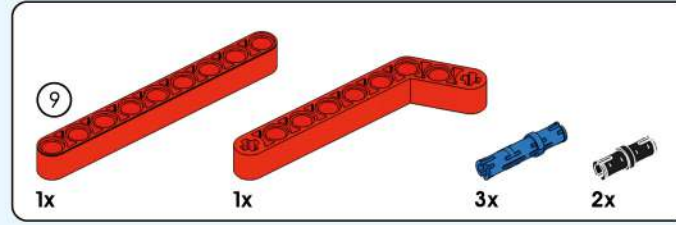
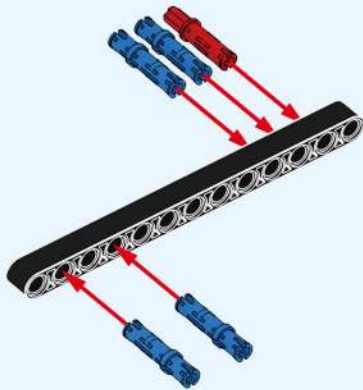


76

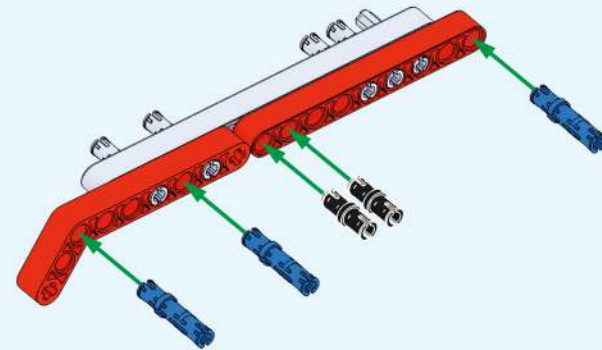
84

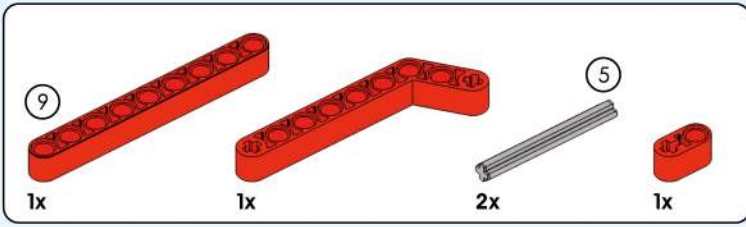


86

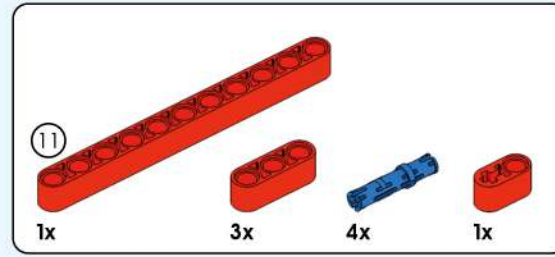
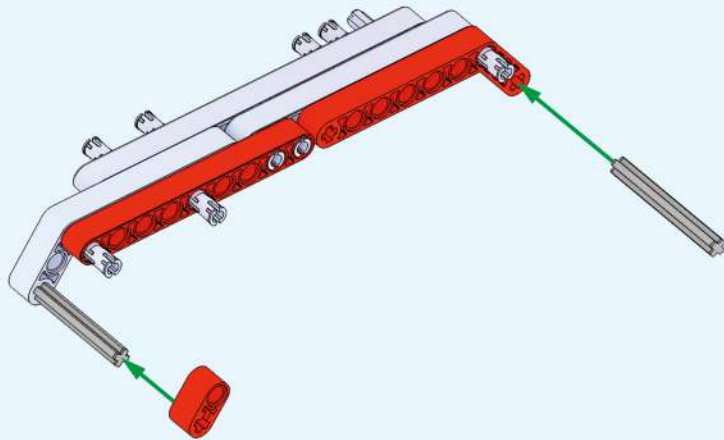


87

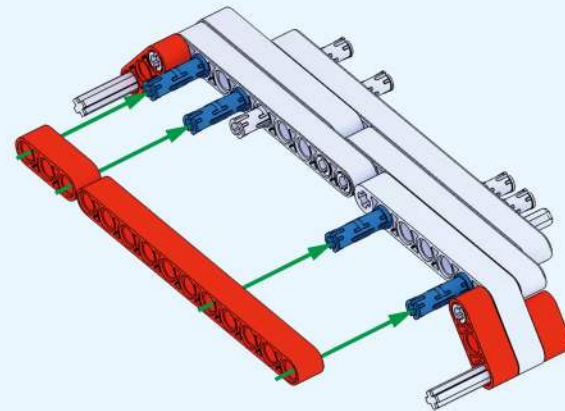


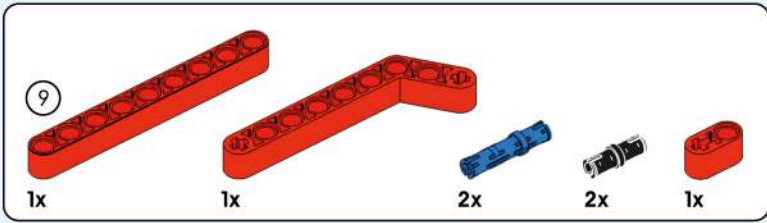


88

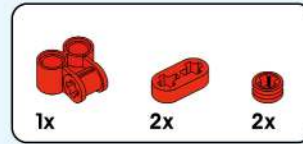
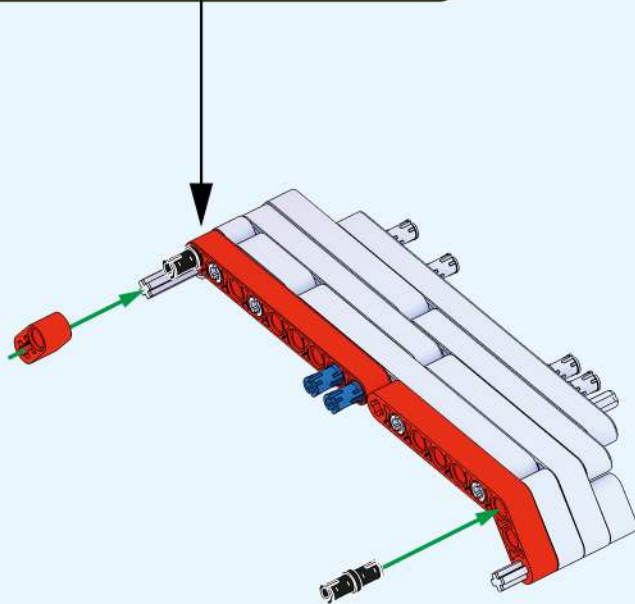
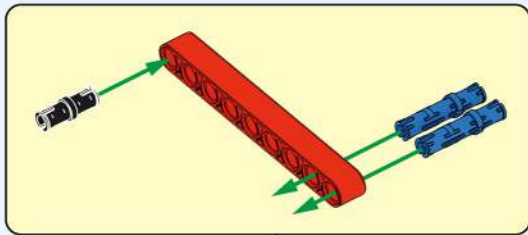


89

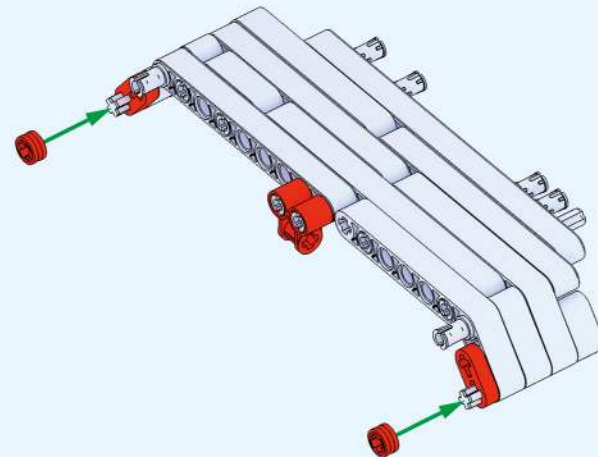


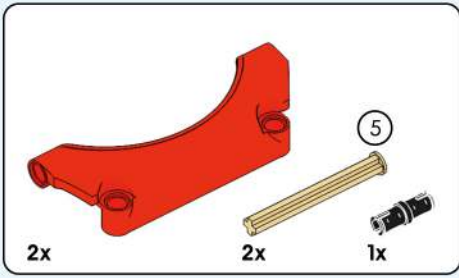


|90|

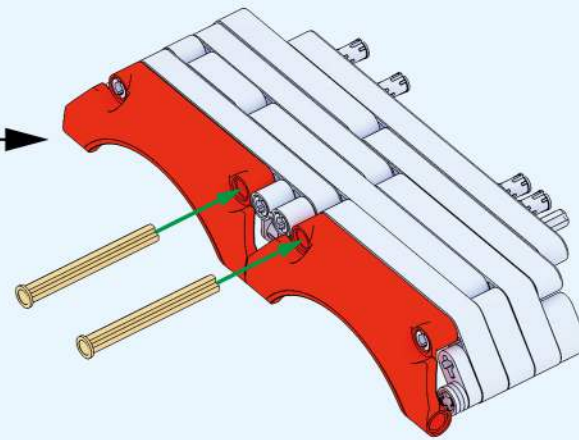
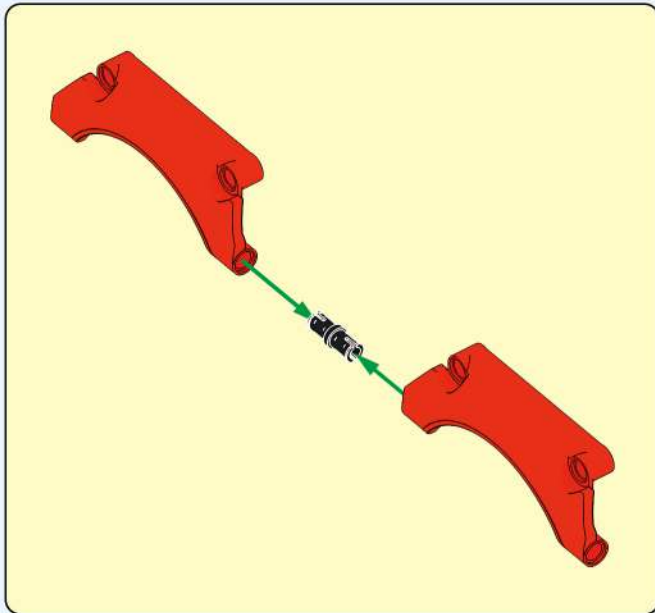


|91|

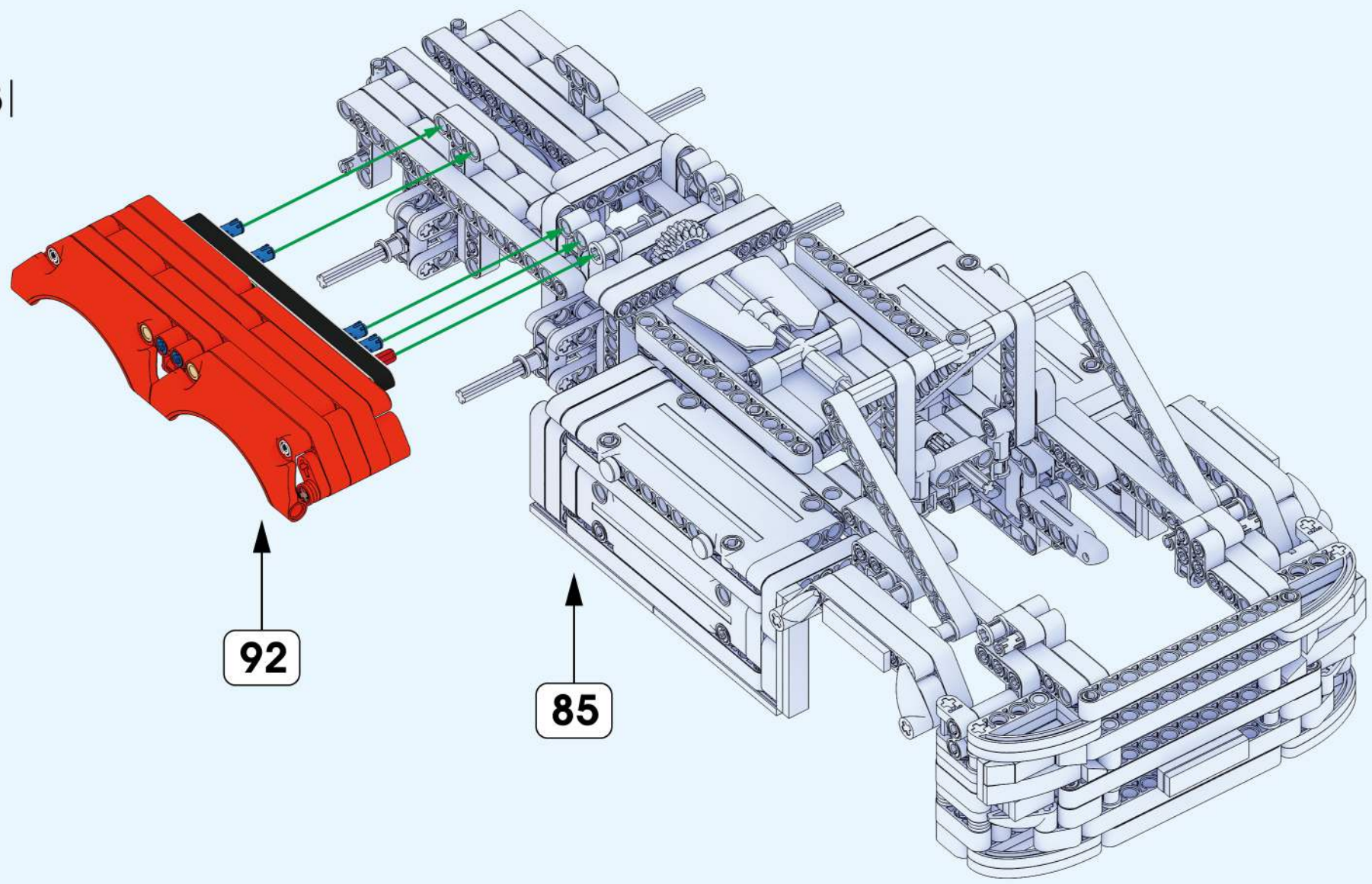




92

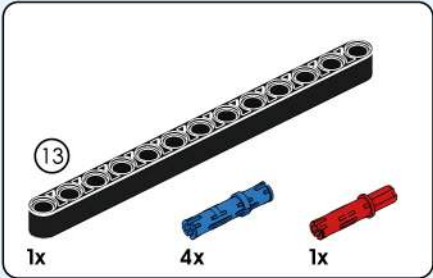
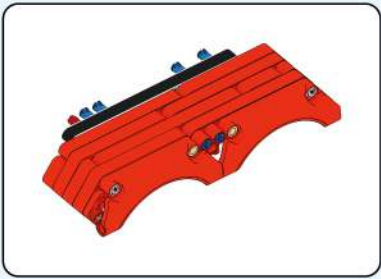


| 93 |

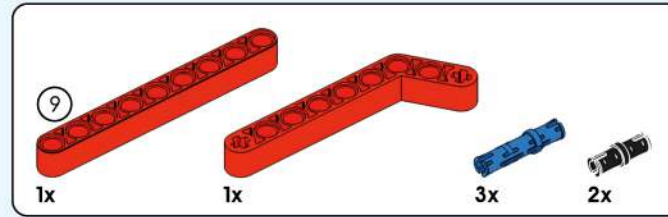
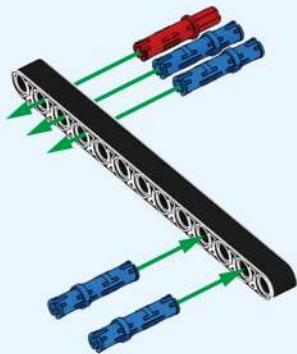


92

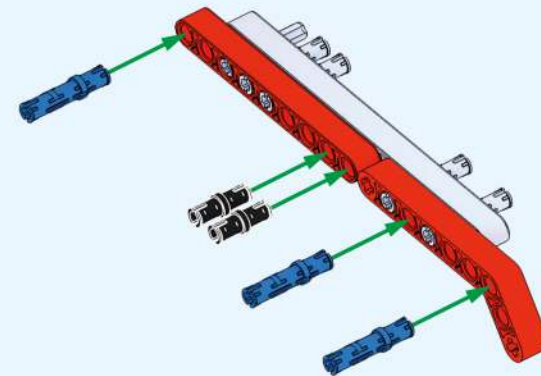
85

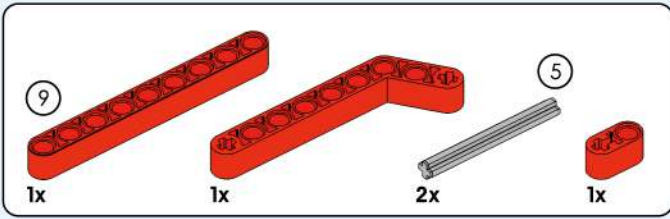


| 94 |

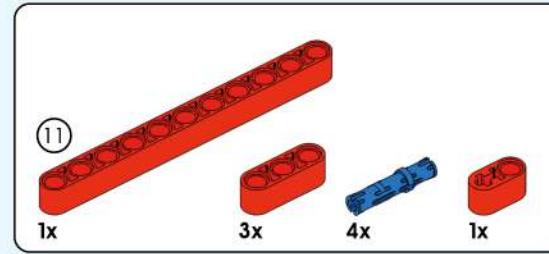
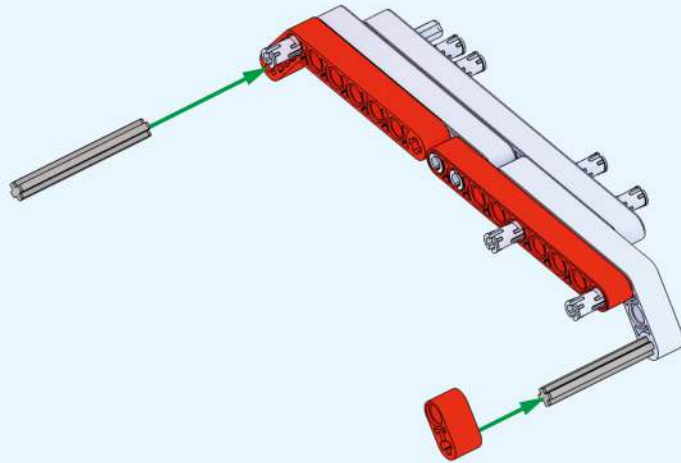


| 95 |

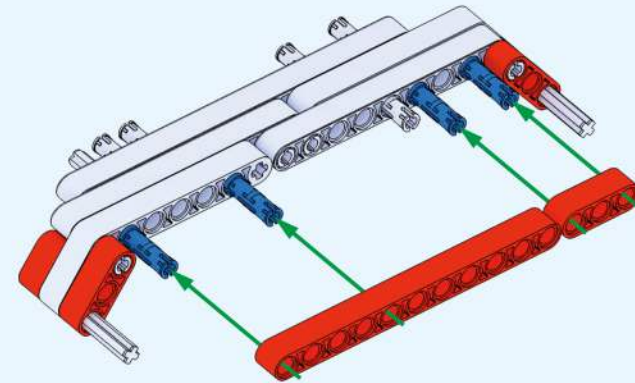


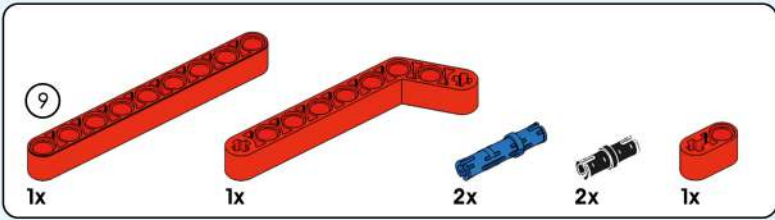


96

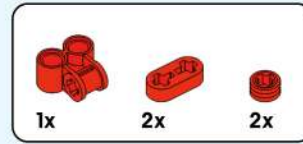
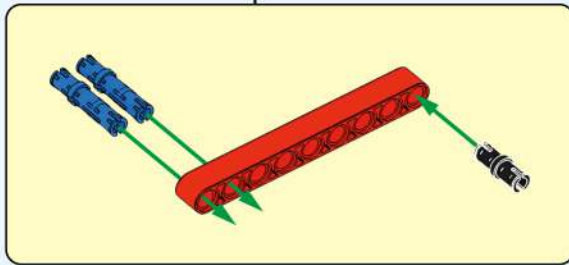
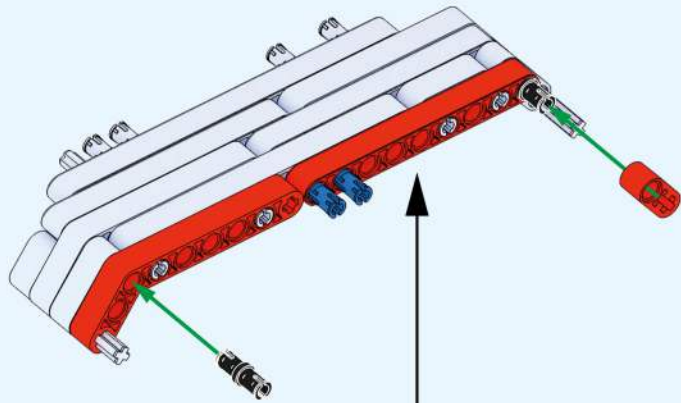


97

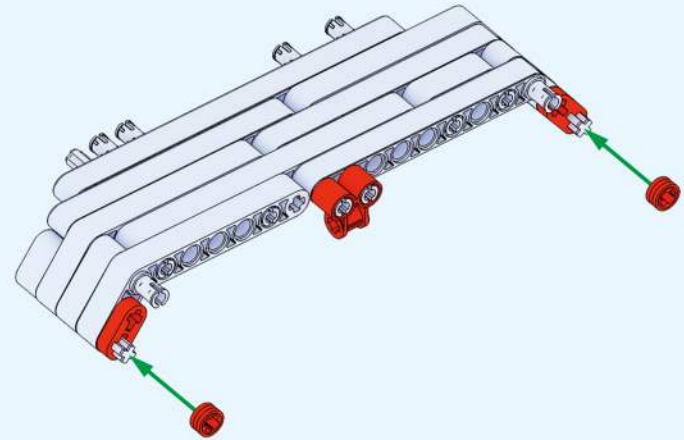


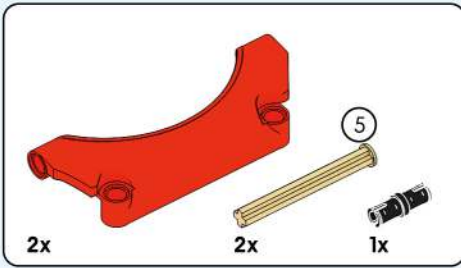


|98|

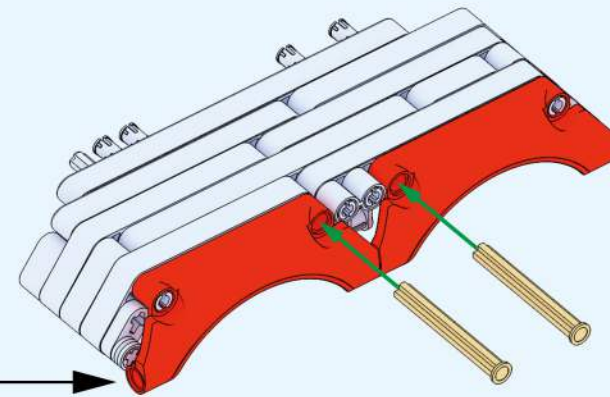
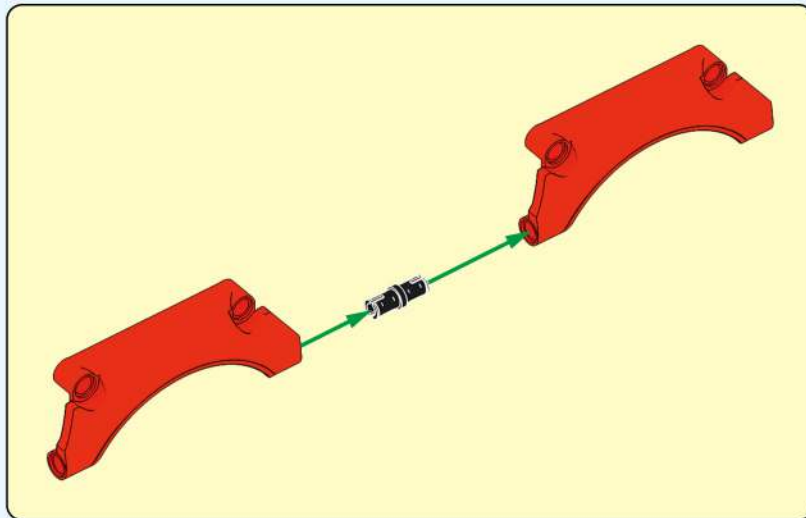


|99|

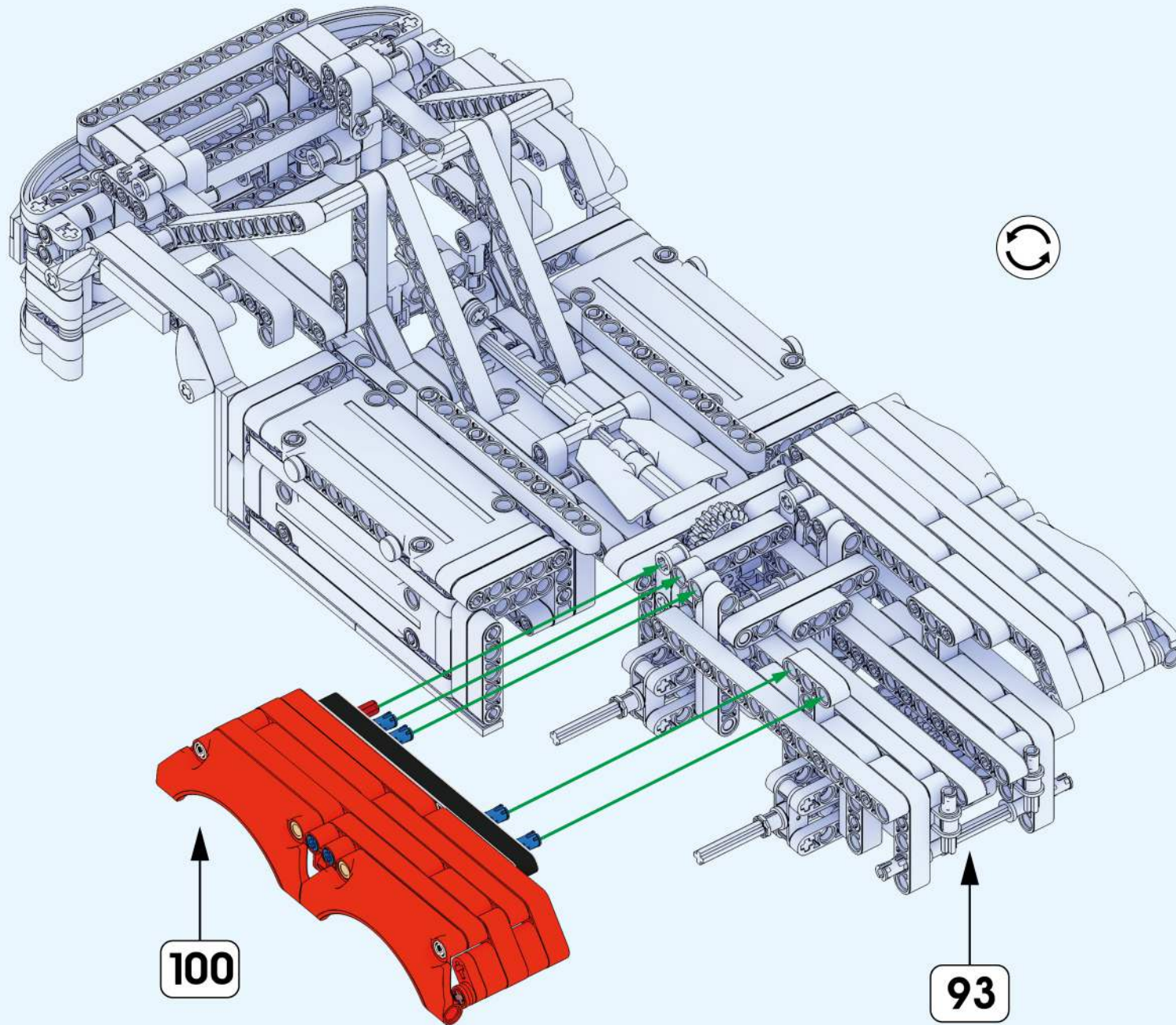




| 100 |



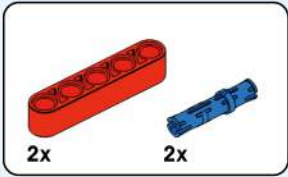
| 101 |



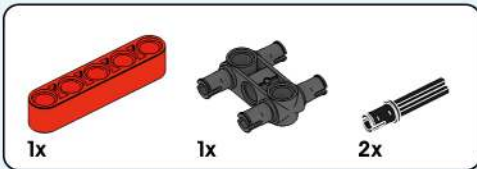
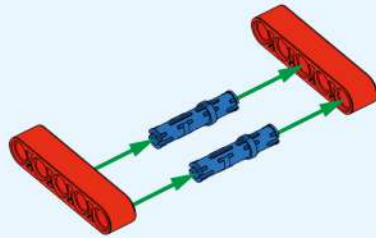
100

93

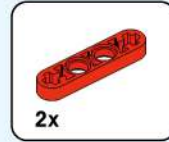
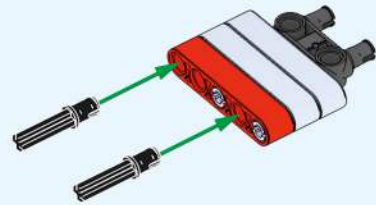
75



| 102 |

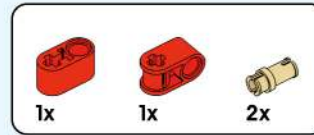
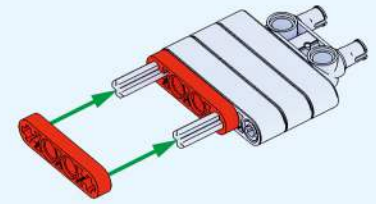


| 103 |

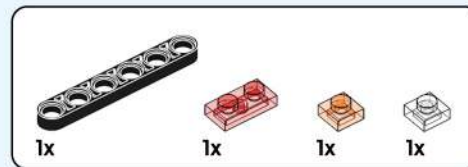
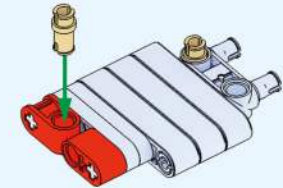


2x

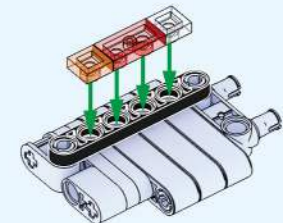
| 104 |



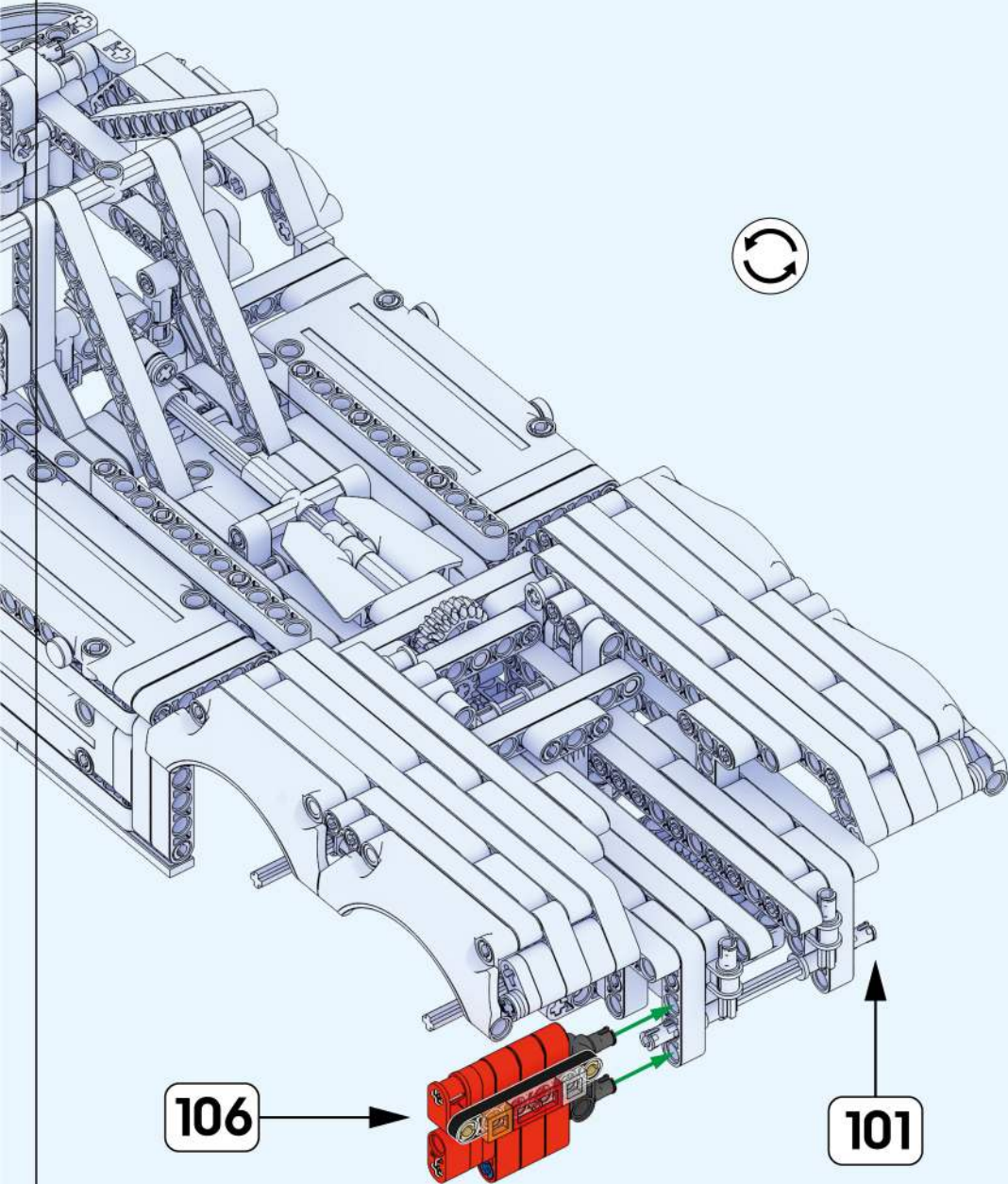
| 105 |



| 106 |

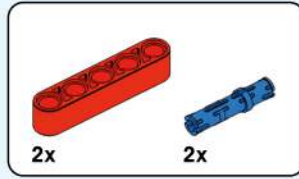


| 107 |

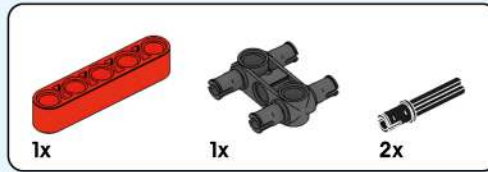
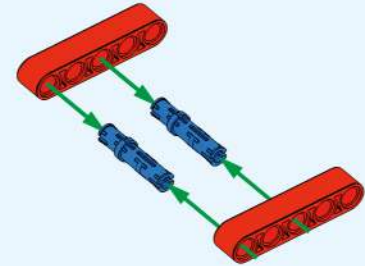


106

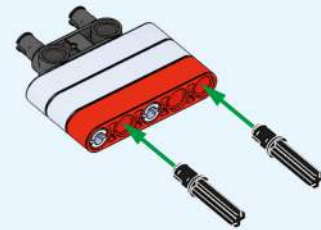
101

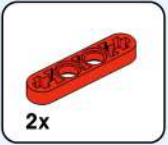


| 108 |

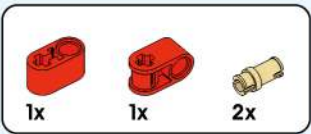
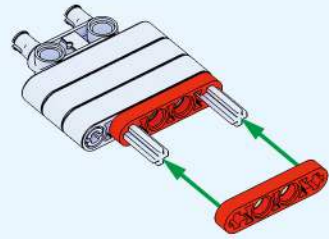


| 109 |

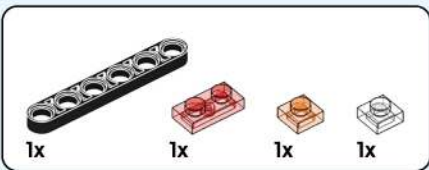
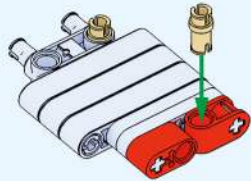




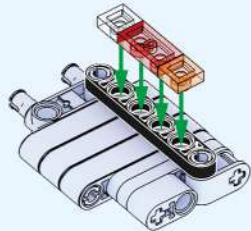
110



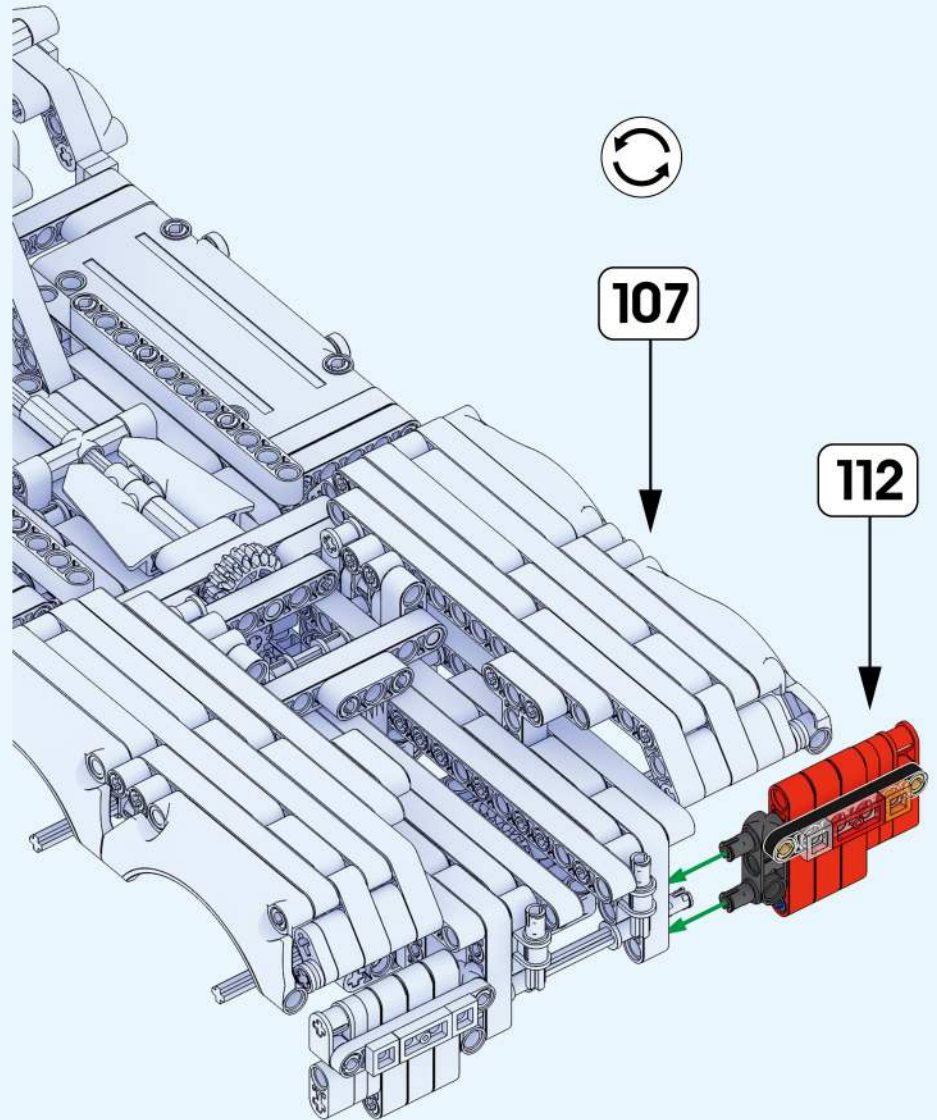
111

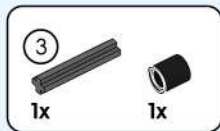


112

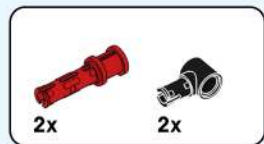


113

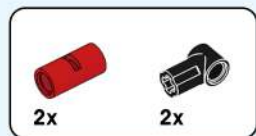
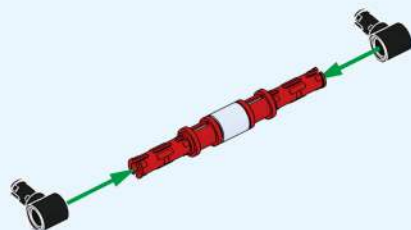




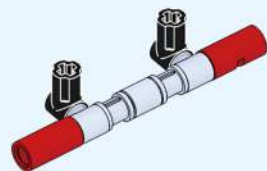
114



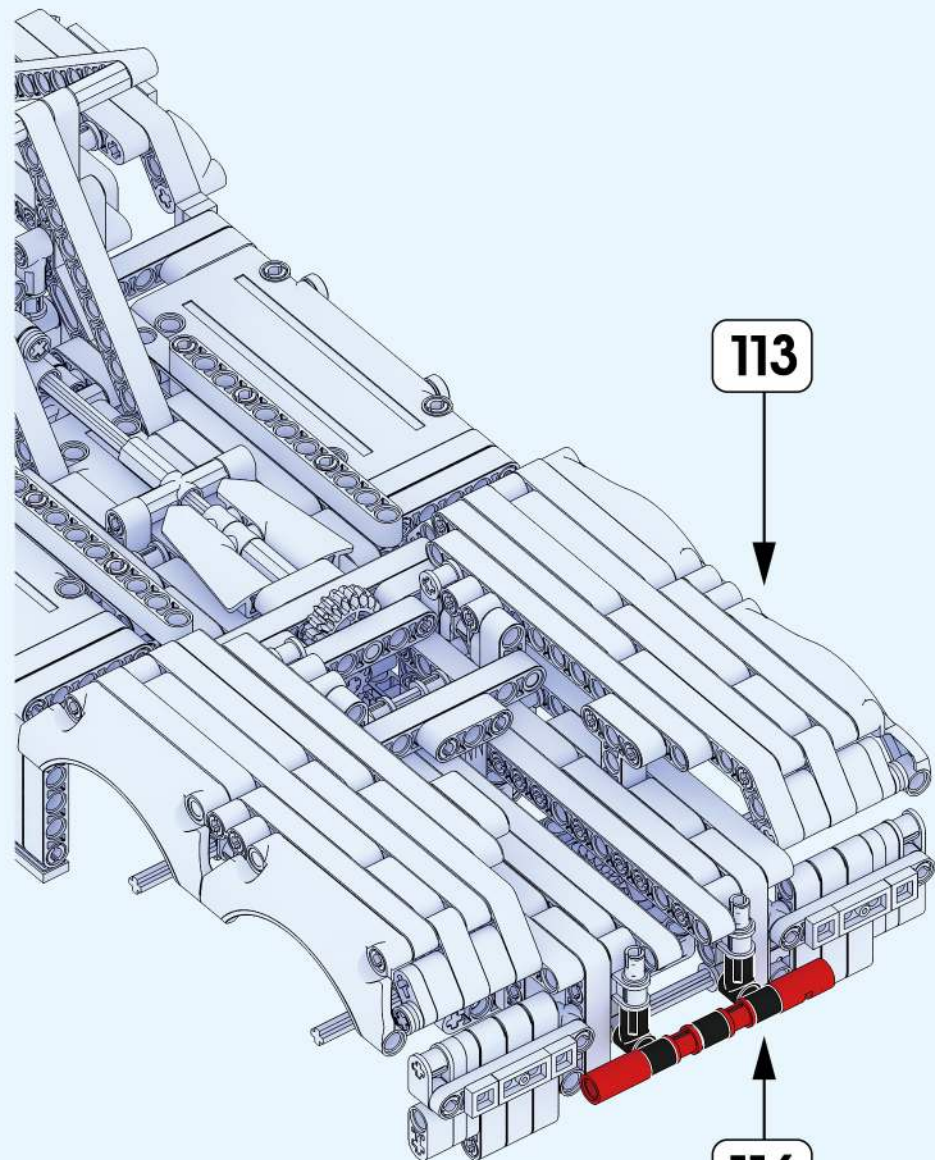
115



116

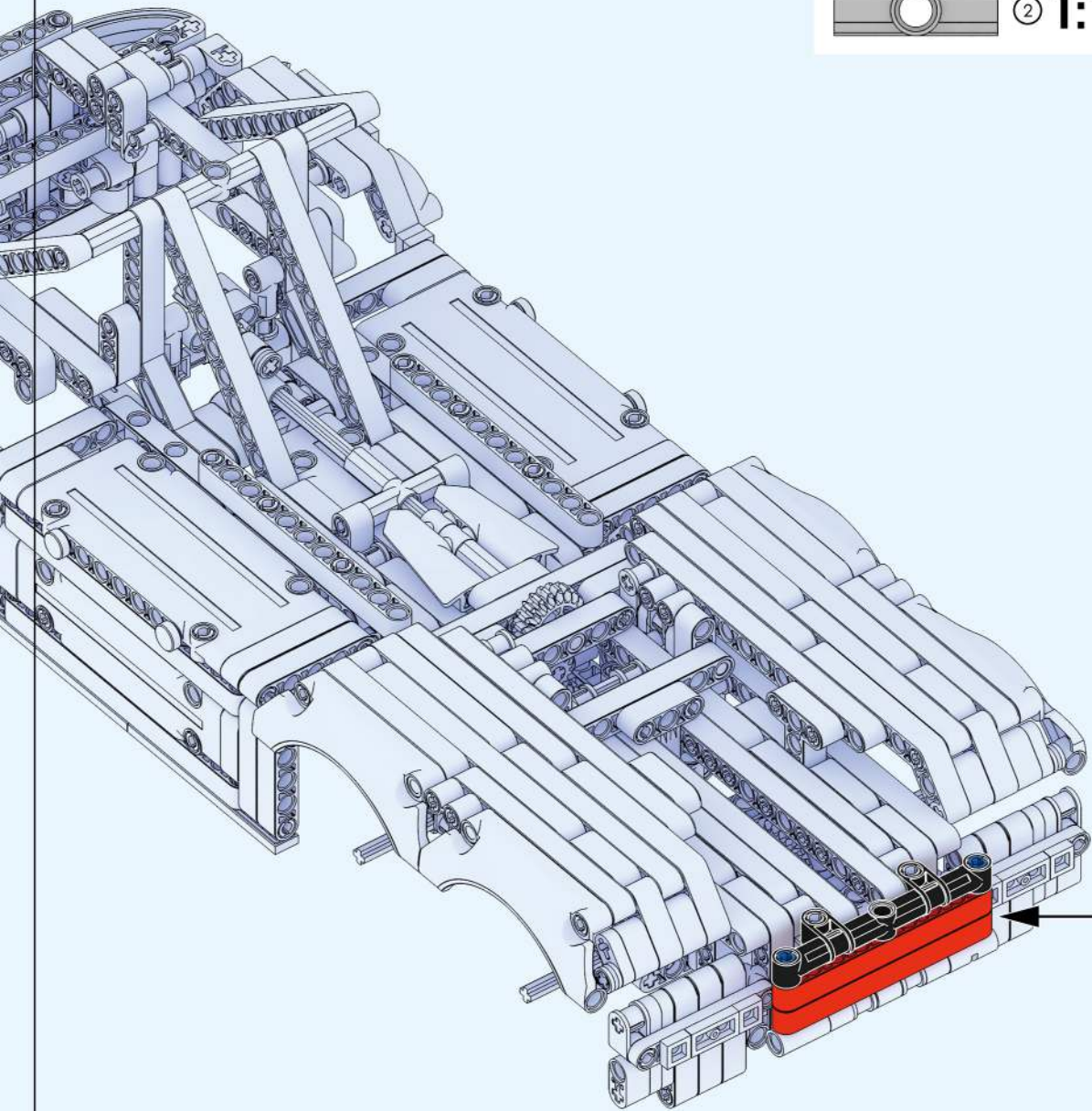


117



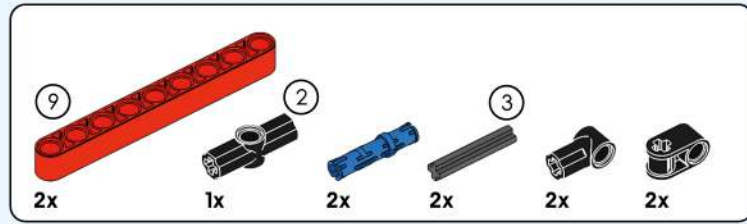
113

116

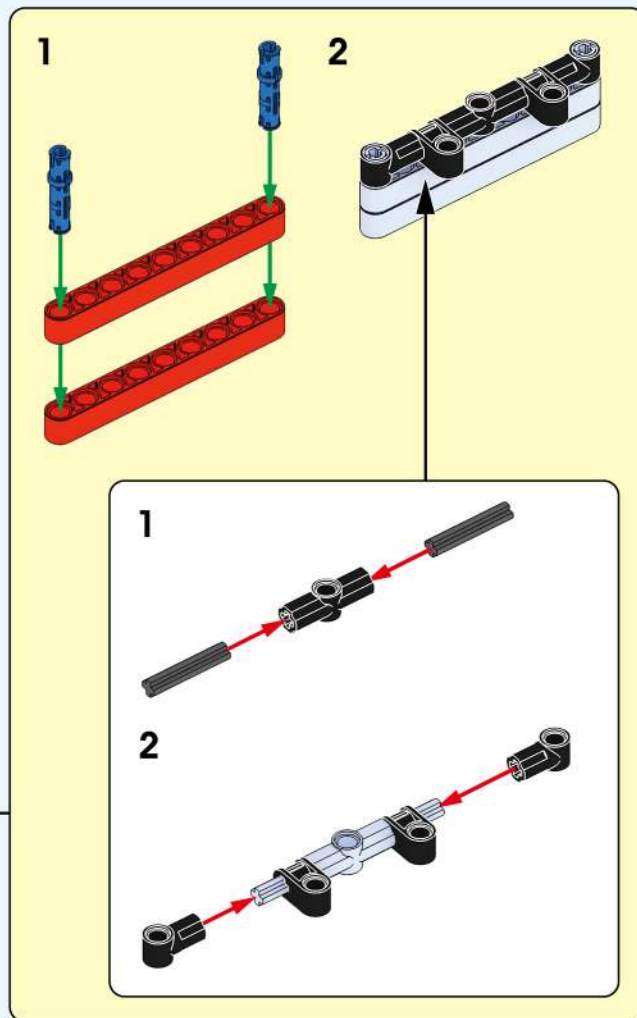


③ 1:1

② 1:1

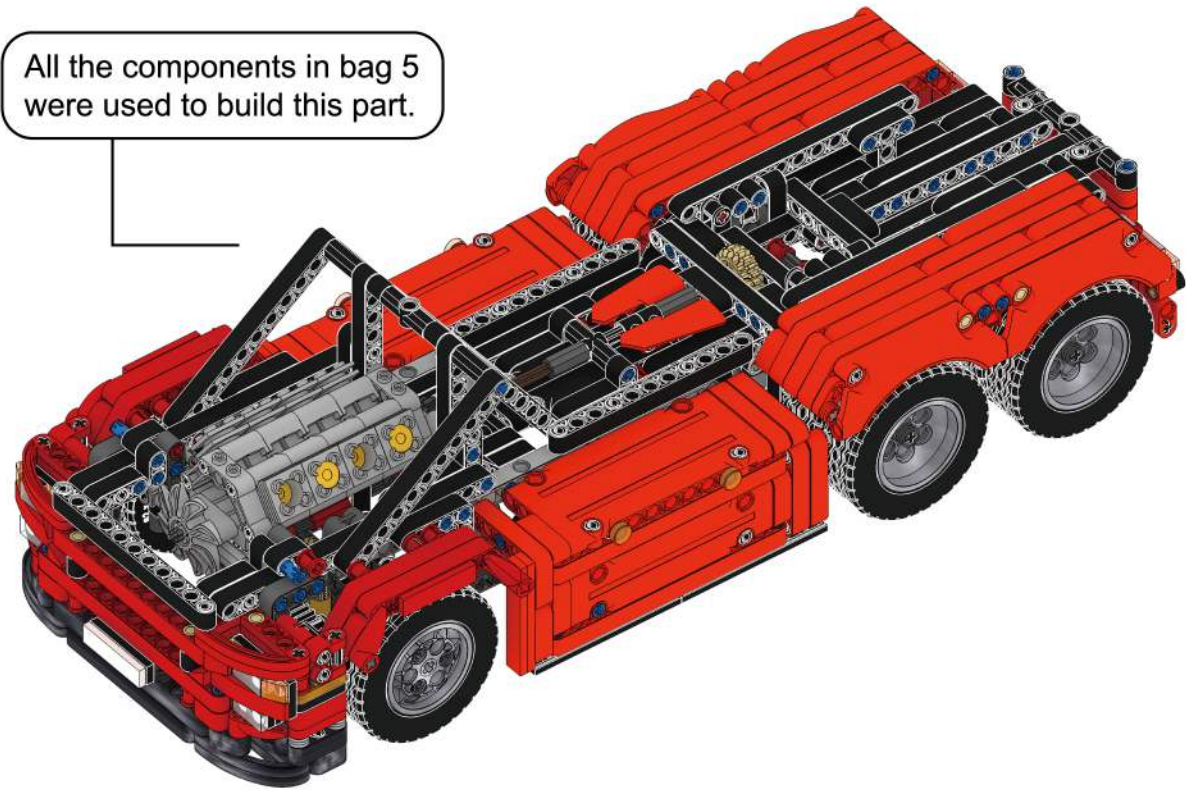


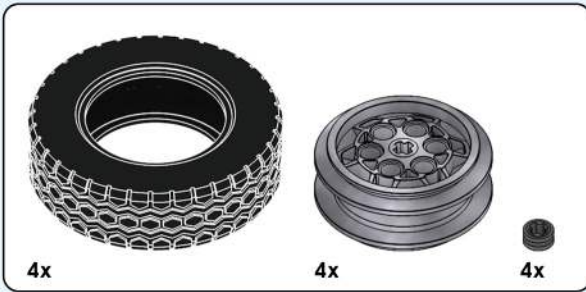
118



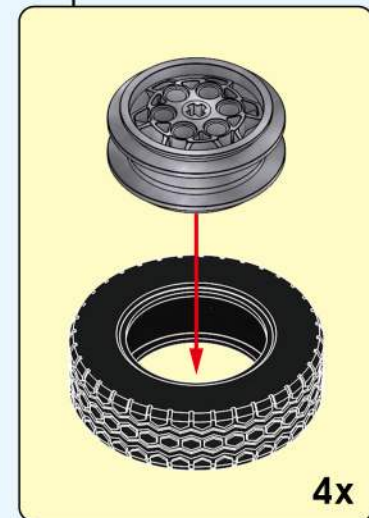
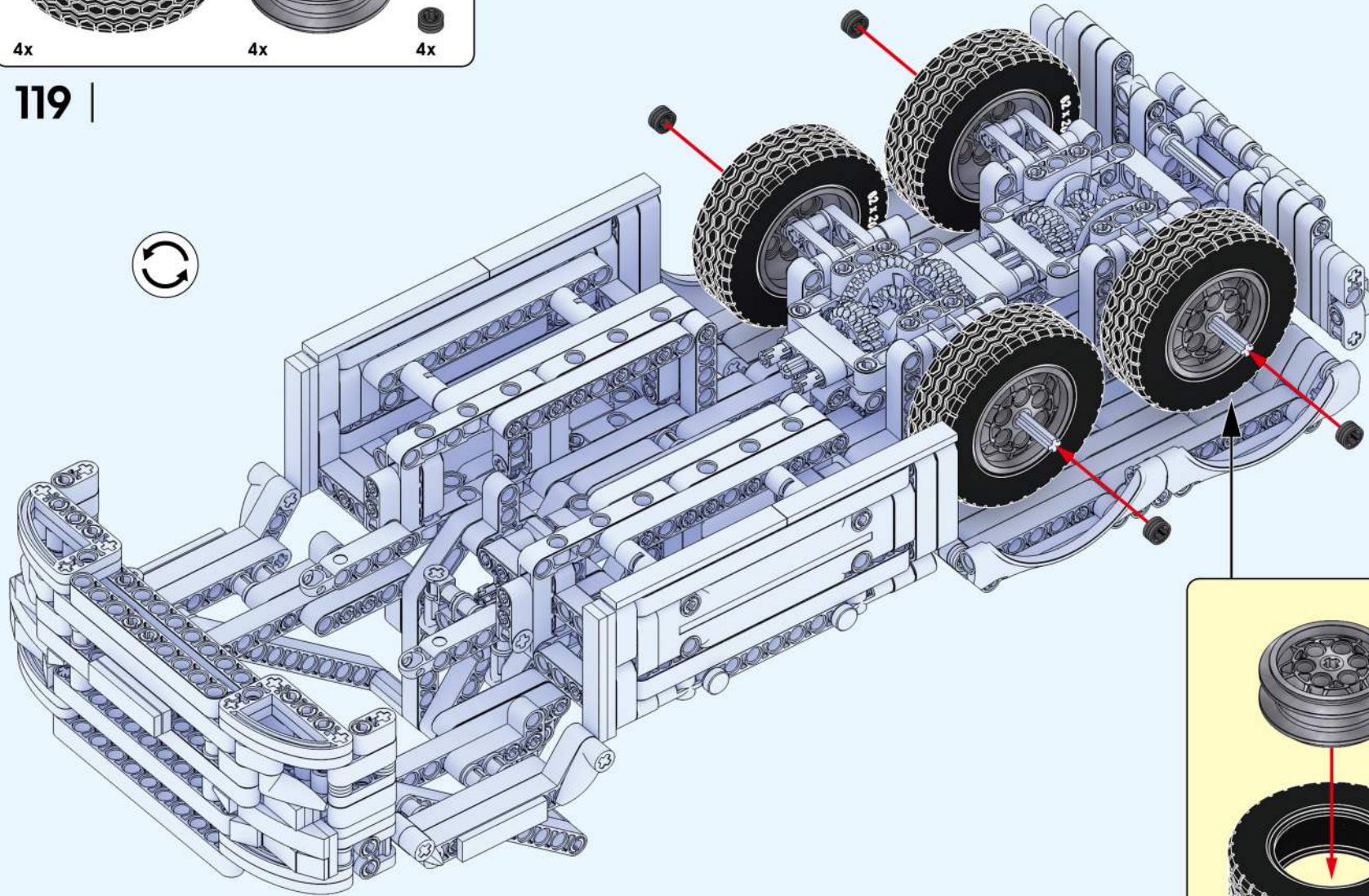


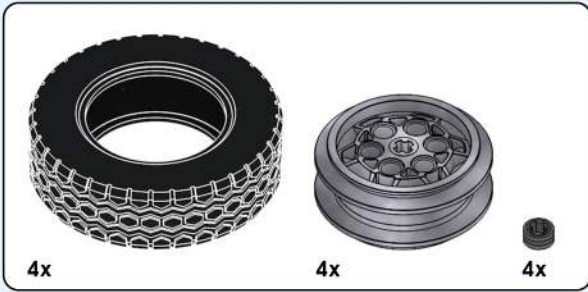
All the components in bag 5 were used to build this part.



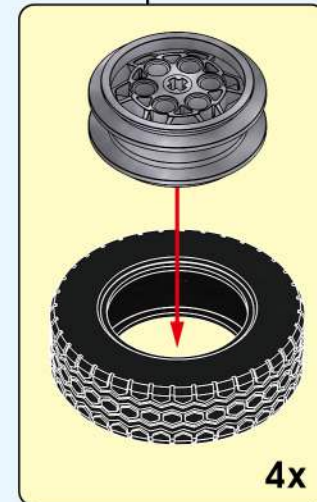
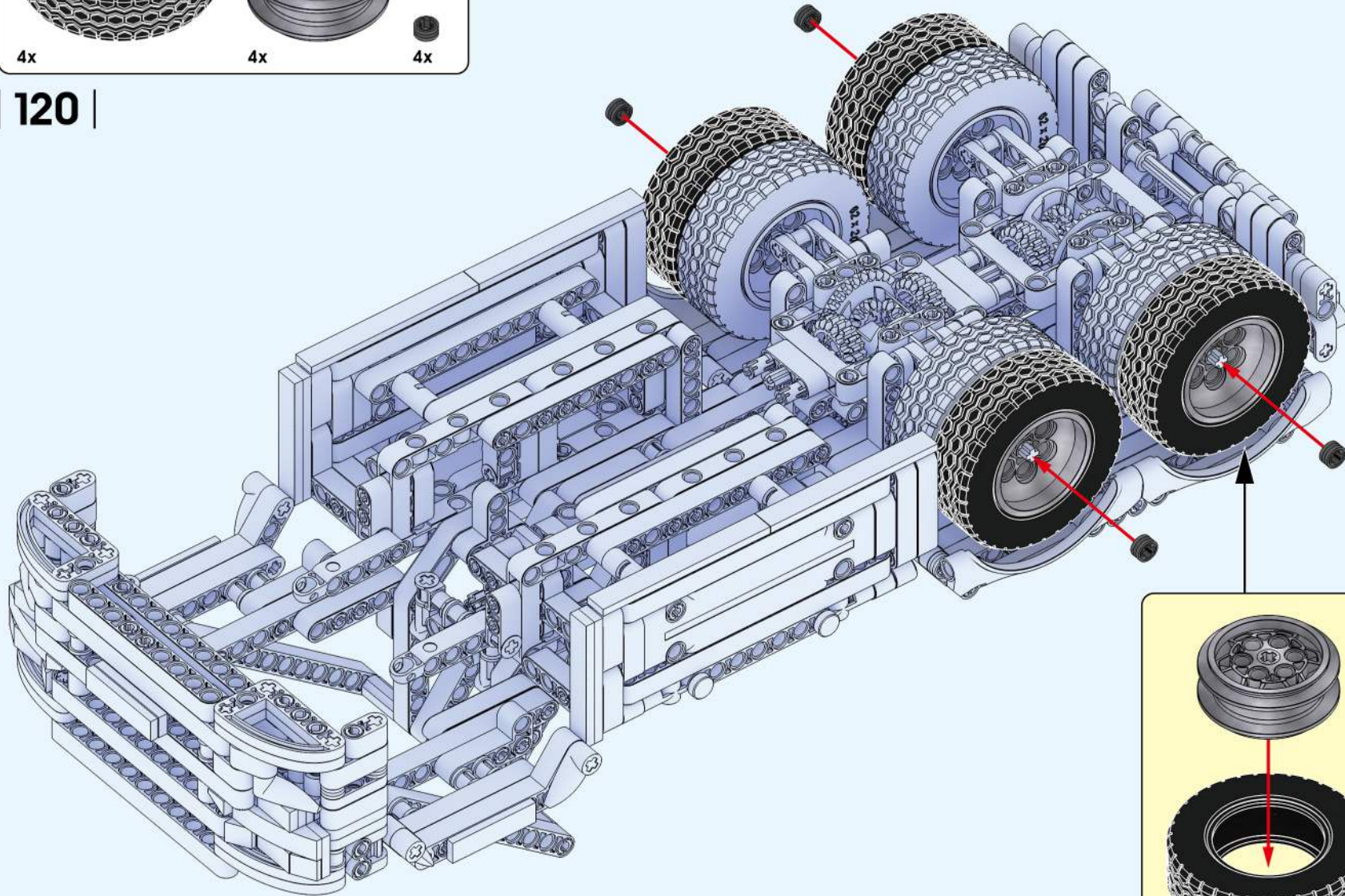


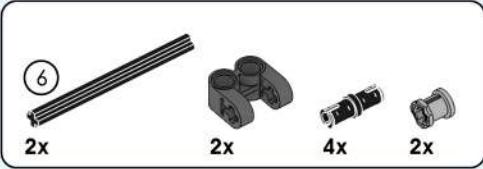
119



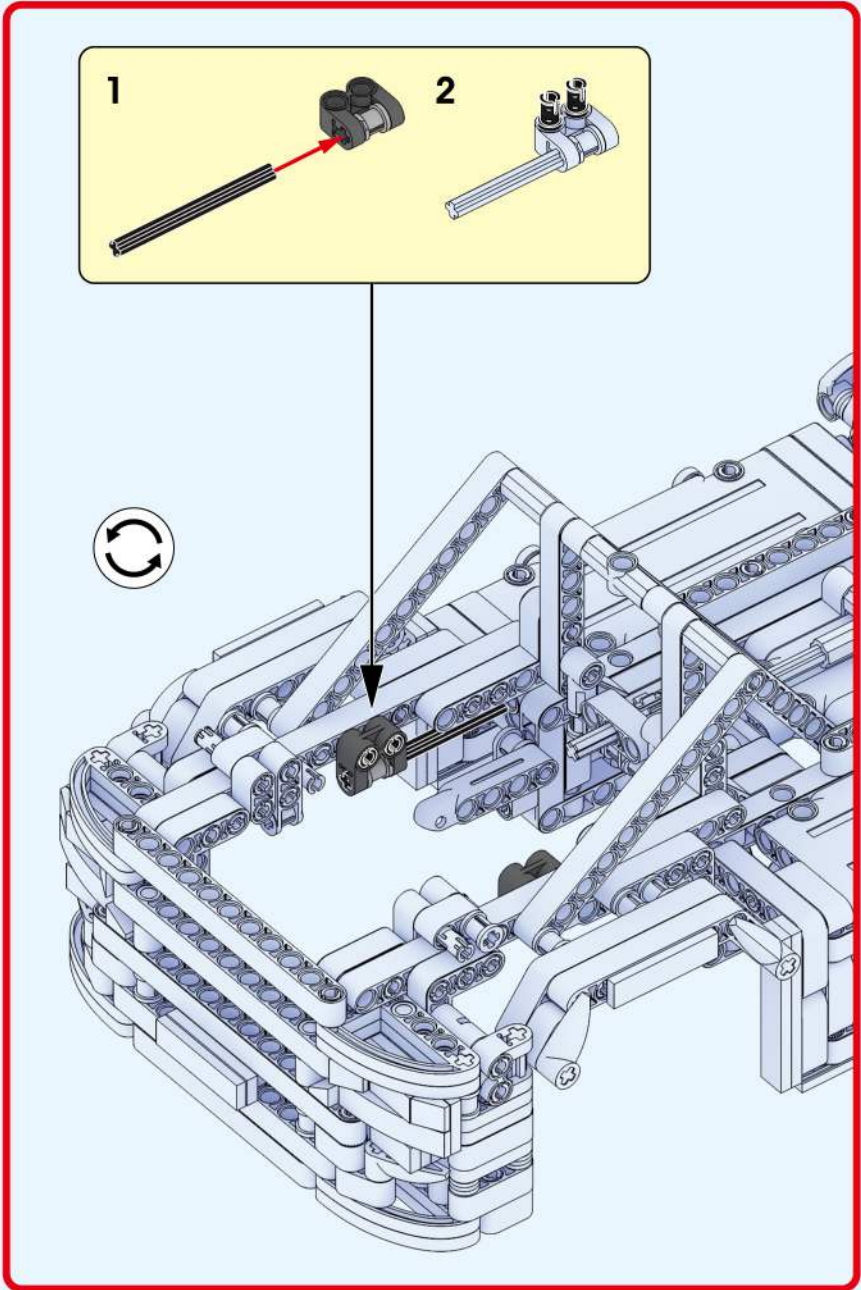
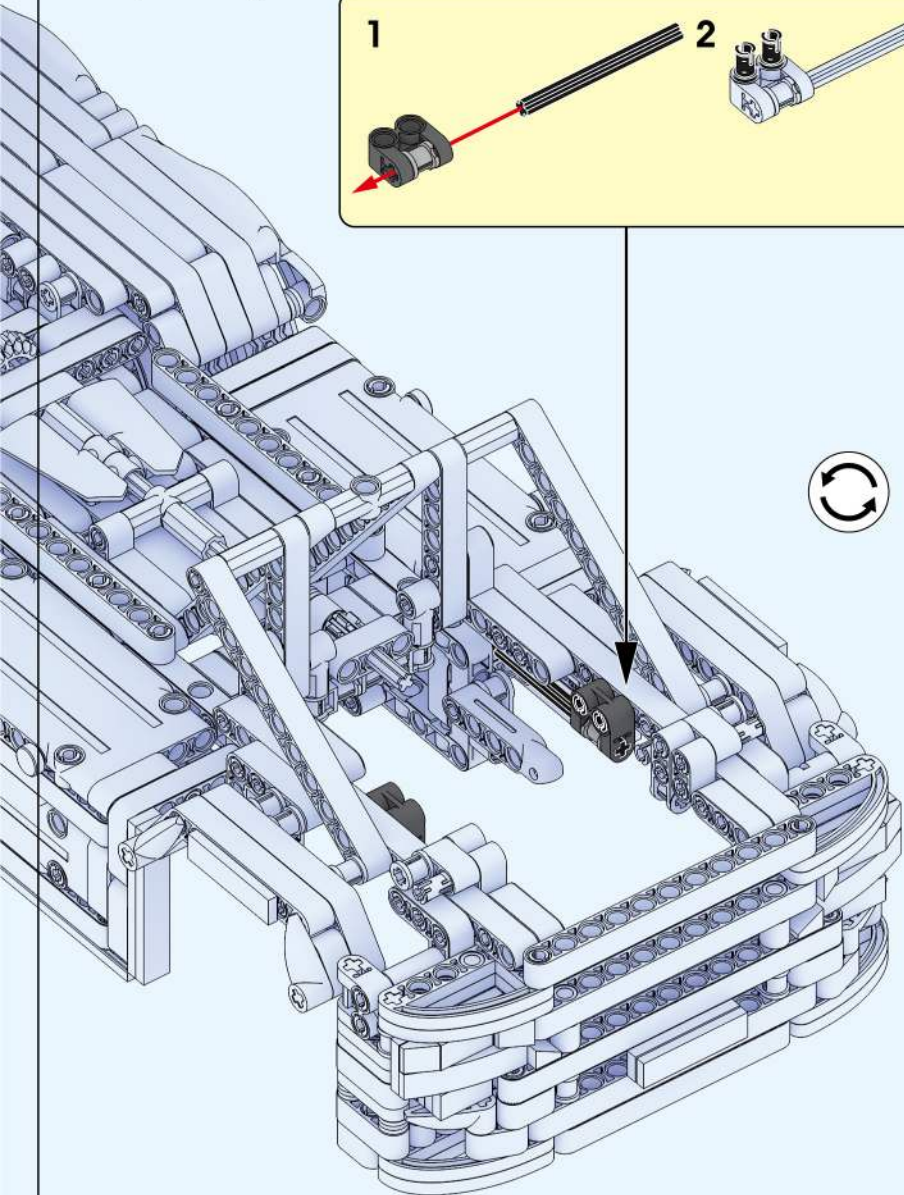
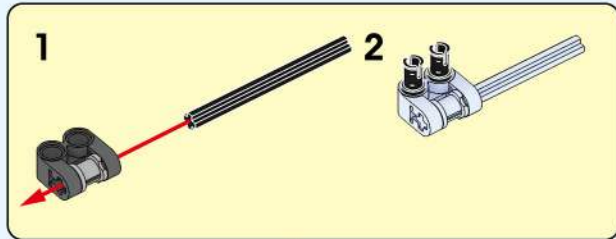


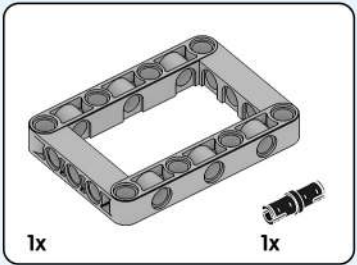
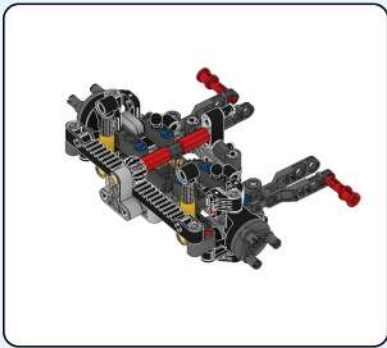
| 120 |



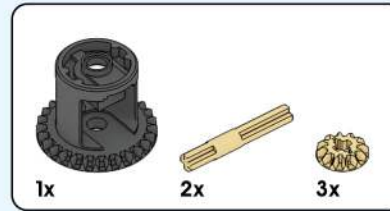
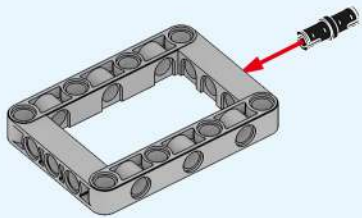


121

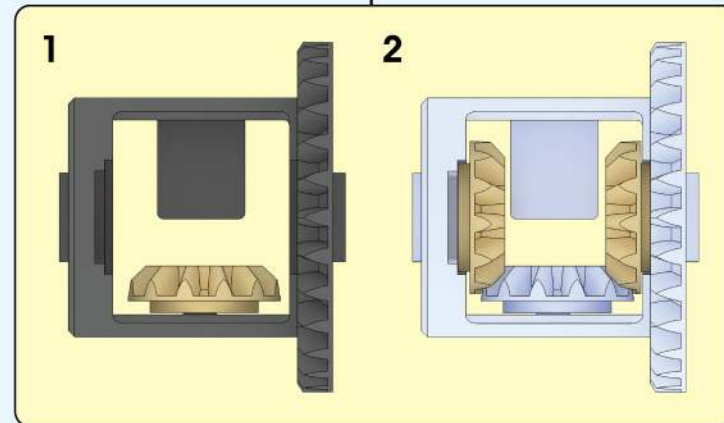
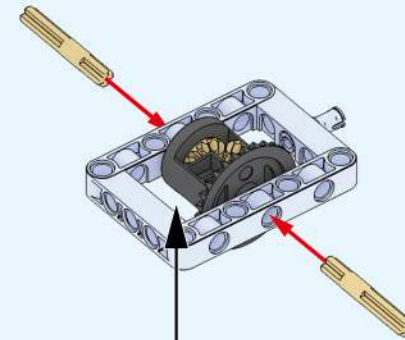


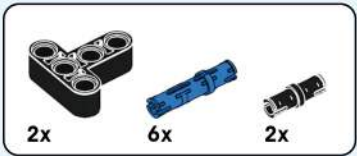


| 122 |

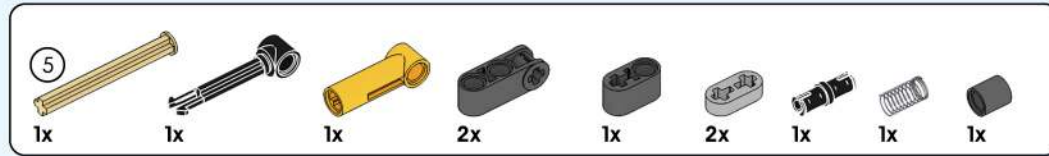
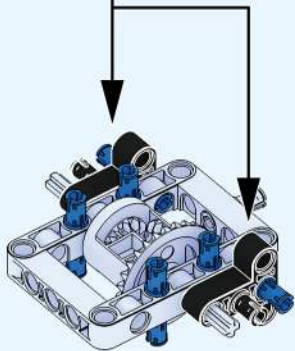
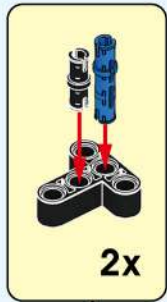


| 123 |

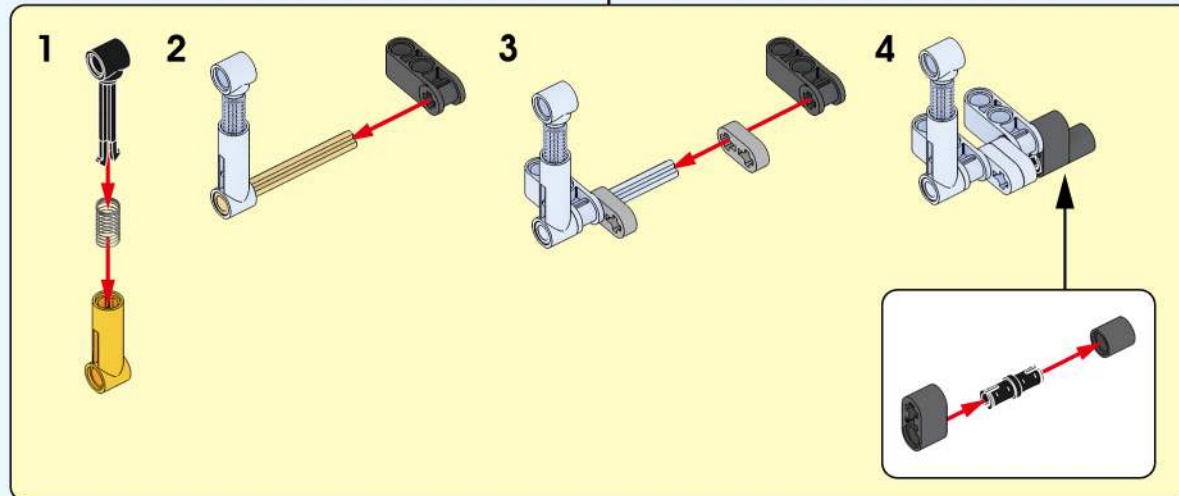
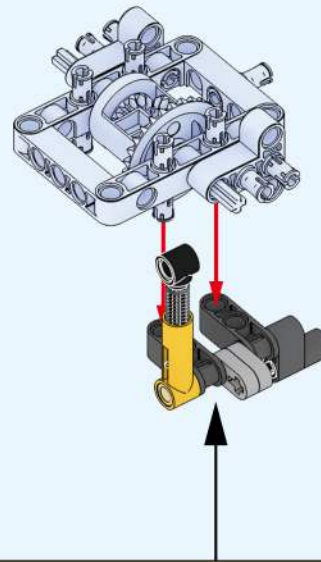


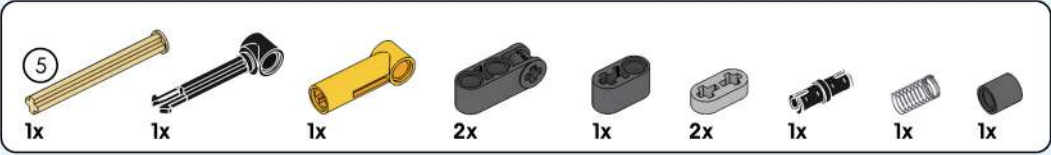


| 124 |

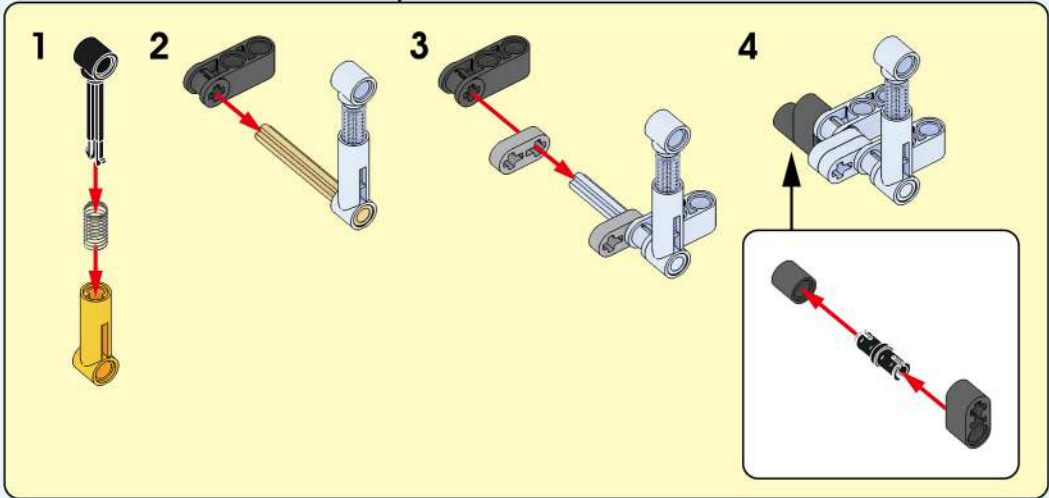
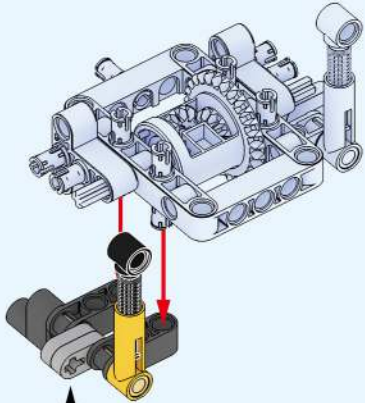
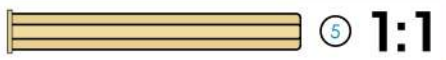


| 125 |

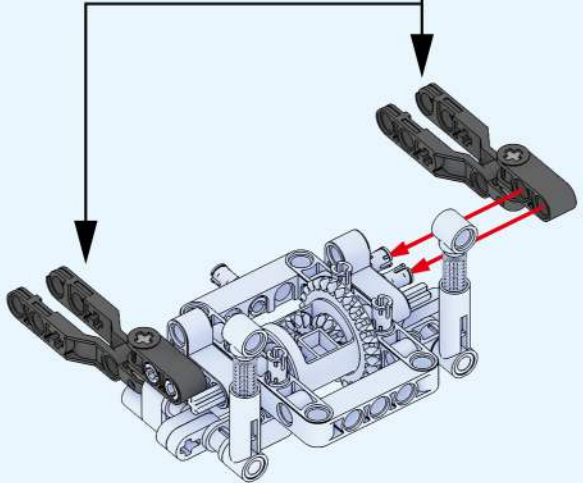
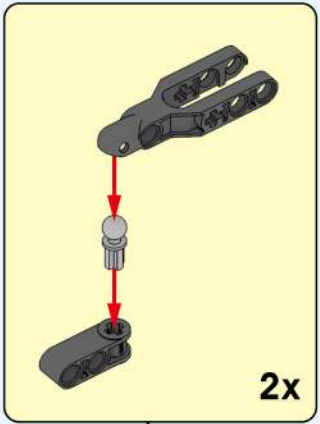


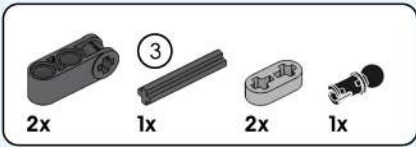


126

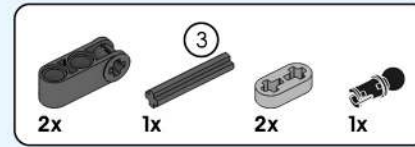
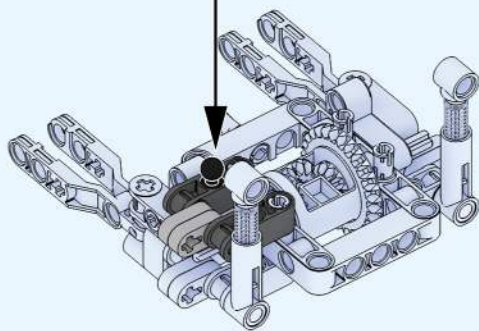
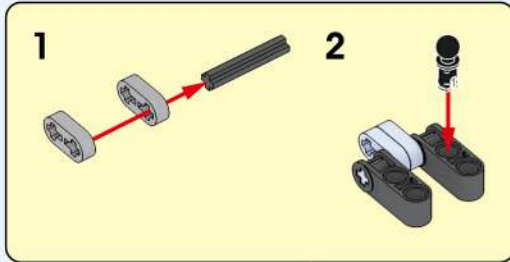


127

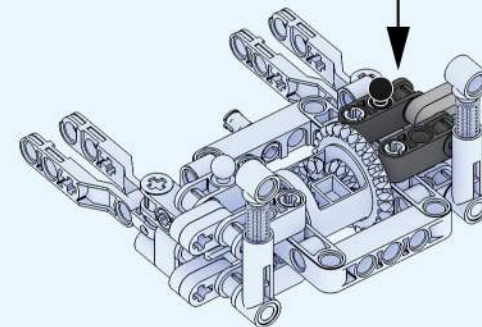
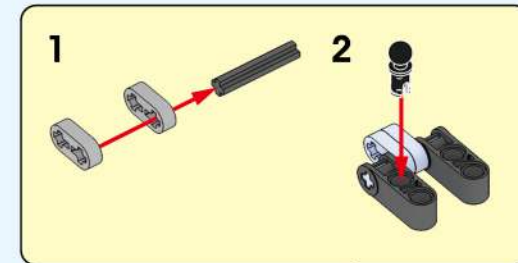


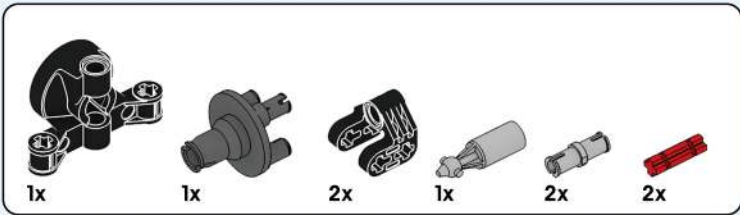


| 128 |

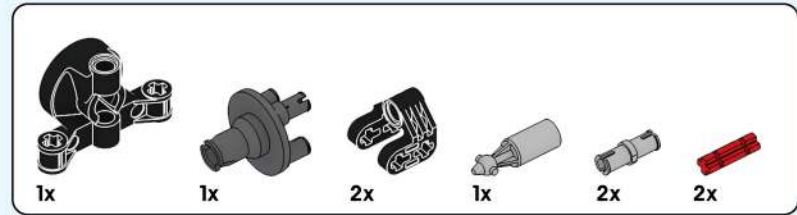
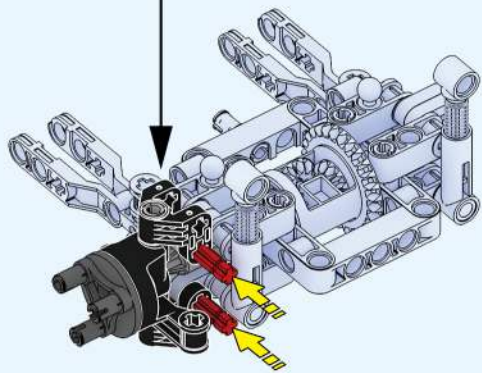
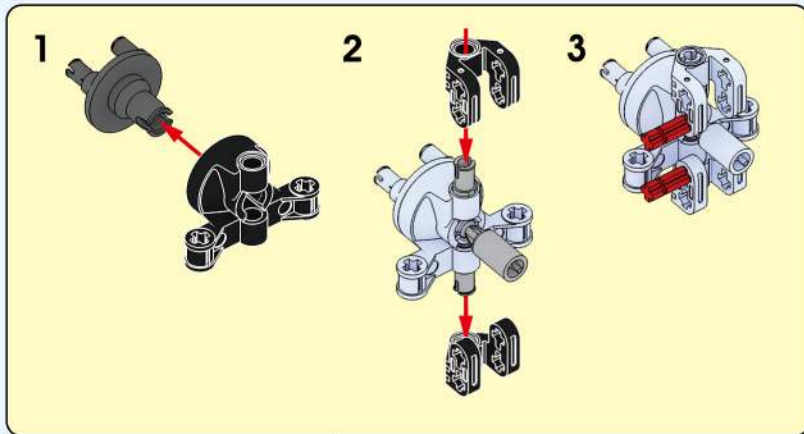


| 129 |

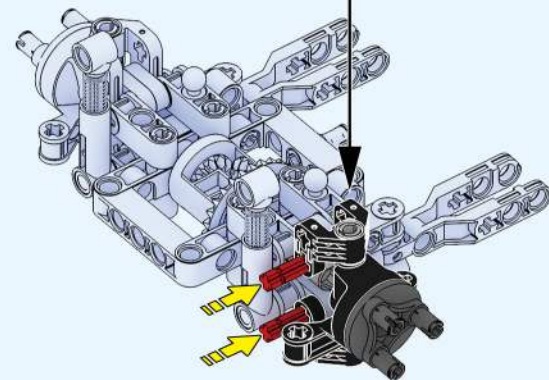
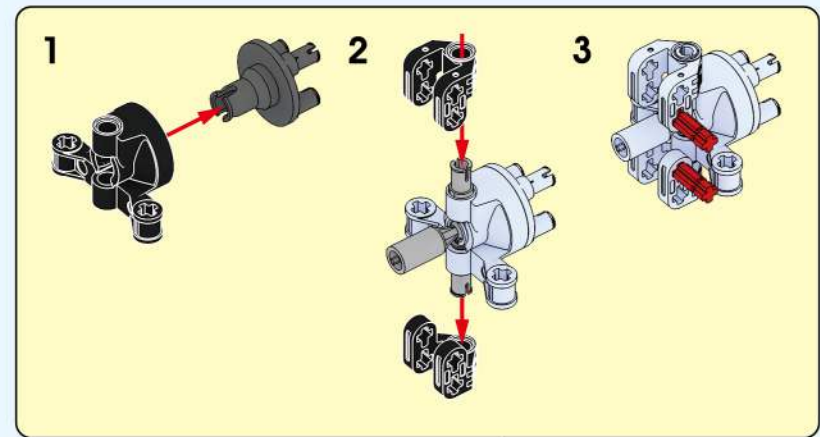


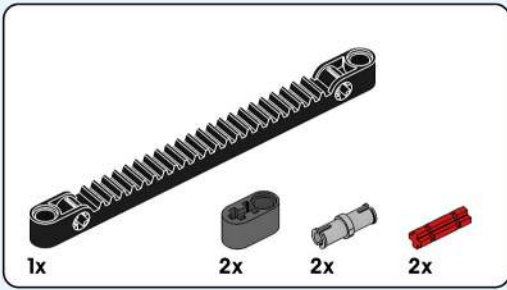


| 130 |

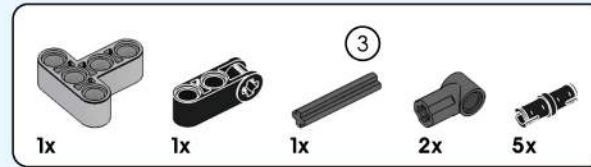
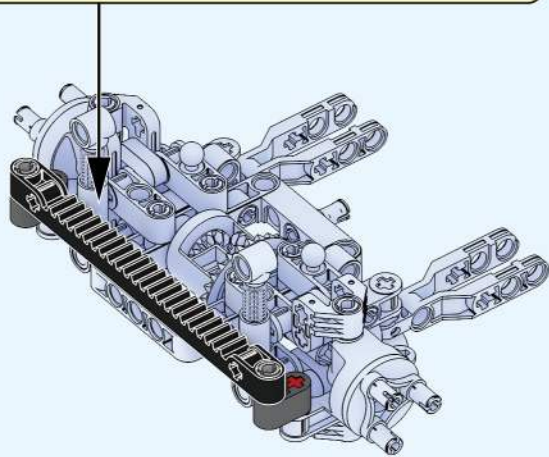
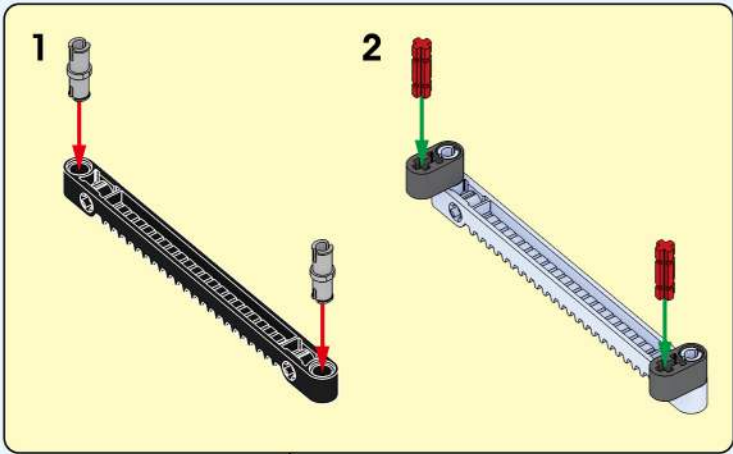


| 131 |

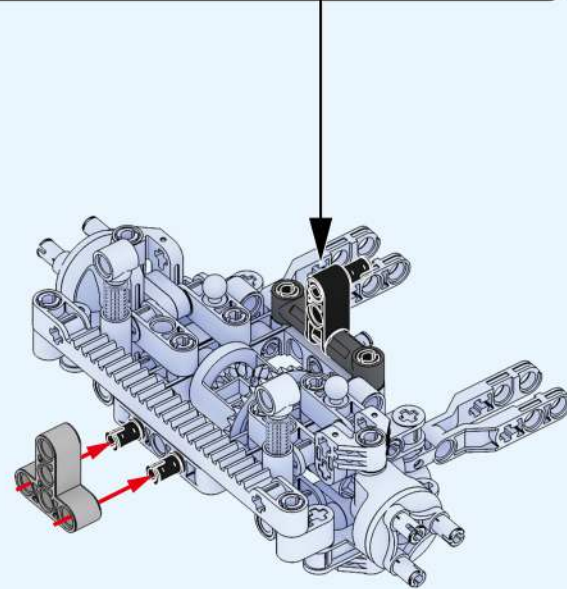
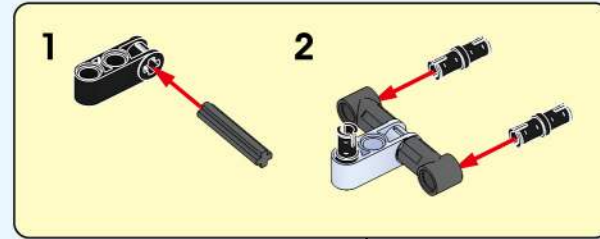


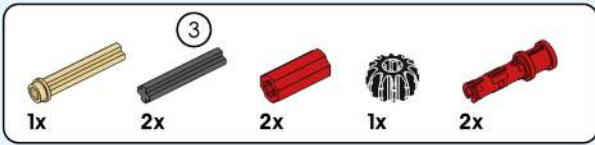


| 132 |

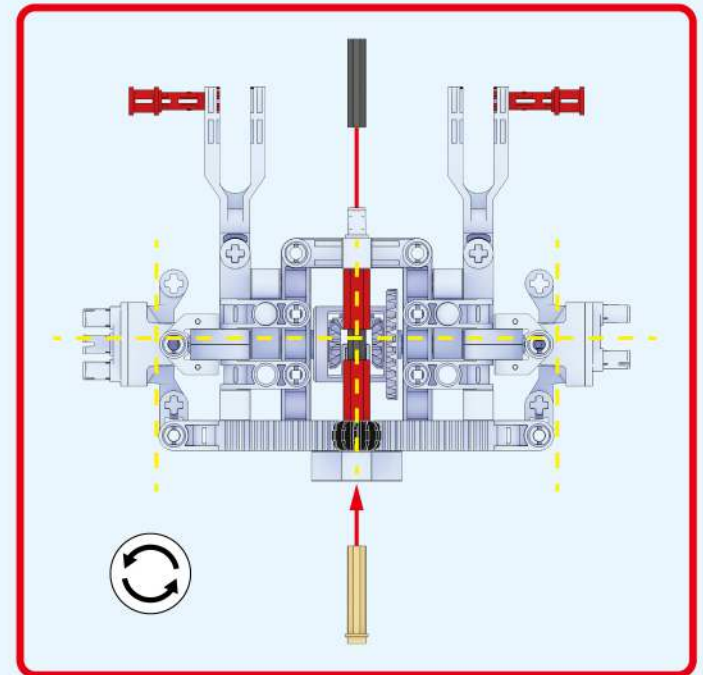
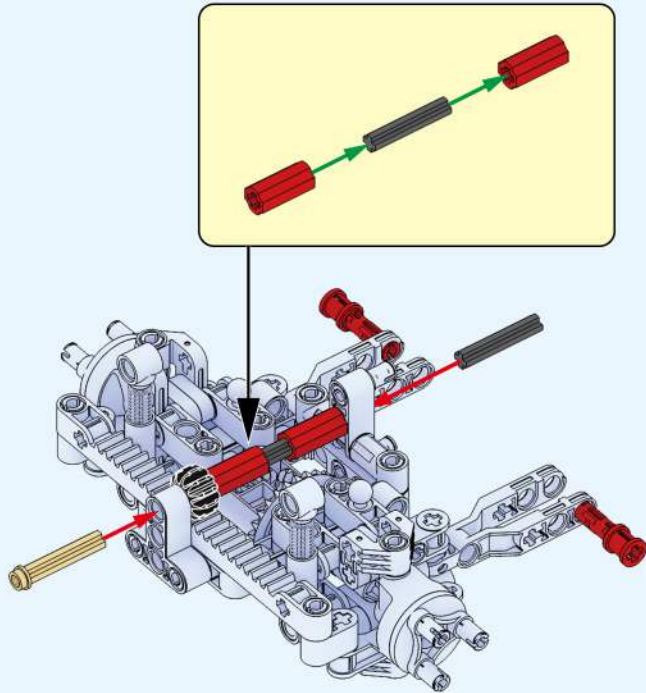


| 133 |

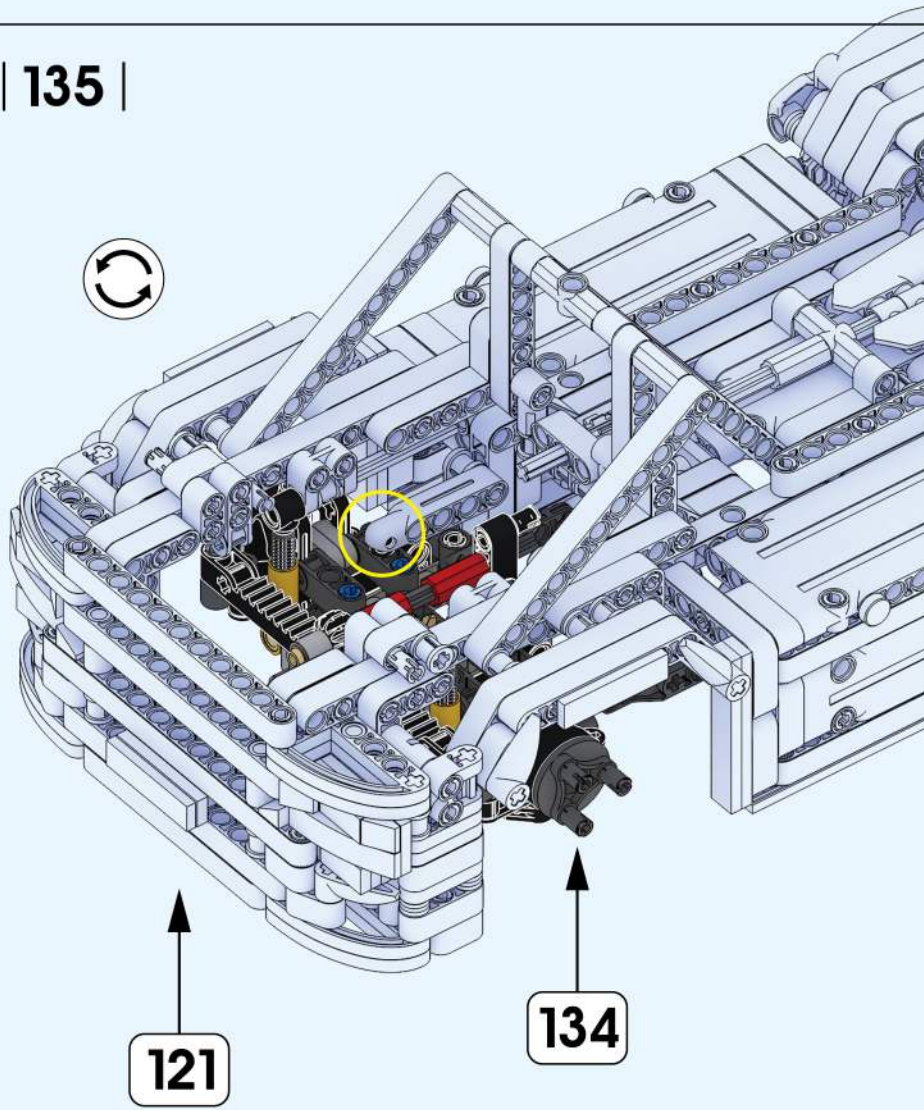




134

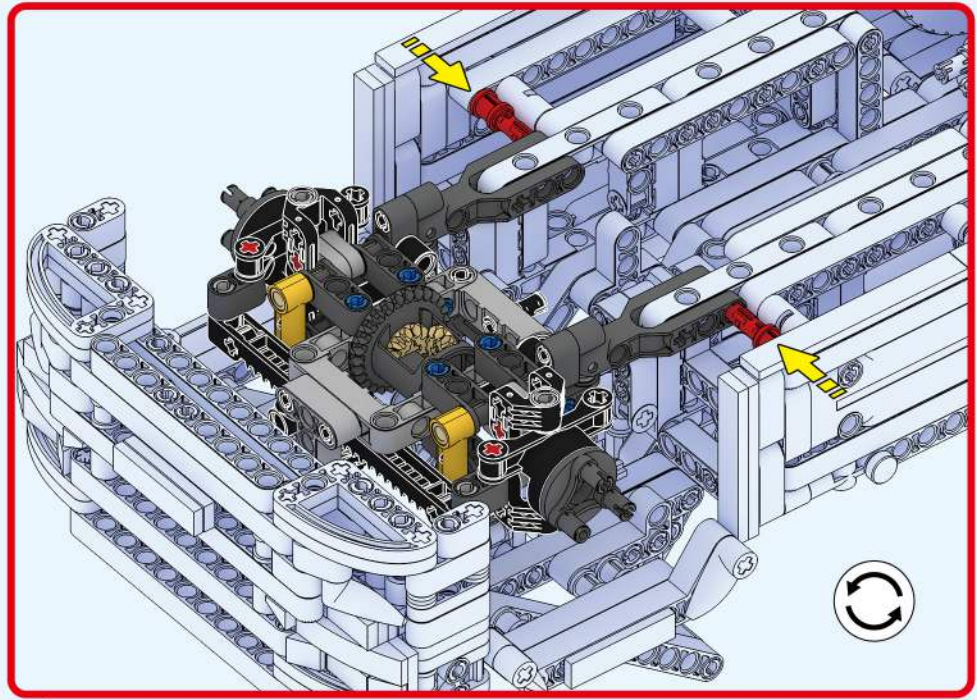
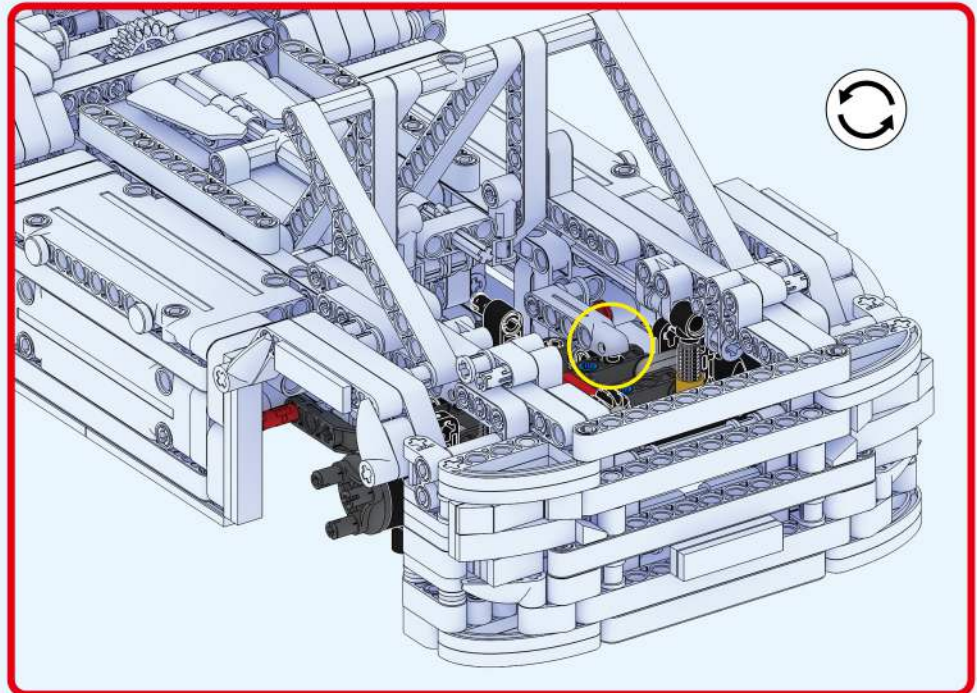


| 135 |



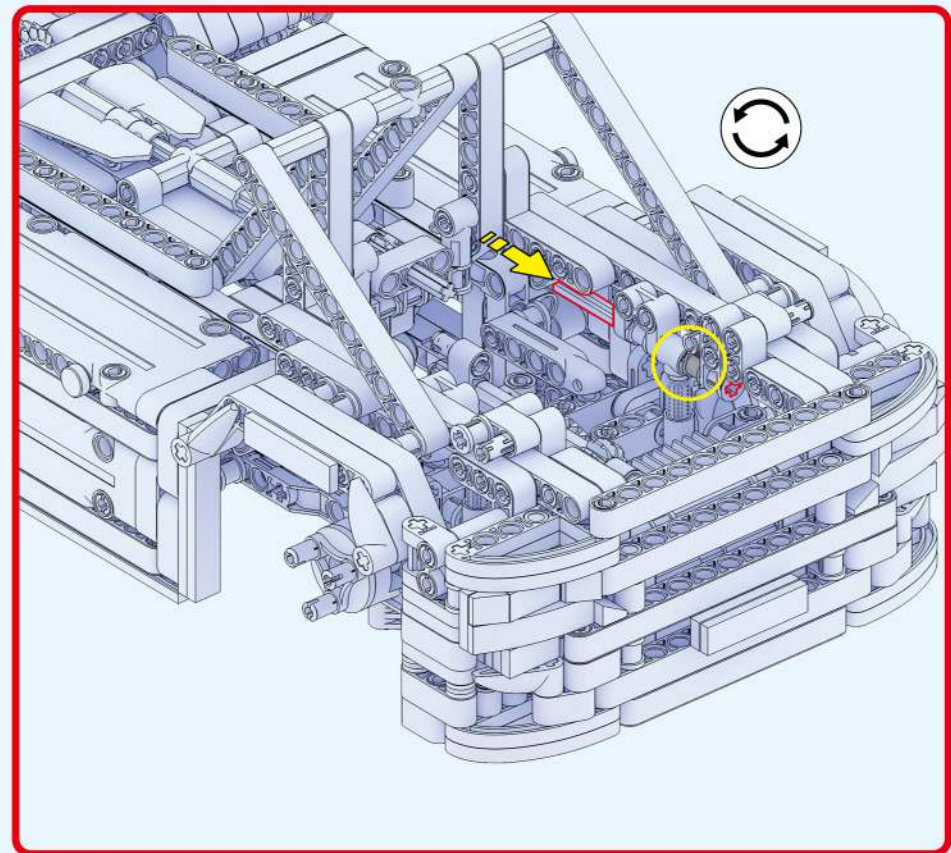
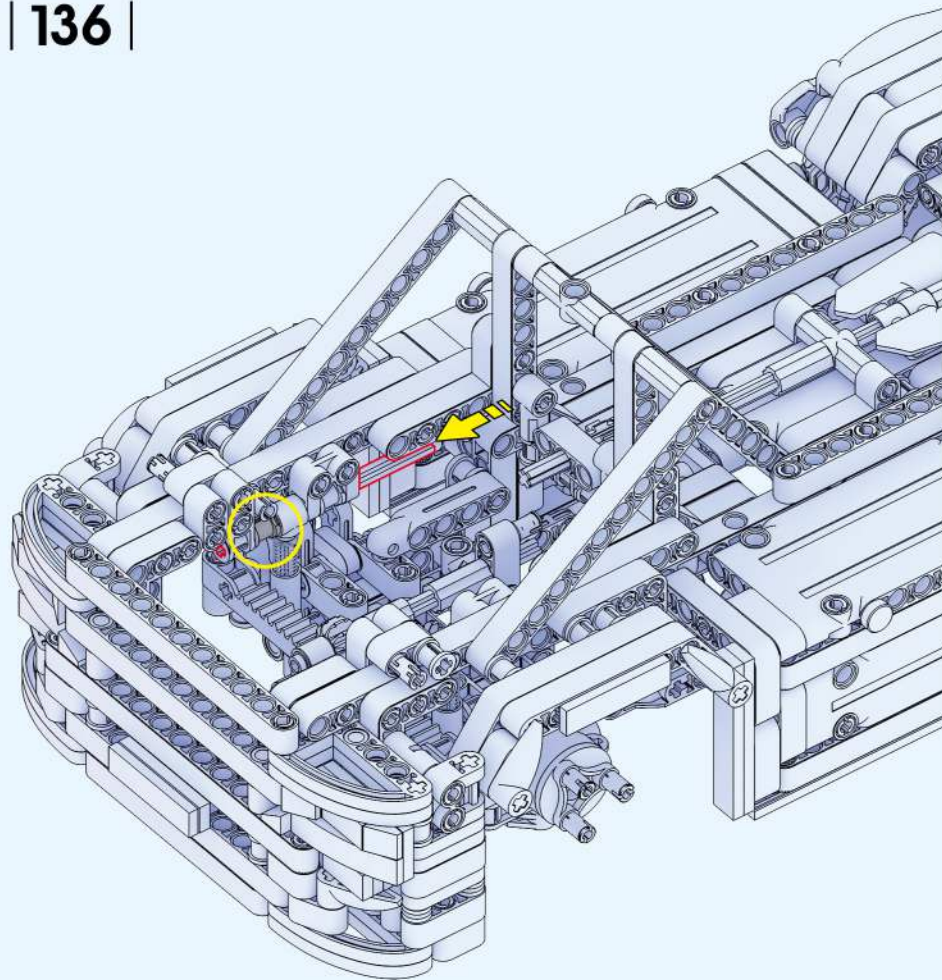
121

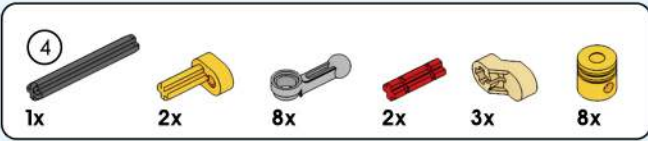
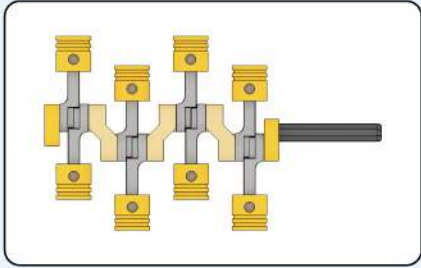
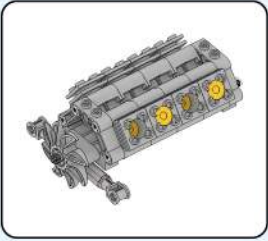
134





| 136 |

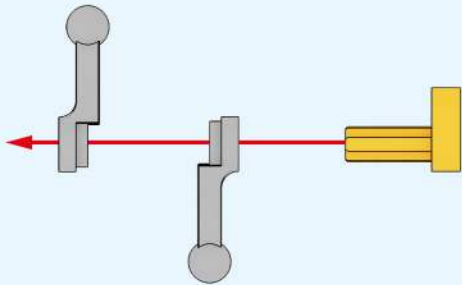




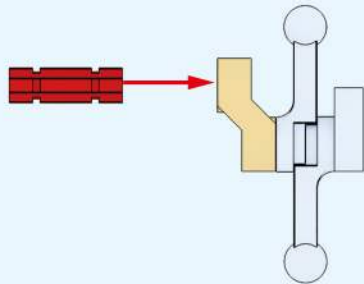
| 137 |



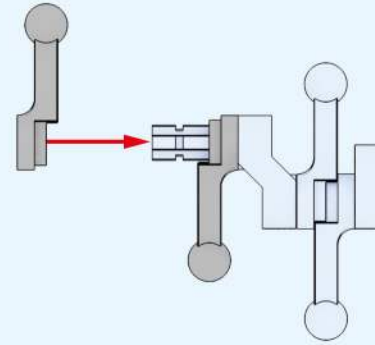
1



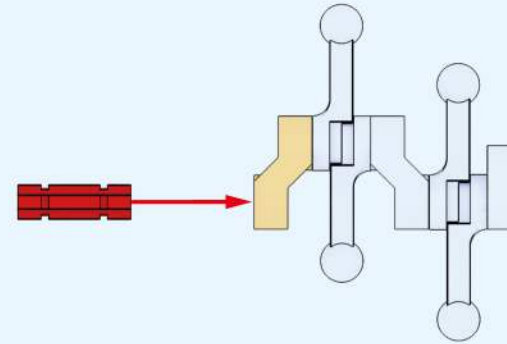
2



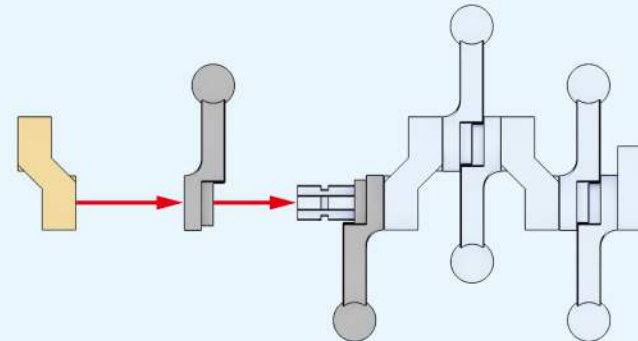
3



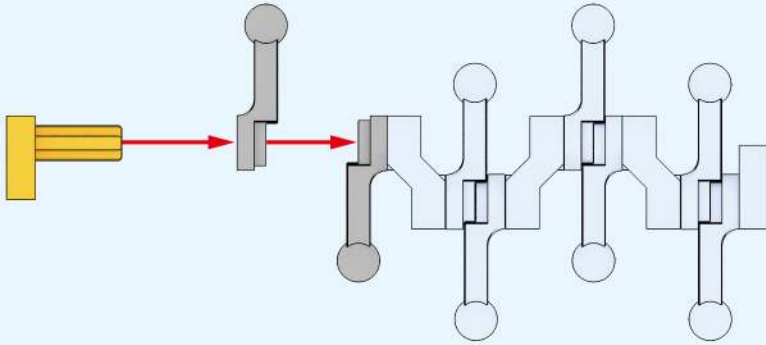
4



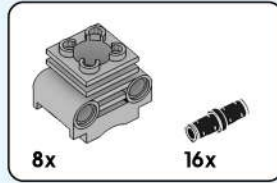
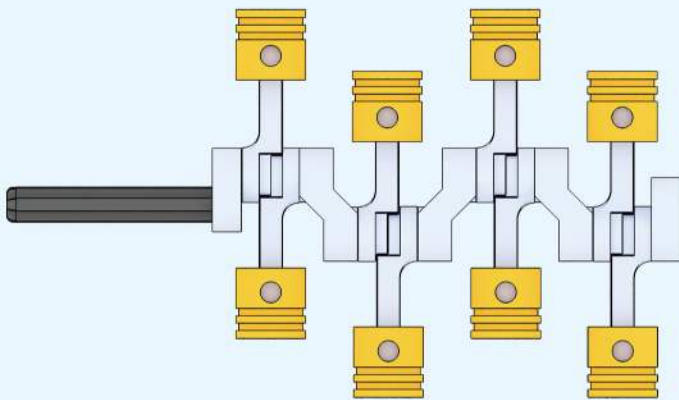
5



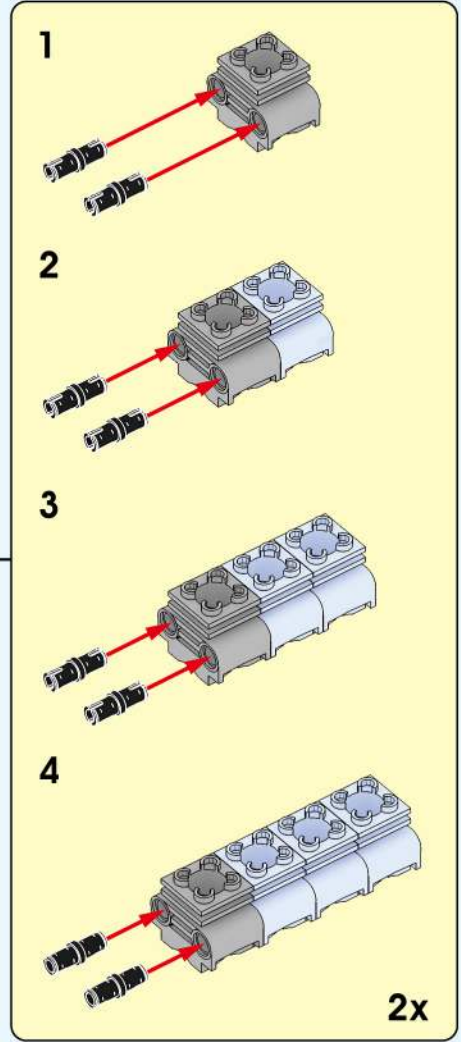
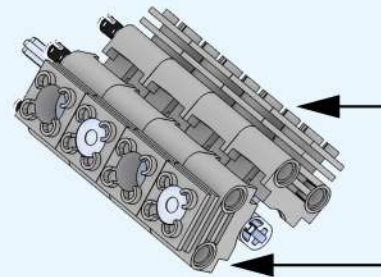
6

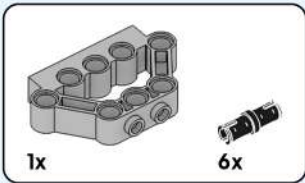


7

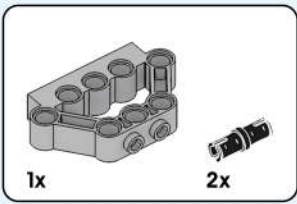
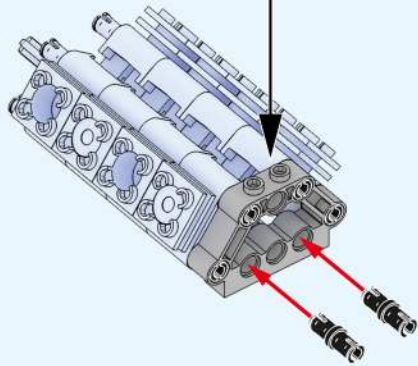
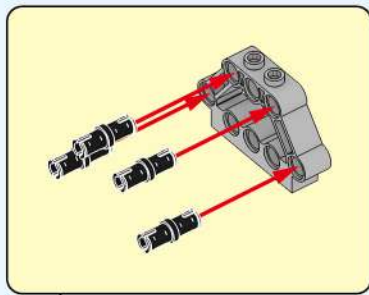


| 138 |

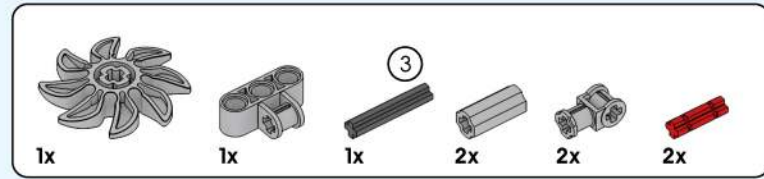
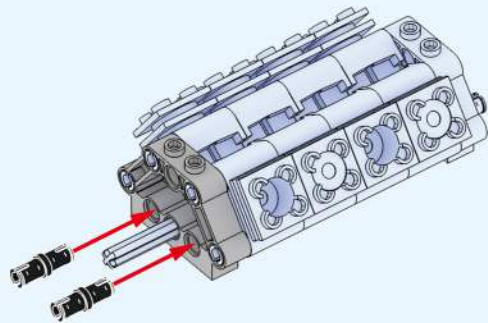




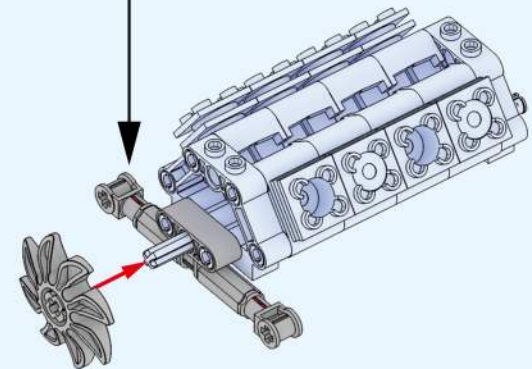
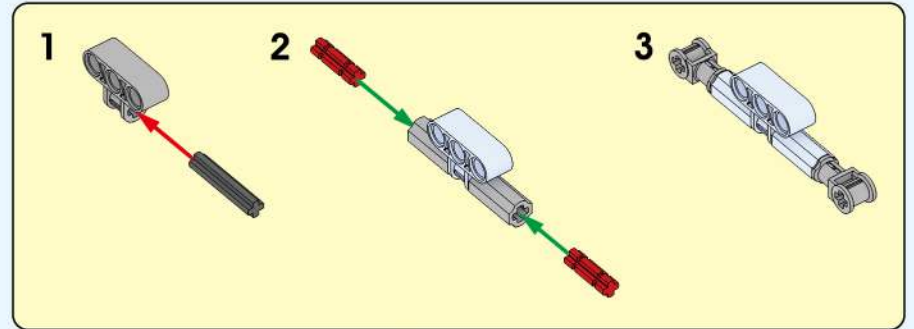
| 139 |



| 140 |

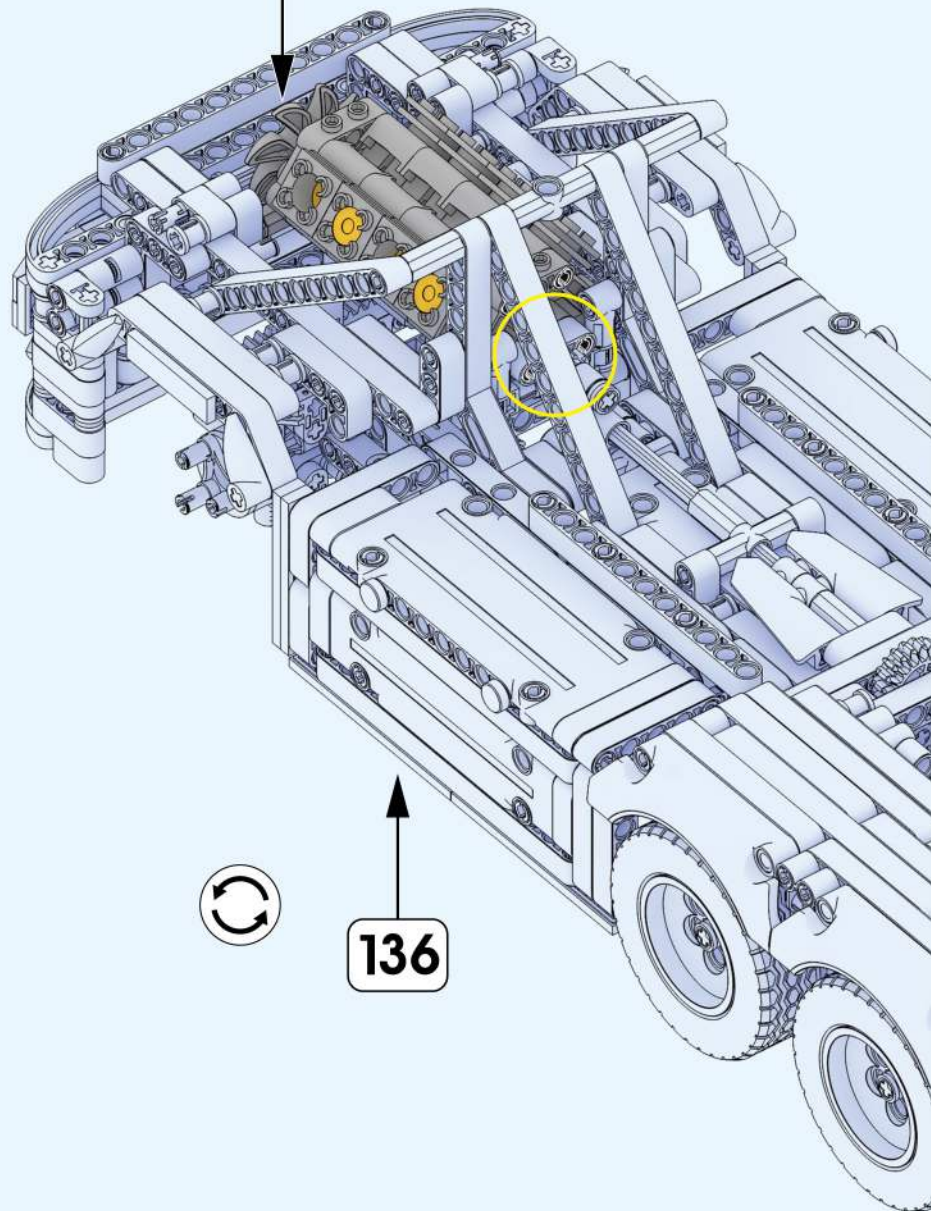


| 141 |

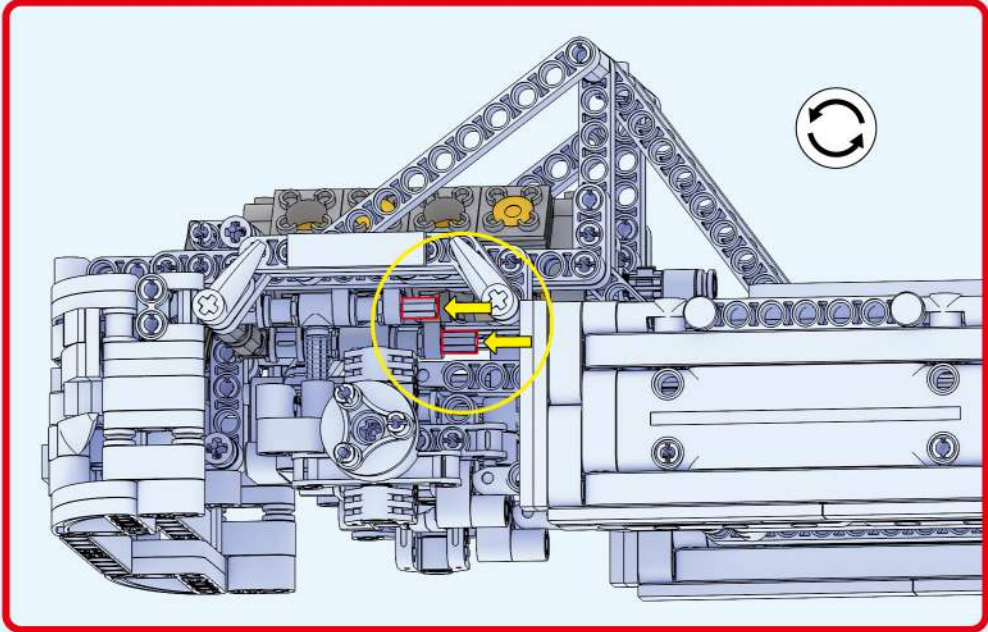


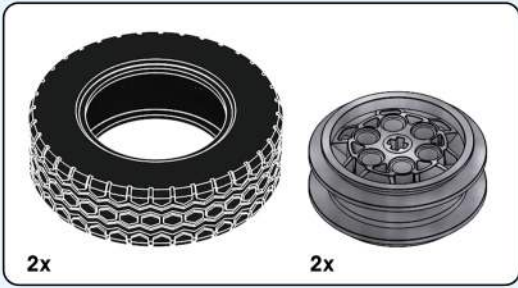
| 142 |

141

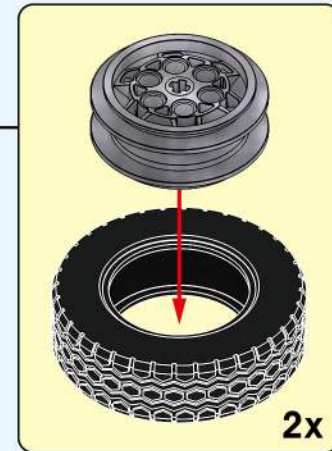
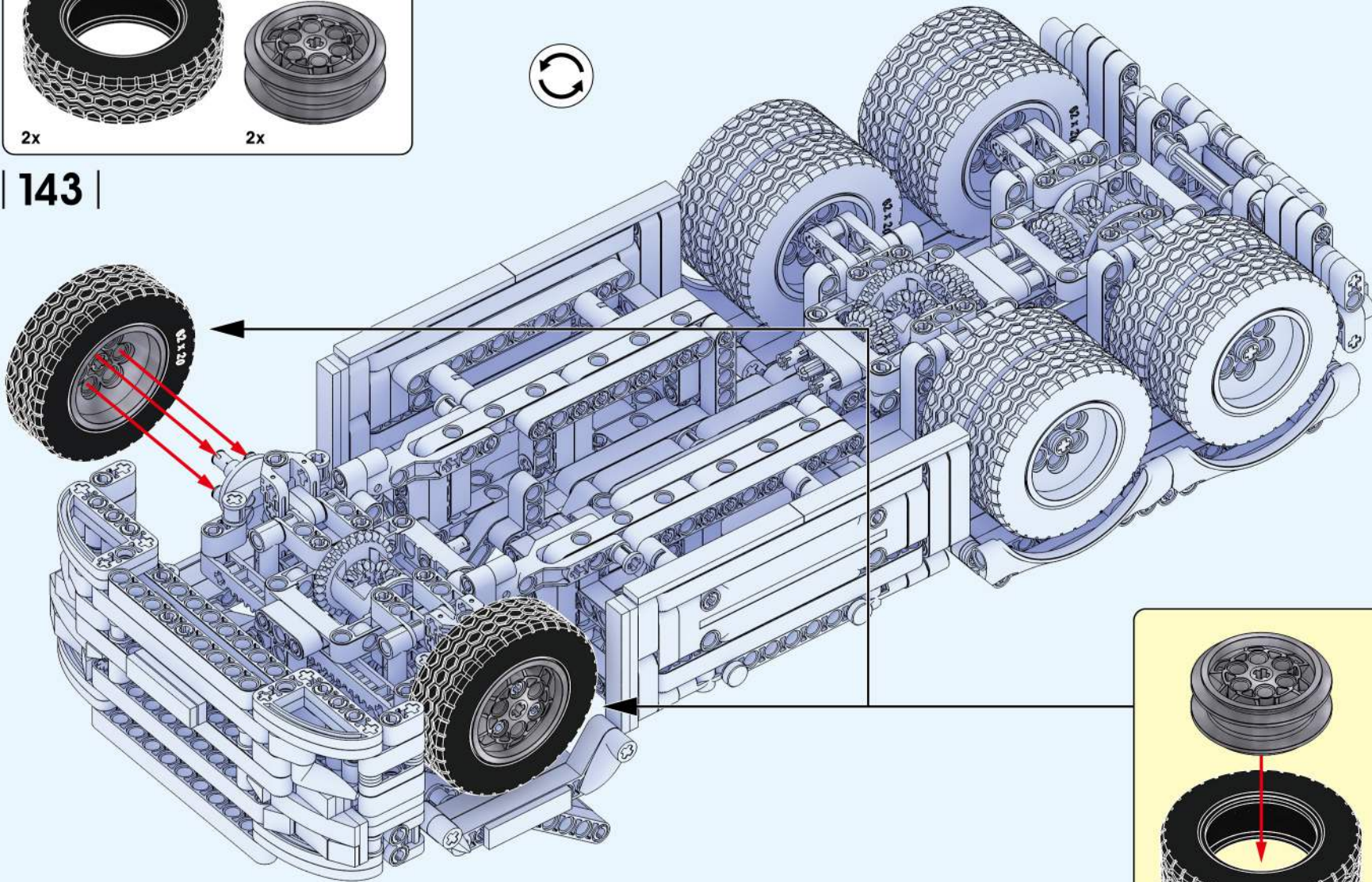


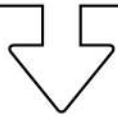
136



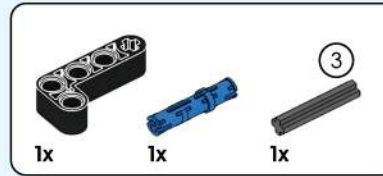
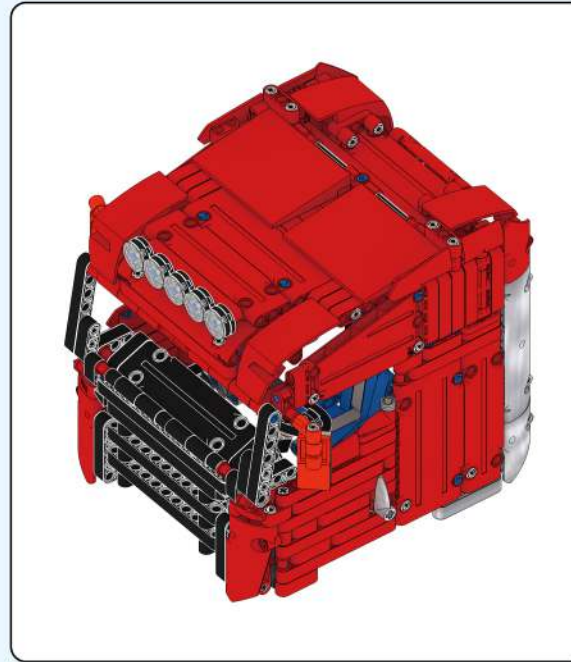
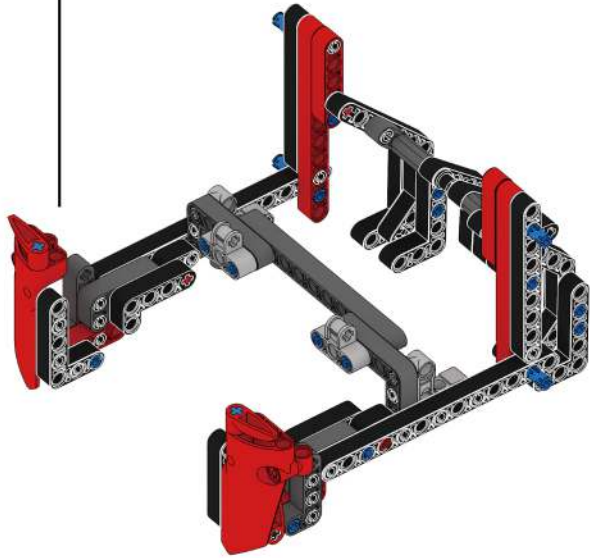


143

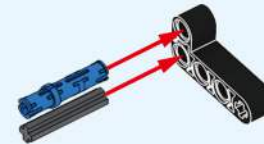




All the components in bag 6 were used to build this part.

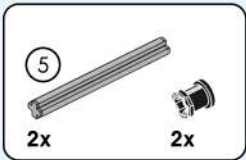


144

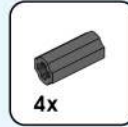
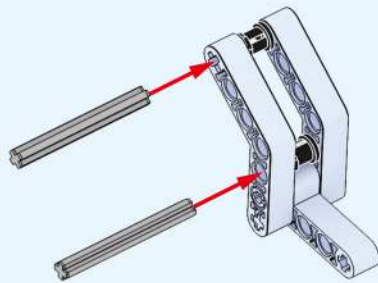




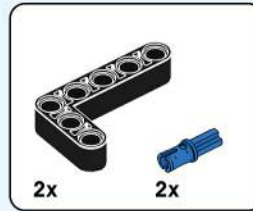
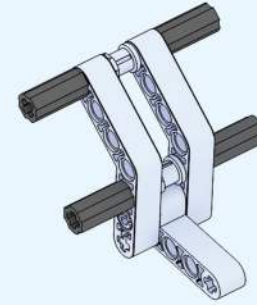
| 145 |



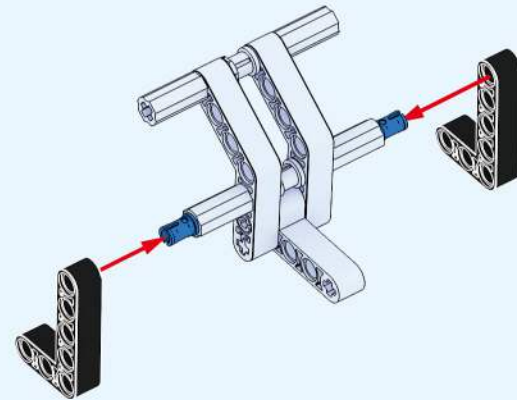
| 146 |

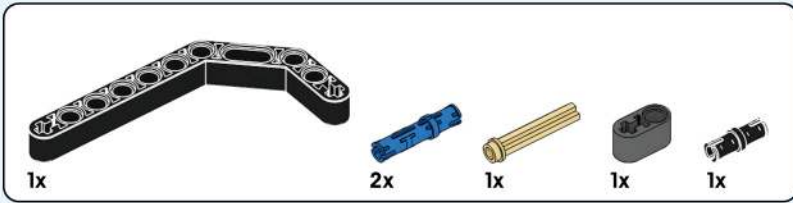


| 147 |

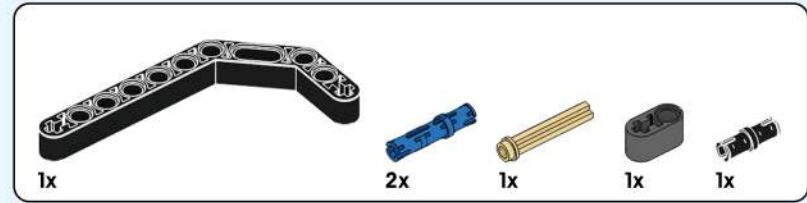
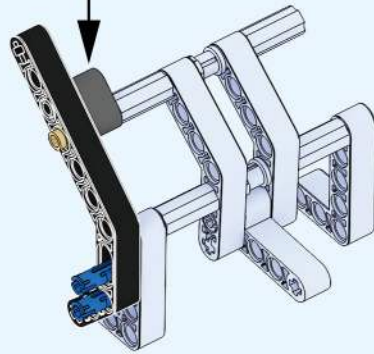
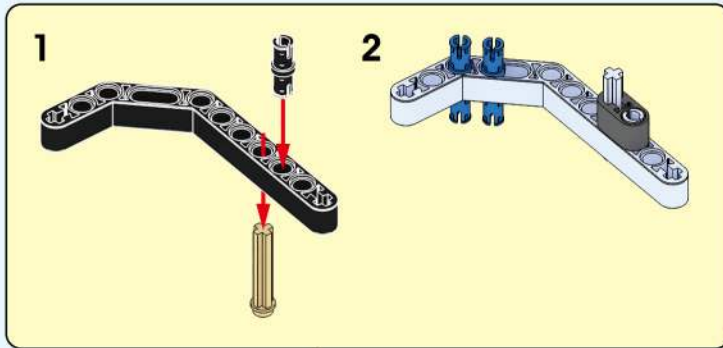


| 148 |

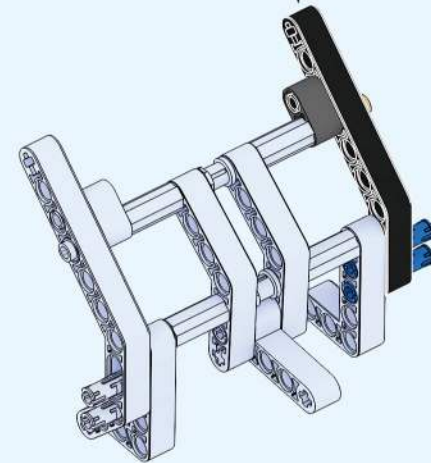
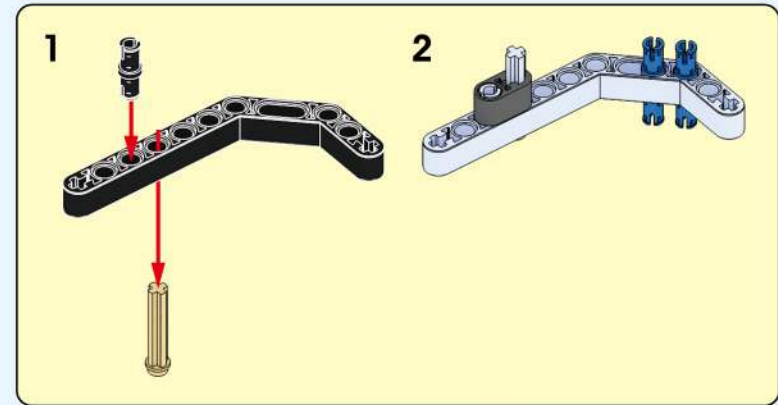




| 149 |



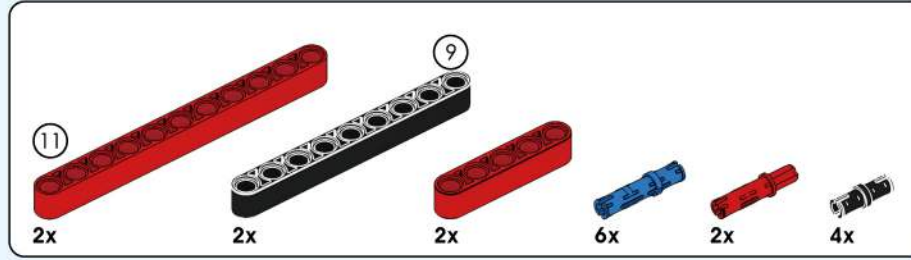
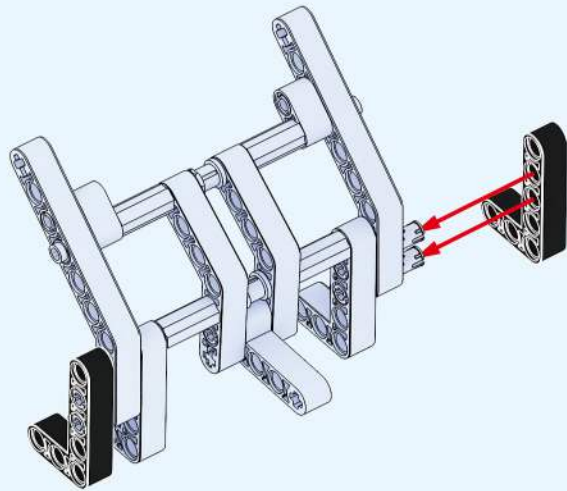
| 150 |



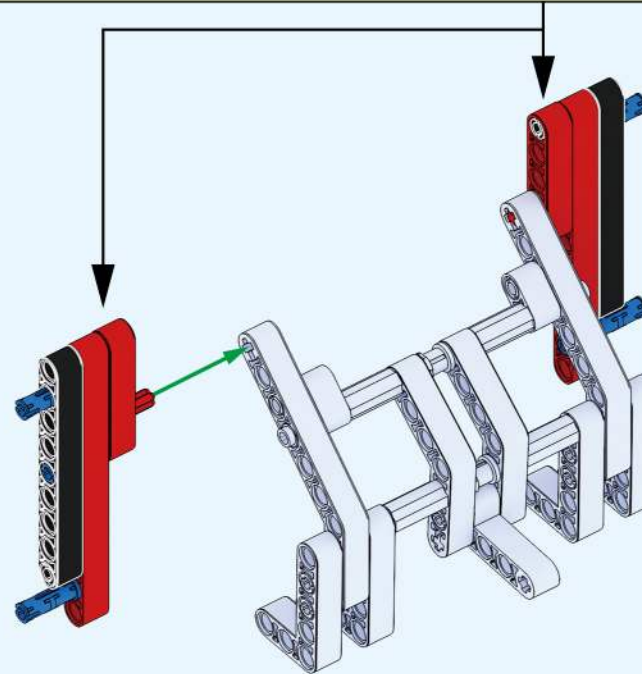
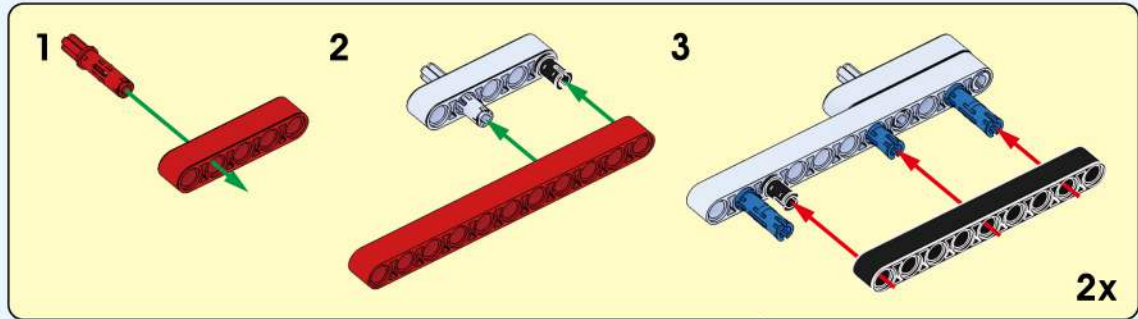


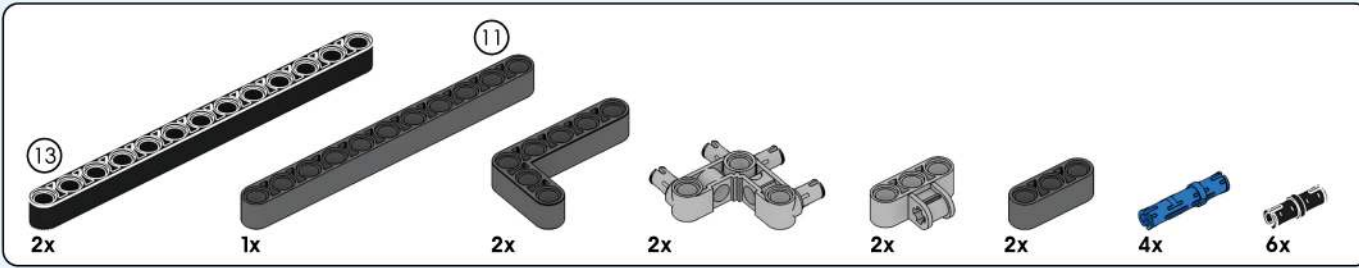
2x

151

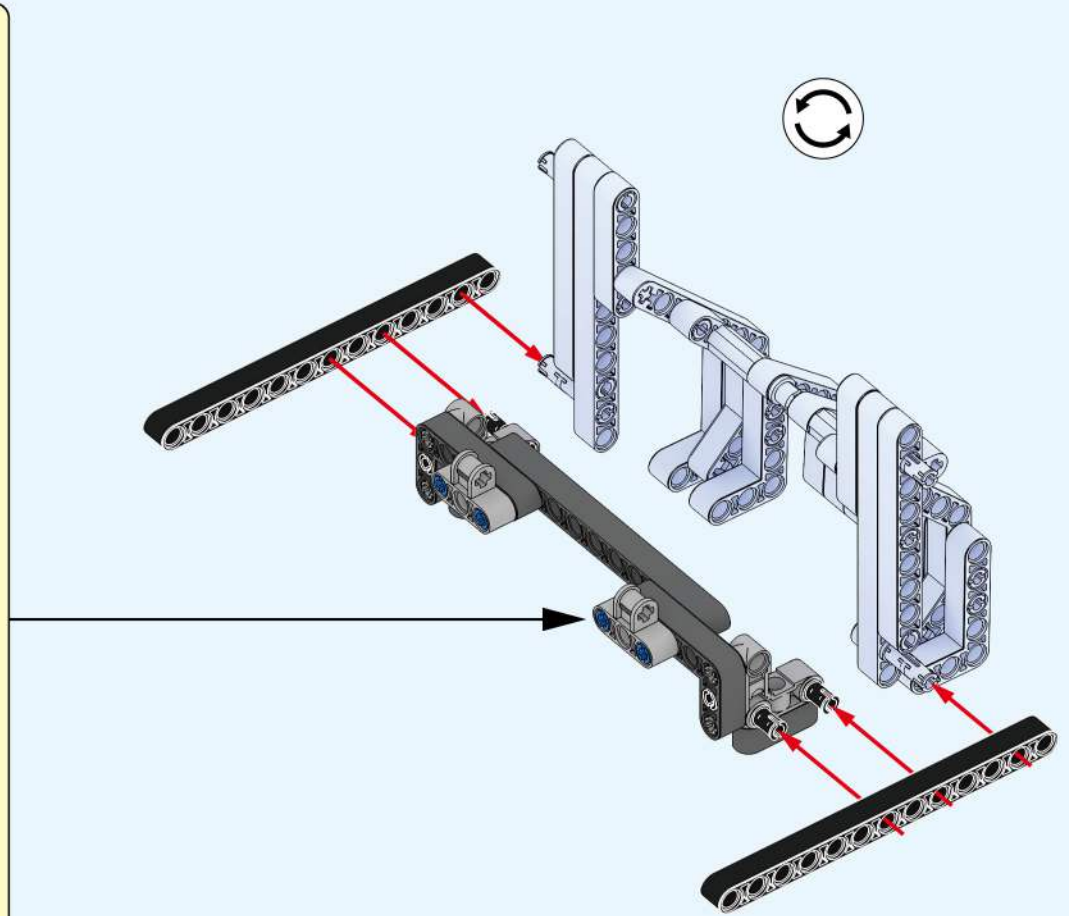
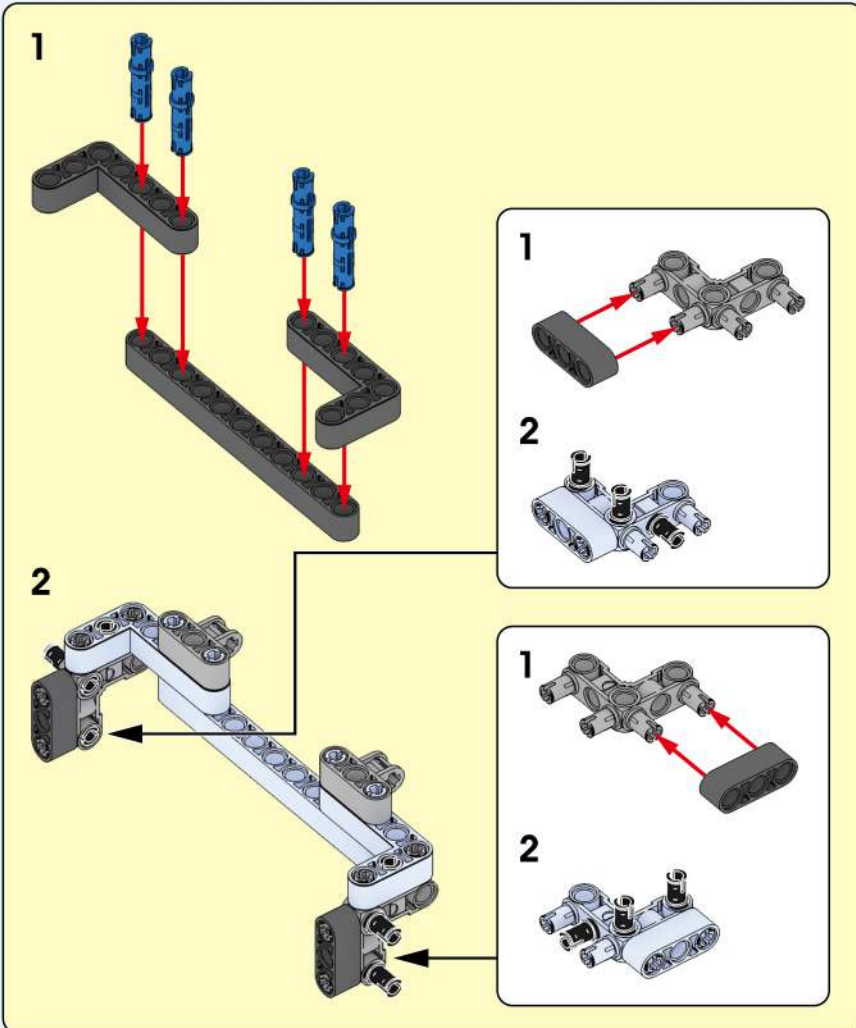


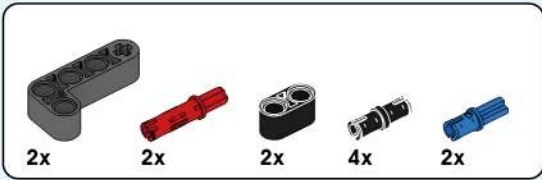
152



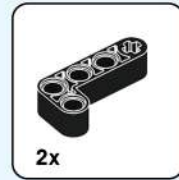
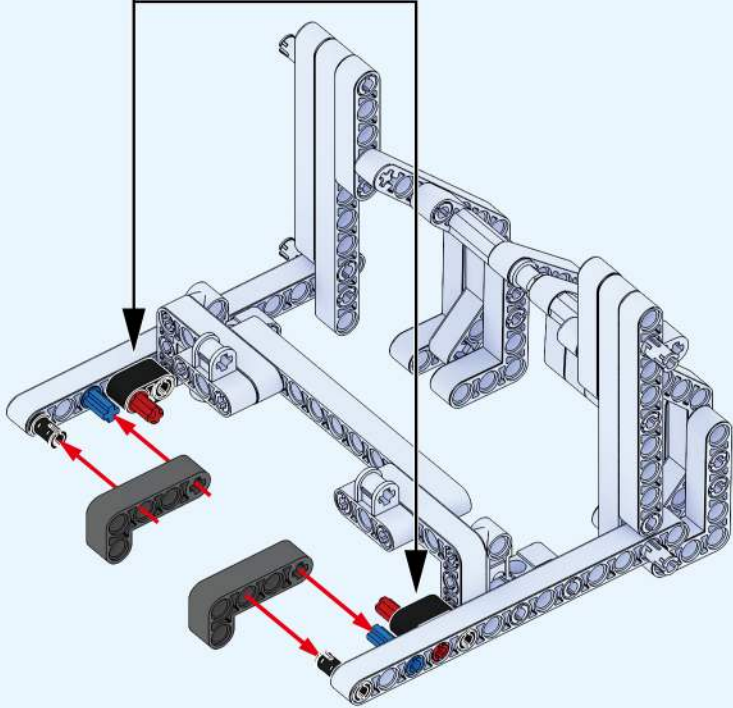
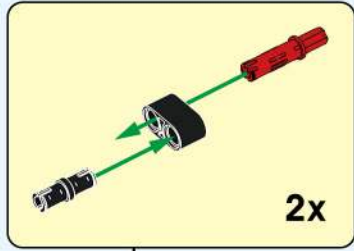


153

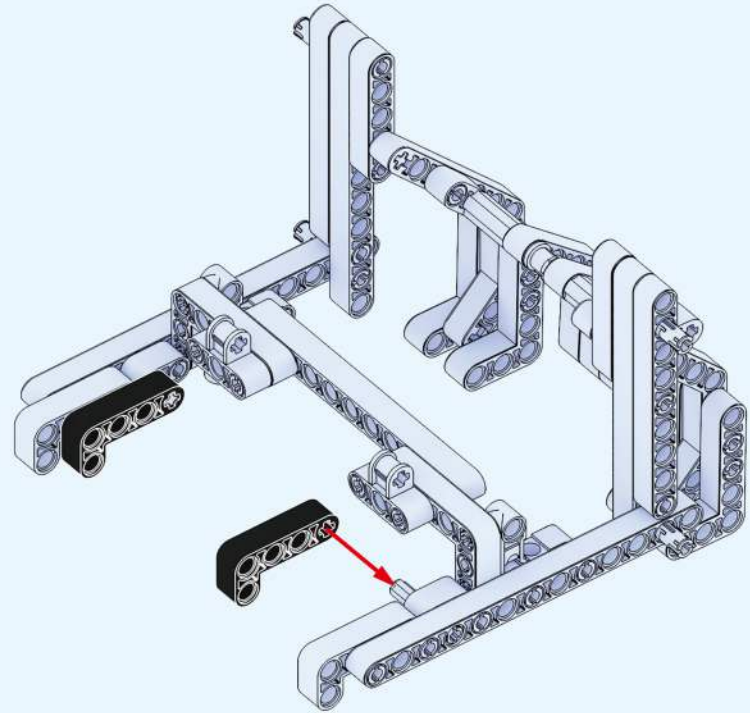


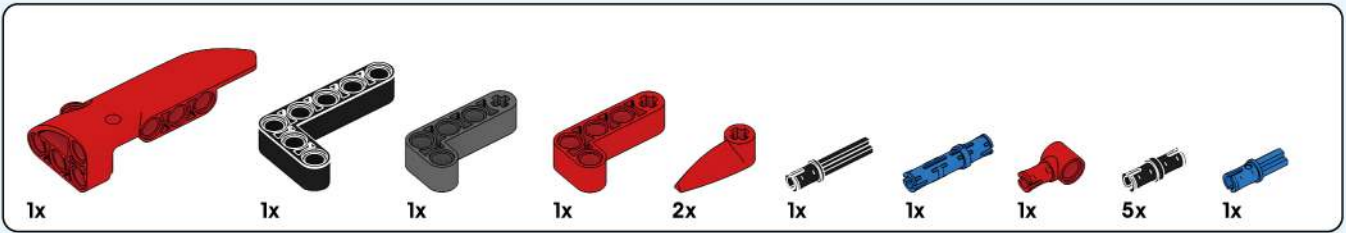


| 154 |

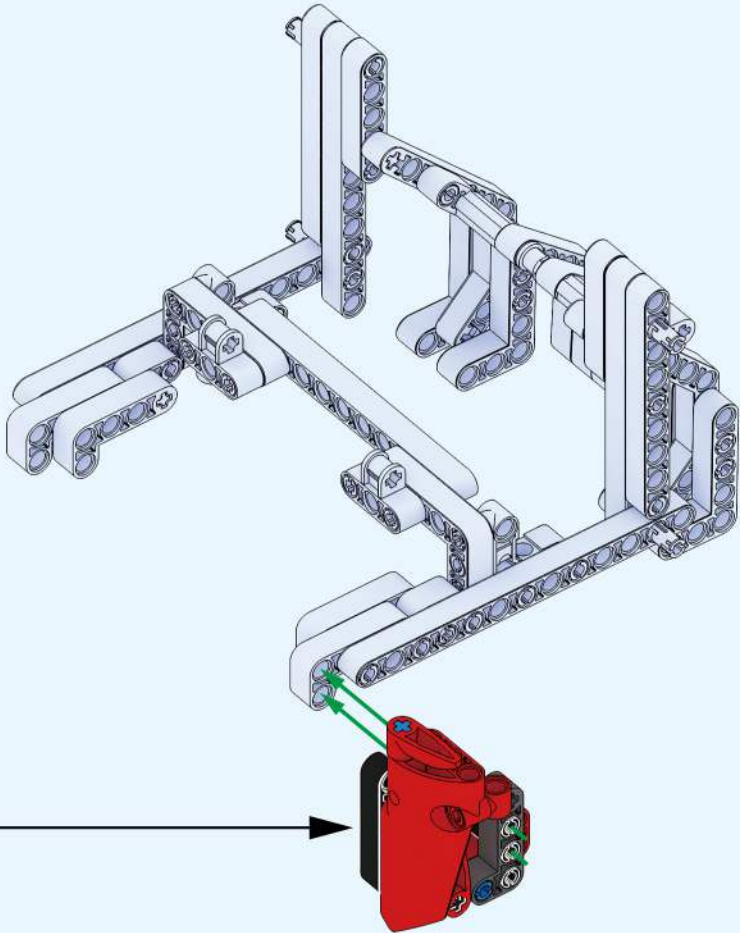
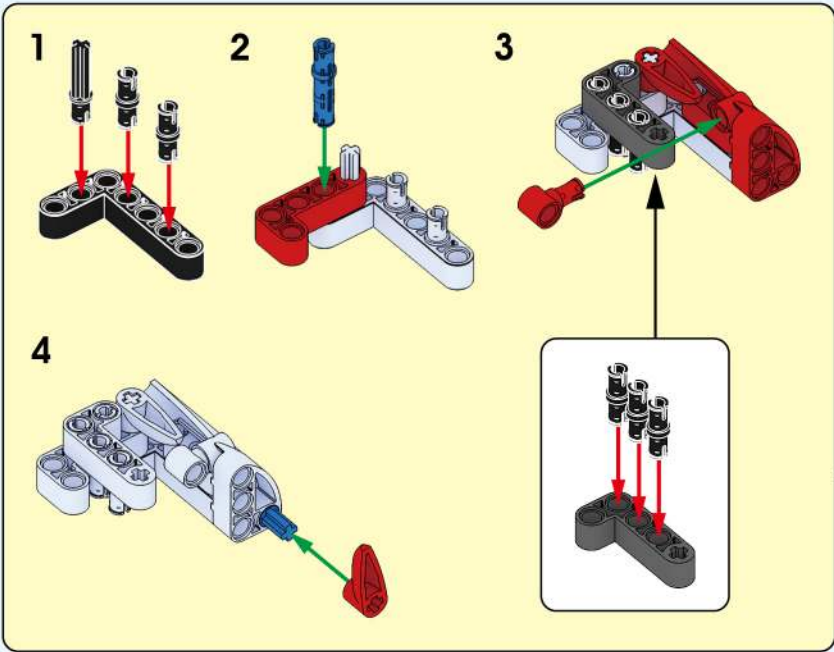


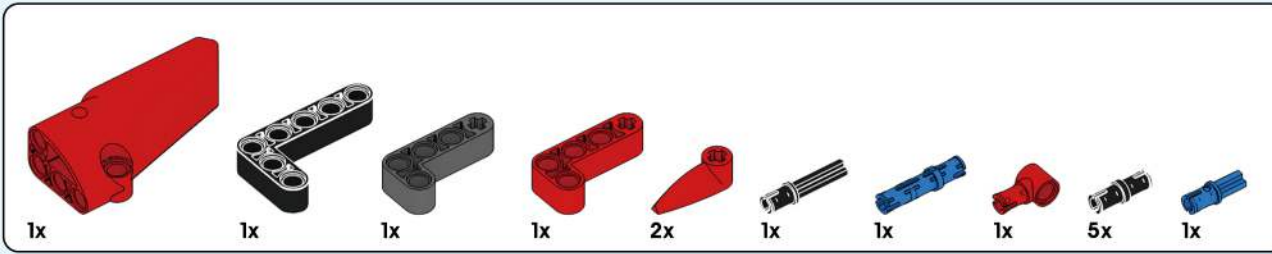
| 155 |



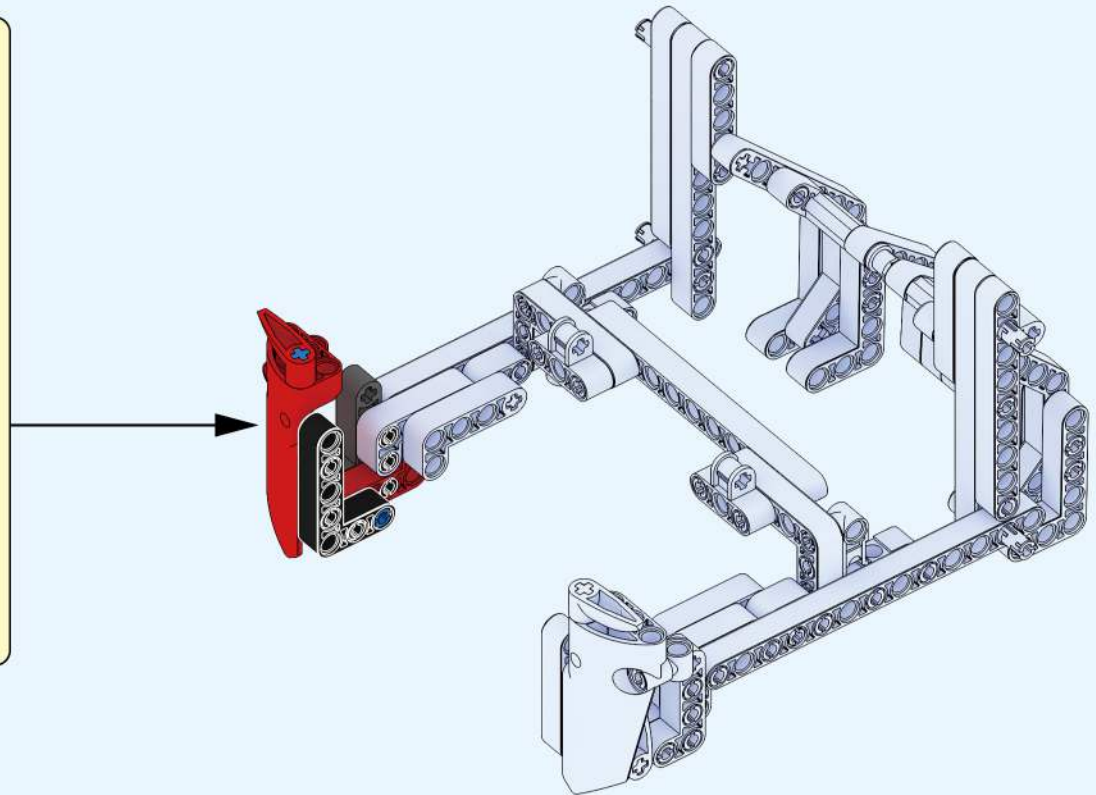
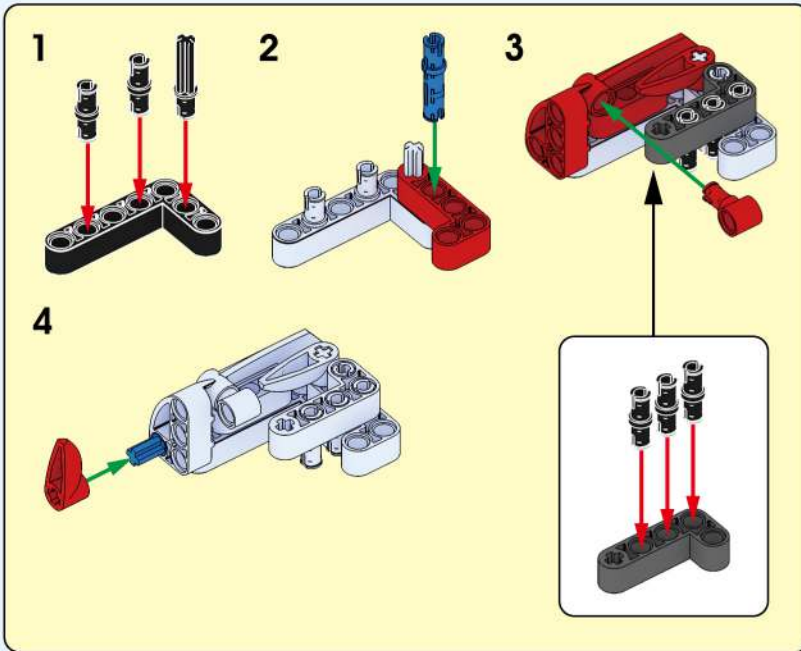


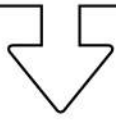
156



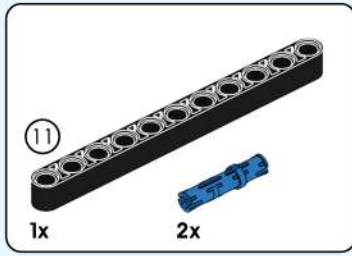
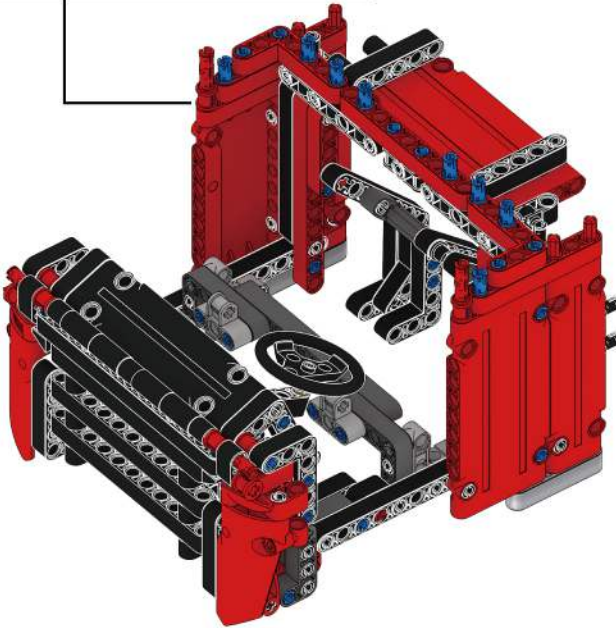


157

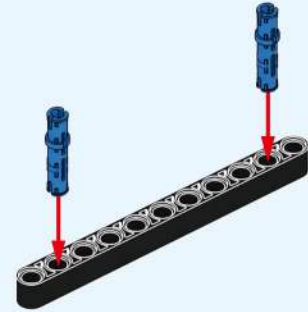


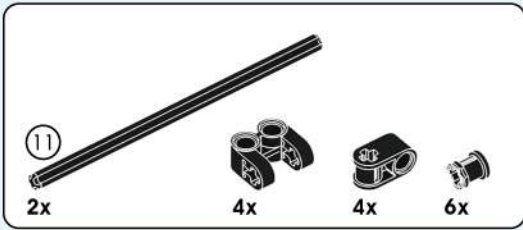


All the components in bag 7 were used to build this part.

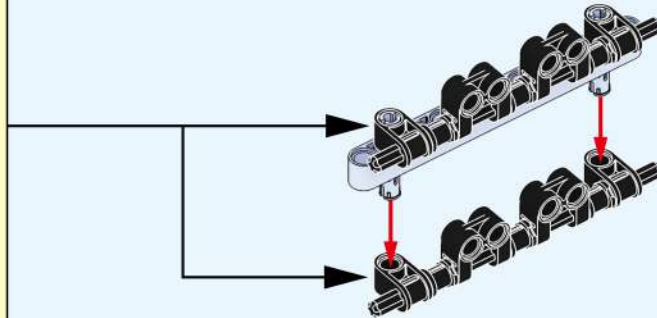
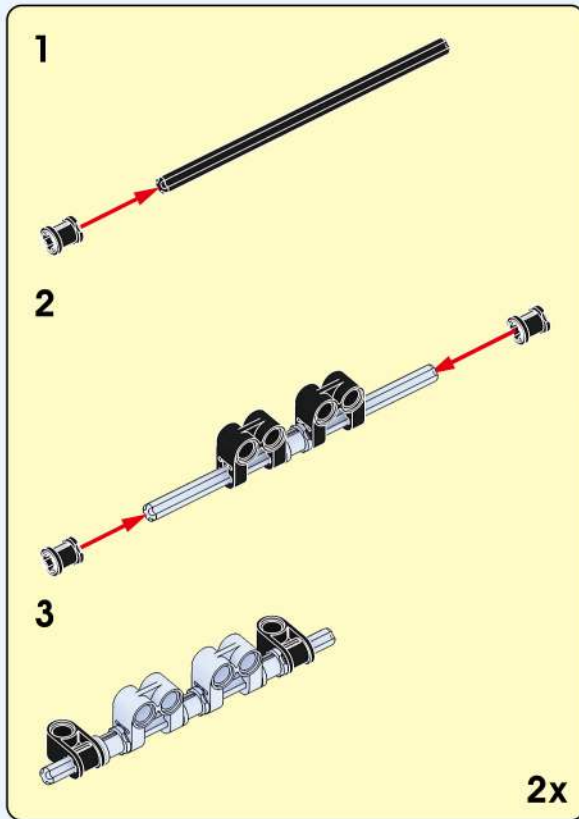


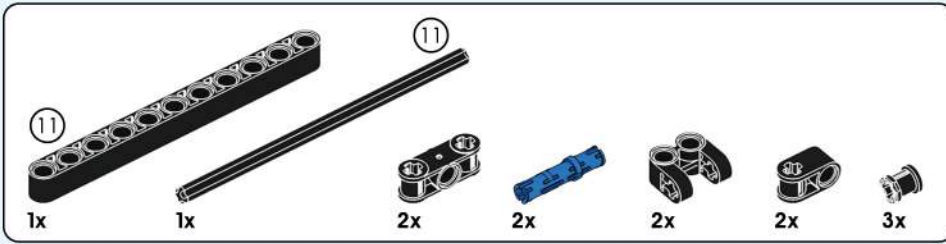
| 158 |



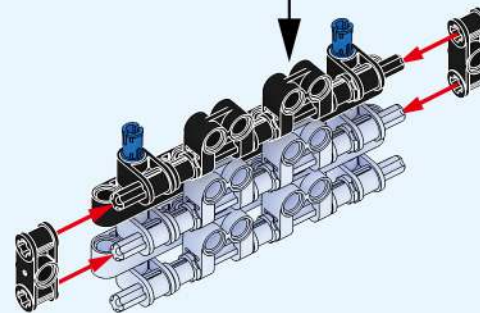
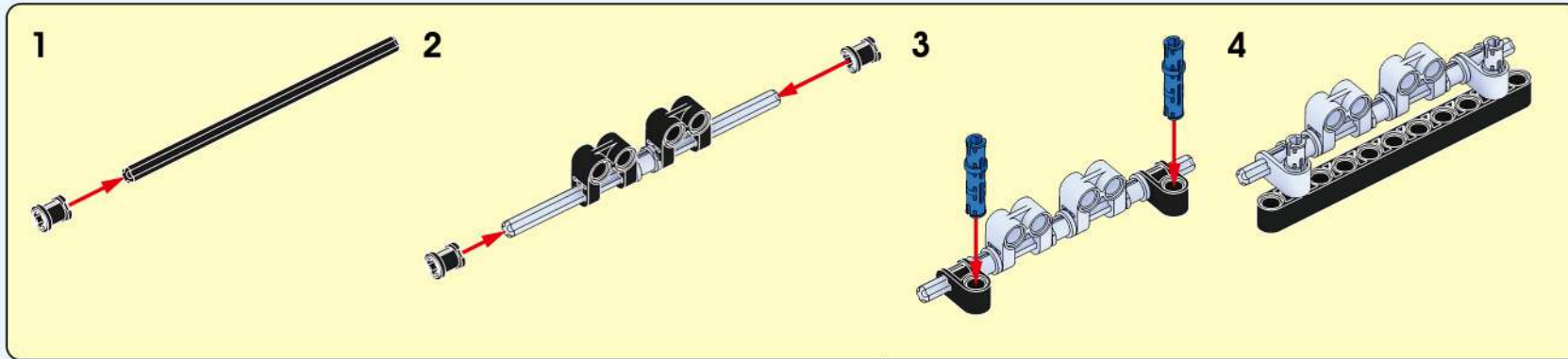


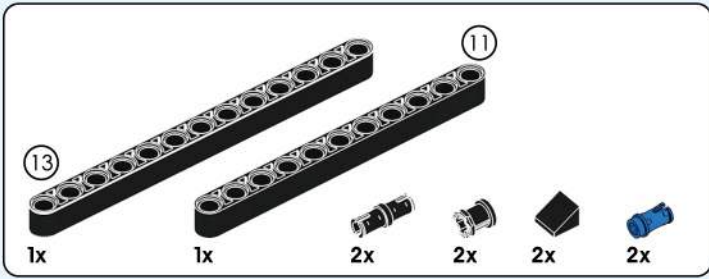
| 159 |



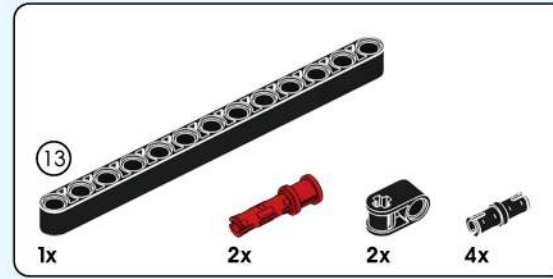
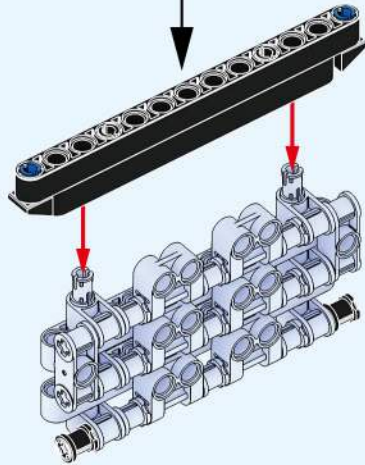
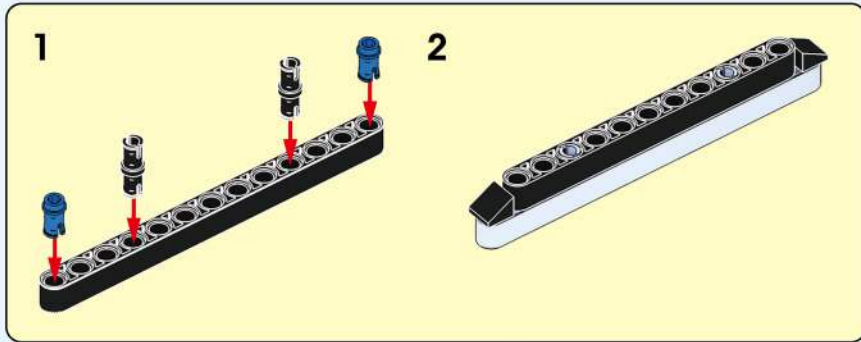


160

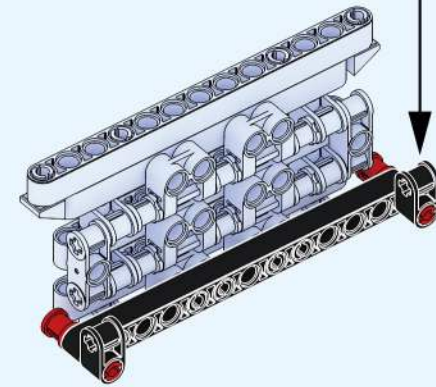
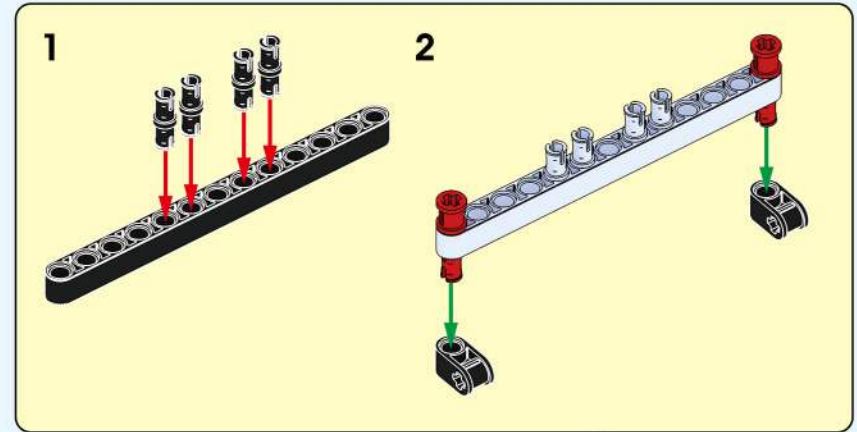


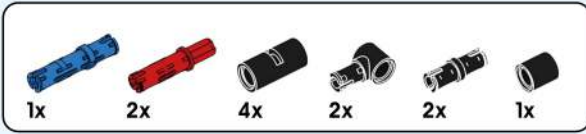


| 161 |

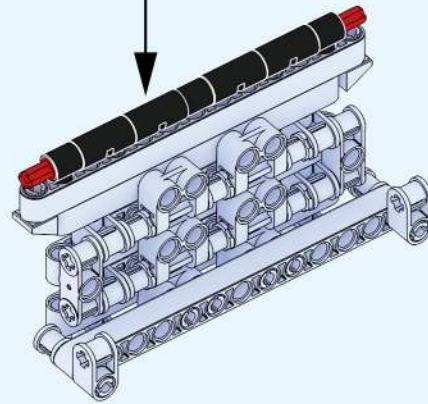
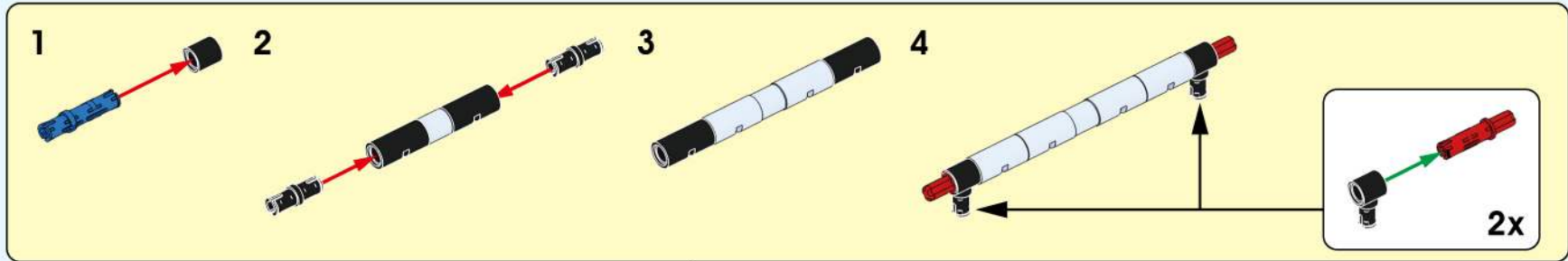


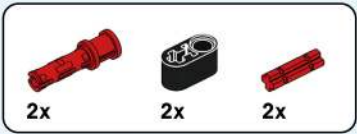
| 162 |



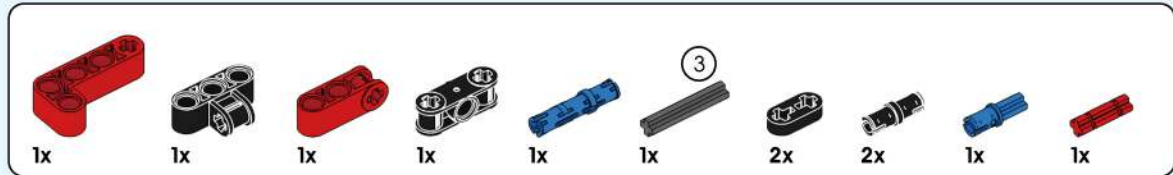
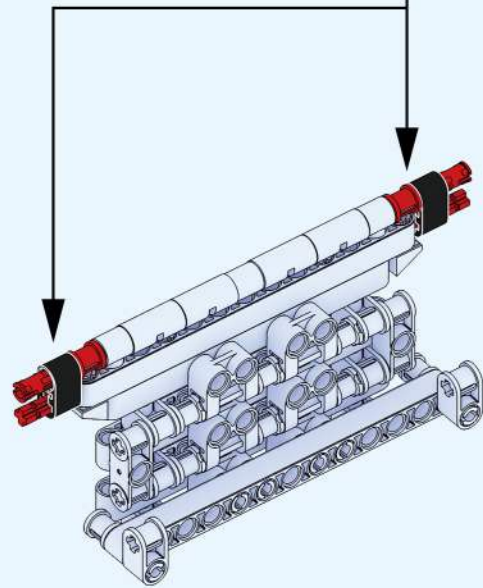
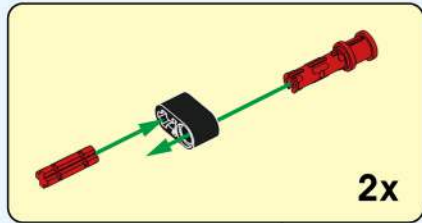


163

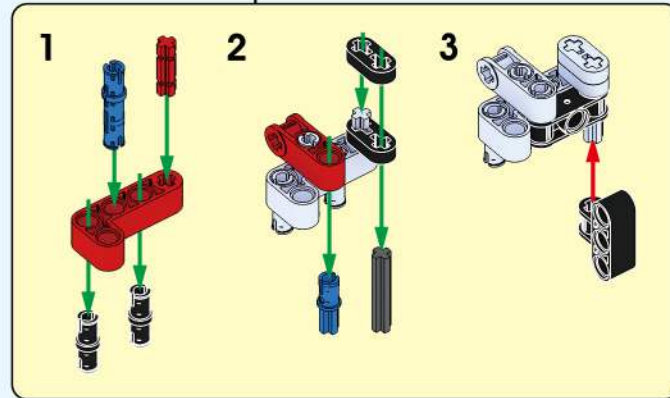
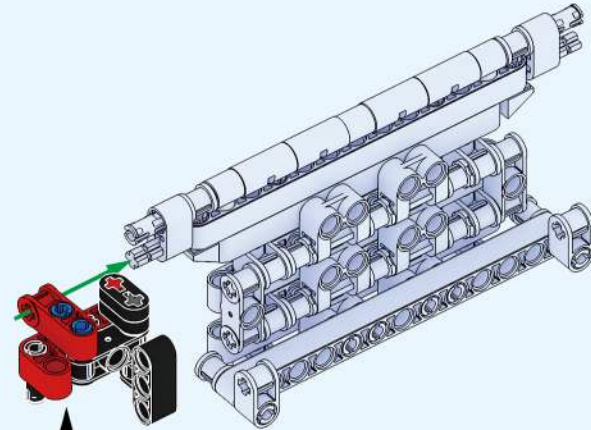




164

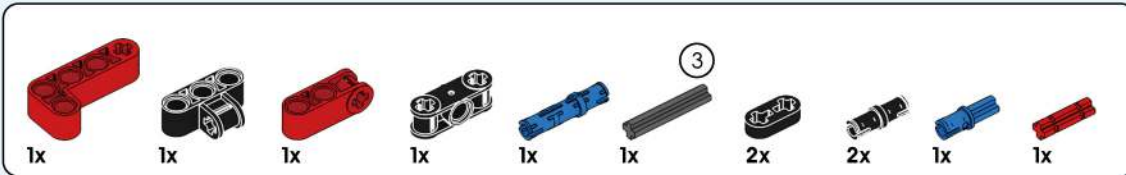


165

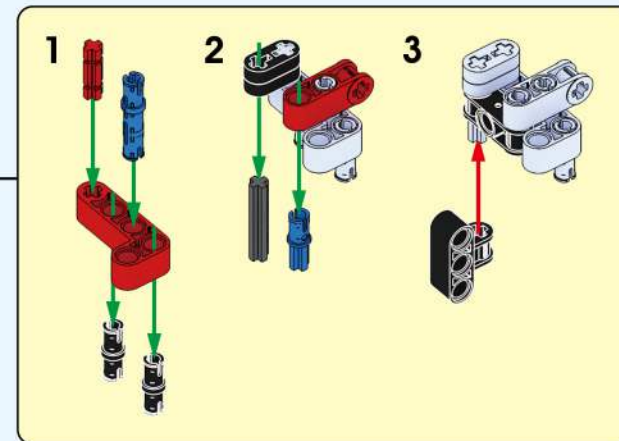
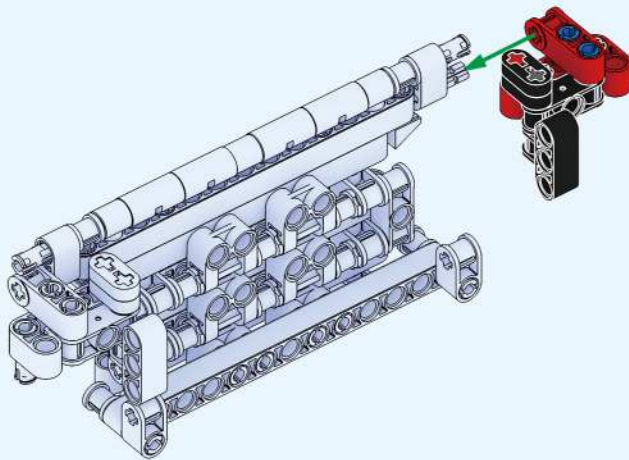


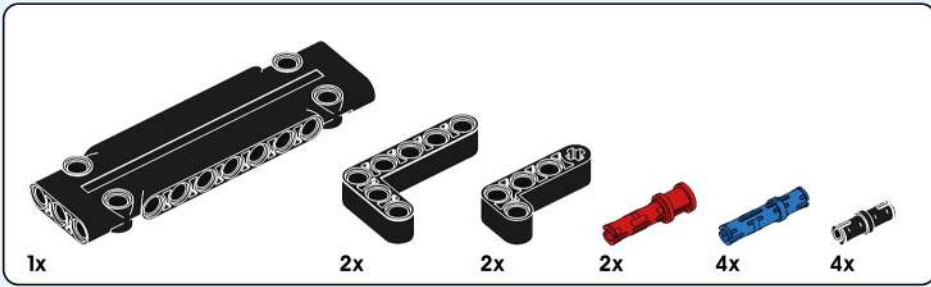
112



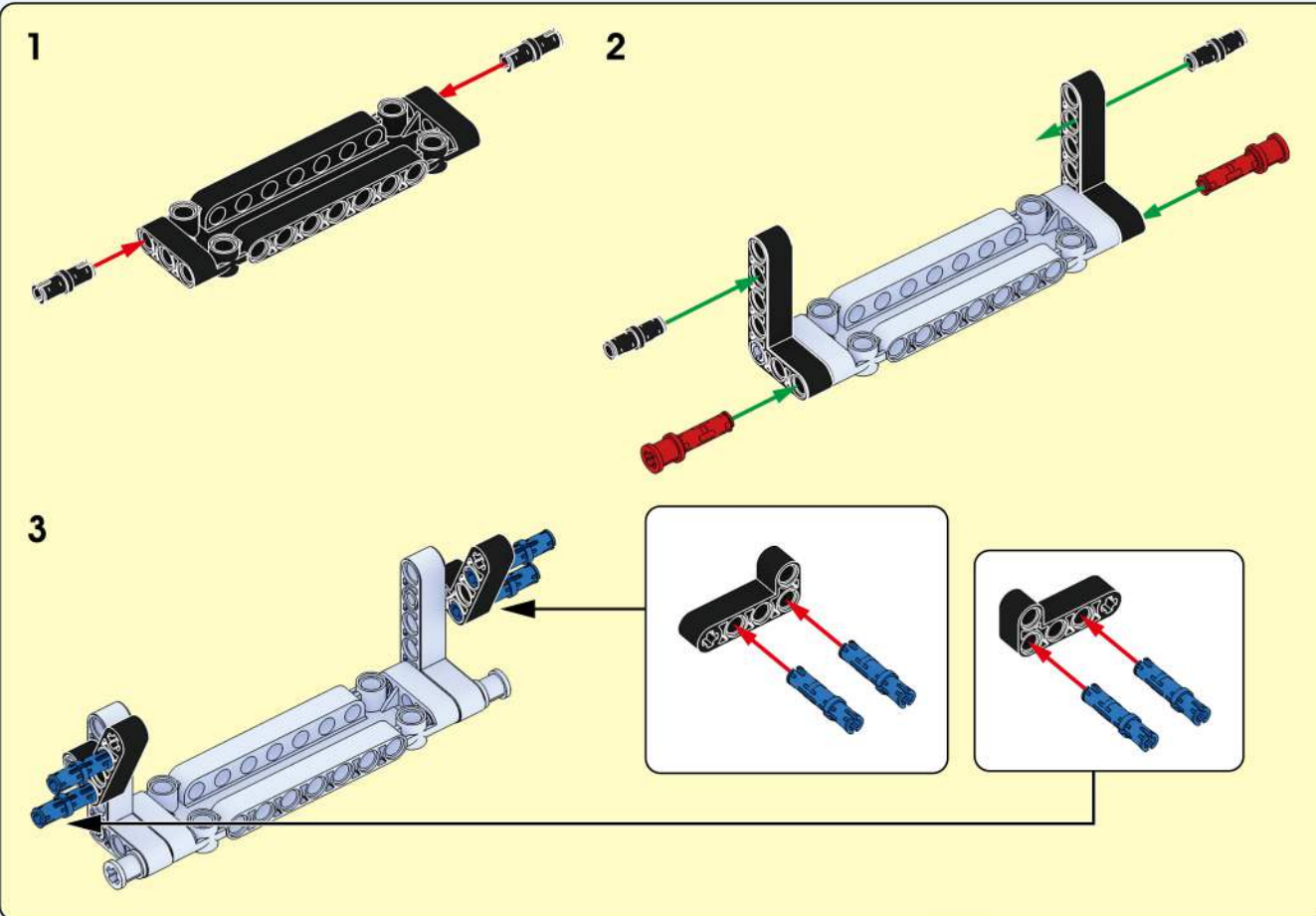
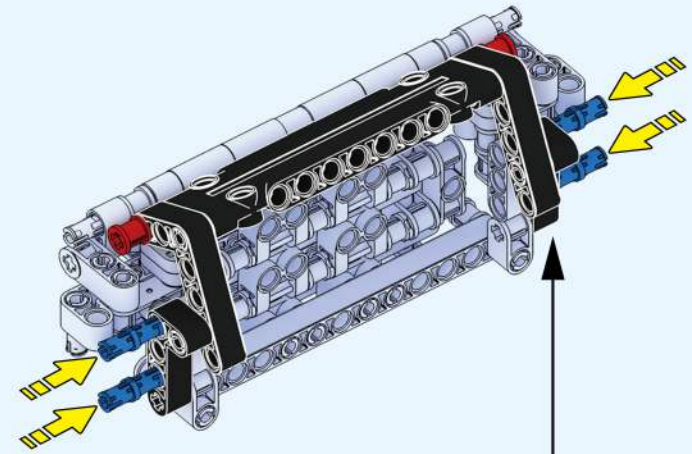


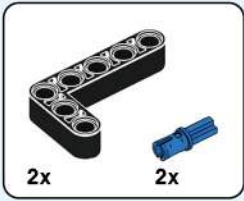
166



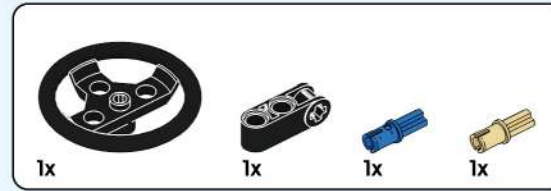
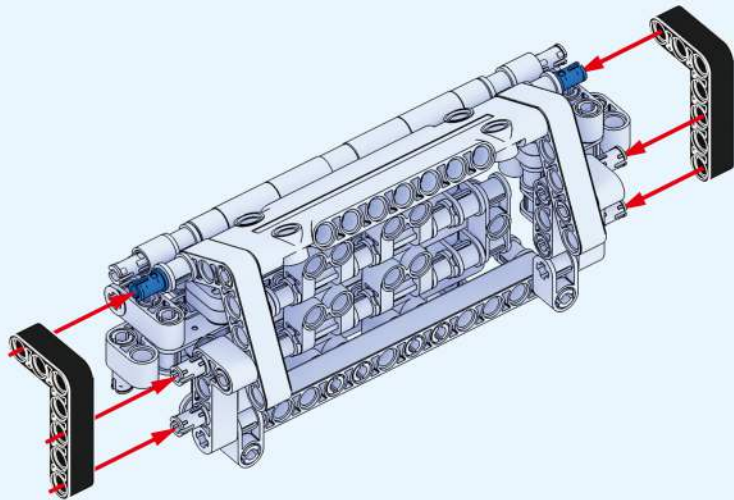


167

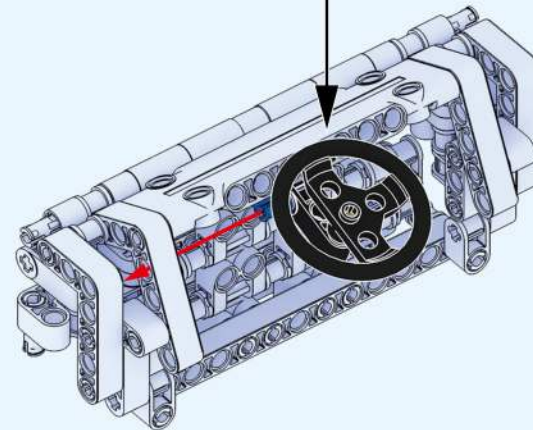
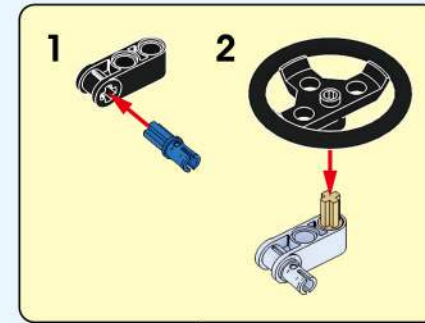




| 168 |

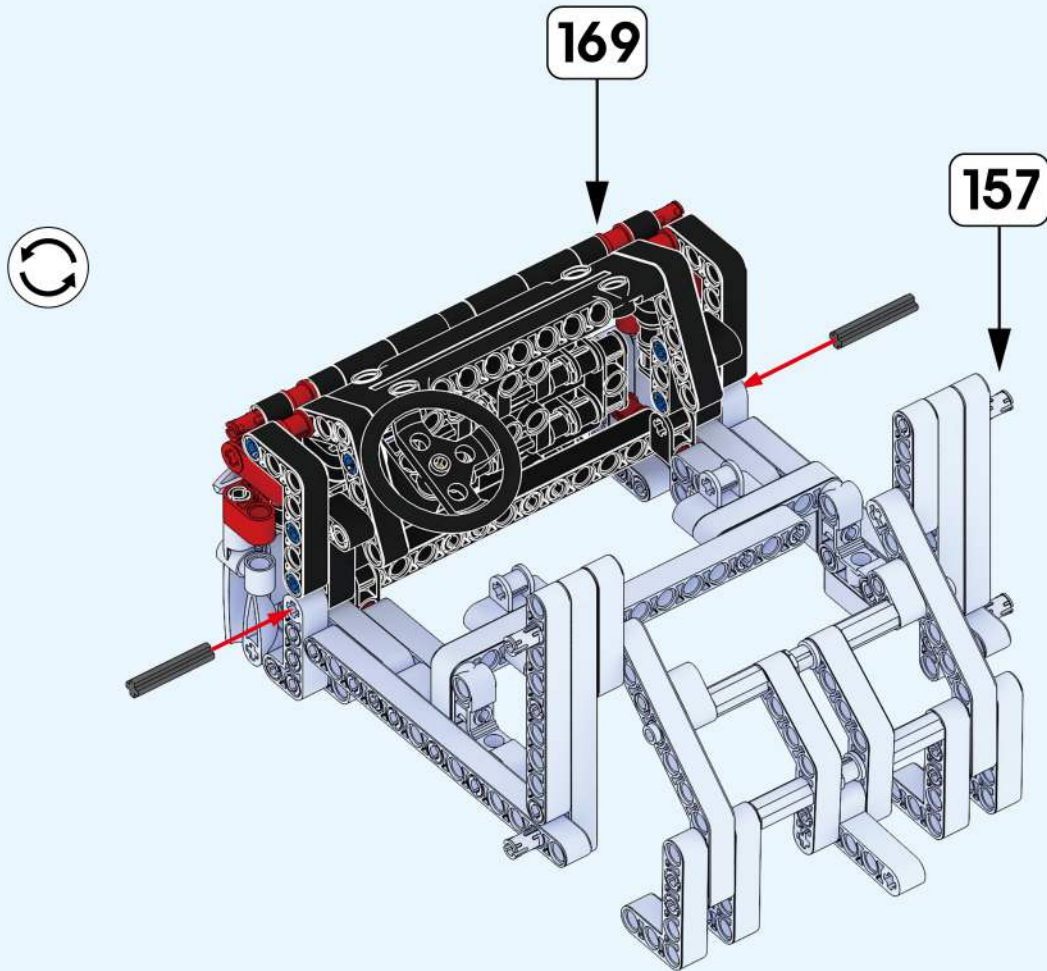


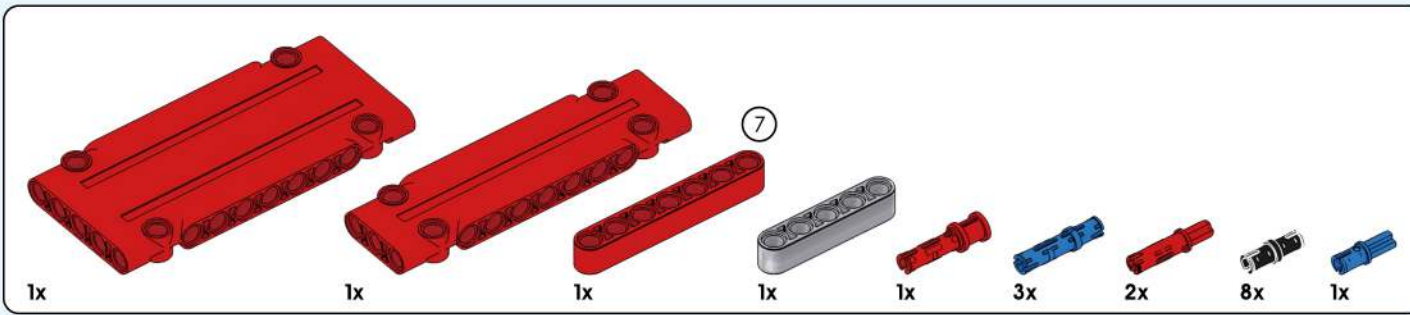
| 169 |



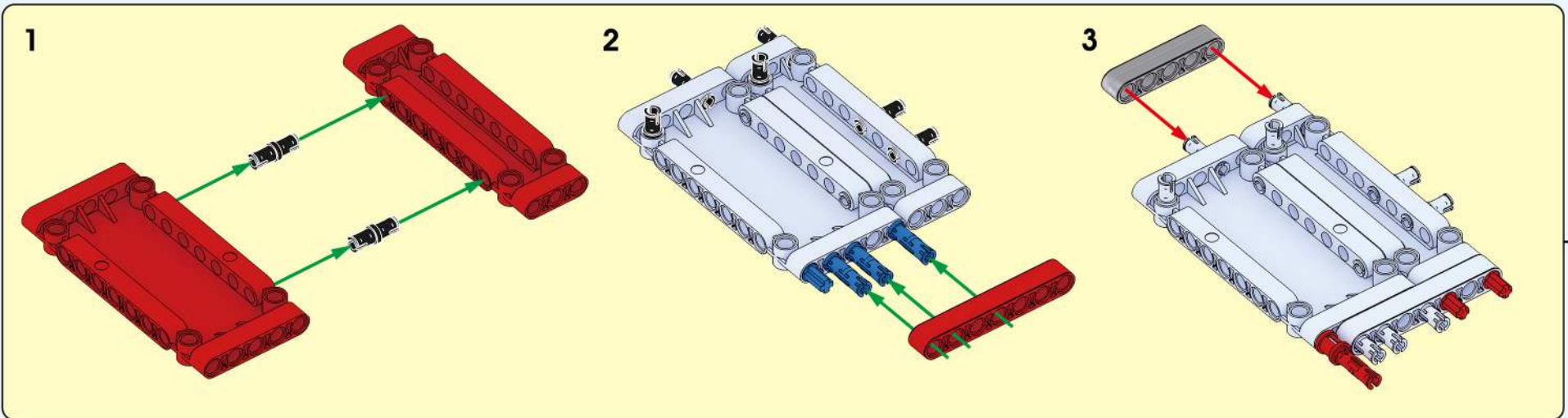


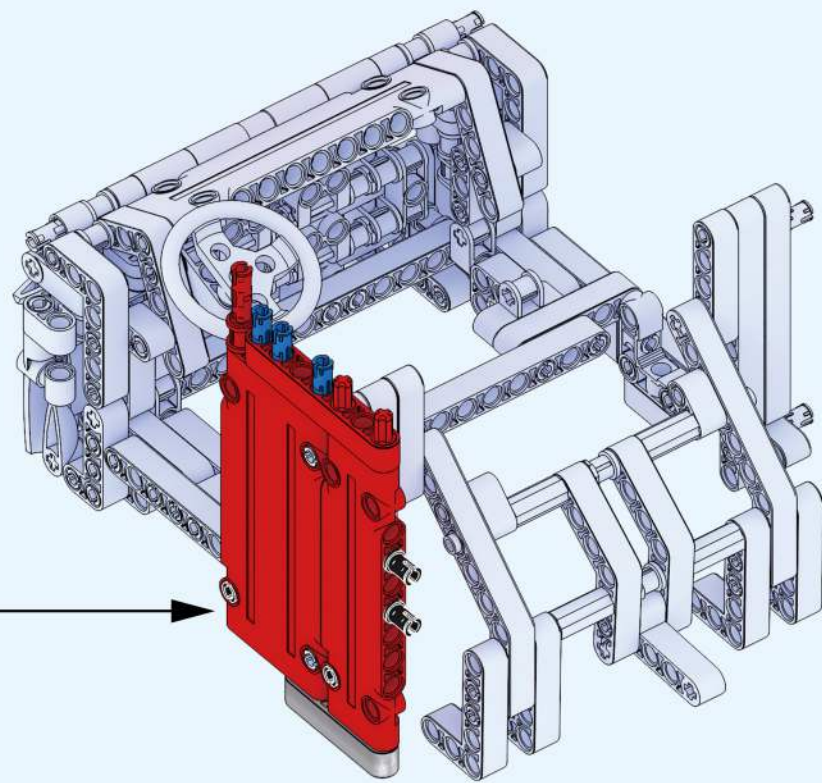
| 170 |

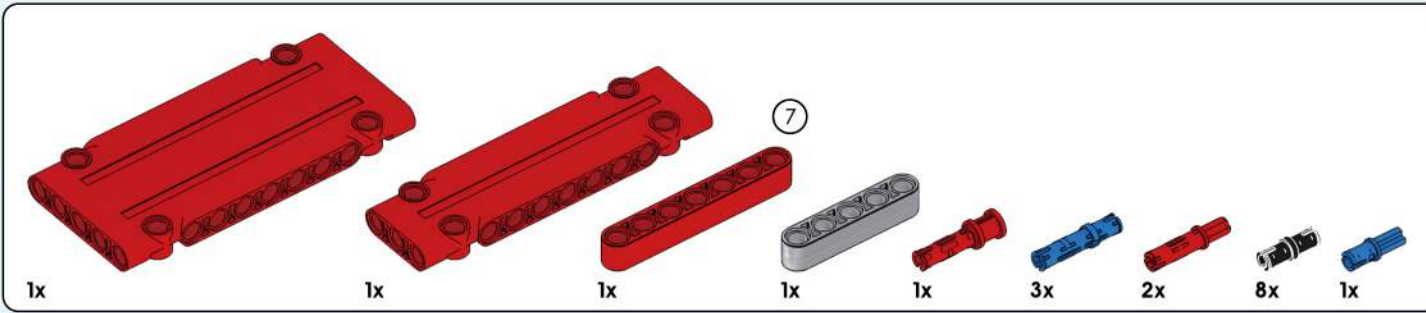




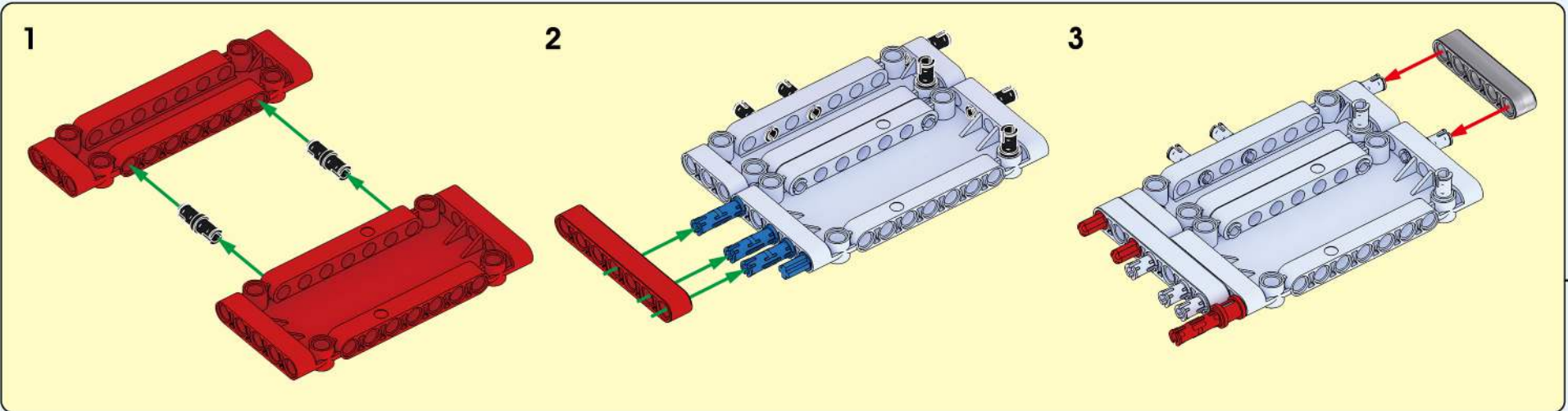
| 171 |

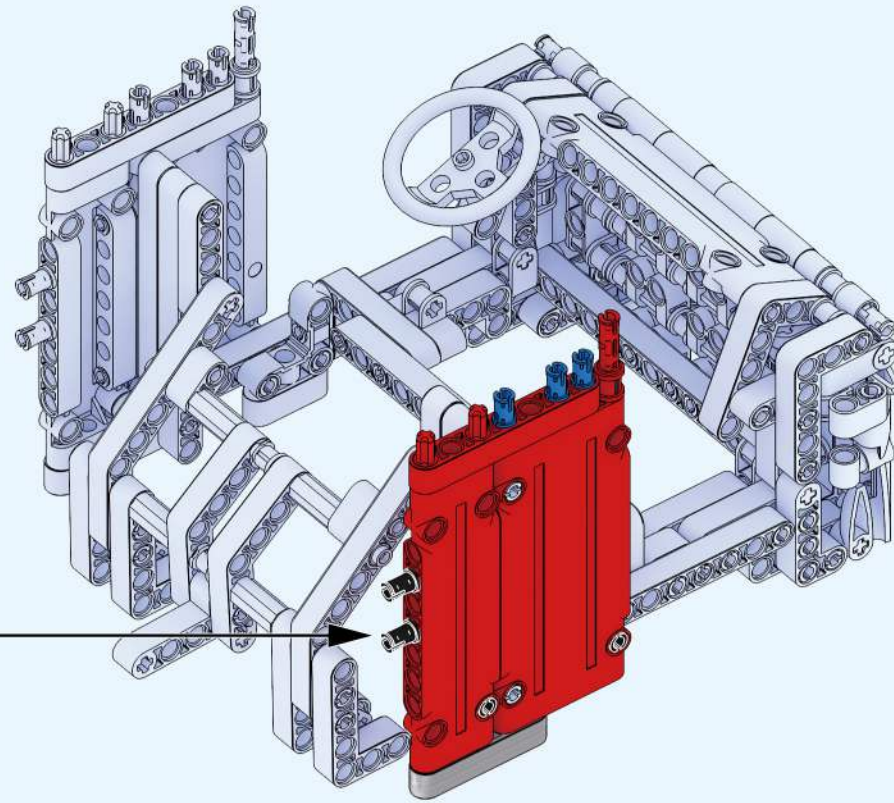


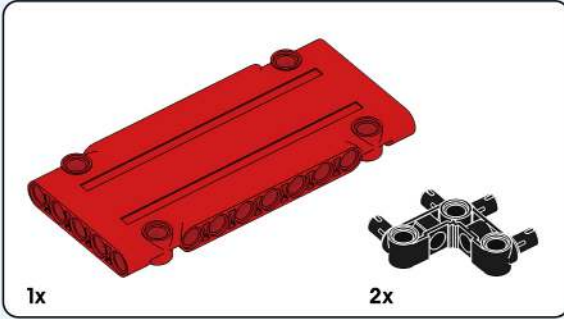
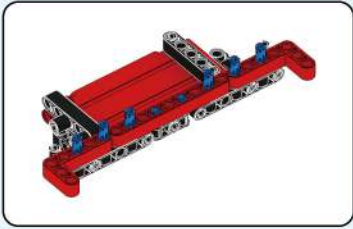




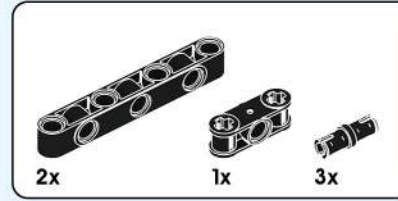
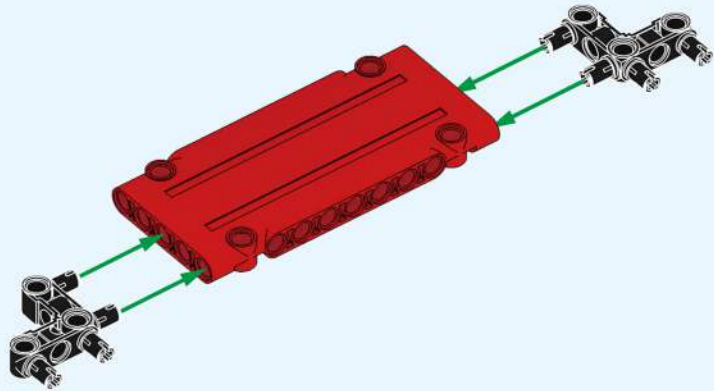
| 172 |



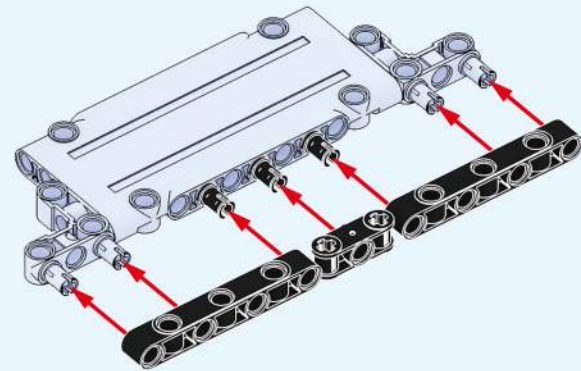


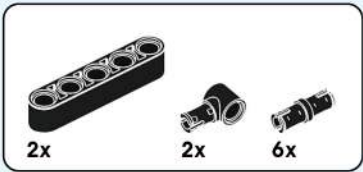


| 173 |

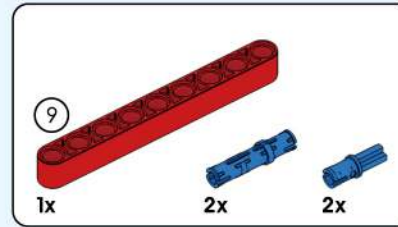
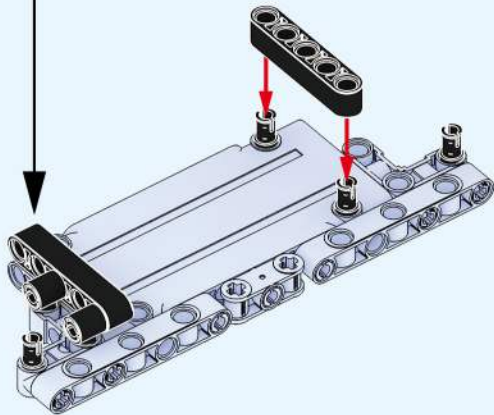
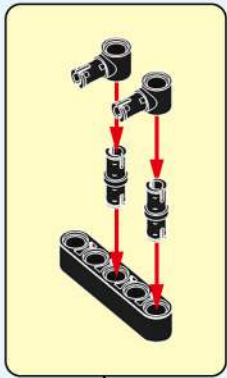


| 174 |

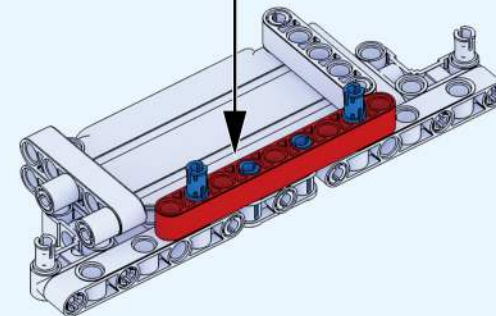
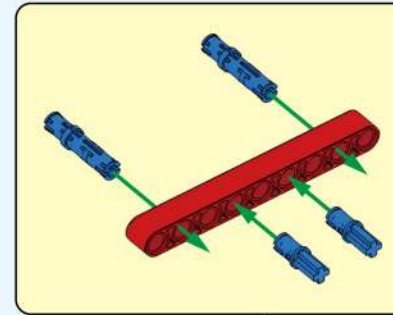


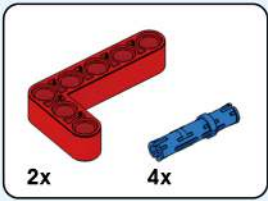


| 175 |

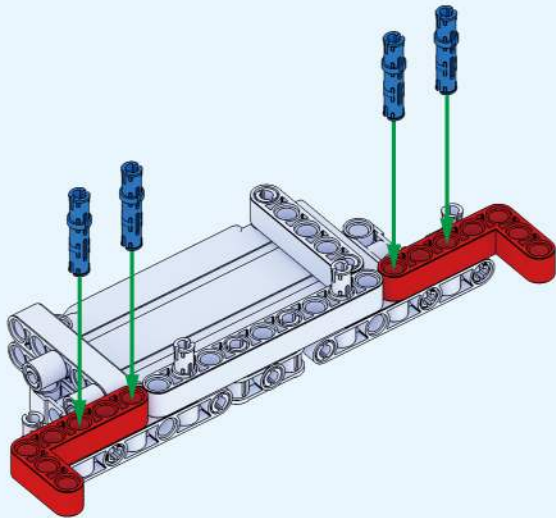


| 176 |

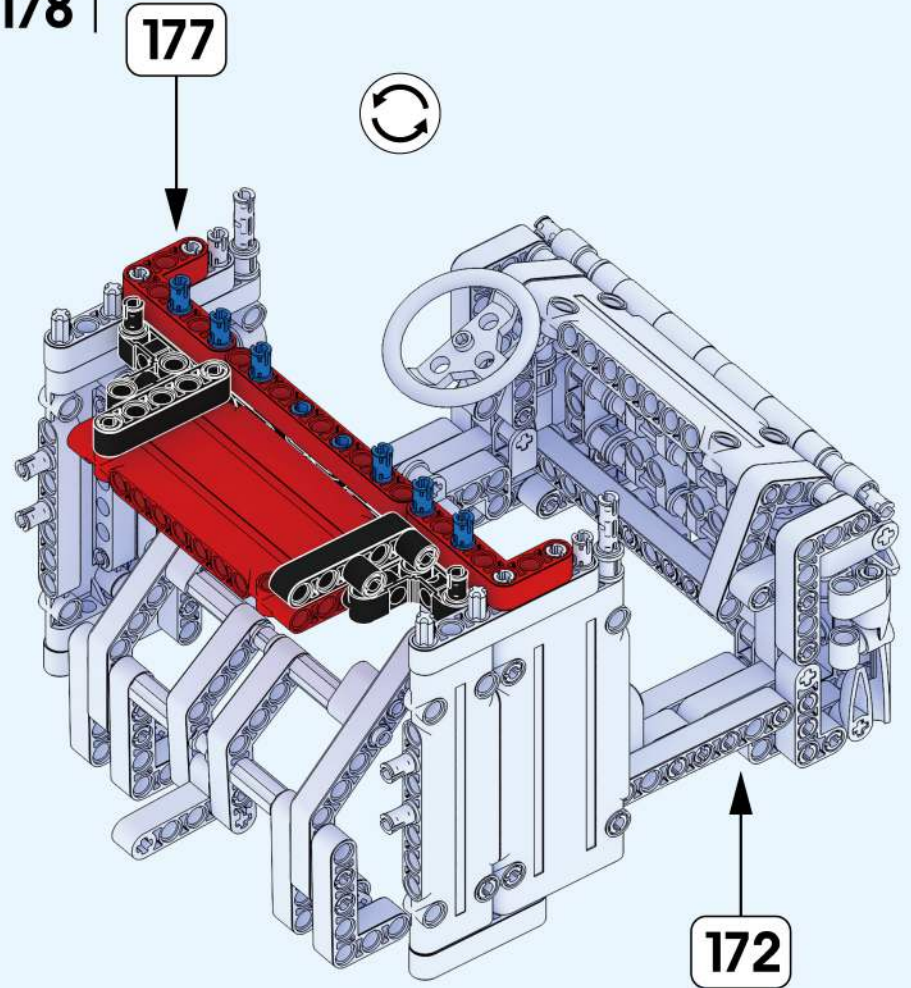


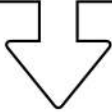


| 177 |

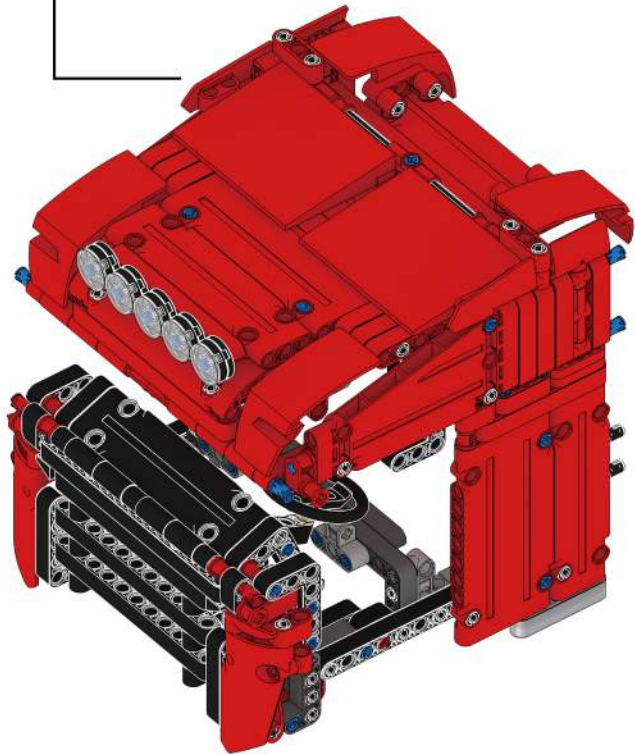


| 178 |





All the components in bag 8
were used to build this part.

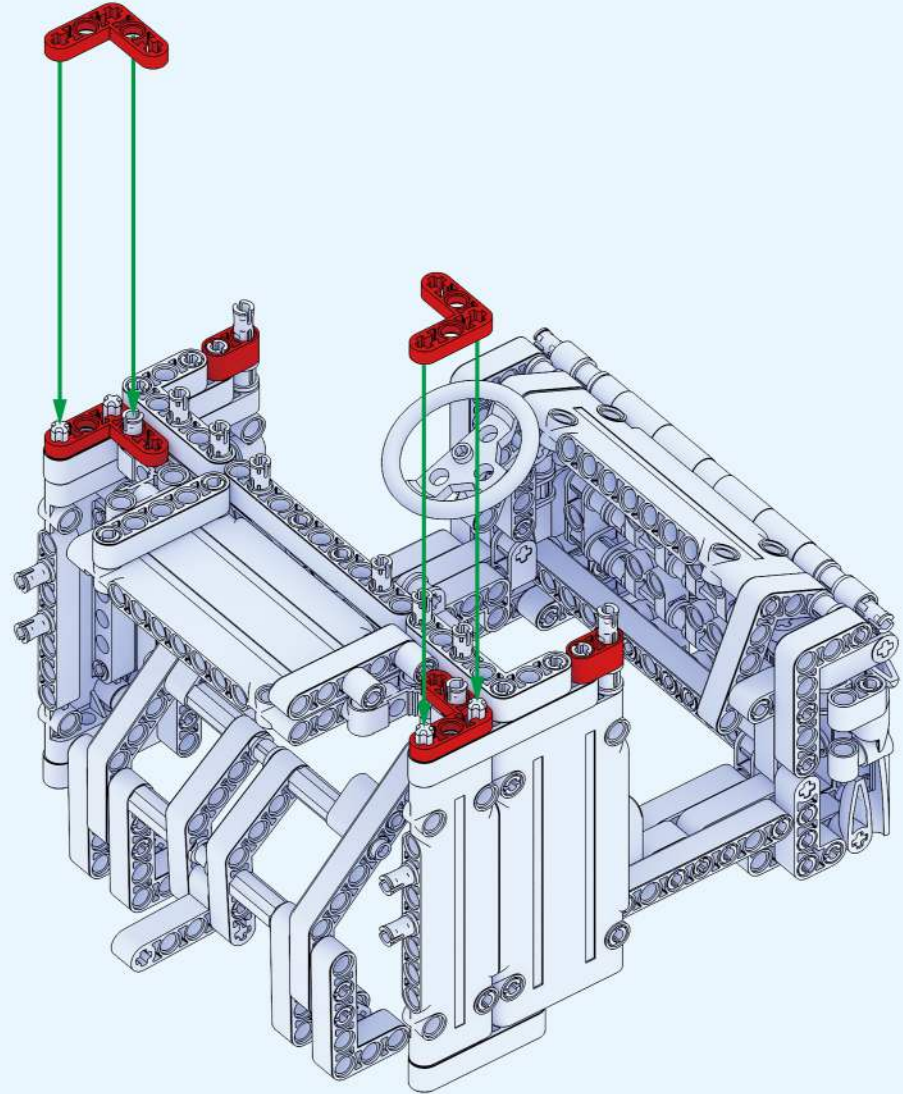


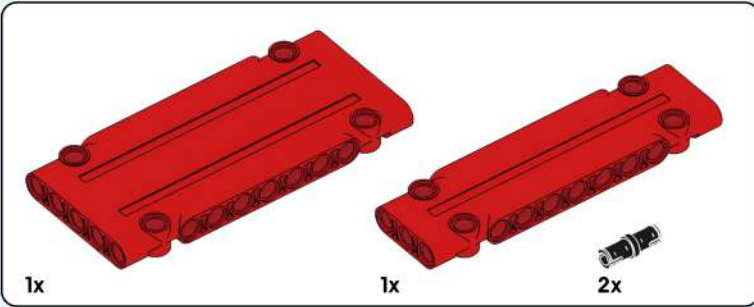
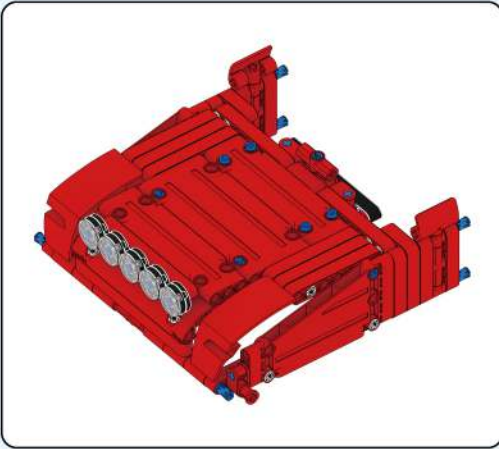
4x



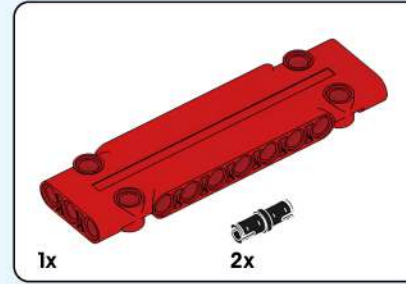
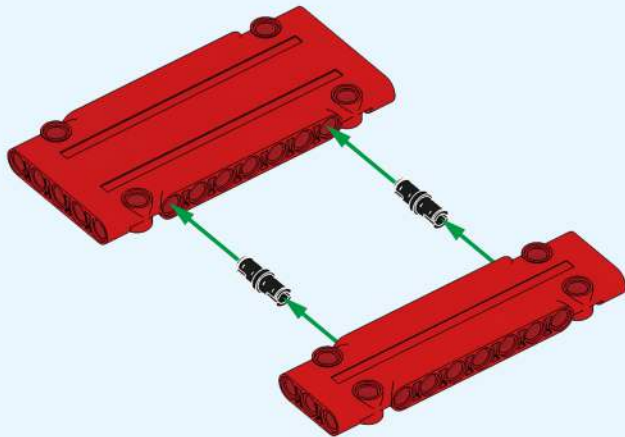
2x

| 179 |

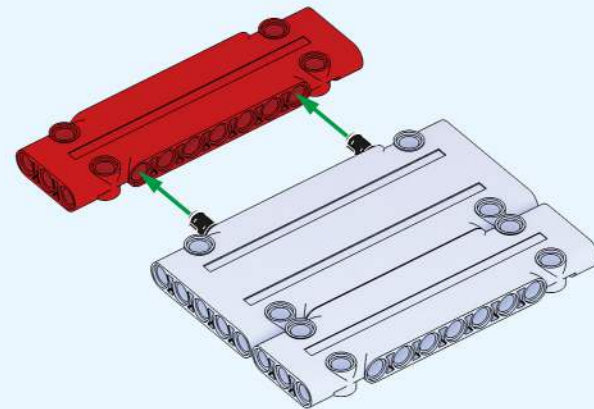


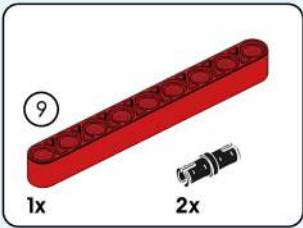


| 180 |

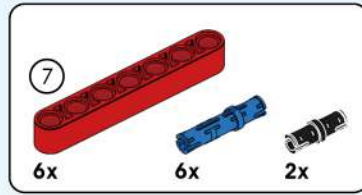
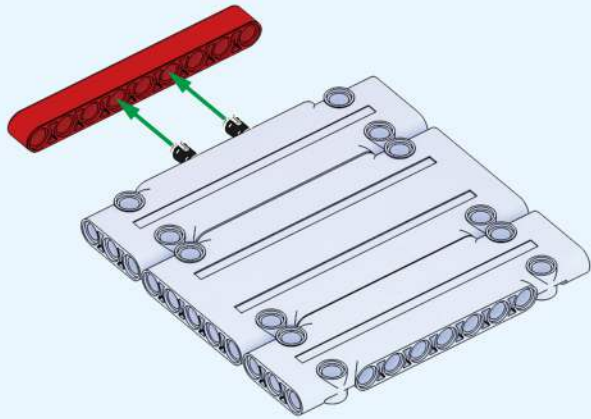


| 181 |

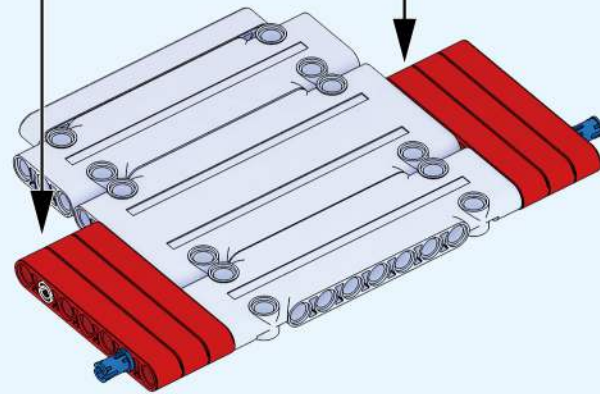
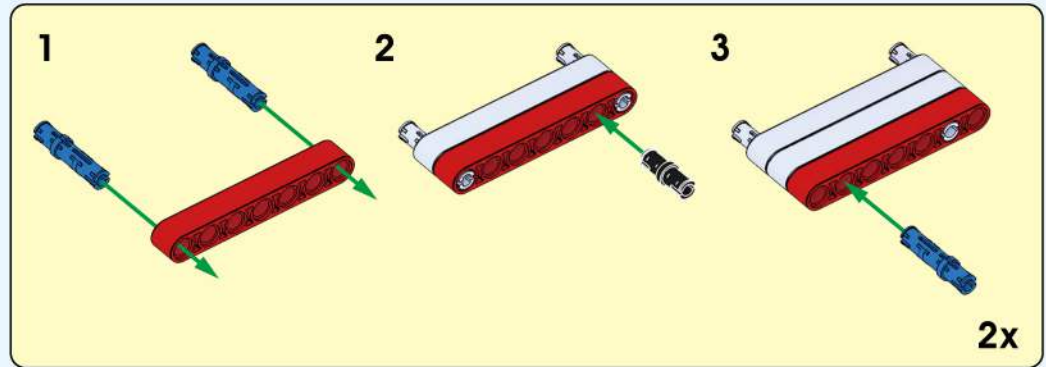


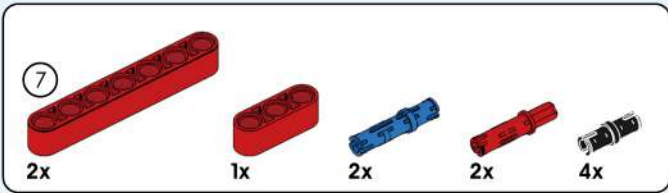


| 182 |

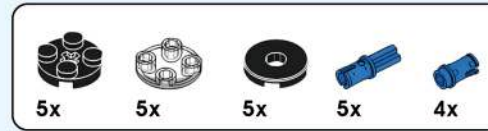
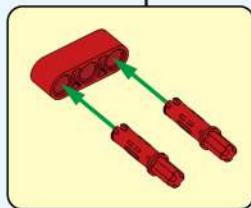
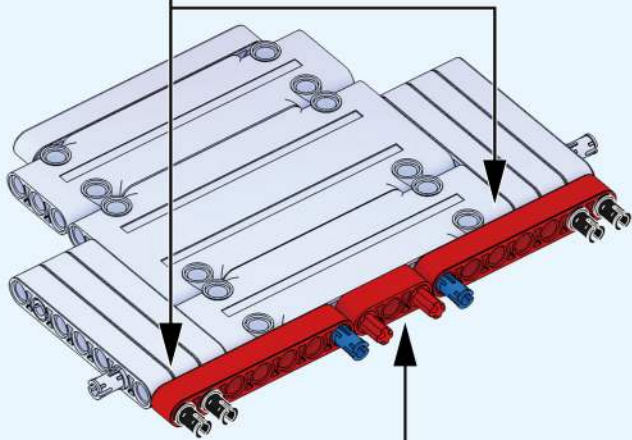
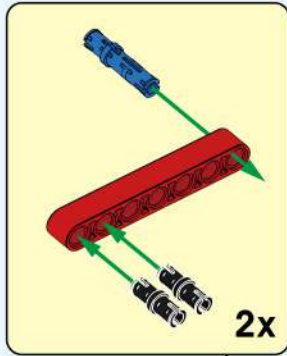


| 183 |

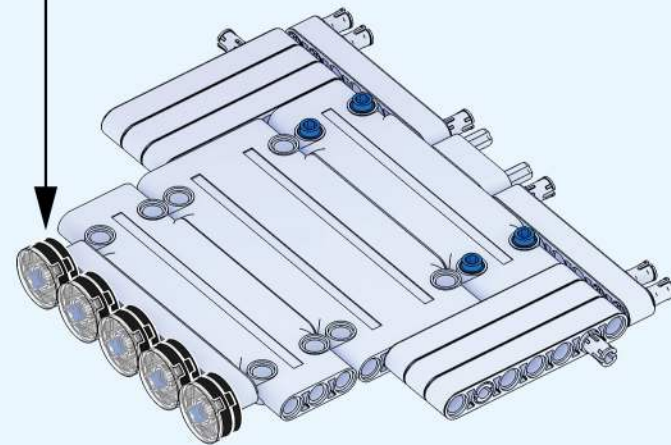
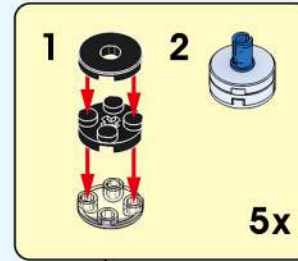


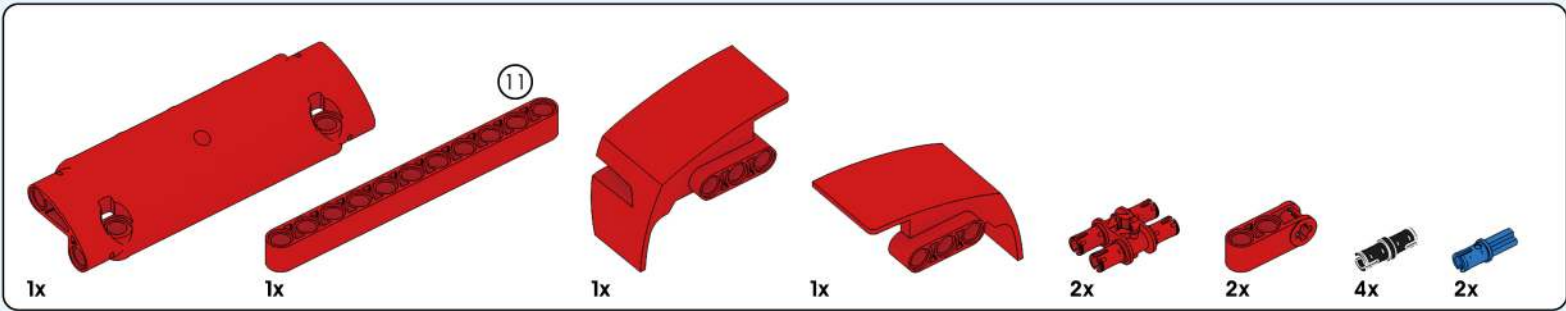


184

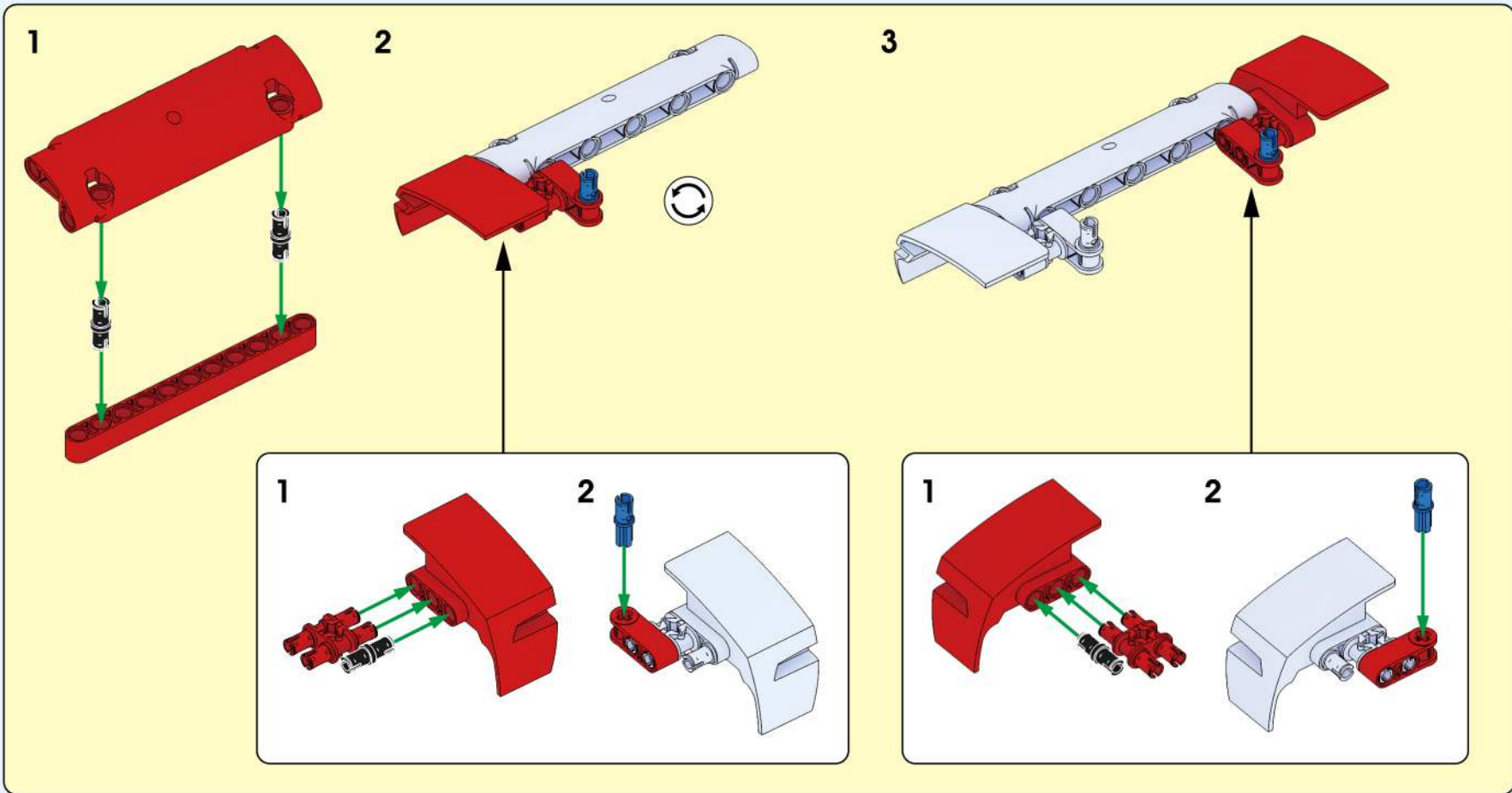


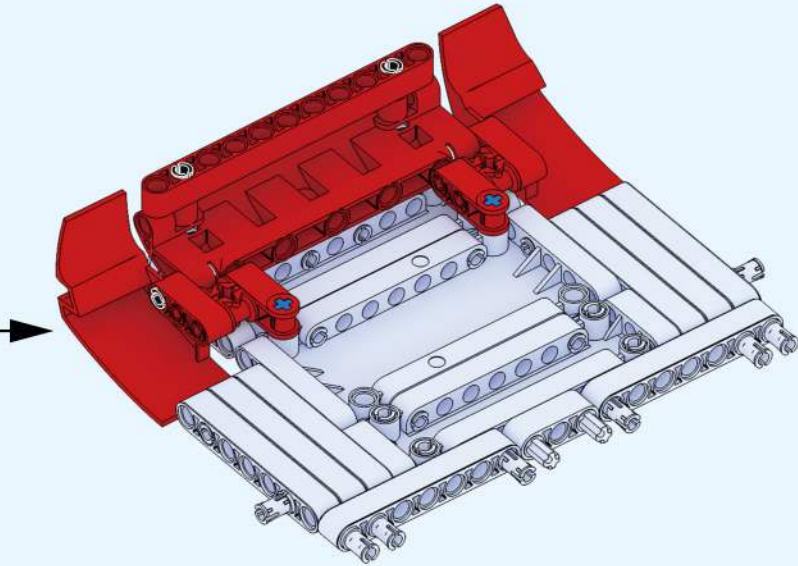
185

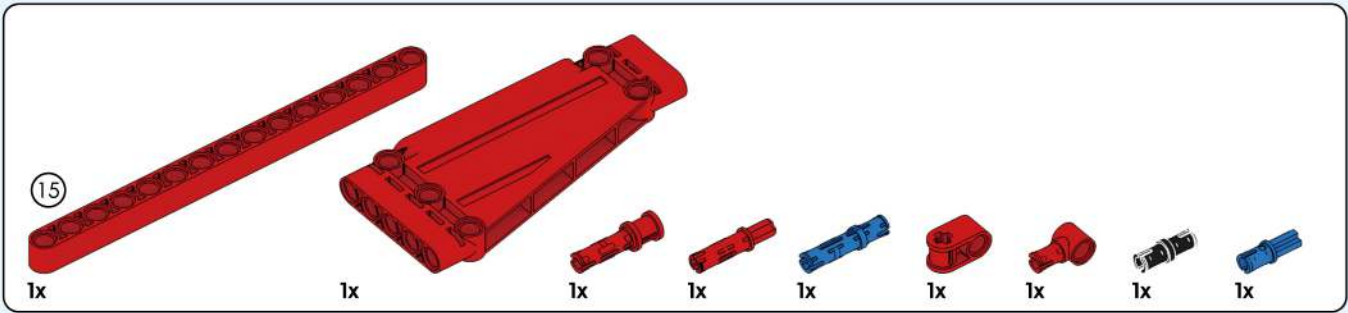




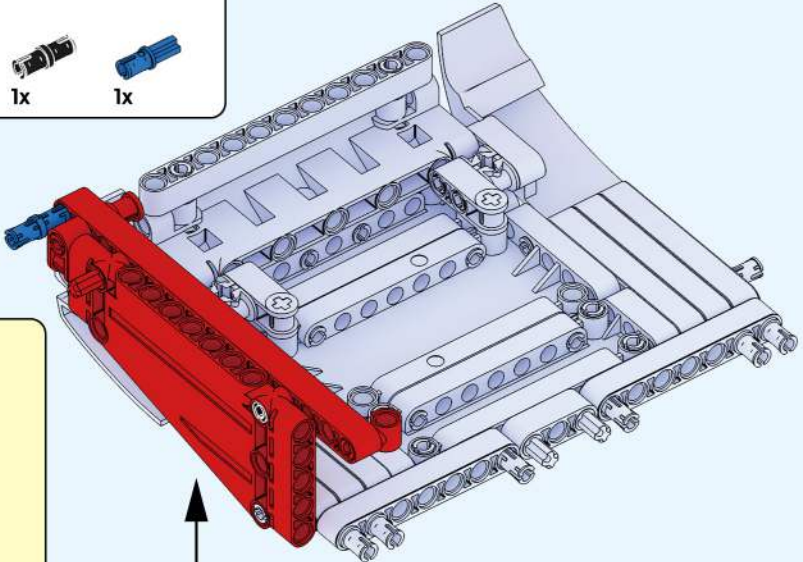
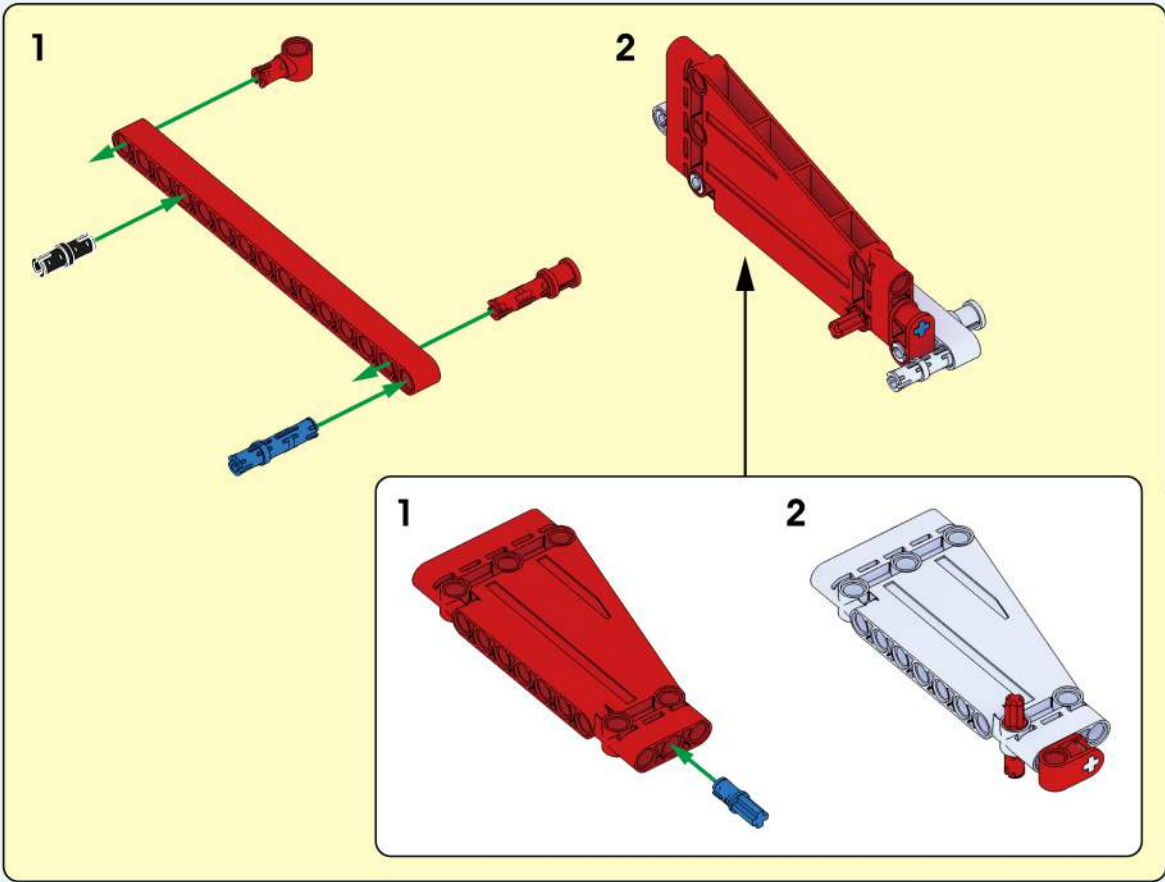
186

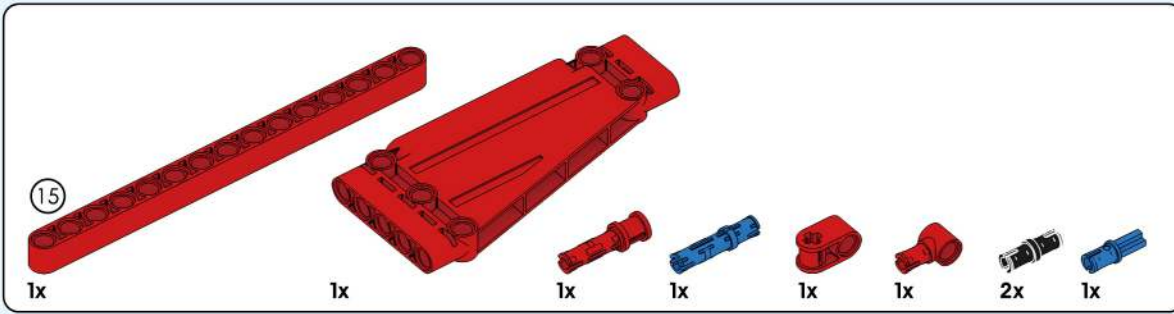




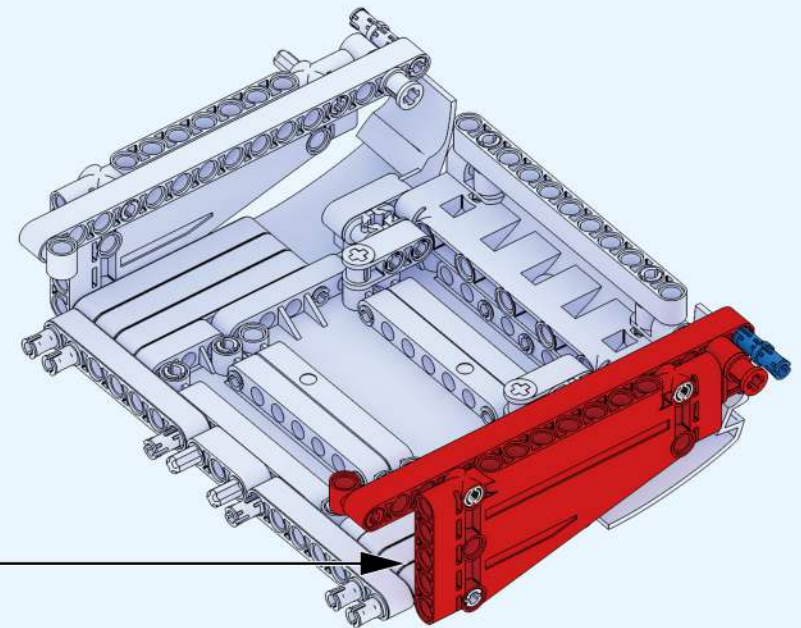
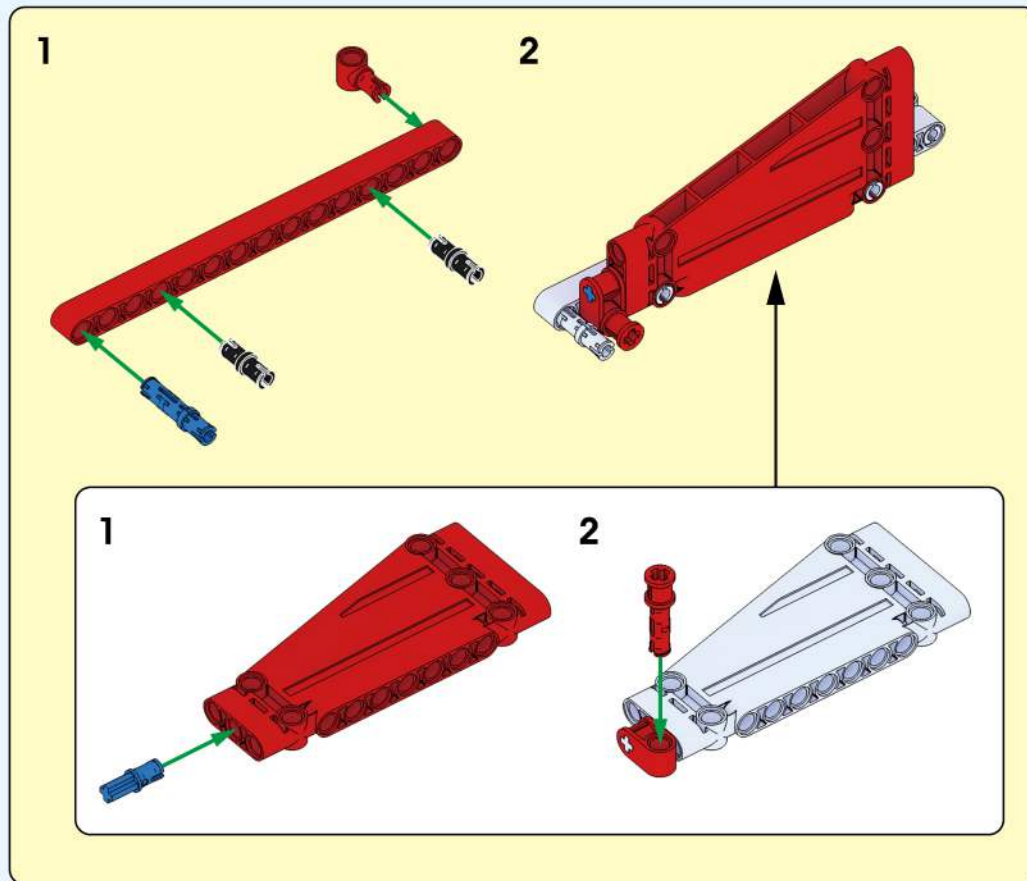


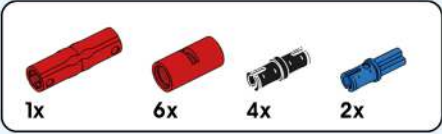
187



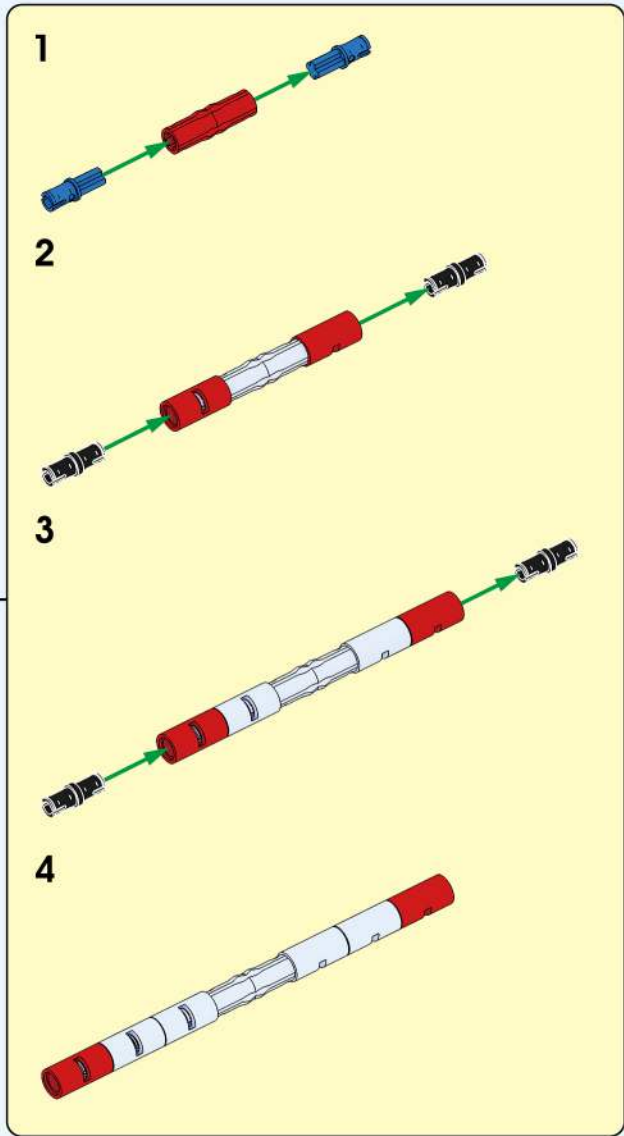
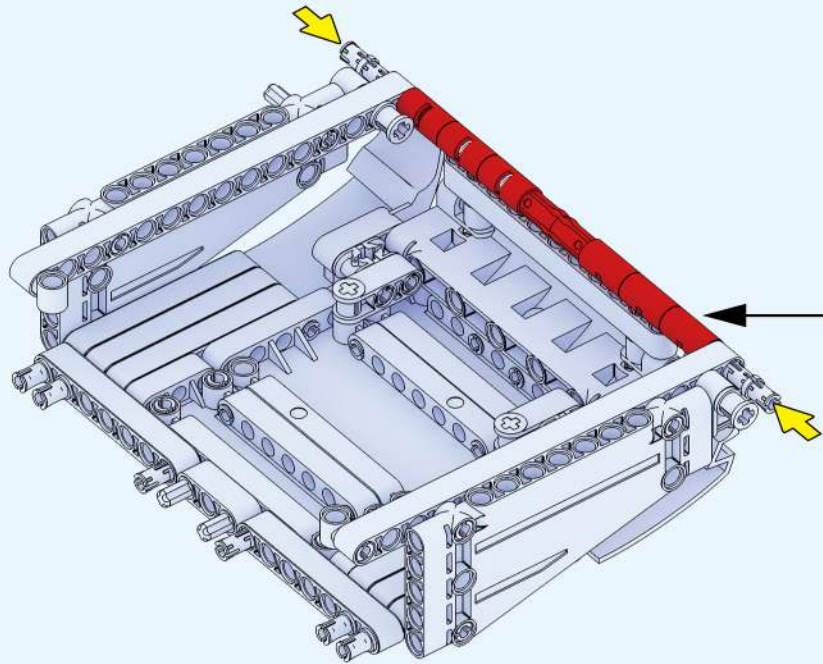


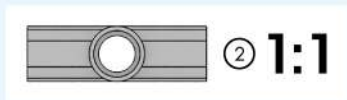
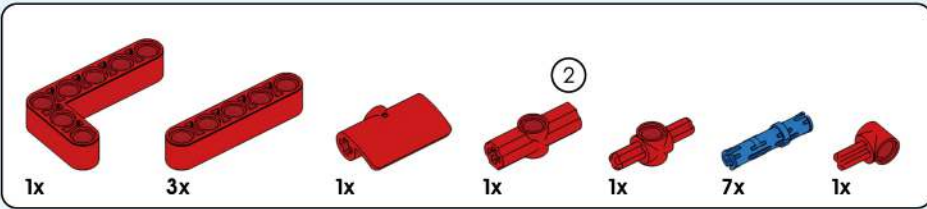
188



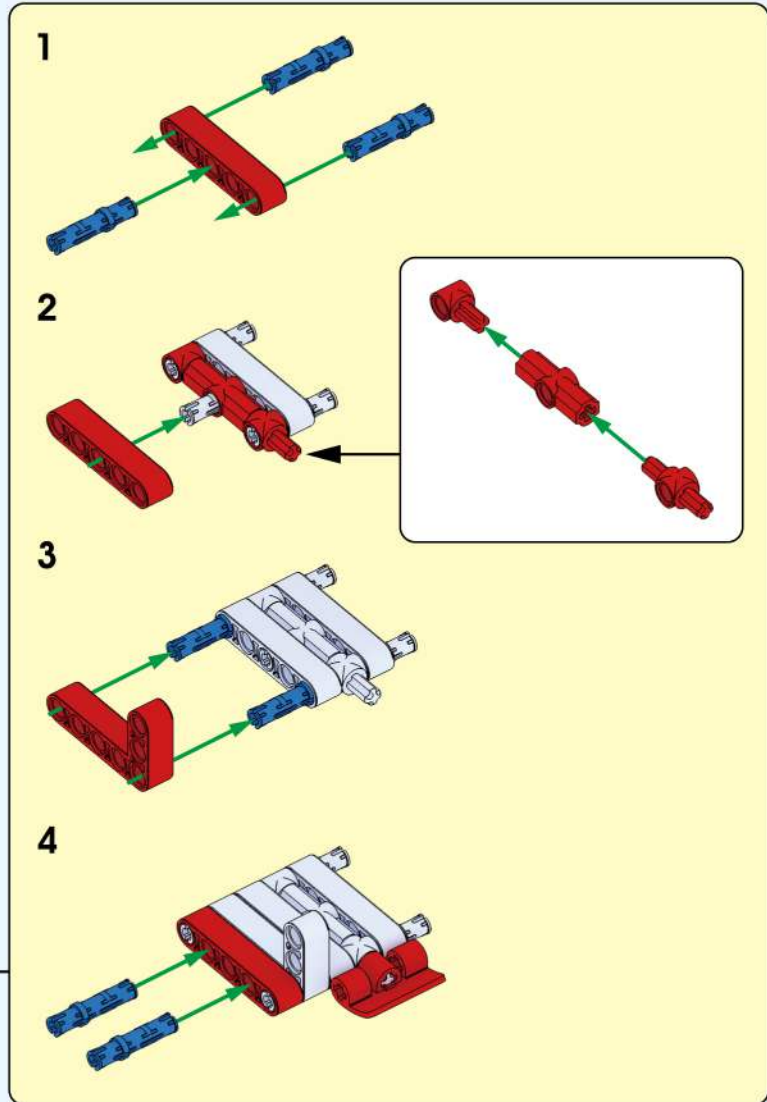
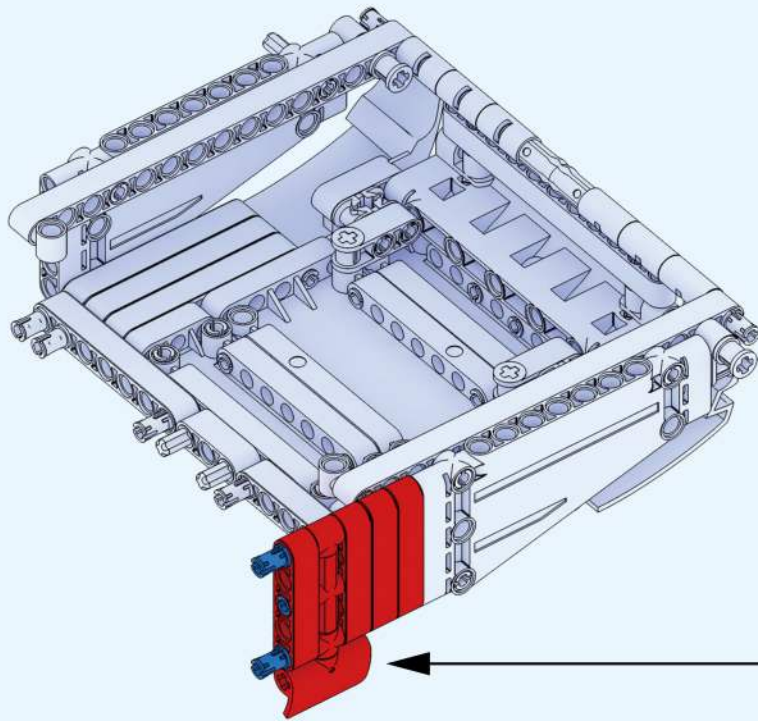


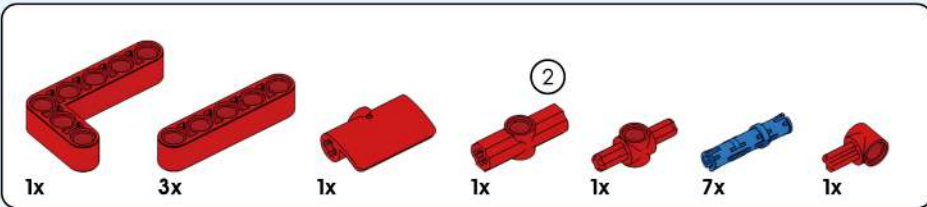
189



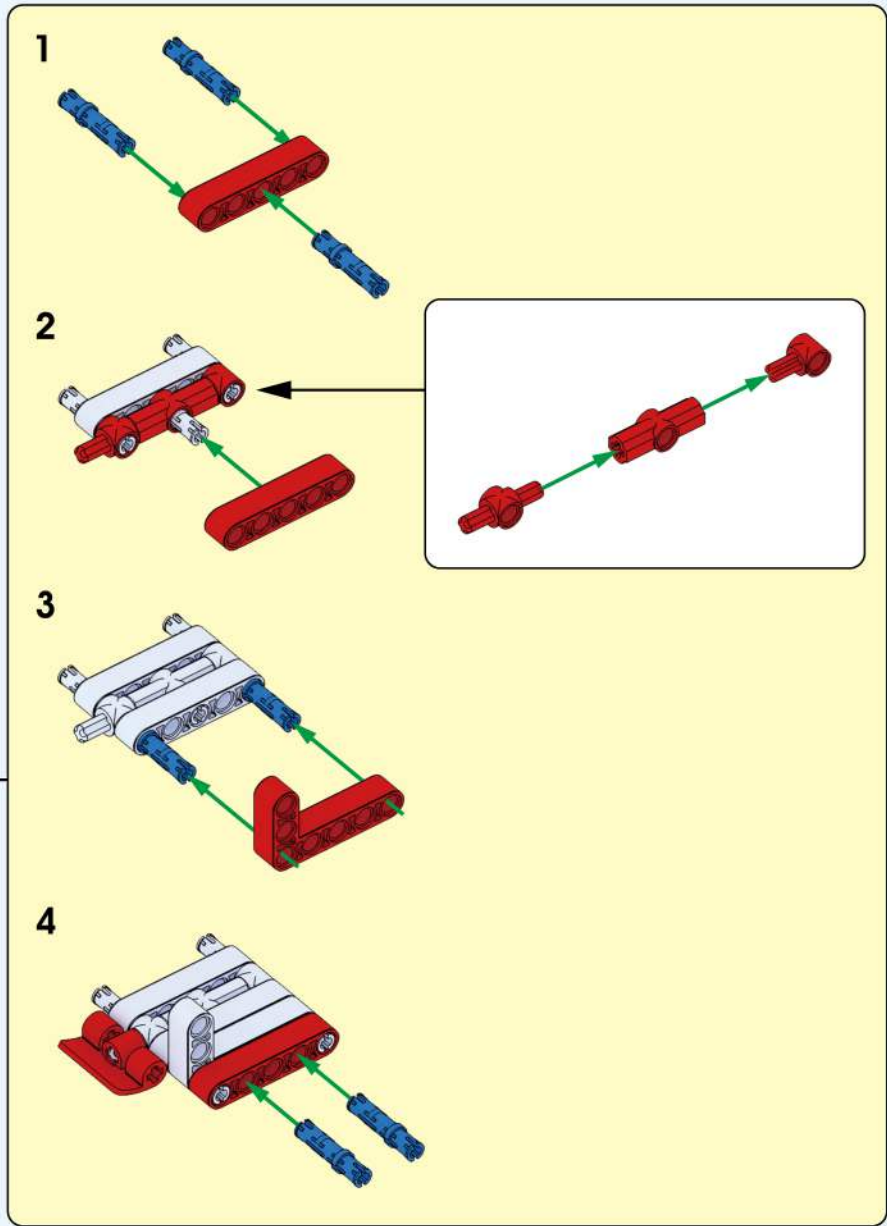
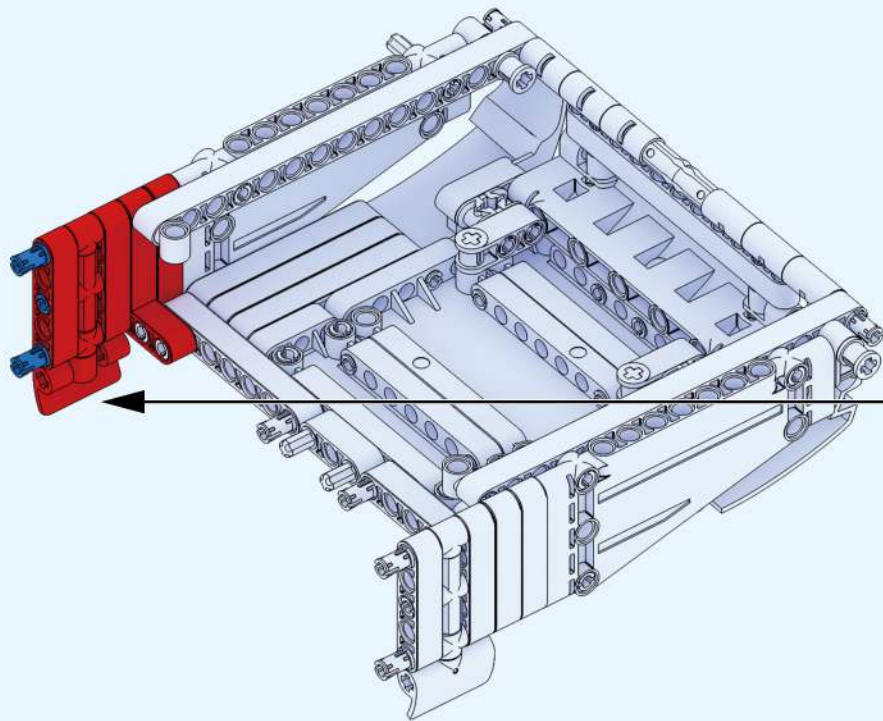
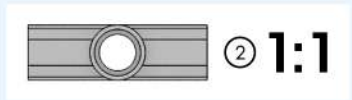


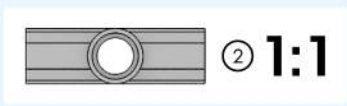
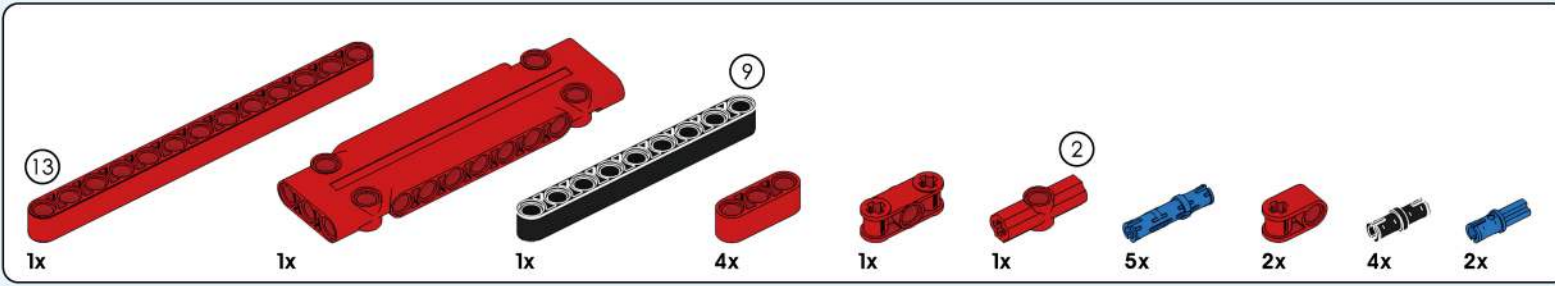
190



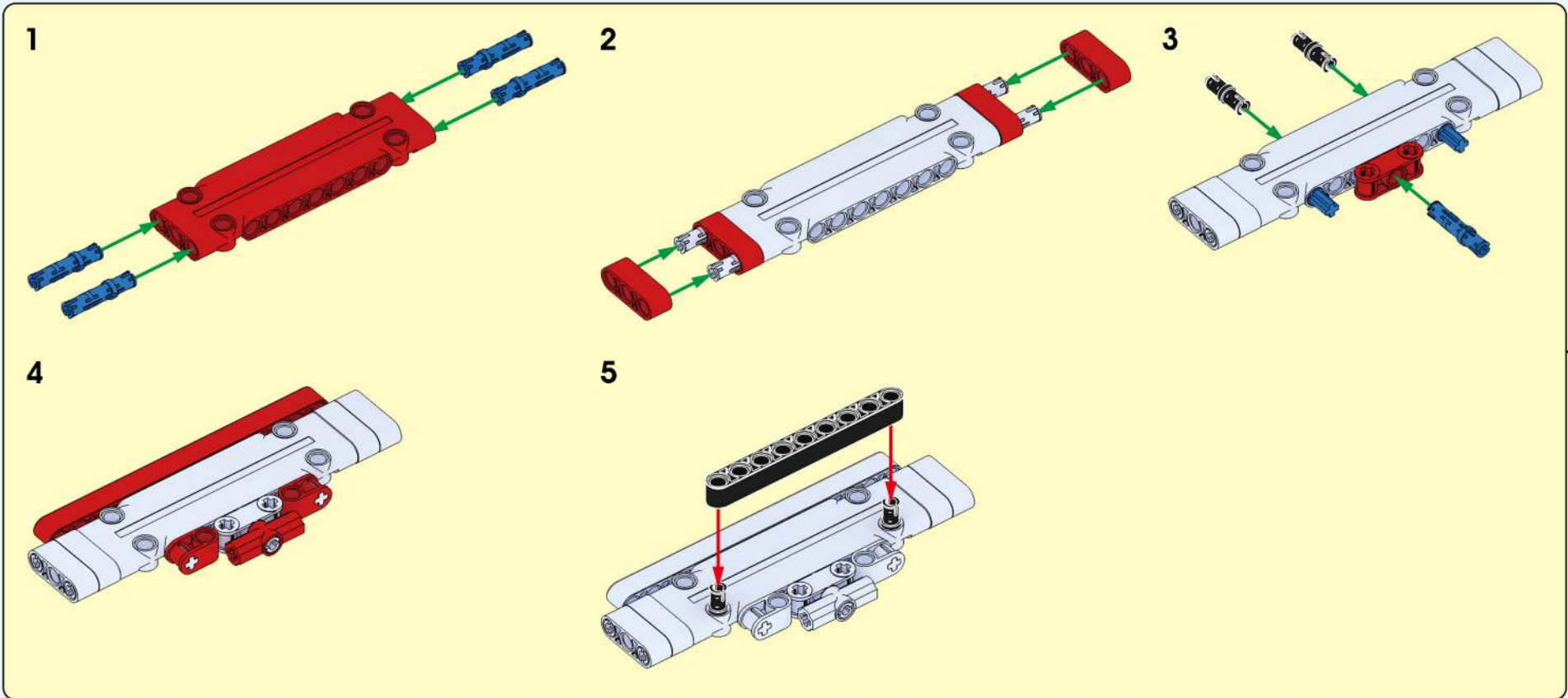


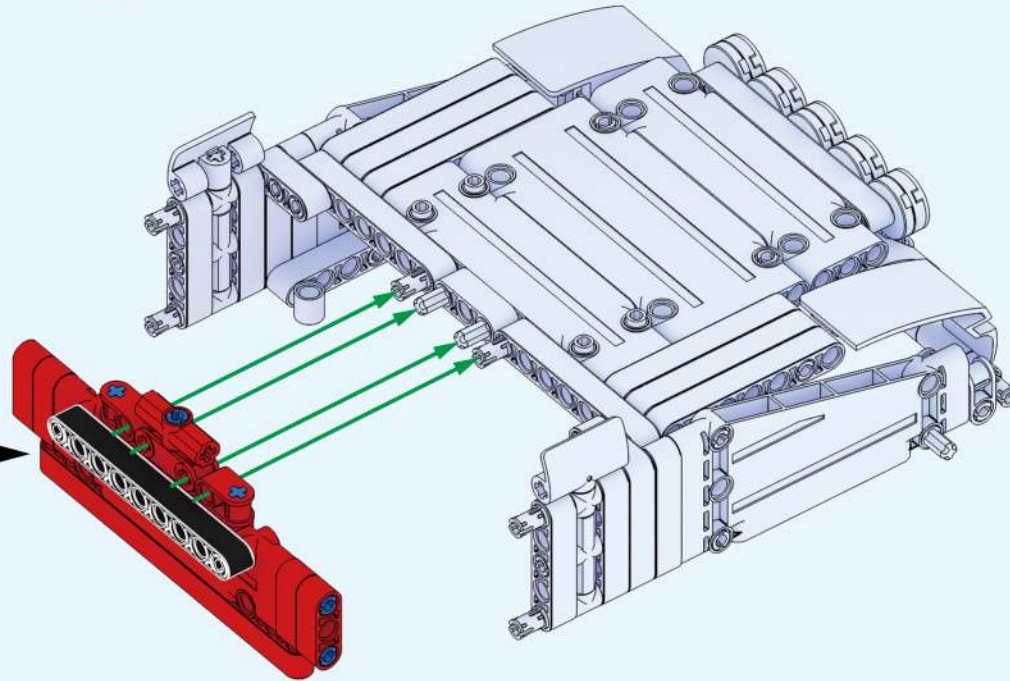
191



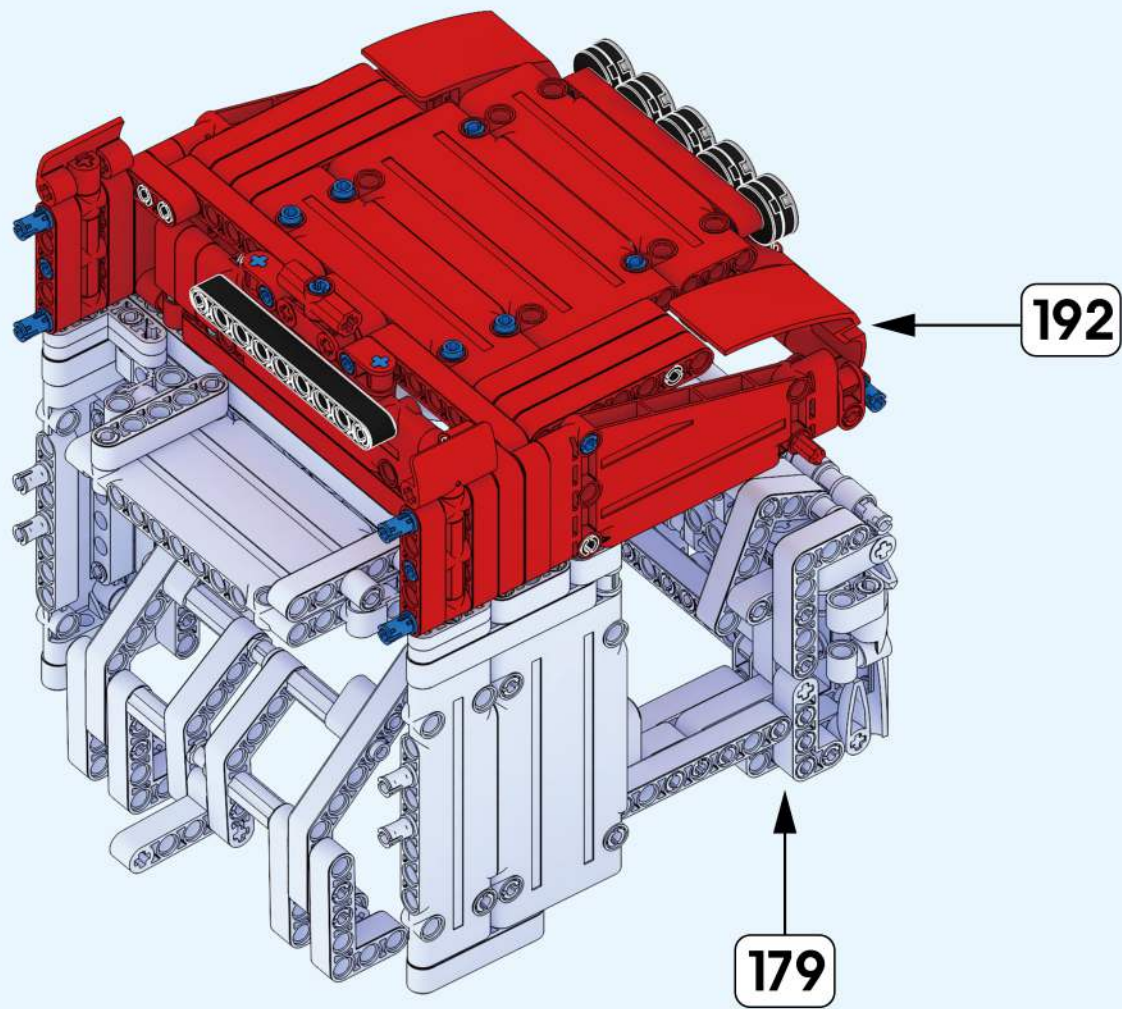


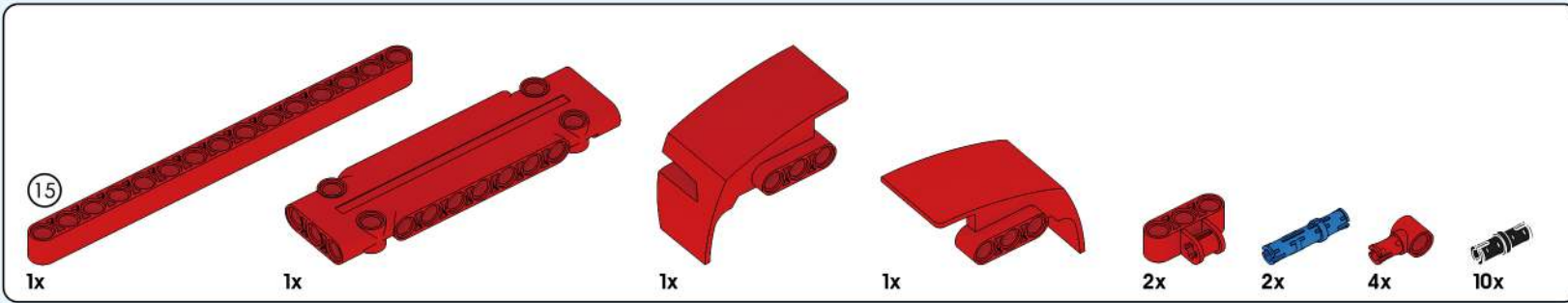
192



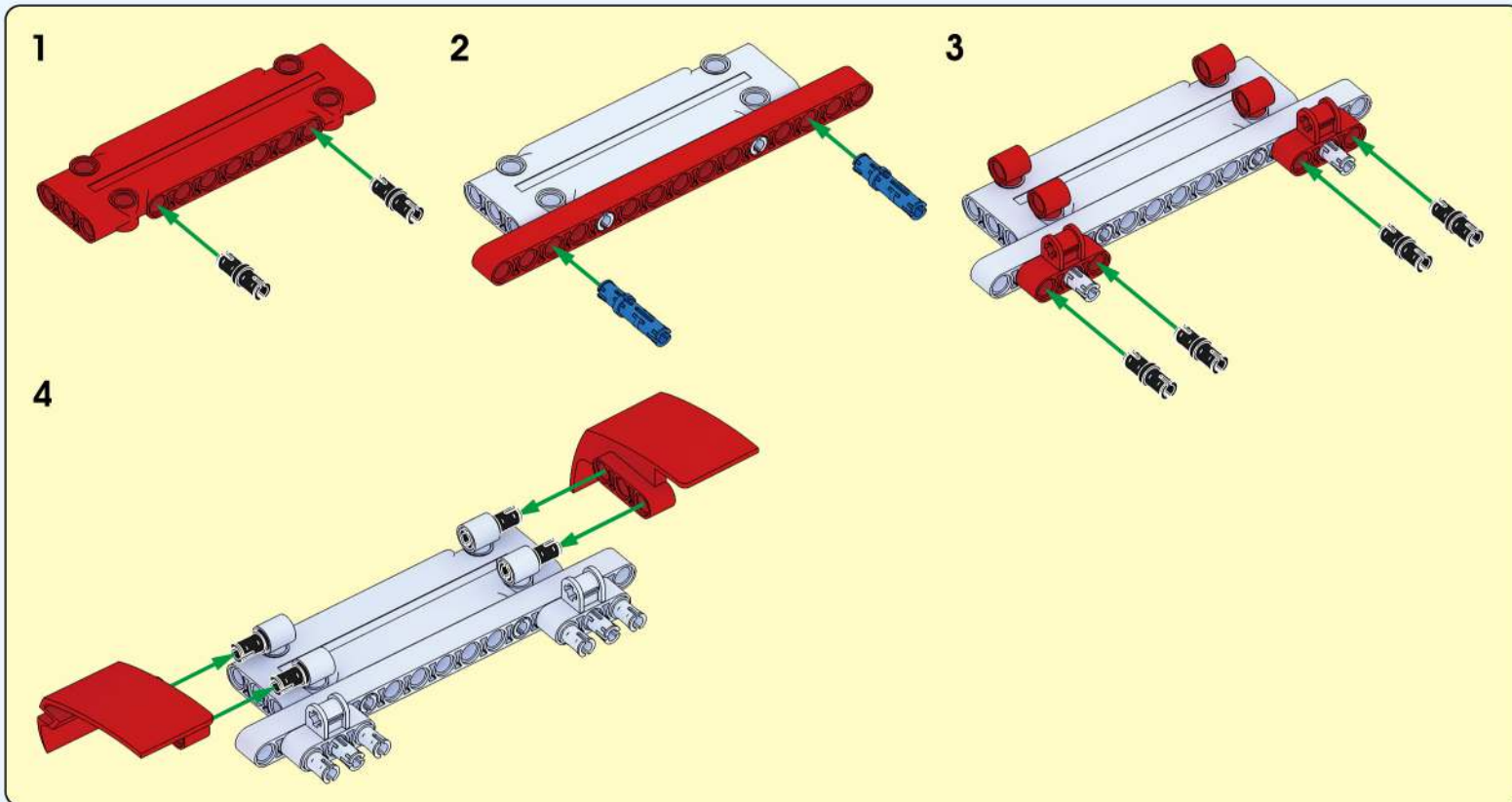


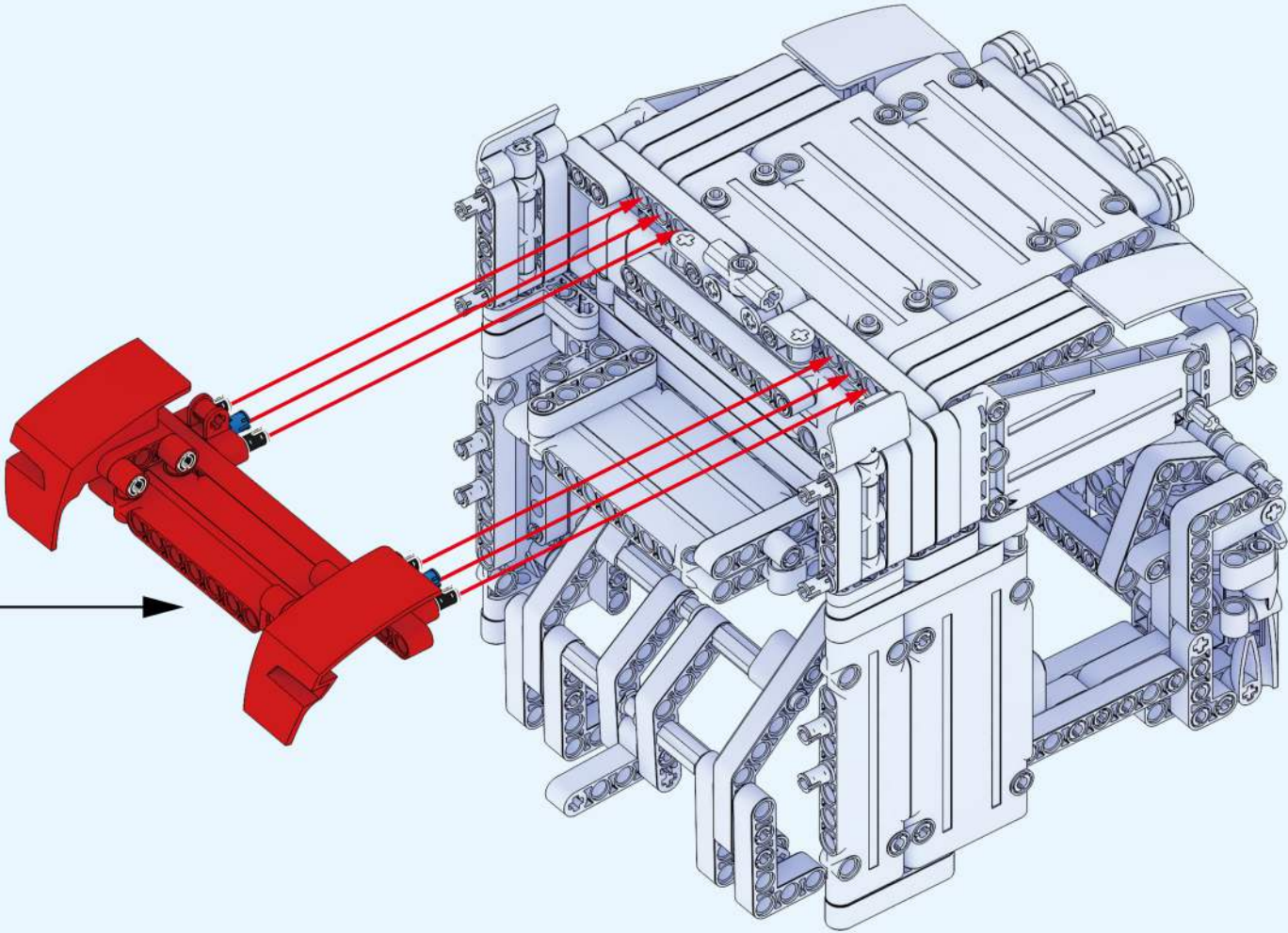
| 193 |

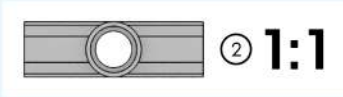
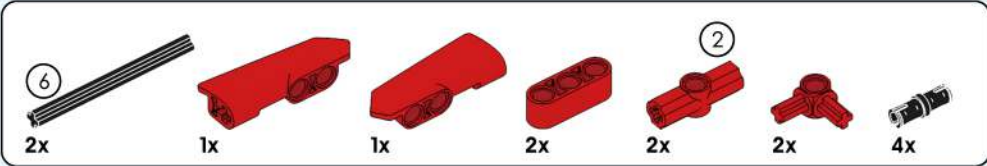




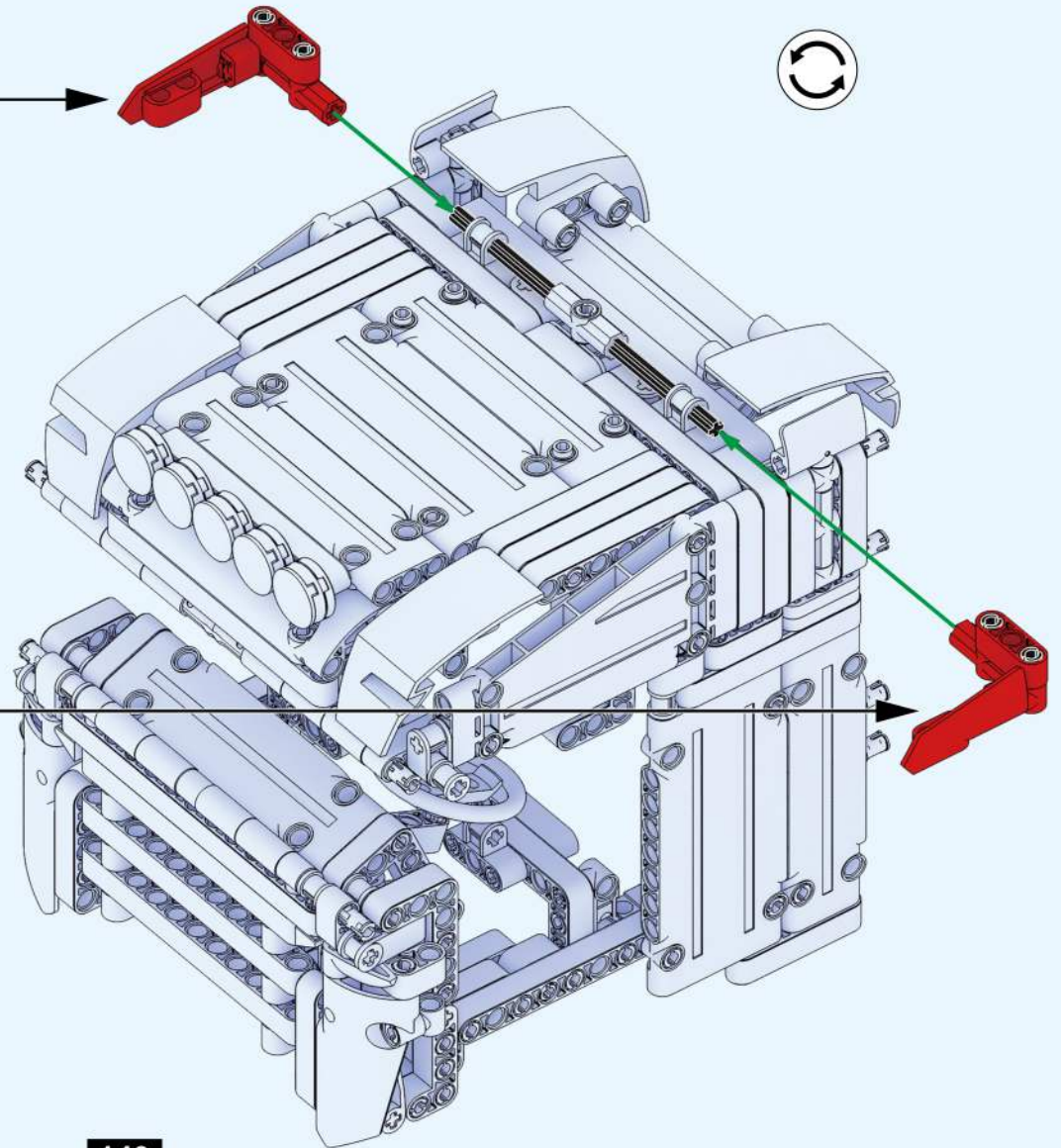
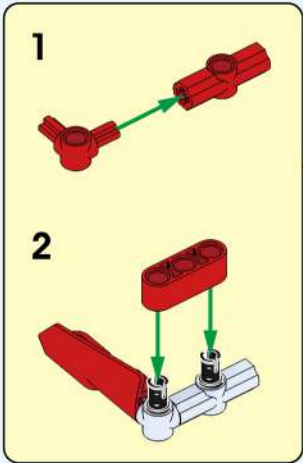
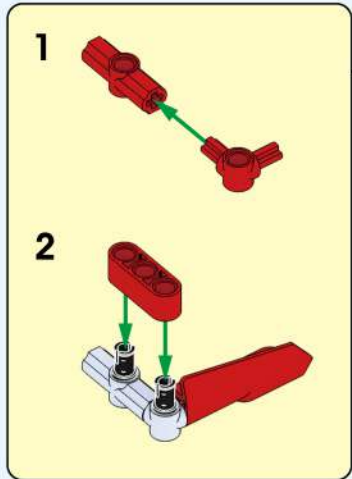
| 194 |

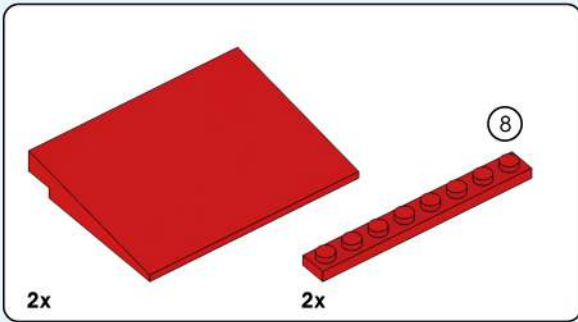




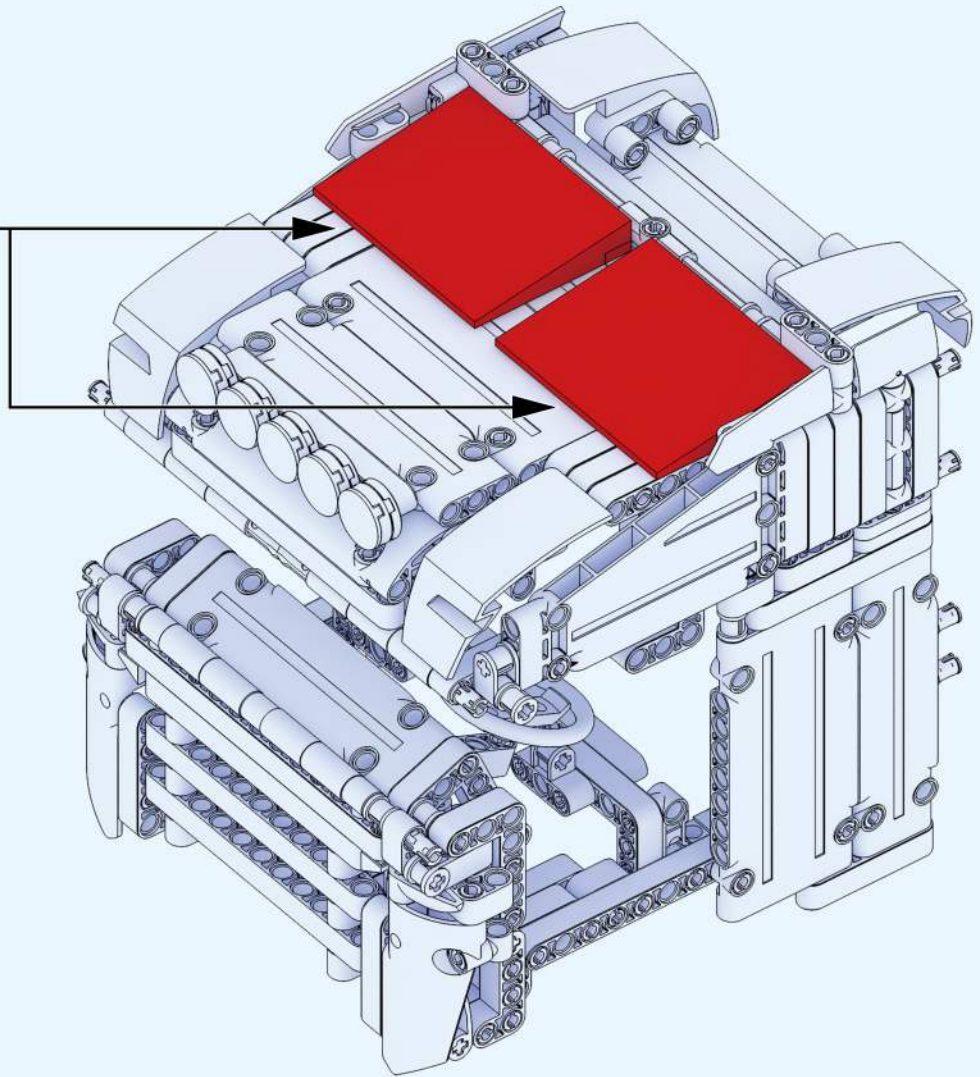
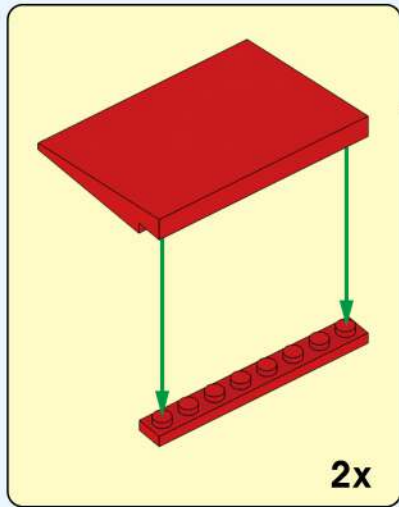


| 195 |



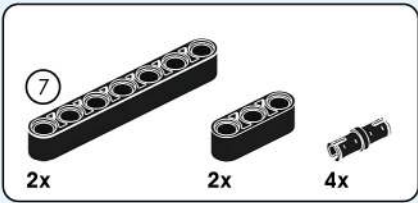


196

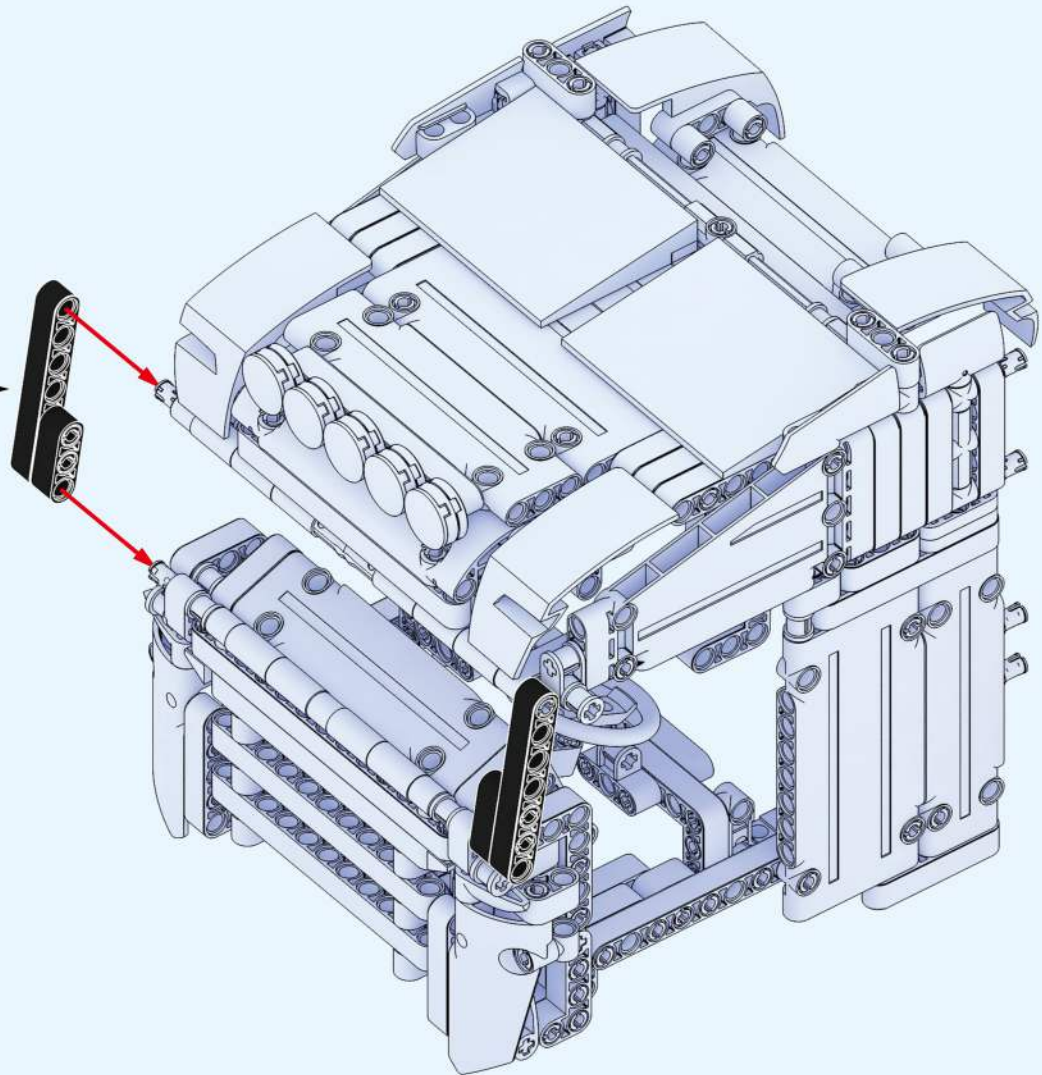
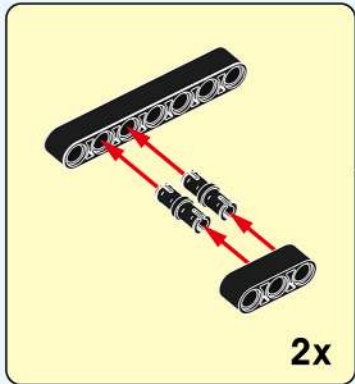


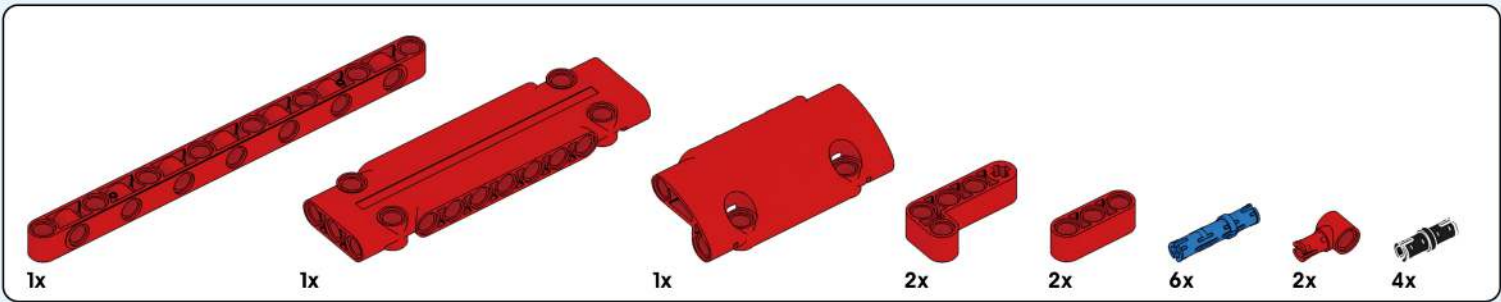
All the components in bag 9 were used to build this part.



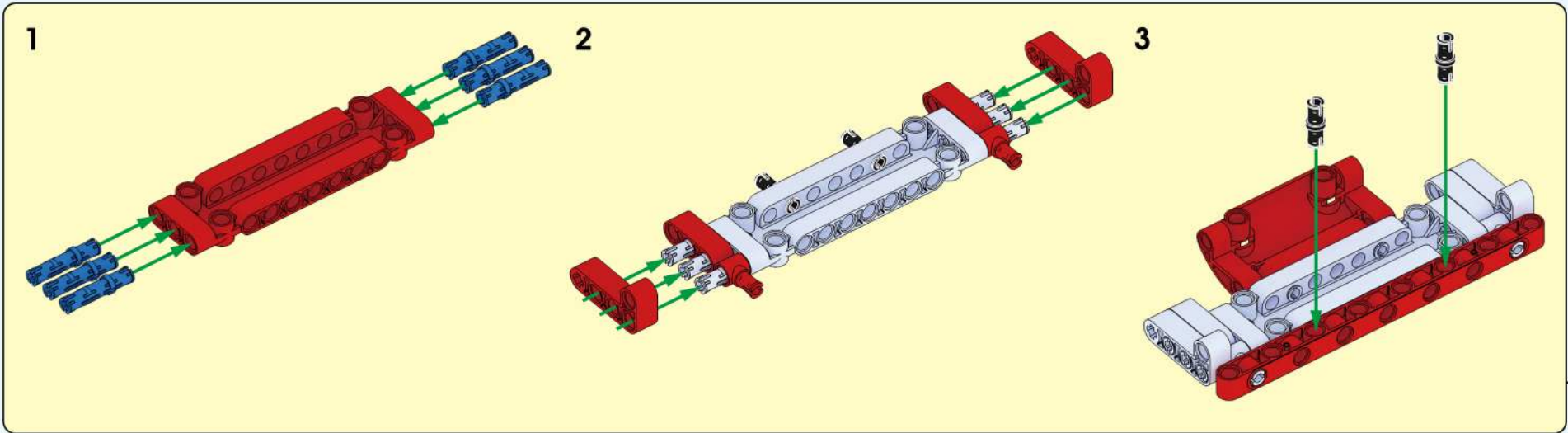


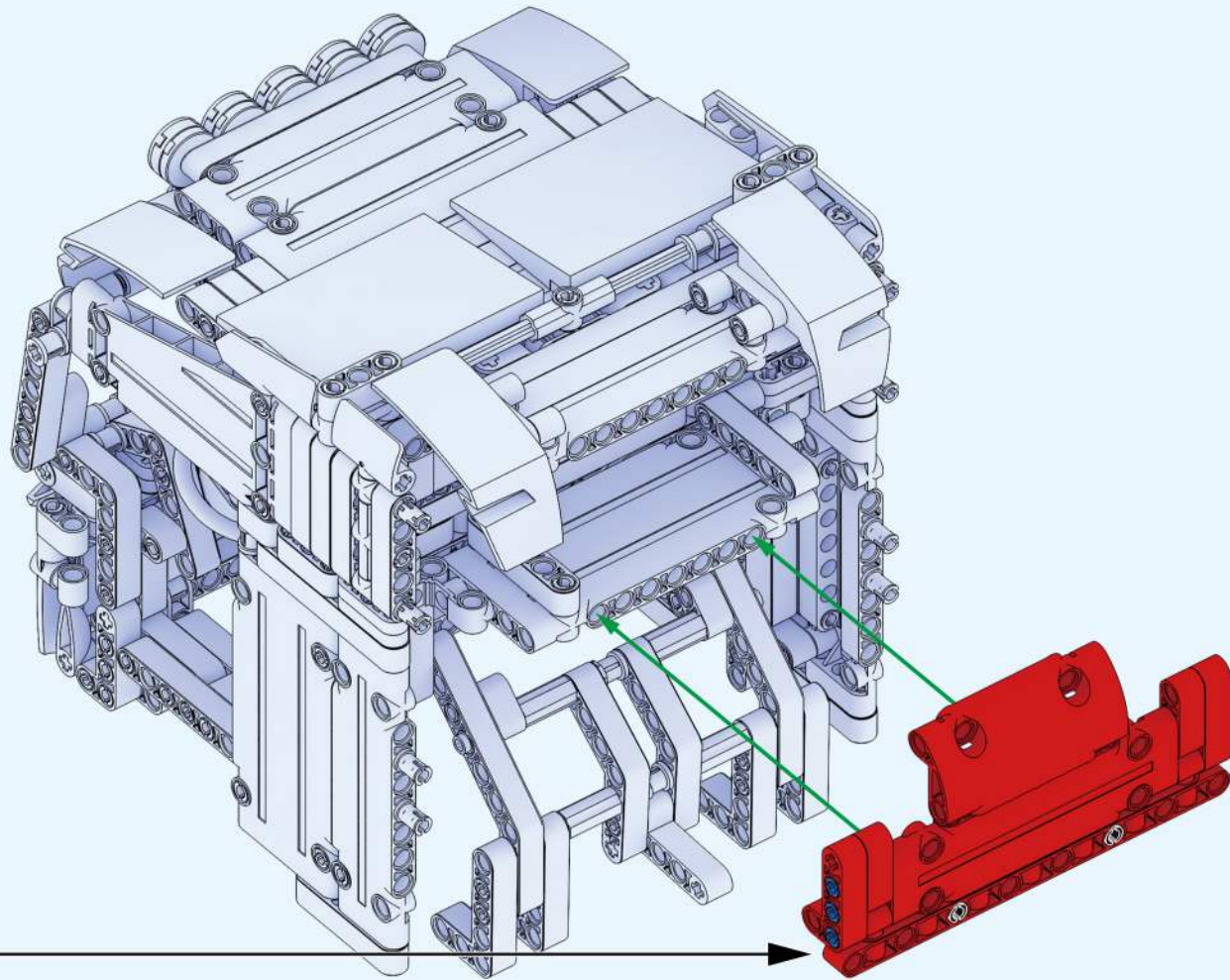
| 197 |

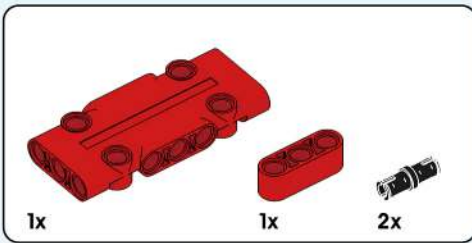
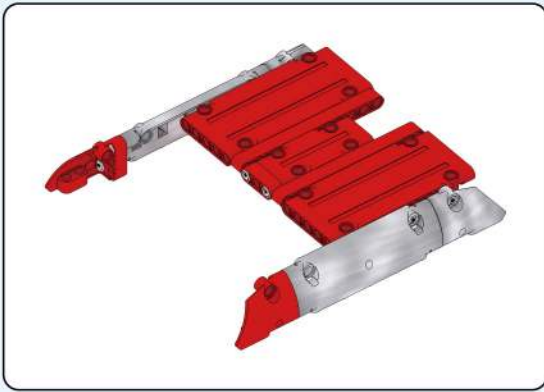




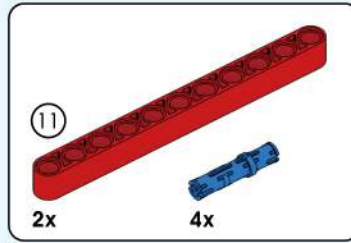
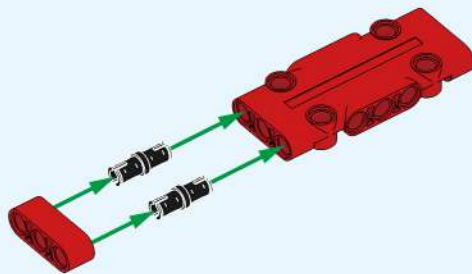
198



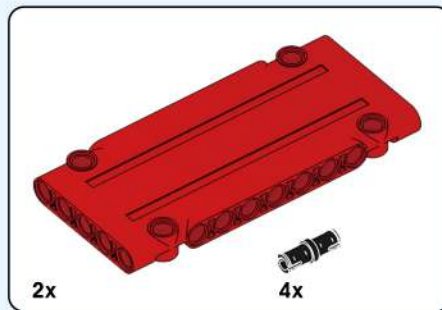
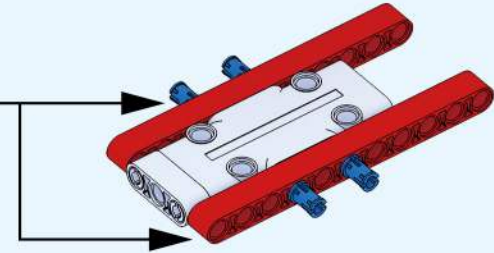
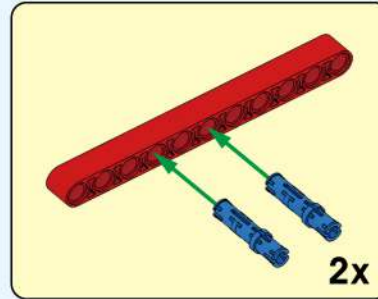




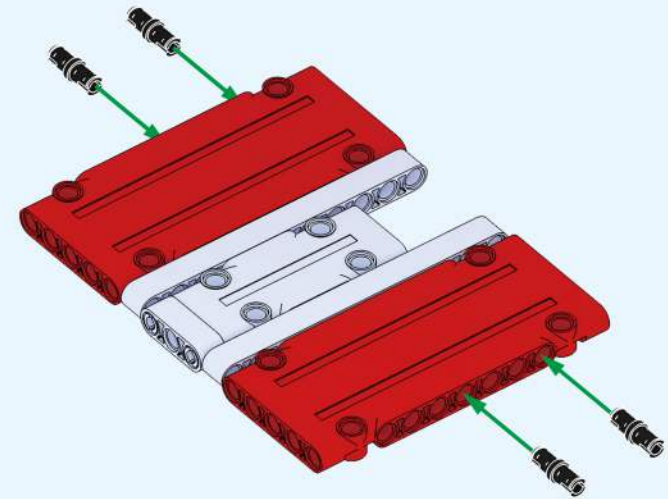
| 199 |

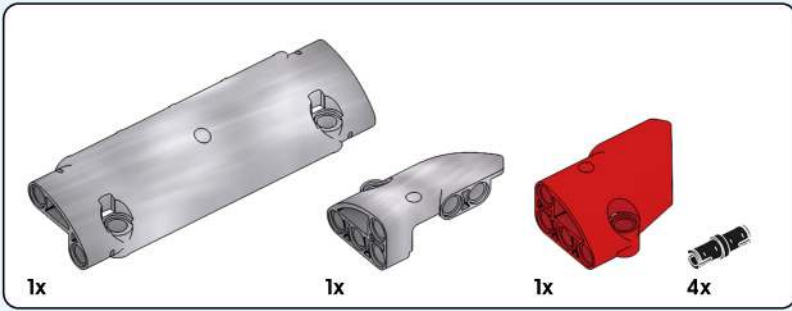


| 200 |

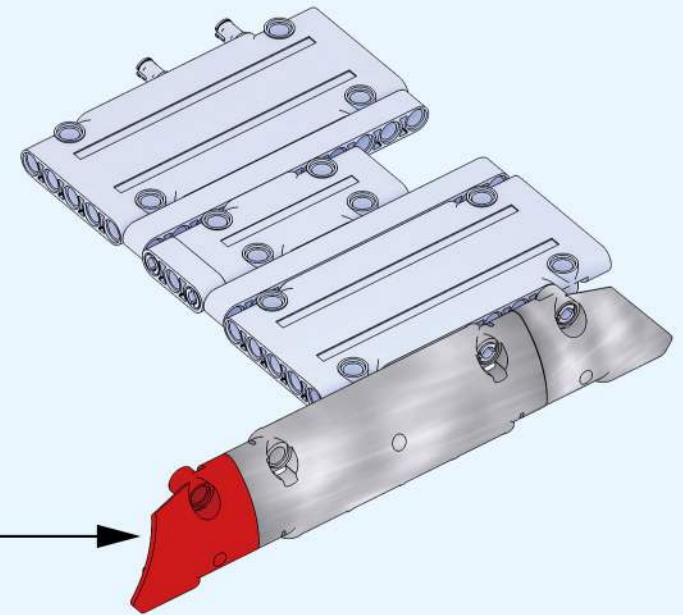
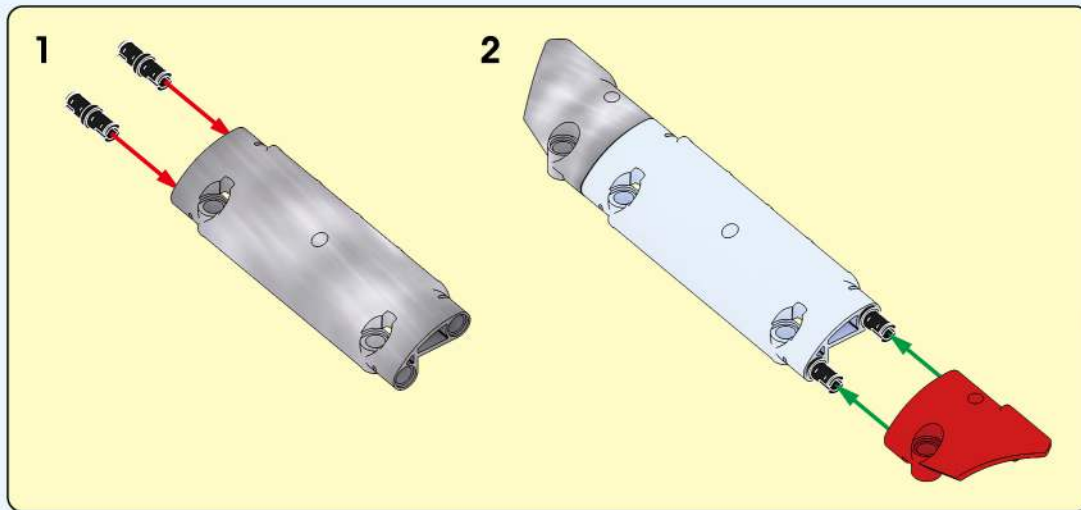


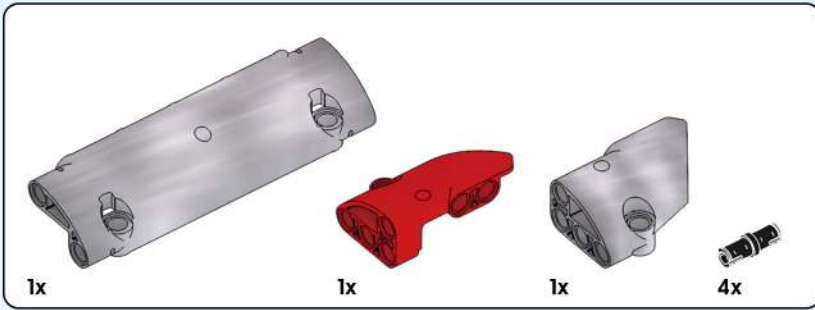
| 201 |



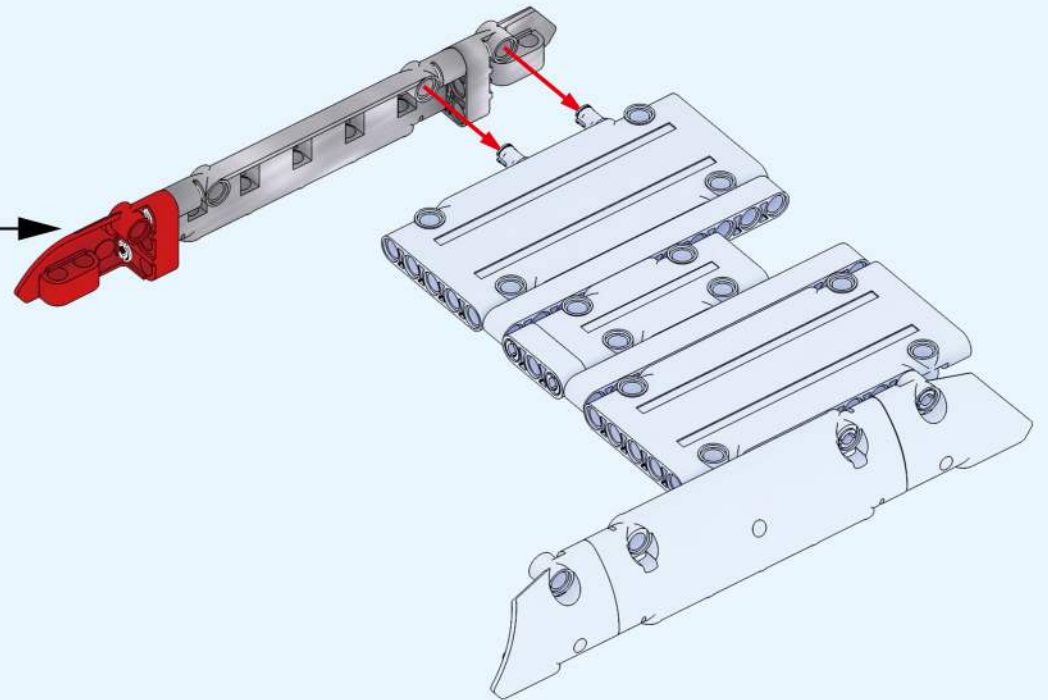
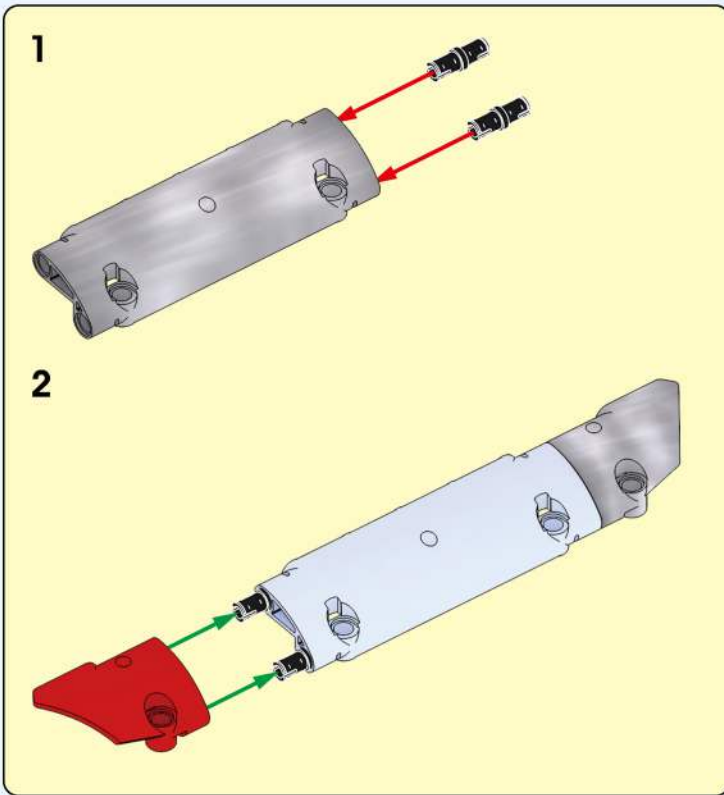


202

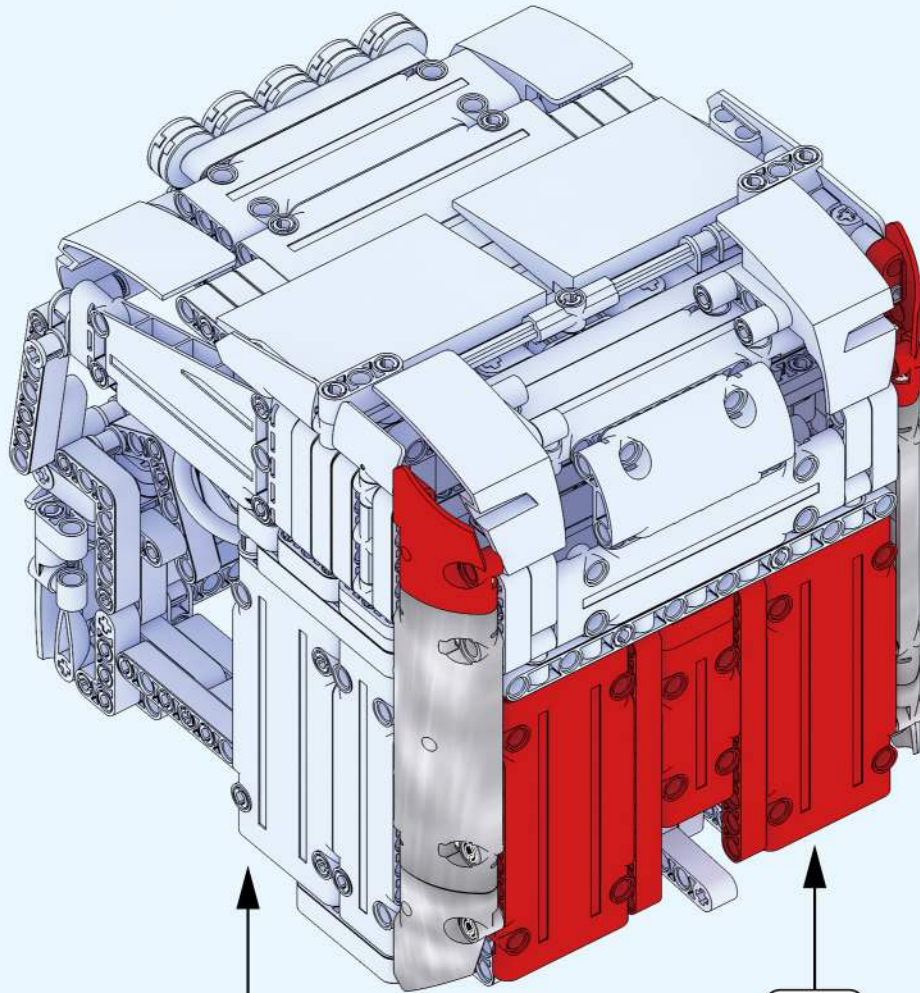




203

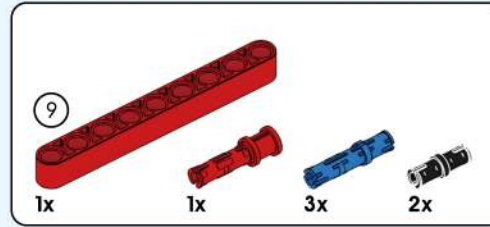
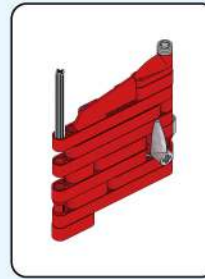


| 204 |

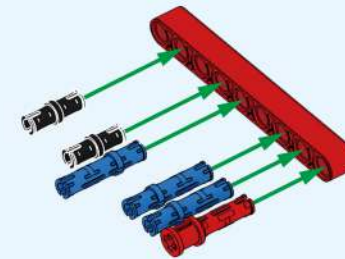


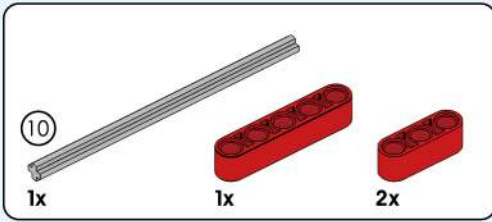
198

203

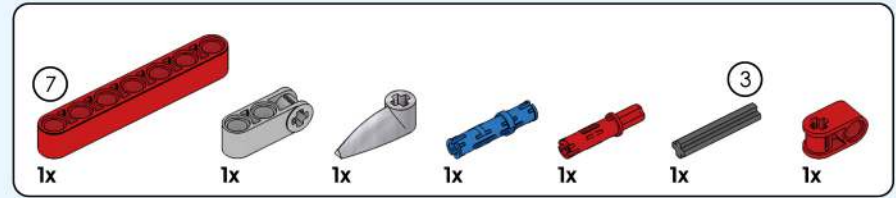
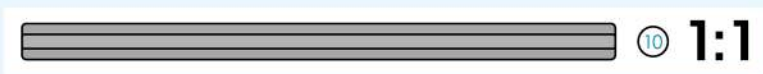
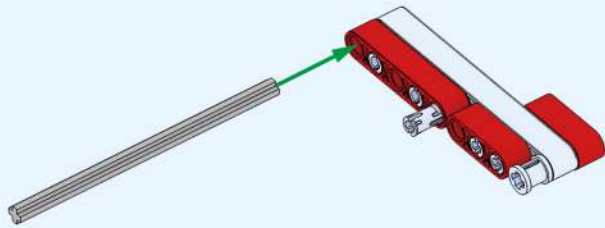


| 205 |

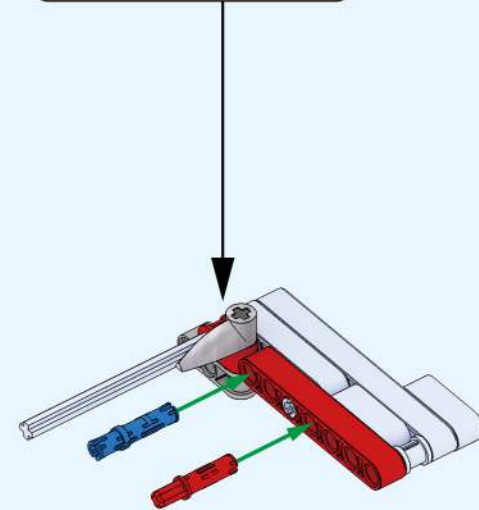
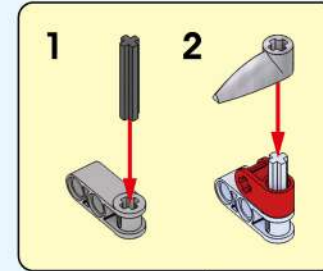


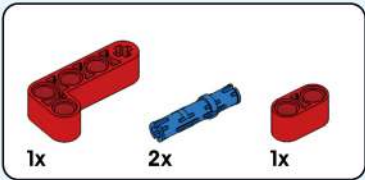


| 206 |

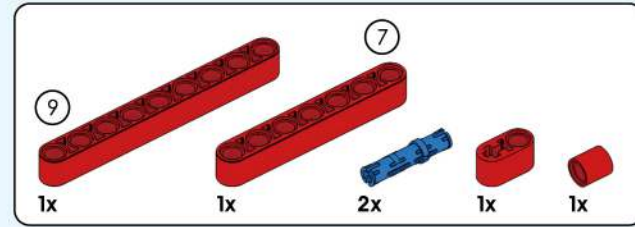
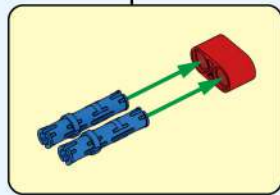
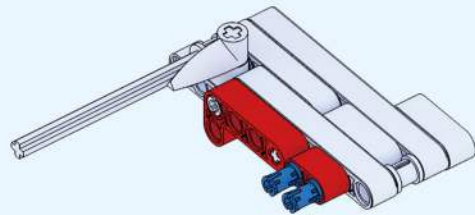


| 207 |

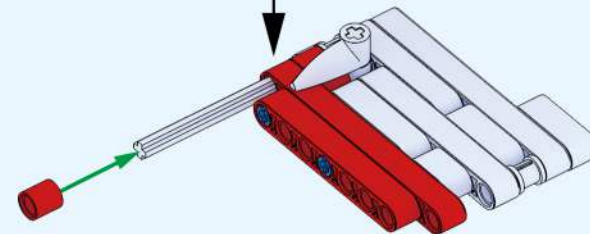
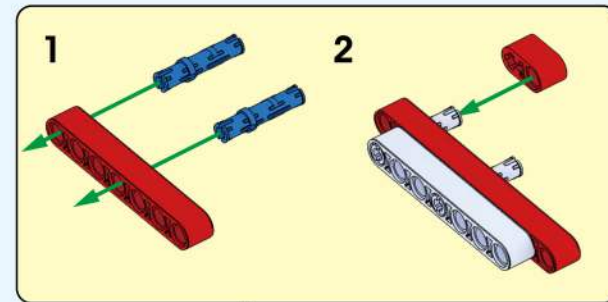


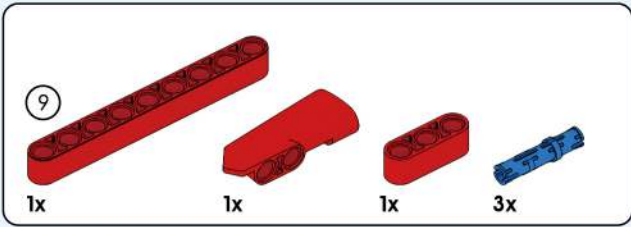


208

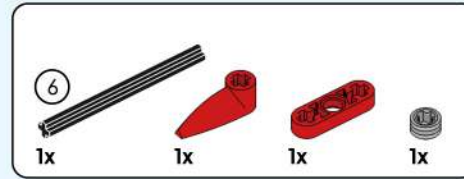
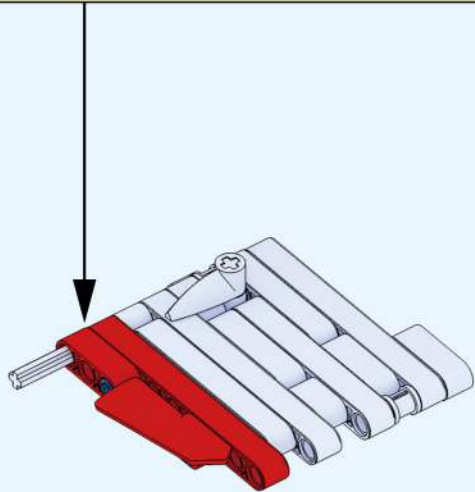
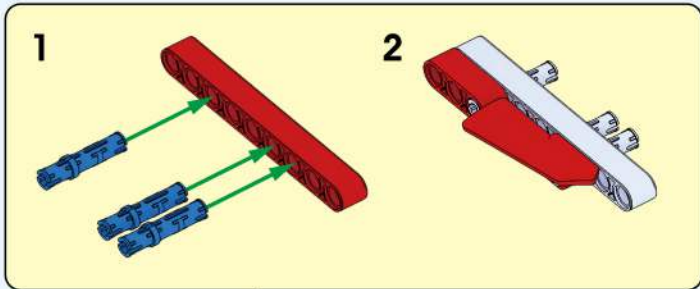


209

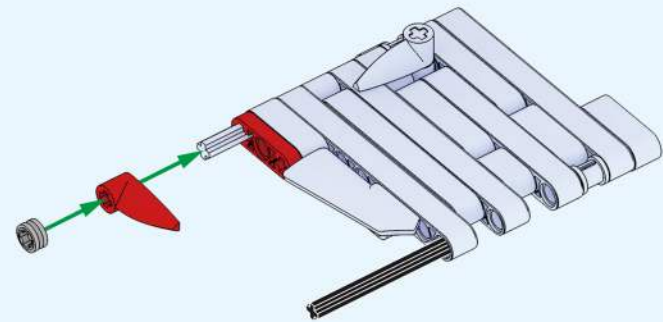




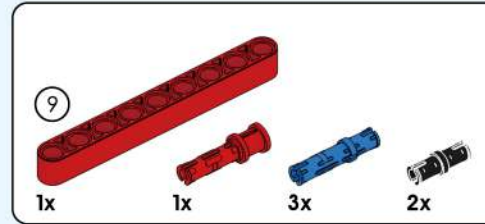
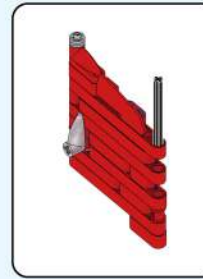
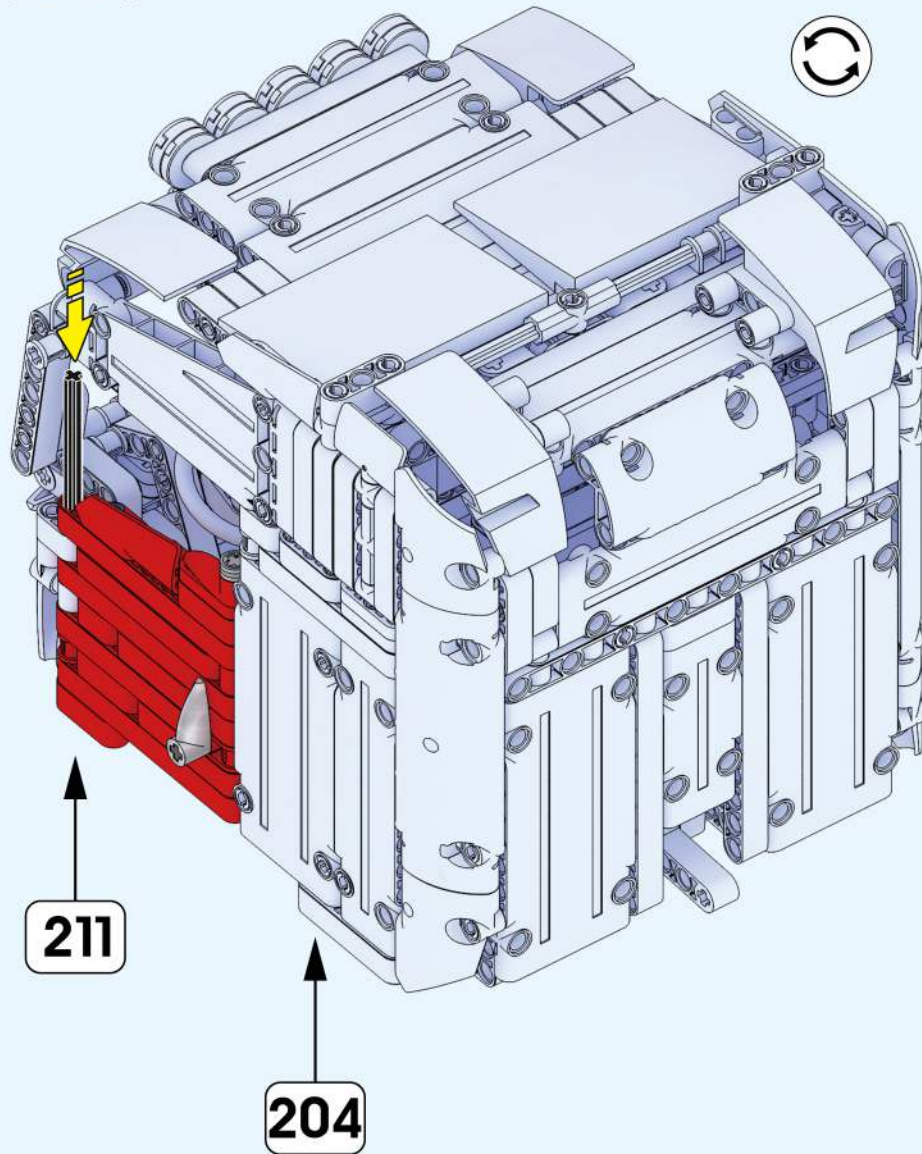
| 210 |



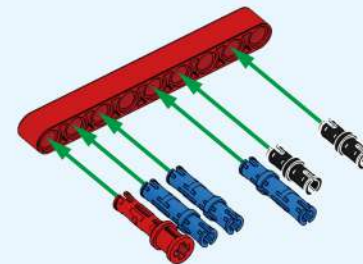
| 211 |

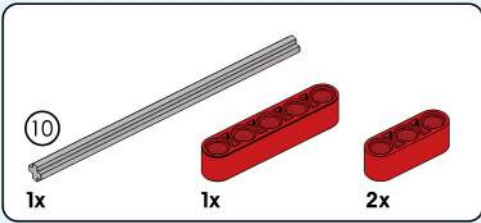


| 212 |

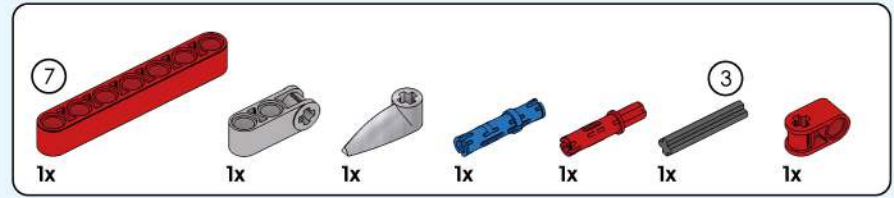
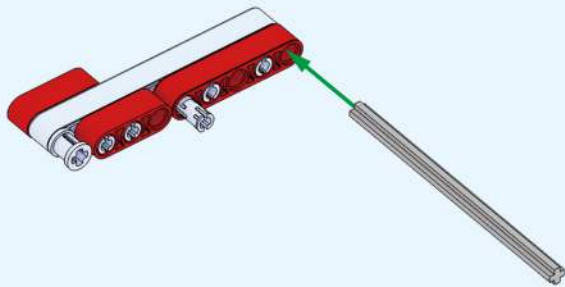


| 213 |

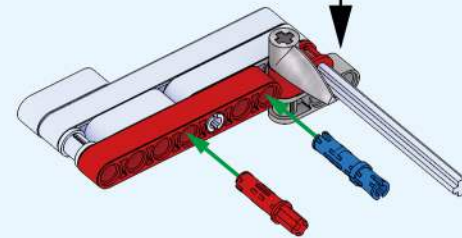
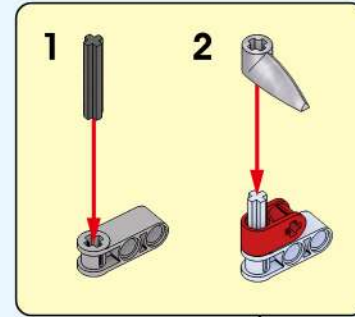


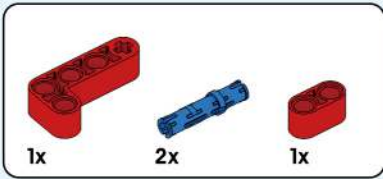


| 214 |

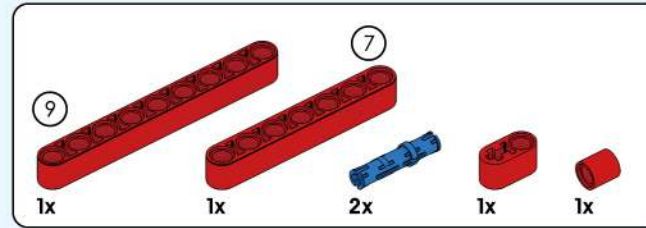
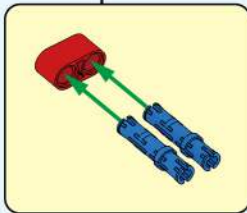
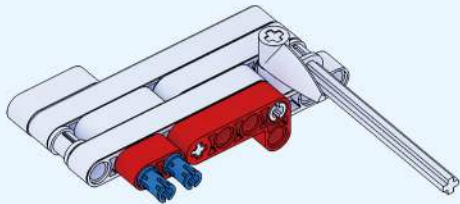


| 215 |

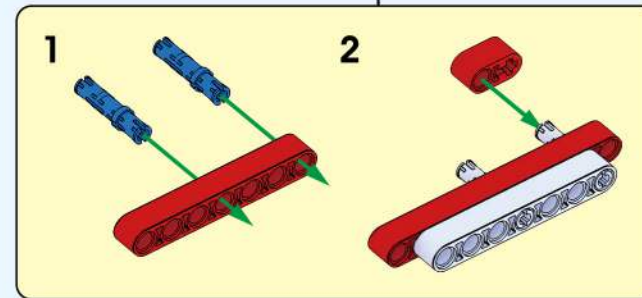
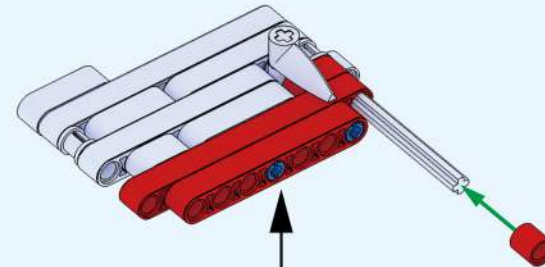


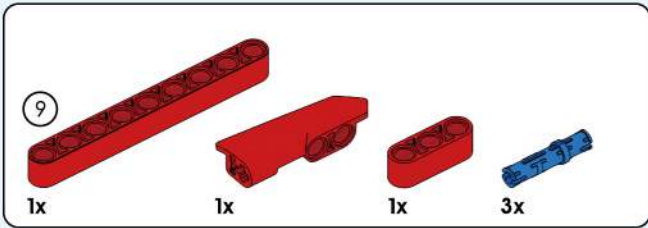


216

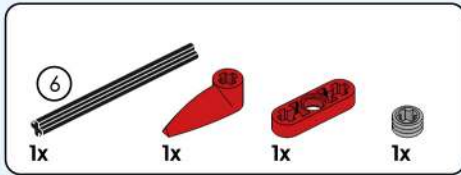
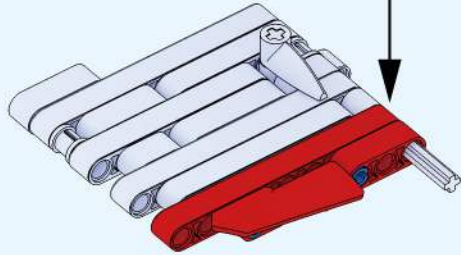
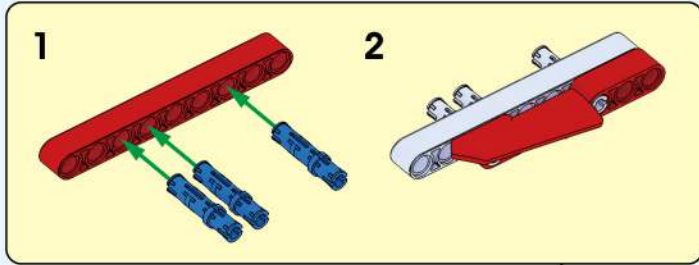


217

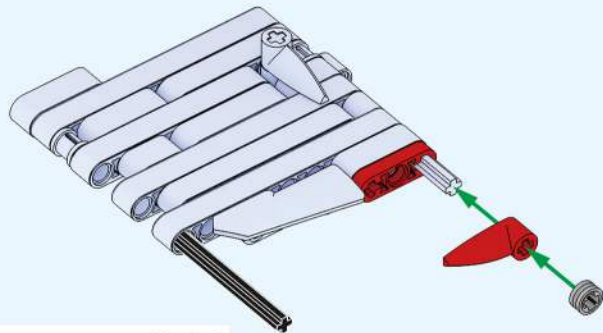




218



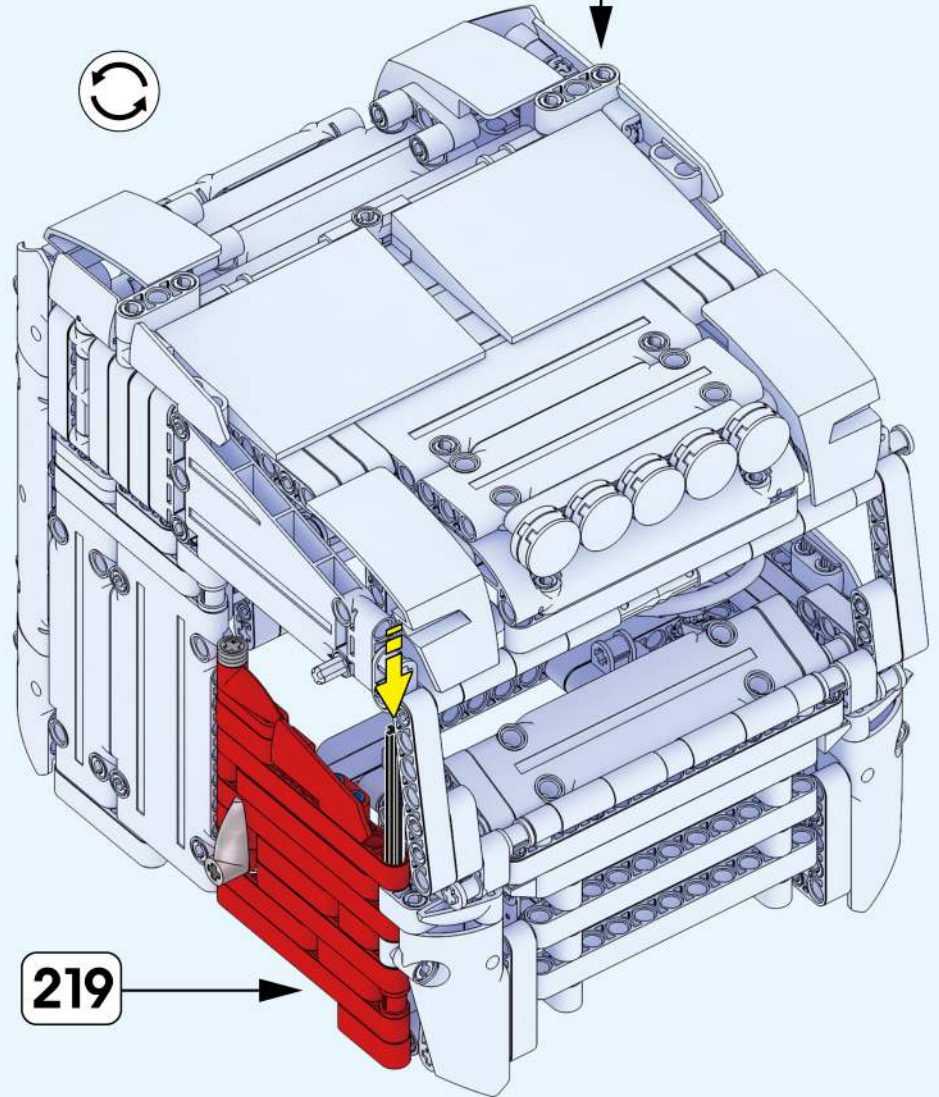
219



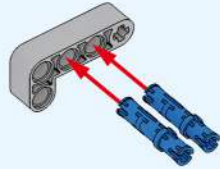
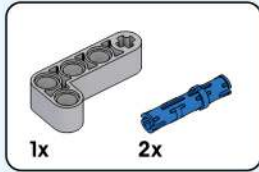
220



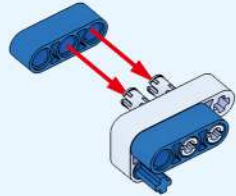
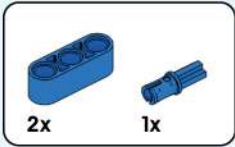
212



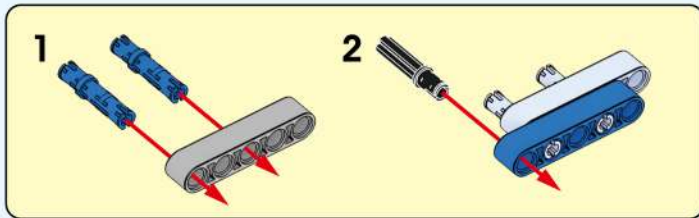
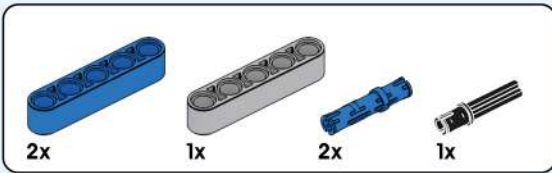
219



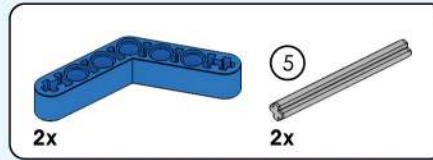
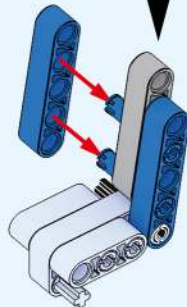
221



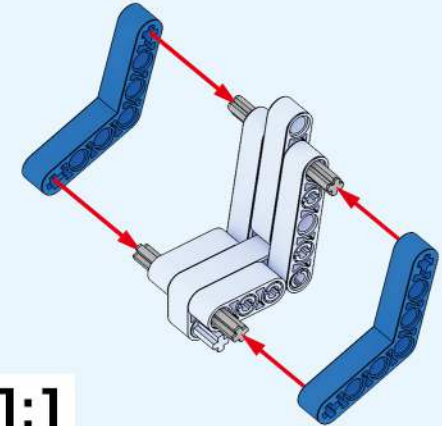
222



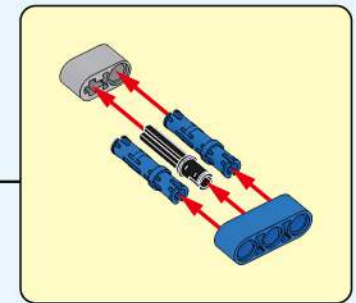
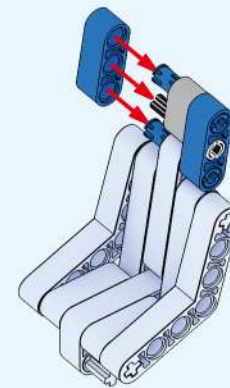
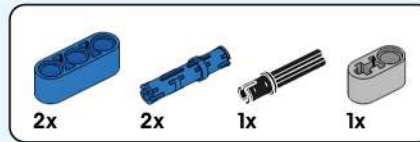
223



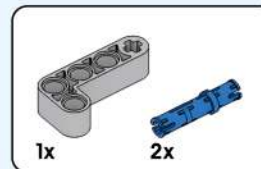
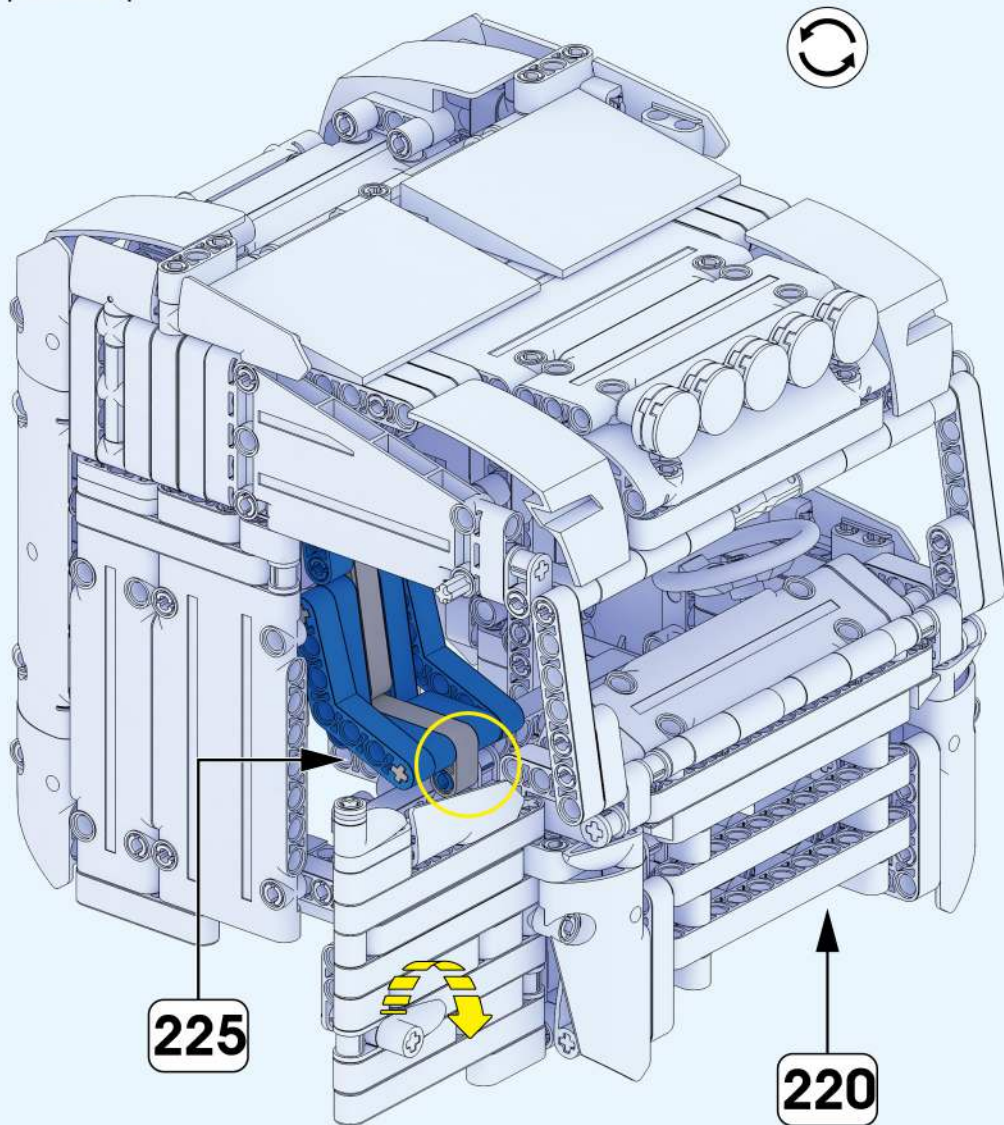
224



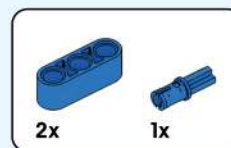
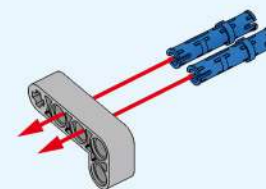
225



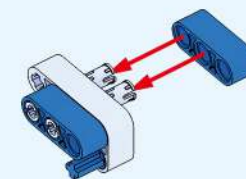
| 226 |

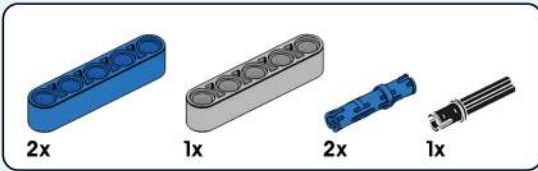


| 227 |

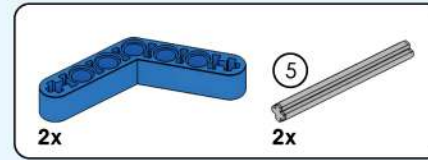
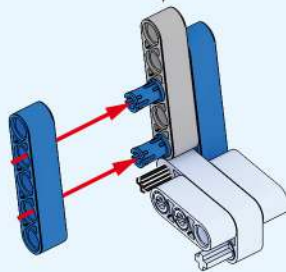
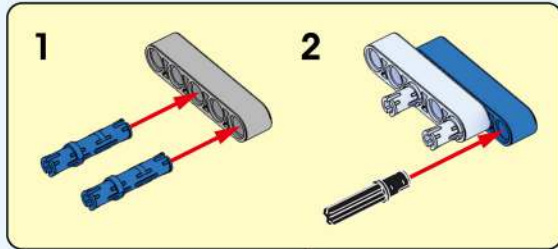


| 228 |

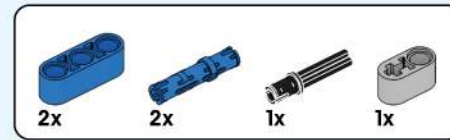
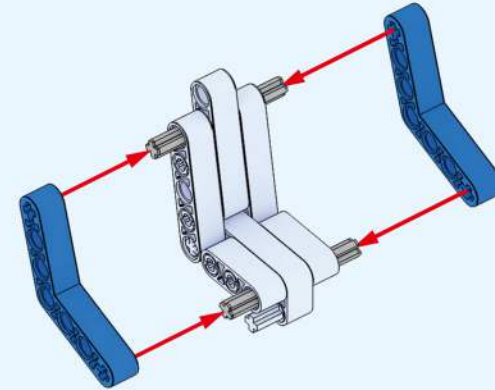




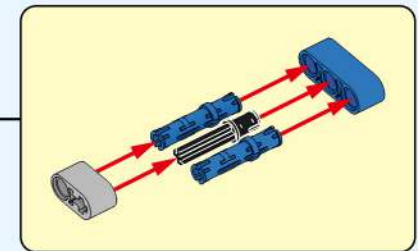
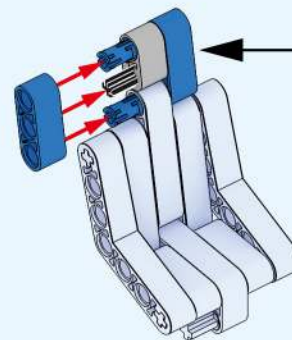
229



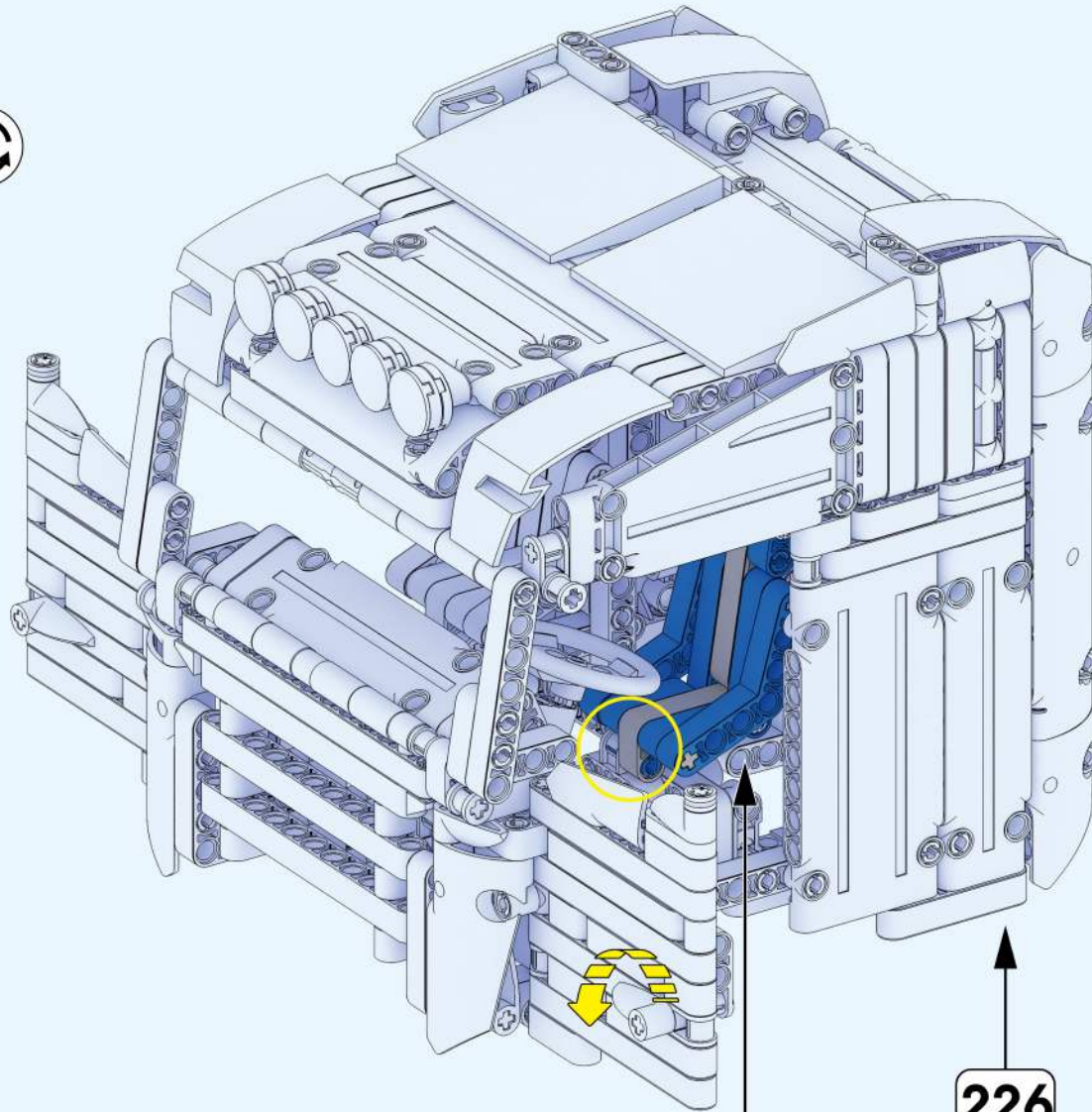
230



231



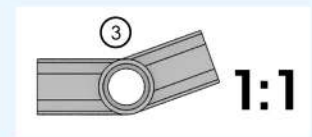
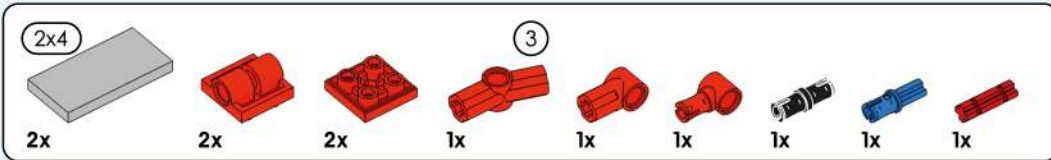
| 232 |



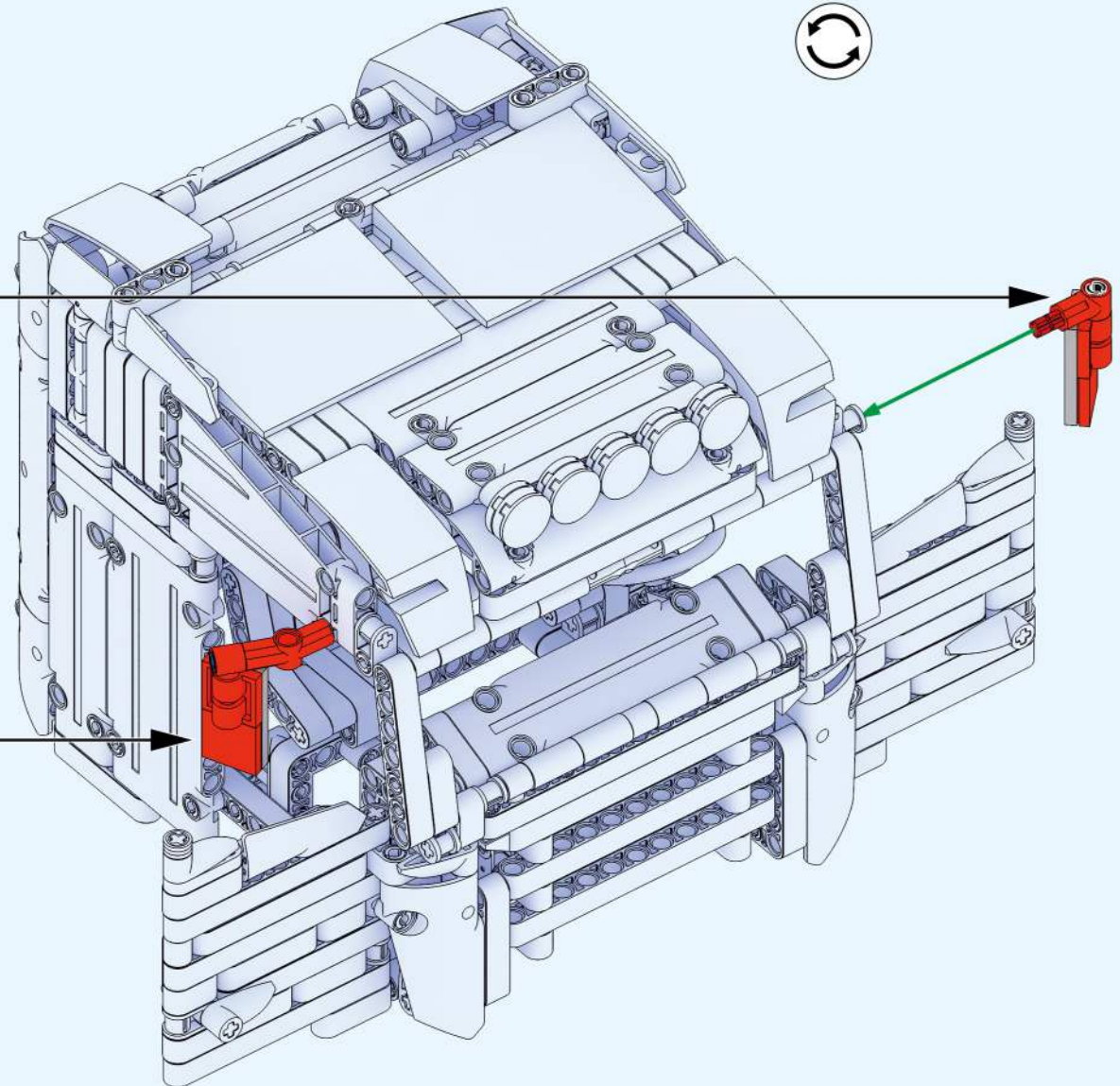
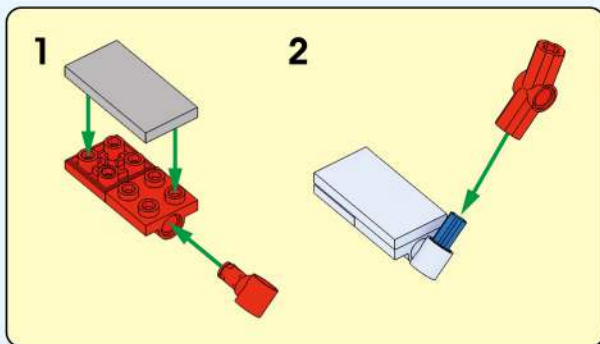
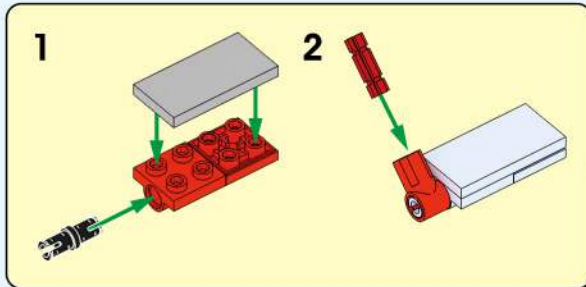
231

226

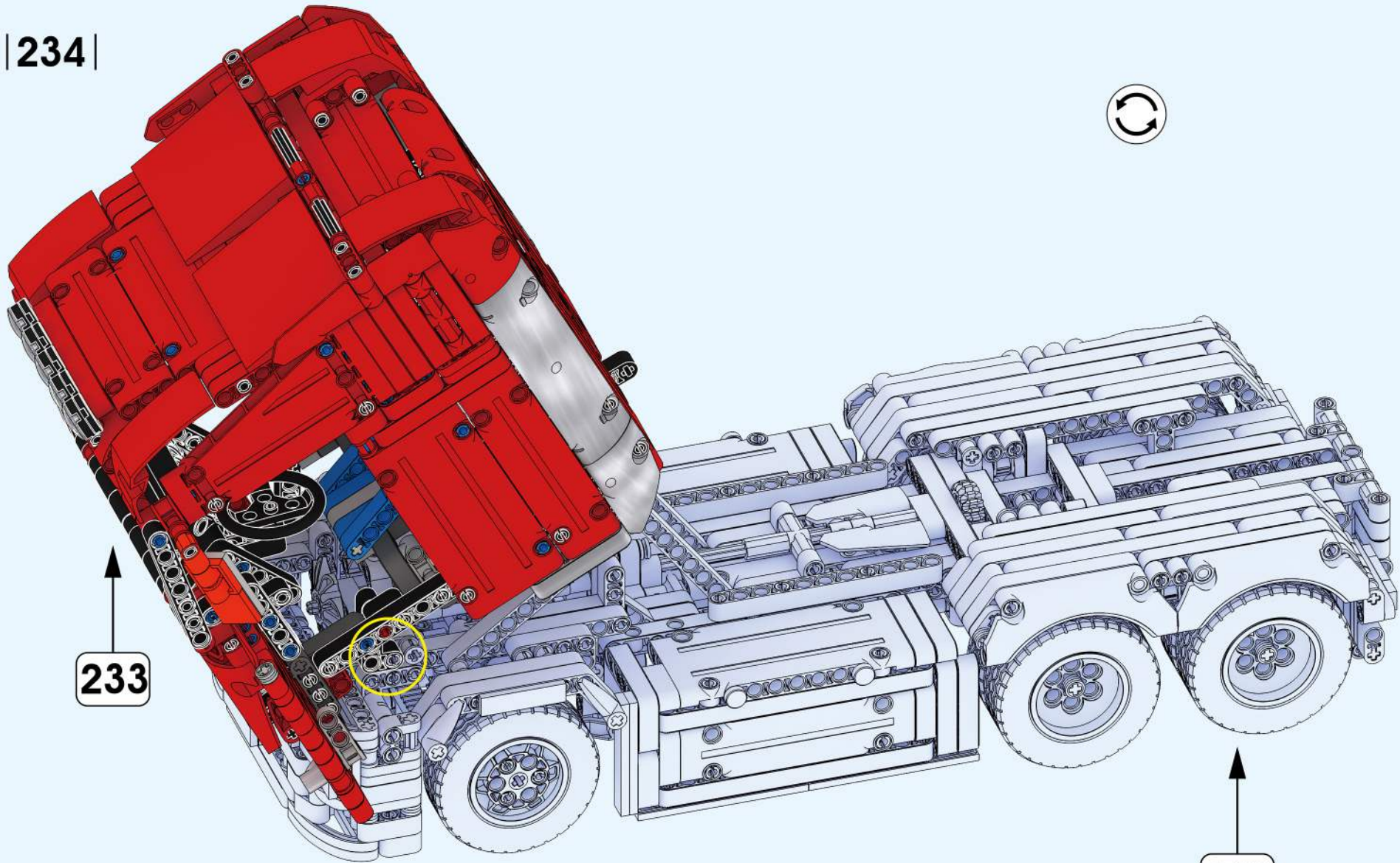
160



233



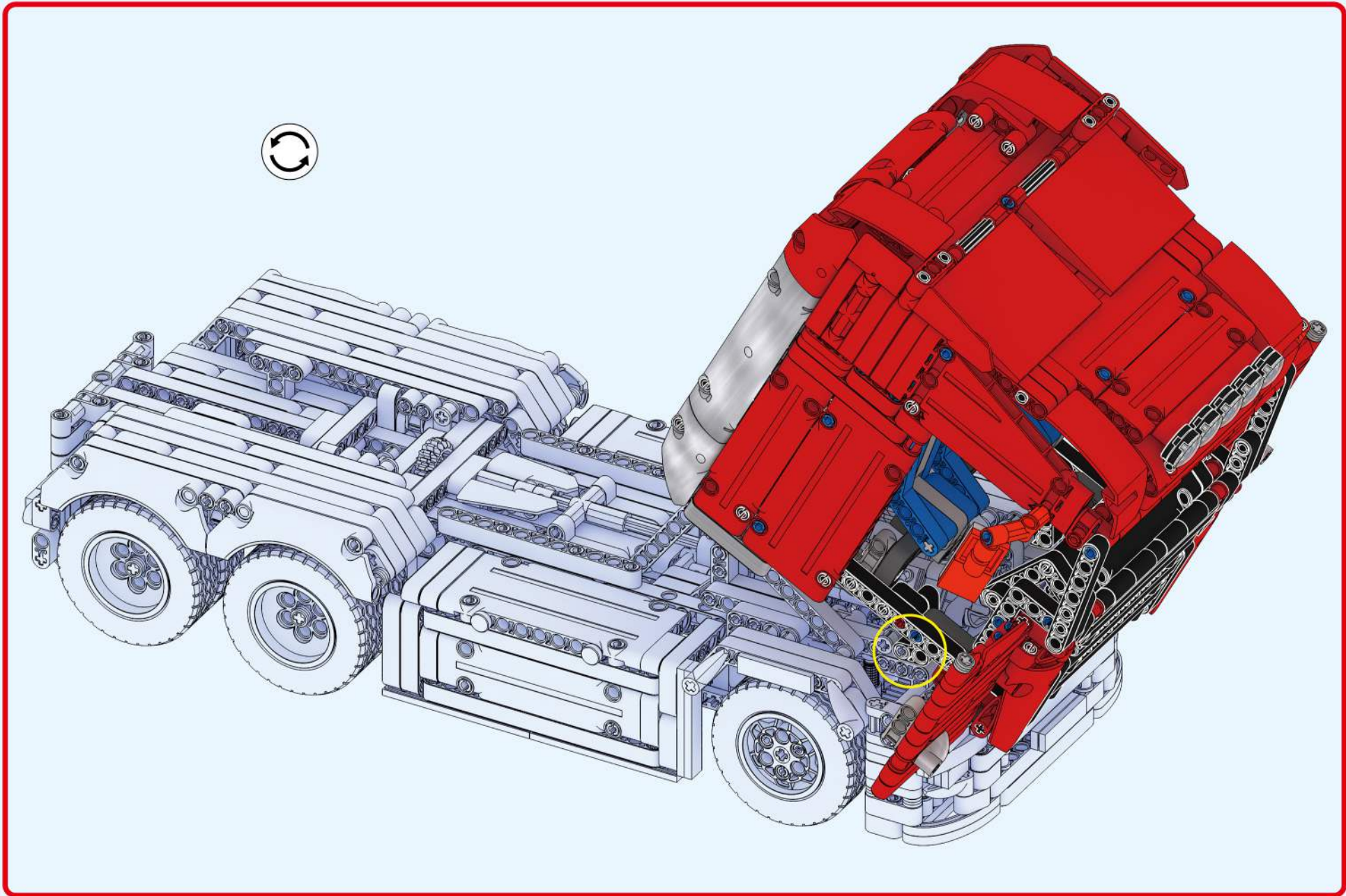
| 234 |



233

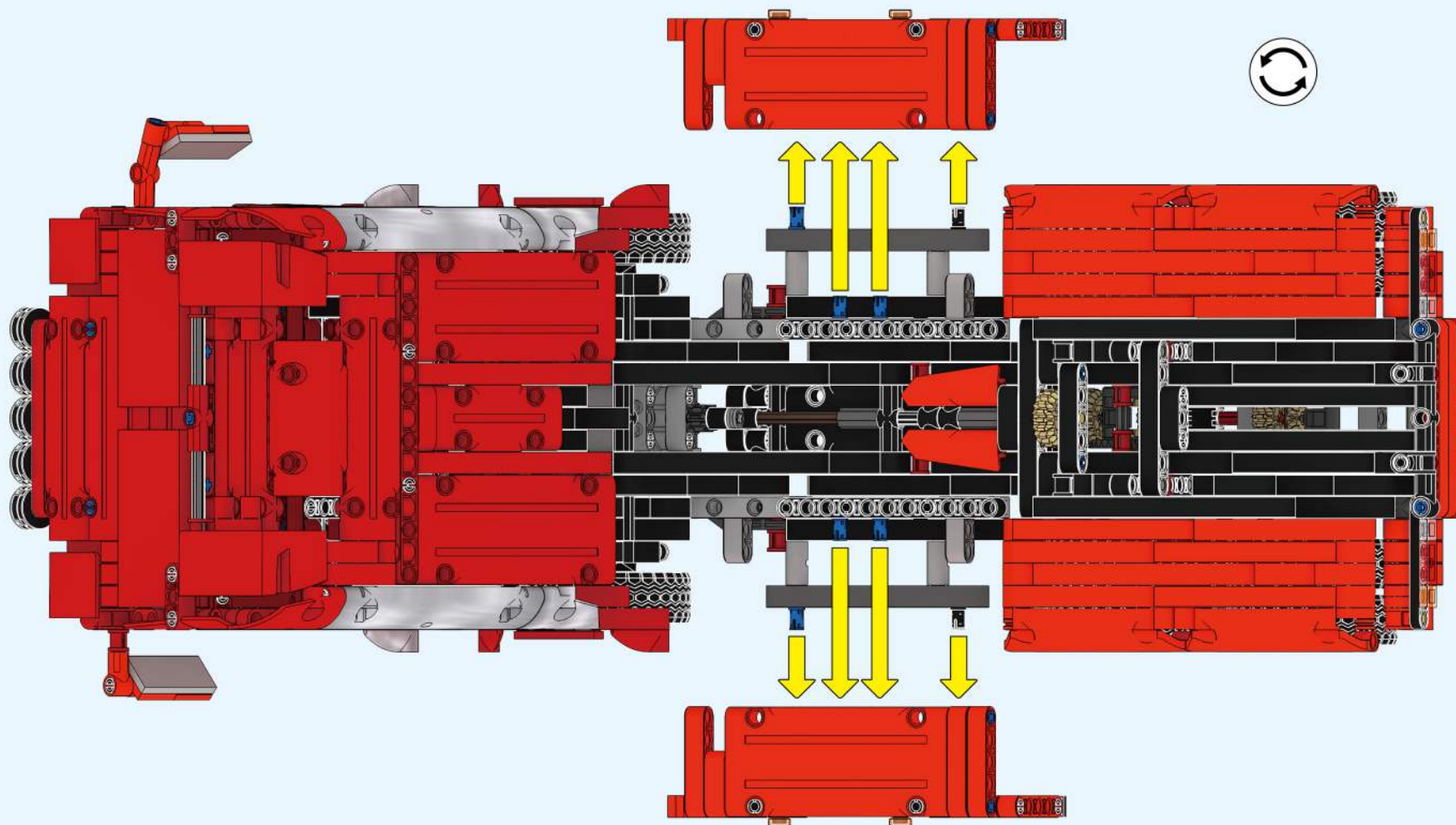
143

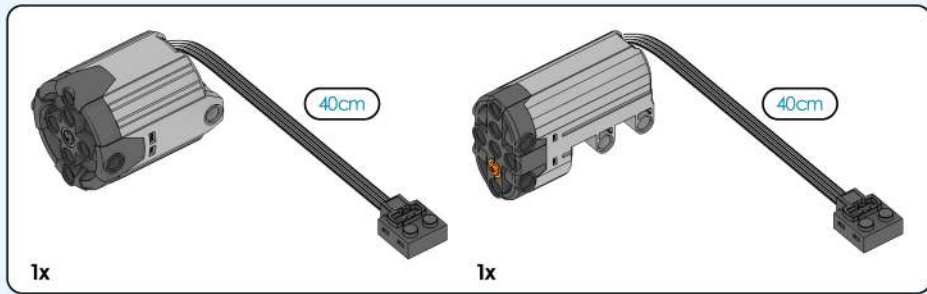
162



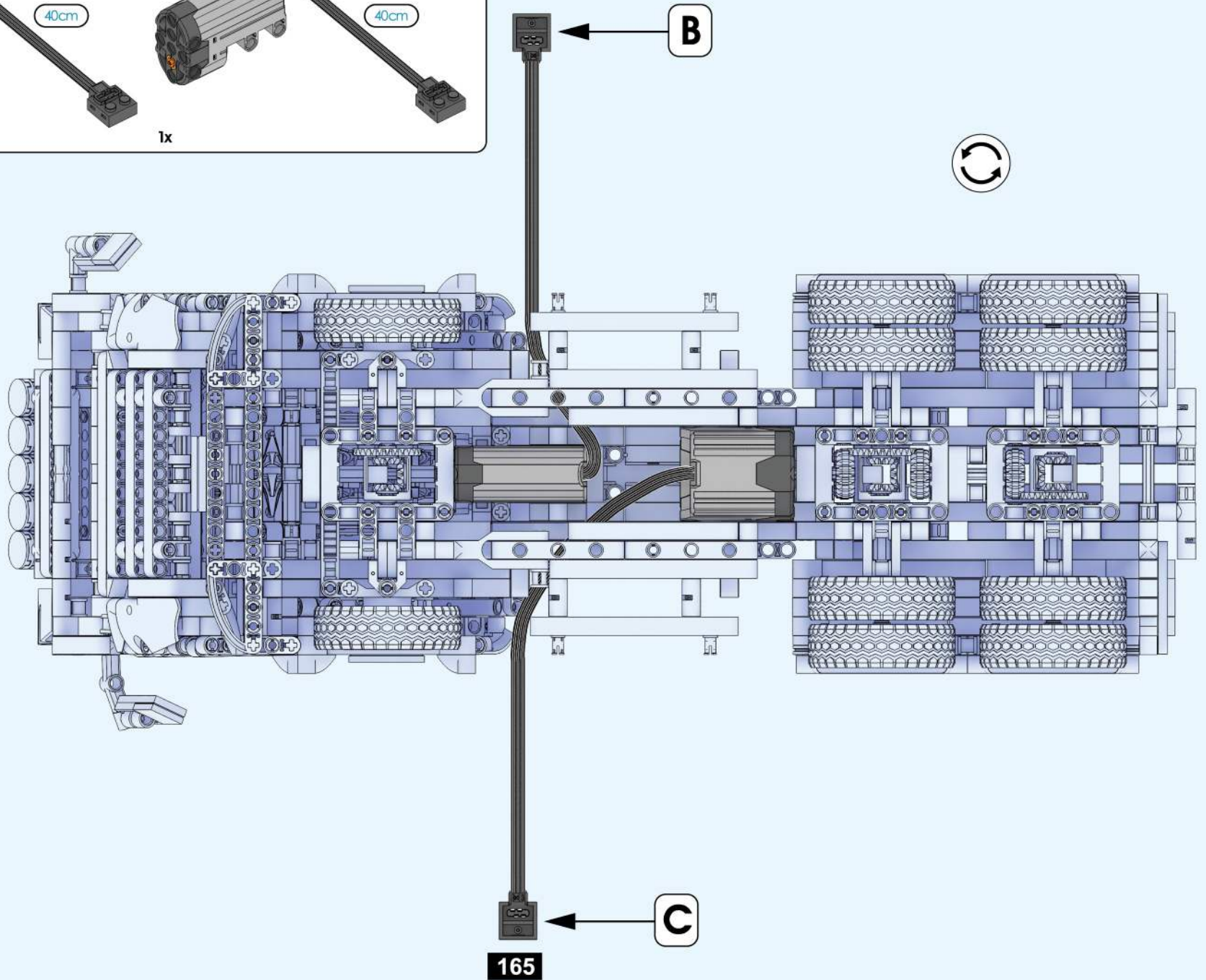
| 01 |

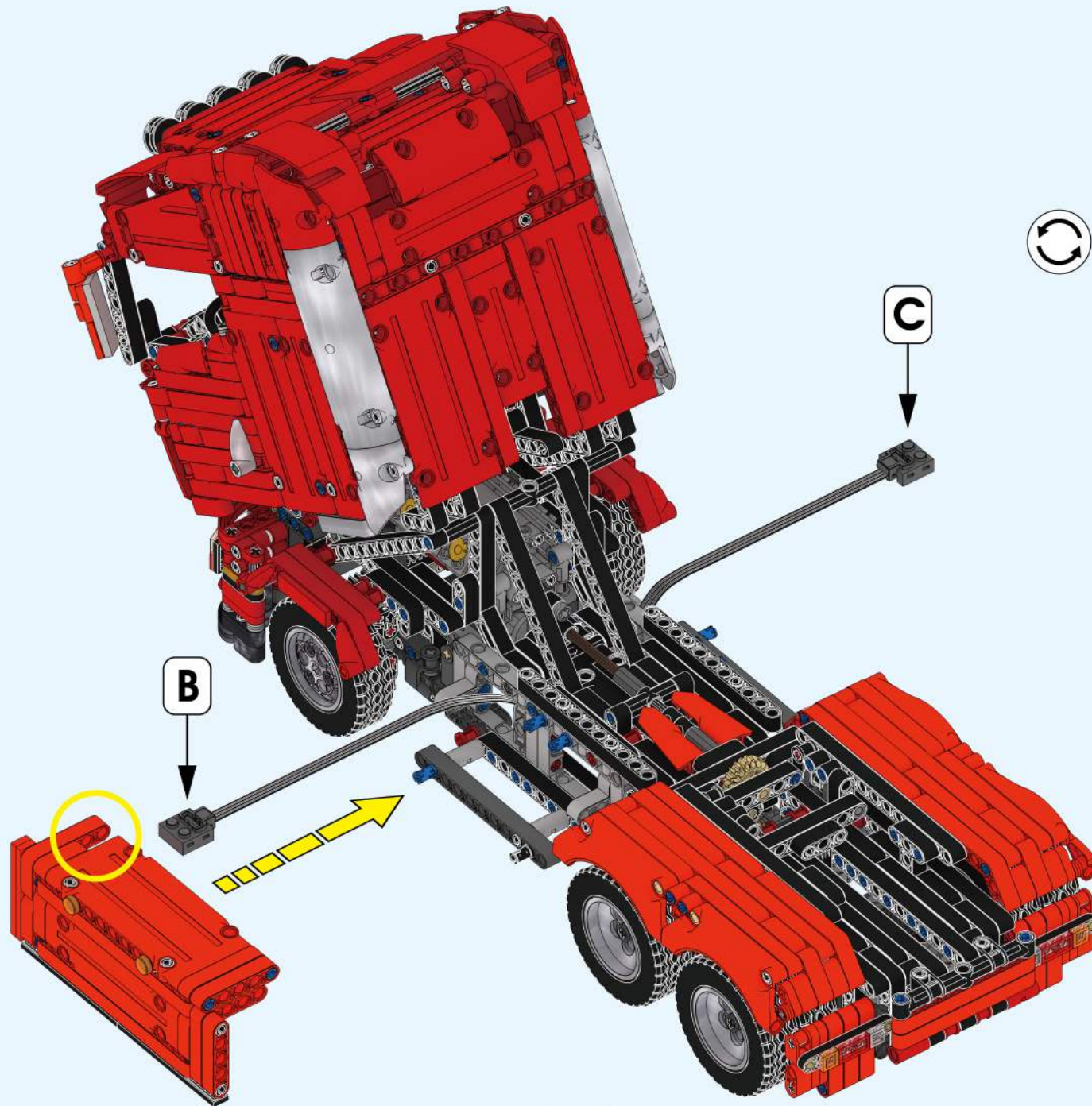
The following is the installation procedure of the motor.
The motor and battery need to be purchased separately.
以下为电机的安装步骤，电机和电池需要单独购买！

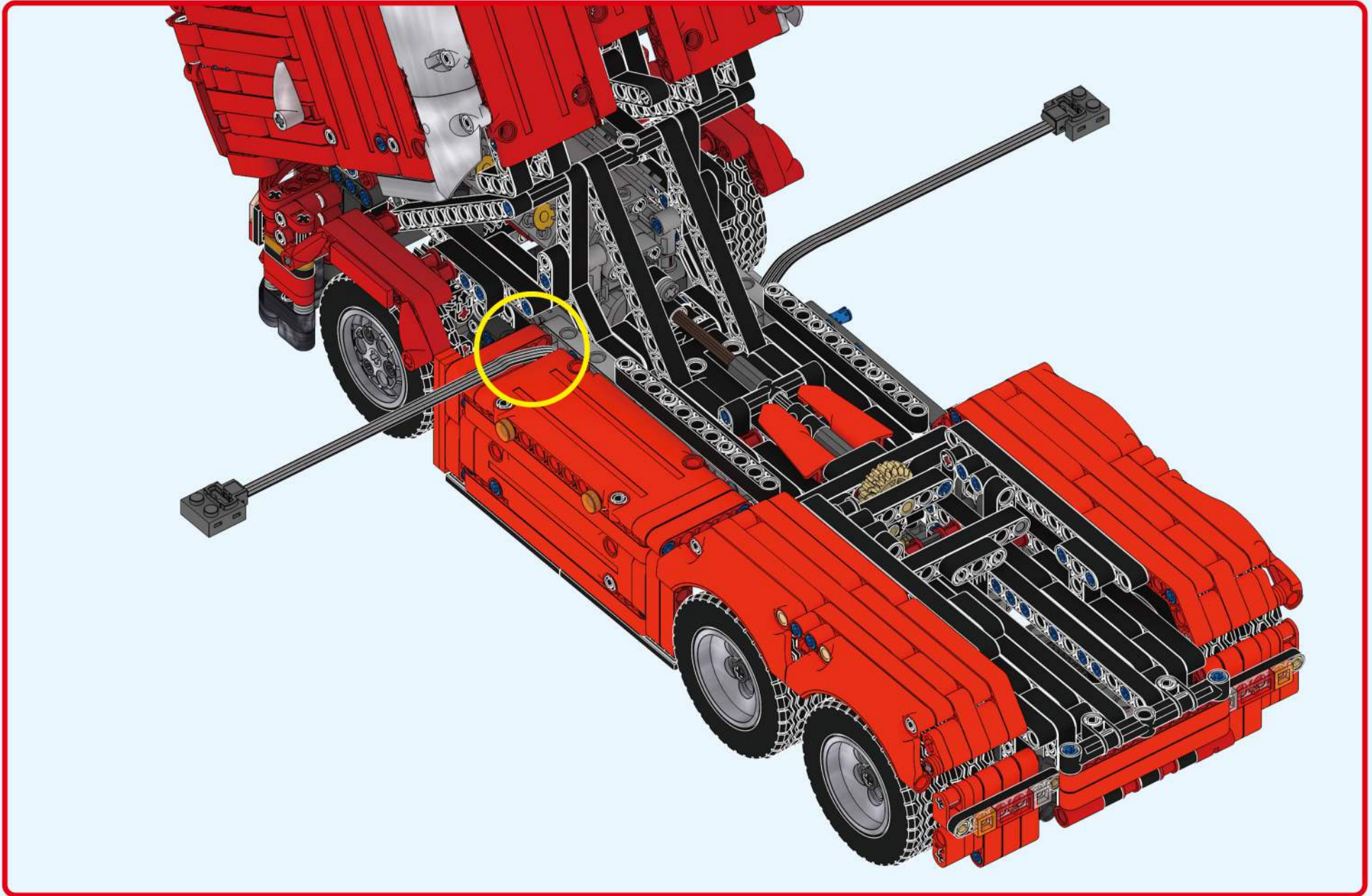


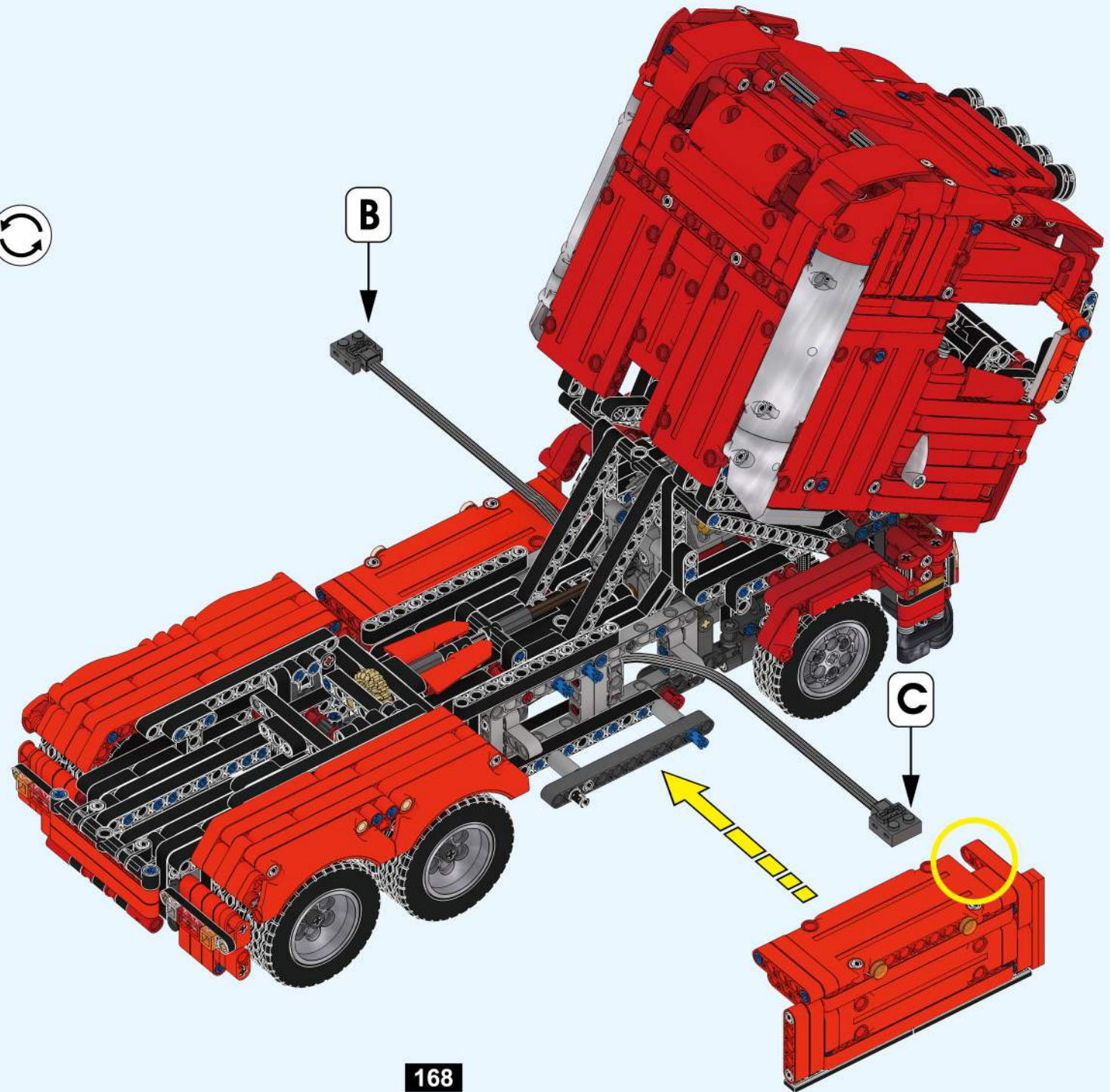


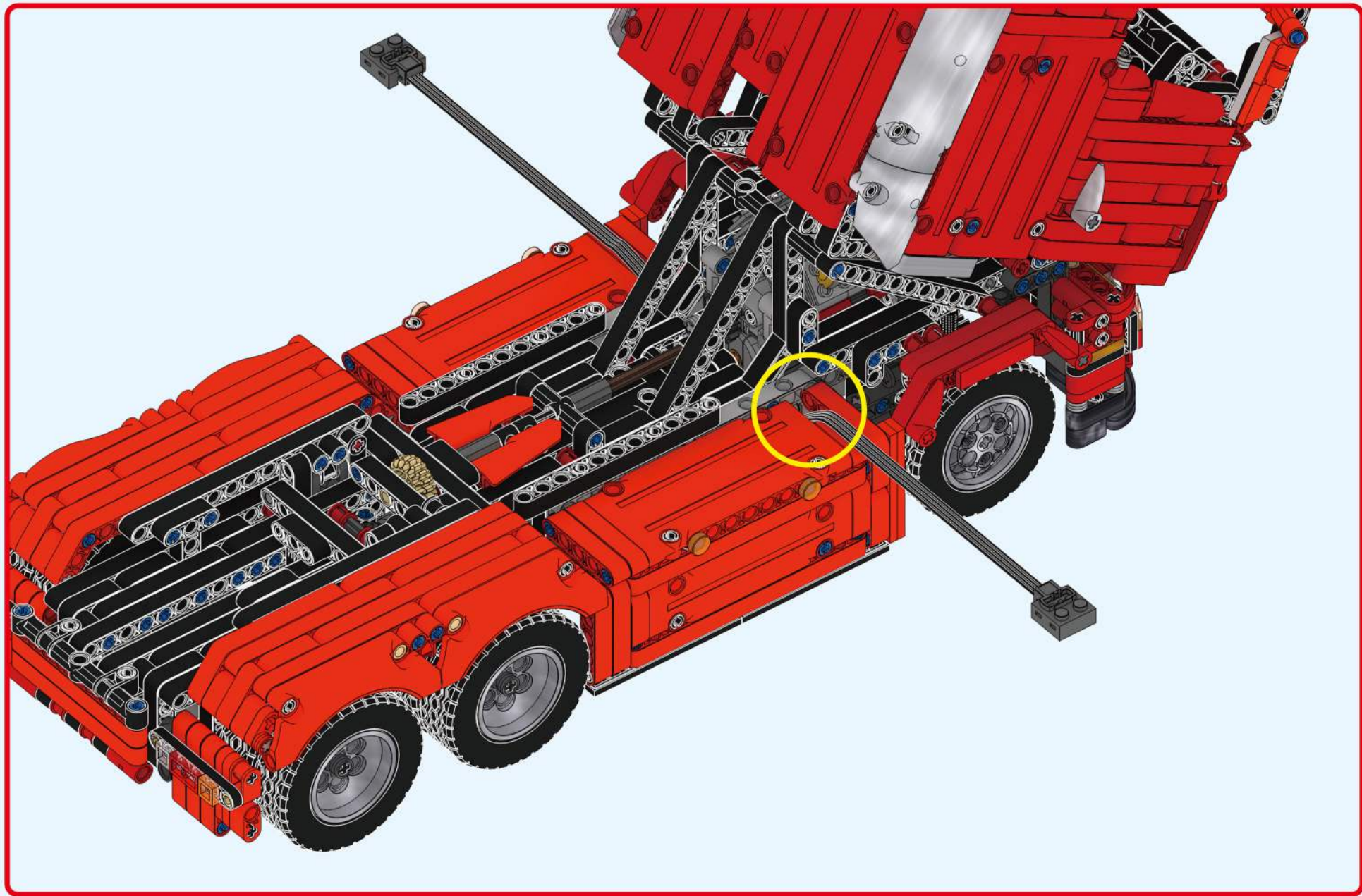
| 02 |

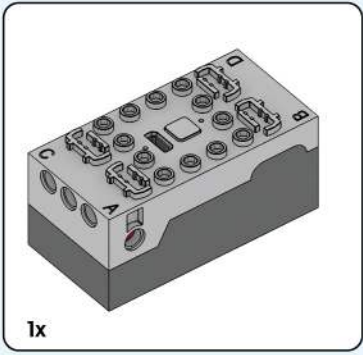






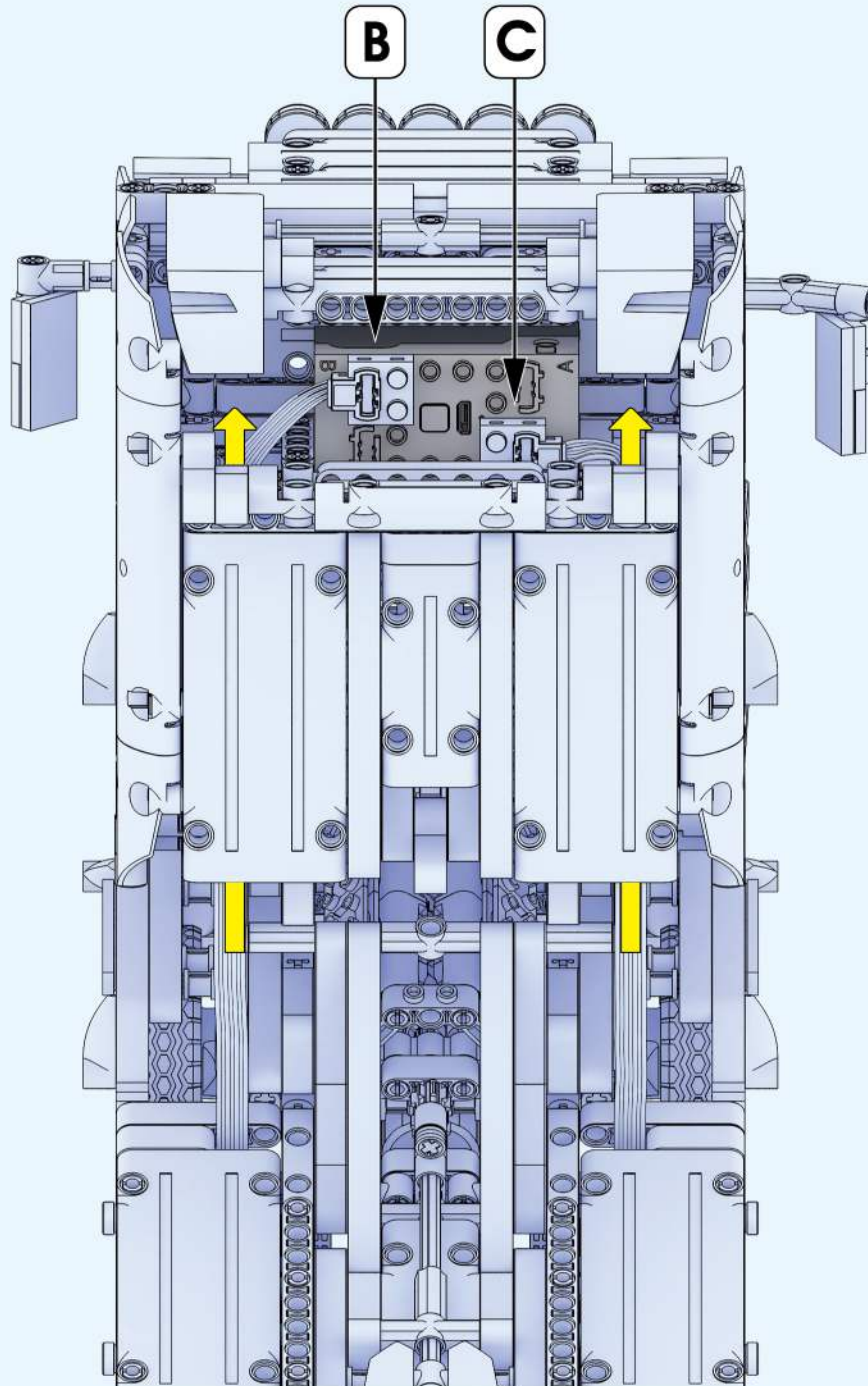


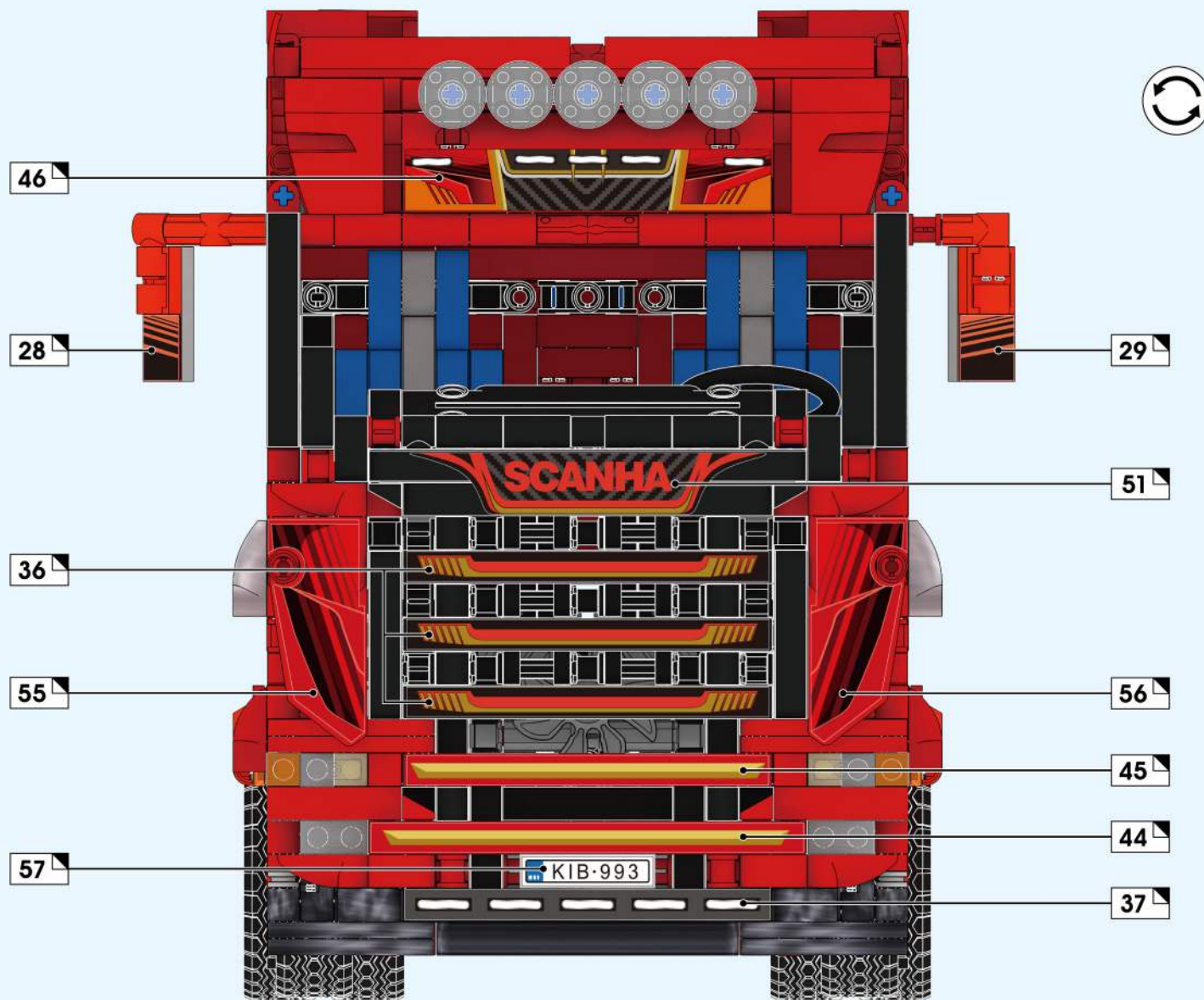


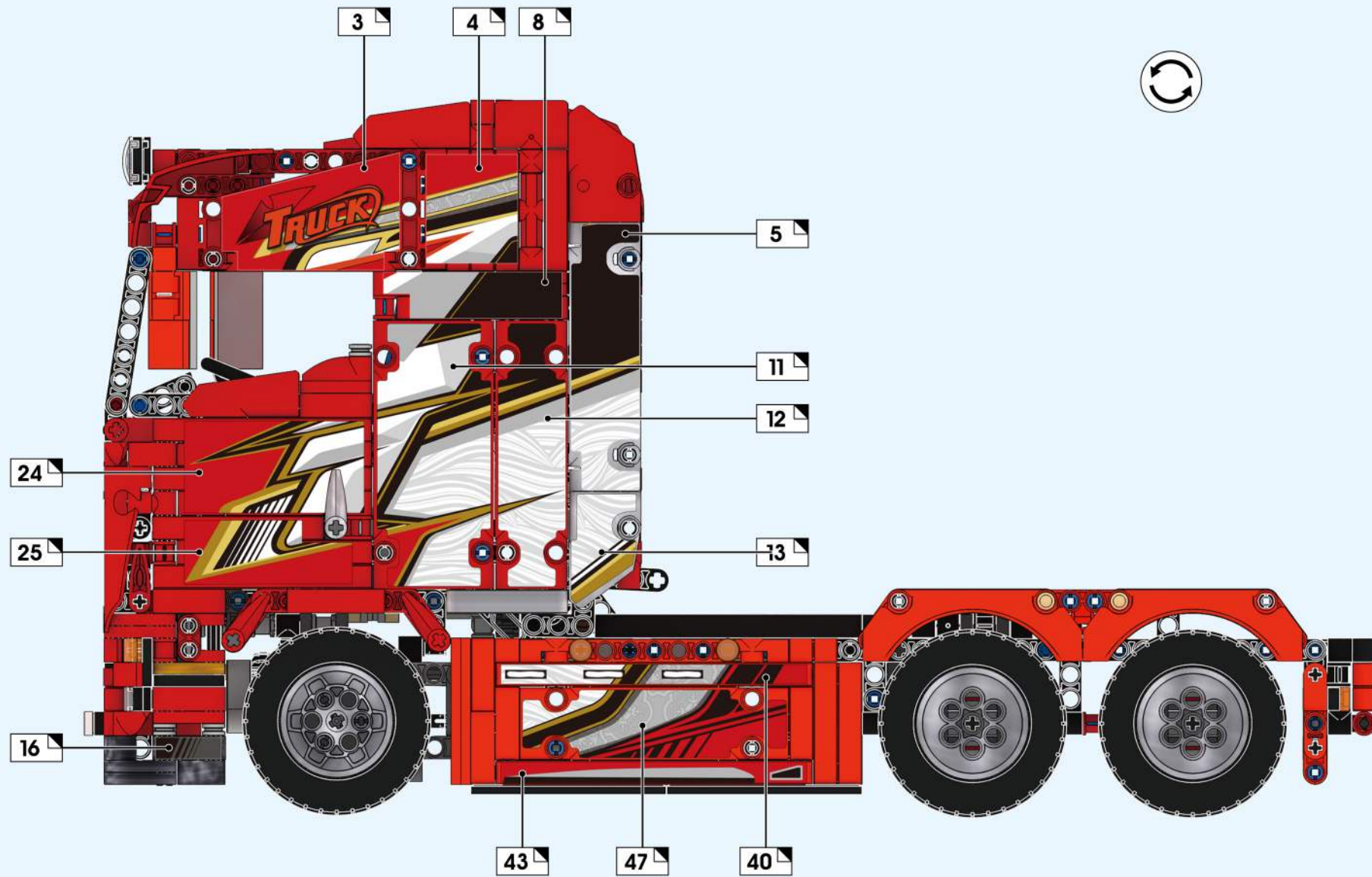


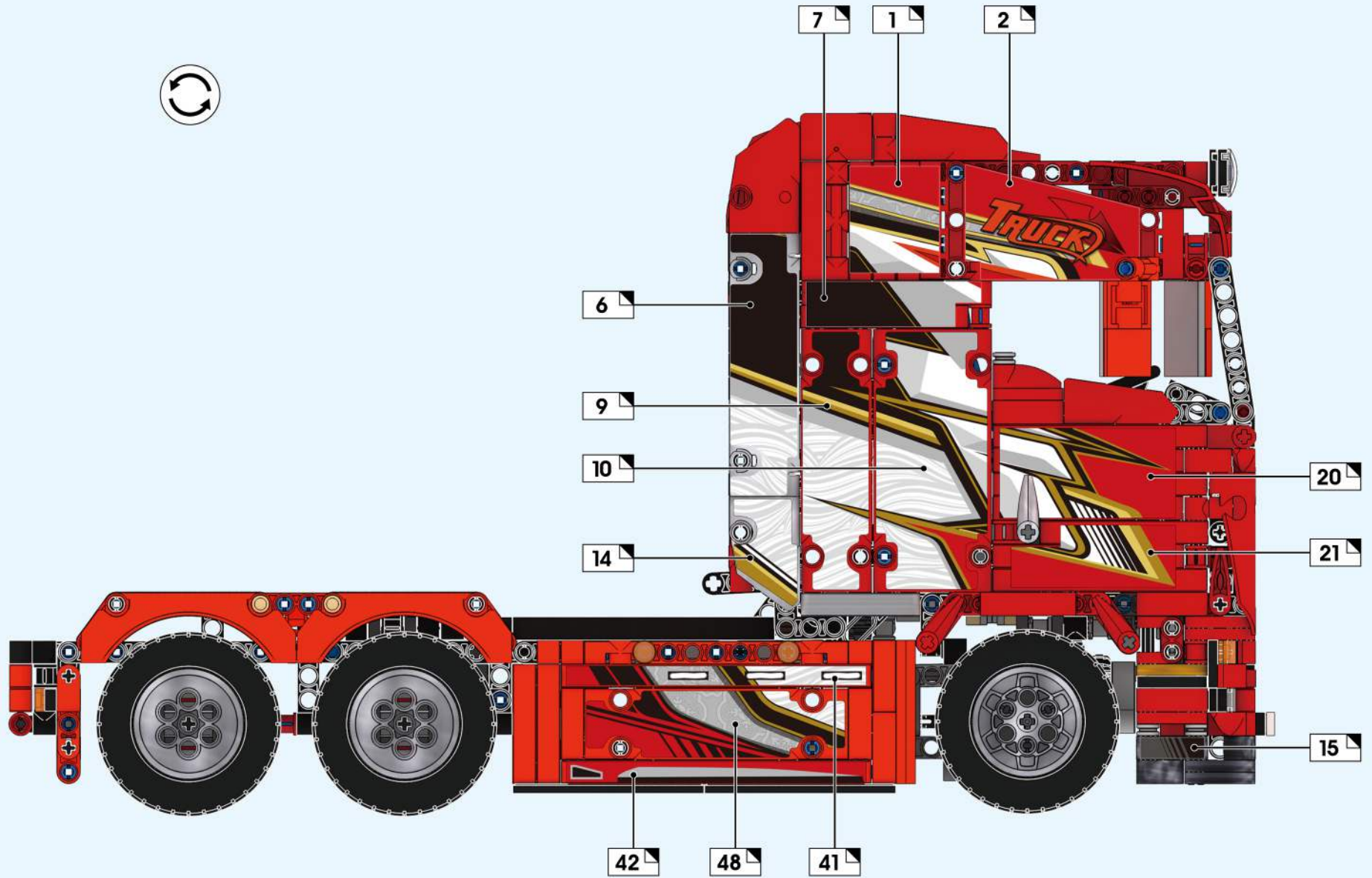
1x

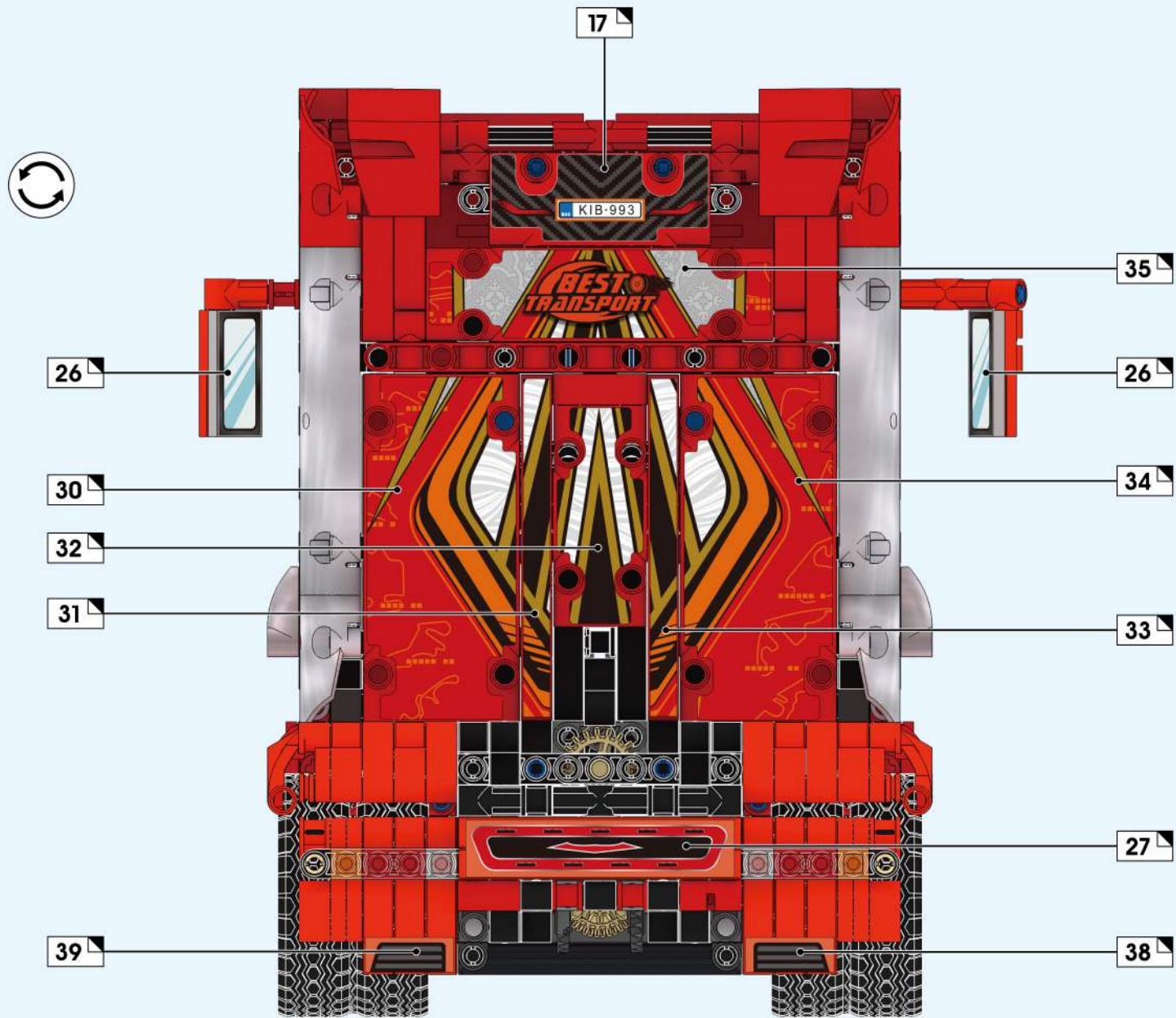
|05|

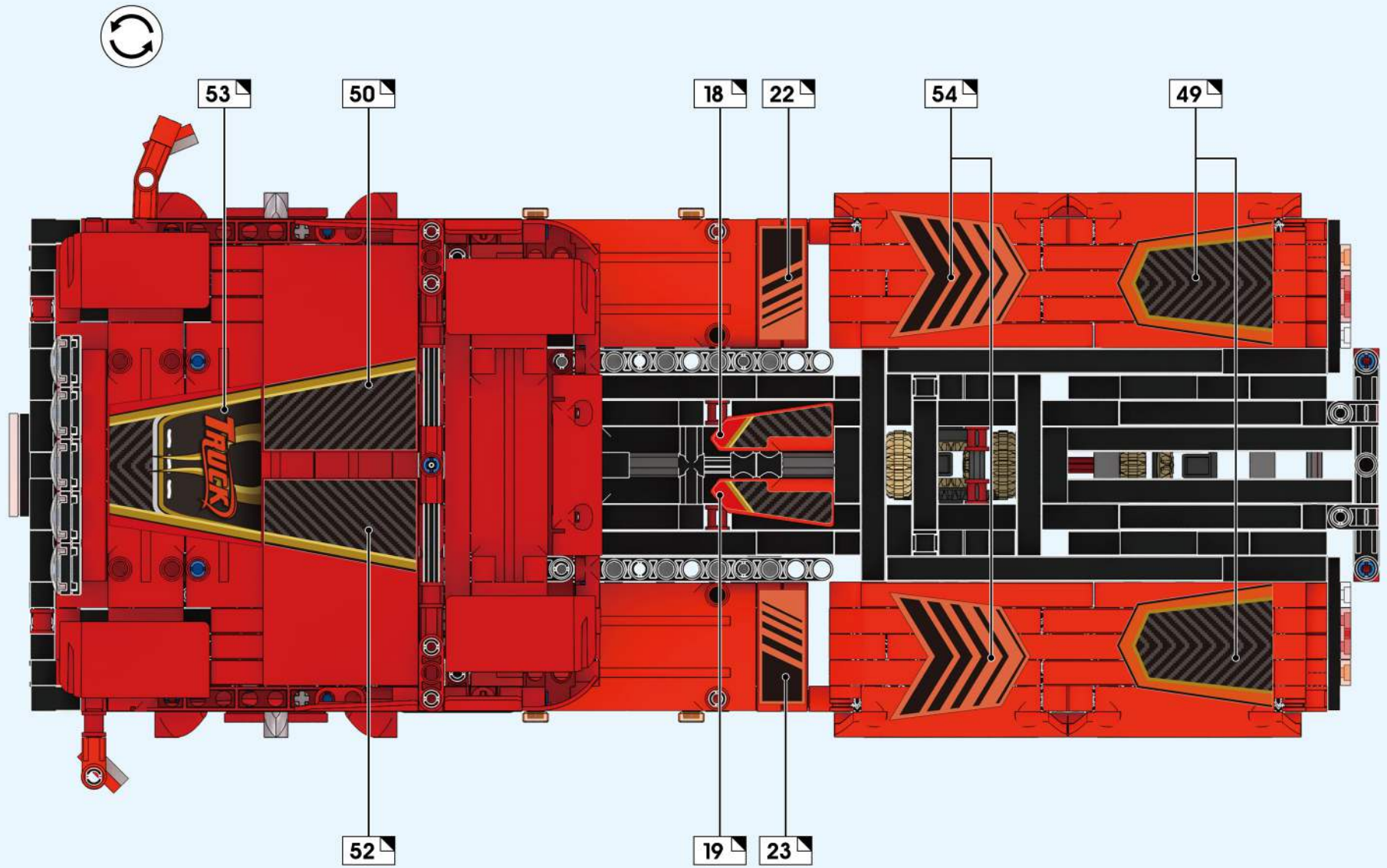


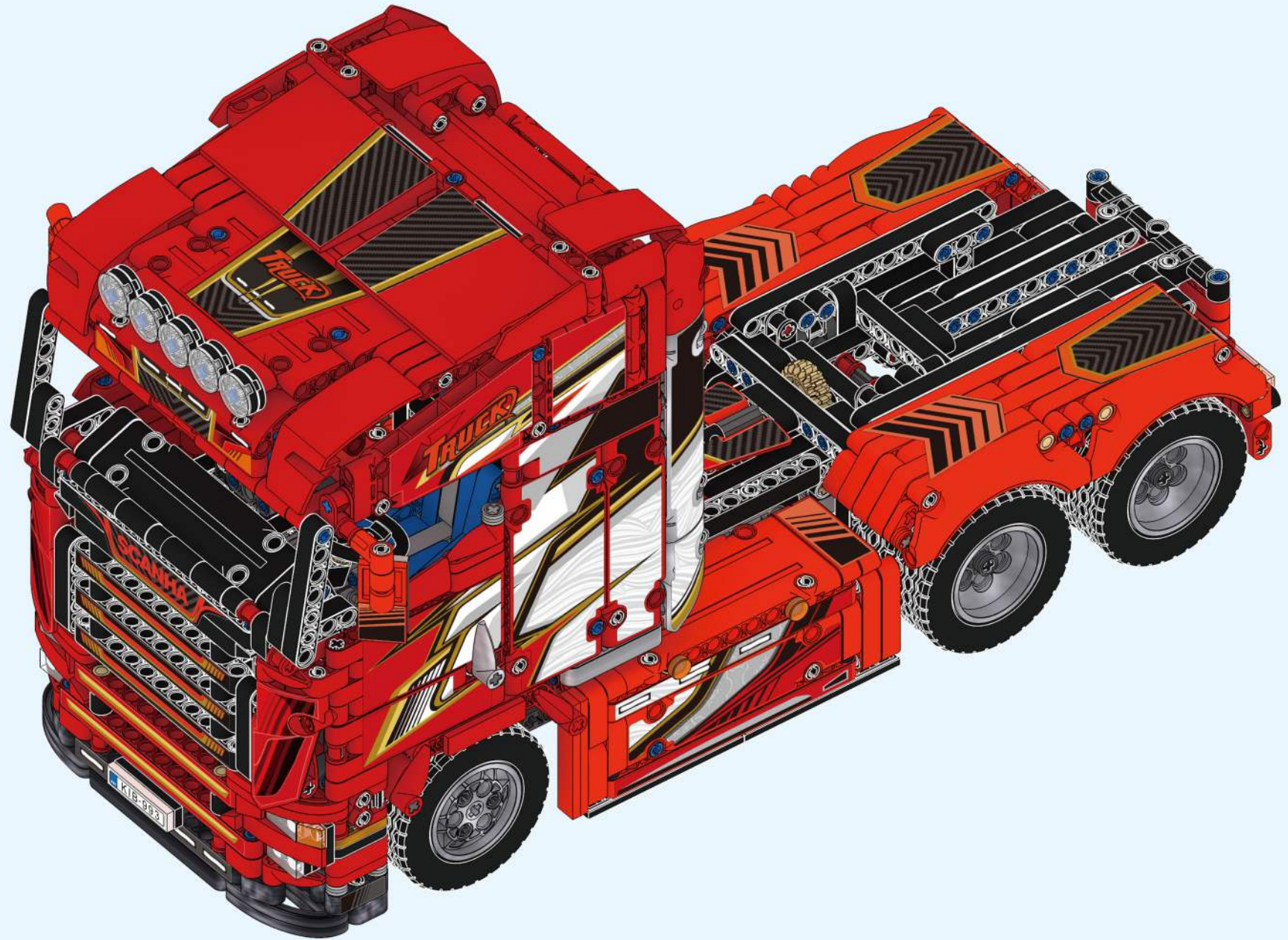


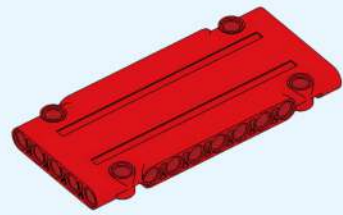




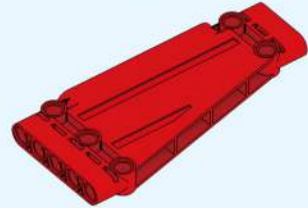




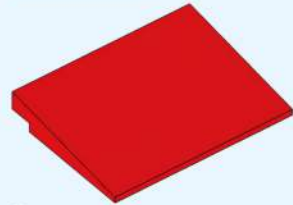




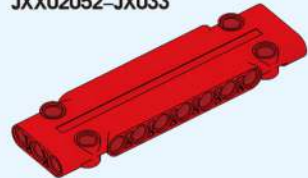
6x
JXX01450-JX033



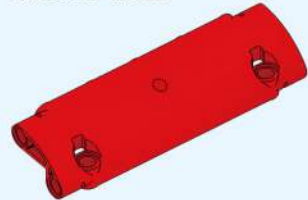
2x
JXX01514-JX033



2x
JXX02052-JX033



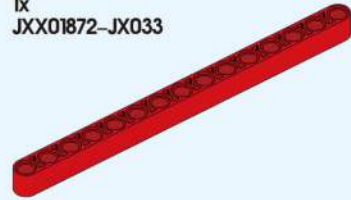
7x
JXX01463-JX033



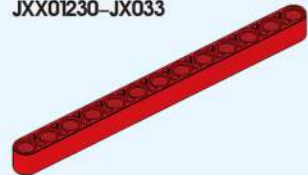
1x
JXX01446-JX033



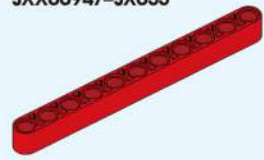
1x
JXX01872-JX033



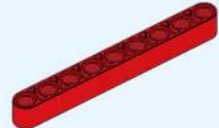
3x
JXX01230-JX033



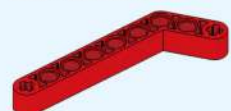
2x
JXX00947-JX033



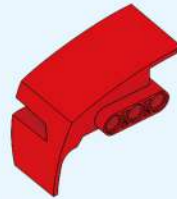
6x
JXX01381-JX033



8x
JXX01077-JX033



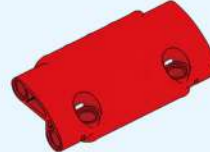
4x
JXX00260-JX033



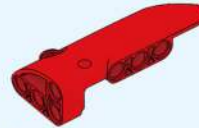
2x
JXX01763-JX033



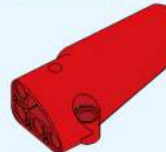
2x
JXX01762-JX033



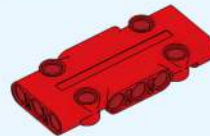
1x
JXX01443-JX033



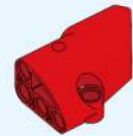
1x
JXX01504-JX033



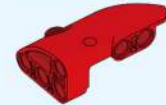
1x
JXX01503-JX033



1x
JXX01711-JX033



1x
JXX01436-JX033



1x
JXX01437-JX033



2x
JX00026-JX033



14x
JXX00671-JX033



4x
JXX00450-JX033



10x
JXX00530-JX033



4x
JXX01448-JX033



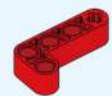
1x
JX00259-JX033



2x
JXX01356-JX033



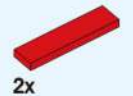
2x
JXX01355-JX033



10x
JXX00262-JX033



2x
JXX00311-JX033



2x
JX00007-JX033



2x
JXX01708-JX033



4x
JXX00797-JX033



2x
JXX00688-JX033



18x
JXX00261-JX033



4x
JXX00670-JX033



2x
JXX01435-JX033



3x
JXX01231-JX033



5x
JXX00376-JX033



42x
JXX00270-JX033



1x
JXX00804-JX033



2x
JXX00504-JX033



12x
JXX00269-JX033



4x
JXX00793-JX033



29x
JXX01362-JX033



2x
JXX01338-JX033



4x
JXX01433-JX033



4x
JXX00494-JX033



2x
JXX00591-JX033



2x
JXX01326-JX033



12x
JXX00957-JX033



2x
JX00022-JX033



10x
JXX01069-JX033



2x
JXX00980-JX033



8x
JXX00266-JX033



4x
JX00028A-JX033

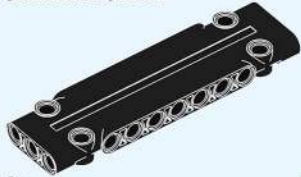
2x
JXX00800-JX033

29x
JXX00267-JX033

4x
JX00205-JX033



10x
JXX00672-JX042



2x
JXX01463-JX042



7x
JXX01230-JX042



1x
JXX01513-JX042



8x
JXX00947-JX042



4x
JXX00752-JX042



12x
JXX01381-JX042



6x
JXX01077-JX042



3x
JXX01424-JX042



9x
JXX00671-JX042



2x
JXX01970-JX042



4x
JX00016-JX042



2x
JXX00521-JX042



2x
JXX01516-JX042



24x
JXX00450-JX042



2x
JXX01454-JX042



1x
JXX01400-JX042



4x
JX00265-JX042



5x
JXX00530-JX042



2x
JX00027-JX042



2x
JXX01447-JX042



2x
JXX01420-JX042



11x
JX00259-JX042



9x
JXX00262-JX042



12x
JXX00688-JX042



7x
JXX00451-JX042



4x
JXX00802-JX042



4x
JXX00261-JX042



7x
JXX01231-JX042



1x
JX00031-JX042



2x
JXX01199-JX042



2x
JXX00670-JX042



2x
JX00036-JX042



4x
JXX00376-JX042



2x
JXX00793-JX042



6x
JXX01338-JX042



16x
JXX00846-JX042



2x
JXX00818-JX042



6x
JXX00494-JX042



10x
JXX00266-JX042



2x
JX00178-JX042



5x
JXX00380-JX042



5x
JXX00379-JX042



4x
JXX00178-JX042



7x
JXX01433-JX042



2x
JXX01070-JX042



4x
JX00022-JX042



2x
JXX00504-JX042



10x
JXX01069-JX042



4x
JXX00407-JX042



4x
JXX00269-JX042



2x
JXX00026-JX042



2x
JXX00598-JX042



259x
JX00148-JX042



2x
JX00205-JX042



4x
JXX00800-JX042



2x
JX00048-JX042



13x
JX00028A-JX042



4x
JXX00521-JX016



4x
JXX00530-JX016



8x
JXX00261-JX016



262x
JXX00502-JX016



45x
JXX0169-JX016



32x
JXX00265-JX016



12x
JXX00383-JX039



4x
JXX00285-JX039



2x
JXX00845-JX039



3x
JXX00389-JX039



9x
JXX00283-JX039



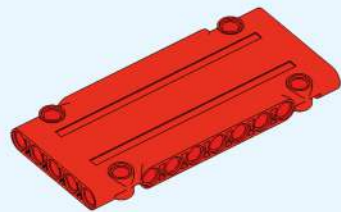
4x
JX0014A-JX039



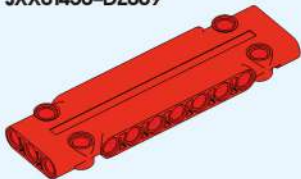
4x
JXX01218-JX039



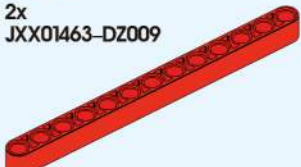
3x
JXX00968-JX039



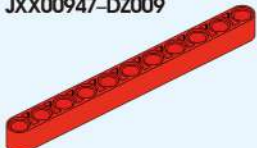
2x
JXX01450-DZ009



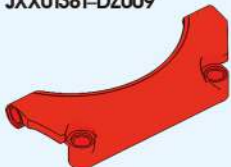
2x
JXX01463-DZ009



4x
JXX00947-DZ009



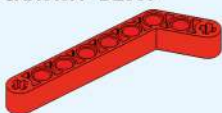
2x
JXX01381-DZ009



4x
JXX01532-DZ009



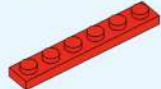
8x
JXX01077-DZ009



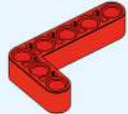
6x
JXX00260-DZ009



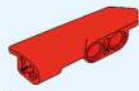
2x
JXX0146-DZ009



2x
JXX00003-DZ009



4x
JXX00450-DZ009



1x
JXX01356-DZ009



1x
JXX01355-DZ009



14x
JXX00530-DZ009



4x
JXX00798-DZ009



12x
JXX00261-DZ009



2x
JXX00586-DZ009



2x
JXX00386-DZ009



1x
JXX00588-DZ009



2x
JXX00818-DZ009



1x
JXX00178-DZ009



1x
JXX01069-DZ009



2x
JXX00266-DZ009



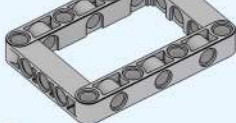
8x
JXX00494-DZ009



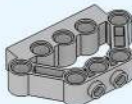
4x
JXX00407-DZ009



4x
JXX000288-DZ009



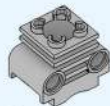
7x
JXX01457-JX020



2x
JXX01525-JX020



2x
JXX01447-JX020



8x
JXX01508-JX020



1x
JXX00852-JX020



2x
JXX00473-JX020



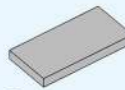
2x
JXX00530-JX020



2x
JXX01517-JX020



2x
JXX00262-JX020



2x
JXX00396-JX020



5x
JXX00451-JX020



4x
JXX00688-JX020



2x
JXX00670-JX020



15x
JXX00692-JX020



6x
JXX01231-JX020



4x
JXX01078-JX020



2x
JXX00178-JX020



4x
JXX00269-JX020



2x
JXX00494-JX020



8x
JXX00407-JX020



4x
JXX00705-JX020



8x
JXX01206-JX020



2x
JXX00504-JX020



8x
JXX01510-JX020



2x
JXX00756-JX020



4x
JXX00028A-JX020



7x
JXX00028B-JX020



1x
JXX01381-JX047



1x
JXX01077-JX047



4x
JXX01448-JX047



2x
JXX00261-JX047



4x
JXX00269-JX047



4x
JXX00494-JX047



1x
JXX00483-JX046



1x
JXX00007-JX014



2x
JXX01198-JX037



8x
JXX01509-JX037



2x
JXX00805-JX037



5x
JXX00038-JX067



4x
JXX00017-JX067



2x
JXX00048-JX067



2x
JXX00205-JX059



2x
JXX00048-JX059



4x
JXX00356-JX059



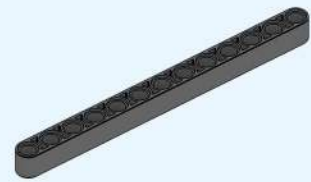
2x
JXX00793-JX004



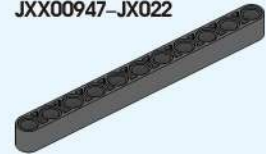
2x
JXX00022-JX061



2x
JXX00022-JX062



1x
JXX00947-JX022



3x
JXX01381-JX022



2x
JXX01344-JX022



3x
JXX01445-JX022



4x
JXX00450-JX022



2x
JXX01439-JX022



4x
JXX00262-JX022



8x
JXX00453-JX022



14x
JXX00670-JX022



1x
JXX01231-JX022



2x
JXX00261-JX022



2x
JXX00919-JX022



4x
JXX01338-JX022



1x
JXX00178-JX022



24x
JXX00793-JX022



4x
JXX00266-JX022



6x
JXX00494-JX022



2x
JXX00178-JX022



12x
JXX00504-JX022



32x
JXX00288-JX022



2x
JXX00800-JX022



2x
JXX01211-JX022



4x
JX00028A-JX022



8x
JX00028B-JX022



2x
JXX01446-JX034



1x
JXX01437-JX034



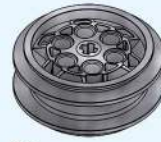
1x
JXX01436-JX034



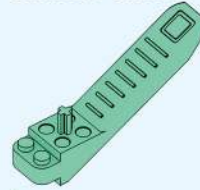
2x
JXX00530-JX034



2x
JXX00957-JX034



10x
JXX00674-JX009

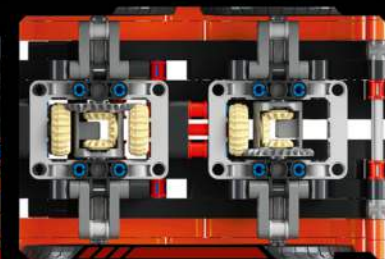


1x
JXX02213-DZ005



SCANIA TRACTOR — TRUCK

BUILD AND DISPLAY



ATTENTION:

- EN** ⚠ **Warning!** CHOKING HAZARD - Small parts. Not for children under 3 years old. Packing must be retained since it contains important information.
- FR** ⚠ **Avertissement!** Risque d'étouffement - petites pièces attachées à l'intérieur. Ne convient pas aux enfants de moins de 3 ans. Cette boîte contient des informations importantes, veuillez la conserver pour référence future.
- DE** ⚠ **Achtung!** Erstickungsgefahr - Kleinteile. Nicht für Kinder unter 3 Jahren. Bitte bewahren Sie die Packung für weitere Verwendung, die enthält wichtige Informationen und Warnhinweise.
- ES** ⚠ **Advertencia!** Peligro de asfixia - piezas pequeñas unidas en el interior. No apto para niños menores de 3 años. Esta caja contiene información importante, por favor guárdela para futuras referencias.
- IT** ⚠ **Avvertenza!** Pericolo di soffocamento - montaggio di piccole parti che non possono essere utilizzate da bambini di età inferiore a 3 anni. Questo pacchetto contiene informazioni importanti e vi prego di riservarlo per futuri usi di riferimento.
- JP** ⚠ **注意事項!** 窒息の危険があります。小さい部品がありますので、三歳以下の子供に適用する玩具でございません。パッケージには重要な情報がありますので、参考するため、しっかり保存してください。

