

# queen anne's revenge

| 40003 | 2414 +Pcs



JMBricklayer



*Age of Exploration*

**WARNING:** CHOKING HAZARD.  
Toy contains small parts and a small ball.  
Not for children under 3 years.

**14+**  
**AGES**



Embrace Relaxation  
Embrace Joy



Every adultescent needs a "JOY BOX".  
Please, open your JOY BOX!



Heading for joy.  
Welcome to the Unzip Club.







Contact us can visit [www.jmbricklayer.com](http://www.jmbricklayer.com) email [Service@jmbricklayer.com](mailto:Service@jmbricklayer.com) or via our app **JMBricklayer**

Welcome each and every one who came to discuss business cooperation via email [Business@jmbricklayer.com](mailto:Business@jmbricklayer.com).

You can find us on Facebook and Twitter to get latest products information and activities. Search **JMBricklayer** on Facebook and Twitter.

If you find something was missing or broken from your new set. We do our best to make every set perfect and we take it very seriously when a faulty one sneaks through. Don't worry though, we can send you the parts you need!

Please upload a complete description of the part along with the set number via email: [Service@jmbricklayer.com](mailto:Service@jmbricklayer.com) or our app **JMBricklayer**

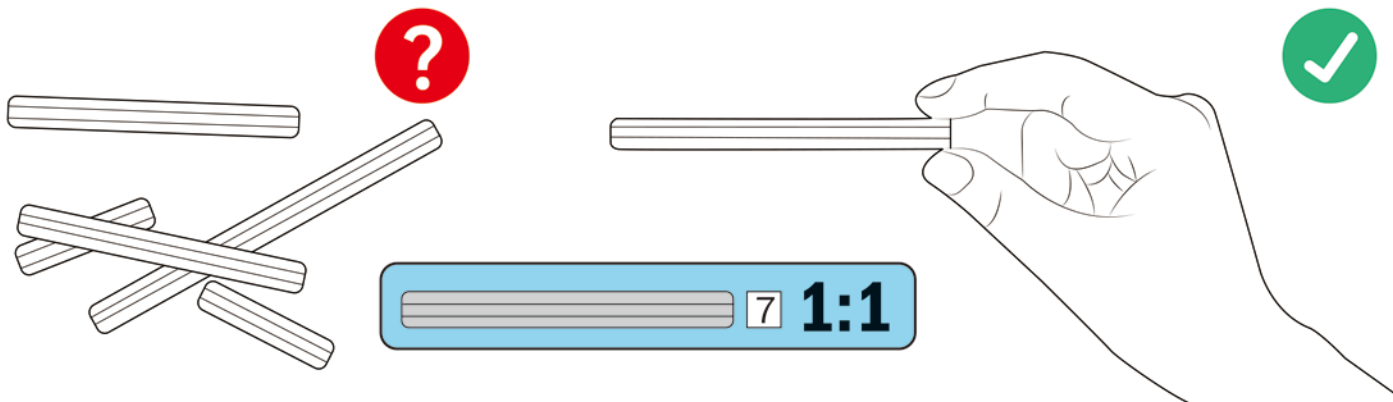
Once your part is on its way we'll send you a shipping confirmation email.

## PART ASSEMBLY ORDER



The color of the bags shown in the image is for reference only (subject to the actual product).

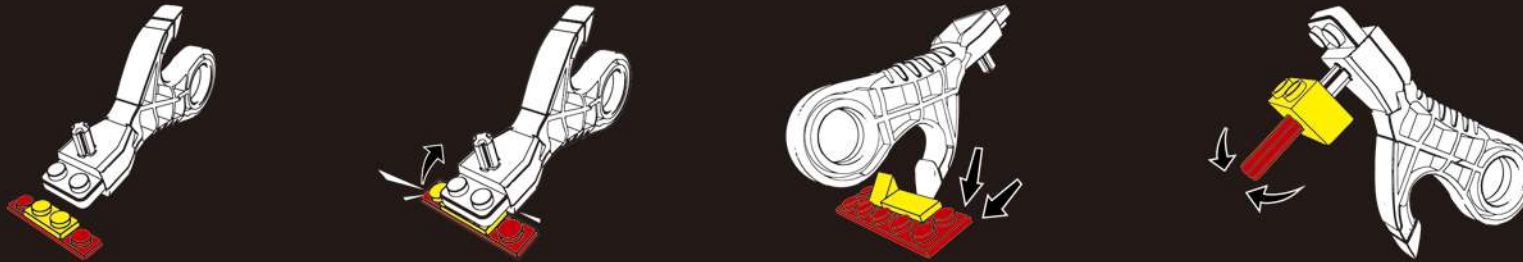
## BRICK COMPARISON UNITS



## USAGE OF BRICK SEPARATOR



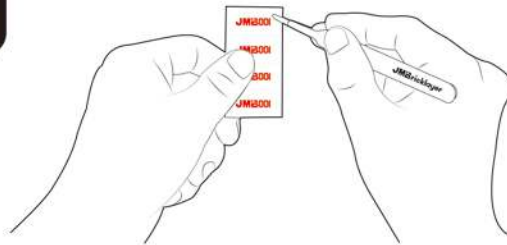
**JOY MAKES**  
BRILLIANCE.



The shape and color of the accessories shown in the image are for reference only (subject to the actual product).

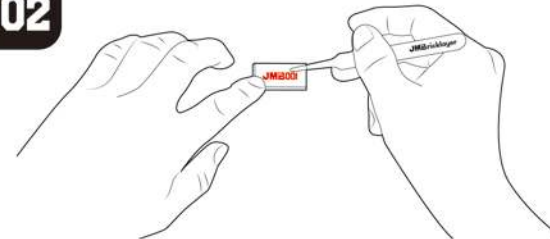
## STICKER INSTRUCTION

01



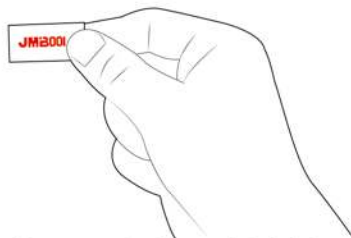
Pick up the transparent edge of the sticker with tweezers.

02



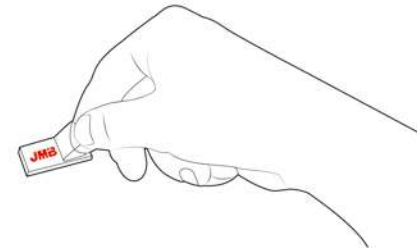
Align the position and stick it to the brick.

03



Press the sticker to make them stick tightly together.

04



Tear off the transparent film.

**Note:** Some sets come with fully printed brick pieces, in these cases, there are no stickers/decals. Please refer to the actual product for details.



# USER INSTRUCTION

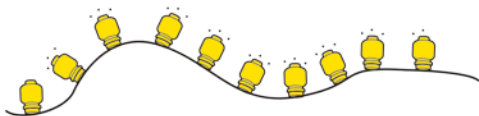


**JOY MAKES**  
BRILLIANCE.

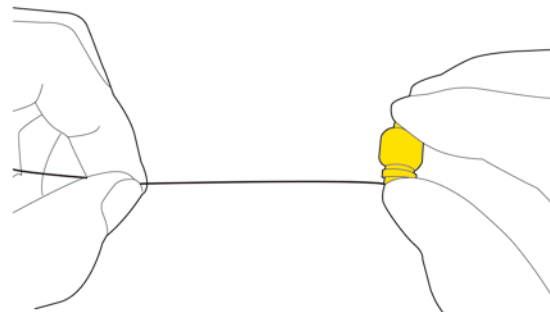
Please read the following carefully before installing the lights.

## CAUTION:

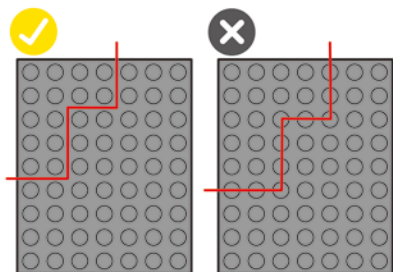
The battery is not replaceable.



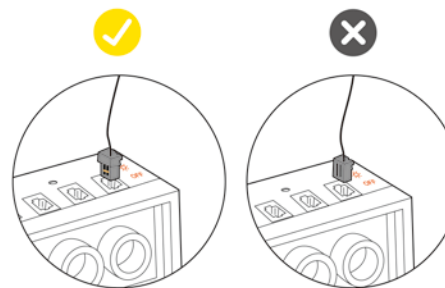
Before installing, please connect to the power supply and test the lights to make sure everything functions properly. If the lights do not work, please refer to the TROUBLESHOOTING or contact us.



LED components are delicate, so please take extra care when installing, no hard pulling, no bending or shaking.



Hide the spare wire under the bricks: when installing, please make sure that the wire is laid between two studs of the bricks, but not pressed by the bricks directly.



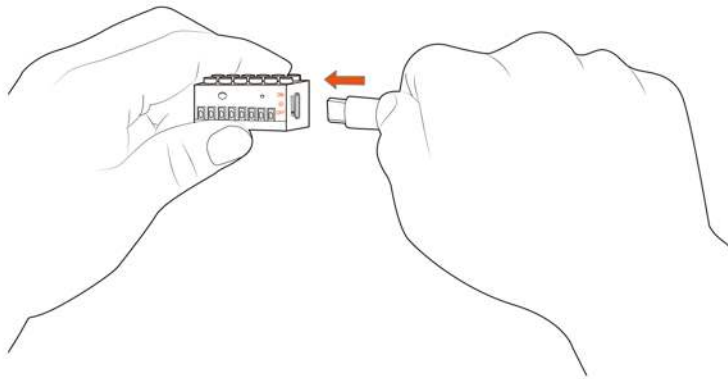
Connectors can be plugged into ports of the expansion board in only one certain way. Make sure its direction is correct before plugging.

Tips: if the connector doesn't fit easily into a port, don't force it.

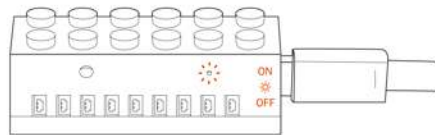
# USER INSTRUCTION



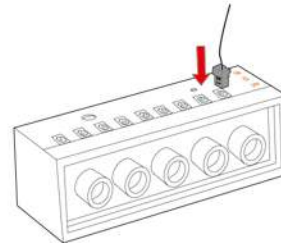
**JOY MAKES BRILLIANCE.**



When connecting to power, the input voltage must be less than 5V, otherwise, it may damage the components of the battery brick.

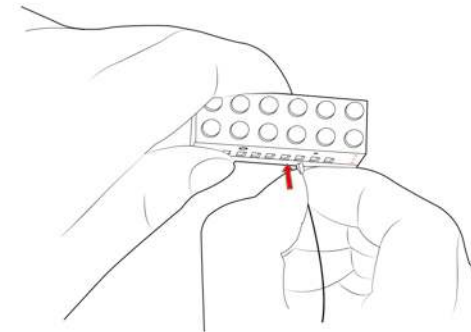


During charging, the indicator light will stay on with a red light. Once fully charged, the red light will turn off.

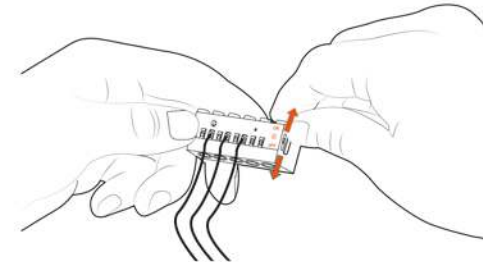


Connectors can be plugged into ports on the battery brick in only one certain way. Make sure its direction is correct before plugging.

Tips: if the connector doesn't fit easily into a port don't force it



When plugging and unplugging the wire connectors, gently pull on the white connector with your fingers. Be sure not to pull the light wire with force, as this could break the wire.



These three modes meet versatile usage scenarios, catering to different needs, whether constant illumination, energy-saving automation, or complete shutdown.

**Note:** When in use, the voltage must be less than 5V. Not for children under eight.

## LIGHTING FUNCTION DISPLAY



In this mode, the lights remain continuously illuminated once turned on, providing steady illumination until manually switched off.



This mode activates the light only when ambient lighting is low, automatically turning on during nighttime or in dark conditions and switching off in bright environments, effectively saving power.



Selecting this mode completely turns off the device, ensuring no power consumption occurs until the user manually activates it.

**BATTERY BOX NAME:** Integrated Battery Brick

**RATED CAPACITY:** 150mAh

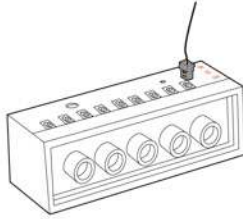
**BATTERY RATED VOITAGE:** 3.7V

## TROUBLESHOOTING



**JOY MAKES**  
BRILLIANCE.

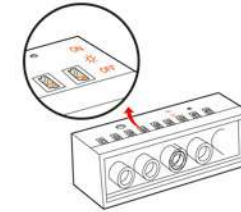
Due to their small size, lighting accessories are susceptible to damage during installation. Common causes of failure include:



Ensure that the connectors are correctly installed as shown in the picture.



Check if the wires are disconnected or broken from the solder joints.



Check the internal pins of the ports on the battery brick. The internal pins of a properly working port should be straight, if the small pins are bent, they may be considered faulty ports.

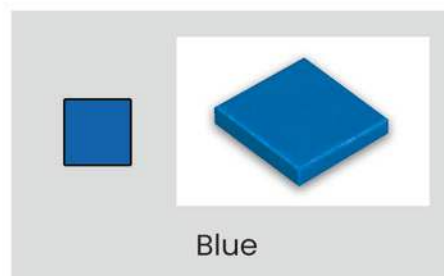
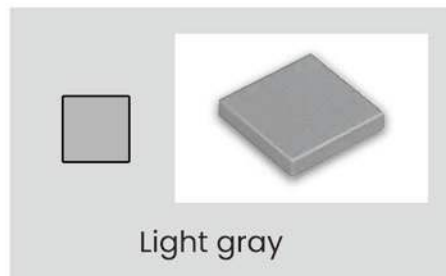
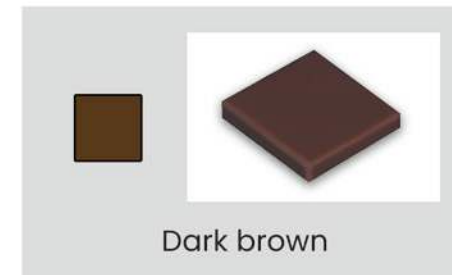
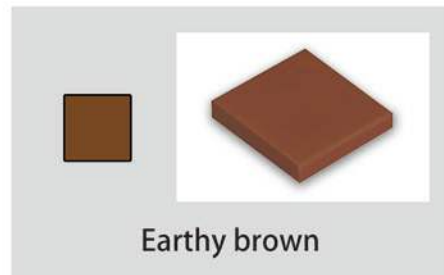
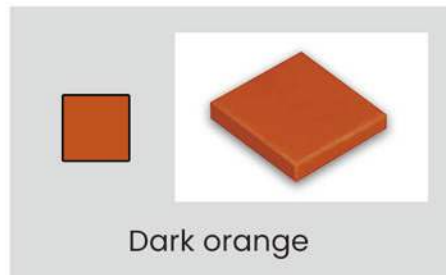
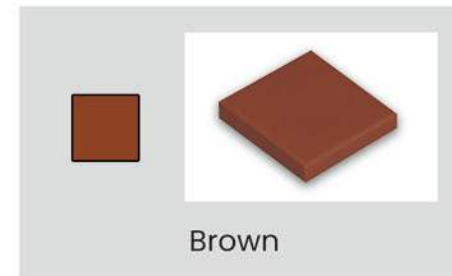
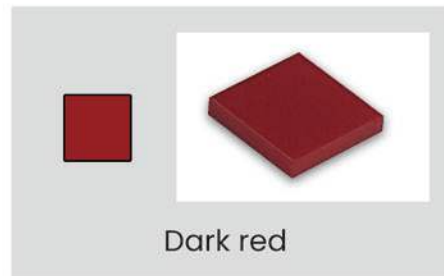
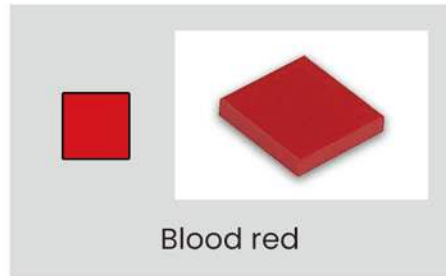
If you have checked each string of lights according to the guide above and the lights are still not working, please contact our customer service for assistance.

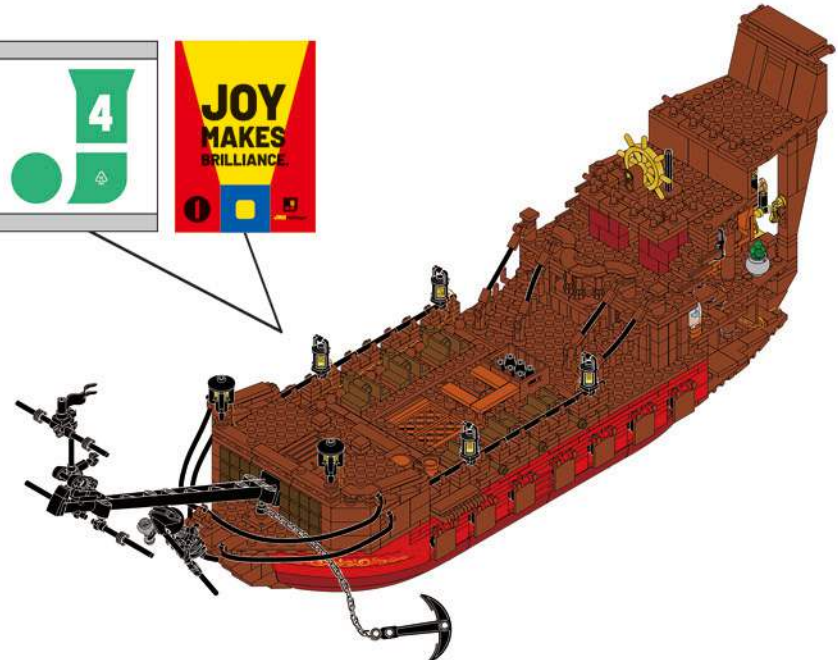
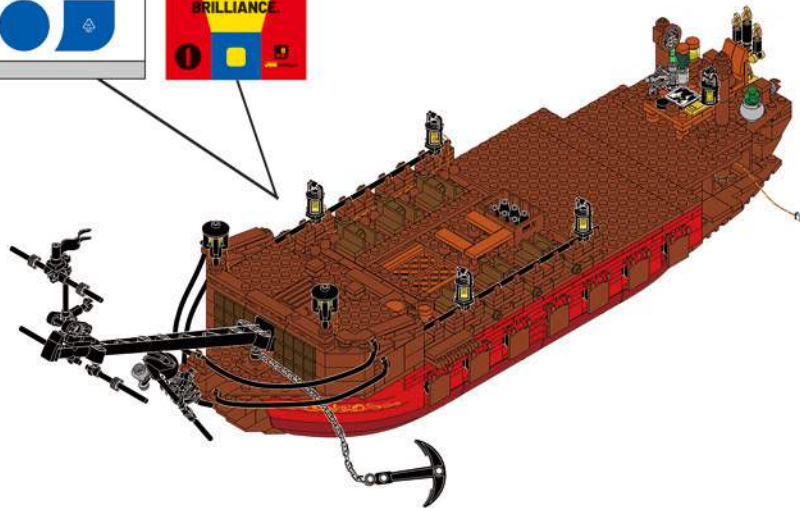
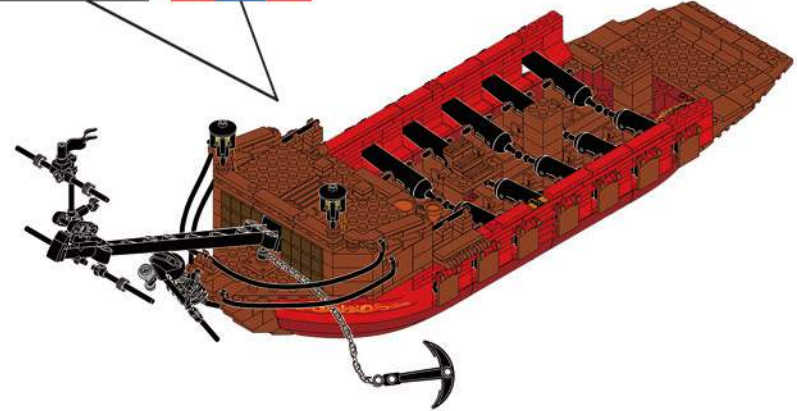
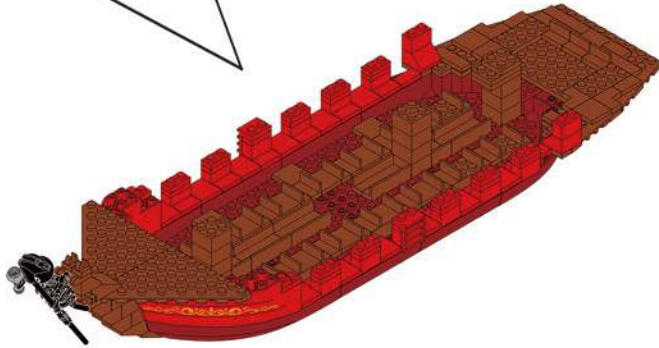
## SAFETY PRECAUTIONS

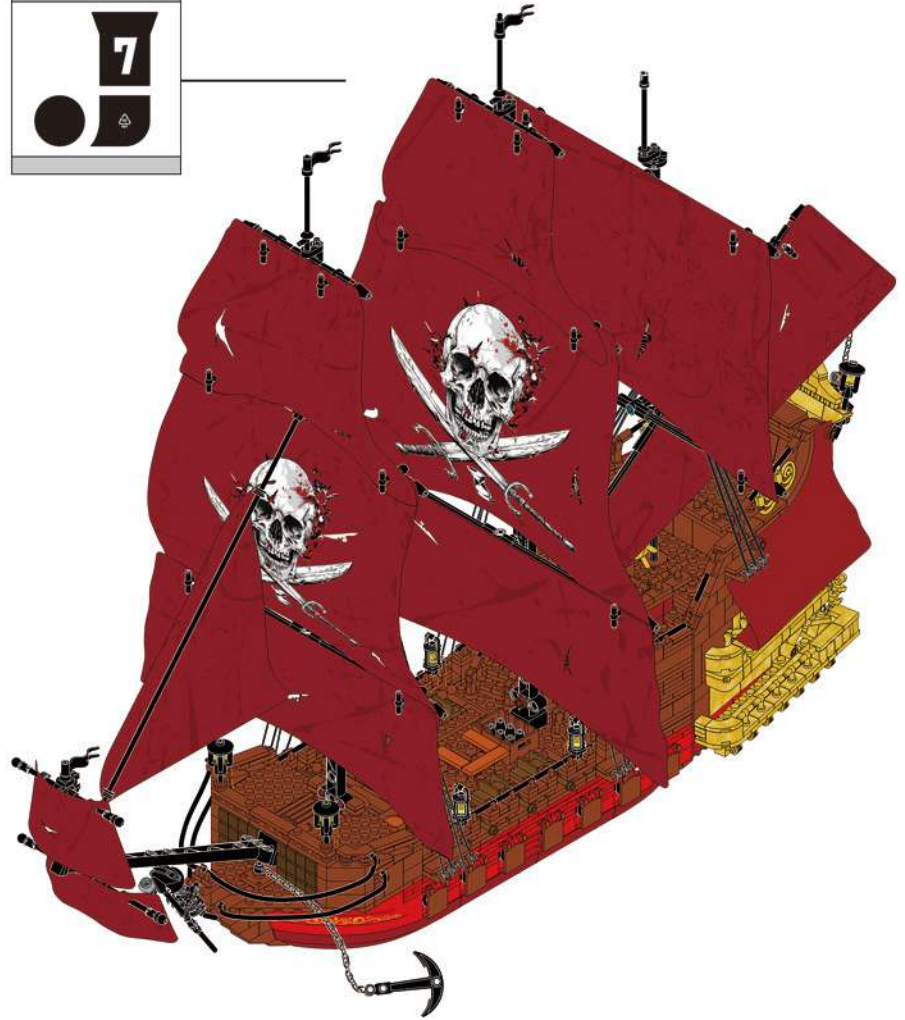
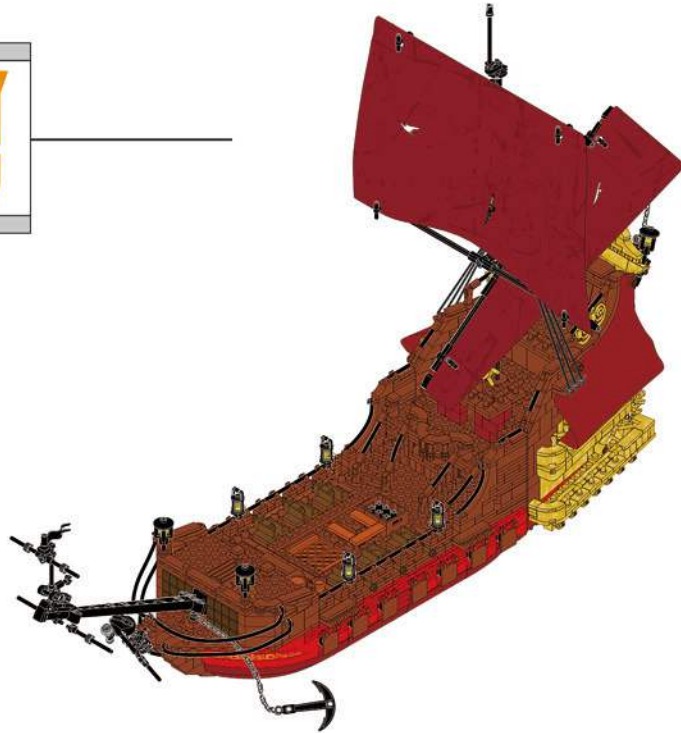
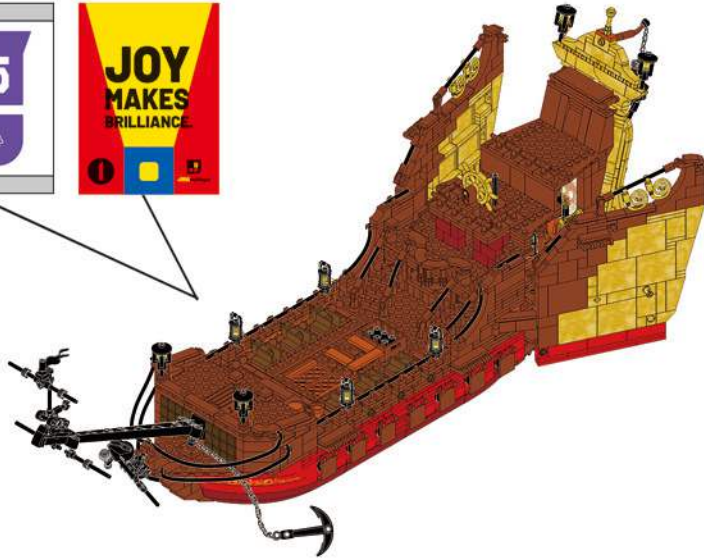
- 1 Before use, verify the voltage to avoid damage to the product and potential safety hazards. The light set must only be powered by a 5V DC (or lower) power supply. Otherwise, the resistors may overheat and burn out, shortening the lifespan of the LED beads.
- 2 The lights in the product are not replaceable. If they are damaged or not lighting up, please refer to the troubleshooting section or contact our customer service for assistance.
- 3 Avoid pulling on the lighting wires as this may cause damage.
- 4 Do not expose the product to water as it may damage the product.
- 5 If the plug does not fit easily into the ports on the board, reverse the direction and insert it again to avoid damage and short circuits, rather than forcing it in.
- 6 Please read and follow the instructions carefully during building to ensure a good building experience.

# COLOR COMPARISON

The color used in this manual is slightly different from the actual color of the parts. The white background photo in the legend below is the actual part, you can refer to the following diagram to identify the parts.



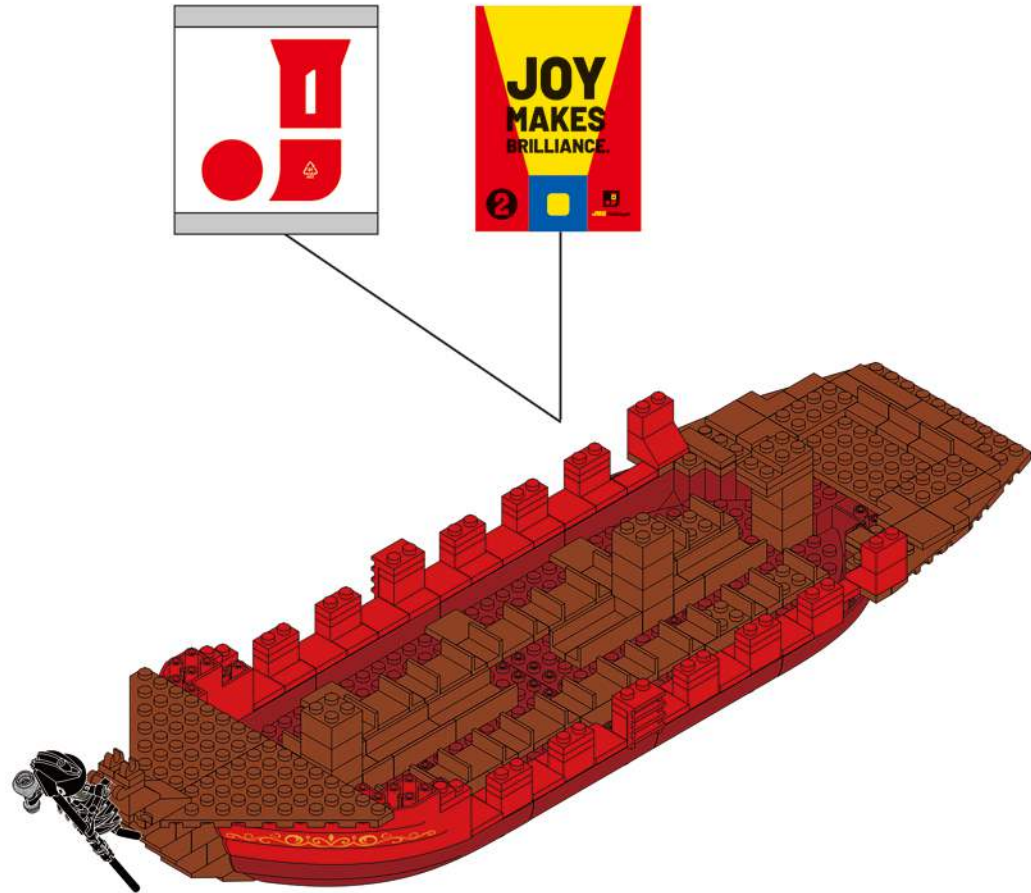


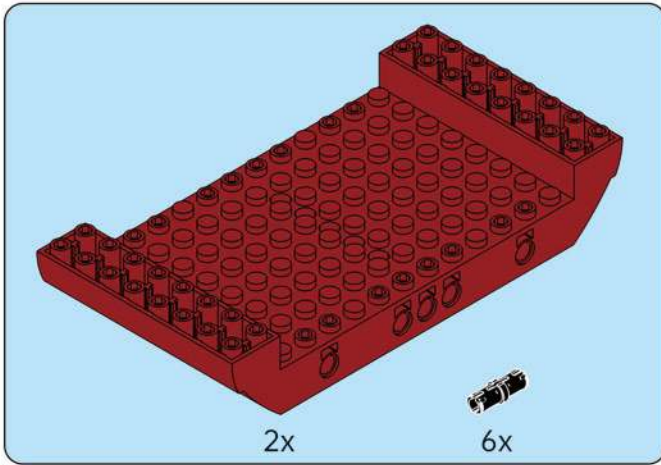


# JOY MAKES BRILLIANCE.

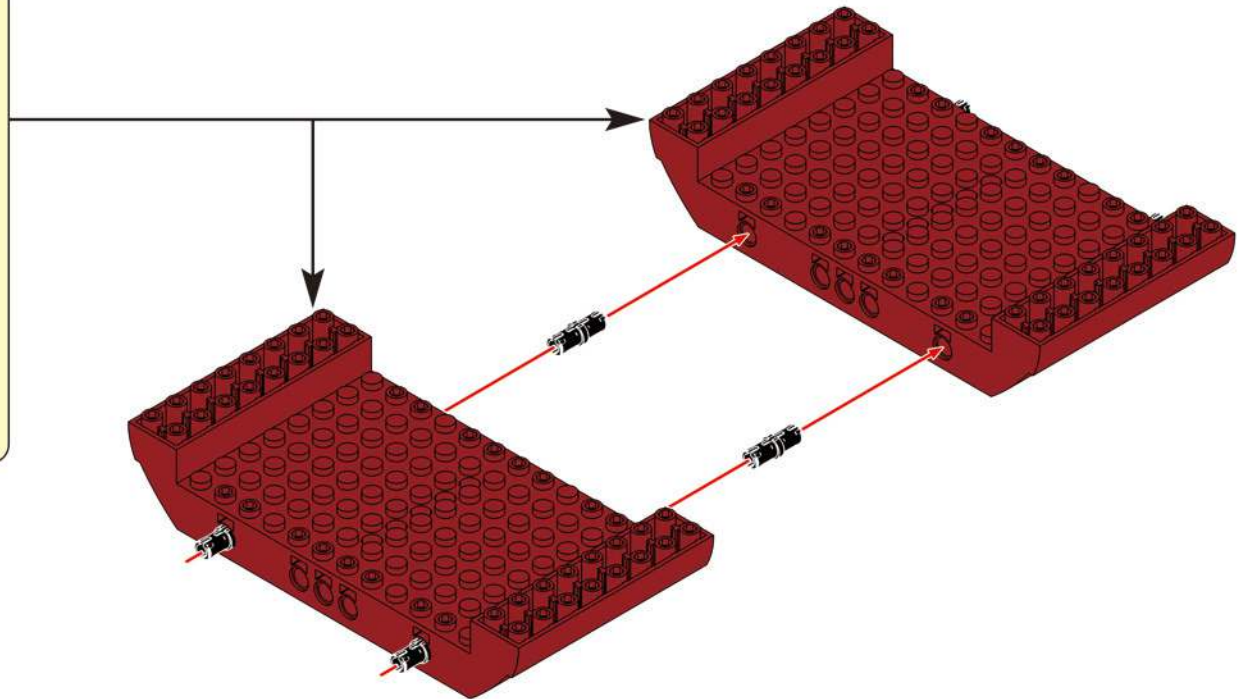
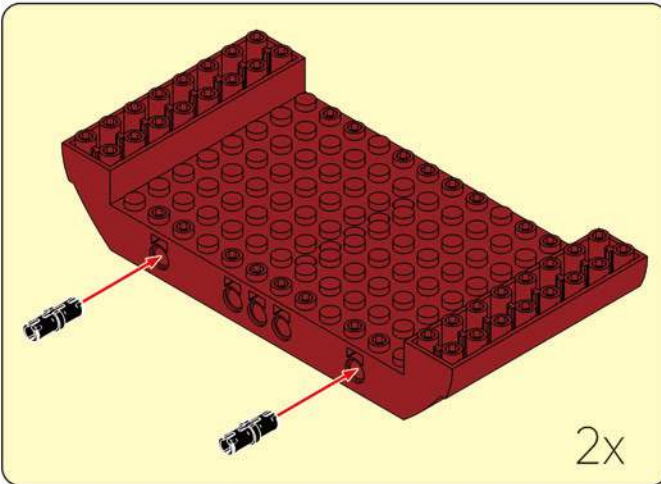
## Embrace Relaxation Embrace Joy

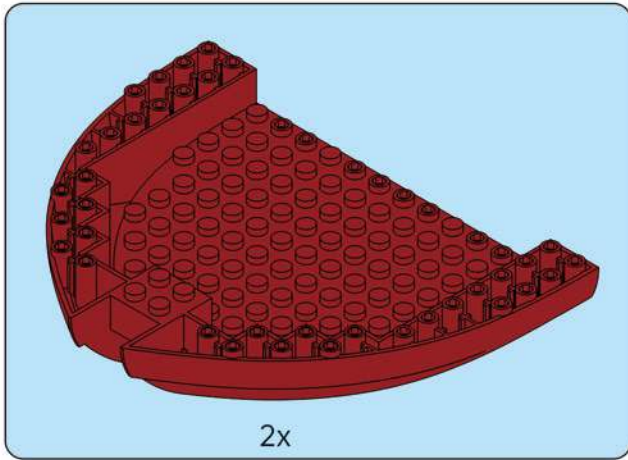
Every adultescent needs a "JOY BOX".  
Please, open your JOY BOX! Heading for joy.



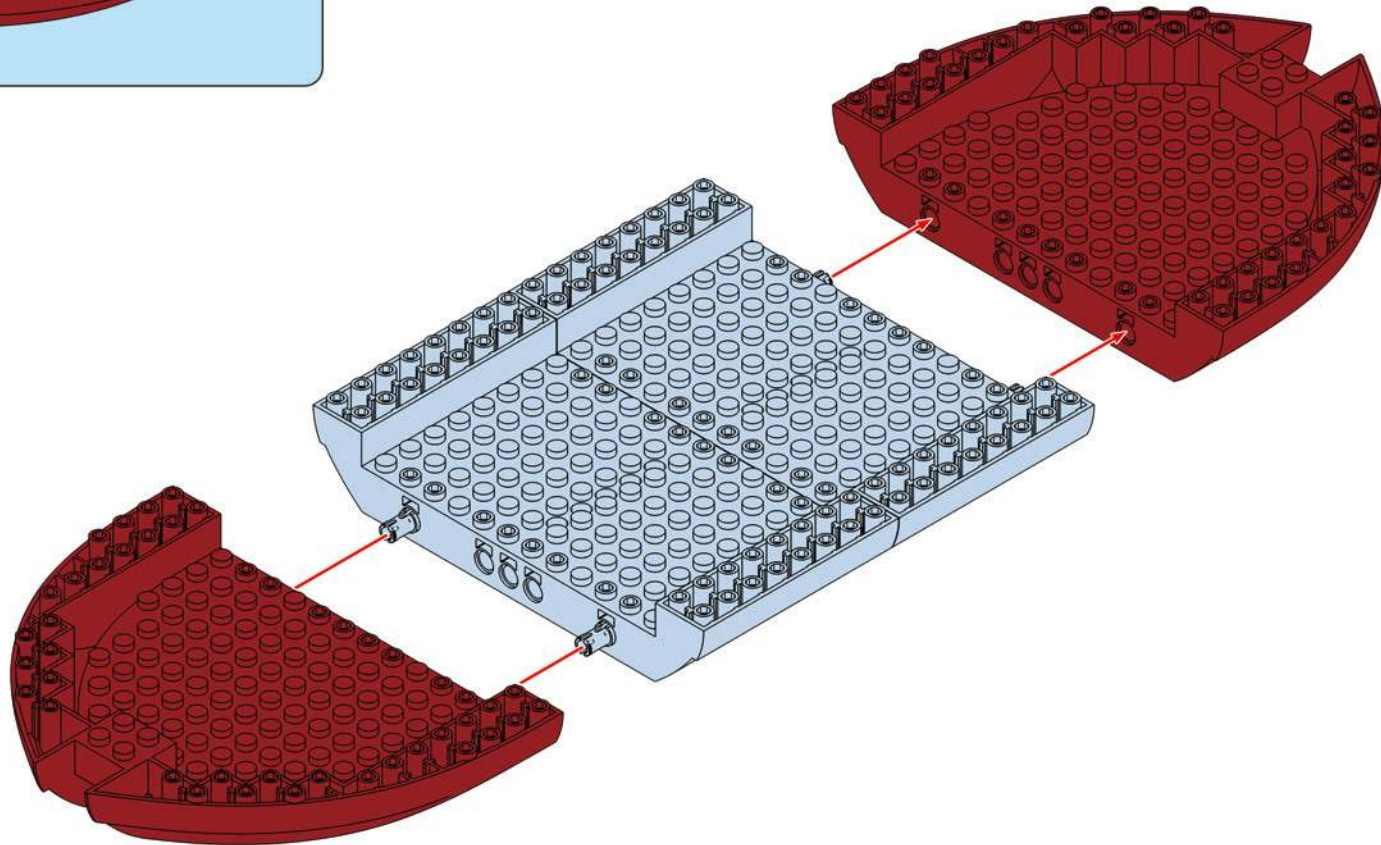


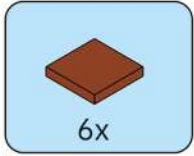
01



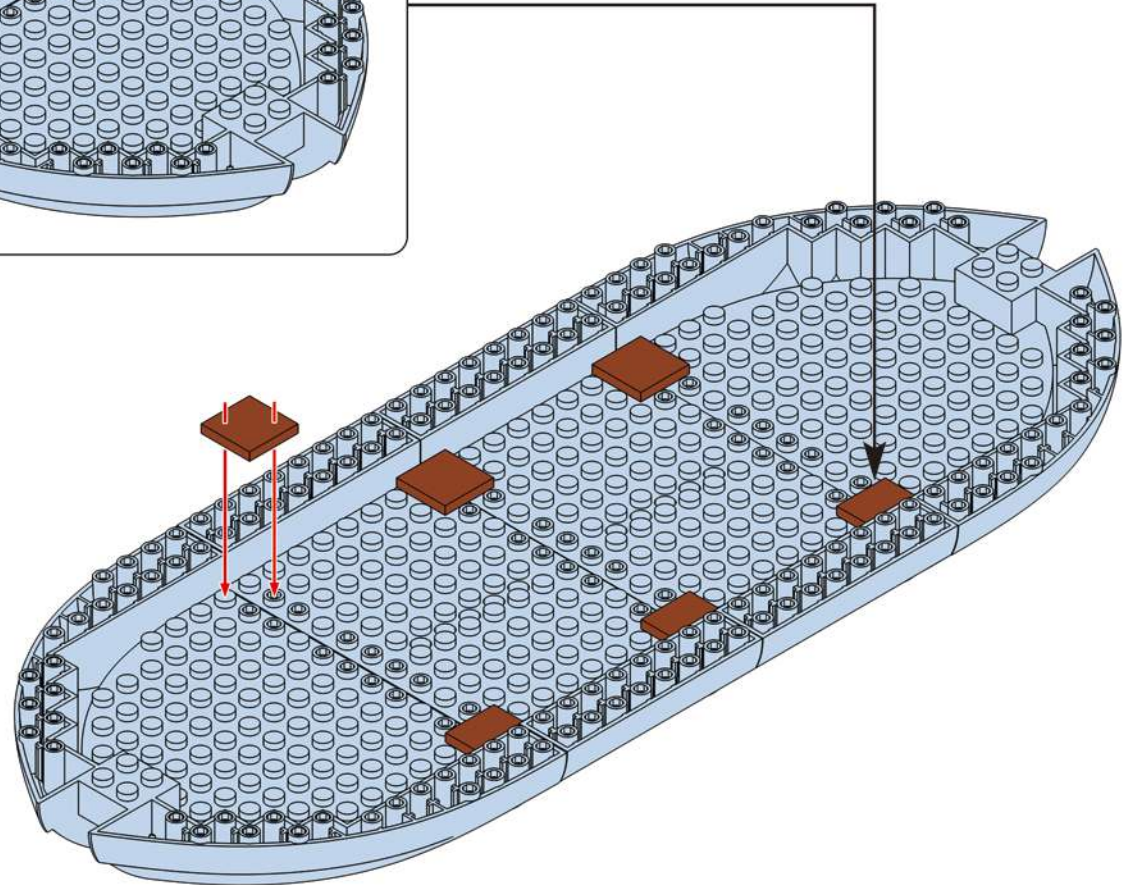
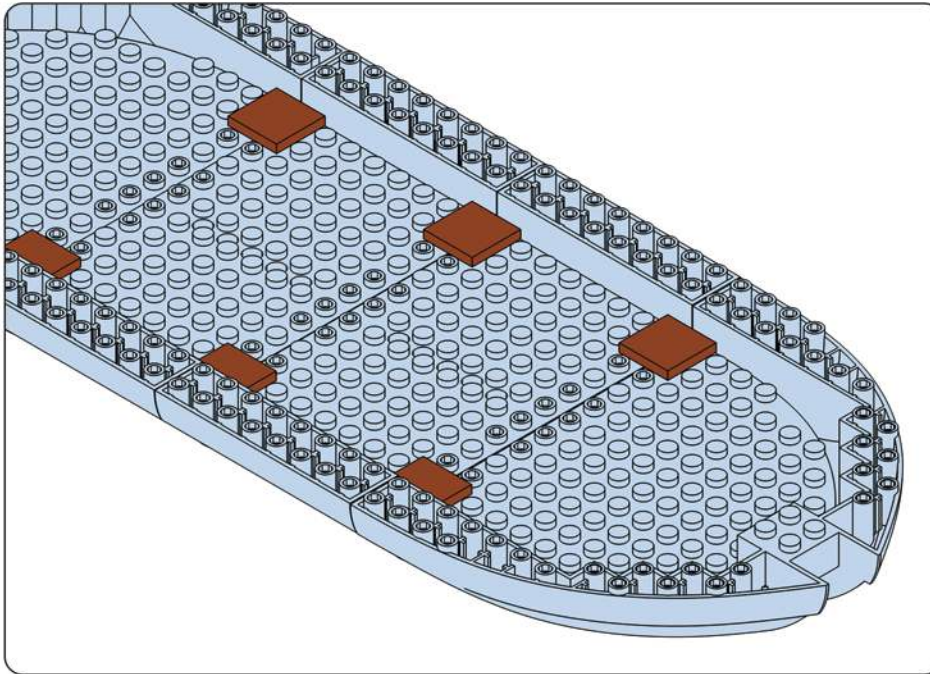


02



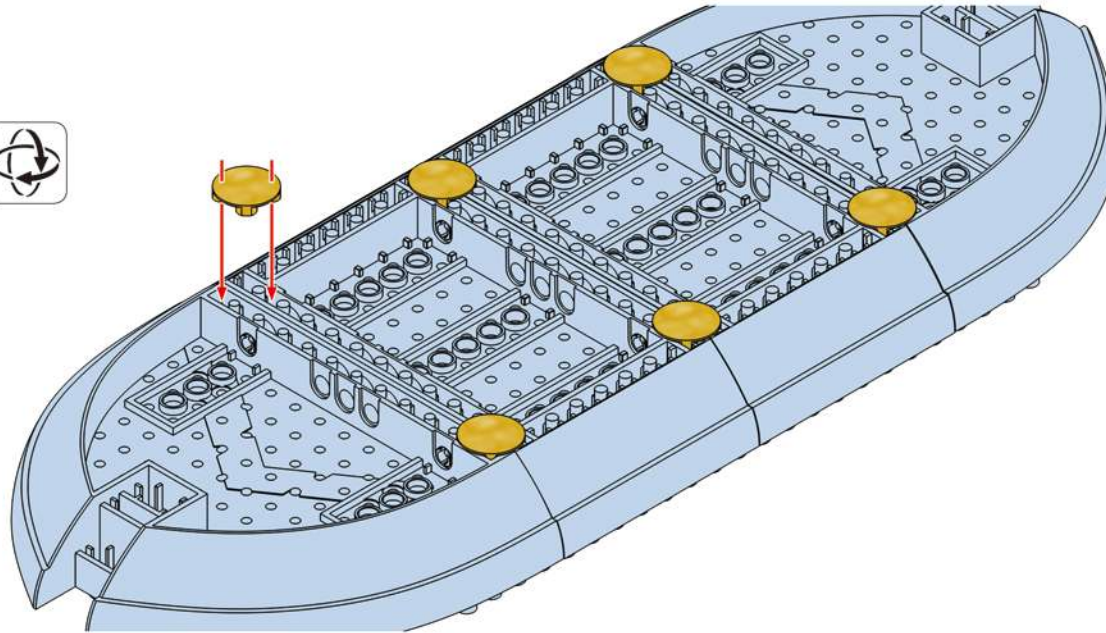


03



6x

04



JOY MAKES BRILLIANCE.

1x

1x

2x

1x

1x

1x

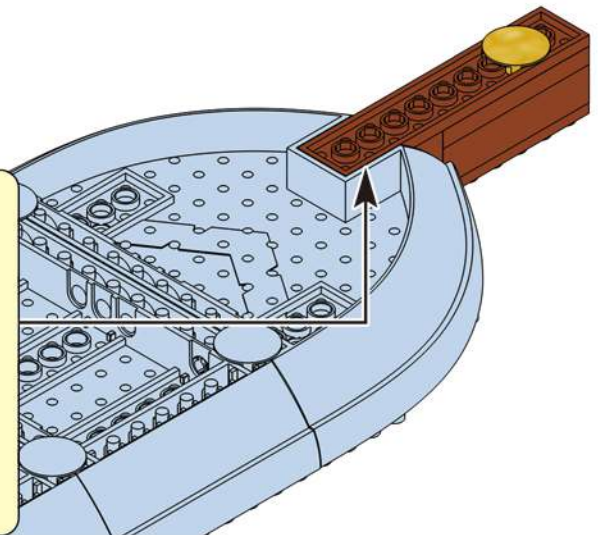
1x

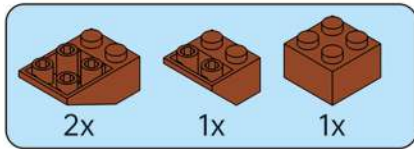
05

1

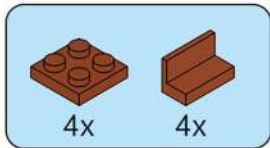
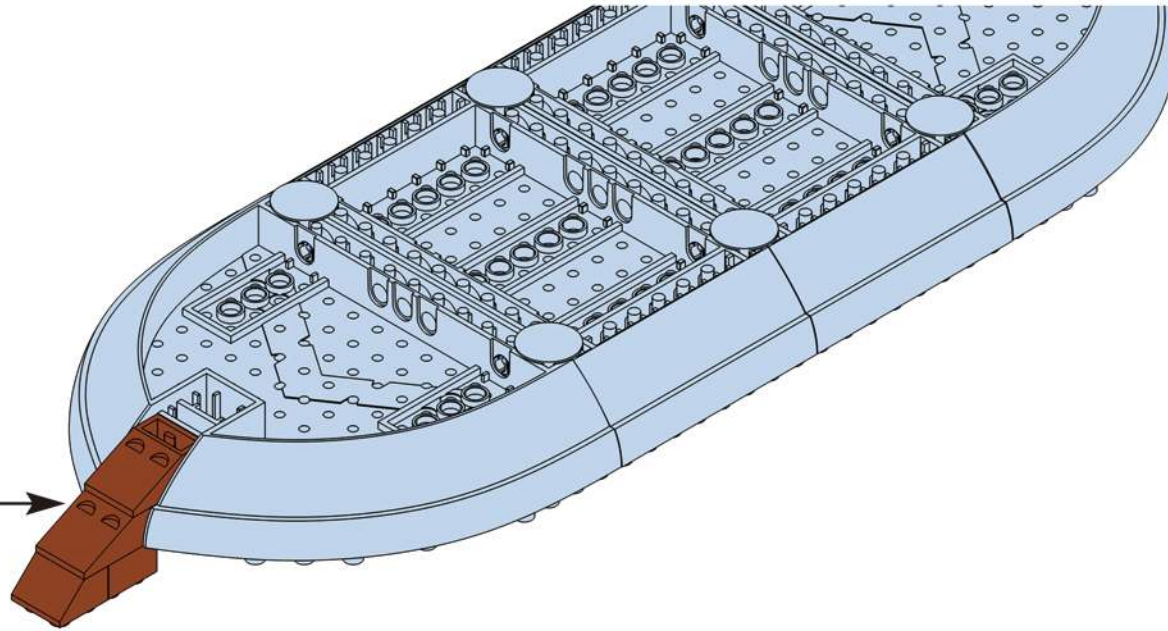
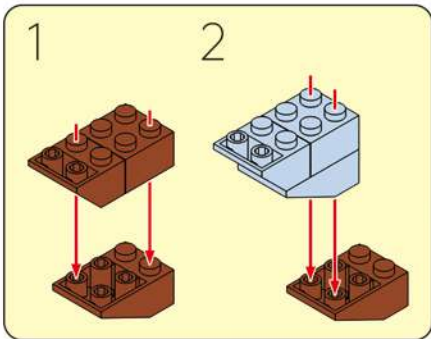
2

3

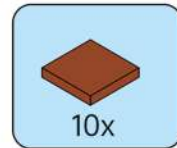
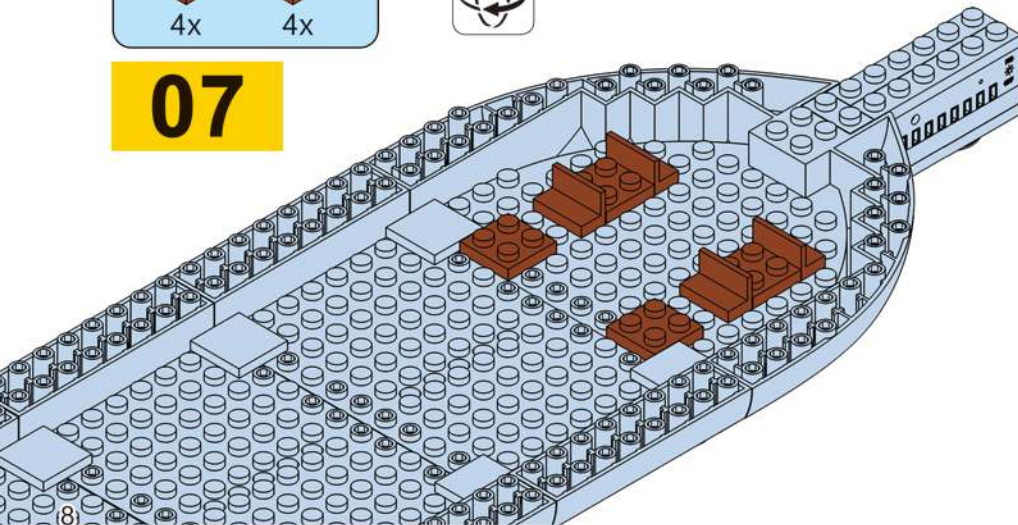




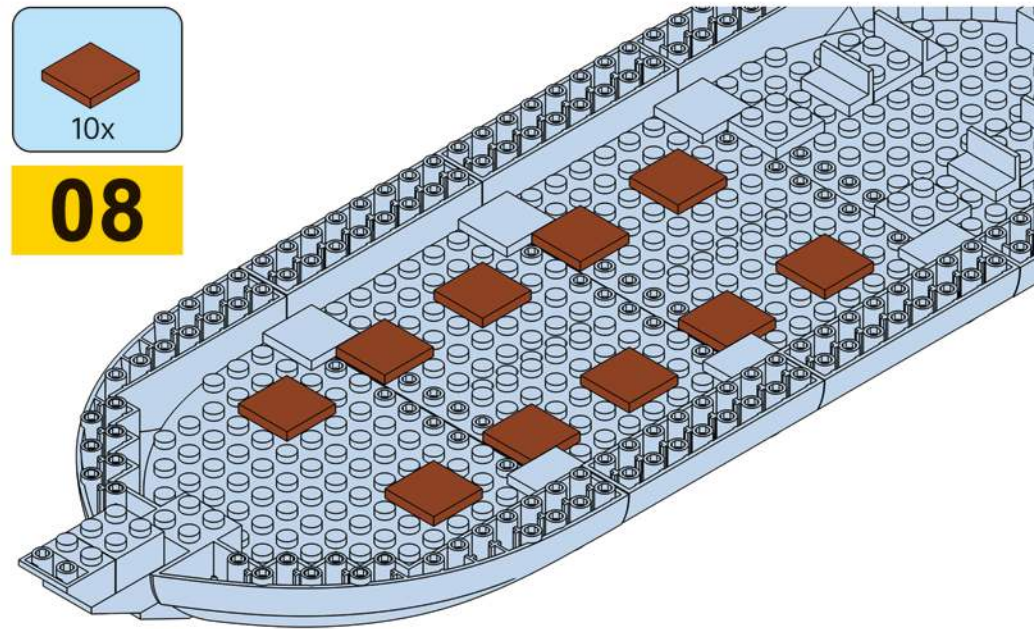
06

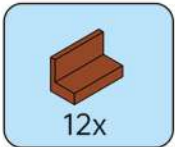


07

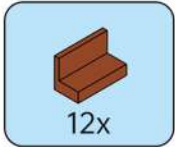
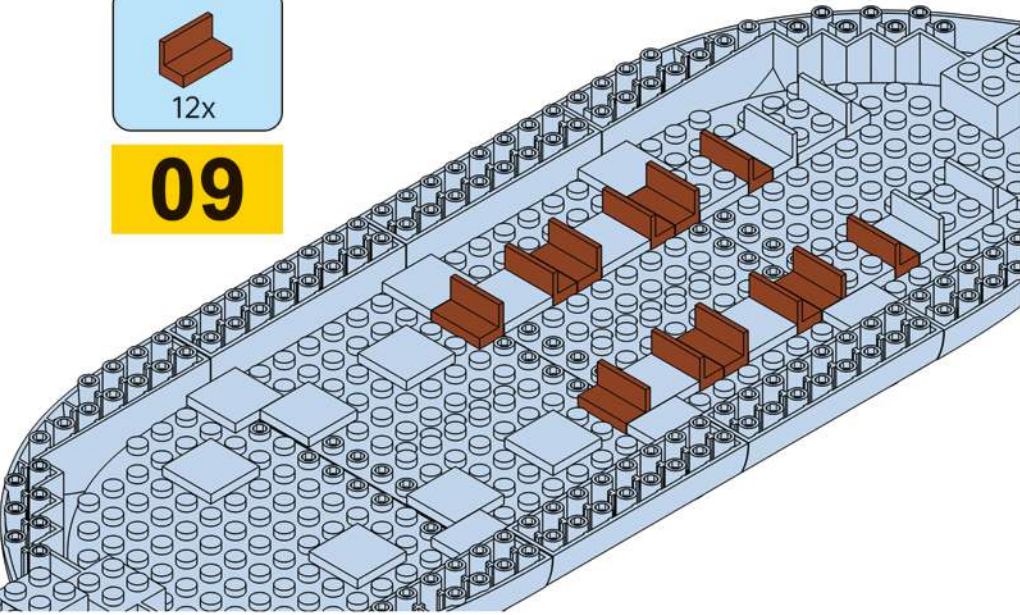


08

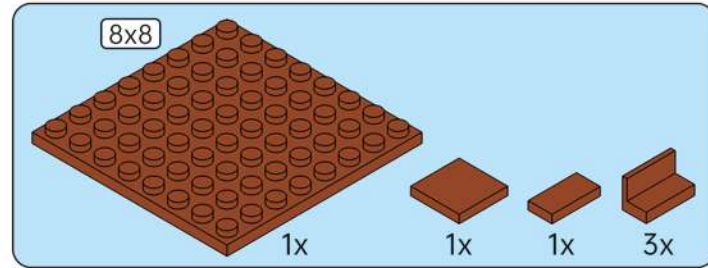
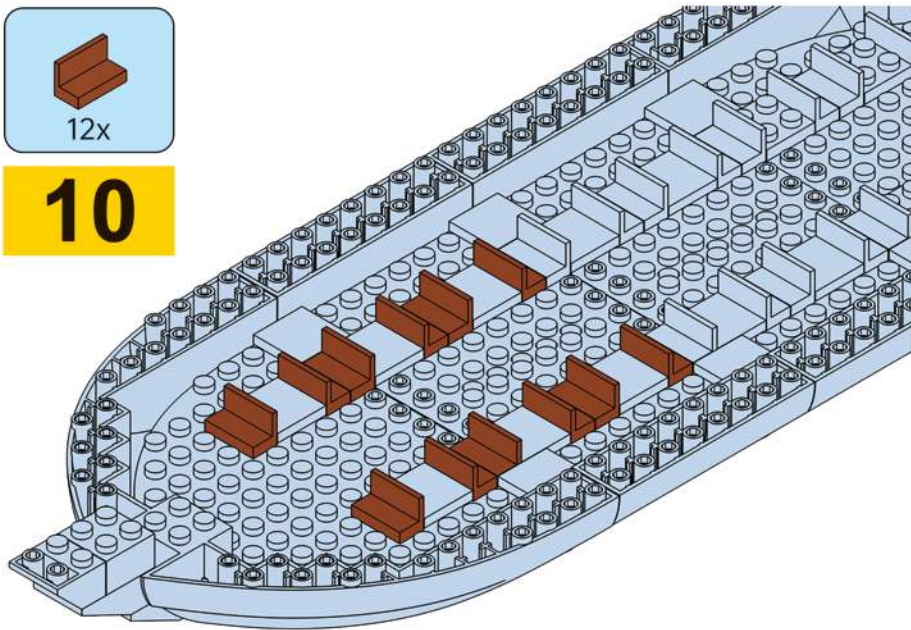




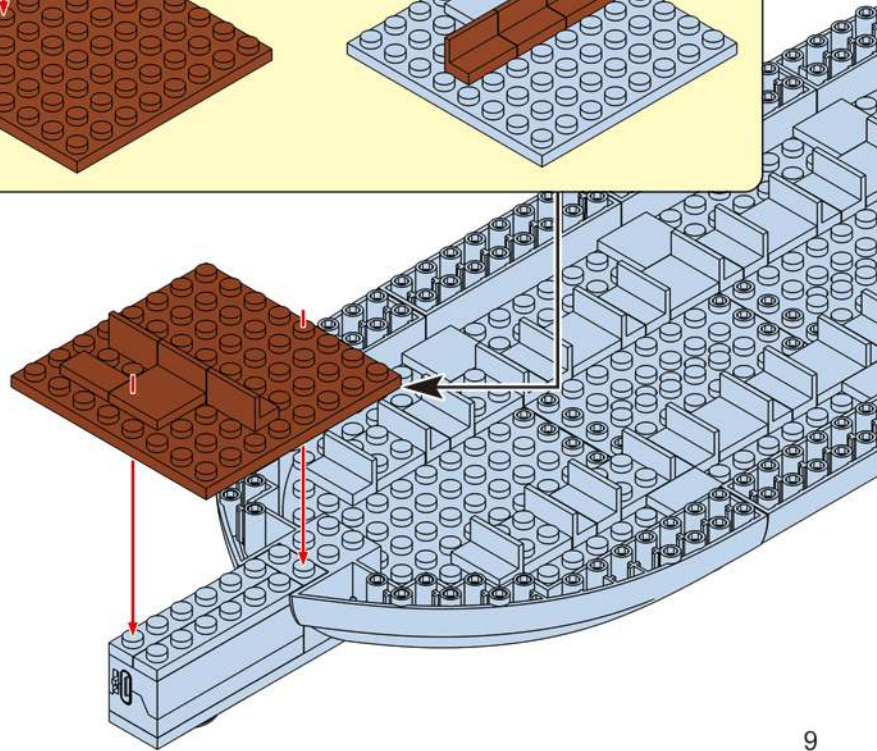
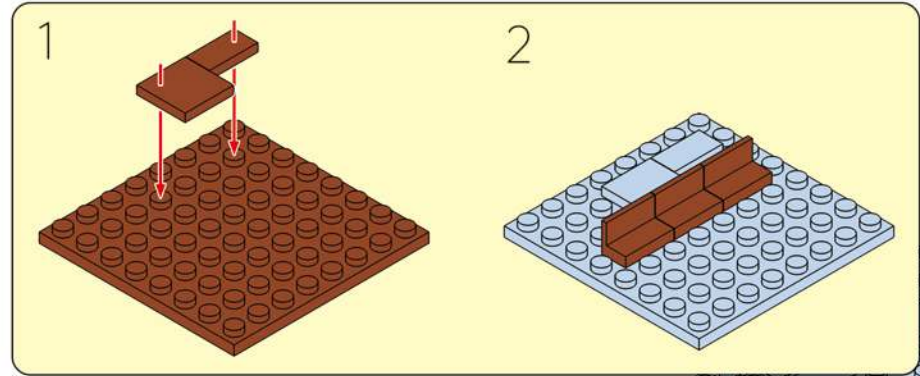
09

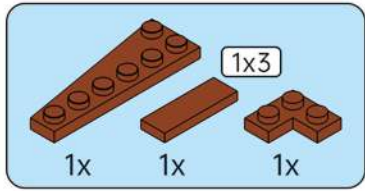


10

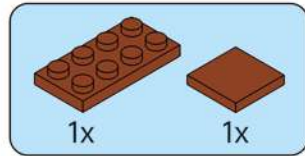
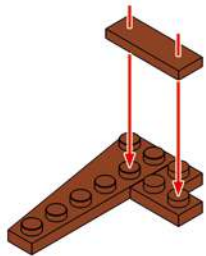


11

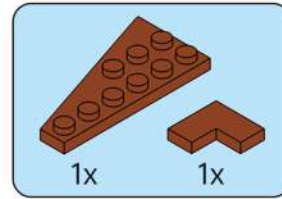
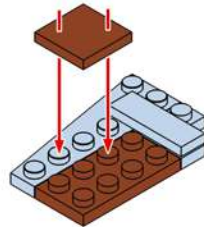




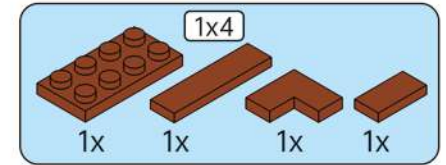
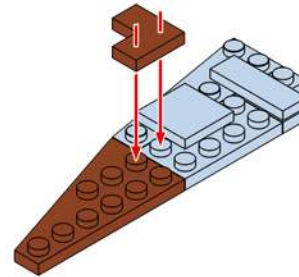
12



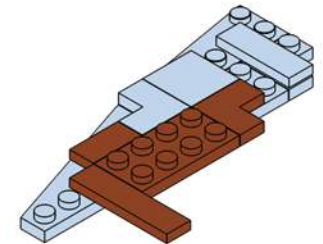
13



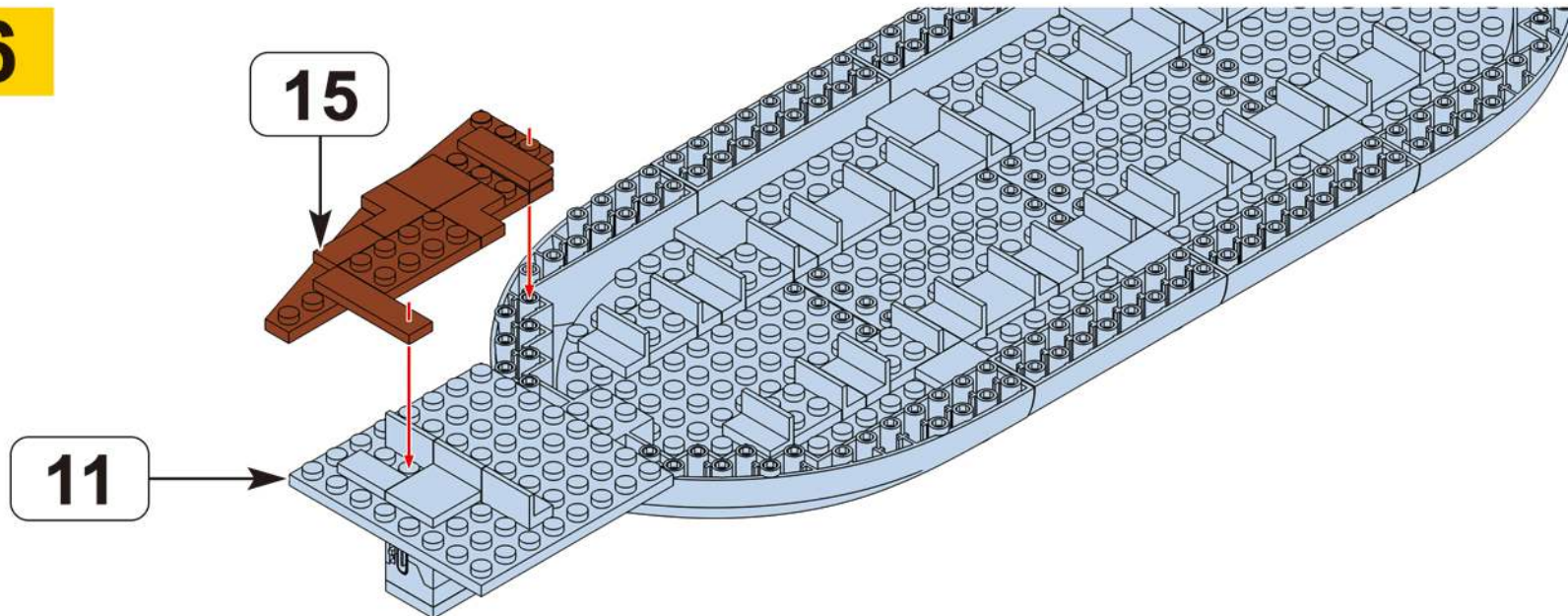
14

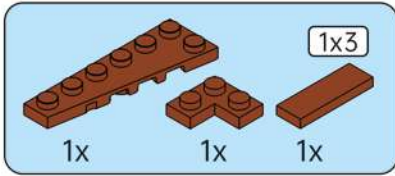


15

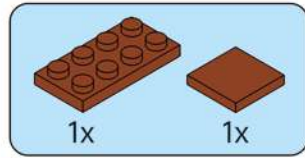
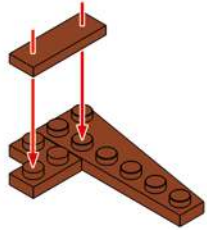


16

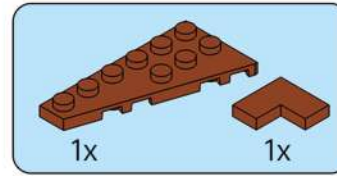
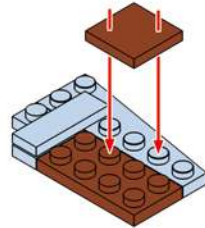




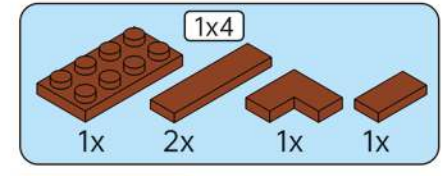
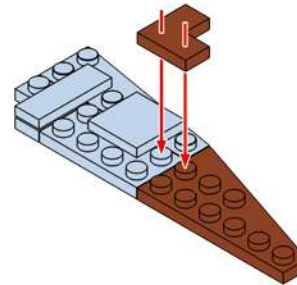
17



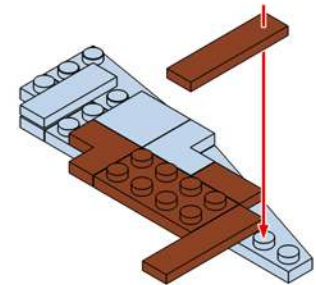
18



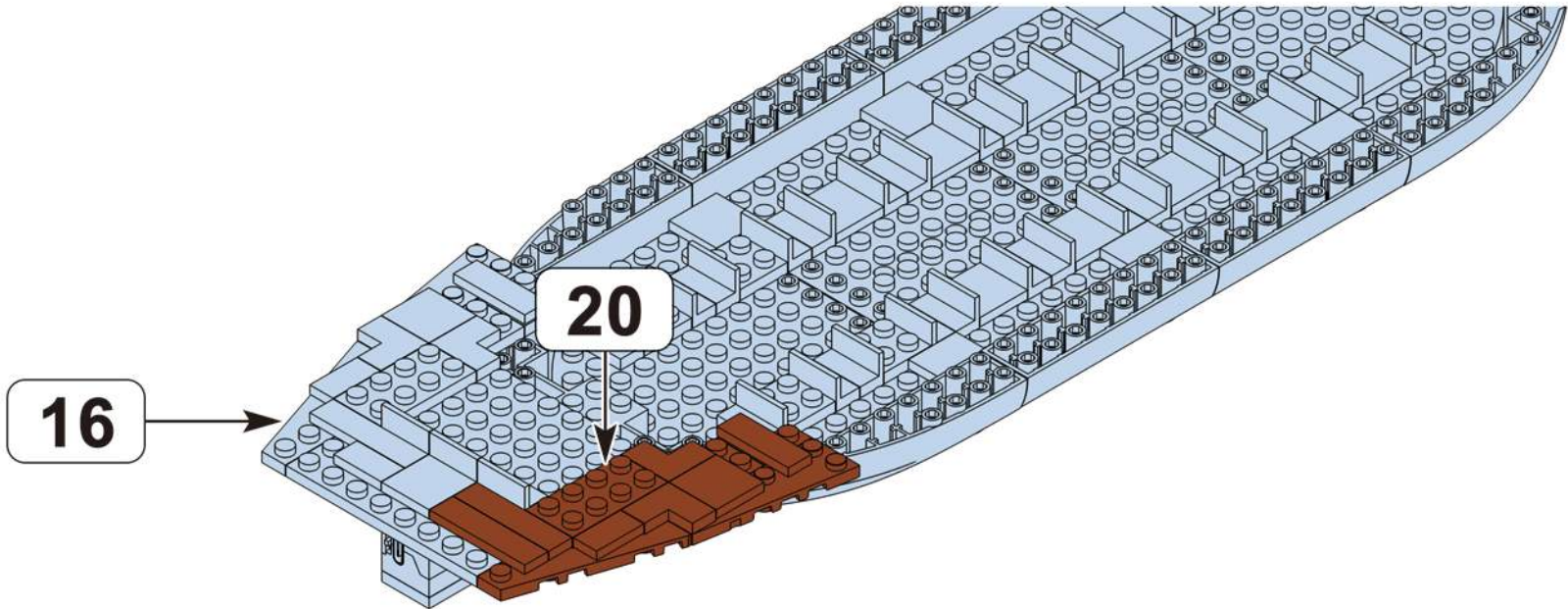
19

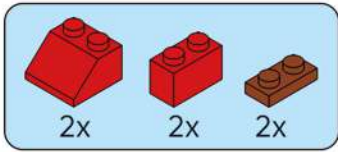


20

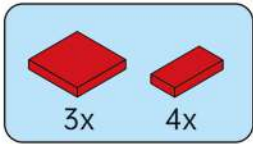
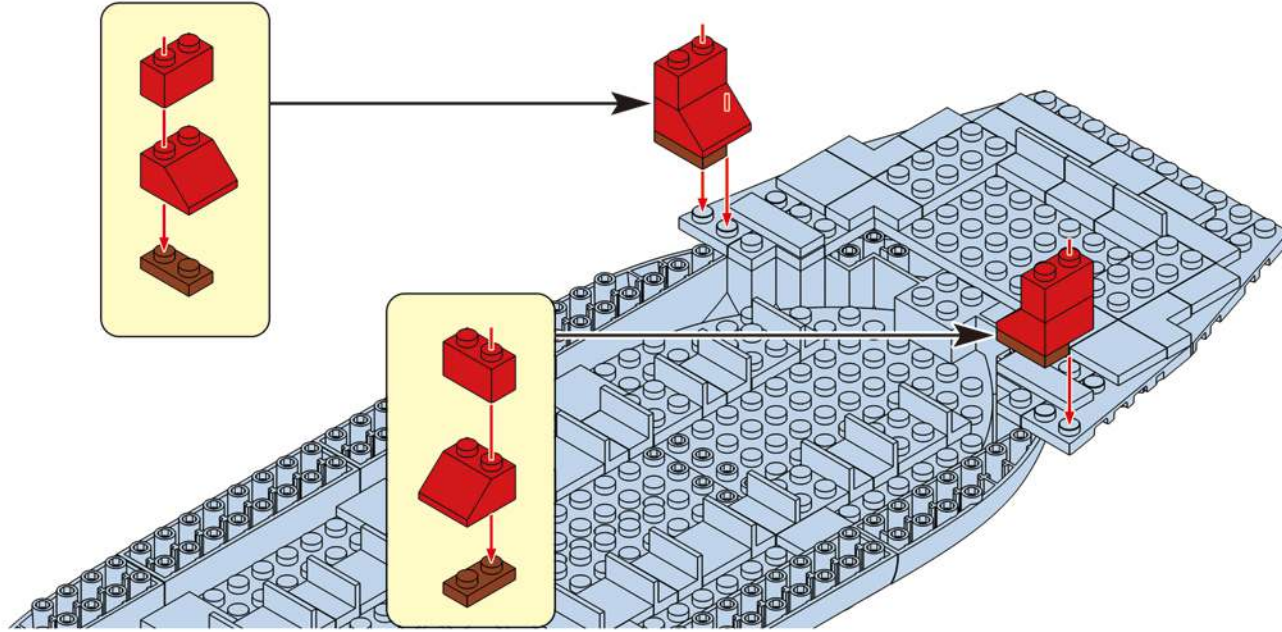


21

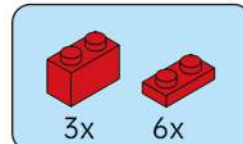
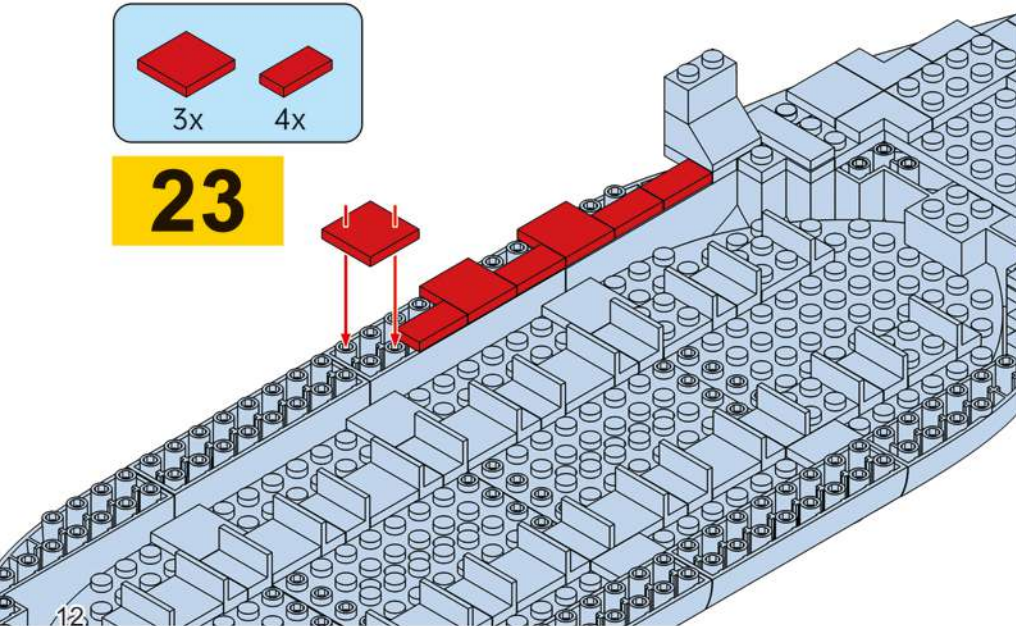




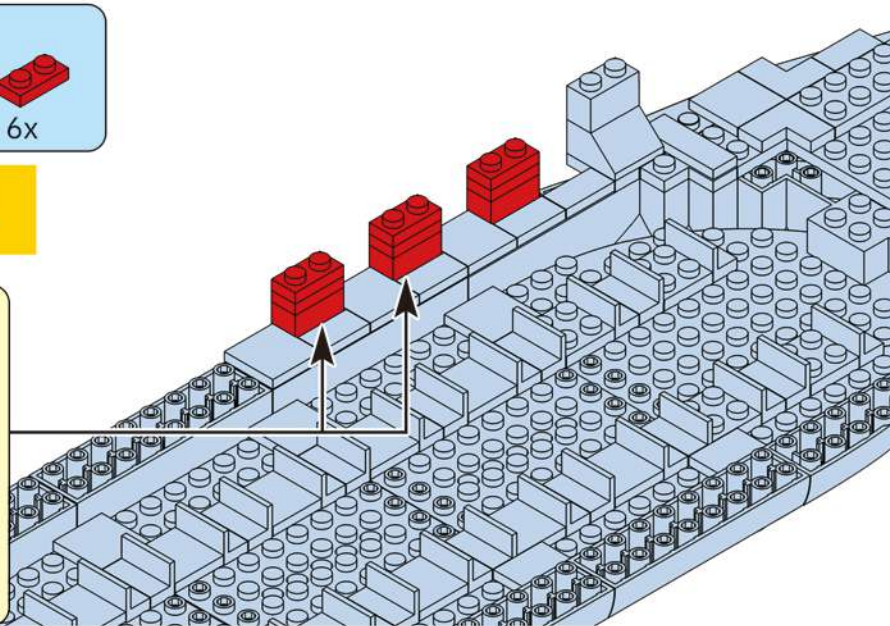
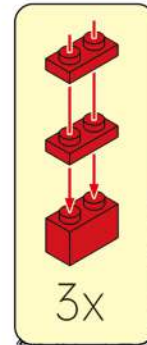
22

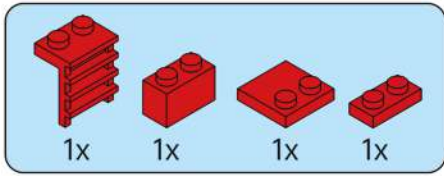


23

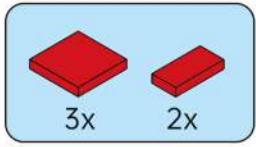
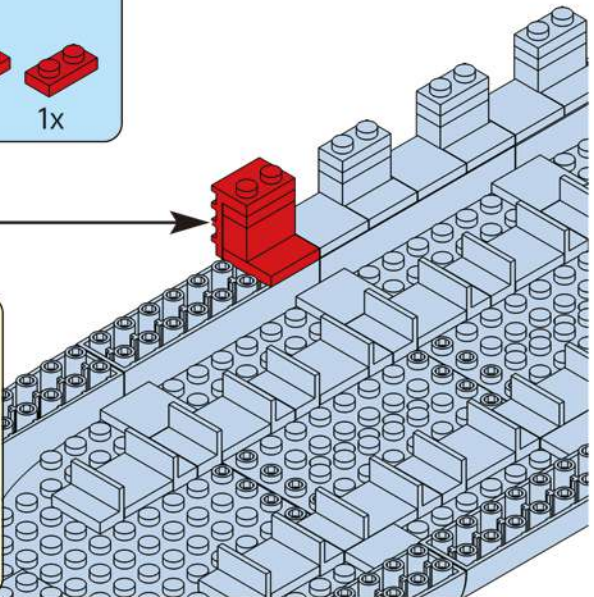
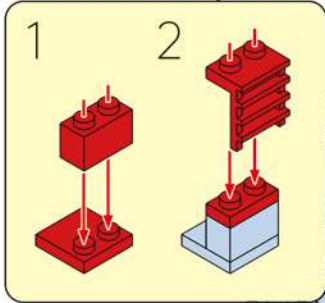


24

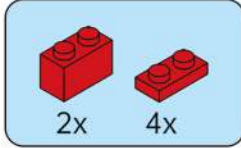
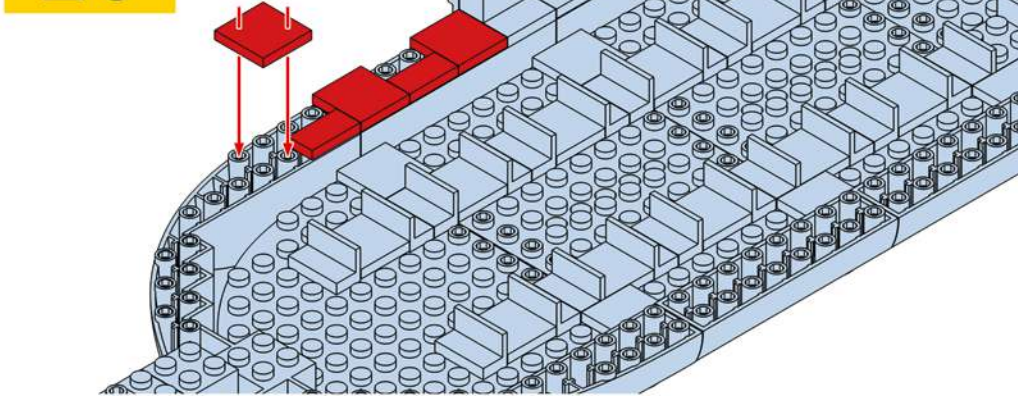




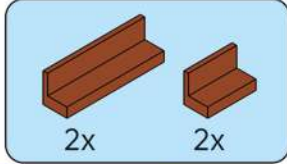
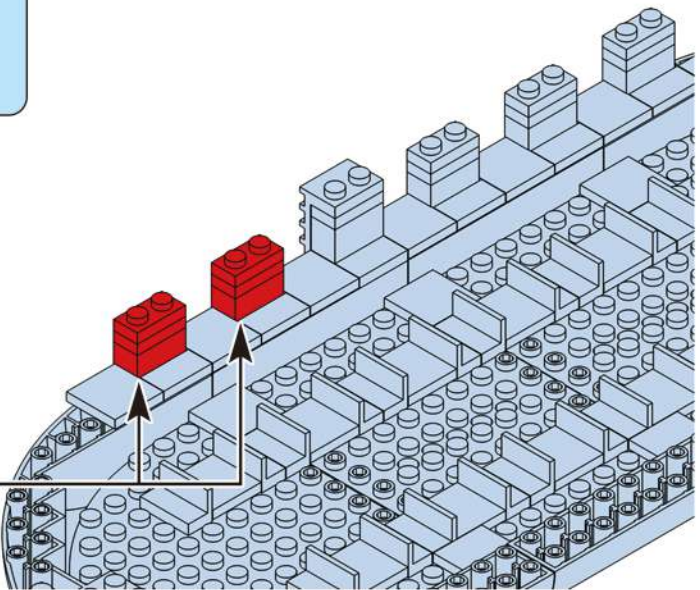
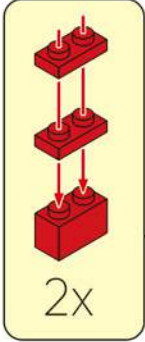
25



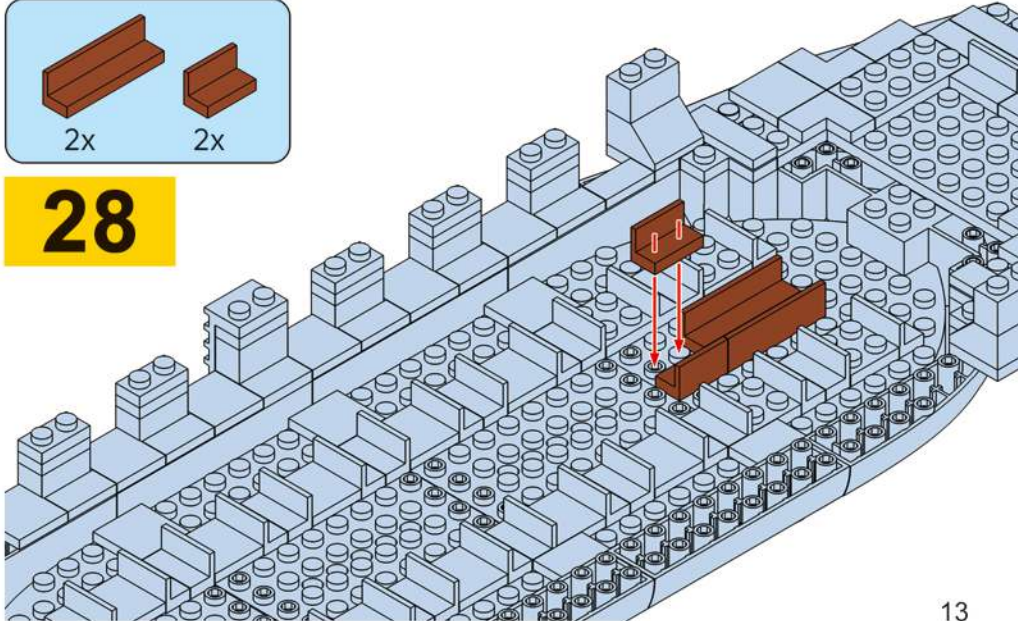
26

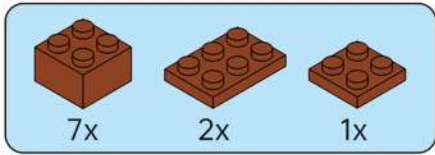


27

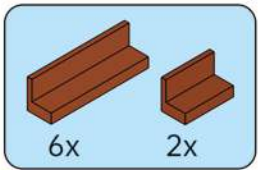
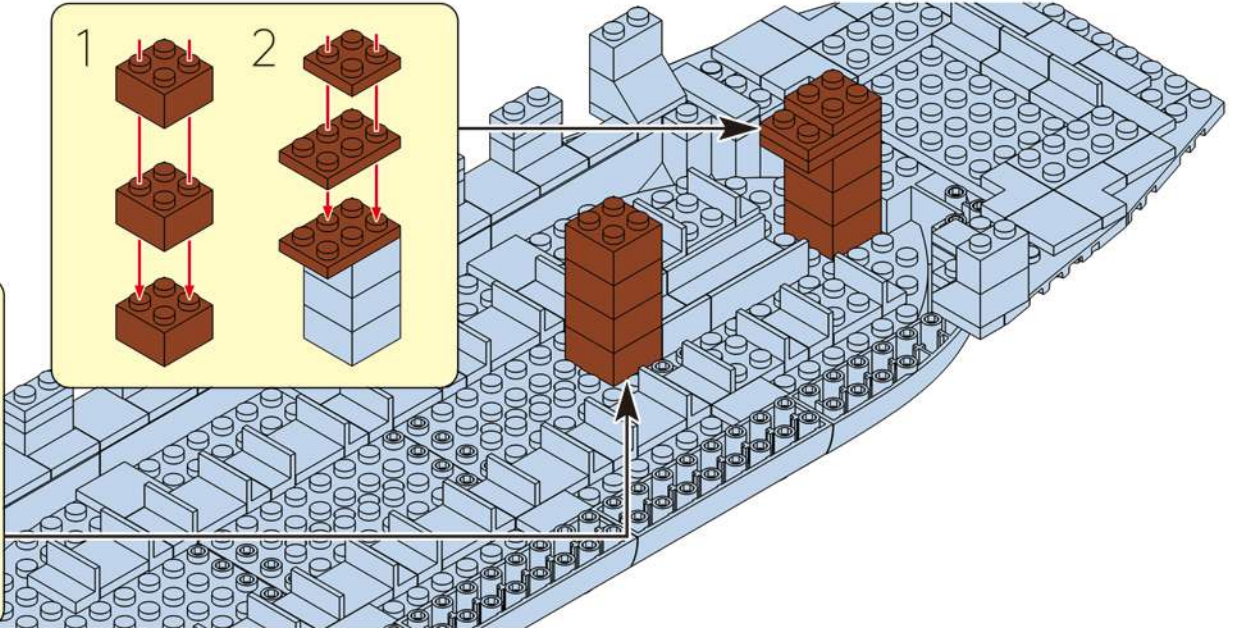
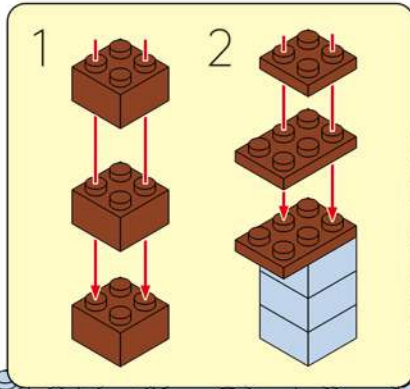
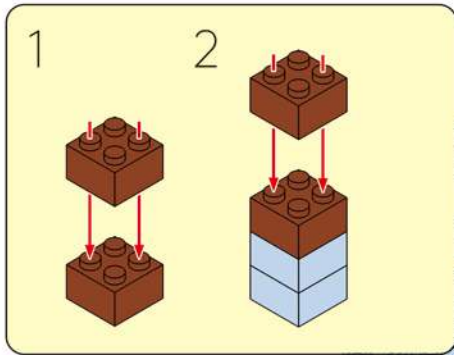


28

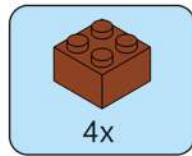
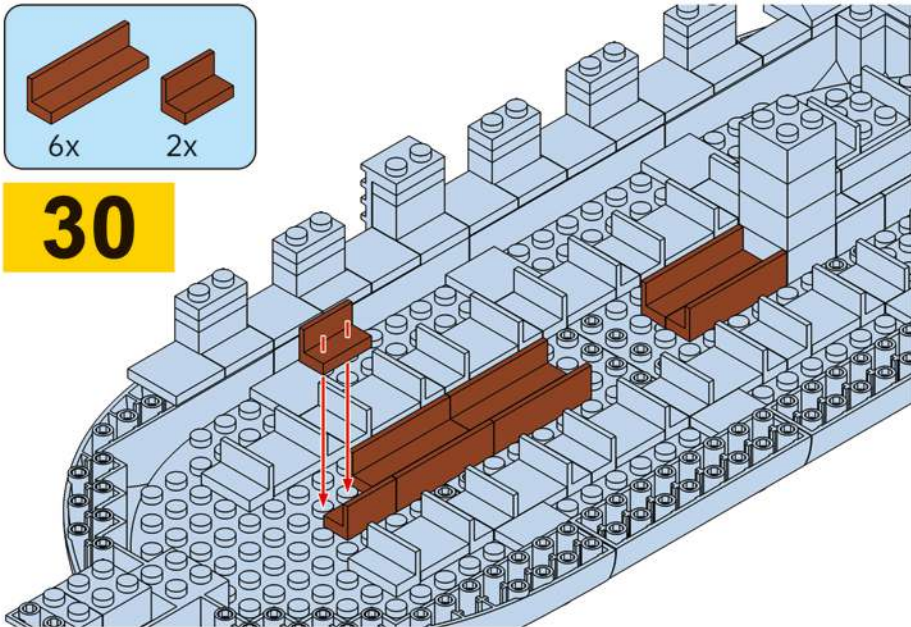




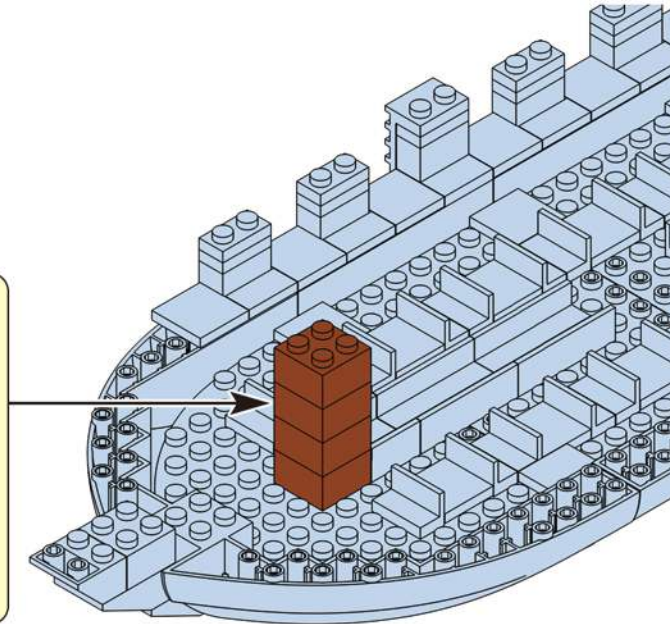
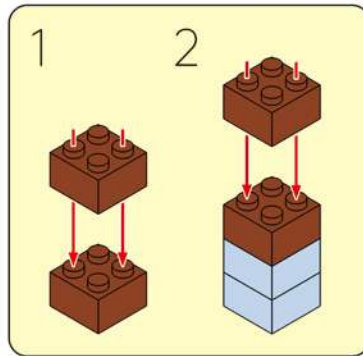
29

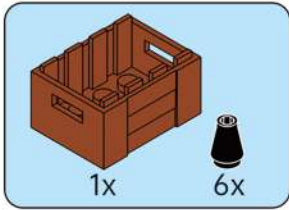


30

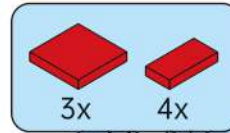
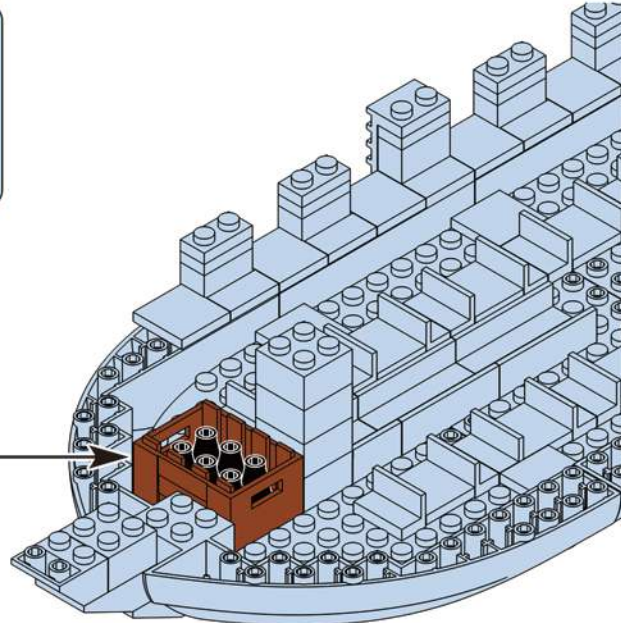
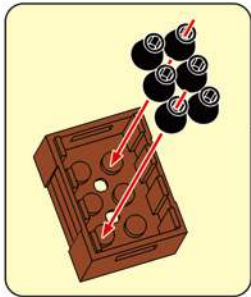


31

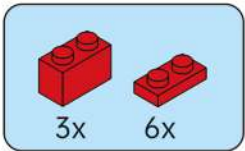
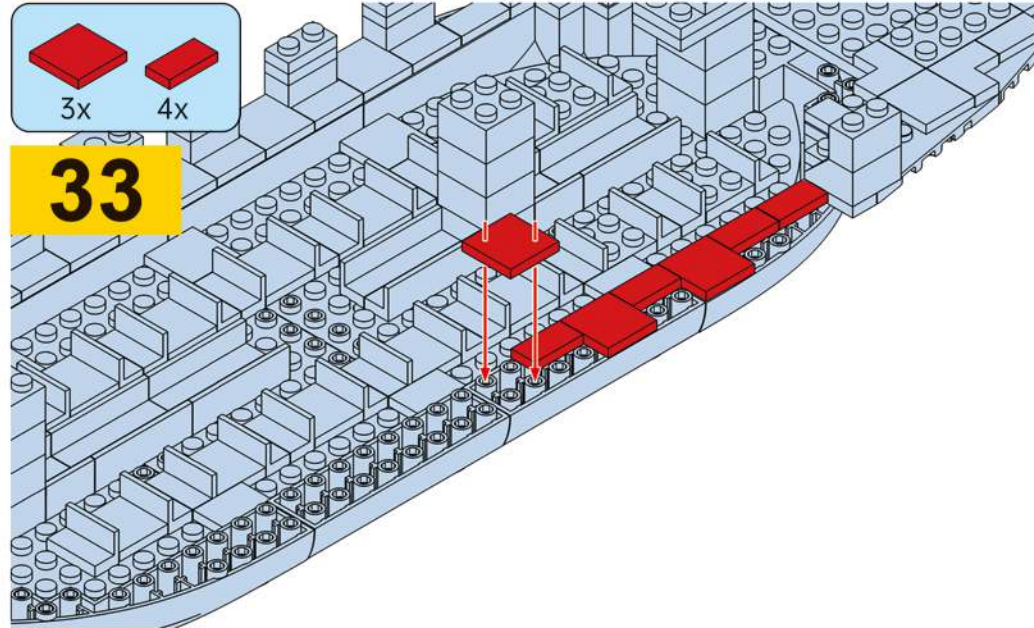




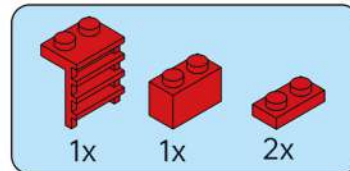
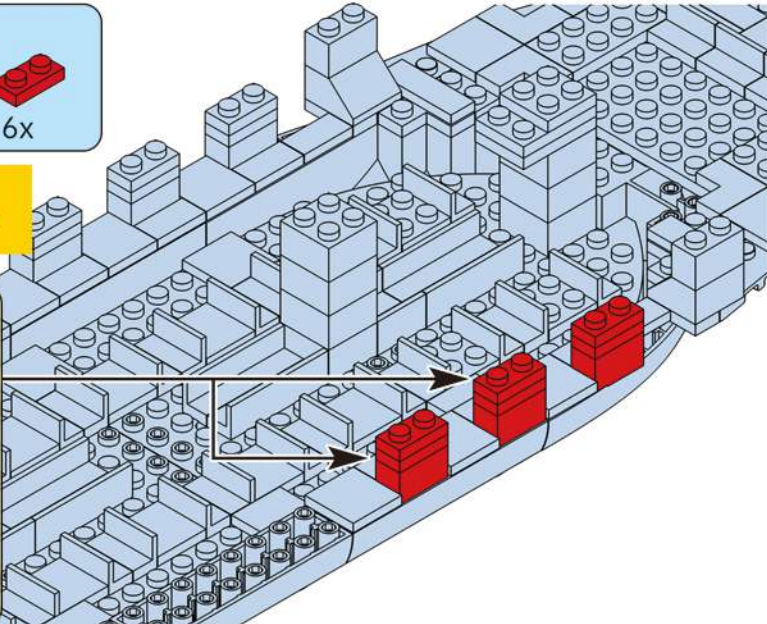
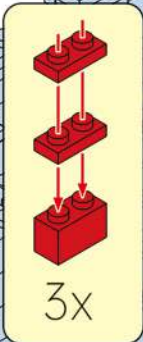
32



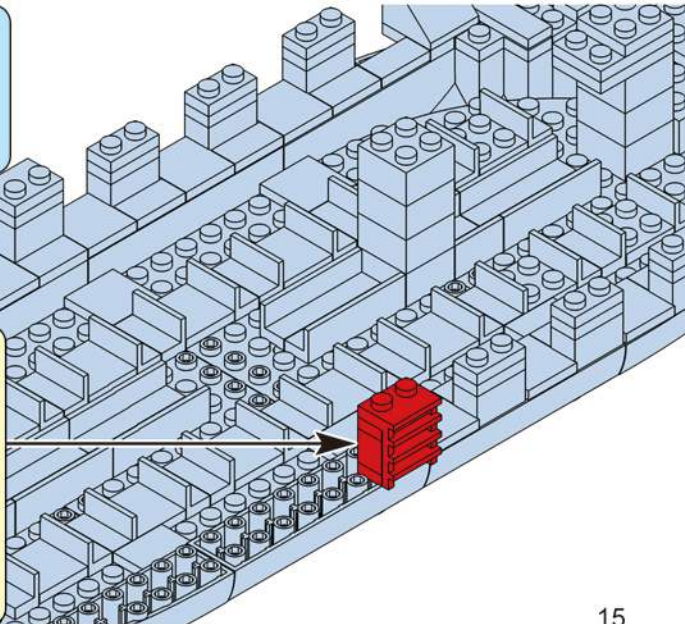
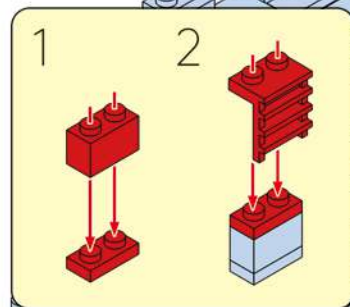
33

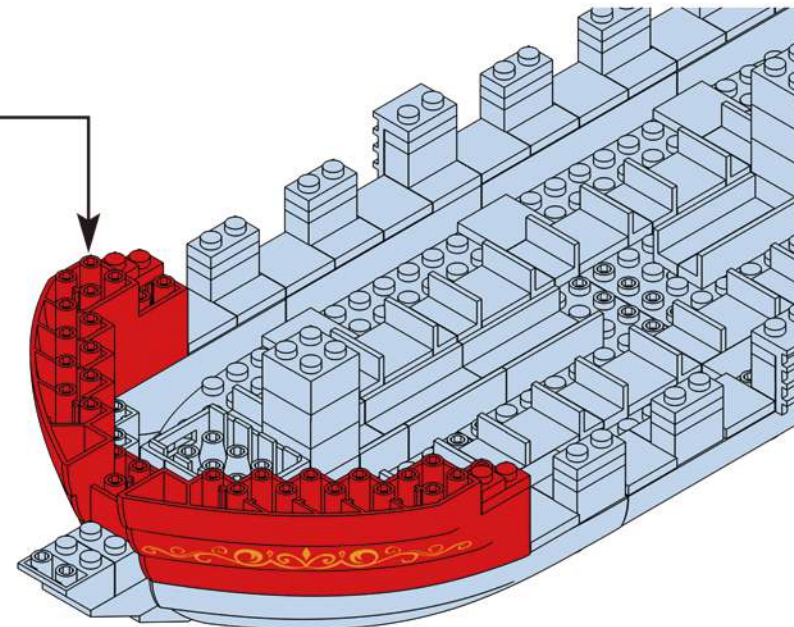
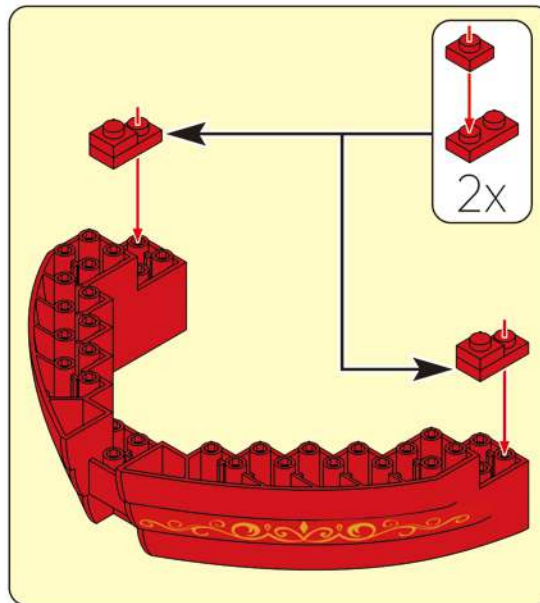
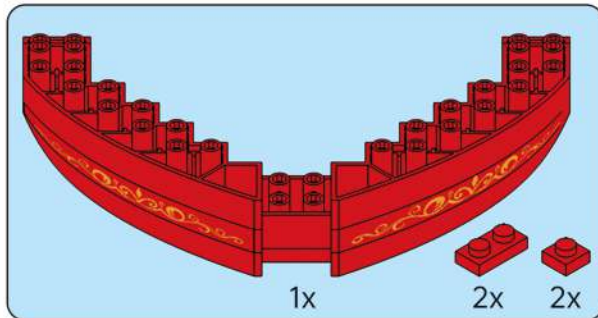
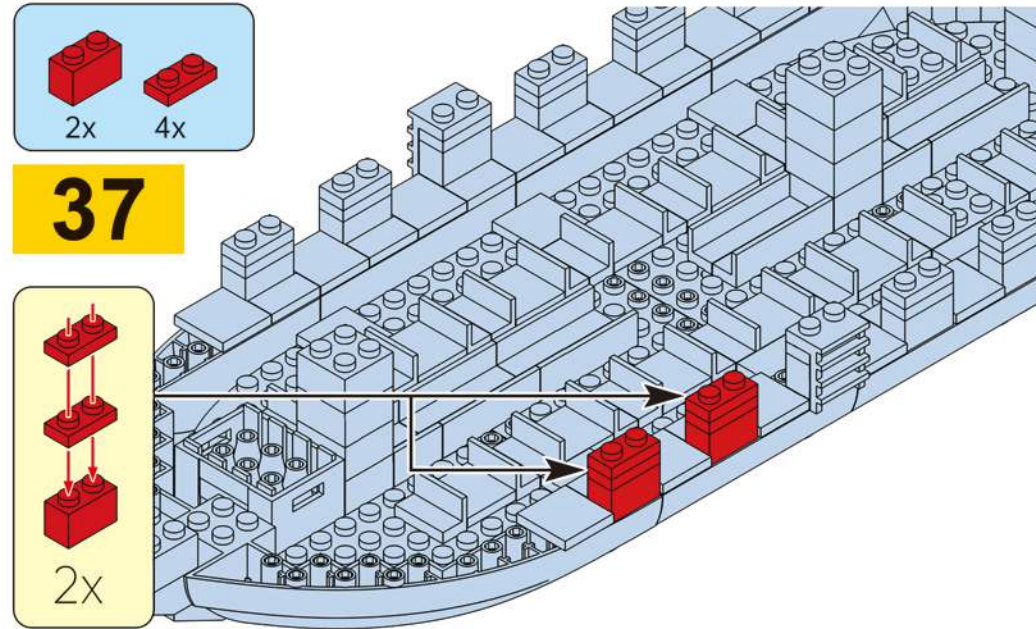
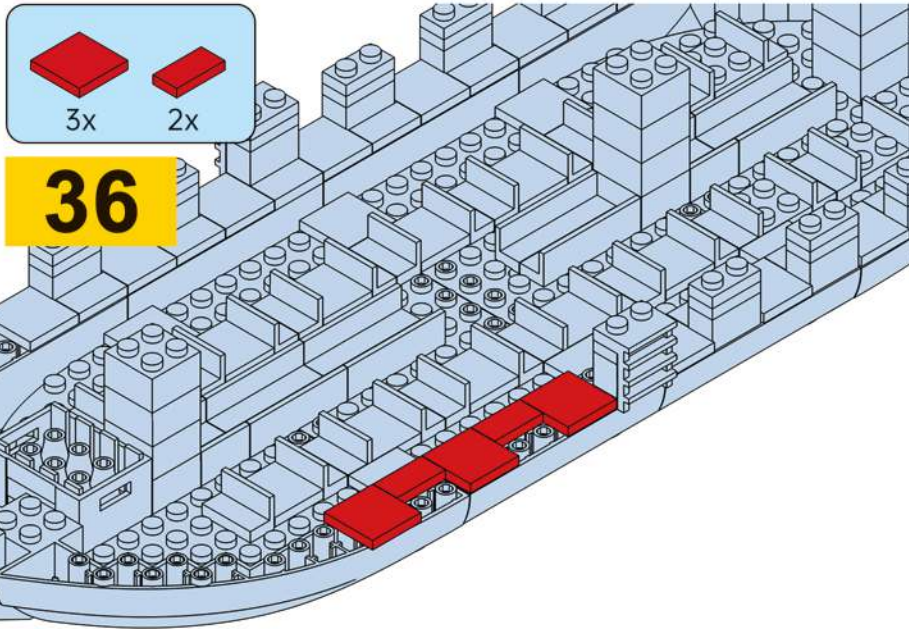


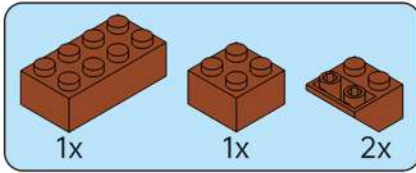
34



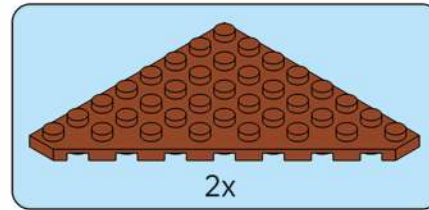
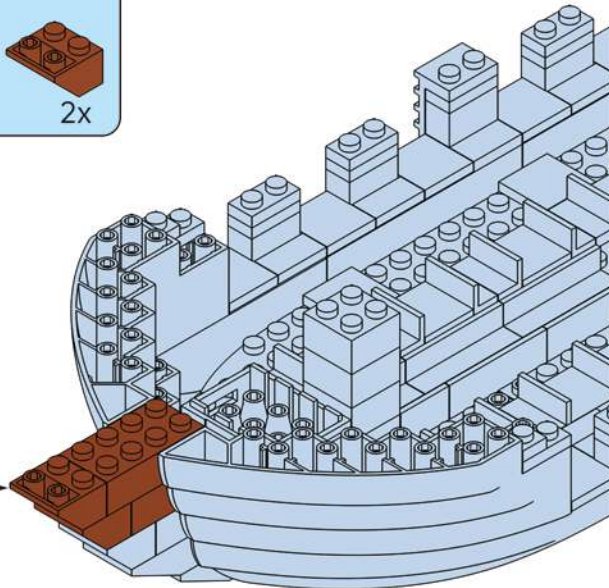
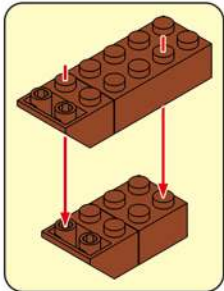
35



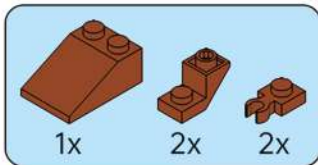
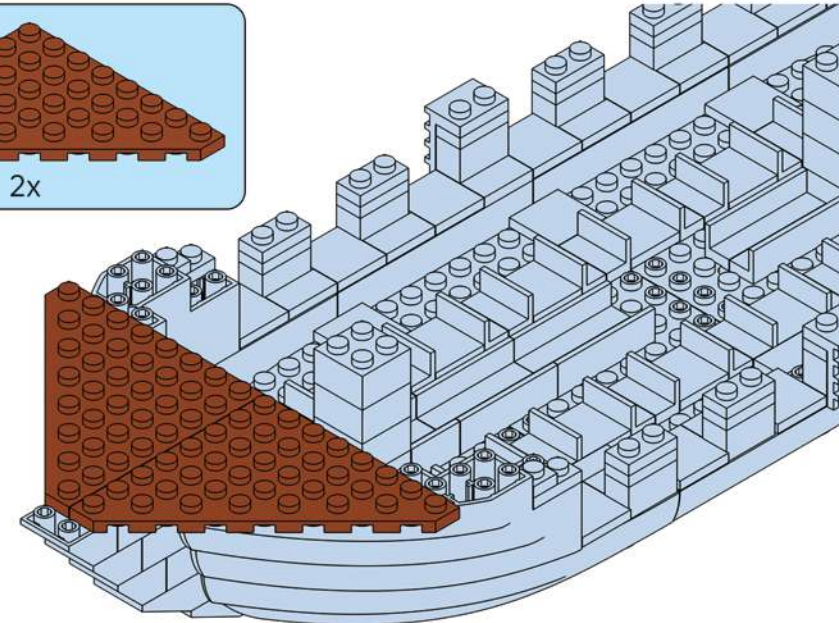




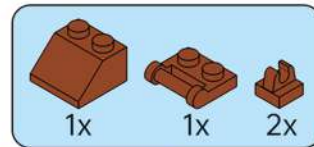
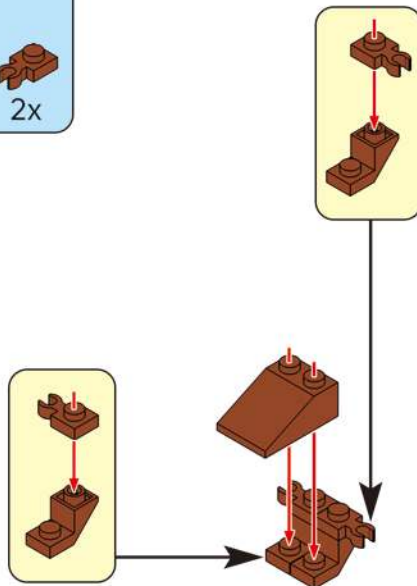
39



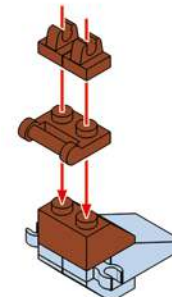
40

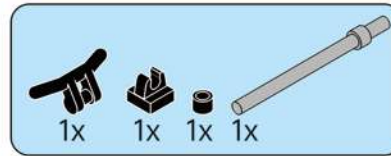
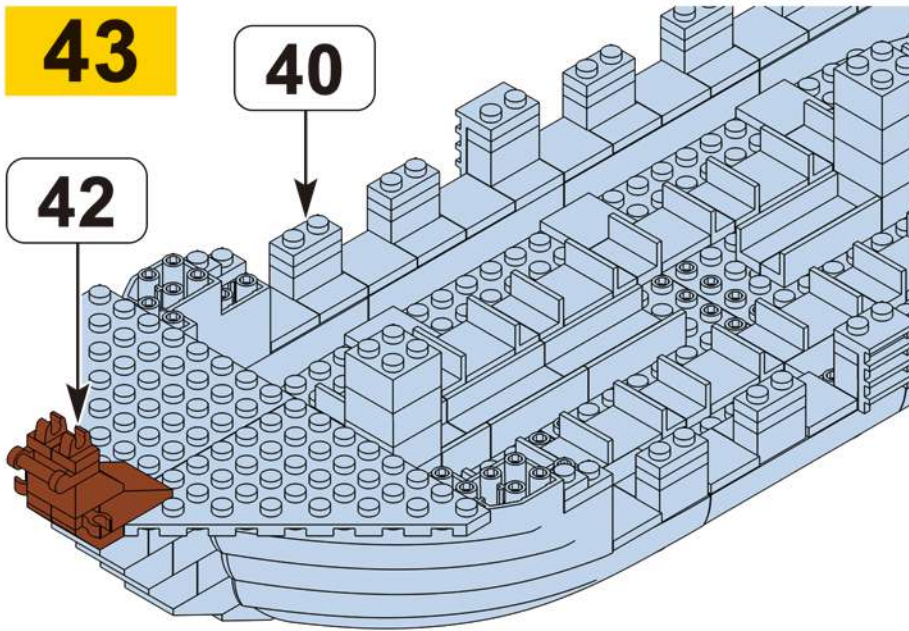


41

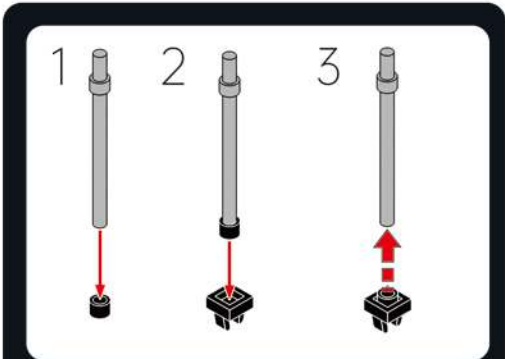


42



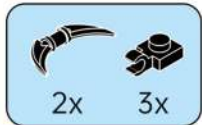


44

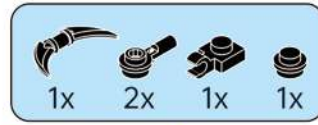
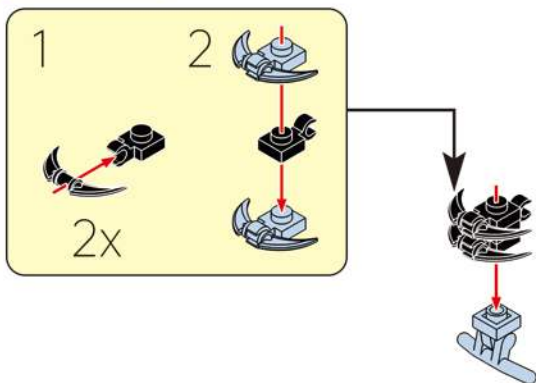


This part requires a thin stick to assist in assembly:

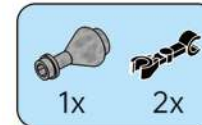
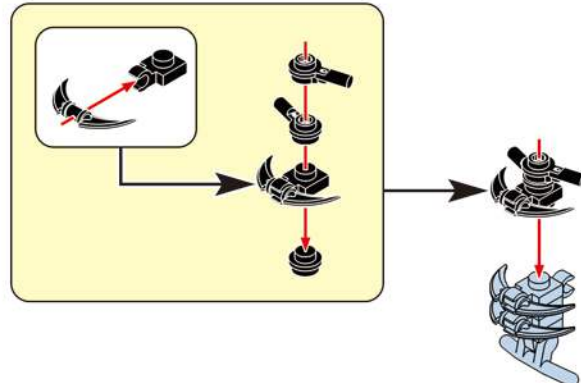
1. Insert the thin stick slightly into the part;
2. After inserting the thin sticks into the parts, install the assembly accessories and fix them.
3. After the parts are fixed, pull out the thin stick



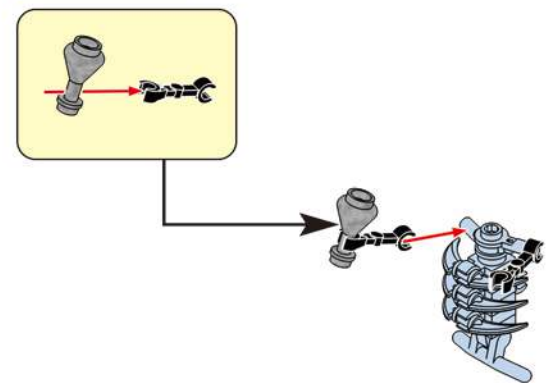
45

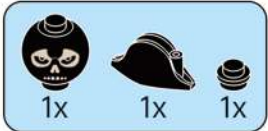


46

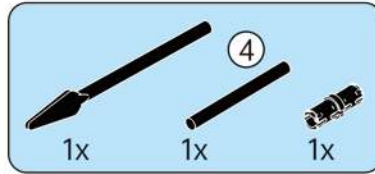


47

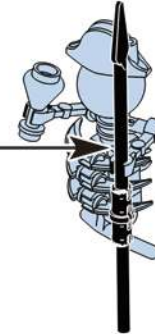




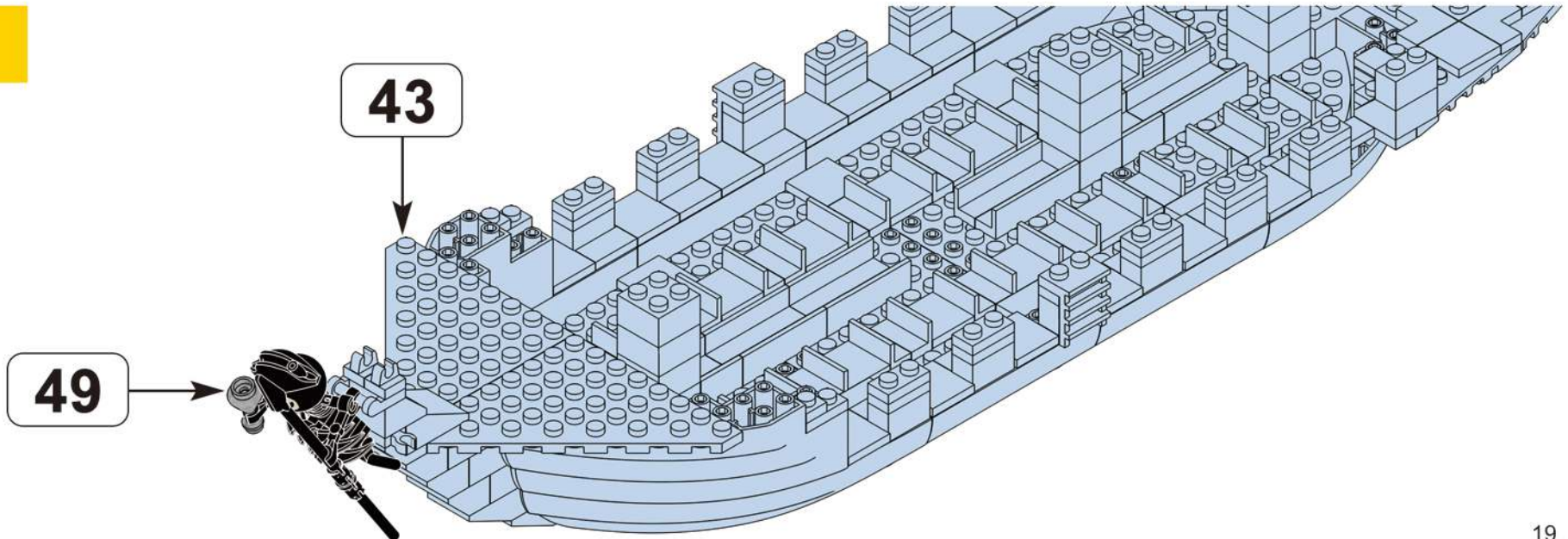
48



49



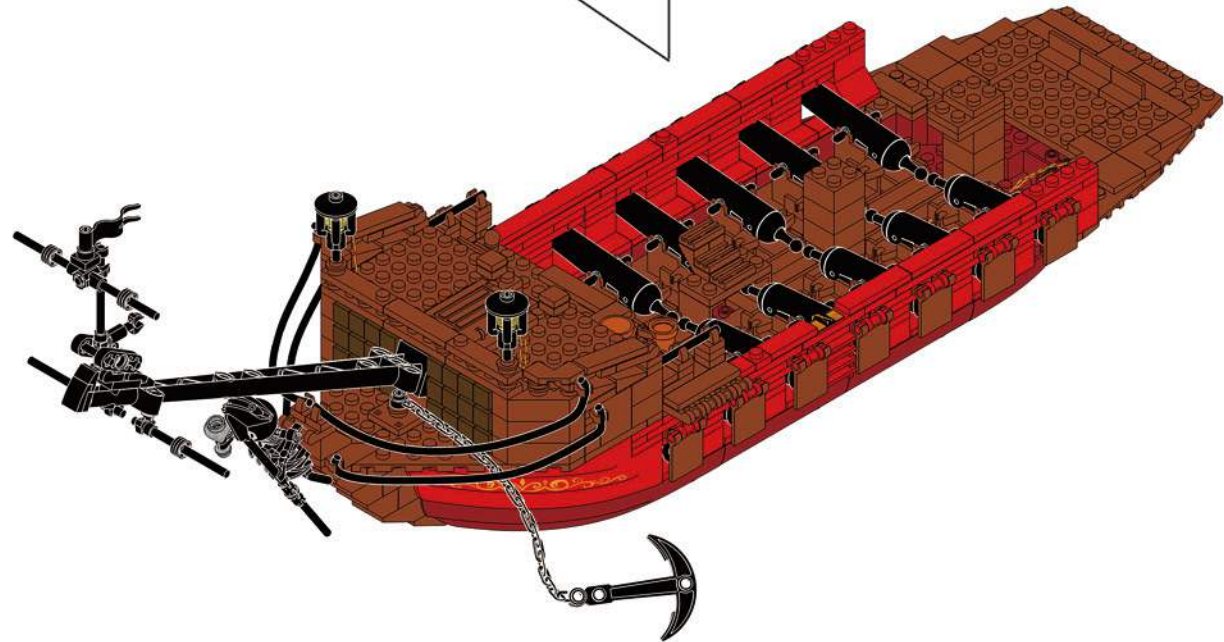
50

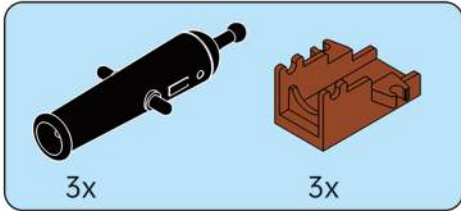


# JOY MAKES BRILLIANCE.

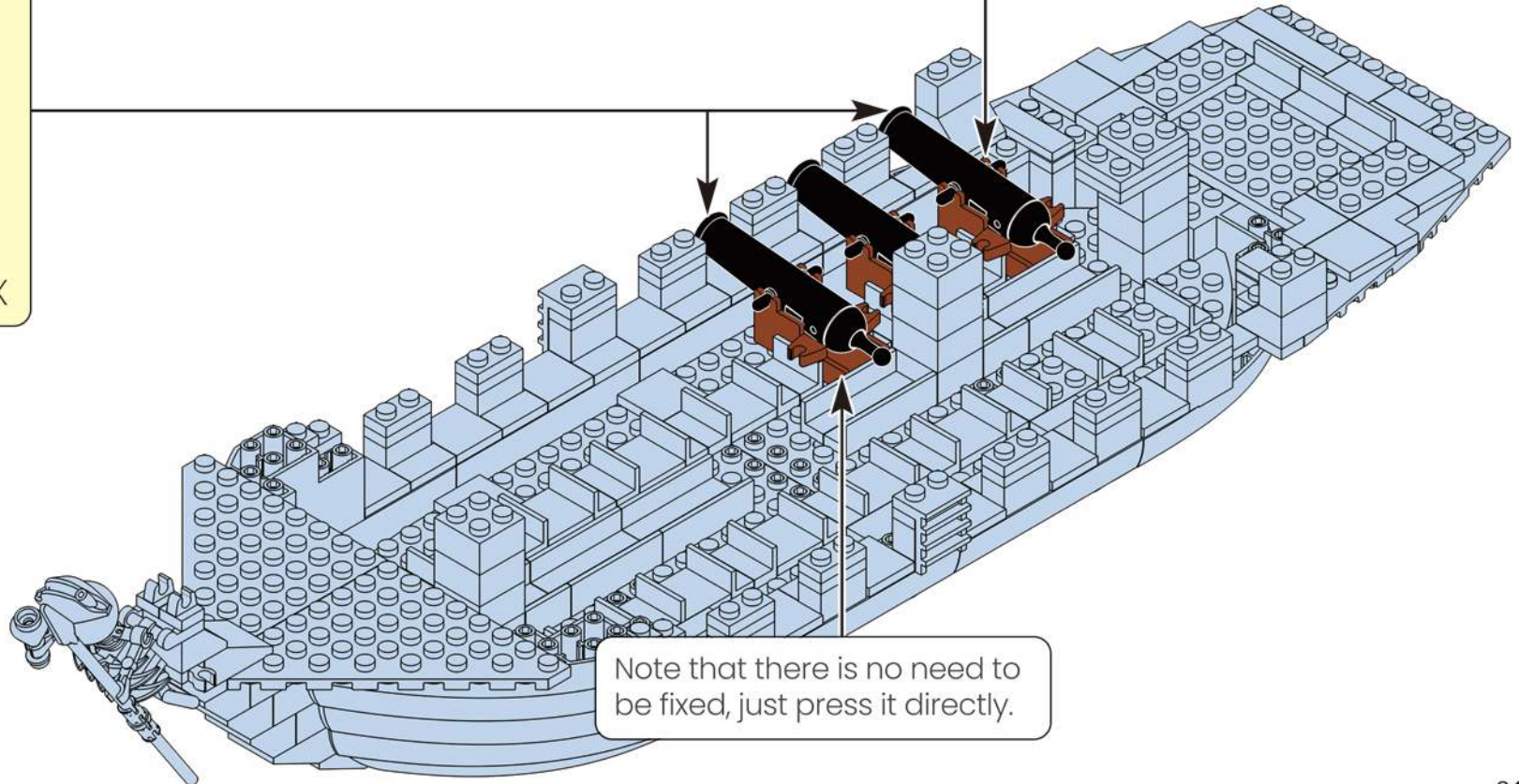
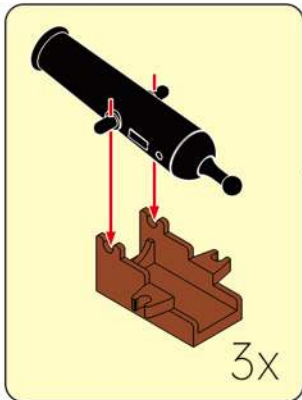
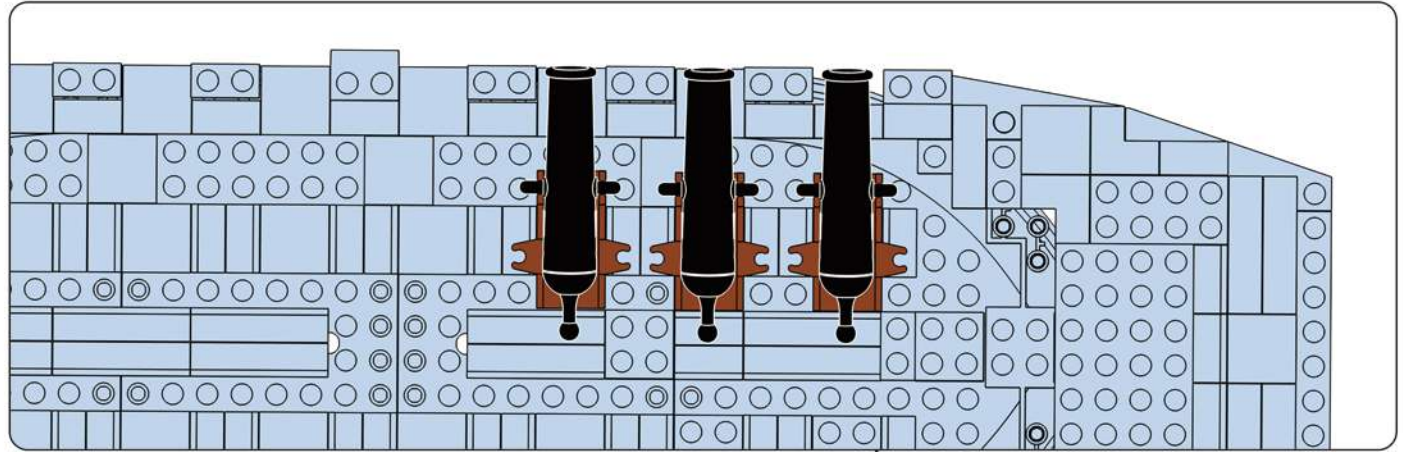
## Embrace Relaxation Embrace Joy

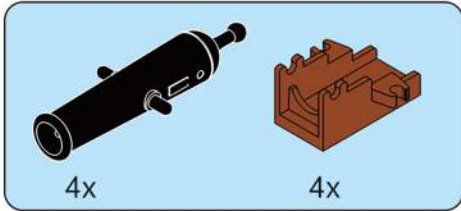
Every adultescent needs a "JOY BOX".  
Please, open your JOY BOX! Heading for joy.



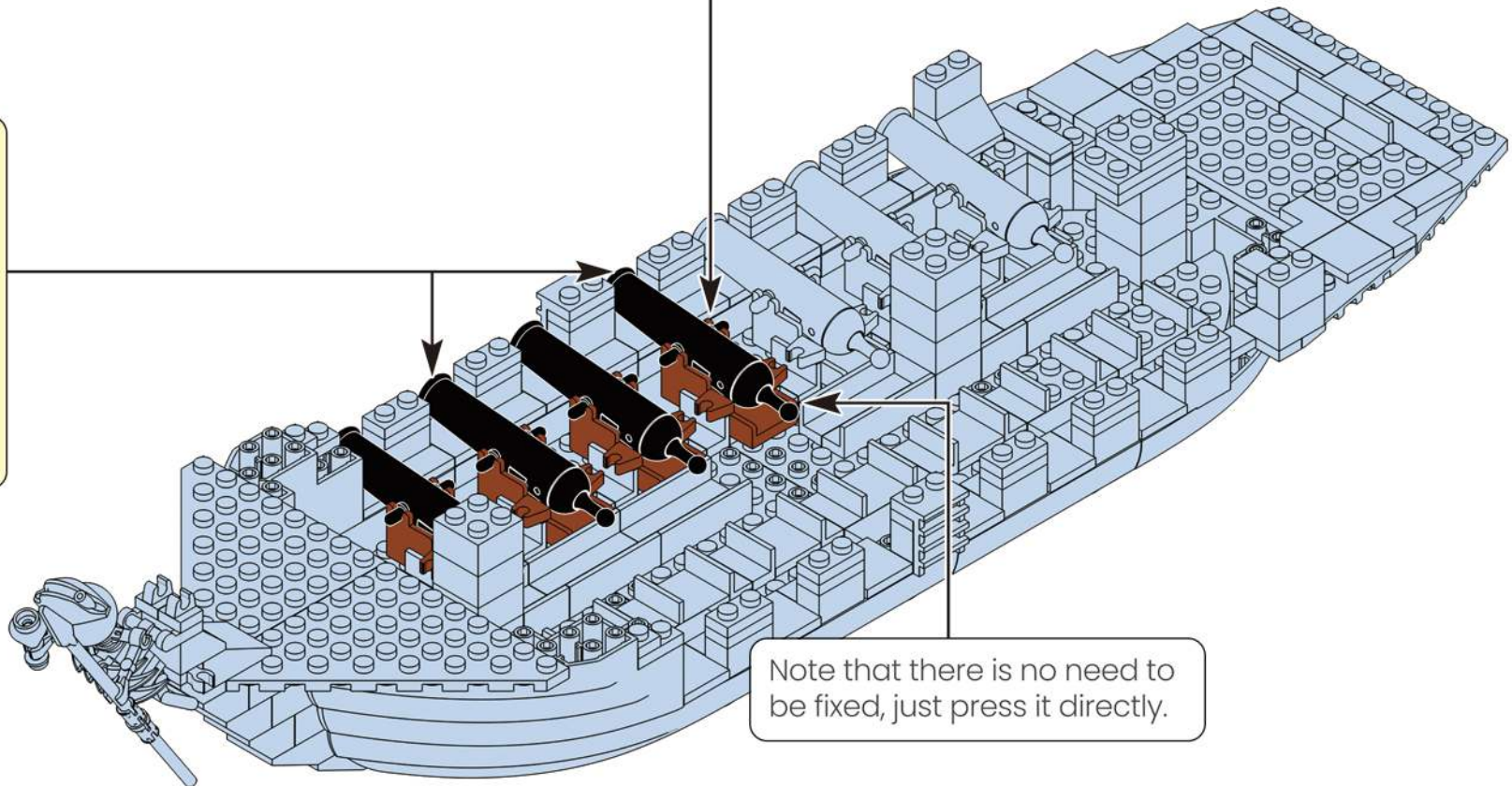
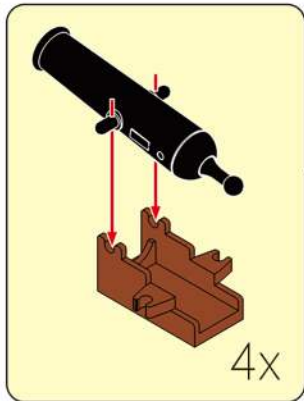
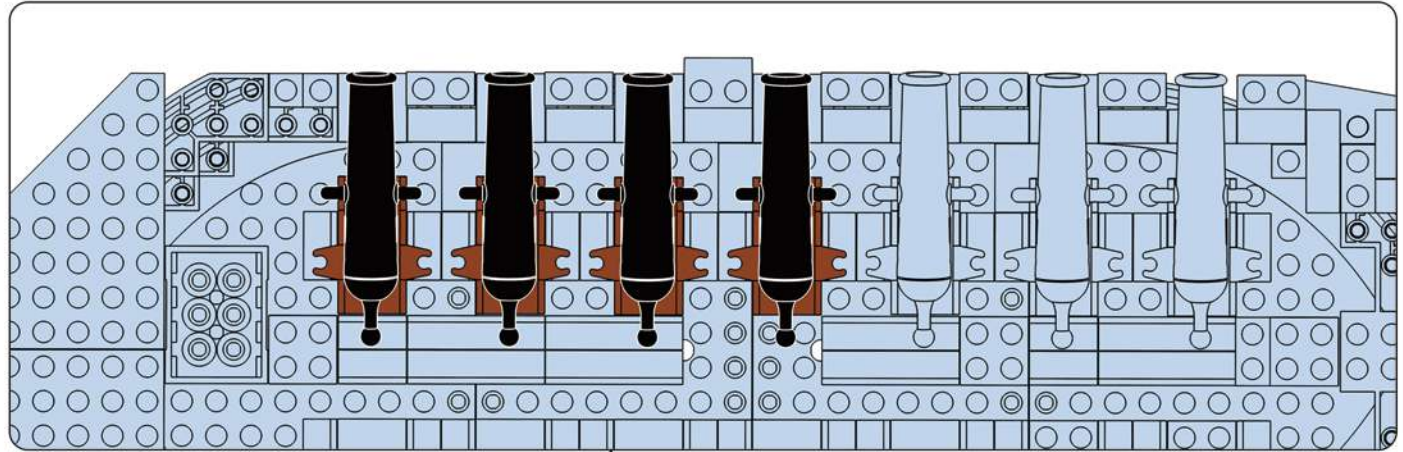


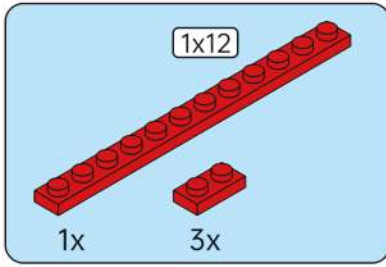
51



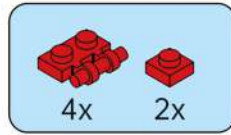
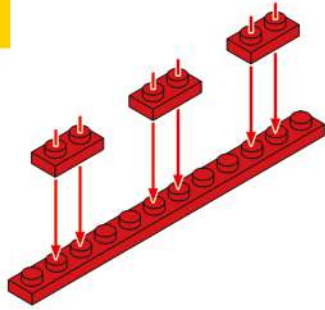


52

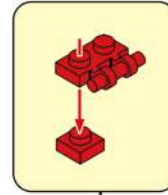
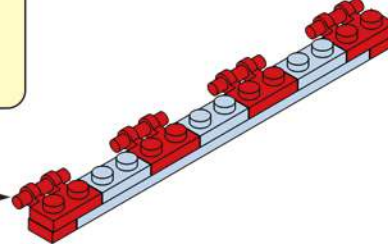
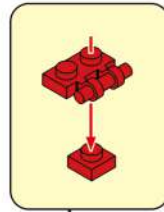




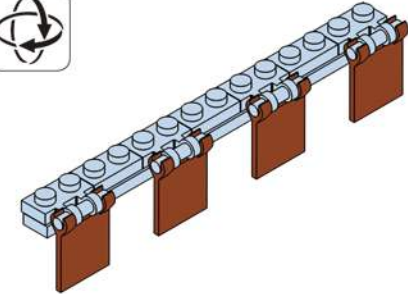
53



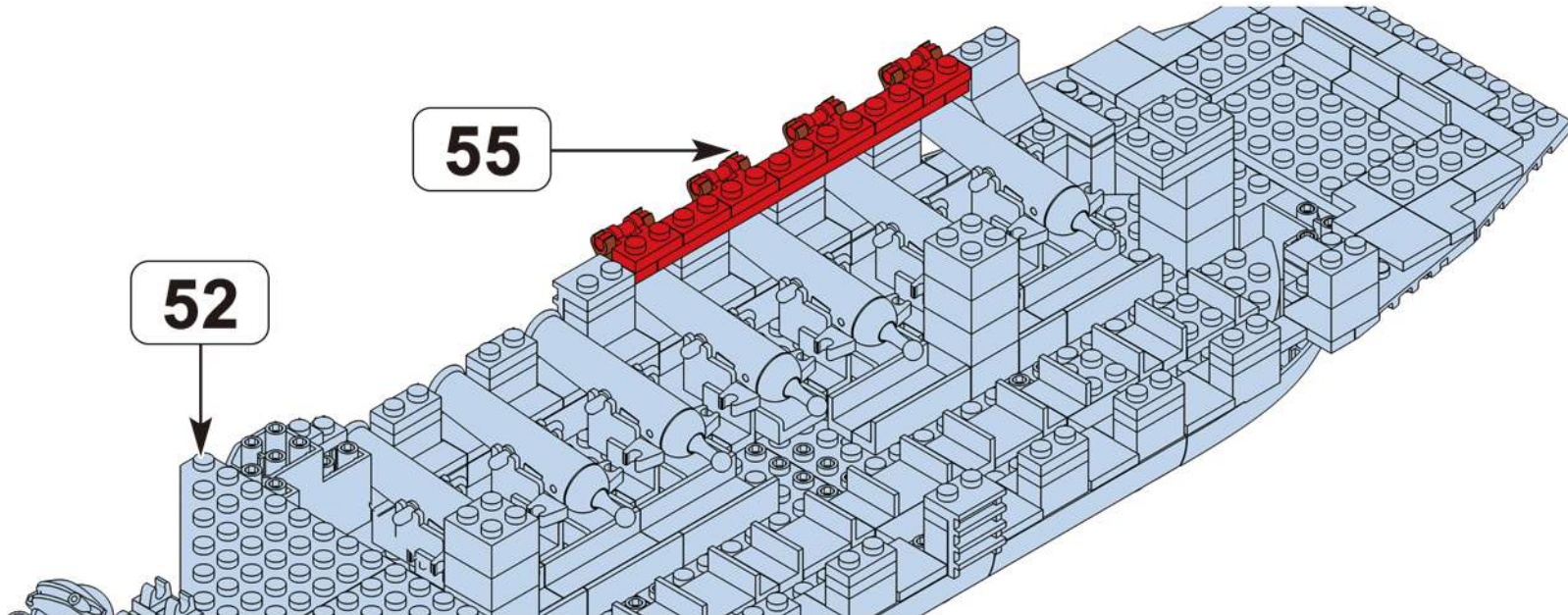
54

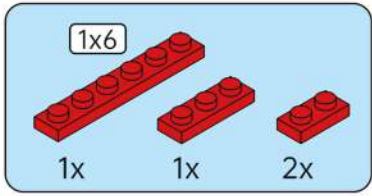


55

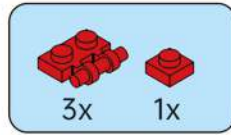
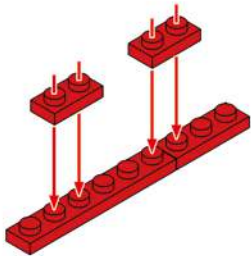


56

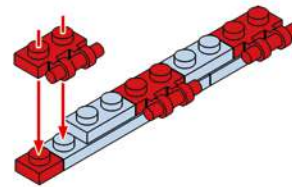




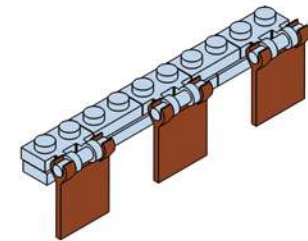
57



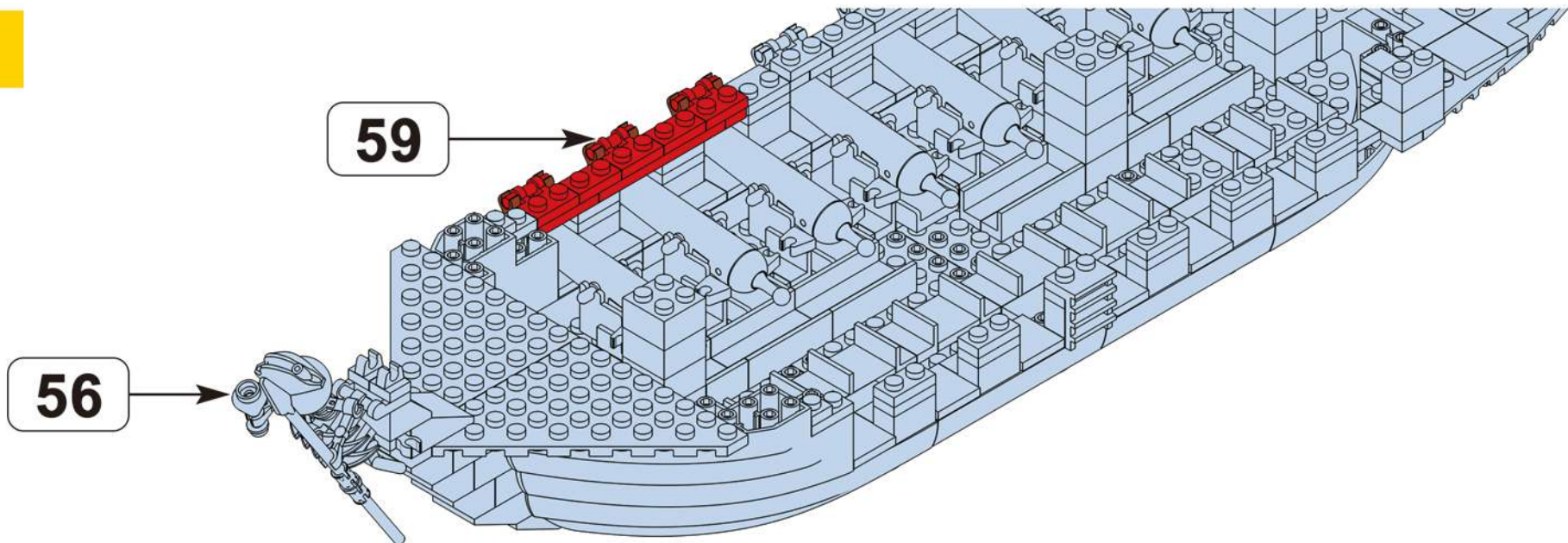
58

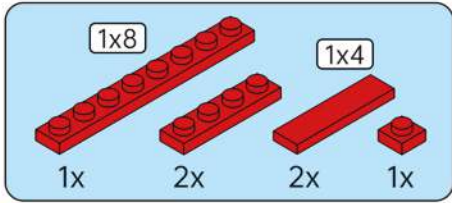


59

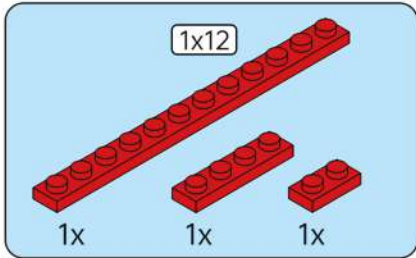
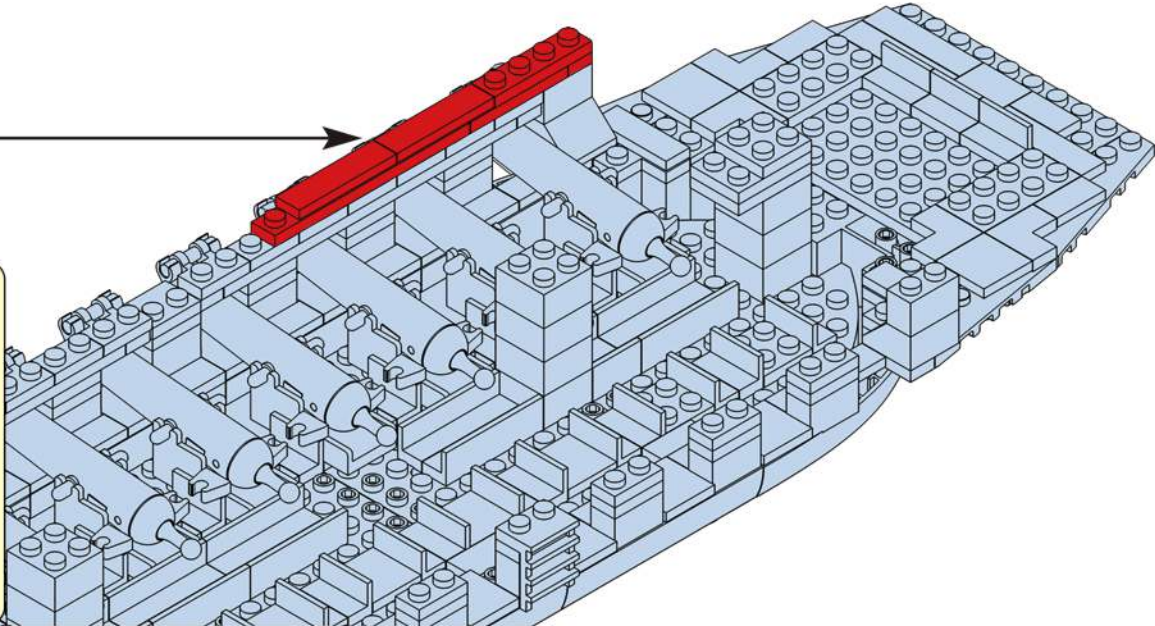
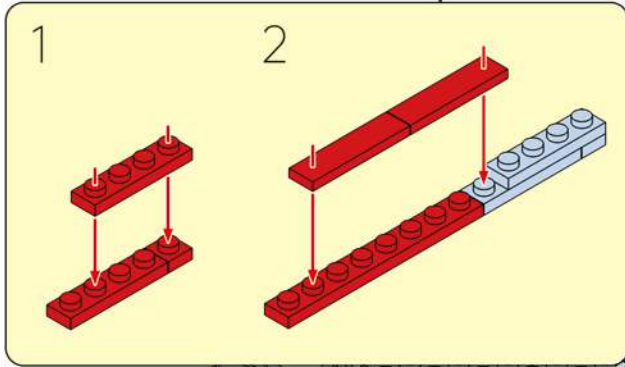


60

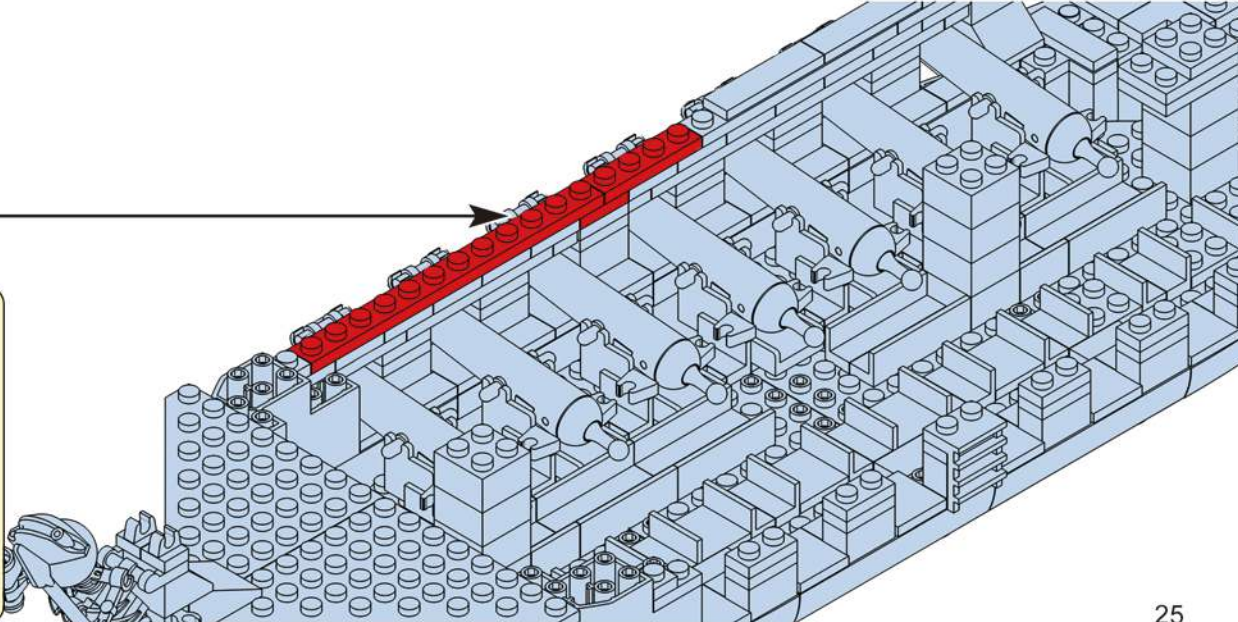
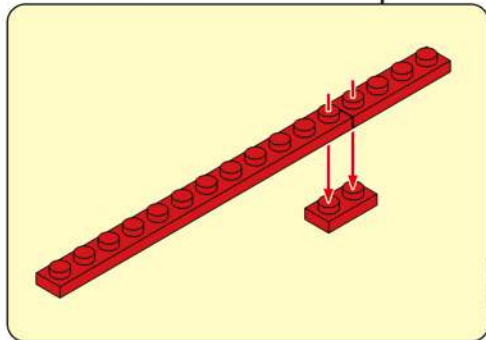


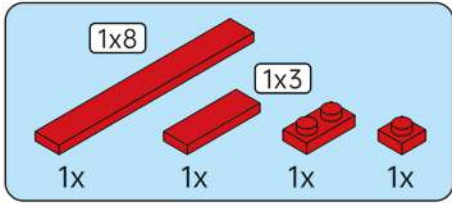


61

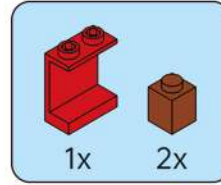
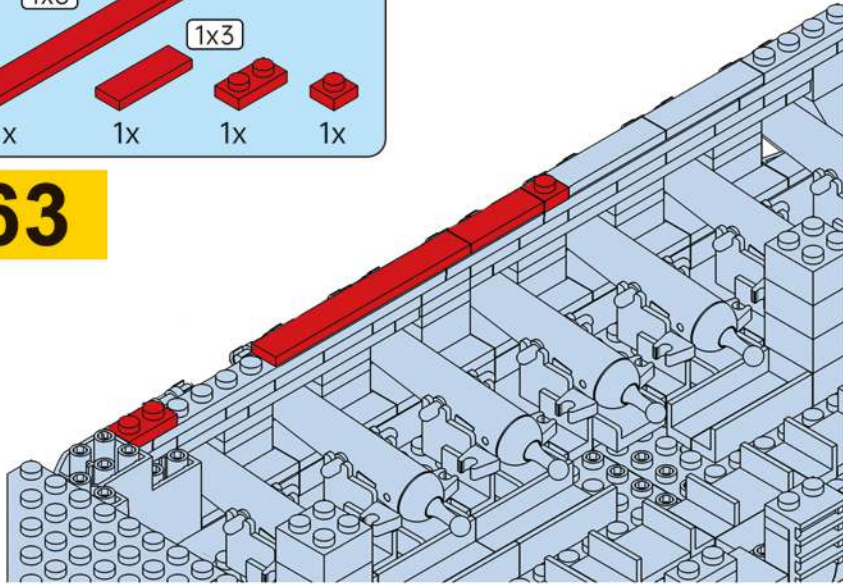


62

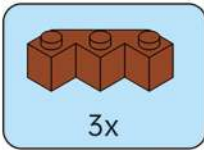
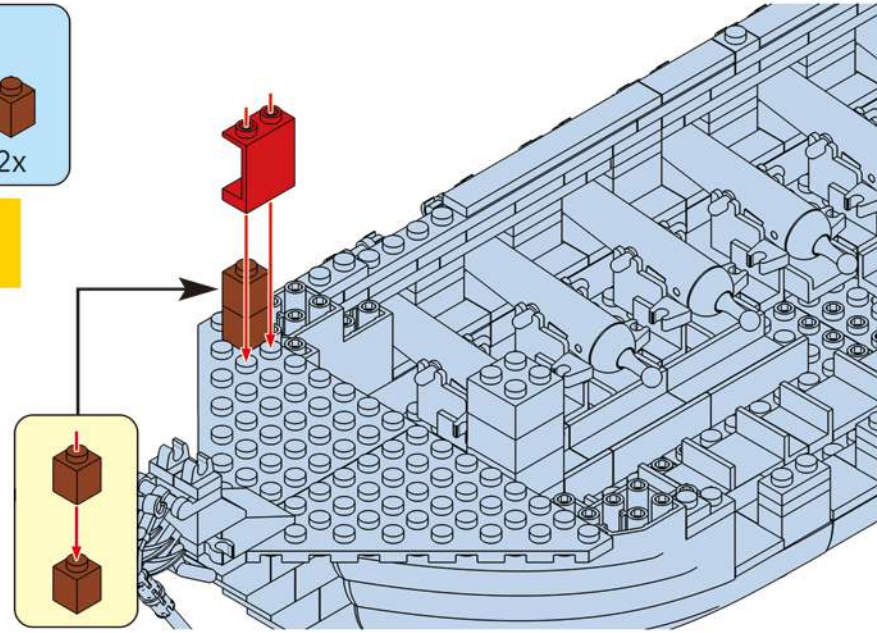




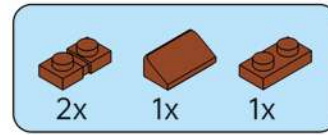
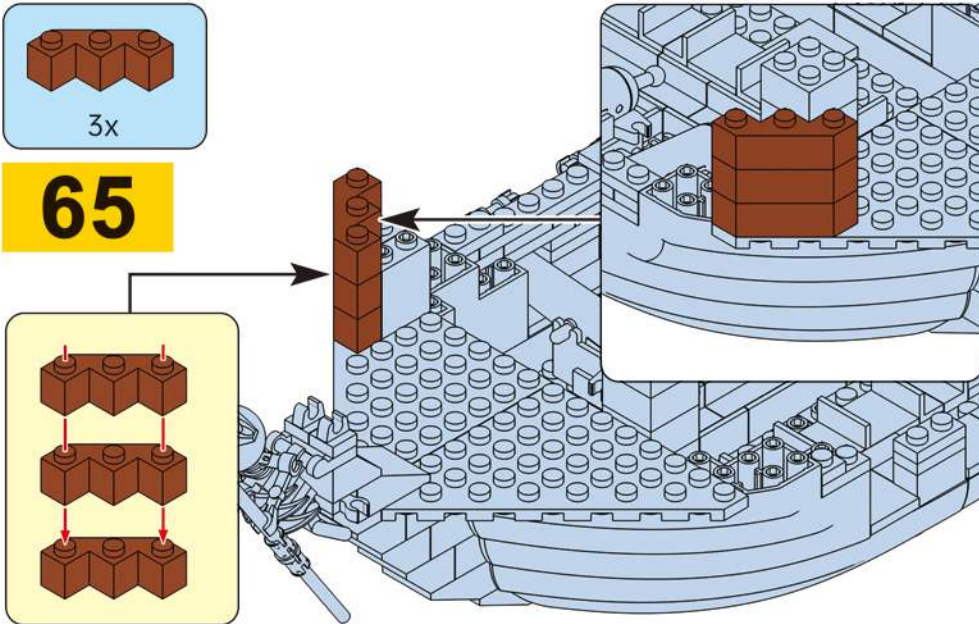
63



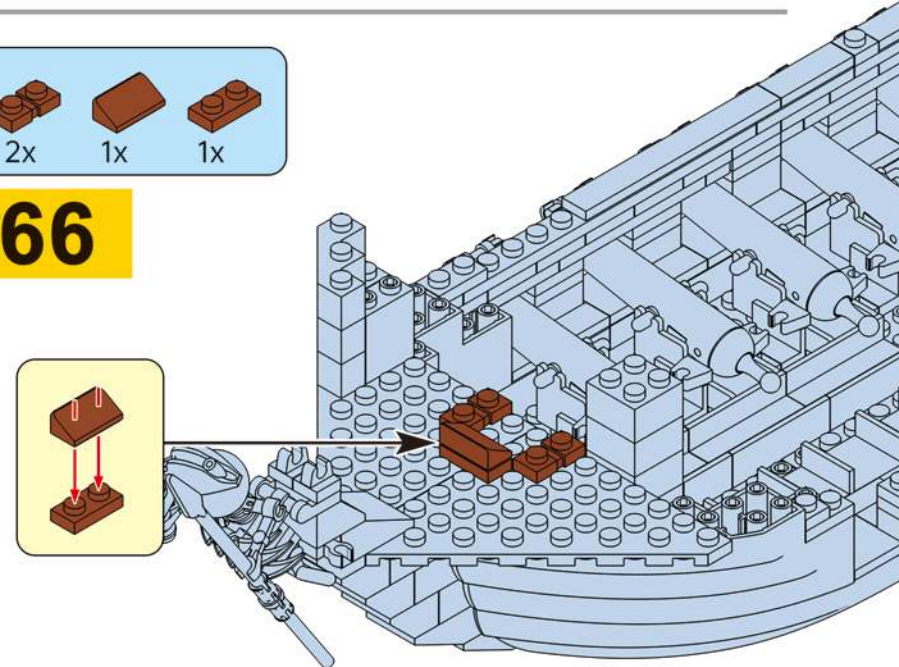
64

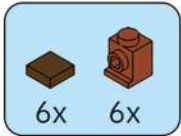


65

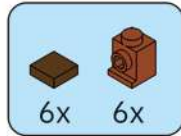
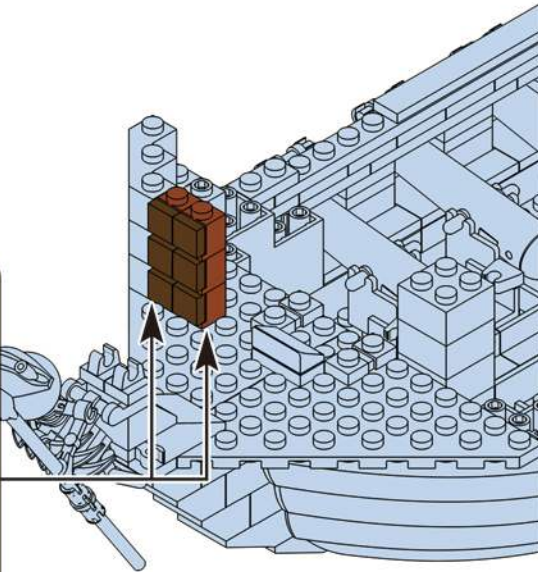
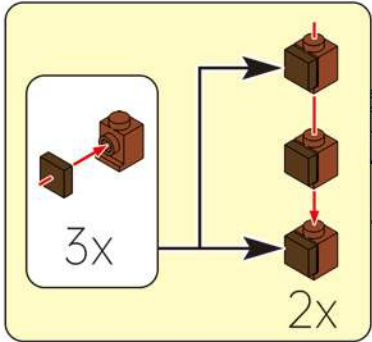


66

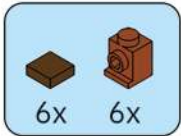
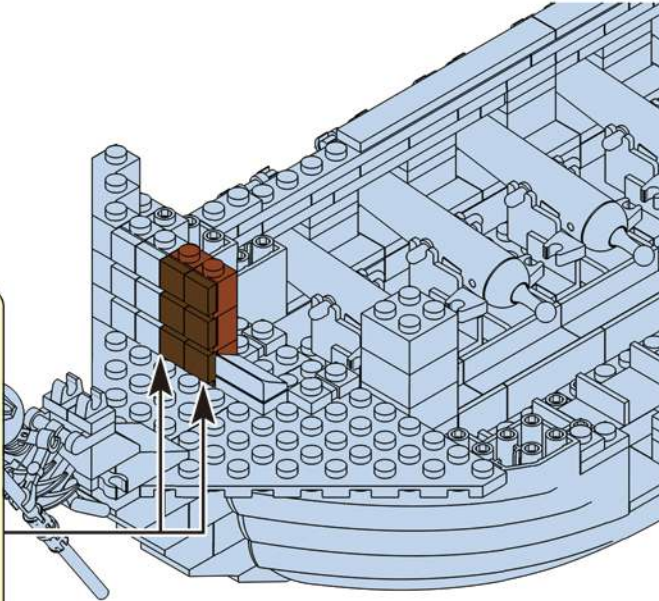
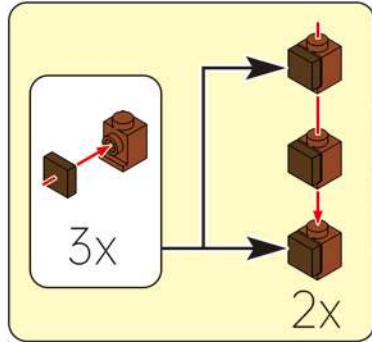




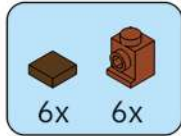
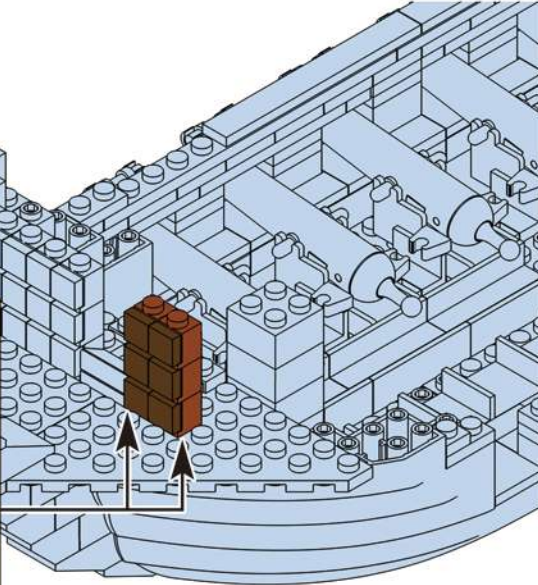
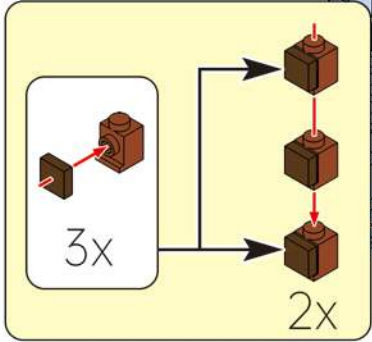
67



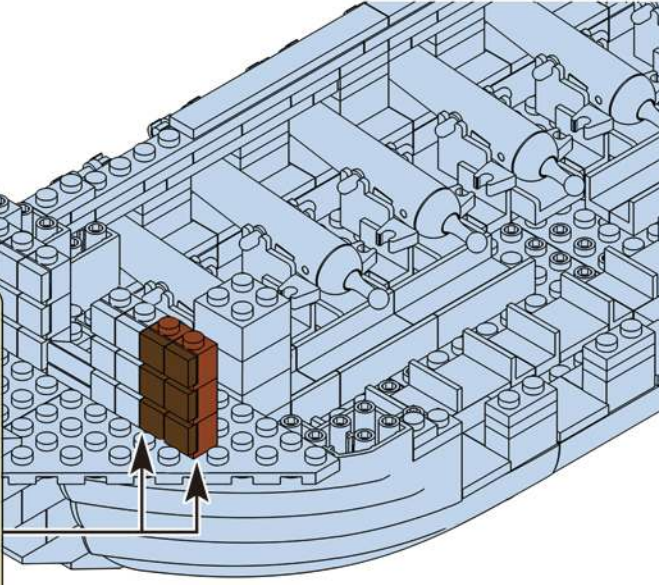
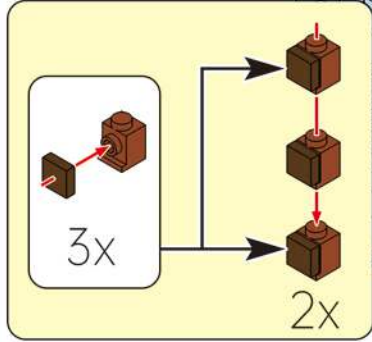
68

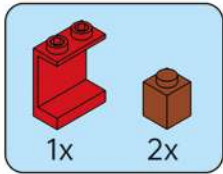


69

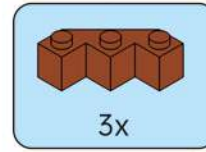
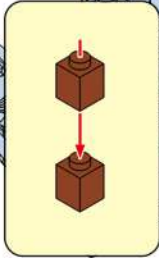
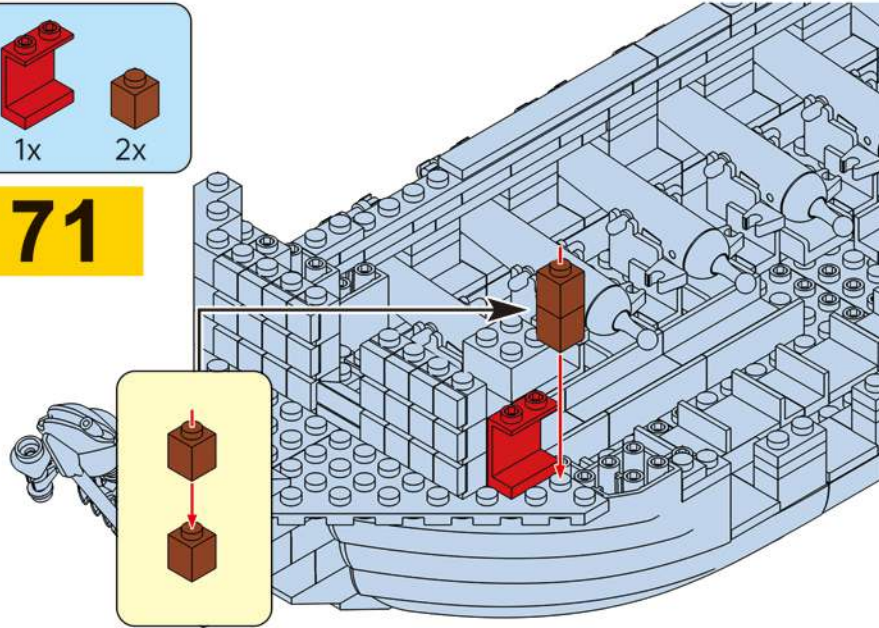


70

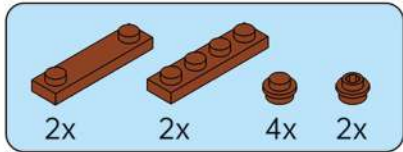
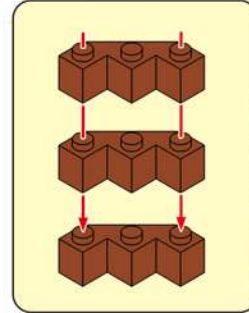
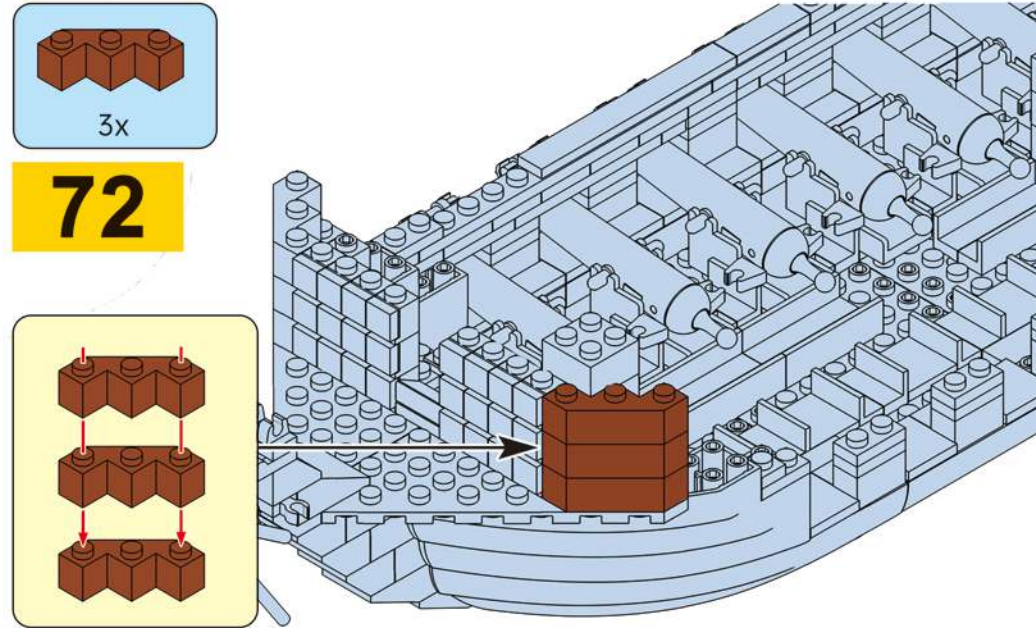




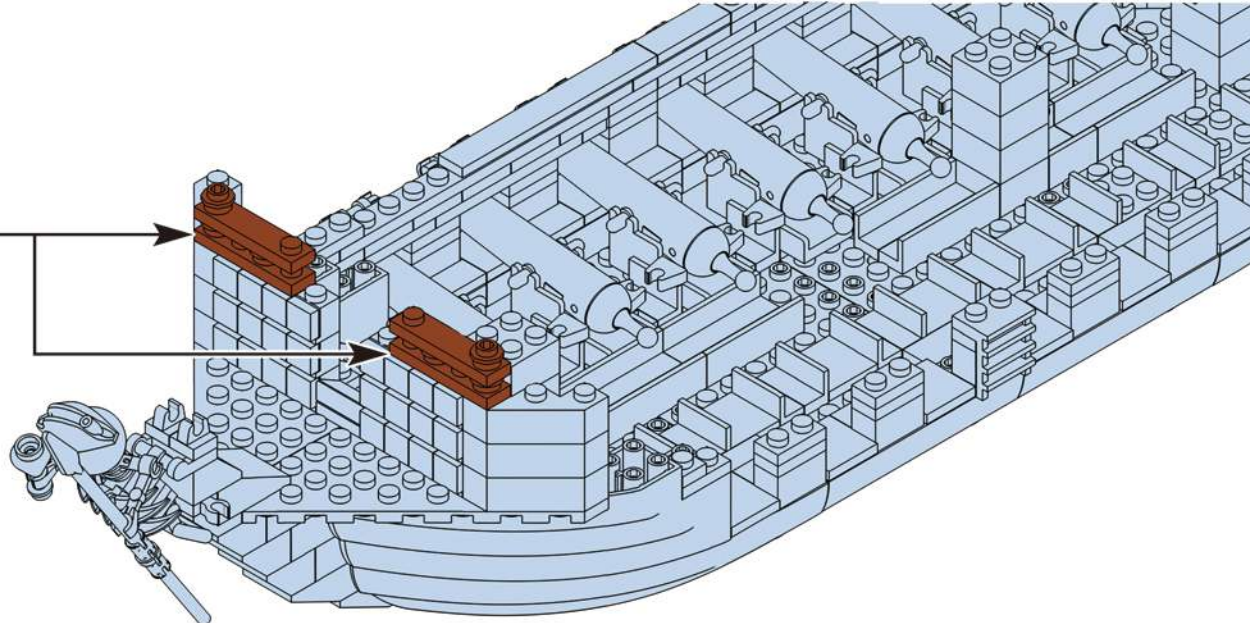
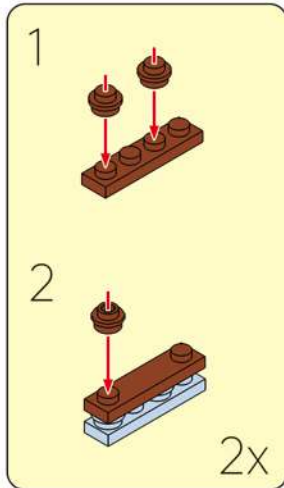
71

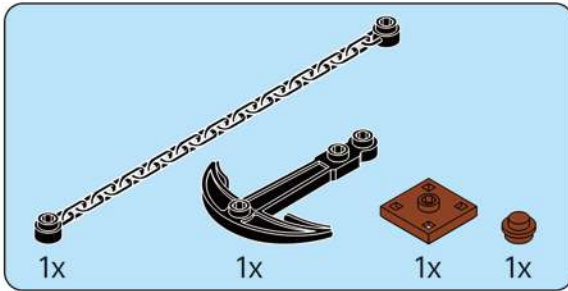


72

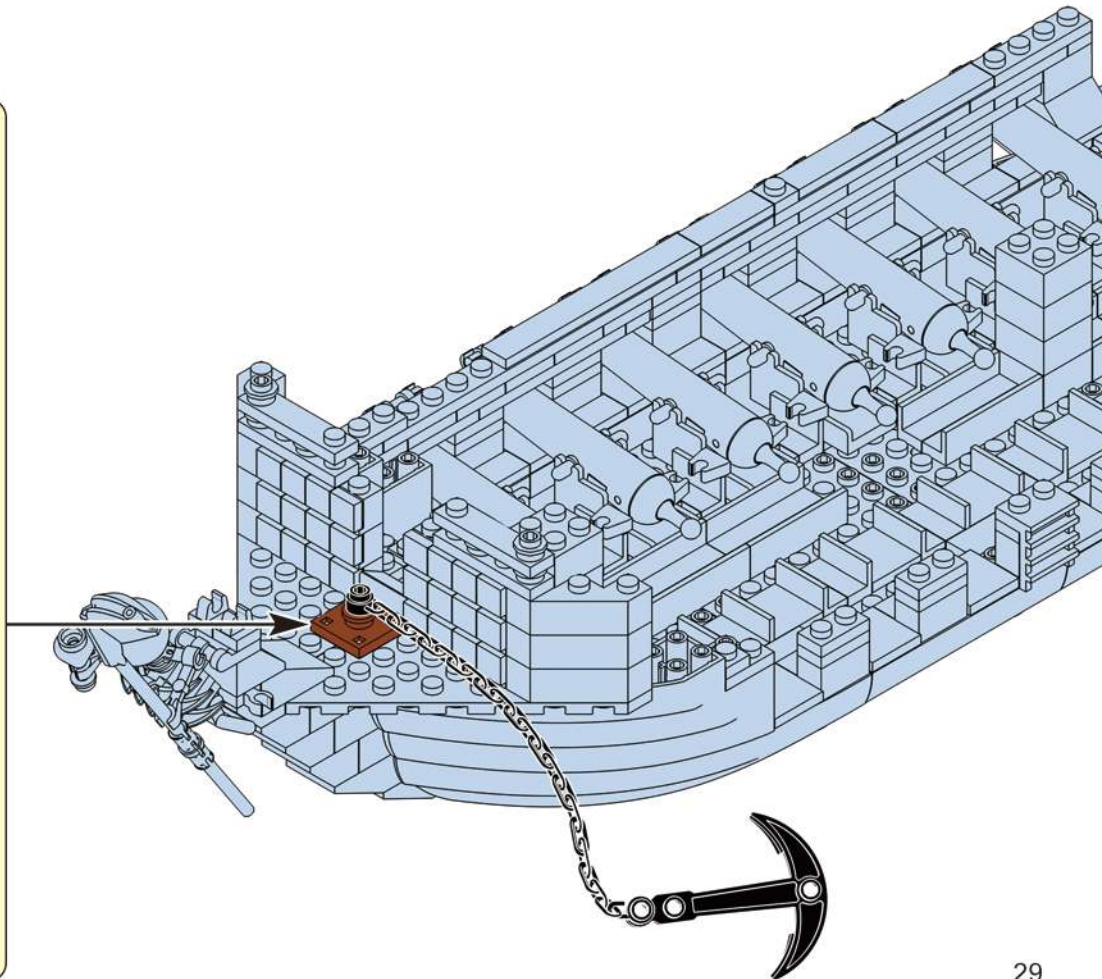
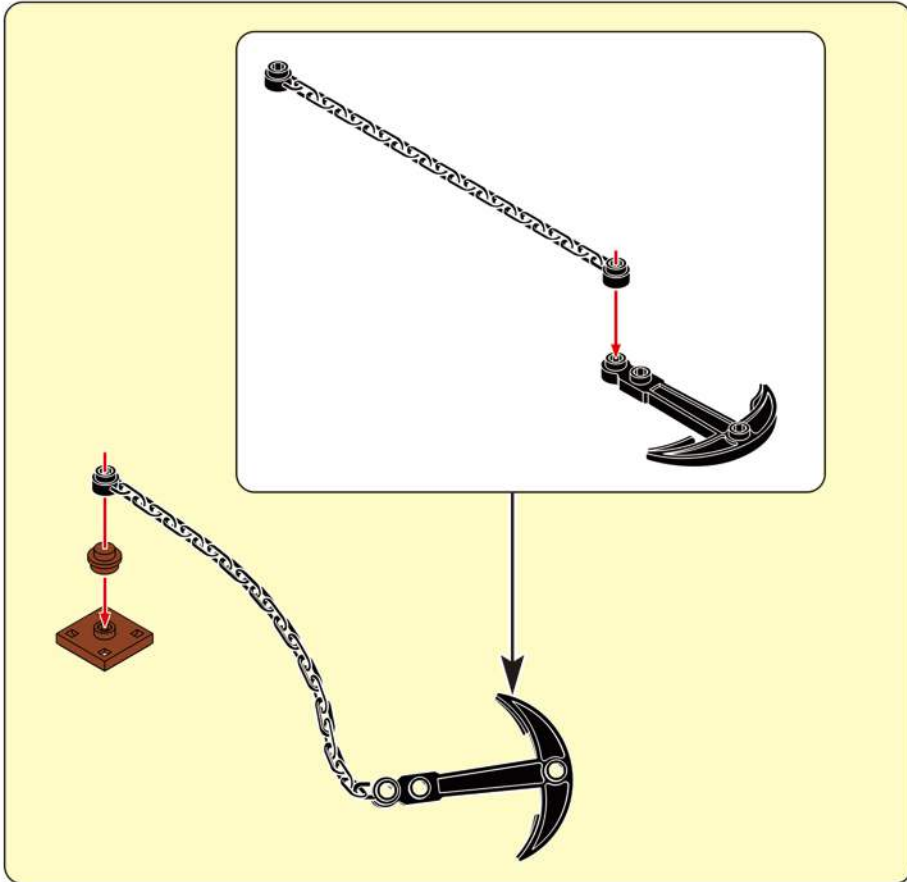


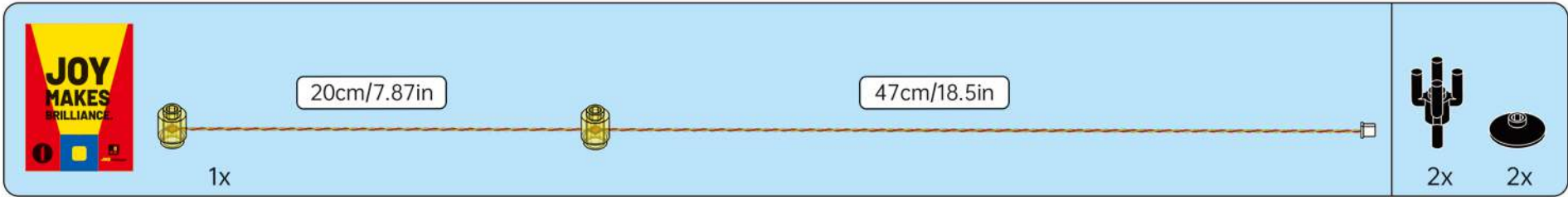
73



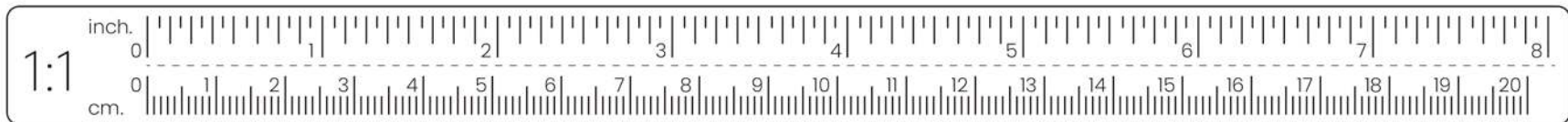
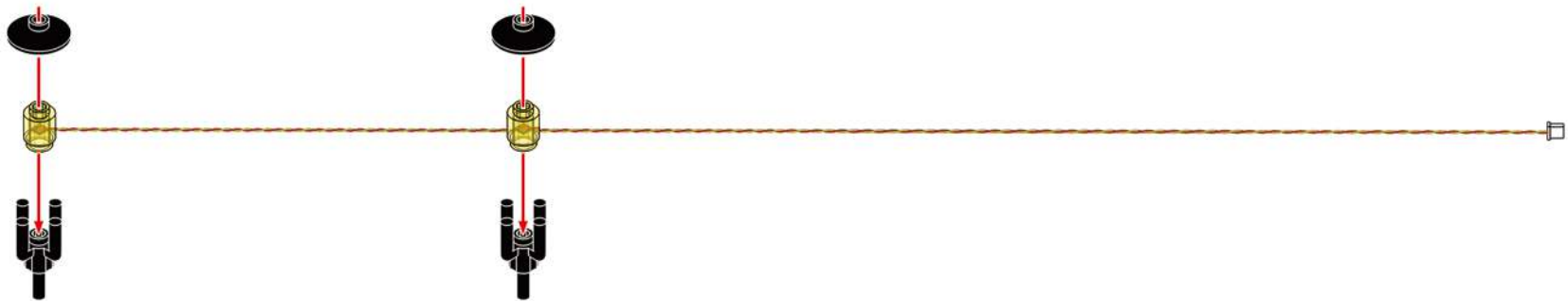


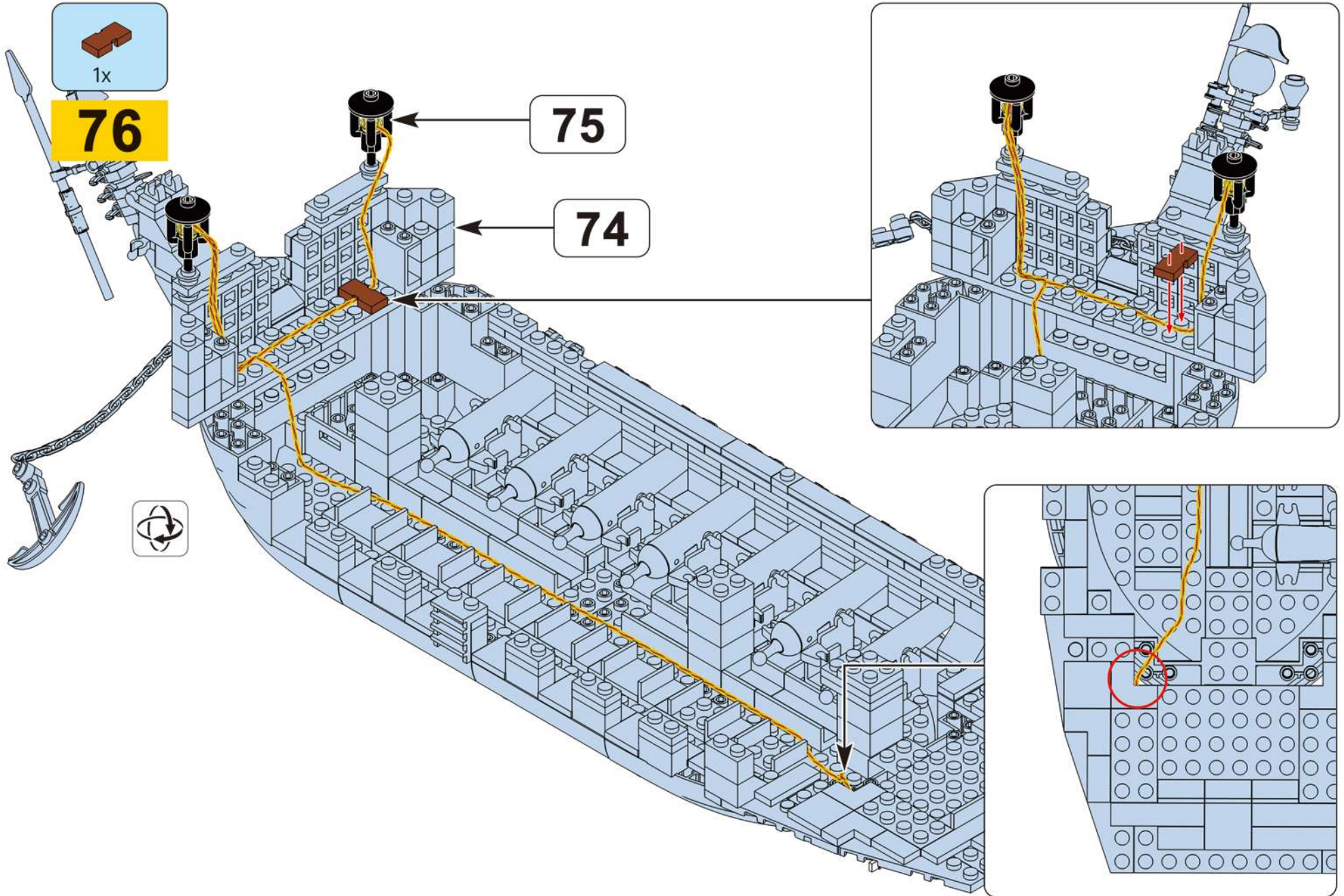
74

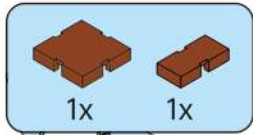




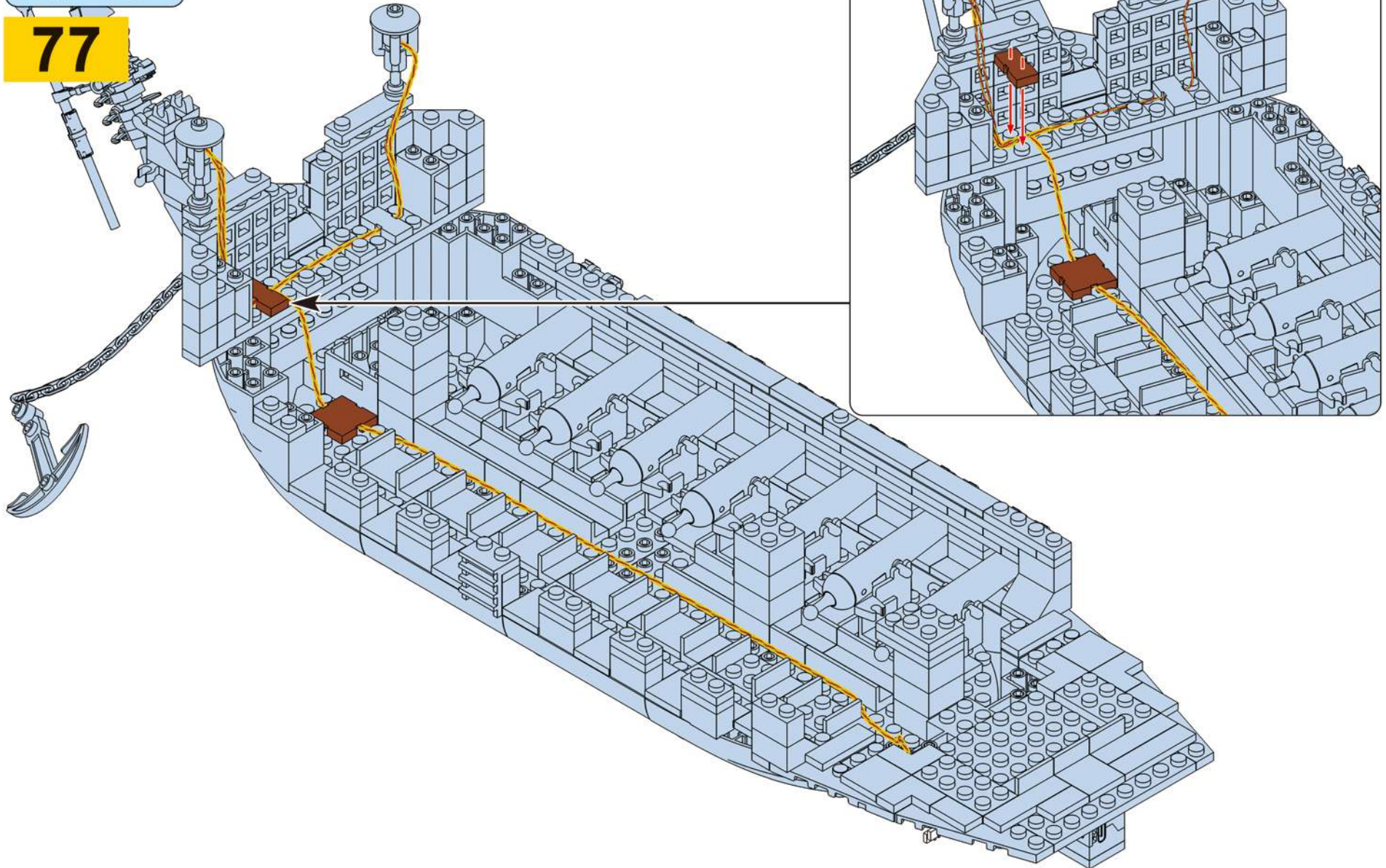
75

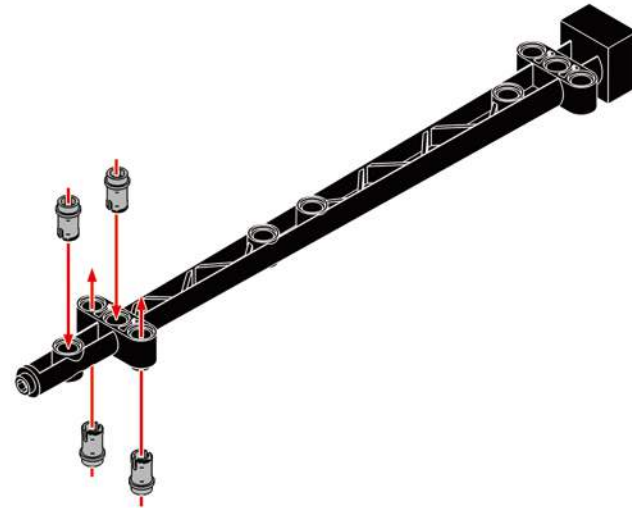
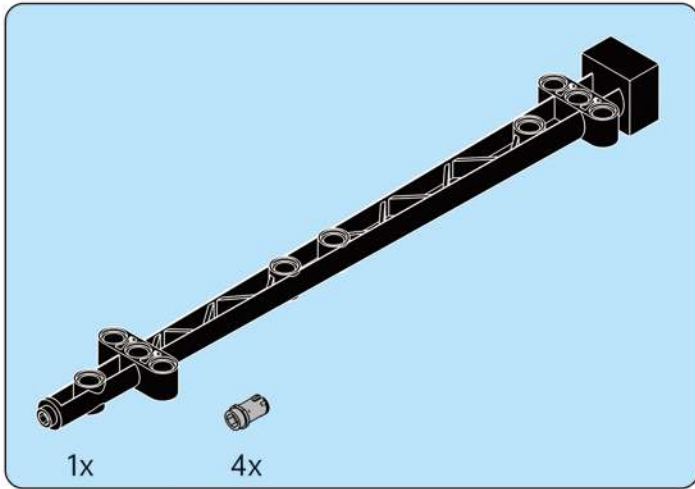




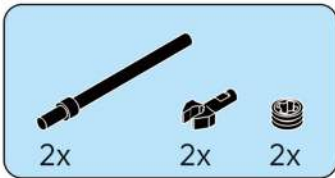


**77**

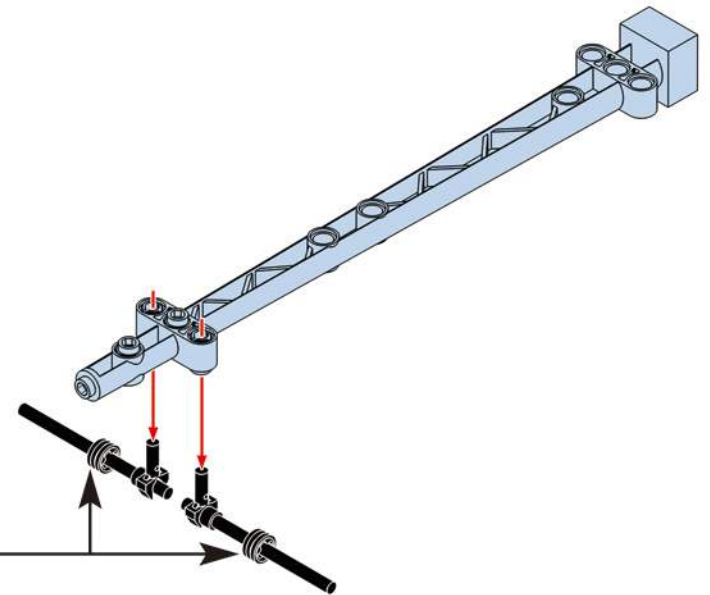
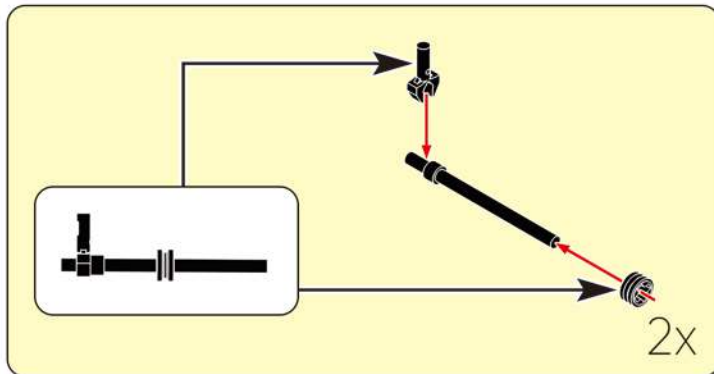


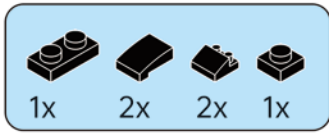


78

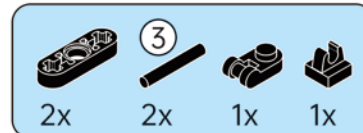
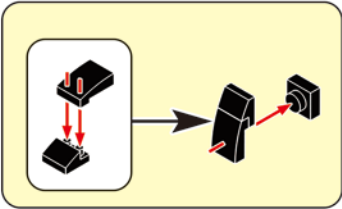
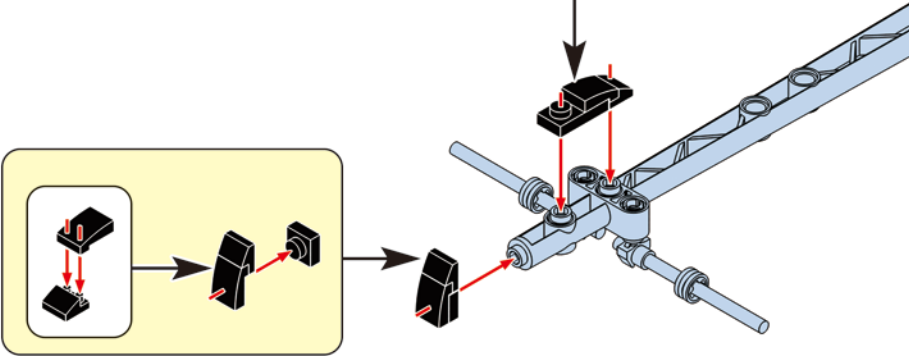
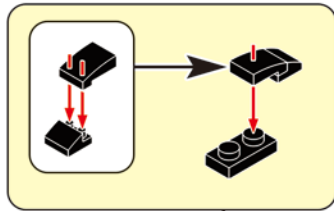


79

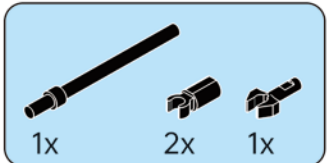
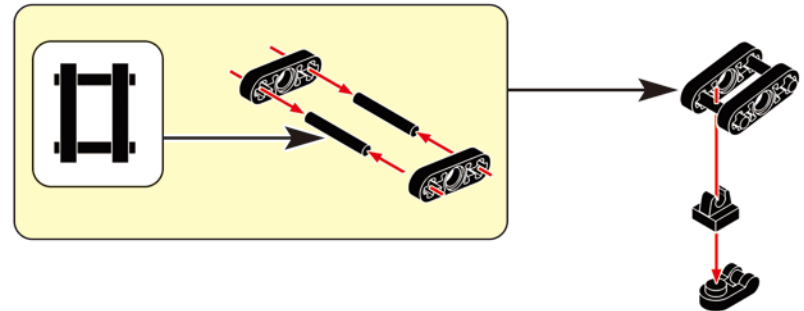
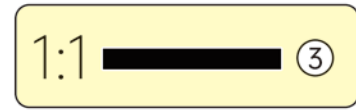




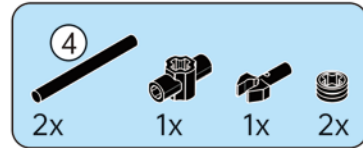
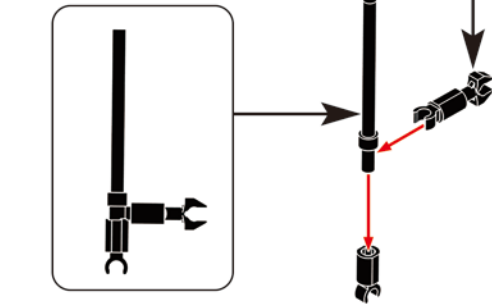
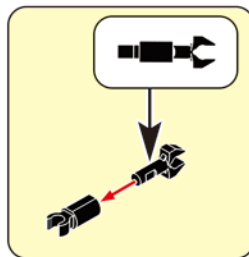
80



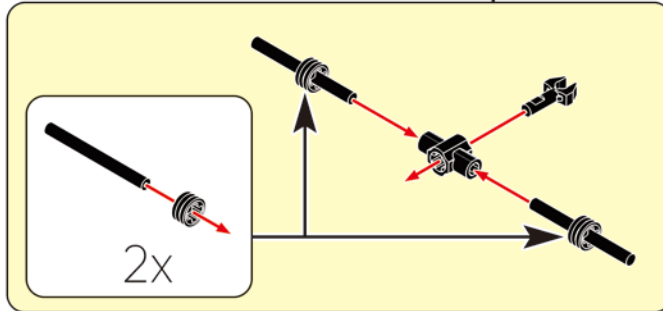
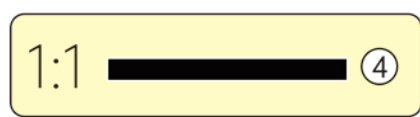
81

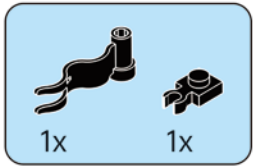


82

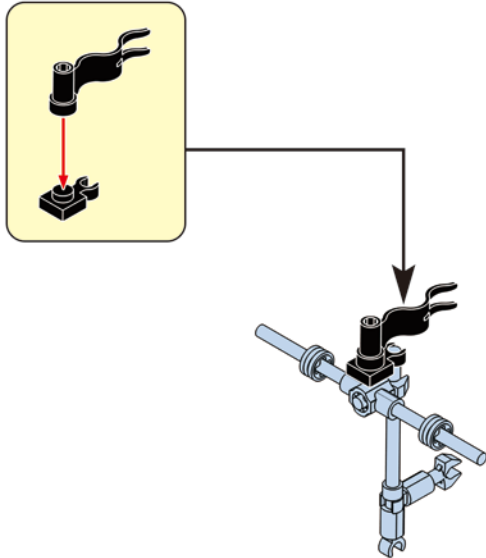


83

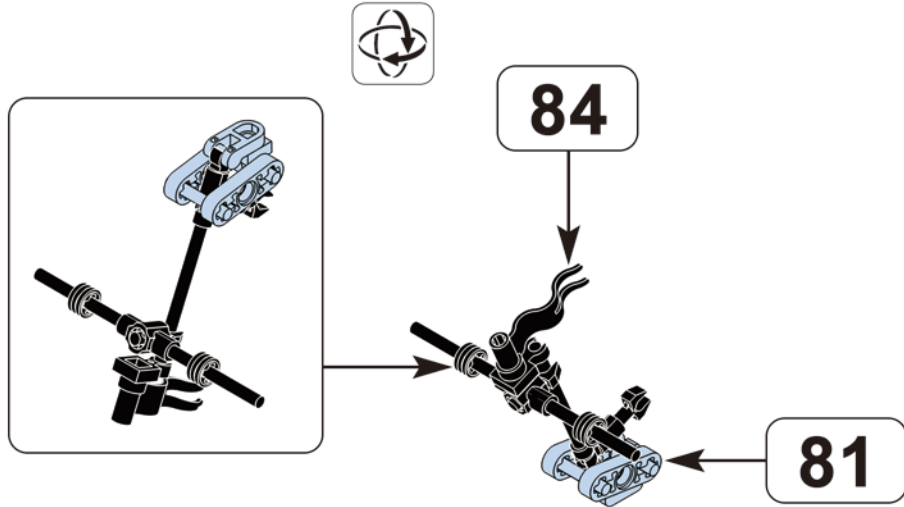




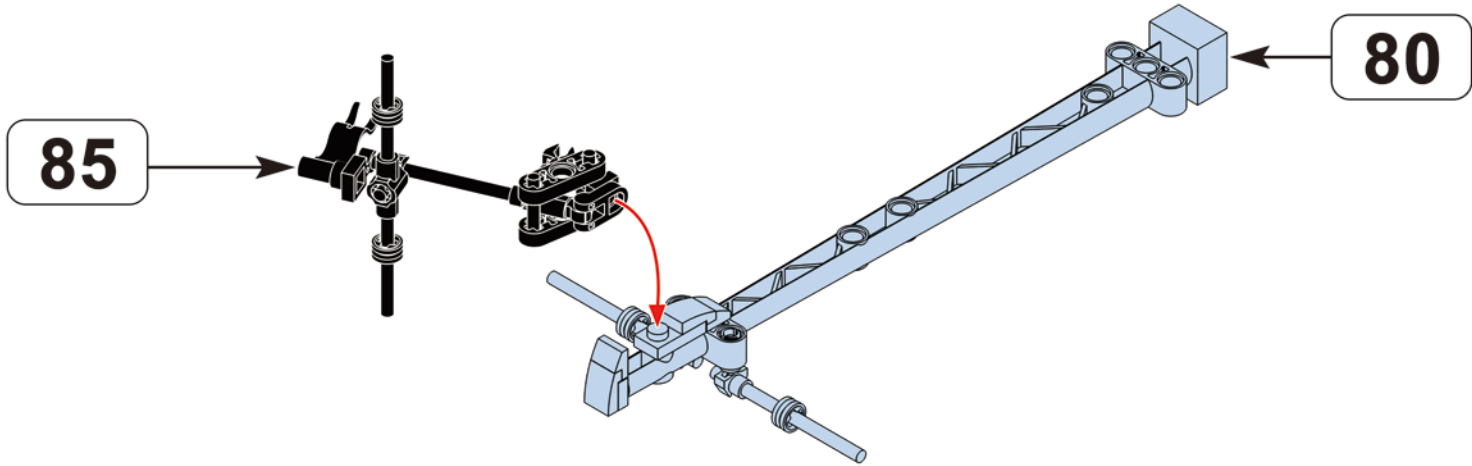
84

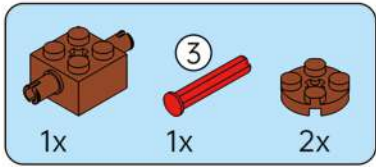


85

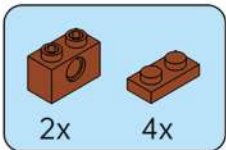
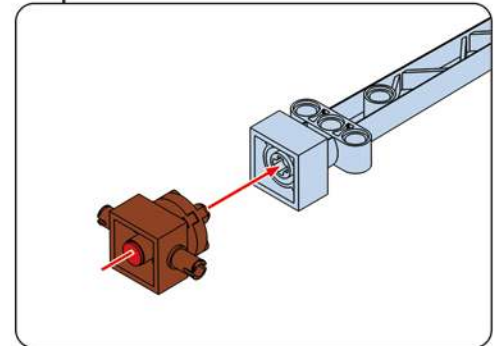
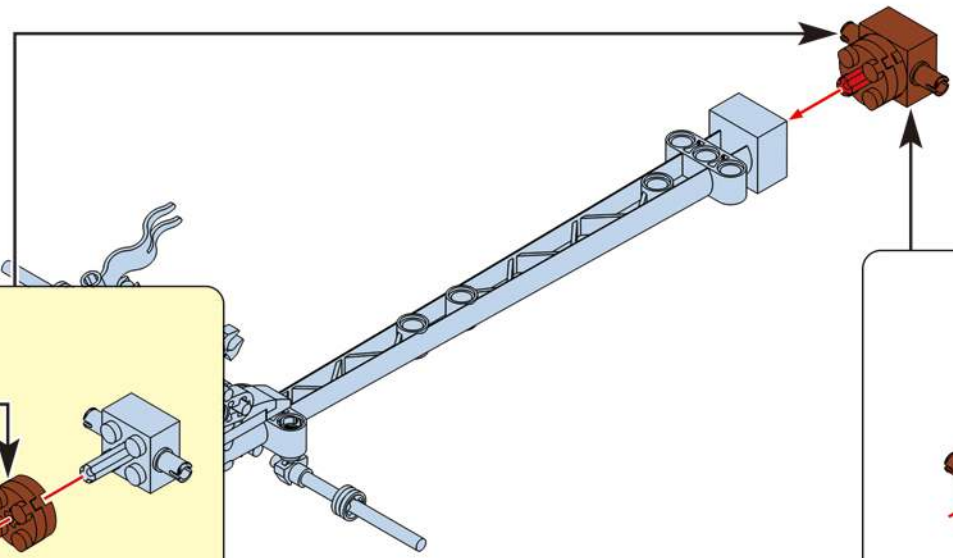
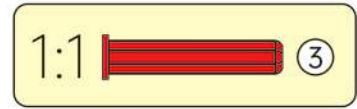
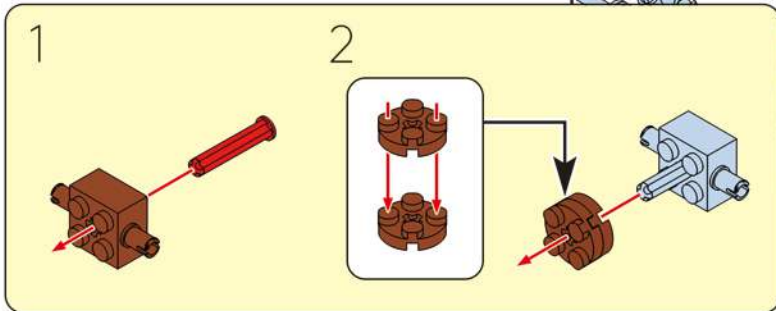


86

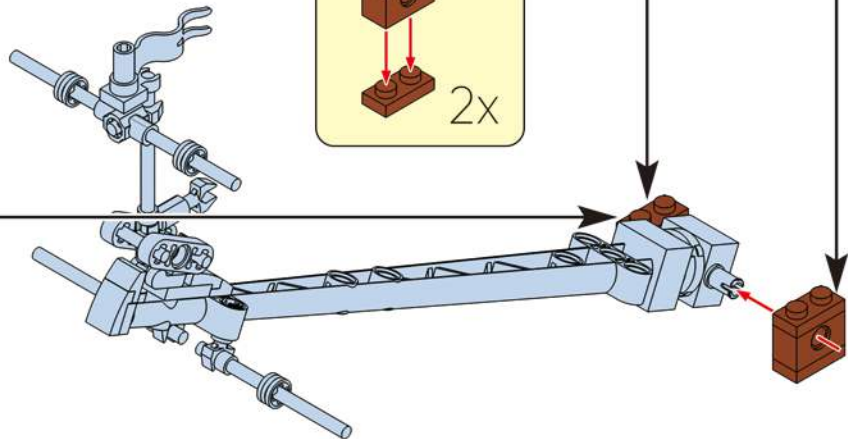
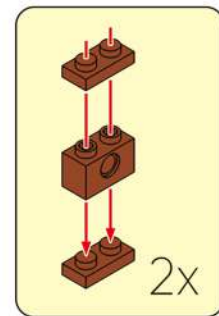
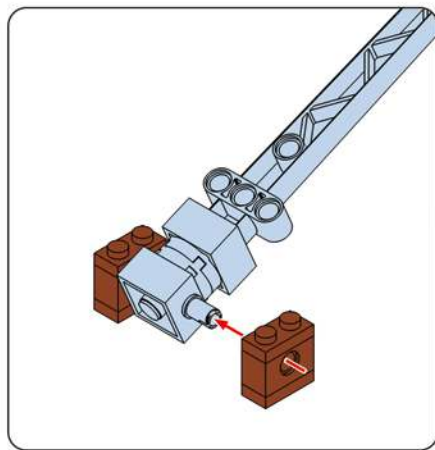




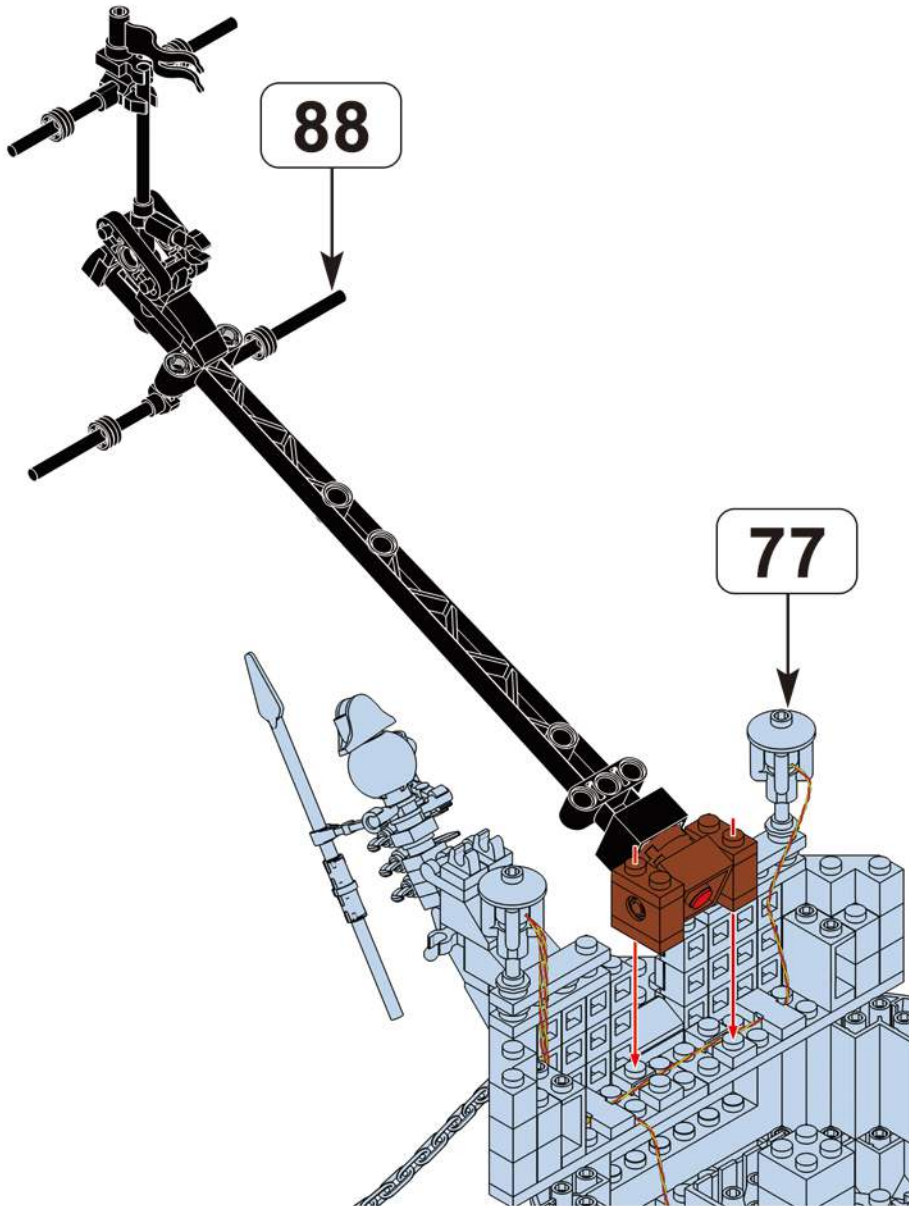
**87**



**88**

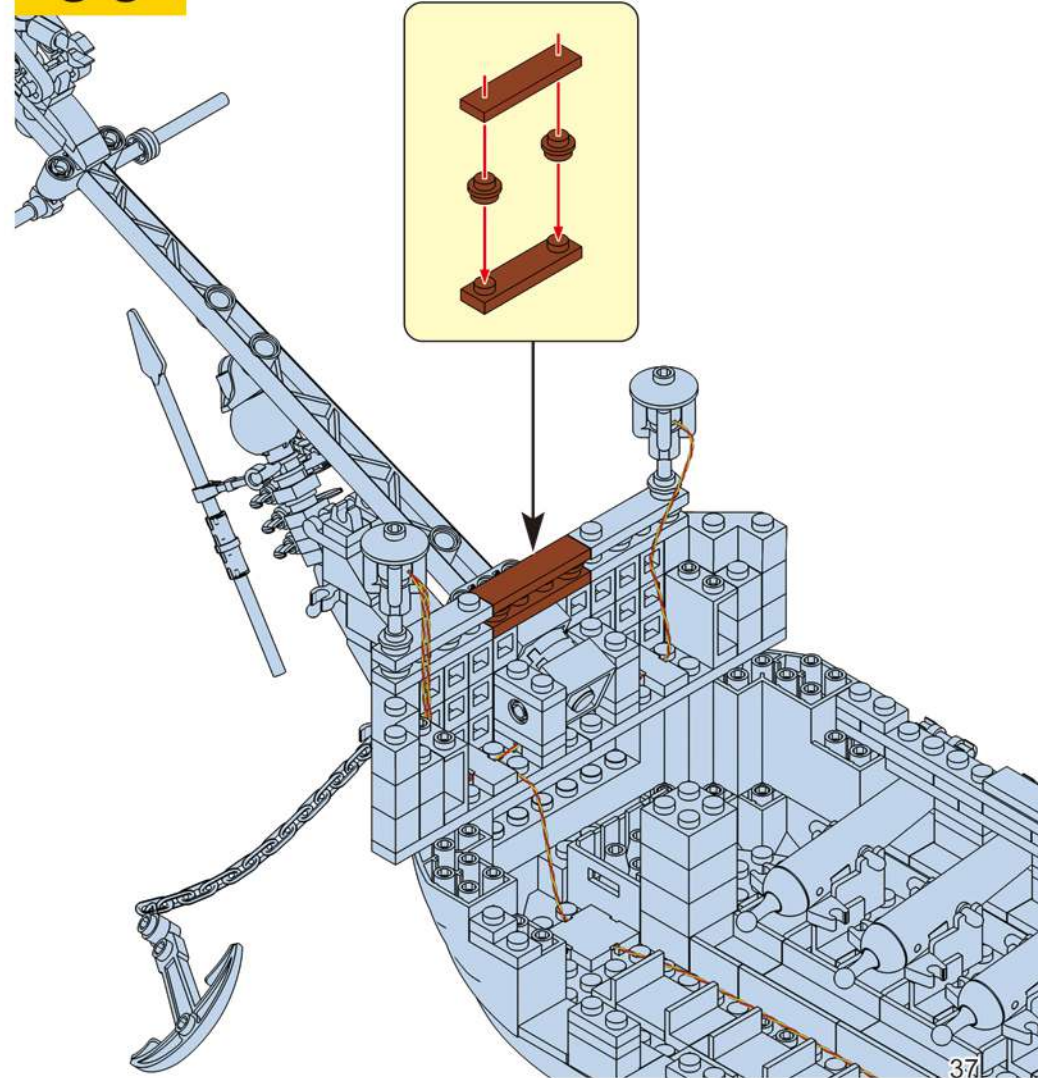


89



- 1x4
- 1x
- 1x
- 2x

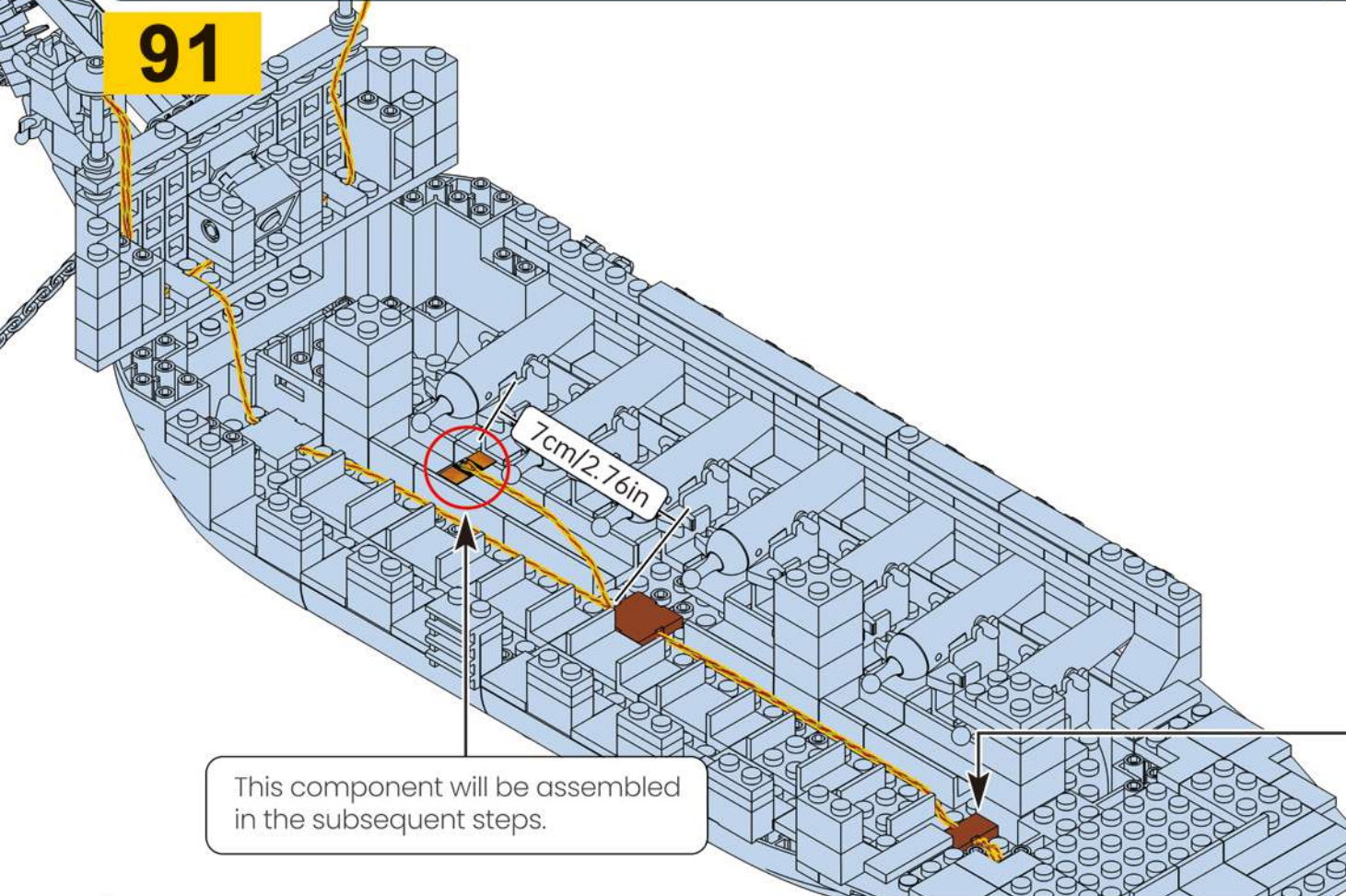
90



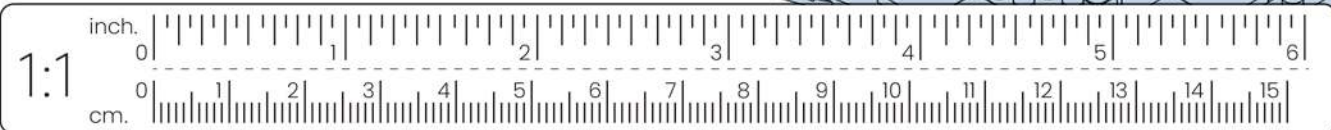
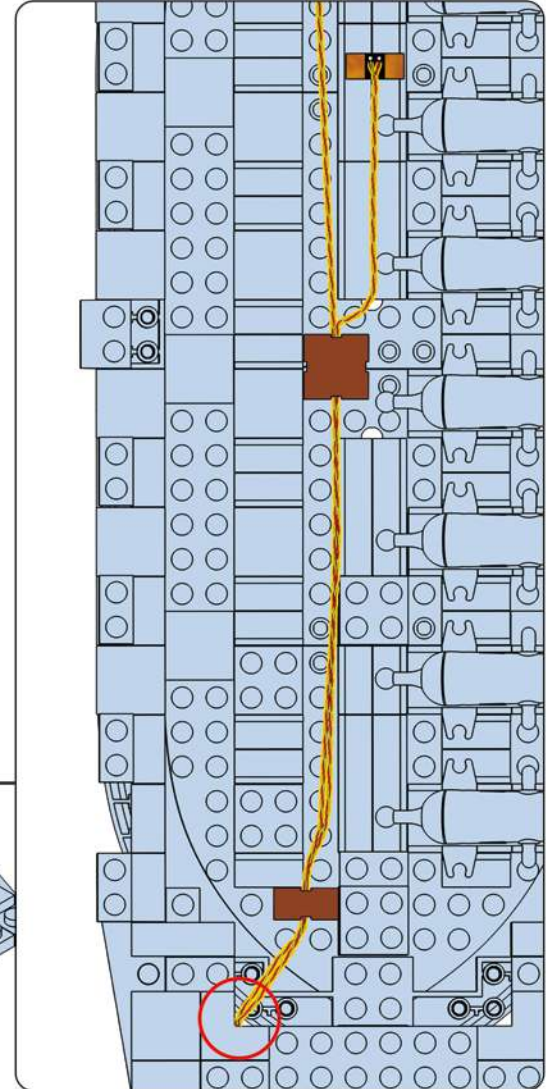
1x

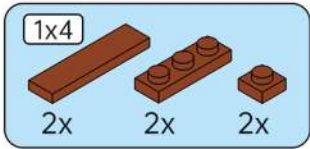
1x 1x

91

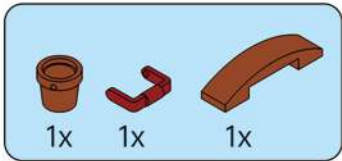
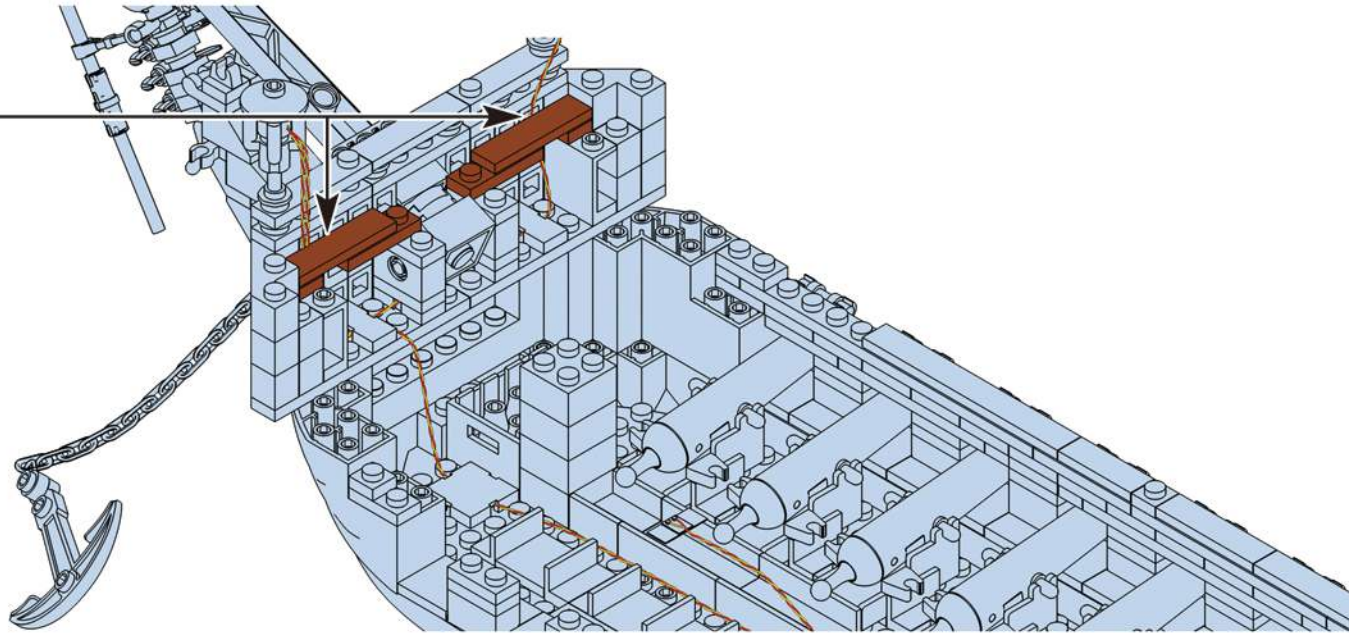
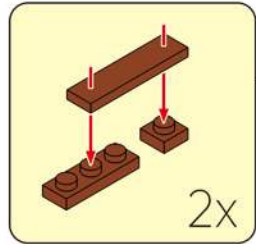


This component will be assembled in the subsequent steps.

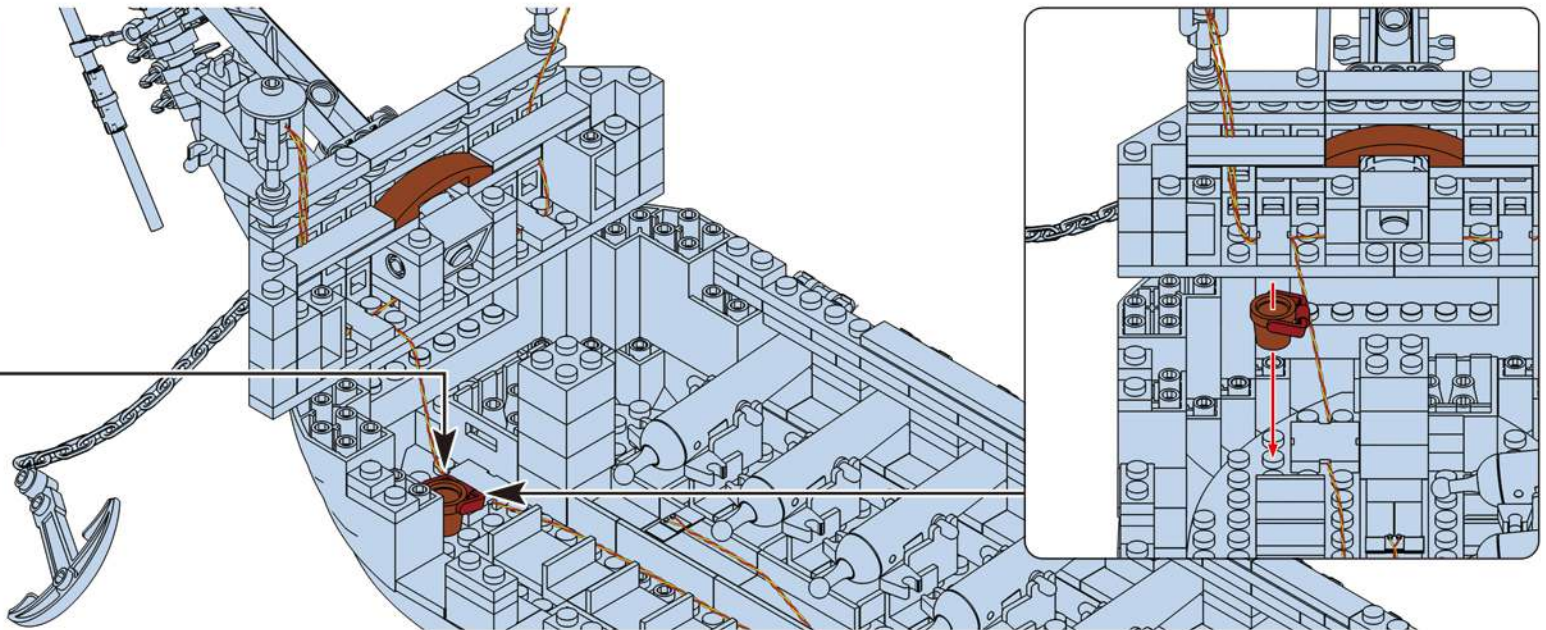
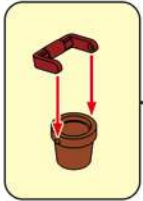


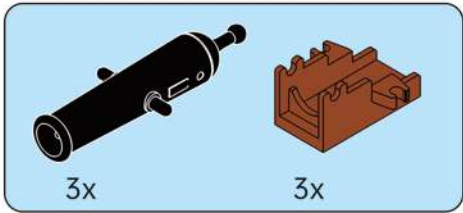


92

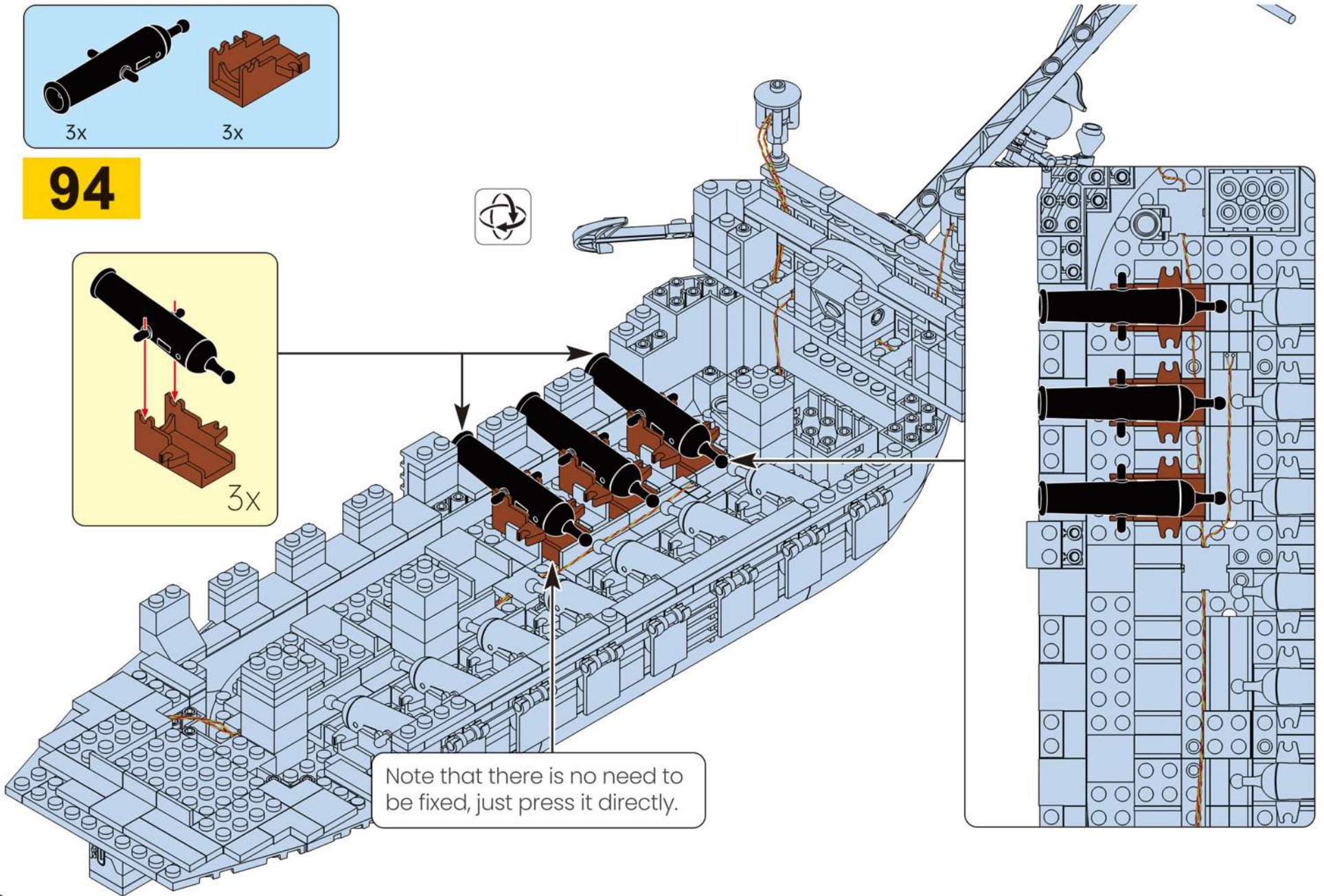
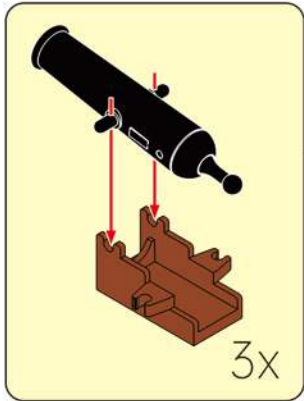


93

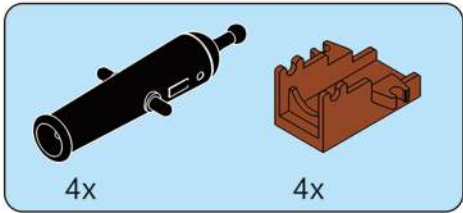




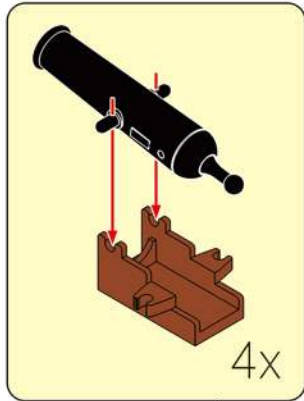
94



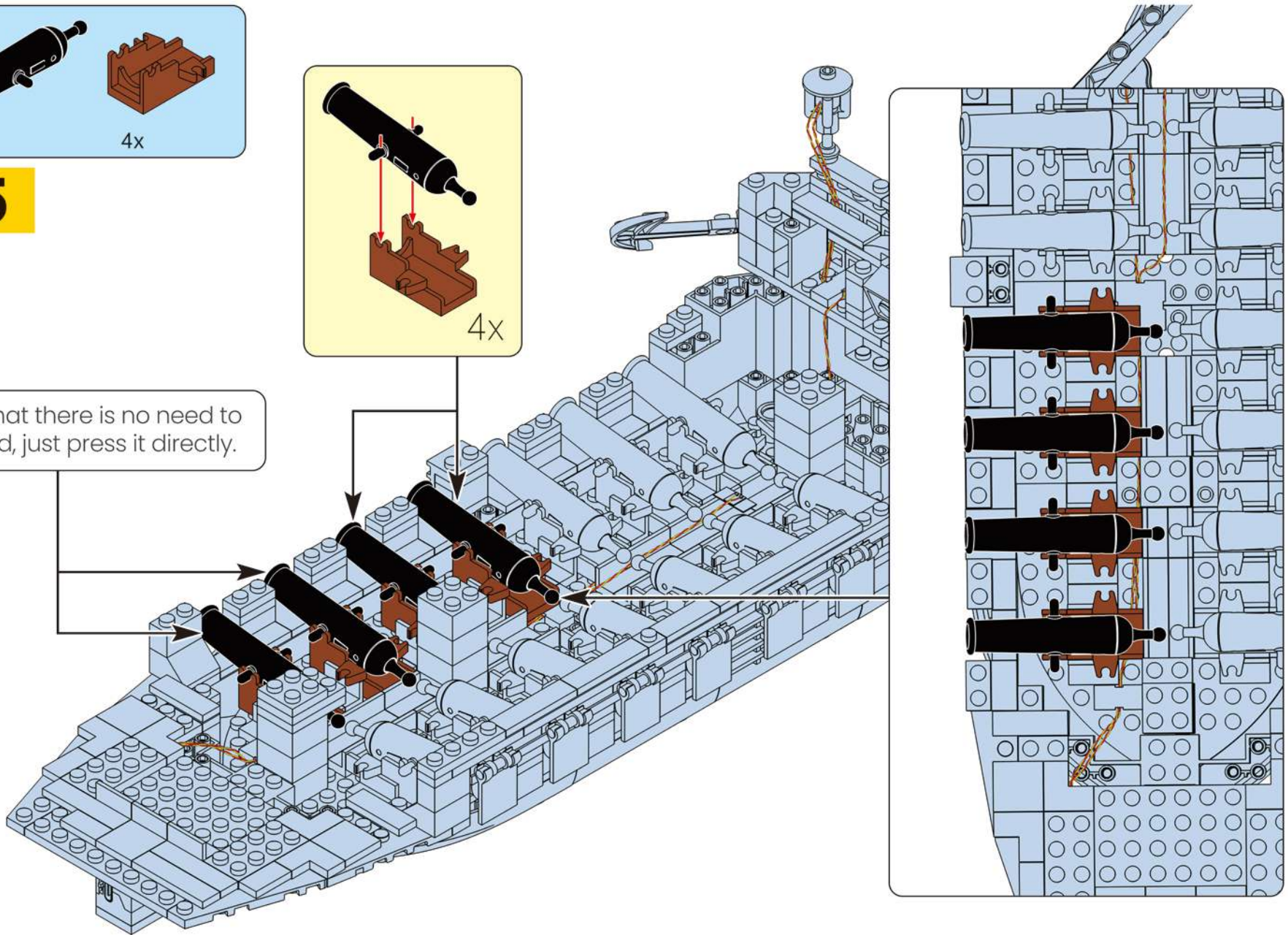
Note that there is no need to be fixed, just press it directly.

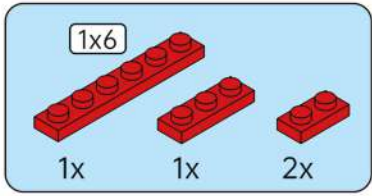


95

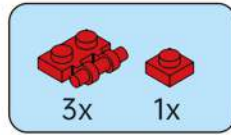
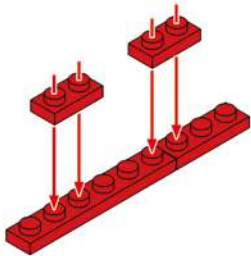


Note that there is no need to be fixed, just press it directly.

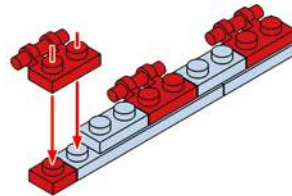




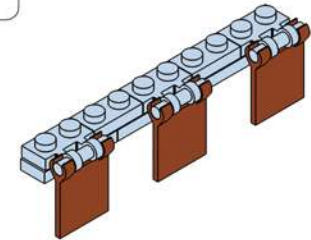
96



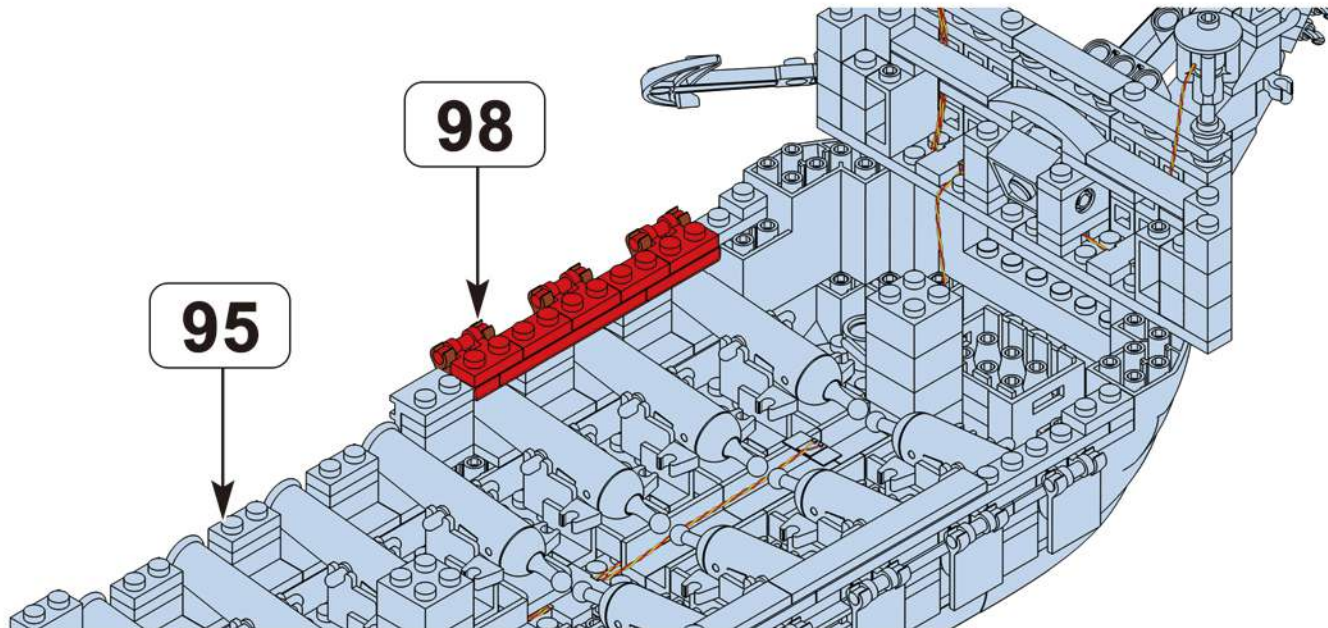
97

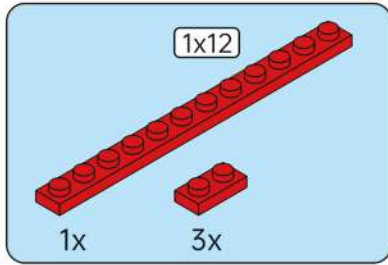


98

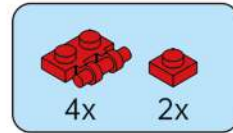
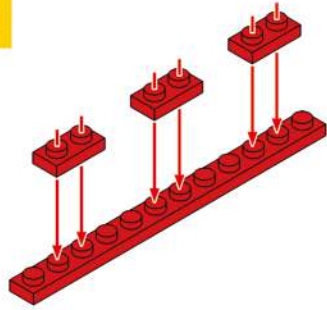


99

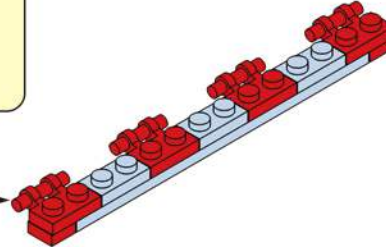
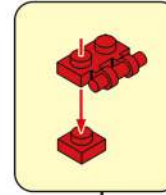
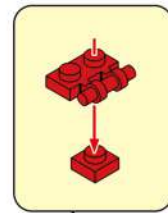




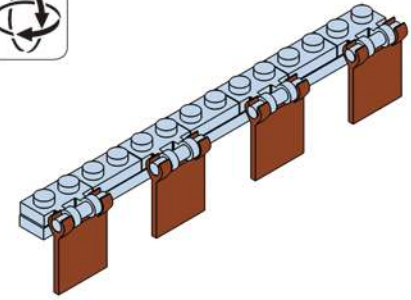
100



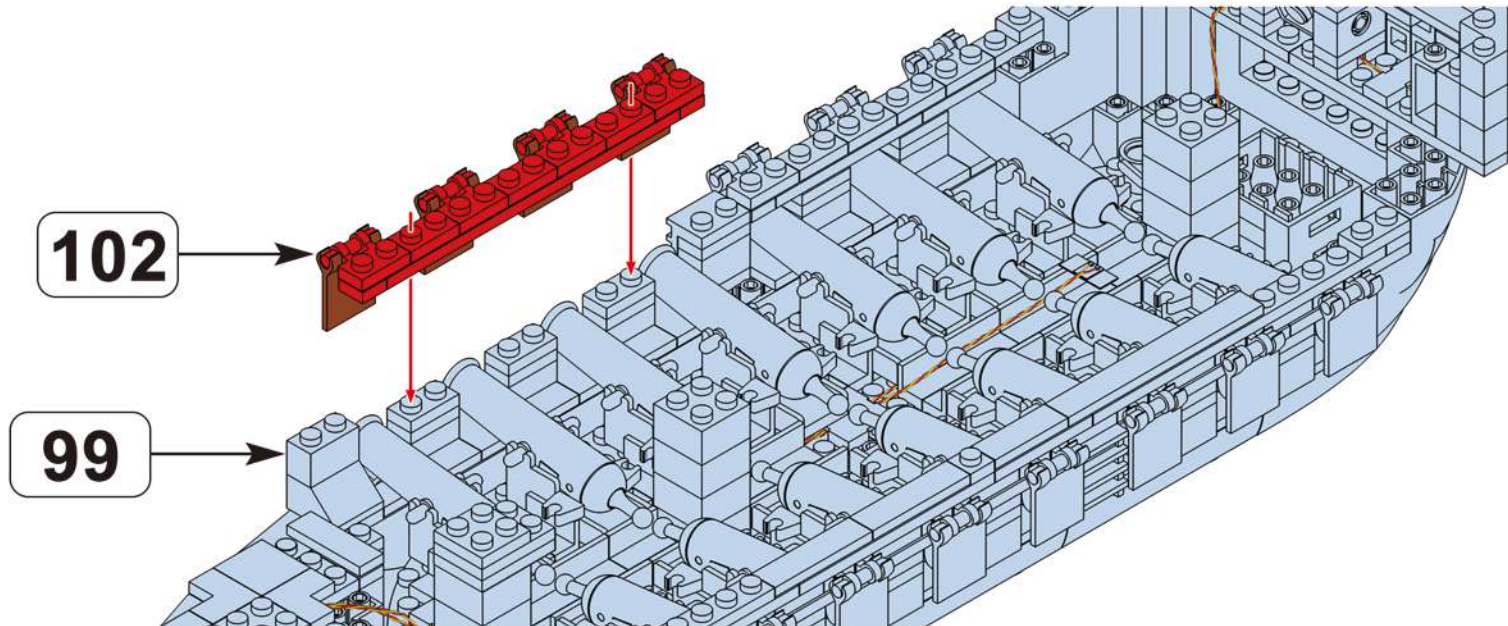
101

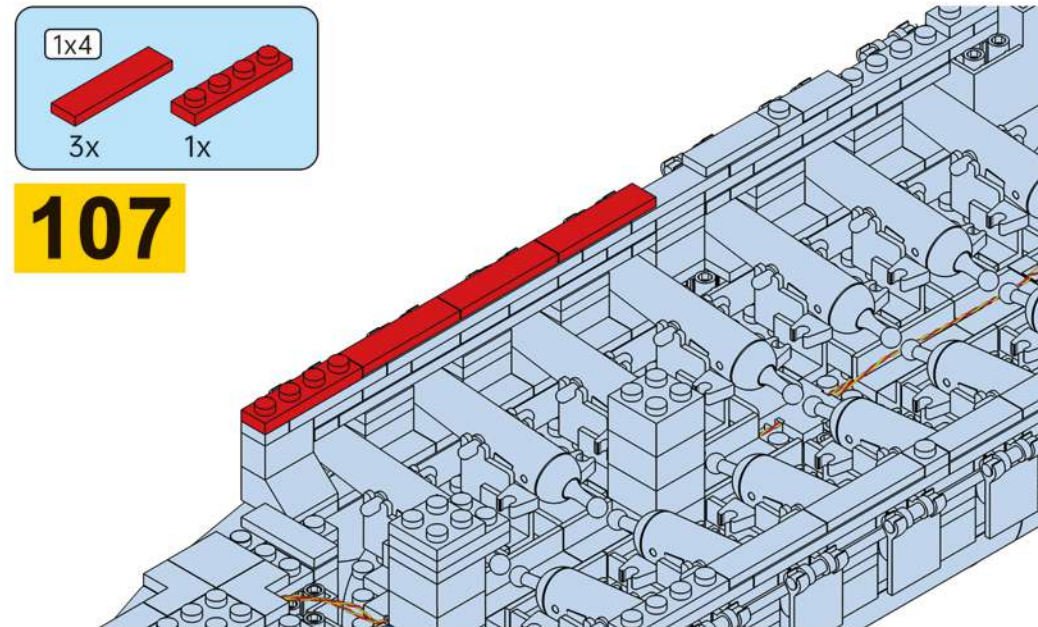
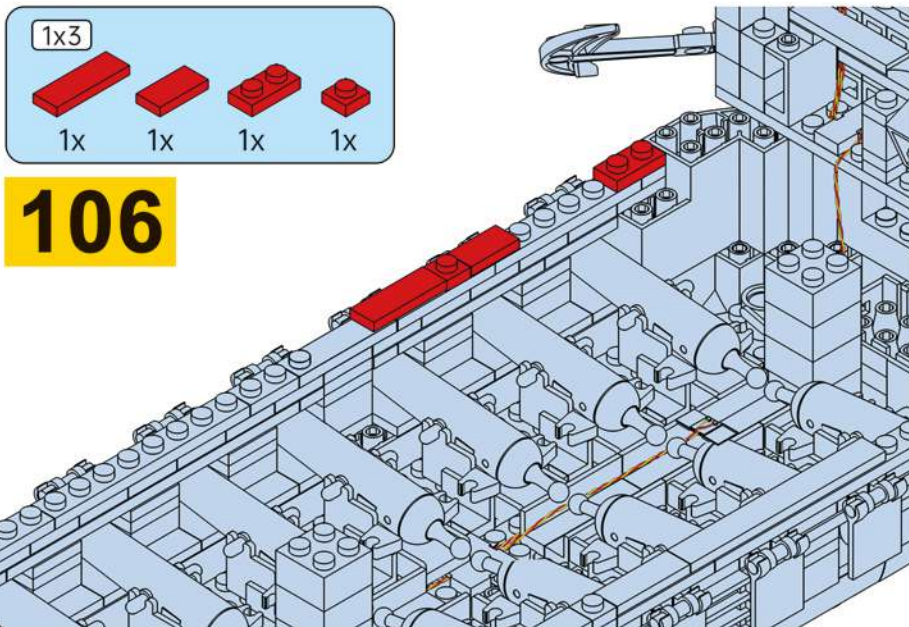
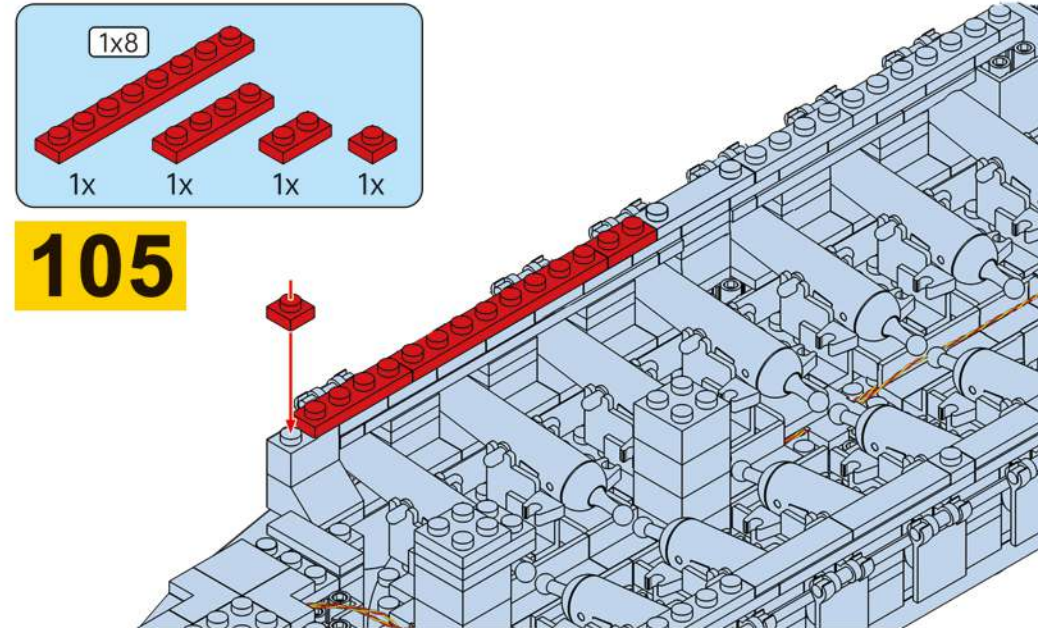
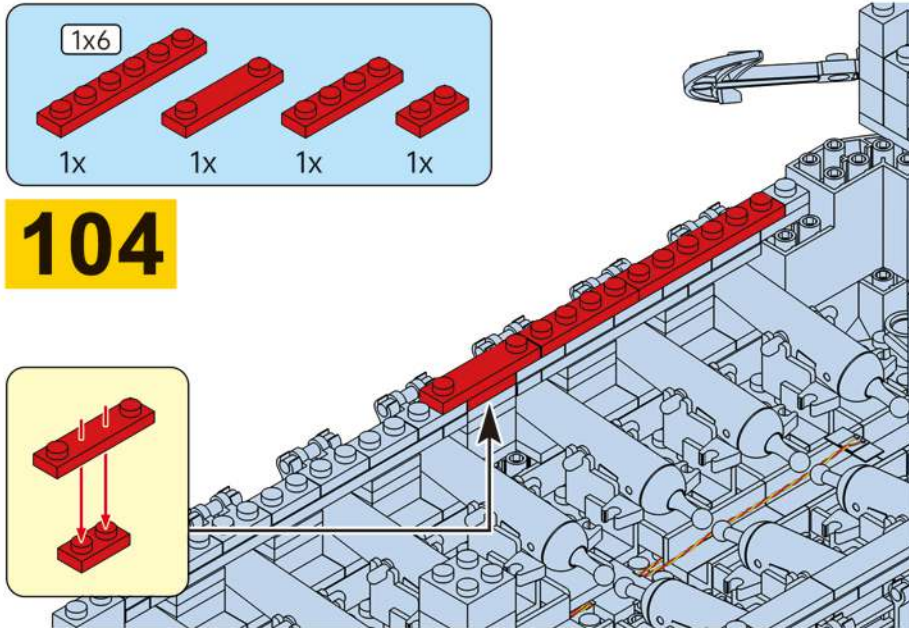


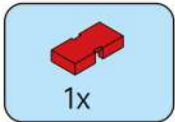
102



103

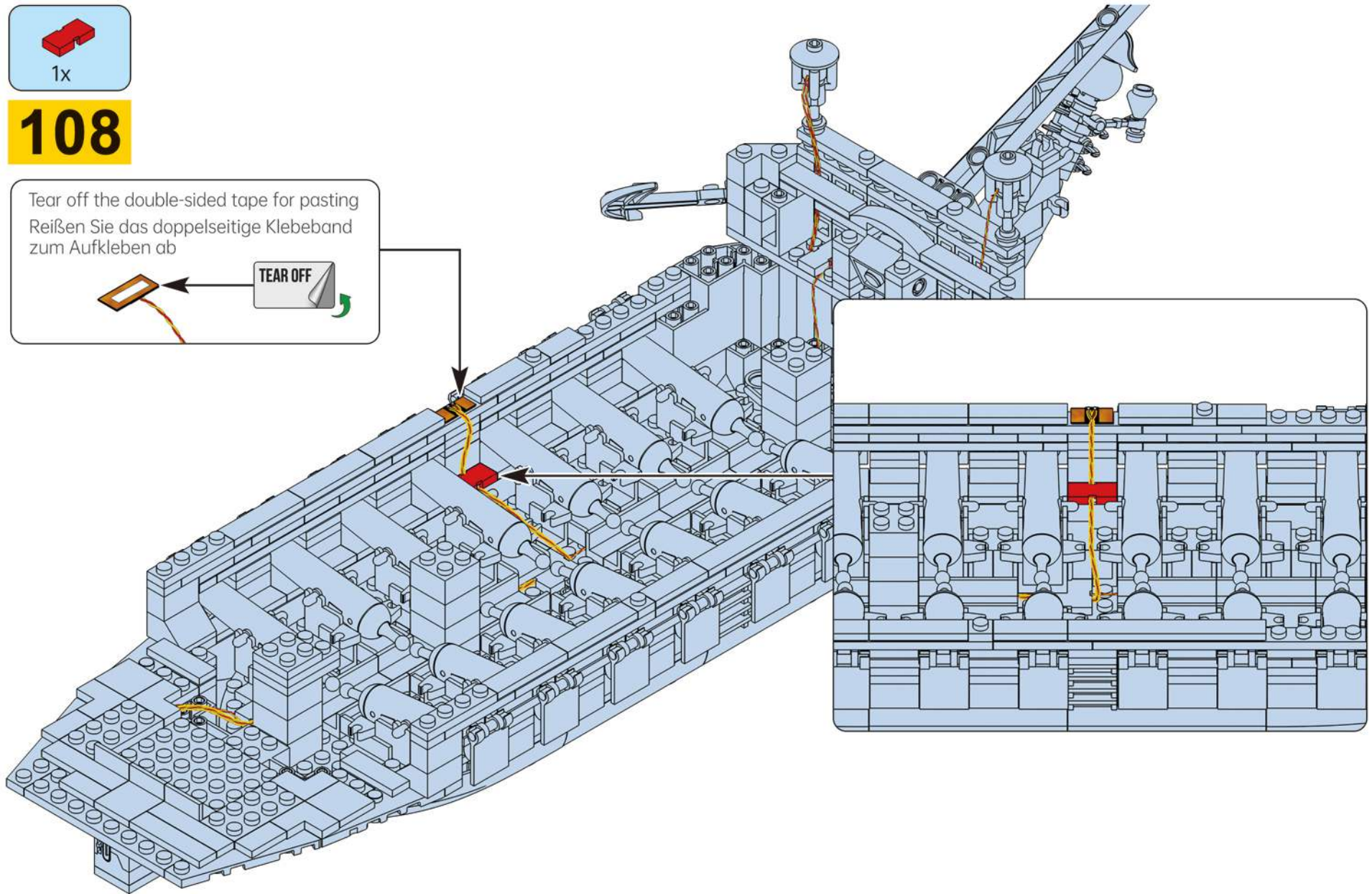
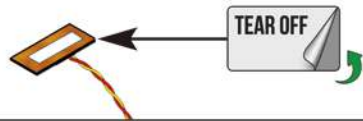


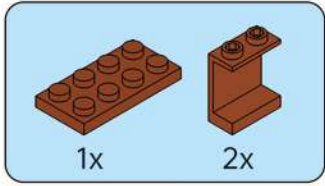




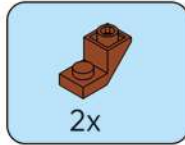
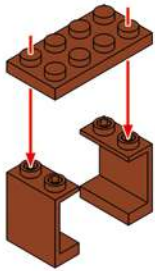
108

Tear off the double-sided tape for pasting  
Reißen Sie das doppelseitige Klebeband zum Aufkleben ab

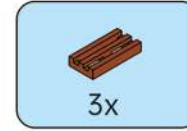
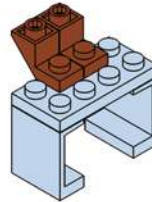




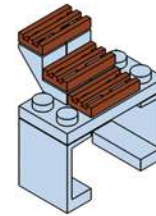
109



110



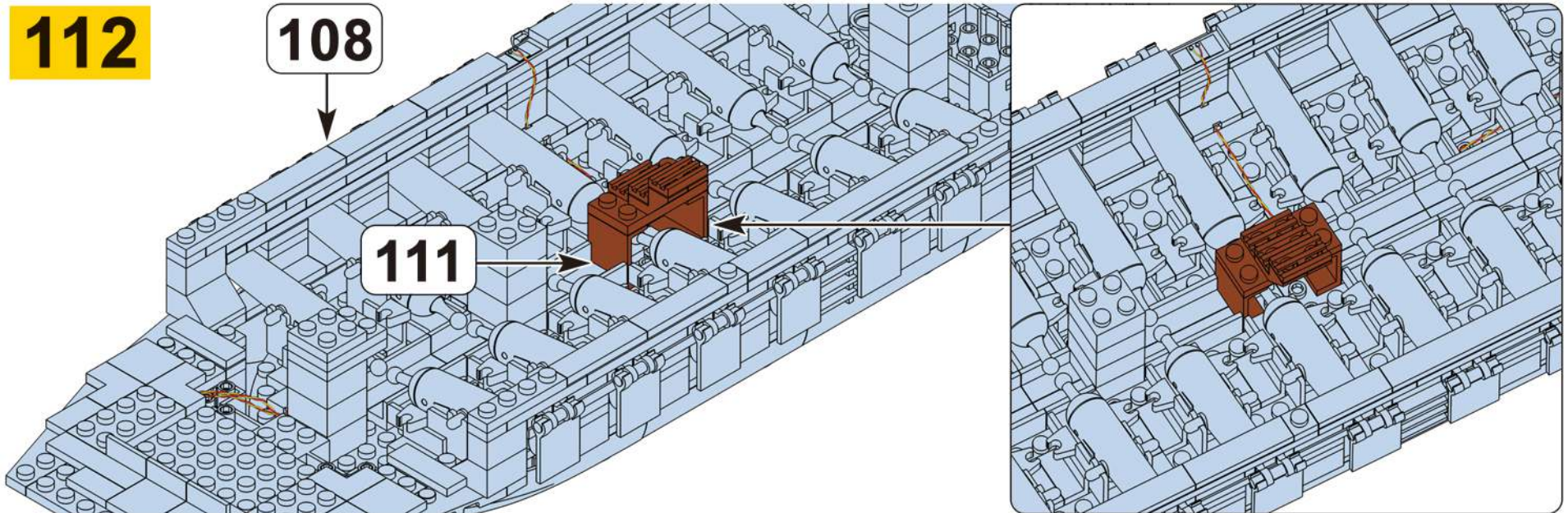
111

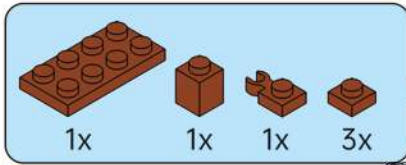


112

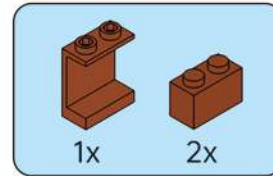
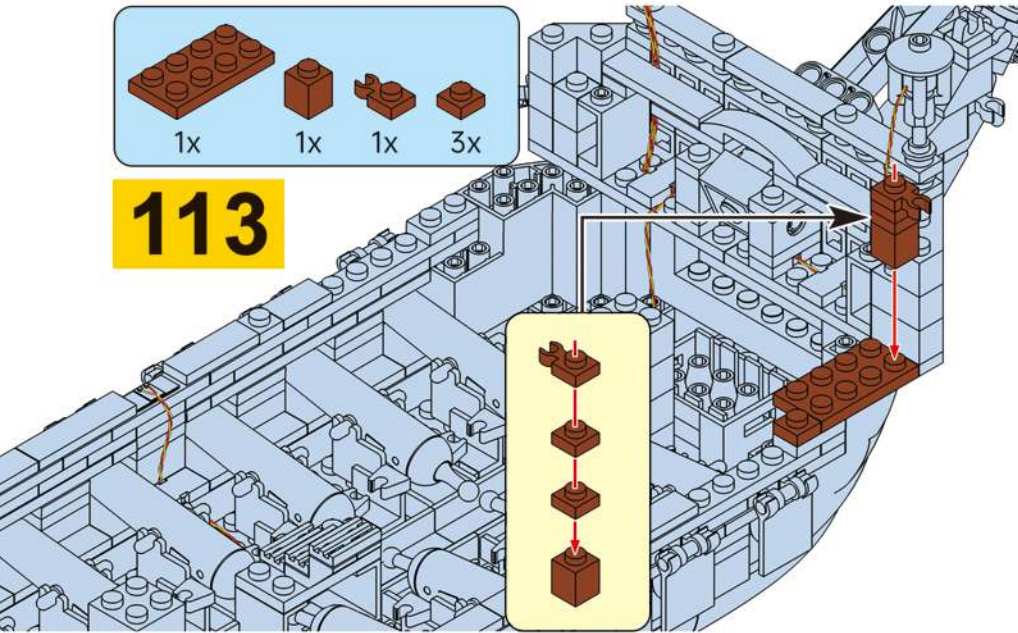
108

111

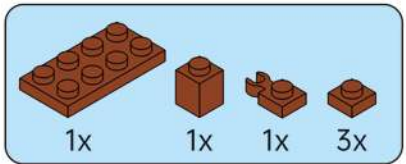
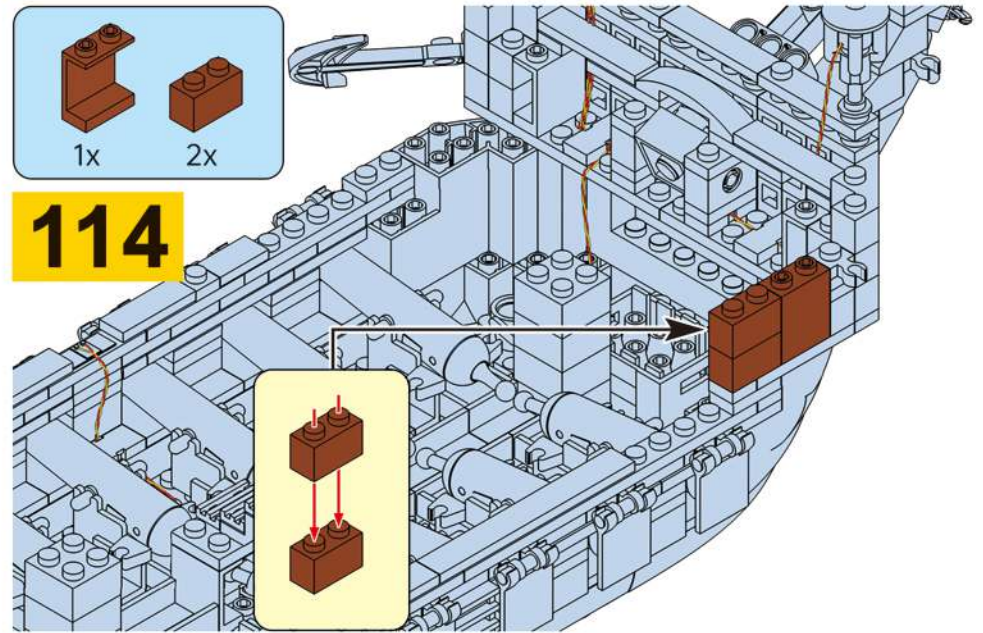




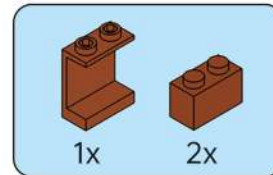
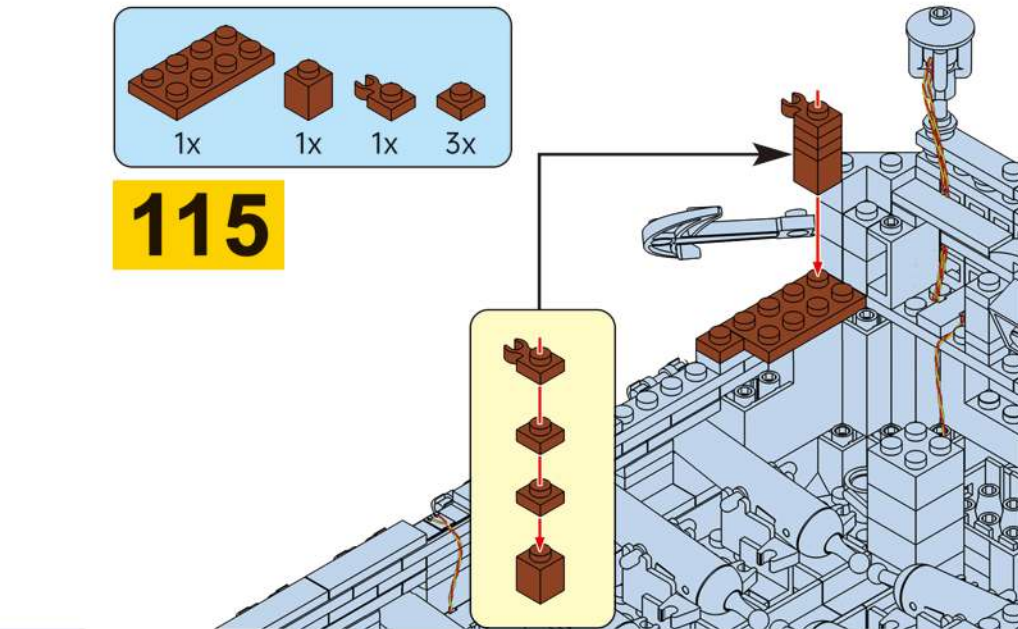
113



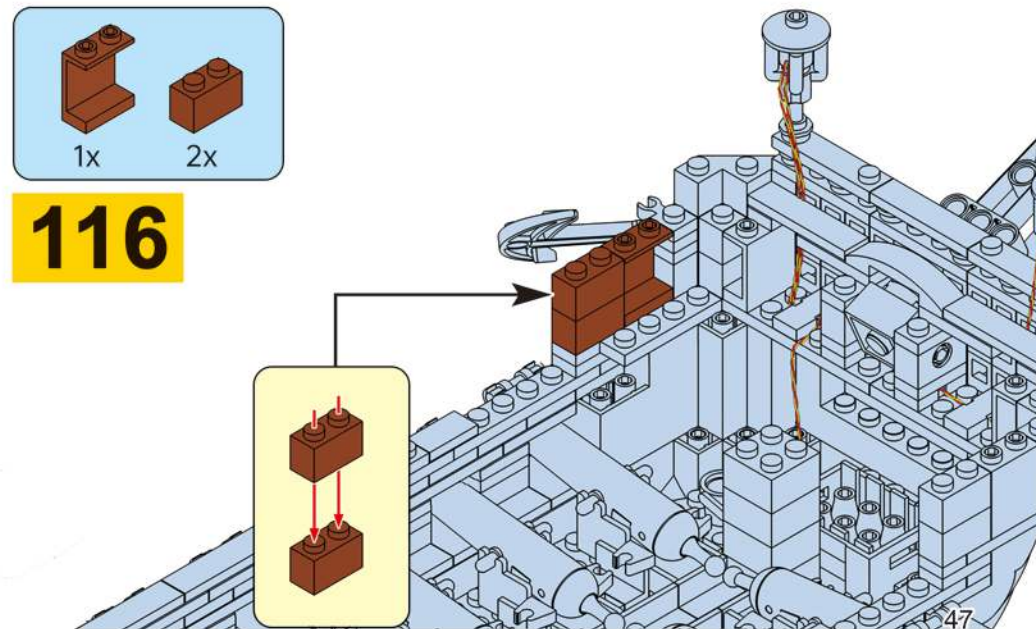
114

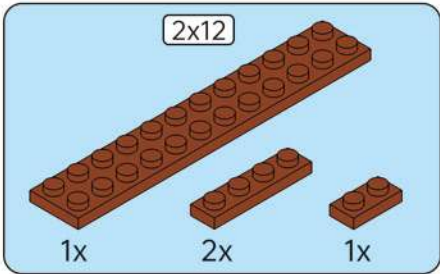


115

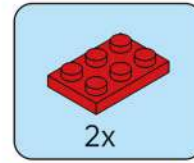
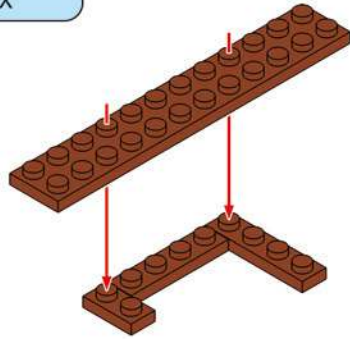


116

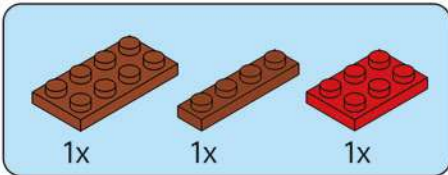
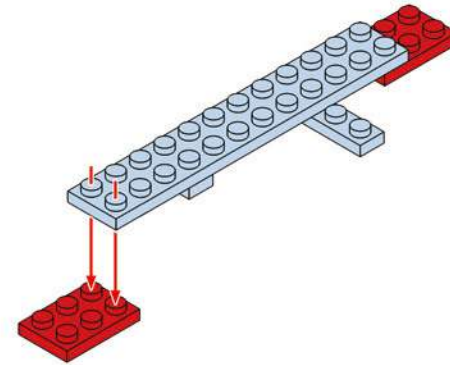




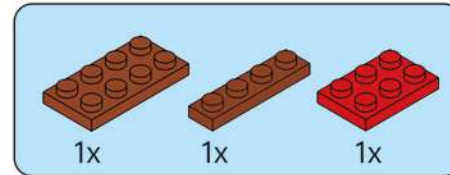
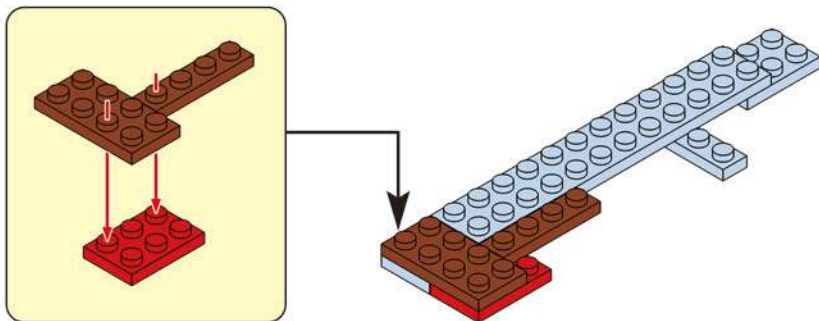
117



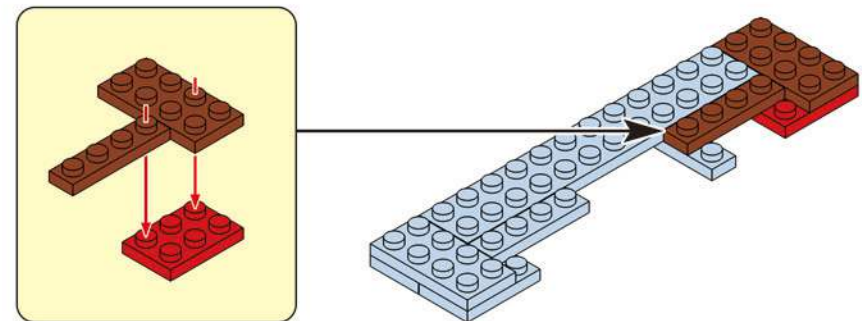
118

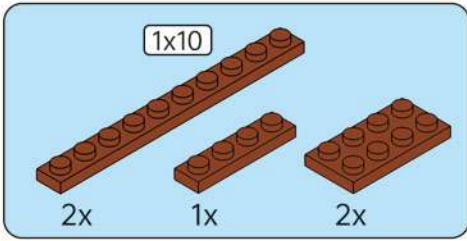


119

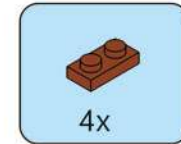
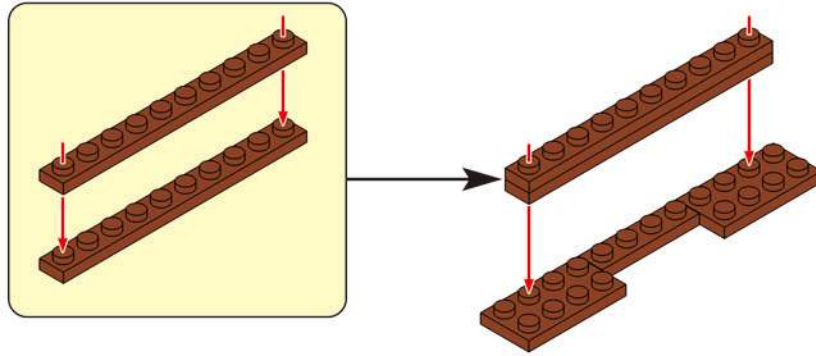


120

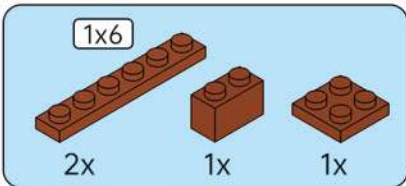
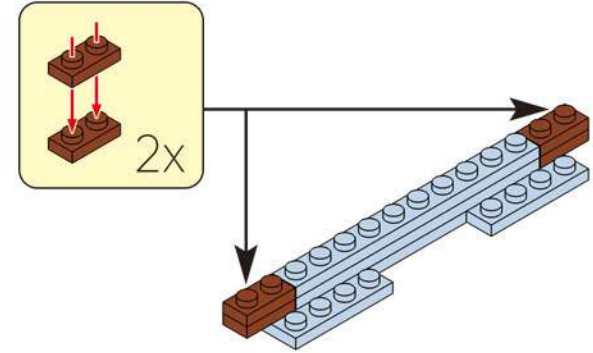




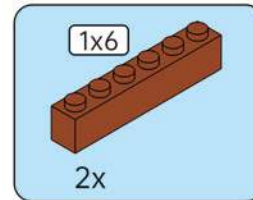
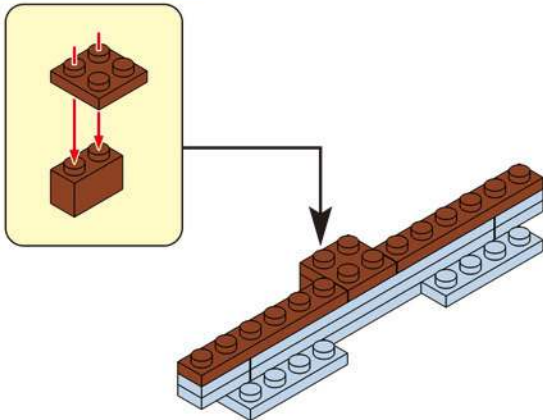
121



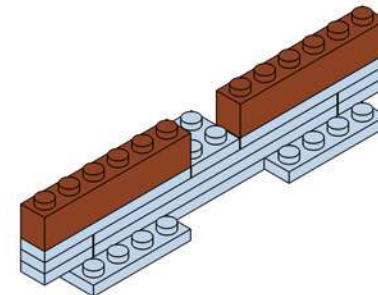
122



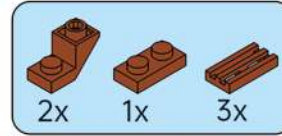
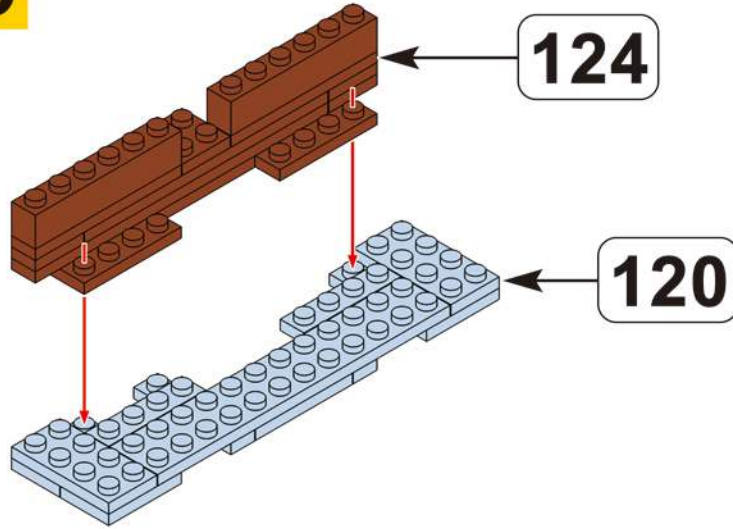
123



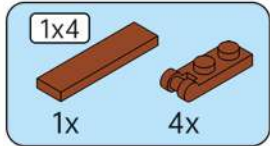
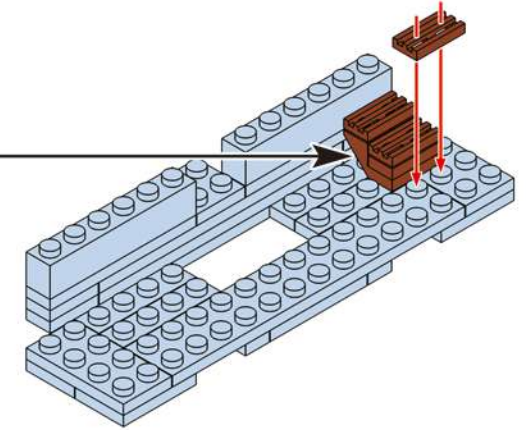
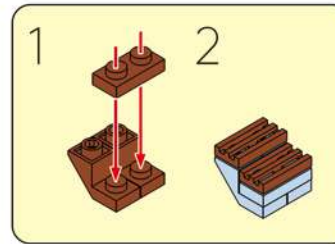
124



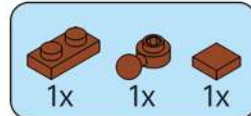
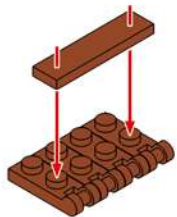
# 125



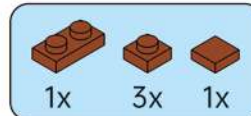
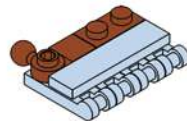
# 126



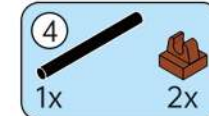
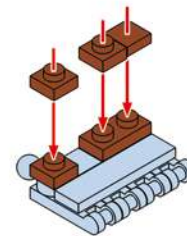
# 127



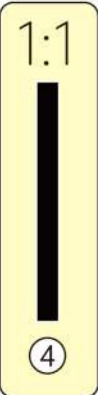
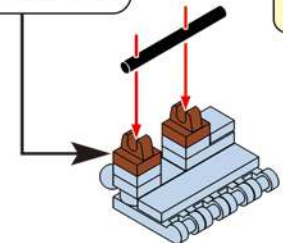
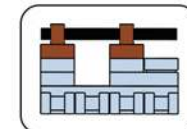
# 128



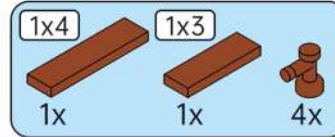
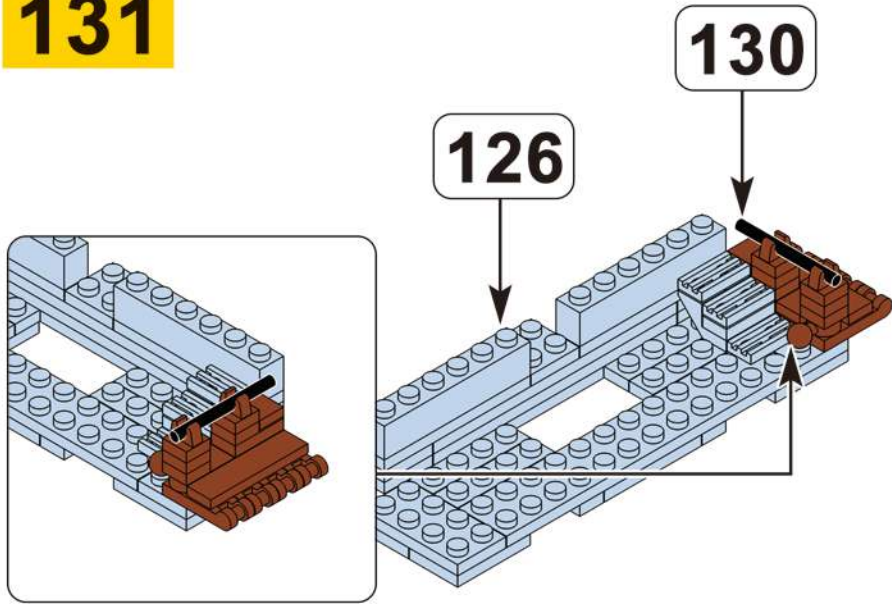
# 129



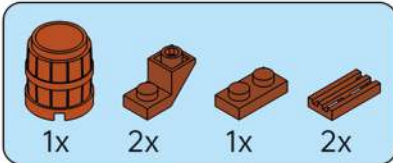
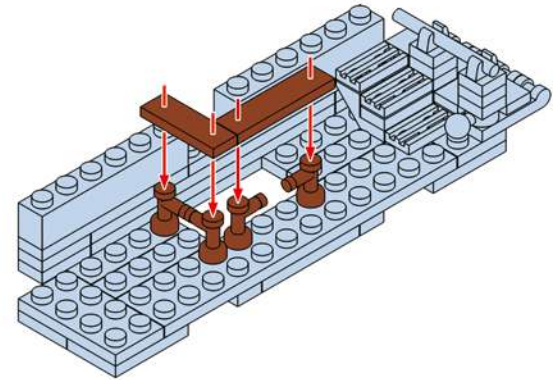
# 130



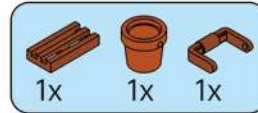
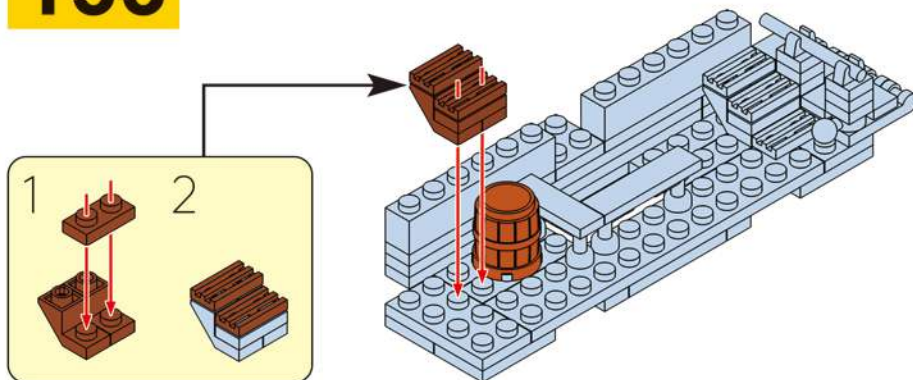
# 131



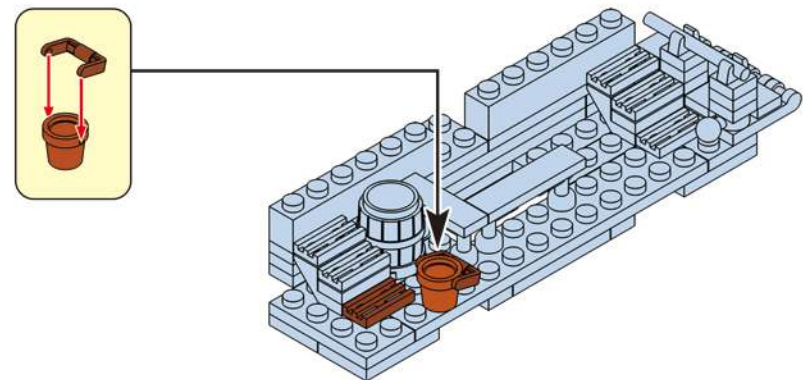
# 132

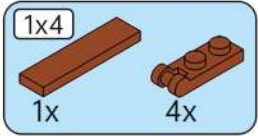


# 133

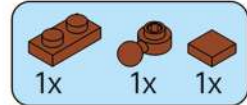
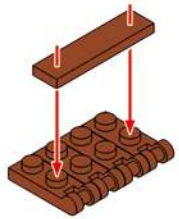


# 134

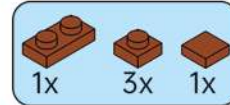




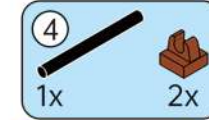
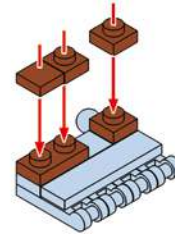
135



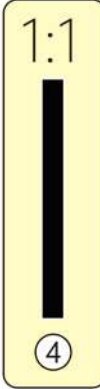
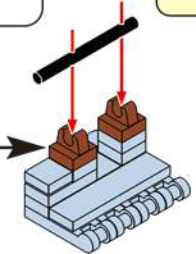
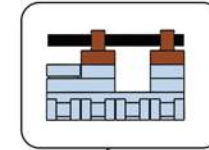
136



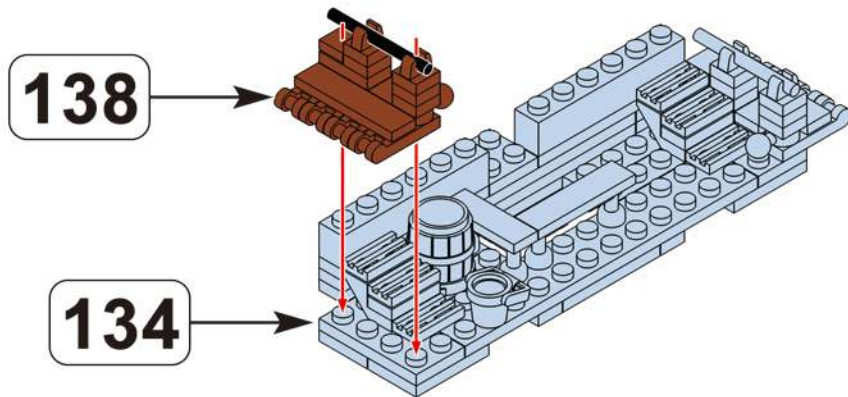
137



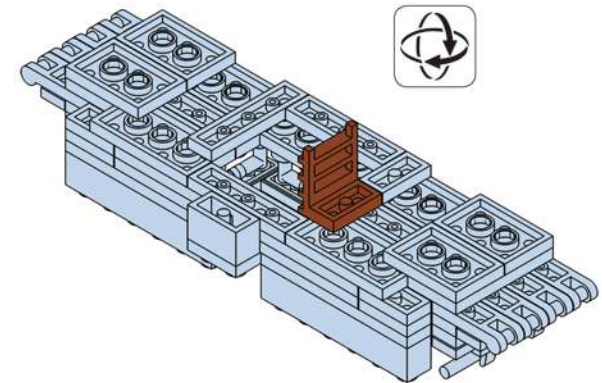
138



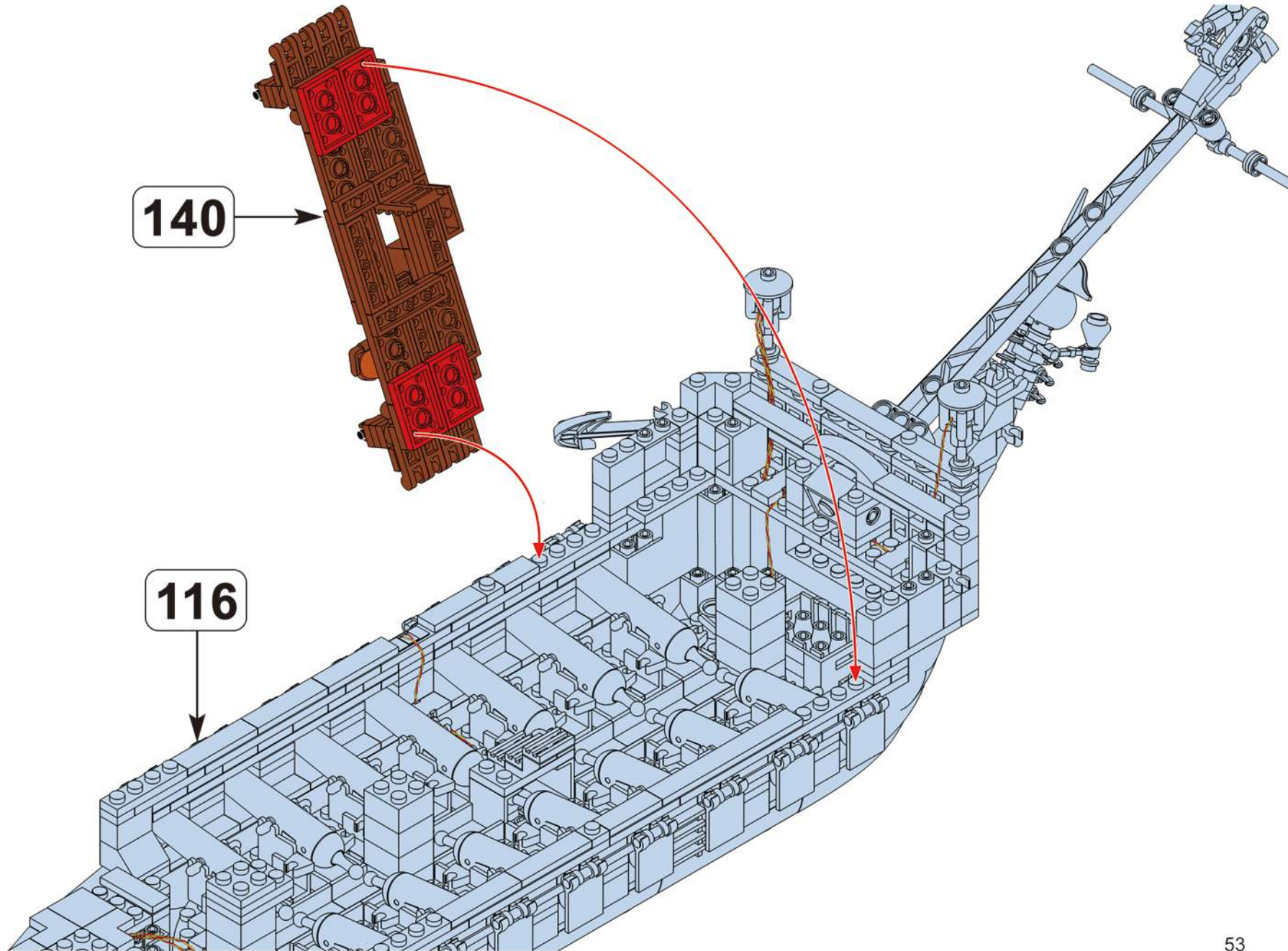
139

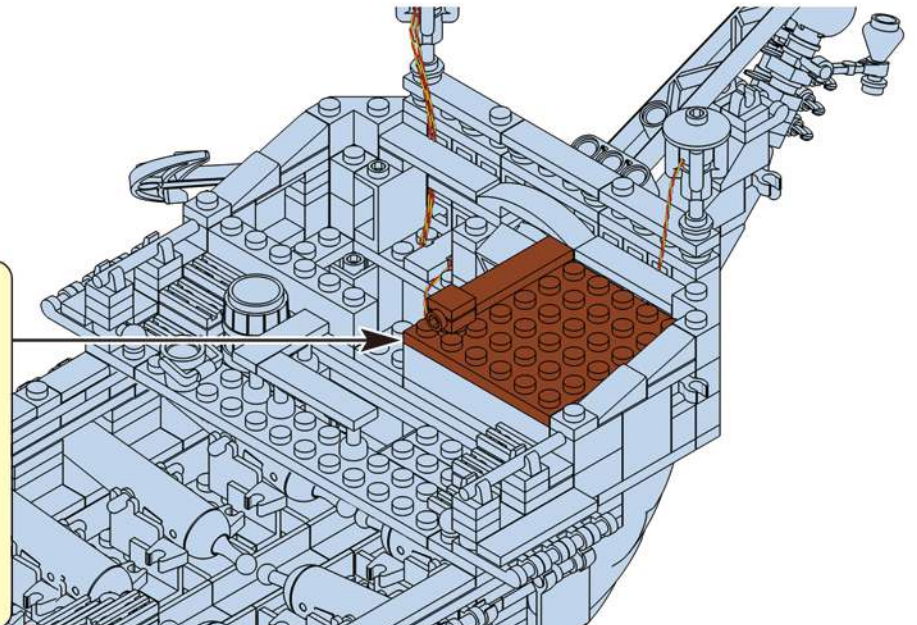
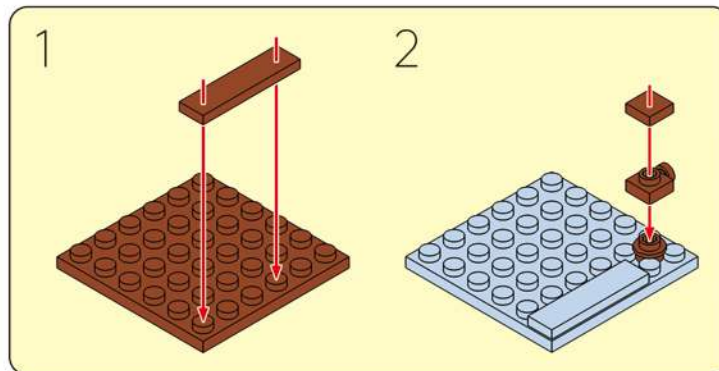
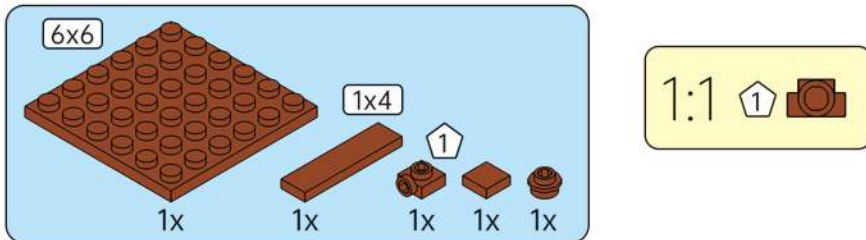
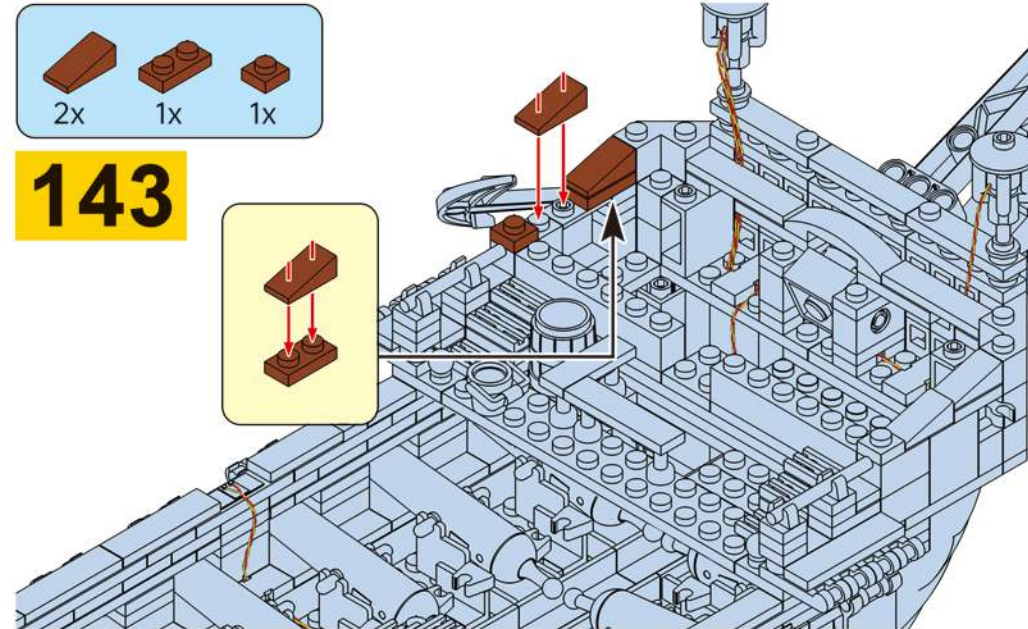
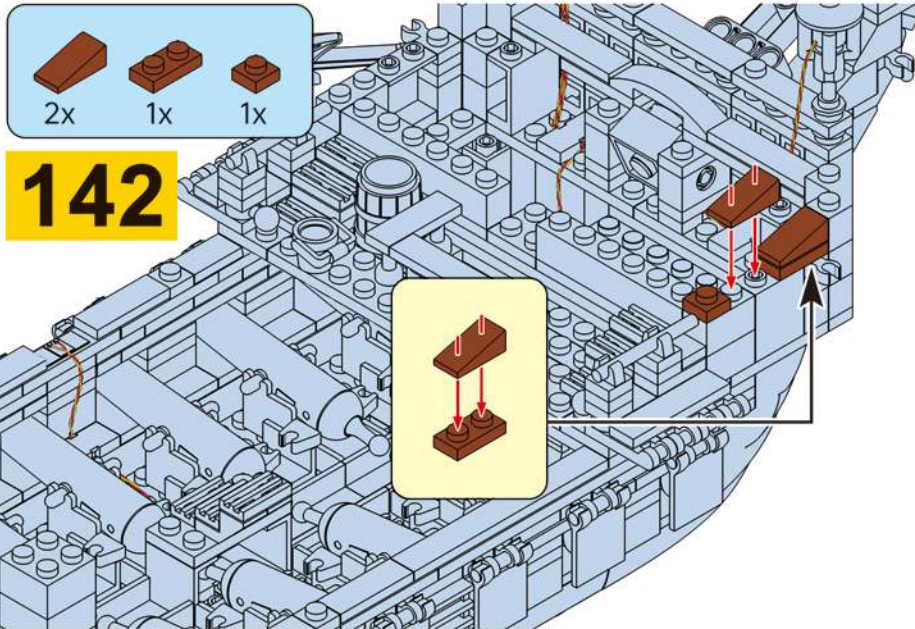


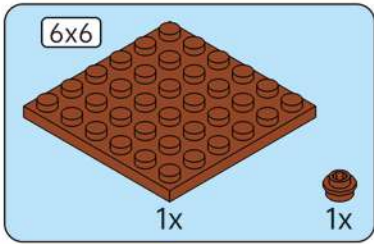
140



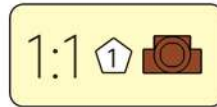
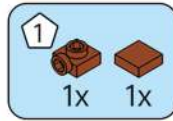
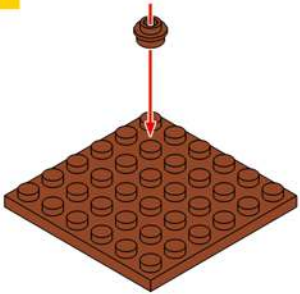
141



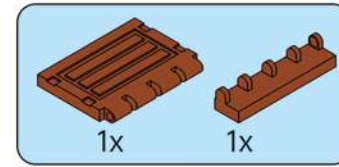
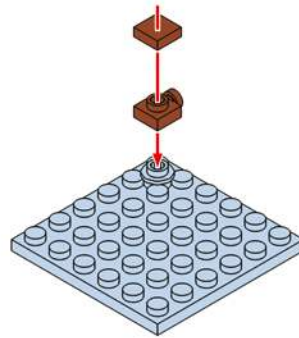




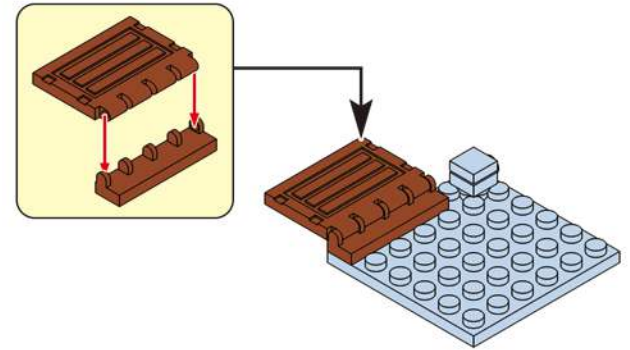
145



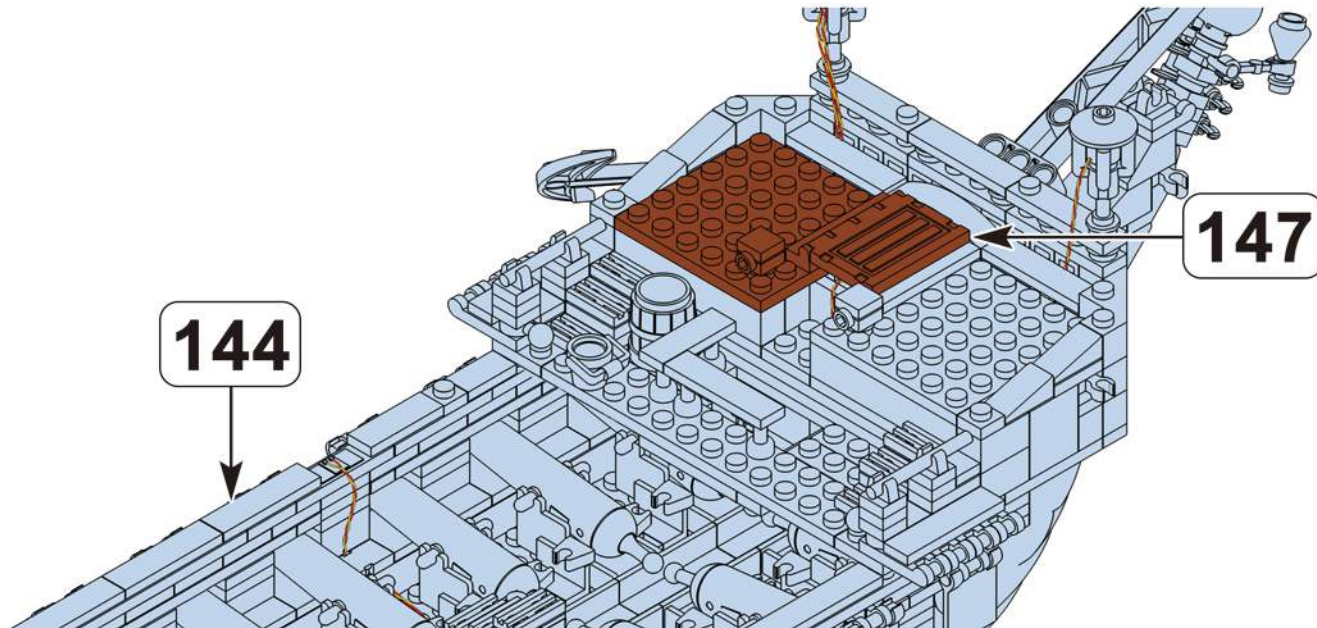
146



147

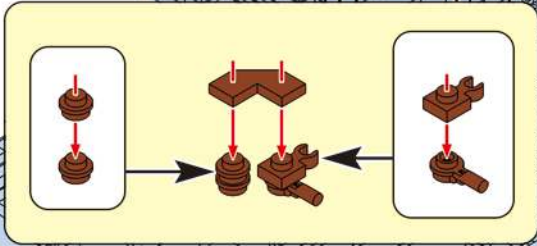


148



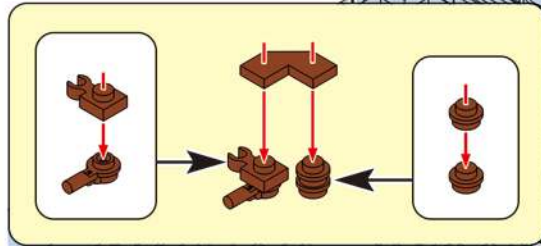
- 1x [1x4 Technic Brick]
- 1x [1x2 Technic Pin]
- 2x [1x2 Technic Pin]
- 1x [1x2 Technic Pin]

# 149



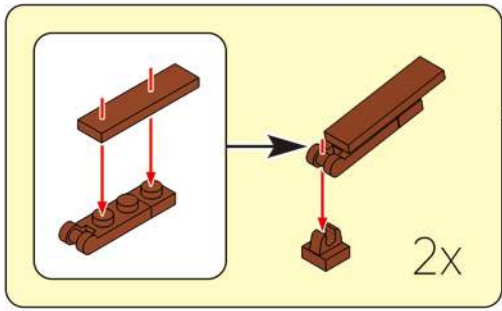
- 1x [1x4 Technic Brick]
- 1x [1x2 Technic Pin]
- 2x [1x2 Technic Pin]
- 1x [1x2 Technic Pin]

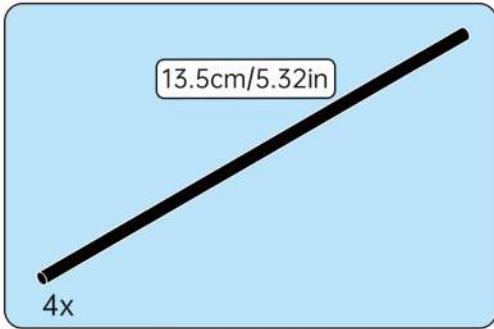
# 150



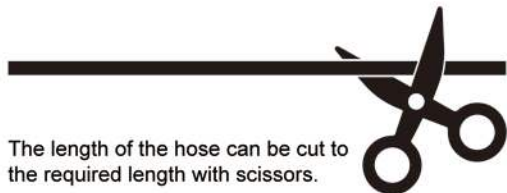
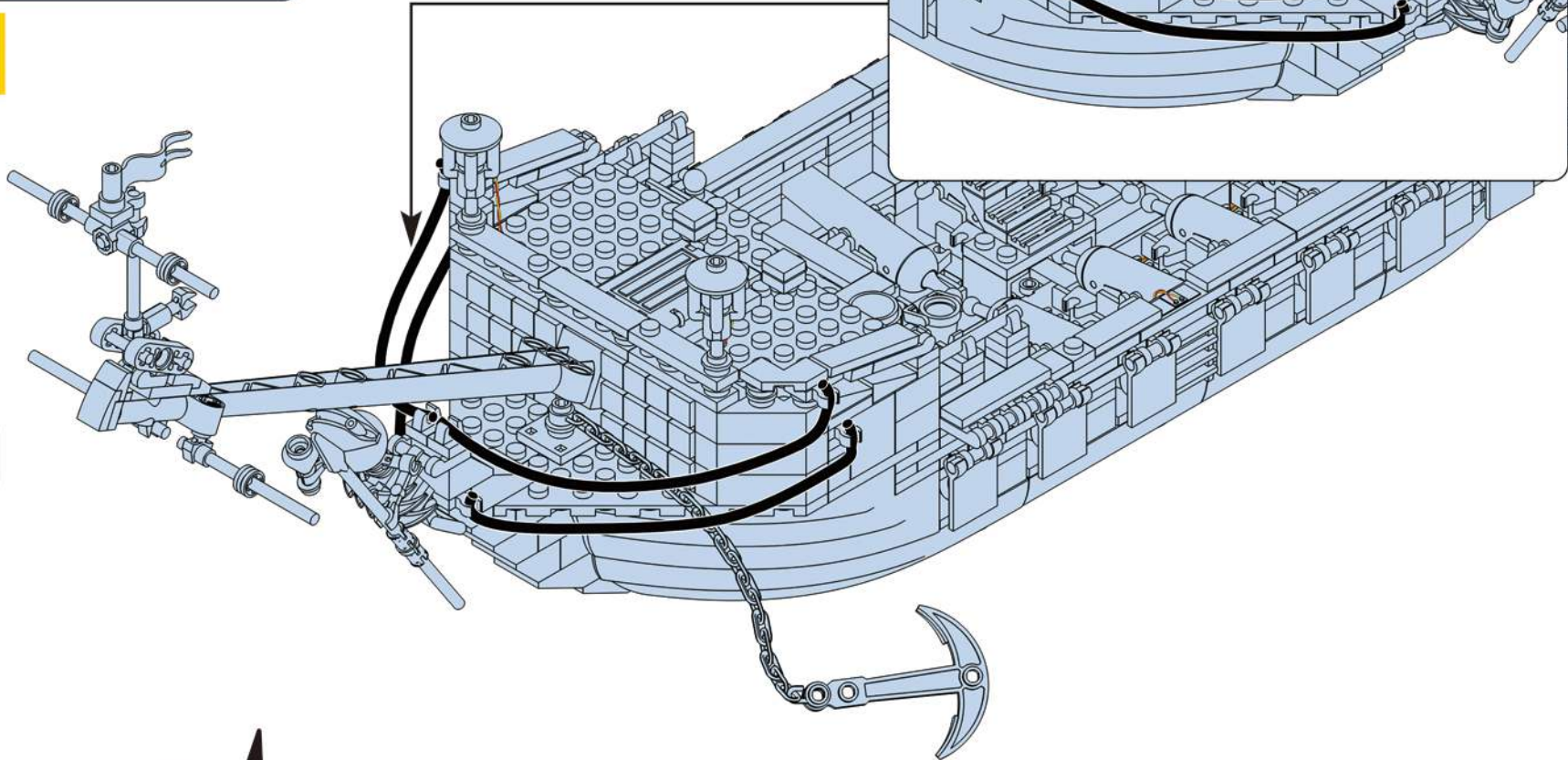
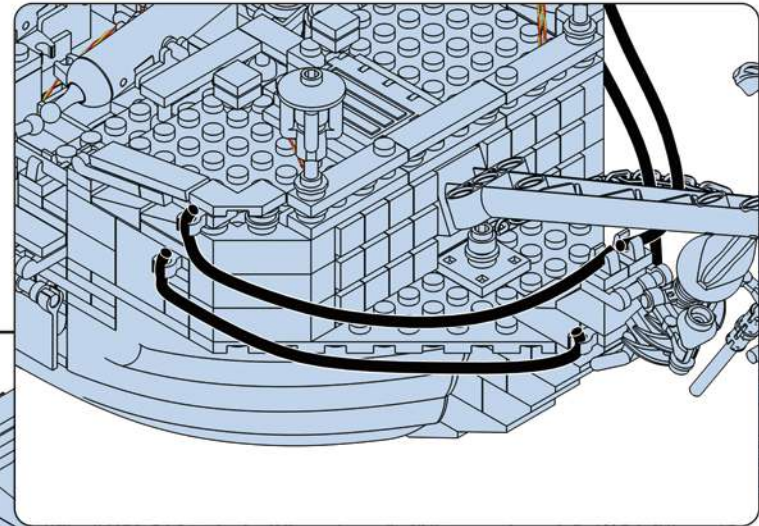
- 1x4 [1x4 Technic Brick]
- 2x [1x2 Technic Pin]
- 2x [1x2 Technic Pin]
- 2x [1x2 Technic Pin]
- 2x [1x2 Technic Pin]

# 151





152



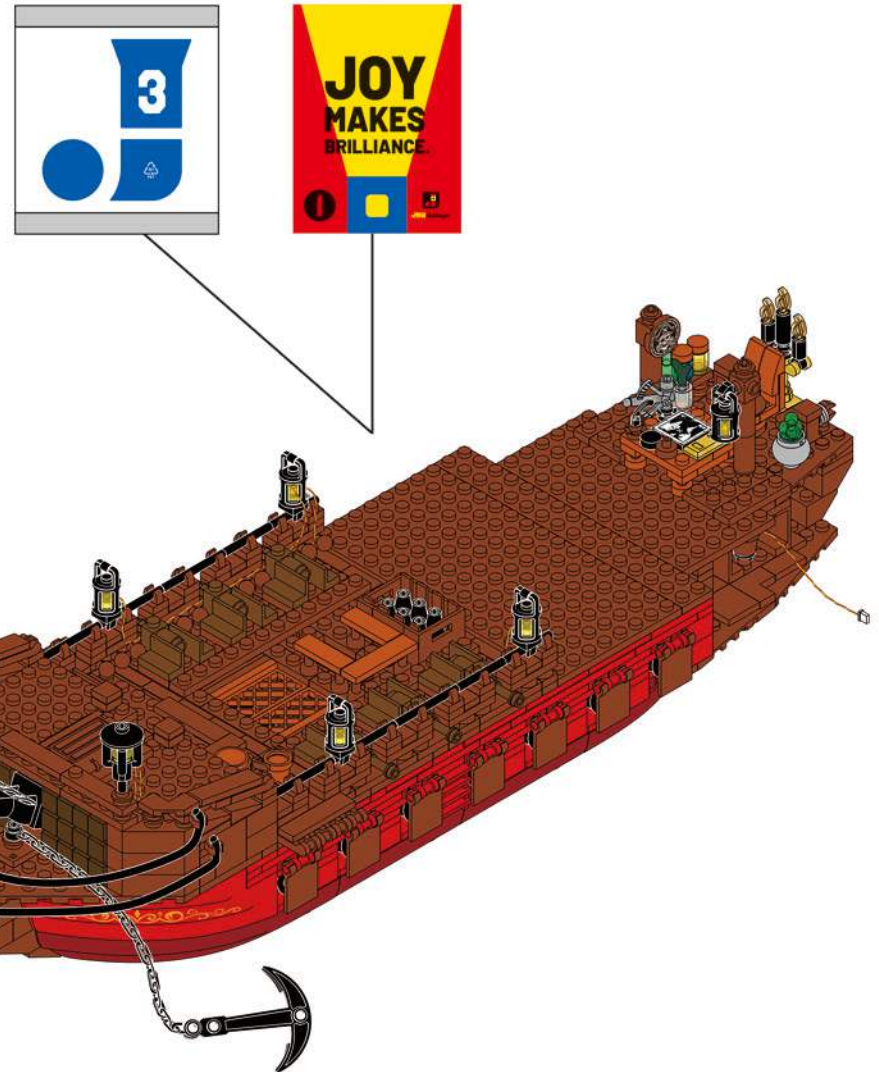
The length of the hose can be cut to the required length with scissors.

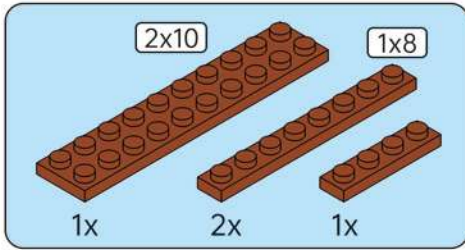


# JOY MAKES BRILLIANCE.

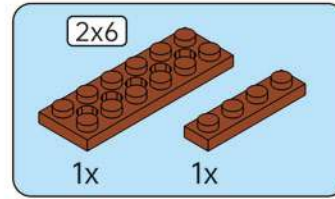
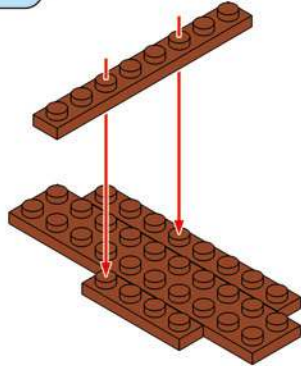
## Embrace Relaxation Embrace Joy

Every adultescent needs a "JOY BOX".  
Please, open your JOY BOX! Heading for joy.

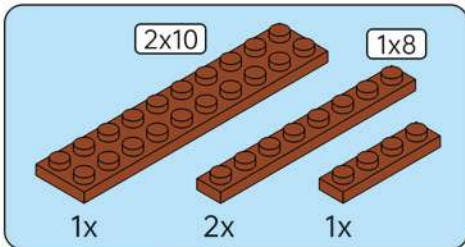
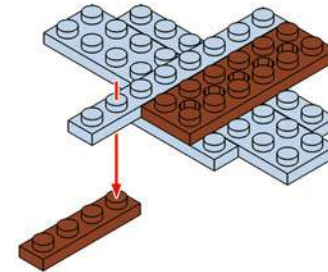




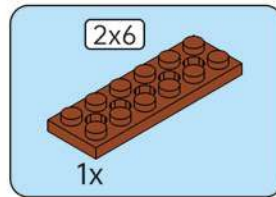
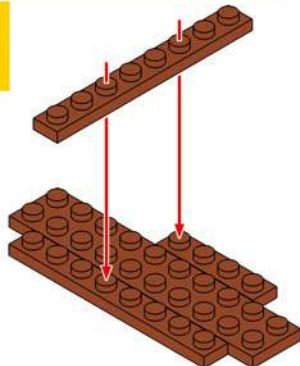
153



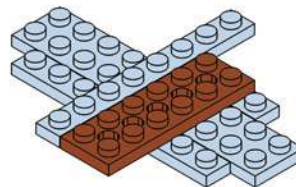
154



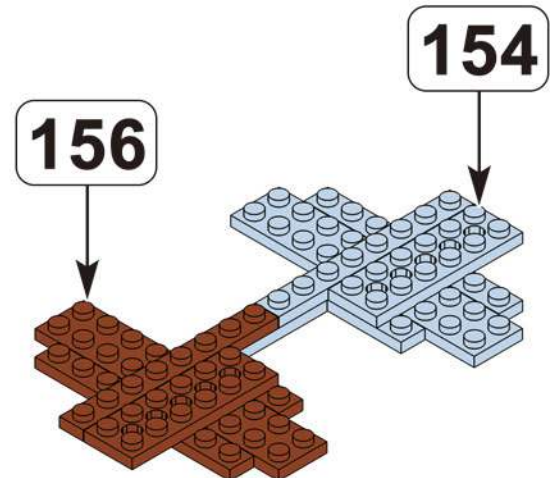
155

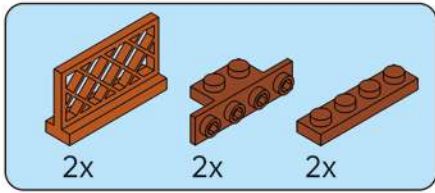


156

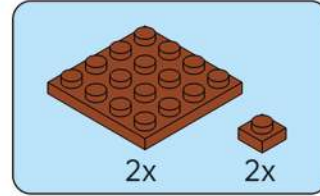
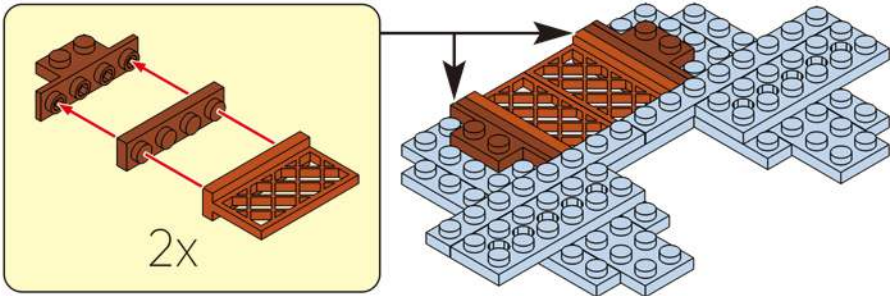


157

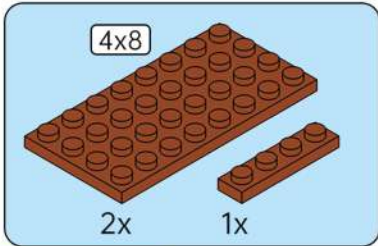
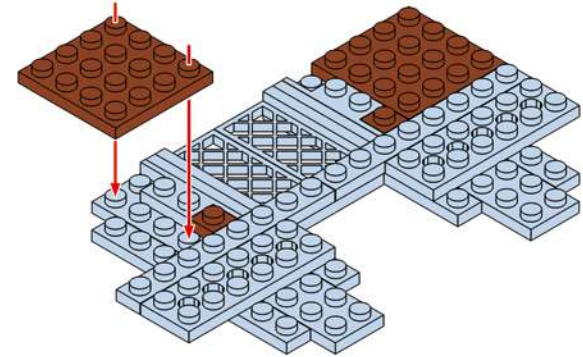




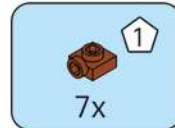
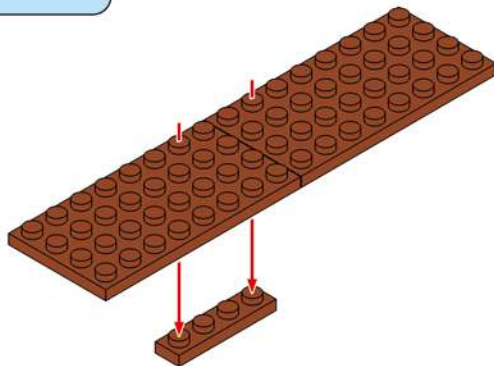
158



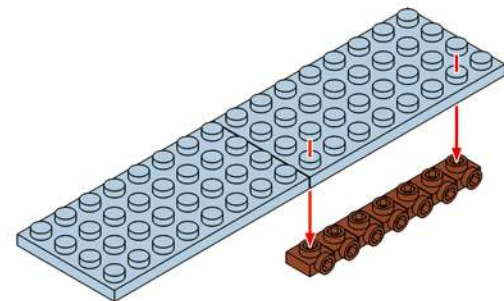
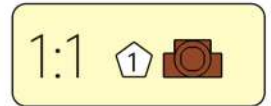
159



160



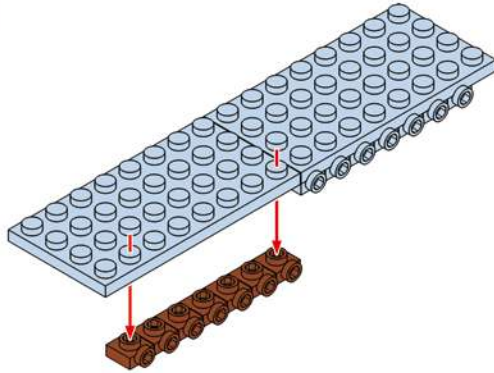
161



1  
7x

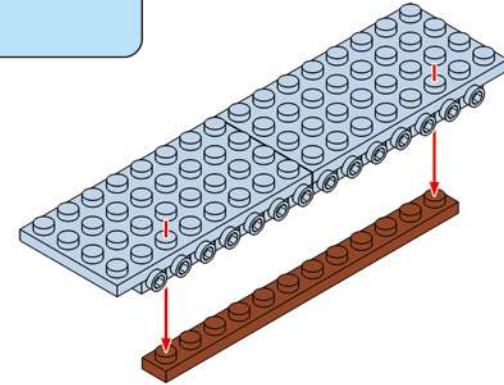
1:1 1

162

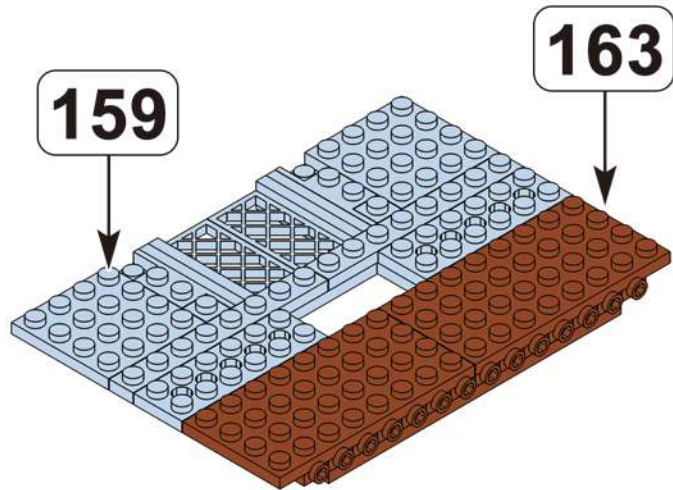


1x12  
1x

163



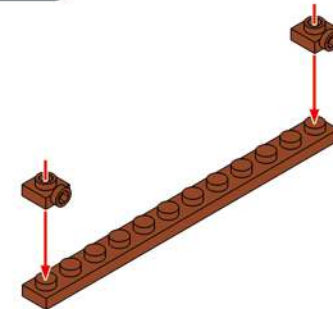
164

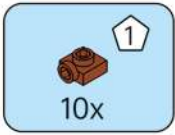


1x12  
1x 2x

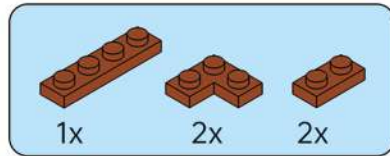
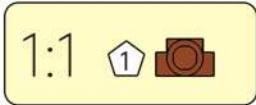
1:1 1

165

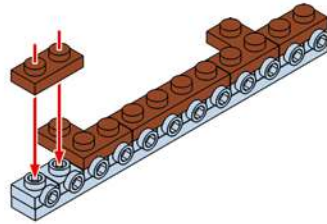




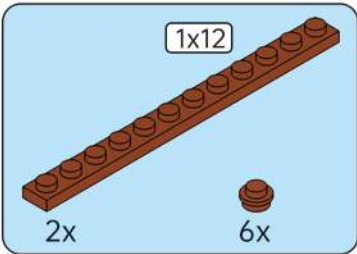
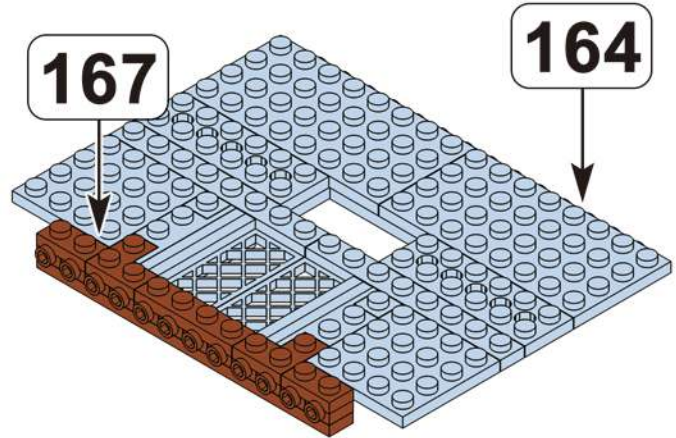
**166**



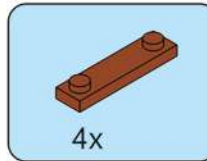
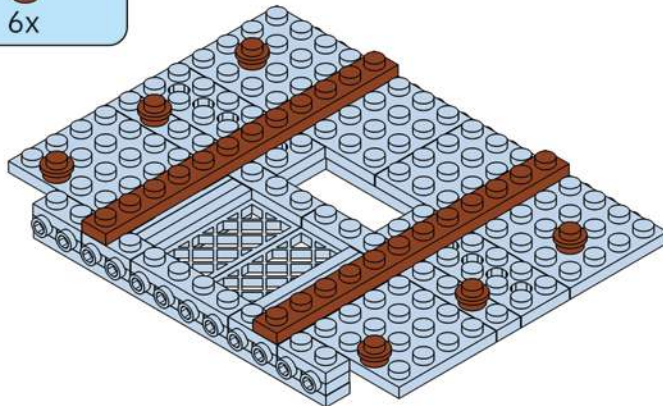
**167**



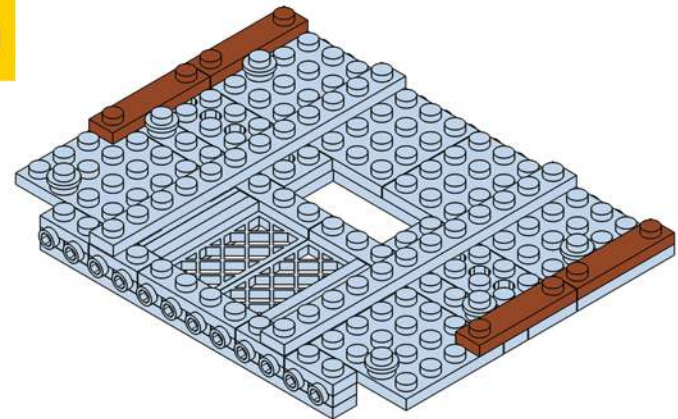
**168**

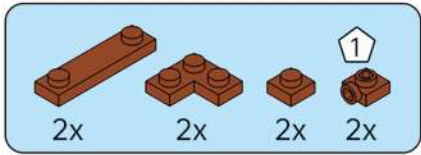


**169**

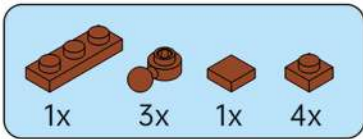
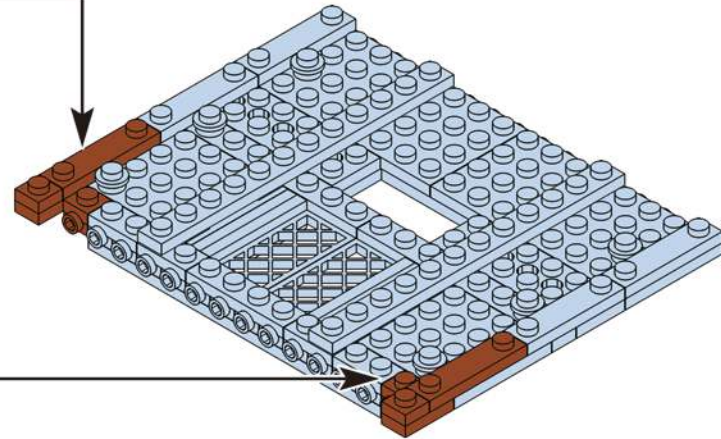
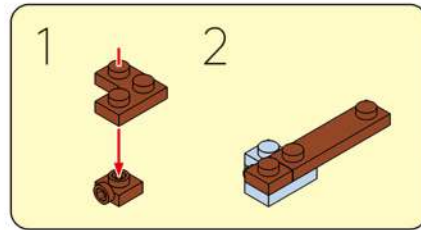
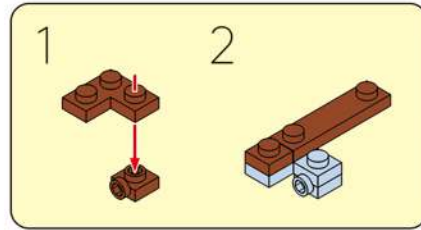


**170**

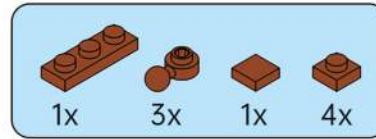
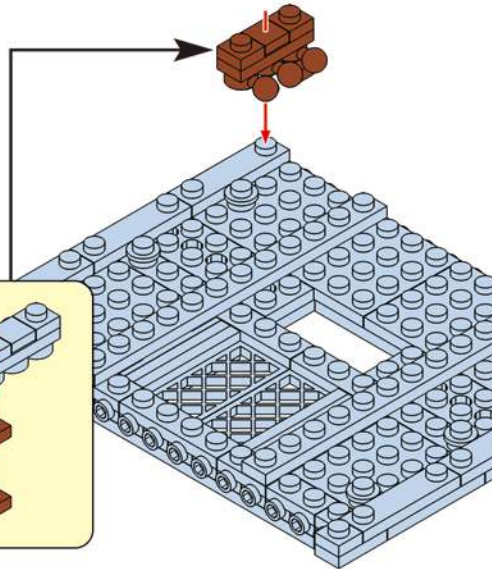
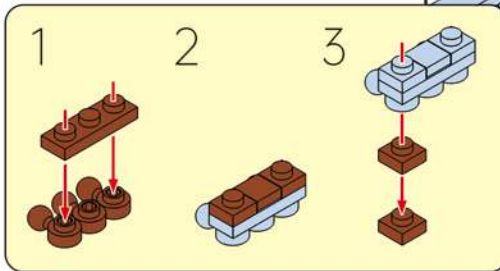




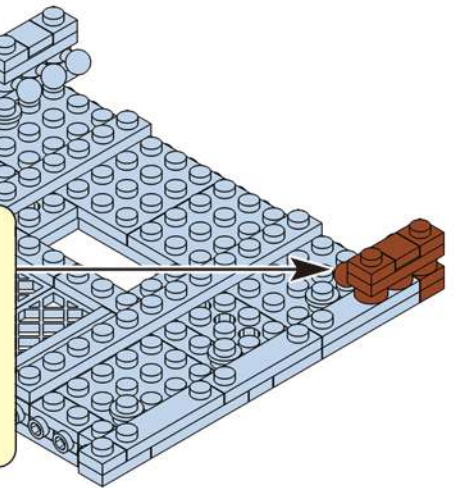
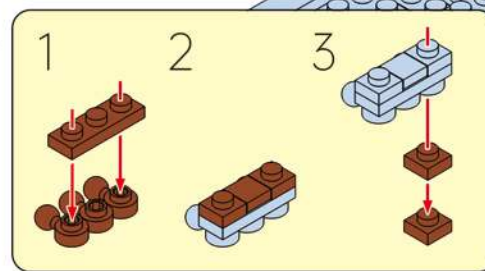
171

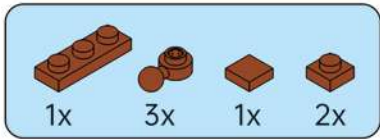


172

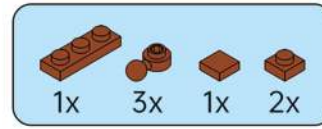
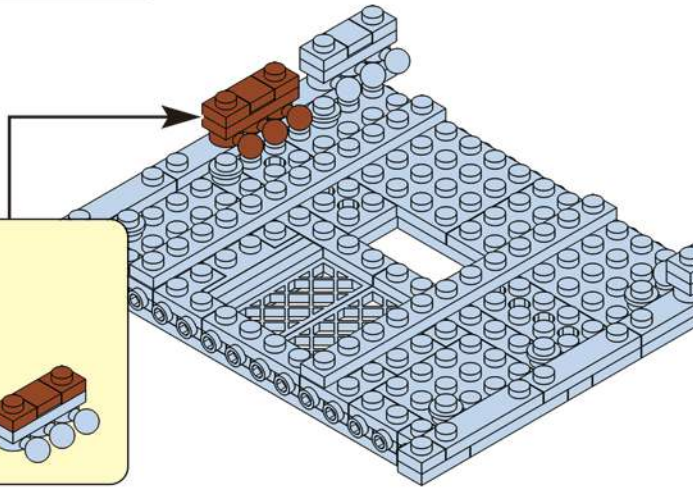
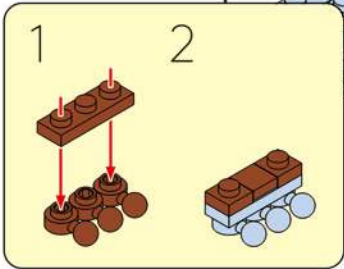


173

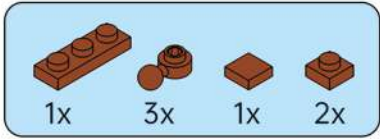
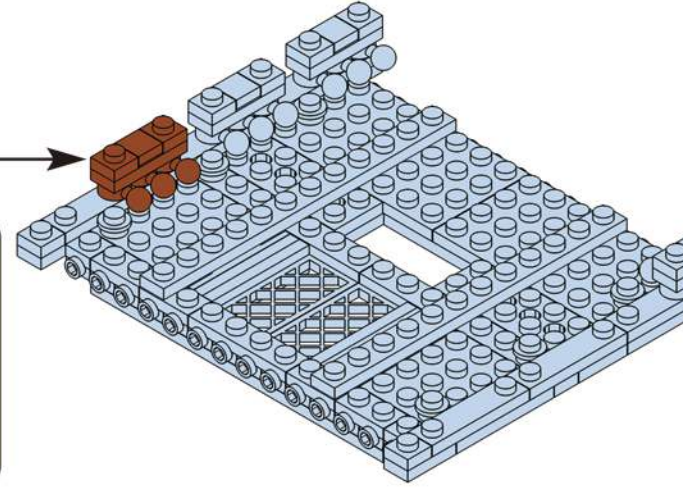
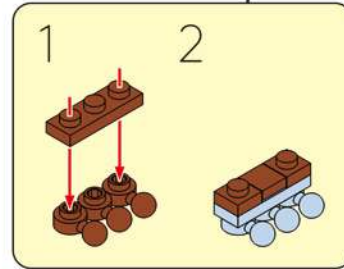




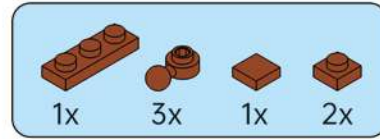
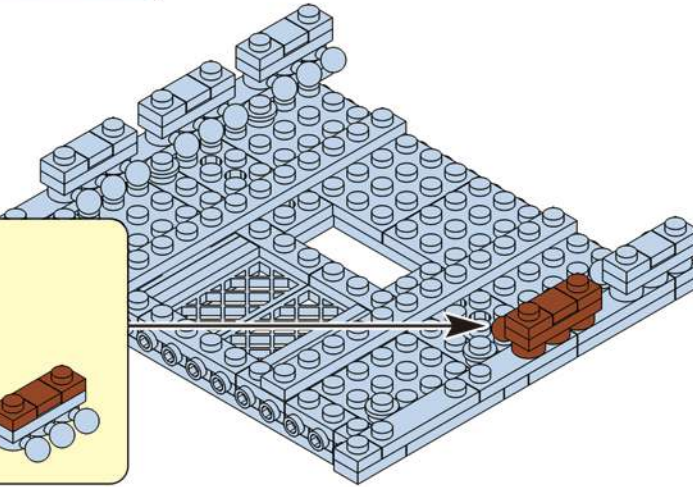
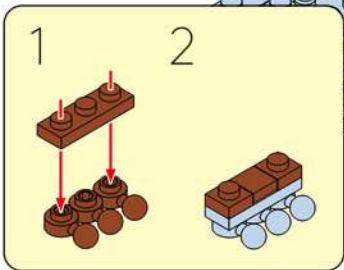
# 174



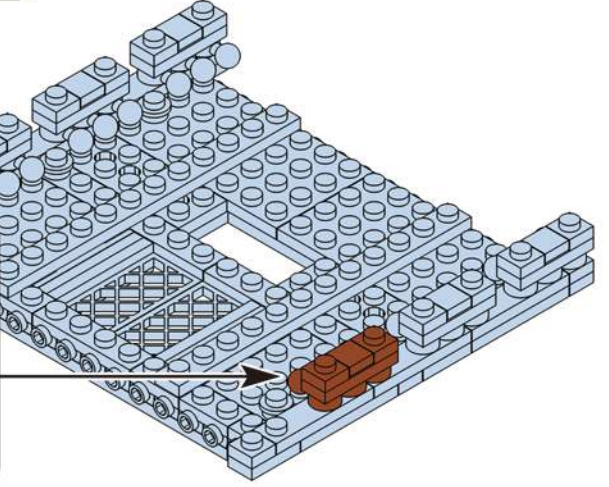
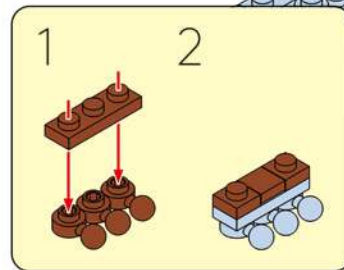
# 175

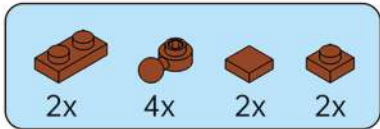


# 176

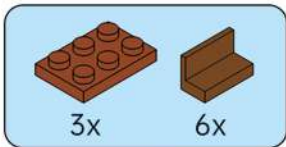
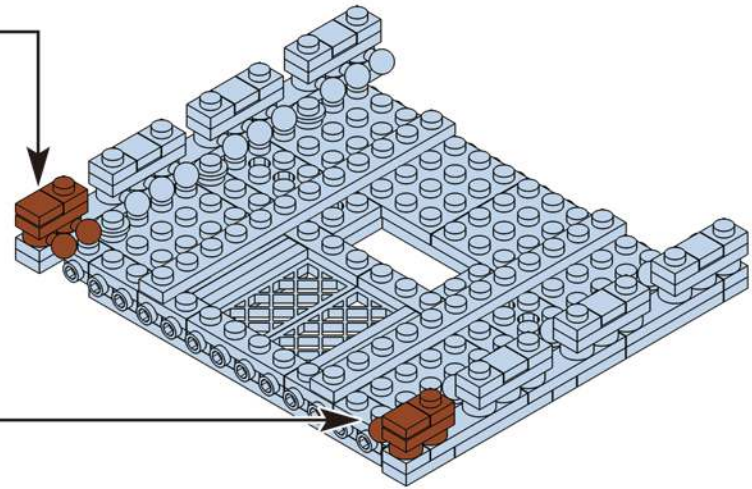
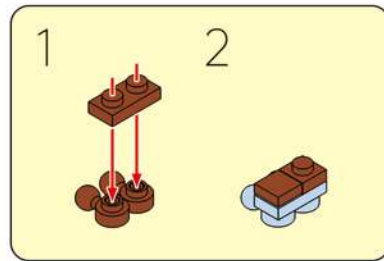
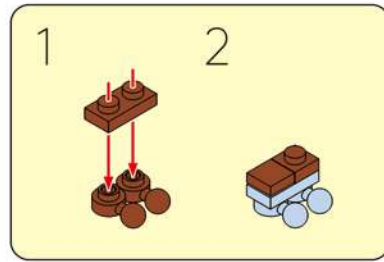


# 177

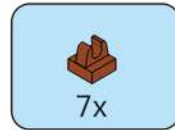
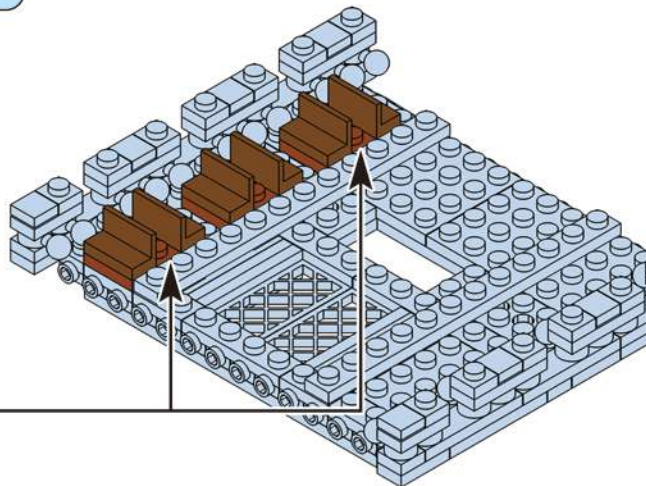
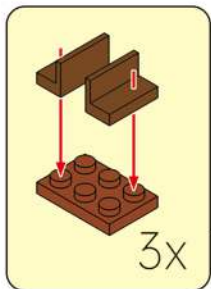




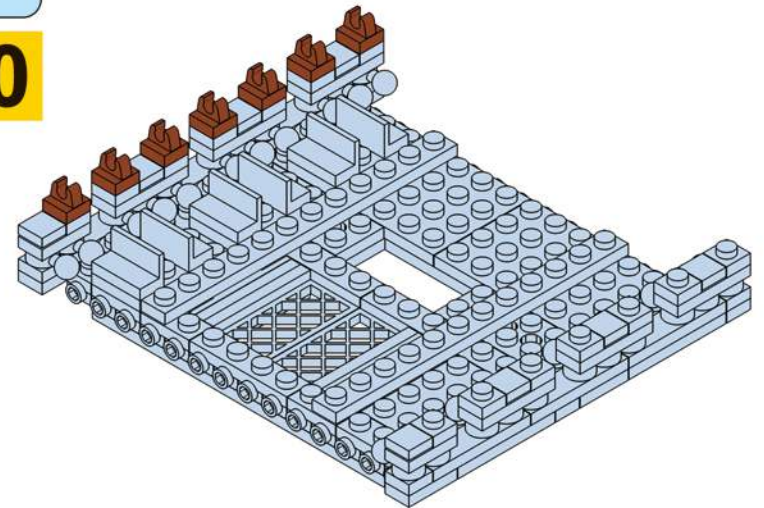
178

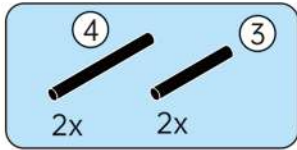


179

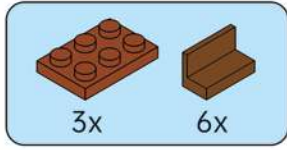
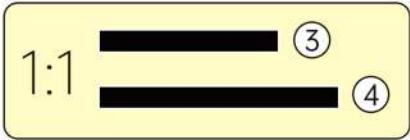
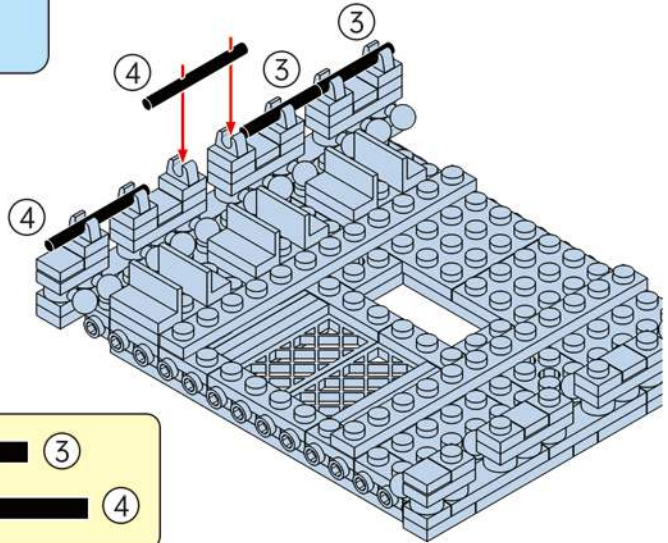


180

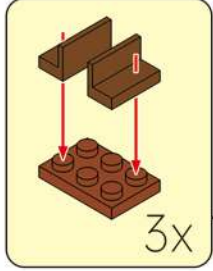
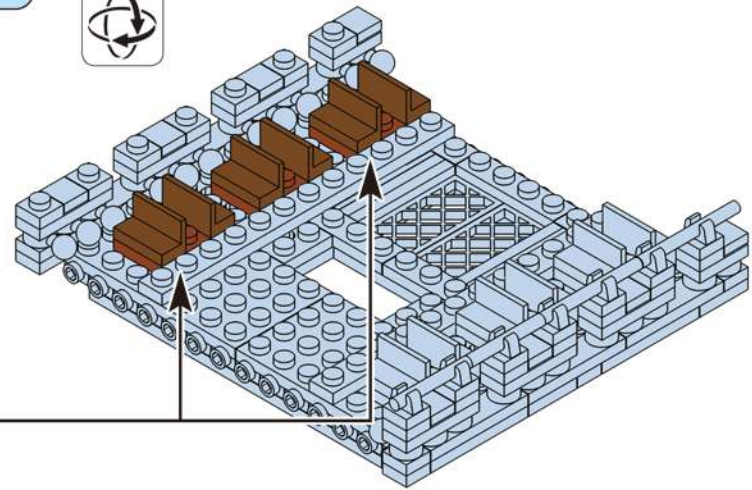




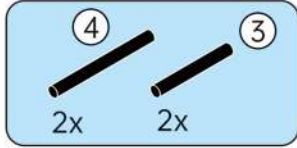
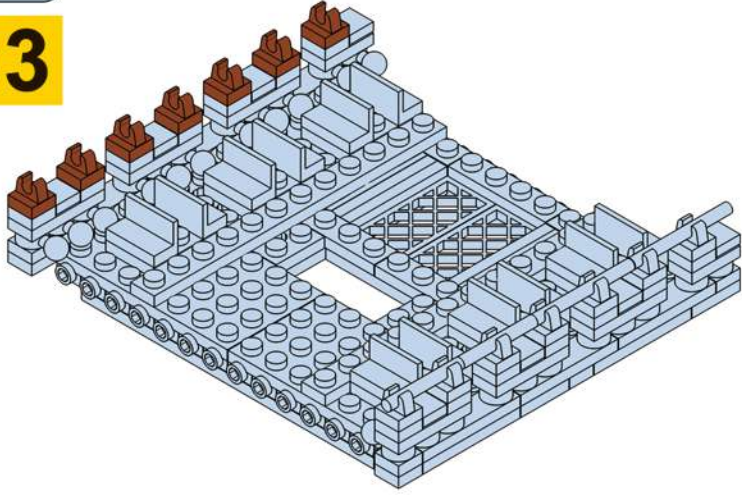
181



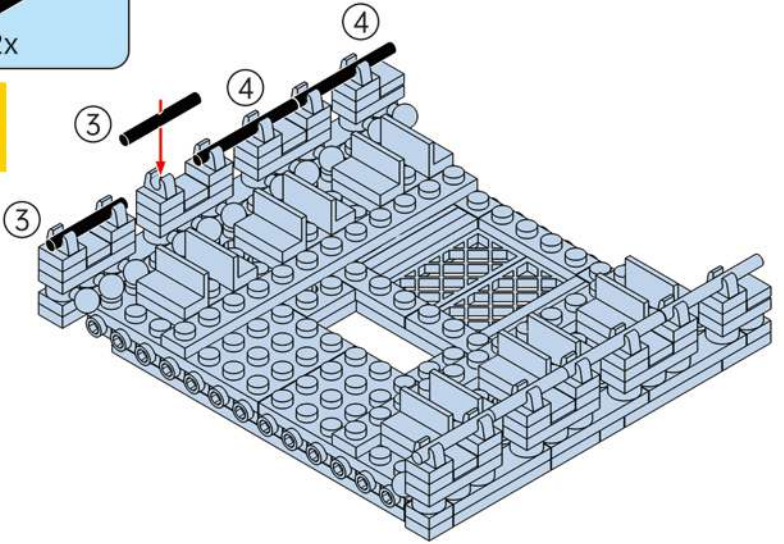
182

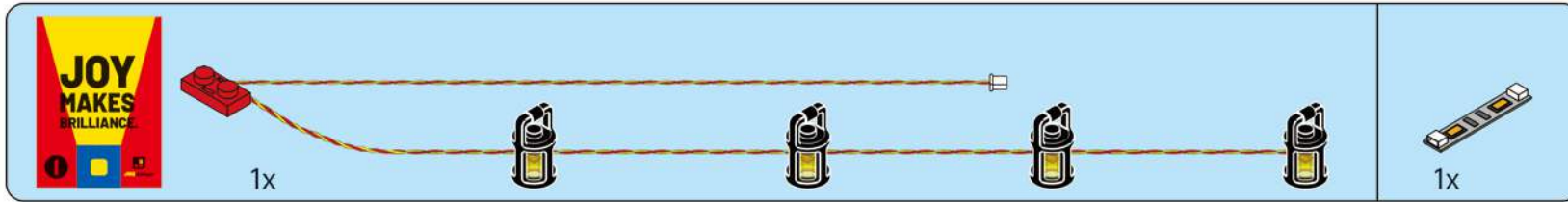


183

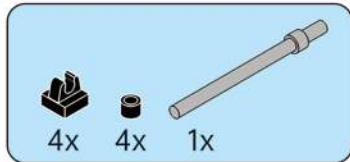


184

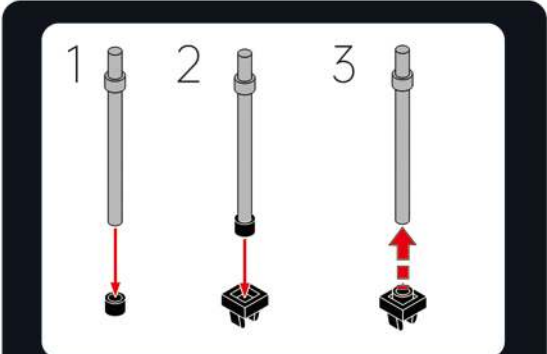
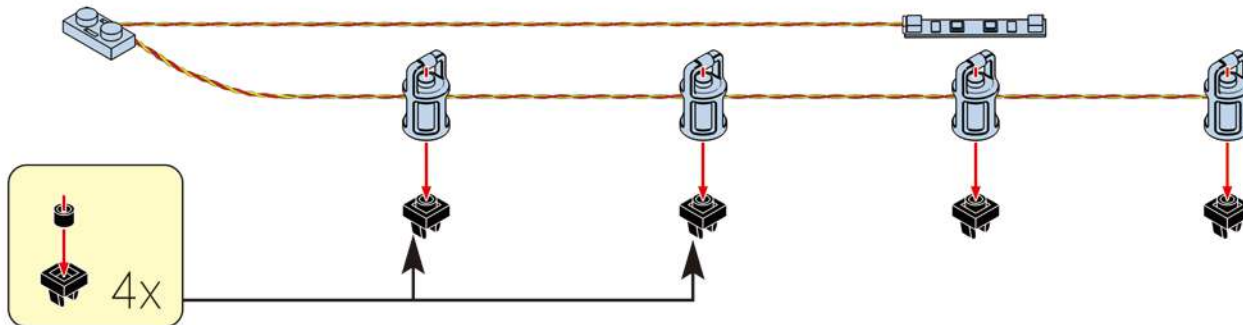




**185**

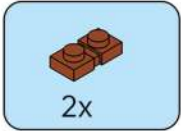


**186**



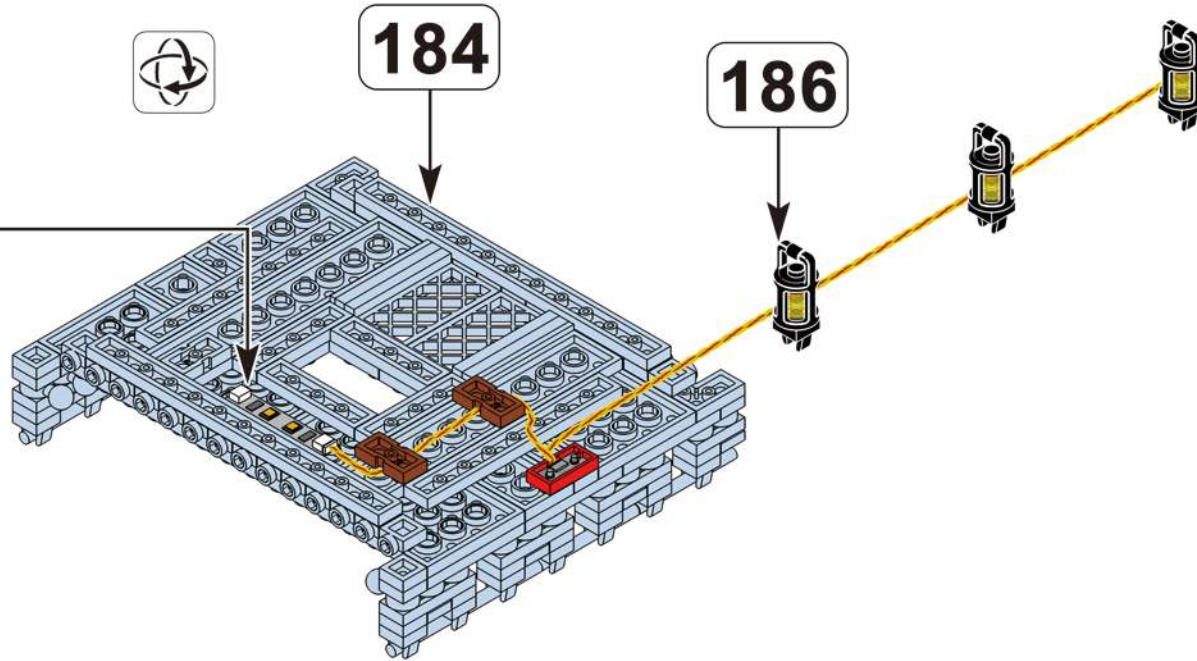
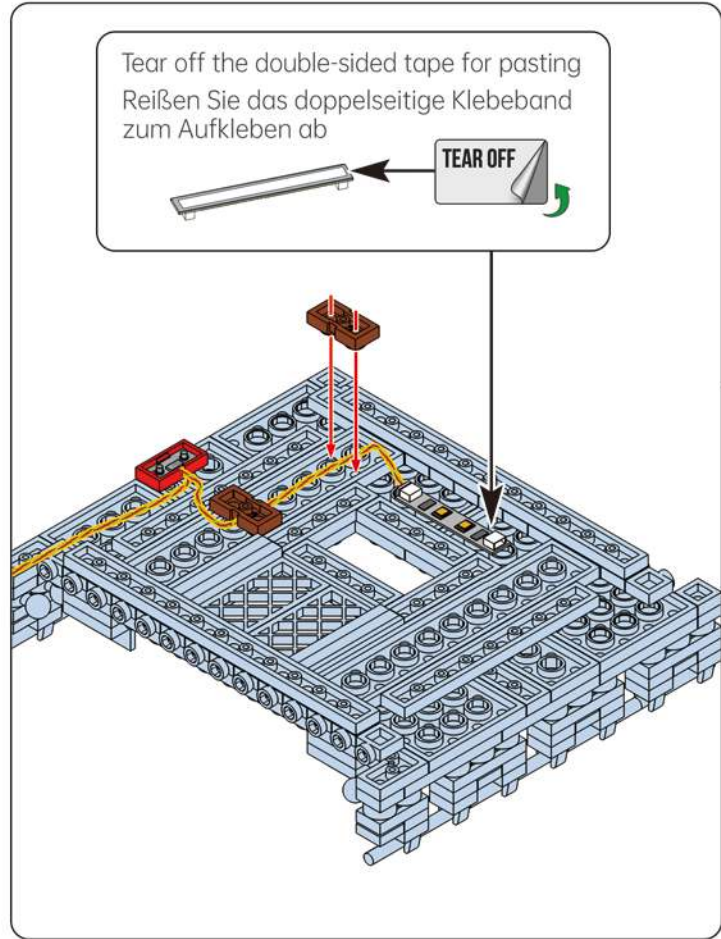
This part requires a thin stick to assist in assembly:

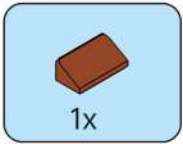
1. Insert the thin stick slightly into the part;
2. After inserting the thin sticks into the parts, install the assembly accessories and fix them.
3. After the parts are fixed, pull out the thin stick



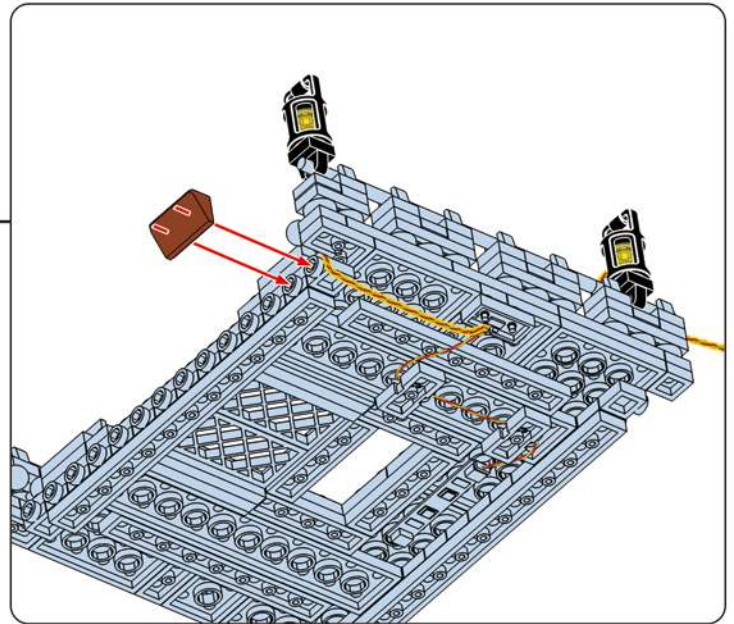
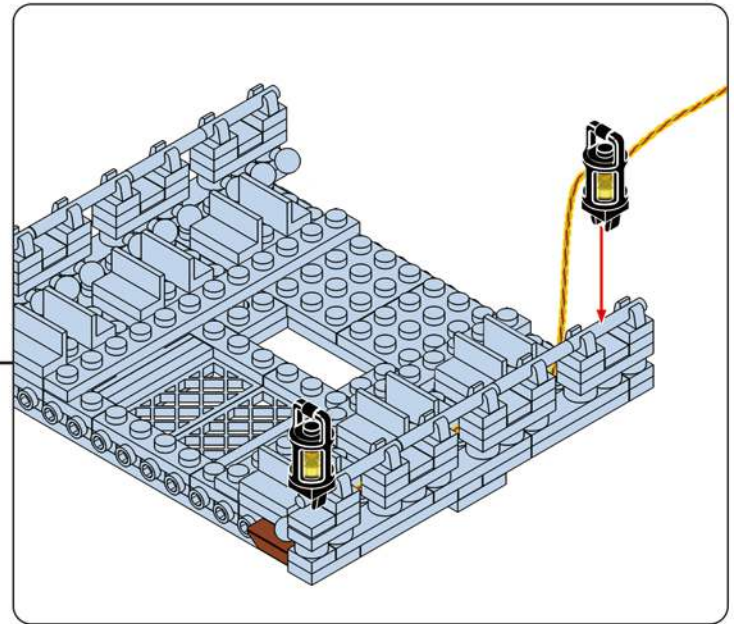
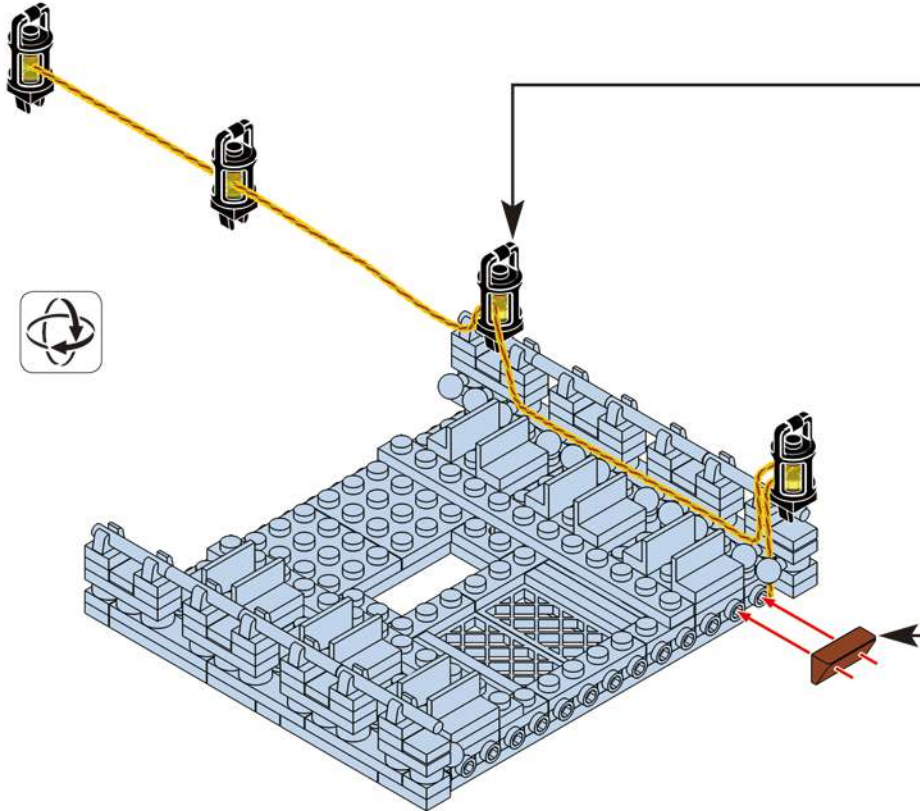
# 187

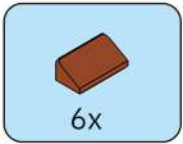
Tear off the double-sided tape for pasting  
Reißen Sie das doppelseitige Klebeband zum Aufkleben ab



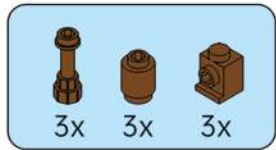
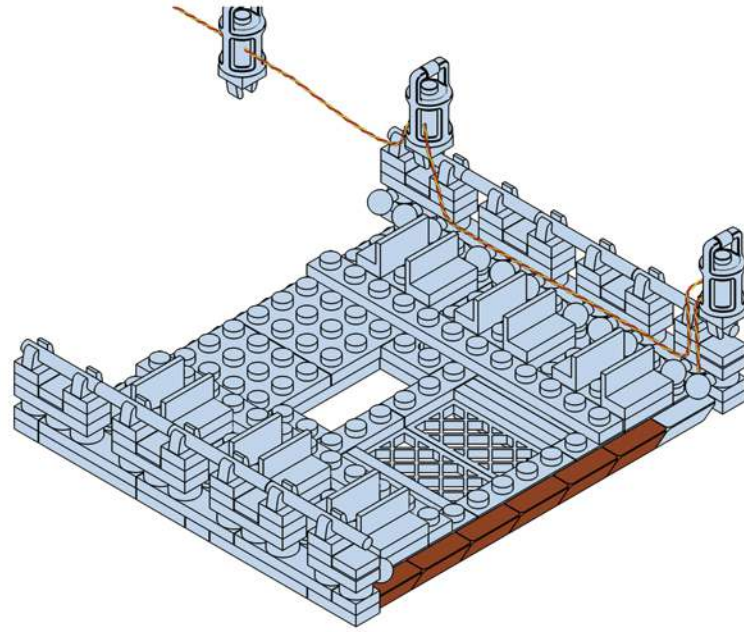


188



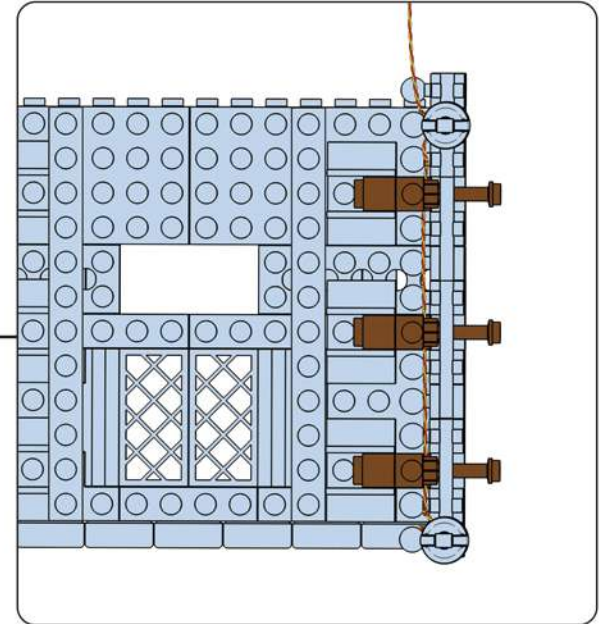
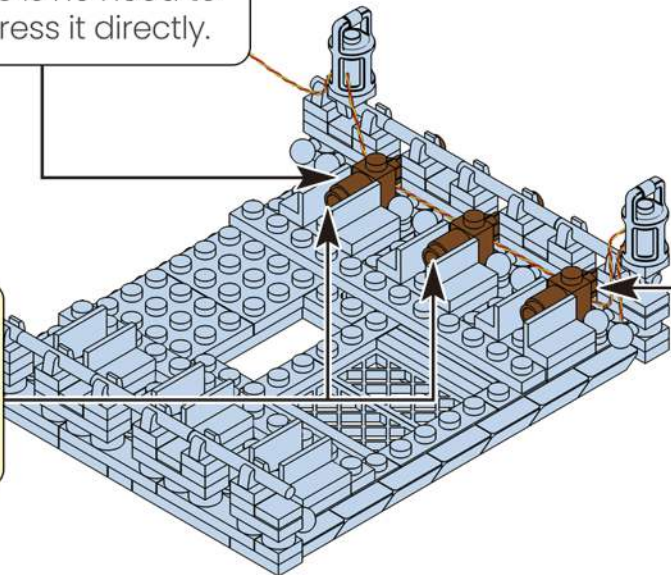
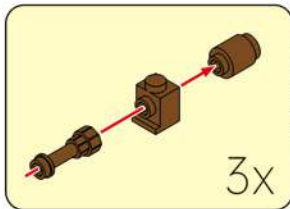


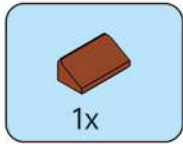
189



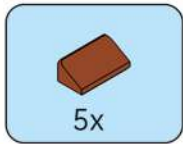
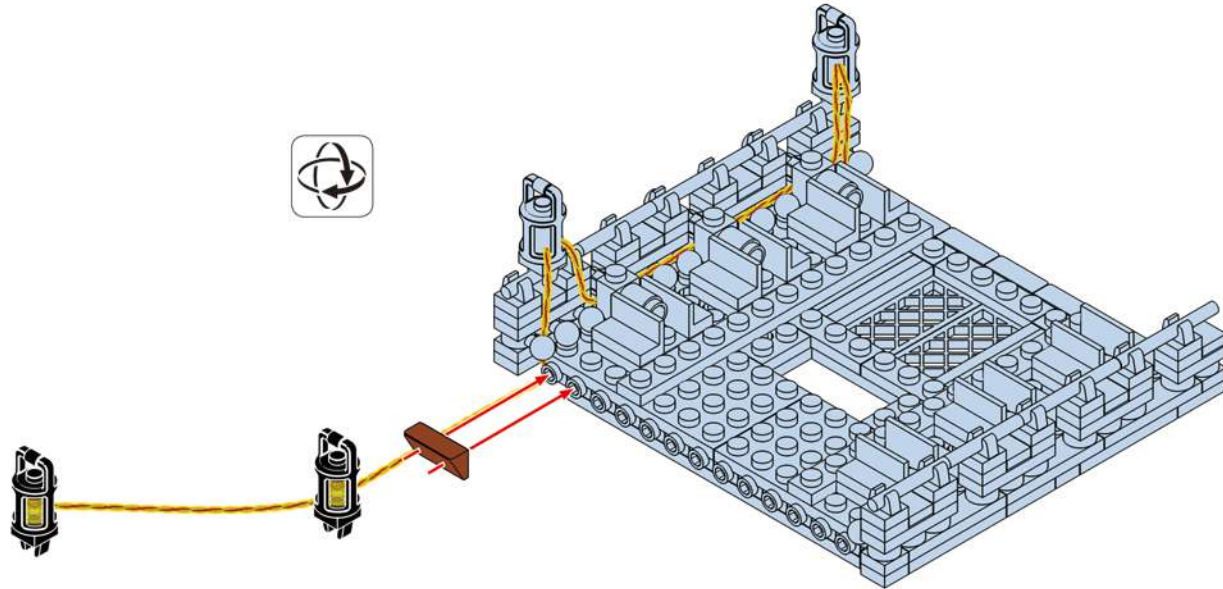
190

Note that there is no need to be fixed, just press it directly.

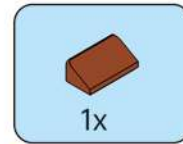
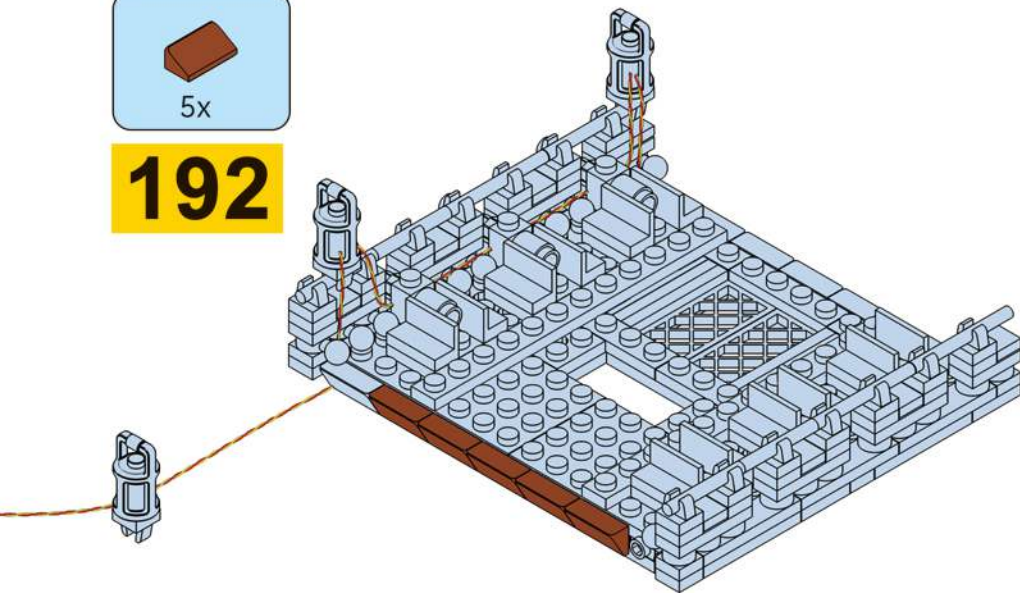




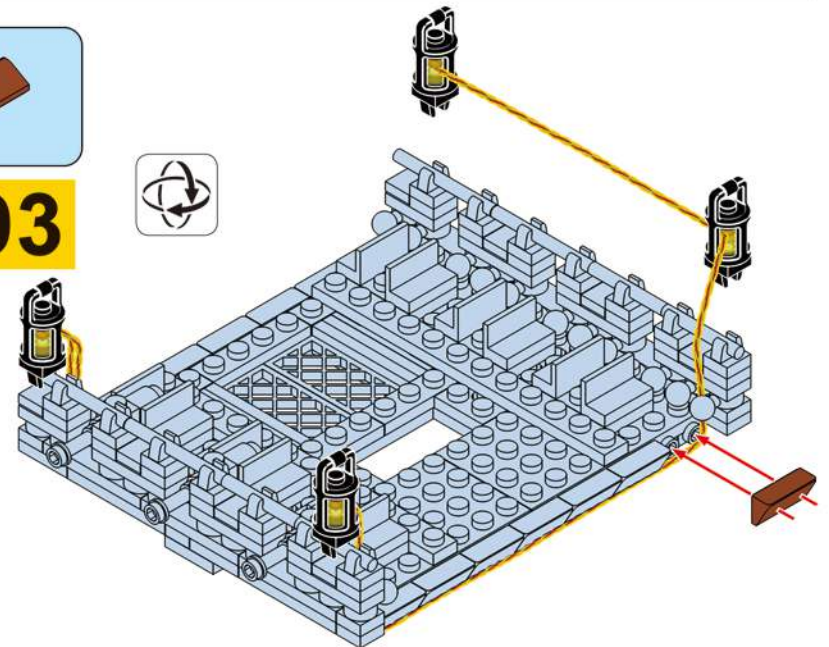
191



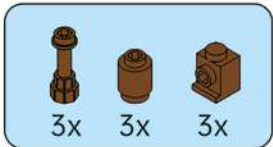
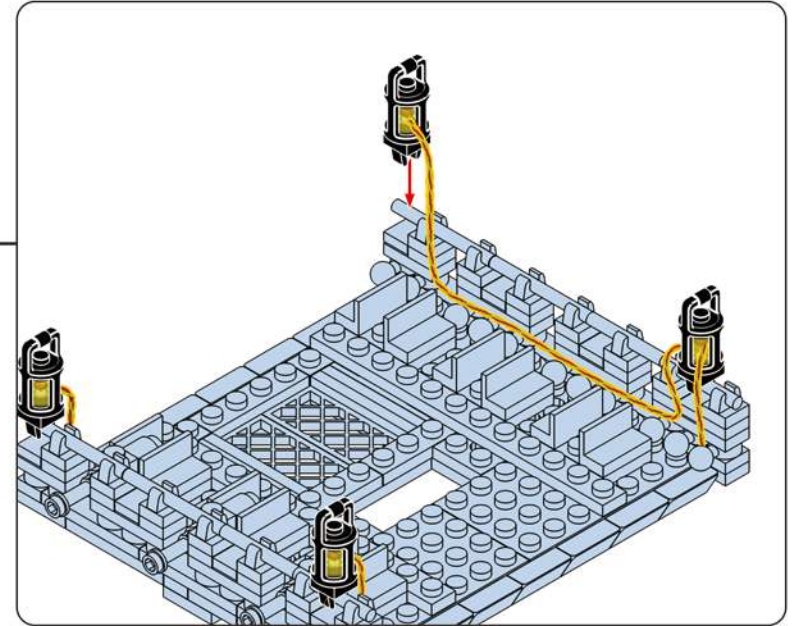
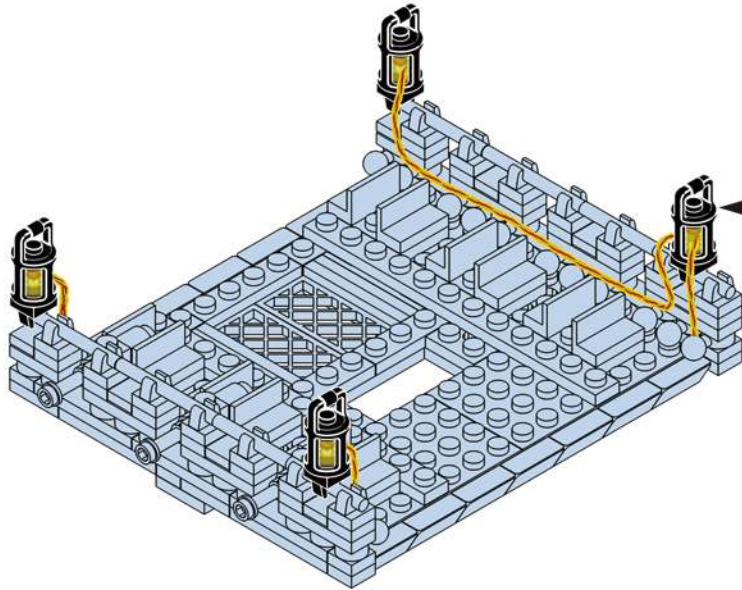
192



193

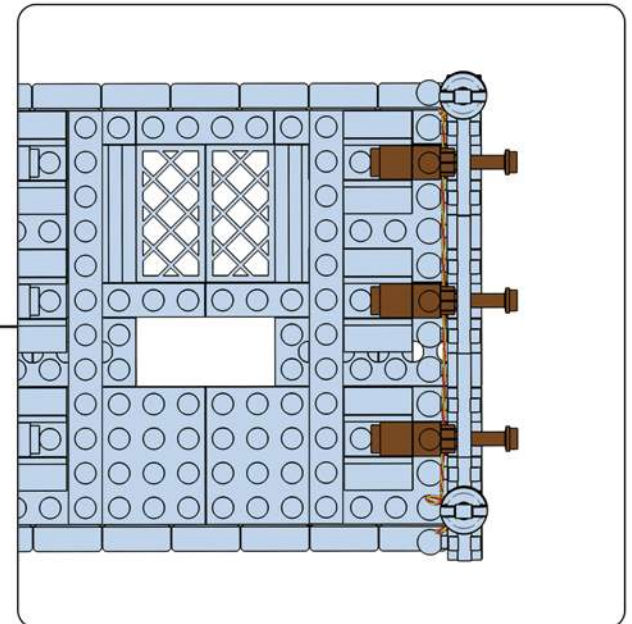
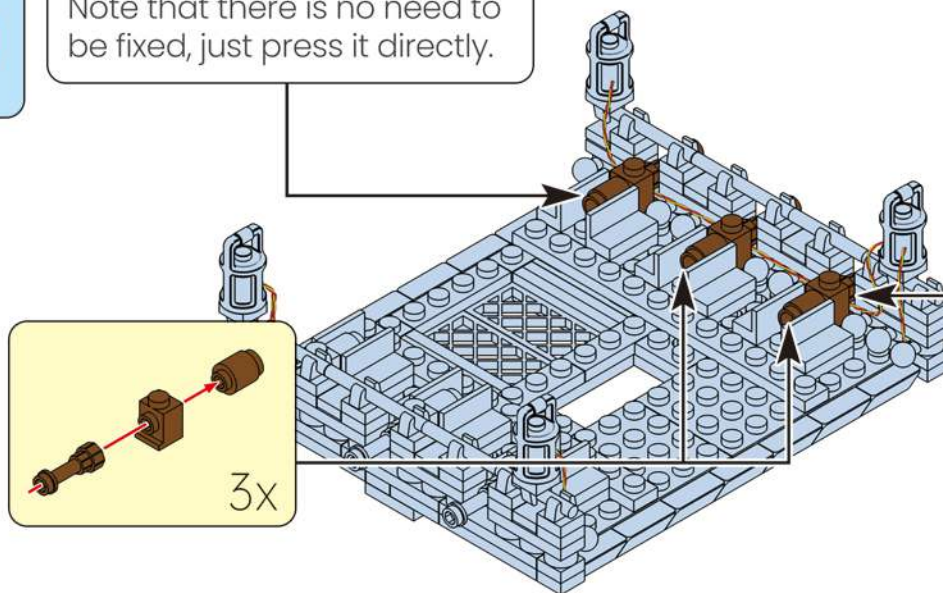


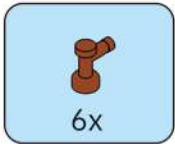
# 194



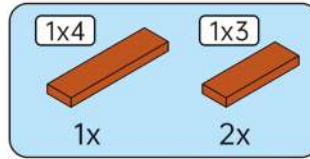
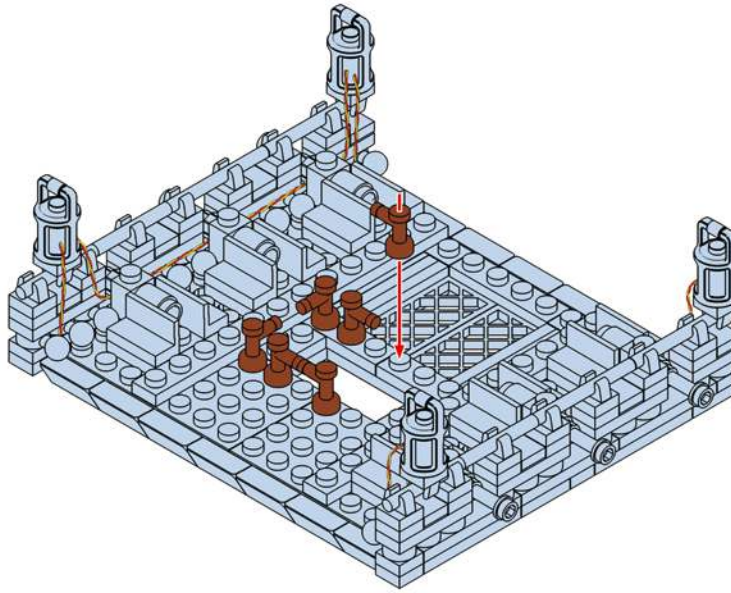
Note that there is no need to be fixed, just press it directly.

# 195

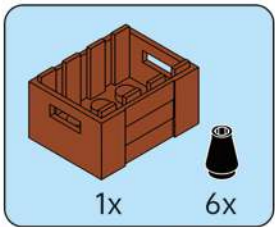
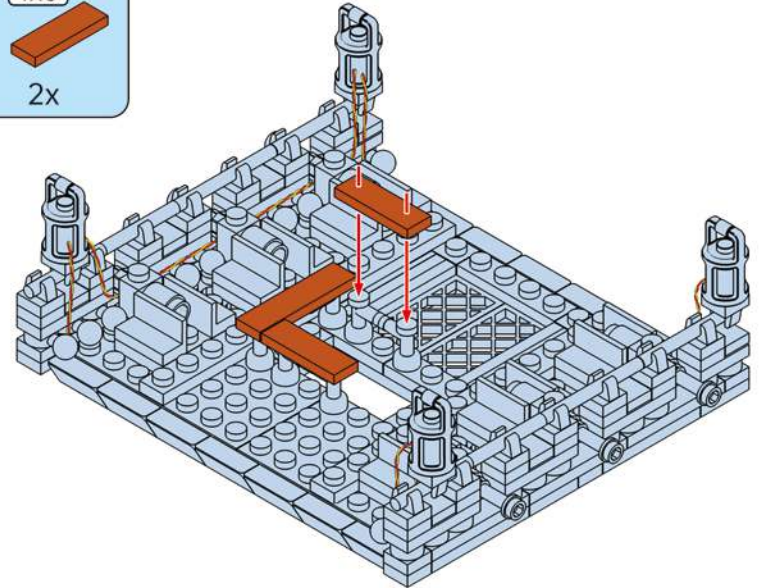




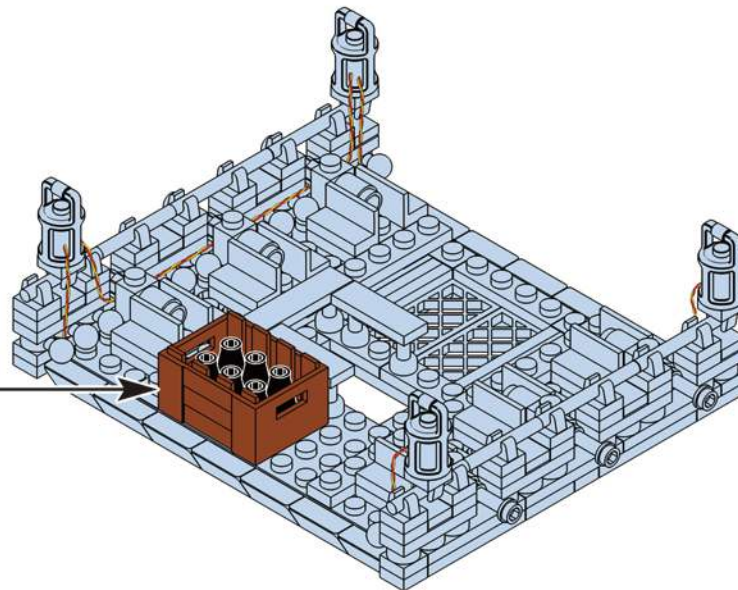
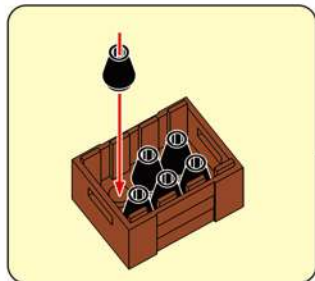
196



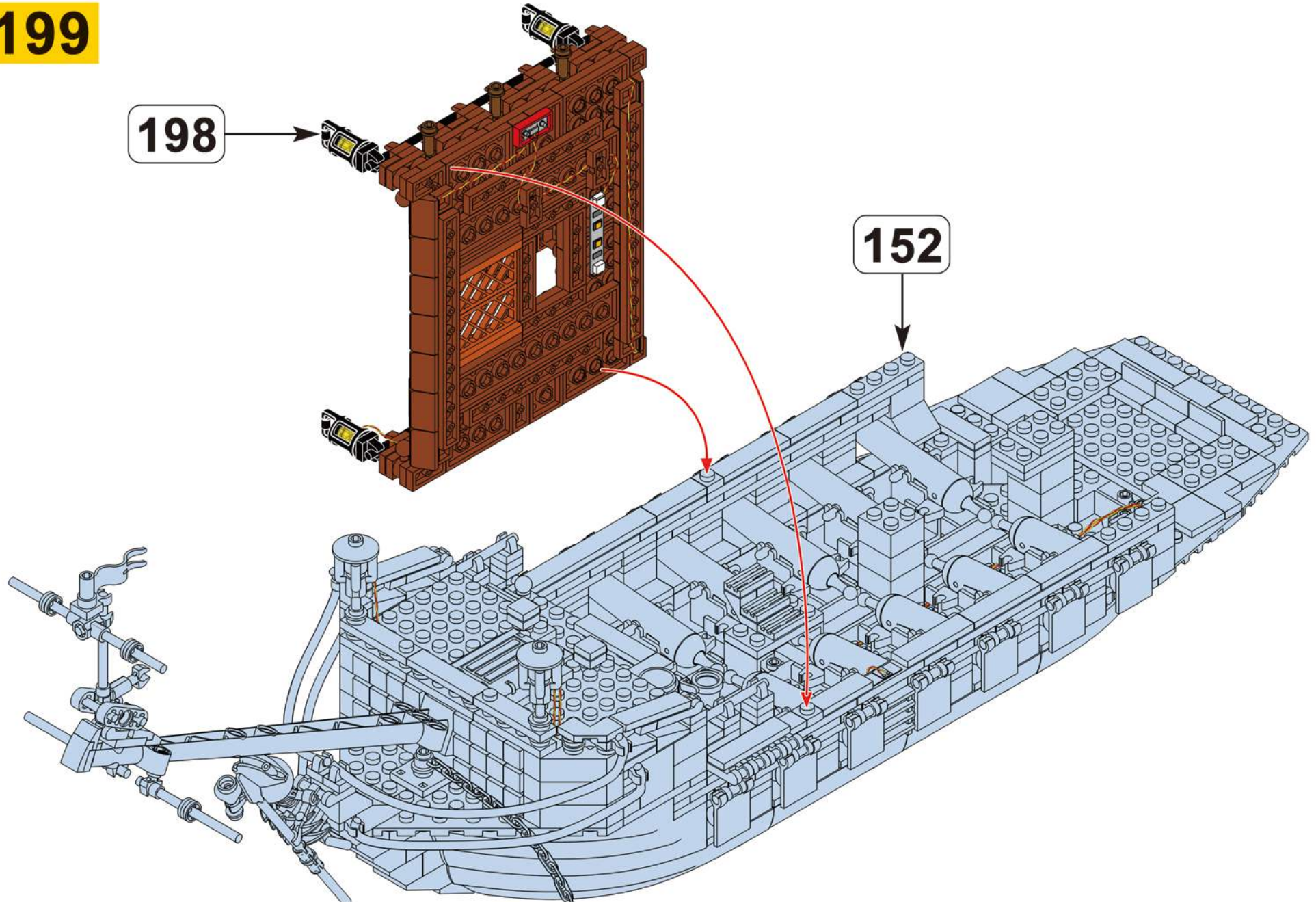
197

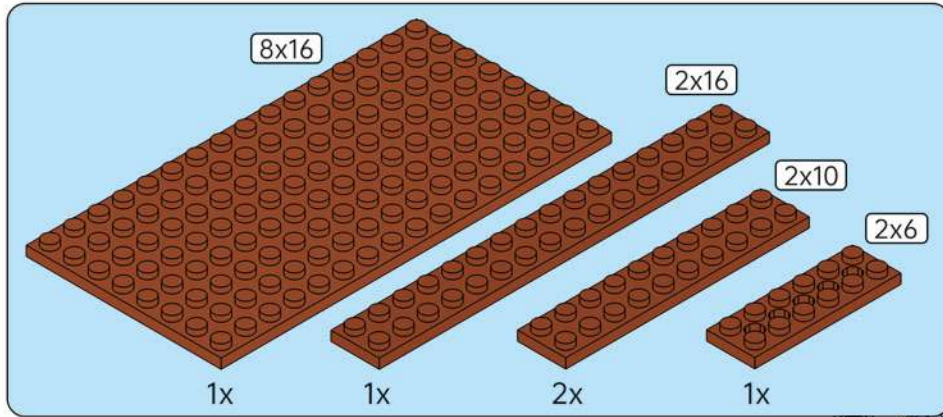


198

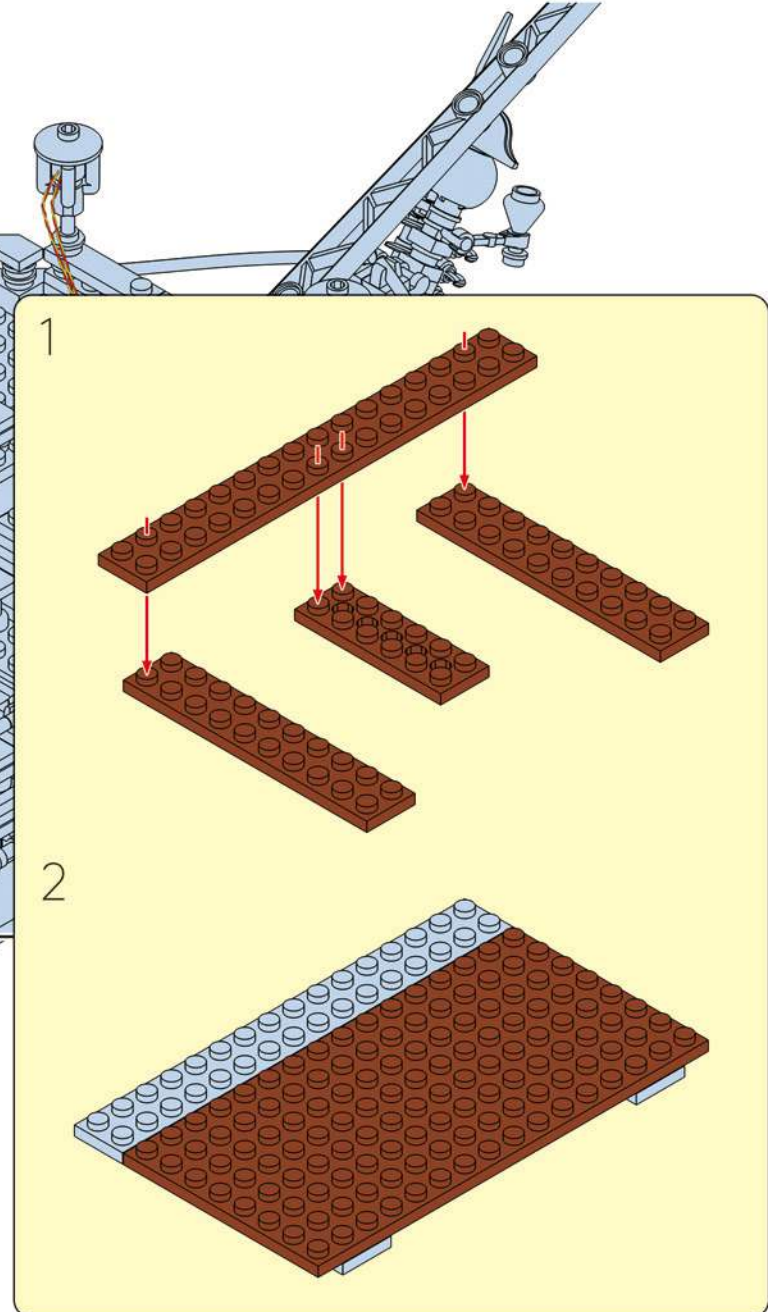
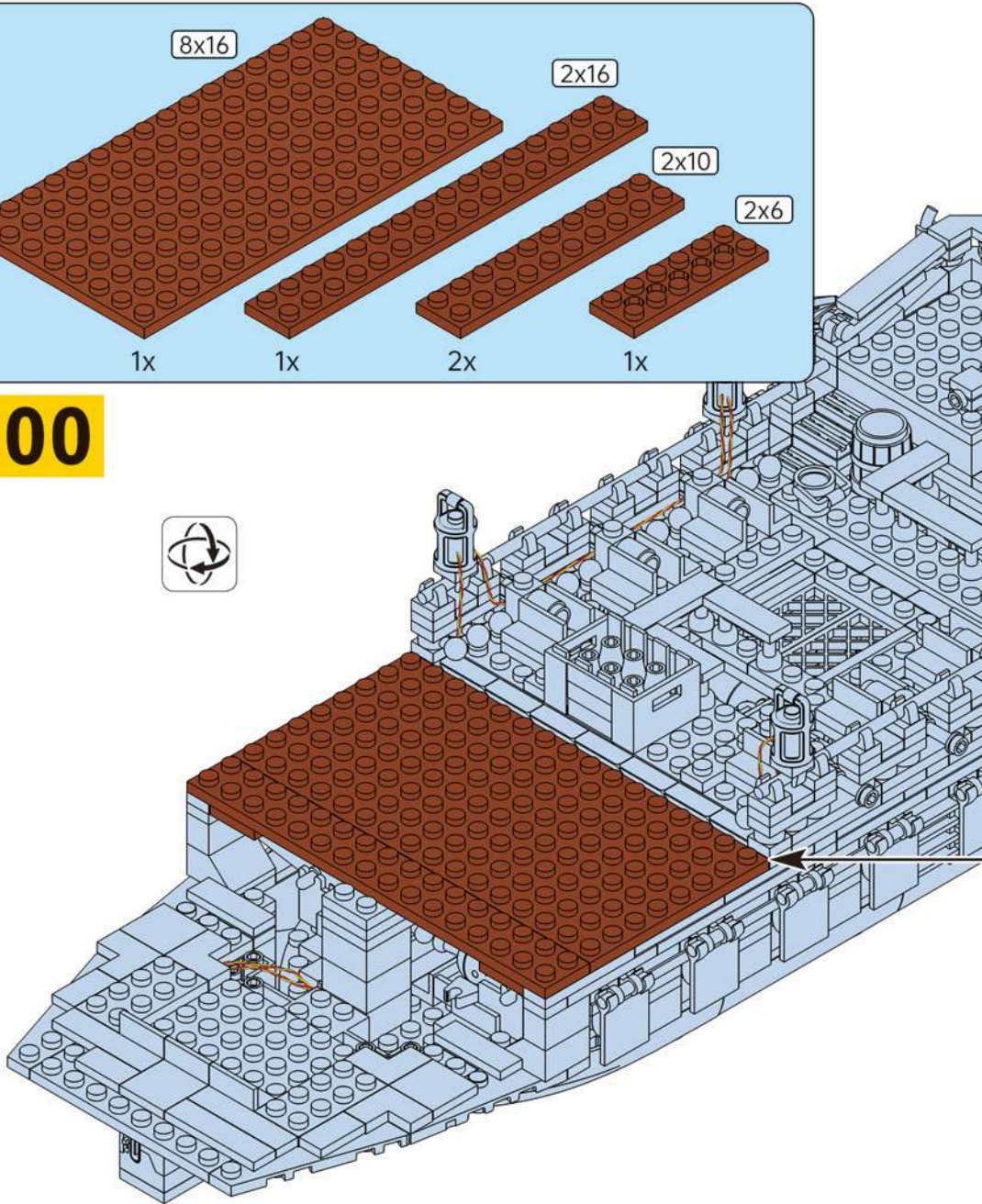


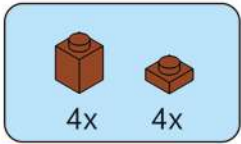
199



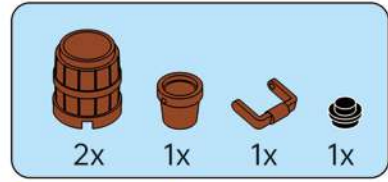
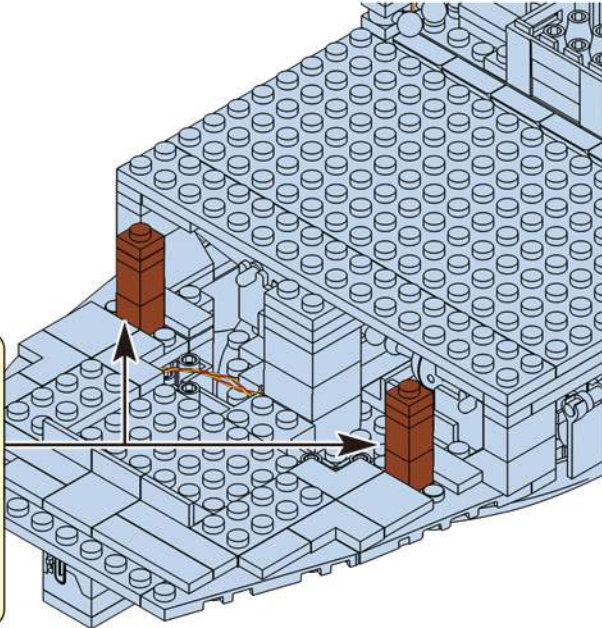
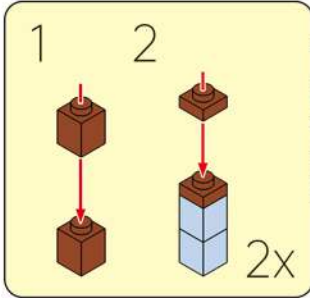


200

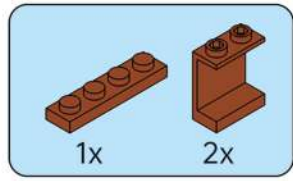
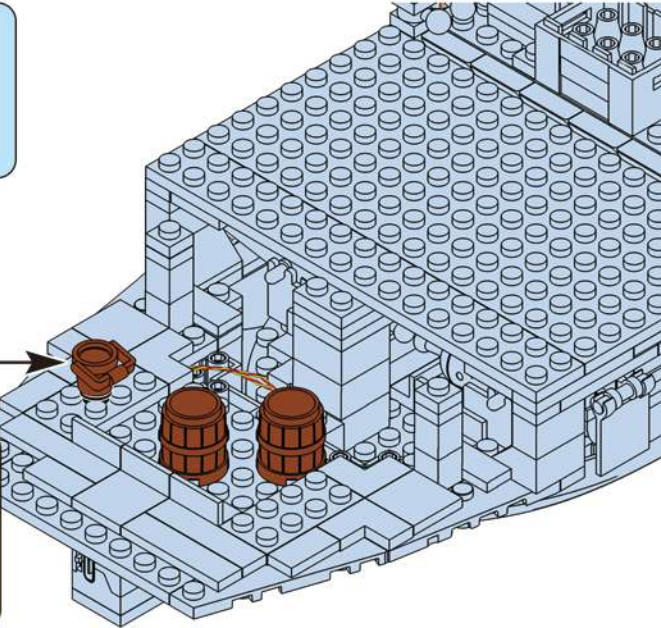
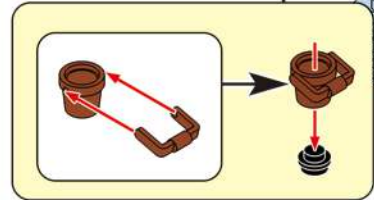




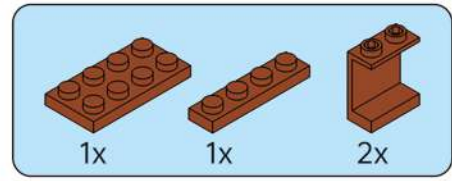
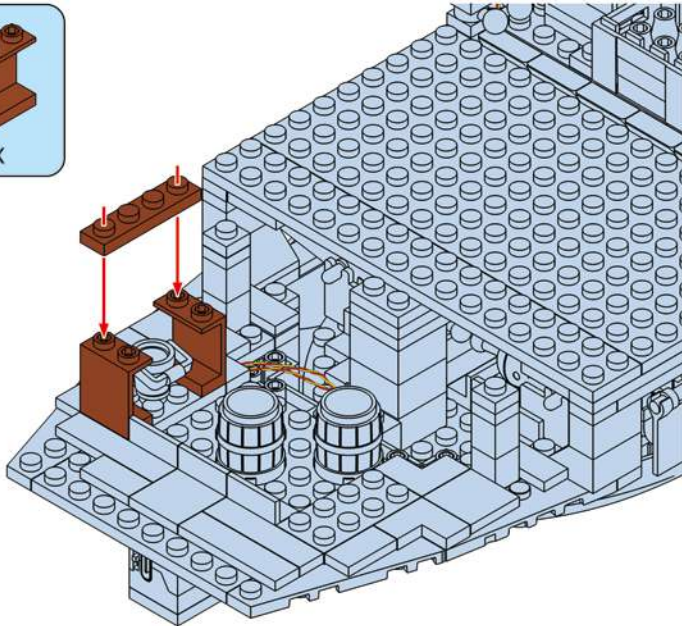
# 201



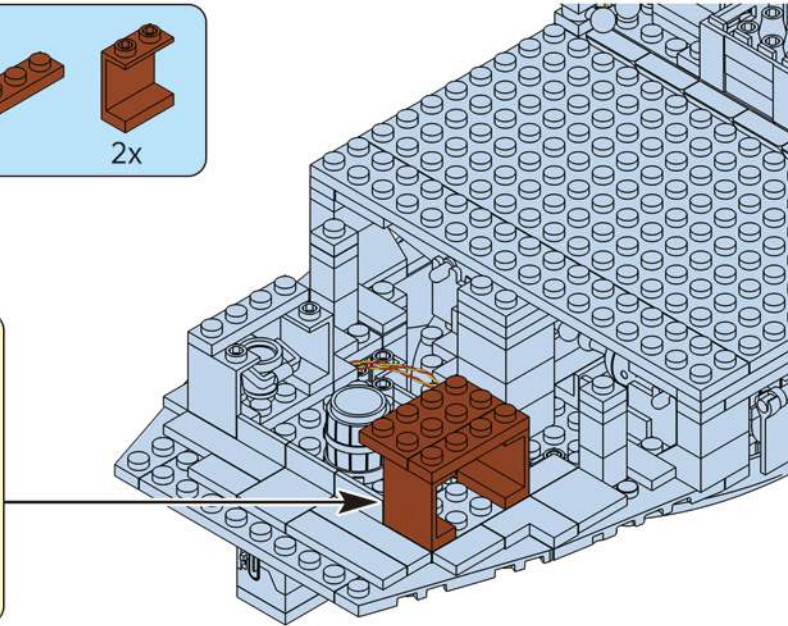
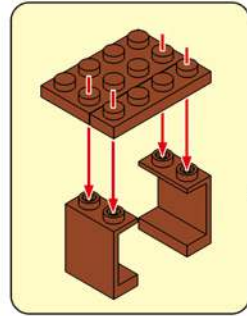
# 202

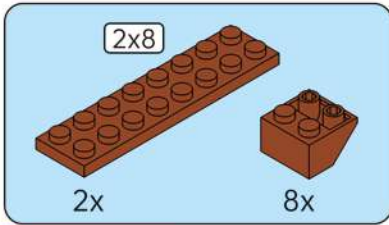


# 203

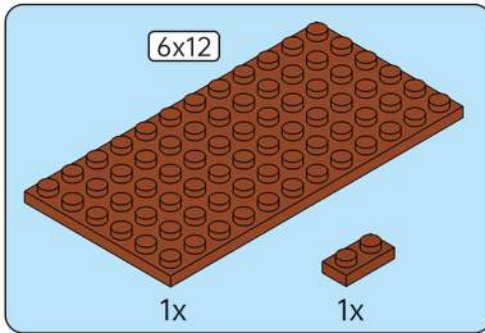
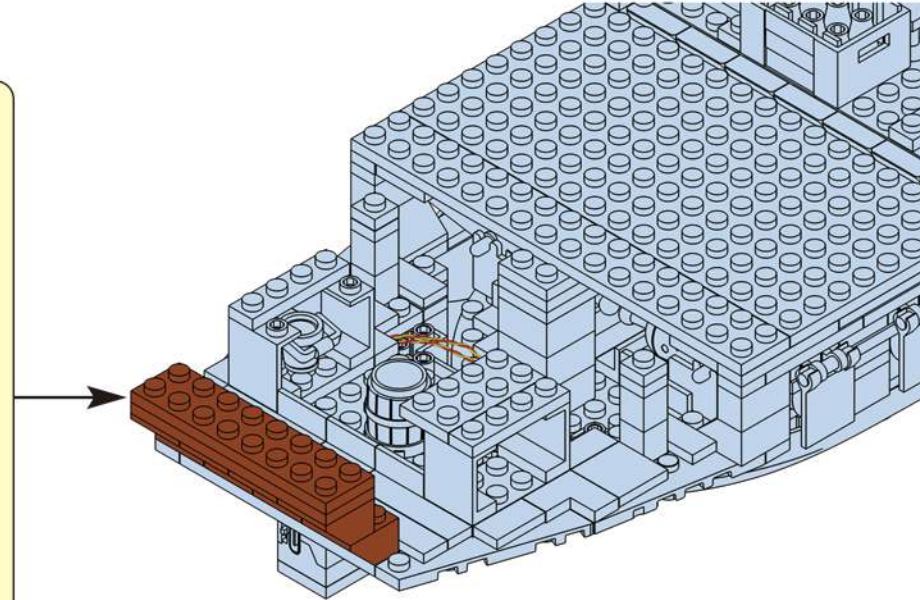
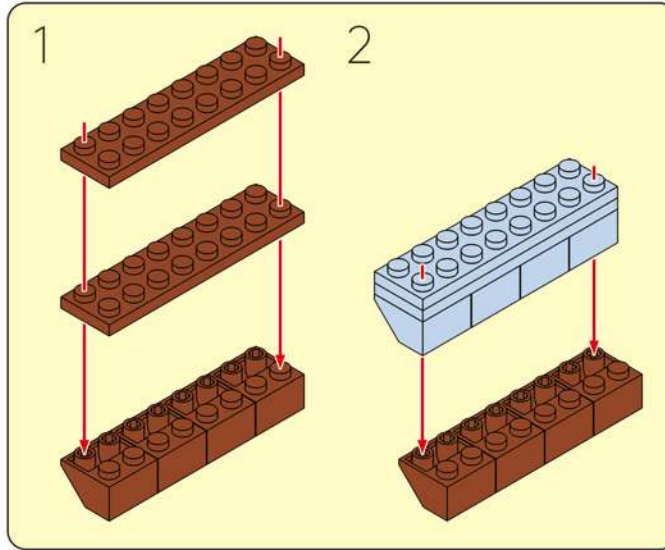


# 204

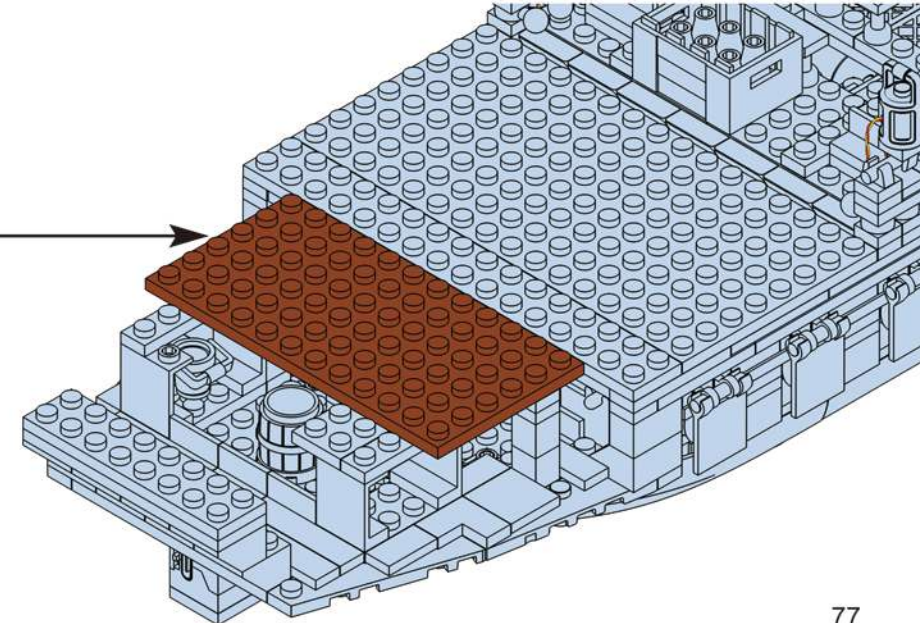
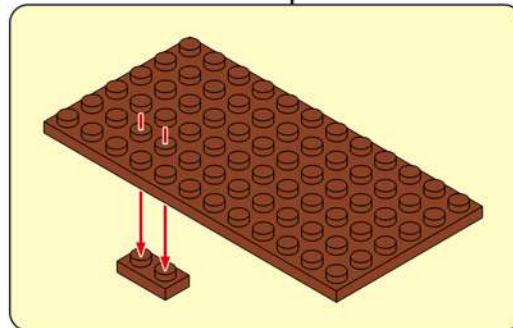


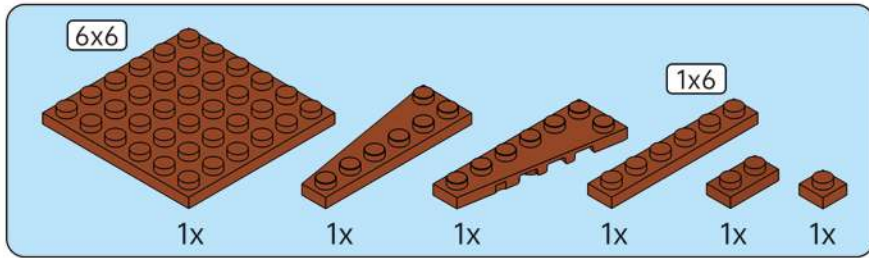


205

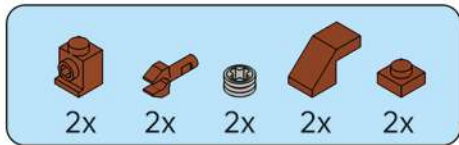
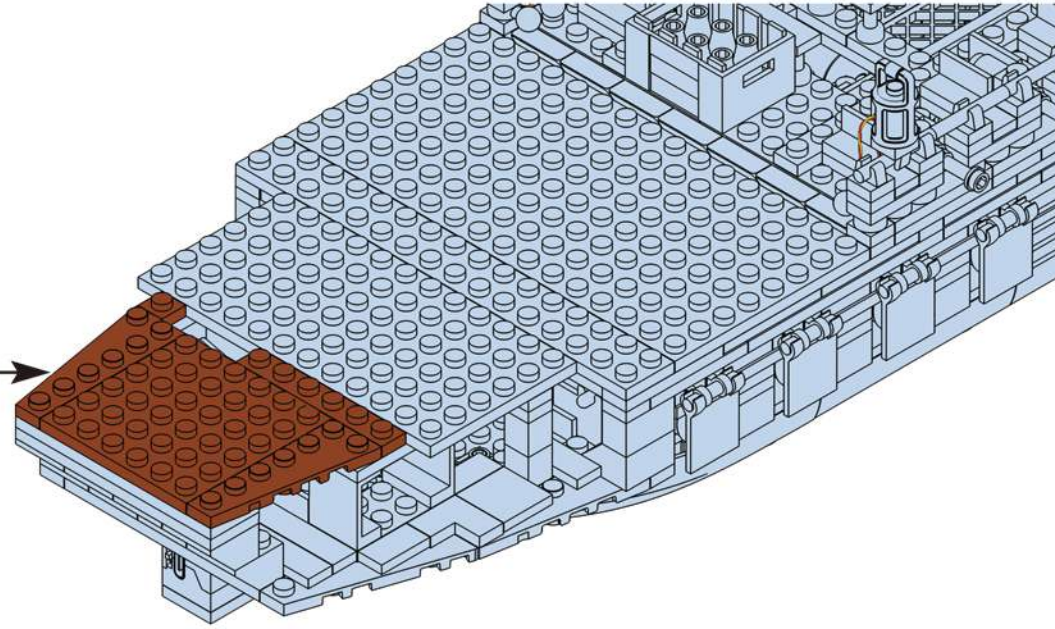
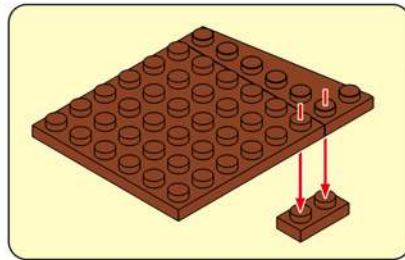


206

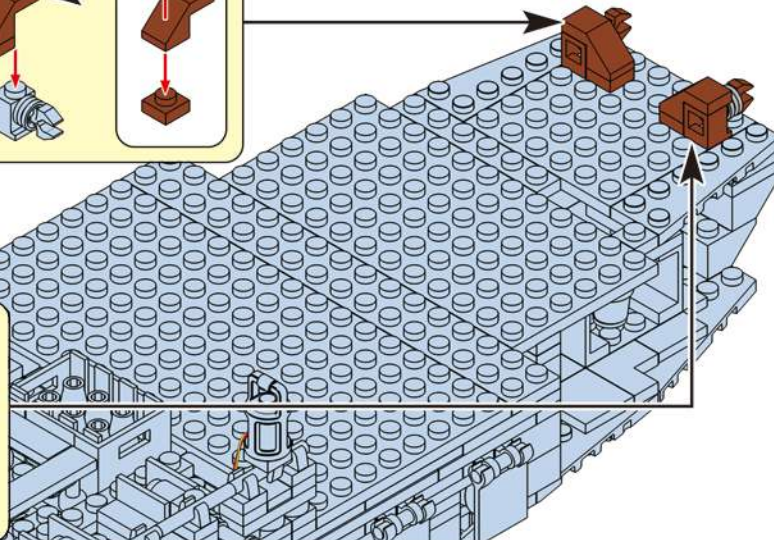
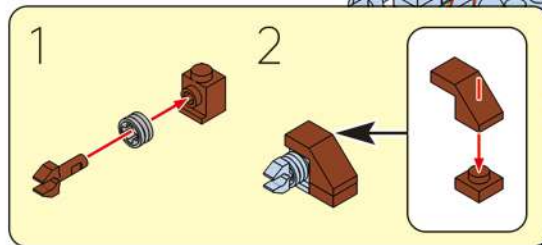
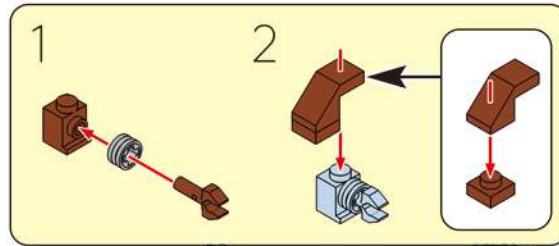


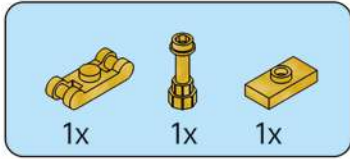


207

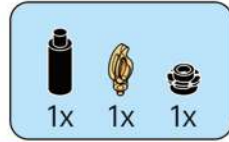


208

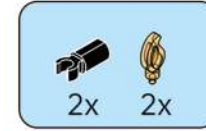
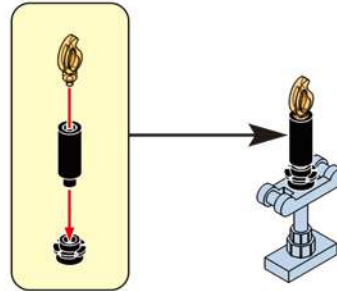




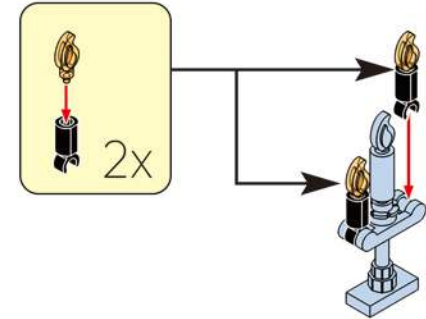
**209**



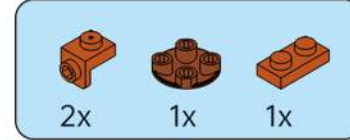
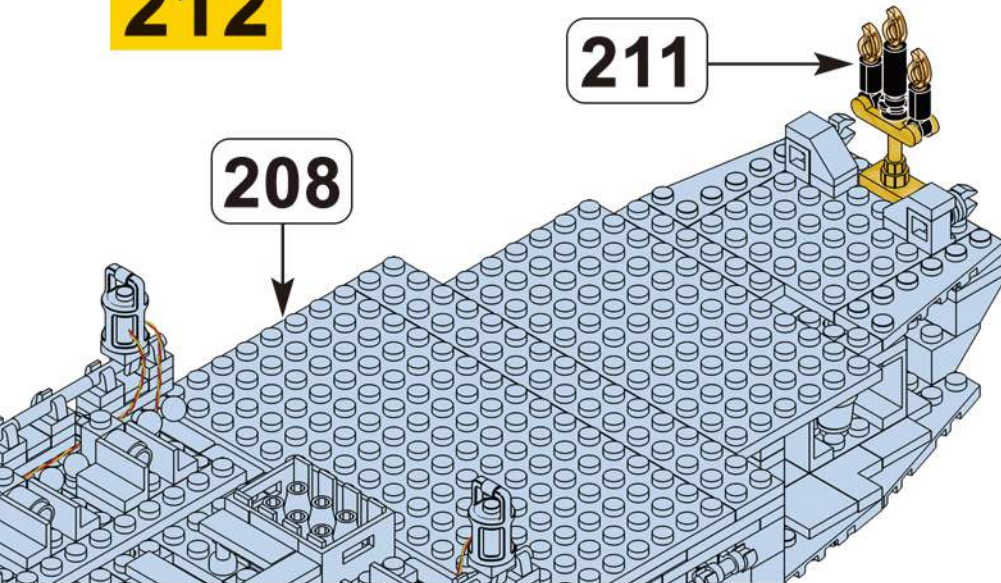
**210**



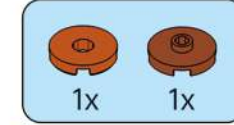
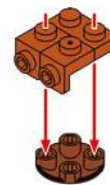
**211**



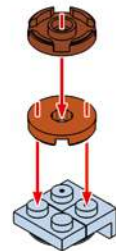
**212**

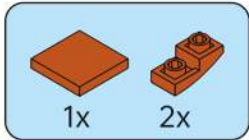


**213**

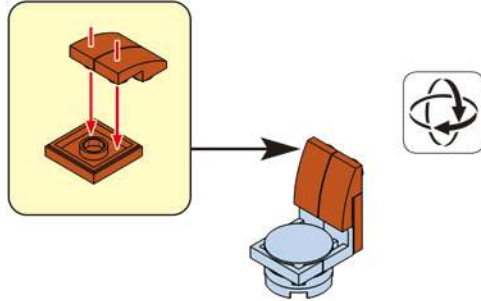


**214**

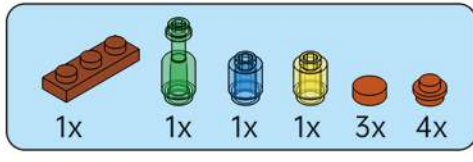
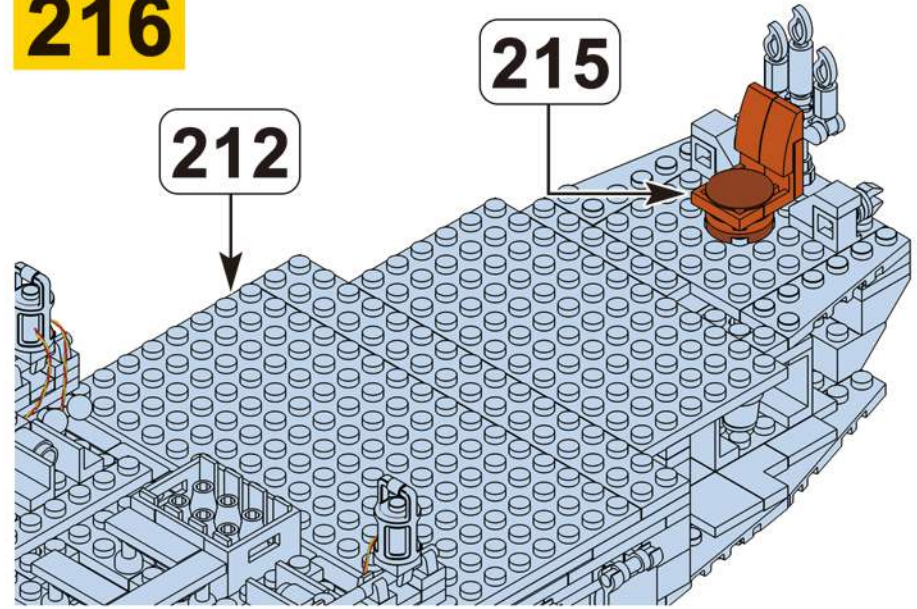




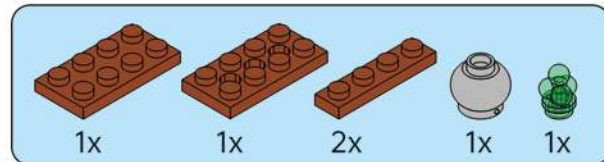
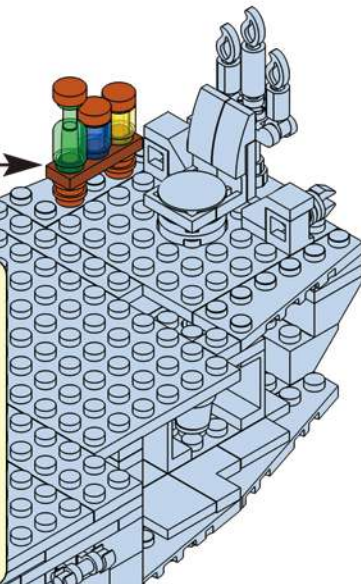
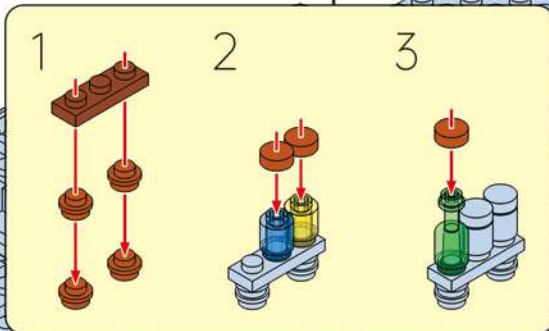
215



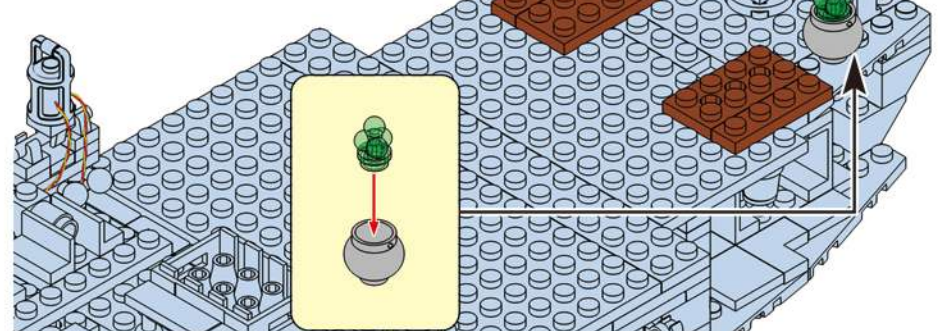
216

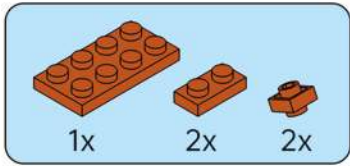


217

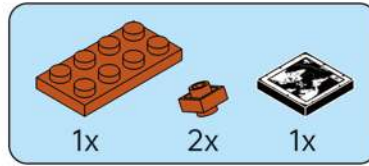
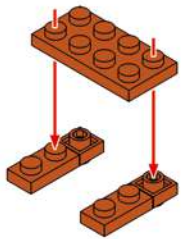


218

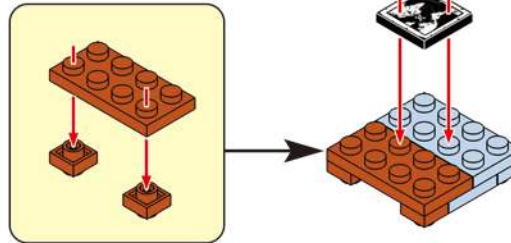




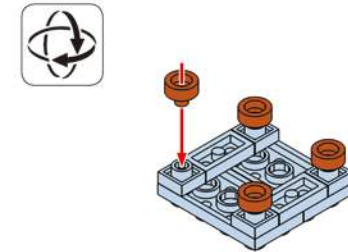
219



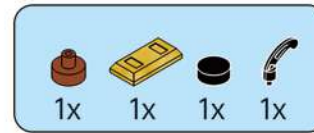
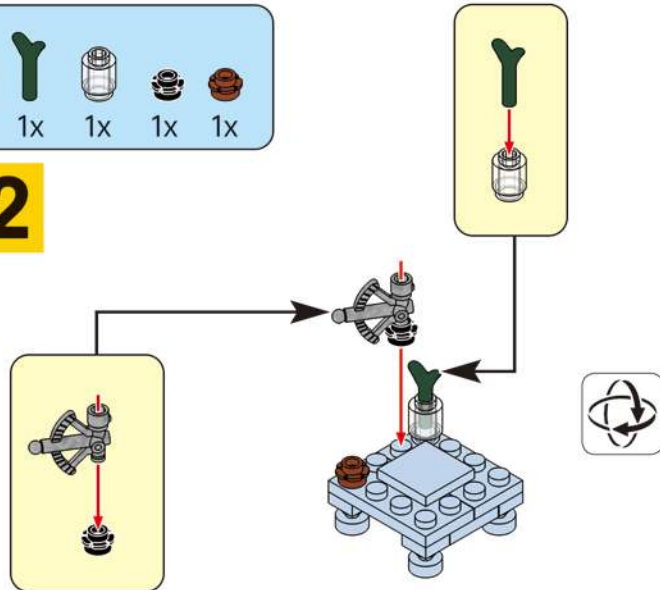
220



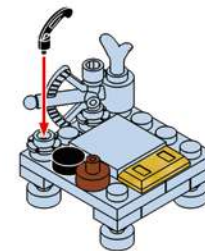
221



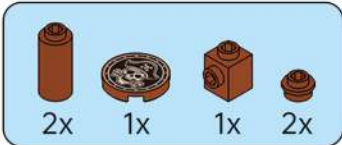
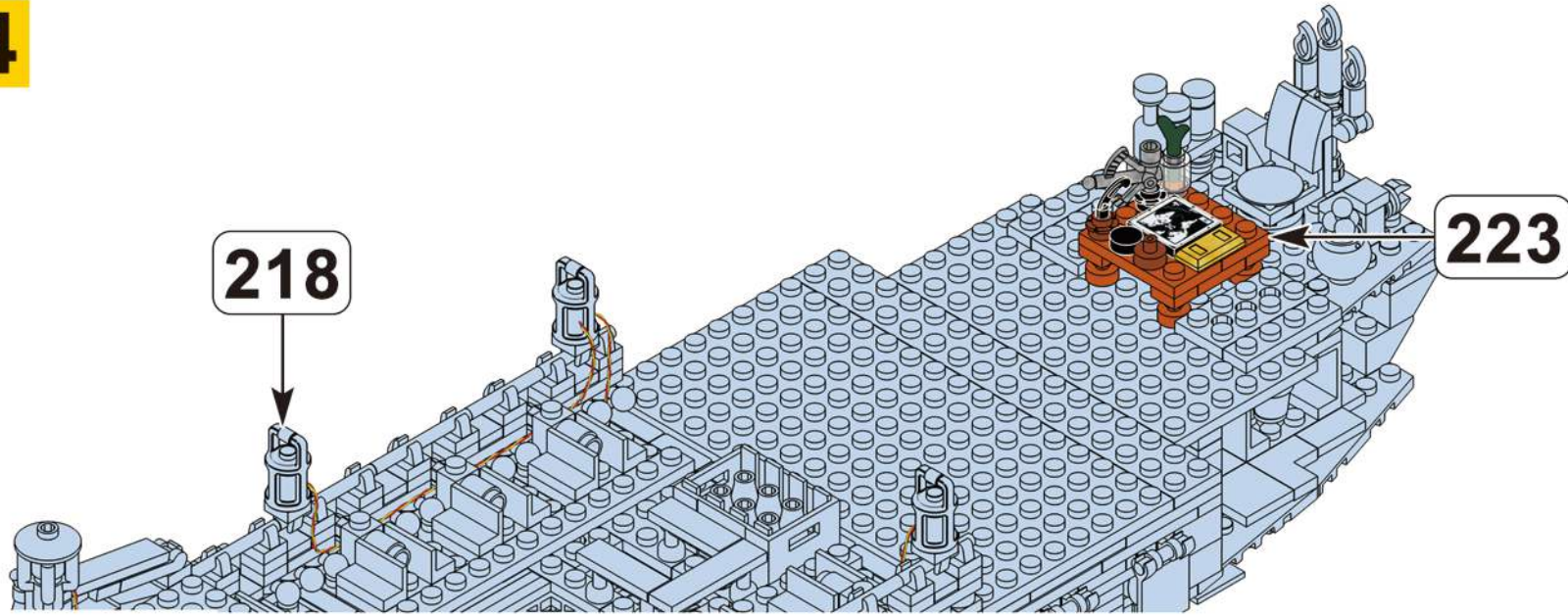
222



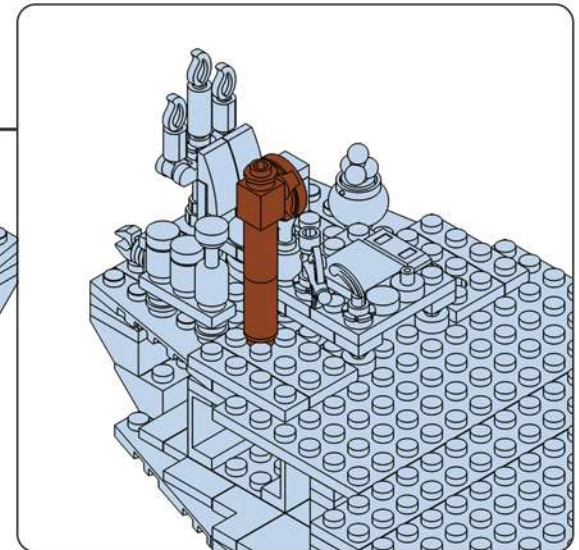
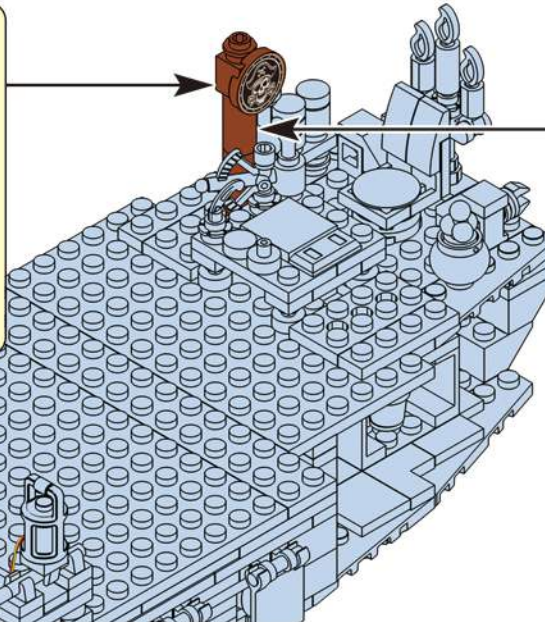
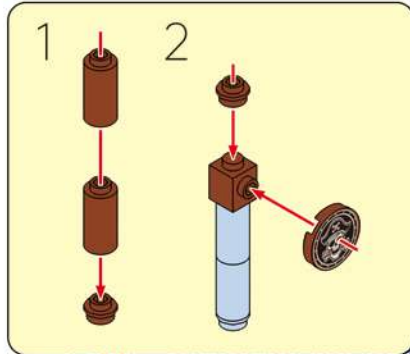
223



# 224



# 225



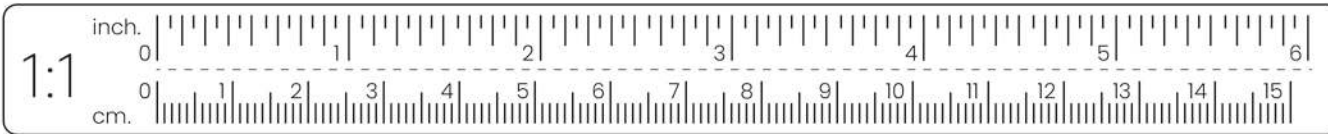
**JOY MAKES BRILLIANCE**

16cm/6.3in

1x

1x 1x

**226**



1x

**227**

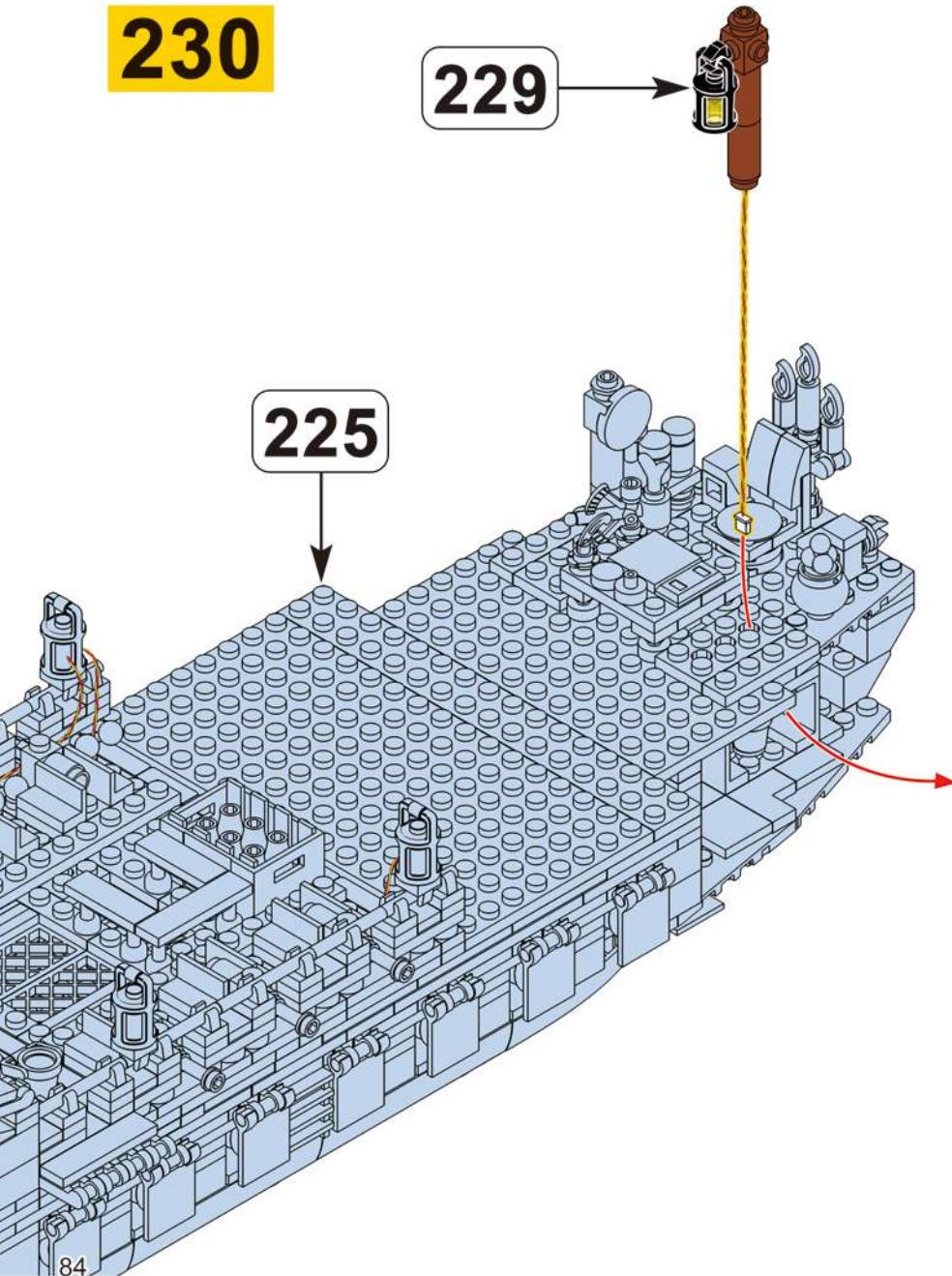
1x 1x

**228**

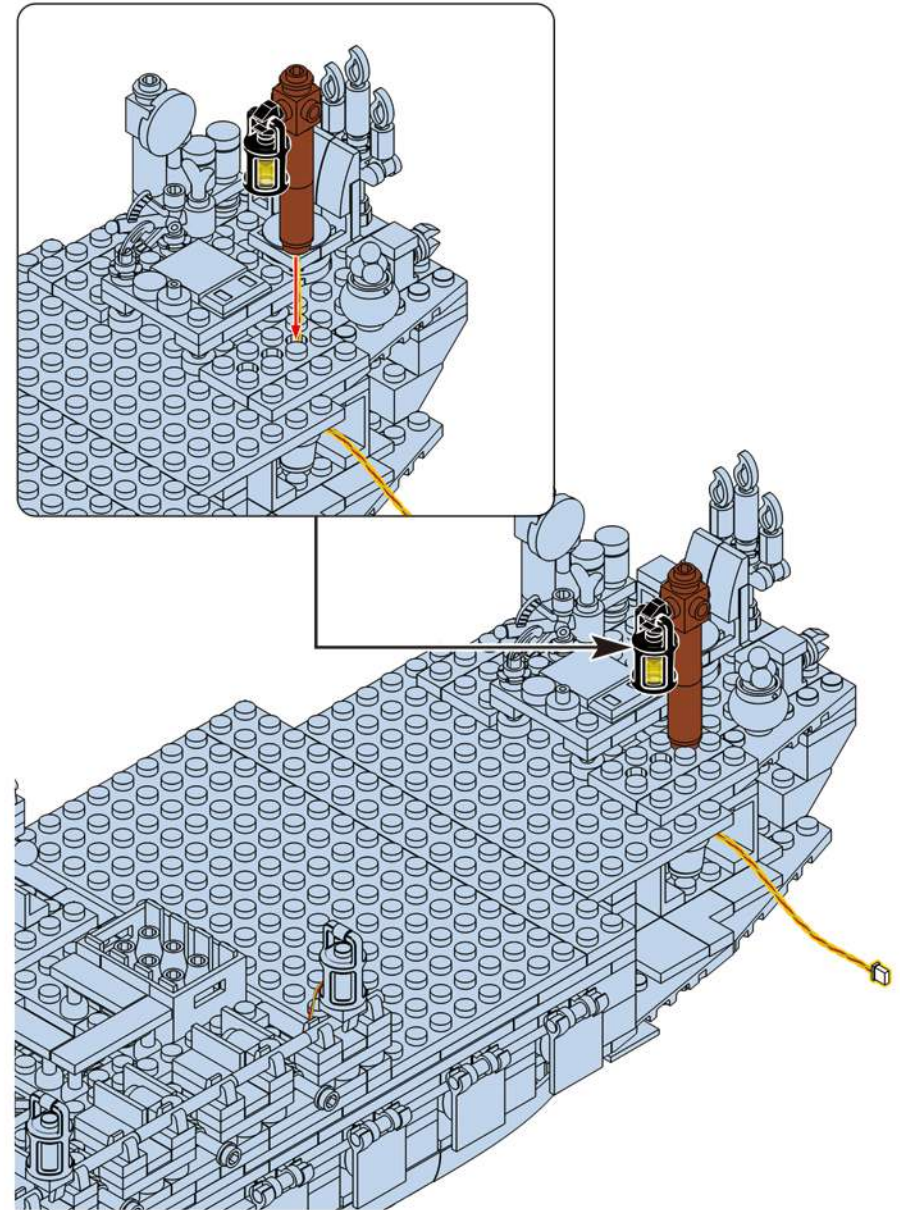
1x 1x

**229**

230



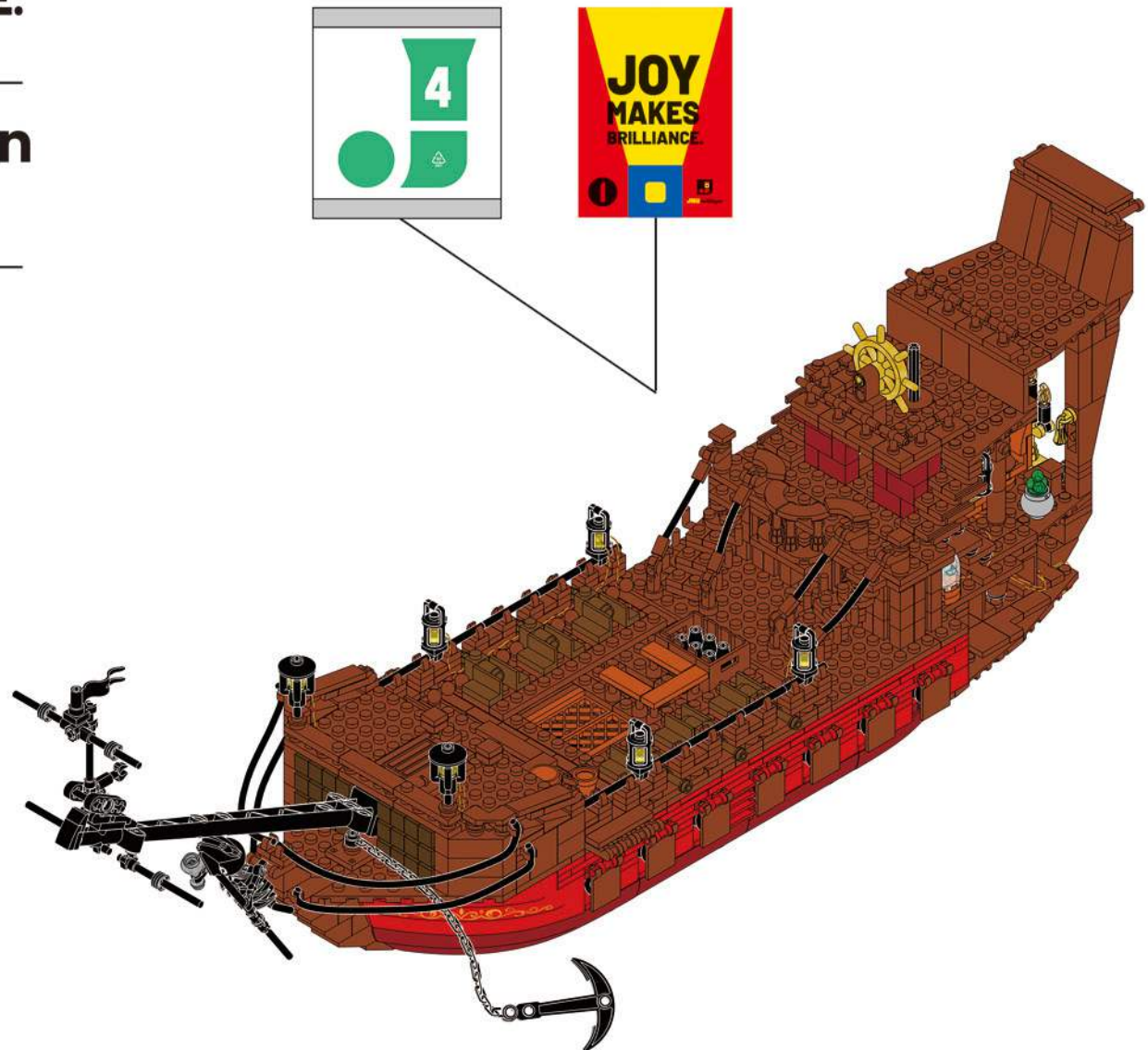
231



# JOY MAKES BRILLIANCE.

## Embrace Relaxation Embrace Joy

Every adultescent needs a "JOY BOX".  
Please, open your JOY BOX! Heading for joy.



**JOY MAKES BRILLIANCE.**

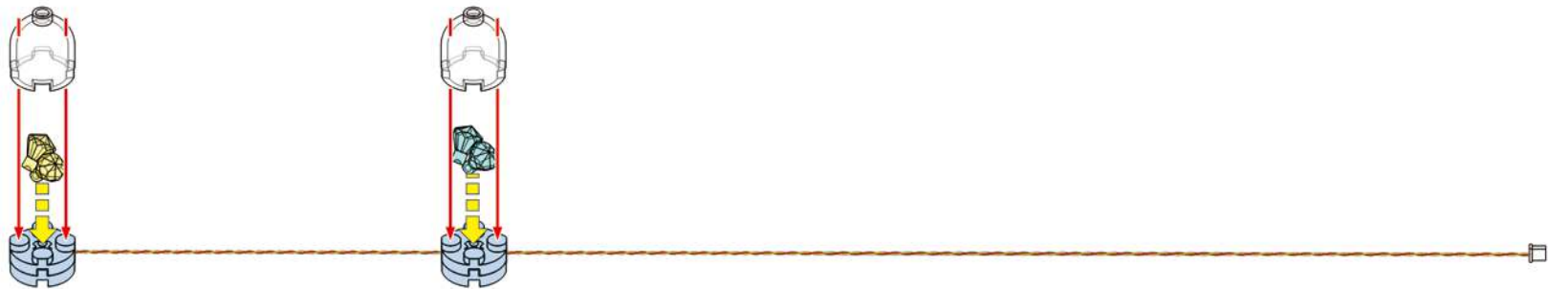
1x 2x

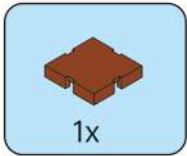
**232**



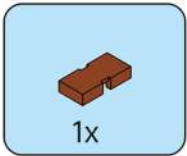
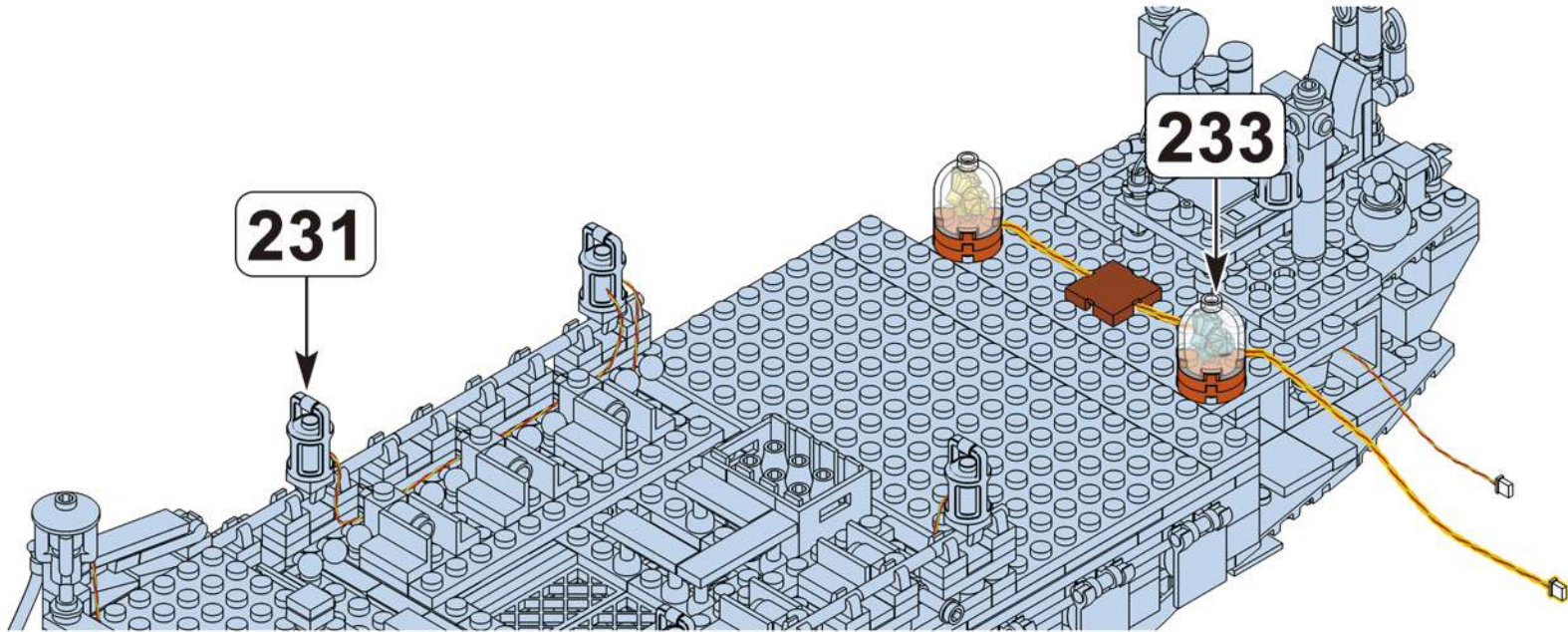
2x 2x 2x

**233**

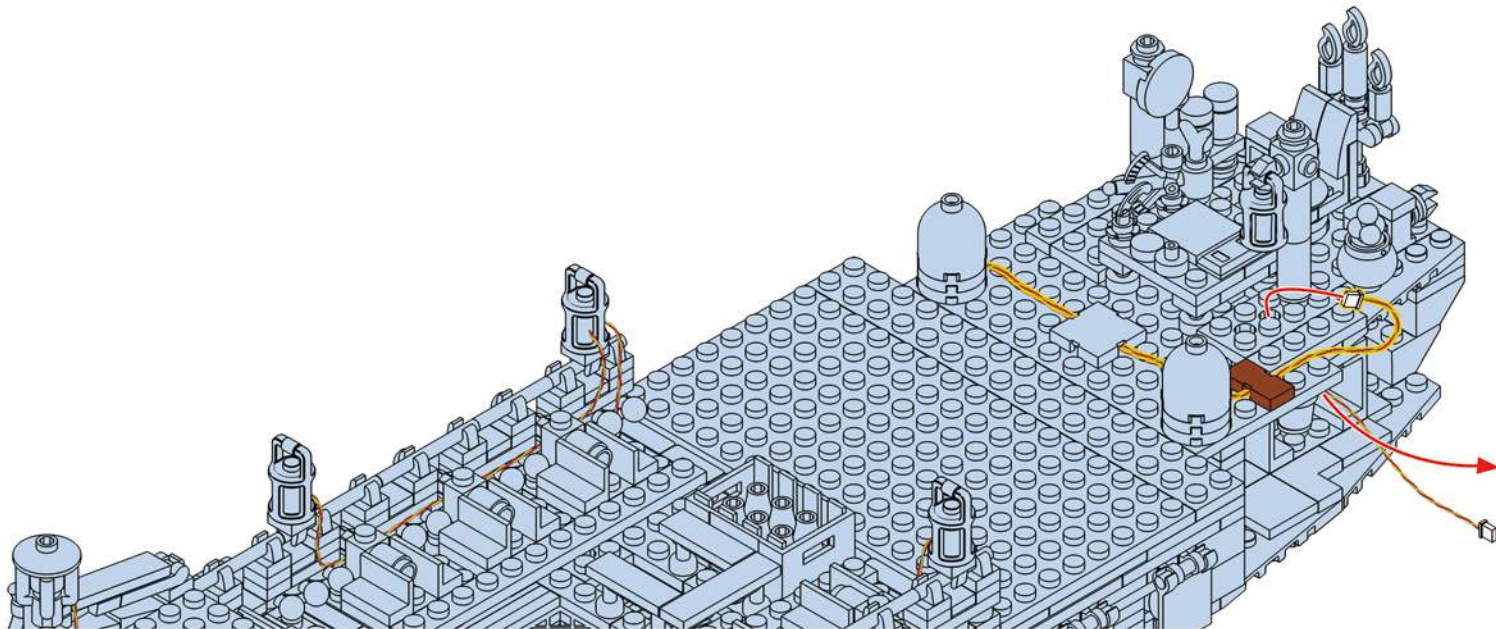


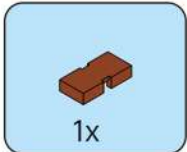


**234**

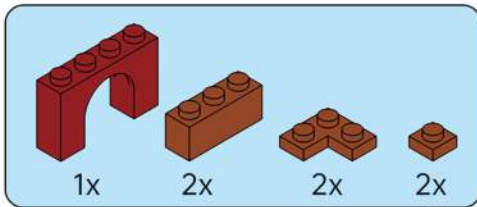
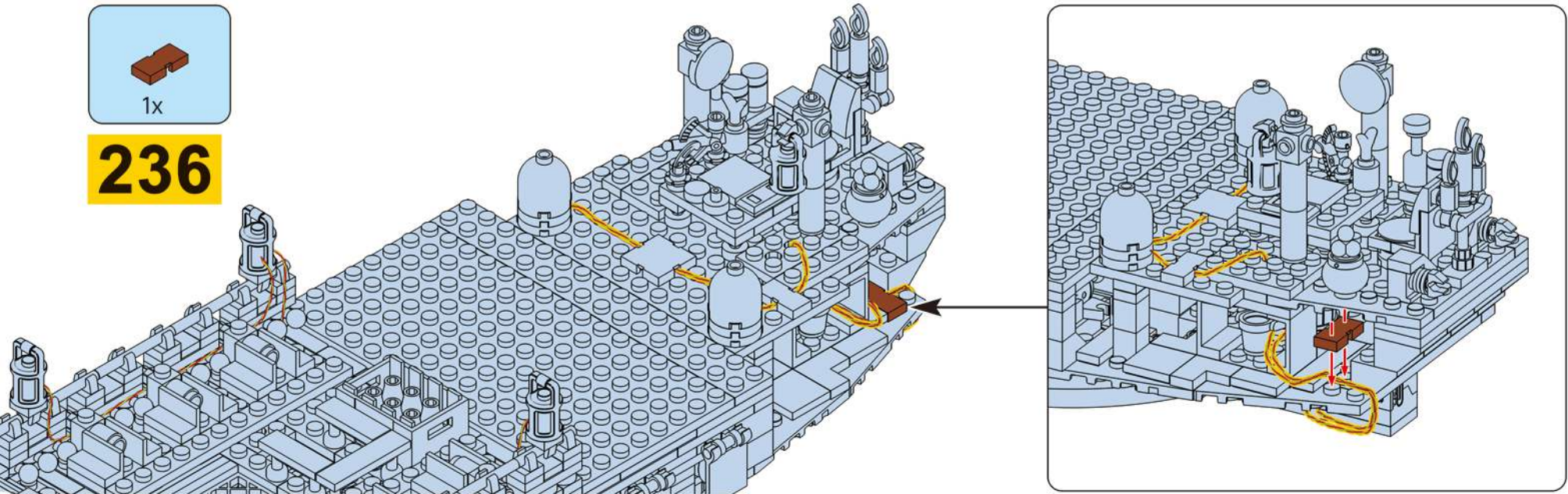


**235**

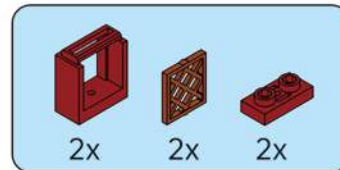
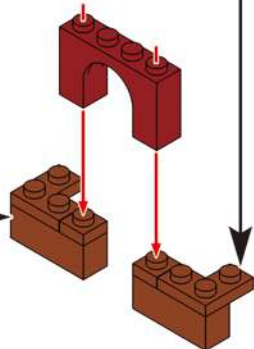
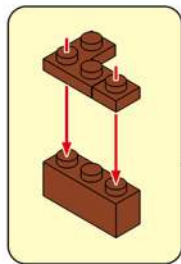
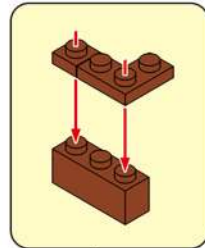




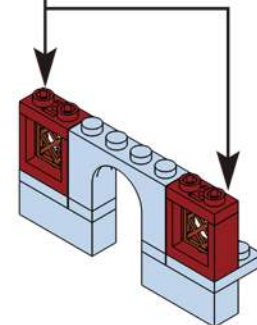
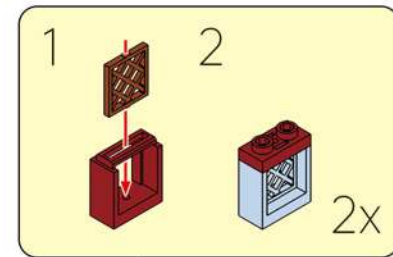
**236**



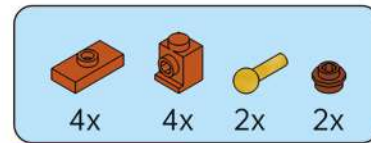
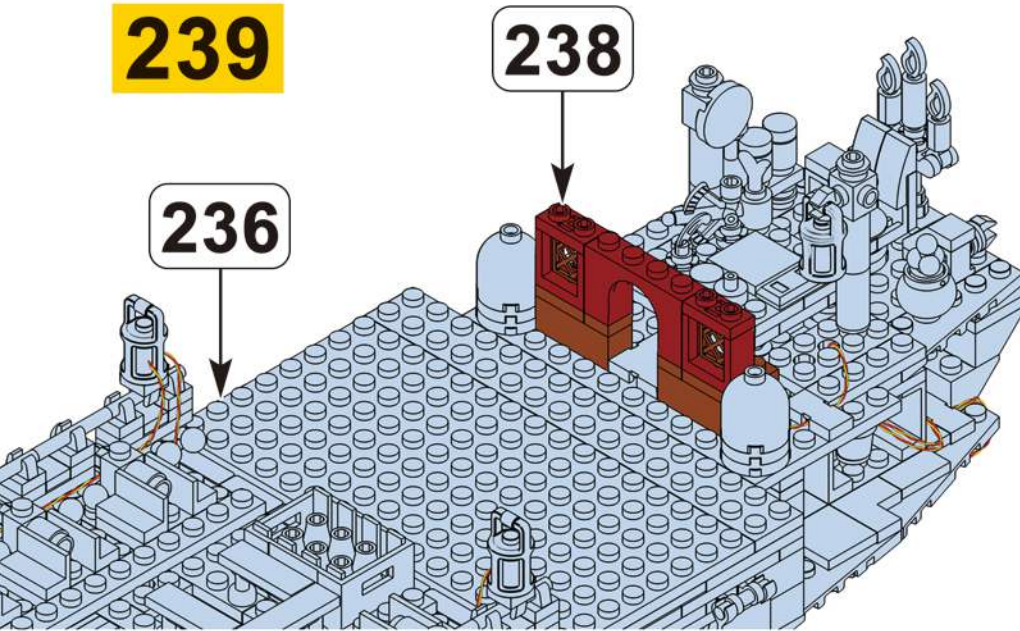
**237**



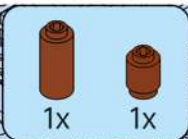
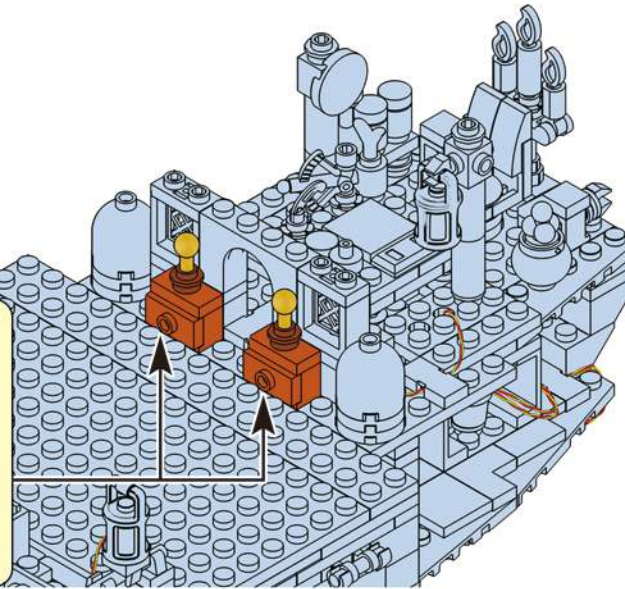
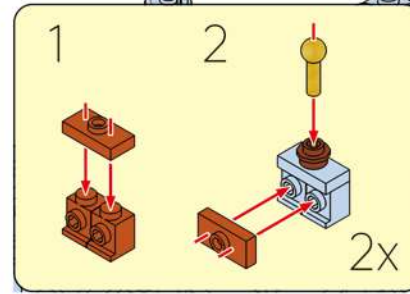
**238**



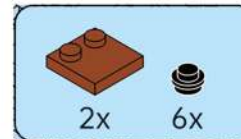
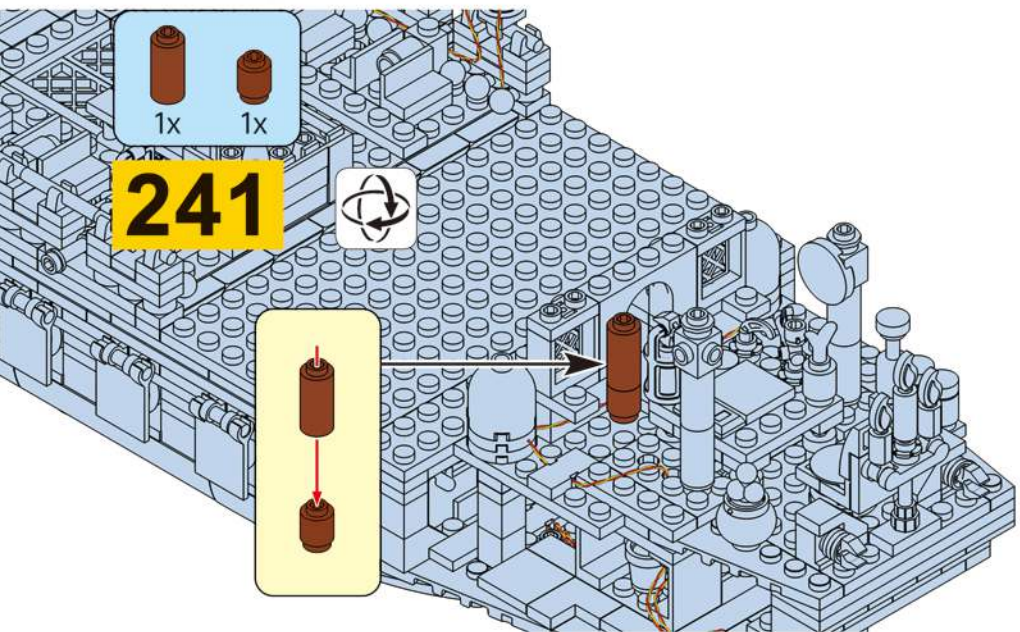
**239**



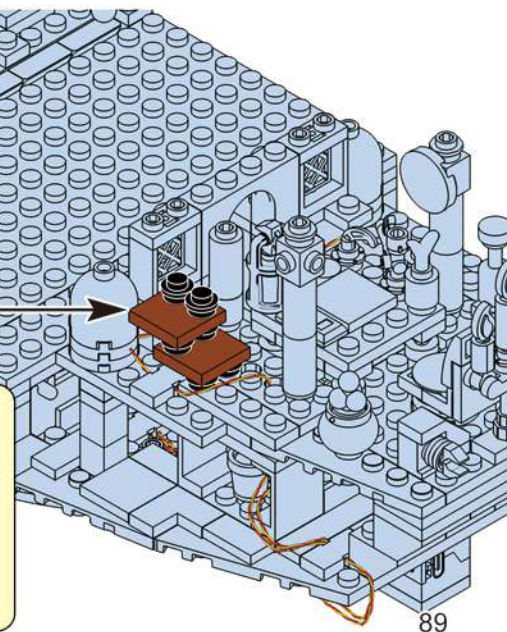
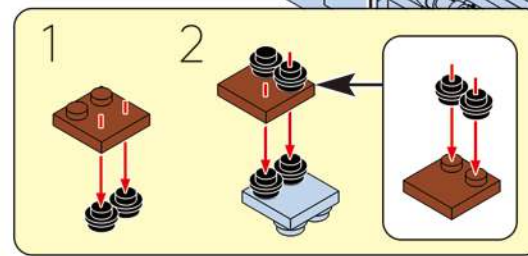
**240**

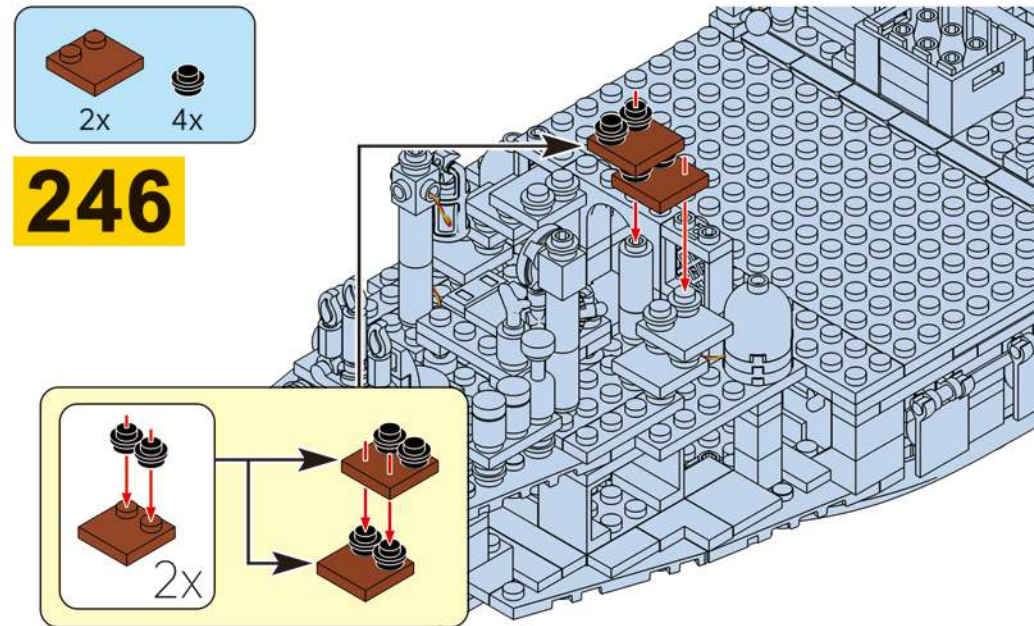
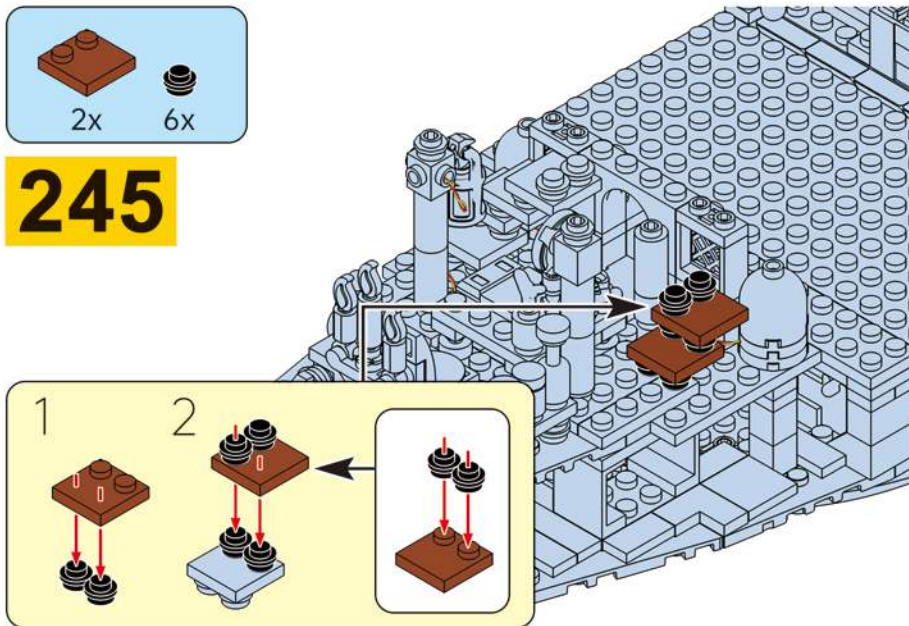
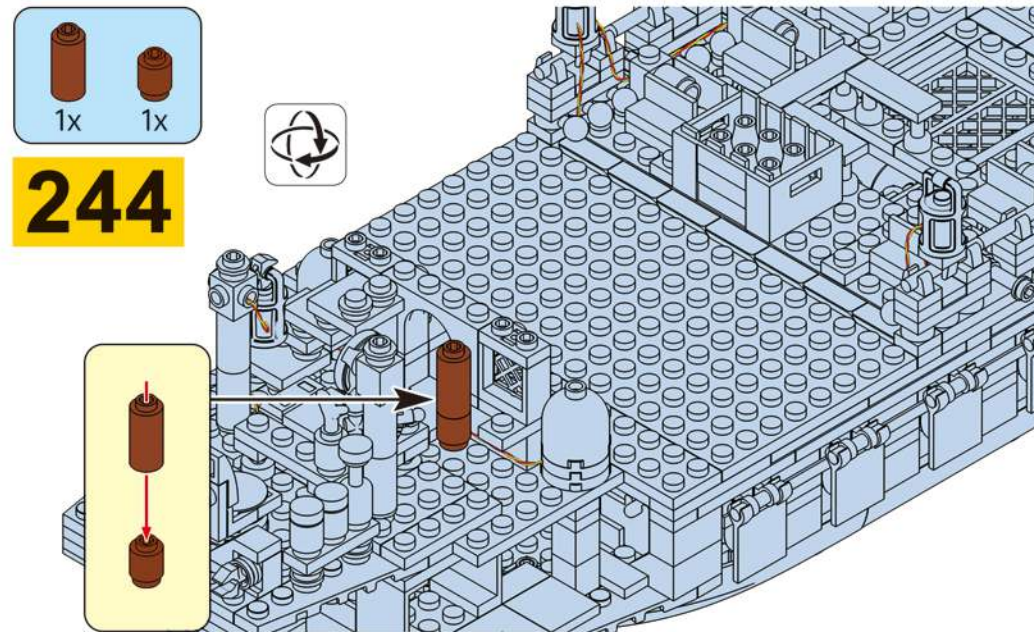
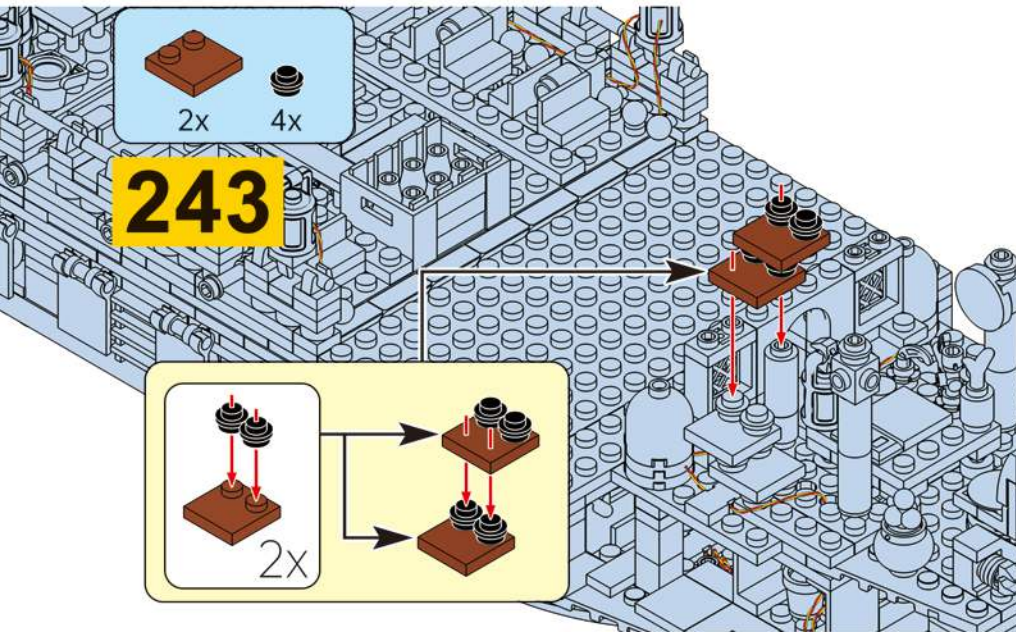


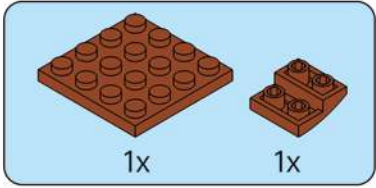
**241**



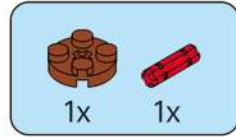
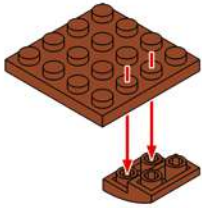
**242**



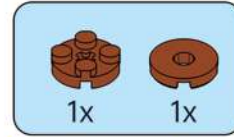
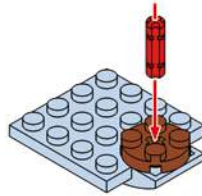




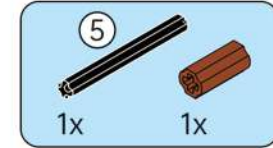
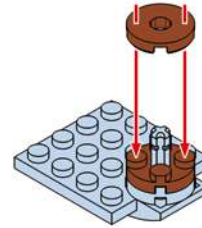
247



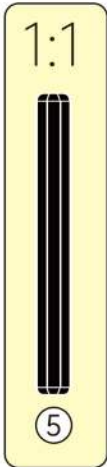
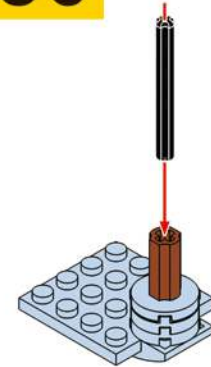
248



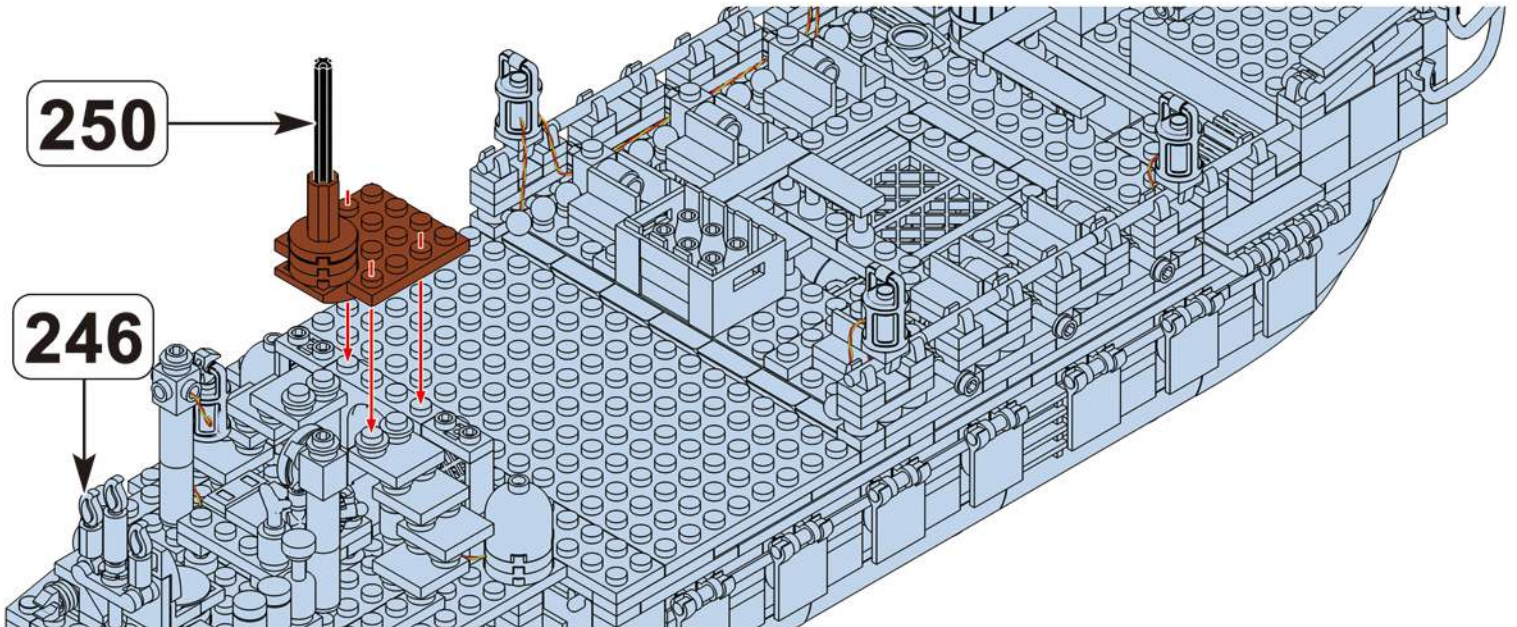
249

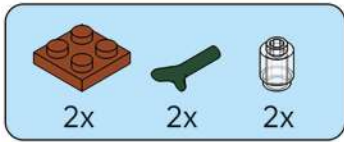


250

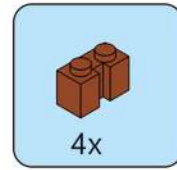
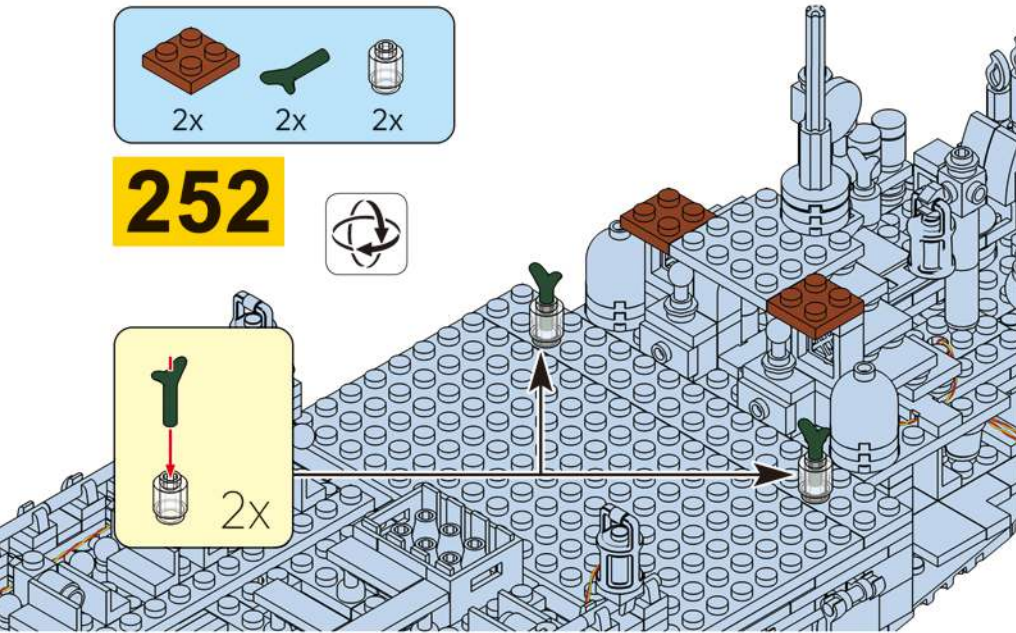
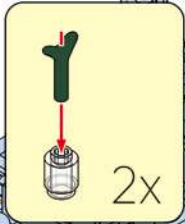


251

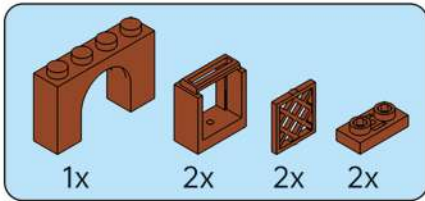
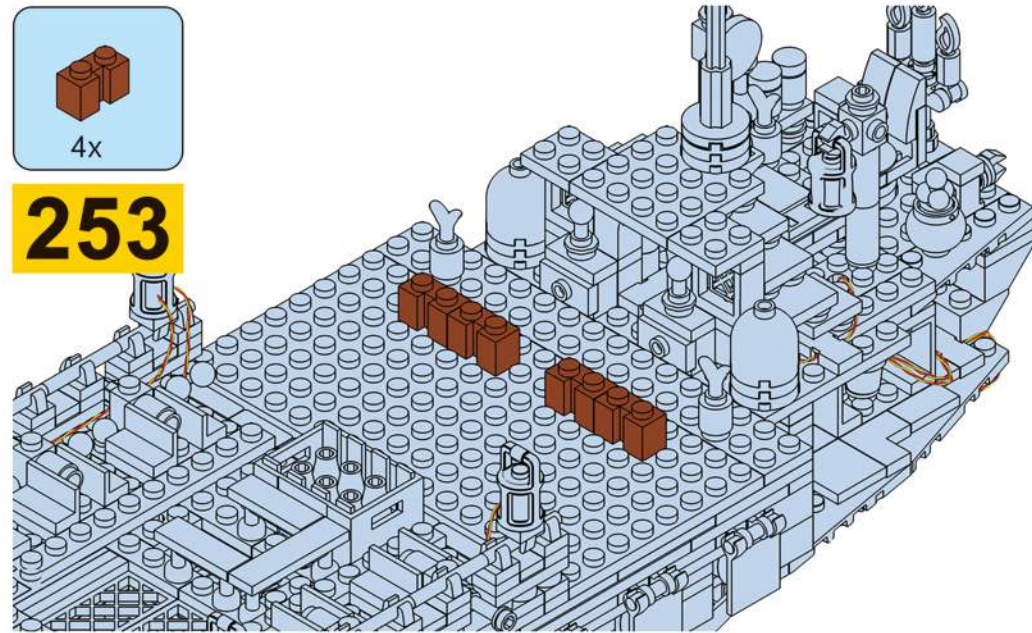




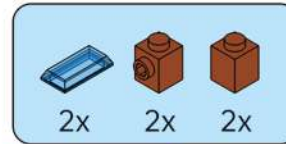
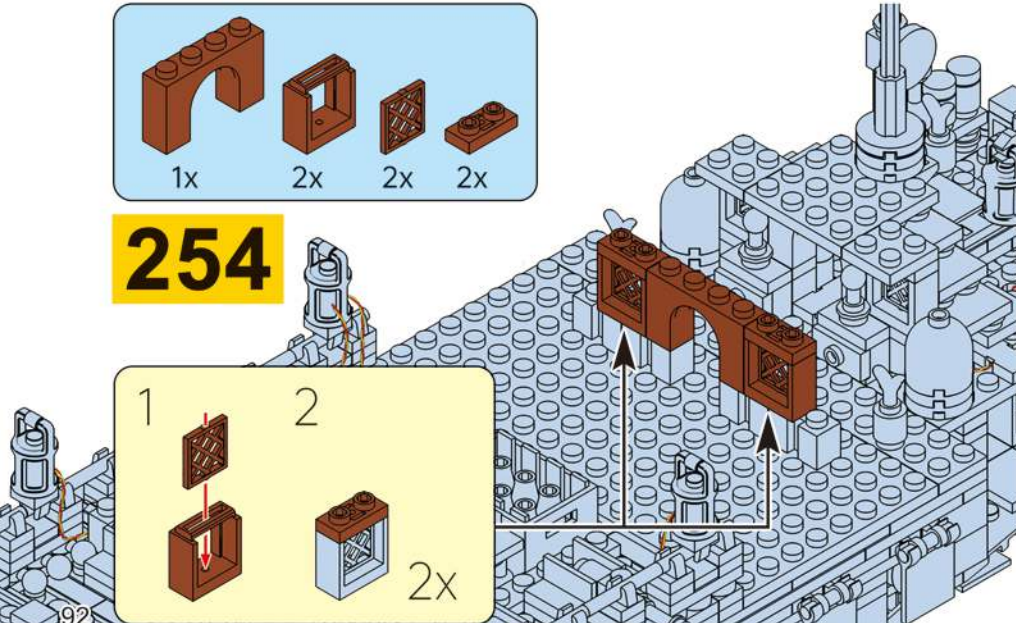
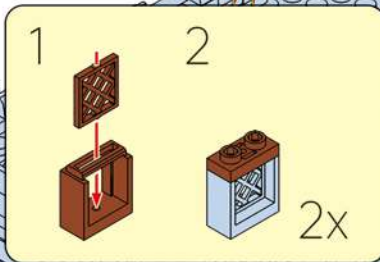
**252**



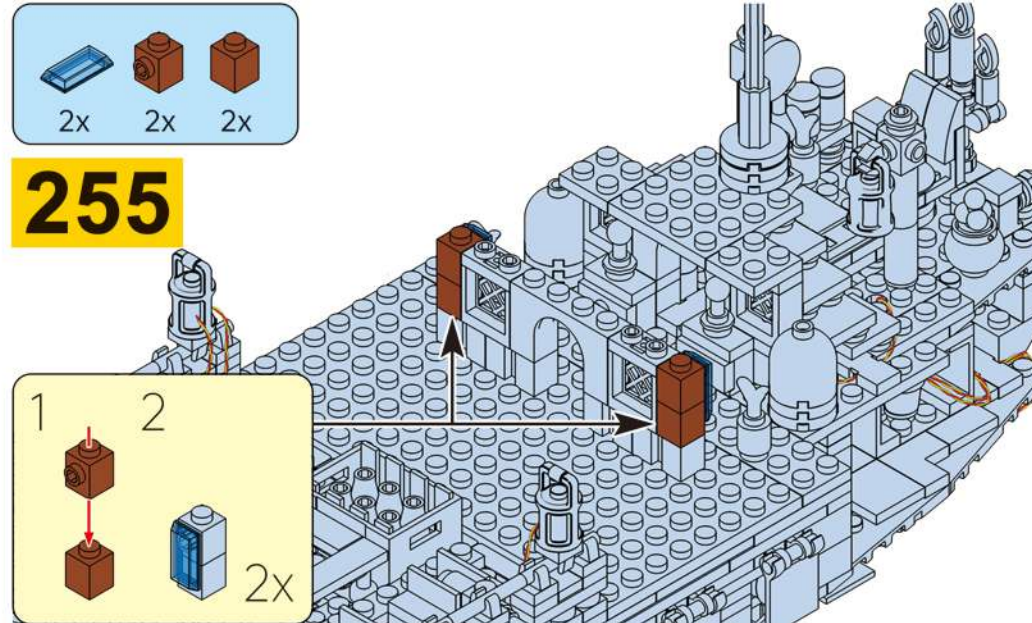
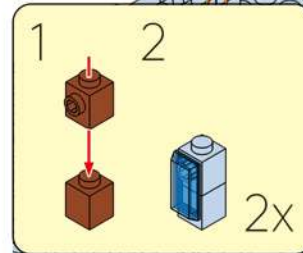
**253**

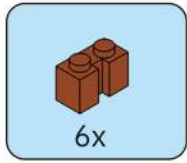


**254**

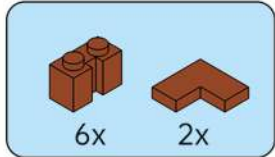
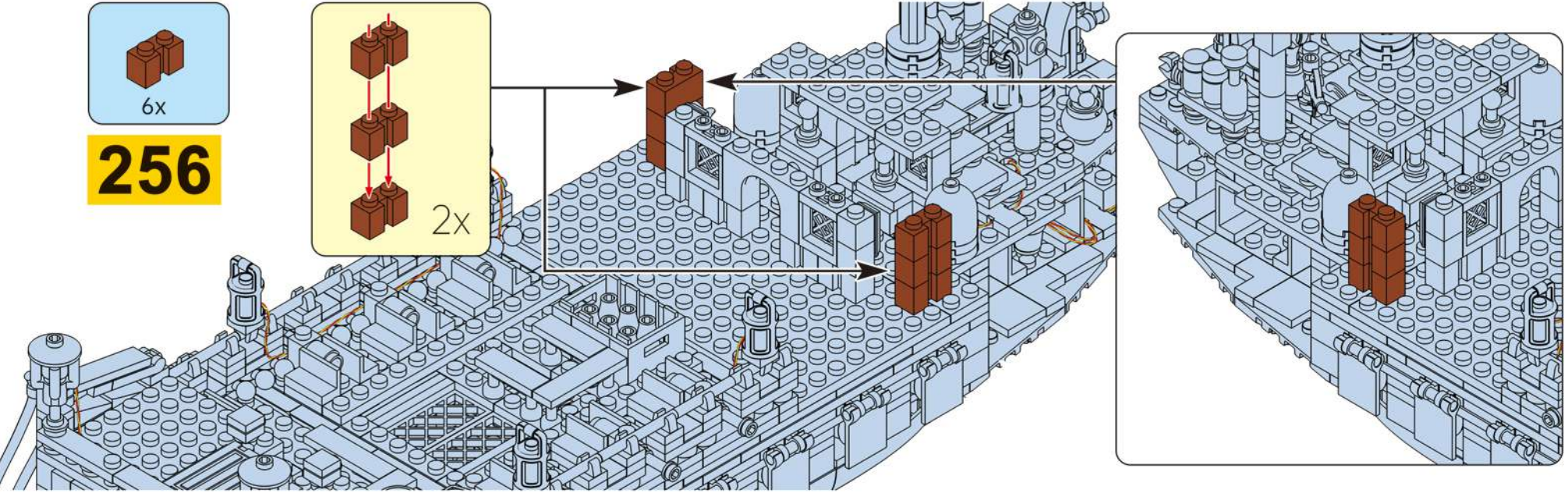
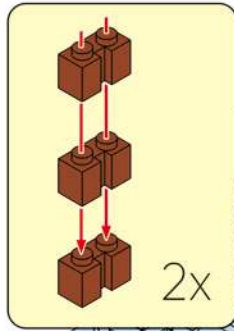


**255**

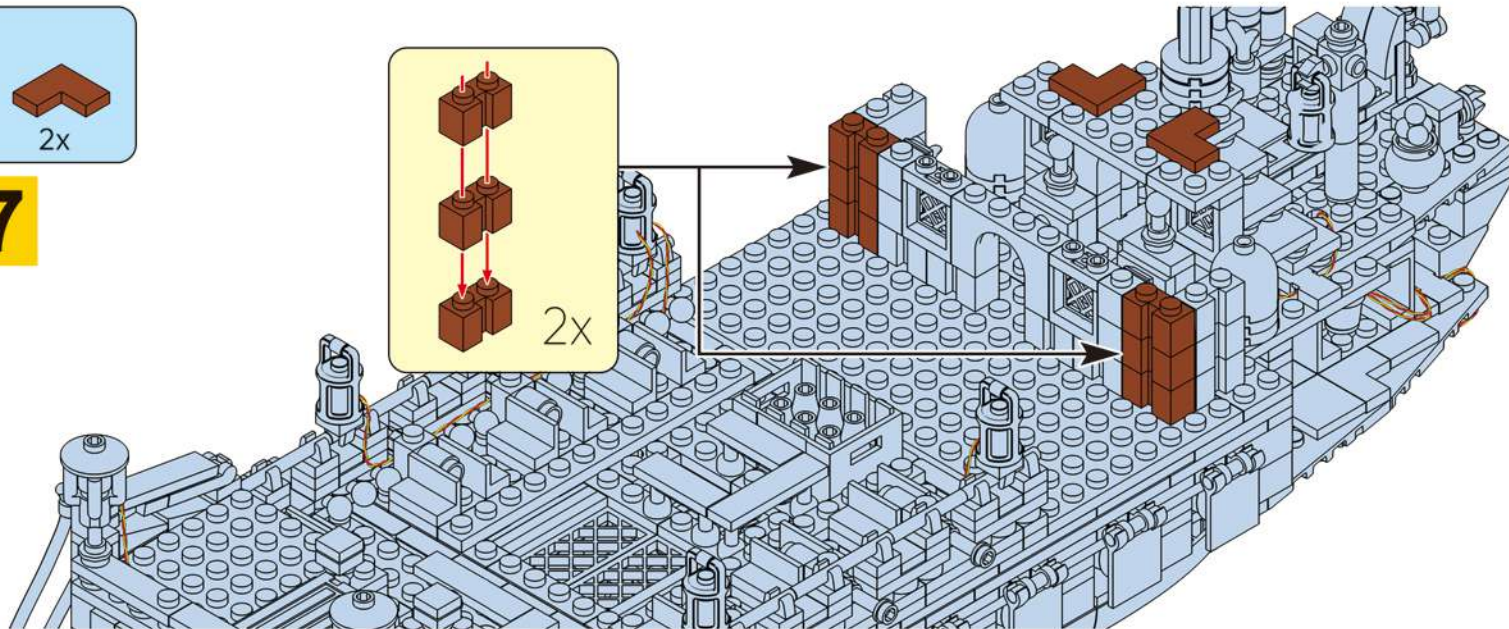
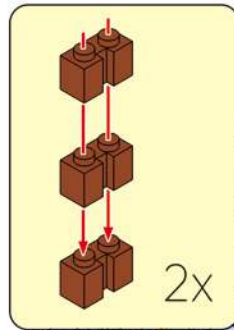


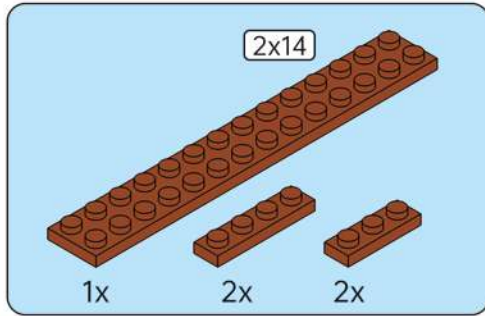


256

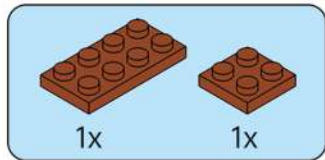
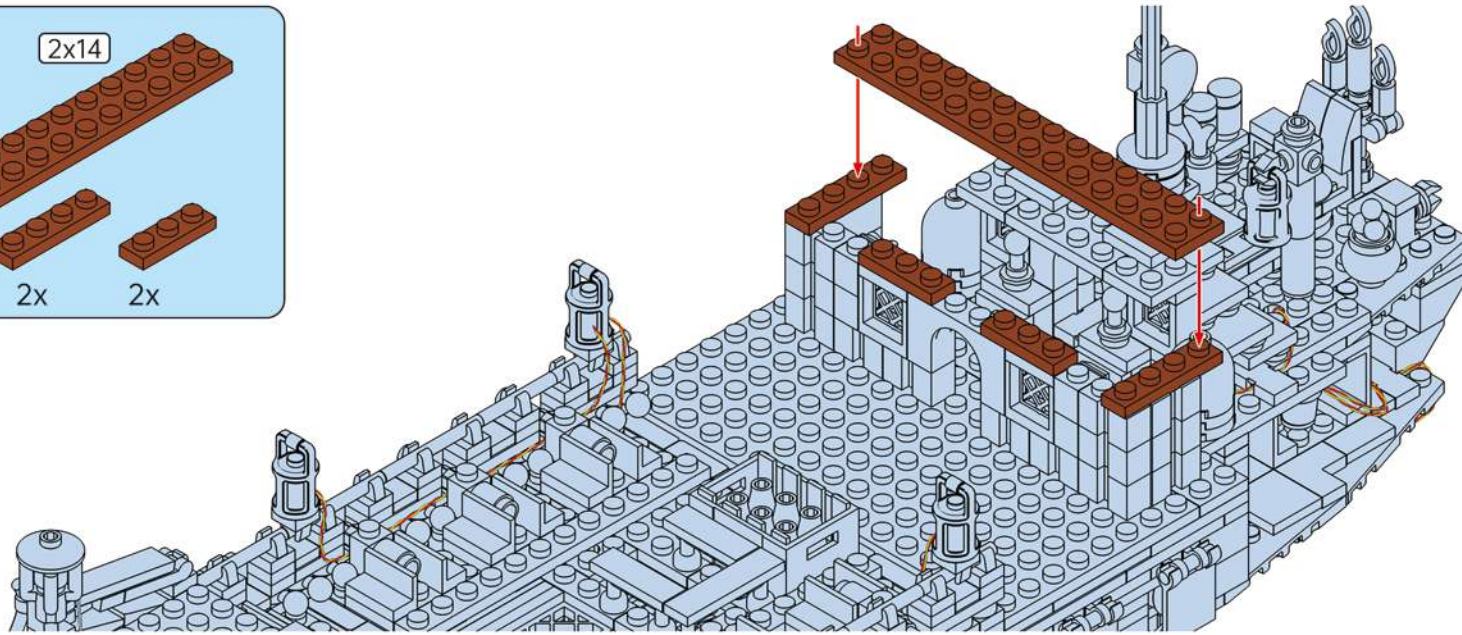


257

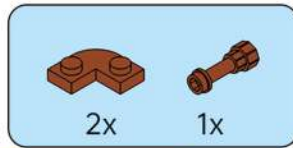
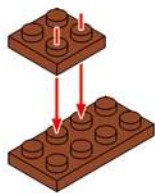




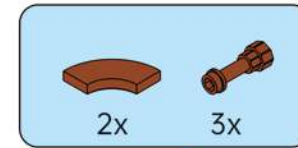
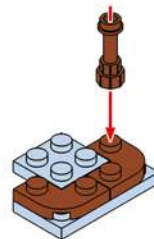
258



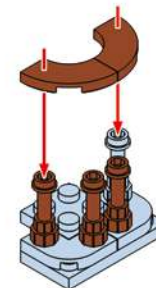
259



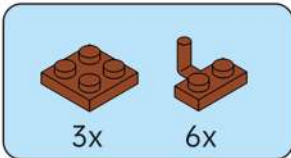
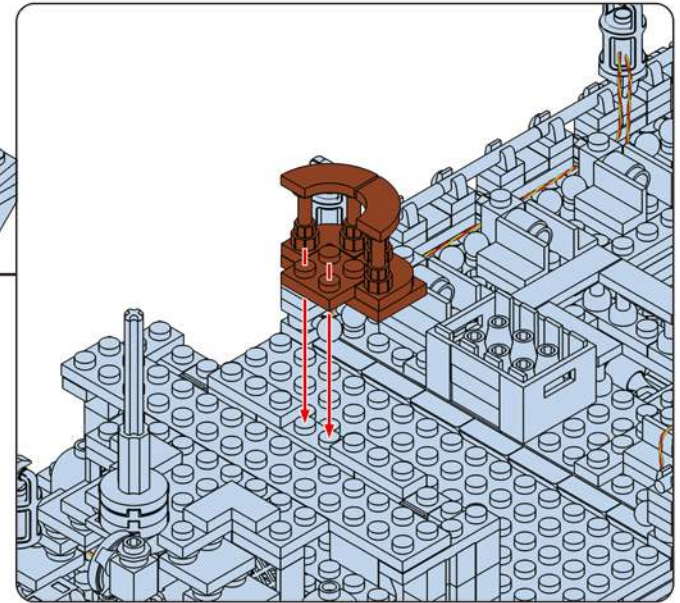
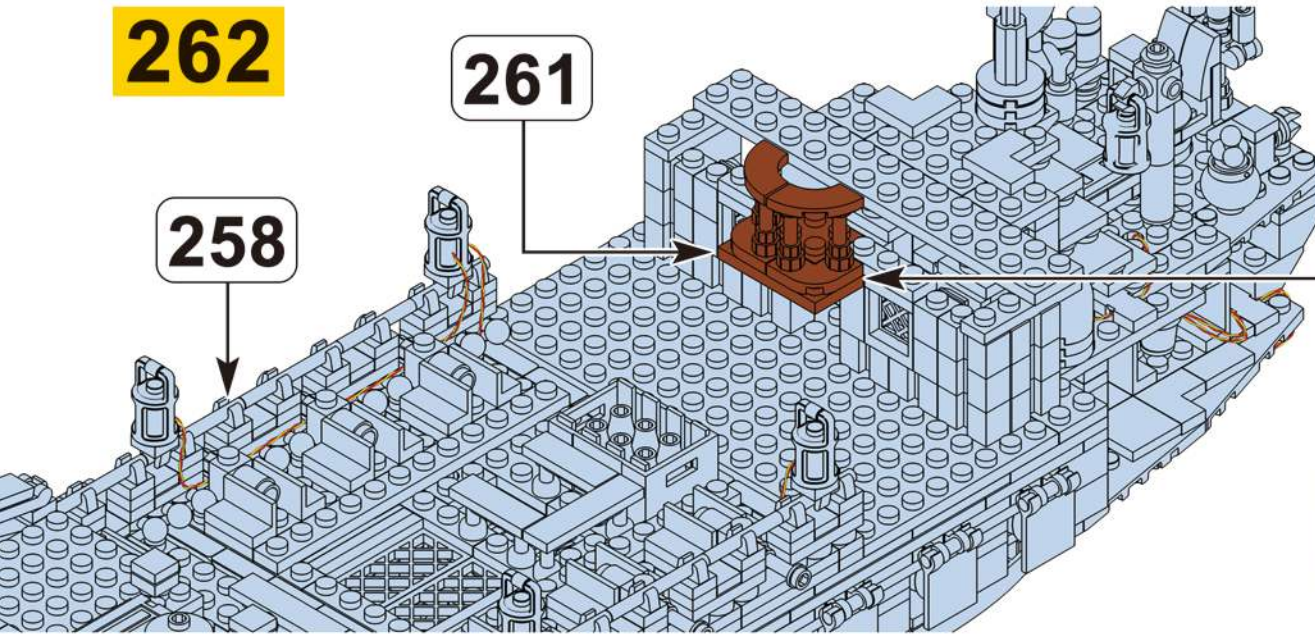
260



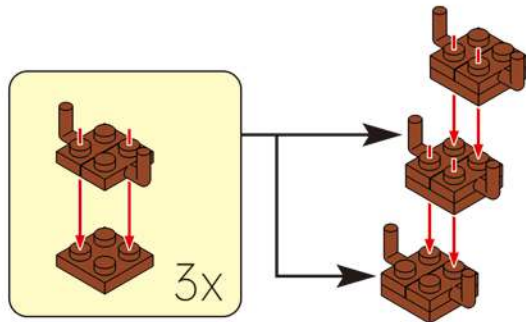
261



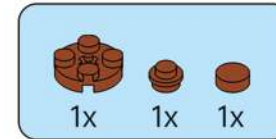
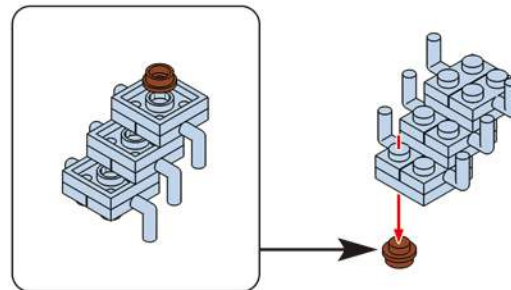
262



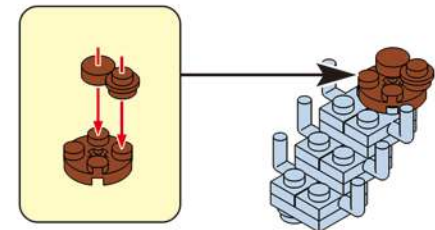
263

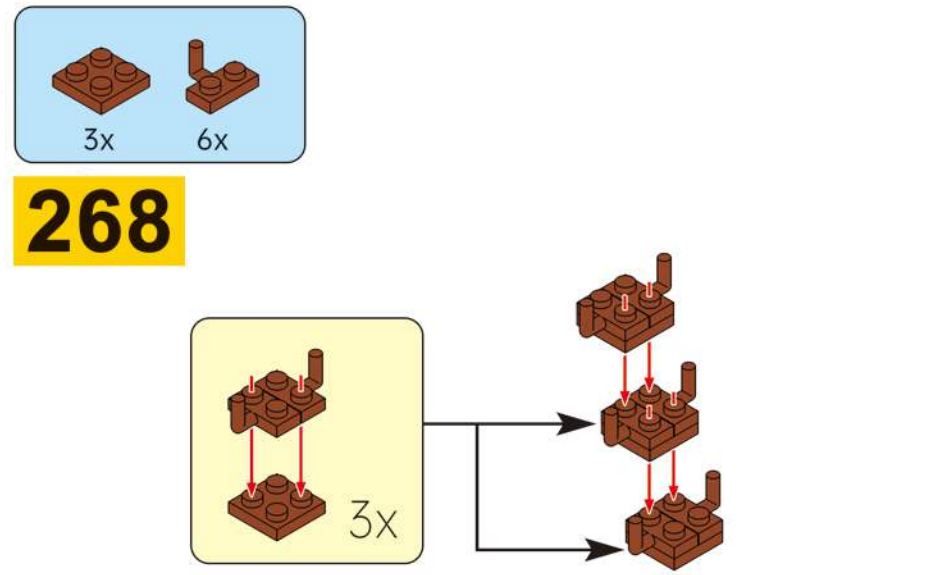
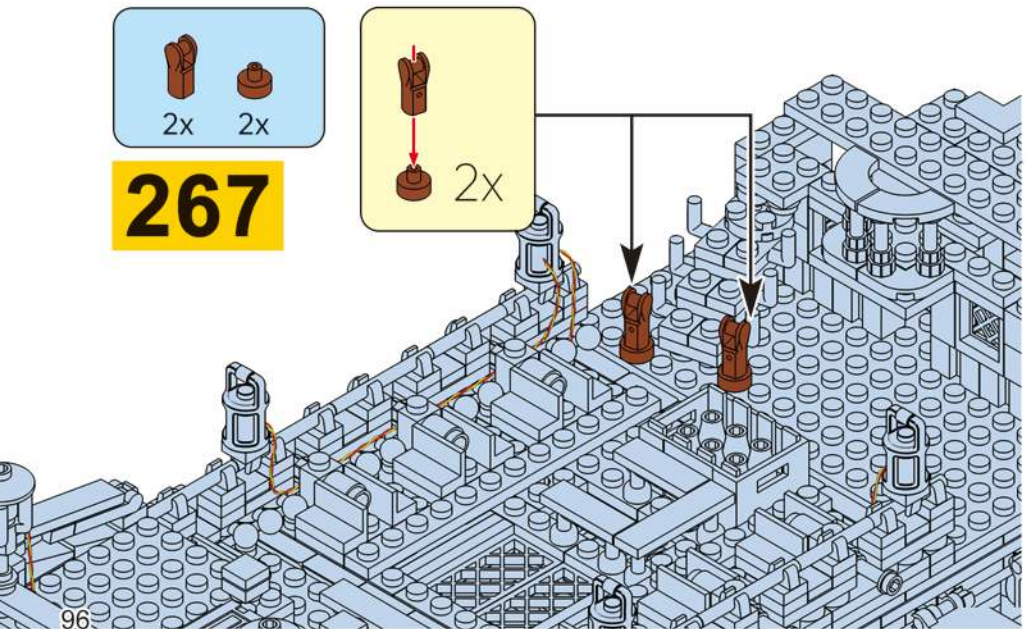
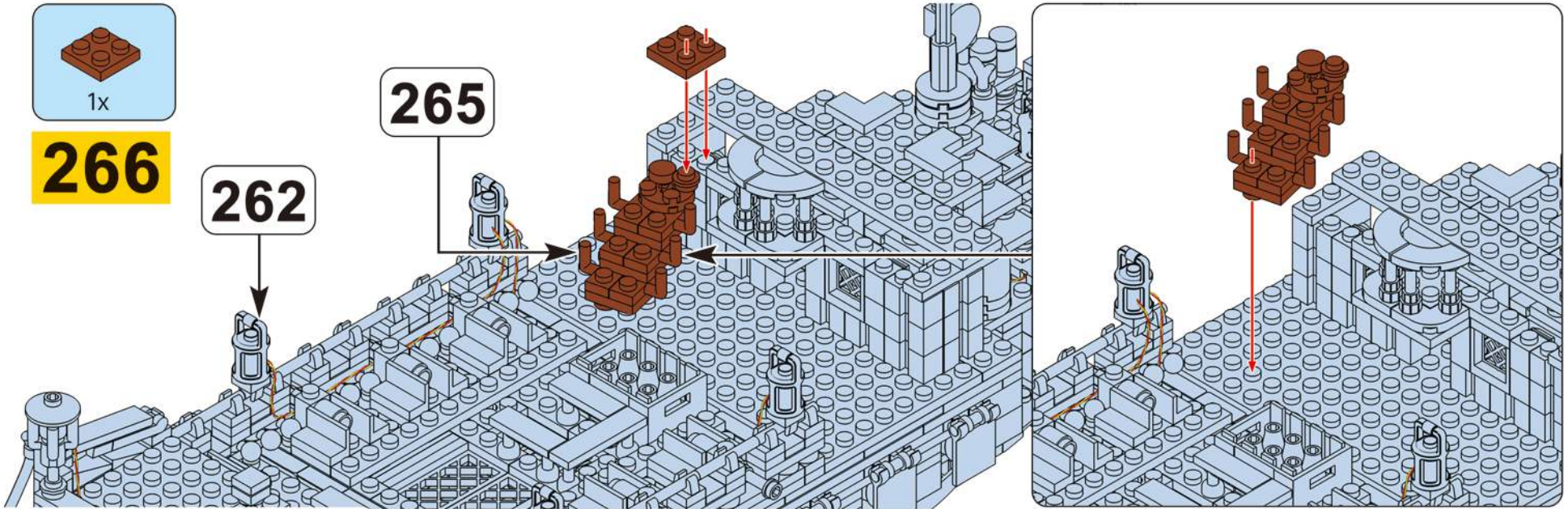


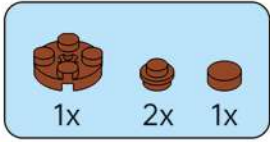
264



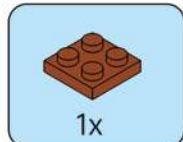
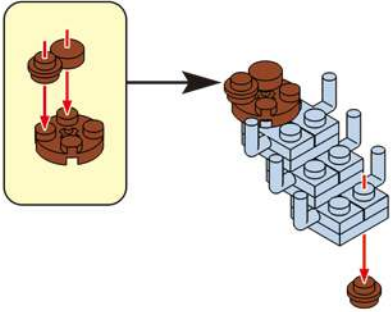
265



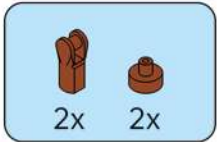
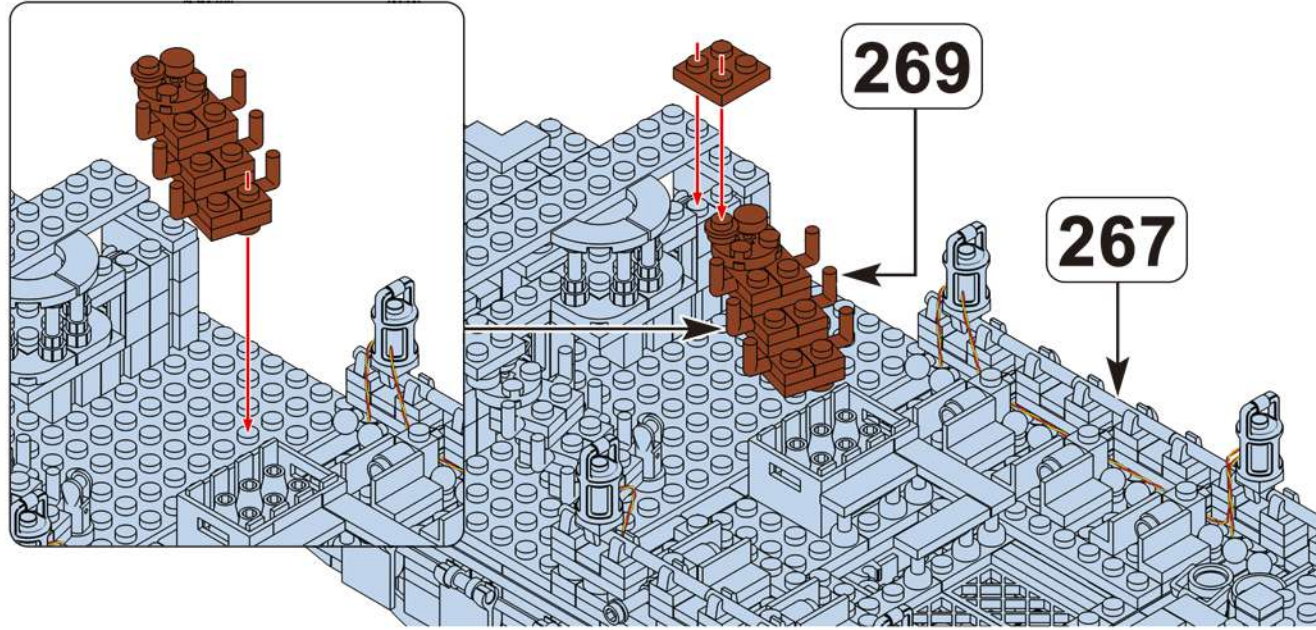




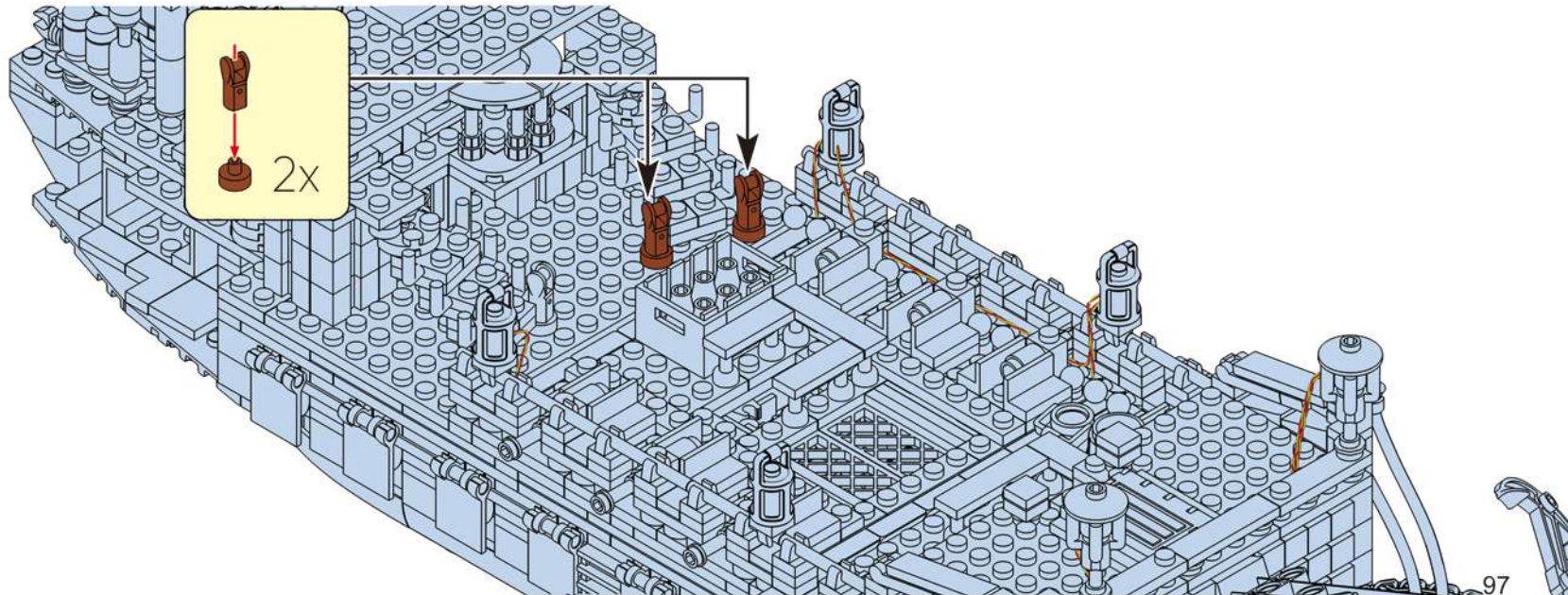
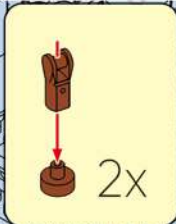
269

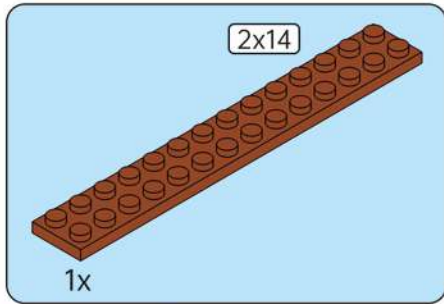


270

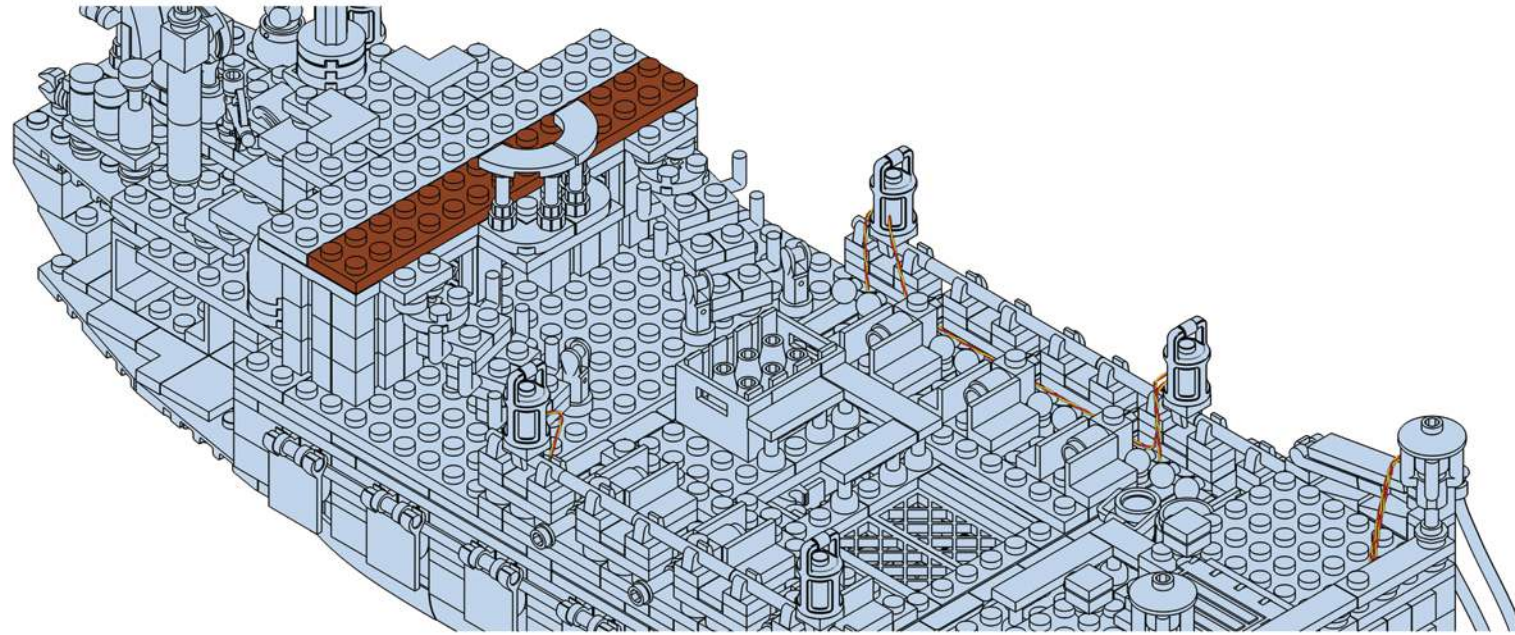


271

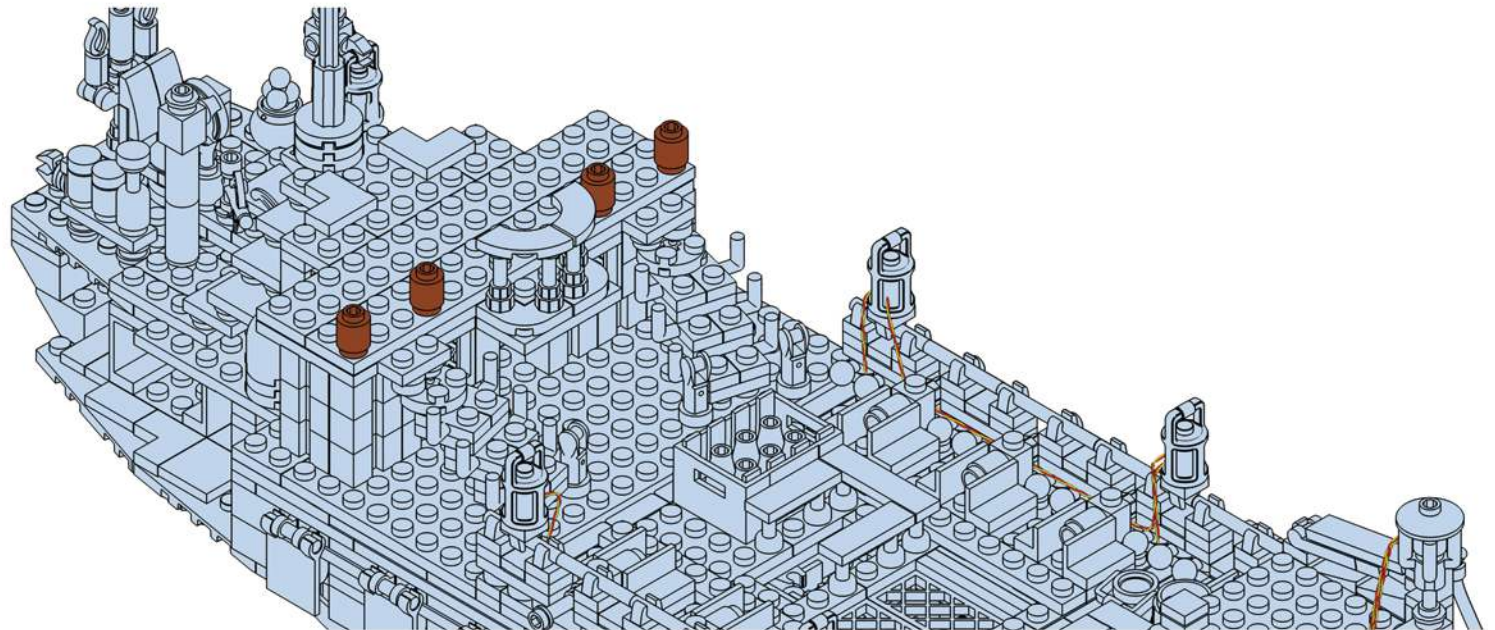




**272**

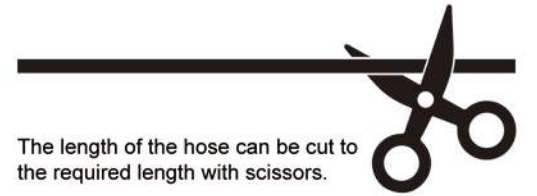


**273**



3.7cm/1.46in 3.2cm/1.26in

1x 1x 2x 4x 2x



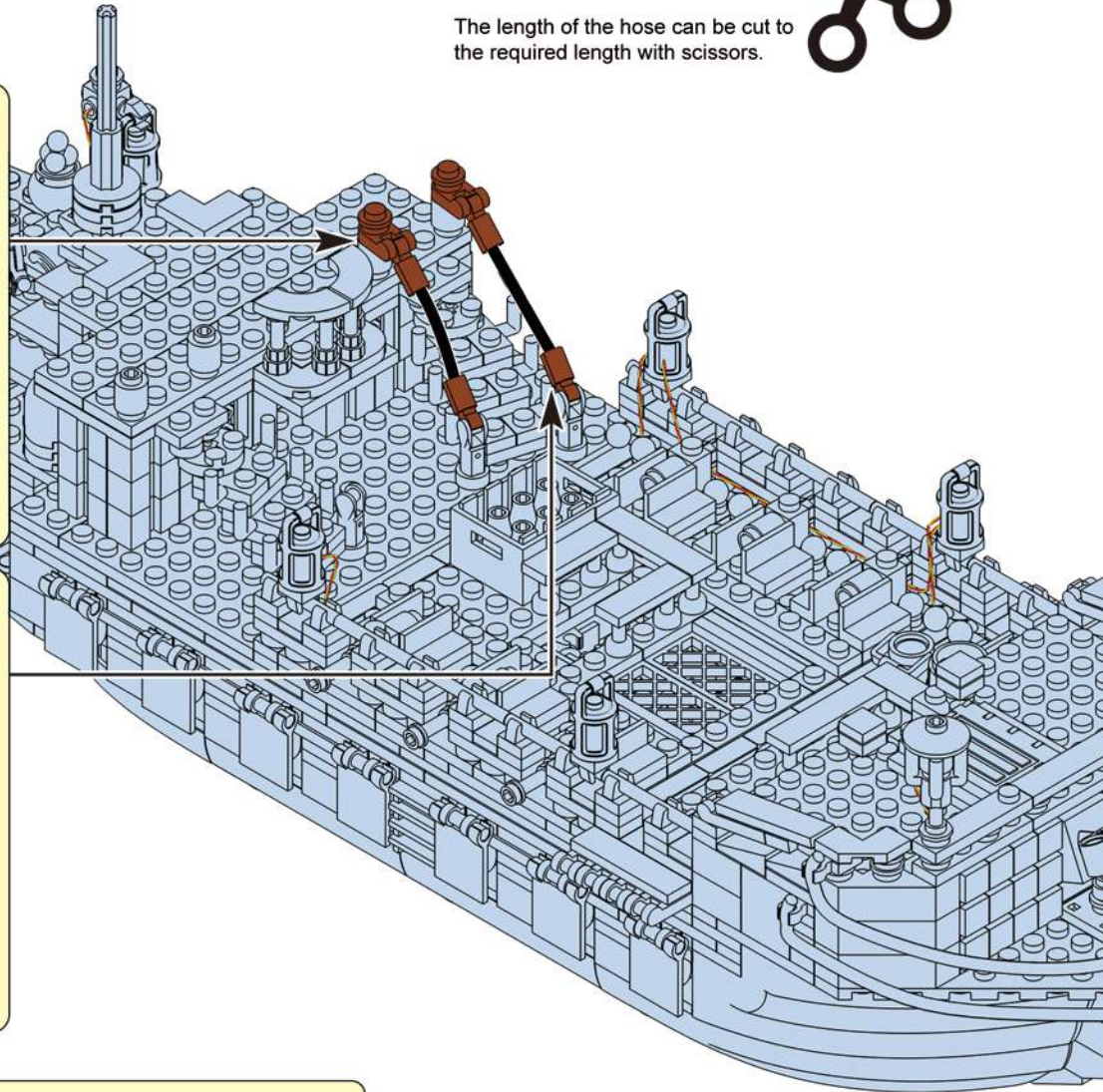
274

1 2

3.2cm/1.26in

1 2

3.7cm/1.46in



1:1

3.2cm/1.26in 3.7cm/1.46in

3.7cm/1.46in 3.2cm/1.26in

1x 1x 2x 4x 2x

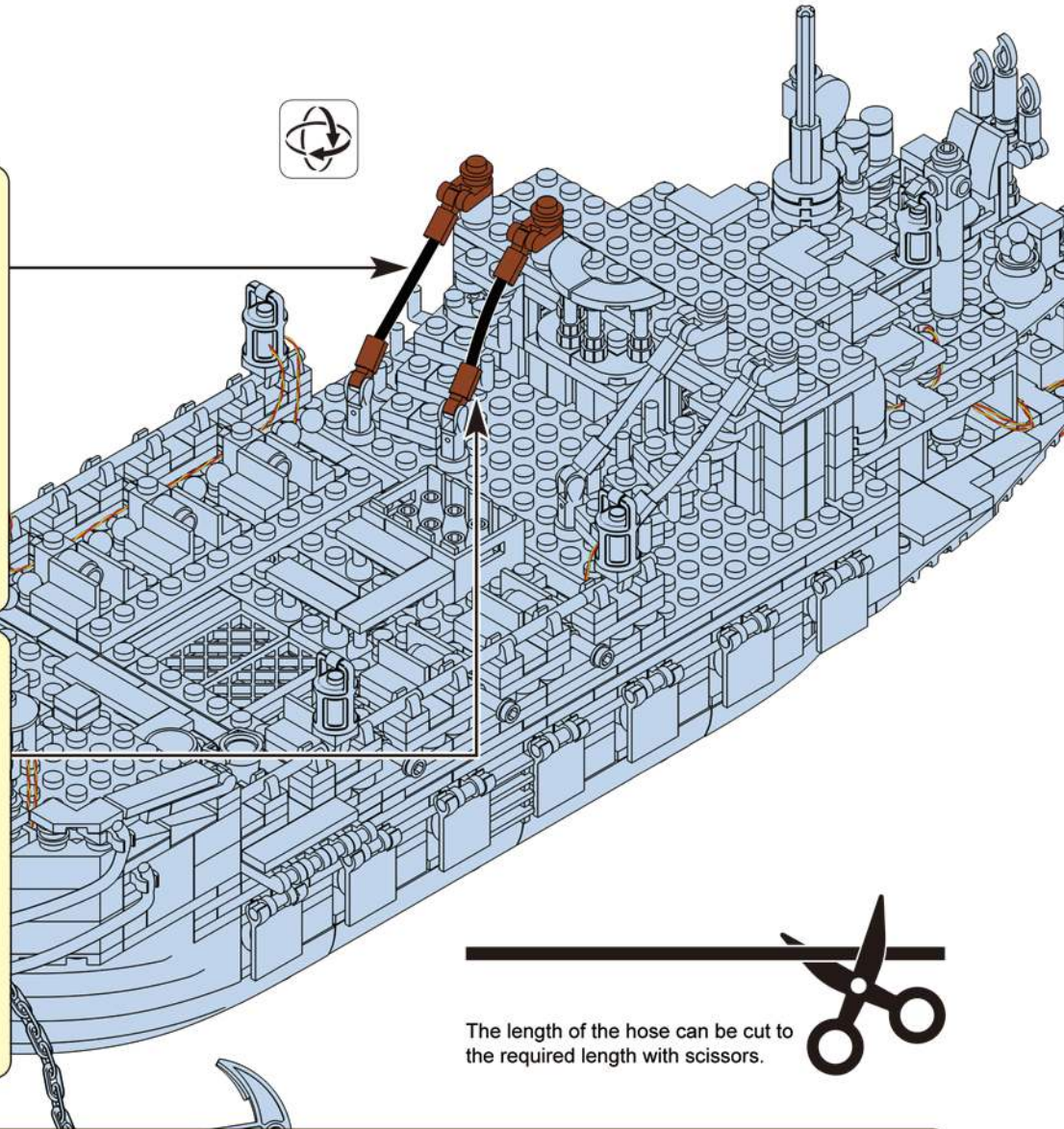
275

1 2

3.7cm/1.46in

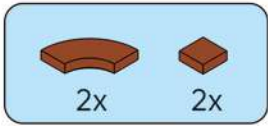
1 2

3.2cm/1.26in

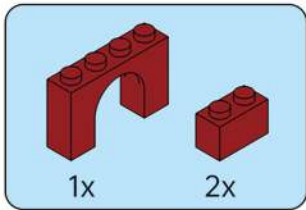
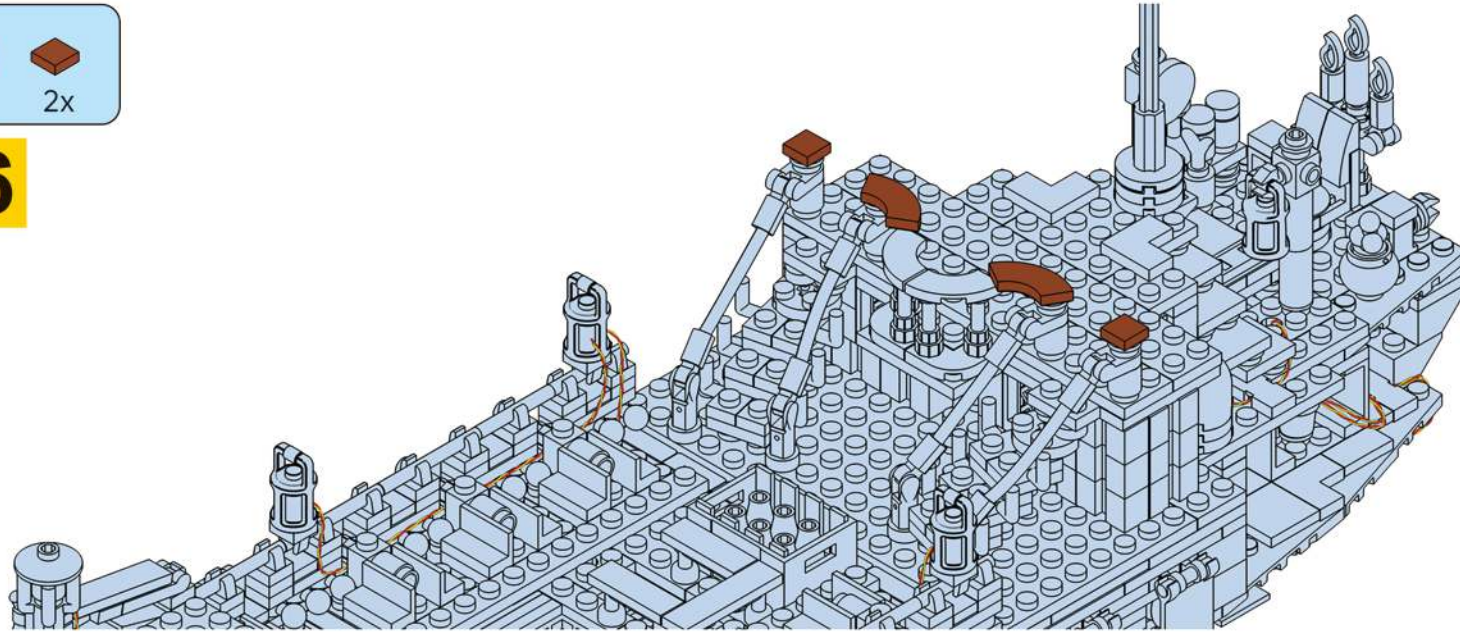


The length of the hose can be cut to the required length with scissors.

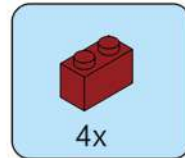
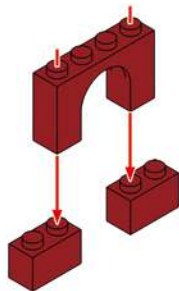
1:1 3.2cm/1.26in 3.7cm/1.46in



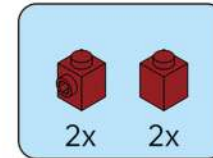
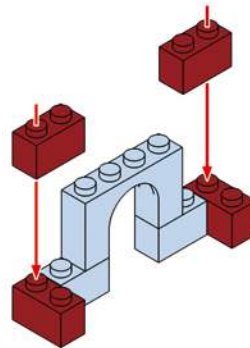
**276**



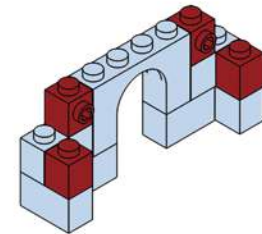
**277**

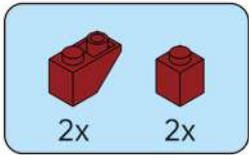


**278**

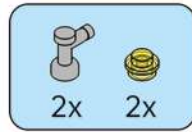
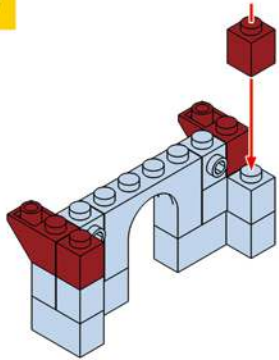


**279**

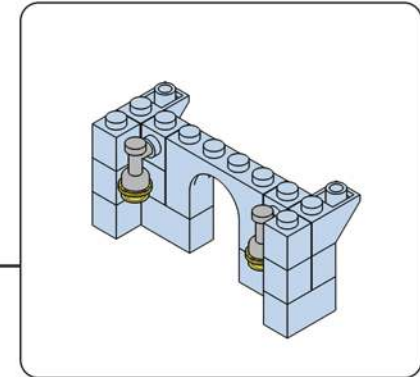
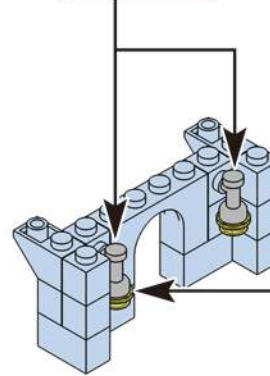
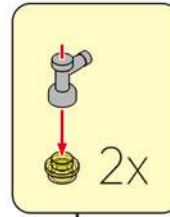




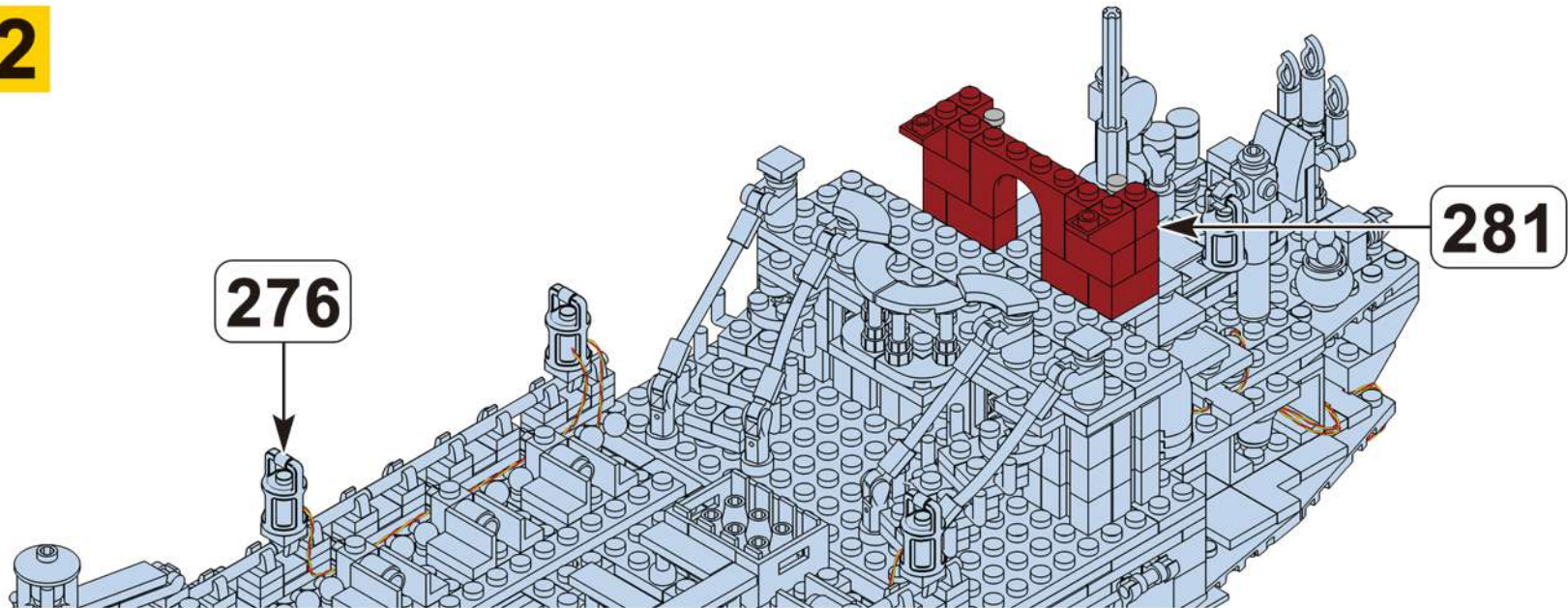
**280**

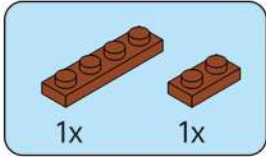


**281**

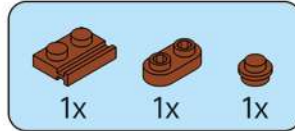
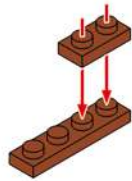


**282**

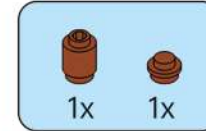
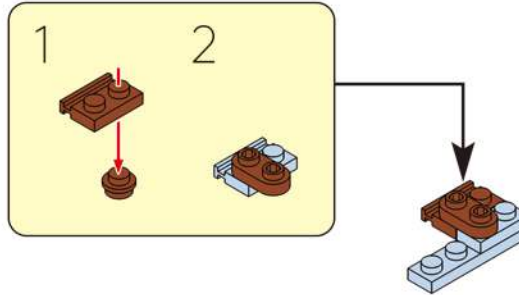




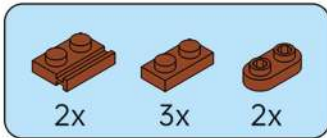
283



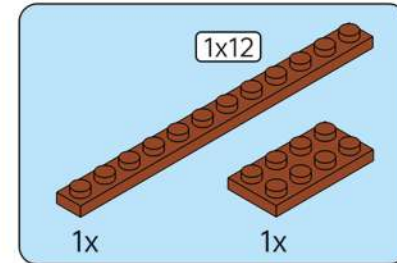
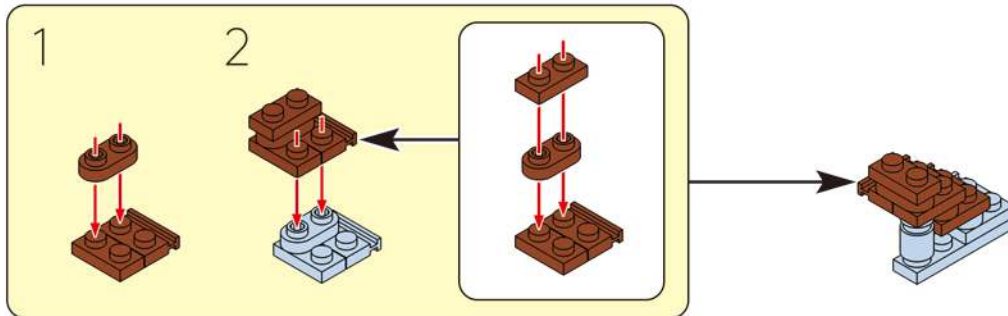
284



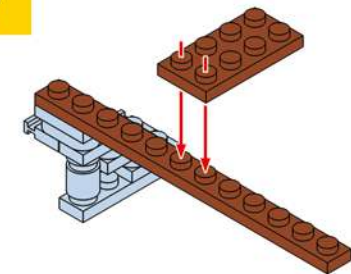
285

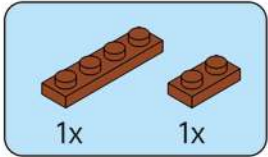


286

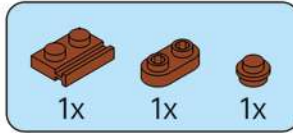
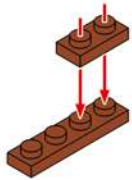


287

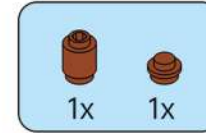
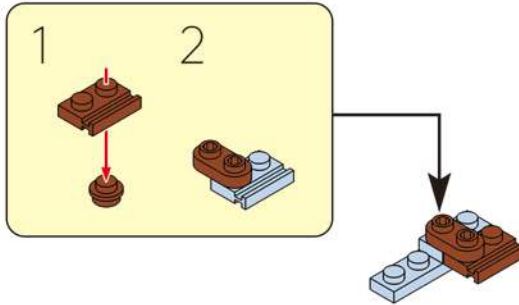




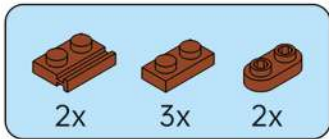
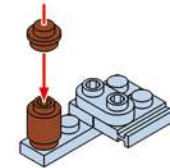
**288**



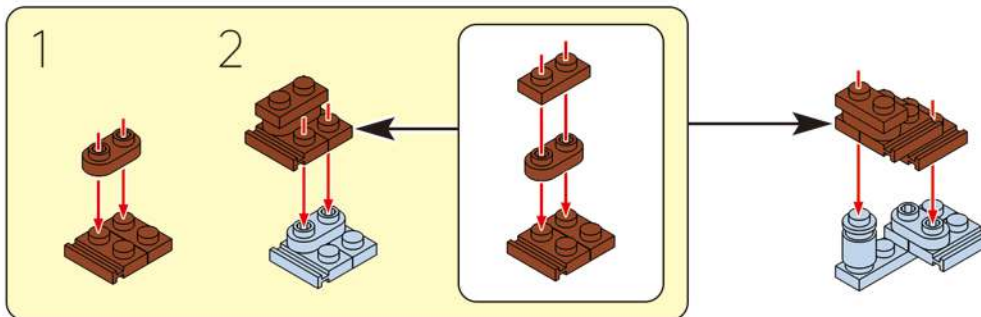
**289**



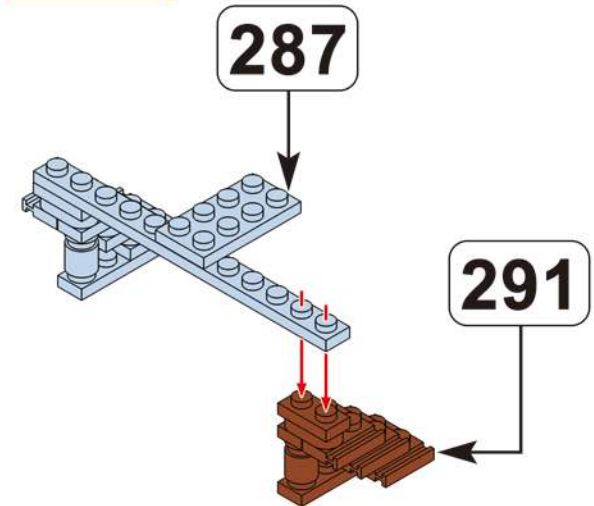
**290**



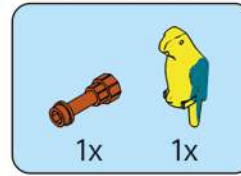
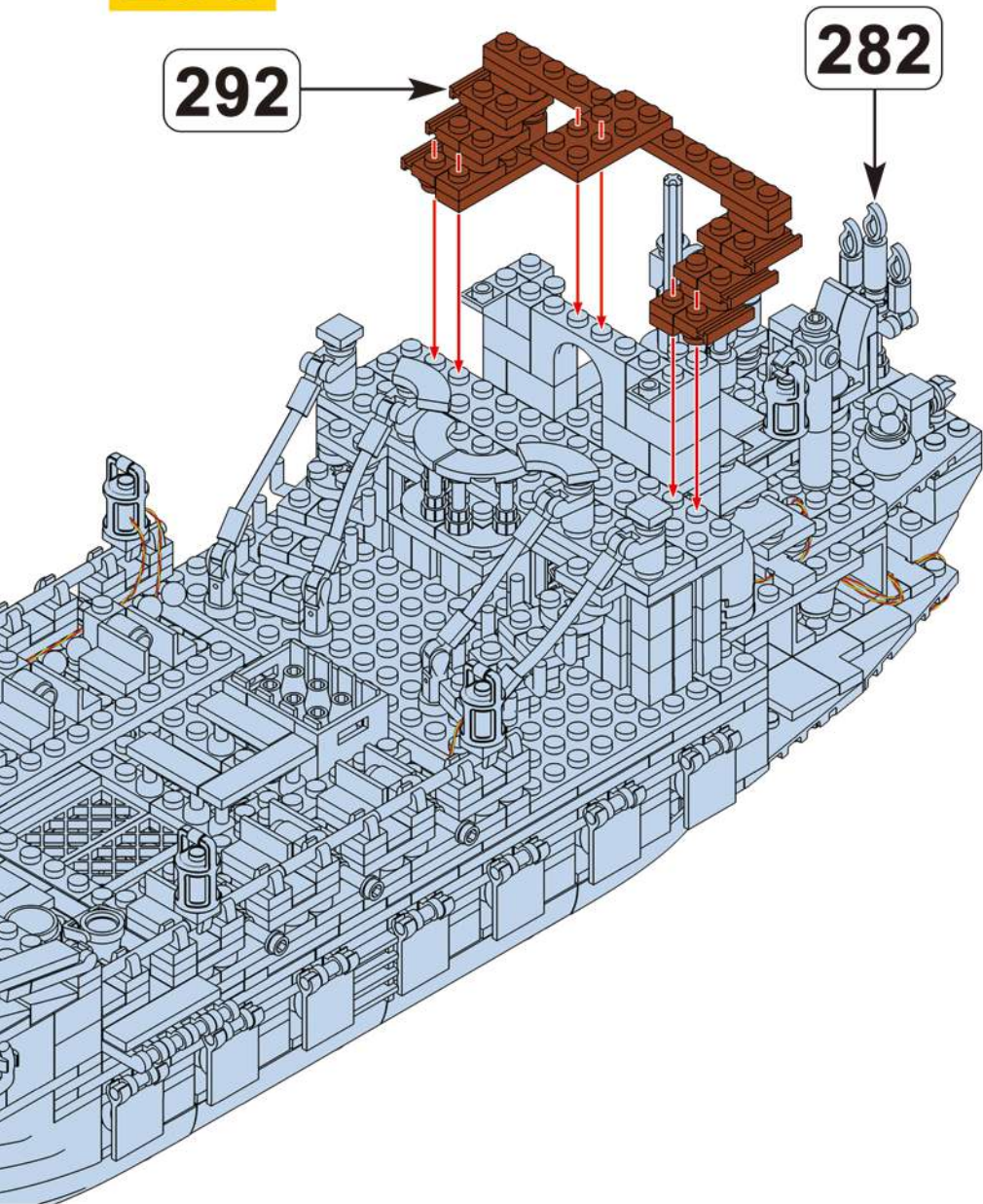
**291**



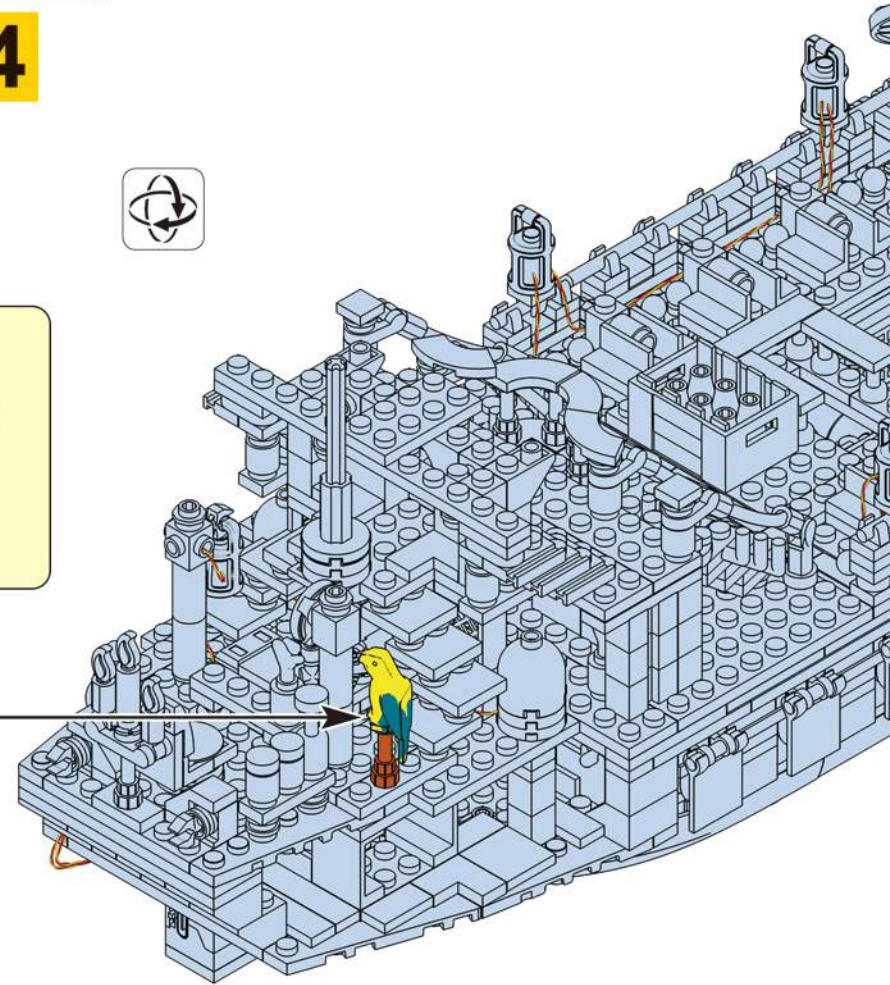
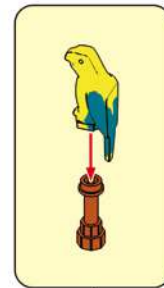
**292**

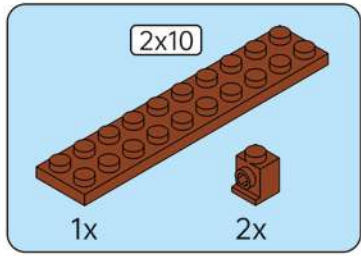


# 293

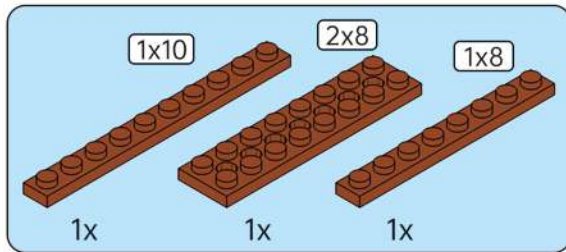
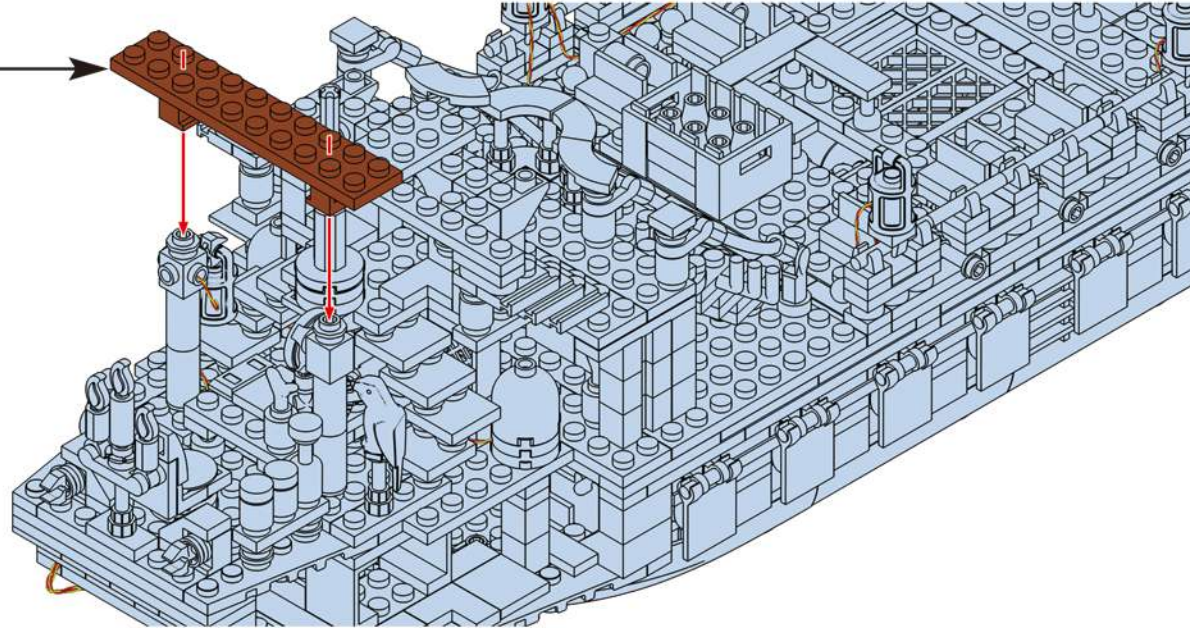
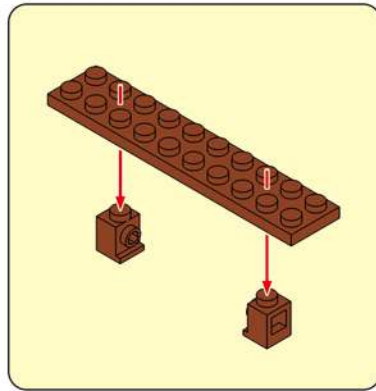


# 294

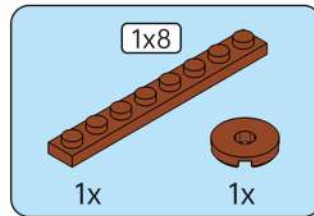
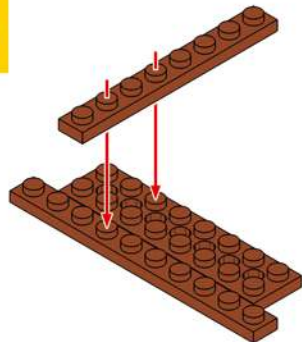




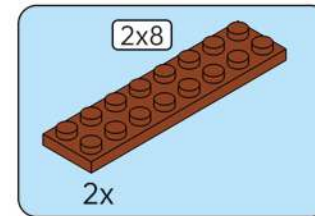
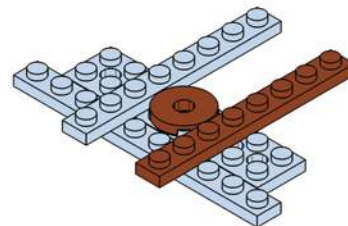
295



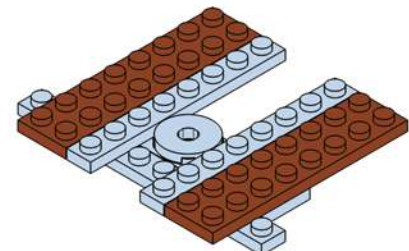
296



297



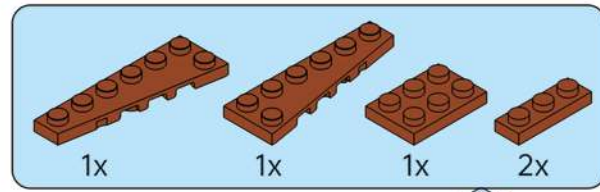
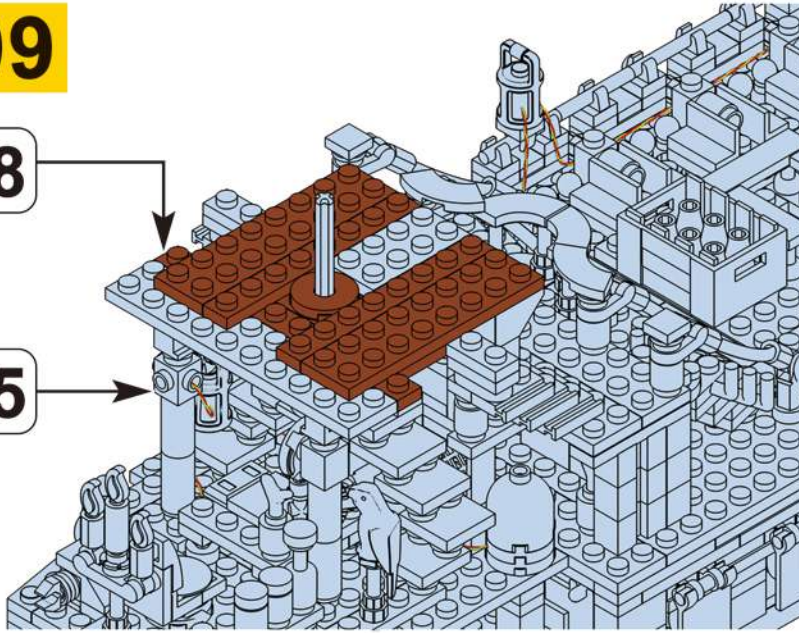
298



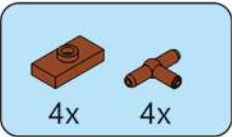
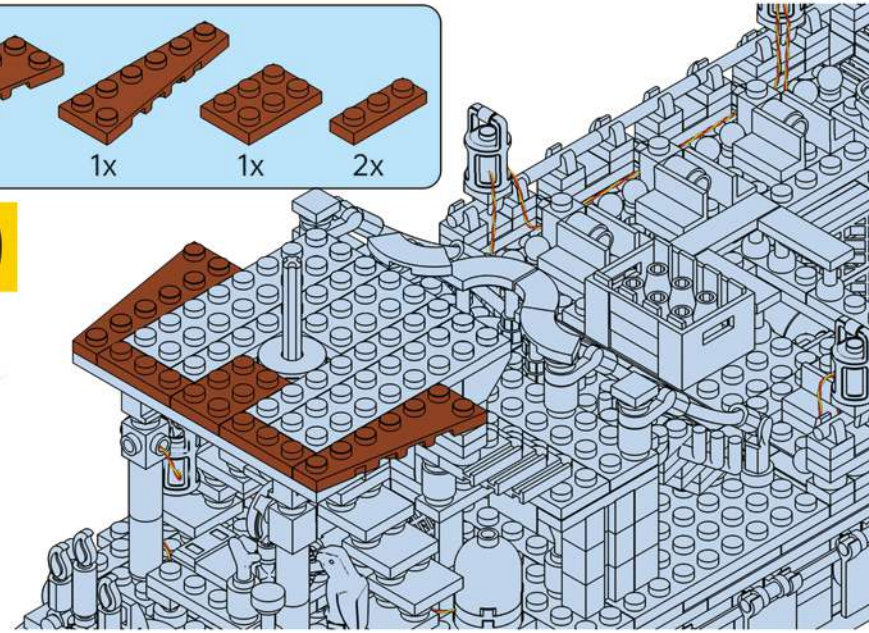
299

298

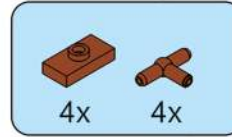
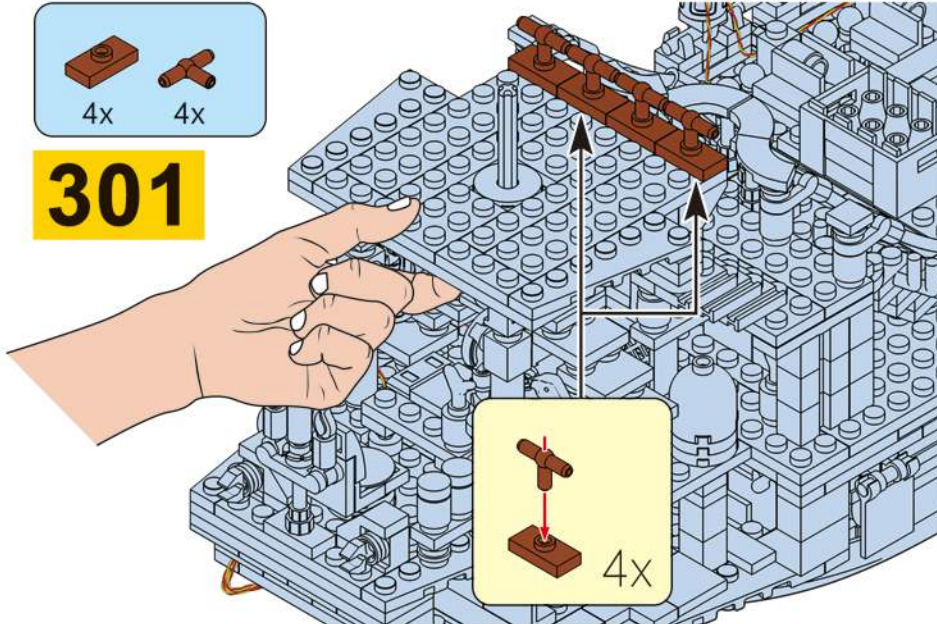
295



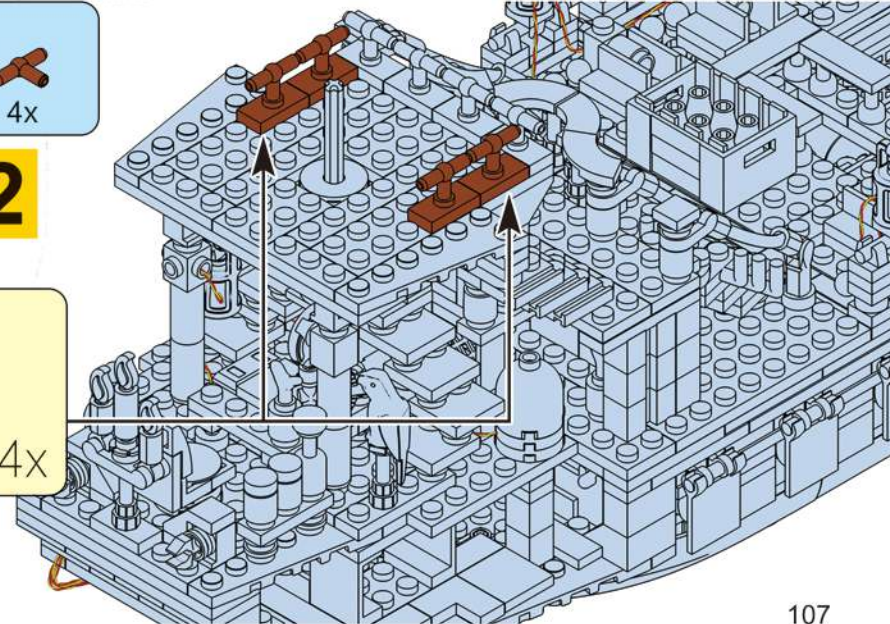
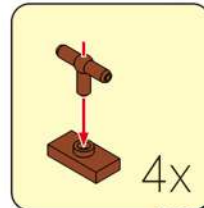
300



301

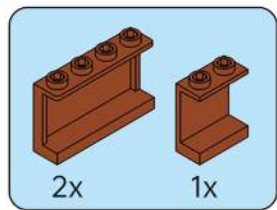
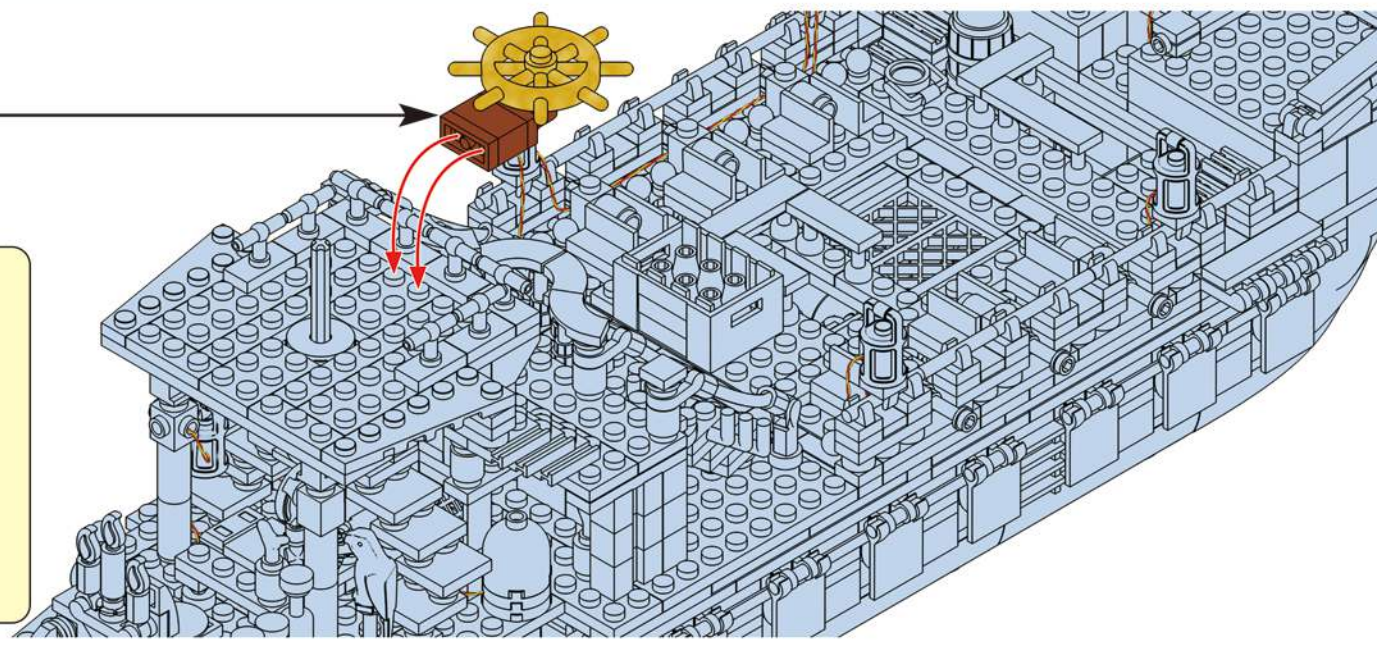
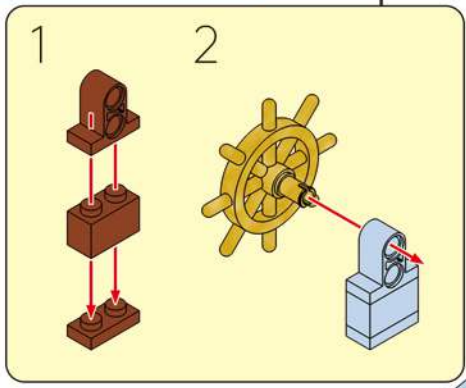


302

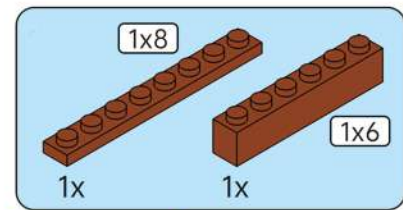
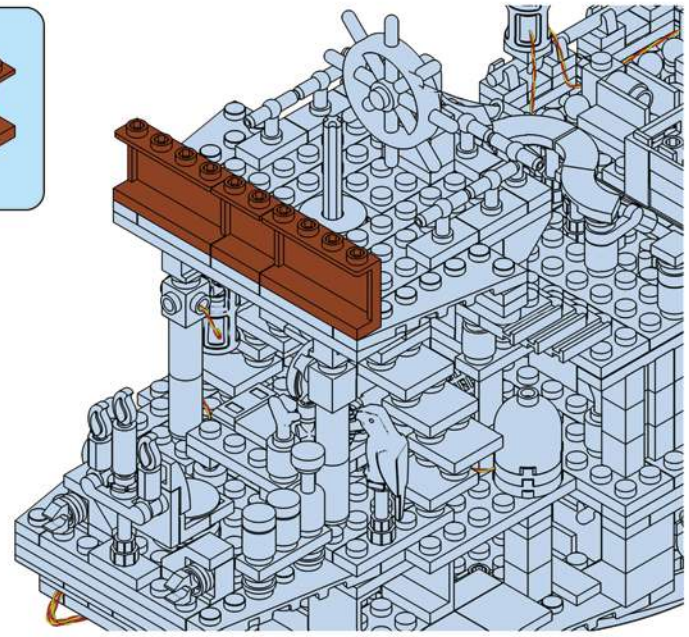




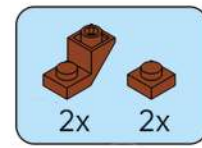
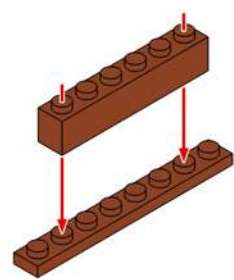
**303**



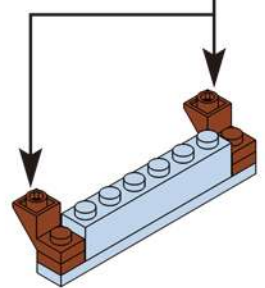
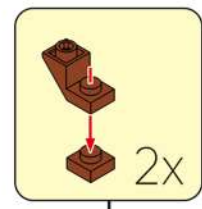
**304**

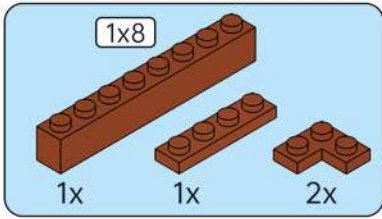


**305**

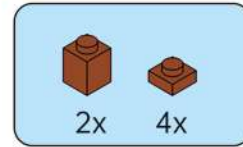
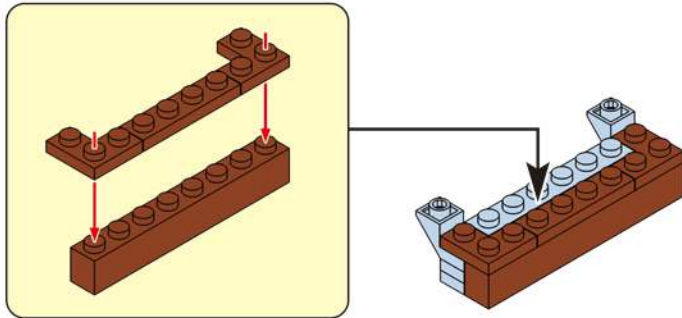


**306**

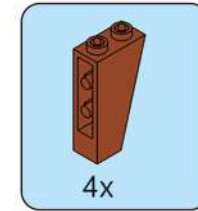
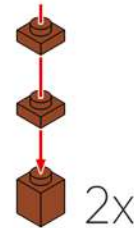




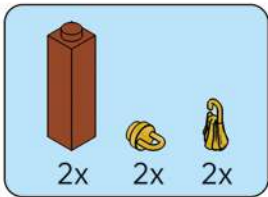
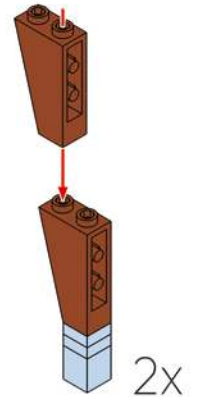
**307**



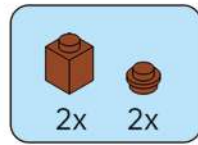
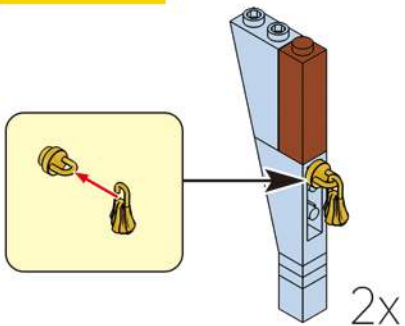
**308**



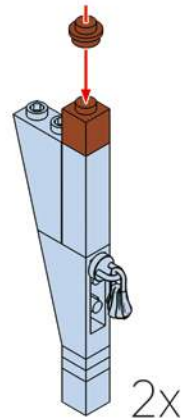
**309**



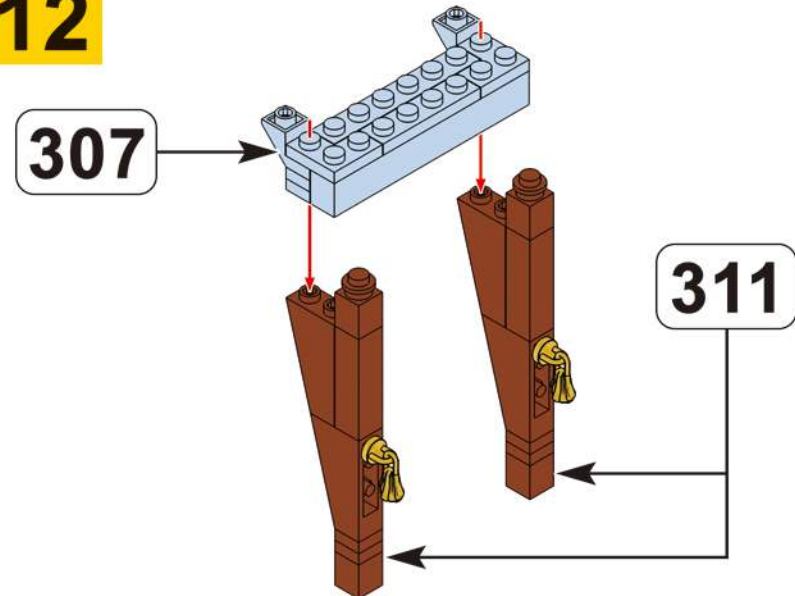
**310**

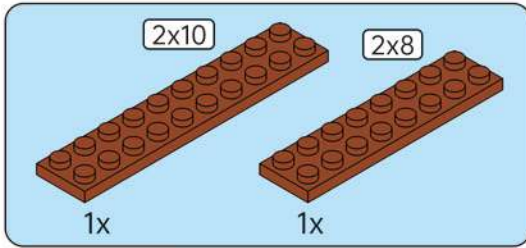


**311**

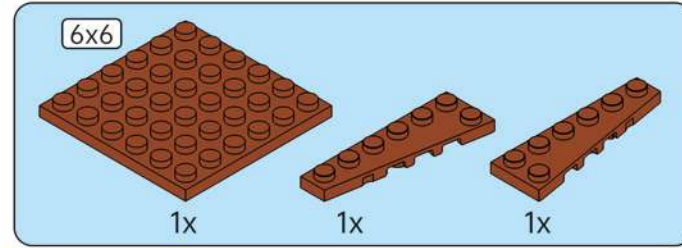
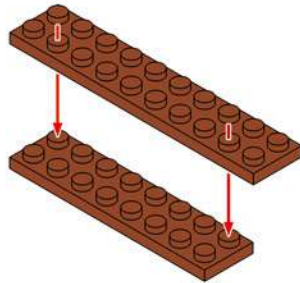


**312**

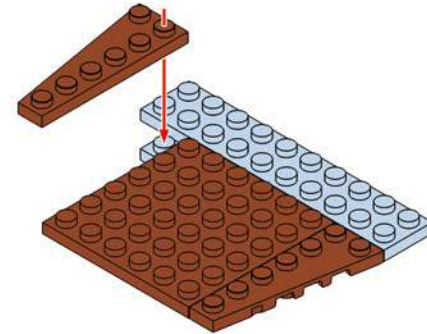




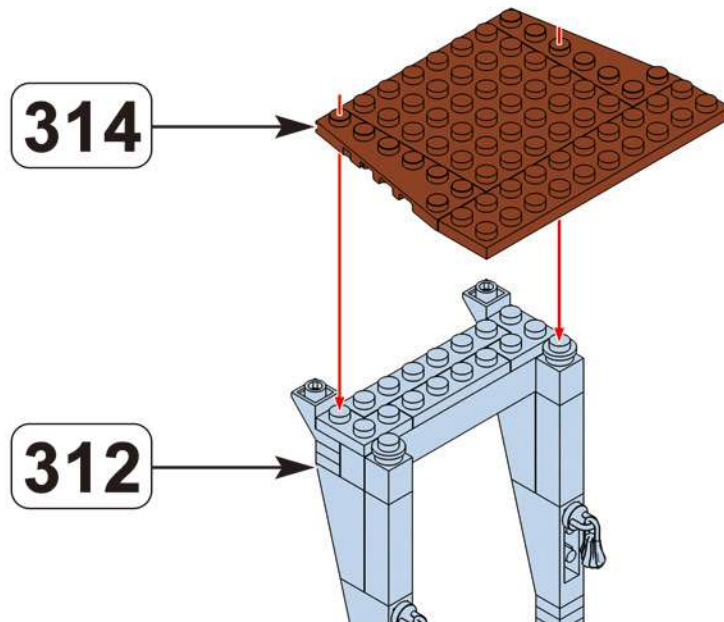
**313**



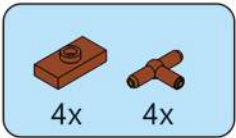
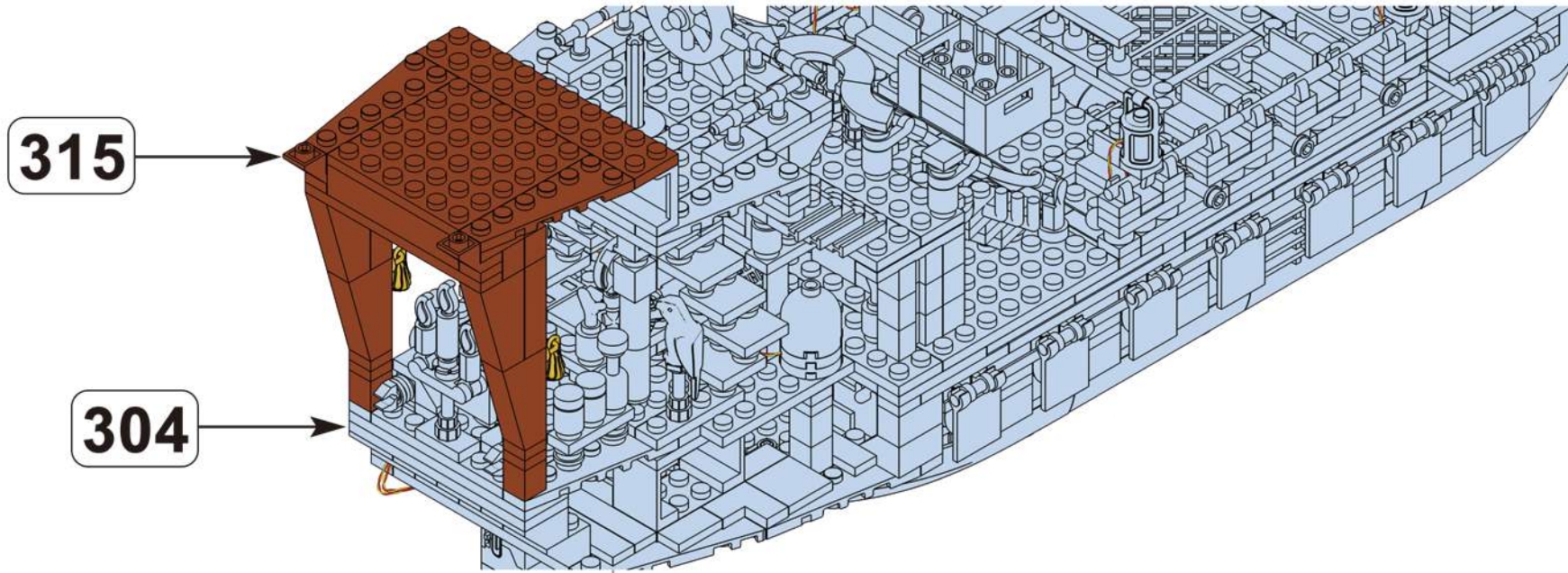
**314**



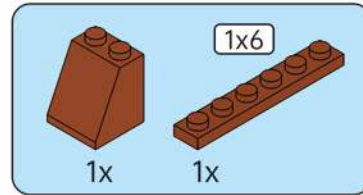
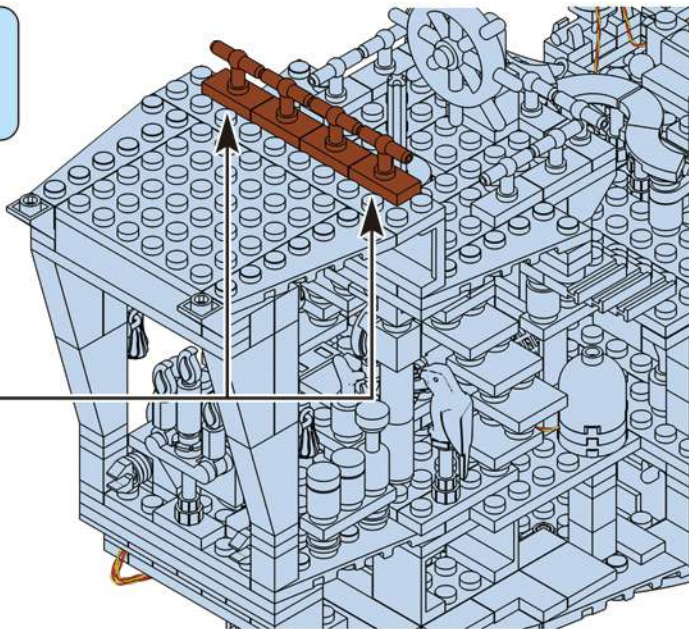
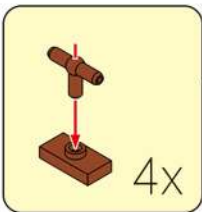
**315**



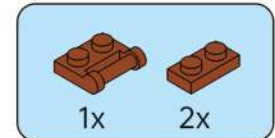
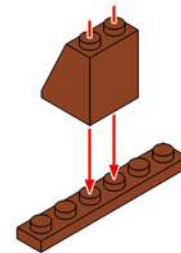
# 316



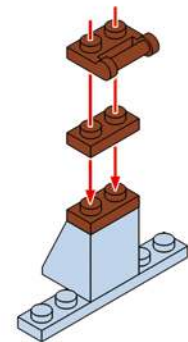
# 317

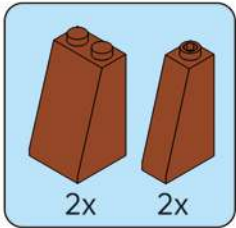


# 318

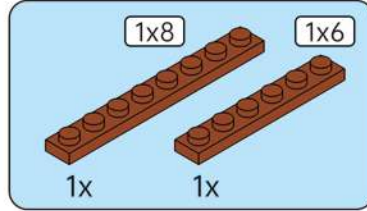
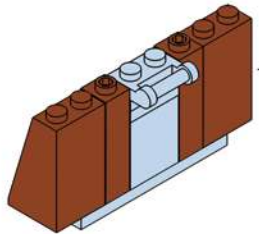
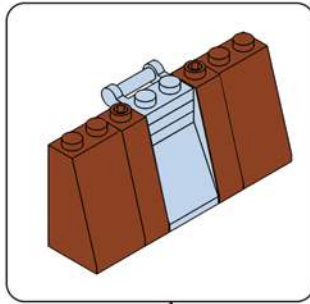


# 319

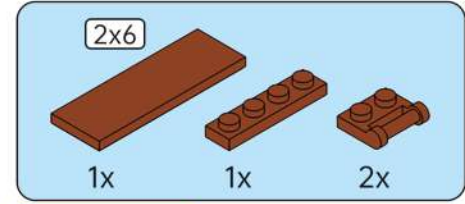
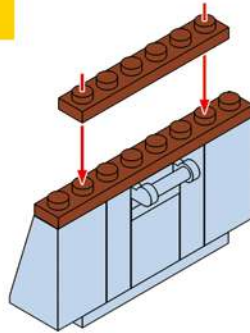




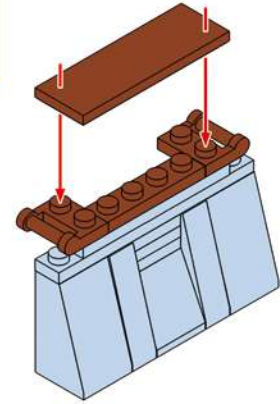
**320**



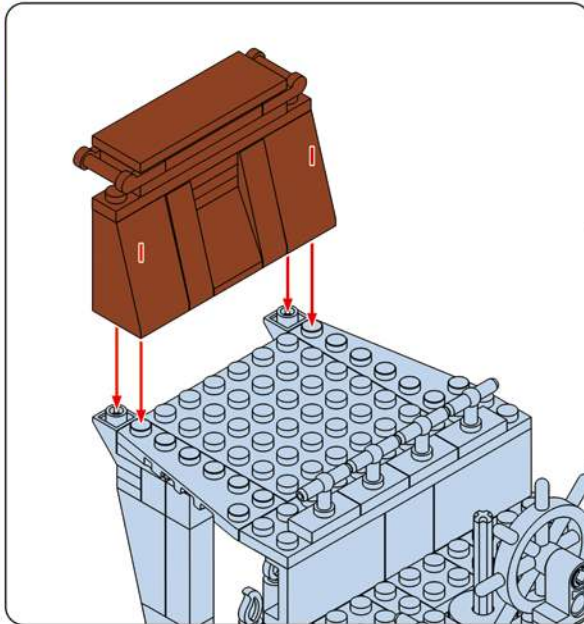
**321**



**322**

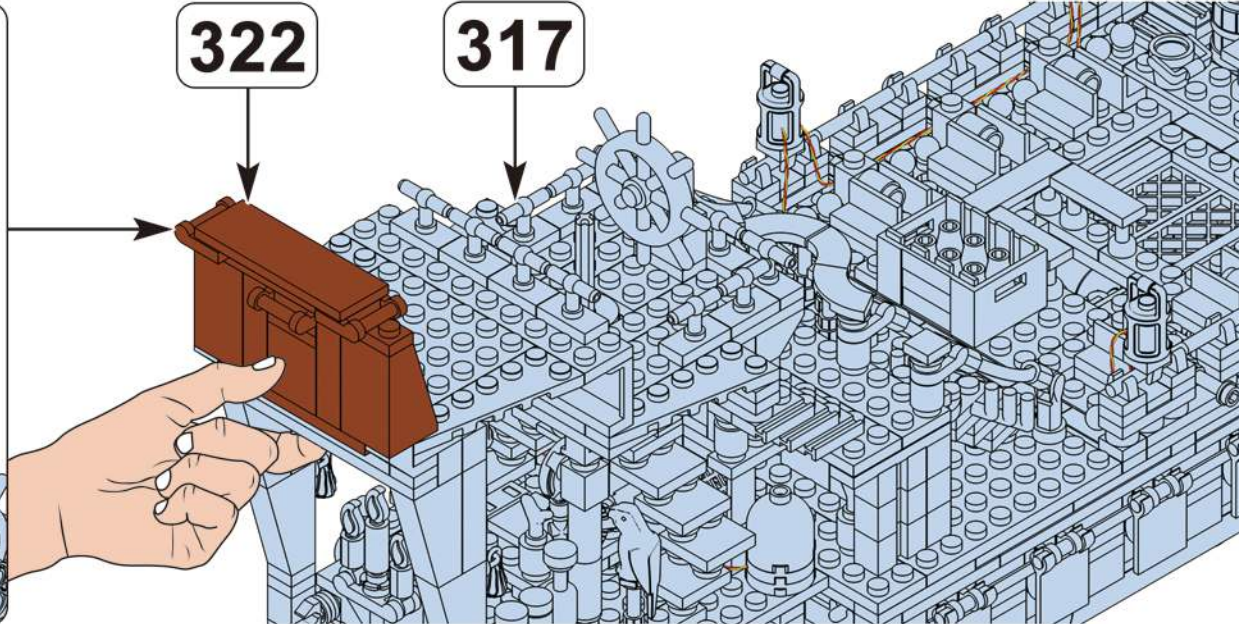


**323**



**322**

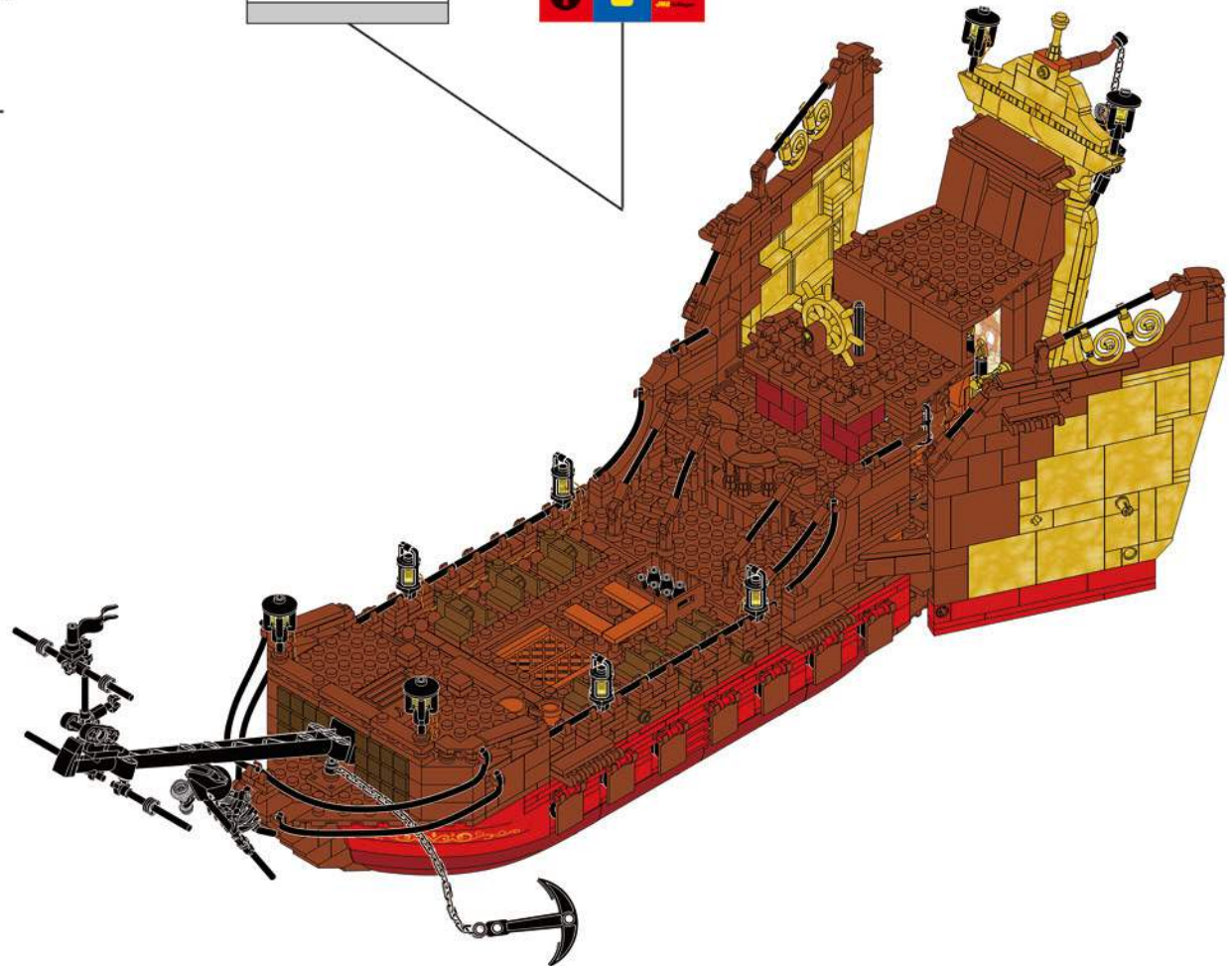
**317**

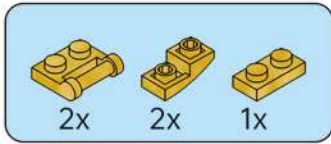


# JOY MAKES BRILLIANCE.

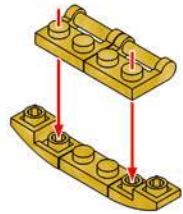
## Embrace Relaxation Embrace Joy

Every adultescent needs a "JOY BOX".  
Please, open your JOY BOX! Heading for joy.

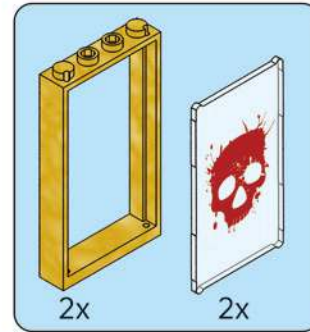
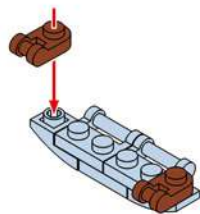




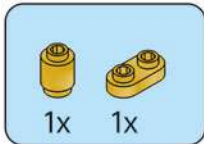
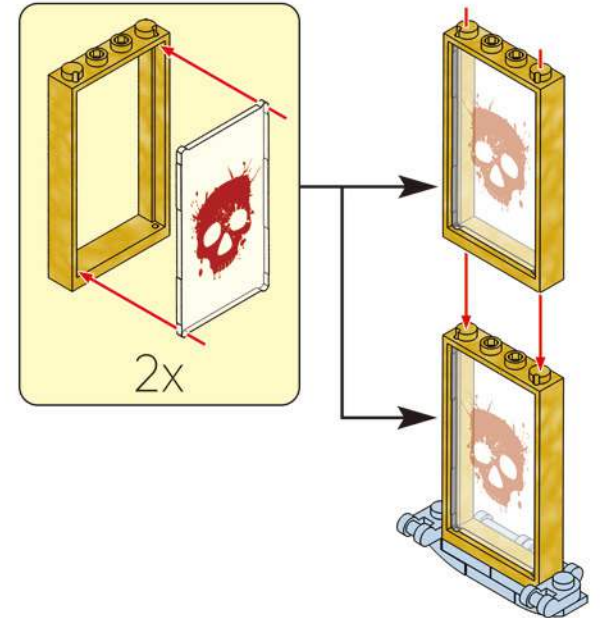
**324**



**325**



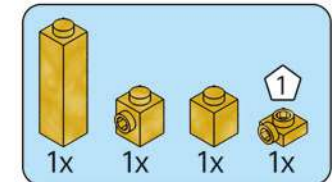
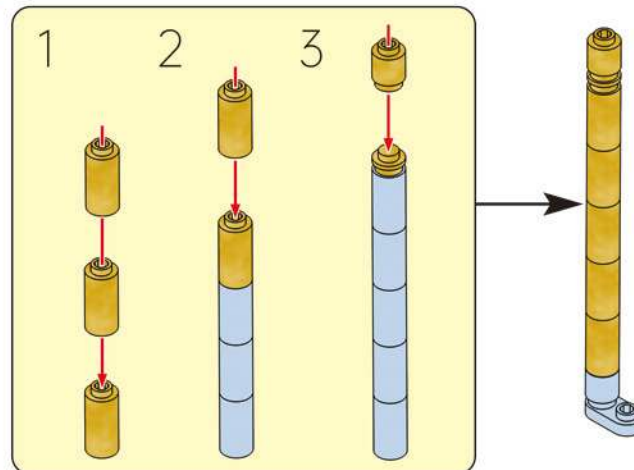
**326**



**327**

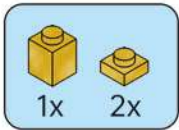


**328**

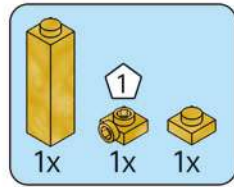


**329**





**330**



**331**



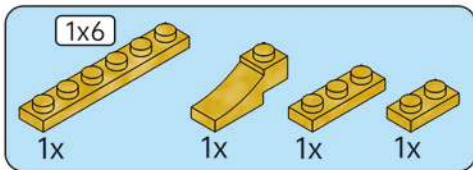
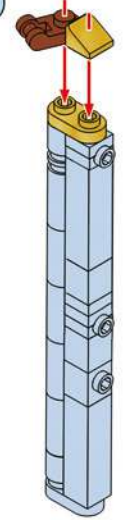
**332**

**331**

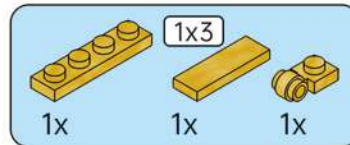
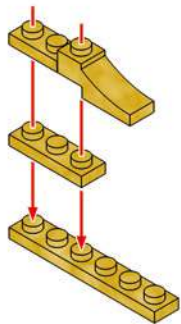
**328**



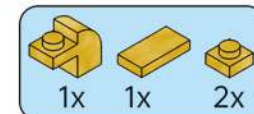
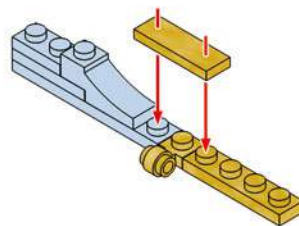
**333**



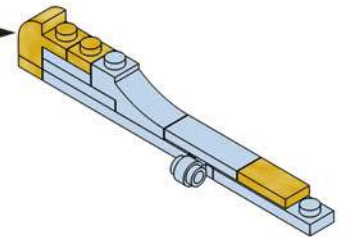
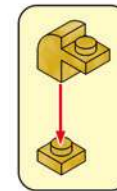
**334**

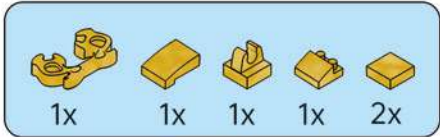


**335**

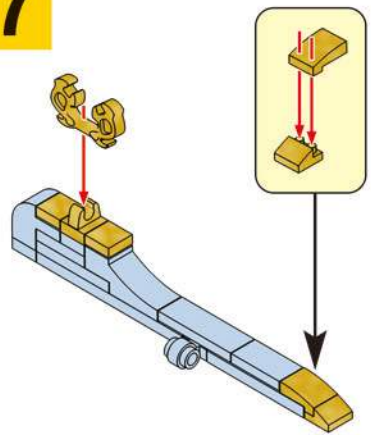


**336**

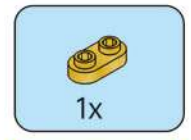
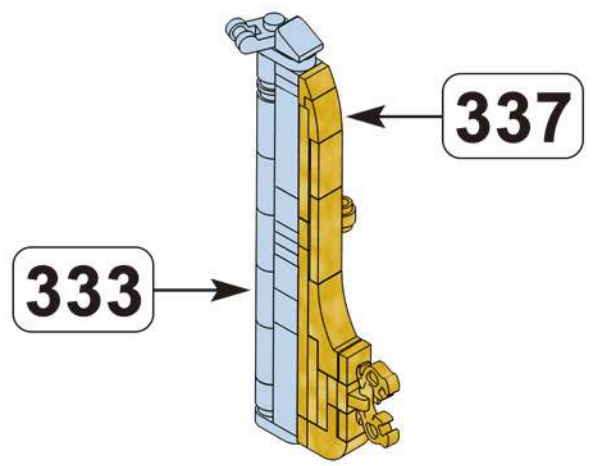




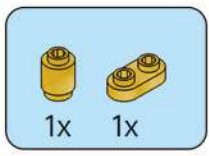
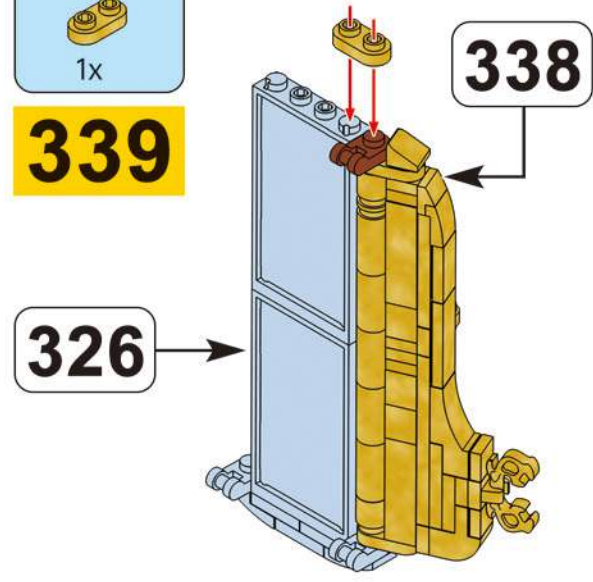
**337**



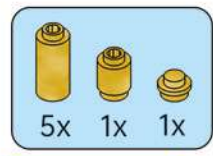
**338**



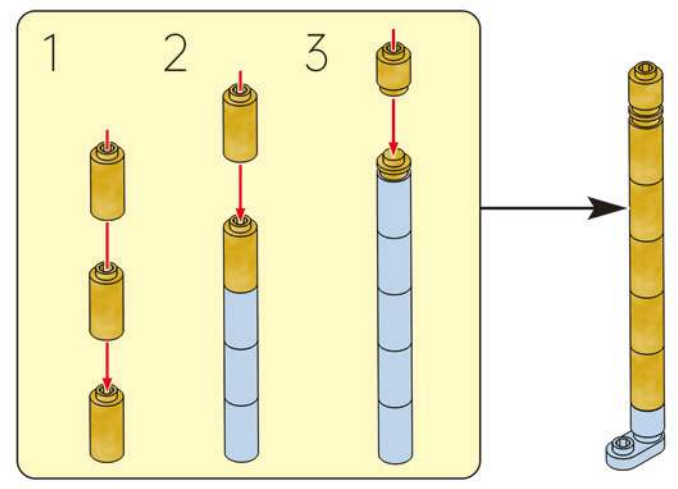
**339**

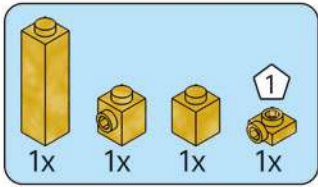


**340**

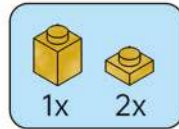


**341**

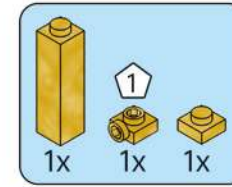




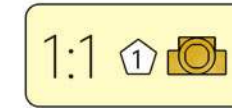
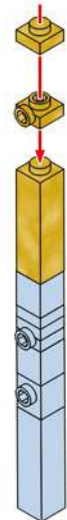
**342**



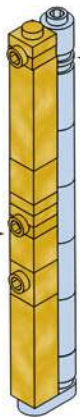
**343**



**344**

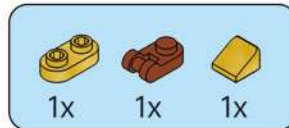


**345**

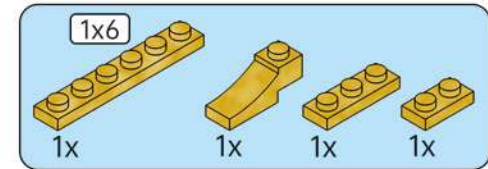
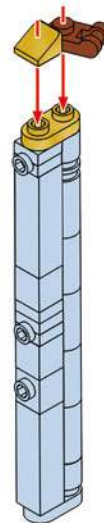


**341**

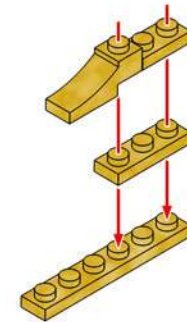
**344**

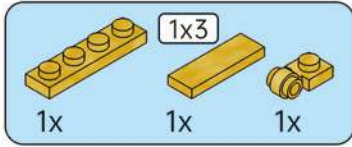


**346**

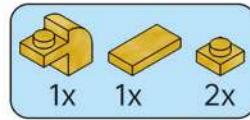
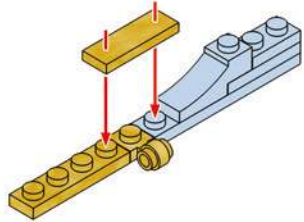


**347**

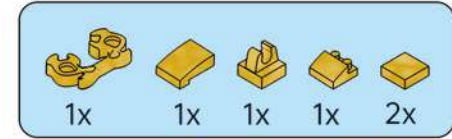
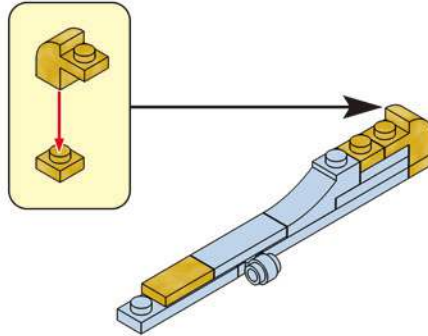




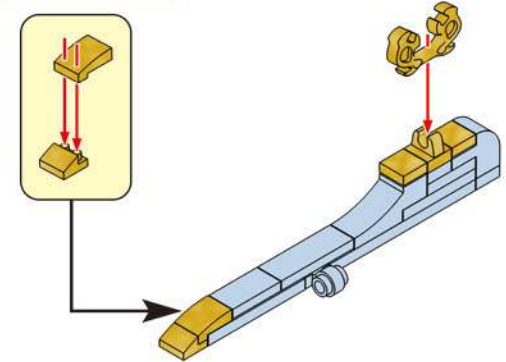
**348**



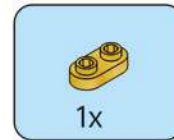
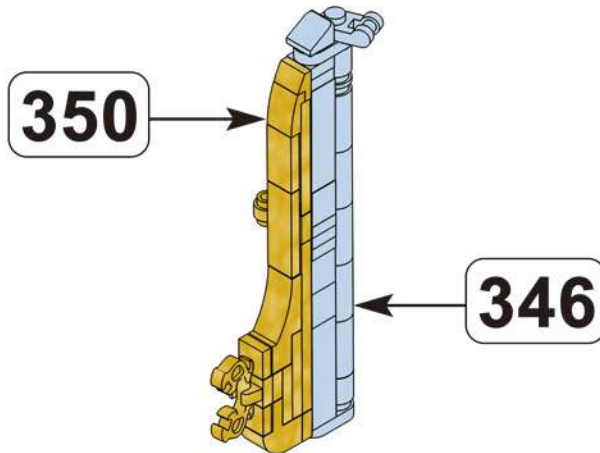
**349**



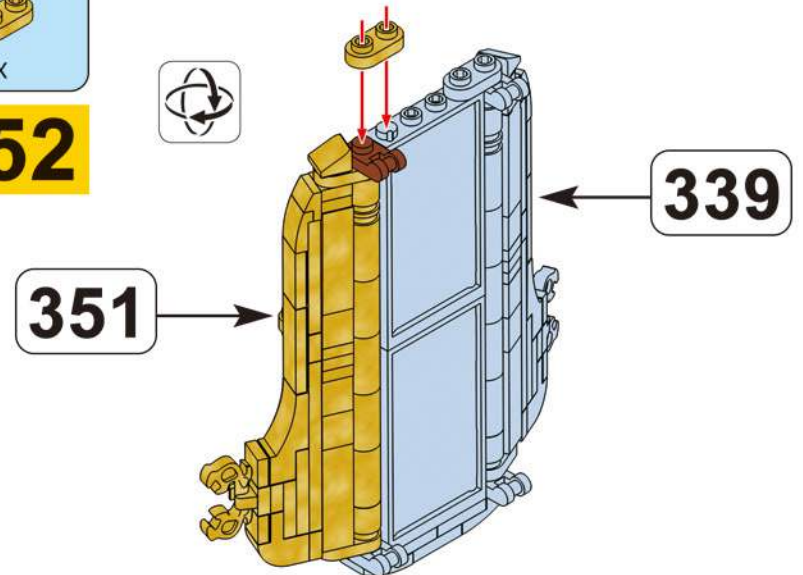
**350**

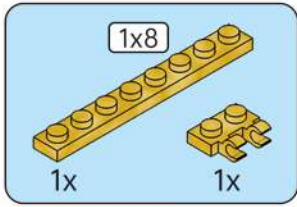


**351**

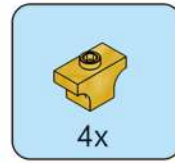
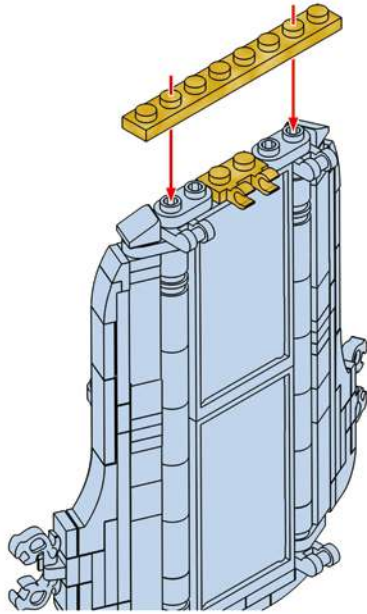


**352**

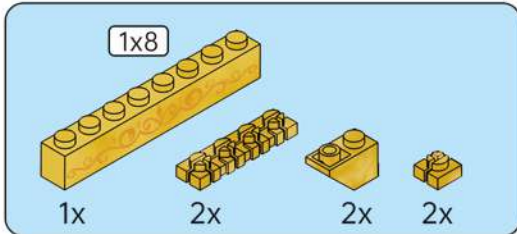
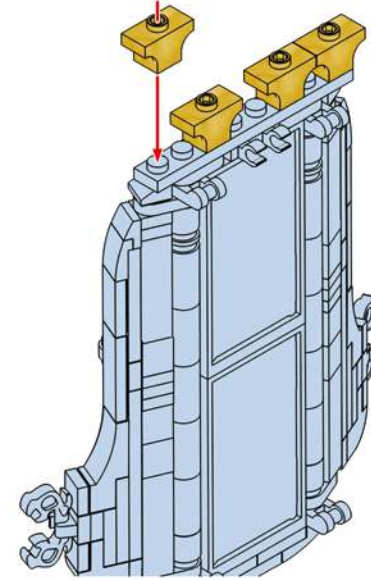




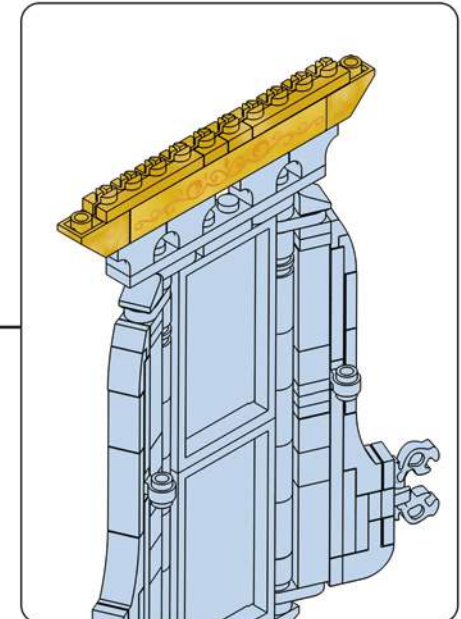
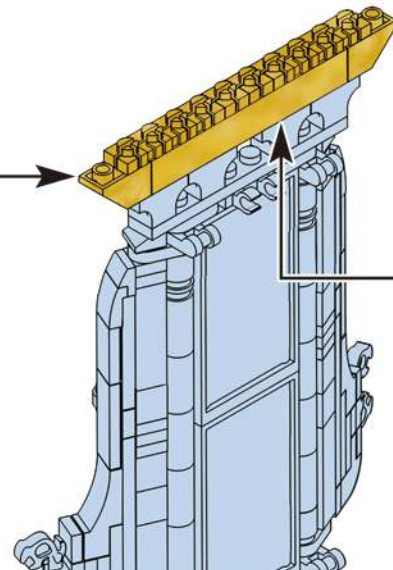
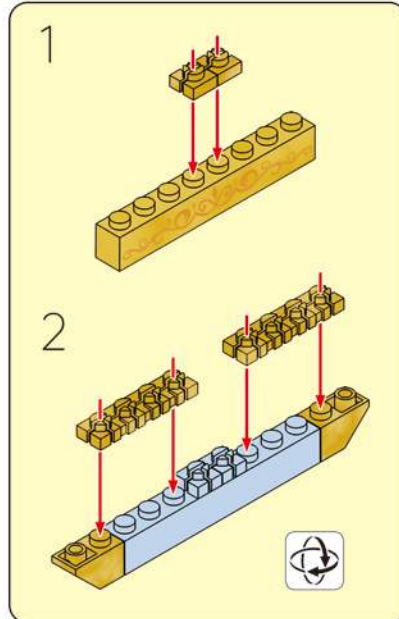
353

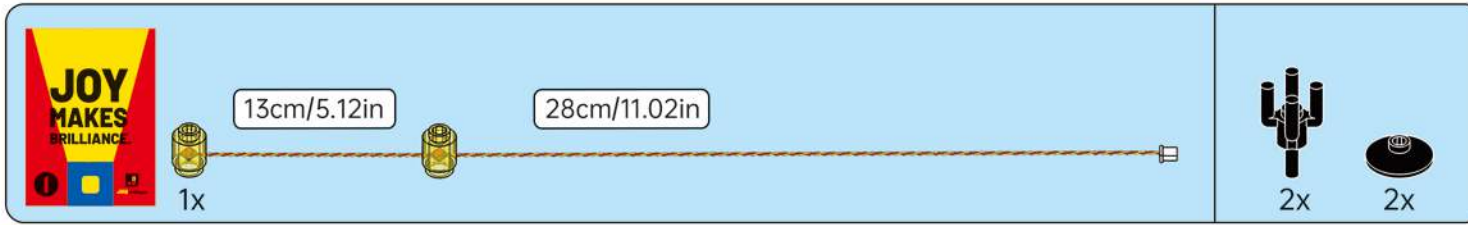


354

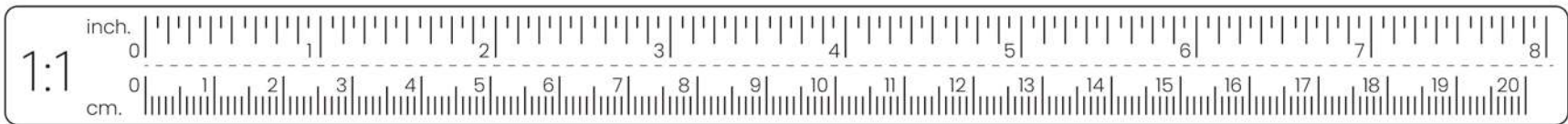
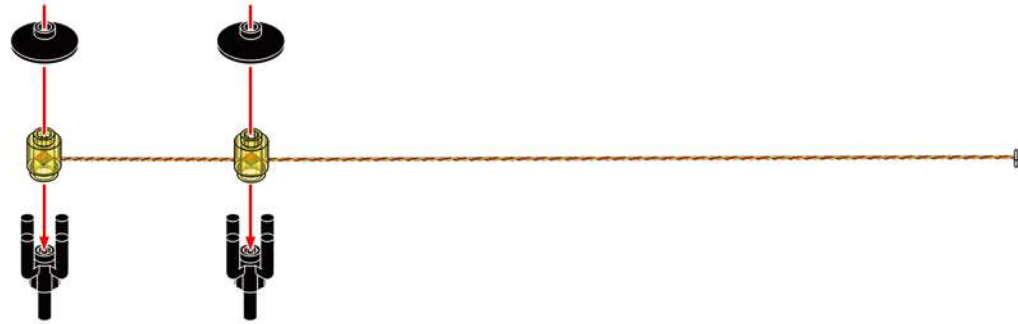


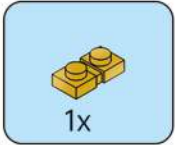
355



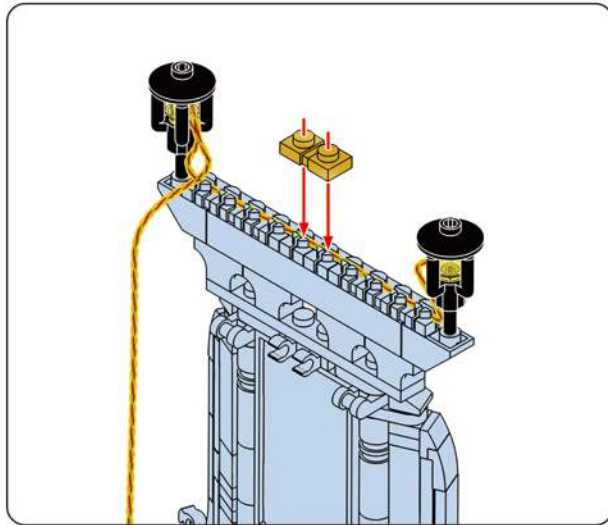


356



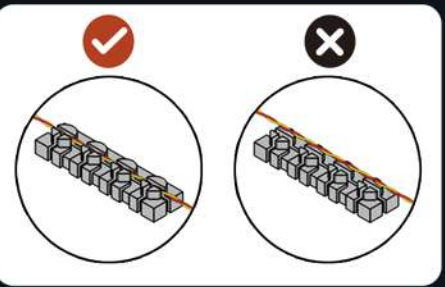
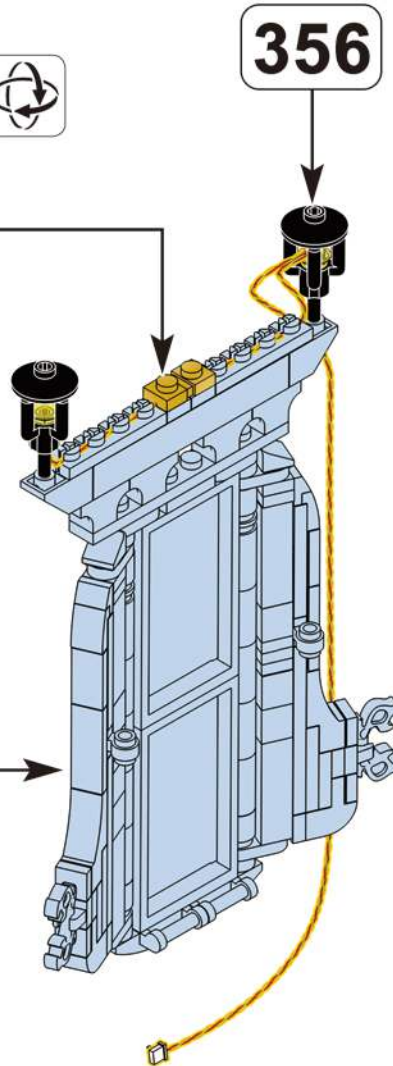


357

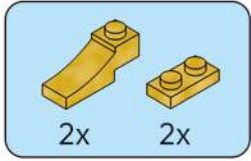


356

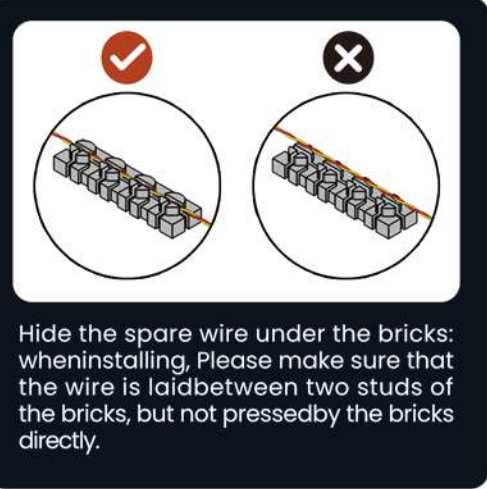
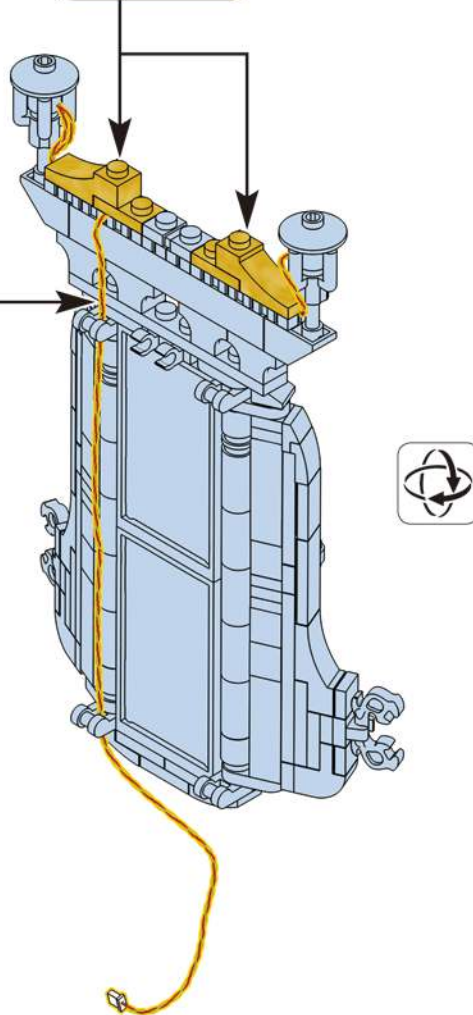
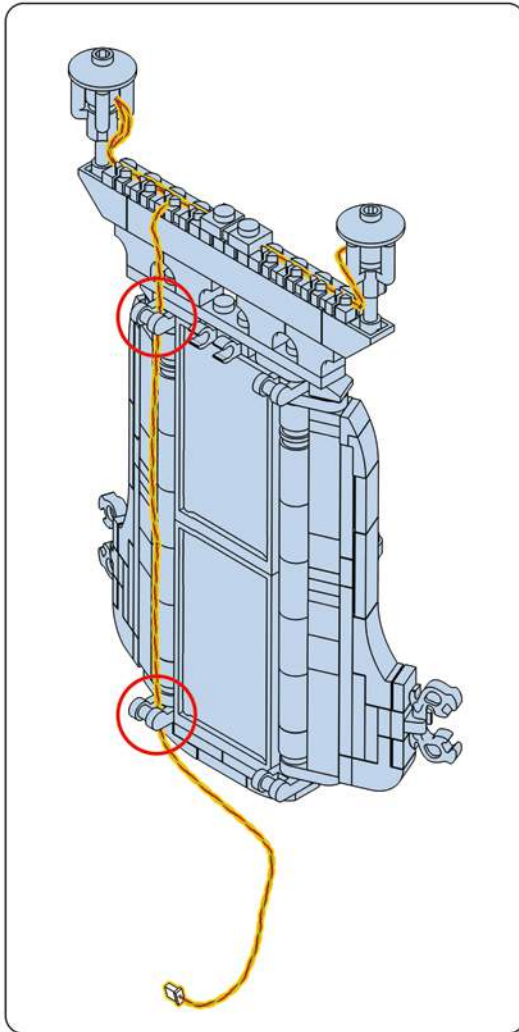
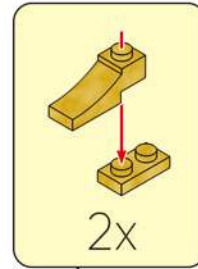
355



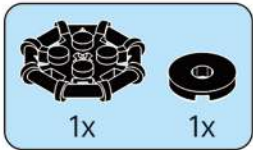
Hide the spare wire under the bricks: when installing, Please make sure that the wire is laid between two studs of the bricks, but not pressed by the bricks directly.



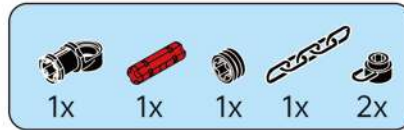
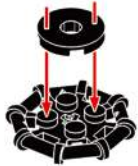
358



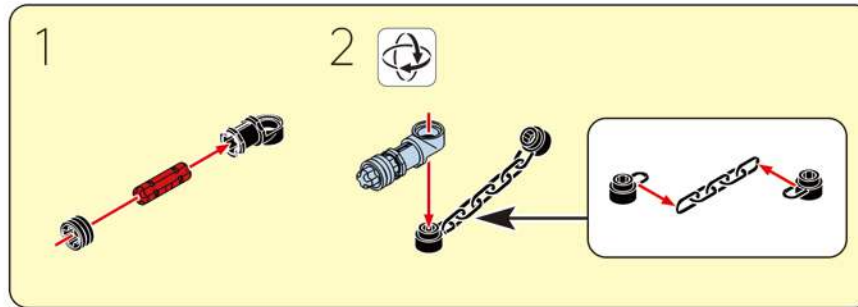
Hide the spare wire under the bricks: when installing, Please make sure that the wire is laid between two studs of the bricks, but not pressed by the bricks directly.



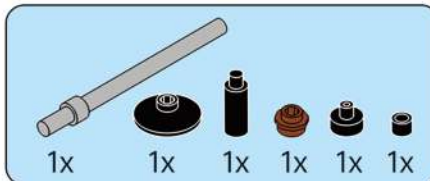
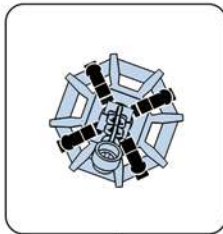
359



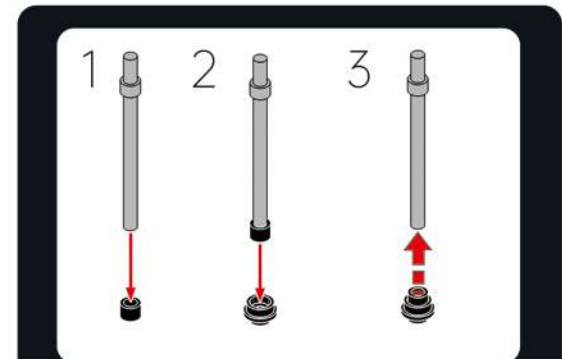
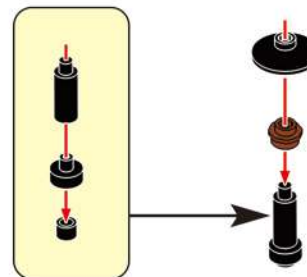
360



361

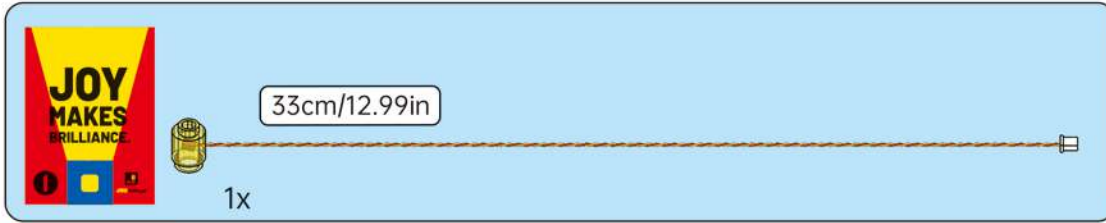


362

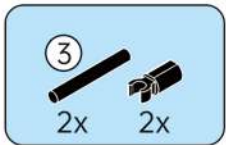
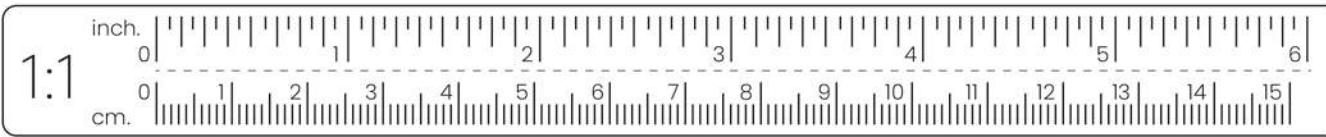
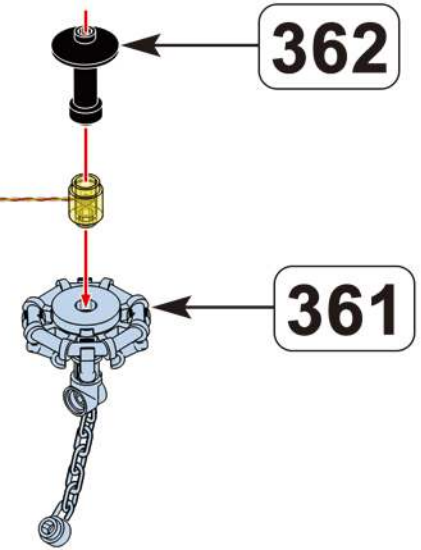


This part requires a thin stick to assist in assembly:

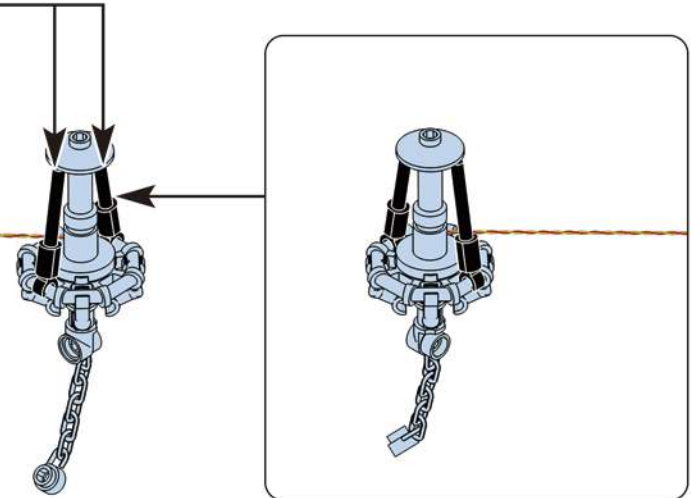
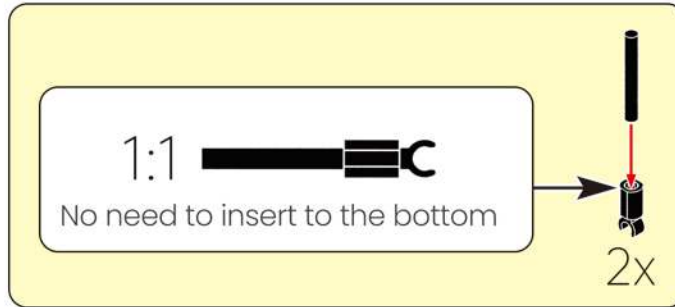
1. Insert the thin stick slightly into the part;
2. After inserting the thin sticks into the parts, install the assembly accessories and fix them.
3. After the parts are fixed, pull out the thin stick



**363**



**364**



③ 2x 2x 2x 4x

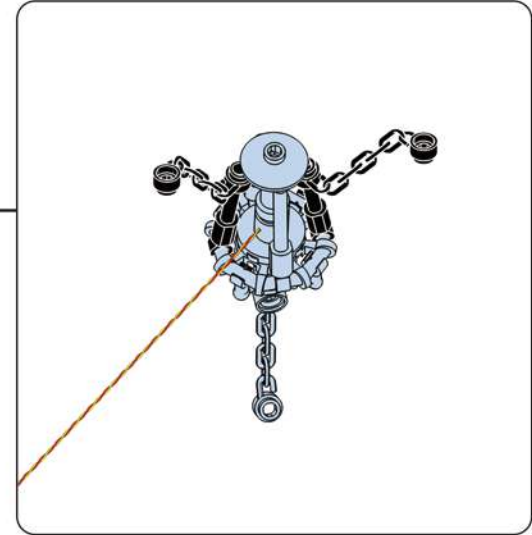
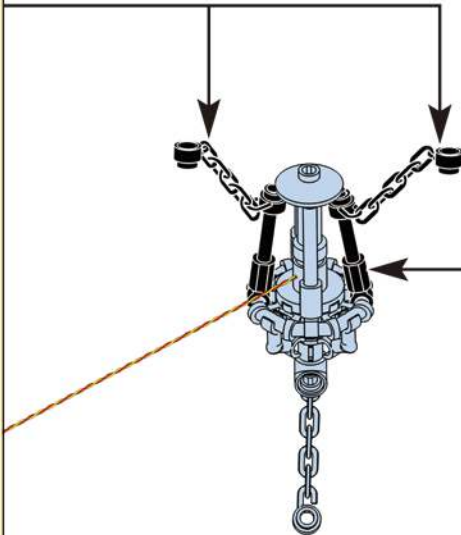
1:1 ③

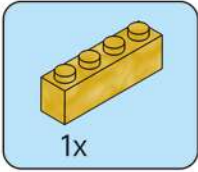
# 365

2x

1:1 C

No need to insert to the bottom



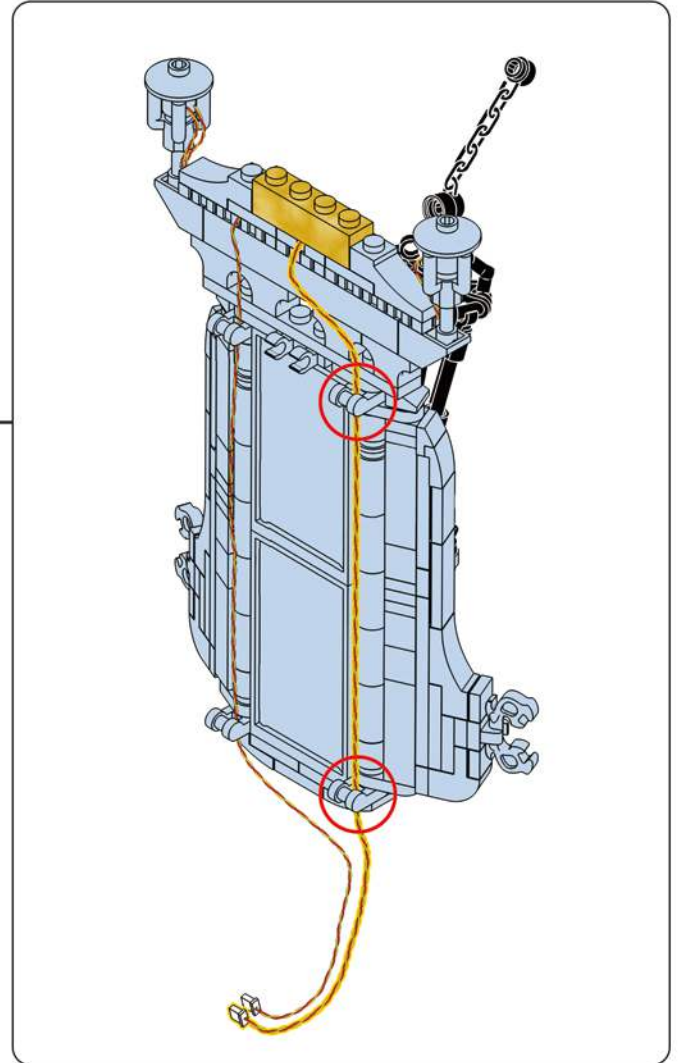
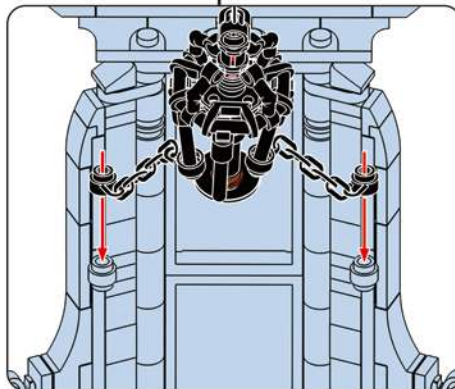
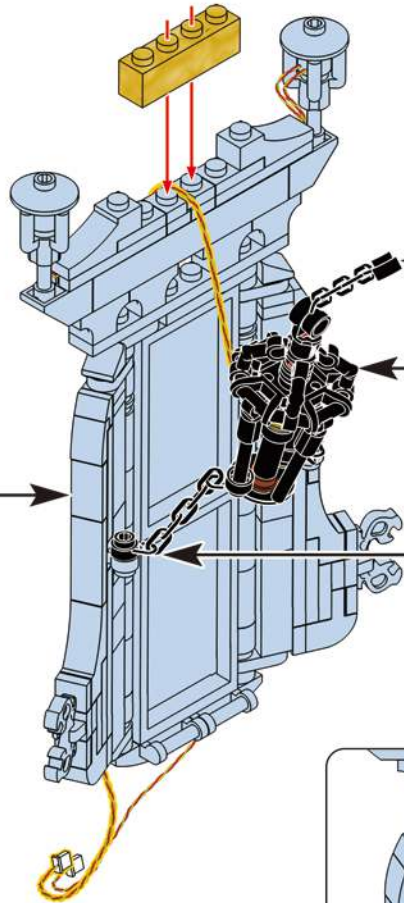


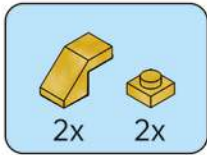
**366**



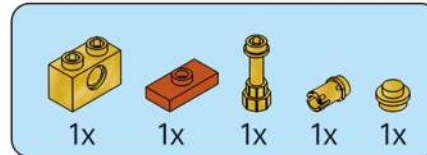
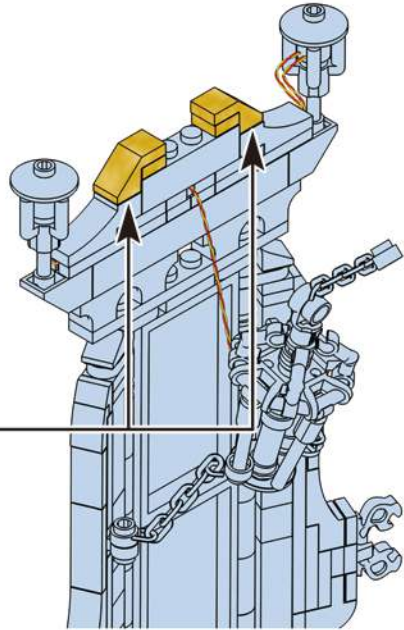
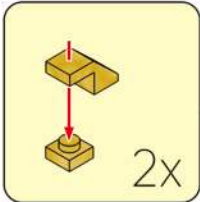
**358**

**365**

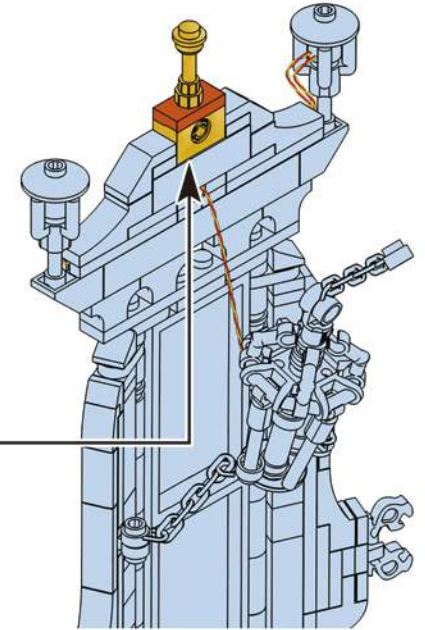
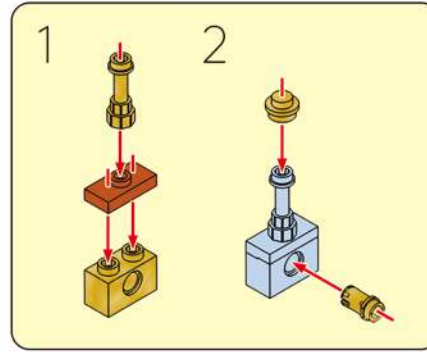




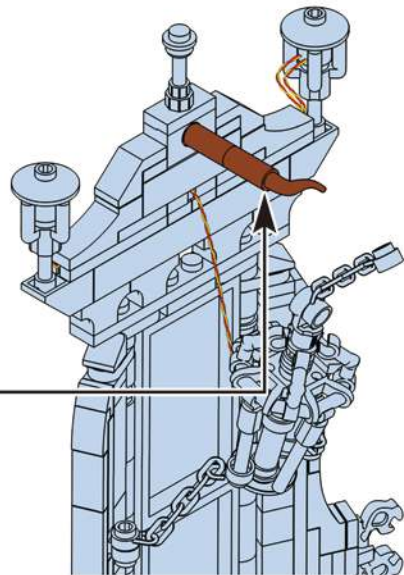
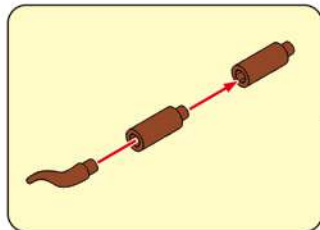
**367**



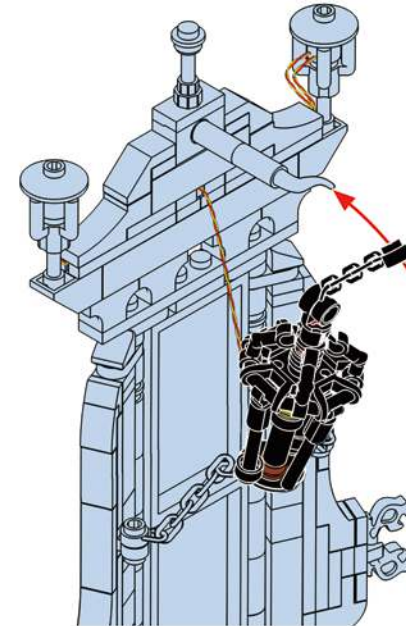
**368**

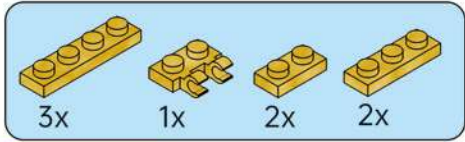


**369**

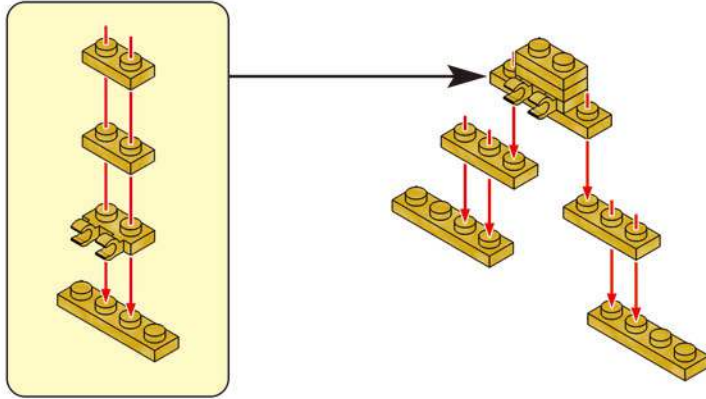


**370**

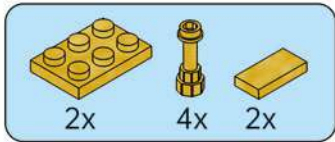
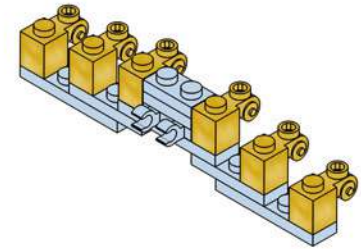




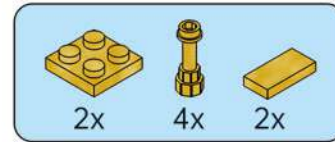
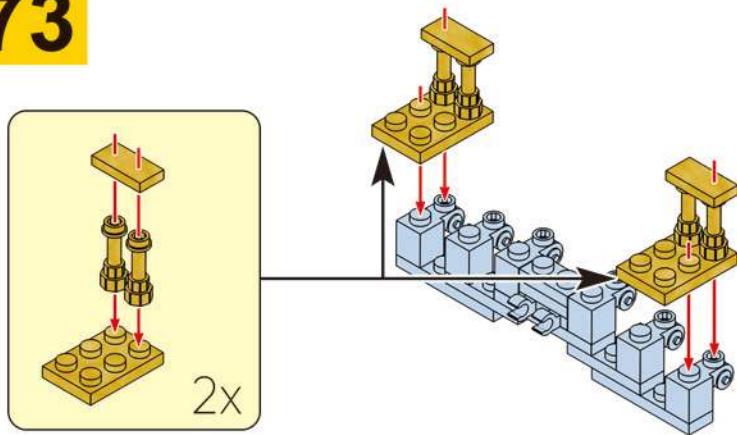
**371**



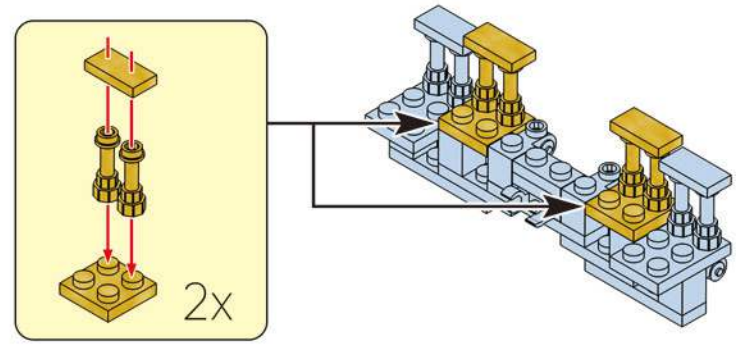
**372**

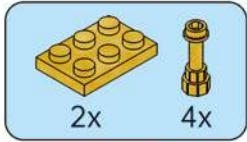


**373**

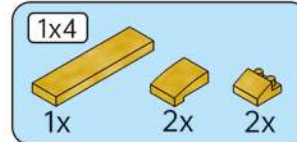
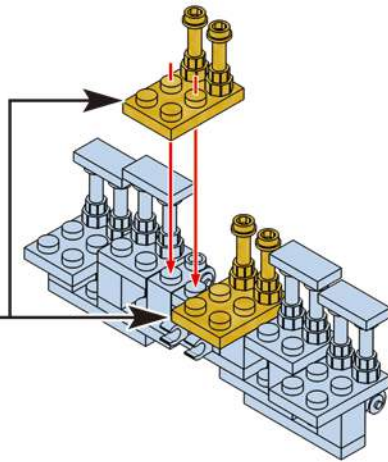
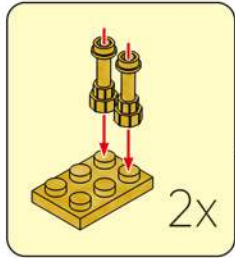


**374**

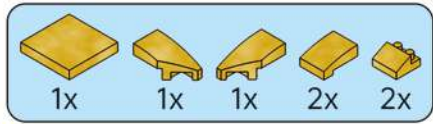
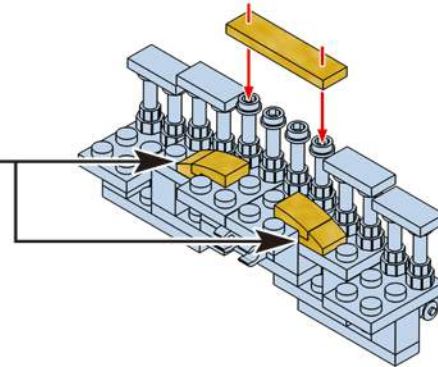
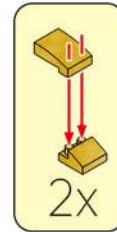




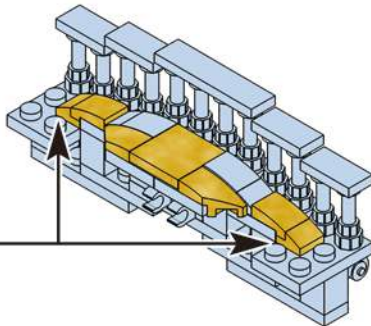
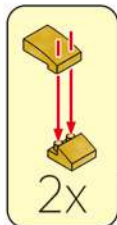
**375**



**376**



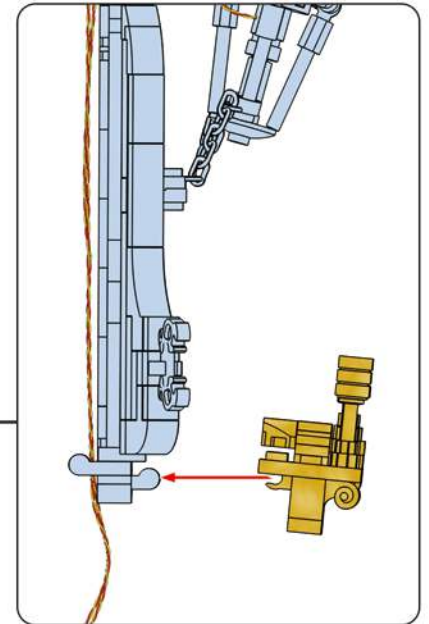
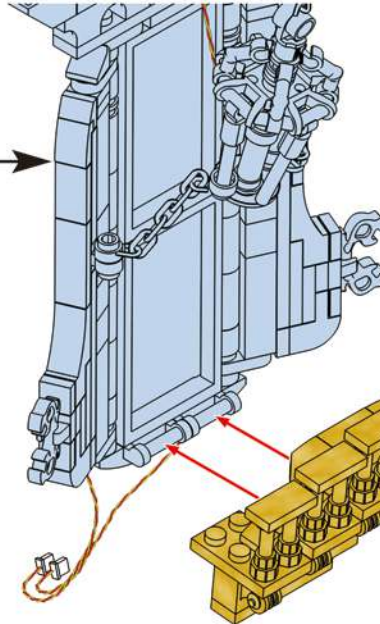
**377**



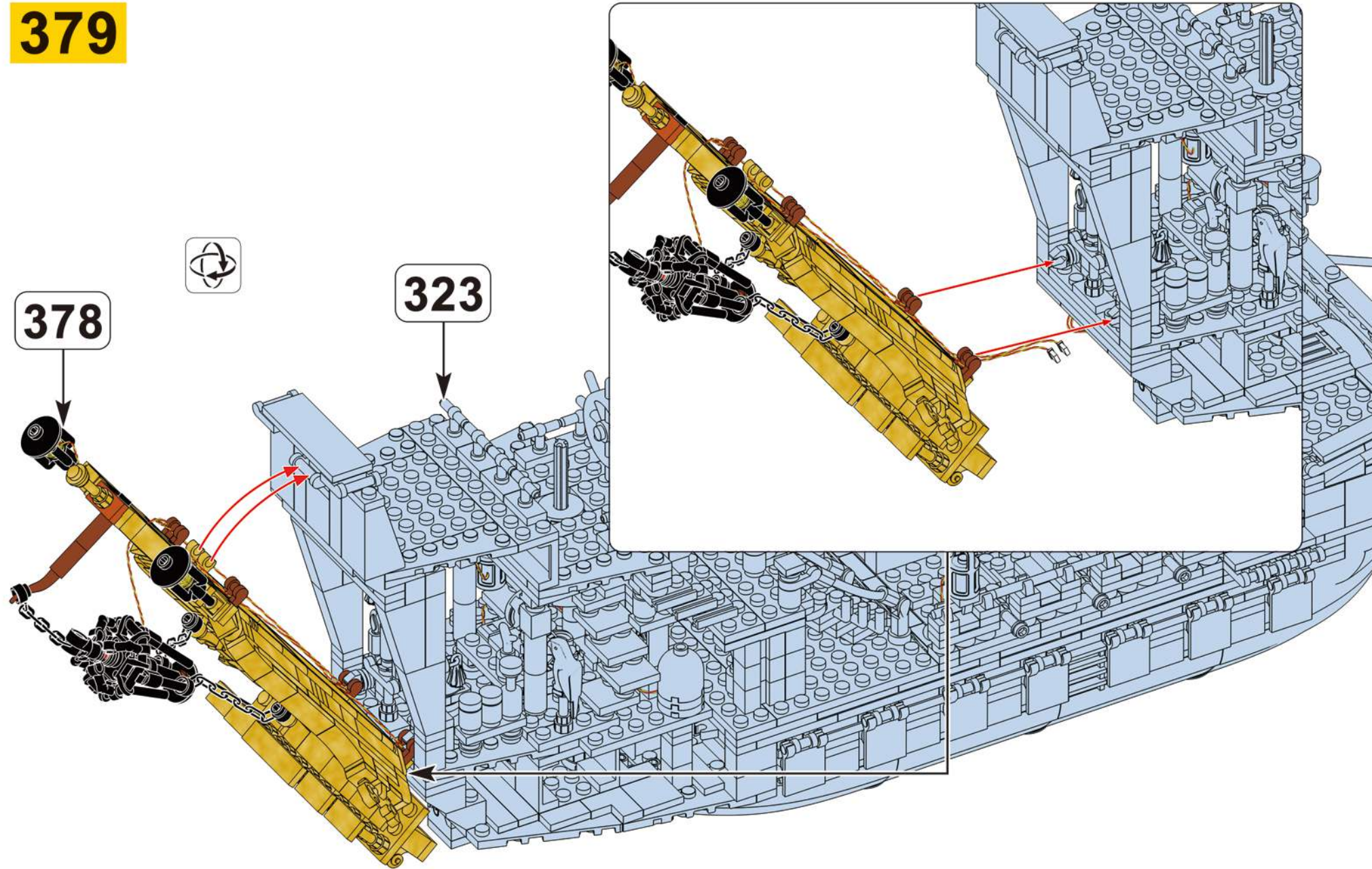
**378**

**370**

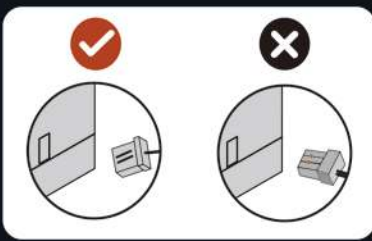
**377**



379

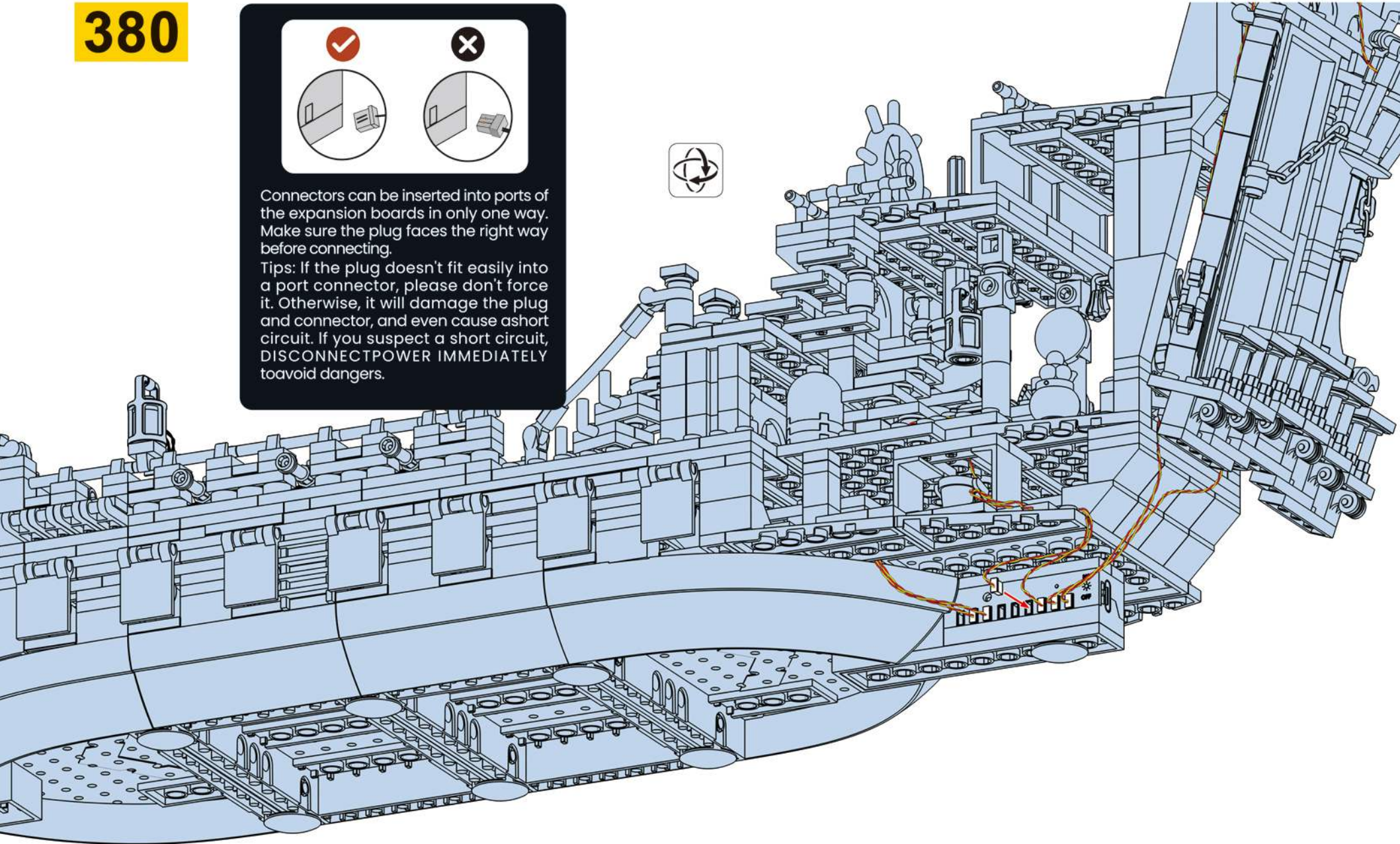


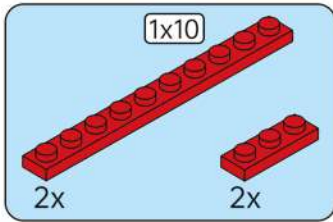
380



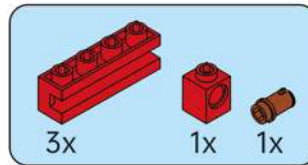
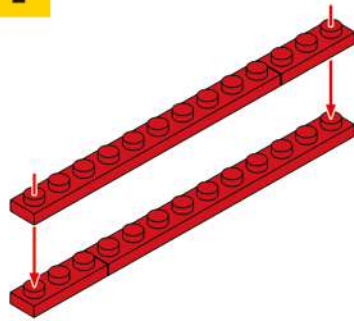
Connectors can be inserted into ports of the expansion boards in only one way. Make sure the plug faces the right way before connecting.

Tips: If the plug doesn't fit easily into a port connector, please don't force it. Otherwise, it will damage the plug and connector, and even cause a short circuit. If you suspect a short circuit, **DISCONNECT POWER IMMEDIATELY** to avoid dangers.

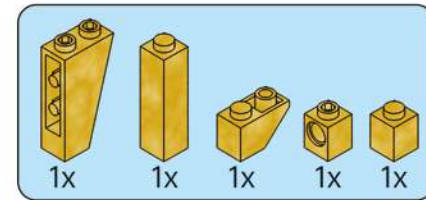
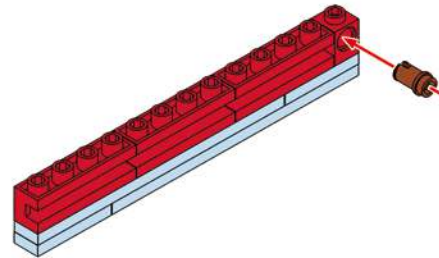




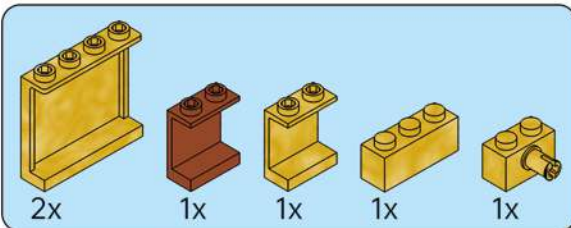
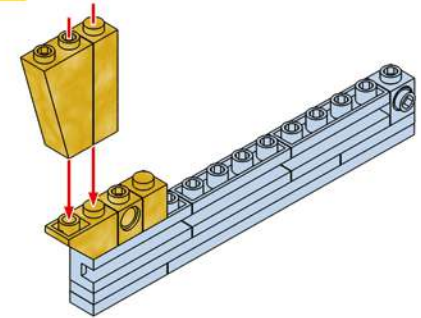
**381**



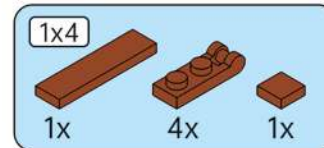
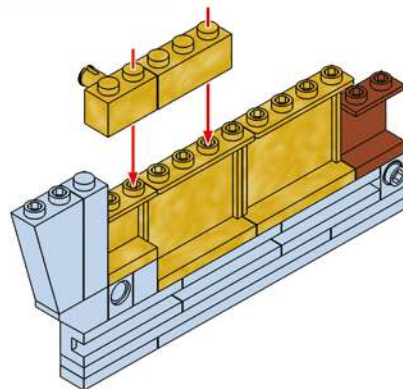
**382**



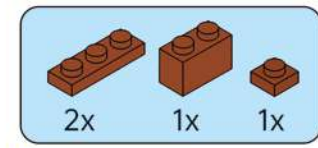
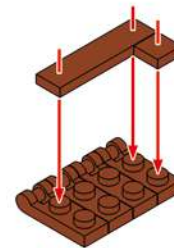
**383**



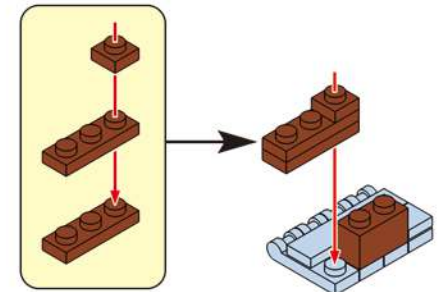
**384**

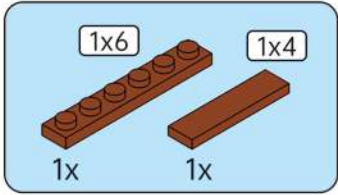


**385**

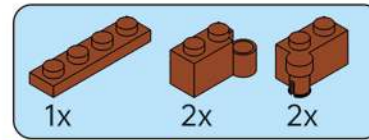
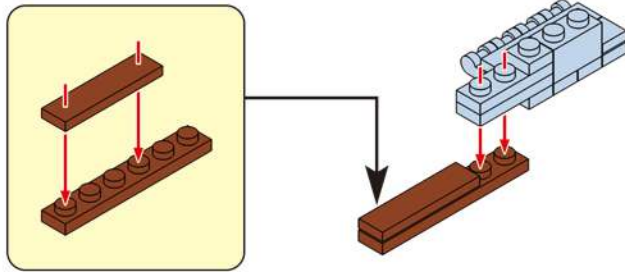


**386**

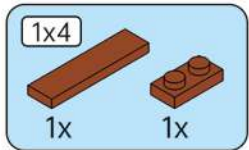
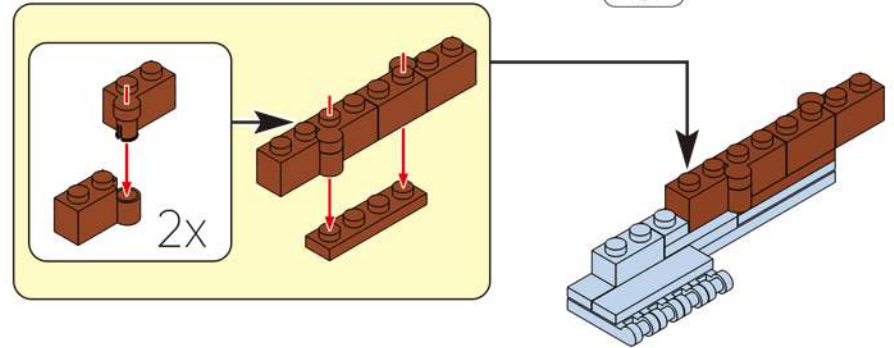




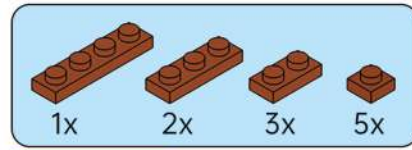
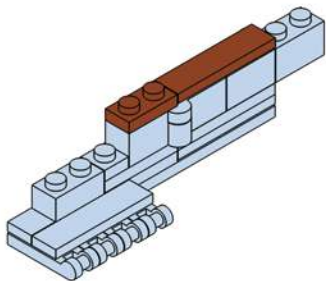
**387**



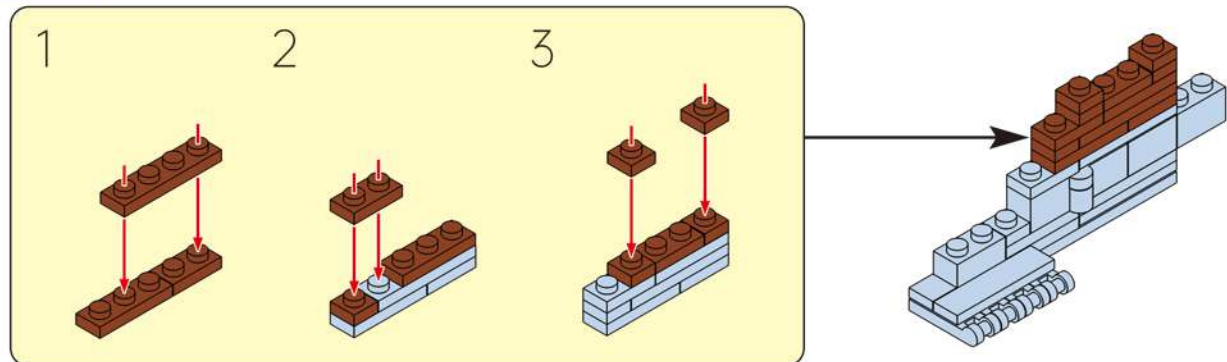
**388**

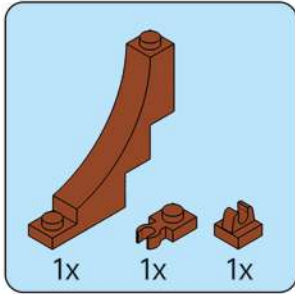


**389**

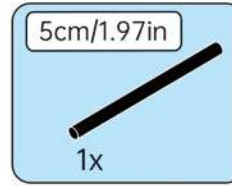
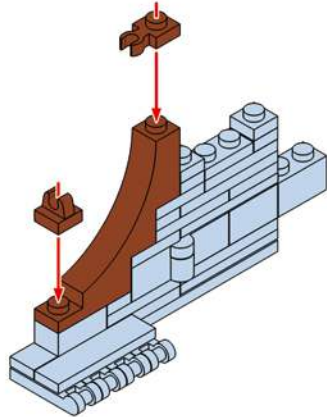


**390**

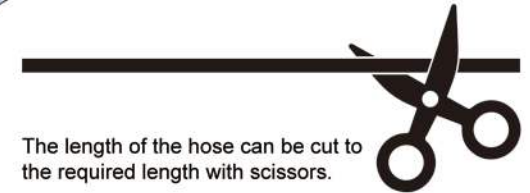
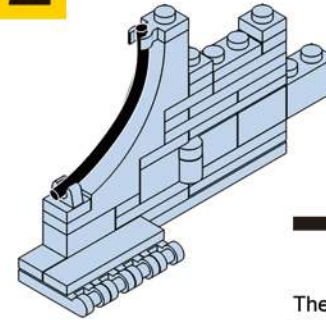




**391**



**392**

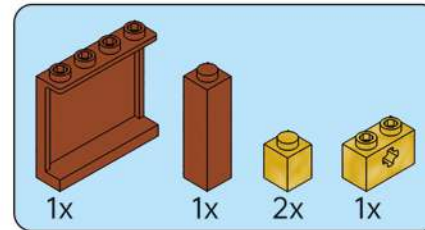
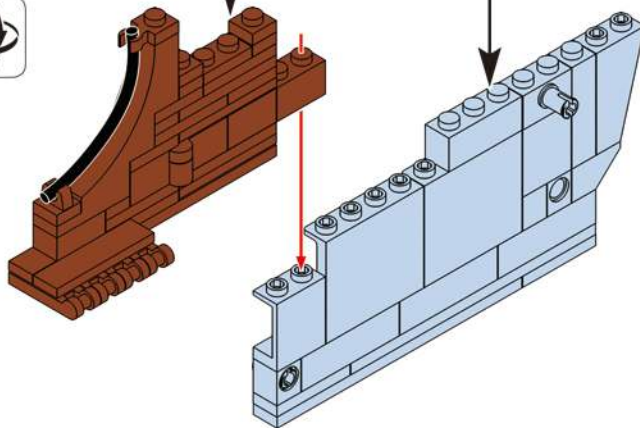


The length of the hose can be cut to the required length with scissors.

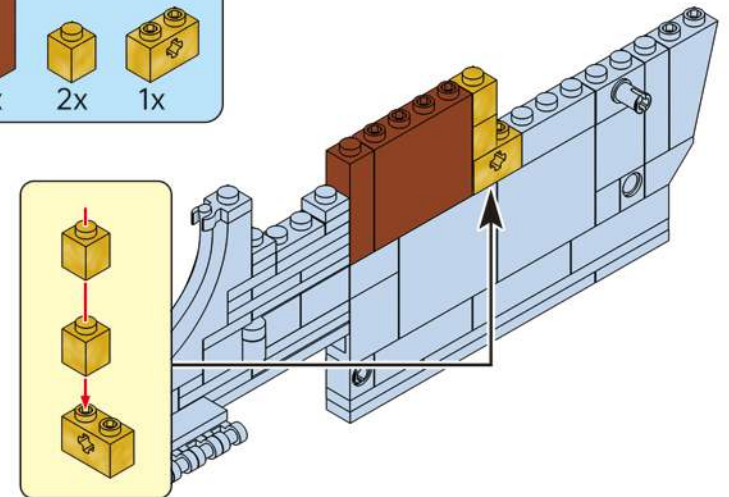
**393**

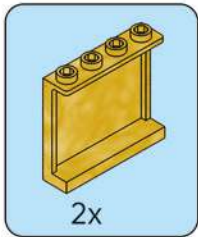
**392**

**384**

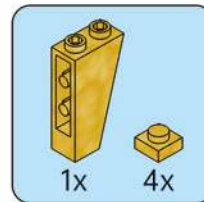
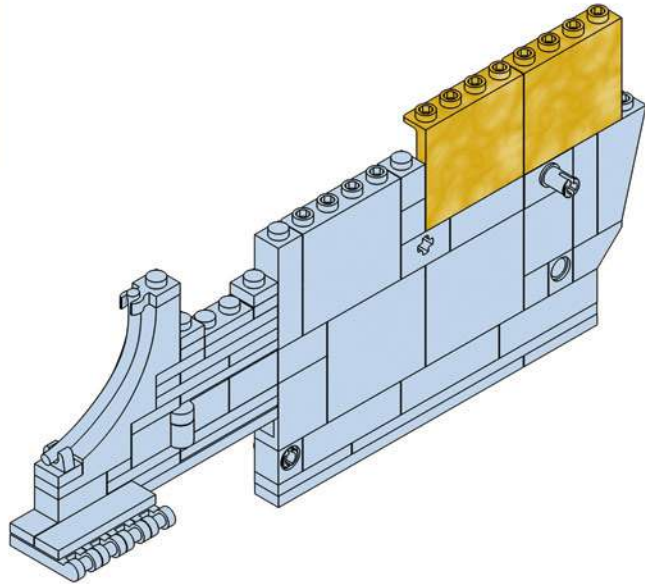


**394**

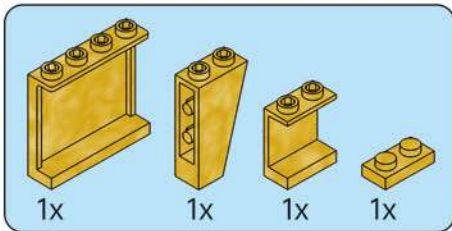
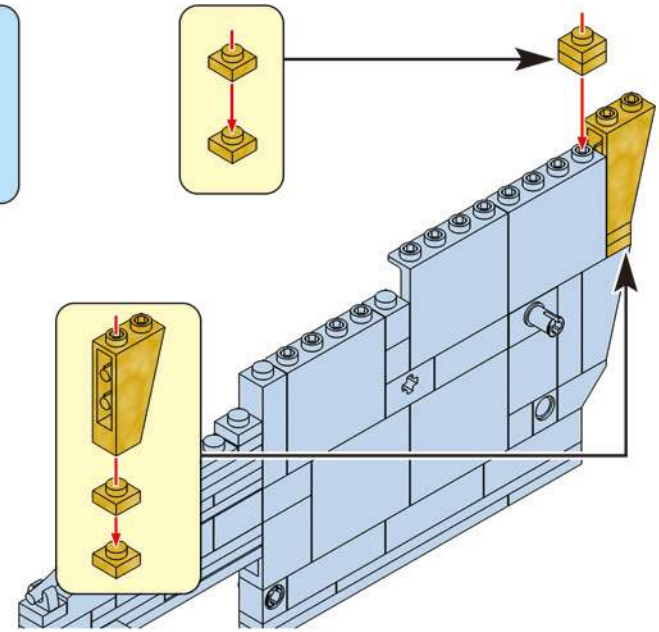




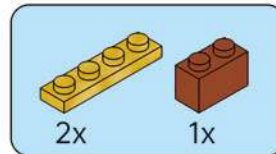
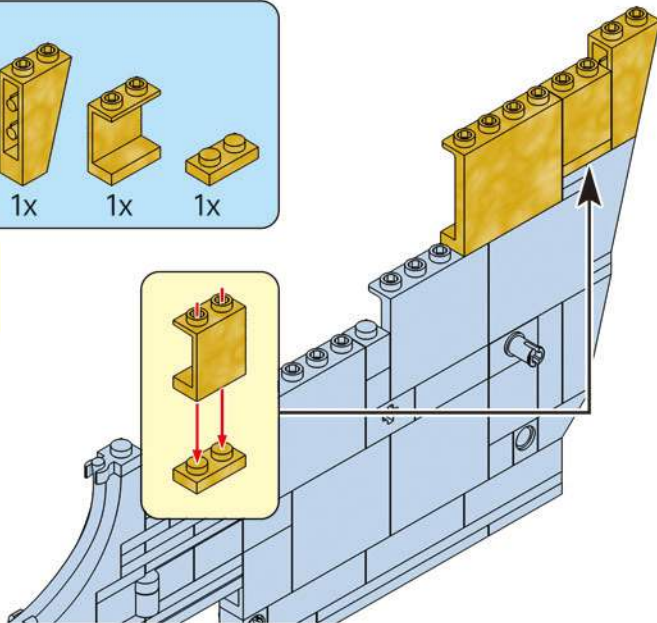
**395**



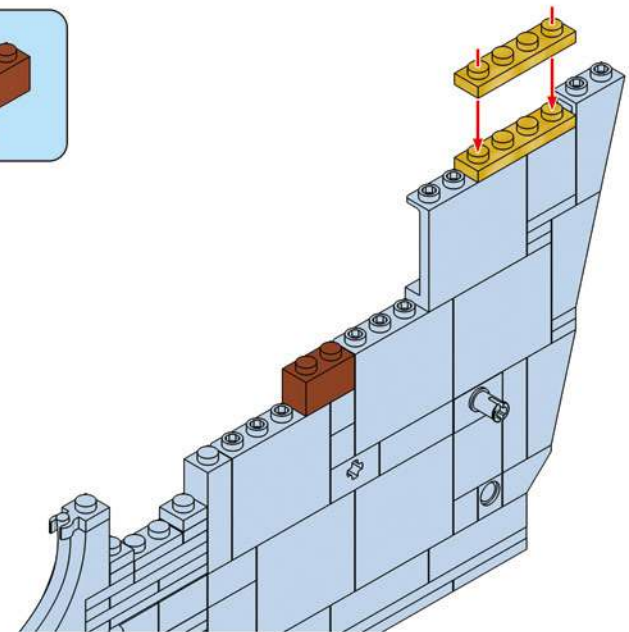
**396**

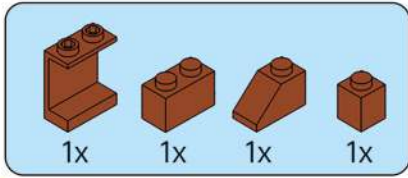


**397**

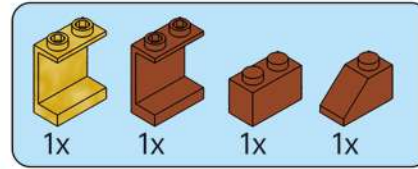
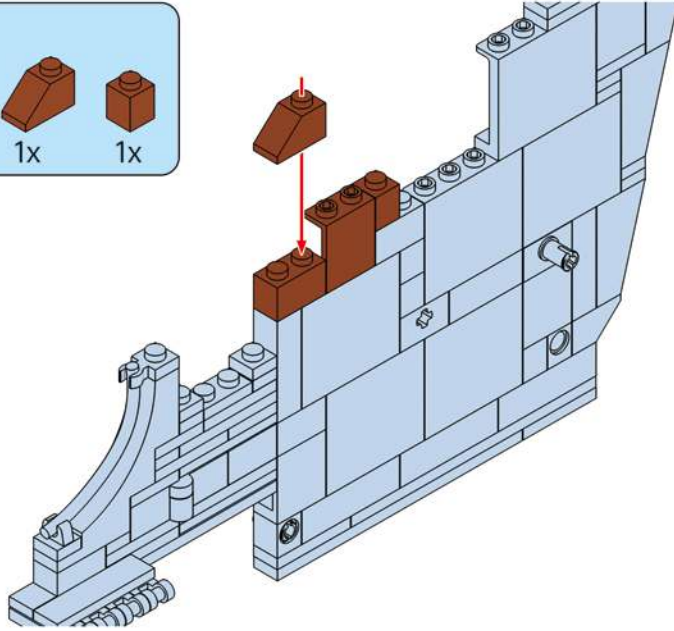


**398**

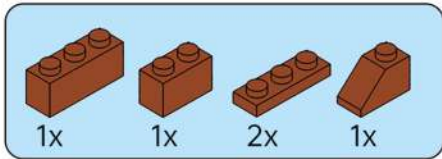
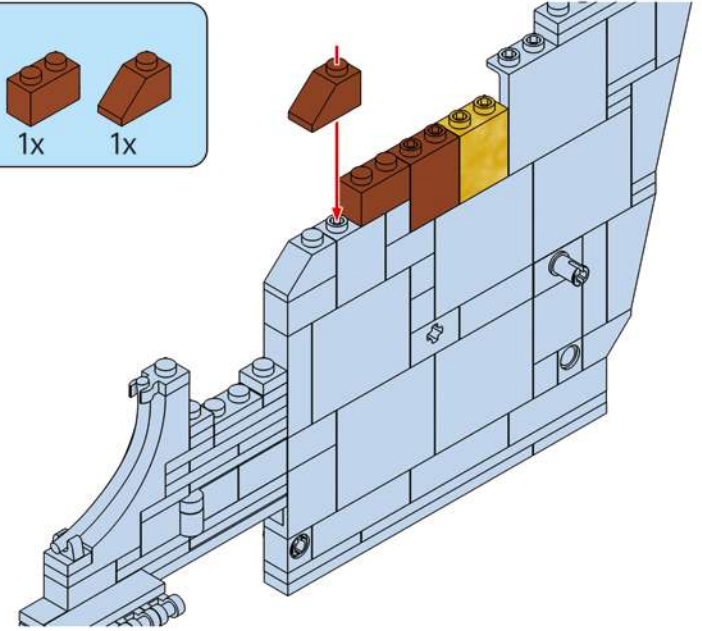




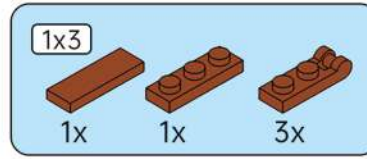
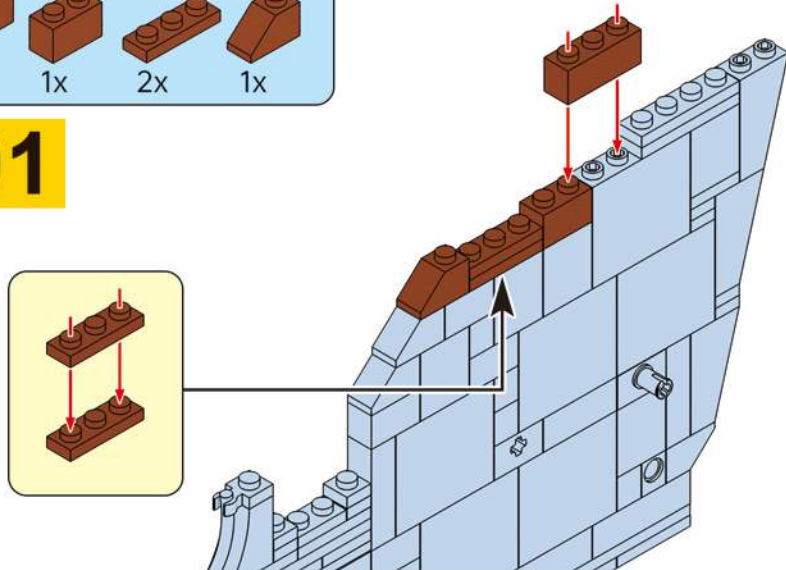
399



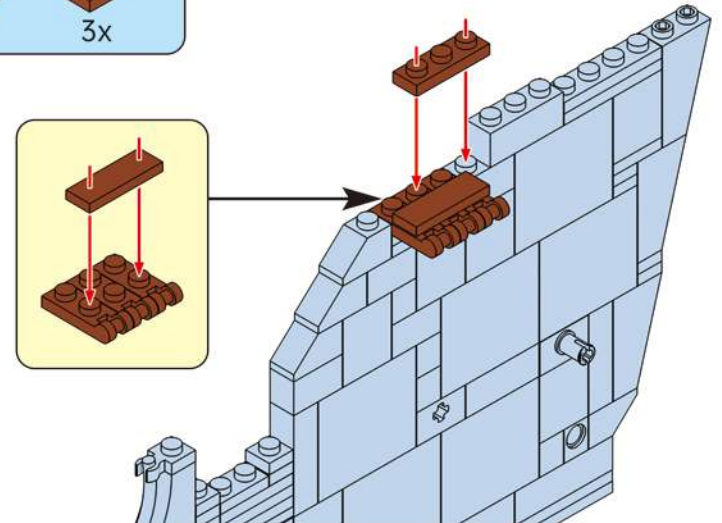
400

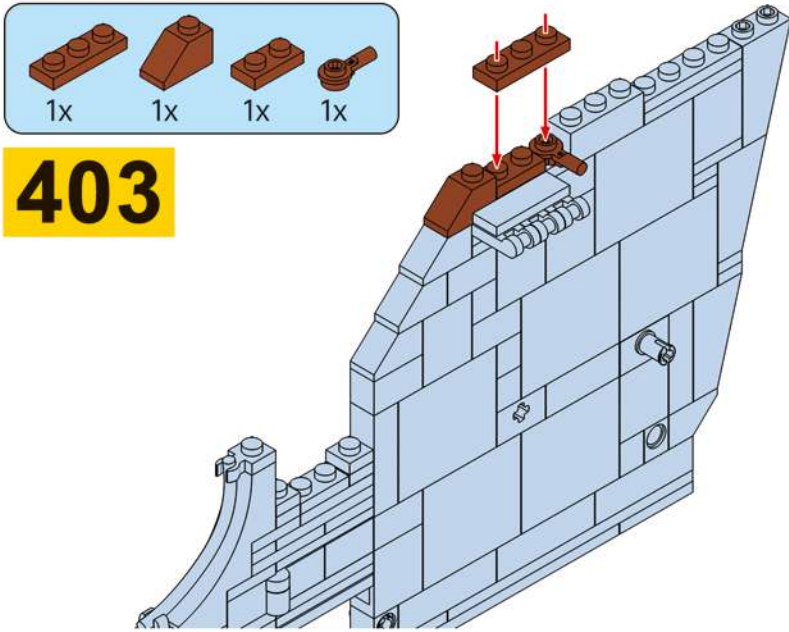


401

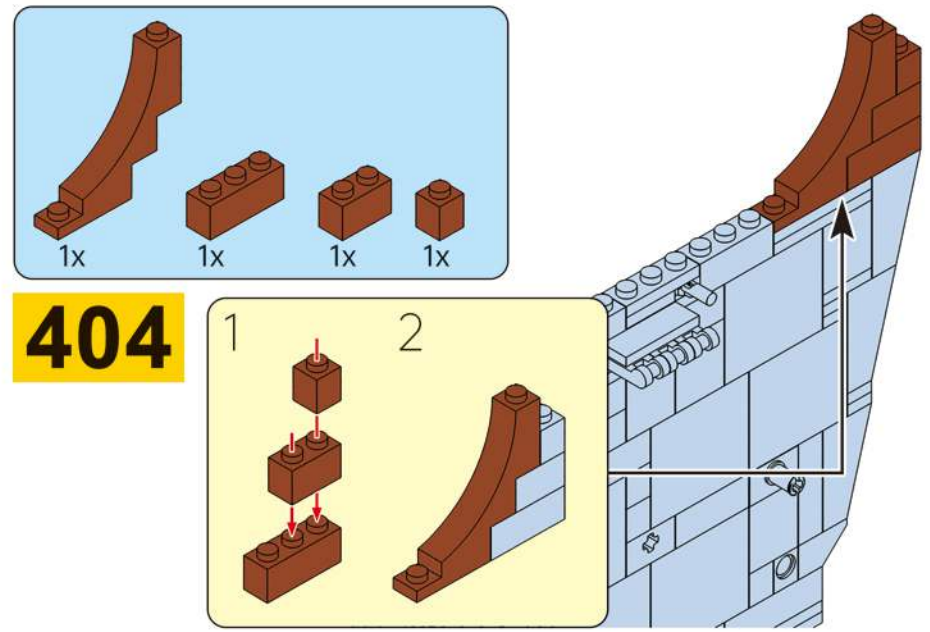


402

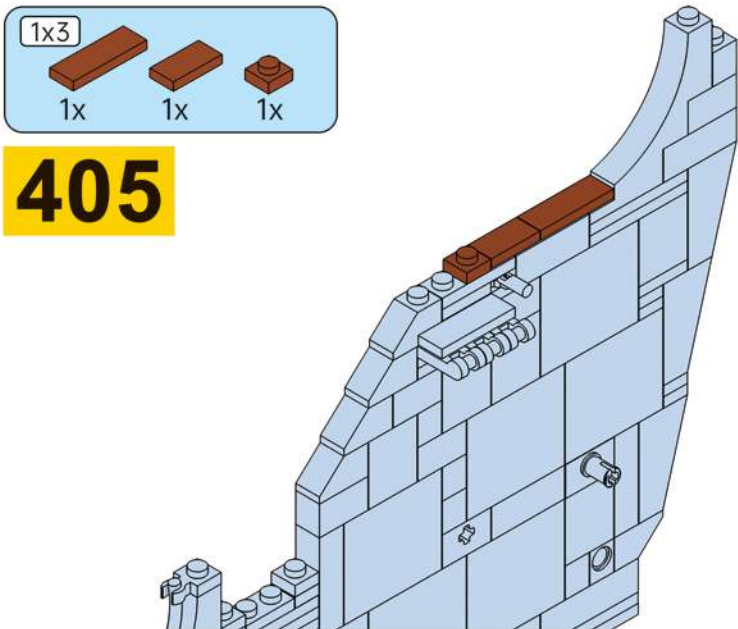




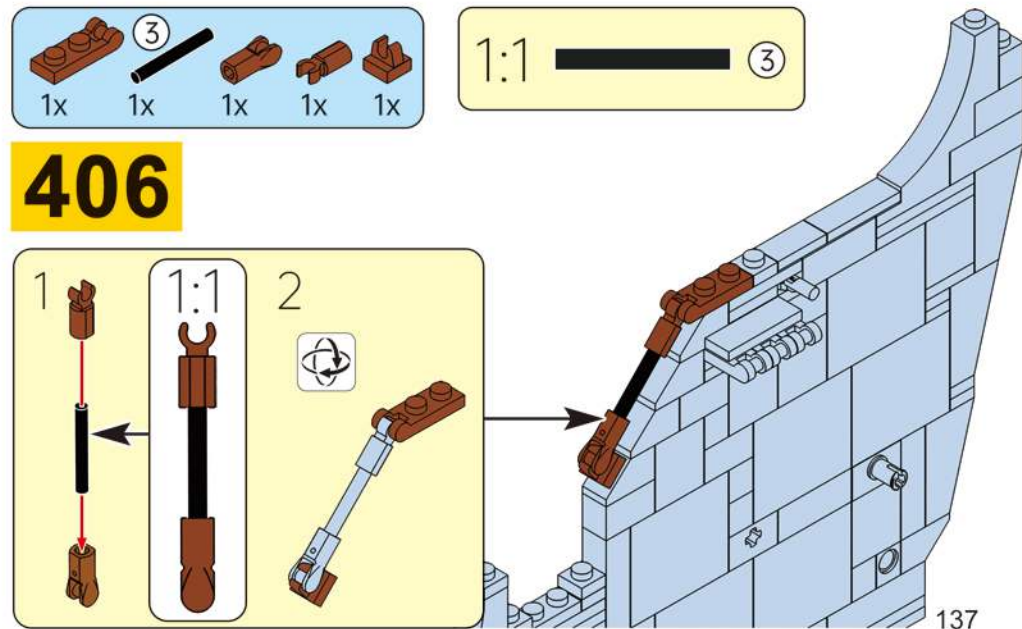
**403**



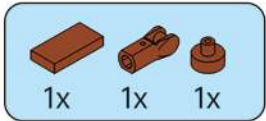
**404**



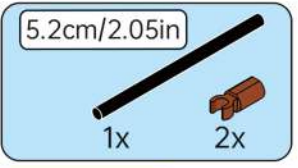
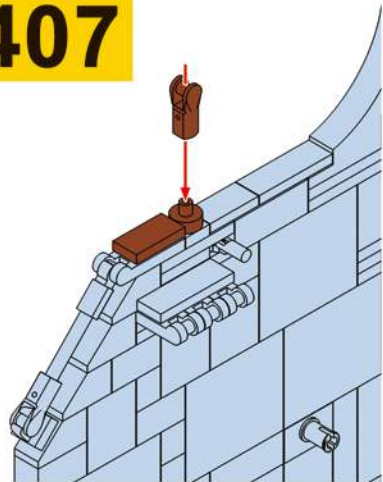
**405**



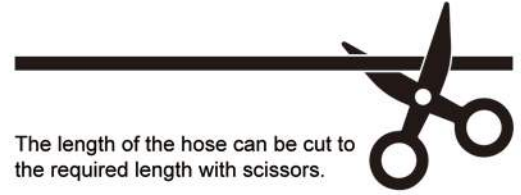
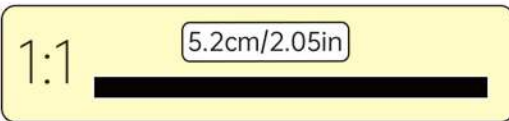
**406**



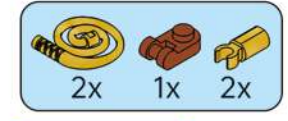
# 407



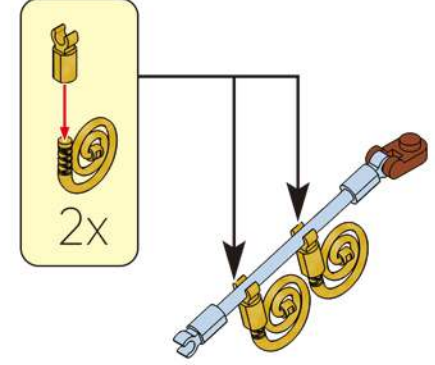
# 408



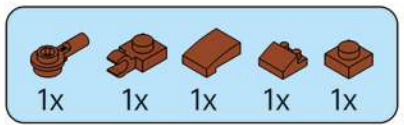
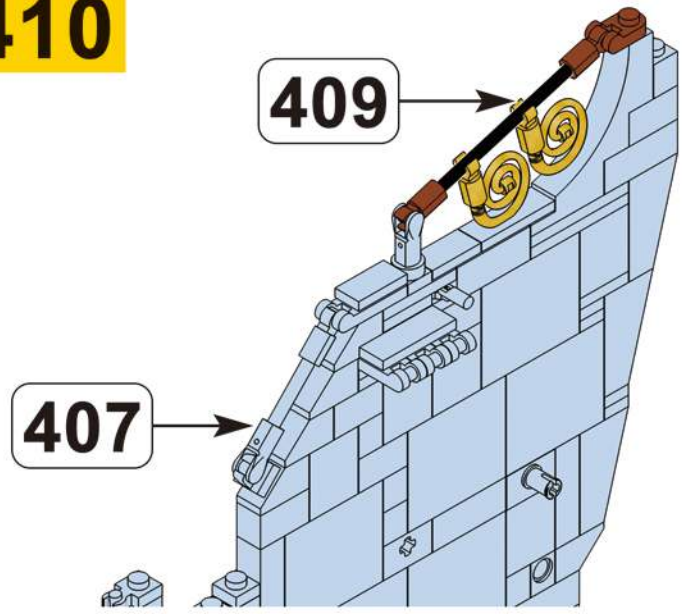
The length of the hose can be cut to the required length with scissors.



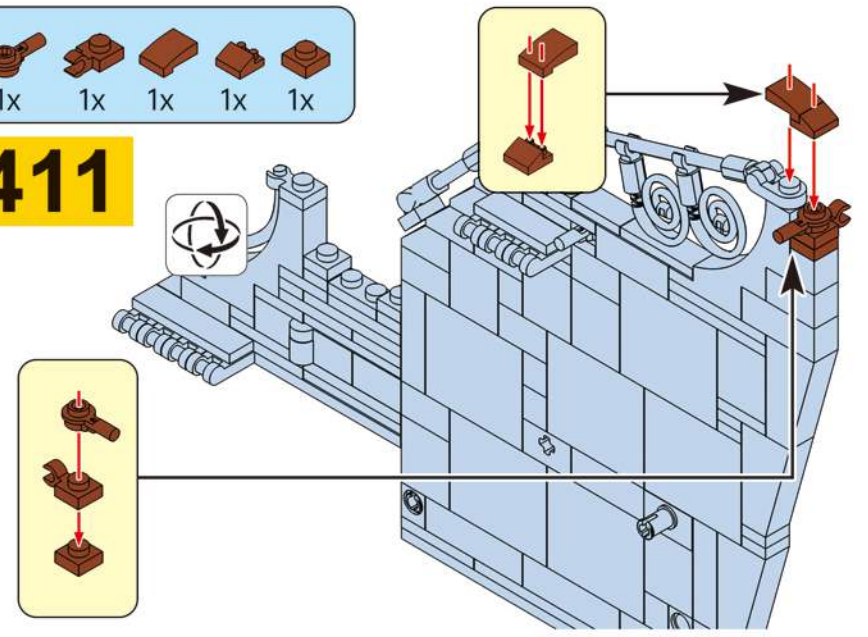
# 409



# 410



# 411

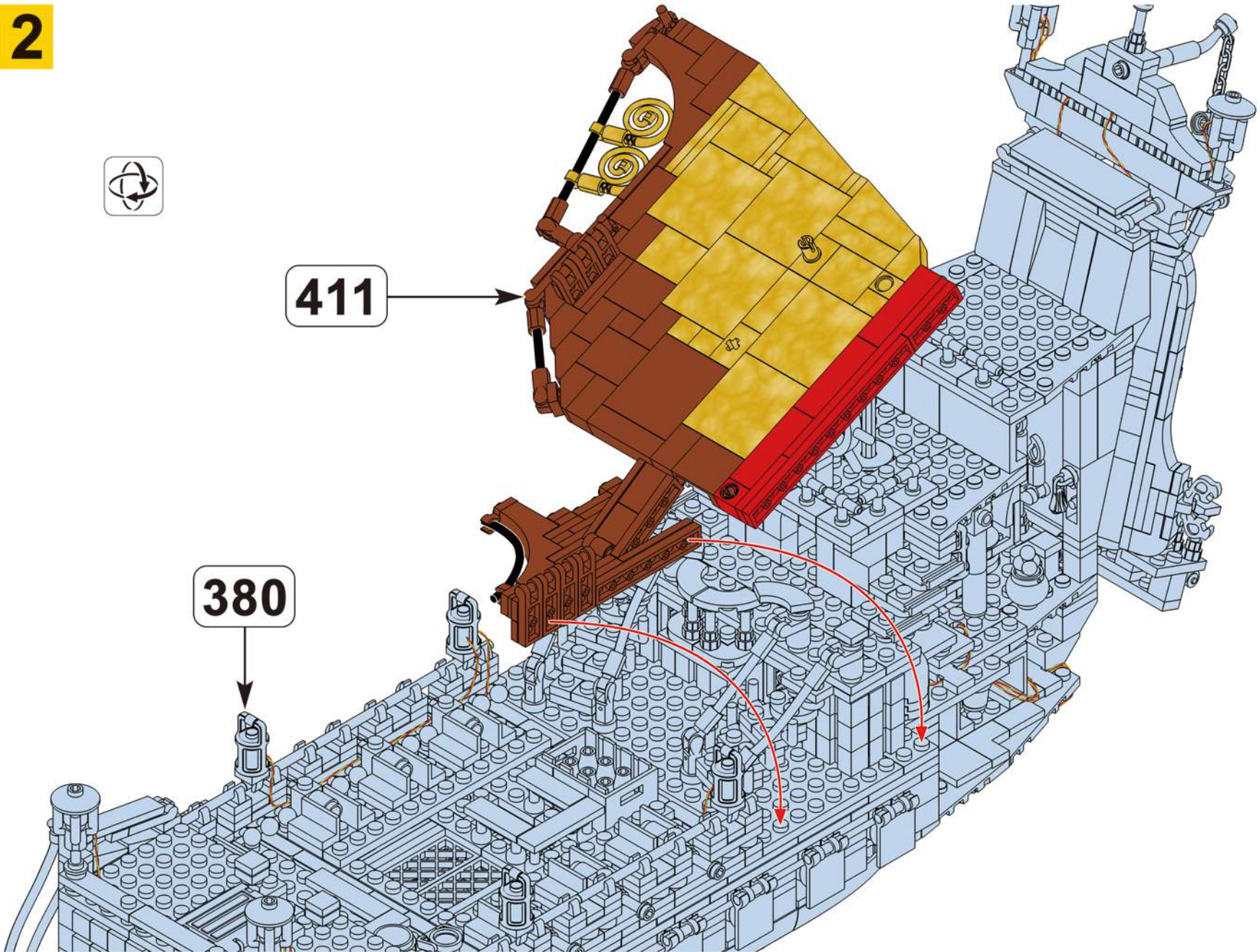


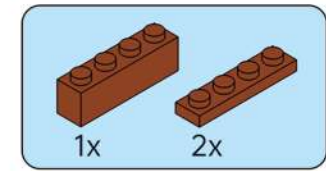
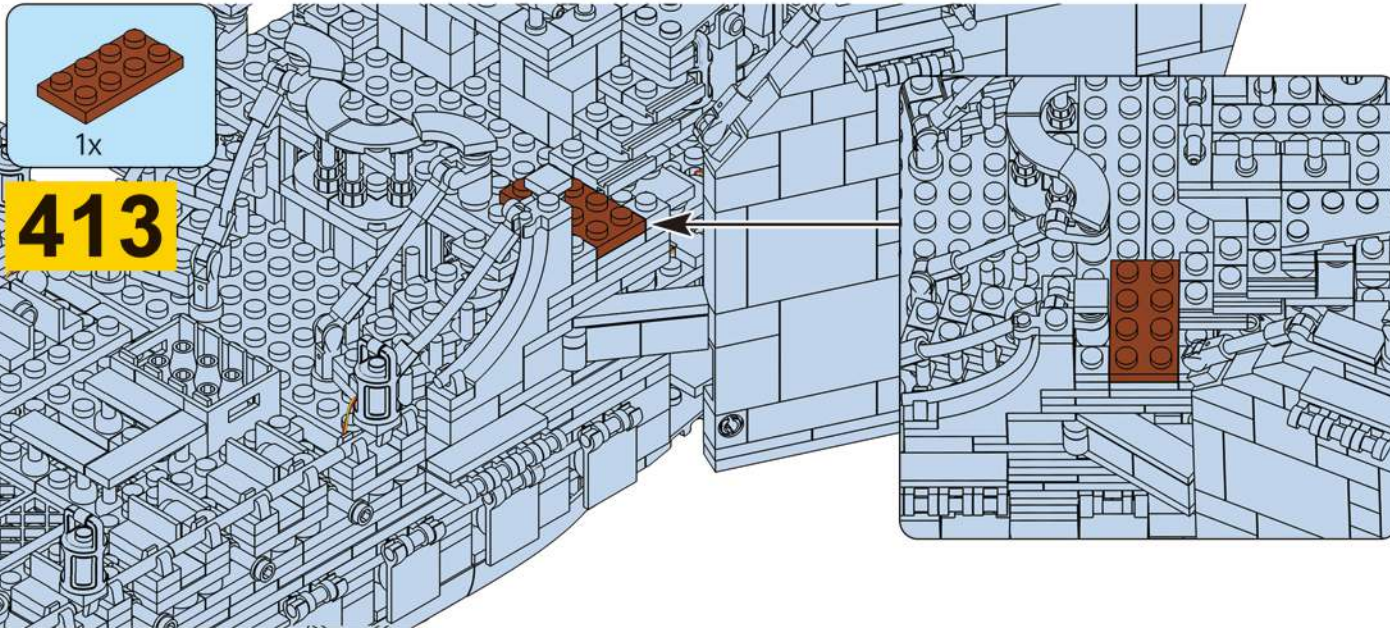
412



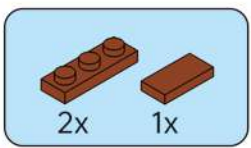
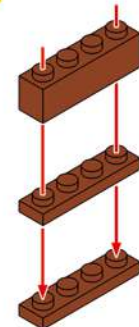
411

380

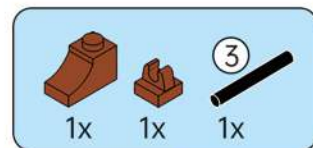
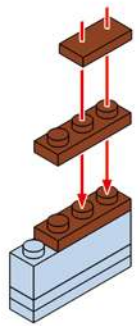




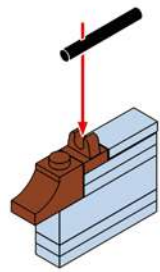
**414**



**415**



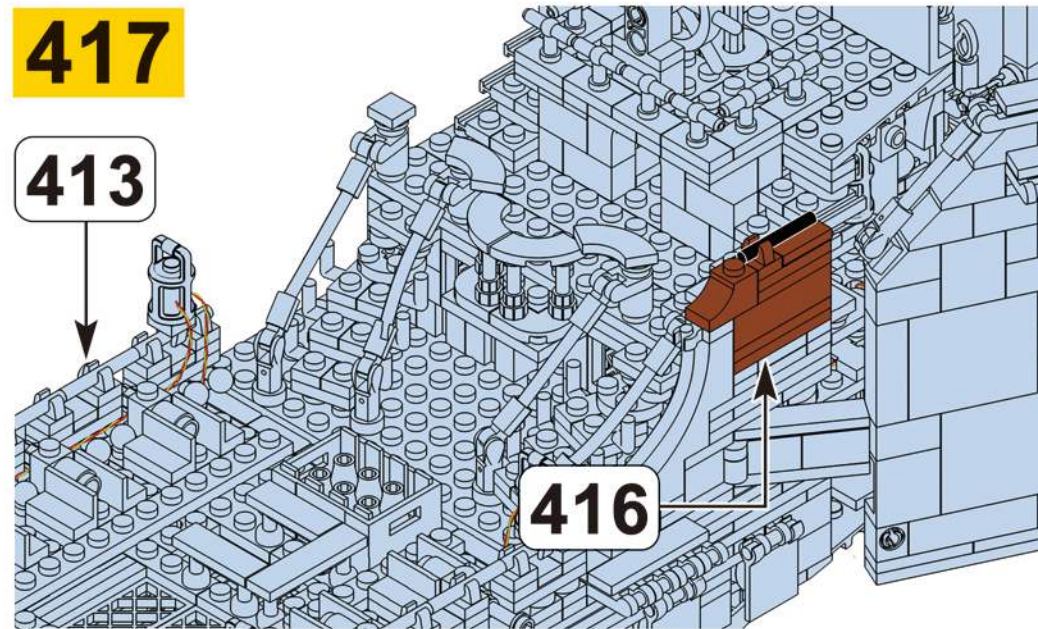
**416**

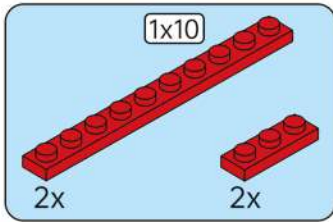


**417**

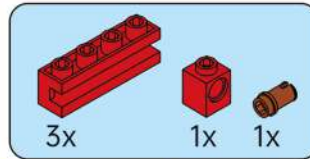
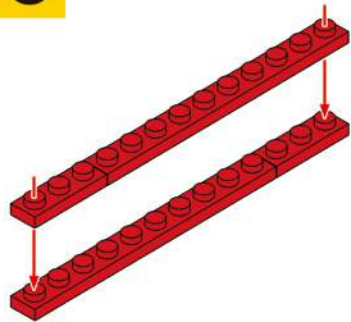
**413**

**416**

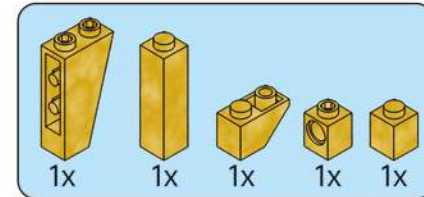
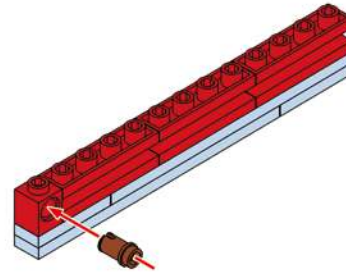




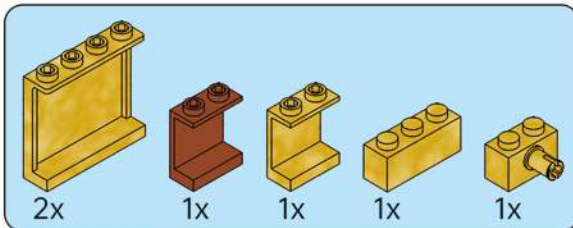
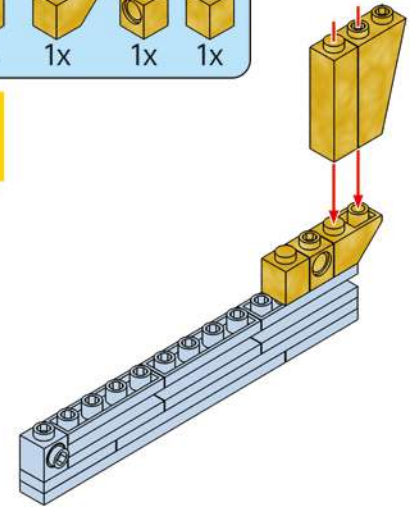
418



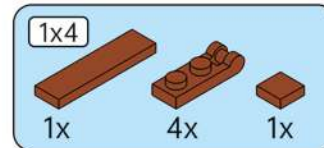
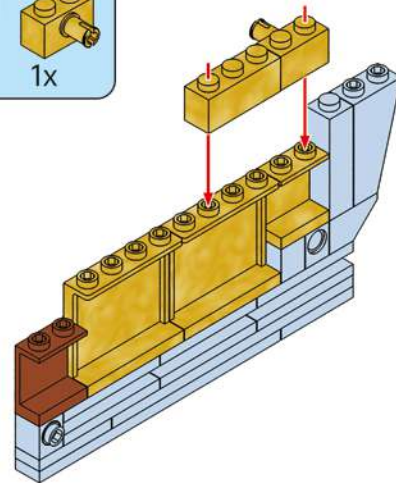
419



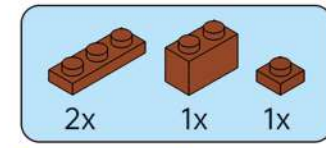
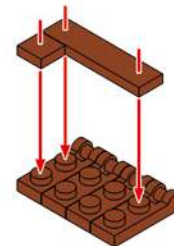
420



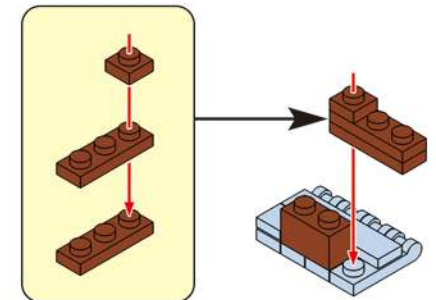
421

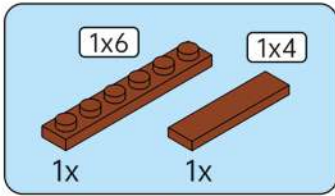


422

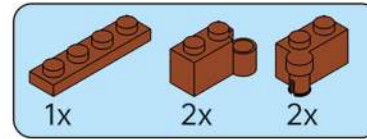
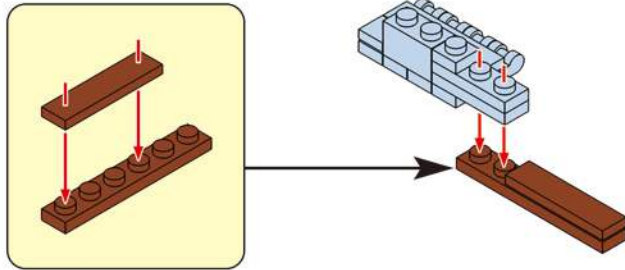


423

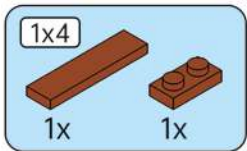
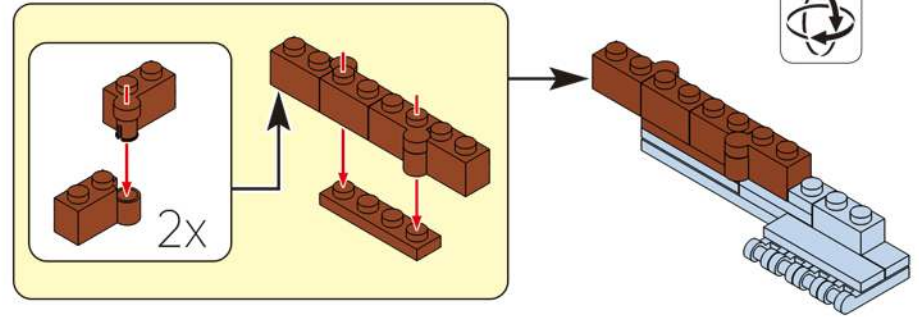




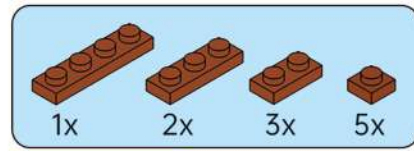
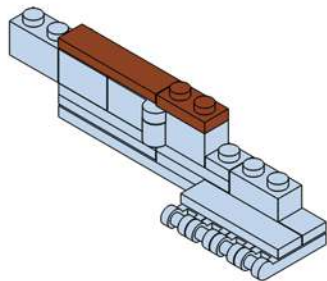
# 424



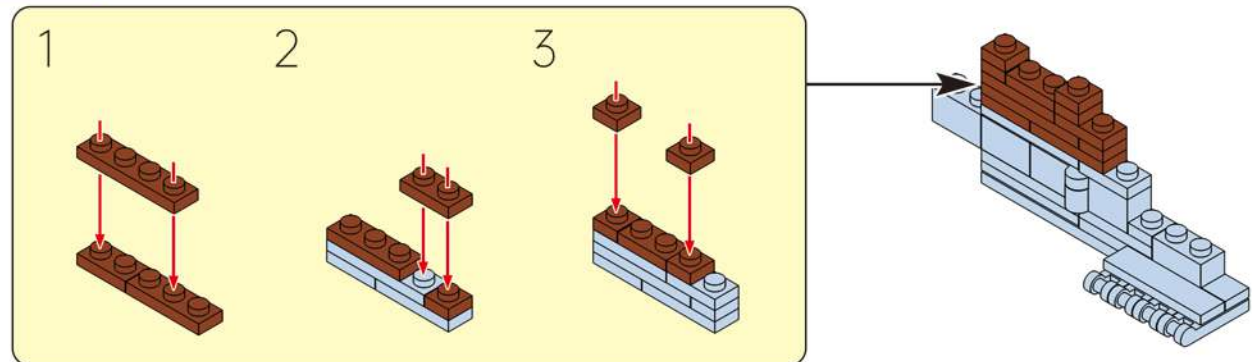
# 425

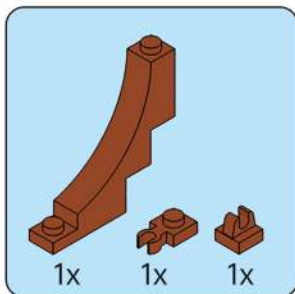


# 426

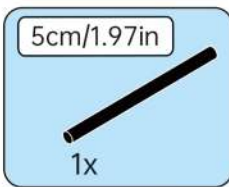
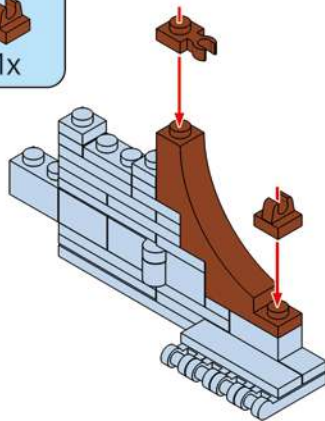


# 427

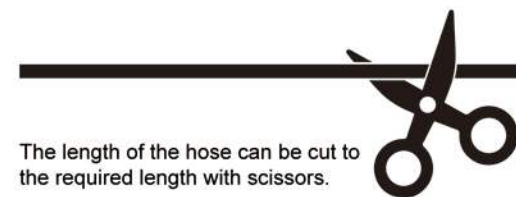
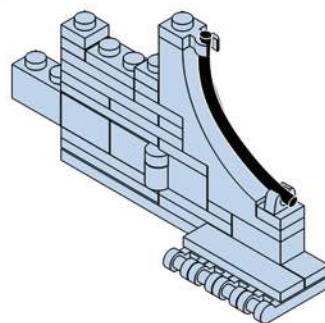




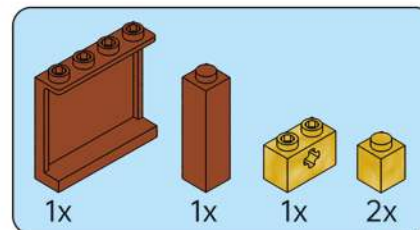
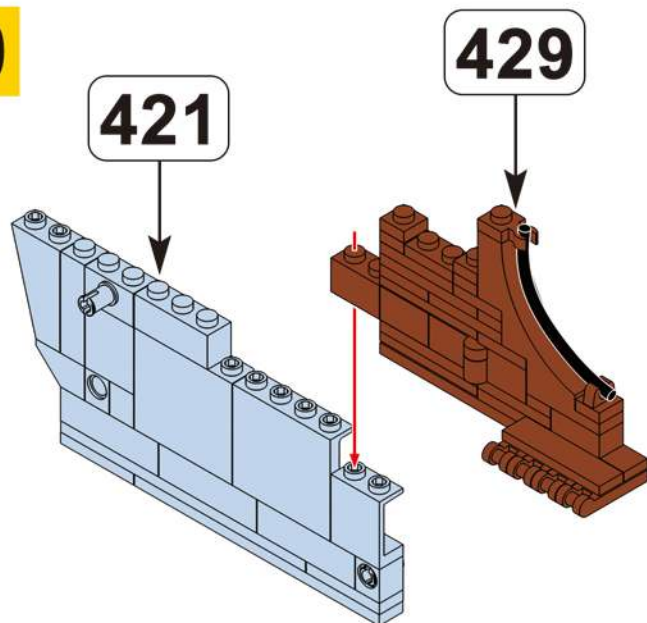
428



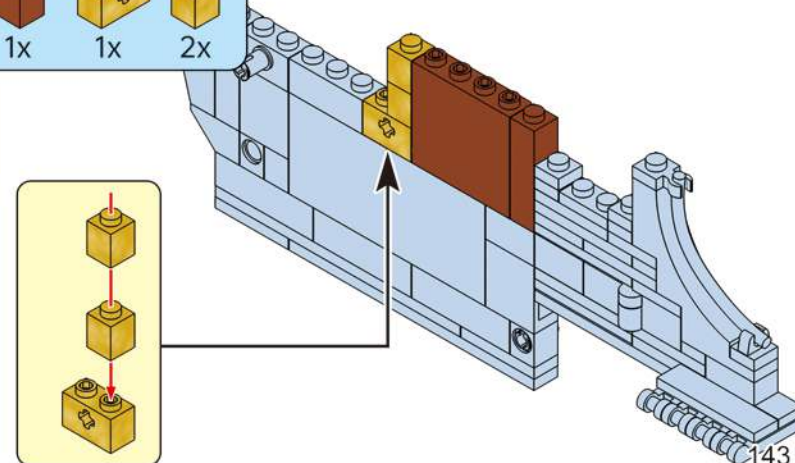
429

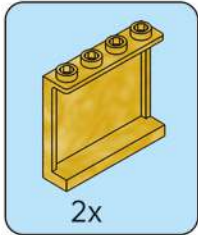


430

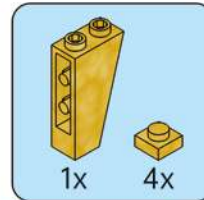
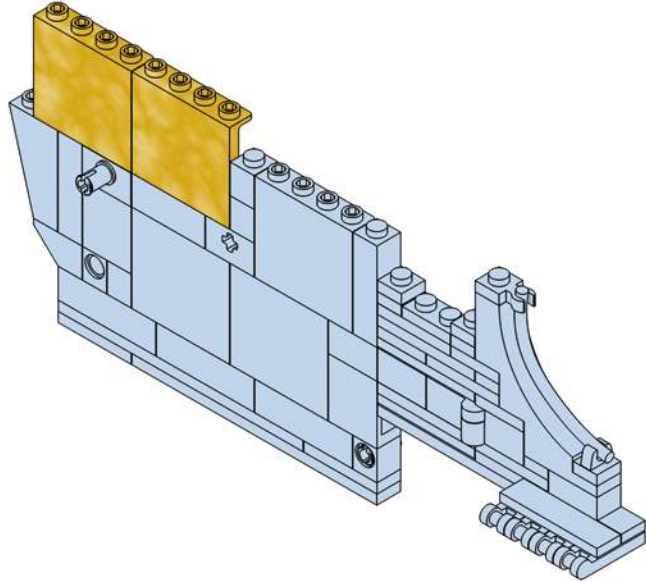


431

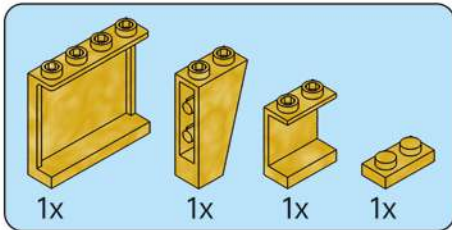
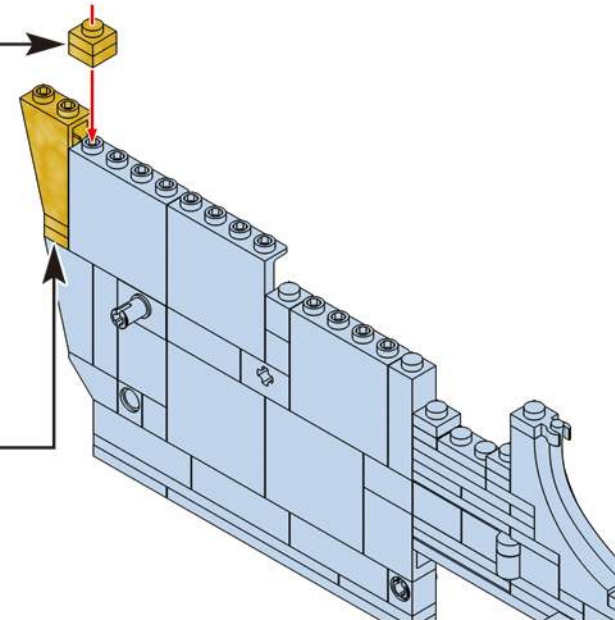
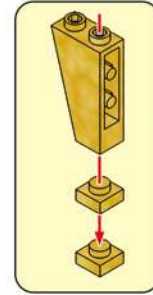
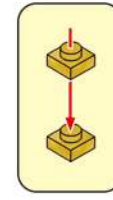




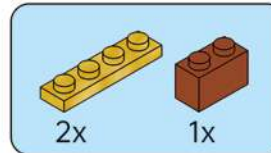
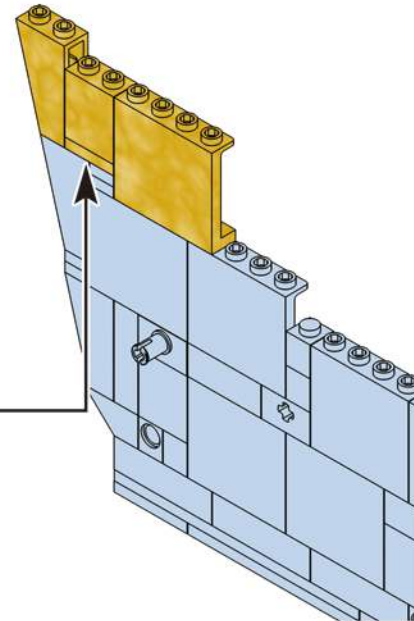
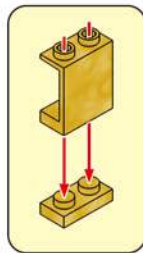
432



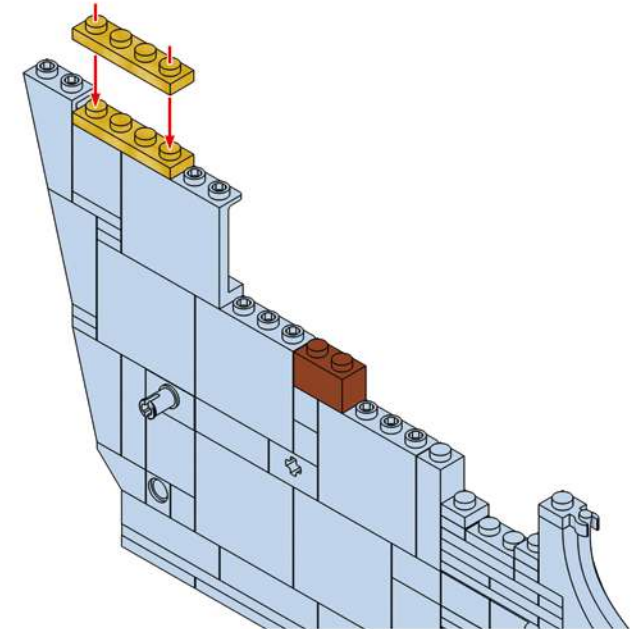
433

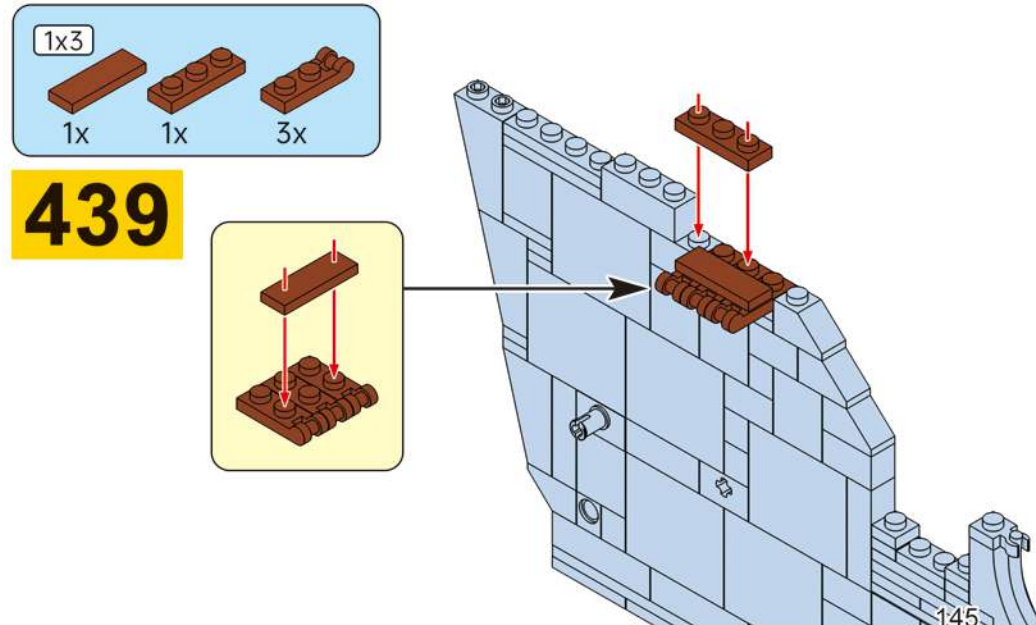
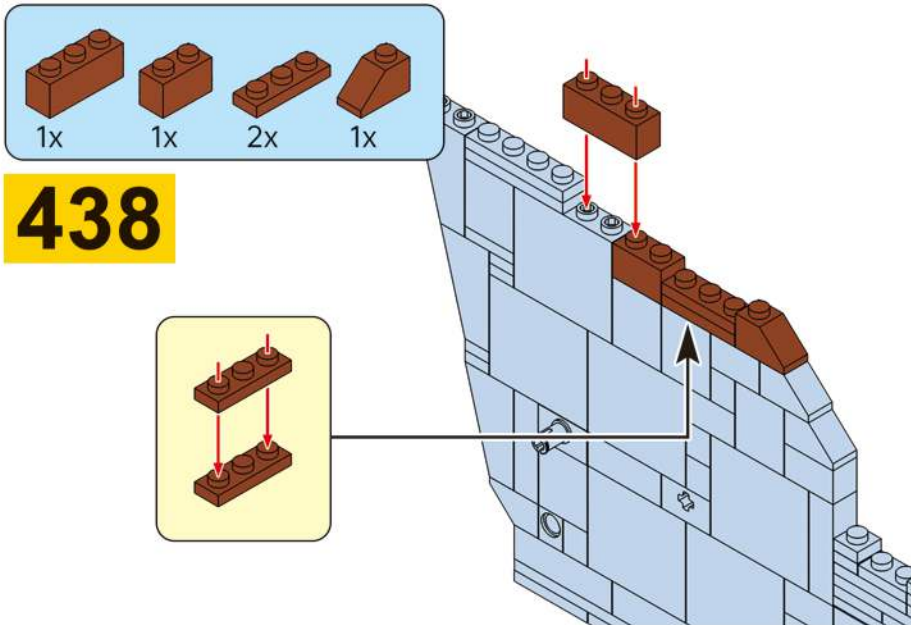
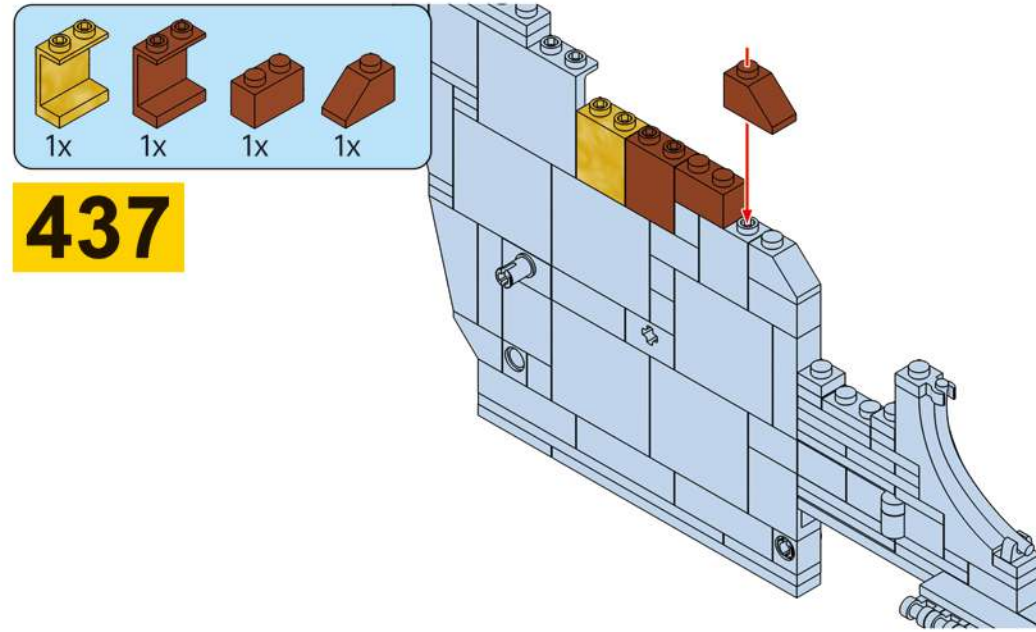
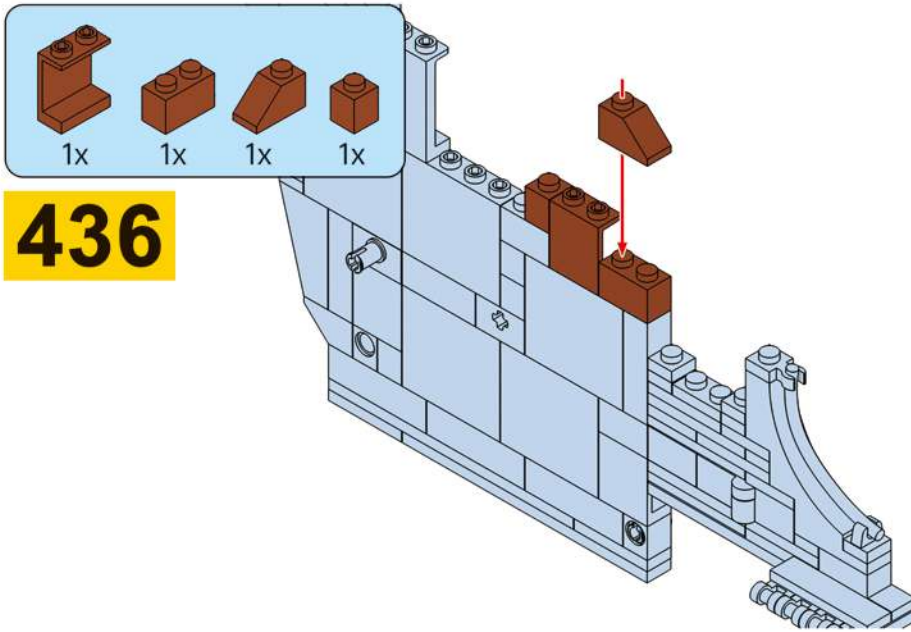


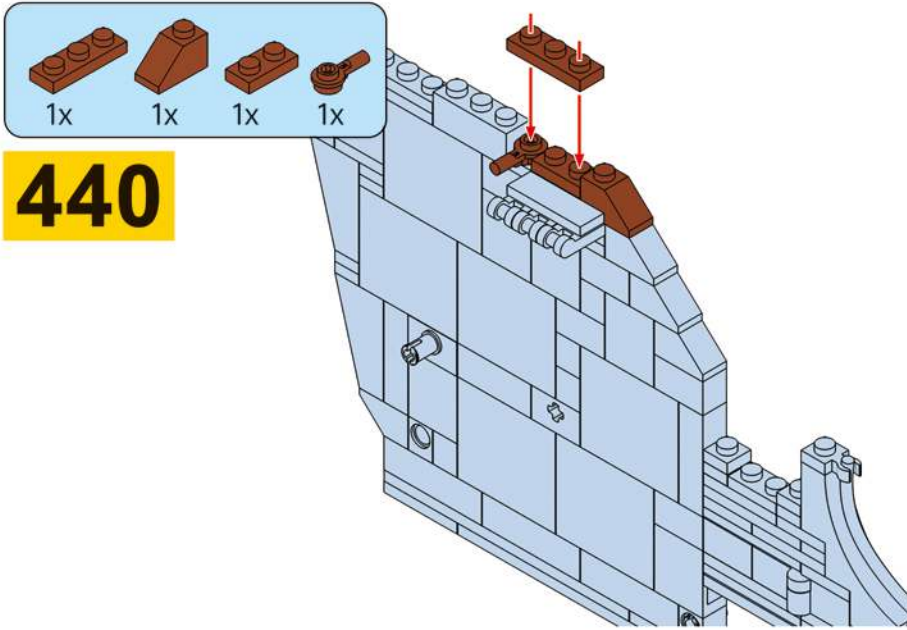
434



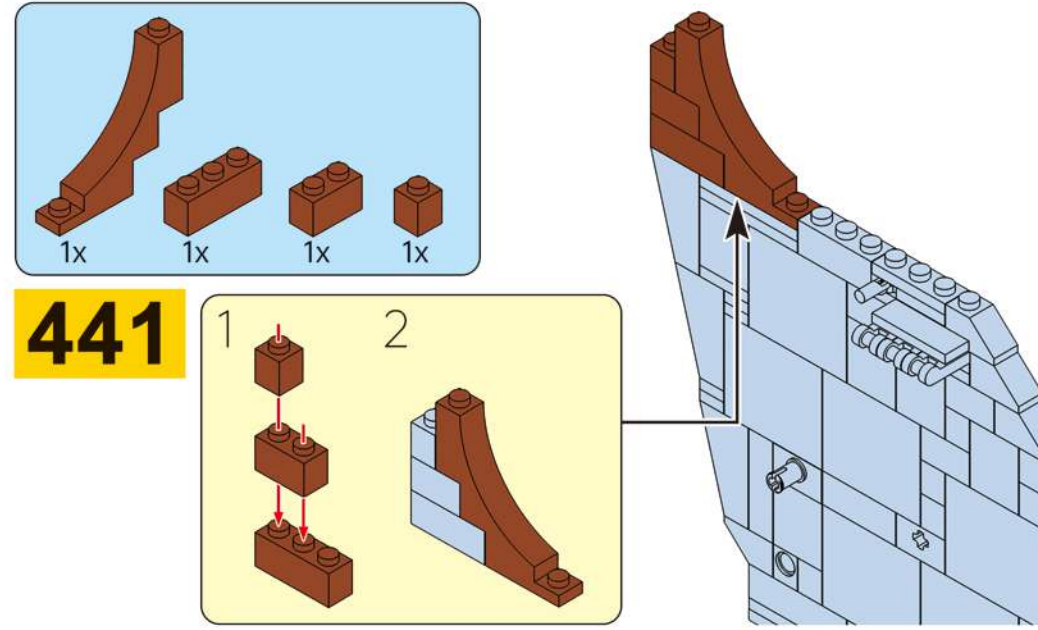
435



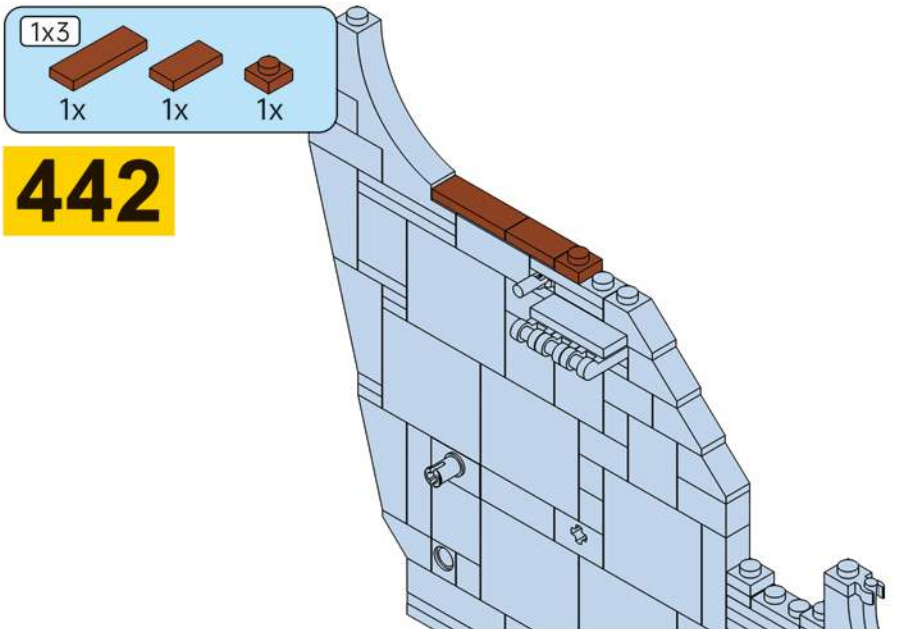




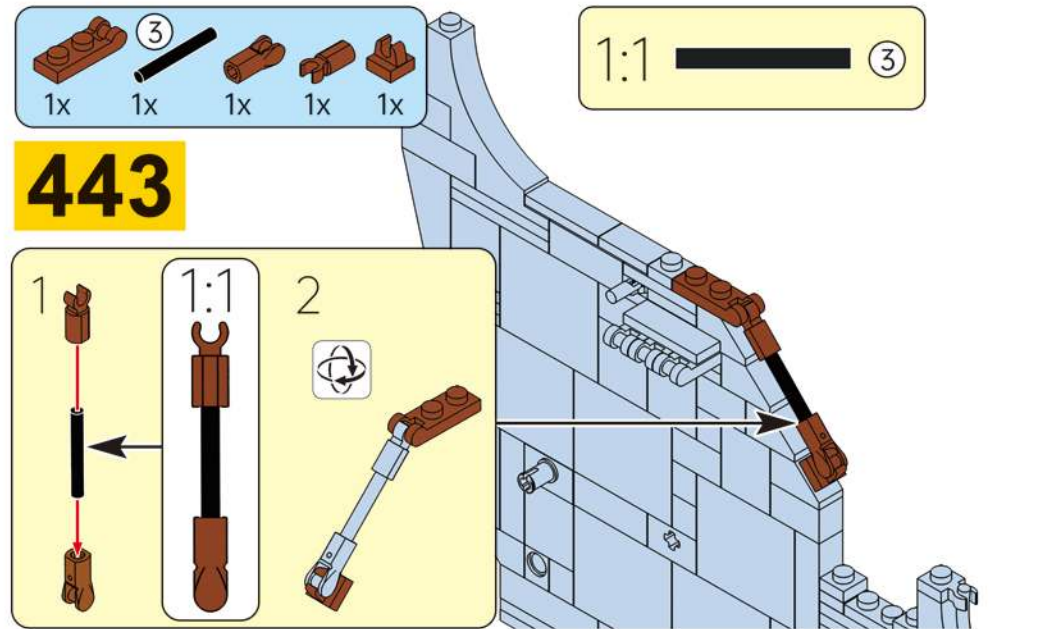
**440**



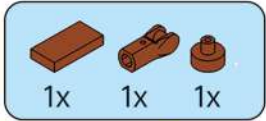
**441**



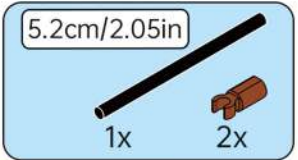
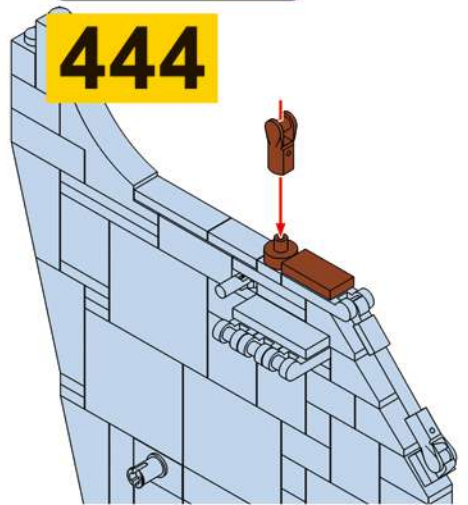
**442**



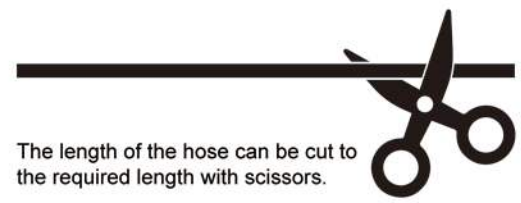
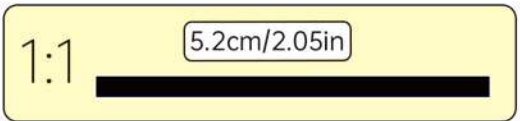
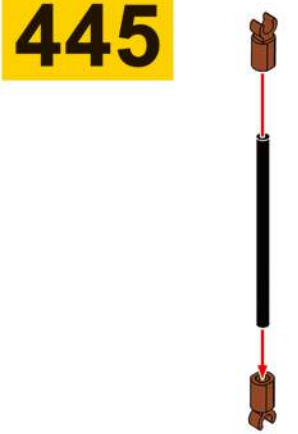
**443**



**444**



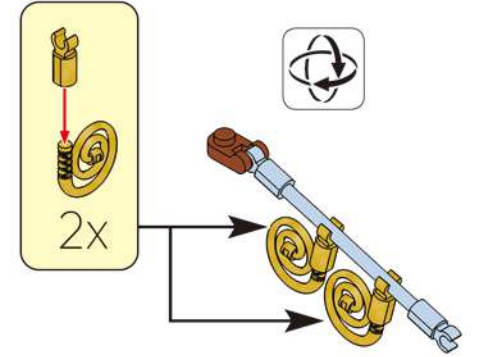
**445**



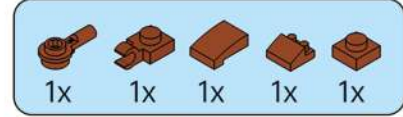
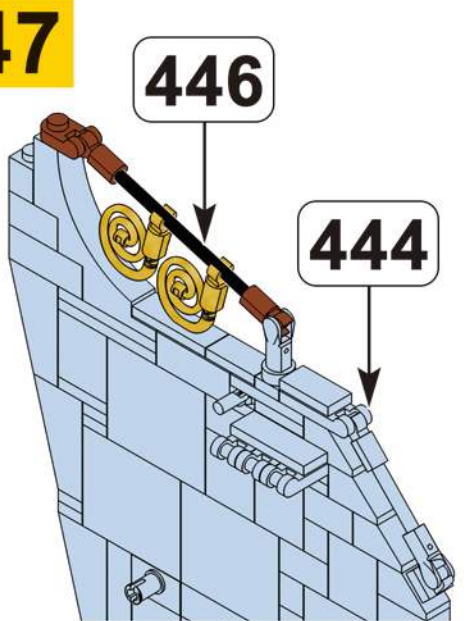
The length of the hose can be cut to the required length with scissors.



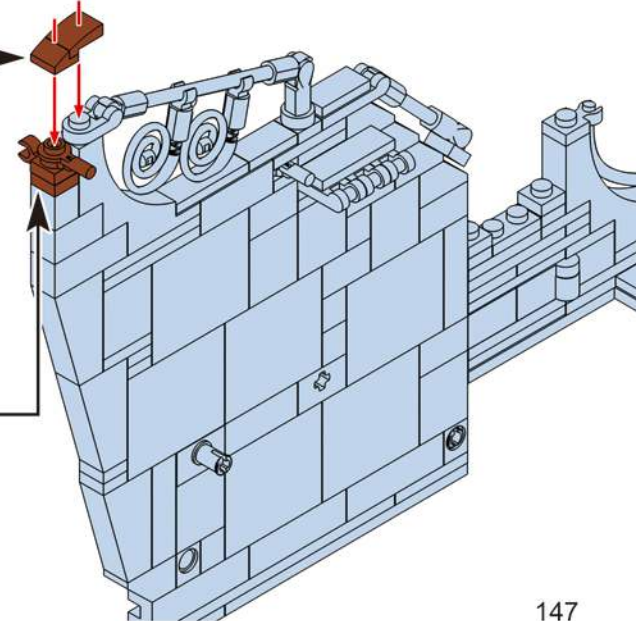
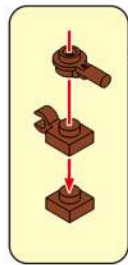
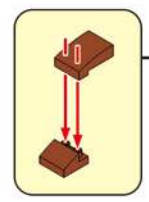
**446**



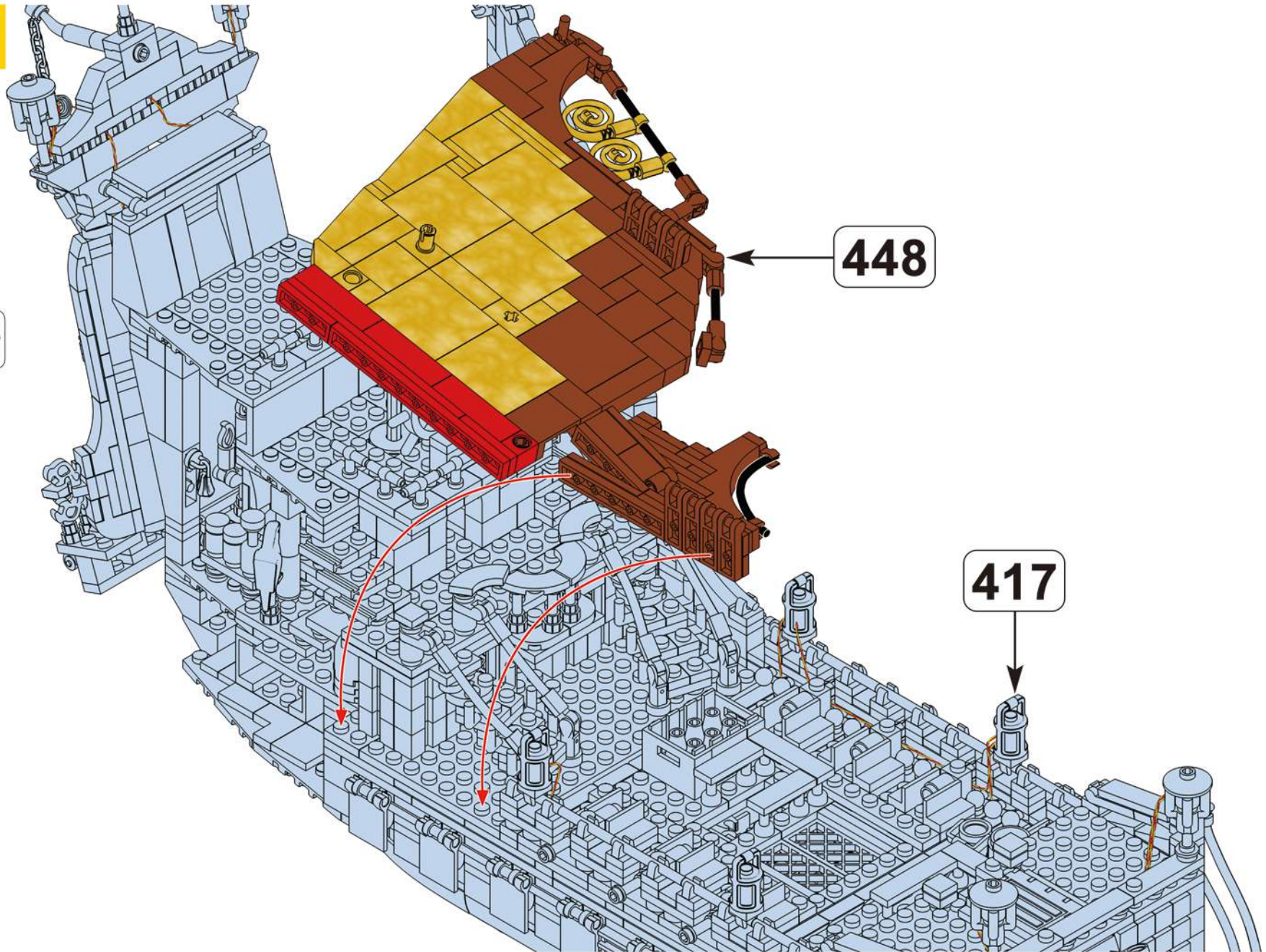
**447**

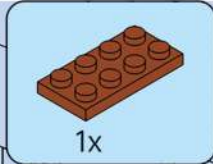


**448**

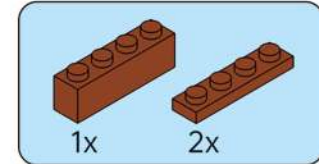


449

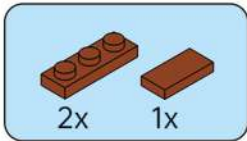
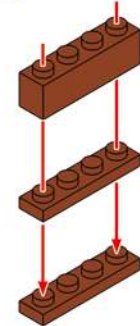




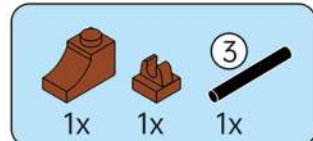
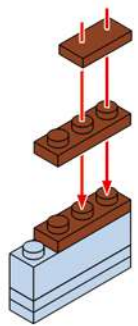
**450**



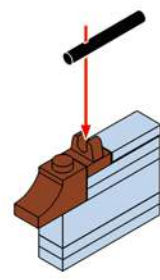
**451**



**452**



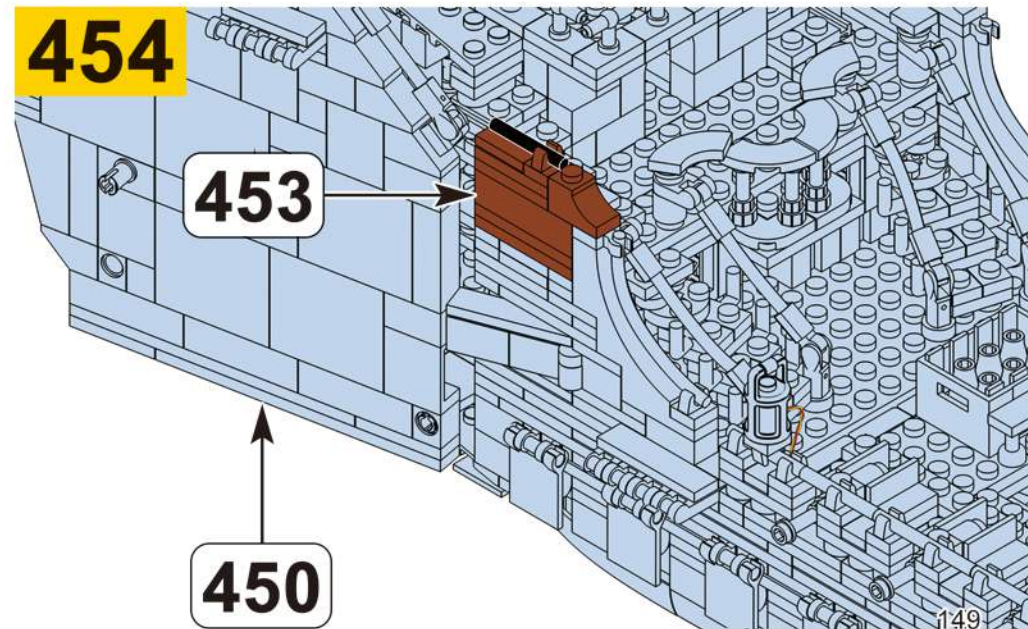
**453**



**454**

**453**

**450**



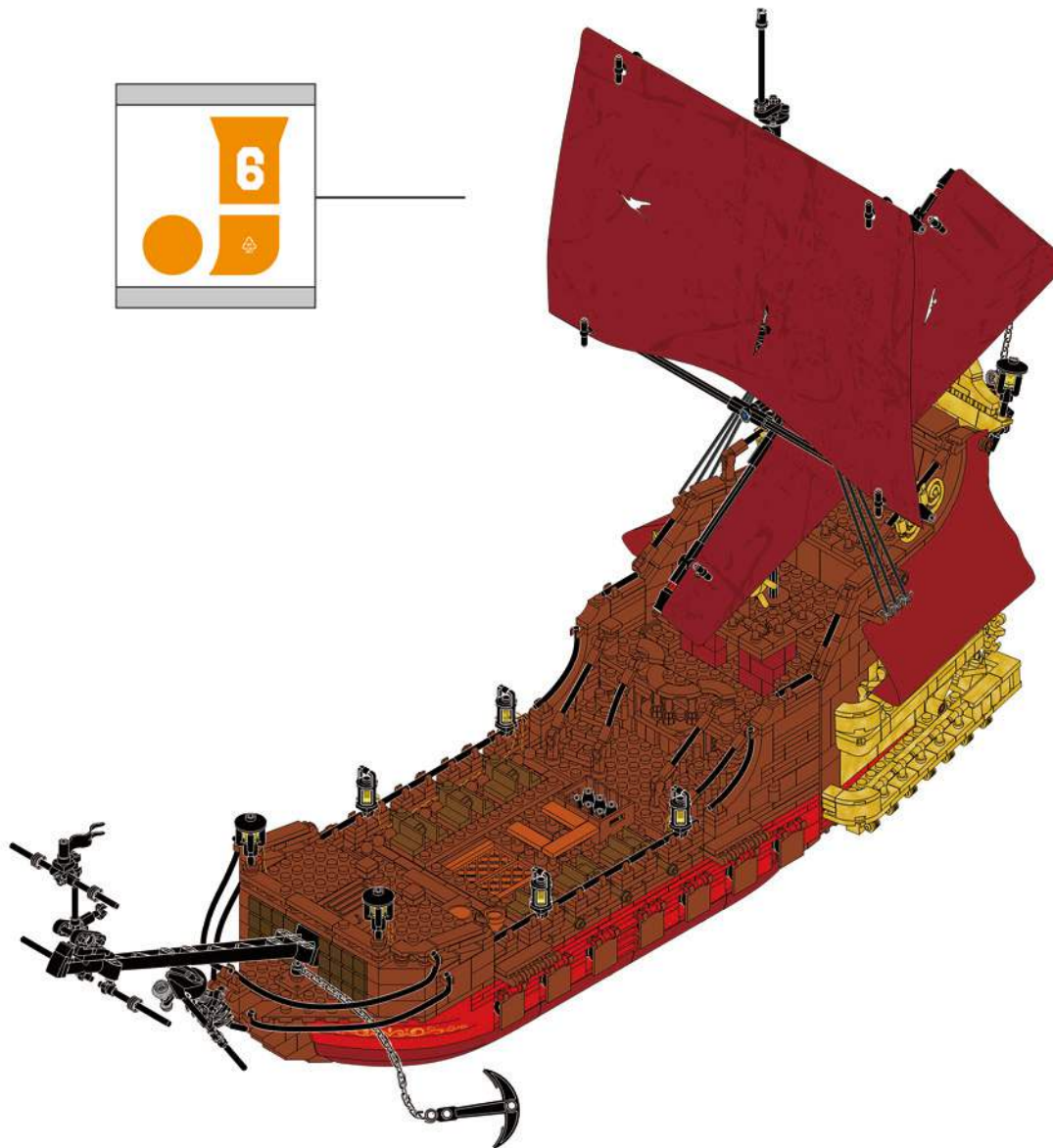
# JOY MAKES BRILLIANCE.

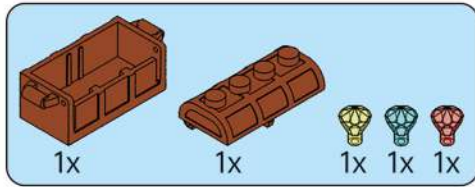
---

## Embrace Relaxation Embrace Joy

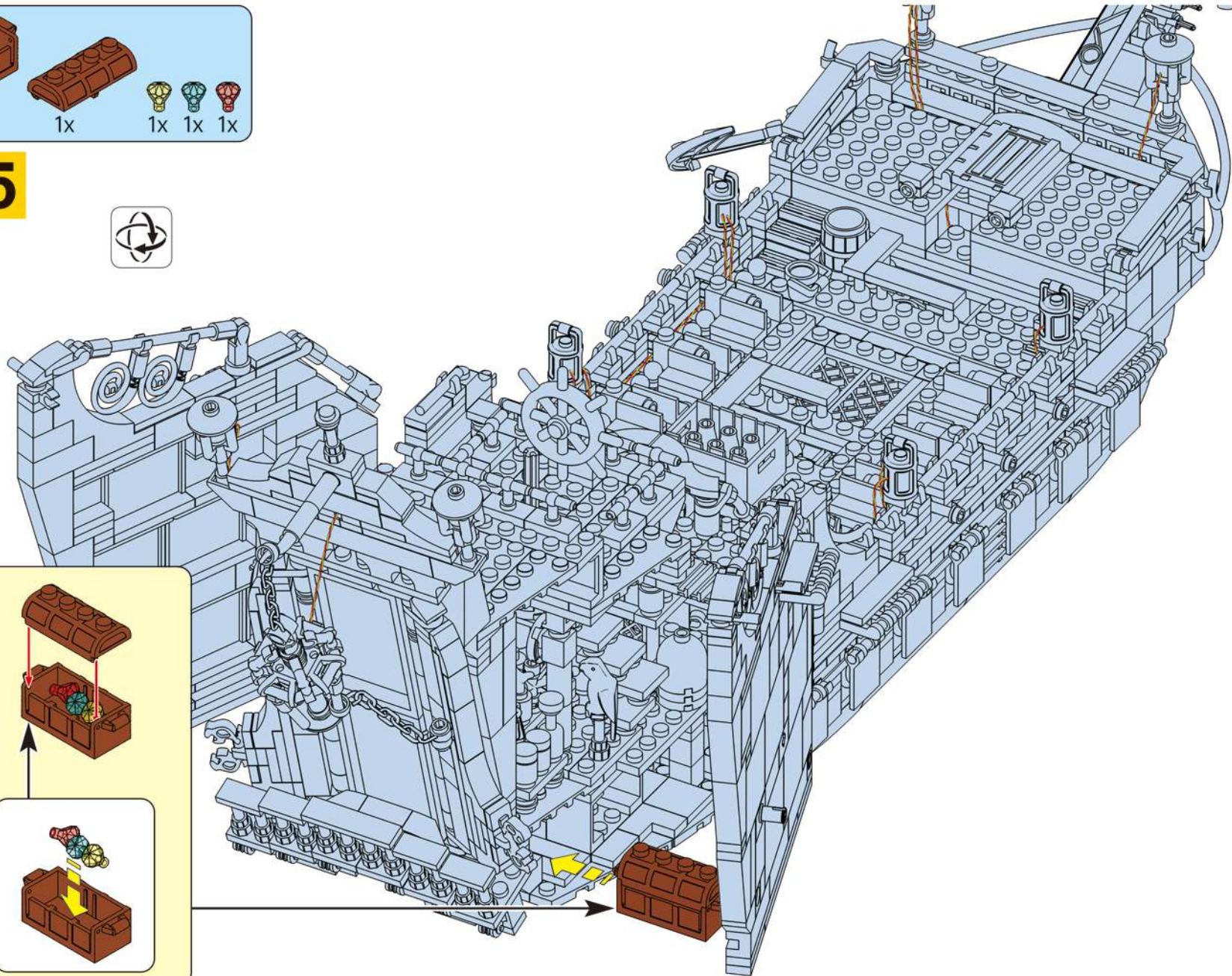
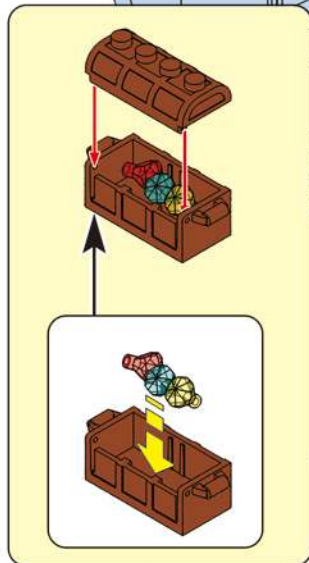
---

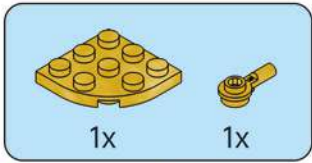
Every adultescent needs a "JOY BOX".  
Please, open your JOY BOX! Heading for joy.



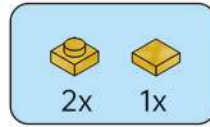
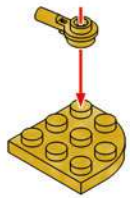


455

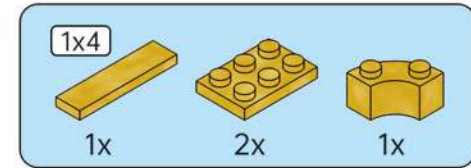
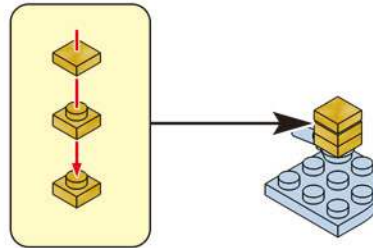




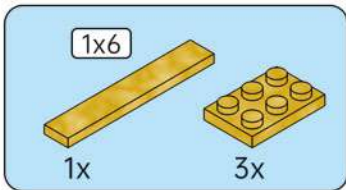
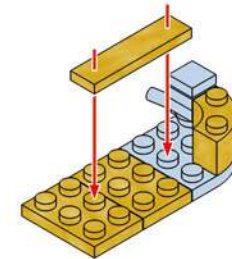
456



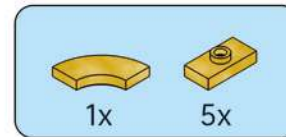
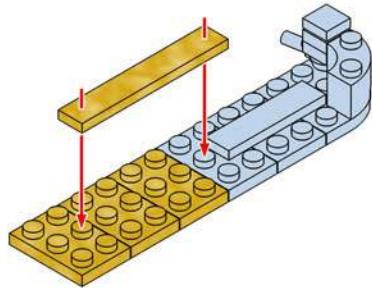
457



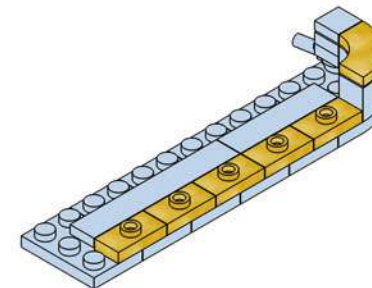
458

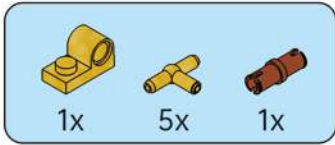


459

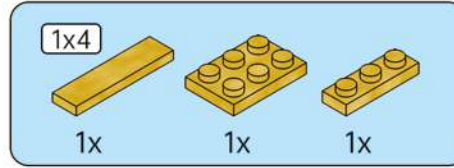
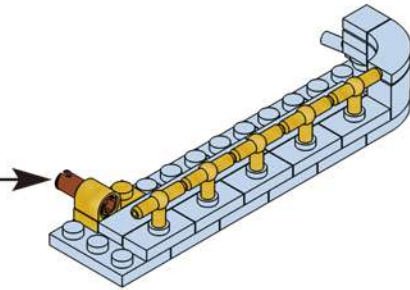
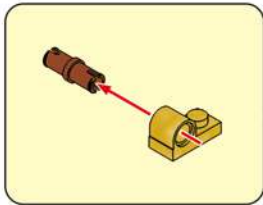


460

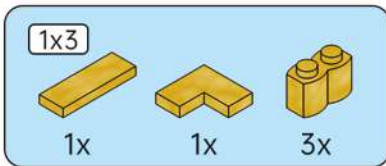
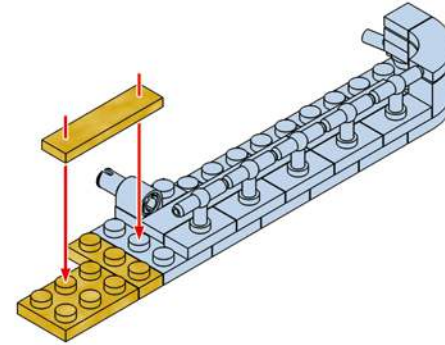




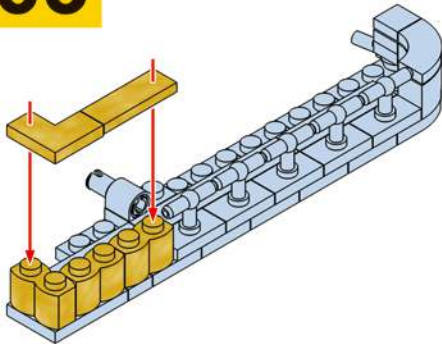
461



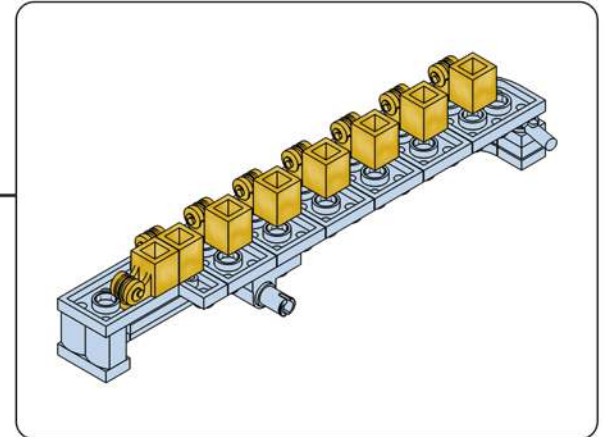
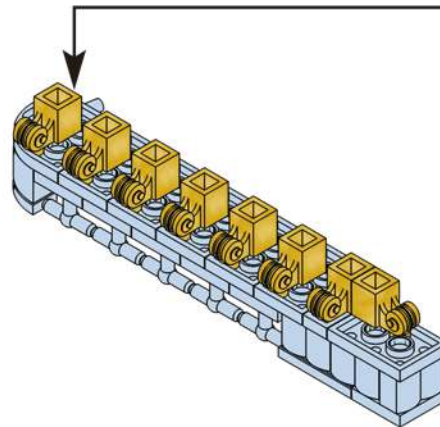
462



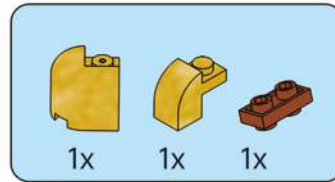
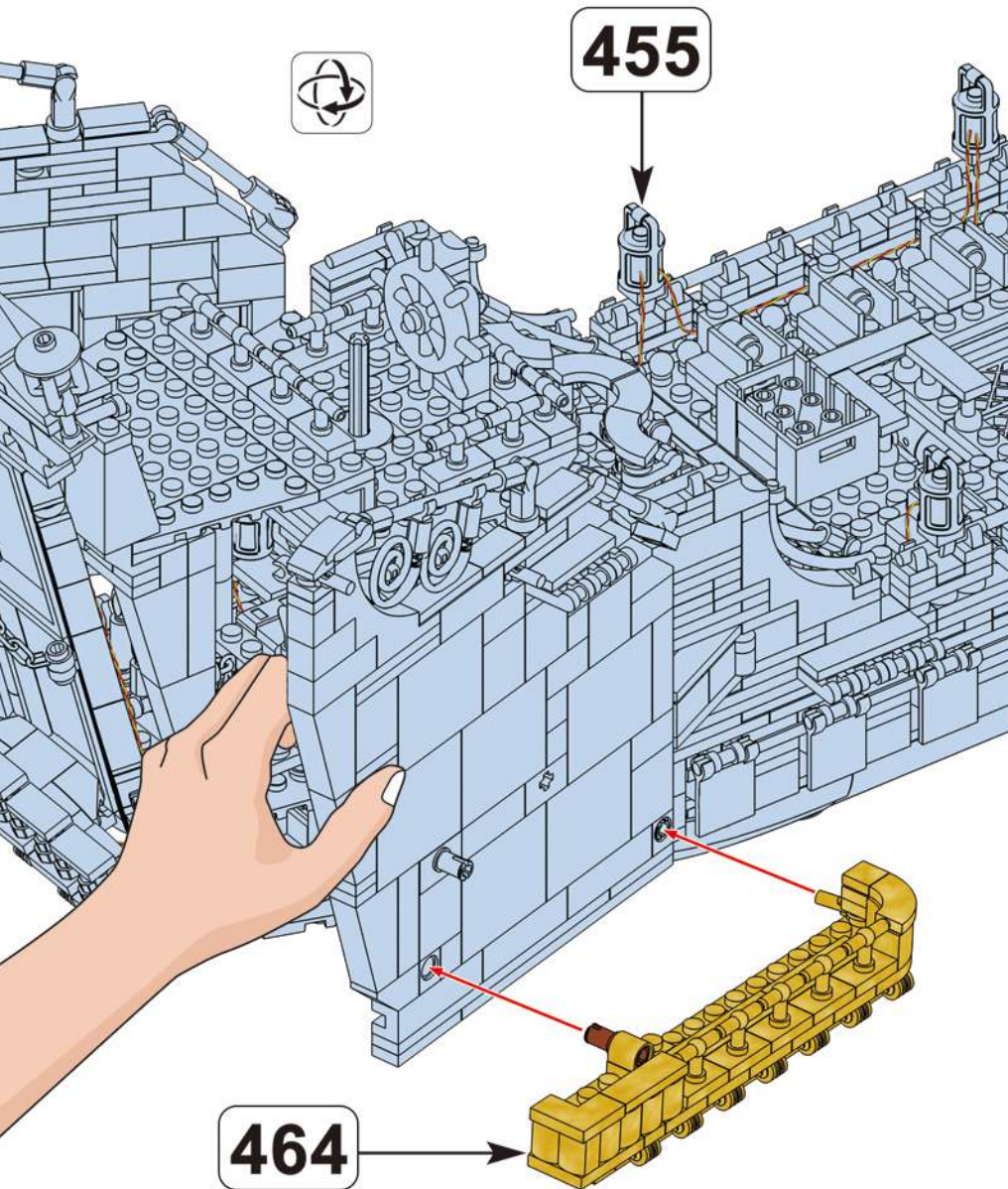
463



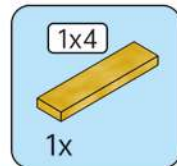
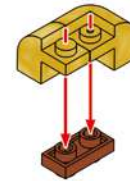
464



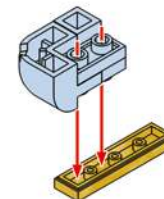
# 465

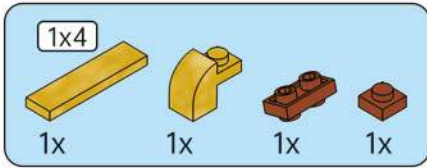


# 466

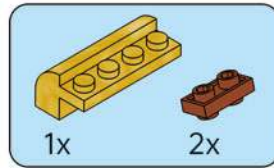
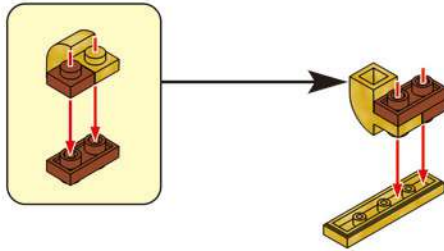


# 467

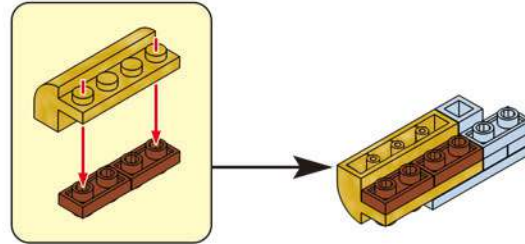




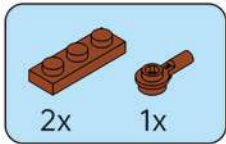
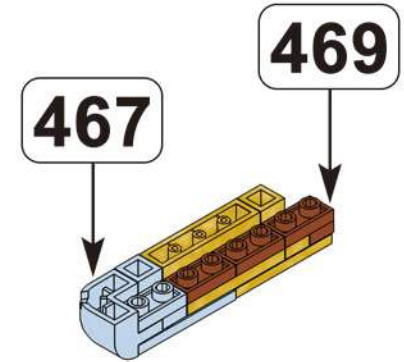
468



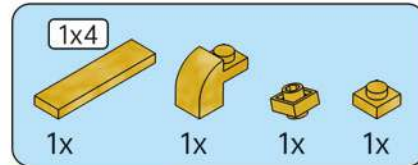
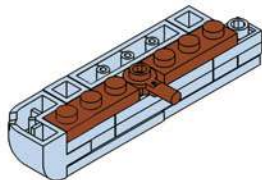
469



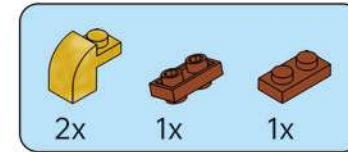
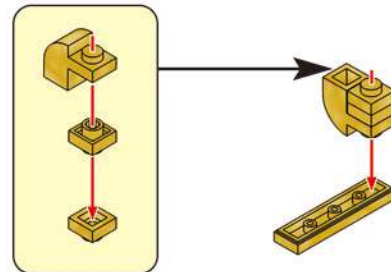
470



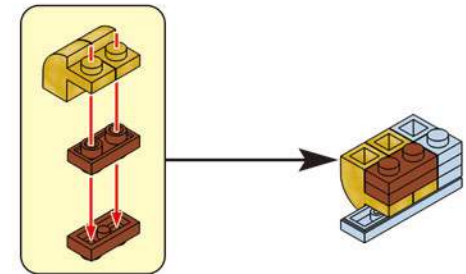
471

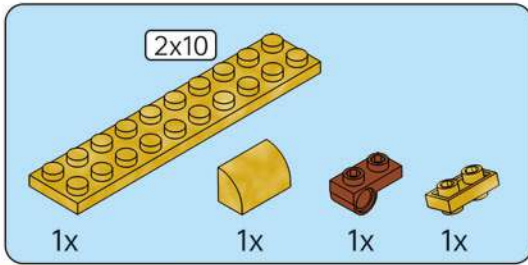


472

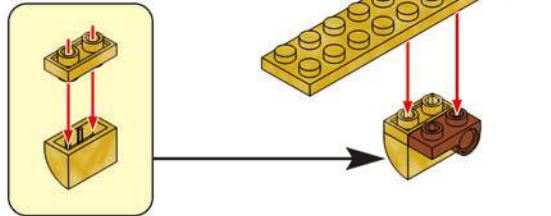


473

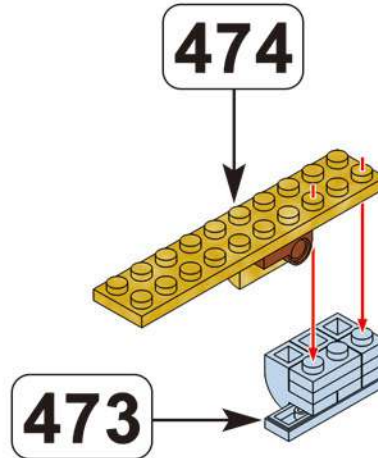




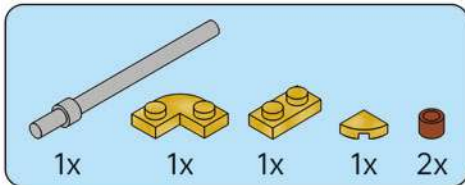
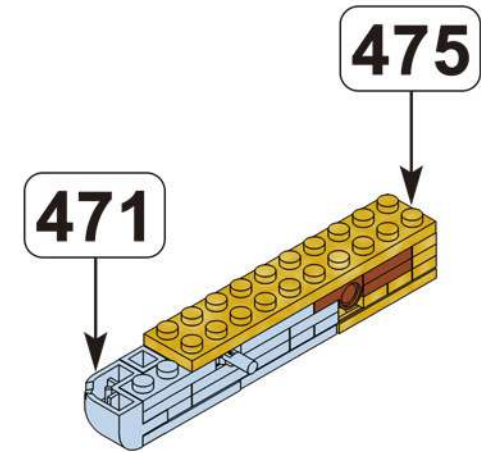
**474**



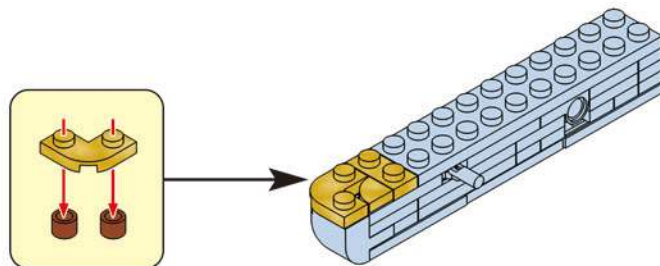
**475**



**476**

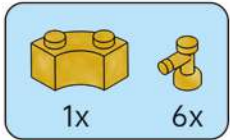


**477**

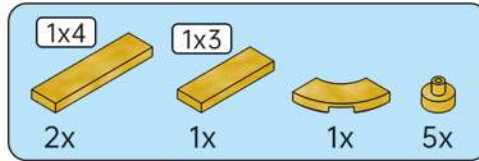
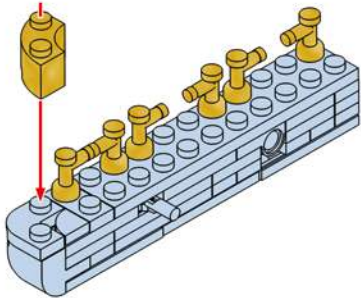


This part requires a thin stick to assist in assembly:

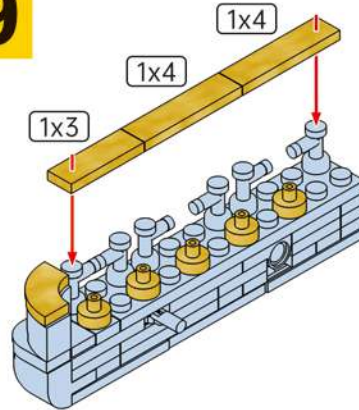
1. Insert the thin stick slightly into the part;
2. After inserting the thin sticks into the parts, install the assembly accessories and fix them.
3. After the parts are fixed, pull out the thin stick



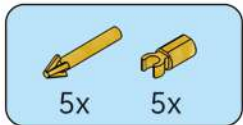
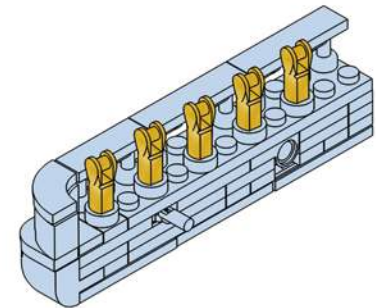
478



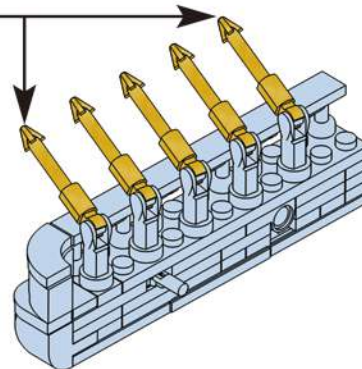
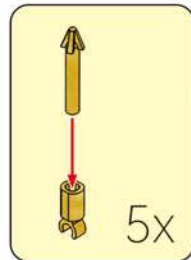
479

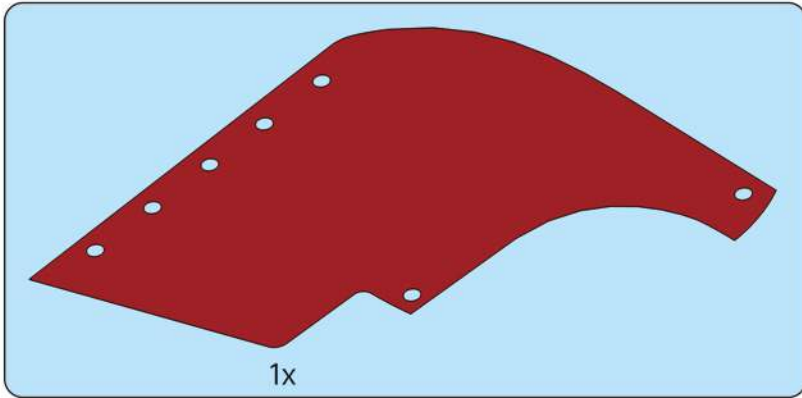


480

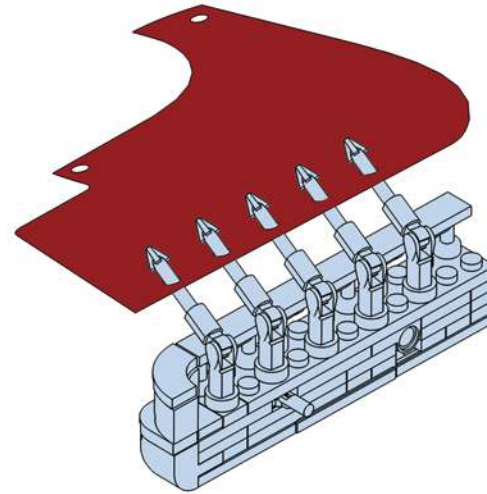


481



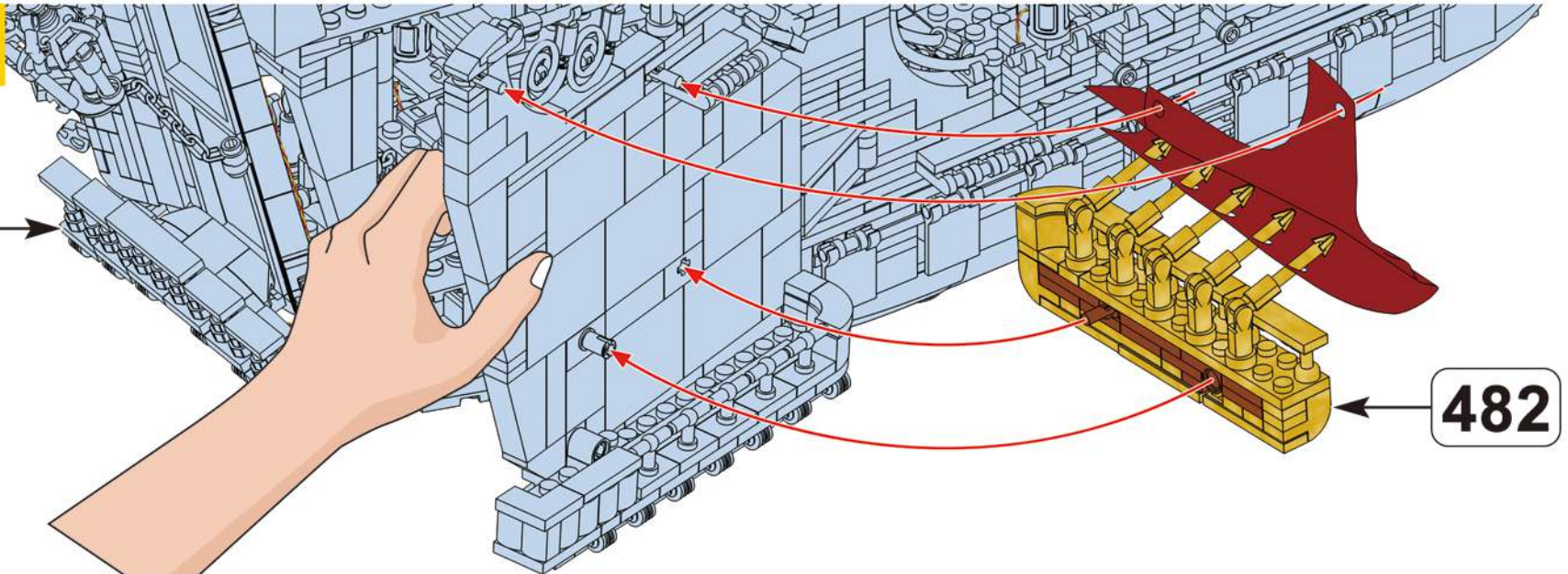


482



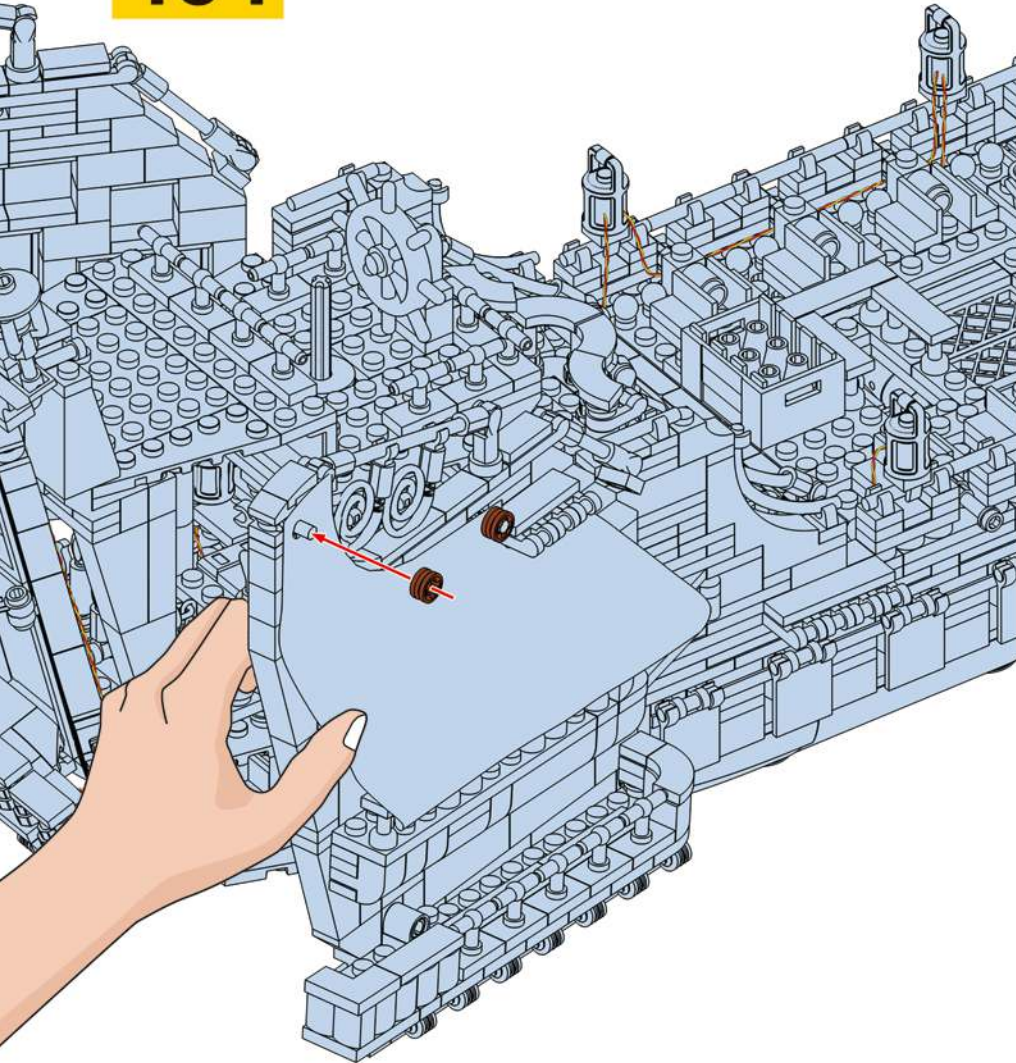
483

465

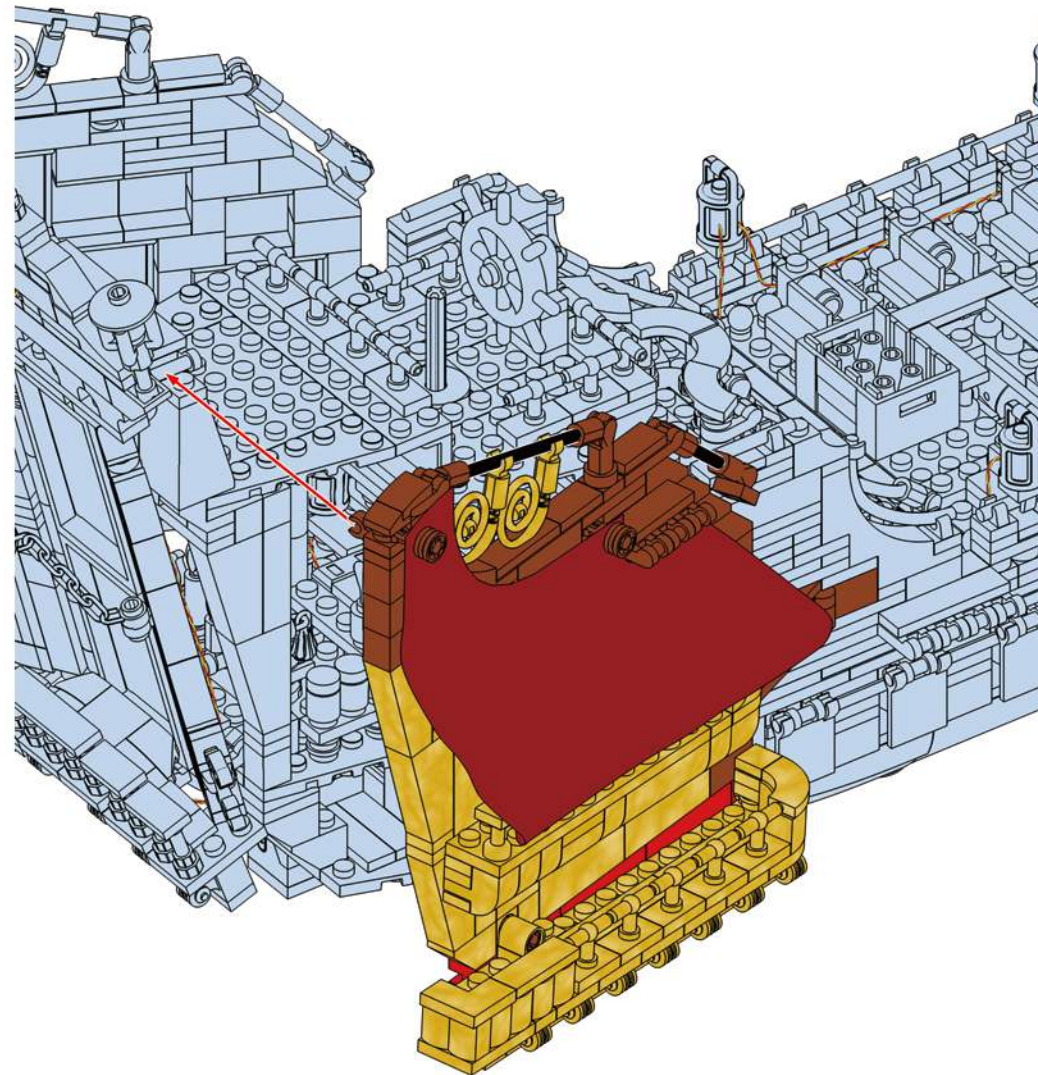


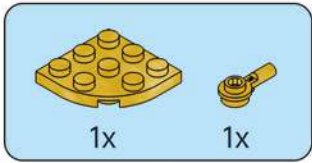


484

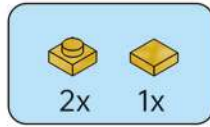
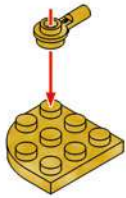


485

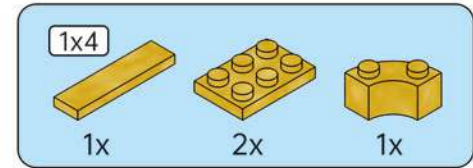
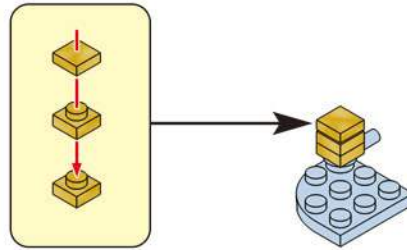




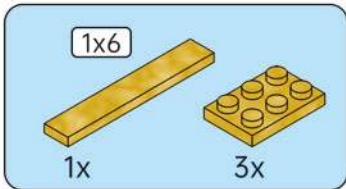
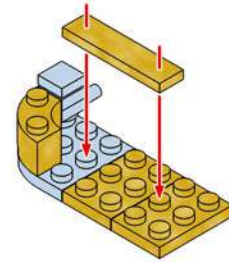
486



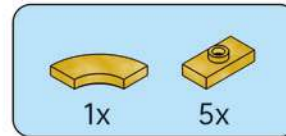
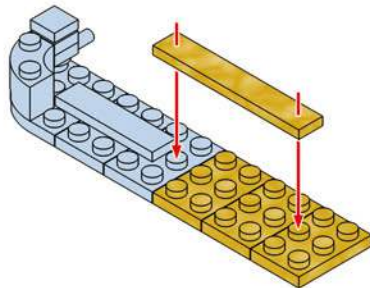
487



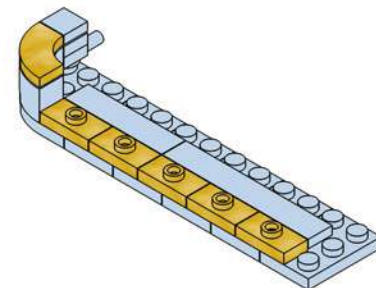
488

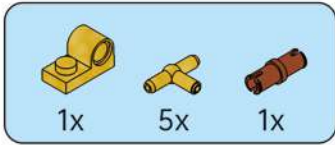


489

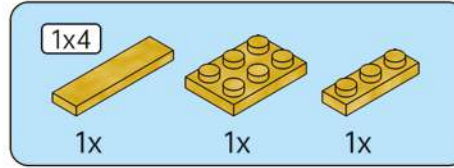
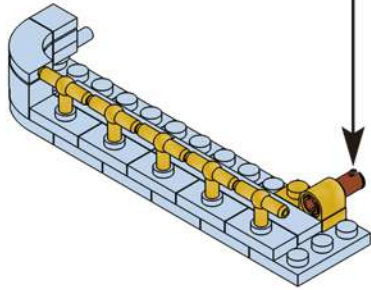
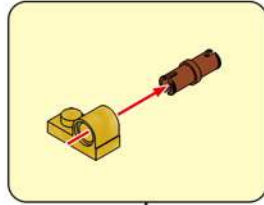


490

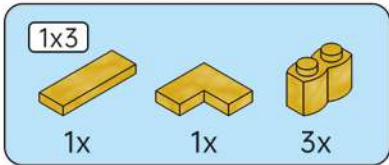
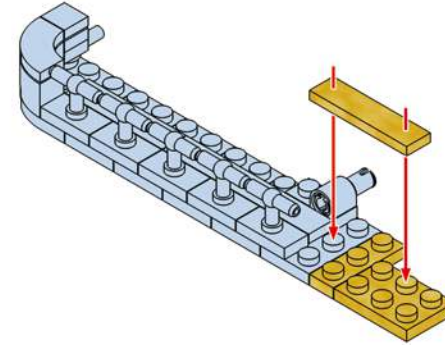




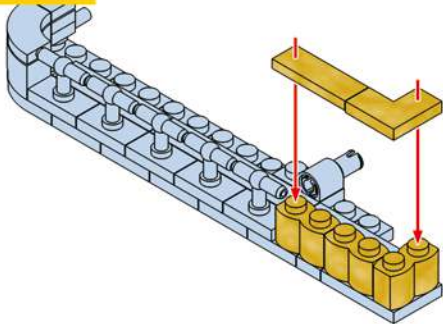
**491**



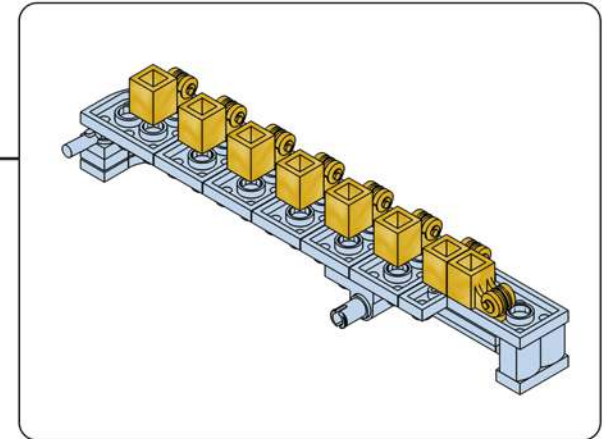
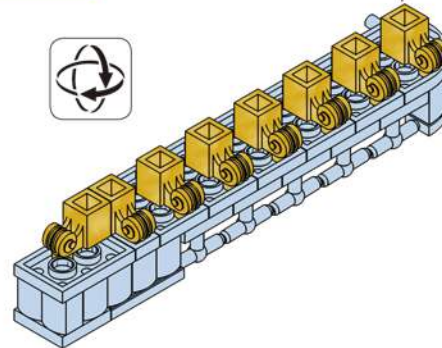
**492**



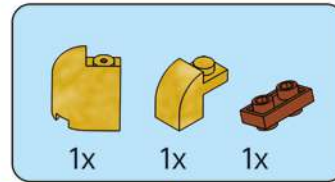
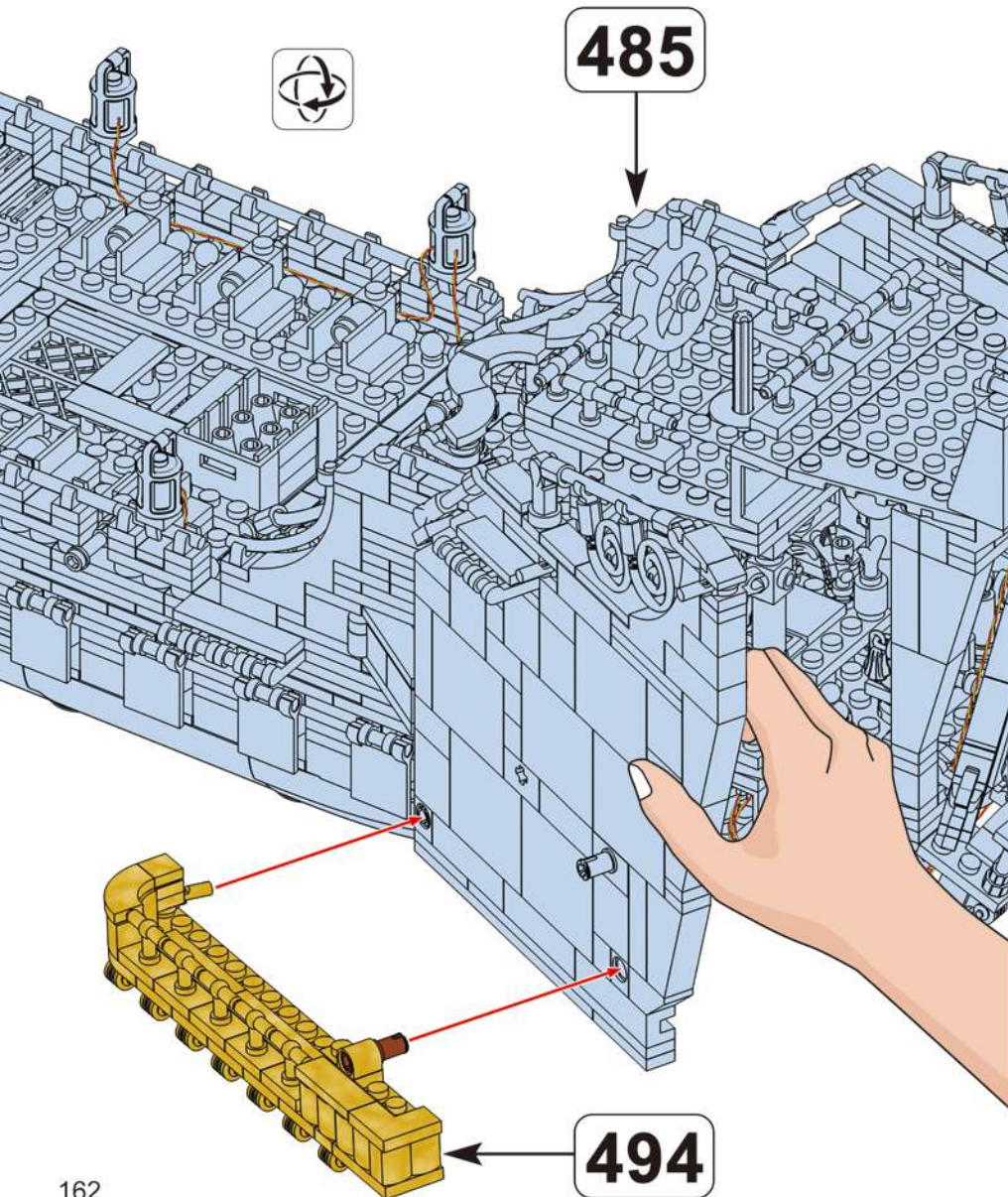
**493**



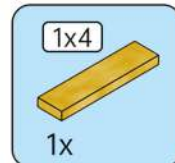
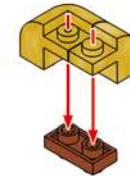
**494**



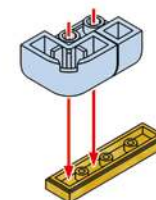
# 495

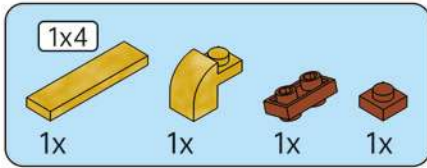


# 496

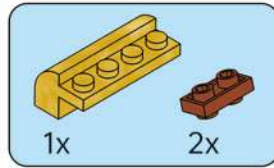
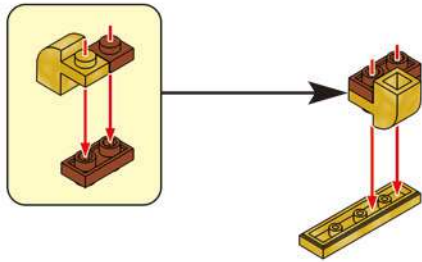


# 497

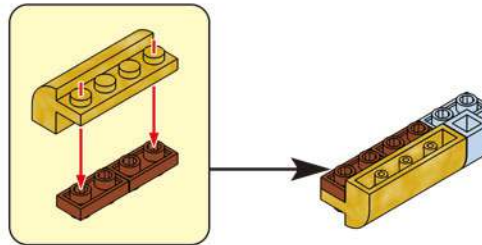




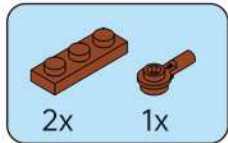
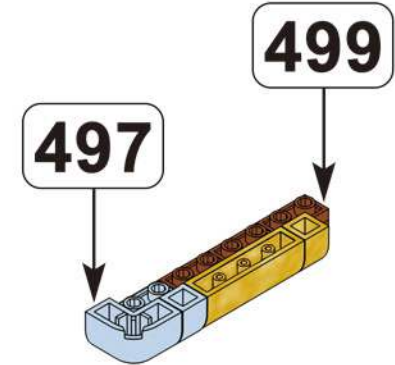
498



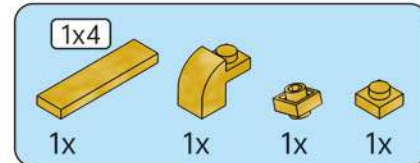
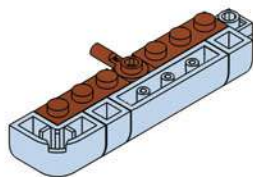
499



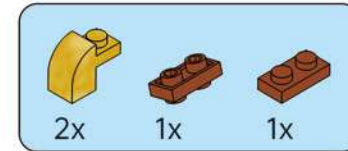
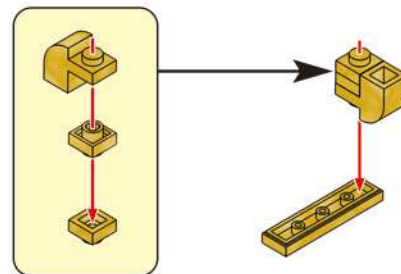
500



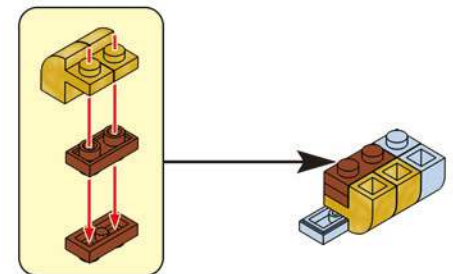
501

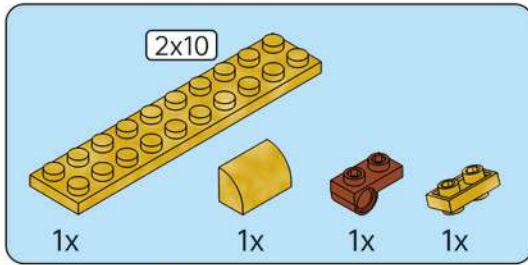


502

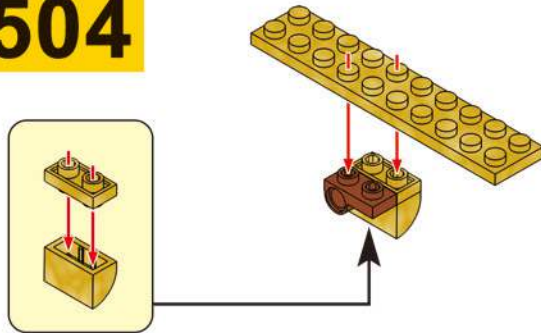


503

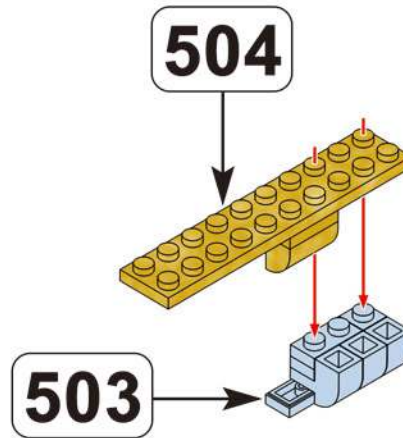




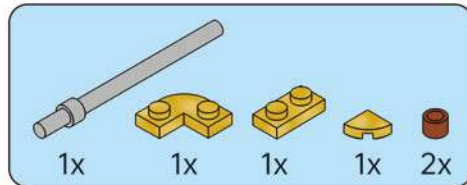
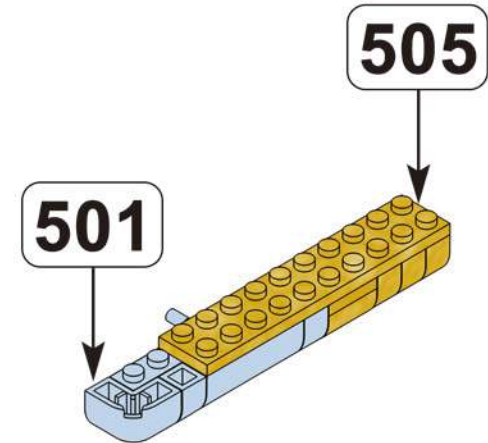
**504**



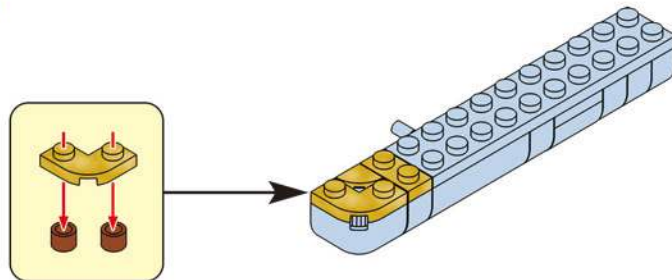
**505**



**506**

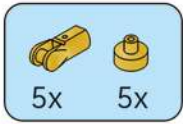


**507**

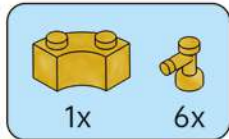
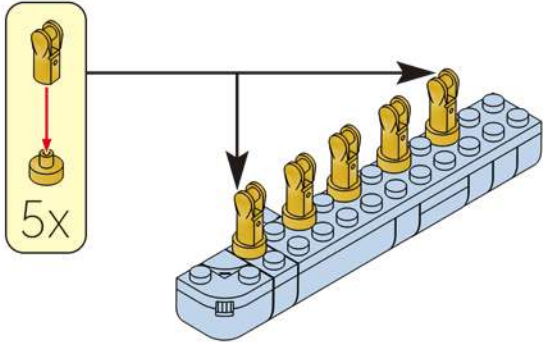


This part requires a thin stick to assist in assembly.

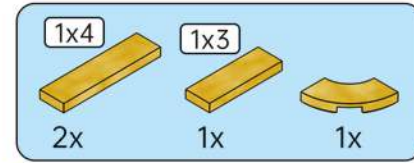
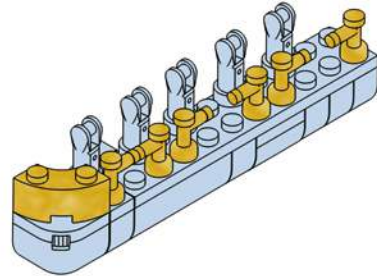
1. Insert the thin stick slightly into the part;
2. After inserting the thin sticks into the parts, install the assembly accessories and fix them.
3. After the parts are fixed, pull out the thin stick



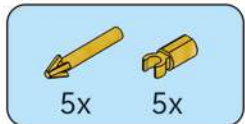
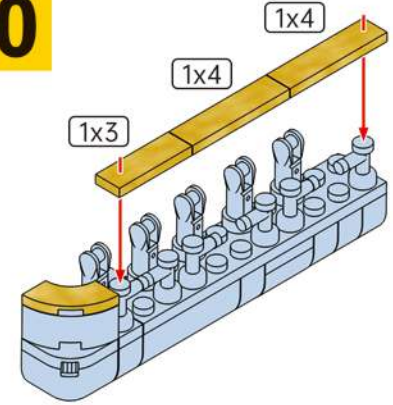
**508**



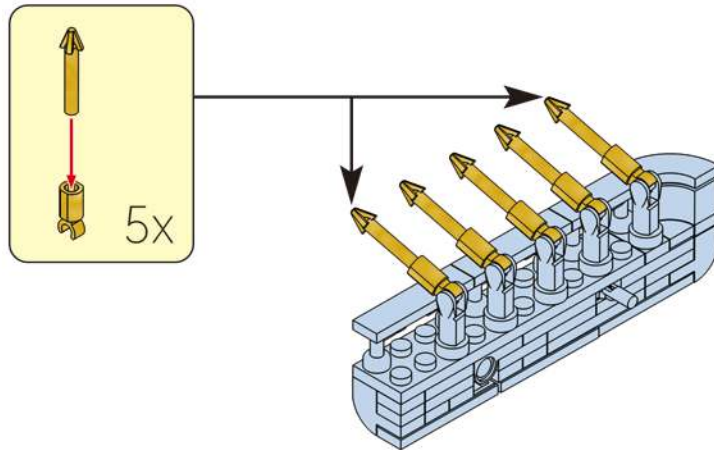
**509**

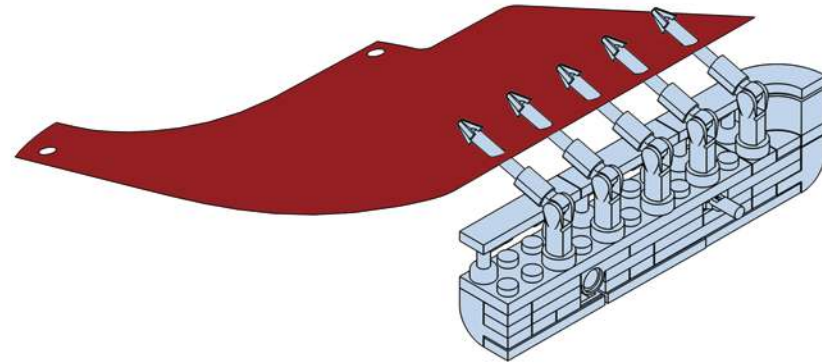
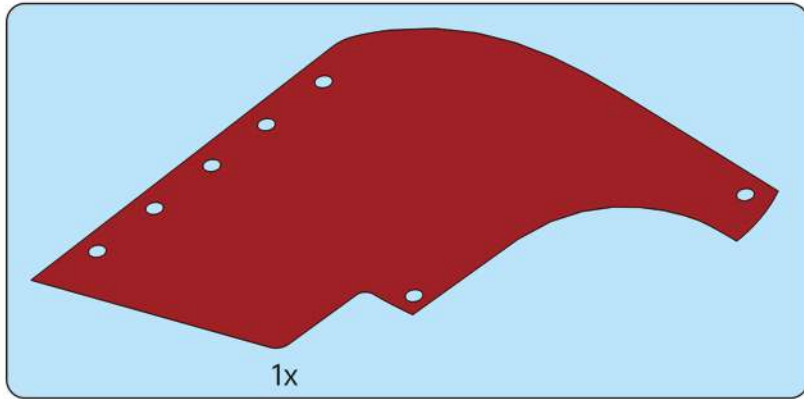


**510**



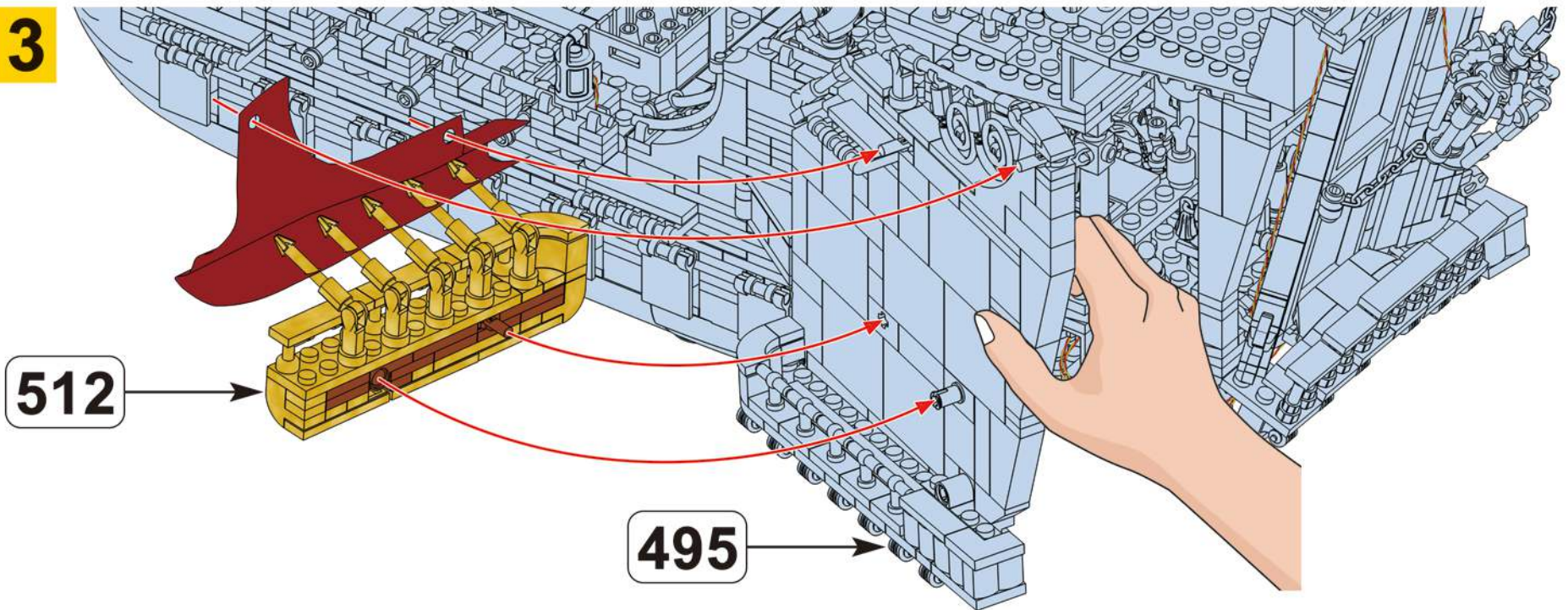
**511**





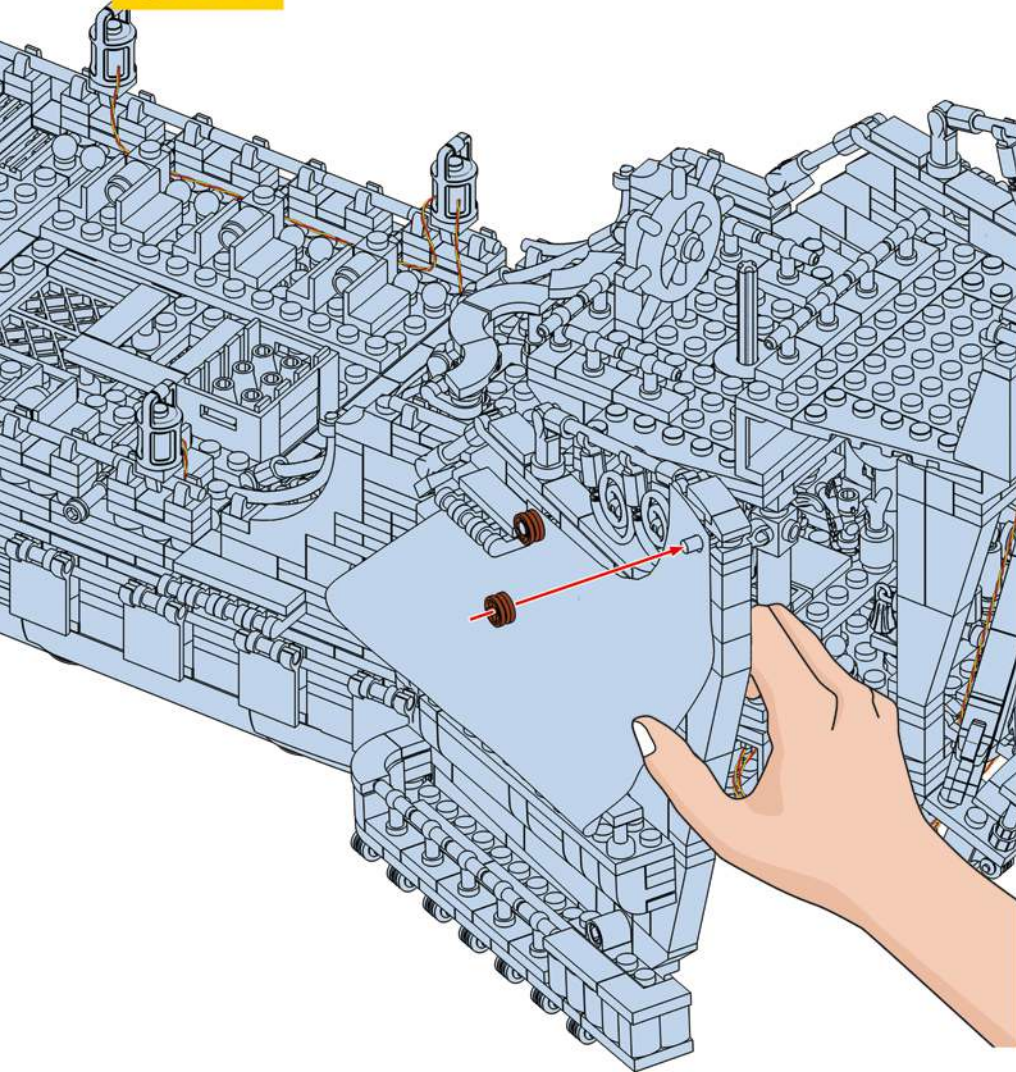
512

513

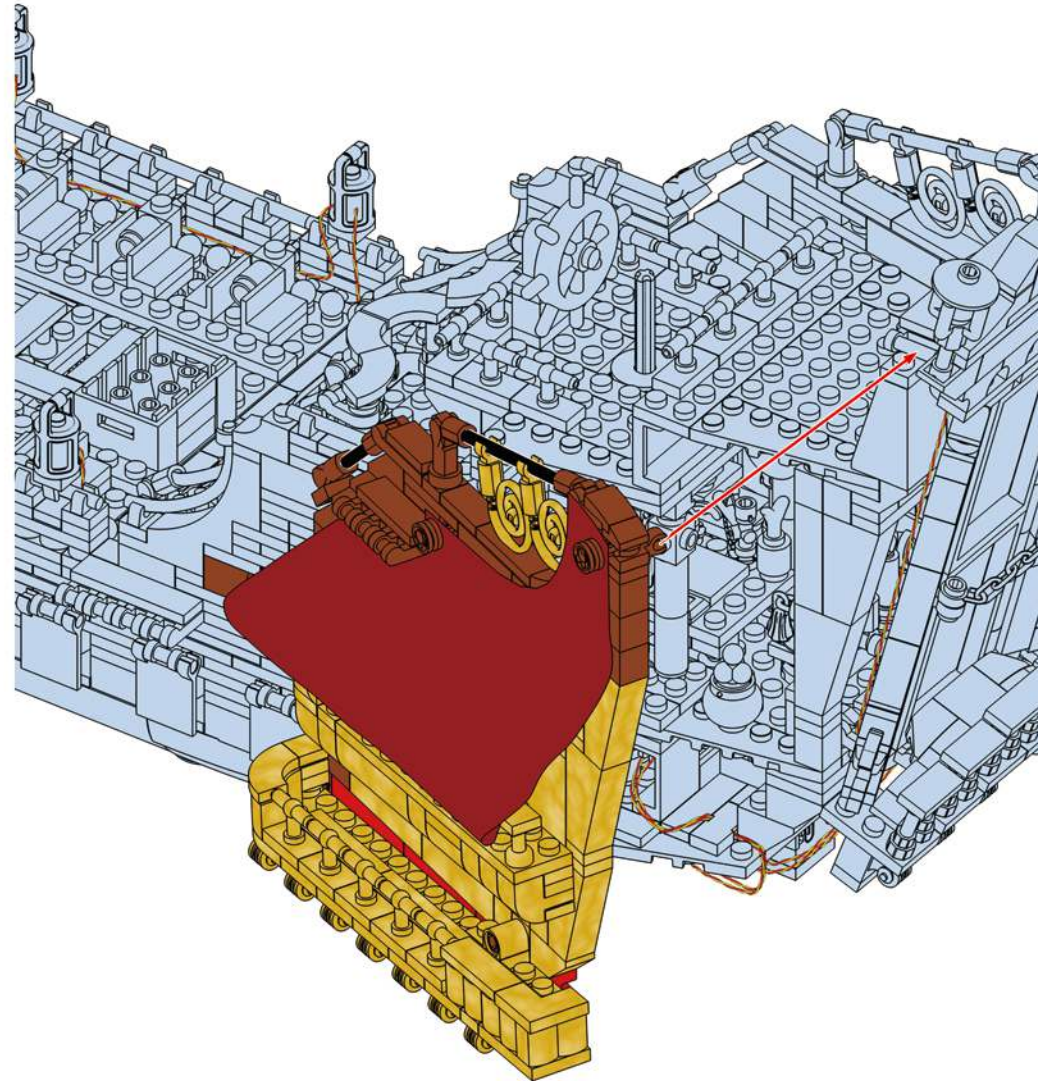


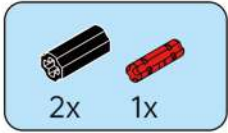


# 514

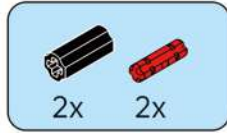


# 515

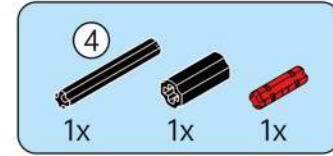




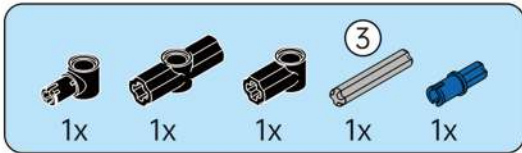
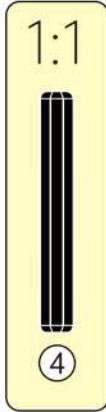
516



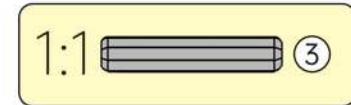
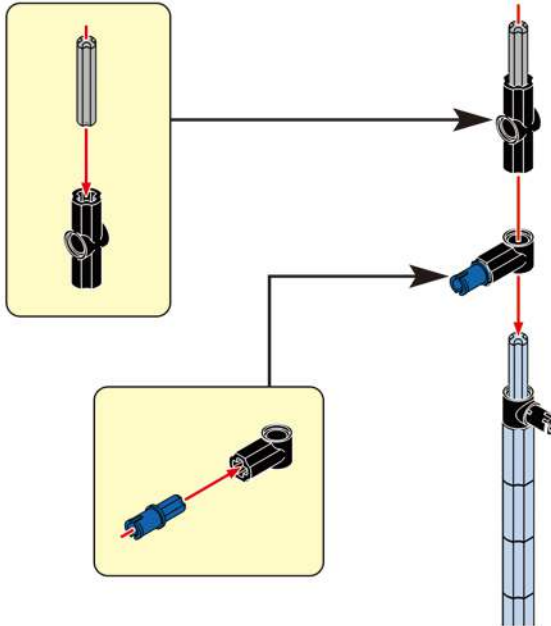
517

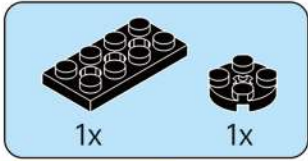


518

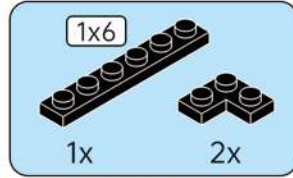
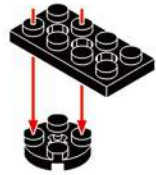


519

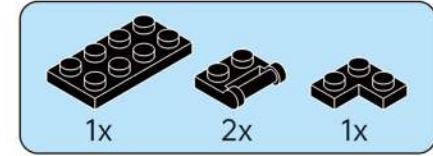
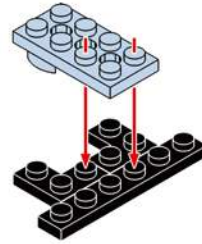




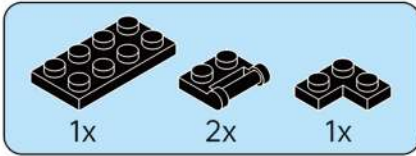
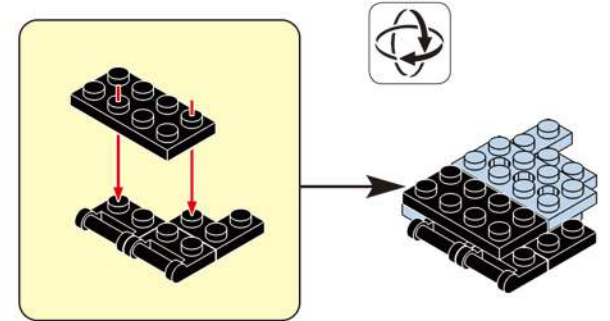
520



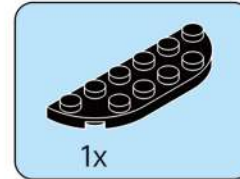
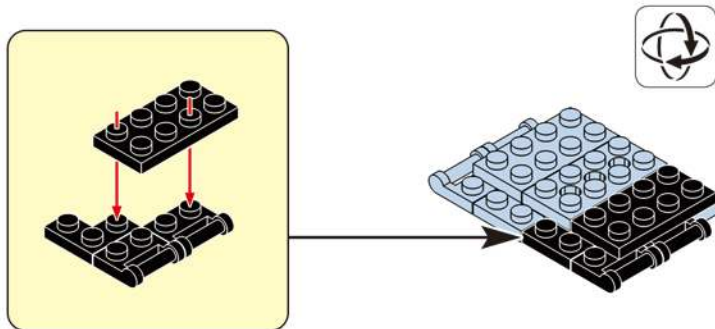
521



522

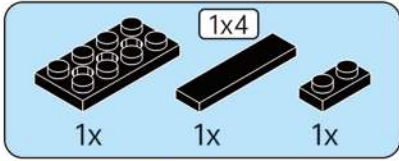


523

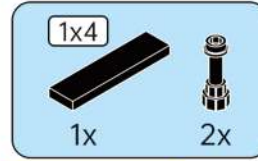
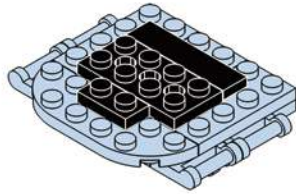


524

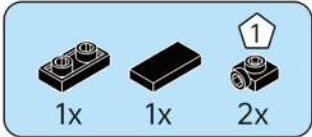
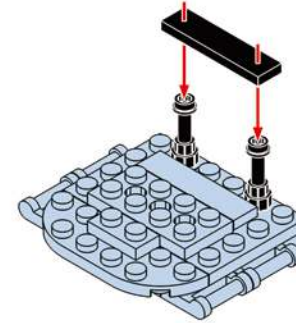




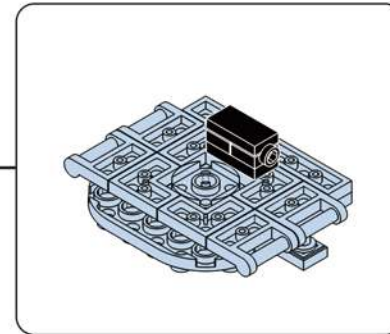
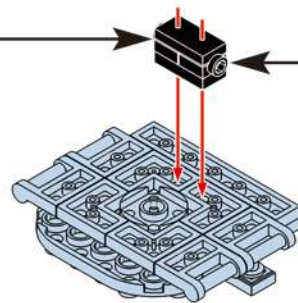
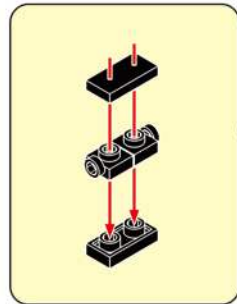
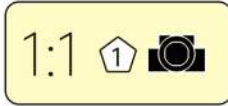
**525**



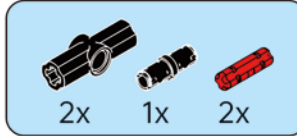
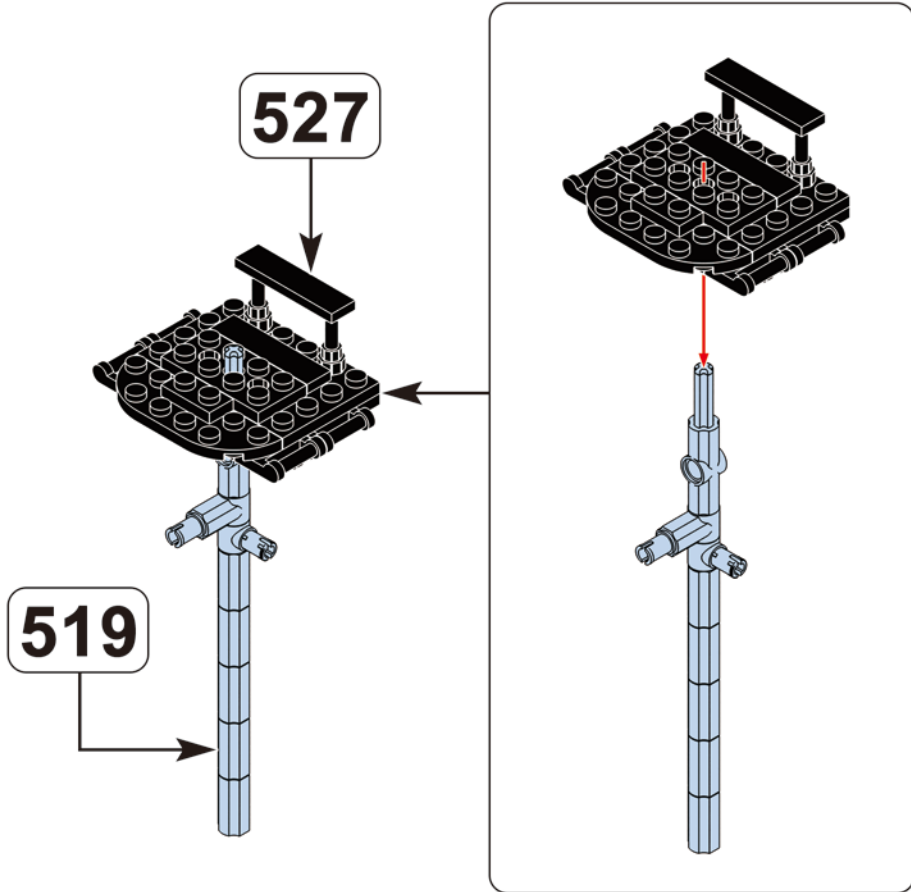
**526**



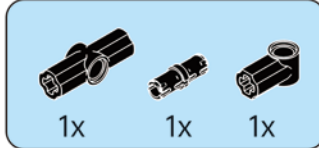
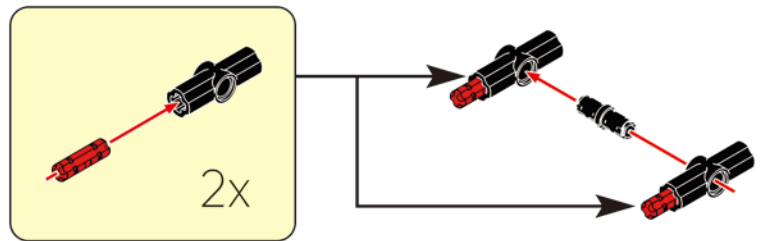
**527**



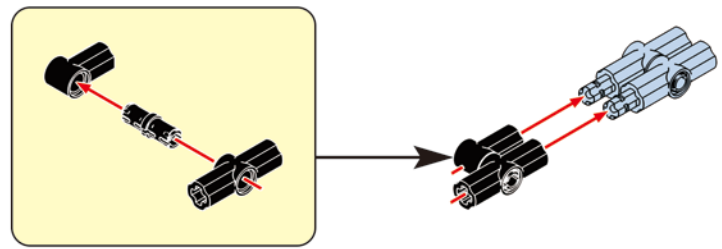
# 528

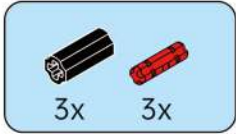


# 529

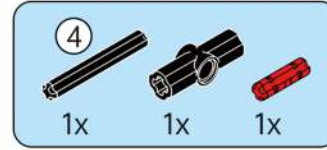
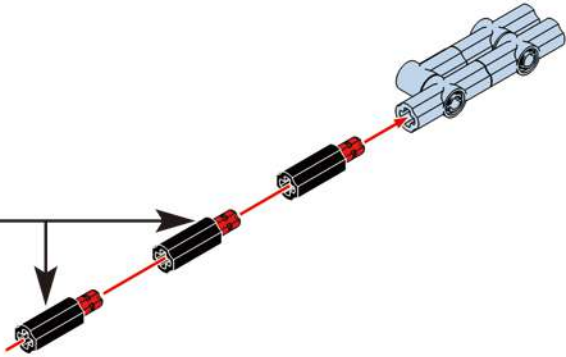
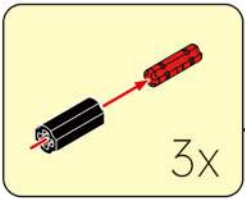


# 530

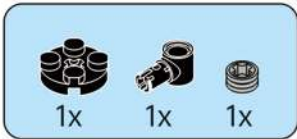
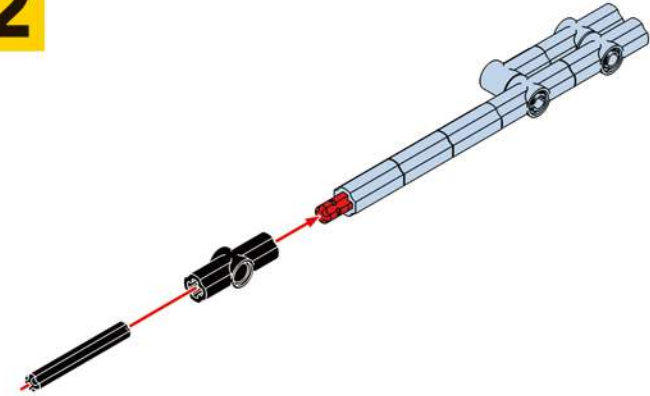
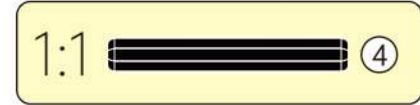




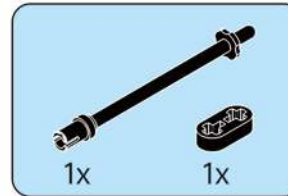
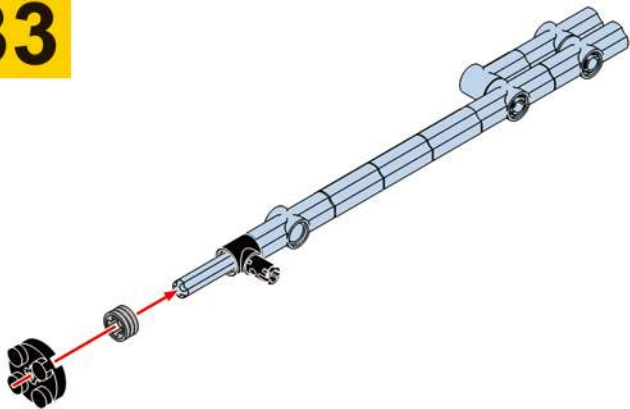
**531**



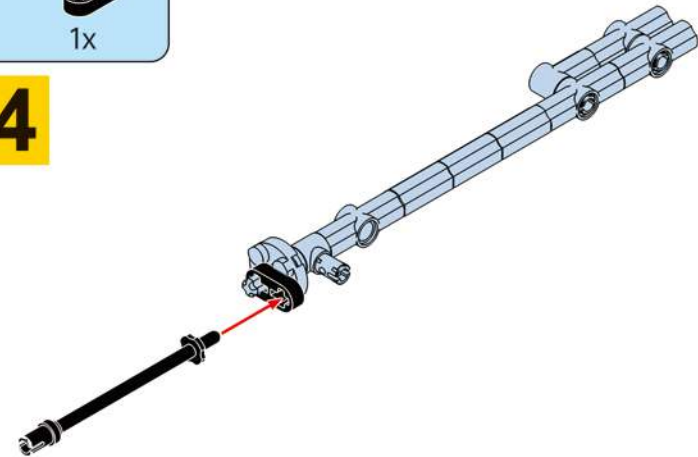
**532**



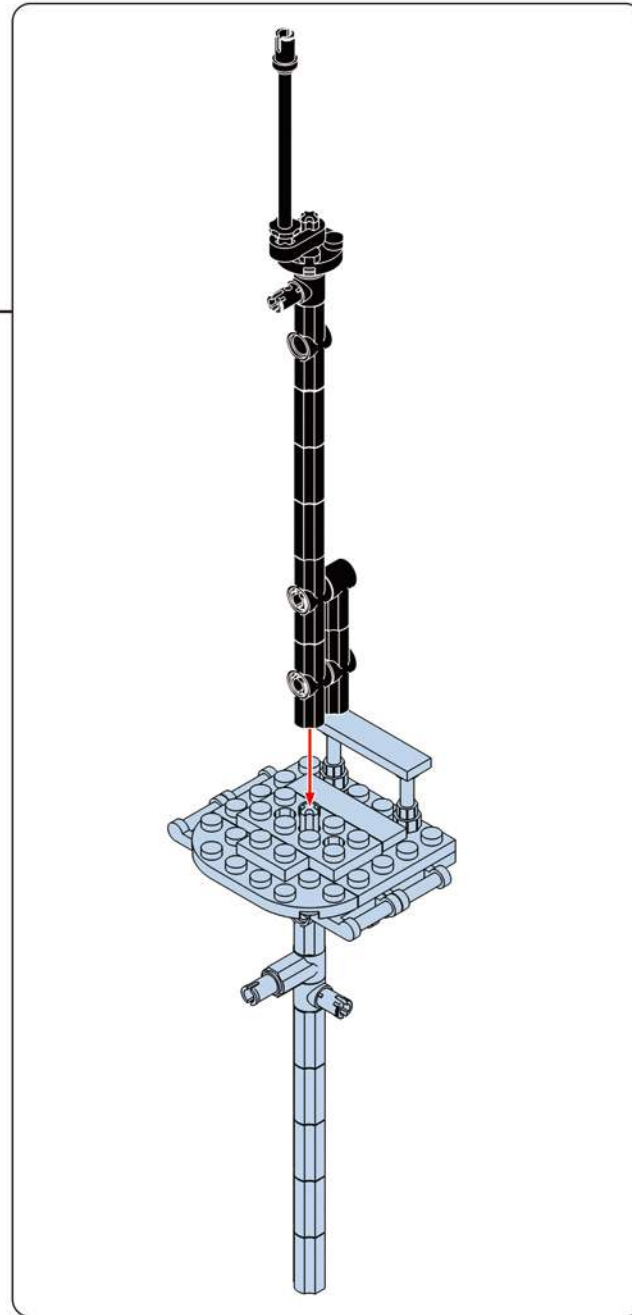
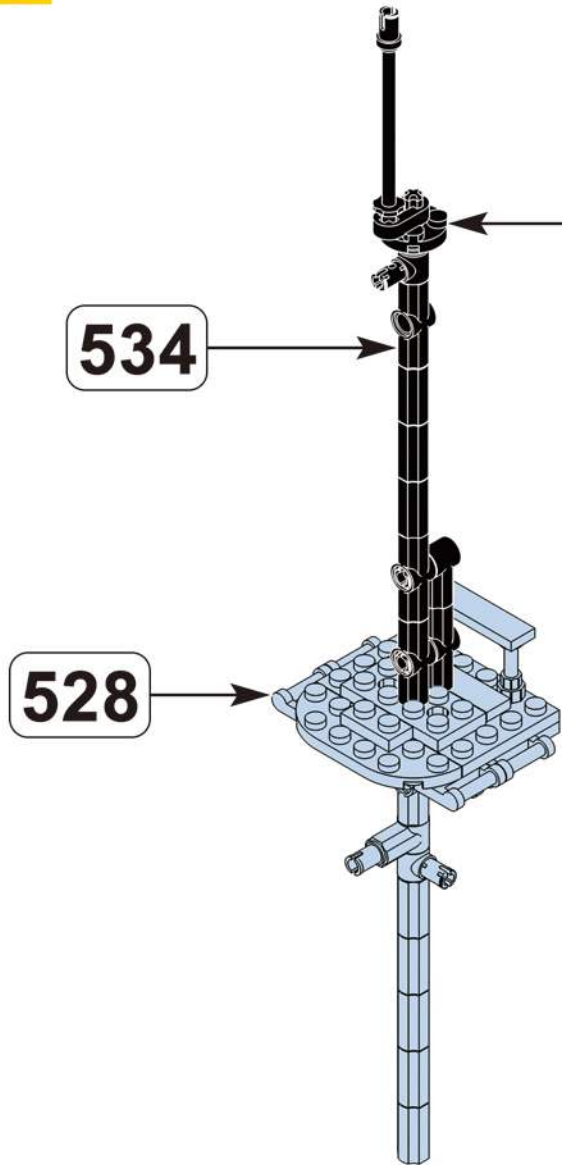
**533**

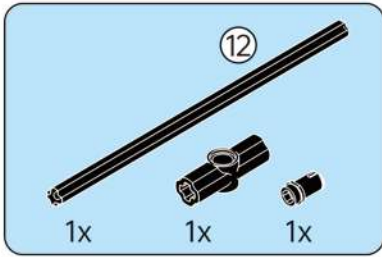


**534**

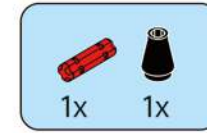
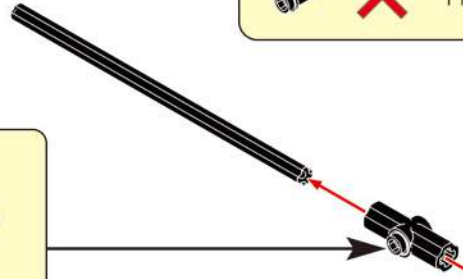
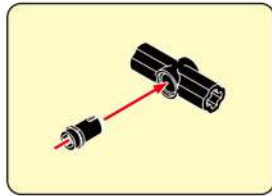


535

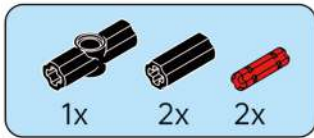
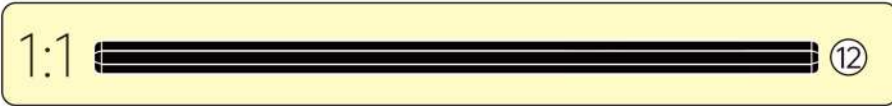
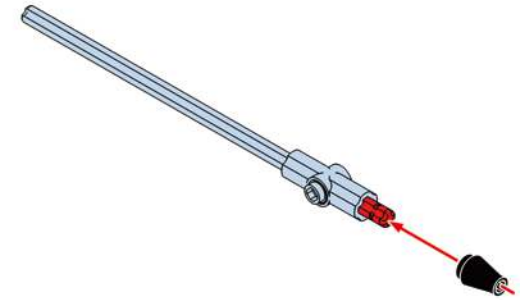




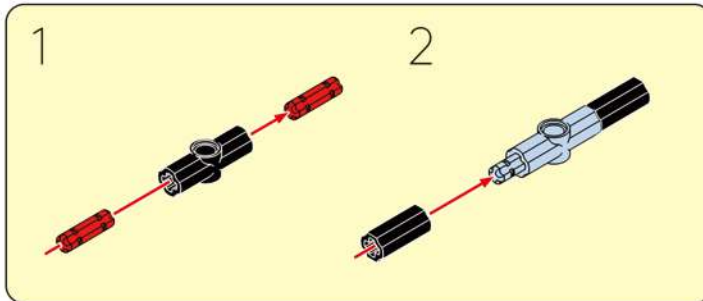
536

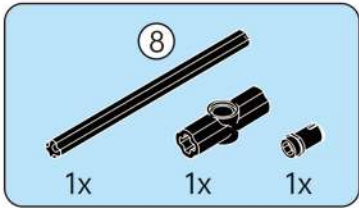


537

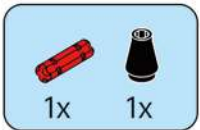
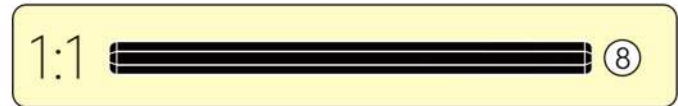
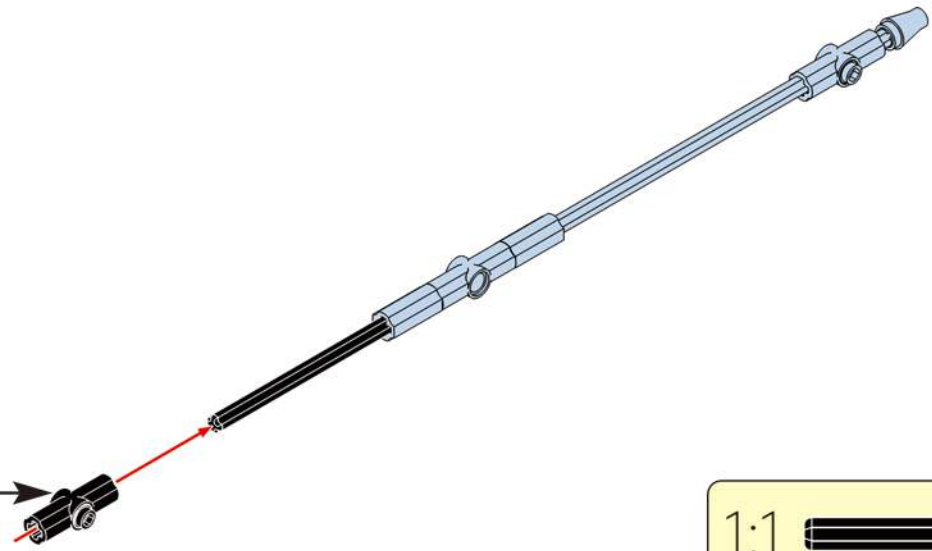
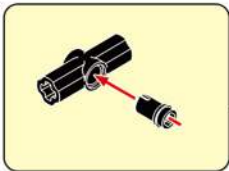


538

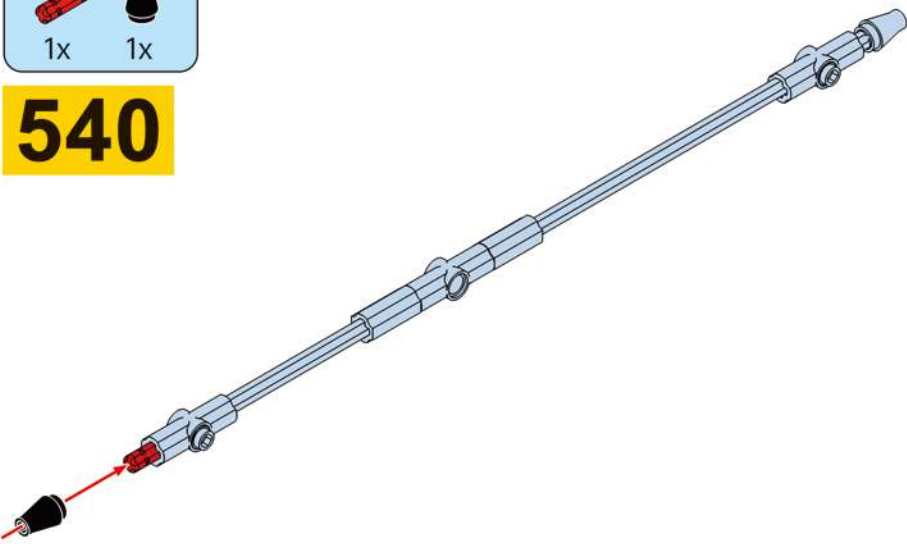




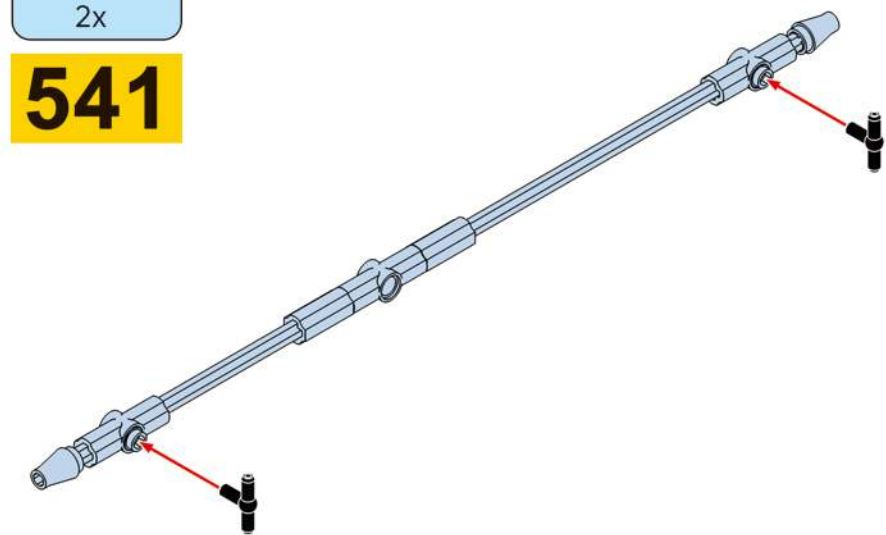
**539**



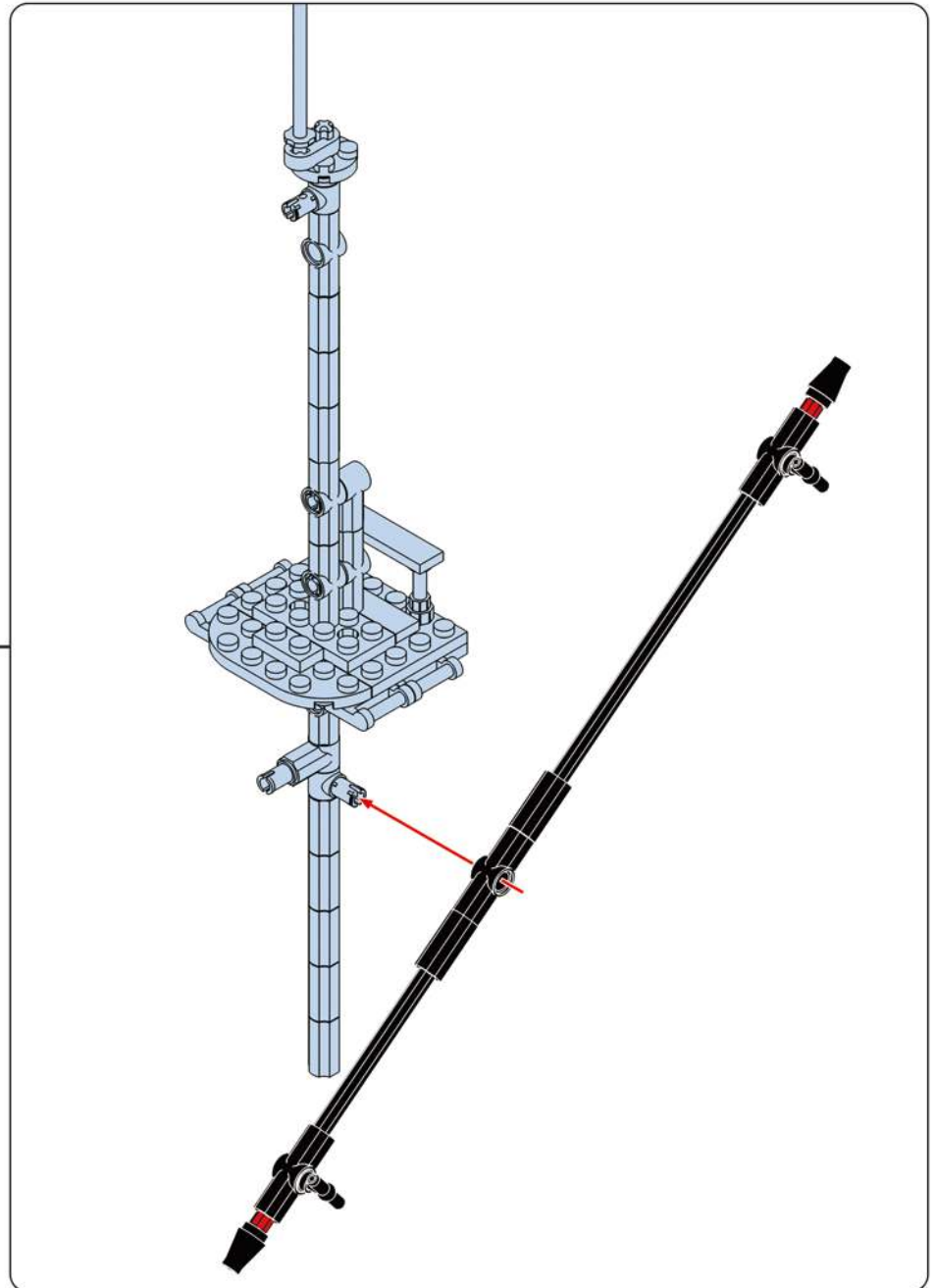
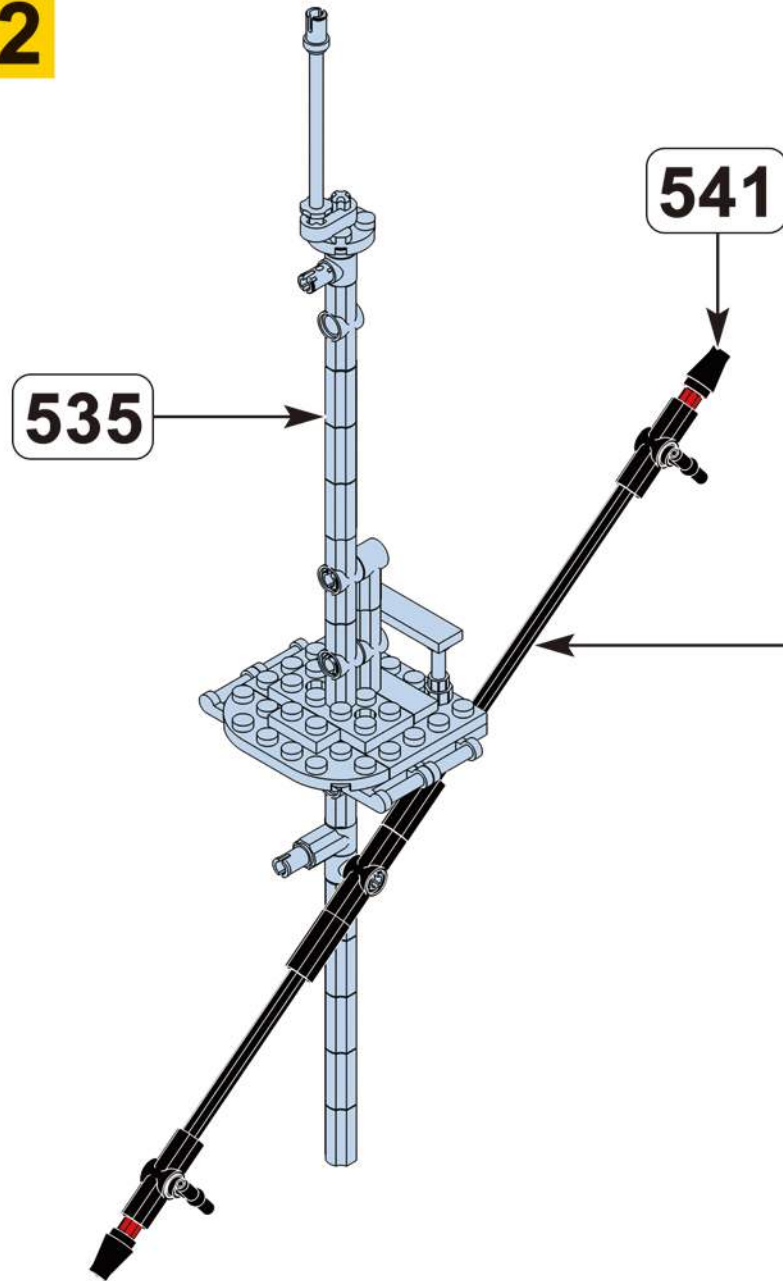
**540**

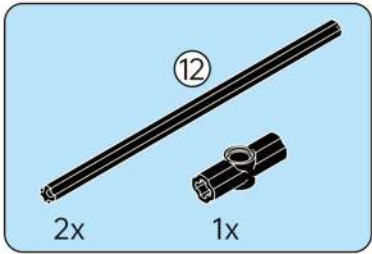


**541**

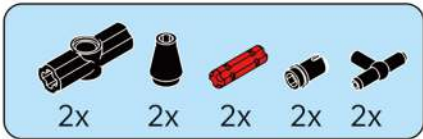


542

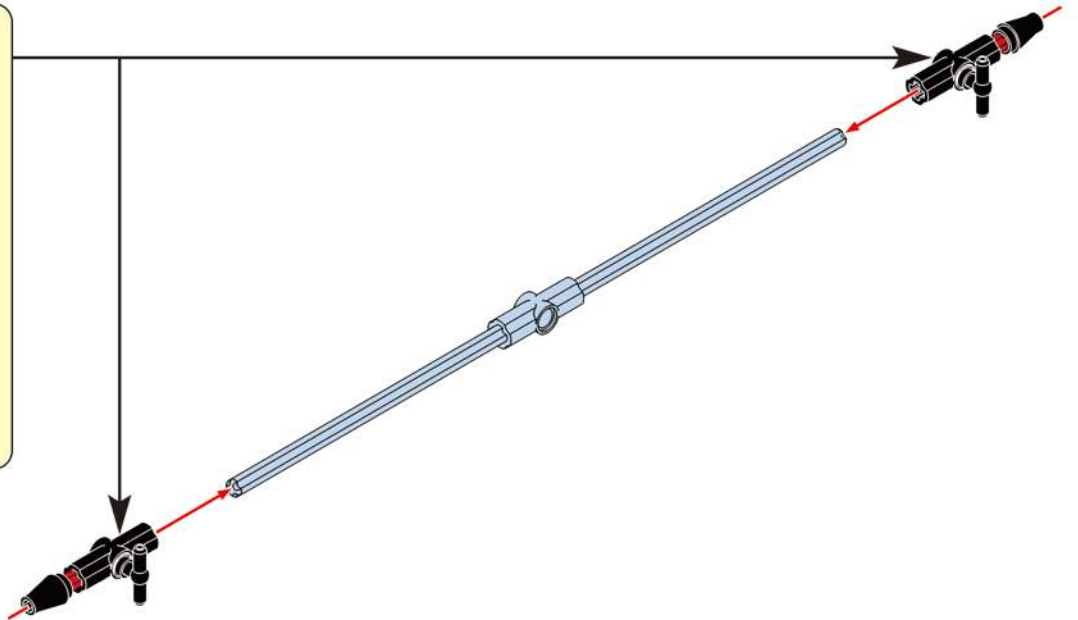
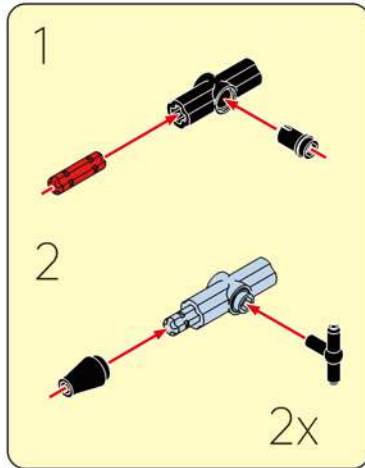




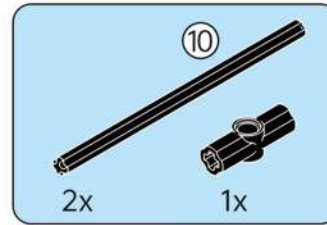
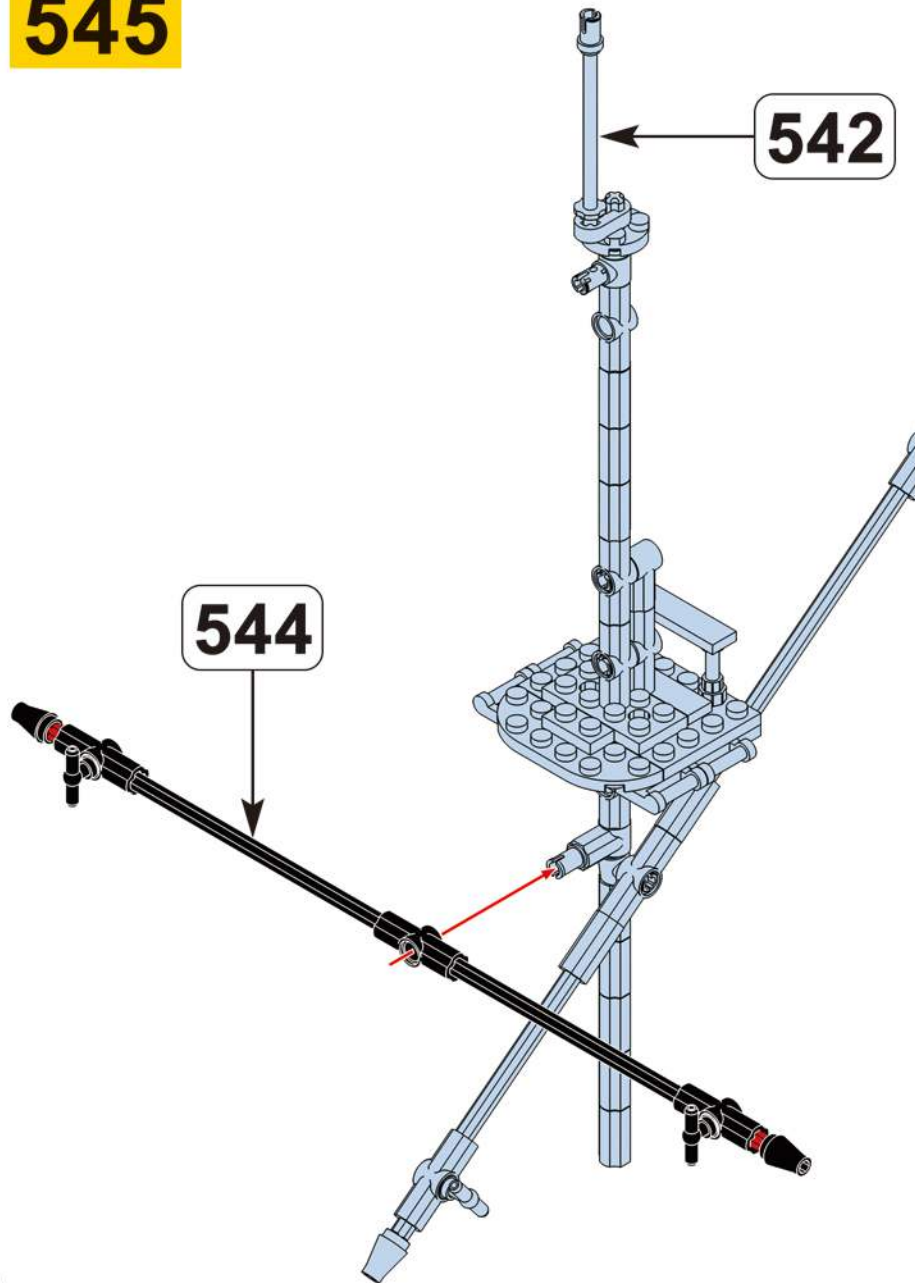
543



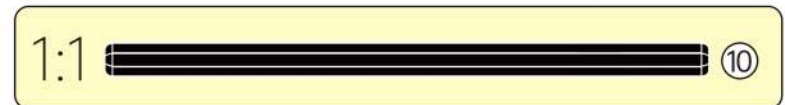
544



# 545

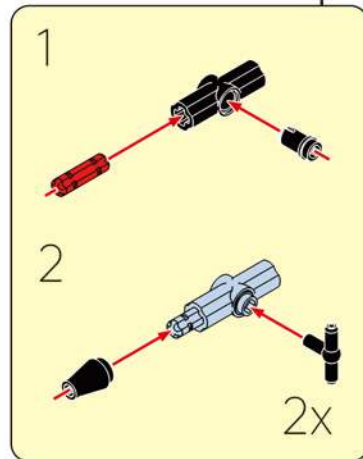
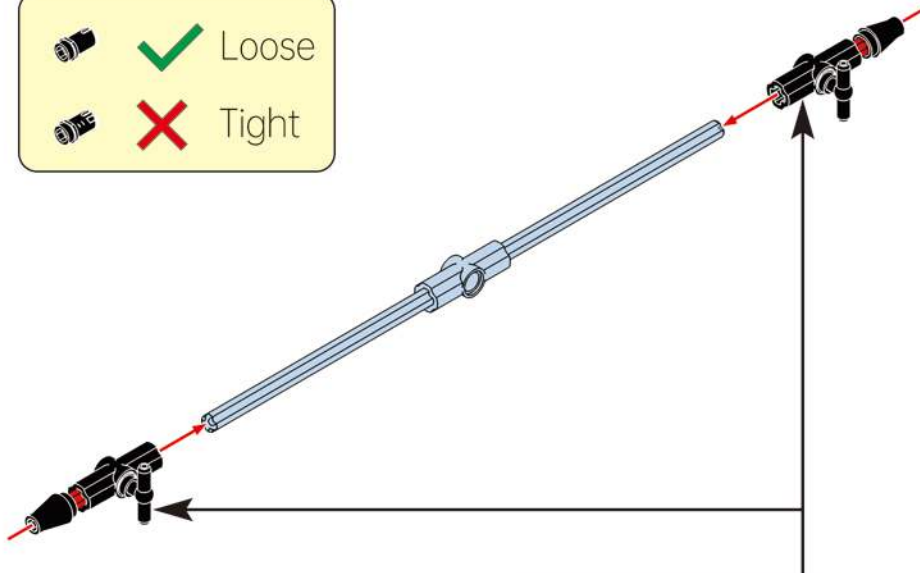


# 546

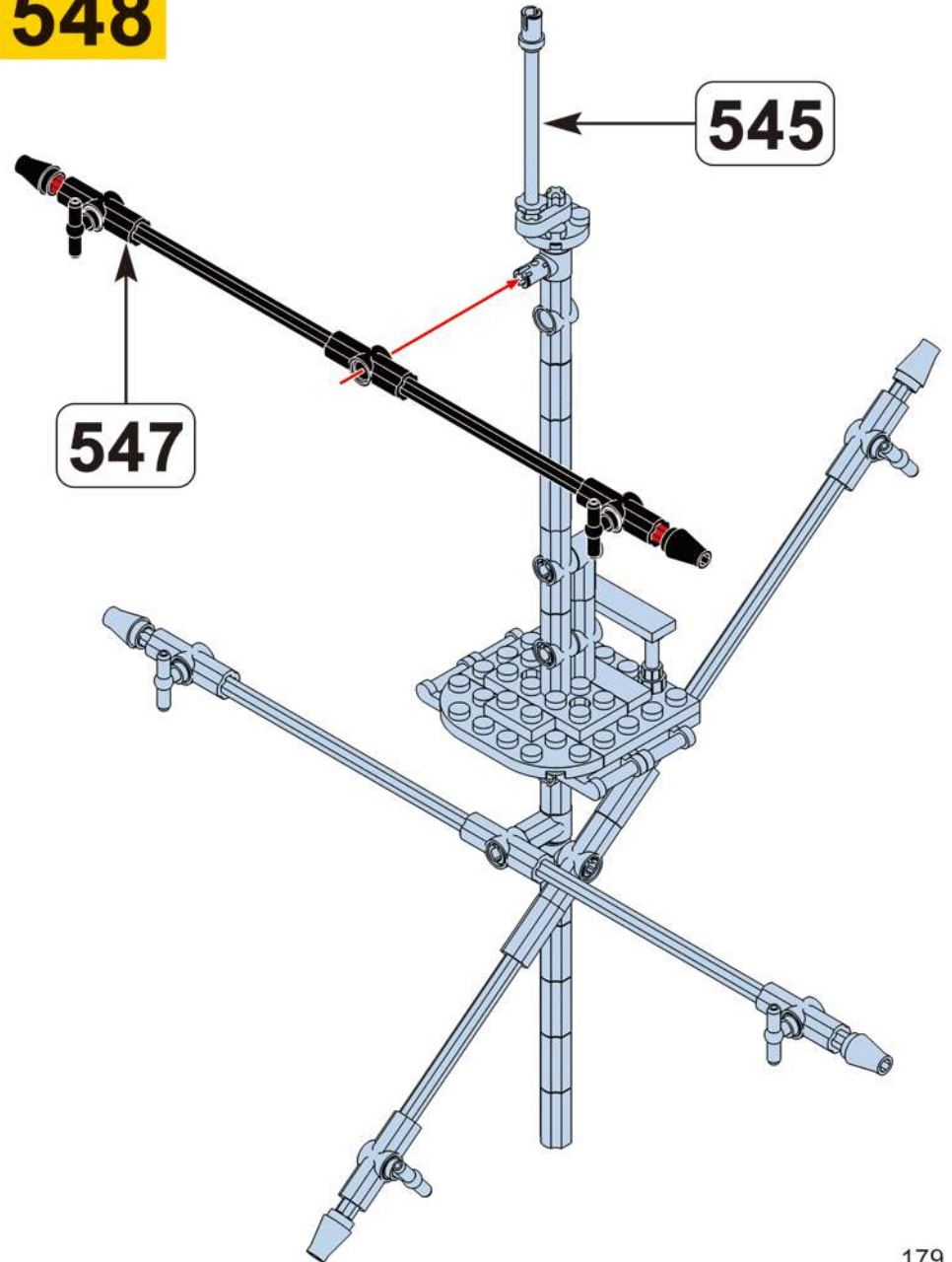




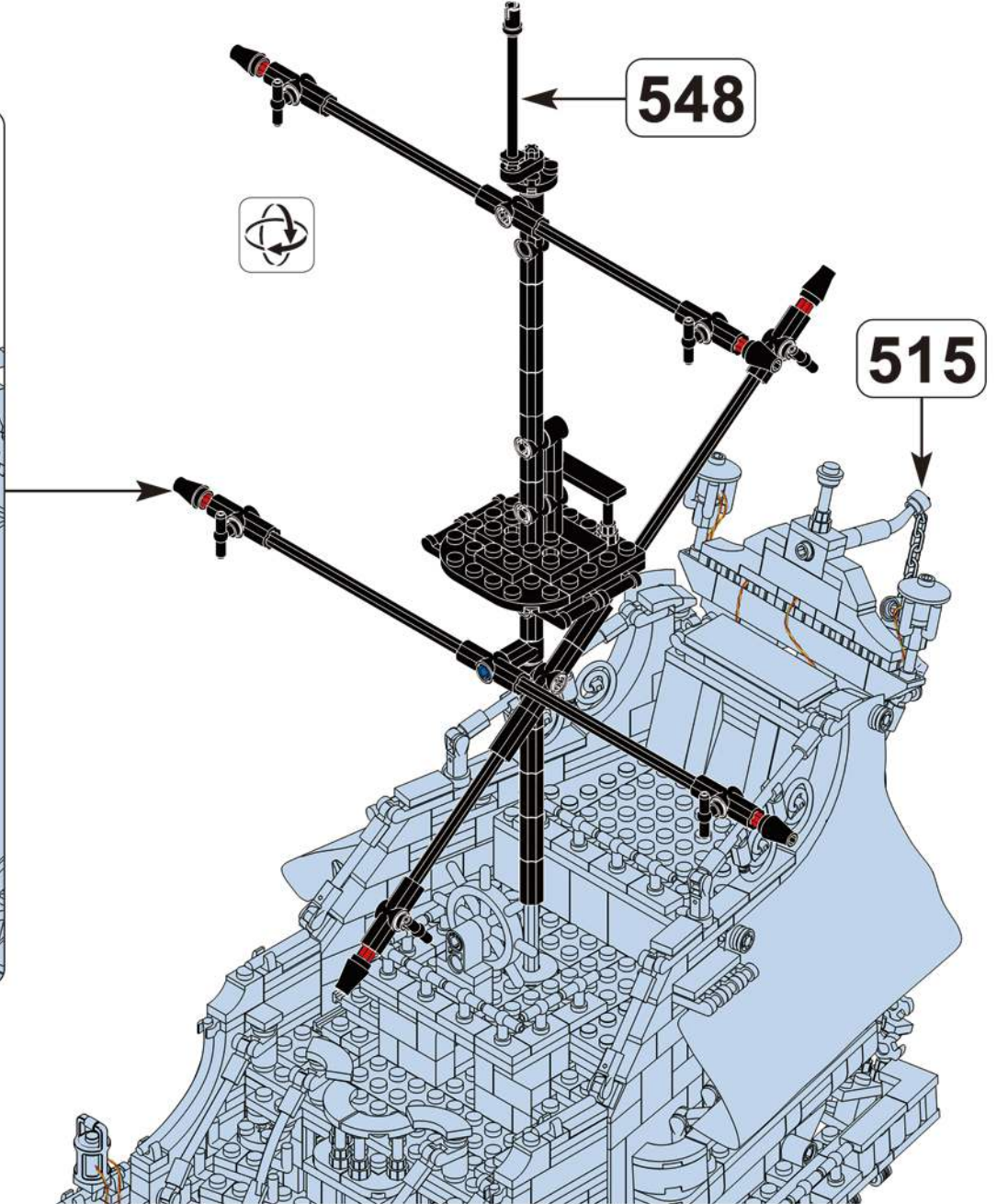
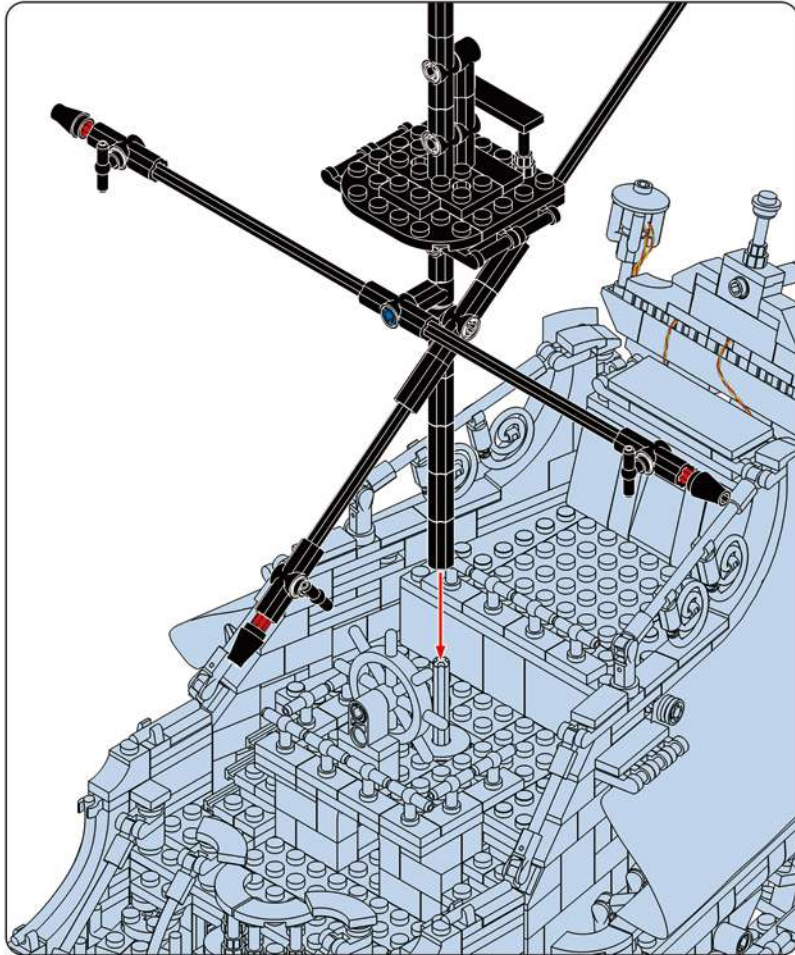
# 547




# 548



549

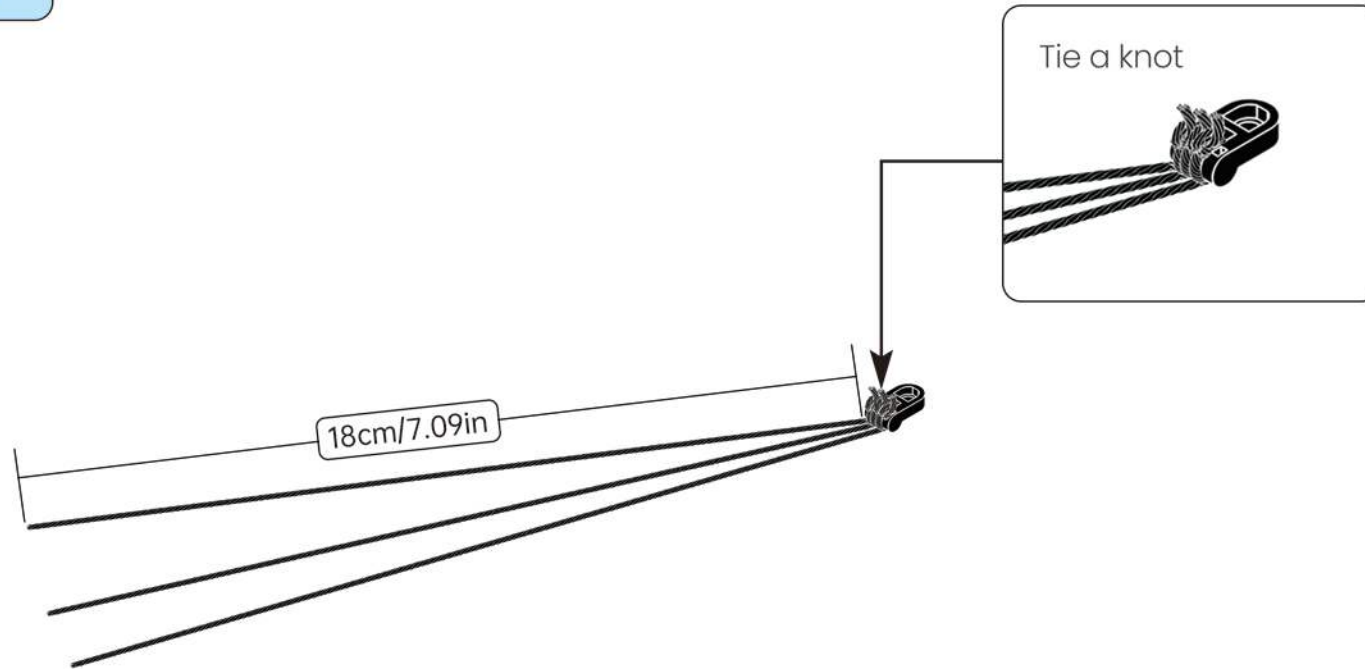




22cm/8.66in

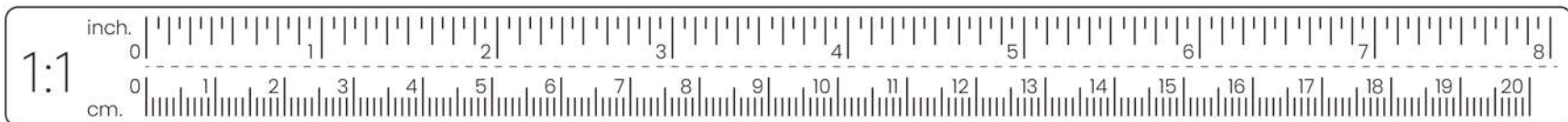


3x 1x

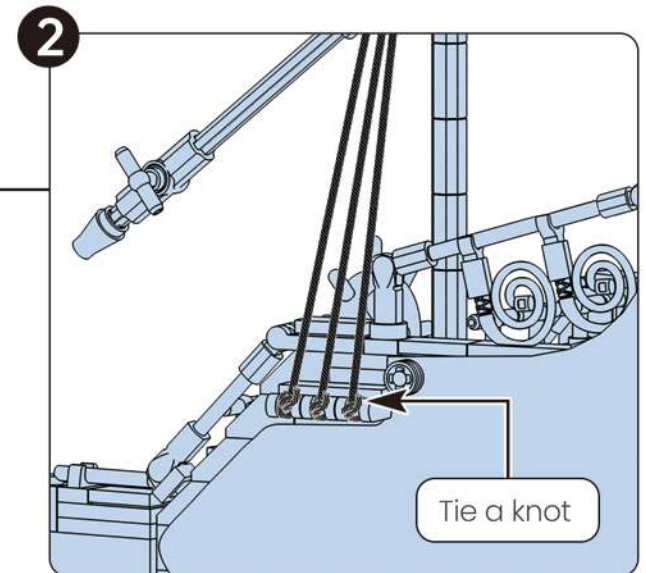
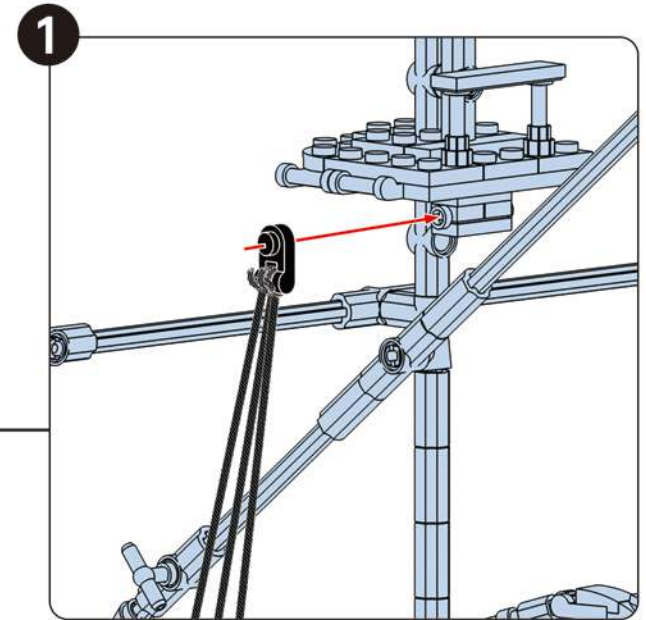
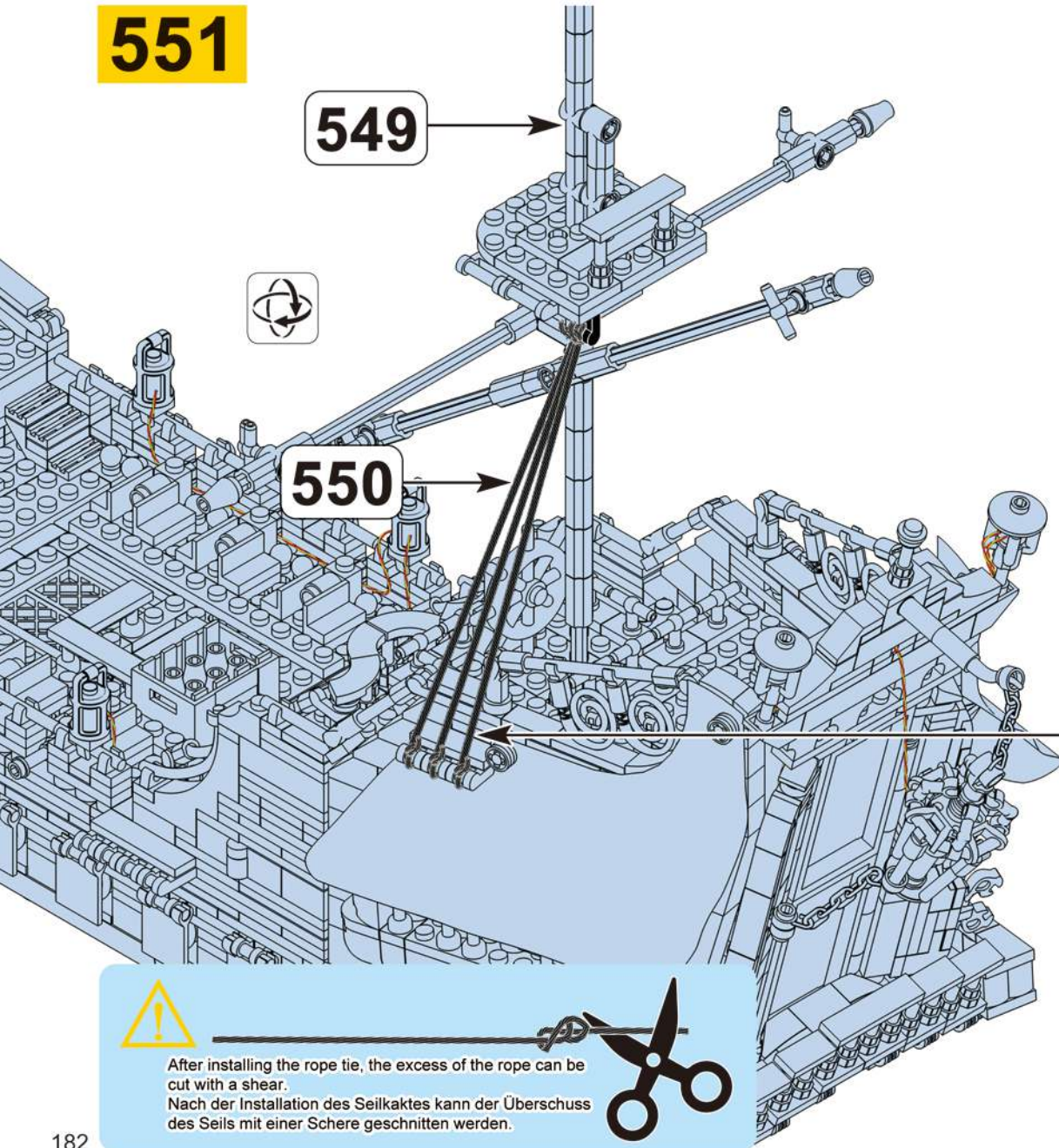
**550**


After installing the rope tie, the excess of the rope can be cut with a shear.  
Nach der Installation des Seilkaktes kann der Überschuss des Seils mit einer Schere geschnitten werden.



# 551

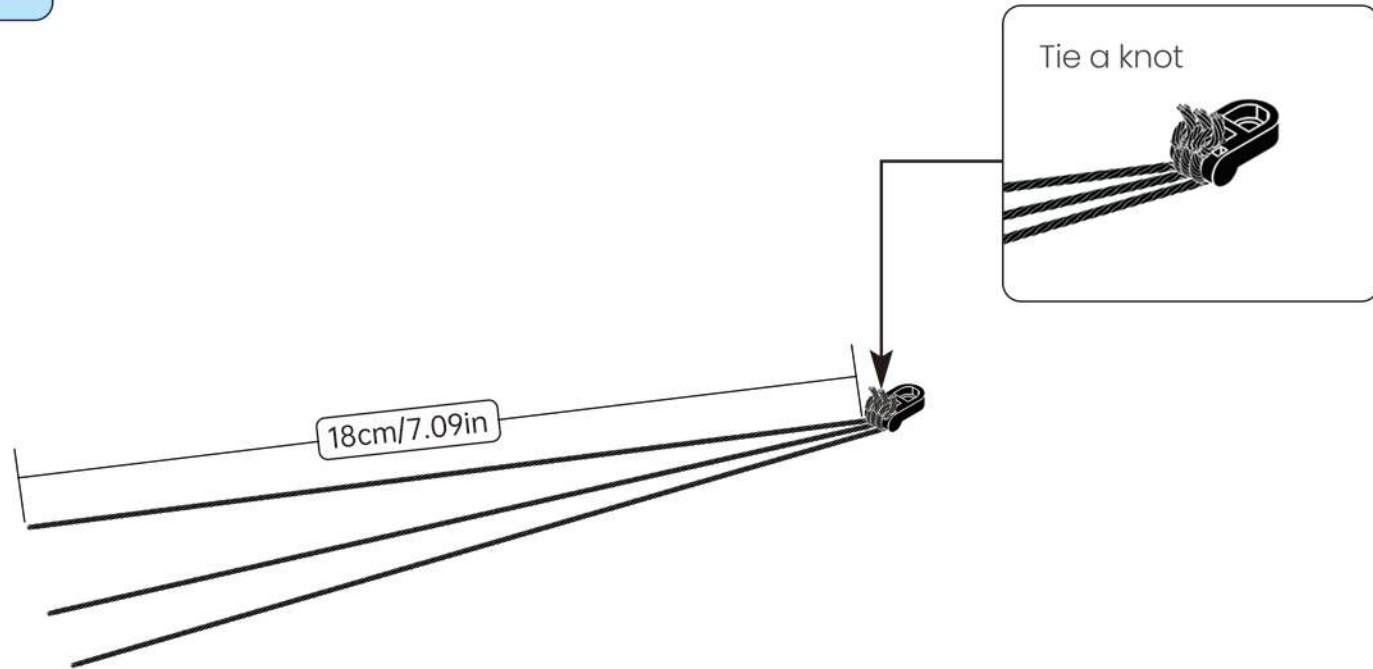




22cm/8.66in

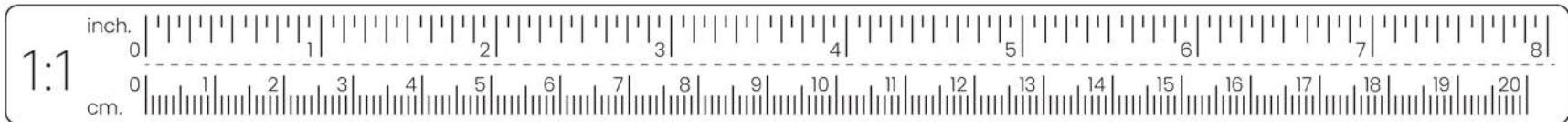


3x 1x

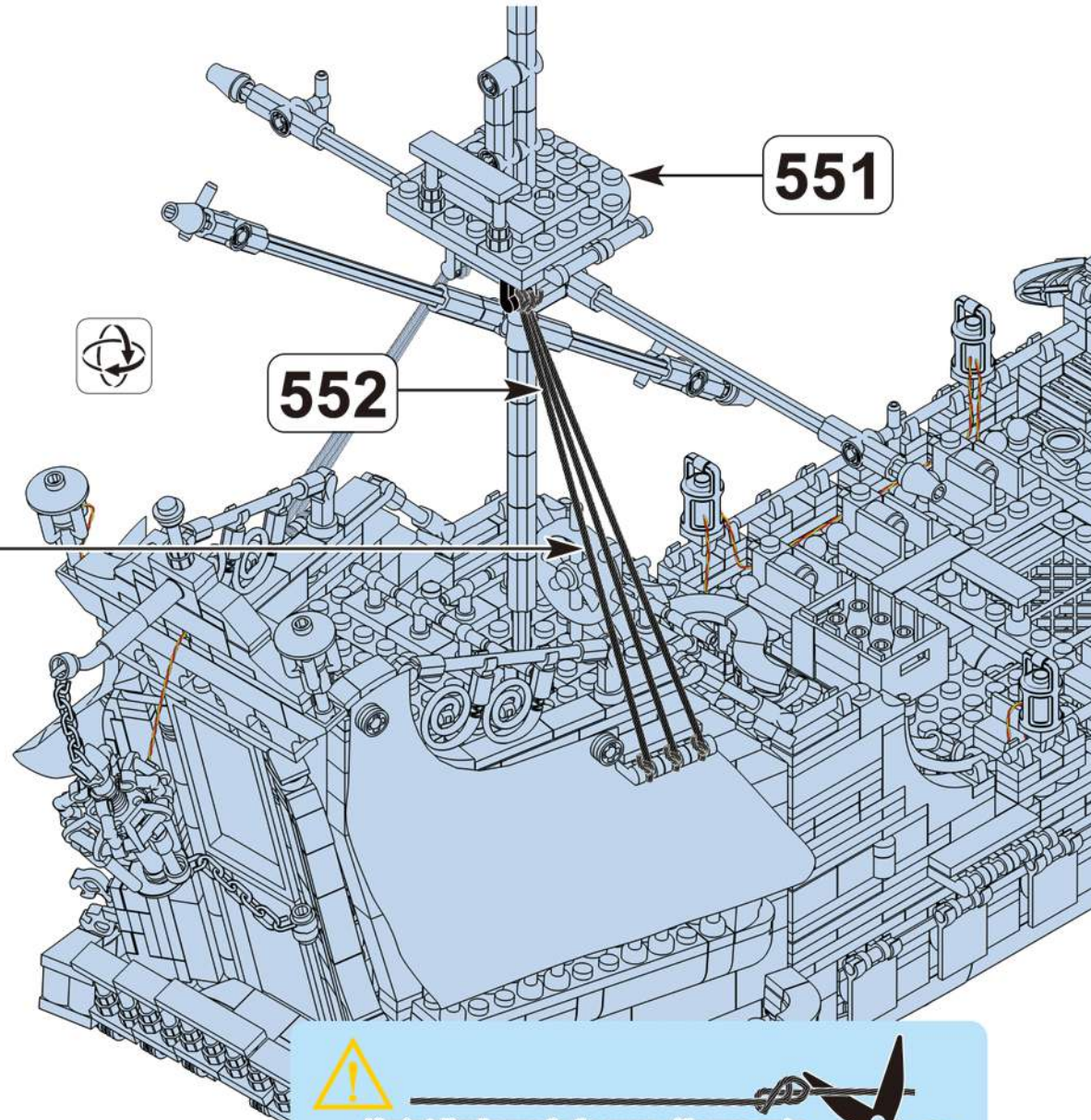
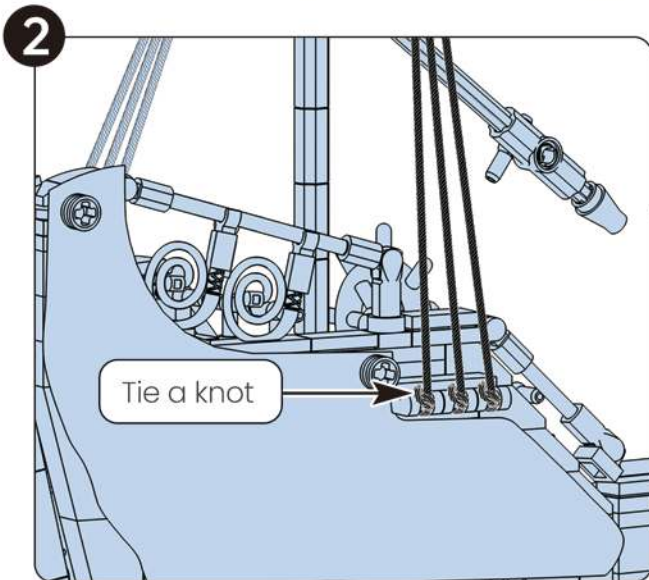
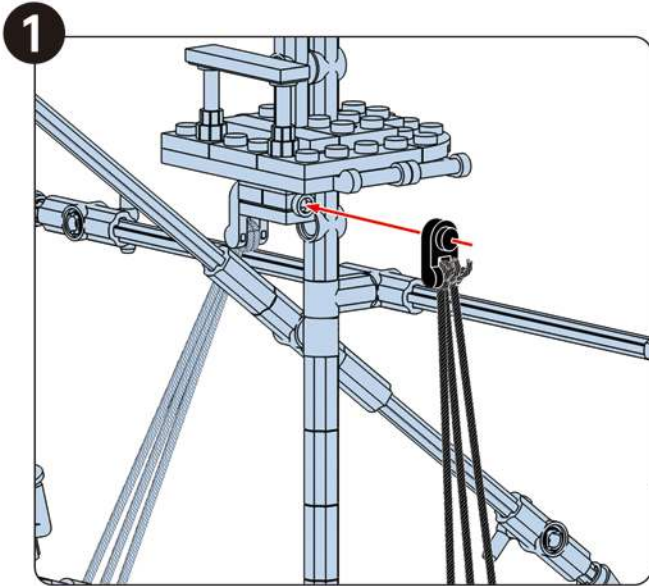
**552**

After installing the rope tie, the excess of the rope can be cut with a shear.  
Nach der Installation des Seilkaktes kann der Überschuss des Seils mit einer Schere geschnitten werden.

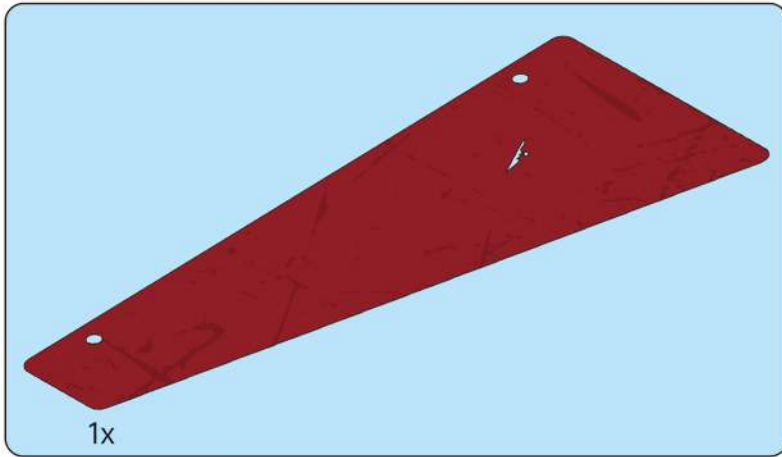


# 553

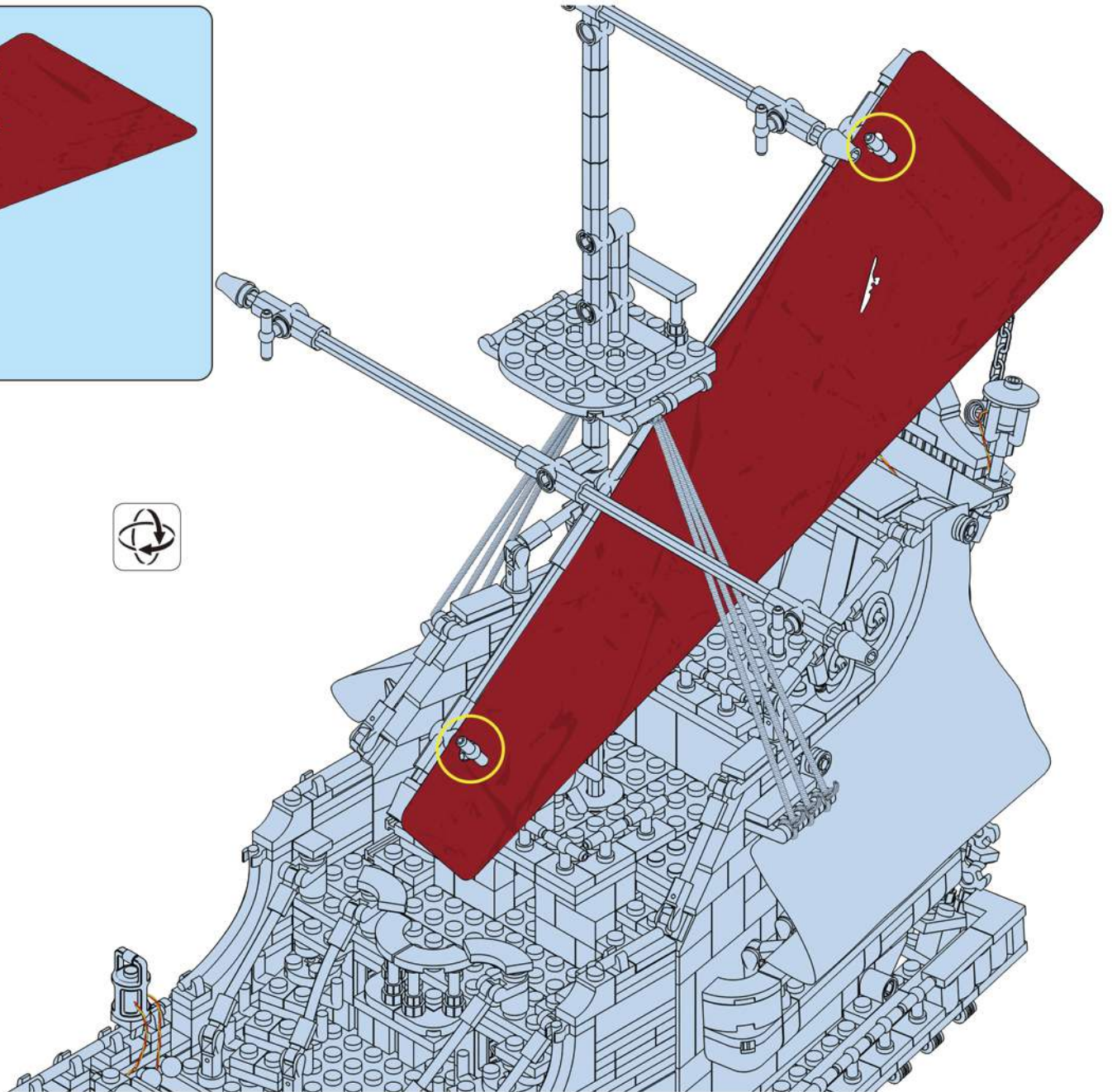


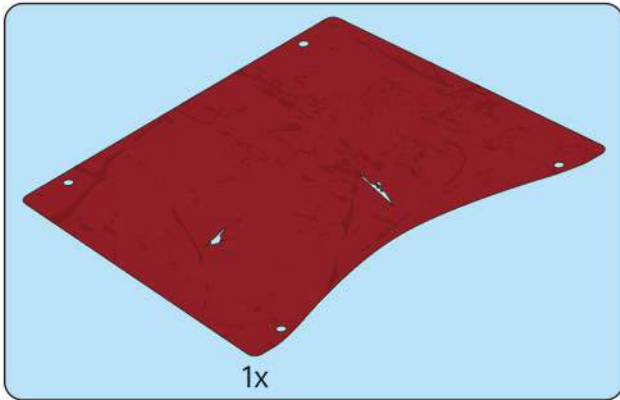
After installing the rope tie, the excess of the rope can be cut with a shear.  
 Nach der Installation des Seilkaktes kann der Überschuss des Seils mit einer Schere geschnitten werden.



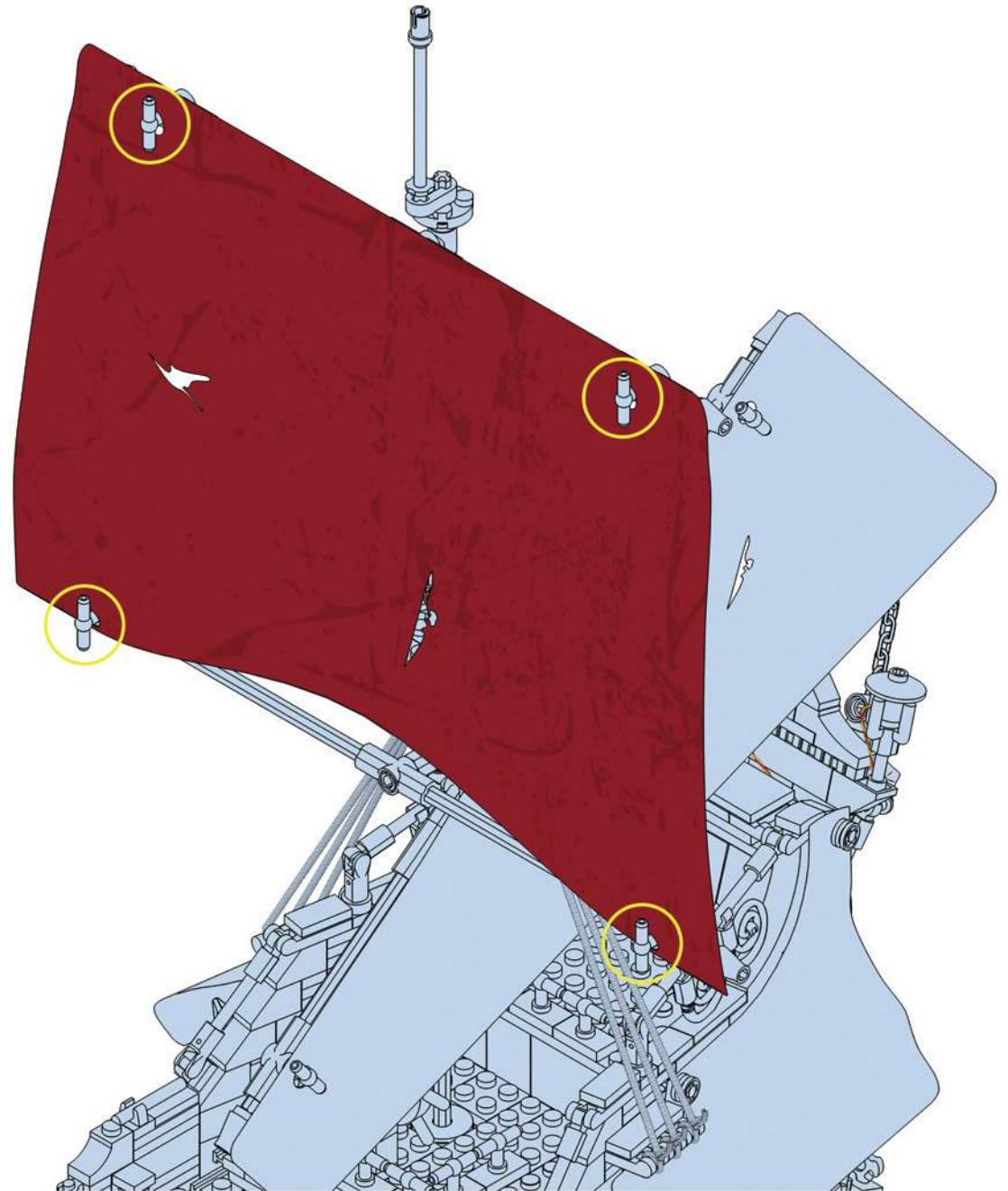


554





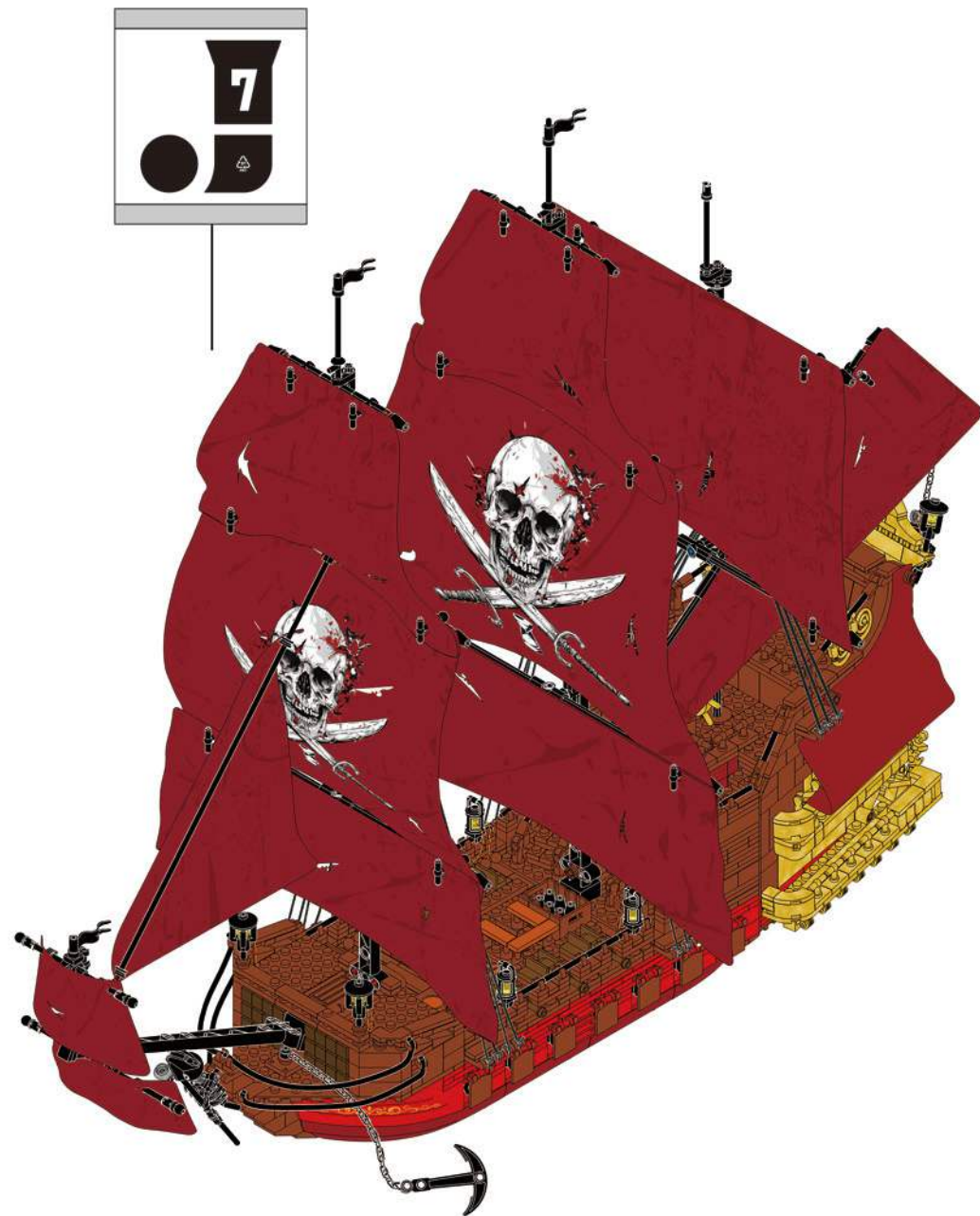
555

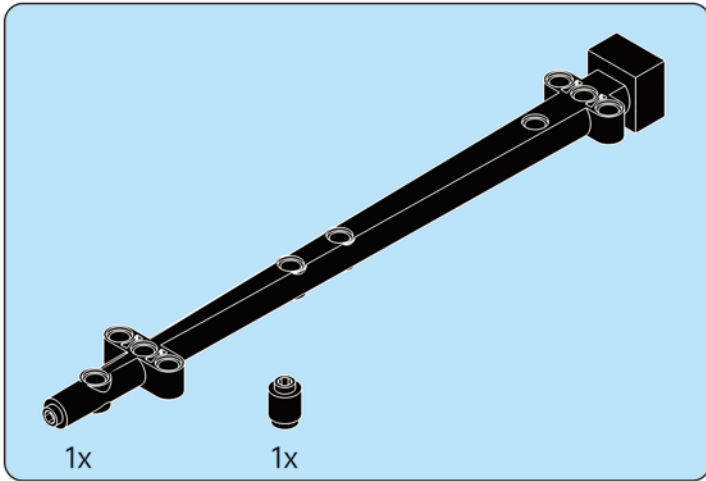


# JOY MAKES BRILLIANCE.

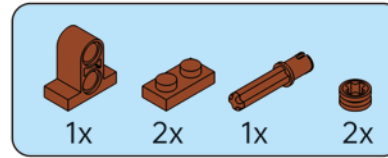
## Embrace Relaxation Embrace Joy

Every adultescent needs a "JOY BOX".  
Please, open your JOY BOX! Heading for joy.

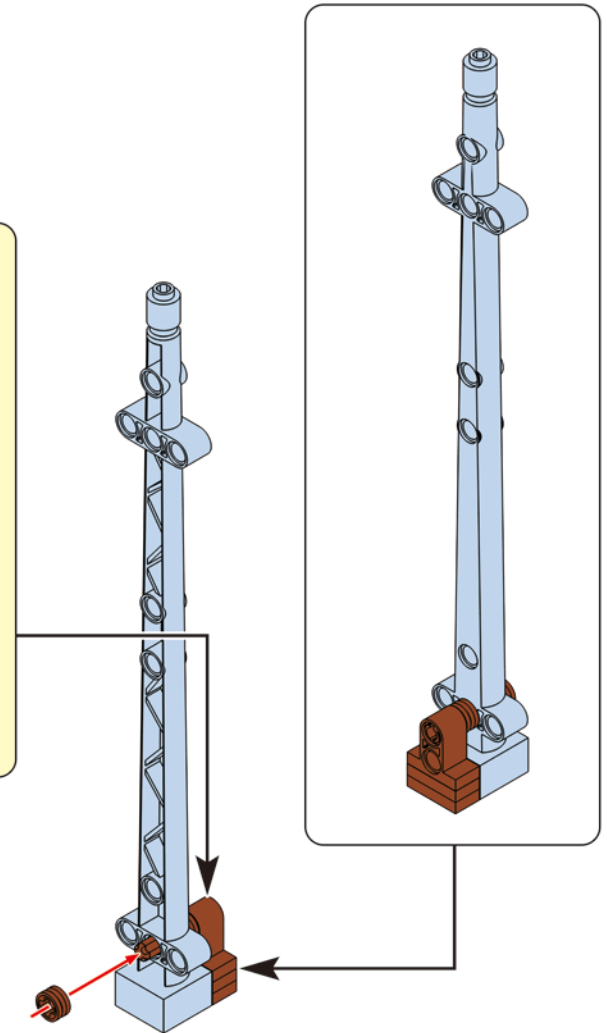
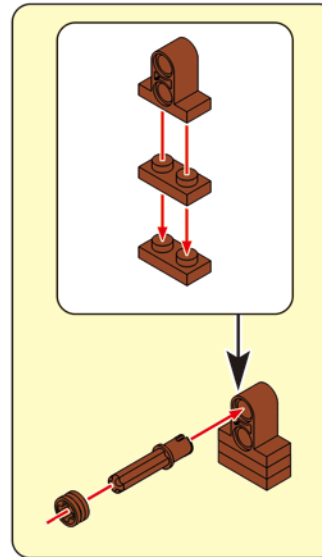
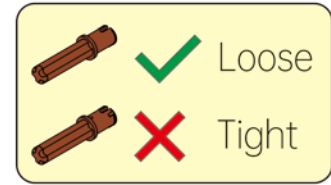


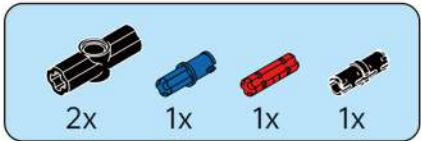


**556**

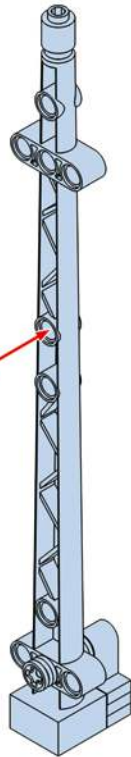
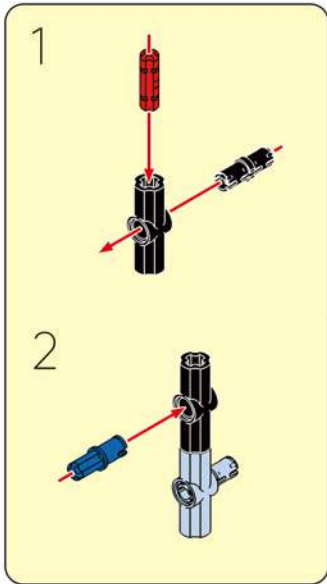
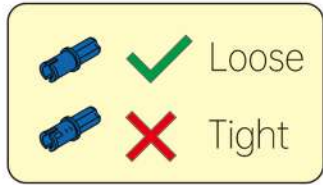


**557**

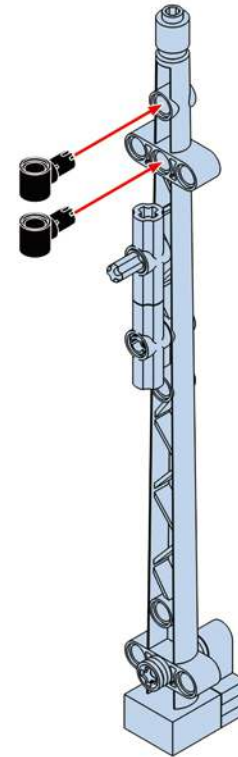


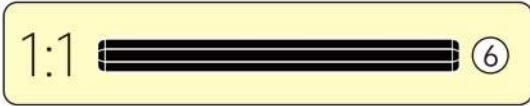
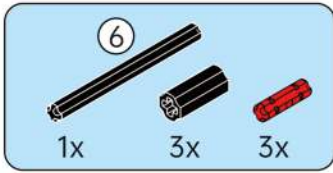


# 558

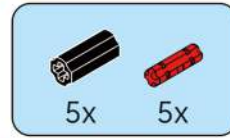
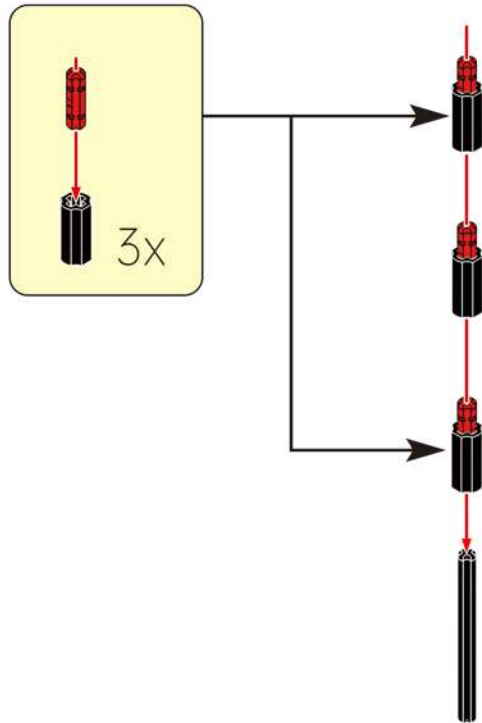


# 559

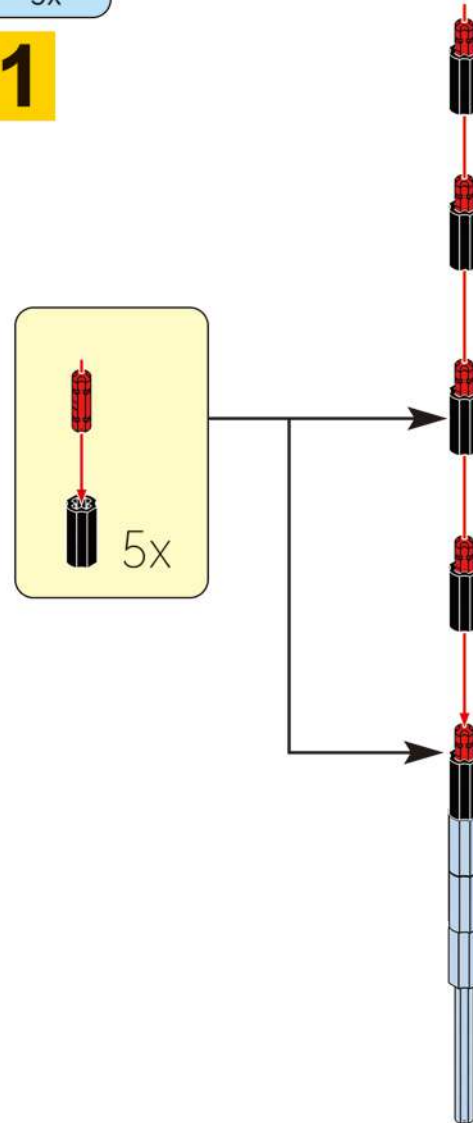


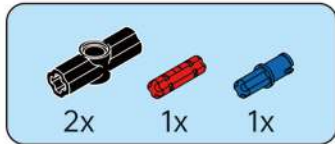


560

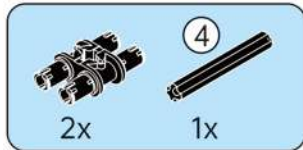
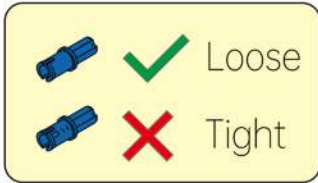
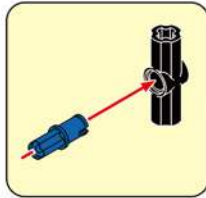


561

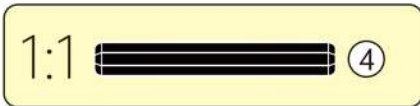
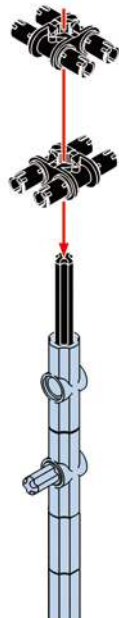




**562**



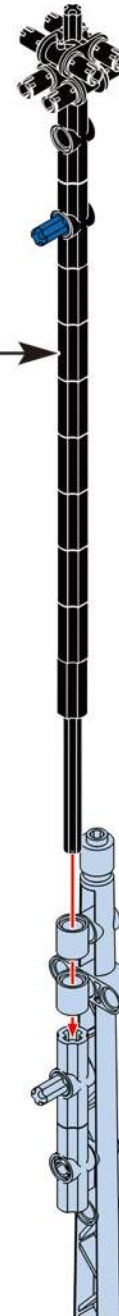
**563**

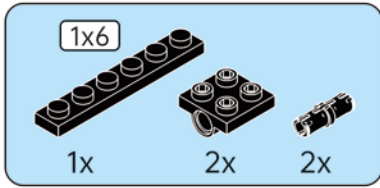


**564**

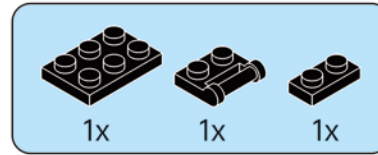
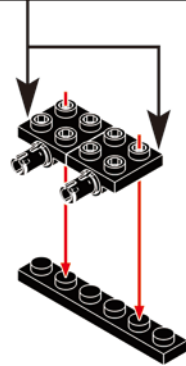
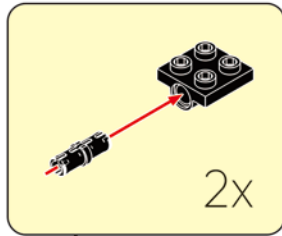
**563**

**559**

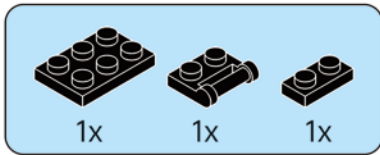
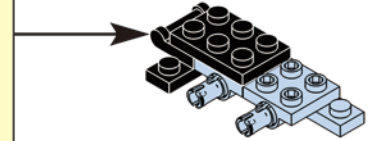
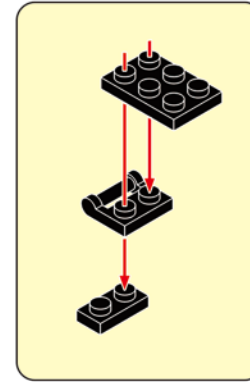




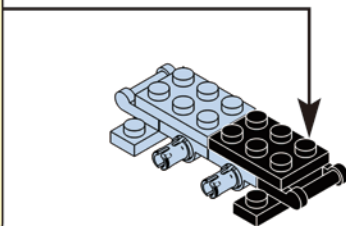
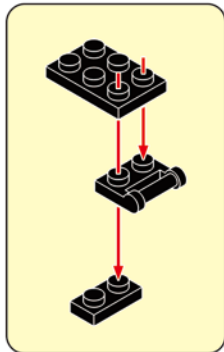
**565**



**566**

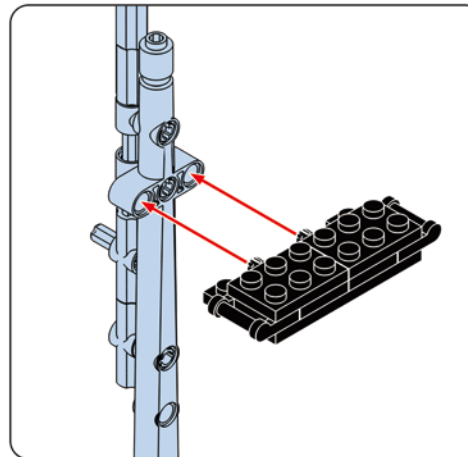


**567**

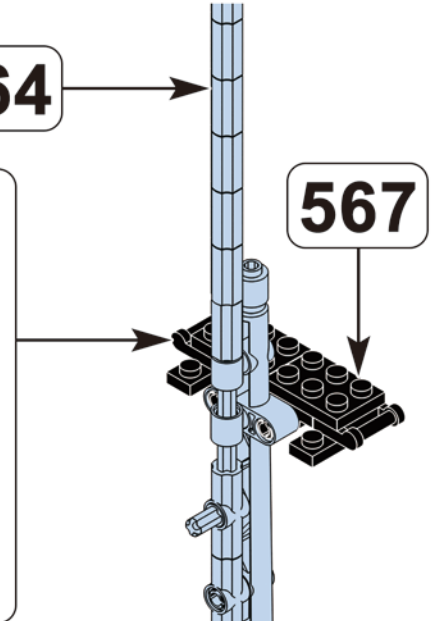


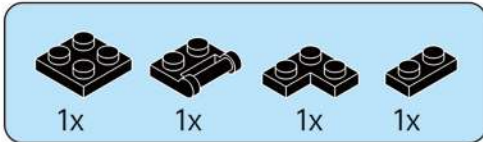
**568**

564

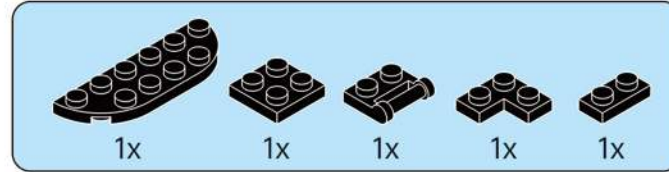
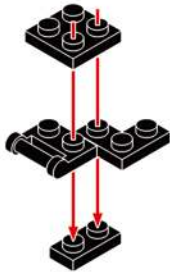


567

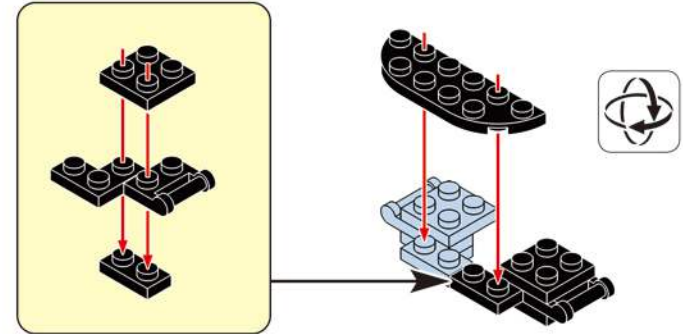




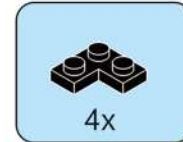
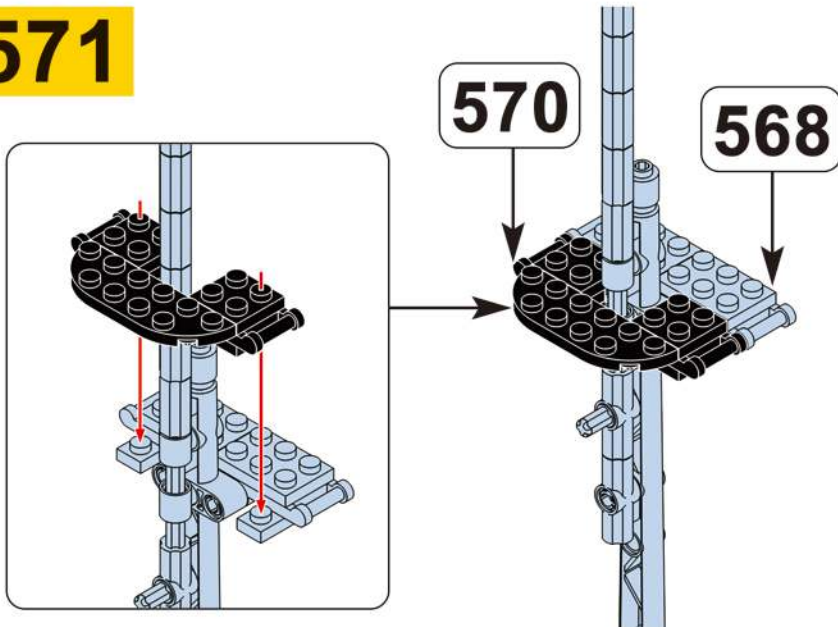
**569**



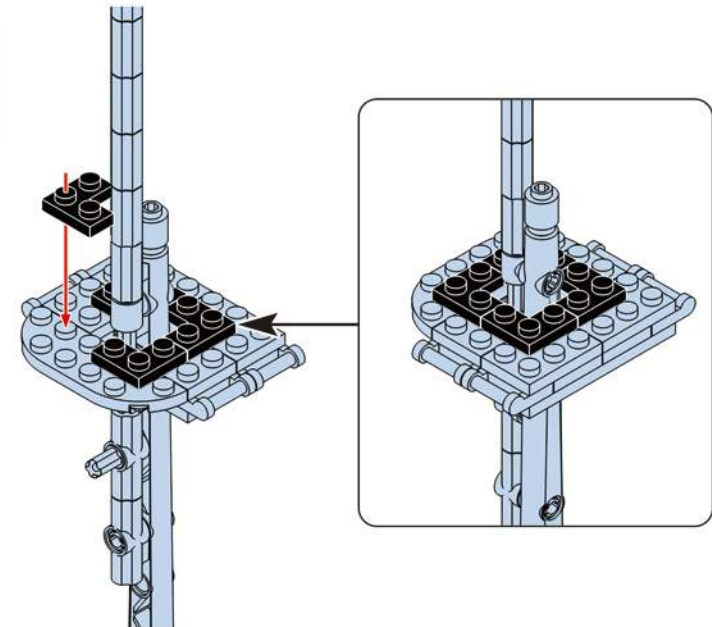
**570**

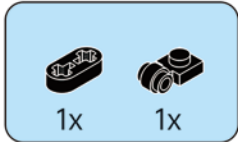


**571**

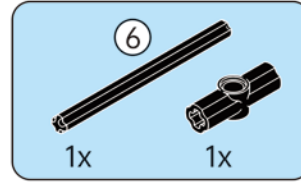
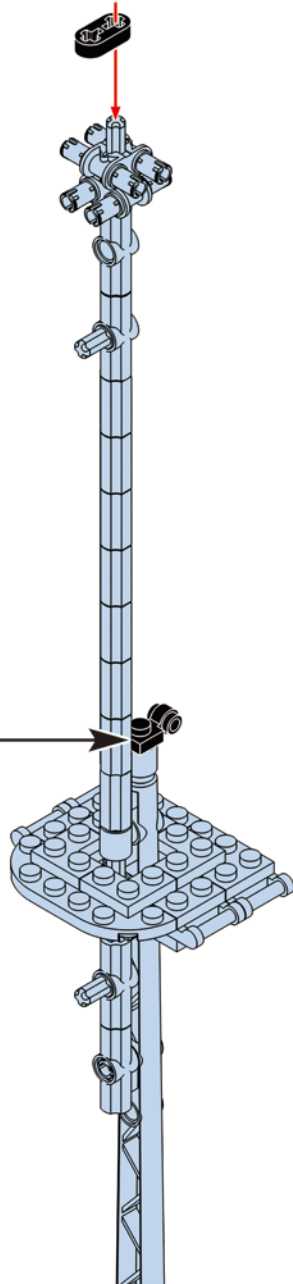
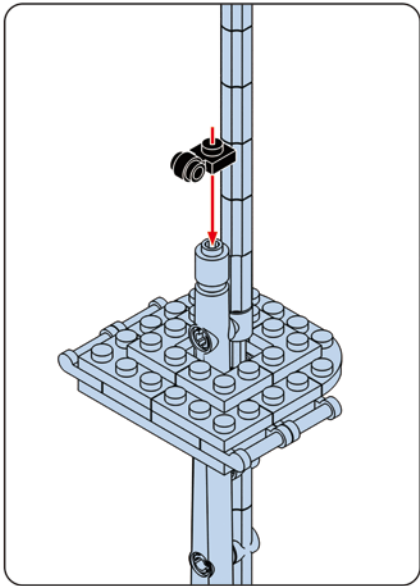


**572**

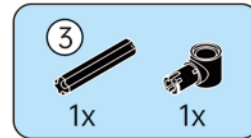




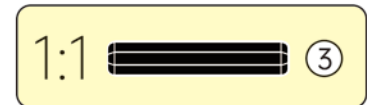
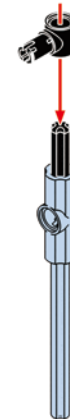
**573**

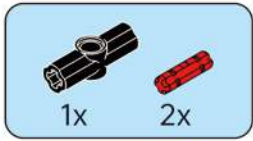


**574**

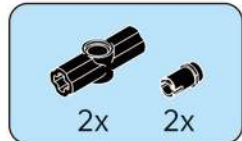
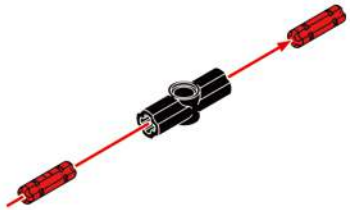


**575**

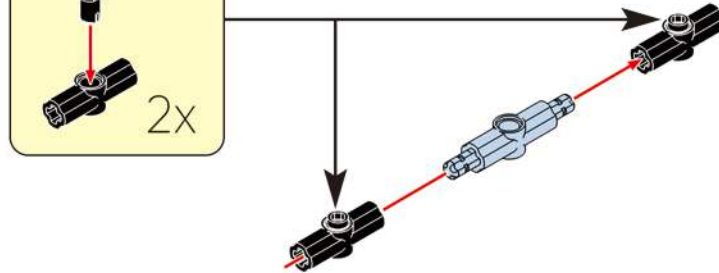
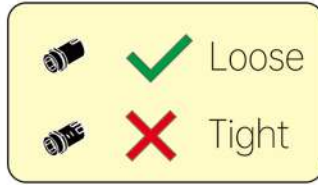
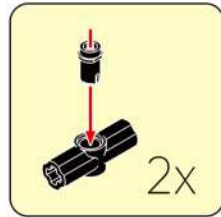




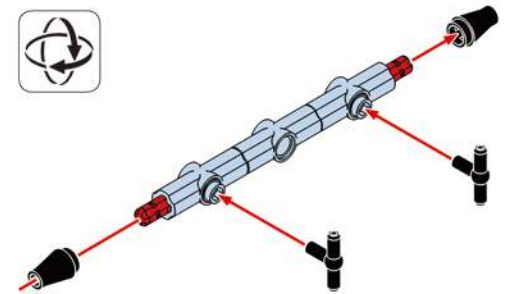
**576**



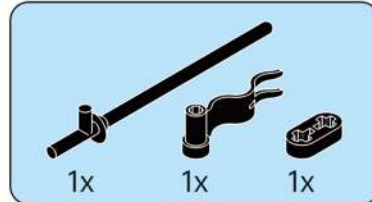
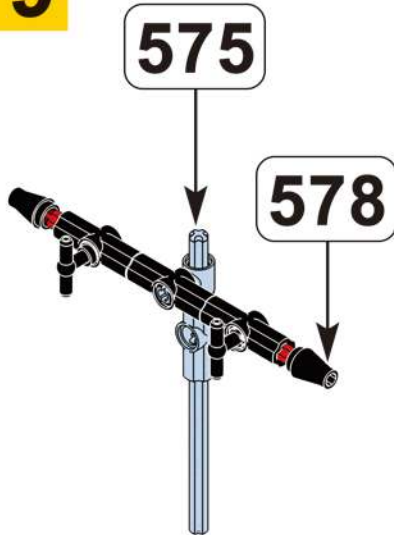
**577**



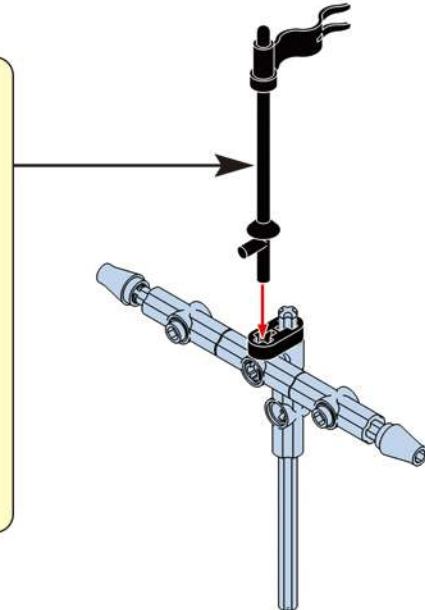
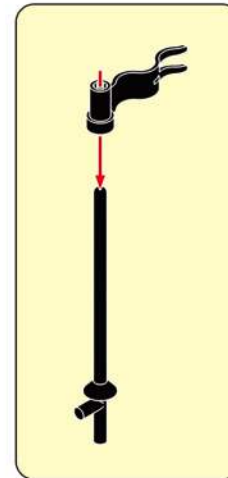
**578**

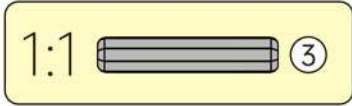
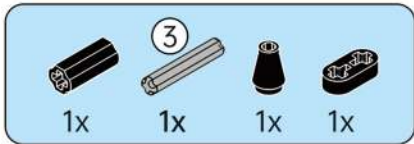


**579**

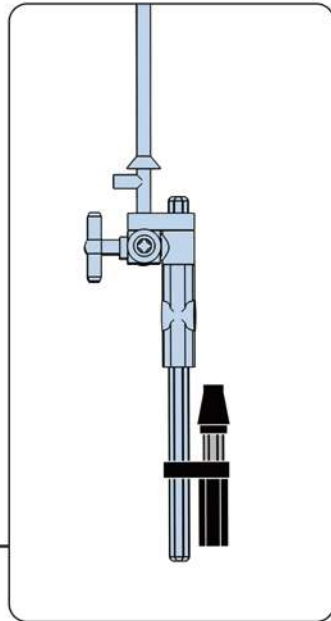
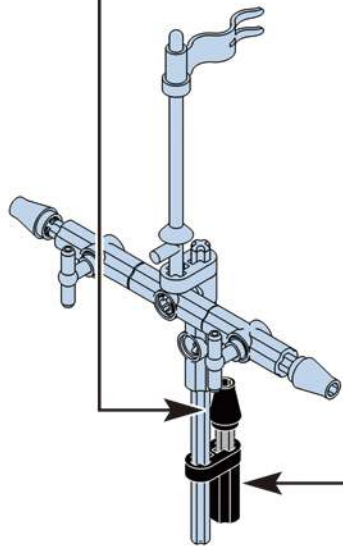
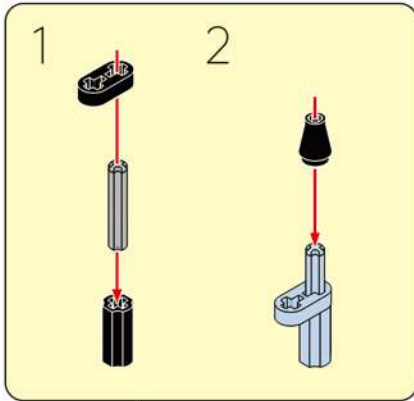


**580**

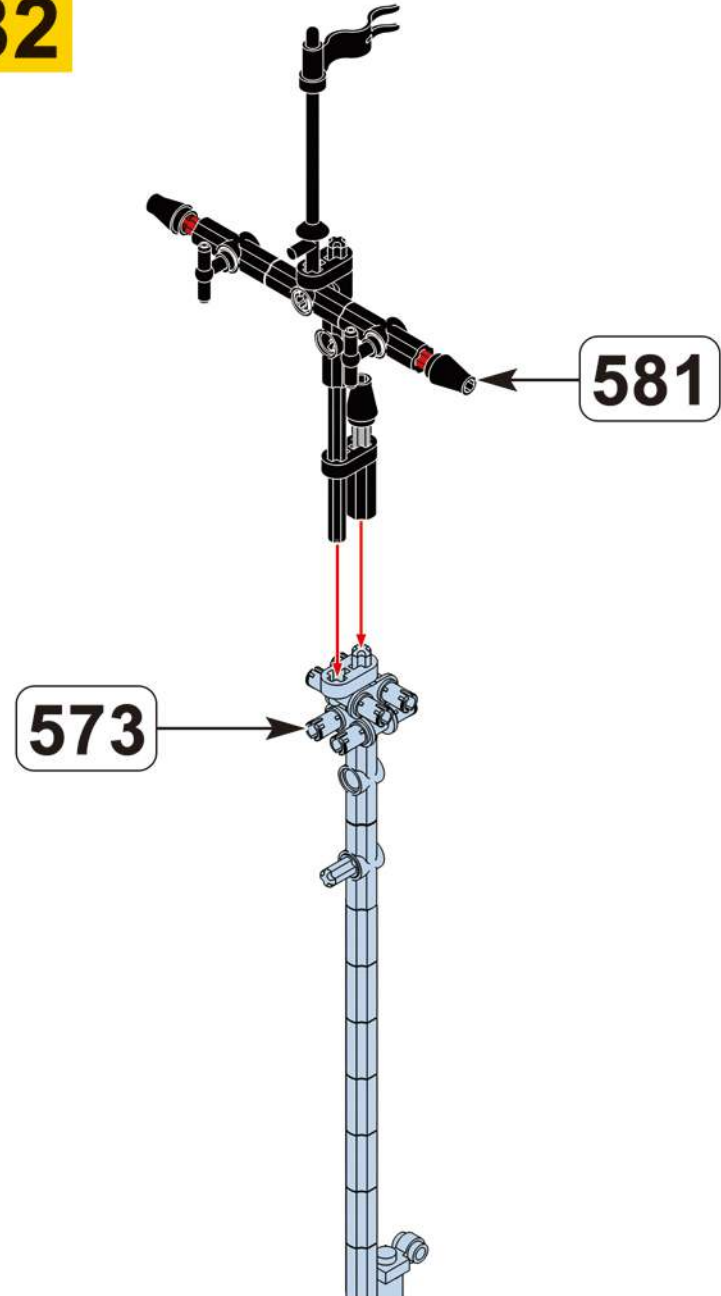


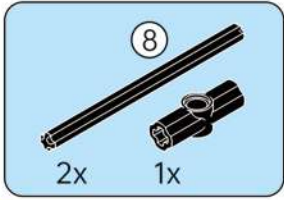


# 581

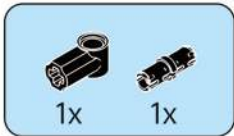
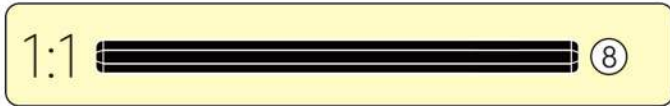


# 582

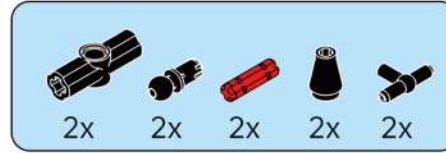
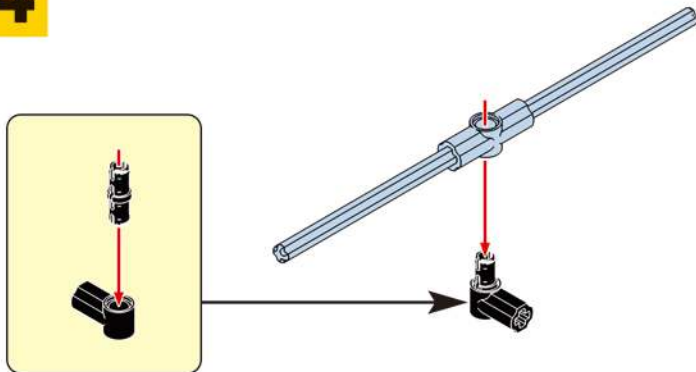




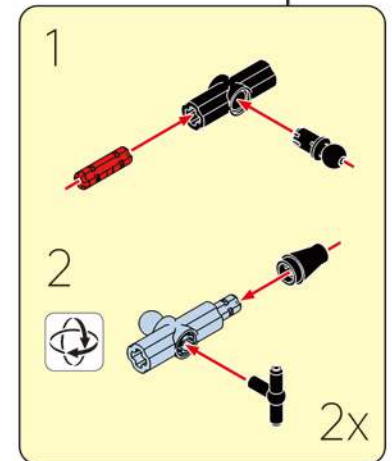
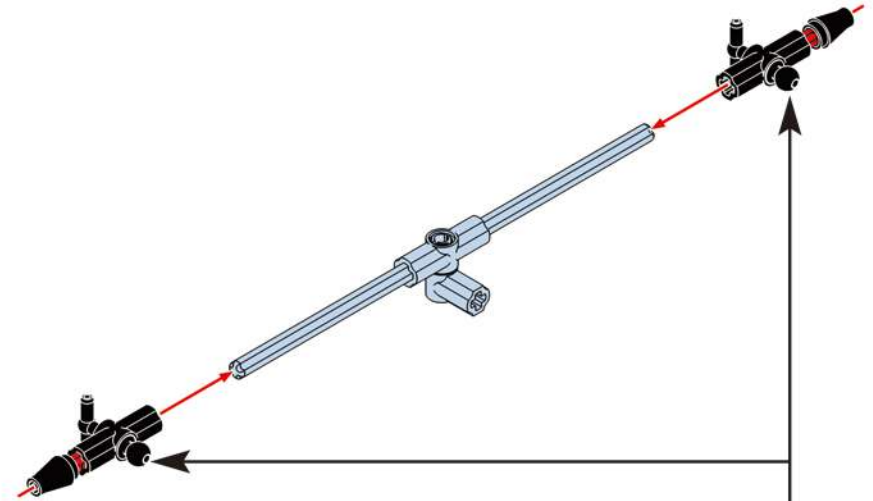
583



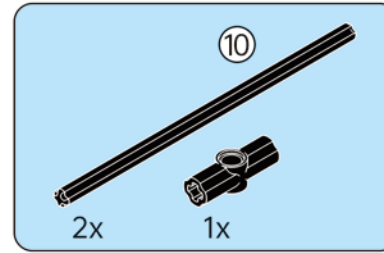
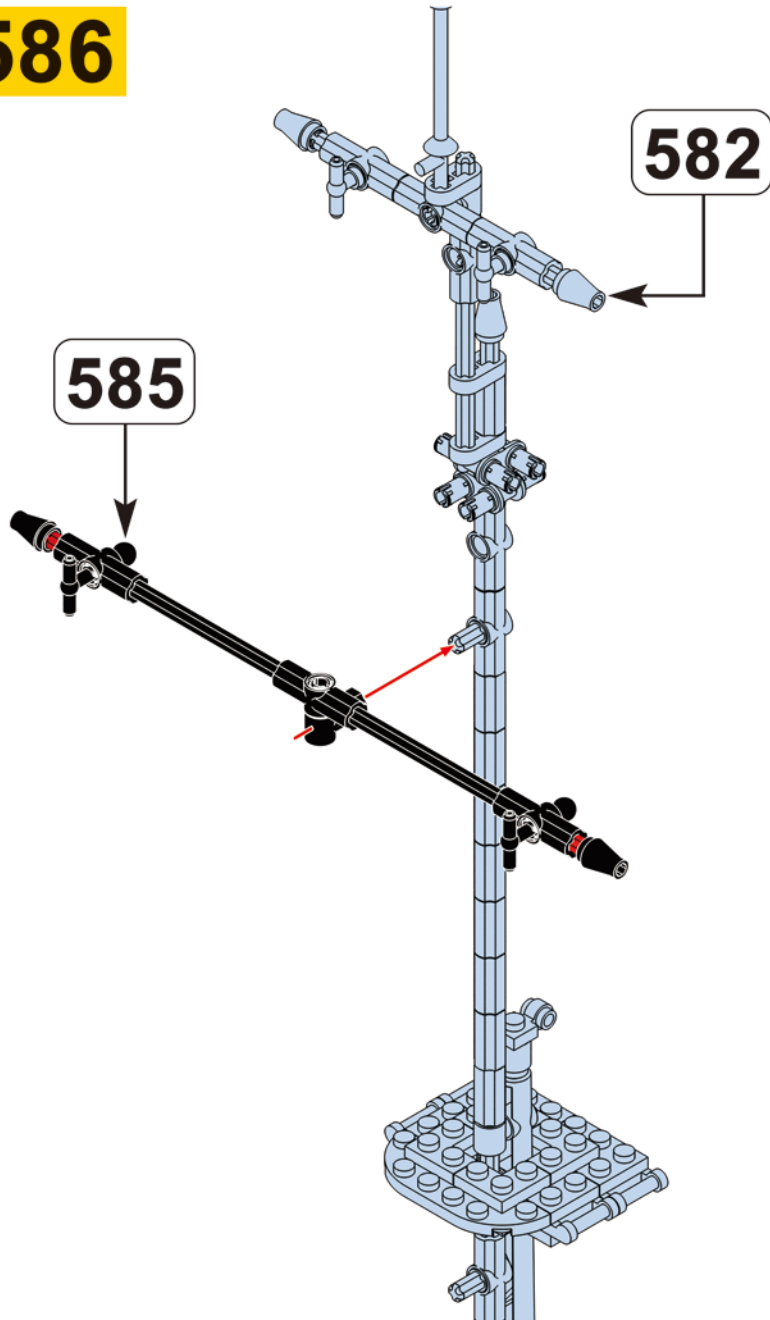
584



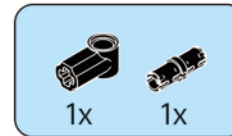
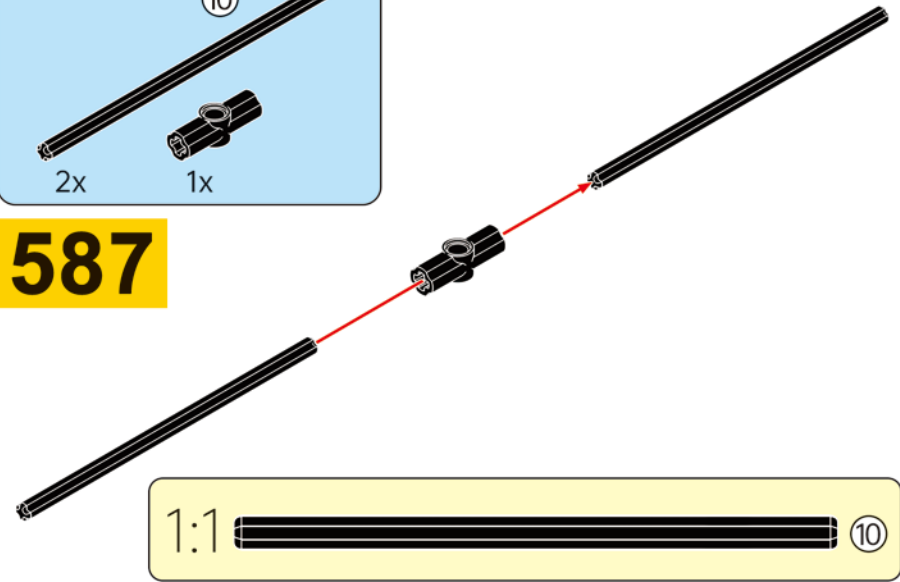
585



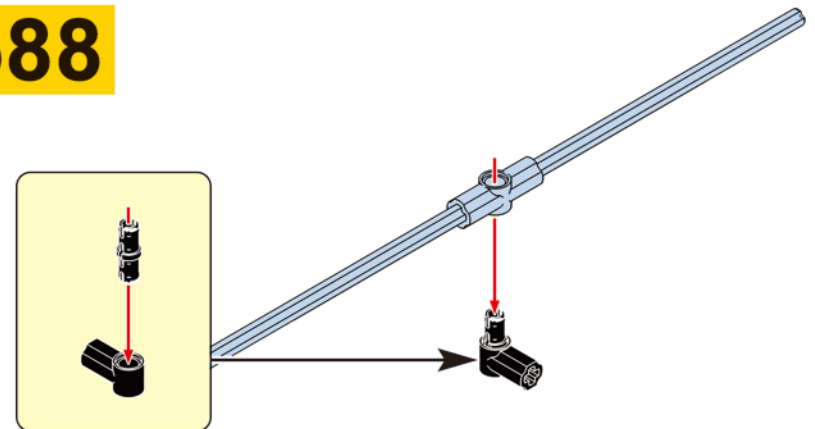
586

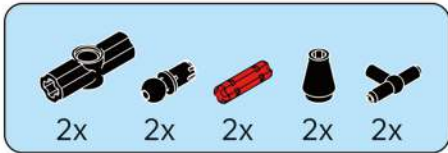


587

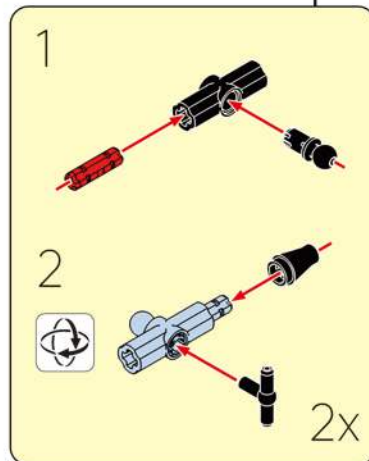
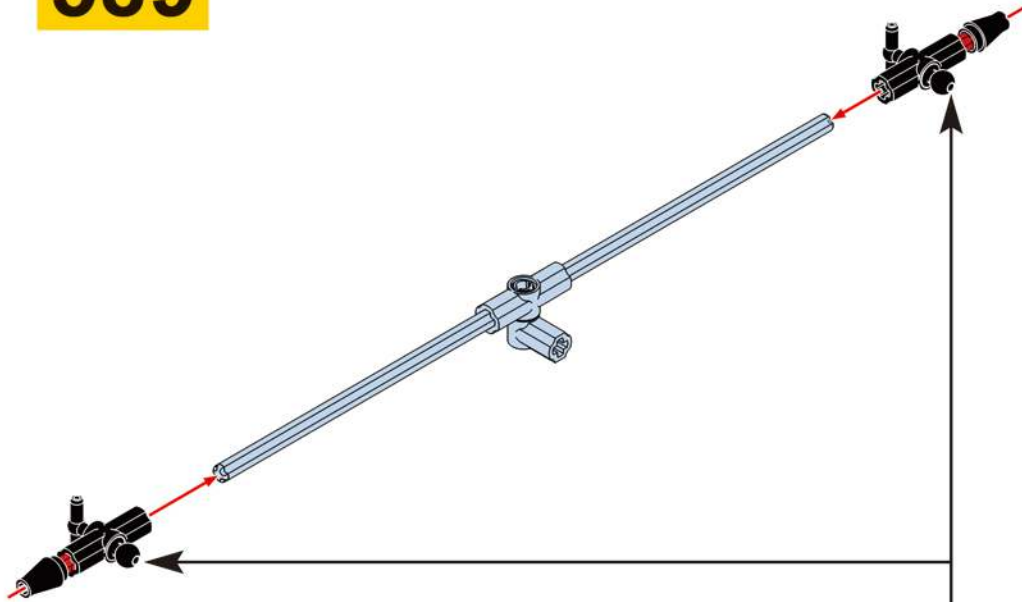


588

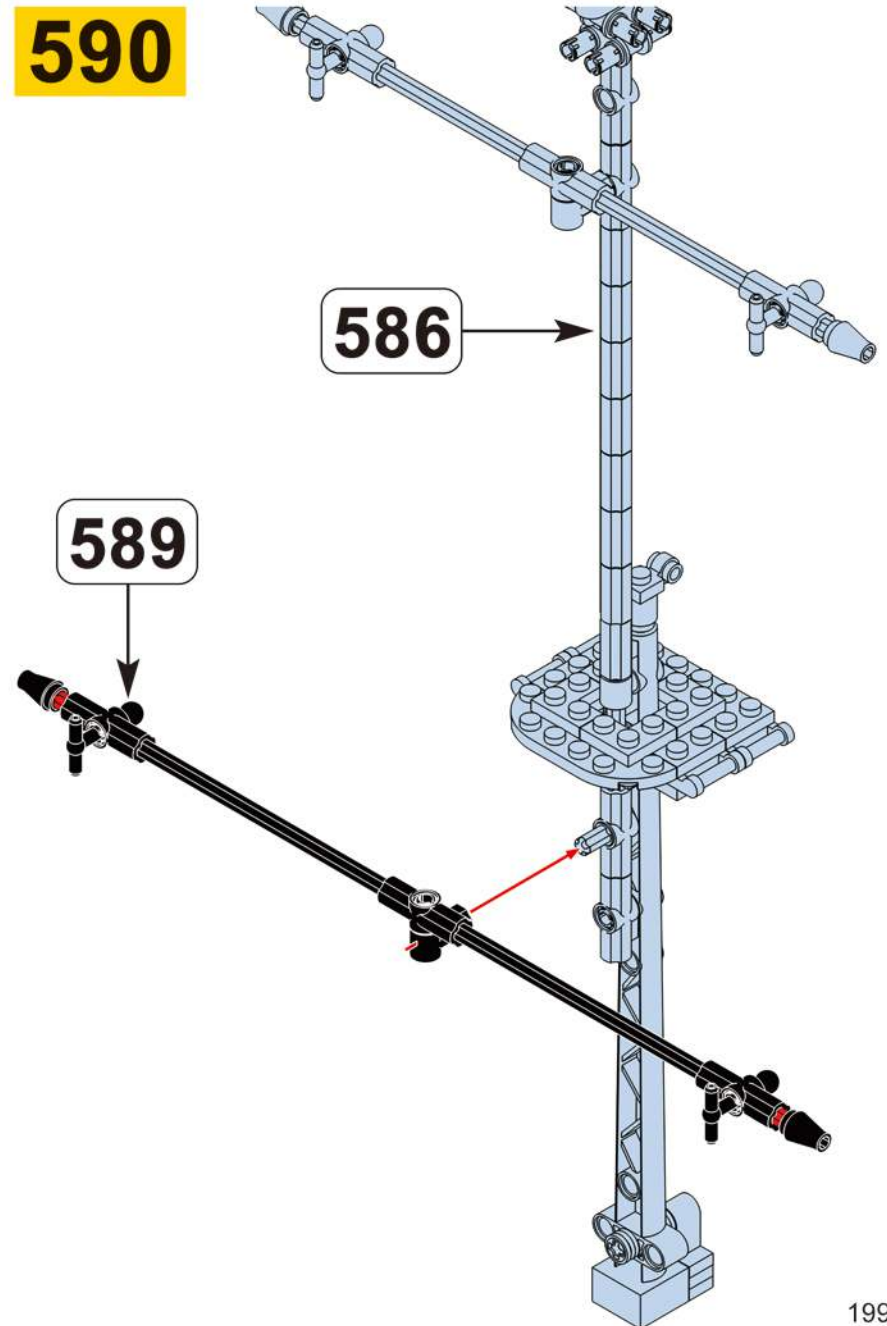




**589**



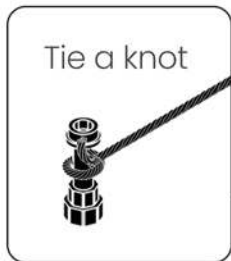
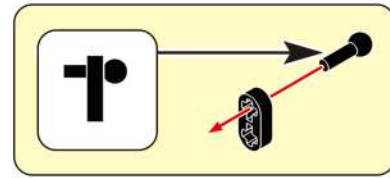
**590**



44cm/17.32in

2x 2x 2x 2x

591

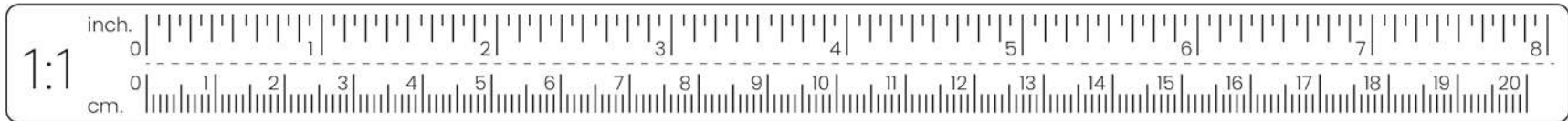


2x

39cm/15.35in

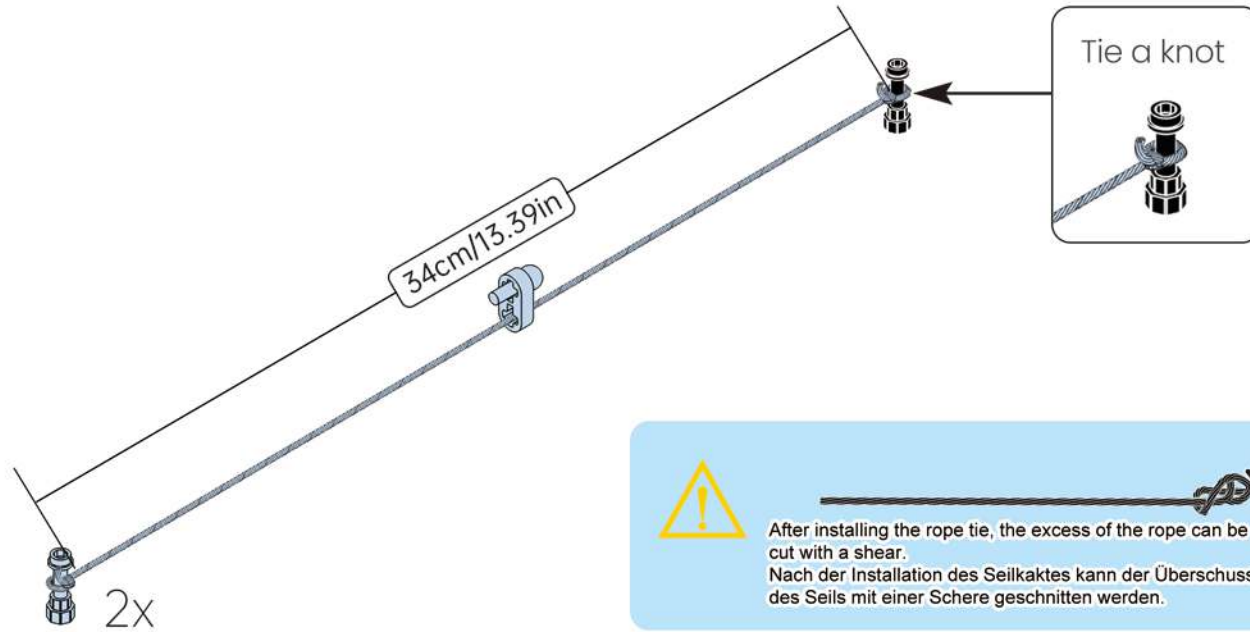
After installing the rope tie, the excess of the rope can be cut with a shear.

Nach der Installation des Seilkaktes kann der Überschuss des Seils mit einer Schere geschnitten werden.



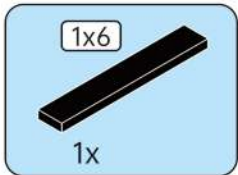


**592**

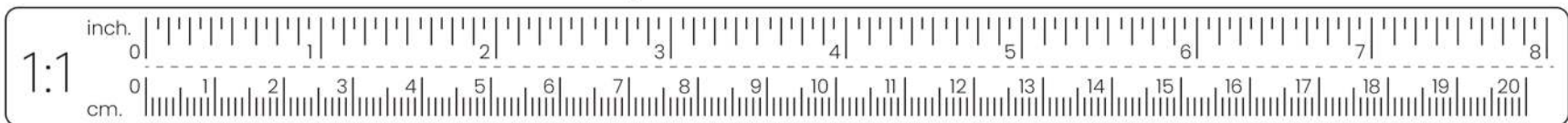
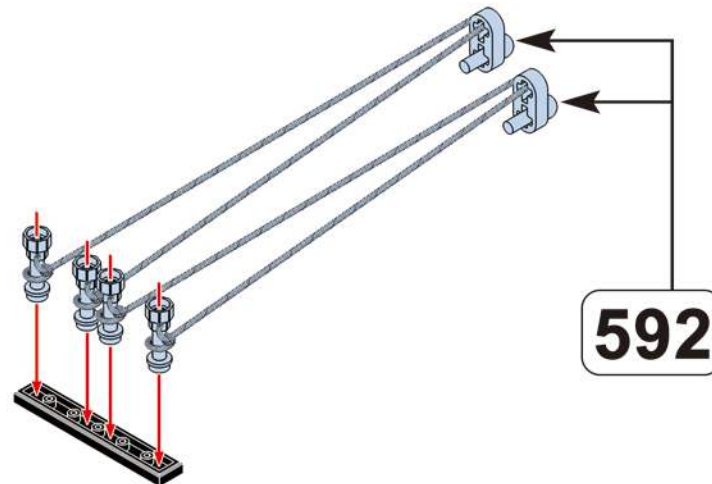


After installing the rope tie, the excess of the rope can be cut with a shear.

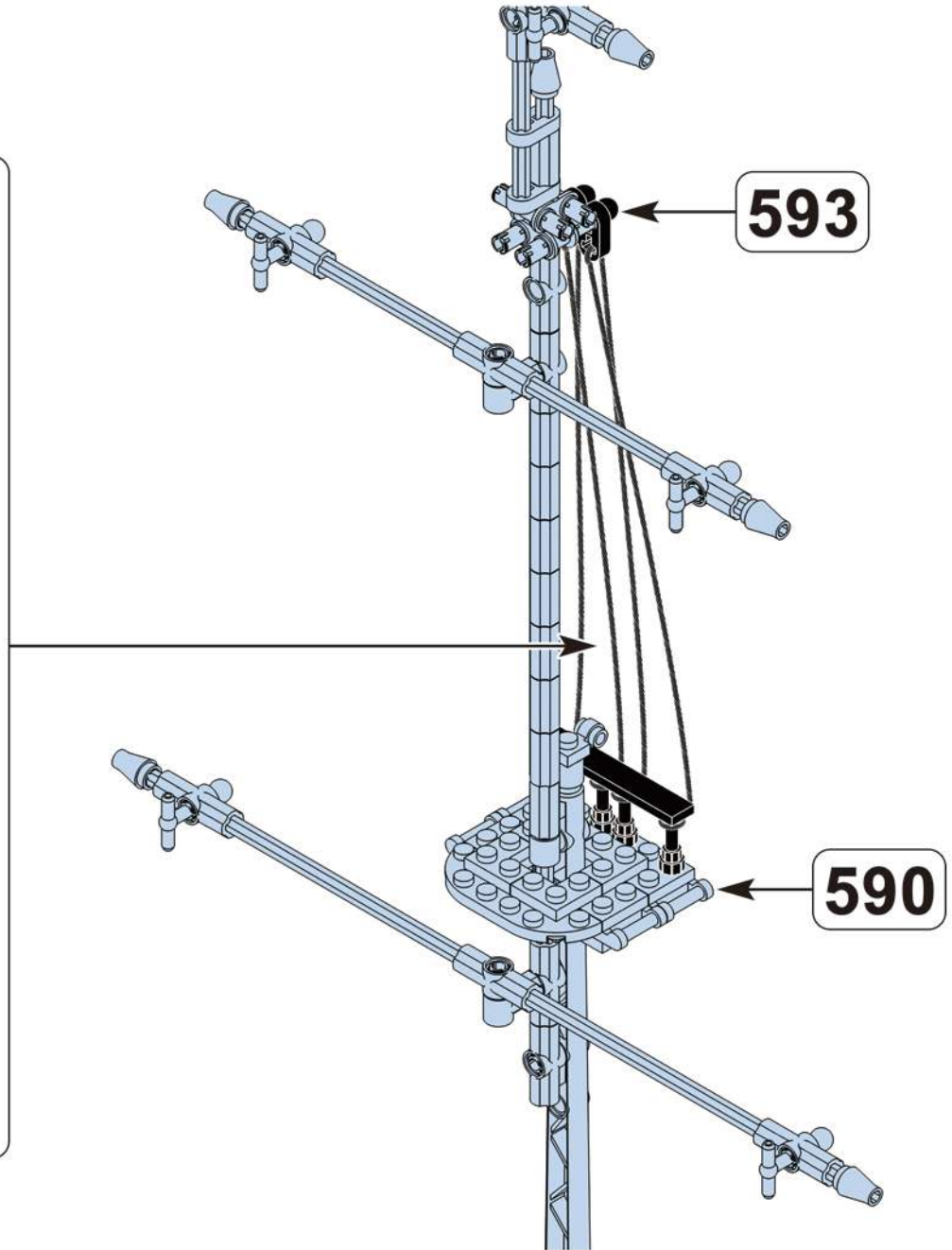
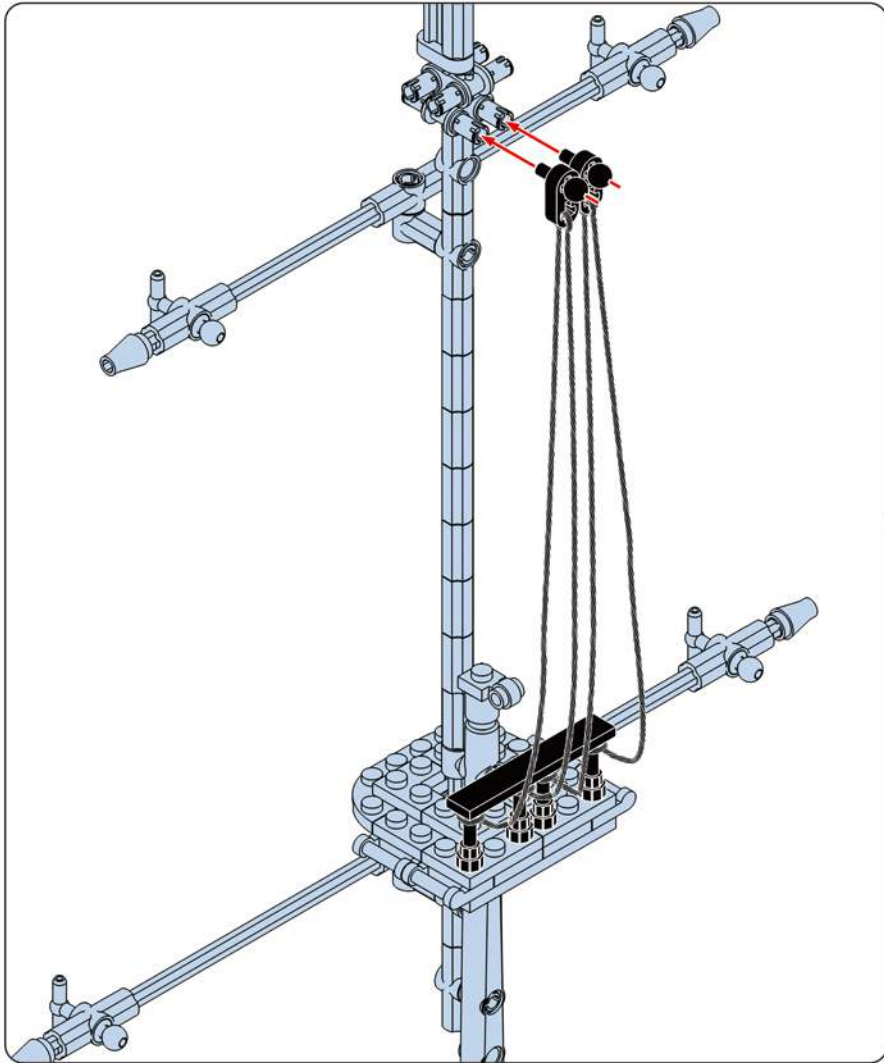
Nach der Installation des Seilkaktes kann der Überschuss des Seils mit einer Schere geschnitten werden.



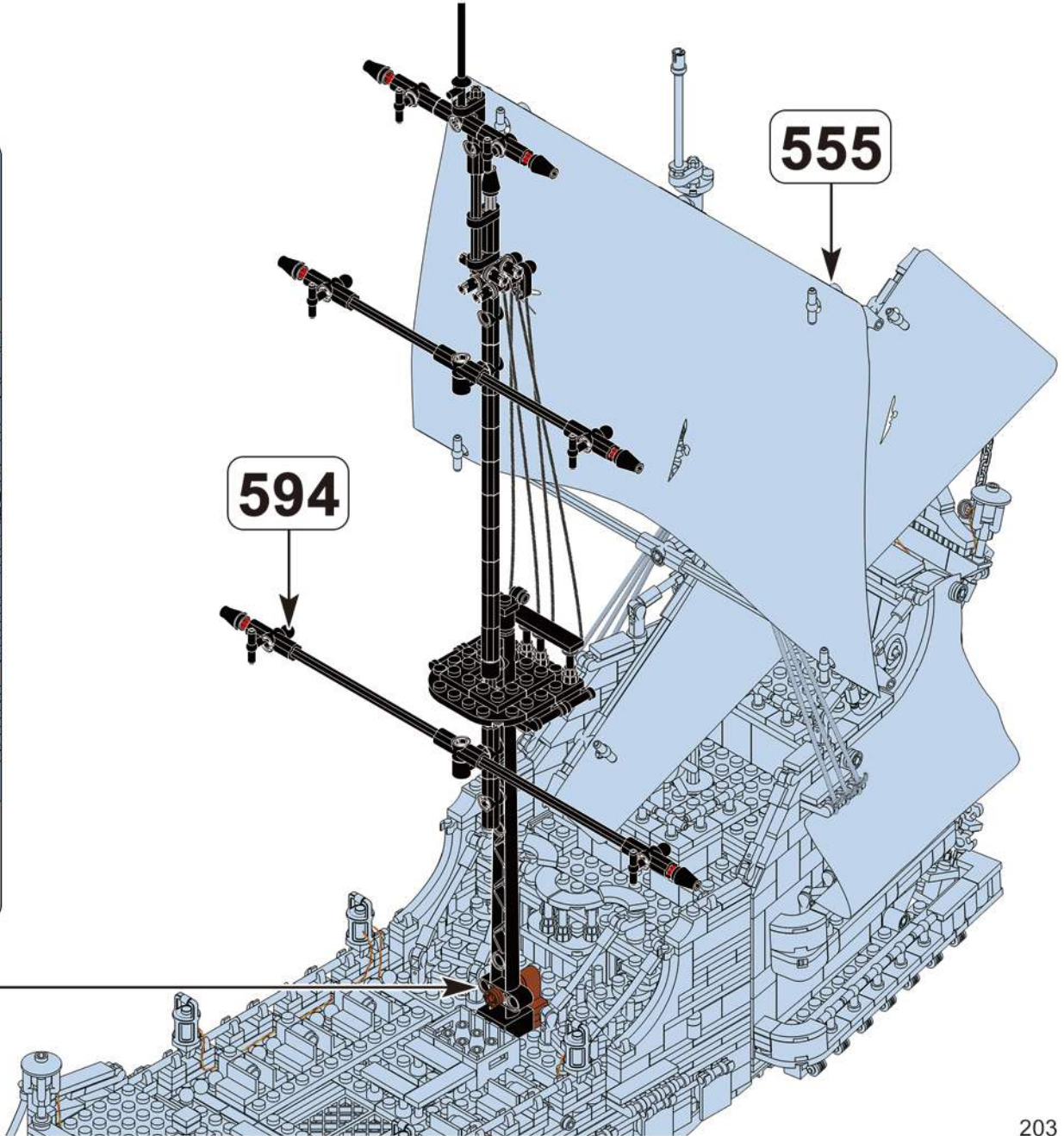
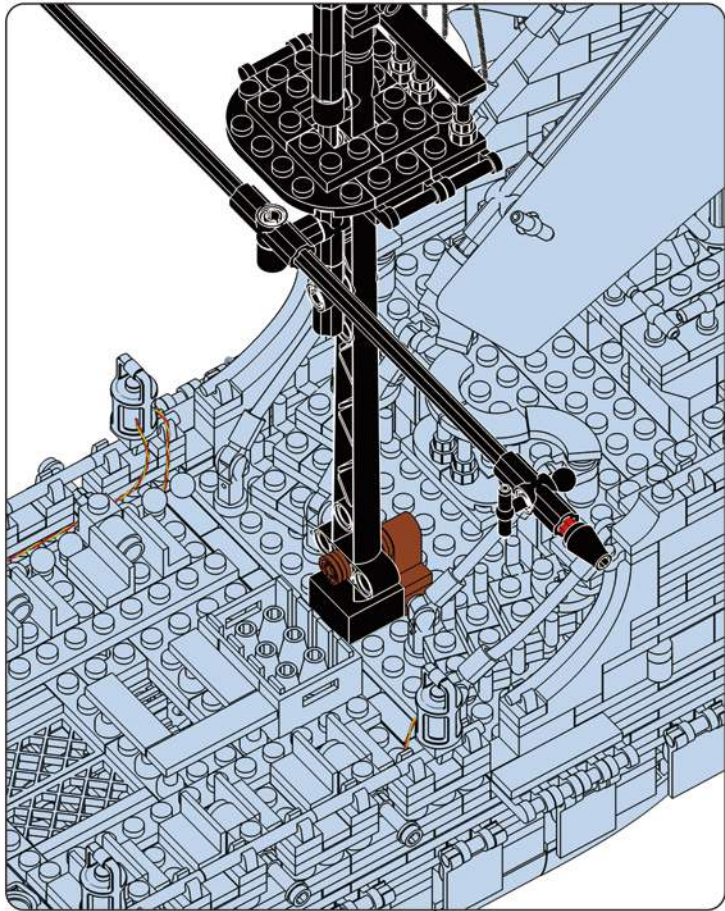
**593**



594



595



44cm/17.32in

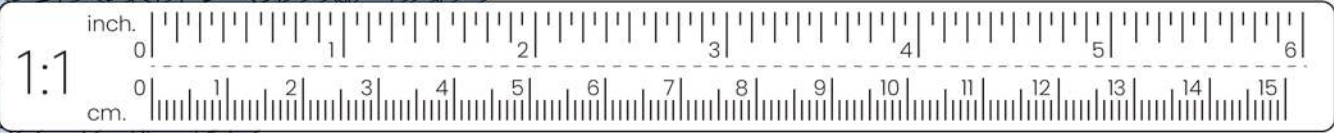
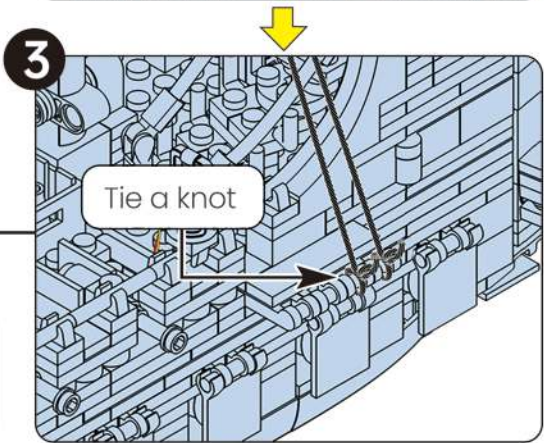
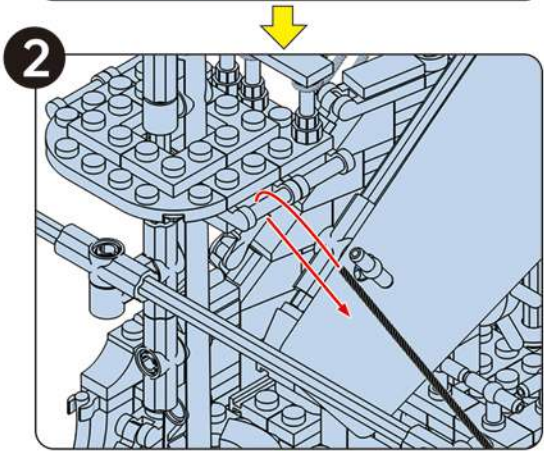
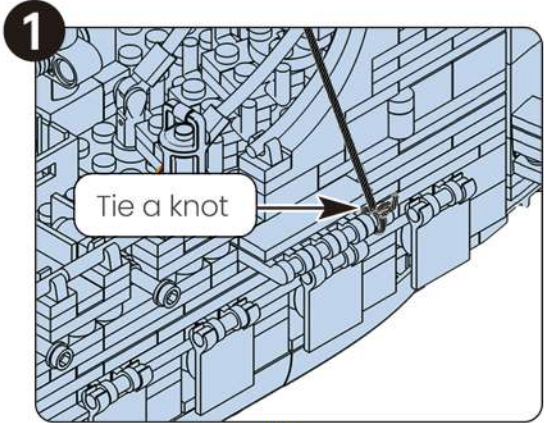


1x

596



After installing the rope tie, the excess of the rope can be cut with a shear.  
 Nach der Installation des Seilkaktes kann der Überschuss des Seils mit einer Schere geschnitten werden.



44cm/17.32in

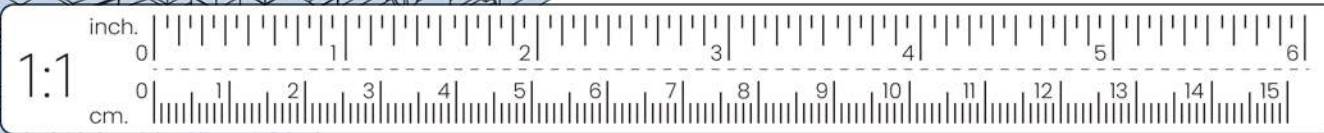
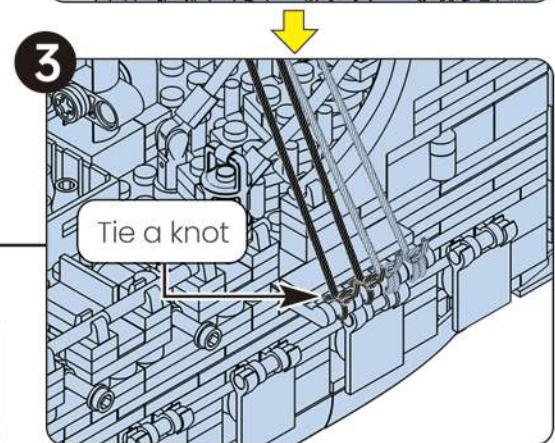
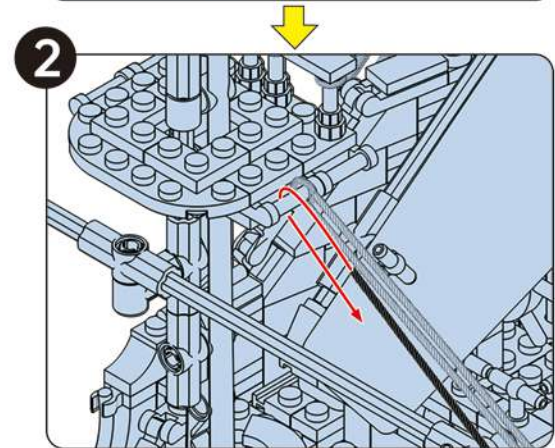
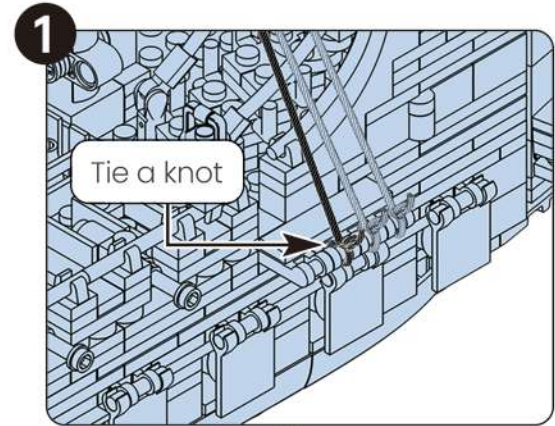


1x

597



After installing the rope tie, the excess of the rope can be cut with a shear.  
 Nach der Installation des Seilkaktes kann der Überschuss des Seils mit einer Schere geschnitten werden.



44cm/17.32in



1x

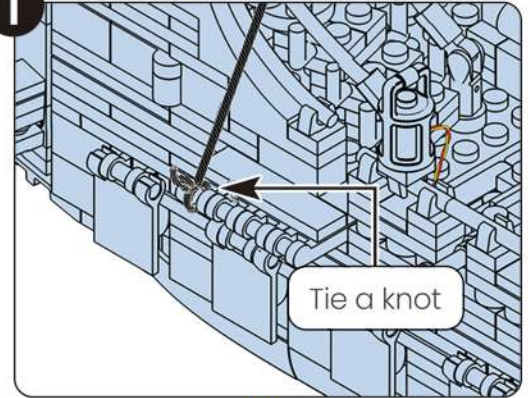
**598**



After installing the rope tie, the excess of the rope can be cut with a shear.  
Nach der Installation des Seilaktes kann der Überschuss des Seils mit einer Schere geschnitten werden.

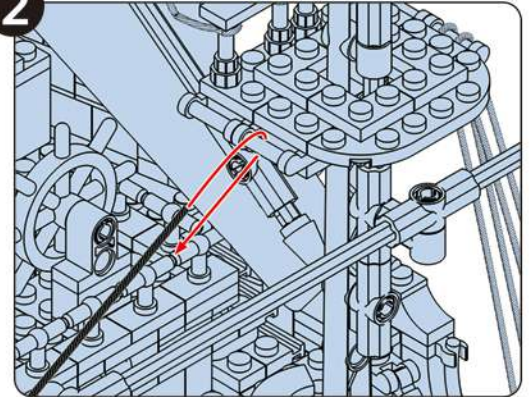


**1**

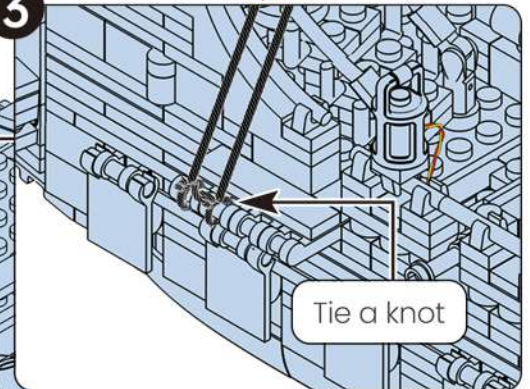


Tie a knot

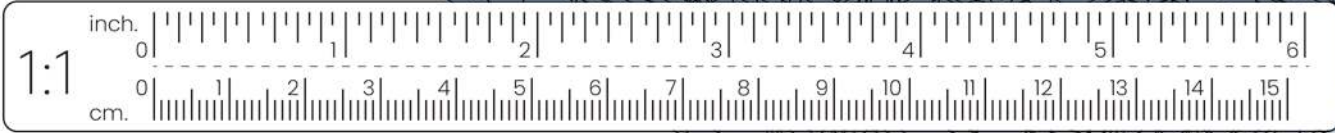
**2**



**3**



Tie a knot



44cm/17.32in

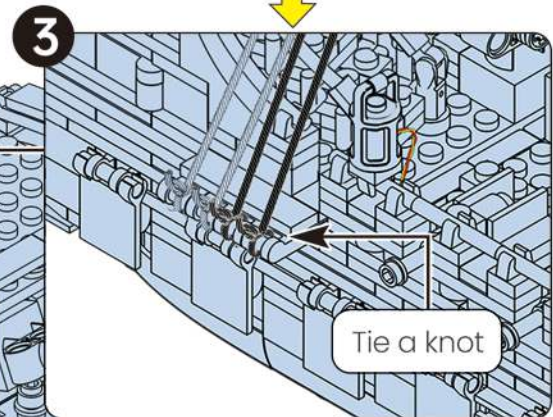
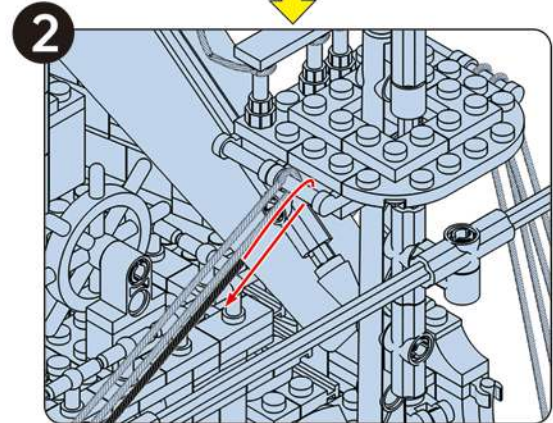
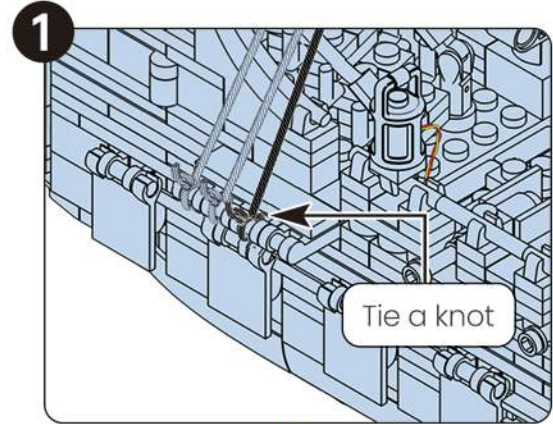


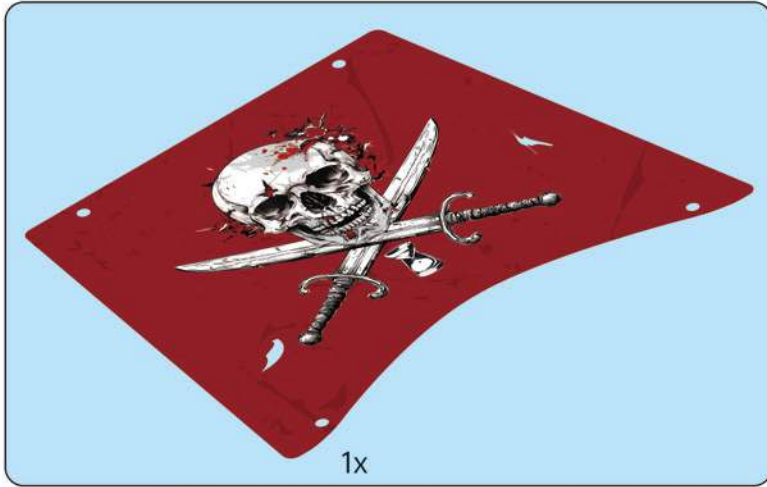
1x

599

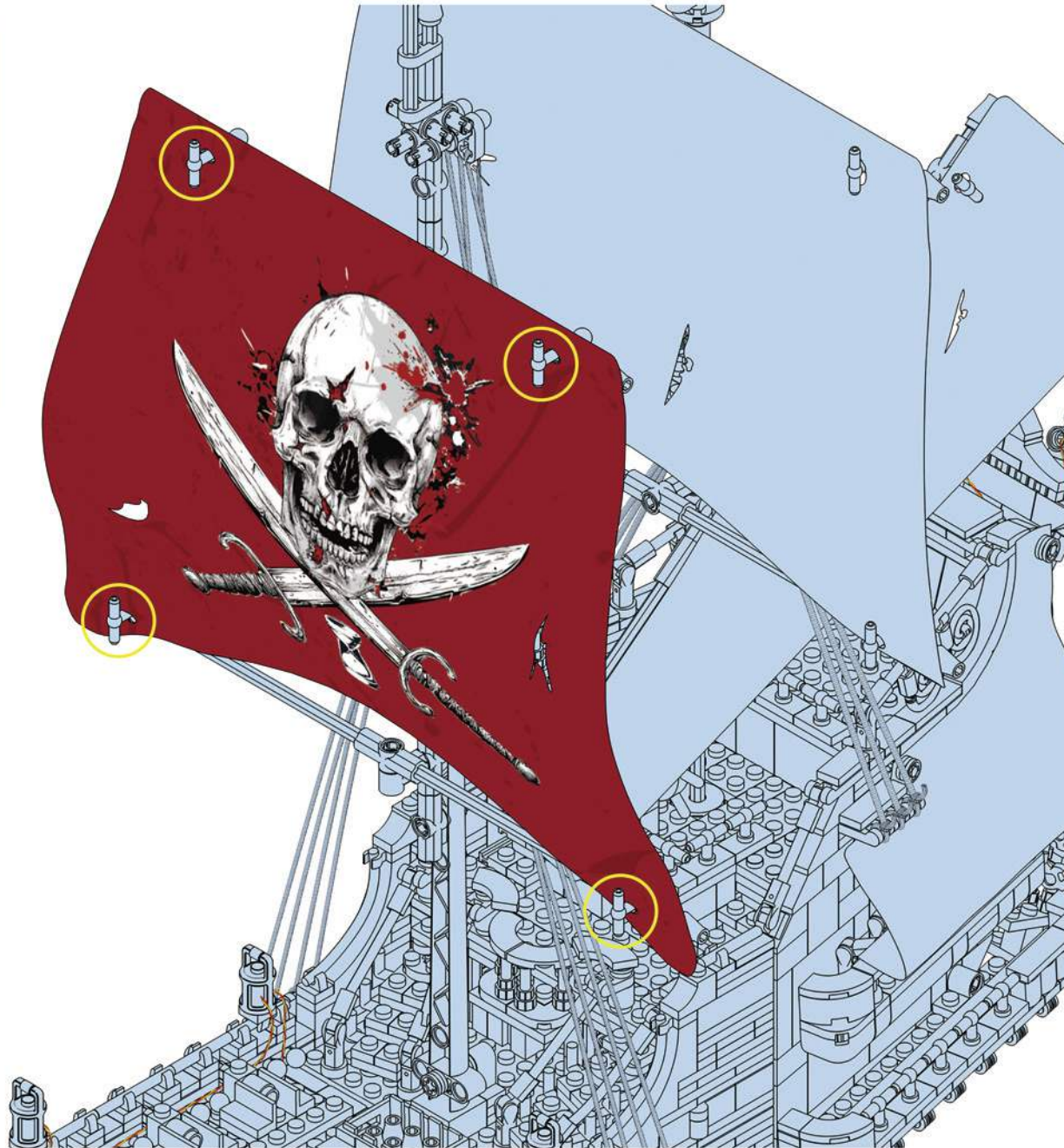


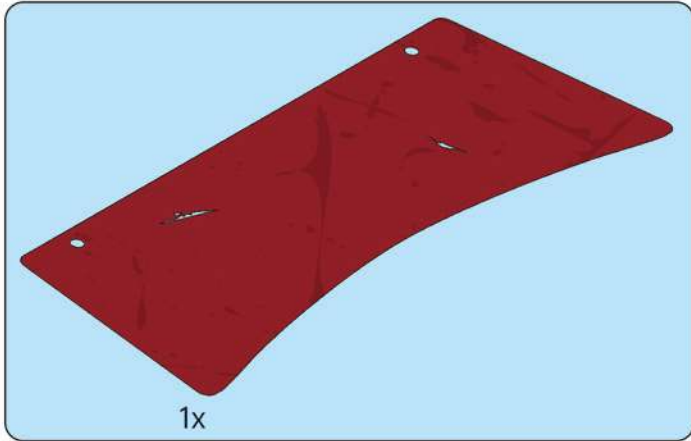
After installing the rope tie, the excess of the rope can be cut with a shear.  
Nach der Installation des Seilkaktes kann der Überschuss des Seils mit einer Schere geschnitten werden.



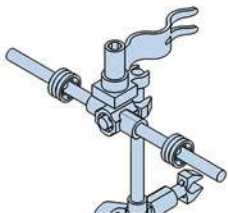
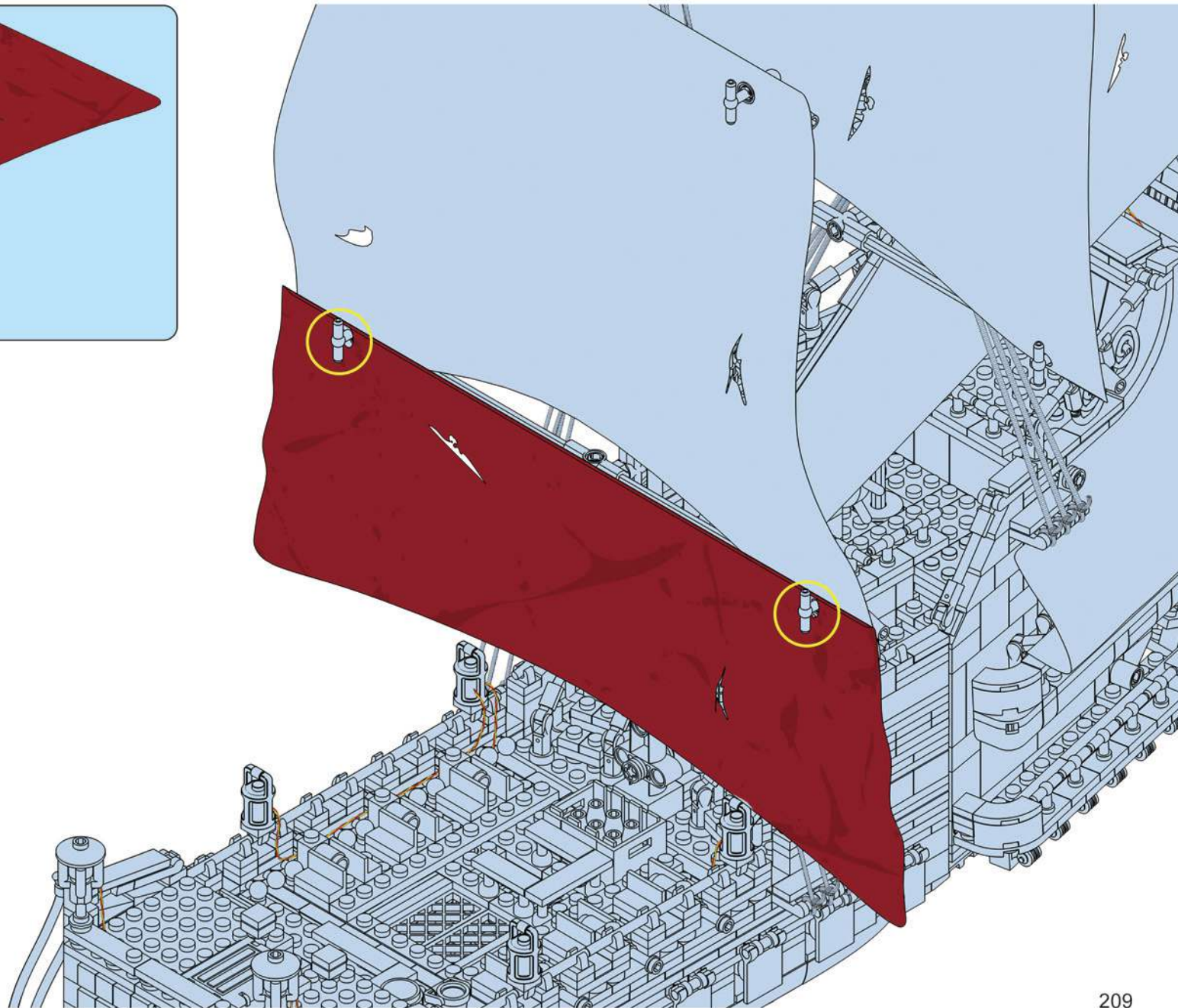


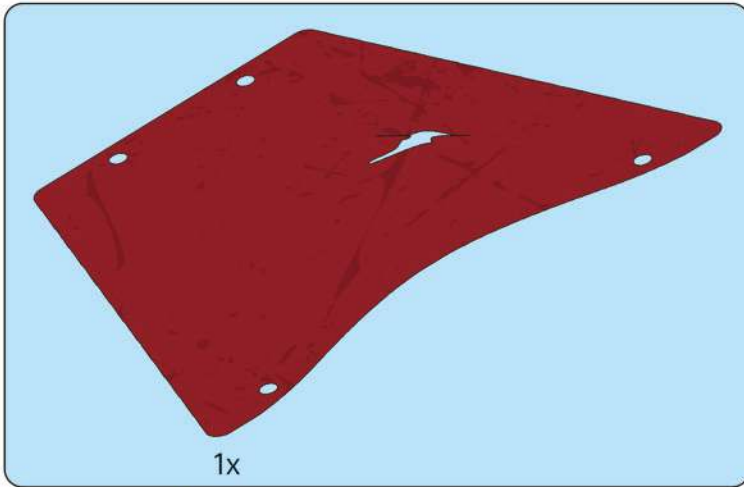
600



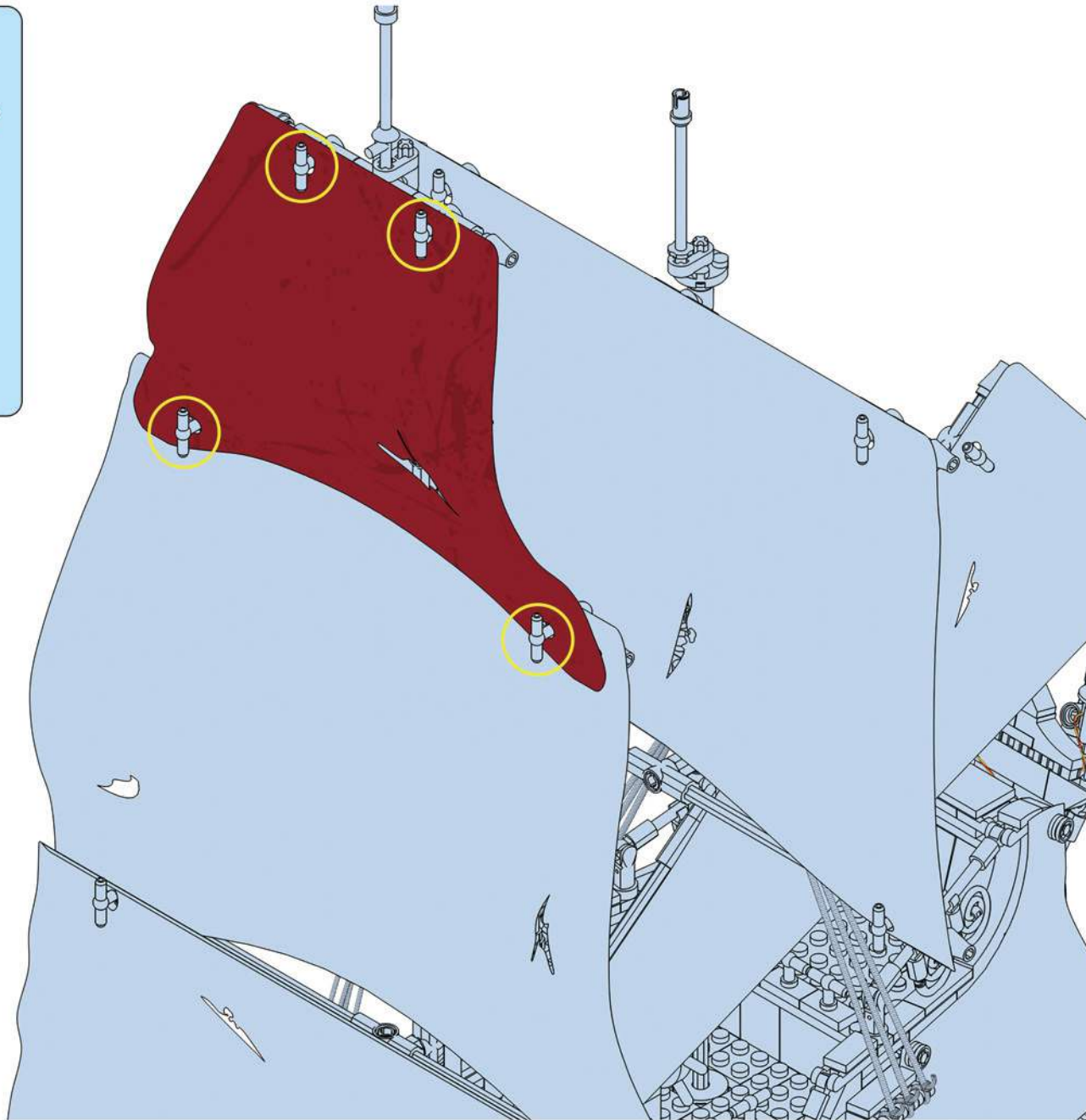


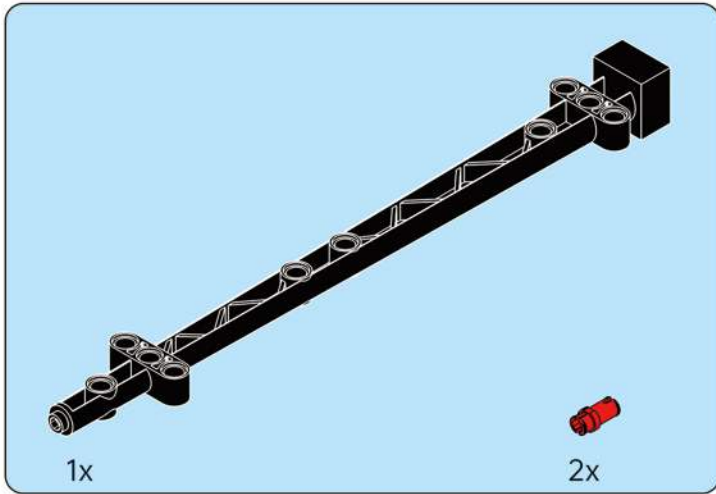
601



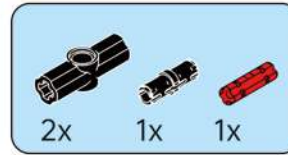


602

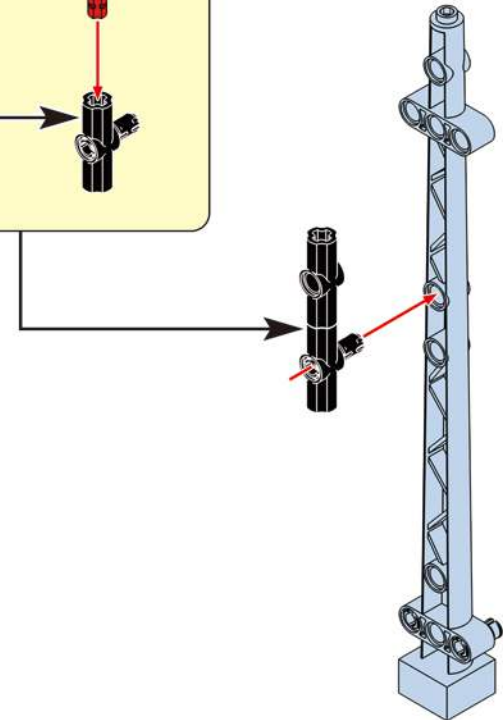
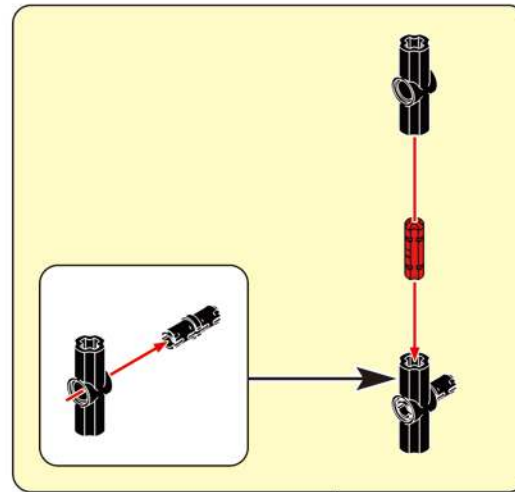


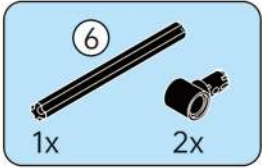


# 603

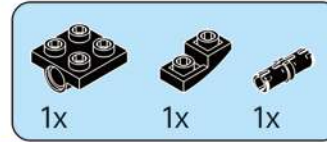
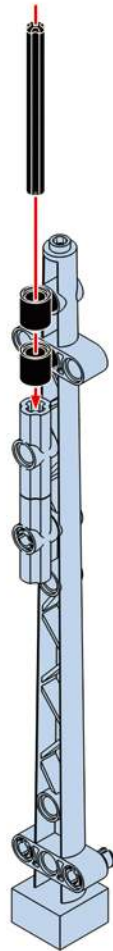
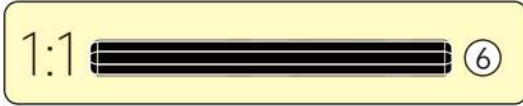


# 604

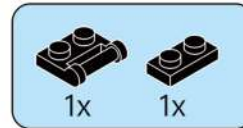
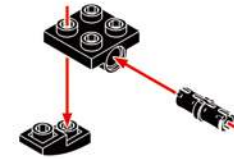




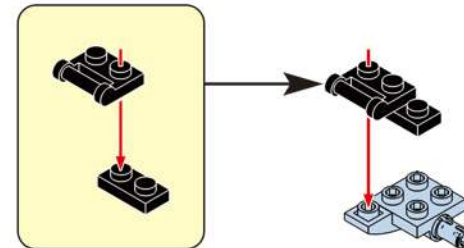
605

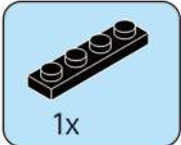


606

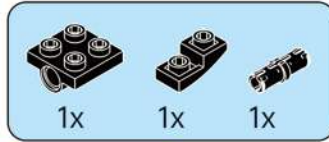
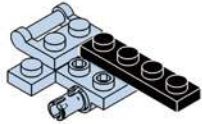


607

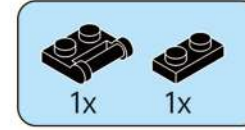
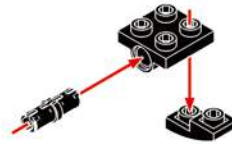




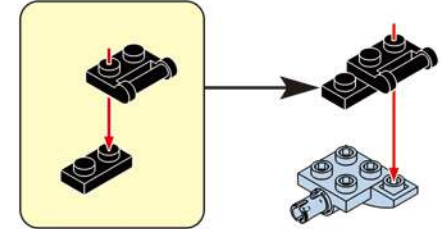
**608**



**609**

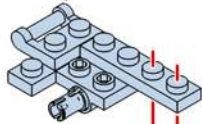


**610**

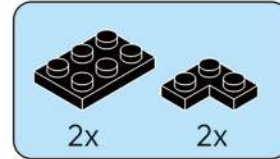


**611**

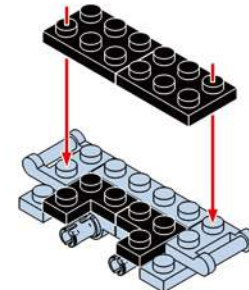
608



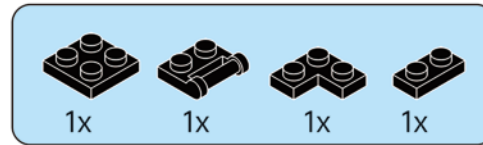
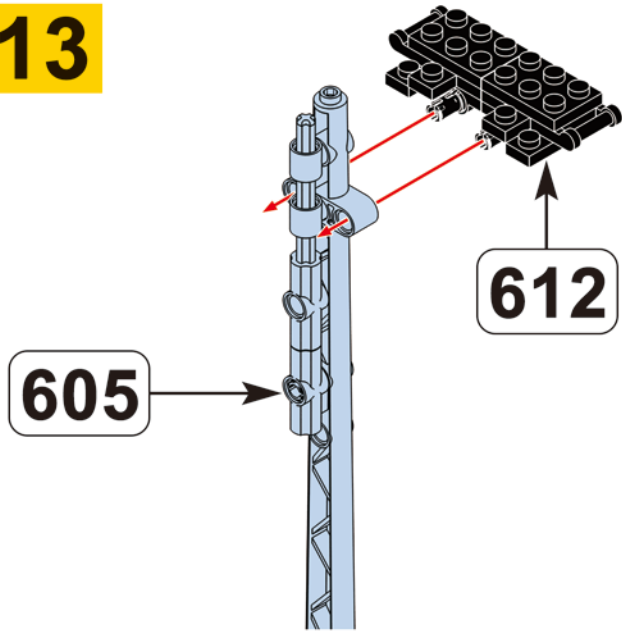
610



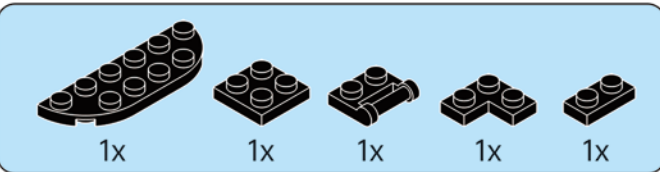
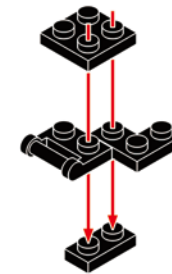
**612**



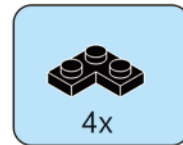
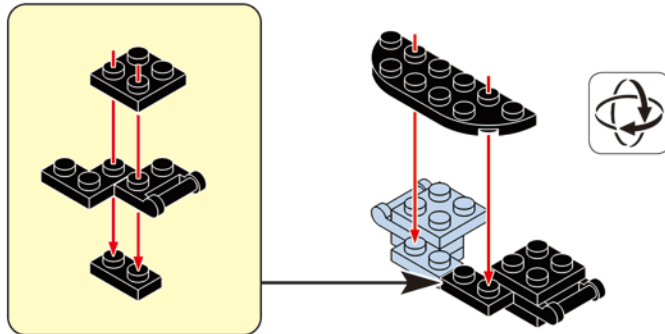
# 613



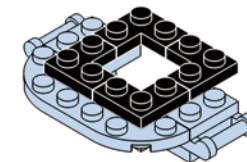
# 614



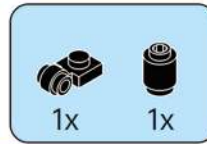
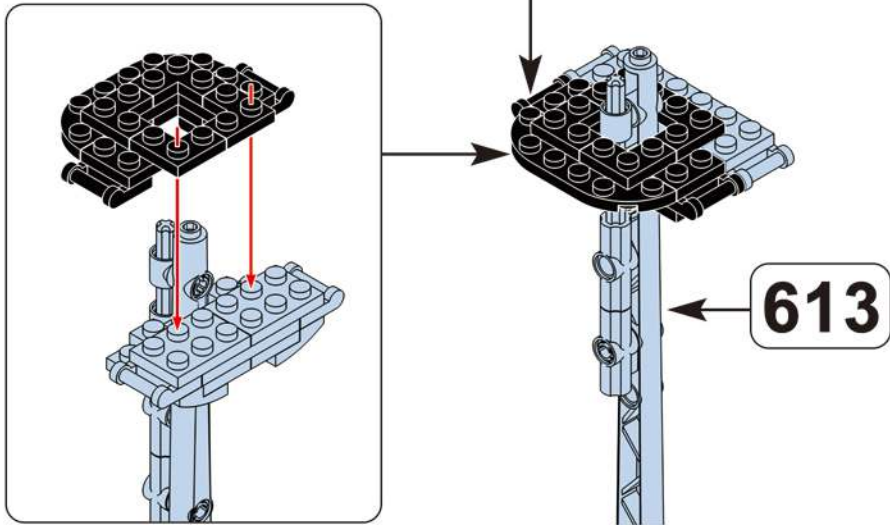
# 615



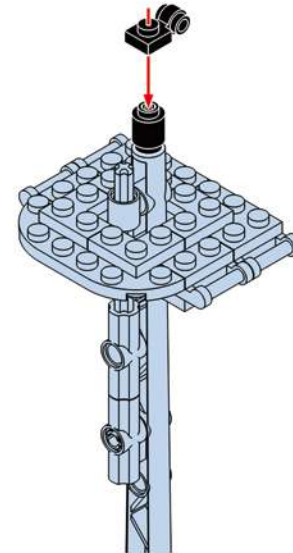
# 616



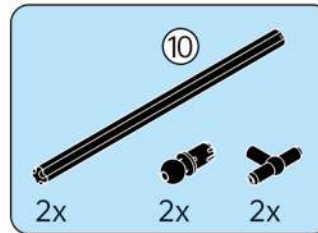
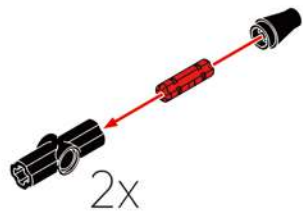
617



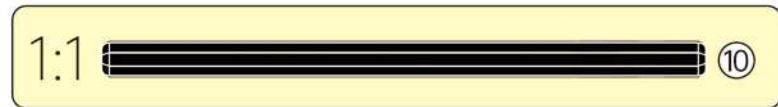
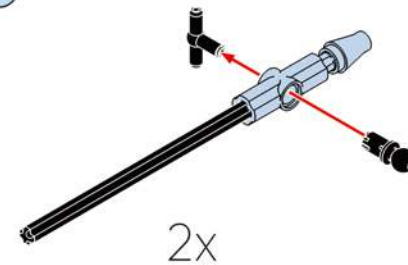
618

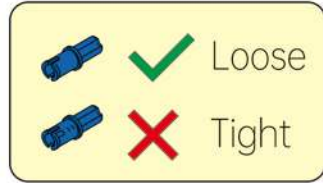
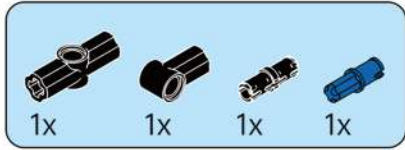


619

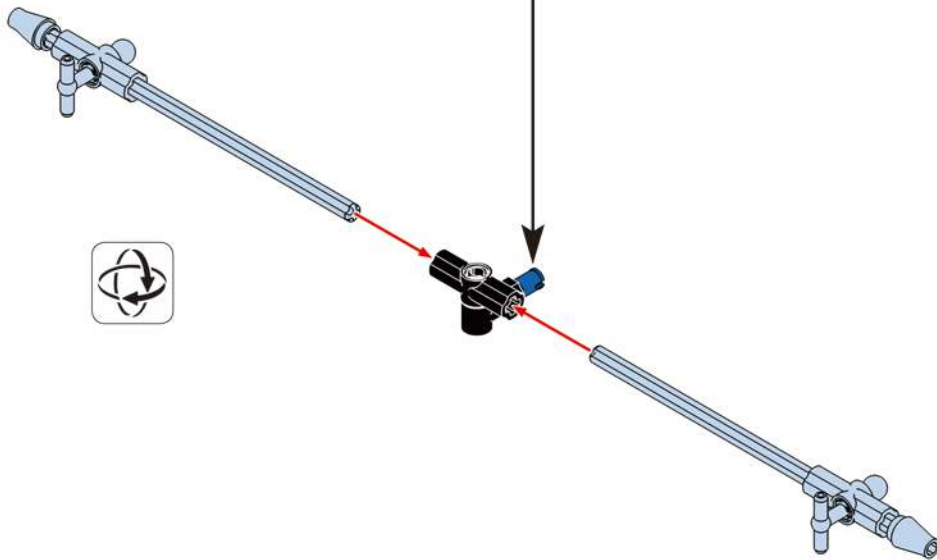
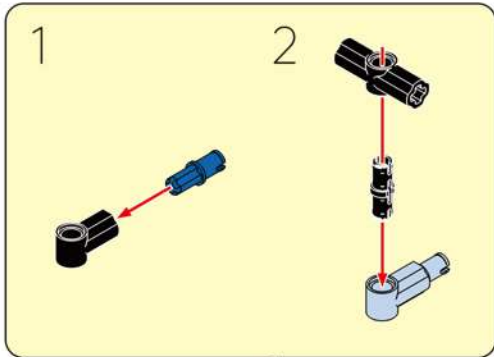


620

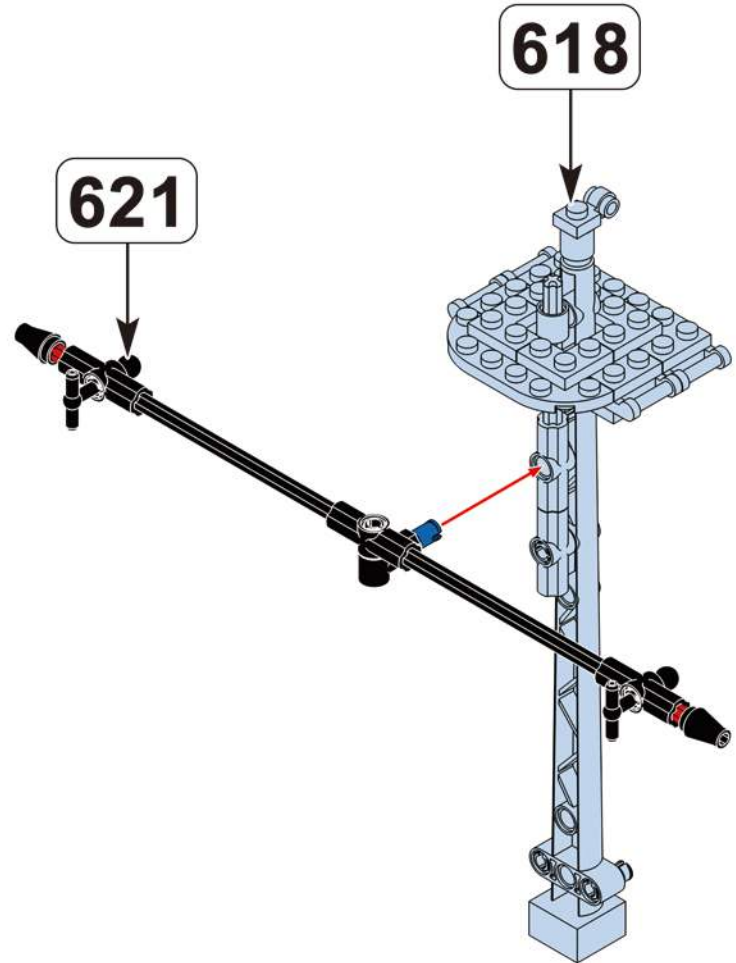


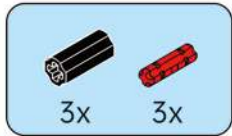


# 621

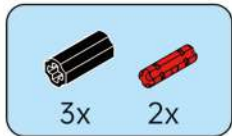
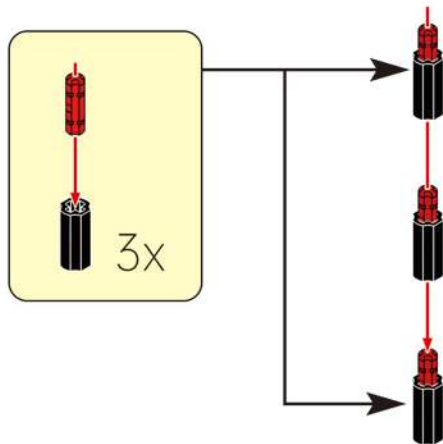


# 622

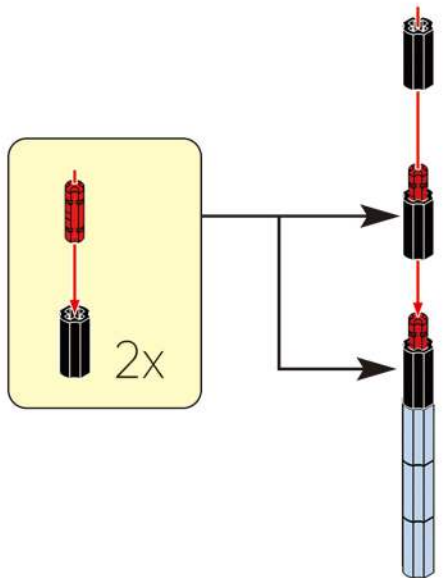




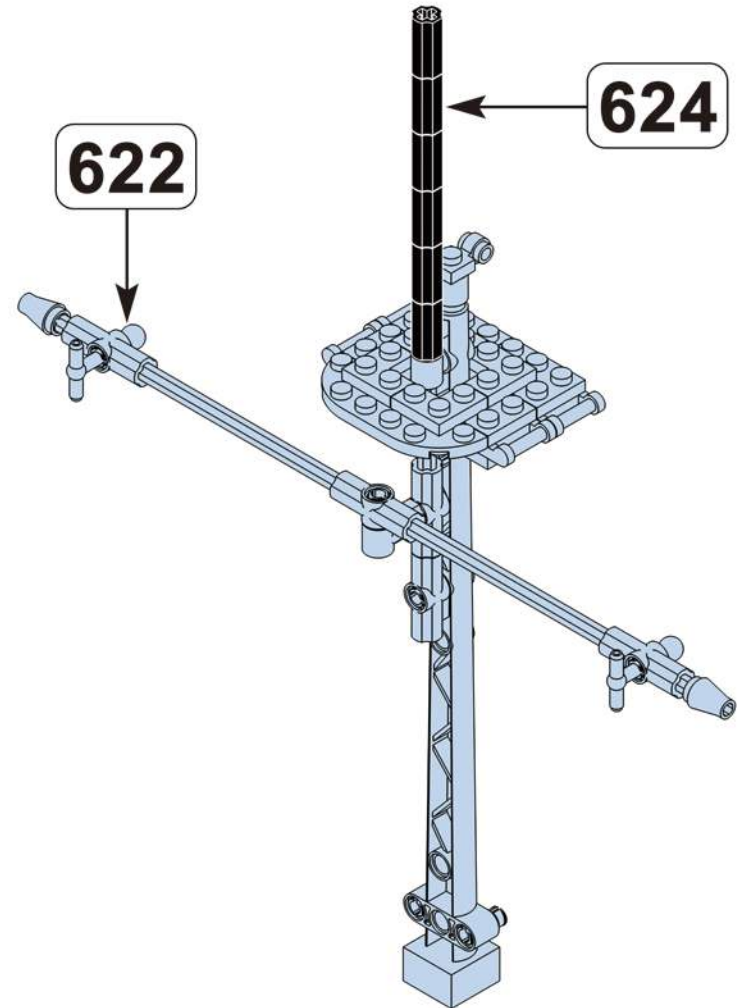
# 623

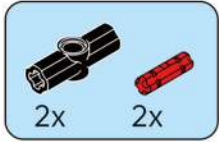


# 624

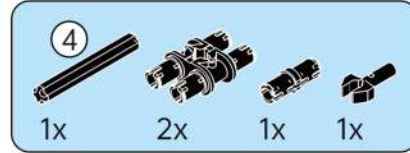
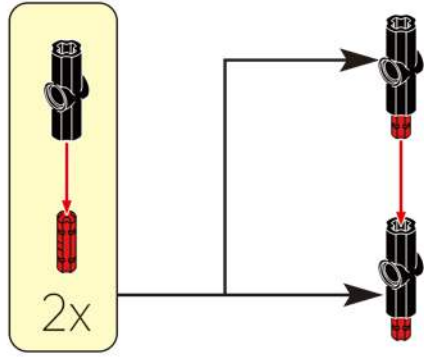


# 625

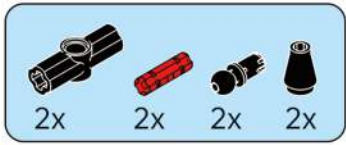
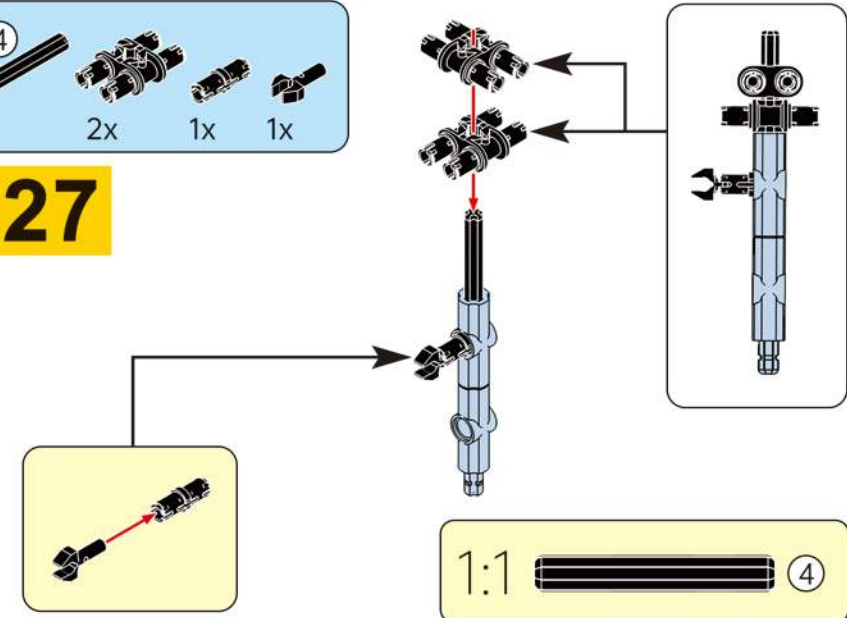




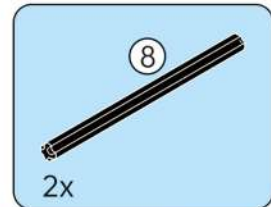
**626**



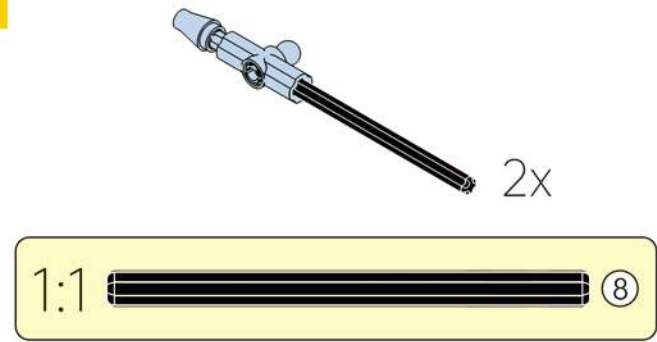
**627**

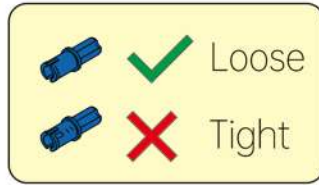
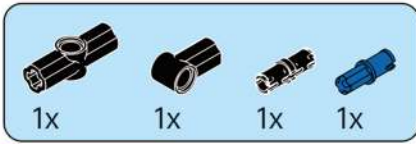


**628**

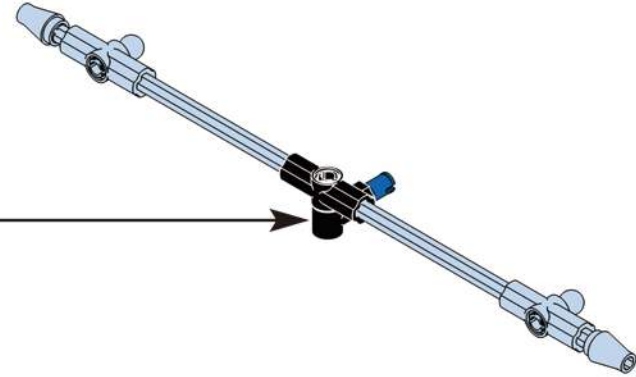
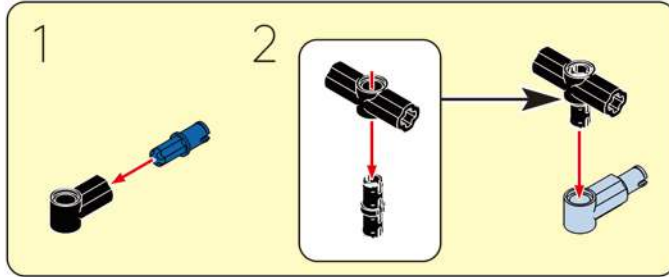


**629**

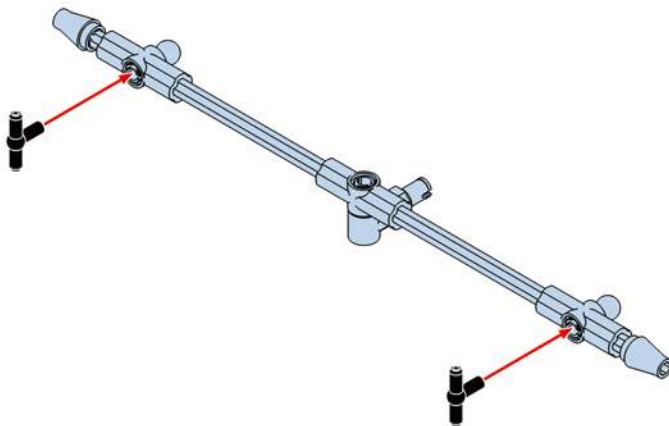




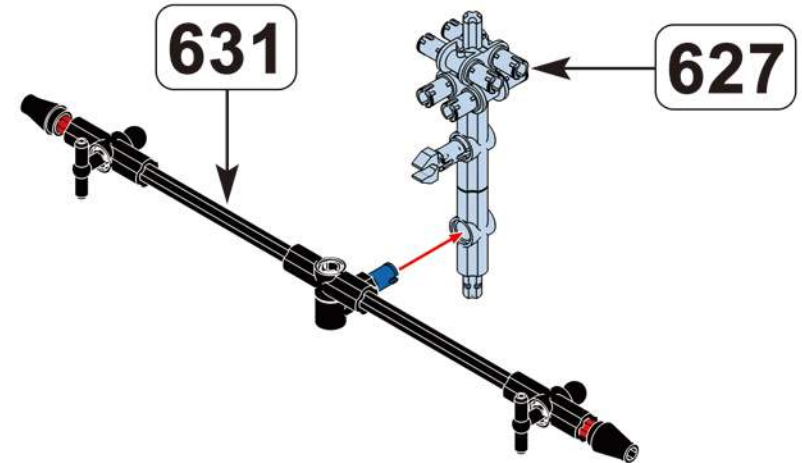
**630**



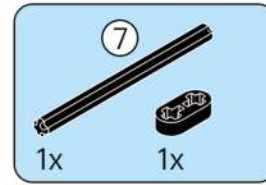
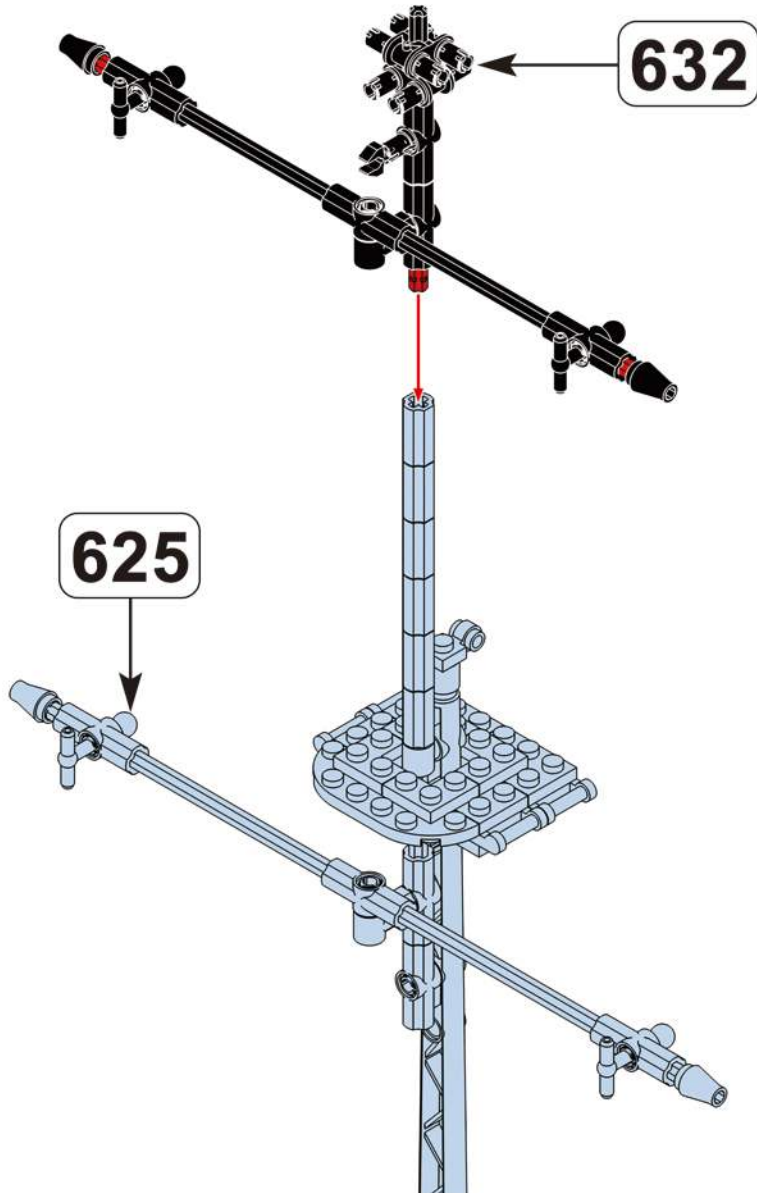
**631**



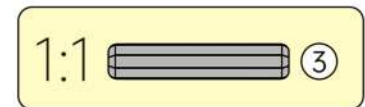
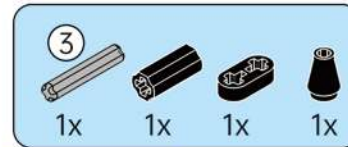
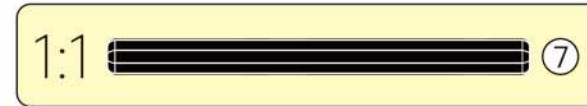
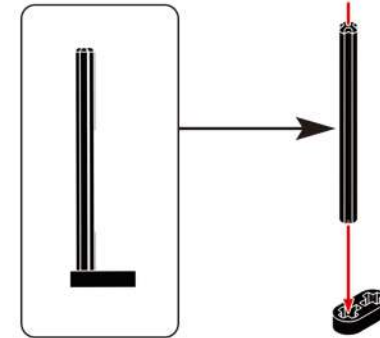
**632**



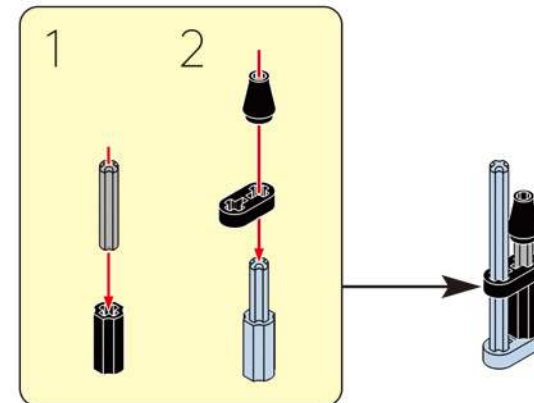
633

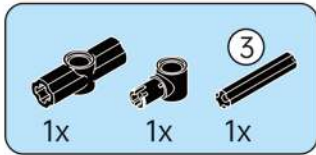


634

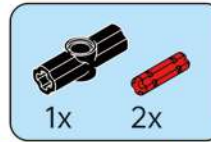
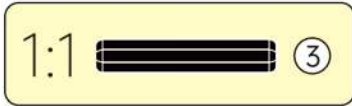
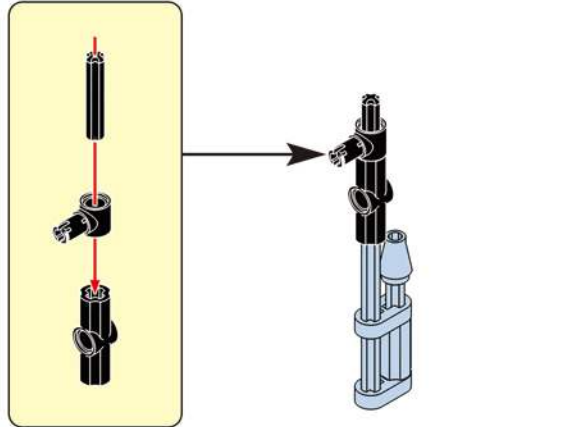


635

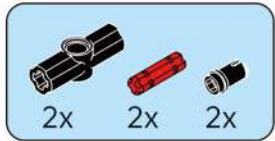




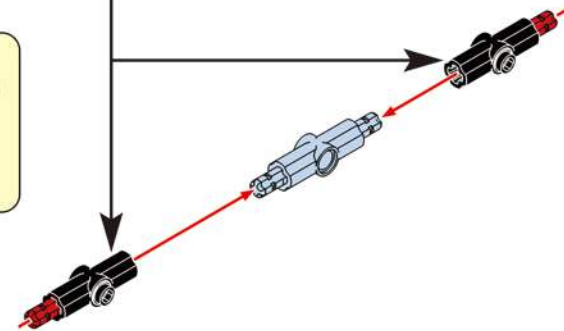
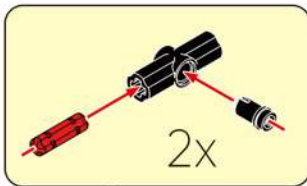
636



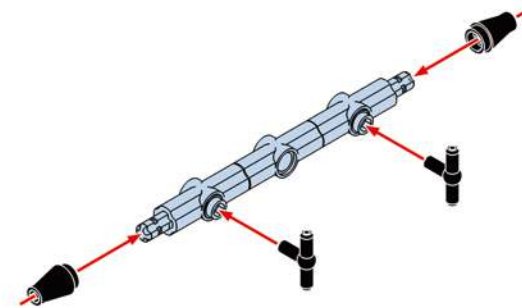
637



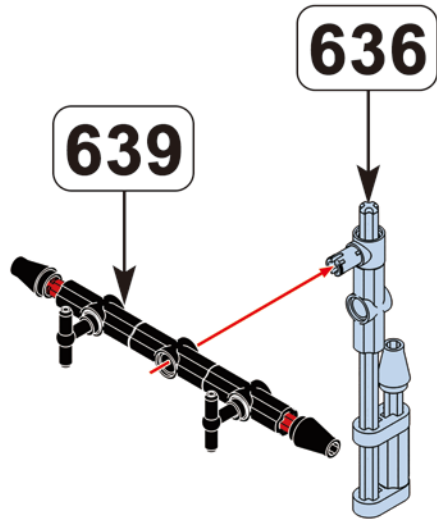
638



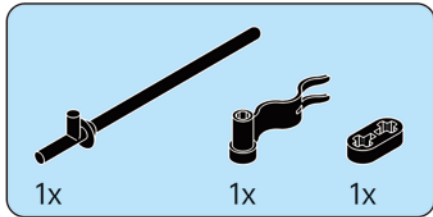
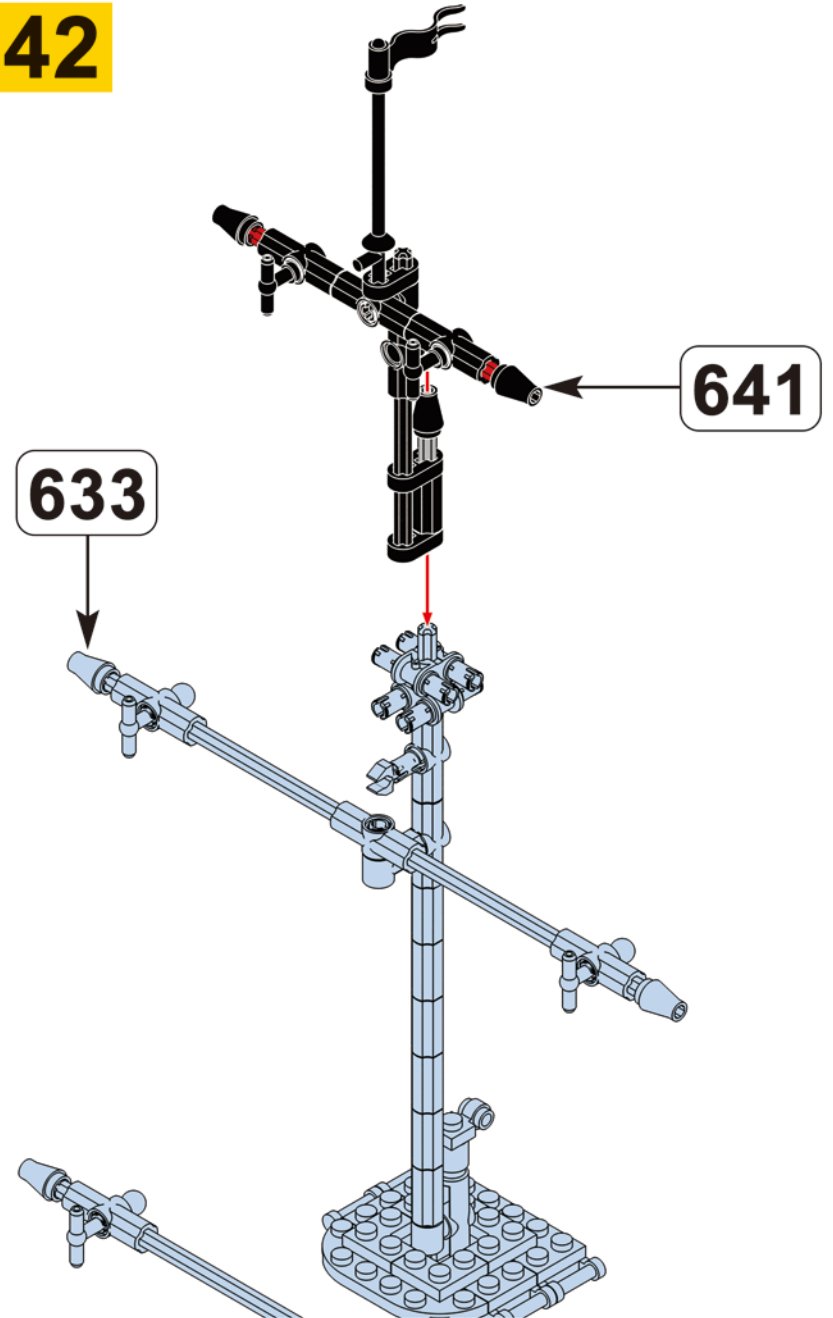
639



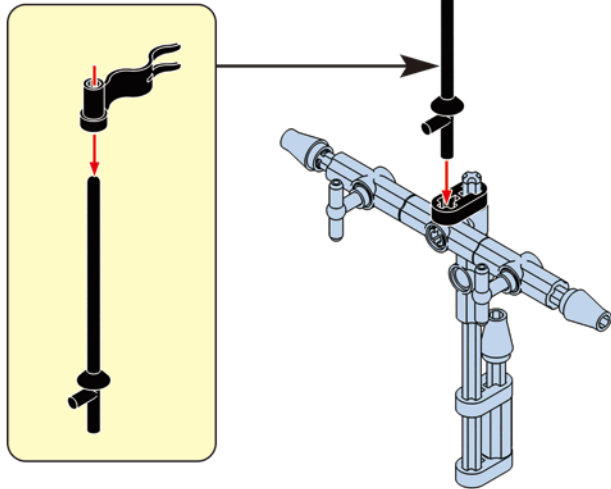
640

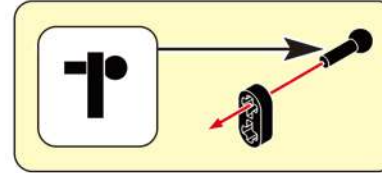
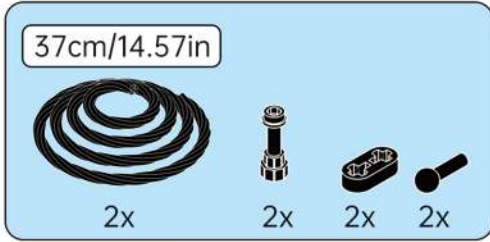


642

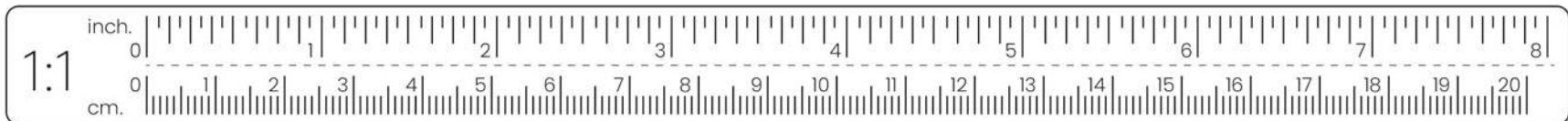
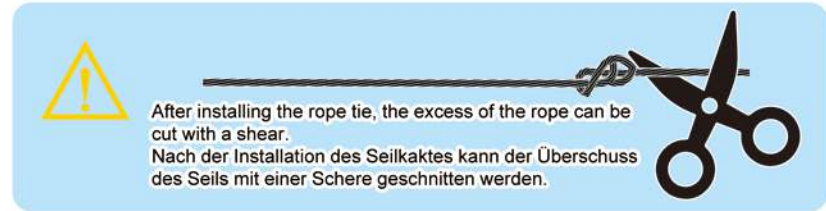
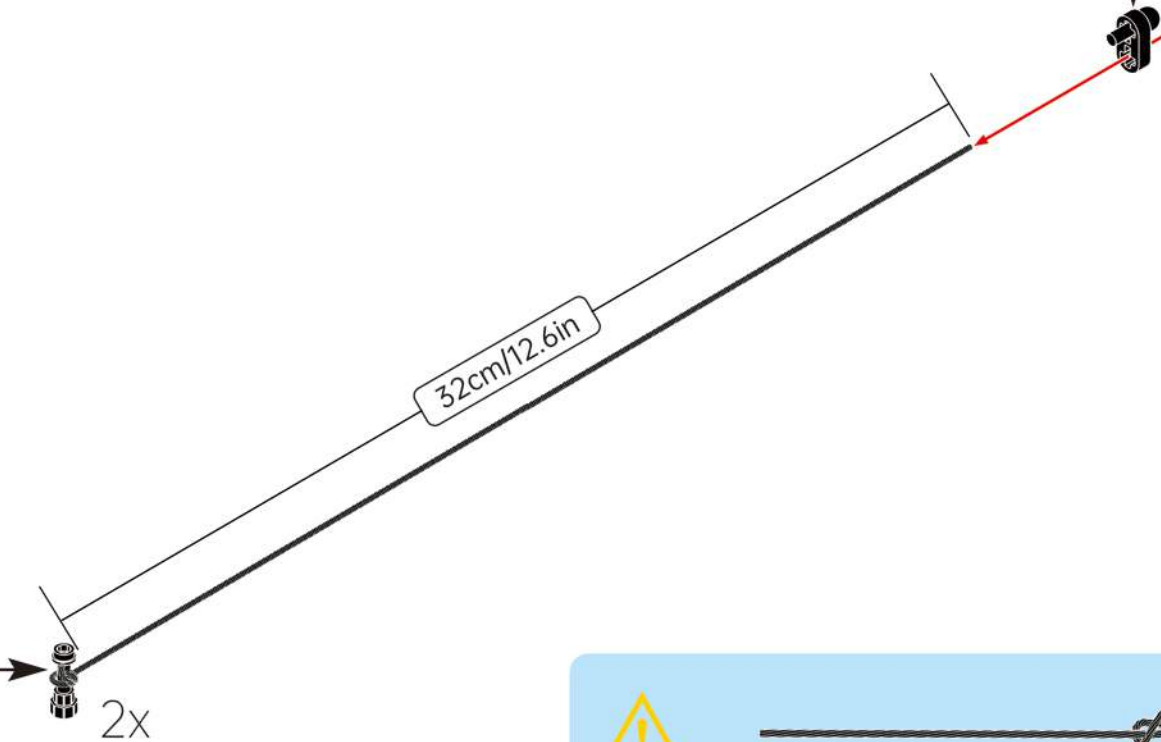


641



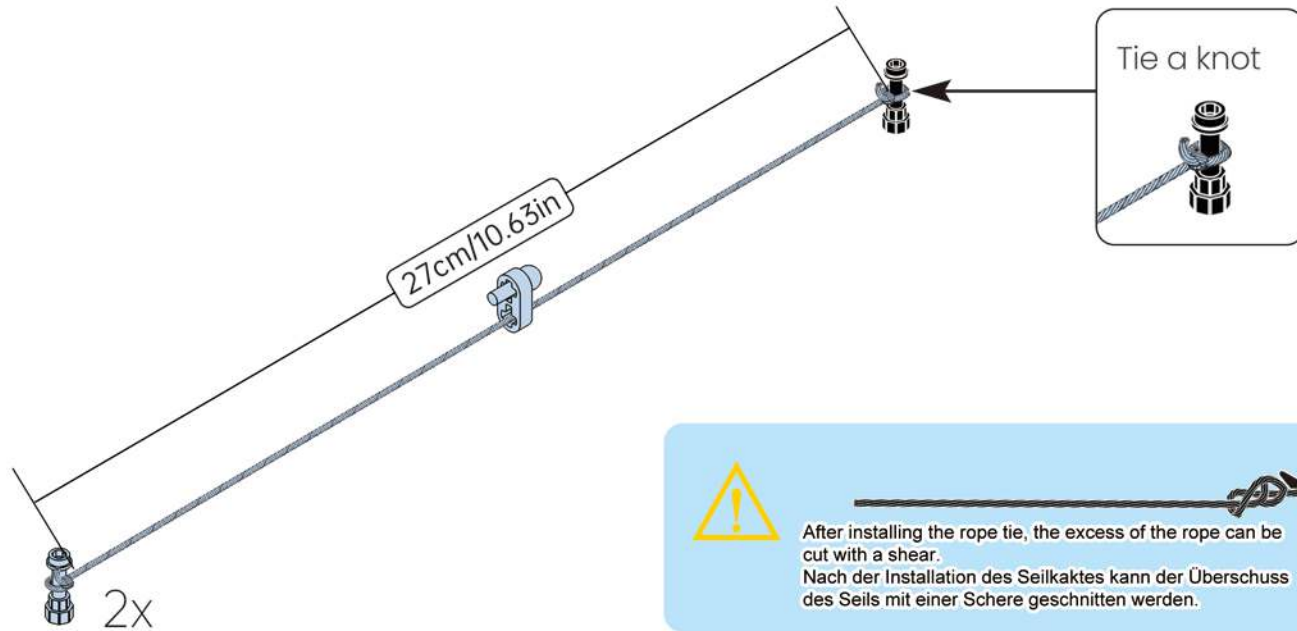



643


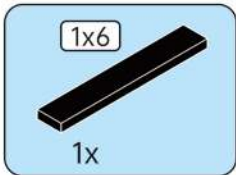




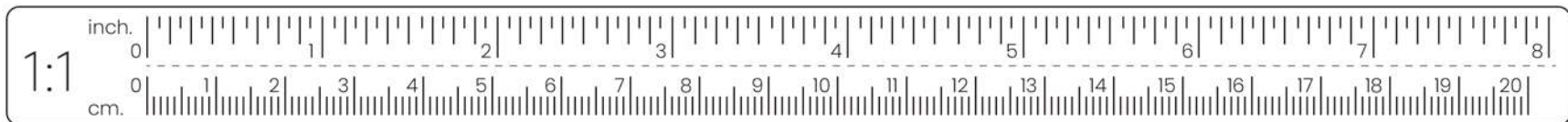
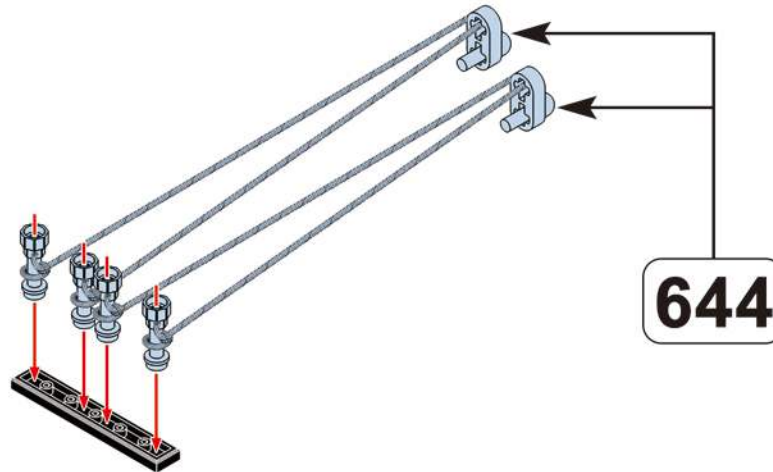
**644**



 After installing the rope tie, the excess of the rope can be cut with a shear.  
 Nach der Installation des Seilkaktes kann der Überschuss des Seils mit einer Schere geschnitten werden.

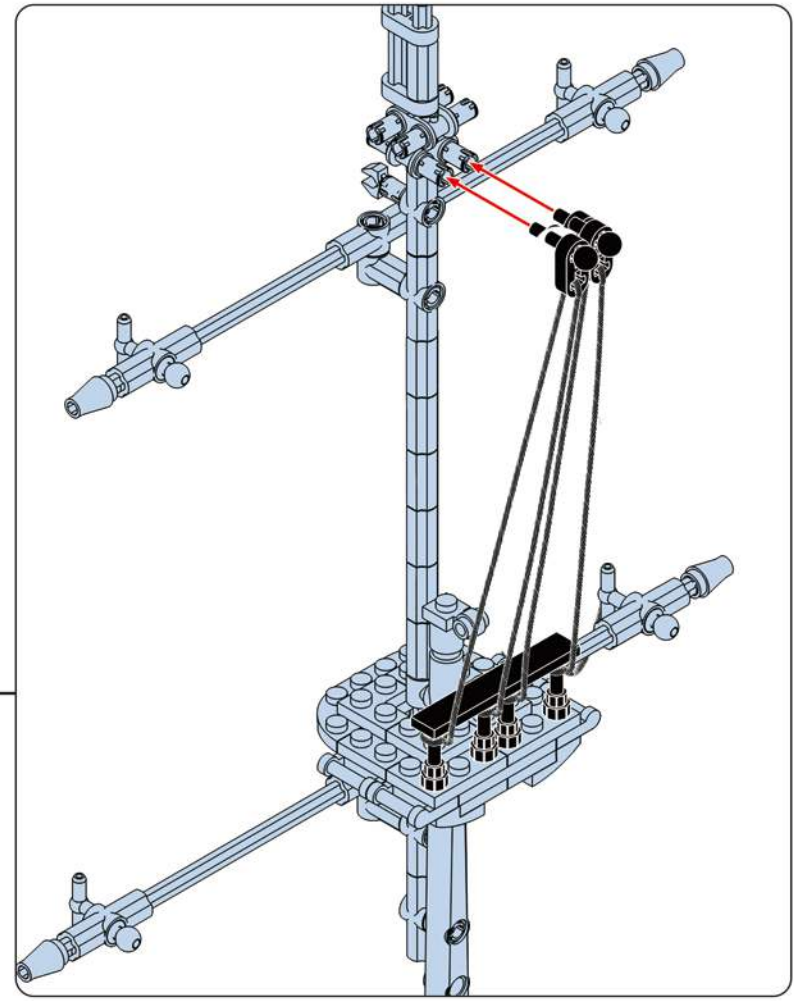
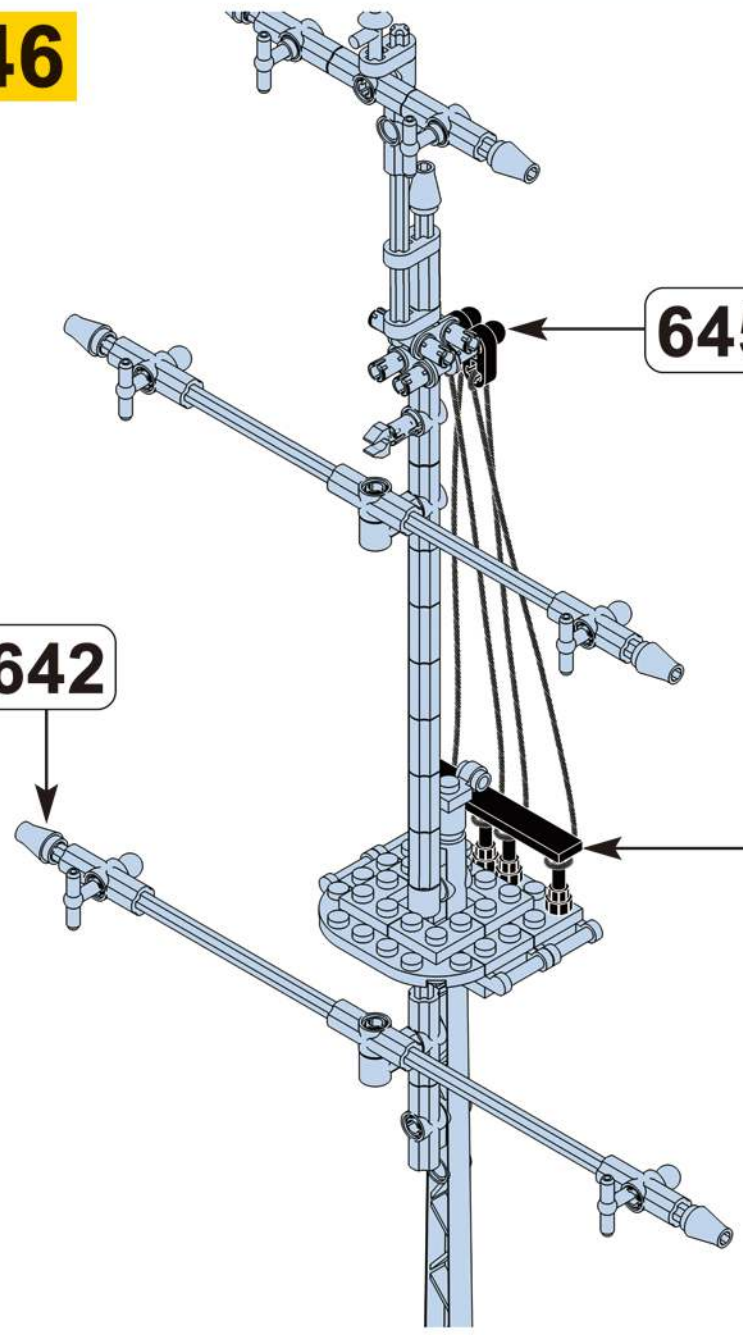
**645**

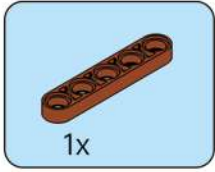


646

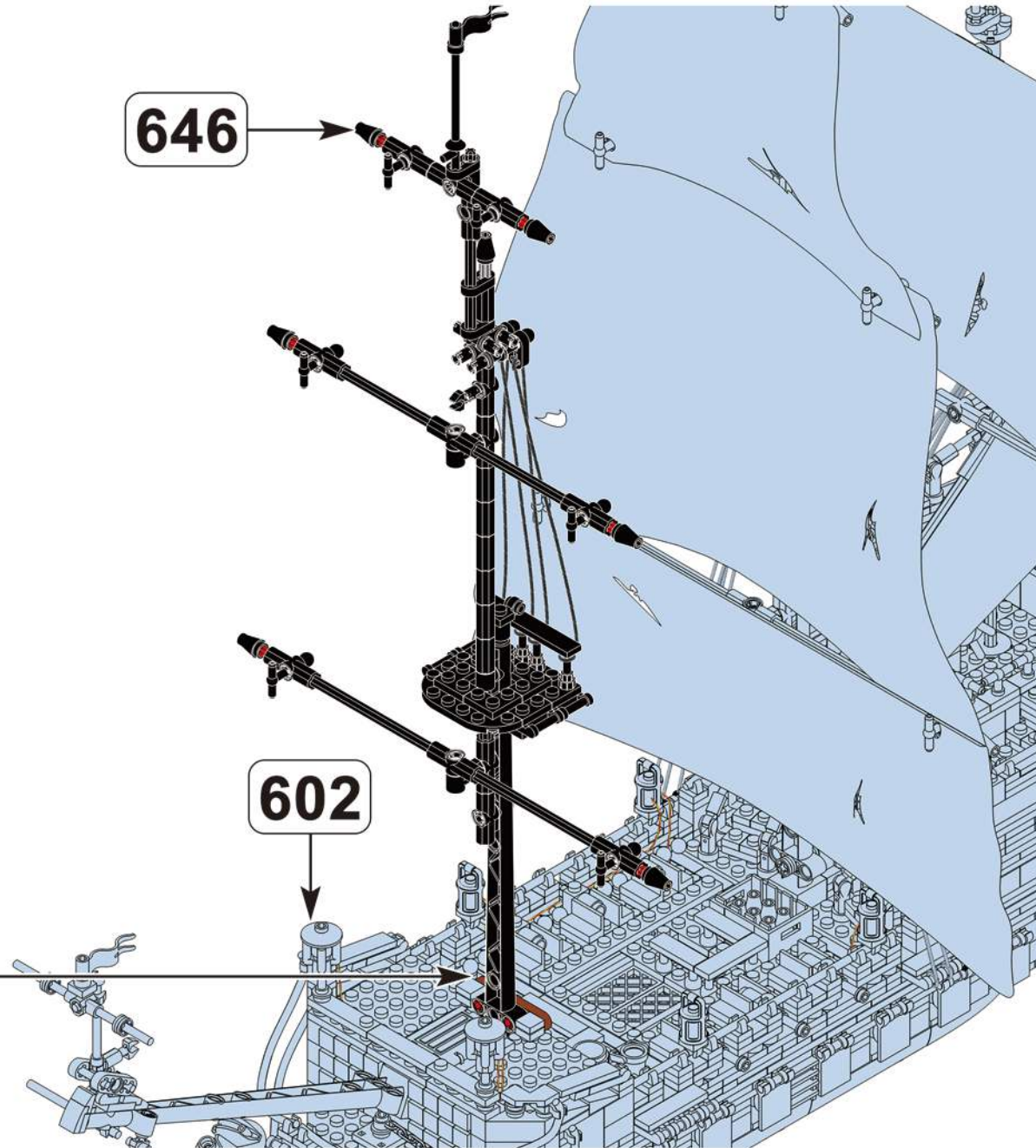
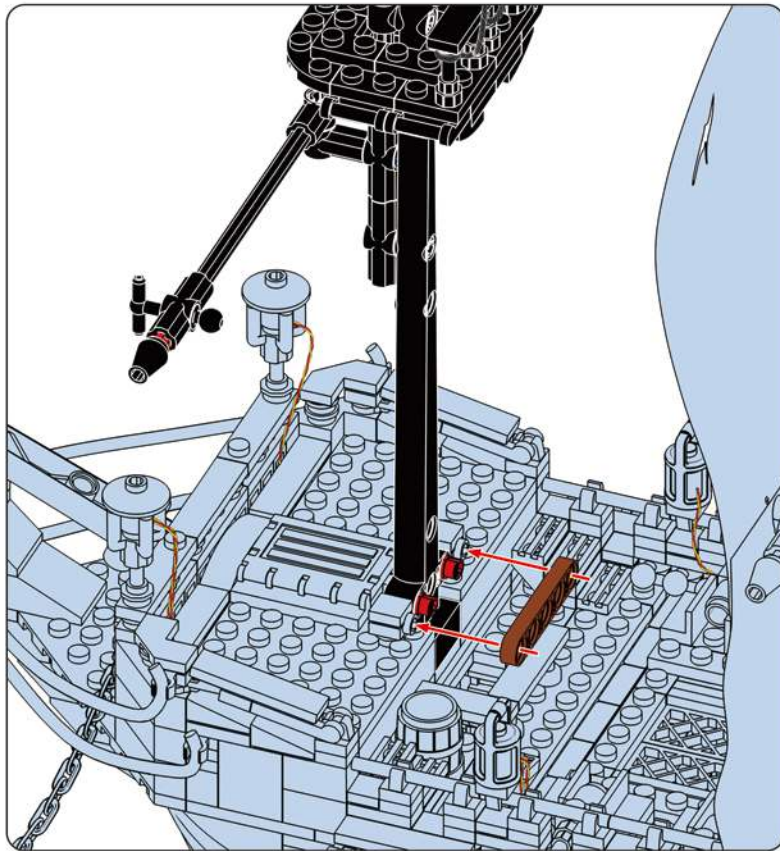
642

645





**647**



48cm/18.9in

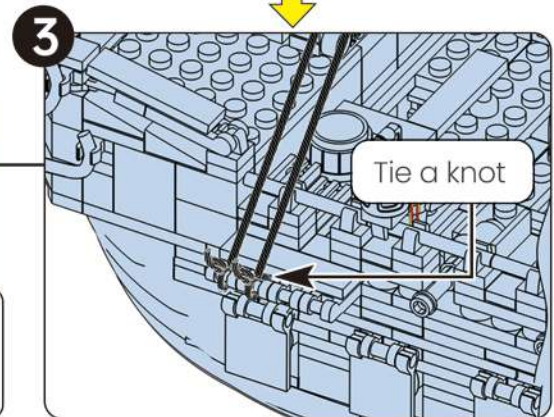
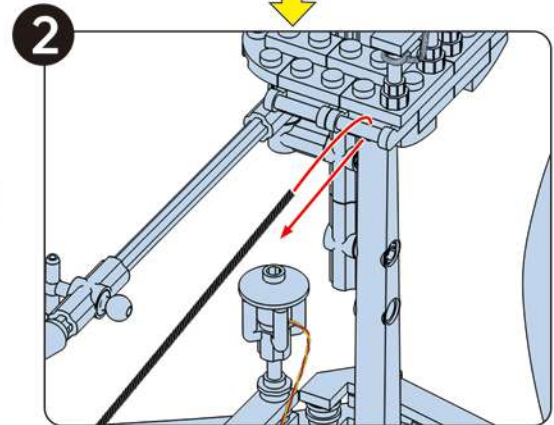
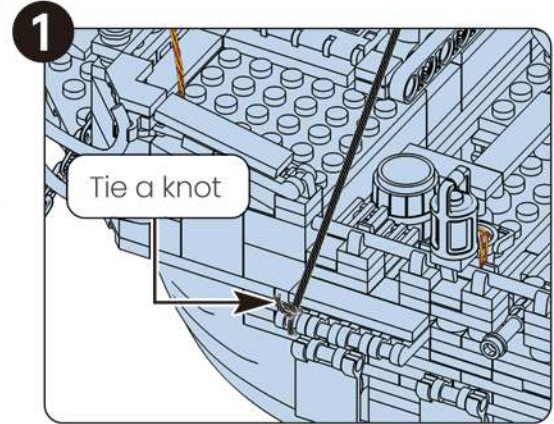


1x

**648**



After installing the rope tie, the excess of the rope can be cut with a shear.  
Nach der Installation des Seilaktes kann der Überschuss des Seils mit einer Schere geschnitten werden.



48cm/18.9in

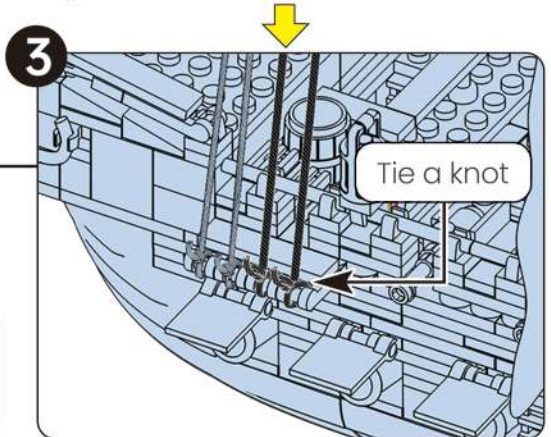
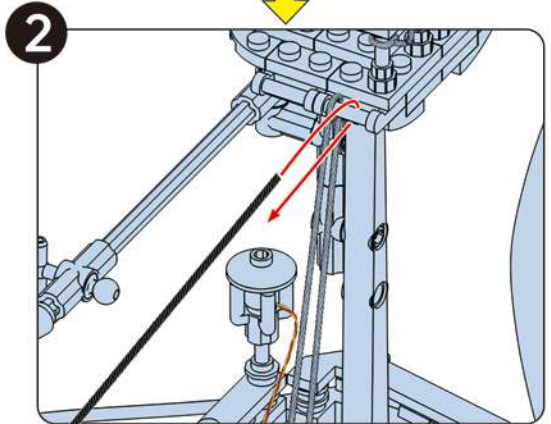
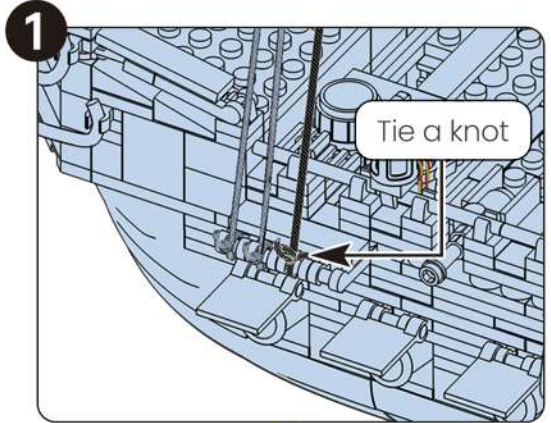


1x

649



After installing the rope tie, the excess of the rope can be cut with a shear.  
Nach der Installation des Seilkaktes kann der Überschuss des Seils mit einer Schere geschnitten werden.



48cm/18.9in

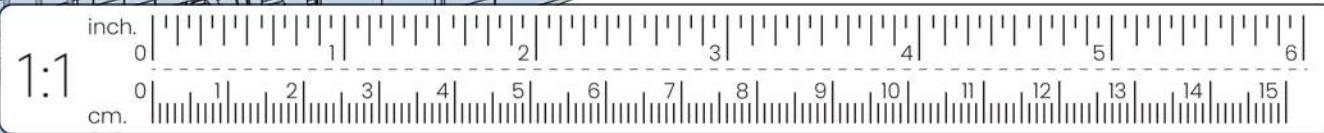
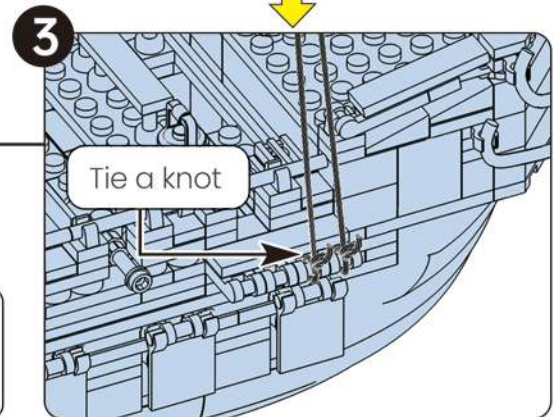
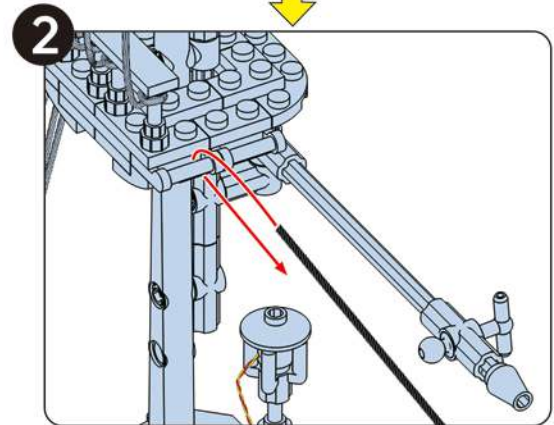
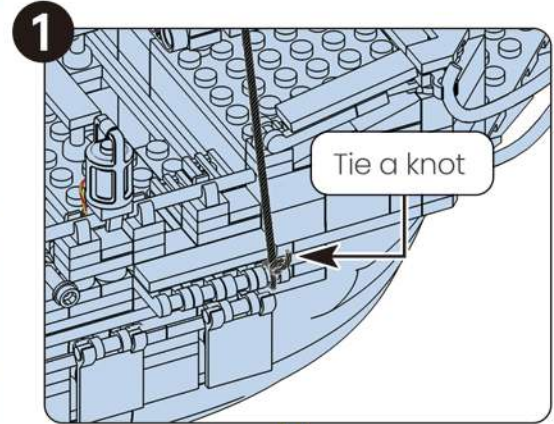


1x

**650**



After installing the rope tie, the excess of the rope can be cut with a shear.  
Nach der Installation des Seilkaktes kann der Überschuss des Seils mit einer Schere geschnitten werden.



48cm/18.9in

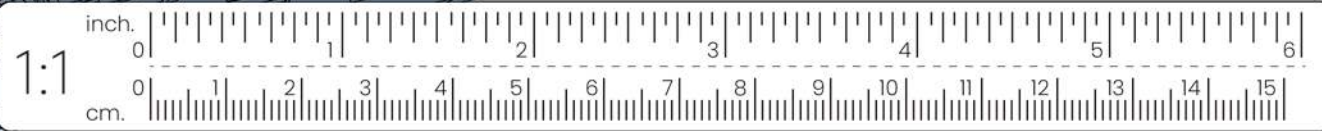
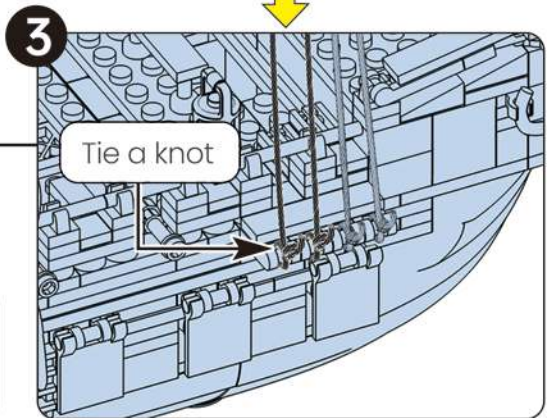
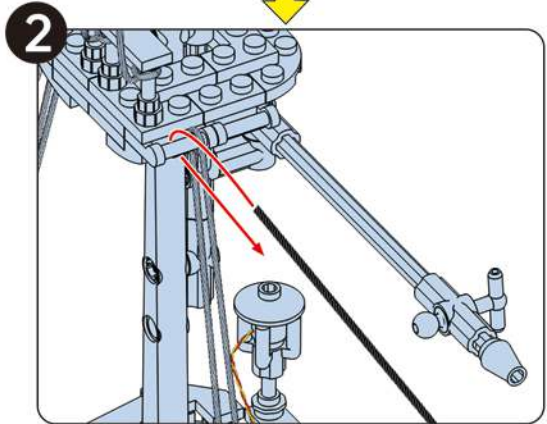
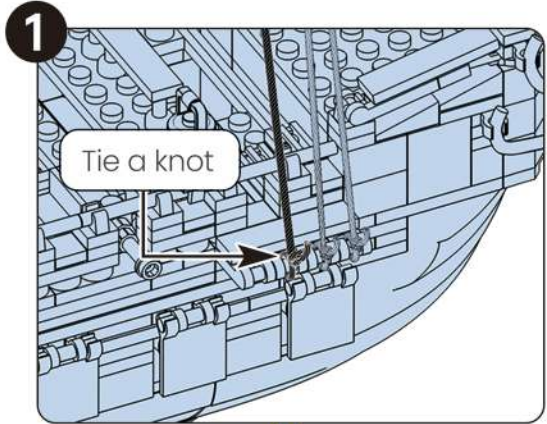


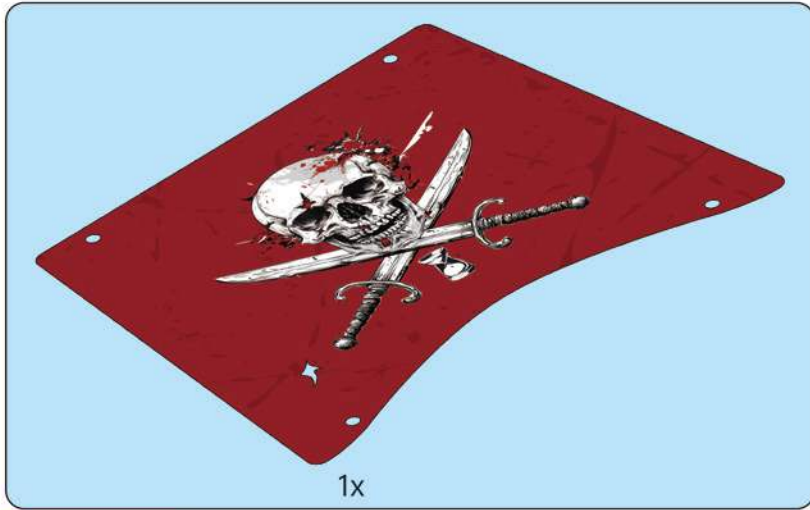
1x

651

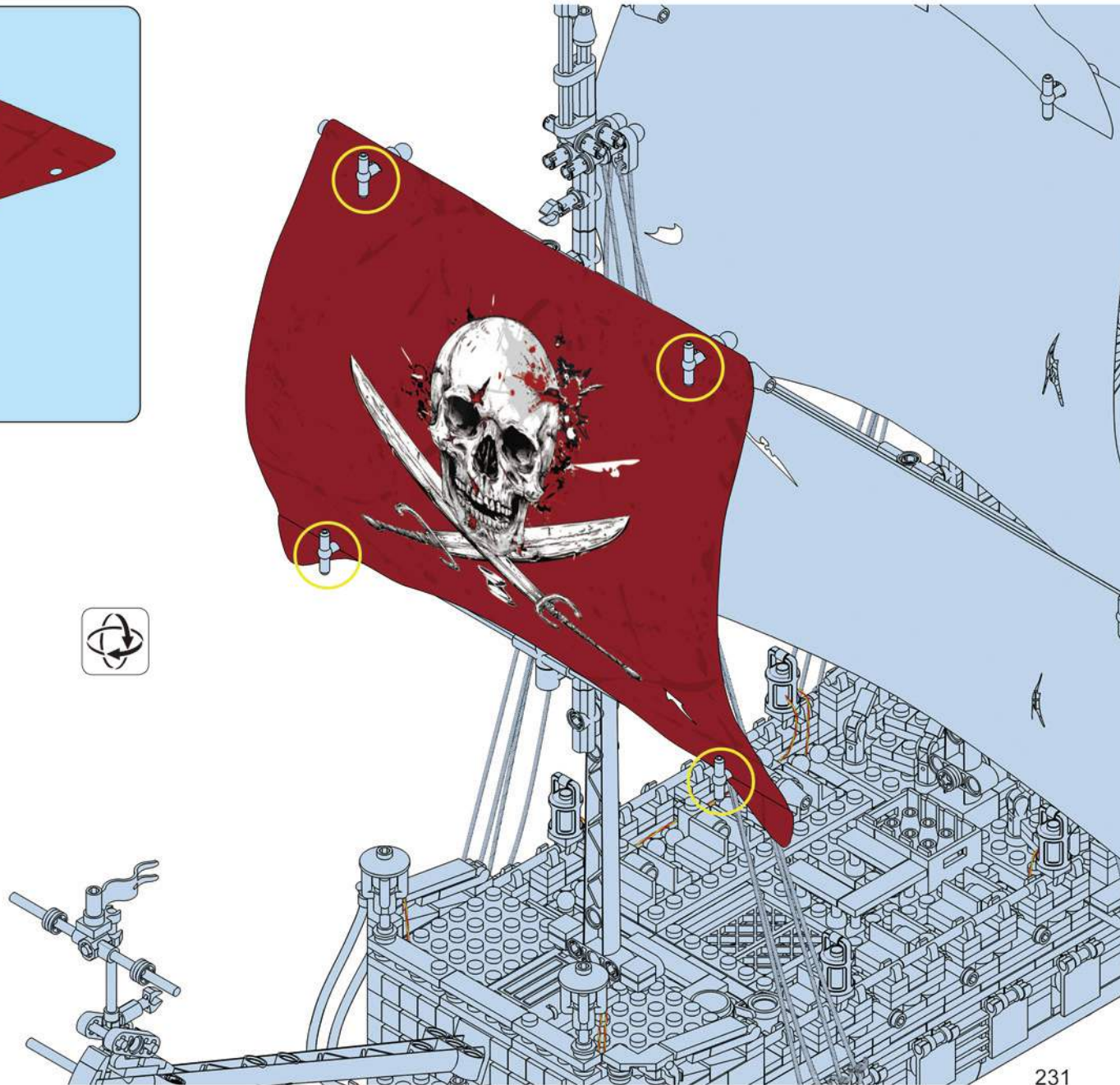


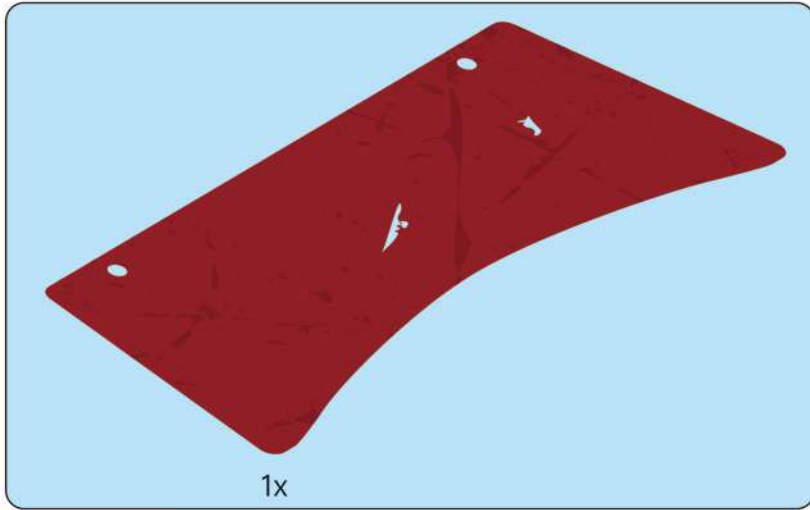
After installing the rope tie, the excess of the rope can be cut with a shear.  
 Nach der Installation des Seilaktes kann der Überschuss des Seils mit einer Schere geschnitten werden.



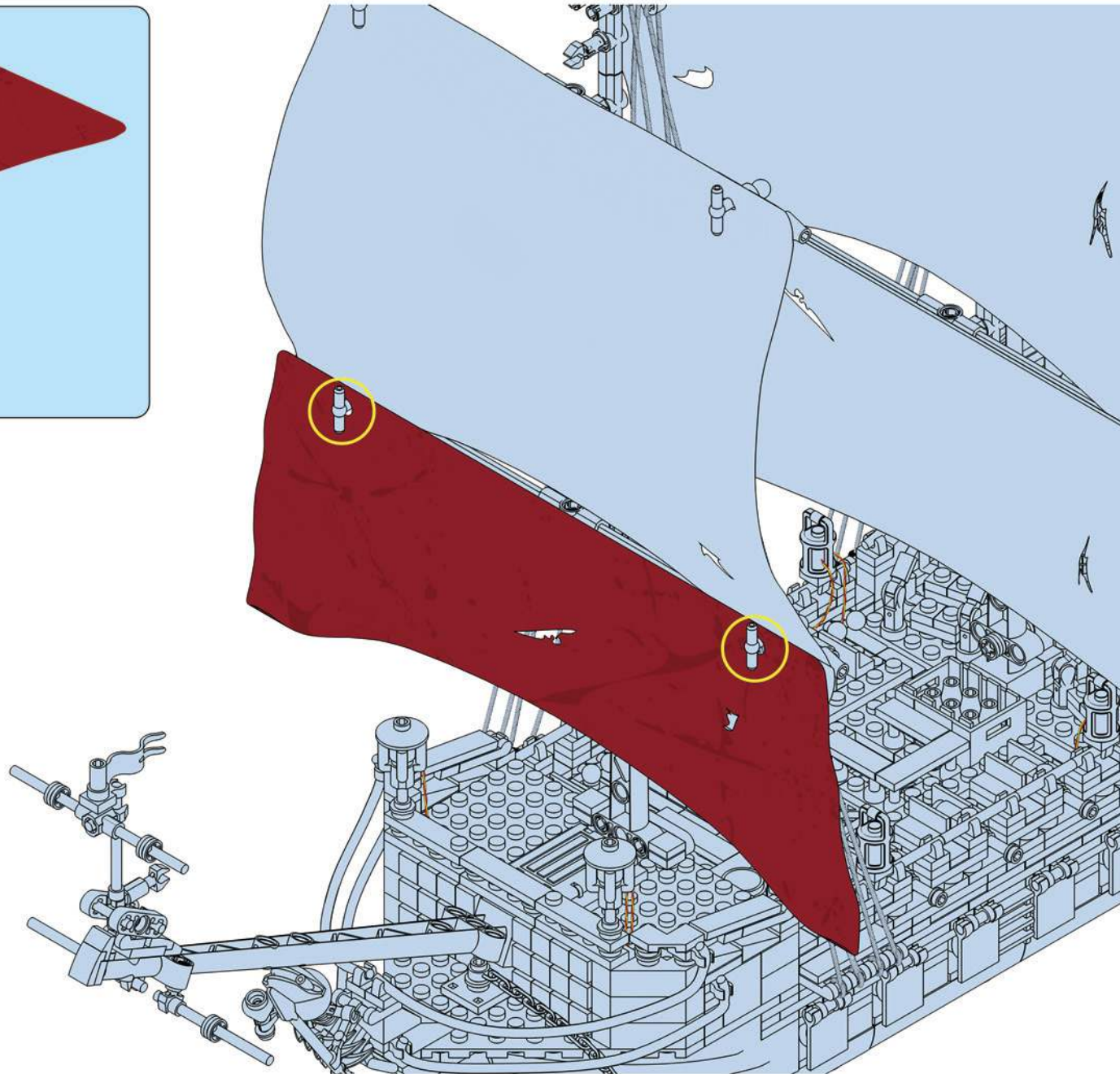


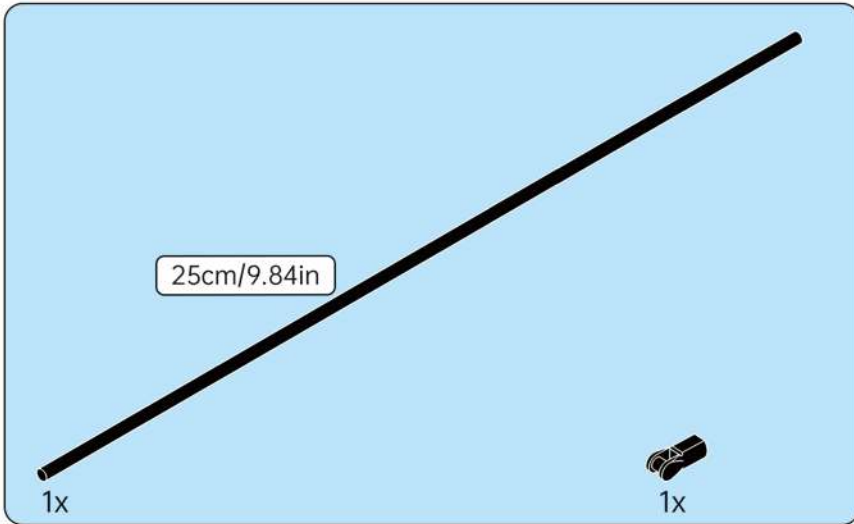
652



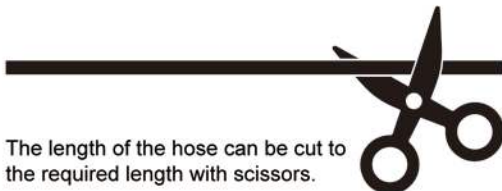
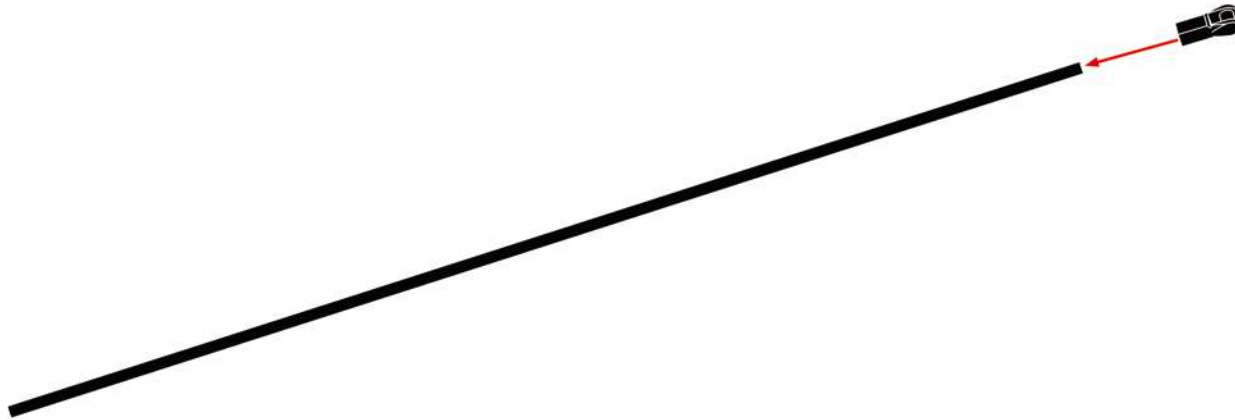


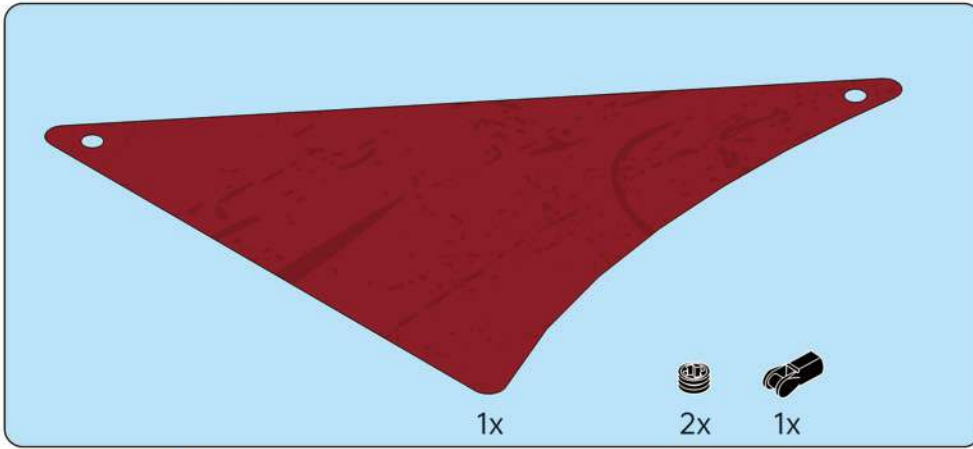
653



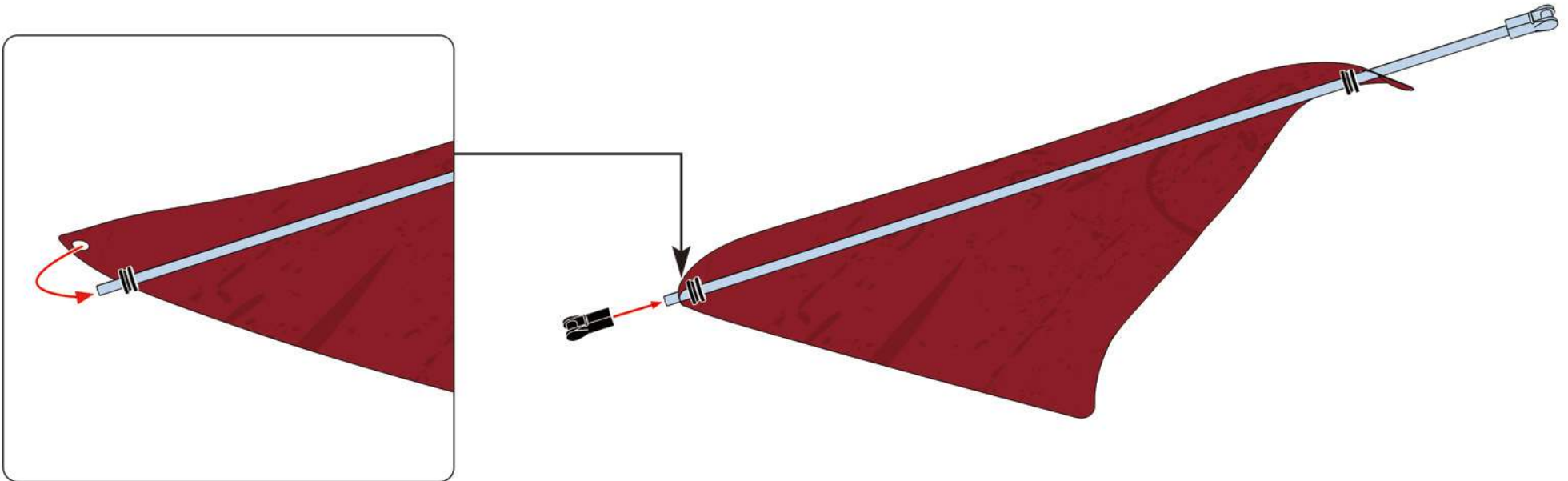


654

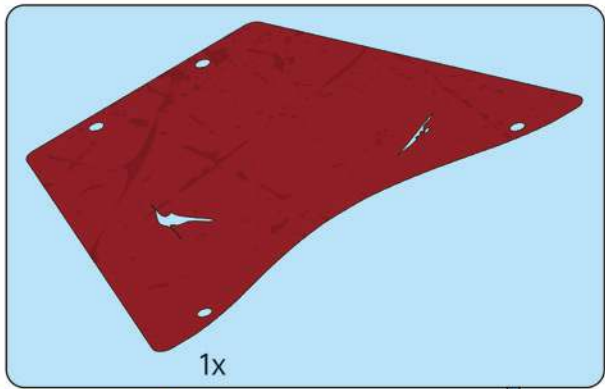
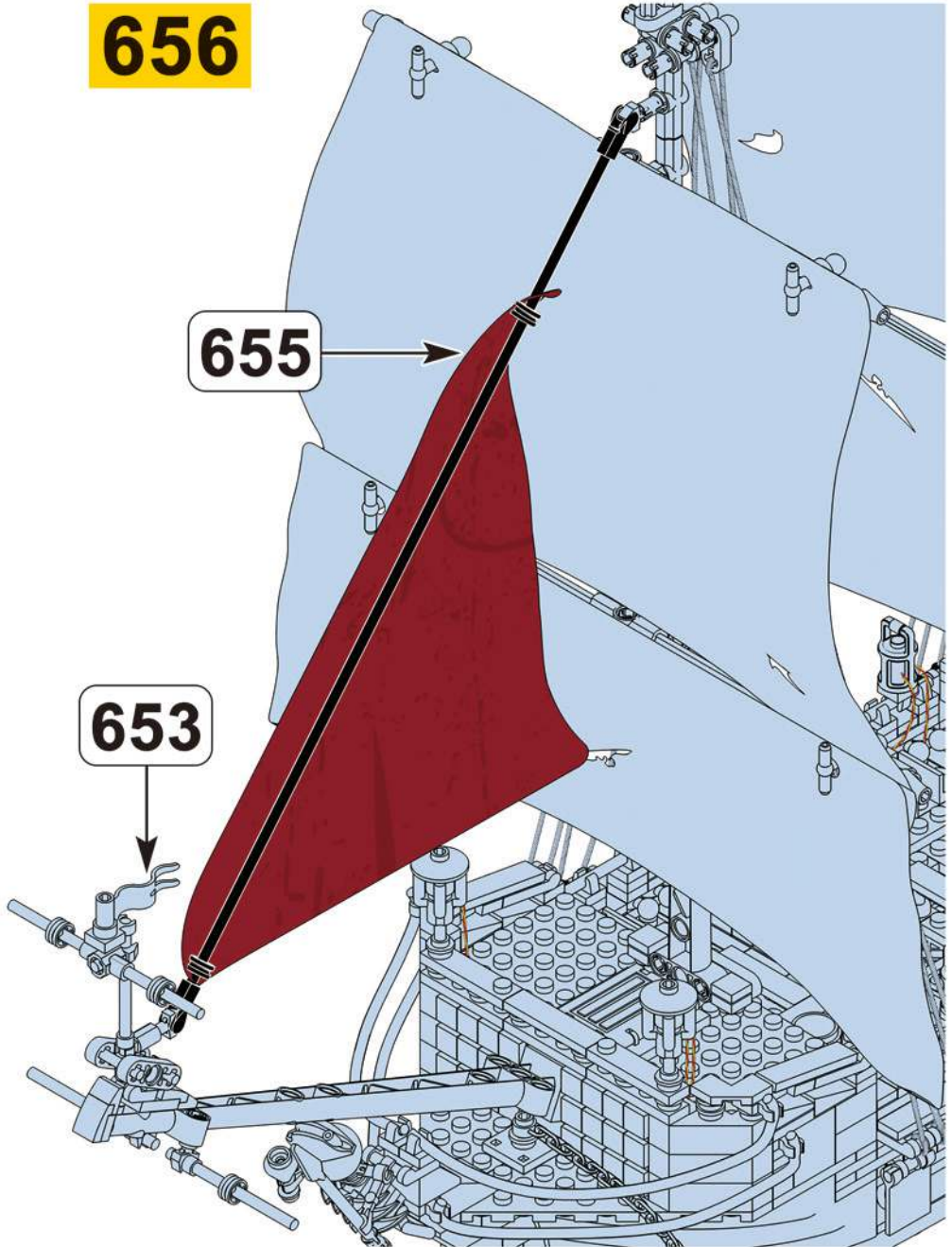




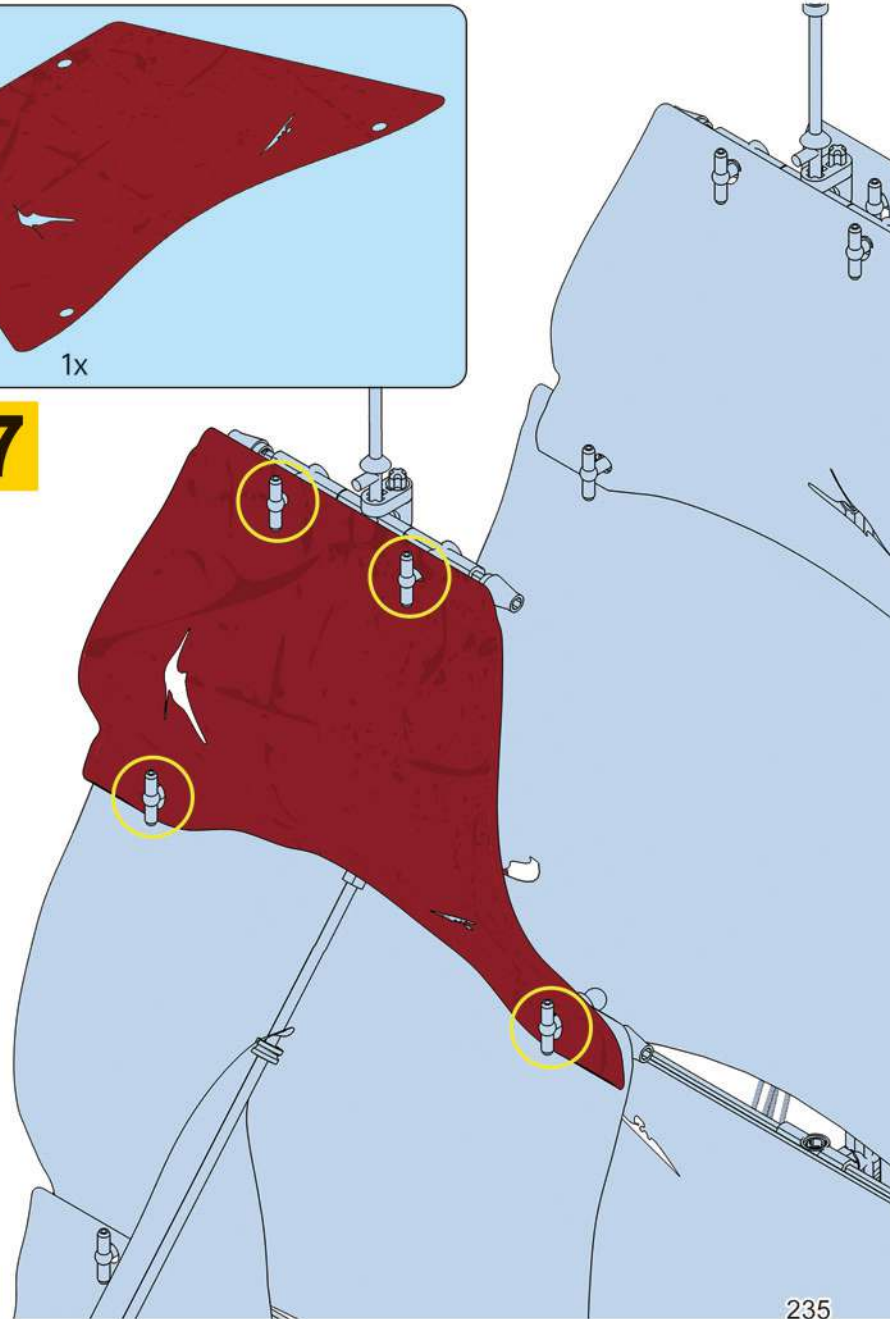
655

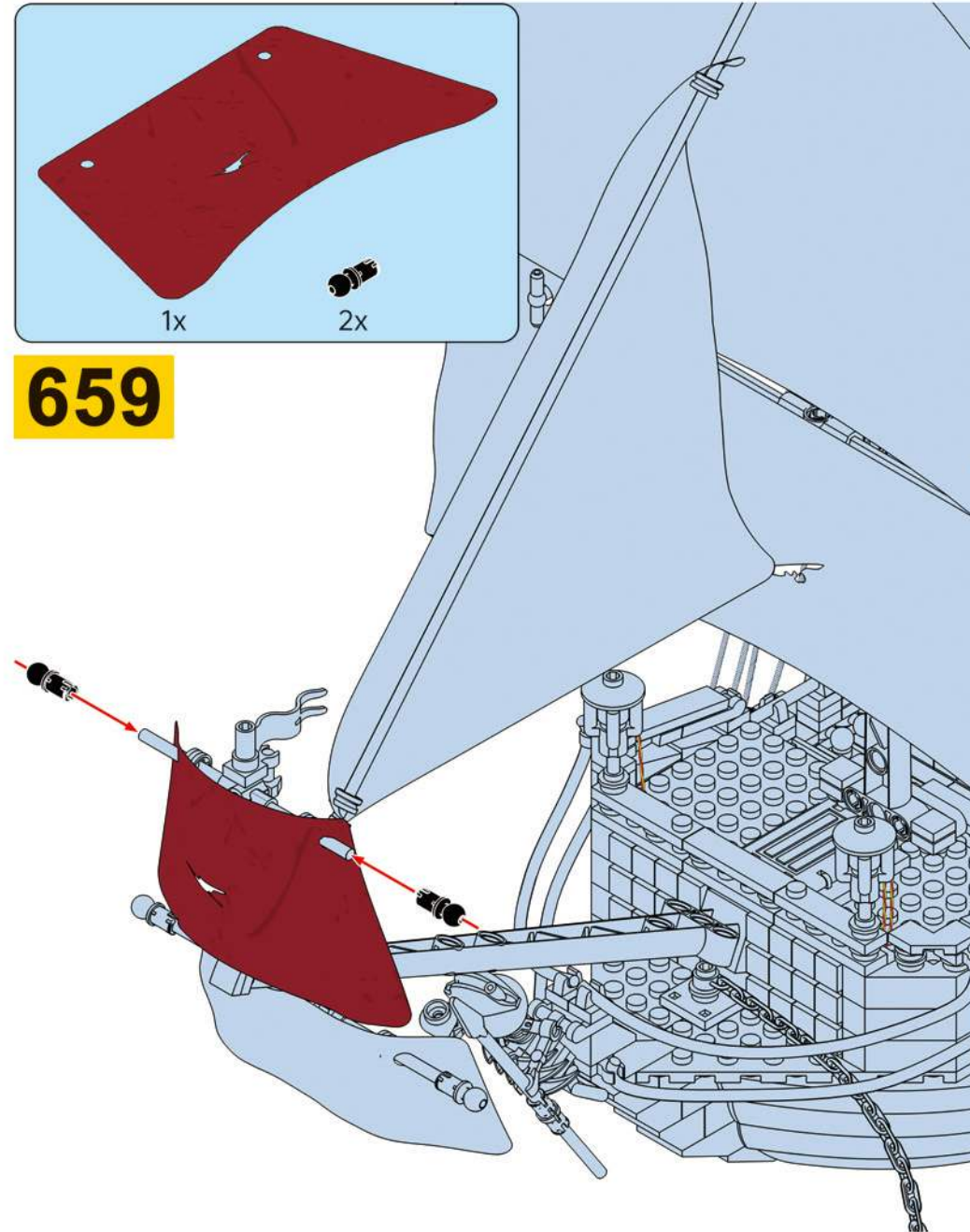
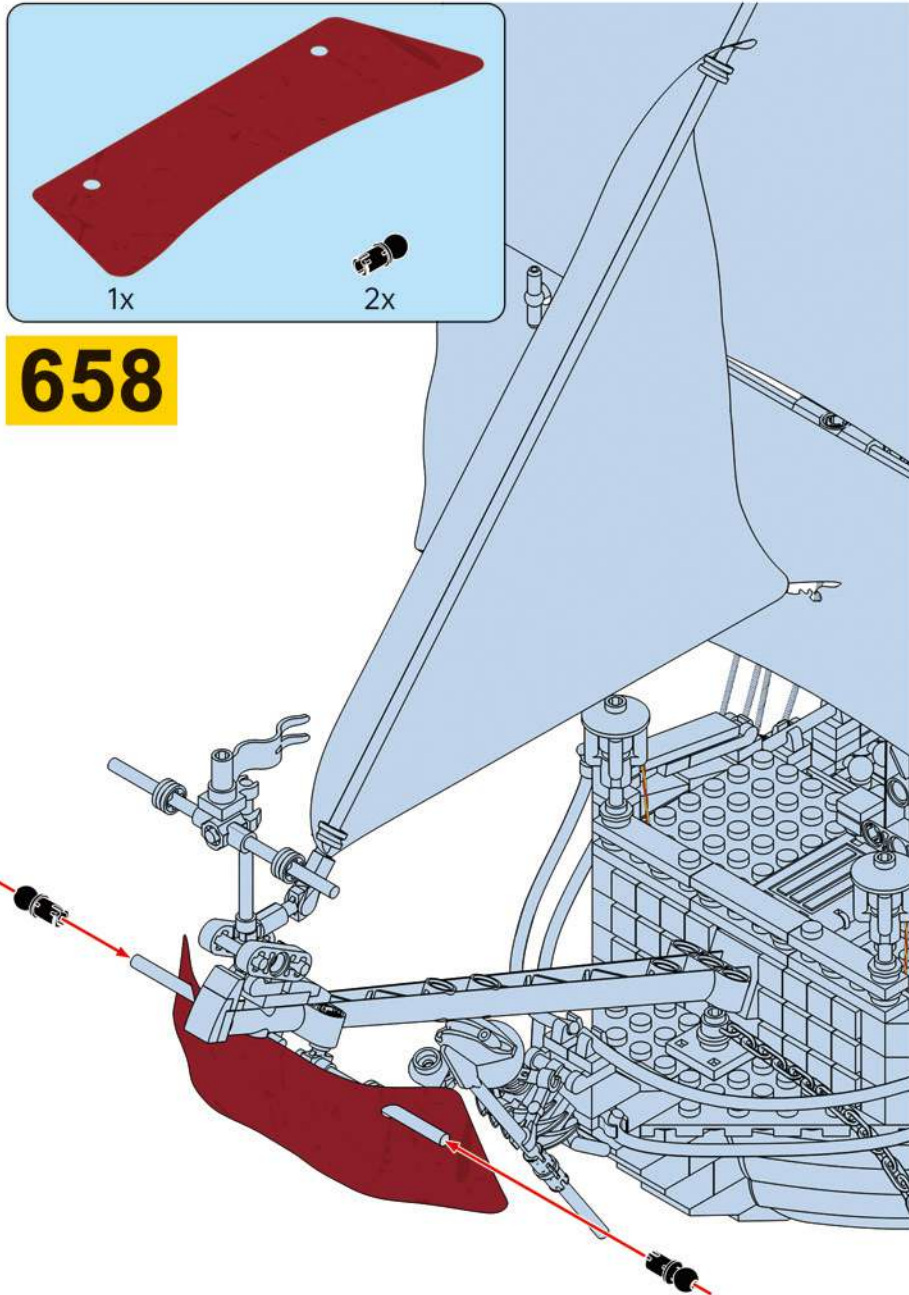


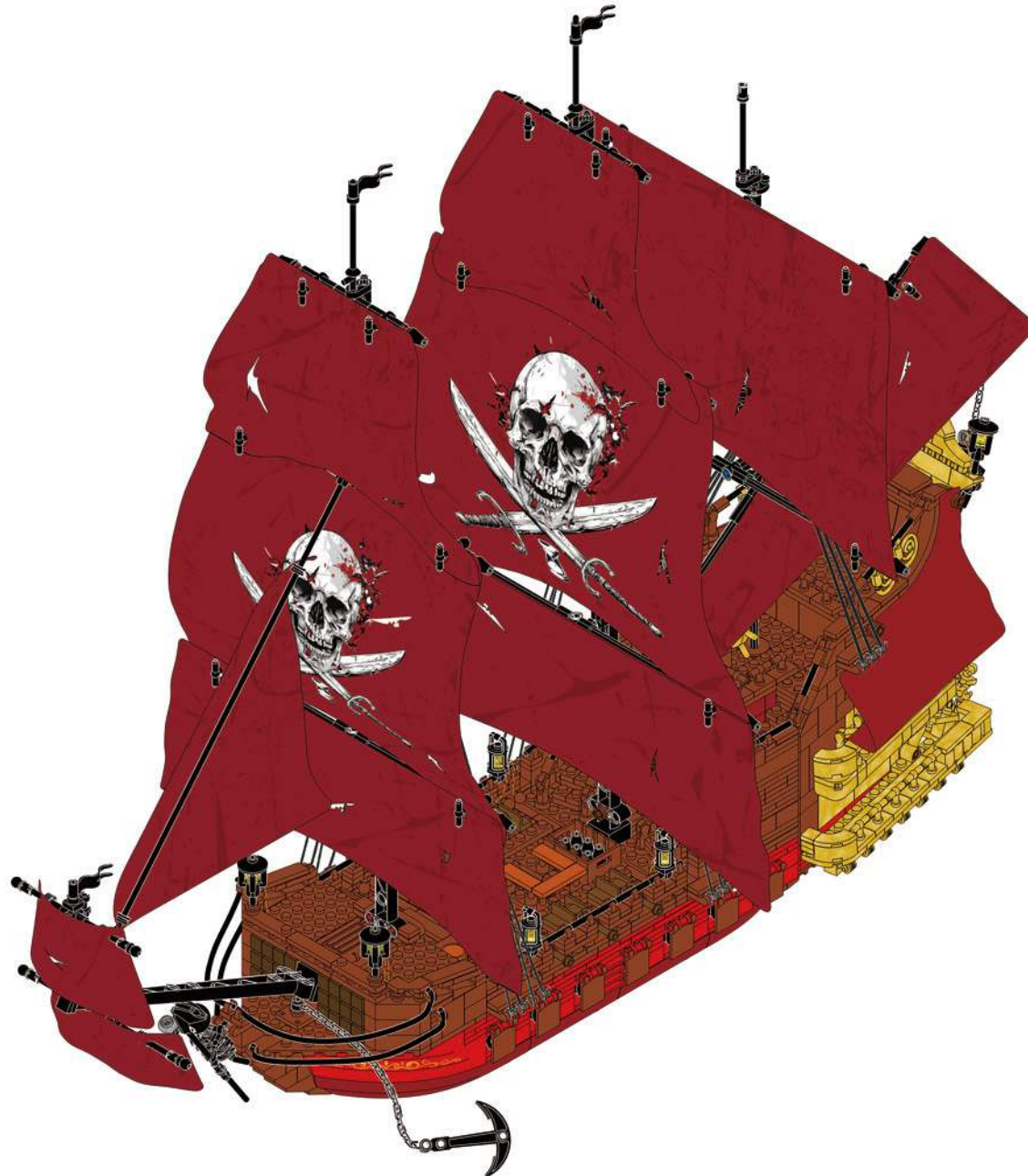
656

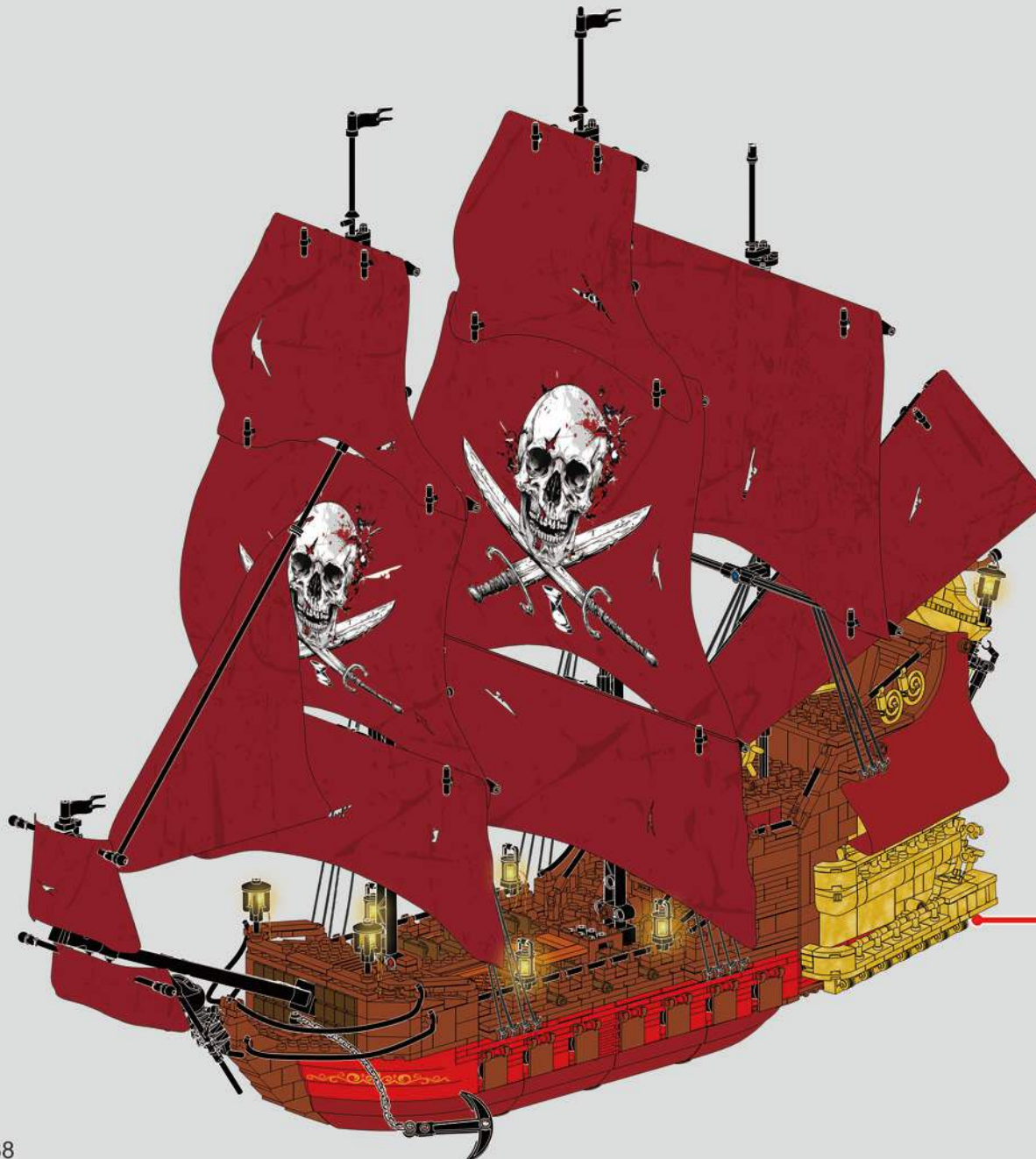


657









### Lighting function display :

- ON** Constant Light Mode: In this mode, the lights remain continuously illuminated once turned on, providing steady illumination until manually switched off.
- ☀** Light Sensor Mode: This setting activates the light only when ambient lighting is low, automatically turning on during nighttime or in dark conditions and switching off in bright environments, effectively saving energy.
- OFF** Power Off: Selecting this option completely disables the device, ensuring no power consumption occurs until manually reactivated by the user.

These three primary functions allow versatile usage scenarios, catering to different needs whether requiring constant illumination, energy-saving automatic operation, or complete shutdown.

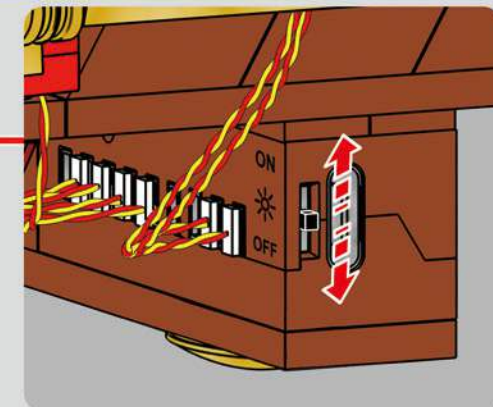
**Note:** When in use, Voltage must be less than 5v. Not for children under eight.

### Beleuchtungsfunktionen:

- ON** Ständige Beleuchtungsmodus: Sobald eingeschaltet, bleiben die Lichter kontinuierlich erleuchtet und bieten eine stabile Beleuchtung bis manuell ausgeschaltet.
- ☀** Lichtsensor Modus: Diese Einstellung aktiviert das Licht nur bei schwacher Umgebungsbewegung, schaltet es automatisch in der Nacht oder in dunklen Bedingungen ein und in hellen Umgebungen aus, was effektiv Strom spart.
- OFF** Ausschalten: Die Auswahl dieser Option deaktiviert das Gerät vollständig, wodurch kein Stromverbrauch auftritt, bis durch den Benutzer manuell erneut aktiviert.

Diese drei Hauptfunktionen ermöglichen vielseitige Szenarien, die unterschiedliche Anforderungen abdecken, sei es konstante Beleuchtung, energieeffiziente automatische Betrieb oder vollständiges Ausschalten.

**Hinweis:** Beim Einsatz muss die Spannung kleiner als 5V sein. Nicht für Kinder unter acht Jahren geeignet.



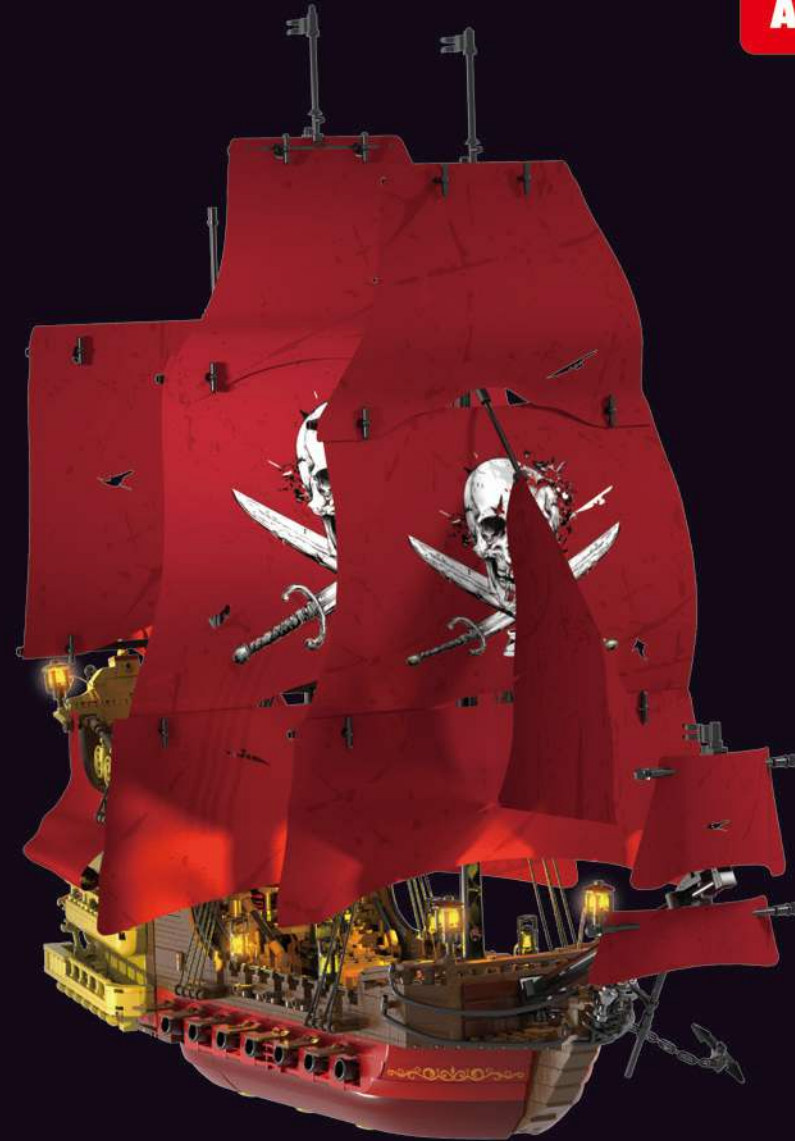
# JOY MAKES BRILLIANCE.

## Embrace Relaxation Embrace Joy

Every adultescent needs a "JOY BOX".  
Please , open your JOY BOX ! Heading for joy.



**14+**  
**AGES**



Thank you for choosing our JMB product.  
We would like to hear your thoughts on the new product you  
have just purchased. Your feedback will help shape the future  
development of this product line.  
You can contact us at <http://www.jmbricklayer.com> or via  
email at [Service@jmbricklayer.com](mailto:Service@jmbricklayer.com).

Vielen Dank, dass Sie unser JMB Produkt ausgewählt haben.  
Wir möchten Ihre Meinung zum gerade erworbenen neuen  
Produkt hören. Ihr Feedback wird dazu beitragen, die zukünftige  
Entwicklung dieser Produktsreihe zu gestalten.  
Kontaktieren Sie uns über [www.jmbricklayer.com](http://www.jmbricklayer.com) oder per  
E-Mail an [Service@jmbricklayer.com](mailto:Service@jmbricklayer.com).

# BRICK IT HAPPEN



**40001**  
Ghost Ship The Flying Dutchman



**50001**  
Vintage Car Model A Deluxe Coupe



**20039**  
Vintage 3 in 1 Set



**70013**  
Mantis Shrimp



**70008**  
Rainbow Unicorn



**70010**  
Swimming Jellyfish



**70011**  
Mechanical Hummingbird



**70016**  
Impression Sunrise



**70017**  
Phoenix Nirvana



**70015**  
Woodland Pegasus



Dear valued customer,  
We sincerely hope you enjoy the product and we can't wait to see you again soon. Please let us know if we can do anything else to help! If you are pleased with your purchase and plan to buy from us again, we have a special offer just for you. When making your payment, please utilize the exclusive discount code "JMBVIP28A6" to avail yourself of a generous 20% discount.

**14+**  
**AGES**

Long-term Effective  
**20% OFF**  
Discount Code  
**JMBVIP28A6**

Available on [www.jmbricklayer.com](http://www.jmbricklayer.com)  
Online store Support: [Support@jmbricklayer.com](mailto:Support@jmbricklayer.com)

# BRICK IT HAPPEN

---



**60014**

Strategic Nuclear Submarine



**40002**

Age of Exploration The Black Pearl



**60015**

Bismarck Class Battleship



**70019**

Mythic Dragon Tiles



**70020**

Mythic Dragon Tiles

---



**JMBricklayer**

---

## Embrace Relaxation Embrace Joy

---

Every adultescent needs a "JOY BOX".  
Please, open your JOY BOX ! Heading for joy.

