



宇 | 星 | 模 | 王



宇星世界铁路系列
WORLD RAILWAY

谢伊式蒸汽机车
NO. SHAY-TYPE STEAM LOCOMOTIVE

12032

880+ Pcs/Pza





Qr code APP (APP二维码)

Need the apple version 9.0 and above, the android version 5.0 and above.

* This APP supports most of the mainstream Android models on the market, but due to the large number of Android models, different models of systems and hardware reasons, there may be some models do not support, specific according to the actual test!



广东宇星科技
Mould King



产品资讯
Product Information



售后服务
After-sales Service

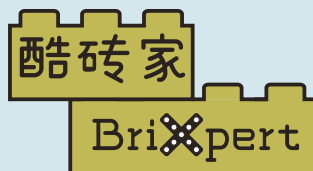


积木补件
Brick Replacement Service

Customer Service
客户服务



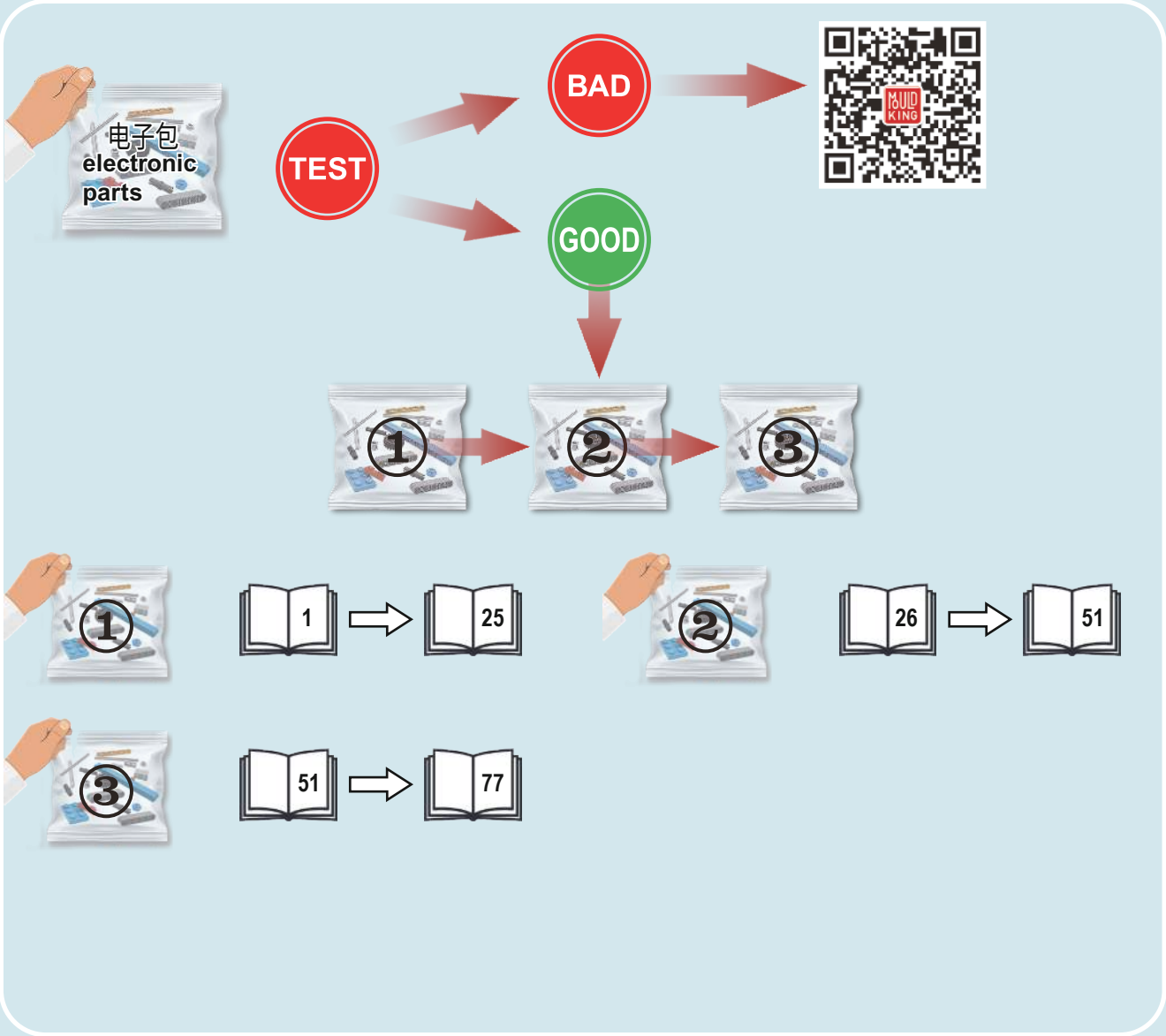
www.yx-mk.com

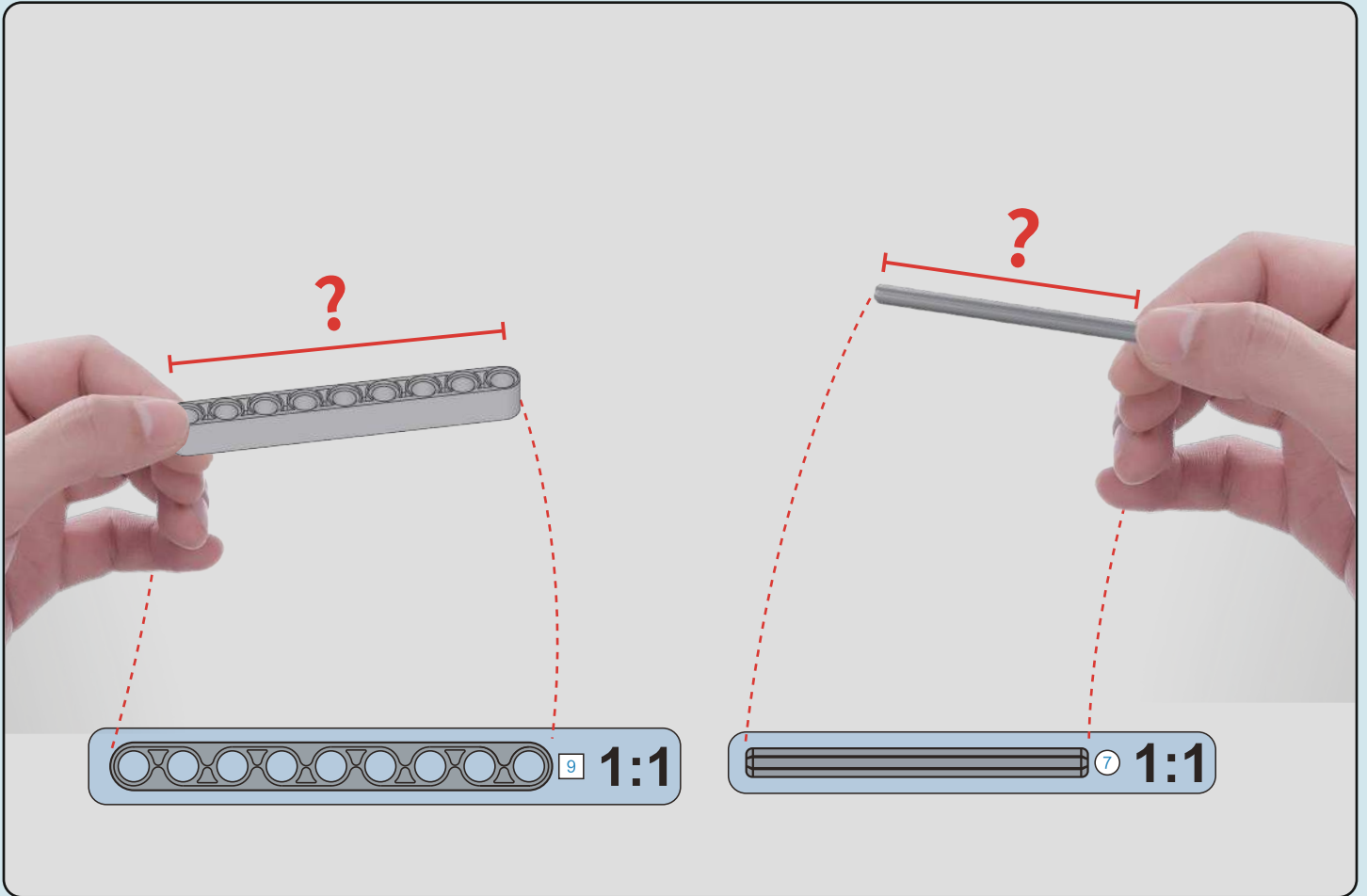


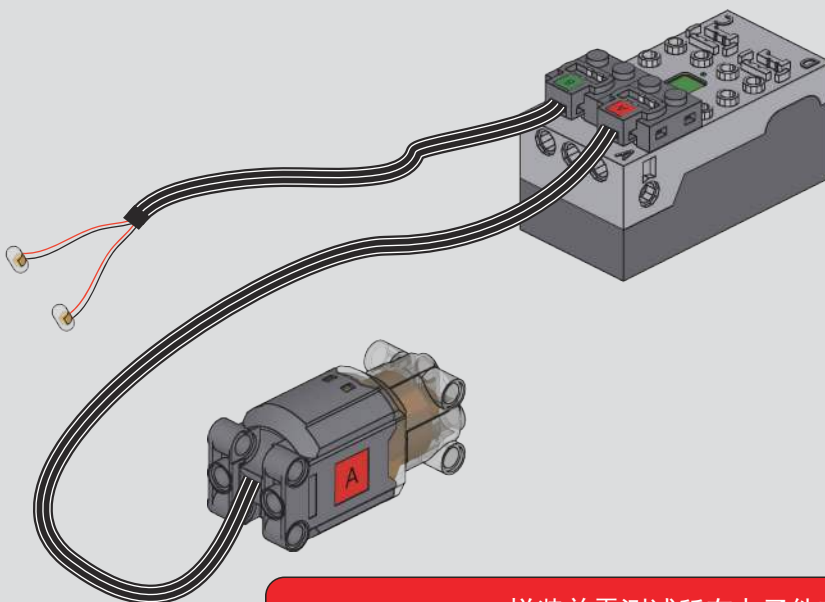
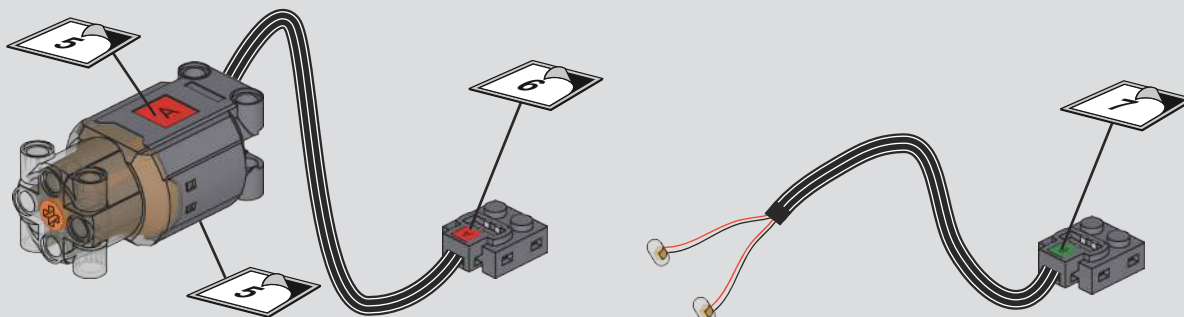
"酷砖家"是宇星模王设立的特殊标识，代表着产品的独特性和原创性。每一款带有"酷砖家"标志的积木套装，都由宇星的原创团队或者与宇星有密切合作的全球顶尖设计师亲自设计或授权。这个标识是我们对消费者的承诺，确保他们可以享受独一无二且高品质的积木拼搭体验。

"Bri X pert" is a special mark established by MOULD KING, representing the uniqueness and originality of the product. Every building set with the "Bri X pert" logo is personally designed or authorized by MOULD KING's innovative team or world-class designers who work closely with MOULD KING. This logo is our commitment to consumers, ensuring that they can enjoy a unique and high-quality building experience.

OPEN





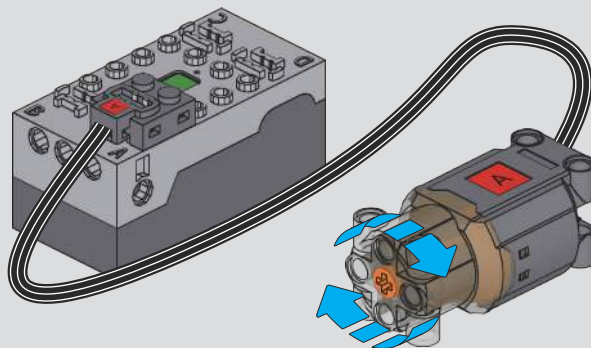
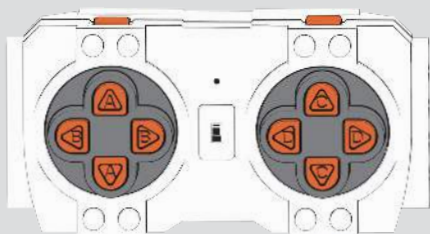


拼装前需测试所有电子件功能是否正常
Test all electronic components for functionality before assembly.

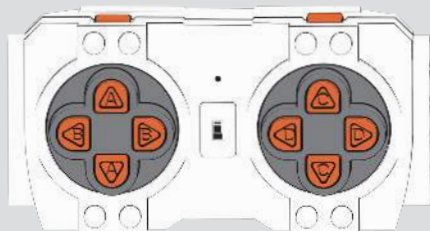


请扫描此二维码，获取并仔细查看4.0模块的操作说明书。
Please scan this QR code to obtain and carefully review the operation manual for the 4.0 module.

1

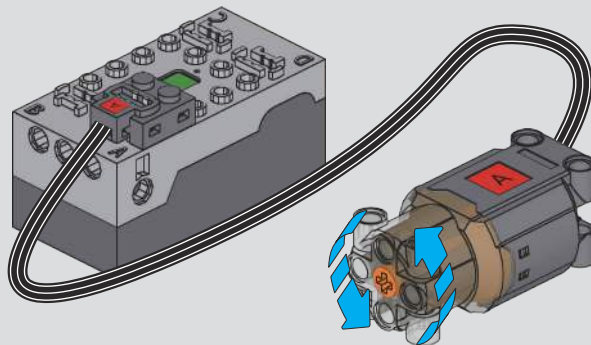
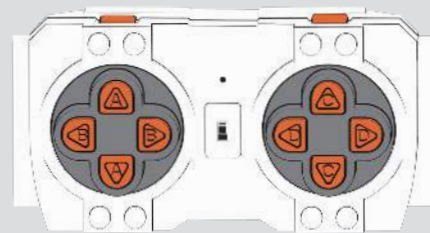


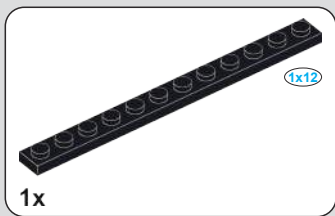
2



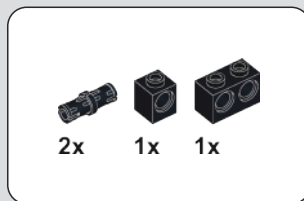
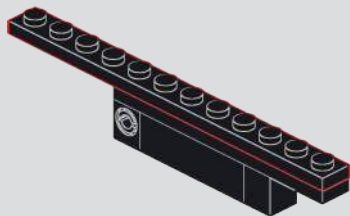
同时长按3秒
Press and hold for
3 seconds at the same time

3

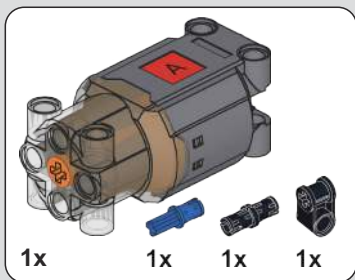
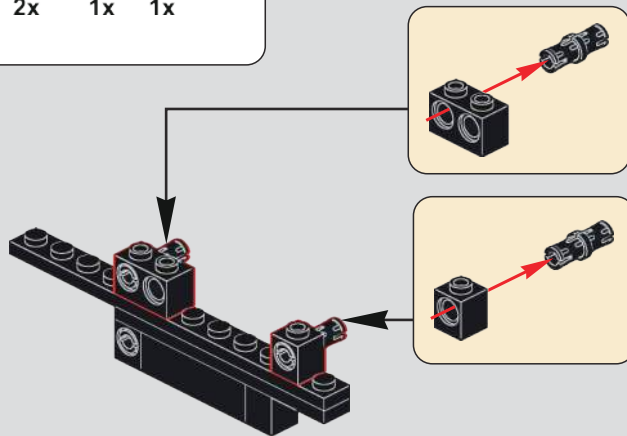




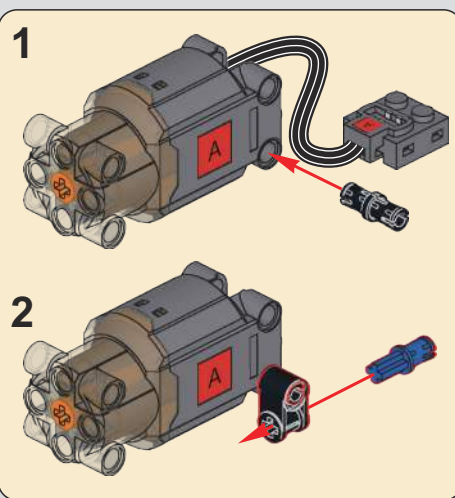
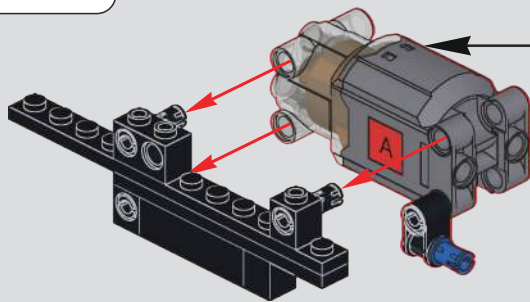
3

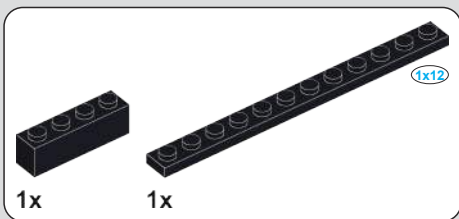
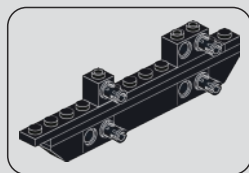


4

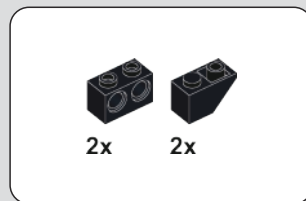
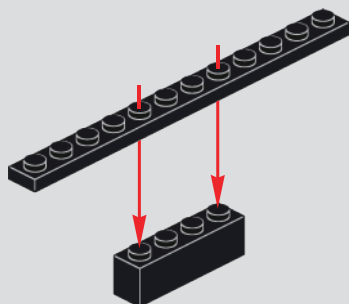


5

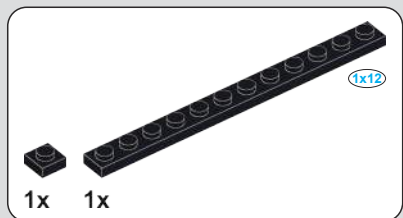
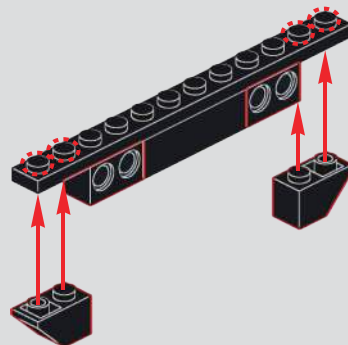




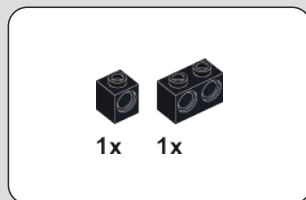
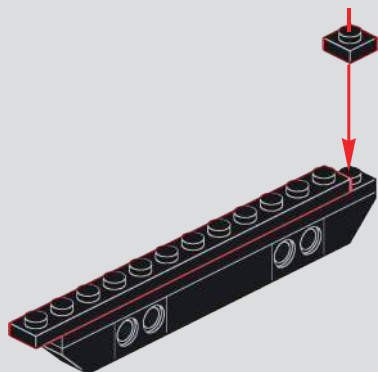
6



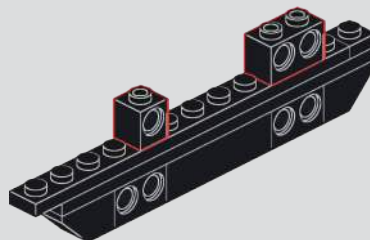
7



8



9

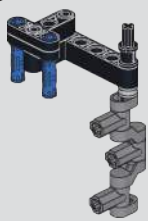
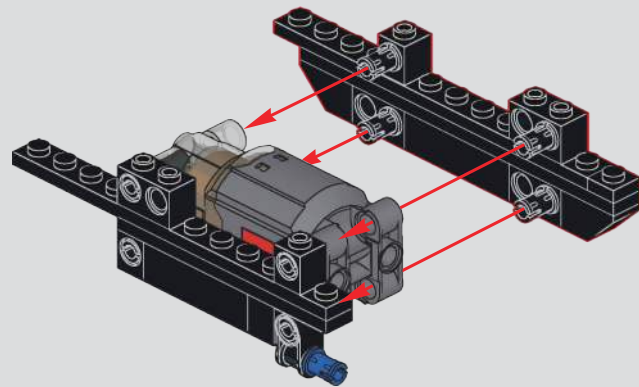
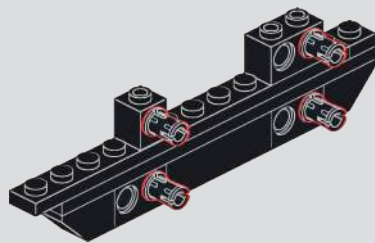


11



4x

10



1x

1x

12

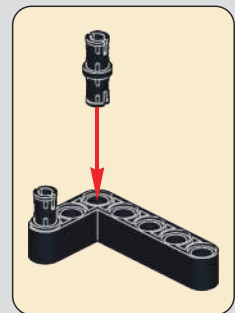
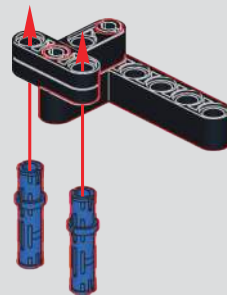


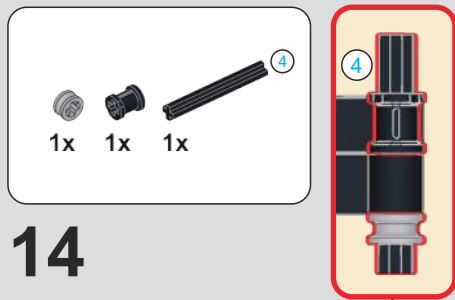
2x

2x

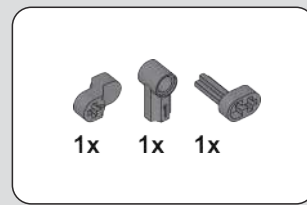
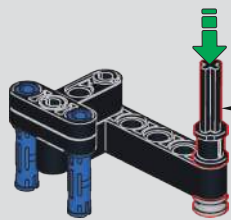
1x

13

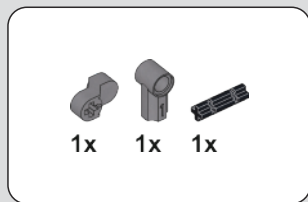
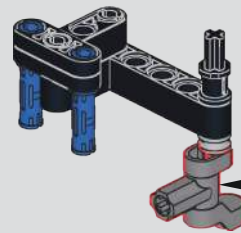




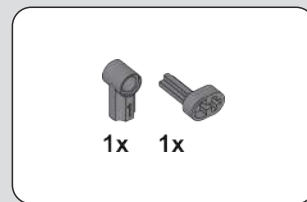
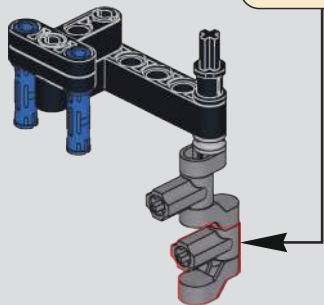
14



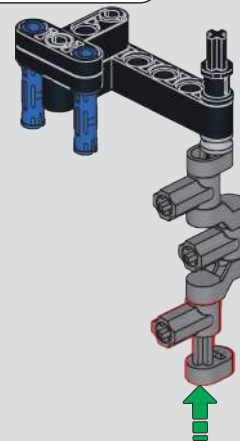
15



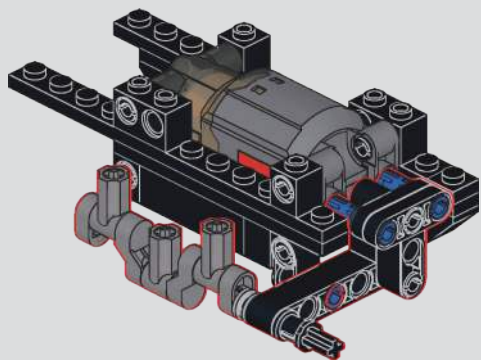
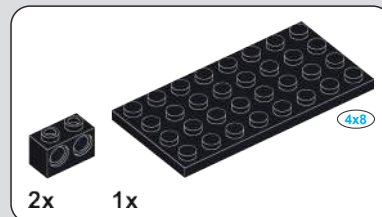
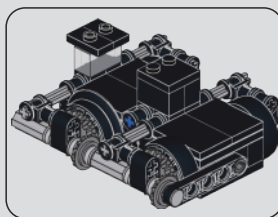
16



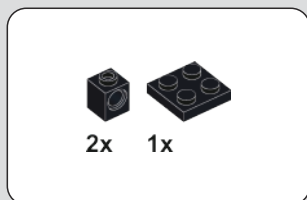
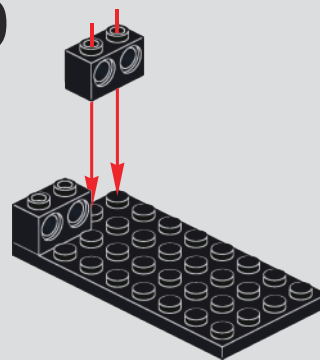
17



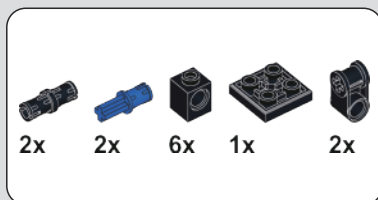
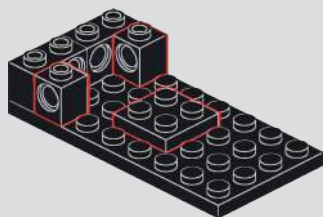
18



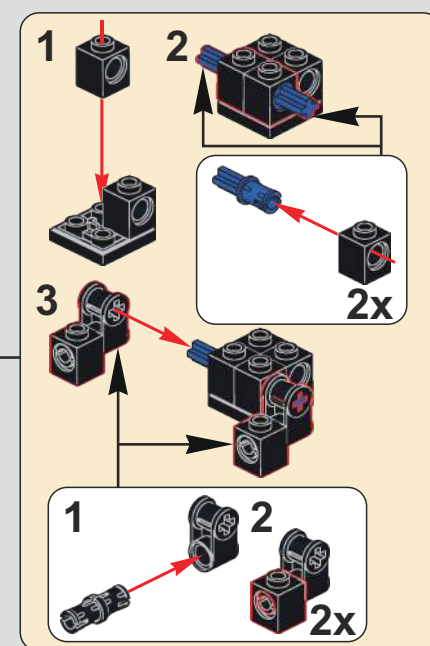
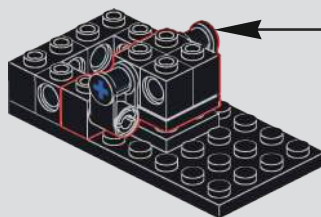
19

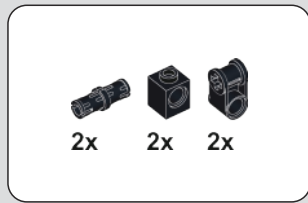


20

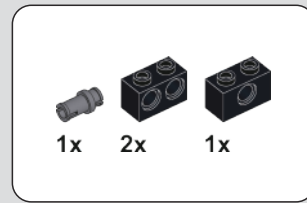
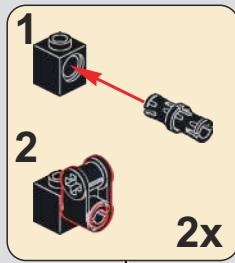
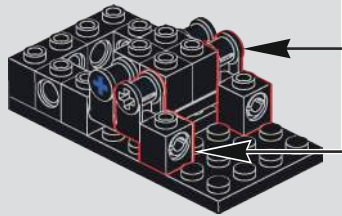


21

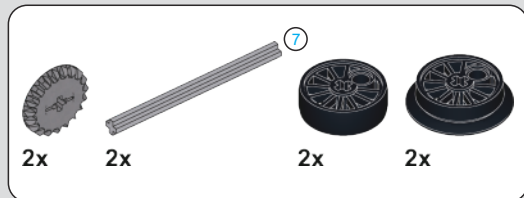
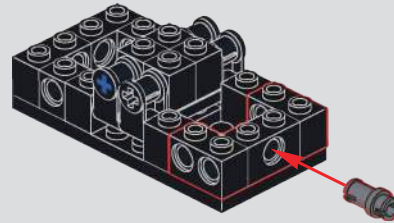




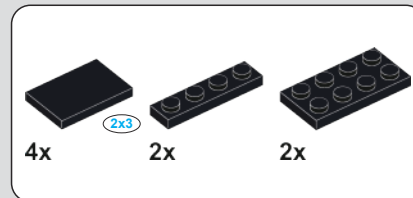
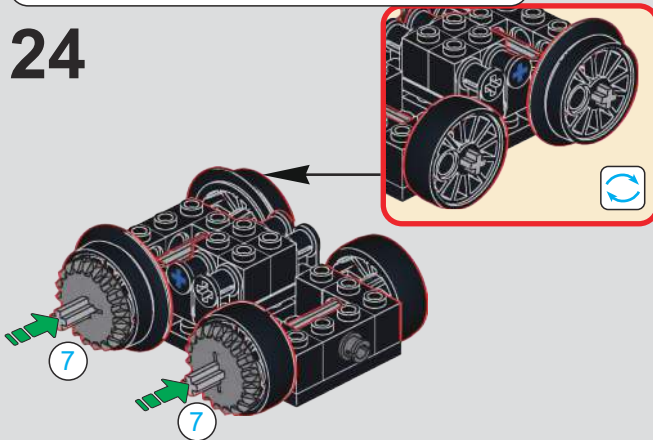
22



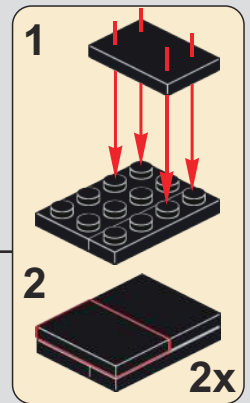
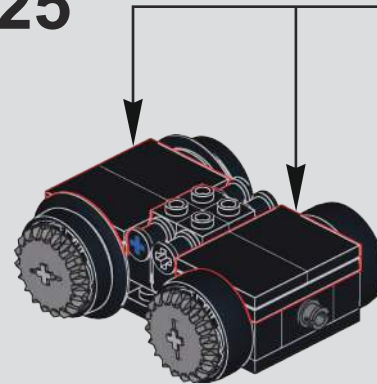
23

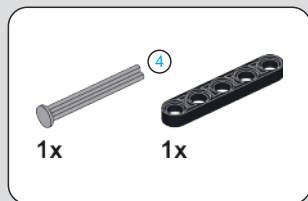
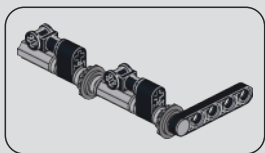


24

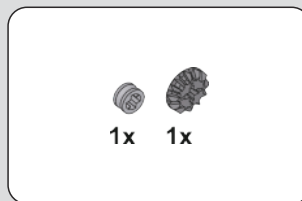


25

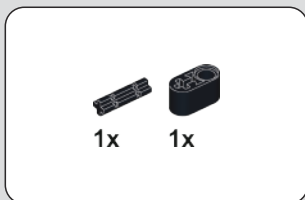
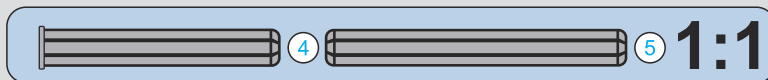
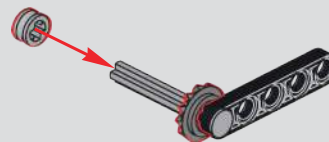
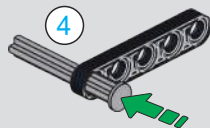




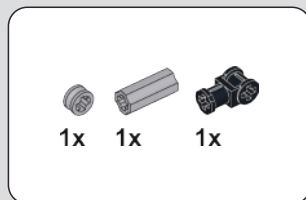
26



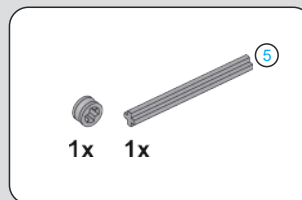
27



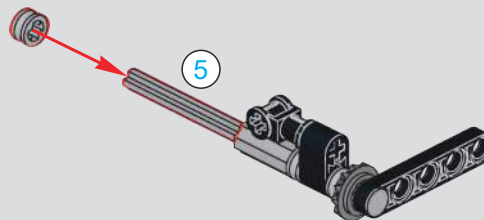
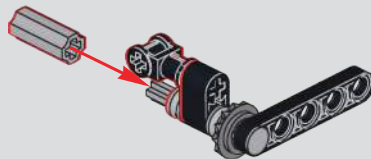
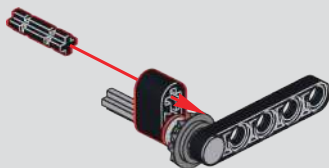
28

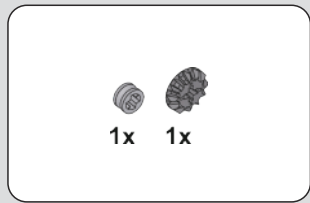


29

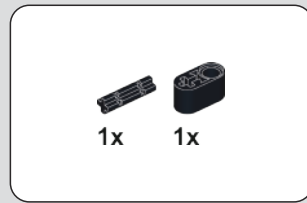
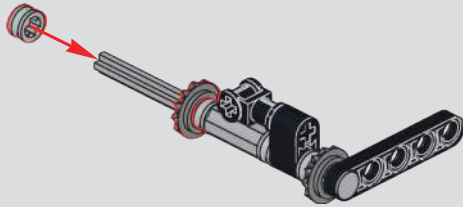


30

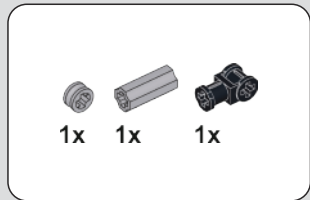
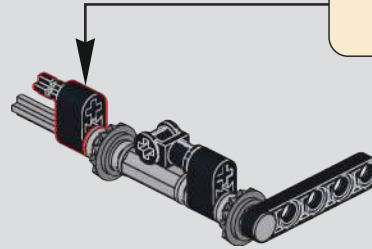
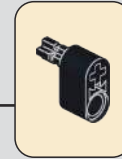




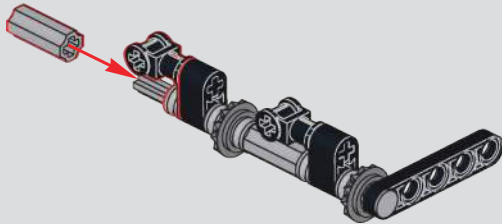
31



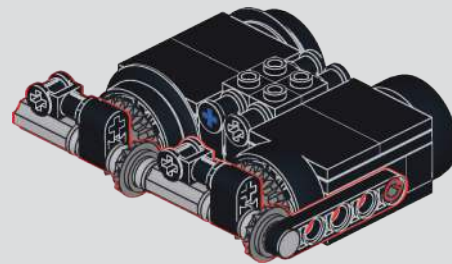
32

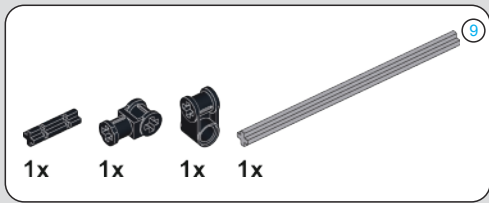


33

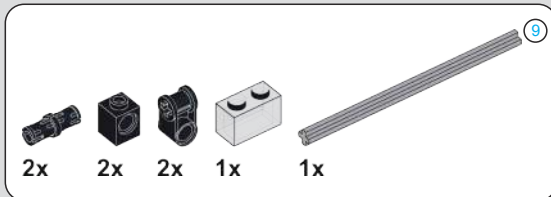
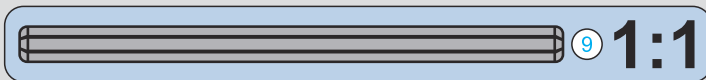
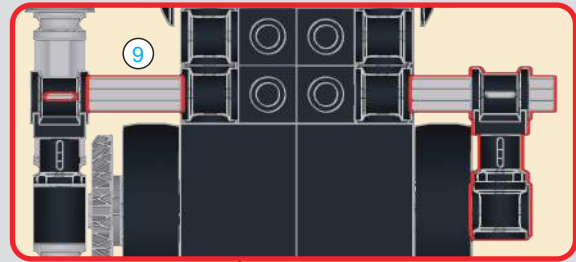
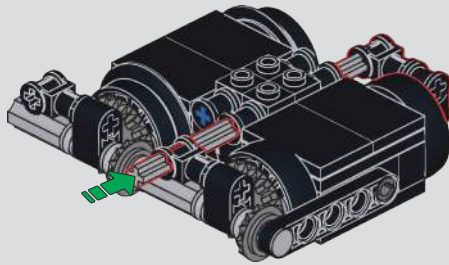


34

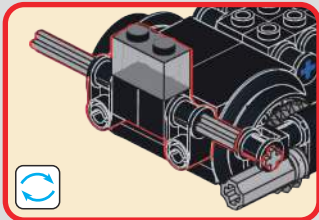
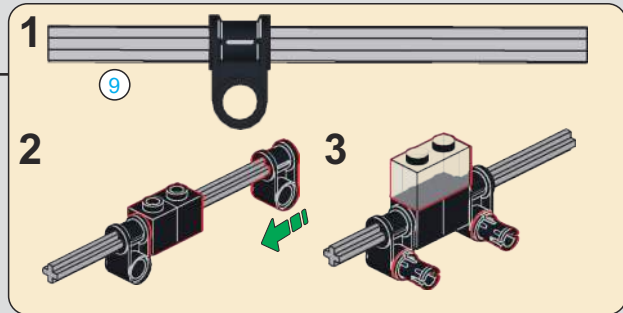
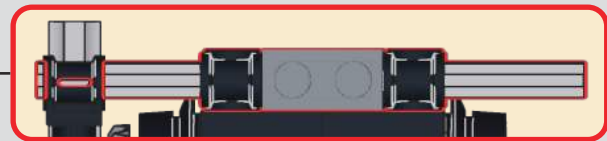
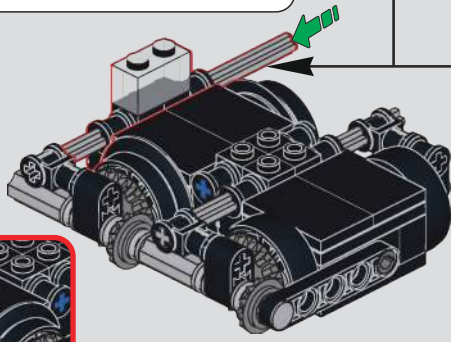


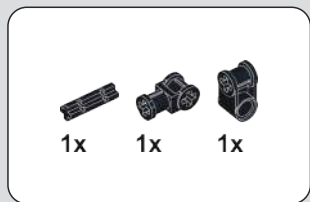


35

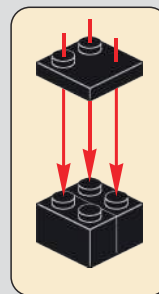
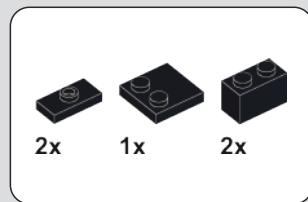
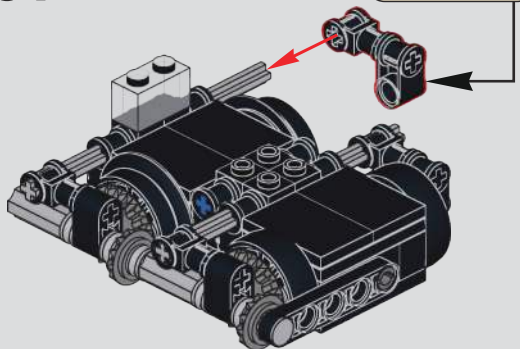


36

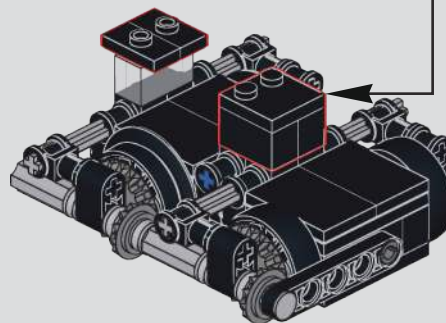




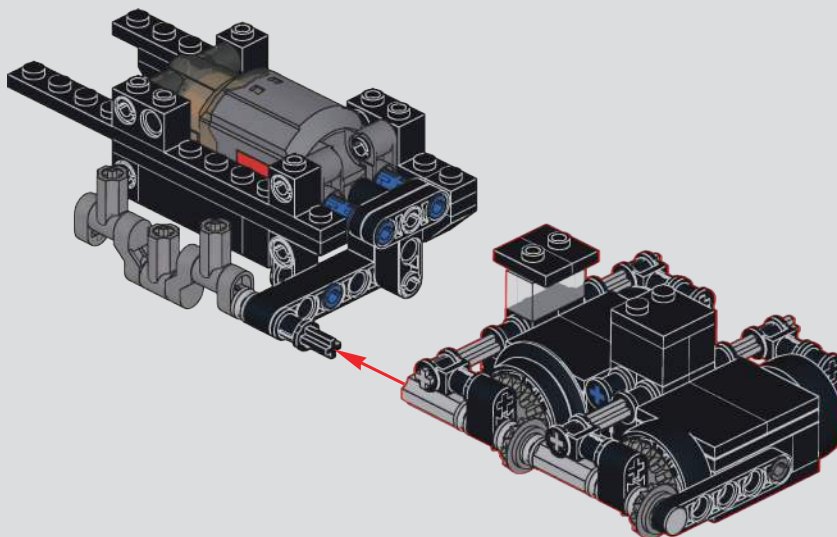
37

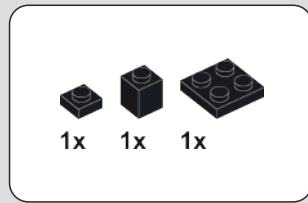
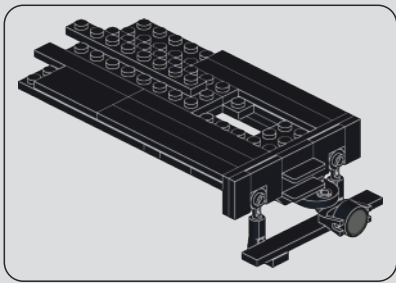


38

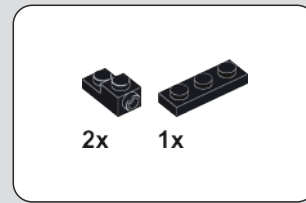
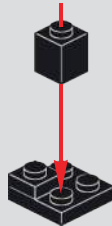


39

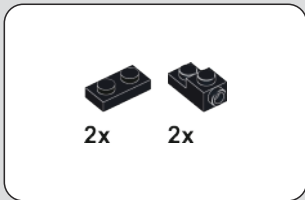
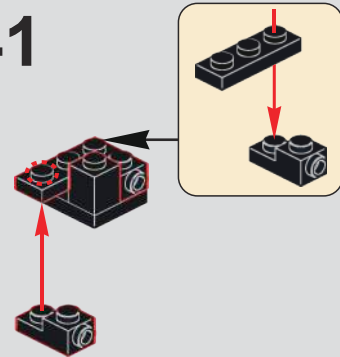




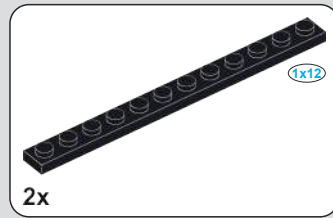
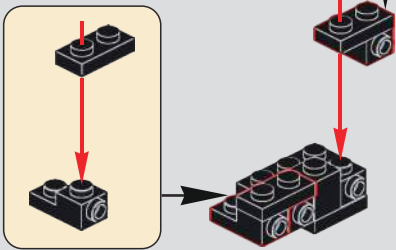
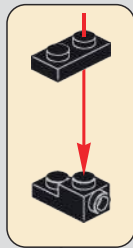
40



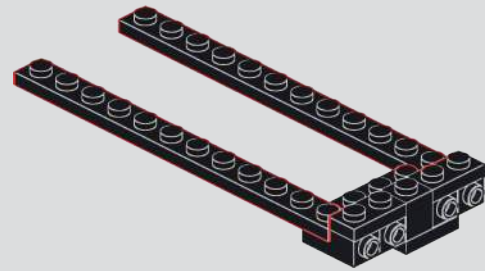
41

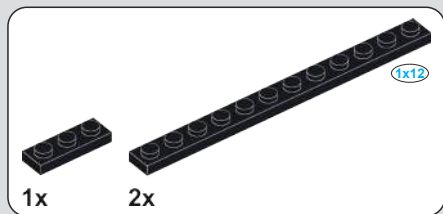


42

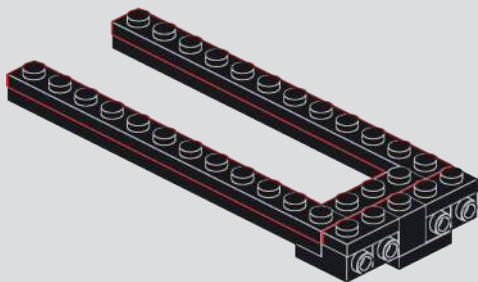


43

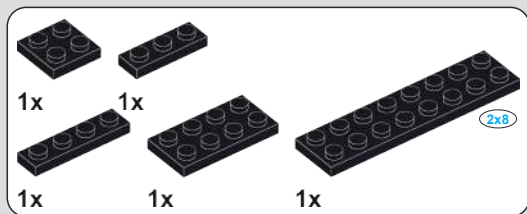
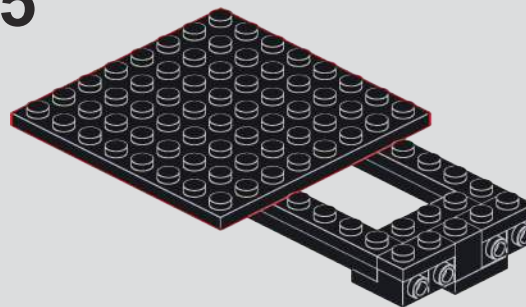




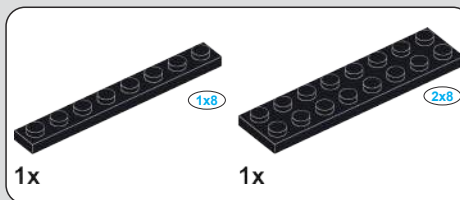
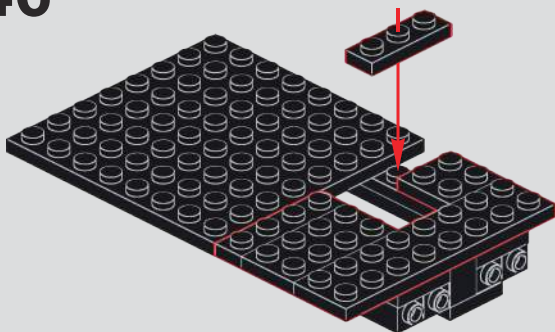
44



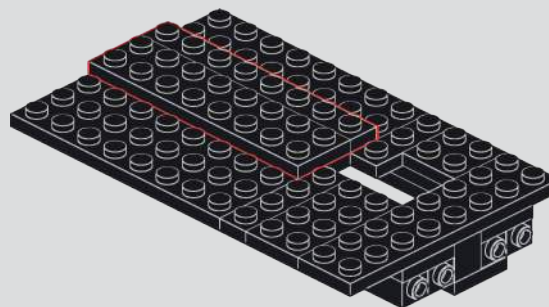
45

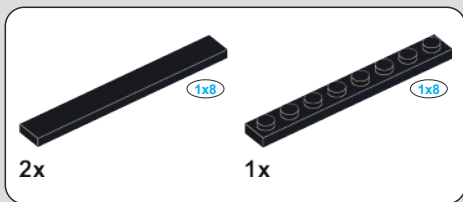


46

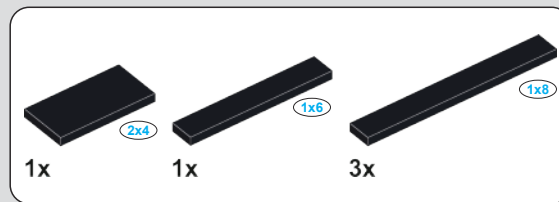
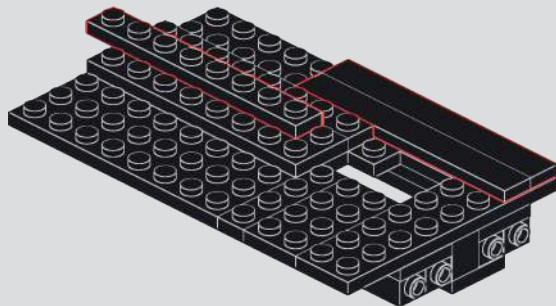


47

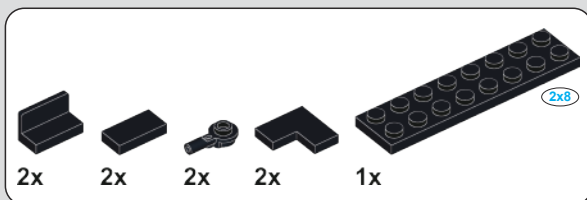
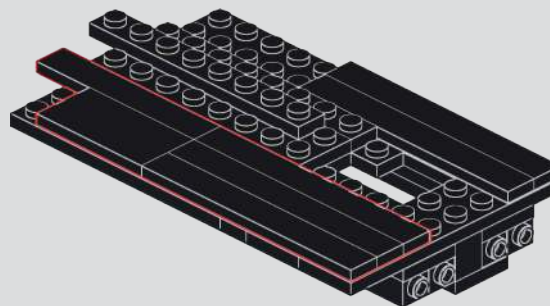




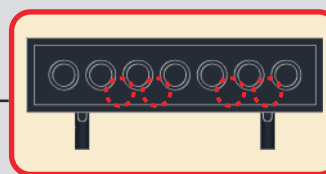
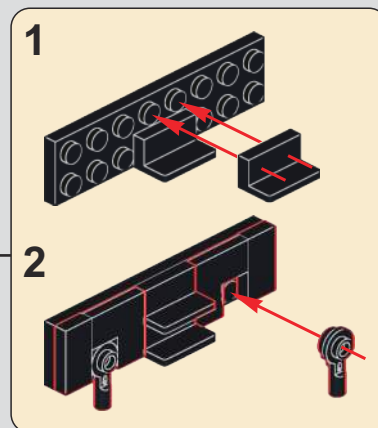
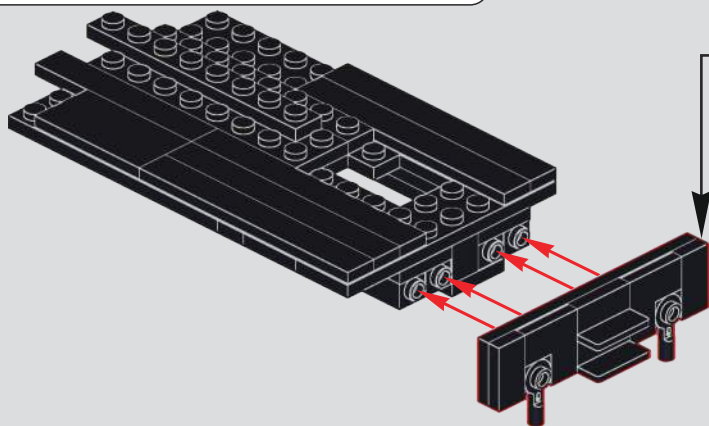
48

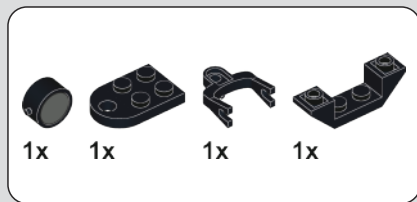


49

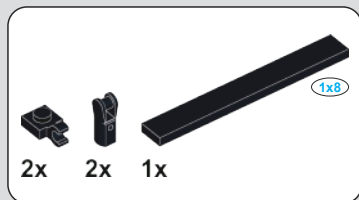
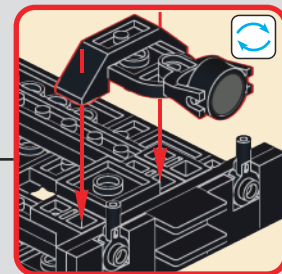
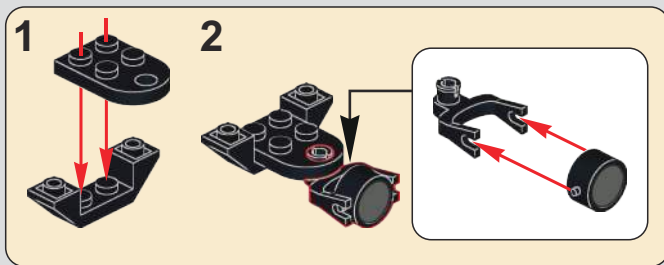
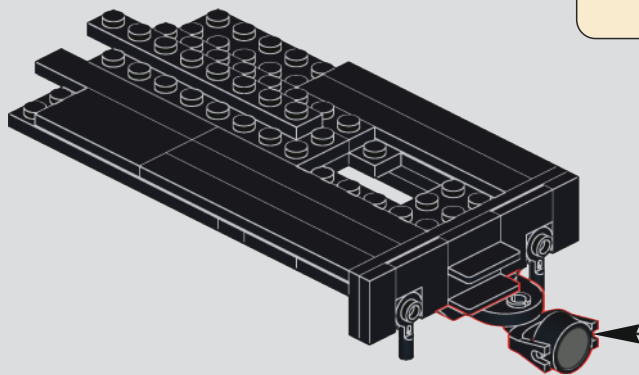


50

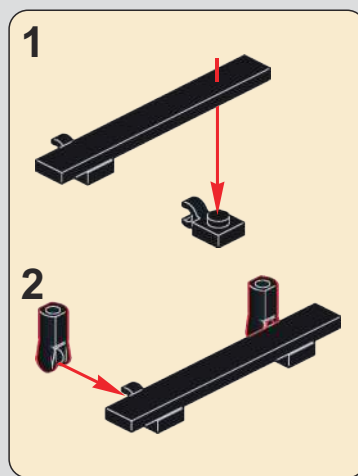
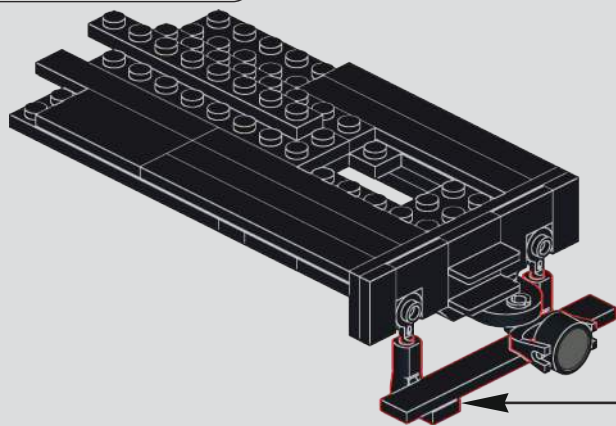




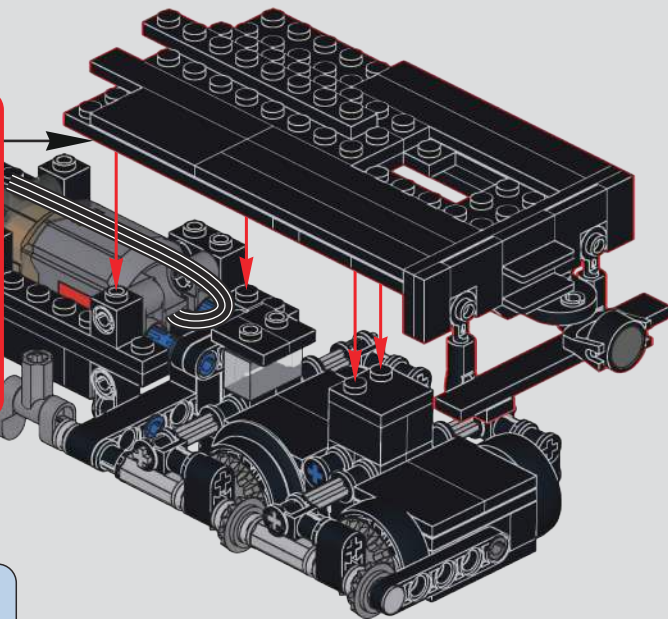
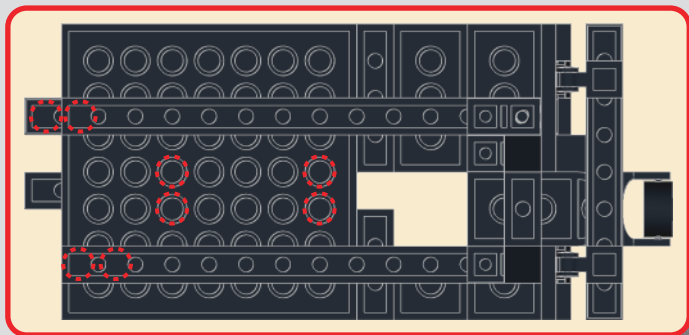
51



52



53



1:1

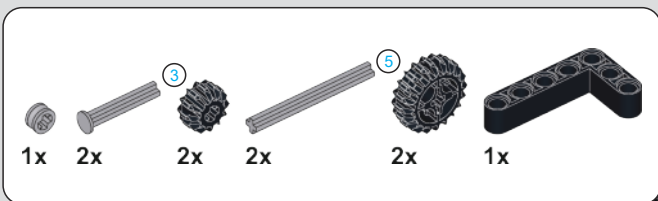


3



5

1:1



1x

2x

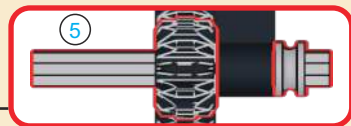
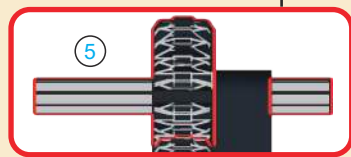
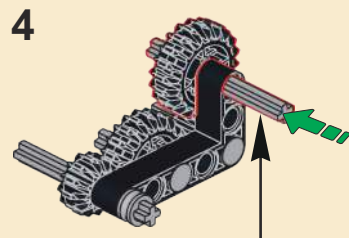
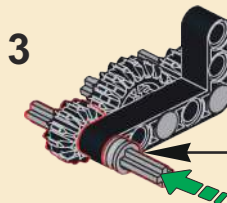
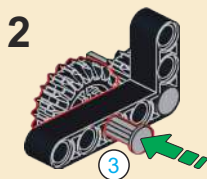
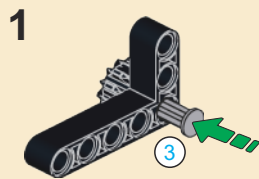
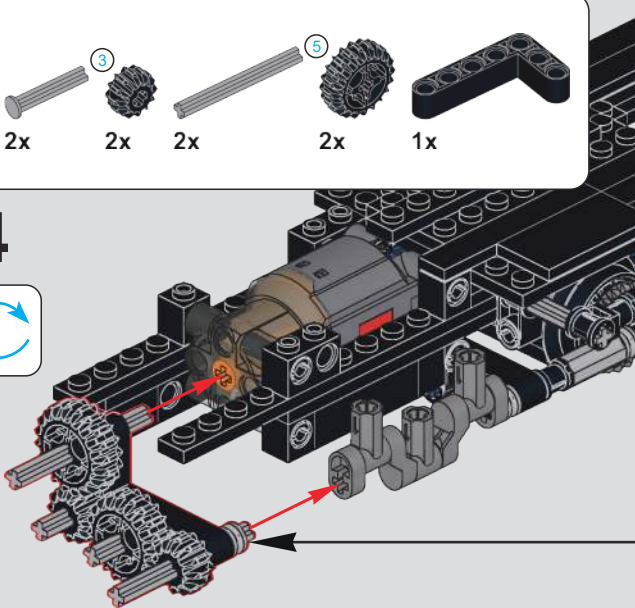
2x

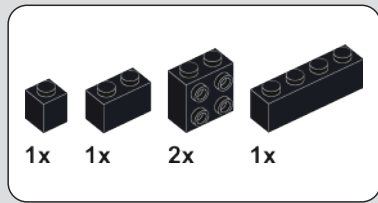
2x

2x

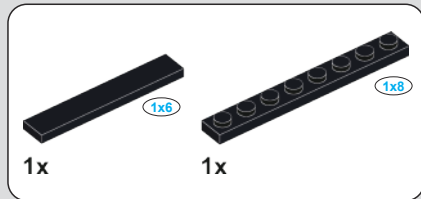
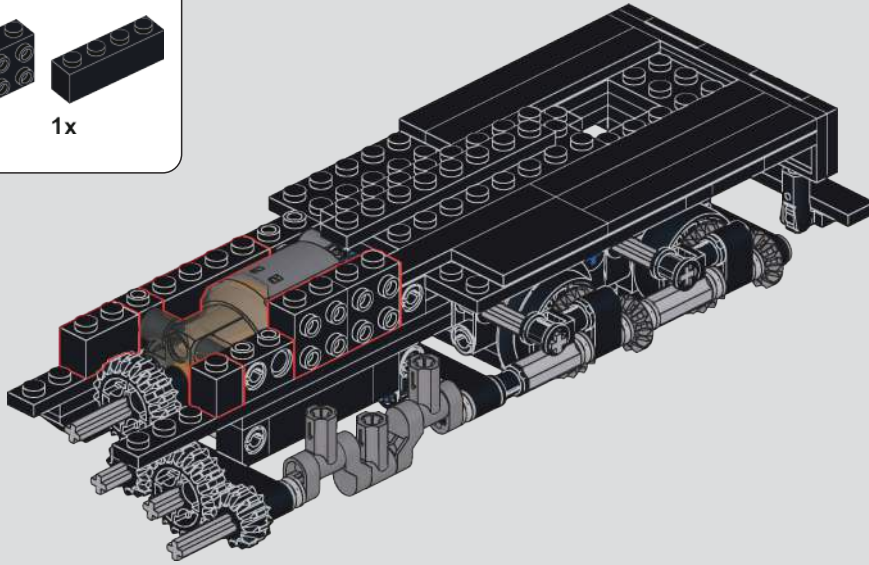
1x

54

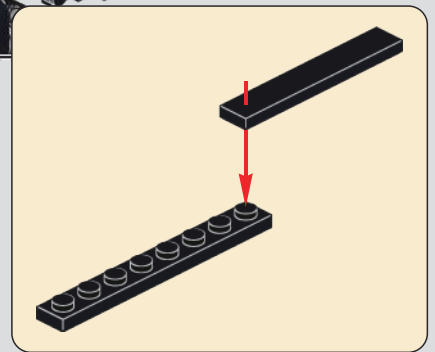
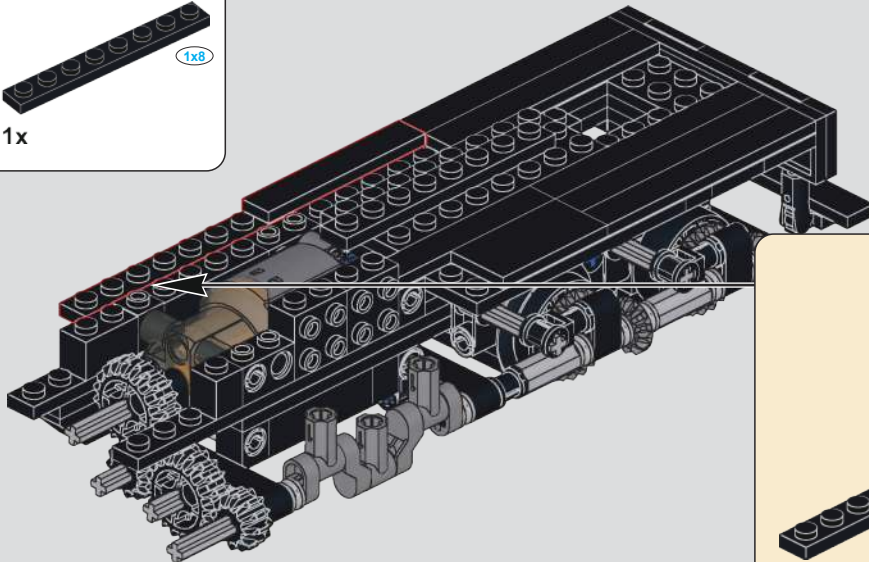


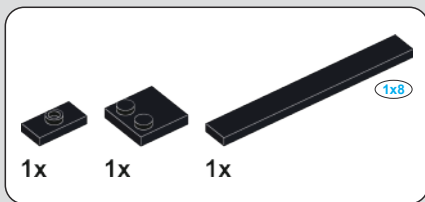


55

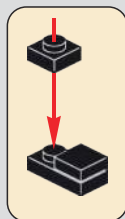
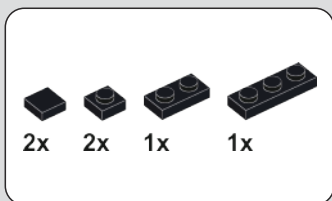
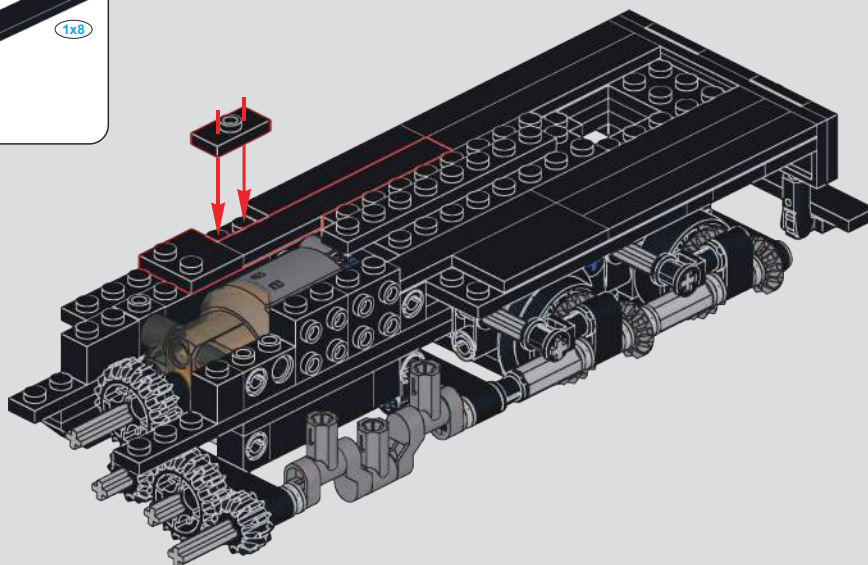


56

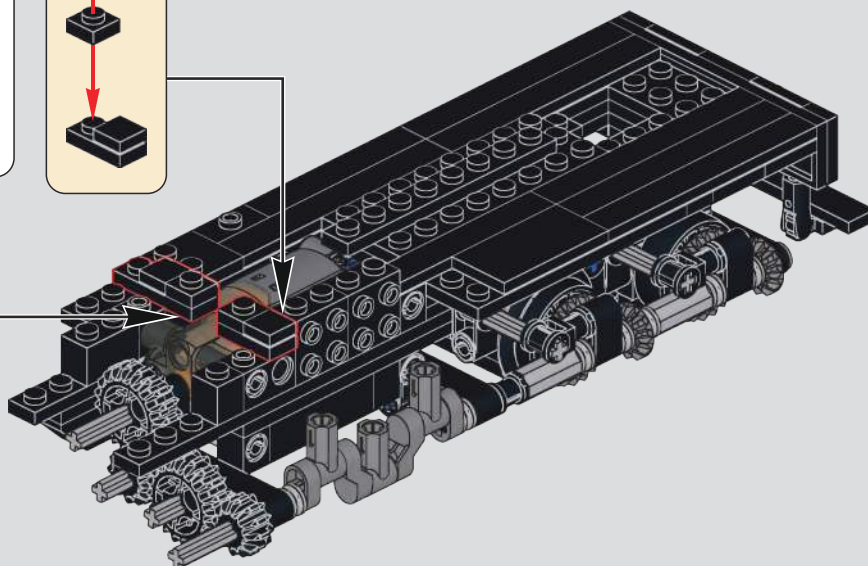
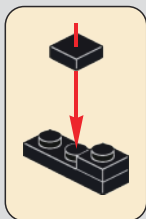


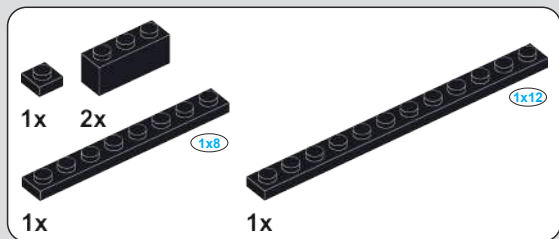


57

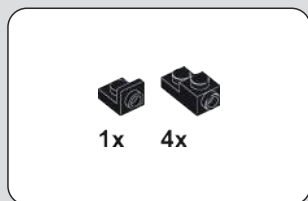
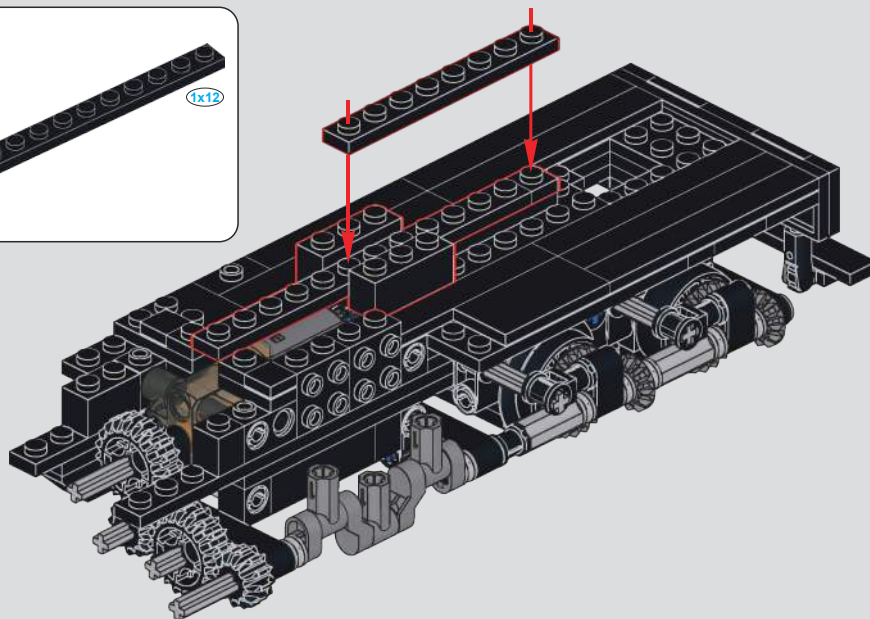


58

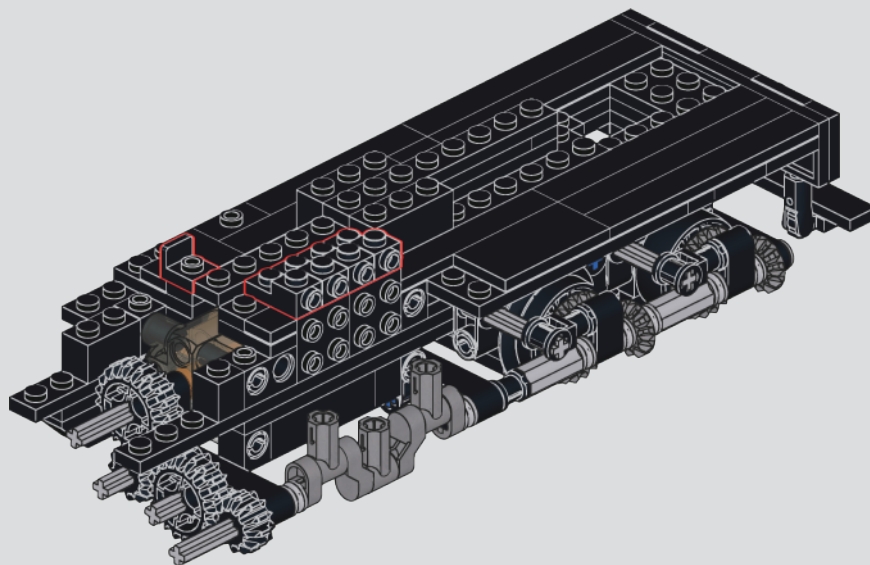


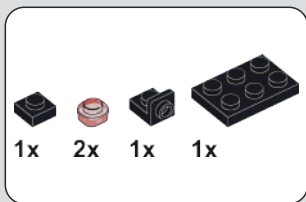


59

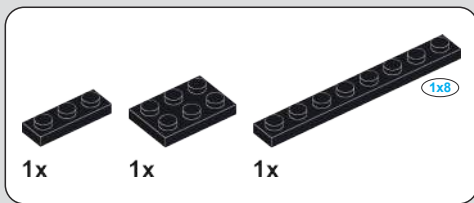
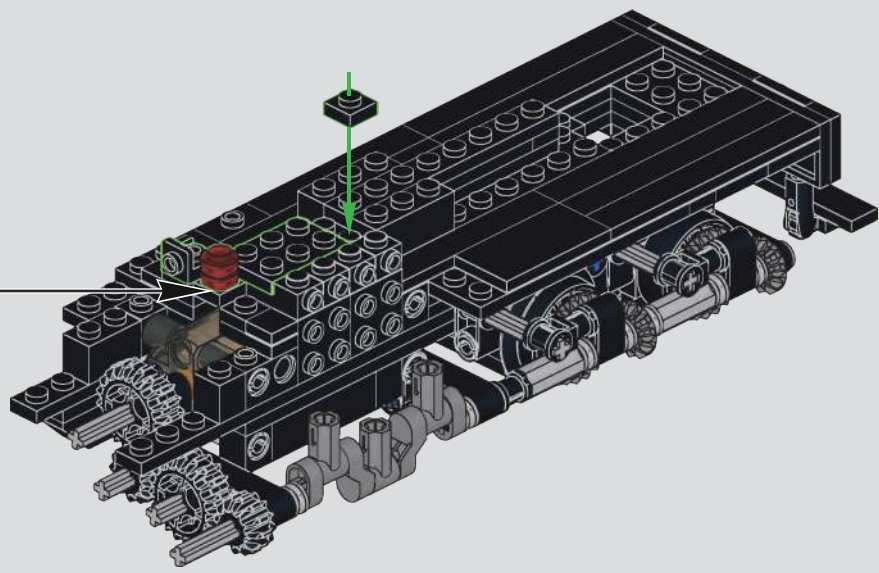
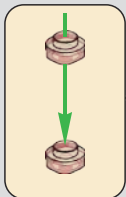


60

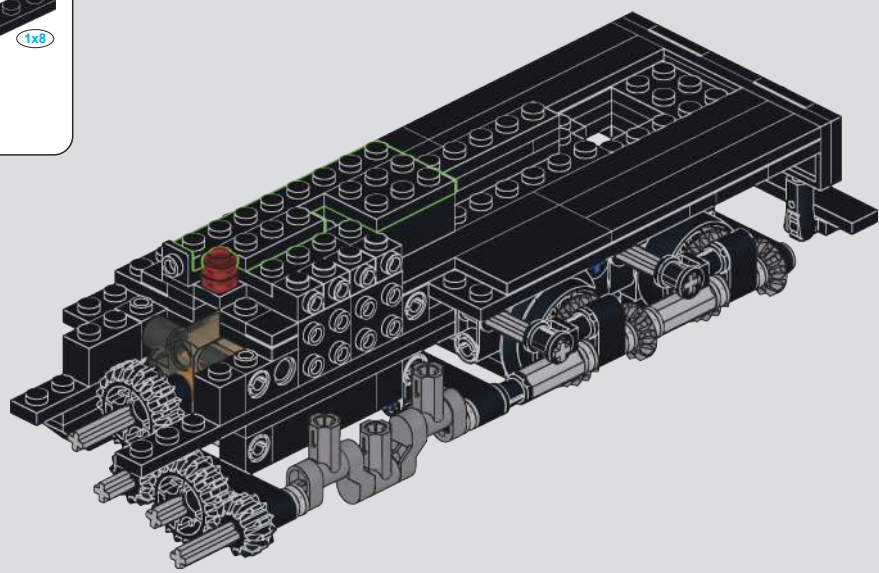


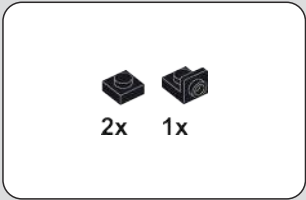


61

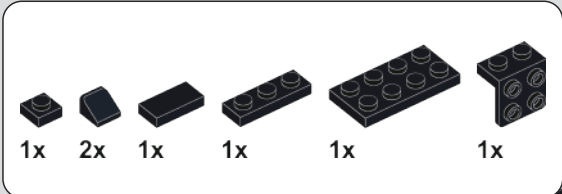
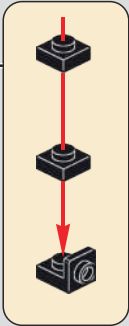
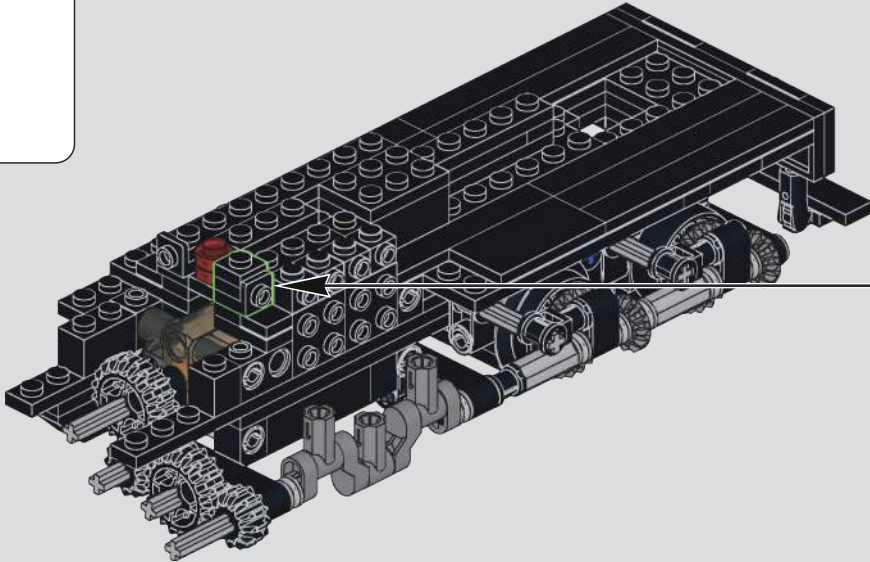


62

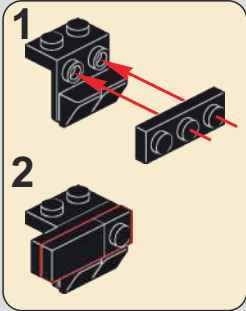
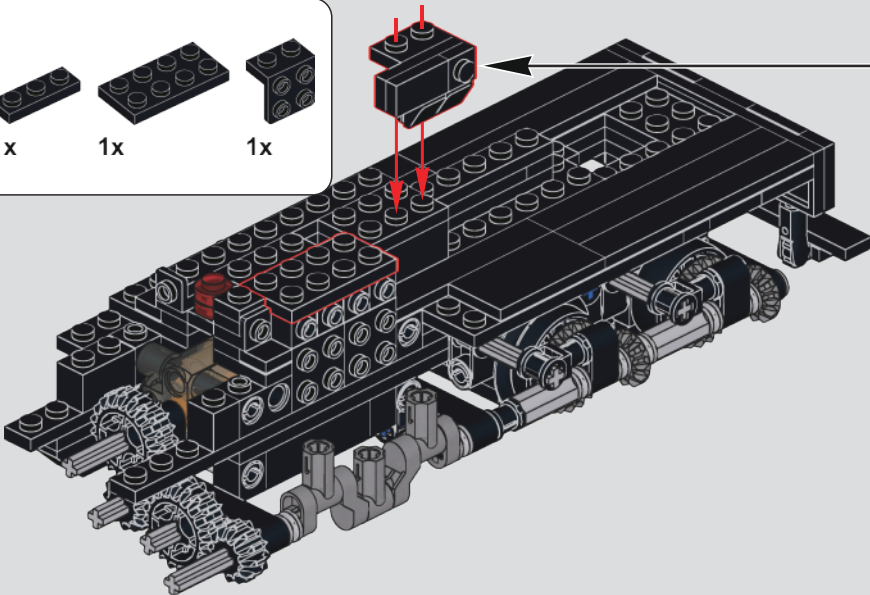


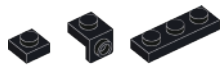


63



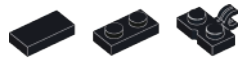
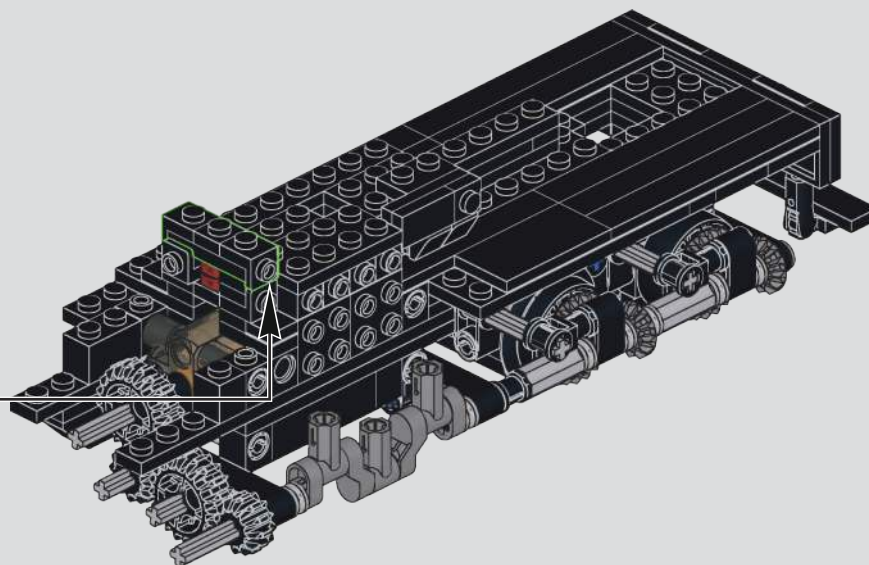
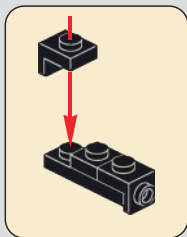
64





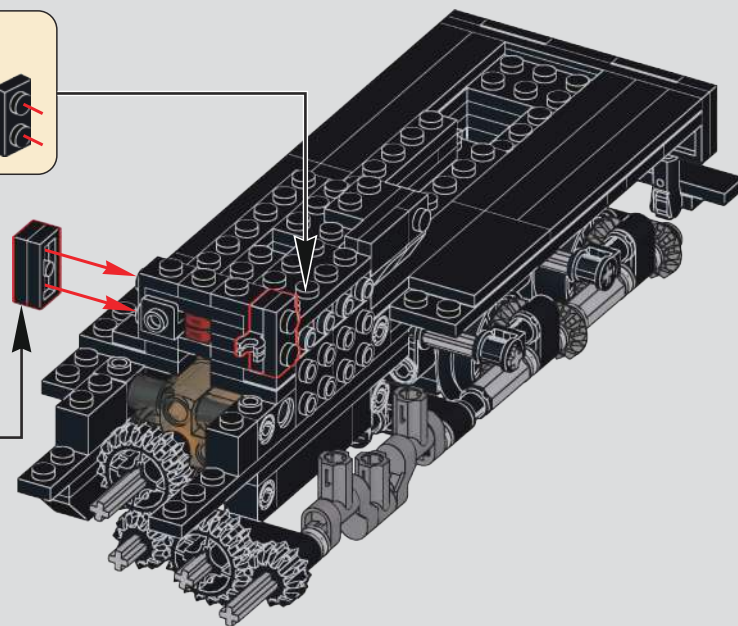
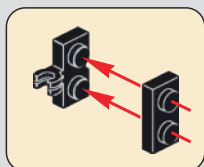
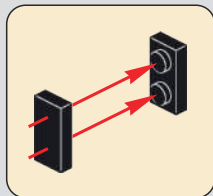
1x 2x 1x

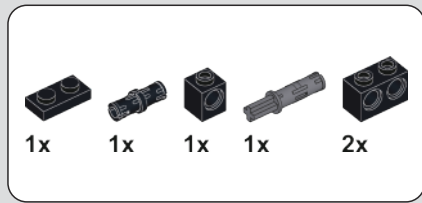
65



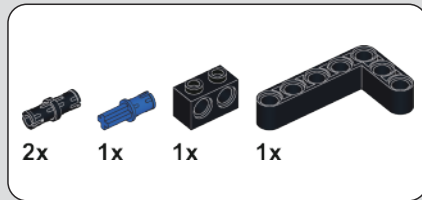
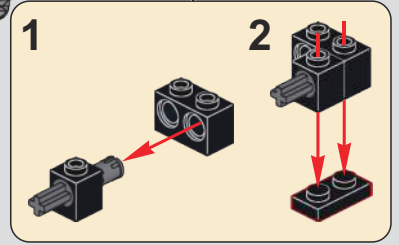
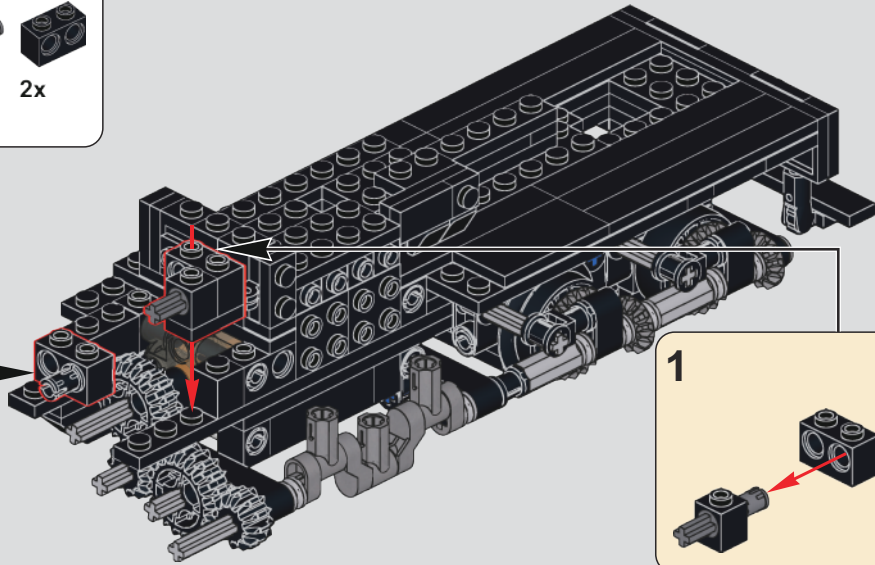
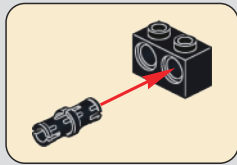
1x 2x 1x

66

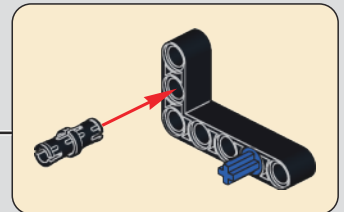
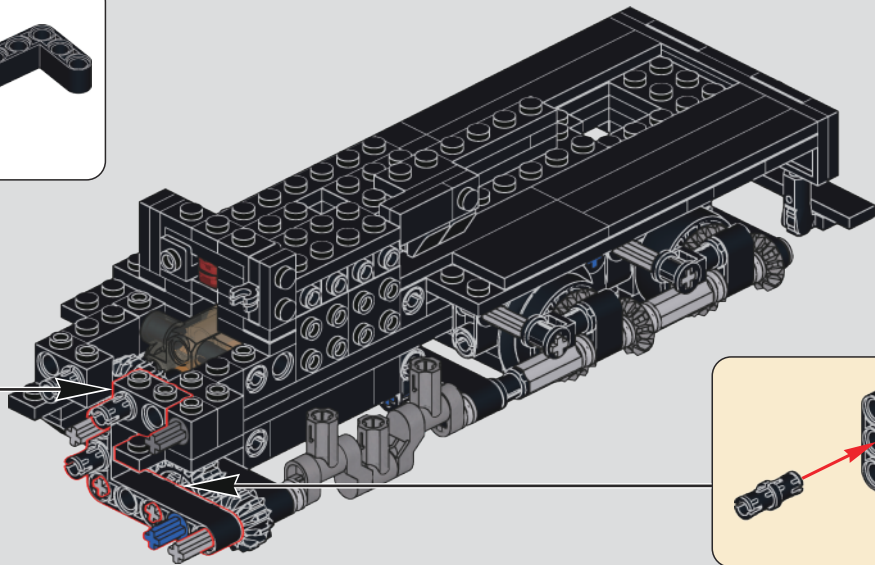
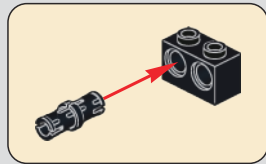


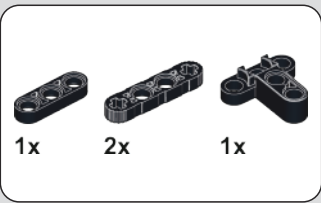


67

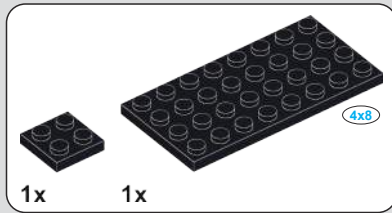
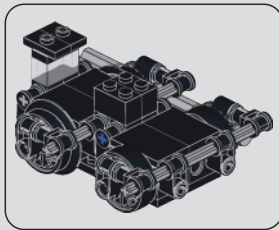
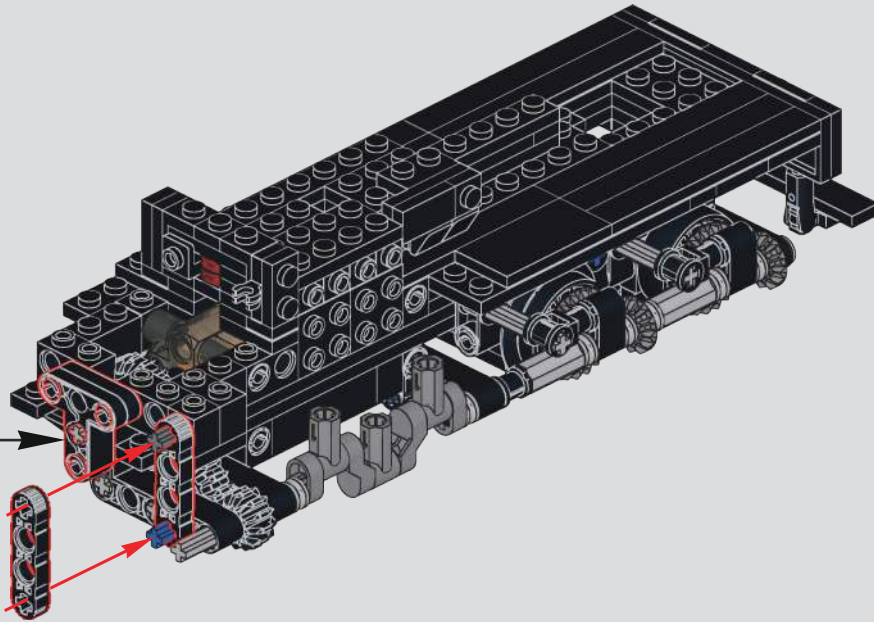
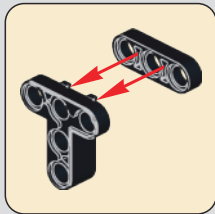


68

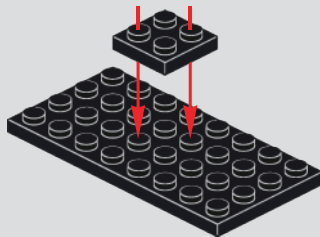




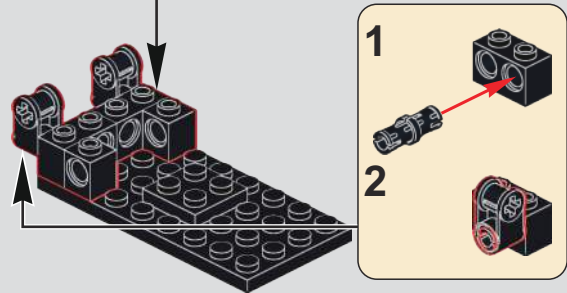
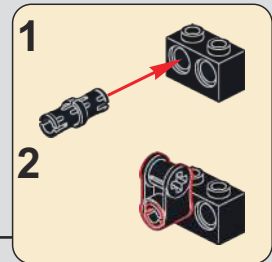
69

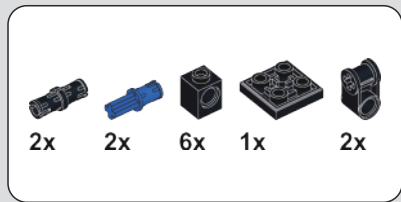


70

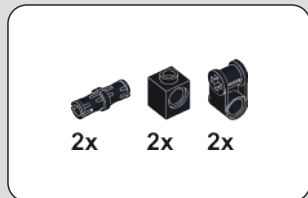
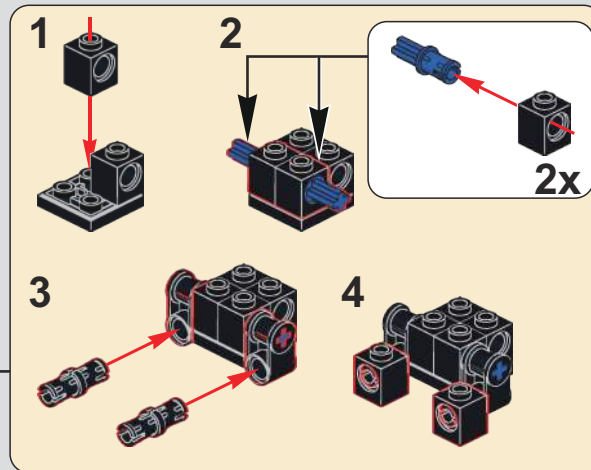
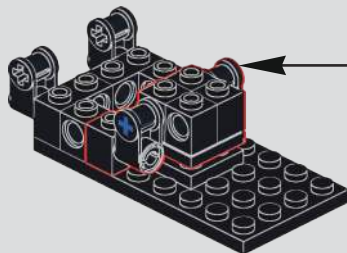


71

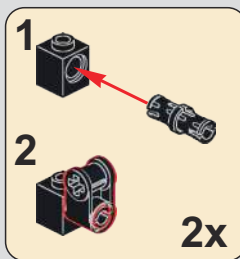
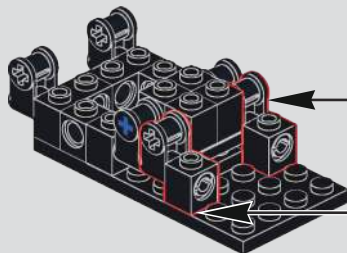


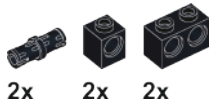
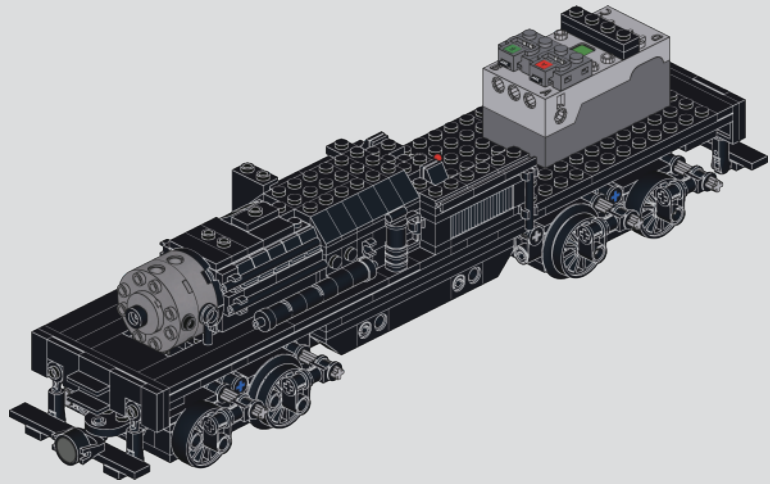


72



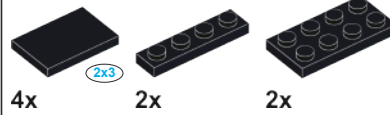
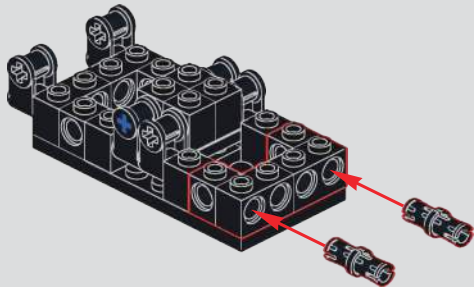
73





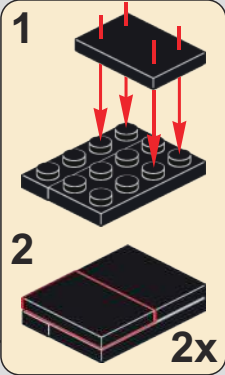
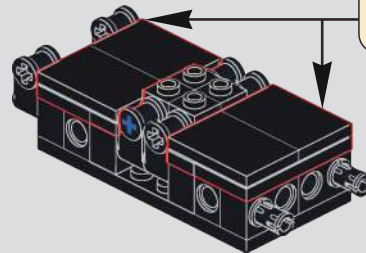
2x 2x 2x

74



4x 2x3 2x 2x

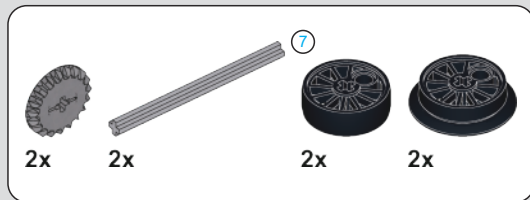
75



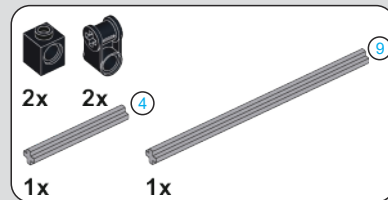
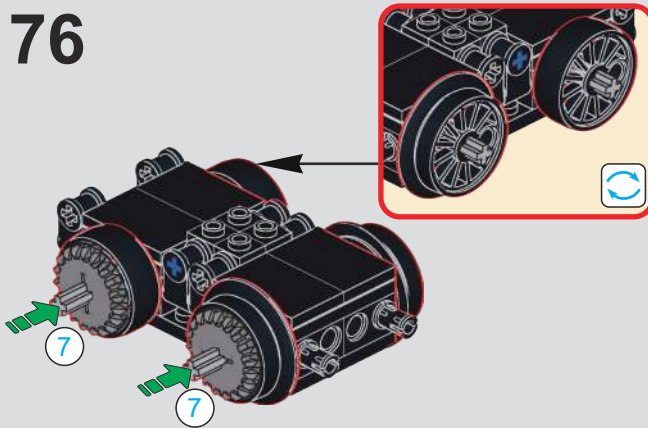
1

2

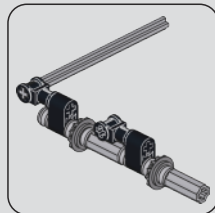
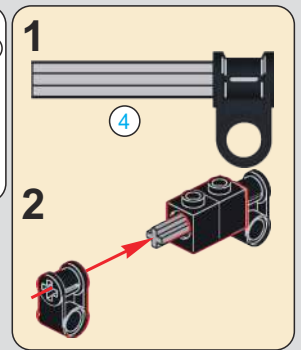
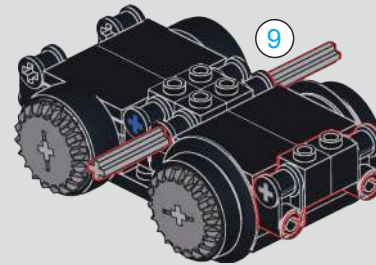
2x



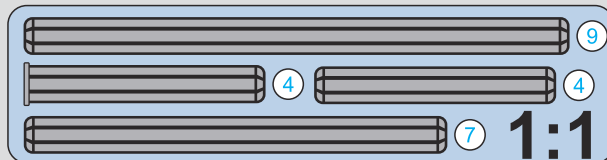
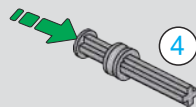
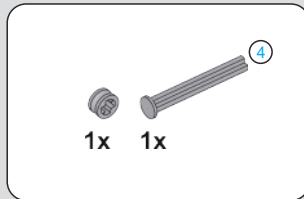
76



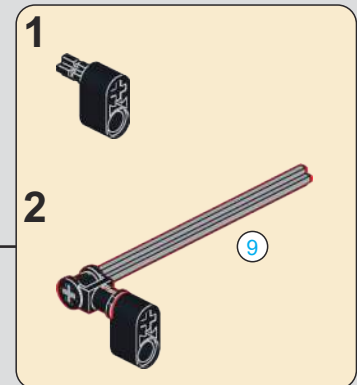
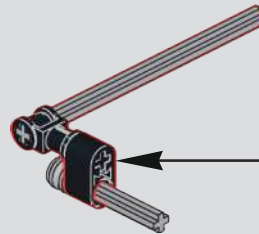
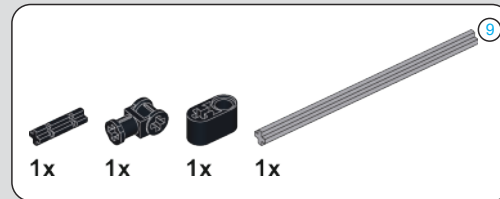
77

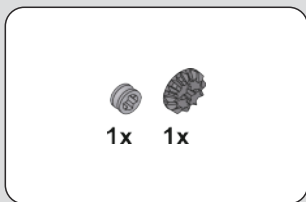


78

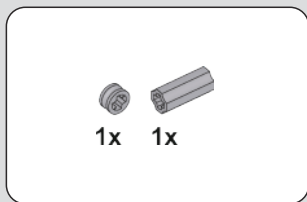
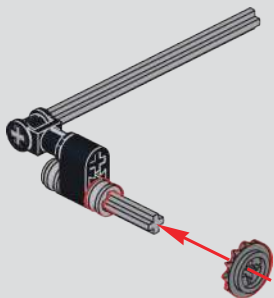


79

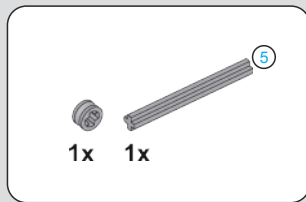
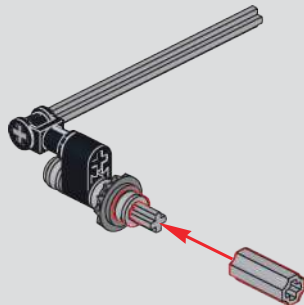




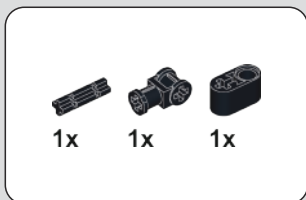
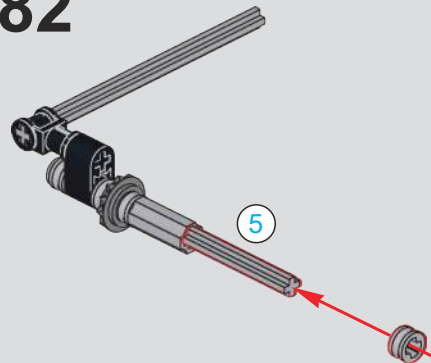
80



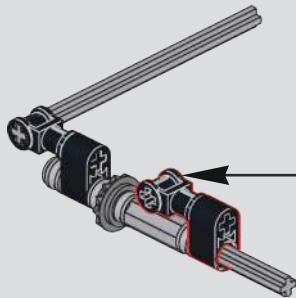
81



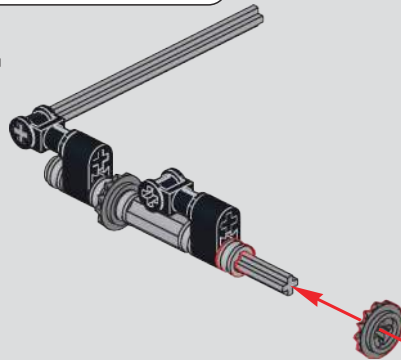
82

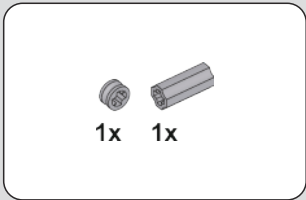


83

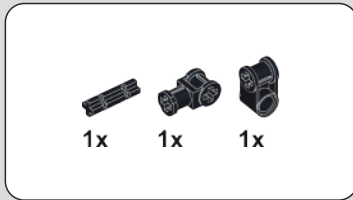
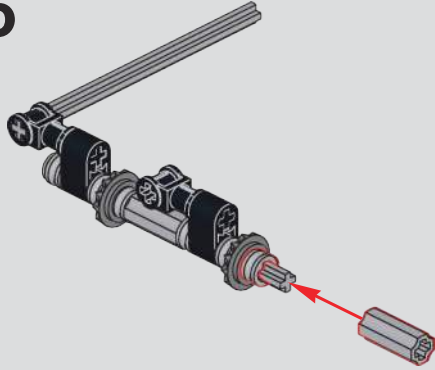


84

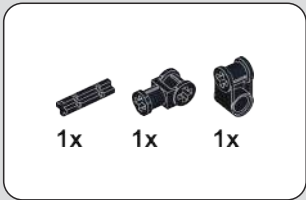
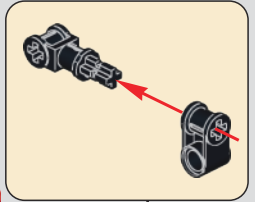
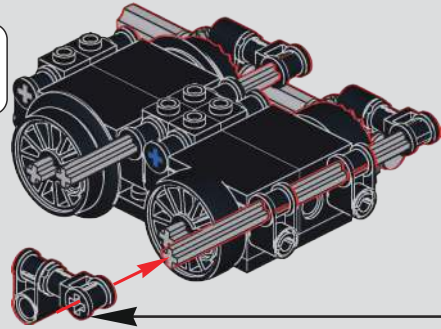




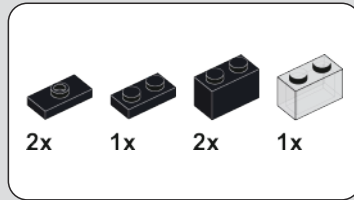
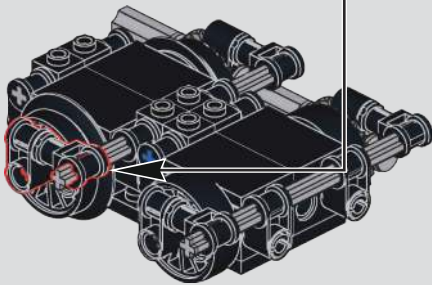
85



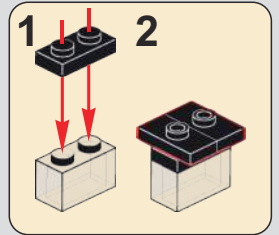
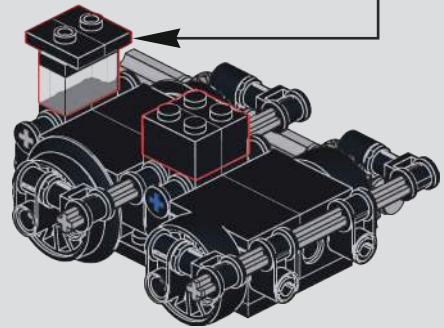
86



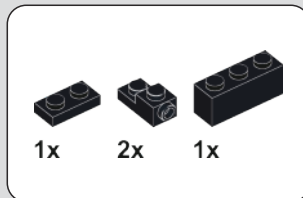
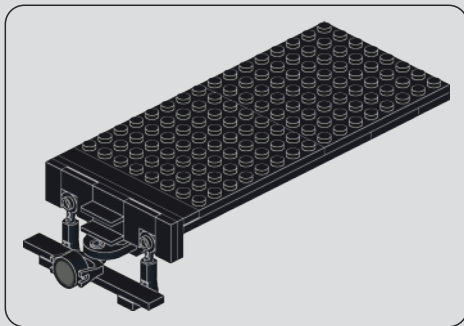
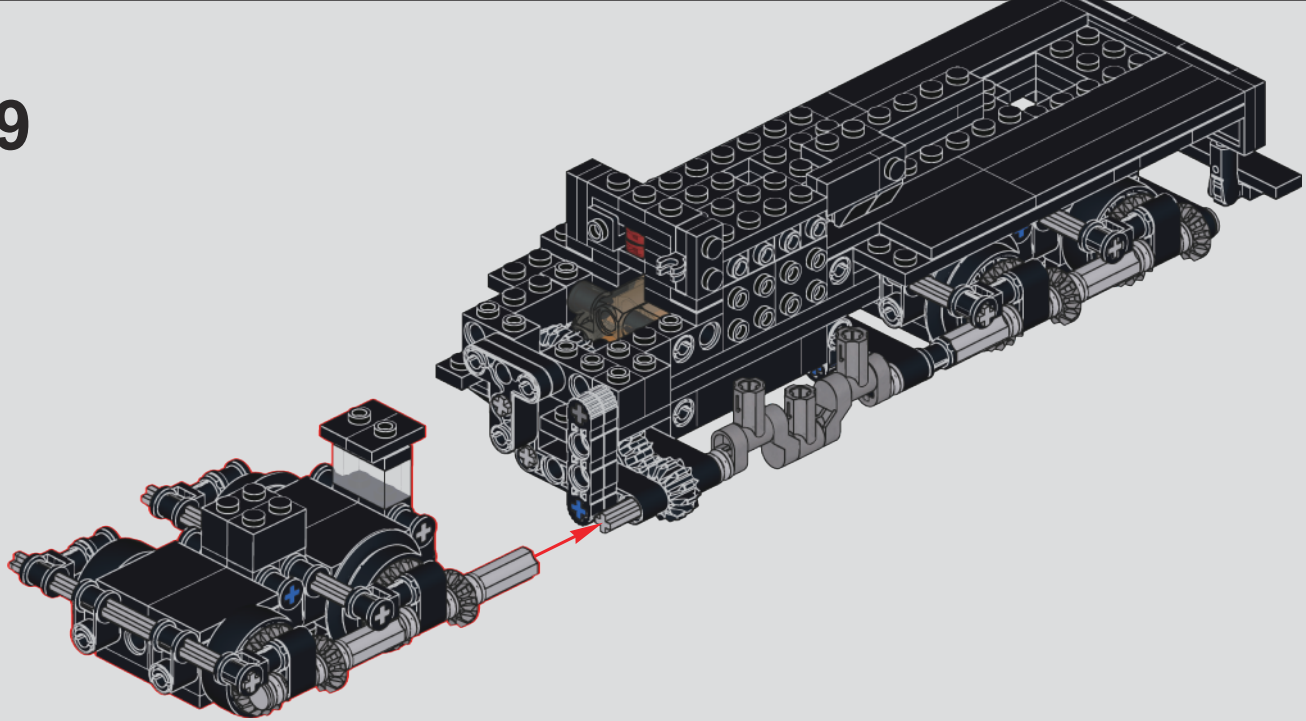
87



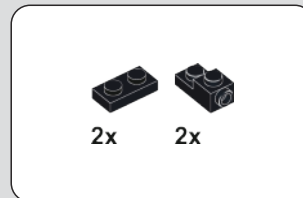
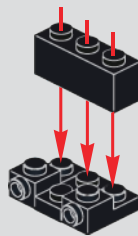
88



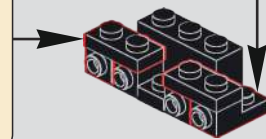
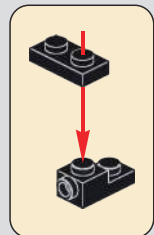
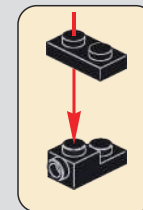
89

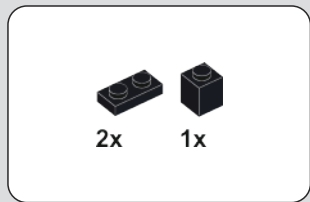


90

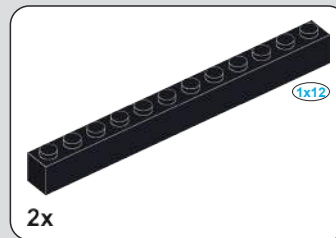
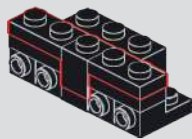


91

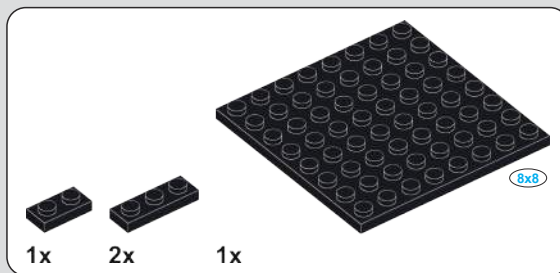
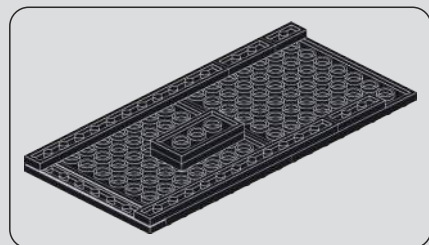
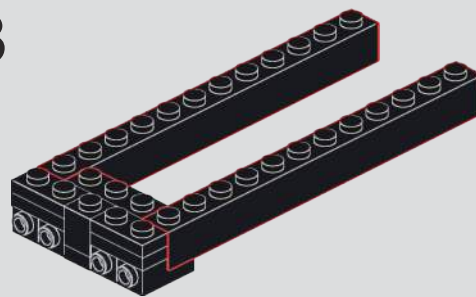




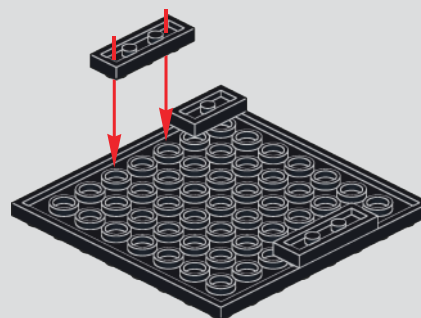
92

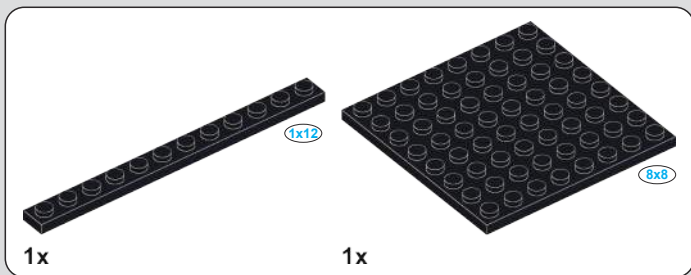


93

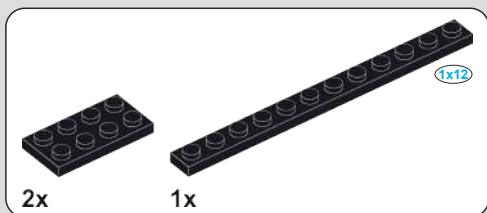
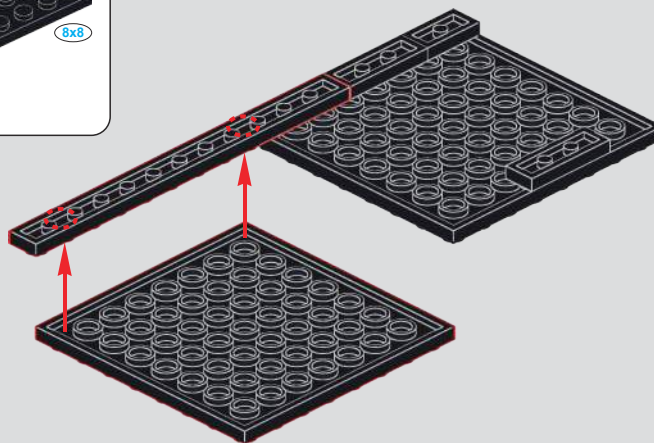


94

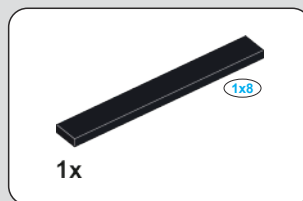
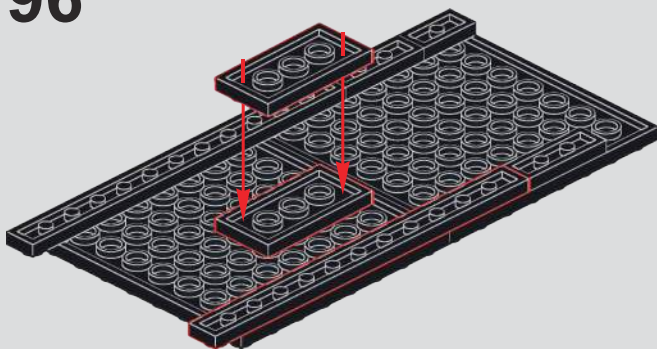




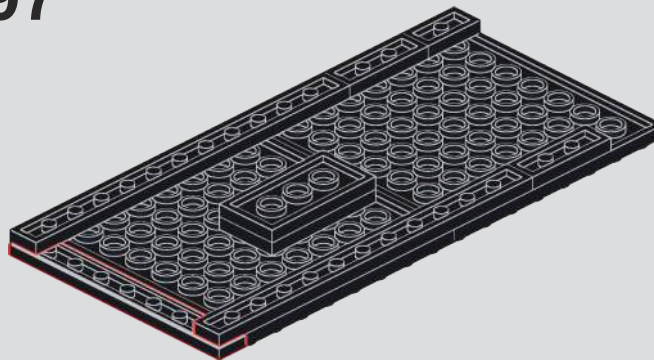
95



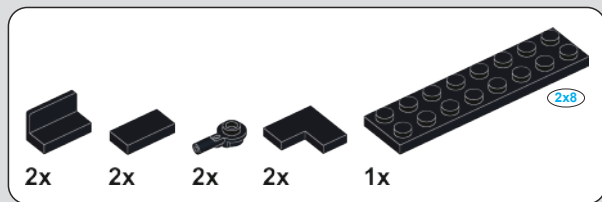
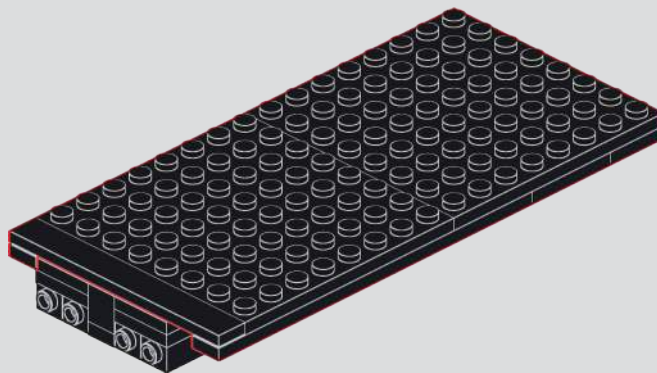
96



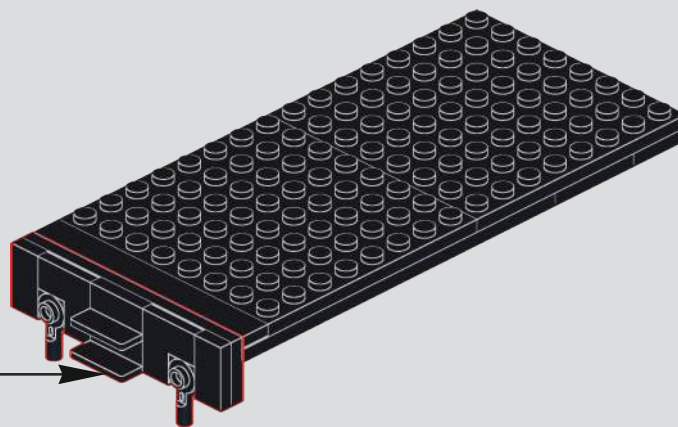
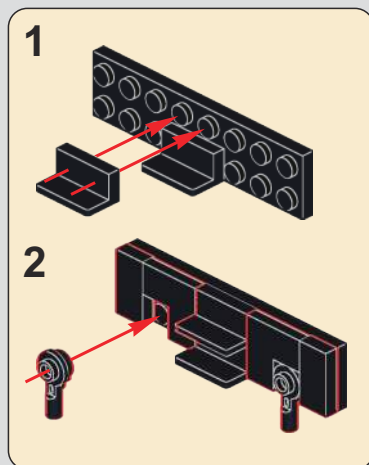
97

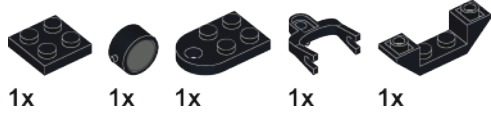


98

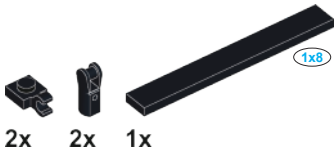
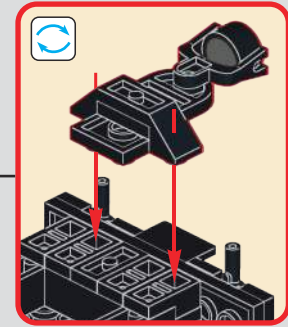
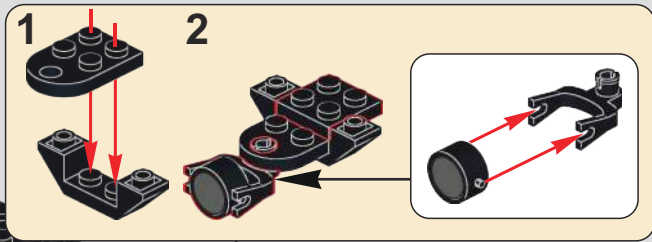
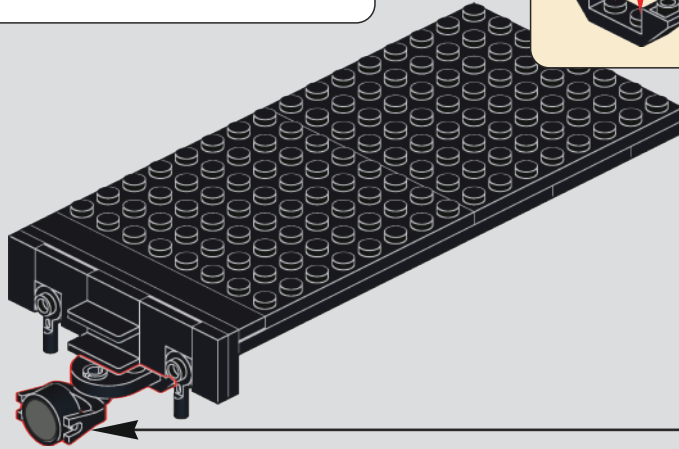


99

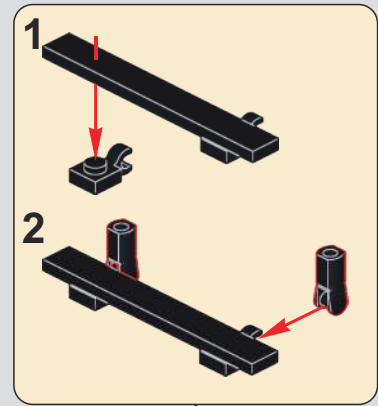
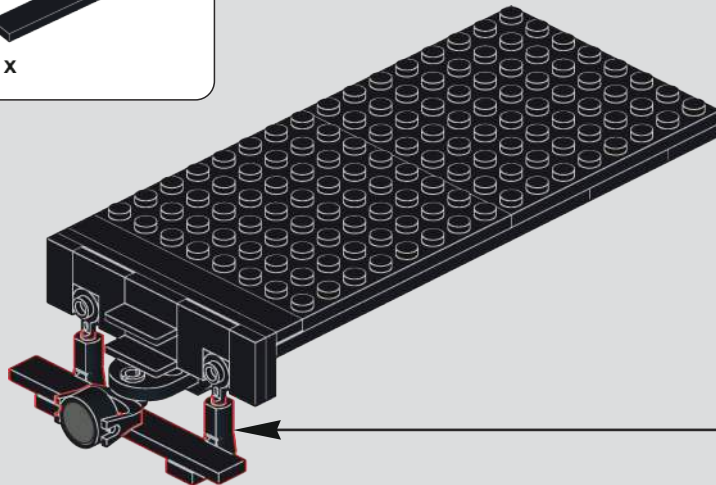




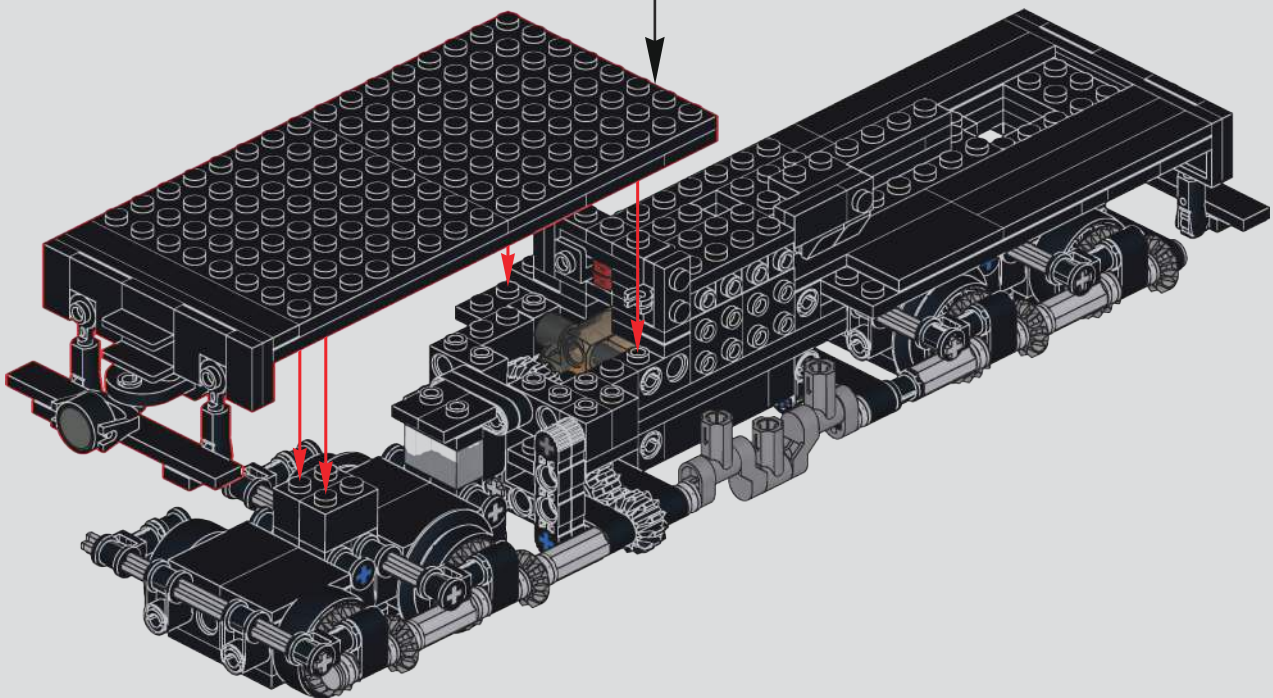
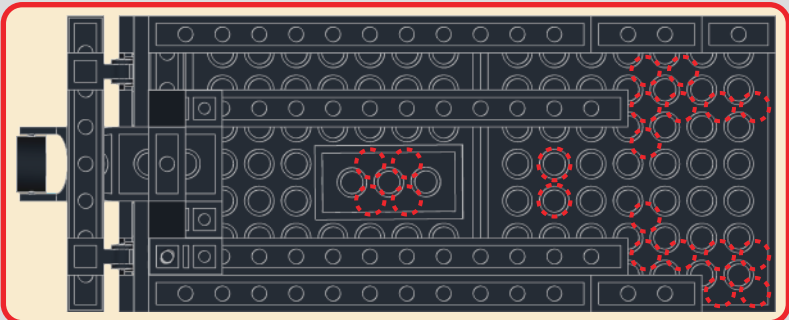
100

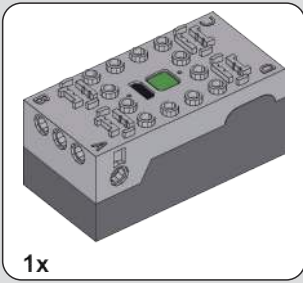


101

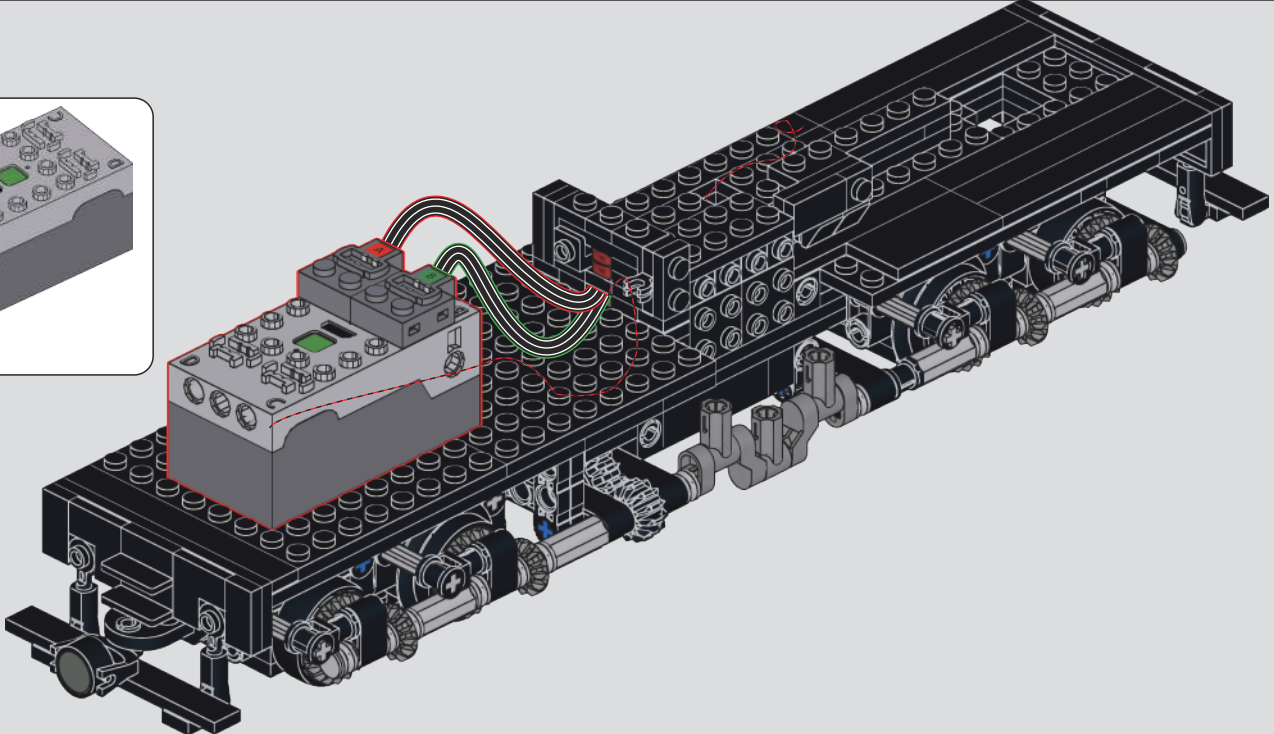


102

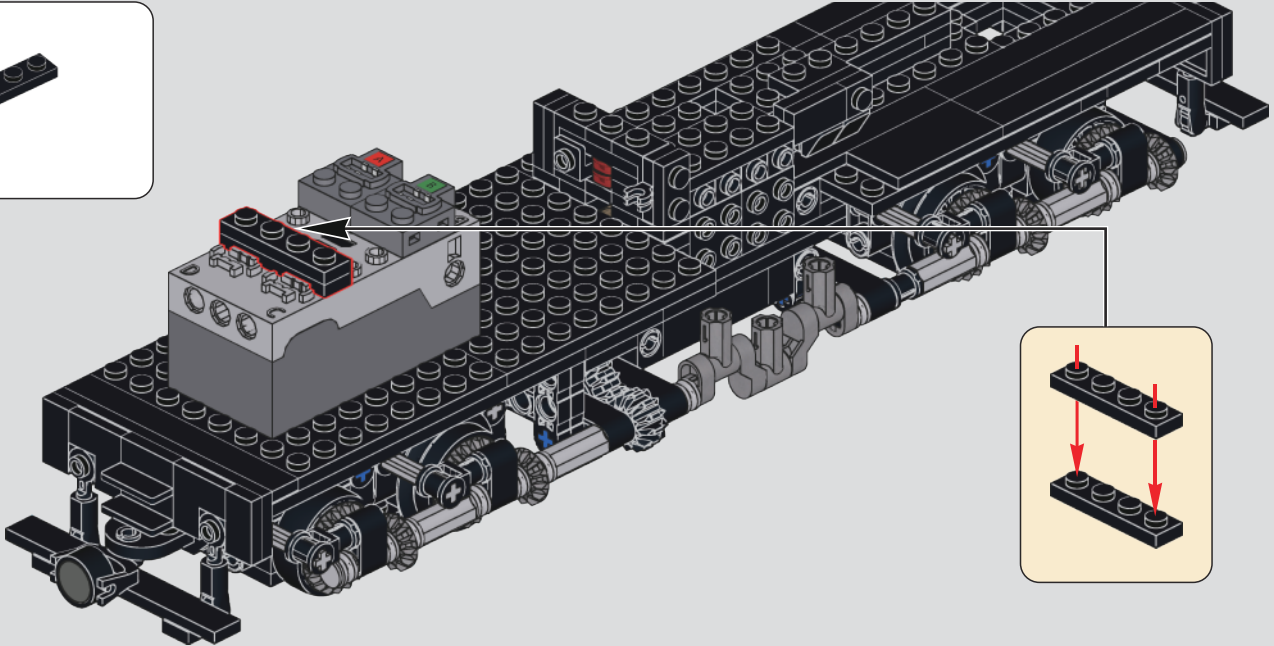


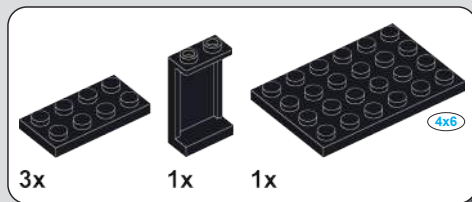


103

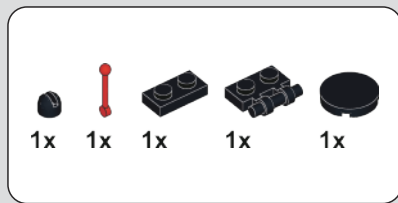
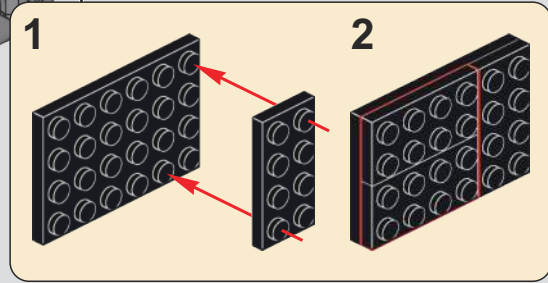
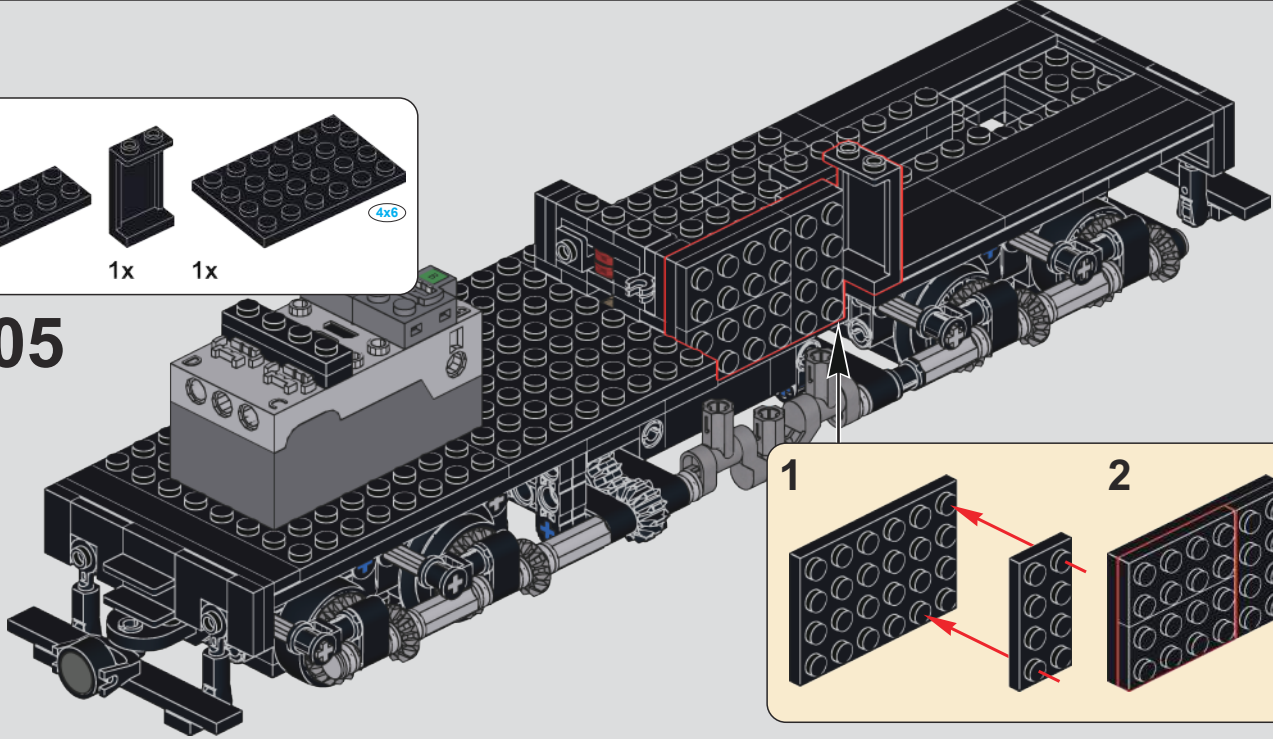


104

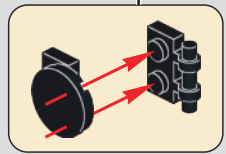
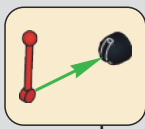
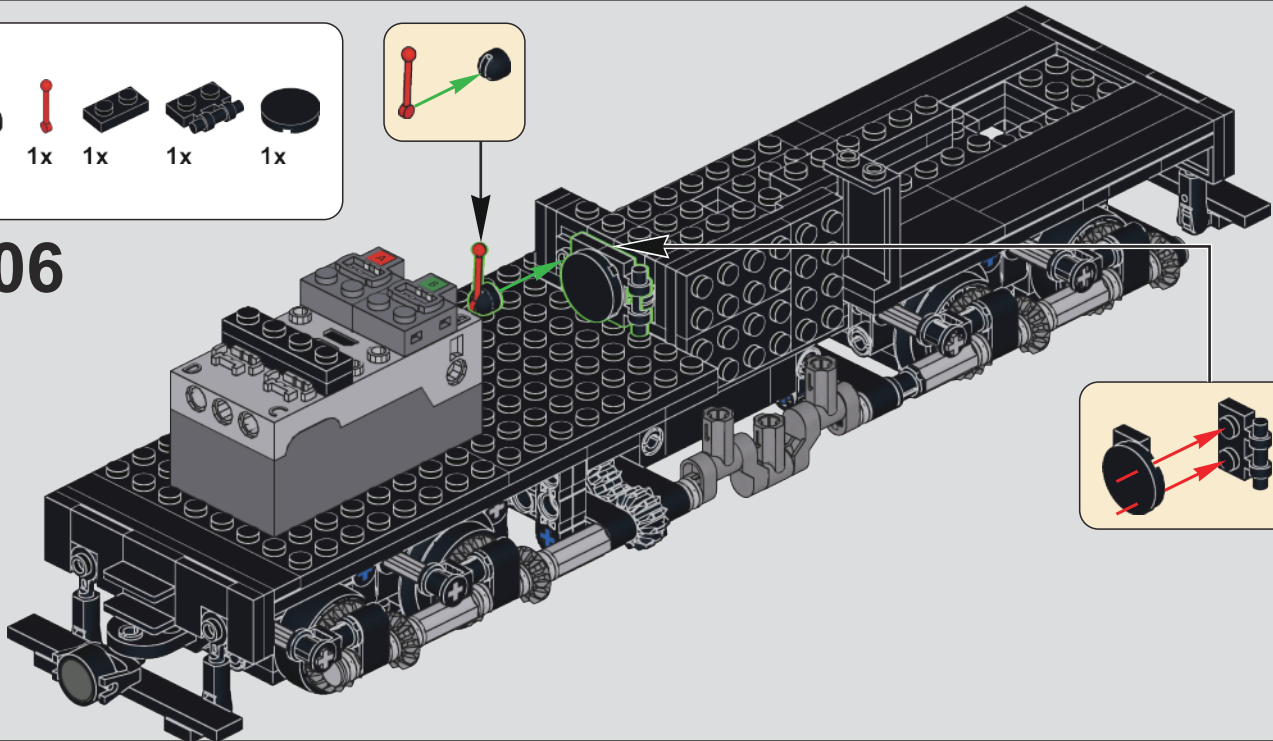


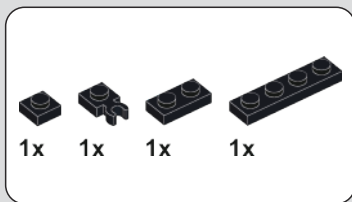


105

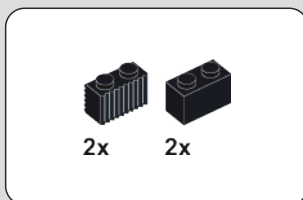
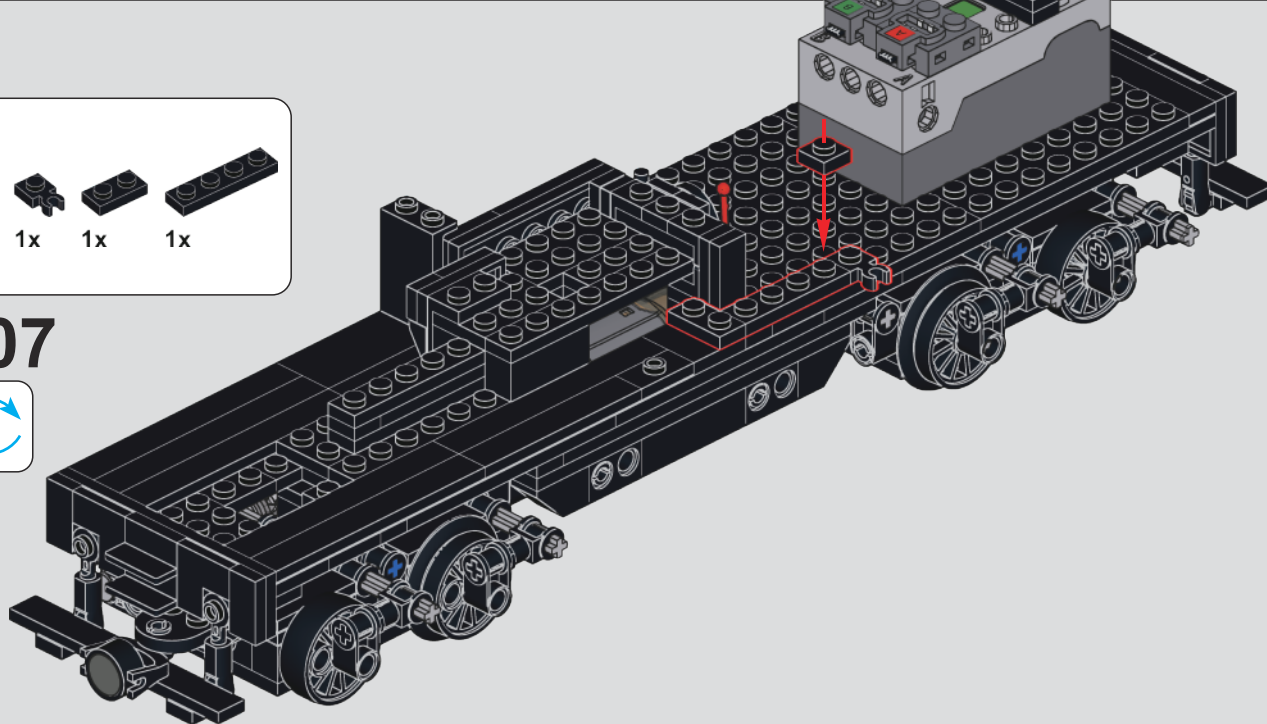


106

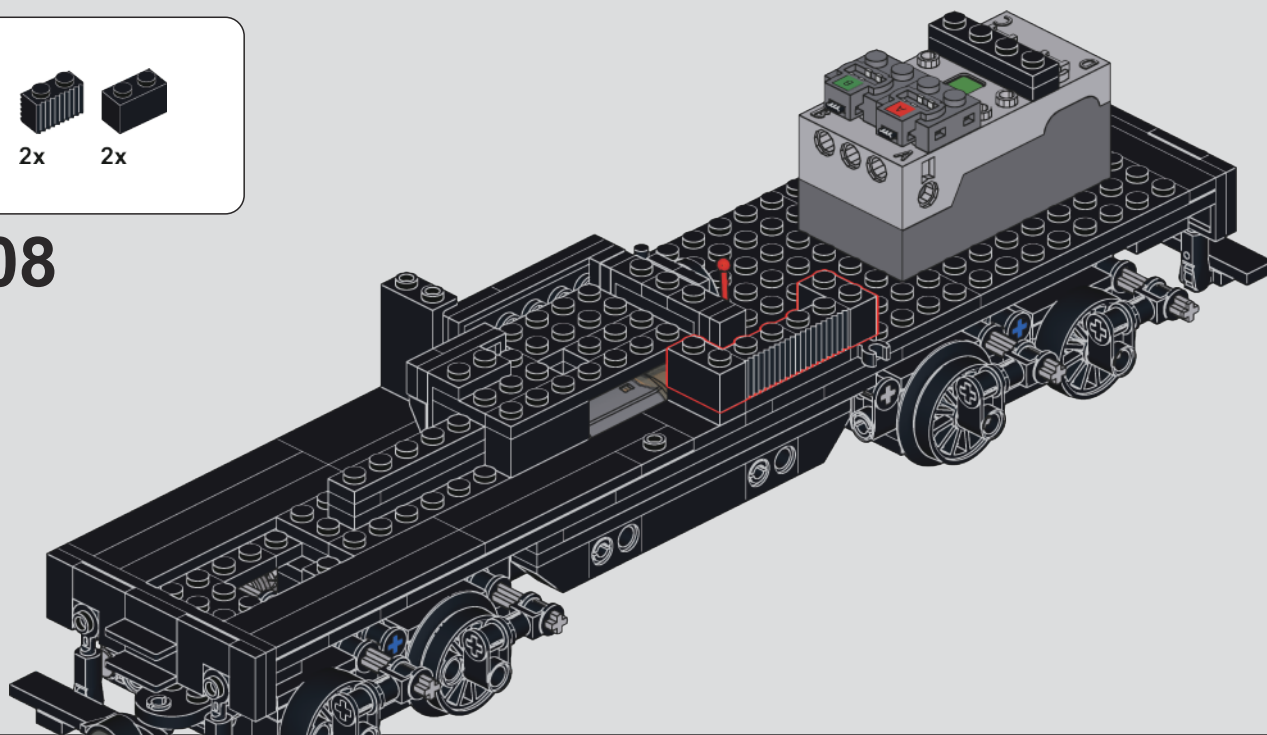


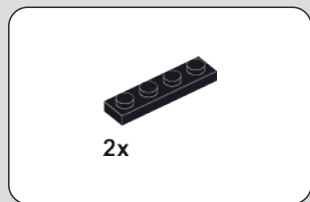


107

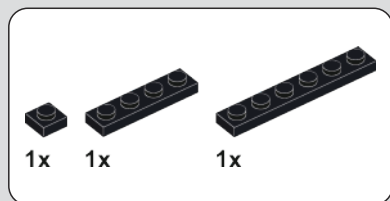
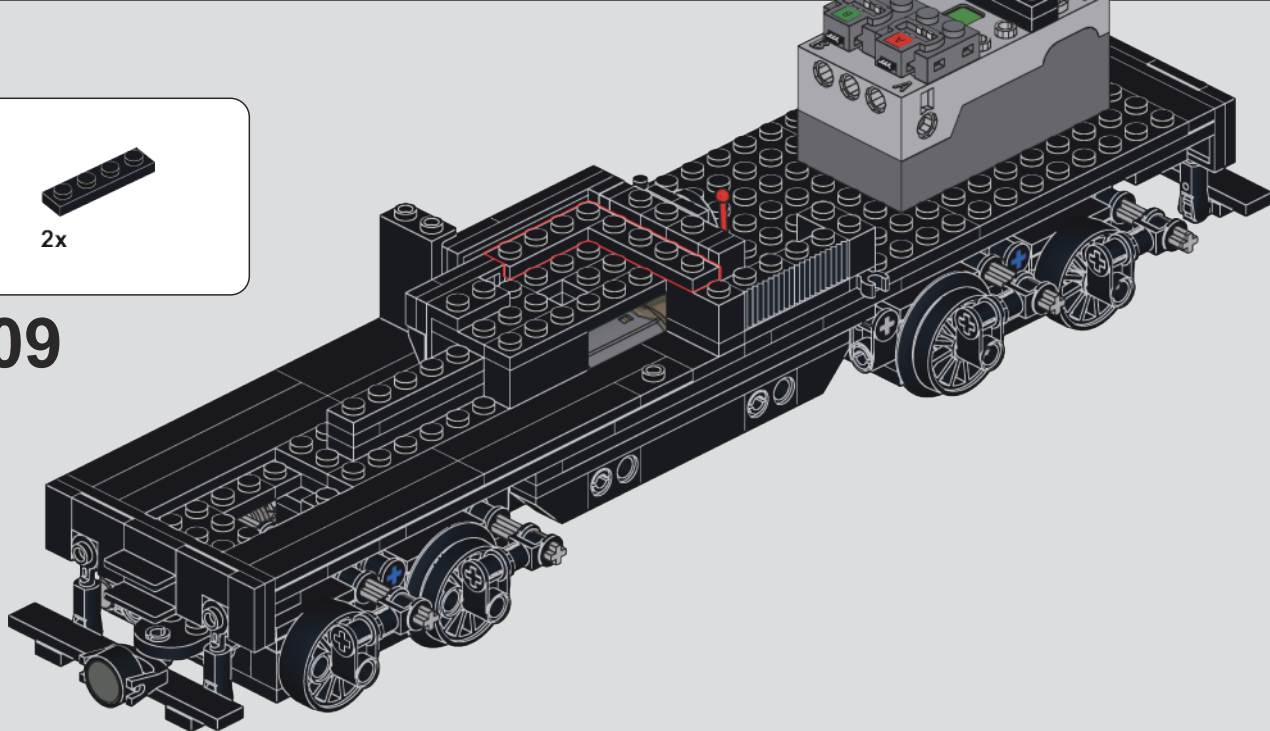


108

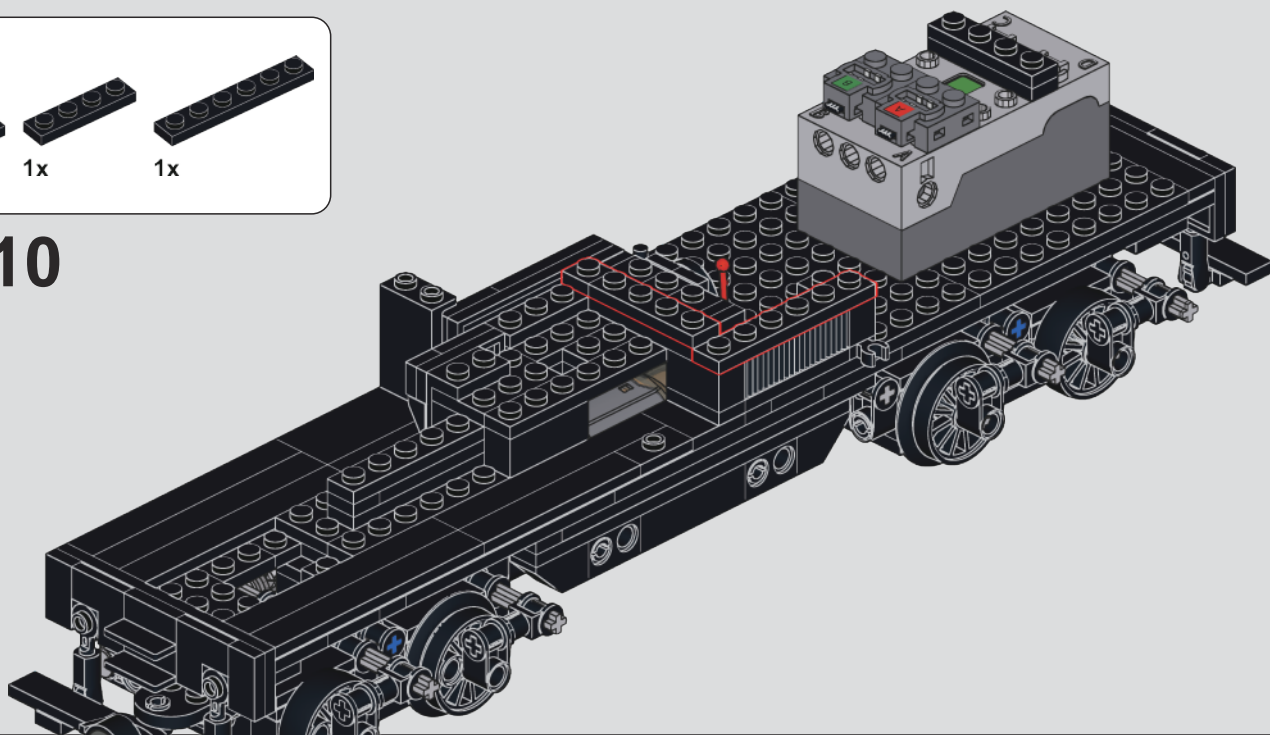




109

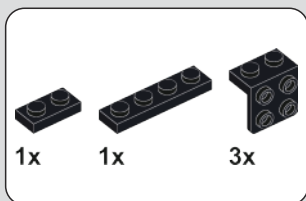
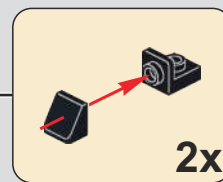
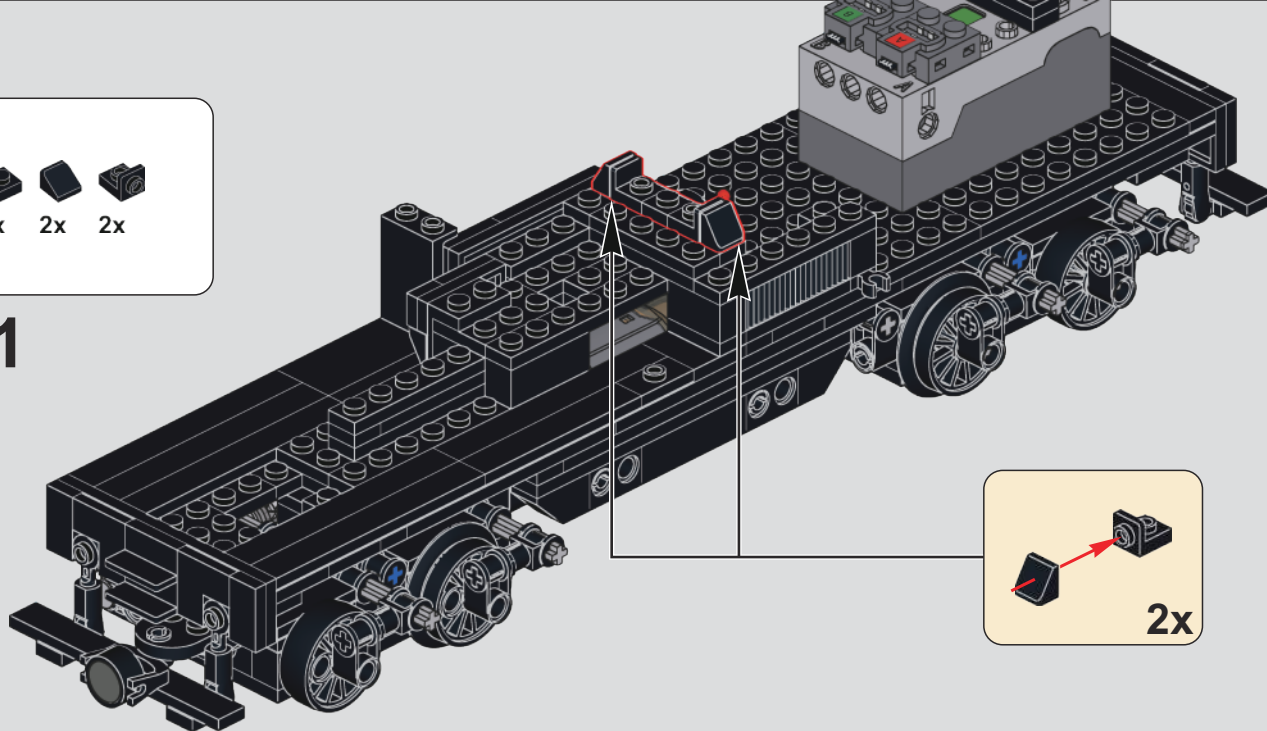


110

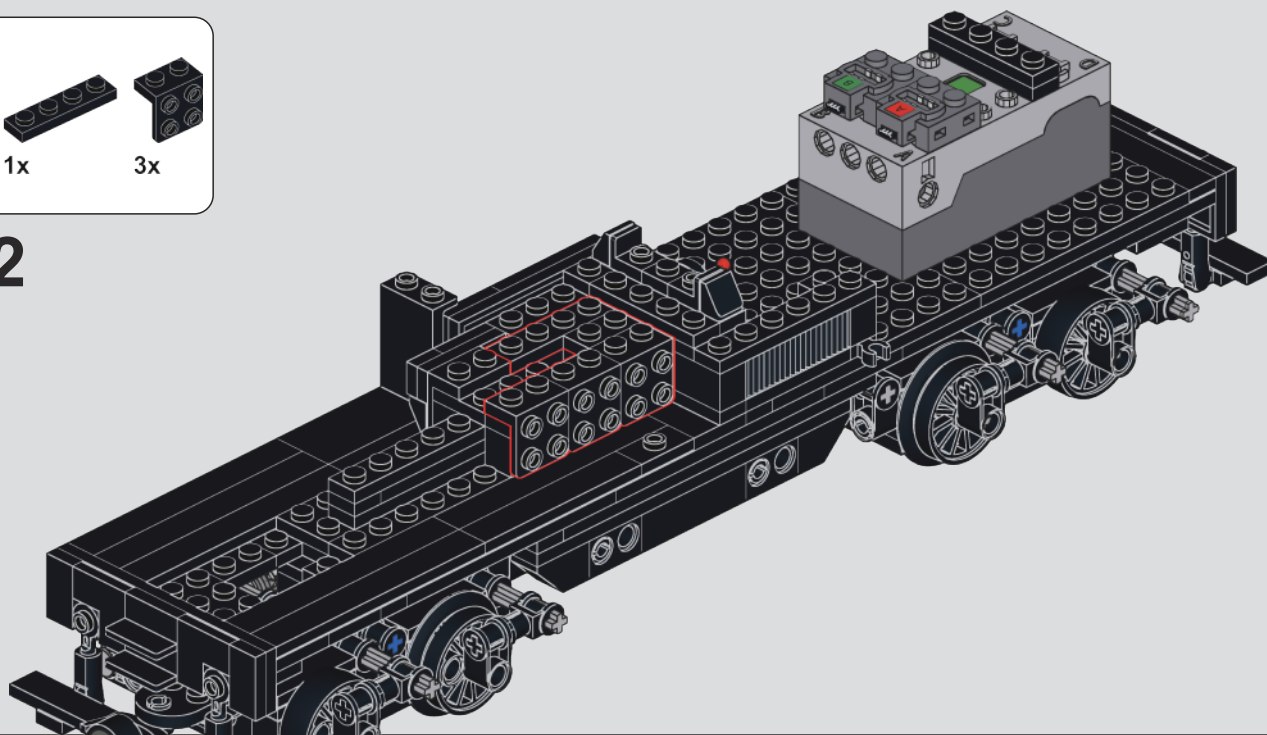


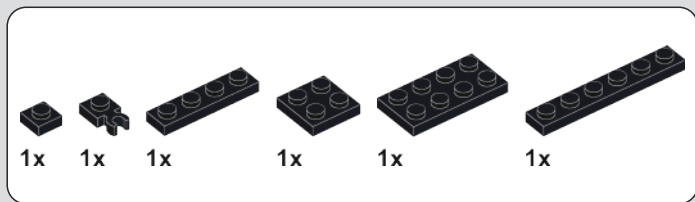


111

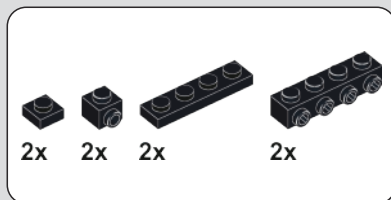
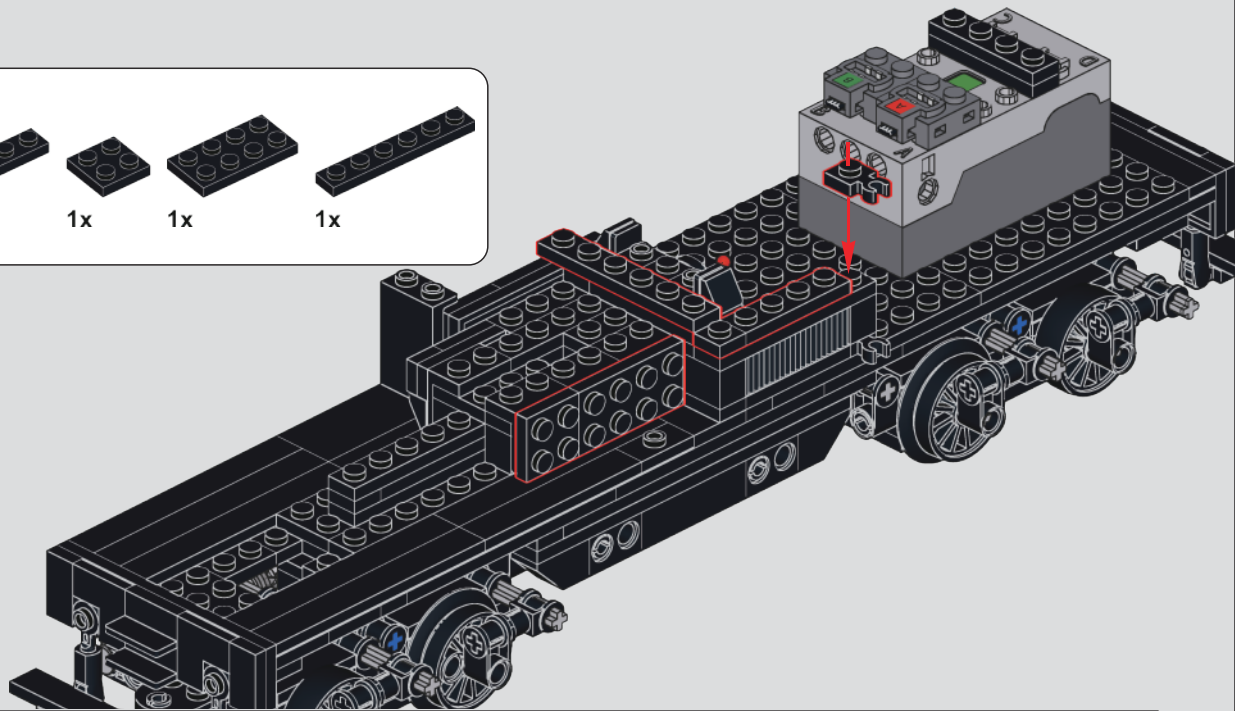


112

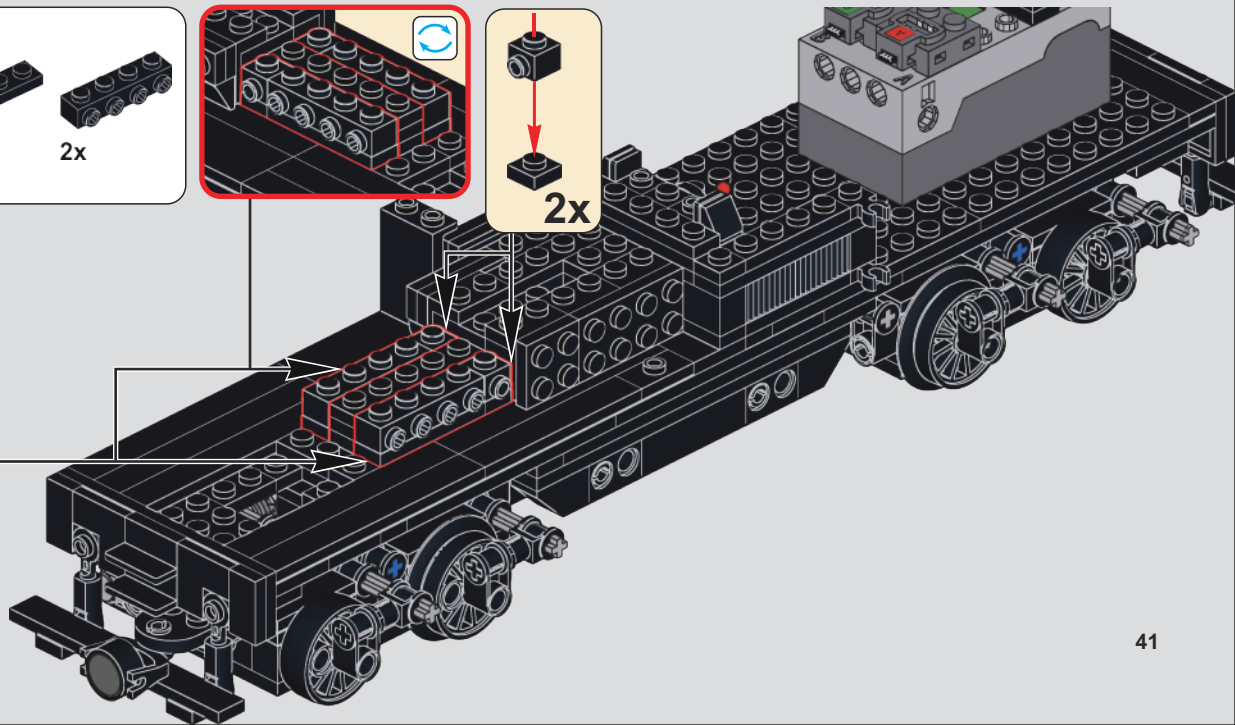
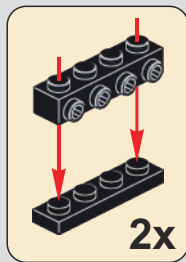
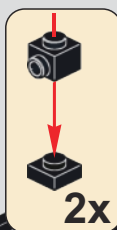
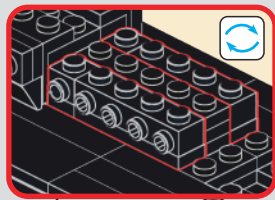


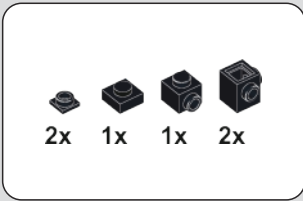


113

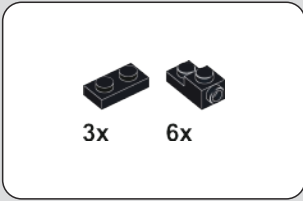
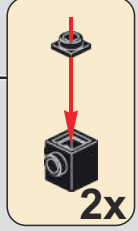
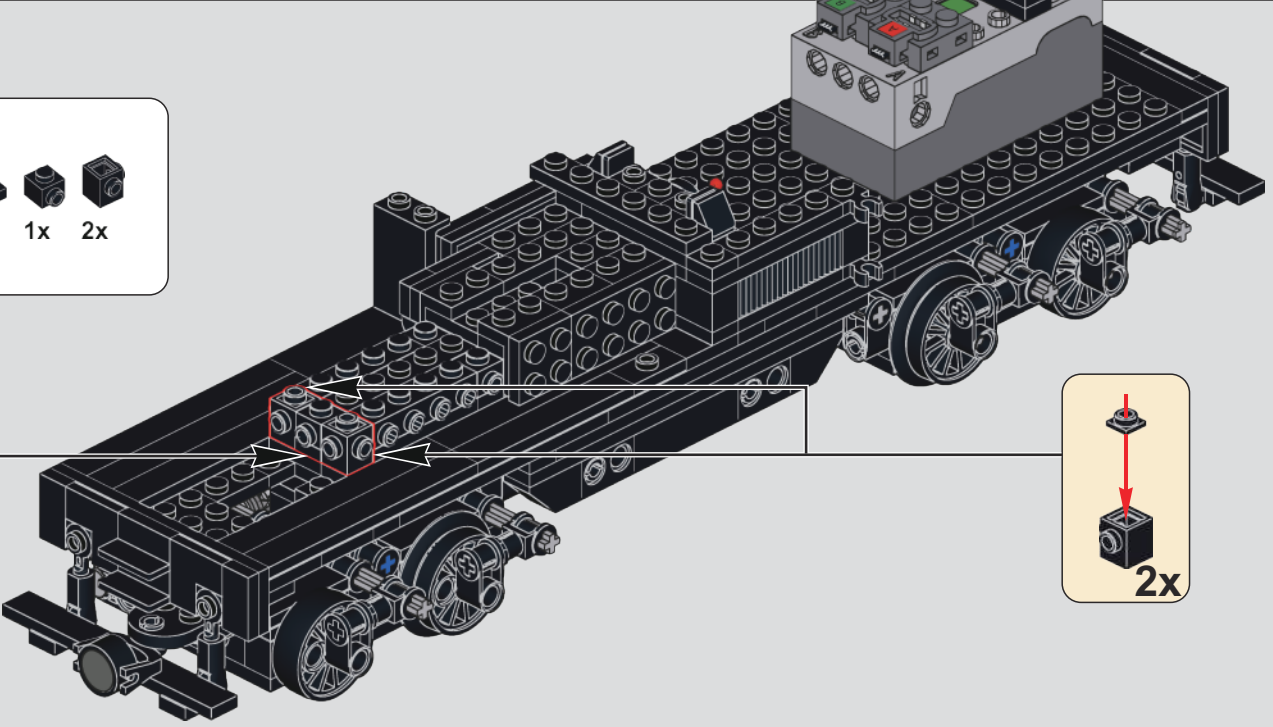
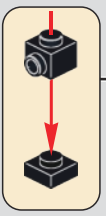


114

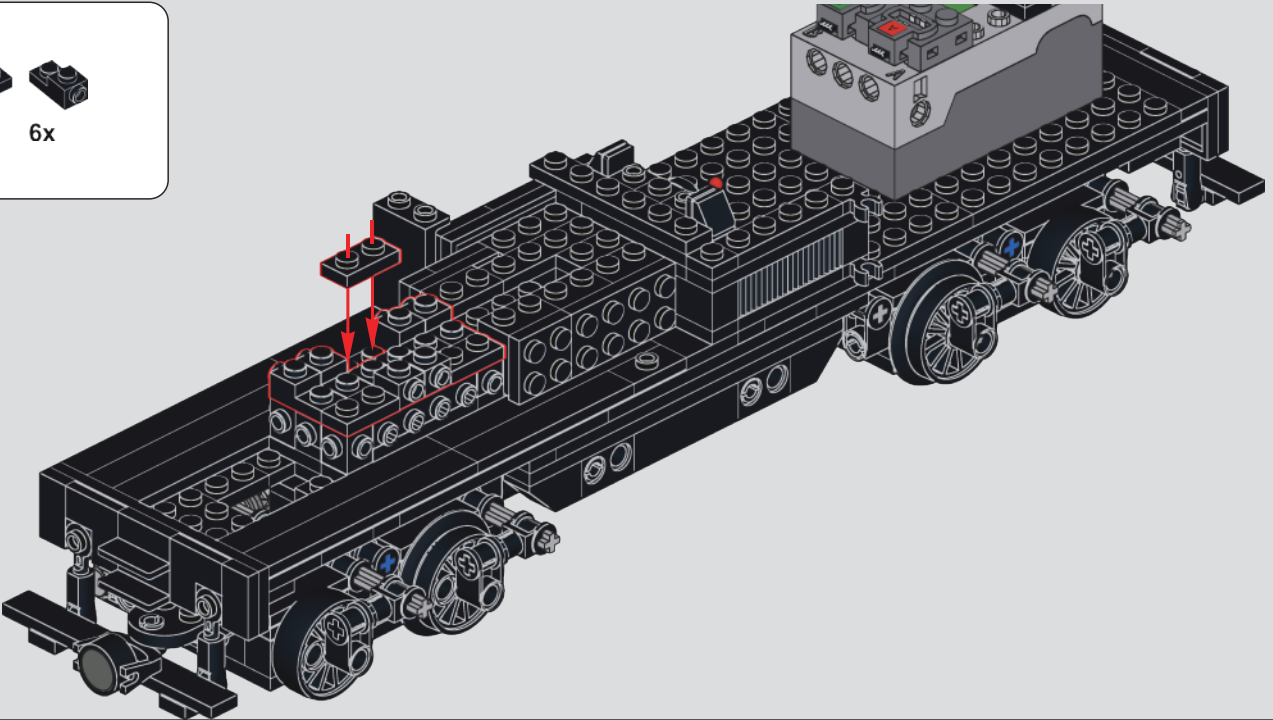


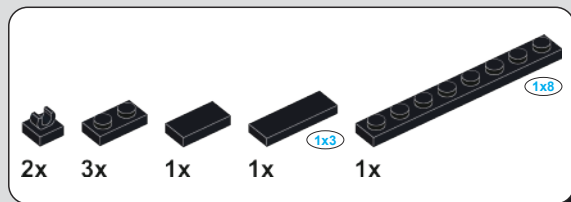


115

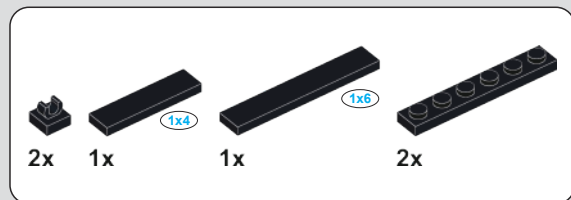
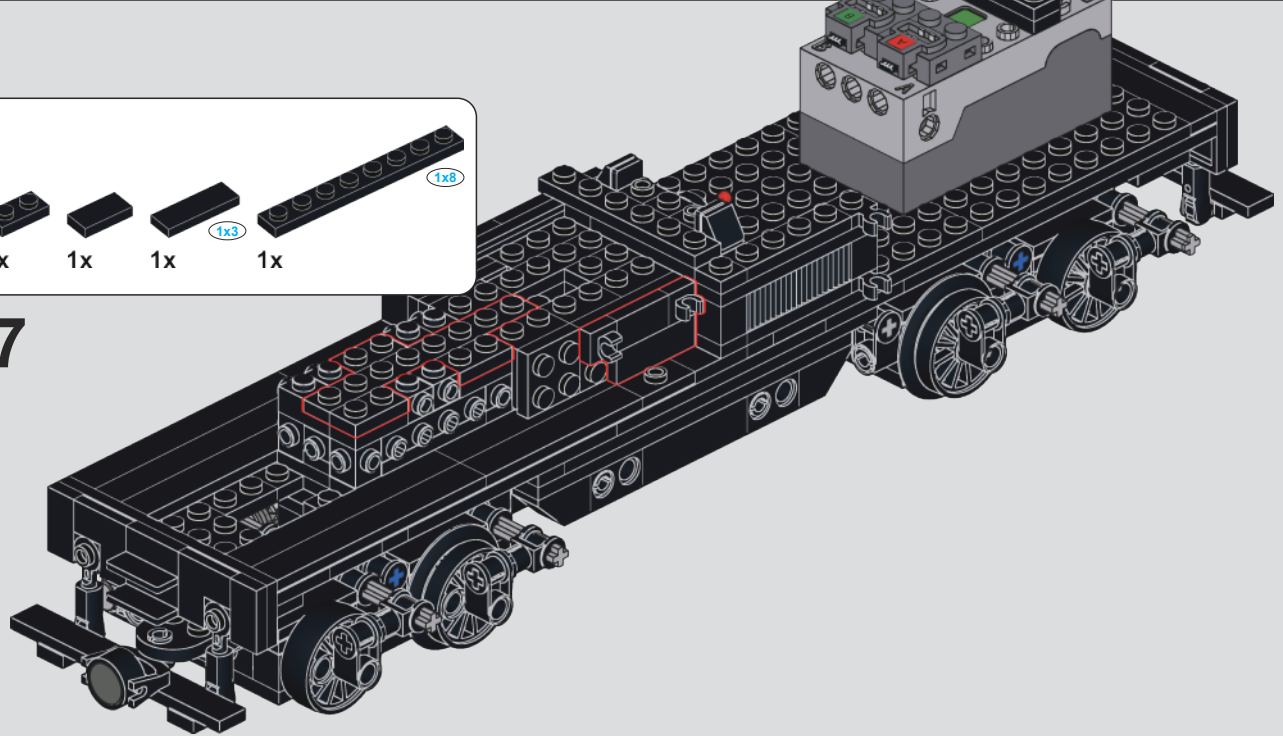


116

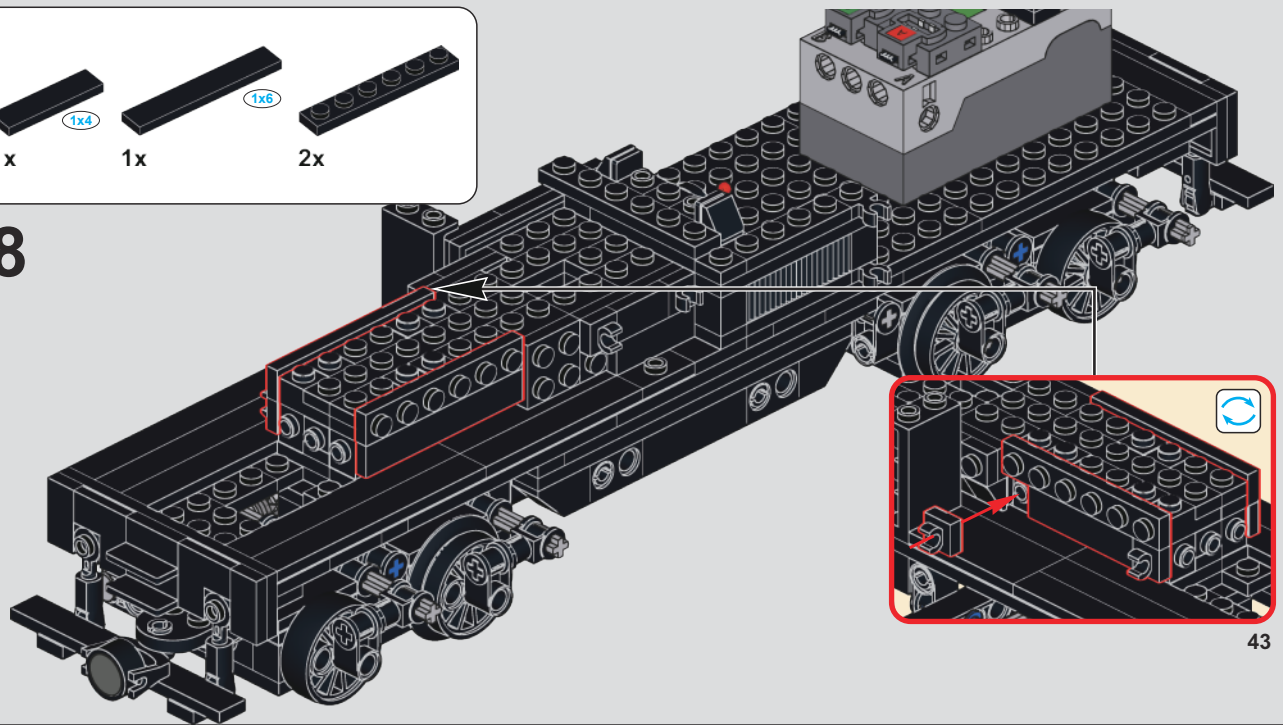


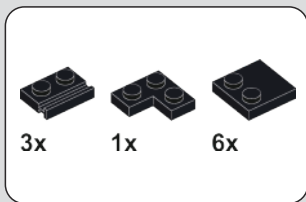


117

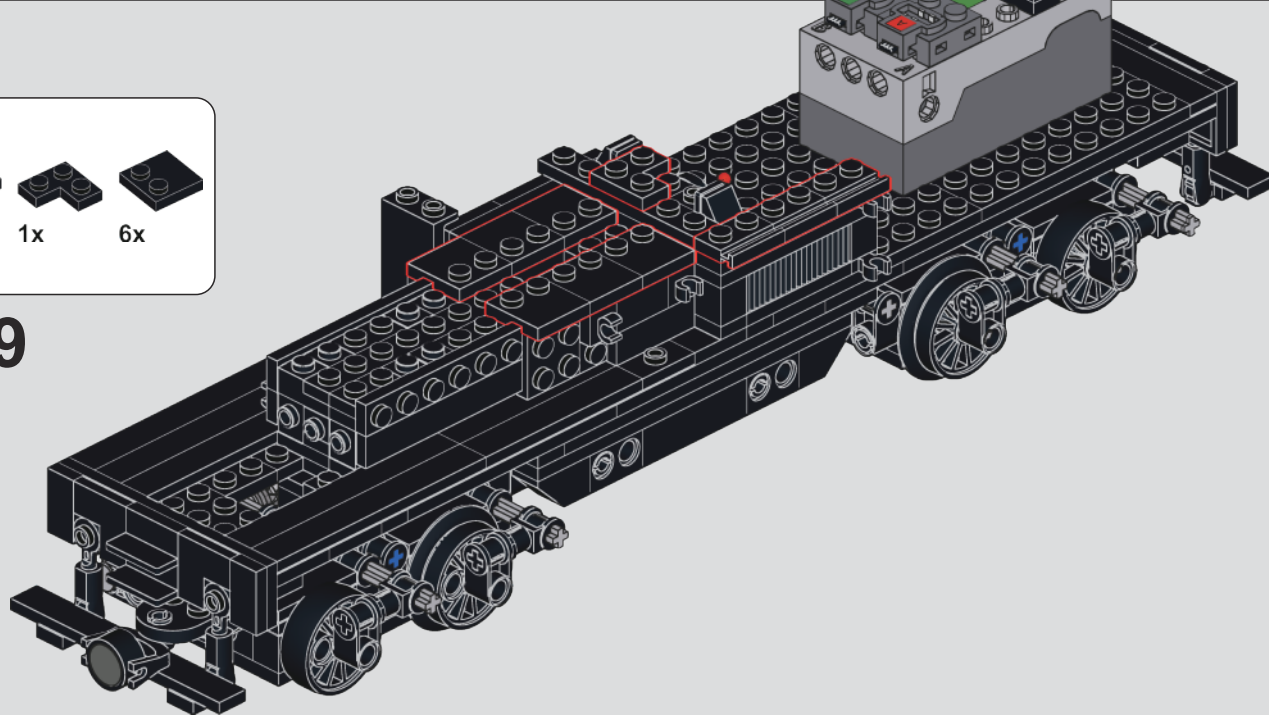


118

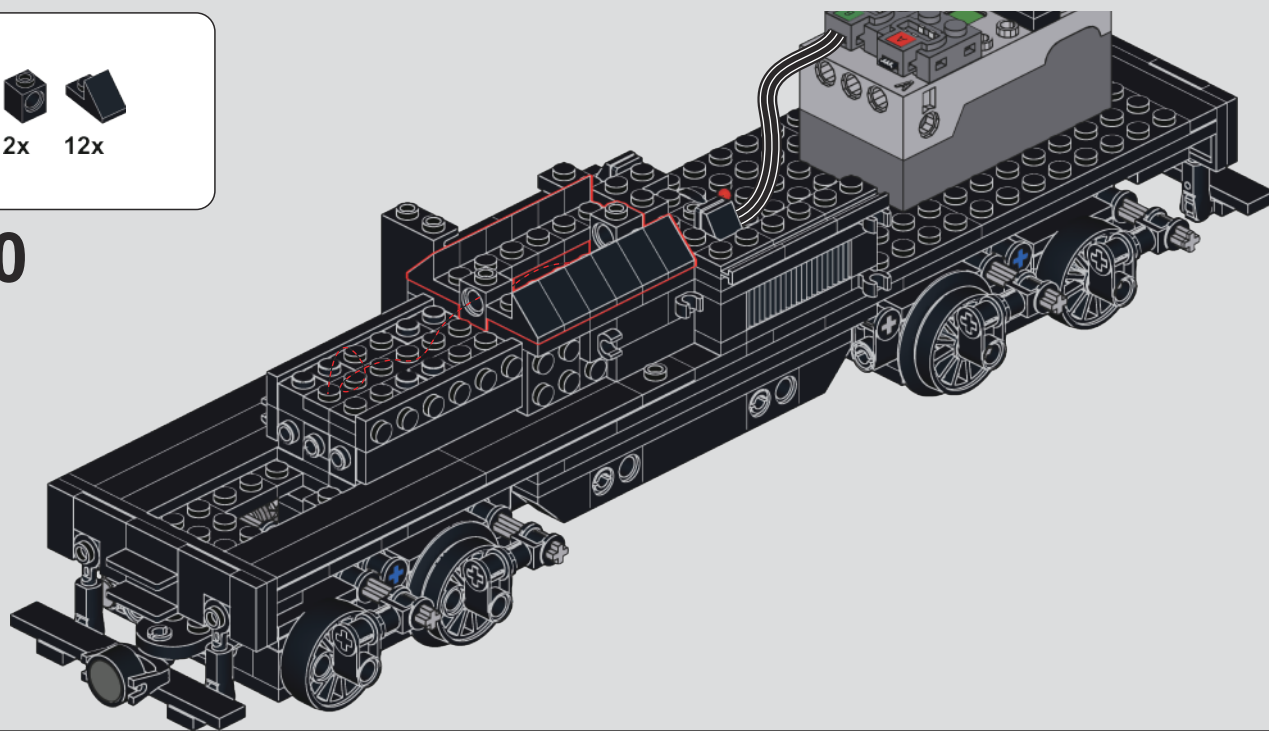


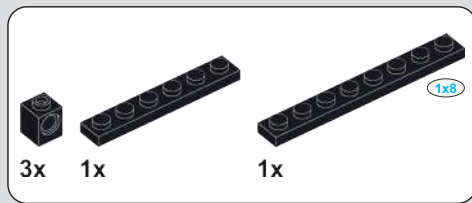


119

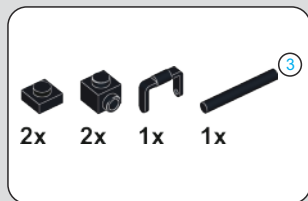
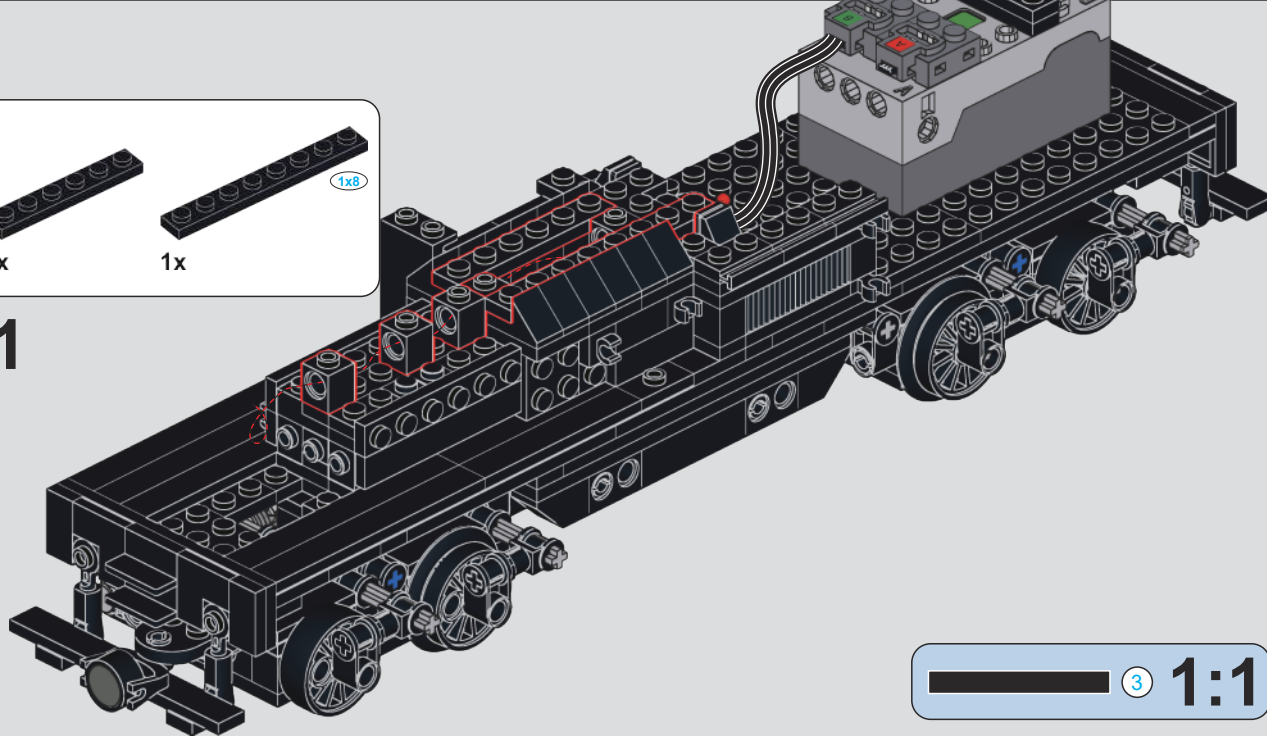


120

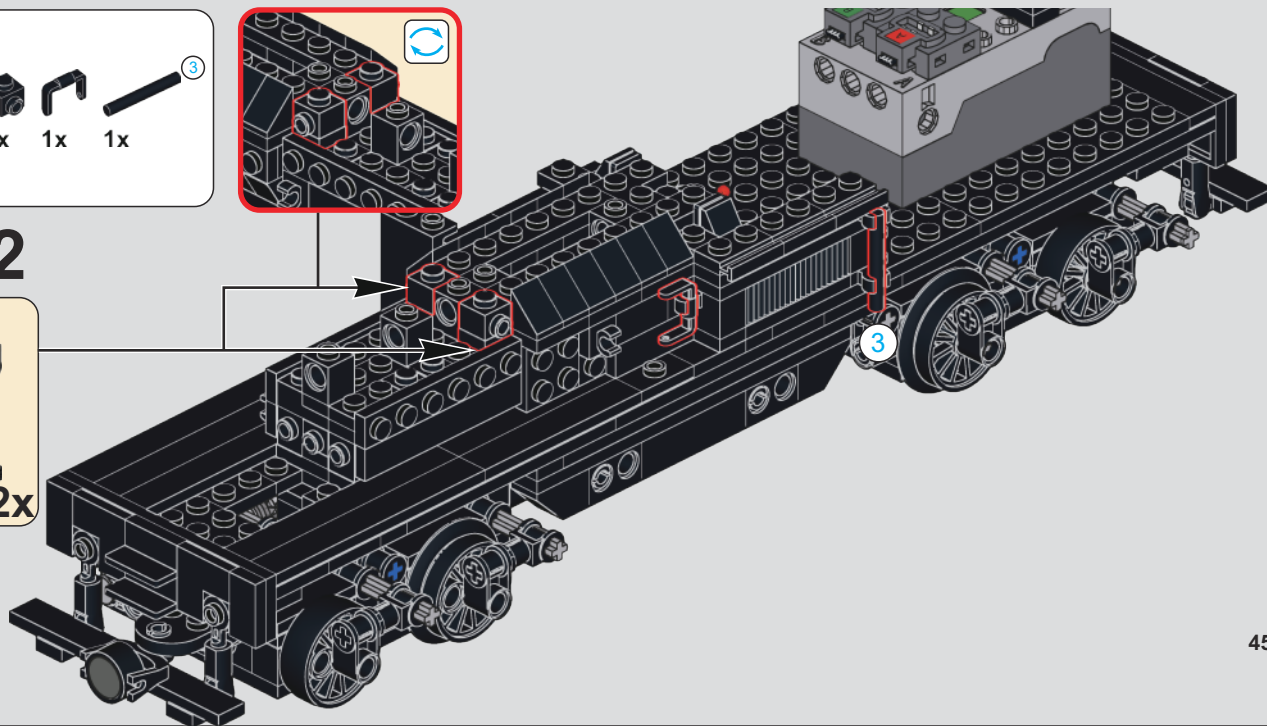
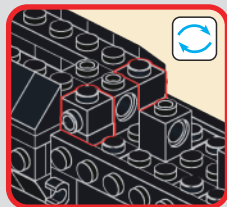
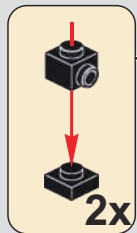


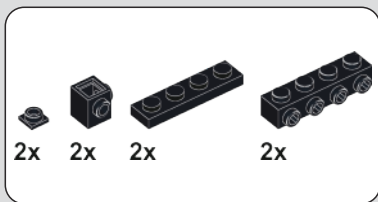


121

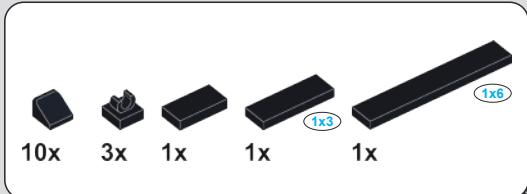
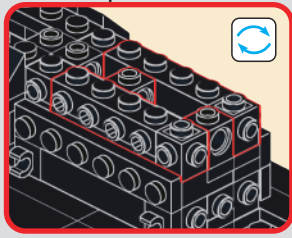
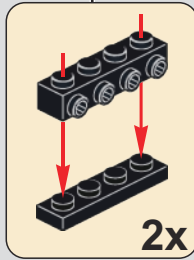
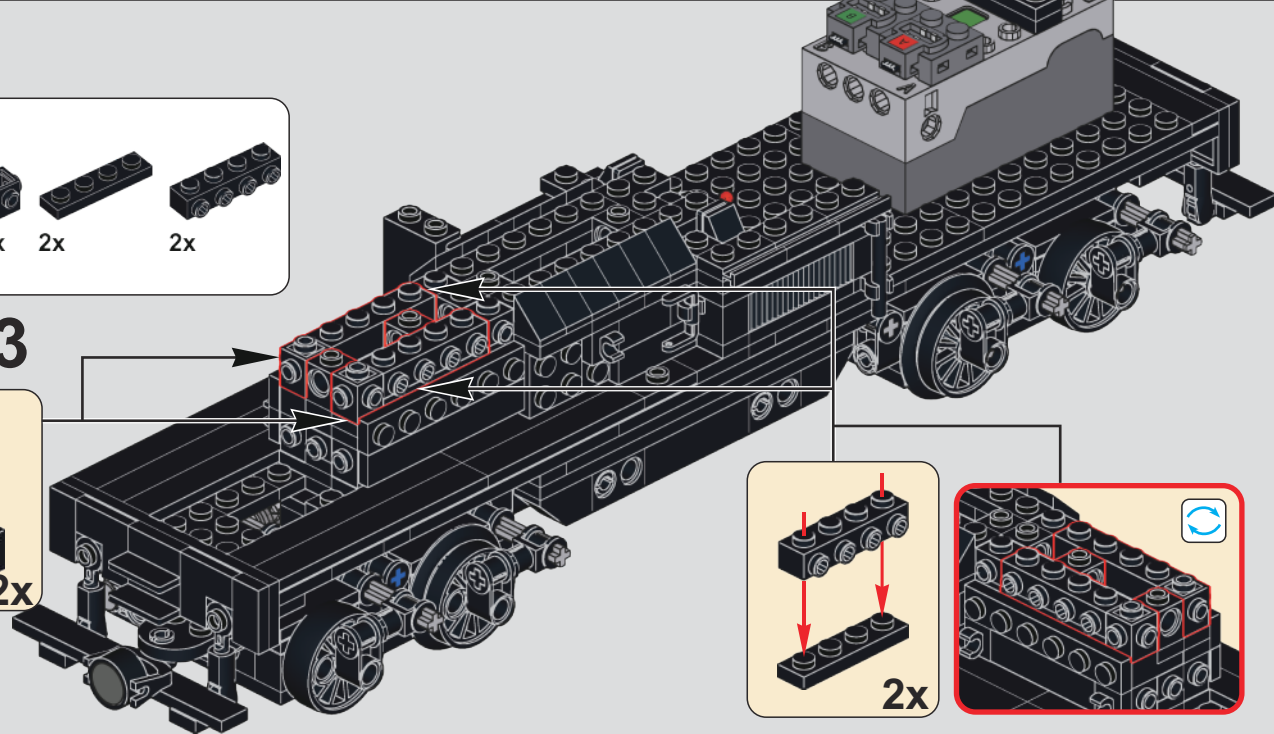
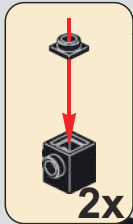


122

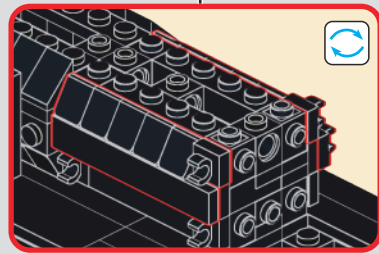
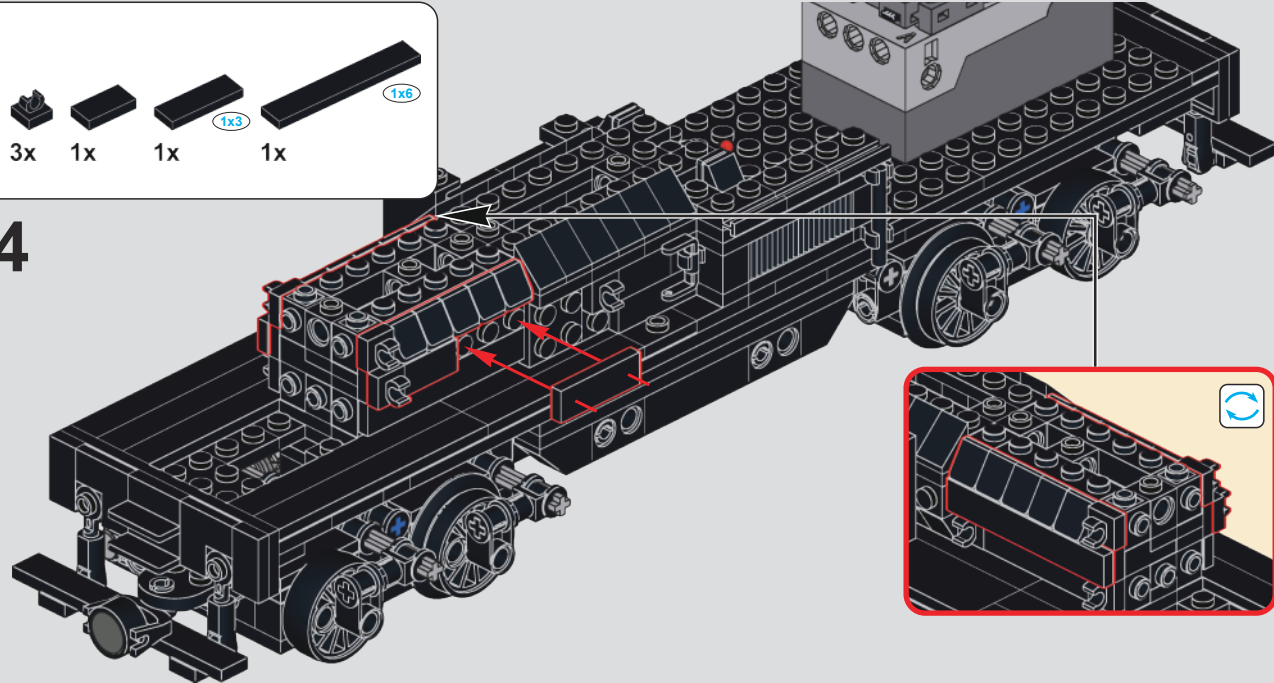


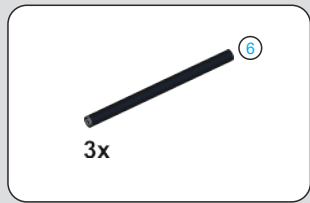


123

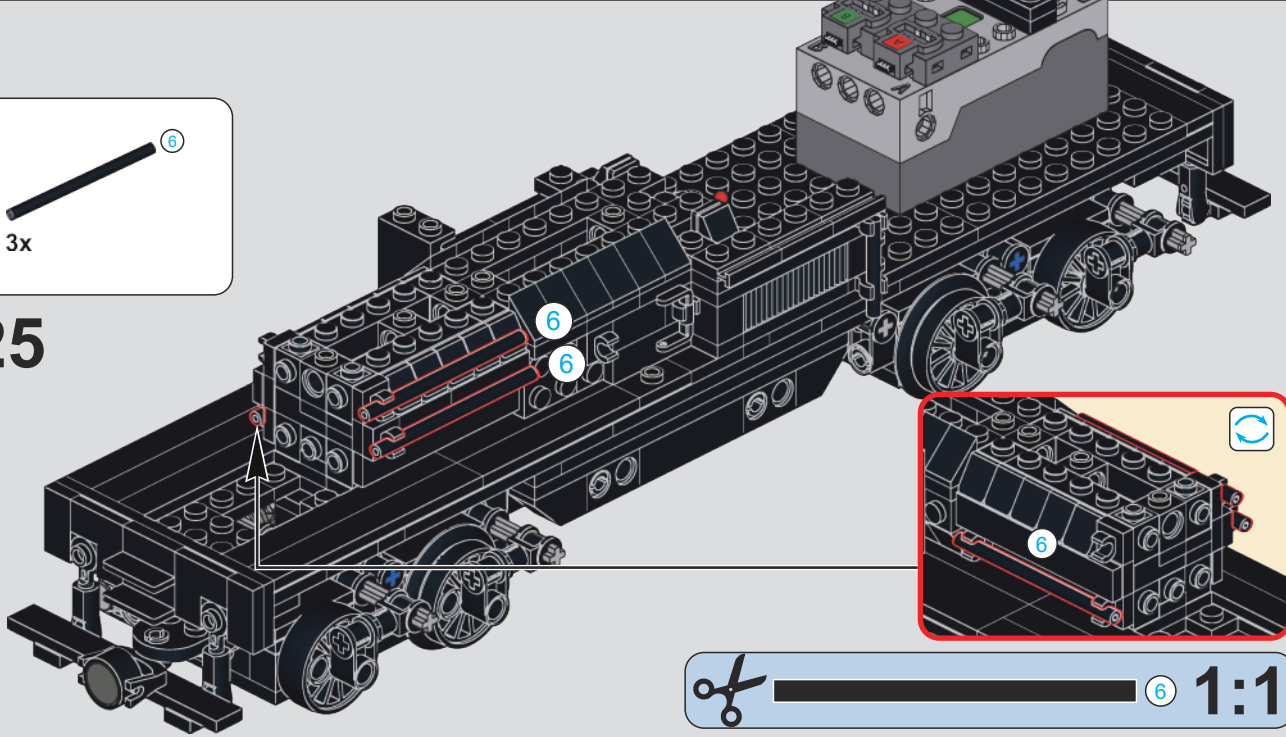


124

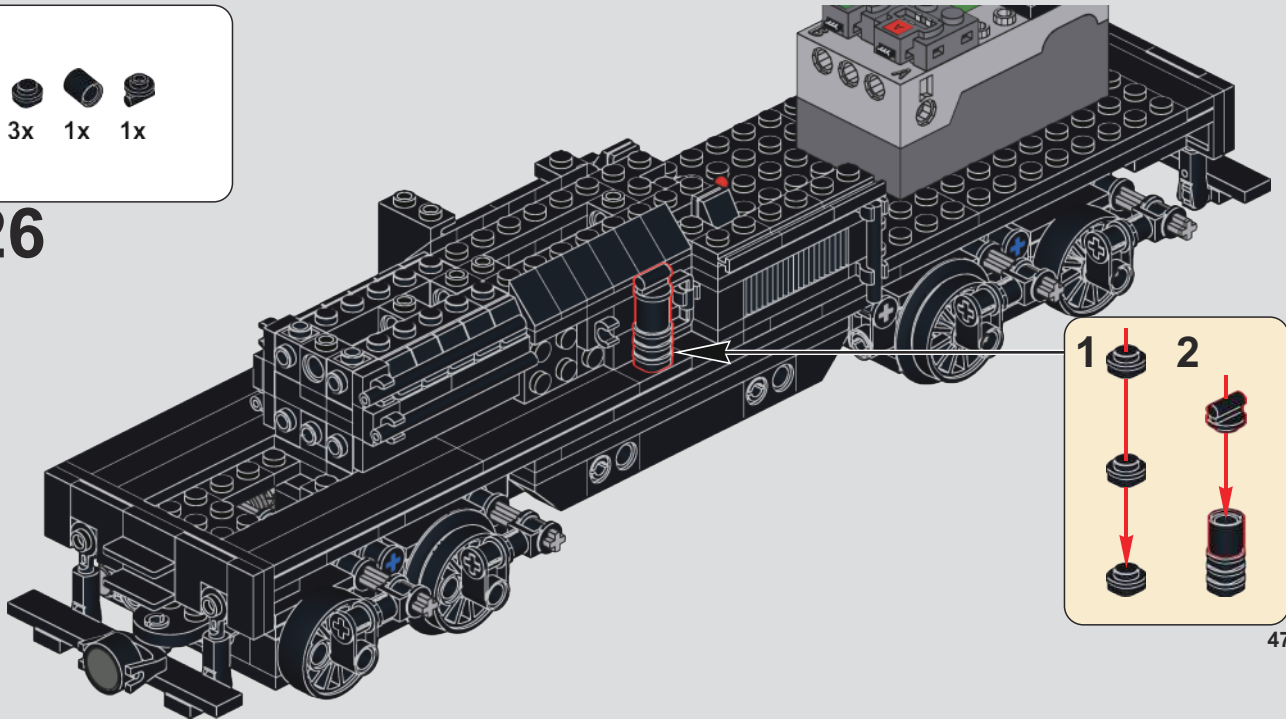




125

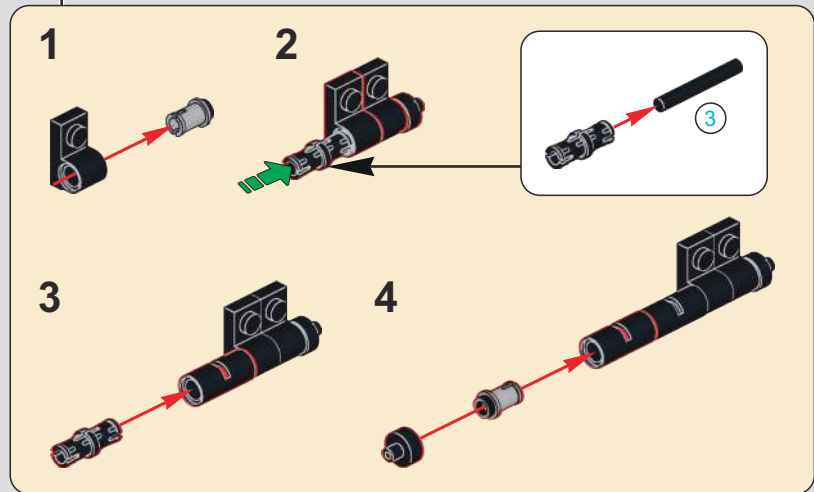
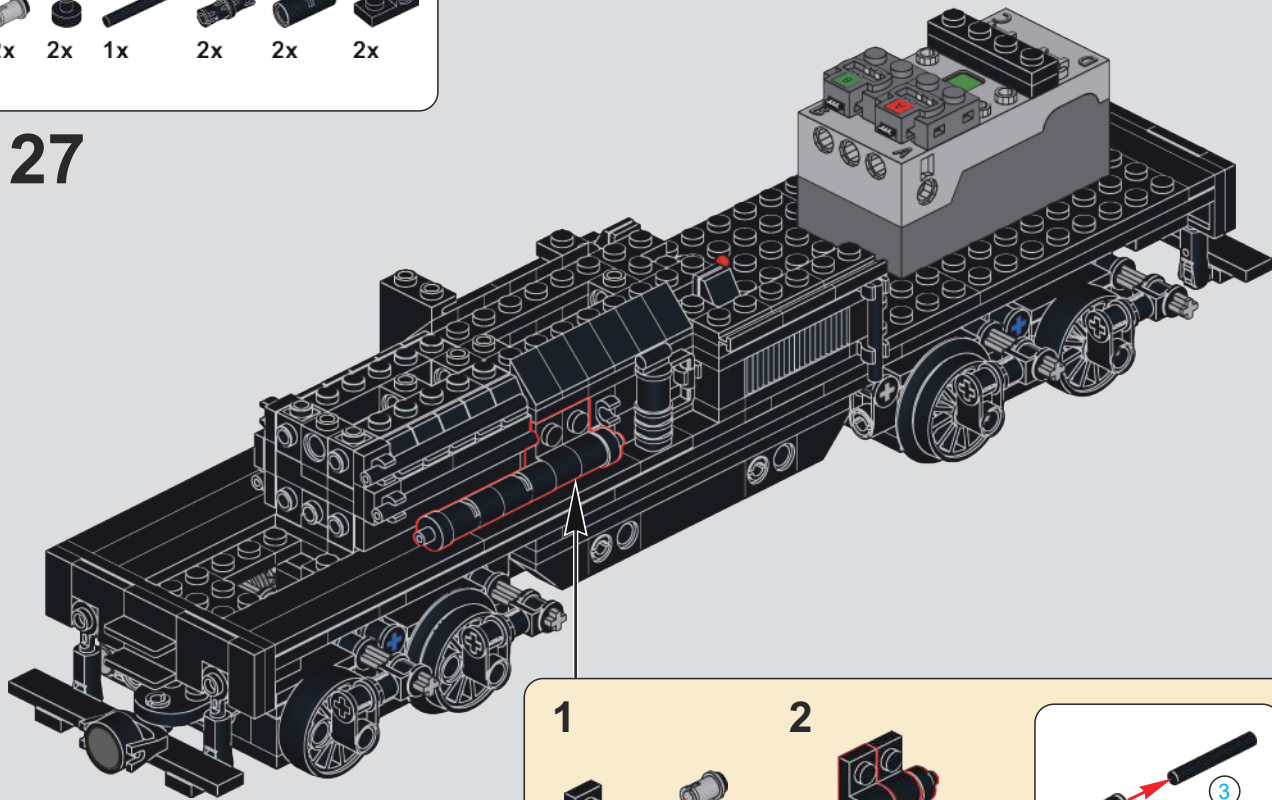


126



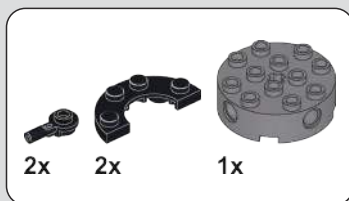
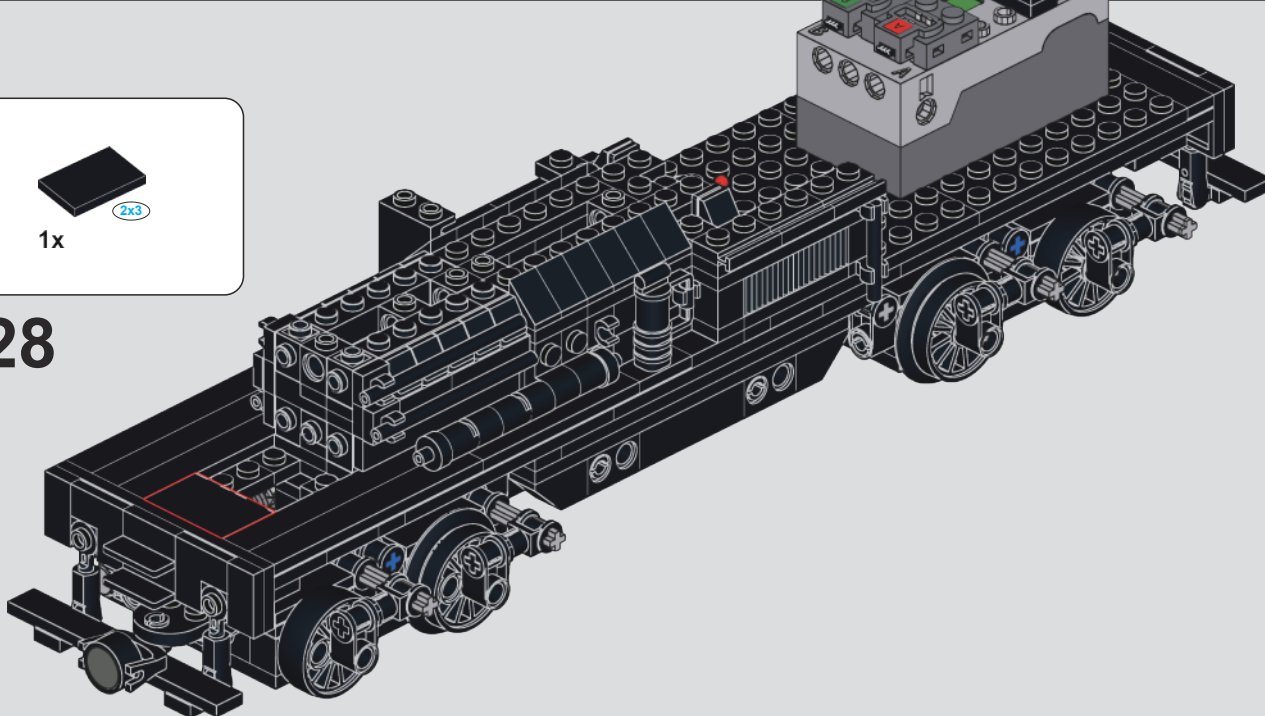


127

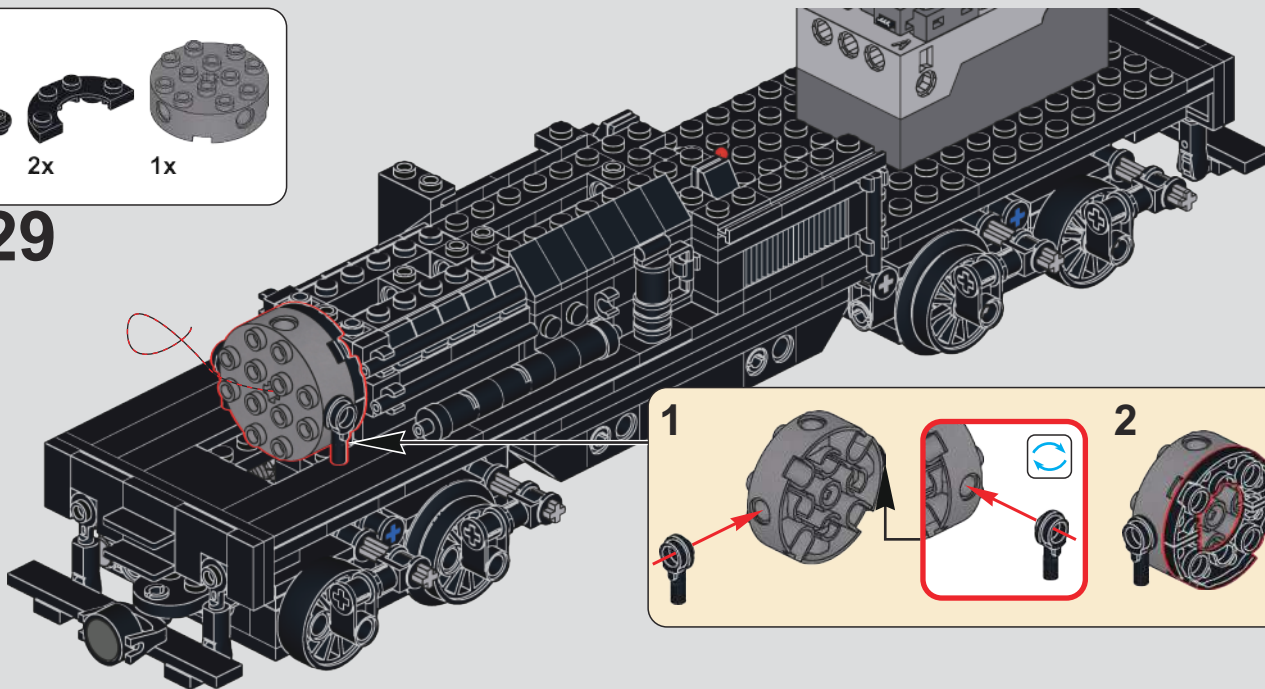


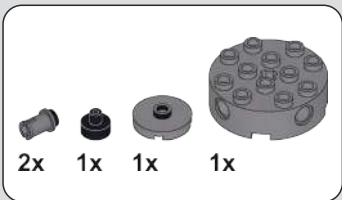


128

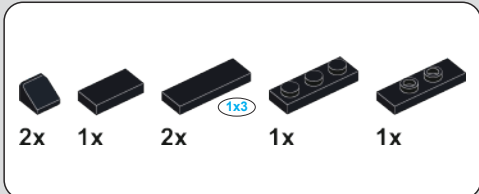
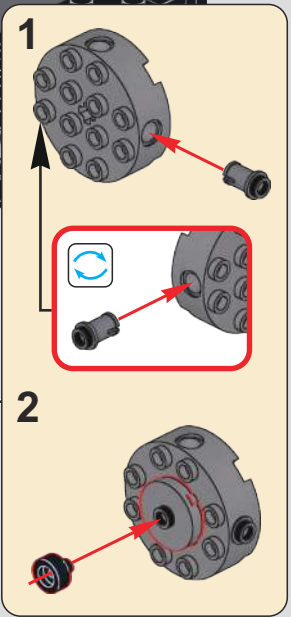
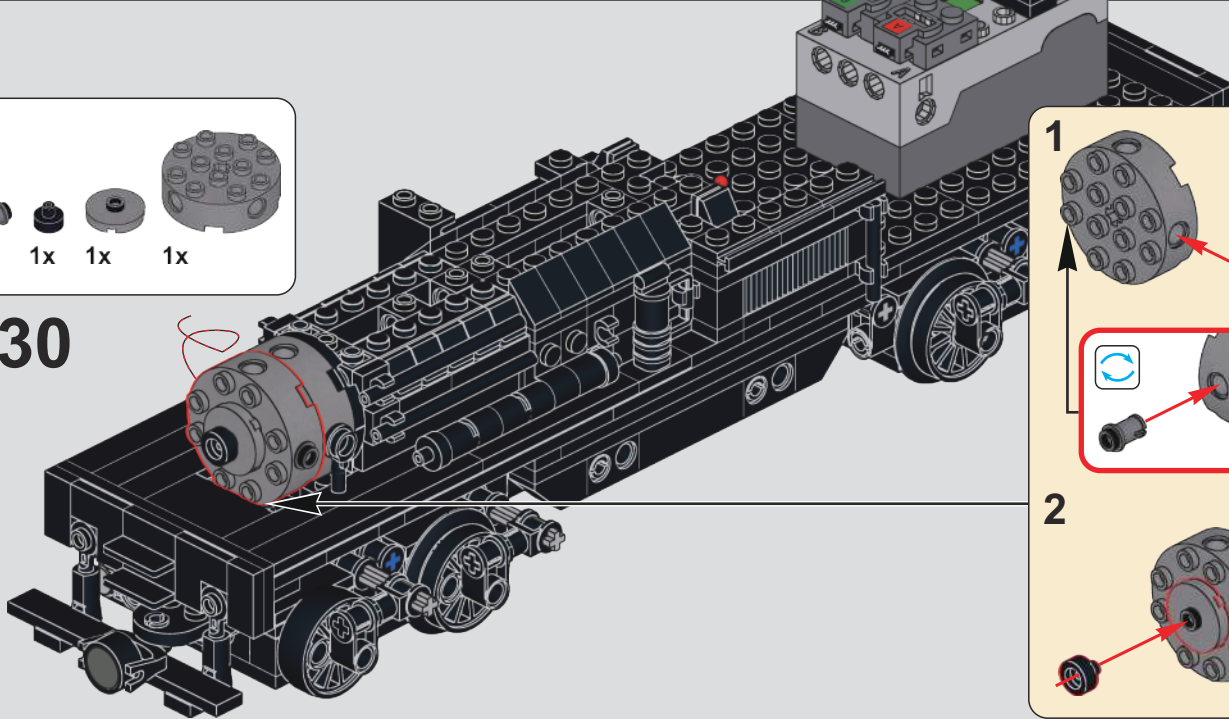


129

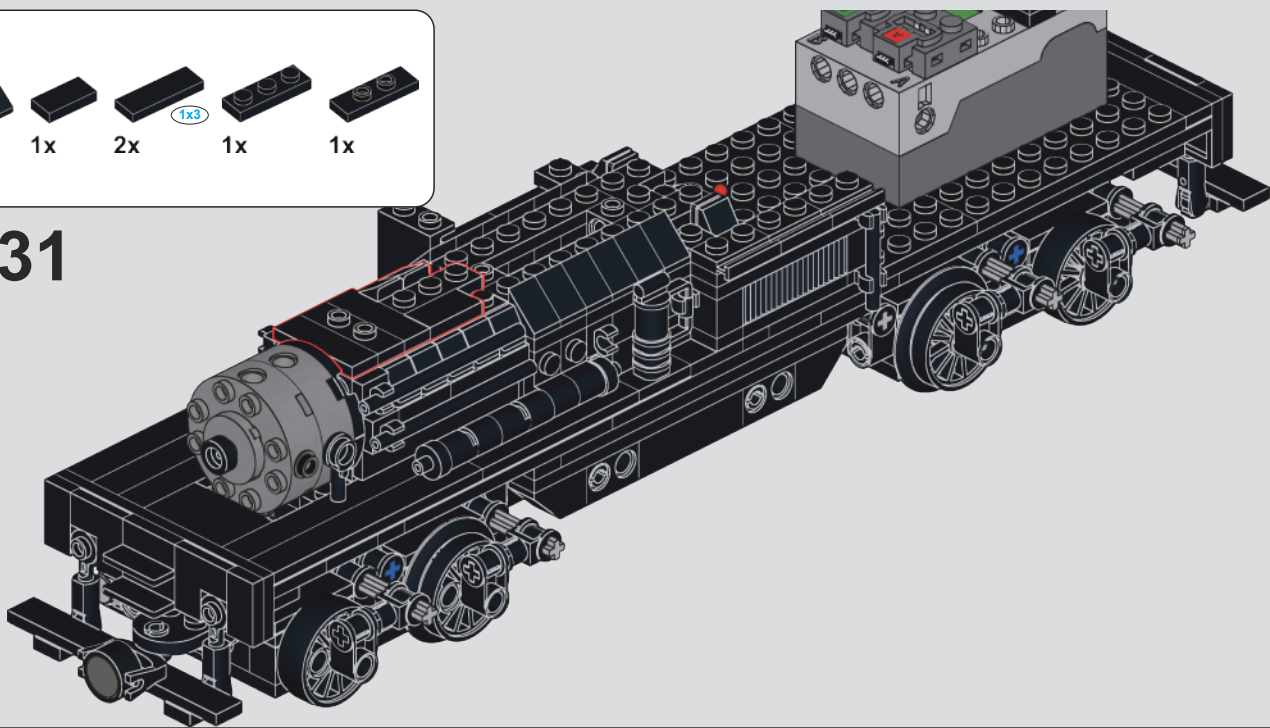


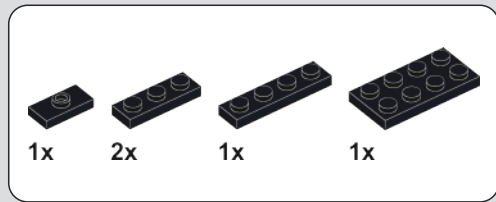


130

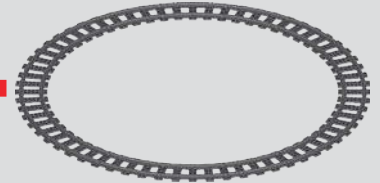
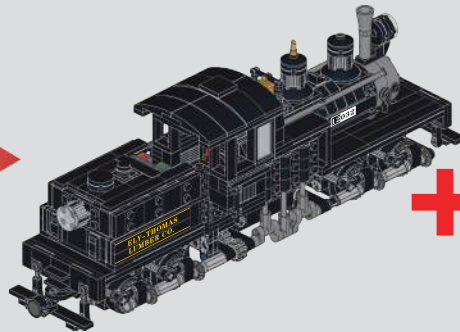
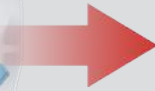
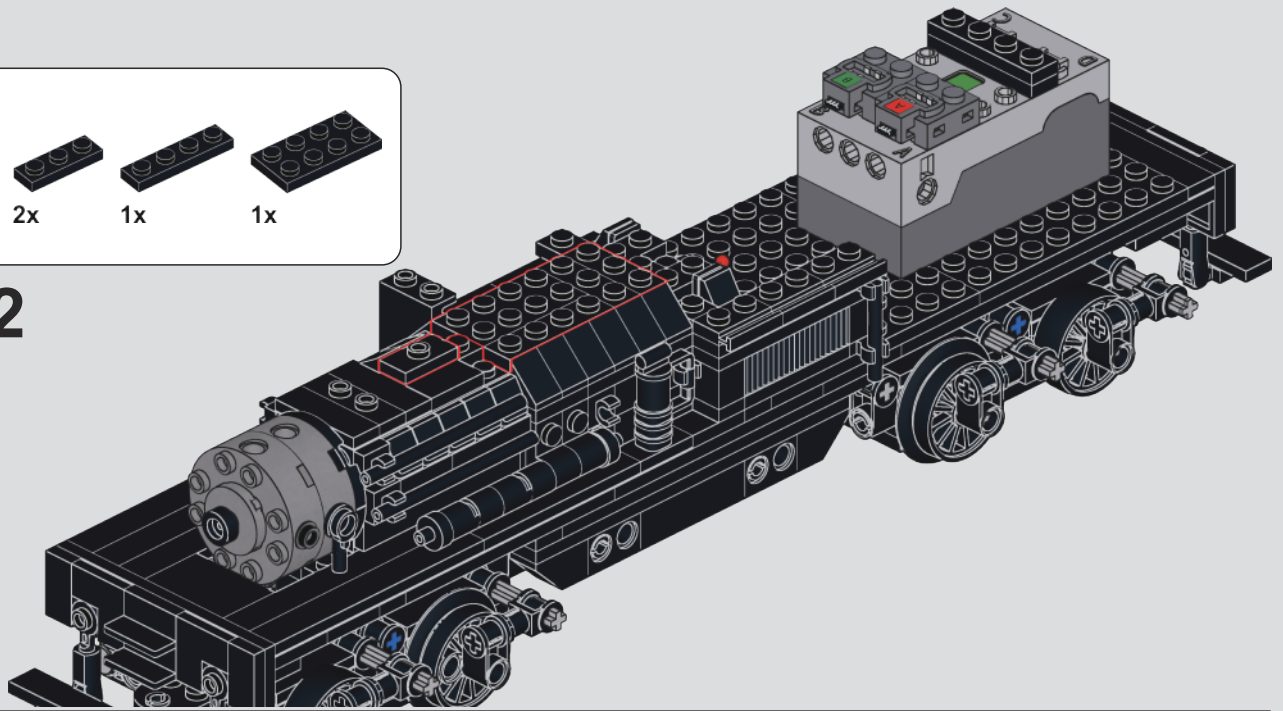


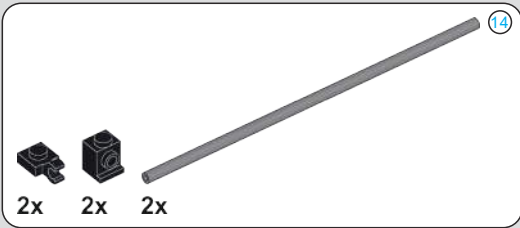
131



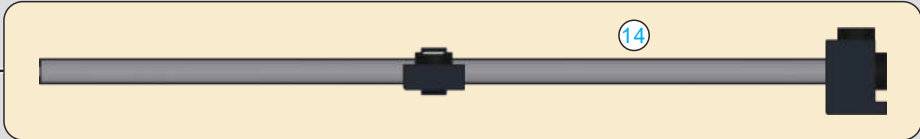
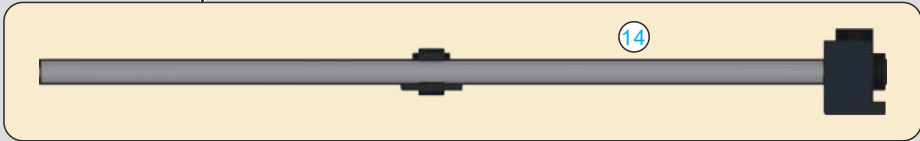
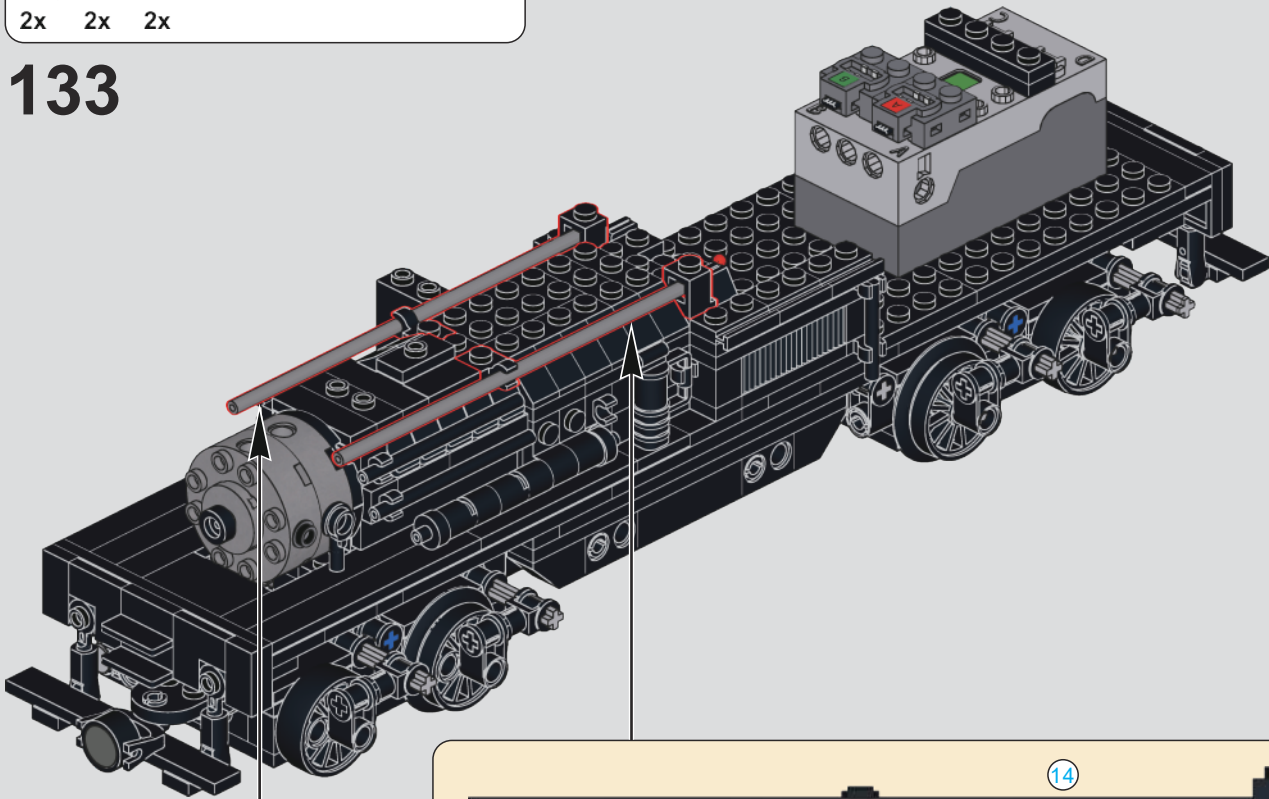


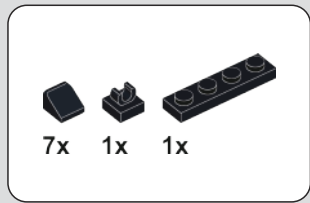
132



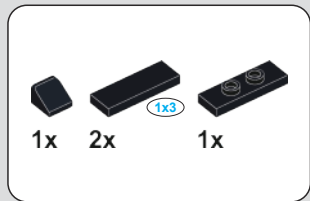
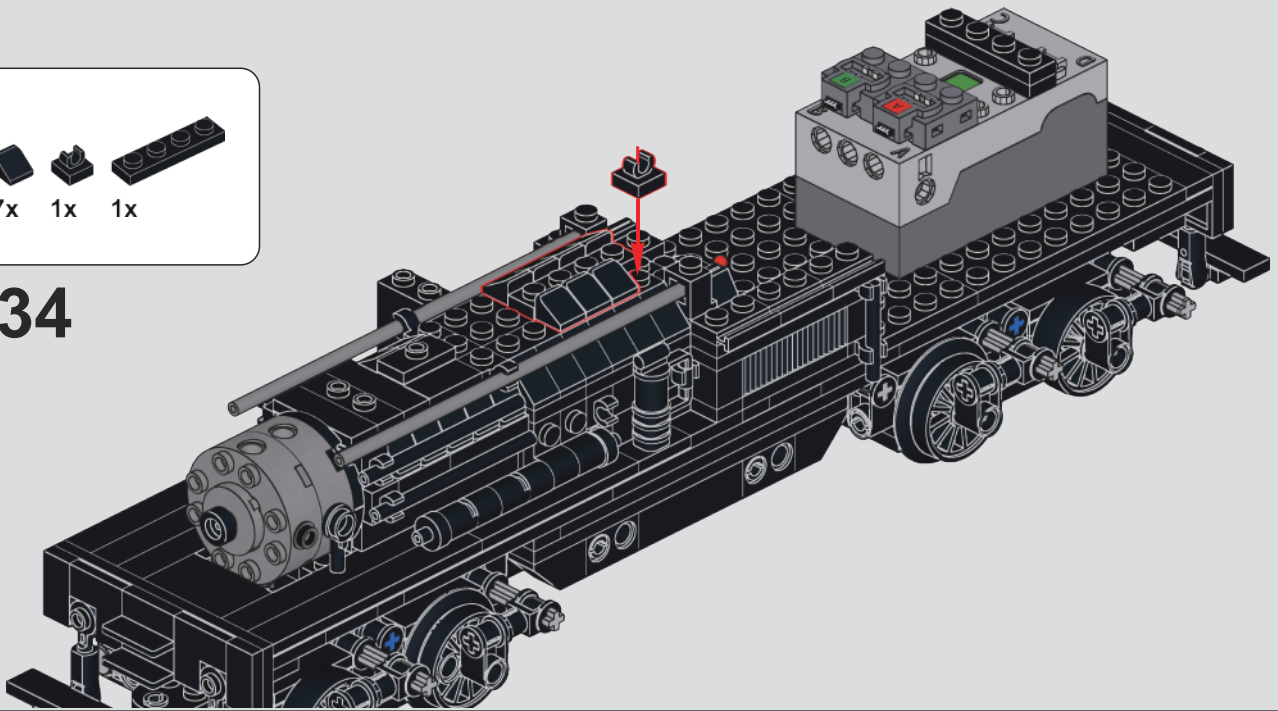


133

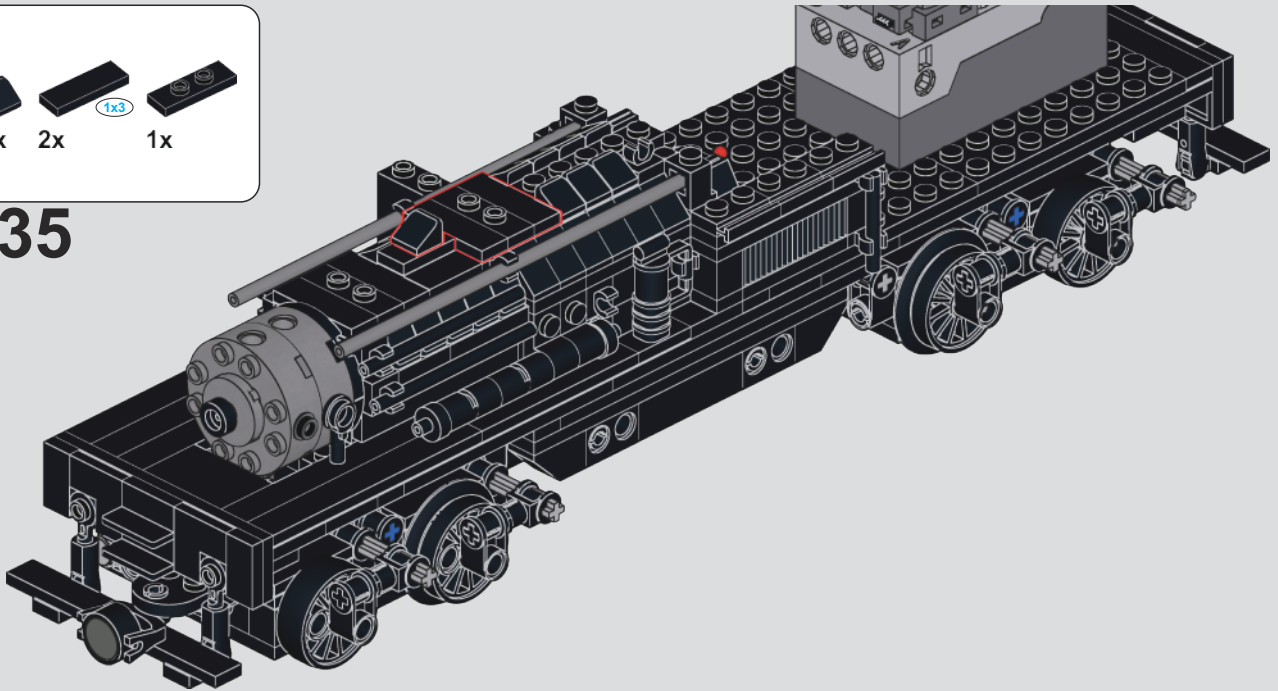


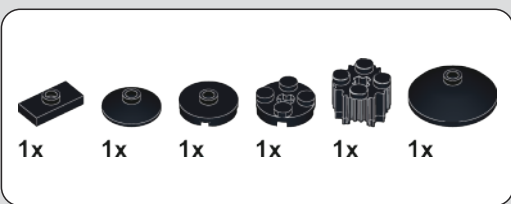


134

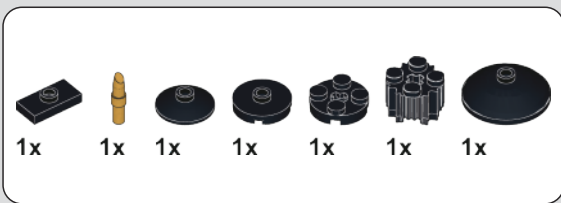
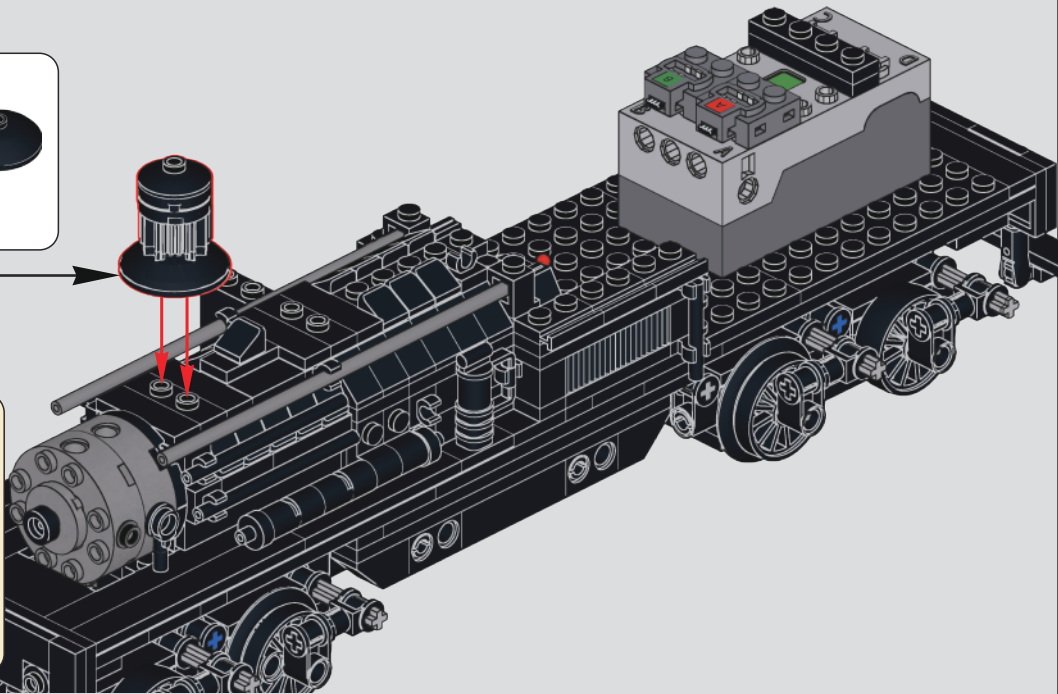
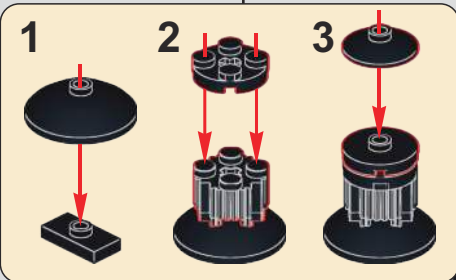


135

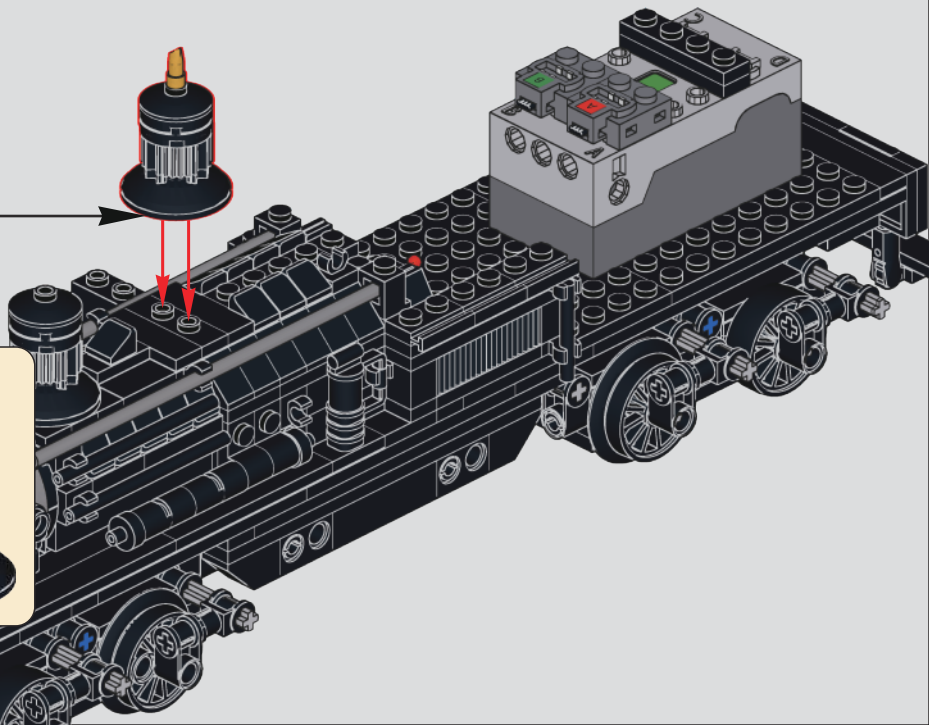
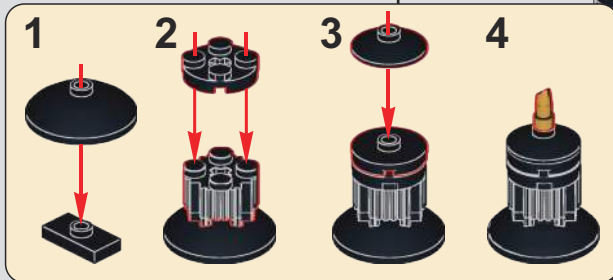


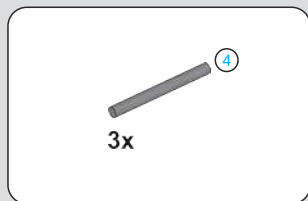


136

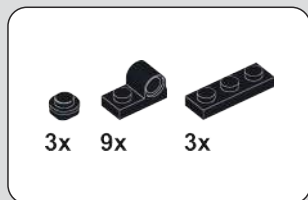
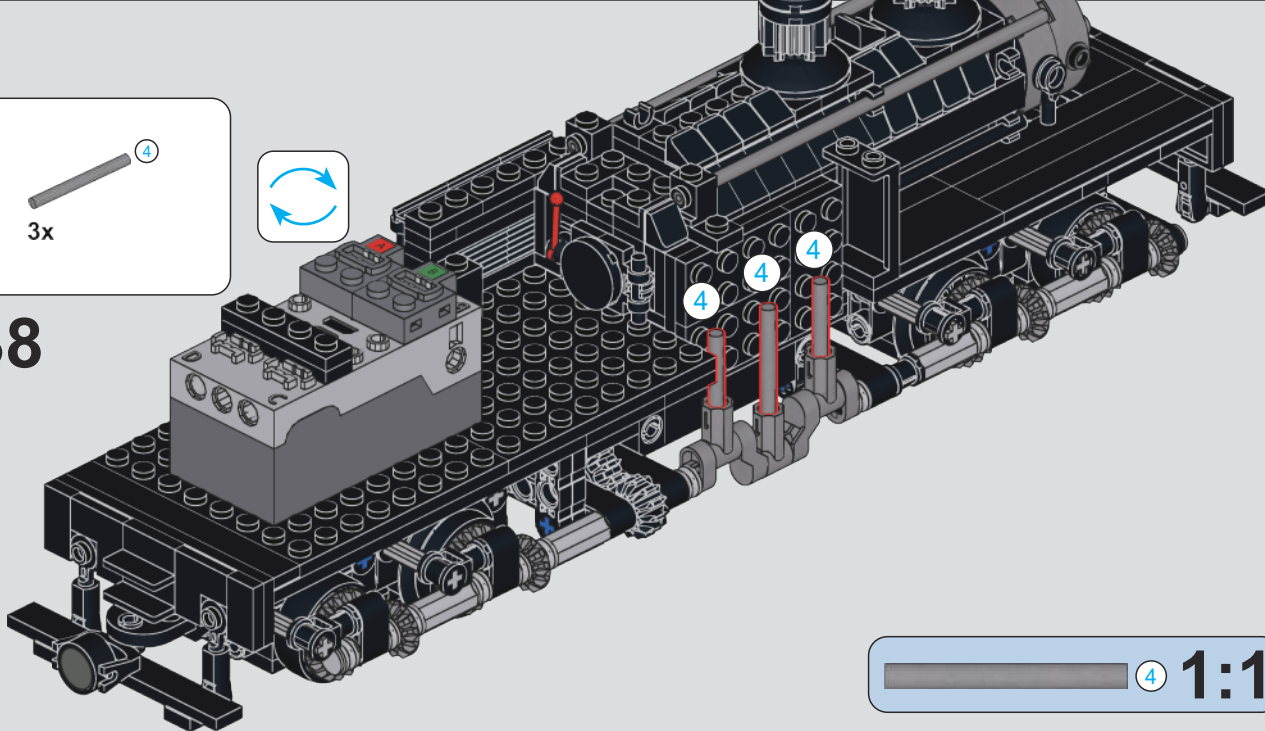


137

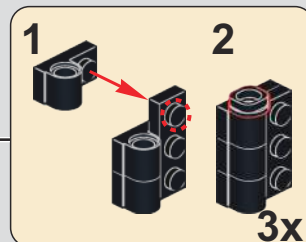
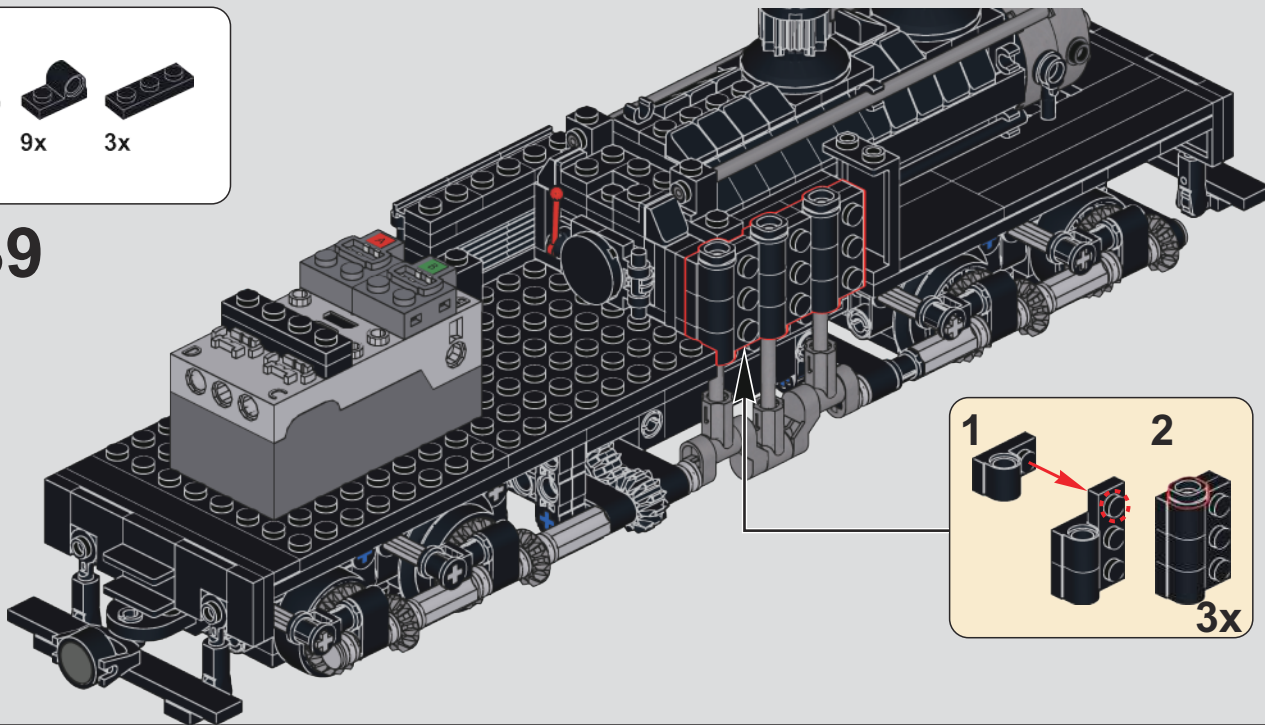


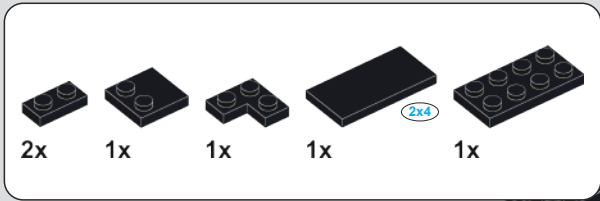


138

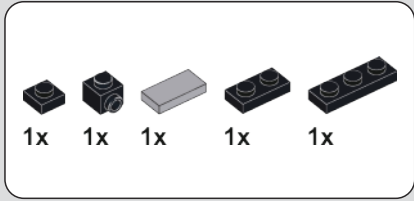
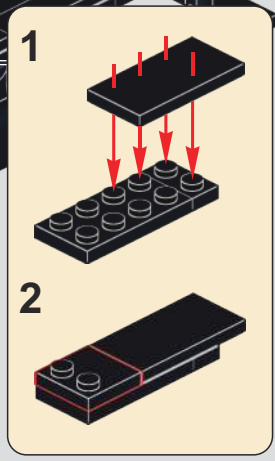
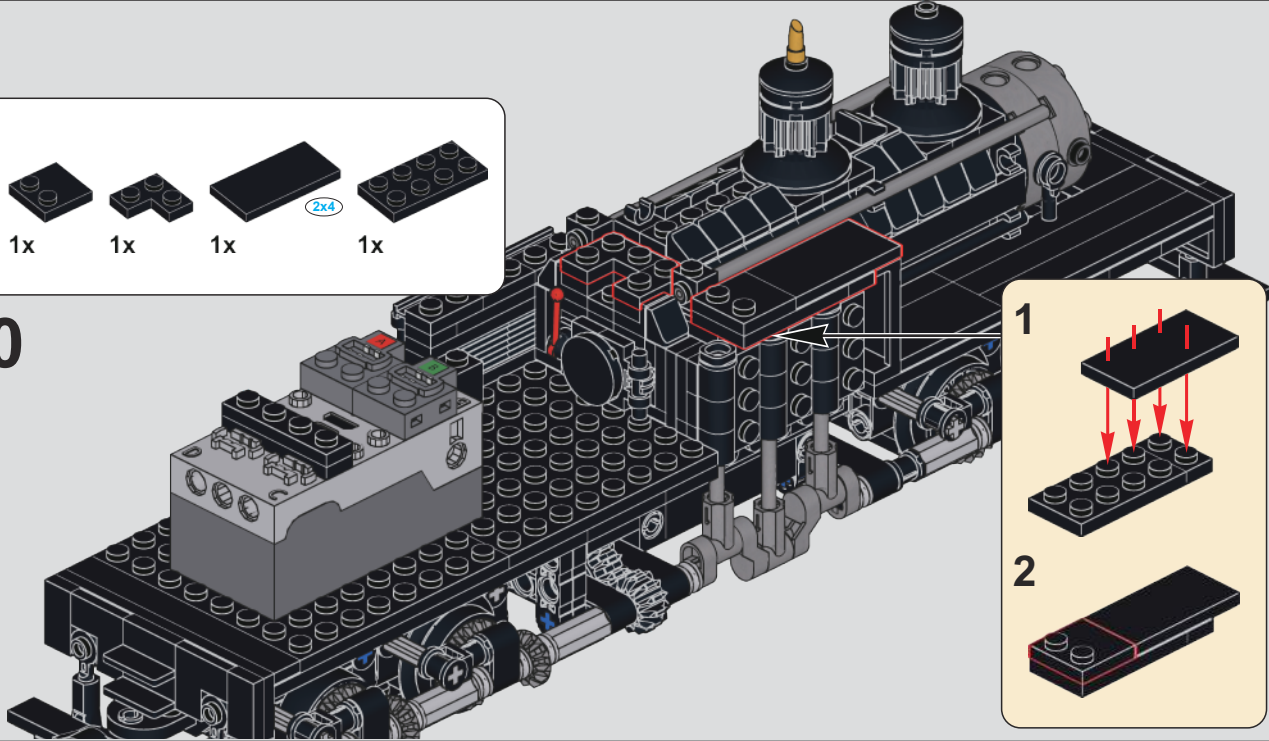


139

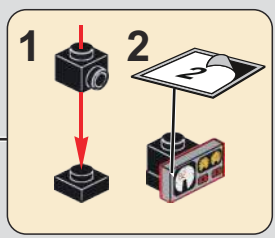
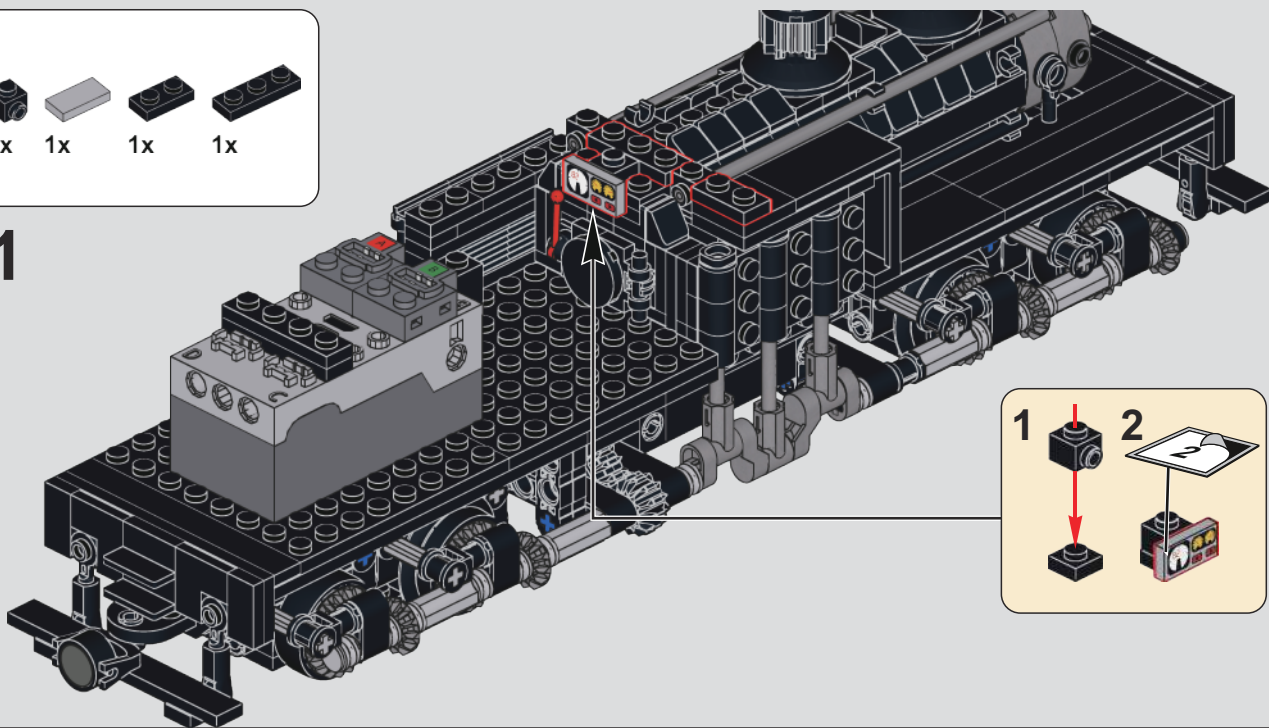


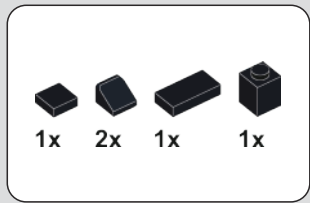


140

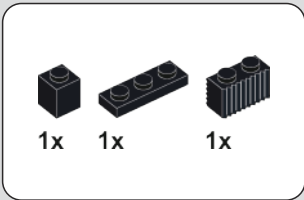
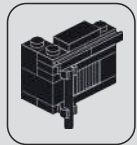
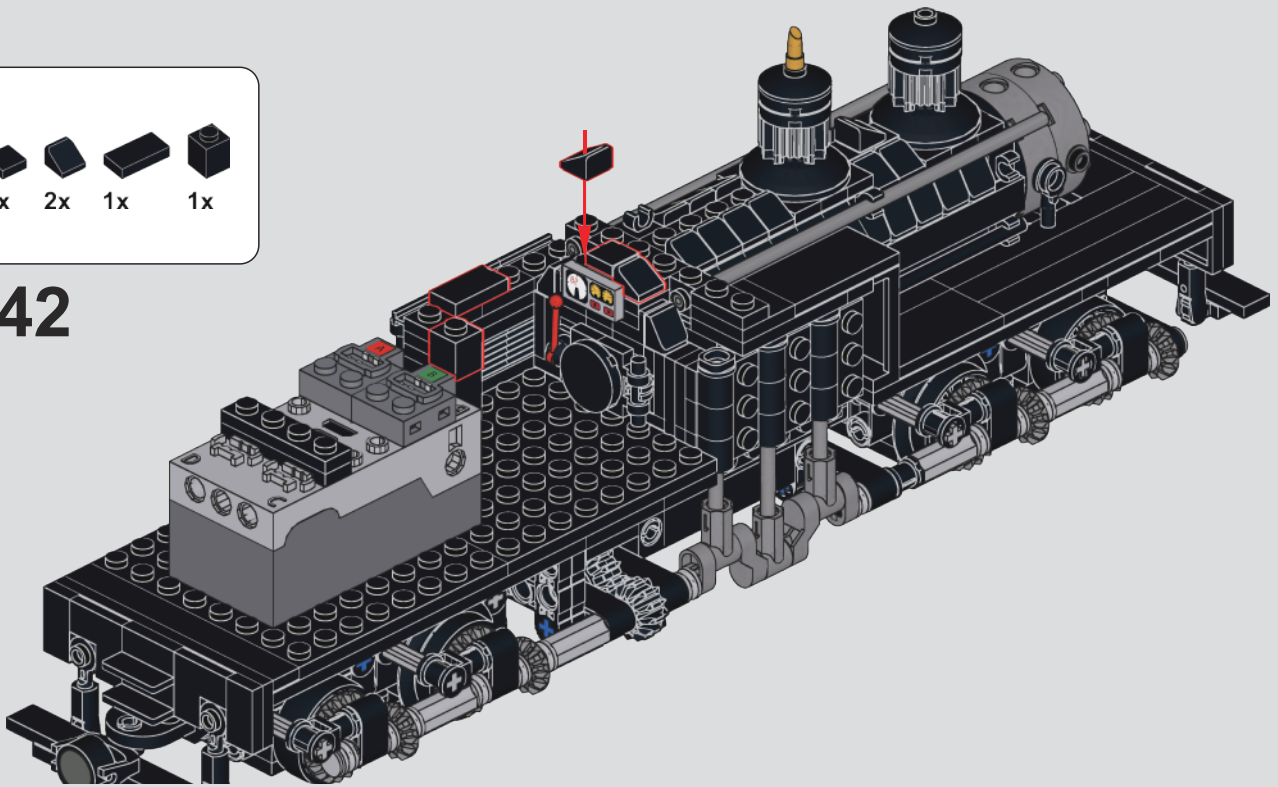


141

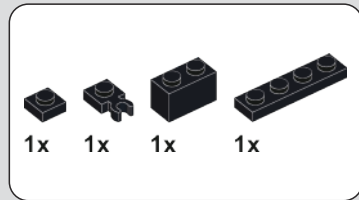
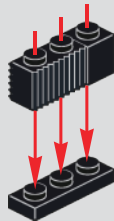




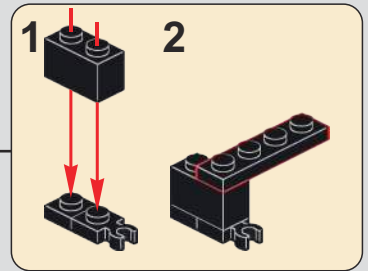
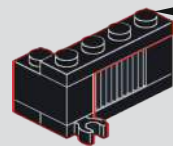
142

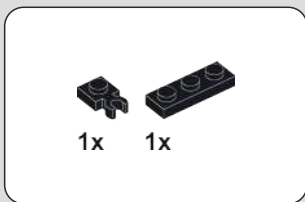


143

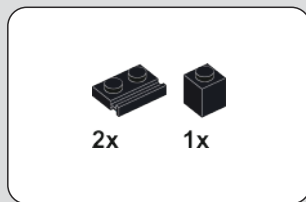
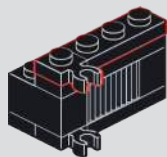


144

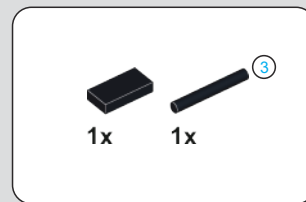
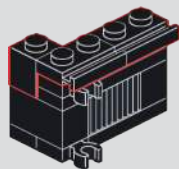




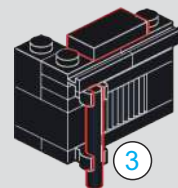
145



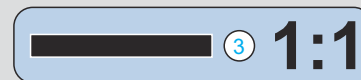
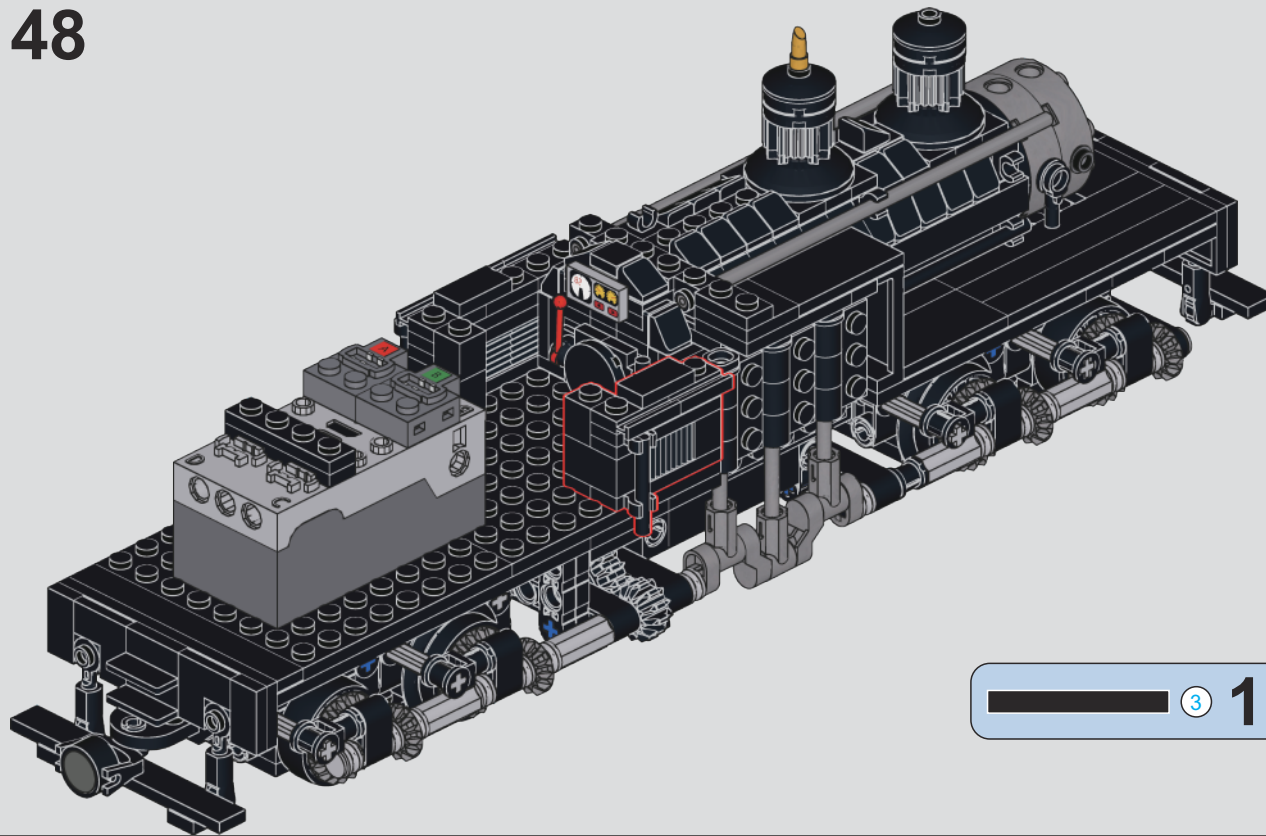
146

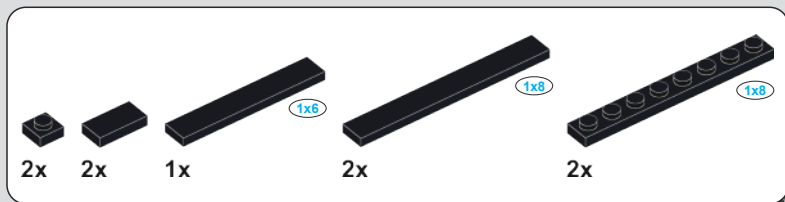


147

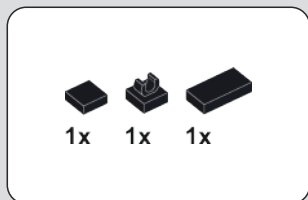
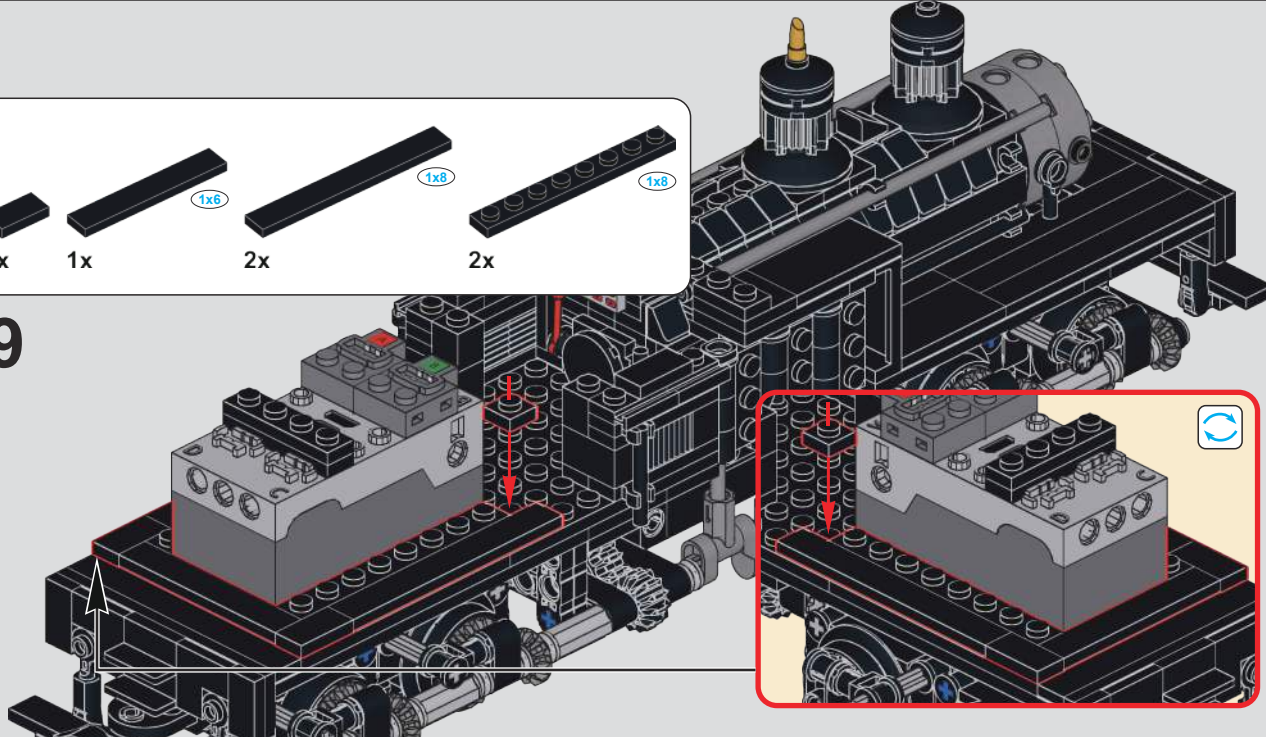


148

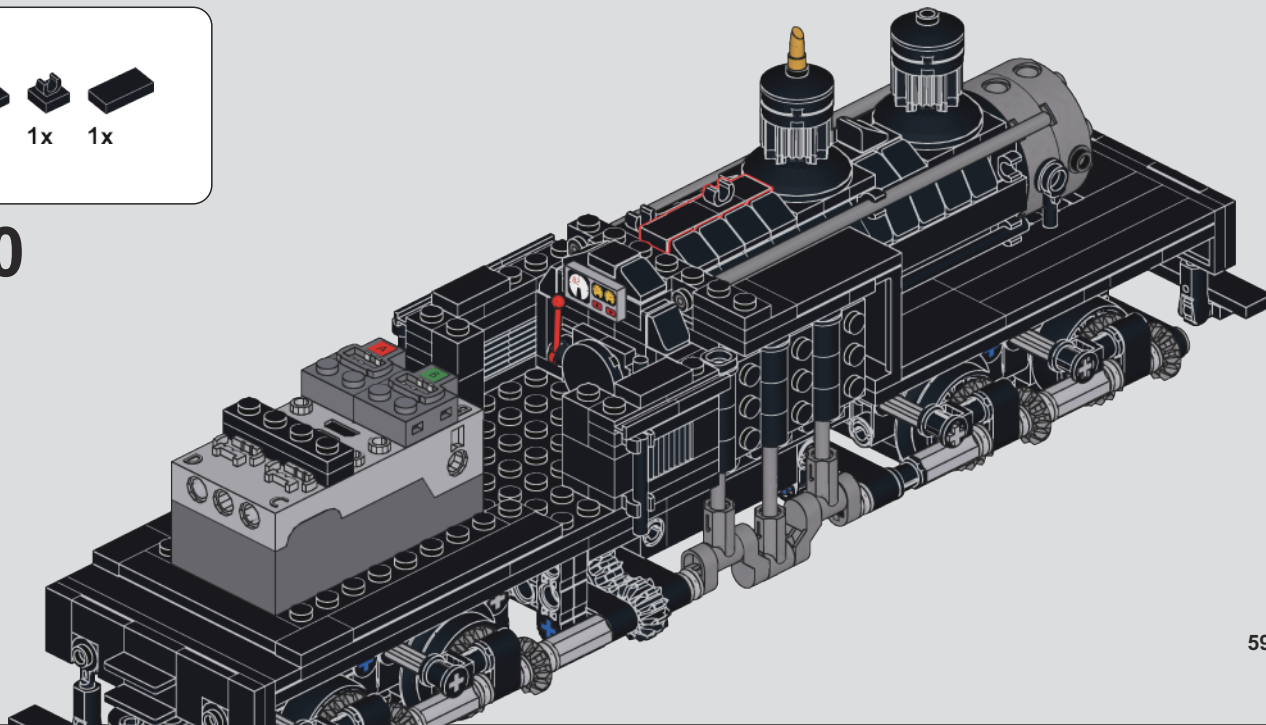




149



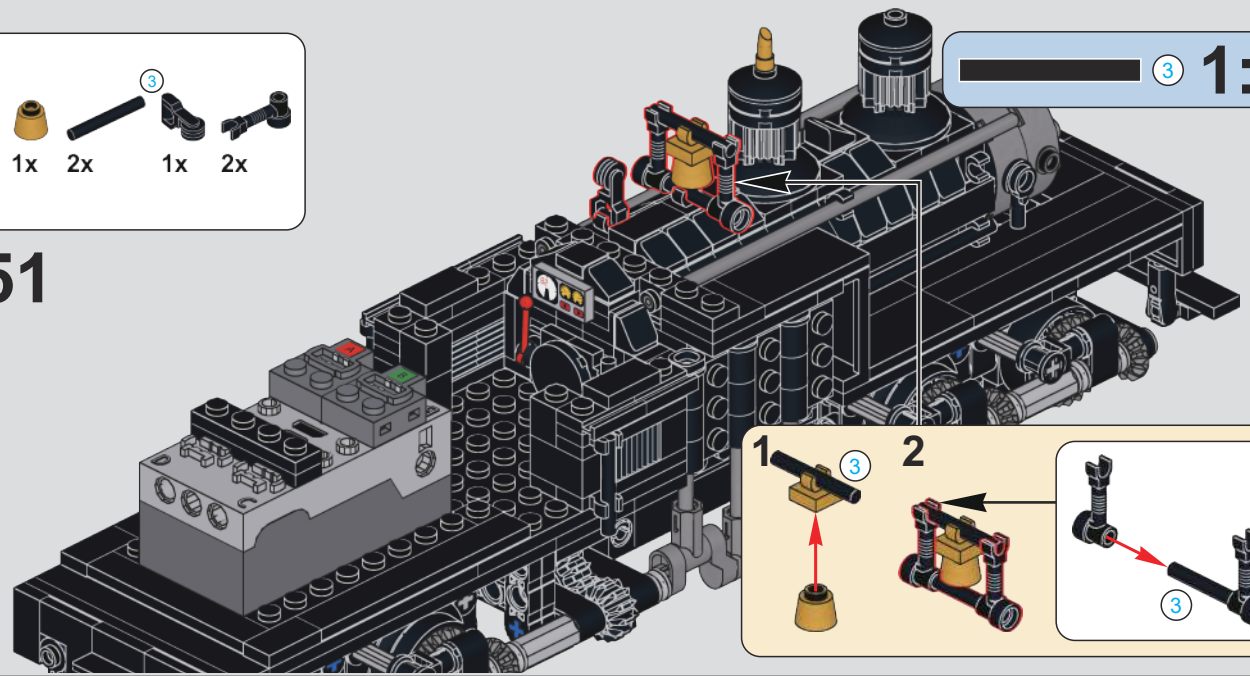
150



3 1:1

- 1x
- 1x
- 2x
- 1x
- 2x

151

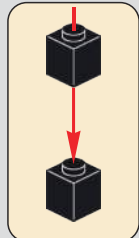


1 3

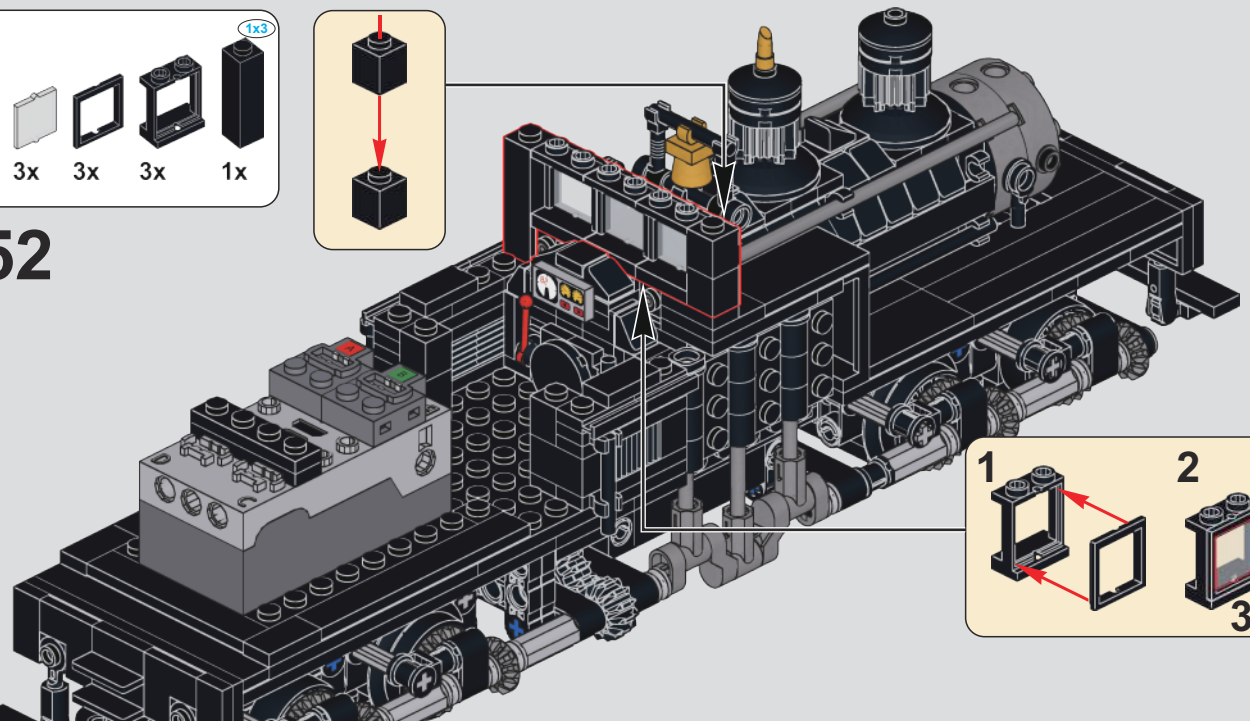
2

3

- 2x
- 3x
- 3x
- 3x
- 1x



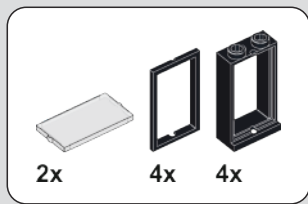
152



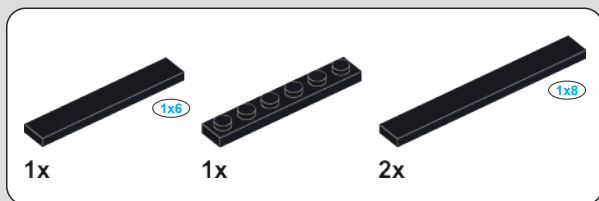
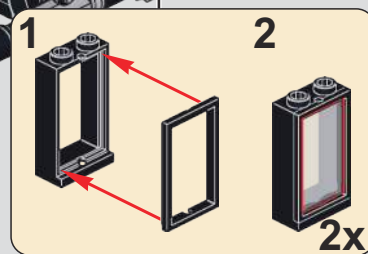
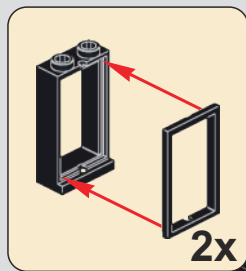
1

2

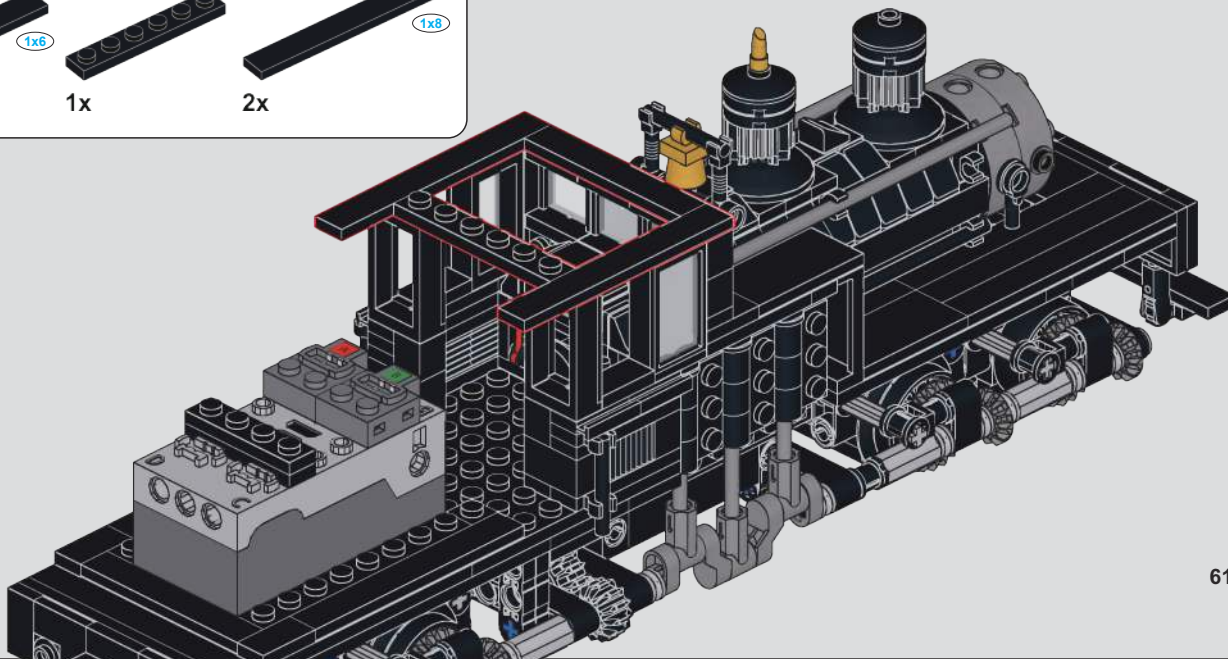
3x

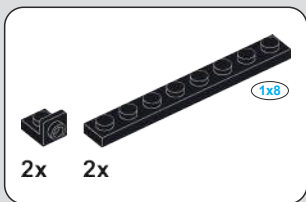


153

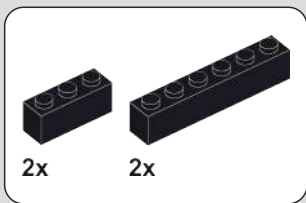
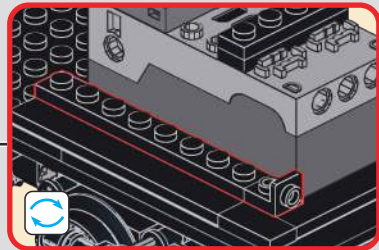
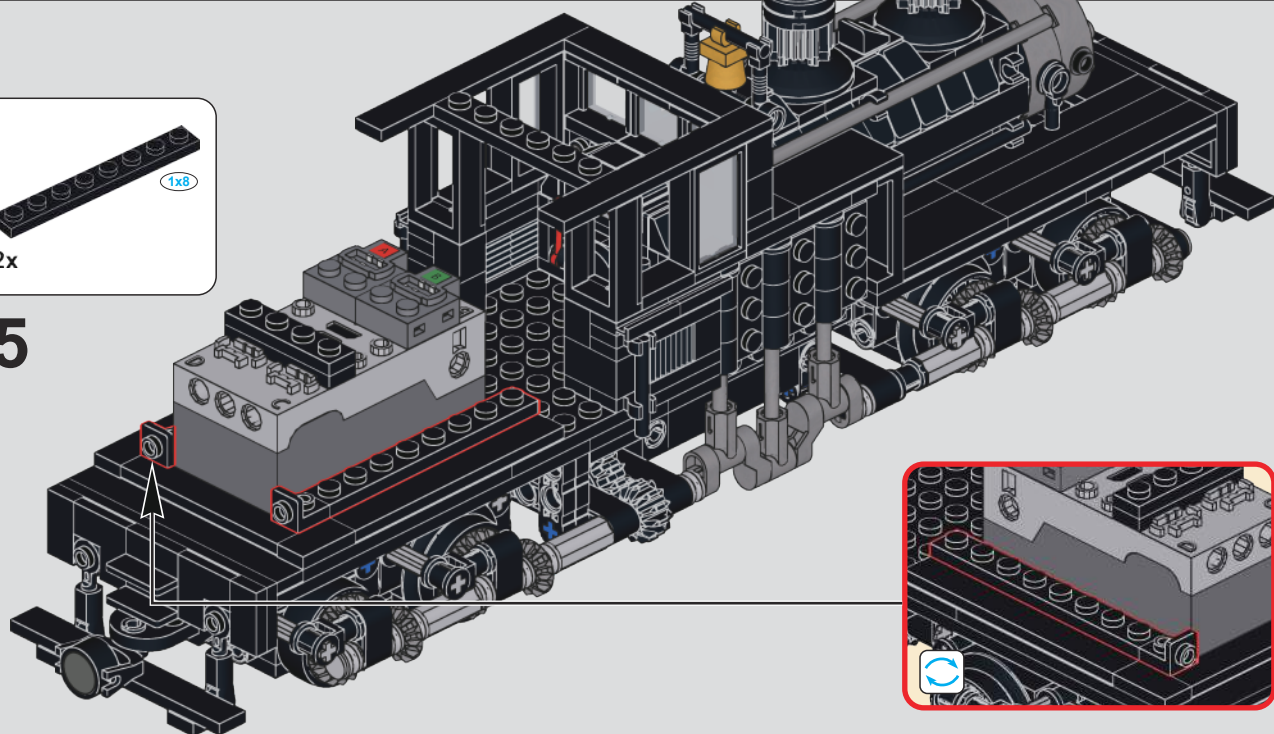


154

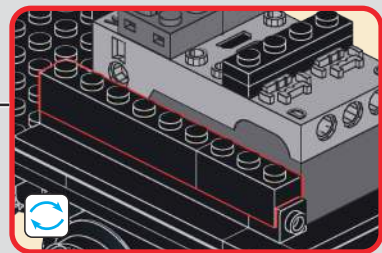
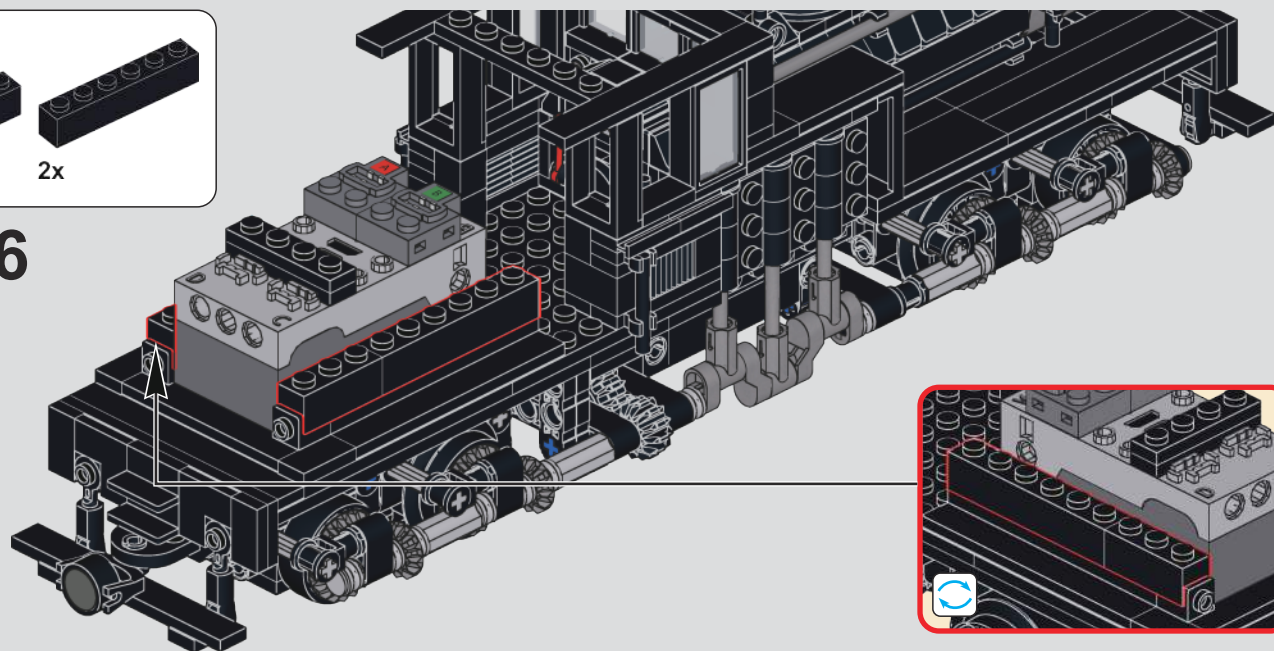


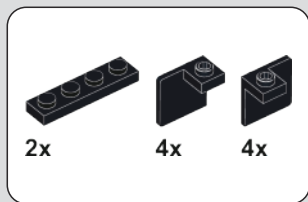


155

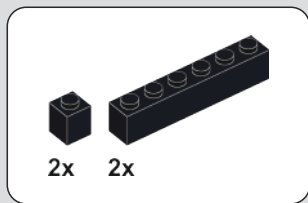
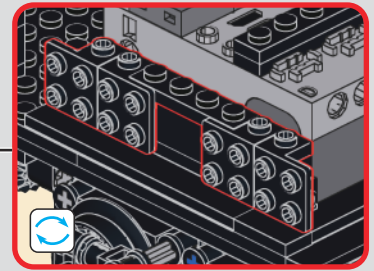
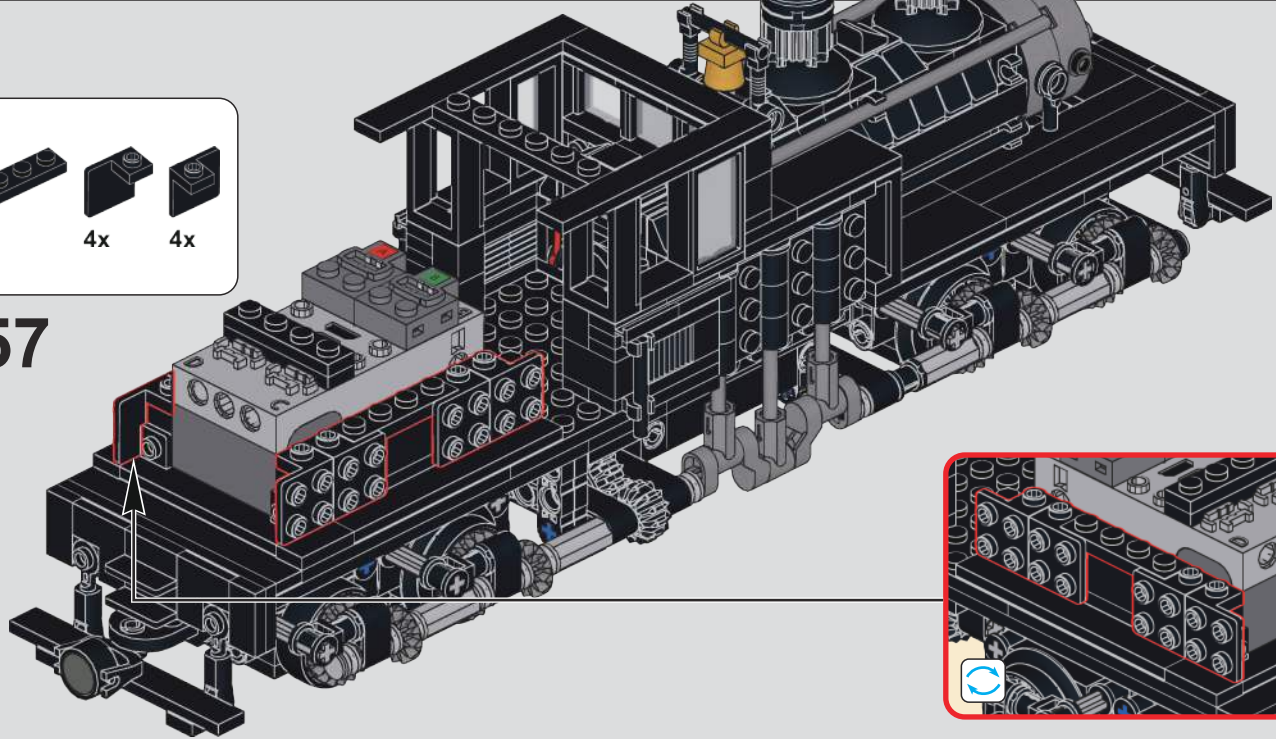


156

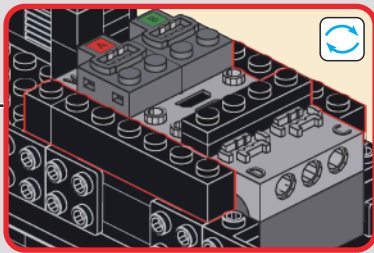
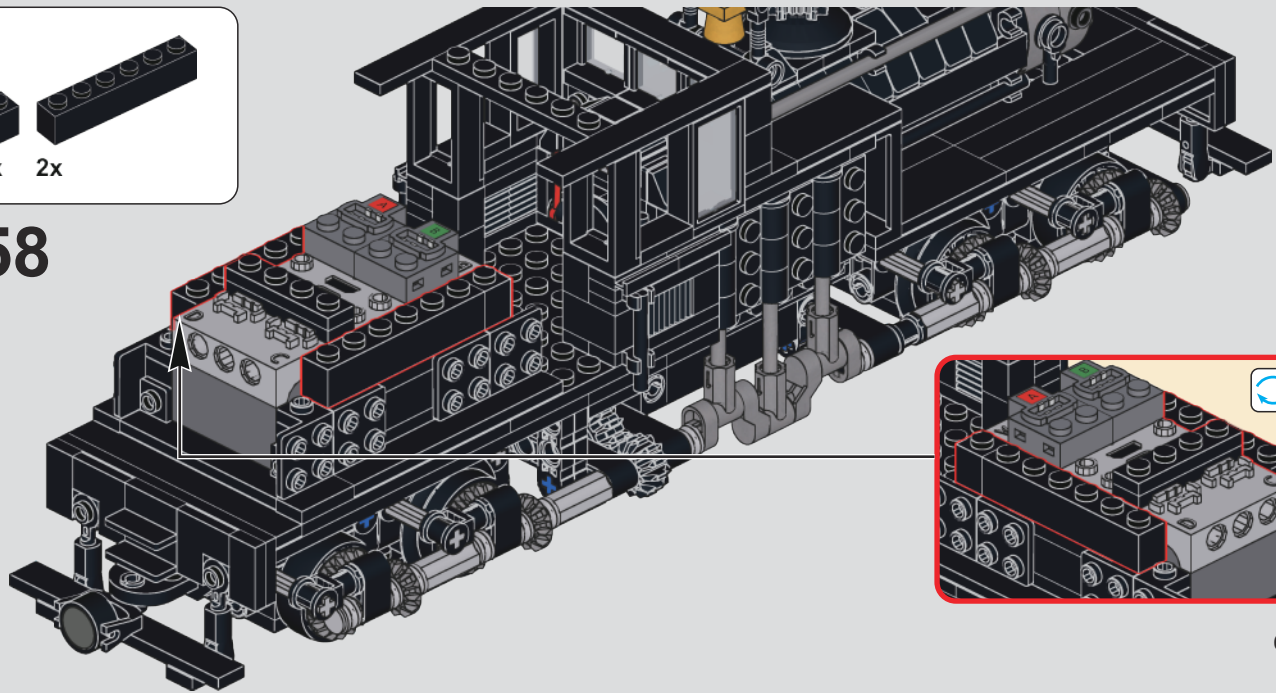




157



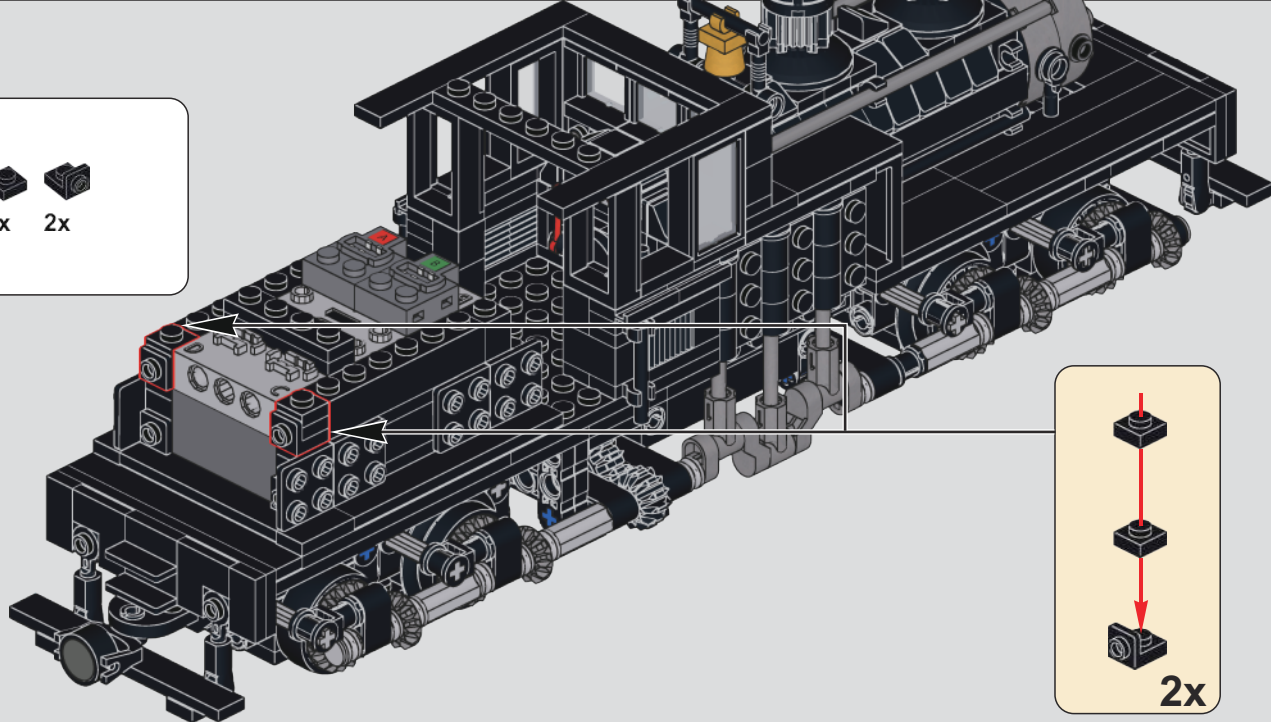
158





4x 2x

159

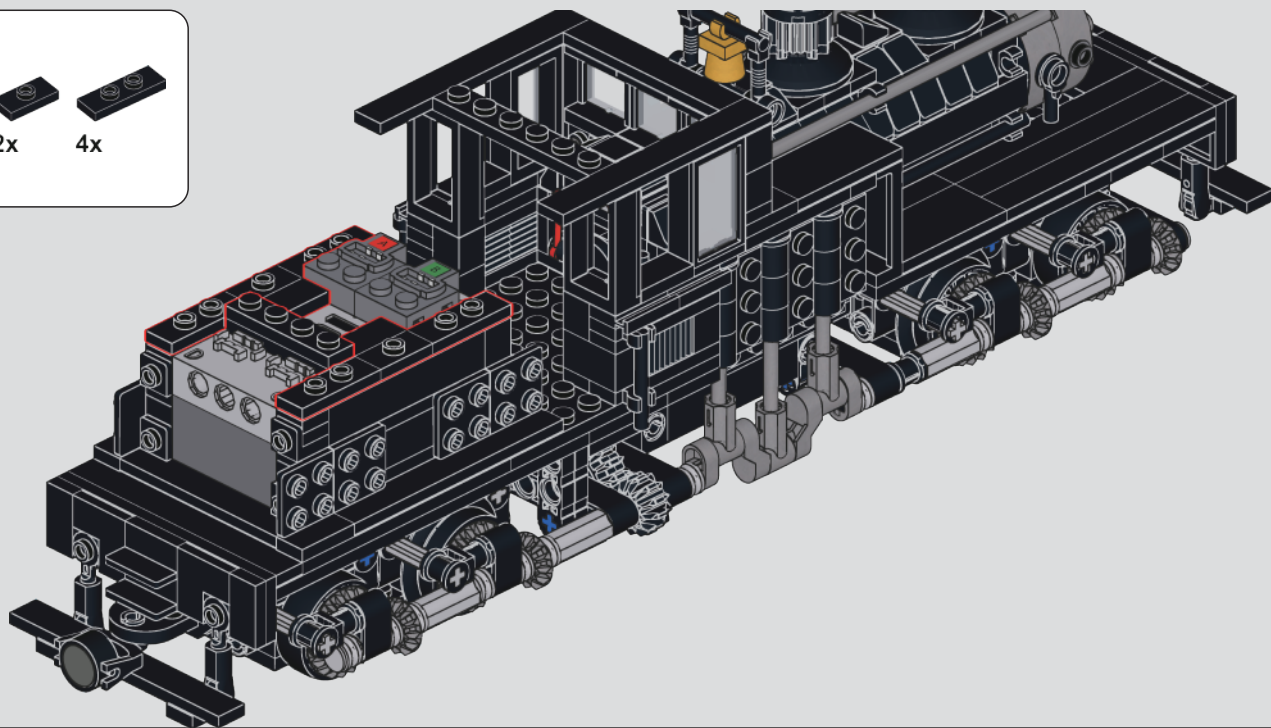


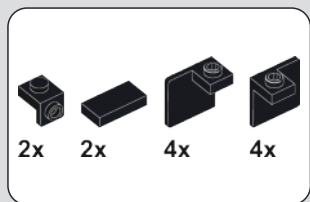
2x



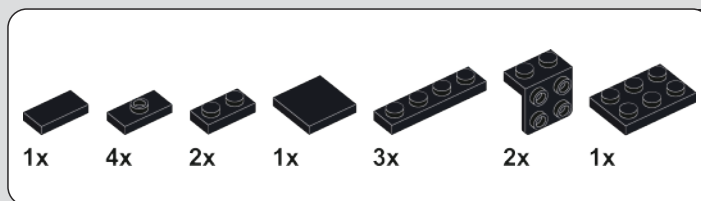
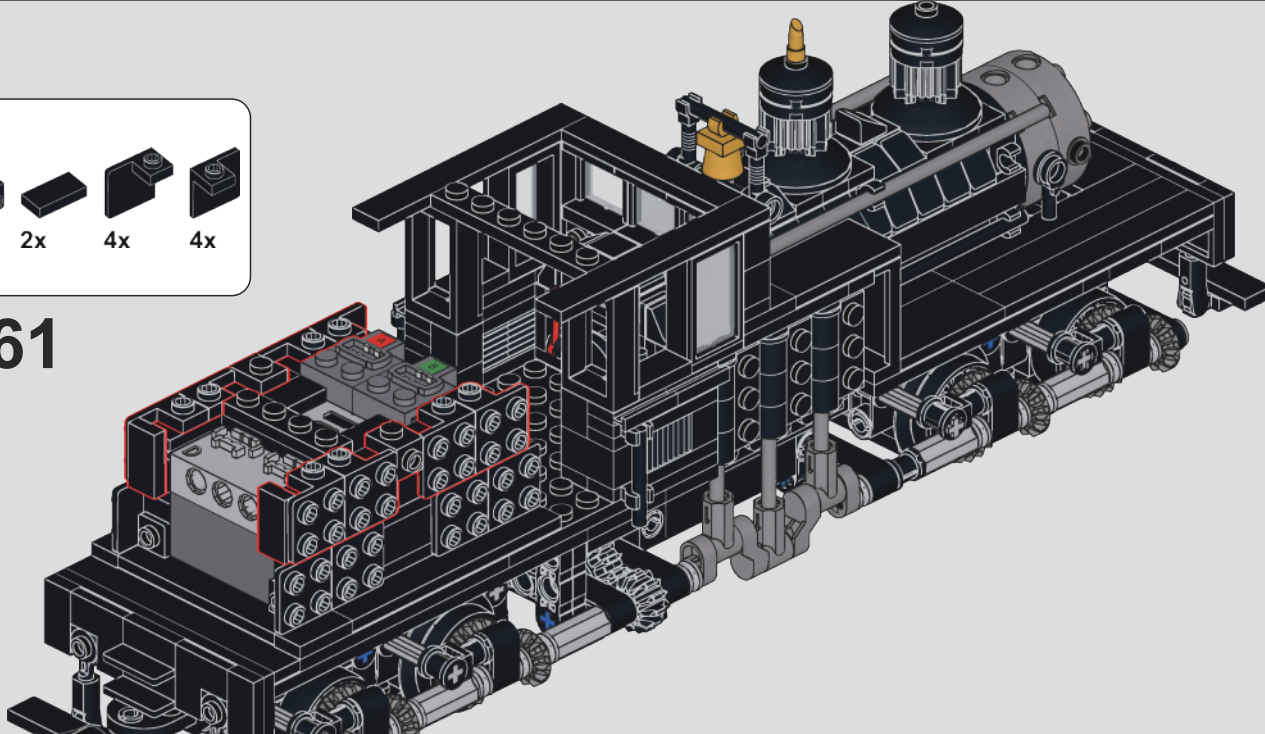
2x 2x 4x

160

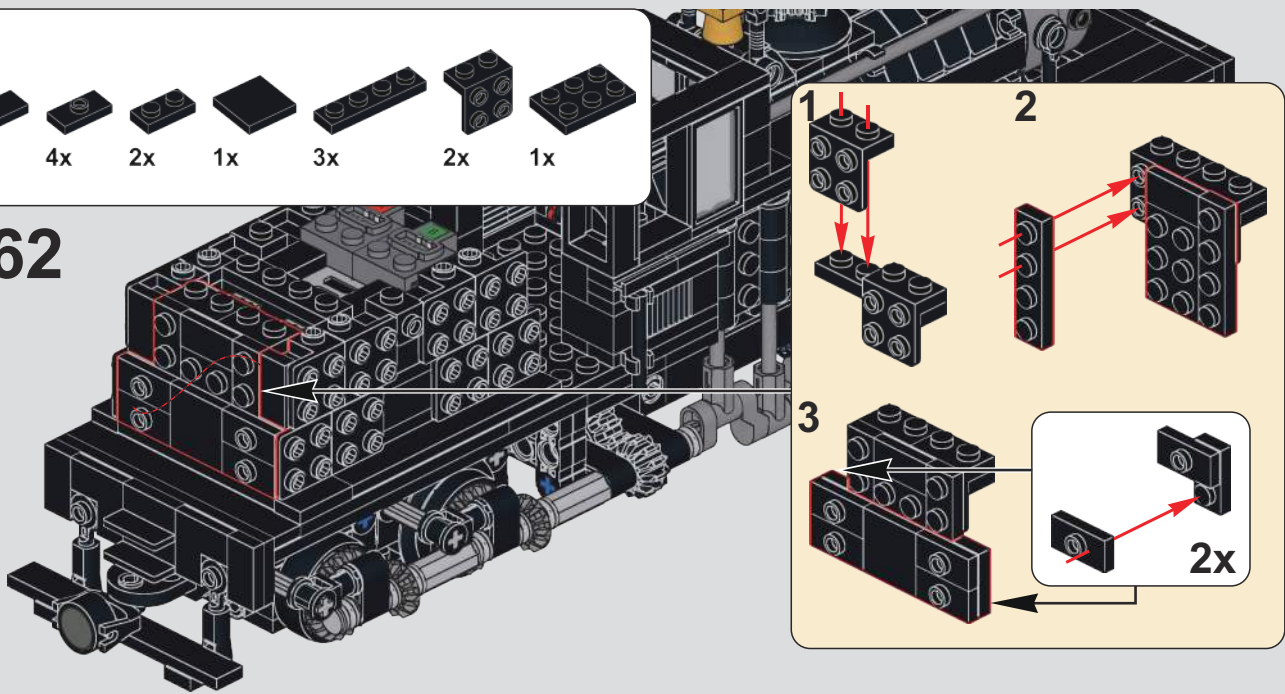


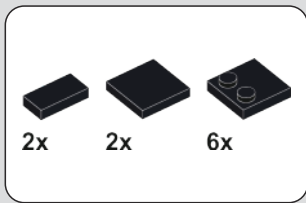


161

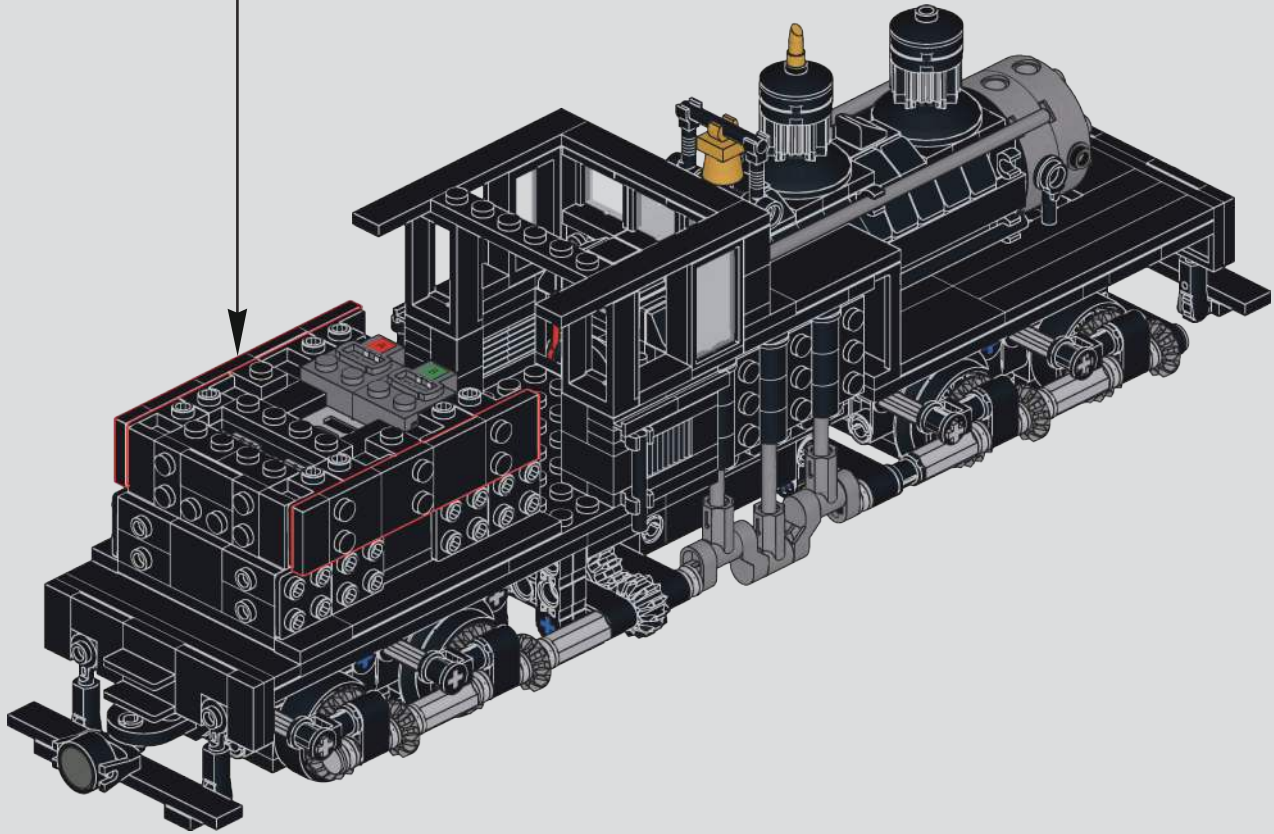
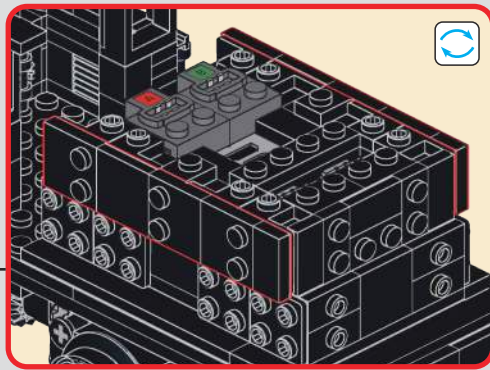


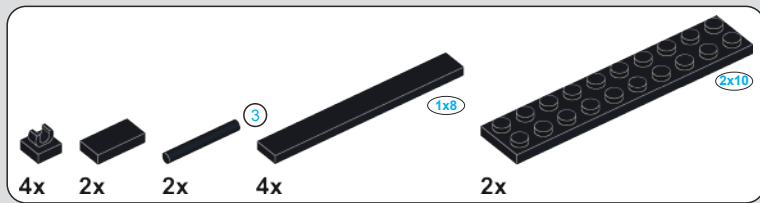
162





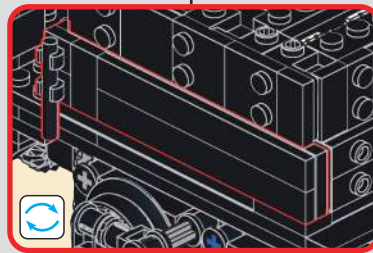
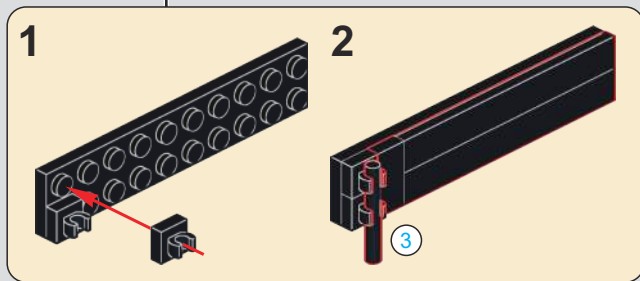
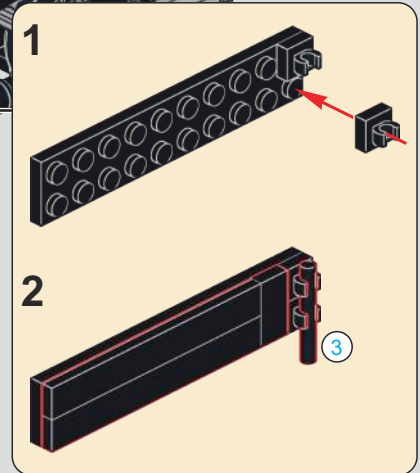
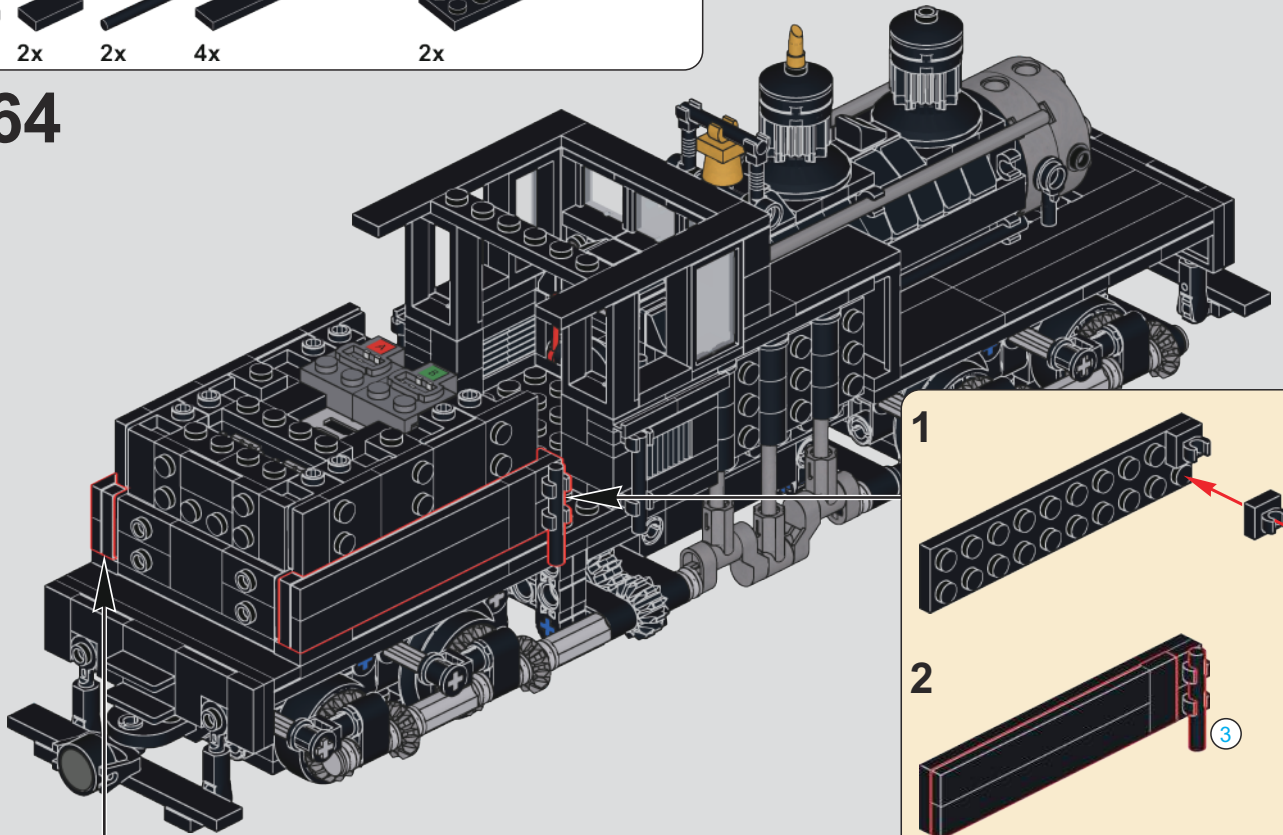
163

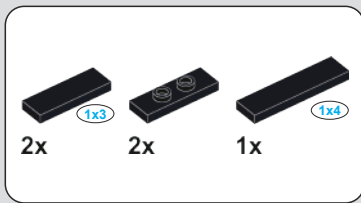




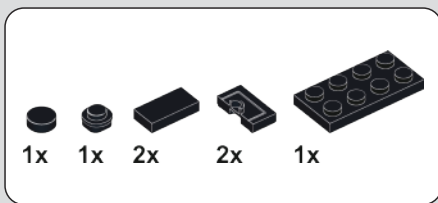
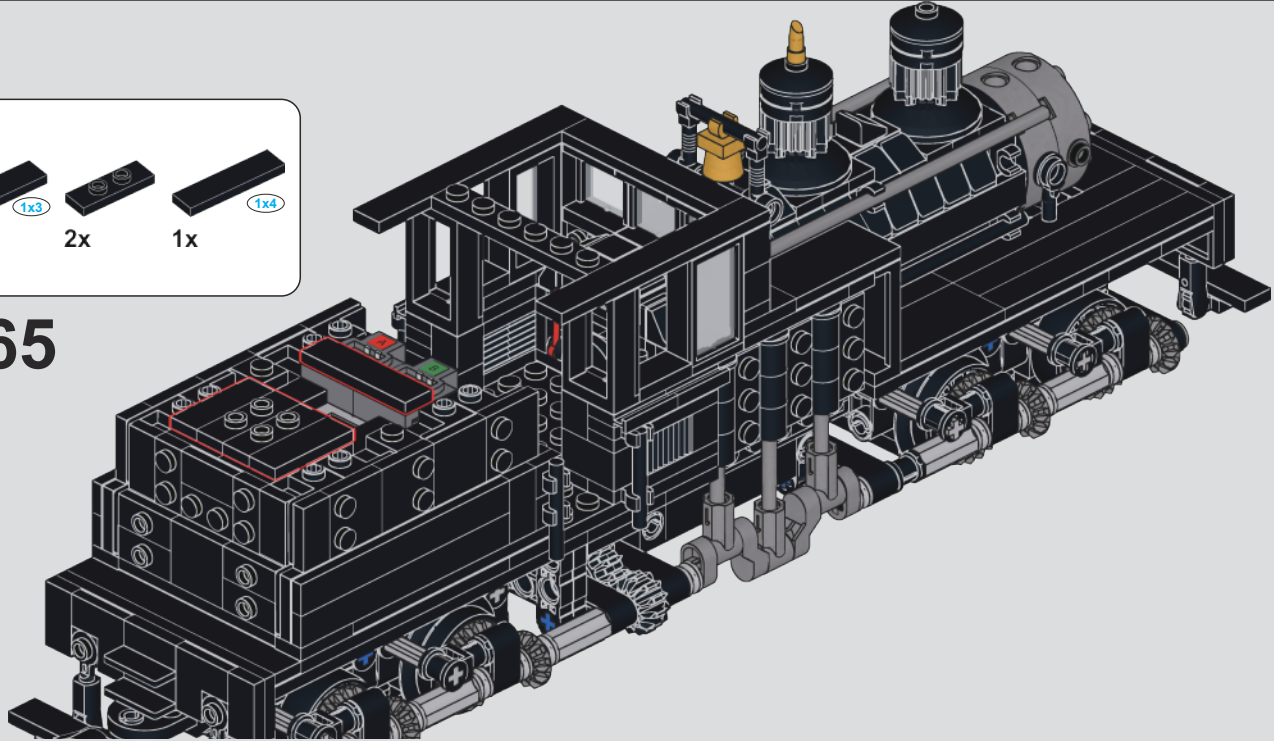
3 1:1

164

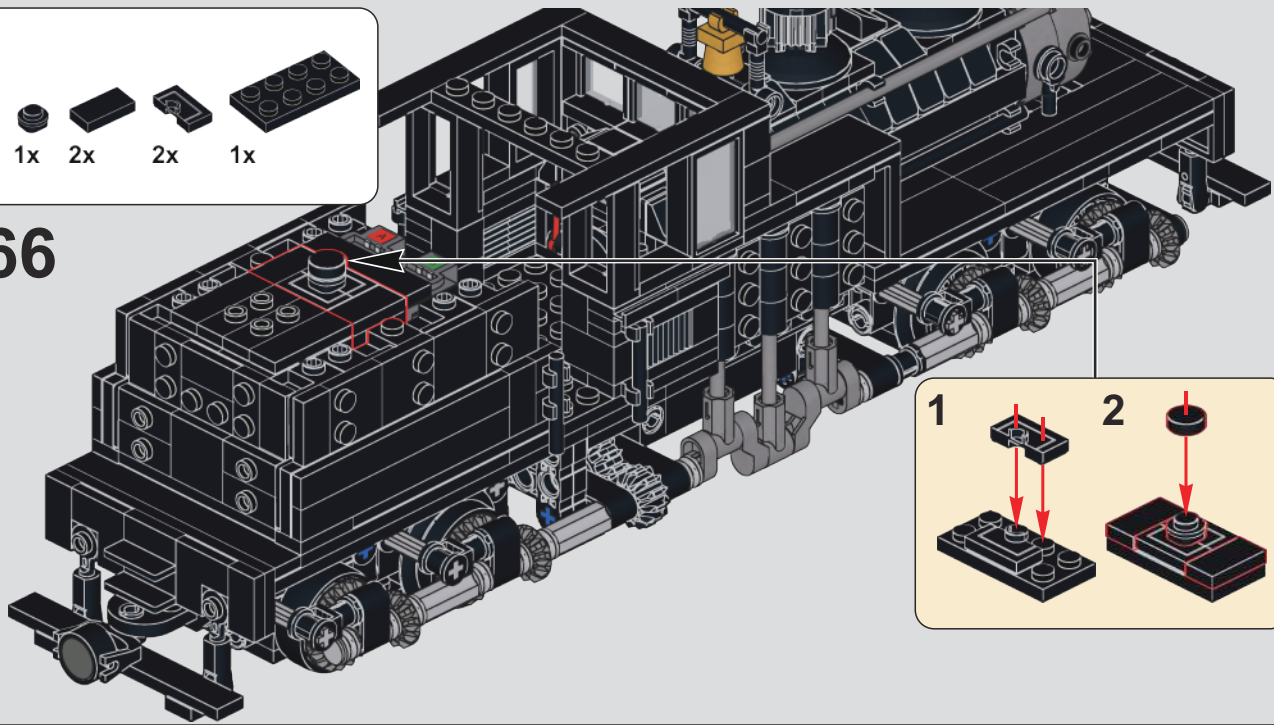


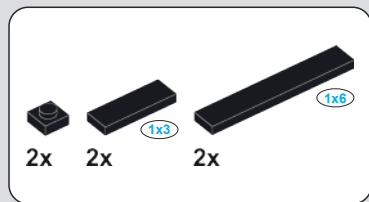


165

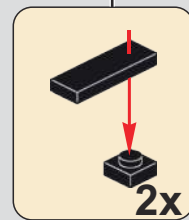
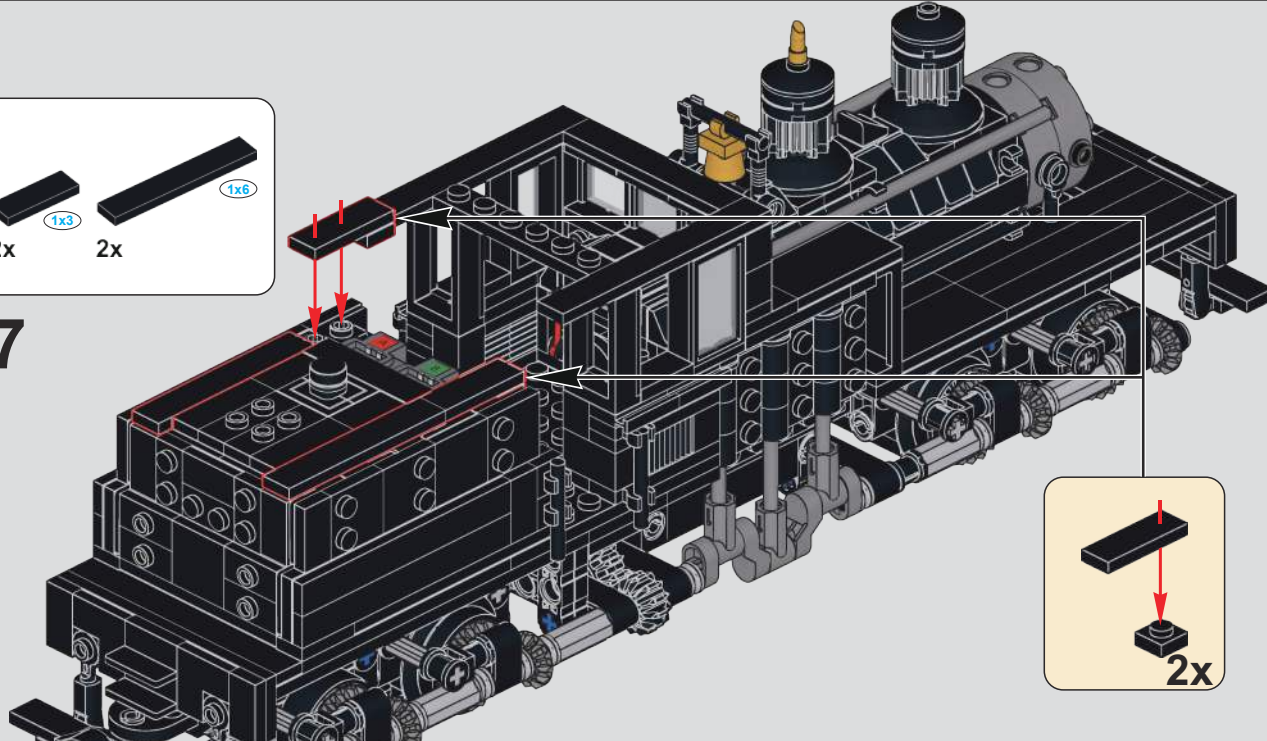


166

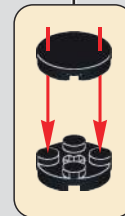
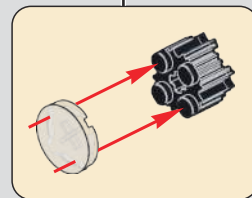
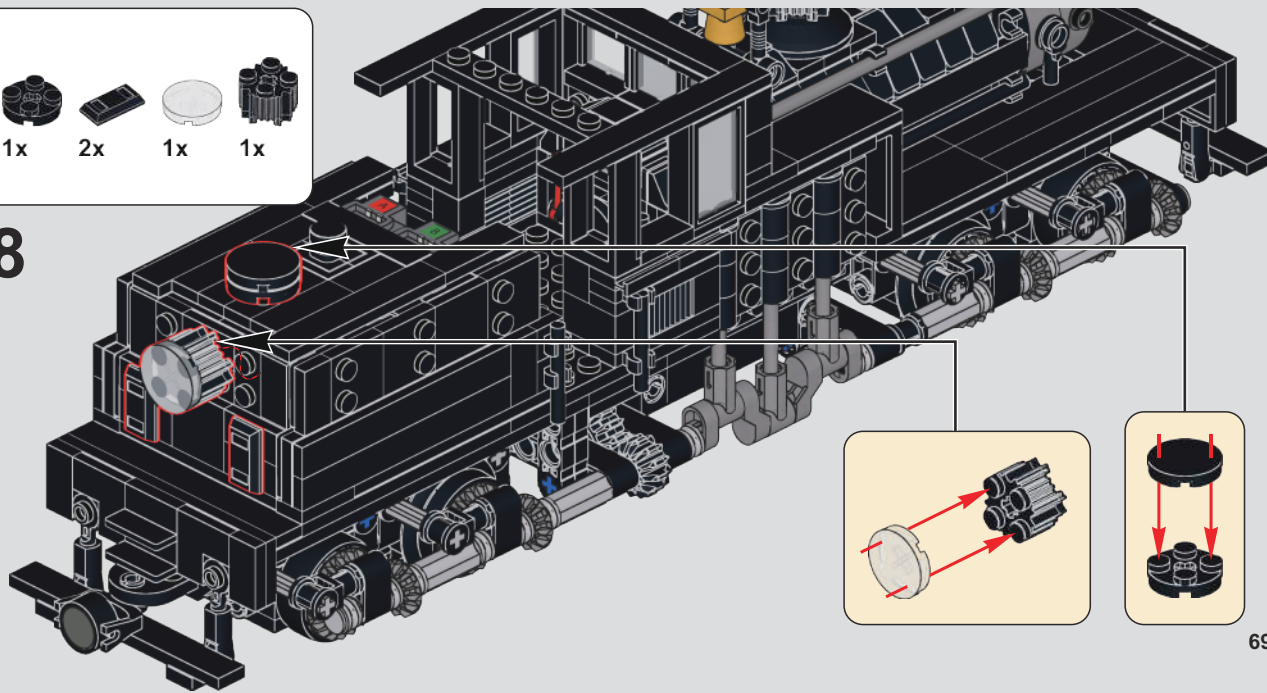


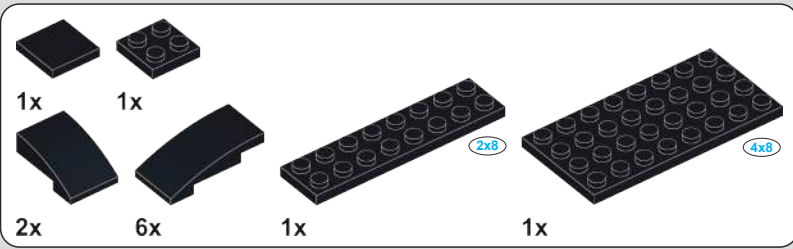


167

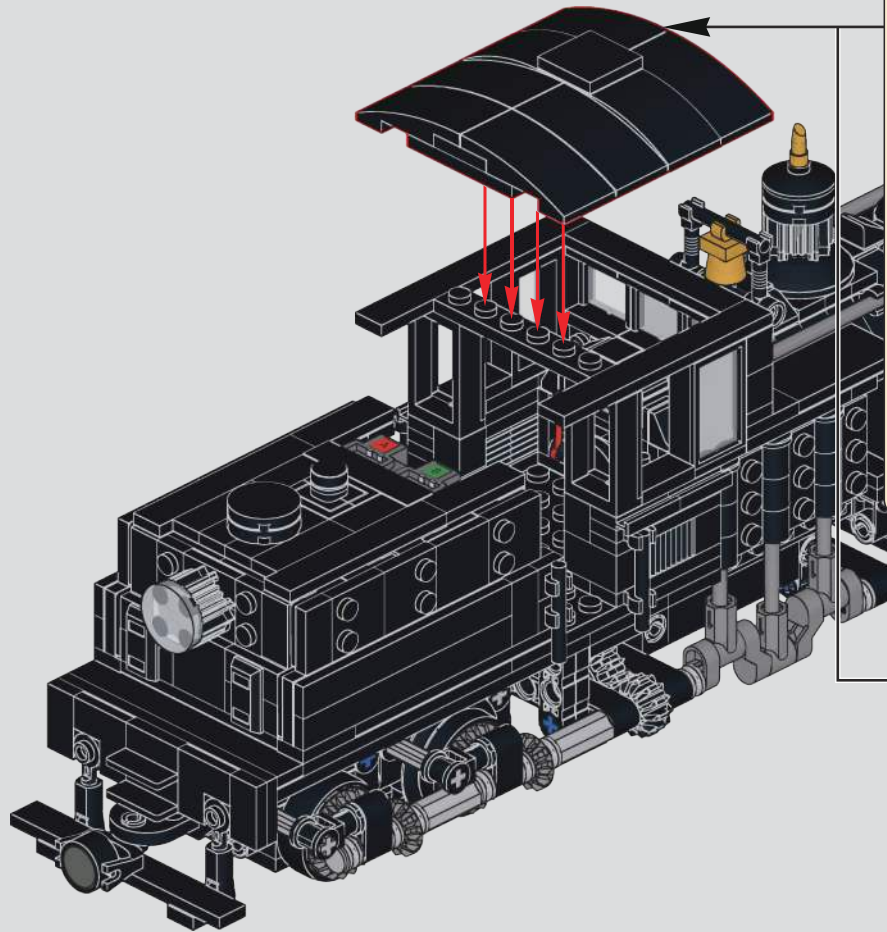
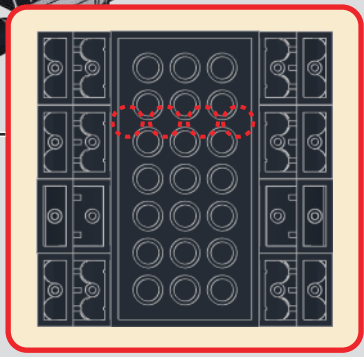
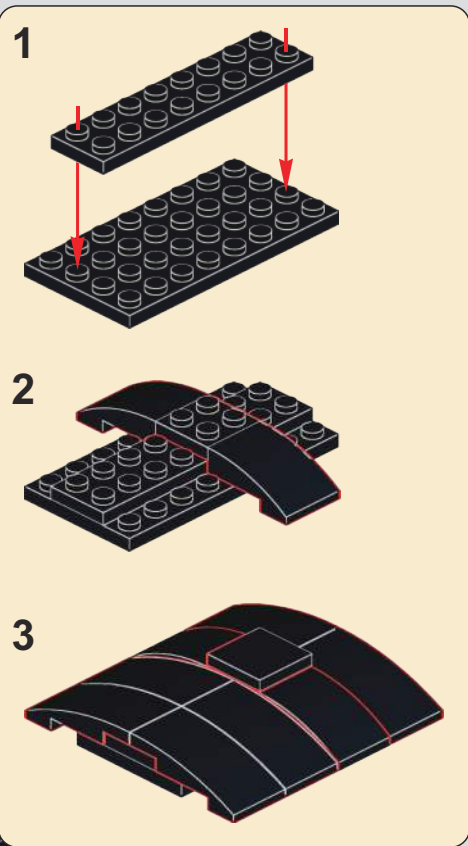


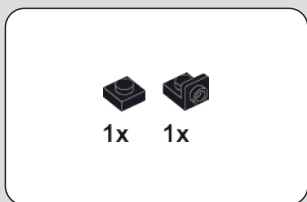
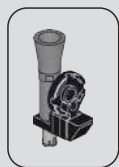
168



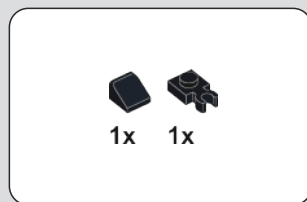
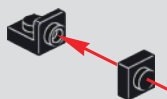


169

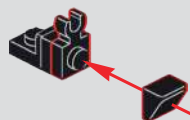




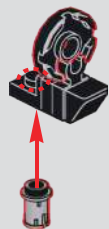
170



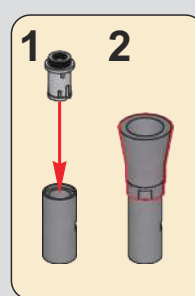
171

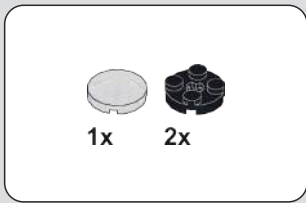


172

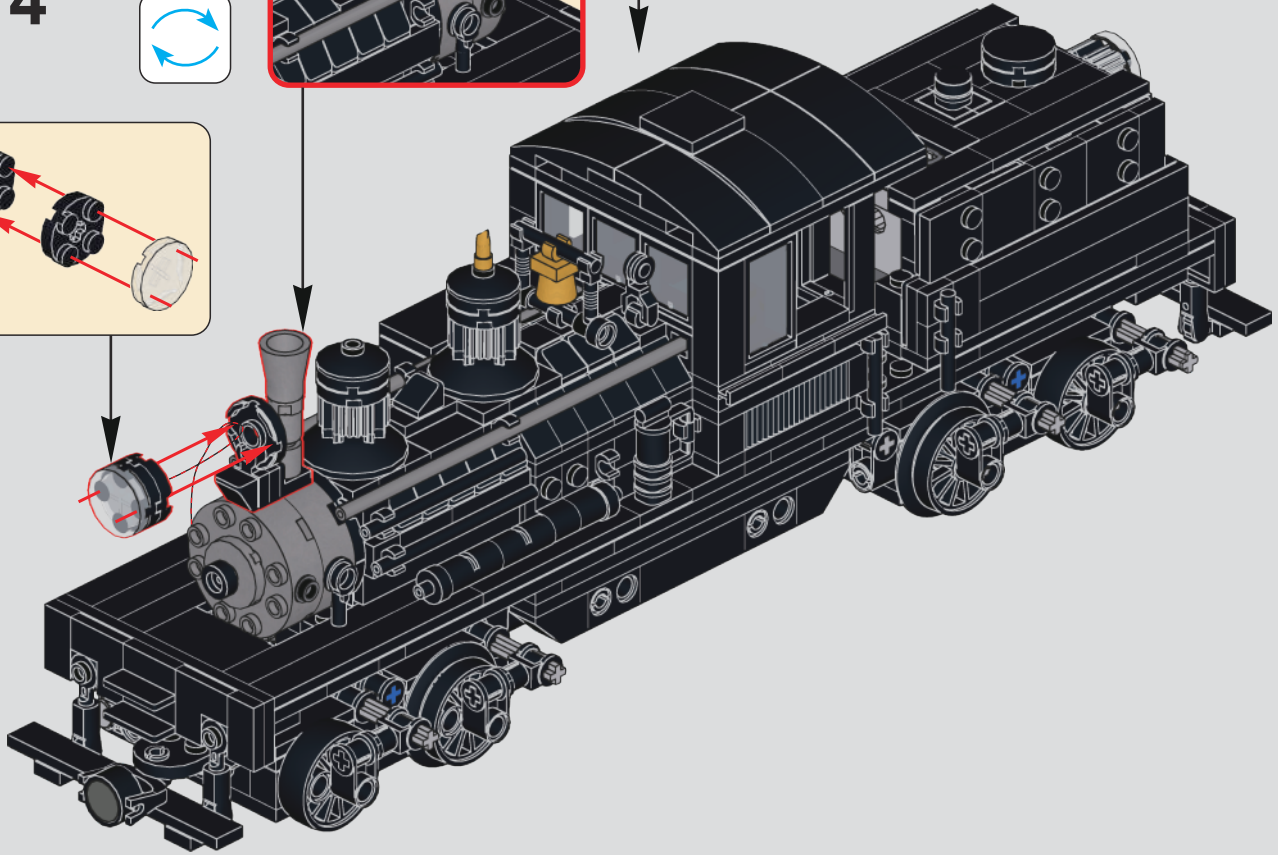
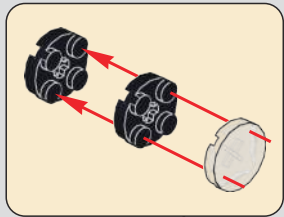
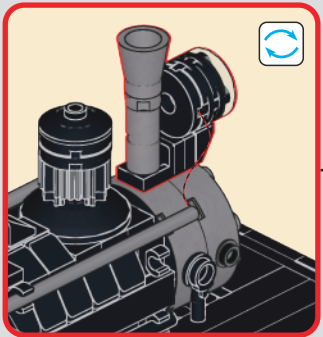


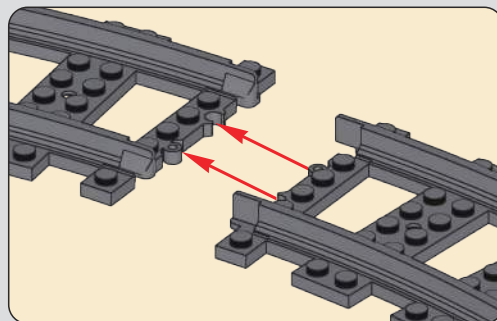
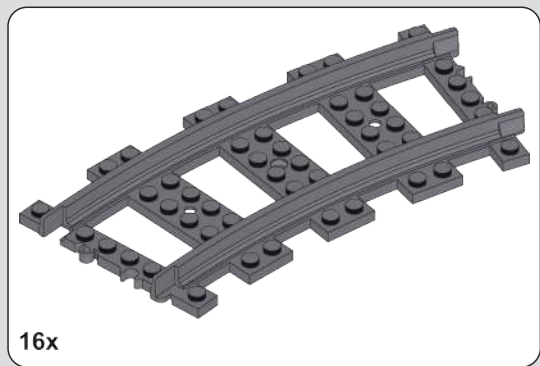
173



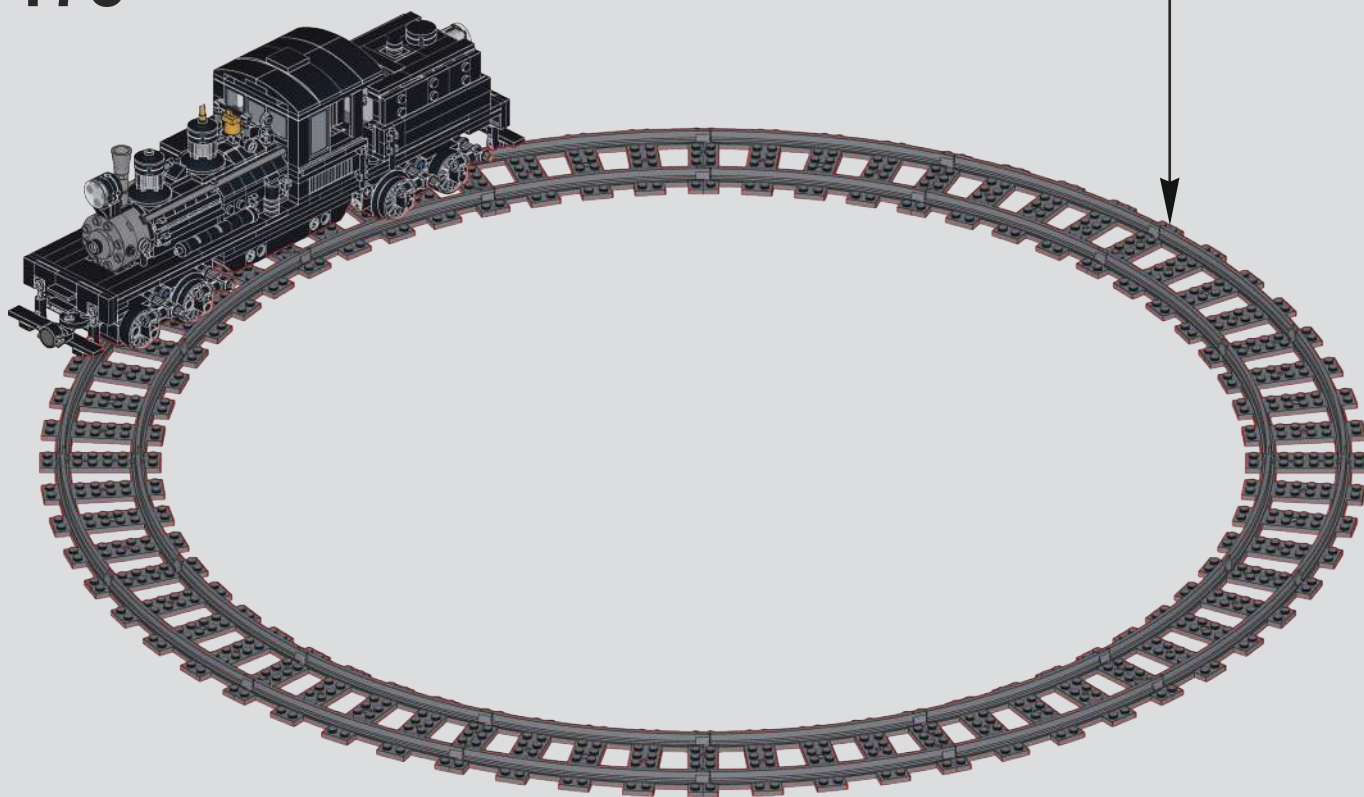


174

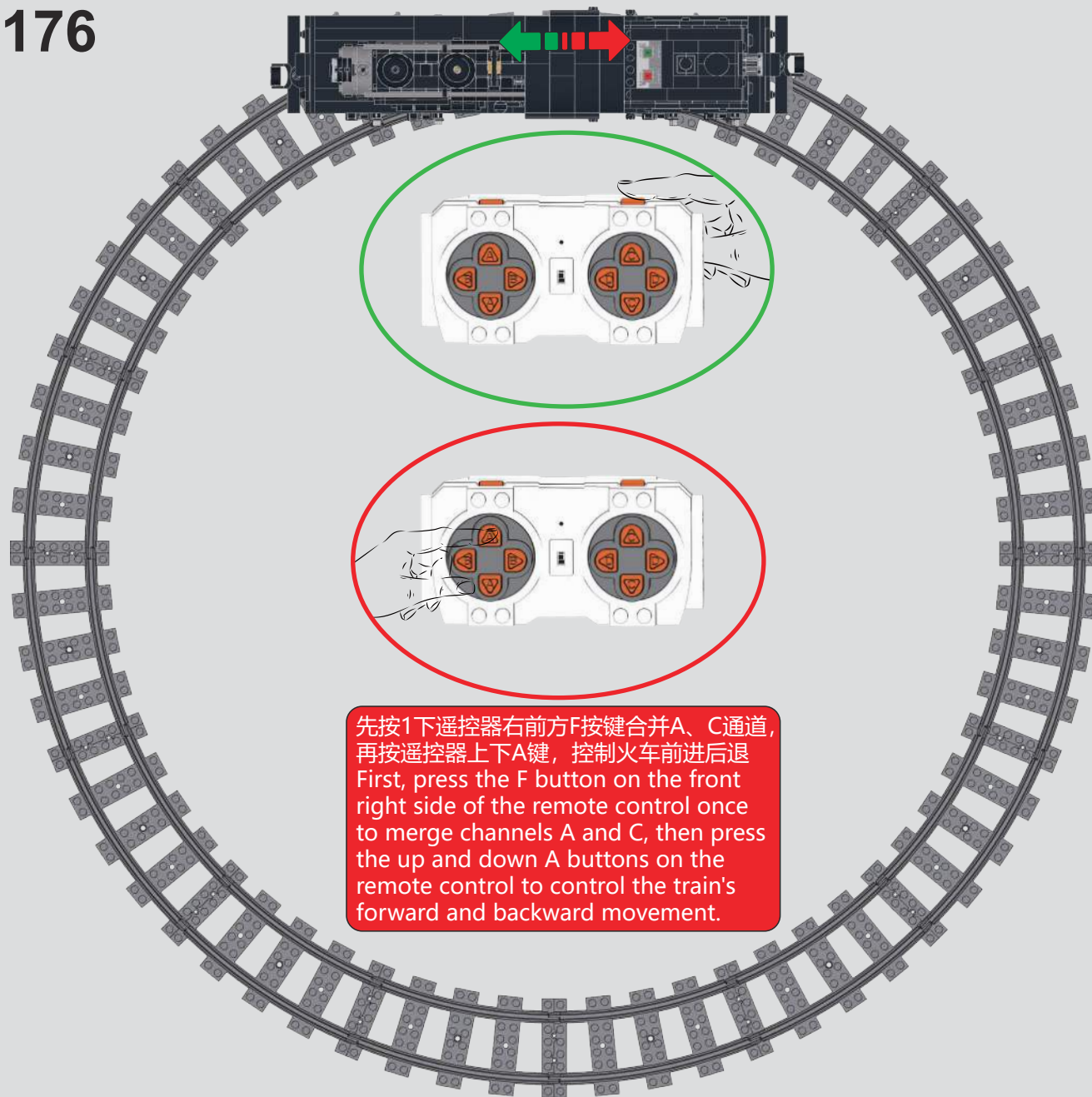




175

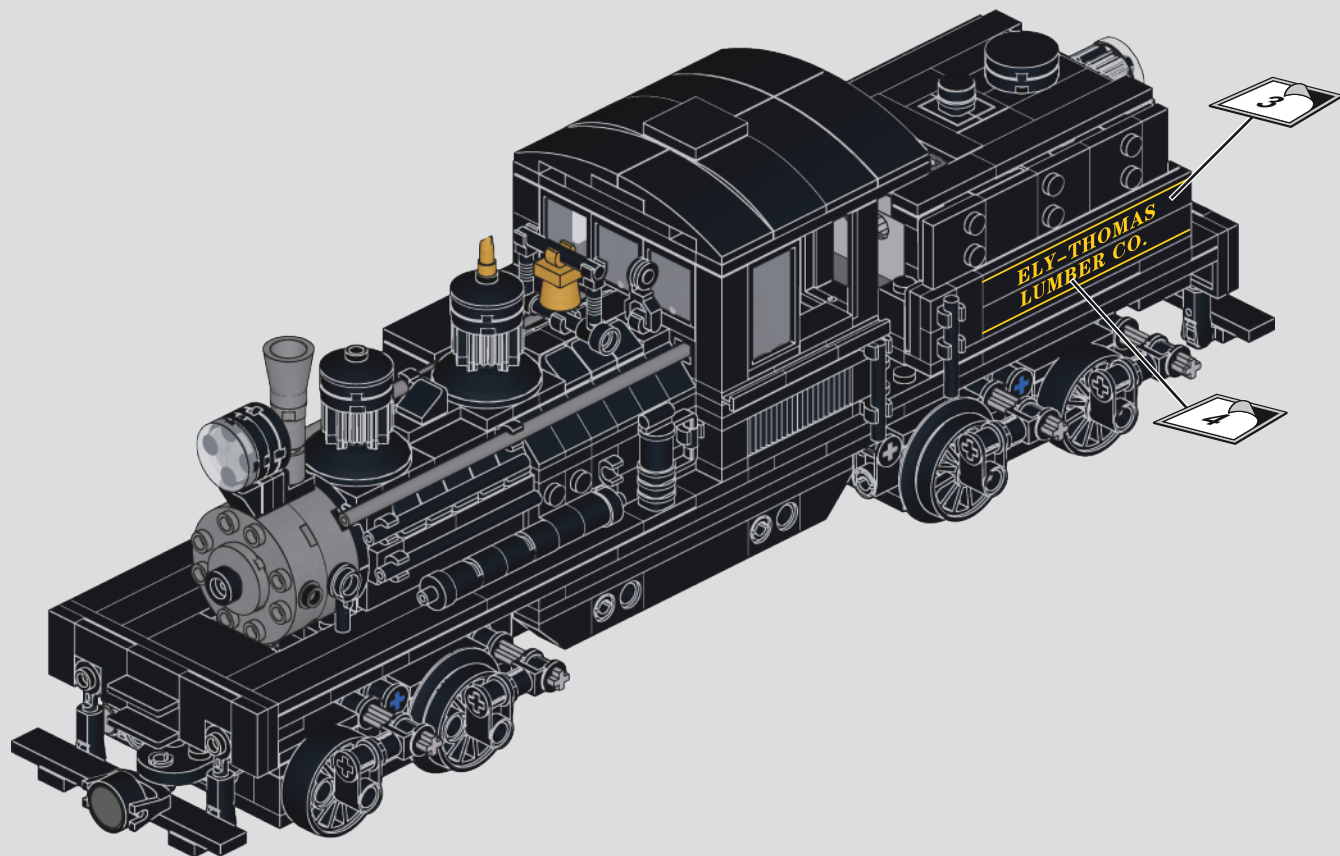


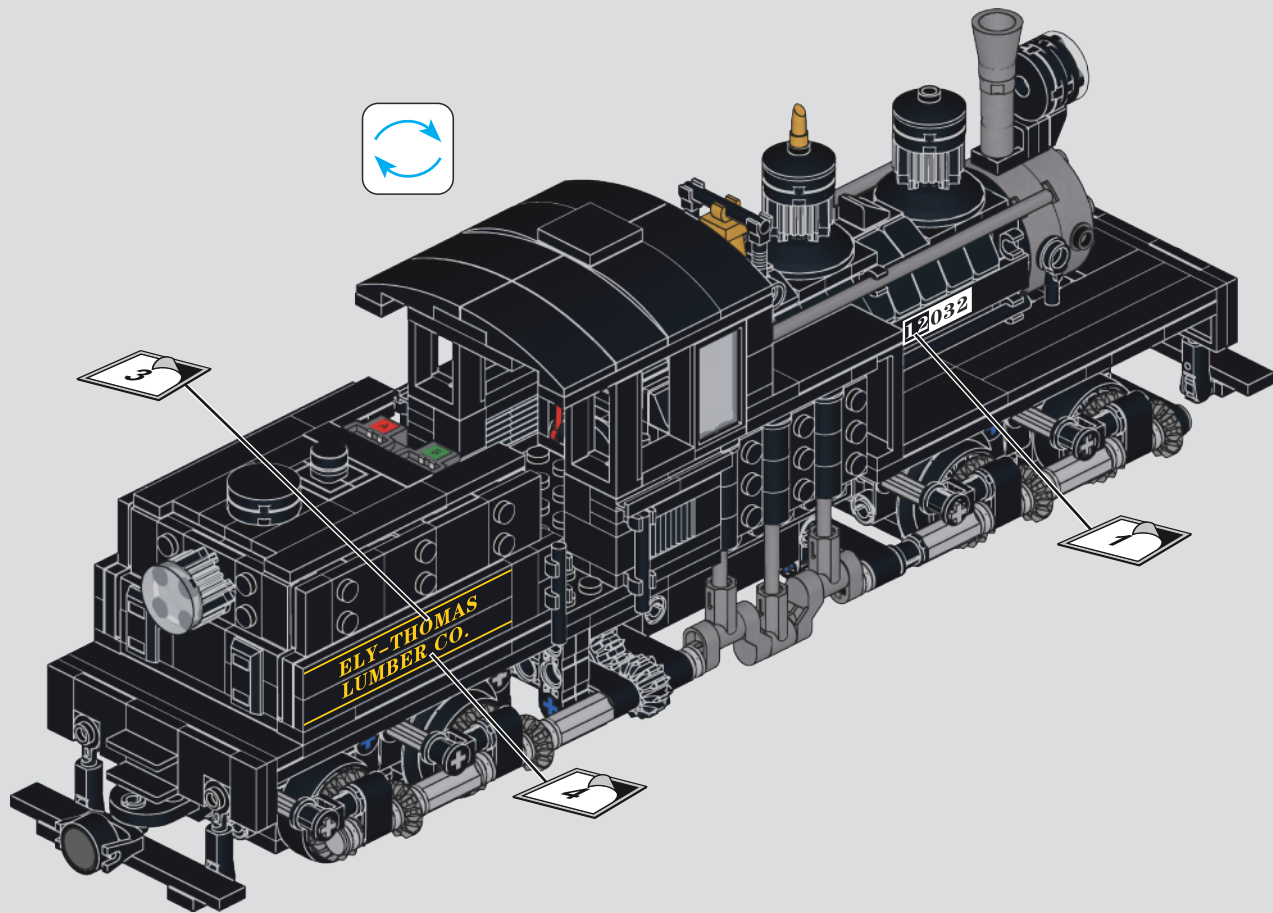
176



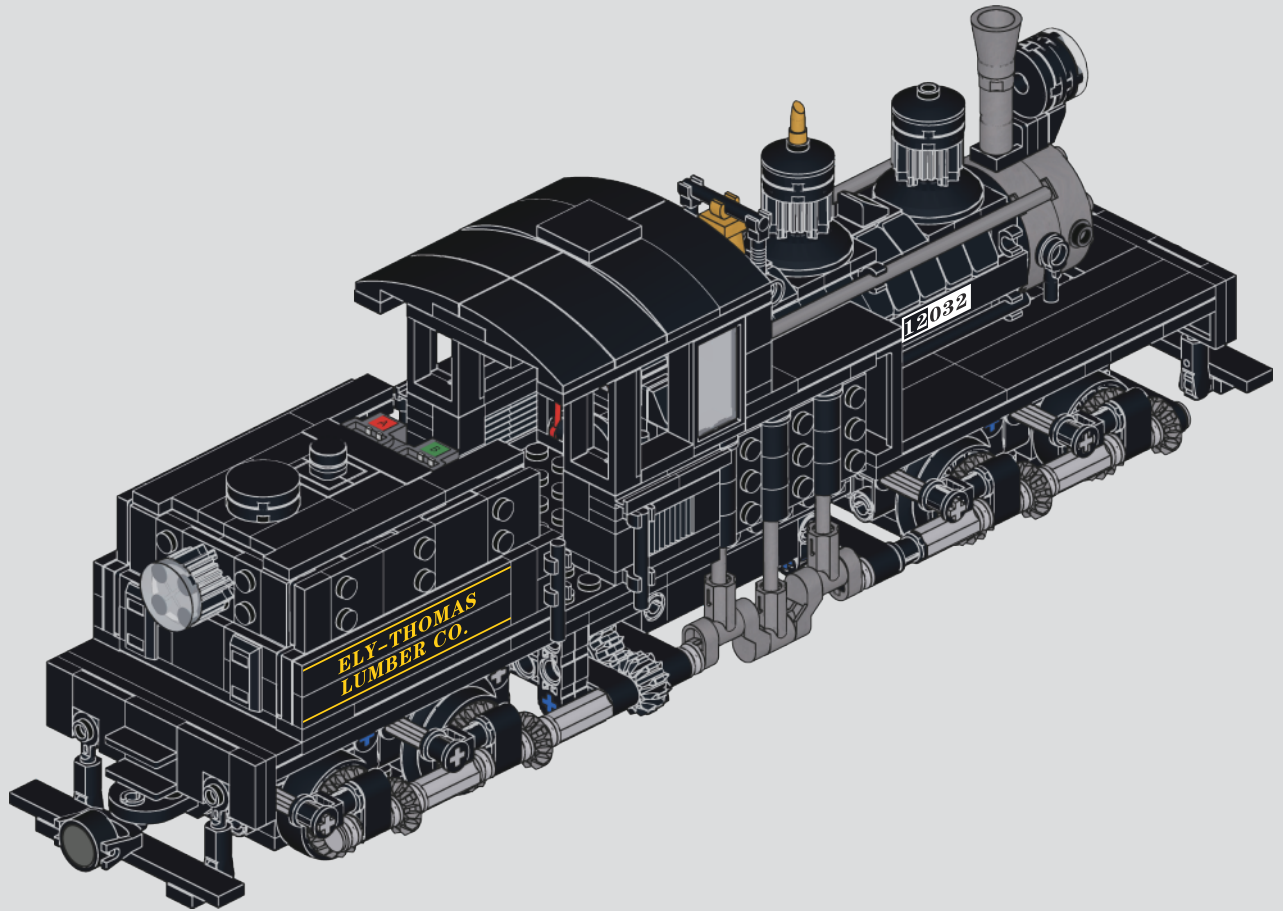
先按1下遥控器右前方F按键合并A、C通道，再按遥控器上下A键，控制火车前进后退
First, press the F button on the front right side of the remote control once to merge channels A and C, then press the up and down A buttons on the remote control to control the train's forward and backward movement.

177





179





宇 | 星 | 模 | 王

