

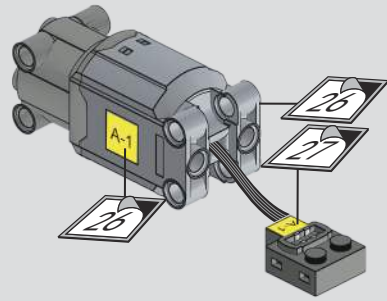
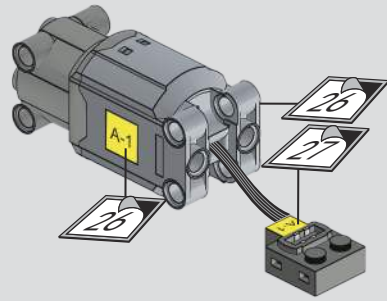
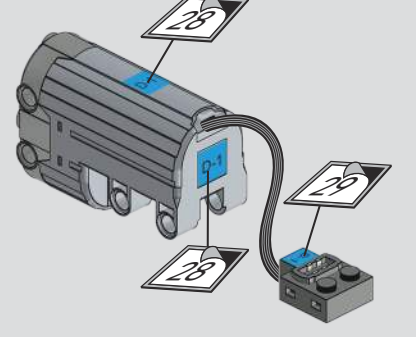
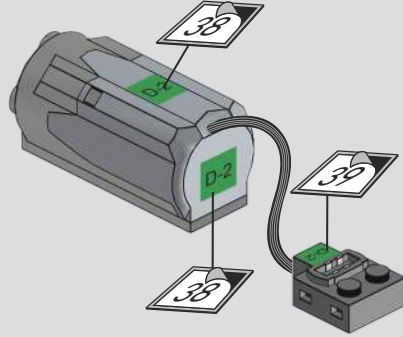
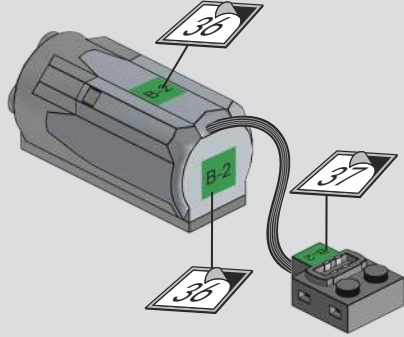
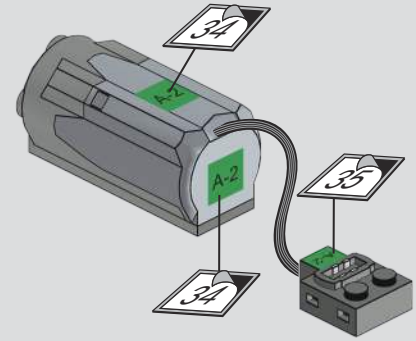
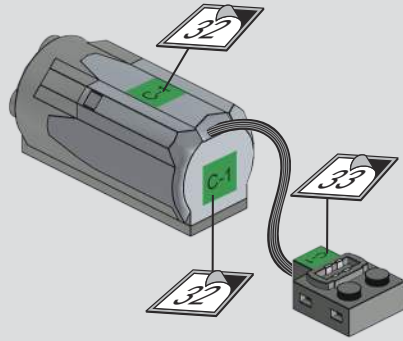
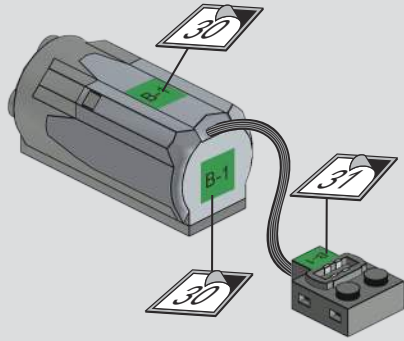
宇星车模
MODELS  **NO. PARMOUNT**

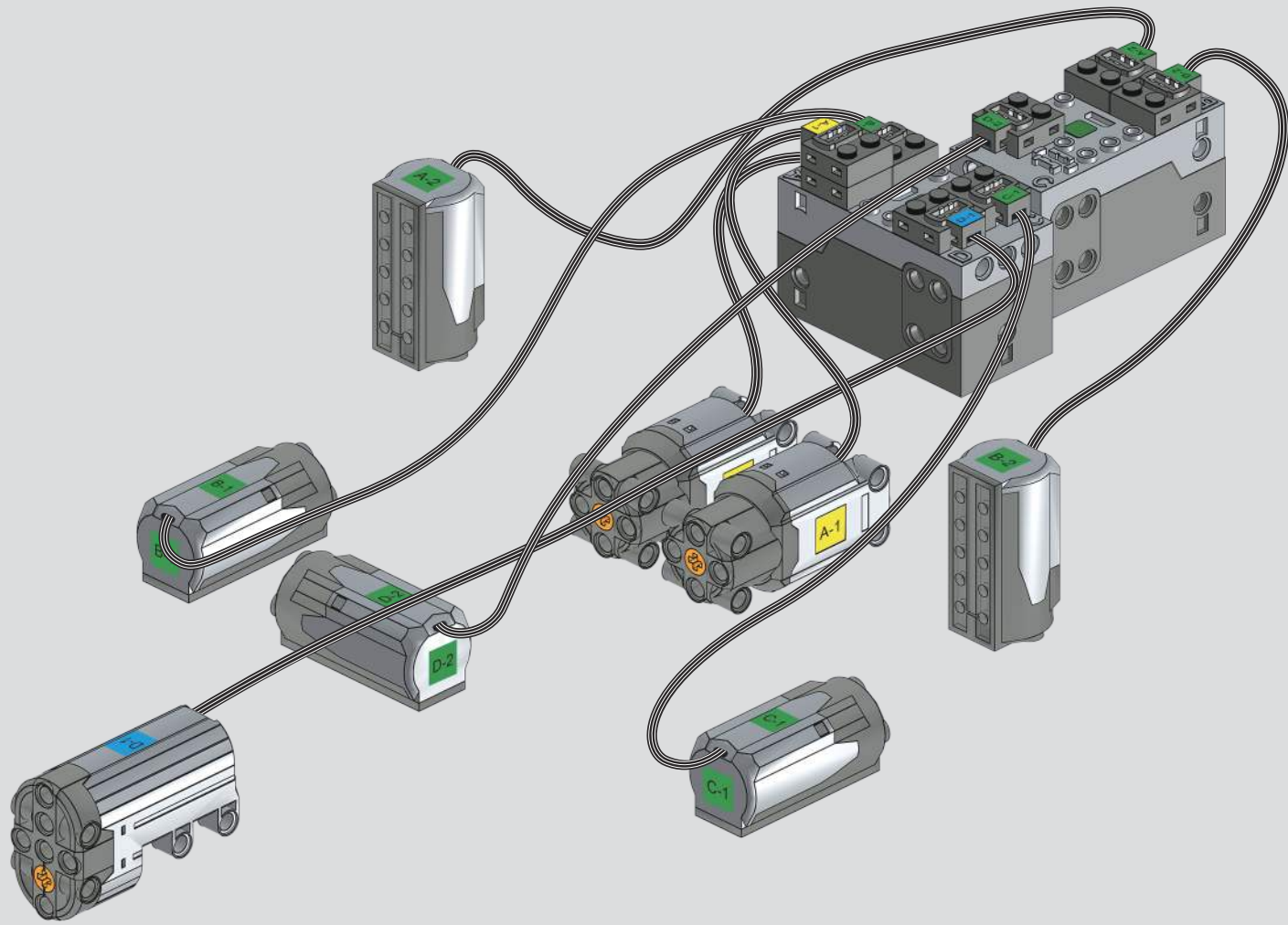
13131D

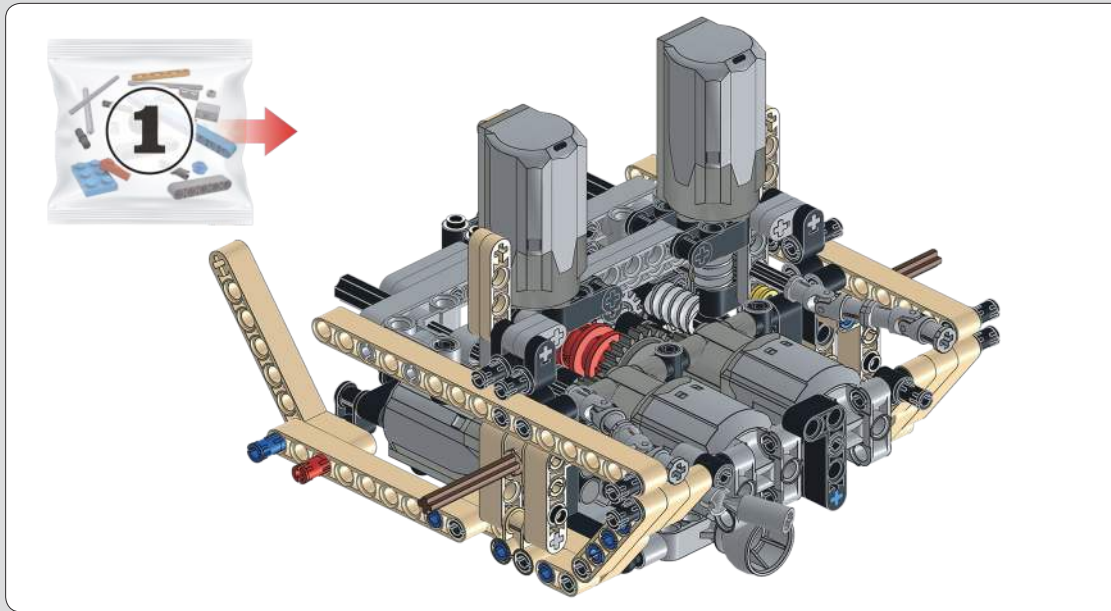
8+ 年龄
Ages/Edades

2057+ Pcs/Pza










派拉蒙动态——此步骤拼装说明
 (请参考: 13131 派拉蒙静态说明
 第5页21-26步)

**PARAMOUNT Dynamic version —This step
 assembly instructions
 (Please refer to: 13131 PARAMOUNT Static Edition
 Page 5 21-26steps)**

1

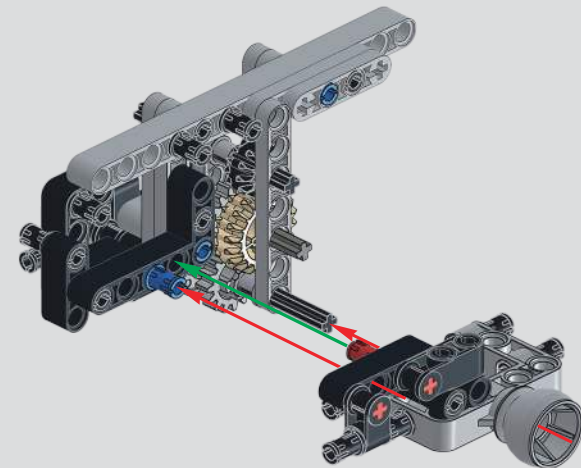


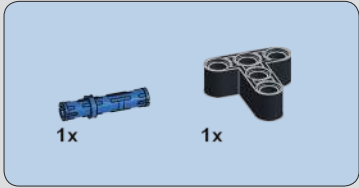
派拉蒙动态——此步骤拼装说明
 (请参考: 13131 派拉蒙静态说明第1-4页)

**PARAMOUNT Dynamic version —This step assembly instructions
 (Please refer to: 13131 PARAMOUNT Static Edition Page 1-4)**

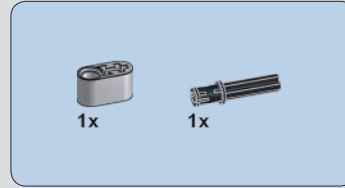
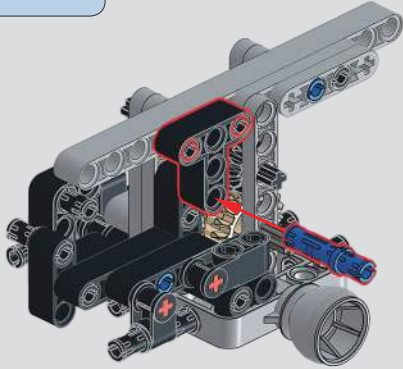
2

3

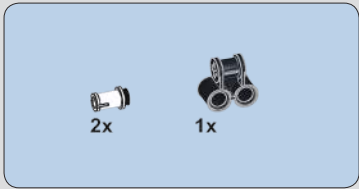
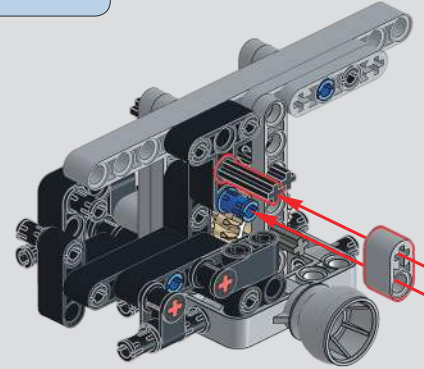




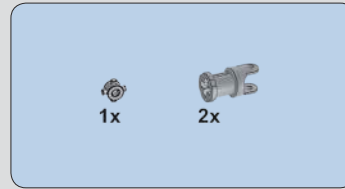
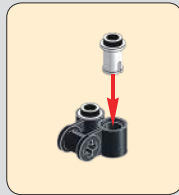
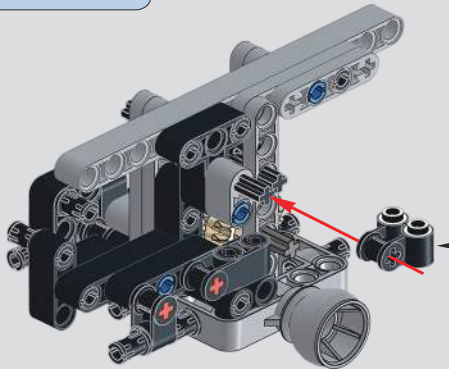
4



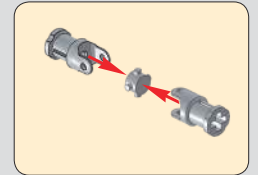
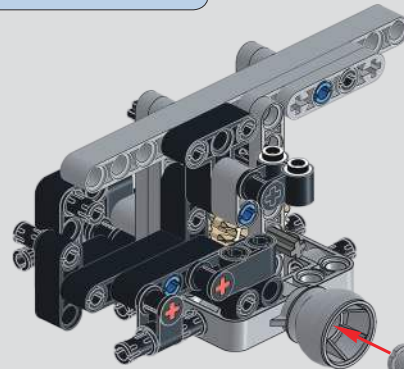
5



6



7

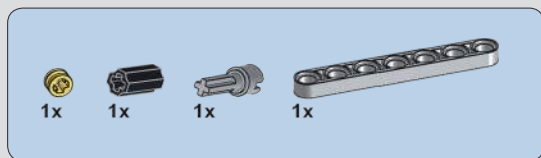
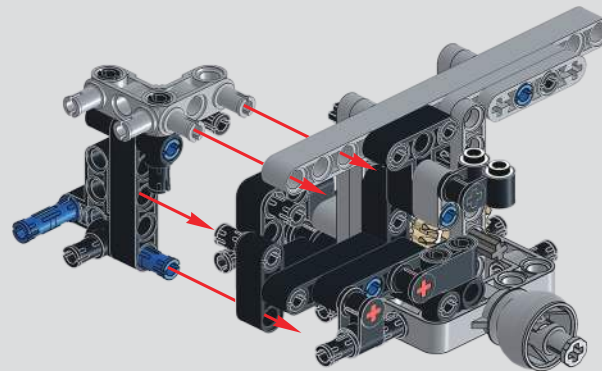


8

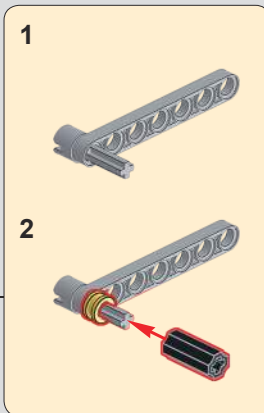
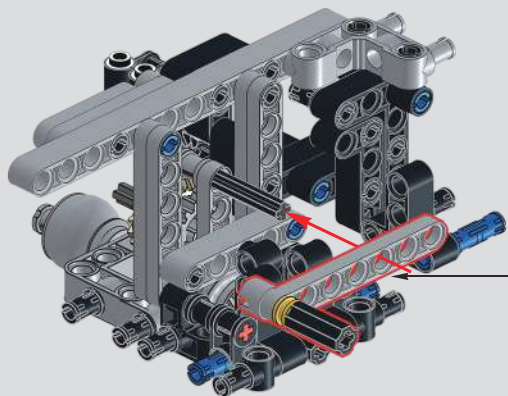


派拉蒙动态——此步骤拼装说明
(请参考: 13131 派拉蒙静态说明第7页37步-第8页41步)

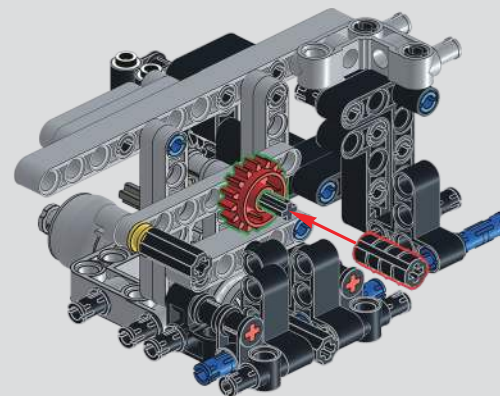
PARAMOUNT Dynamic version ——This step assembly instructions
(Please refer to: 13131 PARAMOUNT Static Edition
Page 7 37steps-Page 8 41steps)

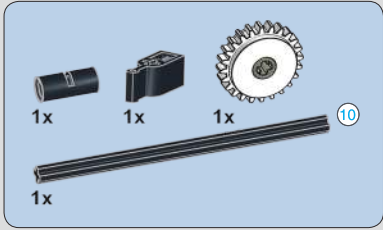


9

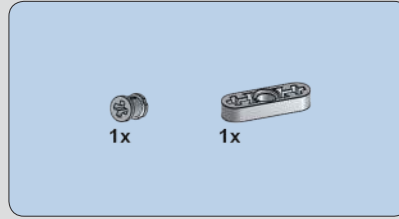
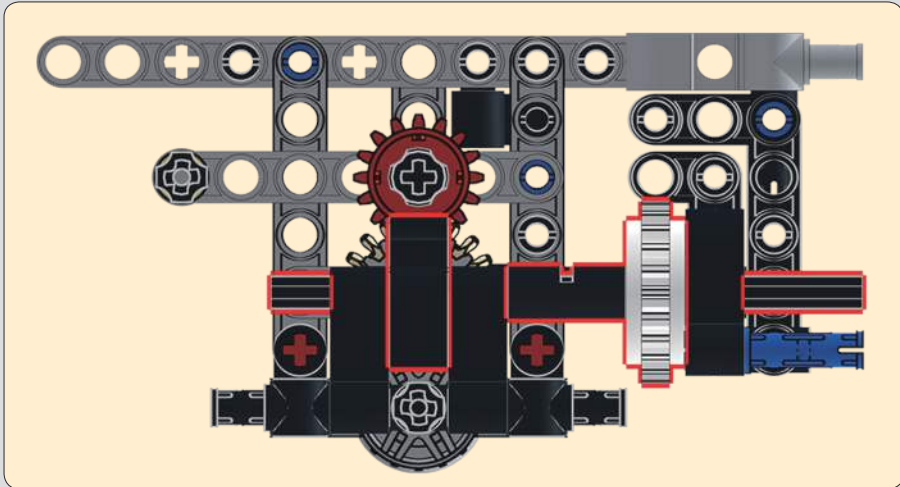
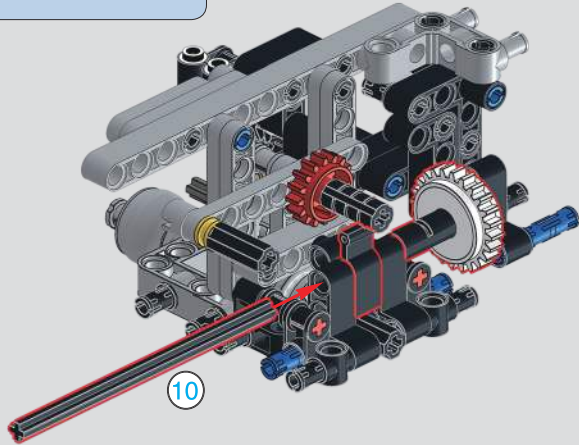


10

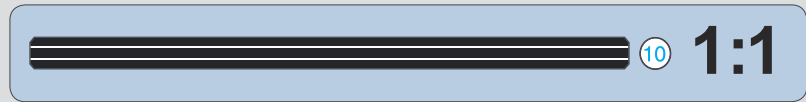
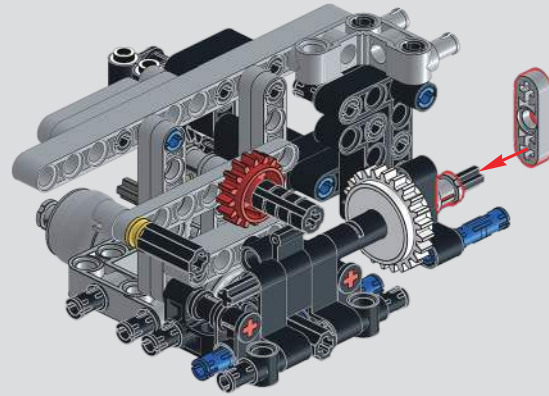


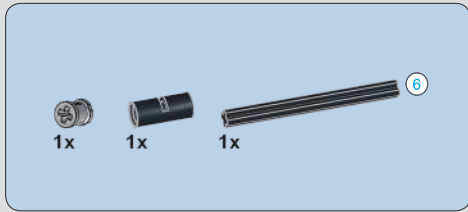


11

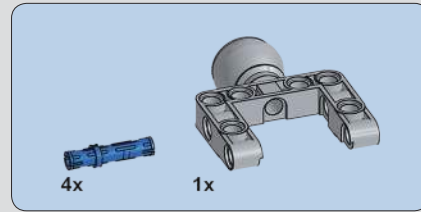
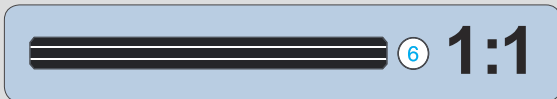
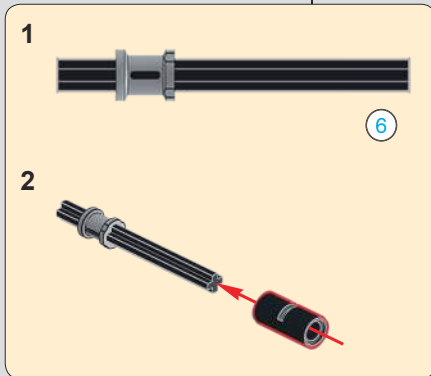
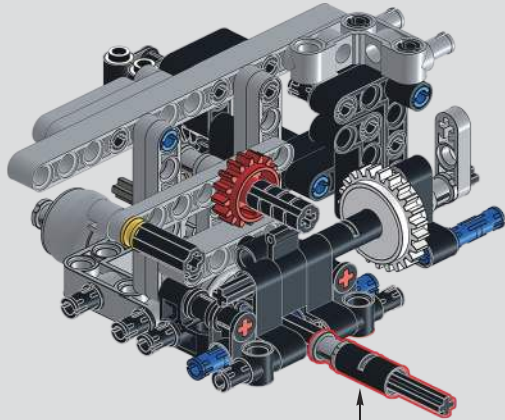


12

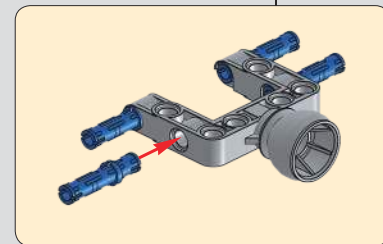
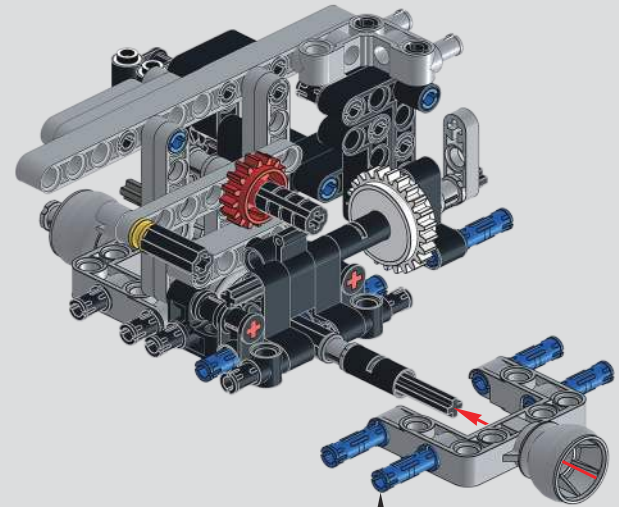


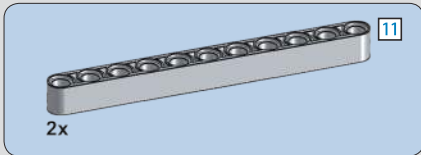


13

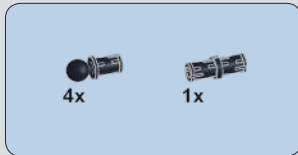
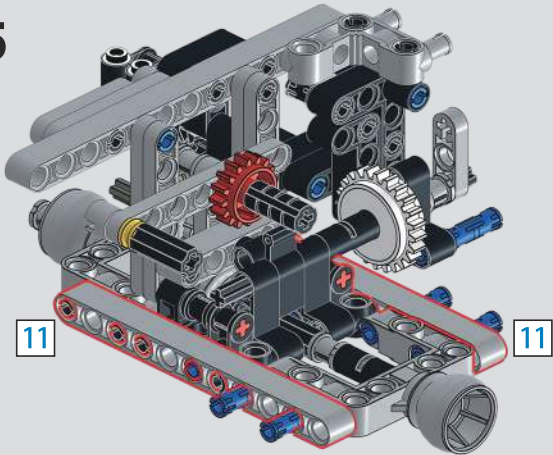


14

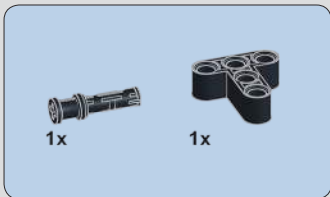
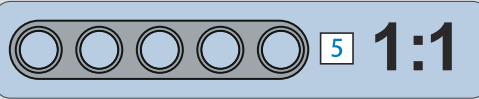
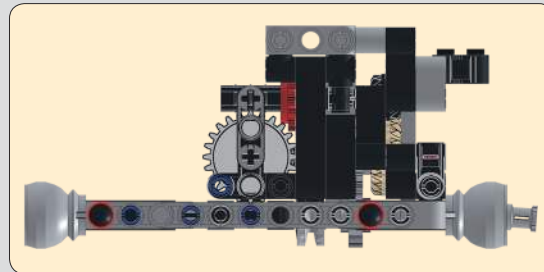
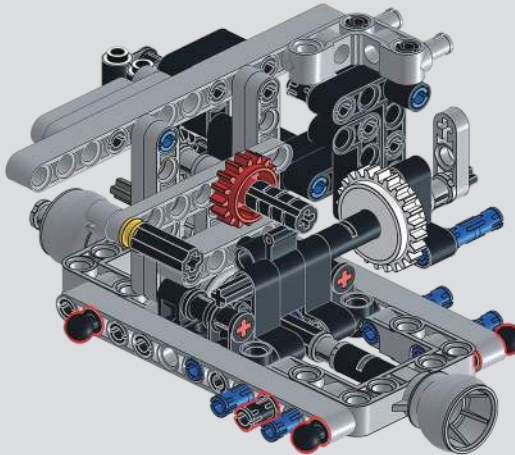




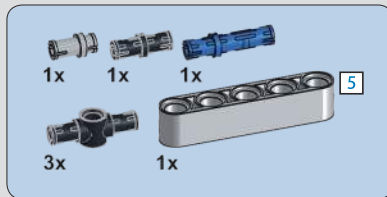
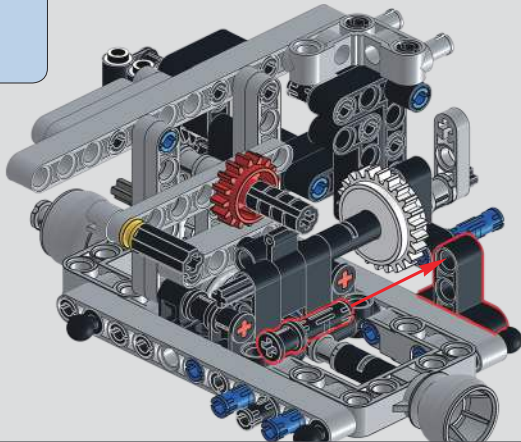
15



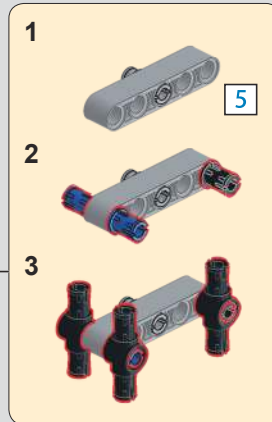
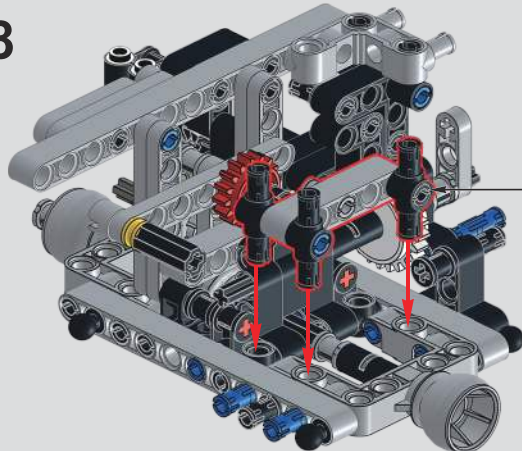
16

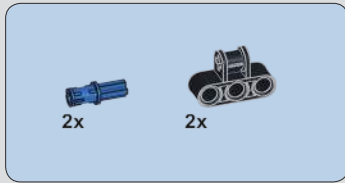


17

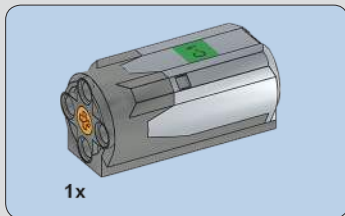
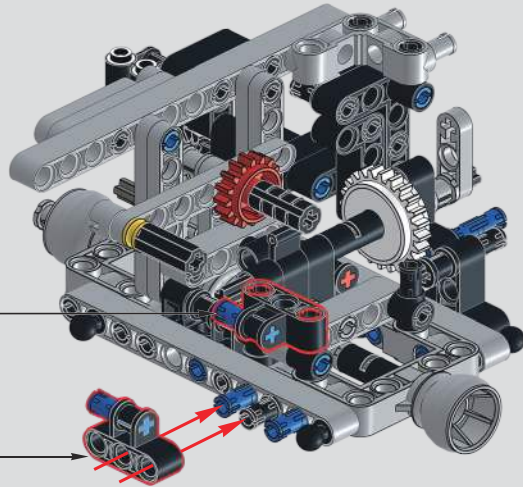
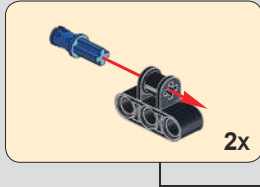


18

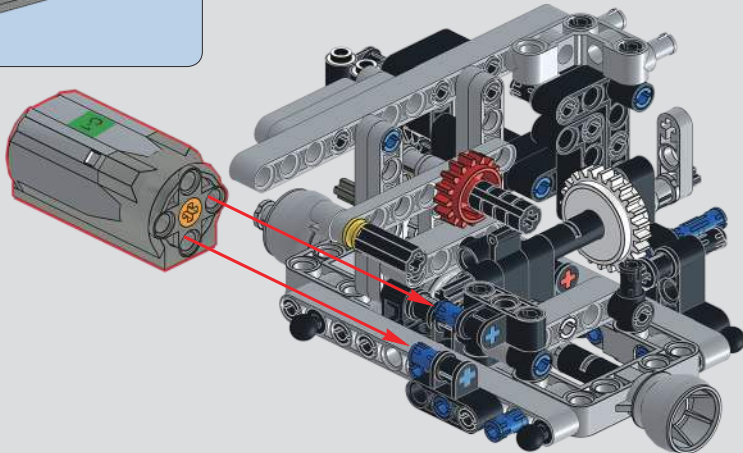




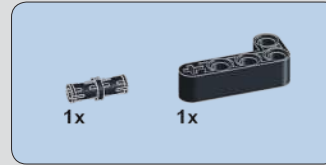
19



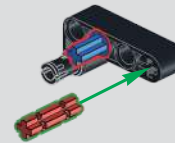
20



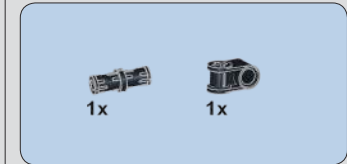
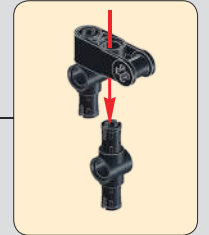
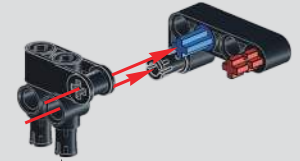
21



22



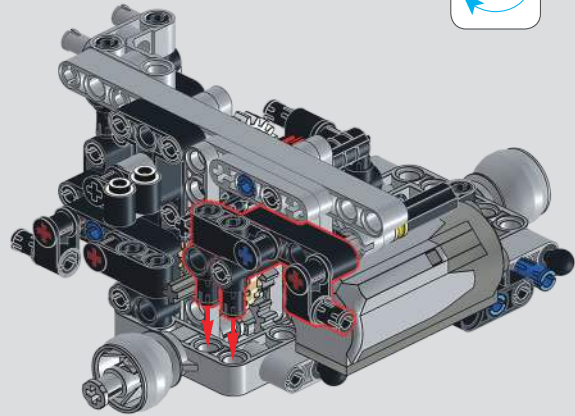
23



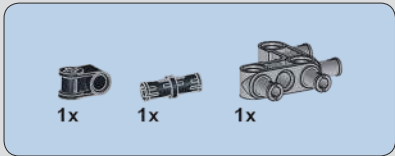
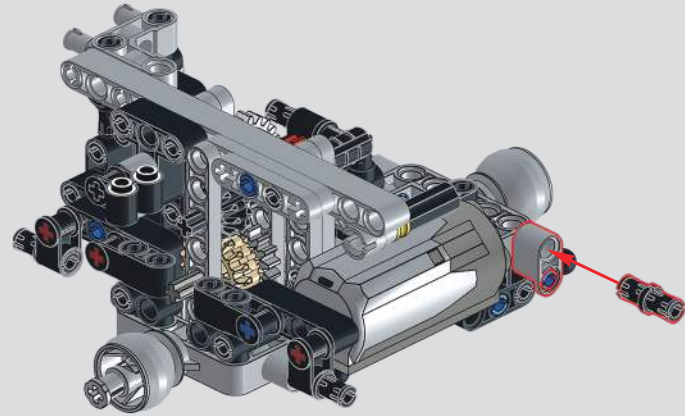
24



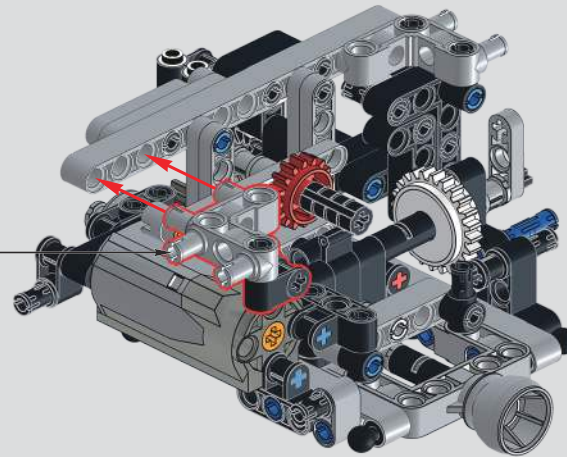
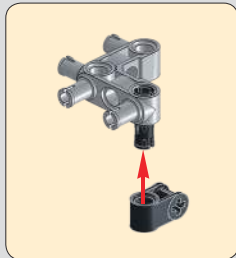
25

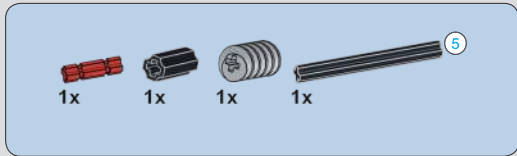


26

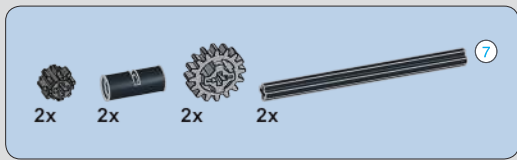
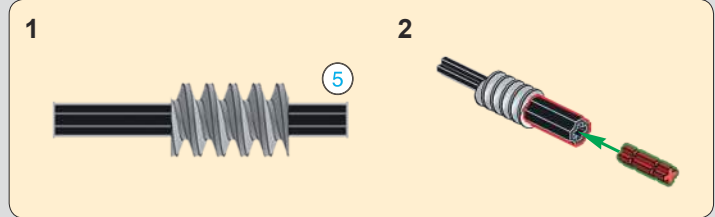
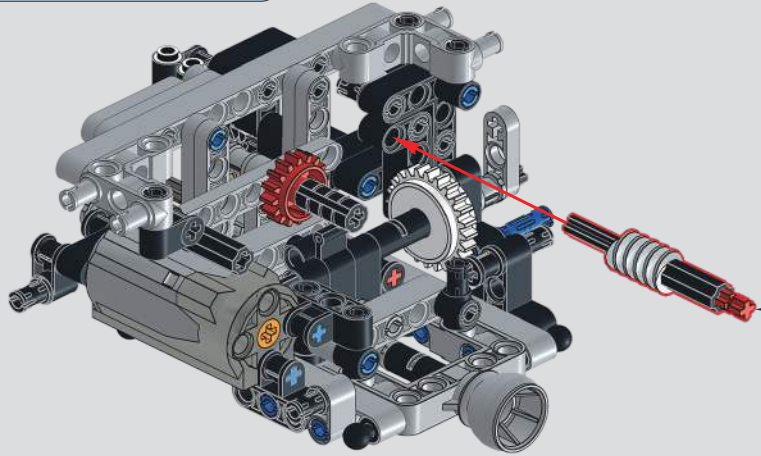


27

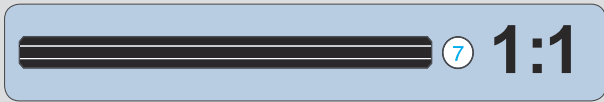
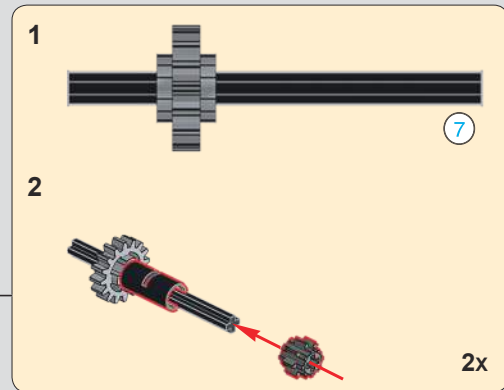
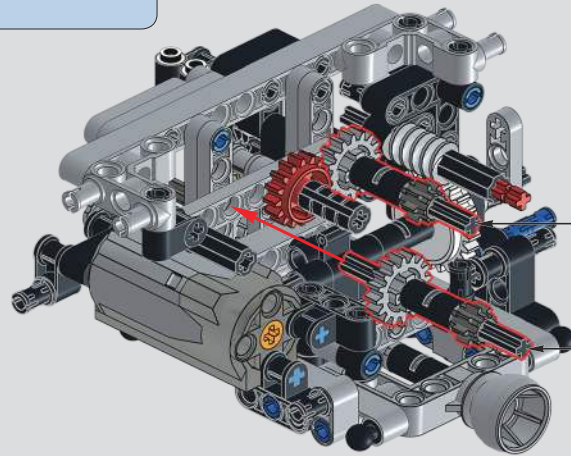




28

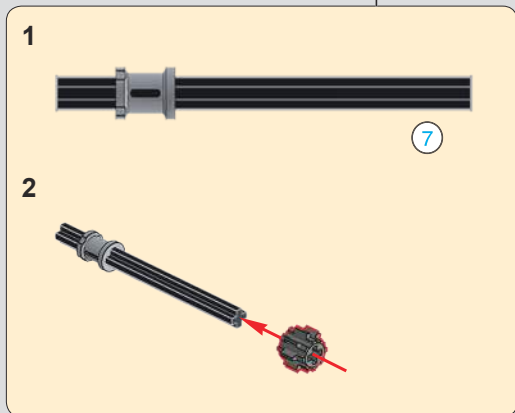
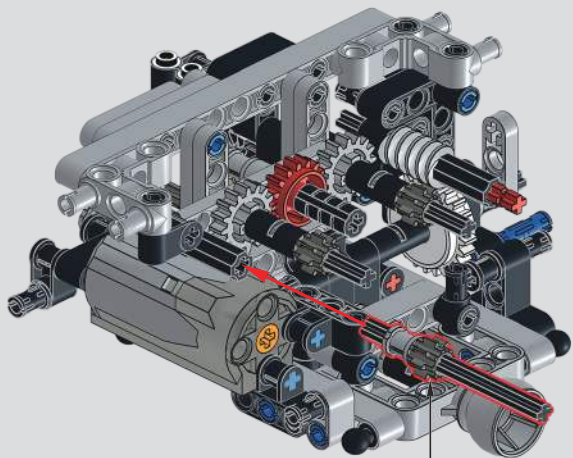


29

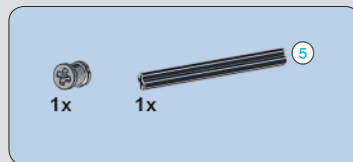
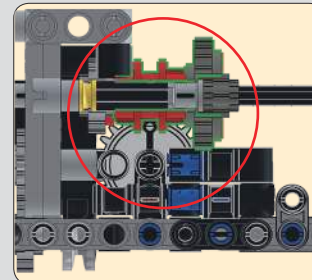
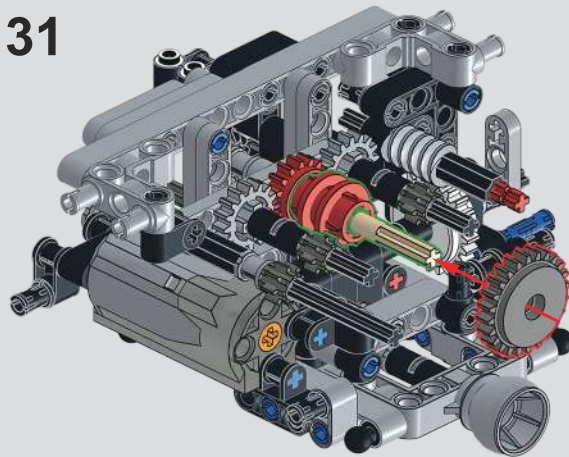




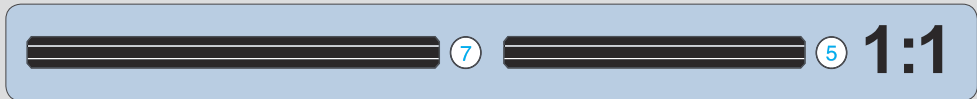
30

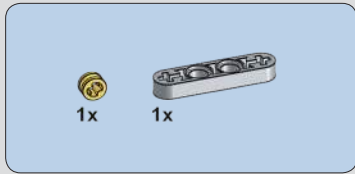


31

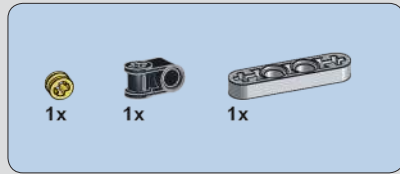
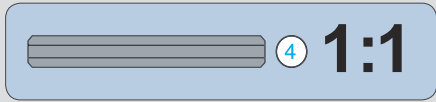
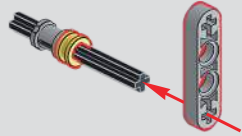


32

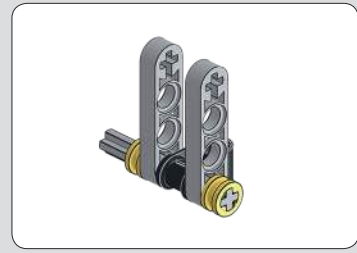
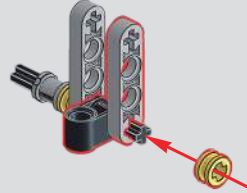




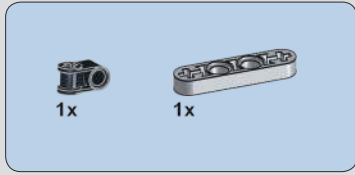
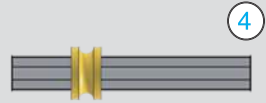
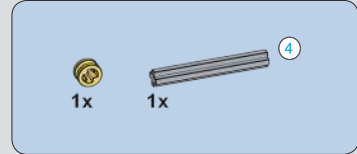
33



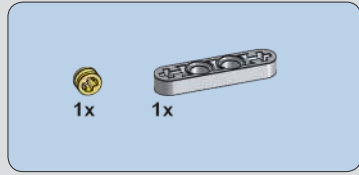
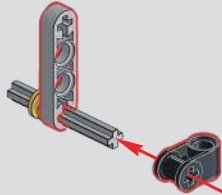
34



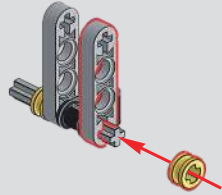
35



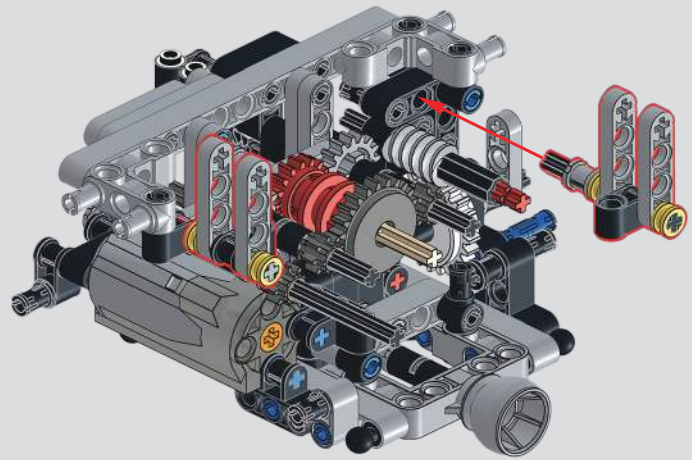
36

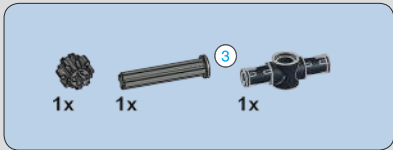


37

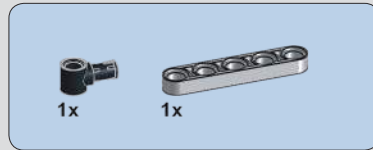
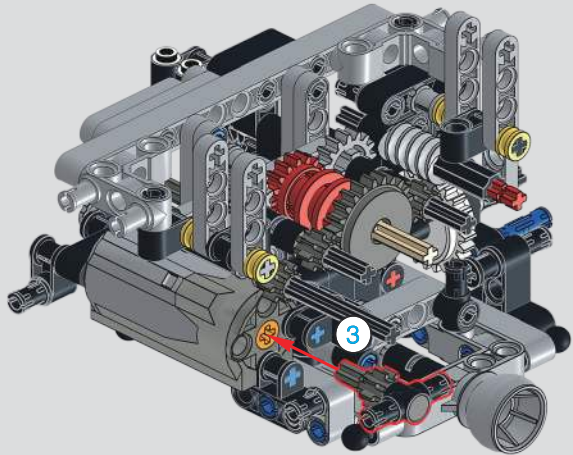


38

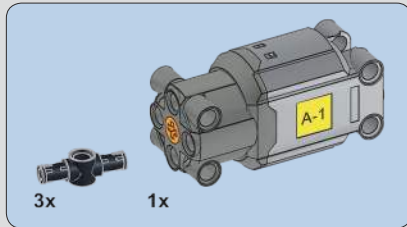
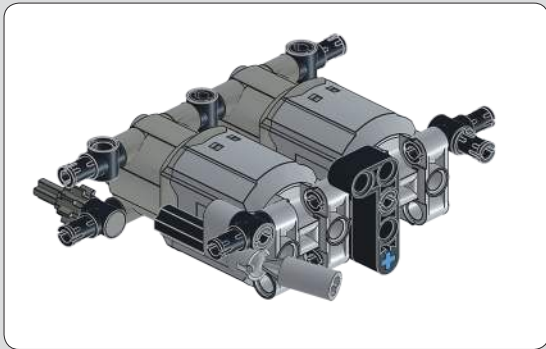
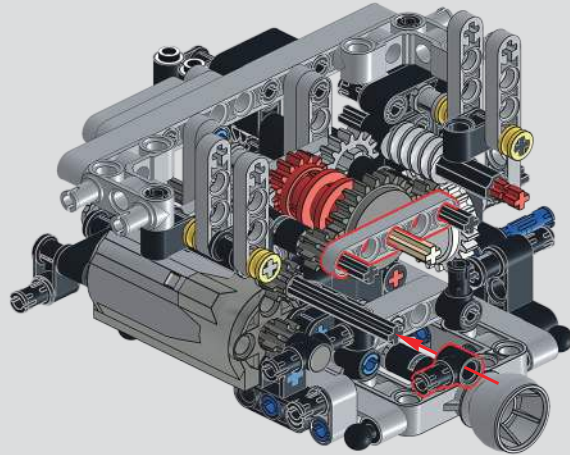




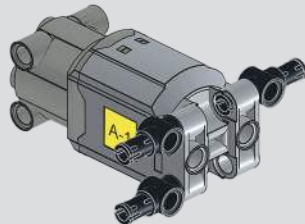
39



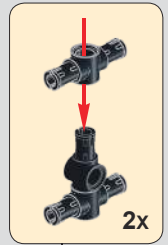
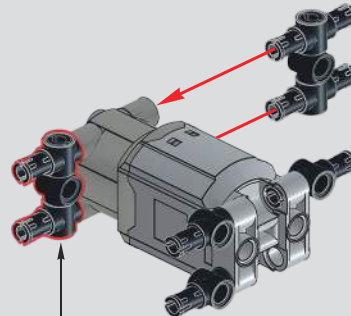
40



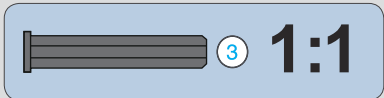
41



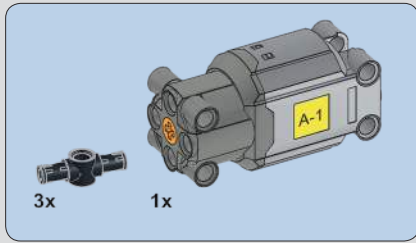
42



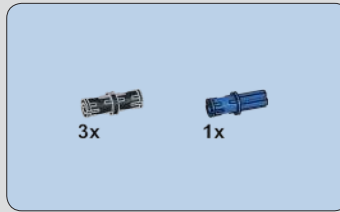
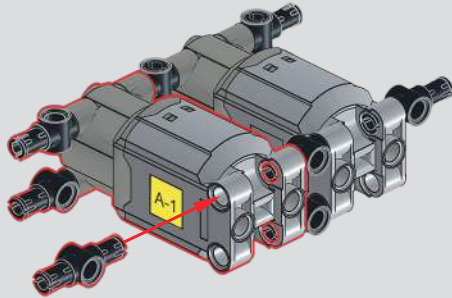
2x



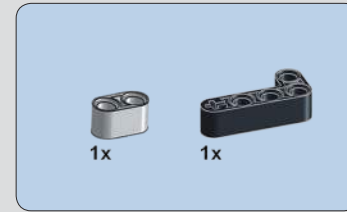
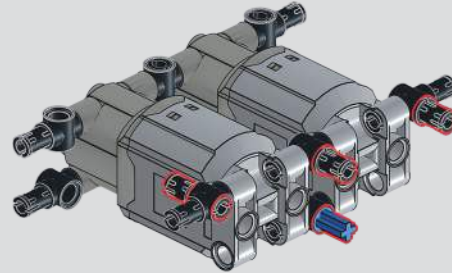
12



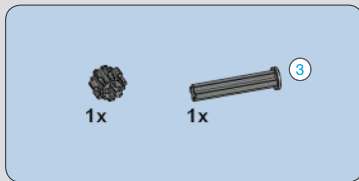
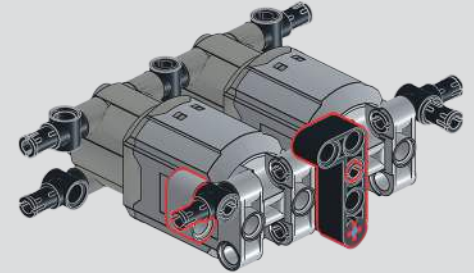
43



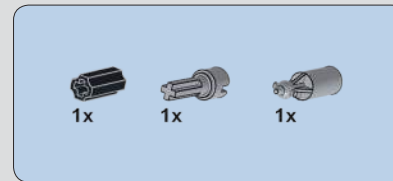
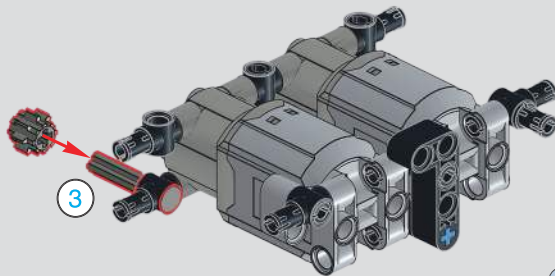
44



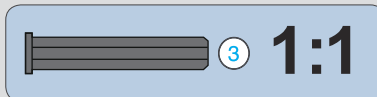
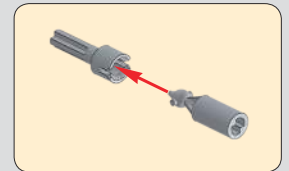
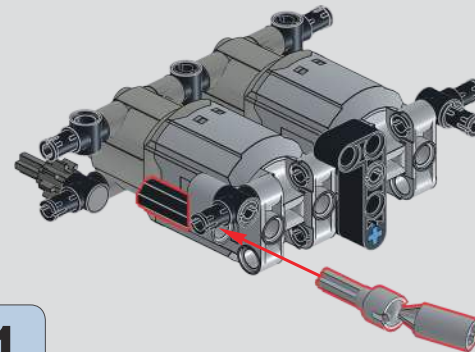
45



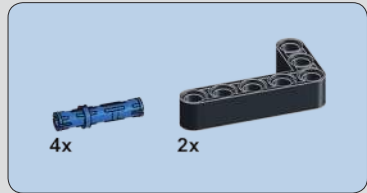
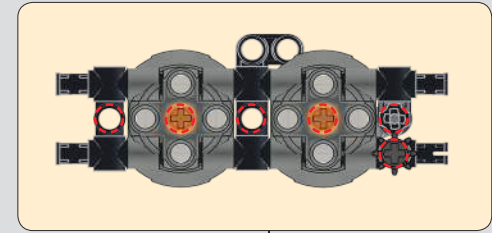
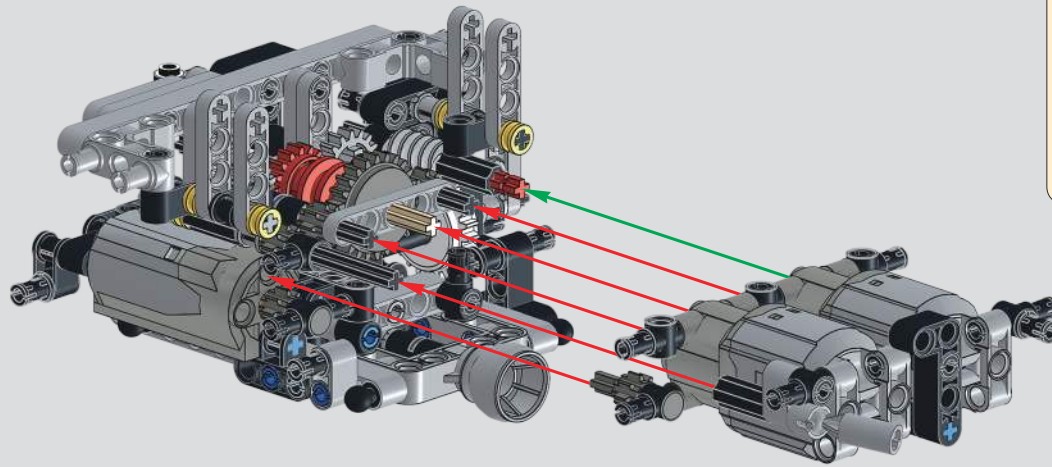
46



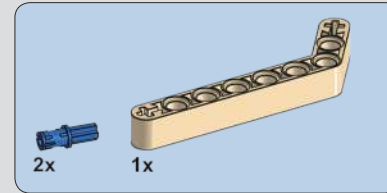
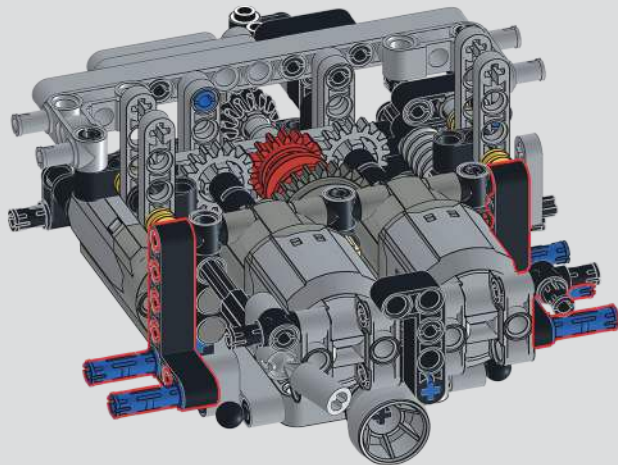
47



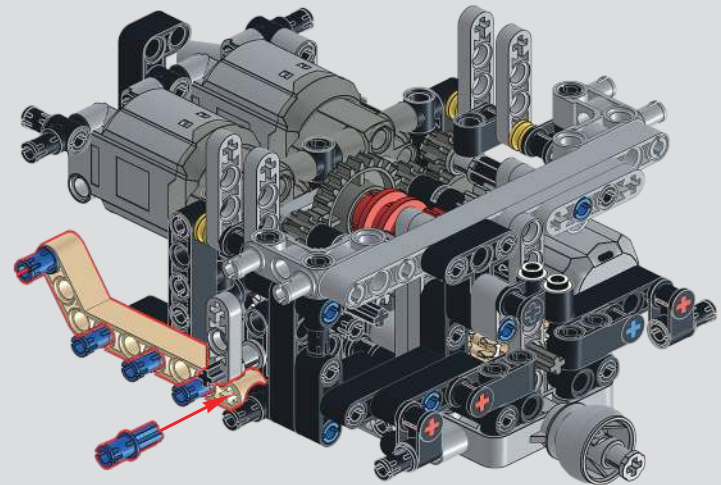
48

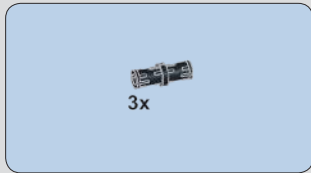


49

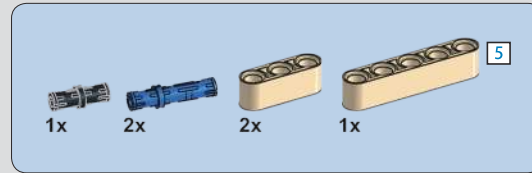
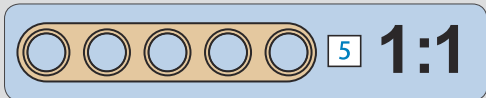
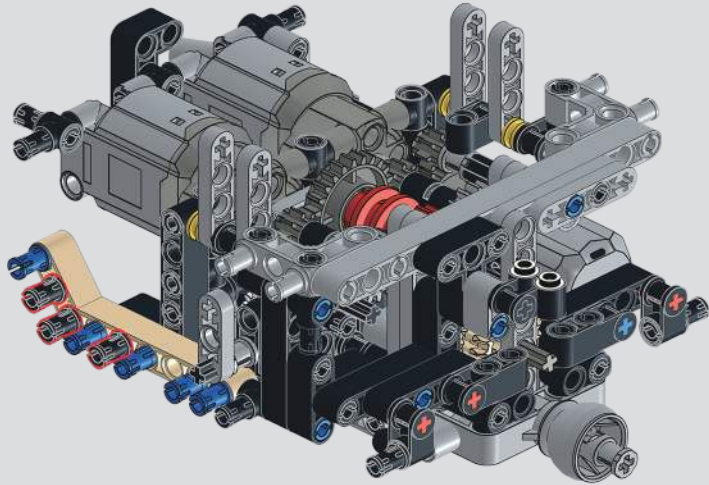


50

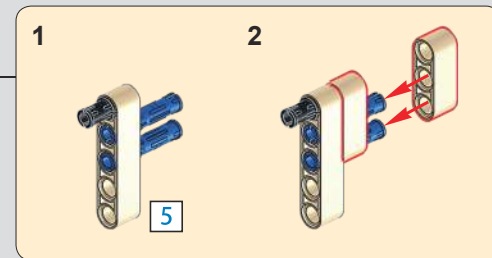
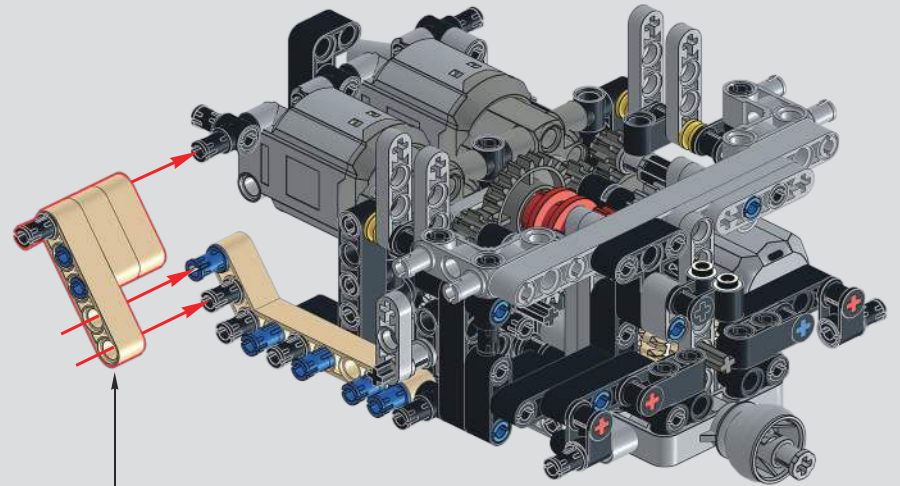


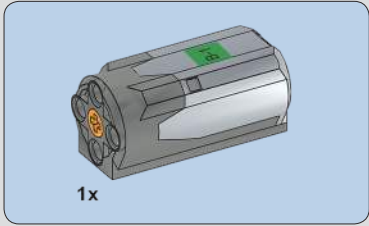


51

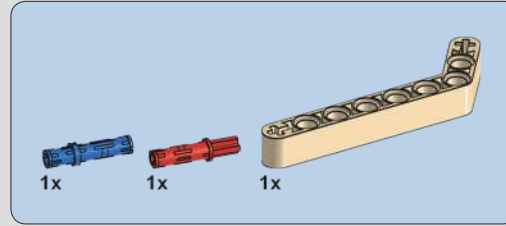
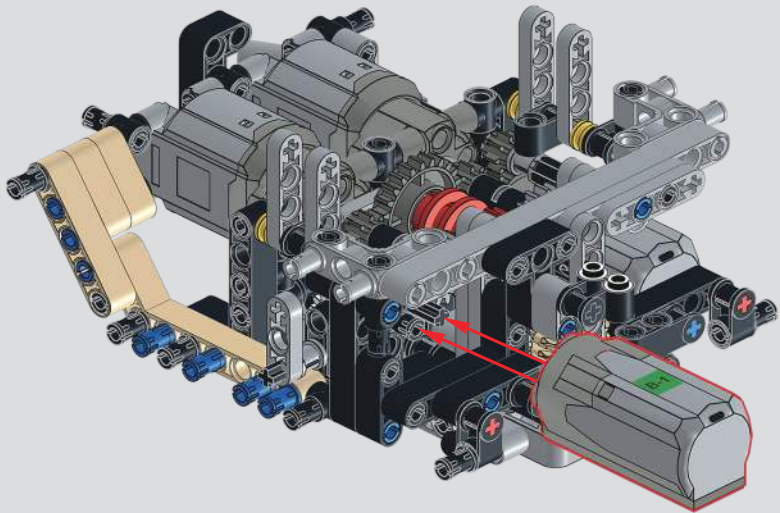


52

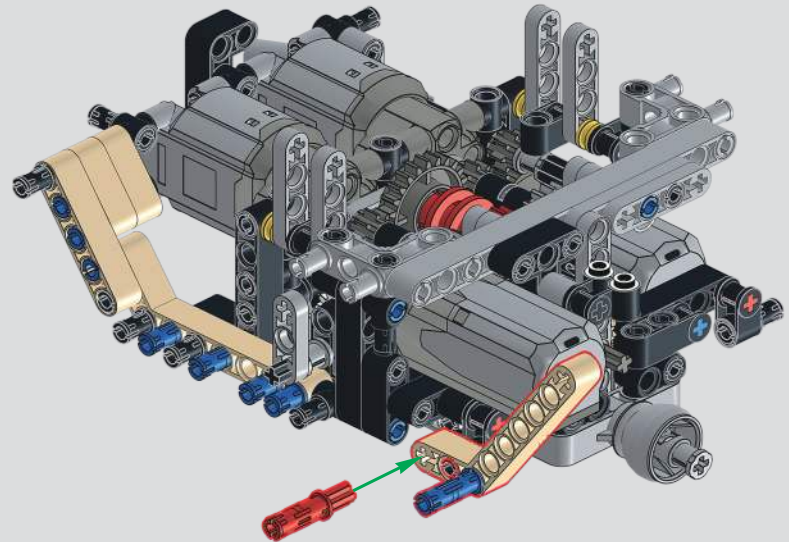


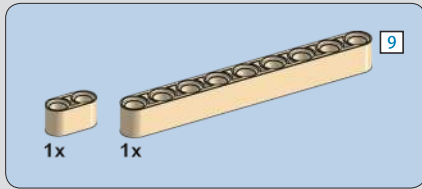


53

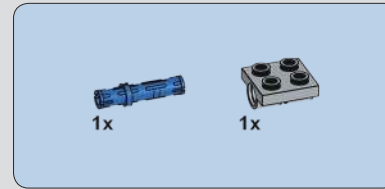
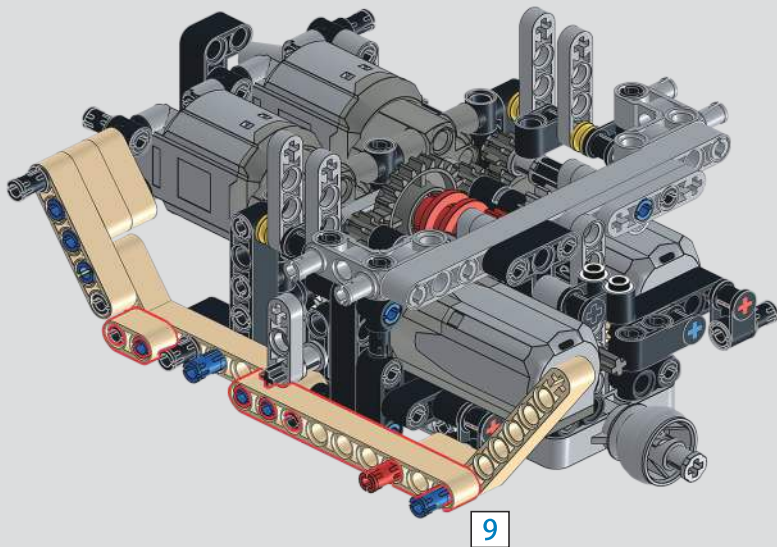


54

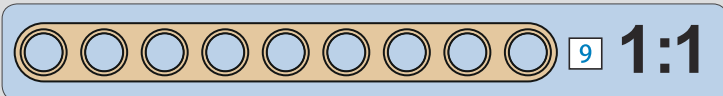
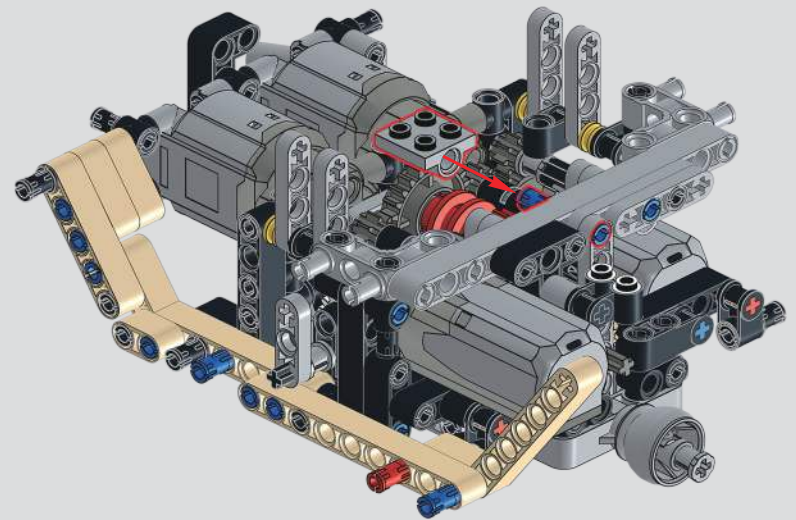


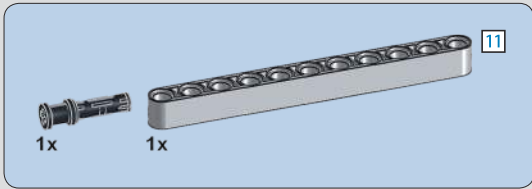


55

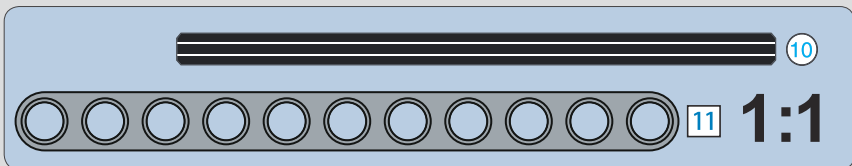
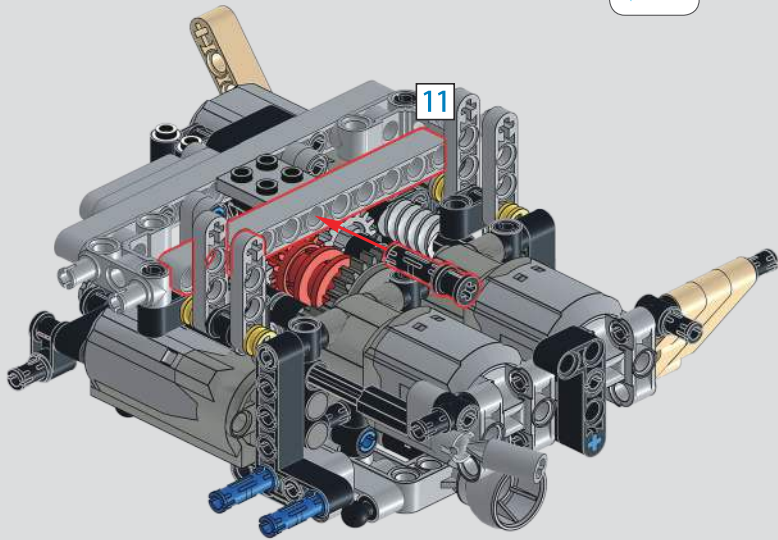


56

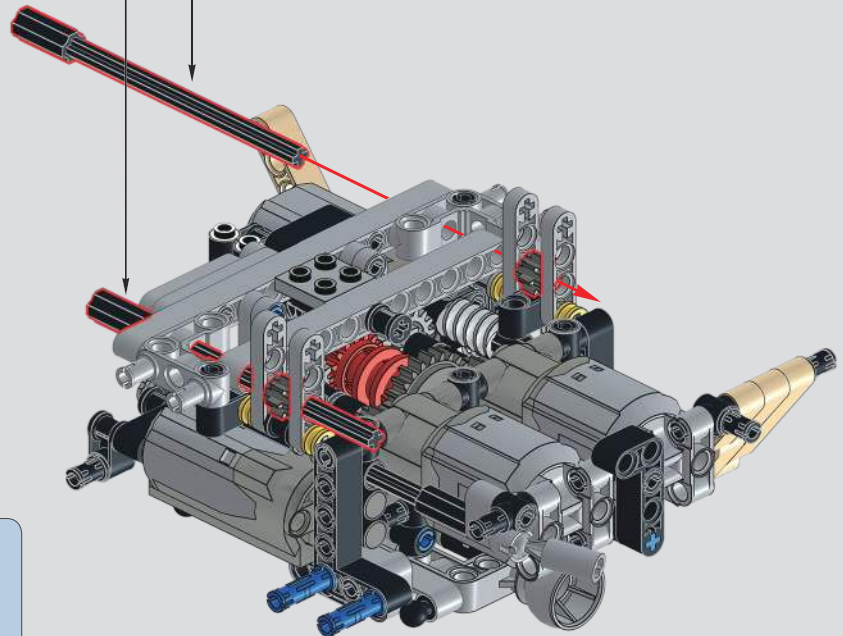


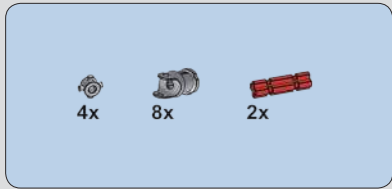


57

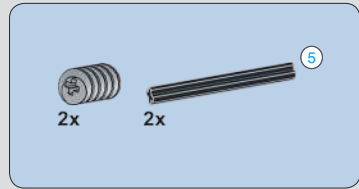
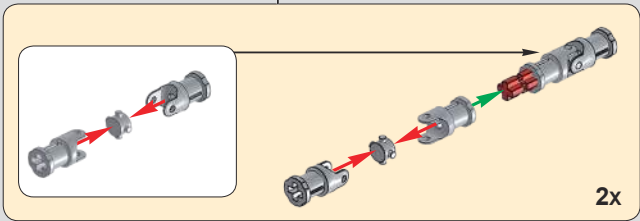
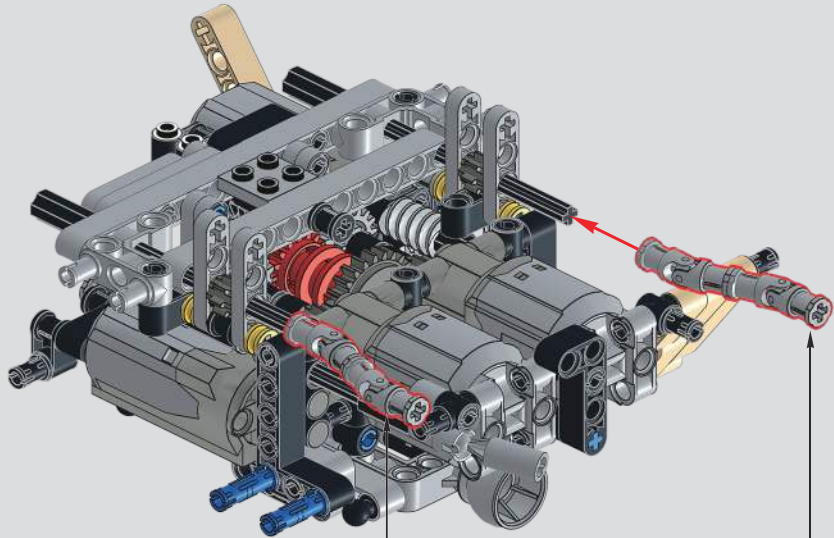


58

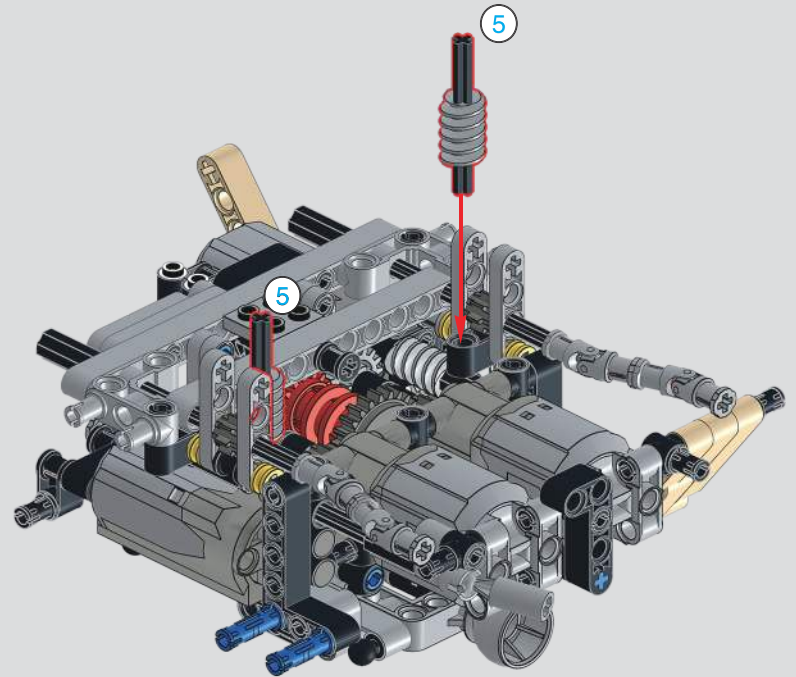


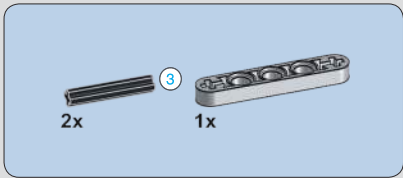
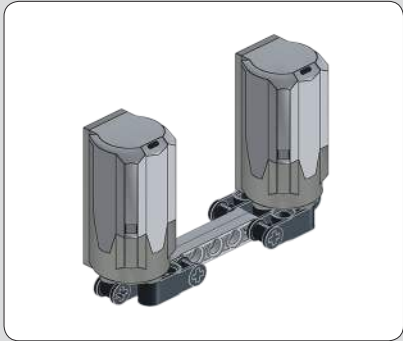


59

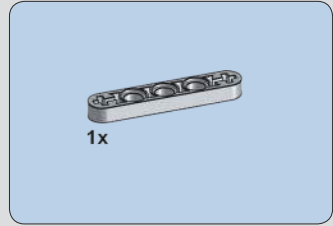
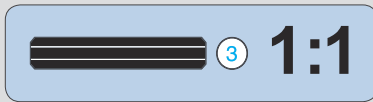
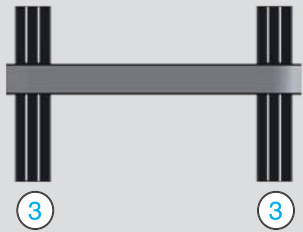


60

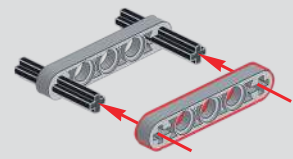




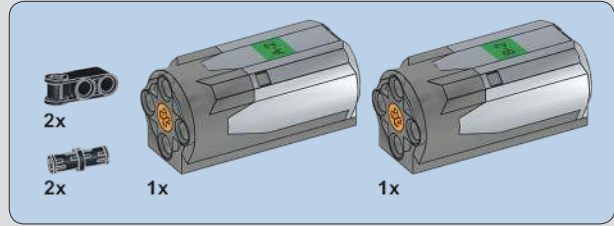
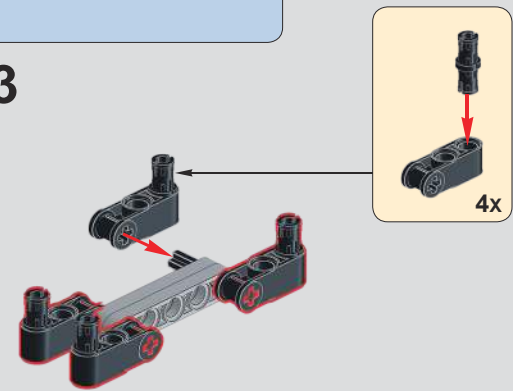
61



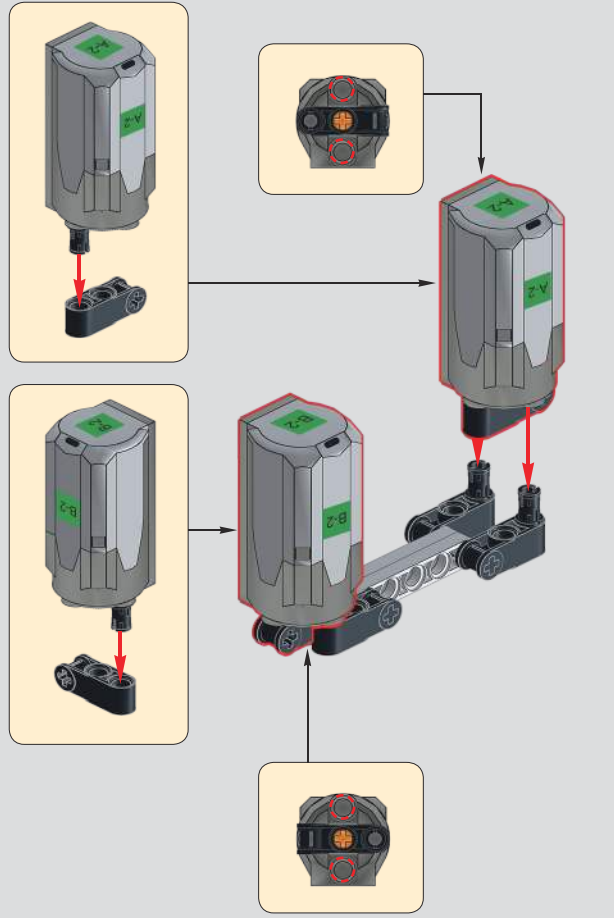
62



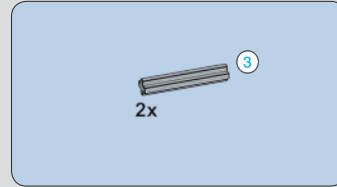
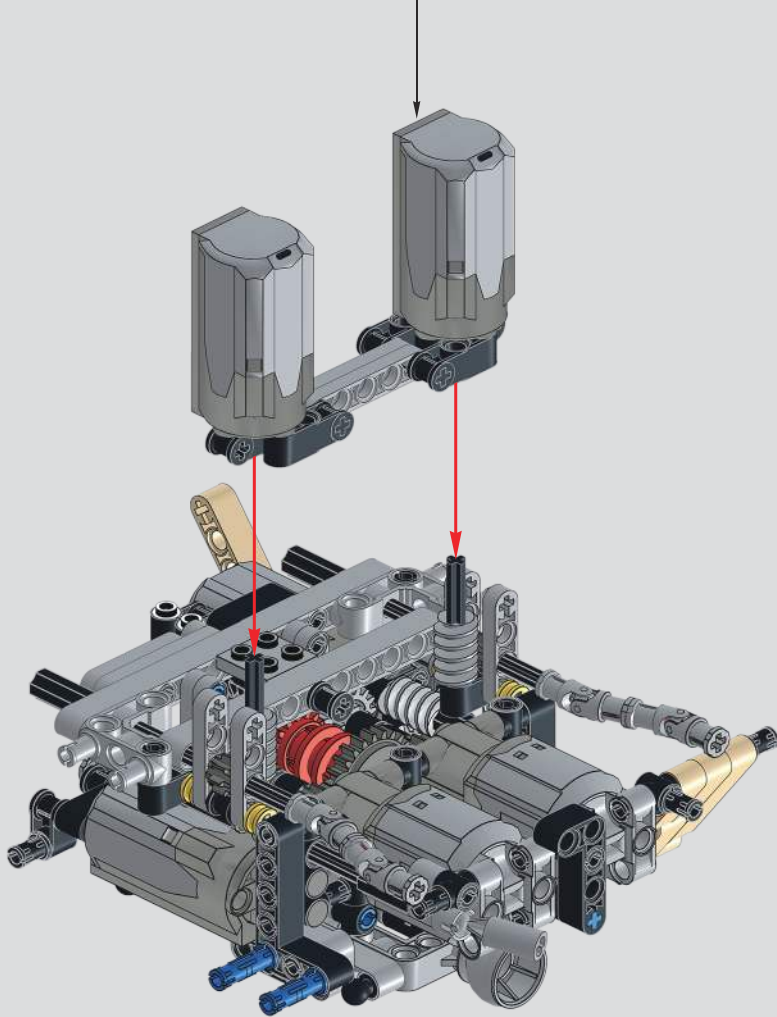
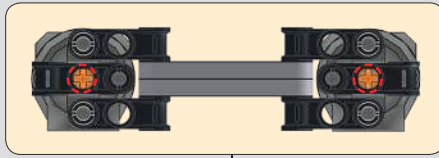
63



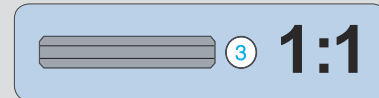
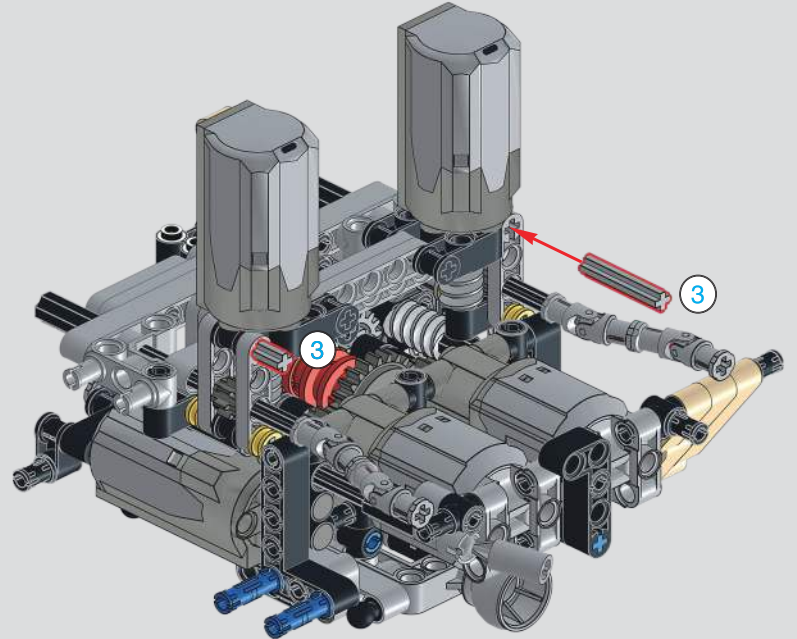
64

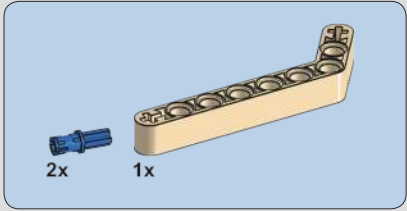


65

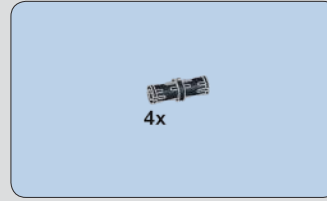
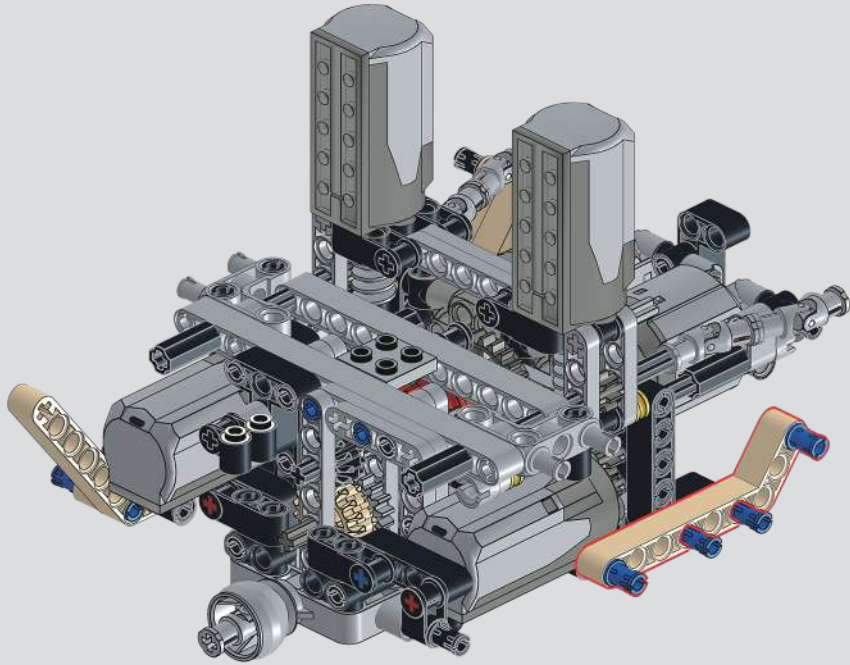


66

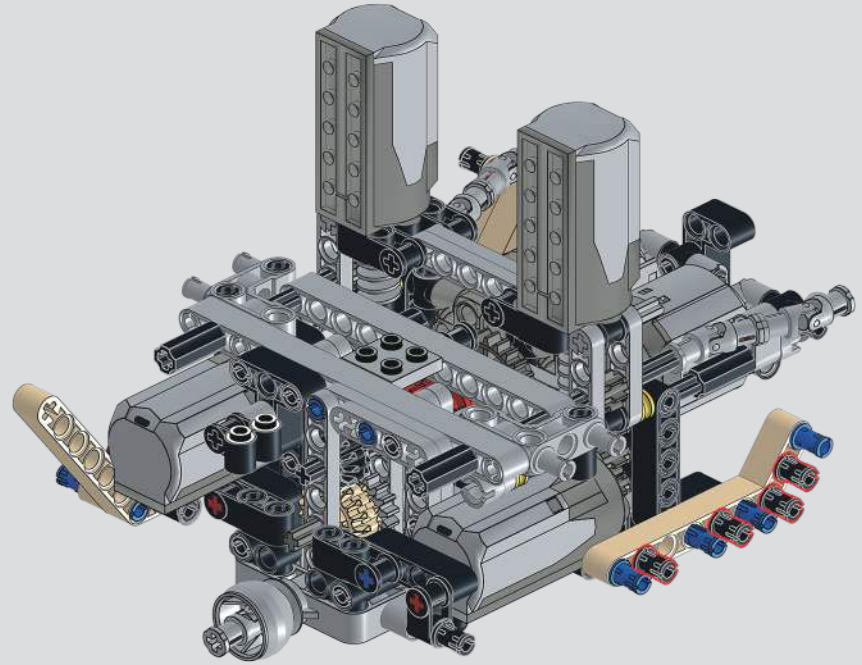


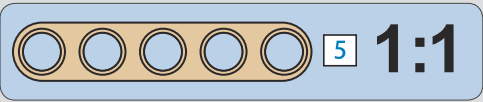
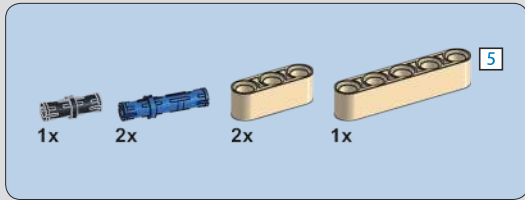


67

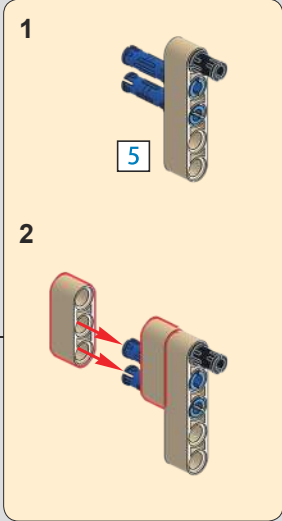
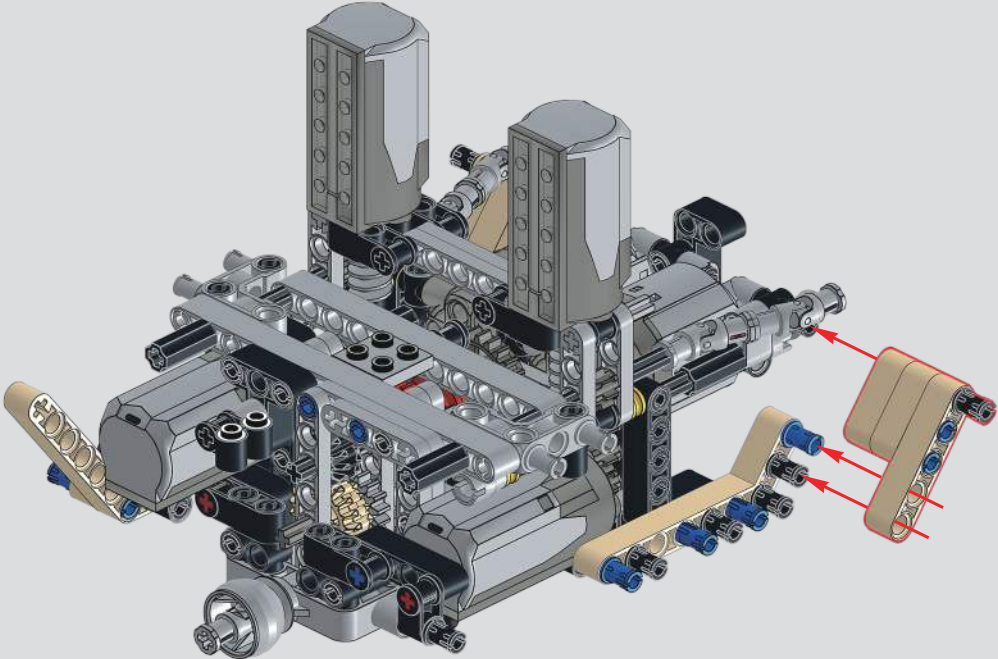


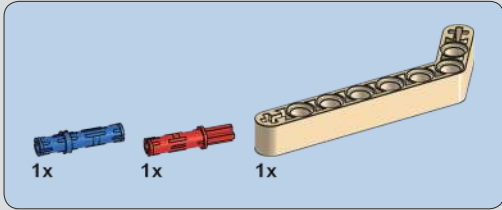
68



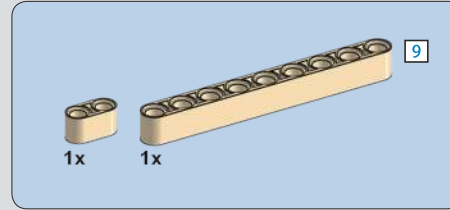
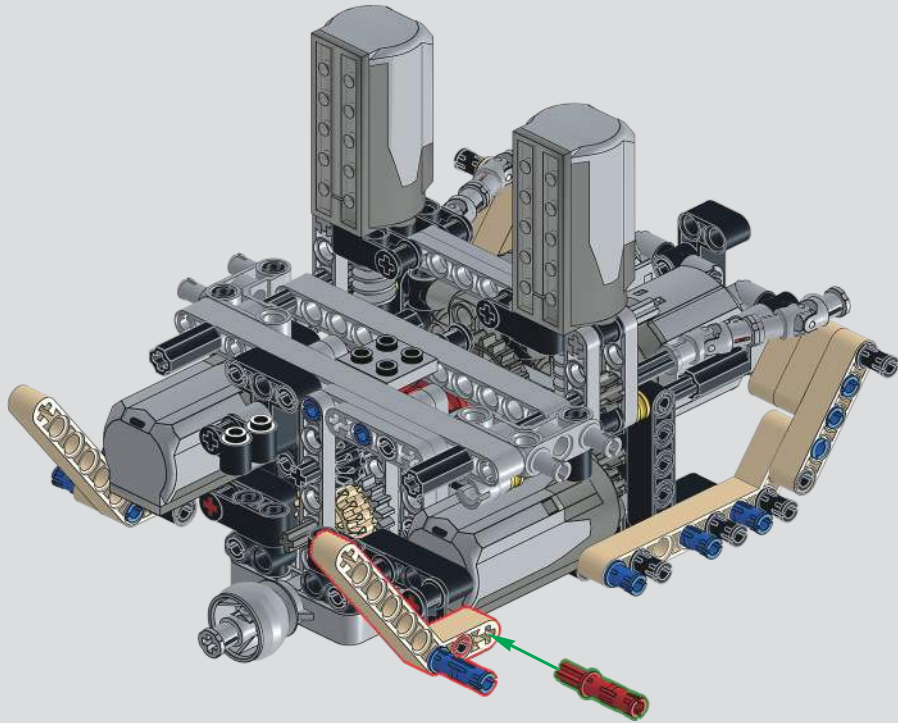


69

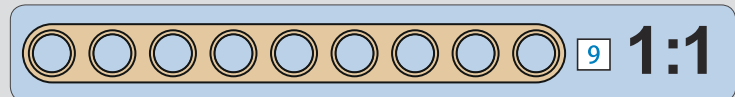
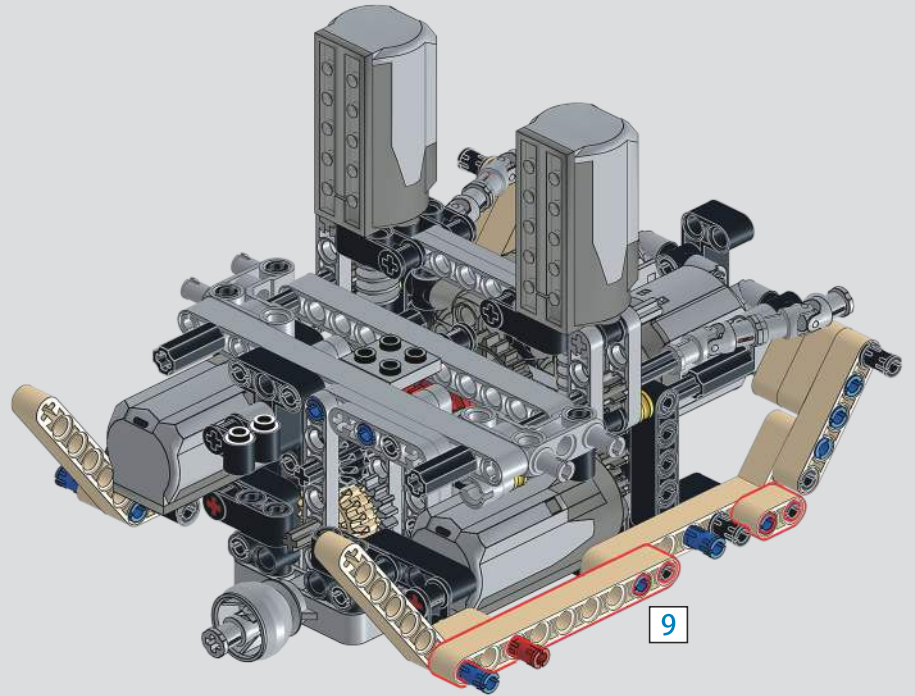




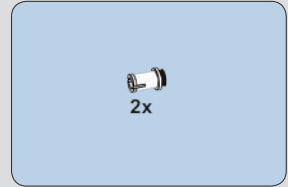
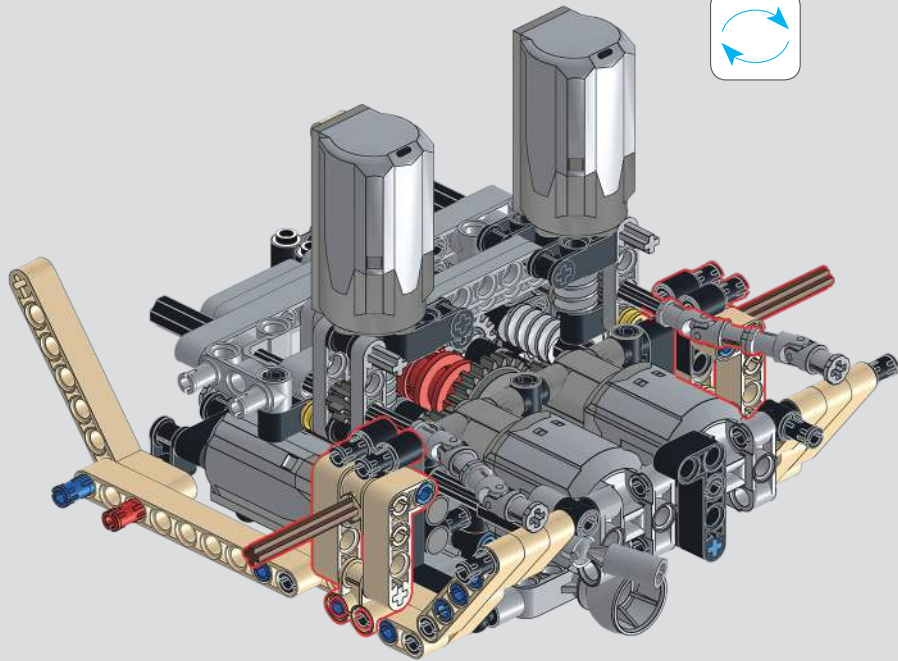
70



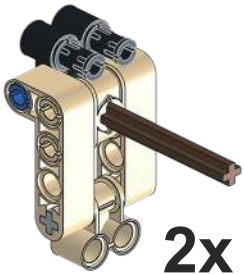
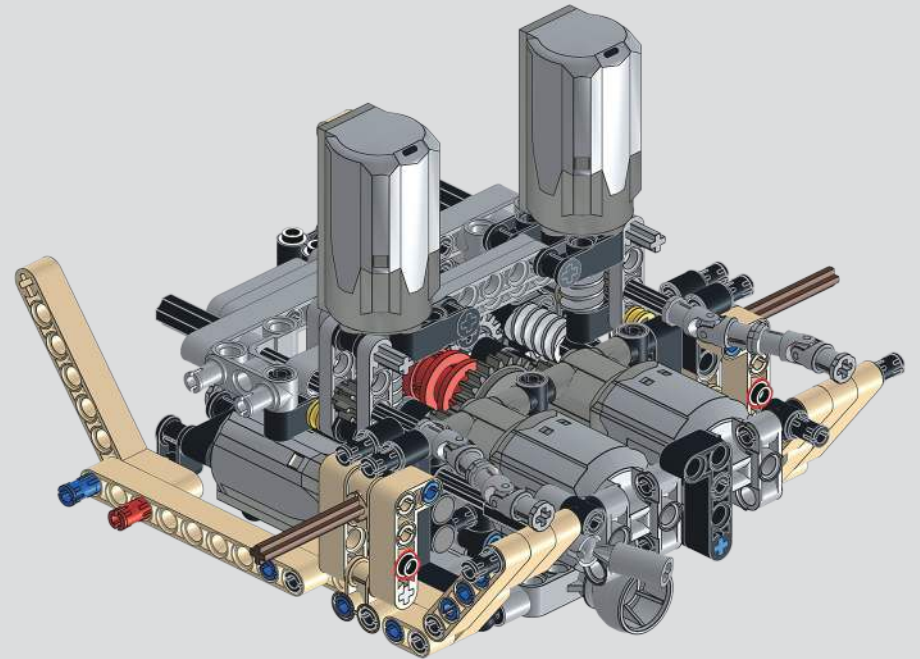
71



72



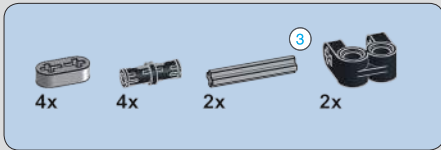
73



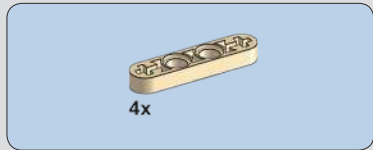
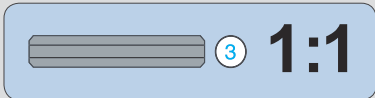
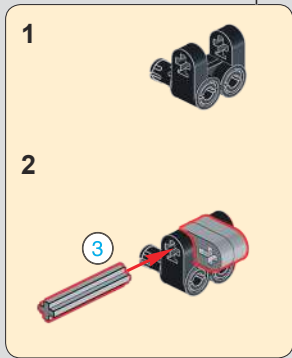
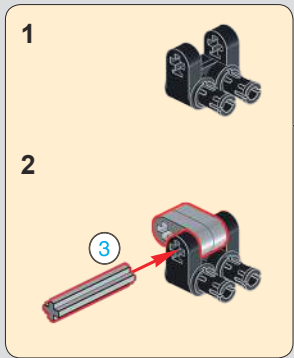
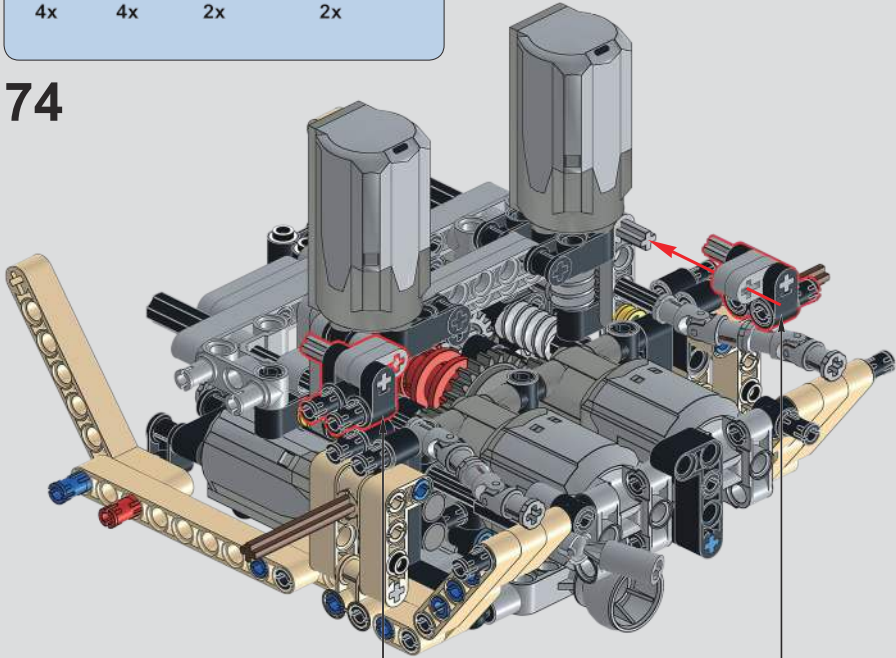
2x

派拉蒙动态——此步骤拼装说明
 (请参考: 13131 派拉蒙静态说明
 第22页)

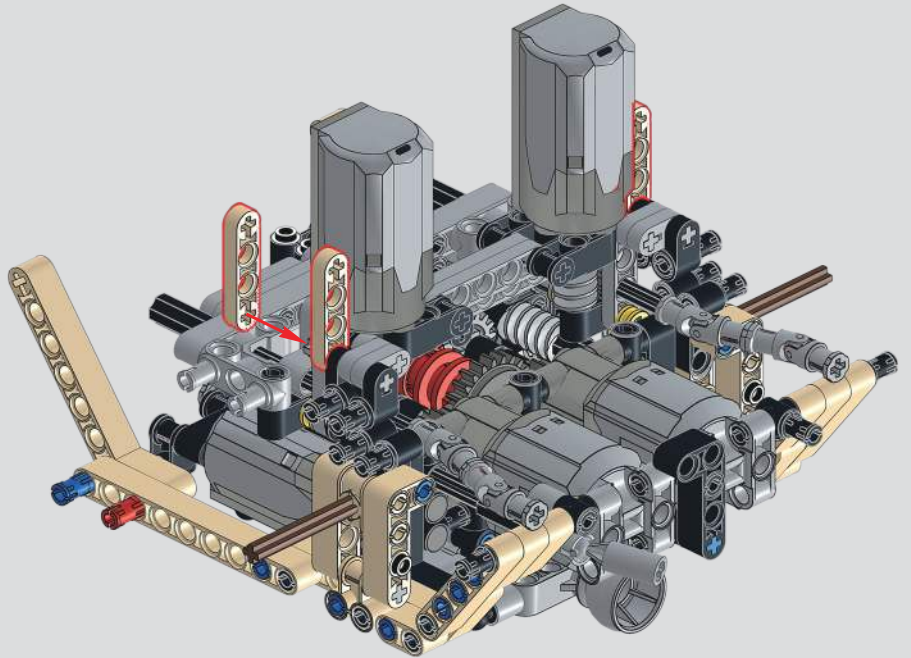
PARAMOUNT Dynamic version — This step
 assembly instructions
 (Please refer to: 13131 PARAMOUNT Static Edition
 Page 22)

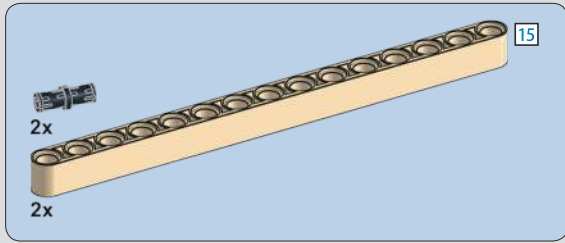


74

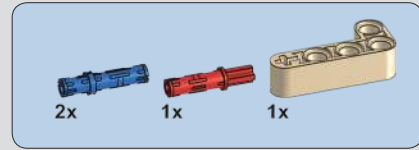
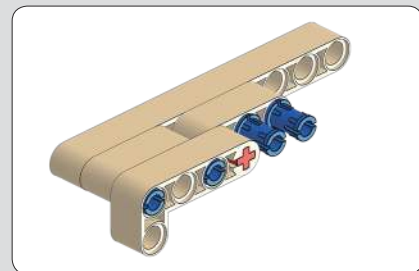
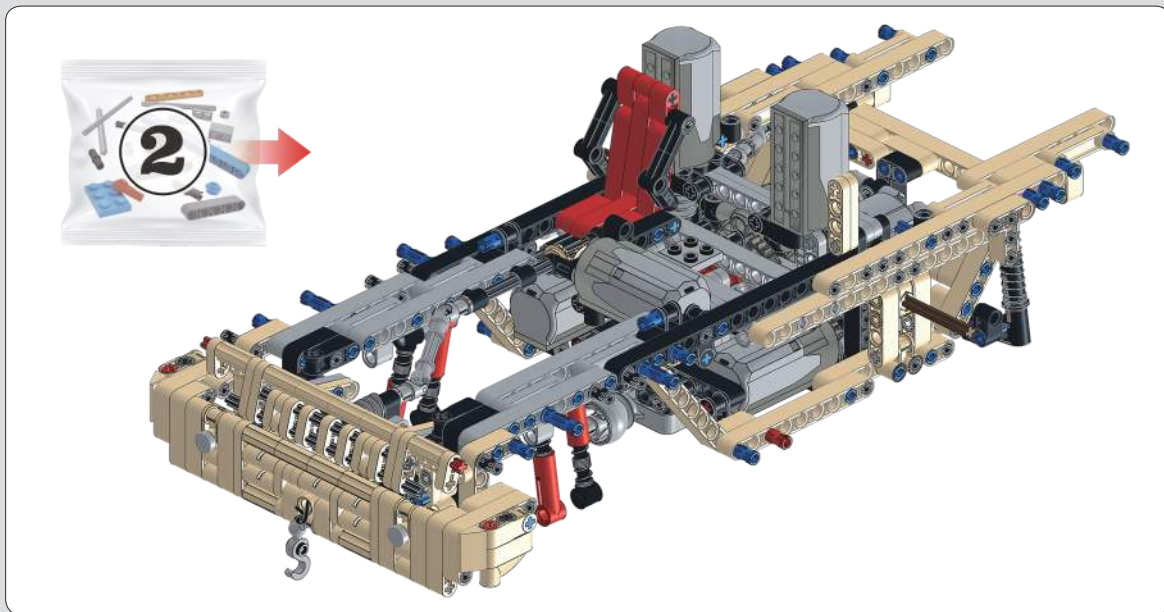
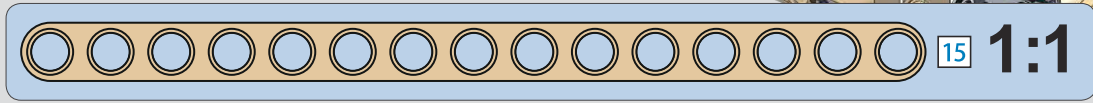
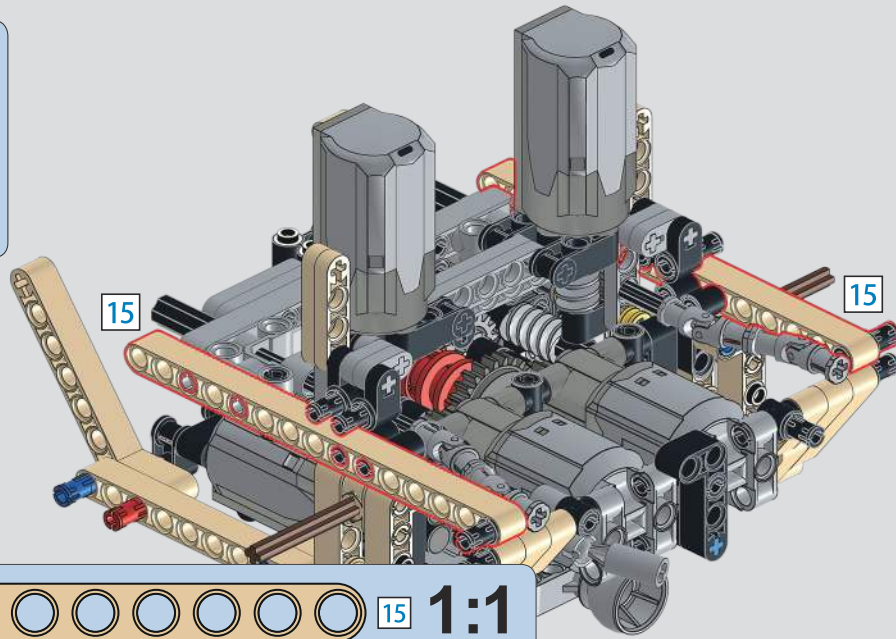


75

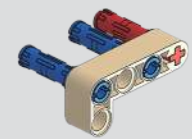


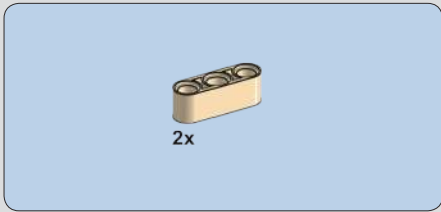


76

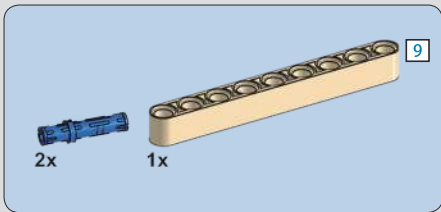
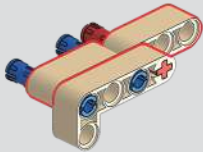


77

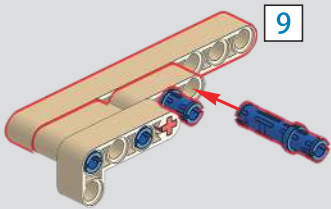




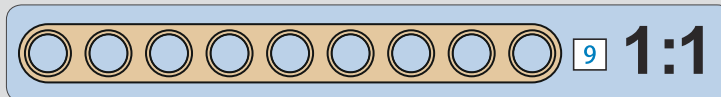
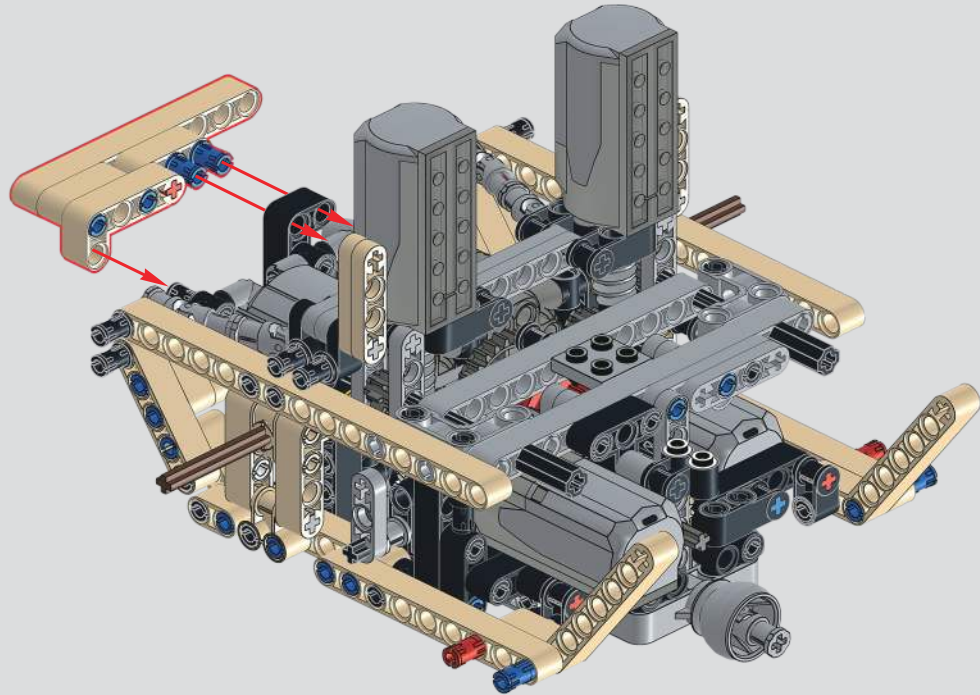
78



79

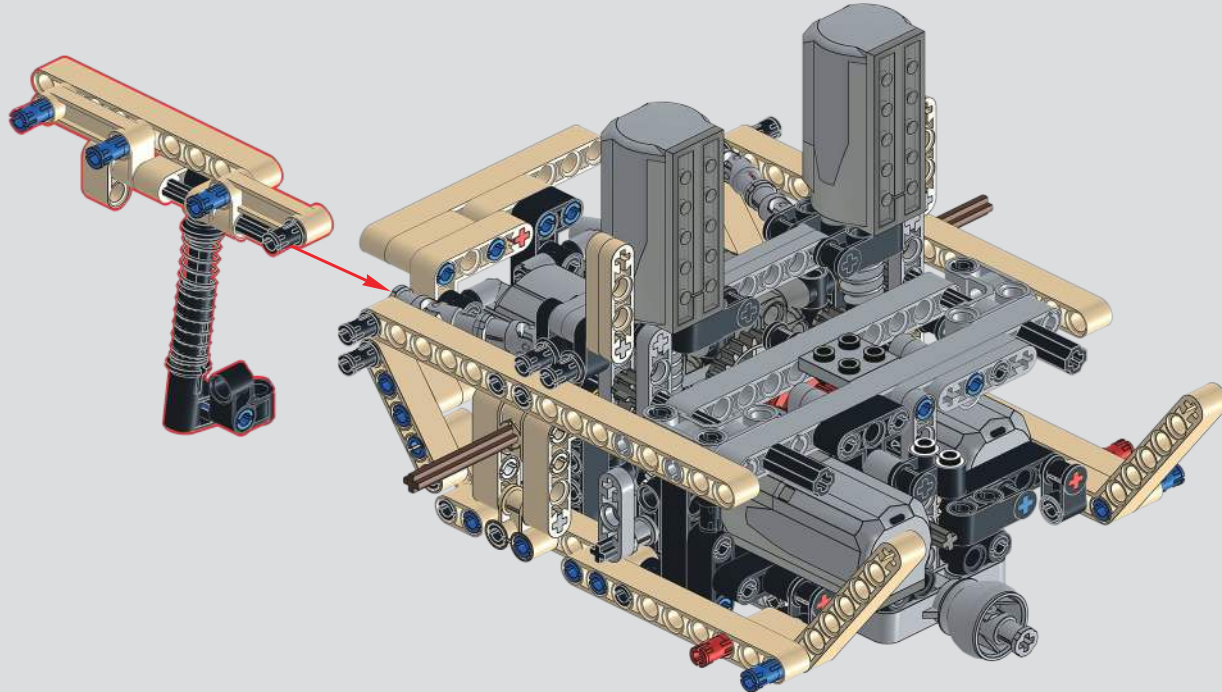


80





派拉蒙动态——此步骤拼装说明
(请参考: 13131 派拉蒙静态说明第26页114步-27页)
PARAMOUNT Dynamic version ——This step assembly instructions
(Please refer to: 13131 PARAMOUNT Static Edition
Page 26 53steps - Page 27)



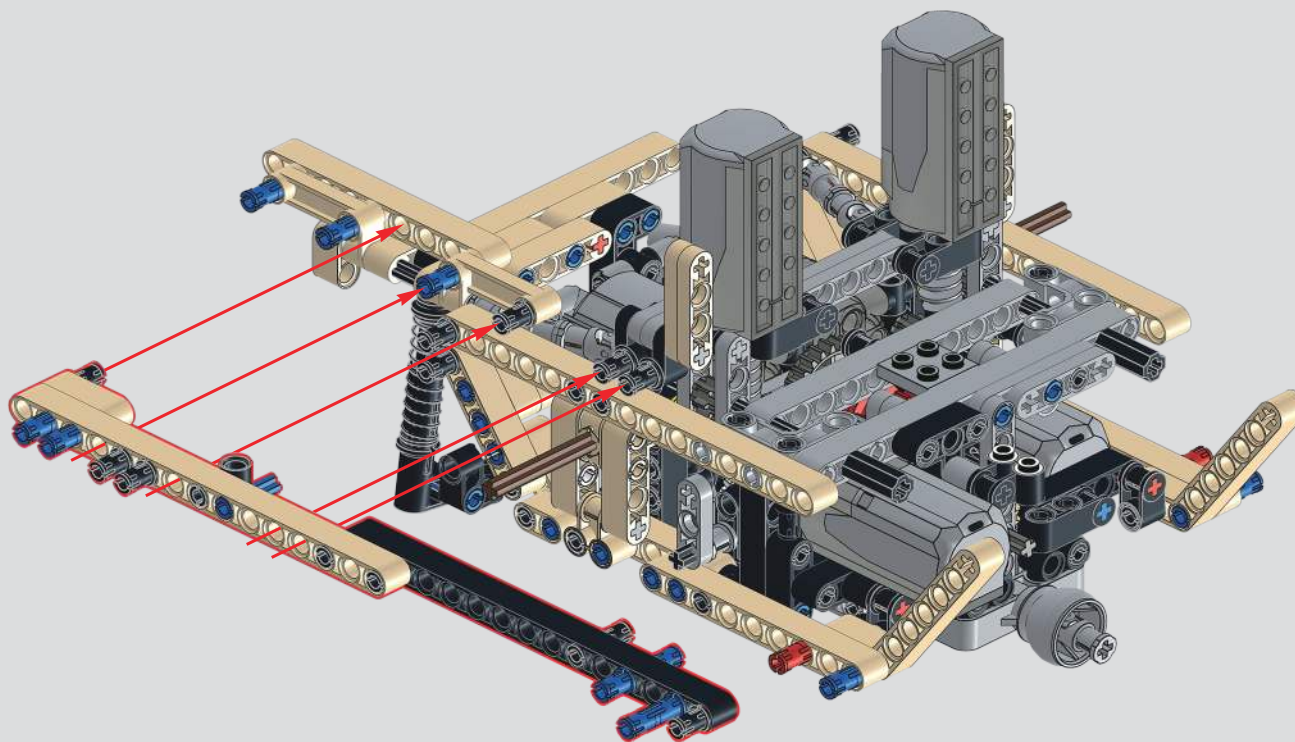


82



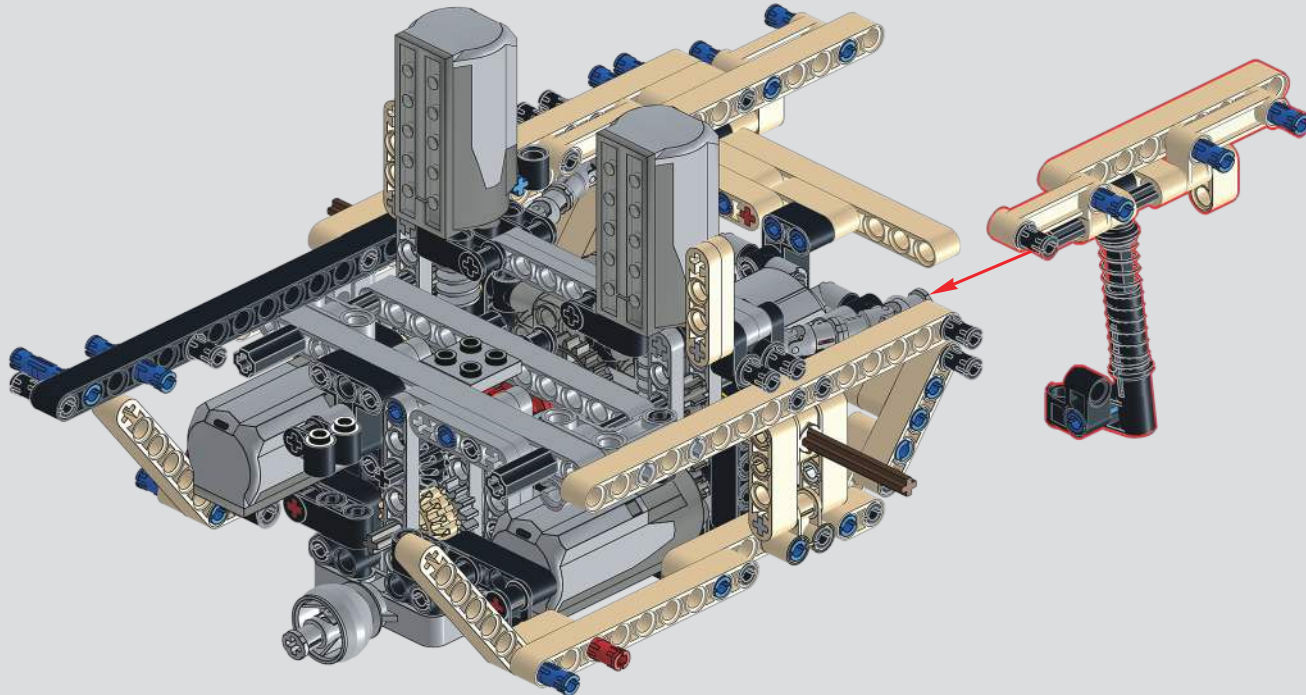
派拉蒙动态——此步骤拼装说明
(请参考: 13131 派拉蒙静态说明第29页)

PARAMOUNT Dynamic version — This step assembly instructions
(Please refer to: 13131 PARAMOUNT Static Edition
Page 29)



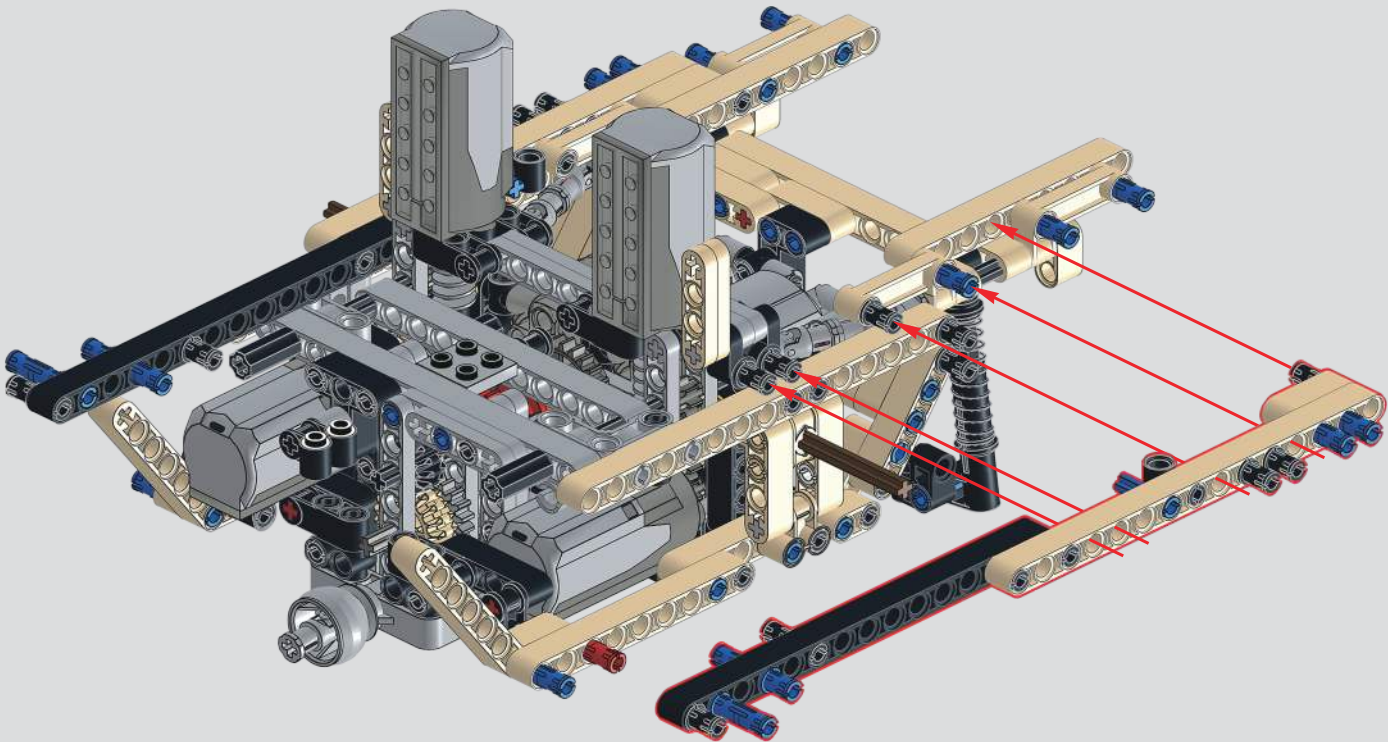


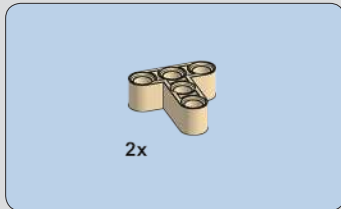
派拉蒙动态——此步骤拼装说明
(请参考: 13131 派拉蒙静态说明第30页127步-31页133步)
PARAMOUNT Dynamic version ——This step assembly instructions
(Please refer to: 13131 PARAMOUNT Static Edition
Page 30 127steps - Page 31 133steps)



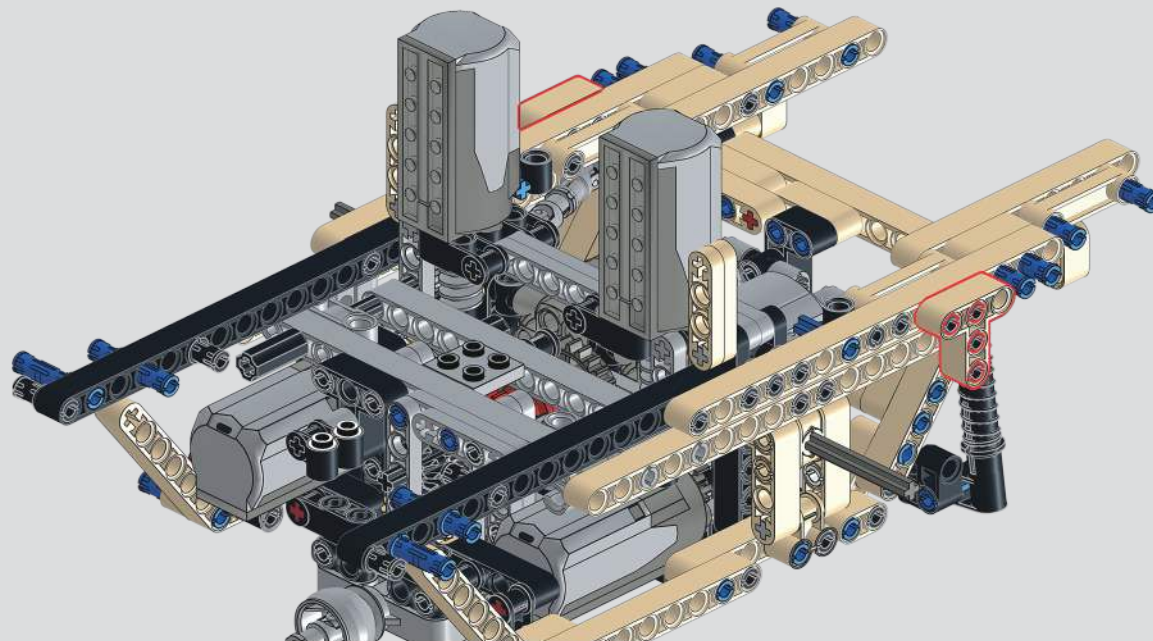


84





85

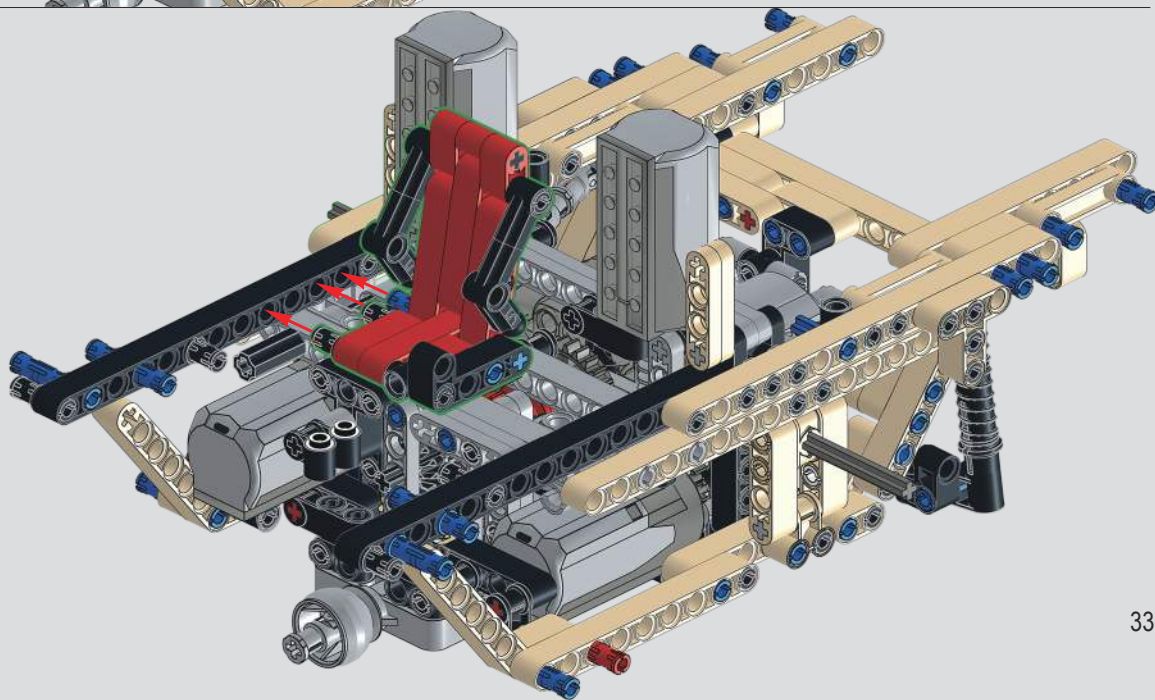


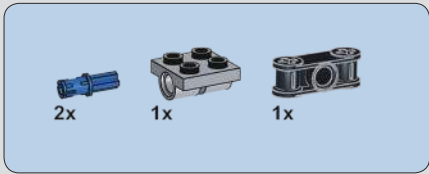
86



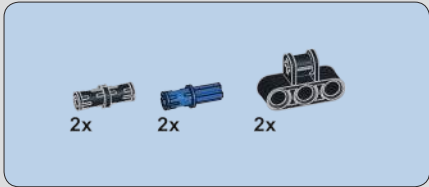
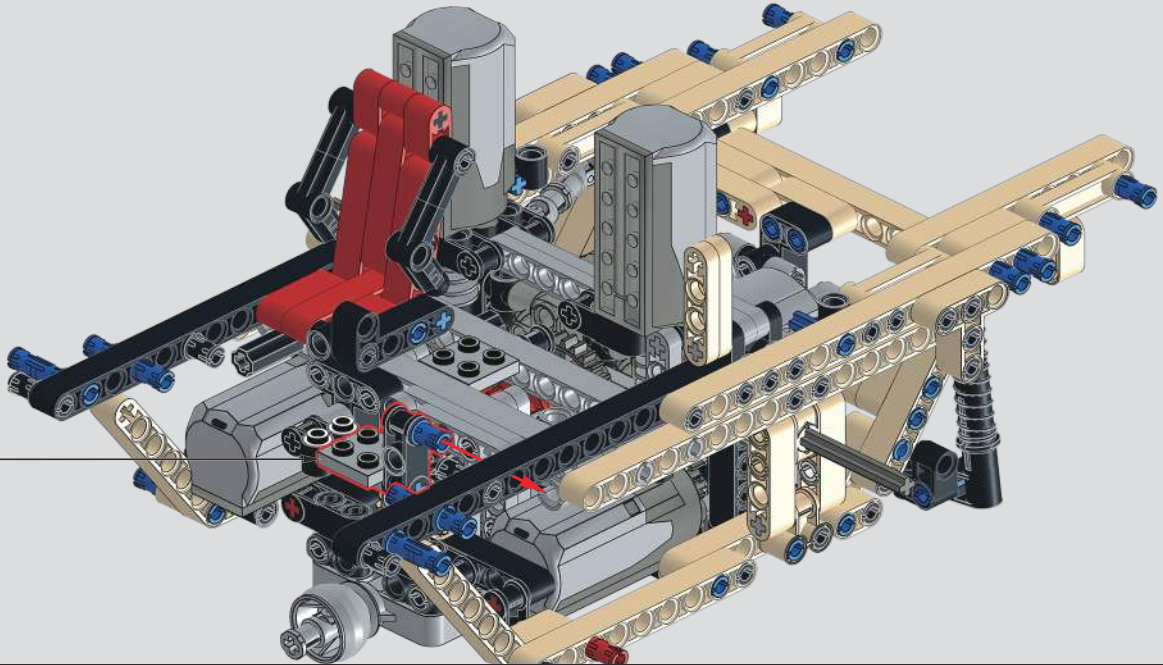
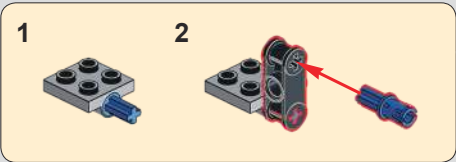
派拉蒙动态——此步骤拼装说明
 (请参考: 13131 派拉蒙静态说明
 第34-35页)

PARAMOUNT Dynamic version ——This step
 assembly instructions
 (Please refer to: 13131 PARAMOUNT Static Edition
 Page 34-35)

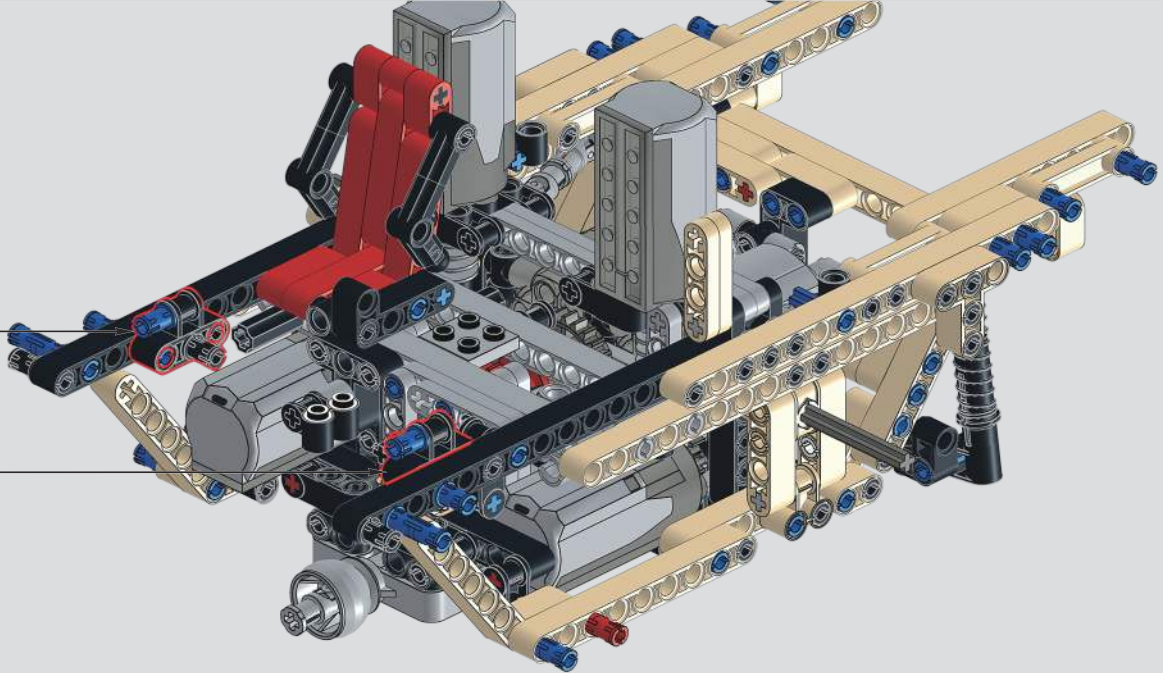
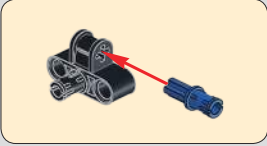
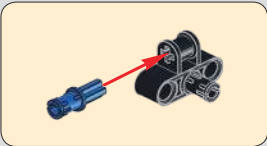


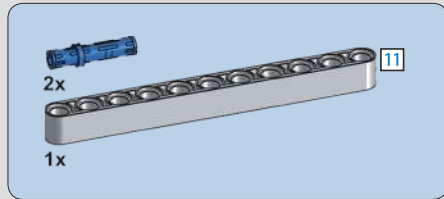


87

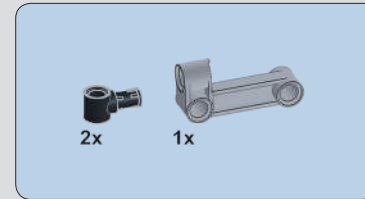


88

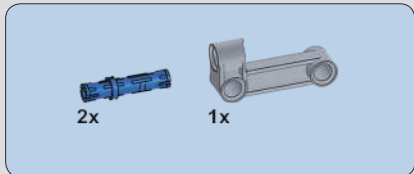




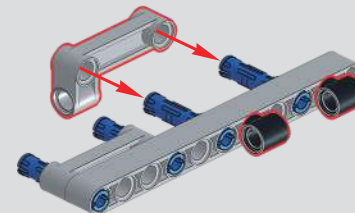
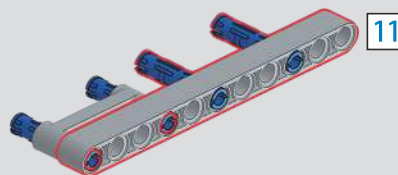
90



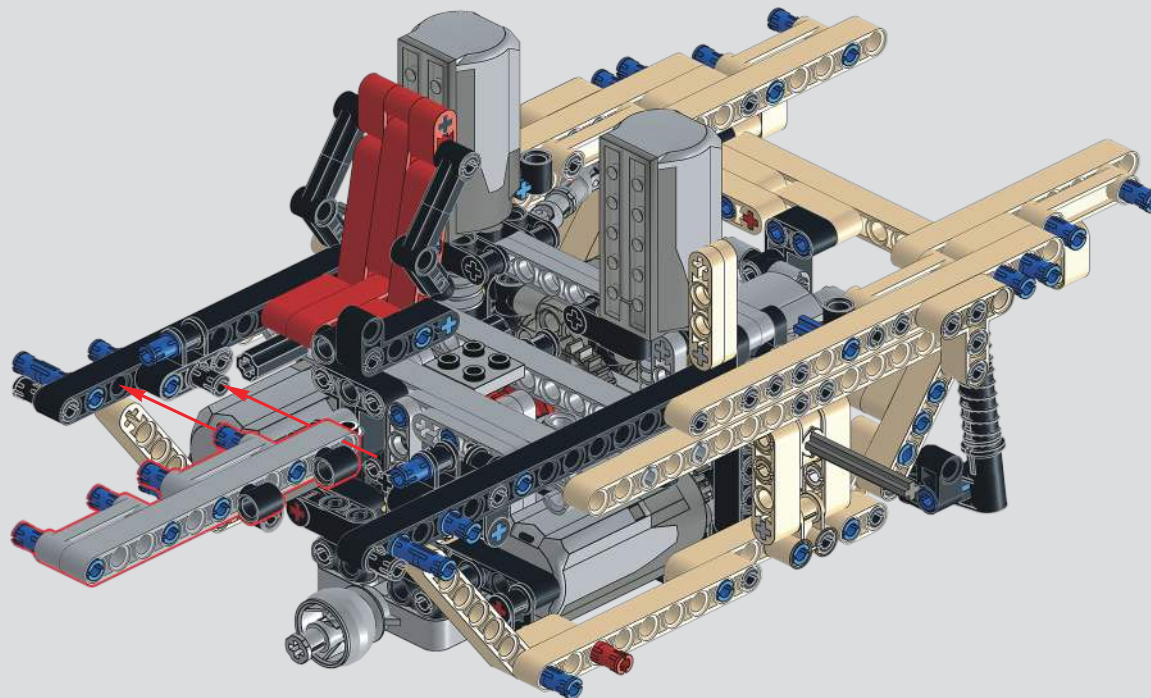
91

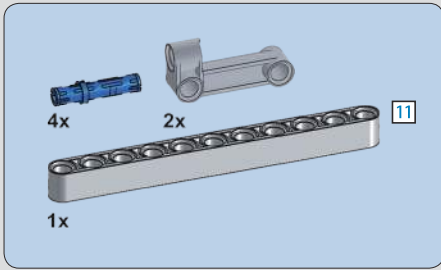


89

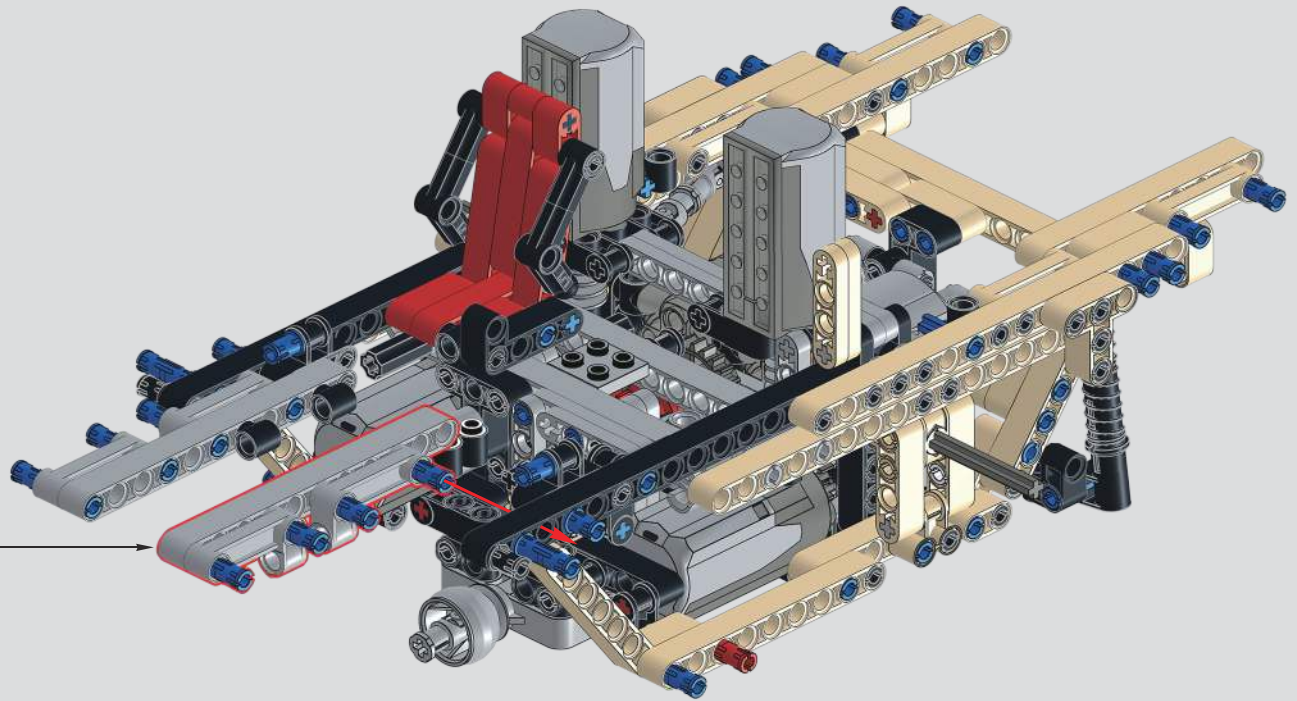
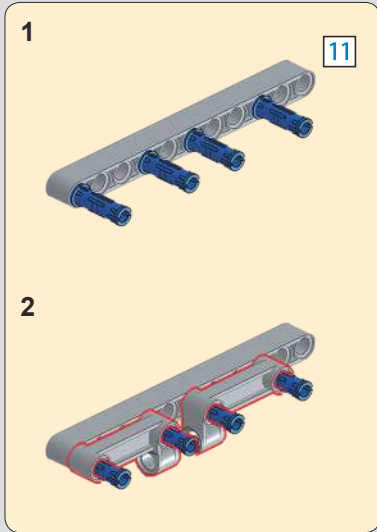
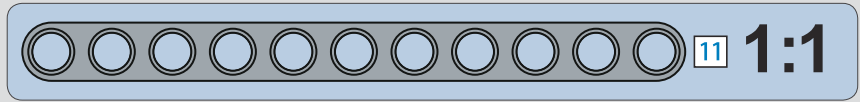


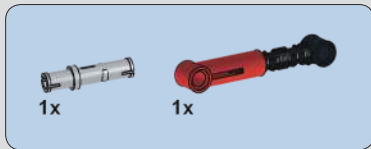
92



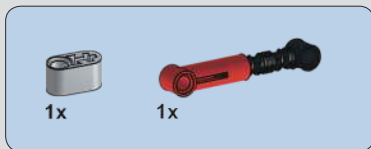


93

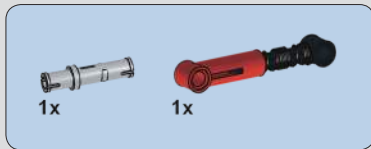




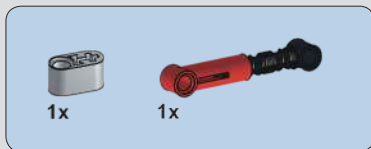
94



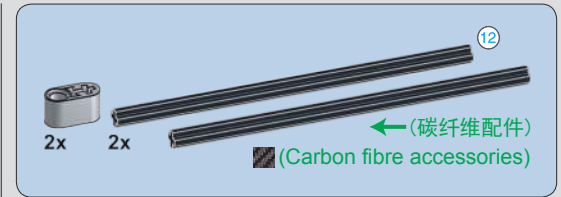
95



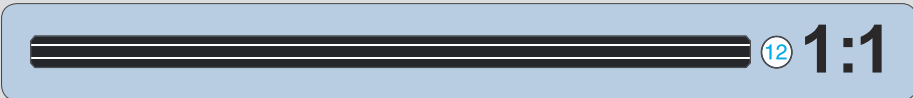
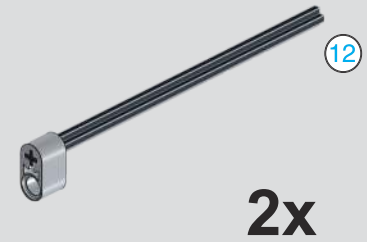
96

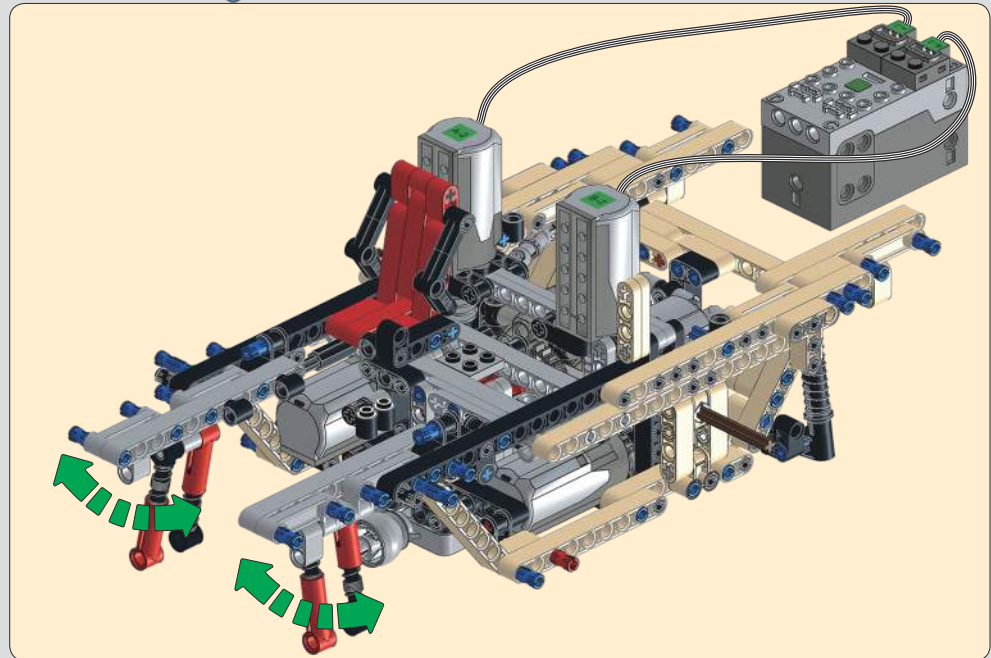
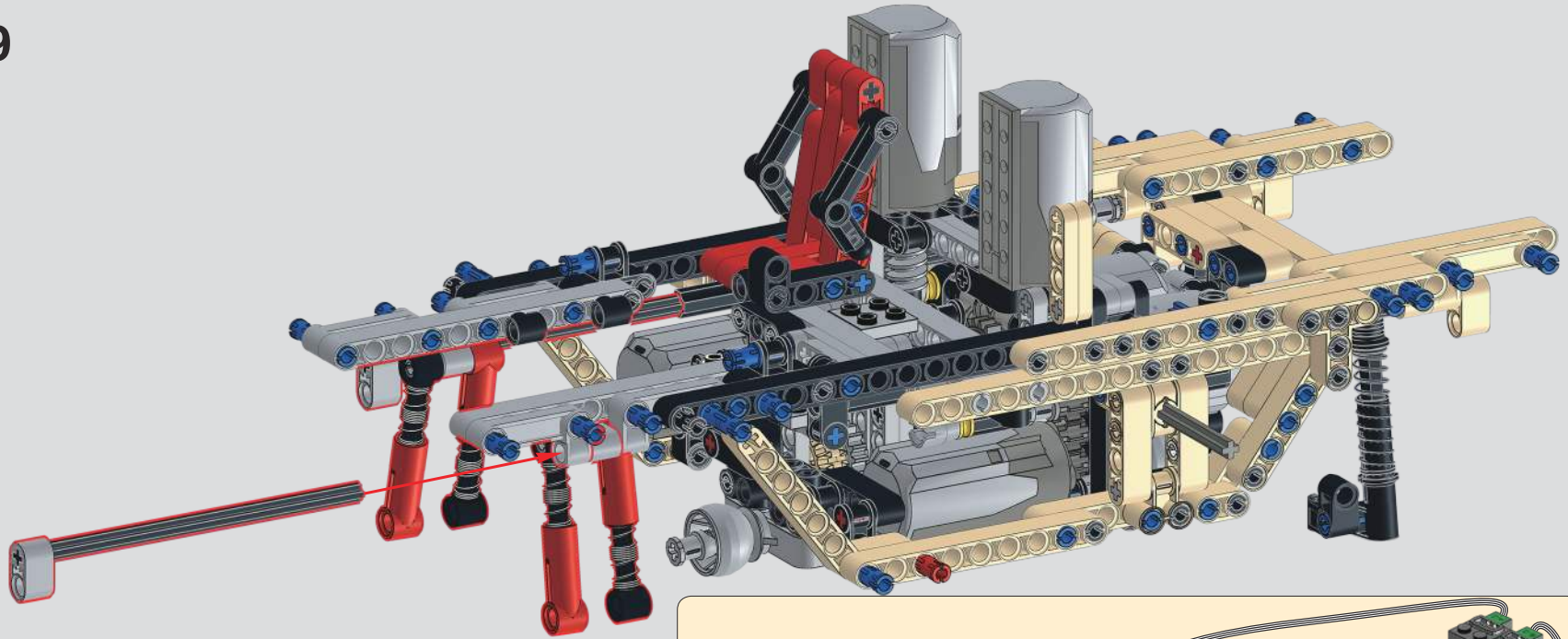


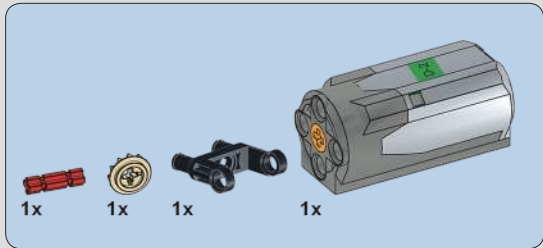
97



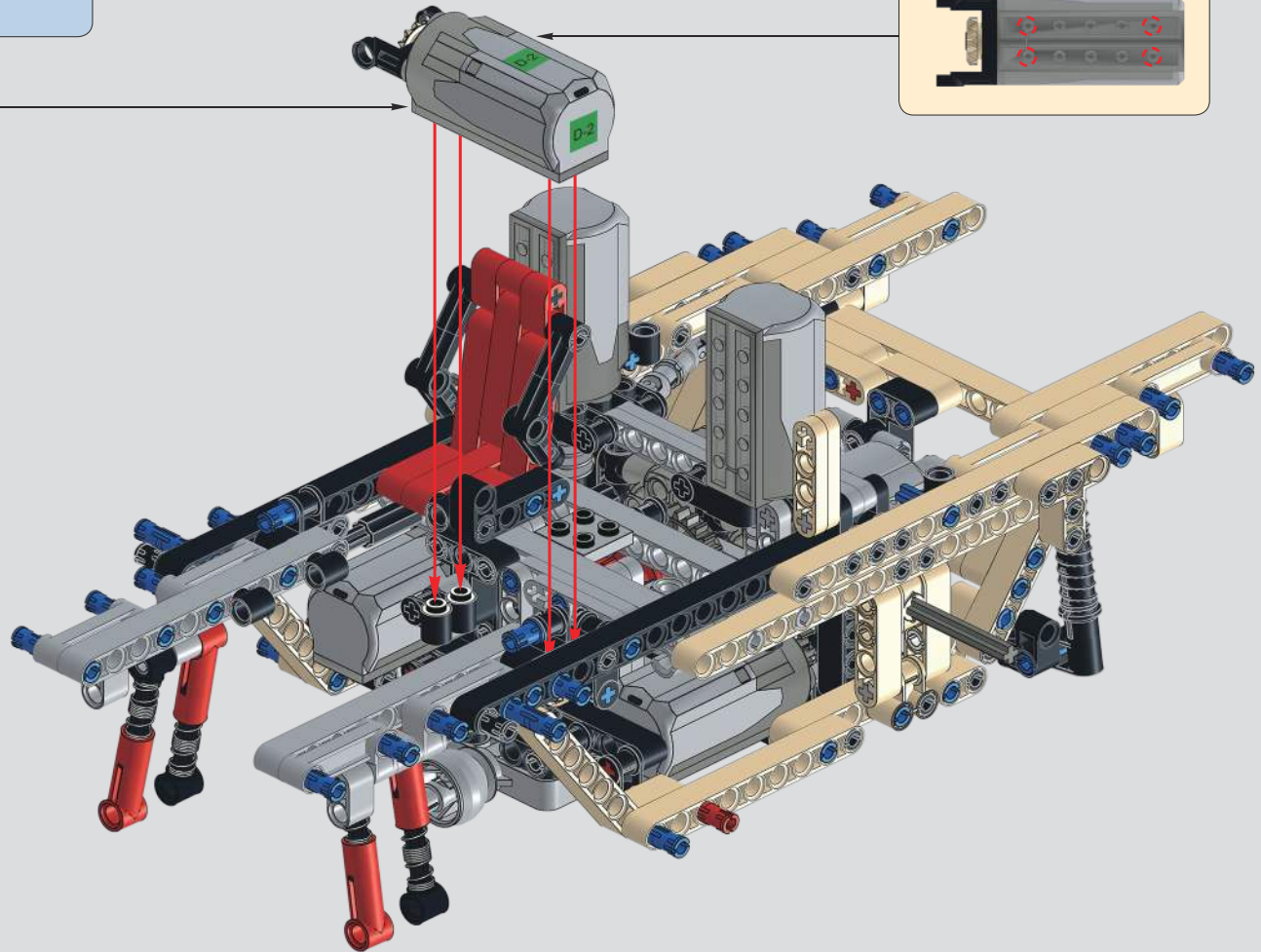
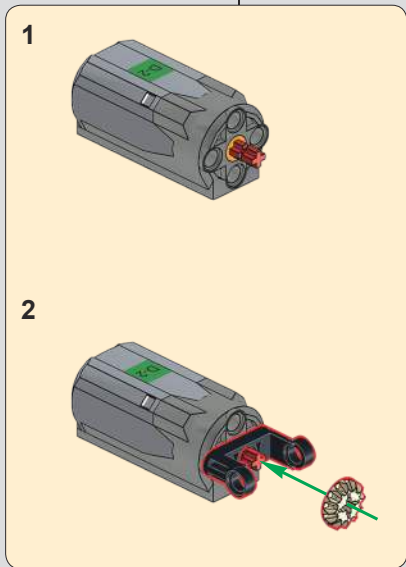
98

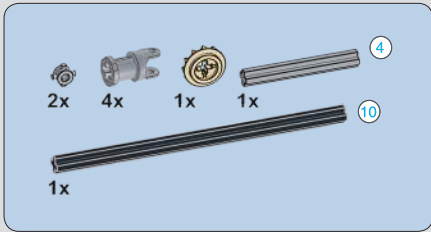




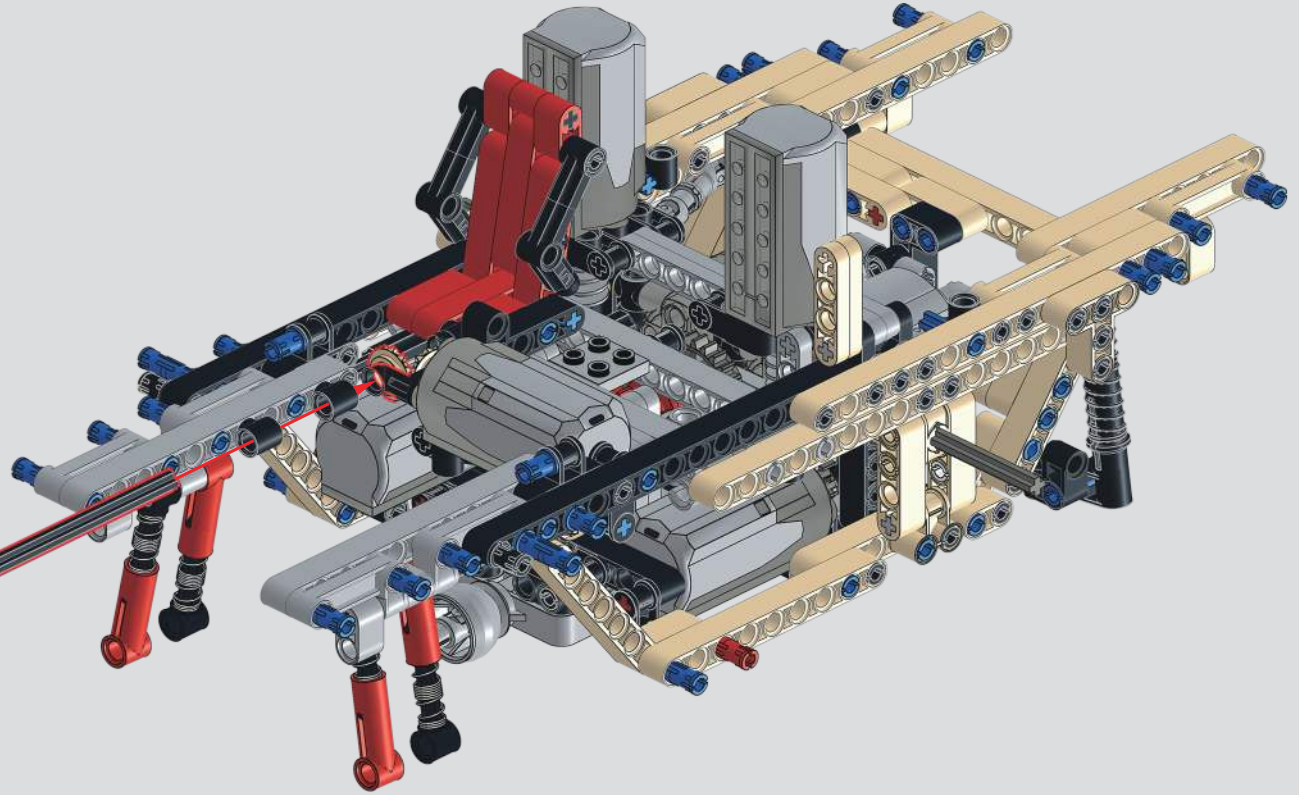
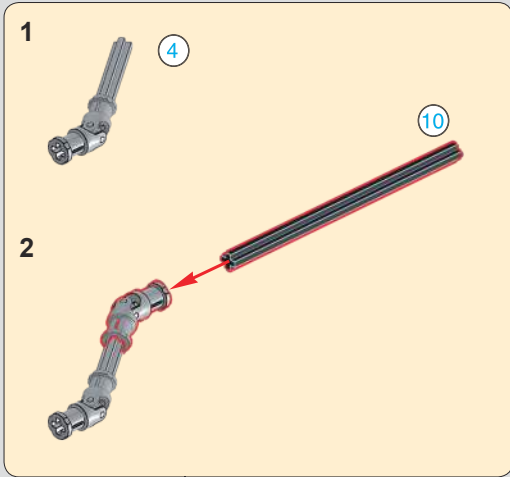


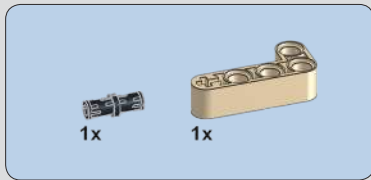
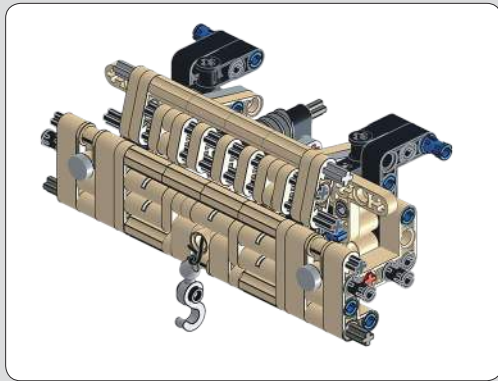
100



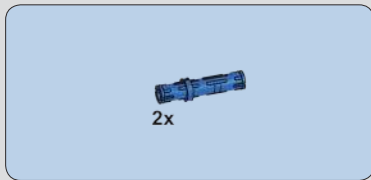


101

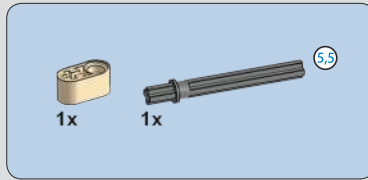




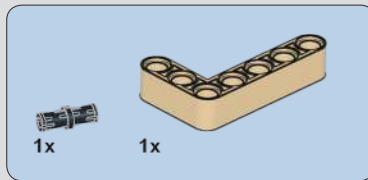
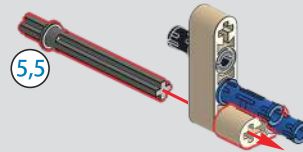
102



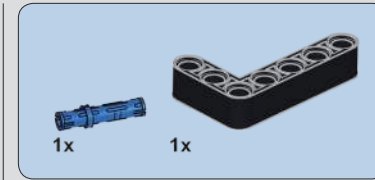
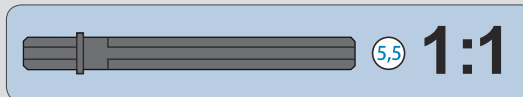
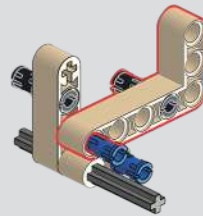
103



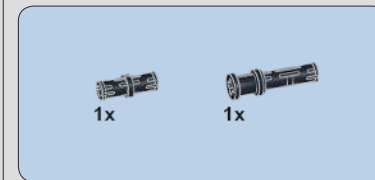
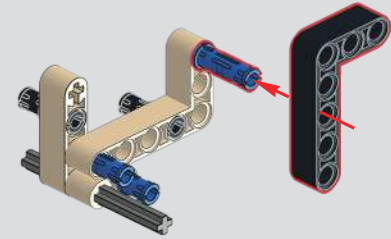
104



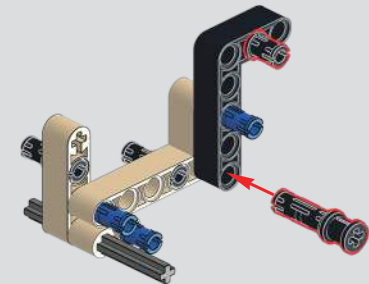
105

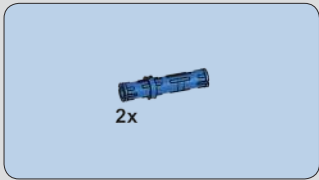


106

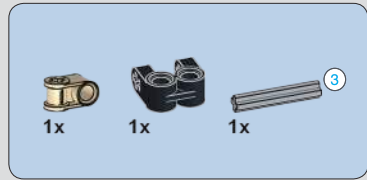
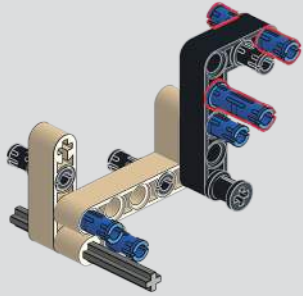


107

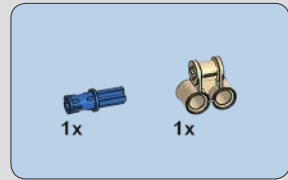




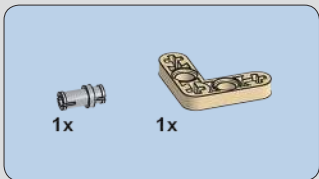
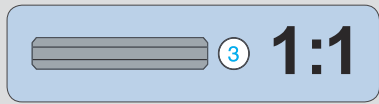
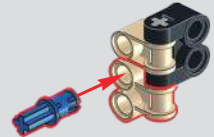
108



109

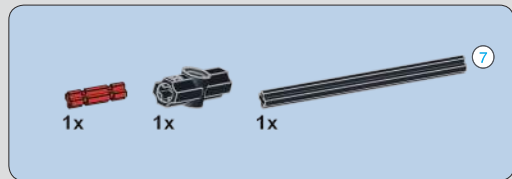


110

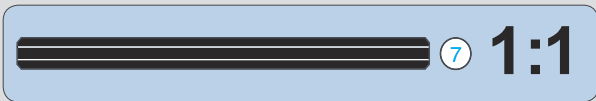
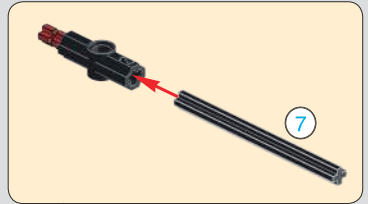
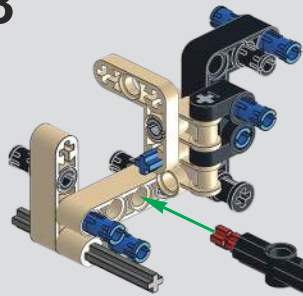
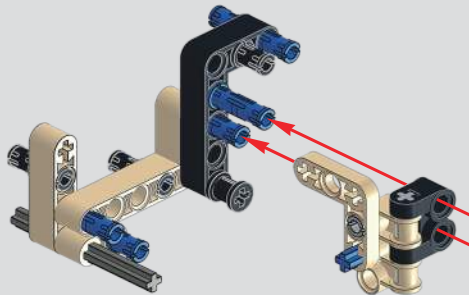
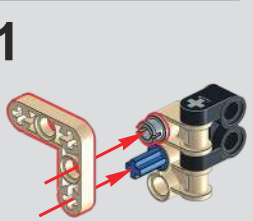


111

112

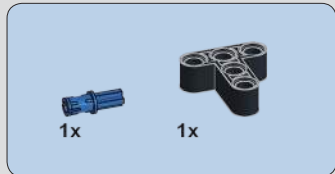


113

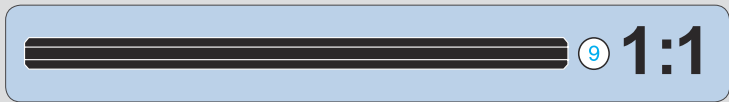
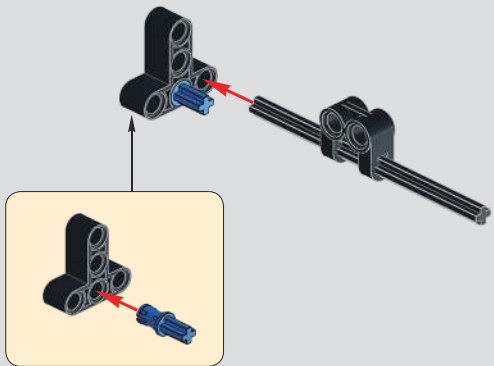




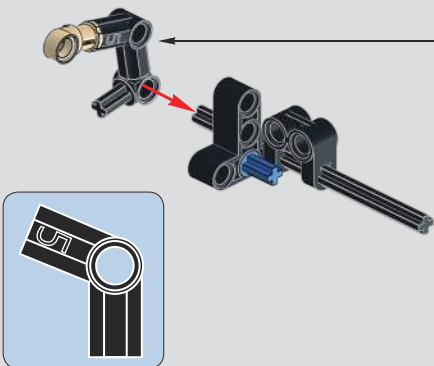
114



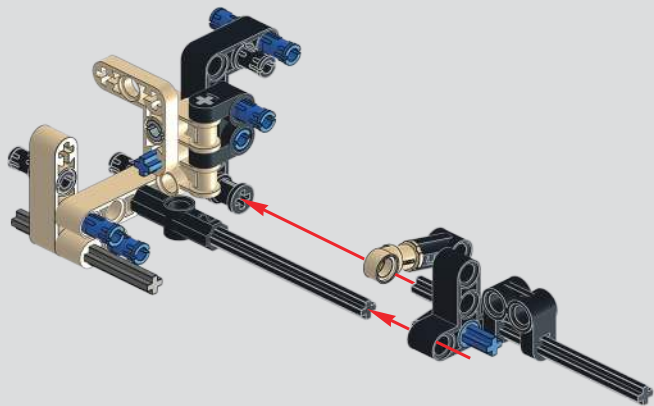
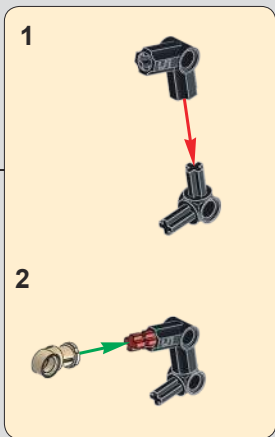
115



116

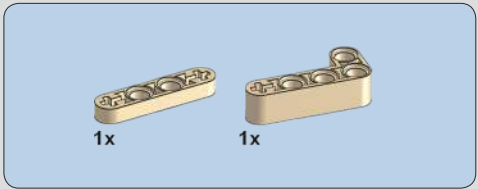
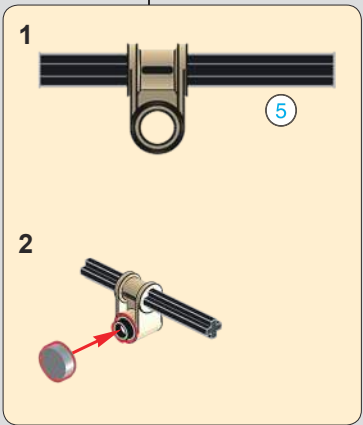
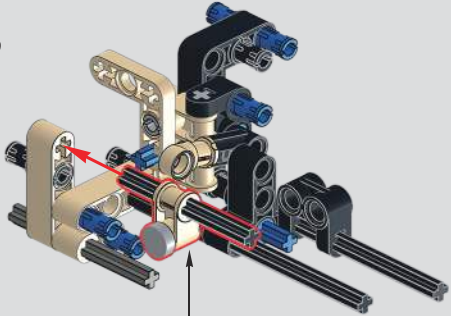


117

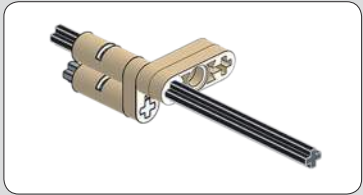
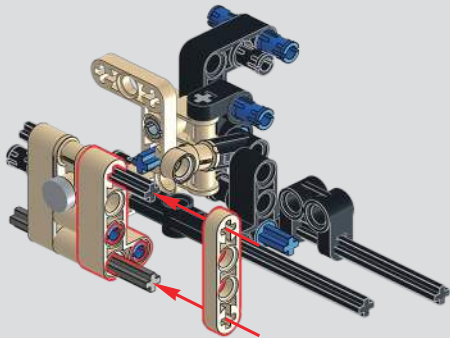




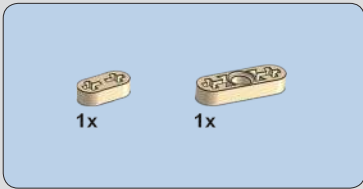
118



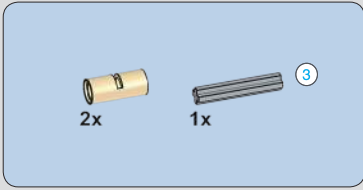
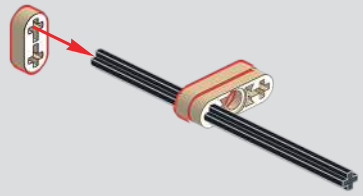
119



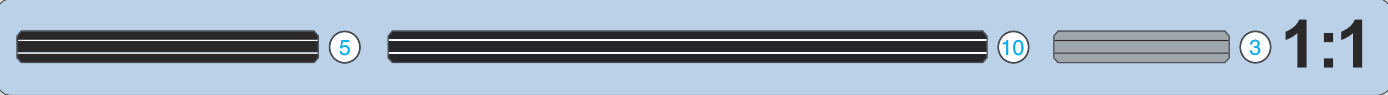
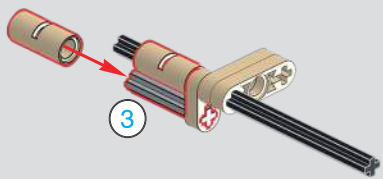
120



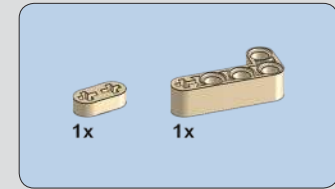
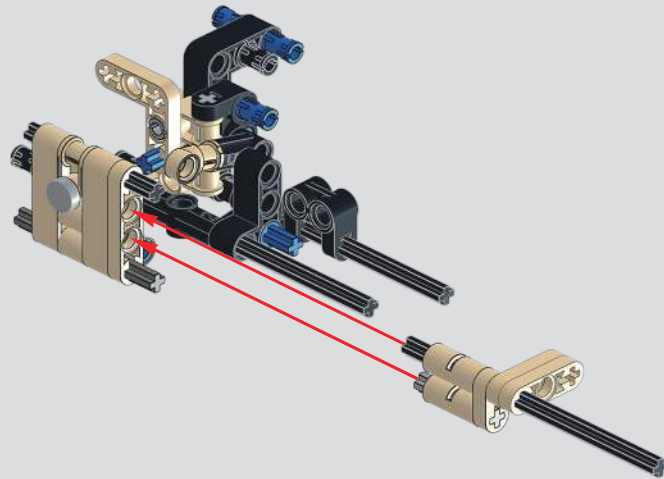
121



122



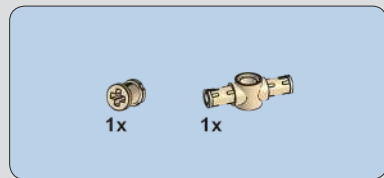
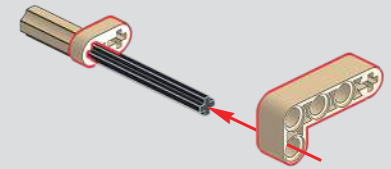
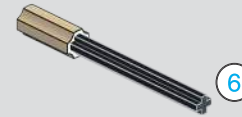
123



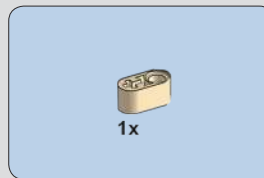
125



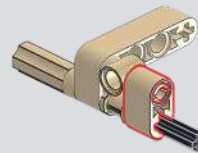
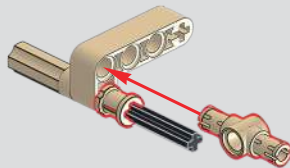
124



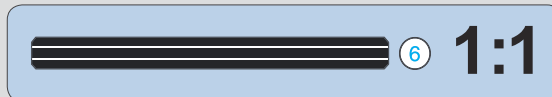
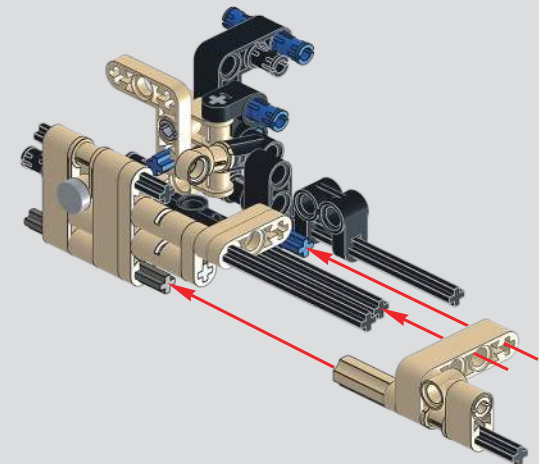
126

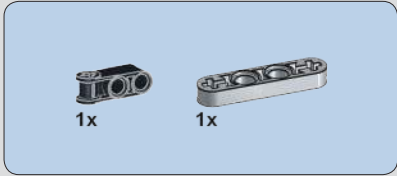


127

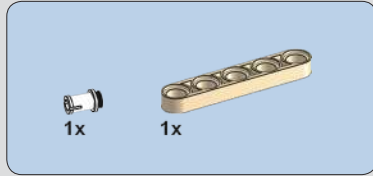
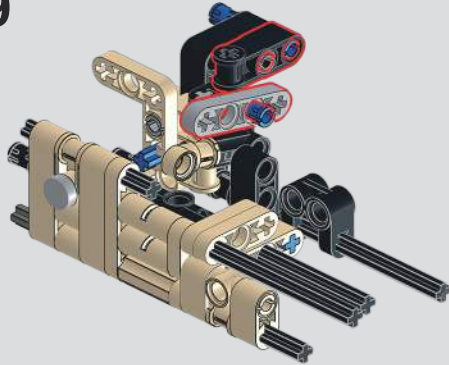


128

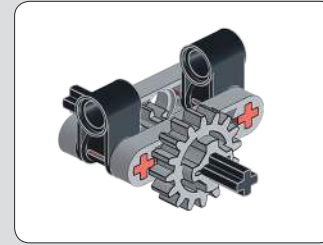
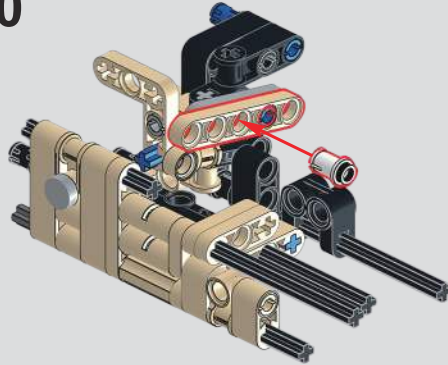




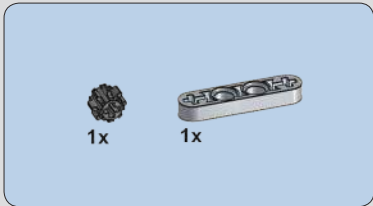
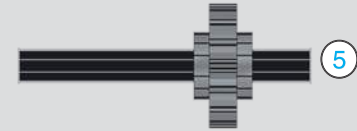
129



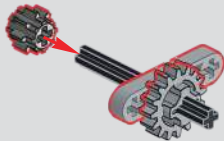
130



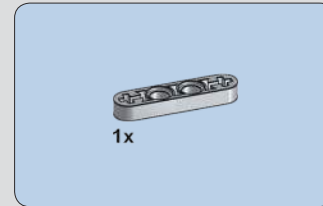
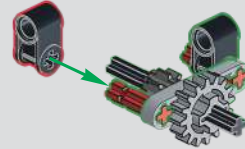
131



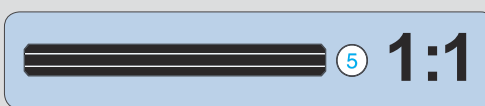
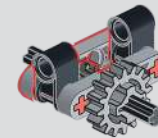
132



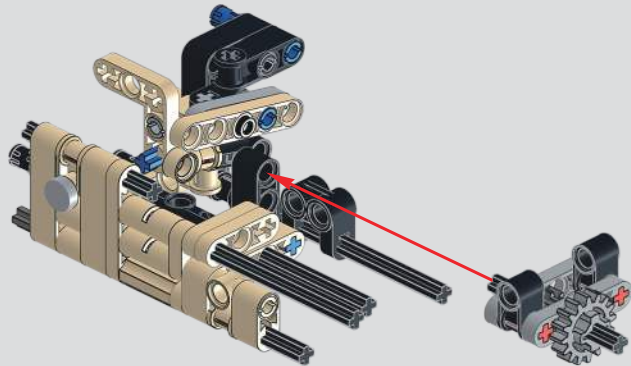
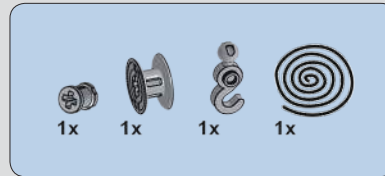
133



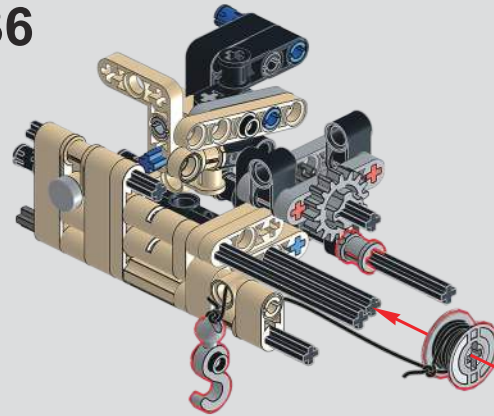
134



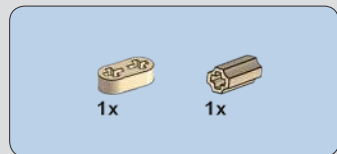
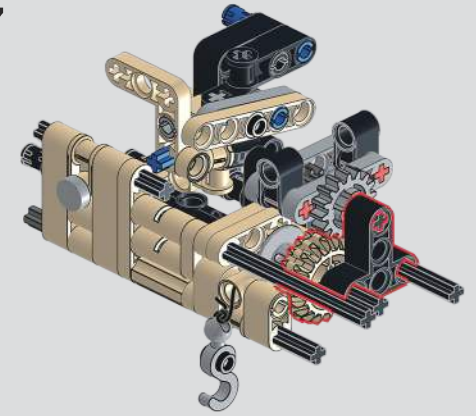
135



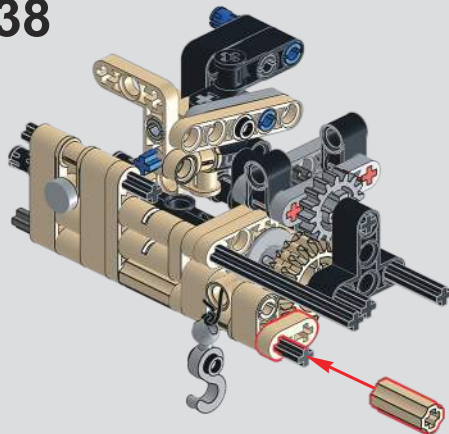
136



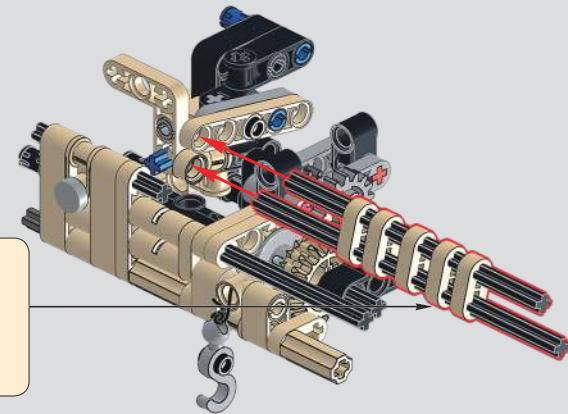
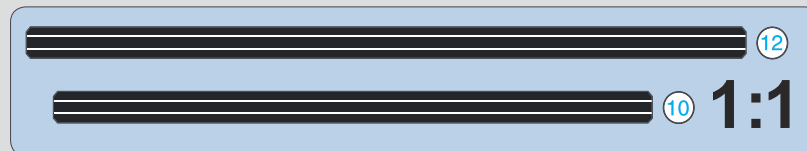
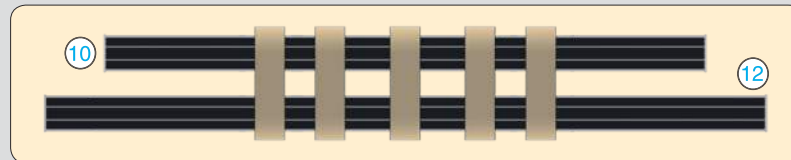
137



138

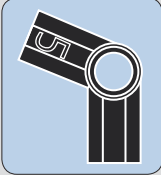
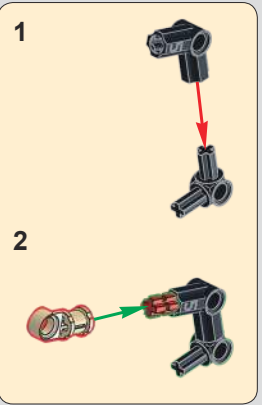
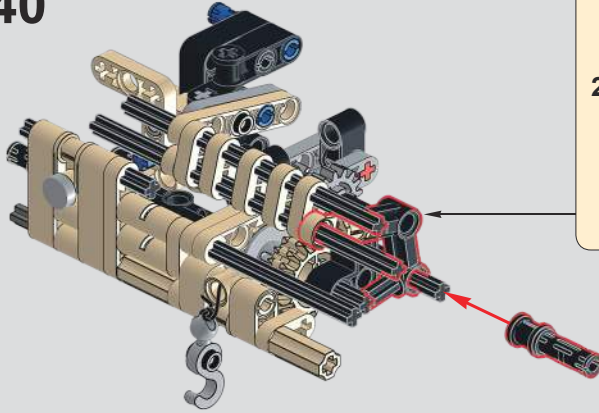


139

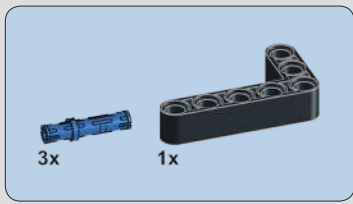
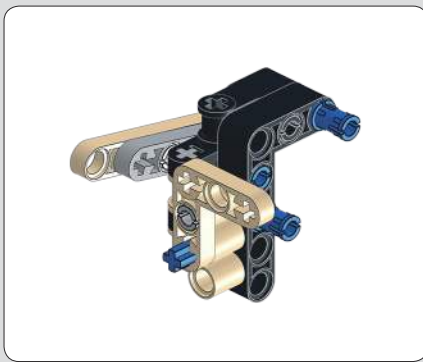
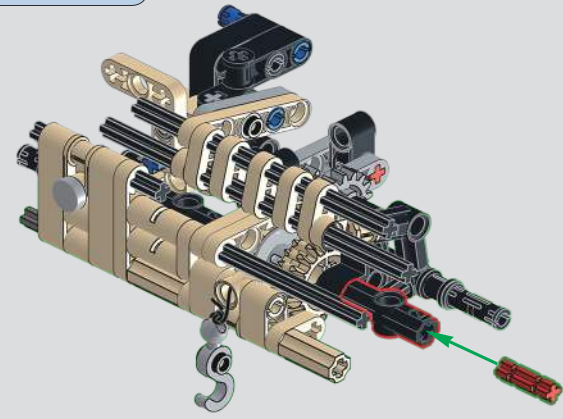




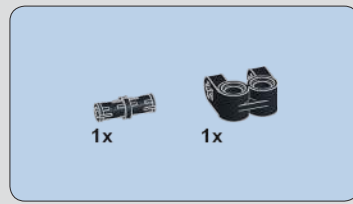
140



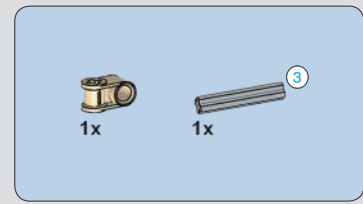
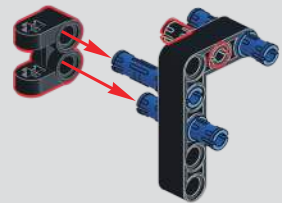
141



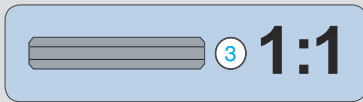
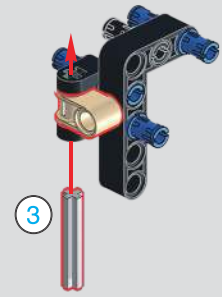
142

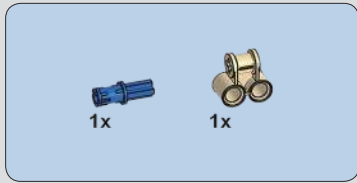


143

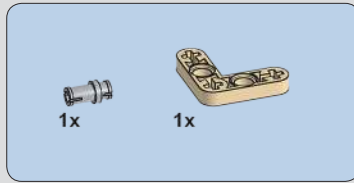
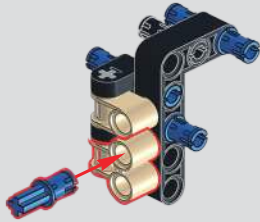


144

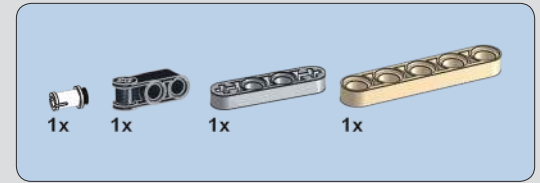
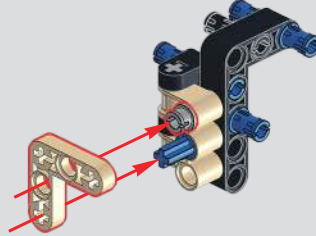




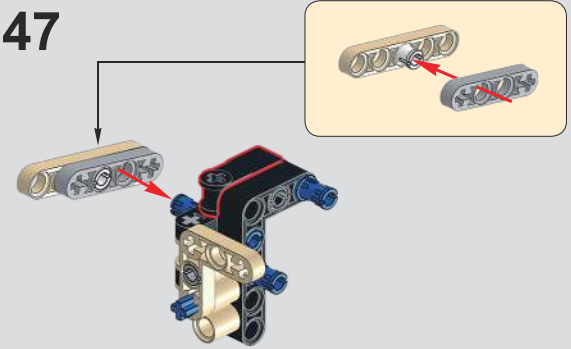
145



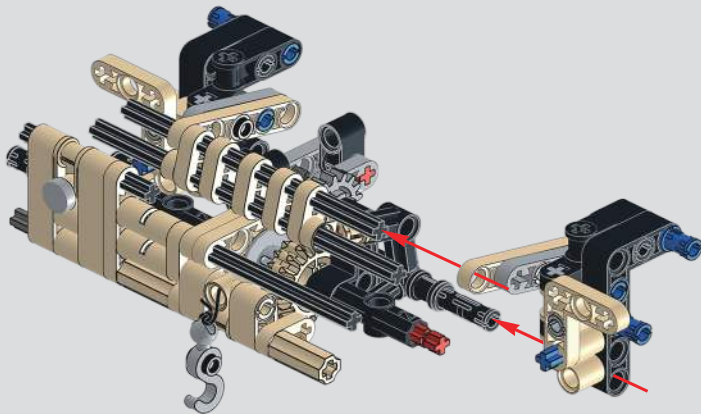
146



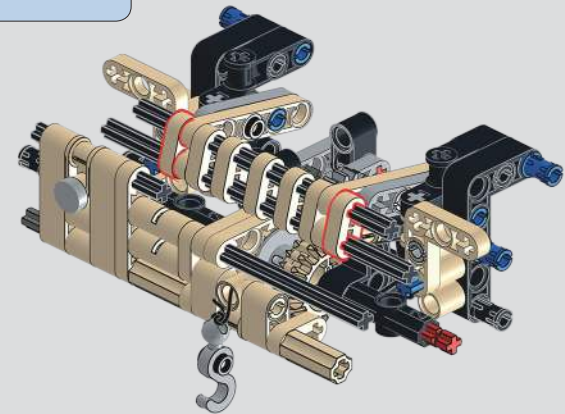
147

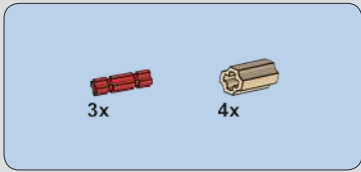


148

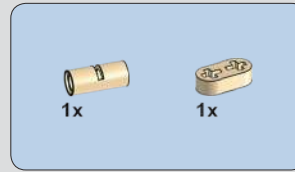
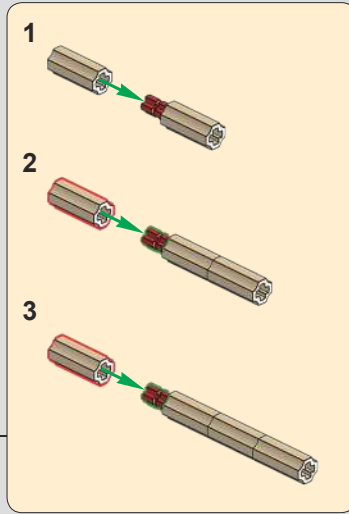
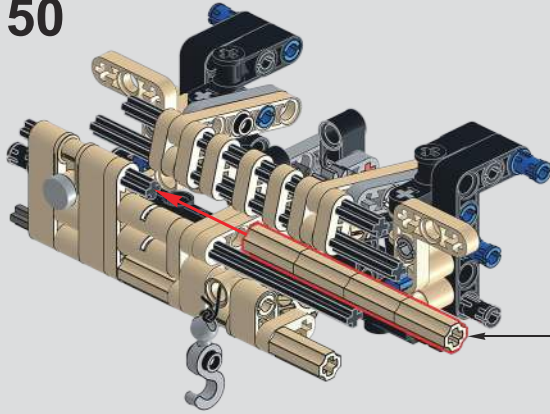


149

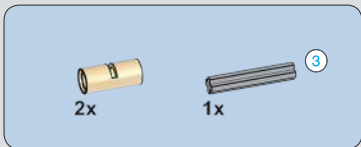
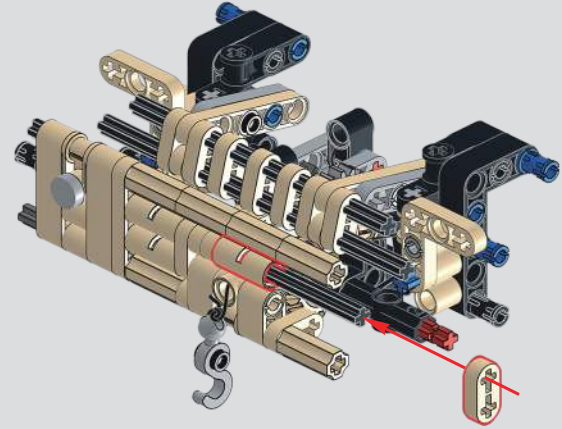




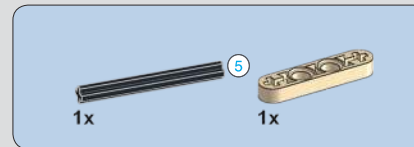
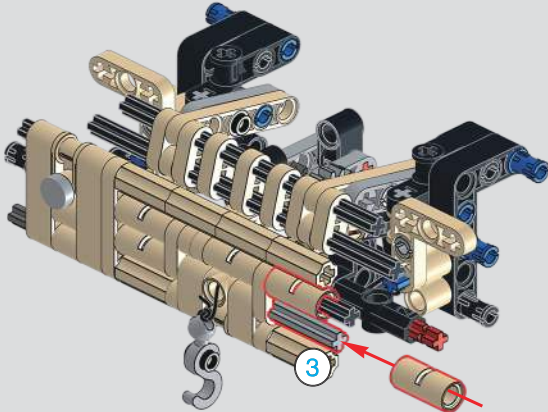
150



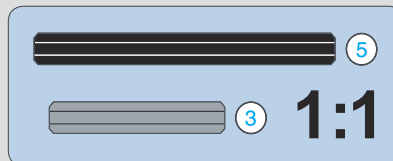
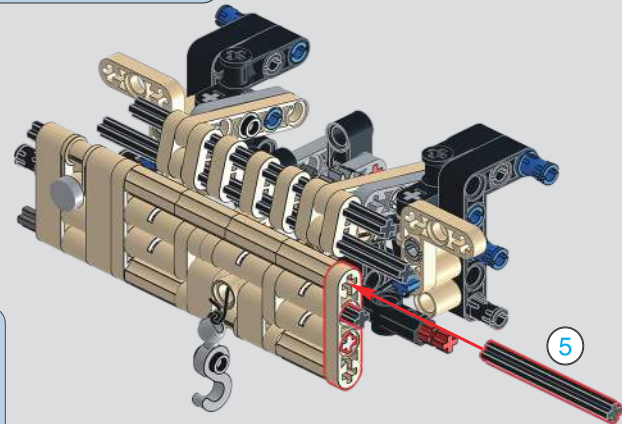
151

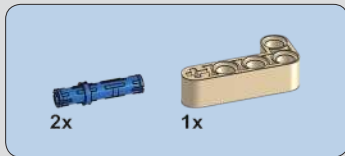


152

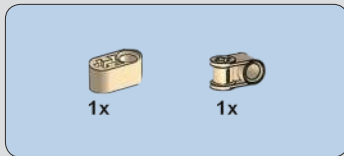
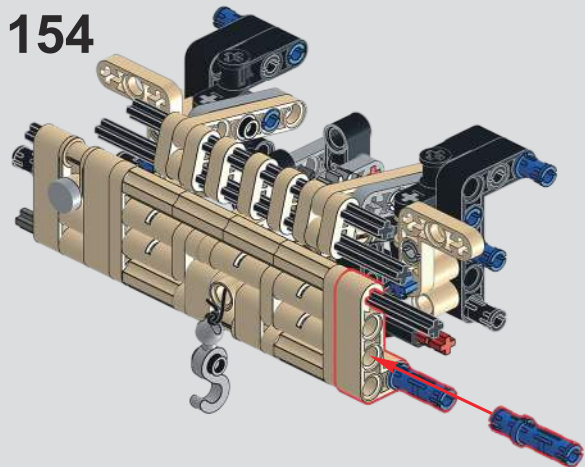


153

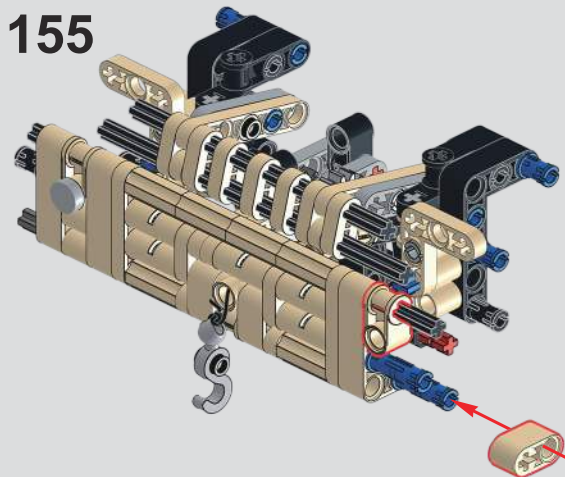




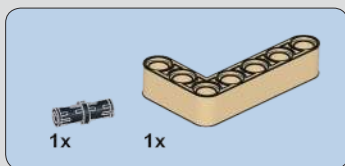
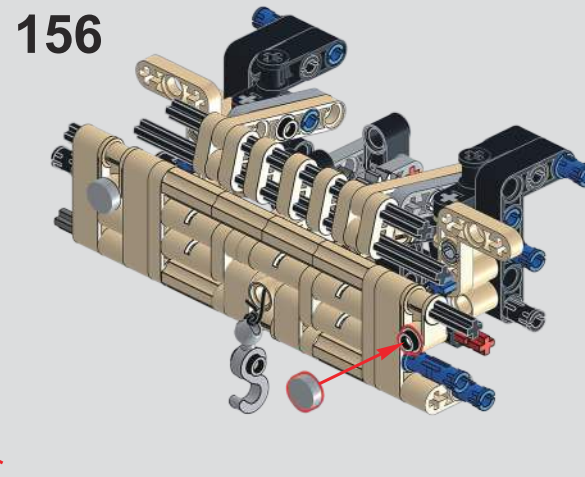
154



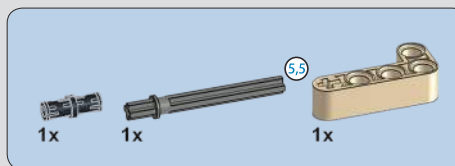
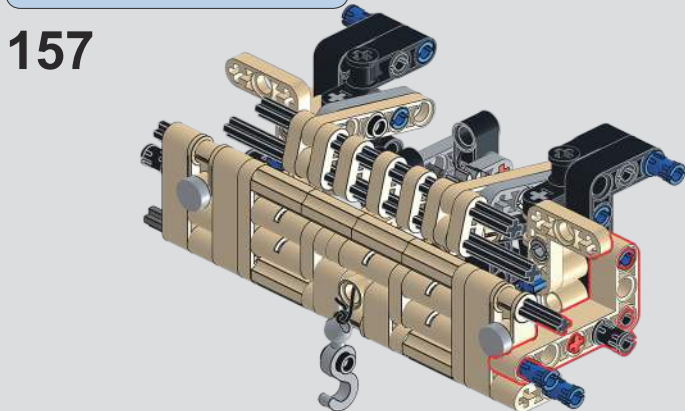
155



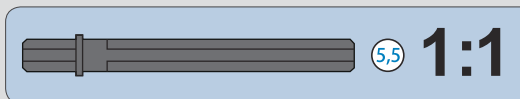
156



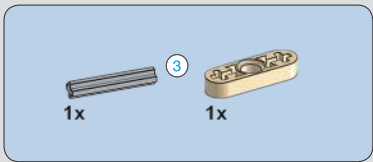
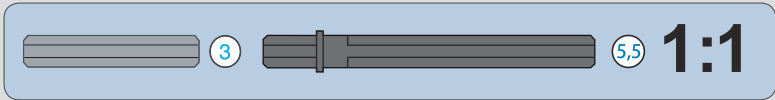
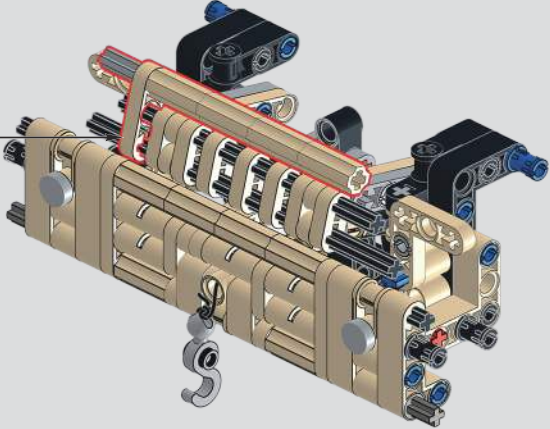
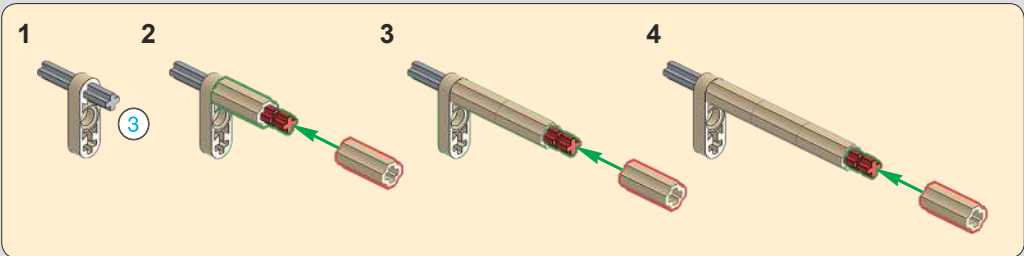
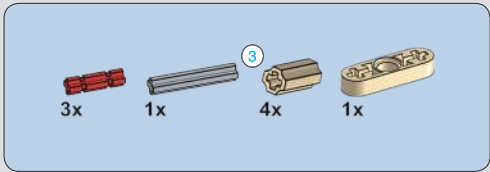
157



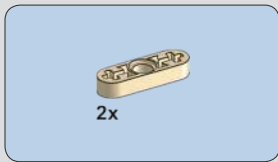
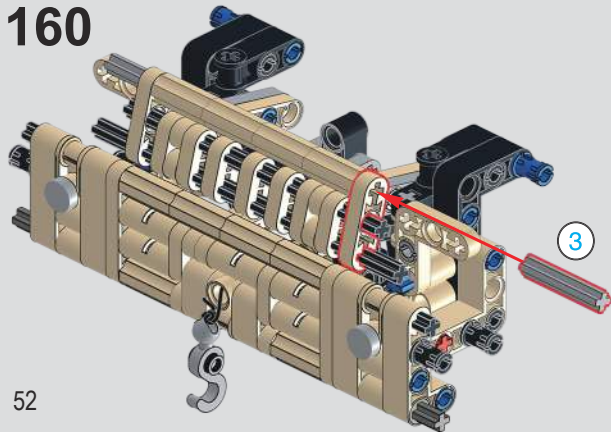
158



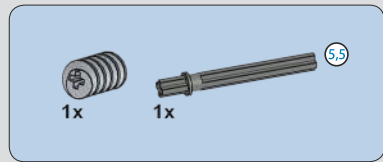
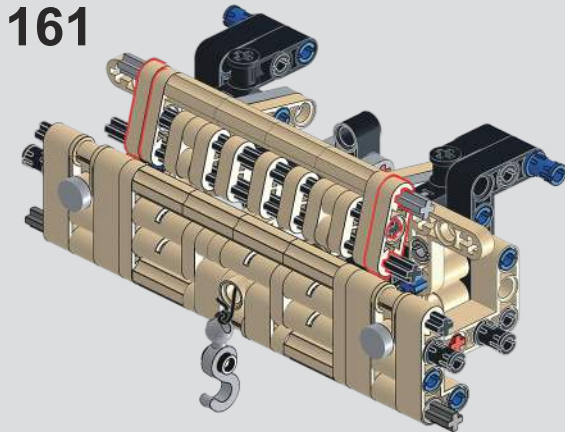
159



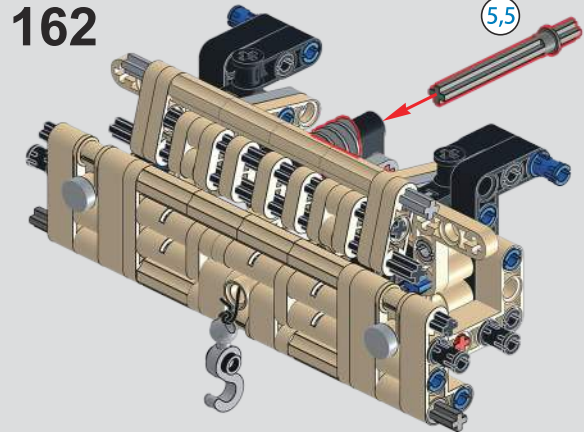
160

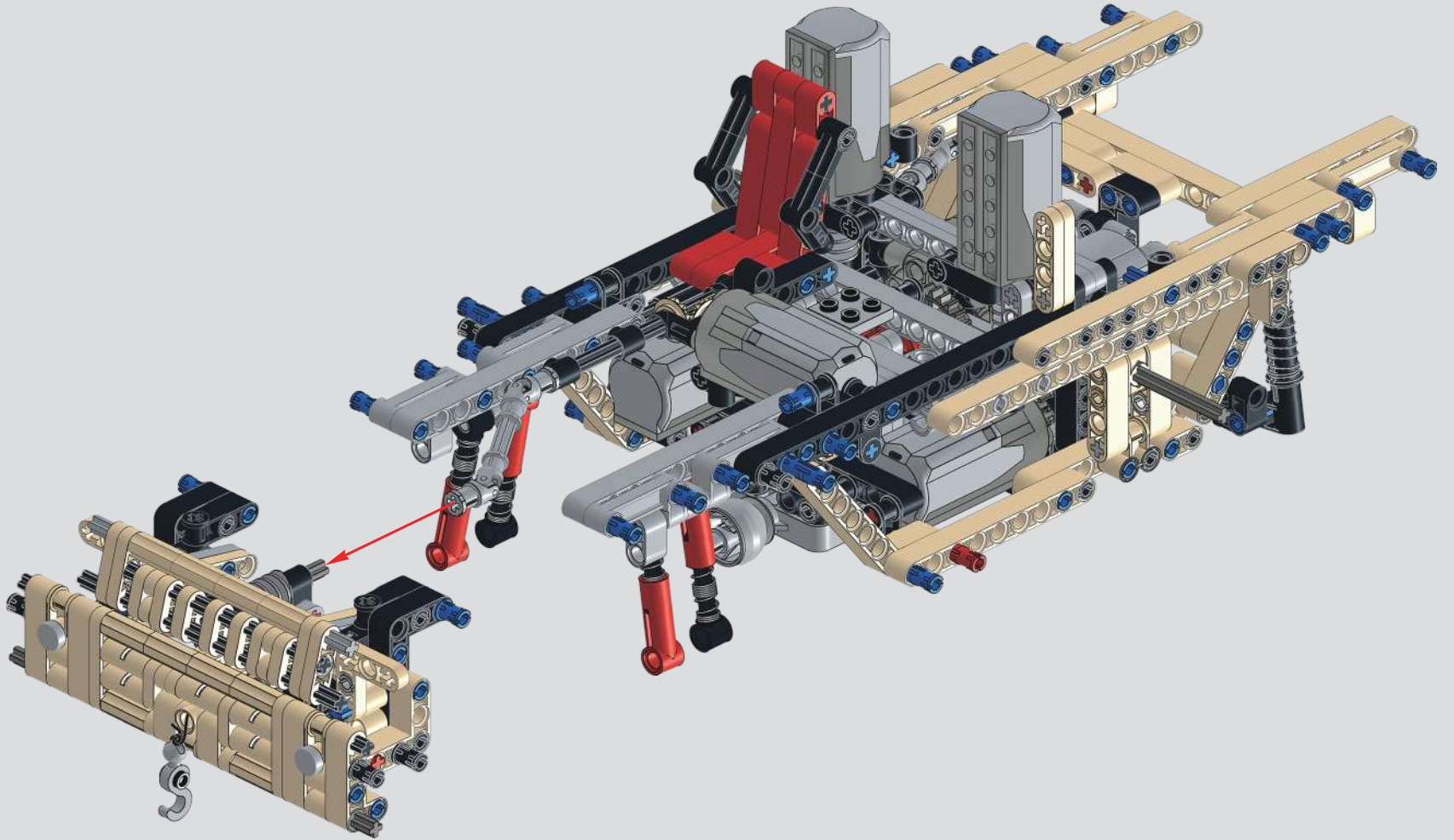


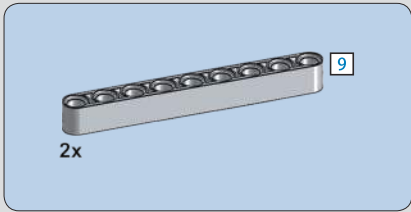
161



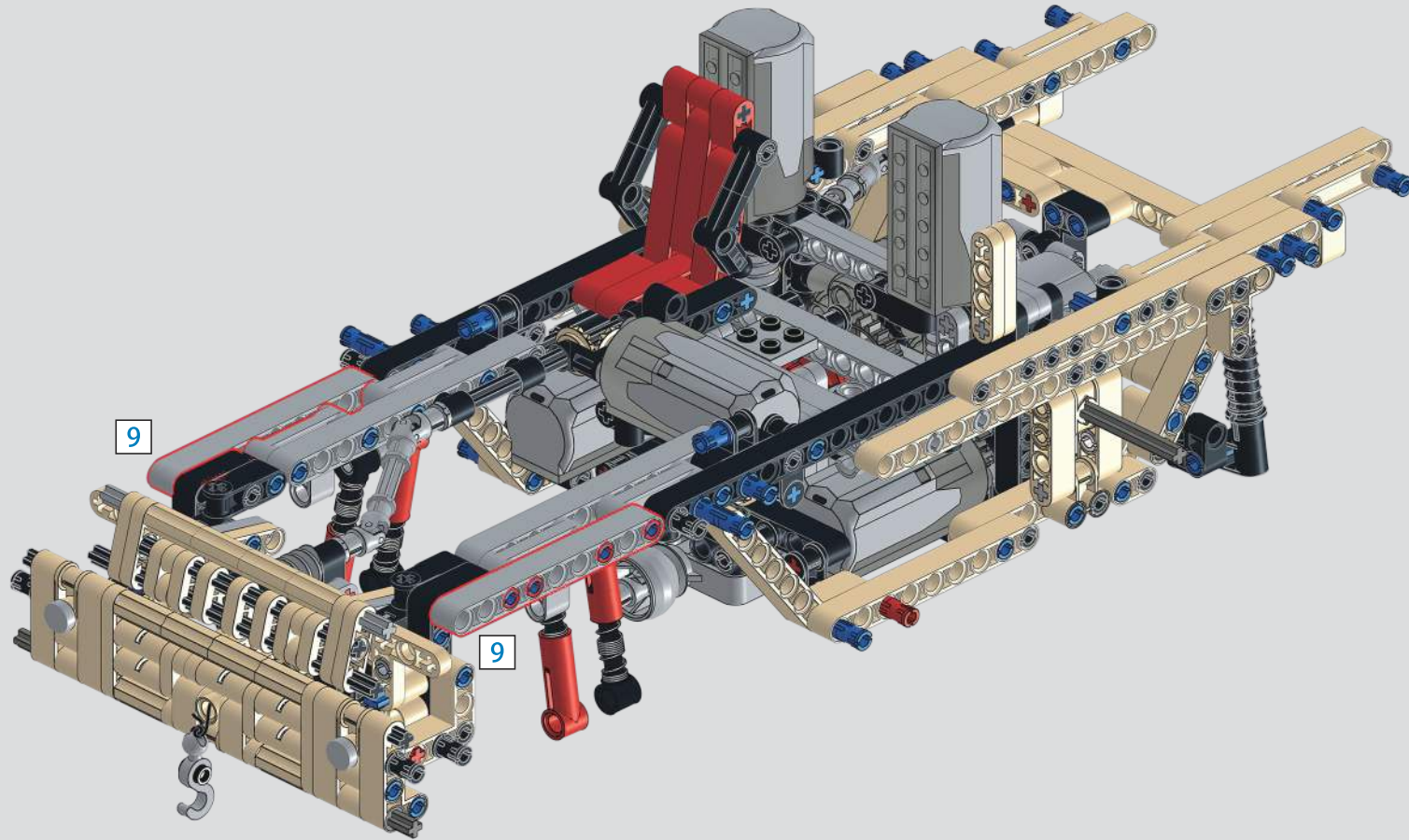
162

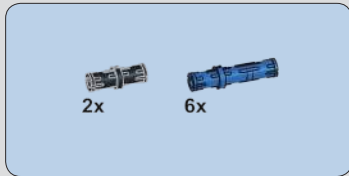




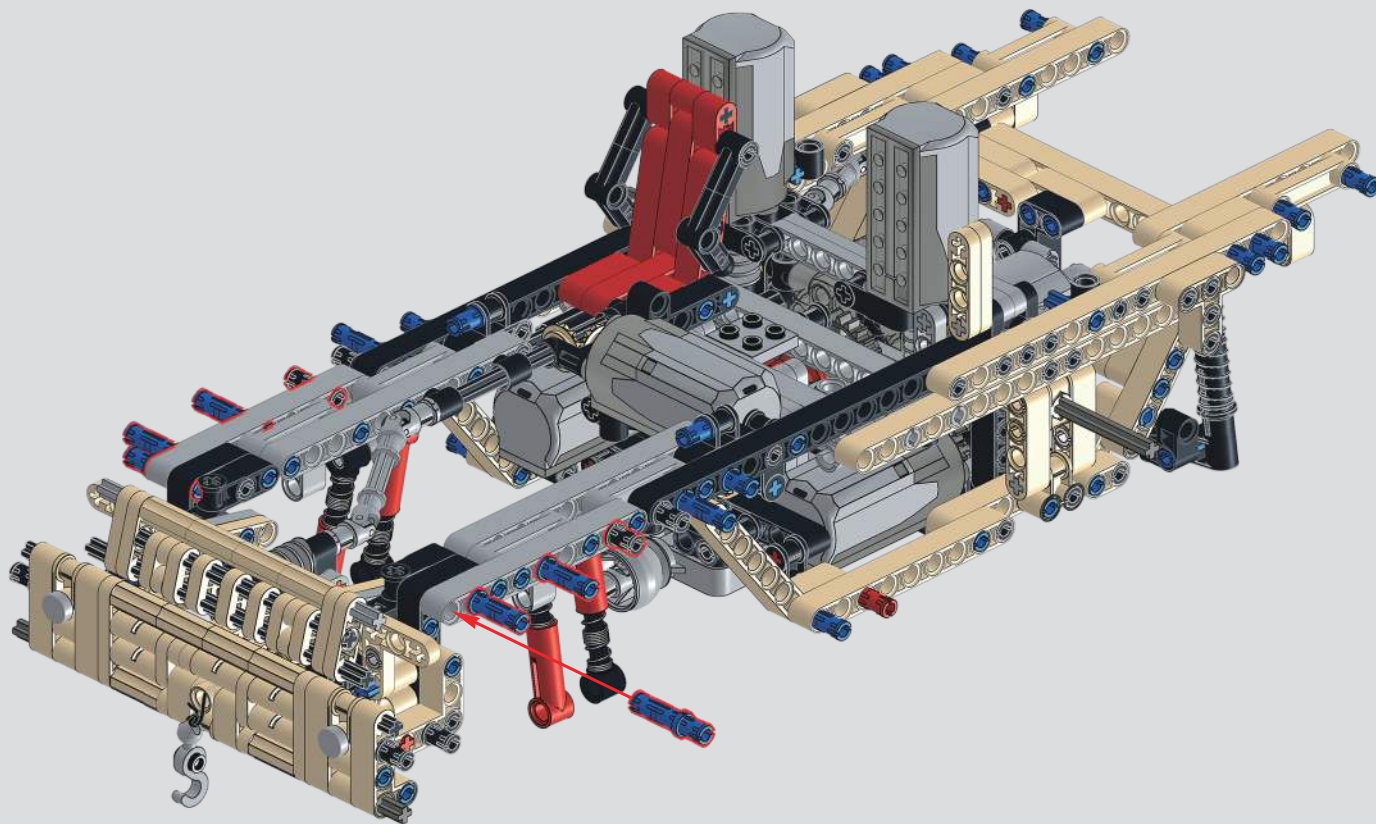


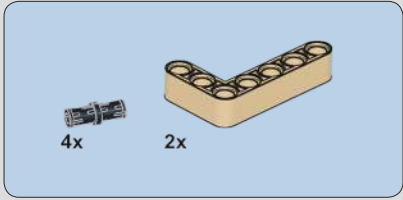
164



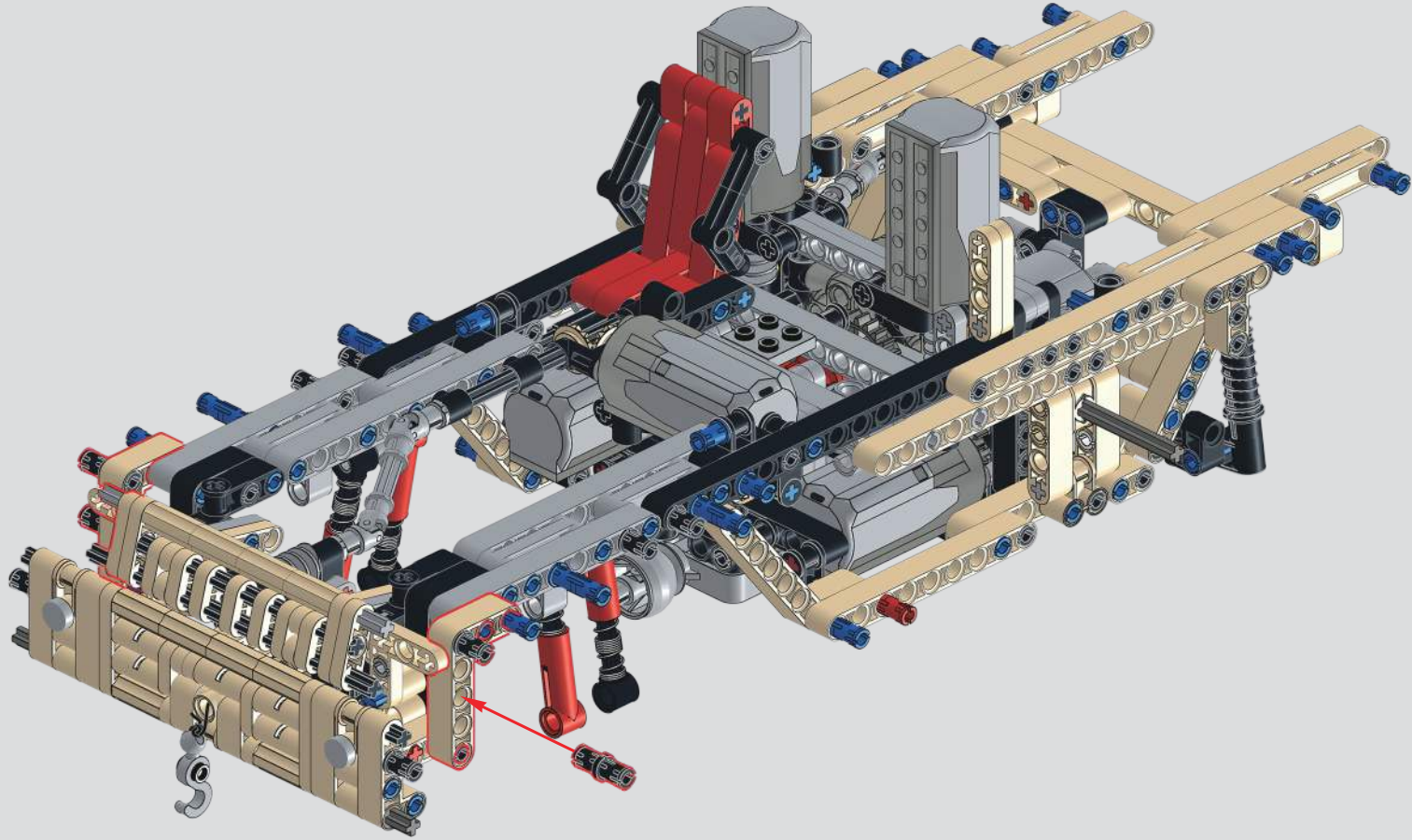


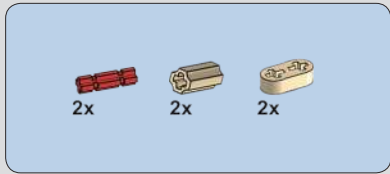
165



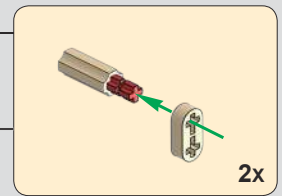
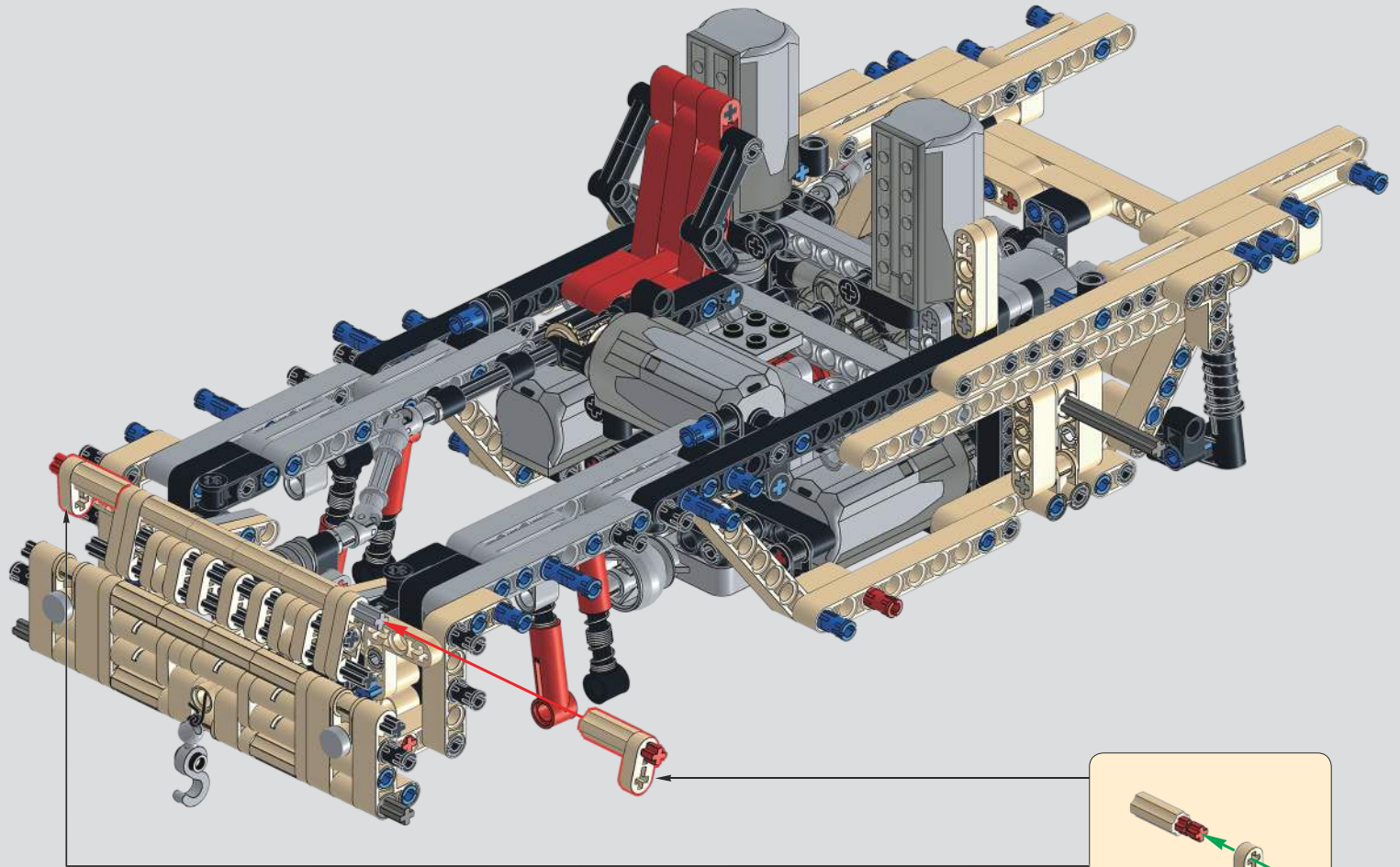


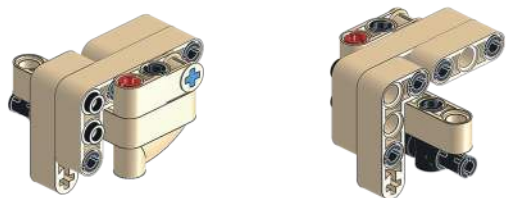
166





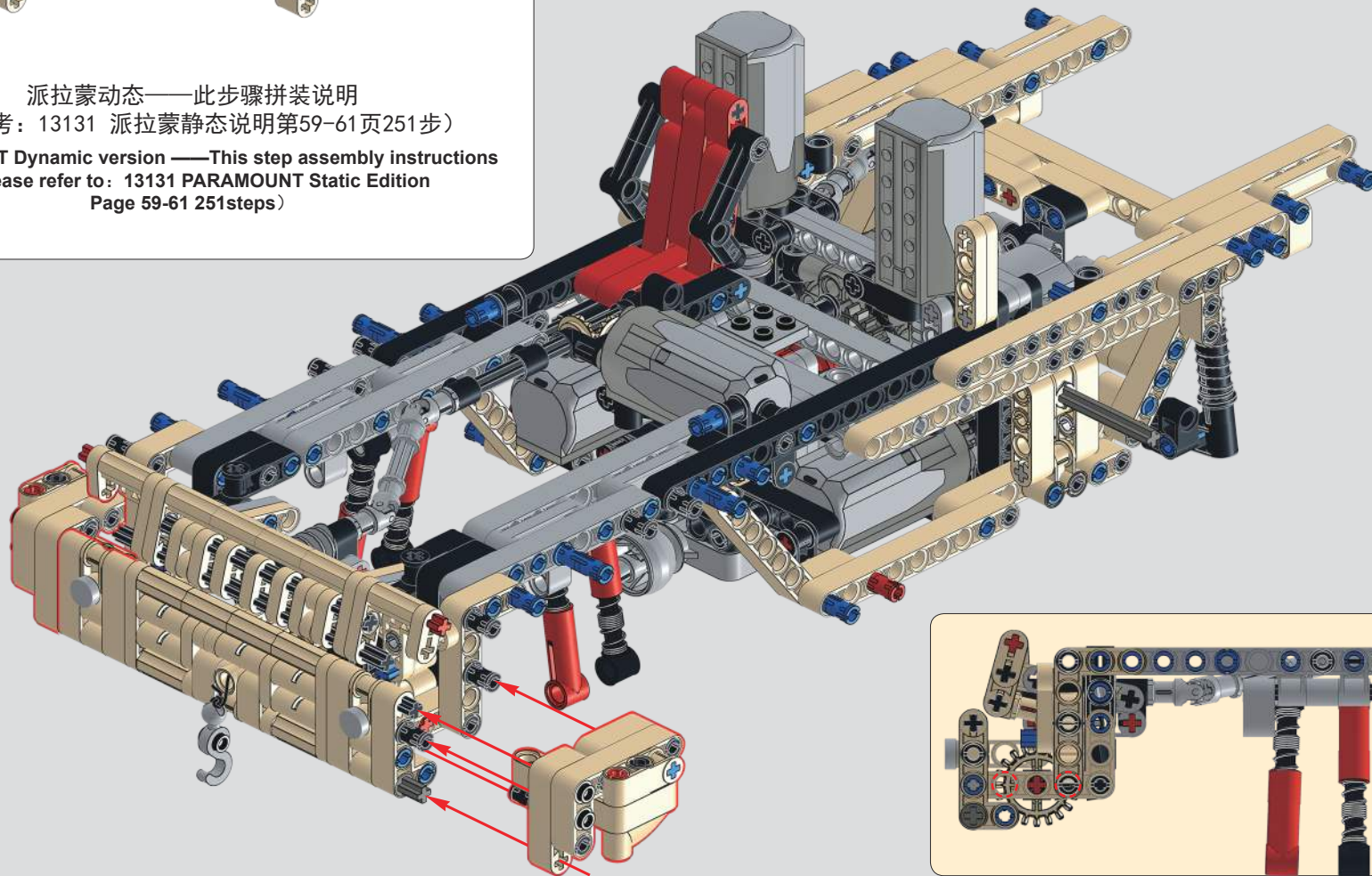
167

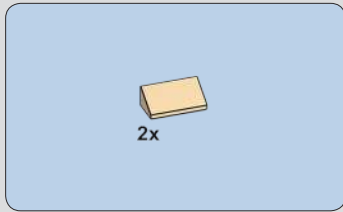




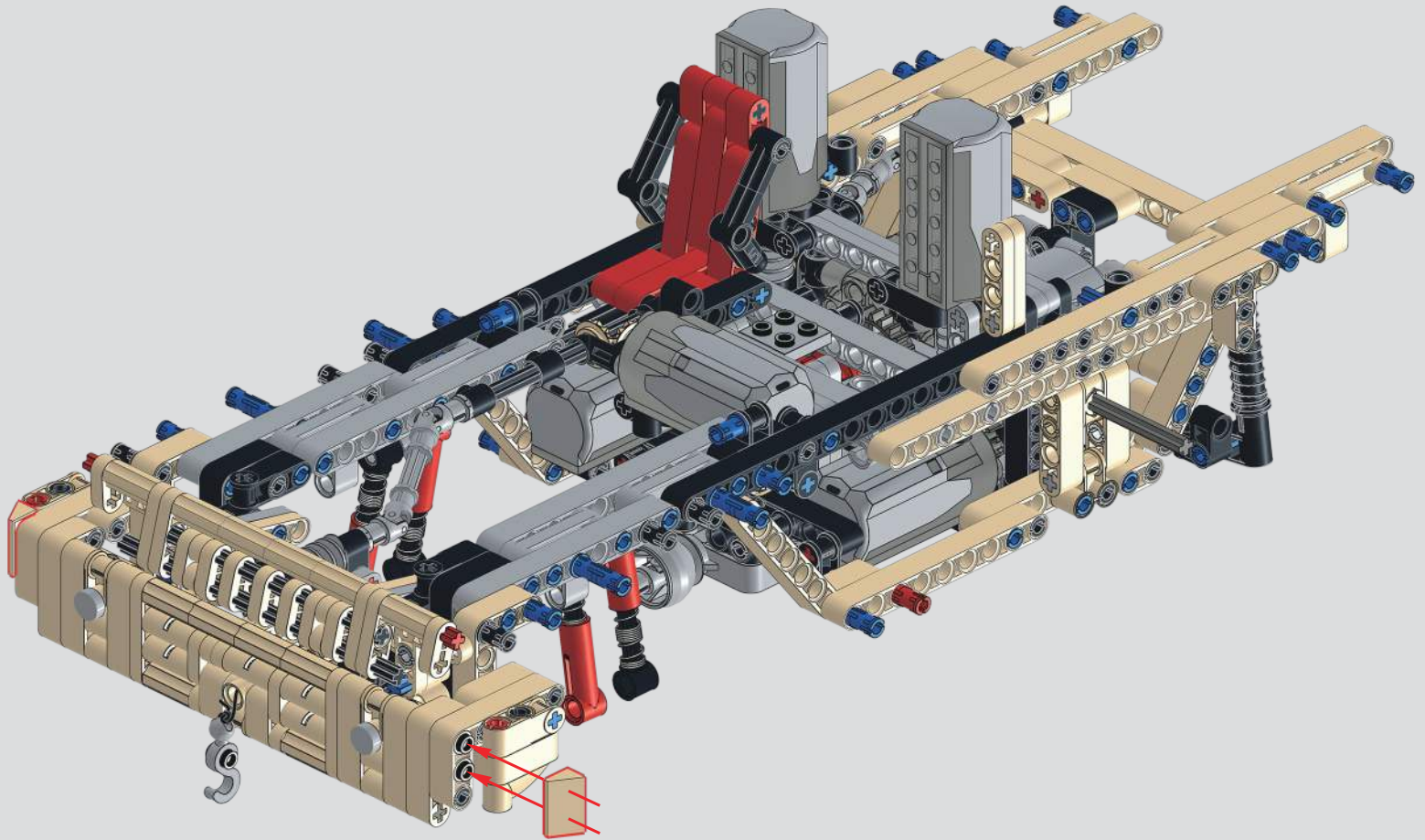
派拉蒙动态——此步骤拼装说明
 (请参考: 13131 派拉蒙静态说明第59-61页251步)

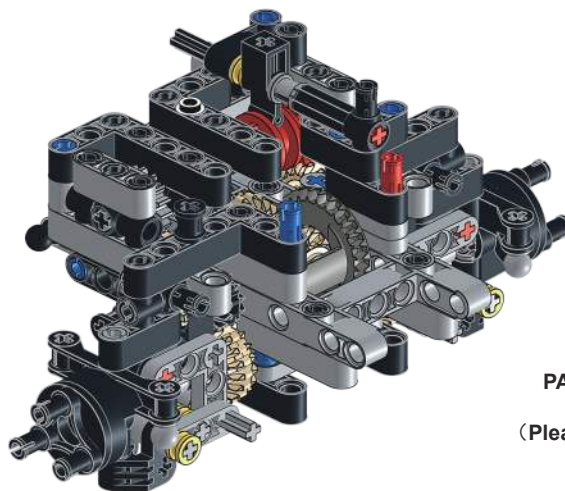
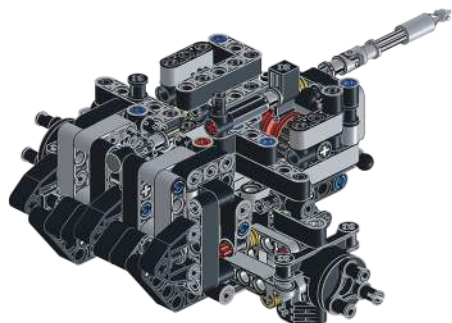
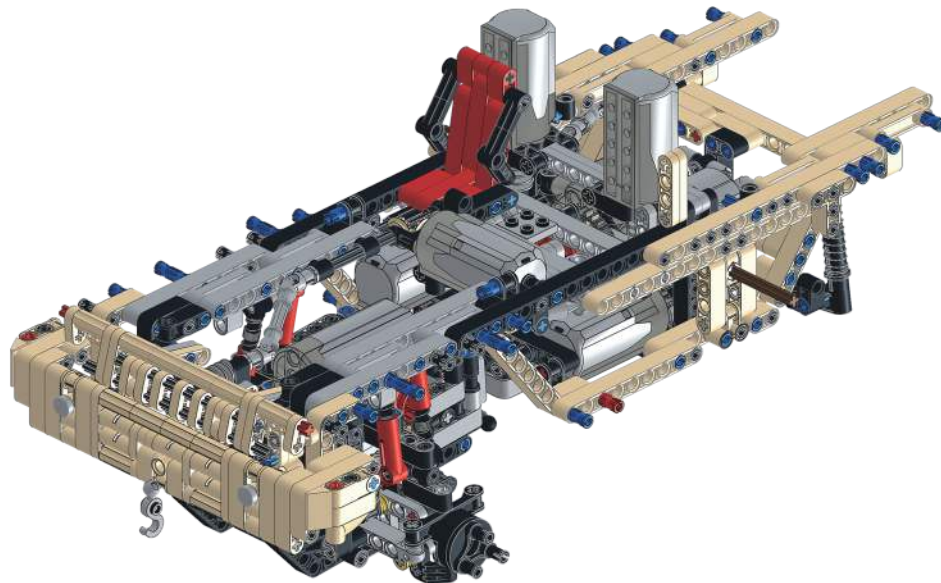
PARAMOUNT Dynamic version ——This step assembly instructions
 (Please refer to: 13131 PARAMOUNT Static Edition
 Page 59-61 251steps)





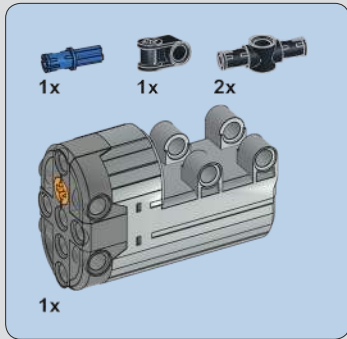
169



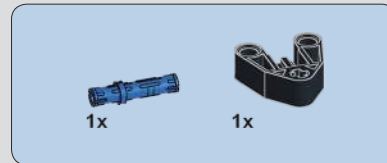
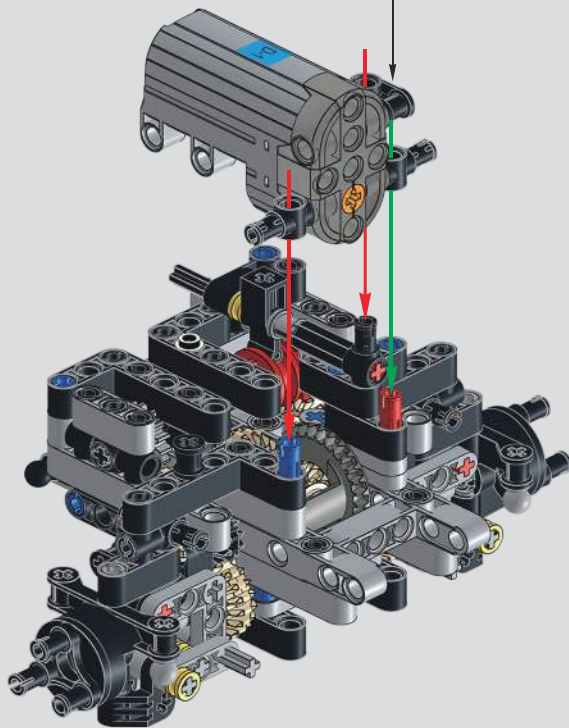
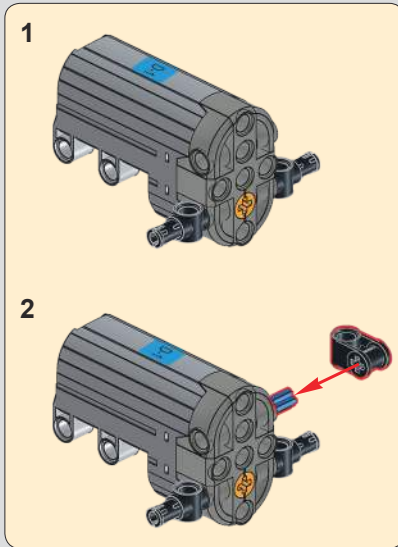


派拉蒙动态——此步骤拼装说明
(请参考: 13131 派拉蒙静态说明
第168-179页)

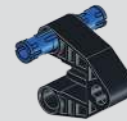
**PARAMOUNT Dynamic version — This step
assembly instructions**
(Please refer to: **13131 PARAMOUNT Static Edition**
Page 168-179)



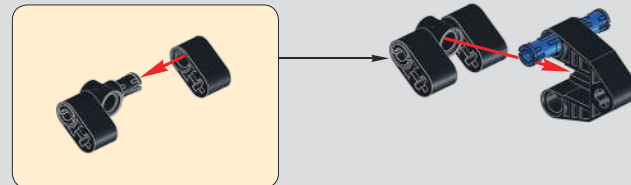
171

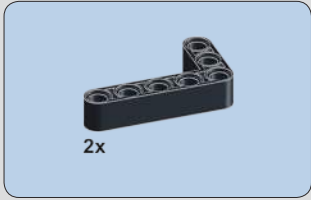


172

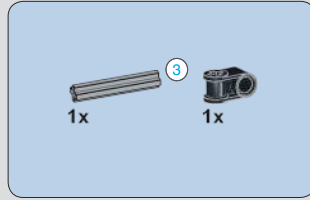
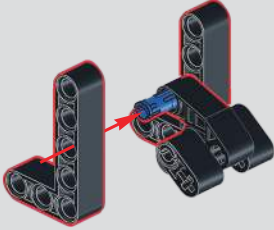


173

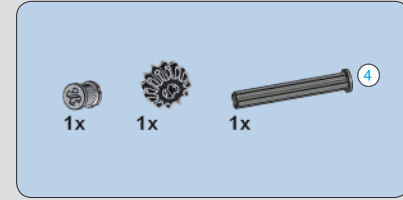
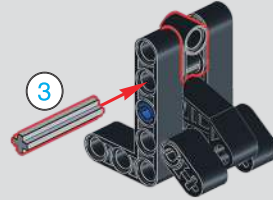




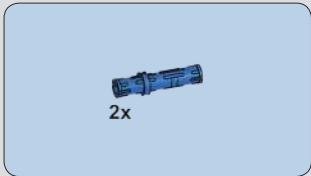
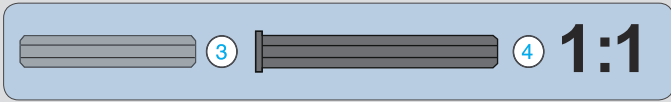
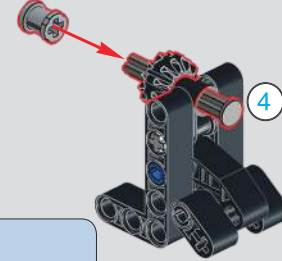
174



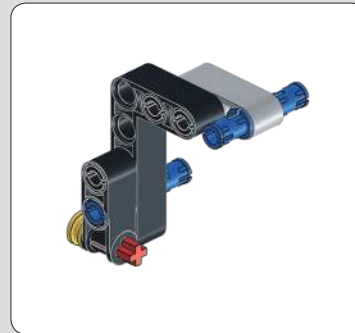
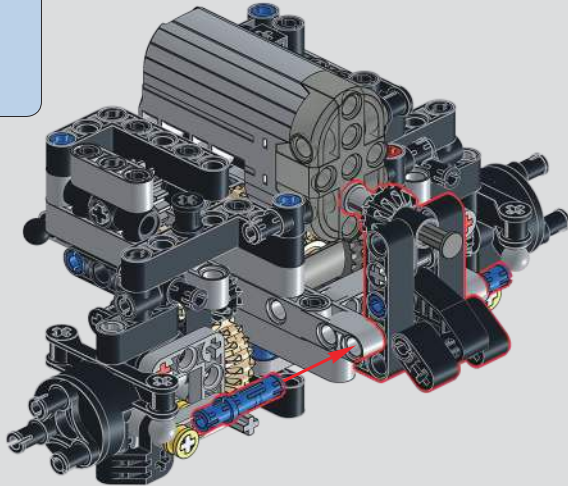
175



176



177

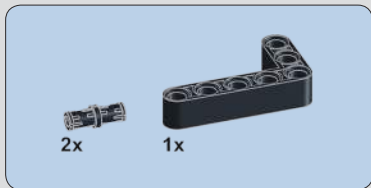
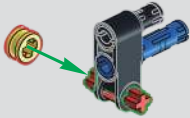


178

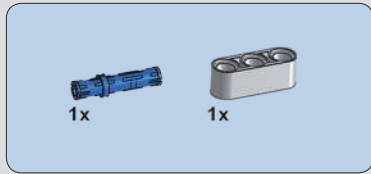
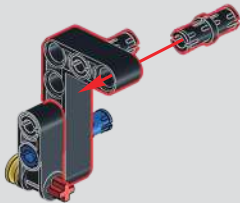




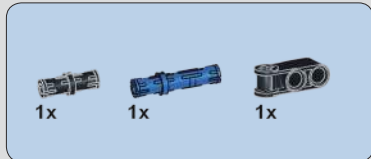
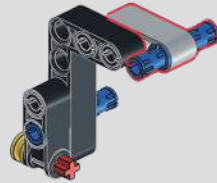
179



180



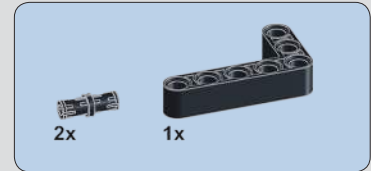
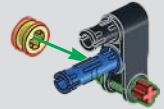
181



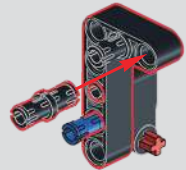
182



183



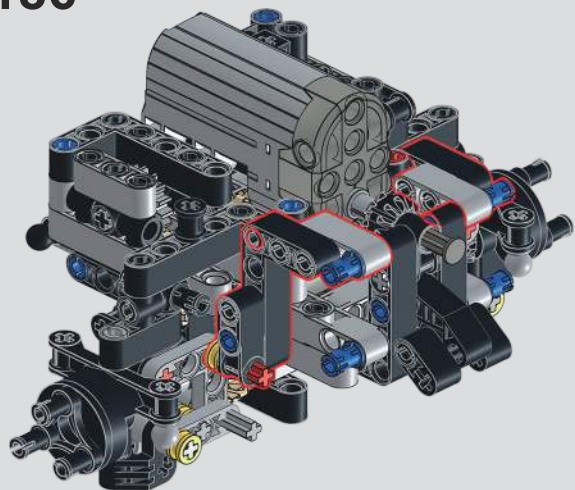
184



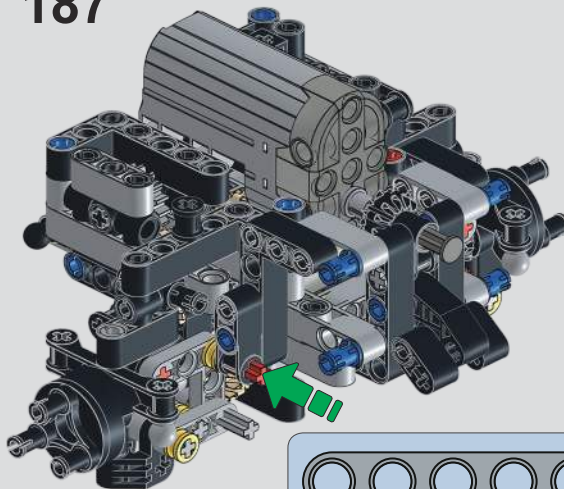
185



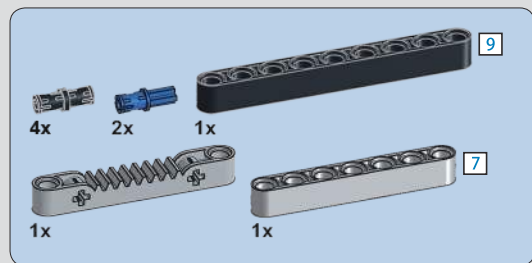
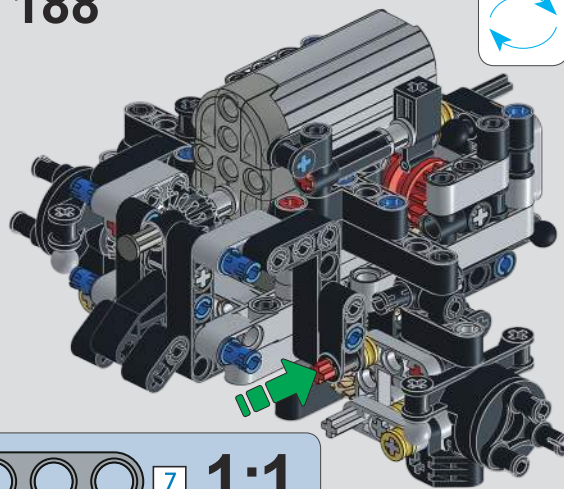
186



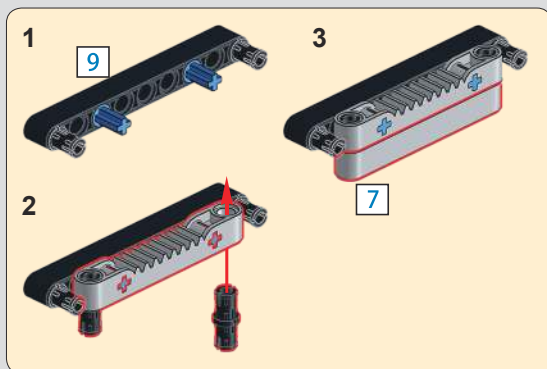
187



188

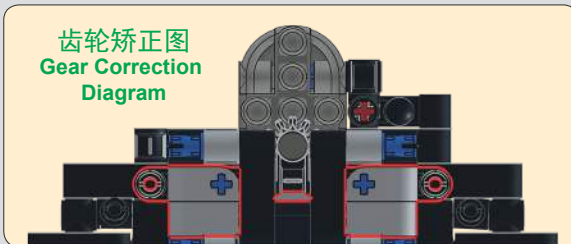


189

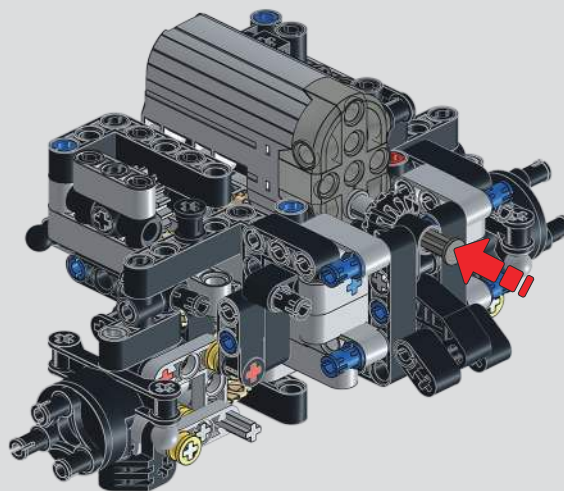


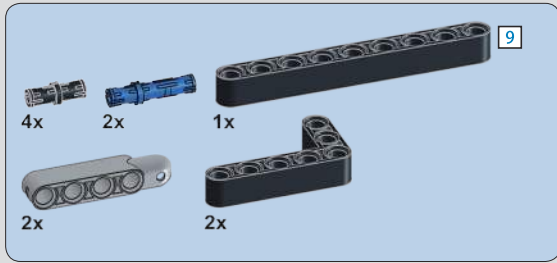
64

齿轮矫正图
Gear Correction
Diagram

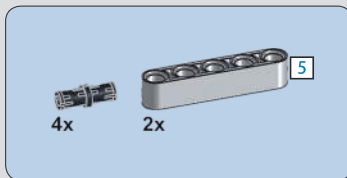
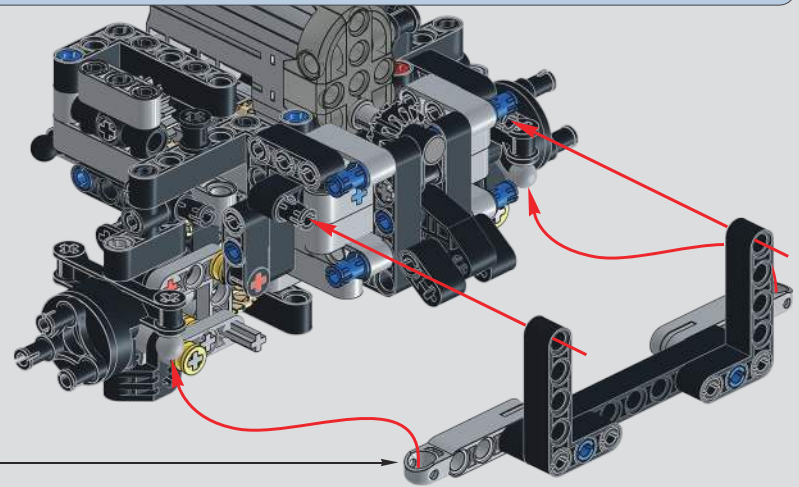
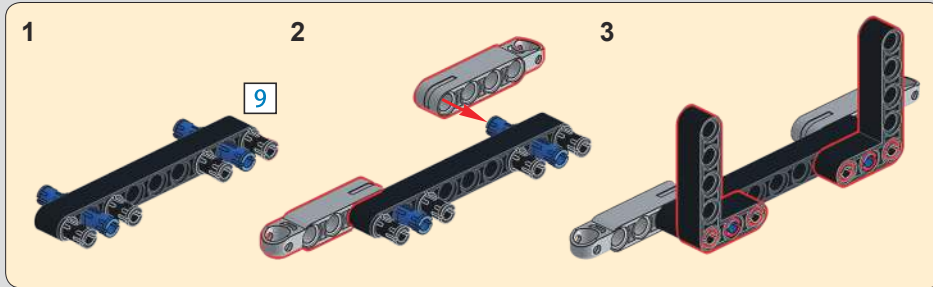


190

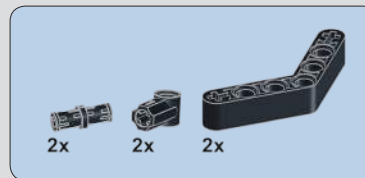
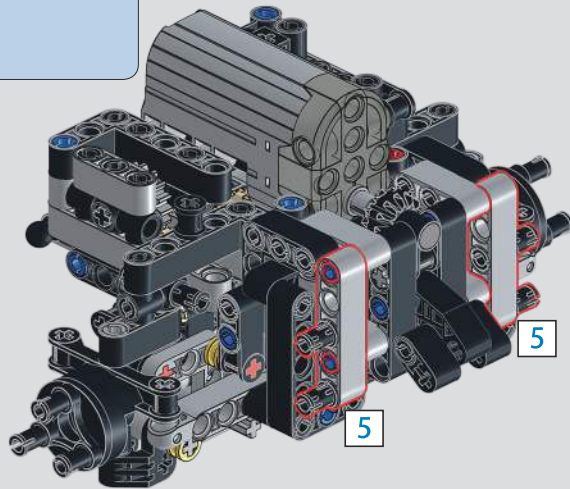




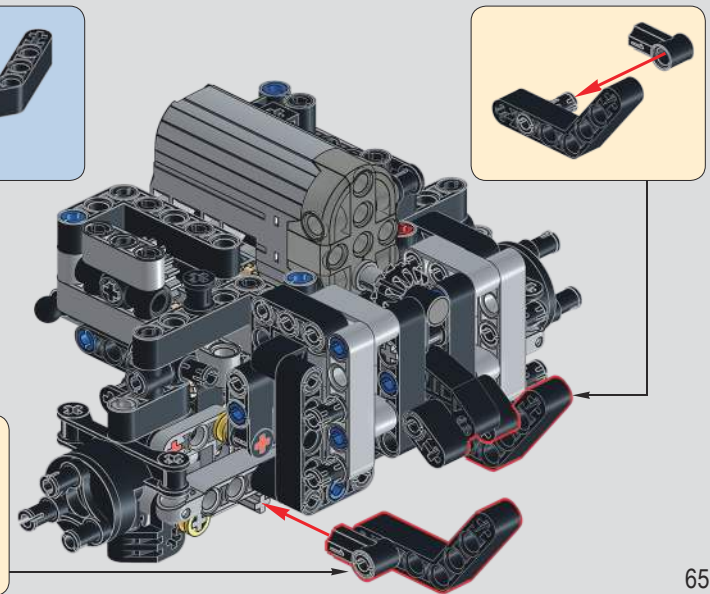
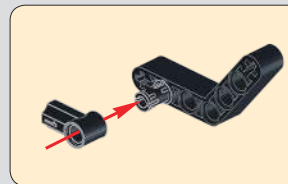
191

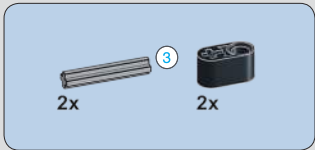


192

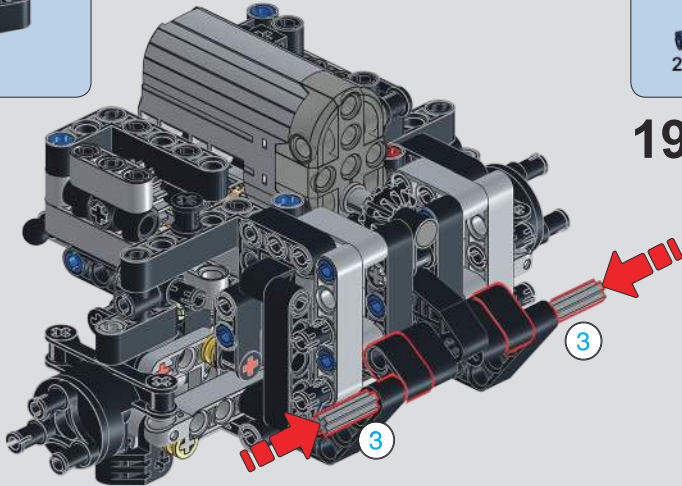


193

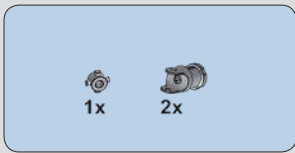
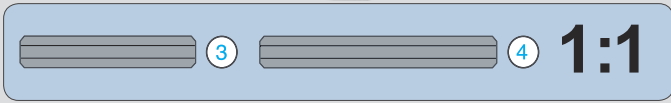
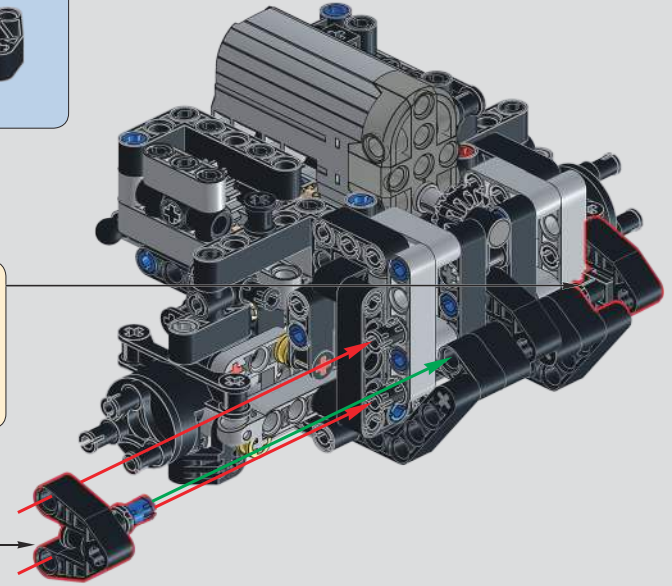
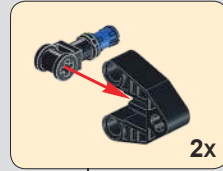




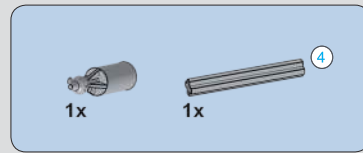
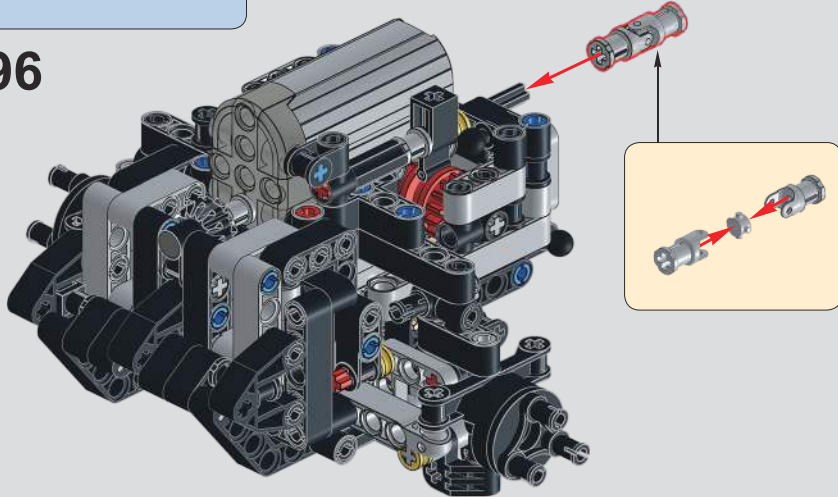
194



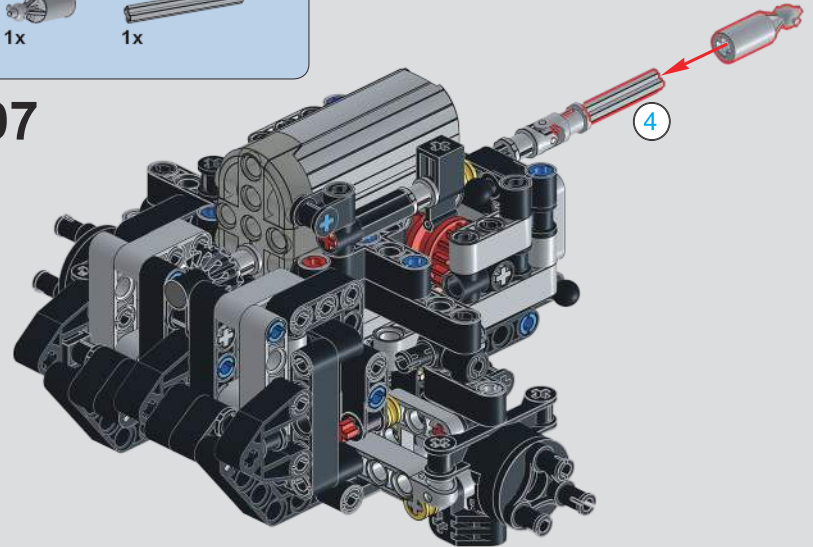
195

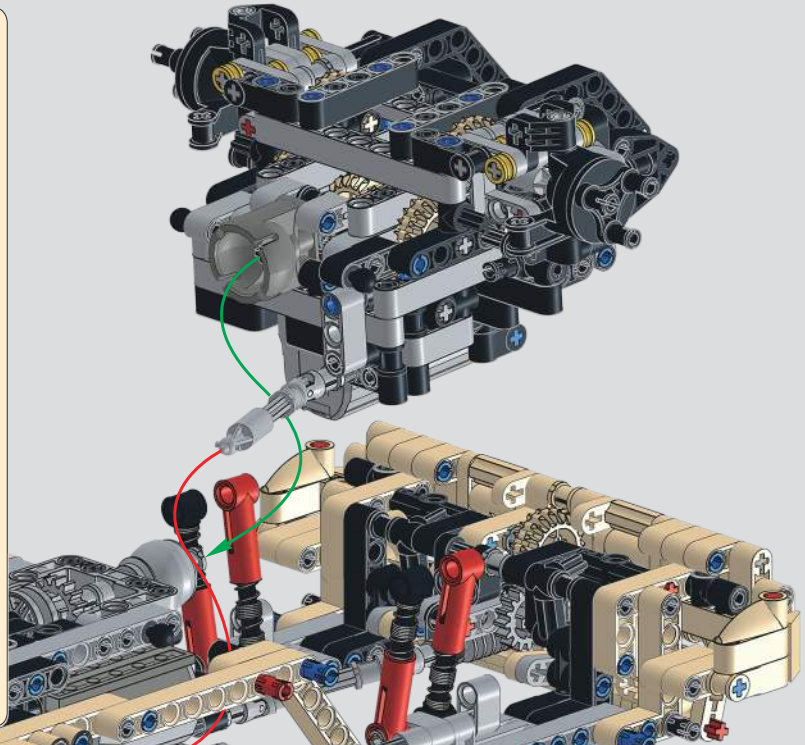
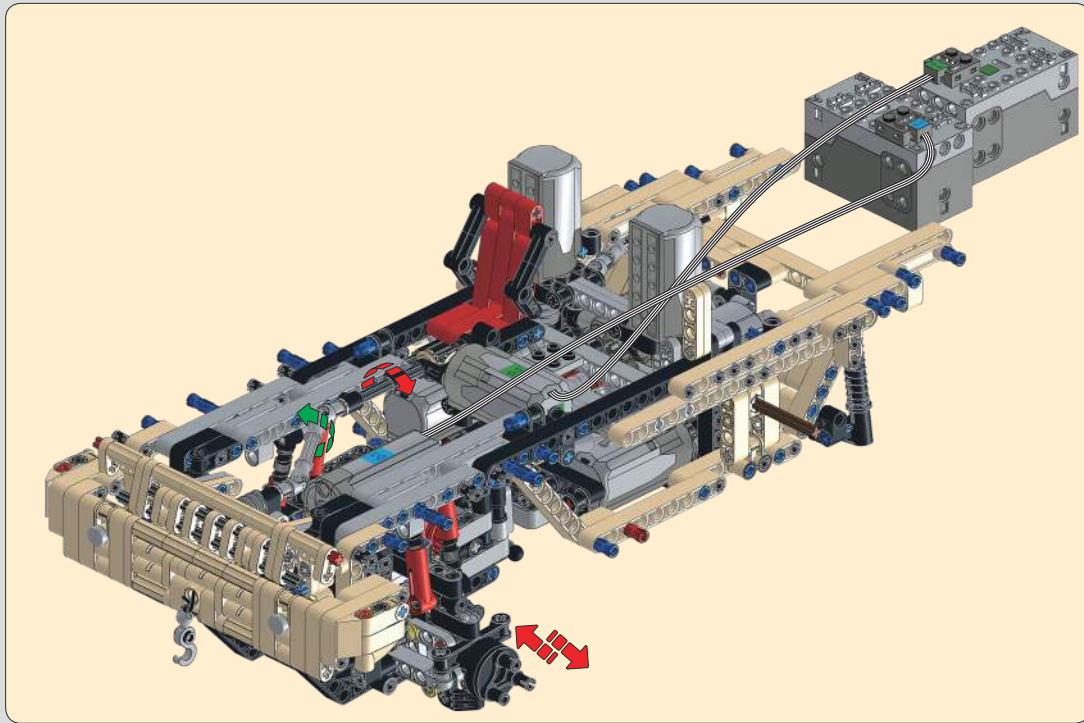


196

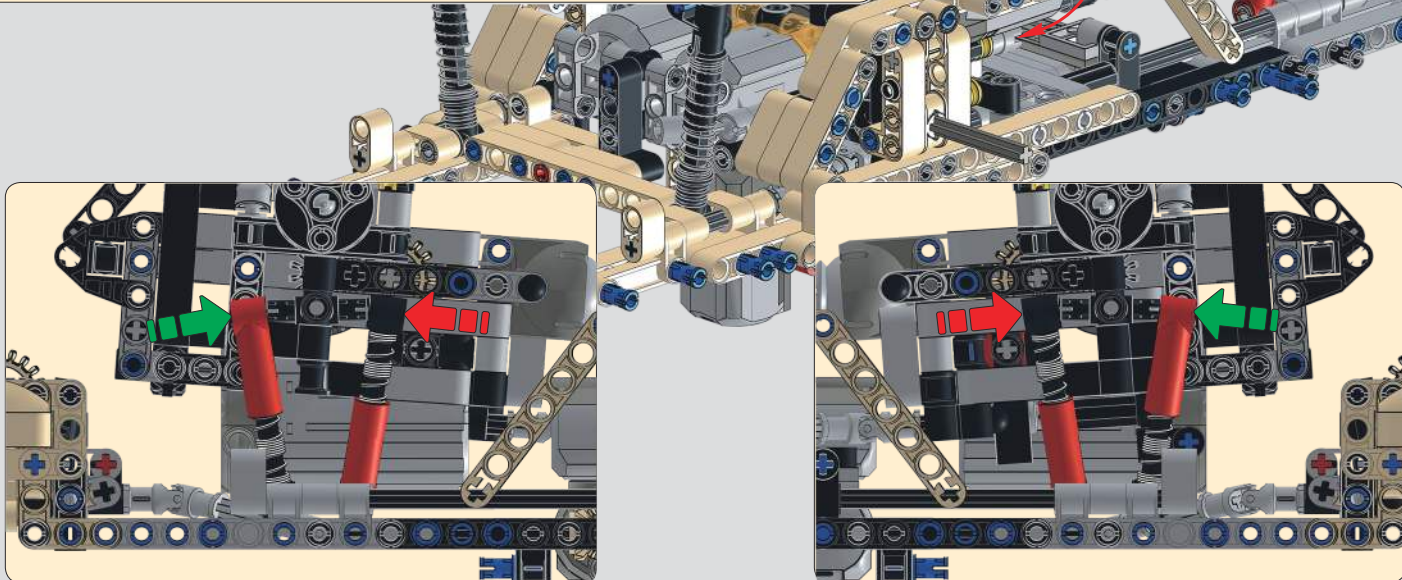


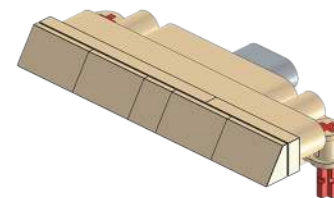
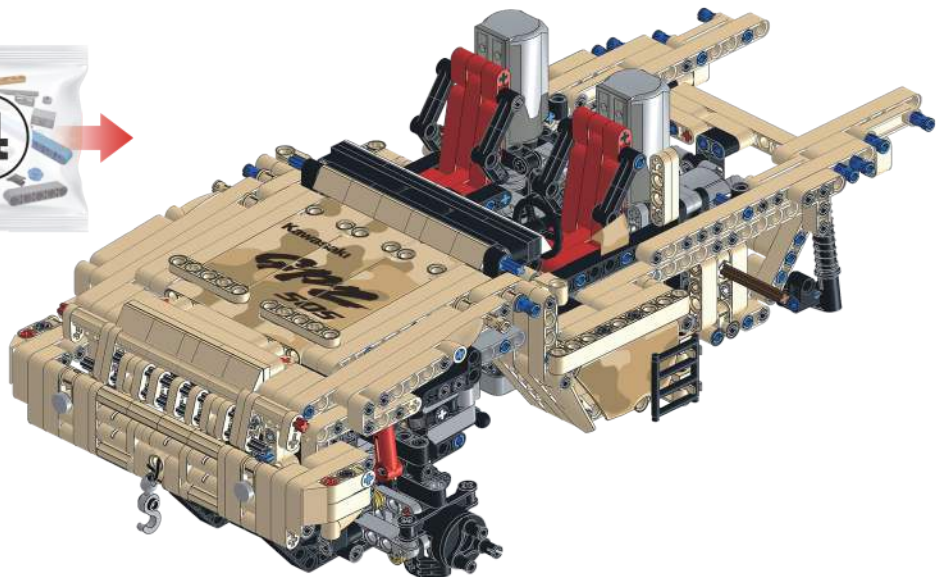
197





198

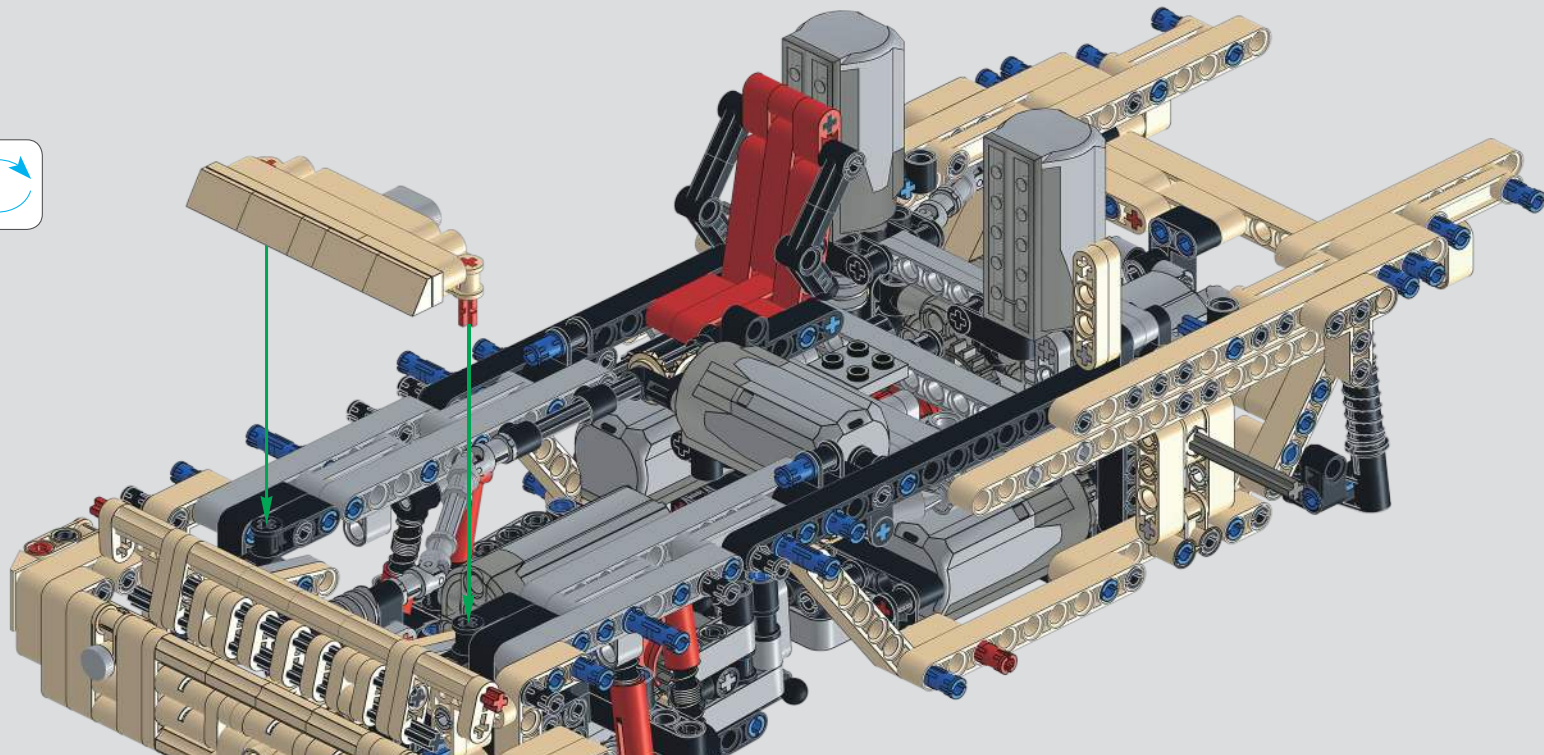


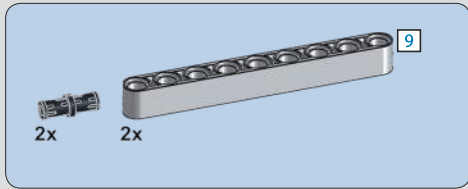


派拉蒙动态——此步骤拼装说明
(请参考: 13131 派拉蒙静态说明
第63-64页262步)

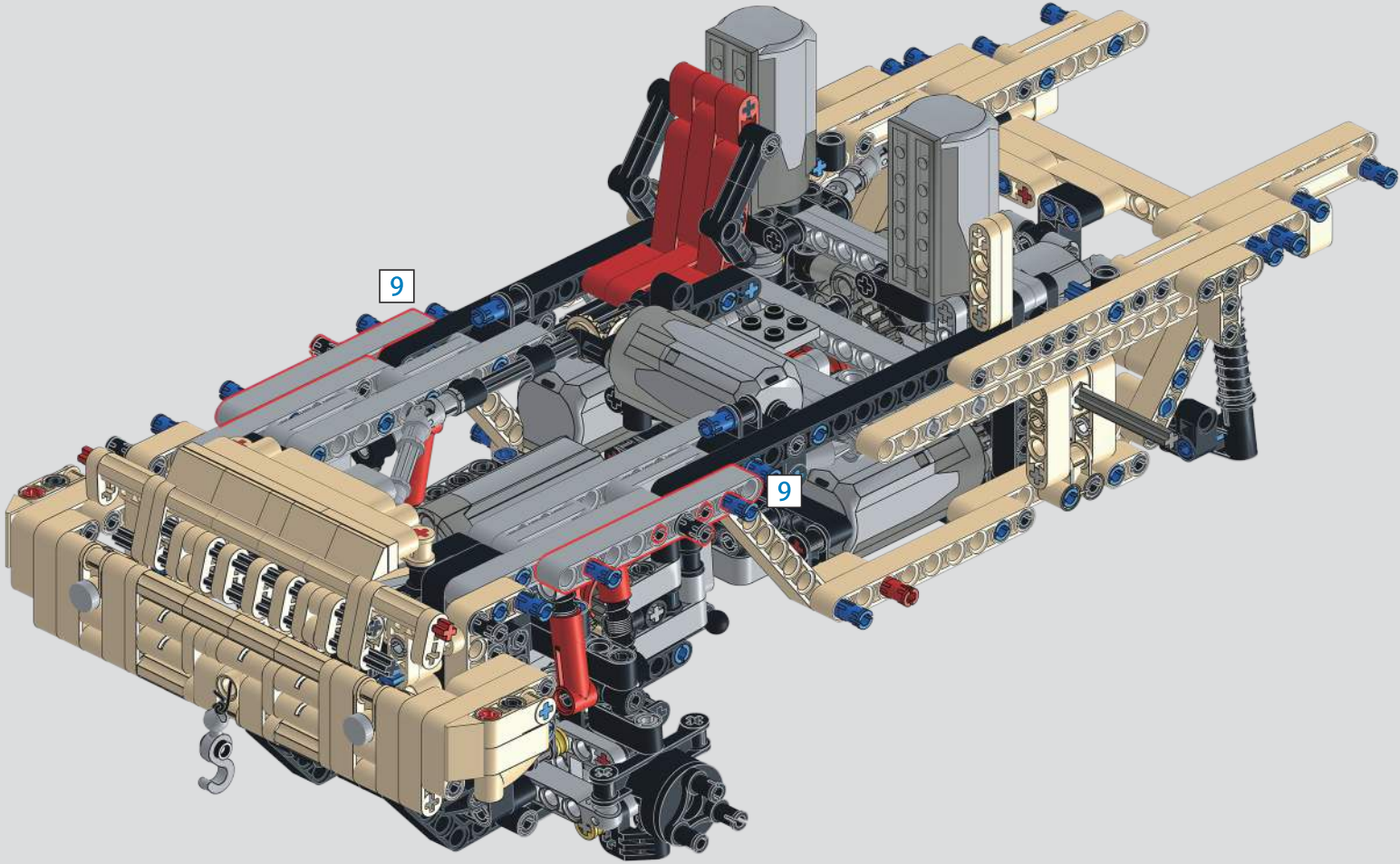
PARAMOUNT Dynamic version ——This step
assembly instructions
(Please refer to: 13131 PARAMOUNT Static Edition
Page 63-64 262steps)

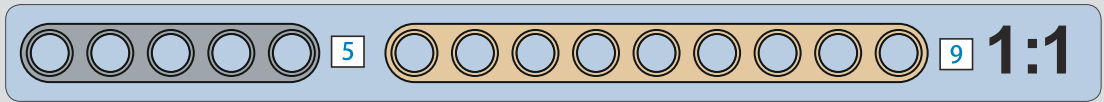
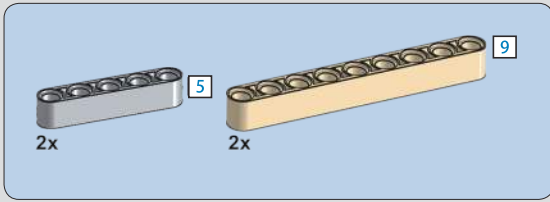
199



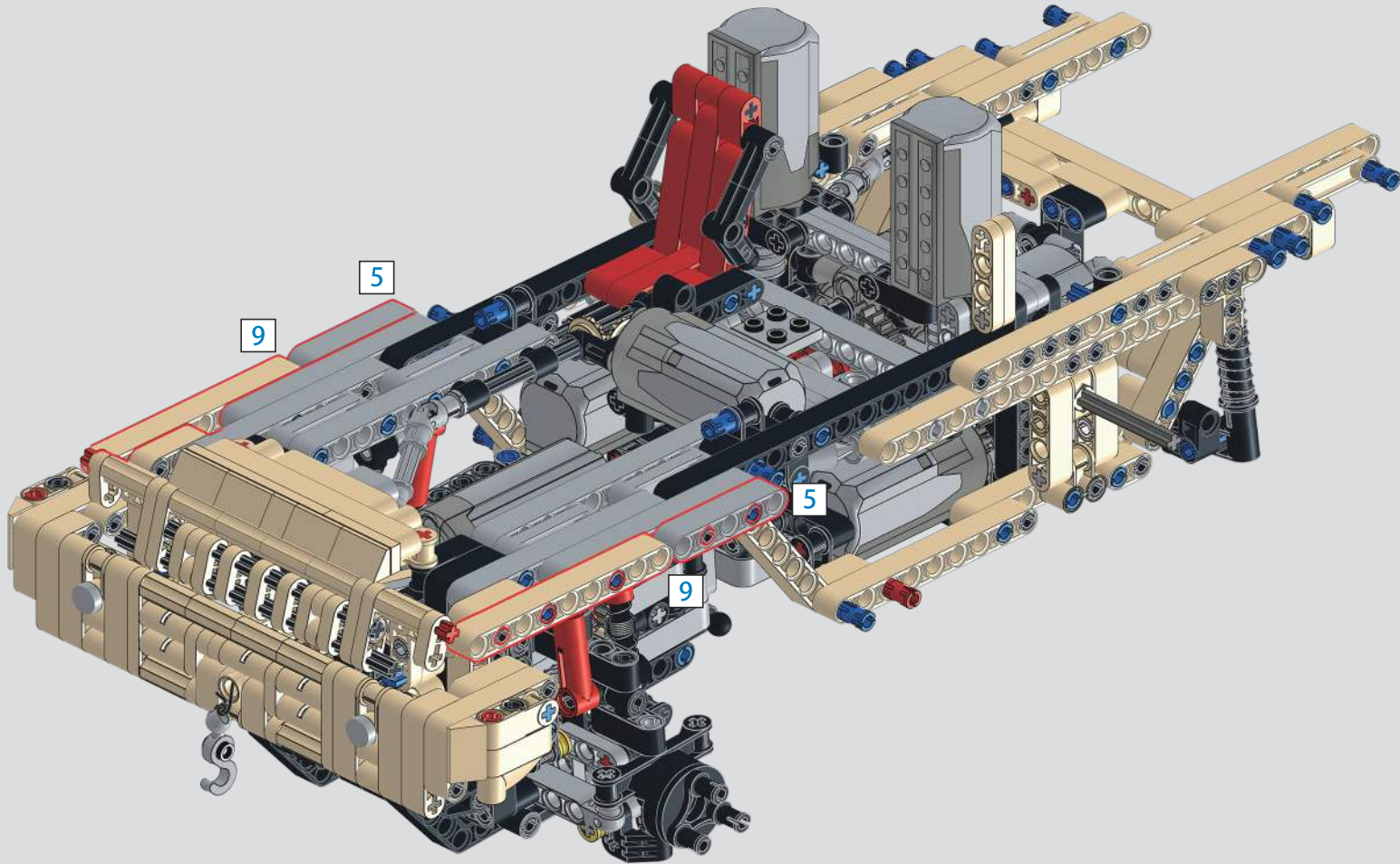


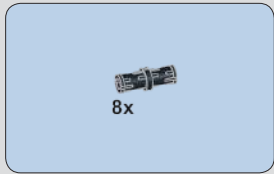
200



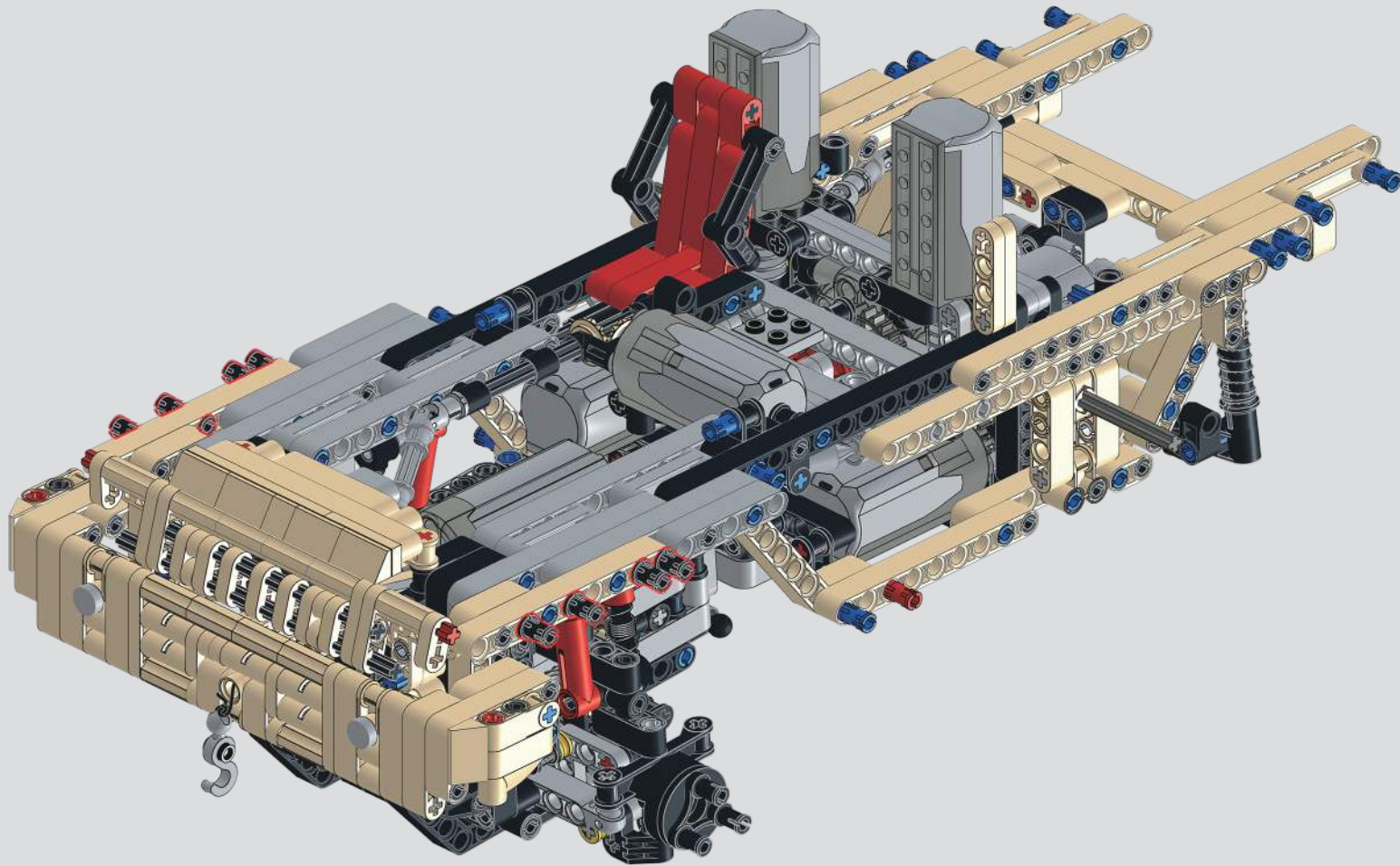


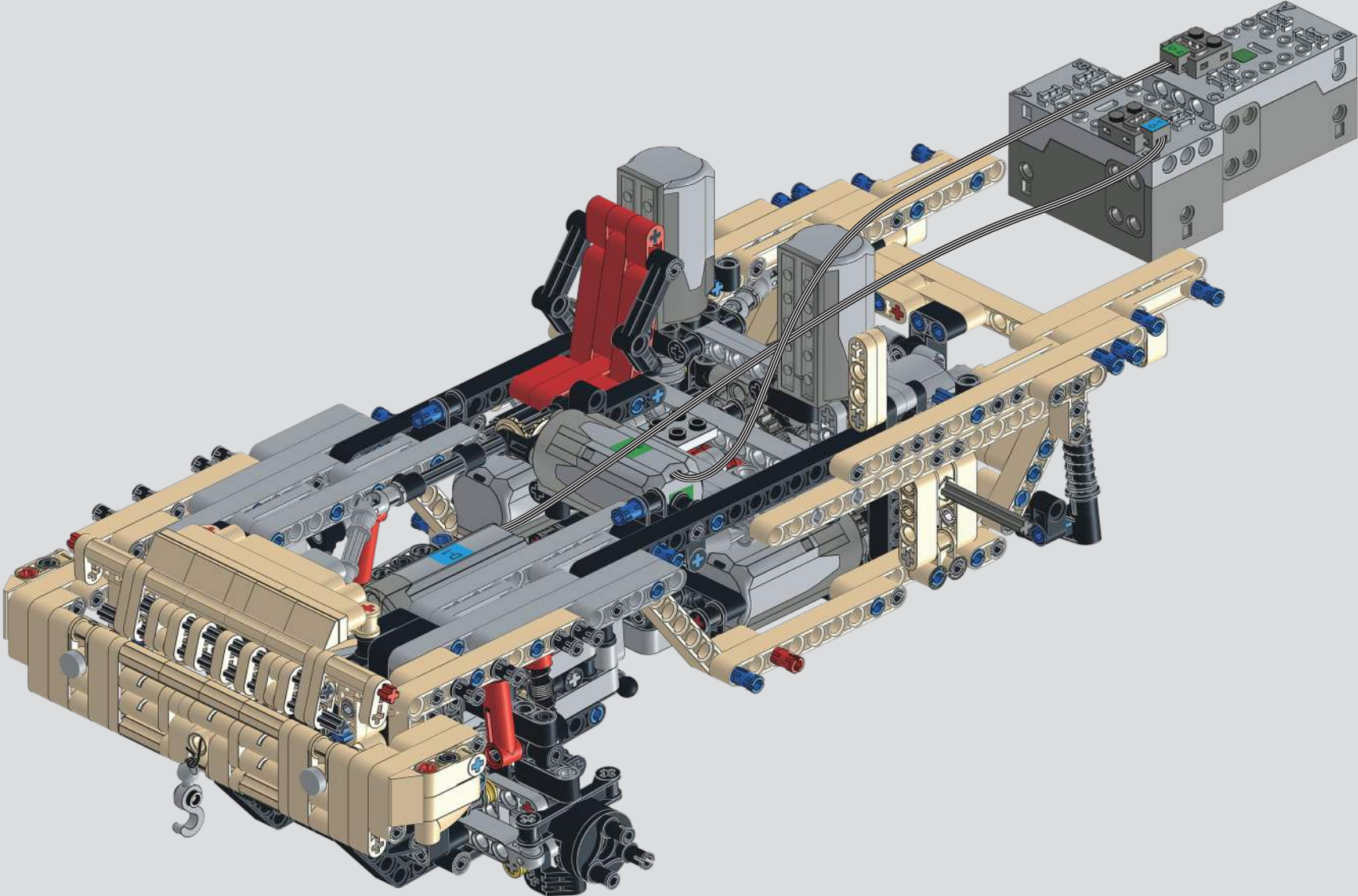
201

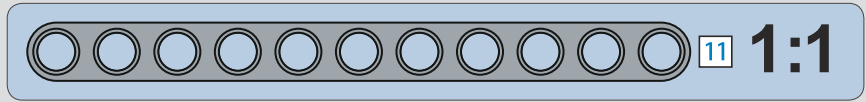
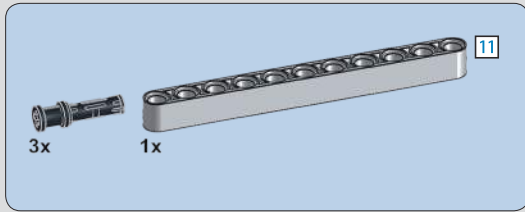




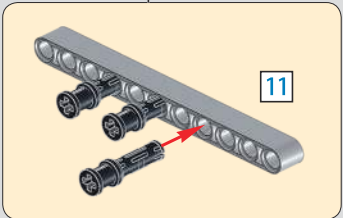
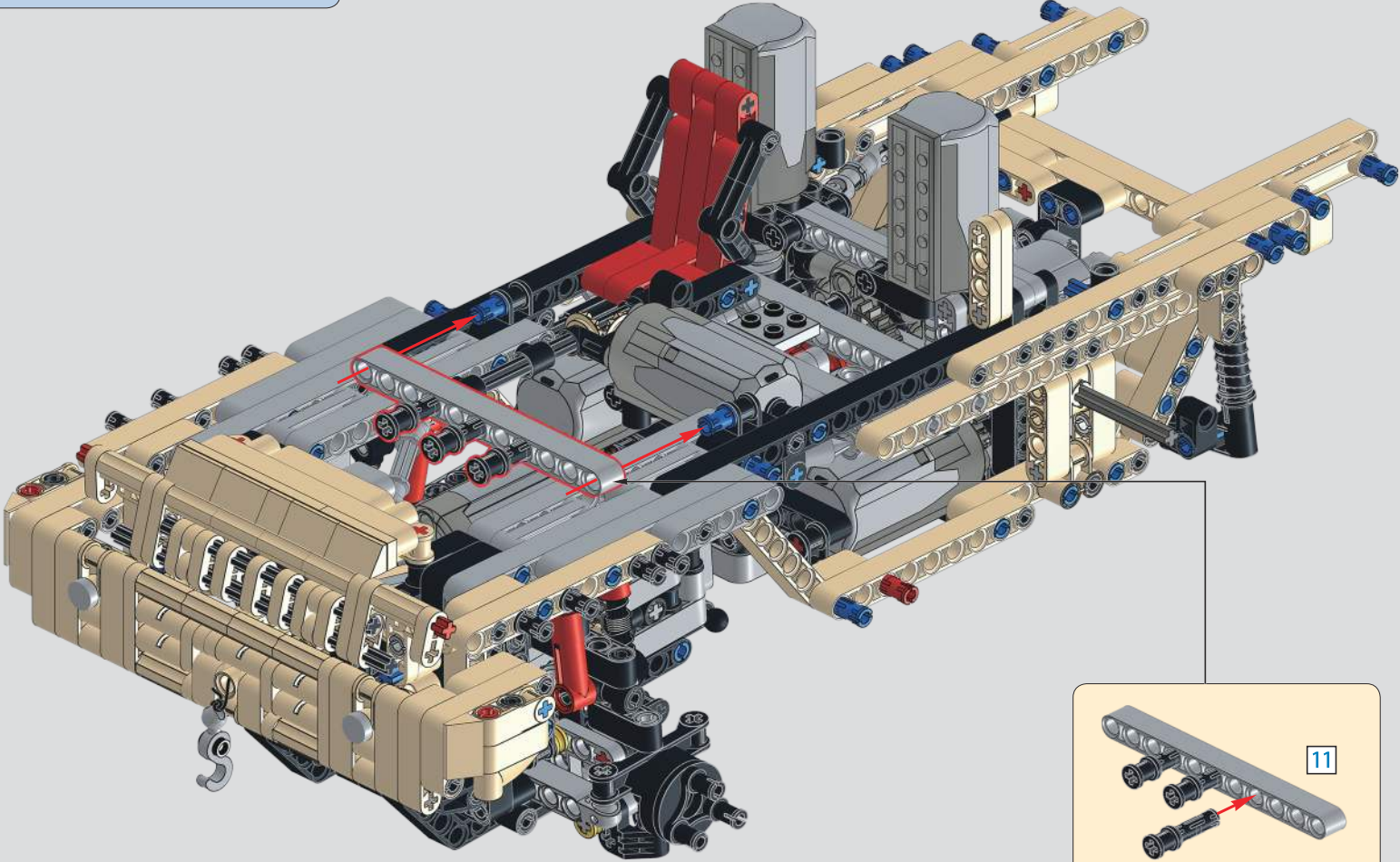
202







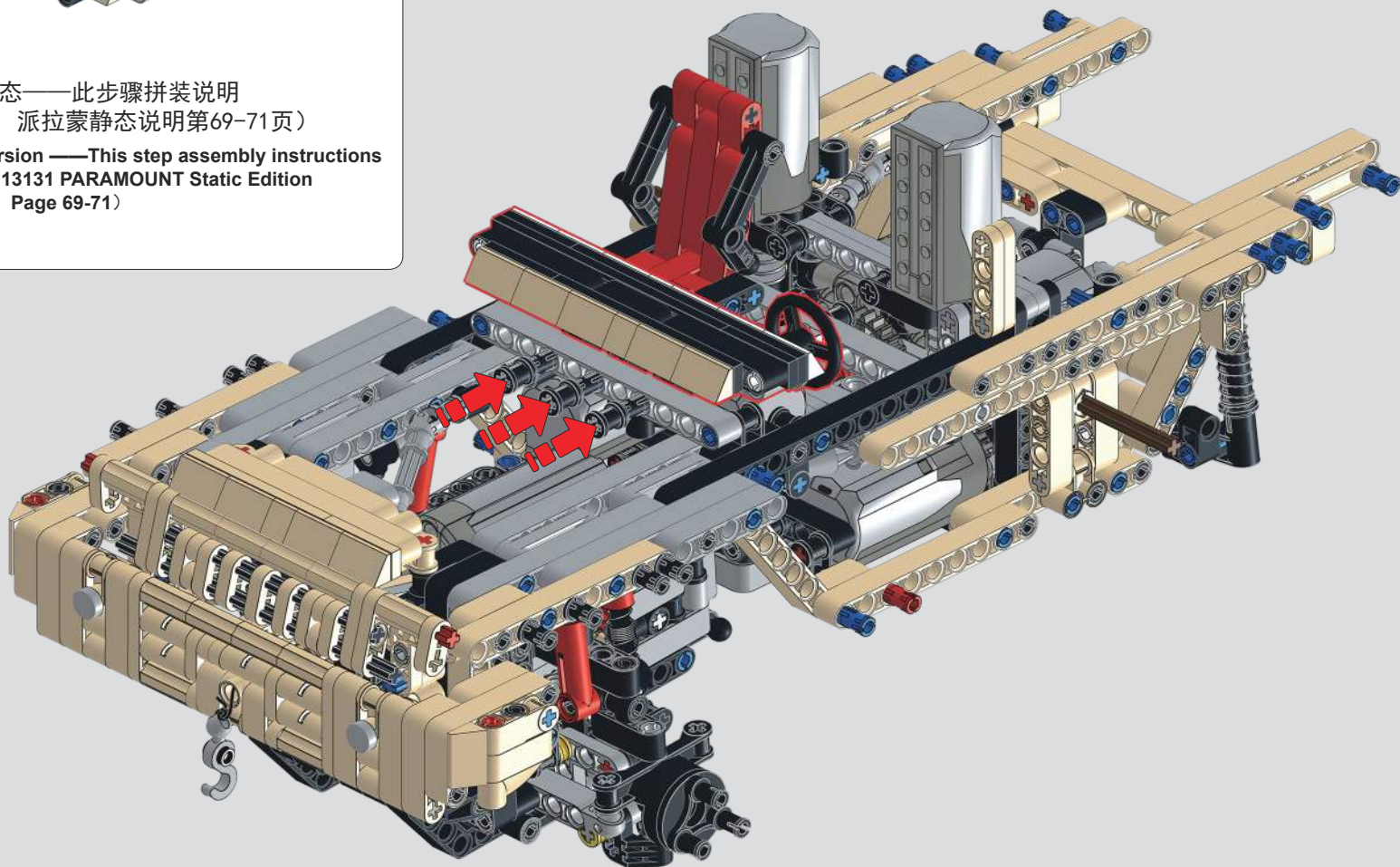
204

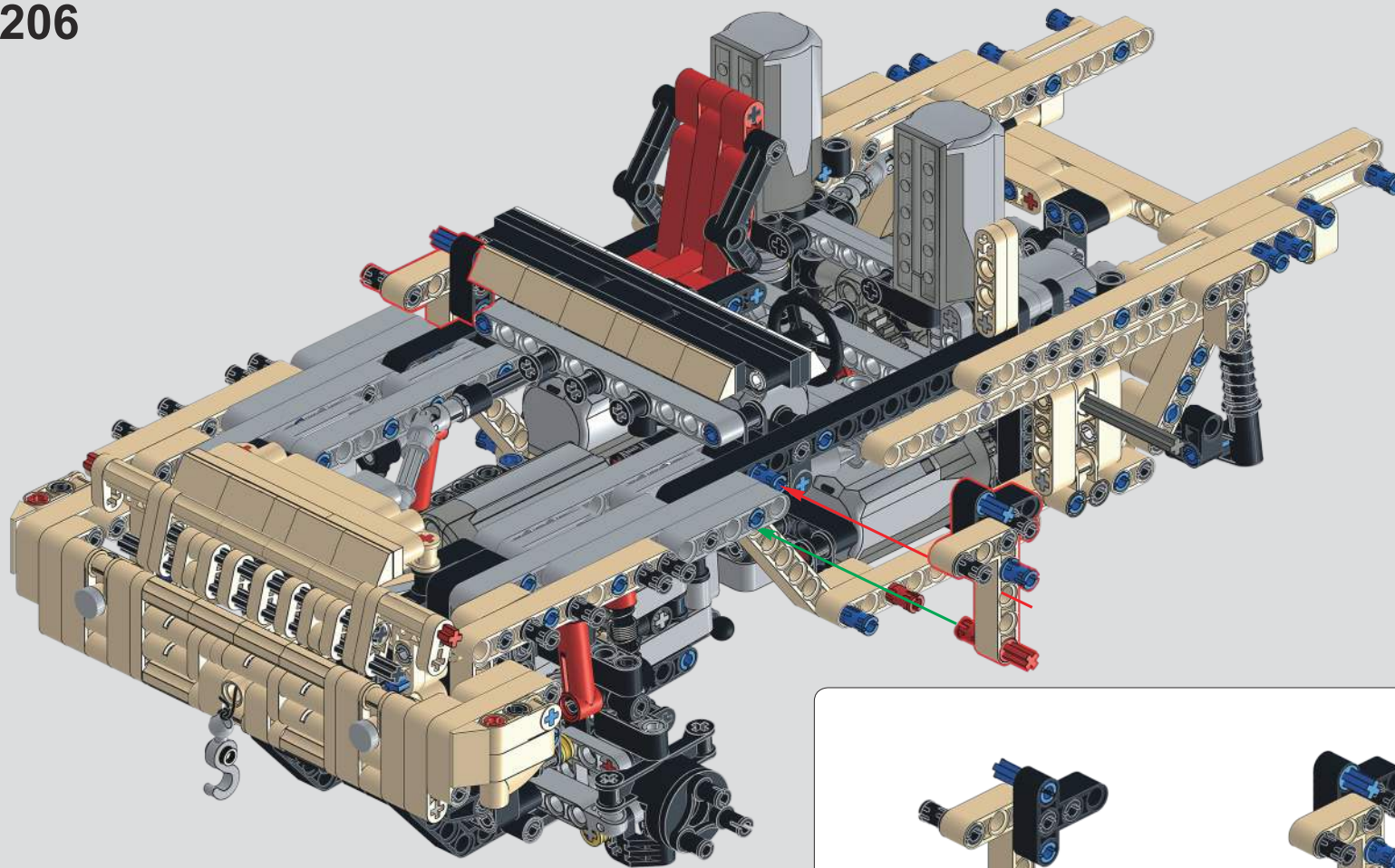




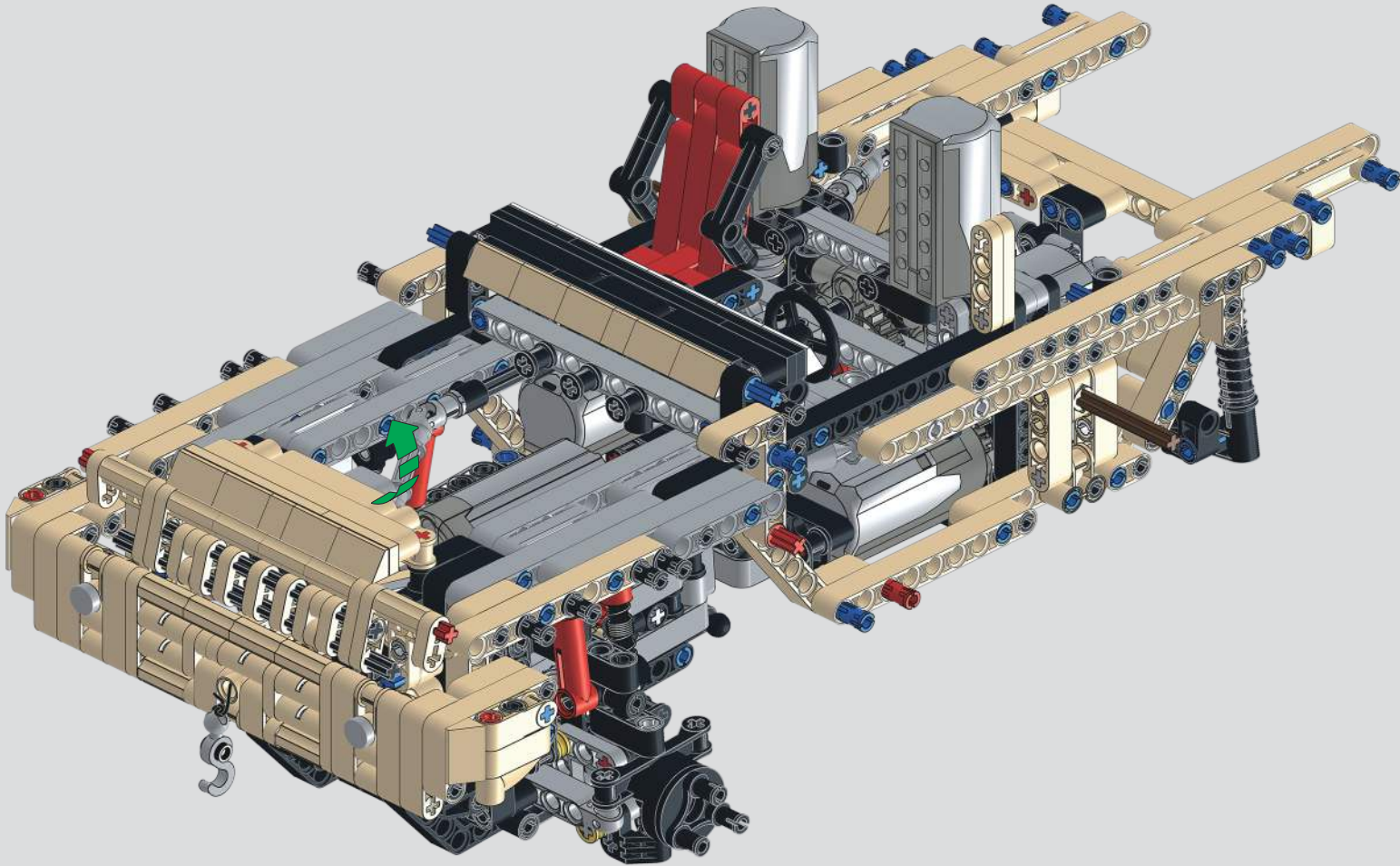
派拉蒙动态——此步骤拼装说明
(请参考: 13131 派拉蒙静态说明第69-71页)

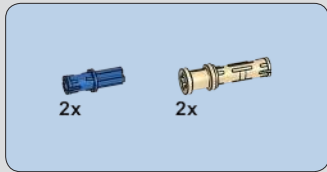
PARAMOUNT Dynamic version — This step assembly instructions
(Please refer to: 13131 PARAMOUNT Static Edition
Page 69-71)



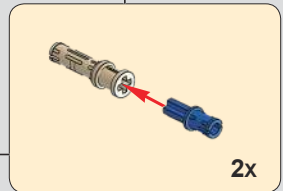
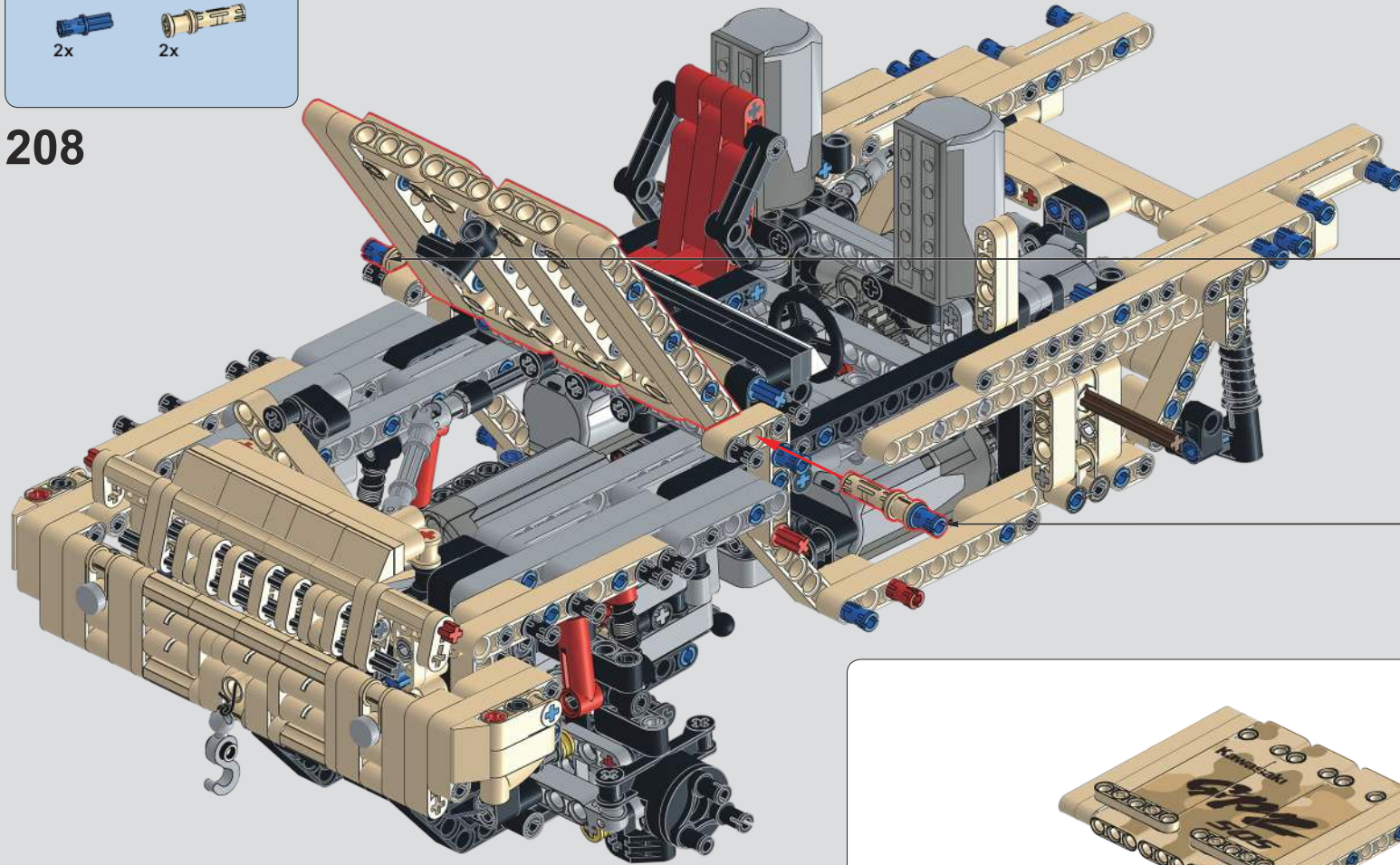


派拉蒙动态——此步骤拼装说明
 (请参考: 13131 派拉蒙静态说明第72页)
 PARAMOUNT Dynamic version ——This step assembly instructions
 (Please refer to: 13131 PARAMOUNT Static Edition
 Page 72)



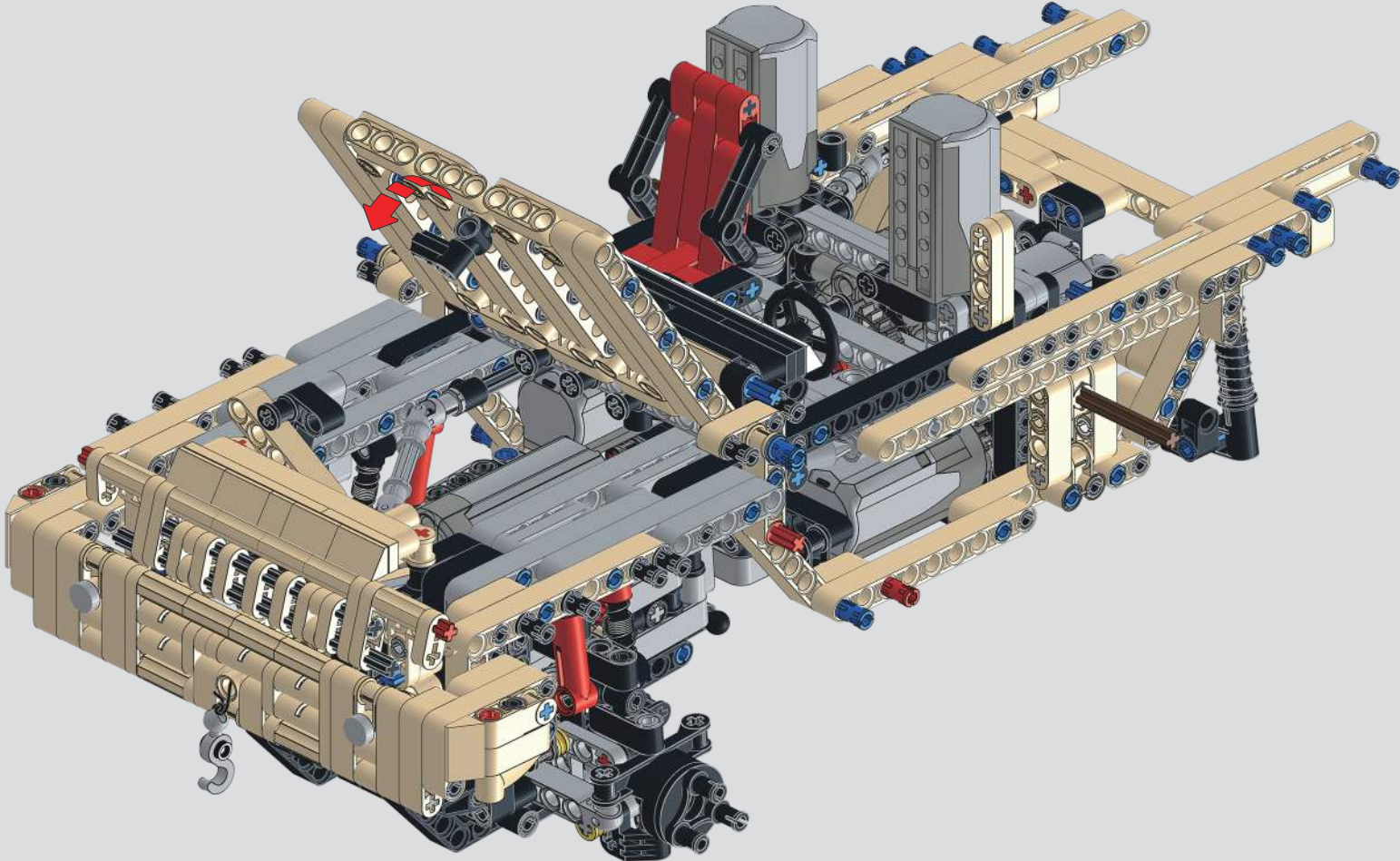


208

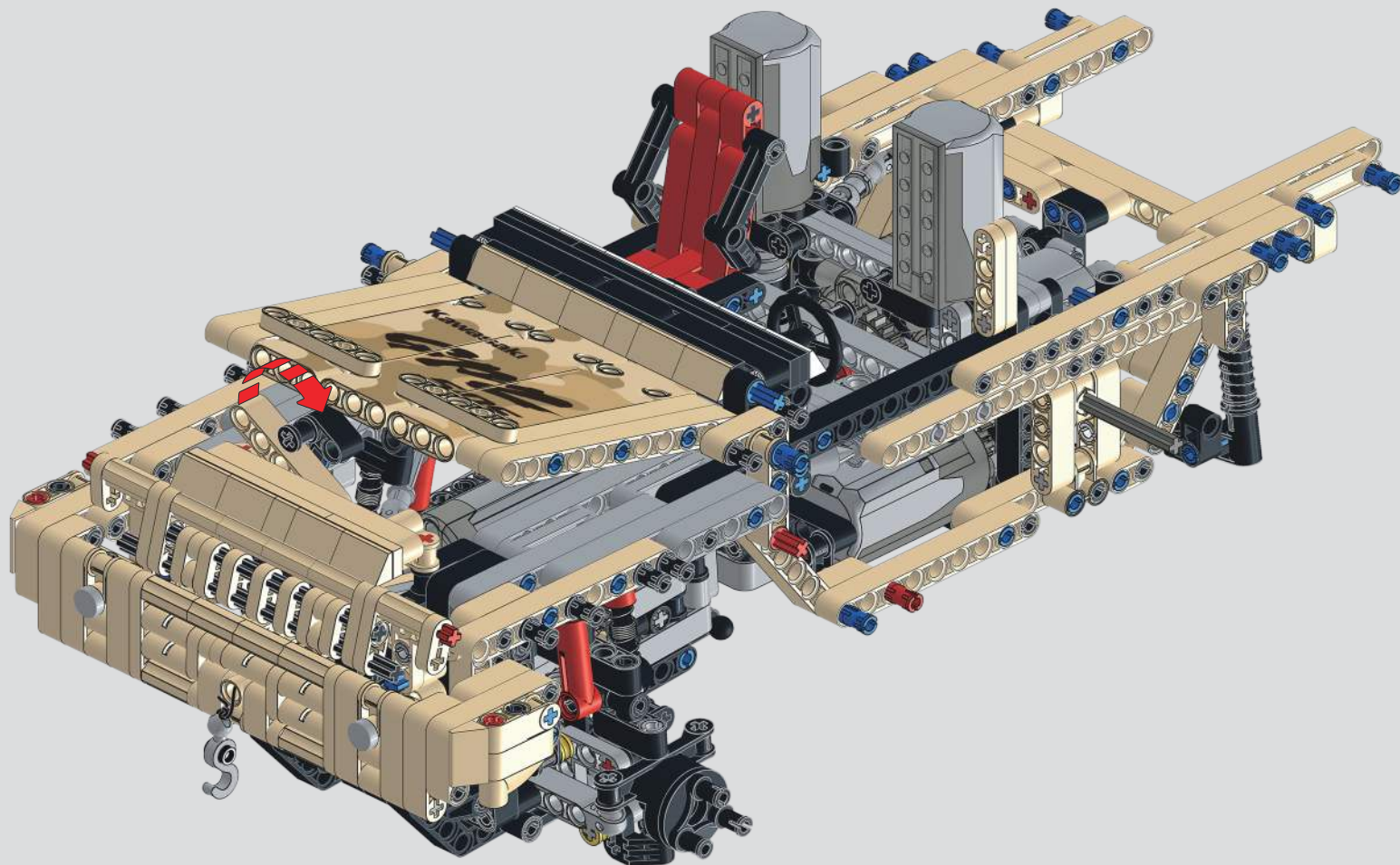


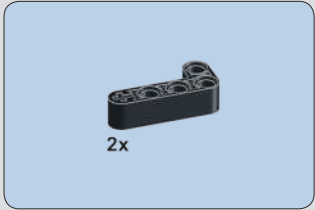
派拉蒙动态——此步骤拼装说明
(请参考: 13131 派拉蒙静态说明第75页)

PARAMOUNT Dynamic version ——This step assembly instructions
(Please refer to: 13131 PARAMOUNT Static Edition
Page 75)

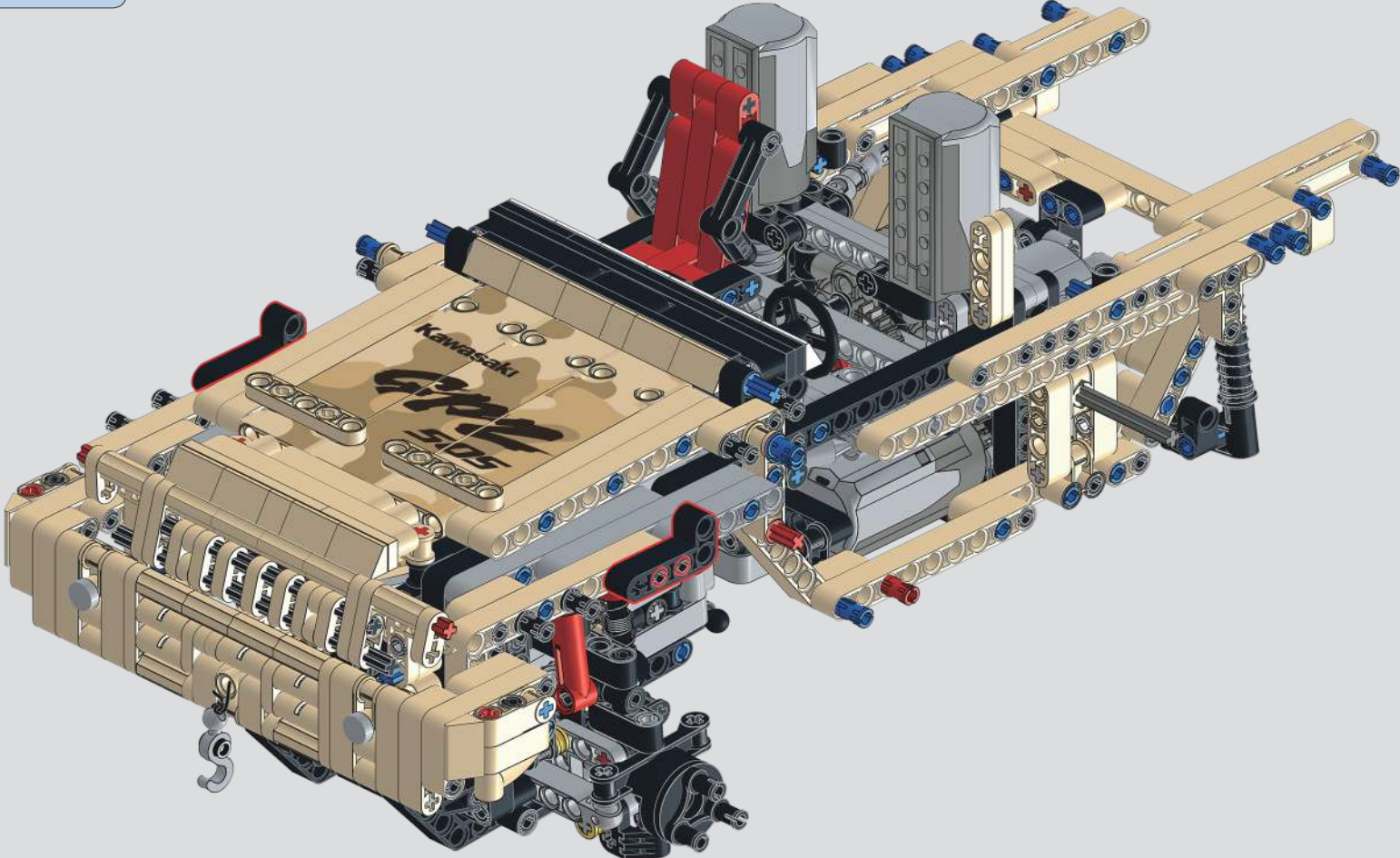


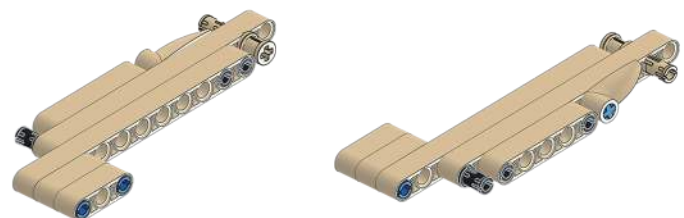
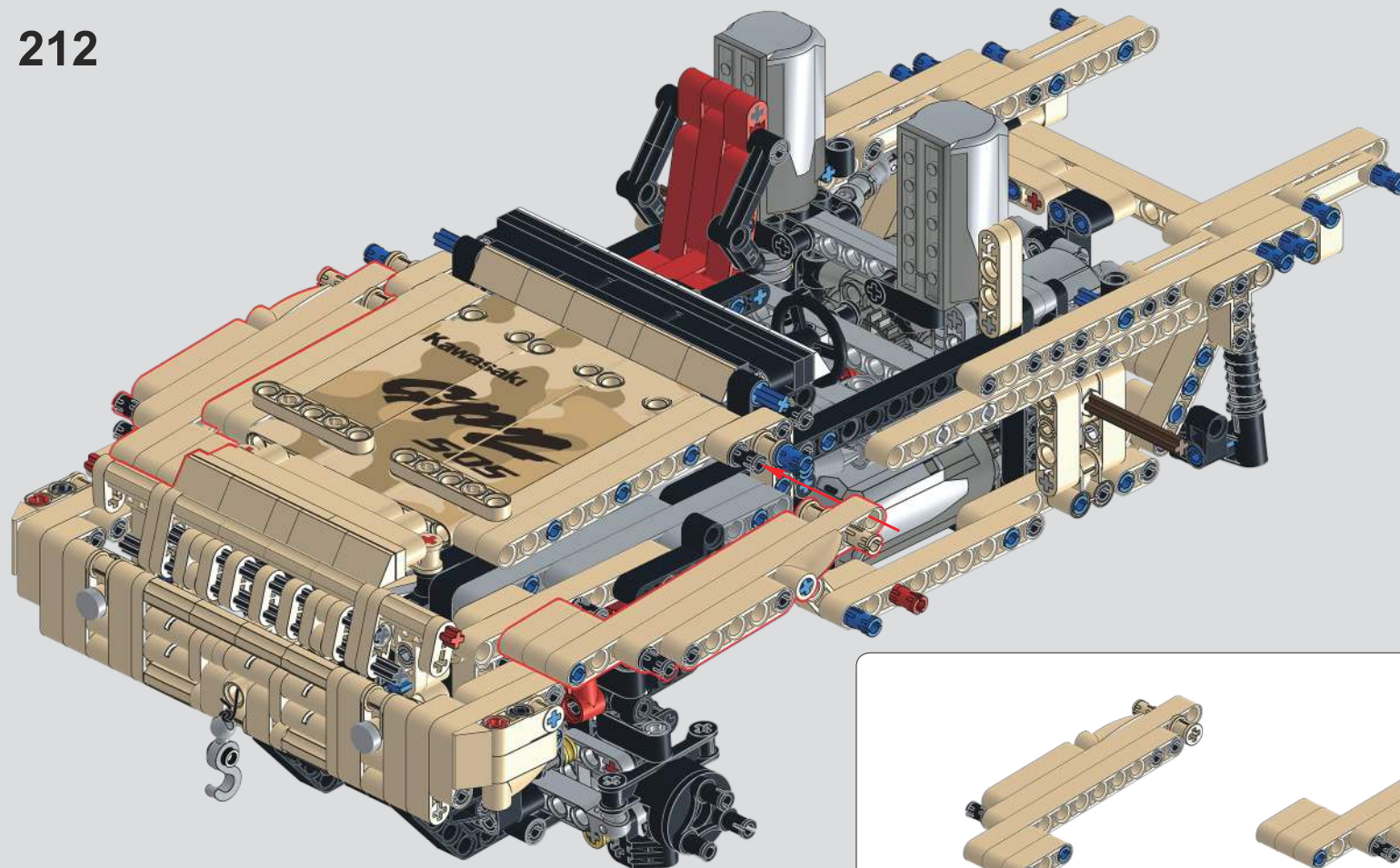
210



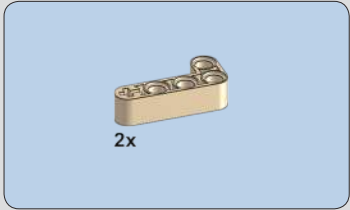


211

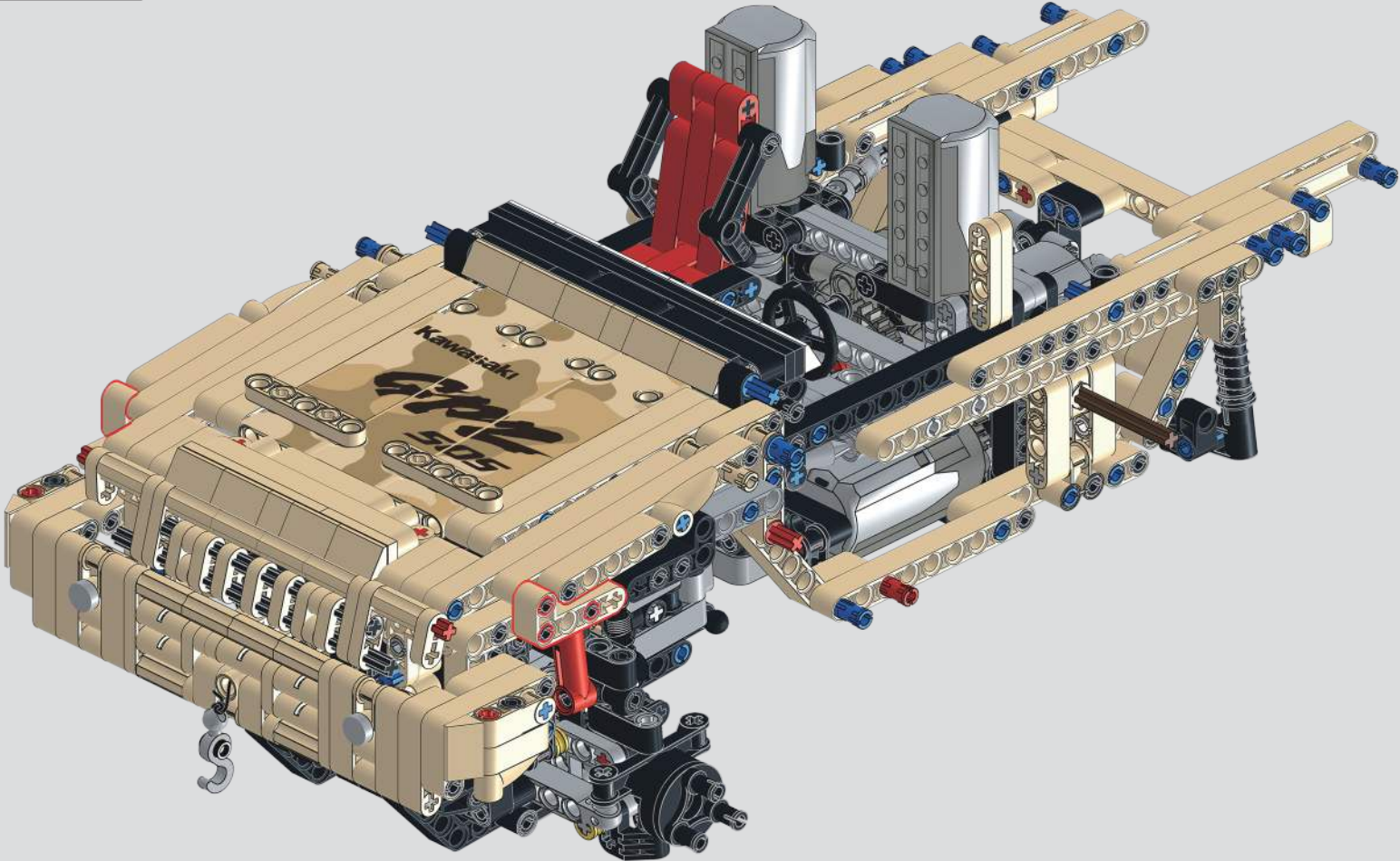


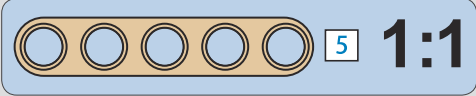
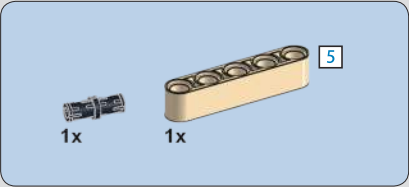


派拉蒙动态——此步骤拼装说明
(请参考: 13131 派拉蒙静态说明第79-80页306步)
PARAMOUNT Dynamic version — This step assembly instructions
(Please refer to: 13131 PARAMOUNT Static Edition Page 79-80 306steps)

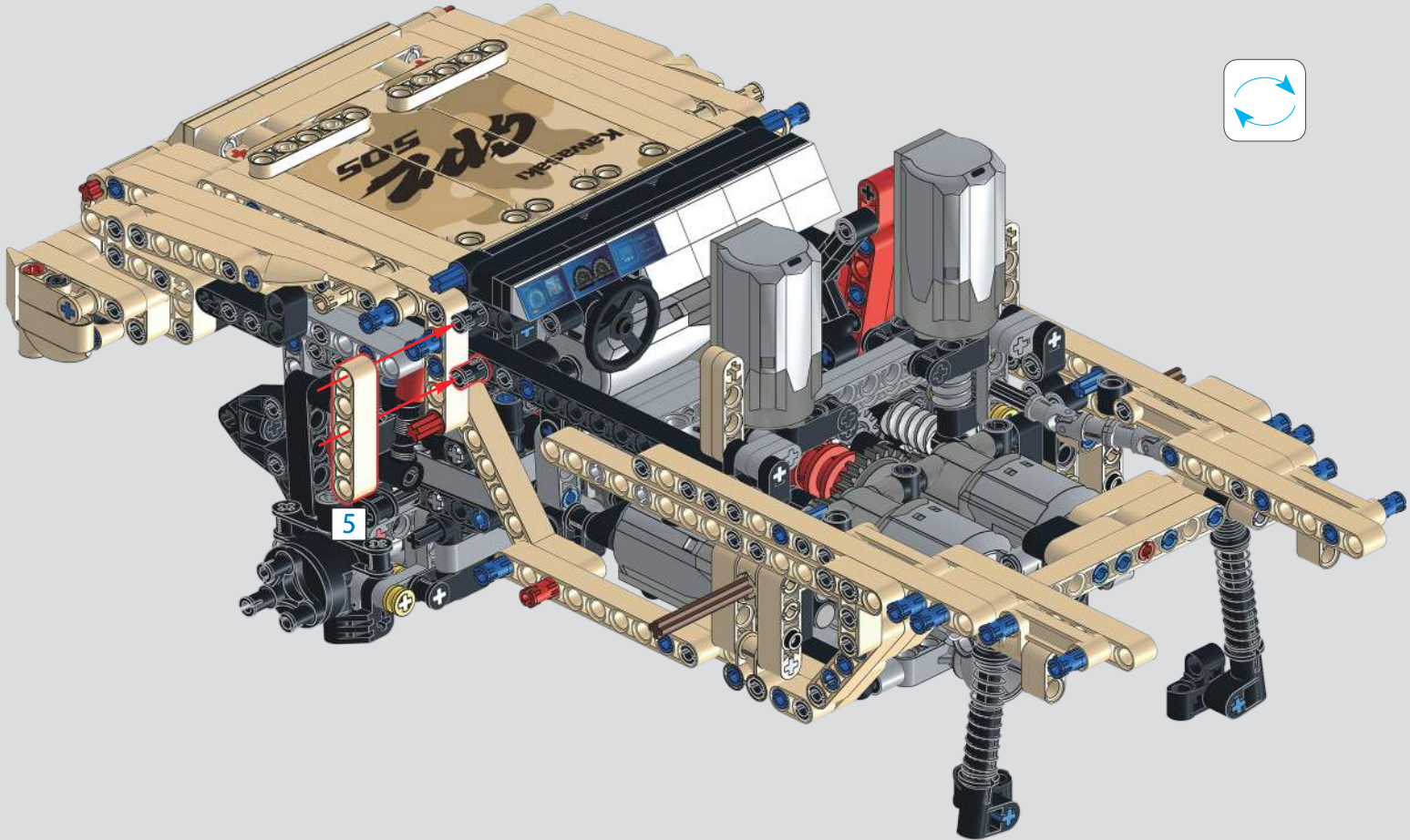


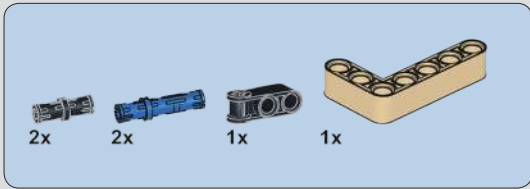
213



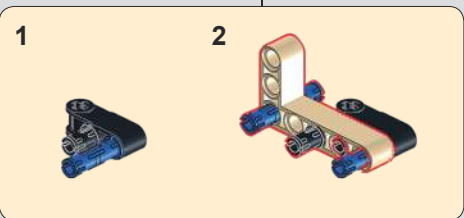
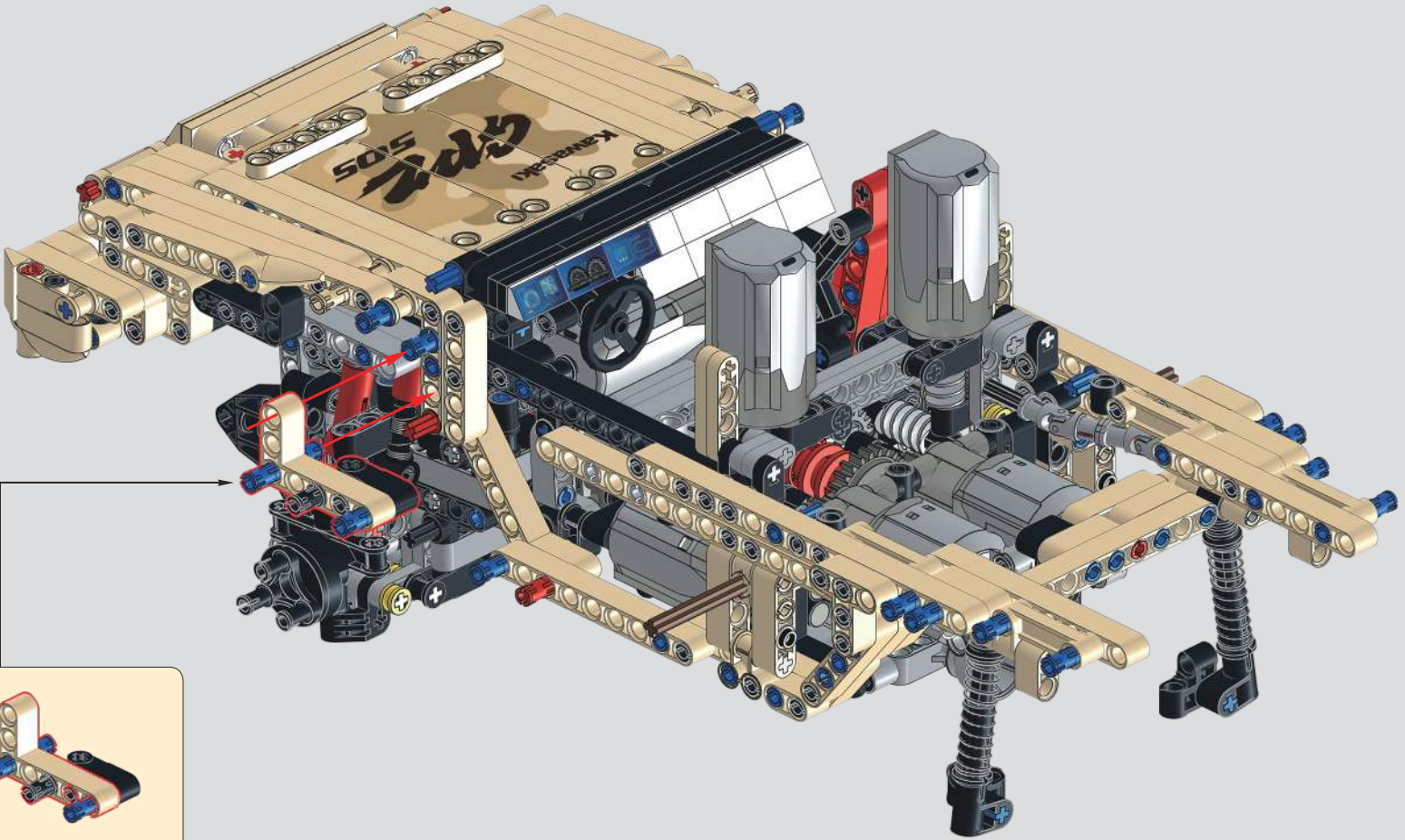


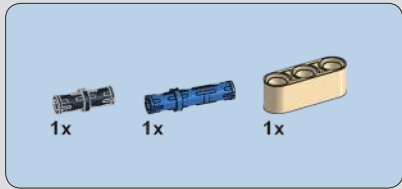
214



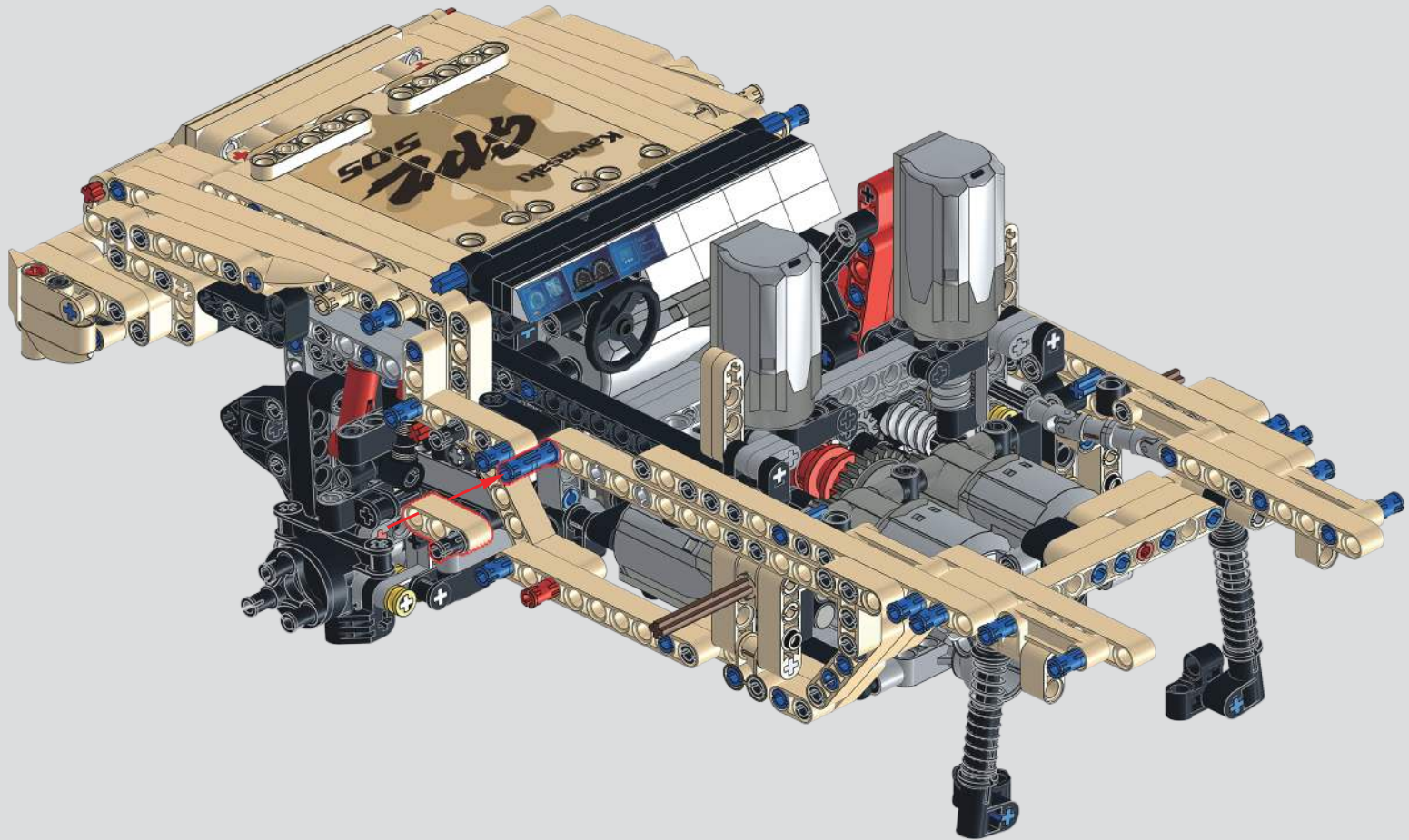


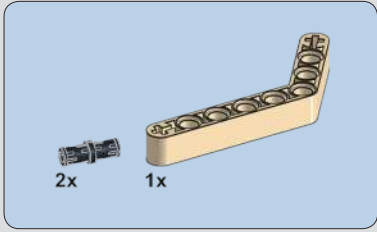
215



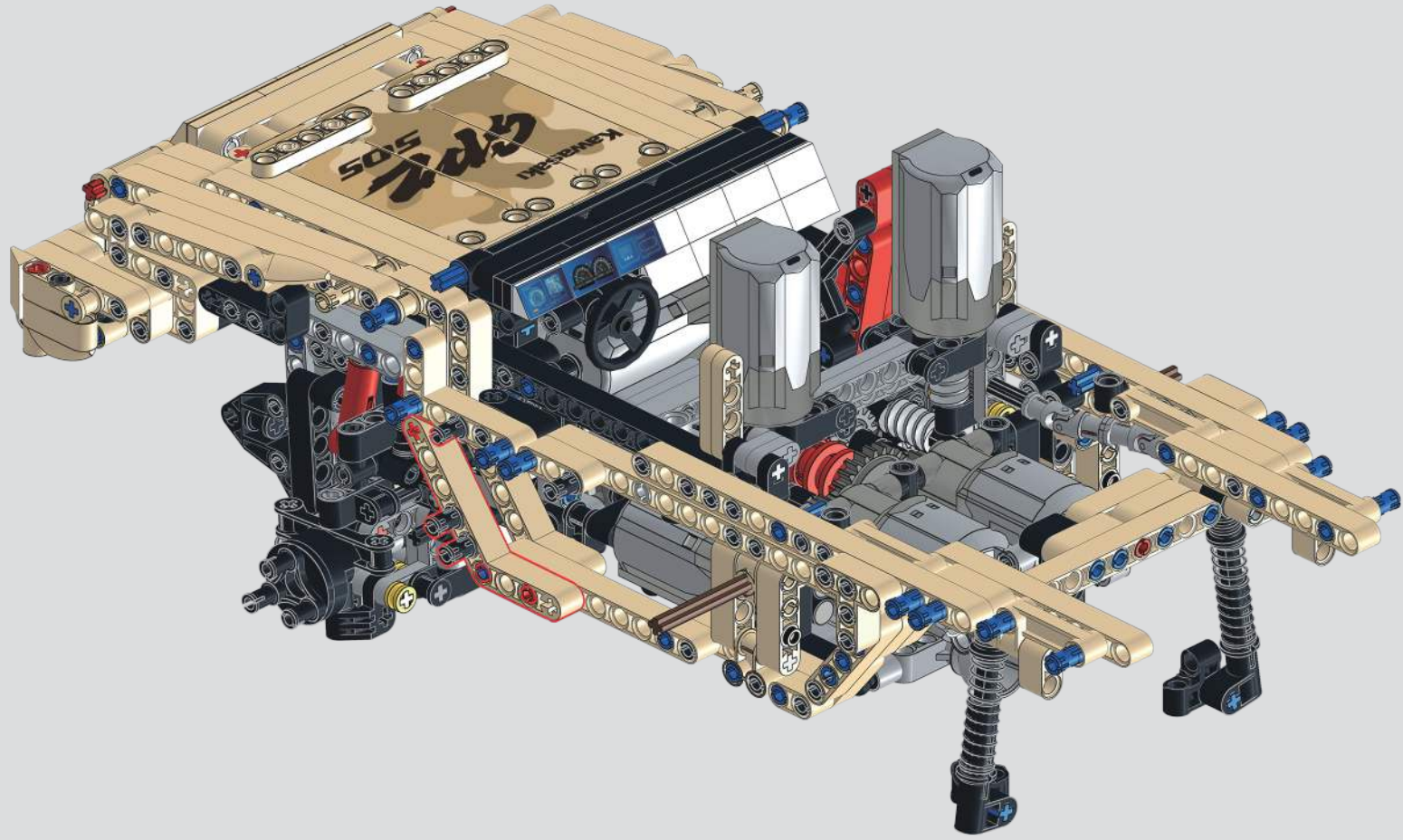


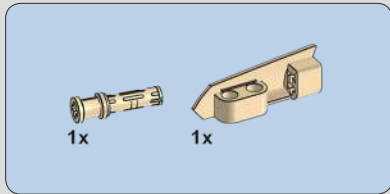
216



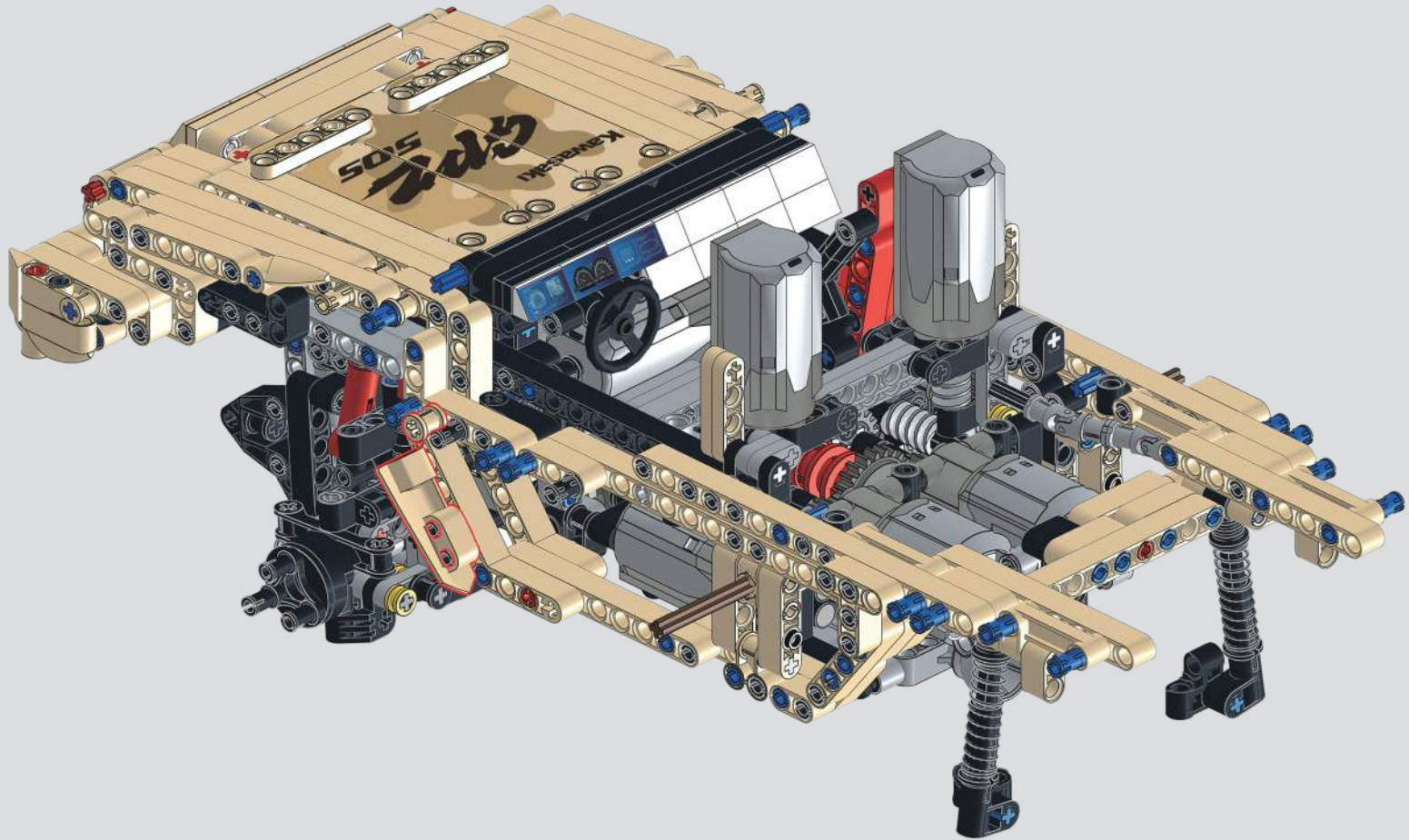


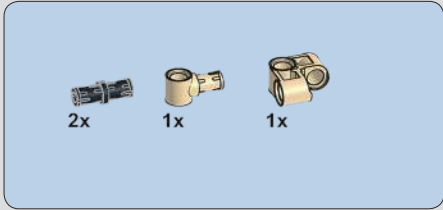
217



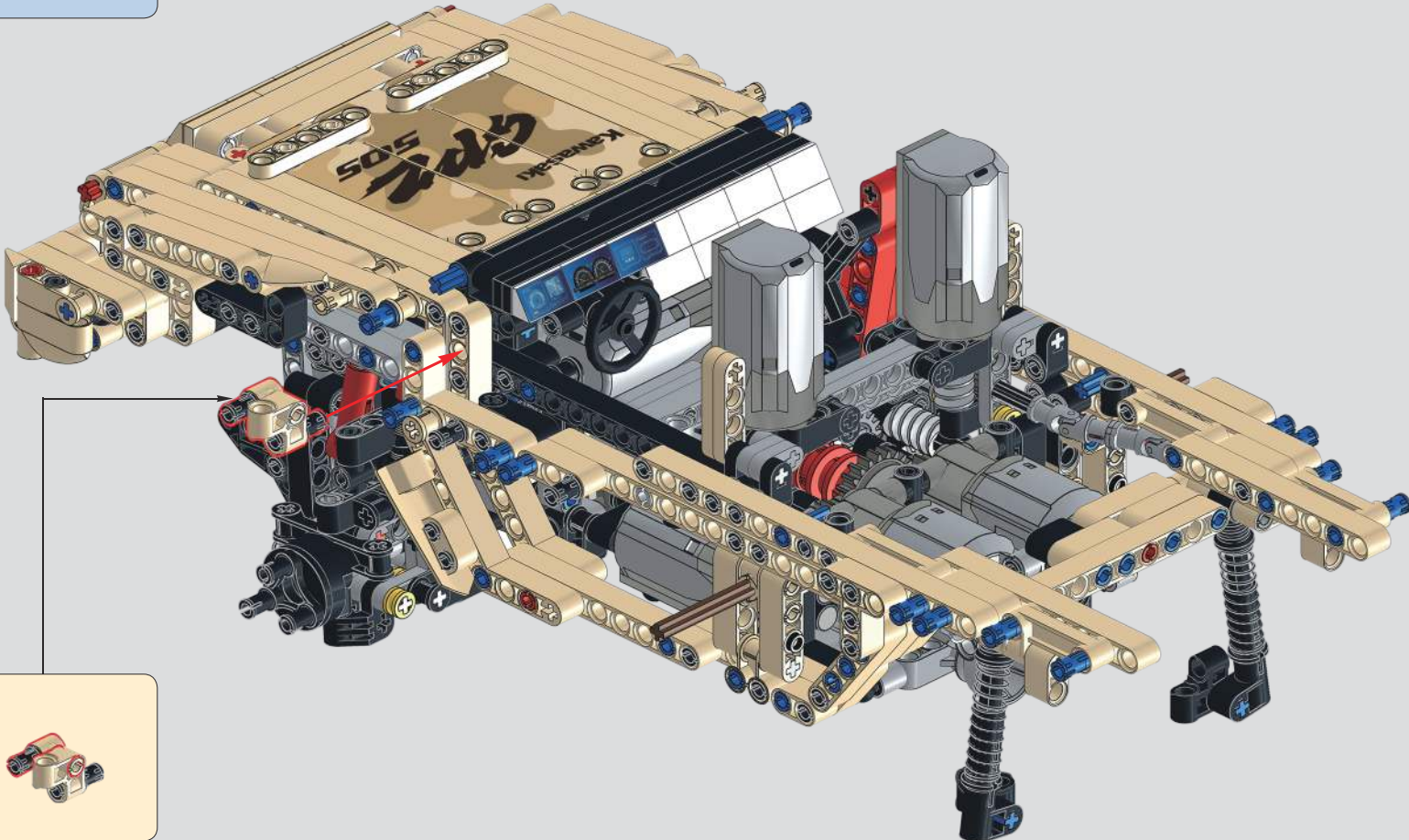


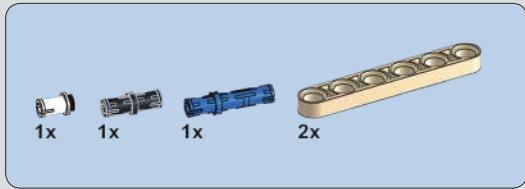
218



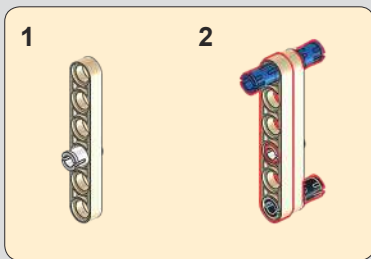
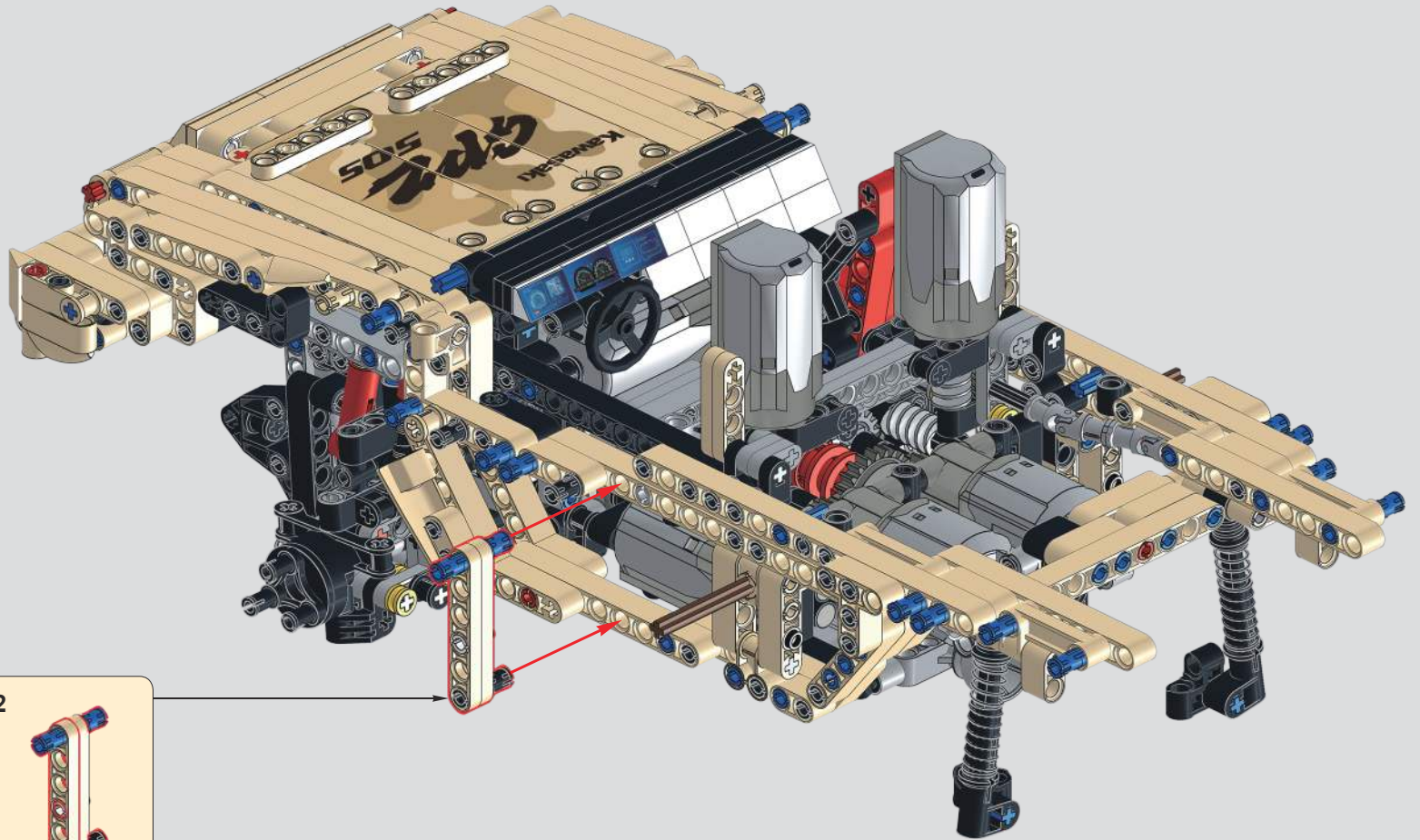


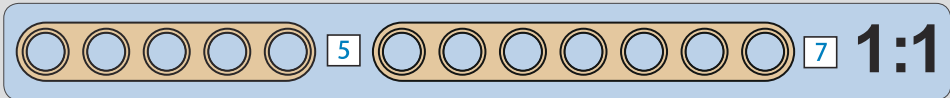
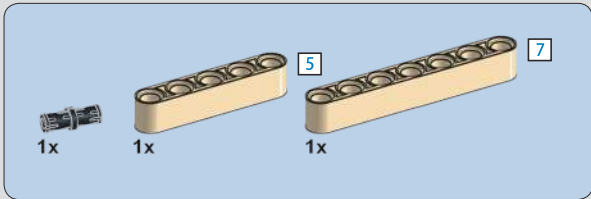
219



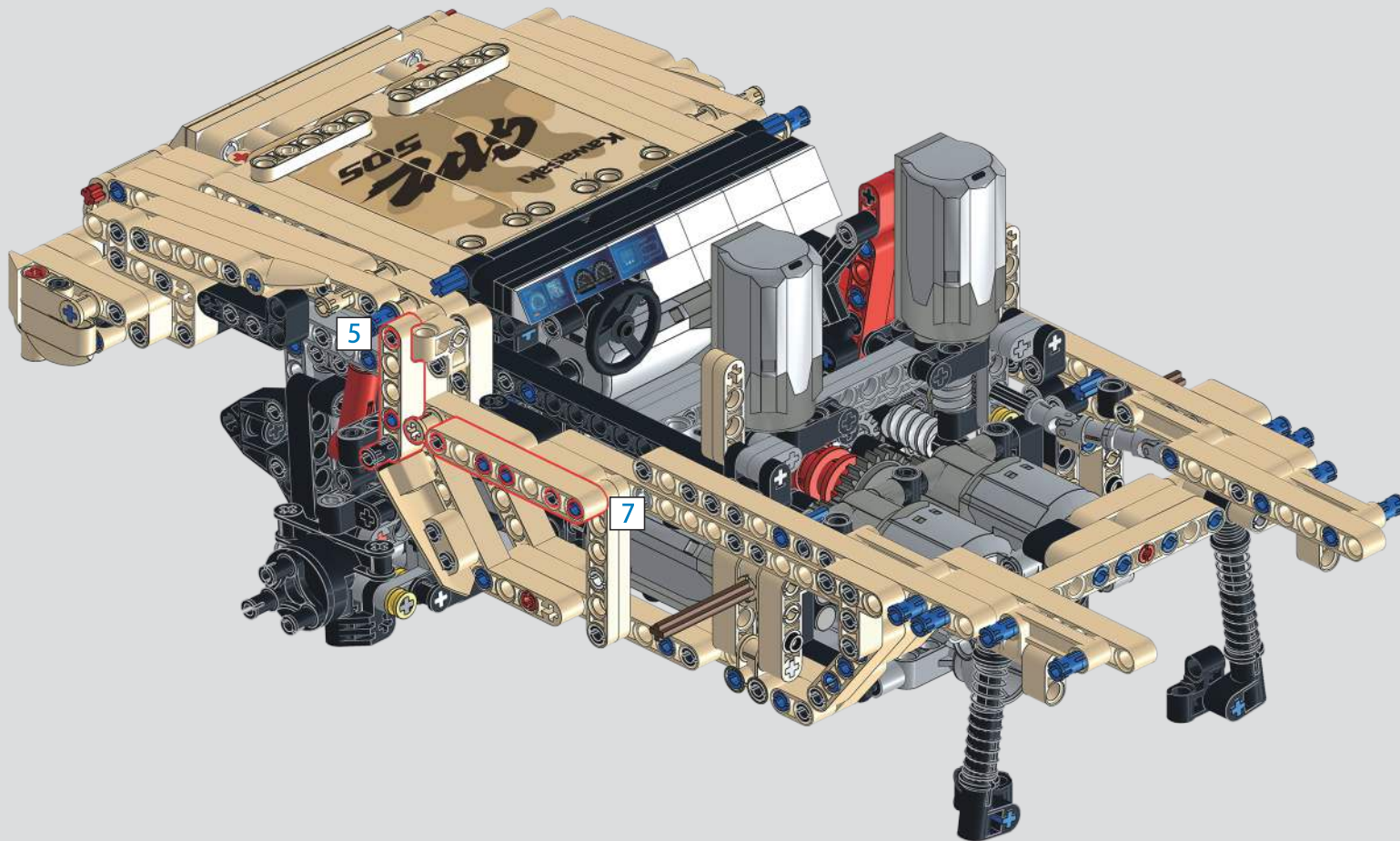


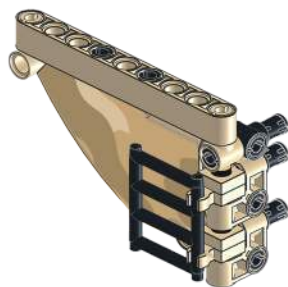
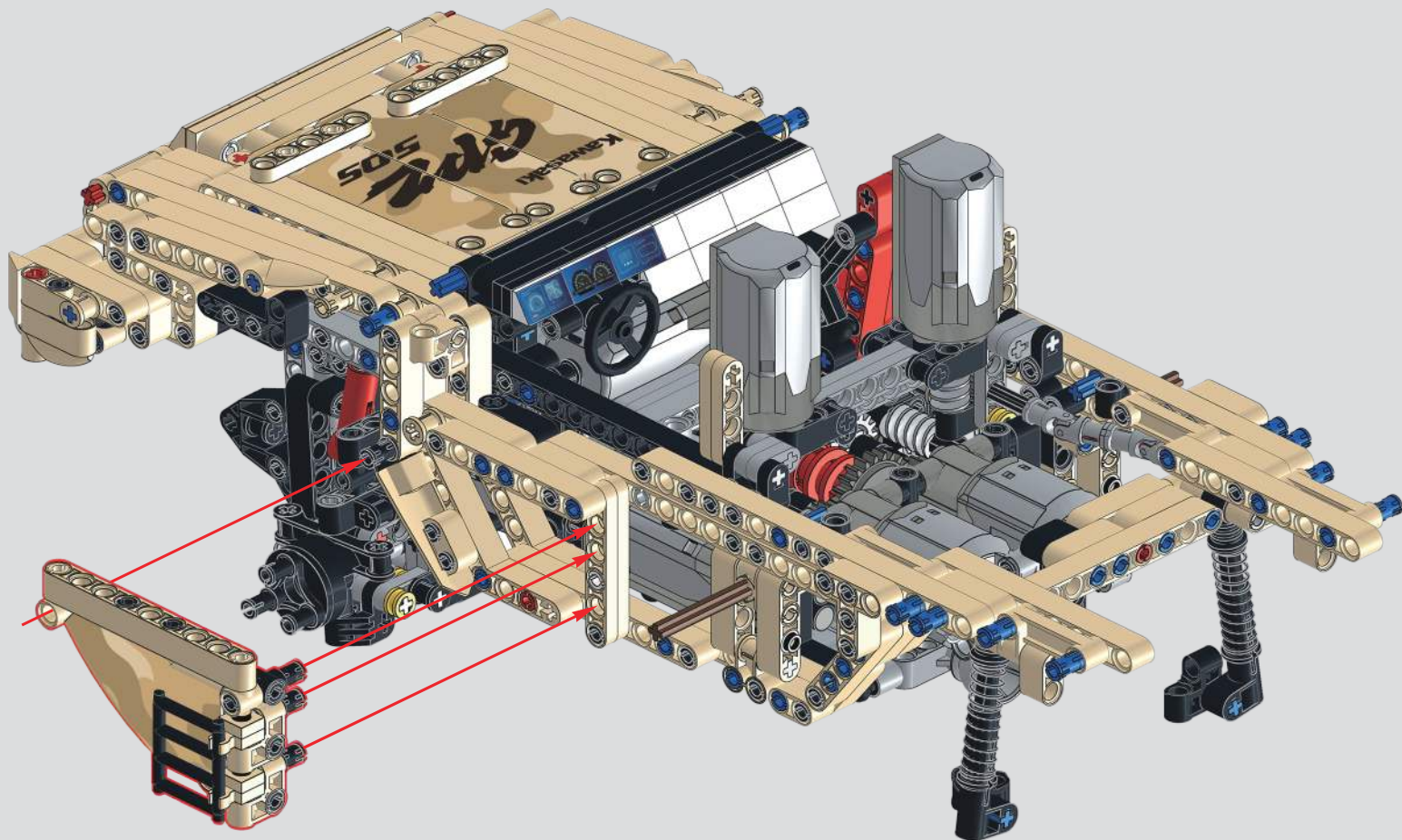
220





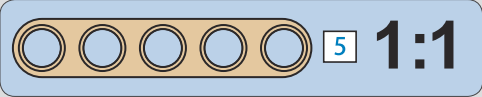
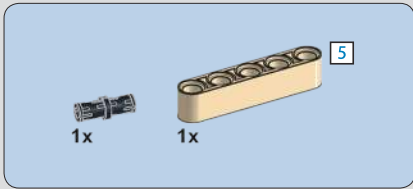
221



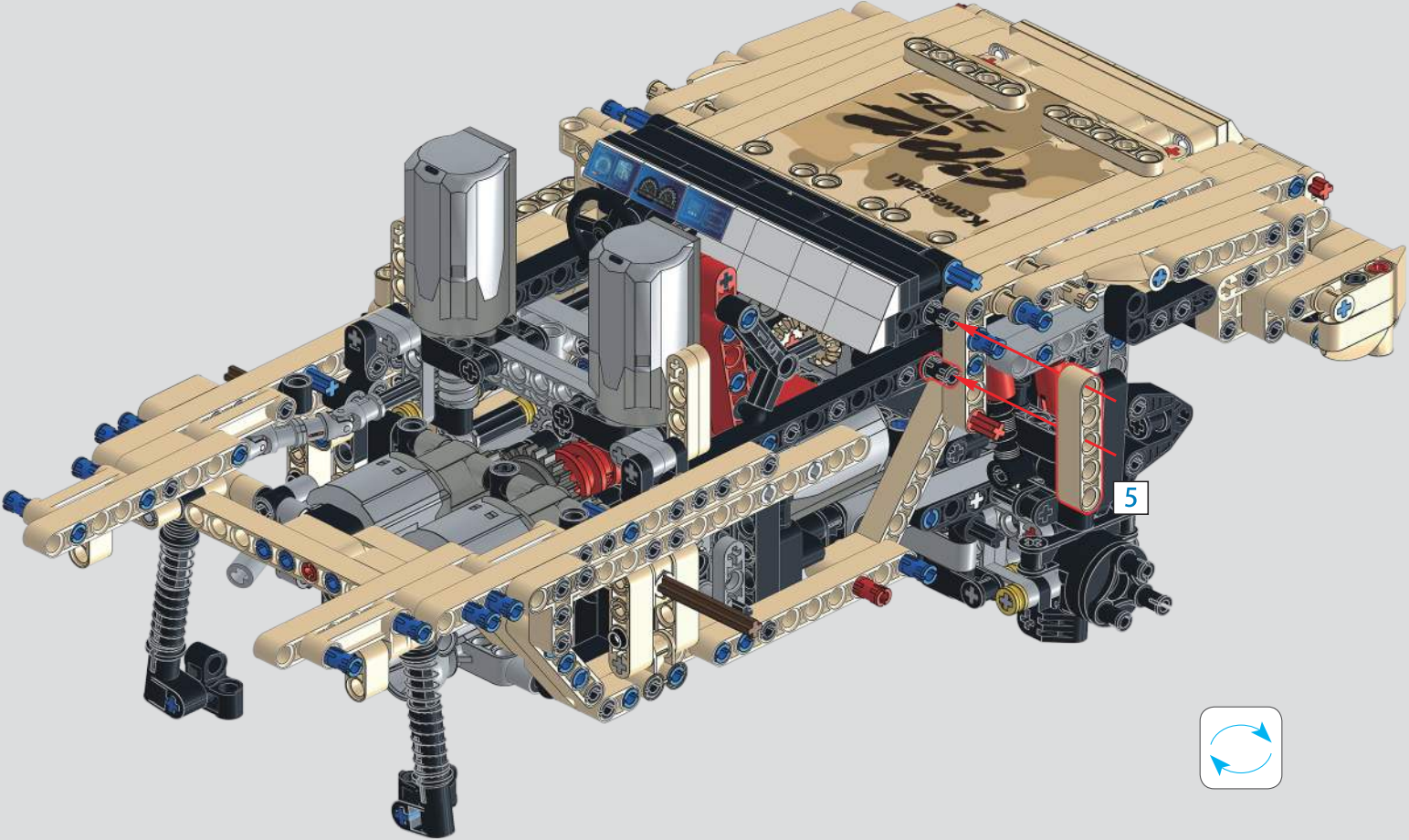


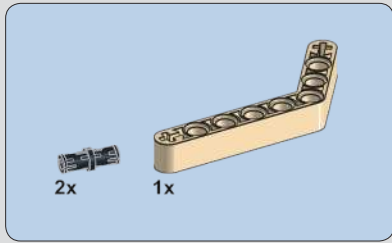
派拉蒙动态——此步骤拼装说明
 (请参考: 13131 派拉蒙静态说明第90页)

PARAMOUNT Dynamic version —— This step assembly instructions
 (Please refer to: 13131 PARAMOUNT Static Edition Page 90)

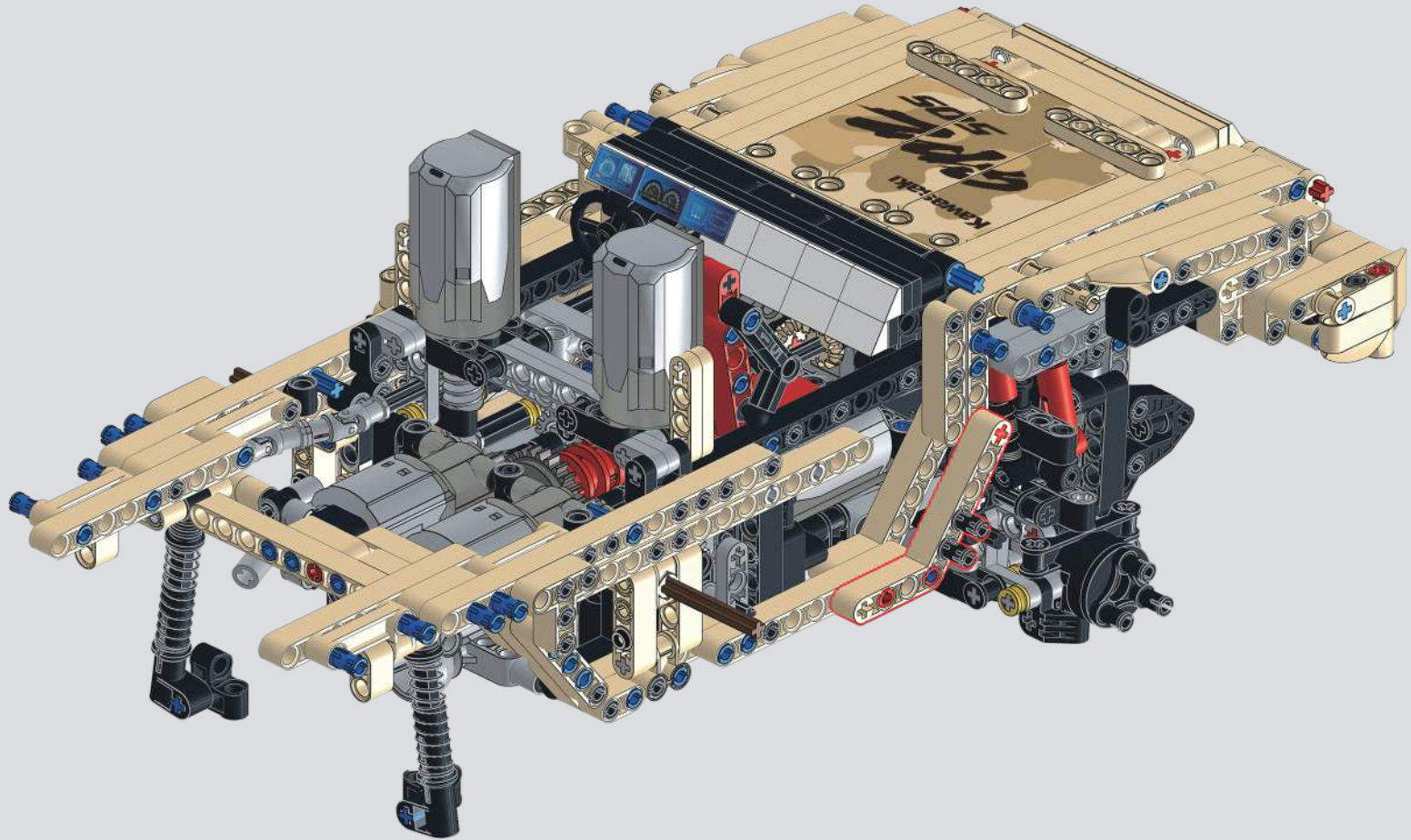


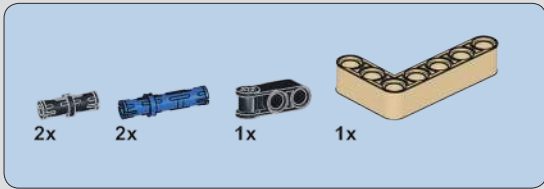
223



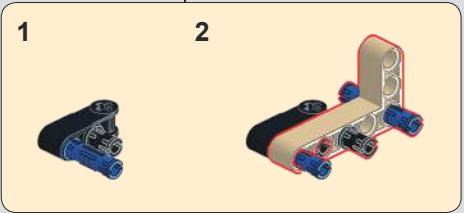
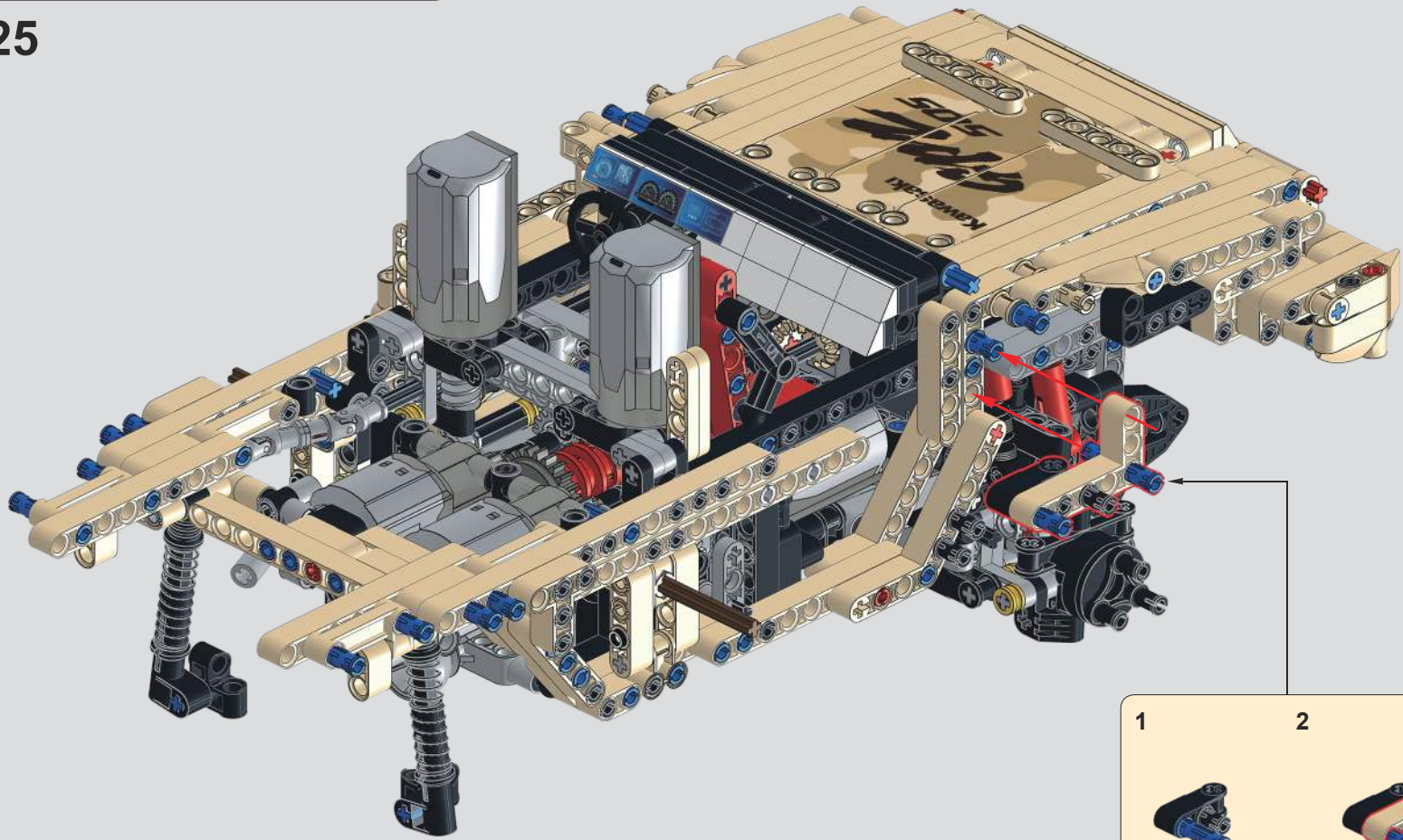


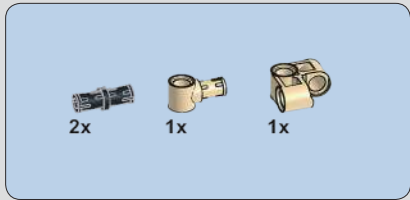
224



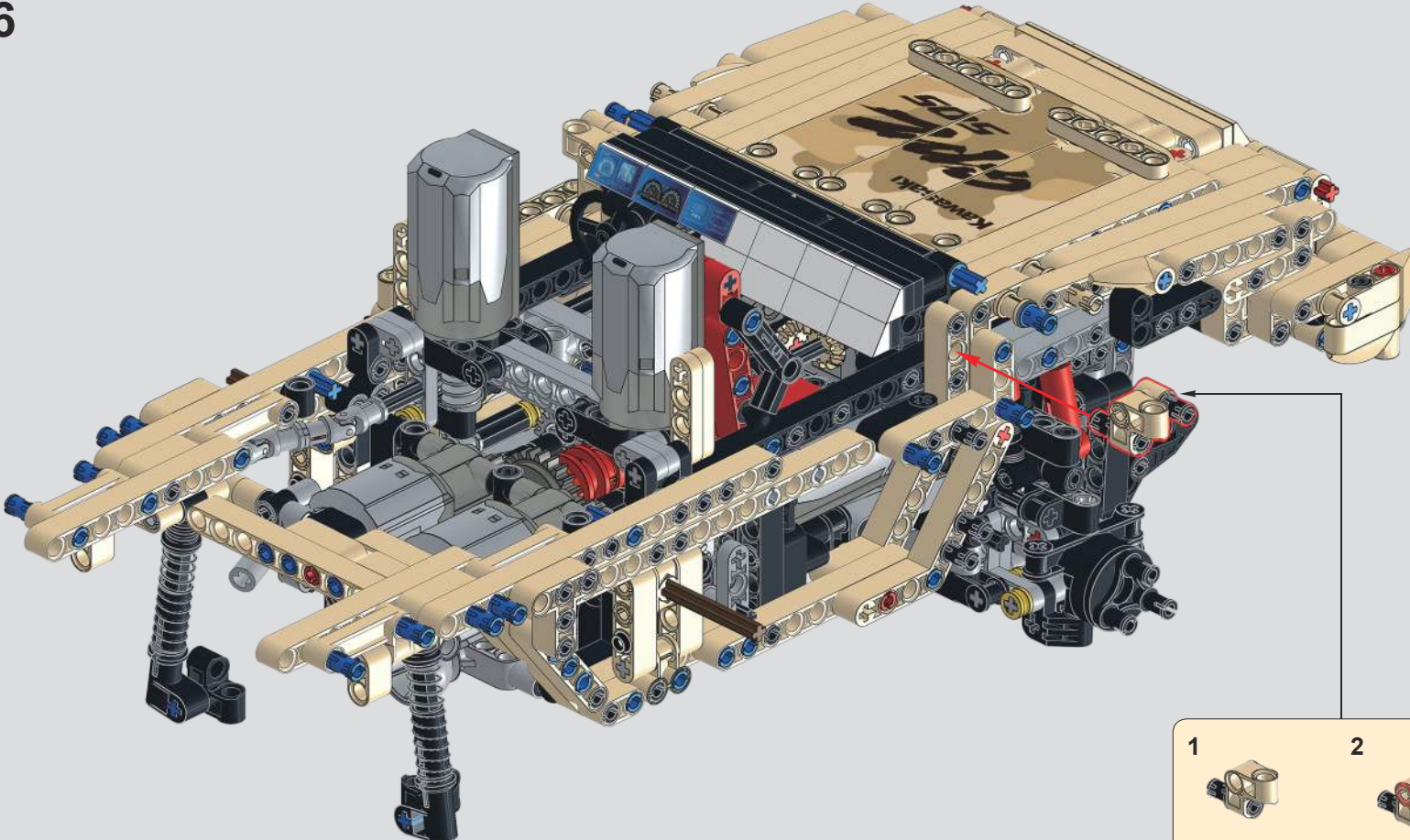


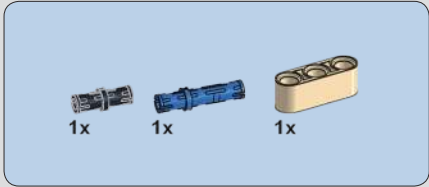
225



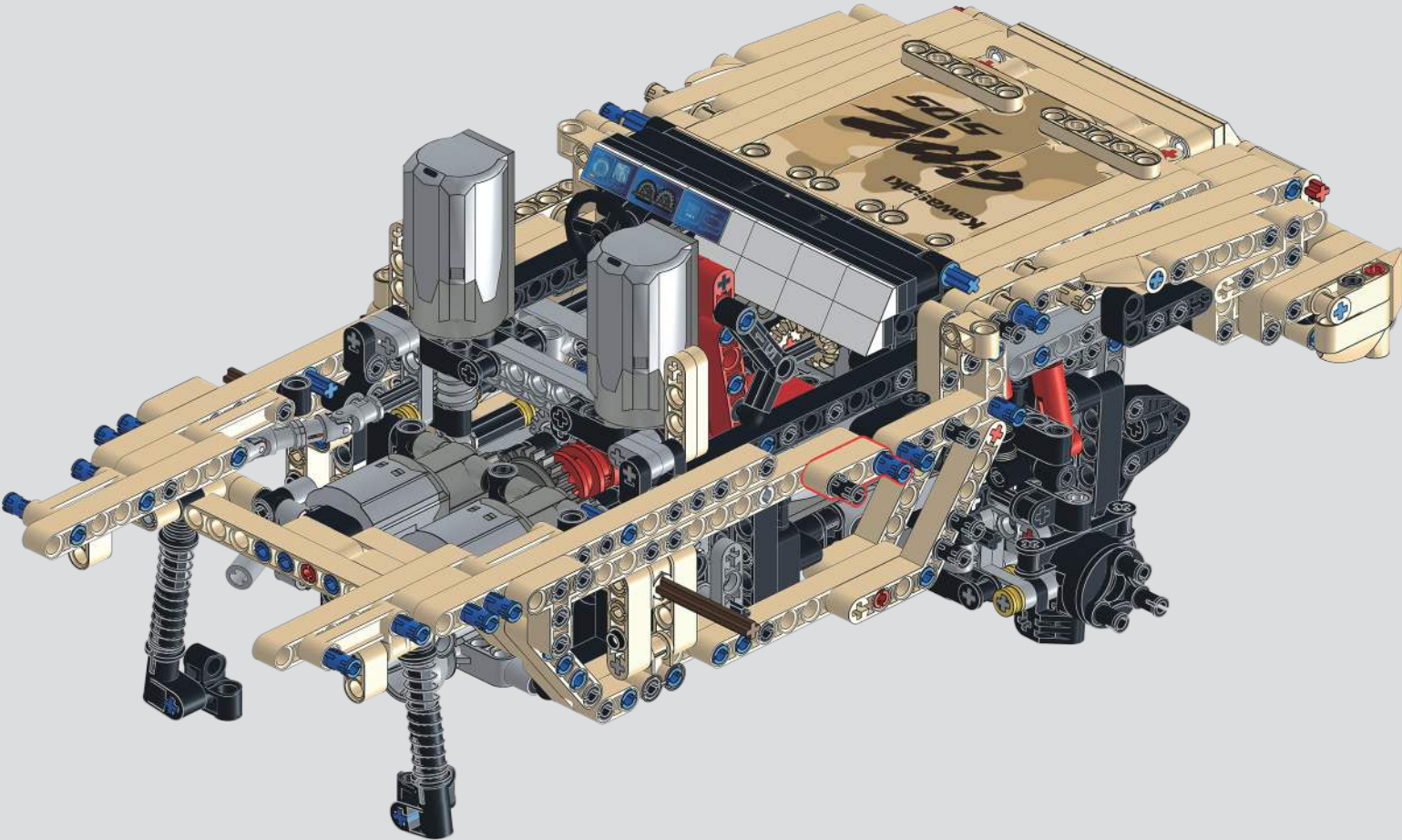


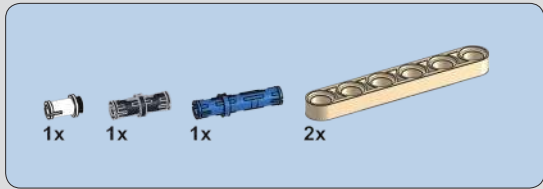
226



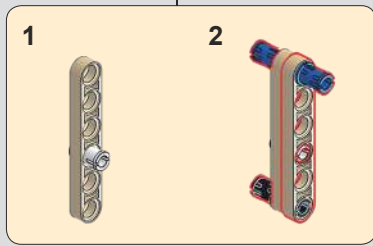
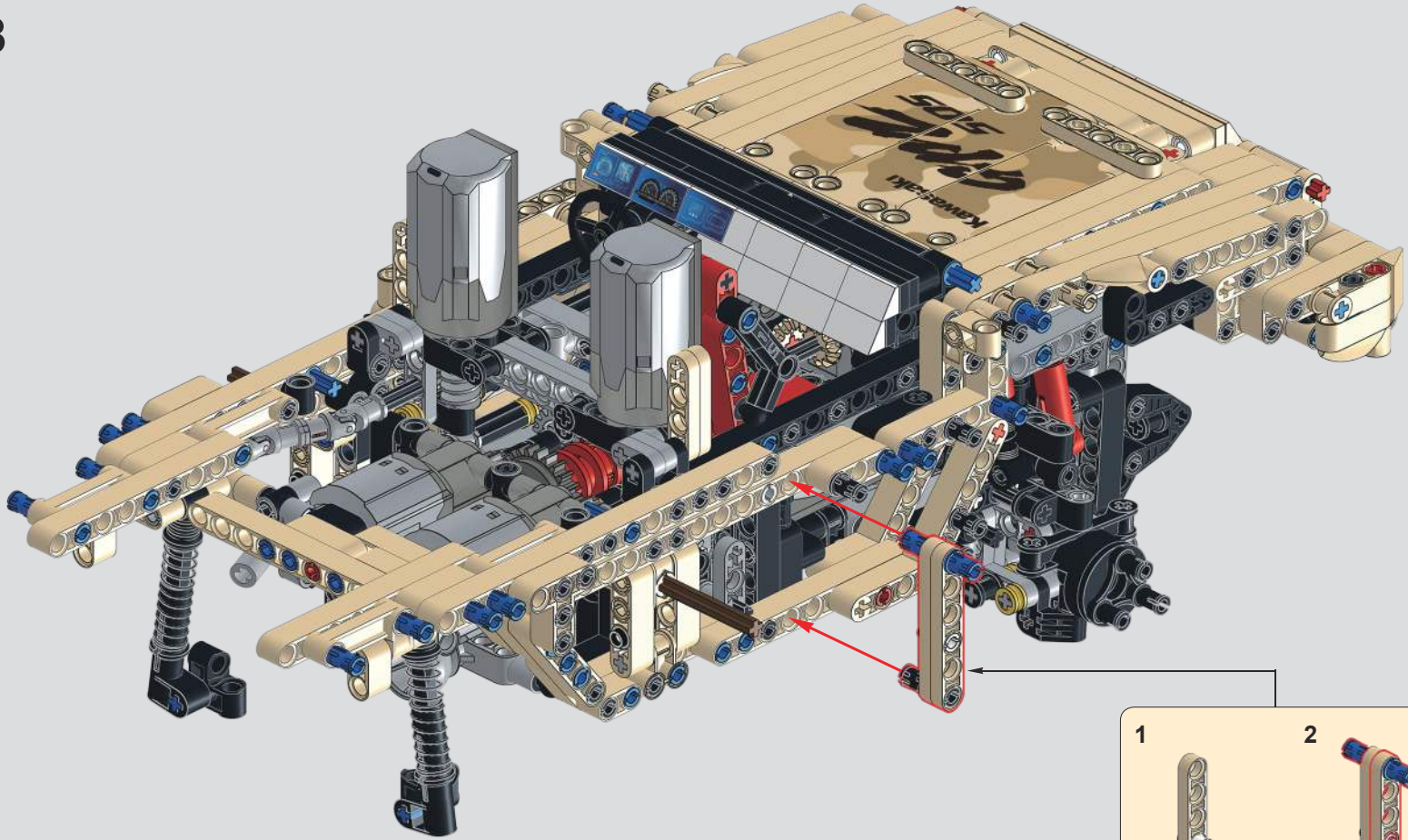


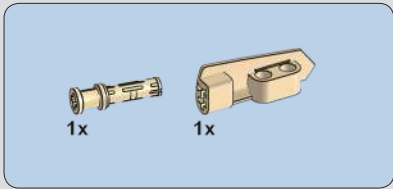
227



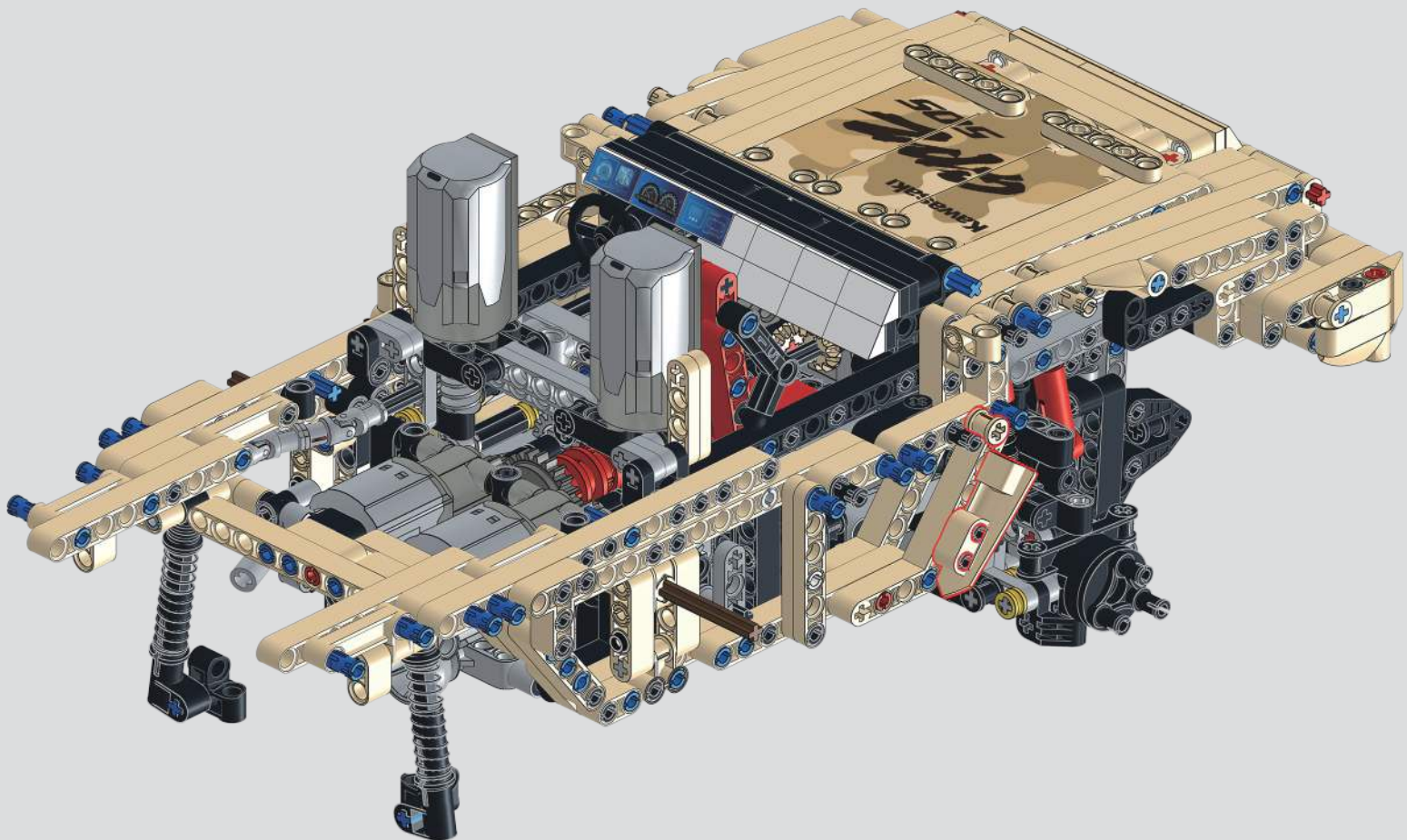


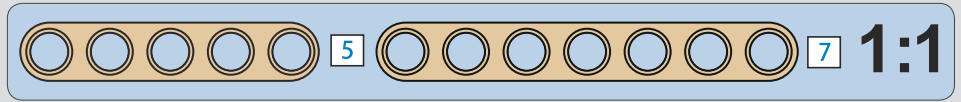
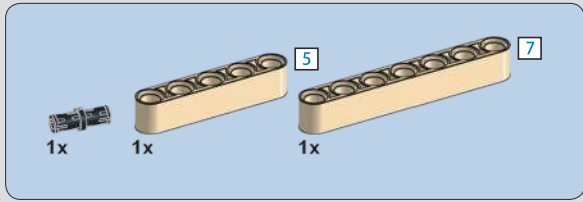
228



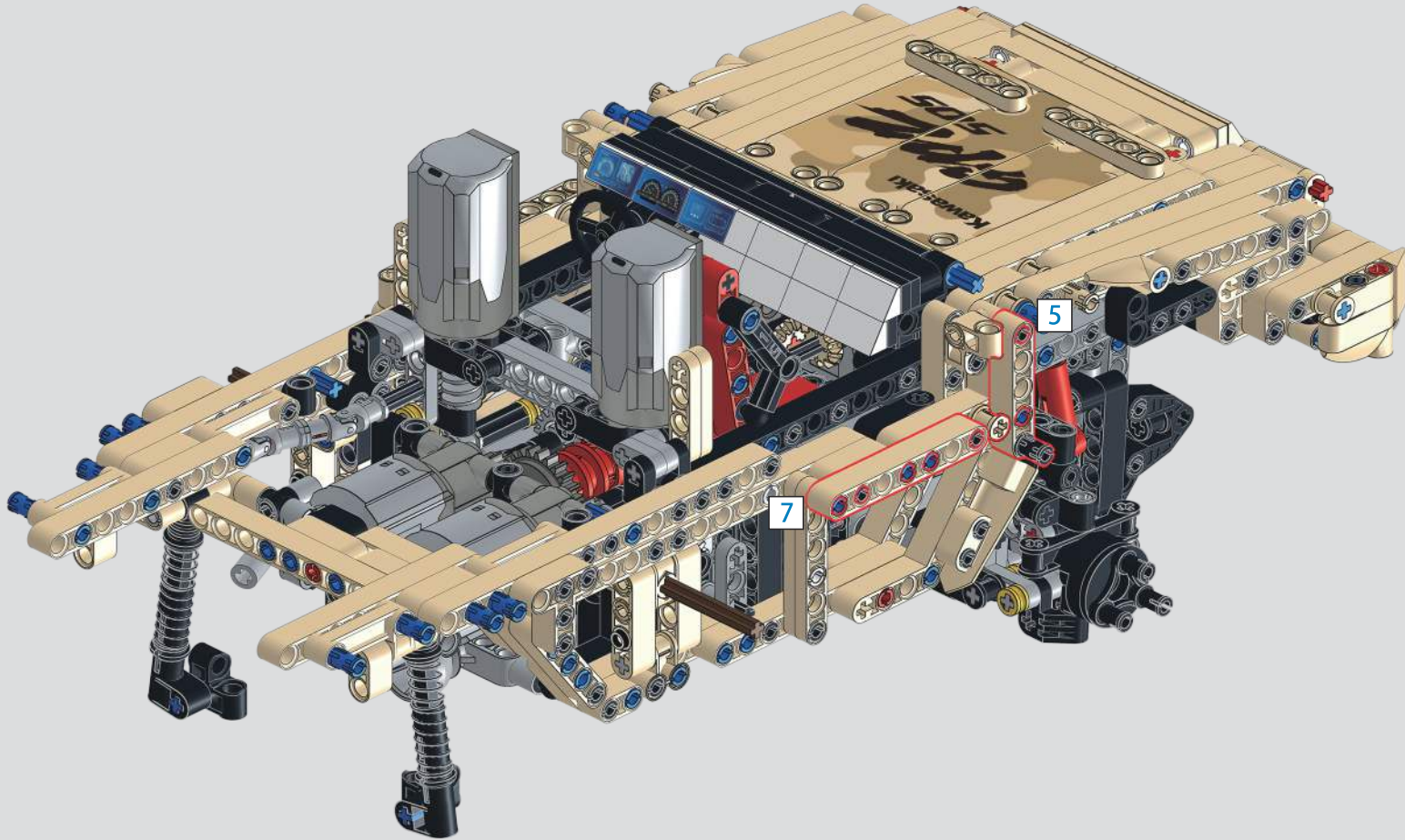


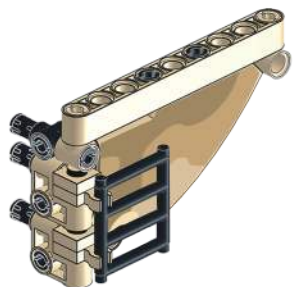
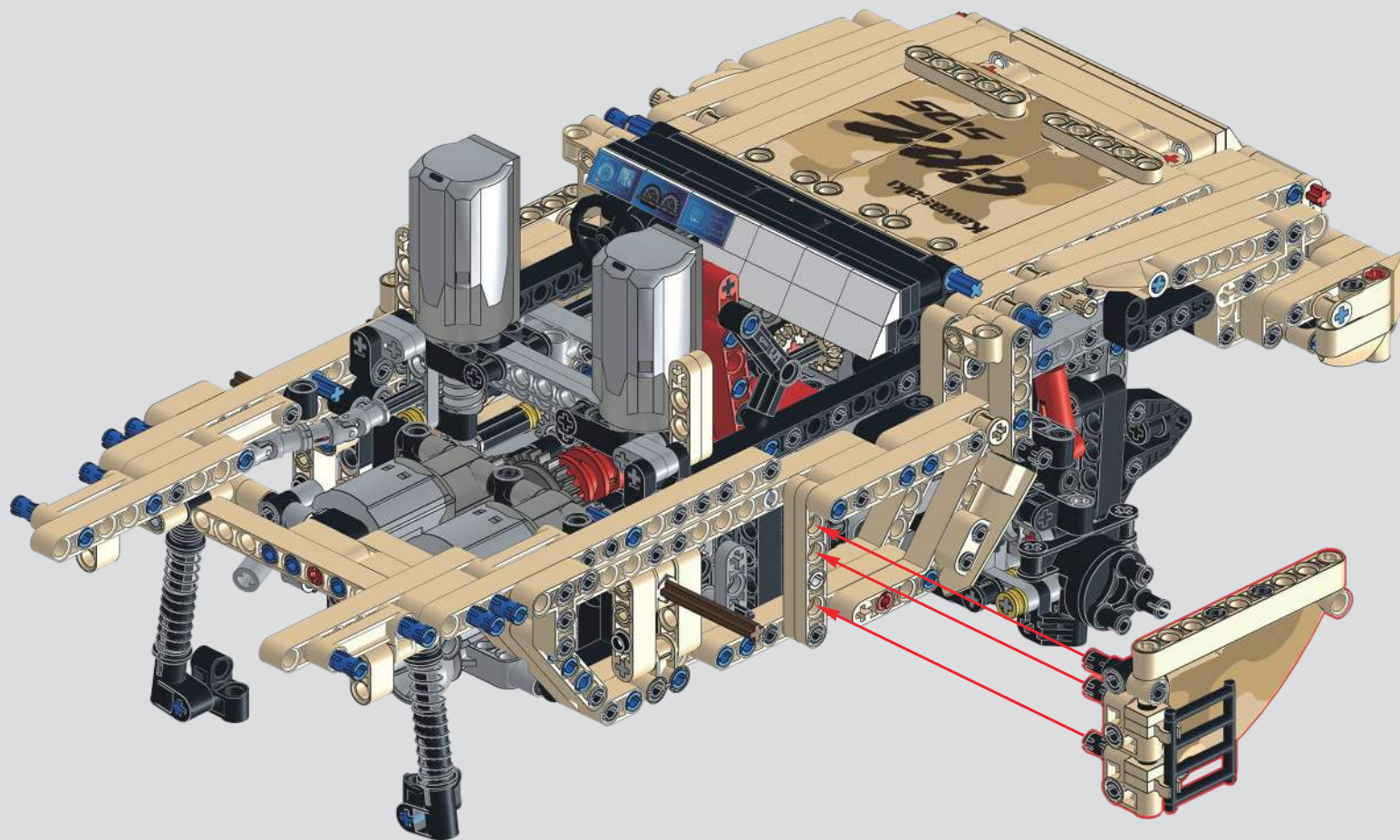
229





230





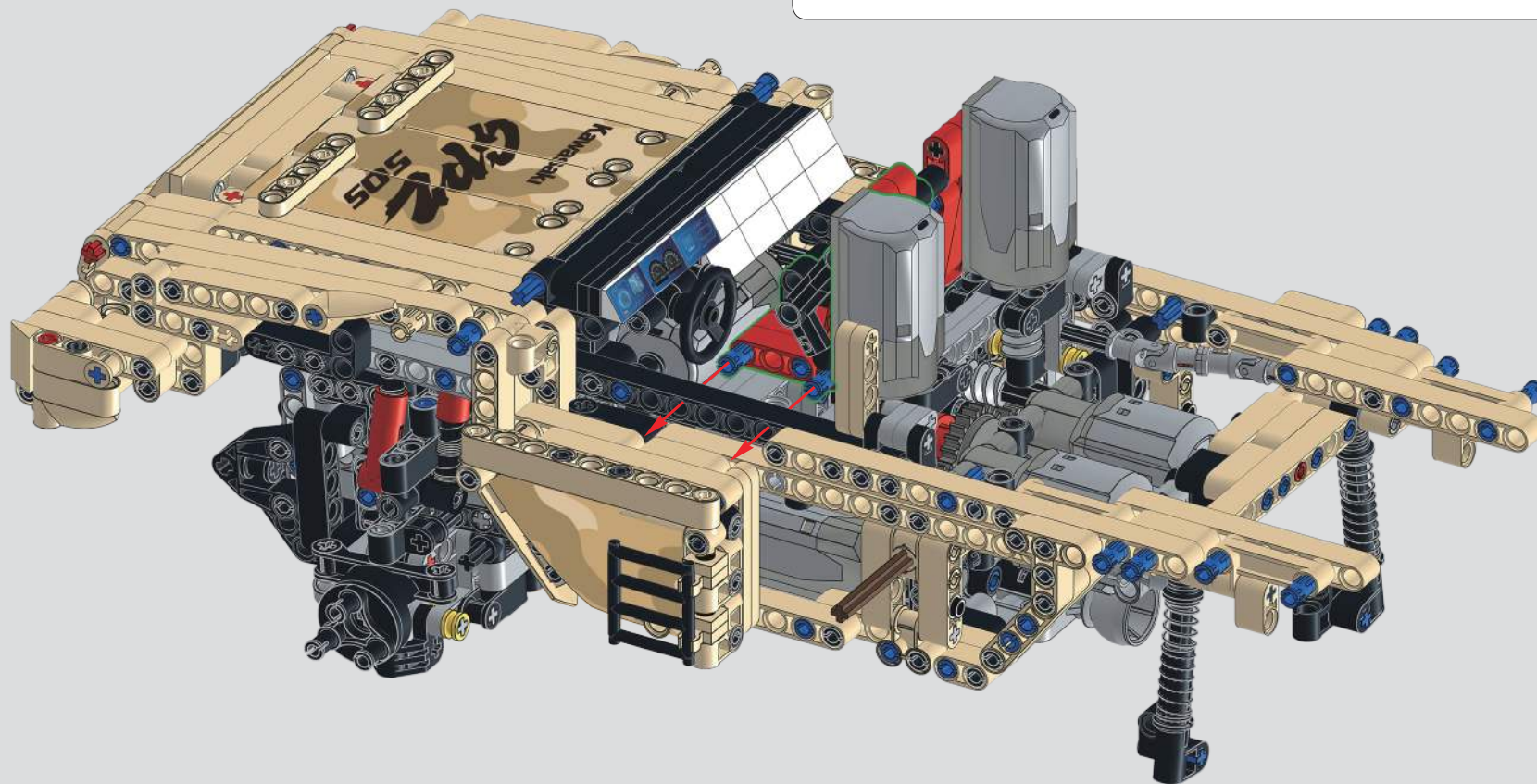
派拉蒙动态——此步骤拼装说明
 (请参考: 13131 派拉蒙静态说明第100页)

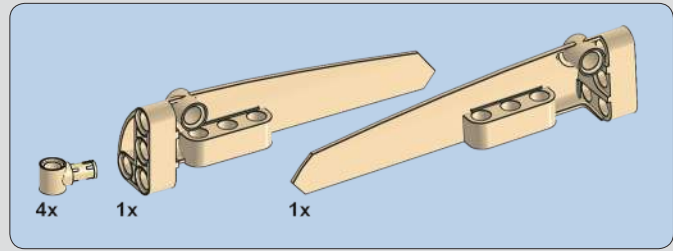
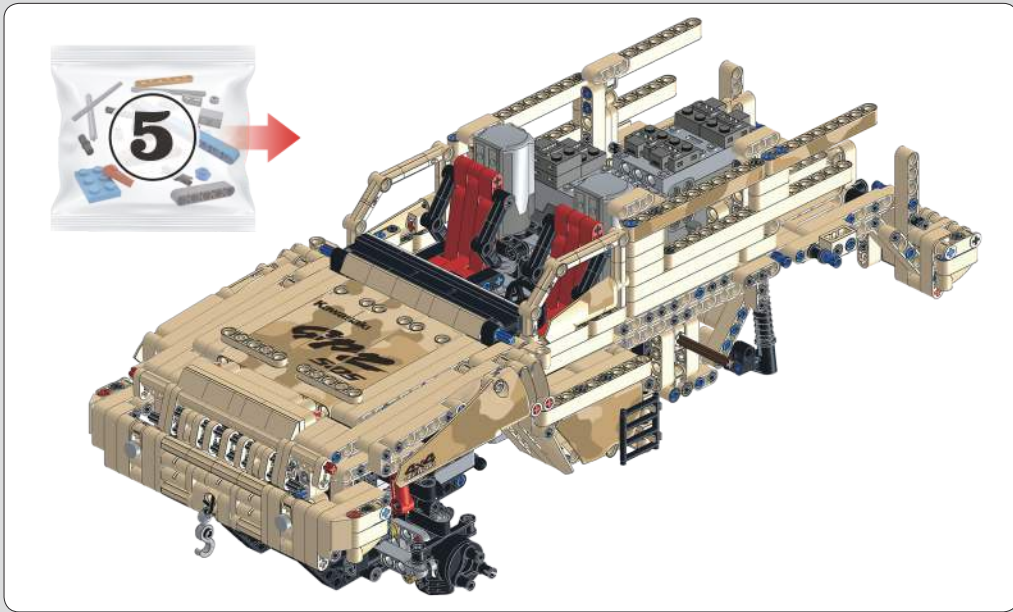
PARAMOUNT Dynamic version —— This step assembly instructions
 (Please refer to: 13131 PARAMOUNT Static Edition
 Page 100)



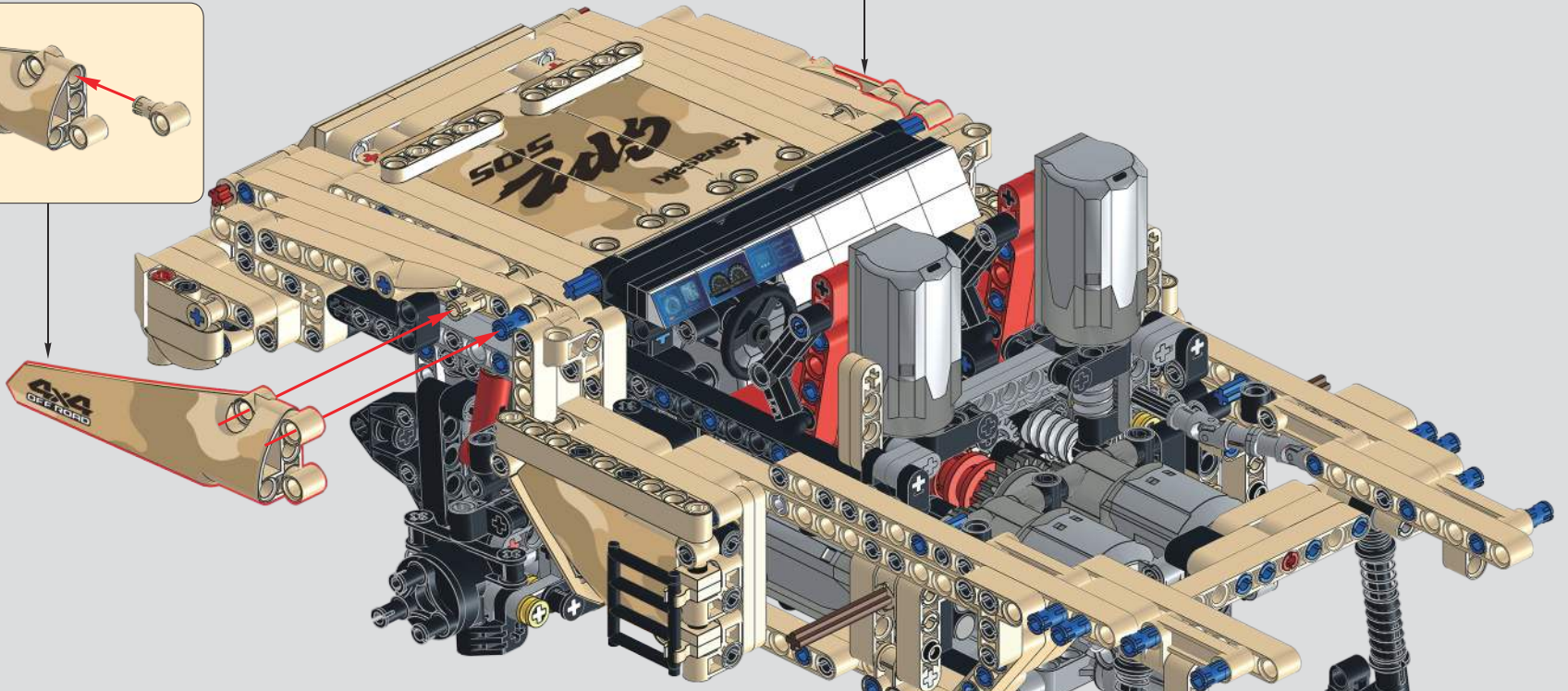
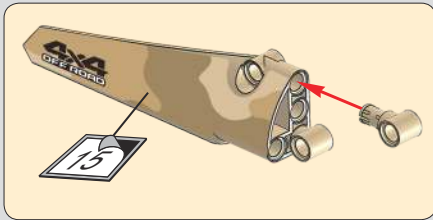
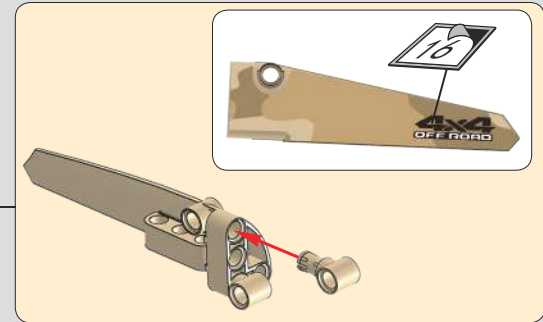
派拉蒙动态——此步骤拼装说明
 (请参考: 13131 派拉蒙静态说明
 第102-103页347步)

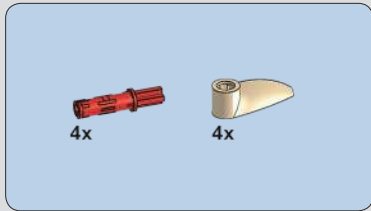
PARAMOUNT Dynamic version — This step
 assembly instructions
 (Please refer to: 13131 PARAMOUNT Static Edition
 Page 102-103 347steps)



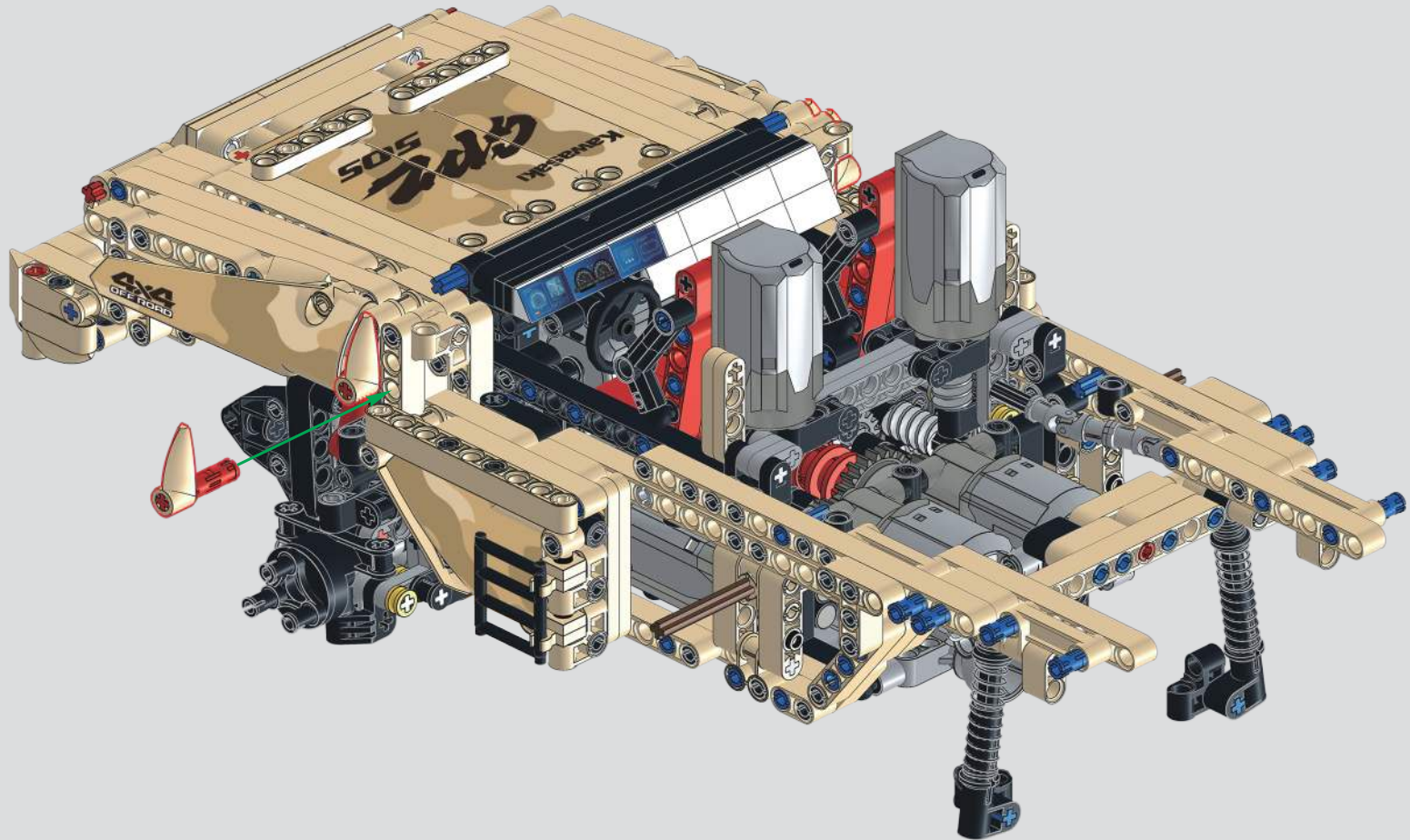


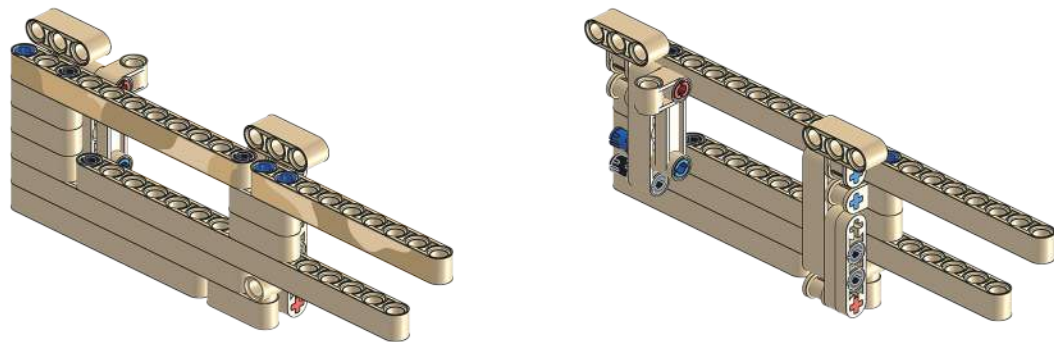
233



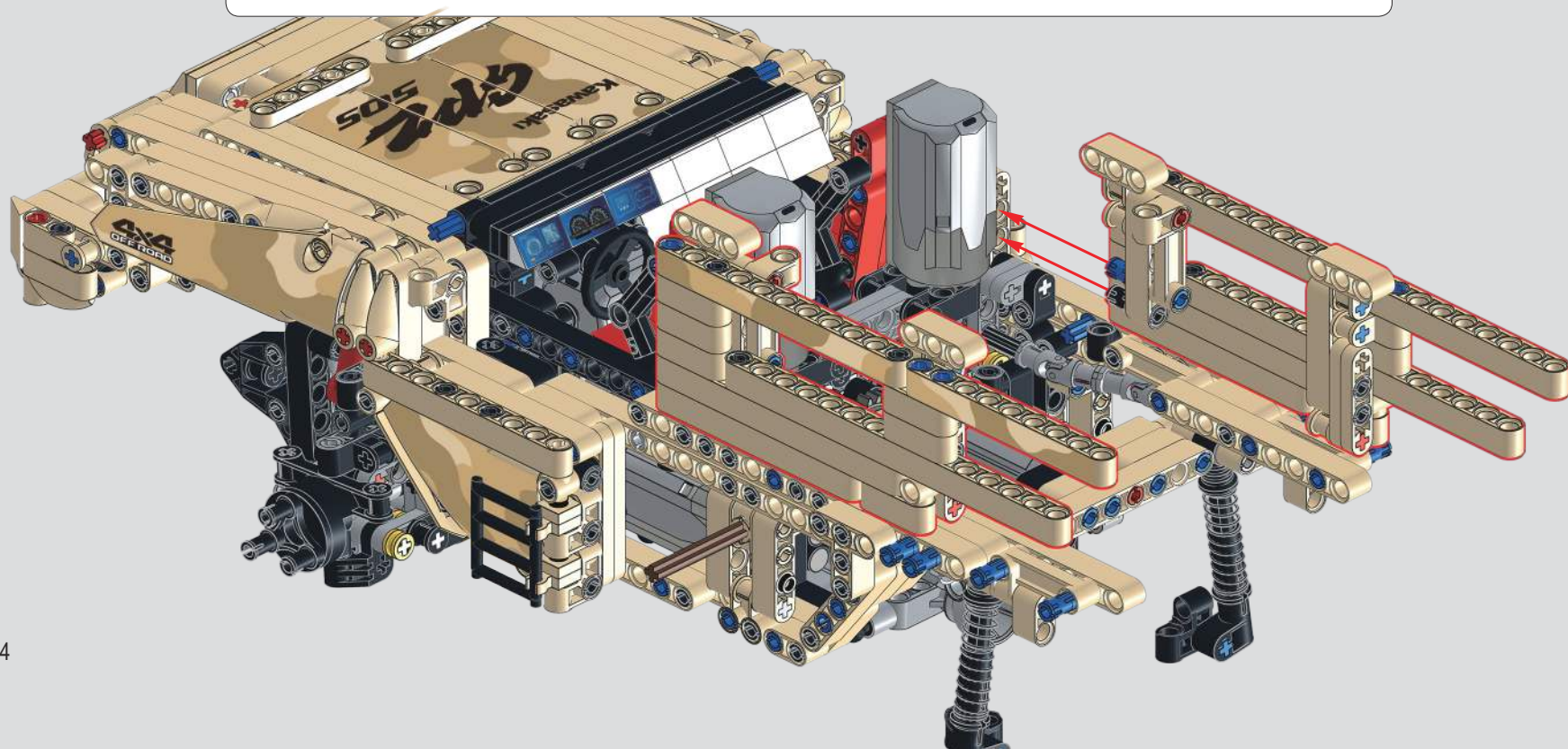


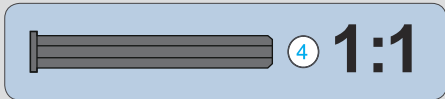
234



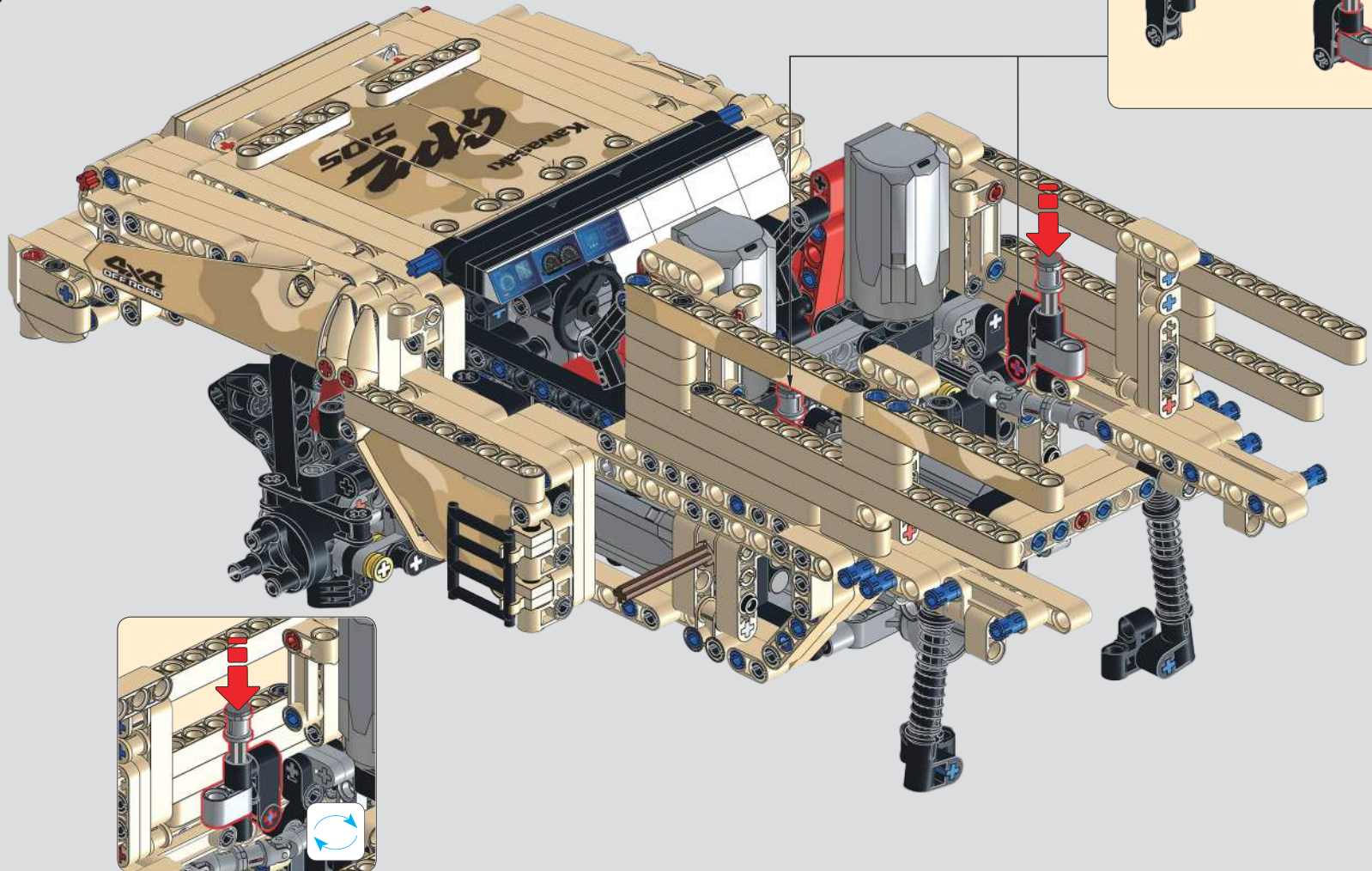
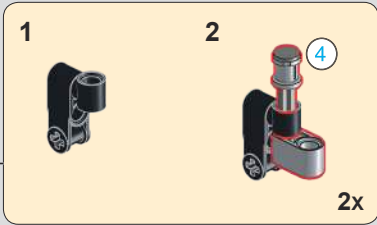


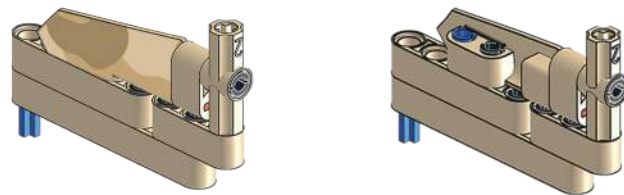
派拉蒙动态——此步骤拼装说明
 (请参考: 13131 派拉蒙静态说明第106-110页)
 PARAMOUNT Dynamic version ——This step assembly instructions
 (Please refer to: 13131 PARAMOUNT Static Edition Page 106-110)





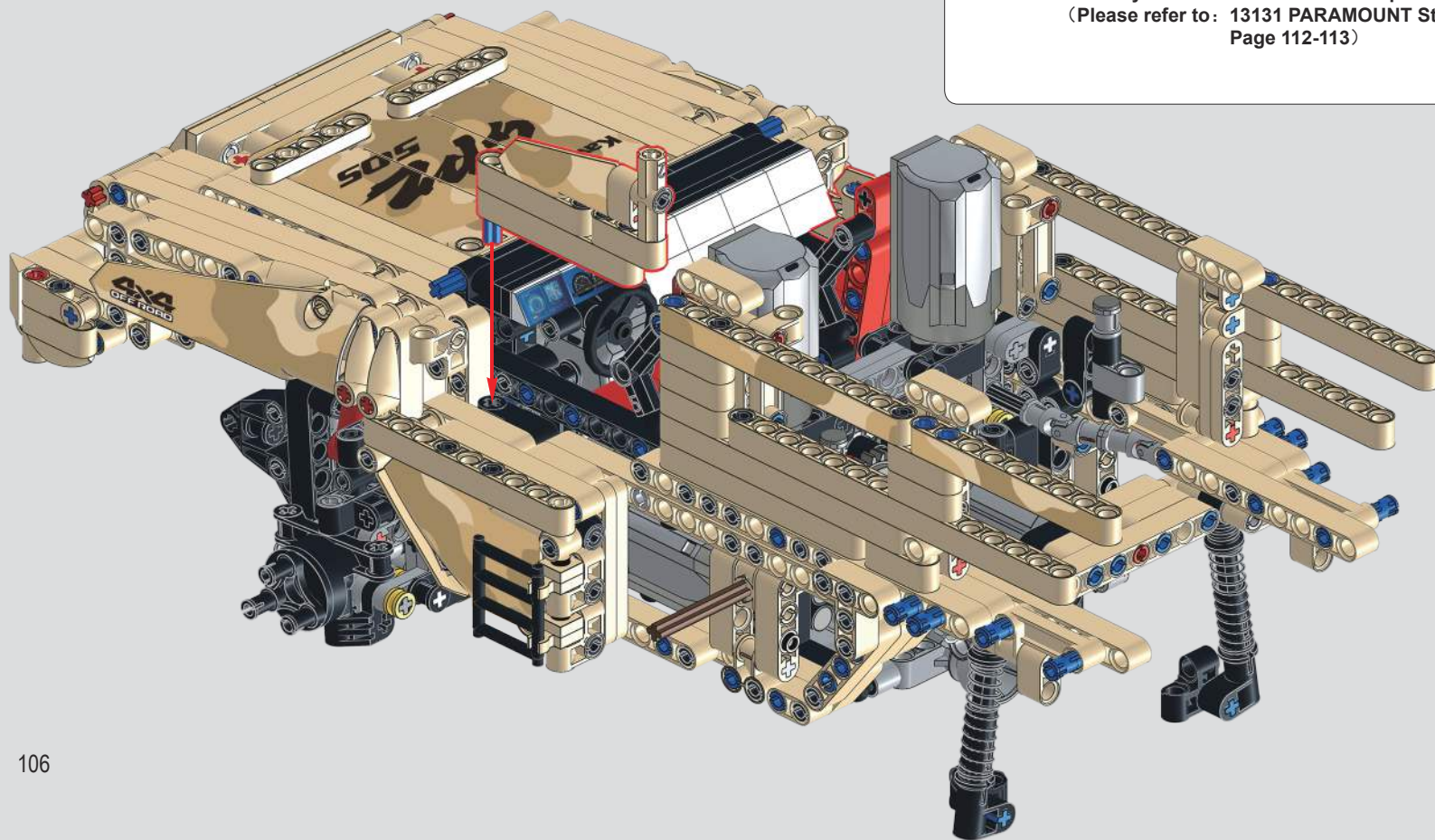
236

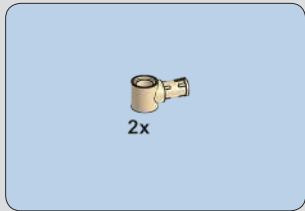




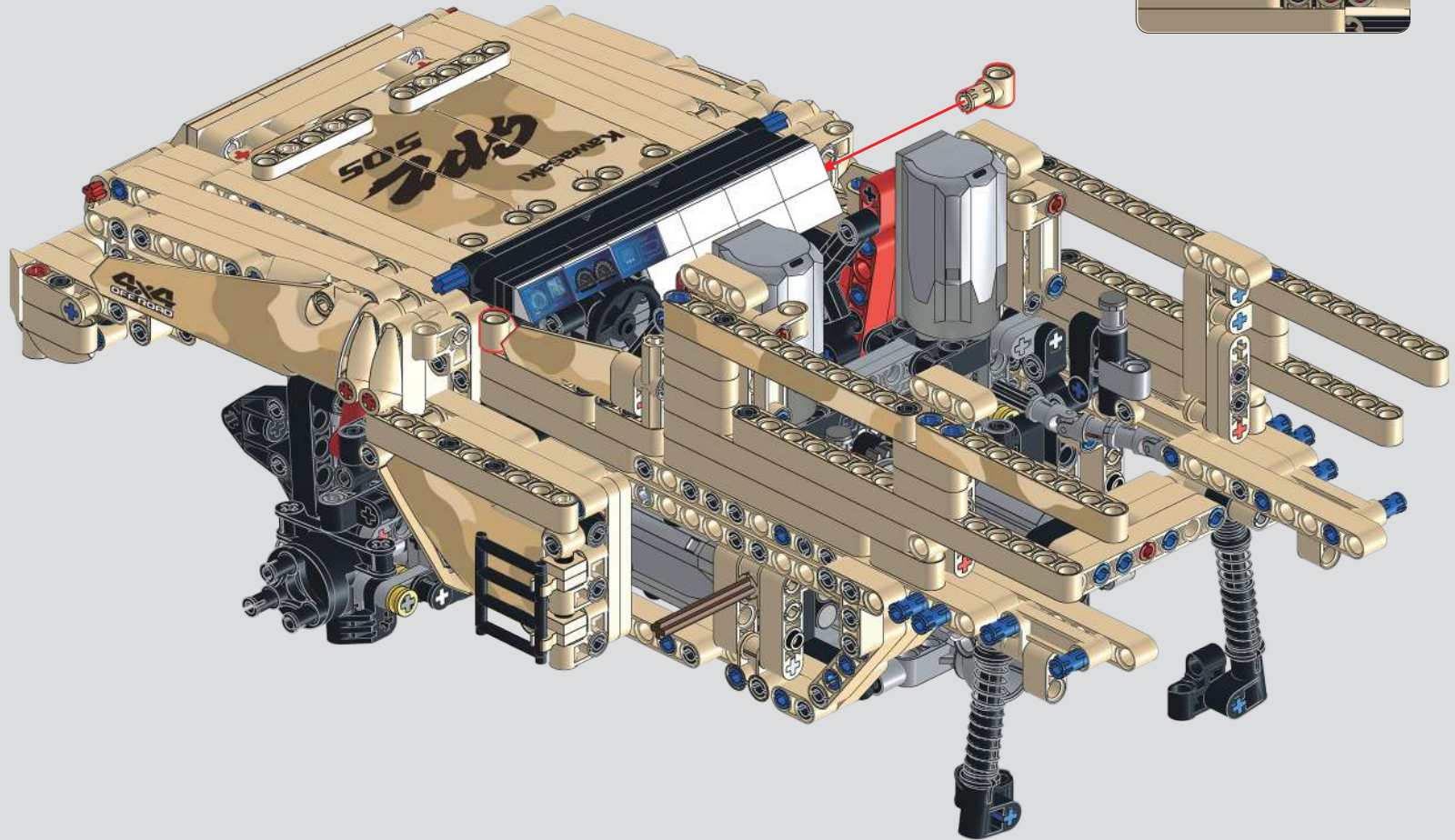
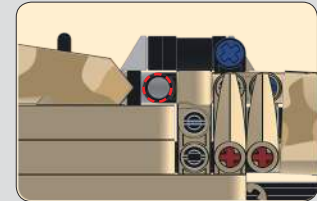
派拉蒙动态——此步骤拼装说明
 (请参考: 13131 派拉蒙静态说明
 第112-113页)

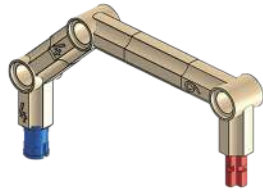
PARAMOUNT Dynamic version — This step assembly instructions
(Please refer to: 13131 PARAMOUNT Static Edition
Page 112-113)



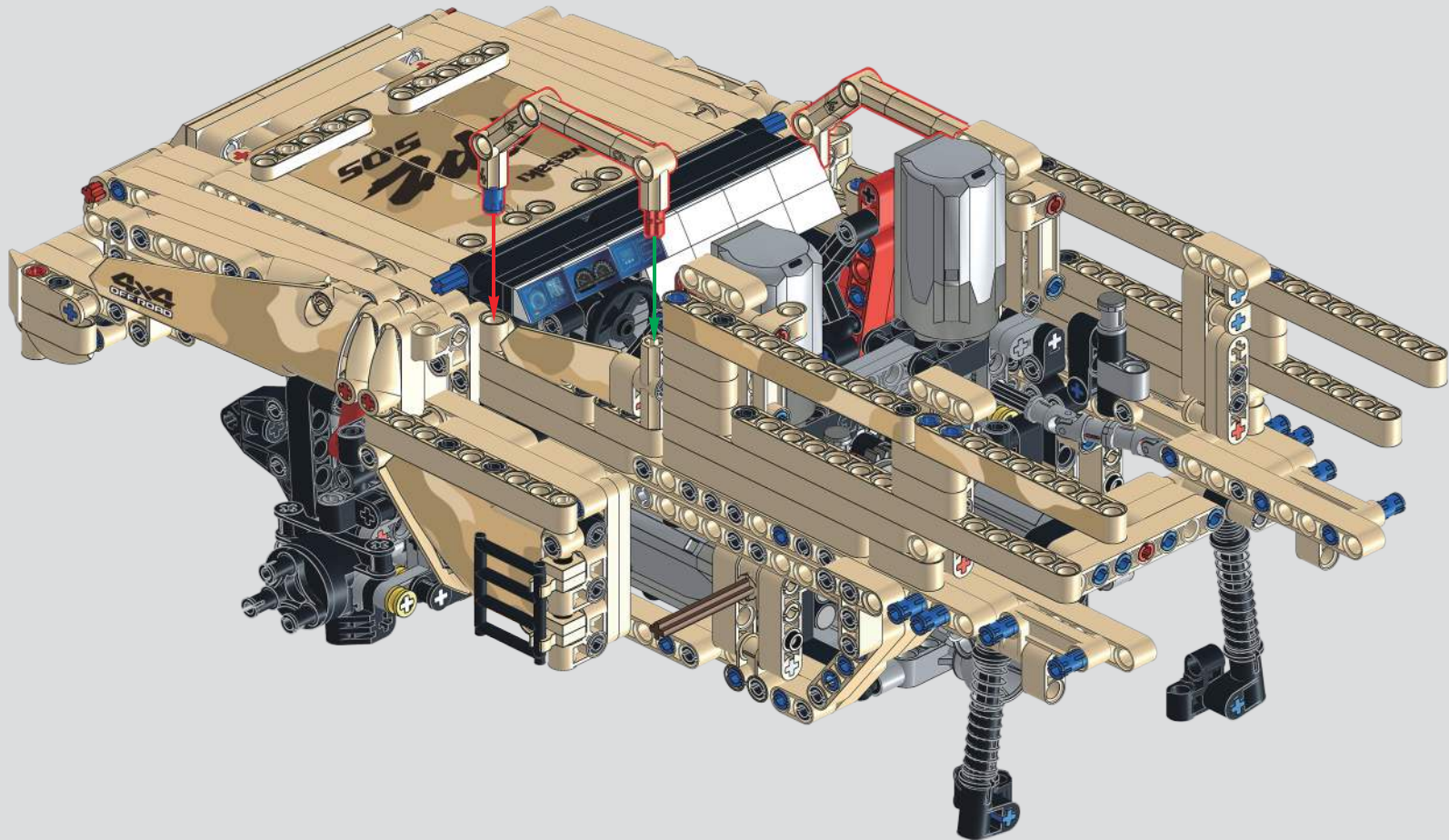


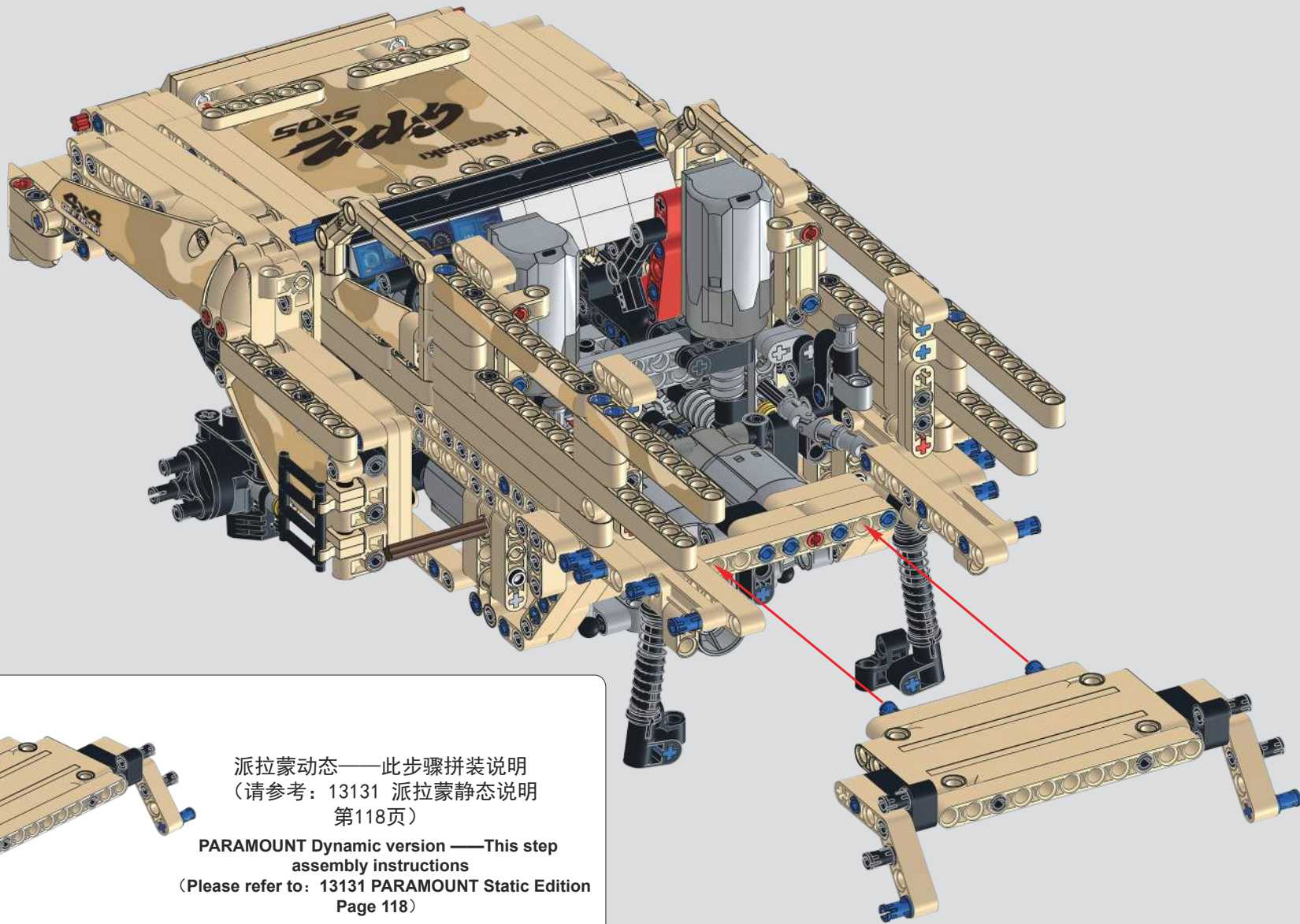
238



**2x**

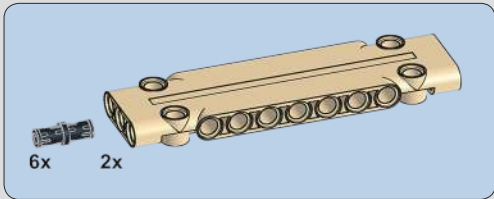
派拉蒙动态——此步骤拼装说明
(请参考: 13131 派拉蒙静态说明第116页)
PARAMOUNT Dynamic version — This step assembly instructions
(Please refer to: 13131 PARAMOUNT Static Edition Page 116)



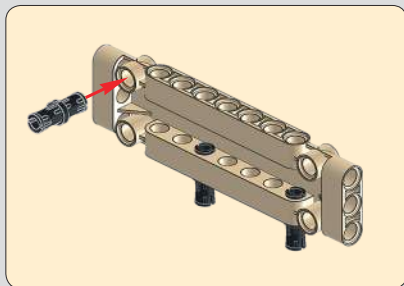
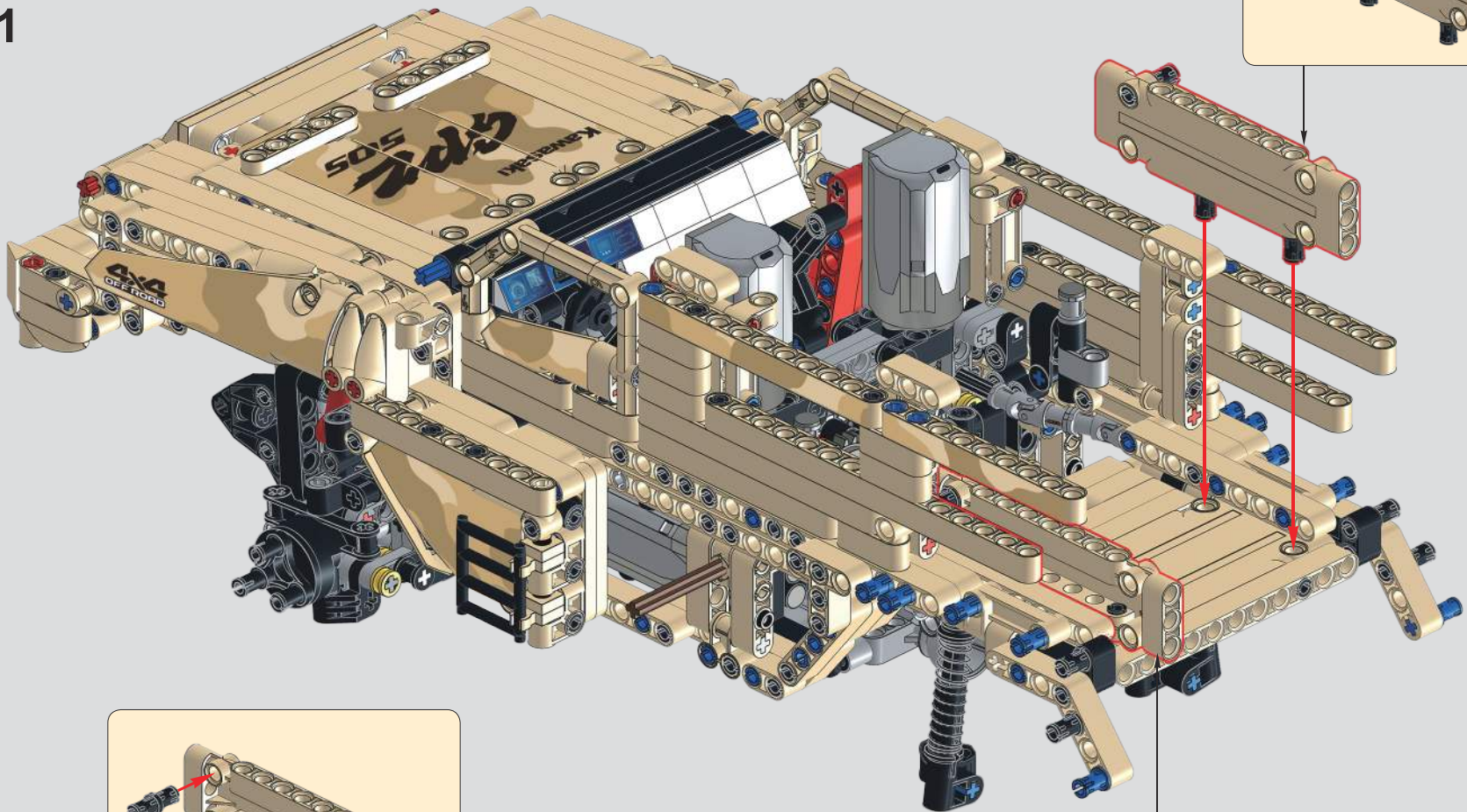
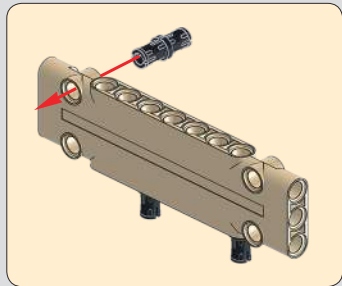


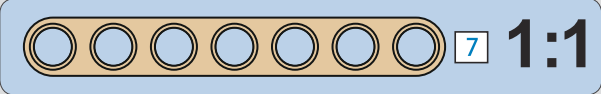
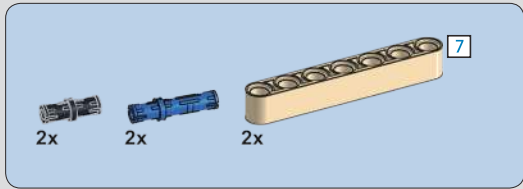
派拉蒙动态——此步骤拼装说明
 (请参考: 13131 派拉蒙静态说明
 第118页)

PARAMOUNT Dynamic version — This step
 assembly instructions
 (Please refer to: 13131 PARAMOUNT Static Edition
 Page 118)

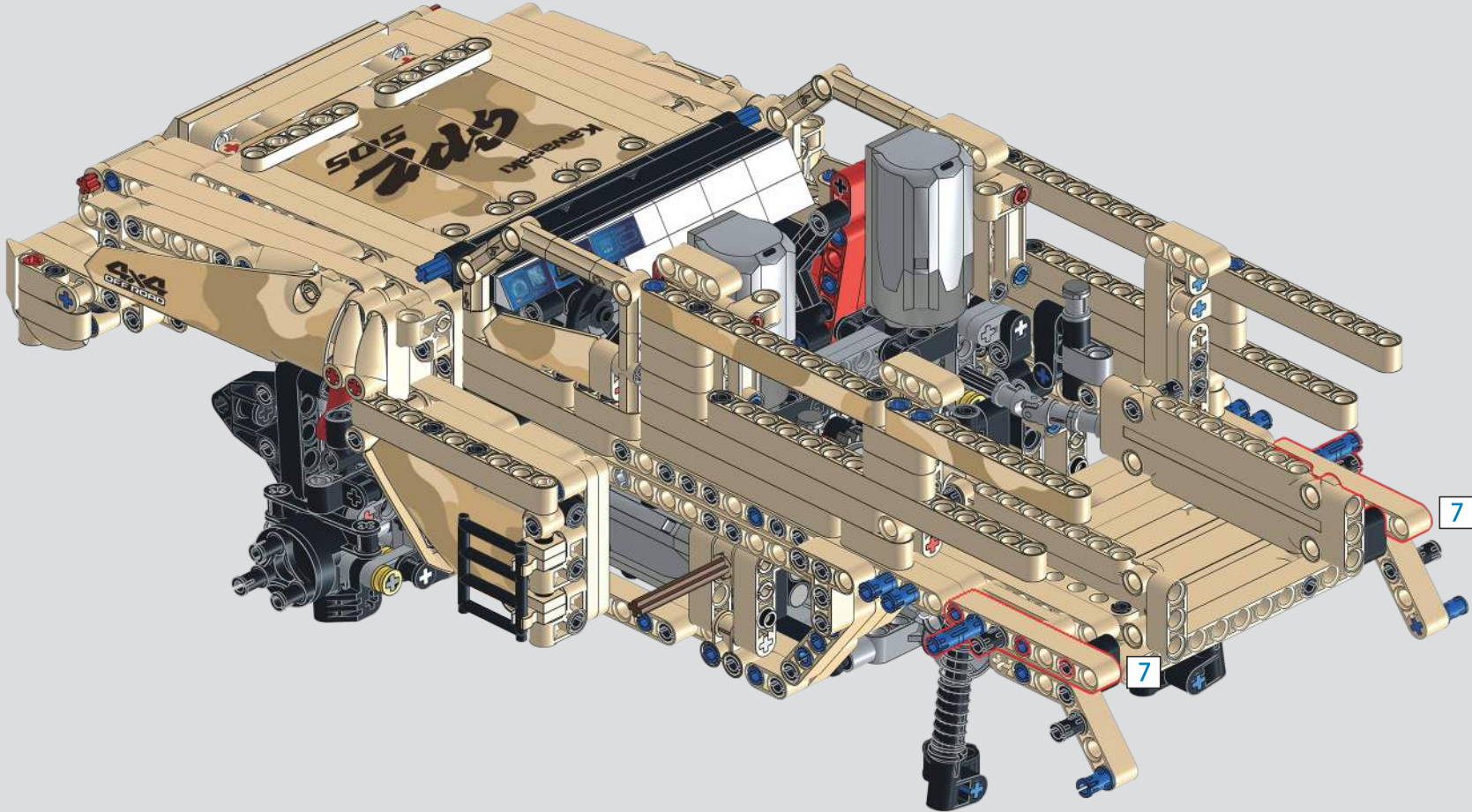


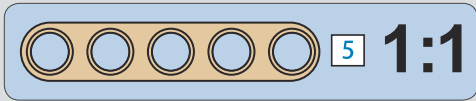
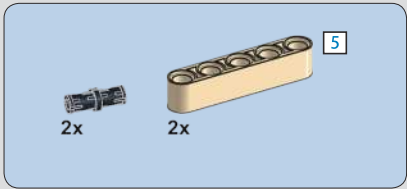
241



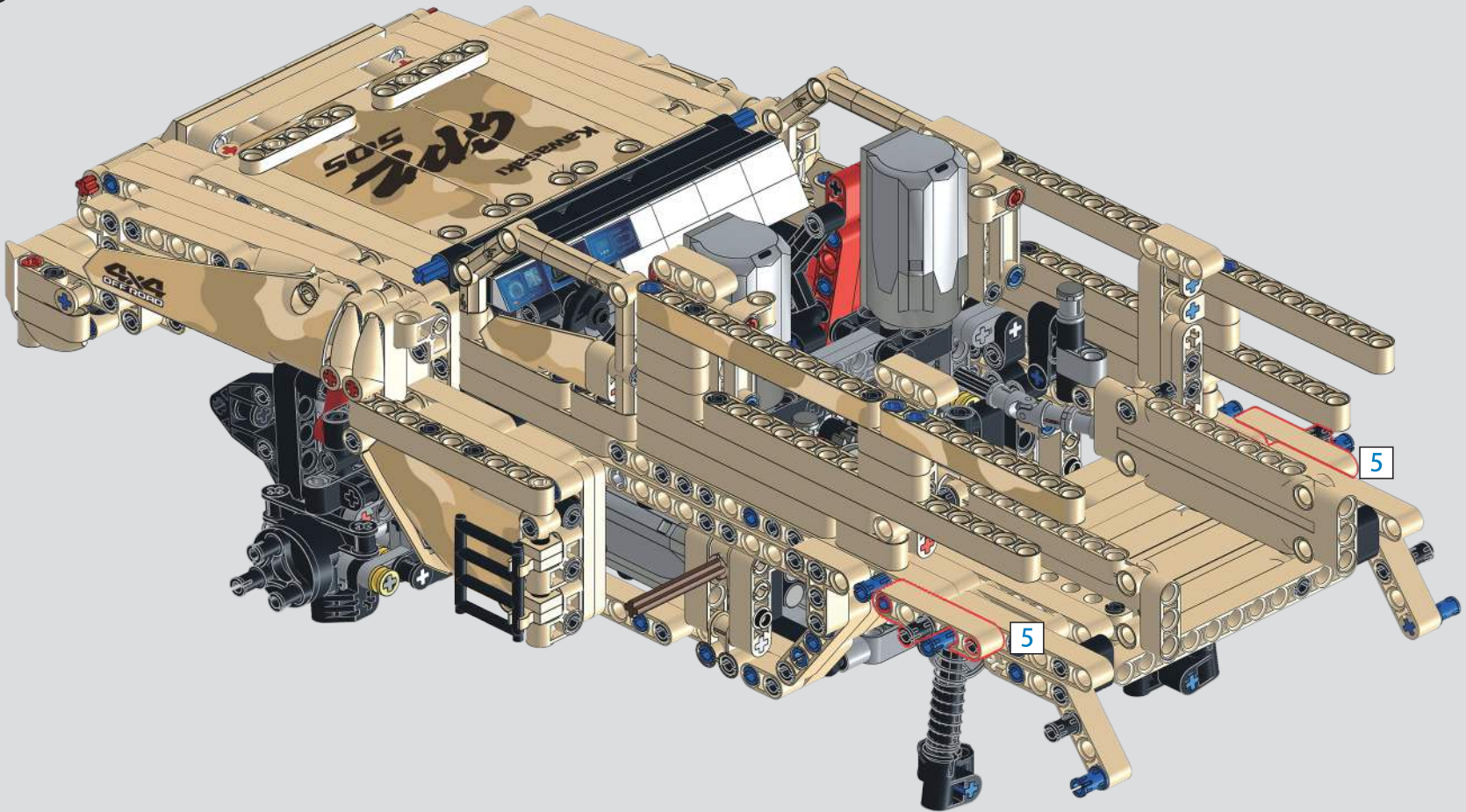


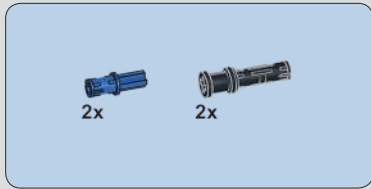
242



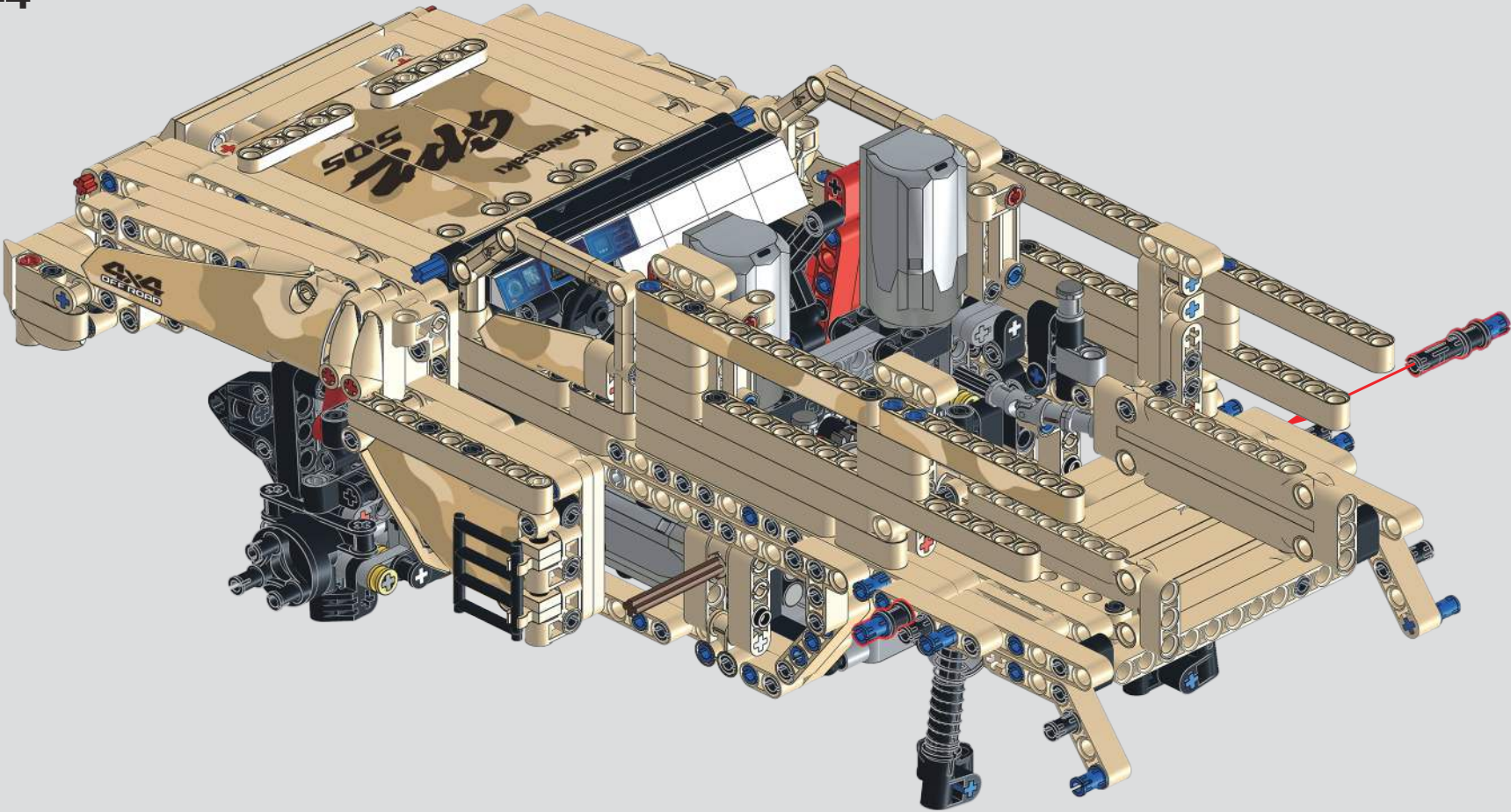


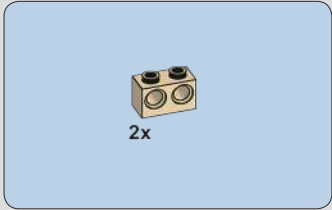
243



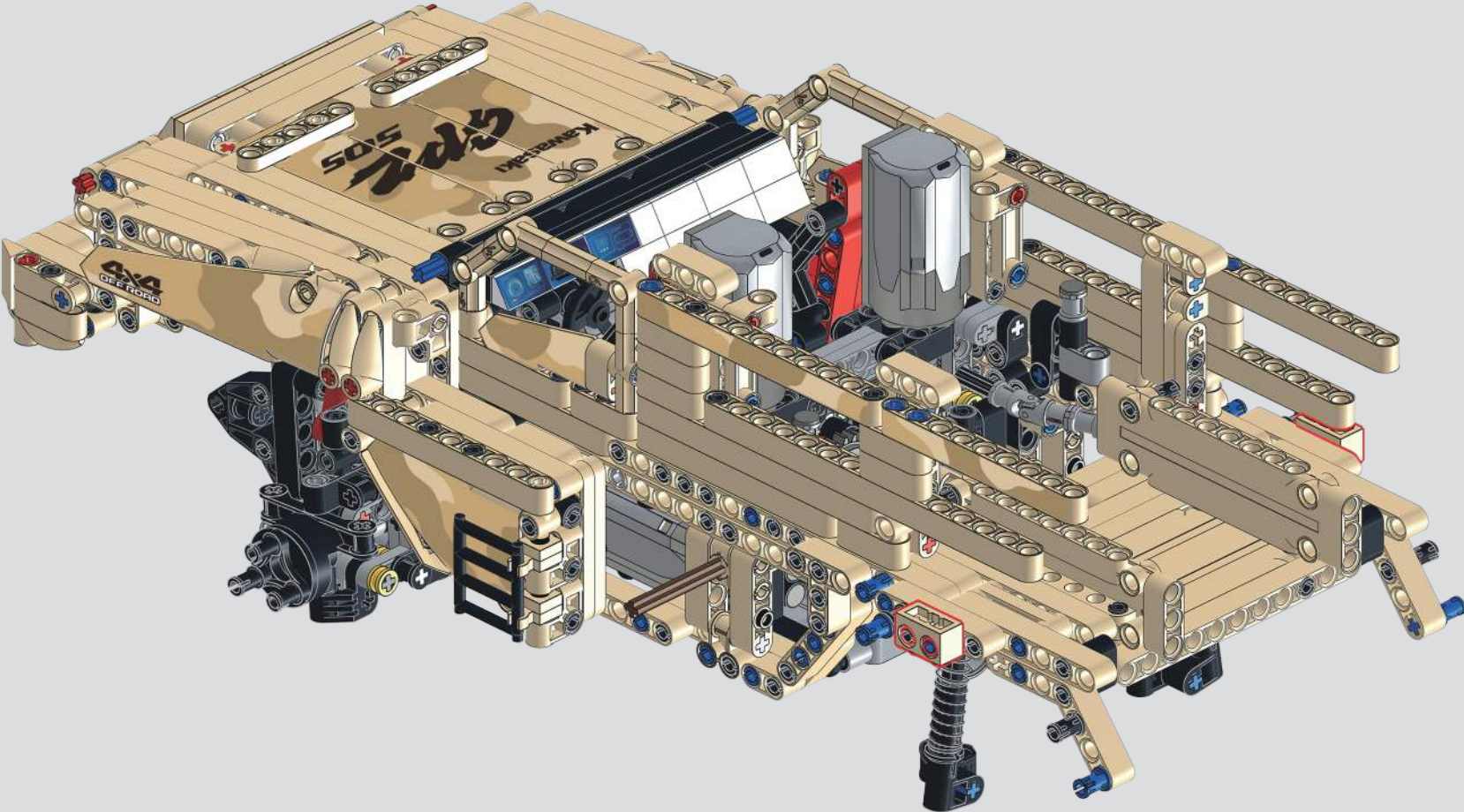


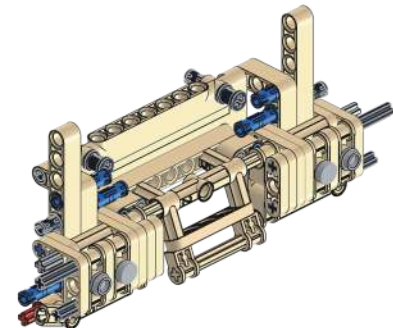
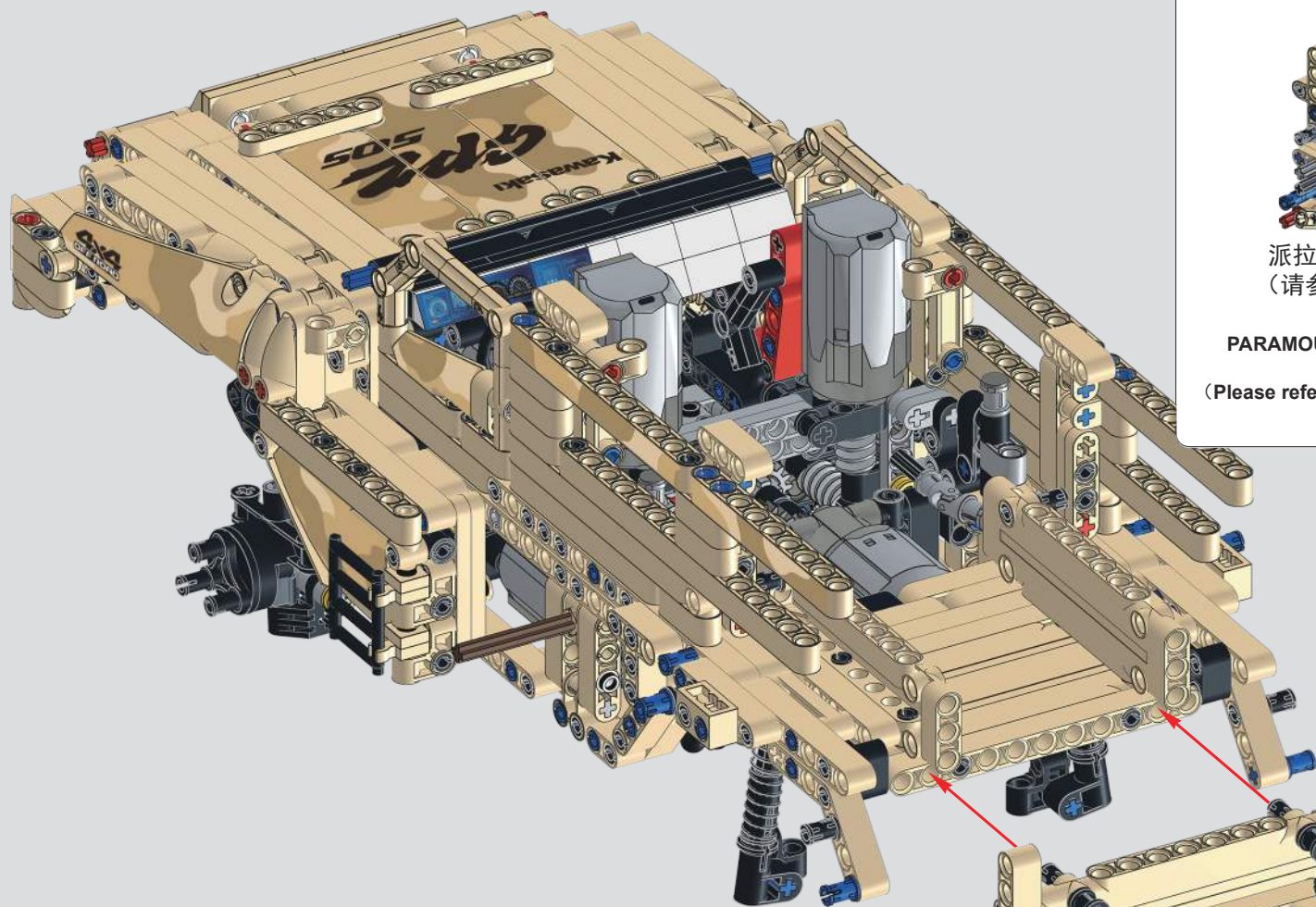
244





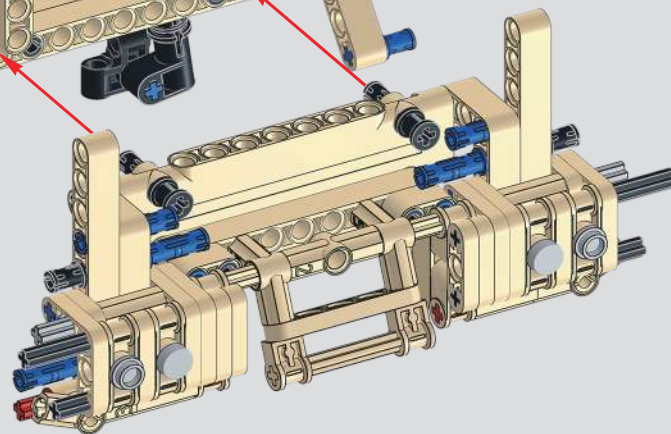
245

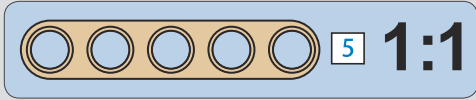
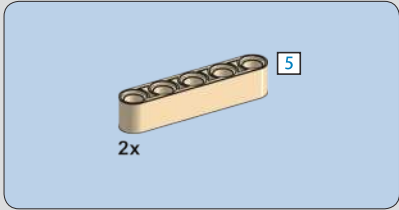




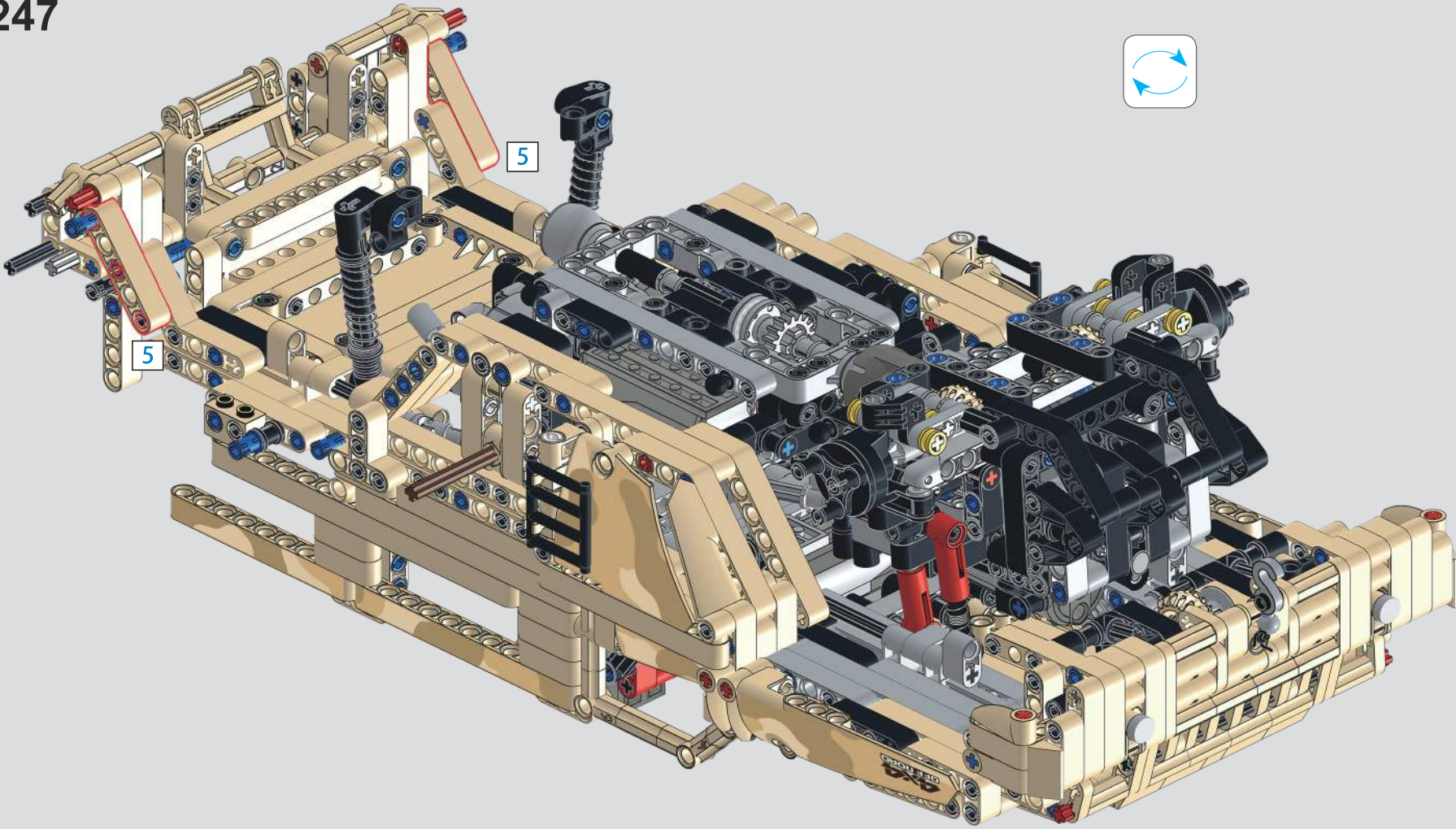
派拉蒙动态——此步骤拼装说明
(请参考: 13131 派拉蒙静态说明
第125-130页)

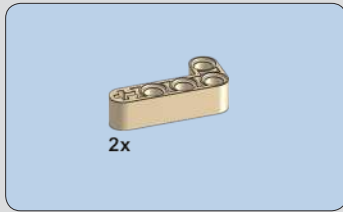
PARAMOUNT Dynamic version — This step
assembly instructions
(Please refer to: 13131 PARAMOUNT Static Edition
Page 125-130)



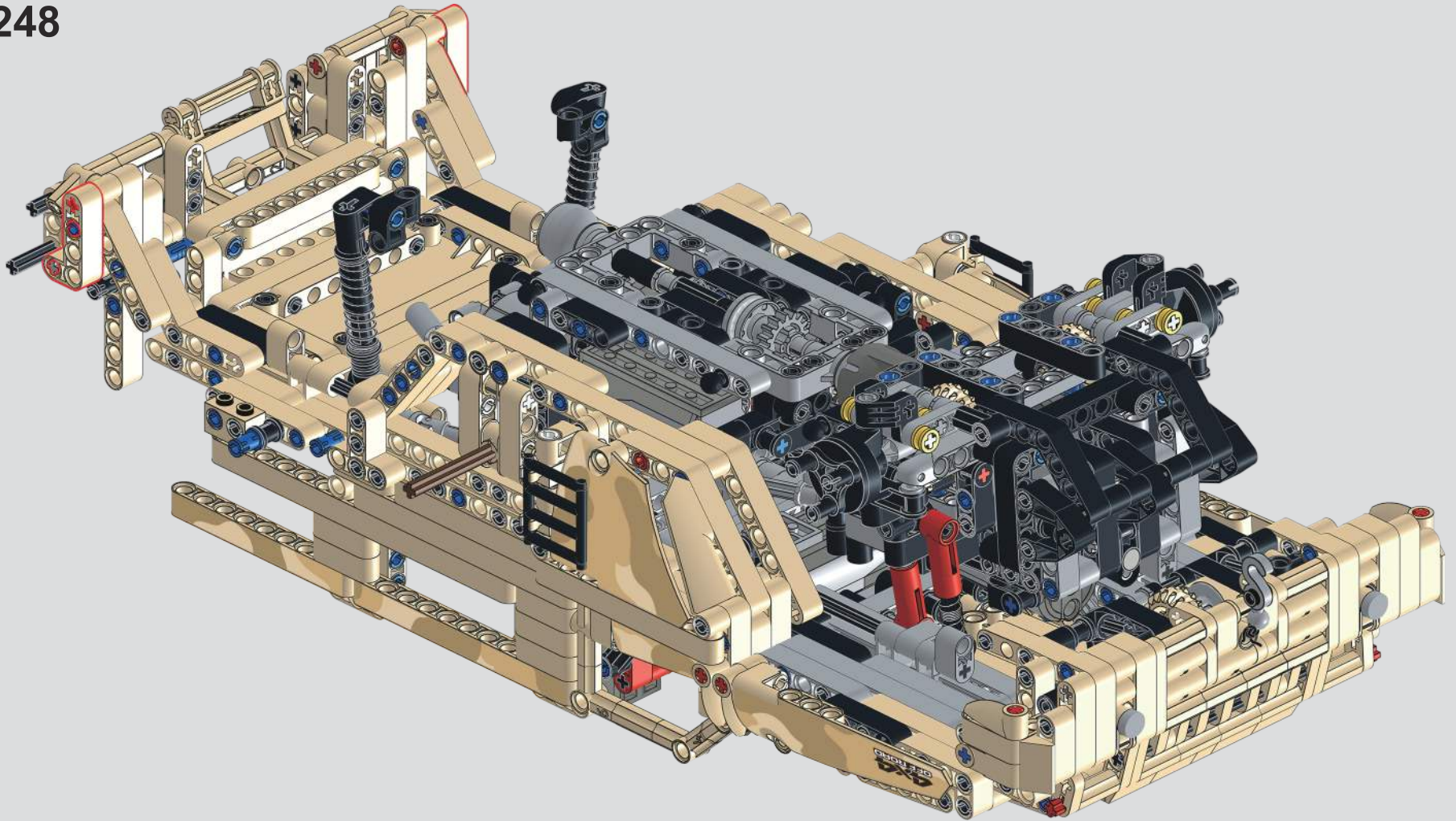


247





248





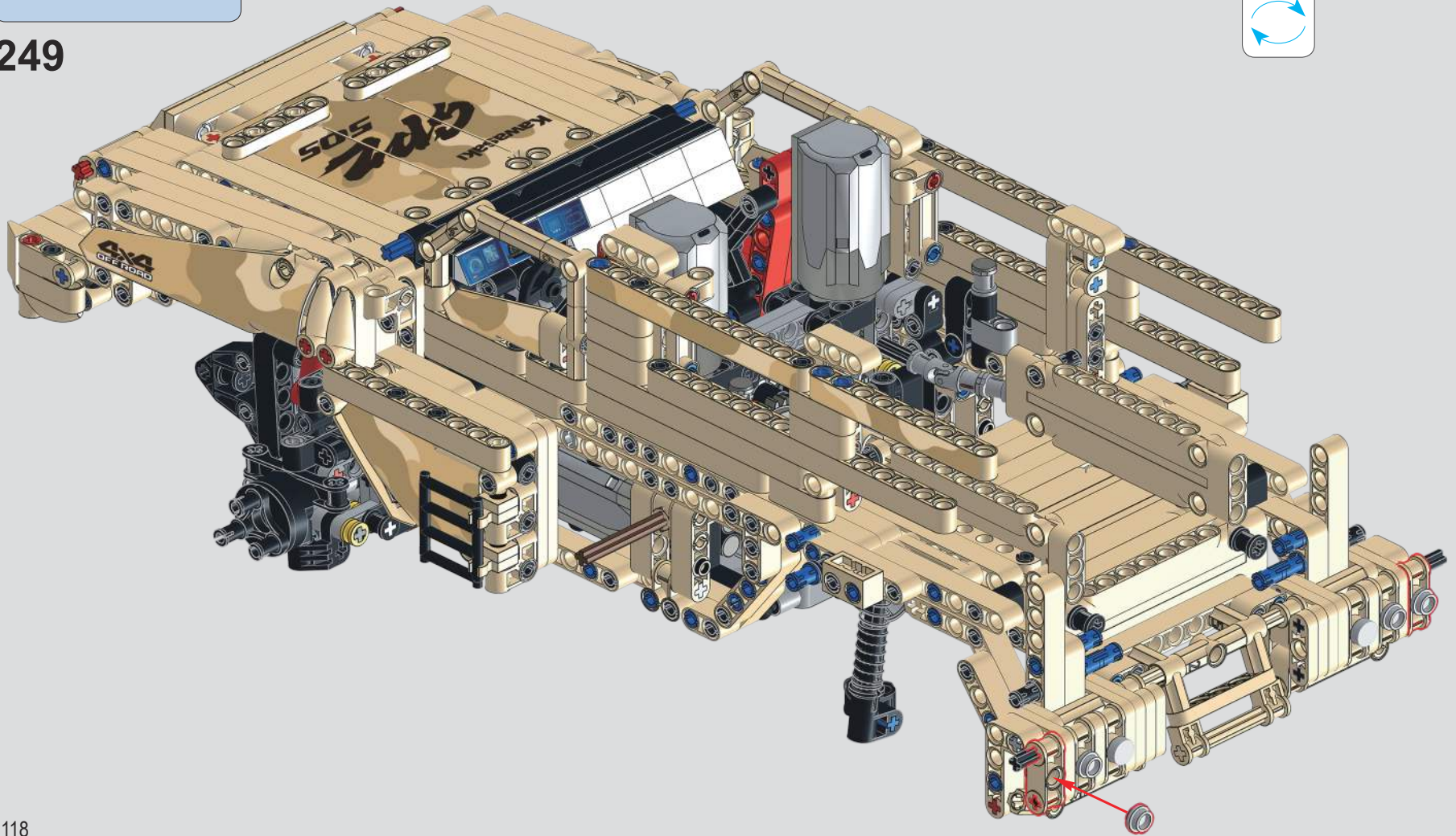
 2x 2x

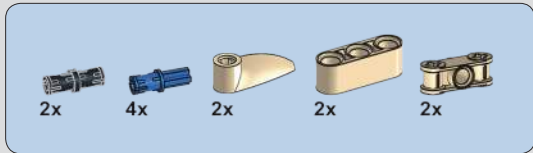
 2x

 ↓

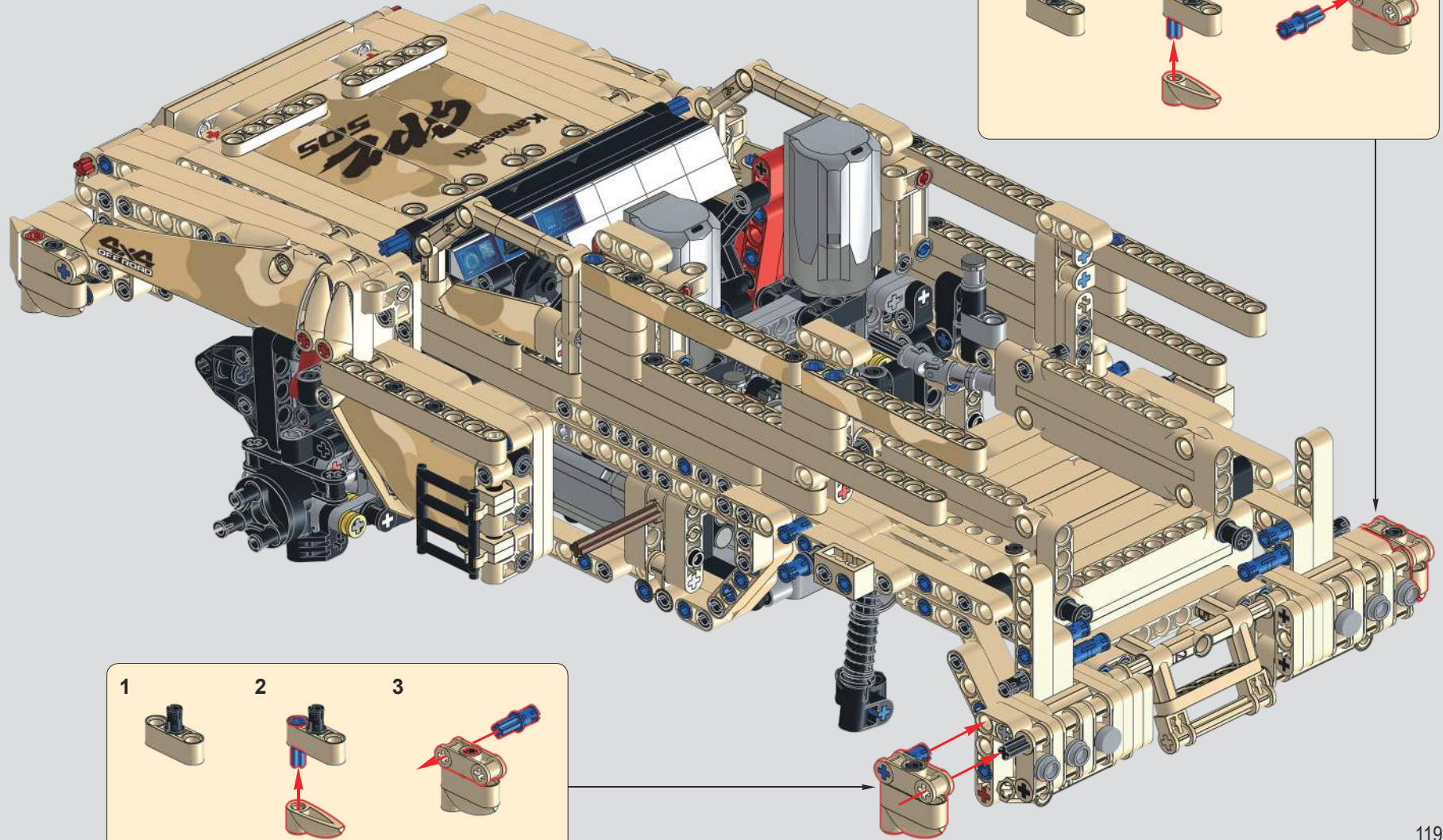
 (可选装) (Optional)

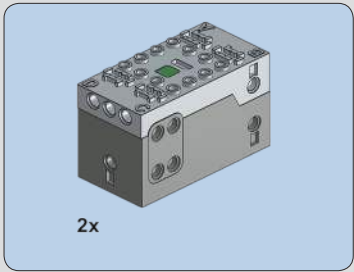
249



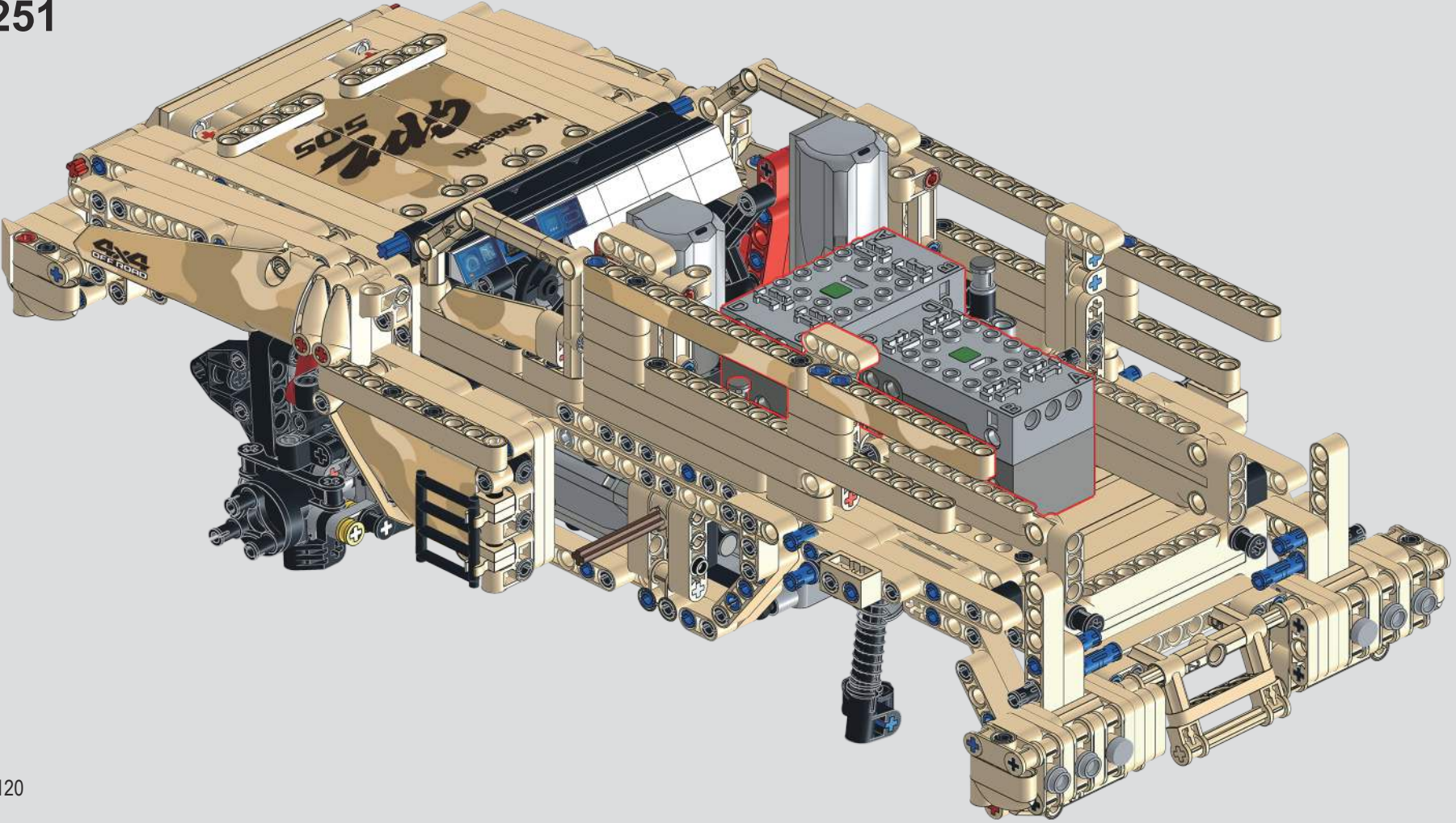


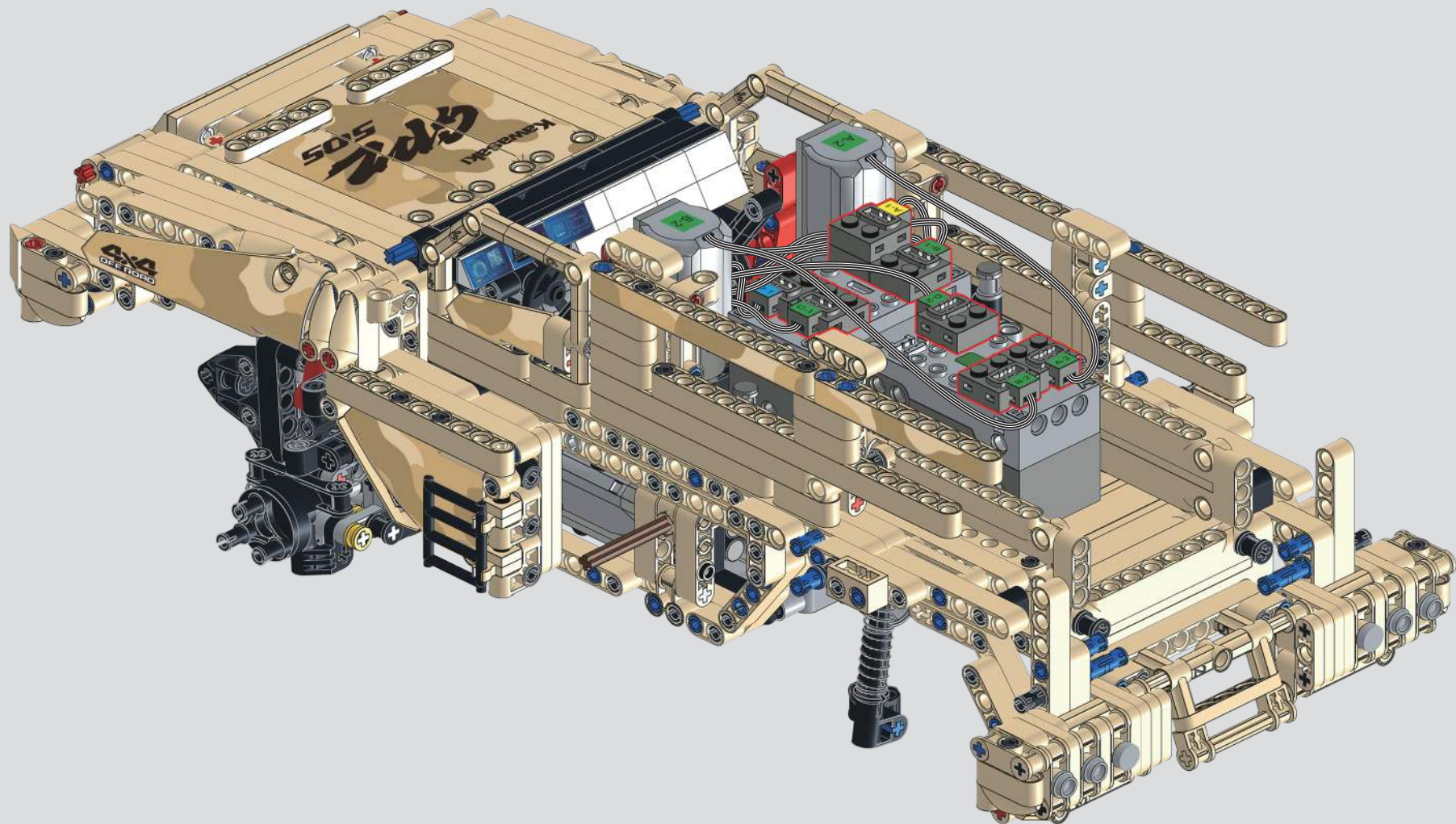
250

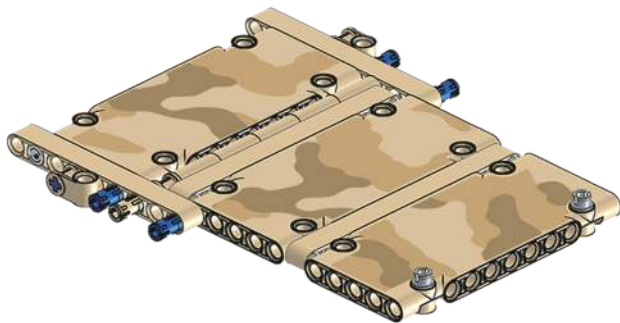




251



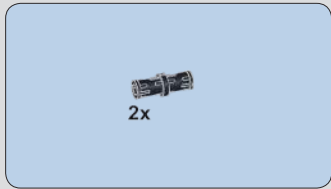




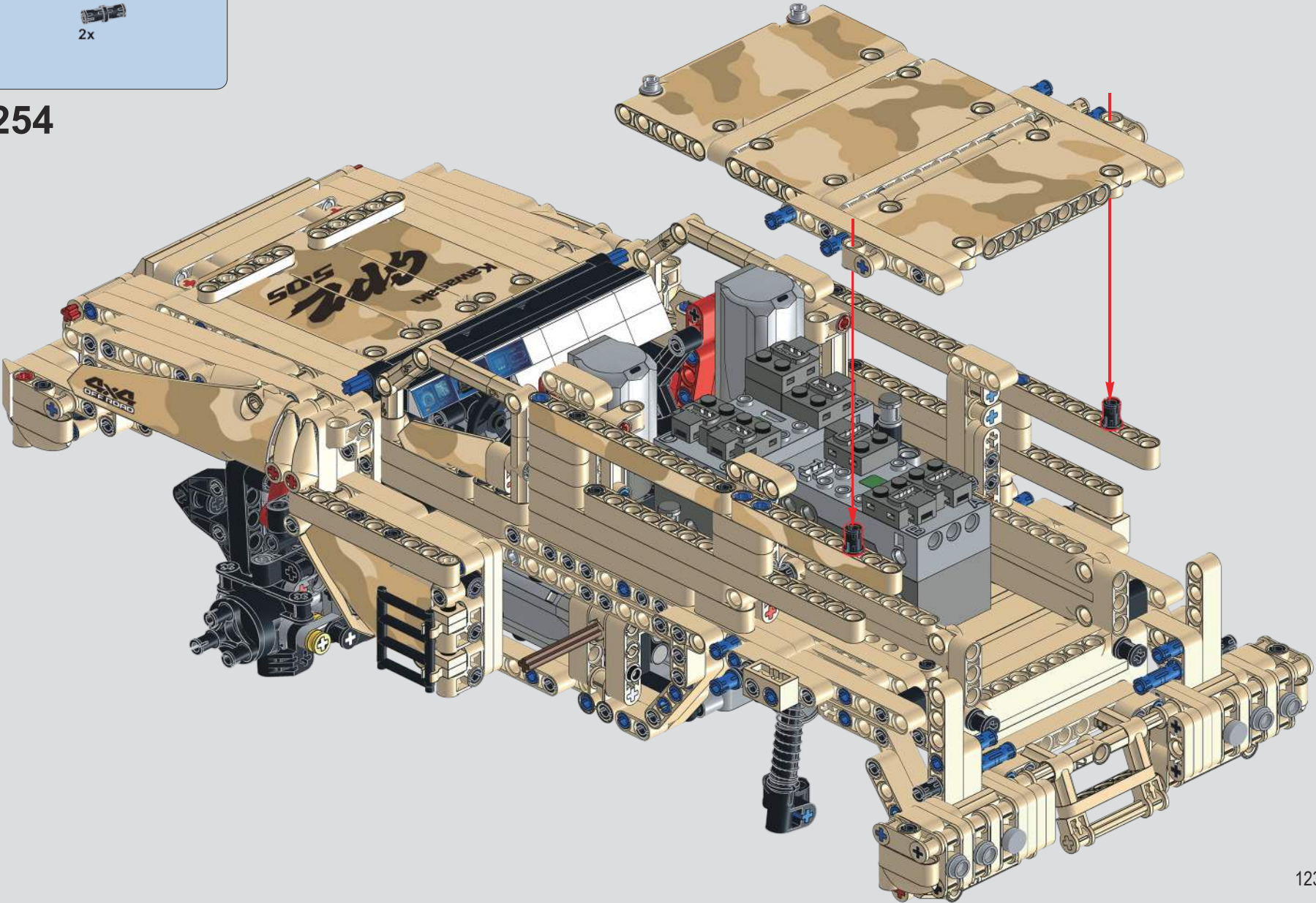
253

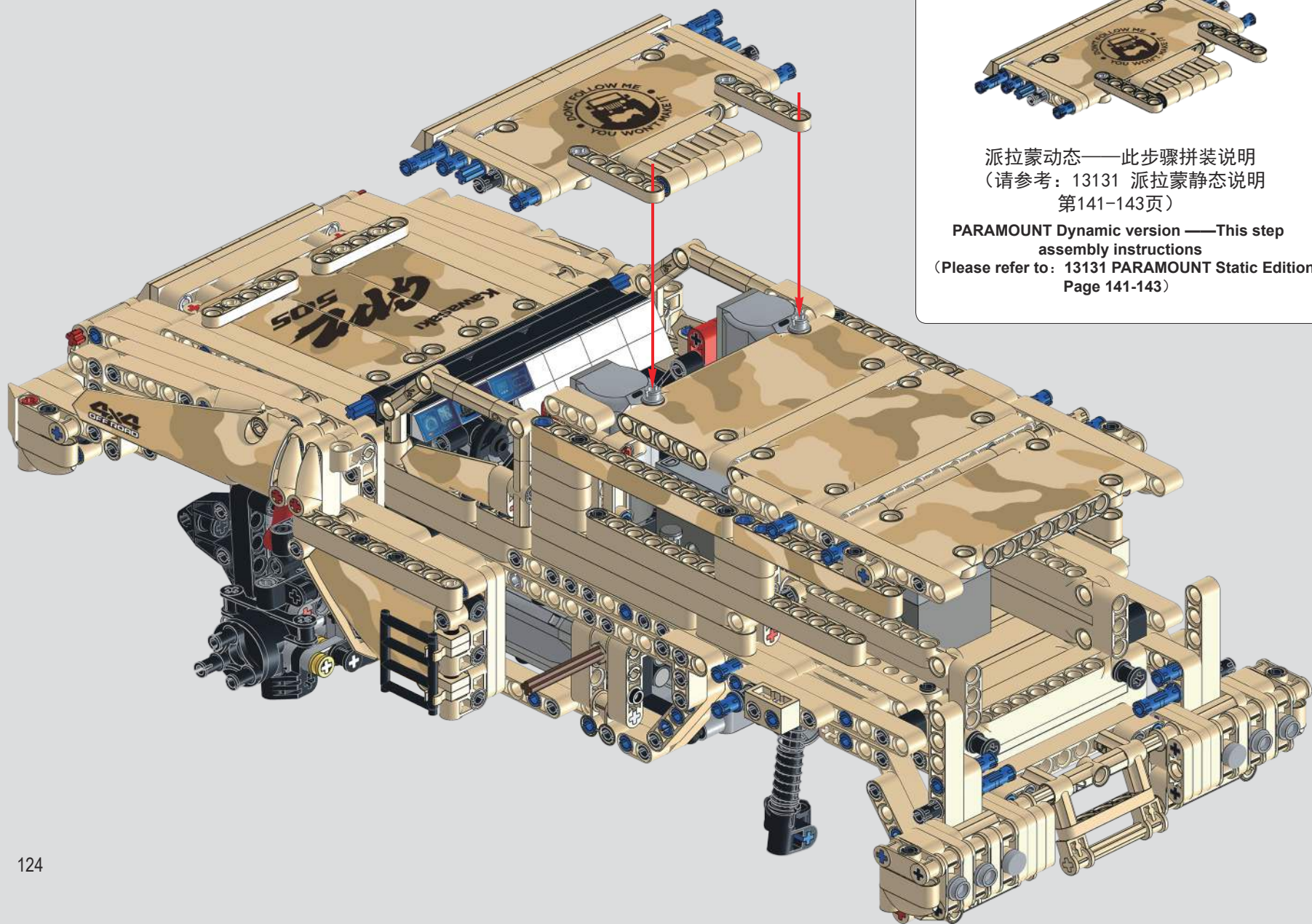
派拉蒙动态——此步骤拼装说明
(请参考: 13131 派拉蒙静态说明
第137-139页)

PARAMOUNT Dynamic version — This step
assembly instructions
(Please refer to: 13131 PARAMOUNT Static Edition
Page 137-139)



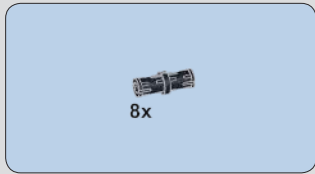
254



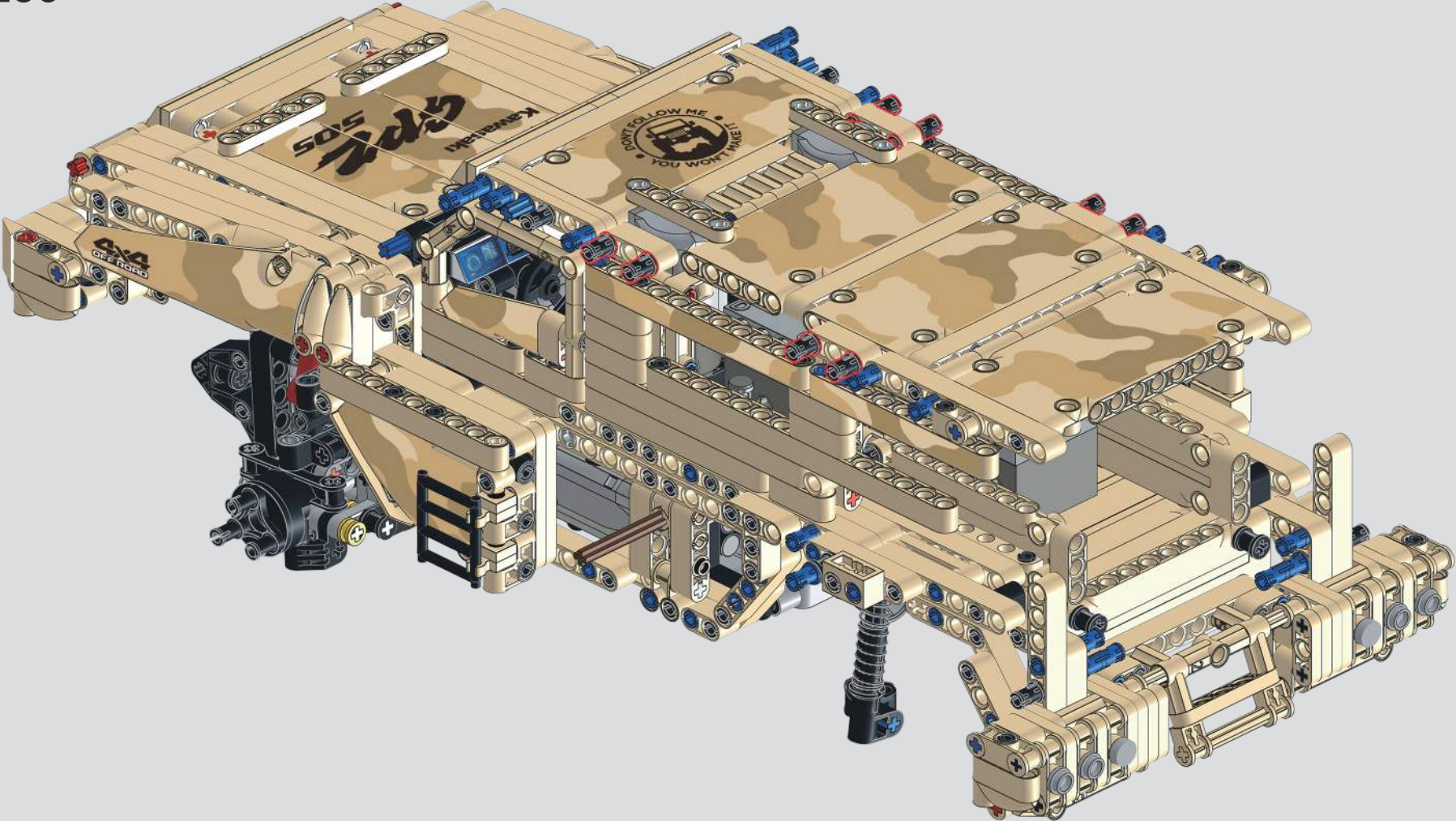


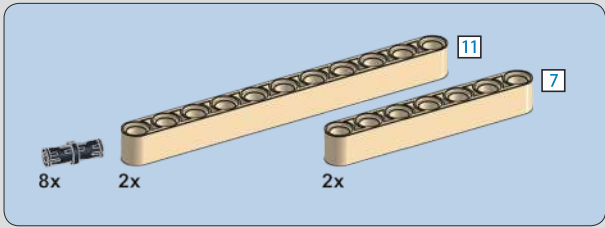
派拉蒙动态——此步骤拼装说明
 (请参考: 13131 派拉蒙静态说明
 第141-143页)

PARAMOUNT Dynamic version — This step
 assembly instructions
 (Please refer to: 13131 PARAMOUNT Static Edition
 Page 141-143)

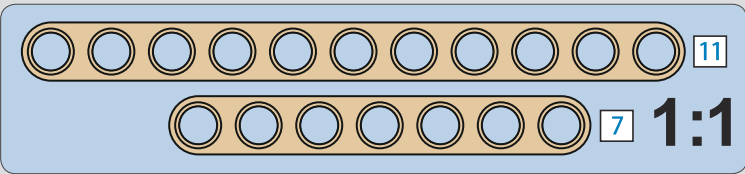
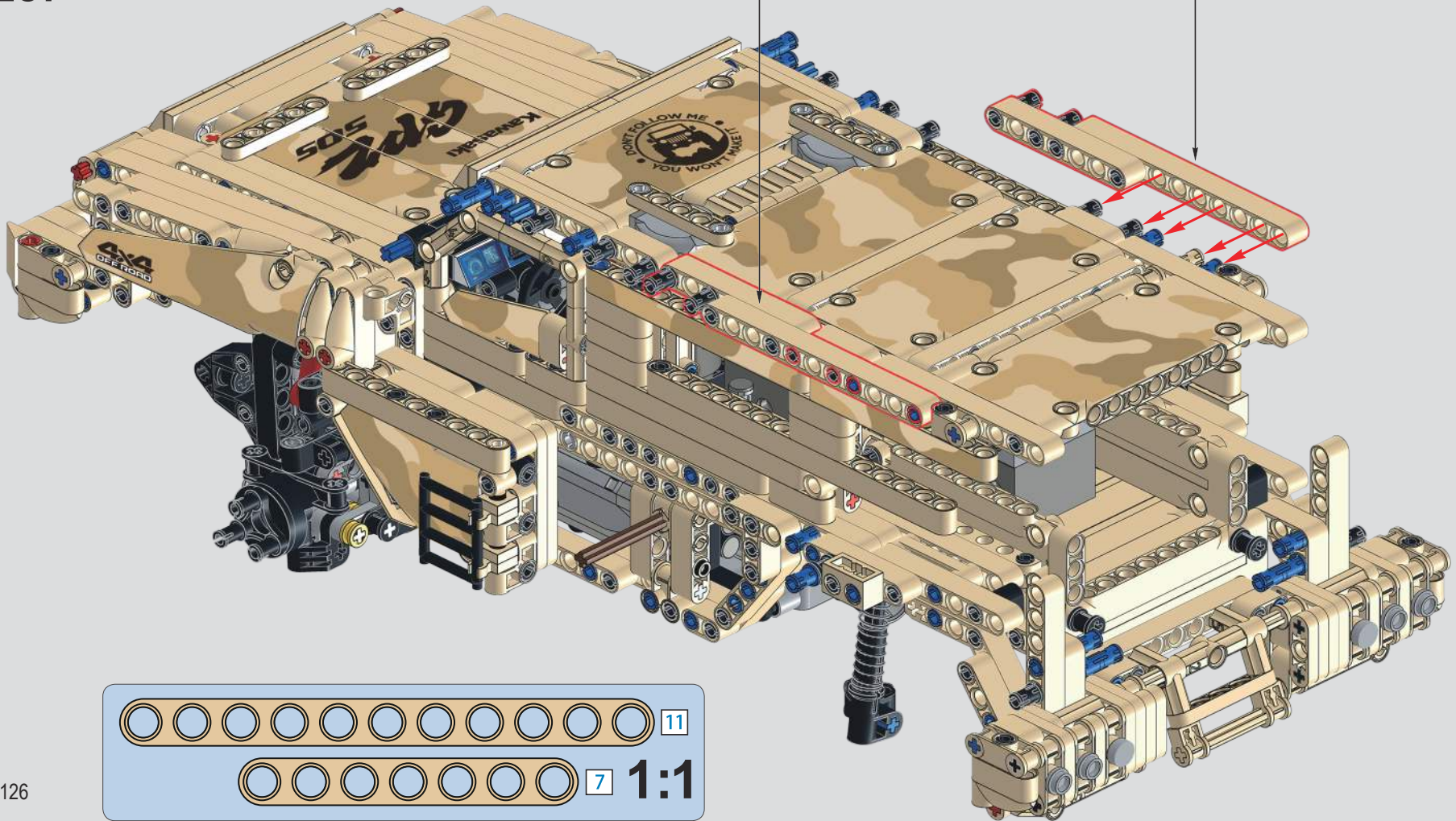
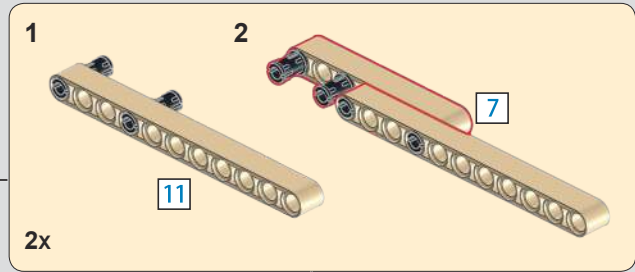


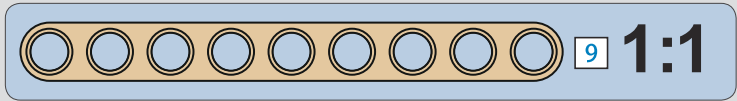
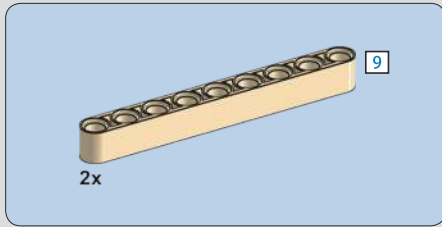
256



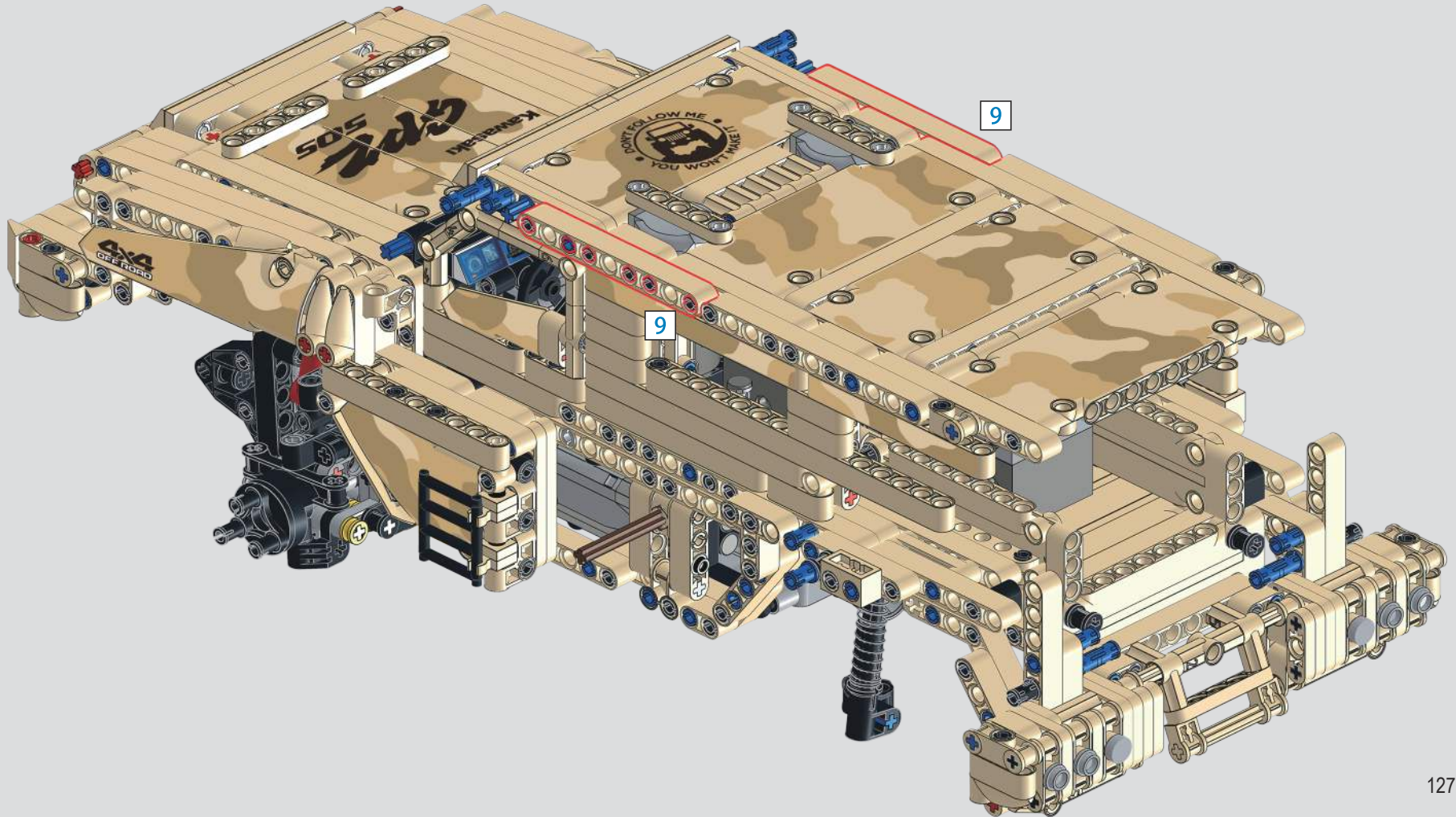


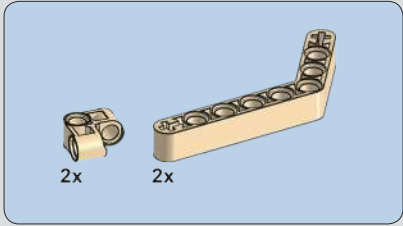
257



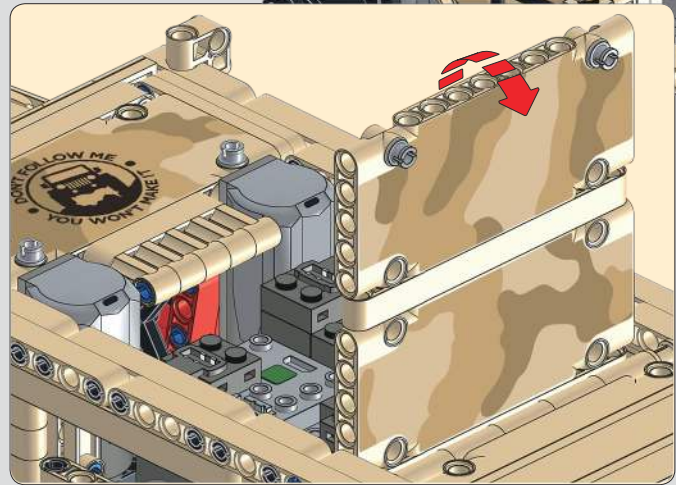
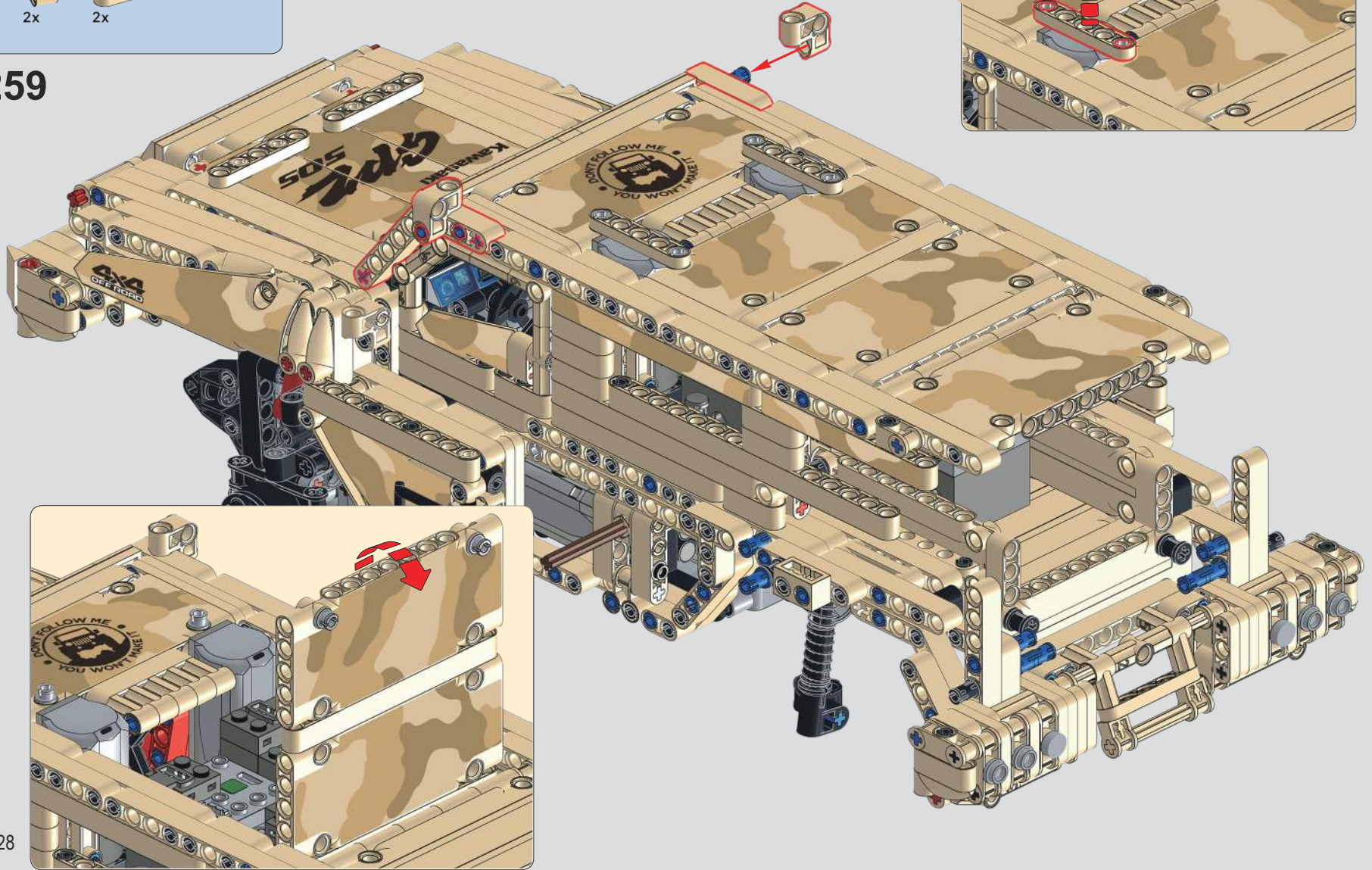
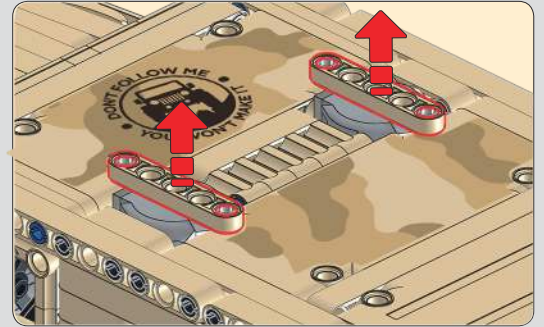


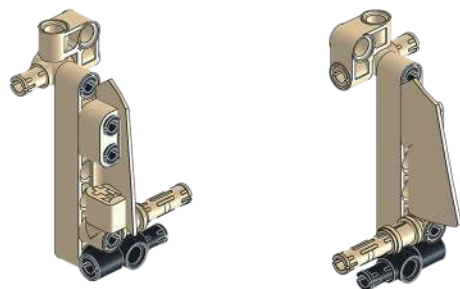
258





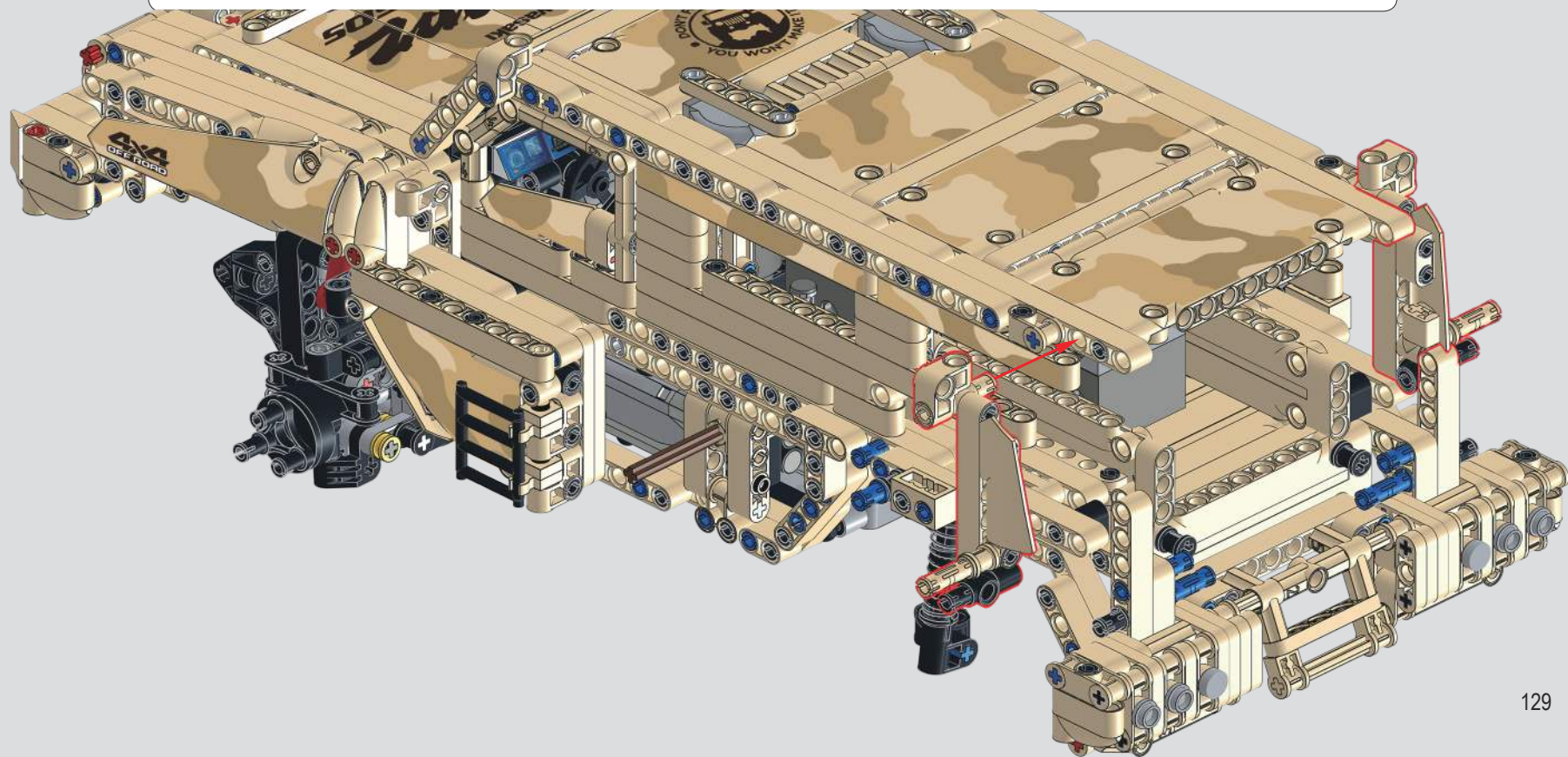
259

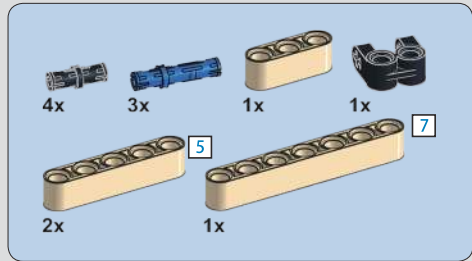




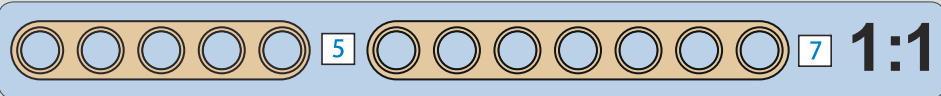
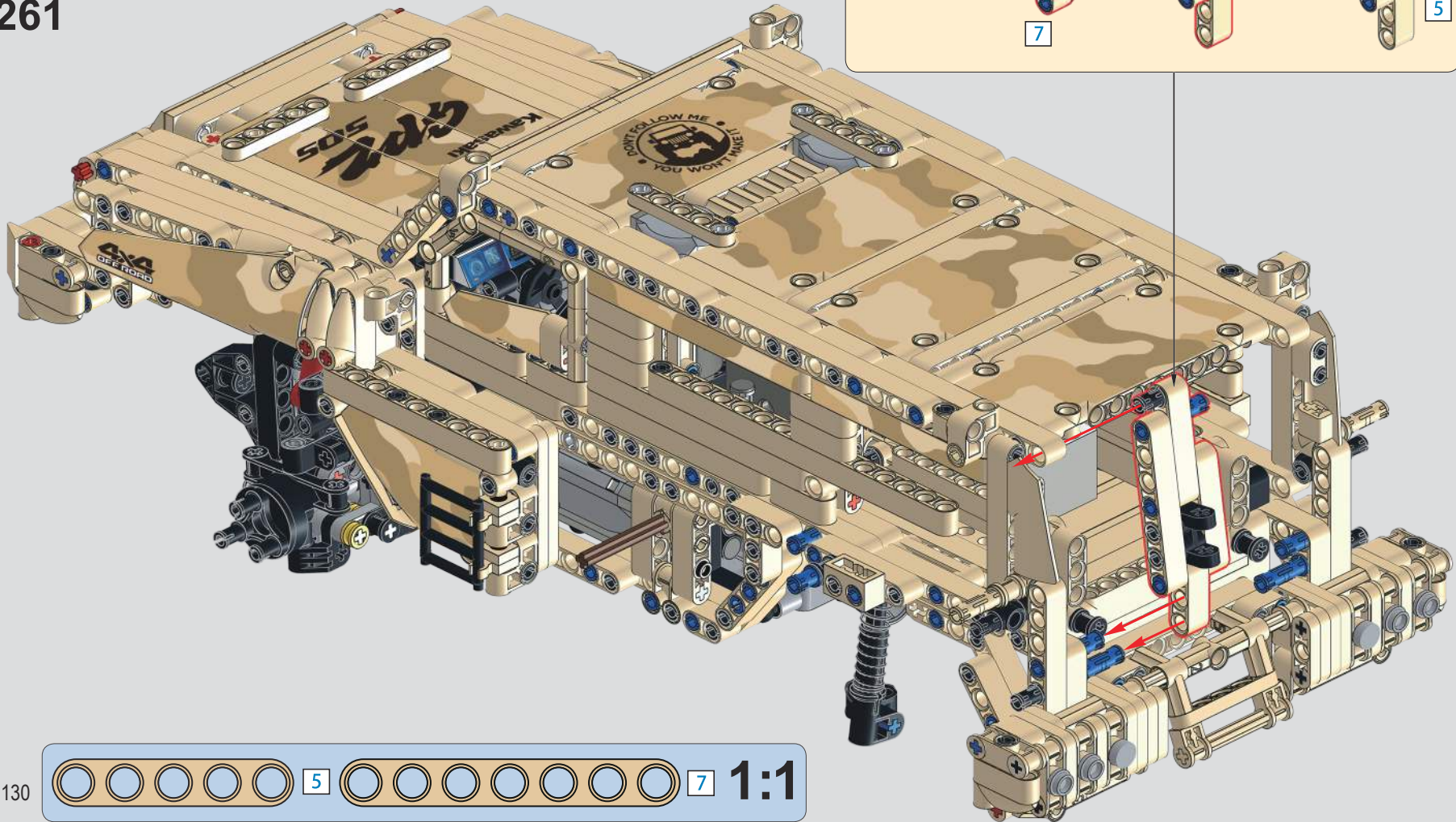
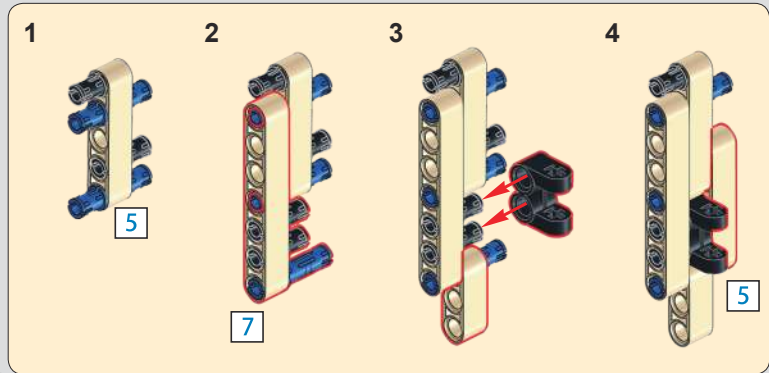
派拉蒙动态——此步骤拼装说明
(请参考: 13131 派拉蒙静态说明
第148-149页484步)

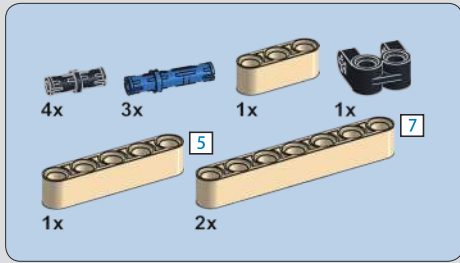
PARAMOUNT Dynamic version ——This step
assembly instructions
(Please refer to: 13131 PARAMOUNT Static Edition
Page 148-149 484steps)



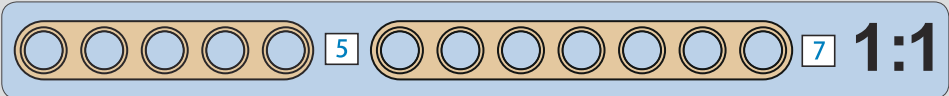
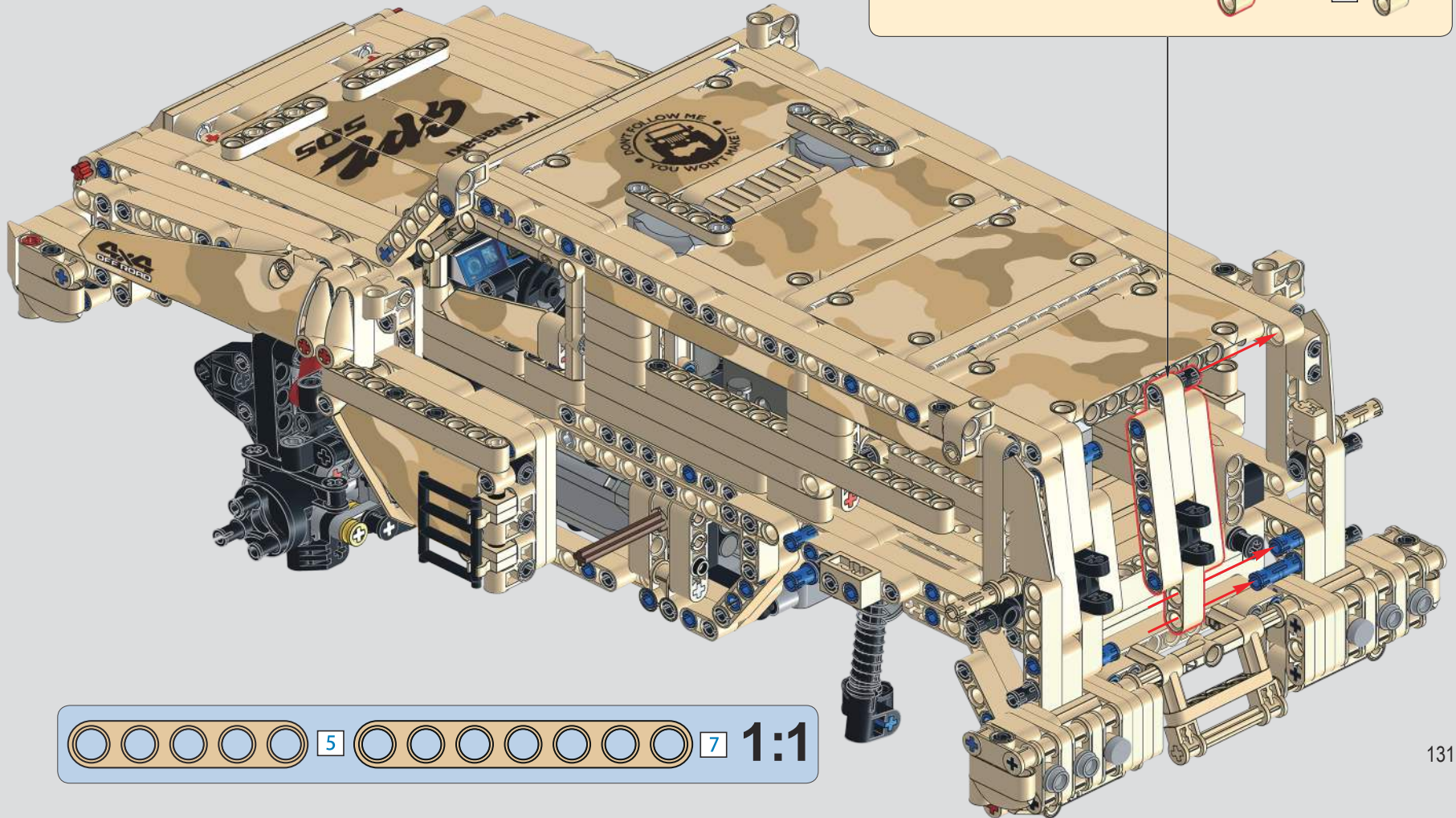
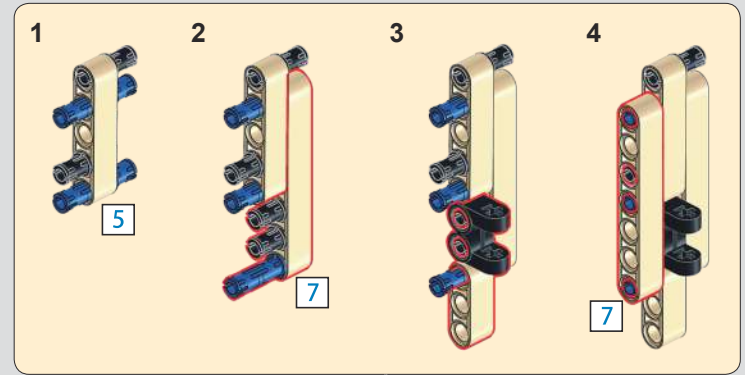


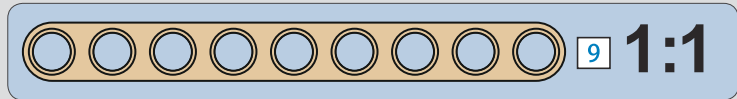
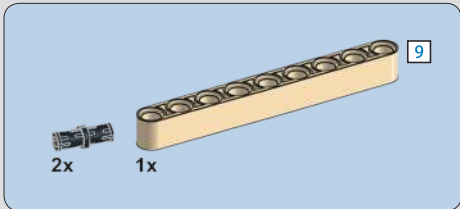
261



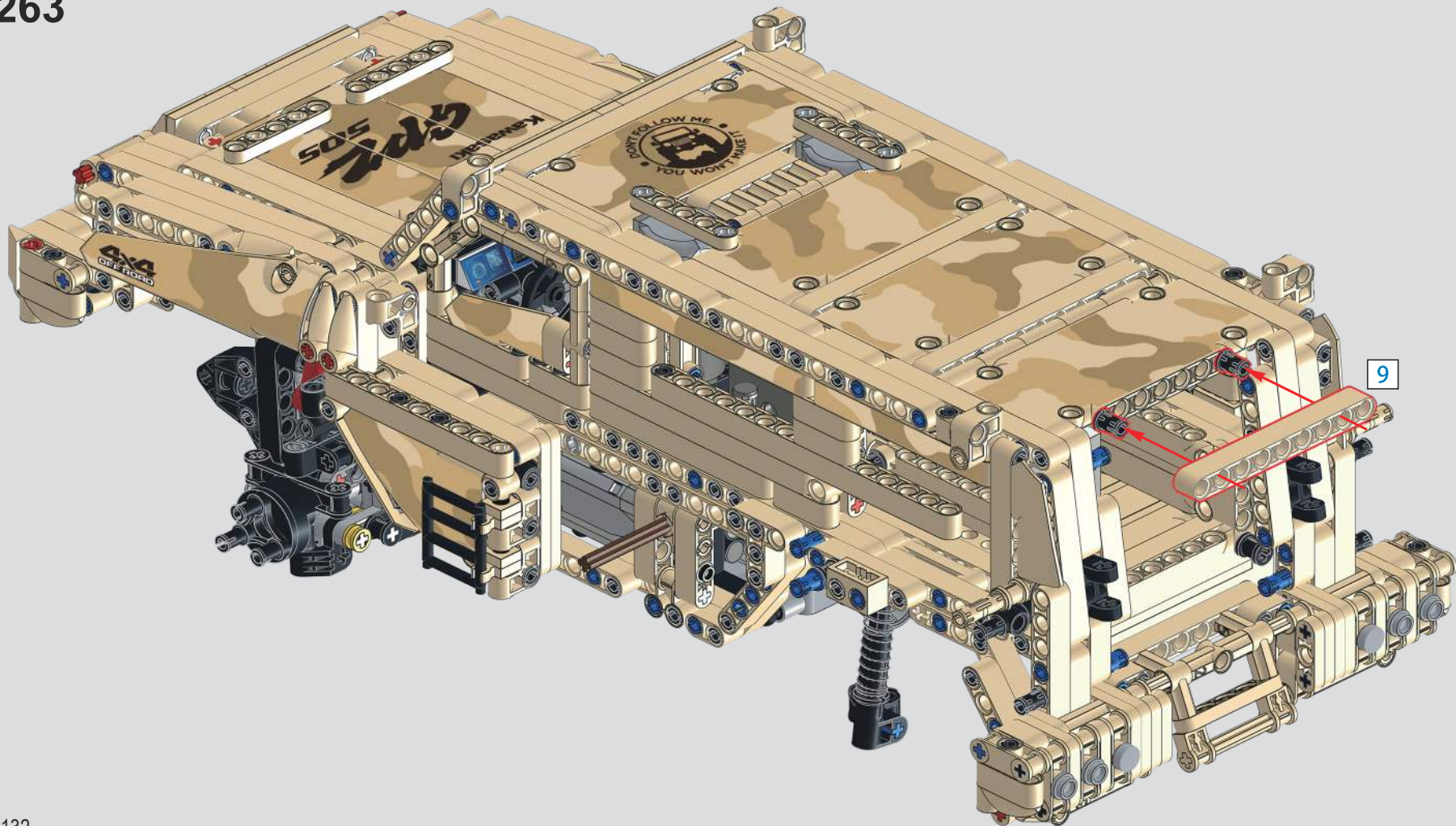


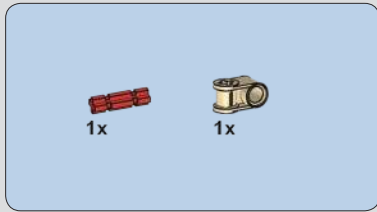
262



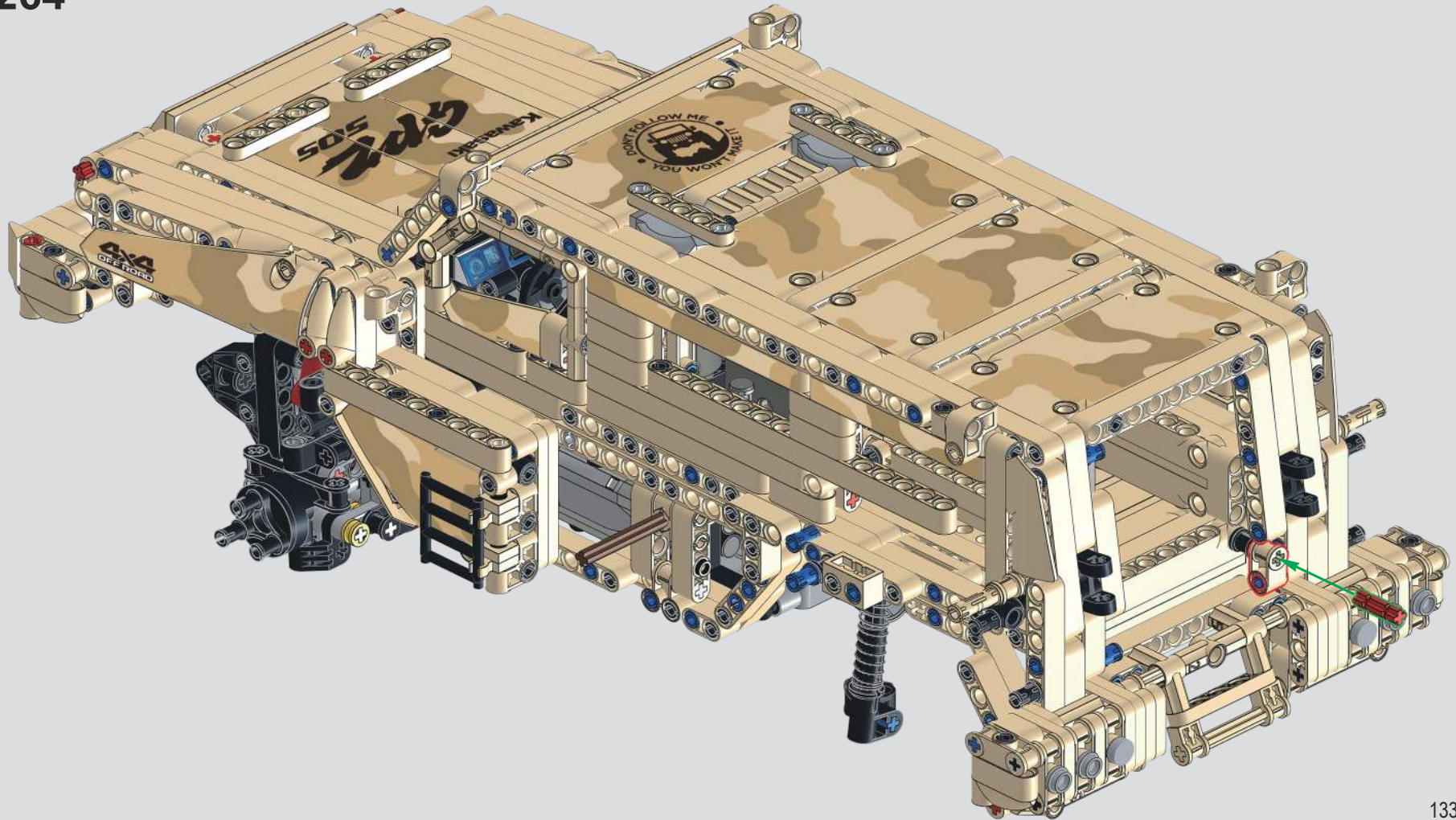


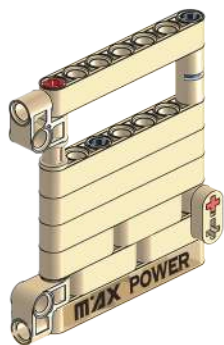
263





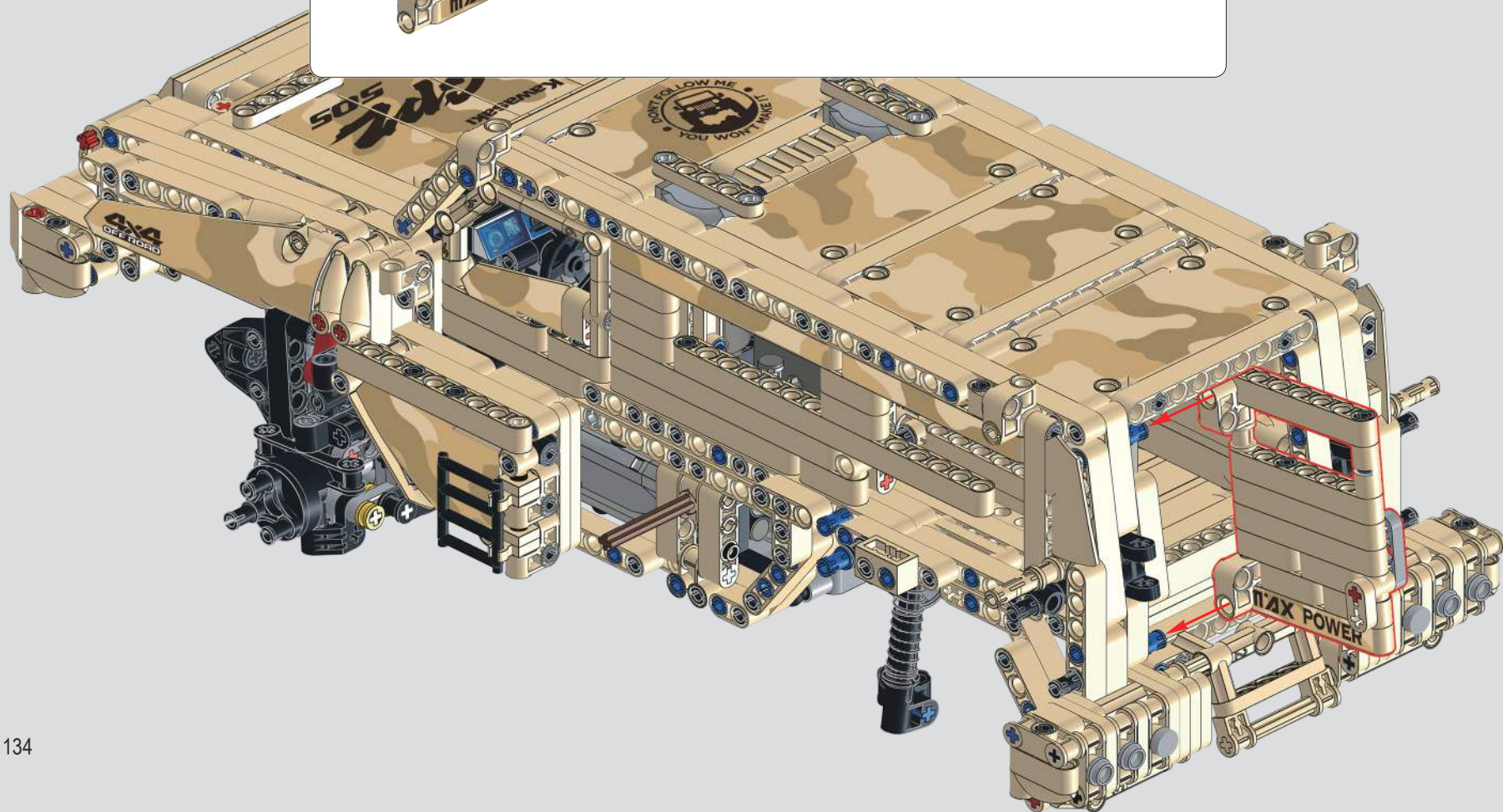
264

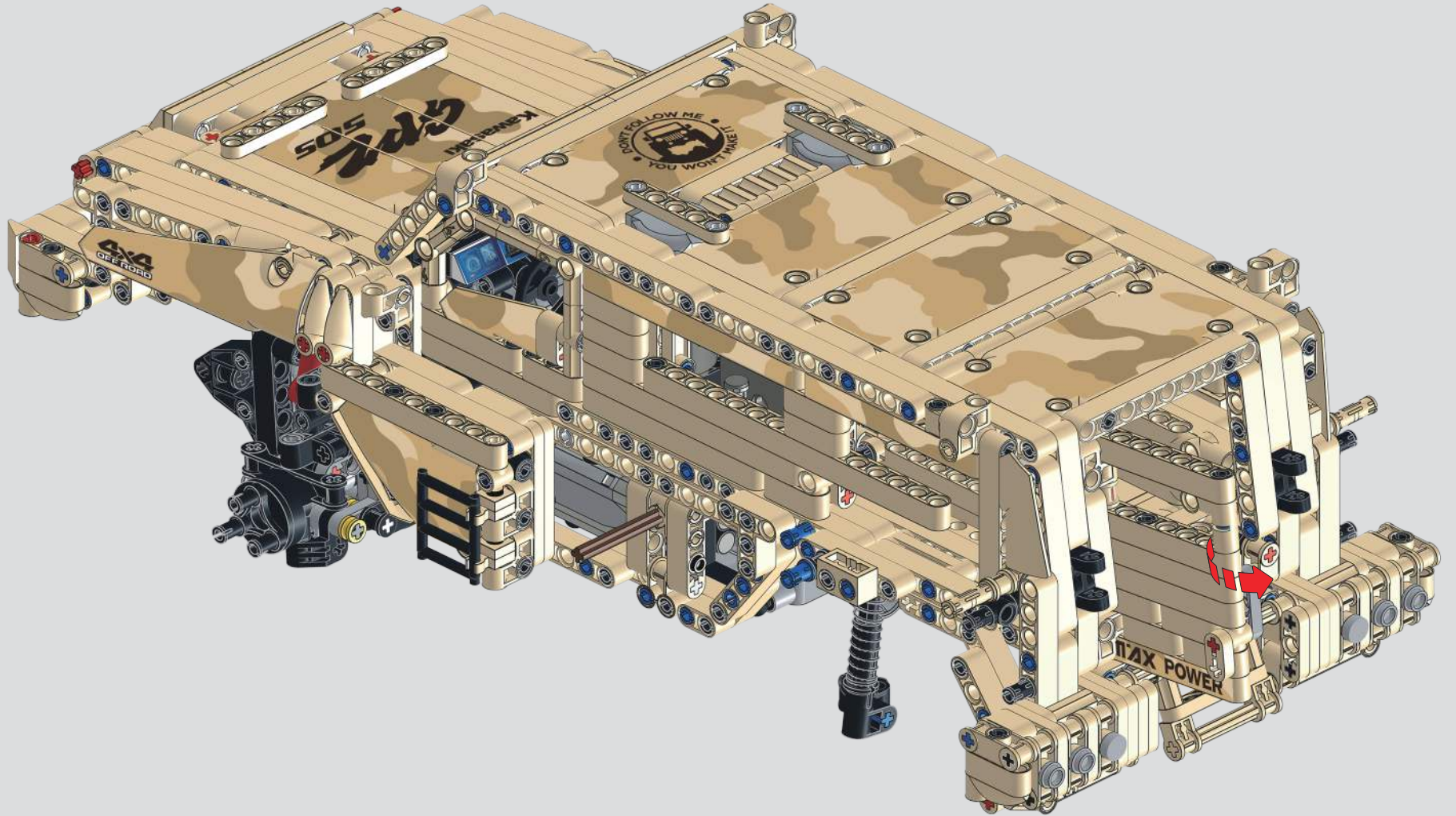


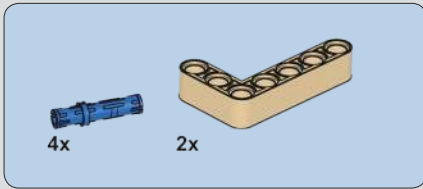


派拉蒙动态——此步骤拼装说明
 (请参考: 13131 派拉蒙静态说明
 第154-155页)

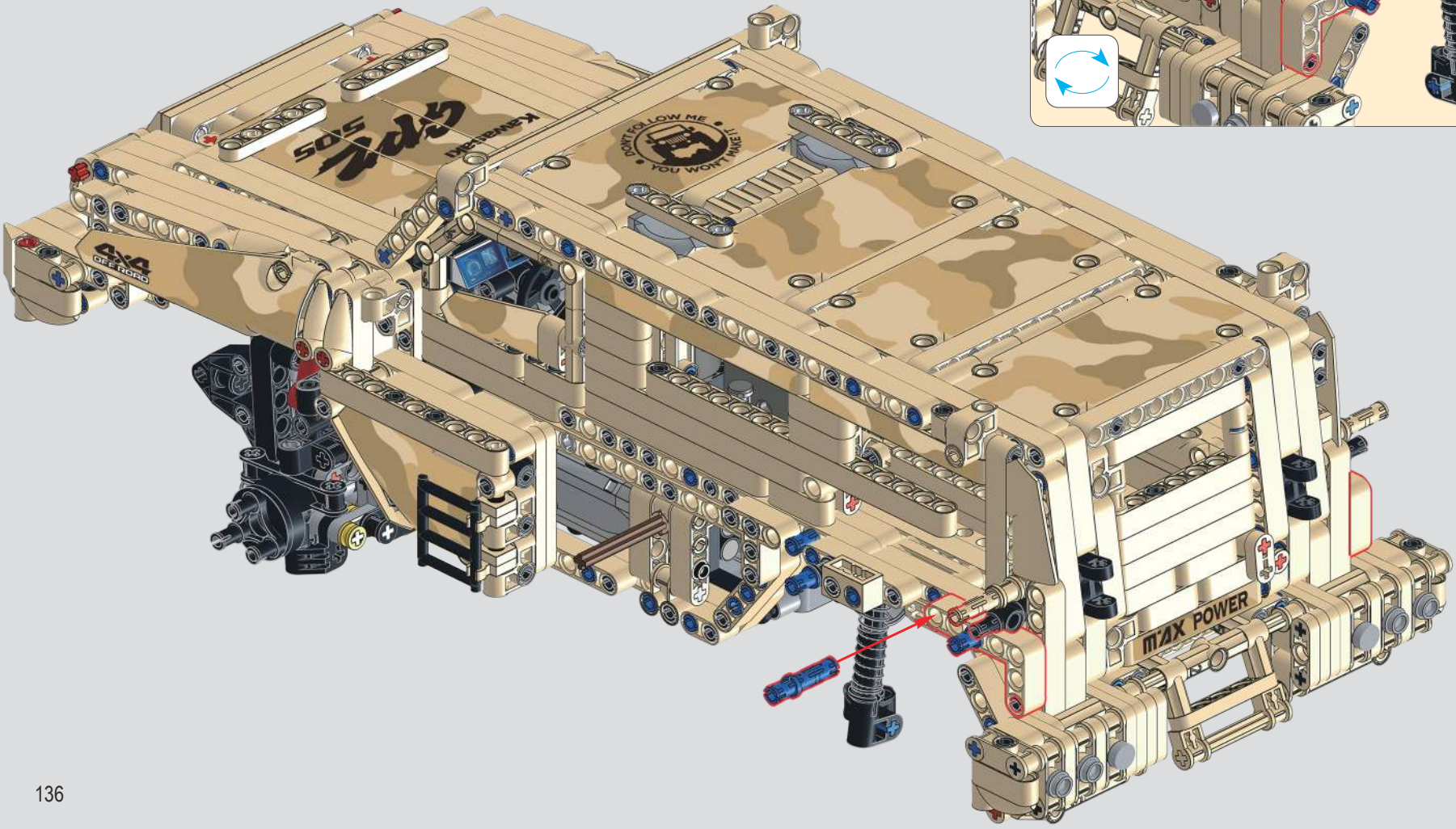
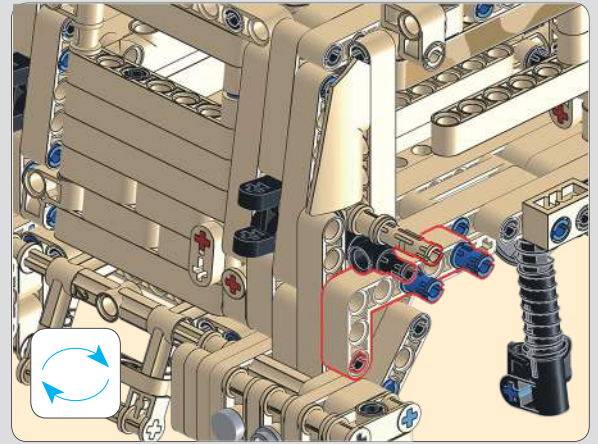
PARAMOUNT Dynamic version ——This step
 assembly instructions
 (Please refer to: 13131 PARAMOUNT Static Edition
 Page 154-155)

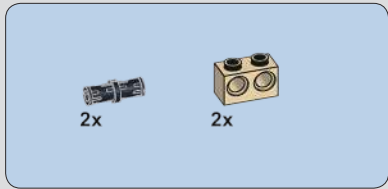




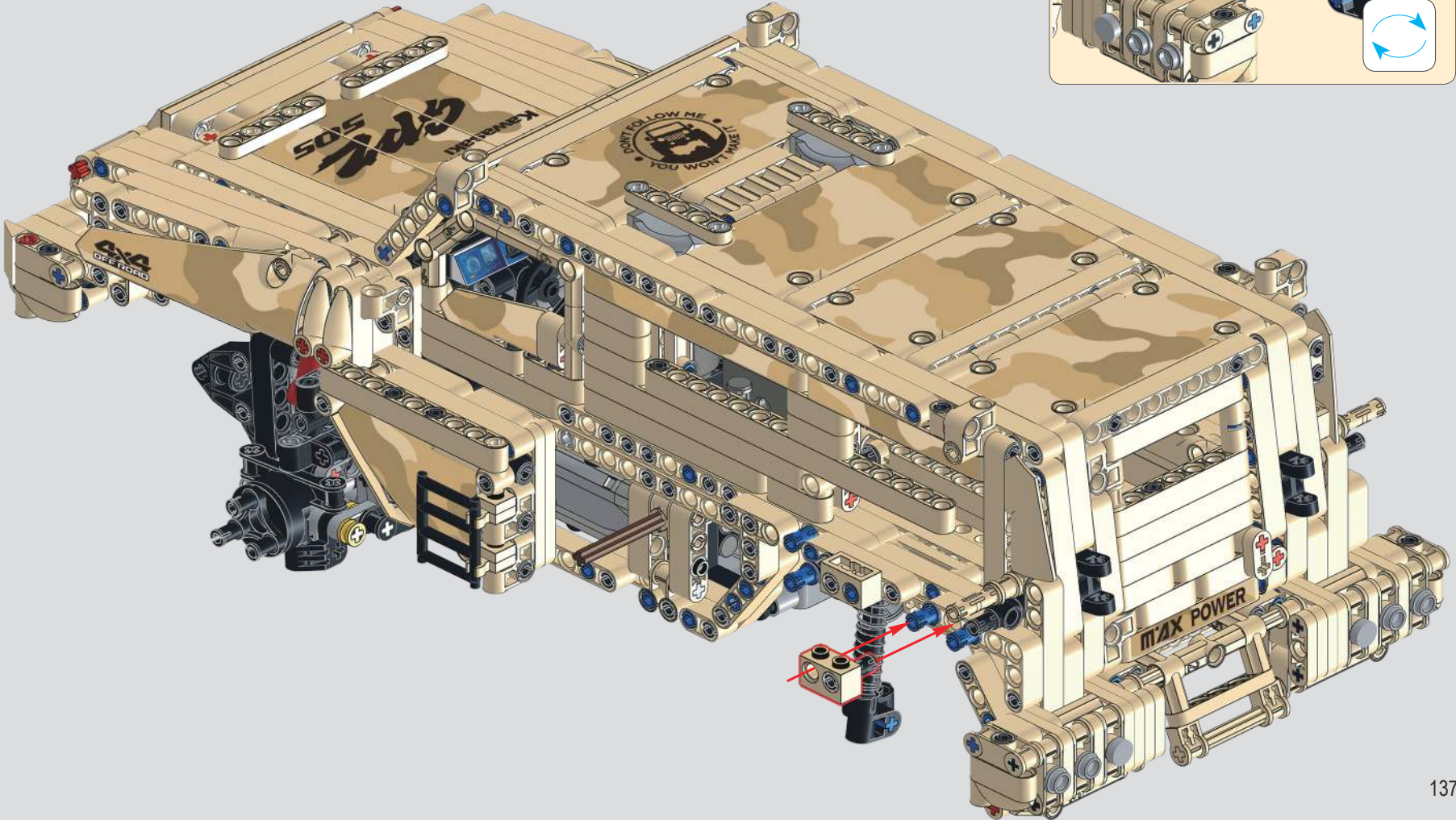
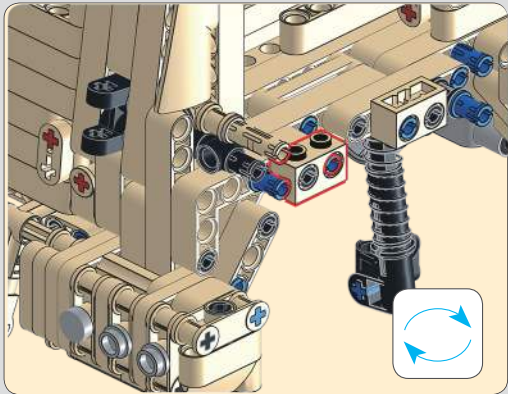


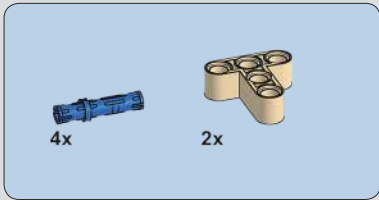
267



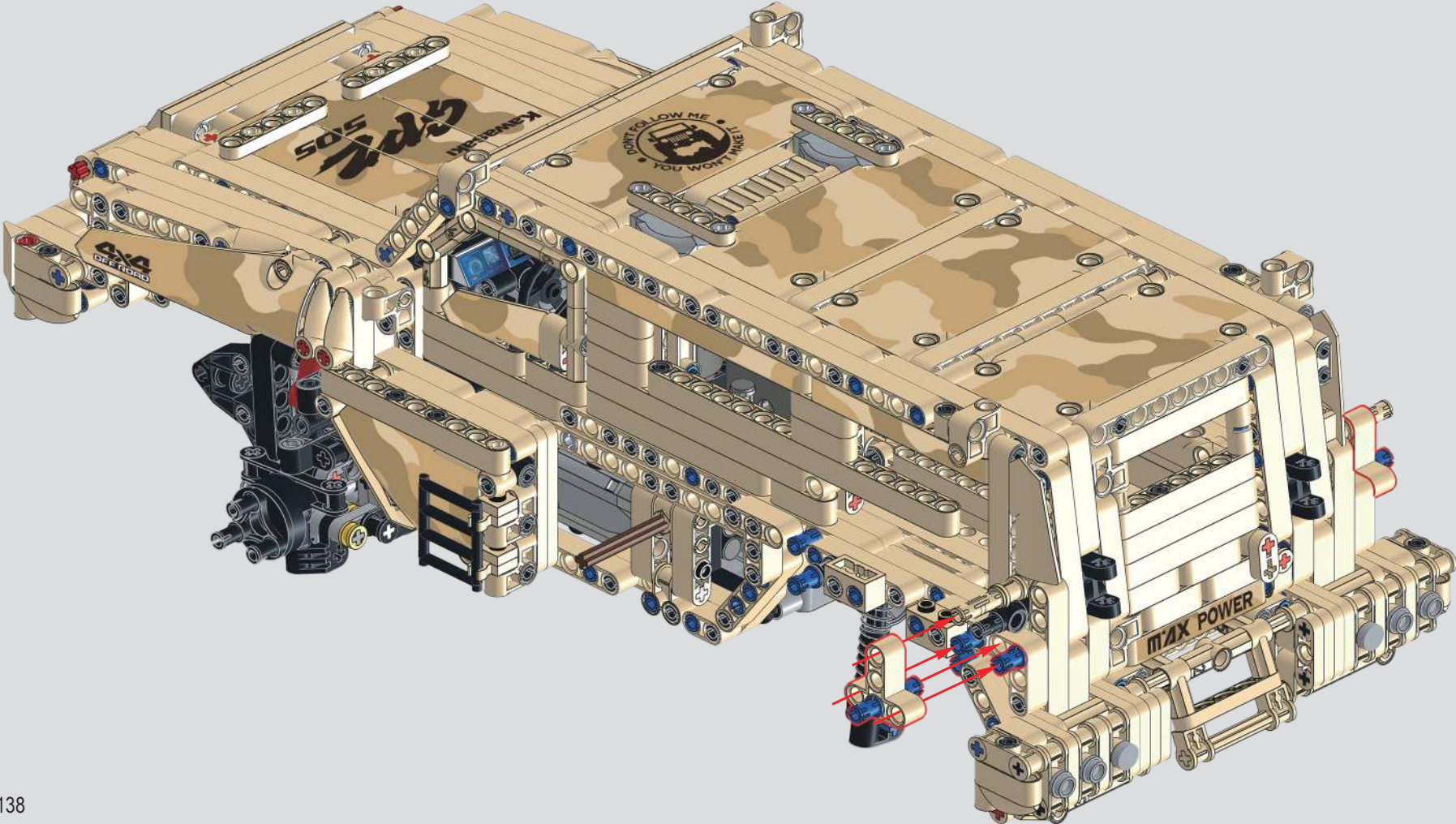


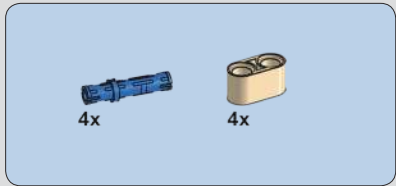
268



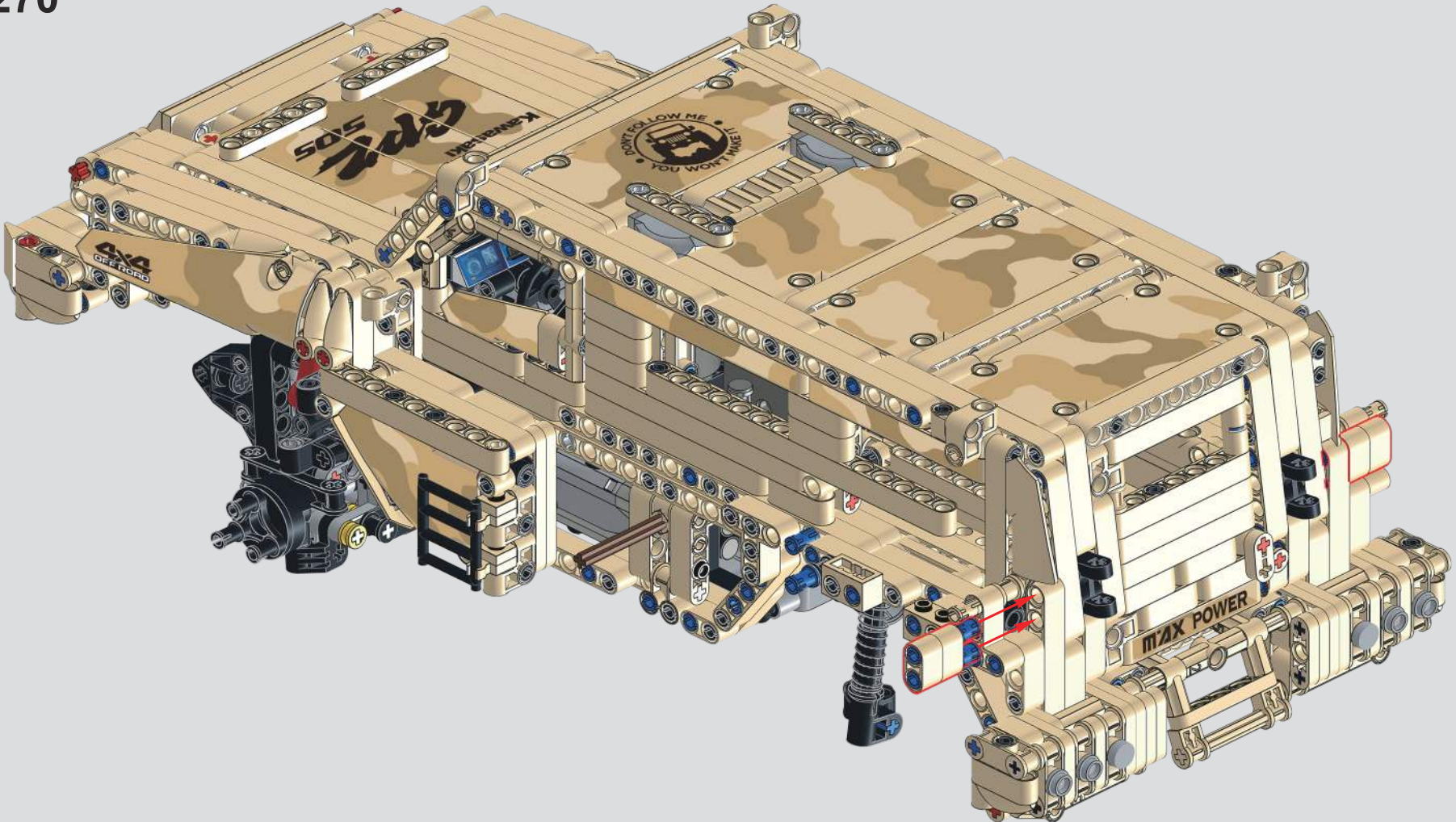


269





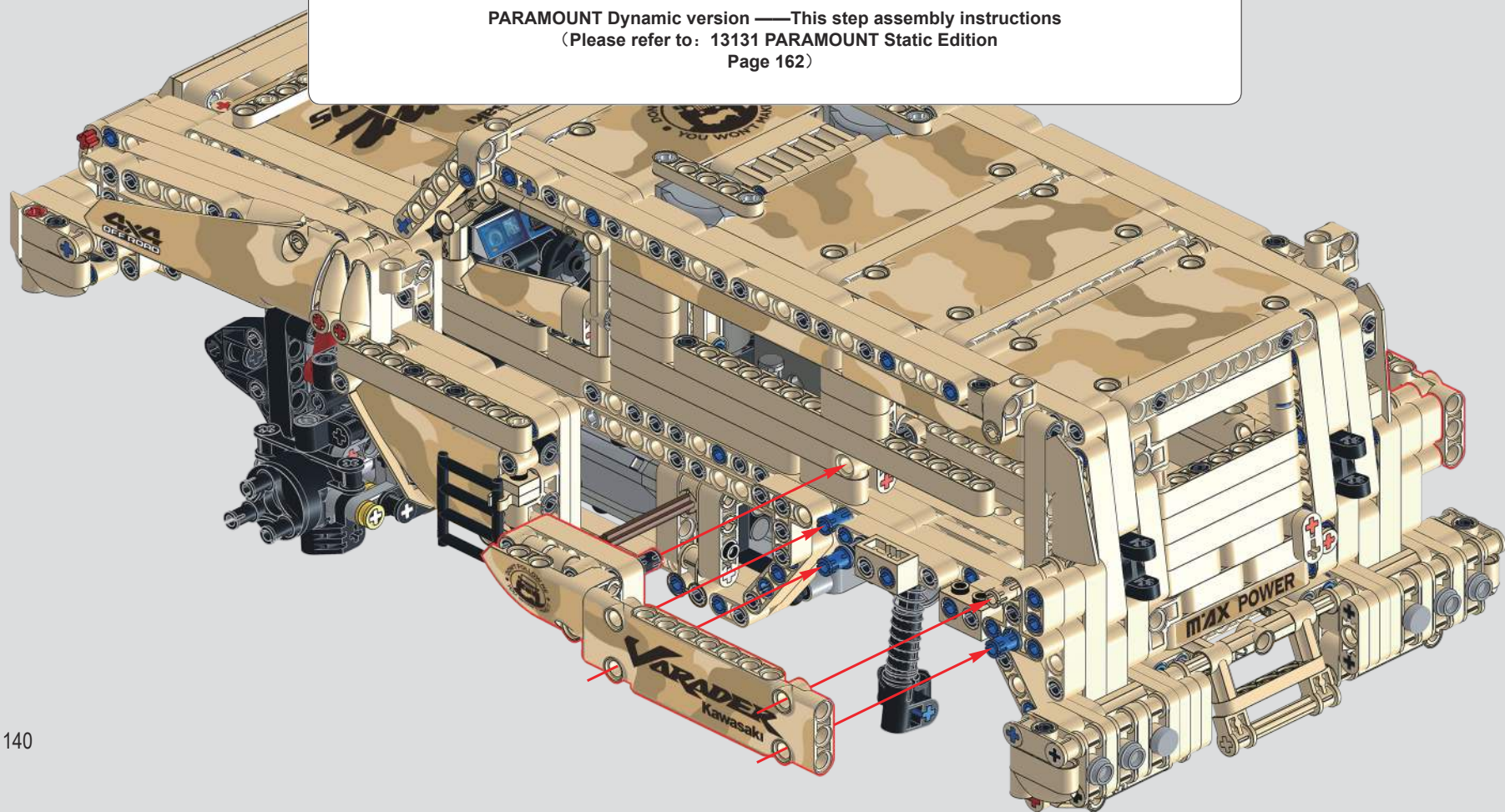
270





派拉蒙动态——此步骤拼装说明
 (请参考: 13131 派拉蒙静态说明第162页)

PARAMOUNT Dynamic version — This step assembly instructions
 (Please refer to: 13131 PARAMOUNT Static Edition
 Page 162)

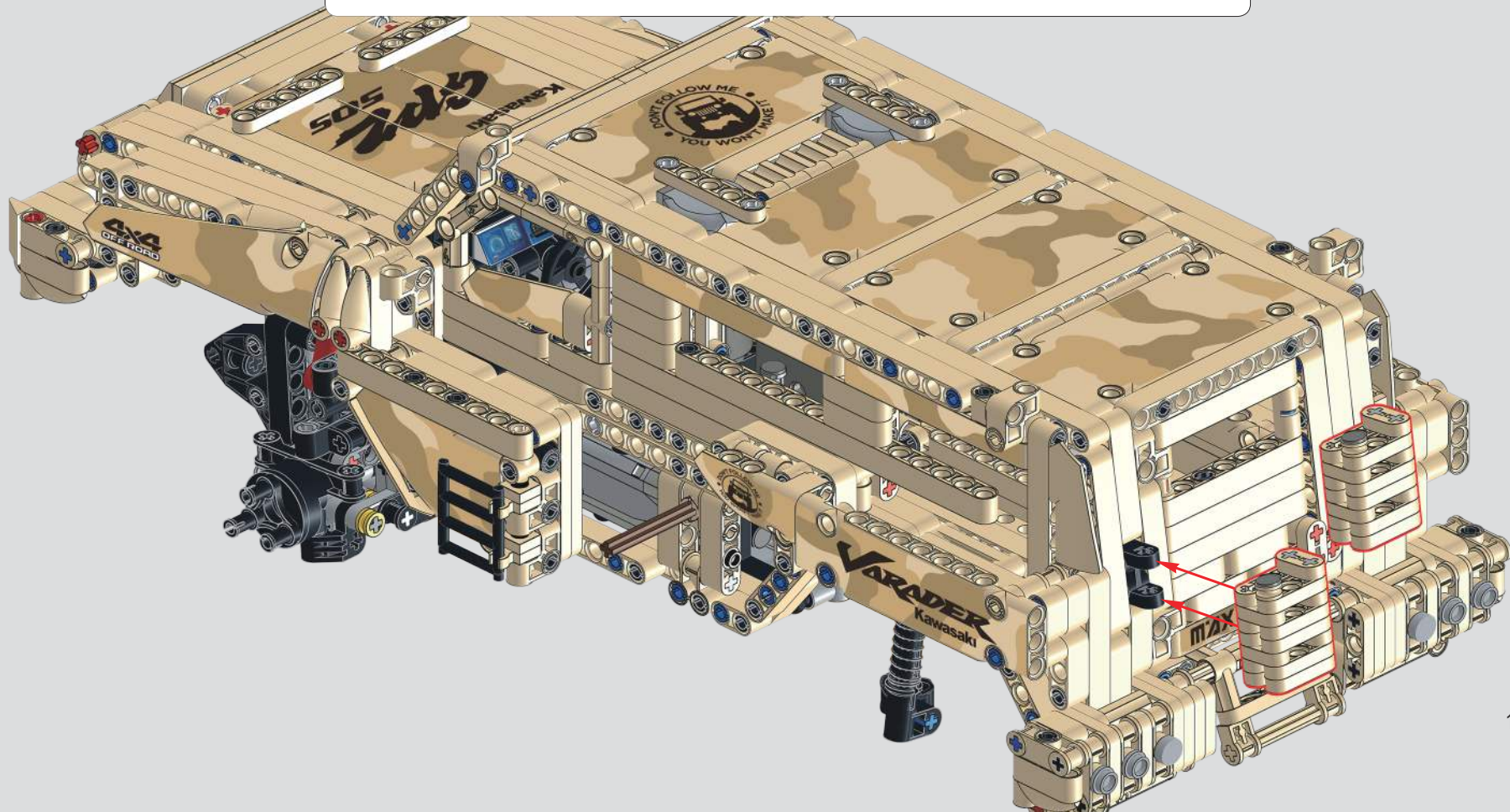


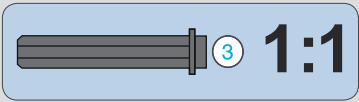
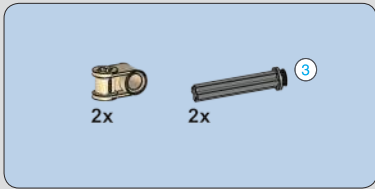


2x

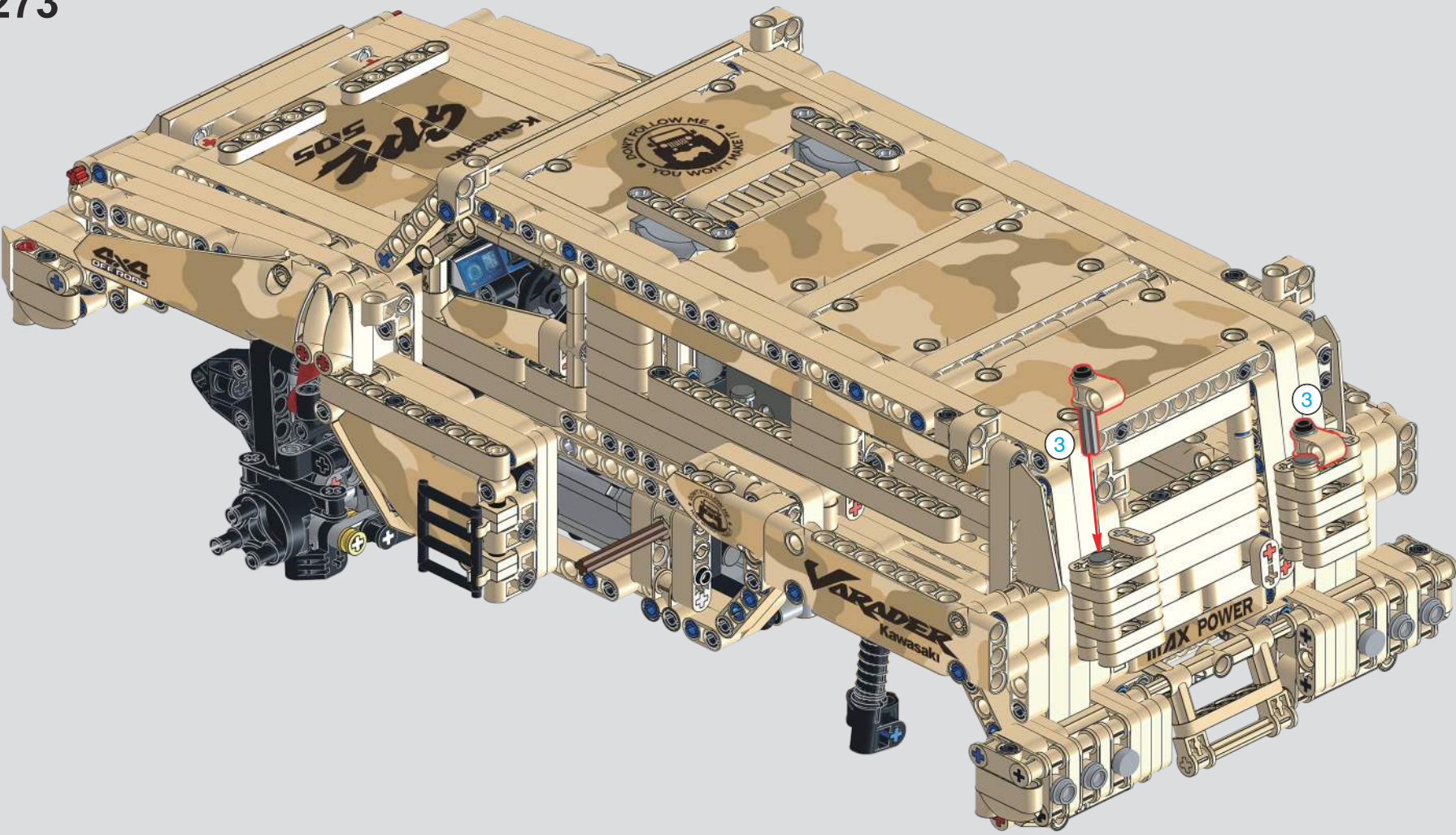
派拉蒙动态——此步骤拼装说明
(请参考: 13131 派拉蒙静态说明第164页)

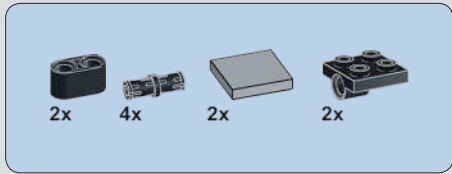
PARAMOUNT Dynamic version — This step assembly instructions
(Please refer to: 13131 PARAMOUNT Static Edition
Page 164)



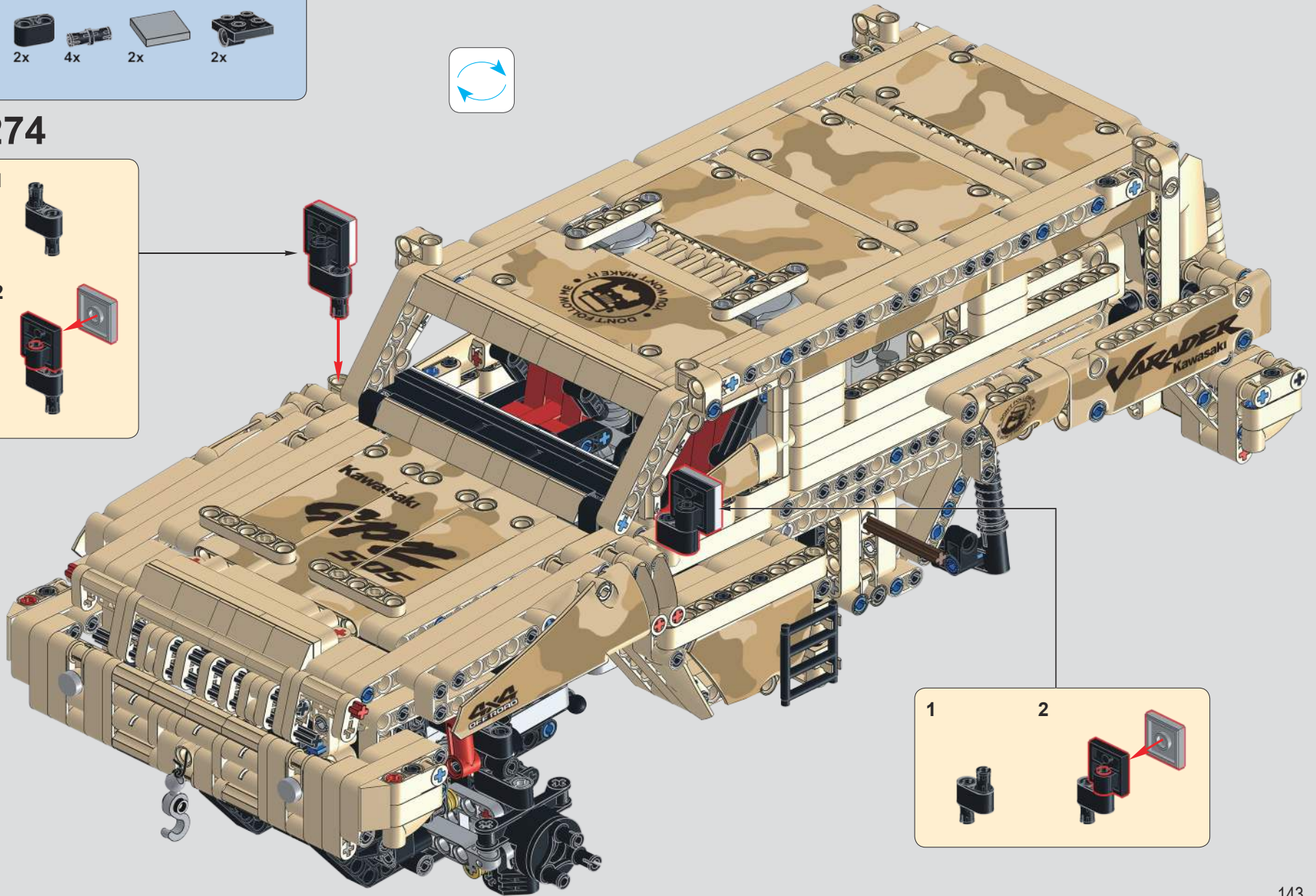
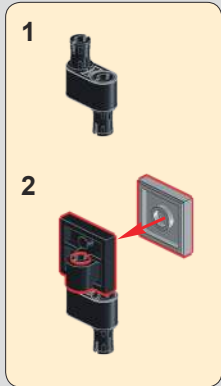


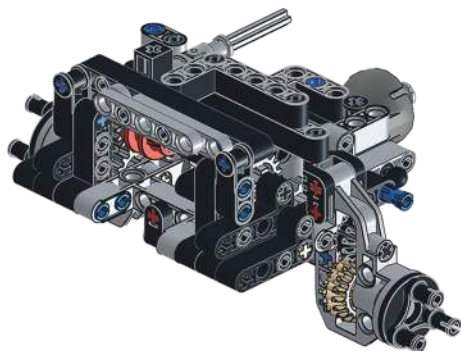
273





274



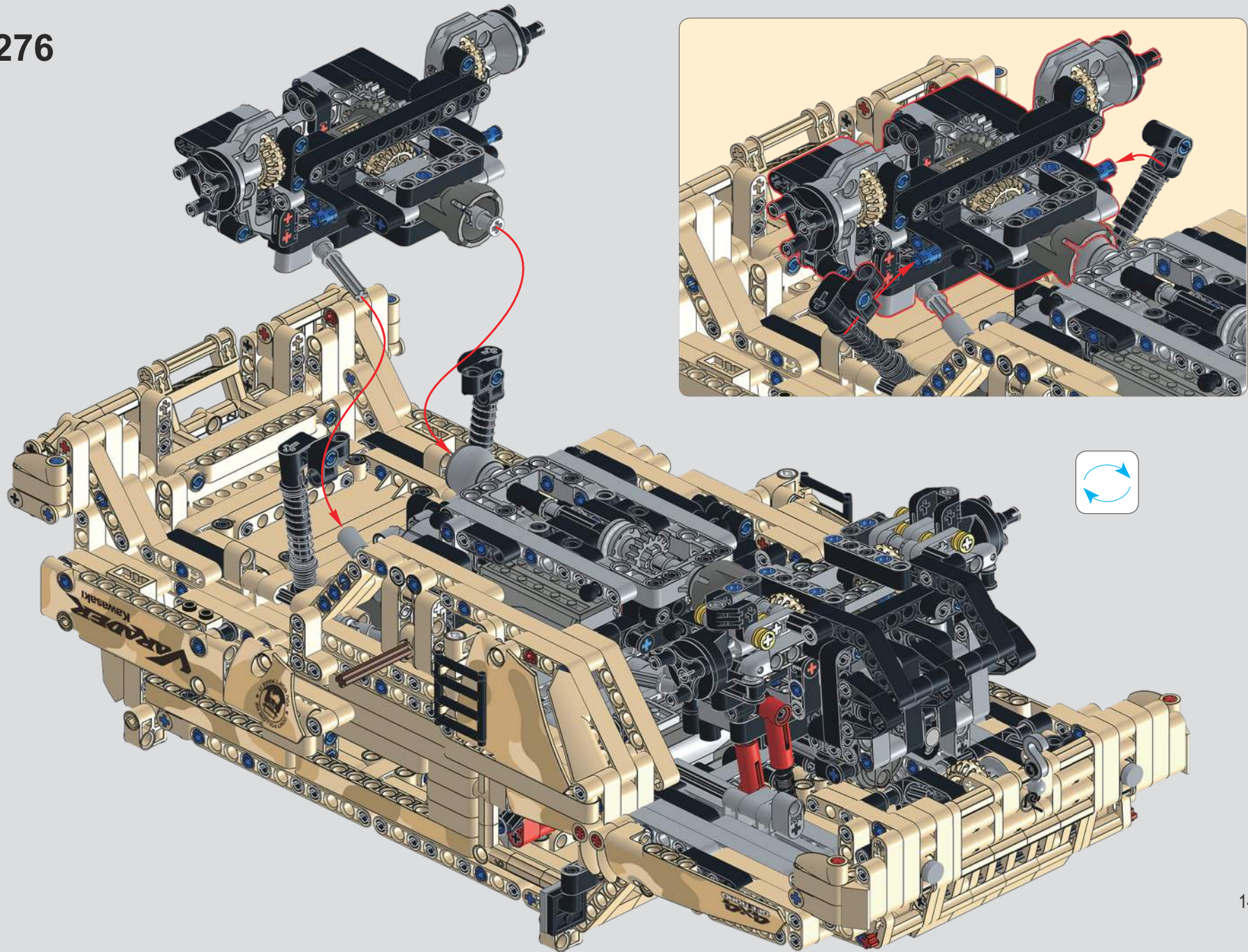


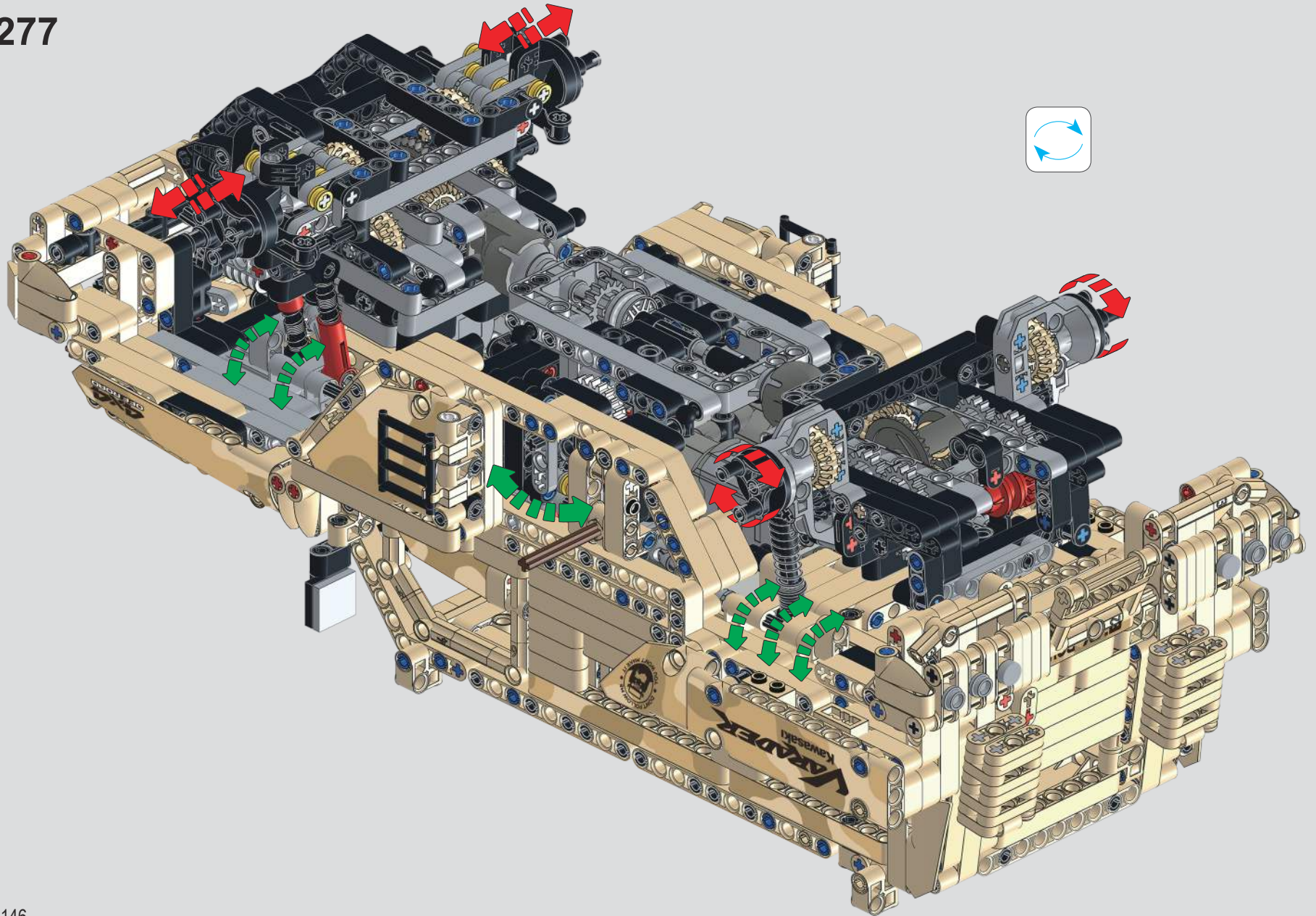
派拉蒙动态——此步骤拼装说明
(请参考: 13131 派拉蒙静态说明第186-192页)

PARAMOUNT Dynamic version ——This step assembly instructions
(Please refer to: 13131 PARAMOUNT Static Edition
Page 186-192)

275

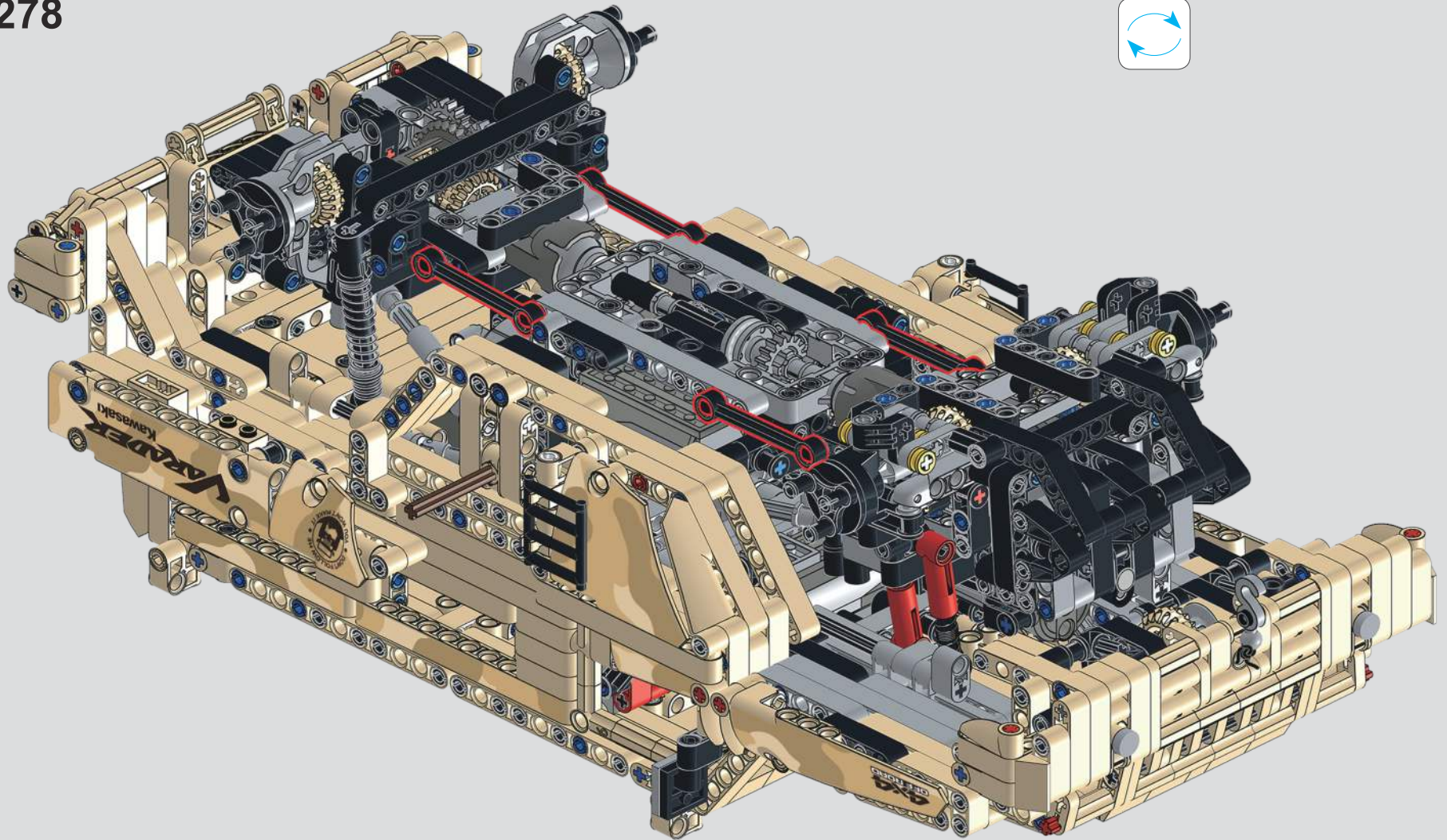
276

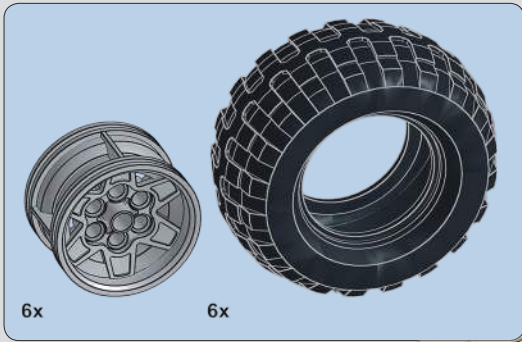




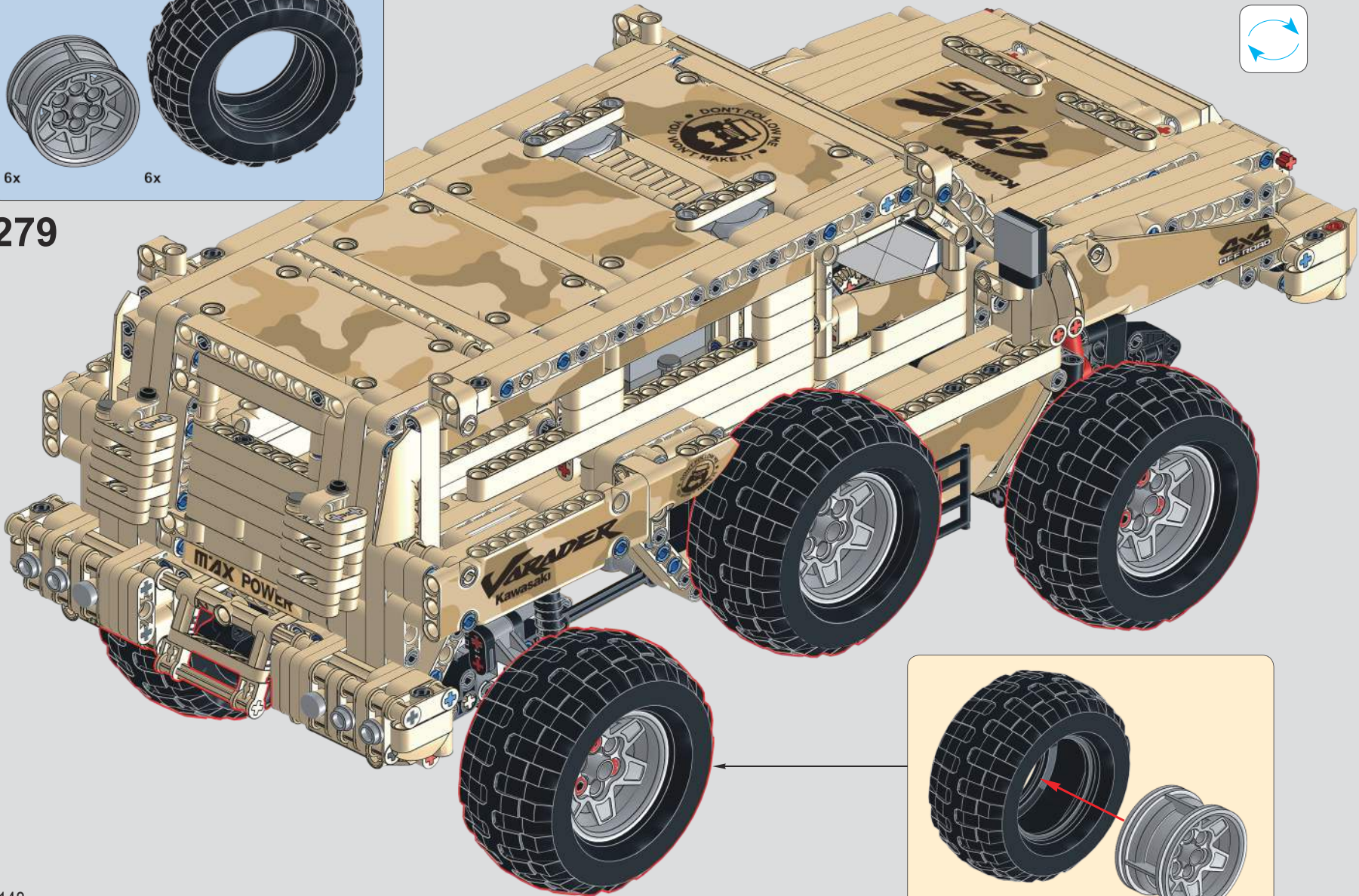


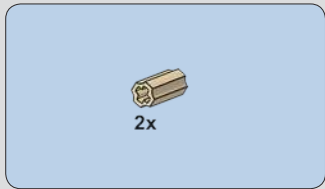
278





279





280





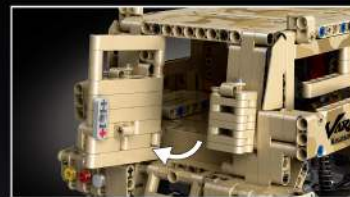
Front trunk
前行李箱



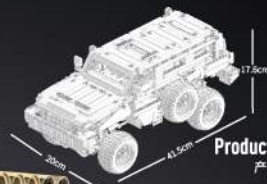
Turn the button to open the sunroof
转动按钮打开天窗



Open the door
打开车门



Open the rear door
打开后车门



Product size
产品尺寸