

**MULD  
KING**

®

宇 星 车 模

**MODELS**

NO. 保时捷 POERSCHE

宇 | 星 | 模 | 王


13176

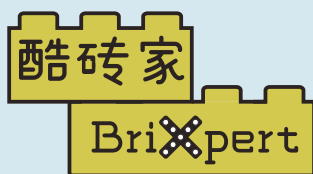
1538+ Pcs/Pza



# OPEN

Customer Service  
客户服务

 [www.yx-mk.com](http://www.yx-mk.com)



Qr code APP (APP二维码)

Need the apple version 9.0 and above, the android version 5.0 and above.

\* This APP supports most of the mainstream Android models on the market, but due to the large number of Android models, different models of systems and hardware reasons, there may be some models do not support, specific according to the actual test!

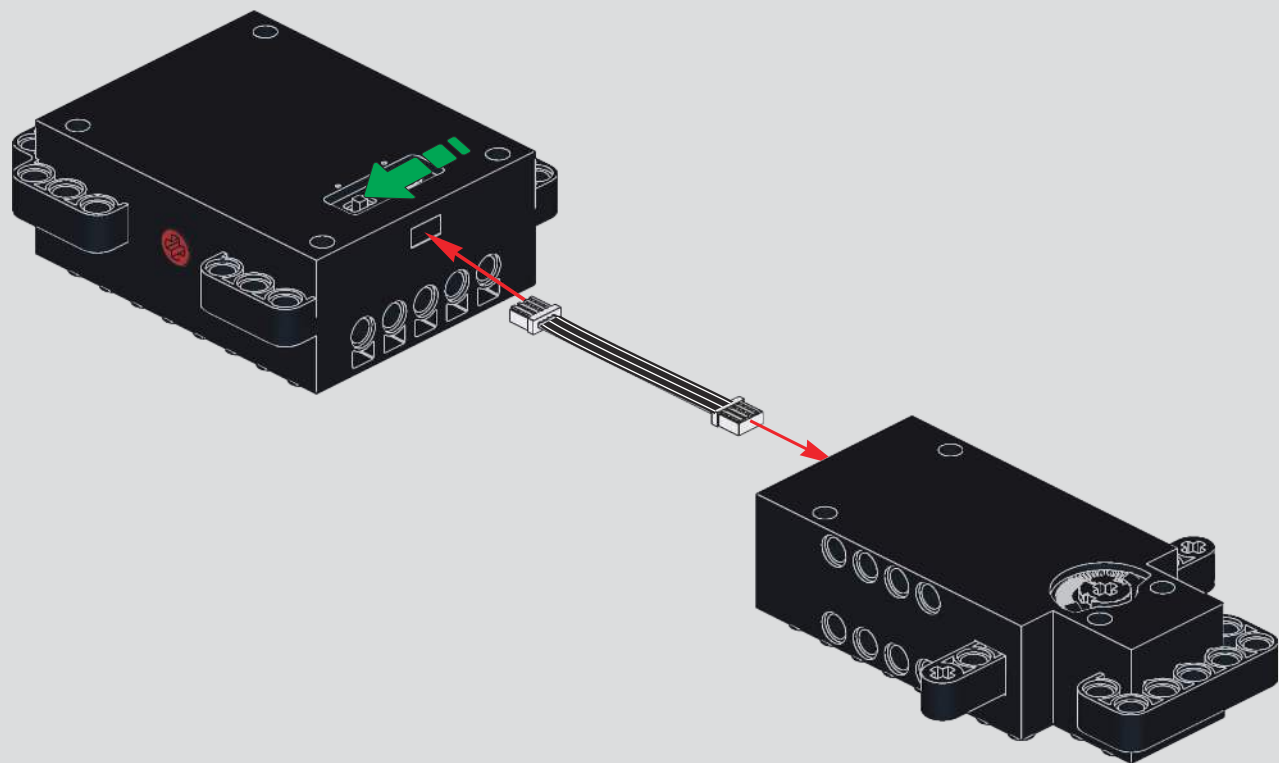
广东宇星科技

微信扫描二维码, 关注公众号, 获取第一手的新品资讯, 享受便捷的补件服务。

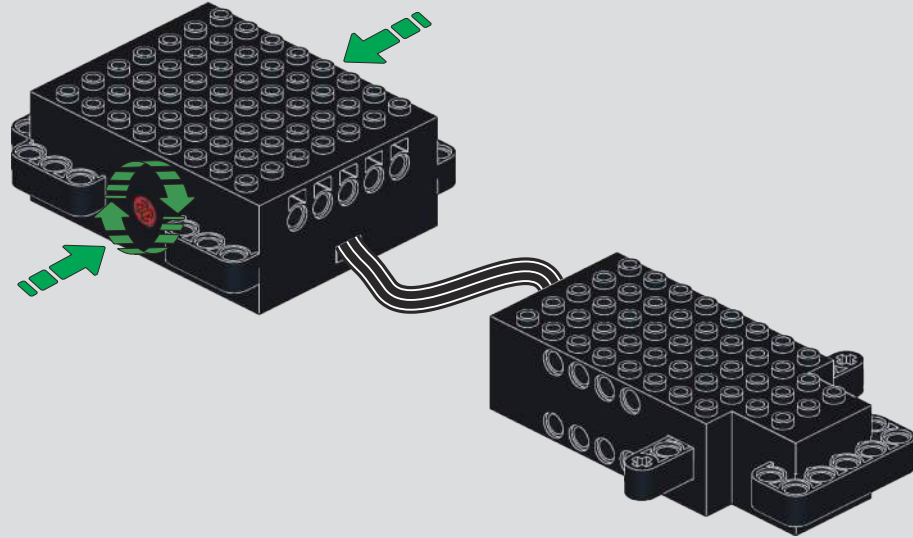
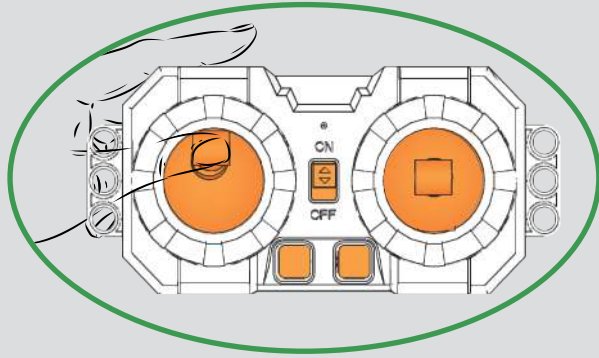
酷砖家系列是宇星设立的全新子品牌/系列, 本系列所有套装均由国内外顶级设计师操刀设计或授权, 旨在为消费者带来高水准的积木设计套装和与众不同的拼搭体验。

BriXpert series is a new sub-brand/series set up by Mould King. Models of this series are all designed or authorized by top designers/MOCers around the world, aiming at bringing consumers with high-level brick sets and a unique building experience.

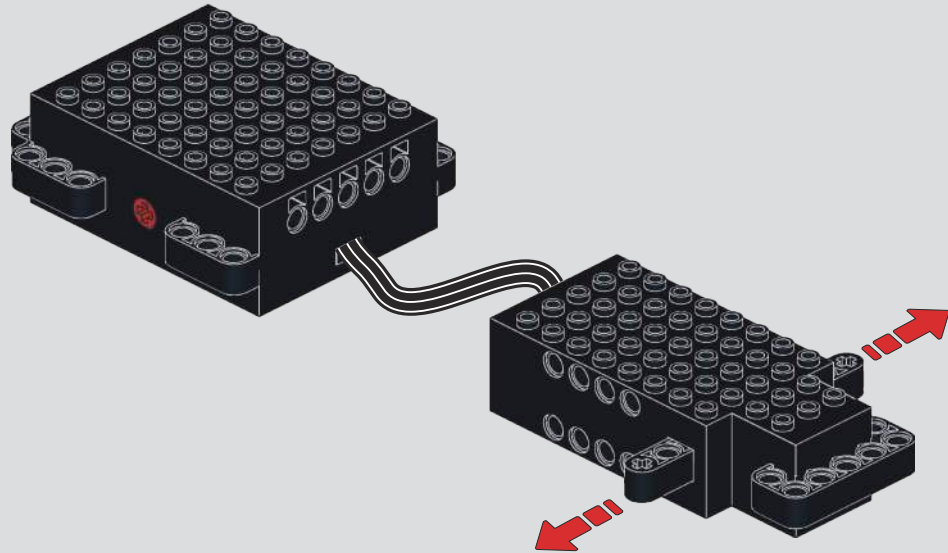
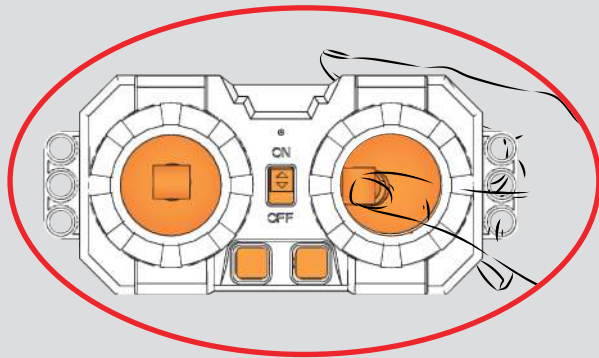


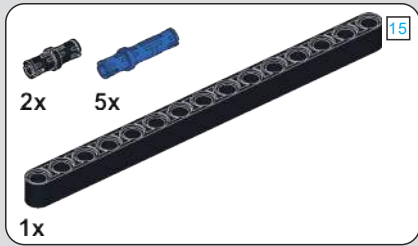
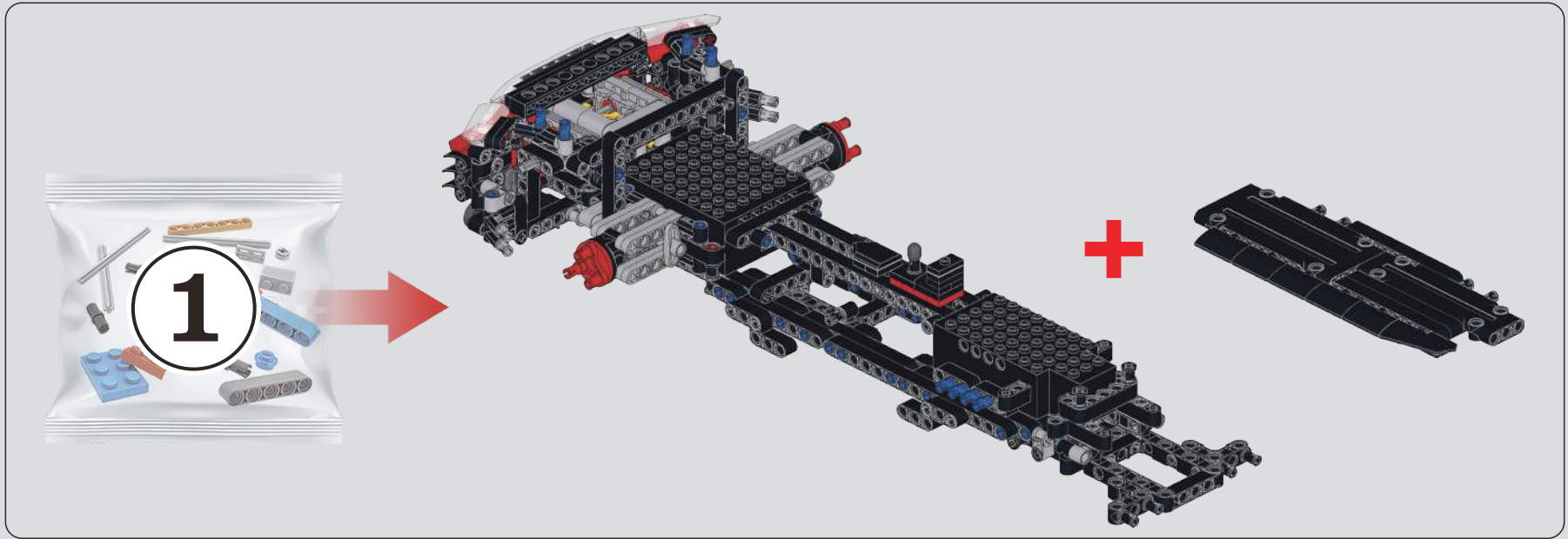


1

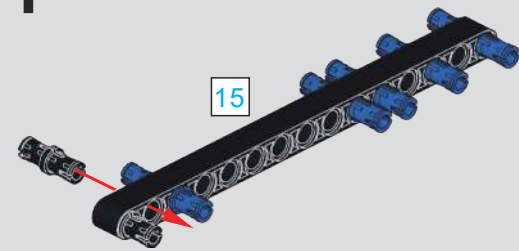


2

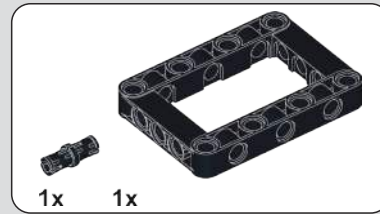
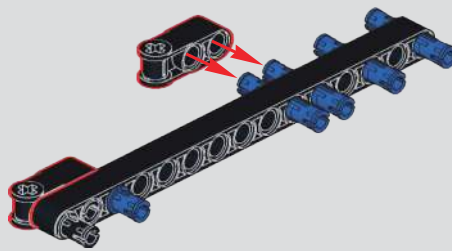




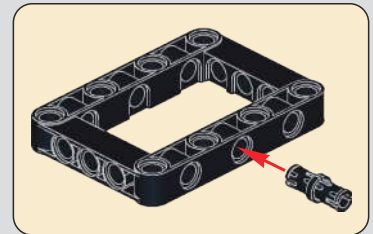
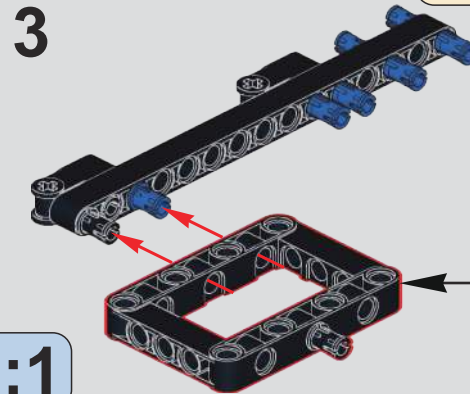
1

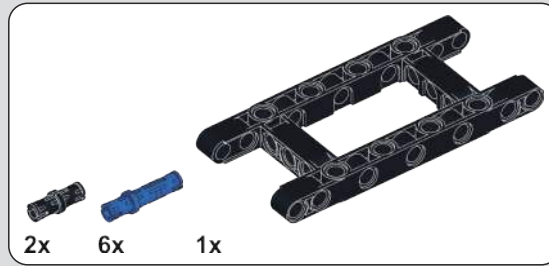
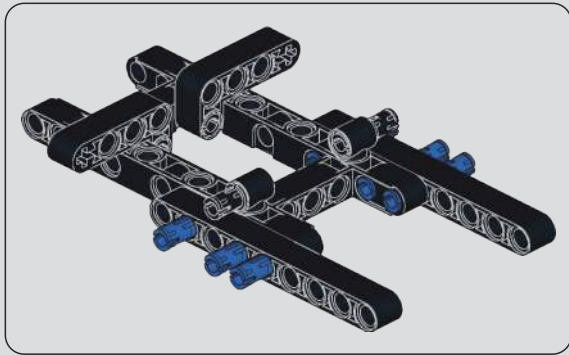


2

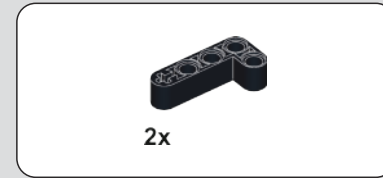


3

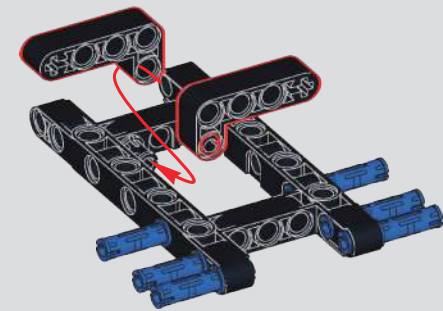
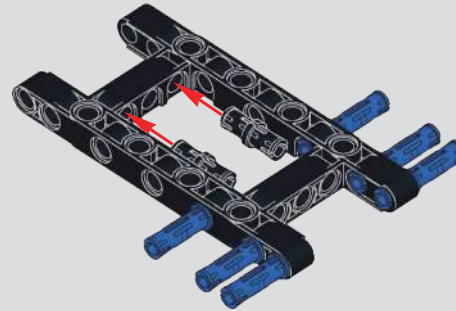




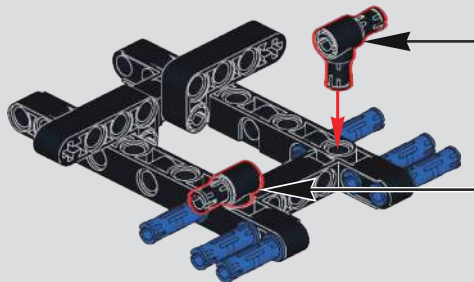
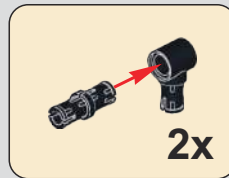
4



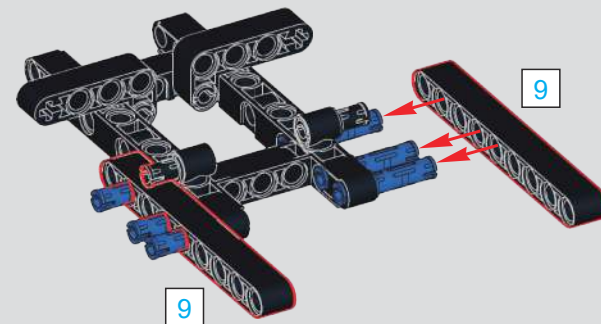
5



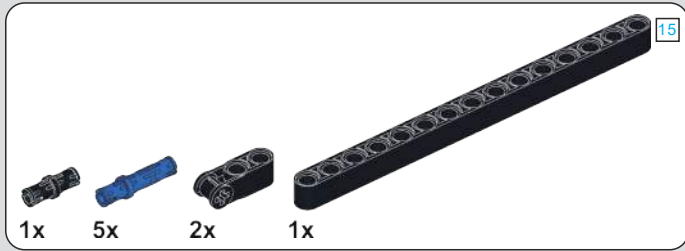
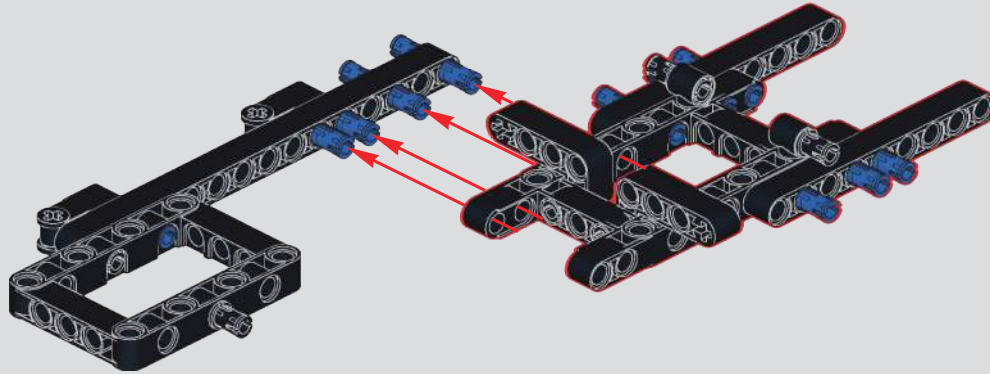
6



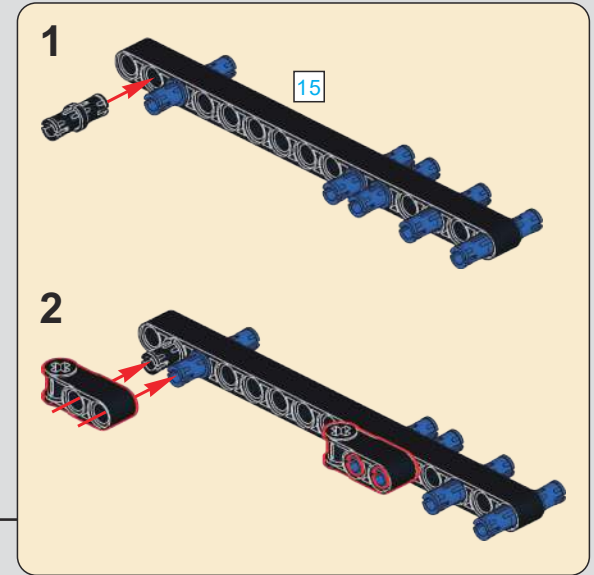
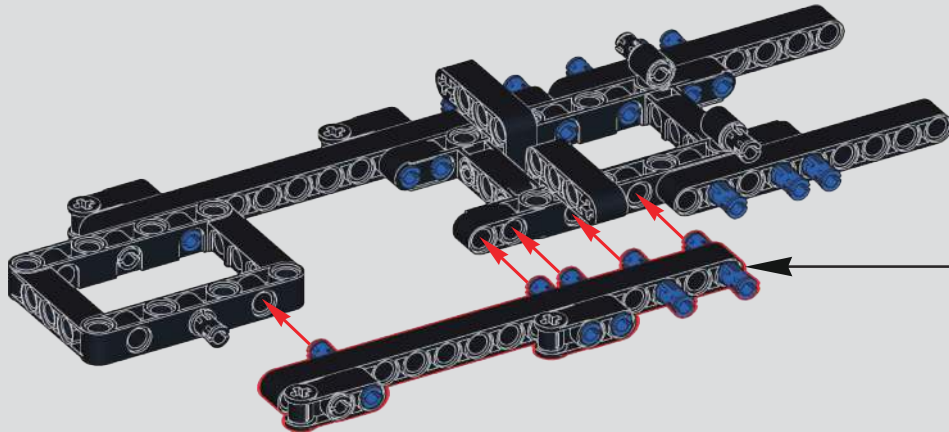
7



8

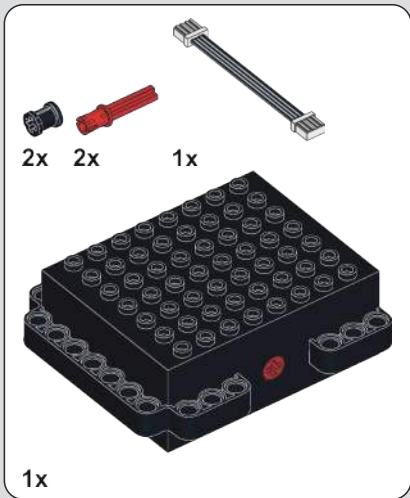
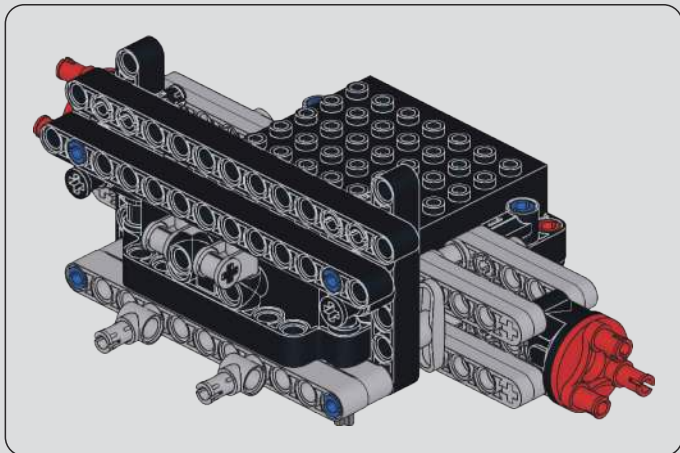
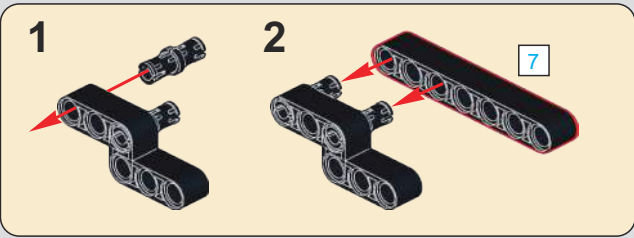
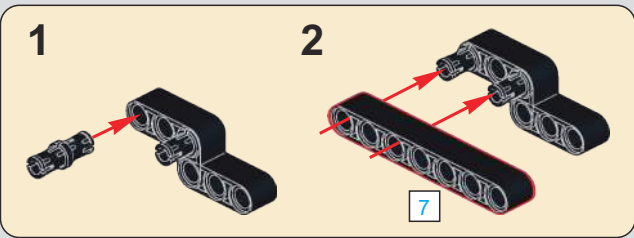
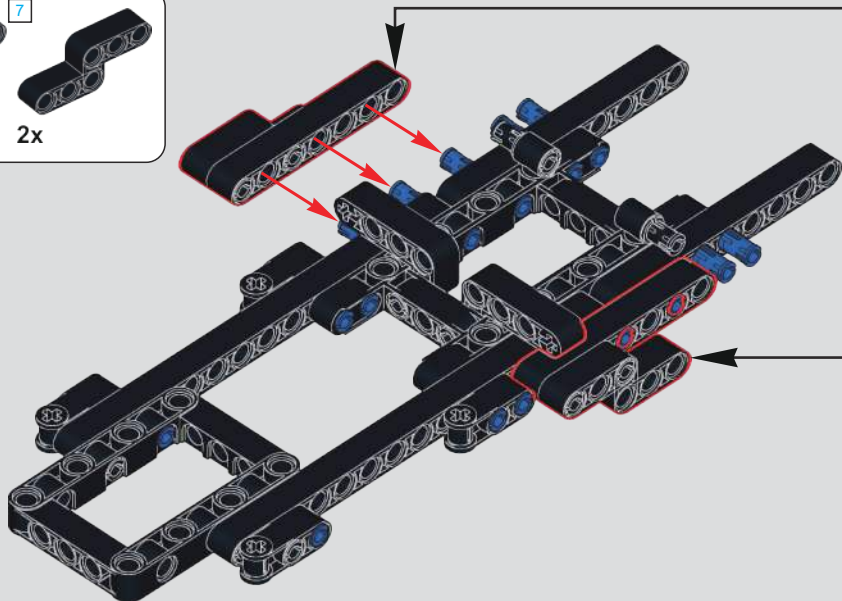


9

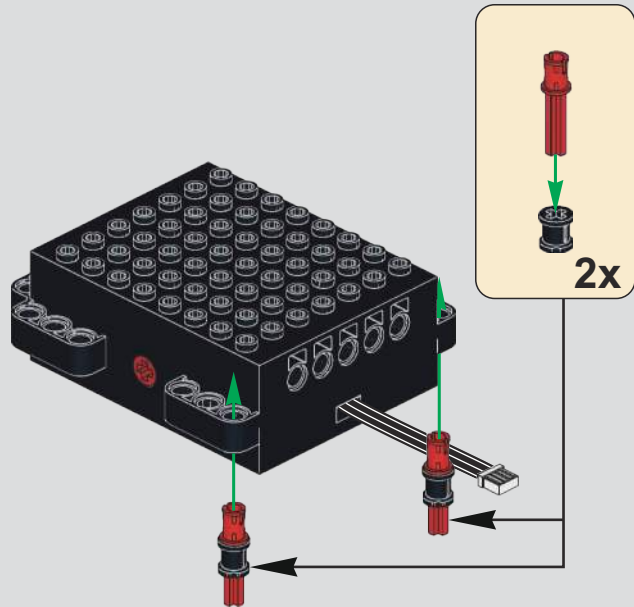


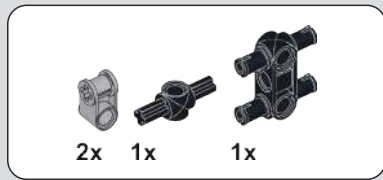


10

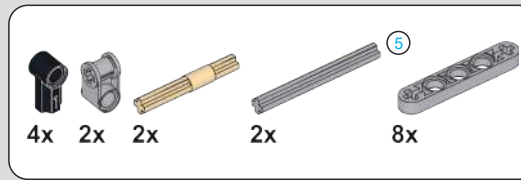
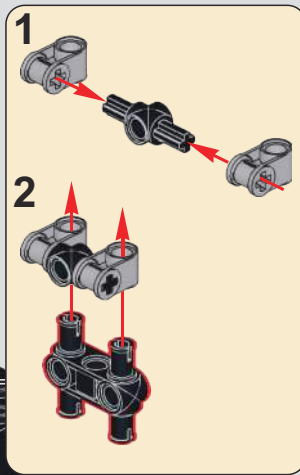
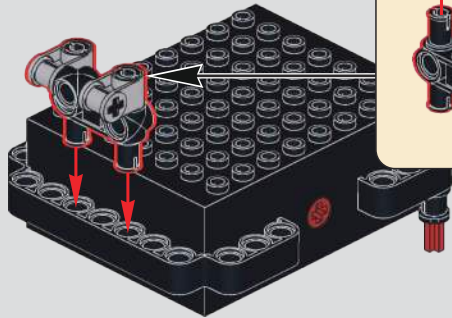


11

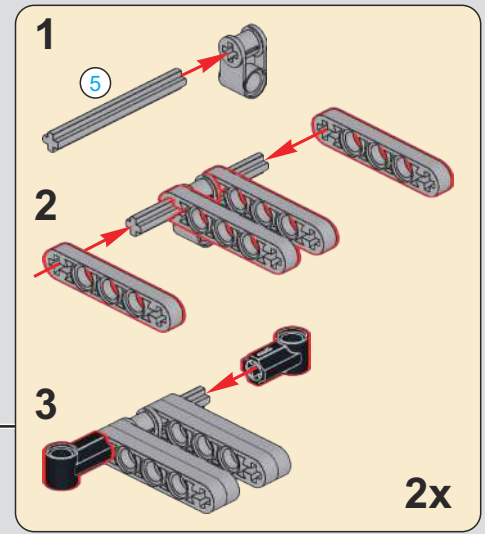
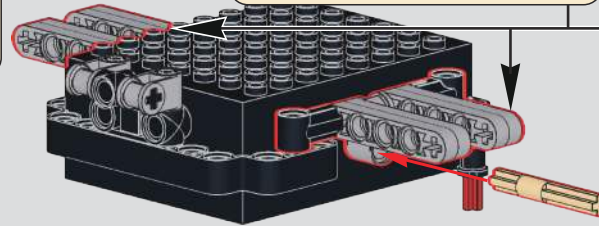
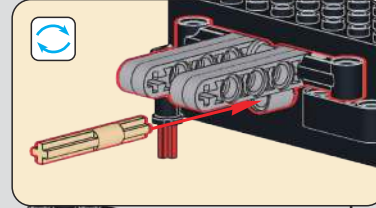




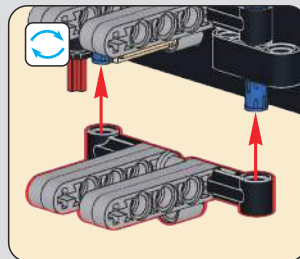
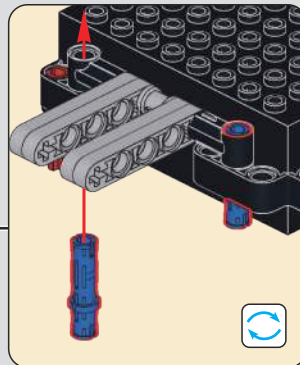
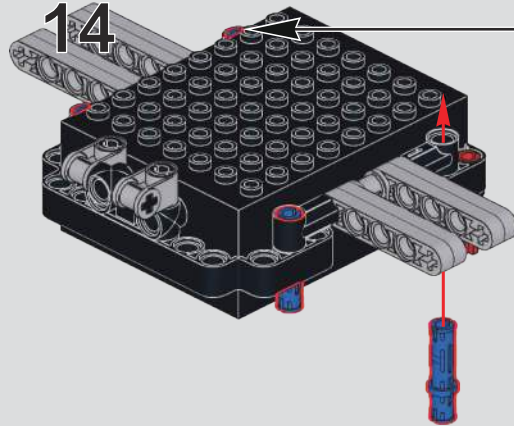
12



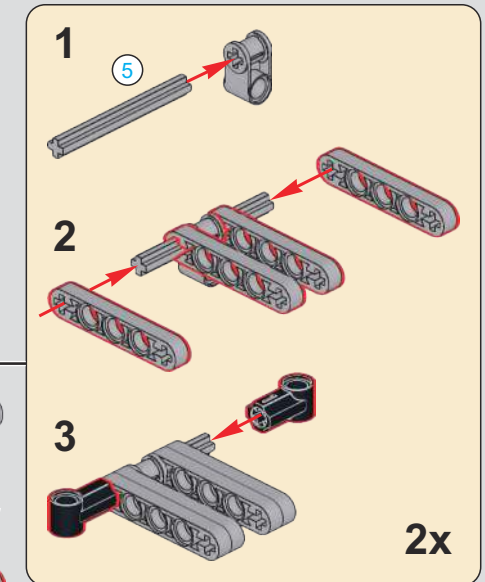
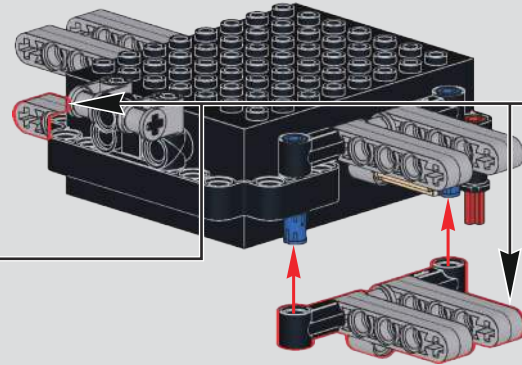
13

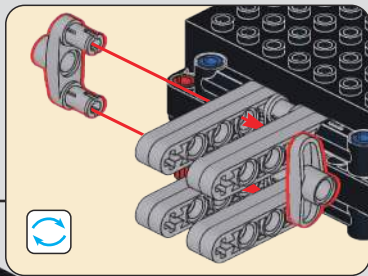
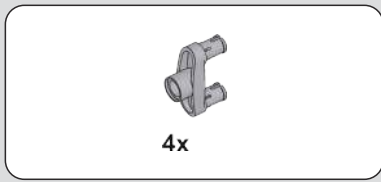


14

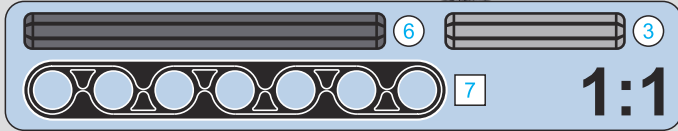
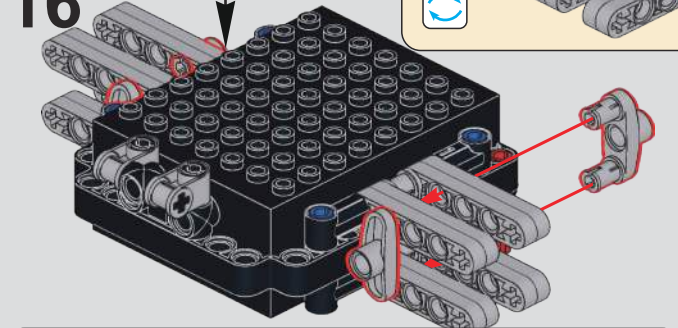


15

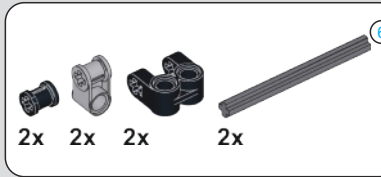
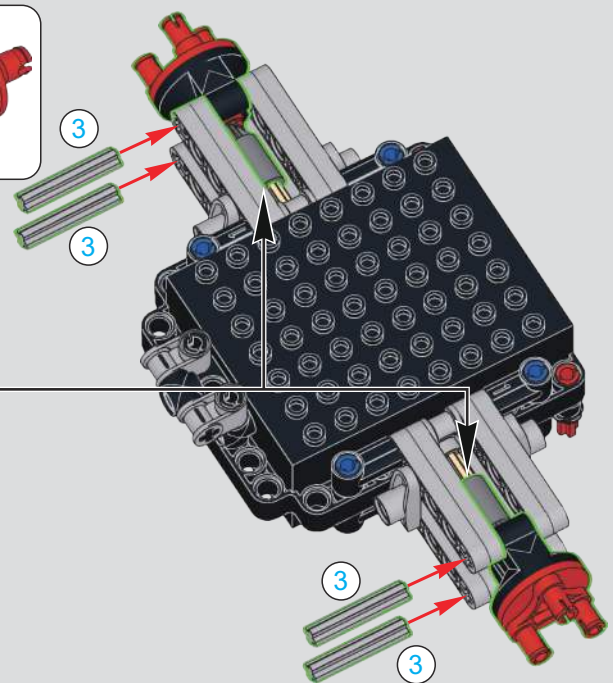
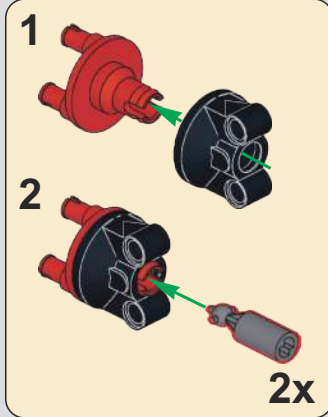




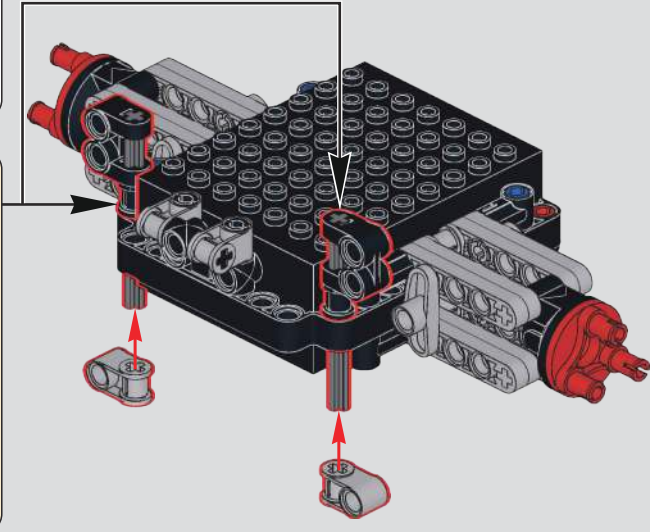
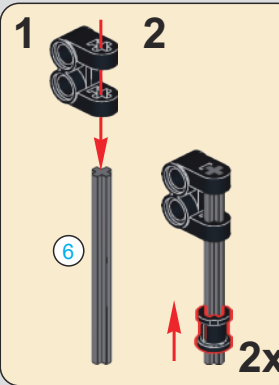
16



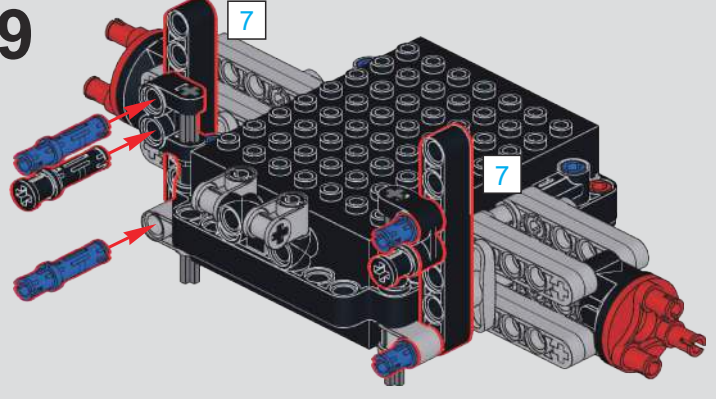
17

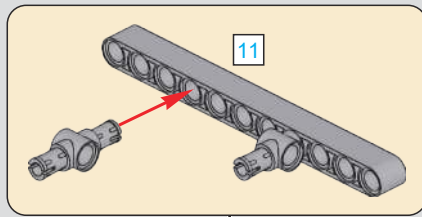
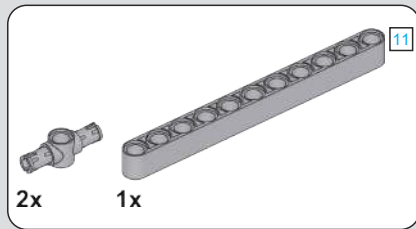


18

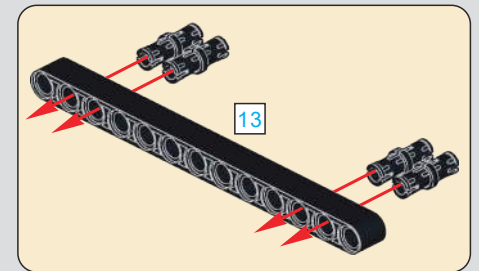
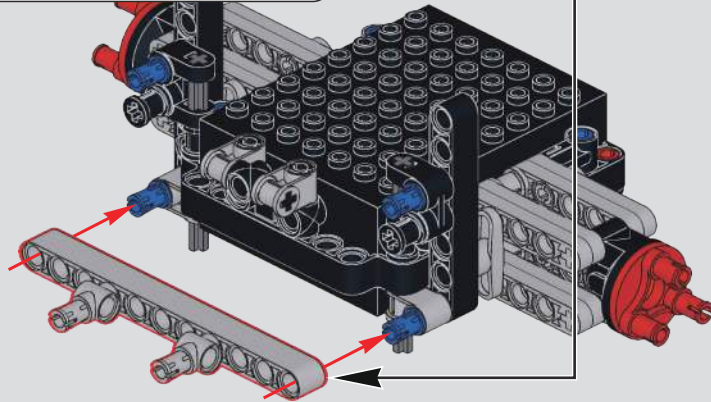


19

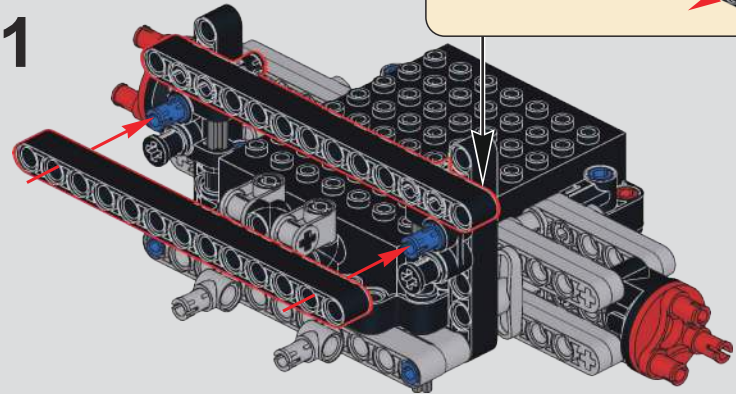




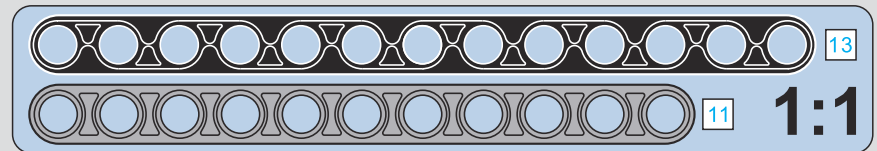
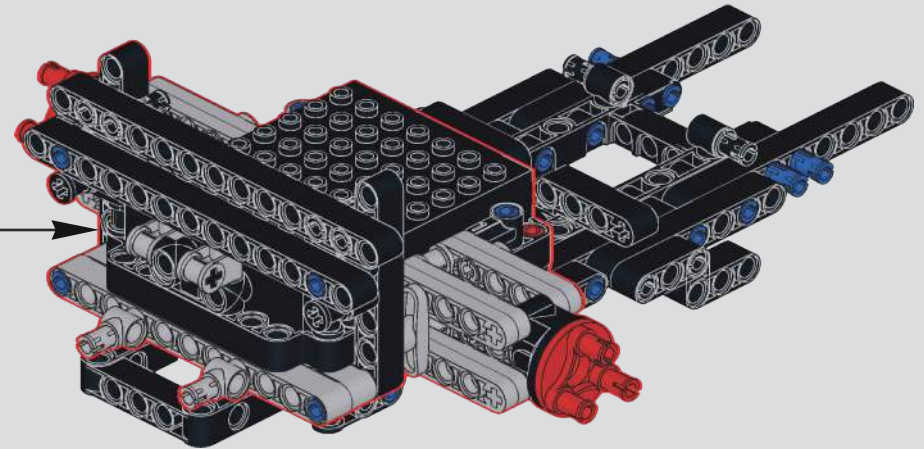
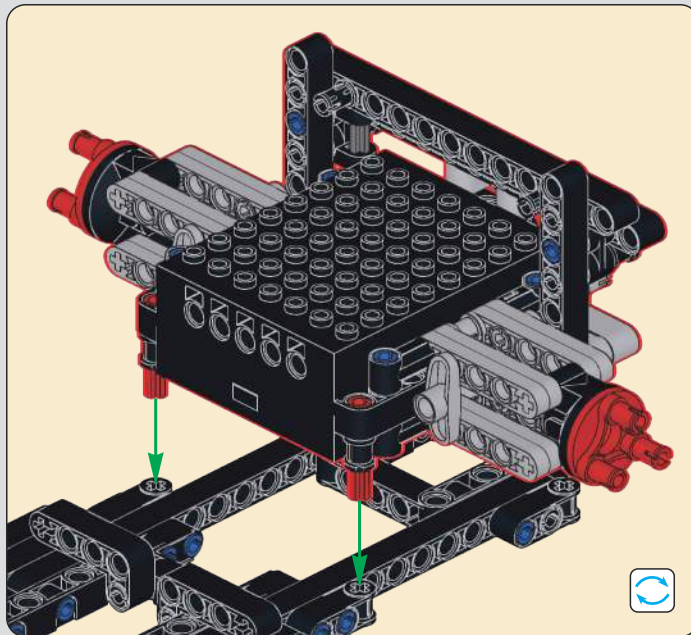
20



21

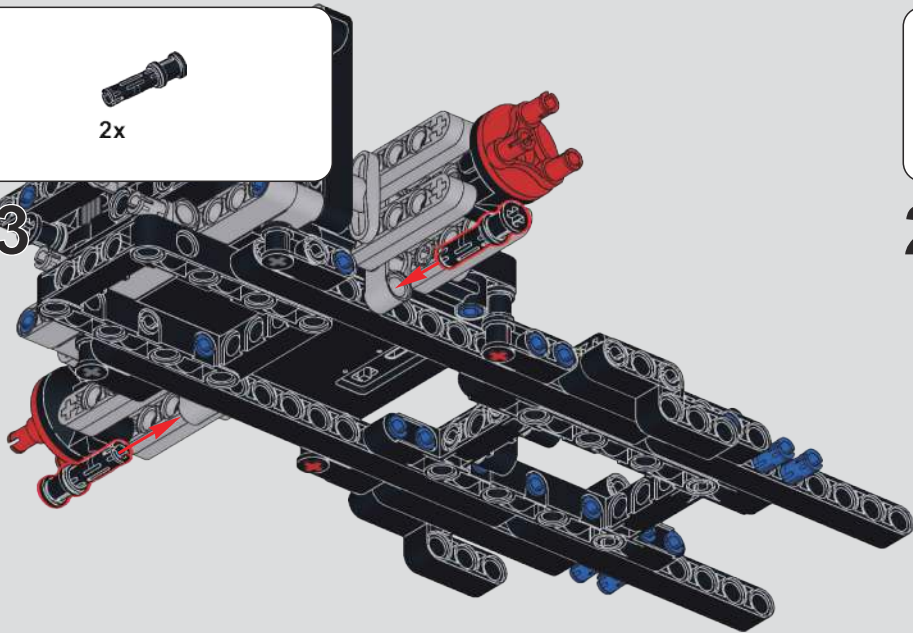


22

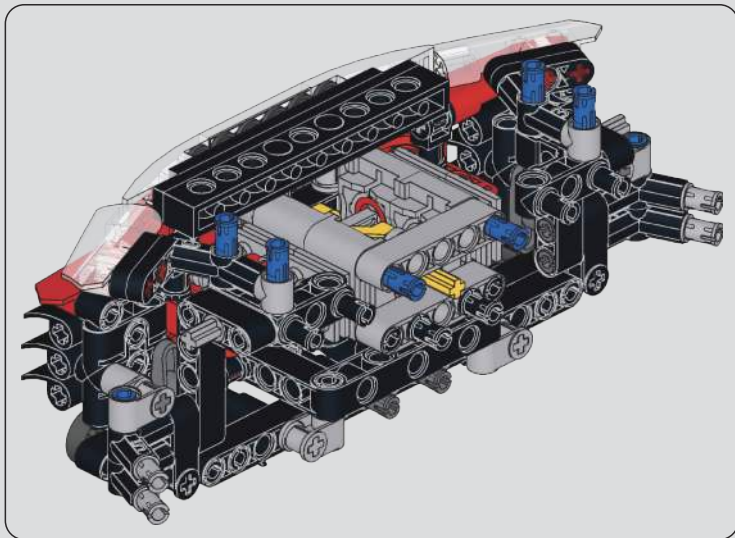
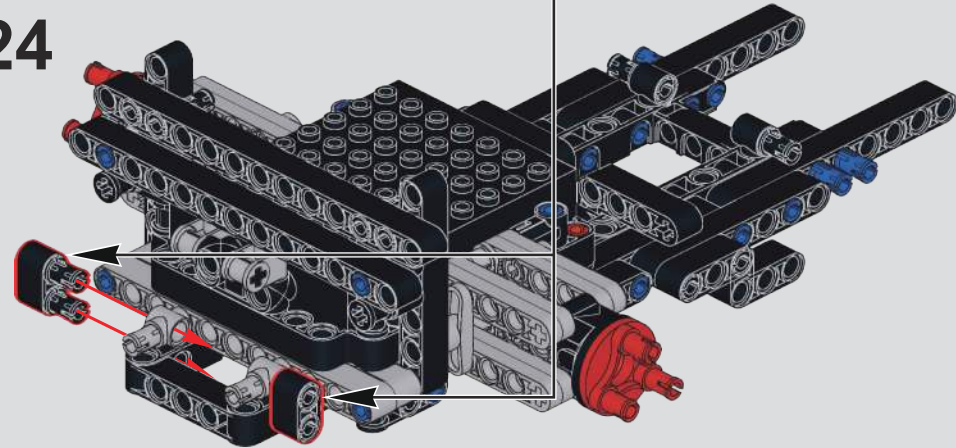
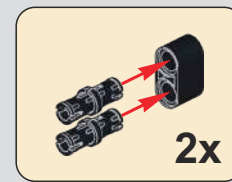




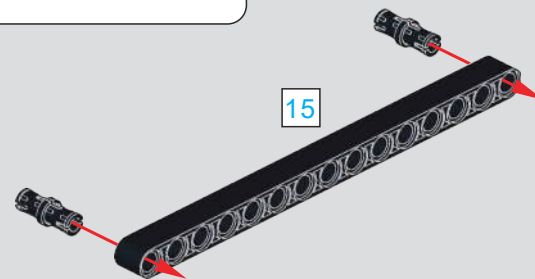
23

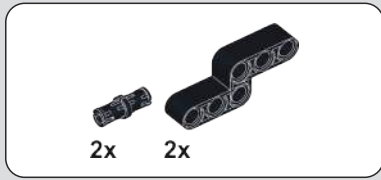


24

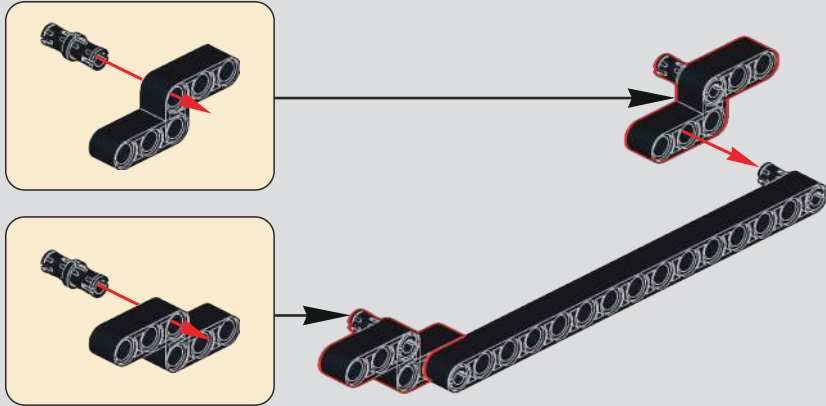


25

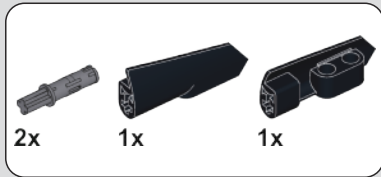
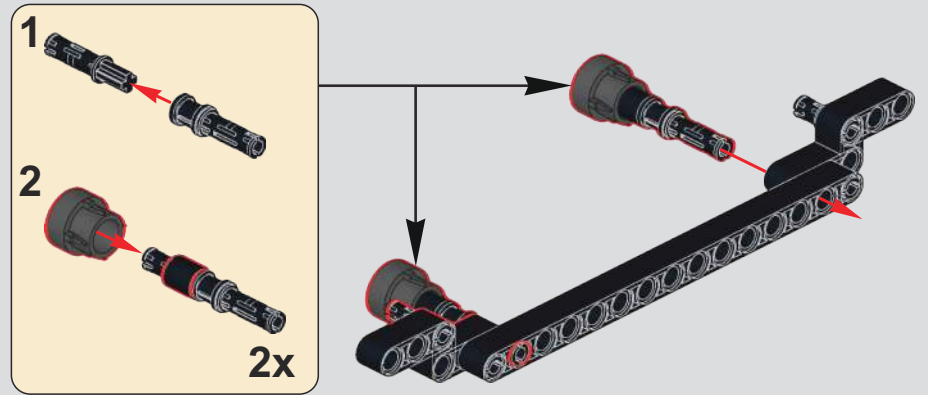




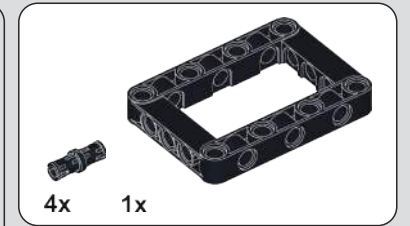
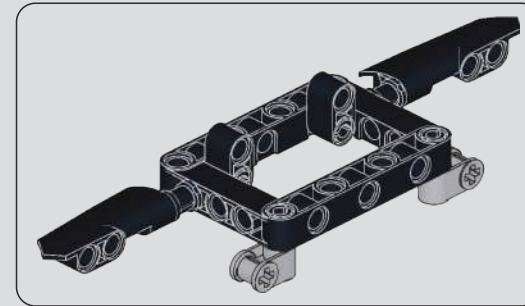
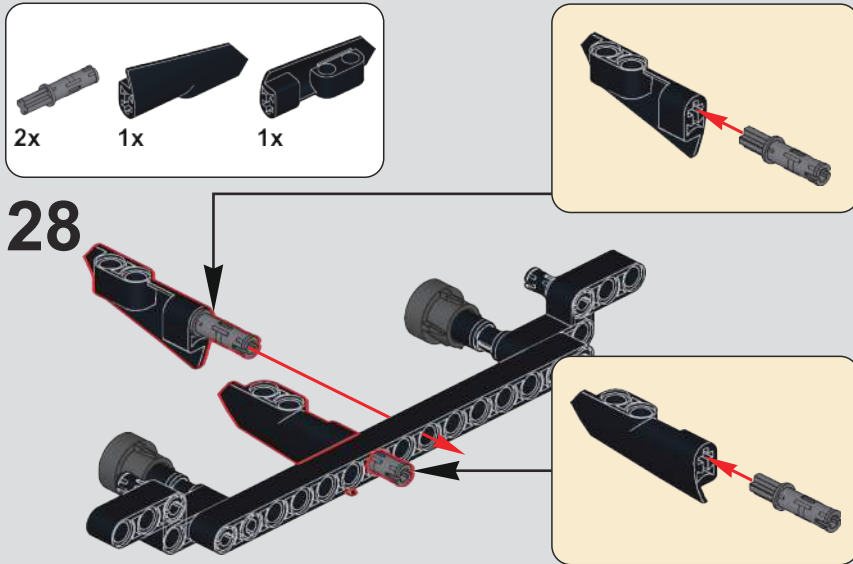
26



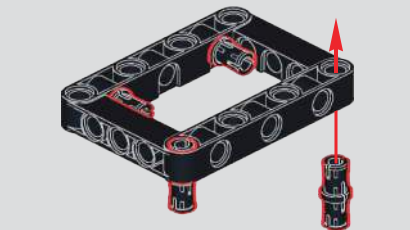
27

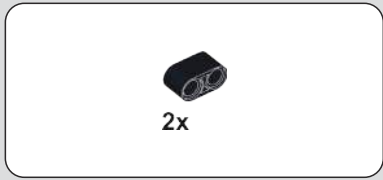


28

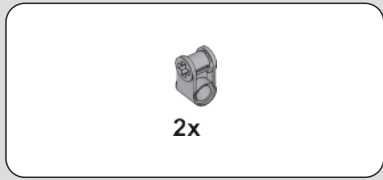


29

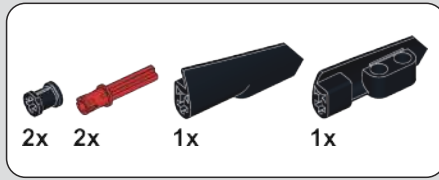




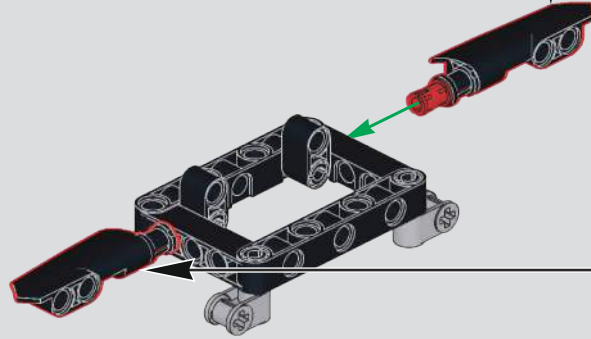
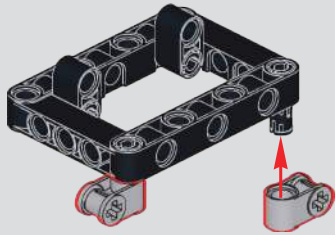
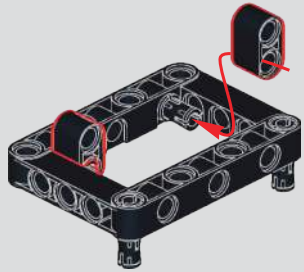
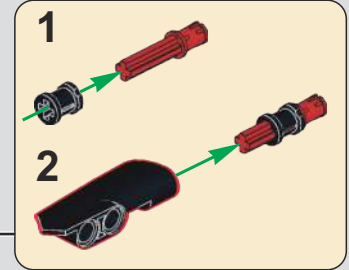
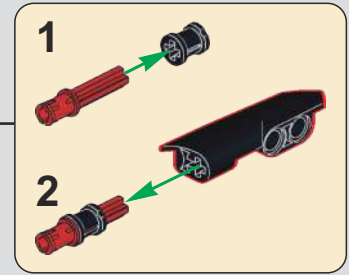
30



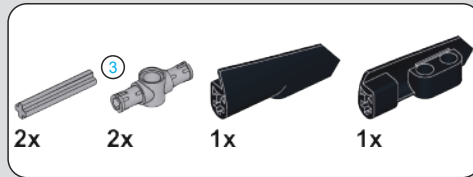
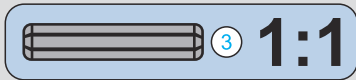
31



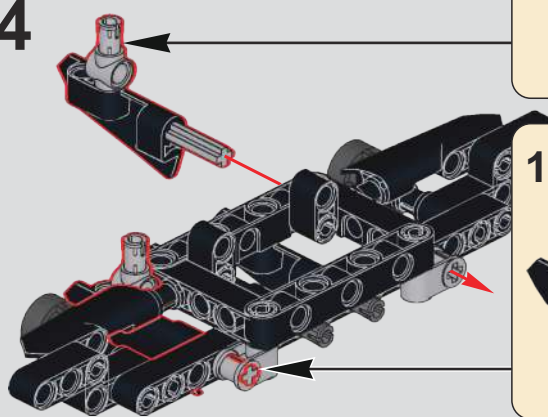
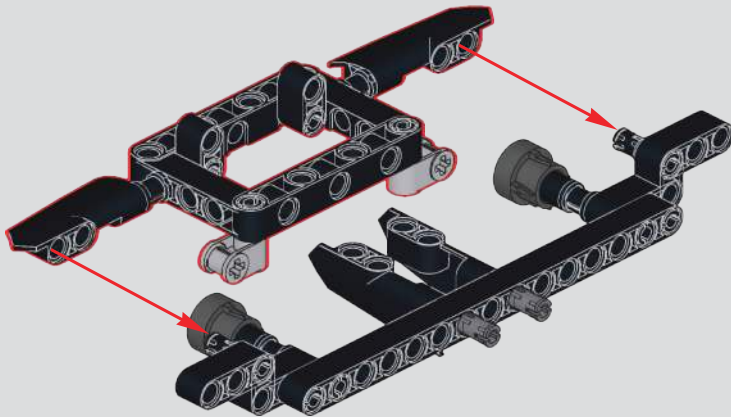
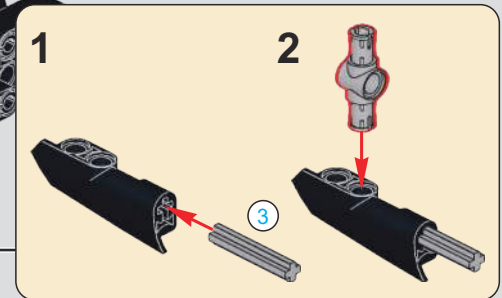
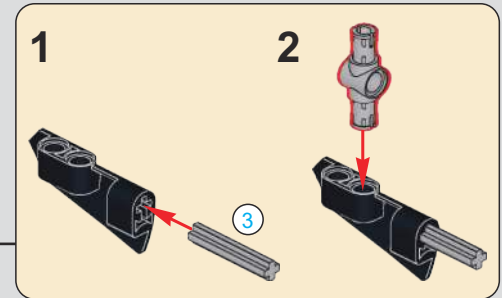
32

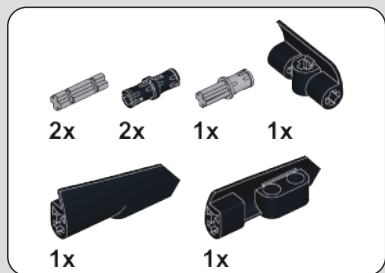


33

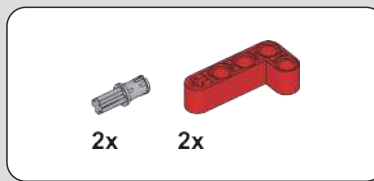
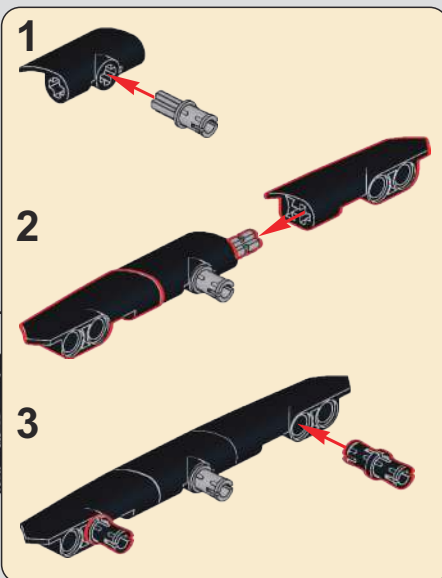
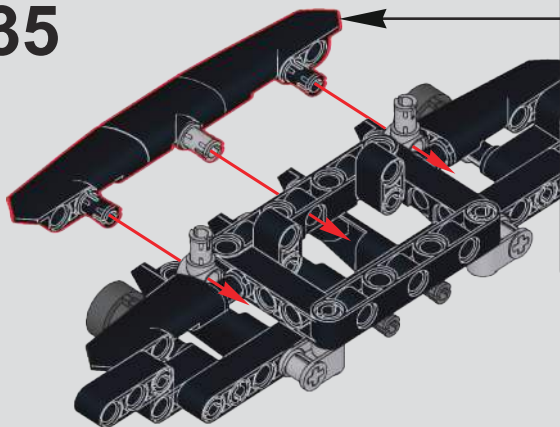


34

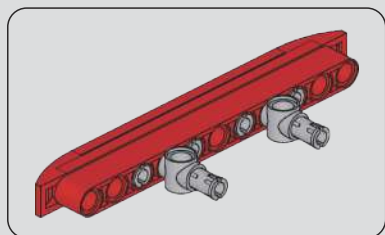
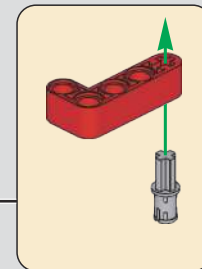
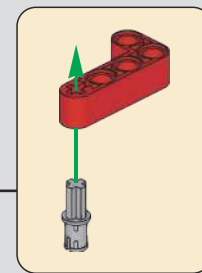
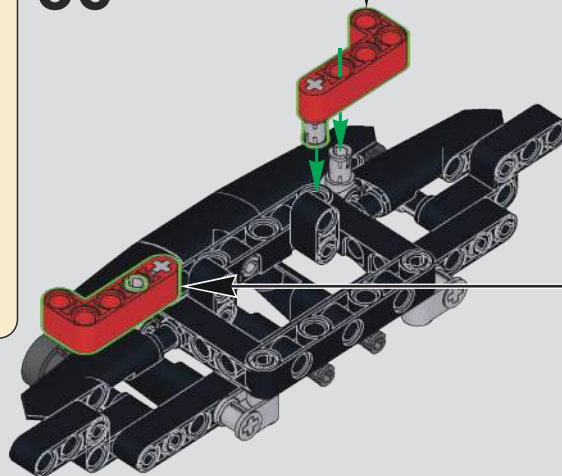




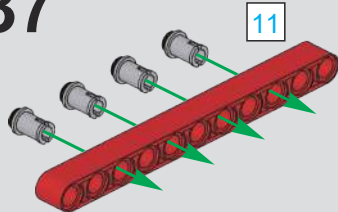
35



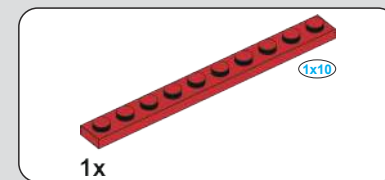
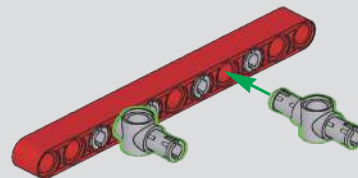
36



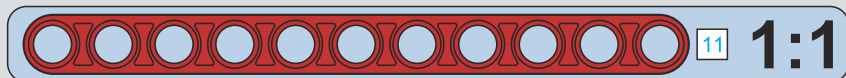
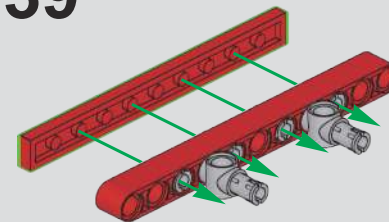
37

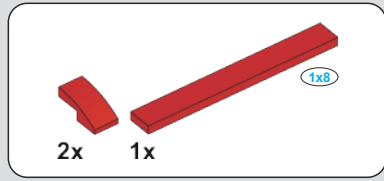


38

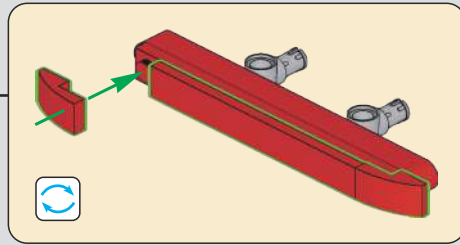
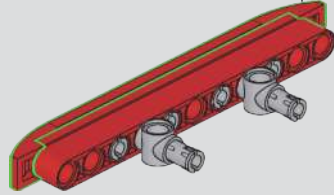


39

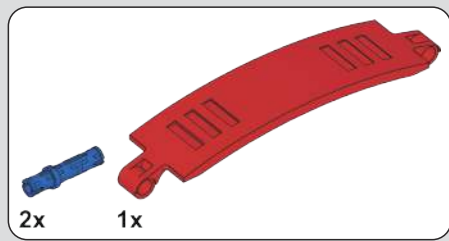
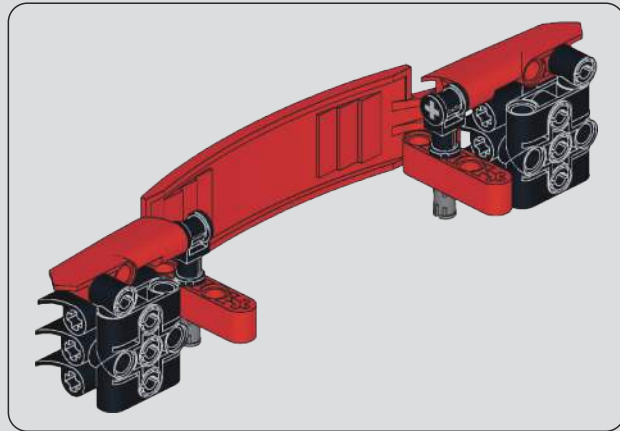
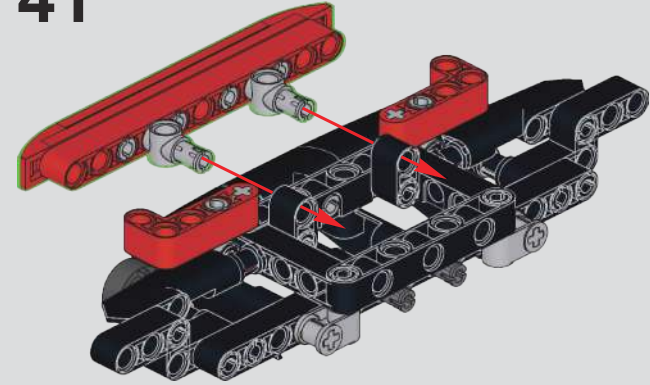




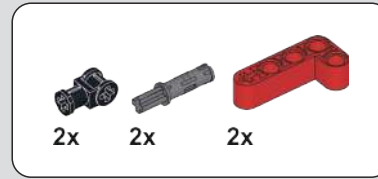
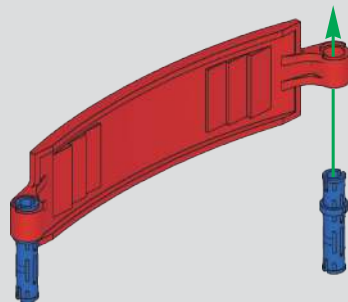
40



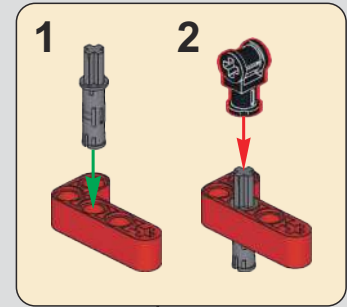
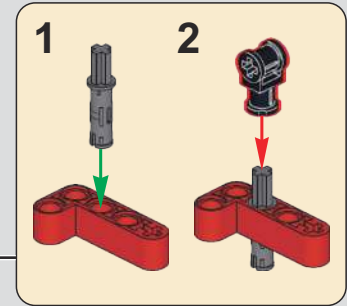
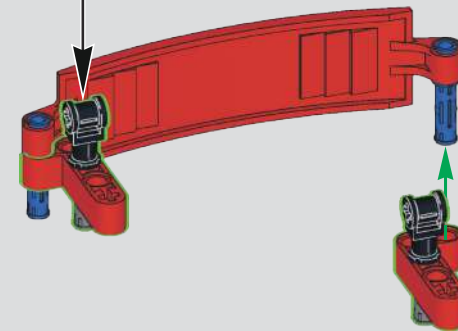
41



42

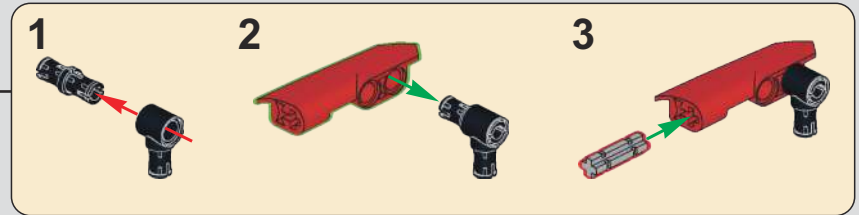
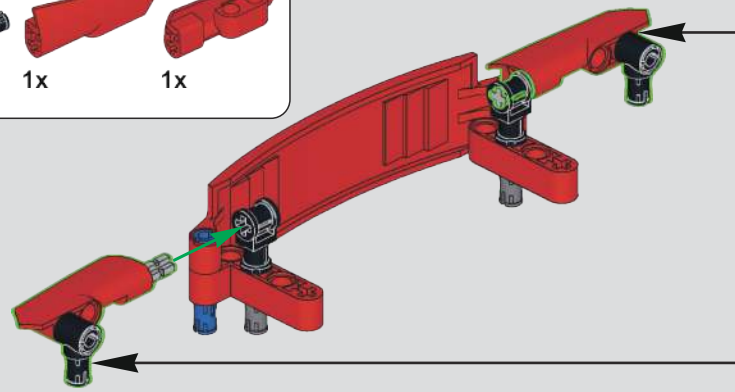


43

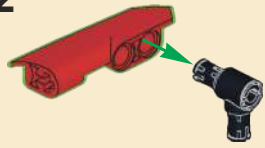




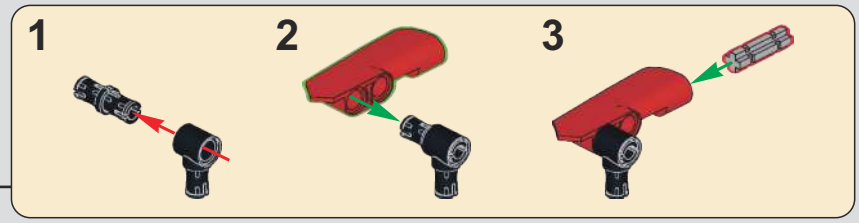
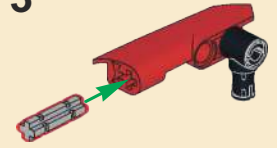
44



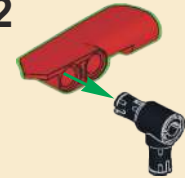
2



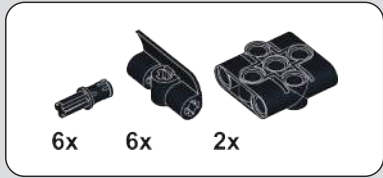
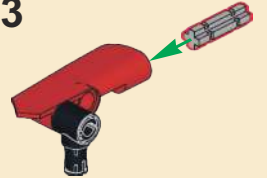
3



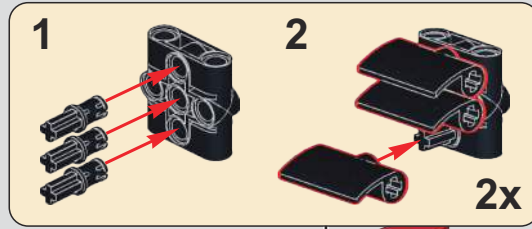
2



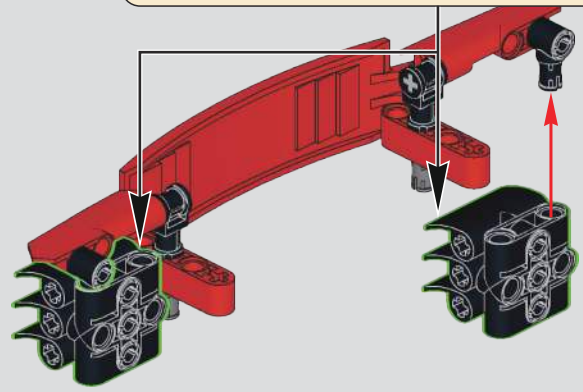
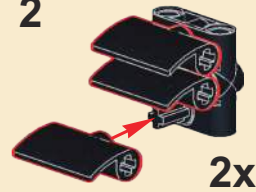
3



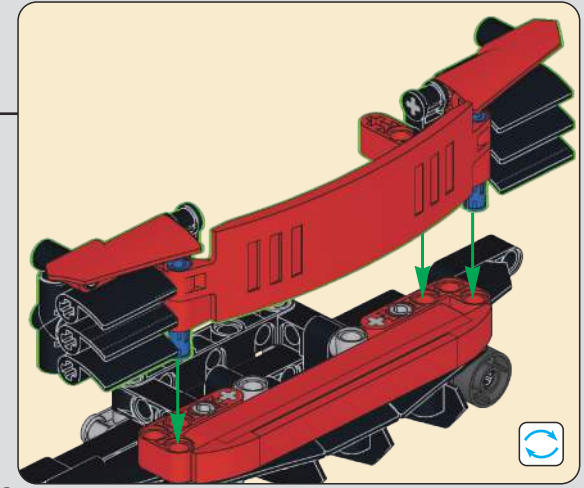
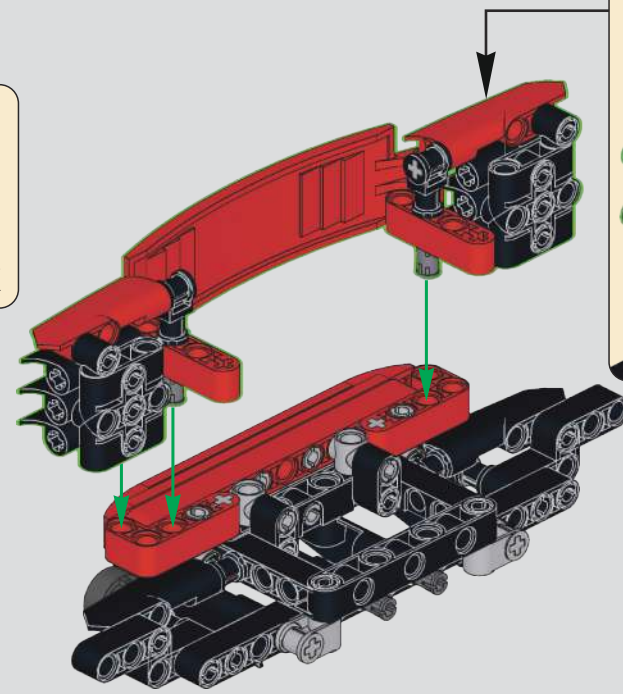
45

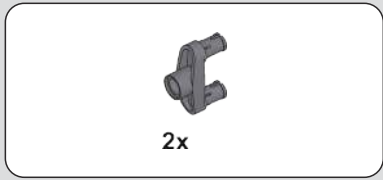


2

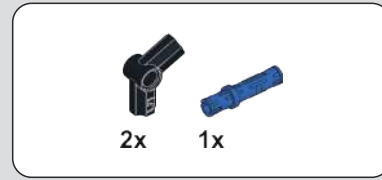
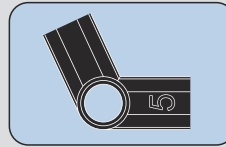
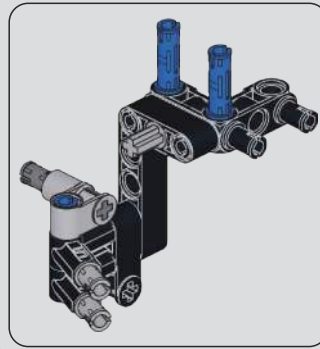
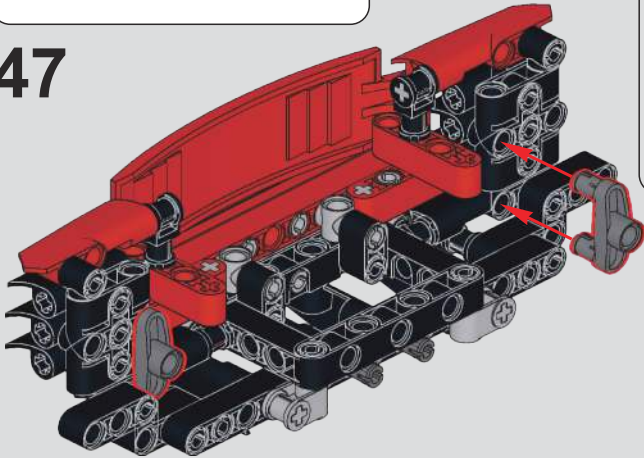


46

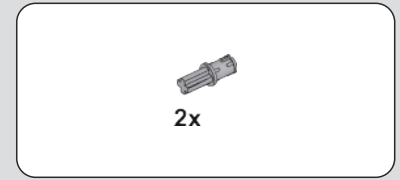
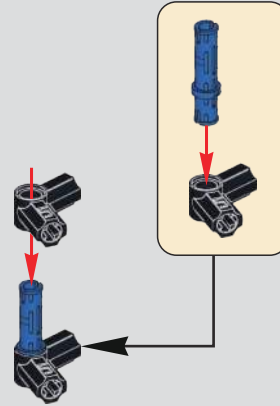




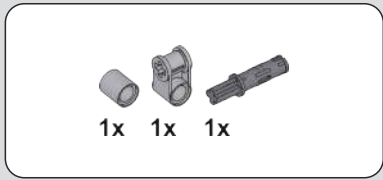
47



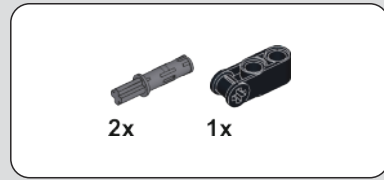
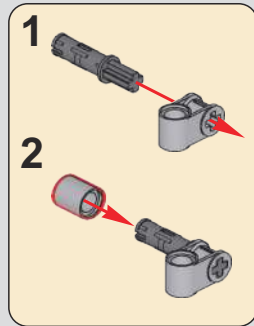
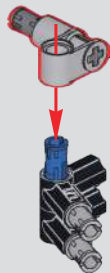
48



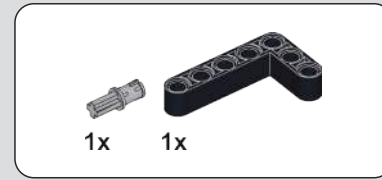
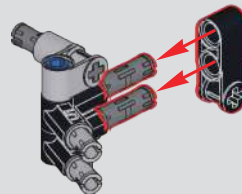
49



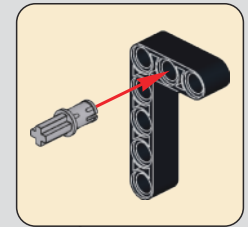
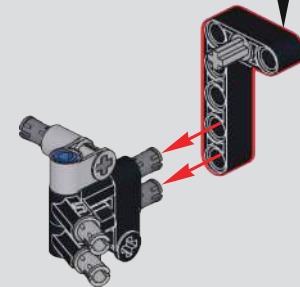
50

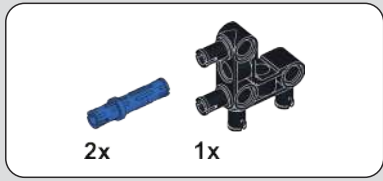


51

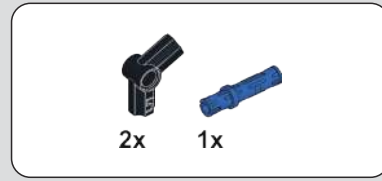
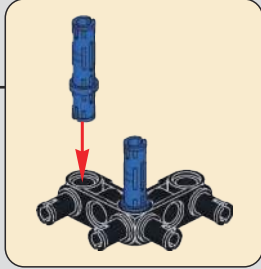
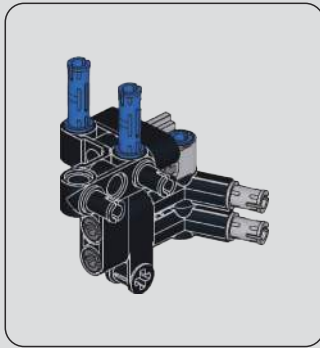
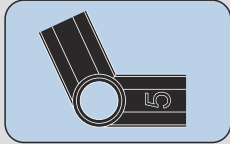
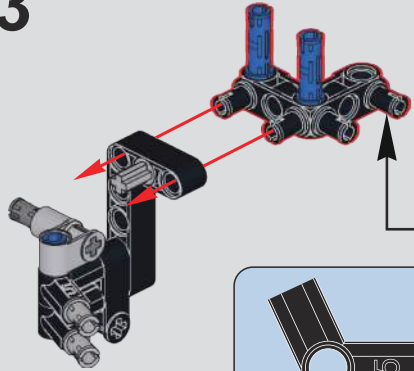


52

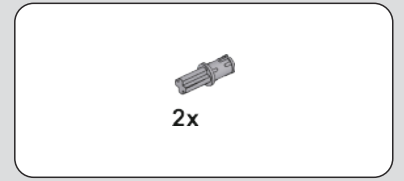
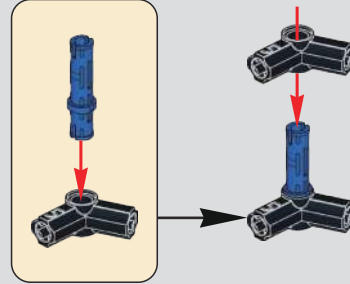




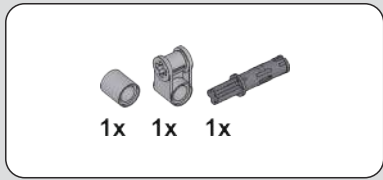
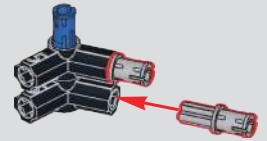
53



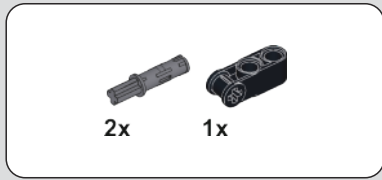
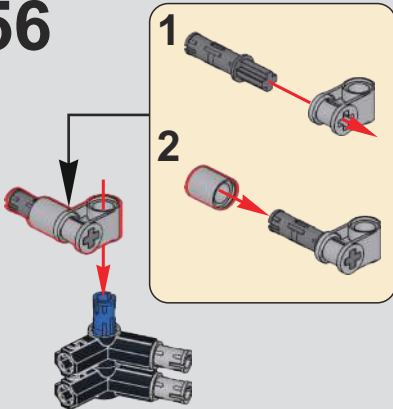
54



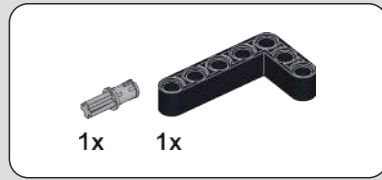
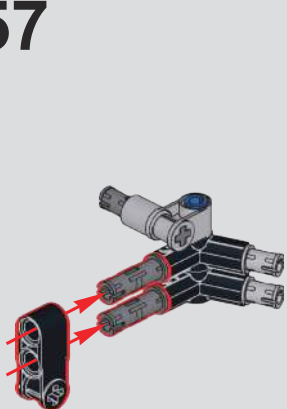
55



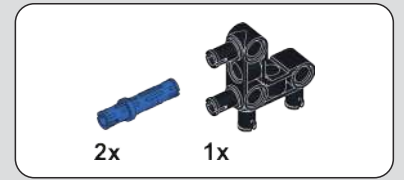
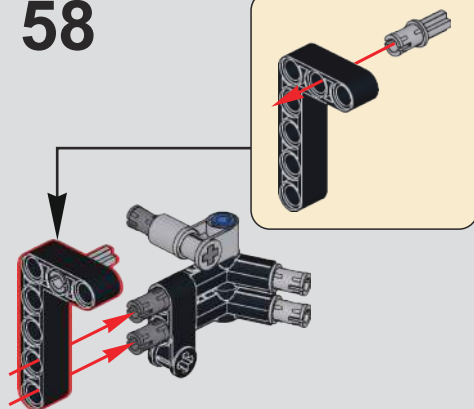
56



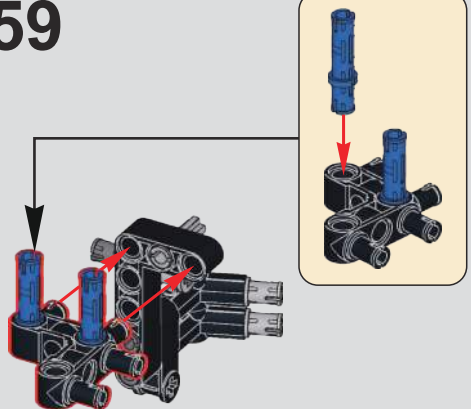
57



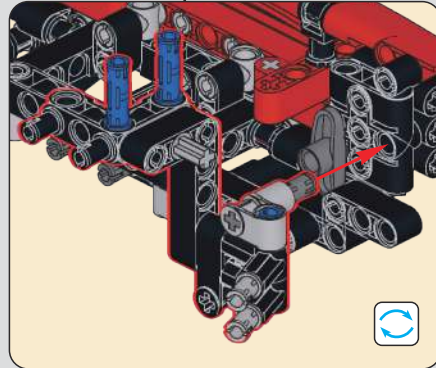
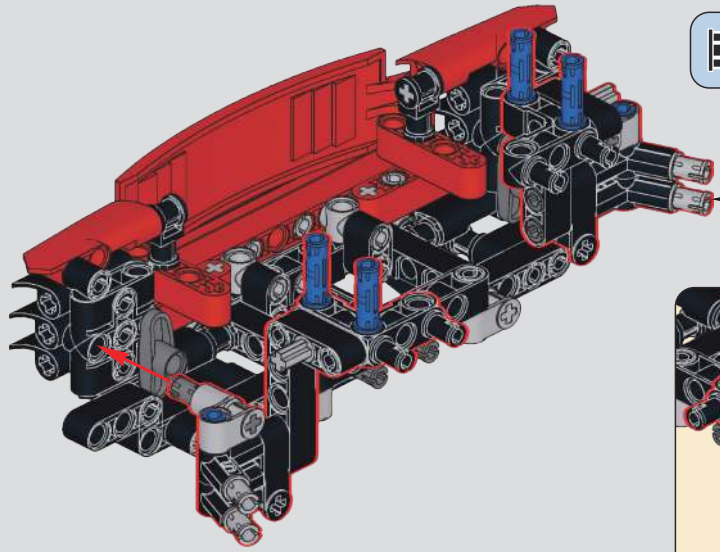
58



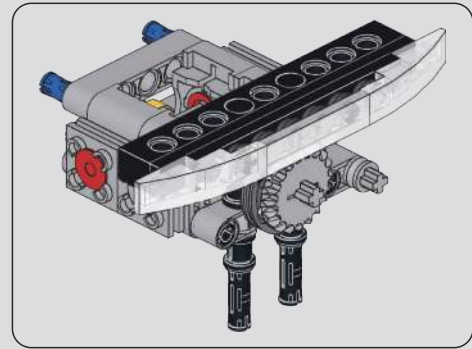
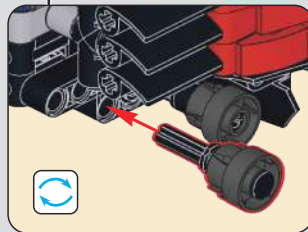
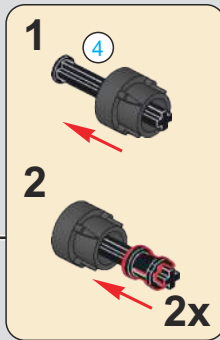
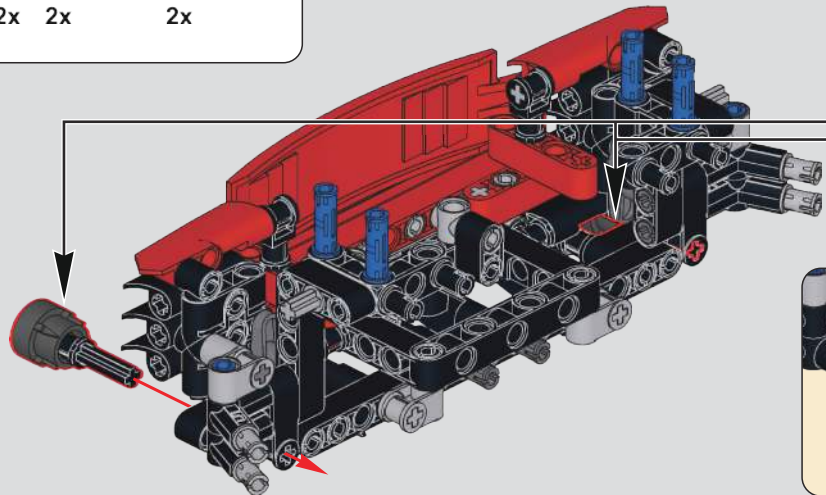
59



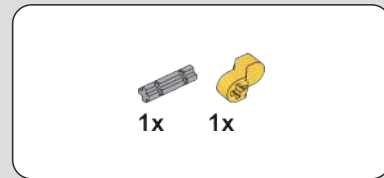
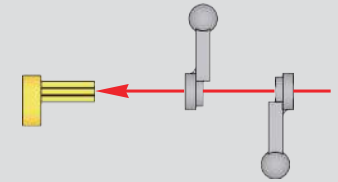
60



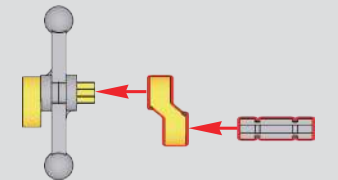
61

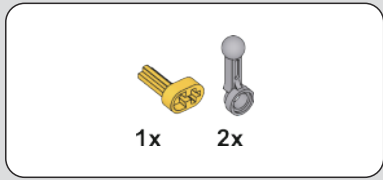


62

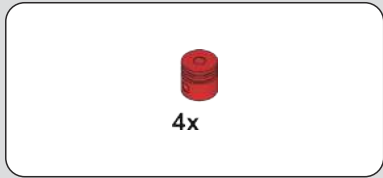
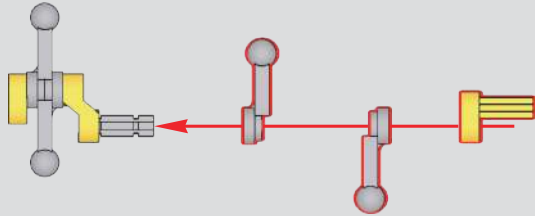


63

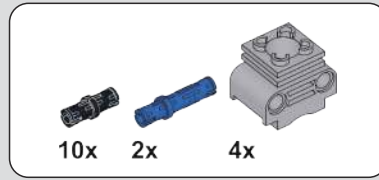
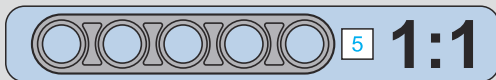
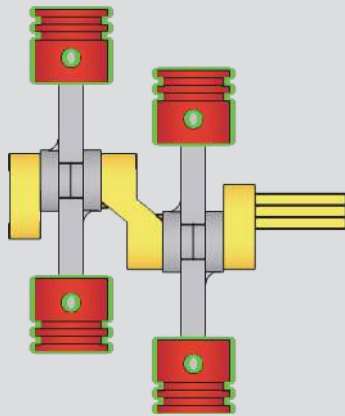




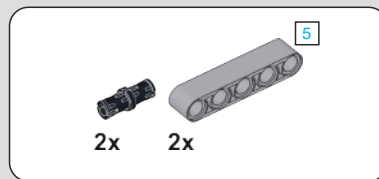
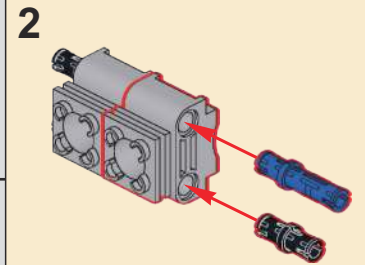
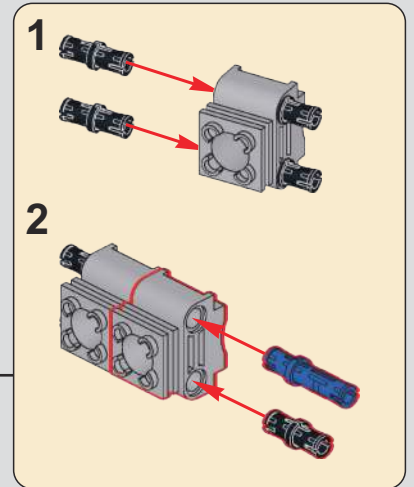
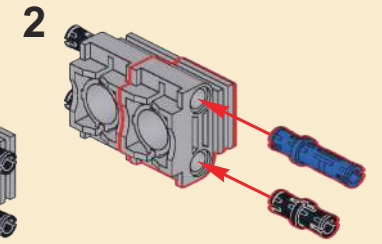
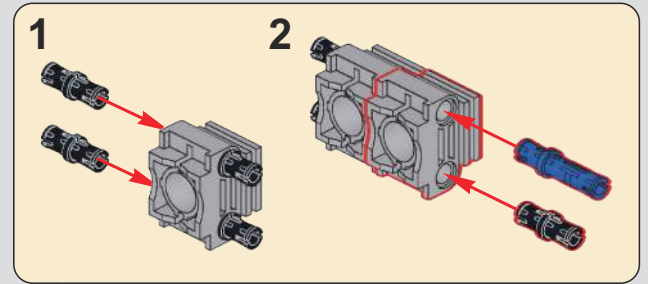
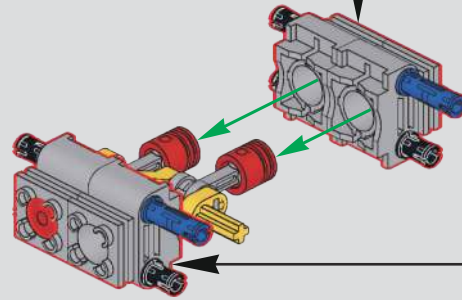
64



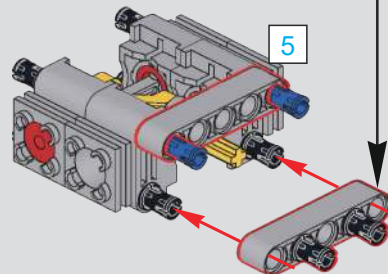
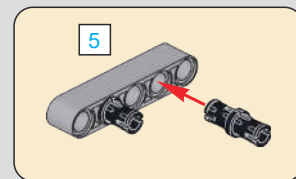
65

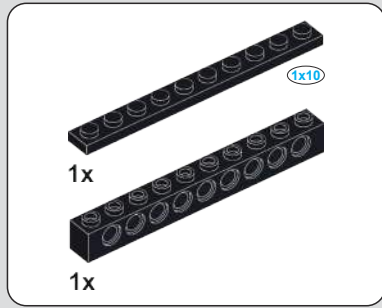
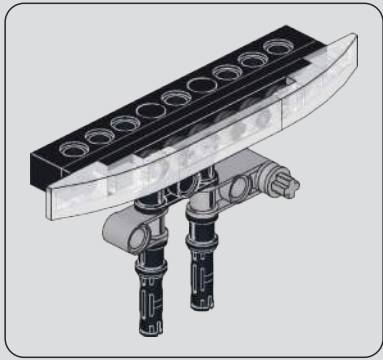


66

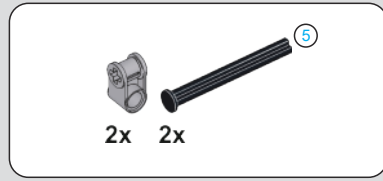
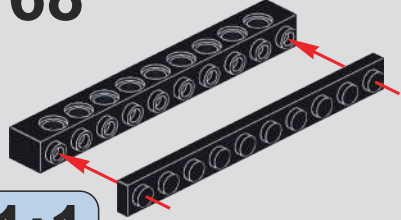


67

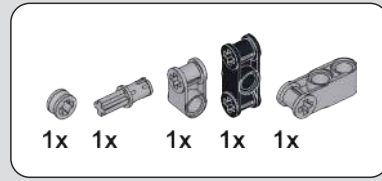
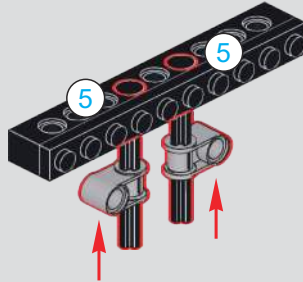




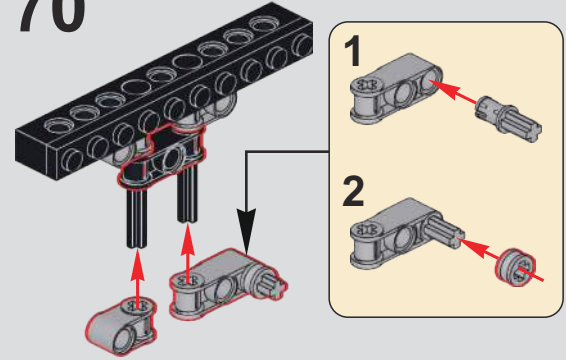
68



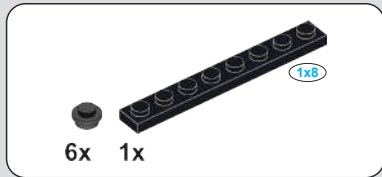
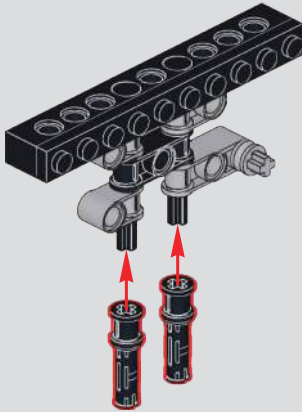
69



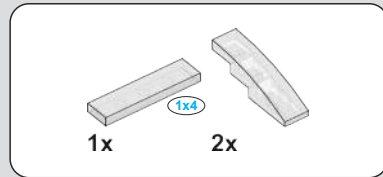
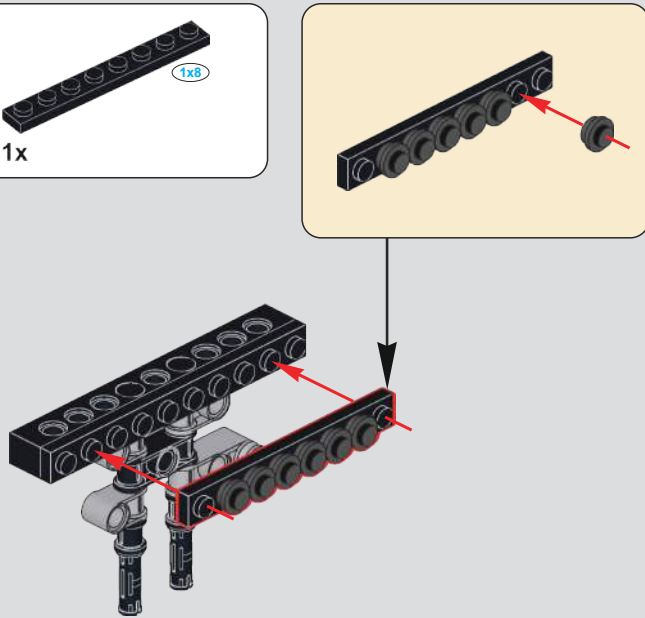
70



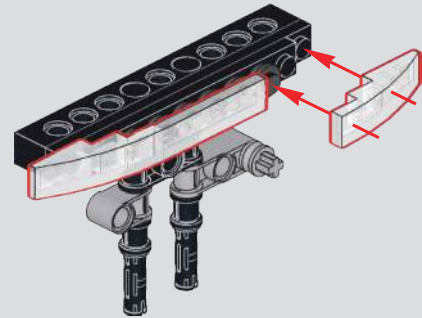
71



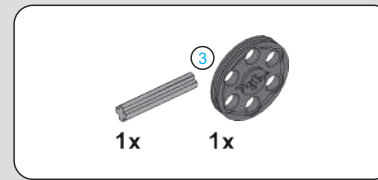
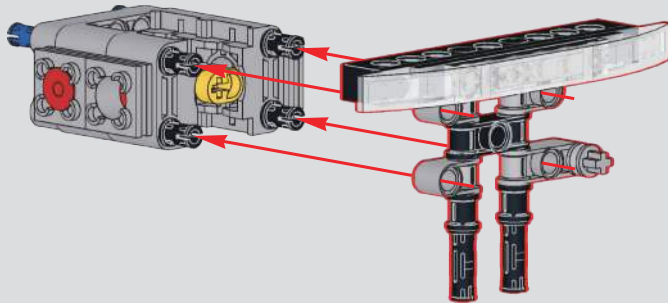
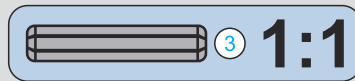
72



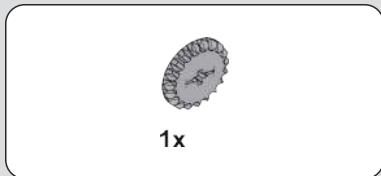
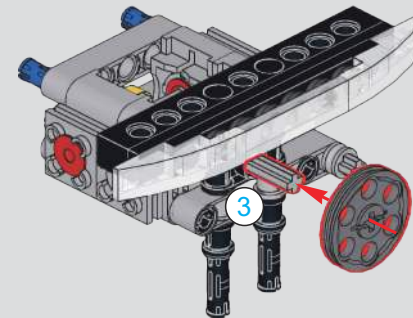
73



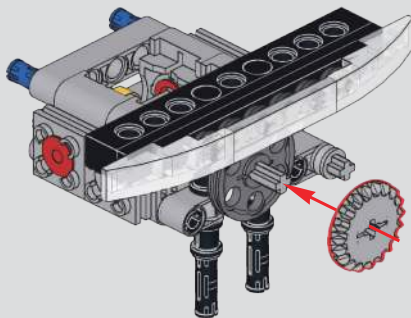
# 74



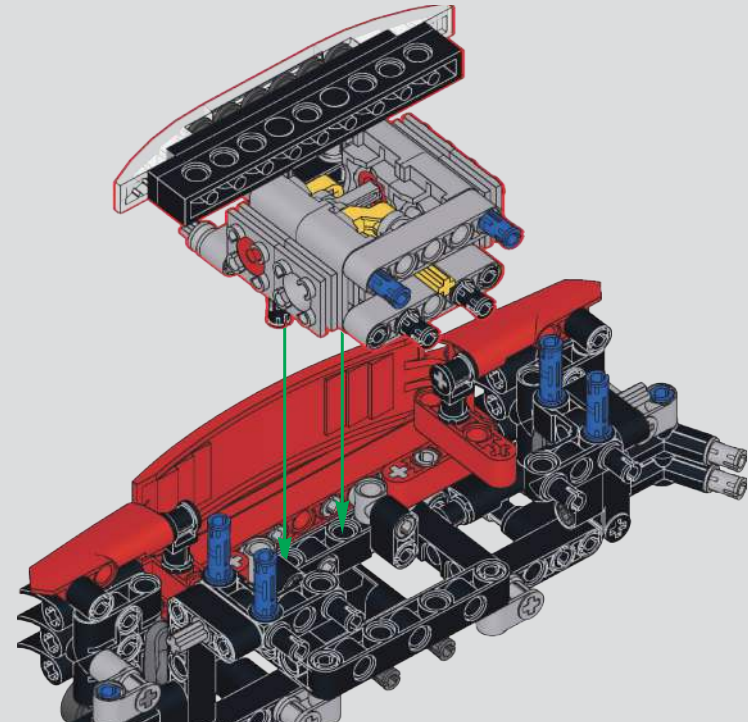
# 75

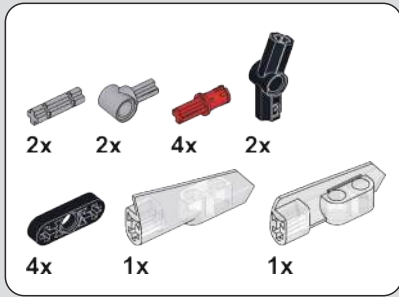


# 76

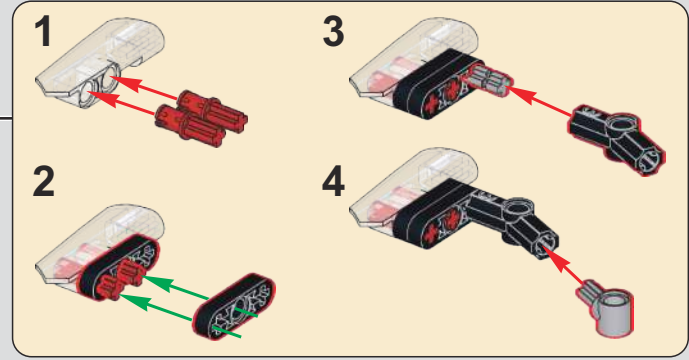
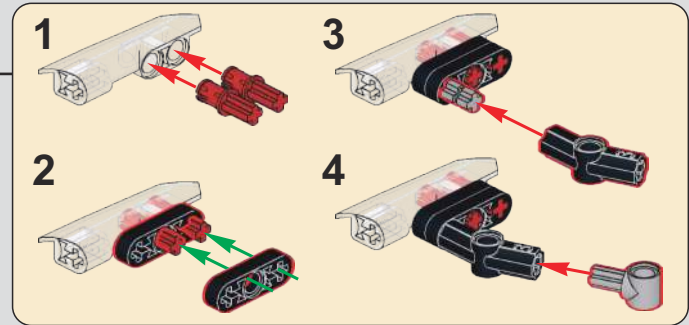
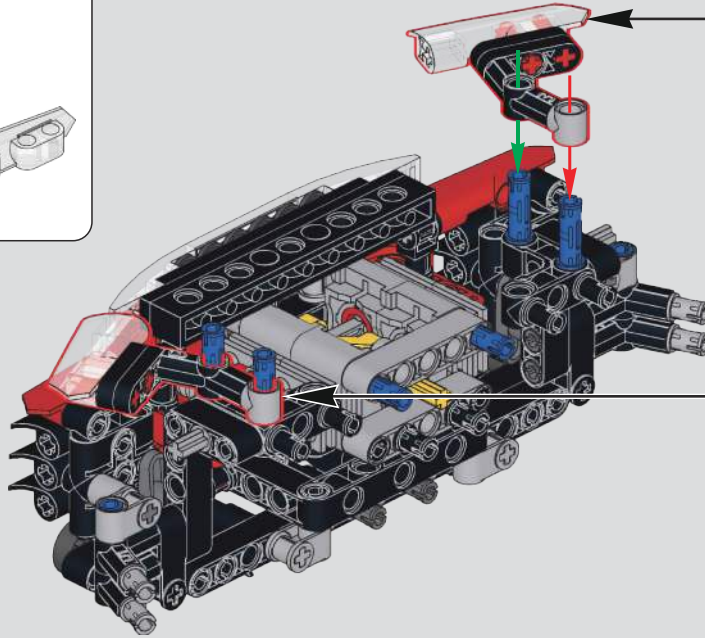


# 77

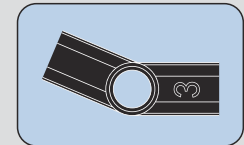
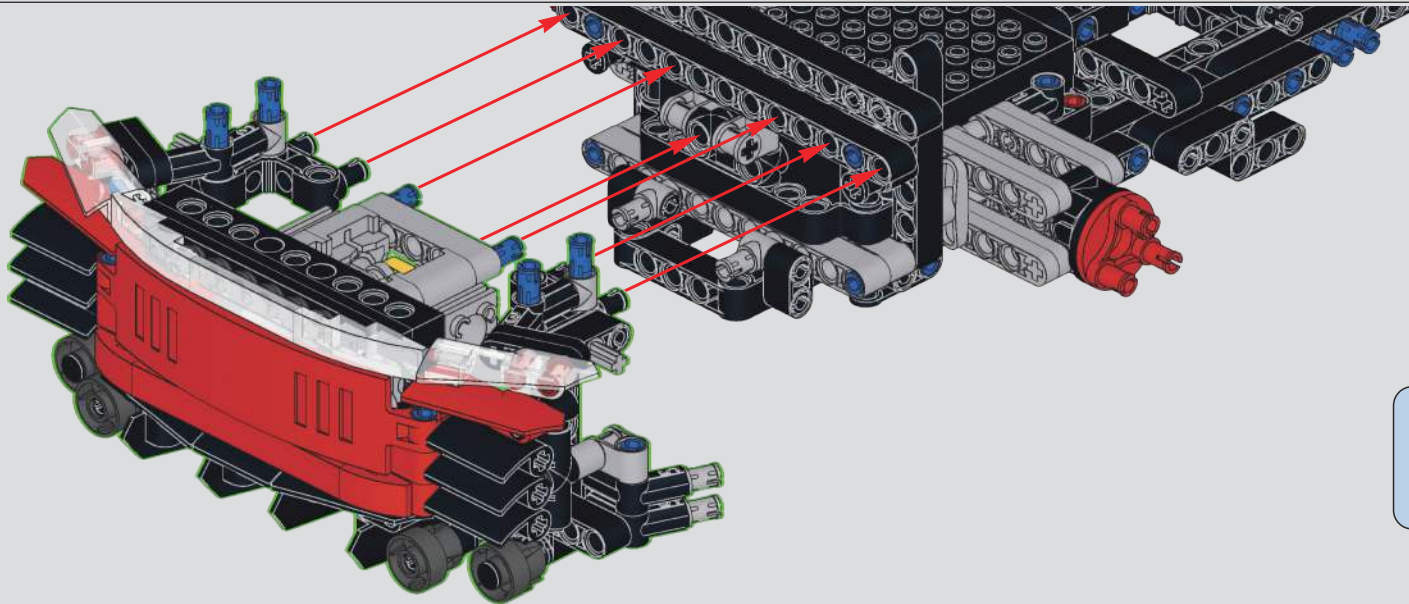


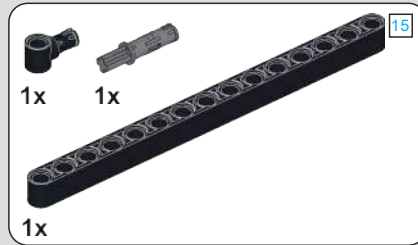
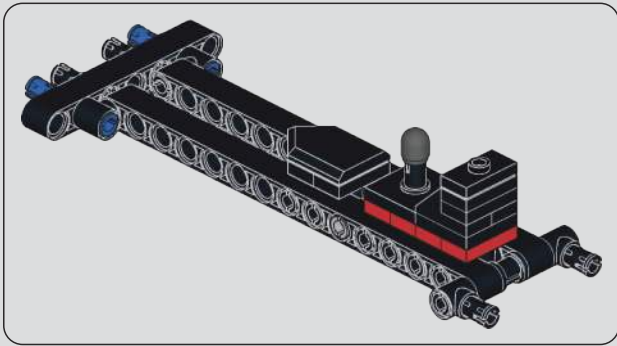


78

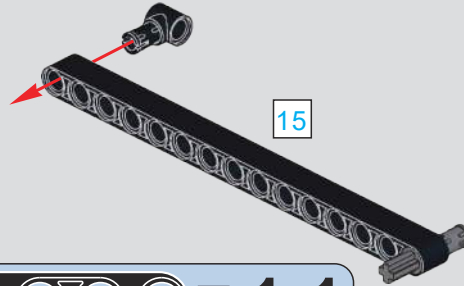


79

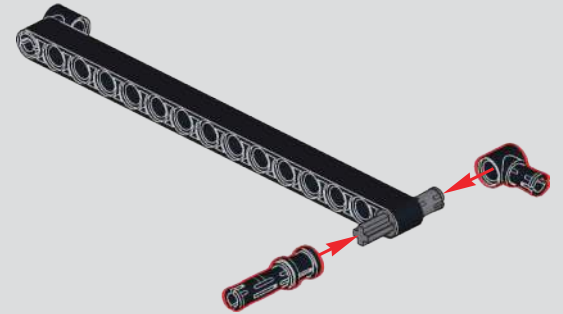




80



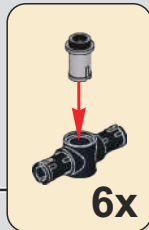
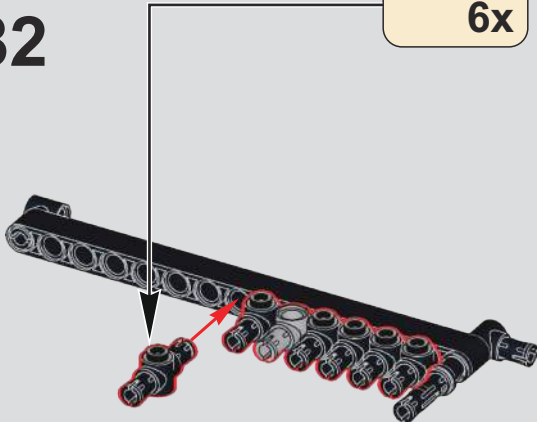
81



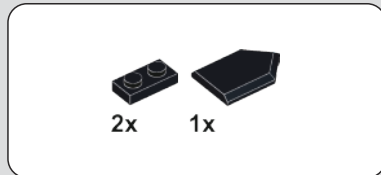
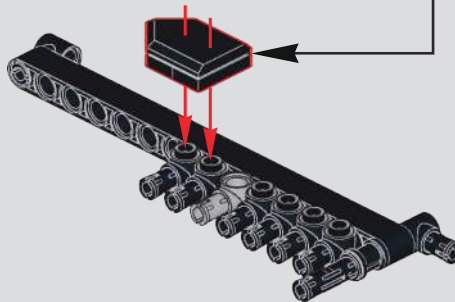
(光滑栓)(Technic Pin without Friction)



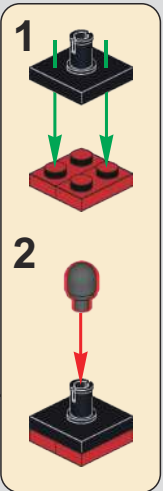
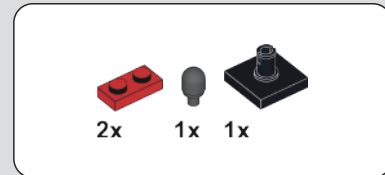
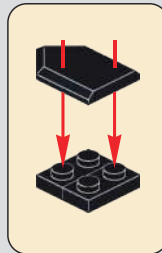
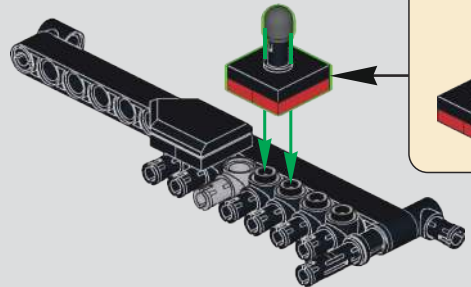
82

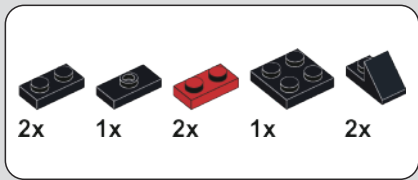


83

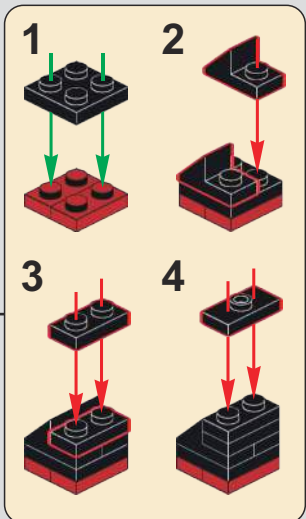
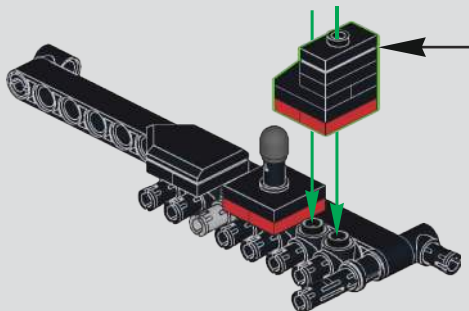


84

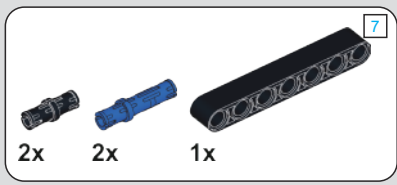
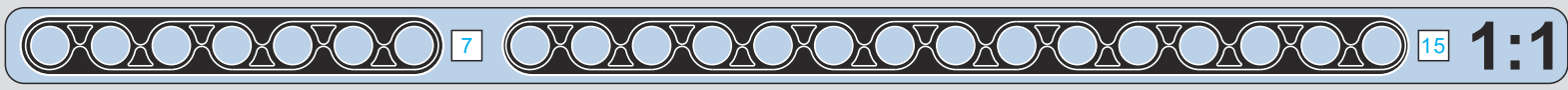
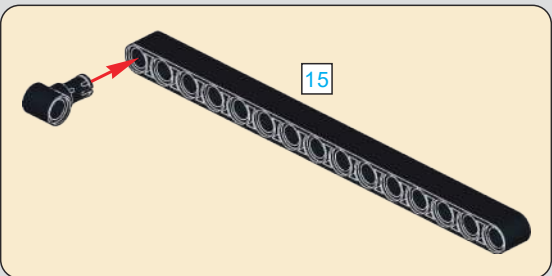
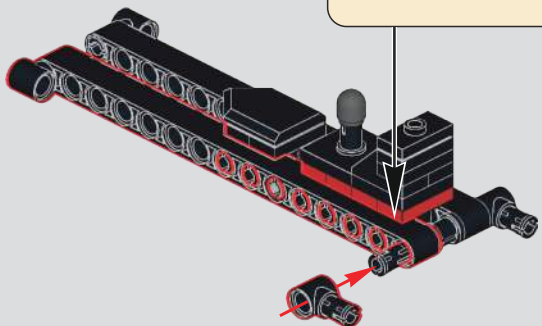




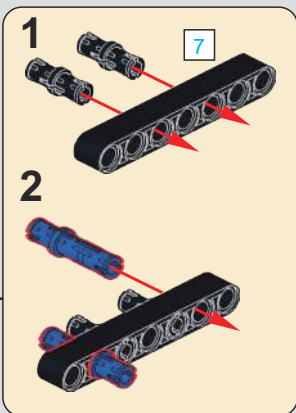
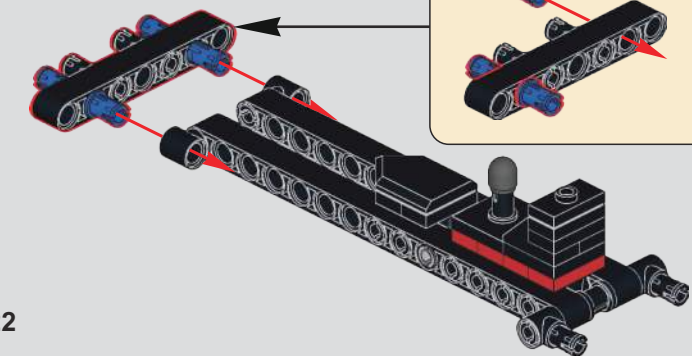
85



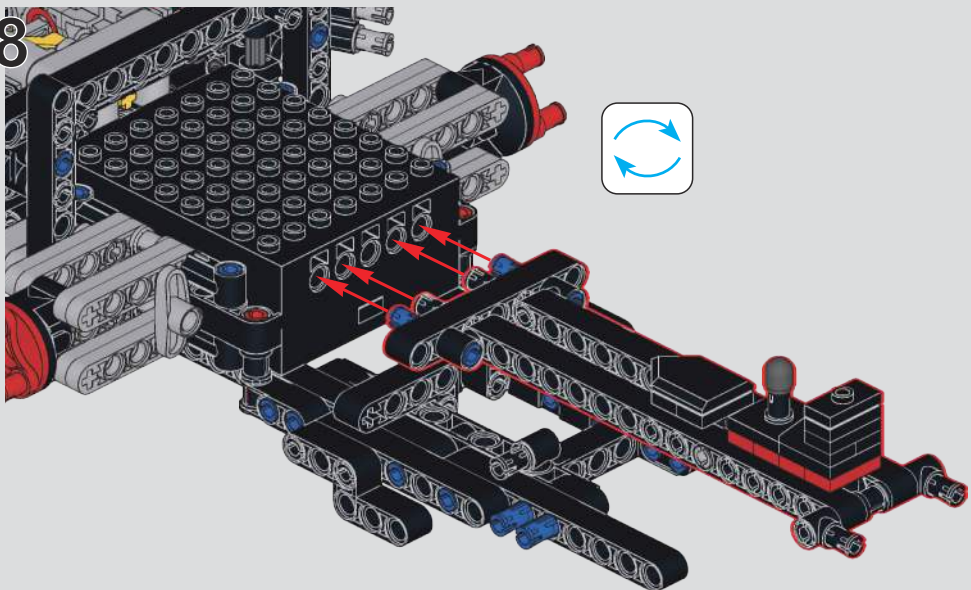
86

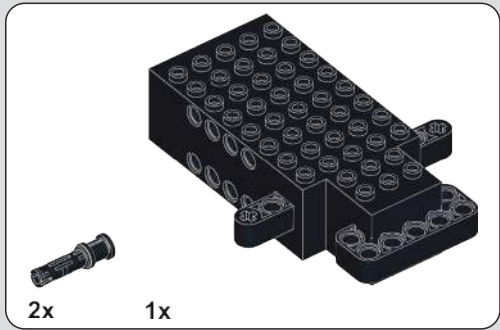


87

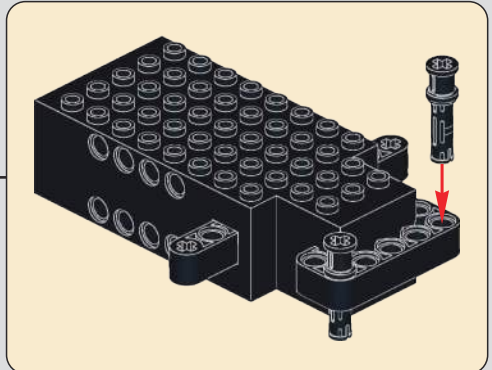
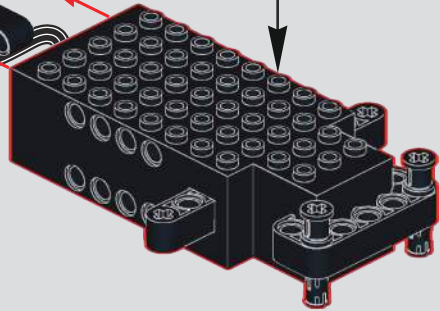
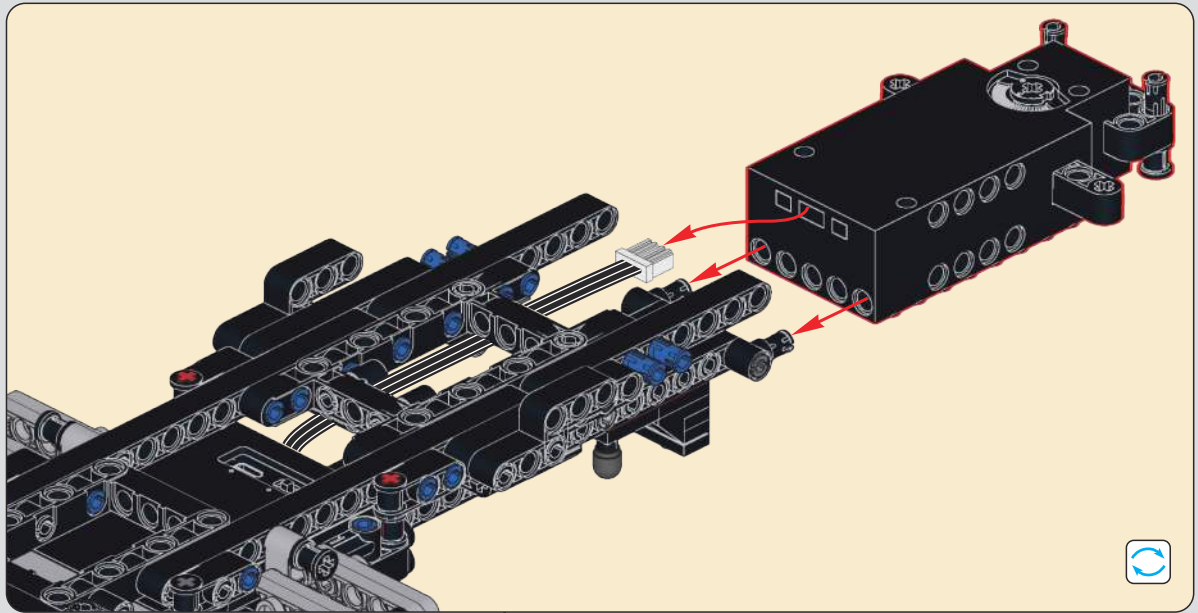
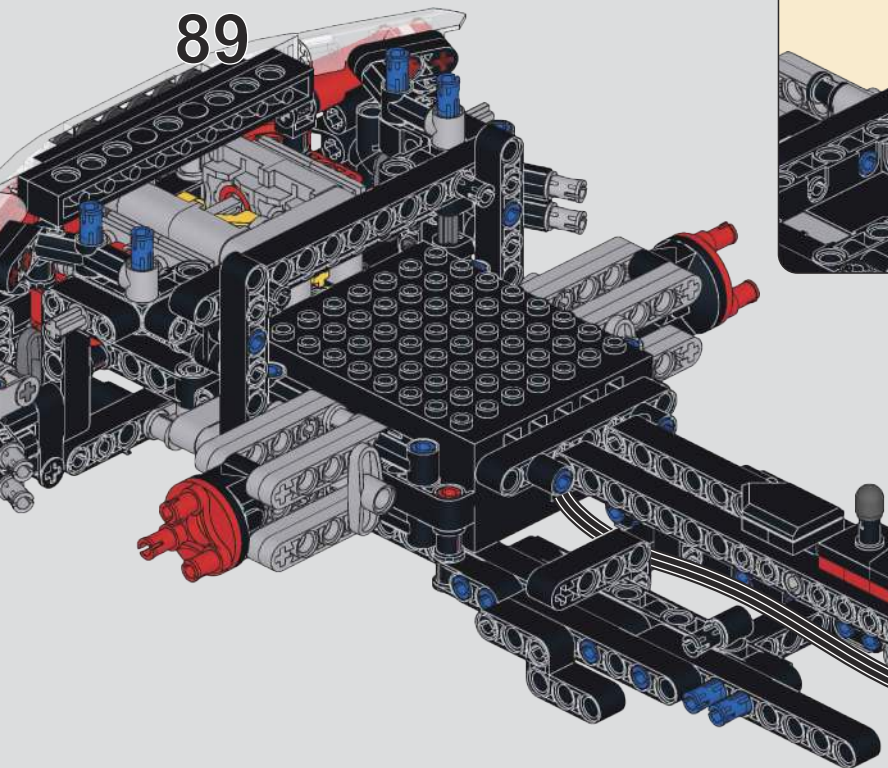


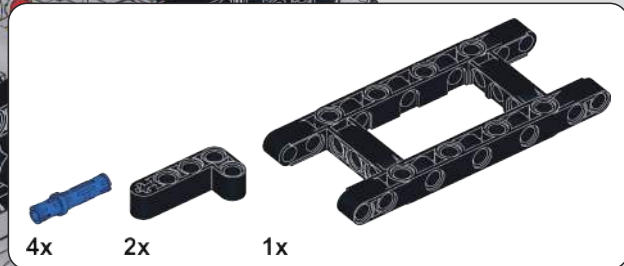
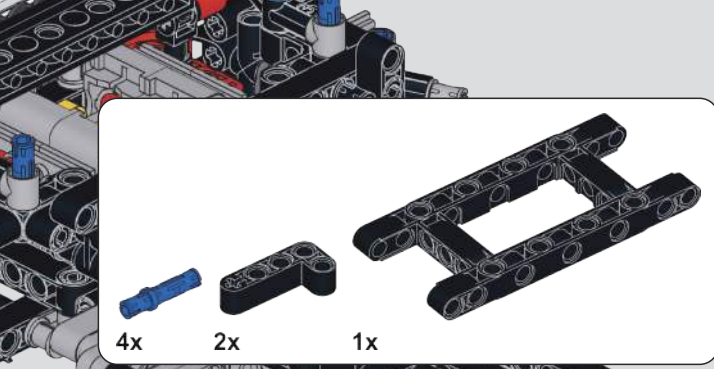
88



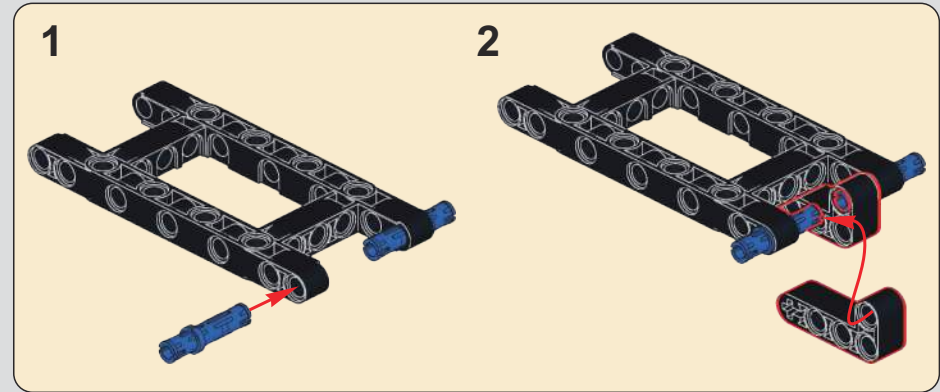


89



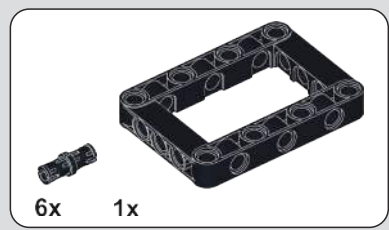
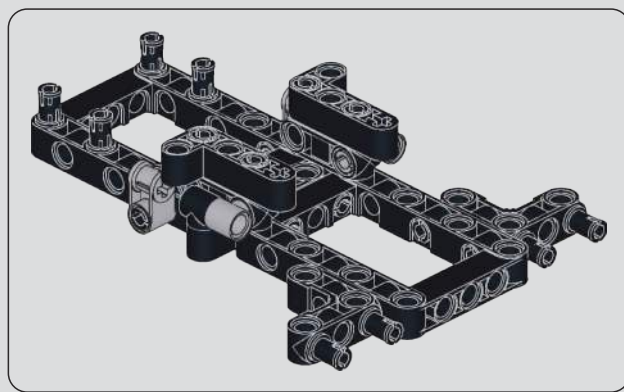
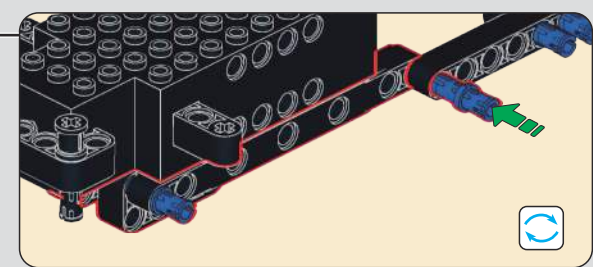


90

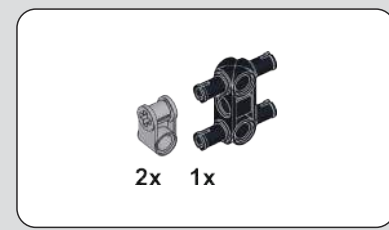


1

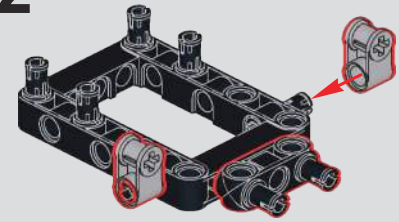
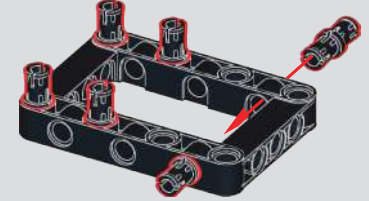
2

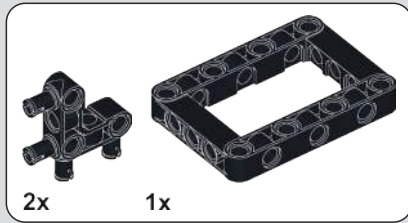


91

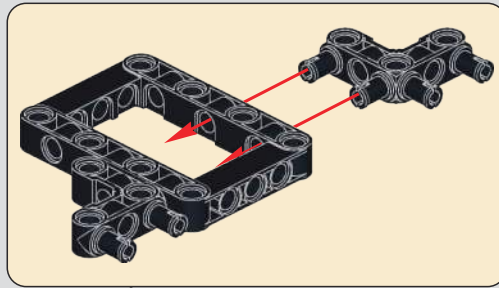
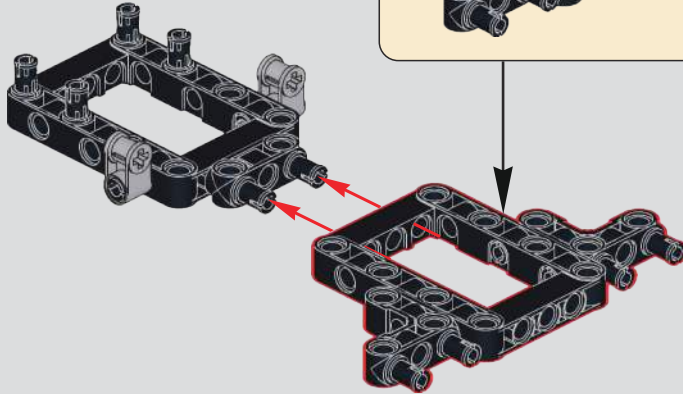


92

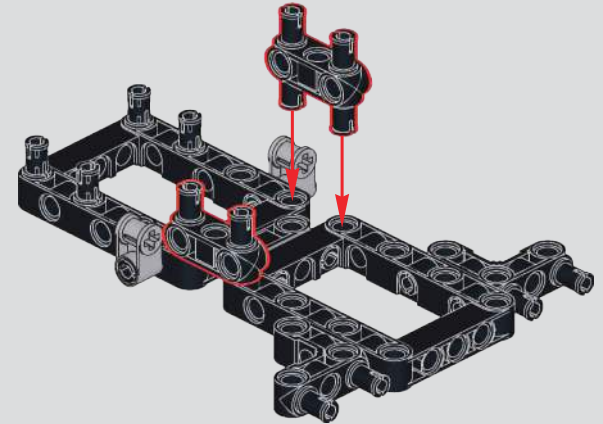




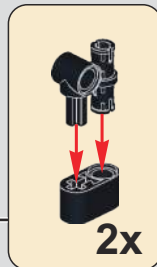
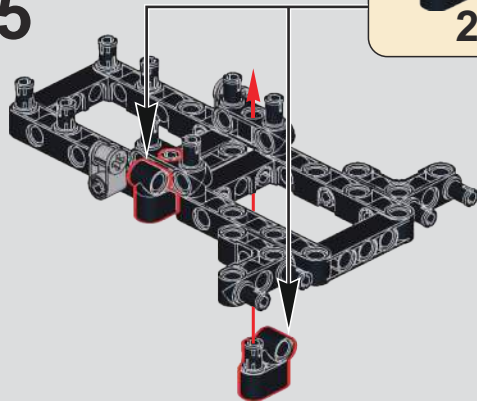
93



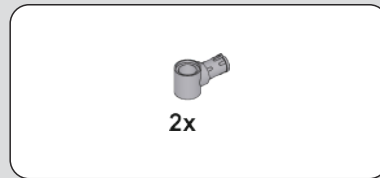
94



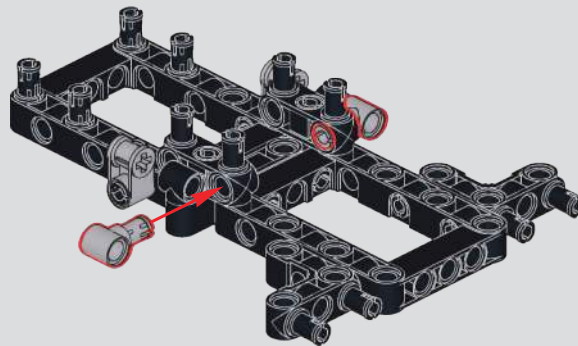
95



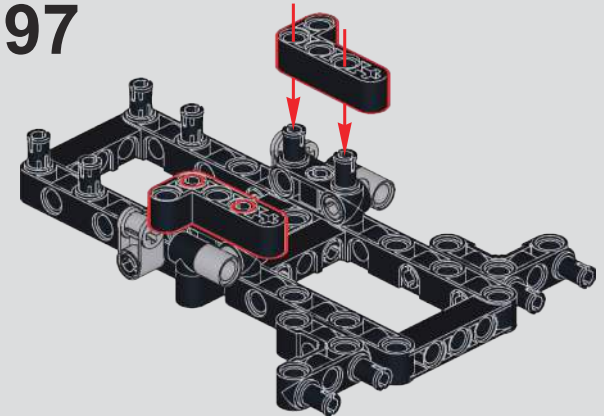
2x



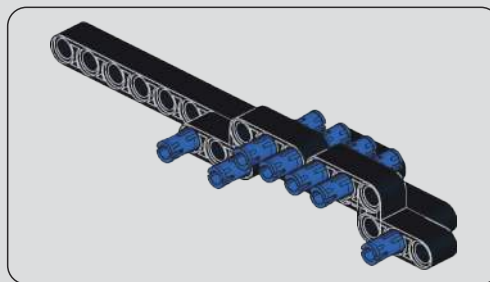
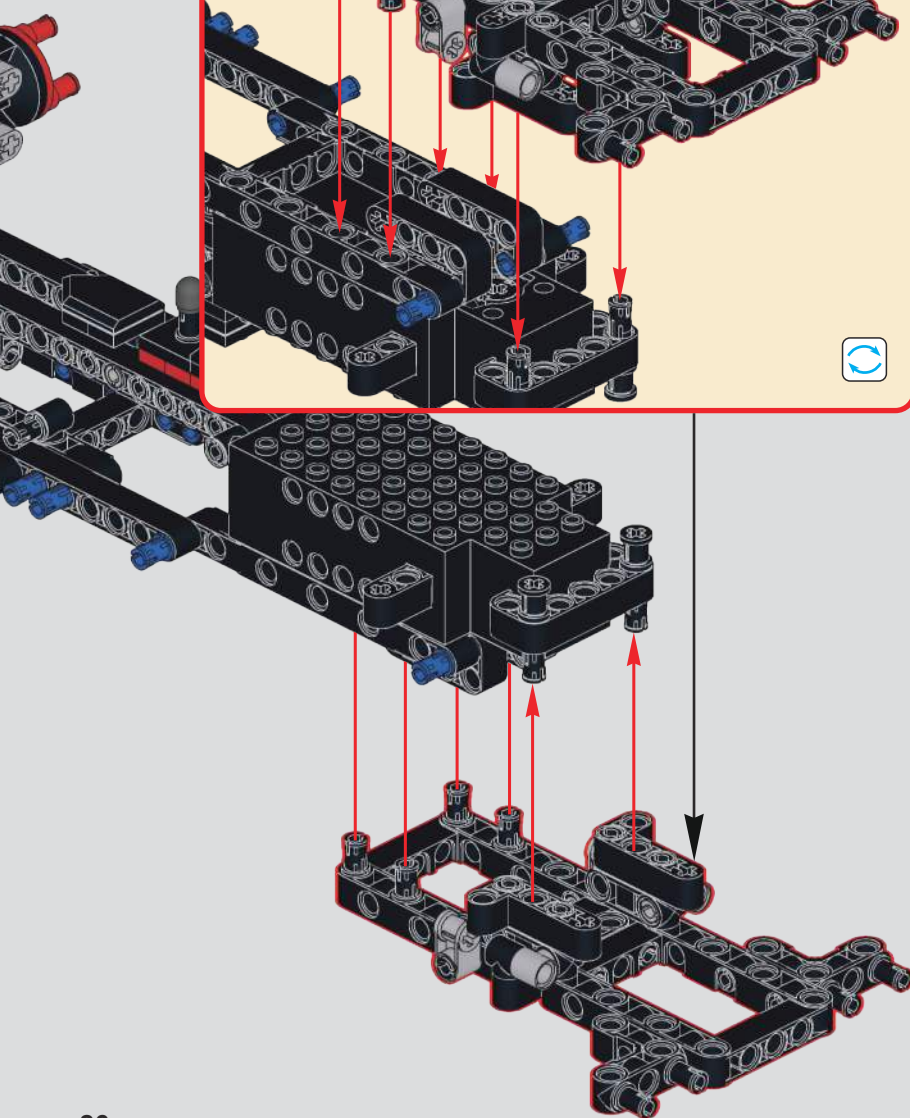
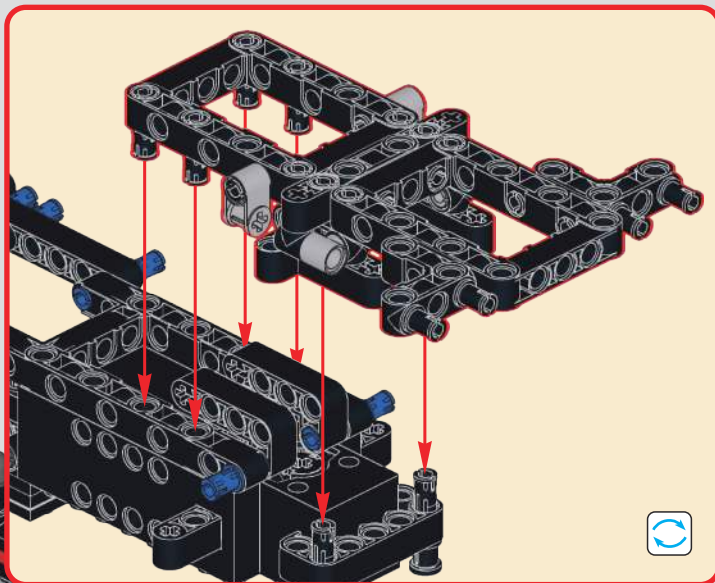
96



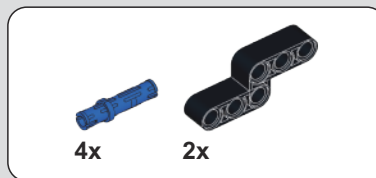
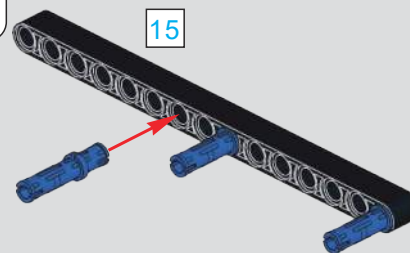
97



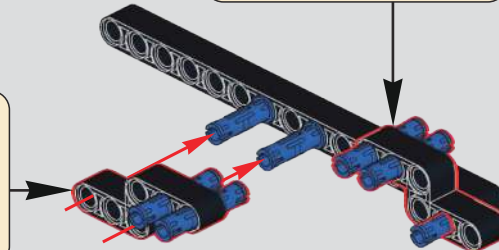
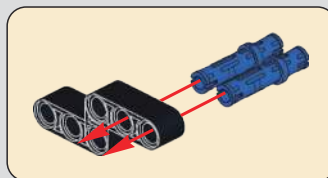
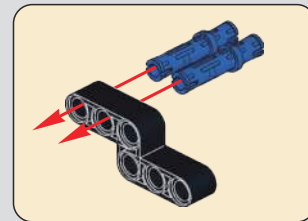
98

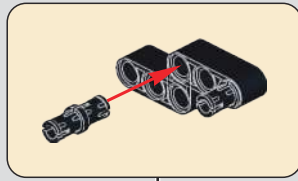
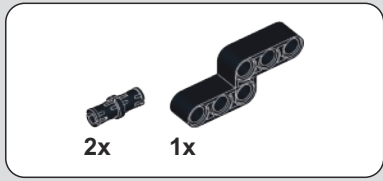


99

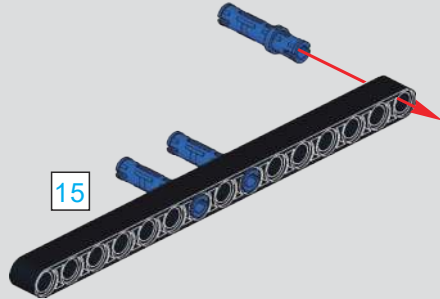
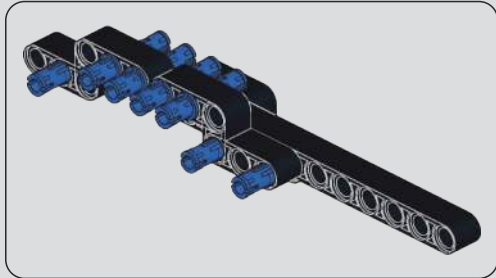
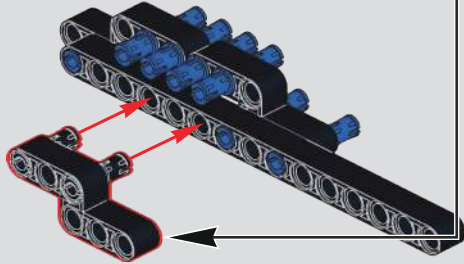


100

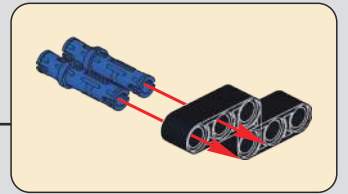
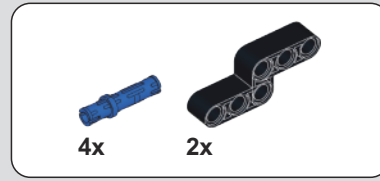




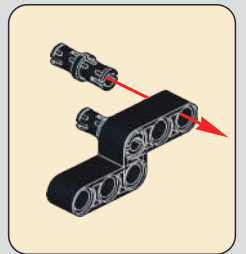
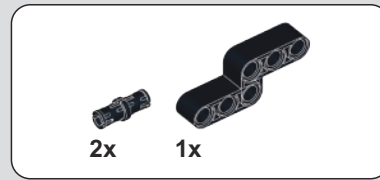
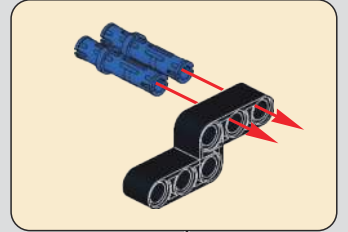
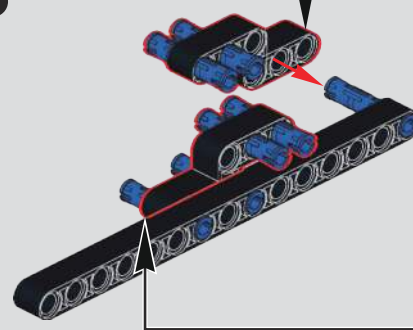
101



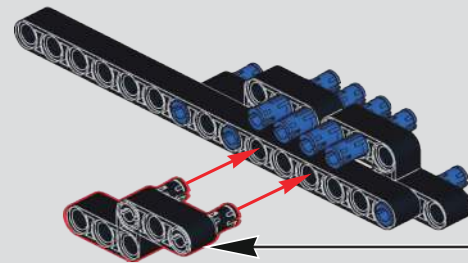
102

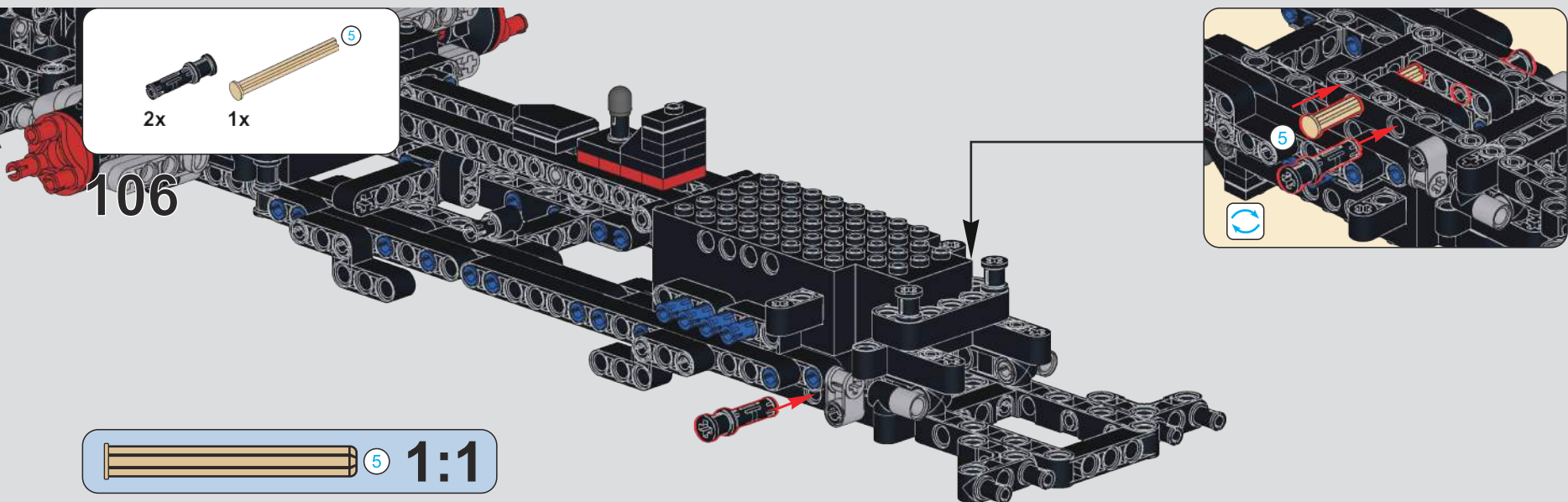
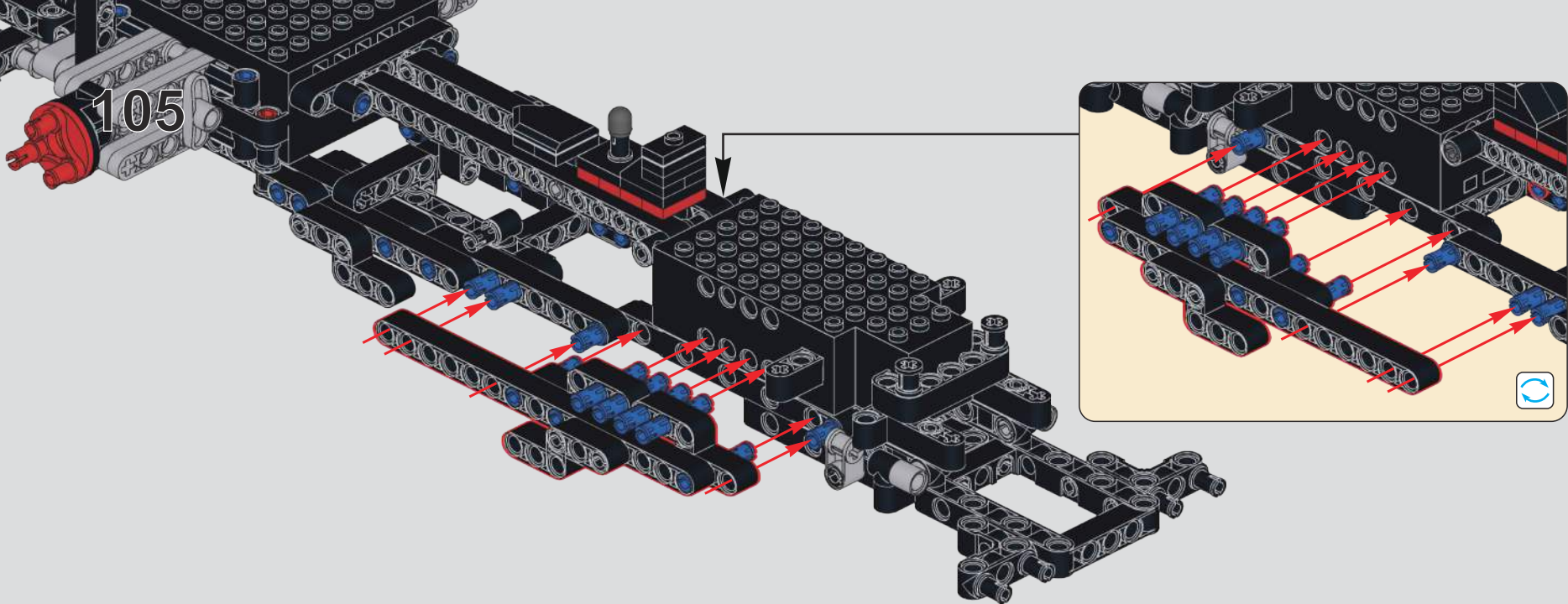


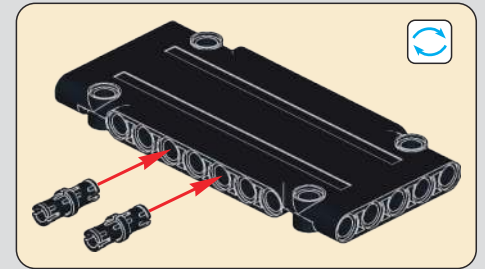
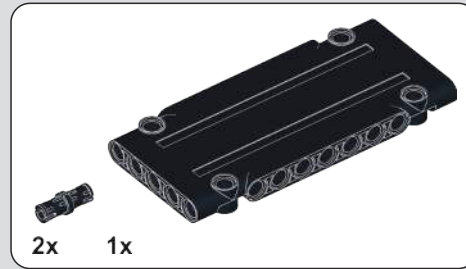
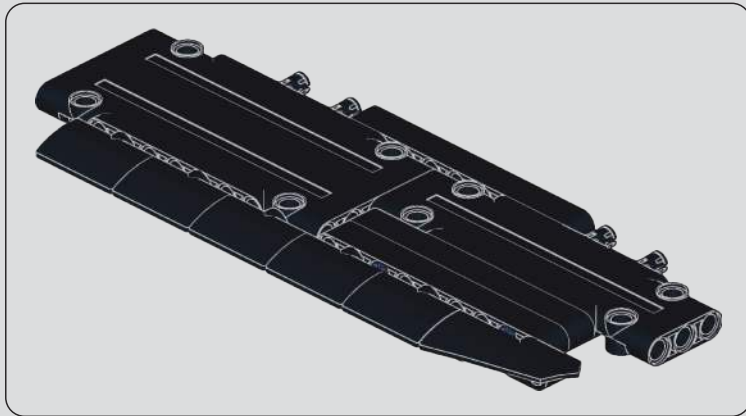
103



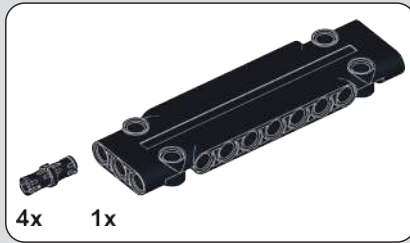
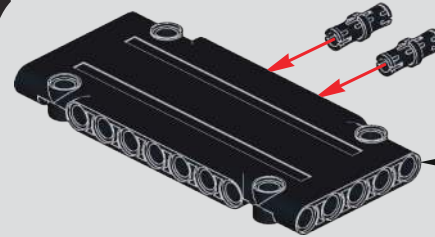
104



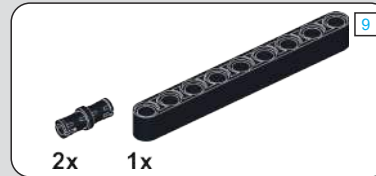
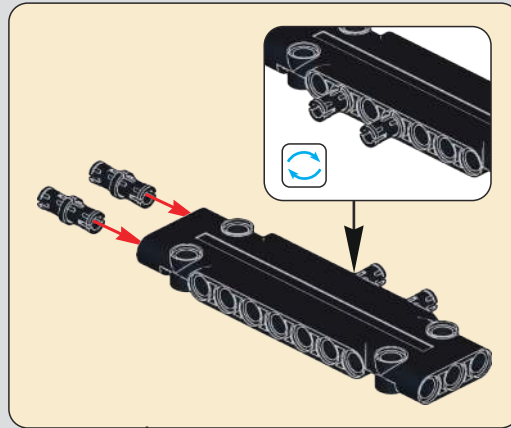
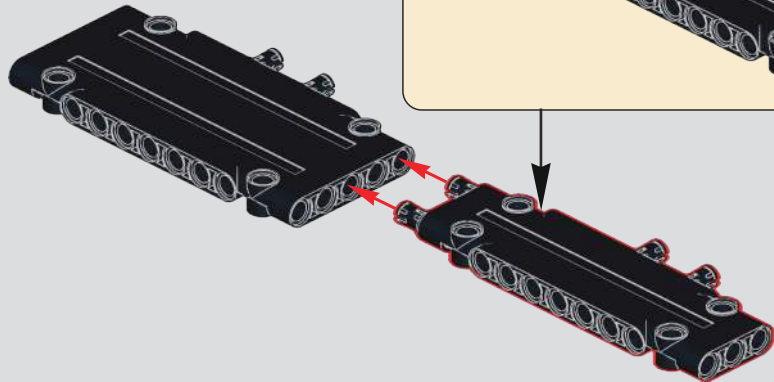




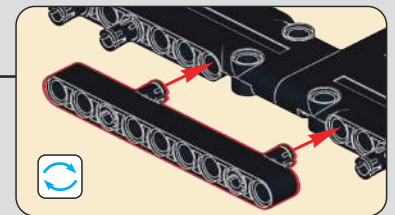
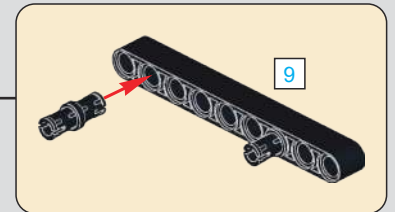
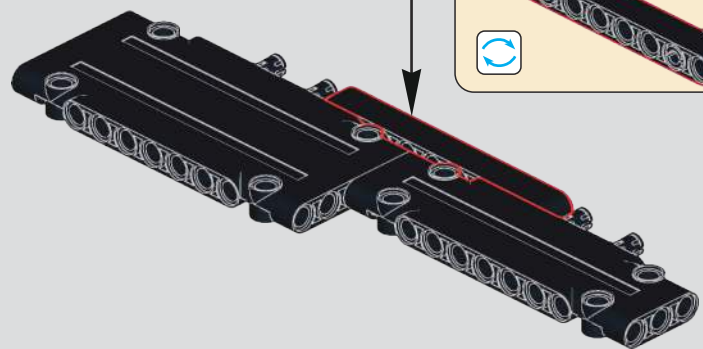
107

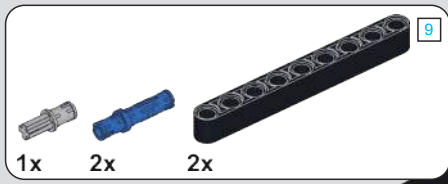


108

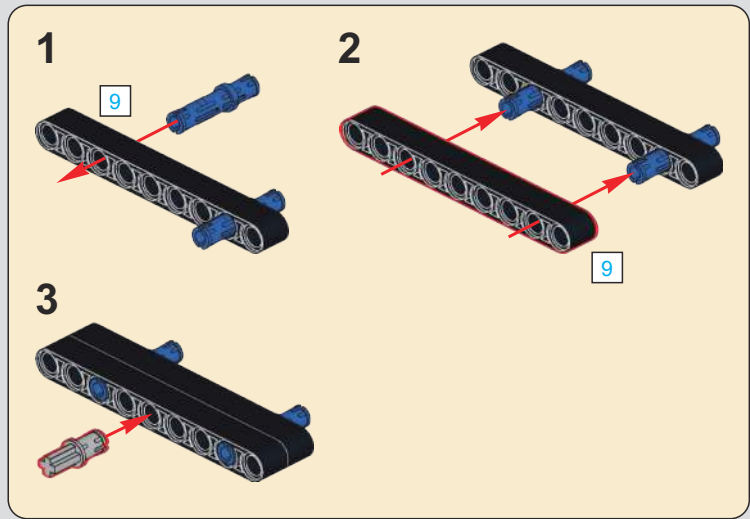
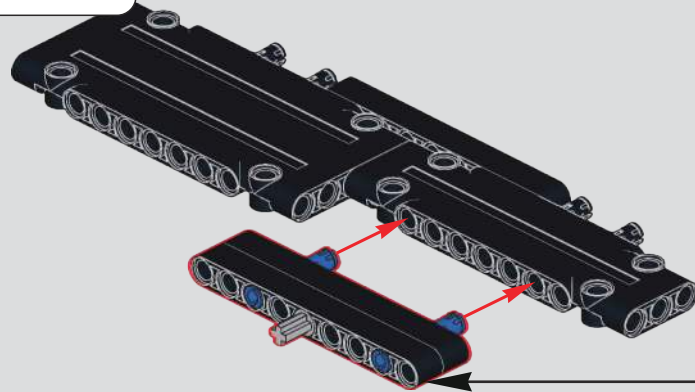


109

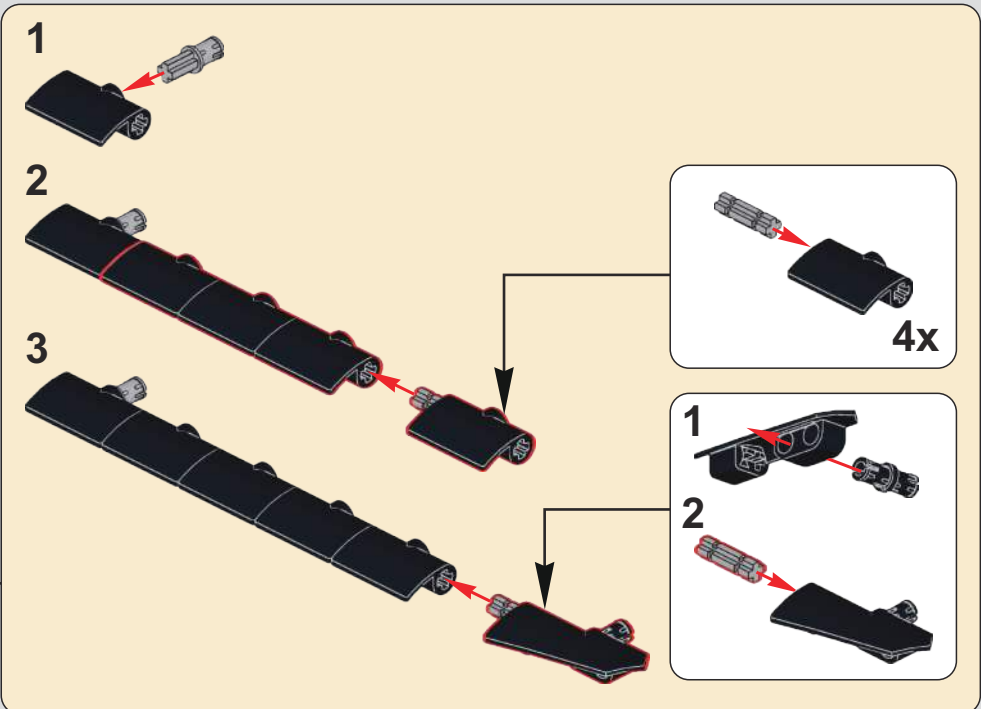
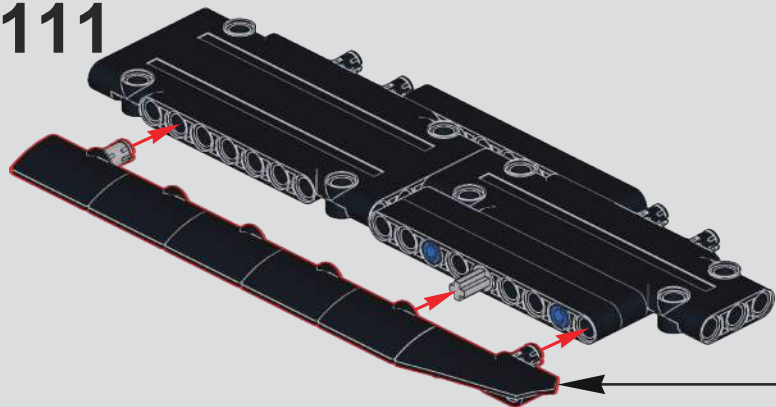


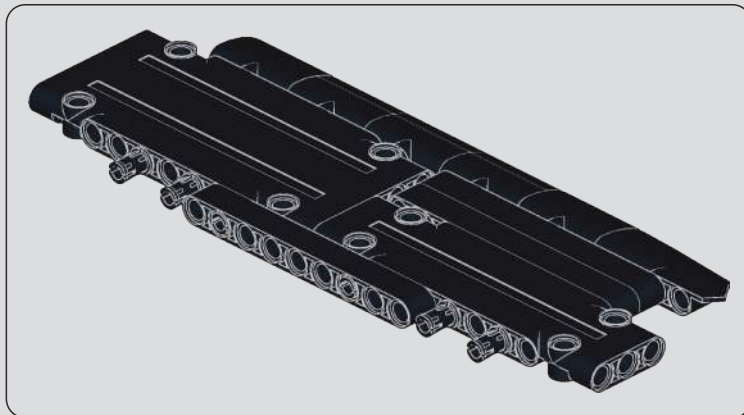
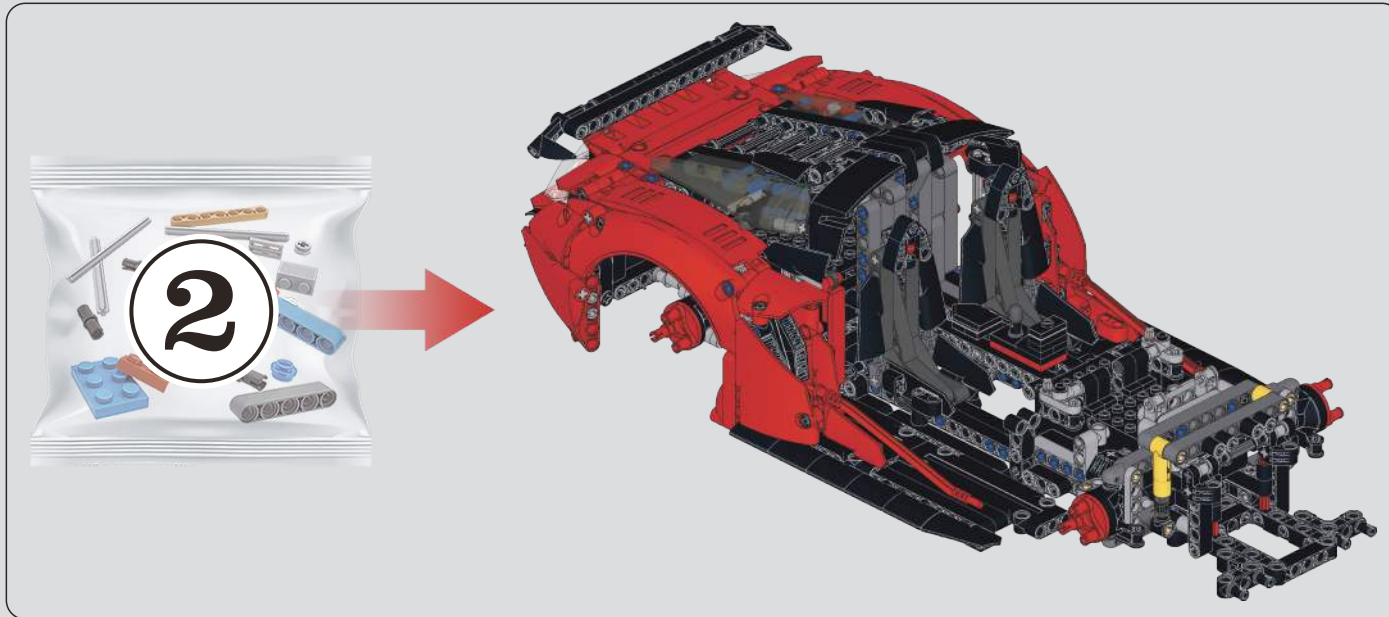


110

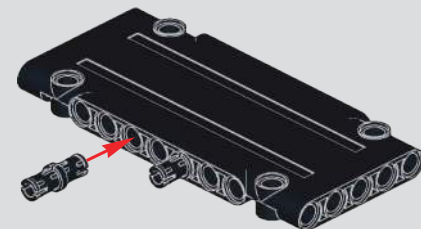


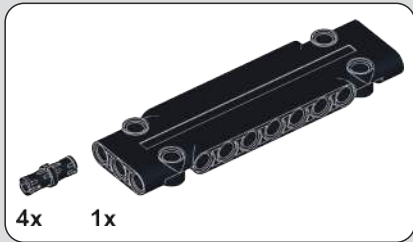
111



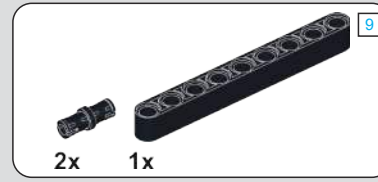
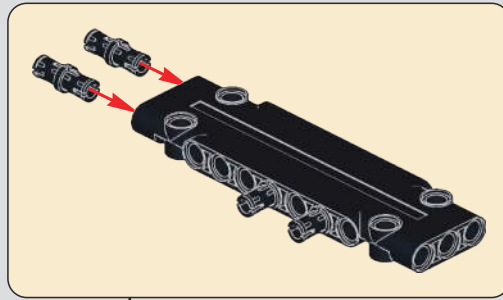
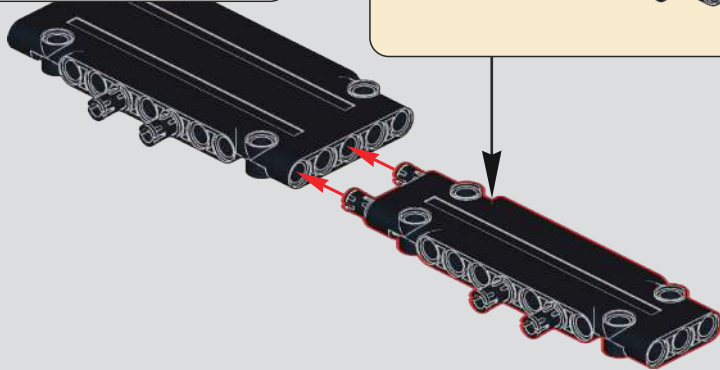


112

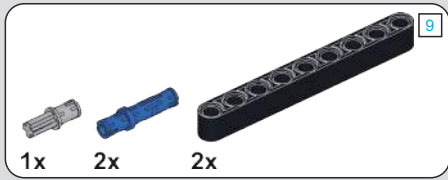
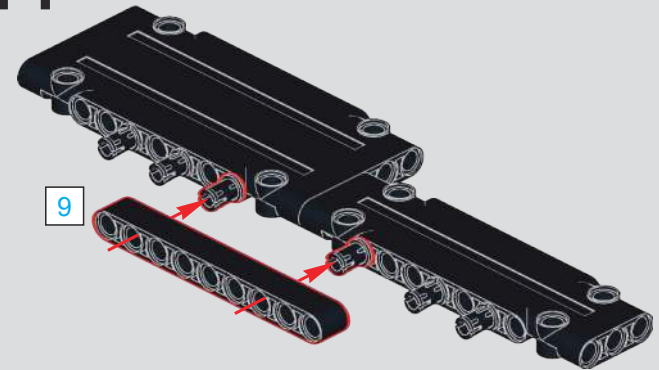




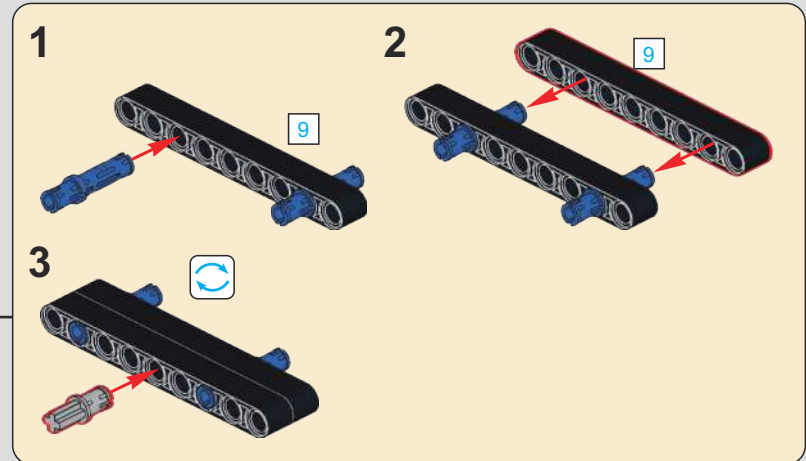
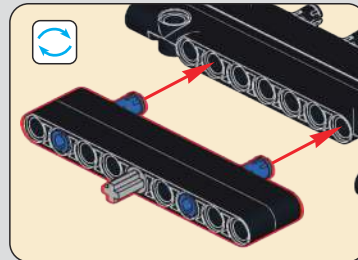
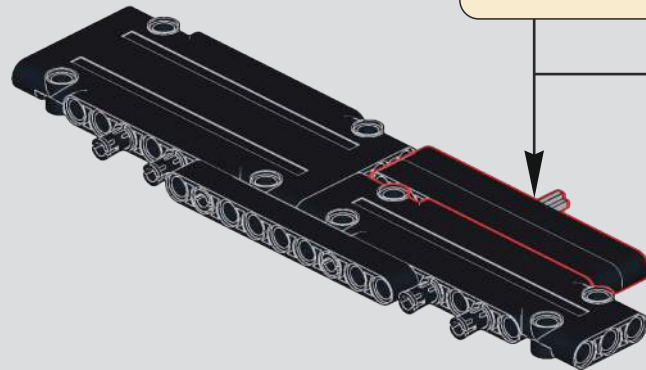
113

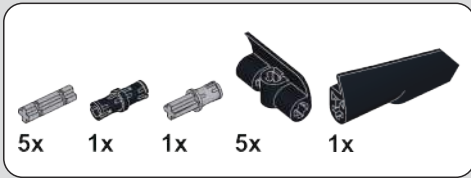


114

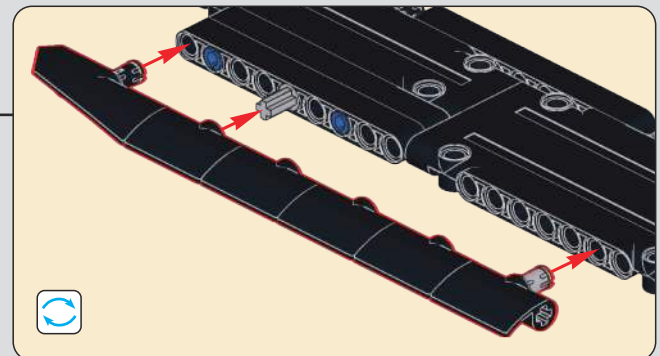
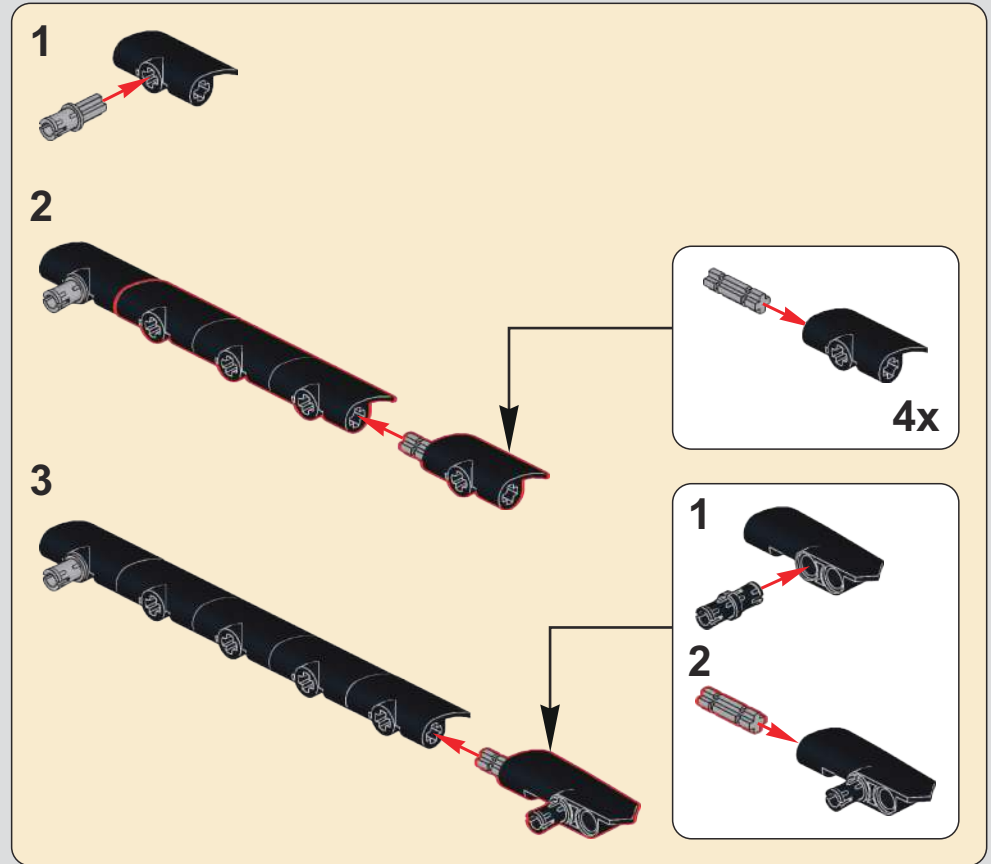
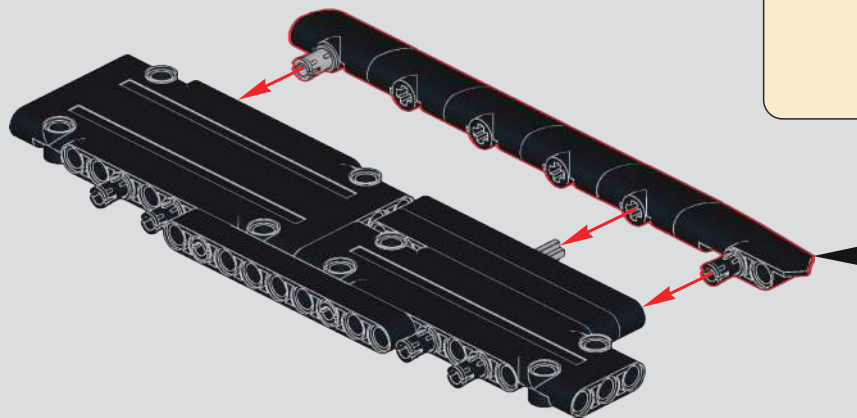


115

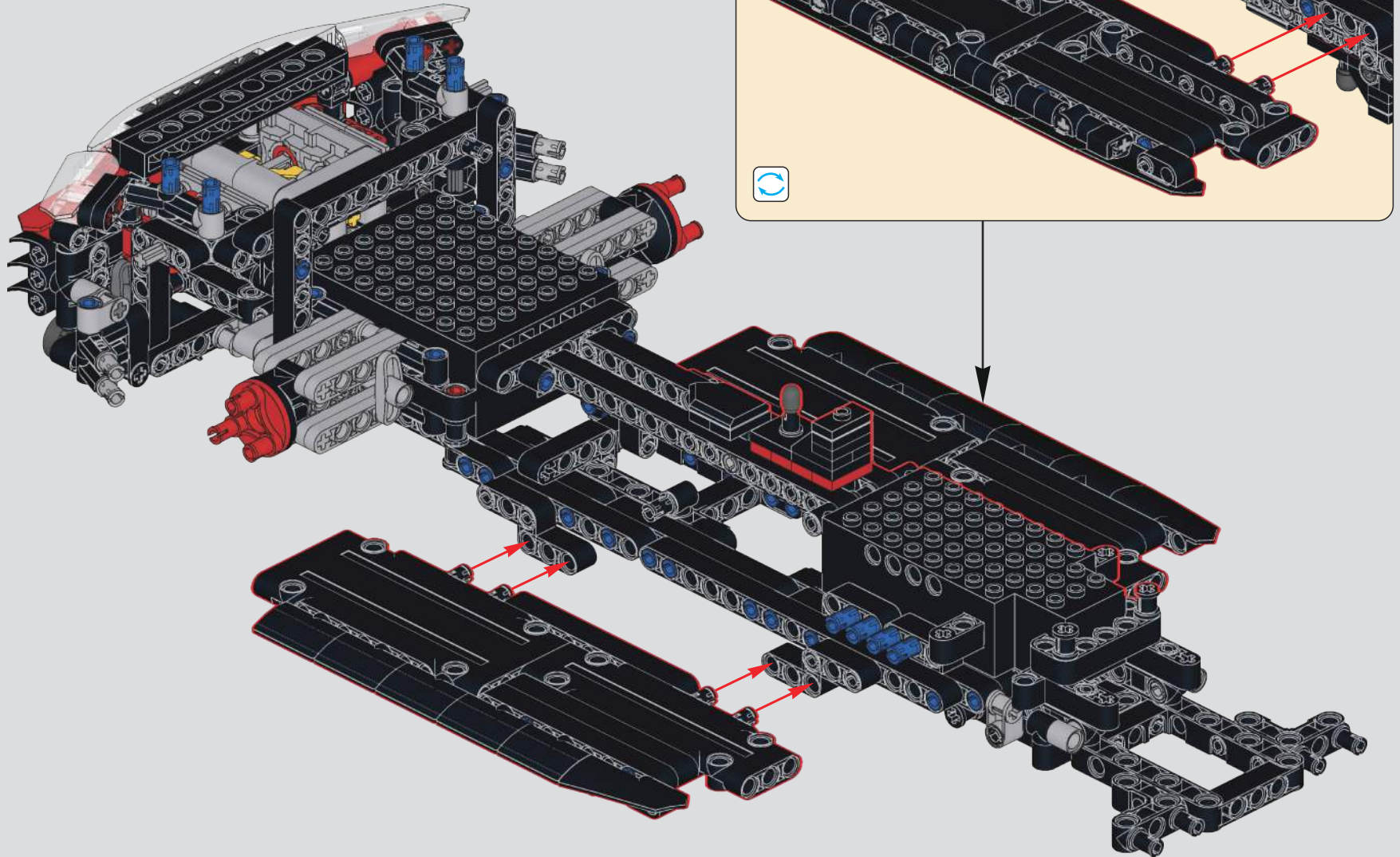


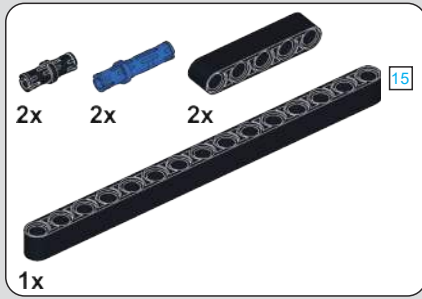


# 116

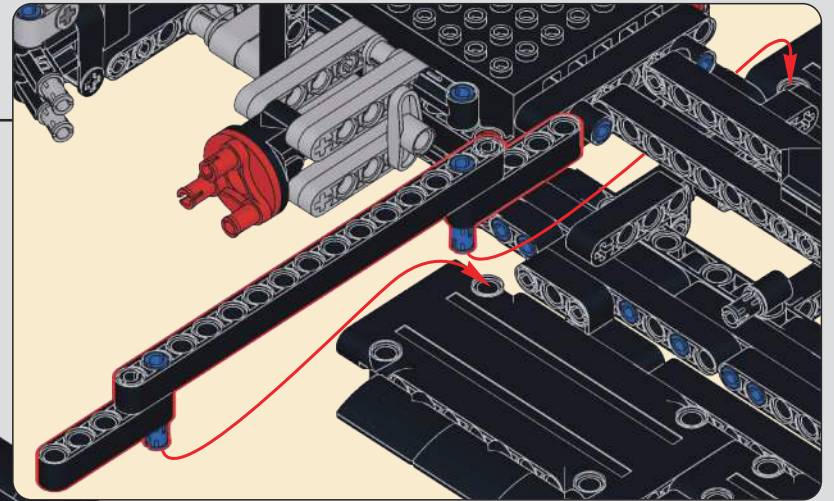
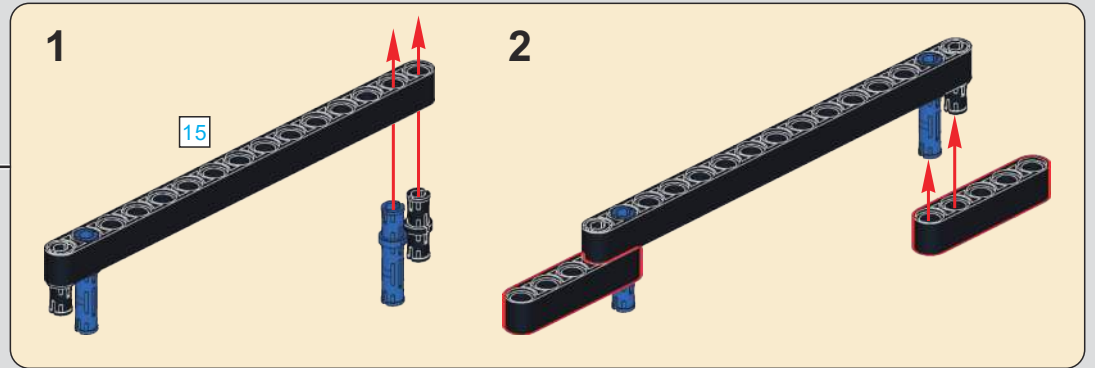


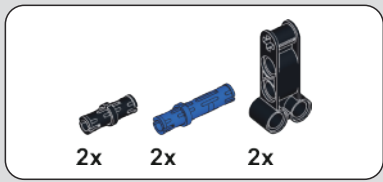
117



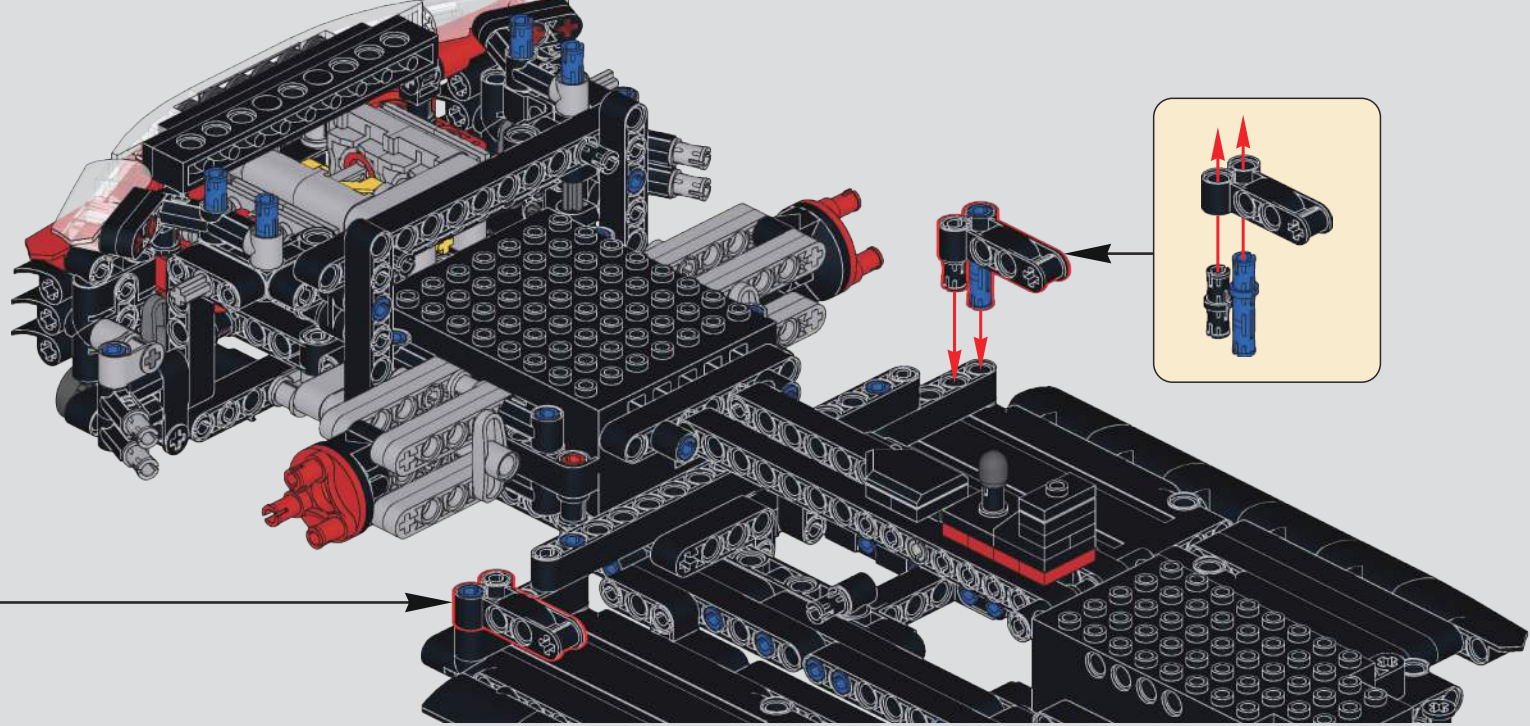
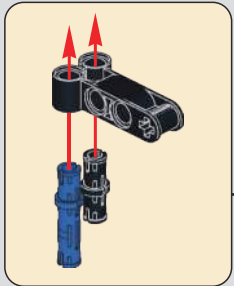


118

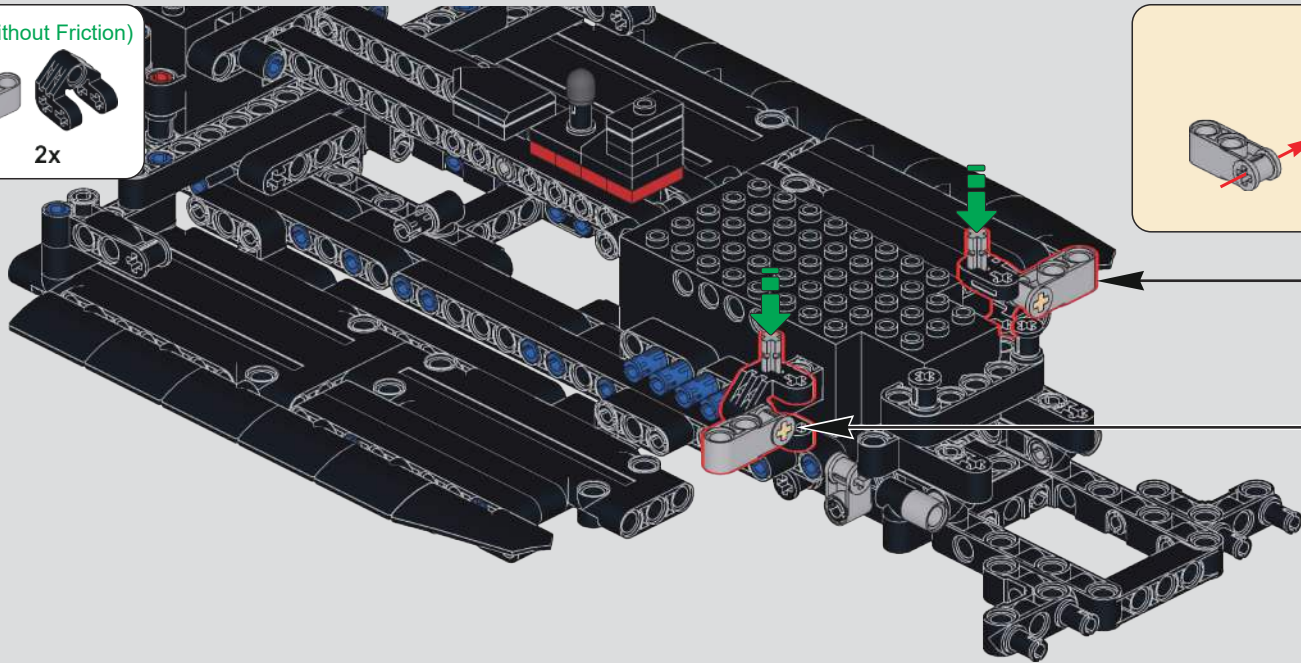
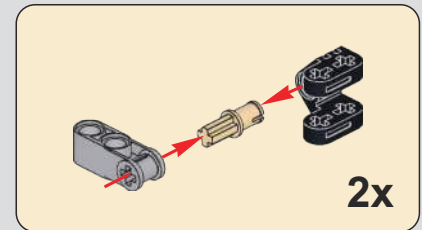




119



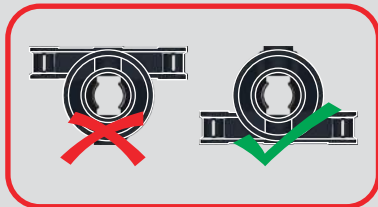
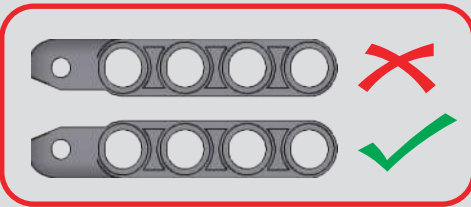
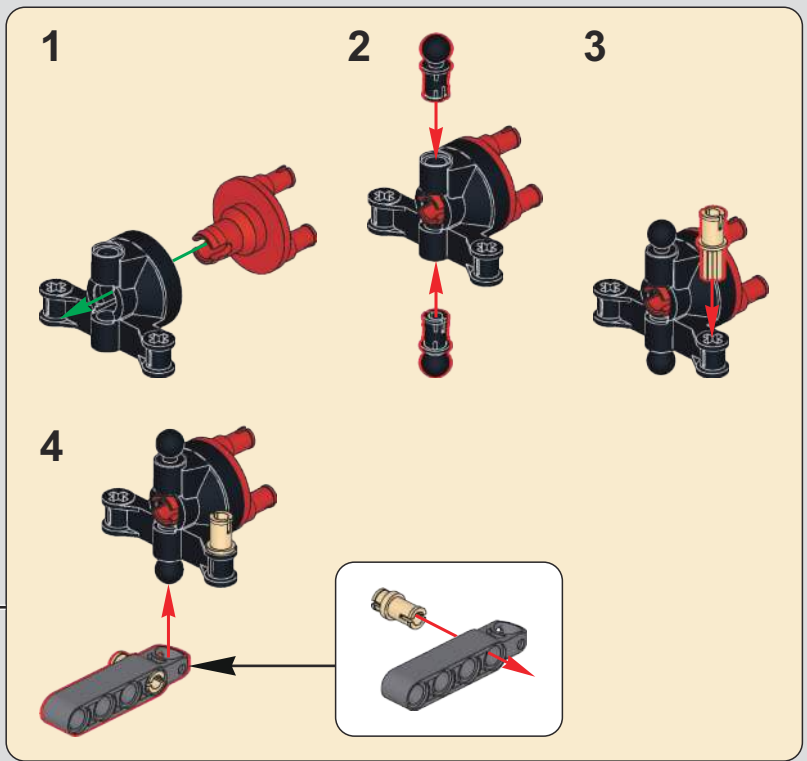
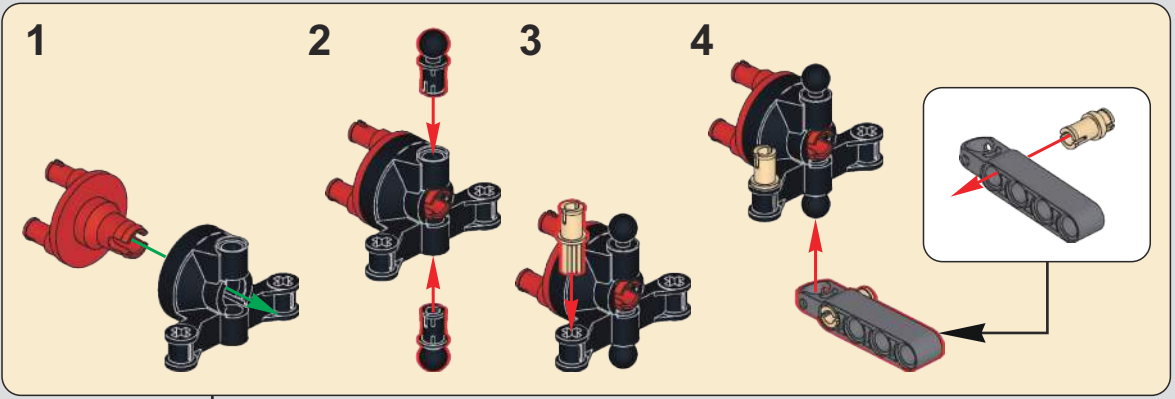
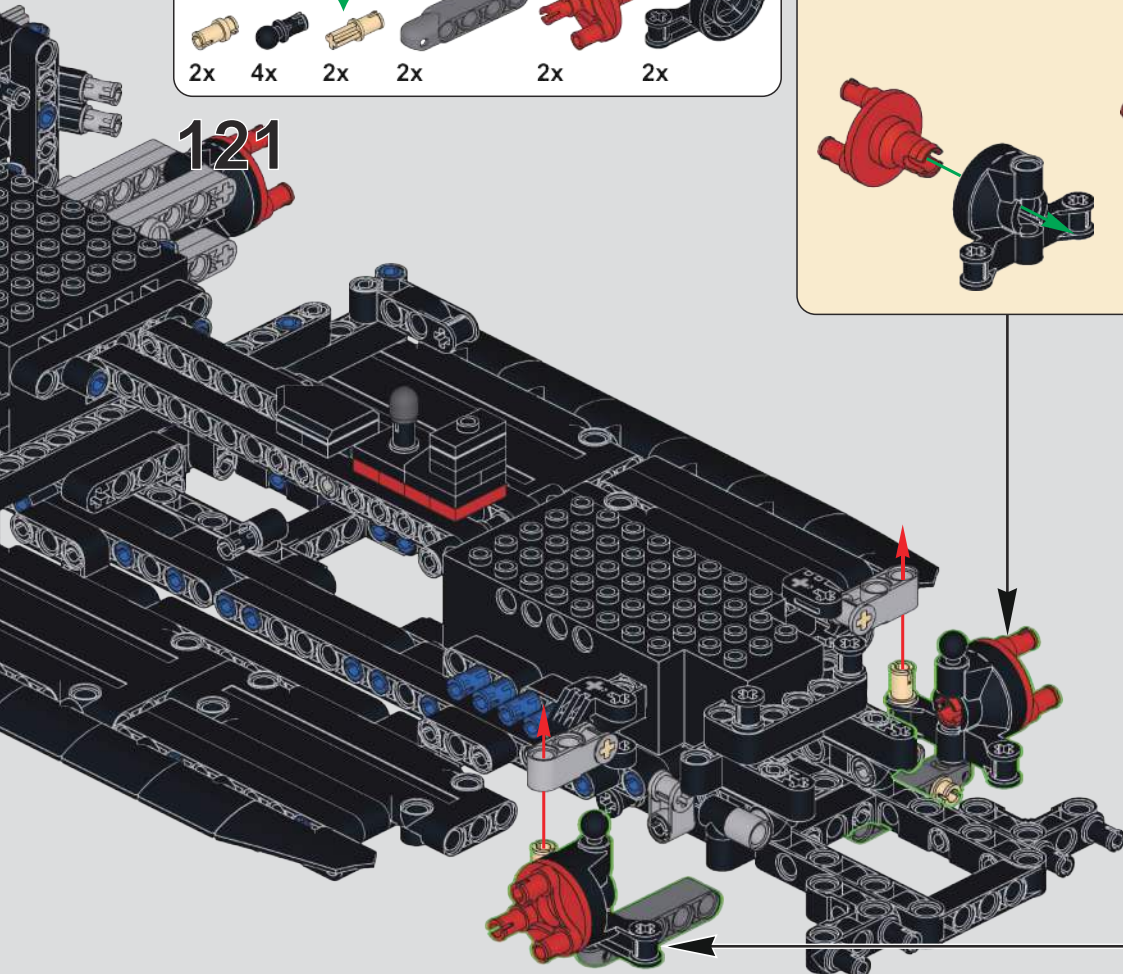
120

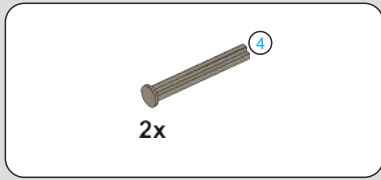


(光滑栓)(Technic Pin without Friction)

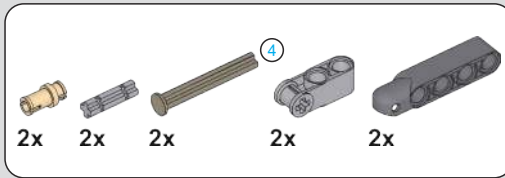
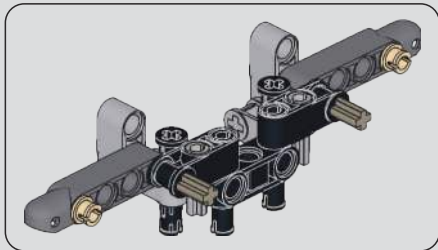
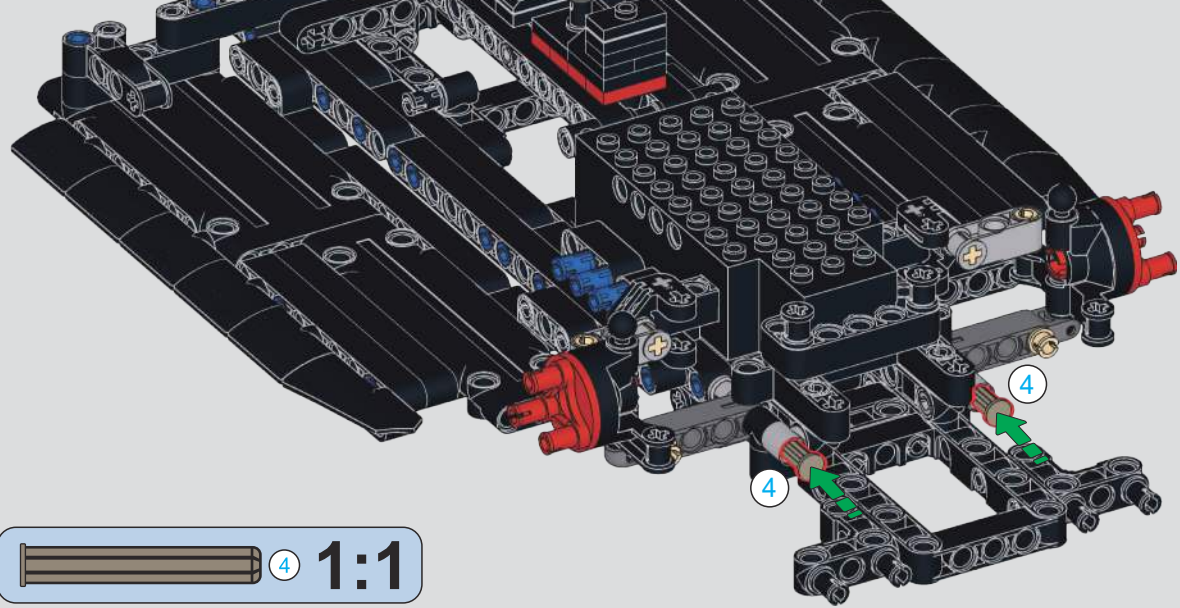
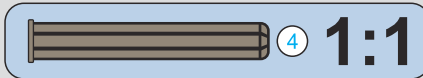
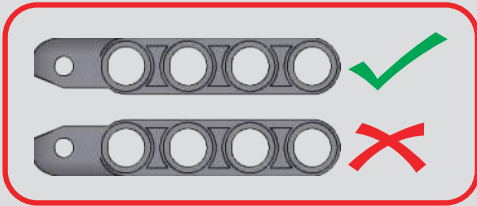


121

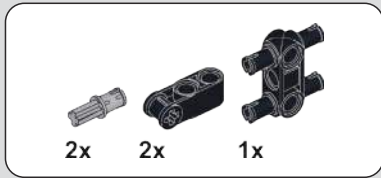




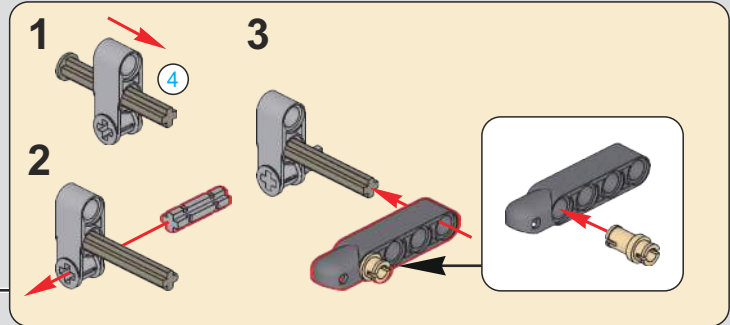
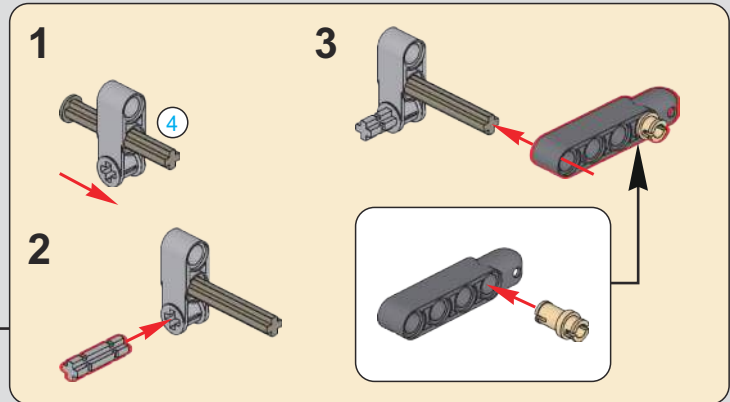
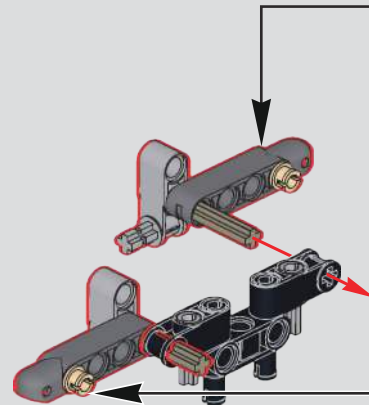
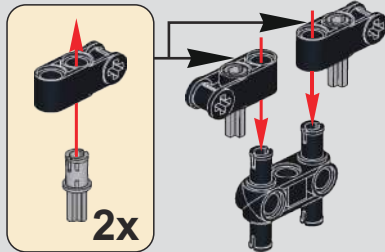
122



124

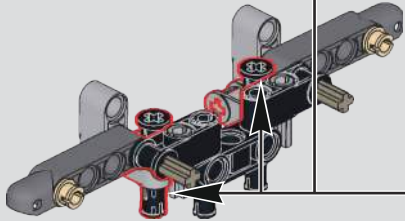
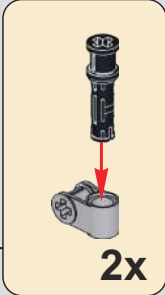
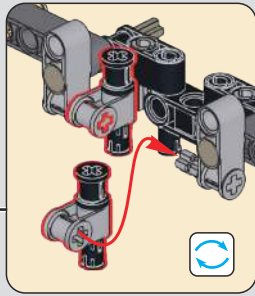


123

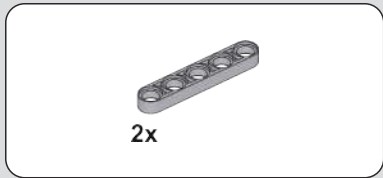
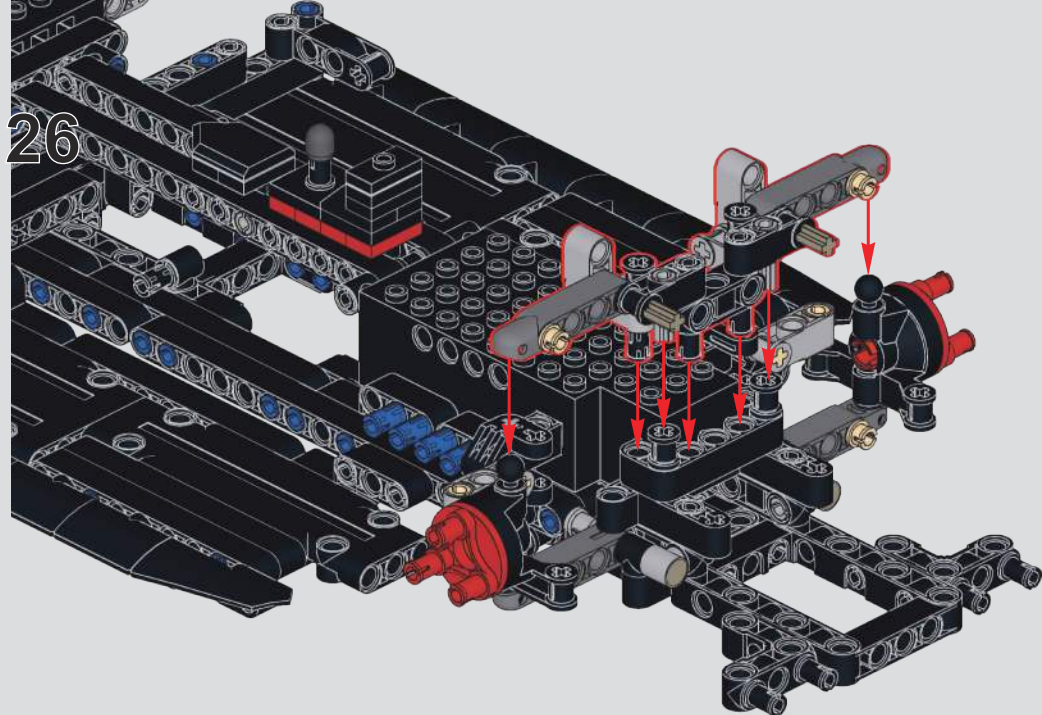




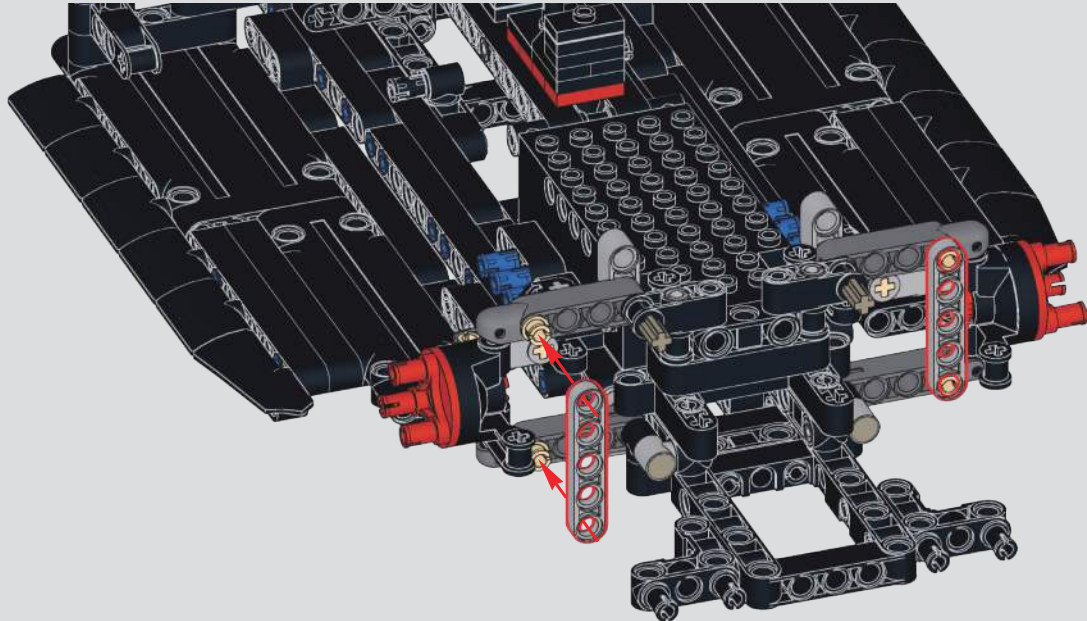
125

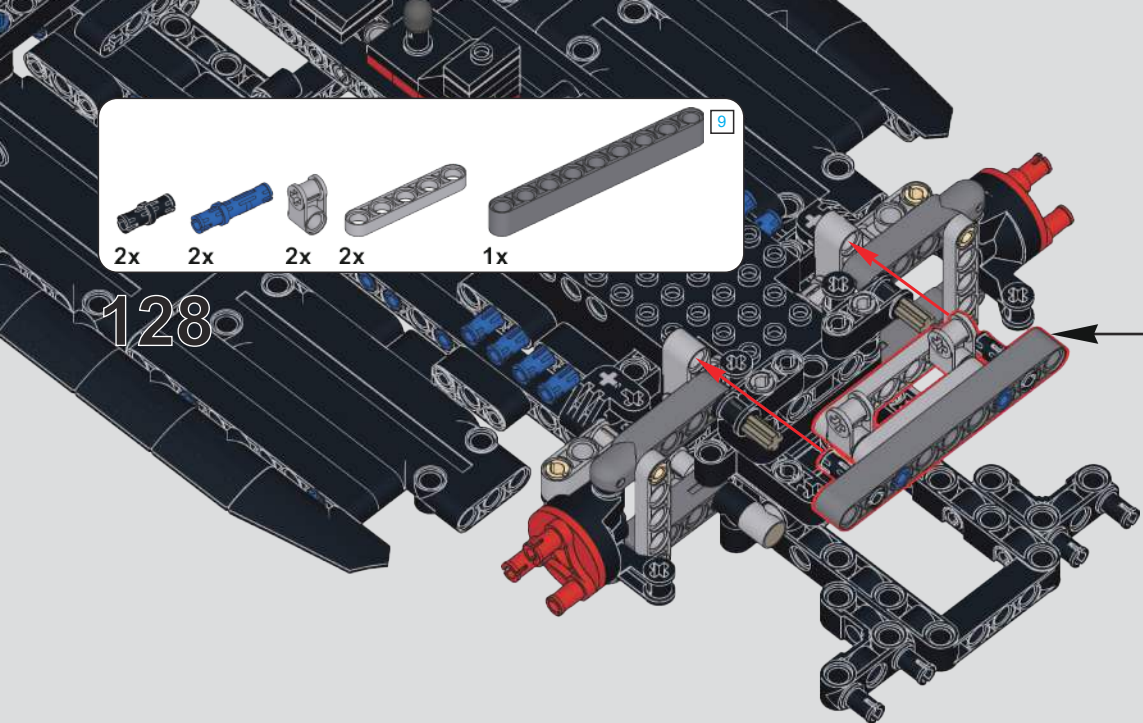






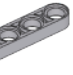
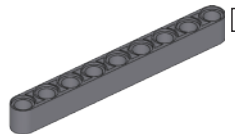
126



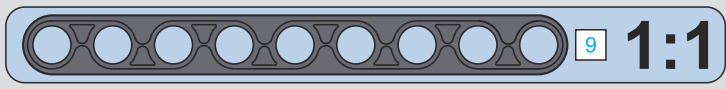
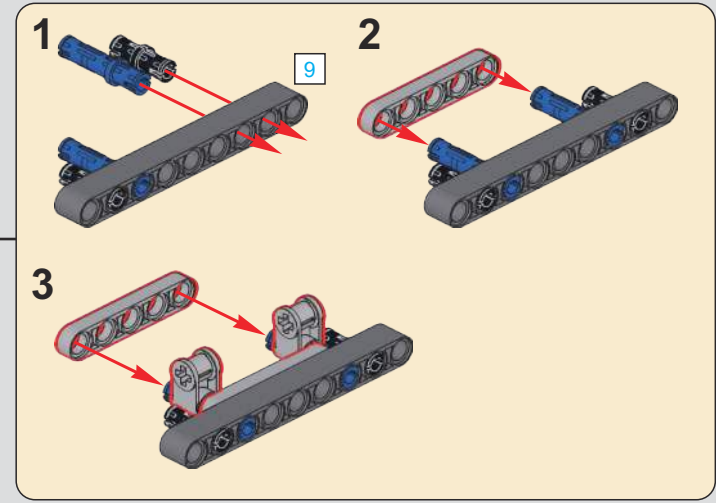
127


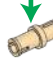





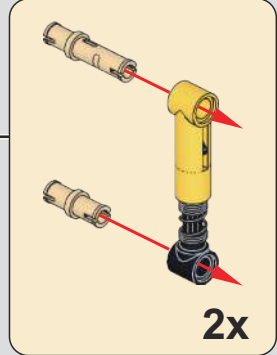
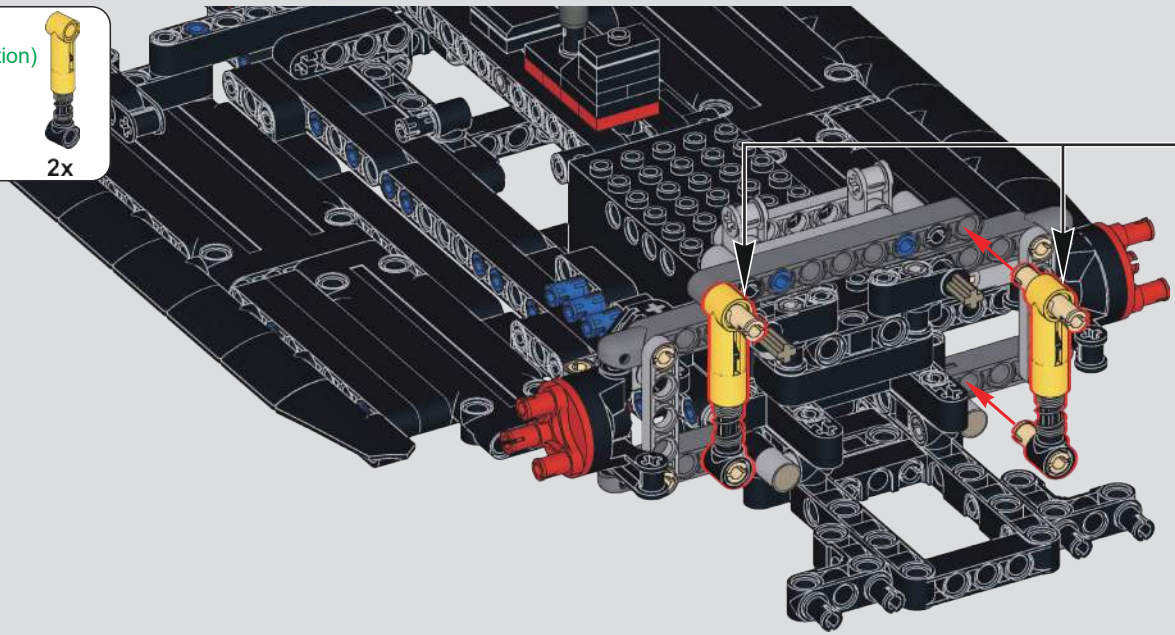
-  2x
-  2x
-  2x
-  2x
-  1x
-  1x

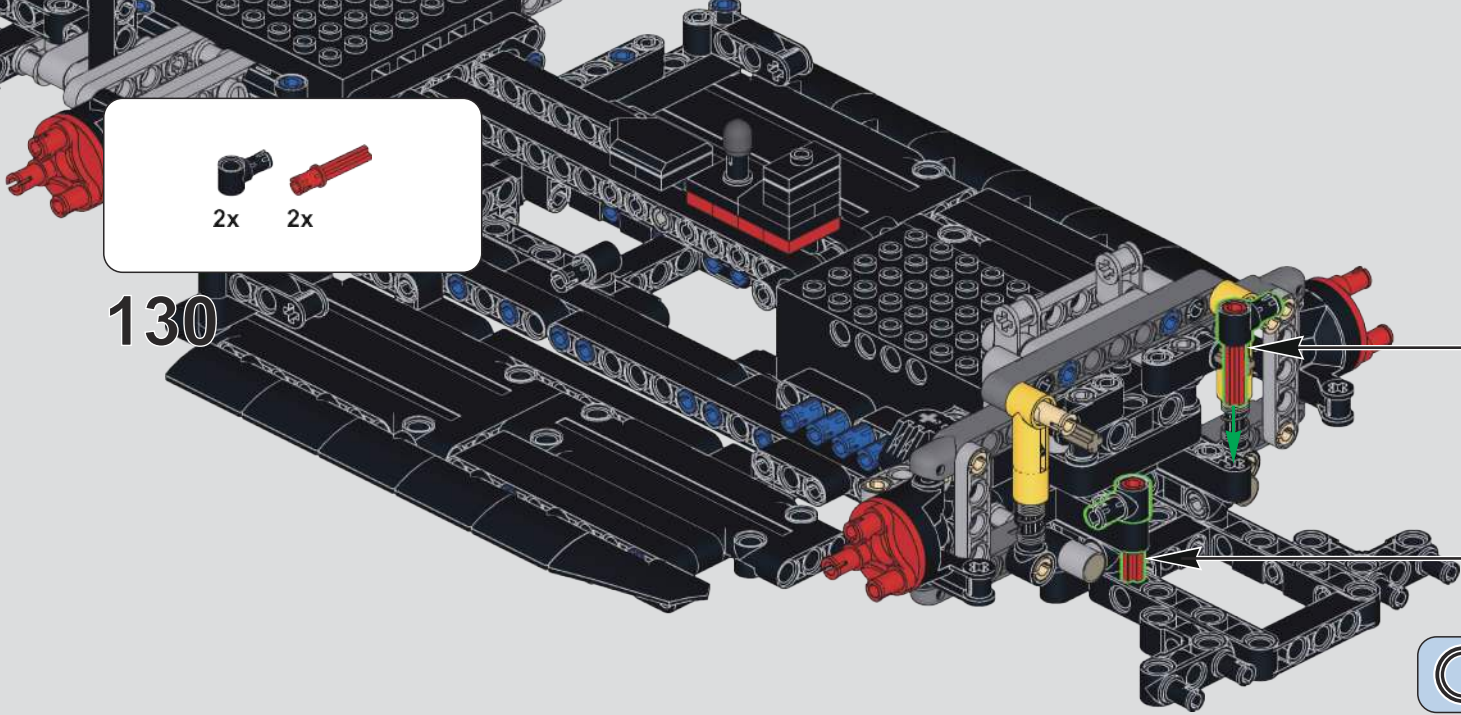
128



- (光滑栓)  
(Technic Pin without Friction)
-  2x
  -  2x
  -  2x

129



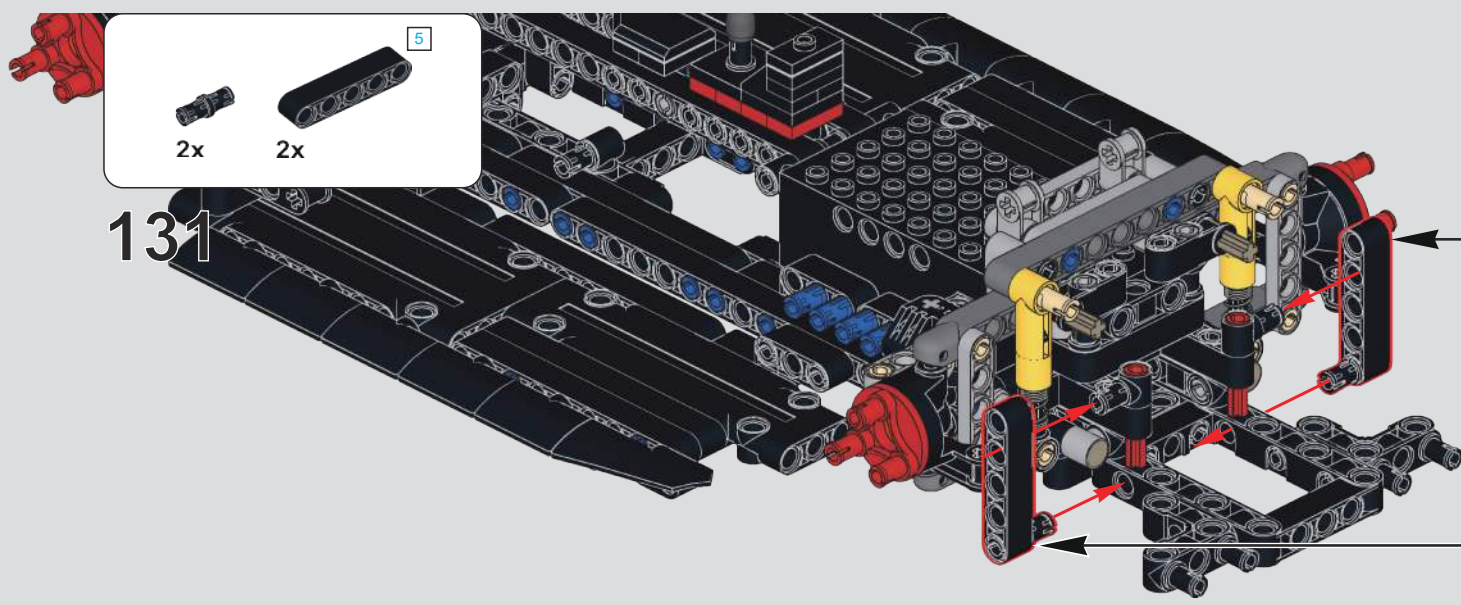


130

2x 2x

2x

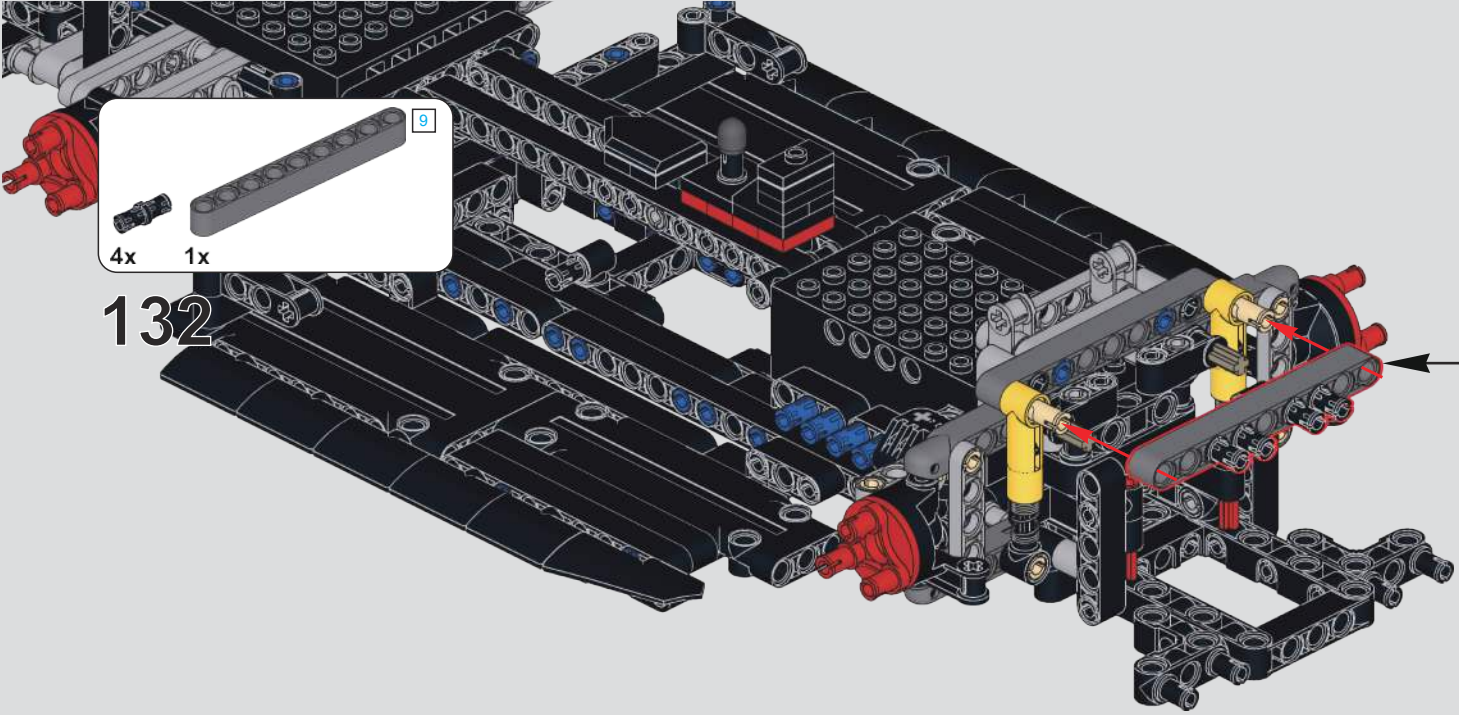
5 1:1



131

2x 2x

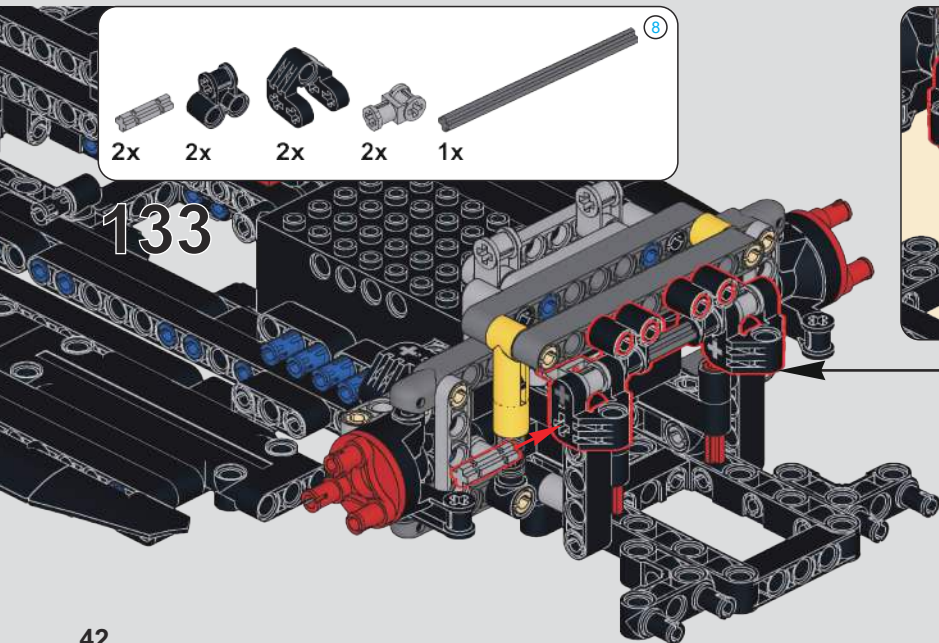
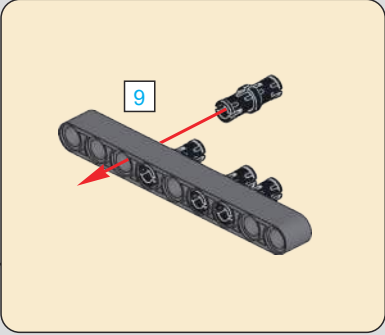
5 2x



4x 1x

9

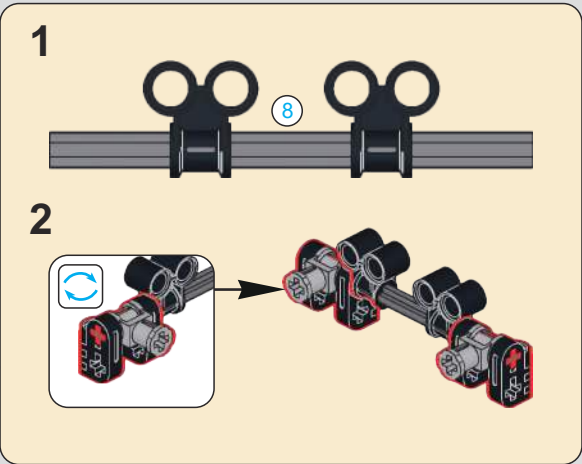
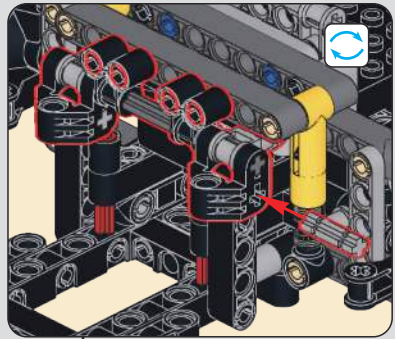
132



2x 2x 2x 2x 1x

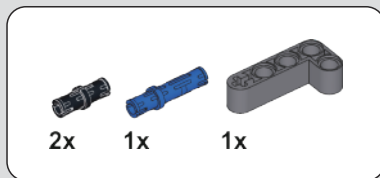
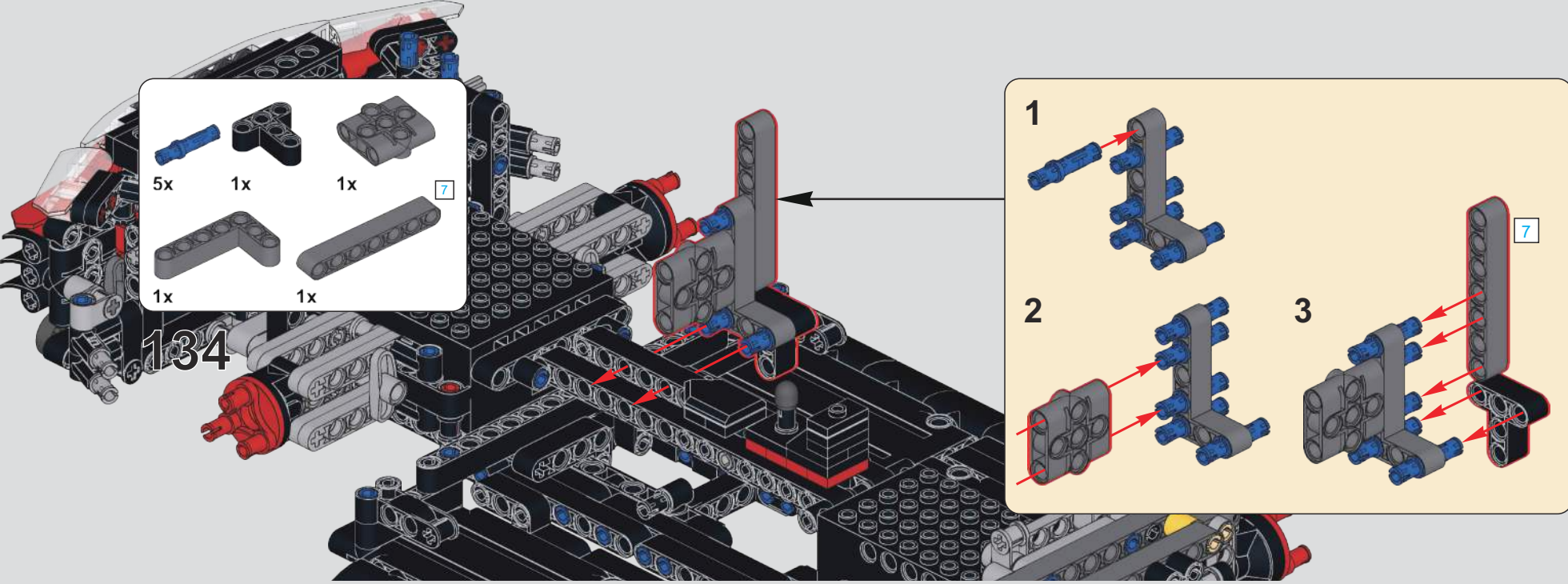
8

133

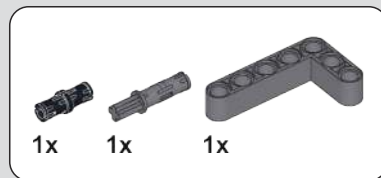
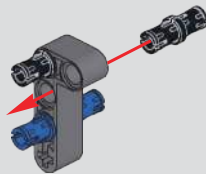


8

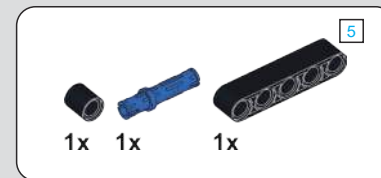
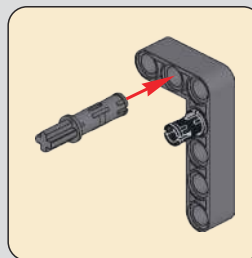
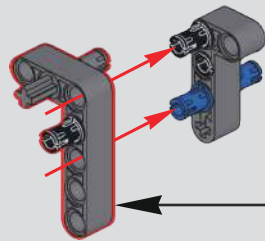
9 1:1



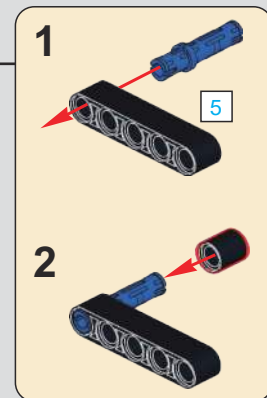
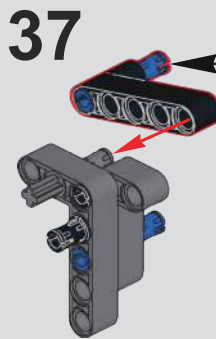
**135**



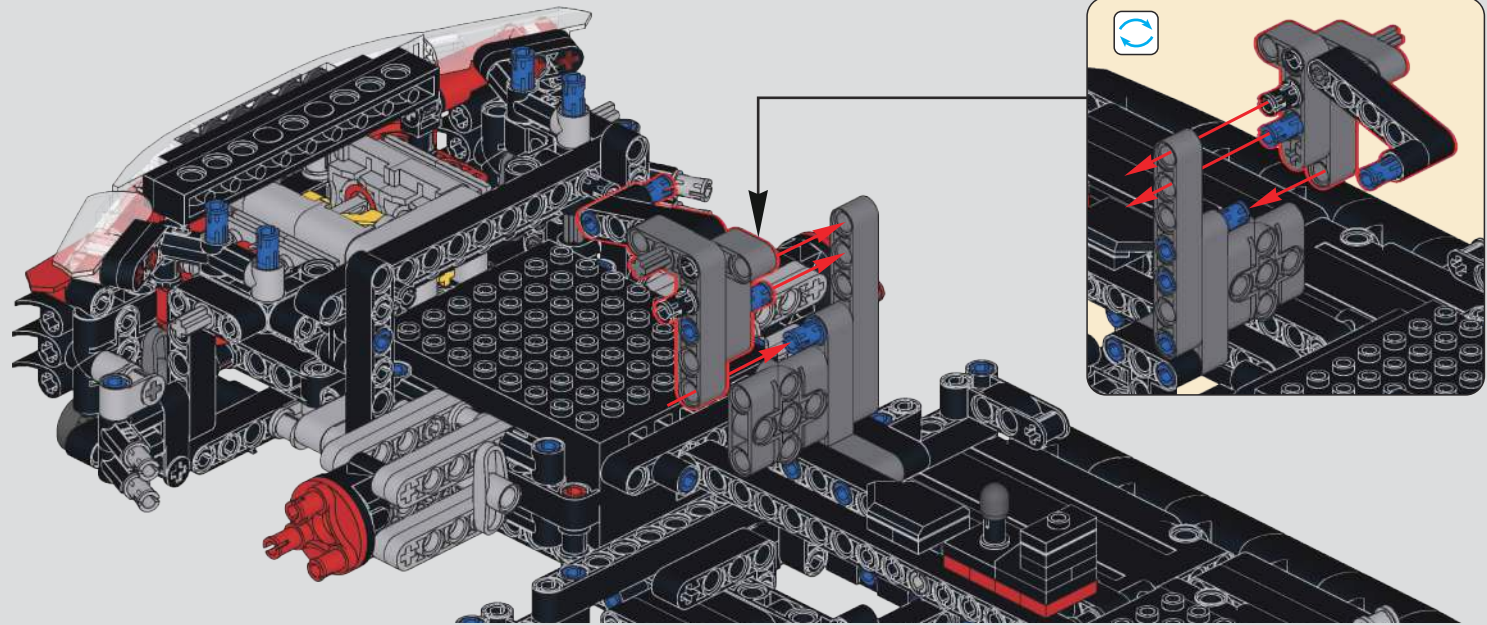
**136**



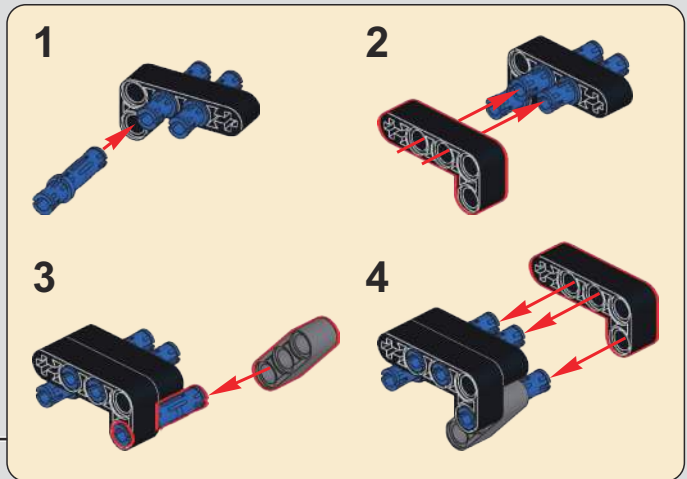
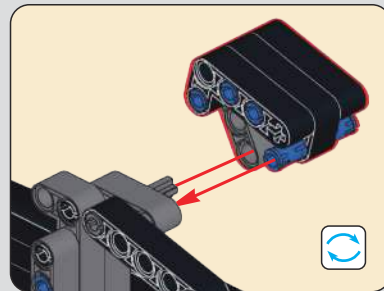
**137**

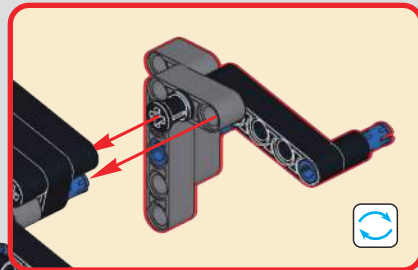
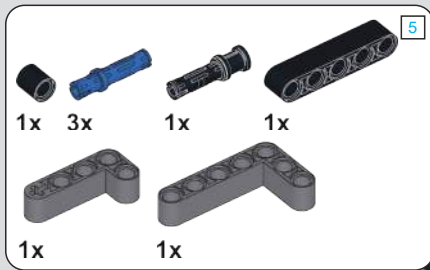


138

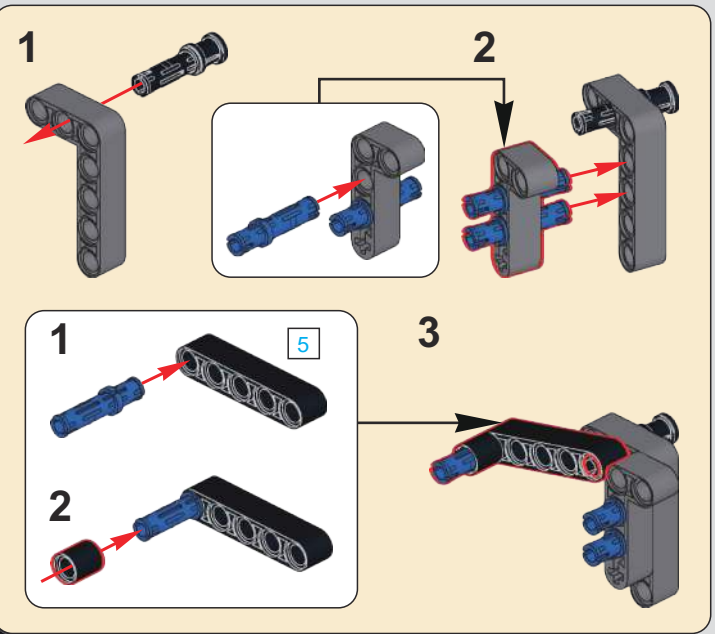
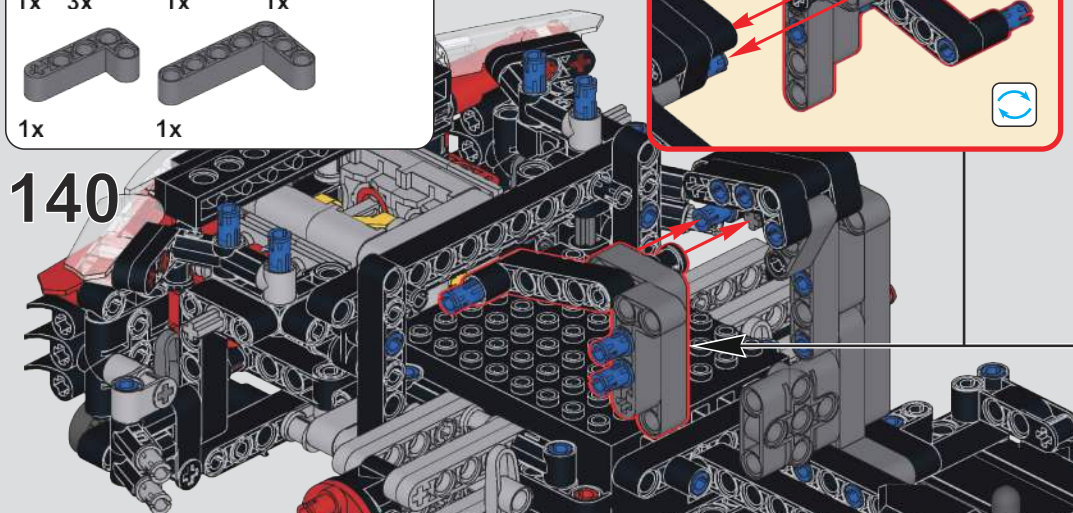


139

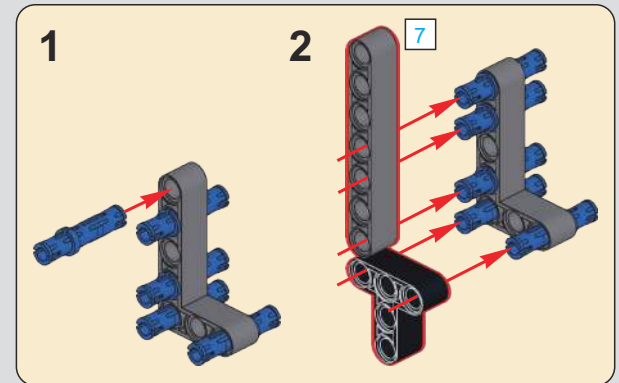
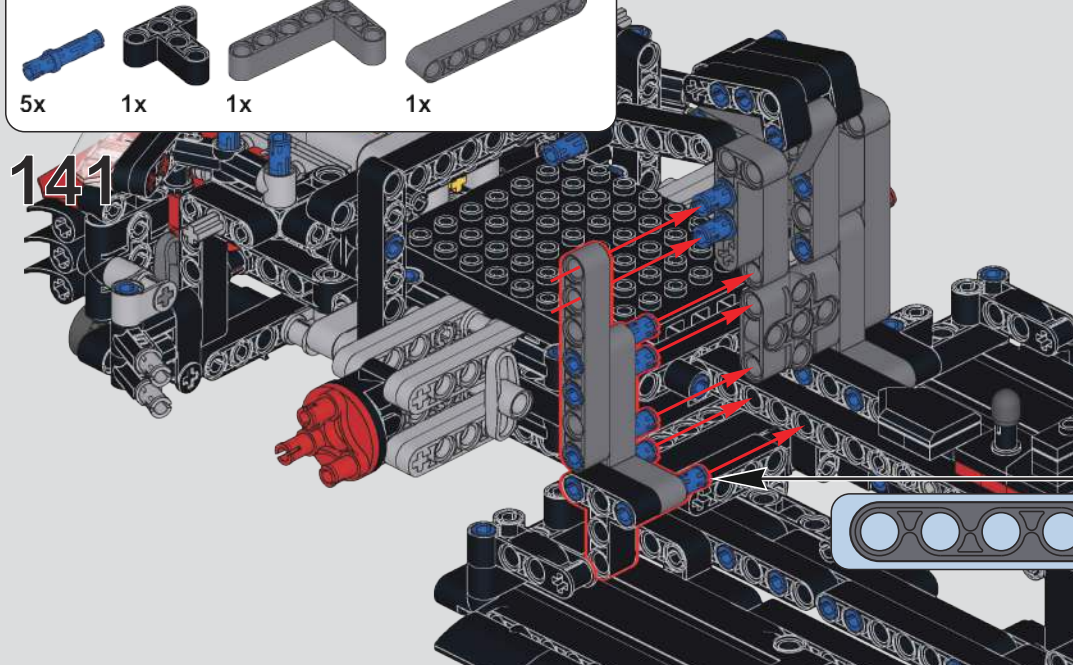




140

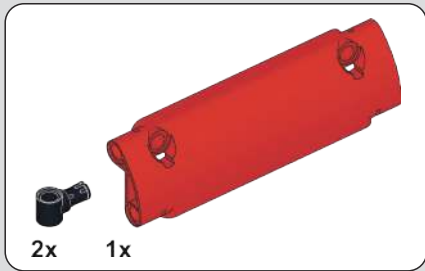
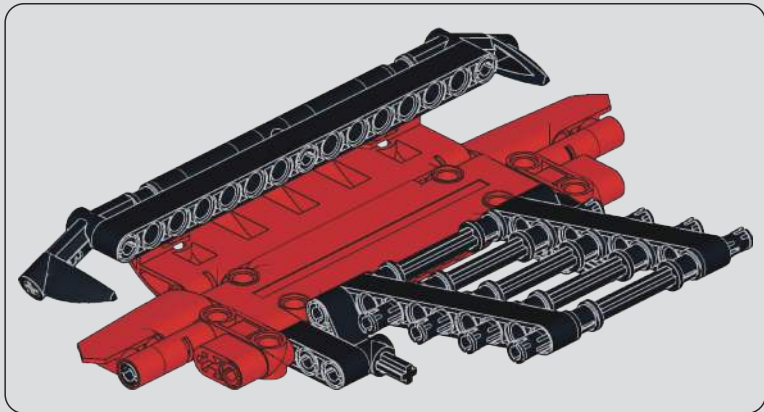
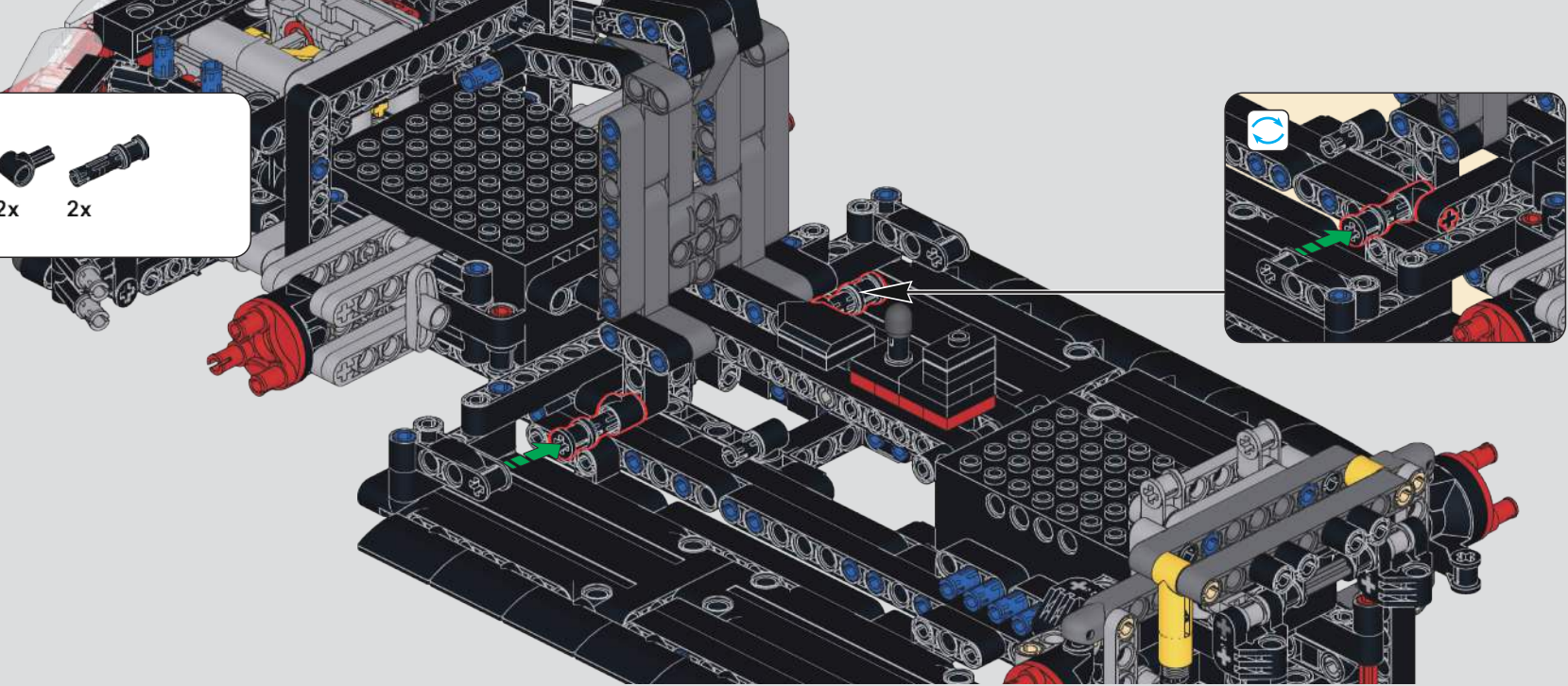


141

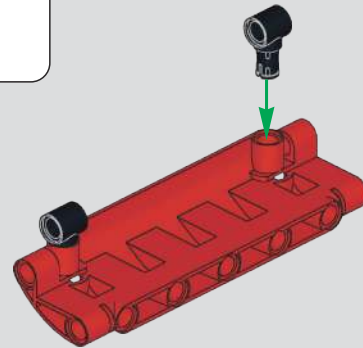




142

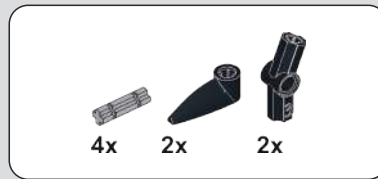
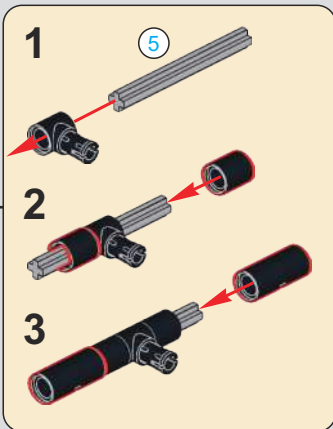
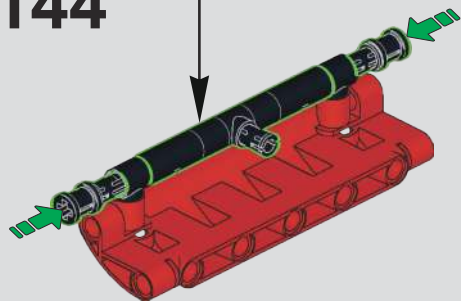


143

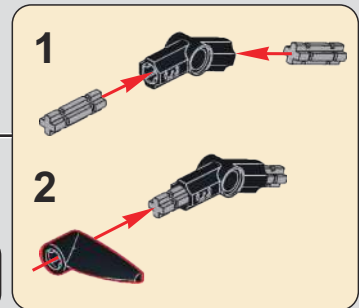
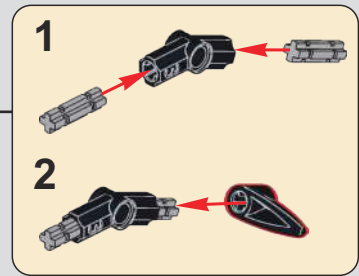
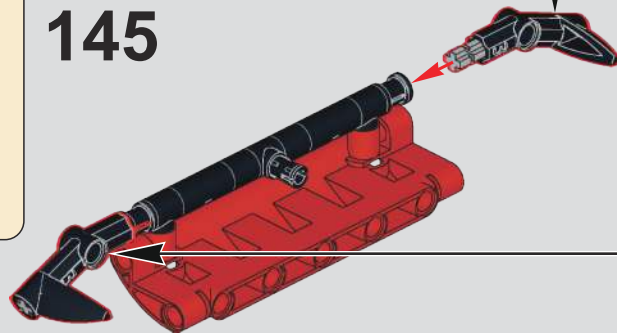




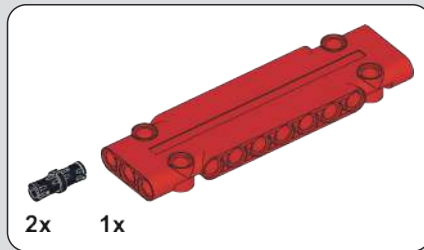
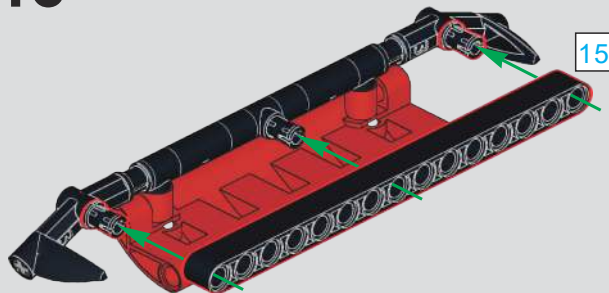
144



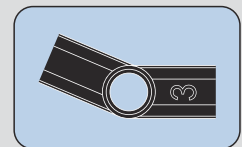
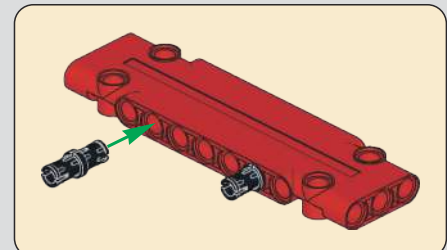
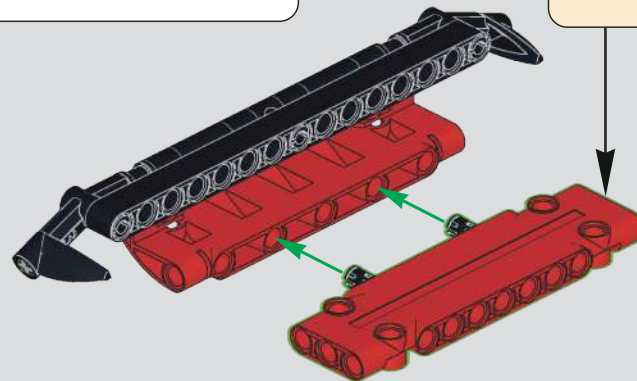
145

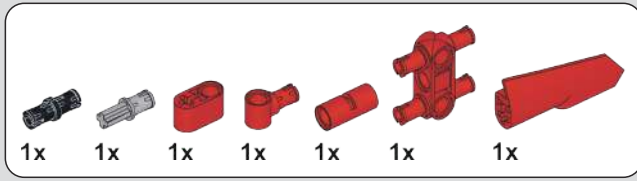


146

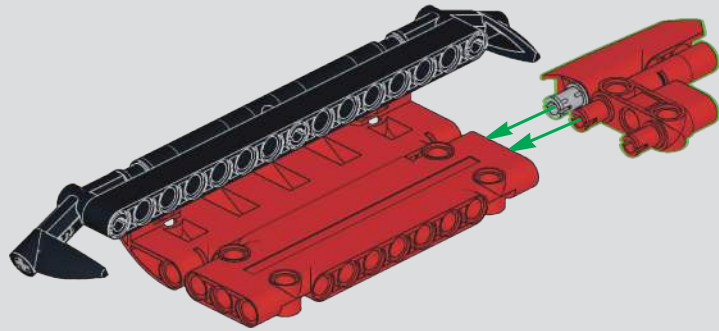
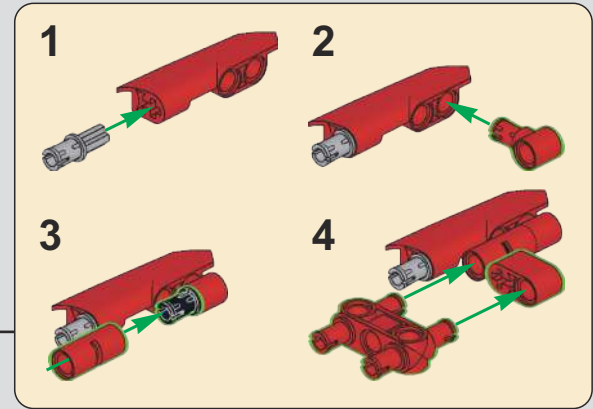
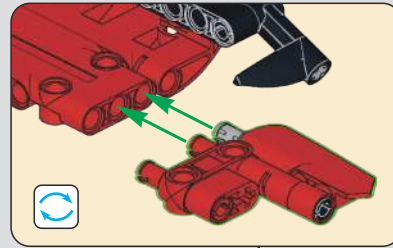


147

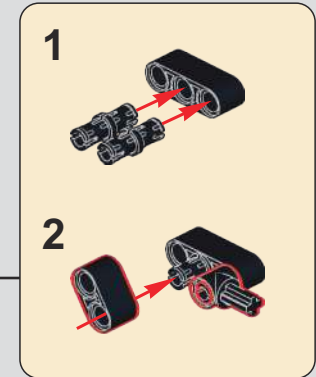
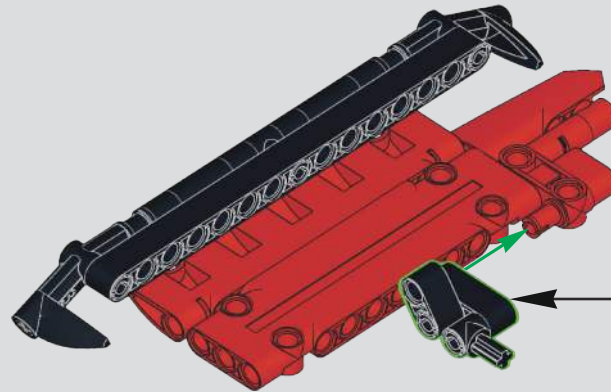


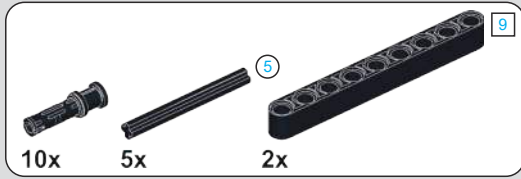


148

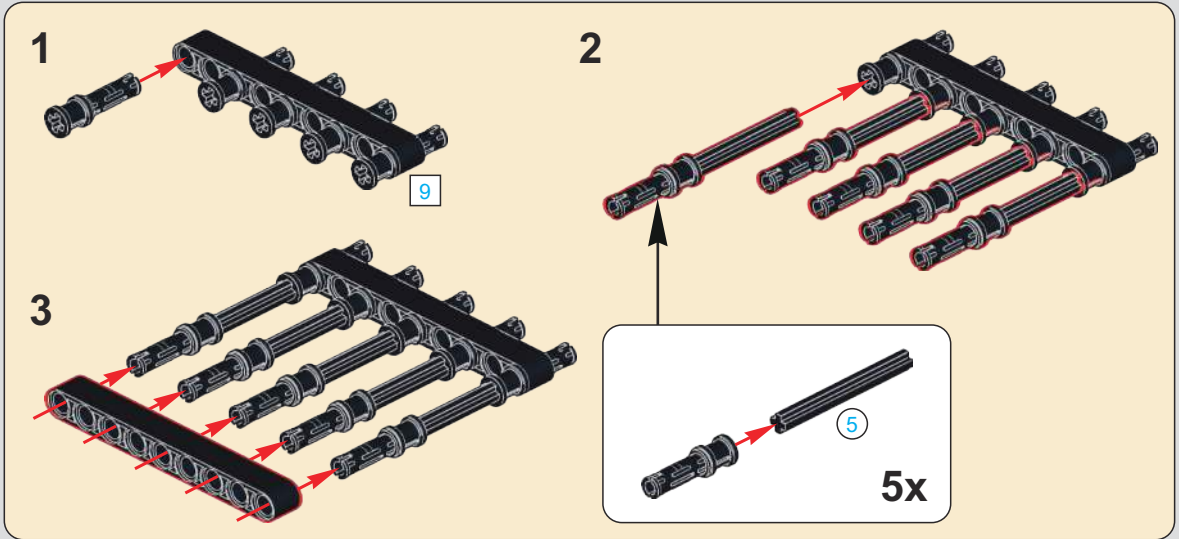
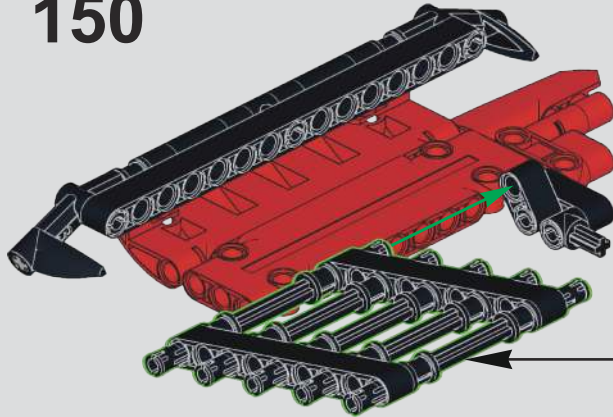


149

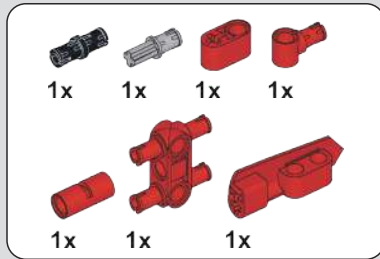
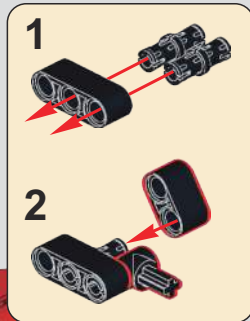
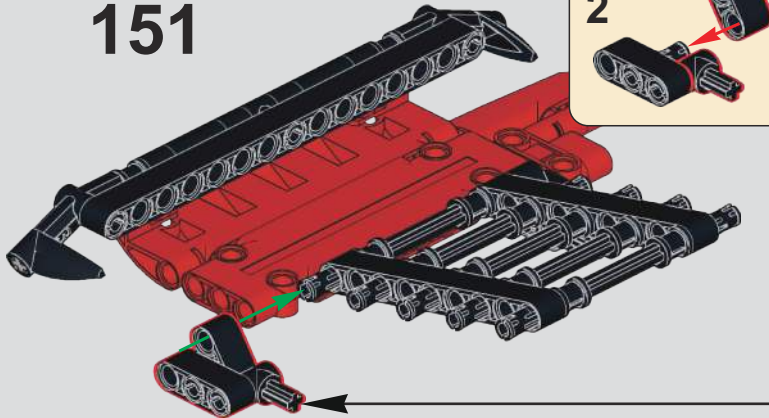




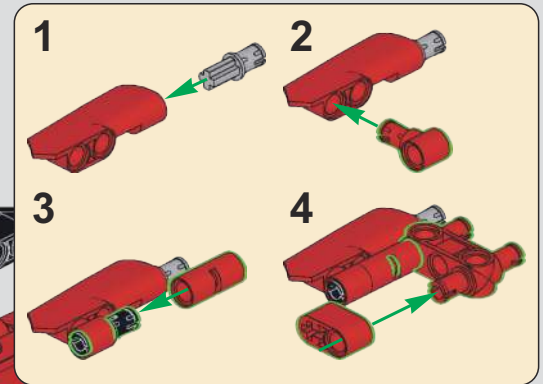
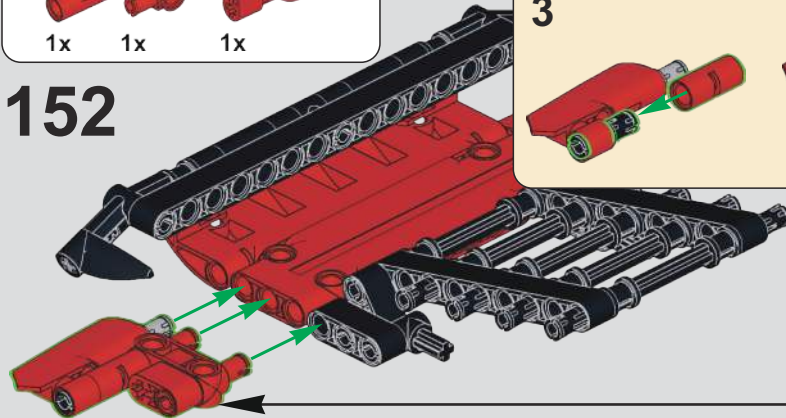
150



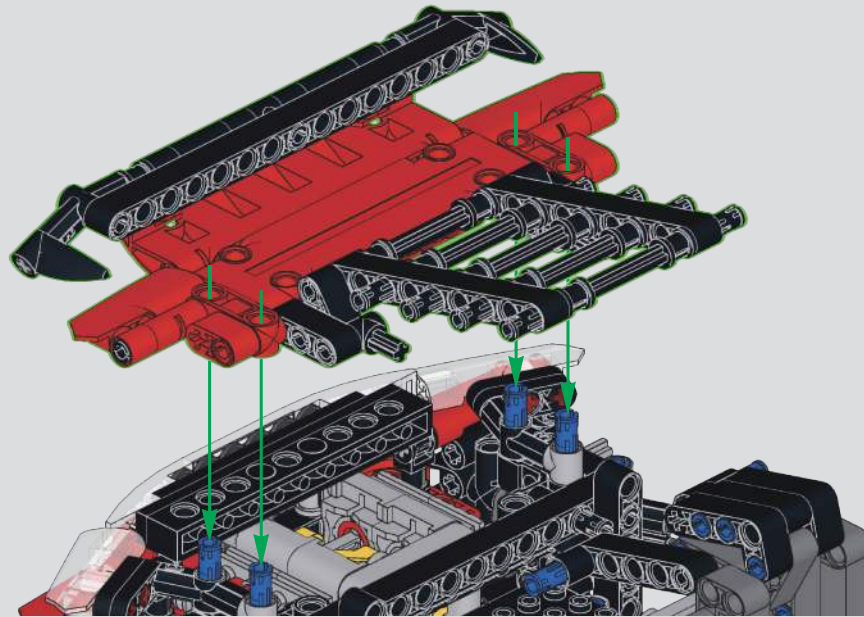
151



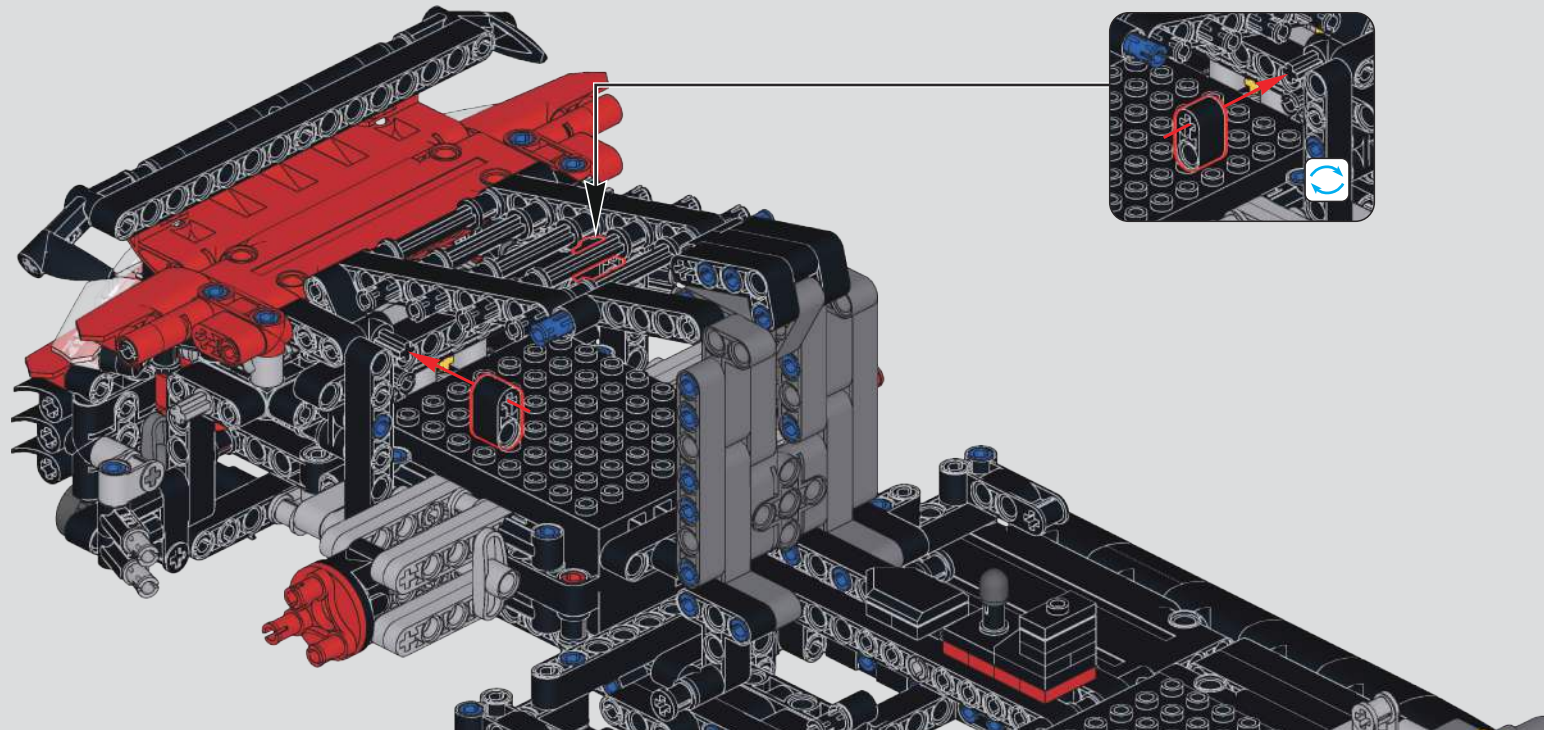
152

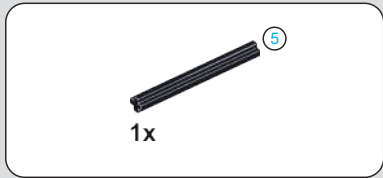


# 153

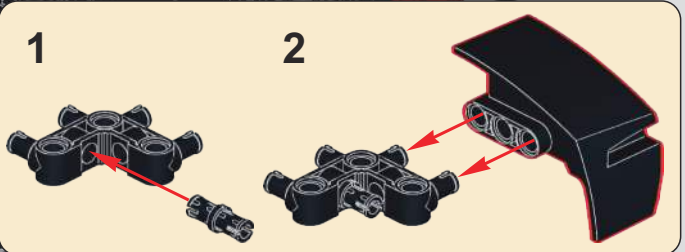
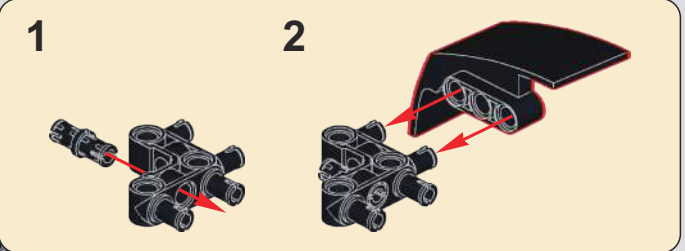
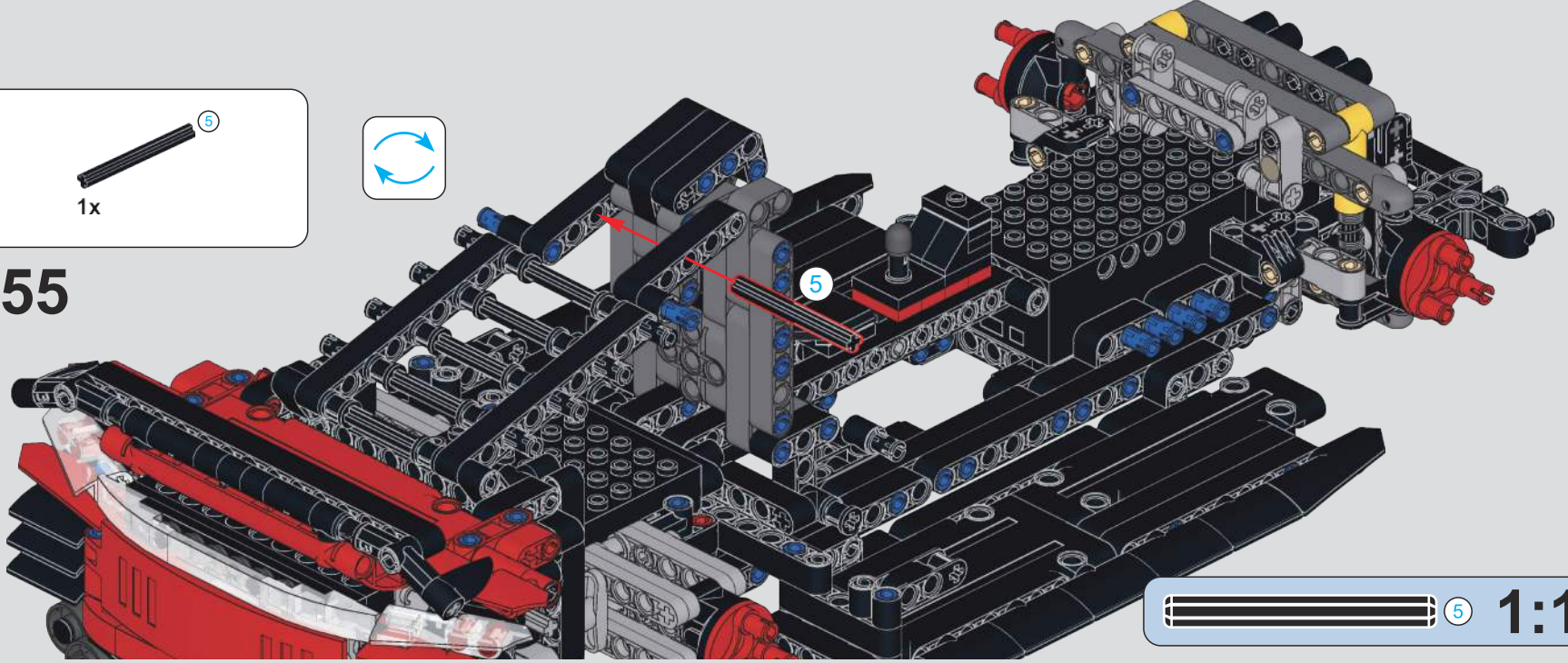


# 154

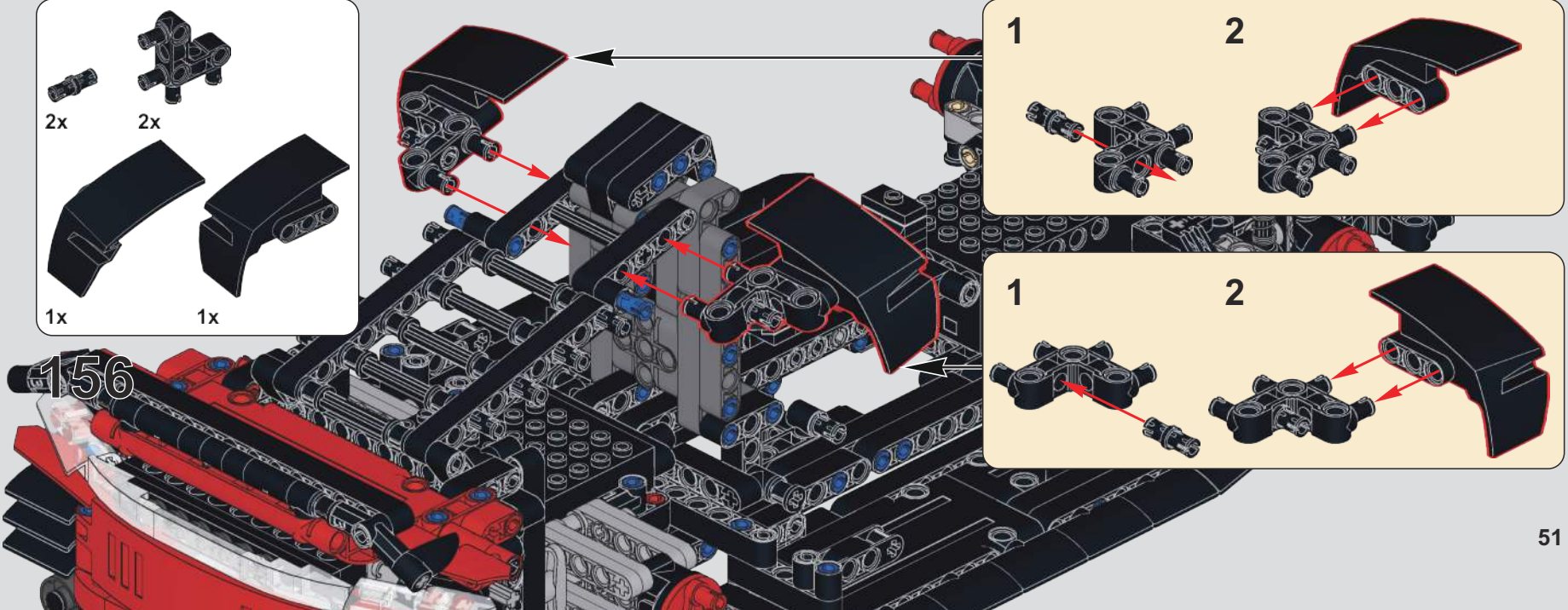


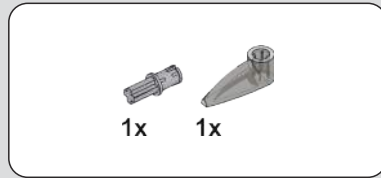
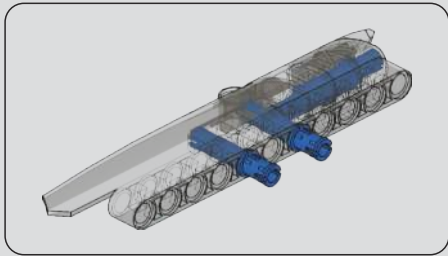


155

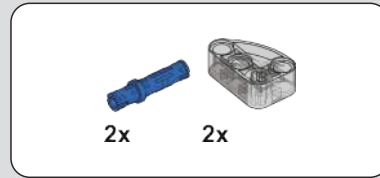


156

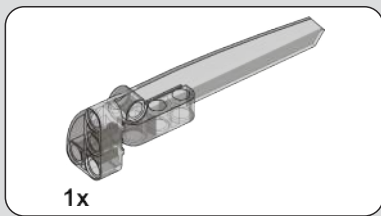
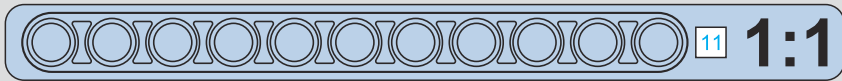
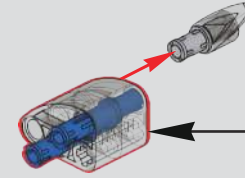
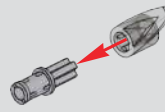
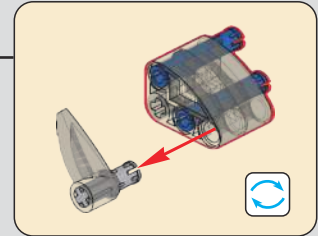
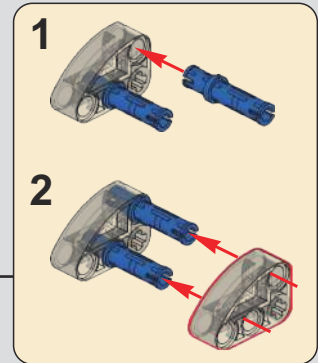




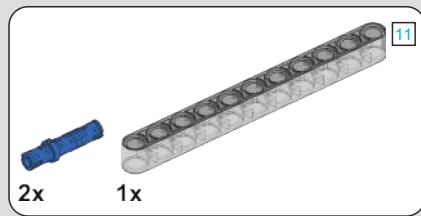
157



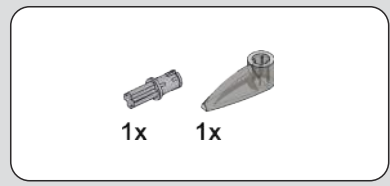
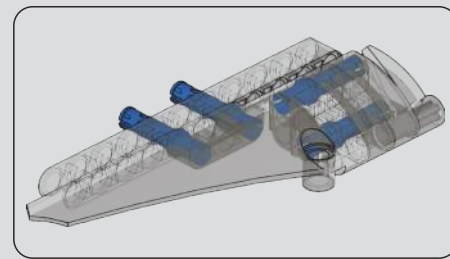
158



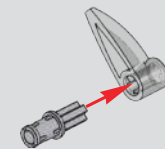
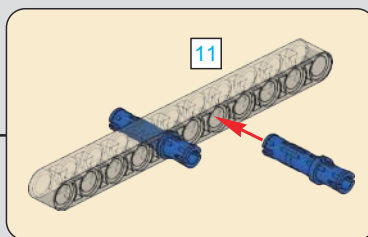
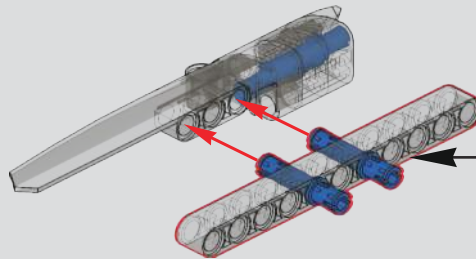
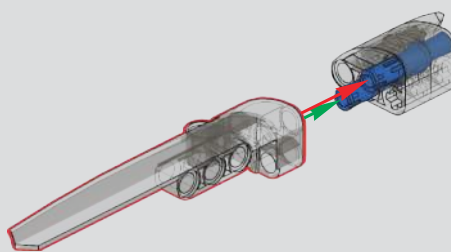
159

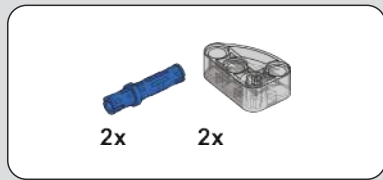


160

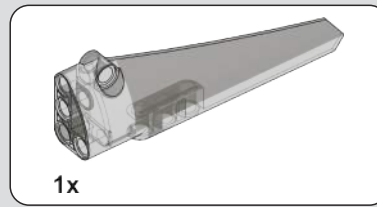
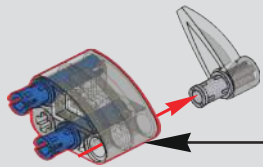
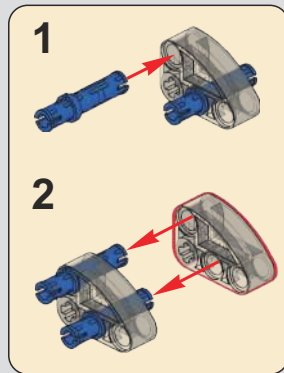


161

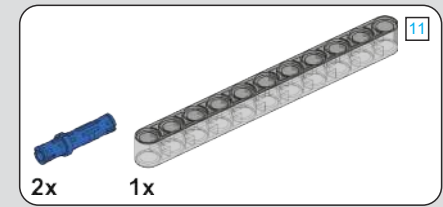
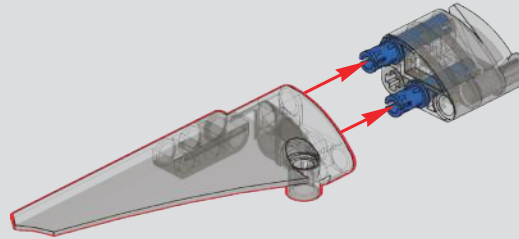




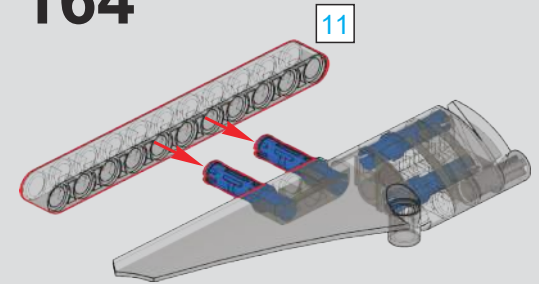
162



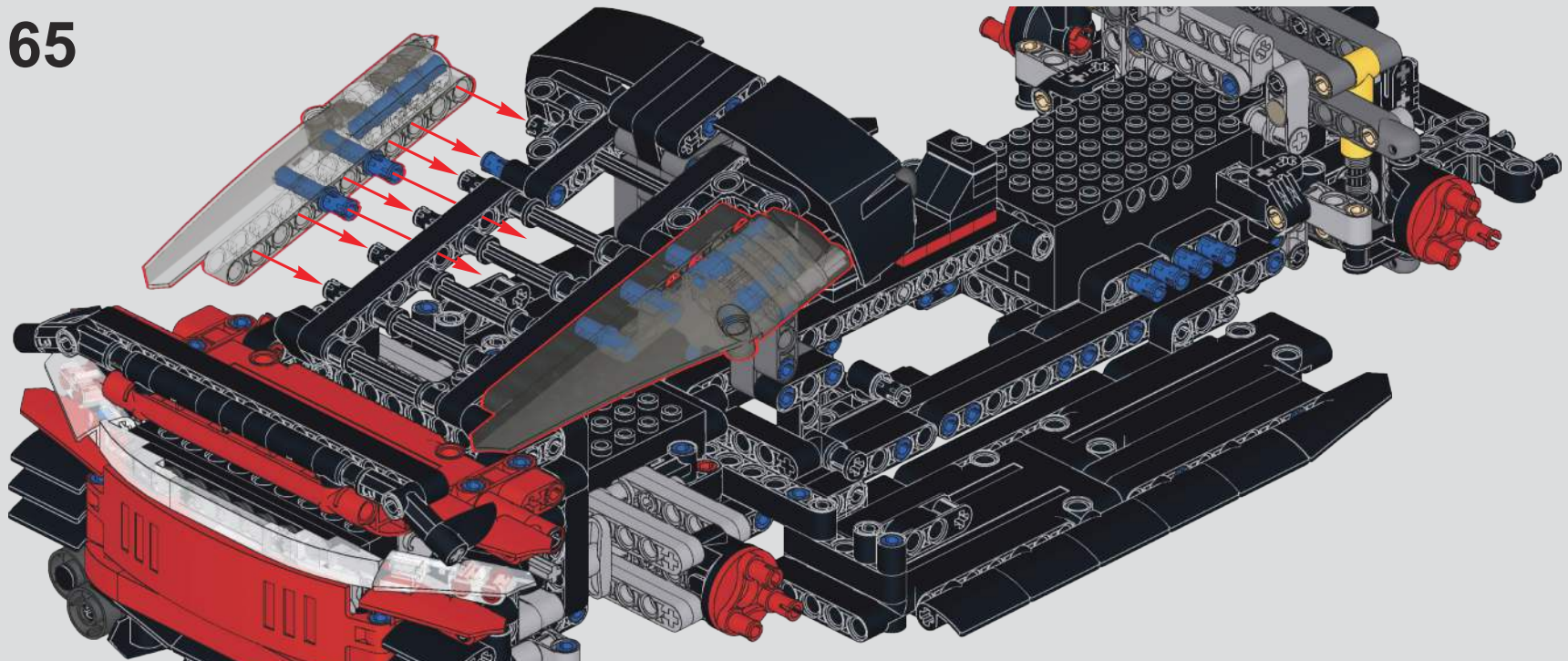
163

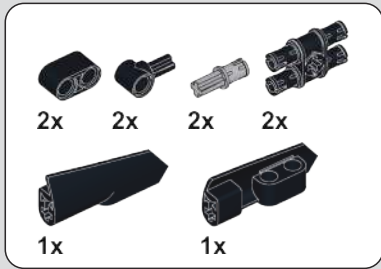


164

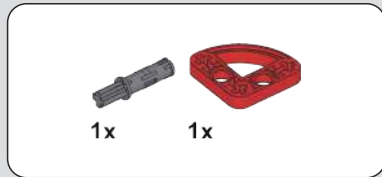
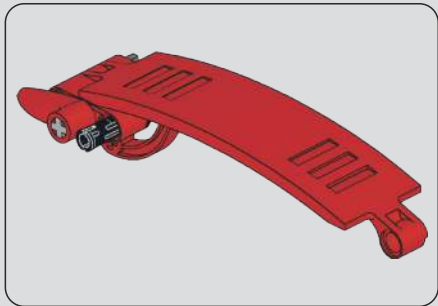
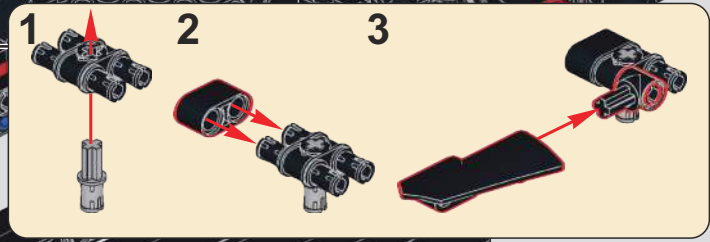
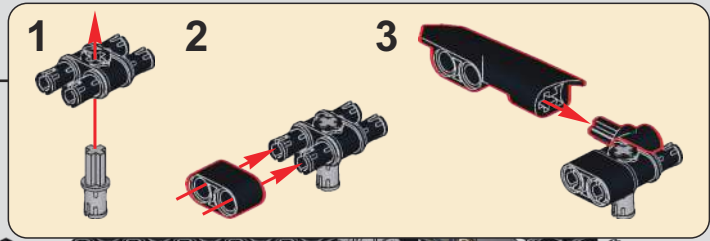
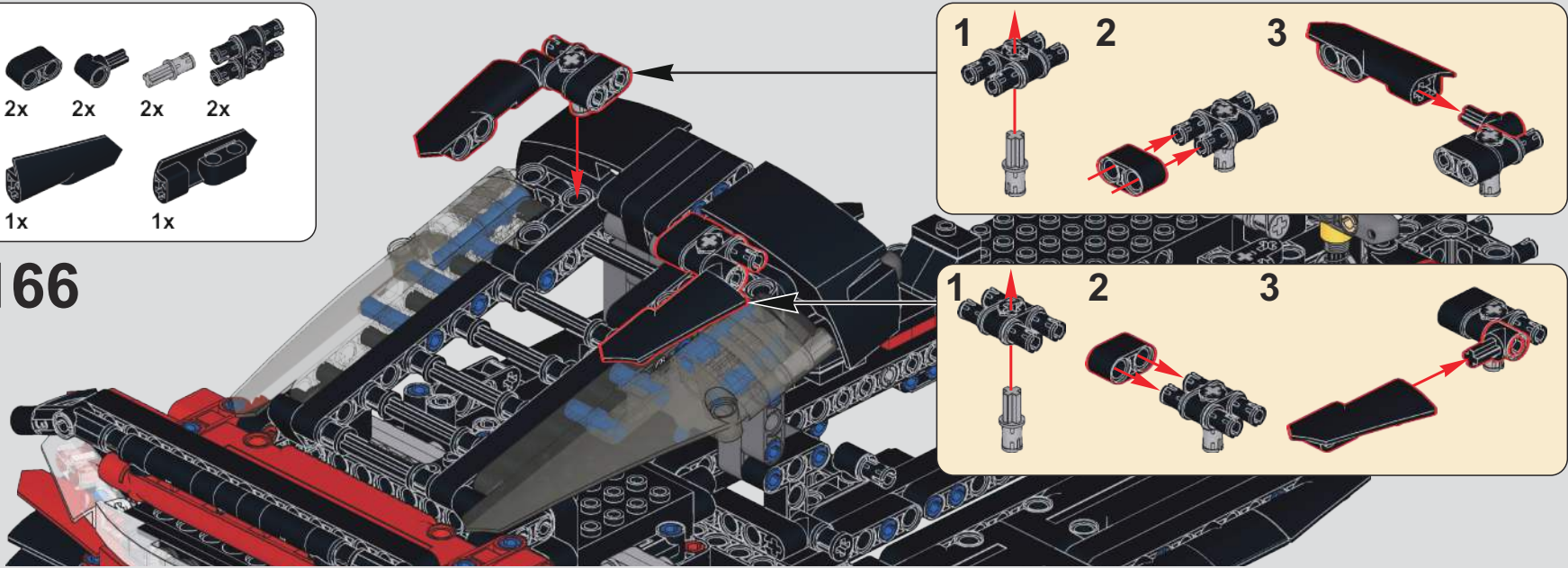


165





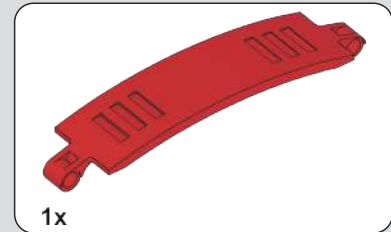
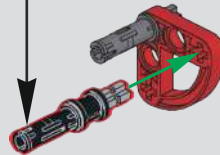
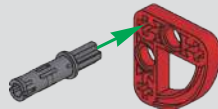
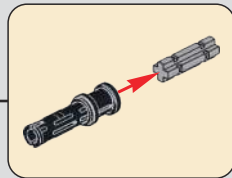
166



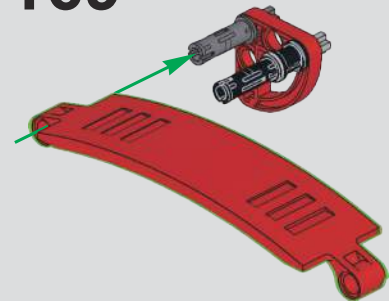
167

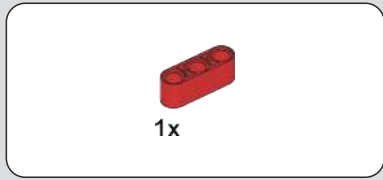


168



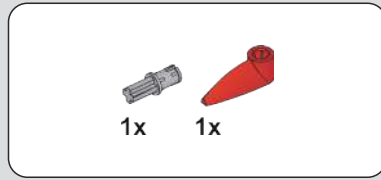
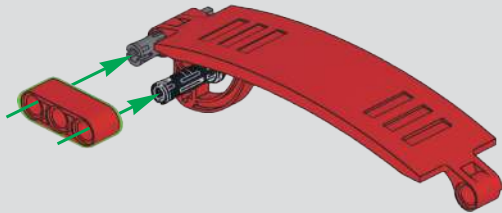
169





1x

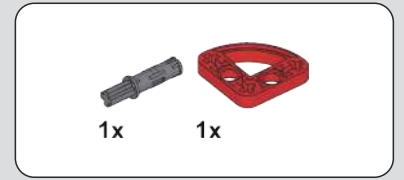
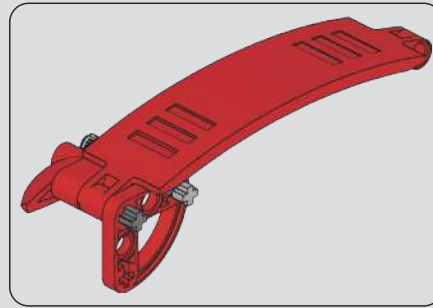
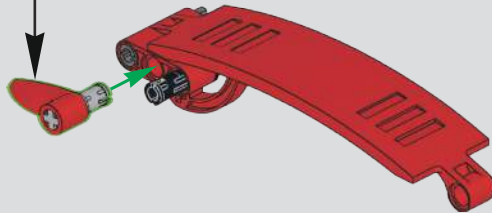
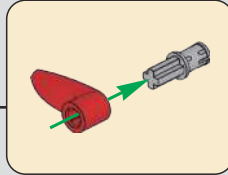
170



1x

1x

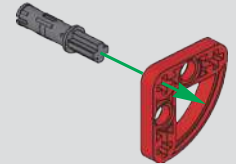
171



1x

1x

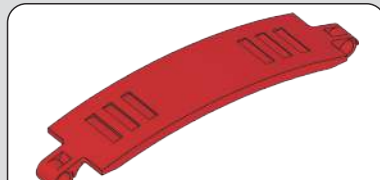
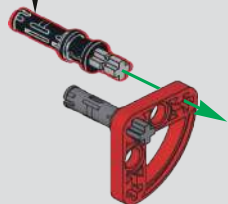
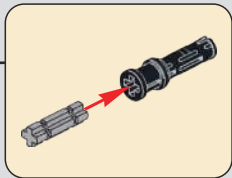
172



1x

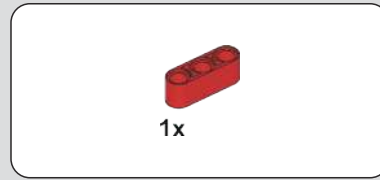
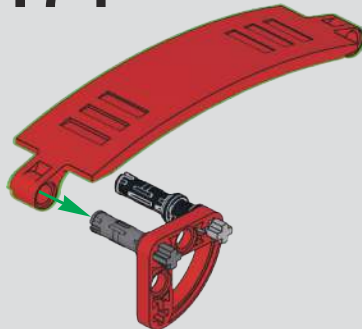
1x

173



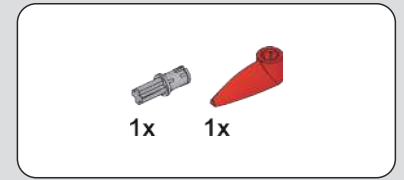
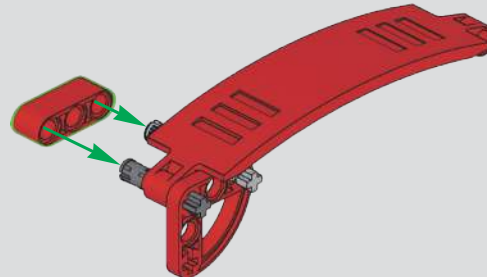
1x

174



1x

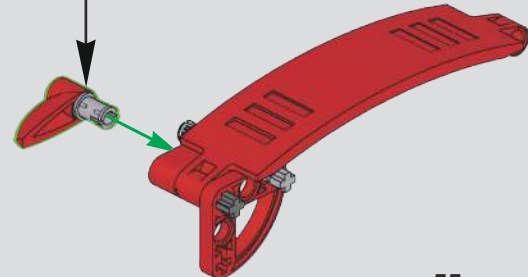
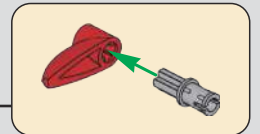
175



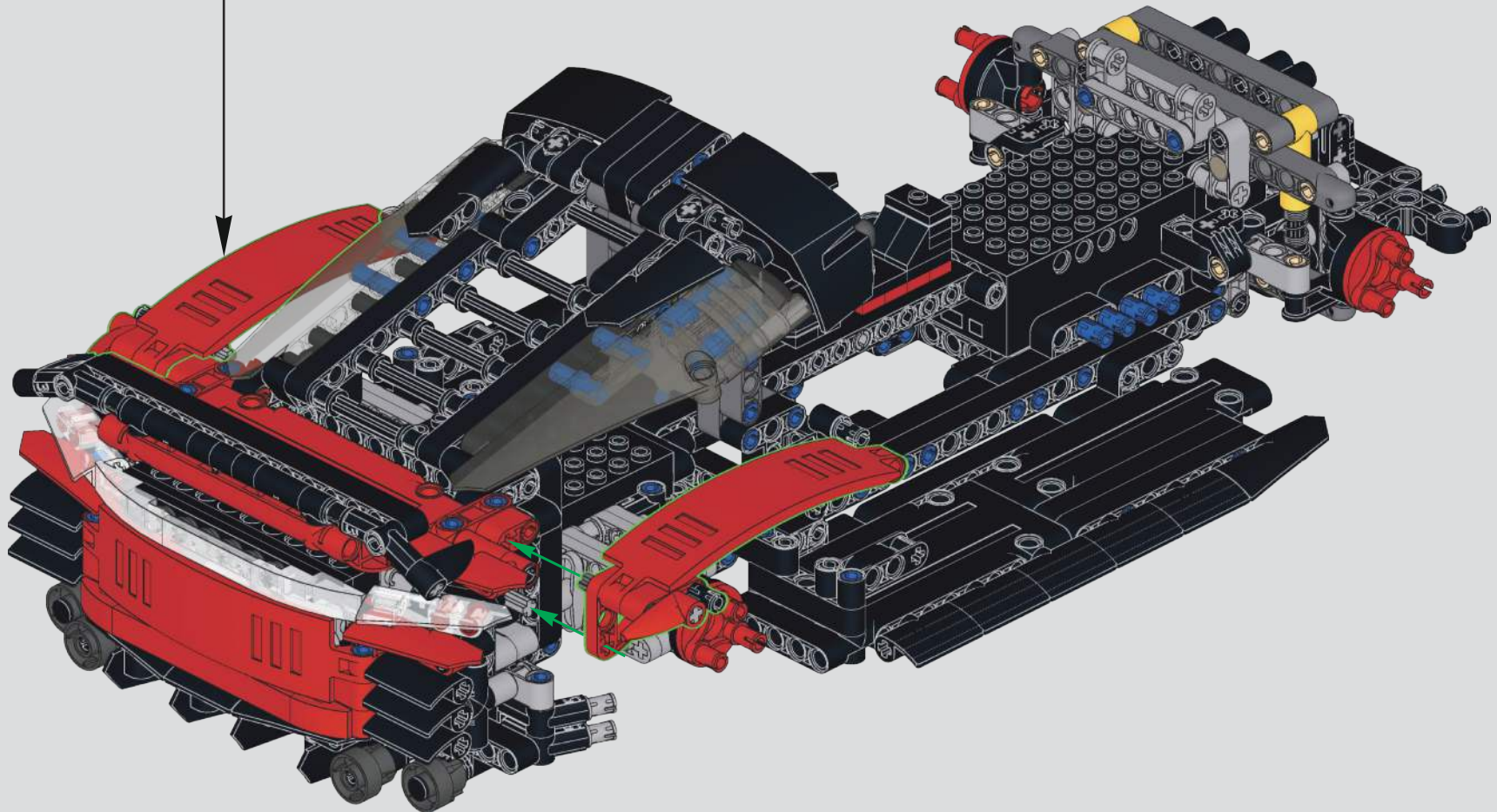
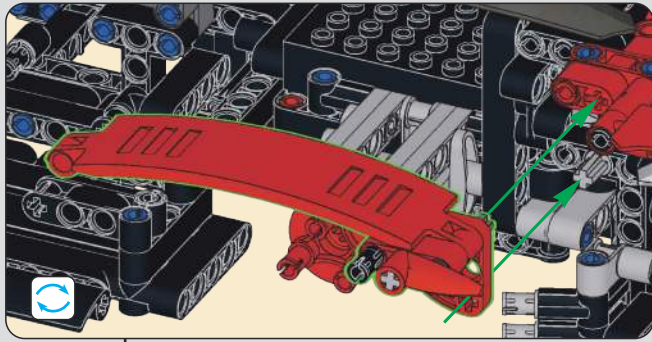
1x

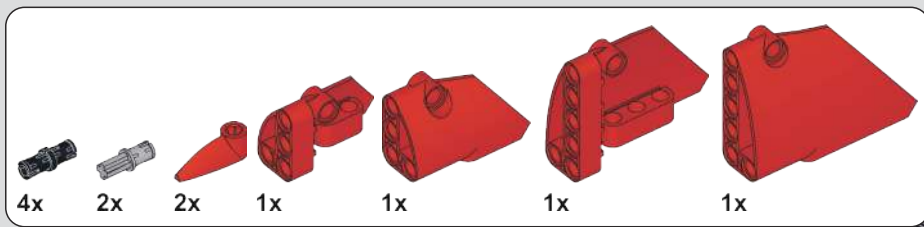
1x

176

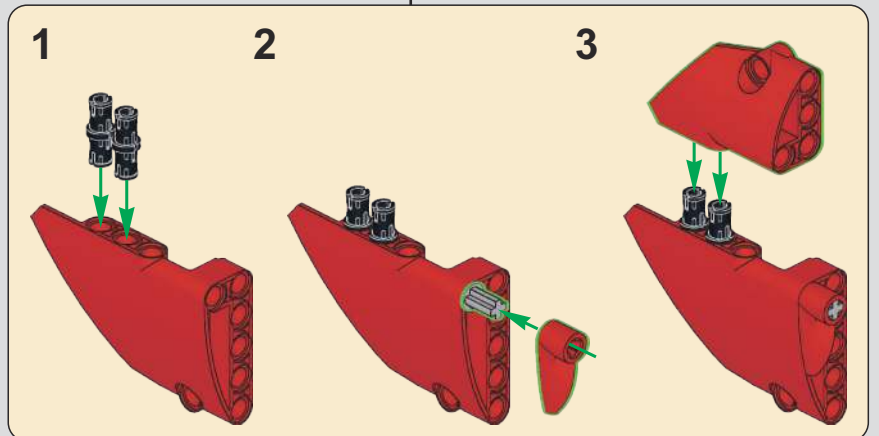
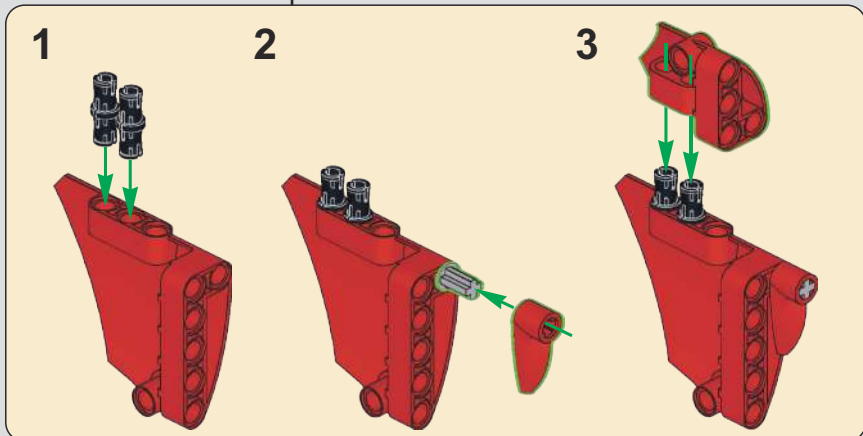
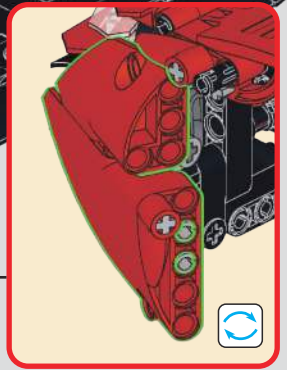
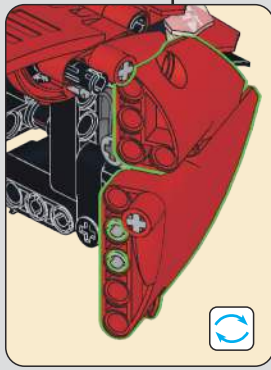
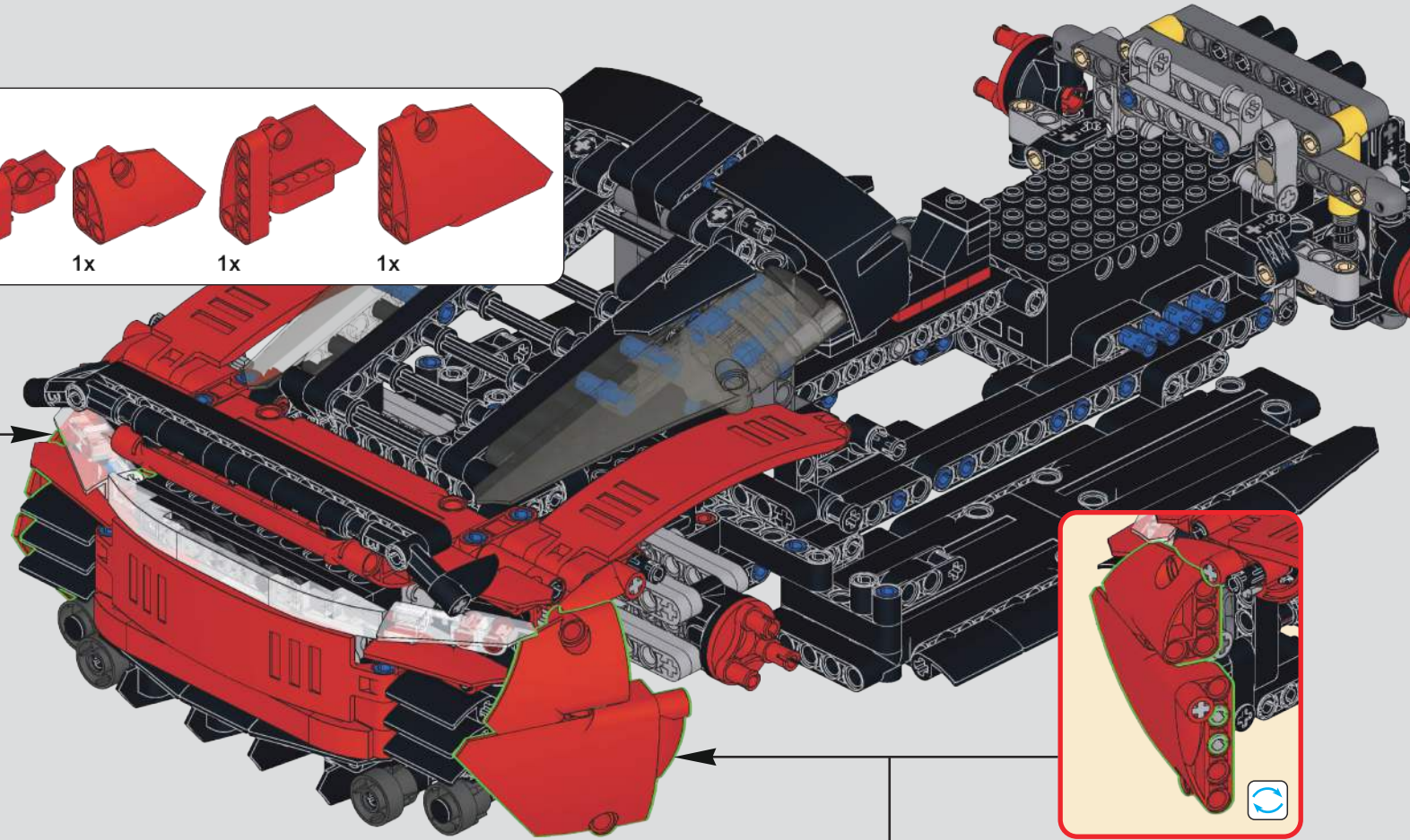


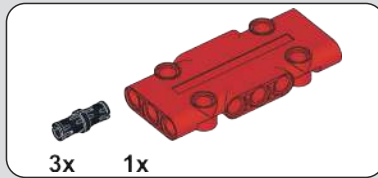
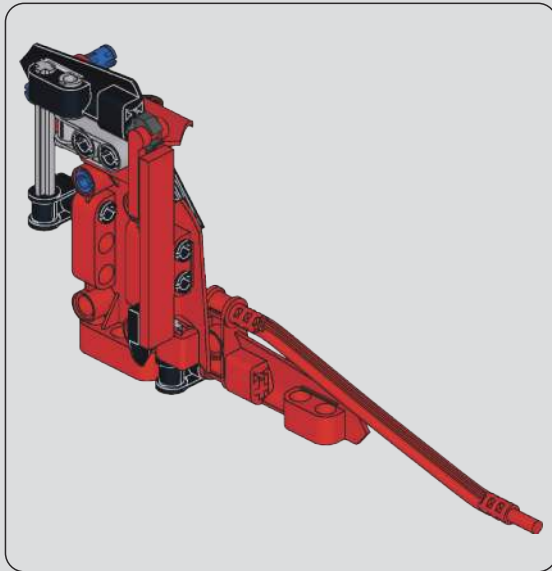
177



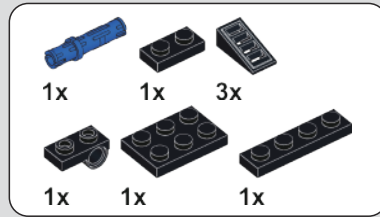
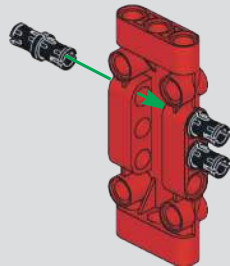


178

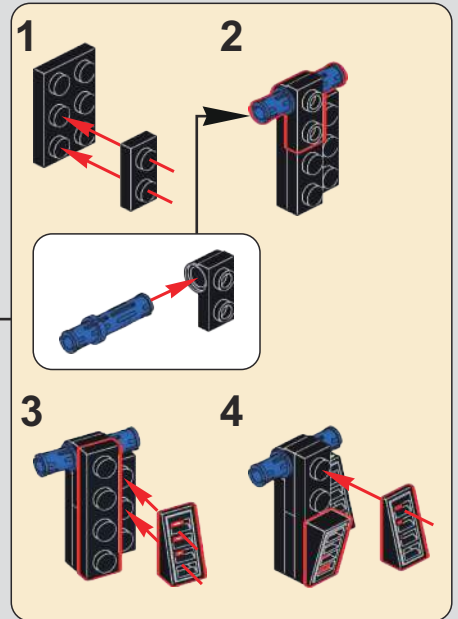
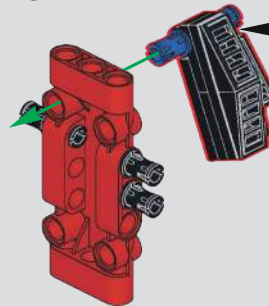




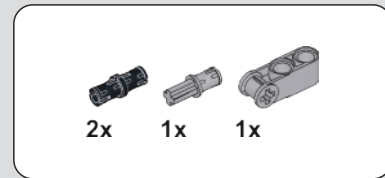
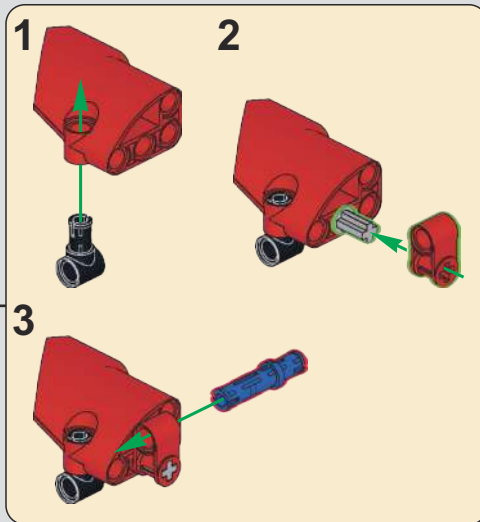
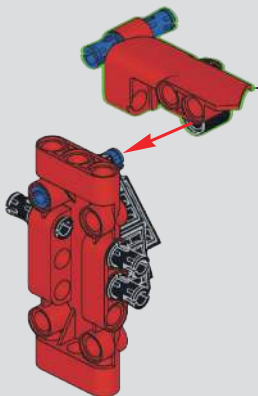
179



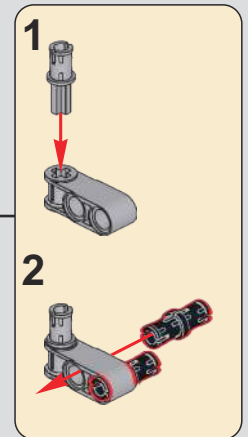
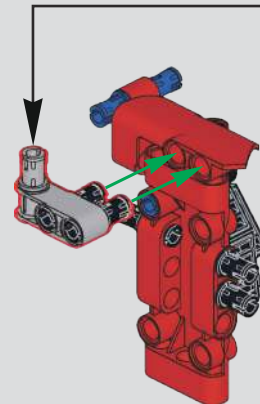
180

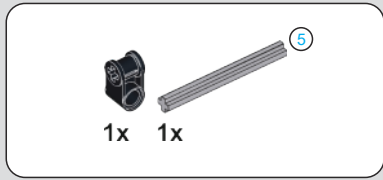


181

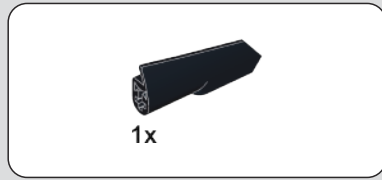
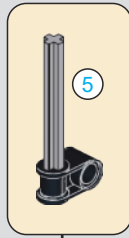
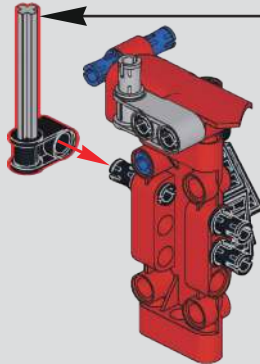


182

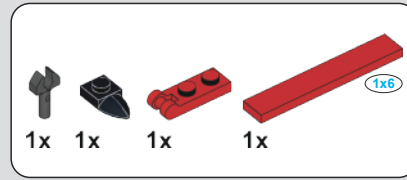
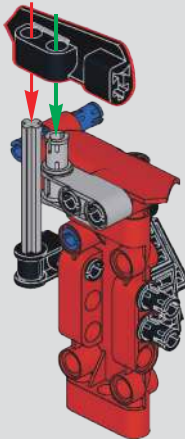




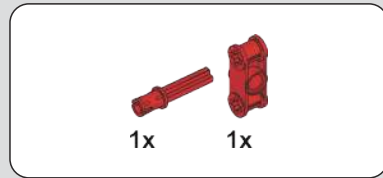
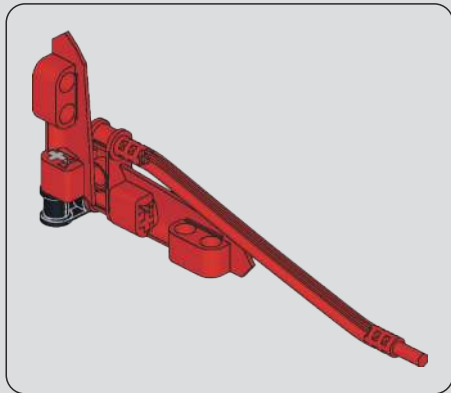
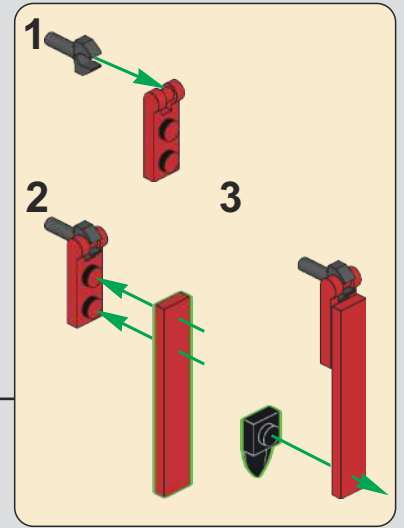
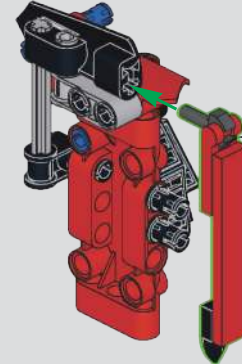
183



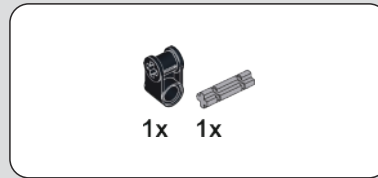
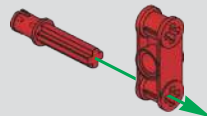
184



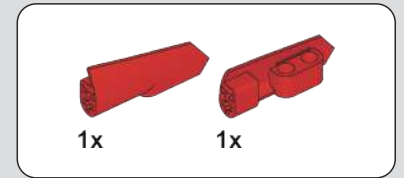
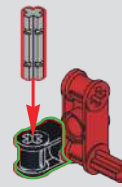
185



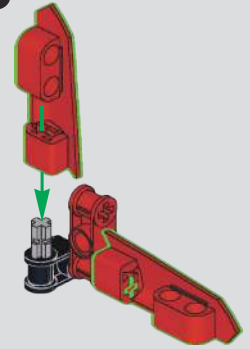
186

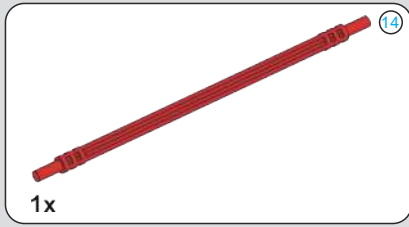


187

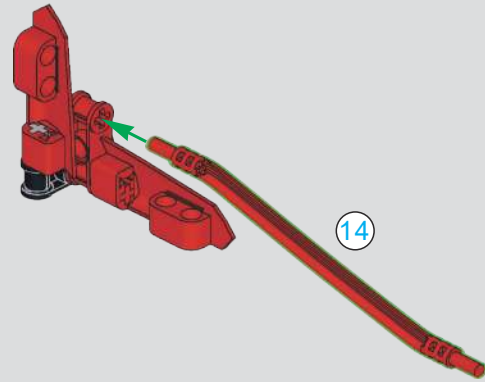


188

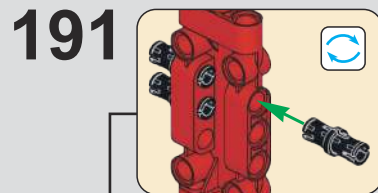
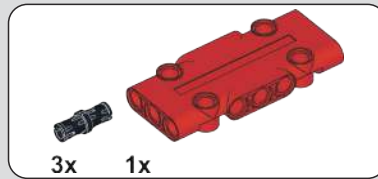
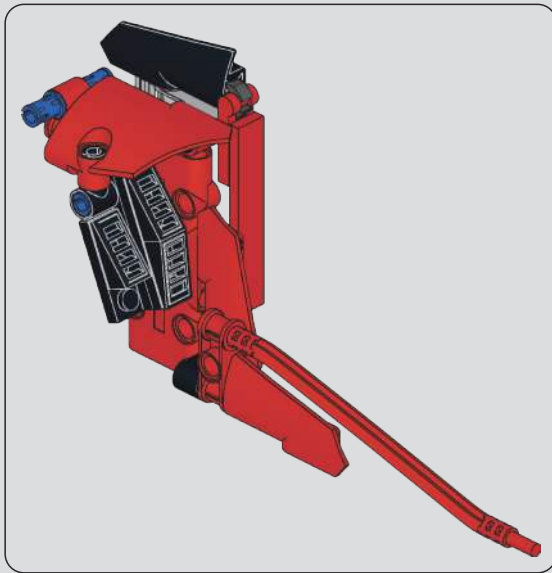
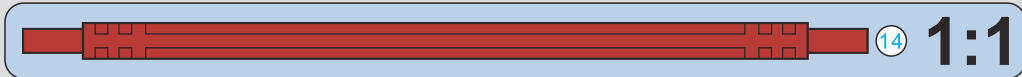
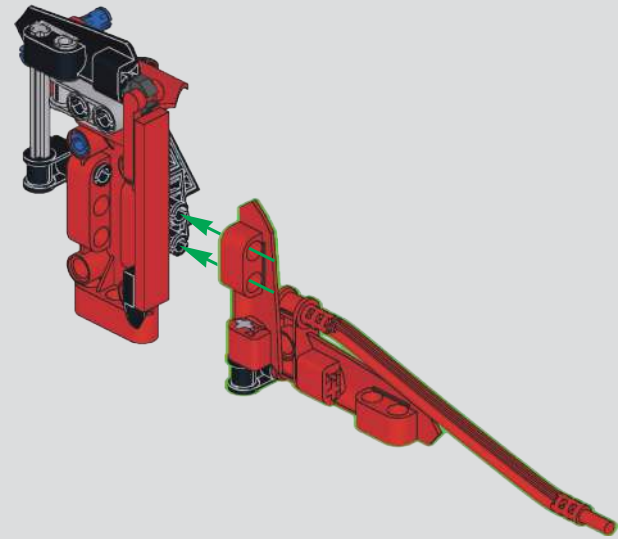




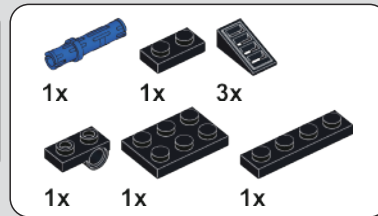
189



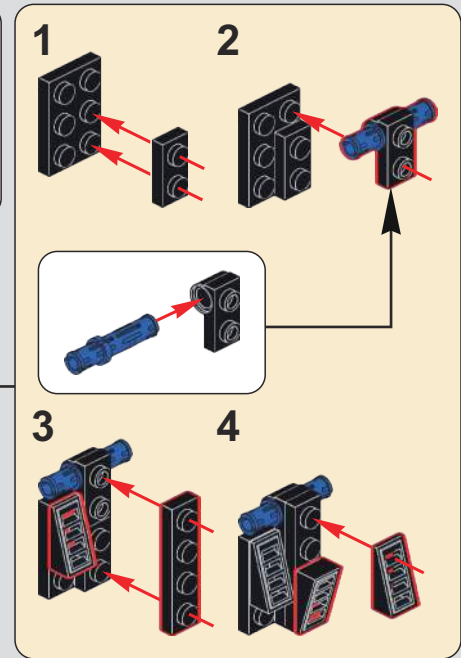
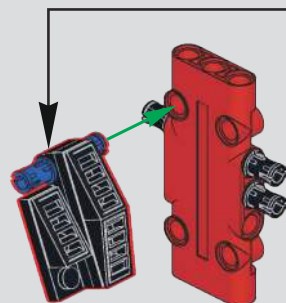
190



191

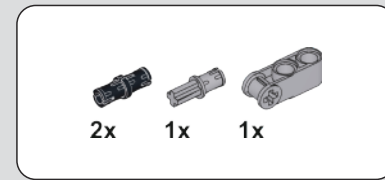
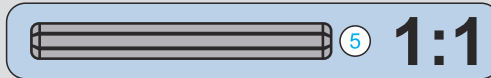
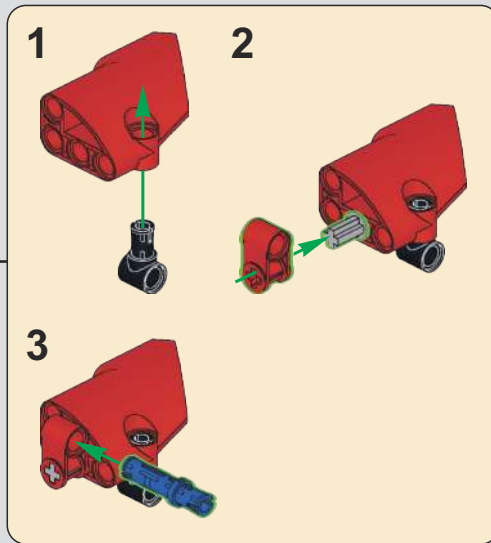
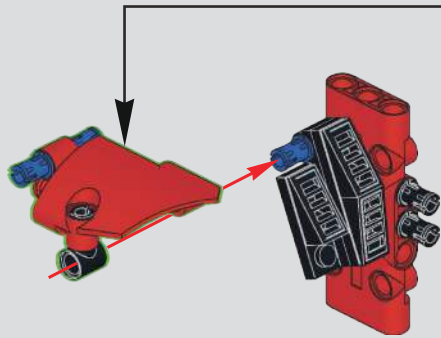


192

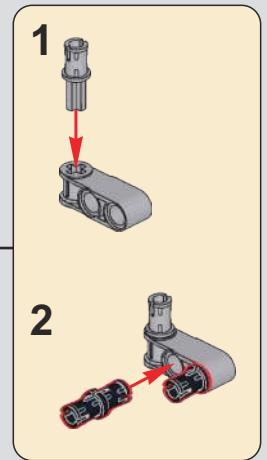
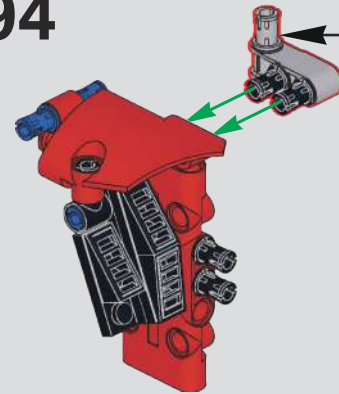




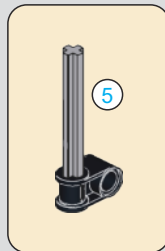
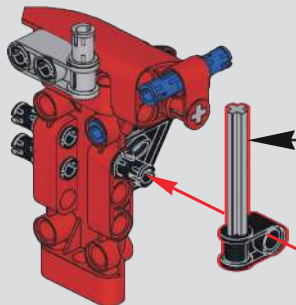
193



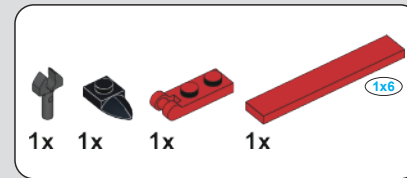
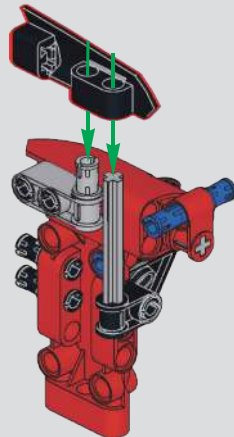
194



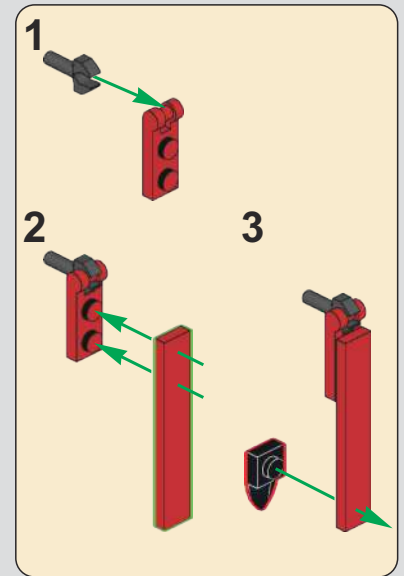
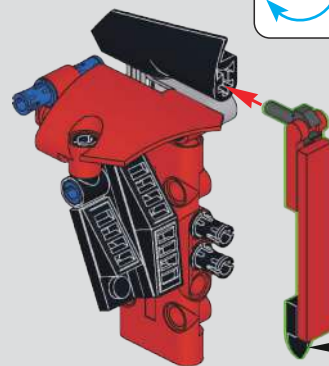
195

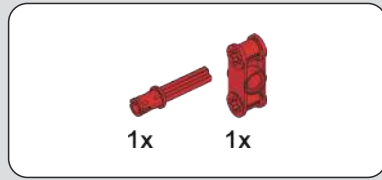
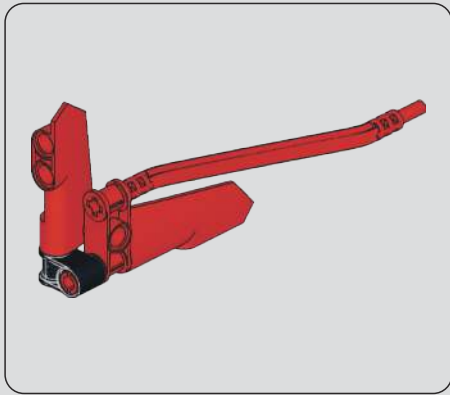


196

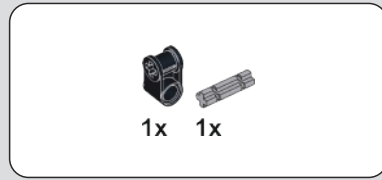
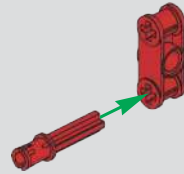


197

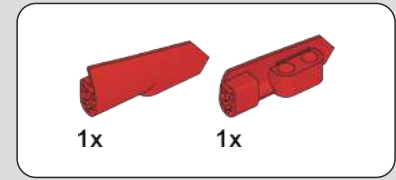
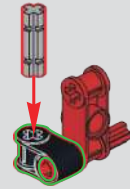




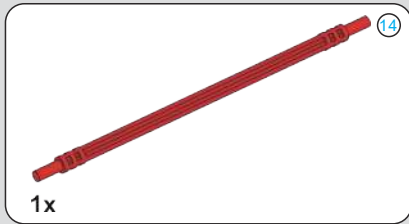
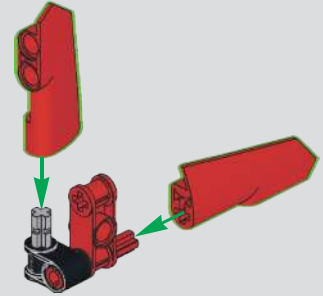
198



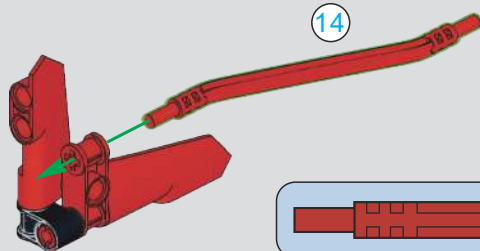
199



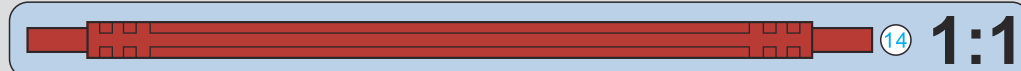
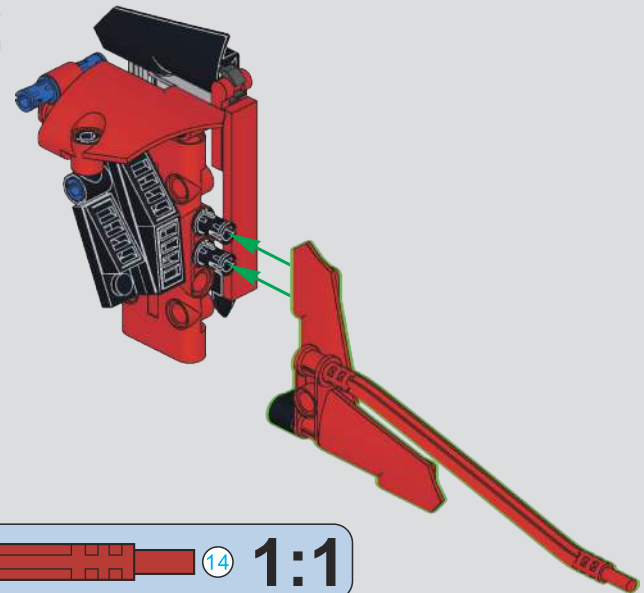
200

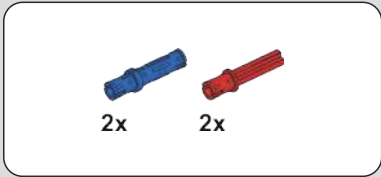


201

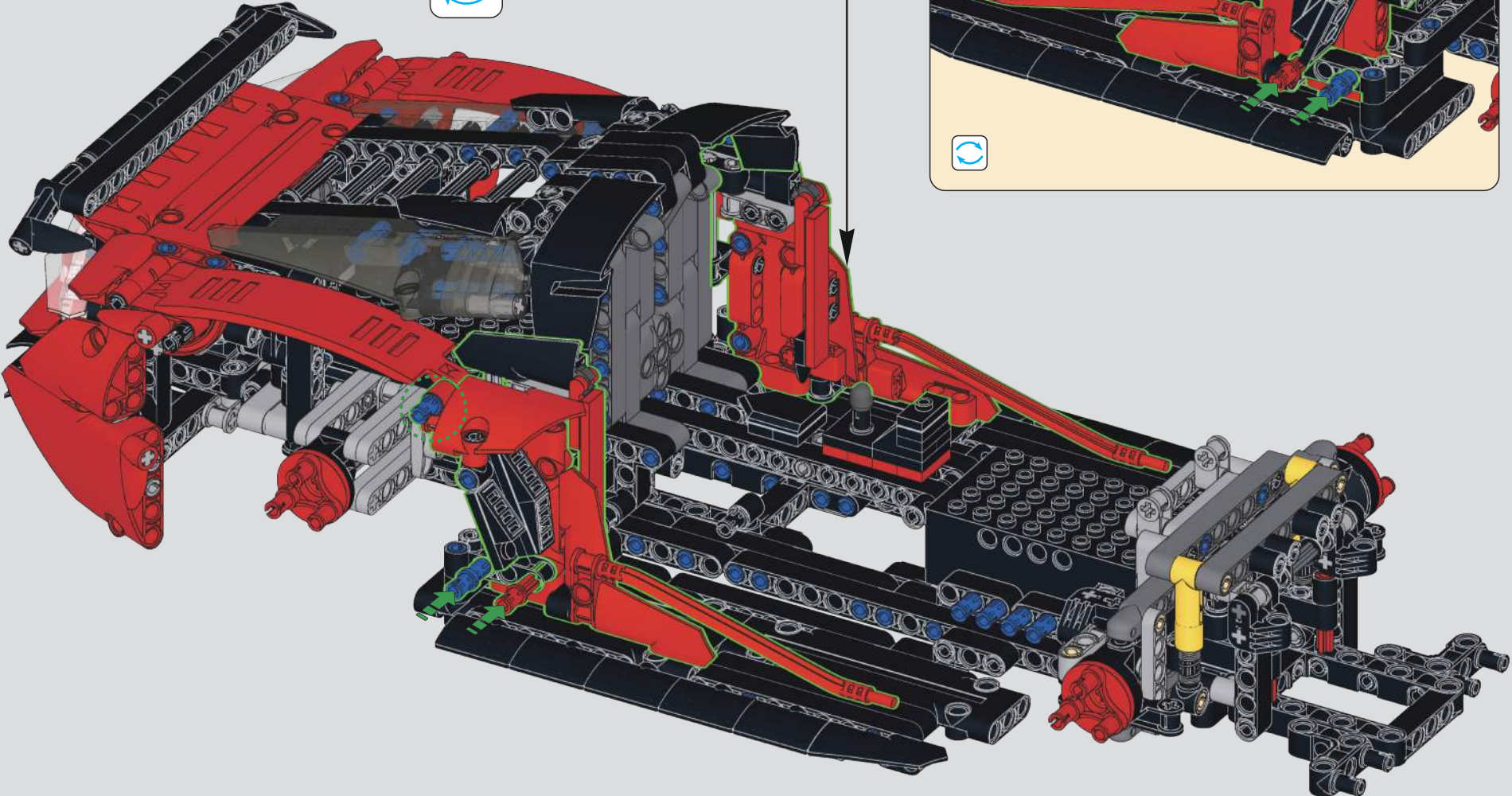
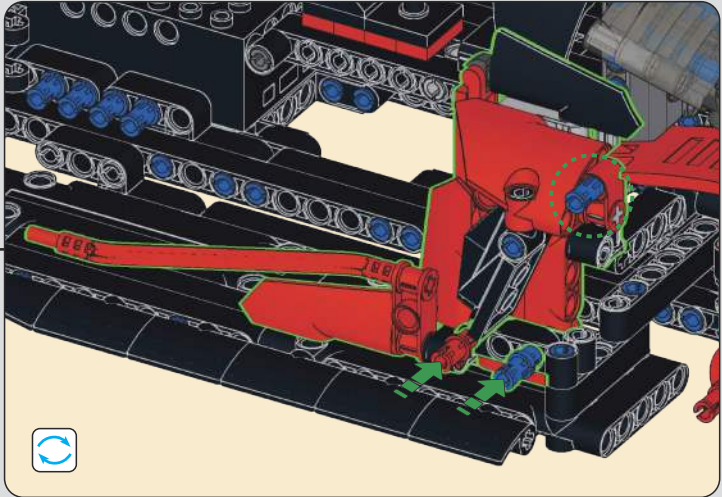


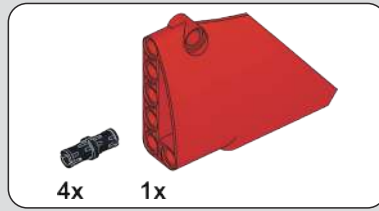
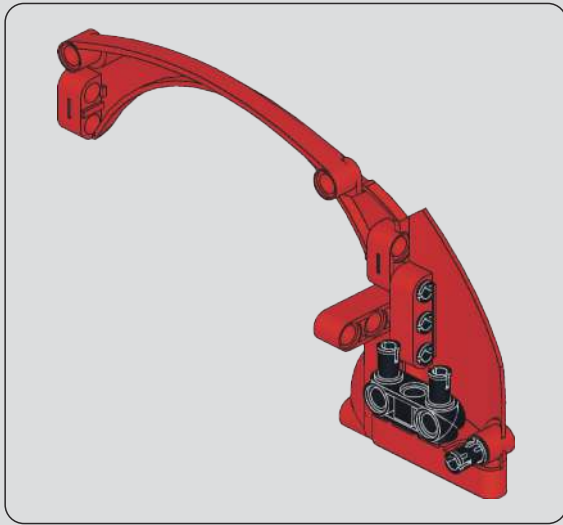
202



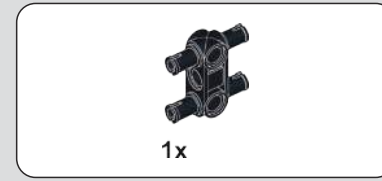
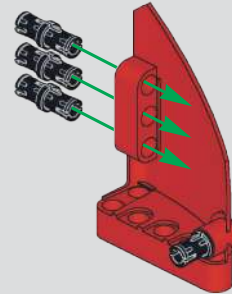


203

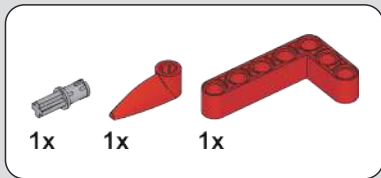
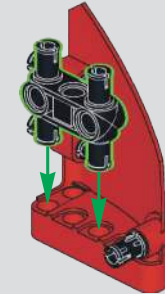




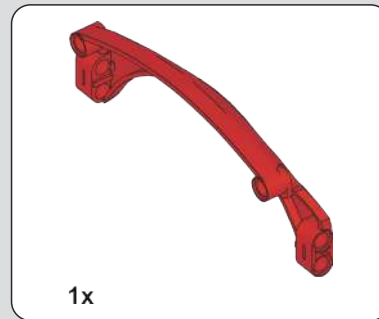
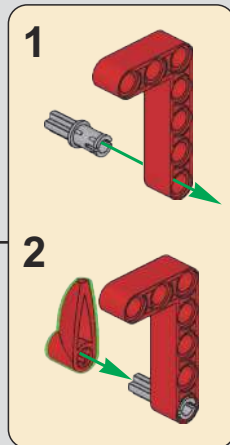
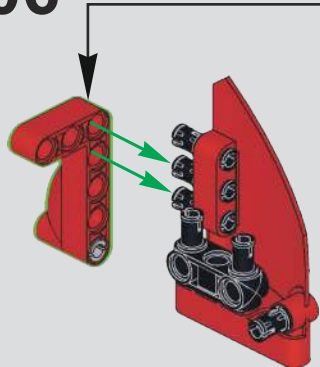
204



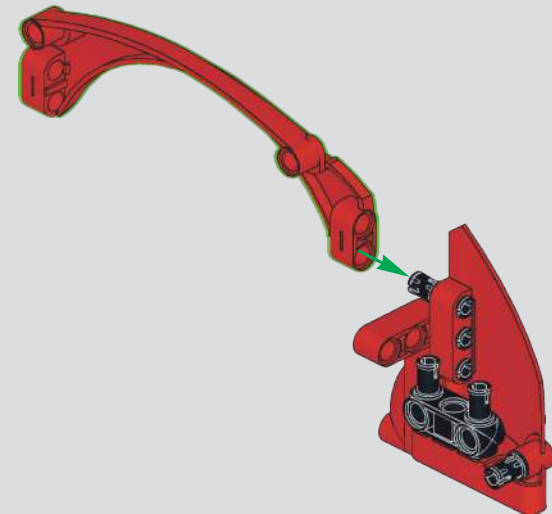
205

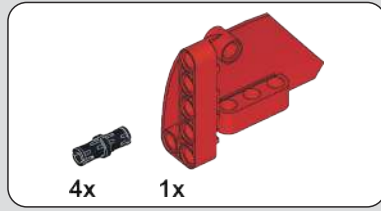
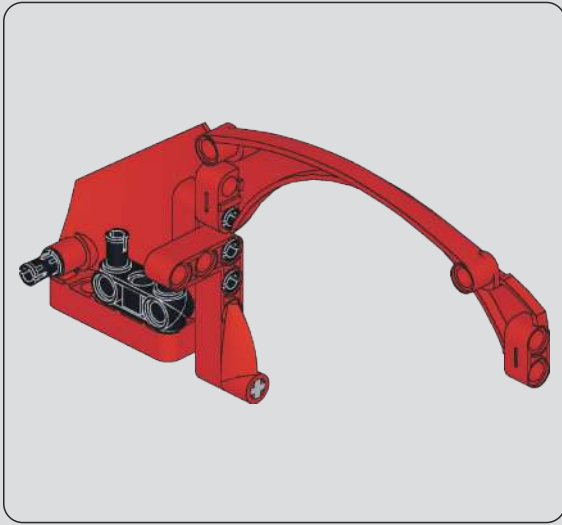


206

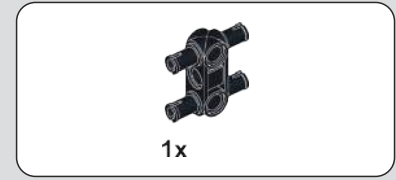
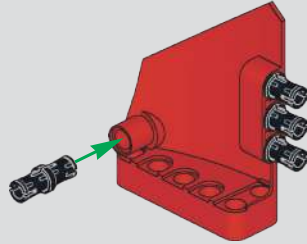


207

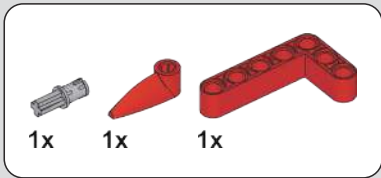
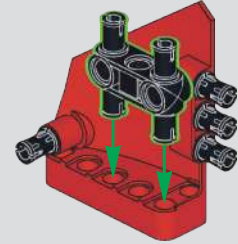




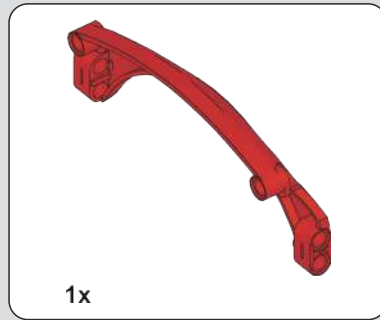
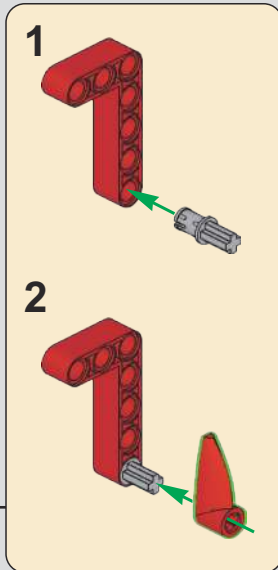
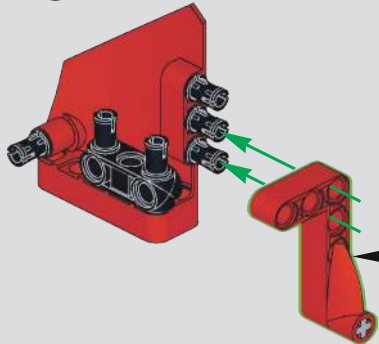
208



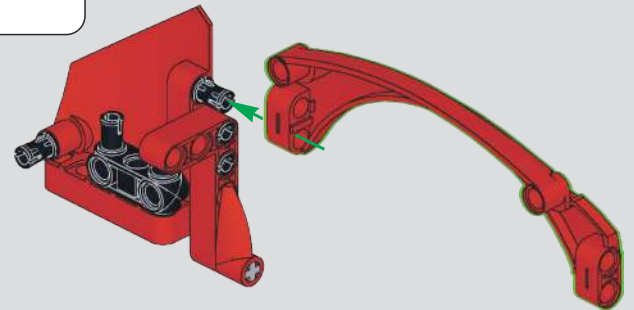
209



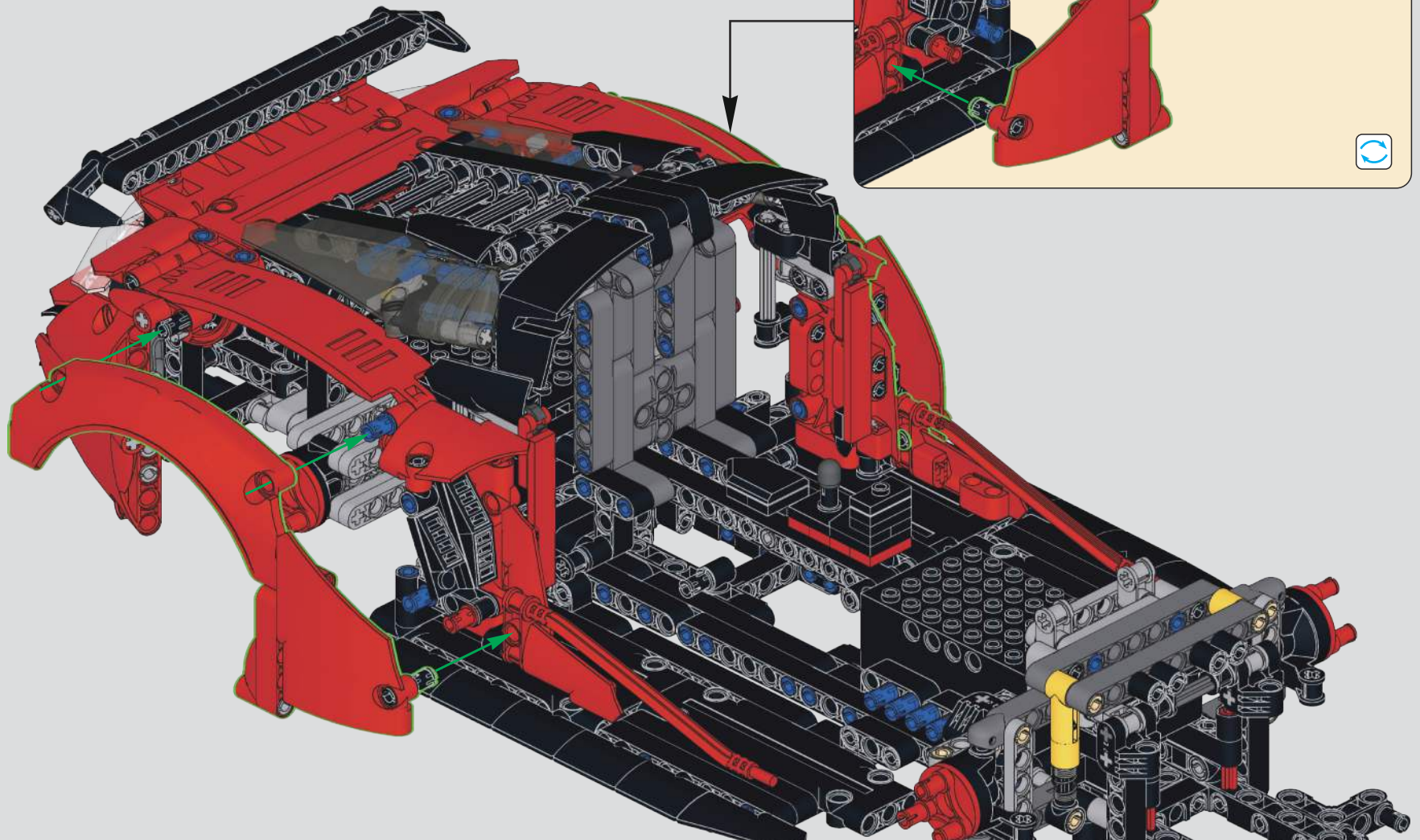
210

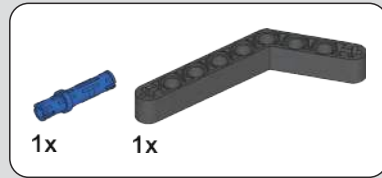


211

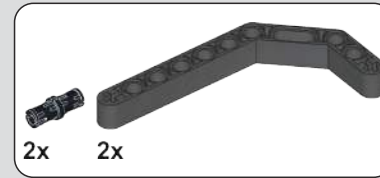
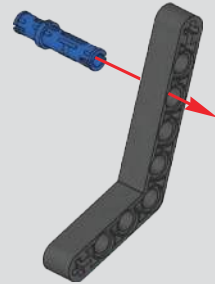


212

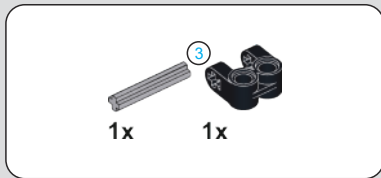
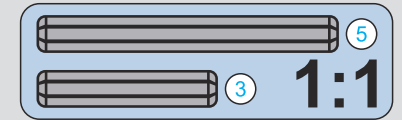
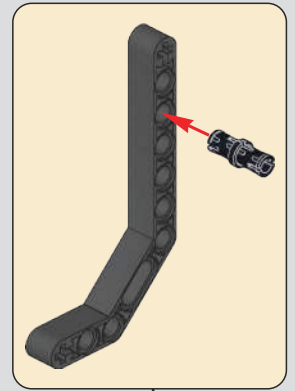
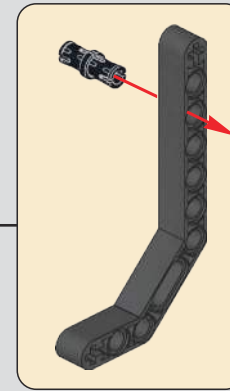
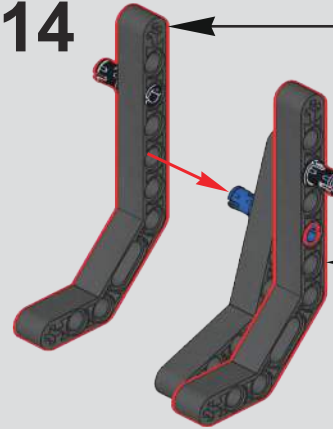




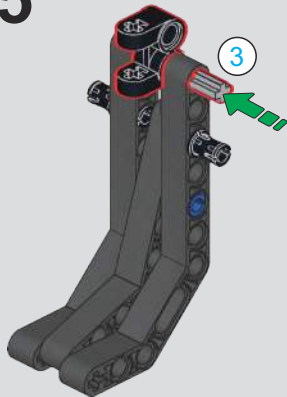
213



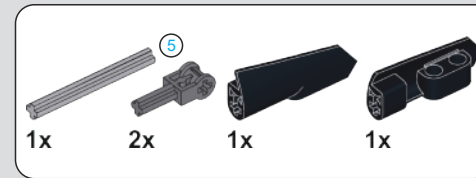
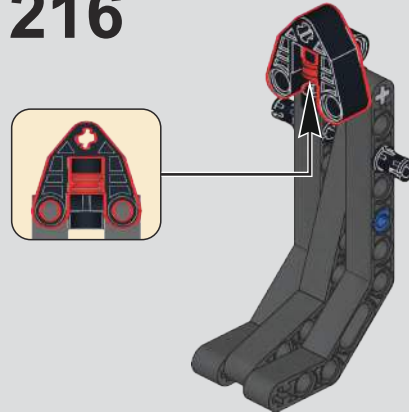
214



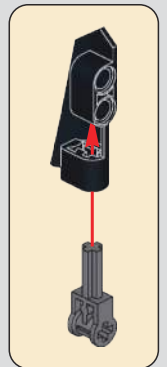
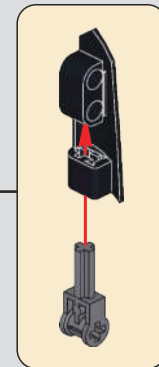
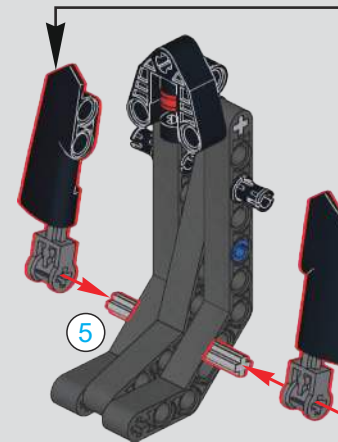
215



216

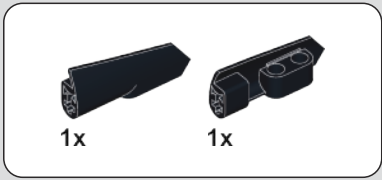
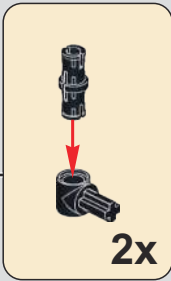
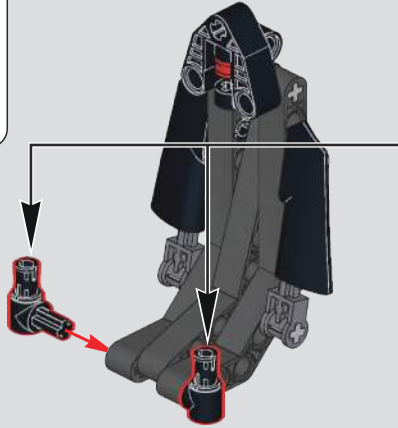


217





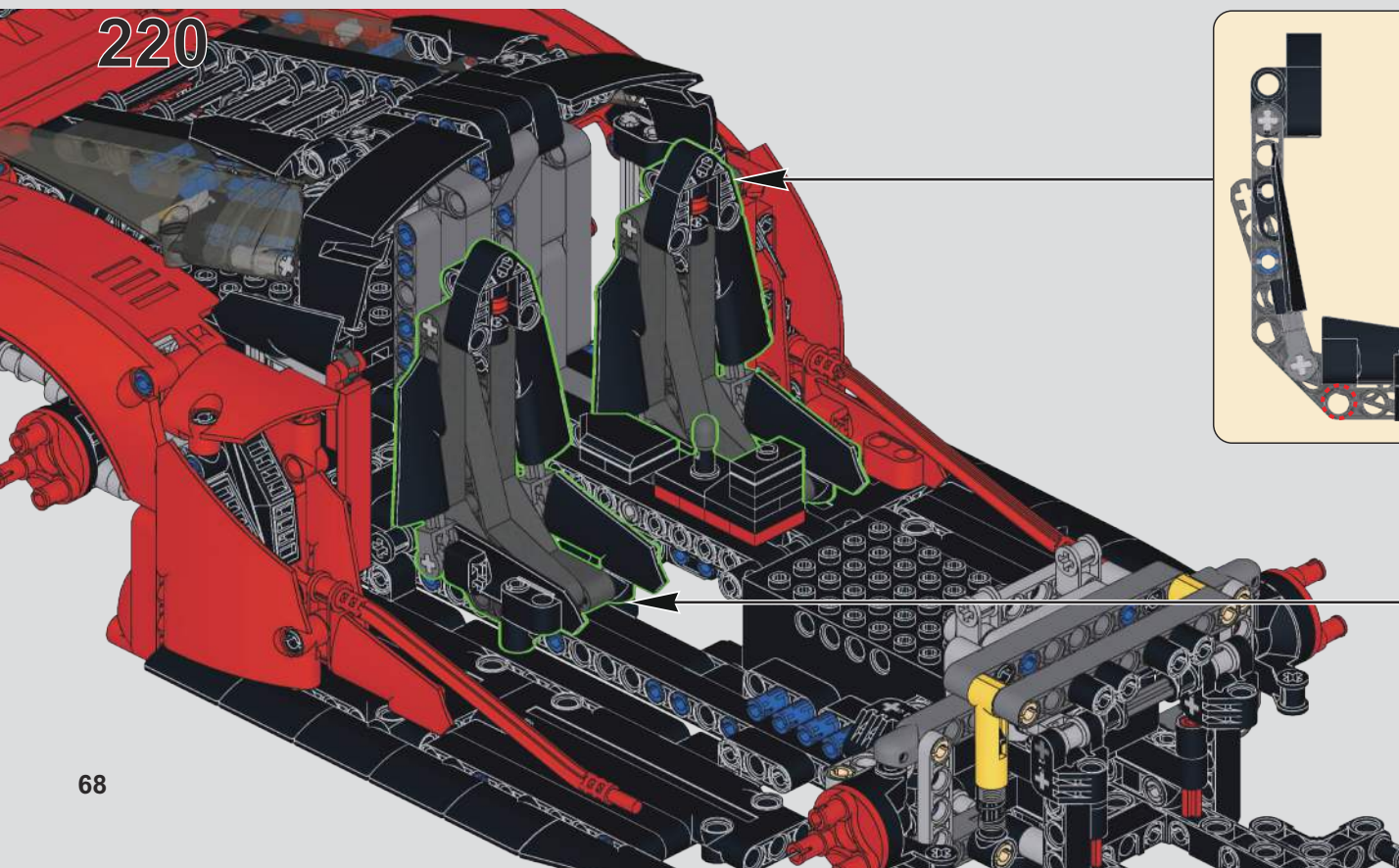
218



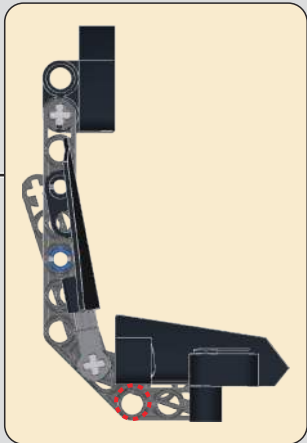
219

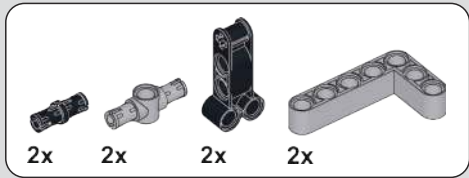


2x

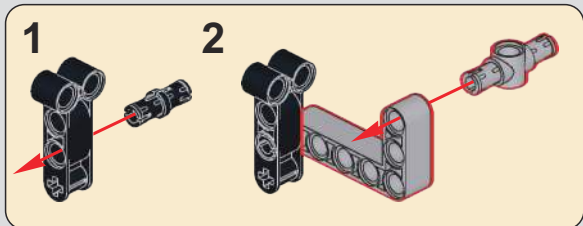
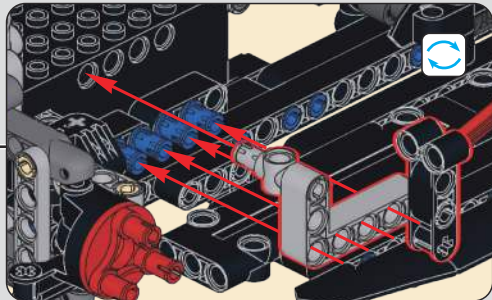
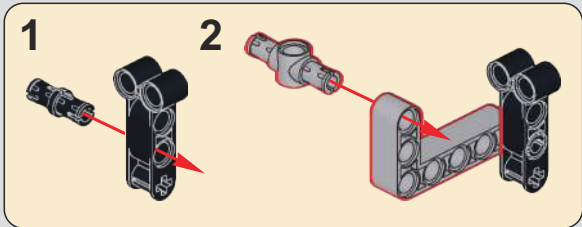
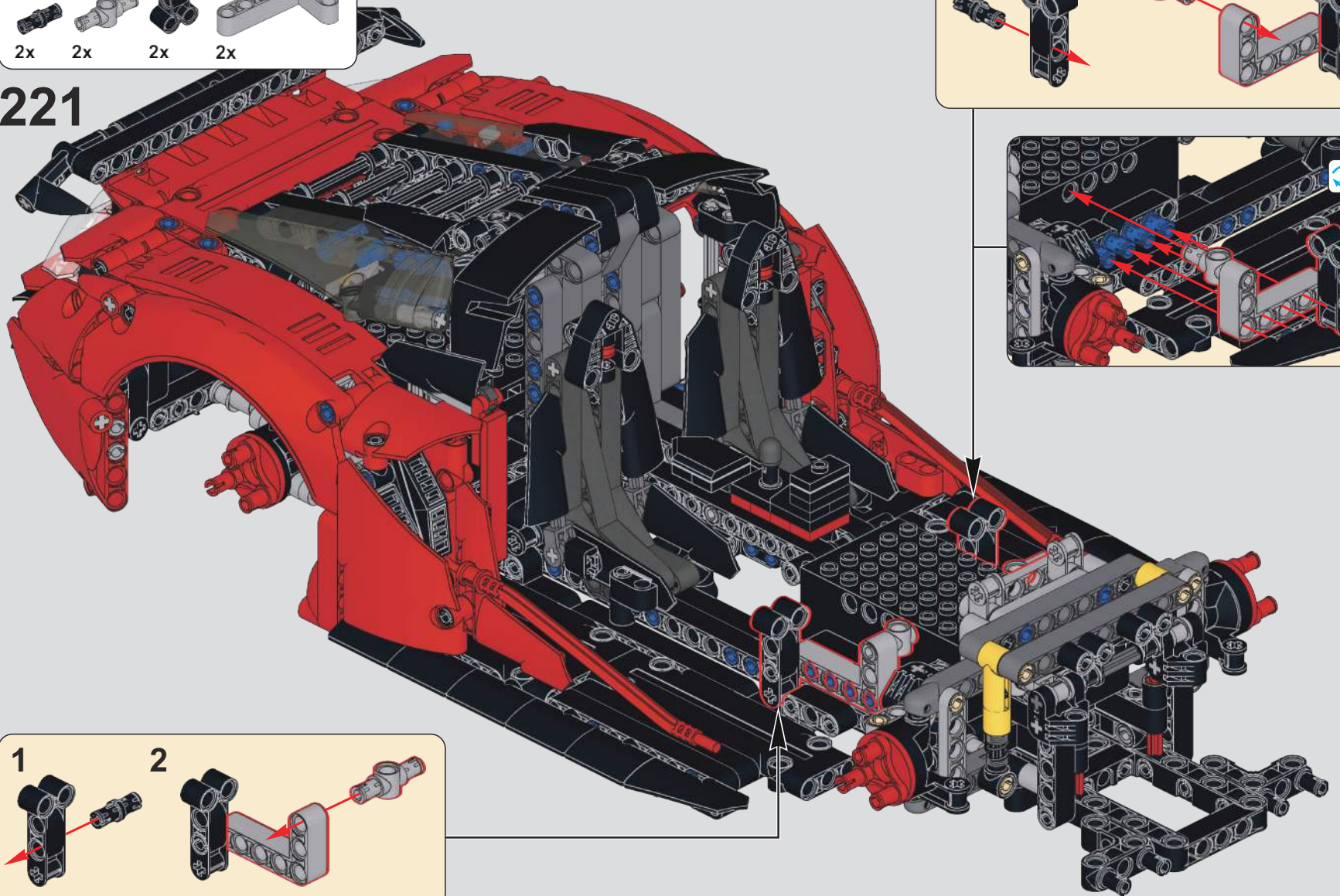


220

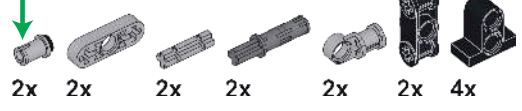




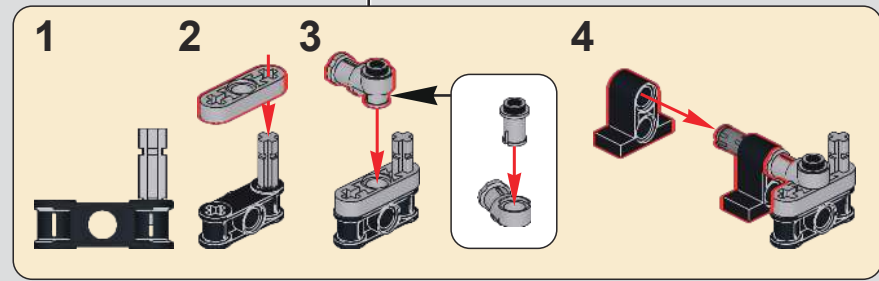
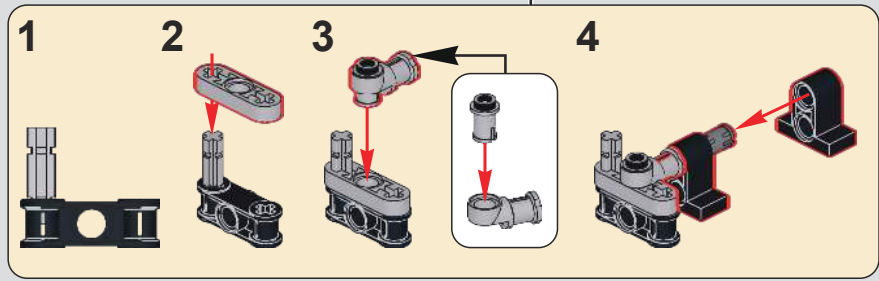
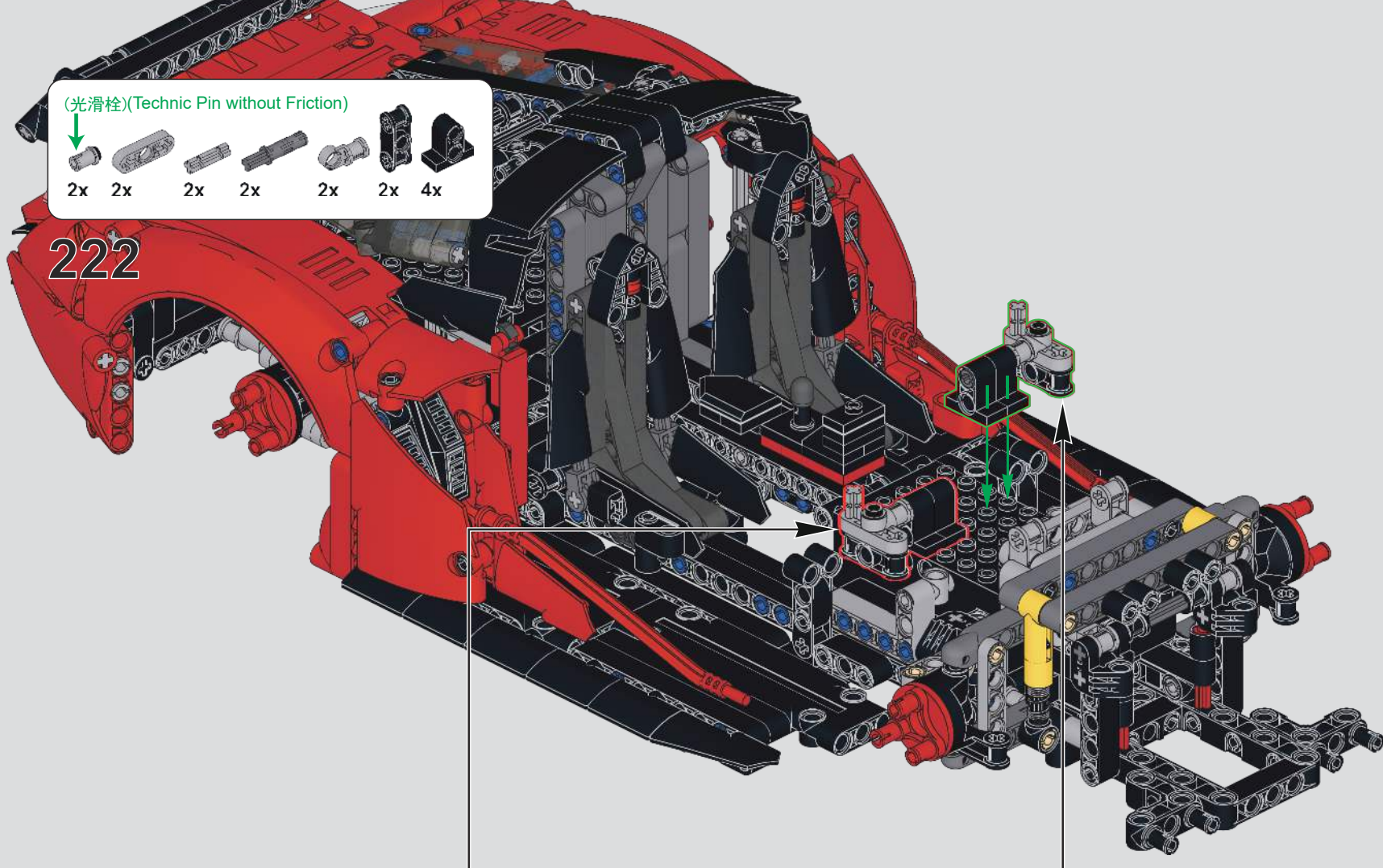
221

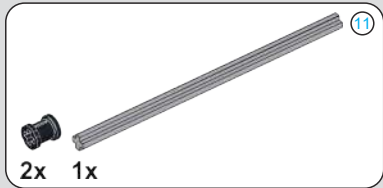
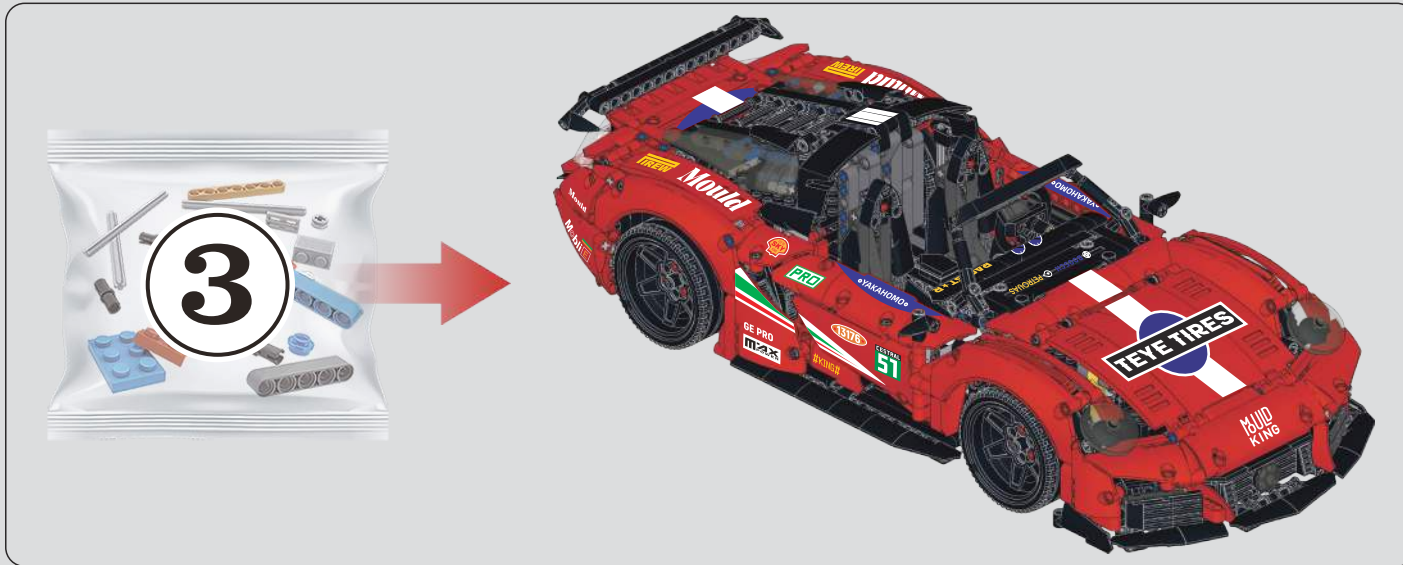


(光滑栓)(Technic Pin without Friction)



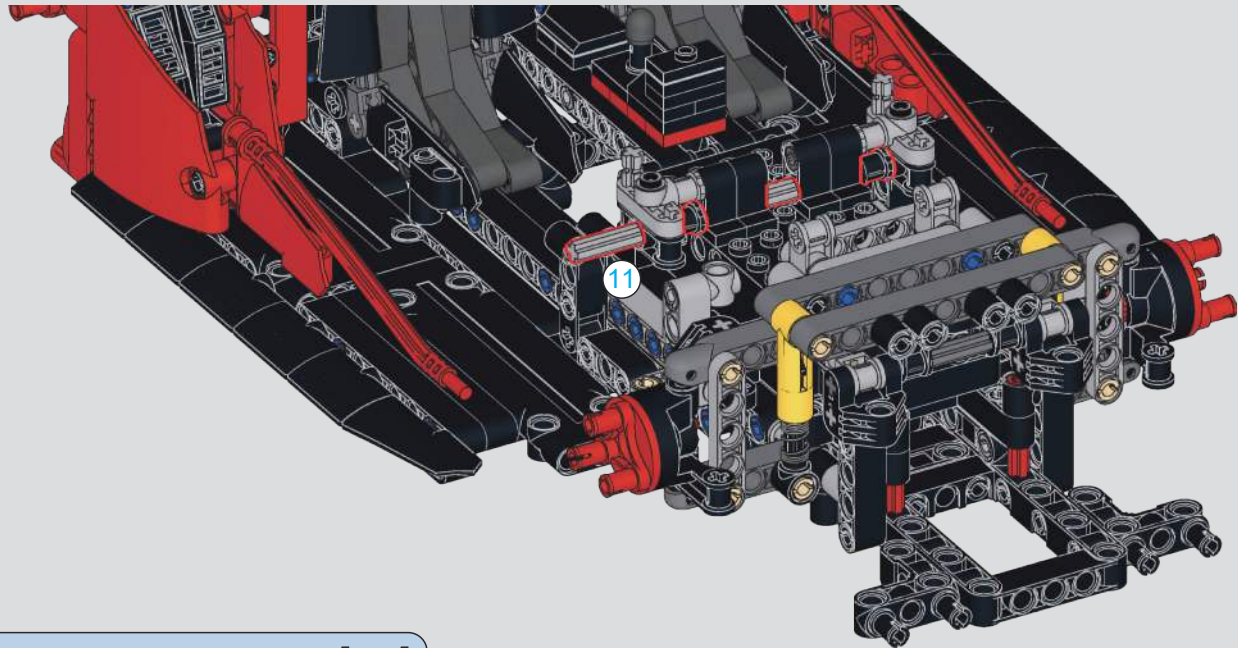
222

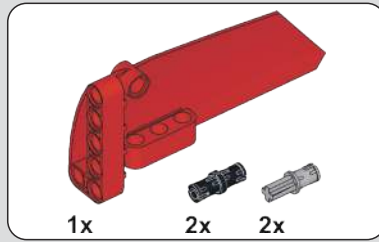
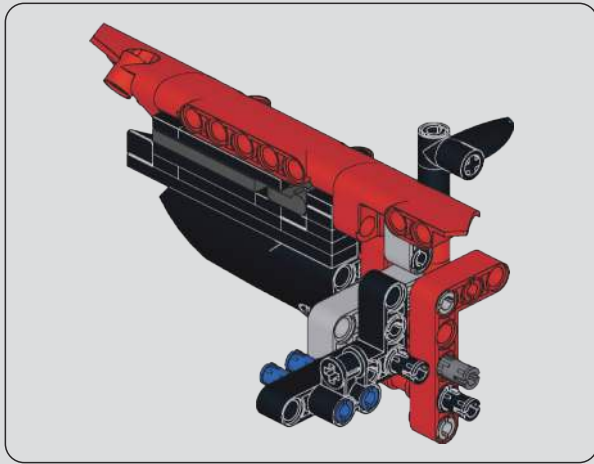




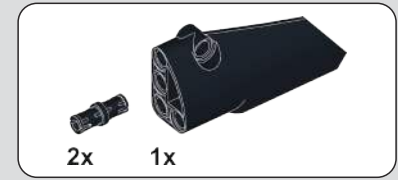
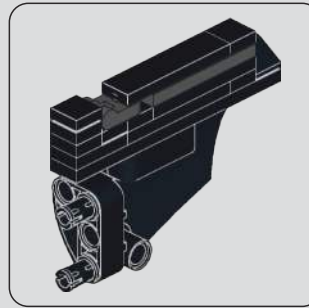
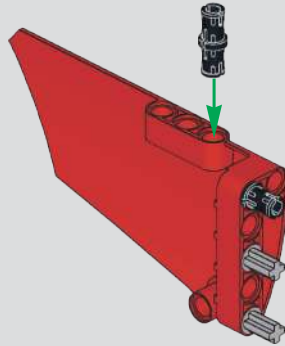
2x 1x

223

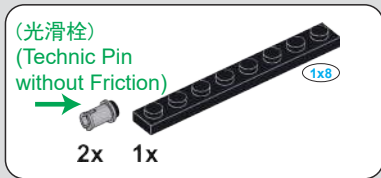
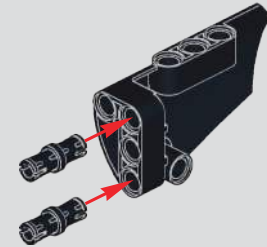




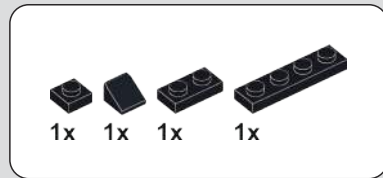
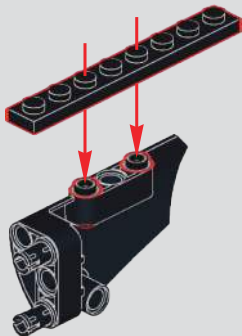
224



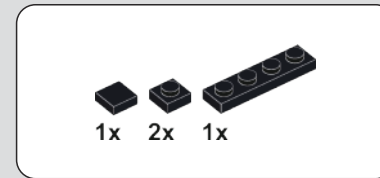
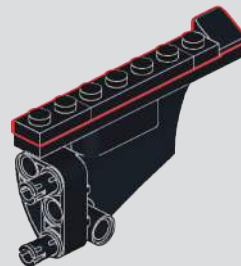
225



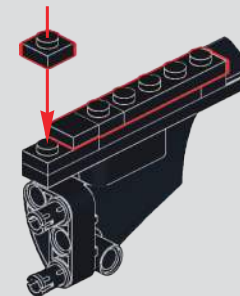
226

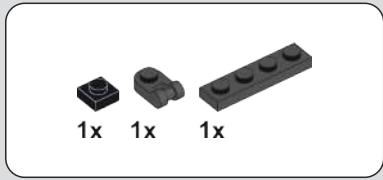


227

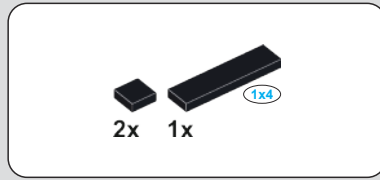
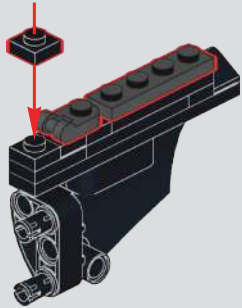


228

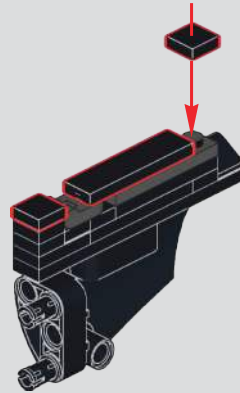




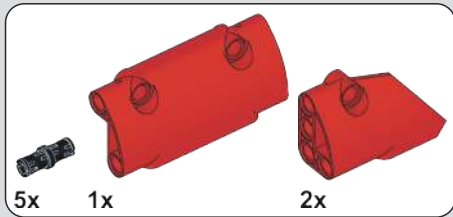
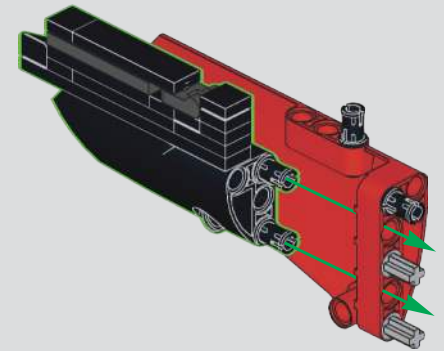
229



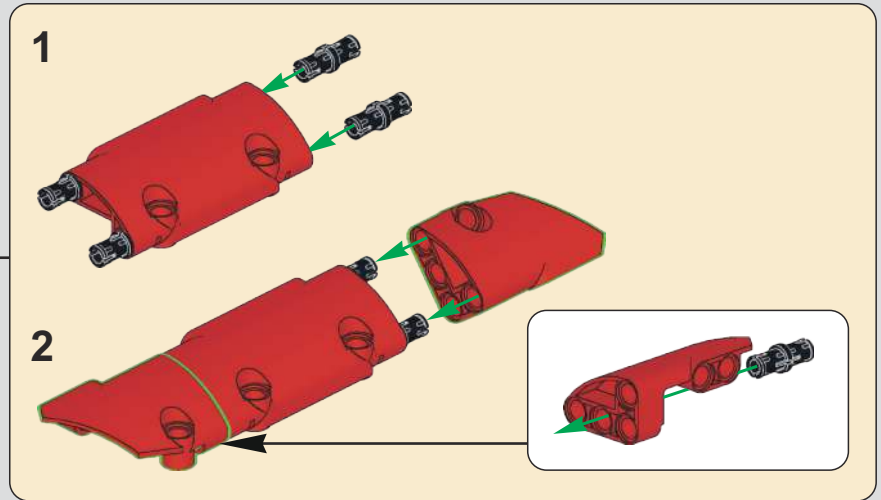
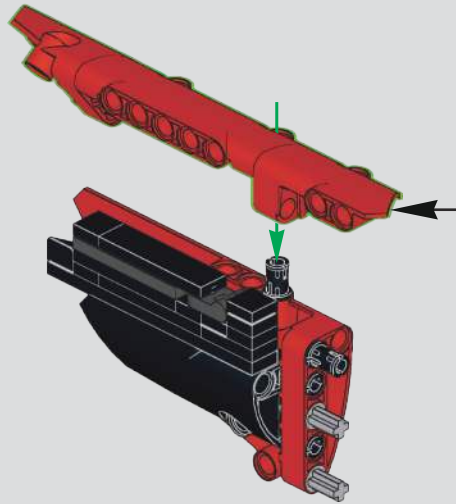
230

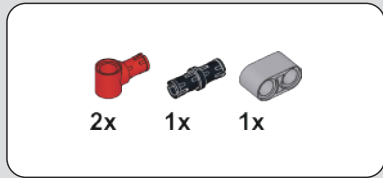
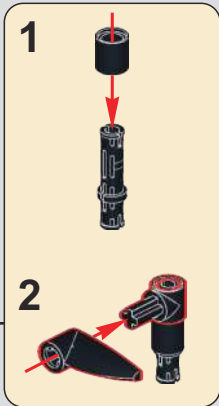
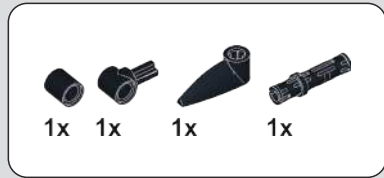


231

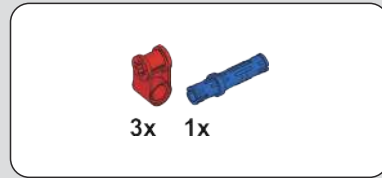
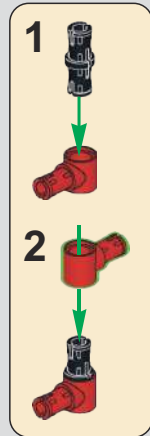
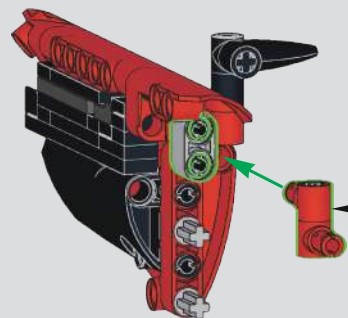


232

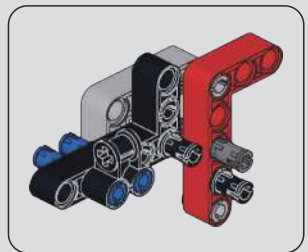
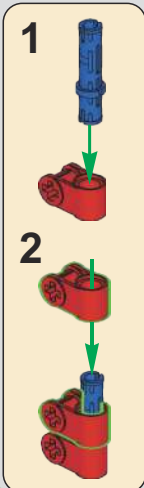
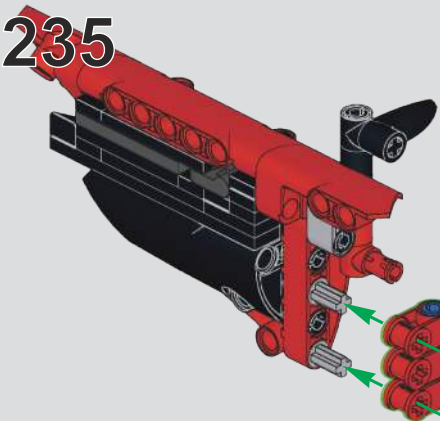




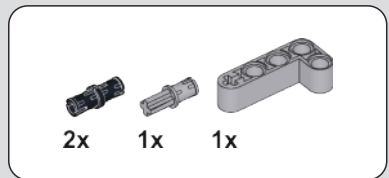
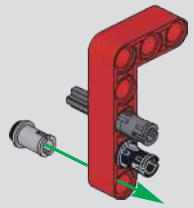
234



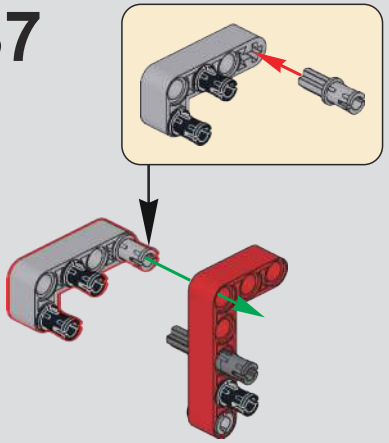
235



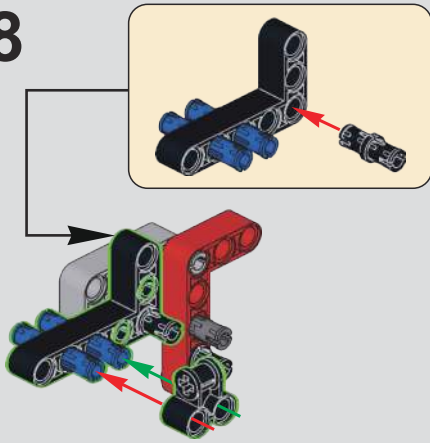
236



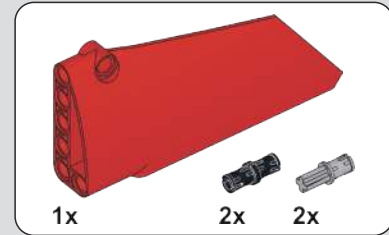
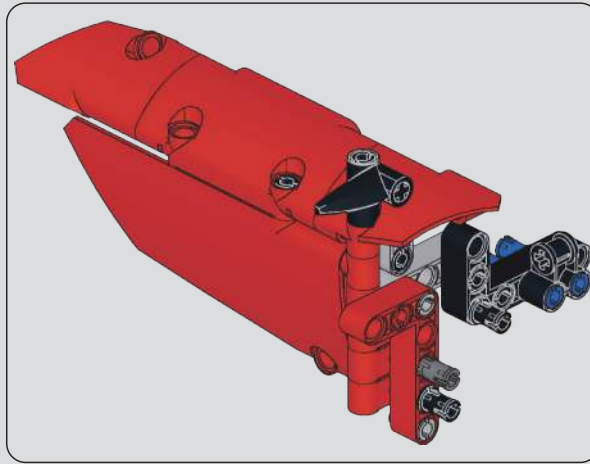
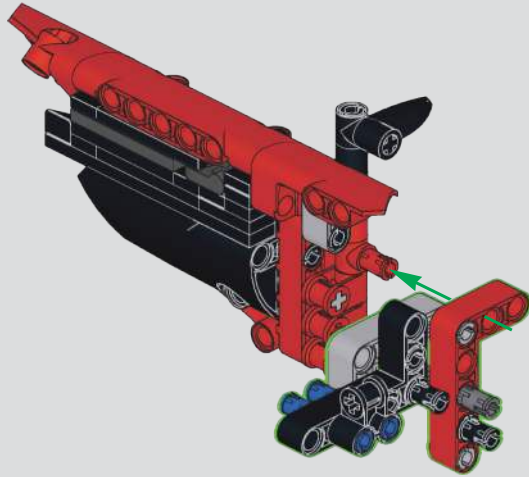
237



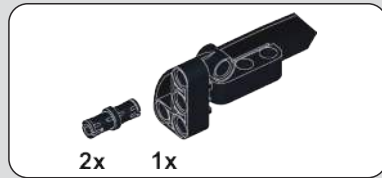
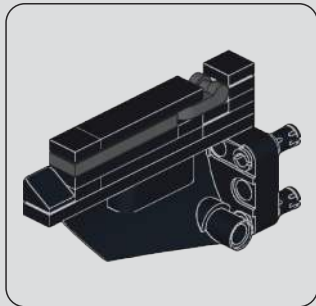
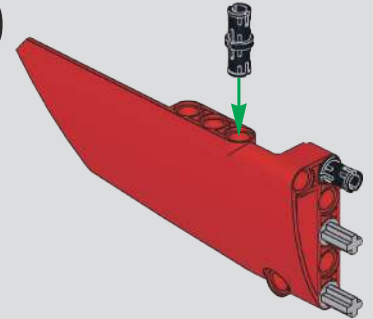
238



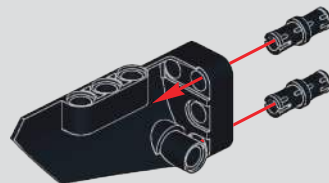
239



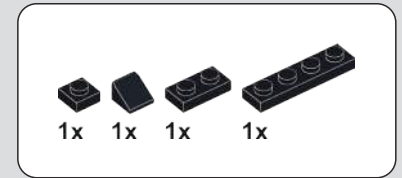
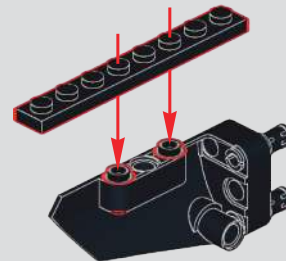
240



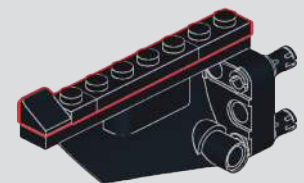
241

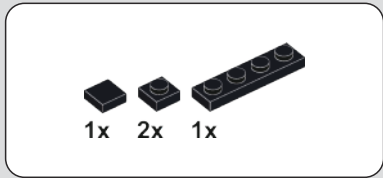


242

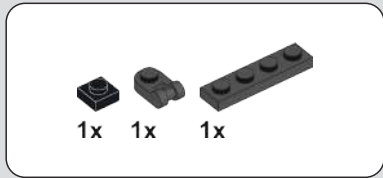
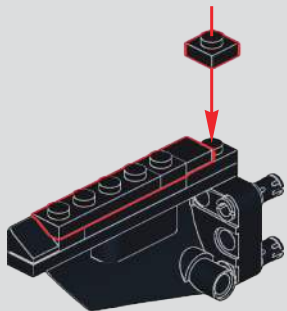


243

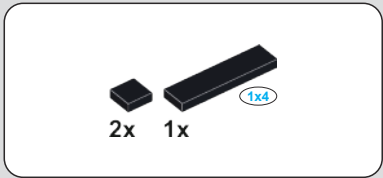
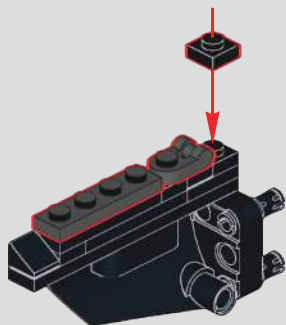




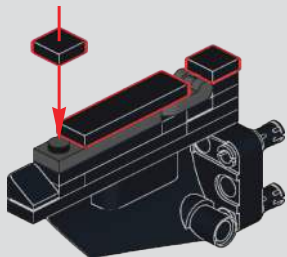
244



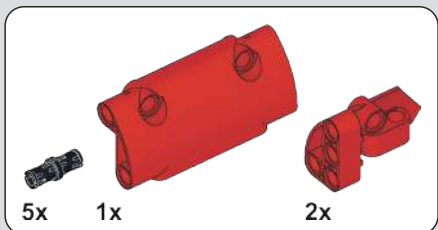
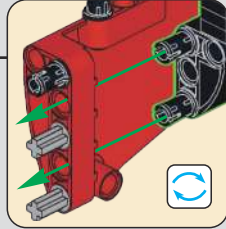
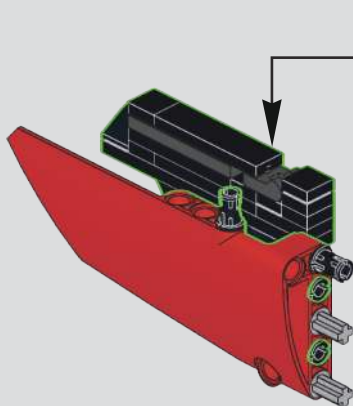
245



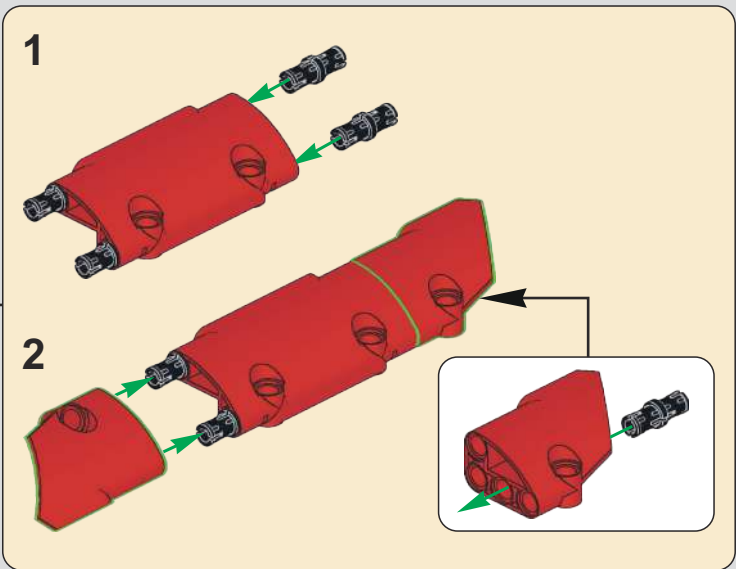
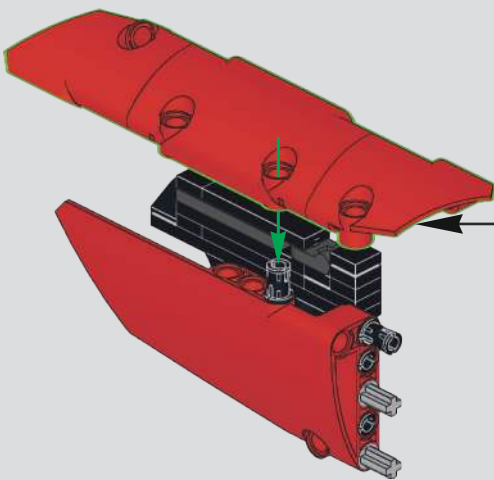
246

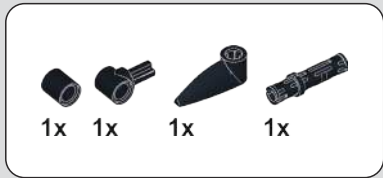


247

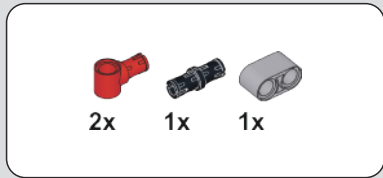
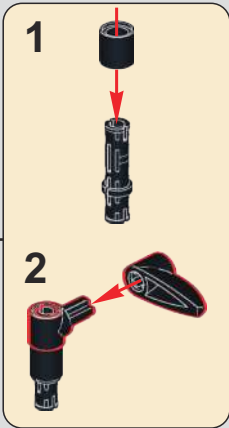
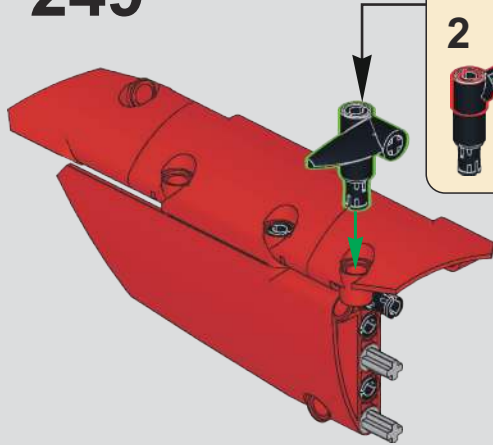


248

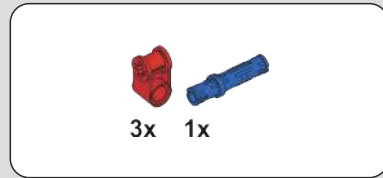
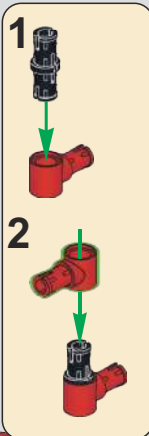
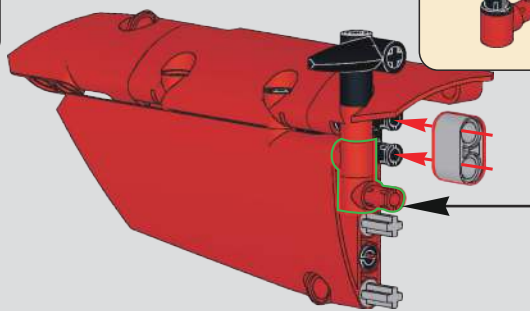




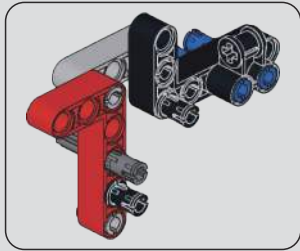
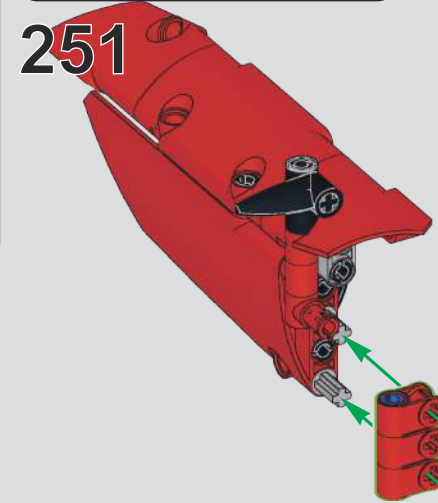
249



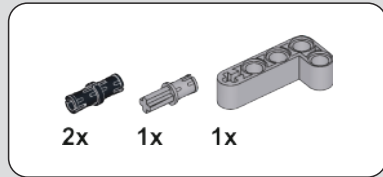
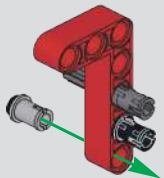
250



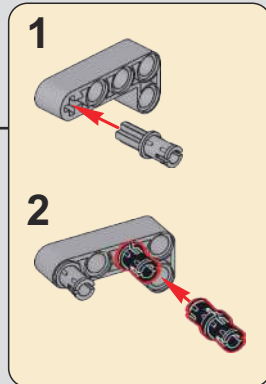
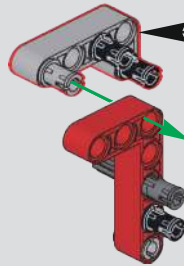
251



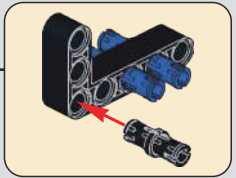
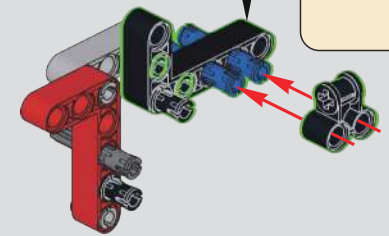
252



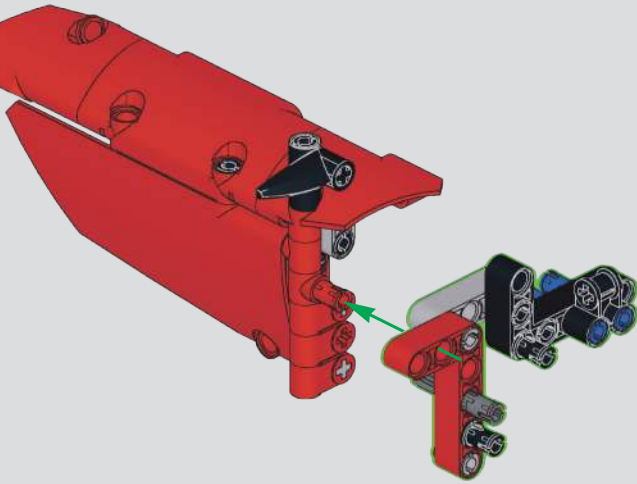
253



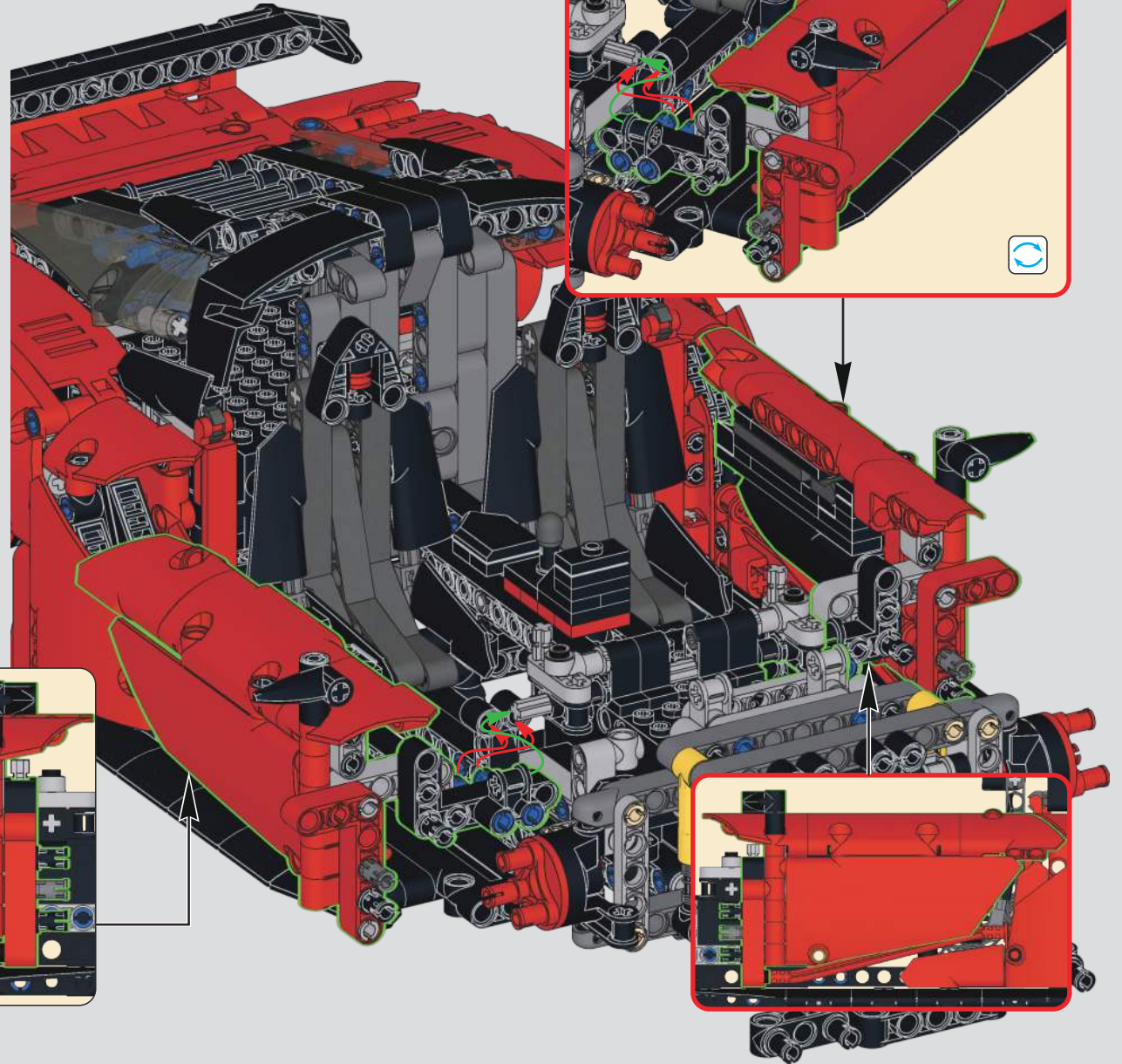
254



255

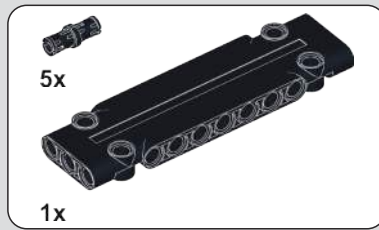
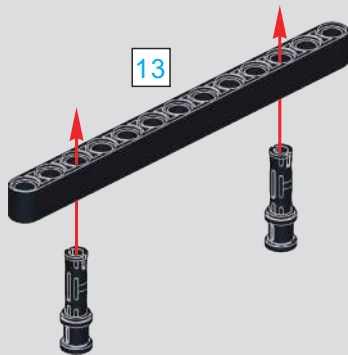


256

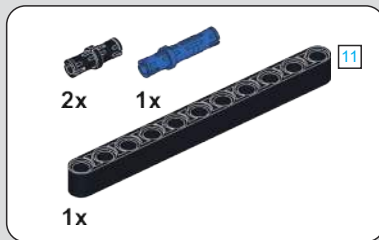
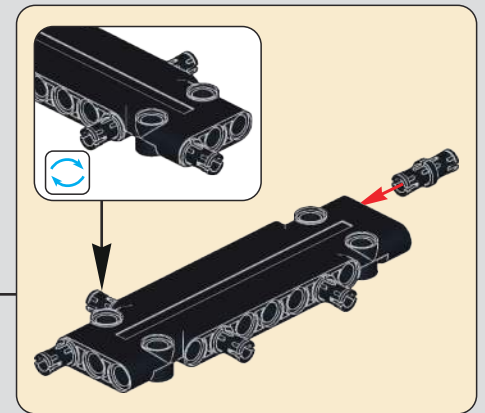
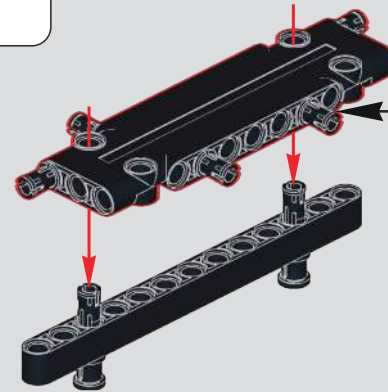




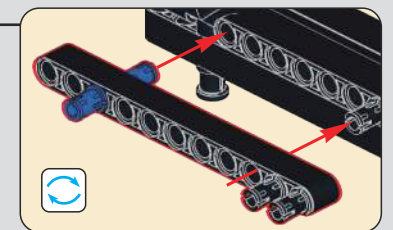
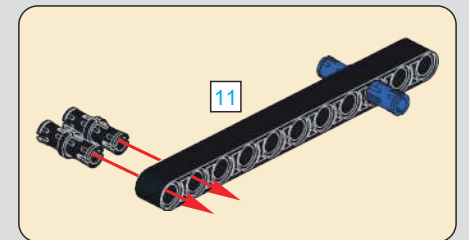
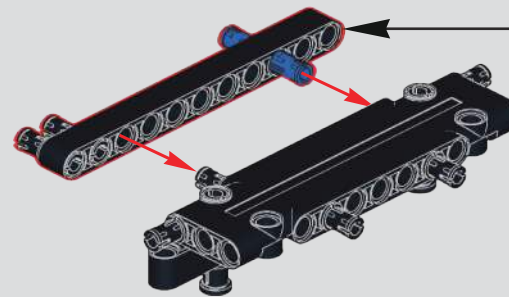
257



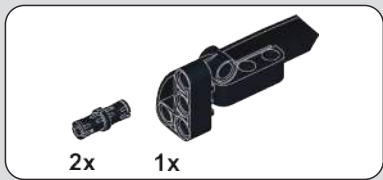
258



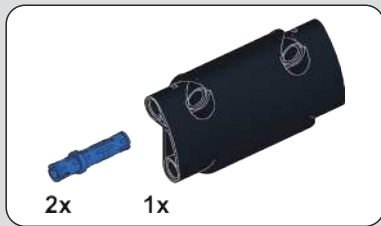
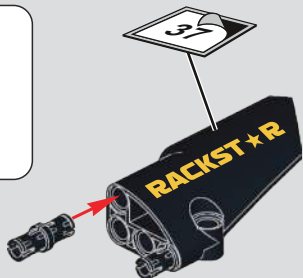
259



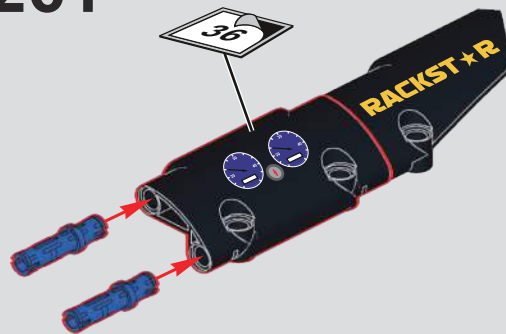
1:1



260



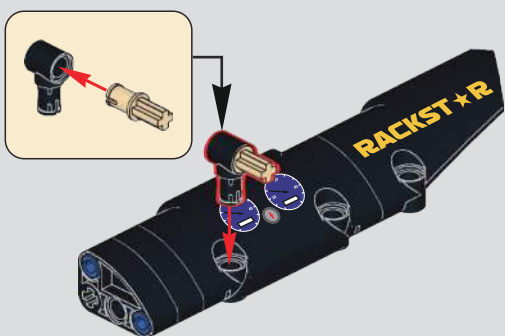
261



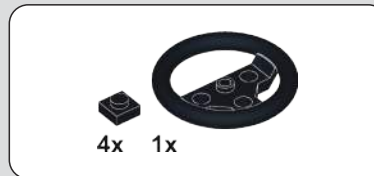
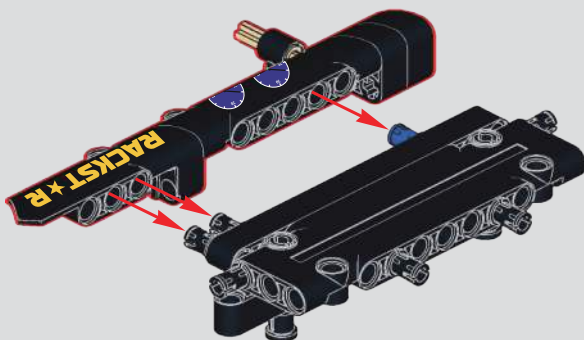
262



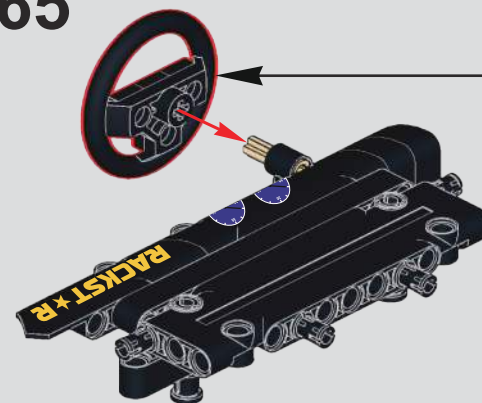
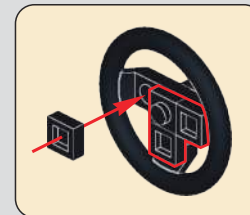
263

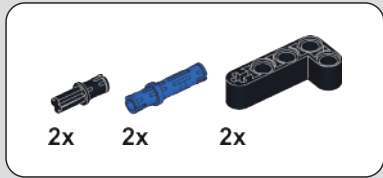


264

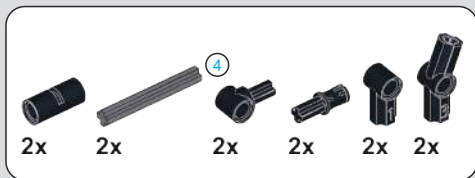
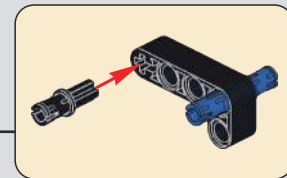
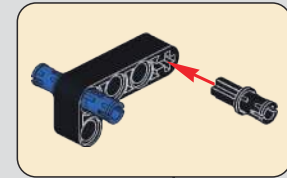
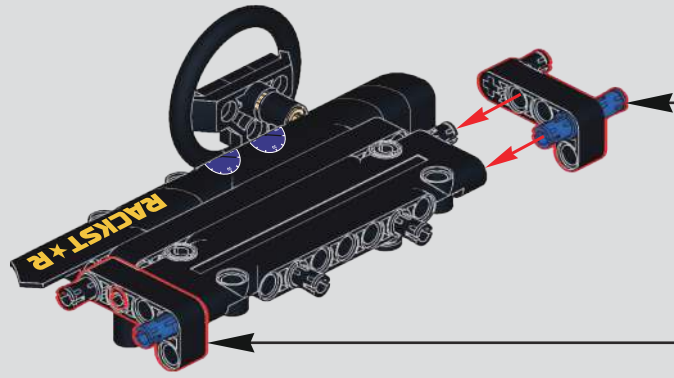
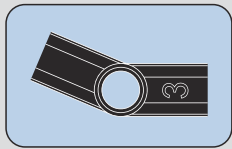


265

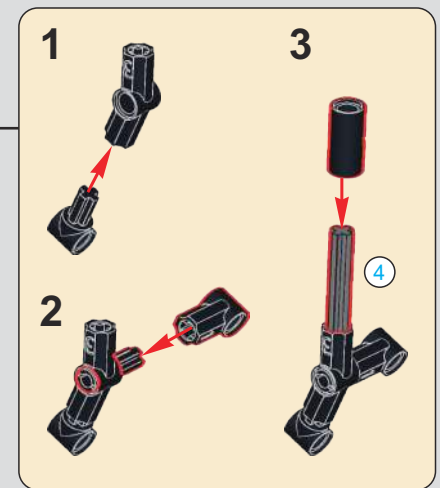
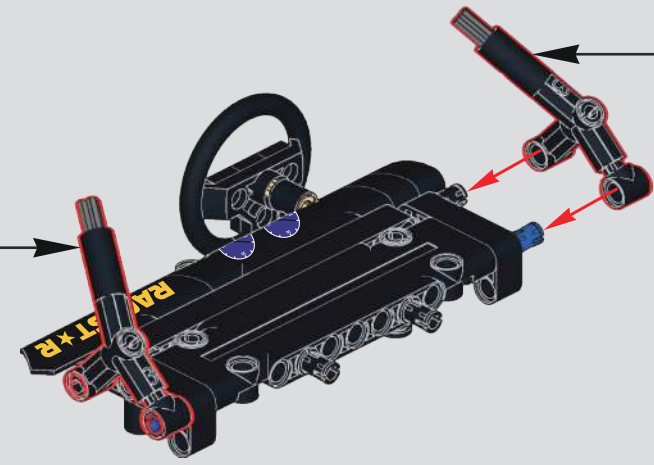
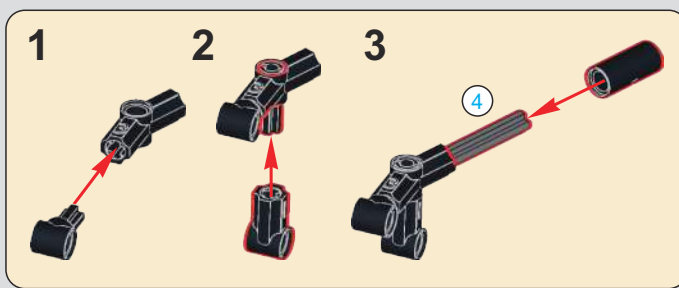
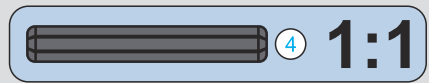


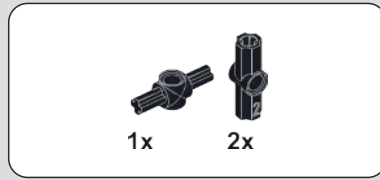
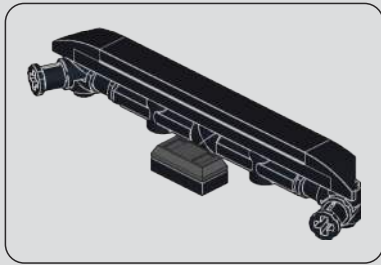


266

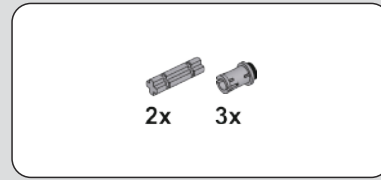


267





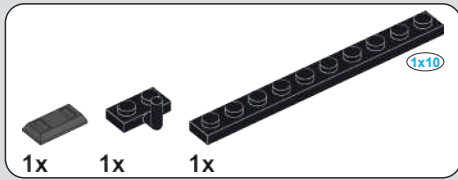
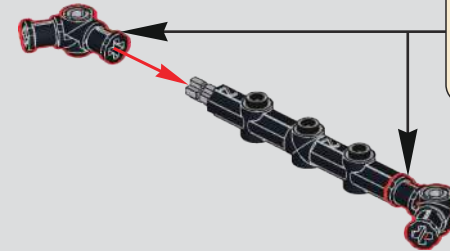
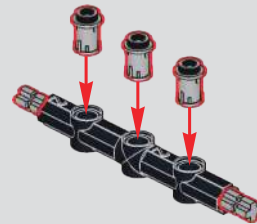
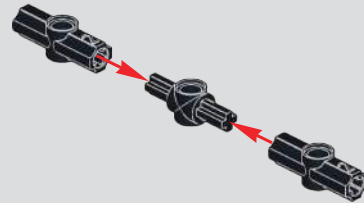
268



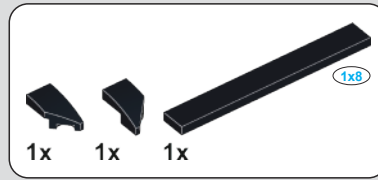
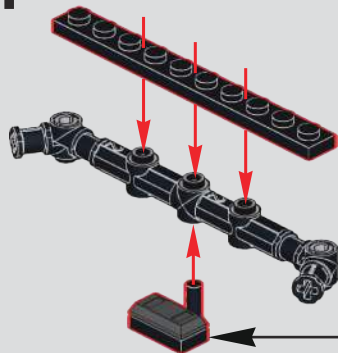
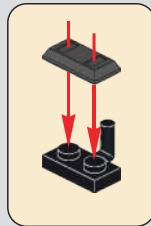
269



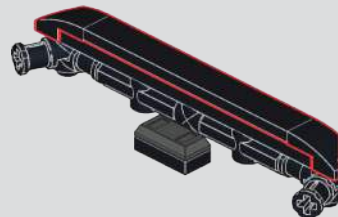
270



271



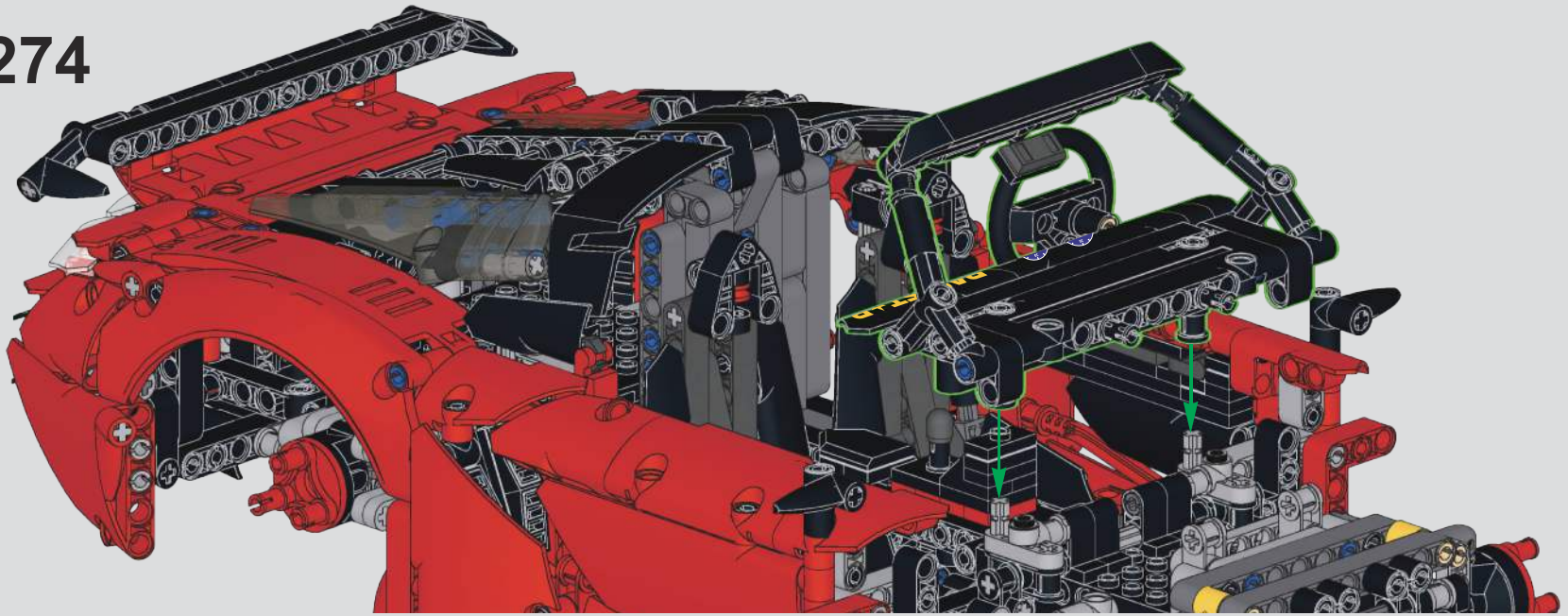
272



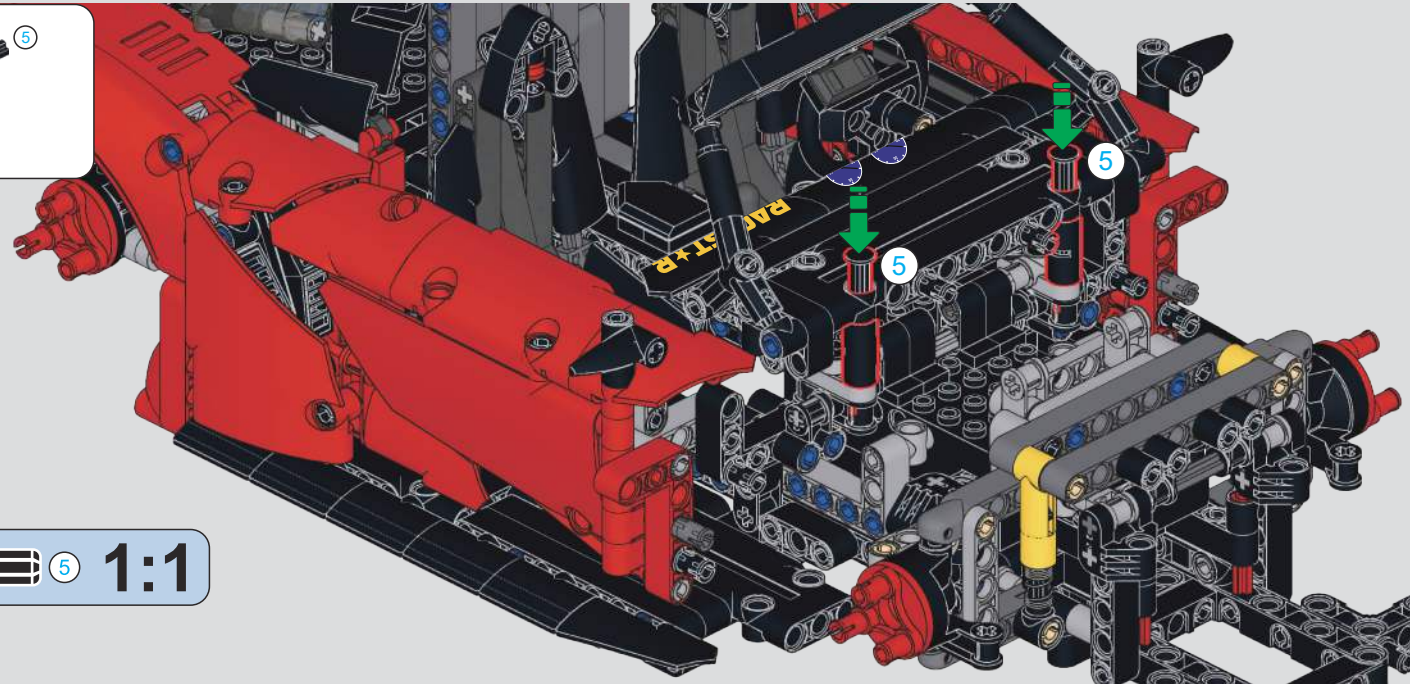
273

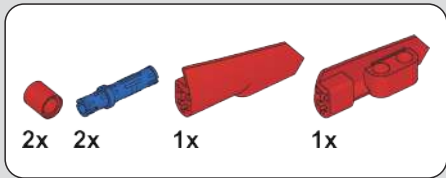


274

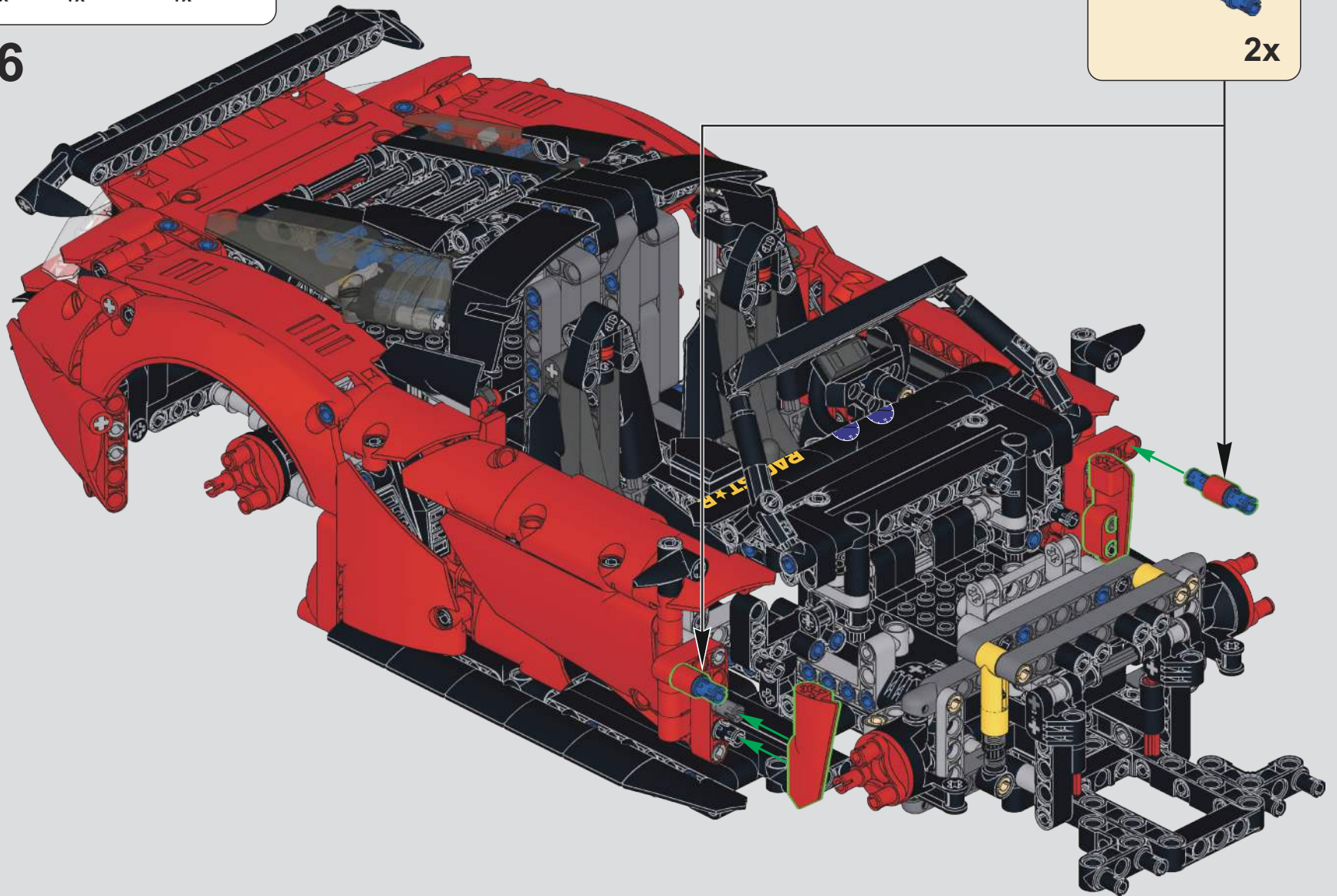
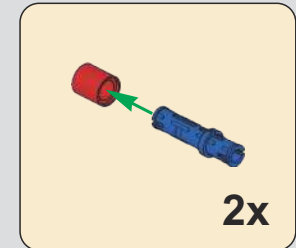


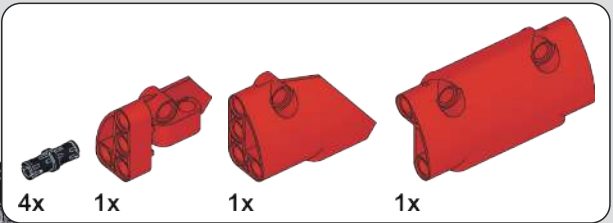
275



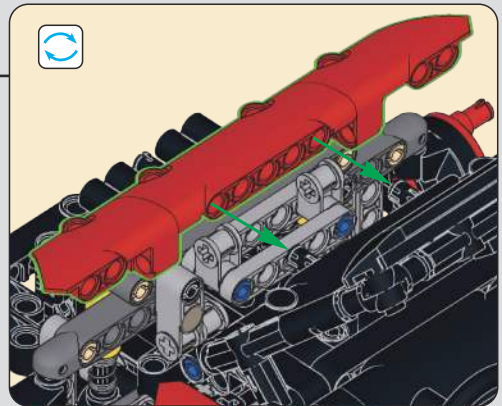
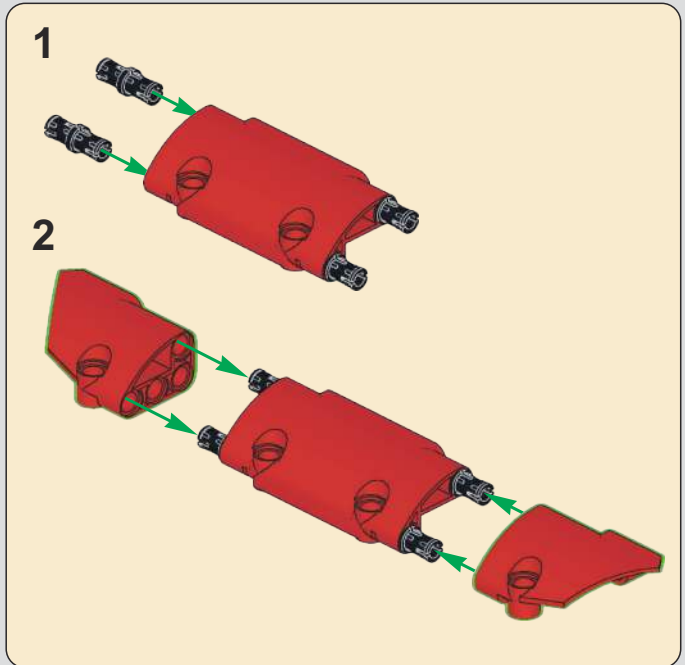
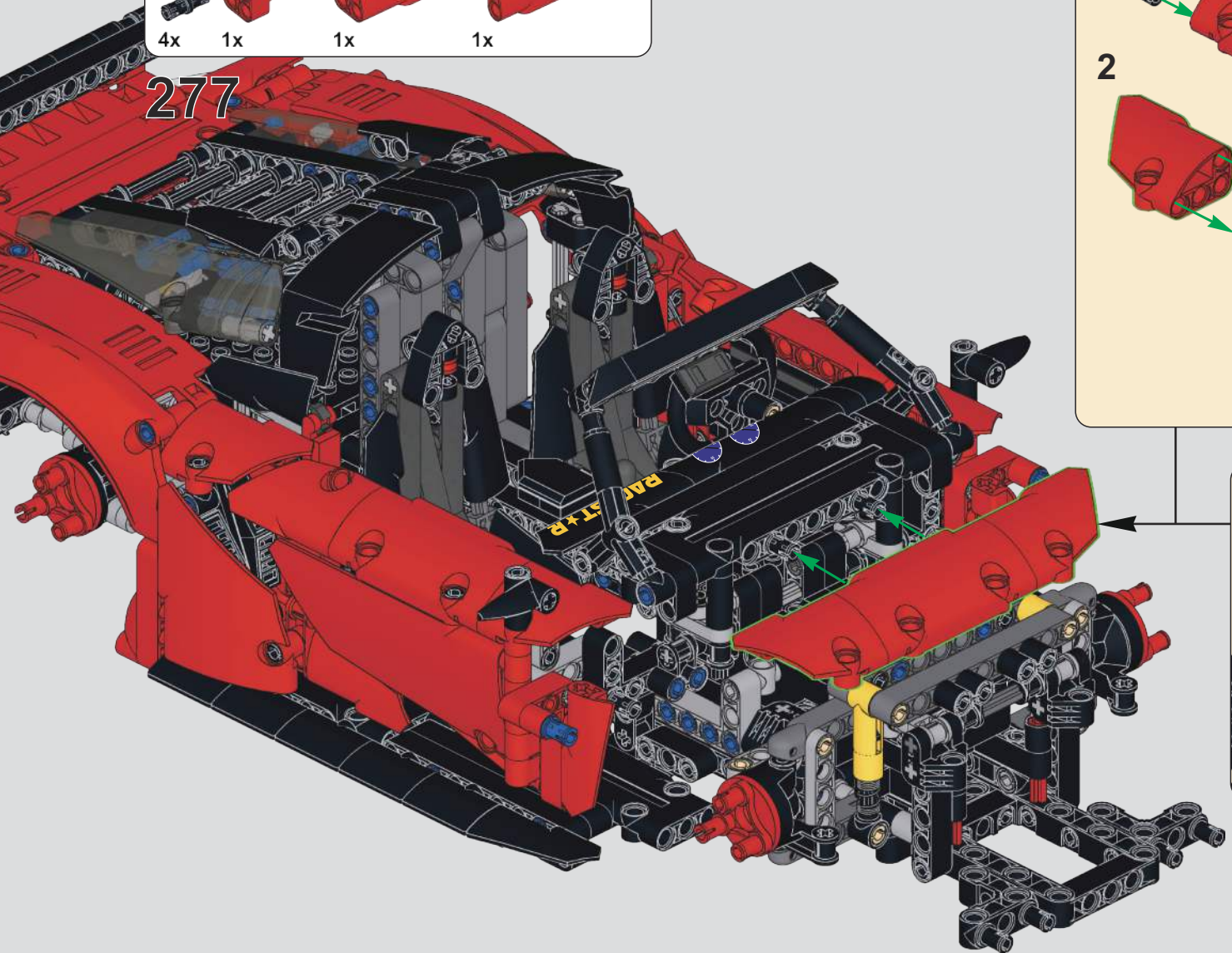


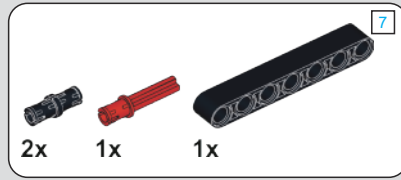
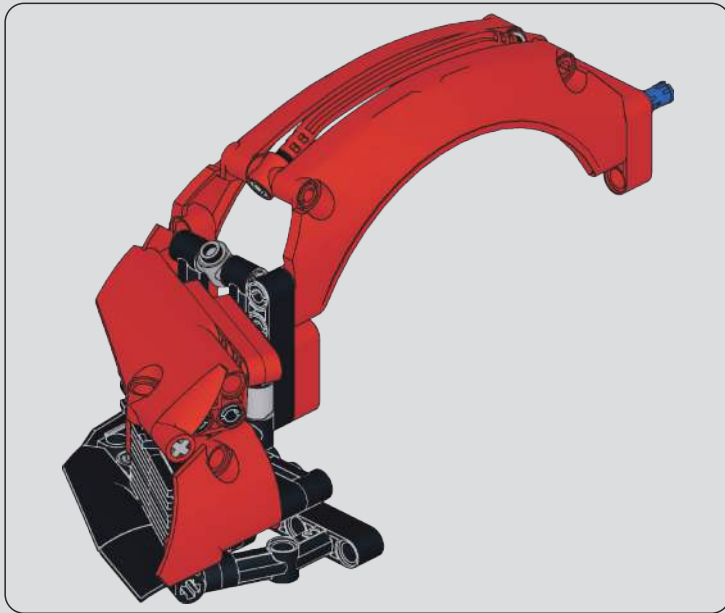
276



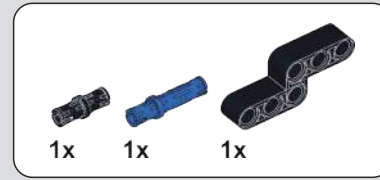
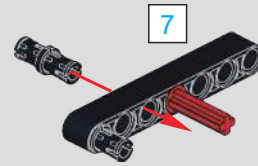


277

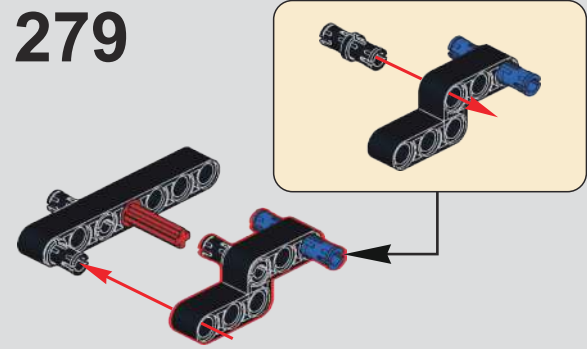




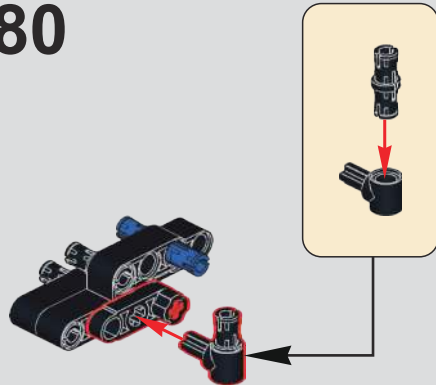
278



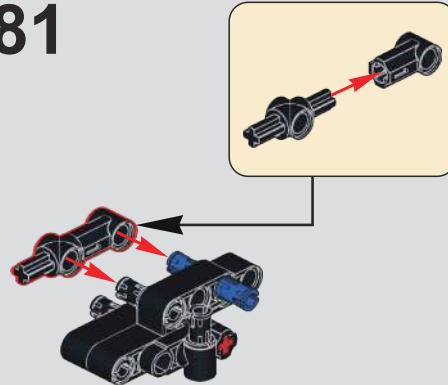
279



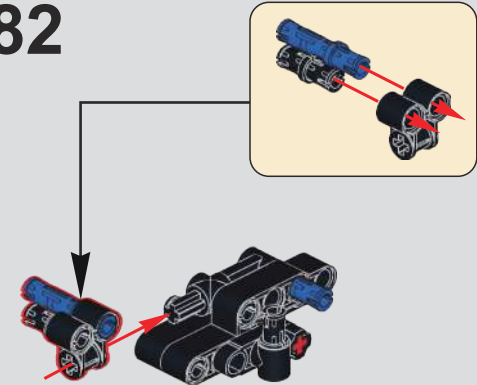
280

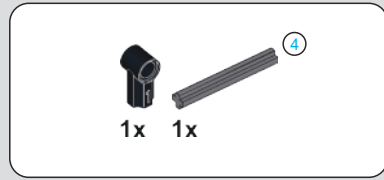
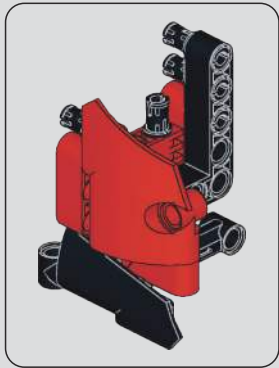


281

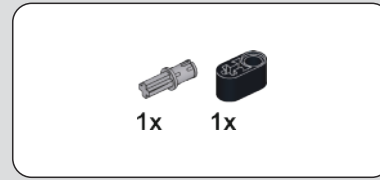


282





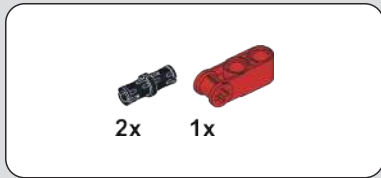
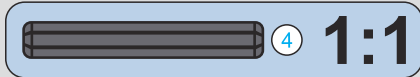
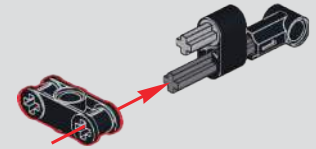
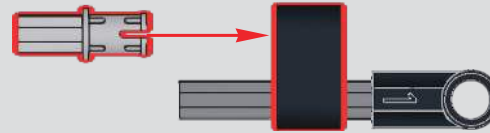
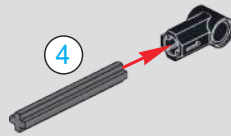
283



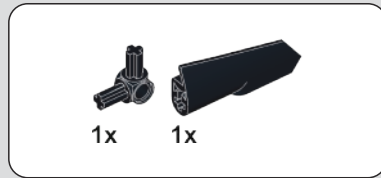
284



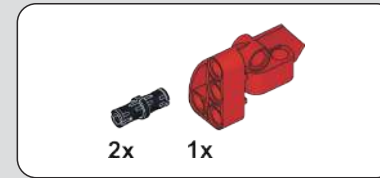
285



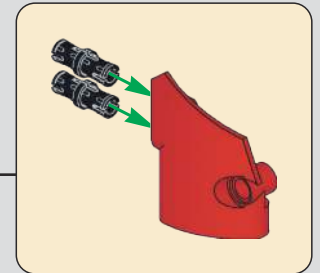
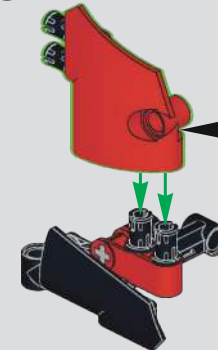
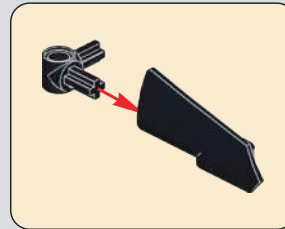
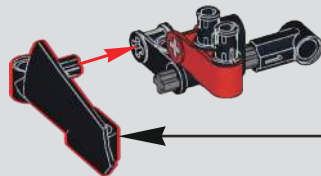
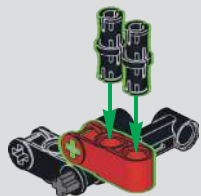
286

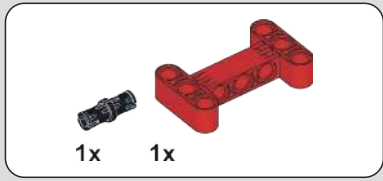


287

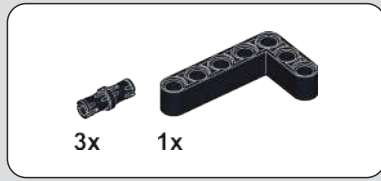
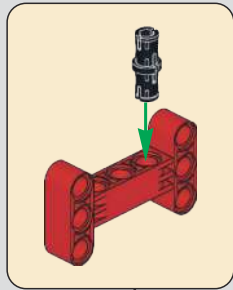


288

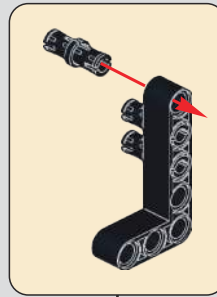




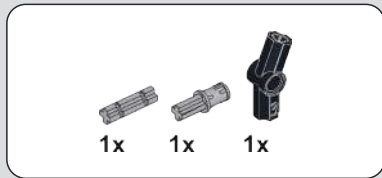
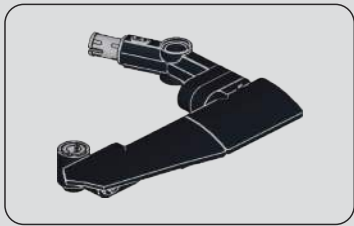
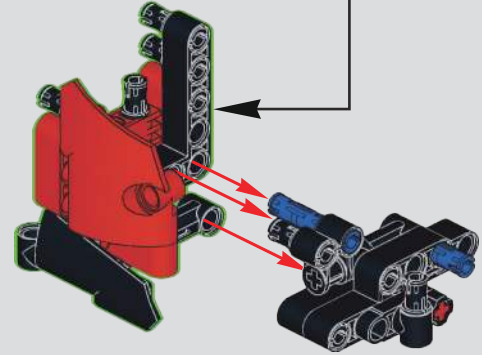
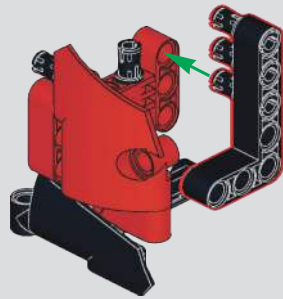
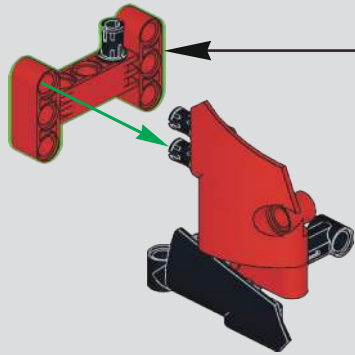
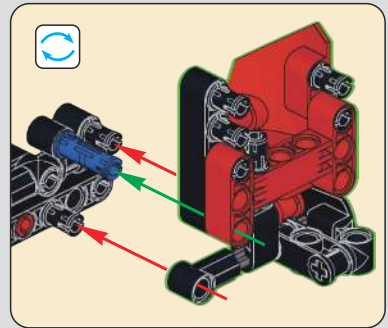
289



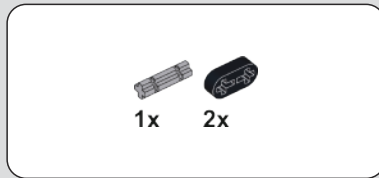
290



291



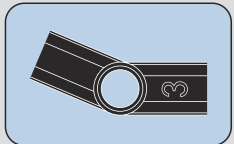
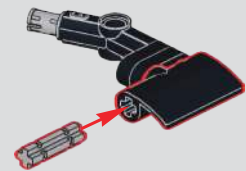
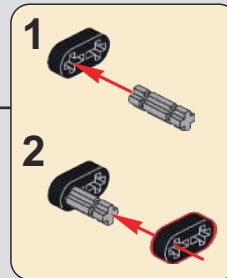
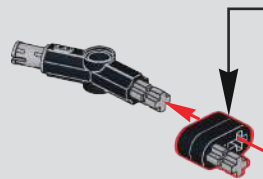
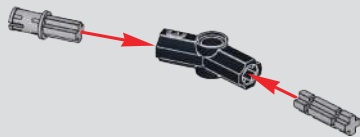
292



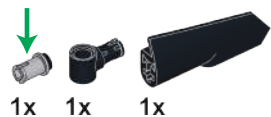
293



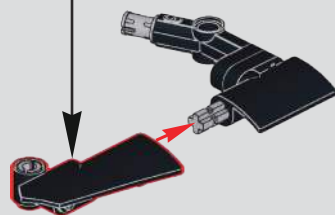
294



(光滑栓)(Technic Pin without Friction)



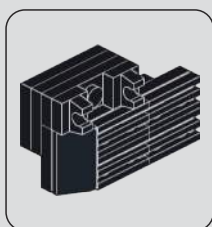
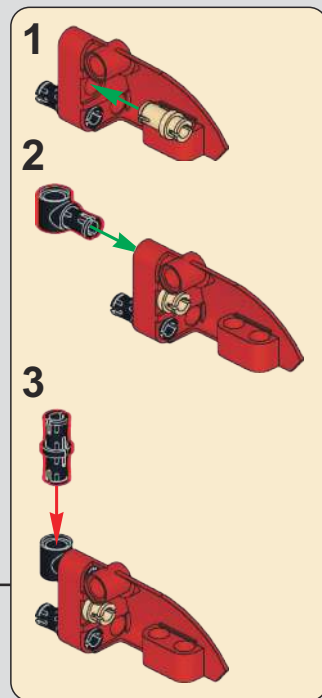
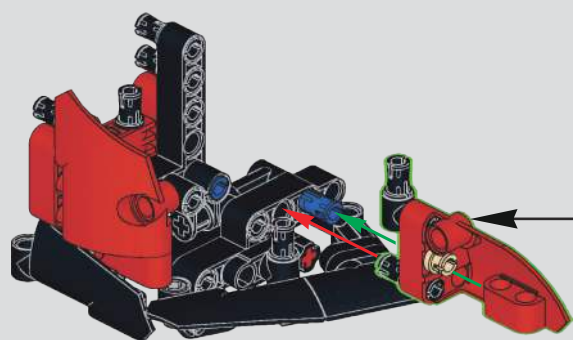
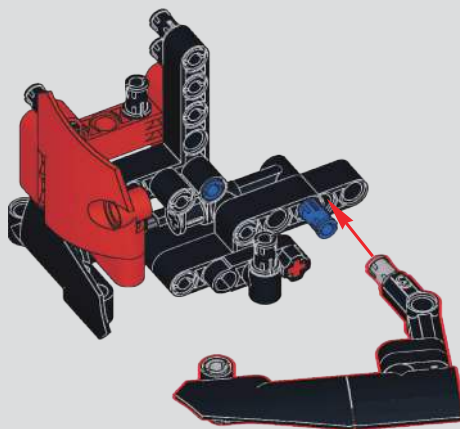
295



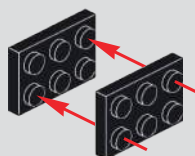
296



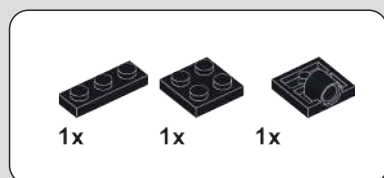
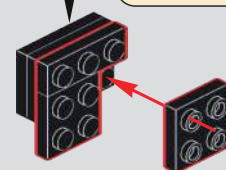
297



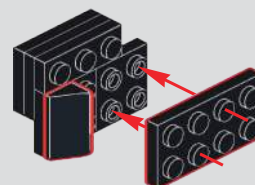
298



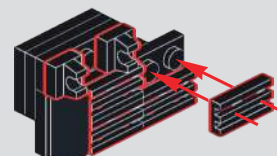
299



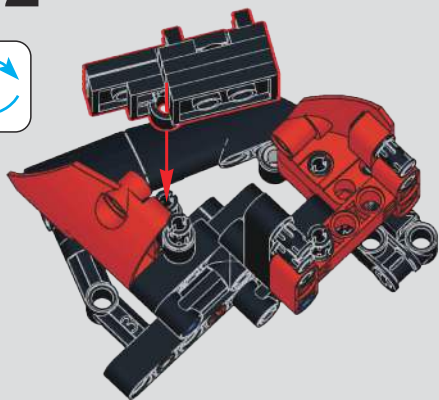
300



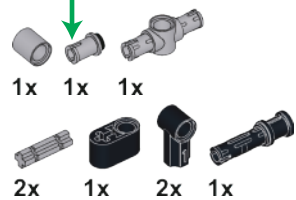
301



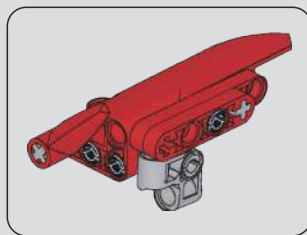
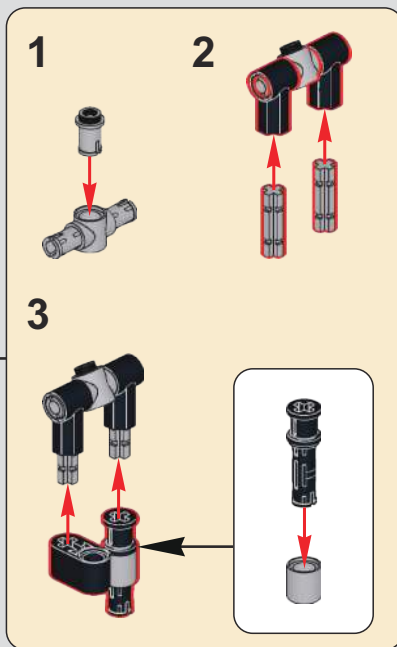
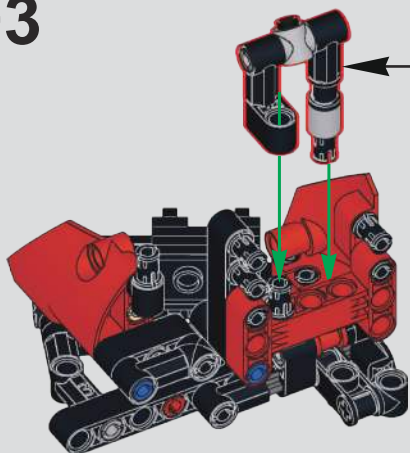
# 302



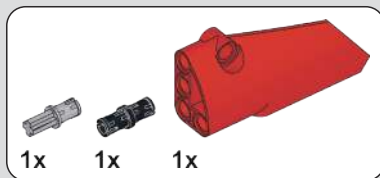
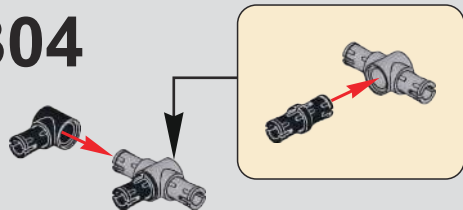
(光滑栓)(Technic Pin without Friction)



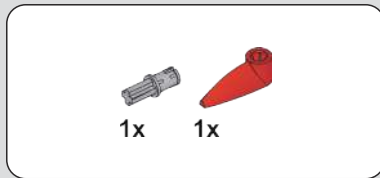
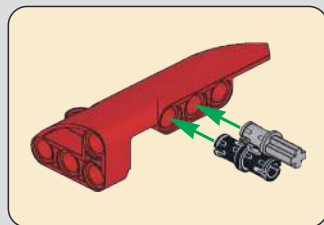
# 303



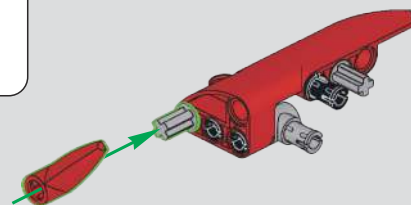
# 304

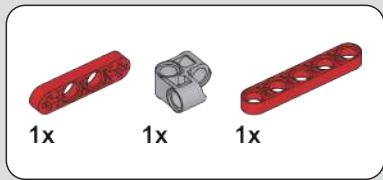


# 305

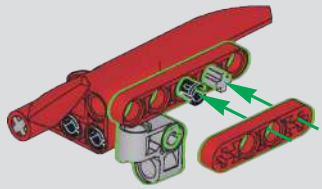


# 306

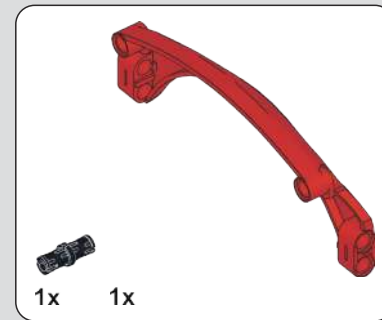
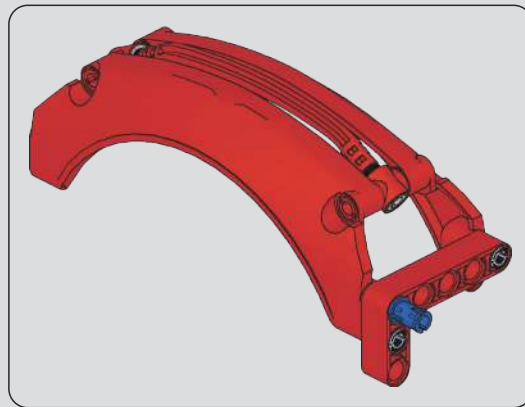
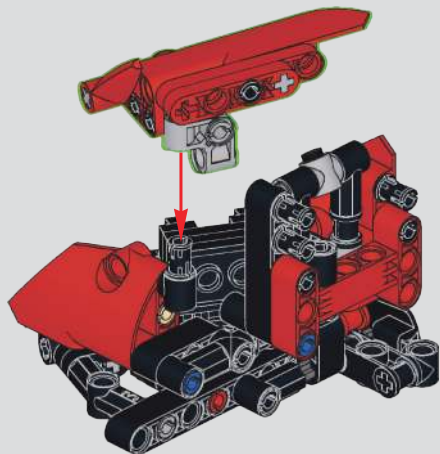




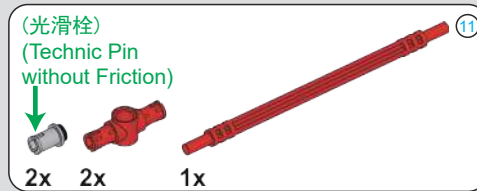
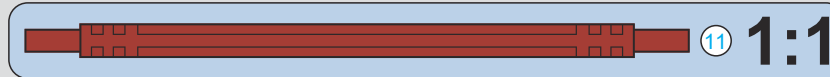
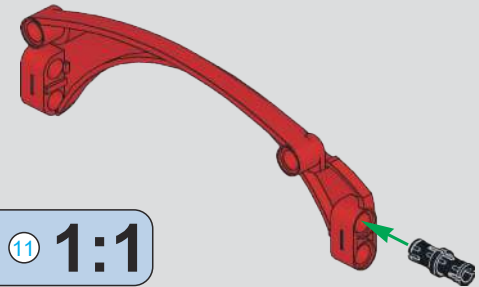
307



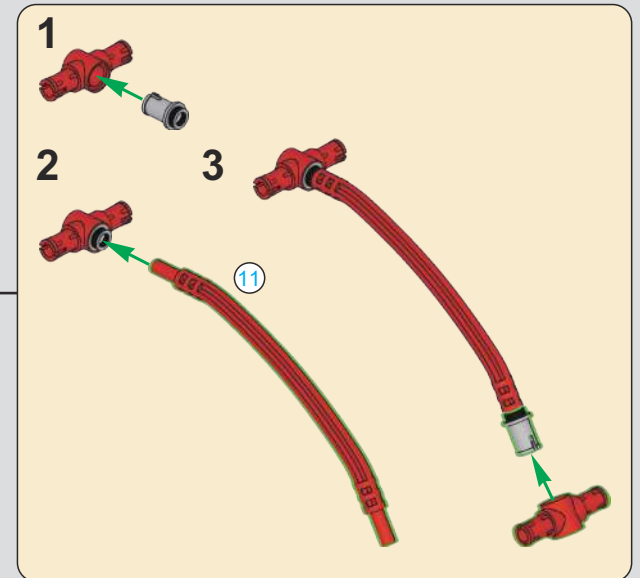
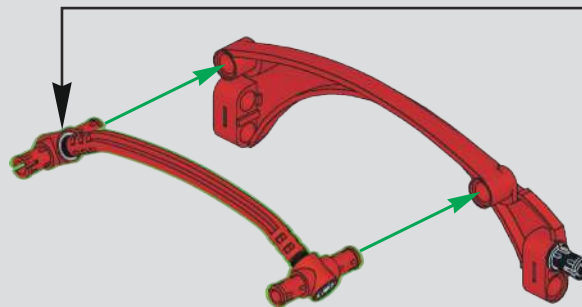
308

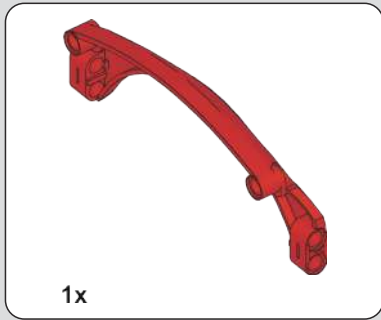


309

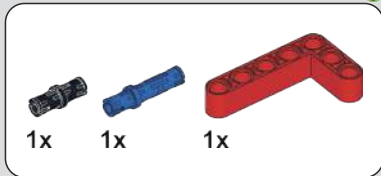
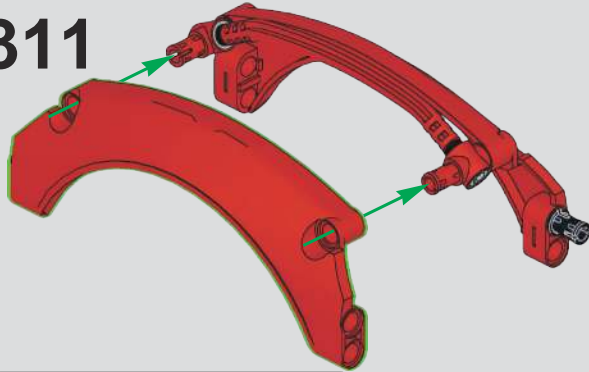


310

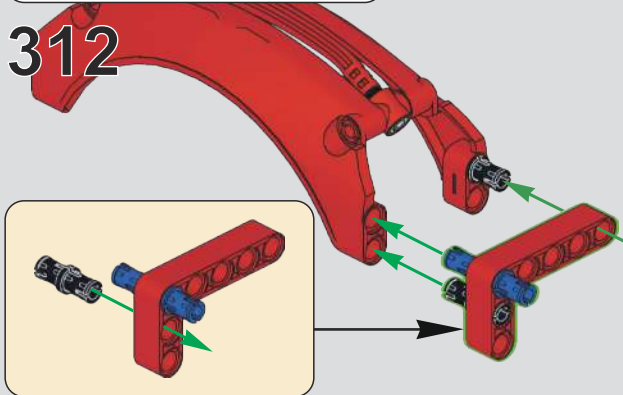




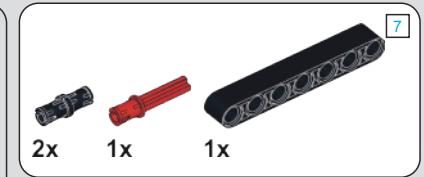
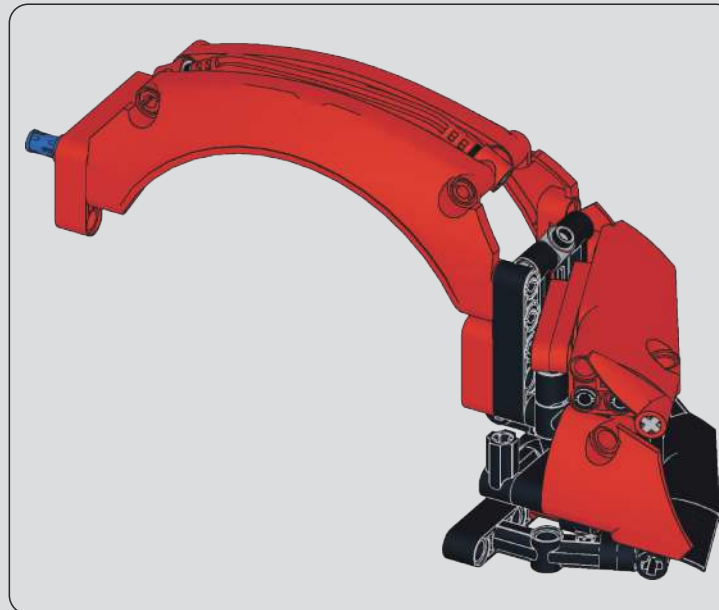
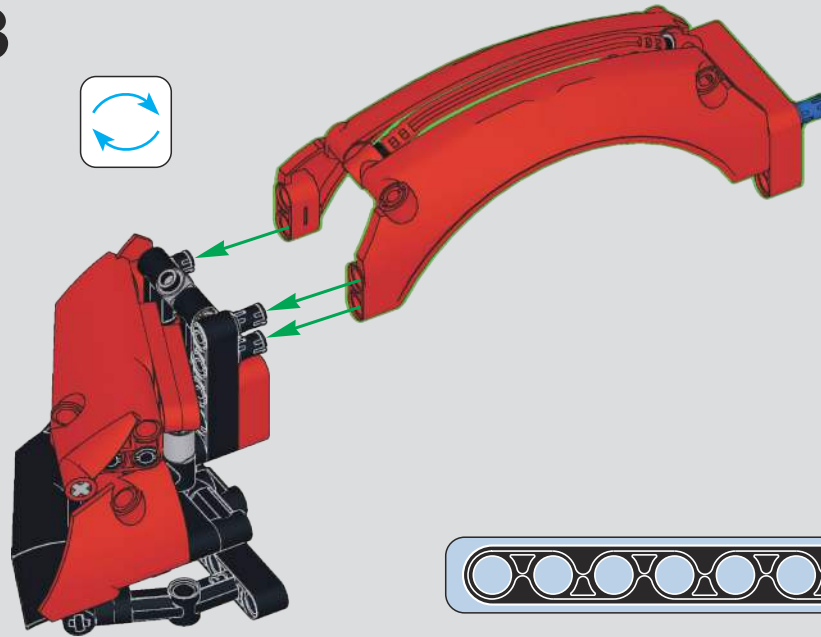
311



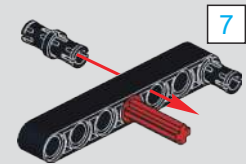
312

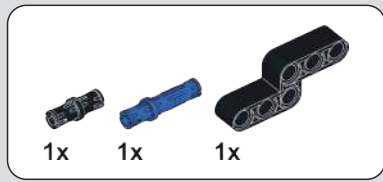


313

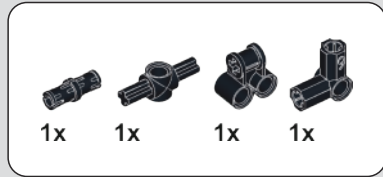
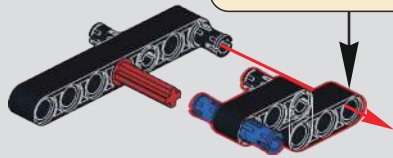
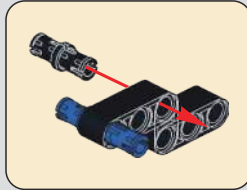


314

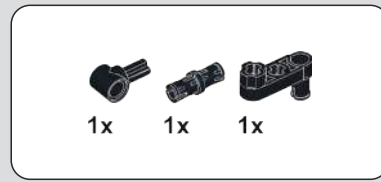
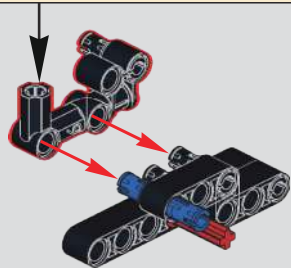
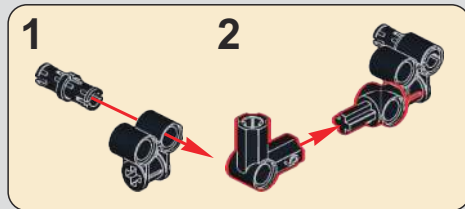




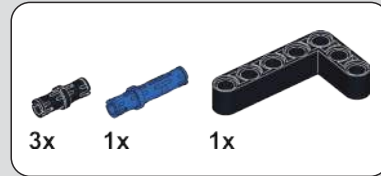
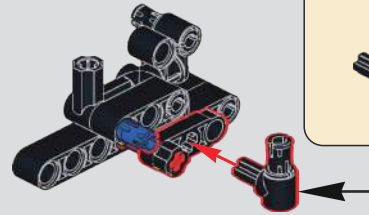
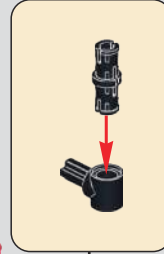
315



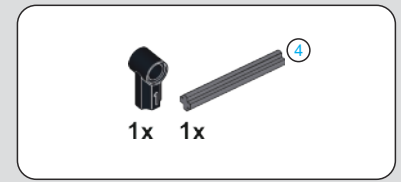
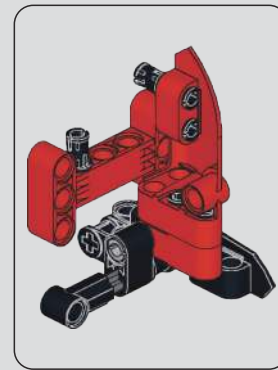
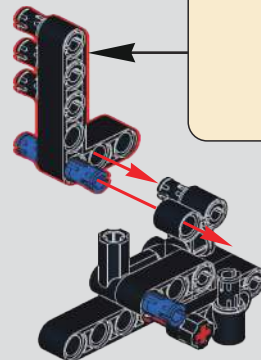
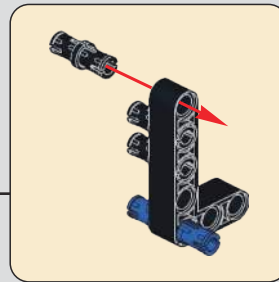
316



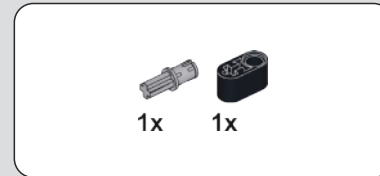
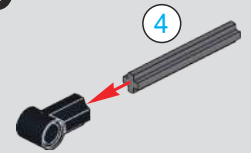
317



318



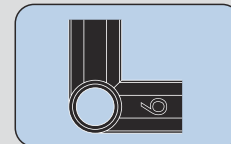
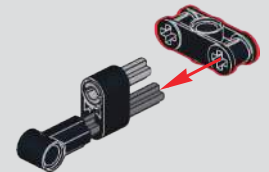
319

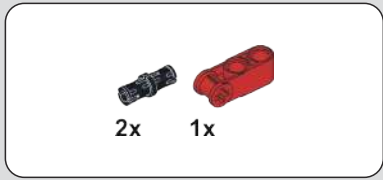


320

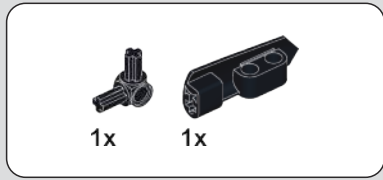
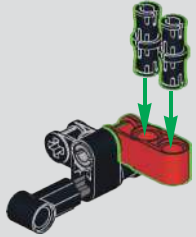


321

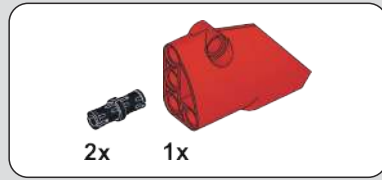
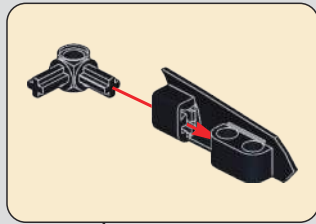
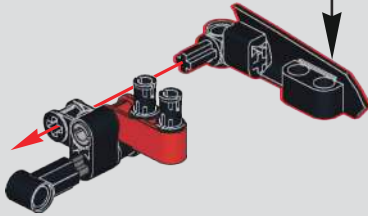




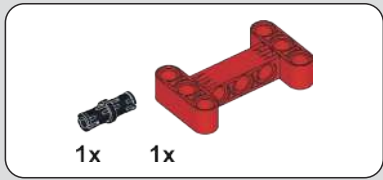
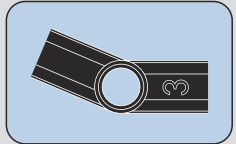
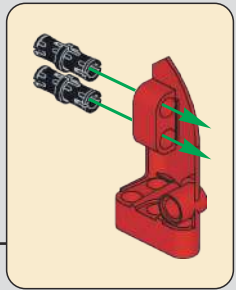
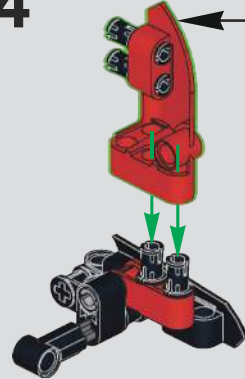
322



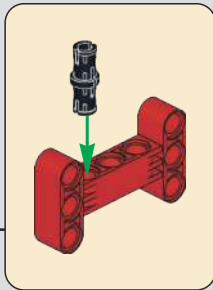
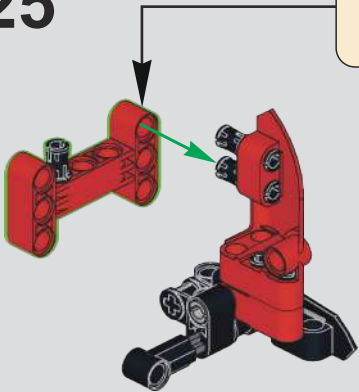
323



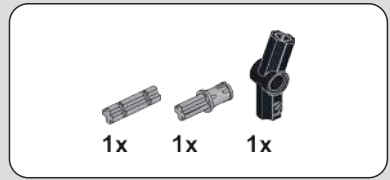
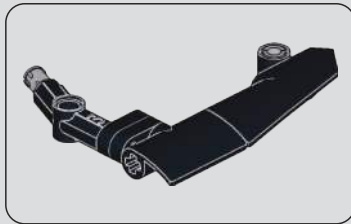
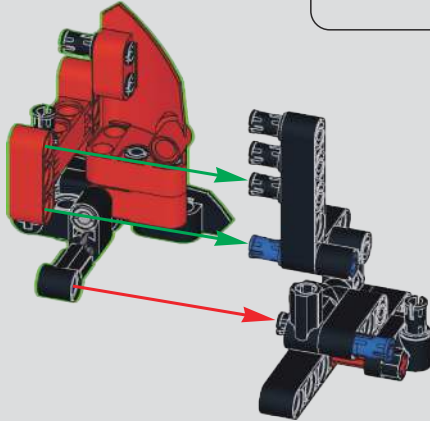
324



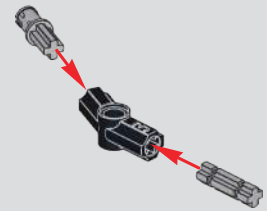
325

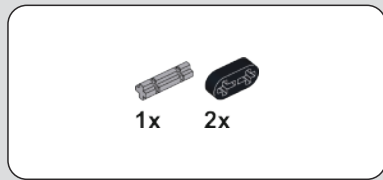


326

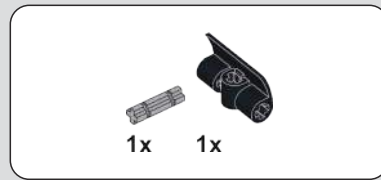
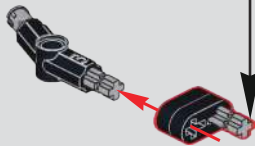
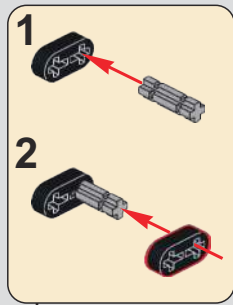


327





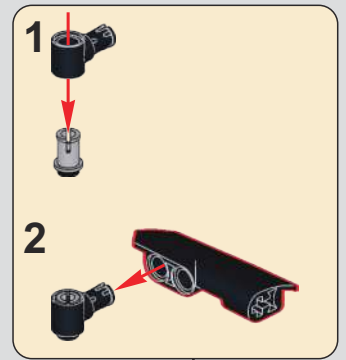
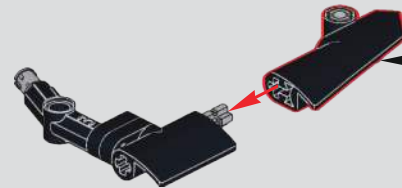
328



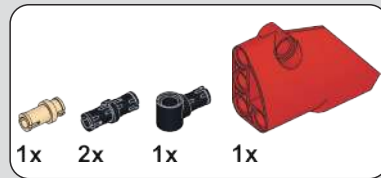
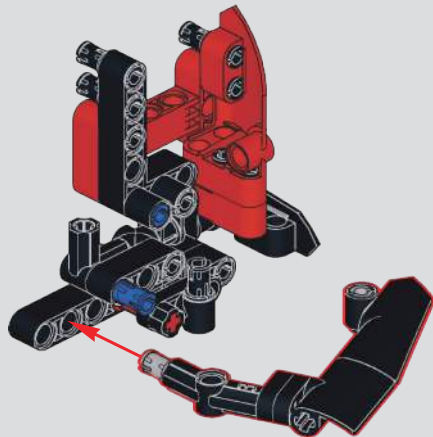
329



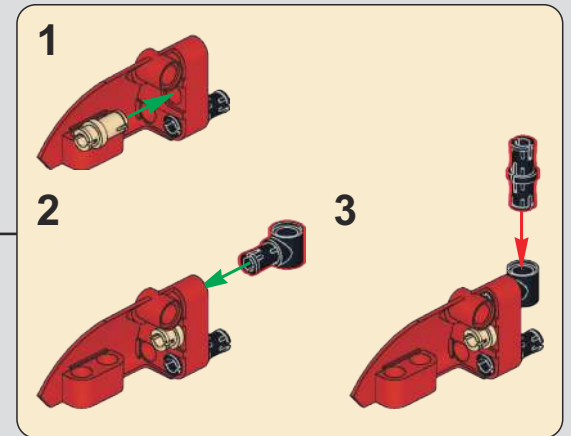
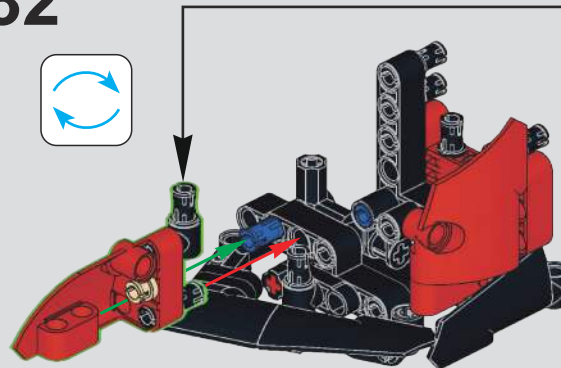
330

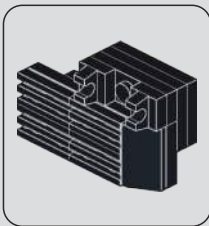


331

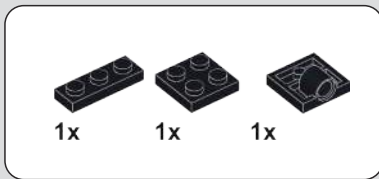
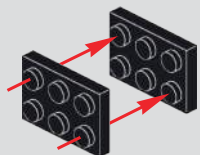


332

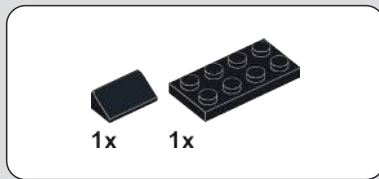
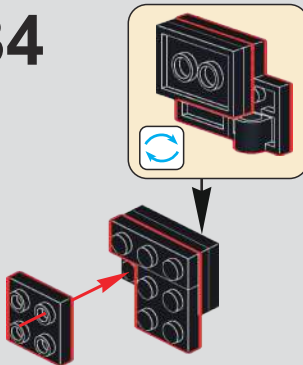




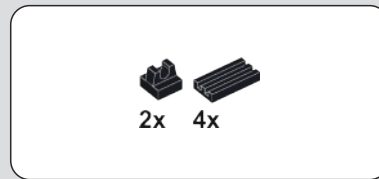
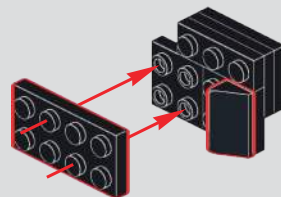
333



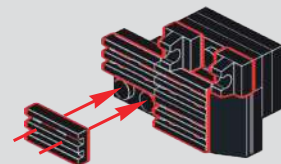
334



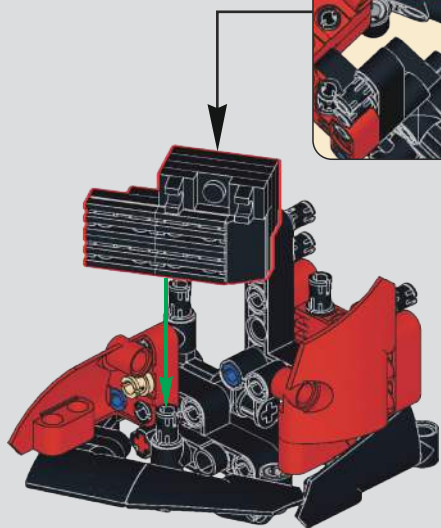
335



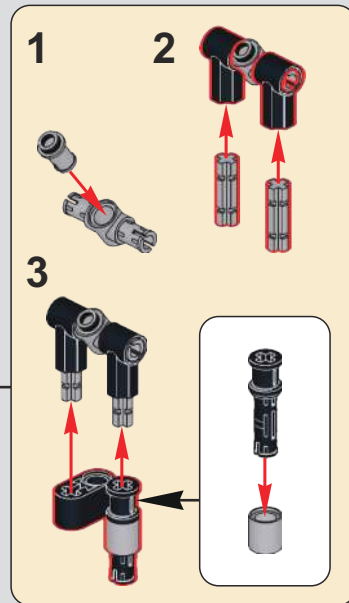
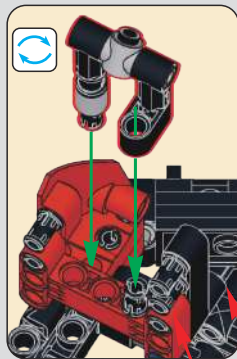
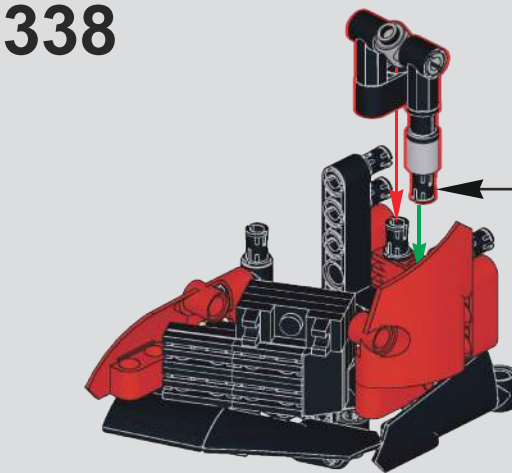
336

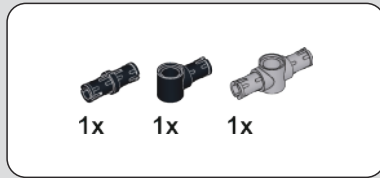
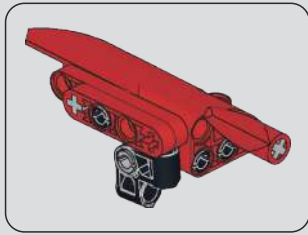


337

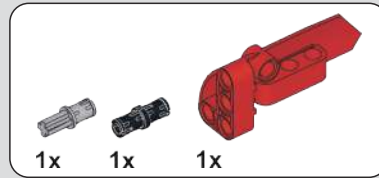
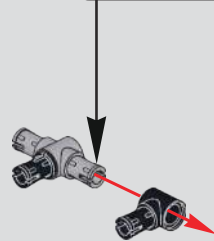
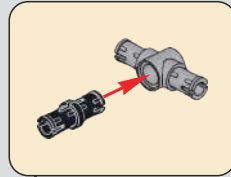


338

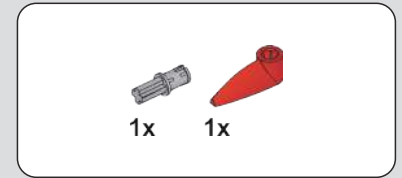
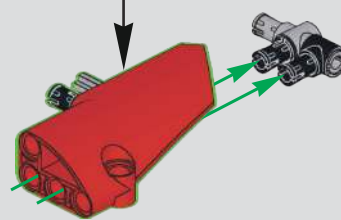
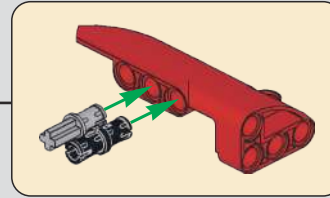




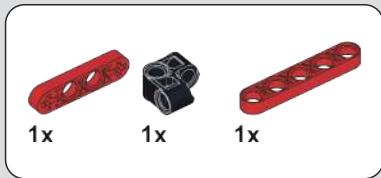
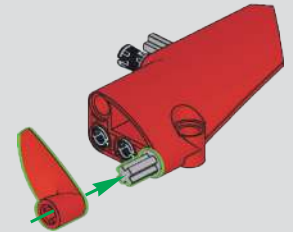
339



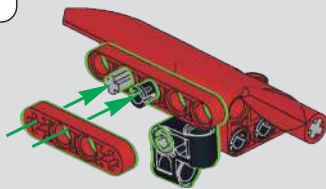
340



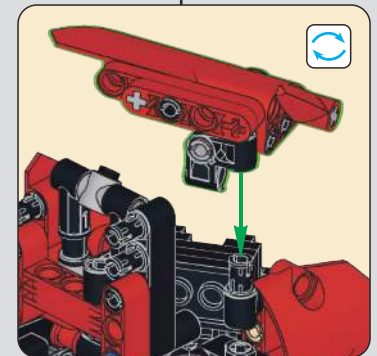
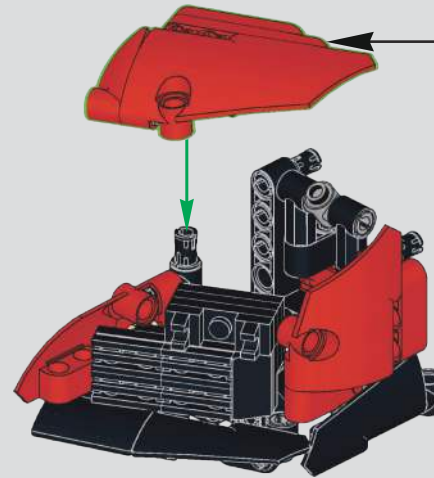
341

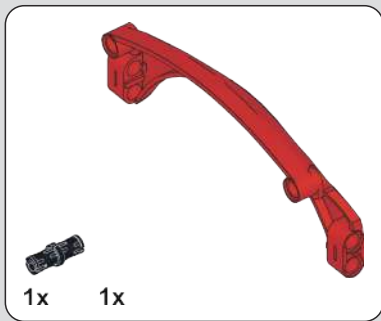
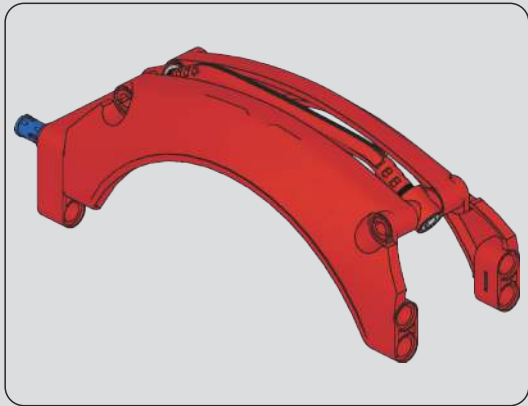


342

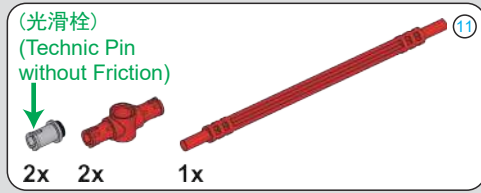
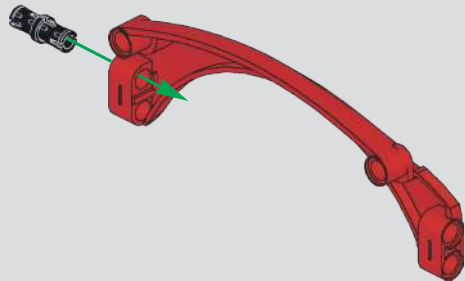


343

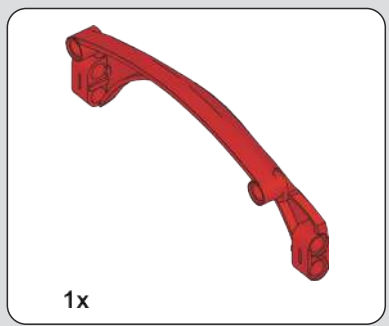
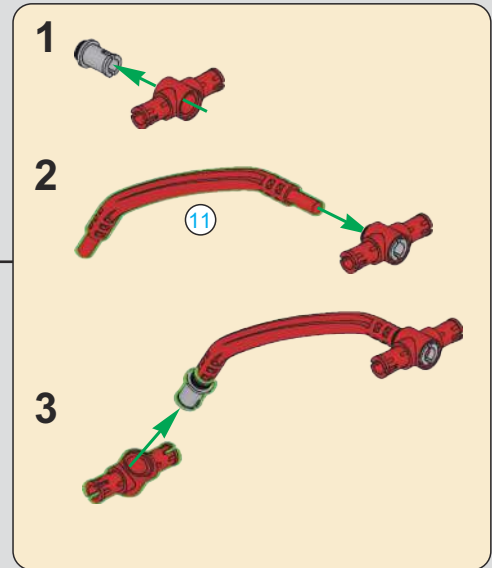
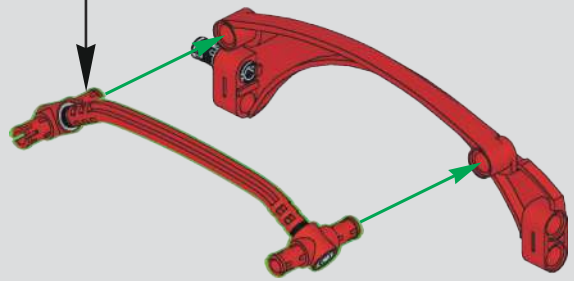




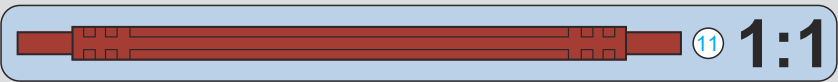
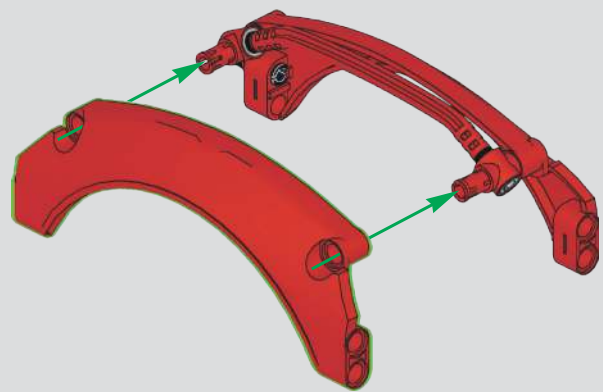
344

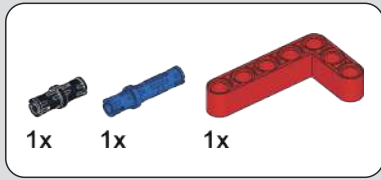


345

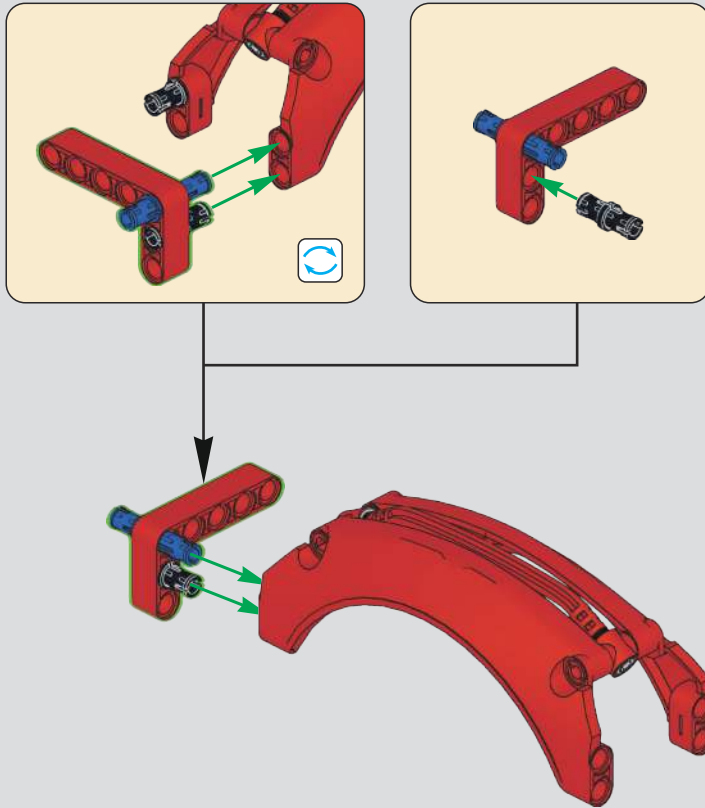


346

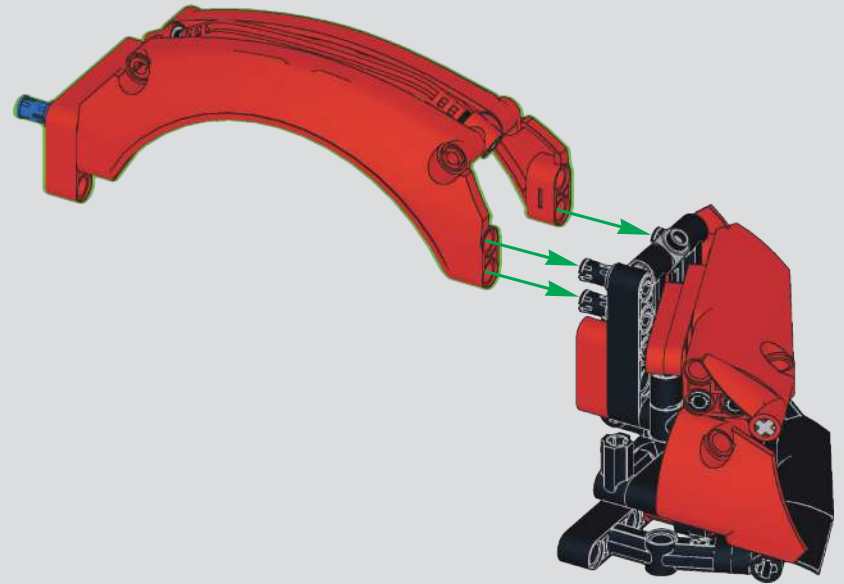




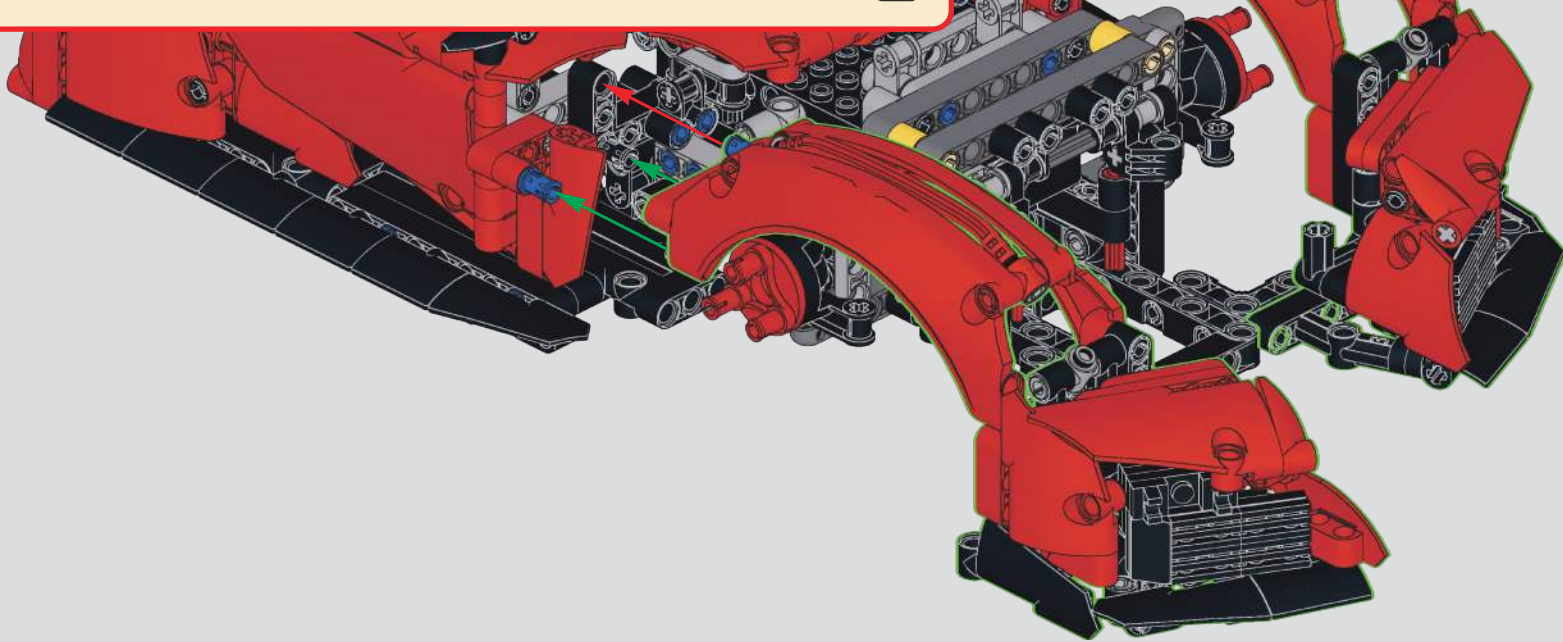
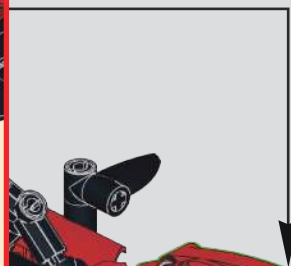
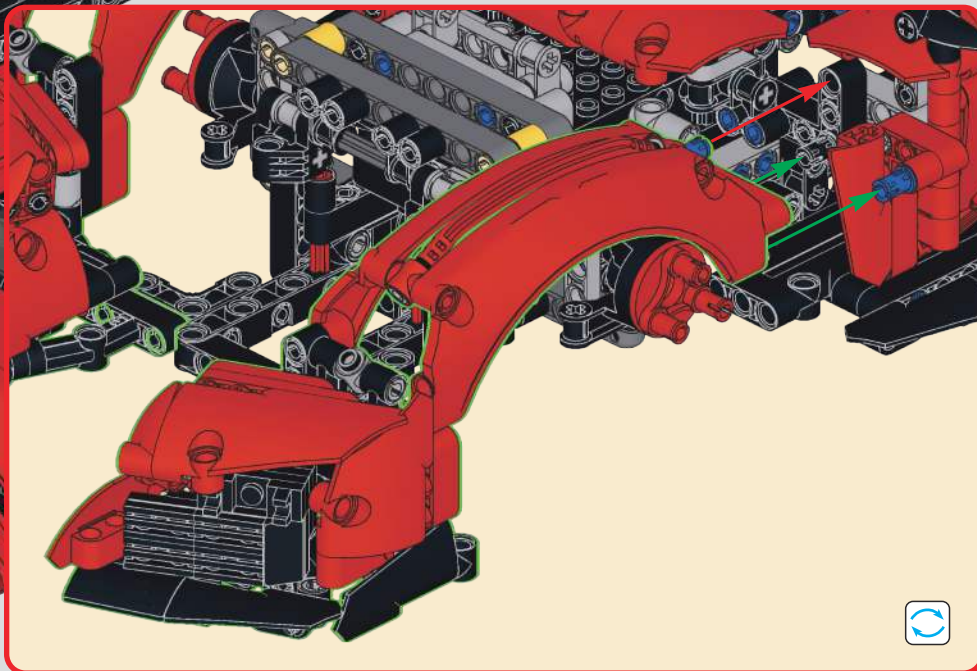
347

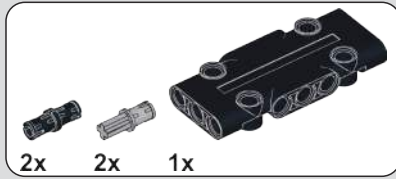
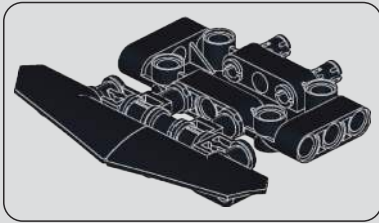


348

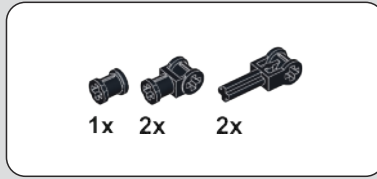


349

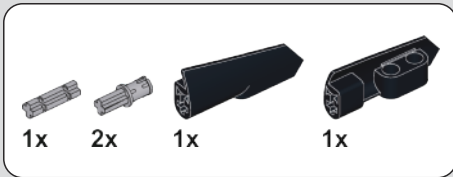
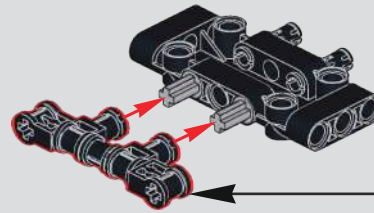
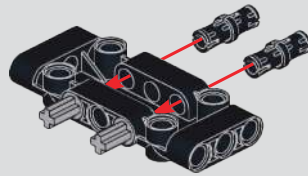
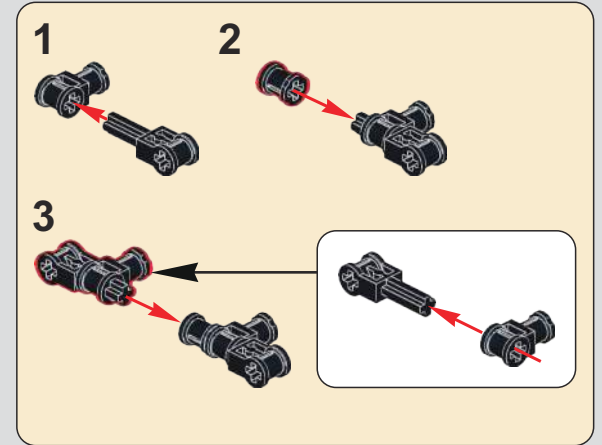




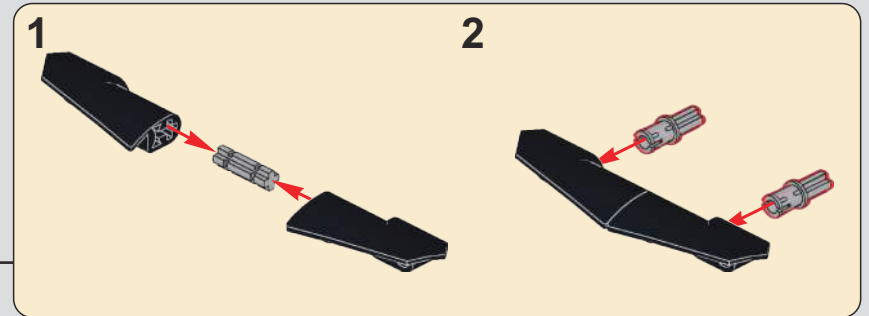
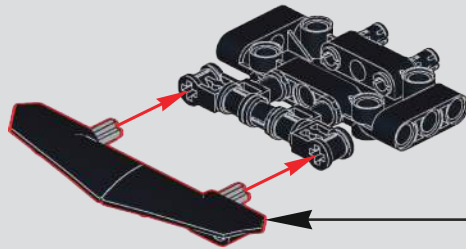
350



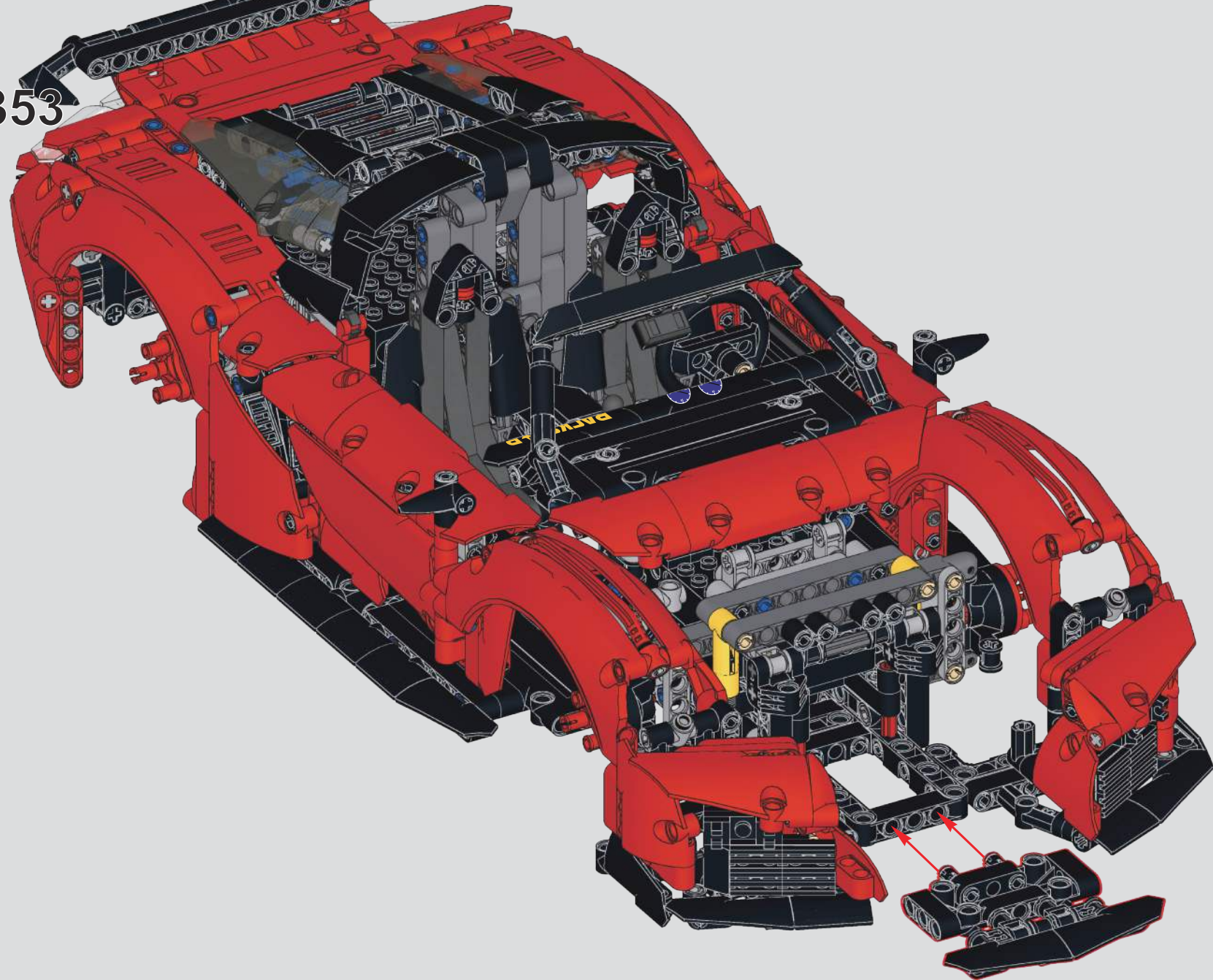
351

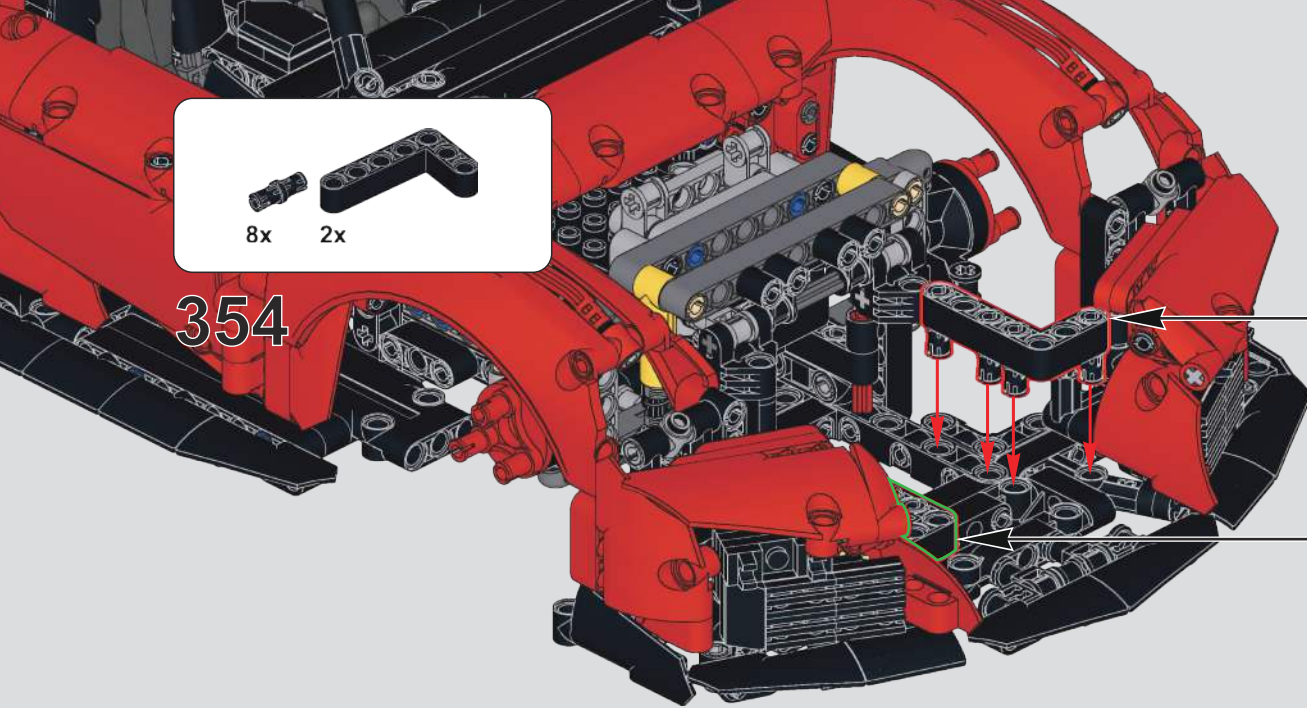


352



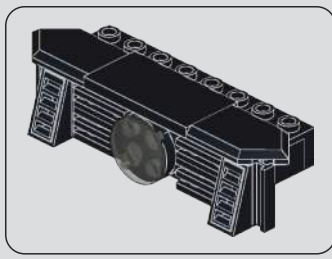
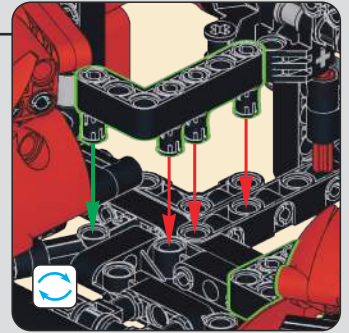
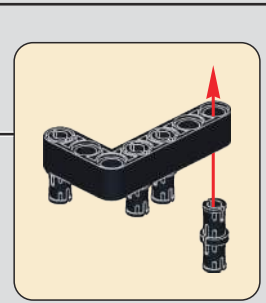
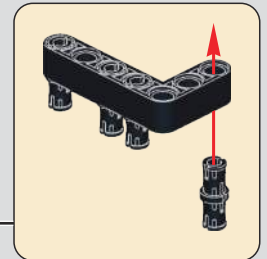
353





8x 2x

354



4x 1x

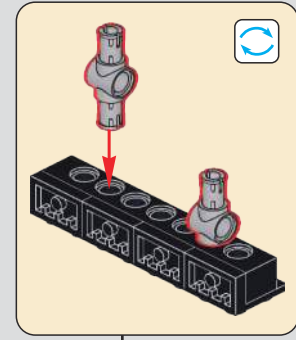
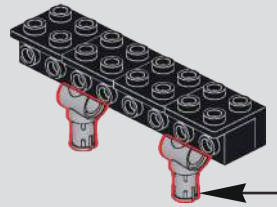
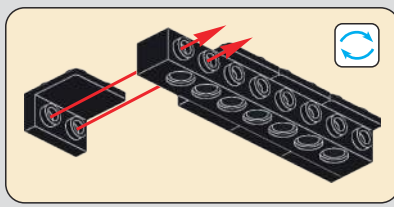
355

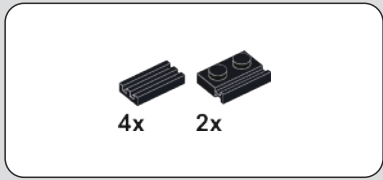
2x

356

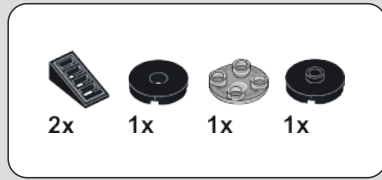
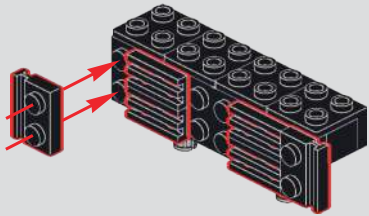
1x 2x8

357

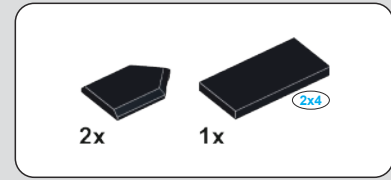
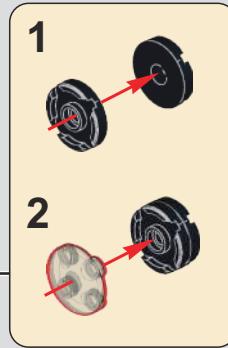
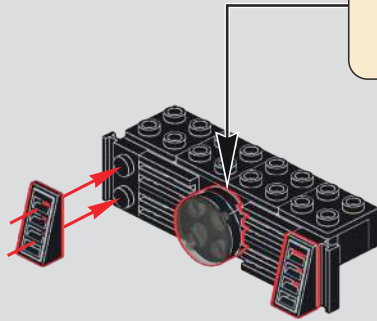




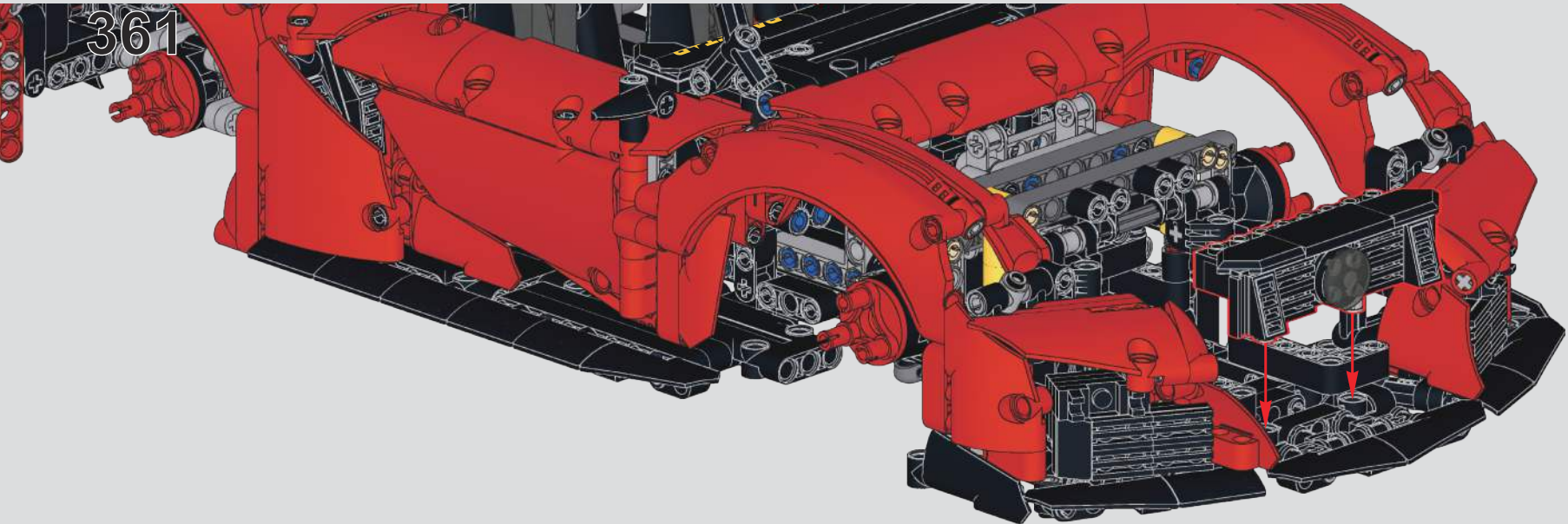
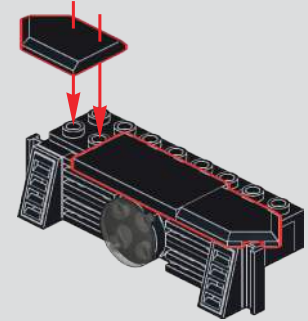
358

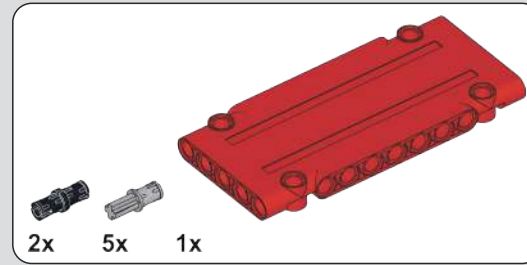
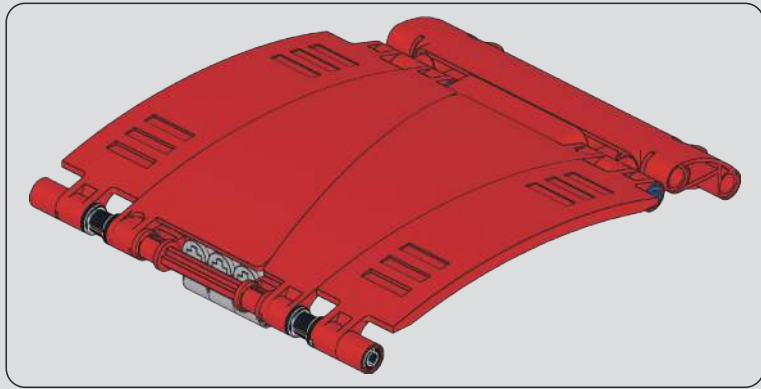


359

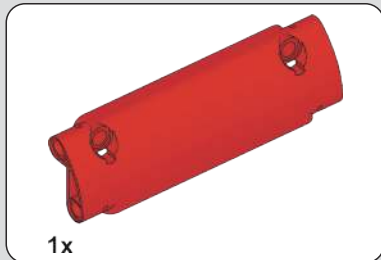
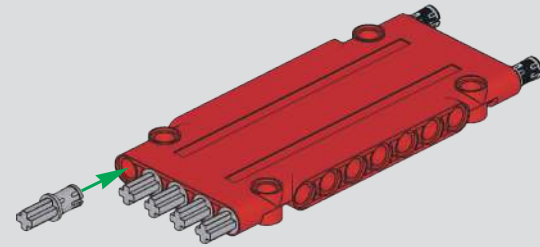
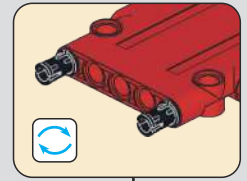


360

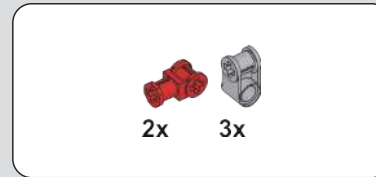
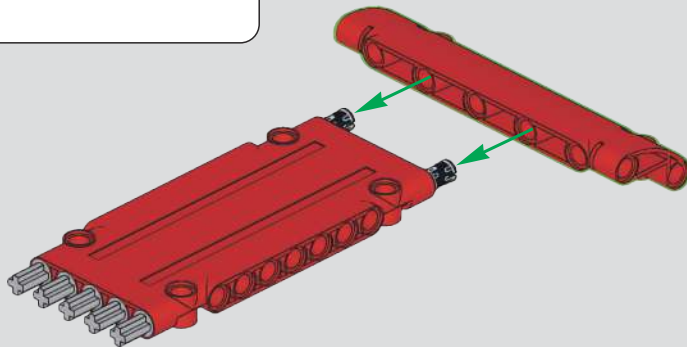




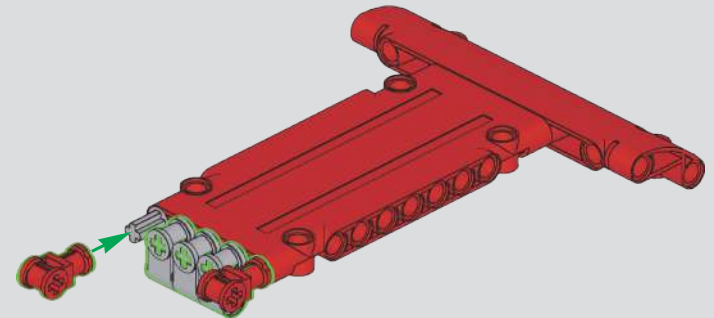
362

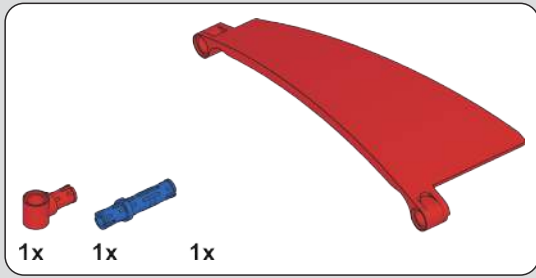


363

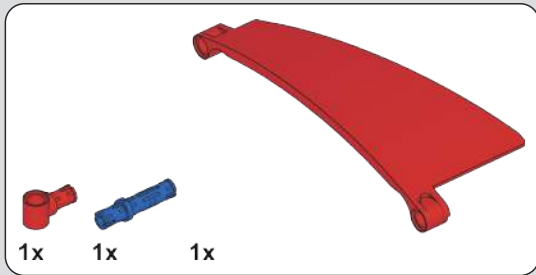
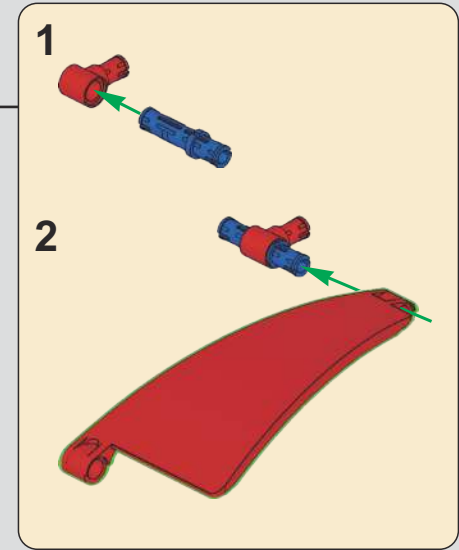
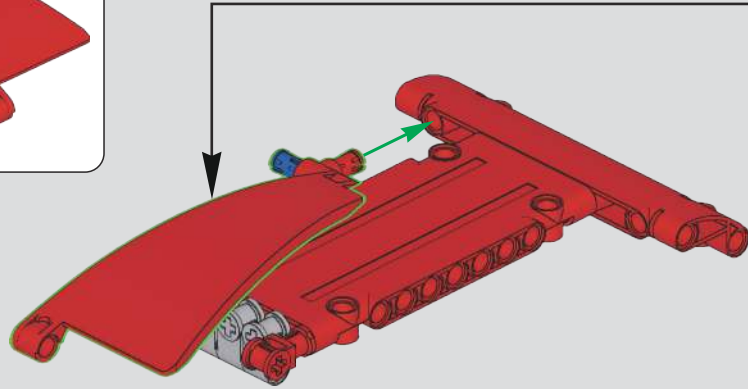


364

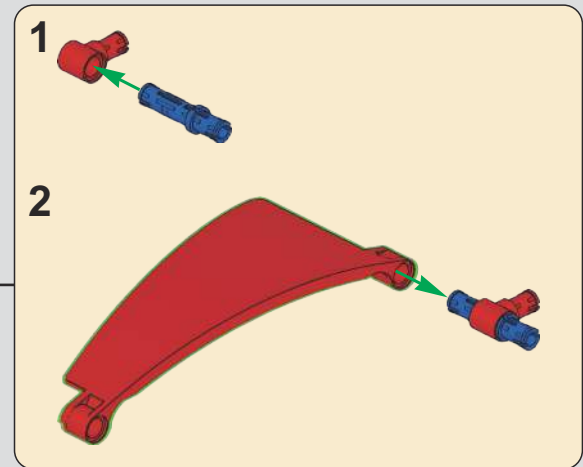
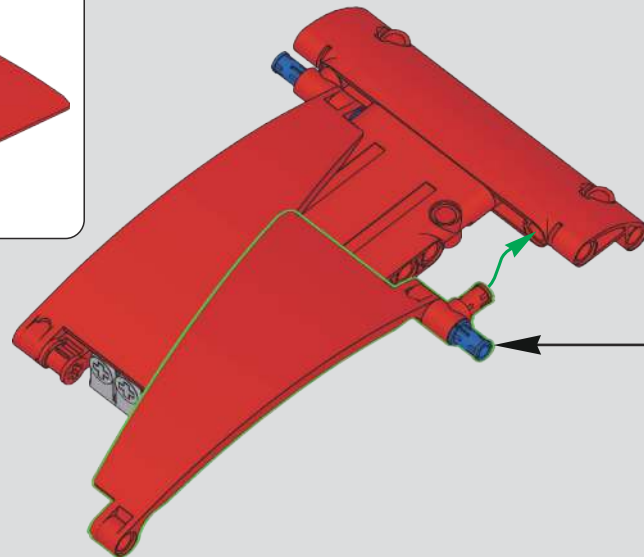


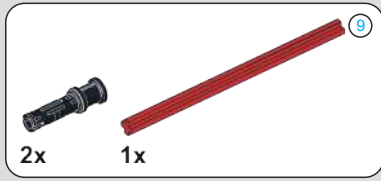


365

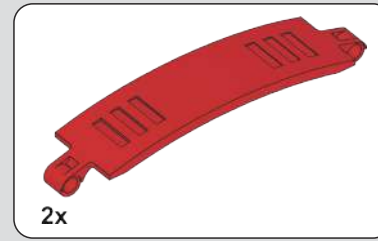
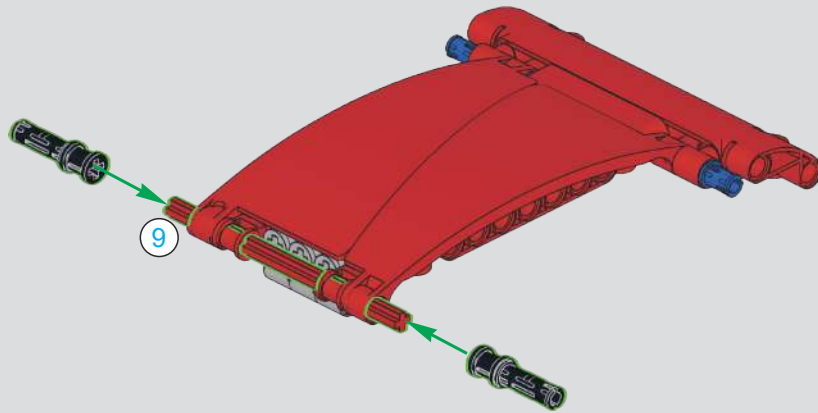


366

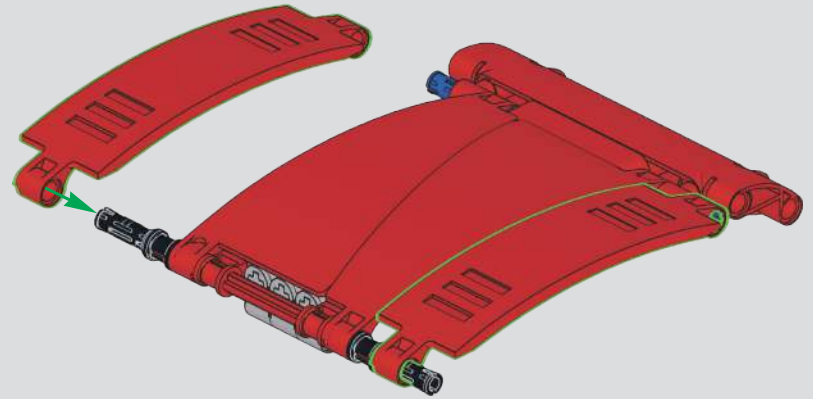




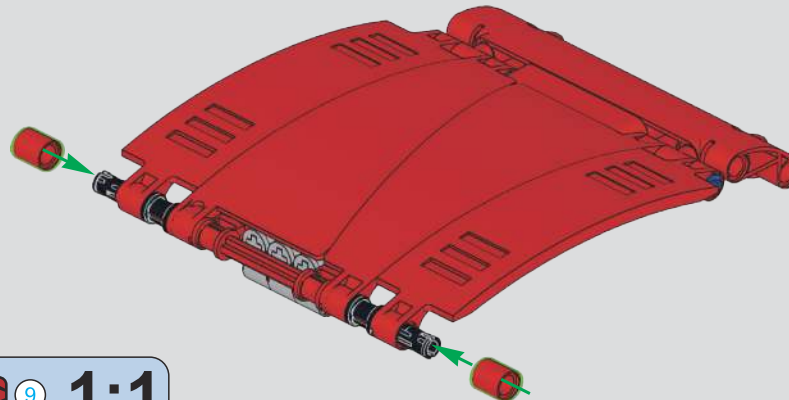
367



368

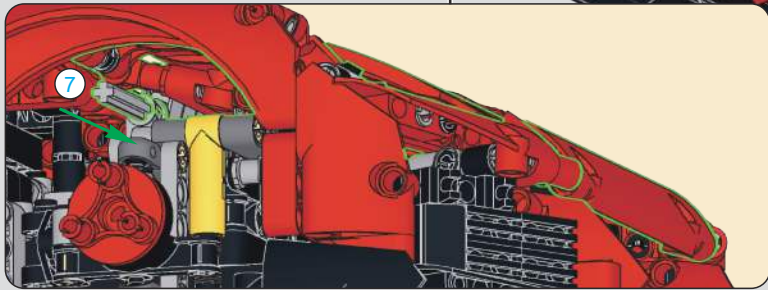
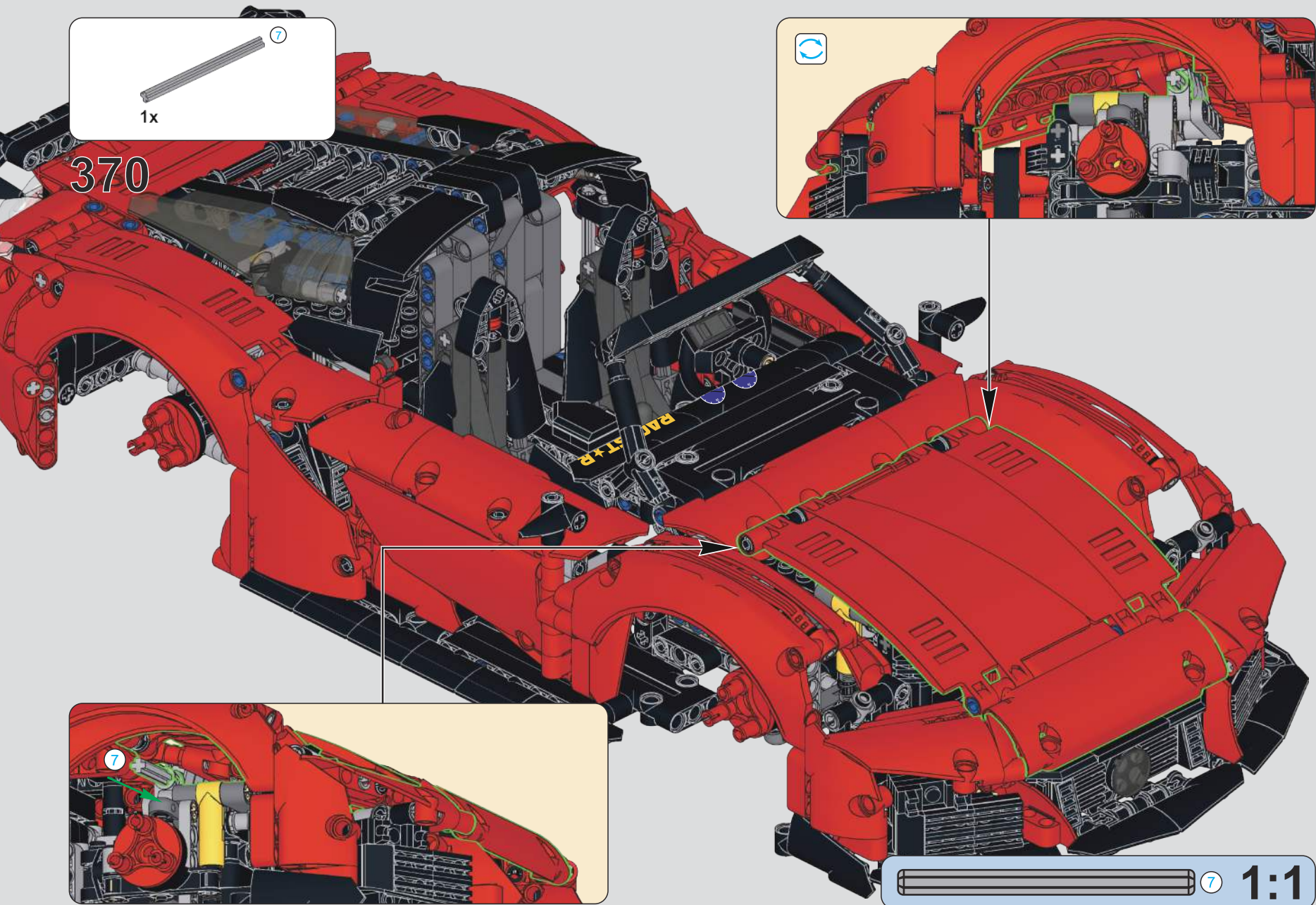
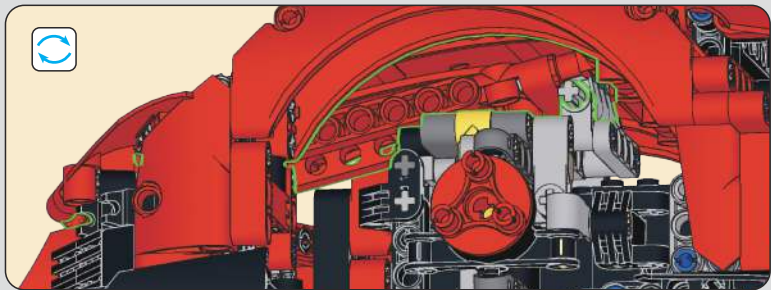


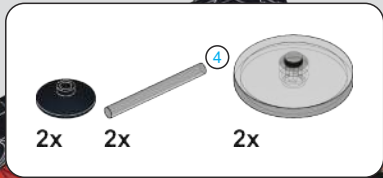
369



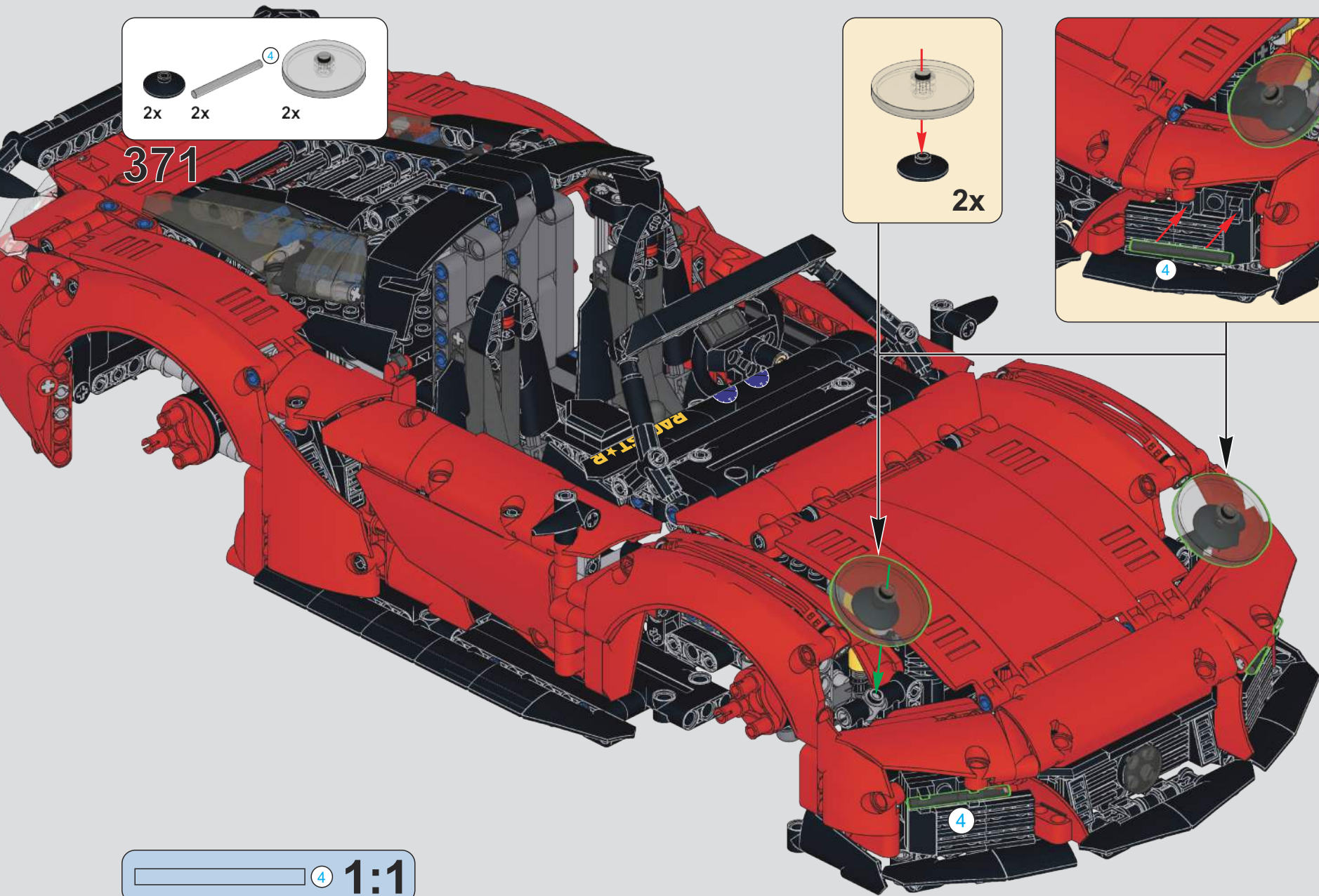
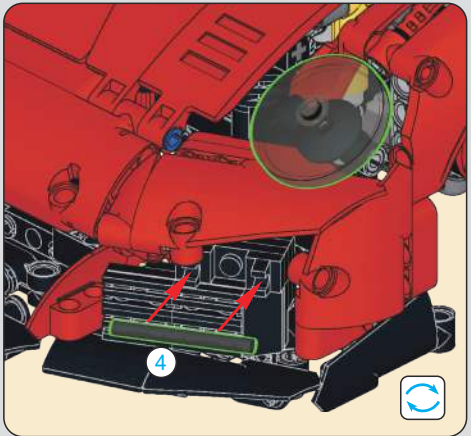
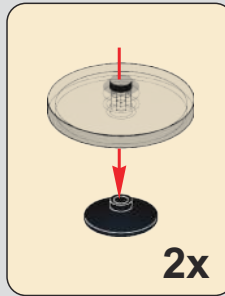


370





371



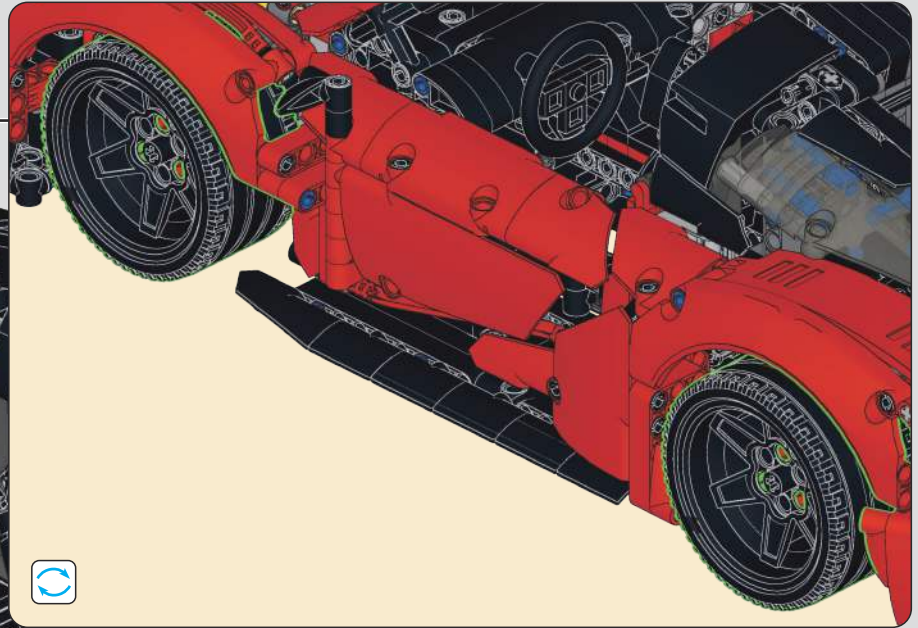
4 1:1



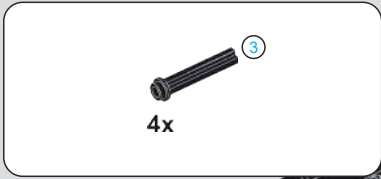
4x

4x

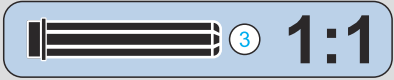
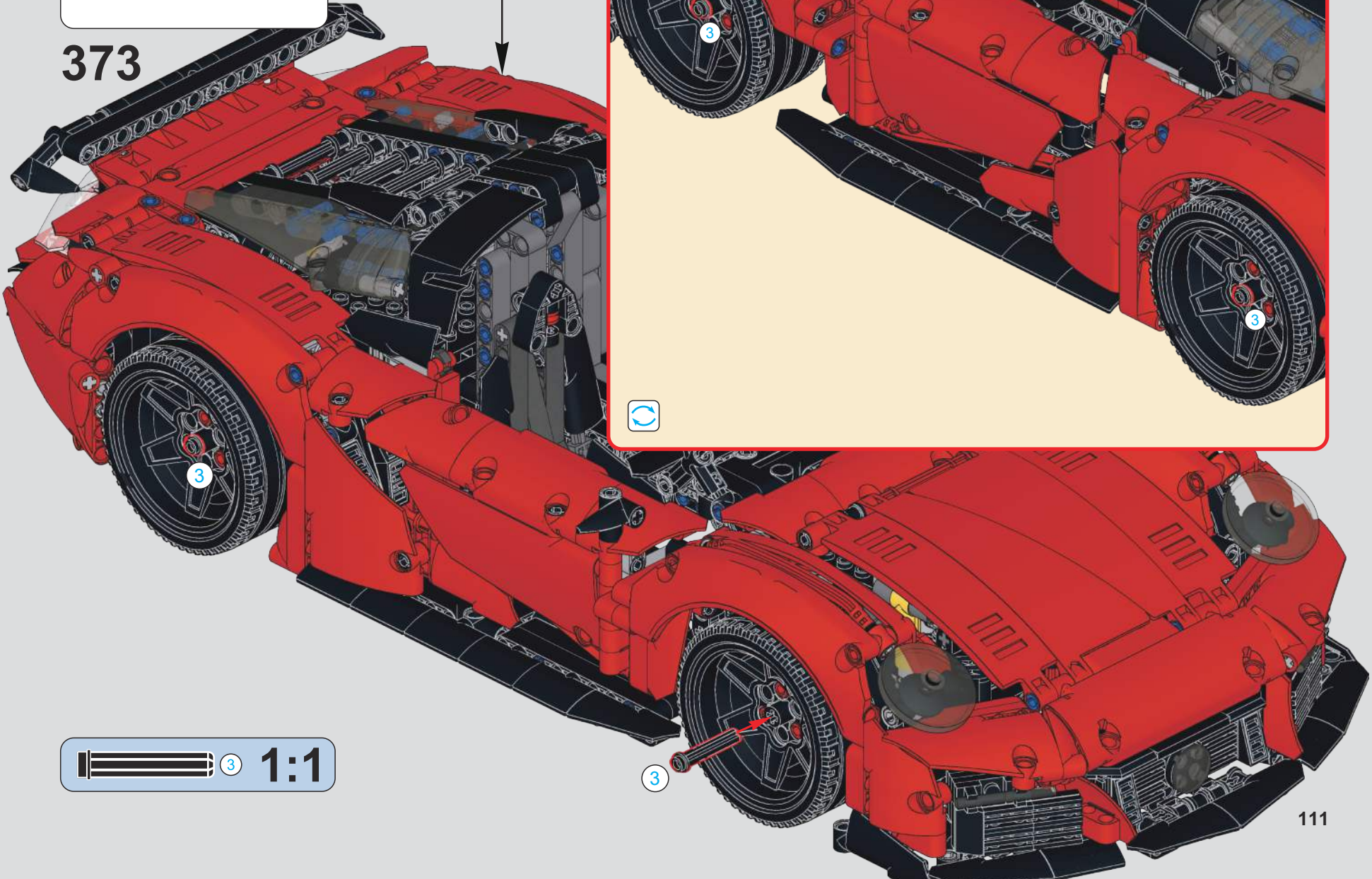
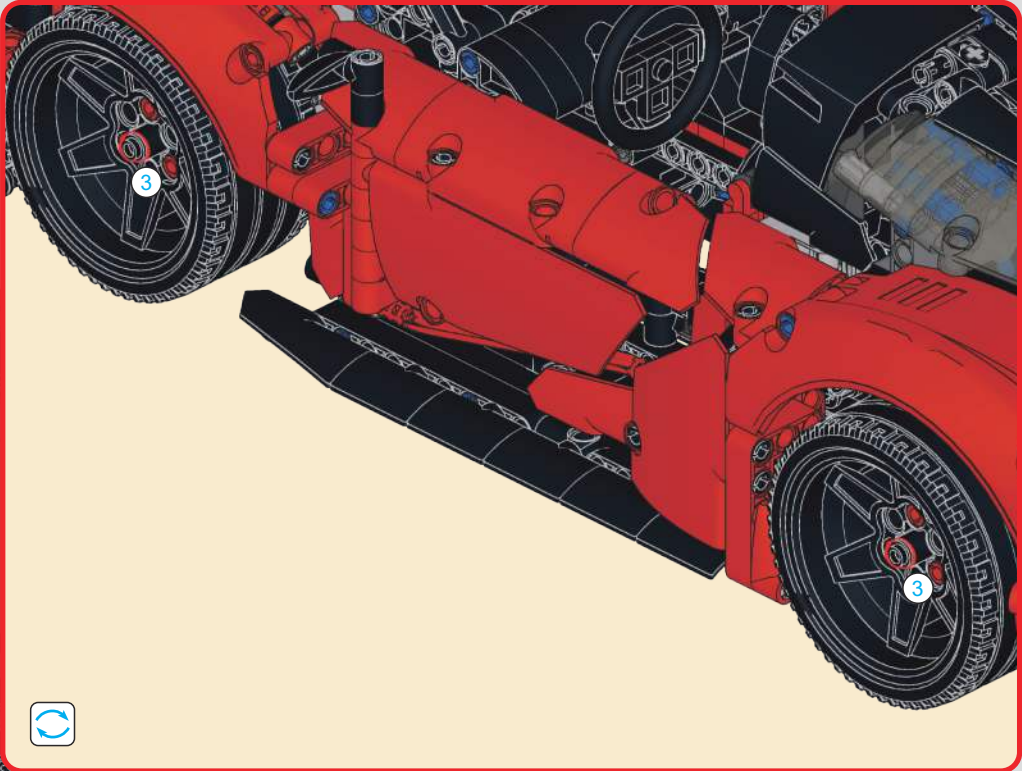
372



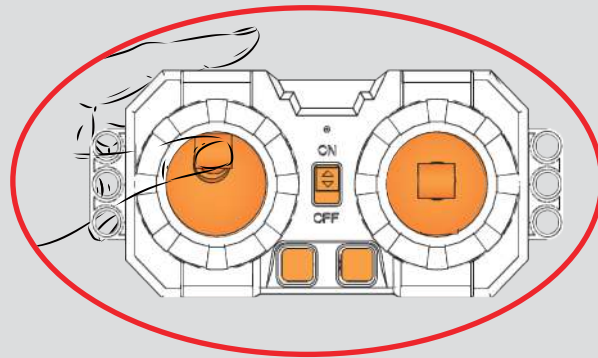
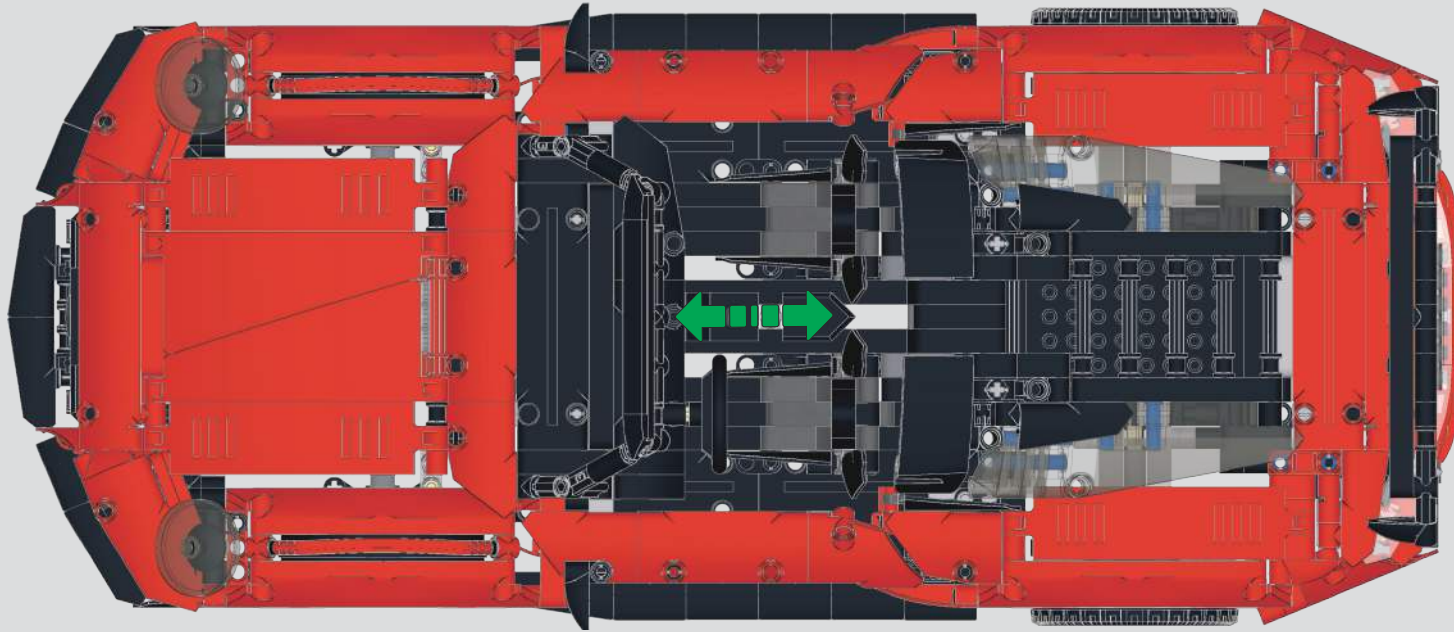
4x



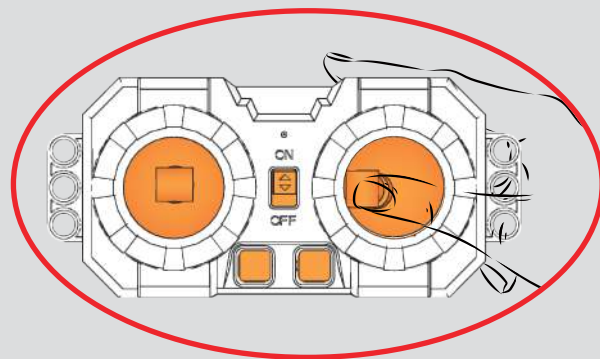
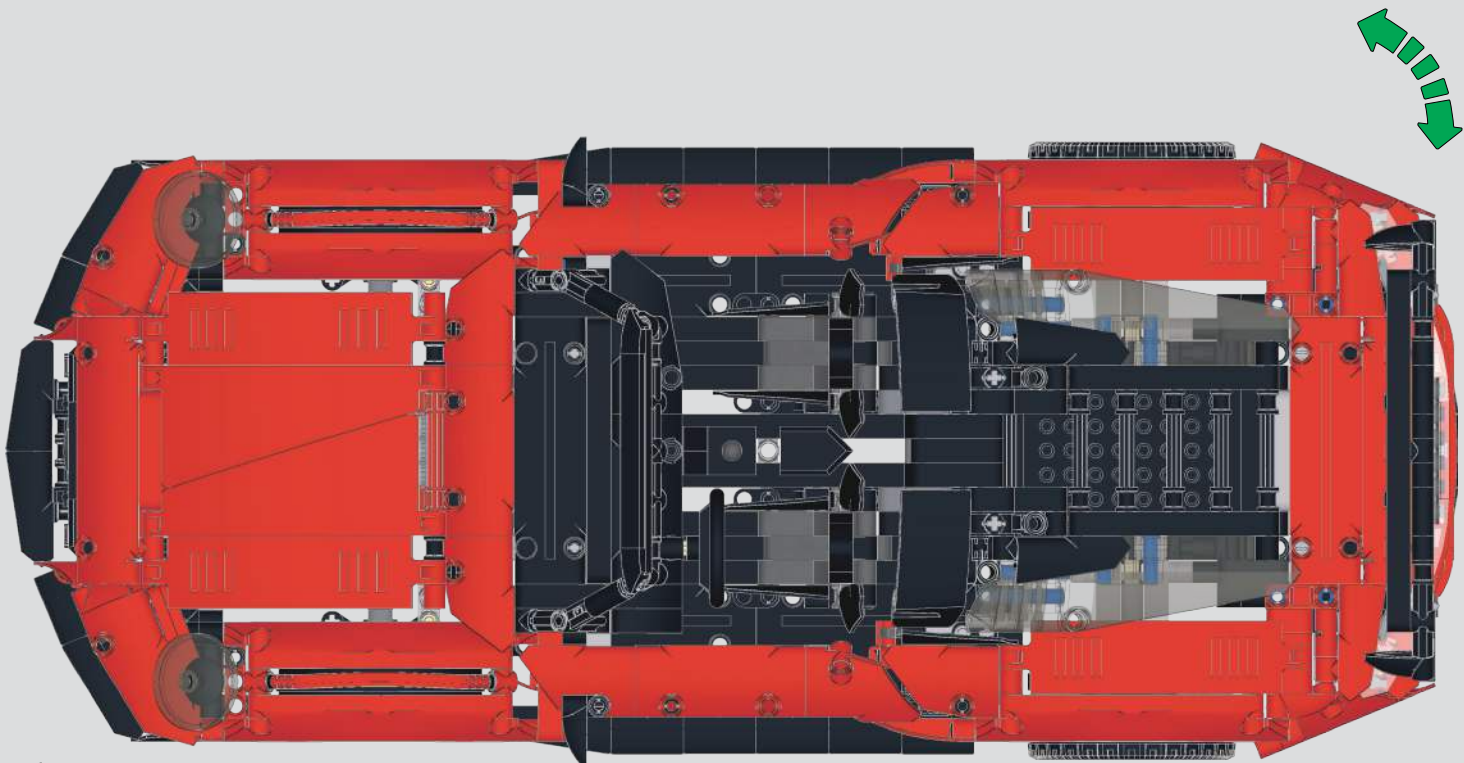
373

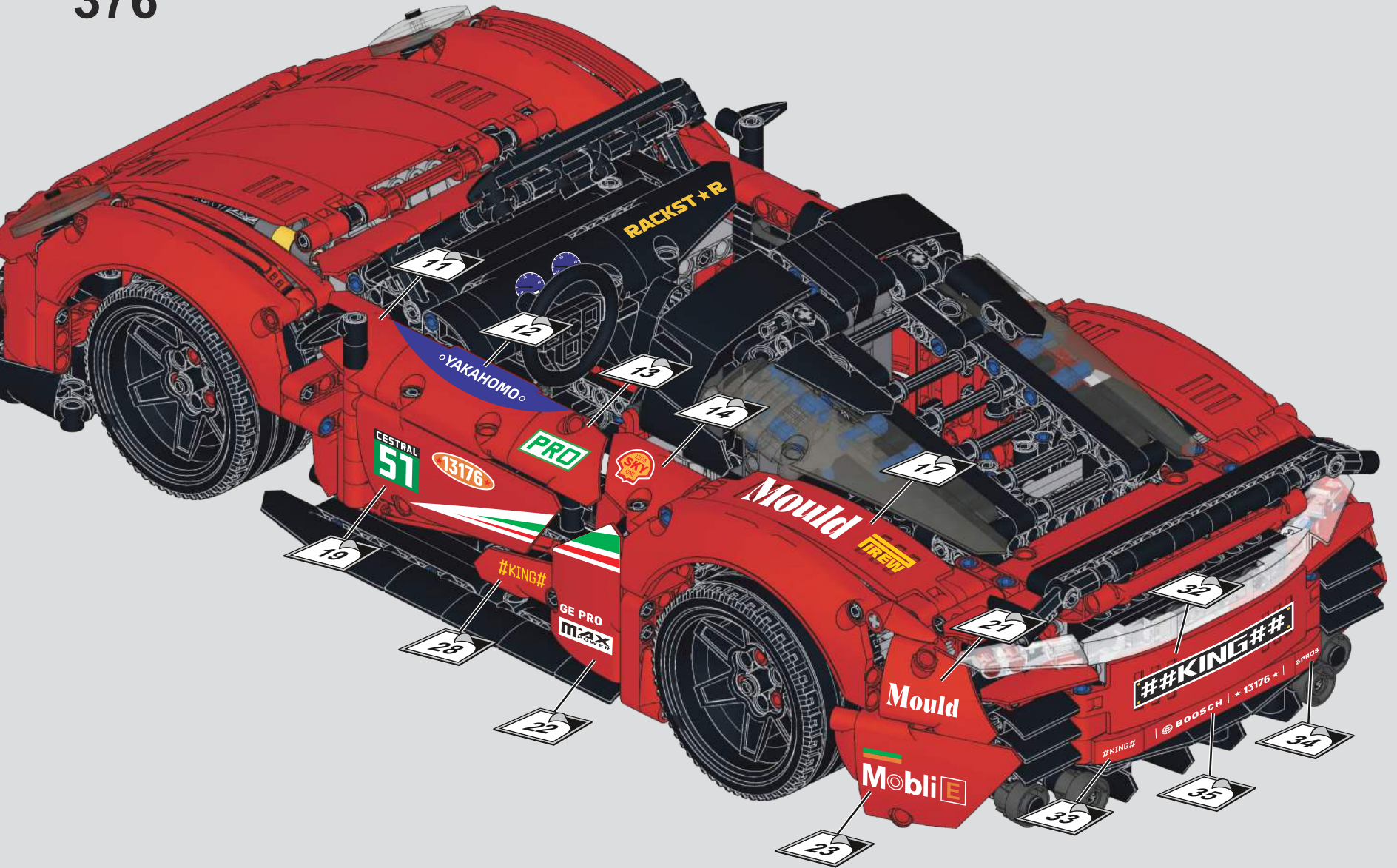


374

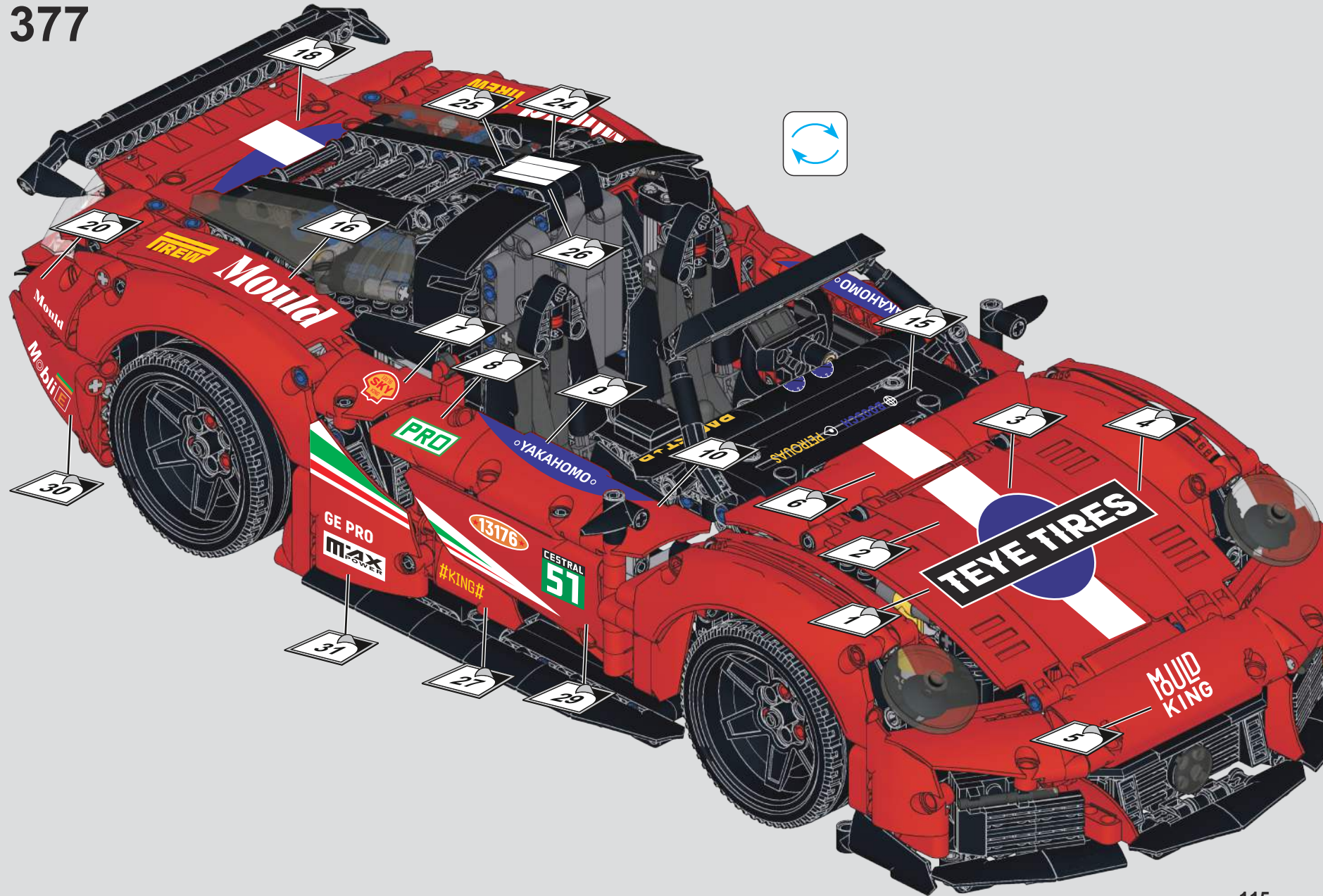


375





377





宇 | 星 | 模 | 王

